

2021

CAT[®] ATTACHMENTS SMALL WHEEL LOADERS

924K, 930K, 938K, 926M, 930M, 938M



Get more out of your equipment with Cat® attachments.

Cat® attachments are designed and tested on each model to maximize machine performance.

This brochure consists of Work Tool offerings for Small Wheel Loader models:

- M-Series: 926M, 930M, 938M
- K-Series: 924K, 930K, 938K
- H-Series: 924H, 924HZ, 928HZ, 930H
- G-Series: 924G, 924GZ, 928GZ, 930G



Pages with **yellow bars** at the bottom contain parts for EAME only.

INDEX

- COUPLER SOLUTIONS**4
- HOOKS**6
- BUCKET GROUND ENGAGING TOOLS (G.E.T.)**8
- BUCKETS**
 - PIN ON GENERAL PURPOSE11
 - PIN ON FLAT FLOOR12
 - PIN ON LIGHT MATERIAL12
 - PIN ON SAND AND GRAVEL13
 - CHARCOAL14
 - CHARCOAL ARM (FUSION)14
 - BAGASSE15
 - PIN ON HIGH CAPACITY16
 - PIN ON HIGH DUMP16
 - PIN ON MULTI PURPOSE17
 - PIN ON WASTE17
 - FUSION™ COUPLER KITS18
 - FUSION GENERAL PURPOSE19
 - FUSION FLAT FLOOR20
 - FUSION LIGHT MATERIAL20
 - FUSION MATERIAL HANDLING / SAND AND GRAVEL21
 - FUSION HIGH CAPACITY / HIGH DUMP22
 - FUSION SIDE DUMP23
 - FUSION MULTI-PURPOSE24
 - FUSION SKELETON25
 - HPL - WIDE (L50) GENERAL PURPOSE25
 - HPL - WIDE (L50) FLAT FLOOR26
 - HPL - WIDE (L50) SCANDANAVIAN GRADING27
 - HPL - WIDE (L50) LIGHT MATERIAL28
 - HPL - WIDE (L50) HIGH DUMP28

- PIPE AND POLE FORKS**29
- MATERIAL HANDLING ARM**29
- SNOW PUSHES / SNOW PLOWS**
 - FUSION STRAIGHT PUSHES30
 - BUCKET RECIEVER STRAIGHT PUSHES31
 - FUSION SNOW PLOWS32
- FORKS – MILLYARD / SEMI MILLYARD**
 - FUSION MILLYARD / SEMI MILLYARD FORKS34
 - PIN ON MILLYARD / SEMI MILLYARD FORKS35
- GRAPPLE FORKS**
 - FUSION GRAPPLE FORKS36
 - FUSION / PIN ON SORTING GRAPPLE FORKS36
 - HPL - WIDE (L50) SORTING GRAPPLE FORKS37
- LOG AND LUMBER CARRIAGES AND FORKS**
 - PIN ON CARRIAGES37
 - PIN ON FORKS37
 - FUSION CARRIAGE (NS, NF)38
 - FUSION FORKS38
 - FUSION CARRIAGE (NS, F)39
 - FUSION FORKS39
 - FUSION CARRIAGE (S, F)40
 - FUSION FORKS40
 - FUSION FLOAT LOCK-OUT KIT40
- RAKES**
 - FUSION RAKES41

- PALLET CARRIAGES AND FORKS**
 - FUSION CARRIAGE42
 - FUSION FORKS42
 - HPL - WIDE (L50) CARRIAGE43
 - HPL - WIDE (L50) OFFSET FORKS43
 - FUSION OFFSET FORKS44
 - FUSION CONSTRUCTION FORKS44
 - FUSION HEAVY DUTY CONSTRUCTION CARRIAGE45
 - FUSION HEAVY DUTY CONSTRUCTION FORKS45
- BROOMS**
 - ANGLE, MANUAL46
 - ANGLE, HYDRAULIC46
 - SPECIAL APPLICATION48
 - PICKUP49
 - KITS50
- COUPLERS**51

PART NUMBERS IN THIS BROCHURE ARE UP TO DATE AS OF JUNE 2021. PRICES IN THIS BROCHURE ARE ACCURATE AS OF APRIL 2021, BUT ARE SUBJECT TO CHANGE. PLEASE CONTACT YOUR LOCAL DEALER SALES REPRESENTATIVE TO REQUEST A CURRENT QUOTE.

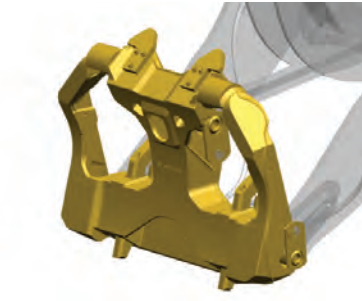
Abbreviations:

- BOCE: Bolt-on cutting edge
- BOT: Bolt-on teeth
- WOT: Weld-on teeth
- NS: Non-swinging
- NF: Non-floating
- S: Swinging
- F: Floating

Cat® Coupler Solutions

Fusion

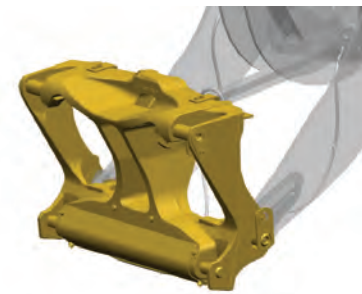
The Caterpillar patented Fusion coupler sits back close to the loader arms, minimizing offset, enabling increased machine performance. Optimal visibility in combination with the machine linkage makes it easier and safer to engage and disengage attachments. The Advanced wedge mechanism creates a tight, rattle-free fit, eliminating play and wear resulting in a long service life. Attachment exchangeability among a wide Cat loader range.



Horizontal Pin Lock - Wide (L50)

The ISO coupler will pick up a range of Cat small wheel loader attachments. It will allow sale of small wheel loaders in mixed fleets. The coupler along with the profiled loader arms have been designed to give maximum visibility to the work tool, making it easier and safer to engage and disengage attachments. A simple joystick function allows for easy engagement and disengagement of the locking pins.

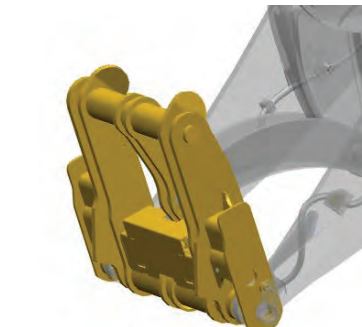
– Also known as Wide Coupler, Volvo, or Volvo L50 / Wide size.



IT

Legacy interface bridges old and new small wheel loader machines into one fleet. Combine different machine products (backhoe loader, compact wheel loader and telehandler) with the same coupler for specific attachments. Aftermarket solution for existing fleet allowing end users to make use of their entire existing attachment portfolio. **Note only available for 924, 926 and 930.*

– Also known as Integrated Tool Carrier Coupler, IT14/28 and IT38 (larger IT).



No Coupler Solution – Pin On

No coupler solution, maximum usage of machine lifting capabilities in the application. Often used when machine is 100% dedicated to the task at hand.



Fusion



Pin On



Horizontal Pin Lock - Wide (L50)

SMALL WHEEL LOADERS ATTACHMENTS | 2021

SMALL WHEEL LOADERS ATTACHMENTS | 2021

Adapter Hooks

Applicable for attachment modifications allowing connection to IT couplers, or picking up IT tools on Fusion couplers.

HOOKS (FOR CONVERSION TO FUSION™)

| Part Number | Weight lb (kg) | Description | Price |
|-------------|-------------------|-------------|-------|
| 371-2400 | 330 (150) | Flat back | \$ |
| 317-5562 | 787 (357) | Blank | \$ |

CONVERSION ADAPTER (IT TO FUSION)

| Part Number | Weight lb (kg) | Description | Price |
|-------------|-------------------|-------------------|-------|
| 589-6664 | 330 (150) | Adapter interface | \$ |

HOOKS (FOR USE WITH VERTICAL WEDGE LOCK COUPLERS)

| Part Number | Weight lb (kg) | Description | Price |
|-------------|-------------------|----------------|-------|
| 498-4390 | 493 (224) | Blank, VWL, 4" | \$ |

HOOKS (FOR CONVERSION TO IT COUPLER)

| Part Number | Weight lb (kg) | Description | Price |
|-------------|-------------------|---------------|-------|
| 109-6712 | 356 (162) | Blank, IT | \$ |
| 113-2677 | 155 (70) | Flat back, IT | \$ |

HOOKS (FOR USE WITH SW2003/6 COUPLERS)

| Part Number | Weight lb (kg) | Description | Price |
|-------------|-------------------|----------------------|-------|
| 201-1397 | 150 (68) | Flat back, SA02003/6 | \$ |



Hook, Blank, IT



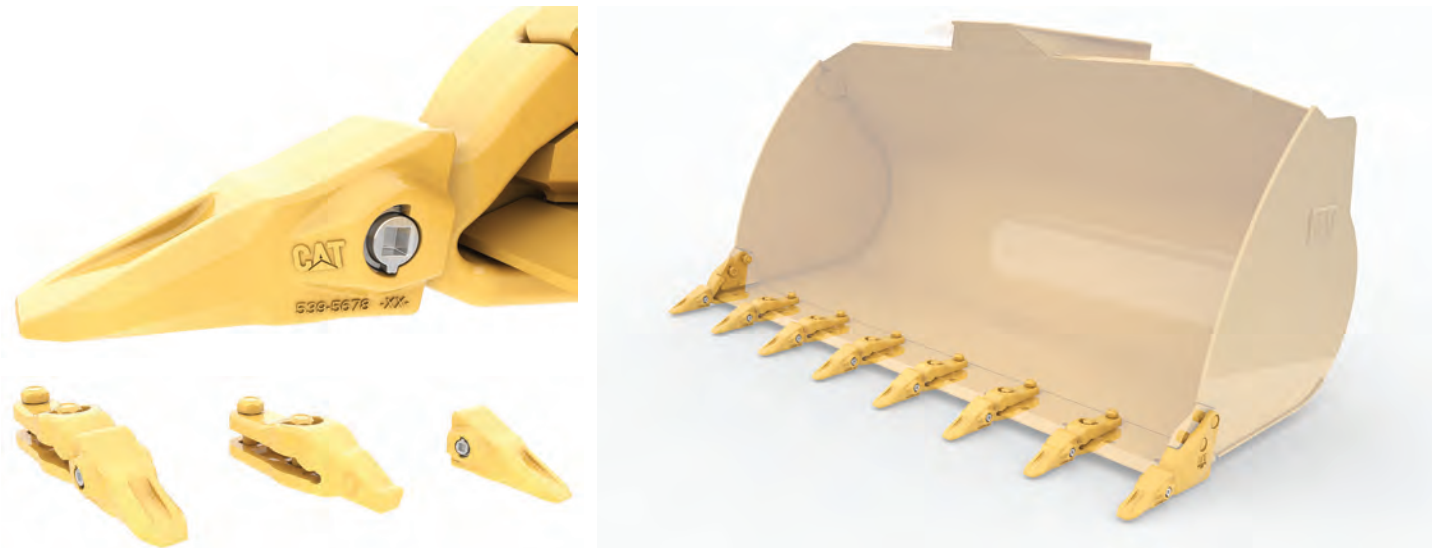
Hook, Blank, IT
(Flat Back)



Fusion to IT
Conversion Adapter

SMALL WHEEL LOADERS ATTACHMENTS | 2021

Cat Advansys™ Ground Engaging Tools (G.E.T.) optimize performance with less installation downtime and more safety. This hammerless system features integrated retention components and streamlines retrofitting with adapters that drop into the same space as K series.



ADVANSYS (G.E.T.)

| Part Number | Model | Compatibility | Price |
|-------------|----------------|------------------------------|-------|
| 589-6111 | ADAPTER GP-TIP | Check with your local dealer | \$ |

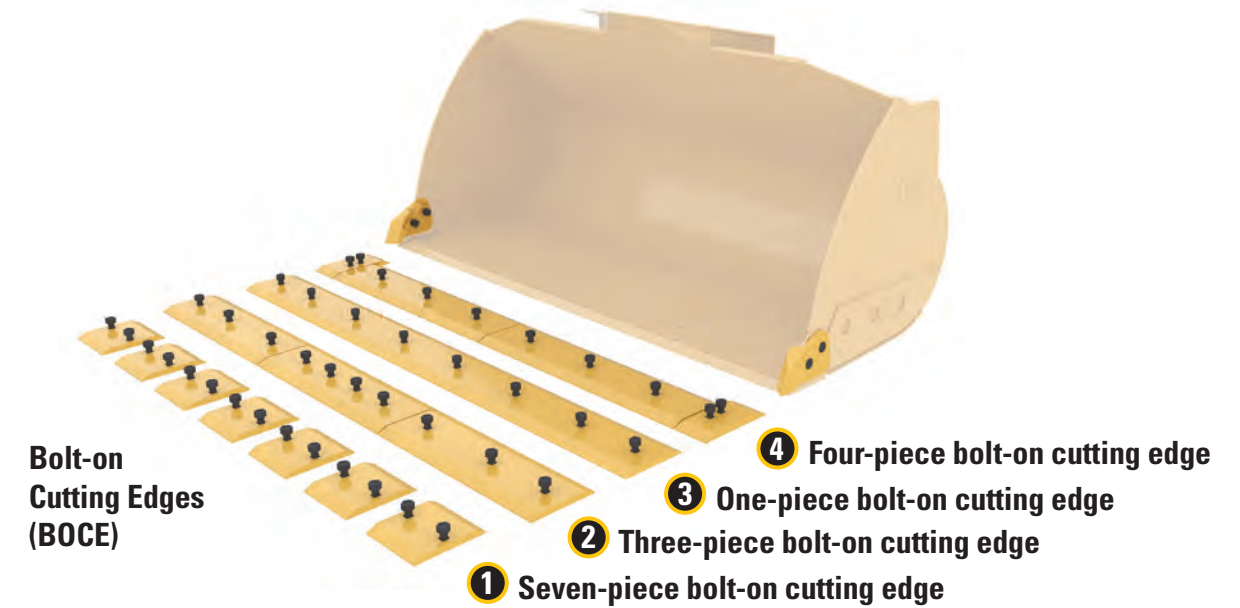
ADVANSYS G.E.T. RETROFIT TABLE

| Part Number | Description | Price |
|-------------|--------------------|-------|
| 539-5600 | Center Adapter | \$ |
| 8J-2933 | Nut | \$ |
| 8J-2928 | Bolt, Plow | \$ |
| 539-5601 | Right Hand Adapter | \$ |
| 539-5602 | Left Hand Adapter | \$ |
| 2J-3507 | Nut | \$ |
| 4F-4042 | Bolt, Plow | \$ |
| 4J-9058 | Bolt, Plow | \$ |
| 539-5678 | Tip, Gen. Purpose | \$ |

BASE EDGES

| Part Number | Width | Price |
|-------------|----------------|-------|
| 4E-0659 | 2524 – 2550 mm | \$ |
| 110-4712 | 2750 mm | \$ |

SMALL WHEEL LOADERS ATTACHMENTS | 2021



GROUND ENGAGING TOOLS (G.E.T.)

2455 mm WIDTH

| Part Number | Weight lb (kg) | Description | Type | Price |
|-------------|-------------------|-----------------------------|------|-------|
| 116-9713 | 346 (157) | Adapters, bolt-on, set of 8 | J250 | \$ |
| 9W-8142 | 55 (25) | Tips, long, set of 8 | J250 | \$ |
| 9W-8143 | 40 (18) | Tips, short, set of 8 | J250 | \$ |

GROUND ENGAGING TOOLS (G.E.T.)

2524 mm – 2550 mm WIDTH

| Part Number | Weight lb (kg) | Description | Type | Price |
|-------------|-------------------|---------------------------------|------|-------|
| 547-6107 | 271 (123) | Cutting Edge, bolt-on, 1 piece | - | \$ |
| 472-1465 | 271 (123) | Cutting Edge, bolt-on, 3 pieces | - | \$ |
| 8E-4566* | 365 (166) | Cutting Edge, bolt-on, 4 pieces | - | \$ |
| 8E-4568** | 205 (93) | Segments, bolt-on, set of 7 | - | \$ |
| 360-3284 | 154 (70) | Adapters, bolt-on, set of 8 | J250 | \$ |
| 116-9713 | 346 (157) | Adapters, bolt-on, set of 8 | J250 | \$ |
| 9W-8142 | 55 (25) | Tips, long, set of 8 | J250 | \$ |
| 251-5418 | 455 (206) | Cutting Edge, rubber, 100" | - | \$ |

*Cannot be used with general purpose, sand and gravel or high dump buckets.

**Requires 116-9713 or 360-3284 adapter group.

SMALL WHEEL LOADERS ATTACHMENTS | 2021

SMALL WHEEL LOADERS ATTACHMENTS | 2021

| GROUND ENGAGING TOOLS (G.E.T.) | | | 2750 mm WIDTH | |
|--------------------------------|-------------------|---------------------------------|---------------|-------|
| Part Number | Weight lb (kg) | Description | Teeth Type | Price |
| 547-6108 | 291 (132) | Cutting Edge, bolt-on, 1 piece | - | \$ |
| 472-1468 | 293 (133) | Cutting Edge, bolt-on, 3 pieces | - | \$ |
| 345-2758* | 319 (145) | Cutting Edge, bolt-on, 4 pieces | - | \$ |
| 116-9713** | 346 (157) | Adapters, bolt-on, set of 8 | J250 | \$ |
| 360-3284 | 154 (70) | Adapters, bolt-on, set of 8 | J250 | \$ |
| 9W-8142 | 55 (25) | Tips, long, set of 8 | J250 | \$ |
| 9W-8143 | 40 (18) | Tips, short, set of 8 | J250 | \$ |

*Cannot be used with high dump buckets.

**Cannot be used with light material buckets.



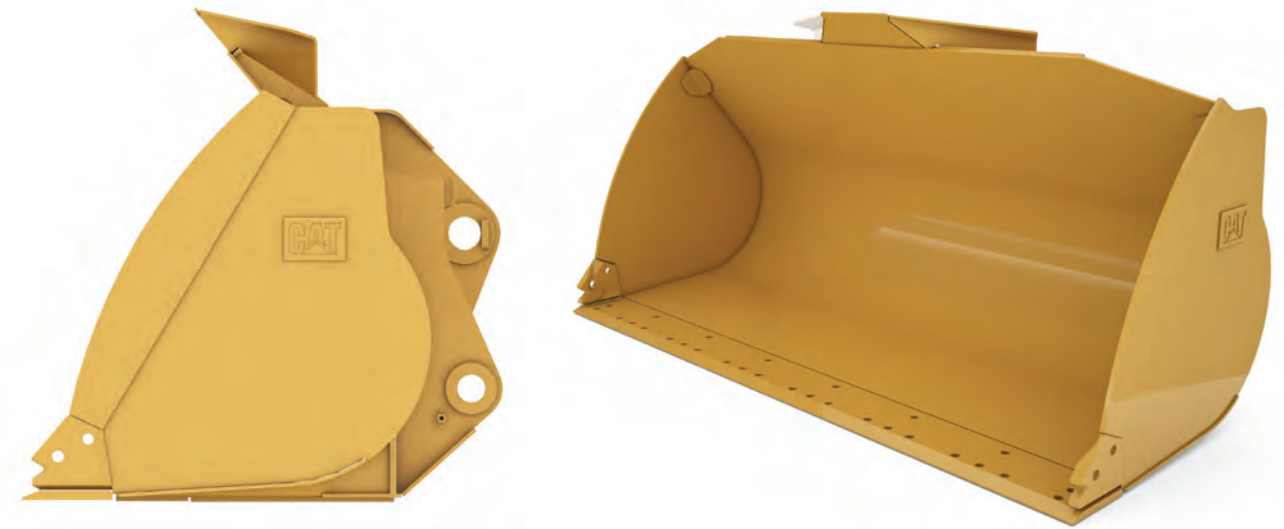
Bolt-on Adapters and Tips

| GROUND ENGAGING TOOLS (G.E.T.) | | | 3065 mm WIDTH | |
|--------------------------------|-------------------|---------------------------------|---------------|--|
| Part Number | Weight lb (kg) | Description | Price | |
| 547-6109 | 511 (232) | Cutting Edge, bolt-on, 1 piece | \$ | |
| 472-1471 | 512 (232) | Cutting Edge, bolt-on, 3 pieces | \$ | |

| QUICK DISCONNECT KIT | | |
|----------------------|----------------------------|-------|
| Part Number | Description | Price |
| 455-7380 | Twist to connect, size M45 | \$ |
| 196-4191 | Push to connect, size 12 | \$ |



General Purpose Performance Series Buckets provide higher fill factors and material retention in load and carry applications, as well as grading, leveling and dumping in a wide variety of applications and materials.



| GENERAL PURPOSE PERFORMANCE BUCKETS | | | | | | | PIN ON |
|-------------------------------------|---|-------------------|-------------------|------------------|-------------------|-----------|--------|
| Part Number | Capacity yd ³ (m ³) | Weight lb (kg) | Length in (mm) | Width in (mm) | Height in (mm) | Edge Type | Price |
| 345-2818 | 2.5 (1.9) | 1788 (811) | 46 (1168) | 100 (2528) | 49 (1240) | Base Edge | \$ |
| 417-4359 | 2.5 (1.9) | 2072 (940) | 49 (1240) | 100 (2549) | 50 (1260) | BOCE | \$ |
| 345-2820 | 2.7 (2.1) | 1885 (855) | 49 (1240) | 100 (2528) | 51 (1294) | Base Edge | \$ |
| 417-4921 | 2.7 (2.1) | 2165 (982) | 52 (1312) | 100 (2549) | 52 (1314) | BOCE | \$ |
| 345-2822 | 3.0 (2.3) | 1967 (892) | 51 (1303) | 100 (2528) | 53 (1338) | Base Edge | \$ |
| 417-4923 | 3.0 (2.3) | 2249 (1020) | 54 (1375) | 100 (2549) | 54 (1358) | BOCE | \$ |
| 345-2804 | 3.3 (2.5) | 2156 (978) | 51 (1303) | 107 (2727) | 53 (1336) | Base Edge | \$ |
| 345-2814 | 3.3 (2.5) | 2156 (978) | 54 (1365) | 100 (2528) | 54 (1382) | Base Edge | \$ |
| 345-2824 | 3.3 (2.5) | 2154 (977) | 54 (1365) | 100 (2528) | 54 (1382) | Base Edge | \$ |
| 417-4345 | 3.3 (2.5) | 2443 (1108) | 57 (1437) | 100 (2549) | 55 (1404) | BOCE | \$ |
| 345-2816 | 3.5 (2.7) | 2134 (968) | 54 (1365) | 100 (2528) | 56 (1418) | Base Edge | \$ |
| 345-2826 | 3.5 (2.7) | 2251 (1021) | 54 (1365) | 107 (2727) | 54 (1381) | Base Edge | \$ |
| 345-2828 | 3.8 (2.9) | 2330 (1057) | 56 (1414) | 107 (2727) | 62 (1572) | Base Edge | \$ |
| 417-4895* | 3.3 (2.5) | 2456 (1114) | 54 (1375) | 108 (2747) | 54 (1358) | BOCE | \$ |
| 417-4927* | 3.5 (2.7) | 2553 (1158) | 57 (1437) | 108 (2747) | 55 (1404) | BOCE | \$ |
| 417-4349* | 3.8 (2.9) | 2650 (1202) | 59 (1486) | 108 (2747) | 57 (1439) | BOCE | \$ |

*Compatible with 938K/M only

SMALL WHEEL LOADERS ATTACHMENTS | 2021

Performance Series Flat Floor, General Purpose Buckets utilize a long flat floor that delivers improved results when back dragging and grading.



| GENERAL PURPOSE FLAT FLOOR BUCKETS | | | | | | | PIN ON |
|------------------------------------|---|-------------------|-------------------|------------------|-------------------|-----------|--------|
| Part Number | Capacity yd ³ (m ³) | Weight lb (kg) | Length in (mm) | Width in (mm) | Height in (mm) | Edge Type | Price |
| 490-3050 | 3.0 (2.3) | 2260 (1025) | 58 (1471) | 100 (2532) | 53 (1349) | BOCE | \$ |
| 493-1835 | 3.0 (2.3) | 2436 (1105) | 60 (1515) | 100 (2539) | 53 (1350) | WOT | \$ |
| 490-3060 | 3.3 (2.5) | 2712 (1230) | 54 (1375) | 107 (2727) | 54 (1358) | BOCE | \$ |
| 490-3070 | 3.8 (2.9) | 2904 (1317) | 59 (1486) | 107 (2727) | 57 (1439) | BOCE | \$ |
| 493-1845* | 3.3 (2.5) | 2637 (1196) | 60 (1515) | 108 (2738) | 53 (1350) | WOT | \$ |
| 493-1855* | 3.8 (2.9) | 2829 (1283) | 64 (1625) | 108 (2738) | 56 (1431) | WOT | \$ |

*Compatible with 938K/M only

Light Material Buckets are specially designed for maximum efficiency and increased capacity when loading light, loosely-packed materials.



| LIGHT MATERIAL BUCKETS | | | | | | | PIN ON |
|------------------------|---|-------------------|-------------------|------------------|-------------------|-----------|--------|
| Part Number | Capacity yd ³ (m ³) | Weight lb (kg) | Length in (mm) | Width in (mm) | Height in (mm) | Edge Type | Price |
| 452-7416 | 3.9 (3) | 2732 (1239) | 58 (1462) | 108 (2747) | 54 (1369) | BOCE | \$ |
| 417-4905 | 4.6 (3.5) | 2904 (1317) | 62 (1565) | 108 (2747) | 57 (1448) | BOCE | \$ |
| 450-0250 | 5.0 (3.8) | 3062 (1389) | 65 (1647) | 108 (2747) | 58 (1471) | BOCE | \$ |
| 417-4942 | 5.5 (4.2) | 3175 (1440) | 68 (1735) | 108 (2747) | 61 (1538) | BOCE | \$ |
| 417-4350 | 6.5 (5) | 3300 (1497) | 68 (1735) | 108 (2747) | 66 (1687) | BOCE | \$ |
| 360-3332* | 4.6 (3.5) | 2895 (1313) | 62 (1565) | 108 (2747) | 57 (1448) | BOCE | \$ |
| 450-0251* | 5.0 (3.8) | 3025 (1372) | 65 (1647) | 108 (2747) | 58 (1471) | BOCE | \$ |
| 360-3333* | 5.5 (4.2) | 108 (2747) | 68 (1735) | 108 (2747) | 61 (1538) | BOCE | \$ |
| 360-3334* | 6.5 (5) | 108 (2747) | 68 (1735) | 108 (2747) | 66 (1687) | BOCE | \$ |

*Compatible with 938K/M only

SMALL WHEEL LOADERS ATTACHMENTS | 2021

Sand and Gravel Buckets are designed for aggregate handling in batch plant loader applications.



Additional wear plates on bottom and sides of the bucket improves life of the bucket in coarse aggregate applications.

| SAND AND GRAVEL BUCKETS | | | | | | | PIN ON |
|-------------------------|---|-------------------|-------------------|------------------|-------------------|-----------|--------|
| Part Number | Capacity yd ³ (m ³) | Weight lb (kg) | Length in (mm) | Width in (mm) | Height in (mm) | Edge Type | Price |
| 430-3300 | 3.2 (2.5) | 2262 (1026) | 51 (1303) | 108 (2750) | 53 (1338) | Base Edge | \$ |
| 466-2252 | 3.2 (2.5) | 2582 (1171) | 51 (1375) | 108 (2747) | 54 (1359) | BOCE | \$ |
| 360-3309 | 3.5 (2.7) | 2352 (1067) | 56 (1414) | 108 (2750) | 54 (1382) | Base Edge | \$ |
| 466-2253 | 3.5 (2.7) | 2668 (1210) | 57 (1437) | 108 (2747) | 55 (1404) | BOCE | \$ |
| 360-3308* | 3.5 (2.7) | 2370 (1075) | 54 (1365) | 108 (2750) | 54 (1381) | Base Edge | \$ |
| 466-2255* | 3.5 (2.7) | 2685 (1218) | 57 (1437) | 108 (2747) | 55 (1404) | BOCE | \$ |
| 469-0193* | 3.8 (2.9) | 2454 (1113) | 56 (1414) | 108 (2750) | 56 (1419) | Base Edge | \$ |
| 469-0194* | 3.8 (2.9) | 2758 (1251) | 56 (1428) | 108 (2743) | 57 (1440) | BOCE | \$ |
| 360-3311 | 4.2 (3.2) | 2529 (1147) | 56 (1414) | 108 (2750) | 58 (1465) | Base Edge | \$ |
| 466-2254 | 4.2 (3.2) | 2844 (1290) | 59 (1486) | 108 (2747) | 59 (1488) | BOCE | \$ |
| 360-3310* | 4.2 (3.2) | 2527 (1146) | 56 (1414) | 108 (2750) | 58 (1465) | Base Edge | \$ |
| 466-2256* | 4.2 (3.2) | 2842 (1289) | 59 (1486) | 108 (2747) | 59 (1488) | BOCE | \$ |
| 396-2222* | 4.5 (3.5) | 3430 (1556) | 62 (1578) | 108 (2750) | 61 (1537) | BOCE | \$ |

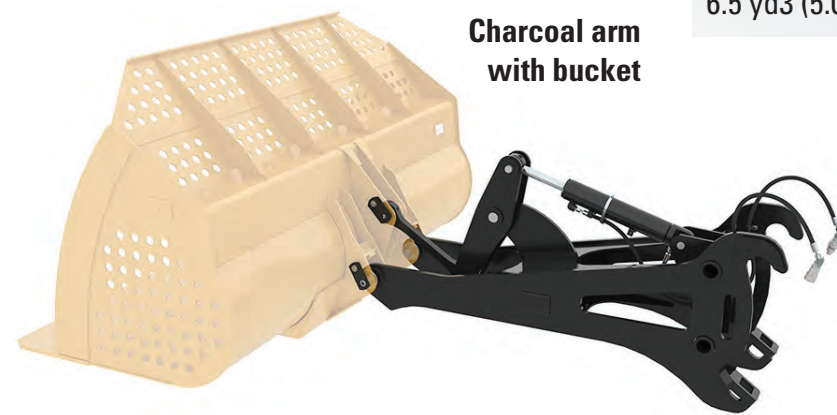
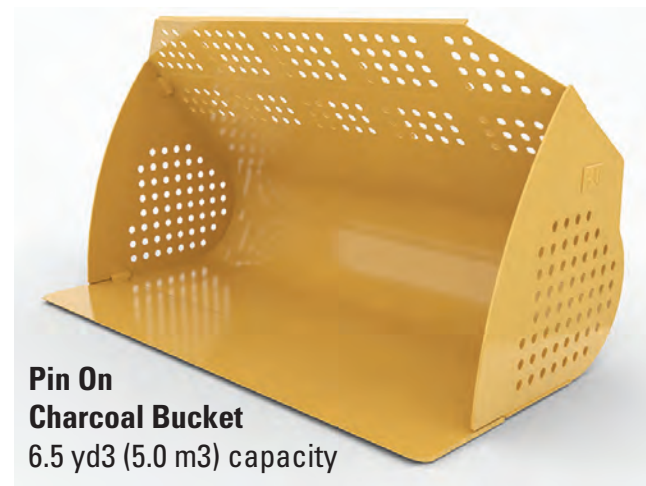
*Compatible with 938K/M only

SMALL WHEEL LOADERS ATTACHMENTS | 2021

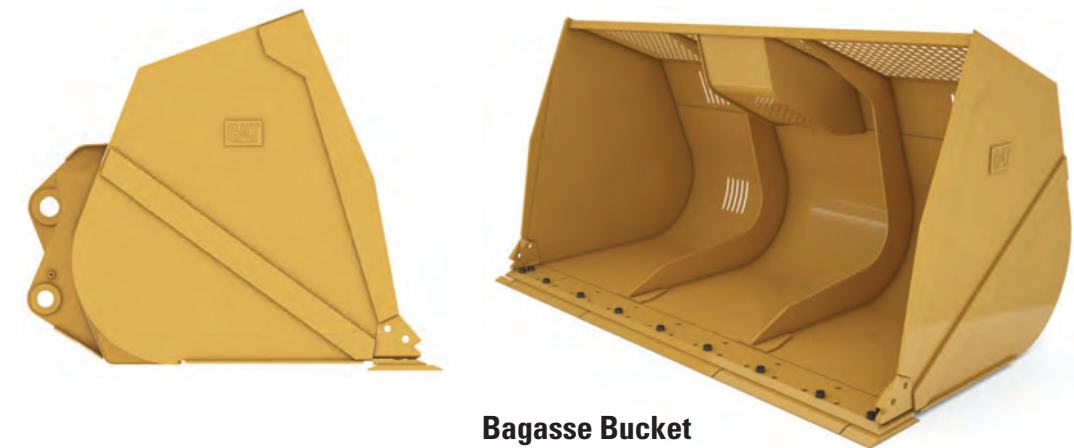
SMALL WHEEL LOADERS ATTACHMENTS | 2021

Charcoal Buckets and Charcoal Arm Designed to allow efficient handling of charcoal.

The Cat Bagasse Bucket is exclusively designed to move bagasse in sugar cane mills. It optimizes material flow, while maximizing visibility.



| CHARCOAL BUCKETS | | | | | | | | PIN ON |
|------------------|-------------------|----------------|---------------|---------------|----------------|-----------|---------|--------|
| Part Number | Capacity yd3 (m3) | Weight lb (kg) | Depth in (mm) | Width in (mm) | Height in (mm) | Edge Type | Machine | Price |
| 449-1350 | 5.2 (3.4) | 2480 (1125) | 67 (1708) | 121 (3062) | 54 (1375) | Base Edge | 924K | \$ |
| 426-5185 | 6.5 (5.0) | 2826 (1282) | 72 (1838) | 121 (3062) | 67 (1693) | Base Edge | 930K | \$ |



| CHARCOAL ARM | | | | | | FUSION |
|--------------|----------------|---------------|---------------|----------------|------------|--------|
| Part Number | Weight lb (kg) | Depth in (mm) | Width in (mm) | Height in (mm) | Machine | Price |
| 426-5203* | 1880 (853) | 98 (2495) | 30 (758) | 48 (1226) | 924K, 930K | \$ |

*Available in Brazil only

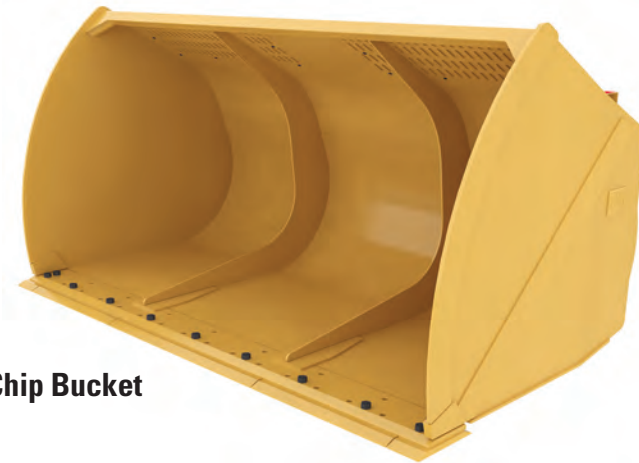
| BAGASSE BUCKET | | | | | | | PIN ON |
|----------------|-------------------|---------------|---------------|----------------|-----------|---------------------|--------|
| Part Number | Capacity yd3 (m3) | Depth in (mm) | Width in (mm) | Height in (mm) | Edge Type | Required Hydraulics | Price |
| 568-7628* | 7.8 (6.0) | 72 (1820) | 121 (3062) | 63 (1589) | BOCE | None | \$ |

*Available for Latin America. Ex-Factory only.

SMALL WHEEL LOADERS ATTACHMENTS | 2021

High Capacity / Wood Chip Buckets,

are for applications where low-density material is handled. Higher Capacity allows more productivity per cycle.

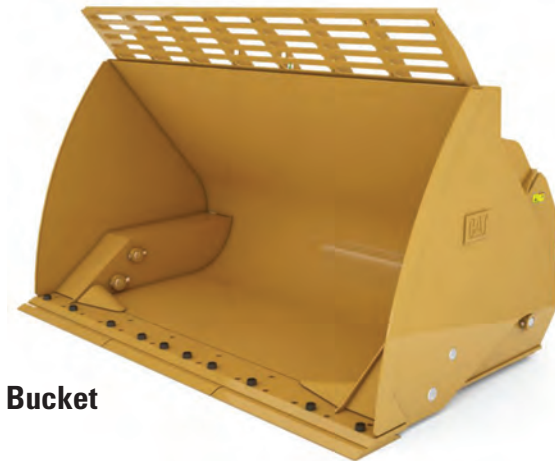


High Capacity / Wood Chip Bucket

| HIGH CAPACITY / WOOD CHIP BUCKETS | | | | | | | PIN ON |
|-----------------------------------|----------------------|-------------------|-------------------|------------------|-------------------|-----------|--------|
| Part Number | Capacity yd3 (m3) | Weight lb (kg) | Length in (mm) | Width in (mm) | Height in (mm) | Edge Type | Price |
| 568-7631 | 7.8 (6.0) | 3993 (1811) | 74 (1889) | 121 (3062) | 64 (1614) | BOCE | \$ |
| 568-9164 | 8.9 (6.8) | 4277 (1940) | 74 (1889) | 133 (3382) | 65 (1640) | BOCE | \$ |

High Dump Buckets feature greatly increased dump height

over standard material-handling buckets. Whether loading trucks, feeding compactors or just working in the pile, high dump buckets offer the performance you need.



High Dump Bucket

| HIGH DUMP BUCKETS | | | | | | | | PIN ON |
|-------------------|----------------------|-------------------|-------------------|------------------|-------------------|-----------|---------------------|--------|
| Part Number | Capacity yd3 (m3) | Weight lb (kg) | Length in (mm) | Width in (mm) | Height in (mm) | Edge Type | Required Hydraulics | Price |
| 461-1430 | 3.9 (3) | 3834 (1739) | 70 (1770) | 100 (2528) | 66 (1663) | BOCE | 3rd Function | \$ |
| 461-7080 | 4.6 (3.5) | 4028 (1827) | 70 (1770) | 107 (2716) | 67 (1706) | BOCE | 3rd Function | \$ |
| 464-2890 | 5.4 (4.1) | 4760 (2159) | 72 (1835) | 119 (3032) | 68 (1721) | BOCE | 3rd Function | \$ |
| 461-7085 | 5.4 (4.1) | 4753 (2156) | 72 (1835) | 119 (3032) | 68 (1721) | BOCE | 3rd Function | \$ |
| 464-2895 | 6.5 (5) | 5573 (2528) | 77 (1954) | 119 (3032) | 73 (1863) | BOCE | 3rd Function | \$ |
| 461-7060 | 6.5 (5) | 4974 (2256) | 77 (1954) | 119 (3031) | 73 (1864) | BOCE | 3rd Function | \$ |

SMALL WHEEL LOADERS ATTACHMENTS | 2021

Multi-Purpose Buckets have excellent versatility for re-handling, clamping, dozing, grading, leveling and dumping.

Multi-Purpose Bucket



| MULTI-PURPOSE BUCKETS | | | | | | | | PIN ON |
|-----------------------|----------------------|-------------------|-------------------|------------------|-------------------|-----------|---------------------|--------|
| Part Number | Capacity yd3 (m3) | Weight lb (kg) | Length in (mm) | Width in (mm) | Height in (mm) | Edge Type | Required Hydraulics | Price |
| 525-7237 | 2.7 (2.1) | 3172 (1439) | 49 (1251) | 100 (2550) | 50 (1274) | BOCE | 3rd Function | \$ |
| 537-8665* | 3.5 (2.7) | 3499 (1587) | 56 (1415) | 108 (2750) | 53 (1337) | BOCE | 3rd Function | \$ |

*Compatible with 938K/M only



Waste Handling Bucket

Available in different styles: waste handling, doze and load and carrying

| WASTE HANDLING BUCKETS | | | | | | | | PIN ON |
|------------------------|----------------------|-------------------|------------------|-------------------|-----------|---------------------|-------|--------|
| Part Number | Capacity yd3 (m3) | Length in (mm) | Width in (mm) | Height in (mm) | Edge Type | Required Hydraulics | Price | |
| 449-4365 | 4.5 (3.4) | 82 (2089) | 108 (2743) | 56 (1431) | BASE | 3rd Function | \$ | |
| 449-4371 | 5 (3.8) | 85 (2159) | 114 (2886) | 57 (1440) | BASE | 3rd Function | \$ | |
| 439-1335 | 5.5 (4.2) | 56 (1435) | 108 (2743) | 76 (1925) | BOCE | None | \$ | |
| 434-8968 | 5.9 (4.6) | 71 (1790) | 108 (2743) | 63 (1605) | BOCE | None | \$ | |
| 438-9377 | 5.6 (4.6) | 56 (1435) | 115 (2927) | 77 (1964) | BOCE | None | \$ | |
| 434-3349 | 6.5 (4.9) | 71 (1807) | 114 (2886) | 66 (1640) | BOCE | None | \$ | |

SMALL WHEEL LOADERS ATTACHMENTS | 2021

| QUICK COUPLER KIT | | | FUSION |
|-------------------|--|------------------------|--------|
| Part Number | Description | Machines | Price |
| 374-5790 | Electro-hydraulic coupler actuation system | 924K, 926M, 930K, 930M | \$ |
| 374-5791 | Electro-hydraulic coupler actuation system | 938K, 938M | \$ |

| COUPLER READY KIT | | FUSION |
|-------------------|------------------|--------|
| Part Number | Machines | Price |
| 447-4892 | 924K | \$ |
| 447-4893 | 926M, 930K, 930M | \$ |
| 447-4895 | 938K, 938M | \$ |

SMALL WHEEL LOADERS ATTACHMENTS | 2021



General Purpose Performance Series buckets provide higher fill factors and material retention in load and carry applications, as well as grading, leveling and dumping in a wide variety of applications and materials.

| GENERAL PURPOSE PERFORMANCE BUCKETS | | | | | | | FUSION |
|-------------------------------------|---|-------------------|-------------------|------------------|-------------------|-----------|--------|
| Part Number | Capacity yd ³ (m ³) | Weight lb (kg) | Length in (mm) | Width in (mm) | Height in (mm) | Edge Type | Price |
| 345-2418 | 2.5 (1.9) | 1709 (775) | 44 (1109) | 100 (2532) | 49 (1235) | Base Edge | \$ |
| 417-4919 | 2.5 (1.9) | 2008 (911) | 47 (1181) | 100 (2549) | 50 (1260) | BOCE | \$ |
| 360-3320 | 2.7 (2.1) | 1819 (825) | 47 (1181) | 100 (2540) | 51 (1289) | Base Edge | \$ |
| 360-3321 | 2.7 (2.1) | 2101 (953) | 49 (1253) | 100 (2549) | 52 (1314) | BOCE | \$ |
| 360-3322 | 3 (2.3) | 1903 (863) | 49 (1244) | 100 (2540) | 53 (1333) | Base Edge | \$ |
| 360-3323 | 3 (2.2) | 2143 (972) | 52 (1316) | 100 (2549) | 54 (1358) | BOCE | \$ |
| 345-2424 | 3.3 (2.5) | 2121 (962) | 51 (1306) | 99 (2520) | 54 (1378) | Base Edge | \$ |
| 345-2784 | 3.3 (2.5) | 2123 (963) | 49 (1244) | 107 (2727) | 52 (1333) | Base Edge | \$ |
| 417-4355 | 3.3 (2.5) | 2432 (1103) | 52 (1316) | 108 (2747) | 54 (1358) | BOCE | \$ |
| 417-4925 | 3.3 (2.5) | 2411 (1094) | 54 (1378) | 100 (2549) | 55 (1404) | BOCE | \$ |
| 345-2426 | 3.5 (2.7) | 2220 (1007) | 51 (1306) | 107 (2727) | 54 (1378) | Base Edge | \$ |
| 345-2427 | 3.5 (2.7) | 2542 (1153) | 54 (1378) | 107 (2727) | 55 (1404) | BOCE | \$ |
| 360-3336 | 3.5 (2.7) | 2121 (962) | 51 (1306) | 100 (2540) | 56 (1414) | Base Edge | \$ |
| 345-2428 | 3.8 (2.9) | 2297 (1042) | 56 (1414) | 107 (2727) | 56 (1414) | Base Edge | \$ |
| 417-4929 | 3.8 (2.9) | 2602 (1180) | 56 (1427) | 108 (2747) | 57 (1439) | BOCE | \$ |

General Purpose Performance Series Buckets



SMALL WHEEL LOADERS ATTACHMENTS | 2021

Performance Series Flat Floor, General Purpose Buckets utilize a long flat floor that delivers improved results when back dragging and grading.



| GENERAL PURPOSE FLAT FLOOR | | | | | | | FUSION |
|----------------------------|---|-------------------|-------------------|------------------|-------------------|-----------|--------|
| Part Number | Capacity yd ³ (m ³) | Weight lb (kg) | Length in (mm) | Width in (mm) | Height in (mm) | Edge Type | Price |
| 491-0515 | 3 (2.3) | 2403 (1090) | 53 (1343) | 100 (2532) | 54 (1358) | BOCE | \$ |
| 491-0525 | 3.3 (2.5) | 2657 (1205) | 53 (1344) | 107 (2727) | 54 (1358) | BOCE | \$ |
| 491-0535 | 3 (2.3) | 2436 (1105) | 57 (1445) | 100 (2539) | 53 (1350) | BOCE | \$ |
| 493-1840 | 3 (2.3) | 2344 (1063) | 58 (1483) | 100 (2539) | 53 (1350) | WOT | \$ |
| 493-1850 | 3.3 (2.5) | 2579 (1170) | 58 (1483) | 108 (2738) | 53 (1350) | WOT | \$ |
| 493-1860 | 3.8 (2.9) | 2771 (1257) | 63 (1594) | 108 (2738) | 57 (1430) | WOT | \$ |



Specially designed Light Material Buckets

have maximum efficiency and increased capacity when loading light, loosely-packed materials.

| LIGHT MATERIAL BUCKETS | | | | | | | FUSION |
|------------------------|---|-------------------|-------------------|------------------|-------------------|-----------|--------|
| Part Number | Capacity yd ³ (m ³) | Weight lb (kg) | Length in (mm) | Width in (mm) | Height in (mm) | Edge Type | Price |
| 452-7417 | 3.9 (3) | 2690 (1220) | 55 (1404) | 108 (2747) | 54 (1369) | BOCE | \$ |
| 417-4935 | 4.6 (3.5) | 2873 (1303) | 59 (1506) | 108 (2747) | 57 (1449) | BOCE | \$ |
| 450-0252 | 5 (3.8) | 3016 (1368) | 63 (1588) | 108 (2747) | 58 (1478) | BOCE | \$ |
| 417-4342 | 5.5 (4.2) | 3172 (1439) | 66 (1676) | 108 (2747) | 61 (1538) | BOCE | \$ |
| 417-4950 | 6.5 (5) | 3311 (1502) | 66 (1676) | 108 (2747) | 66 (1687) | BOCE | \$ |

SMALL WHEEL LOADERS ATTACHMENTS | 2021

| MATERIAL HANDLING BUCKET | | | | | | | FUSION |
|--------------------------|---|-------------------|-------------------|------------------|-------------------|-----------|--------|
| Part Number | Capacity yd ³ (m ³) | Weight lb (kg) | Length in (mm) | Width in (mm) | Height in (mm) | Edge Type | Price |
| 446-0738 | 2.0 (1.5) | 2189 (993) | 73 (1861) | 73 (1861) | 50 (1272) | BOCE | \$ |

Sand and Gravel Buckets

are designed for aggregate handling in batch plant loader applications.



Sand and Gravel Bucket

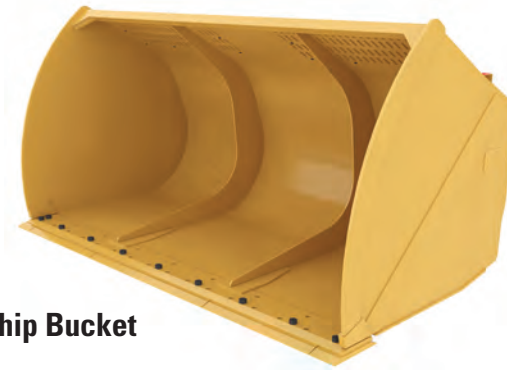
| SAND AND GRAVEL BUCKETS | | | | | | | FUSION |
|-------------------------|---|-------------------|-------------------|------------------|-------------------|-----------|--------|
| Part Number | Capacity yd ³ (m ³) | Weight lb (kg) | Length in (mm) | Width in (mm) | Height in (mm) | Edge Type | Price |
| 451-1403 | 3.3 (2.5) | 2125 (964) | 50 (1262) | 108 (2750) | 53 (1333) | Base Edge | \$ |
| 451-1409 | 3.3 (2.5) | 2533 (1149) | 52 (1317) | 108 (2747) | 54 (1359) | BOCE | \$ |
| 451-1404 | 3.5 (2.7) | 2220 (1007) | 52 (1324) | 108 (2750) | 54 (1378) | Base Edge | \$ |
| 451-1410 | 3.5 (2.7) | 2639 (1197) | 54 (1379) | 108 (2747) | 55 (1404) | BOCE | \$ |
| 469-0191 | 3.8 (2.9) | 2421 (1098) | 55 (1384) | 108 (2750) | 56 (1419) | Base Edge | \$ |
| 469-0192 | 3.8 (2.9) | 2725 (1236) | 56 (1428) | 108 (2743) | 57 (1440) | BOCE | \$ |
| 451-1405 | 4.2 (3.2) | 2487 (1128) | 54 (1373) | 108 (2750) | 58 (1462) | Base Edge | \$ |
| 451-1411 | 4.2 (3.2) | 2789 (1265) | 56 (1426) | 108 (2747) | 59 (1488) | BOCE | \$ |

SMALL WHEEL LOADERS ATTACHMENTS | 2021

SMALL WHEEL LOADERS ATTACHMENTS | 2021

High Capacity / Wood Chip Buckets

for Cat wheel loaders have a proven design with lower weight compared to competitors and can carry materials with 20% more density than others.



High Capacity / Wood Chip Bucket

| HIGH CAPACITY / WOOD CHIP BUCKETS | | | | | | | FUSION | |
|-----------------------------------|----------------------|-------------------|-------------------|------------------|-------------------|-----------|--------|--|
| Part Number | Capacity yd3 (m3) | Weight lb (kg) | Length in (mm) | Width in (mm) | Height in (mm) | Edge Type | Price | |
| 568-9161 | 7.8 (6) | 4079 (1850) | 78 (1982) | 121 (3062) | 64 (1614) | BOCE | \$ | |
| 568-9168 | 8.9 (6.8) | 4361 (1978) | 78 (1982) | 133 (3382) | 65 (1640) | BOCE | \$ | |

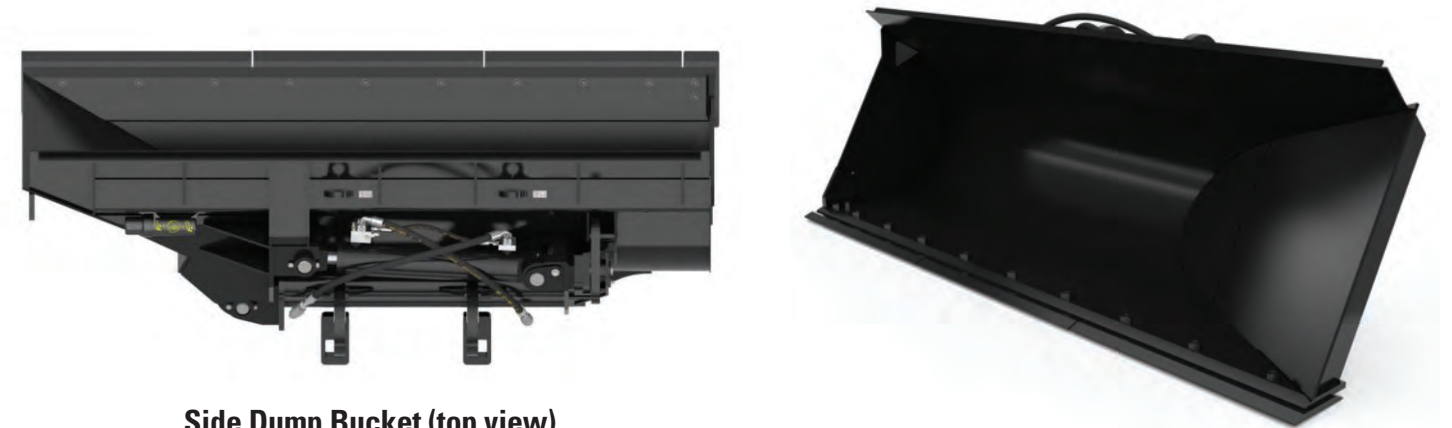
High Dump Buckets feature greatly increased dump height over standard material-handling buckets. Whether loading trucks, feeding compactors or just working in the pile, high dump buckets offer the performance you need.



High Dump Bucket

| HIGH DUMP BUCKETS | | | | | | FUSION | | |
|-------------------|----------------------|-------------------|-------------------|------------------|-------------------|---------------------|-----------|-------|
| Part Number | Capacity yd3 (m3) | Weight lb (kg) | Length in (mm) | Width in (mm) | Height in (mm) | Required Hydraulics | Edge Type | Price |
| 473-6945 | 3.9 (3) | 3763 (1707) | 67 (1710) | 100 (2528) | 66 (1663) | 3rd Function | BOCE | \$ |
| 473-6942 | 4.6 (3.5) | 3962 (1797) | 70 (1770) | 107 (2728) | 67 (1706) | 3rd Function | BOCE | \$ |
| 476-9305 | 5.4 (4.1) | 4687 (2126) | 70 (1775) | 119 (3032) | 68 (1721) | 3rd Function | BOCE | \$ |
| 476-9308 | 6.5 (5.0) | 4910 (2227) | 76 (1922) | 119 (3032) | 73 (1863) | 3rd Function | BOCE | \$ |

Side Dump Buckets can dump forward as a standard bucket, or to the side. This functionality makes it uniquely suited to work in urban areas, small job sites, or other congested work environments.



Side Dump Bucket (top view)

| SIDE DUMP BUCKETS | | | | | | | | FUSION | |
|-------------------|----------------------|-------------------|-------------------|------------------|-------------------|-----------|----------------|--------|--|
| Part Number | Capacity yd3 (m3) | Weight lb (kg) | Length in (mm) | Width in (mm) | Height in (mm) | Edge Type | Dump Direction | Price | |
| 571-8457* | 2.5 (1.9) | 3728 (1691) | 55 (1388) | 122 (3105) | 43 (1097) | BOCE | Left | \$ | |
| 461-2391* | 2.5 (1.9) | 3320 (1506) | 55 (1387) | 122 (3105) | 43 (1097) | BOCE | Right | \$ | |

*Requires third valve on machine



FUSION BUCKETS – SIDE DUMP

SMALL WHEEL LOADERS ATTACHMENTS | 2021



Multi-Purpose Buckets for Cat small wheel loaders offer excellent versatility by enabling one work tool to do the job of many. This bucket is ideal for material handling, clamping, grading, leveling and grasping irregularly shaped objects.



| MULTI-PURPOSE BUCKETS | | | | | | | | FUSION |
|-----------------------|---|-------------------|-------------------|------------------|-------------------|-----------|---------------------|--------|
| Part Number | Capacity yd ³ (m ³) | Weight lb (kg) | Length in (mm) | Width in (mm) | Height in (mm) | Edge Type | Required Hydraulics | Price |
| 362-0901 | 2.7 (2.1) | 3095 (1404) | 61 (1537) | 61 (1537) | 49 (1254) | BOCE | 3rd Function | \$ |
| 362-0902 | 2.7 (2.1) | 3124 (1417) | 48 (1213) | 103 (2605) | 50 (1274) | BOCE | 3rd Function | \$ |
| 527-9408 | 3.5 (2.7) | 3444 (1562) | 53 (1343) | 108 (2750) | 53 (1337) | BOCE | 3rd Function | \$ |

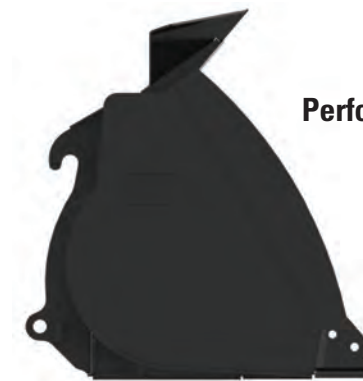
SMALL WHEEL LOADERS ATTACHMENTS | 2021

Skeleton Bucket is primarily used to remove and separate rocks and larger debris from soil and sand.



Skeleton Bucket

| SKELETON BUCKET | | | | | | | FUSION |
|-----------------|---|-------------------|-------------------|------------------|-------------------|-----------|--------|
| Part Number | Capacity yd ³ (m ³) | Weight lb (kg) | Length in (mm) | Width in (mm) | Height in (mm) | Edge Type | Price |
| 591-3866 | 2.5 (1.9) | 2423 (1099) | 46 (1176) | 100 (2532) | 51 (1031) | Base Edge | \$ |



Performance Series Buckets



General Purpose Performance Series Buckets provide higher fill factors and material retention in load and carry applications, as well as grading, leveling and dumping in a wide variety of materials.

| GENERAL PURPOSE PERFORMANCE SERIES BUCKETS | | | | | | | ISO |
|--|---|-------------------|-------------------|------------------|-------------------|-----------|-------|
| Part Number | Capacity yd ³ (m ³) | Weight lb (kg) | Length in (mm) | Width in (mm) | Height in (mm) | Edge Type | Price |
| 360-3256 | 2.7 (2.1) | 1748 (793) | 47 (1195) | 100 (2532) | 51 (1294) | Base Edge | \$ |
| 360-3257 | 3 (2.3) | 1832 (831) | 50 (1258) | 100 (2532) | 53 (1338) | Base Edge | \$ |
| 371-2390 | 3.3 (2.5) | 2022 (917) | 50 (1258) | 107 (2727) | 53 (1336) | Base Edge | \$ |
| 360-3258 | 3.5 (2.7) | 2119 (961) | 50 (1258) | 107 (2727) | 54 (1381) | Base Edge | \$ |
| 371-2391 | 3.8 (2.9) | 2198 (997) | 54 (1369) | 107 (2727) | 56 (1417) | Base Edge | \$ |

SMALL WHEEL LOADERS ATTACHMENTS | 2021

Performance Series Flat Floor, General Purpose Buckets utilize a long flat floor that delivers improved results when back dragging and grading.



General Purpose Performance Series Flat Floor

| GENERAL PURPOSE PERFORMANCE SERIES FLAT FLOOR BUCKETS | | | | | | | HPL - WIDE (L50) |
|---|---|-------------------|-------------------|------------------|-------------------|-----------|------------------|
| Part Number | Capacity yd ³ (m ³) | Weight lb (kg) | Length in (mm) | Width in (mm) | Height in (mm) | Edge Type | Price |
| 482-6970 | 3 (2.3) | 2319 (1052) | 52 (1331) | 100 (2532) | 54 (1358) | BOCE | \$ |
| 491-0510 | 3 (2.3) | 2260 (1025) | 58 (1471) | 100 (2539) | 53 (1349) | WOT | \$ |
| 482-6950 | 3.3 (2.5) | 2542 (1153) | 52 (1331) | 107 (2727) | 54 (1358) | BOCE | \$ |
| 491-0520 | 3.3 (2.5) | 2467 (1119) | 58 (1470) | 108 (2738) | 53 (1350) | WOT | \$ |
| 482-6960 | 3.8 (2.9) | 2734 (1240) | 57 (1441) | 107 (2727) | 57 (1439) | BOCE | \$ |
| 491-0530 | 3.8 (2.9) | 2659 (1206) | 62 (1581) | 108 (2738) | 56 (1430) | WOT | \$ |

BOCE - Bolt on cutting edge
WOT - Welded on teeth

SMALL WHEEL LOADERS ATTACHMENTS | 2021

Scandinavian Style Grading Buckets have a long, flat floors giving the operator complete visibility of the cutting edge. The shape of the bucket provides flexibility to scoop material, level or backfill.



Grading Buckets



| GRADING BUCKETS | | | | HPL - WIDE (L50) | | |
|-----------------|---|-------------------|-------------------|------------------|-------------------|-------|
| Part Number | Capacity yd ³ (m ³) | Weight lb (kg) | Length in (mm) | Width in (mm) | Height in (mm) | Price |
| 513-0277 | 2.4 (1.8) | 2132 (967) | 65 (1640) | 102 (2600) | 38 (972) | \$ |
| 513-0159 | 2.5 (1.9) | 2198 (997) | 65 (1640) | 106 (2700) | 38 (972) | \$ |
| 513-0115 | 2.6 (2) | 2330 (1057) | 65 (1640) | 114 (2900) | 38 (972) | \$ |

Bolt-On Spill Guards increase capacity and help prevent spillage over adverse machine travel conditions.



Bolt-On Spill Guard

| SPILL GUARD | | | | | HPL - WIDE (L50) |
|-------------|-------------------|-------------------|------------------|-------------------|------------------|
| Part Number | Weight lb (kg) | Length in (mm) | Width in (mm) | Height in (mm) | Price |
| 519-1916 | 258 (117) | 58 (1475) | 115 (2909) | 27 (675) | \$ |

SMALL WHEEL LOADERS ATTACHMENTS | 2021

Light Material Performance Series Buckets

leverage many of the same features found in the General Purpose Bucket but with higher volume capacities to handle less dense materials such as top soil, fertilizer, wood chips and many more.



Light Material
Performance Series Bucket

LIGHT MATERIAL PERFORMANCE SERIES BUCKETS HPL - WIDE (L50)

| Part Number | Capacity yd ³ (m ³) | Weight lb (kg) | Length in (mm) | Width in (mm) | Height in (mm) | Edge Type | Price |
|-------------|---|-------------------|-------------------|------------------|-------------------|-----------|-------|
| 575-9686 | 4.6 (3.5) | 2747 (1246) | 60 (1511) | 108 (2750) | 57 (1449) | BOCE | \$ |
| 575-9687 | 5.5 (4.2) | 3025 (1372) | 66 (1681) | 108 (2750) | 57 (1449) | BOCE | \$ |
| 575-9688 | 6.5 (5) | 3153 (1430) | 66 (1681) | 108 (2750) | 66 (1687) | BOCE | \$ |

High Dump Buckets feature greatly increased dump height over standard material-handling buckets. Whether loading trucks, feeding compactors or just working in the pile, high dump buckets offer the performance you need.

High Dump Bucket



HIGH DUMP BUCKETS HPL - WIDE (L50)

| Part Number | Capacity yd ³ (m ³) | Weight lb (kg) | Length in (mm) | Width in (mm) | Height in (mm) | Required Hydraulics | Edge Type | Price |
|-------------|---|-------------------|-------------------|------------------|-------------------|------------------------|-----------|-------|
| 473-6951 | 3.9 (3) | 3946 (1790) | 70 (1767) | 100 (2550) | 66 (1663) | 3rd Function | BOCE | \$ |
| 473-6948 | 4.6 (4.1) | 4140 (1878) | 70 (1767) | 108 (2750) | 67 (1706) | 3rd Function | BOCE | \$ |
| 476-9311 | 5.4 (2.5) | 5106 (2316) | 72 (1832) | 121 (3060) | 68 (1721) | 3rd Function | BOCE | \$ |
| 476-9314 | 6.5 (5) | 5324 (2415) | 77 (1952) | 121 (3060) | 73 (1863) | 3rd Function | BOCE | \$ |

SMALL WHEEL LOADERS ATTACHMENTS | 2021



Cat Pipe and Pole Forks are designed and built for use in oil and gas field drilling, pipe line construction and above-ground utilities work.



The Extendable Material Handling Arm is used in industrial, construction and agricultural applications, to pick-up, carry and load a variety of materials and equipment

FORKS – PIPE AND POLE FUSION

| Part Number | Weight lb (kg) | Overall Width in (mm) | Overall Length in (mm) | Tine Length in (mm) | Max Opening Between Clamp & Tines in (mm) | Load Capacity lb (kg) | Required Hydraulics | Price |
|-------------|-------------------|--------------------------|---------------------------|------------------------|---|--------------------------|------------------------|-------|
| 496-1905 | 3505 (1590) | 101 (2560) | 83 (2100) | 60 (1525) | 30 (760) | 5159 (2340) | 3rd Function* | \$ |
| 510-5060 | 4301 (1951) | 101 (2560) | 95 (2410) | 72 (1830) | 30 (760) | 7401 (3357) | 3rd Function* | \$ |

*Requires "Twist to connect" QDs.

MATERIAL HANDLING ARM SWL

| Part Number | Weight lb (kg) | Overall Width in (mm) | Retracted Length in (mm) | Extended Length in (mm) | Number of Adjustments | Maximum Load Rating lb (kg) | Maximum Horizontal Reach in (mm) | Price |
|-------------|-------------------|--------------------------|-----------------------------|----------------------------|--------------------------|-----------------------------------|---|-------|
| 510-5071* | 900 (408) | 25 (646) | 79 (2007) | 155 (3941) | 3 | 4619 (2095) | 155 (3941) | \$ |
| 510-5092** | 1076 (488) | 30 (758) | 103 (2603) | 166 (4203) | 3 | 5362 (2432) | 166 (4208) | \$ |

*Fusion

**ISO

SMALL WHEEL LOADERS ATTACHMENTS | 2021

Straight Snow Pushes with bucket receiver are designed to mount to the machine without having to remove the machine bucket. This is ideal for machines that are not equipped with a quick coupler option. The bucket receiver snow push is secured to the machine by sliding the cutting edge of the bucket into the receiver arms, then fastening chains around the bucket of the machine. The chains are easily tightened by using the over center load binders that are attached to the snow push. For use with any bucket that does not have a cutting edge or teeth.

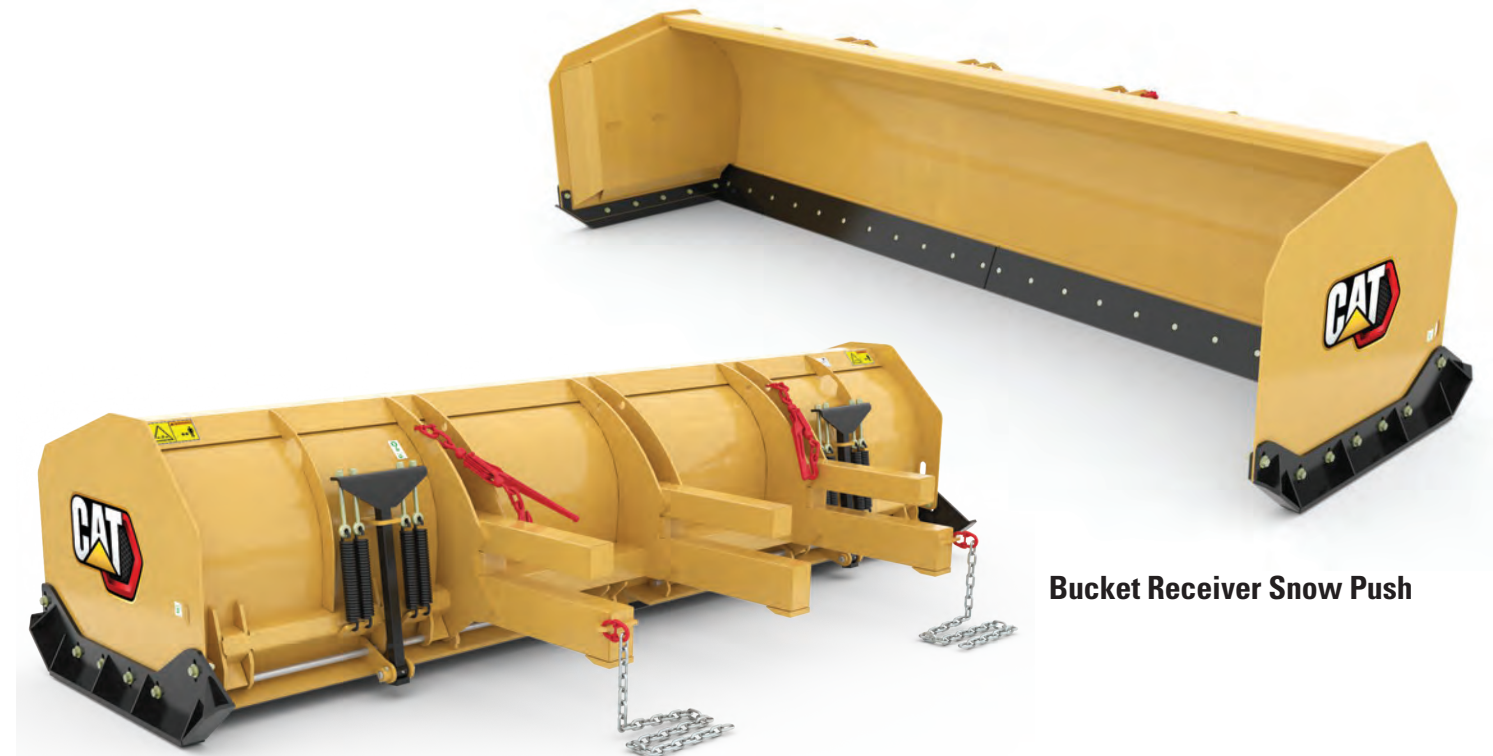


Straight Snow Push

| STRAIGHT SNOW PUSHES | | | | FUSION | | |
|--------------------------|-------------------|-------------------|-------------------|-------------------|-------------------|-------------------|
| MODEL | 12 ft (3.66 m) | 12 ft (3.66 m) | 14 ft (4.27 m) | 14 ft (4.27 m) | 16 ft (4.88 m) | 16 ft (4.88 m) |
| Part Number | 477-9891 | 508-8310 | 477-9893 | 508-8315 | 477-9897 | 508-8320 |
| Working Width - in (mm) | 144 (3658) | 144 (3658) | 168 (4267) | 168 (4267) | 192 (4877) | 192 (4877) |
| Overall Width - in (mm) | 151 (3829) | 151 (3829) | 175 (4439) | 175 (4439) | 199 (5048) | 199 (5048) |
| Overall Height - in (mm) | 44 (1128) | 44 (1128) | 44 (1128) | 44 (1128) | 44 (1128) | 44 (1128) |
| Length - in (mm) | 62 (1574) | 62 (1574) | 62 (1574) | 62 (1574) | 62 (1574) | 62 (1574) |
| Weight - lb (kg) | 2932 (1330) | 2932 (1330) | 3177 (1441) | 3177 (1441) | 3422 (1552) | 3422 (1552) |
| Trip Edge | Yes | Yes | Yes | Yes | Yes | Yes |
| Edge Height - in (mm) | 8 (194) | 8 (194) | 8 (194) | 8 (194) | 8 (194) | 8 (194) |
| Edge Type | Steel | Rubber | Steel | Rubber | Steel | Rubber |
| Machine | CWL / SWL | CWL / SWL | SWL | SWL | SWL | SWL |
| Price | \$ | \$ | \$ | \$ | \$ | \$ |
| Cutting Edge | 482-7664* | 499-3627* | 482-7629* | 499-3628* | 482-7618* | 499-3629* |
| Price | \$ | \$ | \$ | \$ | \$ | \$ |

*Order quantity of two.

SMALL WHEEL LOADERS ATTACHMENTS | 2021



Bucket Receiver Snow Push

| STRAIGHT SNOW PUSHES | | | | BUCKET RECEIVER | | |
|----------------------------|-------------------|-------------------|-------------------|-------------------|-------------------|-------------------|
| MODEL | 12 ft (3.66 m) | 12 ft (3.66 m) | 14 ft (4.27 m) | 14 ft (4.27 m) | 16 ft (4.88 m) | 16 ft (4.88 m) |
| Working Width - in (mm) | 144 (3658) | 144 (3658) | 168 (4267) | 168 (4267) | 192 (4877) | 192 (4877) |
| Overall Width - in (mm) | 151 (3829) | 151 (3829) | 175 (4439) | 175 (4439) | 199 (5048) | 199 (5048) |
| Overall Height - in (mm) | 43 (1086) | 43 (1086) | 43 (1086) | 43 (1086) | 43 (1086) | 43 (1086) |
| Length - in (mm) | 77 (1945) | 77 (1945) | 77 (1945) | 77 (1945) | 77 (1945) | 77 (1945) |
| Weight - lb (kg) | 2635 (1195) | 2787 (1264) | 2879 (1306) | 3031 (1375) | 3113 (1412) | 3276 (1486) |
| Trip Edge | Yes | Yes | Yes | Yes | Yes | Yes |
| Trip Edge Height - in (mm) | 8 (194) | 8 (194) | 8 (194) | 8 (194) | 8 (194) | 8 (194) |
| Trip Edge Type | Rubber | Steel | Rubber | Steel | Rubber | Steel |
| Part Number | 508-8325 | 477-9892 | 508-8330 | 477-9894 | 508-8335 | 477-9898 |
| Price | \$ | \$ | \$ | \$ | \$ | \$ |
| Cutting Edge | 489-3929* | 482-7664* | 499-3628* | 482-7629* | 499-3629* | 482-7618* |
| Price | \$ | \$ | \$ | \$ | \$ | \$ |

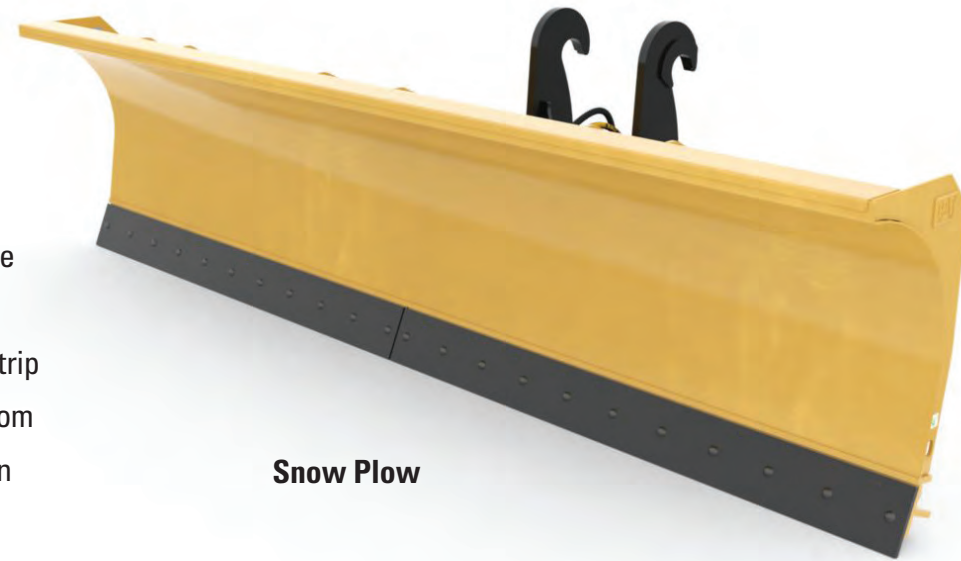
*Order quantity of two.

SMALL WHEEL LOADERS ATTACHMENTS | 2021

SMALL WHEEL LOADERS ATTACHMENTS | 2021

Cat Snow Plows

are designed for snow removal applications in parking lots, drive-ways, airport runways and storage lots. The plow is designed to scrape the surface and can be angled to windrow material to one side. The trip edge system protects equipment from unseen obstacles by retracting when objects such as a manhole cover or large rocks are hit.



Snow Plow

| SNOW PLOWS | | | | FUSION | | |
|---|-----------------|------------------|------------------|------------------|------------------|------------------|
| MODEL | 10 ft (3 m) | 12 ft (3.7 m) | 12 ft (3.7 m) | 12 ft (3.7 m) | 14 ft (4.3 m) | 14 ft (4.3 m) |
| Part Number | 479-8098 | 479-8108 | 315-6675 | 489-7688 | 479-8118 | 315-6676 |
| Width – in (mm) | 120 (3048) | 144 (3658) | 146 (3696) | 146 (3696) | 168 (4267) | 168 (4265) |
| Blade Height – in (mm) | 42 (1073) | 42 (1073) | 42 (1073) | 42 (1073) | 42 (1073) | 42 (1073) |
| Length – in (mm) | 70 (1775) | 70 (1775) | 70 (1775) | 70 (1775) | 70 (1775) | 70 (1775) |
| Weight – lb (kg) | 3062 (1389) | 3362 (1525) | 2867 (1300) | 2932 (1330) | 3362 (1525) | 3775 (1712) |
| Trip Edge Type | Steel | Steel | Steel | Steel | Steel | Steel |
| Trip Edge Height – in (mm) | 7.6 (194) | 7.6 (194) | 7.6 (194) | 7.6 (194) | 7.6 (194) | 7.6 (194) |
| Required Hydraulics | 3rd Function | 3rd Function | 3rd Function | 3rd Function | 3rd Function | 3rd Function |
| Hydraulic Angling Left/Right Over Center | 35 degrees | 35 degrees | 25 degrees | 35 degrees | 35 degrees | 25 degrees |
| Price | \$ | \$ | \$ | \$ | \$ | \$ |

Cat® Snow Plows



SMALL WHEEL LOADERS ATTACHMENTS | 2021

Millyard Forks maximize the ability to fill the fork at every pass. They efficiently load and unload from trucks, capably sort pole and decking materials, effectively feed sawmills and handle other long or bulky material.



**Fusion
Millyard Forks**

Semi Millyard Forks feature a top clamp that closes between the tines allowing the forks to close onto loads as small as a single log. Stack, carry and sort piles of lumber more efficiently than ever.



**Fusion
Semi Millyard Forks**

| FORKS | | FUSION | | |
|---|--------------|------------------------------|------------------------------|------------------------------|
| STYLE | Millyard | Semi Millyard | Semi Millyard | Semi Millyard |
| Part Number | 521-9401 | 521-9397 | 521-9398 | 521-9400 |
| Weight - lb (kg) | 3779 (1714) | 4328 (1963) | 3514 (1594) | 4628 (2099) |
| Overall Width - in (mm) | 87 (2200) | 70 (1800) | 70 (1800) | 87 (2204) |
| Overall Height (Open) - in (mm) | 93 (2347) | 105 (2664) | 105 (2664) | 122 (3101) |
| Overall Length - in (mm) | 76 (1921) | 78 (1981) | 72 (1830) | 54 (1524) |
| Minimum Opening Between Clamp and Tines - in (mm) | 6 (149) | 6 (152) | 6 (152) | 6 (152) |
| Maximum Opening Between Clamp and Tines - in (mm) | 82 (2089) | 99 (2510) | 99 (2510) | 99 (2510) |
| Tine Spacing - in (mm) | 77 (1955) | — | — | — |
| Tine Spacing Minimum - in (mm) | — | 48 (1210) | 48 (1210) | 61 (1547) |
| Tine Spacing Maximum - in (mm) | — | 66 (1670) | 66 (1670) | 82 (2086) |
| Grapple Area - yd2 (m2) | 1.7 (1.4) | 2 (1.7) | 1.8 (1.5) | 1.8 (1.5) |
| Required Hydraulics | 3rd Function | 3rd Function | 3rd Function | 3rd Function |
| Machine | 938K/M | 924K/926M, 930K/M, 938K/M | 924K/926M, 930K/M, 938K/M | 924K/926M, 930K/M, 938K/M |
| Price | \$ | \$ | \$ | \$ |

SMALL WHEEL LOADERS ATTACHMENTS | 2021



| FORKS | | FUSION | |
|---|--------------|-----------------------|--|
| STYLE | Millyard | Semi Millyard | |
| Part Number | 521-9402 | 521-9399 | |
| Weight - lb (kg) | 3737 (1695) | 3479 (1578) | |
| Overall Width - in (mm) | 87 (2200) | 70 (1800) | |
| Overall Height (Open) - in (mm) | 93 (2347) | 105 (2771) | |
| Overall Length - in (mm) | 76 (1921) | 73 (1855) | |
| Minimum Opening Between Clamp and Tines - in (mm) | 6 (149) | 6 (152) | |
| Maximum Opening Between Clamp and Tines - in (mm) | 82 (2089) | 99 (2510) | |
| Tine Spacing - in (mm) | 77 (1955) | — | |
| Tine Spacing Minimum - in (mm) | — | 48 (1210) | |
| Tine Spacing Maximum - in (mm) | — | 66 (1670) | |
| Grapple Area - yd2 (m2) | 1.7 (1.4) | 1.8 (1.5) | |
| Required Hydraulics | 3rd Function | 3rd Function | |
| Machine | 938 | 924K, 926M, 930K/M | |
| Price | \$ | \$ | |



SMALL WHEEL LOADERS ATTACHMENTS | 2021

Sorting Grapple Forks are designed for numerous applications in log and lumber handling. Moving logs from stack piles for further processing or unloading trucks, the Sorting Grapple Forks are built to perform.



Fusion Sorting Grapple Fork

| FORK – SORTING GRAPPLE | | | | | | | | FUSION |
|------------------------|-------------------|--------------------------|---------------------------------|-------------------------|--|--------------------------|---------------------|--------|
| Part Number | Weight lb (kg) | Overall Width in (mm) | Maximum Level Height in (mm) | Total Length in (mm) | Max Opening Between Clamp & Tines in (mm) | Grapple Area yd2 (m2) | Required Hydraulics | Price |
| 458-3462 | 3860 (1751) | 71 (1812) | 141 (3586) | 315 (7989) | 103 (2608) | 2.3 (1.9) | 3rd Function | \$ |



Fusion
Sorting Grapple Fork



Pin On
Sorting Grapple Fork

| FORKS – SORTING GRAPPLE | | | | | | | | FUSION / PIN ON |
|-------------------------|-------------------|--------------------------|---------------------------------|-------------------------|--|--------------------------|---------------------|-----------------|
| Part Number | Weight lb (kg) | Overall Width in (mm) | Maximum Level Height in (mm) | Total Length in (mm) | Max Opening Between Clamp & Tines in (mm) | Grapple Area yd2 (m2) | Required Hydraulics | Price |
| 439-4270* | 3349 (1519) | 84 (2138) | 142 (3621) | 42 (1061) | 64 (1624) | 1.2 (1.0) | 3rd Function | \$ |
| 441-0226** | 3768 (1519) | 91 (2313) | 142 (3615) | 47 (1200) | 71 (1812) | 1.6 (1.3) | 3rd Function | \$ |

*Fusion interface.

**Pin On interface. Available for Latin America. Ex-Factory only.

SMALL WHEEL LOADERS ATTACHMENTS | 2021



HPL - Wide (L50)
Sorting Grapple Fork



| FORKS – SORTING GRAPPLE | | | | | | | HPL - WIDE (L50) | |
|-------------------------|-------------------|--------------------------|---------------------------------|-------------------------|--|--------------------------|---------------------|-------|
| Part Number | Weight lb (kg) | Overall Width in (mm) | Maximum Level Height in (mm) | Total Length in (mm) | Max Opening Between Clamp & Tines in (mm) | Grapple Area yd2 (m2) | Required Hydraulics | Price |
| 492-7185 | 3741 (1697) | 71 (1812) | 145 (3675) | 315 (7989) | 103 (2608) | 21 (1.9) | 3rd Function | \$ |

Log and Lumber Fork Carriages are used to load, unload, move deck, sort and feed the mill. Their flat fork tines and raised guards are designed specifically for handling both unfinished logs and stacked lumber.



Log and Lumber Carriage and Forks

| FORK CARRIAGE – LOG AND LUMBER | | | | | PIN ON |
|--------------------------------|-------------------|------------------------|--------------------------|-------------------------|--------|
| Part Number | Weight lb (kg) | Frame Width in (mm) | Overall Width in (mm) | Frame Height in (mm) | Price |
| 520-3467* | 1651 (749) | 105 (2660) | 102 (2591) | 57 (1442) | \$ |
| 539-2249* | 1761 (799) | 108 (2743) | 111 (2812) | 57 (1442) | \$ |

*Requires 2 x 520-3468 or 2 x 520-3469

| FORKS – LOG AND LUMBER | | | | | | | |
|------------------------|-------------------|-------------------|------------------|----------------------|-------------------|----------------------------|-------|
| Part Number | Weight lb (kg) | Length in (mm) | Width in (mm) | Thickness in (mm) | Height in (mm) | Style | Price |
| 520-3468* | 523 (237) | 72 (1829) | 7 (180) | 2.5 (65) | 40 (1017) | Non-Swinging, Non-Floating | \$ |
| 520-3469* | 719 (326) | 96 (2438) | 7 (180) | 2.9 (75) | 40 (1016) | Non-Swinging, Non-Floating | \$ |

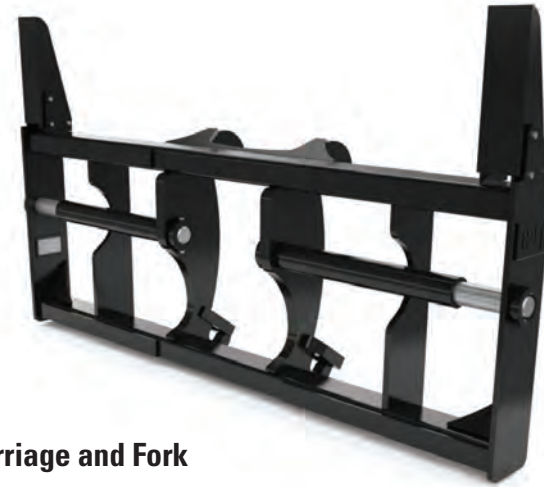
*Order two forks for a complete set

SMALL WHEEL LOADERS ATTACHMENTS | 2021

SMALL WHEEL LOADERS ATTACHMENTS | 2021

Log and Lumber Forks and Carriages

are used to load, unload, move deck, sort and feed the mill. Flat fork tines and raised guards are designed specifically for use in handling both unfinished logs and stacked lumber.

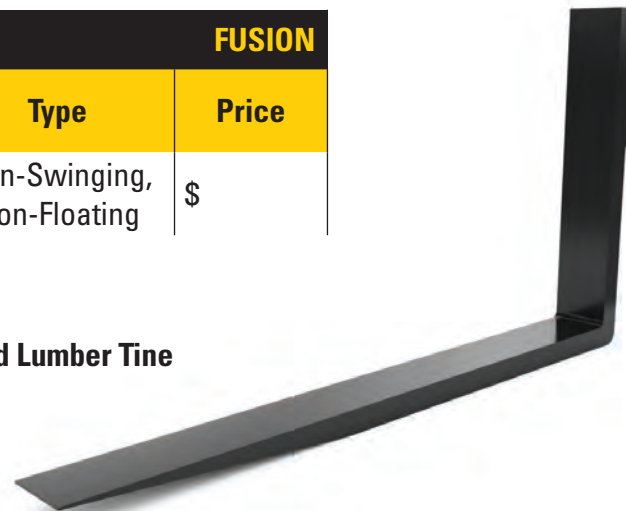


Non-Swinging,
Non-Floating Carriage and Fork

| FORK CARRIAGE – LOG AND LUMBER | | | | | FUSION |
|--------------------------------|-------------------|------------------|-------------------|-------------------------------|--------|
| Part Number | Weight lb (kg) | Width in (mm) | Height in (mm) | Type | Price |
| 520-3466* | 1552 (704) | 105 (2659) | 57 (1458) | Non-Swinging, Non-Floating | \$ |

*Requires 2 x 520-3468 or 2 x 520-3469

Log and Lumber Tine



| FORKS – LOG AND LUMBER | | | | | | | | |
|------------------------|-------------------|------------------------|---------------------------|------------------|----------------------|-------------------|-------------------------------|-------|
| Part Number | Weight lb (kg) | Tine Length in (mm) | Overall Length in (mm) | Width in (mm) | Thickness in (mm) | Height in (mm) | Style | Price |
| 520-3468* | 523 (237) | 72 (1829) | 79 (2008) | 7 (180) | 2.6 (65) | 40 (1017) | Non-Swinging, Non-Floating | \$ |
| 520-3469* | 719 (326) | 96 (2438) | 104 (2628) | 7 (180) | 3 (75) | 40 (1017) | Non-Swinging, Non-Floating | \$ |

*Order two forks for a complete set

| FORK CARRIAGE – LOG AND LUMBER | | | | | FUSION |
|--------------------------------|-------------------|------------------|-------------------|---------------------------|--------|
| Part Number | Weight lb (kg) | Width in (mm) | Height in (mm) | Type | Price |
| 540-6596* | 1167 (529) | 74 (1869) | 60 (1520) | Non-Swinging, Floating | \$ |
| 540-6599* | 1241 (563) | 86 (2174) | 60 (1520) | Non-Swinging, Floating | \$ |

*Requires 2 x 520-3458 or 2 x 520-3459 or 2 x 520-3460



Non-Swinging, Floating
Carriage and Fork



| FORKS – LOG AND LUMBER | | | | | | | | |
|------------------------|-------------------|------------------------|---------------------------|------------------|----------------------|-------------------|---------------------------|-------|
| Part Number | Weight lb (kg) | Tine Length in (mm) | Overall Length in (mm) | Width in (mm) | Thickness in (mm) | Height in (mm) | Style | Price |
| 520-3458* | 364 (165) | 48 (1219) | 55 (1399) | 6 (150) | 2.6 (65) | 42 (1058) | Non-Swinging, Floating | \$ |
| 520-3459* | 406 (184) | 60 (1524) | 67 (1703) | 6 (150) | 2.6 (65) | 42 (1058) | Non-Swinging, Floating | \$ |
| 520-3460* | 450 (204) | 72 (1829) | 79 (2008) | 6 (150) | 2.6 (65) | 42 (1058) | Non-Swinging, Floating | \$ |

*Order two forks for a complete set

SMALL WHEEL LOADERS ATTACHMENTS | 2021

| FORK CARRIAGE – LOG AND LUMBER | | | | | FUSION |
|--------------------------------|-------------------|------------------|-------------------|-----------------------|--------|
| Part Number | Weight lb (kg) | Width in (mm) | Height in (mm) | Type | Price |
| 545-5791* | 1455 (660) | 67 (1705) | 74 (1880) | Swinging, Floating | \$ |

*Requires 2 x 520-3463 or 2 x 520-3464 or 2 x 520-3465



Swinging, Floating Carriage and Fork

FORKS – LOG AND LUMBER

| Part Number | Weight lb (kg) | Tine Length in (mm) | Overall Length in (mm) | Width in (mm) | Thickness in (mm) | Height in (mm) | Style | Price |
|-------------|-------------------|------------------------|---------------------------|------------------|----------------------|-------------------|-----------------------|-------|
| 520-3463* | 344 (156) | 48 (1219) | 55 (1399) | 6 (150) | 2.6 (65) | 38 (965) | Swinging, Floating | \$ |
| 520-3464* | 397 (180) | 60 (1524) | 67 (1703) | 6 (150) | 2.6 (65) | 38 (965) | Swinging, Floating | \$ |
| 520-3465* | 448 (203) | 72 (1829) | 79 (2008) | 6 (150) | 2.6 (65) | 38 (965) | Swinging, Floating | \$ |

*Order two forks for a complete set

FLOAT LOCKOUT KIT – LOG AND LUMBER

| FLOAT LOCKOUT KIT – LOG AND LUMBER | | | FUSION |
|------------------------------------|--|-----------------------|--------|
| Part Number | Description | Type | Price |
| 522-8450 | Kit blocks the floating option, to prevent tines floating. | Swinging, Floating | \$ |

SMALL WHEEL LOADERS ATTACHMENTS | 2021



Cat® Rakes

Cat Rakes are designed to remove roots from the ground. This attachment is also used to pile up branches, logs or roots during a land cleaning application. Helpful when the operation requires removal of material and not the dirt.

RAKES

| RAKES | | | | | | | FUSION |
|-------------|-------------------|--------------------------|-------------------------|-------------------|--------------------|------------------------|--------|
| Part Number | Weight lb (kg) | Overall Width in (mm) | Raking Width in (mm) | Height in (mm) | Number of Teeth | Required Hydraulics | Price |
| 317-1241 | 2948 (1340) | 106 (2697) | 98 (2495) | 65 (1653) | 8 | None | \$ |
| 317-1244* | 4943 (2247) | 120 (3047) | 112 (2844) | 74 (1875) | 9 | 3rd Function | \$ |
| 317-1245* | 4321 (1960) | 92 (2348) | 85 (2146) | 74 (1875) | 7 | 3rd Function | \$ |
| 432-8224** | 4612 (2092) | 92 (2348) | 85 (2146) | 74 (1875) | 7 | 3rd Function | \$ |

*Double top clamp

**Full width clamp

SMALL WHEEL LOADERS ATTACHMENTS | 2021

Pallet Fork Carriages and Forks

offer improved operator visibility and are designed to meet a wide variety of material handling needs.

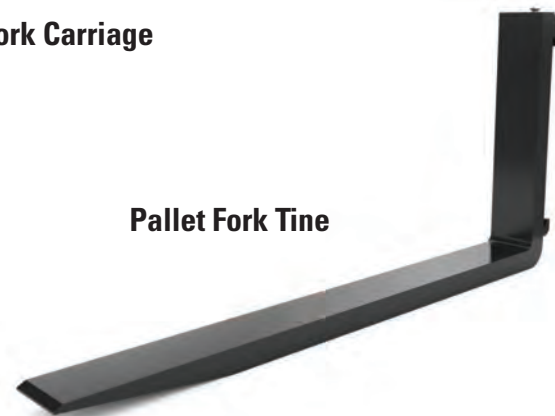


| FORK CARRIAGE – PALLET | | | | | | FUSION |
|------------------------|-------|-------------------|------------------|-------------------|-------------------|--------|
| Part Number | Class | Weight lb (kg) | Width in (mm) | Length in (mm) | Height in (mm) | Price |
| 532-8222* | 4 | 1570 (712) | 62 (1566) | 24 (610) | 40 (1006) | \$ |

*Requires 2 x Class 4 Offset forks/tines



Fusion Fork Carriage



Pallet Fork Tine

| FORK TINES | | | | | | | |
|-------------|-------------------|------------------------|---------------------------|------------------|----------------------|-------------------|-------|
| Part Number | Weight lb (kg) | Tine Length in (mm) | Overall Length in (mm) | Width in (mm) | Thickness in (mm) | Height in (mm) | Price |
| 371-2348* | 298 (135) | 48 (1220) | 52 (1321) | 6 (150) | 2.4 (60) | 30 (758) | \$ |
| 371-2354* | 322 (146) | 54 (1370) | 58 (1471) | 6 (150) | 2.4 (60) | 30 (758) | \$ |
| 371-2360* | 341 (155) | 60 (1524) | 64 (1625) | 6 (150) | 2.4 (60) | 30 (758) | \$ |

*Order two forks for a complete set. For use with Class 4 carriage.

SMALL WHEEL LOADERS ATTACHMENTS | 2021



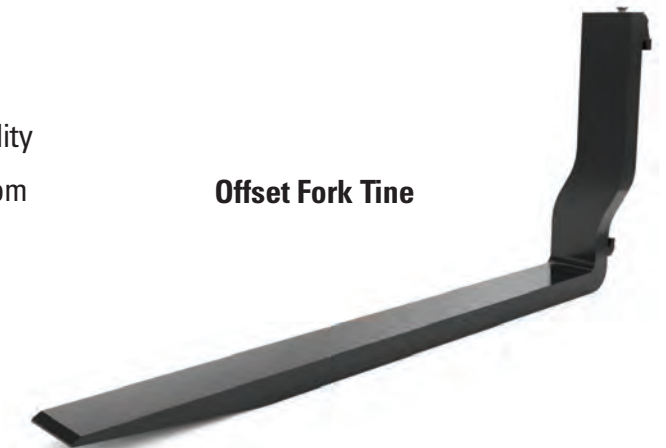
HPL - Wide (L50)
Pallet Fork Carriage

| FORK CARRIAGE – PALLET | | | | HPL - WIDE (L50) | |
|------------------------|-------|-------------------|------------------|-------------------|-------|
| Part Number | Class | Weight lb (kg) | Width in (mm) | Height in (mm) | Price |
| 555-3376* | 4 | 714 (324) | 62 (1566) | 38 (953) | \$ |

*Requires 2 x Class 4 forks/tines

Offset Pallet Fork Tines offer improved visibility for the Fusion interface and also prevent loader arms from dragging when loading and unloading trucks.

Offset Fork Tine



| FORK TINES – OFFSET | | | | | | | | |
|---------------------|-------------------|------------------------|---------------------------|------------------|----------------------|-------------------|-------|-------|
| Part Number | Weight lb (kg) | Tine Length in (mm) | Overall Length in (mm) | Width in (mm) | Thickness in (mm) | Height in (mm) | Side | Price |
| 371-2374* | 301 (137) | 48 (1220) | 52 (1321) | 6 (150) | 2.4 (60) | 30 (758) | Right | \$ |
| 371-2375* | 301 (137) | 48 (1220) | 52 (1321) | 6 (150) | 2.4 (60) | 30 (758) | Left | \$ |
| 360-3354* | 323 (147) | 54 (1370) | 58 (1475) | 6 (150) | 2.4 (60) | 30 (758) | Left | \$ |
| 360-3355* | 323 (147) | 54 (1370) | 58 (1475) | 6 (150) | 2.4 (60) | 30 (758) | Right | \$ |
| 371-2377* | 348 (158) | 60 (1524) | 64 (1625) | 6 (150) | 2.4 (60) | 30 (758) | Right | \$ |
| 371-2376* | 348 (158) | 60 (1524) | 64 (1625) | 6 (150) | 2.4 (60) | 30 (758) | Left | \$ |

*Order a left and right fork for a complete set. For use with Class 4 carriage.

SMALL WHEEL LOADERS ATTACHMENTS | 2021



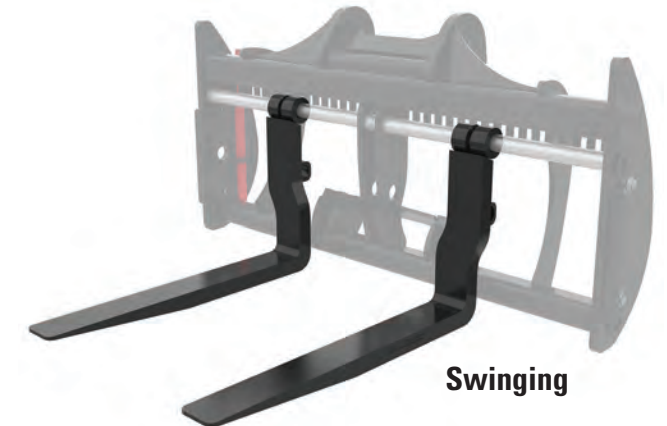
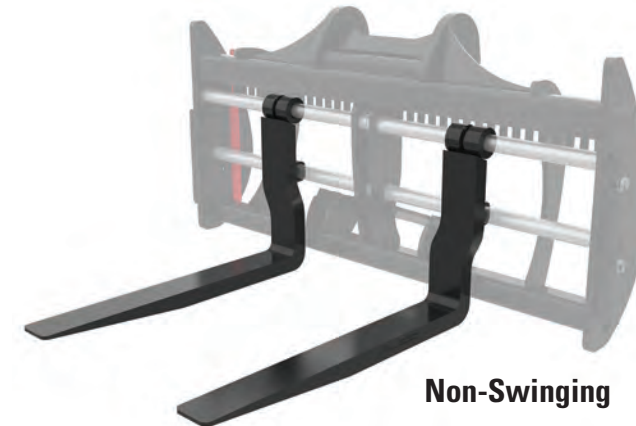
Construction Forks are wider than pallet forks and designed for heavy duty applications. Fork tines can be configured to allow tines to either swing or stay in a fixed position

| FORKS – CONSTRUCTION | | | | | | | FUSION |
|----------------------|-------------------|------------------------|---------------------------|------------------|----------------------|-------------------|--------|
| Part Number | Weight lb (kg) | Tine Length in (mm) | Overall Length in (mm) | Width in (mm) | Thickness in (mm) | Height in (mm) | Price |
| 538-3866* | 2121 (962) | 60 (1524) | 85 (2169) | 6 (150) | 3 (75) | 33 (841) | \$ |
| 538-3867* | 2216 (1005) | 72 (1829) | 97 (2473) | 6 (150) | 3 (75) | 33 (841) | \$ |

*Includes two forks/tines

SMALL WHEEL LOADERS ATTACHMENTS | 2021

Construction Fork Carriages are wider than pallet fork carriages and can be configured to allow tines to either swing or stay in a fixed position.



| FORK CARRIAGE – HEAVY DUTY CONSTRUCTION | | | | | FUSION |
|---|-------------------|------------------|-------------------|-------|--------|
| Part Number | Weight lb (kg) | Width in (mm) | Height in (mm) | Price | |
| 592-1005* | 1149 (521) | 84 (2134) | 43 (1095) | \$ | |

*Requires 1 set of tines (not included)

| FORK KITS – HEAVY DUTY CONSTRUCTION | | | | FUSION |
|-------------------------------------|------------------------|-----------------------|---------------------------|--------|
| Part Number | Tine Length in (mm) | Tine Width in (mm) | Tine Thickness in (mm) | Price |
| 315-1414* | 48 (1200) | 6 (150) | 2.5 (65) | \$ |
| 314-7445* | 60 (1524) | 6 (150) | 2.5 (65) | \$ |
| 315-1415* | 72 (1829) | 6 (150) | 2.5 (65) | \$ |

*For use with 592-1005 carriage. Kits include both left hand and right hand tines.

Swinging and Floating Forks Benefits

Swinging
Fork tines swing freely as the carriage angle changes with the benefit of the tines staying level with the ground. Swinging tines are easier to line up because the operator does not have to adjust the carriage angle.

Floating
Fork tines move up and down along vertical cutouts on the carriage frame. This feature, known as "tine drop," allows the tines to sit below the frame of the carriage which enhances the operator's sightline and makes them ideal for use when working on uneven ground.

SMALL WHEEL LOADERS ATTACHMENTS | 2021

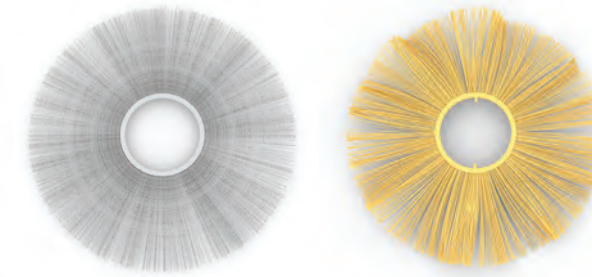
SMALL WHEEL LOADERS ATTACHMENTS | 2021

Angle Brooms

are used for clearing parking lots, industrial plants, mill yards, airport runways, streets, driveways and lanes.



BA25
Manual Angle Broom



BA30 Hydraulic Angle Broom
Steel and Poly Bristles



BA30
Manual Angle Broom

| ANGLE BROOMS | | SWL | |
|--------------------------------------|------------|-----------------|-----------------|
| MODEL | BA25 | BA25 | BA25 |
| Width - in (mm) | 106 (2700) | 106 (2700) | 106 (2700) |
| Sweeping Width - in (mm) | 98 (2500) | 98 (2500) | 98 (2500) |
| Brush Diameter - in (mm) | 28 (700) | 28 (700) | 28 (700) |
| Brush Material (50% Poly / 50% Wire) | Yes | Yes | Yes |
| Height - in (mm) | 51 (1300) | 51 (1300) | 51 (1300) |
| Length - in (mm) | 60 (1535) | 60 (1535) | 60 (1535) |
| Weight - lb (kg) | 948 (430) | 970 (440) | 970 (440) |
| Angling | Manual | Hydraulic (12V) | Hydraulic (24V) |
| Part Number | 600-8979* | 600-8980* | 600-8981* |
| Price | \$ | \$ | \$ |

*Does not include hook; requires hook selection

| ANGLE BROOMS | | SWL | |
|--------------------------------------|------------|-----------------|-----------------|
| MODEL | BA30 | BA30 | BA30 |
| Width - in (mm) | 126 (3200) | 126 (3200) | 126 (3200) |
| Sweeping Width - in (mm) | 118 (3000) | 118 (3000) | 118 (3000) |
| Brush Diameter - in (mm) | 36 (915) | 36 (915) | 36 (915) |
| Brush Material (50% Poly / 50% Wire) | Yes | Yes | Yes |
| Height - in (mm) | 60 (1520) | 60 (1520) | 60 (1520) |
| Length - in (mm) | 64 (1630) | 64 (1630) | 64 (1630) |
| Weight - lb (kg) | 1100 (500) | 1124 (510) | 1124 (510) |
| Angling | Manual | Hydraulic (24V) | Hydraulic (24V) |
| Part Number | 202-7700* | 600-8983* | 600-8983* |
| Price | \$ | \$ | \$ |

*Does not include hook; requires hook selection

| BRISTLES | | | SWL |
|-------------|----------|----------|----------|
| BA25 BROOM | POLY | STEEL | SPACER |
| Part Number | 302-8211 | 202-8957 | 421-1549 |
| Quantity* | 28 | 27 | 54 |
| Price | \$ | \$ | \$ |

*Quantities are number needed to complete one set of mixed (poly/steel) bristles.

| HOOK SELECTION | | | SWL |
|----------------|--------------|----------|-------|
| MACHINE | INTERFACE | BA25 | Price |
| 910 - 938 | ISO (L50) | 487-8480 | \$ |
| Legacy | IT (IT38) | 487-8481 | \$ |
| 910 - 938 | IT (IT14/28) | 487-8490 | \$ |
| 918 - 938 | FUSION | 497-9469 | \$ |

| BRISTLES | | | SWL |
|-------------|----------|----------|----------|
| BA30 BROOM | POLY | STEEL | SPACER |
| Part Number | 606-2973 | 138-1160 | 421-1549 |
| Quantity* | 34 | 33 | 66 |
| Price | \$ | \$ | \$ |

*Quantities are number needed to complete one set of mixed (poly/steel) bristles.

| HOOK SELECTION | | | SWL |
|----------------|--------------|----------|-------|
| MACHINE | INTERFACE | BA30 | Price |
| 910 - 938 | ISO (L50) | 487-8480 | \$ |
| Legacy | IT (IT38) | 487-8481 | \$ |
| 910 - 938 | IT (IT14/28) | 487-8490 | \$ |
| 918 - 938 | FUSION | 497-9469 | \$ |

SMALL WHEEL LOADERS ATTACHMENTS | 2021



| SPECIAL APPLICATION BROOMS | | SWL |
|----------------------------|------------|------------|
| MODEL | SA25 | SA30 |
| Width - in (mm) | 109 (2757) | 128 (3257) |
| Sweeping Width - in (mm) | 98 (2500) | 118 (3000) |
| Brush Diameter - in (mm) | 36 (915) | 36 (915) |
| Brush Material (100% Poly) | Yes | Yes |
| Height - in (mm) | 56 (1422) | 56 (1422) |
| Length - in (mm) | 64 (1636) | 64 (1636) |
| Weight - lb (kg) | 1640 (743) | 1800 (816) |
| Angling | Hydraulic | Hydraulic |
| Part Number | 267-4961* | 257-9680* |
| Price | \$ | \$ |

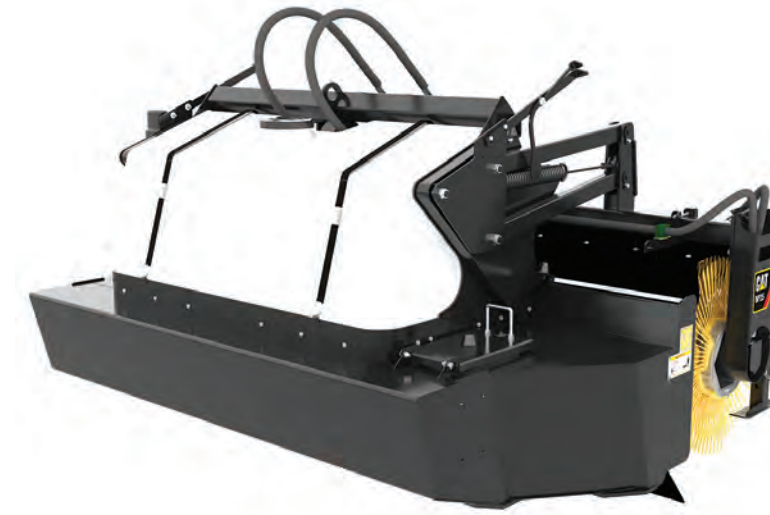
*Does not include hook; requires hook selection

| BRISTLES | | SWL | |
|------------------------------|----------|-------|----------|
| SPECIAL APPLICATION 25 BROOM | POLY C* | STEEL | SPACER |
| Part Number | 239-6817 | - | 421-1549 |
| Quantity | 32 | - | 31 |
| Price | \$ | \$ | \$ |
| SPECIAL APPLICATION 30 BROOM | POLY C* | STEEL | SPACER |
| Part Number | 239-6817 | - | 421-1549 |
| Quantity | 40 | ---- | 39 |
| Price | \$ | \$ | \$ |

*C - Convuluted (not straight)

| HOOK SELECTION | | | SWL |
|----------------|--------------|-------------|-------|
| MACHINE | INTERFACE | SA25 / SA30 | Price |
| 910 – 938 | ISO (L50) | 487-8480 | \$ |
| Legacy | IT (IT38) | 487-8481 | \$ |
| 910 – 938 | IT (IT14/28) | 487-8490 | \$ |
| 918 – 938 | FUSION | 497-9469 | \$ |

SMALL WHEEL LOADERS ATTACHMENTS | 2021



| PICKUP BROOMS | | SWL |
|--------------------------------------|------------|-----|
| MODEL | BP25 | |
| Width - in (mm) | 1435 (651) | |
| Sweeping Width - in (mm) | 98 (2500) | |
| Brush Diameter - in (mm) | 28 (700) | |
| Brush Material (50% Poly / 50% Wire) | Yes | |
| Height - in (mm) | 59 (1500) | |
| Length - in (mm) | 71 (1800) | |
| Weight - lb (kg) | 1435 (651) | |
| Part Number | 487-8484* | |
| Price | \$ | |

*Does not include hook; requires hook selection

| BRISTLES | | SWL | |
|-------------|----------|-------|----------|
| BP25 BROOM | POLY | STEEL | SPACER |
| Part Number | 157-2556 | - | 421-1549 |
| Quantity | 34 | - | 33 |
| Price | \$ | \$ | \$ |

| HOOK SELECTION | | | SWL |
|----------------|--------------|----------|-------|
| MACHINE | INTERFACE | BP25 | Price |
| 910 – 938 | ISO (L50) | 487-8480 | \$ |
| Legacy | IT (IT38) | 487-8481 | \$ |
| 910 – 938 | IT (IT14/28) | 487-8490 | \$ |
| 918 – 938 | FUSION | 497-9469 | \$ |

SMALL WHEEL LOADERS ATTACHMENTS | 2021

SMALL WHEEL LOADERS ATTACHMENTS | 2021

| BROOM KITS | | SWL |
|-------------|--|-------|
| Part Number | Description | Price |
| 497-9469 | Broom Hook, Fusion - For use with Fusion quick coupler | \$ |
| 487-8490 | Broom Hook, IT - For use with standard quick coupler IT14/28 | \$ |
| 487-8481 | Broom Hook, IT38 - For use with standard quick coupler IT38 | \$ |
| 487-8480 | Broom Hook, HPL - Wide (L50) - For use with horizontal pin lock coupler HPL - Wide (L50) | \$ |
| 446-9301 | Broom Kit, Electric, SWL K/M – For use with all brooms on 924-938K/M series | \$ |
| 602-6792 | Broom Kit, Electric, SWL K/M – Includes 8 pins electrical harness FOR USE WITH: All brooms on 924-938K/M Series | \$ |
| 173-2190 | Broom Kit, Electric, SWL G/H + MG - For use with: 938H, 930H, 928Hz, 928Gz, 924Hz, 924Gz, 924H and IT28G | \$ |
| 363-4263 | Broom Kit, Electric, BP25, 924G/H - For use with BP25 and 924G/H | \$ |
| 457-4632 | QDS Kit, Twist, M45 - Converts a machine using the flat face type quick disconnects to a machine using the screw to connect type quick disconnects. | \$ |
| 269-9333 | BA25 Shield Extension - Spray protection for BA25 | \$ |
| 269-9281 | BA30 Shield Extension - Spray protection for BA30 | \$ |
| 497-9459 | BA25 Broom Spray Kit, 24V | \$ |
| 497-9460 | BA30 Broom Spray Kit, 24V | \$ |
| 497-9461 | BA25 Broom Tank Kit, 105 gallons (Requires 497-9459 KIT SPRAY, BA25, 24V) | \$ |
| 497-9462 | BA30 Broom Tank Kit, 158 gallons (Requires 497-9460 KIT SPRAY, BA30, 24V) | \$ |

***NOTE:** Use the IT coupler to connect non-current small wheel loader worktools to your existing fleet.
For a list of non-current IT worktools, please contact your local Cat dealer.

| QUICK COUPLER | | | IT |
|---------------|---------------------------------------|------------------------|-------|
| Part Number | Description | Machines | Price |
| 396-1605* | IT (Standard) hydraulic quick coupler | 924K, 930K, 926M, 930M | \$ |

| QUICK COUPLER | | HORIZONTAL PIN LOCK - WIDE | |
|---------------|---|----------------------------|-------|
| Part Number | Description | Machines | Price |
| 395-0329 | CAT HPL (horizontal pin lock - wide) hydraulic quick coupler, 2" pins and 4" top bar | 924K, 930K, 926M, 930M | \$ |

| COUPLING QD KIT | | |
|-----------------|--|-------|
| Part Number | Description | Price |
| 455-7380 | Provides a set (male and female) of flat face connect under pressure quick disconnects. These are twist to connect M45. | \$ |

| PUSH QDS SIZE 12 KIT | | |
|----------------------|--|-------|
| Part Number | Description | Price |
| 196-4191 | Kit provides a set (male and female) "Push to Connect" Quick Disconnects. For pre 2014 K series machines. | \$ |

