



SERVICE PARTS LIST

BULLETIN NO.
55-24-2670

SPECIFY CATALOG NO. AND SERIAL NO. WHEN ORDERING PARTS		REVISED BULLETIN	DATE
Cordless M18™ SDS Rotary Hammer			Feb. 2014
CATALOG NO. 2612-059	STARTING SERIAL NO. F53A	WIRING INSTRUCTION SEE PAGE 4	

EXAMPLE:
00 0 Component Parts (Small #) Are Included
When Ordering The Assembly (Large #).

● = Component of the
14-46-2612 Service
Maintenance Kit.
See Page 2.

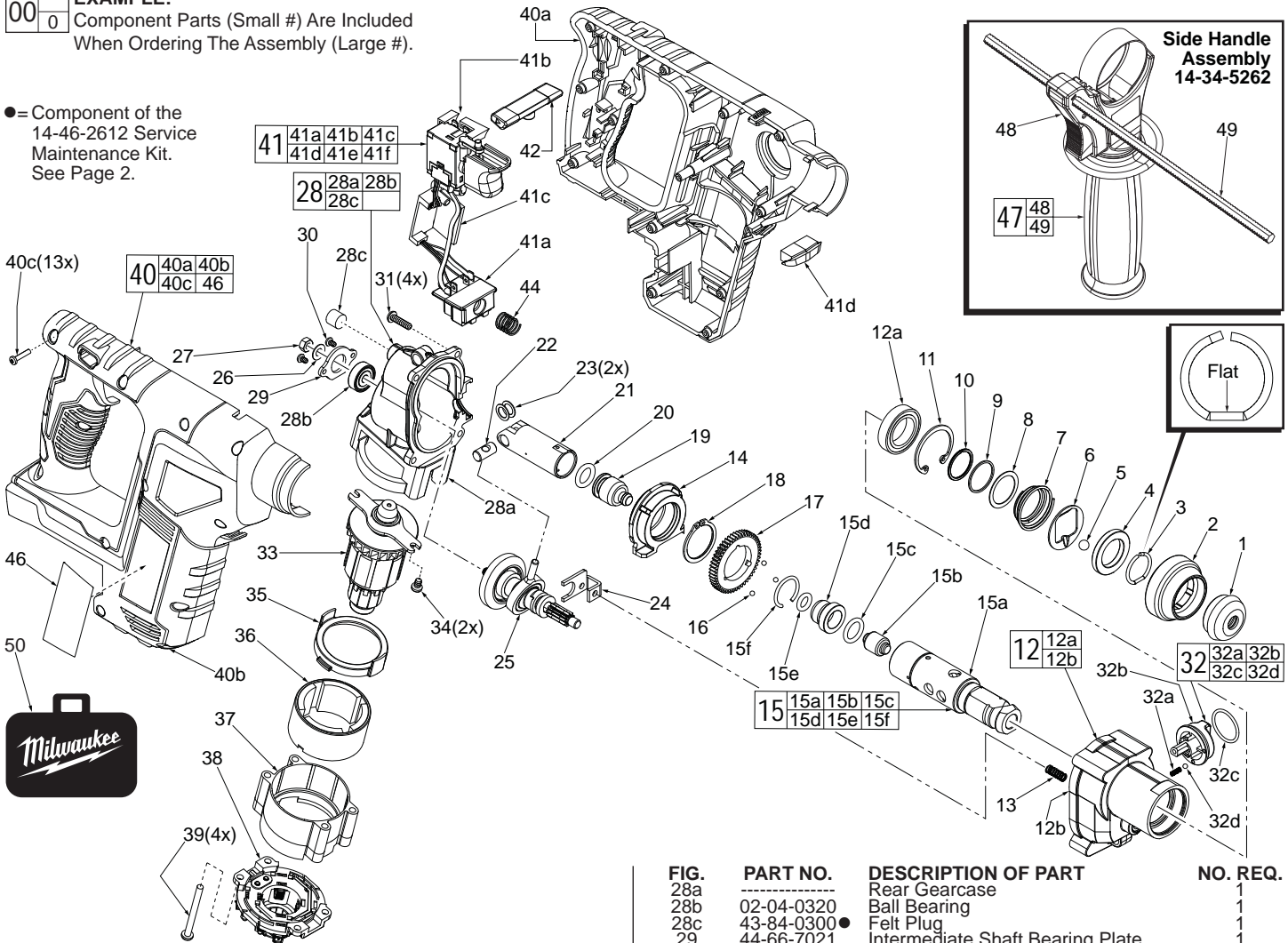
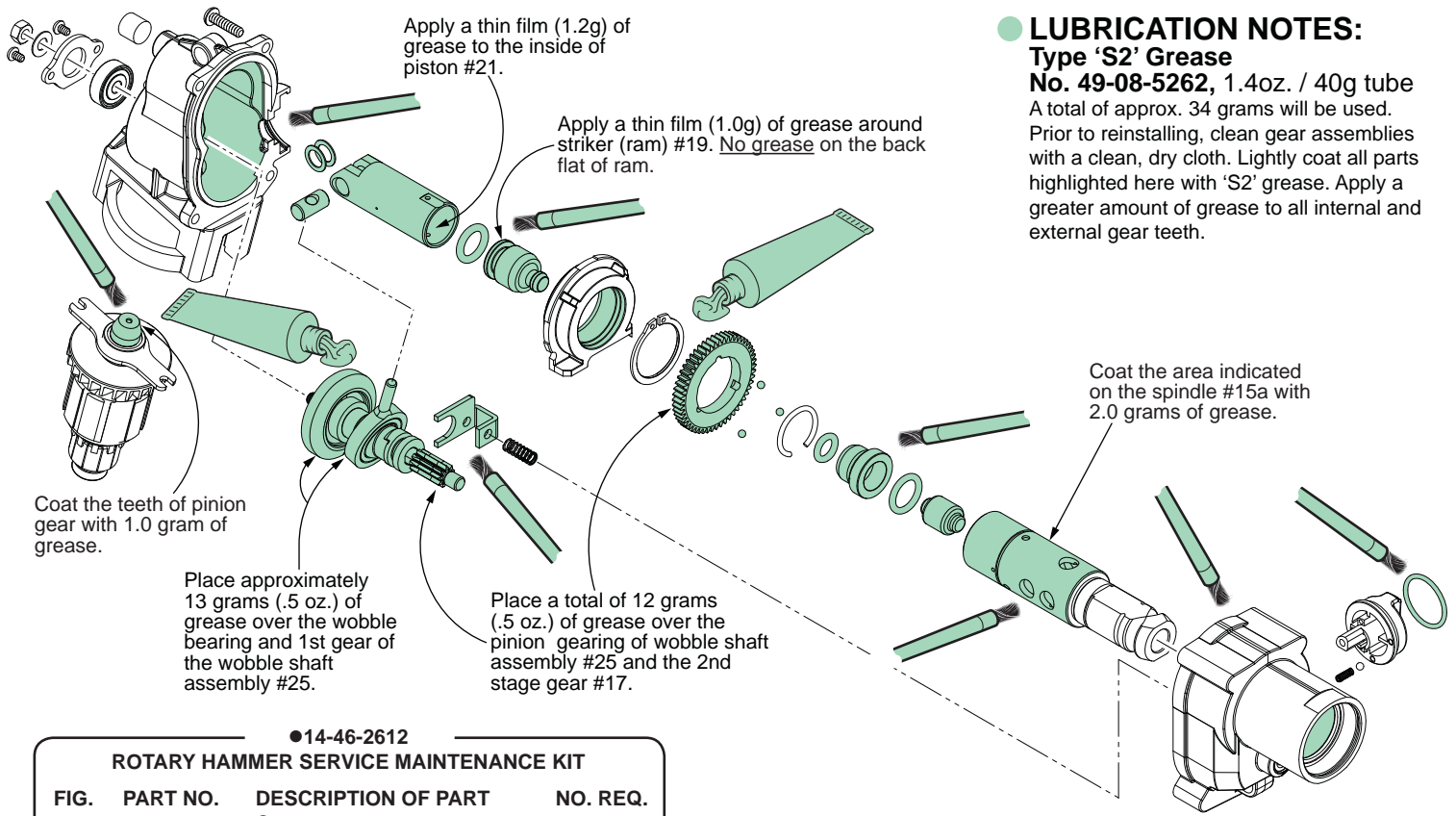


FIG.	PART NO.	DESCRIPTION OF PART	NO. REQ.
1	42-52-5262 ●	Cap	1
2	42-96-0035 ●	Sleeve	1
3	44-90-0106 ●	Snap Ring	1
4	44-90-0107 ●	Holding Ring	1
5	02-02-0146 ●	6.5mm Steel Ball	1
6	42-36-0039 ●	Support Plate	1
7	40-50-5262 ●	Pressure Spring	1
8	45-88-0226 ●	Flat Washer	1
9	45-88-0227 ●	Flat Washer	1
10	44-90-0108 ●	Spiral Retaining Ring	1
11	34-80-0210 ●	Retaining Ring	1
12	14-30-6235 ●	Front Gearcase Assembly	1
12a	02-04-0315 ●	Ball Bearing	1
12b	-----	Front Gearcase w/ Shift Pin & Needle Brg.	1
13	40-50-1215 ●	Shifter Spring	1
14	28-72-2612 ●	Bearing Holder Assy. w/ Needle Bearing	1
15	38-50-1035 ●	Spindle Assembly	1
15a	38-50-1040 ●	Spindle	1
15b	45-08-0505 ●	Anvil	1
15c	34-40-0530 ●	O-Ring	1
15d	45-22-0008 ●	Sleeve	1
15e	34-40-0531 ●	O-Ring	1
15f	44-90-0109 ●	Snap Ring	1
16	02-02-1230 ●	3.0mm Steel Ball	3
17	32-44-5375 ●	2nd Stage Gear	1
18	34-60-0140 ●	Retaining Ring	1
19	45-56-0025 ●	Striker (Ram)	1
20	34-40-0532 ●	O-Ring	1
21	44-62-0147 ●	Piston	1
22	44-60-0555 ●	Wrist Pin	1
23	45-88-0228 ●	Washer	2
24	44-66-7020 ●	Shifting Clip	1
25	36-92-5200 ●	Wobble Shaft Assembly	1
26	45-88-0562 ●	Lock Washer	1
27	05-55-0202 ●	Jam Nut	1
28	14-30-6236 ●	Rear Gearcase Assembly w/ Ball Bearing	1

FIG.	PART NO.	DESCRIPTION OF PART	NO. REQ.
28a	-----	Rear Gearcase	1
28b	02-04-0320 ●	Ball Bearing	1
28c	43-84-0300 ●	Felt Plug	1
29	44-66-7021 ●	Intermediate Shaft Bearing Plate	1
30	05-88-0926 ●	M3 x 5 Pan Hd. Torx	2
31	05-74-0010 ●	M4 x 16mm Pan Hd. T-20 Screw	4
32	44-10-0610 ●	Shift Knob Assembly	1
32a	40-50-1220 ●	Shift Knob Spring	1
32b	44-10-0605 ●	Shift Knob	1
32c	34-40-0533 ●	O-Ring	1
32d	02-02-1230 ●	3.0mm Steel Ball	1
33	16-01-3095 ●	Armature Assembly	1
34	05-88-1202 ●	M4 x 6mm Screw	2
35	31-05-7045 ●	Fan Baffle	1
36	18-01-3020 ●	Service Field	1
37	31-50-6100 ●	Motor Cage	1
38	22-22-5400 ●	Brush Card Assembly	1
39	05-88-1260 ●	M4 x 0.7 x 45mm t-20 Screw	4
40	14-34-6375 ●	Handle Housing Assembly	1
40a	-----	Support Housing (Left Housing Halve)	1
40b	-----	Cover Housing (Right Housing Halve)	1
40c	06-82-7225 ●	4-20 x 1/2" Pan Hd. Plastite T-10 Screw	13
41	23-66-6500 ●	Switch / Electronics Assembly	1
41a	-----	Terminal Block	1
41b	-----	On-Off Switch	1
41c	-----	PCB Assembly	1
41d	-----	LED Assembly	1
41e	-----	M3 x 5mm Screw (Not Shown, see wiring)	2
41f	48-88-1980 ●	Spring Washer (Not Shown, see wiring)	2
42	42-42-7010 ●	Fwd./Rev. Shuttle	1
44	40-50-1090 ●	Terminal Block Spring	1
46	-----	Service Nameplate	1
47	14-34-5262 ●	Side Handle Assembly	1
48	31-05-5265 ●	Side Handle	1
49	44-94-5381 ●	Depth Rod	1
50	42-55-2612 ●	Blow Molded Carrying Case	1
	49-08-5262 ●	Type 'S2' Grease, 1.4 oz. / 40gr. Tube (Not Shown)	1



LUBRICATION NOTES:

Type 'S2' Grease

No. 49-08-5262, 1.4oz. / 40g tube
 A total of approx. 34 grams will be used.
 Prior to reinstalling, clean gear assemblies with a clean, dry cloth. Lightly coat all parts highlighted here with 'S2' grease. Apply a greater amount of grease to all internal and external gear teeth.

●14-46-2612

ROTARY HAMMER SERVICE MAINTENANCE KIT

FIG.	PART NO.	DESCRIPTION OF PART	NO. REQ.
1	42-52-5262	Cap	1
2	42-96-0035	Sleeve	1
3	44-90-0106	Snap Ring	1
5	02-02-0146	6.5mm Steel Ball	1
15c	34-40-0530	O-Ring	1
15e	34-40-0531	O-Ring	1
15f	44-90-0109	Snap Ring	1
20	34-40-0532	O-Ring	1
23	45-88-0228	Wrist Pin Washer	2
26	45-88-0562	Lock Washer	1
27	05-55-0202	Jam Nut	1
28c	43-84-0300	Felt Plug	1
32a	40-50-1220	Spring	1
32c	34-40-0533	O-Ring	1
32d	02-02-1230	3.0 Steel Ball	1
38	22-22-5400	Brush Card Assembly	1
-	49-08-5262	1.4 oz. / 40gr. Tube 'S 2' Grease	1

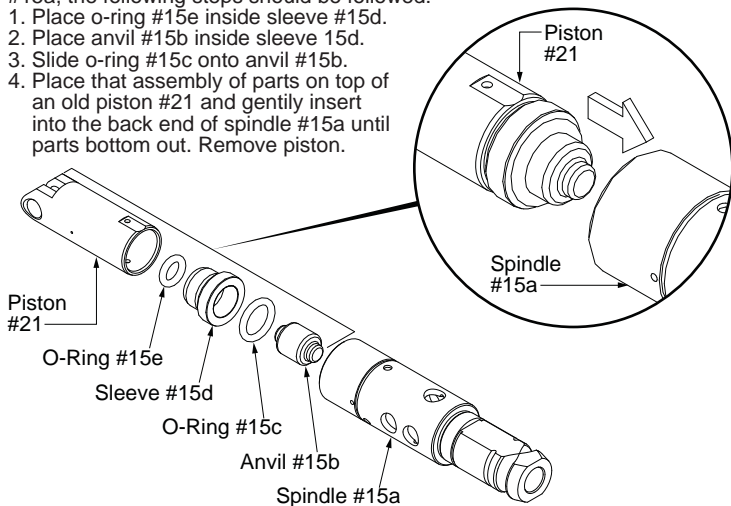
SCREW TORQUE SPECIFICATIONS

FIG.	PART NO.	WHERE USED	SEAT TORQUE	
			(KG/CM)	(IN/LBS)
27	05-55-0202	Jam Nut	40-50	35-43
30	05-88-0926	Inter. Shaft Bearing Plate	4-6	3-5
31	05-74-0010	Rear Gearcase	12-17	10-15
34	05-88-1202	Motor Bearing Plate	12-17	10-15
39	05-88-1260	Brush Card / Motor Cage	12-17	10-15
40c	06-82-7225	Cover Housing	7-10	6-8
41e	-----	Switch Wires to Brush Card	5-8	4-7

NOTE:

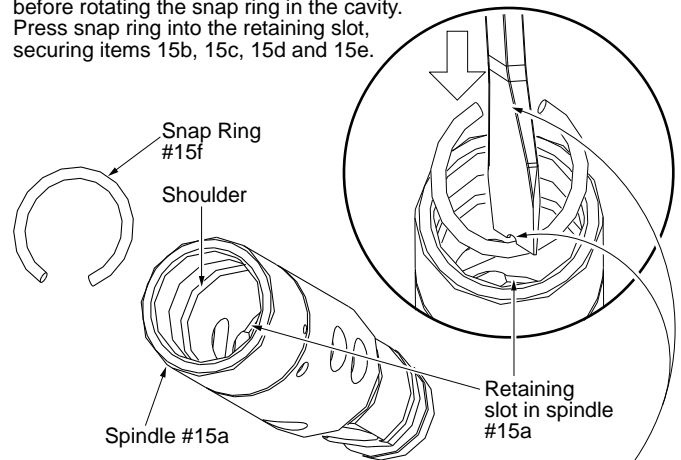
As an aid to installing items #15b, #15c, #15d and #15e squarely into spindle #15a, the following steps should be followed:

1. Place o-ring #15e inside sleeve #15d.
2. Place anvil #15b inside sleeve 15d.
3. Slide o-ring #15c onto anvil #15b.
4. Place that assembly of parts on top of an old piston #21 and gently insert into the back end of spindle #15a until parts bottom out. Remove piston.



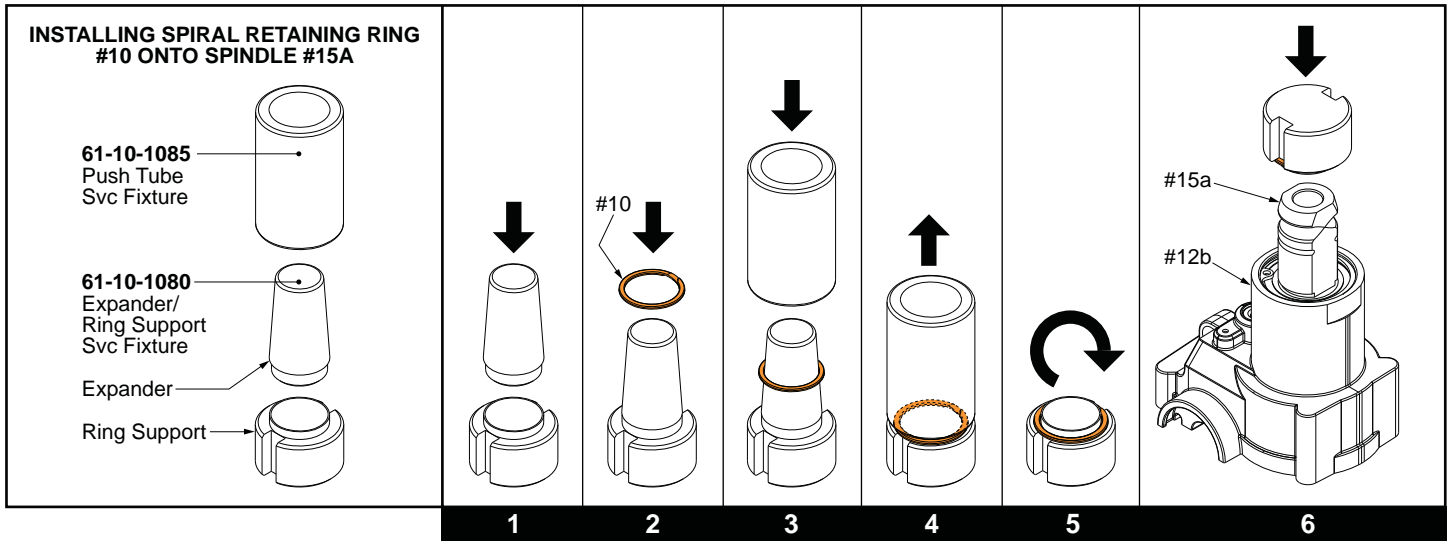
NOTE:

As an aid to installing snap ring #15f into spindle #15a, rest the snap ring on rear spindle, perpendicular to the opening. To condense the snap ring, use a flat blade screwdriver to push snap ring down into the spindle cavity. Push the snap ring past the shoulder in the spindle before rotating the snap ring in the cavity. Press snap ring into the retaining slot, securing items 15b, 15c, 15d and 15e.

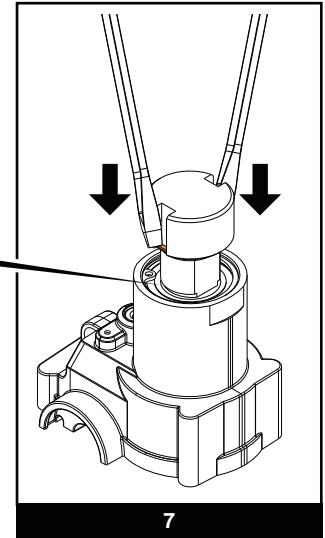
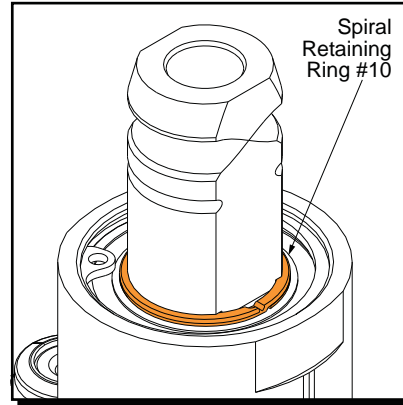


NOTE:

As an aid to installing snap ring, it may be helpful to file or grind a notch in the bottom flat of the screwdriver to accommodate the round of the snap ring. As force is applied to the snap ring, the open end of the ring will close in on the screwdriver. It may be necessary to do additional modifications to the screwdriver (grinding the sides of the blade or shaft) to allow for the insertion of the ring and the removal of the screwdriver.

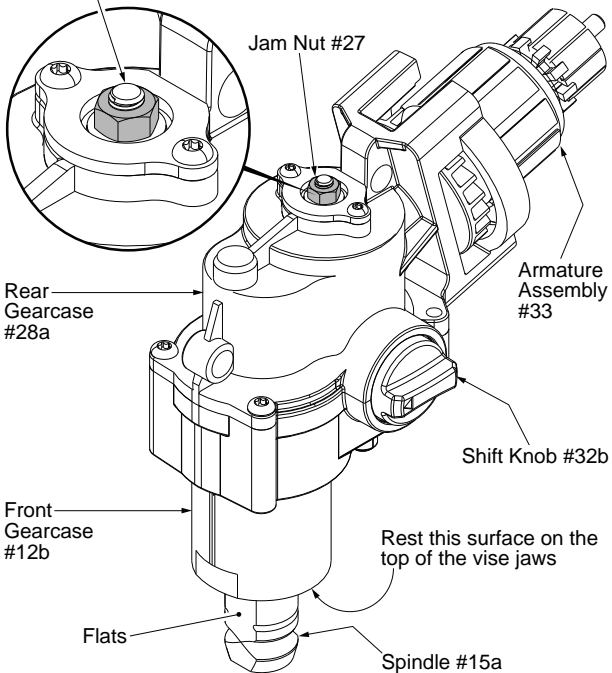


1. Assemble Expander/Ring Support Service Fixture (61-10-1080) by inserting the expander into the ring support as shown.
2. Place the assembled fixture on a flat, level surface. Place the Spiral Retaining Ring #10 squarely onto tapered end of the expander.
3. Place the Push Tube Service Fixture (61-10-1085) over the expander until it rests against the spiral retaining ring. With the use of a mallet, drive the push tube and spiral retaining ring down onto the ring support.
4. Remove the push tube. The spiral retaining ring has been expanded around the collar of the ring support.
5. Turn the ring support/spiral snap ring upside down.
6. Place the ring support/spiral snap ring over the top of spindle #15a.



7. Locate the two slots on the ring support. Place a flat blade screwdriver in each slot, resting on the spiral snap ring. (It is preferred that the same size screwdrivers are used). Place even downward pressure to remove #10 off of the ring support and onto the spindle. Slide the spiral snap ring down the length of the spindle. Seat squarely into groove of spindle as shown.

Intermediate shaft of
Wobble Shaft Assembly #25



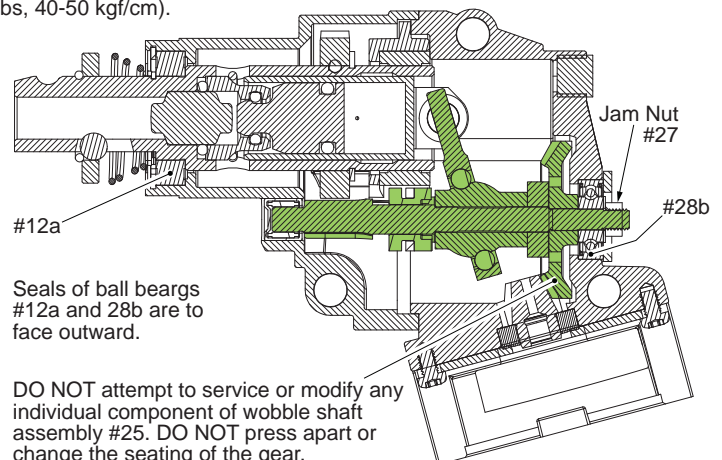
To properly secure the wobble shaft assembly #25 to the rear gearcase #28a, use the following procedures as an aid:

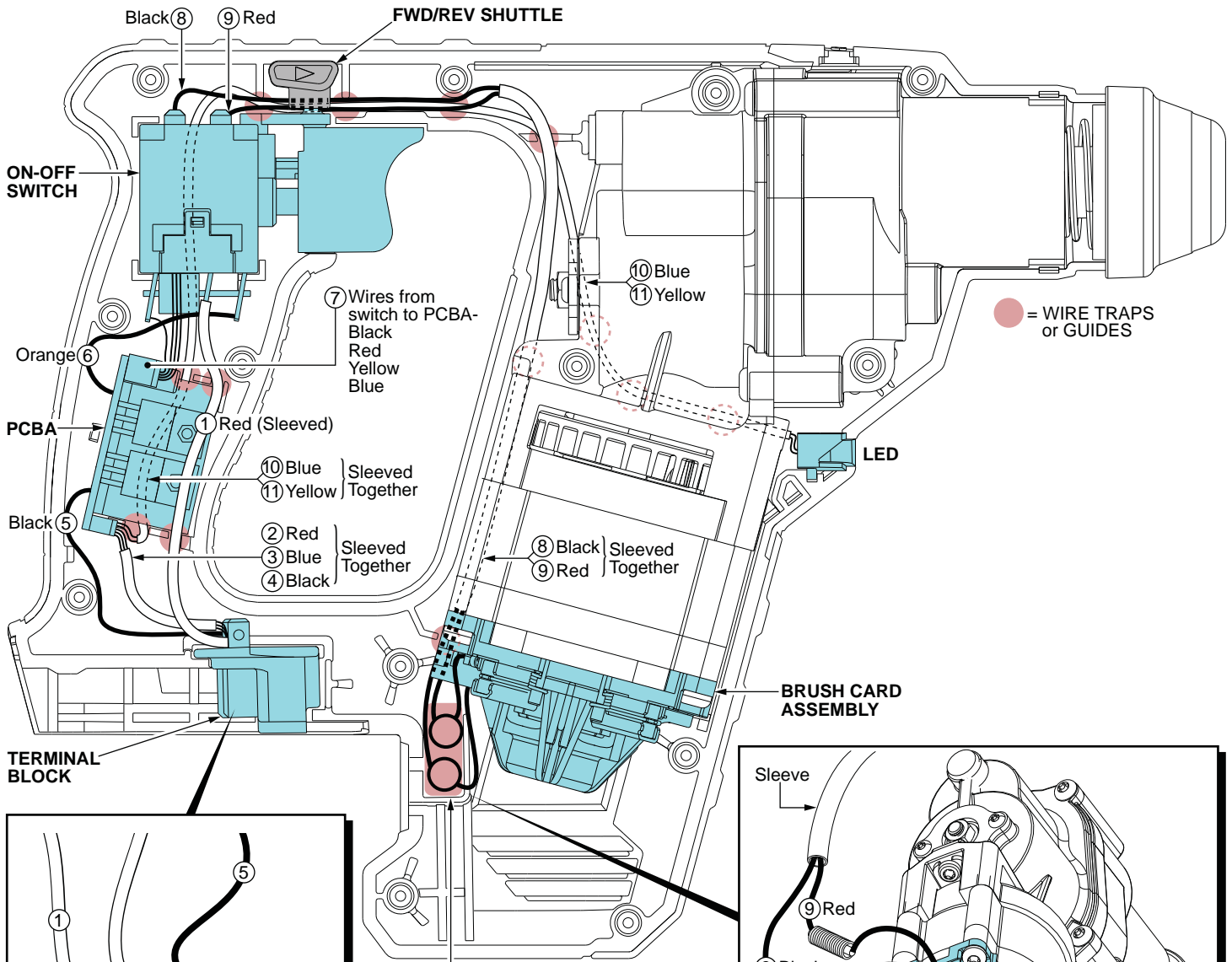
Place the assembly shown with the flats of the spindle #15a in a bench vise. Use brass vise jaw caps to protect the spindle. Assembly can rest with the front of the front gearcase #12b resting on top of the vise jaws for 'squareness' when setting the proper torque to the jam nut #27.

Place the shift knob #32b at the 'hammer with rotation' position.

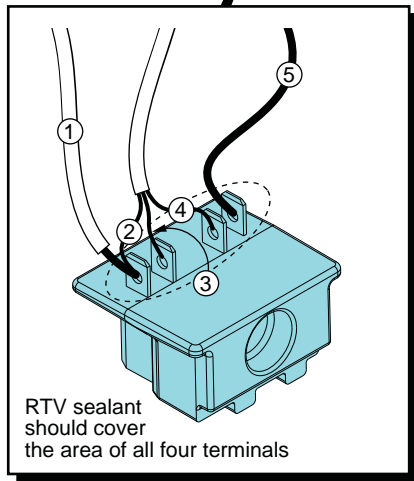
Place an M10 hex socket on the jam nut. Hold by hand the armature assembly #33 (armature pinion gear meshing with the bevel gear of the wobble shaft assembly) to prevent the wobble shaft assembly from spinning.

Torque the jam nut to 3-4 ft/lbs
(35-43 in/lbs, 40-50 kgf/cm).

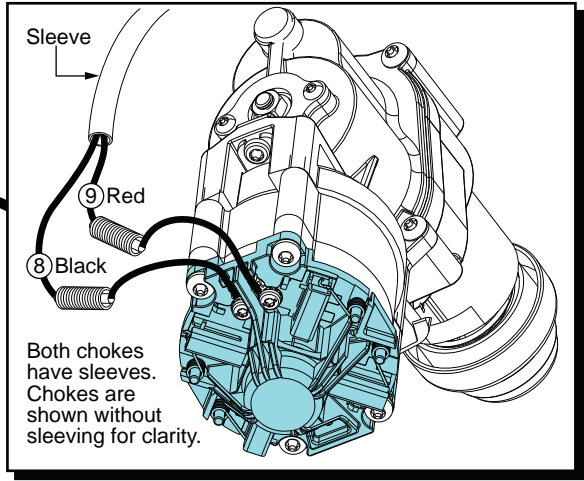




● = WIRE TRAPS or GUIDES



Chokes are to be placed in cavity of Support Housing (Left Housing Halve). Insert the chokes horizontally (sleeve end first) into cavity as shown. Push sleeved wires 8 and 9 firmly down into adjacent wire trap. Be sure wires connecting to the brush card assembly do not interfere with the closing of the housing halves.



NOTE:
 The inline chokes are components of the electrical system for tools offered in the European market. Disregard choke information for tools offered elsewhere.