



OM-1500-16

210 243L

2008-04

Processes



MIG (GMAW) Welding

Flux Cored (FCAW) Welding

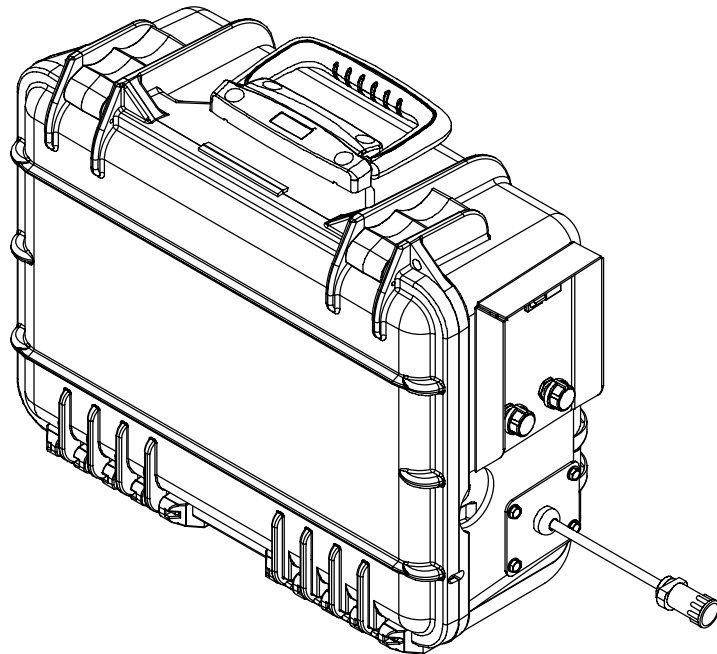
Description



Wire Feeder

CE

SuitCase 8RC



Visit our website at
www.MillerWelds.com

OWNER'S MANUAL

File: MIG (GMAW)



From Miller to You

Thank you and congratulations on choosing Miller. Now you can get the job done and get it done right. We know you don't have time to do it any other way.

That's why when Niels Miller first started building arc welders in 1929, he made sure his products offered long-lasting value and superior quality. Like you, his customers couldn't afford anything less. Miller products had to be more than the best they could be. They had to be the best you could buy.

Today, the people that build and sell Miller products continue the tradition. They're just as committed to providing equipment and service that meets the high standards of quality and value established in 1929.

This Owner's Manual is designed to help you get the most out of your Miller products. Please take time to read the Safety precautions. They will help you protect yourself against potential hazards on the worksite.

We've made installation and operation quick and easy. With Miller you can count on years of reliable service with proper maintenance. And if for some reason the unit needs repair, there's a Troubleshooting section that will help you figure out what the problem is. The parts list will then help you to decide the exact part you may need to fix the problem. Warranty and service information for your particular model are also provided.



Miller is the first welding equipment manufacturer in the U.S.A. to be registered to the ISO 9001:2000 Quality System Standard.

Miller Electric manufactures a full line of welders and welding related equipment. For information on other quality Miller products, contact your local Miller distributor to receive the latest full line catalog or individual specification sheets. **To locate your nearest distributor or service agency call 1-800-4-A-Miller, or visit us at www.MillerWelds.com on the web.**



Working as hard as you do – every power source from Miller is backed by the most hassle-free warranty in the business.



TABLE OF CONTENTS

SECTION 1 – SAFETY PRECAUTIONS - READ BEFORE USING	1
1-1. Symbol Usage	1
1-2. Arc Welding Hazards	1
1-3. Additional Symbols For Installation, Operation, And Maintenance	3
1-4. California Proposition 65 Warnings	4
1-5. Principal Safety Standards	4
1-6. EMF Information	4
SECTION 2 – CONSIGNES DE SÉCURITÉ – LIRE AVANT UTILISATION	5
2-1. Symboles utilisés	5
2-2. Dangers relatifs au soudage à l'arc	5
2-3. Dangers supplémentaires en relation avec l'installation, le fonctionnement et la maintenance	7
2-4. Proposition californienne 65 Avertissements	8
2-5. Principales normes de sécurité	9
2-6. Information EMF	9
SECTION 3 – DEFINITIONS	11
3-1. Warning Label Definitions	11
3-2. Manufacturer's Rating Label For CE Products	12
3-3. WEEE Label (For Products Sold Within The EU)	12
3-4. Symbols And Definitions	12
SECTION 4 – INSTALLATION	13
4-1. Specifications	13
4-2. 14-Pin Plug Information	13
4-3. Gun Recommendation Table	13
4-4. Equipment Connection Diagram	14
4-5. Installing And Aligning Wire Guide And Drive Rolls	15
4-6. Connecting Welding Gun	16
4-7. Connecting Shielding Gas	16
4-8. Connecting Weld Cable	17
4-9. Weld Cable Sizes*	18
4-10. Installing And Threading Welding Wire	19
SECTION 5 – OPERATION	20
5-1. Controls	20
5-2. Controls For Meter (Optional)	21
5-3. Setting Digital Meter Board PC4 DIP Switches	22
5-4. Gun Consumables Information	23
SECTION 6 – MAINTENANCE & TROUBLESHOOTING	24
6-1. Routine Maintenance	24
6-2. Overload Protection And Thermostat Protection	24
6-3. Troubleshooting	25
SECTION 7 – ELECTRICAL DIAGRAMS	26
SECTION 8 – PARTS LIST	28
OPTIONS AND ACCESSORIES	
WARRANTY	

Declaration of Conformity for European Community (CE) Products

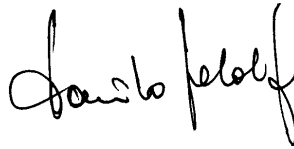
 This information is provided for units with CE certification (see rating label on unit).

Manufacturer:

Miller Electric Mfg. Co.
1635 W. Spencer St.
Appleton, WI 54914 USA
Phone: (920) 734-9821

European Contact:

Mr. Danilo Fedolfi,
Managing Director
ITW Welding Products Italy S.r.l.
Via Privata Iseo 6/E
20098 San Giuliano
Milanese, Italy
Phone: 39(02)98290-1
Fax: 39(02)98290203



European Contact Signature: _____

Declares that the product:

SuitCase 8RC

conforms to the following Directives and Standards:

Directives

Low Voltage Directive: 73/23/EEC

Electromagnetic Compatibility (EMC) Directive: 89/336/EEC

Machinery Directives: 98/37/EEC, 91/368/EEC, 92/31/EEC, 133/04, 93/68/EEC

Standards

Arc Welding Equipment – Part 5: Wire Feeders. IEC 60974-5 Ed. 1

Arc Welding Equipment – Part 10: Electromagnetic Compatibility (EMC) Requirements. IEC 60974-10 August 2002

Arc Welding Equipment – Part 1: Welding Power Sources. IEC 60974-1 Ed. 2.1

Degrees Of Protection Provided By Enclosure (IP Code) IEC 60529 Ed. 2.1

Insulation Coordination For Equipment Within Low-Voltage Systems –
Part 1: Principles, Requirements and Tests: IEC 60664-1 Ed. 1.1

The product technical file is maintained by the responsible Business Unit(s) located at the manufacturing facility.

SECTION 1 – SAFETY PRECAUTIONS - READ BEFORE USING

som_2007-04

 Protect yourself and others from injury — read and follow these precautions.

1-1. Symbol Usage



DANGER! – Indicates a hazardous situation which, if not avoided, will result in death or serious injury. The possible hazards are shown in the adjoining symbols or explained in the text.



Indicates a hazardous situation which, if not avoided, could result in death or serious injury. The possible hazards are shown in the adjoining symbols or explained in the text.

NOTICE – Indicates statements not related to personal injury.

 Indicates special instructions.



This group of symbols means Warning! Watch Out! ELECTRIC SHOCK, MOVING PARTS, and HOT PARTS hazards. Consult symbols and related instructions below for necessary actions to avoid the hazards.

1-2. Arc Welding Hazards



The symbols shown below are used throughout this manual to call attention to and identify possible hazards. When you see the symbol, watch out, and follow the related instructions to avoid the hazard. The safety information given below is only a summary of the more complete safety information found in the Safety Standards listed in Section 1-5. Read and follow all Safety Standards.



Only qualified persons should install, operate, maintain, and repair this unit.



During operation, keep everybody, especially children, away.



ELECTRIC SHOCK can kill.

Touching live electrical parts can cause fatal shocks or severe burns. The electrode and work circuit is electrically live whenever the output is on. The input power circuit and machine internal circuits are also live when power is on. In semiautomatic or automatic wire welding, the wire, wire reel, drive roll housing, and all metal parts touching the welding wire are electrically live. Incorrectly installed or improperly grounded equipment is a hazard.

- Do not touch live electrical parts.
- Wear dry, hole-free insulating gloves and body protection.
- Insulate yourself from work and ground using dry insulating mats or covers big enough to prevent any physical contact with the work or ground.
- Do not use AC output in damp areas, if movement is confined, or if there is a danger of falling.
- Use AC output ONLY if required for the welding process.
- If AC output is required, use remote output control if present on unit.
- Additional safety precautions are required when any of the following electrically hazardous conditions are present: in damp locations or while wearing wet clothing; on metal structures such as floors, gratings, or scaffolds; when in cramped positions such as sitting, kneeling, or lying; or when there is a high risk of unavoidable or accidental contact with the workpiece or ground. For these conditions, use the following equipment in order presented: 1) a semiautomatic DC constant voltage (wire) welder, 2) a DC manual (stick) welder, or 3) an AC welder with reduced open-circuit voltage. In most situations, use of a DC, constant voltage wire welder is recommended. And, do not work alone!
- Disconnect input power or stop engine before installing or servicing this equipment. Lockout/tagout input power according to OSHA 29 CFR 1910.147 (see Safety Standards).
- Properly install and ground this equipment according to its Owner's Manual and national, state, and local codes.

- Always verify the supply ground – check and be sure that input power cord ground wire is properly connected to ground terminal in disconnect box or that cord plug is connected to a properly grounded receptacle outlet.
- When making input connections, attach proper grounding conductor first – double-check connections.
- Keep cords dry, free of oil and grease, and protected from hot metal and sparks.
- Frequently inspect input power cord for damage or bare wiring – replace cord immediately if damaged – bare wiring can kill.
- Turn off all equipment when not in use.
- Do not use worn, damaged, undersized, or poorly spliced cables.
- Do not drape cables over your body.
- If earth grounding of the workpiece is required, ground it directly with a separate cable.
- Do not touch electrode if you are in contact with the work, ground, or another electrode from a different machine.
- Do not touch electrode holders connected to two welding machines at the same time since double open-circuit voltage will be present.
- Use only well-maintained equipment. Repair or replace damaged parts at once. Maintain unit according to manual.
- Wear a safety harness if working above floor level.
- Keep all panels and covers securely in place.
- Clamp work cable with good metal-to-metal contact to workpiece or worktable as near the weld as practical.
- Insulate work clamp when not connected to workpiece to prevent contact with any metal object.
- Do not connect more than one electrode or work cable to any single weld output terminal.

SIGNIFICANT DC VOLTAGE exists in inverter-type welding power sources after removal of input power.

- Turn Off inverter, disconnect input power, and discharge input capacitors according to instructions in Maintenance Section before touching any parts.



HOT PARTS can cause severe burns.

- Do not touch hot parts bare handed.
- Allow cooling period before working on gun or torch.
- To handle hot parts, use proper tools and/or wear heavy, insulated welding gloves and clothing to prevent burns.



FUMES AND GASES can be hazardous.

Welding produces fumes and gases. Breathing these fumes and gases can be hazardous to your health.

- Keep your head out of the fumes. Do not breathe the fumes.
- If inside, ventilate the area and/or use local forced ventilation at the arc to remove welding fumes and gases.
- If ventilation is poor, wear an approved air-supplied respirator.
- Read and understand the Material Safety Data Sheets (MSDSs) and the manufacturer's instructions for metals, consumables, coatings, cleaners, and degreasers.
- Work in a confined space only if it is well ventilated, or while wearing an air-supplied respirator. Always have a trained watchperson nearby. Welding fumes and gases can displace air and lower the oxygen level causing injury or death. Be sure the breathing air is safe.
- Do not weld in locations near degreasing, cleaning, or spraying operations. The heat and rays of the arc can react with vapors to form highly toxic and irritating gases.
- Do not weld on coated metals, such as galvanized, lead, or cadmium plated steel, unless the coating is removed from the weld area, the area is well ventilated, and while wearing an air-supplied respirator. The coatings and any metals containing these elements can give off toxic fumes if welded.



ARC RAYS can burn eyes and skin.

Arc rays from the welding process produce intense visible and invisible (ultraviolet and infrared) rays that can burn eyes and skin. Sparks fly off from the weld.

- Wear an approved welding helmet fitted with a proper shade of filter lenses to protect your face and eyes when welding or watching (see ANSI Z49.1 and Z87.1 listed in Safety Standards).
- Wear approved safety glasses with side shields under your helmet.
- Use protective screens or barriers to protect others from flash, glare and sparks; warn others not to watch the arc.
- Wear protective clothing made from durable, flame-resistant material (leather, heavy cotton, or wool) and foot protection.

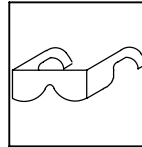


WELDING can cause fire or explosion.

Welding on closed containers, such as tanks, drums, or pipes, can cause them to blow up. Sparks can fly off from the welding arc. The flying sparks, hot workpiece, and hot equipment can cause fires and burns. Accidental contact of electrode to metal objects can cause sparks, explosion, overheating, or fire. Check and be sure the area is safe before doing any welding.

- Remove all flammables within 35 ft (10.7 m) of the welding arc. If this is not possible, tightly cover them with approved covers.
- Do not weld where flying sparks can strike flammable material.
- Protect yourself and others from flying sparks and hot metal.
- Be alert that welding sparks and hot materials from welding can easily go through small cracks and openings to adjacent areas.
- Watch for fire, and keep a fire extinguisher nearby.
- Be aware that welding on a ceiling, floor, bulkhead, or partition can cause fire on the hidden side.
- Do not weld on closed containers such as tanks, drums, or pipes, unless they are properly prepared according to AWS F4.1 (see Safety Standards).
- Do not weld where the atmosphere may contain flammable dust, gas, or liquid vapors (such as gasoline).
- Connect work cable to the work as close to the welding area as practical to prevent welding current from traveling long, possibly unknown paths and causing electric shock, sparks, and fire hazards.

- Do not use welder to thaw frozen pipes.
- Remove stick electrode from holder or cut off welding wire at contact tip when not in use.
- Wear oil-free protective garments such as leather gloves, heavy shirt, cuffless trousers, high shoes, and a cap.
- Remove any combustibles, such as a butane lighter or matches, from your person before doing any welding.
- After completion of work, inspect area to ensure it is free of sparks, glowing embers, and flames.
- Use only correct fuses or circuit breakers. Do not oversize or bypass them.
- Follow requirements in OSHA 1910.252 (a) (2) (iv) and NFPA 51B for hot work and have a fire watcher and extinguisher nearby.



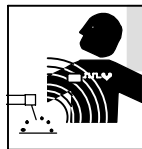
FLYING METAL or DIRT can injure eyes.

- Welding, chipping, wire brushing, and grinding cause sparks and flying metal. As welds cool, they can throw off slag.
- Wear approved safety glasses with side shields even under your welding helmet.



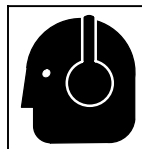
BUILDUP OF GAS can injure or kill.

- Shut off shielding gas supply when not in use.
- Always ventilate confined spaces or use approved air-supplied respirator.



MAGNETIC FIELDS can affect Implanted Medical Devices.

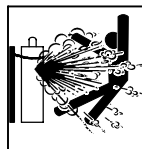
- Wearers of Pacemakers and other Implanted Medical Devices should keep away.
- Implanted Medical Device wearers should consult their doctor and the device manufacturer before going near arc welding, spot welding, gouging, plasma arc cutting, or induction heating operations.



NOISE can damage hearing.

Noise from some processes or equipment can damage hearing.

- Wear approved ear protection if noise level is high.



CYLINDERS can explode if damaged.

Shielding gas cylinders contain gas under high pressure. If damaged, a cylinder can explode. Since gas cylinders are normally part of the welding process, be sure to treat them carefully.

- Protect compressed gas cylinders from excessive heat, mechanical shocks, physical damage, slag, open flames, sparks, and arcs.
- Install cylinders in an upright position by securing to a stationary support or cylinder rack to prevent falling or tipping.
- Keep cylinders away from any welding or other electrical circuits.
- Never drape a welding torch over a gas cylinder.
- Never allow a welding electrode to touch any cylinder.
- Never weld on a pressurized cylinder – explosion will result.
- Use only correct shielding gas cylinders, regulators, hoses, and fittings designed for the specific application; maintain them and associated parts in good condition.
- Turn face away from valve outlet when opening cylinder valve.
- Keep protective cap in place over valve except when cylinder is in use or connected for use.
- Use the right equipment, correct procedures, and sufficient number of persons to lift and move cylinders.
- Read and follow instructions on compressed gas cylinders, associated equipment, and Compressed Gas Association (CGA) publication P-1 listed in Safety Standards.

1-3. Additional Symbols For Installation, Operation, And Maintenance



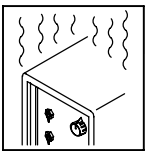
FIRE OR EXPLOSION hazard.

- Do not install or place unit on, over, or near combustible surfaces.
- Do not install unit near flammables.
- Do not overload building wiring – be sure power supply system is properly sized, rated, and protected to handle this unit.



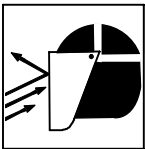
FALLING UNIT can cause injury.

- Use lifting eye to lift unit only, NOT running gear, gas cylinders, or any other accessories.
- Use equipment of adequate capacity to lift and support unit.
- If using lift forks to move unit, be sure forks are long enough to extend beyond opposite side of unit.



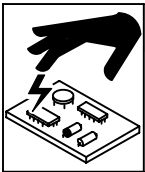
OVERUSE can cause OVERHEATING

- Allow cooling period; follow rated duty cycle.
- Reduce current or reduce duty cycle before starting to weld again.
- Do not block or filter airflow to unit.



FLYING SPARKS can cause injury.

- Wear a face shield to protect eyes and face.
- Shape tungsten electrode only on grinder with proper guards in a safe location wearing proper face, hand, and body protection.
- Sparks can cause fires — keep flammables away.



STATIC (ESD) can damage PC boards.

- Put on grounded wrist strap BEFORE handling boards or parts.
- Use proper static-proof bags and boxes to store, move, or ship PC boards.



MOVING PARTS can cause injury.

- Keep away from moving parts.
- Keep away from pinch points such as drive rolls.



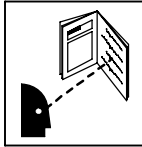
WELDING WIRE can cause injury.

- Do not press gun trigger until instructed to do so.
- Do not point gun toward any part of the body, other people, or any metal when threading welding wire.



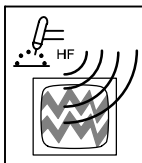
MOVING PARTS can cause injury.

- Keep away from moving parts such as fans.
- Keep all doors, panels, covers, and guards closed and securely in place.
- Have only qualified persons remove doors, panels, covers, or guards for maintenance as necessary.
- Reinstall doors, panels, covers, or guards when maintenance is finished and before reconnecting input power.



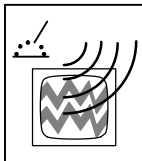
READ INSTRUCTIONS.

- Read Owner's Manual before using or servicing unit.
- Use only genuine replacement parts from the manufacturer.



H.F. RADIATION can cause interference.


- High-frequency (H.F.) can interfere with radio navigation, safety services, computers, and communications equipment.
- Have only qualified persons familiar with electronic equipment perform this installation.
- The user is responsible for having a qualified electrician promptly correct any interference problem resulting from the installation.
- If notified by the FCC about interference, stop using the equipment at once.
- Have the installation regularly checked and maintained.
- Keep high-frequency source doors and panels tightly shut, keep spark gaps at correct setting, and use grounding and shielding to minimize the possibility of interference.




ARC WELDING can cause interference.


- Electromagnetic energy can interfere with sensitive electronic equipment such as computers and computer-driven equipment such as robots.
- Be sure all equipment in the welding area is electromagnetically compatible.
- To reduce possible interference, keep weld cables as short as possible, close together, and down low, such as on the floor.
- Locate welding operation 100 meters from any sensitive electronic equipment.
- Be sure this welding machine is installed and grounded according to this manual.
- If interference still occurs, the user must take extra measures such as moving the welding machine, using shielded cables, using line filters, or shielding the work area.

1-4. California Proposition 65 Warnings


 Welding or cutting equipment produces fumes or gases which contain chemicals known to the State of California to cause birth defects and, in some cases, cancer. (California Health & Safety Code Section 25249.5 et seq.)

 Battery posts, terminals and related accessories contain lead and lead compounds, chemicals known to the State of California to cause cancer and birth defects or other reproductive harm. Wash hands after handling.

For Gasoline Engines:

 Engine exhaust contains chemicals known to the State of California to cause cancer, birth defects, or other reproductive harm.

For Diesel Engines:

 Diesel engine exhaust and some of its constituents are known to the State of California to cause cancer, birth defects, and other reproductive harm.

1-5. Principal Safety Standards

Safety in Welding, Cutting, and Allied Processes, ANSI Standard Z49.1, from Global Engineering Documents (phone: 1-877-413-5184, website: www.global.ihs.com).

Recommended Safe Practices for the Preparation for Welding and Cutting of Containers and Piping, American Welding Society Standard AWS F4.1, from Global Engineering Documents (phone: 1-877-413-5184, website: www.global.ihs.com).

National Electrical Code, NFPA Standard 70, from National Fire Protection Association, P.O. Box 9101, Quincy, MA 02269-9101 (phone: 617-770-3000, website: www.nfpa.org and www.sparky.org).

Safe Handling of Compressed Gases in Cylinders, CGA Pamphlet P-1, from Compressed Gas Association, 4221 Walney Road, 5th Floor, Chantilly, VA 20151 (phone: 703-788-2700, website: www.cganet.com).

Code for Safety in Welding and Cutting, CSA Standard W117.2, from Canadian Standards Association, Standards Sales, 5060 Mississauga,

Ontario, Canada L4W 5NS (phone: 800-463-6727 or in Toronto 416-747-4044, website: www.csa-international.org).

Safe Practice For Occupational And Educational Eye And Face Protection, ANSI Standard Z87.1, from American National Standards Institute, 25 West 43rd Street, New York, NY 10036-8002 (phone: 212-642-4900, website: www.ansi.org).

Standard for Fire Prevention During Welding, Cutting, and Other Hot Work, NFPA Standard 51B, from National Fire Protection Association, P.O. Box 9101, Quincy, MA 02269-9101 (phone: 617-770-3000, website: www.nfpa.org).

OSHA, Occupational Safety and Health Standards for General Industry, Title 29, Code of Federal Regulations (CFR), Part 1910, Subpart Q, and Part 1926, Subpart J, from U.S. Government Printing Office, Superintendent of Documents, P.O. Box 371954, Pittsburgh, PA 15250-7954 (phone: 1-866-512-1800) (there are 10 Regional Offices—phone for Region 5, Chicago, is 312-353-2220, website: www.osha.gov).

1-6. EMF Information

Considerations About Welding And The Effects Of Low Frequency Electric And Magnetic Fields

Welding current, as it flows through welding cables, will cause electromagnetic fields. There has been and still is some concern about such fields. However, after examining more than 500 studies spanning 17 years of research, a special blue ribbon committee of the National Research Council concluded that: "The body of evidence, in the committee's judgment, has not demonstrated that exposure to power-frequency electric and magnetic fields is a human-health hazard." However, studies are still going forth and evidence continues to be examined. Until the final conclusions of the research are reached, you may wish to minimize your exposure to electromagnetic fields when welding or cutting.

To reduce magnetic fields in the workplace, use the following procedures:

1. Keep cables close together by twisting or taping them, or using a cable cover.
2. Arrange cables to one side and away from the operator.
3. Do not coil or drape cables around your body.
4. Keep welding power source and cables as far away from operator as practical.
5. Connect work clamp to workpiece as close to the weld as possible.

About Implanted Medical Devices:

Implanted Medical Device wearers should consult their doctor and the device manufacturer before performing or going near arc welding, spot welding, gouging, plasma arc cutting, or induction heating operations. If cleared by your doctor, then following the above procedures is recommended.

SECTION 2 – CONSIGNES DE SÉCURITÉ – LIRE AVANT UTILISATION

fre_som_2007-04

! Se protéger et protéger les autres contre le risque de blessure — lire et respecter ces consignes.

2-1. Symboles utilisés



DANGER! – Indique une situation dangereuse qui si on l'évite pas peut donner la mort ou des blessures graves. Les dangers possibles sont montrés par les symboles joints ou sont expliqués dans le texte.



Indique une situation dangereuse qui si on l'évite pas peut donner la mort ou des blessures graves. Les dangers possibles sont montrés par les symboles joints ou sont expliqués dans le texte.

NOTE – Indique des déclarations pas en relation avec des blessures personnelles.

 Indique des instructions spécifiques.



Ce groupe de symboles veut dire Avertissement! Attention! DANGER DE CHOC ELECTRIQUE, PIECES EN MOUVEMENT, et PIECES CHAUDES. Consulter les symboles et les instructions ci-dessous y afférant pour les actions nécessaires afin d'éviter le danger.

2-2. Dangers relatifs au soudage à l'arc



Les symboles représentés ci-dessous sont utilisés dans ce manuel pour attirer l'attention et identifier les dangers possibles. En présence de l'un de ces symboles, prendre garde et suivre les instructions afférentes pour éviter tout risque. Les instructions en matière de sécurité indiquées ci-dessous ne constituent qu'un sommaire des instructions de sécurité plus complètes fournies dans les normes de sécurité énumérées dans la Section 2-5. Lire et observer toutes les normes de sécurité.



Seul un personnel qualifié est autorisé à installer, faire fonctionner, entretenir et réparer cet appareil.



Pendant le fonctionnement, maintenir à distance toutes les personnes, notamment les enfants de l'appareil.



UNE DÉCHARGE ÉLECTRIQUE peut entraîner la mort.

Le contact d'organes électriques sous tension peut provoquer des accidents mortels ou des brûlures graves. Le circuit de l'électrode et de la pièce est sous tension lorsque le courant est délivré à la sortie. Le circuit d'alimentation et les circuits internes de la machine sont également sous tension lorsque l'alimentation est sur Marche. Dans le mode de soudage avec du fil, le fil, le dérouleur, le bloc de commande du rouleau et toutes les parties métalliques en contact avec le fil sont sous tension électrique. Un équipement installé ou mis à la terre de manière incorrecte ou impropre constitue un danger.

- Ne pas toucher aux pièces électriques sous tension.
- Porter des gants isolants et des vêtements de protection secs et sans trous.
- S'isoler de la pièce à couper et du sol en utilisant des housses ou des tapis assez grands afin d'éviter tout contact physique avec la pièce à couper ou le sol.
- Ne pas se servir de source électrique à courant électrique dans les zones humides, dans les endroits confinés ou là où on risque de tomber.
- Se servir d'une source électrique à courant électrique UNIQUEMENT si le procédé de soudage le demande.
- Si l'utilisation d'une source électrique à courant électrique s'avère nécessaire, se servir de la fonction de télécommande si l'appareil en est équipé.
- D'autres consignes de sécurité sont nécessaires dans les conditions suivantes : risques électriques dans un environnement humide ou si l'on porte des vêtements mouillés ; sur des structures métalliques telles que sols, grilles ou échafaudages ; en position coincée comme assise, à genoux ou couchée ; ou s'il y a un risque élevé de contact inévitable ou accidentel avec la pièce à souder ou le sol. Dans ces conditions, utiliser les équipements suivants, dans l'ordre indiqué : 1) un poste à souder DC à tension constante (à fil), 2) un poste à souder DC manuel (électrode) ou 3) un poste à souder AC à tension à vide réduite. Dans la plupart des situations, l'utilisation d'un poste à souder DC à fil à tension constante est recommandée. En outre, ne pas travailler seul !
- Couper l'alimentation ou arrêter le moteur avant de procéder à l'installation, à la réparation ou à l'entretien de l'appareil. Déverrouiller l'alimentation selon la norme OSHA 29 CFR 1910.147 (voir normes de sécurité).
- Installer le poste correctement et le mettre à la terre convenablement selon les consignes du manuel de l'opérateur et les normes nationales, provinciales et locales.
- Toujours vérifier la terre du cordon d'alimentation. Vérifier et s'assurer que le fil de terre du cordon d'alimentation est bien raccordé à la borne de terre du sectionneur ou que la fiche du cordon est raccordée à une prise correctement mise à la terre.
- En effectuant les raccordements d'entrée, fixer d'abord le conducteur de mise à la terre approprié et contre-vérifier les connexions.
- Les câbles doivent être exempts d'humidité, d'huile et de graisse; protégez-les contre les étincelles et les pièces métalliques chaudes.
- Vérifier fréquemment le cordon d'alimentation afin de s'assurer qu'il n'est pas altéré ou à nu, le remplacer immédiatement s'il l'est. Un fil à nu peut entraîner la mort.
- L'équipement doit être hors tension lorsqu'il n'est pas utilisé.
- Ne pas utiliser des câbles usés, endommagés, de grosseur insuffisante ou mal épissés.
- Ne pas enrouler les câbles autour du corps.
- Si la pièce soudée doit être mise à la terre, le faire directement avec un câble distinct.
- Ne pas toucher l'électrode quand on est en contact avec la pièce, la terre ou une électrode provenant d'une autre machine.
- Ne pas toucher des porte électrodes connectés à deux machines en même temps à cause de la présence d'une tension à vide doublée.
- N'utiliser qu'un matériel en bon état. Réparer ou remplacer sur-le-champ les pièces endommagées. Entretenir l'appareil conformément à ce manuel.
- Porter un harnais de sécurité si l'on doit travailler au-dessus du sol.
- S'assurer que tous les panneaux et couvercles sont correctement en place.
- Fixer le câble de retour de façon à obtenir un bon contact métal-métal avec la pièce à souder ou la table de travail, le plus près possible de la soudure.
- Isoler la pince de masse quand pas mis à la pièce pour éviter le contact avec tout objet métallique.
- Ne pas raccorder plus d'une électrode ou plus d'un câble de masse à une même borne de sortie de soudage.

Il reste une TENSION DC NON NÉGLIGEABLE dans les sources de soudage onduleur quand on a coupé l'alimentation.

- Arrêter les convertisseurs, débrancher le courant électrique et décharger les condensateurs d'alimentation selon les instructions indiquées dans la partie Entretien avant de toucher les pièces.



DES PIÈCES CHAUDES peuvent provoquer des brûlures graves.

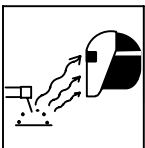
- Ne pas toucher à mains nues les parties chaudes.
- Prévoir une période de refroidissement avant de travailler à l'équipement.
- Ne pas toucher aux pièces chaudes, utiliser les outils recommandés et porter des gants de soudage et des vêtements épais pour éviter les brûlures.



LES FUMÉES ET LES GAZ peuvent être dangereux.

Le soudage génère des fumées et des gaz. Leur inhalation peut être dangereux pour votre santé.

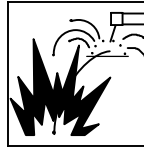
- Eloigner votre tête des fumées. Ne pas respirer les fumées.
- À l'intérieur, ventiler la zone et/ou utiliser une ventilation forcée au niveau de l'arc pour l'évacuation des fumées et des gaz de soudage.
- Si la ventilation est médiocre, porter un respirateur anti-vapeurs approuvé.
- Lire et comprendre les spécifications de sécurité des matériaux (MSDS) et les instructions du fabricant concernant les métaux, les consommables, les revêtements, les nettoyants et les dégraissants.
- Travailler dans un espace fermé seulement s'il est bien ventilé ou en portant un respirateur à alimentation d'air. Demander toujours à un surveillant dûment formé de se tenir à proximité. Des fumées et des gaz de soudage peuvent déplacer l'air et abaisser le niveau d'oxygène provoquant des blessures ou des accidents mortels. S'assurer que l'air de respiration ne présente aucun danger.
- Ne pas souder dans des endroits situés à proximité d'opérations de dégraissage, de nettoyage ou de pulvérisation. La chaleur et les rayons de l'arc peuvent réagir en présence de vapeurs et former des gaz hautement toxiques et irritants.
- Ne pas souder des métaux munis d'un revêtement, tels que l'acier galvanisé, plaqué en plomb ou au cadmium à moins que le revêtement n'ait été enlevé dans la zone de soudure, que l'endroit soit bien ventilé, et en portant un respirateur à alimentation d'air. Les revêtements et tous les métaux renfermant ces éléments peuvent dégager des fumées toxiques en cas de soudage.



LES RAYONS DE L'ARC peuvent provoquer des brûlures dans les yeux et sur la peau.

Le rayonnement de l'arc du procédé de soudage génère des rayons visibles et invisibles intenses (ultraviolets et infrarouges) susceptibles de provoquer des brûlures dans les yeux et sur la peau. Des étincelles sont projetées pendant le soudage.

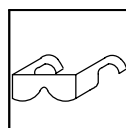
- Porter un casque de soudage approuvé muni de verres filtrants appropriés pour protéger visage et yeux pendant le soudage (voir ANSI Z49.1 et Z87.1 énuméré dans les normes de sécurité).
- Porter des lunettes de sécurité avec écrans latéraux même sous votre casque.
- Avoir recours à des écrans protecteurs ou à des rideaux pour protéger les autres contre les rayonnements les éblouissements et les étincelles ; prévenir toute personne sur les lieux de ne pas regarder l'arc.
- Porter des vêtements confectionnés avec des matières résistantes et ignifuges (cuir, coton lourd ou laine) et des bottes de protection.



LE SOUDAGE peut provoquer un incendie ou une explosion.

Le soudage effectué sur des conteneurs fermés tel que des réservoirs, tambours ou des conduites peut provoquer leur éclatement. Des étincelles peuvent être projetées de l'arc de soudure. La projection d'étincelles, des pièces chaudes et des équipements chauds peut provoquer des incendies et des brûlures. Le contact accidentel de l'électrode avec des objets métalliques peut provoquer des étincelles, une explosion, un surchauffement ou un incendie. Avant de commencer le soudage, vérifier et s'assurer que l'endroit ne présente pas de danger.

- Déplacer toutes les substances inflammables à une distance de 10,7 m de l'arc de soudage. En cas d'impossibilité les recouvrir soigneusement avec des protections homologués.
- Ne pas souder dans un endroit où des étincelles peuvent tomber sur des substances inflammables.
- Se protéger et d'autres personnes de la projection d'étincelles et de métal chaud.
- Des étincelles et des matériaux chauds du soudage peuvent facilement passer dans d'autres zones en traversant de petites fissures et des ouvertures.
- Surveiller tout déclenchement d'incendie et tenir un extincteur à proximité.
- Le soudage effectué sur un plafond, plancher, paroi ou séparation peut déclencher un incendie de l'autre côté.
- Ne pas effectuer le soudage sur des conteneurs fermés tels que des réservoirs, tambours, ou conduites, à moins qu'ils n'aient été préparés correctement conformément à AWS F4.1 (voir les normes de sécurité).
- Ne soudez pas si l'air ambiant est chargé de particules, gaz, ou vapeurs inflammables (vapeur d'essence, par exemple).
- Brancher le câble de masse sur la pièce la plus près possible de la zone de soudage pour éviter le transport du courant sur une longue distance par des chemins inconnus éventuels en provoquant des risques d'électrocution, d'étincelles et d'incendie.
- Ne pas utiliser le poste de soudage pour dégeler des conduites gelées.
- En cas de non utilisation, enlever la baguette d'électrode du porte-électrode ou couper le fil à la pointe de contact.
- Porter des vêtements de protection dépourvus d'huile tels que des gants en cuir, une chemise en matériau lourd, des pantalons sans revers, des chaussures hautes et un couvre chef.
- Avant de souder, retirer toute substance combustible de vos poches telles qu'un allumeur au butane ou des allumettes.
- Une fois le travail achevé, assurez-vous qu'il ne reste aucune trace d'étincelles incandescentes ni de flammes.
- Utiliser exclusivement des fusibles ou coupe-circuits appropriés. Ne pas augmenter leur puissance; ne pas les ponter.
- Une fois le travail achevé, assurez-vous qu'il ne reste aucune trace d'étincelles incandescentes ni de flammes.
- Utiliser exclusivement des fusibles ou coupe-circuits appropriés. Ne pas augmenter leur puissance; ne pas les ponter.
- Suivre les recommandations dans OSHA 1910.252(a)(2)(iv) et NFPA 51B pour les travaux à chaud et avoir de la surveillance et un extincteur à proximité.



DES PIÈCES DE METAL ou DES SALETES peuvent provoquer des blessures dans les yeux.

- Le soudage, l'écaillage, le passage de la pièce à la brosse en fil de fer, et le meulage génèrent des étincelles et des particules métalliques volantes. Pendant la période de refroidissement des soudures, elles risquent de projeter du laitier.
- Porter des lunettes de sécurité avec écrans latéraux ou un écran facial.



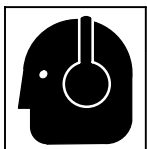
LES ACCUMULATIONS DE GAZ risquent de provoquer des blessures ou même la mort.

- Fermer l'alimentation du gaz protecteur en cas de non-utilisation.
- Veiller toujours à bien aérer les espaces confinés ou se servir d'un respirateur d'adduction d'air homologué.



LES CHAMPS MAGNETIQUES peuvent affecter des implants médicaux.

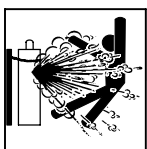
- Porteur de simulateur cardiaque ou autre implants médicaux, rester à distance.
- Les porteurs d'implants doivent d'abord consulter leur médecin avant de s'approcher des opérations de soudage à l'arc, de soudage par points, de gougeage, du coupage plasma ou de chauffage par induction.



LE BRUIT peut endommager l'ouïe.

Le bruit des processus et des équipements peut affecter l'ouïe.

- Porter des protections approuvées pour les oreilles si le niveau sonore est trop élevé.



LES BOUTEILLES peuvent exploser si elles sont endommagées.

Des bouteilles de gaz protecteur contiennent du gaz sous haute pression. Si une bouteille est endommagée, elle peut exploser. Du fait que les bouteilles de gaz font normalement partie du procédé de soudage, les manipuler avec précaution.

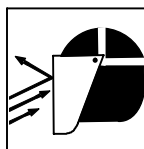
- Protéger les bouteilles de gaz comprimé d'une chaleur excessive, des chocs mécaniques, des dommages physiques, du laitier, des flammes ouvertes, des étincelles et des arcs.
- Placer les bouteilles debout en les fixant dans un support stationnaire ou dans un porte-bouteilles pour les empêcher de tomber ou de se renverser.
- Tenir les bouteilles éloignées des circuits de soudage ou autres circuits électriques.
- Ne jamais placer une torche de soudage sur une bouteille à gaz.
- Une électrode de soudage ne doit jamais entrer en contact avec une bouteille.
- Ne jamais souder une bouteille pressurisée – risque d'explosion.
- Utiliser seulement des bouteilles de gaz protecteur, régulateurs, tuyaux et raccords convenables pour cette application spécifique ; les maintenir ainsi que les éléments associés en bon état.
- Détourner votre visage du détendeur-régulateur lorsque vous ouvrez la soupape de la bouteille.
- Le couvercle du détendeur doit toujours être en place, sauf lorsque la bouteille est utilisée ou qu'elle est reliée pour usage ultérieur.
- Utiliser les équipements corrects, les bonnes procédures et suffisamment de personnes pour soulever et déplacer les bouteilles.
- Lire et suivre les instructions sur les bouteilles de gaz comprimé, l'équipement connexe et le dépliant P-1 de la CGA (Compressed Gas Association) mentionné dans les principales normes de sécurité.

2-3. Dangers supplémentaires en relation avec l'installation, le fonctionnement et la maintenance



Risque D'INCENDIE OU D'EXPLOSION.

- Ne pas placer l'appareil sur, au-dessus ou à proximité de surfaces inflammables.
- Ne pas installer l'appareil à proximité de produits inflammables.
- Ne pas surcharger l'installation électrique – s'assurer que l'alimentation est correctement dimensionnée et protégée avant de mettre l'appareil en service.



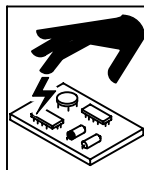
LES ÉTINCELLES VOLANTES risquent de provoquer des blessures.

- Porter un écran facial pour protéger le visage et les yeux.
- Affûter l'électrode au tungstène uniquement à la meuleuse dotée de protecteurs. Cette manœuvre est à exécuter dans un endroit sûr lorsque l'on porte l'équipement homologué de protection du visage, des mains et du corps.
- Les étincelles risquent de causer un incendie – éloigner toute substance inflammable.



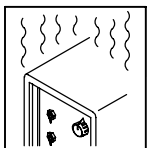
LA CHUTE DE L'APPAREIL peut blesser.

- Utiliser l'anneau de levage uniquement pour soulever l'appareil, NON PAS les chariots, les bouteilles de gaz ou tout autre accessoire.
- Utiliser un équipement de levage de capacité suffisante pour lever l'appareil.
- En utilisant des fourches de levage pour déplacer l'unité, s'assurer que les fourches sont suffisamment longues pour dépasser du côté opposé de l'appareil.



LES CHARGES ÉLECTROSTATIQUES peuvent endommager les circuits imprimés.

- Établir la connexion avec la barrette de terre avant de manipuler des cartes ou des pièces.
- Utiliser des pochettes et des boîtes antistatiques pour stocker, déplacer ou expédier des cartes de circuits imprimés.



L'EMPLOI EXCESSIF peut SURCHAUFFER L'ÉQUIPEMENT.

- Prévoir une période de refroidissement ; respecter le cycle opératoire nominal.
- Réduire le courant ou le facteur de marche avant de poursuivre le soudage.
- Ne pas obstruer les passages d'air du poste.



DES ORGANES MOBILES peuvent provoquer des blessures.

- Ne pas s'approcher des organes mobiles.
- Ne pas s'approcher des points de coincement tels que des rouleaux de commande.



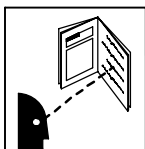
LES FILS DE SOUDAGE peuvent provoquer des blessures.

- Ne pas appuyer sur la gâchette avant d'en avoir reçu l'instruction.
- Ne pas diriger le pistolet vers soi, d'autres personnes ou toute pièce mécanique en engageant le fil de soudage.



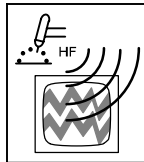
DES ORGANES MOBILES peuvent provoquer des blessures.

- S'abstenir de toucher des organes mobiles tels que des ventilateurs.
- Maintenir fermés et verrouillés les portes, panneaux, recouvrements et dispositifs de protection.
- Seules des personnes qualifiées sont autorisées à enlever les portes, panneaux, recouvrements ou dispositifs de protection pour l'entretien.
- Remettre les portes, panneaux, recouvrements ou dispositifs de protection quand l'entretien est terminé et avant de rebrancher l'alimentation électrique.



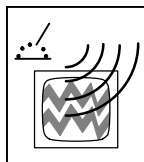
LIRE LES INSTRUCTIONS.

- Lisez le manuel d'instructions avant l'utilisation ou la maintenance de l'appareil.
- N'utiliser que les pièces de rechange recommandées par le constructeur.
- Effectuer régulièrement le contrôle et l'entretien de l'installation.
- Maintenir soigneusement fermés les portes et les panneaux des sources de haute fréquence, maintenir les éclateurs à une distance correcte et utiliser une terre et un blindage pour réduire les interférences éventuelles.



LE RAYONNEMENT HAUTE FRÉQUENCE (H.F.) risque de provoquer des interférences.

- Le rayonnement haute fréquence (H.F.) peut provoquer des interférences avec les équipements de radio-navigation et de communication, les services de sécurité et les ordinateurs.
- Demander seulement à des personnes qualifiées familiarisées avec des équipements électroniques de faire fonctionner l'installation.
- L'utilisateur est tenu de faire corriger rapidement par un électricien qualifié les interférences résultant de l'installation.
- Si le FCC signale des interférences, arrêter immédiatement l'appareil.



LE SOUDAGE À L'ARC risque de provoquer des interférences.

- L'énergie électromagnétique risque de provoquer des interférences pour l'équipement électronique sensible tel que les ordinateurs et l'équipement commandé par ordinateur tel que les robots.
- Veiller à ce que tout l'équipement de la zone de soudage soit compatible électromagnétiquement.
- Pour réduire la possibilité d'interférence, maintenir les câbles de soudage aussi courts que possible, les grouper, et les poser aussi bas que possible (ex. par terre).
- Veiller à souder à une distance de 100 mètres de tout équipement électronique sensible.
- Veiller à ce que ce poste de soudage soit posé et mis à la terre conformément à ce mode d'emploi.
- En cas d'interférences après avoir pris les mesures précédentes, il incombe à l'utilisateur de prendre des mesures supplémentaires telles que le déplacement du poste, l'utilisation de câbles blindés, l'utilisation de filtres de ligne ou la pose de protecteurs dans la zone de travail.

2-4. Proposition californienne 65 Avertissements



Les équipements de soudage et de coupage produisent des fumées et des gaz qui contiennent des produits chimiques dont l'État de Californie reconnaît qu'ils provoquent des malformations congénitales et, dans certains cas, des cancers. (Code de santé et de sécurité de Californie, chapitre 25249.5 et suivants)



Les batteries, les bornes et autres accessoires contiennent du plomb et des composés à base de plomb, produits chimiques dont l'État de Californie reconnaît qu'ils provoquent des cancers et des malformations congénitales ou autres problèmes de procréation. Se laver les mains après manipulation.

Pour les moteurs à essence :



Les gaz d'échappement des moteurs contiennent des produits chimiques dont l'État de Californie reconnaît qu'ils provoquent des cancers et des malformations congénitales ou autres problèmes de procréation.

Pour les moteurs diesel :



Les gaz d'échappement des moteurs diesel et certains de leurs composants sont reconnus par l'État de Californie comme provoquant des cancers et des malformations congénitales ou autres problèmes de procréation.

2-5. Principales normes de sécurité

Safety in Welding, Cutting, and Allied Processes, ANSI Standard Z49.1, de Global Engineering Documents (téléphone : 1-877-413-5184, site Internet : www.global.ihc.com).

Recommended Safe Practices for the Preparation for Welding and Cutting of Containers and Piping, American Welding Society Standard AWS F4.1 de Global Engineering Documents (téléphone : 1-877-413-5184, site Internet : www.global.ihc.com).

National Electrical Code, NFPA Standard 70, de National Fire Protection Association, P.O. Box 9101, Quincy, MA 02269-9101 (téléphone : 617-770-3000, site Internet : www.nfpa.org).

Safe Handling of Compressed Gases in Cylinders, CGA Pamphlet P-1, de Compressed Gas Association, 4221 Walney Road, 5th Floor, Chantilly, VA 20151 (téléphone : 703-788-2700, site Internet : www.cganet.com).

Code for Safety in Welding and Cutting, CSA Standard W117.2, de Canadian Standards Association, 5060 Mississauga, Ontario, Canada

L4W 5NS (téléphone : 800-463-6727 ou à Toronto 416-747-4044, site Internet : www.csa-international.org).

Safe Practice For Occupational And Educational Eye And Face Protection, ANSI Standard Z87.1, de American National Standards Institute, 11 West 43rd Street, New York, NY 10036-8002 (téléphone : 212-642-4900, site Internet : www.ansi.org).

Standard for Fire Prevention During Welding, Cutting, and Other Hot Work, NFPA Standard 51B, de National Fire Protection Association, P.O. Box 9101, Quincy, MA 02269-9101 (téléphone : 617-770-3000, site Internet : www.nfpa.org).

OSHA, Occupational Safety and Health Standards for General Industry, Title 29, Code of Federal Regulations (CFR), Part 1910, Subpart Q, and Part 1926, Subpart J, de U.S. Government Printing Office, Superintendent of Documents, P.O. Box 371954, Pittsburgh, PA 15250-7954 (téléphone : 1-866-512-1800) (il y a 10 bureaux régionaux--le téléphone de la région 5, Chicago, est 312-353-2220, site Internet : www.osha.gov).

2-6. Information EMF

Considérations sur le soudage et les effets de basse fréquence et des champs magnétiques et électriques.

Le courant de soudage, pendant son passage dans les câbles de soudage, causera des champs électromagnétiques. Il y a eu et il y a encore un certain souci à propos de tels champs. Cependant, après avoir examiné plus de 500 études qui ont été faites pendant une période de recherche de 17 ans, un comité spécial ruban bleu du National Research Council a conclu : « L'accumulation de preuves, suivant le jugement du comité, n'a pas démontré que l'exposition aux champs magnétiques et champs électriques à haute fréquence représente un risque à la santé humaine ». Toutefois, des études sont toujours en cours et les preuves continuent à être examinées. En attendant que les conclusions finales de la recherche soient établies, il vous serait souhaitable de réduire votre exposition aux champs électromagnétiques pendant le soudage ou le coupage.

Pour réduire les champs magnétiques sur le poste de travail, appliquer les procédures suivantes :

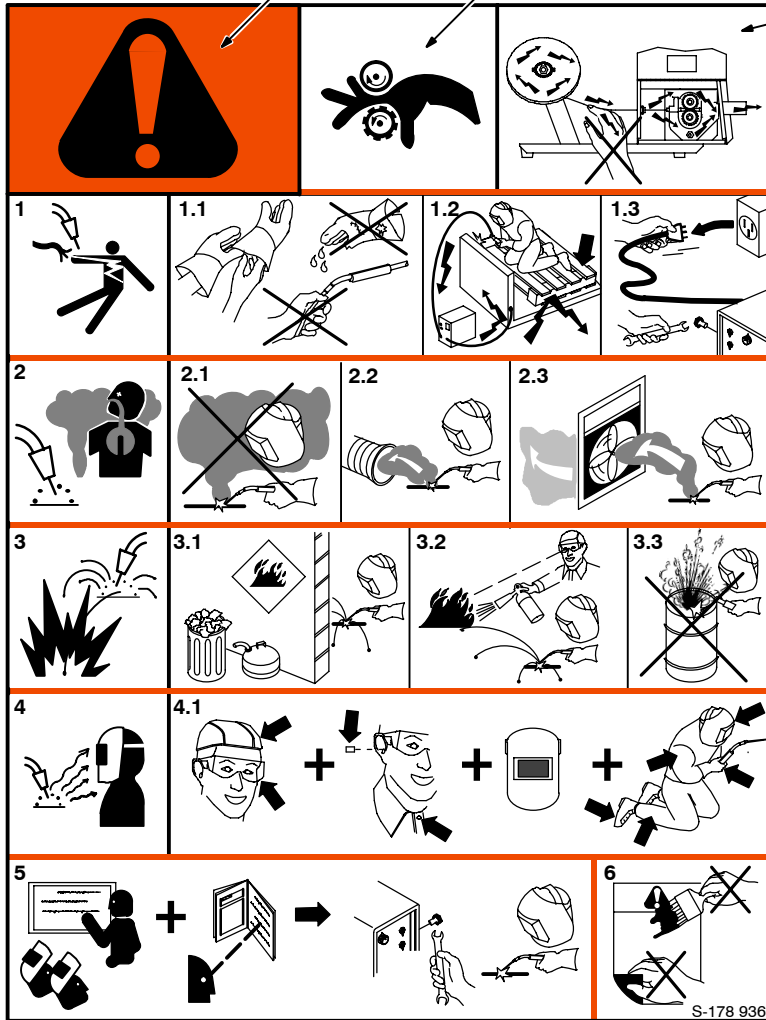
1. Garder les câbles ensemble, les torsader, les scotcher, ou les recouvrir d'une housse.
2. Disposer les câbles d'un côté et à distance de l'opérateur.
3. Ne pas courber pas et ne pas entourer pas les câbles autour de votre corps.
4. Garder le poste de soudage et les câbles le plus loin possible de vous.
5. Connecter la pince sur la pièce aussi près que possible de la soudure.

En ce qui concerne les implants médicaux :

Les porteurs d'implants doivent d'abord consulter leur médecin avant de s'approcher des opérations de soudage à l'arc, de soudage par points, de gougeage, du coupage plasma ou de chauffage par induction. Si le médecin approuve, il est recommandé de suivre les procédures précédentes.

SECTION 3 – DEFINITIONS

3-1. Warning Label Definitions



Warning! Watch Out! There are possible hazards as shown by the symbols.

Drive rolls can injure fingers

Welding wire and drive parts are at welding voltage during operation – keep hands and metal objects clear.

1 Electric shock can kill.

1.1 Wear dry insulating gloves. Do not touch electrode with bare hand. Do not wear wet or damaged gloves.

1.2 Protect yourself from electric shock by insulating yourself from work and ground.

1.3 Disconnect input plug or power before working on machine.

2 Breathing welding fumes can be hazardous to your health.

2.1 Keep your head out of the fumes.

2.2 Use forced ventilation or local exhaust to remove the fumes.

2.3 Use ventilating fan to remove fumes.

3 Welding sparks can cause explosion or fire.

3.1 Keep flammables away from welding. Don't weld near flammables.

3.2 Welding sparks can cause fires. Have a fire extinguisher nearby and have a watch person ready to use it.

3.3 Do not weld on drums or any closed containers.

4 Arc rays can burn eyes and injure skin.

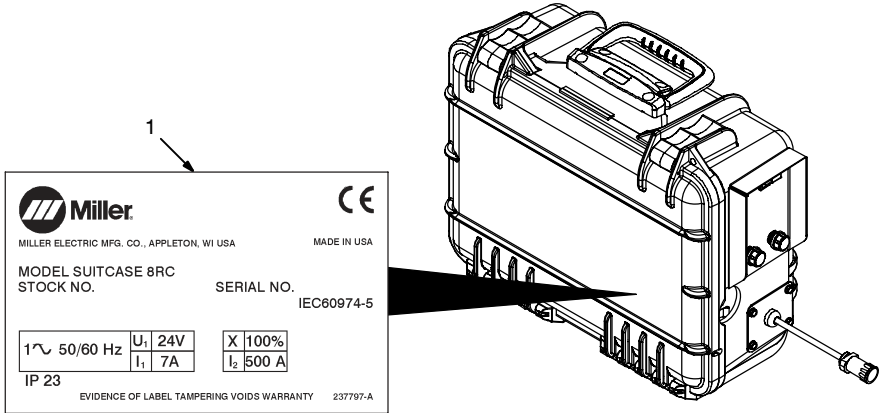
4.1 Wear hat and safety glasses. Use ear protection and button shirt collar. Use welding helmet with correct shade of filter. Wear complete body protection.

5 Become trained and read the instructions before working on the machine or welding.

6 Do not remove or paint over (cover) the label.

S-178 936

3-2. Manufacturer's Rating Label For CE Products

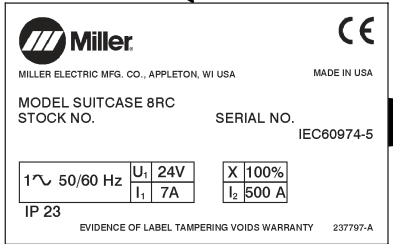


1 Rating Label - Typical (Located Inside Cover)

Use rating label to determine input power needs.

1 Rating Label - Typical
(Located Inside Cover)

Use rating label to determine input power needs.



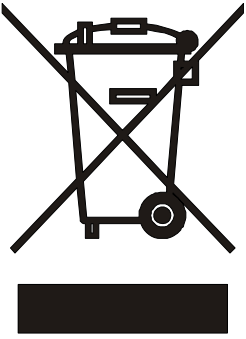
Miller
MILLER ELECTRIC MFG. CO., APPLETON, WI USA
MODEL SUITCASE 8RC
STOCK NO. SERIAL NO. IEC60974-5

1~ 50/60 Hz	U ₁ 24V	X 100%
IP 23	I ₁ 7A	I ₂ 500 A

EVIDENCE OF LABEL TAMPERING VOIDS WARRANTY 237797-A

805 125-A / 237 797-A

3-3. WEEE Label (For Products Sold Within The EU)




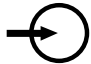

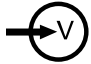



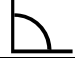

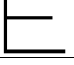





Do not discard product (where applicable) with general waste.

Reuse or recycle Waste Electrical and Electronic Equipment (WEEE) by disposing at a designated collection facility.

Contact your local recycling office or your local distributor for further information.

3-4. Symbols And Definitions

Some symbols are found only on CE products.


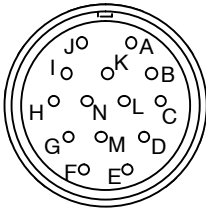
	Output		Input	A	Amperes	V	Volts
X	Duty Cycle		Wire Feed	%	Percent	IP	Degree Of Protection
	Input		Cold Jog (Inch) Towards Workpiece		Purge By Gas		Fast
	Constant Current		Circuit Breaker		Constant Voltage		Slow
	Trigger Hold Off		Trigger Hold On	I₂	Rated Welding Current		Increase
	Read Instructions	U₁	Primary Voltage	U₂	Conventional Load Voltage	Hz	Hertz
I₁	Primary Current						

SECTION 4 – INSTALLATION

4-1. Specifications

Type of Input Power	Welding Power Source Type	Wire Feed Speed Range	Wire Diameter Range	Input Welding Circuit Rating	IP Rating	Max. Wire Spool Capacity	Overall Dimensions	Weight
24 Volts AC Single Phase 7 Amperes 50/60 Hz	Constant Voltage (CV) DC With 14-Pin And Contactor Control	50 to 700 ipm (1.3 To 17.8 mpm)	.023 To 5/64 in (0.6 To 2 mm)	100 Volts, 500 Amperes, 100% Duty Cycle	23	14 lb (6.4 kg), 8 in (203 mm)	Length: 18 in (457 mm) Width: 7-1/4 in (184 mm) Height: 12-3/4 in (324 mm)	22 lb (10 kg)

4-2. 14-Pin Plug Information

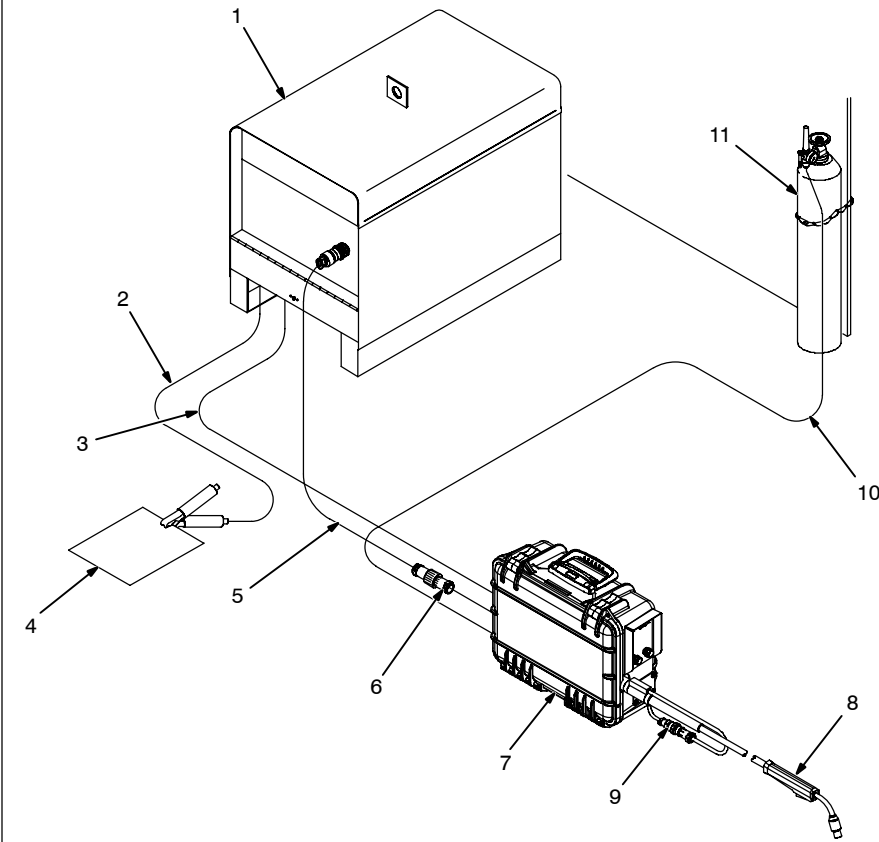
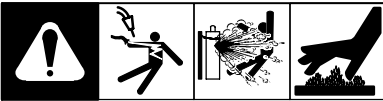
 REMOTE 14	Pin*	Pin Information
	A	24 volts ac with respect to socket G.
	B	Contact closure to A completes 24 volts ac contactor control circuit.
	G	Circuit common for 24 volts AC circuit.
	C	+10 volts dc input from power source to wire feeder with respect to socket D.
	D	Remote control circuit common.
	E	0 to +10 volts dc output signal from wire feeder to power source with respect to socket D.
	H	Voltage feedback; 0 to +10 volts dc, 1 volt per 10 arc volts.
	F	Current feedback; 0 to +10 volts dc, 1 volt per 100 amperes.

*The remaining pins are not used.

4-3. Gun Recommendation Table

Process	Gun
GMAW – Hard or Cored Wires	Bernard Q300 or Q400
FCAW – Self-Shielding Wires	FC-1260, Dura-Flux


4-4. Equipment Connection Diagram



- 1 Constant Voltage (CV) Welding Power Source Supplying 24 VAC To Feeder

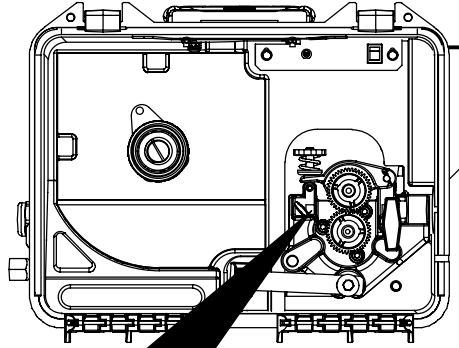
Use optional PSA-2 adapter for power sources having only 115 VAC supply.

- 2 Negative (-) Weld Cable
- 3 Positive (+) Weld Cable
- 4 Workpiece
- 5 Interconnecting Cord (Customer Supplied)
- 6 14-Pin Plug And Cord
- 7 Wire Feeder
- 8 Gun
- 9 Gun Trigger Receptacle
- 10 Gas Hose
- 11 Gas Cylinder

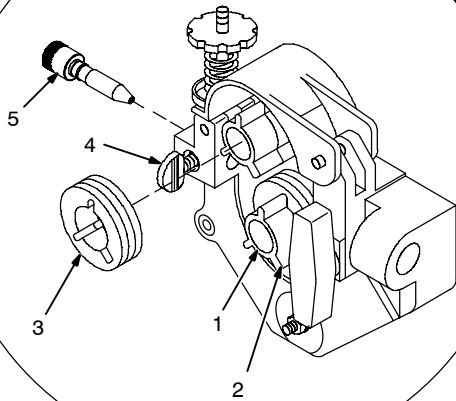
 Shielding gas pressure not to exceed 100 psi (689 kPa).

805 126-A

4-5. Installing And Aligning Wire Guide And Drive Rolls



Installing Wire Guide And Drive Rolls



Installing Wire Guide And Drive Rolls:

- 1 Drive Securing Roll Nut
 - 2 Drive Roll Carrier
- Turn nut one click until lobes of nut line up with lobes of drive roll carrier.
- 3 Drive Roll
- Slide drive roll onto drive roll carrier. Turn nut one click.
- Repeat procedure for top drive roll.
- 4 Inlet Wire Guide Screw
 - 5 Inlet Wire Guide

Loosen securing screw. Align inlet guide so inlet guide screw is centered in groove in guide, or so tip is as close to drive rolls as possible without touching. Tighten screw.

Aligning Wire Guide And Drive Rolls:

View is from top of drive rolls looking down with pressure assembly open.

- 6 Drive Roll Securing Nut
- 7 Drive Roll
- 8 Inlet Wire Guide
- 9 Welding Wire
- 10 Drive Gear

Turn screw in or out until drive roll groove lines up with wire guide.

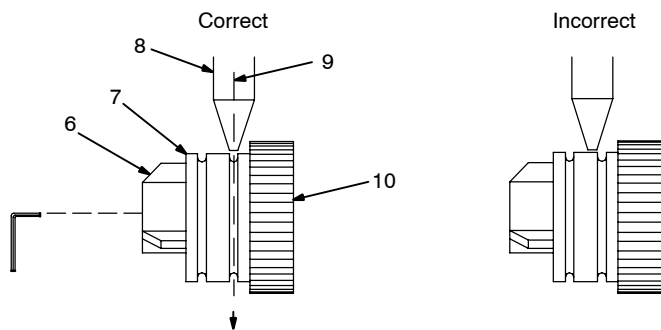
Close pressure roll assembly.

Only bottom drive roll alignment is adjustable. Turn adjustment screw in or out until groove in drive roll lines up with wire guide as shown.

Cleaning Drive Rolls:

Remove drive rolls, and clean grooves using a wire brush.

Aligning Wire Guide And Drive Rolls

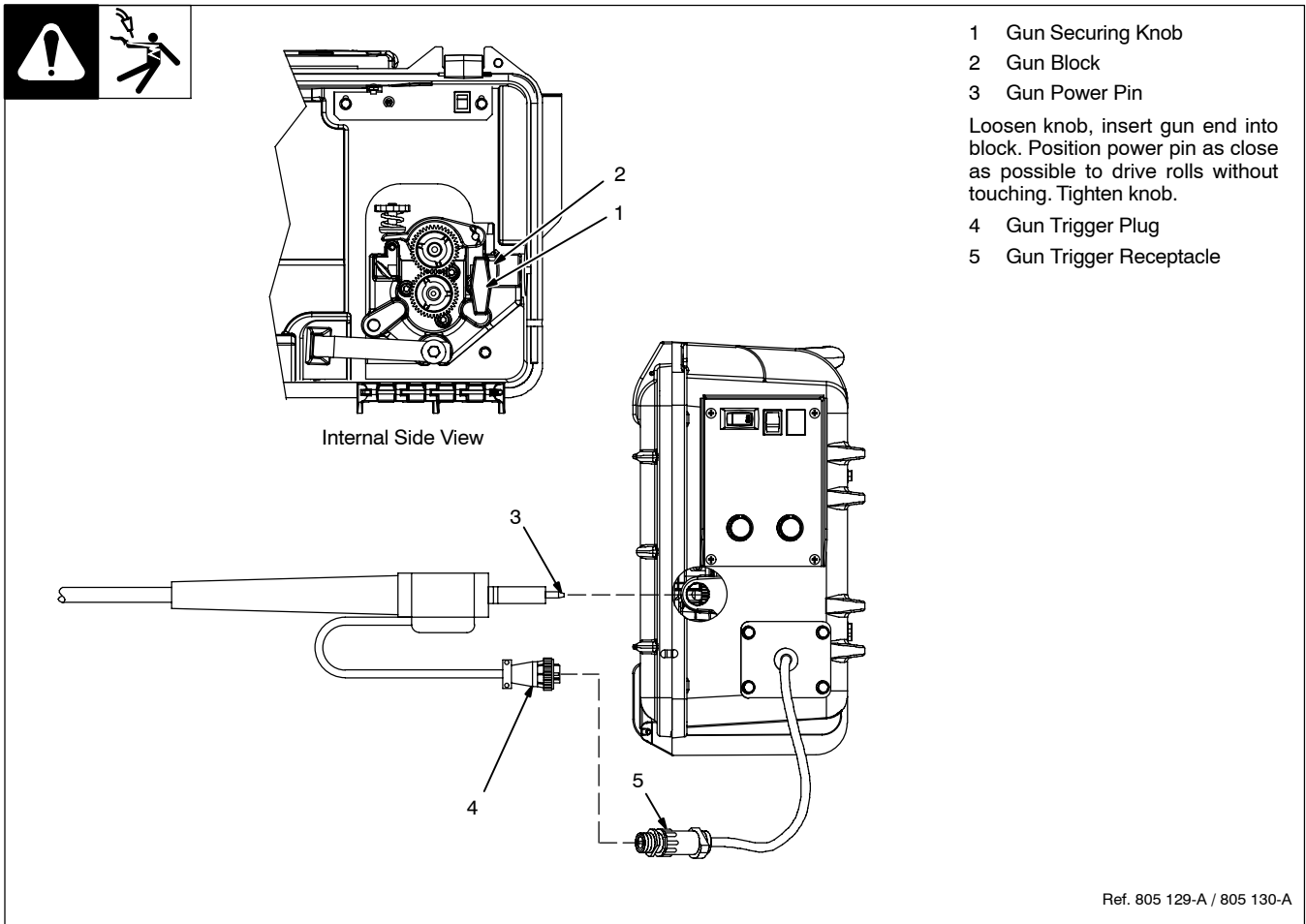


Tools Needed:

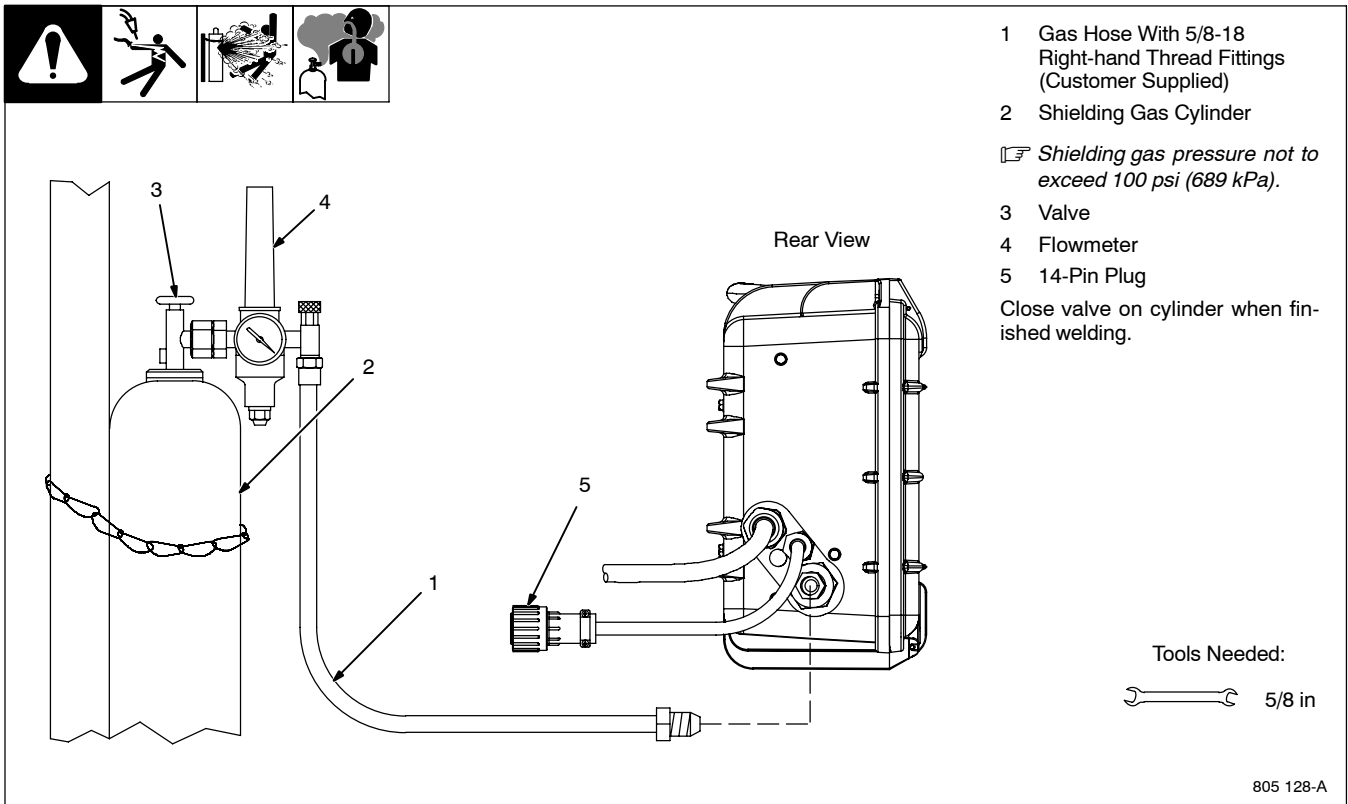


805 127-A / Ref. 132 808-F / Ref. 162 079-A / Ref. 180 967

4-6. Connecting Welding Gun



4-7. Connecting Shielding Gas



4-9. Weld Cable Sizes*



⚠️ ARC WELDING can cause Electromagnetic Interference.

To reduce possible interference, keep weld cables as short as possible, close together, and down low, such as on the floor. Locate welding operation 100 meters from any sensitive electronic equipment. Be sure this welding machine is installed and grounded according to this manual. If interference still occurs, the user must take extra measures such as moving the welding machine, using shielded cables, using line filters, or shielding the work area.

 Weld Output Terminals ⚠️ Turn off power before connecting to weld output terminals. ⚠️ Do not use worn, damaged, undersized, or poorly spliced cables.	Weld Cable Size** and Total Cable (Copper) Length in Weld Circuit Not Exceeding***								
			100 ft (30 m) or Less	150 ft (45 m)	200 ft (60 m)	250 ft (70 m)	300 ft (90 m)	350 ft (105 m)	400 ft (120 m)
	Welding Amperes	10 – 60% Duty Cycle	60 – 100% Duty Cycle	10 – 100% Duty Cycle					
100	4 (20)	4 (20)	4 (20)	3 (30)	2 (35)	1 (50)	1/0 (60)	1/0 (60)	
150	3 (30)	3 (30)	2 (35)	1 (50)	1/0 (60)	2/0 (70)	3/0 (95)	3/0 (95)	
200	3 (30)	2 (35)	1 (50)	1/0 (60)	2/0 (70)	3/0 (95)	4/0 (120)	4/0 (120)	
250	2 (35)	1 (50)	1/0 (60)	2/0 (70)	3/0 (95)	4/0 (120)	2 ea. 2/0 (2x70)	2 ea. 2/0 (2x70)	
300	1 (50)	1/0 (60)	2/0 (70)	3/0 (95)	4/0 (120)	2 ea. 2/0 (2x70)	2 ea. 3/0 (2x95)	2 ea. 3/0 (2x95)	
350	1/0 (60)	2/0 (70)	3/0 (95)	4/0 (120)	2 ea. 2/0 (2x70)	2 ea. 3/0 (2x95)	2 ea. 3/0 (2x95)	2 ea. 4/0 (2x120)	
400	1/0 (60)	2/0 (70)	3/0 (95)	4/0 (120)	2 ea. 2/0 (2x70)	2 ea. 3/0 (2x95)	2 ea. 4/0 (2x120)	2 ea. 4/0 (2x120)	
500	2/0 (70)	3/0 (95)	4/0 (120)	2 ea. 2/0 (2x70)	2 ea. 3/0 (2x95)	2 ea. 4/0 (2x120)	3 ea. 3/0 (3x95)	3 ea. 3/0 (3x95)	

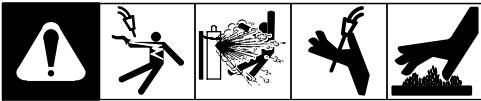
* This chart is a general guideline and may not suit all applications. If cable overheats, use next size larger cable.

**Weld cable size (AWG) is based on either a 4 volts or less drop or a current density of at least 300 circular mils per ampere.
() = mm² for metric use

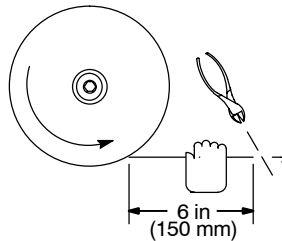
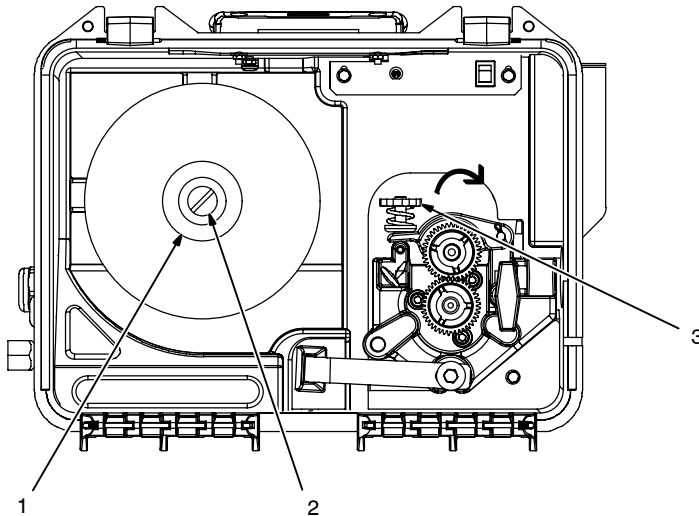
S-0007-F-

***For distances longer than those shown in this guide, call a factory applications representative at 920-735-4505.

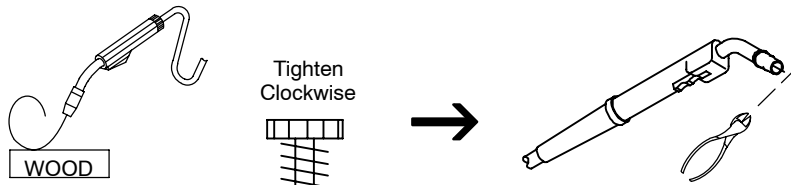
4-10. Installing And Threading Welding Wire



☞ Hold wire tightly to keep it from unraveling.



Pull and hold wire; cut off end.



Installing Wire And Adjusting Hub Tension:

1 Retaining Nut

2 Hub Tension Adjustment Nut

Remove retaining ring, and install spool so hub pin fits spool hole. Re-install retaining nut.

Adjust tension knob so only a slight force is needed to turn spool.

☞ Do not over tighten tension knob. It is not necessary to use any tools to tighten the knob.

Threading Welding Wire:

3 Pressure Assembly Adjustment Knob

Lay gun cable out straight.

Open pressure assembly, hold wire tightly, and cut off end. Push wire through guides into gun.

Close and tighten pressure assembly. Press Jog switch until wire comes out gun.

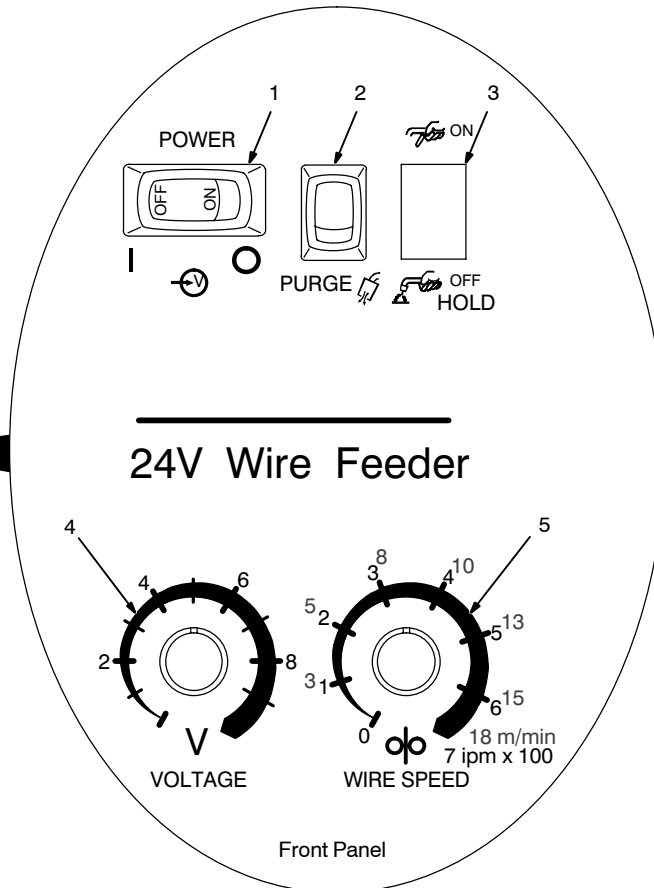
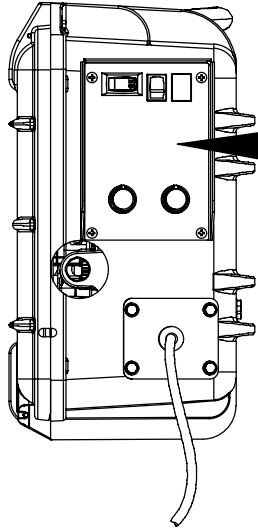
To set the proper drive roll tension, release the tension on the drive rolls. Position gun at about a 45 degree angle, with nozzle about two inches from a wooden surface. Increase the tension while feeding the wire against the wooden surface to one half turn past the point where the wire stops slipping. If the wire slips at maximum hand tight tension there may be other problems. Check the gun liner, spool tension, contact tips, drive roll wear, drive roll alignment and inlet guide as all these can cause feeding problems.

Cut off wire, and close door.

805 127-A / Ref. ST-159 048-A / S-0627-A

SECTION 5 – OPERATION

5-1. Controls



- 1 Power Control Switch
- 2 Purge Switch

Press switch to momentarily energize gas solenoid and purge air from gun, and to adjust shielding gas regulator.

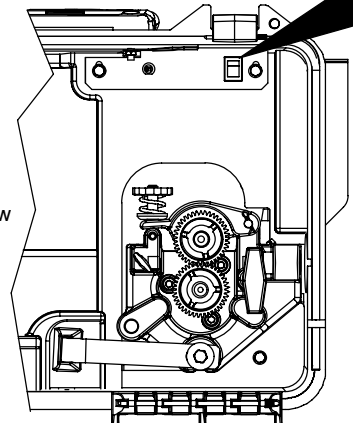
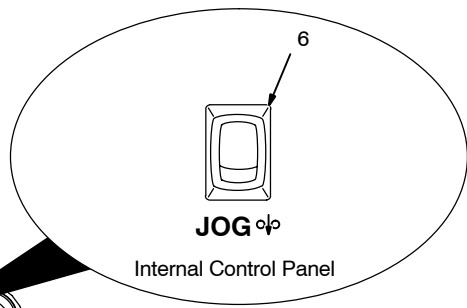
- 3 Snap-In Blank
- 4 Voltage Control
- 5 Wire Speed Control

Use control to adjust wire speed within range selected by switch.

- 6 Jog Switch

Use Jog position to momentarily feed welding wire at speed set on Wire Speed control without energizing welding circuit or shielding gas valve.

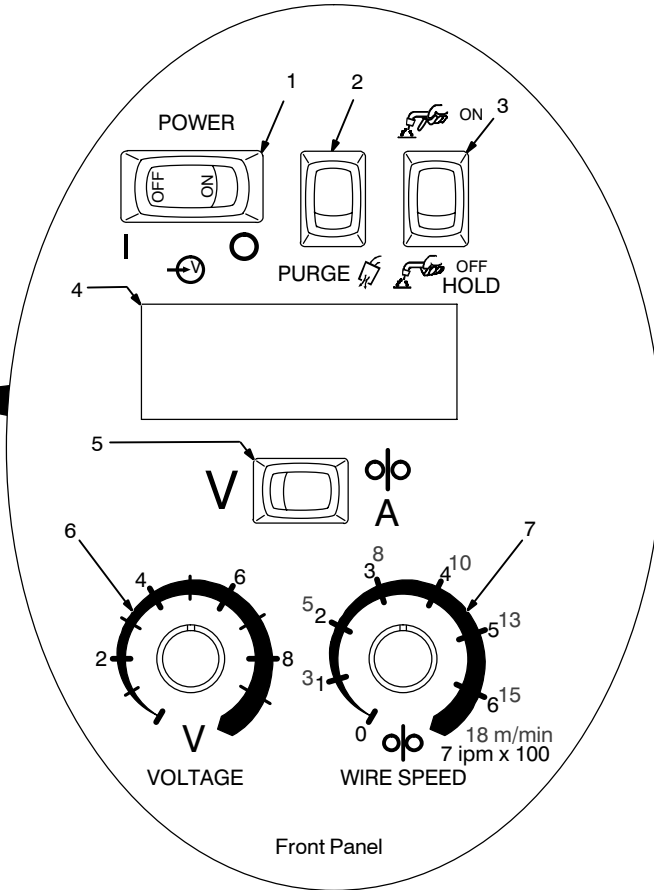
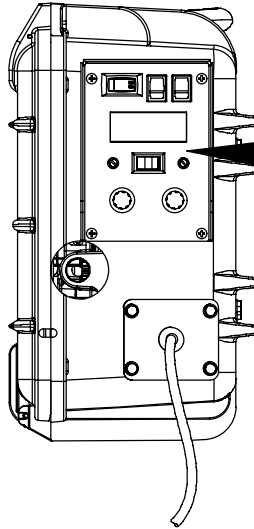
Close and latch door.



Internal Side View

Internal Control Panel

5-2. Controls For Meter (Optional)



Front Panel

1 Power Control Switch

2 Purge Switch

Press switch to momentarily energize gas solenoid and purge air from gun, and to adjust shielding gas regulator.

3 Trigger Hold Switch


Depress the upper part of the switch (turns trigger hold On) to weld without holding gun trigger throughout the weld cycle.

To start weld, press and release gun trigger. To end weld, press and release gun trigger.

Depress the lower part of the trigger hold switch to turn trigger hold Off.

4 Meter Display

5 Volts, Wire Feed Speed Or Amps Select Switch

 Meter is factory set to display voltage and wirefeed speed. To display voltage and amps refer to Section 5-3 for DIP switch settings.

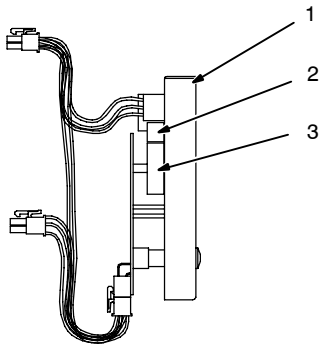
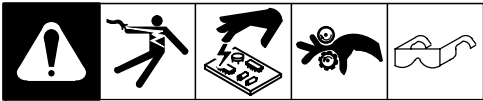
6 Voltage Control


7 Wire Speed Control

Use control to adjust wire speed within range selected by switch.

Close and latch door.

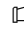
5-3. Setting Digital Meter Board PC4 DIP Switches



 Meter DIP switches are factory set to display wirefeed speed in inches per minute, voltage and amperage thru 14 pin feedback. Meter hold feature is factory set to off position.

- 1 Front Meter Panel
- 2 S1 DIP Switch
- 3 S2 DIP Switch

If the DIP switches are set to a Meter Hold (ON) position, the meter value will hold 5 seconds after gun is triggered. The meter value will continue to hold for 8 seconds after trigger is released or until gun is re-triggered.

 When using power sources without 14 pin voltage/current feedback – optional remote voltage/current kit 195 194 is required.



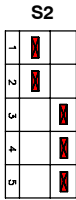
Indicates this DIP switch setting has no effect on this function.

Wire Feed Speed Display

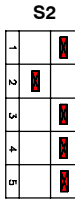
Inches Per Minute



S1



14 Pin Voltage Feedback

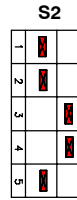


Voltage Sense Lead (Optional)

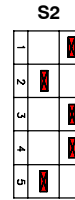
Meters Per Minute



S1

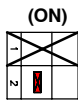


14 Pin Voltage Feedback

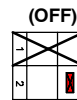


Voltage Sense Lead (Optional)

Meter Hold

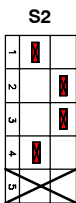


S1

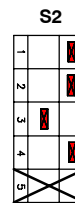


S1

Amps Display



14 Pin Current Feedback



Current Sensor (Optional)

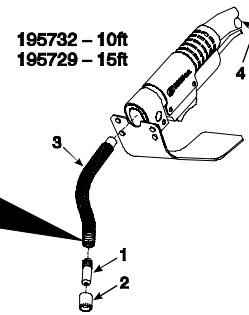
5-4. Gun Consumables Information

IRONMATE FC-1260 Consumables

1. Contact Tips 198784 - .045" 198785 - 1/16" 198786 - .068-.072" 198788 - 5/64"
2. Insulated Nozzles 198801 - 1/8" stickout 198802 - 2" stickout 198803 - 2 3/4" stickout 198800 - Thread protector

3. Goosenecks (Includes Liners)	Liners
198796 - 6°/30° 199335 - 6°/30° Jacketed 198794 - 6°/50° 199332 - 6°/50° Jacketed	198791
198798 - 6°/90° 199334 - 6°/90° Jacketed 198799 - straight 8°/5°	198792
198797 - 12°/30° 199336 - 12°/30° Jacketed 198795 - 12°/50° 199333 - 12°/50° Jacketed	198793

4. Gun Liners 195731 - 1/16-3/32" dia. 199178 - .045" dia.
These parts are included with gooseneck. See Owner's Manual to order separately.



ROUGHNECK Consumables

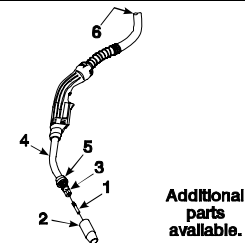
1. Standard FasTip 206175 - .023" 206176 - .030" 206177 - .035" 206179 - .045" 206180 - .052" 206181 - 1/16" 206182 - .068" 206183 - 5/64"

1. Heavy Duty FasTip 206186 - .035" 206187 - .040" 206188 - .045" 206189 - .052" 206190 - 1/16" 206191 - .068" 206192 - 5/64"

2. Standard Nozzle 198855 - 300/400 A 199618 - 500/600 A
3. Diffuser 206195 - 1/8" recess 206196 - flush 210664 - 1/4" recess

4. Goosenecks 199625 - 4.5°/48 199626 - 6°/48 199627 - 8°/48 213450 - 6°/straight
5. Insulator 198856

6. Gun Liners 202889 - .023-.030" wire 202890 - .035-.045" wire 202891 - .052-1/16" wire 202892 - 1/16-.078" wire 202893 - 5/64-3/32" wire
--



Q-Gun™ Replacement Parts & Centerfire™ Consumables

1. T Series Tip T-023 - .023" T-030 - .030" T-035 - .035" T-039 - .039" T-045 - .045" T-052 - .052" T-062 - 1/16" T-072 - .072" T-078 - 5/64"

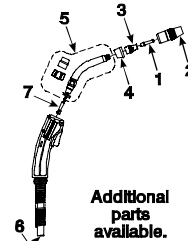
1. TT Series Tip Tapered Tip TT-023 - .023" TT-030 - .030" TT-035 - .035" TT-039 - .039" TT-045 - .045" TT-052 - .052" TT-062 - 1/16" TT-062 - 1/16"

2. Nozzles 5/8" ID Copper N-5800C - Flush N-5818C - 1/8" Recess N-5814C - 1/4" Recess
2. Nozzles (Small) 5/8" ID Copper NS-5800C - Flush NS-5818C - 1/8" Recess NS-5814C - 1/4" Recess

3. Diffuser D-1 DS-1
4. Cap 10012 4323R
5. Neck QT2-45 - 3.4" 45° QT3-45 - 4.8" 45° QT5-45 - 6.8" 45° QT-180 - 5 - 5.2" Str

6. Gun Liners For Standard Wires 43015 - .023-.030" wire 44115 - .035-.045" wire 44215 - .045-1/16" wire 1920170 - 5/64" wire
6. Gun Liners - Nylon 43015X - .035" Alum. wire 43115X - 3/64" Alum. wire 44215X - 1/16" Alum. wire

7. Jump Liners For Standard Wires QJL-2330 - .023-.030" QJL-3545 - .035-.045" QJL-116 - 1/16" QJLH-116 - 1/16" HD
7. Jump Liners - Nylon QJLN-364 - .035-3/64" QJLN-116 - 1/16"



Dura-Flux™ Replacement Parts & Centerfire™ Consumables

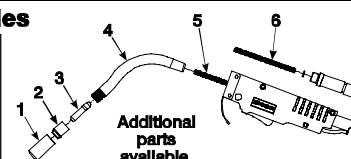
1. Tip Insulator 7010024
2. Slip-On Tip Holder 7010026

3. T Series Tip T-062 - 1/16" T-072 - .072" T-078 - 5/64"

4. Neck w/Liner 1880232 - 6" 30° 1880222 - 6" 60° 1880230 - 8" 90° 1880223 - 12" 30° 1880231 - 12" 60°
--

4. Armored Neck w/Liner 1880233 - 6" 60° 1880234 - 12" 30° 1880235 - 8" 90° 1880236 - 6" 30° 1880237 - 12" 60°
--

5. Neck Liner 7010031 - 6" 7010032 - 12"
6. Power Pin Liner 7010035



235 264-A

Notes

SECTION 6 – MAINTENANCE & TROUBLESHOOTING

6-1. Routine Maintenance

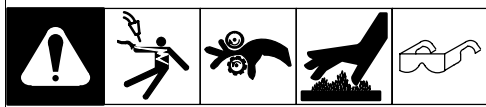
				Disconnect power before maintaining.	<i>Maintain more often during severe conditions.</i>	
3 Months						
				Replace Damaged Or Unreadable Labels		Replace Damaged Gas Hose
				Repair Or Replace Cracked Cables And Cords		
6 Months						
		Clean Drive Rolls				Blow Out Or Vacuum Inside

6-2. Overload Protection And Thermostat Protection

				Turn Off wire feeder and welding power source. Stop engine on welding generator.
				1 Circuit Breaker CB1 CB1 protects wire feeder from overload. Correct problem and reset CB1. Close and latch door. Thermostat Protection Unit has internal thermostat protection on bus bar and will not energize contactor in welding power source when overheating occurs. (see Section 6-3).
Internal Side View				

Ref. 805 130-A

6-3. Troubleshooting



Trouble	Remedy
Wire does not feed, unit completely inoperative.	Turn Power switch On. Check 14-pin plug PLG2 connections. Check input power.
Wire does not feed.	Check circuit breaker CB1. (see Section 6-2). Check gun trigger connection at wire feeder. Check gun trigger leads and trigger switch. See gun Owner's Manual. Have Factory Authorized Service Agent check drive motor and control board PC1.
Wire feeds erratically.	Readjust hub tension. Readjust drive roll pressure. Clean or replace dirty or worn drive roll (see Section 4-5). Remove weld spatter around nozzle opening. Replace contact tip or liner. See gun Owner's Manual. Change to correct size and type drive roll (see Section 4-5) Incorrect size or worn wire guides (see Section 4-5) Have Factory Authorized Service Agent check control board PC1. Hub tension set too high (see Section 4-10).
Wire feeds when Jog switch is pressed but not when gun trigger is pressed.	Check gun trigger connection at wire feeder. Check gun trigger leads and trigger switch. See gun Owner's Manual.
Wire feeds as soon as power is applied.	Check gun trigger. See gun Owner's Manual.
Wire does not feed until trigger is pressed but continues to feed after trigger is released.	Check for short between gun trigger leads and weld cable. Repair or replace gun trigger leads.
Gas valve rattles loudly and wire feeds slowly or erratically.	Check for short between gun trigger leads and weld cable. Repair or replace gun trigger leads.
Gas does not flow or does not stop flowing; wire feeds.	Check gas valve. Check coil voltage and connections of gas valve GS1. Check continuity of coil. Replace GS1 if necessary. Have Factory Authorized Service Agent check Control board PC1. Clear blockage in gas hose or replace hose. Clear blockage in welding gun.
When triggered; gas flows, wire feeds but no contact closure at welding power source.	Overheating of bus bar. Allow feeder to cool, reduce weld amperage or duty cycle.
Motor runs slowly.	Check and replace contact tip or liner if necessary. Have Factory Authorized Service Agent check Control board PC1. Hub tension set too high (see Section 4-10).

SECTION 7 - ELECTRICAL DIAGRAMS

WARNING
 ● Do not touch live electrical parts.
 ● Disconnect input power or stop engine before servicing.
 ● Do not operate with covers removed.
 ● Have only qualified persons install, use, or service this unit.

ELECTRIC SHOCK HAZARD

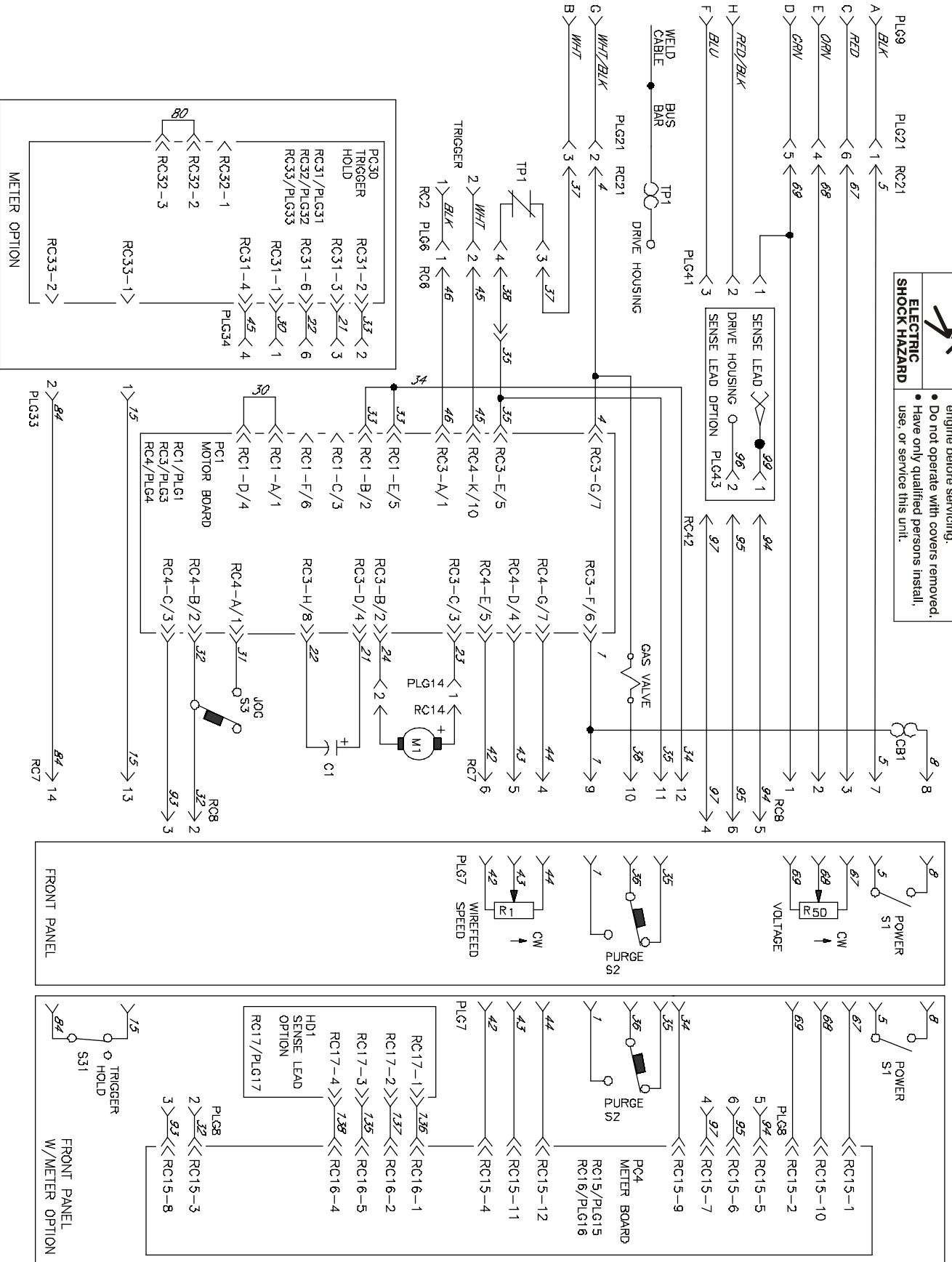
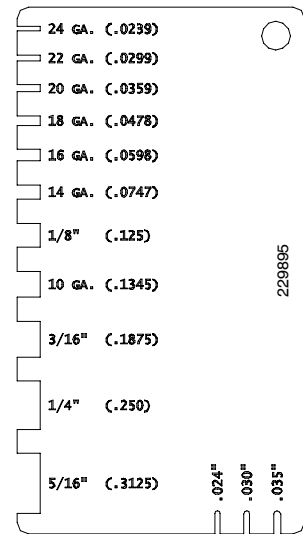


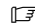
Figure 7-1. Circuit Diagram For Wire Feeder

Notes



MATERIAL THICKNESS GAUGE

SECTION 8 – PARTS LIST

 Hardware is common and not available unless listed.

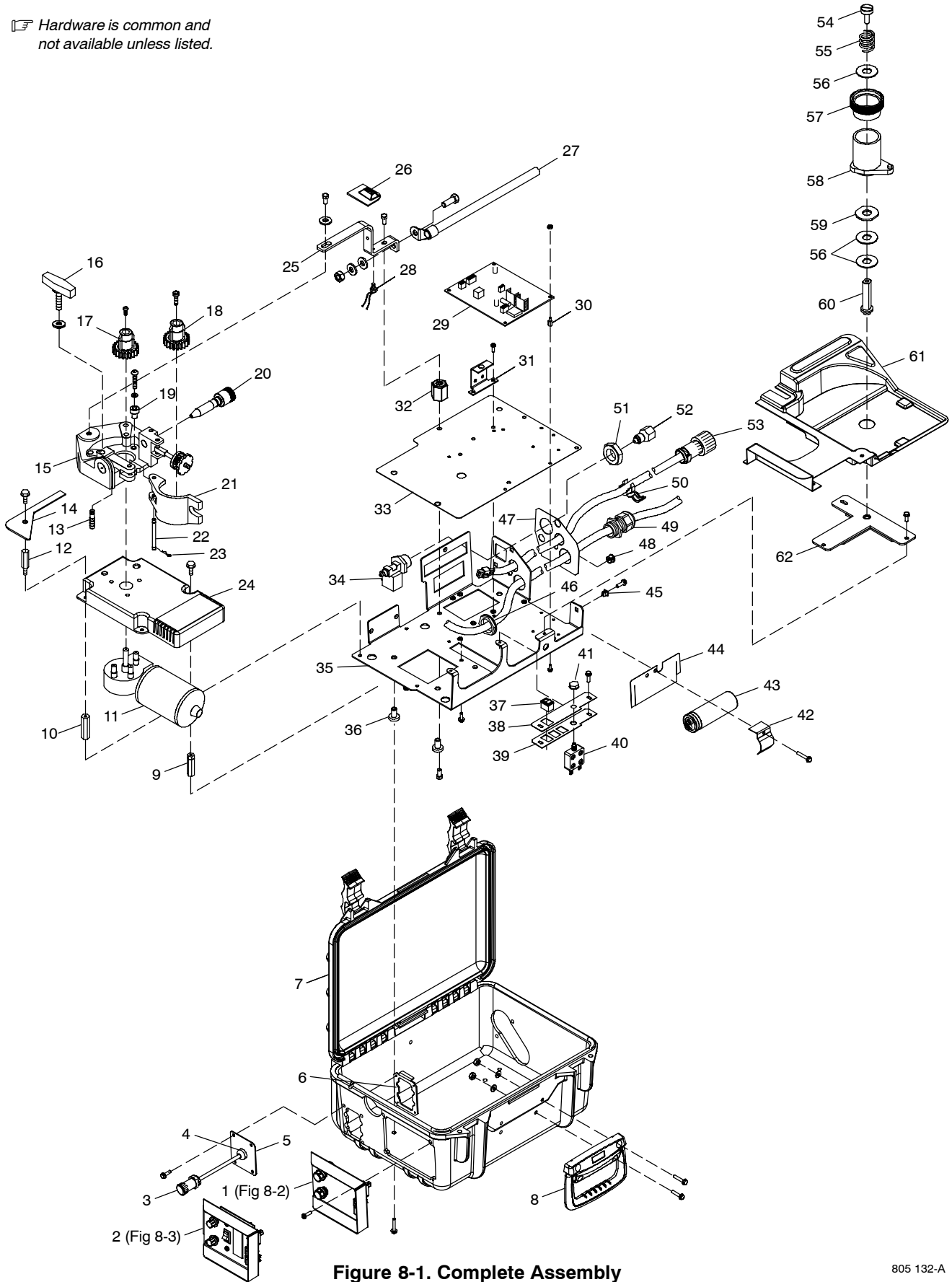


Figure 8-1. Complete Assembly

805 132-A

Item No.	Dia. Mkgs.	Part No.	Description	Quantity
----------	------------	----------	-------------	----------

Figure 8-1. Complete Assembly

1	Fig 8-2	235 843	Panel Assy, Front Without Meters	1
2	Fig 8-3	235 841	Panel Assy, Front W/Meters/Trigger Hold	1
3		221 998	Cable, Trigger 25 In	1
		049 455	Cable, Port No 18 2/C Type sjo nprn Jkt	(Order by ft)
		048 834	Conn, Circ Cpc Clamp Str Rlf Size 11 .329OD	1
	RC2	080 328	Rcpt W/Skts, Free Hanging	1
	PLG6	115 094	Housing Plug+Skts, (Service Kit)	1
	PLG14	227 529	Housing Plug+Skts, (Service Kit)	1
4		230 227	Bushing, Strain Relief .300 Id X .550/.625 Mtg Hole	1
5		214 006	Panel, Front Lower	1
6		214 010	Panel, Front Lower Backing Plate	1
7		+225 979	Case, Control Feeder Plastic	1
		235 264	Label, Consumables	1
8		208 015	Handle, Rubberized Carrying	1
9		200 612	Stand-Off, No 10-32 X 1.710 Lg .438 Dia Stl Fem	1
10		200 613	Stand-Off, No 10-32 X 1.835 Lg .500 Hex Stl Fem	3
11	M1	225 341	Motor, Gear 24VDC 150RPM 24:1 Ratio	1
12		215 719	Stand-Off, No 10-32 X 1.000 Lg .375 Hex Stl M&f	1
13		144 172	Ftg, Hose Brs Barbed M 3/16 Tbg X .250-20	1
14		226 281	Shroud, Corner	1
15		206 219	Housing, Adapter Gun/Feeder	1
16		124 778	Knob, T 2.000 Bar W/.312-18 Stud 1.000 Lg Plstc	1
17		173 619	Carrier, Drive Roll W/Components 24 Pitch 10mm Shaft	1
18		172 075	Carrier, Drive Roll W/Components 24 Pitch	1
19		173 620	Bushing, Motor Mtg.	3
20		221 030	Guide, Wire Inlet Anti-Wear One PC (.023 To 5/64)	1
21		166 071	Lever, Mtg Pressure Gear	1
22		079 634	Pin, Hinge	1
23		151 828	Pin, Cotter Hair .042 X .750	2
24		173 616	Cover, Right Angle Motor	1
25		234 517	Bus Bar, Interconnecting	1
26		226 282	Shroud, Bus Bar	1
27		231 956	Cable, Weld 20 In	1
		600 322	Cable, Weld Cop Strd No 2/0 Epdm Jkt	(Order by ft)
28		230 471	Thermostat, NC Open 140C Close 110C Snap Action	1
29	PC1	220 368	Circuit Card Assy, Motor Speed Control	1
29	PC1	236 695	Circuit Card Assy, Motor Speed Control (RoHS)	1
30		097 132	Stand-Off, No 6-32 X .375 Lg .250 Hex Brs M&f	4
31		200 625	Bracket, Mtg Contactor/Spool	1
32		025 248	Stand-Off, Insul .250-20 X 1.250 Lg X .437 Thd	1
33		234 516	Insulator, Motor Board	1
34	GS1	228 036	Valve, 24VAC 1way .750-14 Thd 2mm Orf 100PSI	1
35		226 287	Chassis, Control Box	1
36		081 895	Nut, 010-32 Rubber .75dia .811 Insert In .38hole	3
37	S3	200 640	Switch, Rocker Dpdt 8A 125VAC On-None-(On)	1
38		234 678	Nameplate, Inner	1
39		226 732	Panel, Inner	1
40	CB1	161 078	Circuit Breaker, Man Reset 1p 7A 250V Frict	1
41		147 195	Nut, 375-27 .54Hex .25H Nyl Flange .62D	1
42		226 283	Bracket, Capacitor	1
43	C1	177 360	Capacitor, Elctlt 20000 Uf 45 VDC Can 1.40 Dia	1
44		226 284	Insulator, Capacitor	1
45		222 181	Grommet, Scr No 8/10 Panel Hole .281 Sq .031 High	3

☞ Meter and Trigger Hold feature optional in non-CE models, standard in CE models

+When ordering a component originally displaying a precautionary label, the label should also be ordered.

To maintain the factory original performance of your equipment, use only Manufacturer's Suggested Replacement Parts. Model and serial number required when ordering parts from your local distributor.

Item No.	Dia. Mkgs.	Part No.	Description	Quantity
----------	------------	----------	-------------	----------

Figure 8-1. Complete Assembly (Continued)

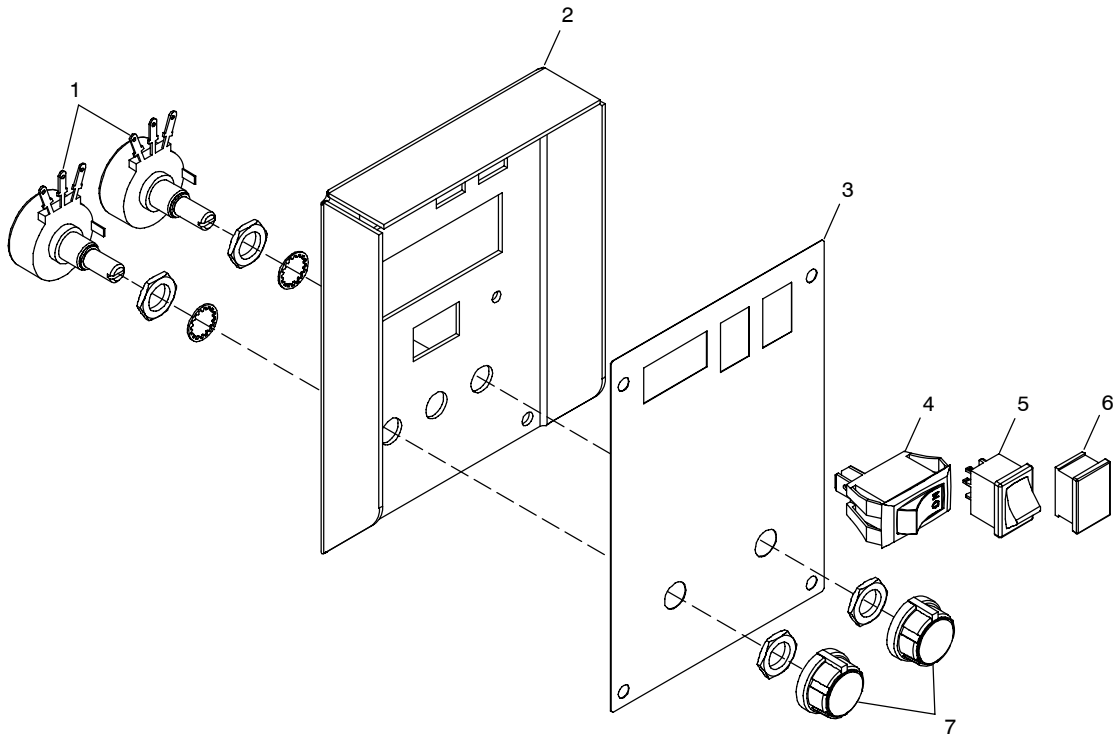
.. 46		214 860	.. Nut, Ln Pg21 1.26Hex .14H Nickel Plated Brass	1
.. 47		234 518	.. Insulator, Strain Relief/Gas Valve	1
.. 48		107 983	.. Blank, Snap-in Nyl .500 Mtg Hole Black	1
.. 49		139 041	.. Bushing, Strain Relief .481/.617 ID X 1.115 Mtg Hole	1
.. 50		010 325	.. Bushing, Strain Relief .840 Id X .875 Mtg Hole	1
.. 51		605 227	.. Nut, 750-14 Knurled1.68 Dia .41h Nyl	1
.. 52		211 989	.. Fitting, W/Screen	1
.. 53		210 131	.. Cable, Power 17 In (Includes)	1
		079 739	.. Conn, Circ Cpc Clamp Str Rlf Size 17-20 .703od	1
		600 797	.. Cable, Port No 16 8/C Type So Rb Jkt	1.4 ft
	PLG9	141 162	.. Housing Plug+Pins, (Service Kit)	A/R
	PLG21	115 093	.. Housing Plug+Skts, (Service Kit)	A/R
	PLG41	131 204	.. Housing Plug+Skts, (Service Kit)	A/R
.. 54		172 919	.. Knob, Brake Adjust	1
.. 55		172 918	.. Spring	1
.. 56		201 309	.. Washer, Anti-Turn	3
.. 57		202 695	.. Nut, Hub	1
.. 58		202 696	.. Hub, Spool	1
.. 59		058 424	.. Washer, Fiber (Brake)	1
.. 60		226 753	.. Spindle, Spool Support	1
.. 61		226 280	.. Shroud, Suitcase	1
.. 62		226 752	.. Spool Support Assy, Machined	1
	PC30	◆211 444	.. Circuit Card Assy, Trigger Hold (Trigger Hold Option)	1
	PC30	◆236 780	.. Circuit Card Assy, Trigger Hold (Trigger Hold Option) (RoHS)	1
		◆097 132	.. Standoff, No 6-32 x .375 Lg (Trigger Hold Option)	4
		◆211 883	.. Plug Assy, Trigger Hold (Trigger Hold Option)	1
		222 306	.. Label, Warning General Precautionary (non-CE only)	2
		223 034	.. Label, Warning General Precautionary Wordless (CE only)	2
		196 956	.. Label, Warning Pinchless	1
		235 857	.. Label, Warning	1
		236 931	.. Label, Warning (CE)	1
	PLG1	115 093	.. Housing Plug+Skts, (Service Kit)	1
	PLG3	115 092	.. Housing Plug+Skts, (Service Kit)	1
	PLG4	115 091	.. Housing Plug+Skts, (Service Kit)	1
	PLG7	131 056	.. Housing Rcpt+Skts, (Service Kit)	1
	PLG8	◆115 093	.. Housing Plug+Skts, (Service Kit)	1
	PLG13	131 054	.. Housing Rcpt+Skts, (Service Kit)	1
	PLG15	◆130 203	.. Housing Plug+Skts, (Service Kit)	1
	PLG16	◆131 055	.. Housing Rcpt+Skts, (Service Kit)	1
	PLG17	◆191 929	.. Housing, Wire To Board Crimp Spox	1
	PLG31	◆153 501	.. Housing Plug Pins+Skts, (Service Kit)	1
	PLG32	◆164 899	.. Housing Plug Pins+Skts, (Service Kit)	1
	PLG33	131 054	.. Housing Rcpt+Skts, (Service Kit)	1
	PLG34	◆115 093	.. Housing Plug+Skts, (Service Kit)	1
	PLG43	◆131 204	.. Housing Plug+Skts, (Service Kit)	1
	RC6	115 090	.. Housing Plug+Pins, (Service Kit)	1
	RC7	131 058	.. Housing Plug+Skts,(Service Kit)	1
	RC8, RC21	131 059	.. Housing Plug+Pins, (Service Kit)	1
	RC13	135 635	.. Housing Plug+Pins, (Service Kit)	1
	RC42	131 203	.. Housing Plug+Pins, (Service Kit)	1

☞ *Meter and Trigger Hold feature optional in non-CE models, standard in CE models*

◆ *Optional*

To maintain the factory original performance of your equipment, use only Manufacturer's Suggested Replacement Parts. Model and serial number required when ordering parts from your local distributor.

☞ Hardware is common and not available unless listed.



Ref. 805 134-A

Figure 8-2. Front Panel Assembly without Meters

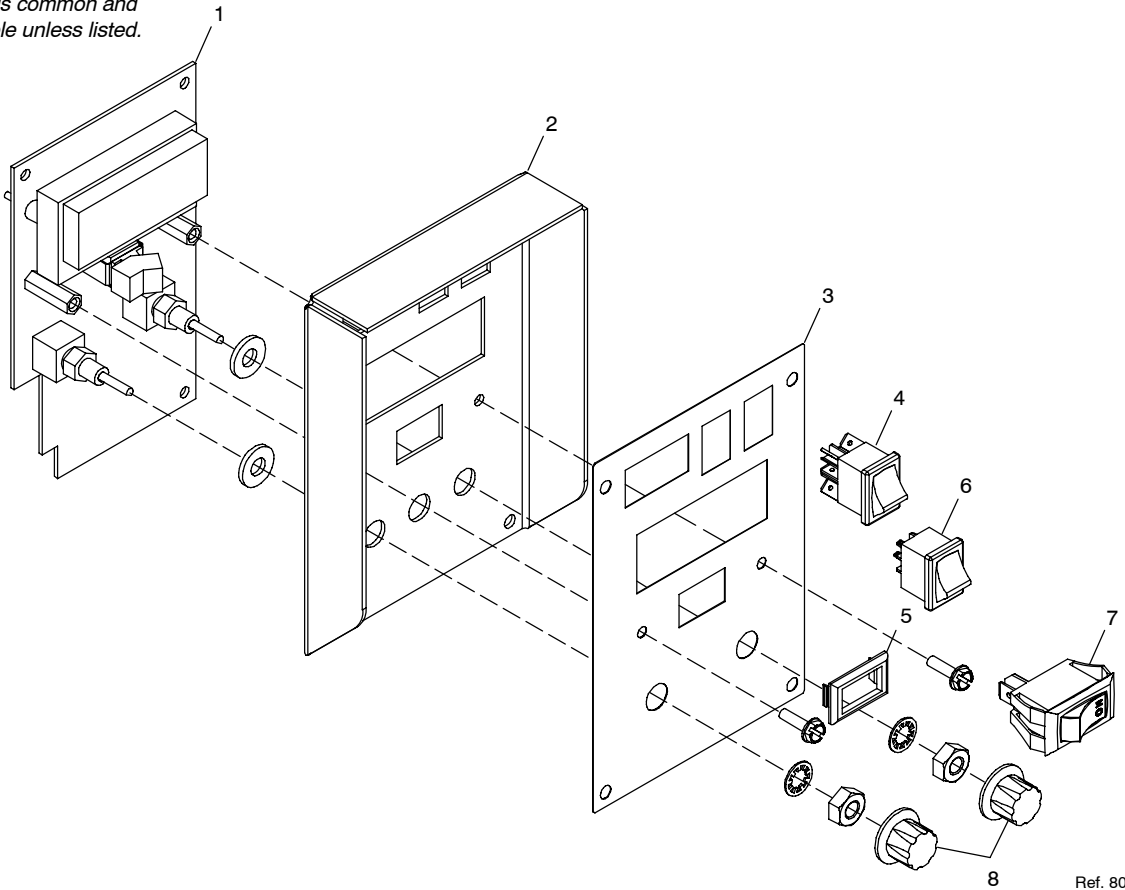
Item No.	Dia. Mkgs	Part No.	Description	Quantity
----------	-----------	----------	-------------	----------

Figure 8-2. Front Panel Assembly without Meters (Figure 8-1 Item 1)

.. 1 ..	R1, R50	208 399	.. Pot, Cp Std Slot 1T 2. W 10K Linear W/Frict Tabs	2
.. 2 ..		234 519	.. Panel, Front	1
.. 3 Nameplate, Without Meters (Order By Model And Serial Number)	1
.. 4 ..	S1	111 997	.. Switch, Rocker Spst 10A 250VAC On-Off Visi Red Rock	1
.. 5 ..	S2	200 640	.. Switch, Rocker Dpdt 8A 125VAC On-None-(On) Black	1
.. 6 ..		222 797	.. Blank, Snap-In Nyl Rect Mtg Hole Black	1
.. 7 ..		193 920	.. Knob, Pointer .840 Dia X .250 Id W/One Set Screw	2

To maintain the factory original performance of your equipment, use only Manufacturer's Suggested Replacement Parts. Model and serial number required when ordering parts from your local distributor.

☞ Hardware is common and not available unless listed.



Ref. 805 133-A

Figure 8-3. Front Panel Assembly with Meters

Item No.	Dia. Mkgs	Part No.	Description	Quantity
----------	-----------	----------	-------------	----------

Figure 8-3. Front Panel Assembly with Meters (8-1 Item 2)

.. 1	.. PC4	.. 210 768	.. Circuit Card Assy, Meter W/Amps	.. 1
.. 1	.. PC4	.. 236 698	.. Circuit Card Assy, Meter W/Amps (RoHS)	.. 1
.. 2		.. 234 519	.. Panel, Front	.. 1
.. 3			.. Nameplate, W/Meters (Order By Model And Serial Number)	.. 1
.. 4	.. S31	.. 120 376	.. Switch, Rocker SPST 10A 250VAC On-Off Visi Red Rock	.. 1
.. 5		.. 133 644	.. Frame, Snap-In Switch Rocker Panel Mtg	.. 1
.. 6	.. S2	.. 200 640	.. Switch, Rocker Dpdt 8A 125VAC On-None-(On) Black	.. 1
.. 7	.. S1	.. 111 997	.. Switch, Rocker Spst 10A 250VAC On-Off Visi Red Rock	.. 1
.. 8		.. 093 551	.. Knob, Pointer .750 Dia X .126 Id W/Set Screw Plstc	.. 2

To maintain the factory original performance of your equipment, use only Manufacturer's Suggested Replacement Parts. Model and serial number required when ordering parts from your local distributor.

Figure 8-4. Drive Roll And Wire Guide Kits

☞ Base selection of drive rolls upon the following recommended usages:

1. V-Grooved rolls for hard wire.
2. U-Grooved rolls for soft and soft shelled cored wires.
3. U-Cogged rolls for extremely soft shelled wires (usually hard surfacing types).
4. V-Knurled rolls for hard shelled cored wires.
5. Drive roll types may be mixed to suit particular requirements (example: V-Knurled roll in combination with U-Grooved).

Wire Diameter			Drive Roll (2 Required)		Inlet Wire
Fraction	Decimal	Metric	Part No.	Type	Guide
.023/.025 in	.023/.025 in	0.6 mm	087 130	V-Grooved	221 030
.030 in	.030 in	0.8 mm	053 695	V-Grooved	221 030
.035 in	.035 in	0.9 mm	053 700	V-Grooved	221 030
.040 in	.040 in	1.0 mm	053 696	V-Grooved	221 030
.045 in	.045 in	1.2 mm	053 697	V-Grooved	221 030
.052 in	.052 in	1.3 mm	053 698	V-Grooved	221 030
1/16 in	.062 in	1.6 mm	053 699	V-Grooved	221 030
.035 in	.035 in	0.9 mm	072 000	U-Grooved	221 030
.045 in	.045 in	1.2 mm	053 701	U-Grooved	221 030
.052 in	.052 in	1.3 mm	053 702	U-Grooved	221 030
1/16 in	.062 in	1.6 mm	053 706	U-Grooved	221 030
5/64 in.	.079 in.	2.0 mm	053 704	U-Grooved	221 030
.035 in	.035 in	0.9 mm	132 958	V-Knurled	221 030
.045 in	.045 in	1.2 mm	132 957	V-Knurled	221 030
.052 in	.052 in	1.3 mm	132 956	V-Knurled	221 030
1/16 in	.062 in	1.6 mm	132 955	V-Knurled	221 030
.068-.072 in.	.068-.072	1.8 mm	132 959	V-Knurled	221 030
5/64 in.	.079 in.	2.0 mm	132 960	V-Knurled	221 030
.045 in	.045 in	1.2 mm	083 489	U-Cogged	221 030
.052 in	.052 in	1.3 mm	083 490	U-Cogged	221 030
1/16 in	.062 in	1.6 mm	053 708	U-Cogged	221 030
5/64 in.	.079 in.	2.0 mm	053 710	U-Cogged	221 030

S-0859

TRUE BLUE® WARRANTY

Effective January 1, 2008

(Equipment with a serial number preface of LJ or newer)

This limited warranty supersedes all previous Miller warranties and is exclusive with no other guarantees or warranties expressed or implied.

Warranty Questions?

Call
1-800-4-A-MILLER
for your local
Miller distributor.

Your distributor also gives
you ...

Service

You always get the fast,
reliable response you
need. Most replacement
parts can be in your
hands in 24 hours.

Support

Need fast answers to the
tough welding questions?
Contact your distributor.
The expertise of the
distributor and Miller is
there to help you, every
step of the way.

LIMITED WARRANTY – Subject to the terms and conditions below, Miller Electric Mfg. Co., Appleton, Wisconsin, warrants to its original retail purchaser that new Miller equipment sold after the effective date of this limited warranty is free of defects in material and workmanship at the time it is shipped by Miller. THIS WARRANTY IS EXPRESSLY IN LIEU OF ALL OTHER WARRANTIES, EXPRESS OR IMPLIED, INCLUDING THE WARRANTIES OF MERCHANTABILITY AND FITNESS.

Within the warranty periods listed below, Miller will repair or replace any warranted parts or components that fail due to such defects in material or workmanship. Miller must be notified in writing within thirty (30) days of such defect or failure, at which time Miller will provide instructions on the warranty claim procedures to be followed.

Miller shall honor warranty claims on warranted equipment listed below in the event of such a failure within the warranty time periods. All warranty time periods start on the delivery date of the equipment to the original end-user purchaser, and not to exceed one year after the equipment is shipped to a North American distributor or eighteen months after the equipment is shipped to an International distributor.

1. 5 Years Parts — 3 Years Labor
 - * Original main power rectifiers only to include SCRs, diodes, and discrete rectifier modules
2. 3 Years — Parts and Labor
 - * Transformer/Rectifier Power Sources
 - * Plasma Arc Cutting Power Sources
 - * Process Controllers
 - * Semi-Automatic and Automatic Wire Feeders
 - * Inverter Power Sources (Unless Otherwise Stated)
 - * Water Coolant Systems (Integrated)
 - * Intelligit
 - * Engine Driven Welding Generators
(NOTE: Engines are warranted separately by the engine manufacturer.)
3. 1 Year — Parts and Labor Unless Specified
 - * Motor Driven Guns (w/exception of Spoolmate Spoolguns)
 - * Positioners and Controllers
 - * Automatic Motion Devices
 - * RFCS Foot Controls
 - * Induction Heating Power Sources, Coolers, and Electronic Controls/Recorders
 - * Water Coolant Systems (Non-Integrated)
 - * Flowgauge and Flowmeter Regulators (No Labor)
 - * HF Units
 - * Grids
 - * Spot Welders
 - * Load Banks
 - * Arc Stud Power Sources & Arc Stud Guns
 - * Racks
 - * Running Gear/Trailers
 - * Plasma Cutting Torches (except APT & SAF Models)
 - * Field Options
(NOTE: Field options are covered under True Blue® for the remaining warranty period of the product they are installed in, or for a minimum of one year — whichever is greater.)
 - * Bernard-Branded Mig Guns (No Labor)
 - * Weldcraft-Branded TIG Torches (No Labor)
 - * Subarc Wire Drive Assemblies
4. 6 Months — Batteries
5. 90 Days — Parts
 - * MIG Guns and Subarc (SAW) Guns

- * Induction Heating Coils and Blankets, Cables, and Non-Electronic Controls
- * APT & SAF Model Plasma Cutting Torches
- * Remote Controls
- * Accessory (Kits)
- * Replacement Parts (No labor)
- * Spoolmate Spoolguns
- * Canvas Covers

Miller's True Blue® Limited Warranty shall not apply to:

1. **Consumable components; such as contact tips, cutting nozzles, contactors, brushes, slip rings, relays or parts that fail due to normal wear. (Exception: brushes, slip rings, and relays are covered on Bobcat, Trailblazer, and Legend models.)**
2. Items furnished by Miller, but manufactured by others, such as engines or trade accessories. These items are covered by the manufacturer's warranty, if any.
3. Equipment that has been modified by any party other than Miller, or equipment that has been improperly installed, improperly operated or misused based upon industry standards, or equipment which has not had reasonable and necessary maintenance, or equipment which has been used for operation outside of the specifications for the equipment.

MILLER PRODUCTS ARE INTENDED FOR PURCHASE AND USE BY COMMERCIAL/INDUSTRIAL USERS AND PERSONS TRAINED AND EXPERIENCED IN THE USE AND MAINTENANCE OF WELDING EQUIPMENT.

In the event of a warranty claim covered by this warranty, the exclusive remedies shall be, at Miller's option: (1) repair; or (2) replacement; or, where authorized in writing by Miller in appropriate cases, (3) the reasonable cost of repair or replacement at an authorized Miller service station; or (4) payment of or credit for the purchase price (less reasonable depreciation based upon actual use) upon return of the goods at customer's risk and expense. Miller's option of repair or replacement will be F.O.B., Factory at Appleton, Wisconsin, or F.O.B. at a Miller authorized service facility as determined by Miller. Therefore no compensation or reimbursement for transportation costs of any kind will be allowed.

TO THE EXTENT PERMITTED BY LAW, THE REMEDIES PROVIDED HEREIN ARE THE SOLE AND EXCLUSIVE REMEDIES. IN NO EVENT SHALL MILLER BE LIABLE FOR DIRECT, INDIRECT, SPECIAL, INCIDENTAL OR CONSEQUENTIAL DAMAGES (INCLUDING LOSS OF PROFIT), WHETHER BASED ON CONTRACT, TORT OR ANY OTHER LEGAL THEORY.

ANY EXPRESS WARRANTY NOT PROVIDED HEREIN AND ANY IMPLIED WARRANTY, GUARANTY OR REPRESENTATION AS TO PERFORMANCE, AND ANY REMEDY FOR BREACH OF CONTRACT TORT OR ANY OTHER LEGAL THEORY WHICH, BUT FOR THIS PROVISION, MIGHT ARISE BY IMPLICATION, OPERATION OF LAW, CUSTOM OF TRADE OR COURSE OF DEALING, INCLUDING ANY IMPLIED WARRANTY OF MERCHANTABILITY OR FITNESS FOR PARTICULAR PURPOSE, WITH RESPECT TO ANY AND ALL EQUIPMENT FURNISHED BY MILLER IS EXCLUDED AND DISCLAIMED BY MILLER.

Some states in the U.S.A. do not allow limitations of how long an implied warranty lasts, or the exclusion of incidental, indirect, special or consequential damages, so the above limitation or exclusion may not apply to you. This warranty provides specific legal rights, and other rights may be available, but may vary from state to state.

In Canada, legislation in some provinces provides for certain additional warranties or remedies other than as stated herein, and to the extent that they may not be waived, the limitations and exclusions set out above may not apply. This Limited Warranty provides specific legal rights, and other rights may be available, but may vary from province to province.

miller_warr 2008-01





Owner's Record

Please complete and retain with your personal records.

Model Name

Serial/Style Number

Purchase Date

(Date which equipment was delivered to original customer.)

Distributor

Address

City

State

Zip



For Service

Contact a DISTRIBUTOR or SERVICE AGENCY near you.

Always provide Model Name and Serial/Style Number.

Contact your Distributor for:

Welding Supplies and Consumables

Options and Accessories

Personal Safety Equipment

Service and Repair

Replacement Parts

Training (Schools, Videos, Books)

Technical Manuals (Servicing Information and Parts)

Circuit Diagrams

Welding Process Handbooks

To locate a Distributor or Service Agency visit www.millerwelds.com or call 1-800-4-A-Miller

Contact the Delivering Carrier to:

File a claim for loss or damage during shipment.

For assistance in filing or settling claims, contact your distributor and/or equipment manufacturer's Transportation Department.

Miller Electric Mfg. Co.

An Illinois Tool Works Company
1635 West Spencer Street
Appleton, WI 54914 USA

International Headquarters—USA

USA Phone: 920-735-4505 Auto-Attended
USA & Canada FAX: 920-735-4134
International FAX: 920-735-4125

European Headquarters – United Kingdom

Phone: 44 (0) 1204-593493
FAX: 44 (0) 1204-598066

www.MillerWelds.com

