

# USE AND CARE GUIDE



THERMADOR PROFESSIONAL® PRO GRAND GAS RANGES  
CUISINIÈRES à GAZ PROFESSIONAL<sup>mc</sup> PRO GRAND de THERMADOR  
PARA ESTUFAS de GAS PROFESSIONAL® PRO GRAND™ de THERMADOR

**Thermador** <sup>™</sup>  
REAL INNOVATIONS FOR REAL COOKS<sup>™</sup>

# USE AND CARE GUIDE

THERMADOR PROFESSIONAL® PRO GRAND GAS RANGES

CUISINIÈRES À GAZ PROFESSIONAL<sup>mc</sup> PRO GRAND de THERMADOR

PARA ESTUFAS DE GAS PROFESSIONAL® PRO GRAND™ de THERMADOR

Models  
Modèles  
Modelos

PRG36

PRG48

PRL36

PRL48

***Thermador*** ™  
REAL INNOVATIONS FOR REAL COOKS™

Congratulations on your recent THERMADOR® purchase! Whether you are a dedicated chef or simply a connoisseur of the art of cooking, owning a THERMADOR® kitchen is the ultimate expression of personal style, good taste and an appreciation for the complete culinary experience. Our award-winning products have been empowering culinary enthusiasts for more than eleven decades.

Before you begin using your new THERMADOR® product, please take a moment to review the Use and Care Guide. You will find the answers to all of your questions as well as some very important safety information. Pay special attention to the **Important Safety Instructions** located at the beginning of the manual. Your THERMADOR® product is ready and waiting to be used for your next gourmet creation!

Our products are handcrafted with the highest quality authentic materials to ensure years of reliable service. In the unlikely event that you have a service question, please have your model and serial numbers of your product available. You can find this information by opening the oven door and pulling the tab on the label mounting plate located on the right side of the range.

We realize that you have made a considerable investment in your kitchen. Please feel free to share your THERMADOR® kitchen photos and remodeling stories with us. Follow us on Twitter or post your kitchen photos on Facebook. We would love to hear from you!

THERMADOR® wishes you many years of creative cooking.

---

Félicitations pour votre récent achat THERMADOR<sup>mc</sup>! Que vous soyez un chef enthousiaste ou un simple connoisseur de l'art culinaire, le fait de posséder une cuisine THERMADOR<sup>mc</sup> représente l'expression ultime de votre style personnel, de votre bon goût et de votre intérêt à vivre une expérience culinaire complète. Nos produits primés permettent à des adeptes de la bonne bouffe d'atteindre de nouveaux sommets depuis plus de onze décennies.

Avant de commencer à utiliser votre nouveau produit THERMADOR<sup>mc</sup>, veuillez prendre un moment pour examiner ce guide d'utilisation et d'entretien. Vous trouverez des réponses à toutes vos questions ainsi que quelques renseignements essentiels en matière de sécurité. Portez une attention particulière aux **Instructions de sécurité importantes** se trouvant au début du guide. Votre produit THERMADOR<sup>mc</sup> est prêt et n'attend plus que vous l'utilisiez pour votre prochaine création gastronomique!

Nos produits sont fabriqués à la main avec des matériaux authentiques de haute qualité afin d'assurer des années de service fiable. Dans l'éventualité improbable où vous auriez une question relativement à l'entretien, veuillez avoir à la portée de la main le numéro de série et de modèle de votre produit. Vous pouvez trouver ces renseignements en ouvrant la porte du four et en tirant sur la languette de la plaque de montage situé du côté droit de la cuisinière.

Nous savons bien que vous avez investi une somme considérable dans votre cuisine. N'hésitez pas à partager avec nous les photos de votre cuisine THERMADOR<sup>mc</sup> et les anecdotes relatives au remodelage de votre cuisine. Suivez-nous sur Twitter ou affichez des photos de votre cuisine sur Facebook. Nous serions ravis d'avoir de vos nouvelles!

THERMADOR<sup>mc</sup> vous souhaite de nombreuses années de gastronomie créative.

---

¡Enhorabuena por la reciente compra de su THERMADOR®! Que Usted sea un gran jefe de cocina o un simple aficionado del arte culinario, el hecho de poseer una cocina THERMADOR® es la última expresión de su estilo personal, de su buen gusto y de su apreciación de una experiencia culinaria completa. Nuestros premiados productos permiten al entusiasta de la cocina explorar este mundo desde hace más de once décadas.

Antes de comenzar a utilizar su nuevo producto THERMADOR®, tómese un momento para echar un vistazo a este manual de uso y mantenimiento. Encontrará respuestas a todas sus preguntas además de informaciones esenciales en materia de seguridad. Ponga especial atención a las **Instrucciones de seguridad importantes**, situadas al principio del manual. ¡Su producto THERMADOR® está listo y solo espera a que Usted lo use para su próxima creación gastronómica!

Nuestros productos se fabrican a mano con materiales auténticos de alta calidad a fin de garantizar años de servicio fiable. En el caso improbable en que Usted tenga una pregunta relativa al mantenimiento, tenga a mano el número de serie y el modelo de su producto. Puede encontrar esa información abriendo la puerta de la hornilla y tirando de la lengüeta de la placa de montaje para ver la etiqueta situada al lado derecho de la estufa.

Nos damos cuenta de que Usted invirtió una suma considerable en su cocina. No dude en compartir con nosotros las fotos de su cocina THERMADOR® y anécdotas acerca de la reforma de su cocina. Síguenos en Twitter o publique fotos de su cocina en Facebook. ¡Estaremos encantados de tener noticias tuyas!

¡THERMADOR® le desea varios años de gastronomía creativa!

**Thermador** ™  
REAL INNOVATIONS FOR REAL COOKS™

---

# English Table of Contents

<b>Introduction</b> .....	1	Meat Probe .....	24
<b>Safety</b> .....	2	Minimum Internal Cooking Temps .....	25
Important Safety Instructions .....	2	<b>Oven Functions</b> .....	<b>25</b>
<b>Before You Begin</b> .....	<b>7</b>	Tips for Bake .....	25
Using Your Range for the First Time .....	7	Setting Bake/Convection Bake/Roast .....	27
<b>Range Description</b> .....	<b>10</b>	Roast .....	28
Parts Identification — 48" Range.....	10	Roasting Recommendations .....	28
Parts Identification — 36" Range .....	11	Convection Baking.....	28
<b>Using The Cooktop</b> .....	<b>12</b>	Convection Baking Recommendations .....	30
Cookware Recommendations .....	17	Keep Warm .....	30
Specialty Cookware .....	18	Proof (48") .....	31
Surface Burner Cooking Recommendations .....	19	Other Uses Of Bake .....	31
Electric Griddle (some models) .....	21	Broil.....	32
Griddle Cooking Recommendations .....	22	Broiling Recommendations .....	33
<b>Using the Oven</b> .....	<b>23</b>	<b>Care and Maintenance</b> .....	<b>34</b>
Oven Controls .....	23	Self-Cleaning the Oven .....	34
Kitchen Timer .....	23	Cleaning Recommendations .....	36
Cook Timer .....	23	Do-It-Yourself Maintenance .....	39
Offset Feature .....	23	<b>Before Calling For Service</b> .....	<b>41</b>
Sabbath Mode .....	24	<b>Statement of Warranty</b> .....	<b>42</b>

This THERMADOR® appliance is made by  
BSH Home Appliances Corporation  
5551 McFadden Ave.  
Huntington Beach, CA 92649

## Questions?

1-800-735-4328  
www.thermador.com

**We look forward to hearing from you!**

# Introduction

Before using your appliance, be sure to read this manual. Pay special attention to the *Important Safety Instructions* located at the beginning of the manual.



## **WARNING:**

If the information in this manual is not followed exactly, a fire or explosion may result causing property damage, personal injury or death.

- **Do not store or use gasoline or other flammable vapors and liquids in the vicinity of this or any other appliance.**
- **WHAT TO DO IF YOU SMELL GAS**
  - **Do not try to light any appliance.**
  - **Do not touch any electrical switch.**
  - **Do not use any phone in your building.**
  - **Immediately call your gas supplier from a neighbor's phone. Follow the gas supplier's instructions.**
  - **If you cannot reach your gas supplier, call the fire department.**
- **Installation and service must be performed by a qualified installer, service agency or the gas supplier.**

The THERMADOR PROFESSIONAL® ranges are freestanding units available in a number of configurations. All models feature a gas cooking surface with a professional size, gas convection, self-cleaning oven with broil capability.

This manual contains important Use and Care information for all THERMADOR PROFESSIONAL® ranges. When using this manual, it is critical that you know the model number of your range, as some information will be unique to each range. The model number may be found on the rating label plate located on the range as identified on page 41 of this manual. The charts on the following pages summarize the various range models and identify the features of each range.



## **WARNING:** Tip Over Hazard!



**A child or adult can tip the range over and be killed.**

**Verify that the anti-tip bracket is securely installed. Ensure the anti-tip bracket is engaged when the range is moved.**

Do not operate the range without the anti-tip bracket in place. Failure to follow the instructions in this manual can result in death or serious burns to children and adults.

Check for proper installation and use of anti-tip bracket. Carefully tip range forward pulling from the back to ensure that the anti-tip bracket engages the cast aluminum base and prevents tip-over. Range should not move more than 1 inch (2.5cm).

# Safety



## IMPORTANT SAFETY INSTRUCTIONS

READ AND SAVE THESE INSTRUCTIONS

### Gas and Electrical Requirements and Grounding Instructions

**PLEASE READ CAREFULLY**

#### Gas Type Verification

Verify the type of gas supplied to the location. Ensure that the appliance is connected to the type of gas for which it is certified. Models come from the factory certified for use with natural gas or with propane (LP) gas. Make certain your range and gas type are the same. Refer to the product rating label which can be located as indicated in Figure 34 on Page 41.



#### **CAUTION:**

When connecting the unit to propane gas, make certain the propane gas tank is equipped with its own high-pressure regulator in addition to the pressure regulator supplied with the range. **The maximum gas pressure to this appliance must not exceed 14.0 inches water column (34.9 mb) from the propane gas tank to the pressure regulator.**

#### **IMPORTANT:**

All ranges must be installed with a backguard. For island installations and other installations with more than 12" (305mm) minimum horizontal clearance between combustible materials and the back edge of the range, a Flush Island Trim has been supplied with all models. A THERMADOR® Low Back or High Shelf must be purchased separately and utilized when there is less than a 12" (305mm) horizontal clearance.

Before using the range, ensure that it is equipped with a proper backguard. Refer to the Installation Instructions accompanying this appliance for more information.



#### **WARNING:**

To avoid possible burn or fire hazard, a backguard designed specifically for this range must be installed whenever the range is used.



#### **CAUTION:**

The High Shelf can get very hot! DO NOT place the following items on top of the High Shelf:

- plastics or containers that can melt
- flammable items
- a total load over 30 pounds (13.6kg).

#### **36" Gas Models:**

120 volts, 60 Hz., 15 Amp electrical circuit required.  
36" model with electric griddle - 20 Amp circuit required.

#### **48" Gas Models with electric griddle:**

120 volts, 60 Hz., 20 Amp electrical circuit required.



#### **WARNING:**

**ALWAYS DISCONNECT THE ELECTRICAL PLUG FROM THE WALL RECEPTACLE BEFORE SERVICING THIS UNIT.**

It is recommended that a dedicated circuit servicing this appliance be provided.

The use of gas cooking appliances results in the production of heat and moisture.



#### **CAUTION:**

**FOR PERSONAL SAFETY, THIS APPLIANCE MUST BE CONNECTED TO A PROPERLY GROUNDED AND POLARIZED ELECTRICAL POWER SUPPLY.**

See Installation Instructions for electrical requirements and grounding instructions.

It is the personal responsibility and obligation of you, the user, to have this appliance connected to the electrical power supply by a qualified electrician, in accordance with the National Electrical Code and/or applicable local codes and ordinances.





# IMPORTANT SAFETY INSTRUCTIONS

## READ AND SAVE THESE INSTRUCTIONS



### **WARNING — ALL MODELS:** IN CASE OF AN ELECTRICAL FAILURE

If for any reason a gas control knob is turned ON and there is no electrical power to operate the electronic igniters on the range's cooktop burners, **turn OFF the gas control knob and wait 5 minutes** for the gas to dissipate before lighting the burner manually.

To light the burners manually, carefully hold a lit match to the burner ports and turn the gas control knob to HI. During a power failure, you can use the standard cooktop burners, but each must be lit with a match.

DO NOT attempt to light the two left XLO<sup>®</sup> burners and two right XLO<sup>®</sup> burners manually. These burners are equipped with the ExtraLow<sup>®</sup> feature and cannot be lit manually.

### TESTED IN ACCORDANCE WITH:

- ANSI Z21.1 for Household Gas Appliances
- UL858 for Household Electric Ranges
- CAN/CSA-22.2 No. 61-08 for Household Cooking Ranges
- CAN/CGA 1.1-M81 Domestic Gas Ranges

Check your local building codes for the proper method of installation. In the absence of local codes, this unit should be installed in accordance with the National Fuel Gas Code No. Z223.1 current issue and the National Electrical Code ANSI/NFPA No. 70 current issue or the Can - B149 Installation Codes for Gas Burning Appliances and C22.1 Canadian Electrical Code Part 1.

It is the responsibility of the owner and the installer to determine if additional requirements and/or standards apply to specific installations.

When properly cared for, your new THERMADOR PROFESSIONAL<sup>®</sup> range has been designed to be a safe, reliable appliance. However, use extreme care when using this restaurant caliber range as this type of appliance provides intense heat. When using kitchen appliances, basic safety precautions must be followed, including the following:

Read this Use and Care Manual carefully before using your new range, to reduce the risk of fire, electrical shock, or injury to persons.

Insure proper installation and servicing. Follow the installation instructions provided with this product. Have the range installed and electrically grounded by a qualified technician.

Have the installer show you where the electric circuit breaker and the gas supply shut-off valve are located so you know how and where to turn off the electricity and the gas to the range.

In the event a burner goes out and gas escapes, open a window or a door. Do not attempt to use the range until the gas has had time to dissipate. Wait at least 5 minutes before using the range.

Do not repair or replace any part of the appliance unless specifically recommended in this manual. All other servicing should be referred to a qualified technician.

Children should not be left alone or unattended in an area where appliances are in use. They should never be allowed to sit or stand on any part of the appliance. If children are allowed to use the appliance, they must be closely supervised.



### **WARNING:**

Do not store items of interest to children above or at the back of the range. If children should climb onto the appliance to reach these items, they could be seriously injured.

Never use any part of the range or oven for storage. Flammable materials can catch fire and plastic items may melt or ignite.

Do not hang articles from any part of the appliance or place anything against the oven. Some fabrics are quite flammable and may catch on fire.

If the range is near a window, be certain the curtains do not blow over or near the range burners; they could catch on fire.





# IMPORTANT SAFETY INSTRUCTIONS

## READ AND SAVE THESE INSTRUCTIONS



### WARNING:

TO REDUCE THE RISK OF A GREASE FIRE:

- Never leave surface units unattended at high settings. Boilovers cause smoking and greasy spillovers that may ignite. Heat oils slowly on low or medium settings.
- Always turn hood ON when cooking at high heat or when flambéing food (i.e. Crepes Suzette, Cherries Jubilee, Peppercorn Beef Flambé).
- Clean hood filters frequently. Grease should not be allowed to accumulate on fan or filter.
- Use proper pan size. Always use cookware appropriate for the size of the cooktop burner.

Always have a working smoke detector near the kitchen.

In the event that personal clothing or hair catches fire, drop and roll immediately to extinguish flames.

Have an appropriate fire extinguisher available, nearby, highly visible and easily accessible near the cooking appliance.

Smother flames from food fires, other than grease fires, with baking soda. Never use water on cooking fires.

Whenever possible, do not operate the ventilation system during a cooktop fire. However, do not reach through fire to turn it off.

When children become old enough to operate the appliance, it is the legal responsibility of the parents or legal guardians to ensure that they are instructed in safe practices by qualified persons.

Never let clothing, potholders, or other flammable materials come in contact with or too close to any infrared burner, top burner or burner grate until it has cooled. Fabric may ignite and result in personal injury.

Use only dry potholders: moist or damp potholders on hot surfaces may cause burns from steam. Do not use a towel or other bulky cloth in place of potholders. Do not let potholders touch hot infrared burners, hot burners, or burner grates.



### WARNING:

TO REDUCE THE RISK OF INJURY TO PERSONS, IN THE EVENT OF A RANGE TOP GREASE FIRE, OBSERVE THE FOLLOWING:

- Smother flames with a close-fitting lid, cookie sheet, or other metal tray, then turn off the gas burner or the electric element. Be careful to prevent burns. If the flames do not go out immediately, Evacuate and call the fire department.
- Never pick up a flaming pan — You may be burned.
- DO NOT USE WATER, including wet dish cloths or towels — a violent steam explosion will result.
- Use an extinguisher only if:
  - You know you have a class ABC extinguisher and you already know how to operate it.
  - The fire is small and contained in the area where it started.
  - The fire department is being called.
  - You can fight the fire with your back to an exit.

For personal safety, wear proper apparel. Loose fitting garments or hanging sleeves should never be worn while using this appliance. Some synthetic fabrics are highly flammable and should not be worn while cooking.

Do not use aluminum foil to line any part of the oven or range. Use of a foil liner could result in a shock or fire hazard, or the obstruction of the flow of combustion and ventilation air. Foil is an excellent heat insulator and heat will be trapped beneath it. This will upset the cooking performance and can damage the finish of the oven or the range.



# IMPORTANT SAFETY INSTRUCTIONS

## READ AND SAVE THESE INSTRUCTIONS



### WARNING — RANGE TIPPING HAZARD:

- All ranges can tip and injury can result. To prevent accidental tipping of the range, attach it to the floor, wall, or cabinet by installing the Anti-Tip Device supplied.
- A risk of tip-over may exist if the appliance is not installed in accordance with these instructions.
- If the range is pulled away from the wall for cleaning, service, or any other reason, ensure that the Anti-Tip Device is properly re-engaged when the range is pushed back against the wall. In the event of abnormal usage (such as a person standing, sitting, or leaning on an open door), failure to take this precaution can result in tipping of the range. Personal injury might result from spilled hot liquids or from the range itself.



### WARNING:

The appliance is for cooking. Based on safety considerations, never use the oven or cooktop to warm or heat a room. Also, such use can damage the cooktop or oven parts.



### WARNING:

NEVER cover any slots, holes, or passages in the oven bottom or cover an entire rack with materials such as aluminum foil. Doing so blocks air flow through the oven and may cause carbon monoxide poisoning. Aluminum foil linings may also trap heat, causing a fire hazard.



### WARNING:

NEVER use this appliance as a space heater to heat or warm the room. Doing so may result in carbon monoxide poisoning and overheating of the oven.

When using the cooktop: DO NOT TOUCH THE BURNER GRATES OR THE IMMEDIATE SURROUNDING AREA. Areas adjacent to the burners may become hot enough to cause burns.

During cooking, set the burner control so that the flame heats only the bottom of the pan and does not extend beyond the bottom of the pan.

Never leave the range unattended when using high flame settings. Boil overs cause smoking and greasy spillovers that may ignite. If the burner flames and igniter are smothered with spillage, unburned gas will escape into the room. See page 1 regarding gas leaks.

Only certain types of glass, heatproof glass-ceramic, ceramic, earthenware, or other glazed cookware are suitable for cooking on the range burners. This type of cookware may break with sudden temperature changes. Use only on low or medium heat settings according to the utensil manufacturer's directions.

Do not heat or warm unopened food containers. Build-up of pressure may cause the container to burst and cause injury.



### WARNING:

Avoid using high flame setting with a pan larger than the grate or with one that spans more than one burner, such as a griddle, for prolonged periods of time. This can result in poor combustion that generates harmful by-products.

Bakeware, such as large casserole pans, cookie sheets, etc., should never be used on the cooktop.

Use caution to insure that drafts like those from forced air vents or fans do not blow flammable material toward the flames or push the flames so that they extend beyond the edges of the pot.

Always use pots and pans that have flat bottoms large enough to cover the burner. The use of undersized pots and pans could expose a portion of the flame and may result in ignition of clothing.

Do not use flammable cleaners to clean the range.

To minimize the risk of burns, ignition of flammable materials and unintentional spillage, position handles of pots and pans inward so they do not extend over adjacent work areas, cooking areas, or the edge of the range's cooktop.

Hold the handle of the pan to prevent movement when stirring or turning food.



# IMPORTANT SAFETY INSTRUCTIONS

## READ AND SAVE THESE INSTRUCTIONS

Do not use the grill plate accessory for cooking excessively fatty meats or products which promote flare-ups.

Remove the optional cutting board or griddle cover accessory, which is stored on top of the griddle plate, before operating the griddle or any adjacent burners.

**GREASE IS FLAMMABLE.** Let hot grease cool before attempting to handle it. Avoid letting grease deposits collect. Clean after each use.

For proper lighting and performance of the burners, keep the igniter ports clean. It is necessary to clean the ports when there is a boil over or when the burner does not light even though the electronic igniters activate. See “Do-It-Yourself Maintenance” on page 39.



### **WARNING:**

After a spill or boil over, turn off the burner and clean around the burner and burner ports. After cleaning, check for proper operation.



### **WARNING:**

To avoid possible burn or fire hazard, a backguard designed specifically for this range must be installed whenever the range is used.

Clean the range with caution. Avoid steam burns; do not use a wet sponge or cloth to clean the range while it is hot. Some cleaners produce noxious fumes if applied to a hot surface. Follow directions provided by the cleaner manufacturer.

Be sure all cooktop controls are turned off and the cooktop is cool before using any type of aerosol cleaner on or around the cooktop. The chemical that produces the spraying action could, in the presence of heat, ignite or cause metal parts to corrode.

When using the oven: Do not touch the infrared burners, the interior surfaces of the oven or the exterior area immediately surrounding the door. Interior oven surfaces become hot enough to cause burns. The heat deflector, which deflects heat away from the cooktop and the trim on the top and sides of the oven door, will also be hot when the oven is in use.

Place oven racks in desired position while oven is cool. If a rack must be moved while the oven is hot, do not let the potholders contact the infrared burner.

Use care when opening the oven door; let hot air or steam escape before removing or replacing foods.

Before self-cleaning the oven, remove the broiler pan, oven racks and any other utensils, and excess spillage.

Do not clean, rub, damage, move or remove the door gasket. It is essential for a good seal during baking and while self cleaning the oven. If the gasket becomes worn or excessively soiled with food particles, replace gasket to assure a tight seal.

Protect the self-cleaning feature. Clean only those parts indicated in this booklet. Do not use commercial oven cleaners or oven liner protective coatings of any kind in or around the self-cleaning oven.

DO NOT obstruct the flow of combustion or ventilation air.

For safety reasons and to avoid damage to the range, never sit, stand, or lean on the oven door.

Service should only be done by authorized technicians. Technicians must disconnect the power supply before servicing this unit.

Listen to be sure the cooling blower runs whenever the oven controls are set to BROIL or BAKE modes, after oven heats to 425°F/ 218°C (see “Automatic operation of the cooling blower:” on page 30) or Self-Clean modes. If the fan does not operate, do not use the oven. Call an authorized service center for service.

To avoid a fire hazard, grease accumulation must be prevented by frequently cleaning the ventilation hood and filters.

In case of fire or when intentionally “flaming” liquor or other spirits on the range’s cooktop, follow manufacturer’s instructions. Use caution when cooking foods with high alcohol content (e.g. rum, brandy, bourbon) in the oven. Alcohol evaporates at high temperatures. There is a risk of burning as the alcohol vapors may catch fire in the oven. Use only small quantities of alcohol in foods, and open the oven door carefully.

## IMPORTANT SAFETY NOTICE:

The California Safe Drinking Water and Toxic Enforcement Act requires the Governor of California to publish a list of substances known to the state to cause cancer, birth defects, or other reproductive harm, and requires businesses to warn customers of potential exposure to such substances.

The burning of gas cooking fuel and the elimination of soil during self-cleaning can generate some by-products which are on the list. Exposure to these substances can be minimized by:

1. Providing good ventilation when cooking with gas.
2. Providing good ventilation during and immediately after self cleaning the oven.
3. Operating the unit according to the instructions in this manual.

Do not store or use corrosive chemicals, vapors, flammables, or nonfood products in or near this appliance. It is specifically designed for use when heating or cooking food. The use of corrosive chemicals while heating or cleaning will damage the appliance and could result in injury.

# Before You Begin

Before using your range for the first time check that you have these items:

Table 1: Range Accessories and Parts

DESCRIPTION	36" 4-Burner w/ Griddle	36" 6-Burner	48" 6-Burner w/ Griddle
Full Access <sup>®</sup> Oven Racks, Main Oven	3	3	3
Full Access <sup>®</sup> Oven Racks, Secondary Oven	0	0	2
Two-Piece Broil Pan*	1	1	2
Temperature Probe	1	1	2
Star <sup>®</sup> Burner Caps	4	6	6
Burner Grates	2	3	3
Control Knobs	7	8	9
Titanium Coated Aluminum Griddle	1	0	1
Leg Cover Assemblies	4	4	4
Flush Island Trim**	1	1	1
Product Registration Card	1	1	1
Handy Hints Guide	1	1	1
Installation Manual	1	1	1
Use and Care Guide	1	1	1

\*All models have one porcelain two-piece broiler pan for the oven. The 48" models also have a small two-piece broiler pan for the Secondary Oven.

\*\*All models are supplied with a Flush Island Trim; however, see Warning concerning spacing behind the range when using the range with the Flush Island Trim.



Remove all packaging materials and temporary labels from oven and cooktop. Please, recycle the packaging material as all THERMADOR® packaging is recyclable.

1. Check that you have the items listed in Table 1.
2. **Record the Model and Serial number on page 41.** See “Data Rating Labels” found on the Rating Label Plate. Rating Label Plate is located on the right side of the range between the oven cavity and side panel (see Figure 34 on Page 41). These may be used for any future contacts with Customer Service. Enter this information on the Product Registration Card included with this product then mail it to the indicated address.
3. **Optional Accessories:** Grill Plate, Chopping Board, Griddle Cover, Toe Kick, Wok Support Ring, and other accessories are available from your THERMADOR® Dealer.
4. **Position the racks correctly in the oven.** The correct rack position depends on the recipe and the cooking mode. **The rack positions are numbered from the bottom of the oven, like an elevator.** Rack position 3 is the most frequently used position. Place rack(s) in the proper position before turning on the oven.

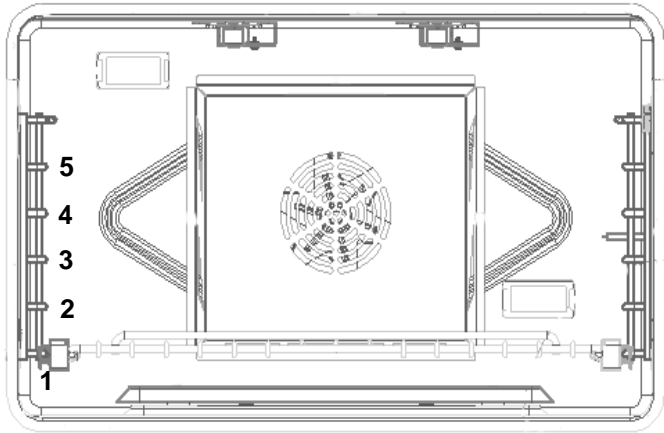


Figure 1: Large Oven Rack Positions

5. **THERMADOR Full Access® Oven Racks are standard on all models.** Each gliding oven rack can be pulled out and pushed back into the oven with minimal effort — even while supporting a large turkey or roast.

**IMPORTANT:**

Always remove the Full Access® oven racks before self-cleaning the oven. If the gliding racks remain in the oven during Self-Clean, lubricants in the glide mechanisms of each rack will be lost and the finish will discolor.



**WARNING:**

To help prevent burns, NEVER remove or reposition the oven racks while the oven is ON or while the oven is cooling.

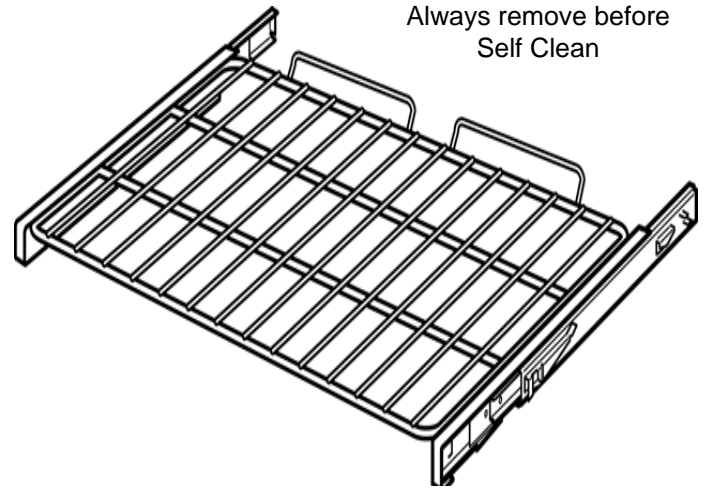


Figure 2: Gliding Oven Rack

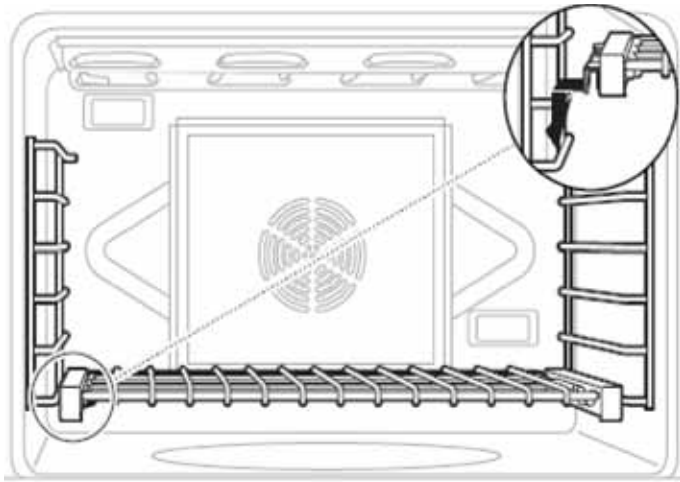
**Placing Rack In Oven:**

To insert a rack in the oven, hold the rack with the back rail up toward the back. Place the safety hooks under the front of the rail guides. Push the rack into the oven, lifting the rack stops over the front of the rail guides. Slide the rack into position.

When placing food on a rack, pull the rack out to the stop position. The racks are designed to lock and not tilt while in fully-extended position.

### Removing Rack from Oven:

To remove or reposition a rack in the oven, pull the rack toward the front of the oven. Lift up the front of the rack over the safety stops and pull the rack from the oven.



**IMPORTANT:** When placing the gliding rack in the oven, make sure the front supports on the rack guides rest in the large slots at the front corners of the rack, as shown. This is necessary to keep the rack in the correct position while fully inserted into the oven.

Figure 3: Side View of Rack on the Rack Guide



### CAUTION:

Aluminum foil should never be used to cover the oven racks or to line the oven. Do not remove the broiler element in the electric oven.

### Note:

It is normal for the cooling process to push heated air out into the room when the oven is on.

The THERMADOR PROFESSIONAL® range occasionally has a smell or smoke when first used. These smells or smoke comes from the burning off of manufacturing residues and is typical of any new oven regardless of manufacturer. **Before baking or broiling**, the oven and broiler should be turned on to burn off the manufacturing oils using one of the two following methods:

- Turn on kitchen ventilation (or if vent hood is a recirculation type open a window). Set oven at 500°F/ 260°C and let the oven go through a 2 hour cycle at high heat then shut off the oven. Please read “Care and Maintenance” on page 34 before cleaning the oven racks.
- Turn on kitchen ventilation (or if vent hood is a recirculation type open a window). Remove oven racks. Set oven into self clean cycle and let self clean run (see “Self-Cleaning the Oven(s)” on page 34).

Please note that pet birds can be sensitive to the odors created during any high heat cooking whether it is a manufacturing residue burn off or food so it is recommended that birds be removed from the kitchen area.

6. **Ensure that the Star® burner caps are correctly seated on the burner bases of the range's cooktop** (Figure 14 and Figure 15 on Page 15). Turn on each burner to check for proper flame color. See “Flame Description” on page 16 for details.



# Description

## Model and Parts Identification — 48" Range

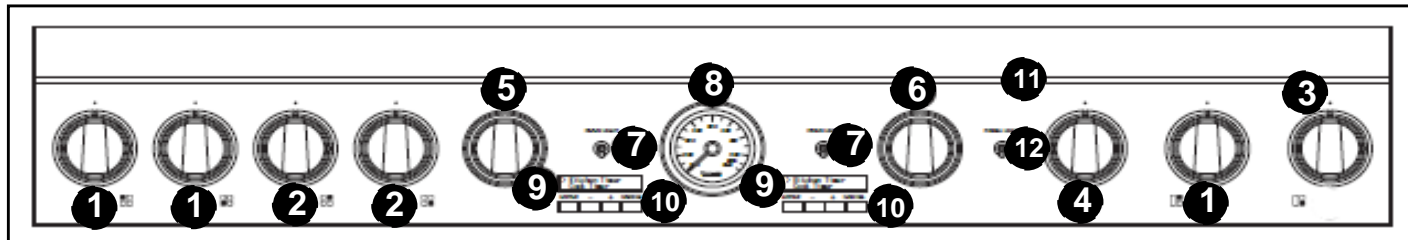


Figure 4: 48" Dual Fuel Control Panel

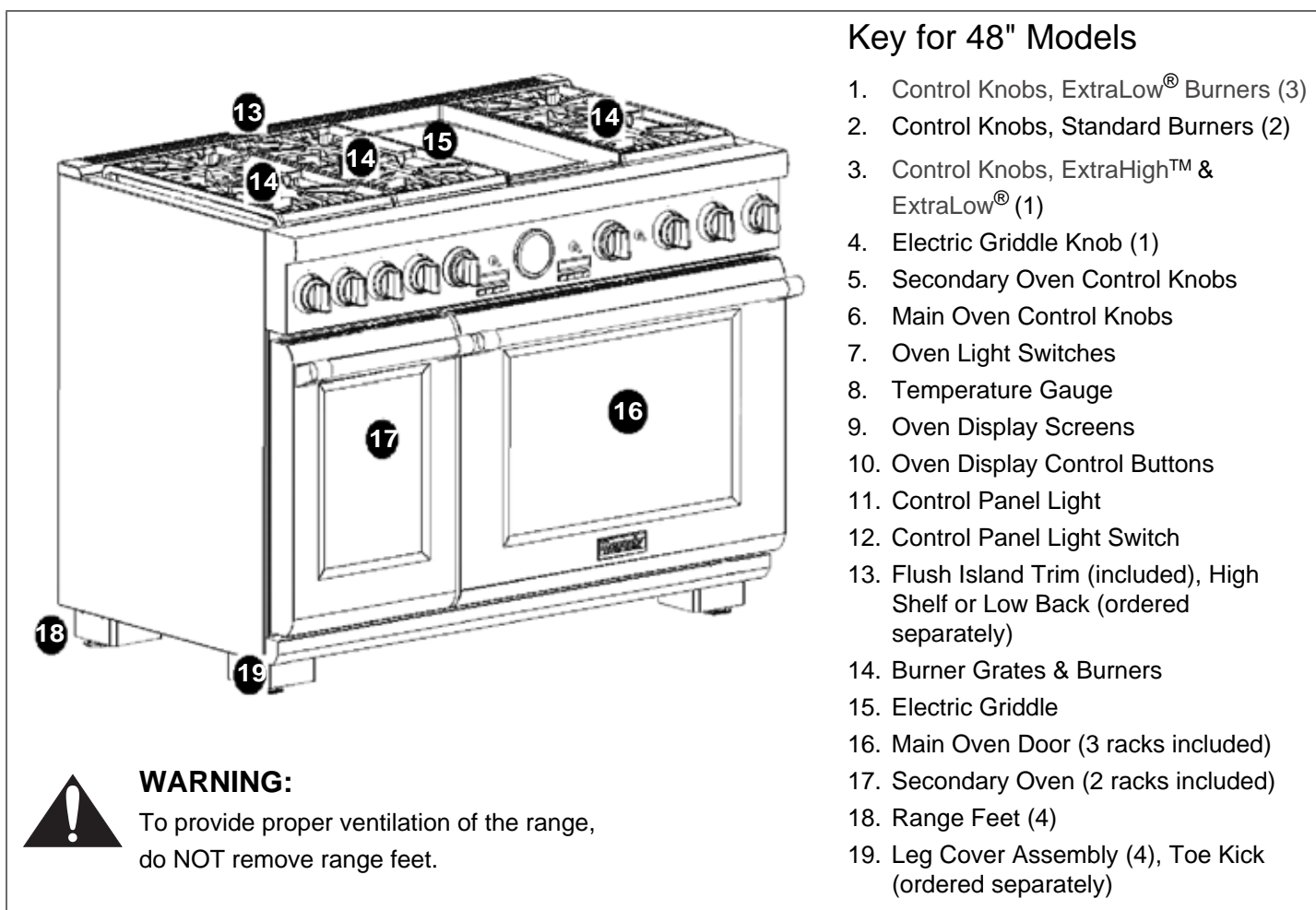


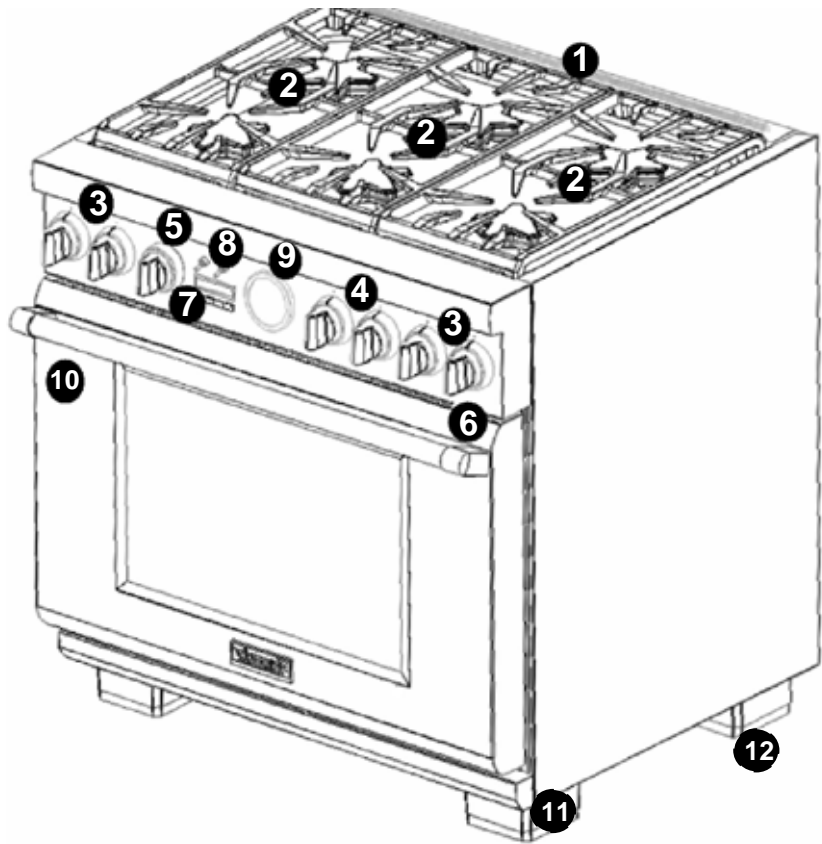
Figure 5: 48" Dual Fuel Range Identification



# Model and Parts Identification — 36" Range

## Key for 36" Models

1. Flush Island Trim (included), High Shelf or Low Back (ordered separately)
2. Burner Grates & Burners (Griddle located in center on select models)
3. Control Knobs, ExtraLow<sup>®</sup> Burners (3)
4. Control Knobs, Standard Burners (2)
5. Oven Control & Temperature Indicator
6. ExtraHigh<sup>™</sup> & ExtraLow<sup>®</sup> Burner (1)
7. Oven Display Screen & Control Buttons
8. Oven Light and Control Panel Light Switches
9. Temperature Gauge
10. Oven Door
11. Range Feet (4)
12. Leg Cover Assemblies (4), Toe Kick (ordered separately)



### WARNING:

To provide proper ventilation of the range, do NOT remove range feet.

Figure 6: 36" Dual Fuel Range Identification

## Large Gas Oven Interior

1. Oven Interior Lights (2)
2. Broil Infrared Burners (2)
3. Oven Temperature Sensor
4. Temperature Probe Outlet (also located on the left side of the small oven cavity on select models)
5. Rack Guides
6. Gliding Oven Rack (3 included, not shown)
7. Bake Burner (hidden)
8. Convection Fan Cover
9. Broil Igniters (2)

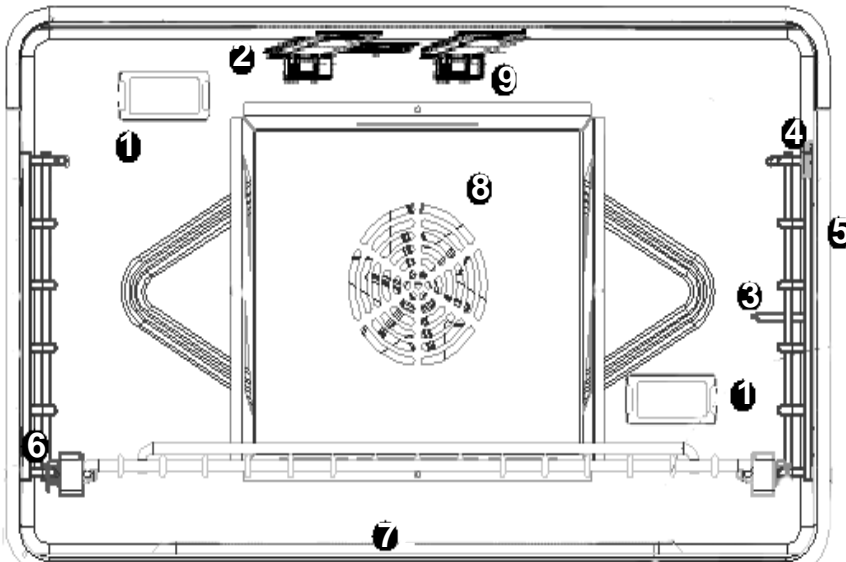


Figure 7: 48" and 36" Gas Oven Interior

# Using The Cooktop

## Sealed Burners

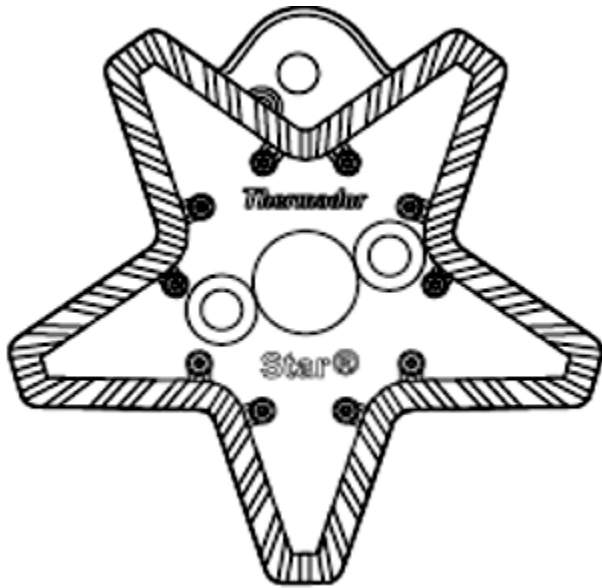


Figure 8: Star® Brass Burner Base

The cooktop features four or six gas surface Star® burners; the right-front Star® burner is rated at 22,000 BTU/HR (18,000 BTU/HR using Propane) and all other Star® burners are rated at 18,000 BTU/HR (15,000 BTU/HR using Propane).

Each burner has a unique QuickClean™ Base feature which allows the burner and area around the burner to be easier to clean.

On all models, the two left and two right Star® burners have the exclusive ExtraLow® feature, any remaining burners are Standard. Each burner has its own control knob.

## Control Knobs

Typically, a pair of control knobs is located on the control panel, directly in front of the pair of gas burners they control — with one gas burner positioned in front of the other on the rangetop.

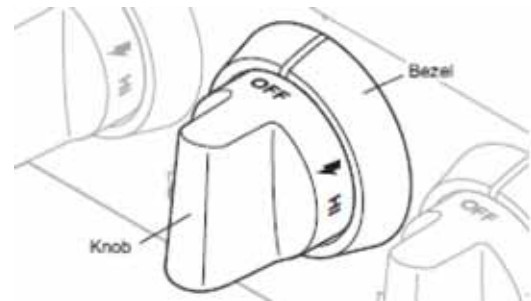


Figure 9: Standard Star® Burner Control Knob

The symbol near each burner control knob identifies the burner position on the range cooktop. The symbols shown in Figure 10 are indicative of 48" range models.

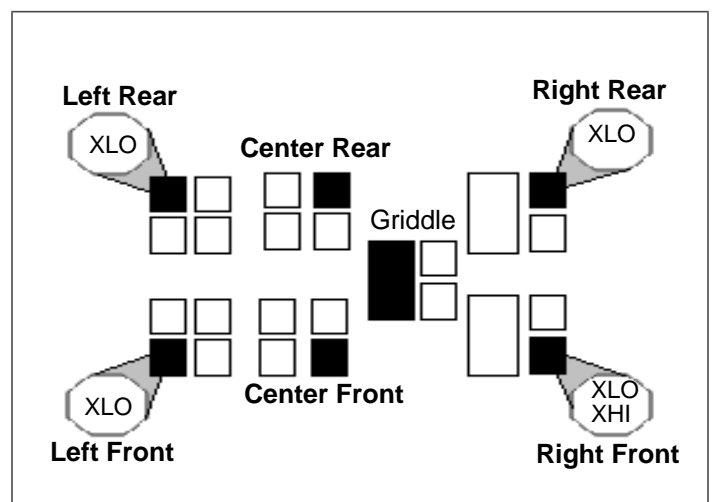



Figure 10: Cooktop Symbols

## Operation of the Burners

- Press in on the knob and turn it counter-clockwise to the  setting.
- The igniter for the selected burner sparks to ignite the burner.
- After flame ignition, the igniter stops sparking.
- Rotate the knob to any flame setting between HI and SIM.
- A blue light is positioned directly above each burner control knob. The light turns on when the control knob is rotated to an active mode. It is off when the control knob is in the OFF position.

### BTU Output for Standard Burners

- HI is equivalent to 18,000 BTU / HR (15,000 BTU / HR using Propane).
- SIM is equivalent to 2,100 BTU / HR.

### BTU Output for ExtraLow® Burners

- HI is equivalent to 18,000 BTU / HR (15,000 BTU / HR using Propane).
- SIM is equivalent to 3,000 BTU / HR.
- XLO® is equivalent to 375 BTU / HR when the control knob is adjusted to the lowest setting in the ExtraLow® range.

### BTU Output for POWERBOOST™

- XHI™ for the POWERBOOST™ is equivalent to 22,000 BTU / HR (18,000 BTU / HR using Propane).
- SIM is equivalent to 3,000 BTU / HR
- XLO® is equivalent to 375 BTU / HR when the control knob is adjusted to the lowest setting in the ExtraLow® range.

## ExtraLow® Burners

The controls for the two left and two right burners, front and rear, have flame settings even lower than the standard SIM settings.

Figure 11 shows that the control knob has an additional range between the SIM and XLO® settings. When the knob is set within this range, the flame cycles off and on. By varying the length of time the flame is off and on, the heat is reduced even further to cook delicate foods. For example, these very low settings are suitable for simmering and poaching, melting chocolate and butter, holding cooked foods at temperatures without scorching or burning, etc.

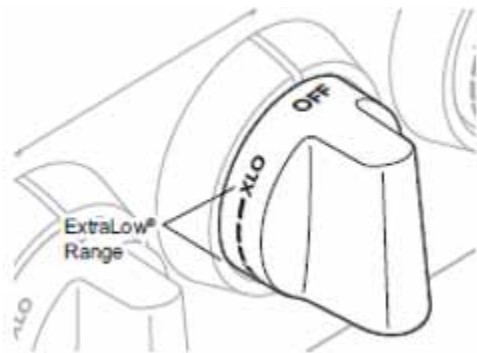


Figure 11: ExtraLow Star® Burner Control Knob

### Operation of the ExtraLow Star® Burner

- XLO®, the very lowest setting, is achieved by cycling the flame ON for approximately 7 seconds and OFF for 53 seconds of each minute.
- When the knob is rotated just beyond the SIM setting, the flame will cycle ON for approximately 54 seconds and OFF for 6 seconds of each minute.
- To vary the amount of low heat, the control can be set anywhere within the SIM and XLO® range marked on the knob.

### ExtraLow® Techniques

- The type and quantity of food affects which setting to use.
- The pan selected affects the setting. Its size, type, material, and whether a lid is used, all affect the consistency of the cooking temperature.
- To maintain a low or simmer heat, bring food to a rolling boil. Stir well, then cover the pan and lower the heat to a setting just below SIM.
- Check periodically to see if the control knob should be turned to another setting.
- If an over-size pan is used, the simmer action may occur mainly in the center of the pan. To equalize the temperature throughout the food, stir the food around the outer edges of the pan into the food in the center.
- It is normal to stir food occasionally while simmering. This is especially important when simmering for several hours, such as for a homemade spaghetti sauce or beans.
- When lowering the flame setting, adjust it in small steps.
- If the setting is too low to hold a simmer, bring the food back to a boil before re-setting to a higher heat.
- It is normal not to see simmer bubbles immediately after the food has been stirred.
- There may be bubbling when the flame cycles ON and no bubbles when the flame is OFF. Even when the flame is OFF, there will be steam and a slight quiver on the liquid's surface.

### POWERBOOST™

The POWERBOOST™, or XHI™, is located at the right-front position of the rangetop. The XHI™ is 4,000 BTU greater on its highest setting than any other Star® burner. It offers the convenience to quickly boil water, sear steaks, stir-fry vegetables, etc. Use of the SIM and XLO® remains the same as the other XLO® Knobs.

## Electronic Single Point Ignition

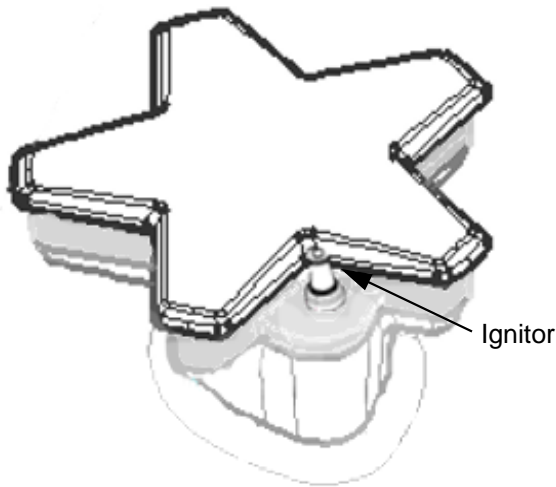


Figure 12: Igniter

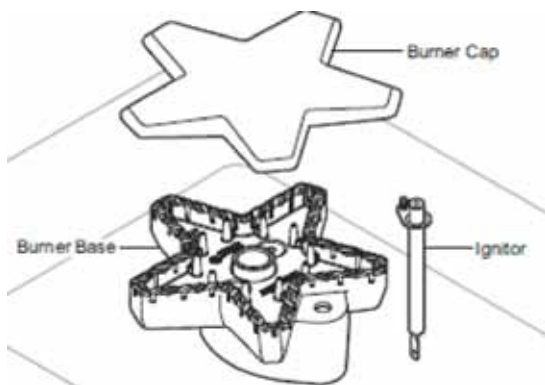


Figure 13: Star® Burner Components

Each Star® burner has its own electronic igniter that sparks when the burner is turned on. Each burner should light in 4 seconds or less. If a burner does not light, check to see that the burner cap is positioned correctly on the base (see Figure 14 and Figure 15 on Page 15).



### CAUTION

Do not touch the burners when the igniters are sparking.

If a burner fails to ignite, refer to “Before Calling For Service” on page 41.

## Automatic Re-Ignition

If any one or more burners blow out, the electronic igniter automatically activates to re-light the flame. Do not touch the burners when the igniters are active.

### IMPORTANT:

- For proper combustion, do not use the cooktop without the burner grates in place.
- There is a slight sound associated with gas combustion and ignition. This is normal.

On cooktops using propane (LP) gas, a slight “pop” sound may be heard at the Star® burner ports a few seconds after the burner has been turned off.

## Burner Cap Placement

The burner caps must be properly placed on the Star® burner bases for the cooktop to function properly. If the burner cap is not properly placed, one or more of the following problems may occur.

- Burner flames are too high.
- Flames shoot out of burners.
- Burners do not ignite.
- Burner flames light unevenly.
- Burner emits gas odor.



### WARNING:

To prevent flare-ups and avoid the creation of harmful by-products, do not use the cooktop without all burner caps and all burner grates properly positioned.



### WARNING:

To prevent burns, do not touch burner caps or grates while hot. Turn the cooktop off and allow the burners to cool.

## Checking Burner Cap Placement

- Check each burner to make sure there is no gap between the burner cap and burner base. See Figure 14 and Figure 15 for examples of correct and incorrect placements of the burner cap.
- You may gently try to move the burner caps from side to side to check if the caps are properly placed on the burner bases. When properly placed, each burner cap will rest flat on top of its burner base, and completely cover the star-shape of the burner base when viewed from the top as shown in Figure 14



Figure 14: Correct Burner Cap Placement

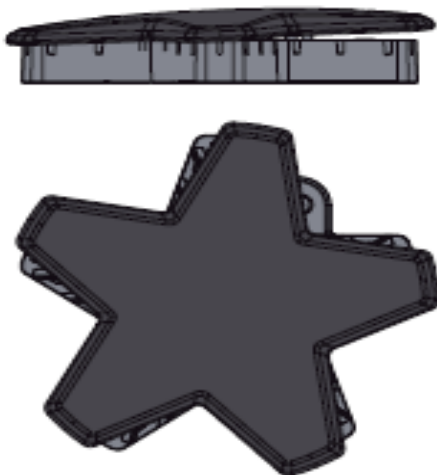


Figure 15: Incorrect Burner Cap Placement

## Power Failure

- In the event of a power failure, only the Standard burners can be manually lit. It is necessary to light each one individually.
- If the cooktop is being used when the power failure occurs, turn all knobs to the OFF position.
- The Standard Star® burners can be lit by holding a match at the ports and turning the control knob to the HI position. Wait until the flame is burning all around the burner cap before adjusting the flame to the desired level.
- Do not attempt to light the two left and two right XLO® burners manually during a power failure. These burners are equipped with the ExtraLow® feature and cannot be lit manually.
- If an ExtraLow® burner is on when a power failure occurs, it cannot be turned back on until the knob is first turned to the OFF position.
- The griddle or grill accessory cannot be used during a power failure.
- If you smell gas, refer to safety precautions listed on page 1.



### **WARNING:**

In the event of a power failure, turn all knobs to the OFF Position. Only the Standard Star® burners can be lit manually.

## Flame Height

- The correct flame height depends on 1) size and material of pan being used; 2) food being cooked; and 3) amount of liquid in the pan.
- Never extend the flame beyond the base of the pan.
- Use a low or medium flame for pan materials that conduct the heat slowly, such as porcelain coated steel or glass-ceramic.

## Flame Description

---

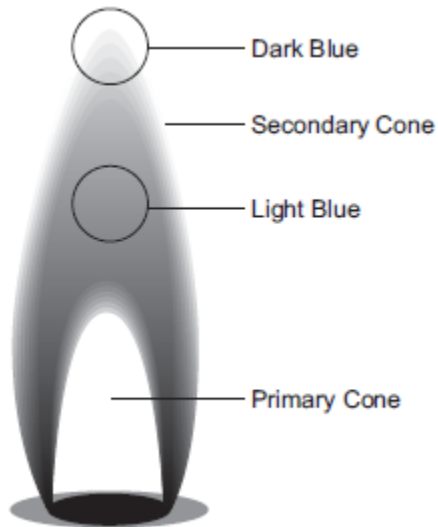


Figure 16: Flame Colors

- The burner flame color should be blue with no yellow on the tips. It is common to see orange in the flame color; this indicates the burning of airborne impurities and will disappear with use

- With propane (LP) gas, slight yellow tips on the primary cone are normal.
- The flame should burn completely around the burner cap. If it doesn't, check that the cap is positioned correctly on the base and that the ports are not blocked.
- The flame should be stable with no excessive noise or fluttering.



### **WARNING:**

This product contains or, through ordinary use for its intended purpose, facilitates emission of chemicals or other substances known to the State of California to cause cancer and/or birth defects or other reproductive harm. To minimize exposure to these chemicals:

- 1) The burners should be adjusted by a certified installer or agency to ensure proper combustion.
- 2) Ensure proper ventilation with an open window or use a ventilation fan or hood when cooking with Gas.
- 3) Always operate the unit according to the instructions in this manual.



# Cookware Recommendations



## WARNING:

To avoid risk of serious injury, damage to appliance or cookware, please observe the following:

- Bakeware, such as large casserole pans, cookie sheets, etc. should never be used on the cooktop.
- Placement of large stock pots should be staggered when used on the cooktop.

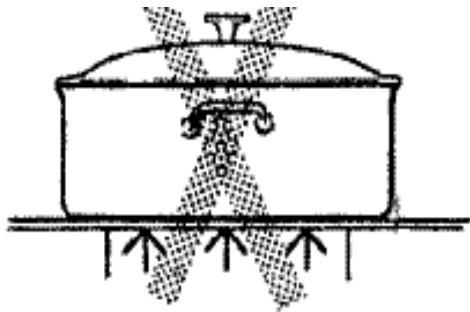


Figure 17: Base Diameter

- Select the base diameter to match the diameter of the flame. The diameter of the flame should be the same size as the pan base or slightly smaller. Oversize or under size pans sacrifice cooking performance. A 5 $\frac{1}{2}$ " (140 mm) base size is generally the smallest recommended.
- Avoid using high flame setting with a pan larger than the grate or with one that spans more than one burner, such as a griddle, for prolonged periods of time. This can result in poor combustion that generates harmful by-products.



Figure 18: Balanced Pan

- Balance is important for stability and even cooking. The handle must not be heavier than the pan and tilt it unevenly. A pan must sit level on the grate without rocking or wobbling.
- Food packaged in aluminum foil should not be placed directly on the burner grate. Aluminum foil can melt during cooking.

- Do not let plastic, paper or cloth come in contact with a hot burner grate. They may melt or catch fire.
- Never let a pan boil dry. This can damage your pan and the cooking surface.
- Professional quality pans with metal handles are recommended because plastic handles can melt or blister if the flame extends up the side of the pan. Professional quality pans are found at restaurant supply stores and gourmet specialty shops. All cookware should have these characteristics: good heat conductivity, good balance, correctly sized base diameter, a heavy, flat base, and a proper fitting lid.
- For best cooking results, the flame should be contained under the bottom of the pan.
- Aluminum and copper are pan materials that conduct the heat quickly and evenly. These metals are sometimes attached to the base or in the core between stainless steel.

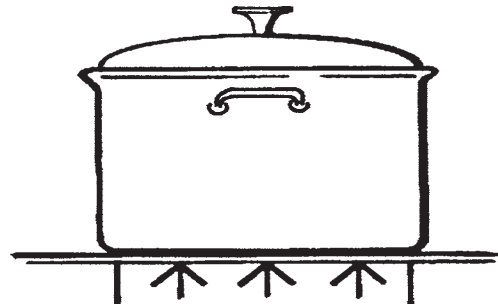


Figure 19: Flat Base Pan

- A heavy, flat base is more apt to remain flat when heated. Pan bases that are warped, dented, ridged or too lightweight will heat unevenly. Heat and cool pans gradually to avoid sudden temperature changes which tend to distort cookware. Do not add cold water to a hot pan.

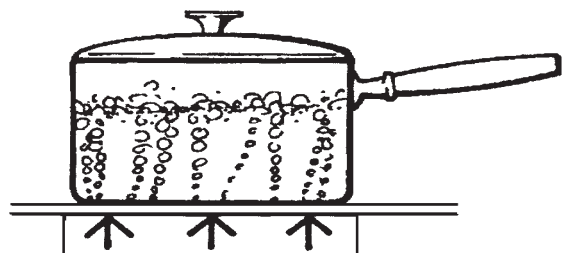


Figure 20: Covered Pan

- A properly fitting lid will shorten cooking time and make it possible to use lower heat settings.



# Specialty Cookware

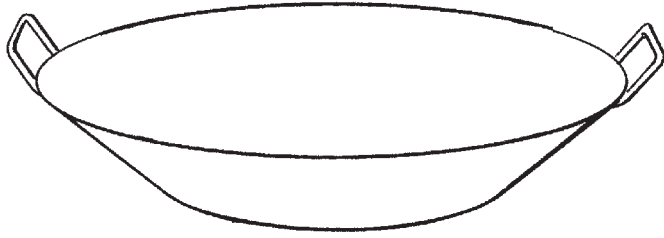


Figure 21: Flat-bottom Wok Pan

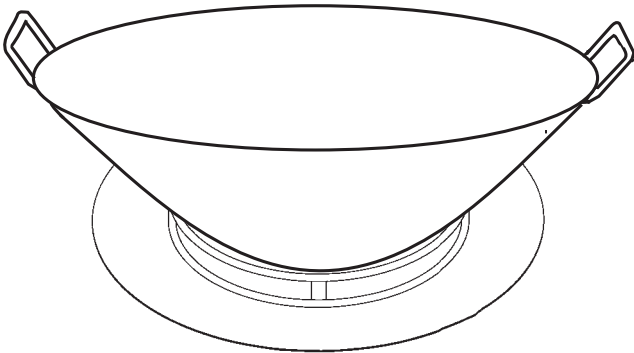


Figure 22: Round-Bottom Wok in Support Ring

- **Woks** — Either flat based or round bottom woks with the accessory ring can be used on all models. Round bottom woks must be used with a support ring. The Wok pan and the porcelain-coated cast iron wok support ring must be purchased separately (PWOKRINGHC).
- **Canners and Stock Pots** — Select one with a base diameter that extends no more than 2" (51mm) beyond the grate.

## Standard Size Water Bath Canner

21 to 22 quarts (19.95 to 20.9 liters), with an 11" to 12" base (279–305 mm) and a 9" to 11" depth (229–279 mm).

## Standard Size Pressure Canner

8 to 22 quarts (7.6 to 20.9 liters), with an 8" to 11" base (203–279 mm) and a 6<sup>1</sup>/<sub>2</sub>" to 12" depth (165–305mm).

### Canning Tips:

- A flat base pan is preferred to one with a concave, convex or rippled base.
- When using two canners at the same time, use staggered burners. Do not block air to the burners. A flame needs the right amount of air for complete combustion.
- Use a cover on a canner when bringing the contents to a boil.
- Once the contents have reached a boil on HI, use the lowest flame possible to maintain the boil or pressure.
- Canning produces a large amount of steam. Take precautions to prevent burns.

## Cooking Recommendations

### Suggestions For Using the Recommendations

Use the chart on page 19 through page 20 as a guide. The settings you use will vary depending on the pans selected and the starting temperature of the food.

On the chart, the "Finish Setting" has been separated for the Standard and ExtraLow Star<sup>®</sup> burners. There may or may not be a change between the two burner settings.

The ExtraLow<sup>®</sup> setting can be either a cooking or a holding setting.

Raise or lower the flame setting gradually. Allow time for the pan and the food to adjust to the new setting.

## Surface Burner Cooking Recommendations

Food	Start Setting	Finish Setting Standard Burners	Finish Setting ExtraLow® (XLO) Burners
<b>BEVERAGES</b> Cocoa	<b>MED</b> – heat milk, cover	<b>SIM</b> – finish heating	<b>XLO</b> – keep warm, cover*
<b>BREADS</b> French Toast, Pancakes, Grilled Sandwiches	<b>MED</b> – preheat skillet	<b>SIM to MED</b> – cook	Same as for Standard Burners
<b>BUTTER</b> Melting	<b>SIM</b> - to start melting	<b>XLO</b> - to hold	Allow 5 to 10 minutes to melt
<b>CEREALS</b> Cornmeal, Grits, Oatmeal	<b>HI</b> – cover, bring water to a boil, add cereal	<b>SIM to MED</b> – finish cooking according to package directions	<b>XLO</b> – to hold, cover*
<b>CHOCOLATE</b> Melting	<b>XLO</b> - may be stirred to hasten melting	Use <b>XLO</b>	<b>XLO</b> – allow 10 to 15 minutes to melt <b>XLO</b> – to hold*
<b>DESSERTS</b> Candy	<b>SIM to MED</b> – cook following recipe	<b>SIM to MED</b>	Same as for Standard Burners
Pudding and Pie Filling Mix	<b>SIM to MED SIM</b> cook according to package directions	<b>SIM</b>	Same as for Standard Burners
Pudding	<b>SIM to MED SIM</b> – bring milk to a boil	<b>SIM</b>	Same as for Standard Burners
<b>EGGS</b> Cooked in Shell	<b>MED HI</b> – cover eggs with water, add lid, bring water to a boil	Use <b>XLO</b>	<b>XLO</b> – cook 3 to 4 minutes for soft cooked; or 15 to 20 minutes for hard cooked
Fried, Scrambled	<b>SIM to MED</b> – melt butter, add eggs	<b>SIM</b> finish cooking	Same as for Standard Burners
Poached	<b>HI</b> – bring water to the boiling point, add eggs	<b>SIM to MED</b> – finish cooking	Same as for Standard Burners
<b>MEAT, FISH, POULTRY</b> Bacon, Sausage Patties	<b>MED HI</b> – until meat starts to sizzle	<b>SIM to MED</b> – finish cooking	Same as for Standard Burners
Braising: Swiss Steak, Pot Roast, Stew Meat	<b>MED HI</b> – melt fat, then brown on <b>MED HI to HI</b> , add liquid, cover		<b>XLO</b> Simmer until tender
Quick Frying: Breakfast Steaks	<b>MED HI</b> – preheat skillet	<b>MED to MED HI</b> – fry quickly	Same as for Standard Burners
Frying: Chicken	<b>MED HI</b> – heat oil, then brown on <b>MED</b>	<b>SIM</b> – cover, finish cooking	Same as for Standard Burners
Deep Frying: Shrimp	<b>MED HI</b> – heat oil	<b>MED to MED HI</b> – to maintain temperature	Same as for Standard Burners
* It is recommended that these foods are stirred occasionally.			

Food	Start Setting	Finish Setting Standard Burners	Finish Setting ExtraLow® (XLO) Burners
Pan Frying: Lamb Chops, Thin Steaks, Hamburgers, Link Sausage	<b>MED HI</b> – preheat skillet	<b>MED</b> – brown meat	Same as for Standard Burners <b>XLO</b> – to hold
Poaching: Chicken, whole or pieces, Fish	<b>MED HI</b> – Cover, bring liquids to a boil		To finish cooking
Simmering: Stewed Chicken, Corned Beef, Tongue, etc.	<b>HI</b> – cover, bring liquid to a boil		Simmer slowly
<b>PASTAS</b> Macaroni, Noodles, Spaghetti	<b>HI</b> – bring water to a boil, add pasta	<b>MED to HI</b> – to maintain a rolling boil	Same as for Standard Burners
<b>PRESSURE COOKER</b> Meat	<b>MED HI to HI</b> – build up pressure	<b>SIM to MED</b> – maintain pressure	Same as for Standard Burners
Vegetables	<b>HI</b> – build up pressure	<b>MED SIM to MED</b> – maintain pressure	Same as for Standard Burners
<b>RICE</b>	<b>HI</b> – cover, bring water and rice to a boil	Reduce heat to <b>SIM</b> . Cover and cook until water is absorbed.	Cook according to package directions <b>XLO</b> – to hold, cover
<b>SAUCES</b> Tomato Base	<b>MED HI</b> – cook meat/vegetables, follow recipe	<b>SIM</b> to maintain simmer	<b>XLO</b> – simmer uncovered to thicken sauce.
White, Cream, Bernaise,	<b>MED</b> – melt fat, follow recipe	<b>SIM</b> – finish cooking	<b>XLO</b> – to hold, cover*
Hollandaise	<b>XLO</b>		<b>XLO</b> – to hold, lowest setting
<b>SOUPS, STOCK</b>	<b>HI</b> – cover, bring liquid to a boil	<b>SIM</b> to maintain simmer	Simmer <b>XLO</b> – to hold, cover*
<b>VEGETABLES</b> Fresh	<b>HI</b> – cover, bring water and vegetables to a boil	<b>SIM to MED</b> – cook 10 minutes, or until tender	<b>XLO</b> – to hold, cover
Frozen	<b>HI</b> – cover, bring water and vegetables to a boil	<b>SIM to MED</b> – cook according to package directions	Same as for Standard Burners
Deep Frying	<b>HI</b> – heat oil	<b>MED to MED HI</b> – maintain frying temperature	Same as for Standard Burners
Saute	<b>MED HI</b> – heat oil or melt butter, add vegetables	<b>SIM to MED</b> – cook to desired doneness	Same as for Standard Burners
Stir Fry	<b>HI</b> – heat oil, add vegetables	<b>HI to HI</b> – finish cooking	Same as for Standard Burners

\* It is recommended that these foods are stirred occasionally.

# Using the Electric Griddle (available on some models)

## Description

The built-in griddle is made of restaurant-quality aluminum that has a non-stick titanium coating. This produces a surface with even heat that is easy to clean.

A maple chopping block, stainless steel cover, and coated-aluminum grill plate are available as accessories and are purchased separately. The maple chopping block and stainless steel cover are sized to fit on top of the surface when the griddle is not being used. The coated-aluminum grill plate accessory is designed to replace the griddle plate. See the instructions that come with the grill plate accessory for more details.

The maple chopping block and stainless steel cover must be removed before turning the griddle on.

- The electric griddle element is rated 120 volts AC, 1,630 watts.



### CAUTION:

The griddle element is hot after use. Allow sufficient time for griddle components to cool before cleaning.



### WARNING:

To avoid risk of injury, never operate griddle without the griddle plate or grill plate accessory installed. Never use griddle in a manner that is not prescribed by the Use and Care Manual.

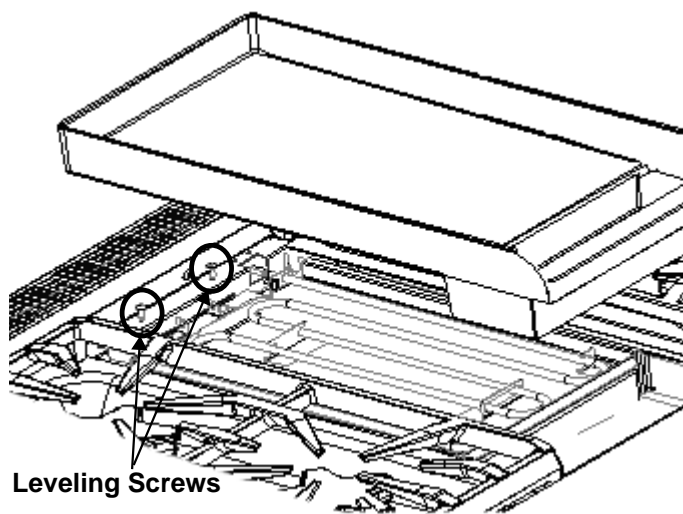


Figure 23: Griddle Plate Leveling Screws

The griddle plate (or grill plate accessory) must always be in place when the griddle is turned on.

## Griddle Control Knob

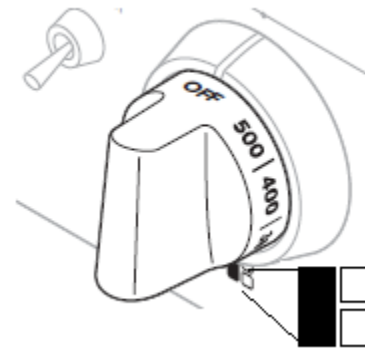


Figure 24: Griddle Control Knob

- The griddle is electronically controlled with temperatures marked on the knob from 150°F to 500°F (66°–260°C).
- There are no fixed settings on the knob
- Press and turn the knob clockwise to the temperature setting.

## Preparing the Griddle

The griddle must be tilted slightly forward for optimum performance. See Installation Manual for procedure to check and adjust griddle for proper tilt of griddle plate. The griddle plate is tilted slightly from the factory; however, during installation the installer is responsible for leveling the product.

The griddle plate should be washed with warm soapy water then rinsed with clear water prior to use. The griddle may be used without any butter, margarine or oil. However, a very small amount may be used to flavor foods.

Any utensil may be used on the griddle surface. Care should be taken that the surface is not gouged when utensils are used. Do not cut directly on the griddle plate.

### NOTICE:

Griddle/Grill performance may vary if there is an excessive amount of airflow in the vicinity of the appliance. The excessive airflow could be from an air-conditioning register or ceiling fan blowing at the cooktop. This could create longer than normal heat-up time, or it could cause the Griddle/Grill temperature to be higher or lower than the knob setting.

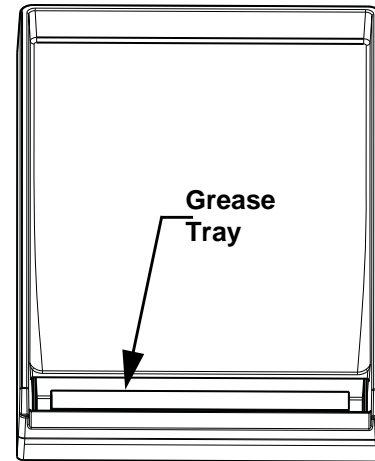
### Note:

Having a properly installed ventilation hood is not considered a source of excessive airflow.

# Griddle Cooking Recommendations

FOOD	SETTING
Eggs	325°F to 350°F (160°C to 180°C)
Bacon, Breakfast Sausage	375°F to 400°F (190°C to 205°C)
Toasted Sandwiches	350°F to 375°F (180°C to 190°C)
Boneless Chicken Breasts	375°F to 400°F (190°C to 205°C)
Boneless Pork Chops, 1" (25.4mm) thick	375°F to 400°F (190°C to 205°C)
Steaks, 1" (25.4mm) thick	400°F to 425°F (205°C to 218°C)
Ground Beef Patties, 6 ounces	375°F to 400°F (190°C to 205°C)
Hot Dogs	350°F to 375°F (180°C to 190°C)
Ham Slices, 1/2" (12.7mm) thick	350°F to 375°F (180°C to 190°C)
Pancakes, French Toast	400°F to 425°F (205°C to 218°C)
Potatoes, Hash Browns	375°F to 400°F (190°C to 205°C)

## Griddle Grease Tray



**Figure 25: Grease Tray**

- Clean the tray after every use. When removing the tray, use care when tipping it so that the contents do not spill.
- The griddle plate and its grease tray are dishwasher safe.
- After cooling, pour the grease into a grease-resistant container for disposal.

## Cooking on the Griddle

1. Turn the knob to the appropriate cooking temperature to preheat the griddle.
2. Preheat until the griddle light goes off.
3. Add butter, margarine, oil or shortening if desired.

---

# Using the Oven

## Extended Cooking Functions

### Oven Setting Controls

---



- 
1. **ENTER** verifies a selection
  2. (-) decreases and (+) increases time and/or temperatures, it is also used to call up menu items: Kitchen Timer, Cook Timer, Offset, and Sabbath oven functions.
  3. **CANCEL** clears all oven operations.
- 

Figure 26: Oven Setting Controls

## Kitchen Timer

The Kitchen Timer can be set for up to *12 hours*. It can be used despite whether the range is in operation and independent of all other functions.

## Cook Timer

The Cook Timer is intended to mechanically shut the oven off when the desired cooking time is complete. Cook timer is only available for Bake, Convection Bake, and Roast. It is not available for Broil, or Self Clean. The Cook Timer can be activated at anytime during the cooking cycle.

### To set the timer:

1. Press ENTER.
2. Use the "+" and "-" buttons to select either KITCHEN TIMER or COOK TIMER.
3. Press ENTER.
4. Press the "+" and "-" buttons to select desired time.
5. A beep sounds when the timer ends. Press CANCEL terminate the beep and timer.

### Note:

- Cook Time cannot be used if a temperature probe is in use.
- The maximum Cook Time setting is 12 hours.

## Using the Offset Feature

The OFFSET feature is located at SETTINGS > OFFSET. It allows the cook to further fine-tune their cooking parameters to their own personal optimal settings by allowing them to adjust the temperature offset of the oven by +/-95°F (35°C) in increments of 5°F. For example, if the cook judges the oven temperature as too hot and wants to lower it by 5°, press the "-" button, and vice versa for positive temperatures. This feature is useful if you find that food is consistently either too brown or too light for your tastes.

- The oven must be turned off in order to set an offset value.
- The Offset feature is available for all modes except Self-Clean.
- By default, the temperature is set at 0°.
- The unit will continue to run the inputted offset value indefinitely until the user manually chooses to render it otherwise or until the unit loses power, in which case Offset will need to be reset.

## Using the Sabbath Mode

Sabbath Mode is for faiths with “No Work” requirements on the Sabbath. It keeps an oven on at a specified temperature for as long as it is required. The cook can prepare a meal prior to a holiday and then leave it in the always-warm oven until it is ready to be eaten.

- The oven lamp is disabled in Sabbath mode to prevent any action from occurring at any time the door is opened.
- The gas burners and griddle on the cooktop are still fully functional during Sabbath mode.
- For double oven models, Sabbath Mode is available for both ovens, but not at the same time.
- Sabbath Mode is only available when the range is not already in another active cooking mode or Self-Clean.
- If the door is opened during preheat or during a cycle operation, there will be no change to the current state of the oven. That is to say, if the bake element was on before the door was opened, the element will remain on. If the element was cycled off just before the door was opened, it will remain off even though it would normally cycle back on with the call for heat. The regular cycle will resume once the door is closed.

### To set the Sabbath Mode:

1. Place rack and food at the desired rack position and shut oven door.
2. Turn the Temperature Selector Knob (see Figure 31 on Page 27) to desired selection.
3. Using the Oven controls, press the “+” or “-” buttons to choose a duration time from 0-99Hrs.
  - When the timer reaches “0:00”, the cooking mode will be finished and the display will beep. The oven will automatically turn off when the specified cooking time is complete.

## Programming the Meat Probe

The meat probe allows you more control over how your foods are cooked by automatically disabling the specified cooking mode when a dish's desired temperature, defined by the cook, has been reached.

1. In the large oven, or in the small oven on select models, flip the cap of the outlet up (see Figure 7 on Page 11).

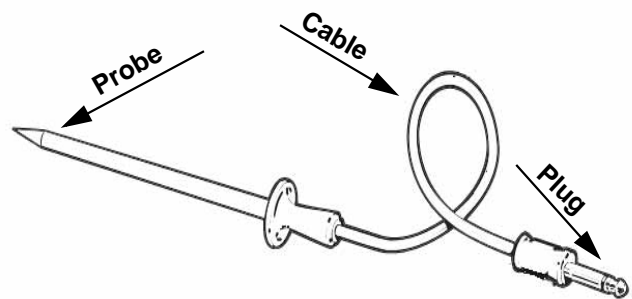


Figure 27: Meat Probe

2. Insert the plug end into the outlet (see Figure 27).
  - The PROBE temperature selection screen only appears when the probe is inserted into the plug-in.
  - Control screen will automatically display PROBE and default to 160°F/ 71°C.
3. Insert probe end into the meat.
  - To avoid damaging the probe, ensure that the meat is fully defrosted before inserting the probe.
  - Insert the probe until its tip is rested in the center of the thickest, meatiest portion of the meat. Ensure that the probe does not touch bone, fat, or gristle.
  - The probe should not touch any part of the cooking dish or parts of the oven, as this will affect the accuracy of the results.
4. Close the oven door.
5. Press the (-) to decrease or (+) to increase to the desired internal temperature to be met.
6. Select the desired *cooking mode* and *oven temperature* using the knobs on the control panel.
  - The probe function is only available for *Bake*, *Convection Bake*, and *Roast* modes.
  - Probe is not available when Cook Timer has been set.
  - The range for the probe temperature is between 160°F (71°C) and 200 °F (93°C).
7. When the actual probe temperature reaches the desired set temperature, the cooking mode will be finished and the “end of cook timer” will beep to indicate that the cooking process has concluded.



## Minimum Internal Cooking Temperatures

The minimum internal temperatures for foods to be considered safe to eat, as determined by the U. S Department of Agriculture Food Safety and Inspection Service, are as follows:

<b>Fresh ground beef, veal, lamb, pork</b>	160°F (72°C)
<b>Beef, veal, lamb-roasts, steaks, chops</b>	
Medium rare	145°F (63°C)
Medium	160°F (72°C)
Well done	170°F (77°C)
<b>Fresh pork-roasts, steaks, chops</b>	
Medium	155°F (68°C)
Well done	170°F (77°C)
<b>Ham</b>	
Cook before eating	160°F (72°C)
Fully cooked, to reheat	145°F (63°C)
<b>Poultry</b>	
Ground Chicken, Turkey	165°F (74°C)
Whole Chicken, Turkey	165°F (74°C)
Breasts, roasts	165°F (74°C)
Thighs and wings	165°F (74°C)
Stuffing (cooked alone or in bird)	165°F (74°C)
Egg dishes, casseroles	160°F (72°C)
Leftovers	165°F (74°C)

## Probe Care and Use

- To avoid damaging your probe, do not pull on the cable when trying to remove it from a dish.
- Do not use tongs or other instruments to pry on the probe when removing it or to 'hammer' the probe into a food dish.
- Do not wash probe in the dishwasher; use warm, soapy water instead to clean it.
- To prevent possible burns, wait until the oven has cooled before trying to remove the probe from the outlet.
- Do not store probe inside the oven.

# Oven Functions

## Tips for Bake

### Preheating the Oven

Most cooking times in recipes are designed for a preheated oven and require that the oven already be at a certain temperature before cooking starts. Refer to your recipe for preheating recommendations. Preheating time depends on the temperature setting and the number of racks in the oven (refer also to "To Set the Ovens" on page 27).

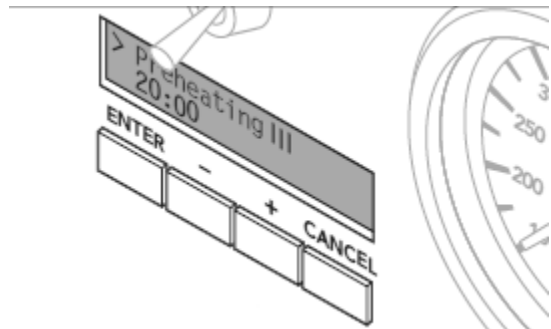


Figure 28: Preheat Indication

### Getting the Best Results

- Minimize opening the door:
  - Use the built-in timer.
  - Use the interior oven light.
- Use the bakeware recommended in the recipe.
- Store the broiler pan(s) outside the oven. An extra pan without food, affects the browning and cooking.
- The type of pan used affects the browning:
  - For tender, golden brown crusts, use light non-stick/anodized or shiny metal pans.
  - For brown crisp crusts, use dark non-stick/anodized or dark, dull metal pans or glass bakeware. These may require lowering the bake temperature 25°F (14°C).

### Bakeware Type

- Metal bakeware (with or without a non-stick finish), heat-proof glass, glass-ceramic, pottery, or other utensils are suitable for the oven.
- Suitable cookie sheets have a small lip on one side only. Heavy sheets or those with more than one side may affect the baking time.
- The 36" and 48" (914mm and 1219mm) ovens will hold a full-sized commercial baking sheet (18" x 26") (457mm x 660mm).

## Bake Rack Positions

Rack level positions in the oven are numbered like an elevator. Number one level is the lowest (Figure 29).

### Placement

- Allow at least 1" (25.4mm) of space between the pans and the oven walls so heat can circulate around each pan.
- Stagger bakeware so that one is not directly above another. Allow 1½" (38mm) above and below each pan.

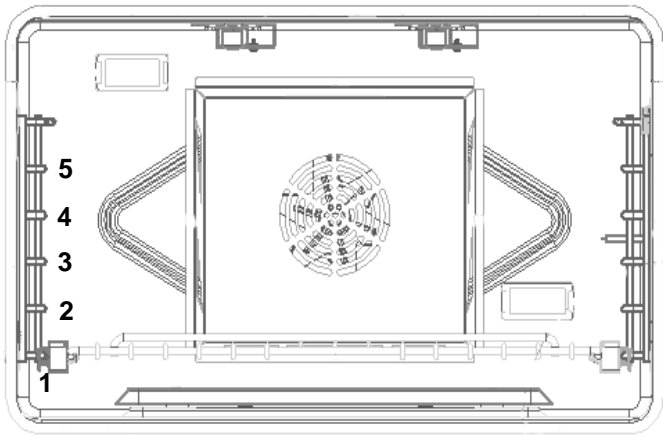


Figure 29: Large Gas Main Oven with Rack Positions

## Large Main Oven

### One Rack Baking

- The Bake mode is best for baking on one rack with rack level #3 used for most baked items. If the item is tall, such as an angel food cake, rack level #2 may be used. Pies are best baked on rack level #2 to make certain the bottom of the crust is done without over browning the top. When large pieces of meat or poultry are roasted, such as a prime rib of beef or a turkey, rack level #2 is the preferred rack.

### Two Rack Baking

- Casserole dishes may also be baked using these rack levels #2 and #5. The Convection Bake mode may also be used.

### Three Rack Baking

- If three-rack baking is desired, the Convection Bake mode should be used.

## Secondary Oven (48" Models)

- Baking on rack #3 will result in the best product. When additional height is needed, rack #2 may be used. The use of rack #2 with pies will result in a crisp bottom crust without over baking the top.

# Setting Bake, Convection Bake and Roast

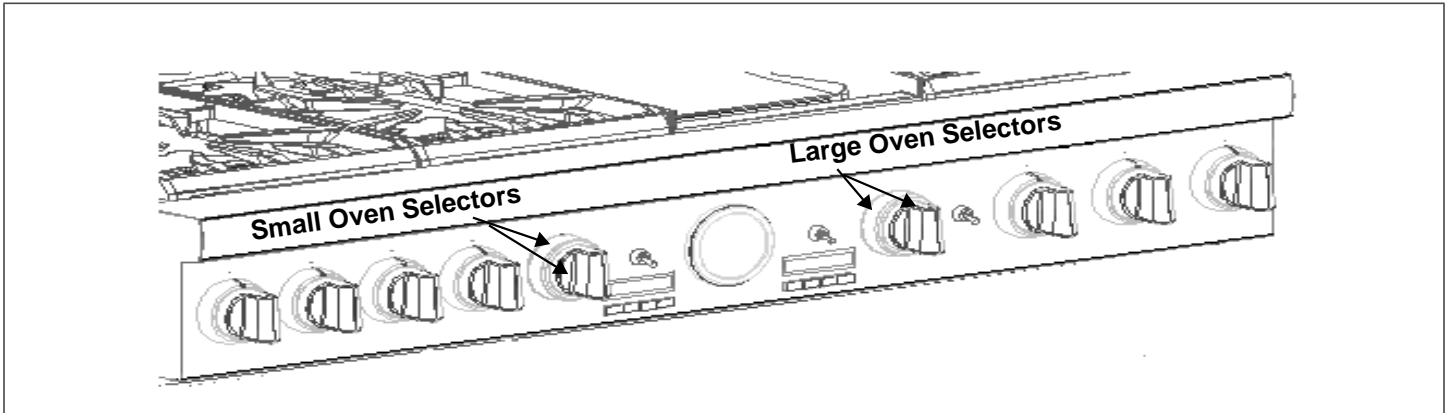


Figure 30: 48" Model Control Panel

## To Set the Ovens

1. Place rack in desired rack position and shut the door.
2. Set Mode Selector Ring (Figure 31) to Bake or Convection Bake, or Roast.

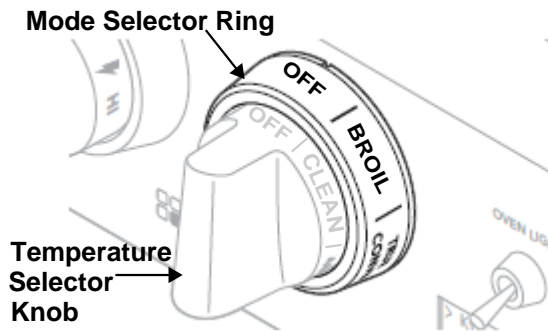


Figure 31: Mode Selector Ring & Temperature Knob

3. Set Temperature Selector Knob to desired temperature setting.
  - If using Convection Bake, set the Temperature Selector Knob 25°F/ 14°C below the temperature suggested in the recipe. No variation in temperature setting is necessary if roasting meats or poultry.

4. After both knobs have been turned to the desired setting, the readout will display "Preheating [| ...]" with the selected cooking mode (for example, "Bake") and the desired temperature ("350°F/ 177°C").

— The preheating bars are an indicator of how far away from the set point the oven cavity temperature is. For example, if the set temperature is 400°F/ 204°C and the oven is 375°F/ 191°C and the user turns the temperature selector knob back down to 250°F/ 121°C, the number of preheating bars will decrease because even though the oven is hotter than the desired temperature, the difference between 250°F/ 121°C and 400°F/ 204°C is greater than the previous differences. So the oven now has to 'preheat' from 375°F/ 191°C down to 250°F/ 121°C, and the number of bars will increase the closer it gets to that temperature as the oven cools down.

5. The temperature indicator will start to move toward the temperature setting. The temperature indicator reflects the temperature setting.
  - The needle of the temperature indicator will move to the new selected temperature setting if the temperature setting is increased or decreased.
  - **The gauge is for reference only.**
  - As the oven cools down, the temperature indicator will reduce, to reflect the cooling oven temperature.
6. After oven has preheated, place food inside.

# Roast

Roast has more top heat than traditional Bake. This additional top heat is for conventional open roasting when drippings are desired or for covered-dish roasting.

## Roast Mode Tips

- Roast mode is excellent for less tender meats or poultry when meat is braised and a covered dish is used.
- Add liquids, such as water, juice, wine, bouillon or stock for flavor and moisture.
- Roasting bags are suitable to use in this mode.
- When roasting whole chickens or turkey, tuck wings behind back and loosely tie legs with kitchen string.

Roasting Recommendations				
MEAT AND POULTRY IN COVERED PAN	OVEN TEMPERATURE	RACK LEVEL	COOK TIME	END TEMP
<b>Beef:</b>				
Pot roast, 3-4 pounds	350°F / 177°C	1	40 to 60 minutes per pound	170°F / 77°C
Beef brisket	350°F / 177°C	2	50 to 60 minutes per pound	170°F / 77°C
Beef chuck	350°F / 177°C	1	45 to 55 minutes per pound	170°F / 77°C
Meatloaf	350°F / 177°C	3	45 to 60 minutes total time	170°F / 77°C
<b>Poultry:</b>				
Chicken, whole	375°F / 191°C	1	18 to 21 minutes per pound	180°F / 82°C
Chicken, pieces	375°F / 191°C	1	Total time 60 minutes	180°F / 82°C
Turkey, whole	325°F / 163°C	2	11 to 15 minutes per pound	180°F / 82°C
<b>Pork:</b>				
Shoulder	325°F / 163°C	1	35 to 40 minutes per pound	170°F / 77°C
Smoked ham, half	325°F / 163°C	1	2 to 3 hours total	170°F / 77°C

# Convection

## Cooking with Convection

There are many advantages to cooking with convection. In the convection system, a fan in the back of the oven moves heated air evenly around the oven. The moving air provides even heat so foods can be placed on any rack level with consistent results. Multiple racks of foods can be cooked or large quantities of foods can be cooked at the same time. Foods will cook thoroughly without having to rotate pans.

Low, shallow bakeware should be used with convection cooking. This allows the heated air to circulate around the food. Pans with high sides or pans that are covered are not suitable for convection cooking because high sides or lids prohibit the warm air from circulating around the food.

Your favorite pans and cookware can be used for convection cooking provided they have low sides to allow the heated air to circulate around the food. Any food cooked uncovered will brown evenly and form a nice crust. Foods in covered dishes (casseroles, pot roast) or delicate custards do not benefit from convection cooking.

## Convection Baking

Time can be saved by baking an entire batch of cookies at the same time. The cookies will bake evenly and be done all at once. The baking time may be shorter due to the warm circulating air. For small items such as cookies, check to see if they are done one to two minutes before the recipe time. For larger baked items such as cakes, check five to six minutes before the time indicated on the recipe.

Convection cooking of meat and poultry will result in foods that are brown and crispy on the outside and moist and juicy on the inside. Large meat or poultry items may cook up to 30 minutes less than the suggested time so check them early so they will not be over baked. Use of the built-in meat probe will provide more accurate results than the "minute per pound" method (see "Using the Offset Feature" on page 23). The larger the piece of meat or poultry, the more time you will save.

## Converting Conventional Baking to Convection Baking

To convert most recipes for baked items (cookies, cakes, pies, etc.), reduce the oven temperature by 25°F (14°C). For meats and poultry, the temperature should not be reduced. The temperature recommended in recipes and cooking charts for meats and poultry should be used.

## Tips for Convection Bake

### Preheating the Oven

Preheat the oven before cooking any foods, except large pieces of meat or poultry. See your recipe for preheating recommendation. Preheating time depends on the temperature setting and the number of racks in the oven.

### Temperature Setting

When using Convection Bake, reduce the temperature recommended in the recipe by 25°F (14°C), although the temperature does not need to be reduced when cooking meats and poultry. When roasting meats, check internal temperature prior to time recommended by recipe to prevent over cooking.

### High Altitude Baking

When baking at high altitudes, in either Bake or Convection Bake, recipes and baking times vary. For accurate information, write the Extension Service, Colorado State University, Fort Collins, Colorado 80521. There may be a cost for the bulletins. Specify the type of information you want (example: cakes, cookies, breads, etc.).

### Condensation

It is normal for a certain amount of moisture to evaporate from the food during any cooking process. The amount depends on the moisture content of the food. The moisture will condense on any surface cooler than the inside of the oven, such as the control panel.

## Rack Positions (see Figure 1 on Page 8)

### — One Rack Baking

- When baking on one rack, best results are obtained in the bake mode (See “One Rack Baking” on page 26.)
- When roasting a turkey or a large piece of meat, convection bake may be used. Rack #2 is the most appropriate rack.

### — Two Rack Baking

- Racks #2 and #4 are most appropriate when using the convection bake mode. Cake pans should be staggered on racks #2 and #4. Cookie sheets should be placed on rack #2 directly under the one on rack #4.
- Racks #2 and #4 may be used for cakes, cookies, biscuits and other foods for which two rack baking is desirable.
- When several casseroles, frozen pies or cakes are to be baked, use racks #2 and #4.

### — Three Rack Baking

- When several sheets of cookies are to be baked, bake them on racks #1, #3, and #5. Place the baking sheets directly above each other on the respective racks to allow air to flow around the baking sheets.

## Bakeware Type

- Aluminum bakeware gives the best browning results.
- Cookie sheets with only one or two sides give the best results. Aluminum commercial half-sheets or professional cooking utensils may be used but baking times may be increased.

## Placement

- For better browning, utensils such as cookie sheets, jelly roll pans and rectangular baking pans should be placed crosswise on the rack with the shorter sides on the right and the left. This allows the air to circulate freely.
- When baking on more than one rack, cookie sheets should not be staggered; round cake pans should be staggered.



### **CAUTION:**

**When using the oven in any mode never use aluminum foil to cover the oven racks or to line the oven.** It can damage the oven and cause a fire hazard if heat is trapped under it. See page 4.

## Convection Baking Recommendations

FOOD	PAN SIZE	CONTROL TEMPERATURE SETTING	TOTAL SUGGESTED COOKING TIME
Cookies	12"x 15" Cookie Sheet	375°F / 191°C	8 to 12 minutes
Layer Cakes	8" or 9" Round	350°F / 177°C	25 to 35 minutes
Sheet Cakes	9"x 13" Pan	350°F / 177°C	30 to 40 minutes
Bundt™ Cakes	12 Cup	325°F / 163°C	60 to 75 minutes
Brownies or Bar Cookies	9"x 9" Pan	325°F / 163°C	20 to 25 minutes
Biscuits	12"x 15" Cookie Sheet	425°F / 218°C or Package Directions	10 to 15 minutes
Quick Bread	8"x 4" Loaf Pan	350°F / 177°C	55 to 70 minutes
Muffins	12 cup Muffin Pan	425°F / 218°C	14 to 19 minutes
Fruit Pies	9" Diameter	425°F / 218°C	35 to 45 minutes
Fruit Cobblers	9"x 9" Pan	400°F / 204°C	25 to 30 minutes
Yeast Bread, Loaves	8"x 4" Loaf Pan	350°F / 177°C	25 to 30 minutes
Dinner Rolls	9"x 13" Pan	375°F / 191°C	12 to 18 minutes
Cinnamon Rolls	9"x 13" Pan	375°F / 191°C	25 to 30 minutes
Yeast Coffee Cake	12"x 15" Cookie Sheet	375°F / 191°C	20 to 30 minutes

## Keep Warm

The Warm mode will keep hot, cooked foods at serving temperature. Always start with hot food. DO NOT use this mode to heat cold food other than for crisping crackers, chips and dry cereal. Serving dishes, plates and cups may be kept warm with this mode. Do not use the WARM mode to cook food.



### WARNING:

**Food Safety Concern Food Poisoning Possible** — Do not use the Warming Mode for cooking food. The warming oven mode is not hot enough to cook foods at safe temperatures.

- Select Warm using the Mode Selector Knob. Do not turn on Oven Temperature Control Knob.
  - Food may be kept hot in its cooking container or transferred to a heat-safe serving dish.
  - Aluminum foil may be used to cover food. Use only heat-safe dishes.
- When keeping cooked food warm, allow time for the oven to preheat before placing the item in the oven.
  - Warm mode temperatures range from 140°-150°F/ 60-66°C
  - Food should be at serving temperature (above 140°F/ 60°C) before being placed in the oven.
- Place warmed dish in the oven. Close the door.
  - Do not open the oven door unnecessarily. Opening the door will reduce the temperature of the oven.



### CAUTION:

Plastic containers or plastic wrap can melt if in direct contact with the oven walls or oven bottom.

### Automatic operation of the cooling blower:

The rear cooling blower does not activate in any of the BAKE modes for temperature settings less than 300°F/ 149°C. For temperature settings of 300°F/ 149°C or greater, the cooling blower activates only after the oven reaches 300°F/149°C, while heating up to the set temperature.

When the oven is turned off, the blower remains on until the oven temperature cools to 375°F/ 191°C. Likewise for BROIL modes, the cooling blower activates only after the oven reaches 300°F/ 149°C, while heating up to broiling temperature.

### Note:

This cooling process normally pushes heated air forward, through the air space above the top of the oven door.

DO NOT continue to use the oven if the cooling blower fails to activate while baking at temperature settings of 300°F/ 149°C or greater, while broiling, or in CLEAN mode. Call a qualified service agency to repair the range.

## Proof (48" models only)

The proof feature maintains the warm, non-drafty environment needed for proofing yeast leavened products. The proofing temperature is preset at 100°F/ 38°C.

### To Set the Secondary Oven for Proofing

1. Place dough in dish and loosely cover.
  2. Use any rack level that accommodates the size of the bowl or pan. Close the door.
  3. Select PROOF using Selector Knob. Do not turn on Oven Temperature Control Knob.
- The ideal temperature for proofing will be maintained until the Selector Knob is turned off.
  - Do not open the oven door unnecessarily. Opening the door will lower the temperature of the air in the oven and lengthen the proofing time. Use the oven light to check the rising of the dough.

Proofing time may be decreased when using the large oven at the same time you are proofing. Check bread product early to avoid over-proofing. If you are using the large oven for extended periods of time we recommend, for optimum results, that you complete the proofing before using the large oven.

## Other Uses Of Bake

### Slow Cooking And Low Temperature Uses Of The Oven

In addition to providing perfect temperatures for baking and roasting, the oven can be used at low temperatures to keep hot, cooked foods at serving temperature and to warm plates.

Hot cooked foods can be kept at serving temperatures. Set the oven to bake and use the temperature suggested on the chart.

For best results, preheat the oven to the desired temperature.

Foods that need to be kept moist must be covered with a lid or aluminum foil.



### WARNING:

**FOOD SAFETY** — The United States Department of Agriculture advises: DO NOT hold foods at temperatures between 40°F to 145°F (4°C to 63°C) for more than 2 hours. Cooking raw foods below 275°F (135°C) is not recommended.

### Suggested Temperature Recommendations to Keep Food Hot

FOOD	OVEN TEMPERATURE
Beef	150°F (70°C)
Bacon	200° – 225°F 90° – 110°C
Biscuits and Muffins (covered)	175° – 200°F 80° – 90°C
Casserole (covered)	175° – 200°F 80° – 90°C
Fish and Seafood	175° – 200°F 80° – 90°C
Deep Fried Foods	200° – 225°F 90 – 110°C
Gravy or Cream Sauces (covered)	175°F (80°C)
Lamb and Veal Roasts	175° – 200°F 80° – 90°C
Pancakes and Waffles (covered)	200° – 225°F 90° – 110°C
Potatoes, Baked	200°F (90°C)
Potatoes, Mashed (covered)	175°F (80°C)
Pies and Pastries	175°F (80°C)
Pizza (covered)	225°F (110°C)
Pork	175° – 200°F 80° – 90°C
Poultry (covered)	175° – 200°F (80° – 90°C)
Vegetables (covered)	175°F (80°C)



# Broil

## Tips for Broil

### Preheating the Broiler

It is recommended that you preheat the broil element before starting to cook. Preheat until the temperature indicator reaches BROIL.

### Getting the Best Results

- Defrost food before broiling.
- Door is to be closed during broiling.
- Turn foods over only once, after half the total cooking time. It is not necessary to turn very thin foods (ham slices, fillets of fish, etc.). Liver slices must be turned over regardless of thickness.
- Center foods directly under the broiling element for best browning.

### Rack Positions

Before turning on the oven, place the rack in the desired position. After preheating the broiler, center the broil pan under the broil burner (see Figure 29 on Page 26).

### Main Oven

Rack #5 — Use this rack position when broiling beef steaks, ground meat patties, ham steak and lamb chops 1" (25.4mm) or less in thickness. Also use when top browning foods.

Rack #4 — Use this rack position when broiling meat 1<sup>1</sup>/<sub>8</sub>" (29mm) or more in thickness or fish, poultry, pork chops and ham steaks 1" (25.4mm) or more in thickness.

Rack #3 — Use this rack when broiling chicken quarters or halves.

### Secondary Oven (48")

Foods may be broiled on racks #3 or 4 depending upon the type and thickness of the food. Rack #5 may be used for top browning of foods.

### Utensils

- The porcelain enamel two-piece broil pan and grid is included with the range. **DO NOT** cover the slotted grid (top) with aluminum foil.
- Use metal or glass-ceramic bakeware when top browning casseroles, main dishes, or bread.
- DO NOT use heat-proof glass or pottery. This type of glassware cannot withstand the intense heat of the broil element.

- The small porcelain broiler pan is designed to be used in the Secondary Oven of 48" models.

For rare steaks, cook the first side to 90°F/ 32°C. For medium or well done steaks, cook the first side to 100°F/ 38°C. Turn and cook the second side to desired internal temperature.

### Note:

It is not possible to use the BAKE mode and BROIL mode simultaneously. When one mode is on, the other mode cannot be turned on.

## Setting Broil

Only the upper burners heat in the BROIL mode. Successful broiling requires constant exposure to high, intense heat.

1. Place oven rack in desired position.
2. Set Mode Selector Knob to BROIL.
3. Set Temperature Selector Knob to BROIL setting.
  - The temperature indicator will move to BROIL after five minutes.
4. Place food in oven at desired rack position as referenced on this page.
5. **The door should be closed throughout the broil cycle.**
  - Your THERMADOR PROFESSIONAL® range comes with a large two-piece broiler pan. The slotted grid allows drippings to flow into the lower pan, away from the intense heat of the broil element, minimizing spattering and smoking.
  - The 48" Models have a small porcelain broiler pan, for use in the secondary oven.

### Automatic operation of the cooling blower:

For either BROIL mode, the cooling blower activates only after the oven reaches 300°F/ 149°C, while heating up to the broiling temperature. When the broiler is turned off, the blower remains on until the oven temperature cools to 375°F/ 191°C.

DO NOT continue to use the broiler if the cooling blower fails to activate while broiling. Call a qualified service agency to repair the range.

## Broiling Recommendations

All meats are placed on the broiler pan included with the range.

FOOD ITEM	RACK NUMBER	OVEN MODE	CONTROL TEMPERATURE SETTING	APPROXIMATE COOKING TIME	SPECIAL INSTRUCTIONS AND TIPS
<b>BEEF</b>					
Ground Beef Patties, 1/2" (12.7mm) thick	4	Broil	Broil	15 to 20 minutes	Broil until no pink in center
T-Bone Steak	4	Broil	Broil	12 to 20 minutes	Time depends on rareness of steak
Flank Steak	4	Broil	Broil	12 to 20 minutes	Rare to Medium Rare
Rib Roast	3	Bake or Conv Bake	425°F/ 218°C to sear 325°F/ 163°C to finish	18 to 20 min/lb	Small roasts take more minutes per pound; reduce time by using Conv Bake
<b>PORK</b>					
Loin Roast	3	Bake or Conv Bake	325°F/ 163°C	20 to 25 min/lb	Cook until juices are clear
<b>POULTRY</b>					
Boneless Skinless Chicken Breasts	4	Broil	Broil	20 to 25 minutes	Cook until juices are clear
Chicken Thighs	3	Broil	Broil	25 to 30 minutes	Remove skin; Cook until juices are clear
Half Chickens	3	Broil	Broil	30 to 45 minutes	Turn with tongs; Cook until juices are clear
Roast Chicken	2	Bake or Conv Bake	325°F/ 163°C	75 to 90 minutes	Do not stuff; reduce time by using Convection Bake
Turkey	2	Bake or Conv Bake	325°F/ 163°C	20 to 25 min/lb	Do not stuff; reduce time by using Convection Bake

# Care and Maintenance

## Self-Cleaning the Oven(s)



### WARNING:

- Children should not be left alone or unattended in an area where appliances are in use.
- During the self-clean cycle, exterior surfaces may become hotter than usual. Parts of the appliance may become potentially harmful to children, and to persons who lack adult knowledge of appliances and lack adult reactions to potentially harmful conditions. Keep these individuals away during self-clean and while the appliance is in use.
- The elimination of soil during self-cleaning process may facilitate the emission of small amounts of chemicals or other substances that may be harmful upon sufficient exposure. To minimize exposure to these substances, provide good ventilation with an open window, or use a ventilation fan or hood.
- Keep pet birds out of the kitchen or other rooms where kitchen fumes could reach them. During self-clean, fumes are released that may be harmful to birds.

The self-cleaning mode of your new range features pyrolytic self-cleaning. When set to the CLEAN mode, the oven reaches a high temperature, approximately 850°F/ 454°C, that burns off the food soil.

When the oven is set for CLEAN, the standard cooktop burners and the electric griddle may be used. Only one oven at a time can be in CLEAN or in use. The outer burners, having the ExtraLow® feature, cannot be used.

**It is common to see smoke and/or flames during the clean cycle**, depending on the content and amount of soil remaining in the oven. If a flame persists, turn off the oven and allow it to cool before opening the door to wipe up the excessive food soil.

At the end of the CLEAN cycle, some gray ash or burned residue may remain inside the oven. This is a mineral deposit that does not burn or melt. The amount of ash depends on how heavily soiled the oven was before it was cleaned. When the oven is cold, it is easily removed using a damp paper towel, sponge, or cloth.

Wipe off any smoke residue that remains on the front frame with Formula 409® or Fantastik® cleaners. If stain remains, use a mild liquid cleanser. The amount of smoke stain is directly related to the amount of food soil left in the oven at the time of self-cleaning. Clean the oven often.

### Before Self Cleaning the Oven

To reduce flare ups and excess smoke wipe out puddles of grease and any loose soil that can be easily removed. Remove any soil that is outside the door seal area. This appliance is designed to clean the oven interior and the portion of the door that is inside the oven. The outer edges of the door and the frame surrounding the front of the oven are not in the cleaning zone. Wipe this area clean.

### BEFORE SETTING THE OVEN TO SELF-CLEAN

- Remove all utensils.
- Remove racks.
- Clean the oven front frame and outer door edges. Wipe up large spillovers and grease.
- Be sure the light bulbs and glass covers are in place.
- Turn on the ventilator hood above the range and leave it on until the oven has completed the self-clean cycle.

### IMPORTANT:

For the first Self-Cleaning cycle of your new range, remove small animals and birds from the kitchen and surrounding areas. Open a nearby window for additional ventilation.

### Lock

When the CLEAN cycle starts, the automatic door lock cycle begins. The temperature gauge begins to move to CLEAN five minutes after the clean mode is initiated. Check the door to confirm that it is locked. You can stop the clean cycle by selecting the OFF position. The CLEANING light will turn off only after the oven has cooled below 500°F, and the automatic door lock has completed its cycle to the open position.

**Make certain that the oven door is locked at the beginning of the cleaning cycle.**

## To Set Self-Clean Ovens

1. **Remove oven racks.**
2. Ensure oven door is shut.
3. Select SELF CLEAN using the Mode Selector Ring (see Figure 31 on Page 27).
4. Set Temperature Selector Knob to CLEAN.
  - Oven latch moves to secure the door.
  - Cooling Blower turns on.
  - The temperature indicator moves to CLEAN after five minutes.

### Note:

The door closing process takes approximately 20 seconds to complete, at which time the door becomes locked.

**Check to make certain the door is locked.**

## At the End of the Clean Cycle

The Clean cycle takes approximately 2 hours to complete. Do not turn either of the oven control knobs to the OFF position until the automatic lock cycles to the open position.

1. Select OFF using the Mode Selector Knob.
  - The door latch will open automatically when the oven is below 500°F/200°C and the automatic Door Lock completes its 20 second cycle to the open position.
  - The cooling blower turns off when the oven temperature drops to 375°F/191°C.
2. Turn Oven Control Knob to OFF position.

### Prevention of Successive Self-Clean Cycles

The ovens are programmed to prevent initiation of a second Self Clean cycle for a period of 24 hours. All of the other functions are available immediately after completion of Self Clean.

## Cleaning Tips

1. The porcelain enamel finish is acid resistant, but not acid proof. Acidic foods, such as citrus juices, tomatoes, rhubarb, vinegar, alcohol or milk, should be wiped up and not allowed to bake onto the porcelain during the next use.
2. **Remove the oven racks.**
3. **The infrared broil burners in the oven(s) do not require cleaning;** the broil burners burn themselves clean when the oven is in use.



### CAUTION:

The interior of the oven will still be at baking temperatures when the automatic lock cycles to its open position and the oven door can be opened.

## Range Cleaning

### When Cleaning This Range:

1. Use the mildest cleaning procedure that will do the job efficiently and effectively. Some cleaners of the same type are harsher than others. Try on a small inconspicuous area first.
2. Always rub metal finishes in the direction of the polish lines for maximum effectiveness and to avoid marring the surface.
3. Use only clean soft cloths, sponges, paper towels, fibrous brushes, plastic, non-metal or steel wool soap pads for cleaning and scouring, as recommended on the chart.
4. Most exterior parts of this appliance can be cleaned with hot sudsy water (except the various items specifically identified otherwise). When rinsing is required, rinse thoroughly.
5. Always wipe dry immediately to avoid water marks.



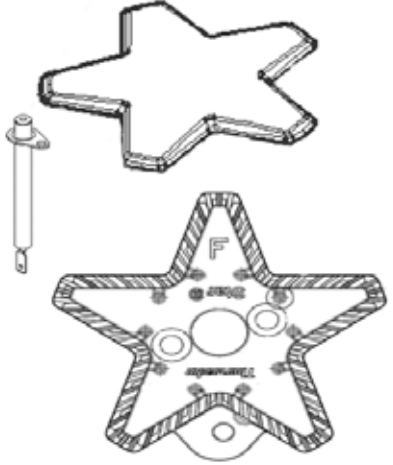
### CAUTION:

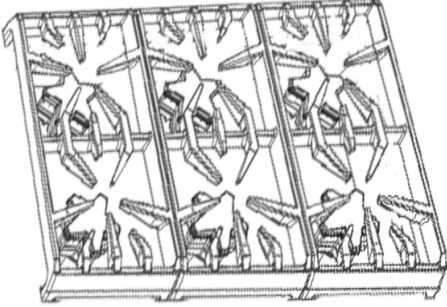
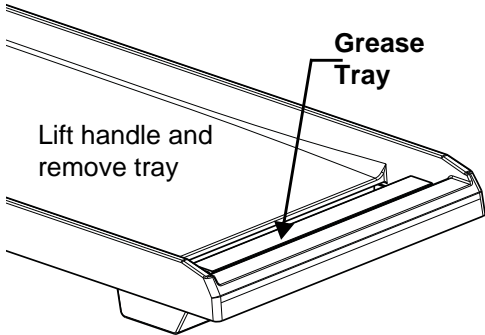
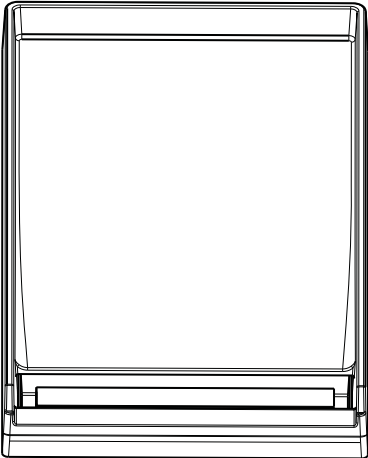
Avoid cleaning any part of the range while it is hot.

## Brand Names

The use of brand names is intended only to indicate a type of cleaner. This does not constitute an endorsement. The omission of any brand name cleaner does not imply its adequacy or inadequacy. Many products are regional in distribution and can be found in local markets. It is imperative that all cleaning products be used in strict accordance with the instructions on its package. The following chart gives directions for cleaning this range.

# Cleaning Recommendations

PART/MATERIAL	SUGGESTED CLEANERS	IMPORTANT REMINDERS
<p><b>Brass Star® Burner Base and Cast Iron Cap</b></p> 	<ul style="list-style-type: none"> <li>• Hot sudsy water; rinse and dry thoroughly.</li> <li>• Mild Abrasive Cleansers: Bon Ami®, Cameo® Aluminum and Stainless Steel Cleaner, Wright's® All Purpose Brass Polish.</li> <li>• Liquid cleaners: Kleen King®.</li> <li>• Stiff nylon bristle tooth brush to clean port openings.</li> <li>• After cleaning, make sure that the burner cap is correctly seated on the burner base.</li> </ul>	<ul style="list-style-type: none"> <li>• Do not scratch or gouge the port openings of burner cap.</li> </ul>
<p><b>Control Knobs/Metal Bezels/Chrome Full Access® Oven Racks/Chrome</b></p>	<ul style="list-style-type: none"> <li>• Hot sudsy water; rinse and dry immediately.</li> </ul>	<ul style="list-style-type: none"> <li>• Do not soak knobs.</li> <li>• Do not force knobs onto wrong valve shaft.</li> </ul>
<p><b>Exterior Finish/Backguard Stainless Steel</b></p>	<ul style="list-style-type: none"> <li>• Nonabrasive Cleaners: Hot water and detergent, ammonia, Fantastic®, Formula 409®. Rinse and dry immediately.</li> <li>• Cleaner Polish: Stainless Steel Magic® to protect the finish from staining and pitting; enhances appearance.</li> <li>• Hard water spots: Household vinegar.</li> <li>• Mild Abrasive Cleaners: Siege Stainless Steel and Aluminum Cleaner, Kleen King® Stainless Steel liquid cleaner.</li> <li>• Heat discoloration: Cameo®, Barkeepers Friend®, Zud®, Wright's® All Purpose Brass Polish.</li> </ul>	<ul style="list-style-type: none"> <li>• Stainless steel resists most food stains and pit marks providing the surface is kept clean and protected.</li> <li>• Never allow food stains or salt to remain on stainless steel for any length of time.</li> <li>• Rub lightly in the direction of polish lines.</li> <li>• Chlorine or chlorine compounds in some cleaners are corrosive to stainless steel. Check ingredients on label.</li> </ul>

PART/MATERIAL	SUGGESTED CLEANERS	IMPORTANT REMINDERS
<p><b>Grates/</b>Porcelain Enamel on Cast Iron</p> 	<ul style="list-style-type: none"> <li>• Nonabrasive cleaners: Hot water and detergent, Fantastic<sup>®</sup>, Formula 409<sup>®</sup>. Rinse and dry immediately.</li> <li>• Mild abrasive cleaners: Bon Ami<sup>®</sup> and Soft Scrub<sup>®</sup>.</li> <li>• Abrasive cleaners for stubborn stains: soap-filled steel wool pad.</li> <li>• Lestoil<sup>®</sup> or other degreaser.</li> </ul>	<ul style="list-style-type: none"> <li>• The grates are heavy; use care when lifting. Place on a protected surface.</li> <li>• Blisters/ crazing/ chips are common due to the extreme temperatures on grate fingers and rapid temperature changes.</li> <li>• Acidic and sugar-laden spills deteriorate the enamel. Remove soil immediately.</li> <li>• Abrasive cleaners, used too vigorously or too often can eventually mar the enamel.</li> </ul>
<p><b>Griddle Grease Tray/</b>Aluminum with non-stick coating</p> 	<ul style="list-style-type: none"> <li>• Remove grease tray and discard grease into a grease resistant container for disposal. Wash grease tray in warm soapy water or place in dishwasher.</li> <li>• Clean the grease tray after each use.</li> <li>• May be placed in dishwasher.</li> <li>• Wash in detergent and hot water; rinse and dry.</li> <li>• Stubborn soil: Soft Scrub<sup>®</sup>.</li> </ul>	<ul style="list-style-type: none"> <li>• Empty grease tray after each use.</li> <li>• Remove tray after grease has cooled. Be careful not to fill it so full that tipping to remove it spills the grease.</li> </ul>
<p><b>Griddle/</b>Aluminum with non-stick coating</p> 	<ul style="list-style-type: none"> <li>• Wipe griddle surface with warm soapy water then rinse with warm water. Wipe dry with a soft cloth.</li> <li>• If food particles stick to the griddle plate, remove with a mild abrasive cleaner such as Soft Scrub<sup>®</sup>.</li> </ul>	<ul style="list-style-type: none"> <li>• Never flood a hot griddle with cold water. This can warp or crack the aluminum plate.</li> <li>• Do not clean any part of the grill or griddle in a self-cleaning oven.</li> </ul>



PART/MATERIAL	SUGGESTED CLEANERS	IMPORTANT REMINDERS
Igniters/Ceramic	<ul style="list-style-type: none"> <li>Use a cotton swab dampened with water, Formula 409<sup>®</sup> or Fantastic<sup>®</sup>.</li> </ul>	<ul style="list-style-type: none"> <li>Do not use sharp tools to scrape the igniters. The igniters are fragile. If an igniter is damaged, it may not light the burner.</li> </ul>
<b>Surface Spill Trays</b> Porcelain Enamel (gloss finish)	<p>A cleaner such as Soft Scrub<sup>®</sup> may be used. Apply with a damp sponge or cloth according to the manufacturer's instructions. Rinse thoroughly and wipe dry with a soft cloth.</p> <p>If cleaners such as Bar Keeper's Friend<sup>®</sup>, Bon Ami<sup>®</sup>, Comet<sup>®</sup> or Ajax<sup>®</sup> are used, apply with a damp sponge or cloth according to the manufacturer's directions. Rub lightly as these cleansers may scratch the finish. Rinse thoroughly and wipe dry with a soft cloth.</p> <p>For burned on foods, soap filled fiber or steel wool pads such as S.O.S.<sup>®</sup> or Brillo<sup>®</sup> may be used. Dampen the pad and rub gently. Care must be taken as these may scratch the finish. Rinse thoroughly and wipe dry with a soft cloth.</p>	
<b>Broil Pan Grid/Bottom</b> Porcelain Enamel	<p><b>DO NOT CLEAN IN SELF-CLEANING OVEN</b></p> <p>To loosen cooked on food, sprinkle empty hot grid with powdered laundry detergent or squirt with liquid detergent and cover with wetpaper towels. Allow to stand.</p> <p><b>Hot sudsy water.</b></p> <ul style="list-style-type: none"> <li>Wash, rinse thoroughly and dry.</li> </ul> <p><b>Cleaners:</b> Soft Scrub<sup>®</sup>.</p> <ul style="list-style-type: none"> <li>Apply with a damp sponge or cloth according to manufacturer's directions. Rinse and wipe dry.</li> </ul> <p><b>Powdered Cleanser:</b> Bon-ami<sup>®</sup>, Comet<sup>®</sup>, Ajax<sup>®</sup>.</p> <ul style="list-style-type: none"> <li>Apply with a damp sponge or cloth according to manufacturer's directions. (Rub lightly, it may scratch the finish!) Rinse thoroughly and wipe dry.</li> </ul> <p><b>Soap-filled fiber or steel wool pads:</b> S.O.S<sup>®</sup>, Brillo<sup>®</sup>.</p> <p>Dampen pad, rub lightly, it may scratch the finish. Rinse thoroughly and wipe dry.</p>	
<b>Doors</b> Exterior, Frame, Door Handle Stainless Steel	<p>Use care to keep cleaners and water away from the door vents. If water or cleaners spill into the vents, water may streak the glass inside.</p>	
<b>Seal</b> Door Gasket	<p>General Kitchen Cleaners: Formula 409<sup>®</sup>, Fantastik<sup>®</sup>. Spray on and blot dry with a cloth. Do not rub. Do not move, remove or damage mesh.</p>	

# Do-It-Yourself Maintenance

## Oven Light Bulb Replacement



### CAUTION:

Before replacing the light bulb, be certain the Oven Light Switch is in the off position. Let bulb and cover cool completely before touching. If the light bulb glass comes loose from the base, turn the power to the oven OFF at the circuit breaker panel before attempting to remove the bulb base from the socket.

Replace only with a recommended light bulb designed for appliance oven use. DO NOT USE a standard household light bulb in any oven. Call THERMADOR® Customer Care Center at 1-800-735-4328 or your nearest THERMADOR® dealer to determine the proper replacement bulb for your range. You will need to know your range's model number and serial number.

### To Replace the Light Bulb:

Use only 10 Watt, 12 Volt bi-pin halogen light bulbs. Use a clean, dry cloth to handle halogen light bulbs. This will increase the life of the bulb.

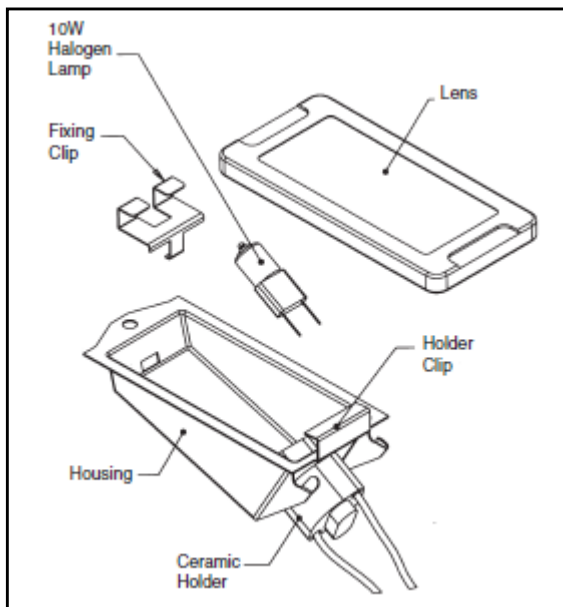


Figure 32: Oven Lamp Assembly

1. Turn off circuit breaker.
2. Remove oven racks.
3. Slide the tip of a flat blade screw driver between the fixing clip and the lamp housing (Figure 32 and 33).



Slide screw driver tip here .  
Loosen glass lens cover and remove .

Figure 33: Opening Location

4. Support the glass lens cover with two fingers along the bottom edge to prevent the cover from falling to the bottom of the oven.
5. Gently twist the flat blade screw driver to loosen the glass lens cover.
6. Remove the glass lens cover and fixing clip.
7. Remove the bulb by grasping and sliding the bulb straight back until the two prongs have cleared the ceramic holder.
8. Do not touch the glass of the new replacement bulb with your fingers. It will cause the bulb to fail when it first lights. Grasp the replacement bulb with a clean dry cloth. Locate the two prongs in the ceramic holder, gently poking until the two prongs locate in the ceramic socket.
9. Press down to seat the bulb.
10. Slide the protective lens into the holder clip and push the other end until the fixing clip snaps back into the housing.
11. Turn on circuit breaker.

## Power Failure

In the event of a power failure, only the standard burners can be lit manually. It is necessary to light each standard burner individually.

If the range's cooktop is being used when the power failure occurs, turn all of the burner control knobs to the OFF position. The standard burners can be lit by holding a match at the ports and turning the control knob to the HI position. Wait until the flame is burning all the way around the burner cap before adjusting the flame to the desired height.

The four ExtraLow<sup>®</sup> burners on the outer sides cannot be used during a power failure. Be sure to turn them OFF if a power failure occurs because they will not turn back on until the control knobs are turned OFF and then turned back on again. See "WHAT TO DO IF YOU SMELL GAS" on page 1.

If you have low gas pressure, contact your gas company.

## Intermittent or Constant Igniter Sparking

Intermittent or constant sparking of the sealed gas surface burners can result from a number of preventable conditions. Eliminate these conditions as indicated in the following chart.

<b>SYMPTOM</b>	<b>CAUSE</b>	<b>REMEDY</b>
Intermittent sparking	<ul style="list-style-type: none"><li>• Ceramic igniter is wet or dirty.</li><li>• Burner ports are clogged.</li></ul>	<ul style="list-style-type: none"><li>• Carefully dry or clean igniter.</li><li>• Clean ports on burner cap with a wire, a needle or straightened paper clip.</li></ul>
More than four clicks of igniter before lighting	<ul style="list-style-type: none"><li>• Improper fit of burner cap onto burner base.</li></ul>	<ul style="list-style-type: none"><li>• Align burner cap properly on burner base.</li></ul>
Constant Sparking	<ul style="list-style-type: none"><li>• Range is not properly grounded.</li><li>• Electrical power supply is incorrectly polarized.</li></ul>	<ul style="list-style-type: none"><li>• Refer to Installation Manual. Have a qualified electrician ground the range properly.</li><li>• Refer to Installation Manual. Have a qualified electrician ground the range properly.</li></ul>

# Before Calling For Service

Before calling for service, check the following to avoid unnecessary service charges.

## Be sure to check these items first:

- Is there a power outage in the area?
- Is the household fuse blown or the circuit breaker tripped?
- Is the range disconnected from the electrical supply?

## If the Burners do Not Ignite:

- Are the burner caps properly aligned and seated in the burner bases?
- Are the burner ports clogged?
- Is a fuse blown or is the circuit breaker tripped?
- Is the manual shut-off valve closed, preventing the flow of gas?

## Data Rating Label

The data rating label shows the model and serial number of your range. It is located in the gap created by the right side of the oven cavity and the range side panel.

The electric wiring diagrams and schematics are attached behind the door trim, and should not be removed except by a service technician, then replaced after service.

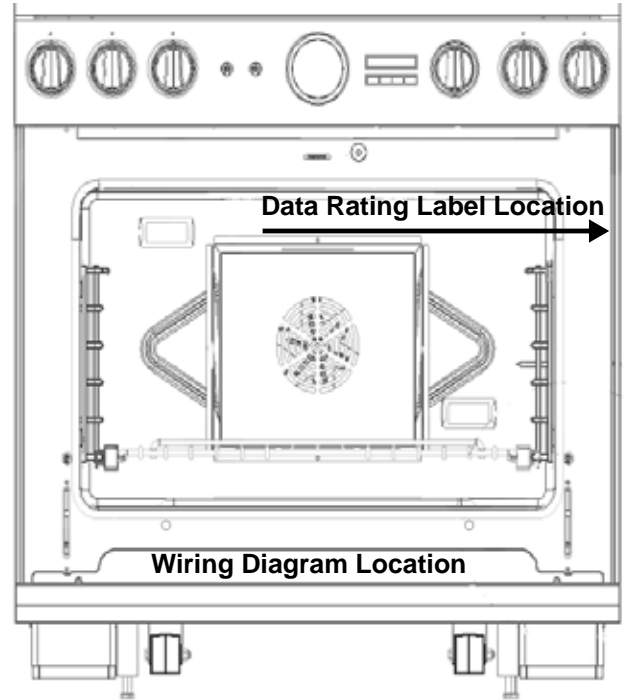


Figure 34: Rating Label Location

## Service Information

For handy reference, copy the information below from the data rating plate located in the gap created by the right side of the oven cavity and the range side panel. Keep your invoice for Warranty validation.

Model Number \_\_\_\_\_

Serial Number \_\_\_\_\_

Date of Purchase \_\_\_\_\_

Dealer's Name \_\_\_\_\_

Dealer's Phone Number \_\_\_\_\_

Service Center's Name \_\_\_\_\_

Service Center's Phone Number \_\_\_\_\_

Also, enter this information on the Product Registration Form included with this product, then mail it to the indicated address.

---

# Statement of Limited Product Warranty

## What this Warranty Covers & Who it Applies to

The limited warranty provided by BSH Home Appliances Corporation THERMADOR® in this Statement of Limited Product Warranty applies only to the THERMADOR® appliance sold to you, the first using purchaser, provided that the Product was purchased:

- For your normal, household (non-commercial) use, and has in fact at all times only been used for normal household purposes.
- New at retail (not a display, “as is”, or previously returned model), and not for resale, or commercial use.
- Within the United States or Canada, and has at all times remained within the country of original purchase.

The warranties stated herein apply only to the first purchaser of the Product and are not transferable.

Please make sure to return your registration card; while not necessary to effectuate warranty coverage, it is the best way for THERMADOR® to notify you in the unlikely event of a safety notice or product recall.

## How Long the Warranty Lasts

THERMADOR® warrants that the Product is free from defects in materials and workmanship for a period of three hundred and sixty-five (365) days from the date of purchase. The foregoing timeline begins to run upon the date of purchase, and shall not be stalled, tolled, extended, or suspended, for any reason whatsoever.

## Repair/Replace as Your Exclusive Remedy

During this warranty period, THERMADOR® or one of its authorized service providers will repair your Product without charge to you (subject to certain limitations stated herein) if your Product proves to have been manufactured with a defect in materials or workmanship. If reasonable attempts to repair the Product have been made without success, then THERMADOR® will replace your Product (upgraded models may be available to you, in

THERMADOR's sole discretion, for an additional charge). All removed parts and components shall become the property of THERMADOR® at its sole option. All replaced and/or repaired parts shall assume the identity of the original part for purposes of this warranty and this warranty shall not be extended with respect to such parts. THERMADOR's sole liability and responsibility hereunder is to repair manufacturer-defective Product only, using a THERMADOR-authorized service provider during normal business hours. For safety and property damage concerns, THERMADOR® highly recommends that you do not attempt to repair the Product yourself, or use an unauthorized servicer; THERMADOR® will have no responsibility or liability for repairs or work performed by a non-authorized servicer. If you choose to have someone other than an authorized service provider work on your Product, THIS WARRANTY WILL AUTOMATICALLY BECOME NULL AND VOID. Authorized service providers are those persons or companies that have been specially trained on THERMADOR® products, and who possess, in THERMADOR's opinion, a superior reputation for customer service and technical ability (note that they are independent entities and are not agents, partners, affiliates or representatives of THERMADOR®). Notwithstanding the foregoing, THERMADOR® will not incur any liability, or have responsibility, for the Product if it is located in a remote area (more than 100 miles from an authorized service provider) or is reasonably inaccessible, hazardous, threatening, or treacherous locale, surroundings, or environment; in any such event, if you request, THERMADOR® would still pay for labor and parts and ship the parts to the nearest authorized service provider, but you would still be fully liable and responsible for any travel time or other special charges by the service company, assuming they agree to make the service call.

## Out of Warranty Product

THERMADOR® is under no obligation, at law or otherwise, to provide you with any concessions, including repairs, pro-rates, or Product replacement, once this warranty has expired.

## Warranty Exclusions

The warranty coverage described herein excludes all defects or damage that are not the direct fault of THERMADOR®, including without limitation, one or more of the following:

- Use of the Product in anything other than its normal, customary and intended manner (including without limitation, any form of commercial use, use or storage of an indoor product outdoors, use of the Product in conjunction with air or water-going vessels).
- Any party's willful misconduct, negligence, misuse, abuse, accidents, neglect, improper operation, failure to maintain, improper or negligent installation, tampering, failure to follow operating instructions, mishandling, unauthorized service (including self-performed "fixing" or exploration of the appliance's internal workings).
- Adjustment, alteration or modification of any kind.
- A failure to comply with any applicable state, local, city, or county electrical, plumbing and/or building codes, regulations, or laws, including failure to install the product in strict conformity with local fire and building codes and regulations.
- Ordinary wear and tear, spills of food, liquid, grease accumulations, or other substances that accumulate on, in, or around the Product.
- Any external, elemental and/or environmental forces and factors, including without limitation, rain, wind, sand, floods, fires, mud slides, freezing temperatures, excessive moisture or extended exposure to humidity, lightning, power surges, structural failures surrounding the appliance, and acts of God.

In no event shall THERMADOR® have any liability or responsibility whatsoever for damage to surrounding property, including cabinetry, floors, ceilings, and other structures or objects around the Product. Also excluded from this warranty are scratches, nicks, minor dents, and cosmetic damages on external surfaces and exposed parts; Products on which the serial numbers have been altered, defaced, or removed; service visits to teach you how to use the Product, or visits where there is nothing wrong with the Product; correction of installation problems (you are solely responsible for any structure and setting for the Product, including all electrical, plumbing or other connecting facilities, for proper foundation/flooring, and for

any alterations including without limitation cabinetry, walls, floors, shelving, etc.); and resetting of breakers or fuses.

**TO THE EXTENT ALLOWED BY LAW, THIS WARRANTY SETS OUT YOUR EXCLUSIVE REMEDIES WITH RESPECT TO PRODUCT, WHETHER THE CLAIM ARISES IN CONTRACT OR TORT (INCLUDING STRICT LIABILITY, OR NEGLIGENCE) OR OTHERWISE. THIS WARRANTY IS IN LIEU OF ALL OTHER WARRANTIES, WHETHER EXPRESS OR IMPLIED. ANY WARRANTY IMPLIED BY LAW, WHETHER FOR MERCHANTABILITY OR FITNESS FOR A PARTICULAR PURPOSE, OR OTHERWISE, SHALL BE EFFECTIVE ONLY FOR THE PERIOD THAT THIS EXPRESS LIMITED WARRANTY IS EFFECTIVE. IN NO EVENT WILL THE MANUFACTURER BE LIABLE FOR CONSEQUENTIAL, SPECIAL, INCIDENTAL, INDIRECT, "BUSINESS LOSS", AND/OR PUNITIVE DAMAGES, LOSSES, OR EXPENSES, INCLUDING WITHOUT LIMITATION TIME AWAY FROM WORK, HOTELS AND/OR RESTAURANT MEALS, REMODELLING EXPENSES IN EXCESS OF DIRECT DAMAGES WHICH ARE DEFINITELY CAUSED EXCLUSIVELY BY THERMADOR, OR OTHERWISE. SOME STATES DO NOT ALLOW THE EXCLUSION OR LIMITATION OF INCIDENTAL OR CONSEQUENTIAL DAMAGES, AND SOME STATES DO NOT ALLOW LIMITATIONS ON HOW LONG AN IMPLIED WARRANTY LASTS, SO THE ABOVE LIMITATIONS MAY NOT APPLY TO YOU. THIS WARRANTY GIVES YOU SPECIFIC LEGAL RIGHTS, AND YOU MAY ALSO HAVE OTHER RIGHTS WHICH VARY FROM STATE TO STATE.**

No attempt to alter, modify or amend this warranty shall be effective unless authorized in writing by an officer of BSH.

**We reserve the right to make changes in the product or this manual without notification.**

Register your THERMADOR® product to ensure timely service and access to your product related information. You may register your product through one of the following ways:

1. Mail in the completed THERMADOR® Product Registration card
2. Register your product online at [thermador.com](http://thermador.com).
3. Call us at THERMADOR® customer service at 1-800-735-4328.

# Table des matières

<b>Introduction</b> .....	<b>1</b>	Sonde thermique .....	25
<b>Sécurité</b> .....	<b>2</b>	Temps de cuisson interne minimaux .....	26
Instructions de sécurité importantes .....	2	<b>Fonctions du four</b> .....	<b>26</b>
<b>Avant de commencer</b> .....	<b>8</b>	Conseils de cuisson au four .....	26
Première utilisation de votre cuisinière .....	8	Réglage pour cuisson au four/cuisson par convection/rôtissage .....	28
<b>Description des cuisinières</b> .....	<b>11</b>	Rôtissage .....	29
Identification des pièces – Cuisinière de 48 po.....	11	Recommandations pour le rôtissage .....	29
Identification des pièces – Cuisinière de 36 po ....	12	Cuisiner par convection .....	29
<b>Utilisation de la cuisinière</b> .....	<b>13</b>	Recommandations pour la cuisson par convection .....	31
Récipients recommandés .....	18	Garder-au-chaud .....	31
Récipients pour spécialités .....	19	Apprêt (48 po).....	32
Conseils de cuisson – Brûleurs de la table de cuisson .....	20	Autres utilisations du four .....	32
Plaque chauffante électrique (certains modèles) ..	22	Grilloir .....	33
Conseils de cuisson – Plaque chauffante .....	23	Recommandations pour le grilloir .....	34
<b>Utilisation du four</b> .....	<b>24</b>	<b>Entretien et nettoyage</b> .....	<b>35</b>
Commandes du four .....	24	Autonettoyage du four .....	35
Minuterie .....	24	Recommandations pour le nettoyage.....	37
Minuterie du four .....	24	Entretien à faire soi-même .....	40
Décalage de température .....	24	<b>Avant d'appeler le service technique</b> .....	<b>42</b>
Mode sabbat .....	25	<b>Énoncé de garantie limitée du produit</b> .....	<b>43</b>

Cet appareil électroménager de THERMADOR<sup>mc</sup> est  
fait par

BSH Home Appliances Corporation  
5551 McFadden Ave.  
Huntington Beach, CA 92649

## Des questions?

1-800-735-4328  
[www.thermador.com](http://www.thermador.com)

**Nous attendons de vos nouvelles!**



# Introduction

Avant d'utiliser votre cuisinière, assurez-vous de lire le présent guide. Prêtez une attention particulière aux *Instructions de sécurité importantes* située au début du guide.



## AVERTISSEMENT:

Si vous ne suivez pas rigoureusement les renseignements fournis dans le présent guide, des risques d'incendie ou d'explosion sont susceptibles de causer des dommages matériels, des blessures ou la mort.

— **N'entreposez pas et n'utilisez pas d'essence ou d'autres produits inflammables sous forme de liquide ou de vapeur à proximité de la cuisinière ou de tout autre appareil.**

## — SI VOUS DÉTECTEZ UNE ODEUR DE GAZ

- N'allumez aucun appareil.
  - Ne touchez pas aux interrupteurs électriques.
  - N'utilisez pas les téléphones du bâtiment où vous trouvez.
  - Appelez immédiatement votre société gazière chez un voisin et suivez les instructions qu'elle vous donne.
  - Si vous n'arrivez pas à contacter votre société gazière, appelez le service d'incendie.
- L'installation et les travaux d'entretien doivent être réalisés par un installateur qualifié, un centre de réparation agréé ou une société gazière.

Les cuisinières PROFESSIONAL<sup>mc</sup> de THERMADOR sont des appareils monoblocs disponibles en plusieurs configurations. Tous les modèles comprennent une table de cuisson au gaz aux dimensions professionnelles, un système de convection au gaz et un four autonettoyant avec grilloir.

Le présent guide contient d'importants renseignements sur l'utilisation et l'entretien de tous les modèles de cuisinière PROFESSIONAL<sup>mc</sup> de THERMADOR. Lorsque vous utilisez ce guide, il est essentiel que vous connaissiez le numéro de modèle de votre cuisinière, car certains renseignements ne s'appliquent qu'à des modèles précis. Ce numéro de modèle se trouve sur la fiche signalétique de votre cuisinière. Les tableaux des pages suivantes résument les différents modèles de cuisinières et leurs différentes caractéristiques.



## AVERTISSEMENT:

Risque de basculement!



**Un enfant ou un adulte pourrait faire basculer l'appareil et perdre la vie. Assurez-vous que le dispositif anti-bascule a été convenablement installé et que la patte de l'appareil est retenue par le support lorsque vous remettez la cuisinière en place.**

Ne faites pas fonctionner l'appareil si le support anti-bascule n'est pas en place. La non-observation des instructions du présent guide peut entraîner la mort ou causer de graves brûlures à des enfants ou des adultes.

Assurez-vous que le support anti-bascule est bien installé et dûment utilisé. Faites doucement basculer la cuisinière vers l'avant en la tirant par l'arrière pour vous assurer que le support anti-bascule est bel et bien entré dans la base moulée en aluminium et que l'appareil ne peut se renverser. La cuisinière ne devrait pas pouvoir bouger de plus d'un pouce (2,5 cm).

# Sécurité



## INSTRUCTIONS DE SÉCURITÉ IMPORTANTES

### LISEZ ET CONSERVEZ CES INSTRUCTIONS

Exigences relatives à l'installation de l'alimentation électrique et à l'approvisionnement en gaz, et instructions pour la mise à la terre.

#### LISEZ ATTENTIVEMENT CE QUI SUIT

##### Vérification du type de gaz

Vérifiez le type de gaz fourni à l'endroit de l'installation. Assurez-vous que l'appareil est branché au type de gaz pour lequel il est certifié. Les modèles sortent de l'usine avec une certification pour une utilisation au gaz naturel ou au gaz propane (LP). Assurez-vous que votre cuisinière est conçue pour le type de gaz auquel vous la branchez. Consultez la fiche signalétique du produit, située à l'emplacement indiqué à la Figure 34.



##### ATTENTION:

Lorsque vous branchez l'appareil au gaz propane, assurez-vous que le réservoir de gaz propane est muni de son propre mécanisme régulateur à haute pression en plus du régulateur à haute pression fourni avec l'appareil. **La pression de gaz maximale de cet appareil ne devrait pas excéder 14,0 pouces de colonne d'eau (34,9 Mb) entre le réservoir de gaz propane et le régulateur à haute pression.**

##### IMPORTANT:

Toutes les cuisinières doivent être installées avec un dossier. Pour les installations en îlot et les autres installations où il y a un espace libre horizontal de plus de 12 po entre des matériaux combustibles et le côté arrière de la cuisinière, une garniture d'îlot est fournie avec tous les modèles. Si la distance horizontale est de moins de 12 po (305 mm), un dossier bas ou une tablette haute THERMADOR<sup>mc</sup> doit être installé.

Consultez les exigences d'alimentation électrique et de mise à la terre dans les instructions d'installation.

Il est de votre responsabilité et de votre obligation, à vous, l'acheteur, de vous s'assurer qu'un électricien qualifié branche cet appareil à l'alimentation électrique, conformément au code national de l'électricité ou aux codes et règlements locaux en vigueur.

Avant d'utiliser la cuisinière, assurez-vous qu'elle est munie d'un dossier adéquat. Consultez les instructions d'installation qui accompagnent cet appareil pour obtenir de plus amples renseignements.



##### AVERTISSEMENT:

Pour éviter tout risque de brûlure ou d'incendie, un dossier conçu spécialement pour cette cuisinière doit être installé.



##### ATTENTION:

L'étagère à casseroles peut devenir très chaude! NE mettez PAS les objets suivants sur cette étagère :

- du plastique ou des contenants qui peuvent fondre;
- des articles inflammables;
- des articles pesant plus de 30 livres (13,6 kg).

##### Modèles au gaz 36 de po:

120 volts, 60 Hz, circuit électrique de 15 ampères requis. Modèle de 36 po avec plaque chauffante électrique – circuit électrique de 20 ampères requis.

##### Modèles au gaz de 48 po avec plaque chauffante électrique:

120 volts, 60 Hz, circuit électrique de 20 ampères requis.



##### AVERTISSEMENT:

DÉBRANCHEZ TOUJOURS LA FICHE ÉLECTRIQUE DE LA PRISE MURALE AVANT D'EFFECTUER DES RÉPARATIONS SUR LA CUISINIÈRE.

Il est conseillé de réserver un circuit électrique à cet appareil.

L'utilisation d'appareils de cuisson au gaz produit de la chaleur et de l'humidité.



##### AVERTISSEMENT:

POUR VOTRE SÉCURITÉ PERSONNELLE, CET APPAREIL DOIT ÊTRE CONNECTÉ À UNE ALIMENTATION ÉLECTRIQUE POLARISÉE AVEC UNE MISE À LA TERRE ADÉQUATE.



# INSTRUCTIONS DE SÉCURITÉ IMPORTANTES

LISEZ ET CONSERVEZ CES INSTRUCTIONS



## AVERTISSEMENT – POUR TOUS LES MODÈLES : EN CAS DE PANNE ÉLECTRIQUE

Si, pour une raison quelconque, un bouton de commande de gaz est allumé et qu'il n'y a pas d'électricité pour actionner les allumeurs électroniques des brûleurs de la table de cuisson, **mettez le bouton à OFF et attendez 5 minutes** avant d'allumer manuellement les brûleurs pour permettre au gaz de se dissiper.

Pour allumer manuellement les brûleurs, tenez une allumette allumée près des ports d'un brûleur puis tournez le bouton de commande du gaz à HI. Vous pouvez utiliser les brûleurs de la table de cuisson pendant une panne d'électricité, mais vous devez les allumer avec une allumette.

NE tentez PAS d'allumer manuellement les deux brûleurs XLO<sup>mc</sup> de gauche et les deux brûleurs XLO<sup>mc</sup> de droite. Ces brûleurs sont dotés de la fonction ExtraLow<sup>mc</sup> et ne peuvent être allumés manuellement.

### ESSAIS CONFORMES À:

- La norme américaine ANSI Z21.1 régissant les appareils électroménagers au gaz.
- La norme américaine UL858 régissant les cuisinières électriques domestiques.
- La norme canadienne CAN/CSA-22.2 No 61-08 régissant les cuisinières domestiques.
- La norme canadienne CAN/CGA 1.1-M81 régissant les cuisinières domestiques au gaz.

Consultez la réglementation locale du bâtiment qui s'applique à votre cas pour connaître la bonne méthode d'installation. S'il n'y a pas de réglementation, cet appareil doit être installé conformément au code national américain sur les gaz combustibles No Z223.1, édition actuelle, et au code américain de l'électricité ANSI/NFPA No 70, édition actuelle, ou bien au code canadien Can - B149 régissant l'installation des appareils à gaz et à la section 1 du code électrique canadien C22.1.

Il incombe au propriétaire et à l'installateur de déterminer si des exigences ou des normes additionnelles s'appliquent à l'installation spécifique.

### Consignes de sécurité destinées à éviter les blessures

Votre cuisinière PROFESSIONAL<sup>mc</sup> de THERMADOR est conçue pour être fiable et sécuritaire si elle est bien entretenue. Néanmoins, vous devez faire preuve d'une grande prudence lorsque vous utilisez cette cuisinière professionnelle, car ce type d'appareil produit une chaleur intense. L'utilisation d'appareils de cuisine doit se faire conformément aux consignes élémentaires de sécurité, y compris ce qui suit:

Lisez attentivement le présent guide d'utilisation et d'entretien avant d'utiliser votre nouvelle cuisinière afin de réduire les risques d'incendie, de décharge électrique ou de blessures.

L'installation et l'entretien doivent être correctement effectués. Suivez les instructions d'installation fournies avec le produit. Assurez-vous qu'un électricien qualifié installe et effectue la mise à la terre de la cuisinière.

Demandez à l'installateur de vous montrer où se trouvent le disjoncteur et la vanne d'arrêt de gaz pour savoir où et comment couper l'alimentation électrique et l'approvisionnement en gaz de la cuisinière.

Si le brûleur fuit et que du gaz s'en échappe, ouvrez une fenêtre ou une porte. Ne tentez pas d'utiliser la cuisinière avant que le gaz ait eu le temps de se dissiper. Attendez au moins 5 minutes avant d'utiliser la cuisinière.

Ne réparez et ne remplacez aucune pièce de l'appareil, sauf sous recommandation expresse du présent guide. Toute autre réparation doit être effectuée par un technicien qualifié.

Ne laissez pas d'enfants seuls ou sans surveillance dans une pièce où des appareils fonctionnent. Ils ne devraient jamais pouvoir s'asseoir ou monter sur une partie quelconque de l'appareil. Si des enfants sont autorisés à utiliser la cuisinière, ils doivent être surveillés étroitement.



### AVERTISSEMENT:

Ne rangez pas d'objets attirant l'attention d'enfants au-dessus ou derrière la cuisinière. Ils risqueraient d'y monter pour s'en emparer et pourraient se blesser gravement.



# INSTRUCTIONS DE SÉCURITÉ IMPORTANTES

## LISEZ ET CONSERVEZ CES INSTRUCTIONS



### AVERTISSEMENT:

POUR RÉDUIRE LES RISQUES DE FEU DE FRITURE :

- Ne laissez jamais l'appareil sans surveillance lors de son utilisation à haute température. Les débordements par bouillonnement causent de la fumée et des déversements de graisse qui peuvent prendre feu. Faites chauffer l'huile à des températures basses ou moyennes.
- Allumez toujours la hotte lorsque vous cuisinez à haute température ou que vous faites flamber des aliments (c.-à-d. crêpes Suzette, cerises jubilé, bœuf flambé au poivre).
- Nettoyez fréquemment les ventilateurs. Ne laissez pas la graisse s'accumuler sur les ventilateurs ou les filtres.
- Utilisez des poêlons aux dimensions adéquates. Utilisez toujours une batterie de cuisine correspondant aux dimensions de l'élément ou du brûleur.

N'utilisez jamais la cuisinière ou le four comme espace de rangement. Les matières inflammables pourraient prendre feu et les objets en plastique pourraient fondre ou prendre feu.

N'accrochez rien sur l'appareil et n'appuyez rien contre le four. Certains tissus peuvent facilement s'enflammer. Si la cuisinière est placée près d'une fenêtre, assurez-vous que les courants d'air ne peuvent pas pousser les rideaux jusqu'au-dessus ou à proximité des brûleurs; ils pourraient s'enflammer.

Assurez-vous qu'il y a un détecteur de fumée fonctionnel près de la cuisine.

Si vos vêtements ou vos cheveux prennent feu, jetez-vous immédiatement par terre et roulez pour éteindre les flammes.

Ayez un extincteur approprié à portée de la main, visible et facile d'accès, tout près de l'appareil de cuisson.

Étouffez les flammes provenant d'aliments en feu, autre que les feux de friture, avec du bicarbonate de soude. N'utilisez jamais de l'eau pour éteindre des aliments en feu.

Dans la mesure du possible, ne faites pas fonctionner le système de ventilation lorsqu'il y a un feu sur la surface de cuisson. Cependant, ne tentez pas de l'éteindre en passant votre main dans le feu.

Lorsque les enfants sont assez âgés pour utiliser l'appareil, il est de la responsabilité légale des parents ou des tuteurs de veiller à ce que des personnes qualifiées leur enseignent des pratiques sécuritaires.

Les vêtements, poignées, mitaines ou toute autre matière inflammable ne doivent pas toucher ni être placés à proximité des brûleurs à infrarouge, des brûleurs ou des grilles des brûleurs avant que ceux-ci n'aient eu le temps de refroidir. Les tissus pourraient prendre feu et provoquer des blessures.

N'utilisez que des poignées et mitaines sèches : la vapeur qui se dégage de poignées et de mitaines mouillées ou humides posées sur des surfaces chaudes peut provoquer des blessures. N'utilisez pas de serviettes ni de chiffons volumineux au lieu de poignées et de mitaines. Ne laissez pas de poignées ou de mitaines toucher des grilles de brûleurs, des brûleurs à infrarouge ou des brûleurs chauds.



### AVERTISSEMENT:

POUR RÉDUIRE LES RISQUES DE BLESSURE LORS D'UN FEU DE FRITURE, OBSERVEZ LES CONSIGNES SUIVANTES :

- ÉTOUFFEZ LES FLAMMES avec un couvercle, une plaque à biscuits ou un plateau de métal et éteignez ensuite le brûleur ou l'élément. **PRENEZ GARDE AUX RISQUES DE BRÛLURE.** Si les flammes ne disparaissent pas immédiatement, **ÉVACUEZ LES LIEUX ET APPELEZ LE SERVICE D'INCENDIE.**
- NE PRENEZ JAMAIS UN POÊLON EN FEU** – Vous pourriez vous brûler.
- N'UTILISEZ PAS D'EAU** ou un linge à vaisselle mouillé – une violente explosion de vapeur s'ensuivra.
- Utilisez un extincteur **SEULEMENT** si :
  - Vous savez que vous possédez un extincteur de classe ABC et vous savez vous en servir.
  - Le feu est faible et ne s'est pas répandu depuis son point d'origine.
  - Vous avez appelé le service d'incendie.



# INSTRUCTIONS DE SÉCURITÉ IMPORTANTES

## LISEZ ET CONSERVEZ CES INSTRUCTIONS

Pour votre sécurité, lorsque vous utilisez l'appareil, portez des vêtements adéquats et évitez ceux qui sont amples et qui ont des manches tombantes. Certains tissus synthétiques sont hautement inflammables. Vous ne devriez pas en porter lorsque vous cuisinez.

N'enveloppez aucune pièce de la cuisinière ou du four dans du papier d'aluminium. L'utilisation de revêtement en aluminium pourrait causer une décharge électrique ou un incendie, ou encore obstruer la circulation d'air de la combustion et de l'aération. Le papier d'aluminium est un excellent isolateur et il retient la chaleur. Son utilisation aura une incidence sur la cuisson et pourrait endommager le fini du four ou de la cuisinière.



### AVERTISSEMENT – RISQUE DE BASCULEMENT DE LA CUISINIÈRE:

- Toutes les cuisinières peuvent basculer et blesser quelqu'un. Pour éviter un basculement accidentel de la cuisinière, elle doit être fixée au sol, au mur ou à une armoire à l'aide du dispositif anti-basculé fourni.
- L'appareil risque de basculer s'il n'est pas installé conformément à ces instructions.
- En déplaçant la cuisinière pour la nettoyer, la réparer ou pour toute autre raison, assurez-vous qu'elle s'est bien enclenchée dans le dispositif anti-basculé lorsque vous la remettez en place. Autrement, si l'appareil est utilisé de façon anormale (par exemple, si quelqu'un monte, s'assoie ou s'appuie sur une porte ouverte), la cuisinière risque de basculer. Le basculement de la cuisinière ou d'un liquide chaud se trouvant sur la surface de cuisson pourrait causer des blessures corporelles.

Quand vous utilisez la table de cuisson : **NE TOUCHEZ PAS LES GRILLES DES BRÛLEURS OU LES ZONES ADJACENTES.** Les zones entourant les brûleurs peuvent devenir assez chaudes pour causer des brûlures.

Lorsque vous cuisinez, réglez les brûleurs de façon à ce que la flamme ne chauffe que le fond du récipient sans déborder sur les côtés.

Ne faites pas chauffer de récipients fermés. La pression s'accumulant dans le récipient pourrait le faire éclater et provoquer des blessures.



### AVERTISSEMENT:

Cet appareil a été conçu pour un usage culinaire. Pour des raisons de sécurité, n'utilisez jamais le four ou la table de cuisson pour chauffer une pièce. Cela pourrait endommager les composantes de la table de cuisson ou du four.



### AVERTISSEMENT:

Ne recouvrez JAMAIS des fentes, des trous ou des parties du fond du four et ne couvrez jamais des grilles entières avec des matières comme du papier d'aluminium. Vous obstruerez la circulation d'air dans le four, ce qui peut causer un empoisonnement au monoxyde de carbone. Un revêtement en papier d'aluminium peut également piéger la chaleur et présenter un risque d'incendie.



### AVERTISSEMENT:

N'utilisez JAMAIS cet appareil pour chauffer une pièce. Ceci peut causer un empoisonnement au monoxyde de carbone et surchauffer l'appareil.

Ne laissez jamais la cuisinière sans surveillance quand vous utilisez une flamme intense. Les débordements produisent de la fumée et des éclaboussures de graisse qui peuvent s'enflammer. Par ailleurs, si la flamme d'un brûleur s'éteint, du gaz s'échappera dans la pièce. Pour en savoir plus sur les fuites de gaz, consultez la page 1.

Seuls certains types de casseroles en verre, en vitrocéramique résistant à la chaleur, en céramique, en terre cuite ou en céramique vitrifiée peuvent être utilisés sur les brûleurs de la cuisinière. Ce type de récipients peut se casser lors de changements de température brusques. N'utilisez que des réglages de flamme bas ou moyen et respectez les directives du fabricant.



### AVERTISSEMENT:

Évitez d'utiliser une flamme forte de façon prolongée avec un récipient plus grand que la grille ou couvrant plusieurs brûleurs, comme une plaque. Cela peut nuire à la combustion et produire des émanations dangereuses.





# INSTRUCTIONS DE SÉCURITÉ IMPORTANTES

## LISEZ ET CONSERVEZ CES INSTRUCTIONS

Les grandes casseroles, les plaques à biscuits, etc. ne doivent jamais être utilisées sur la surface de cuisson.

Soyez prudent et assurez-vous que les courants provenant de grilles d'aération ou de ventilateurs ne soufflent pas de matière inflammable vers les flammes ou ne poussent pas les flammes sur les côtés de la casserole ou du poêlon.

Utilisez toujours des casseroles et poêlons à fond plat et suffisamment larges pour couvrir le brûleur. L'utilisation de casseroles trop petites pourrait exposer une partie de la flamme et enflammer des vêtements.

N'utilisez pas de produits nettoyants inflammables pour nettoyer la cuisinière.

Pour réduire les risques de brûlure, d'inflammation de matières inflammables et de renversements accidentels, placez les poignées des récipients vers l'intérieur de la cuisinière pour qu'elles ne dépassent pas sur les surfaces de travail adjacentes, les zones de préparation ou le bord de la table de cuisson de la cuisinière.

Tenez la poignée du récipient pour l'empêcher de bouger quand vous remuez des aliments.

N'utilisez pas le plateau de la plaque chauffante pour faire cuire des viandes très grasses ou des produits qui s'enflamment facilement.

Avant d'utiliser la plaque chauffante ou les brûleurs à proximité, enlevez la planche à découper optionnelle ou l'accessoire de recouvrement de la plaque.

**LA GRAISSE EST INFLAMMABLE.** Laissez la graisse chaude refroidir avant d'essayer de la manipuler. Évitez de laisser de la graisse s'accumuler. Nettoyez après chaque utilisation.

Pour que les brûleurs s'allument et fonctionnent correctement, les orifices d'allumage doivent être gardés propres. Il faut les nettoyer après un débordement ou lorsque le brûleur ne s'allume pas même si le système d'allumage électronique s'actionne. Consultez la section « Entretien à faire soi-même ».



### AVERTISSEMENT:

Après un renversement ou une éclaboussure, éteignez le brûleur et nettoyez le pourtour et les orifices. Assurez-vous du bon fonctionnement de l'appareil après le nettoyage.



### AVERTISSEMENT:

Pour éviter tout risque de brûlure ou d'incendie, un dosseret de protection conçu spécialement pour cette cuisinière doit être installé avant son utilisation.

Nettoyez la cuisinière avec soin. Faites attention de ne pas vous brûler avec la vapeur : n'utilisez pas d'éponge ou de chiffon mouillé pour nettoyer la cuisinière quand elle est chaude. Certains produits nettoyants dégagent des vapeurs toxiques s'ils sont appliqués sur une surface chaude. Suivez les indications fournies par le fabricant du produit nettoyant.

Assurez-vous que tous les boutons de la table de cuisson sont hors circuit et que la table de cuisson est froide avant d'utiliser un produit nettoyant en aérosol sur celle-ci ou à proximité de celle-ci. Certains produits chimiques vaporisés peuvent, en présence de chaleur, prendre feu ou corroder les pièces métalliques.

Quand vous utilisez le four, ne touchez pas aux brûleurs à infrarouge, aux surfaces internes du four ou à la zone externe entourant la porte. Les surfaces internes du four chauffent suffisamment pour causer des brûlures. Le déflecteur de chaleur, qui évacue la chaleur de la table de cuisson et de la garniture sur le dessus et les côtés de la porte du four, sera également chaud pendant l'utilisation du four.

Placez les grilles du four à la position voulue pendant que le four est froid. Si vous devez déplacer une grille quand le four est chaud, ne laissez pas les ustensiles entrer en contact avec le brûleur à infrarouge.

Faites preuve de prudence lorsque vous ouvrez la porte du four. Laissez l'air chaud et la vapeur s'échapper avant d'introduire ou de retirer des aliments.

Avant de procéder à l'autonettoyage du four, enlevez la lèchefrite, les grilles du four, tout autre ustensile et les accumulations de saletés.

Vous ne devez pas nettoyer, frotter, endommager, déplacer ni retirer le joint de la porte. Il est essentiel pour assurer une bonne étanchéité pendant la cuisson ou l'autonettoyage du four. Si le joint est usé ou très sale, remplacez-le pour assurer une bonne étanchéité.



# INSTRUCTIONS DE SÉCURITÉ IMPORTANTES

## LISEZ ET CONSERVEZ CES INSTRUCTIONS

Protégez le dispositif d'autonettoyage. Nettoyez seulement les parties indiquées dans le présent guide. N'utilisez pas de produits nettoyants commerciaux ou de revêtements de protection pour four dans le four autonettoyant ou autour.

N'OBSTRUEZ PAS la circulation d'air de combustion ou d'aération.

Pour des raisons de sécurité et pour ne pas endommager l'appareil, ne vous asseyez pas, ne montez pas et ne vous appuyez pas sur la porte du four.

Toutes les réparations doivent être effectuées par des techniciens agréés, qui devront débrancher l'alimentation électrique de l'appareil avant de le réparer.

Assurez-vous de bien entendre la soufflerie de refroidissement lorsque le four est réglé aux modes BROIL ou BAKE, et qu'il atteint une température de 425 °F (consultez la section « Fonctionnement automatique de la soufflerie de refroidissement ») ou au mode d'autonettoyage. Si le ventilateur ne fonctionne pas, n'utilisez pas le four. Appelez un centre autorisé pour obtenir du service.

Pour éviter tout risque d'incendie, nettoyez fréquemment la hotte et les filtres afin d'empêcher les accumulations de graisse.

En cas d'incendie ou si vous faites flamber intentionnellement de l'alcool sur la table de cuisson, suivez les instructions du fabricant. Faites preuve de prudence lorsque vous cuisinez avec de l'alcool (ex. : rhum, brandy, bourbon) dans le four. L'alcool s'évapore à haute température. Les vapeurs d'alcool peuvent s'enflammer dans le four et présenter un risque de brûlure. Utilisez seulement une petite quantité d'alcool avec les aliments et faites attention lorsque vous ouvrez la porte du four.

### CONSIGNE DE SÉCURITÉ IMPORTANTE:

La loi sur l'eau potable et les toxines de Californie (California Safe Drinking Water and Toxic Enforcement Act) requiert du gouverneur de la Californie qu'il publie une liste des substances reconnues par l'état comme pouvant causer le cancer, une malformation ou d'autres problèmes congénitaux, et demande aux compagnies de mettre en garde les consommateurs face à une exposition potentielle à de telles substances.

Le brûlage de combustible de cuisson à gaz et l'élimination de la saleté pendant l'autonettoyage peuvent générer des sous-produits se trouvant sur la liste. Pour minimiser toute exposition à ces produits chimiques:

1. Assurez-vous qu'il y a une bonne ventilation lorsque vous cuisinez.
2. Assurez-vous qu'il y a une bonne ventilation pendant et immédiatement après l'autonettoyage du four.
3. Faites fonctionner l'appareil conformément aux instructions du présent guide.

Ne rangez pas ou n'utilisez pas de produits chimiques, corrosifs, inflammables, non alimentaires près de cet appareil ou dans cet appareil, lequel est spécifiquement conçu pour réchauffer ou faire cuire des aliments. L'utilisation de produits chimiques corrosifs pendant le réchauffage ou la cuisson peut endommager l'appareil et causer des blessures.



# Avant de commencer

Avant d'utiliser la cuisinière pour la première fois, assurez-vous d'avoir ces articles:

Tableau 1: Accessoires et pièces de la cuisinière

DESCRIPTION	36 po, 4 brûleurs avec plaque chauffante	36 po, 6 brûleurs	48 po, 6 brûleurs avec plaque chauffante
Grilles de four Full Access <sup>mc</sup> , four principal	3	3	3
Grilles de four Full Access <sup>mc</sup> , four secondaire	0	0	2
Lèchefrite deux pièces*	1	1	2
Sonde thermique	1	1	2
Chapeaux de brûleurs Star <sup>mc</sup>	4	6	6
Grilles des brûleurs	2	3	3
Boutons de commande	7	8	9
Plaque chauffante en aluminium avec revêtement en titane	1	0	1
Assemblages des recouvrements de pattes	4	4	4
Garniture d'îlot**	1	1	1
Carte d'enregistrement du produit	1	1	1
Guide de trucs pratiques	1	1	1
Manuel d'installation	1	1	1
Guide d'utilisation et d'entretien	1	1	1

\*Tous les modèles sont vendus avec une lèchefrite de deux pièces en porcelaine pour le four. Les modèles de 48 pouces sont également vendus avec une petite lèchefrite de deux pièces pour le four secondaire.

\*\* Tous les modèles sont vendus avec une garniture d'îlot. Toutefois, consultez l'avertissement concernant l'espace derrière la cuisinière lors de l'utilisation de la cuisinière avec cet accessoire.



Enlevez tout le matériel d'emballage et les étiquettes temporaires du four et de la table de cuisson. Veuillez recycler le matériel d'emballage, car tout ce que THERMADOR<sup>mc</sup> utilise pour emballer ses appareils est recyclable.

3. **Accessoires optionnels** : plaque de gril, planche à découper, couvercle de plaque chauffante, plinthe, anneau support pour wok et autres accessoires en vente chez votre détaillant THERMADOR<sup>mc</sup>.

1. Assurez-vous que vous avez tous les éléments énumérés au Tableau 1.
2. **Notez les numéros de modèle et de série.** Consultez les renseignements apparaissant sur la plaque de la fiche signalétique. La plaque de la fiche signalétique se trouve à la droite de l'appareil, entre la cavité du four et le panneau latéral (voir la Figure 34). Vous pouvez utiliser ces renseignements lors de toutes vos futures communications avec le service à la clientèle. Inscrivez-les également sur la carte d'enregistrement du produit fournie avec l'appareil et envoyez cette dernière à l'adresse indiquée.

4. **Placez correctement les grilles dans le four.** La position adéquate des grilles dépend de la recette et du mode de cuisson. **Les positions des grilles dans le four sont numérotées de bas en haut, comme un ascenseur.** La position no 3 est la position la plus fréquemment utilisée. Introduisez la ou les grilles à la position voulue avant d'allumer le four.

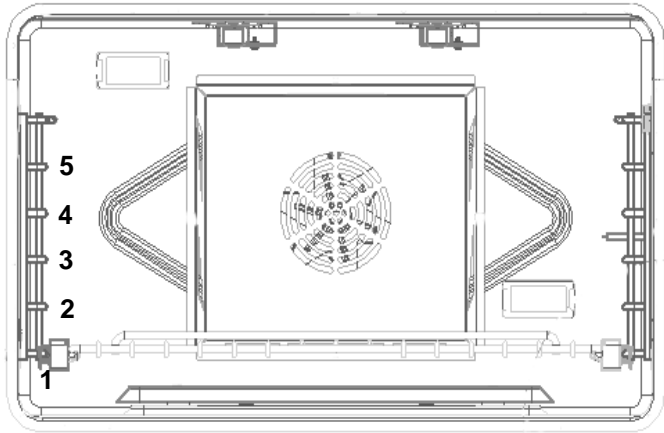


Figure 1 : Positions des grilles dans le grand four

5. **Les grilles coulissantes Full Access<sup>mc</sup> de THERMADOR sont standards sur tous les modèles :** vous pouvez tirer et pousser les grilles dans le four avec un effort minime – même lorsqu'elles soutiennent une grosse dinde ou un rôti lourd.

**IMPORTANT:**

Enlevez toujours les grilles Full Access<sup>mc</sup> avant de procéder à l'autonettoyage du four. Si les grilles coulissantes restent dans le four pendant l'autonettoyage, les lubrifiants du mécanisme de glissement de chaque grille seront endommagés et le fini se décolorera.



**AVERTISSEMENT:**

Pour prévenir les risques de brûlure, n'enlevez ou ne déplacez JAMAIS les grilles lorsque le four est en marche ou lorsqu'il refroidit.

Enlevez toujours les grilles avant de procéder à l'autonettoyage.

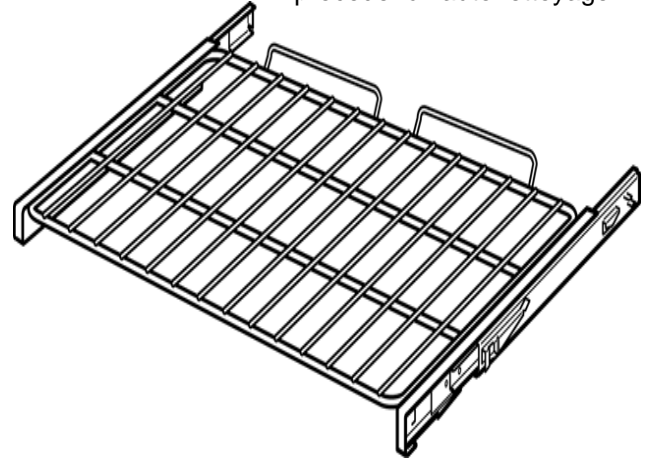


Figure 2 : Grille coulissante

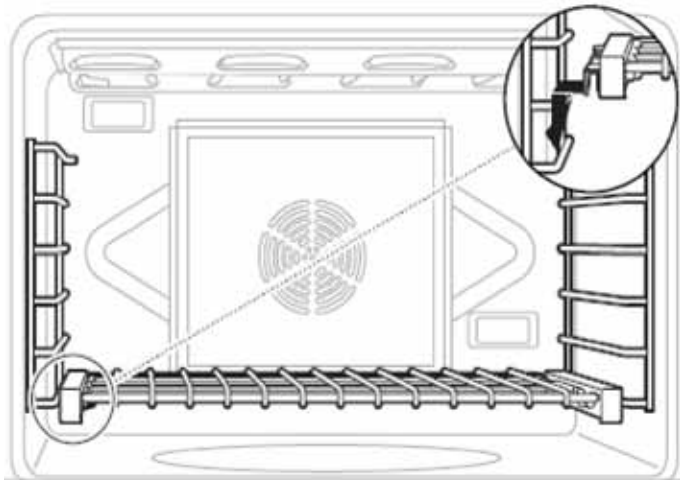
**Installation des grilles dans le four:**

Pour installer une grille dans le four, tenez la grille avec la glissière arrière pointant vers l'arrière. Placez les crochets de sûreté sous la partie avant des fentes des glissières. Poussez la grille dans le four en la soulevant par-dessus les butées de sûreté situées à l'avant des glissières. Faites glisser la grille en place.

Lorsque vous mettez des aliments sur une grille, tirez la grille jusqu'à la position d'arrêt. Les grilles sont conçues pour bloquer et ne pas s'incliner lorsqu'elles sont tirées jusqu'au bout.

### Retrait des grilles du four:

Pour enlever ou pour changer une grille du four de place, tirez la grille vers vous. Soulevez ensuite la partie avant de la grille par-dessus les butées de sûreté et retirez-la du four..



#### IMPORTANT :

Lorsque vous mettez la grille coulissante dans le four, assurez-vous que les supports frontaux des glissières sont appuyés dans les grandes fentes des coins avant de la grille, comme illustré. Cela est nécessaire pour veiller à ce que la grille soit dans la bonne position lorsque vous l'installez dans le four.

Figure 3: Vue de côté de la grille dans la glissière



#### ATTENTION:

N'utilisez jamais de papier d'aluminium pour recouvrir les grilles du four ou chemiser le four. N'enlevez pas l'élément du grilloir du four électrique.

#### Note :

Il est normal durant le processus de refroidissement que le four dégage de l'air chaud dans la pièce où il se trouve.

Les cuisinières PROFESSIONAL<sup>mc</sup> de THERMADOR dégagent parfois une odeur particulière ou de la fumée lors de la première utilisation. Ces odeurs ou cette fumée proviennent des résidus de fabrication qui brûlent, ce qui est caractéristique de toute nouvelle cuisinière, indépendamment du fabricant. **Avant d'utiliser le four ou le grilloir**, allumez le four et le grilloir pour brûler les huiles de fabrication en ayant recours à l'une des deux méthodes suivantes :

— Mettez le système de ventilation de la cuisine en marche (si la hotte utilisée fonctionne avec un système de reprise d'air, ouvrez une fenêtre). Réglez le four à 500 °F/260 °C et laissez le four fonctionner pendant deux heures à une température élevée, puis éteignez-le. Veuillez consulter la section « Entretien et nettoyage » avant de nettoyer les grilles du four.

— Mettez le système de ventilation de la cuisine en marche (si la hotte utilisée fonctionne avec un système de reprise d'air, ouvrez une fenêtre). Enlevez les grilles du four. Réglez le four au mode d'autonettoyage et laissez-le terminer son cycle (voir la section « Autonettoyage du four »).

Veuillez noter que les oiseaux de compagnie peuvent être sensibles aux odeurs créées durant l'utilisation du four à température élevée, qu'elles proviennent de la combustion de résidus de fabrication ou d'aliments. Il est donc recommandé de sortir les oiseaux de compagnie de la cuisine.

6. **Assurez-vous que les chapeaux des brûleurs Star<sup>mc</sup> sont bien posés sur leurs bases sur la table de cuisson** (Figures 14 et 15). Allumez chaque brûleur pour vous assurer que la flamme est d'une couleur adéquate. Consultez la section « Description de la flamme » pour plus de détails.

# Description

## Identification du modèle et des pièces – Cuisinière de 48 po

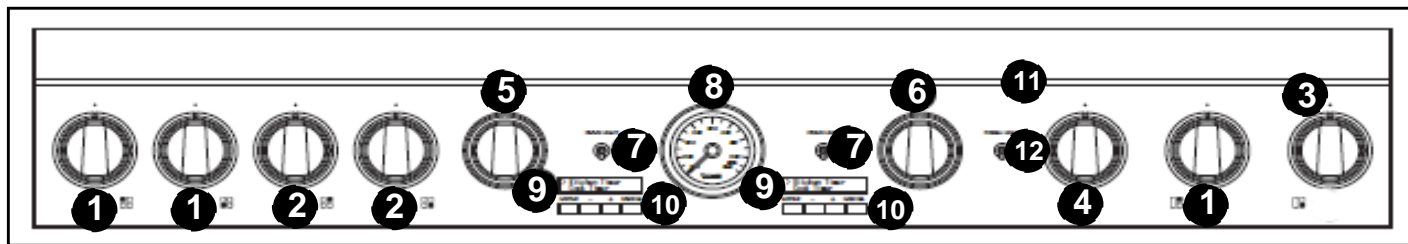


Figure 4 : Tableau de commande de la cuisinière de 48 pouces

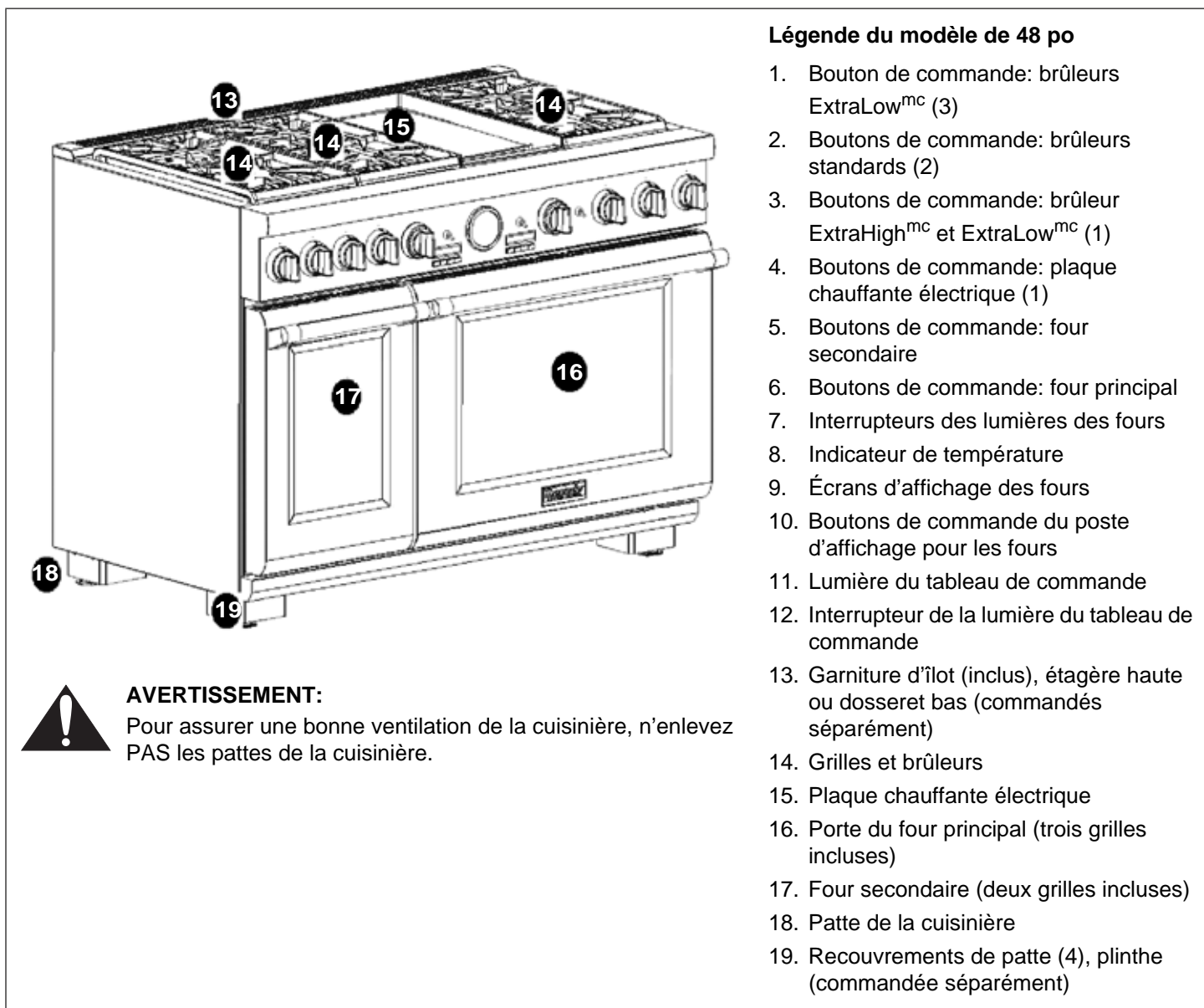
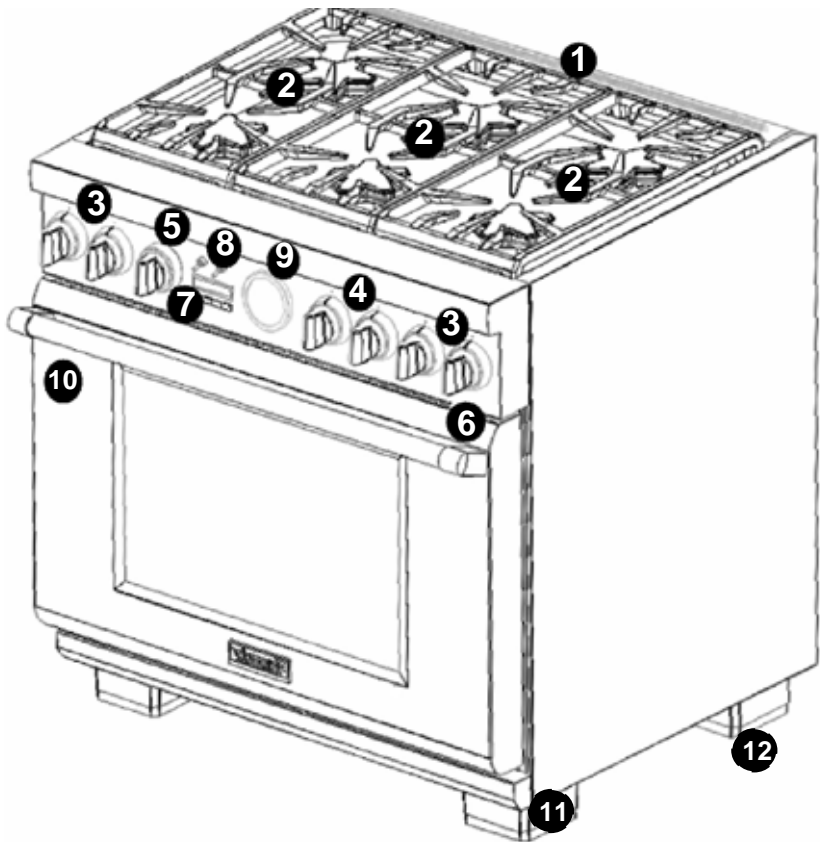


Figure 5 : Identification des pièces de la cuisinière à gaz de 48 po

## Identification du modèle et des pièces – Cuisinière de 36 po

### Légende du modèle de 36 po

1. Garniture d'îlot (inclus), étagère haute ou dosseret bas (commandés séparément)
2. Grilles et brûleurs (plaque chauffante située au centre pour certains modèles)
3. Bouton de commande: brûleurs ExtraLow<sup>mc</sup> (3)
4. Boutons de commande: brûleurs standards (2)
5. Boutons de commande et indicateur du four
6. Boutons de commande: brûleur ExtraHigh<sup>mc</sup> et ExtraLow<sup>mc</sup> (1)
7. Écran d'affichage et boutons de commande du four
8. Lumière et interrupteurs des lumières du tableau de commande du four
9. Indicateur de température
10. Porte du four
11. Patte de la cuisinière
12. Recouvrements de patte (4), plinthe (commandée séparément)



#### **AVERTISSEMENT :**

Pour assurer une bonne ventilation de la cuisinière, n'enlevez PAS les pattes de la cuisinière.

Figure 6 : Identification des pièces de la cuisinière à gaz de 36 po

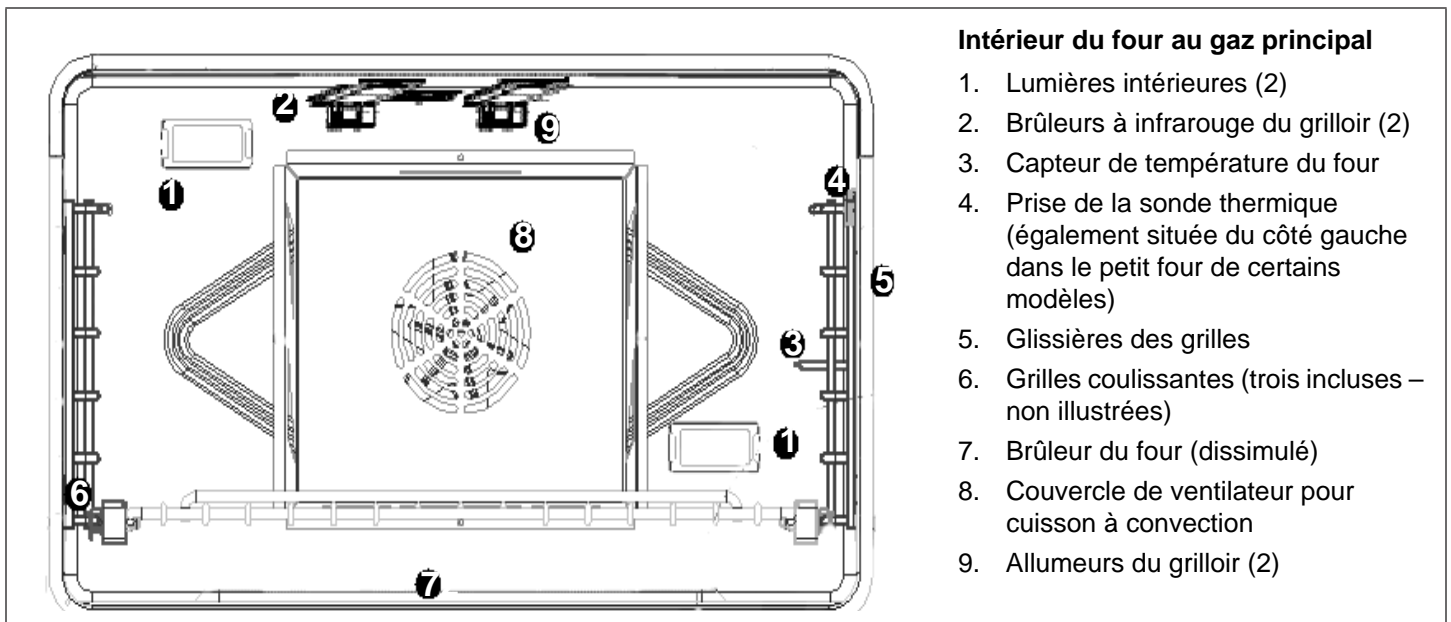


Figure 7 : Intérieur du four au gaz des modèles de 36 po et 48 po

## Utilisation de la cuisinière

### Brûleurs scellés



Figure 8 : Base de brûleur Star™ en laiton

La table de cuisson comporte quatre ou six brûleurs à gaz Star™; le brûleur Star™ avant droit a une puissance de 22 000 BTU/h (18 000 BTU/h avec gaz propane) et tous les autres brûleurs Star™ ont une puissance de 18 000 BTU/h (15 000 BTU/h avec gaz propane).

Chaque brûleur est muni d'un dispositif QuickClean™ unique qui facilite le nettoyage du brûleur et de la zone qui lui est adjacente.

Pour tous les modèles, les deux brûleurs Star™ de gauche et de droite sont dotés de la fonction exclusive ExtraLow™, alors que les autres brûleurs sont standards. À chacun des brûleurs correspond un bouton de commande.

#### Boutons de commande

Normalement, deux boutons de commande sont placés sur le panneau de commandes, directement en face des deux brûleurs au gaz auxquels ils correspondent, avec un brûleur au gaz situé en face d'un autre sur la table de cuisson.

Le symbole au-dessus de chaque bouton de brûleur identifie la position qu'il occupe sur la table de cuisson de la cuisinière. Les symboles de la Figure 10 correspondent au modèle de la cuisinière de 48 po.



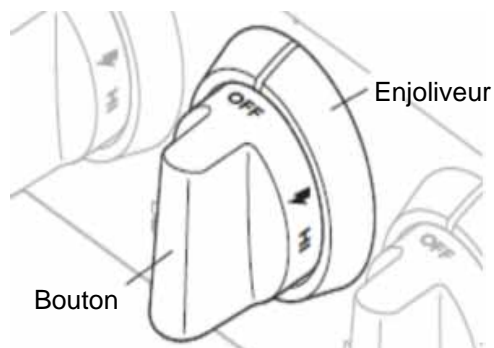


Figure 9 : Bouton de commande standard d'un brûleur Star<sup>mc</sup>

## Fonctionnement des brûleurs

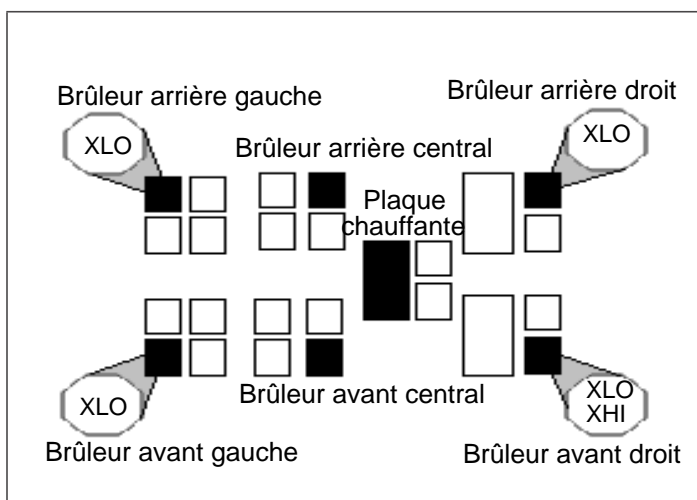



Figure 10 : Symboles de la table de cuisson

- Poussez sur le bouton et tournez-le dans le sens antihoraire jusqu'au réglage .
- L'allumeur du brûleur sélectionné émet des étincelles pour allumer le brûleur.
- Une fois le brûleur allumé, l'allumeur cesse d'émettre des étincelles.
- Tournez le bouton à n'importe quel réglage entre HI et SIM.
- Un témoin lumineux bleu se trouve directement au-dessus de chaque bouton de commande de brûleur. Le témoin s'allume si le bouton de commande est tourné à un mode actif et s'éteint lorsqu'il est à la position OFF.

### BTU des brûleurs standards

- HI équivaut à 15 000 BTU/h (13 000 BTU/h avec propane).
- SIM équivaut à 2100 BTU/h.

### BTU des brûleurs ExtraLow<sup>mc</sup>

- HI équivaut à 18 000 BTU/h (15 000 BTU/h avec propane).
- SIM équivaut à 3000 BTU/h.
- XLO<sup>mc</sup> équivaut à 375 BTU/h lorsque le bouton de commande est au réglage ExtraLow<sup>mc</sup> le plus bas.

### BTU du brûleur Powerboost<sup>mc</sup>

- XHI<sup>mc</sup> équivaut à 22 000 BTU/h (18 000 BTU/h avec propane).
- SIM équivaut à 3000 BTU/h.
- XLO<sup>mc</sup> équivaut à 375 BTU/h lorsque le bouton de commande est au réglage ExtraLow<sup>mc</sup> le plus bas.

### Brûleurs ExtraLow<sup>mc</sup>

Les boutons de commande des deux brûleurs de gauche et des deux brûleurs de droite, avant et arrière, peuvent être ajustés à des intensités de flamme encore plus basses que les réglages standards de mijotage.

La figure 11 montre la gamme supplémentaire de réglages du bouton entre SIM et XLO<sup>mc</sup>. Lorsque le bouton est ajusté pour l'utilisation de cette fonction, la flamme s'allume et s'éteint par intervalles. La durée pendant laquelle la flamme est allumée et éteinte permet de réduire davantage la quantité de chaleur et de cuire des aliments délicats. Par exemple, le réglage très bas est utile pour faire mijoter et pocher, faire fondre du chocolat et du beurre, ou maintenir la température de plats préparés sans qu'ils roussissent ou brûlent, etc.



Figure 11 : Bouton de commande d'un brûleur ExtraLow<sup>mc</sup>



## Fonctionnement d'un brûleur ExtraLow<sup>mc</sup>

- XLO<sup>mc</sup>, le réglage le plus bas, fonctionne par cycles d'une minute où la flamme est allumée pendant environ 7 secondes puis éteinte pendant environ 53 secondes.
- Lorsque le bouton est réglé juste en dessous du repère SIM, la flamme reste allumée pendant environ 54 secondes et s'éteint pendant environ 6 secondes.
- Pour faire varier le degré de chaleur, il est possible de régler le bouton à n'importe quelle position entre SIM et XLO<sup>mc</sup>.

## Techniques ExtraLow<sup>mc</sup>

- Le type et la quantité d'aliments déterminent le réglage à utiliser.
- Le réglage est également déterminé par le type de récipient choisi. Ses dimensions, sa forme, le matériau et l'utilisation d'un couvercle sont des facteurs qui influent sur la constance de la température de cuisson.
- Pour maintenir une chaleur basse ou pour faire mijoter, portez les aliments à ébullition. Remuez bien, couvrez le récipient puis baissez le réglage en plaçant le bouton juste en dessous de SIM.
- Vérifiez régulièrement s'il est nécessaire de modifier le réglage du bouton de commande.
- Si vous utilisez un récipient surdimensionné, vos aliments mijoteront principalement au centre de celui-ci. Pour homogénéiser la température d'ensemble, remuez les aliments de façon à ce que ceux qui se trouvent sur les rebords passent également par le centre.
- Quand un plat mijote, il est normal de le remuer de temps à autre, surtout s'il doit mijoter pendant plusieurs heures, comme dans le cas de fèves au lard ou d'une sauce à spaghetti maison.
- Quand vous baissez le réglage de la flamme, faites-le graduellement.
- Si le réglage est trop bas pour faire mijoter, portez de nouveau à ébullition avant de mettre le bouton à un réglage plus intense.
- Il est normal de ne pas voir de bulles après avoir remué les aliments.
- Quand la flamme est allumée, des bulles peuvent se former, puis disparaître lorsqu'elle s'éteint. Même quand la flamme est éteinte, de la vapeur et un léger frémissement seront perceptibles à la surface du liquide.

## POWERBOOST<sup>mc</sup>

Le bouton de commande POWERBOOST<sup>mc</sup>, ou XHI<sup>mc</sup> est supérieure de 4000 BTU au réglage de tout autre brûleur Star<sup>mc</sup>. Il est pratique pour rapidement faire bouillir de l'eau, saisir des steaks, faire sauter des légumes, etc. Les

fonctions SIM et XLO<sup>mc</sup> s'utilisent de la même manière que sur les autres brûleurs.

## Allumage électronique unique

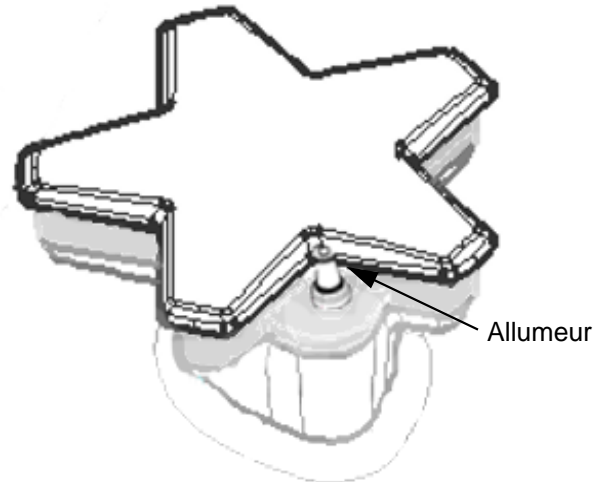


Figure 12 : Allumeur

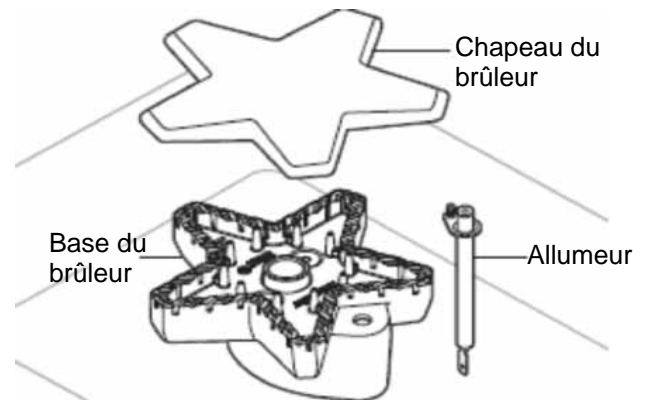


Figure 13 : Éléments des brûleurs Star<sup>mc</sup>

Chaque brûleur Star<sup>mc</sup> comporte son propre allumeur électronique qui produit des étincelles lorsque le bouton est activé. Les brûleurs doivent s'allumer en 4 secondes ou moins. Si le brûleur ne s'allume pas, assurez-vous que le chapeau est correctement posé sur sa base (voir les Figures 14 et 15).



### ATTENTION:

Ne touchez pas les brûleurs pendant que les allumeurs produisent des étincelles.

Si un brûleur ne s'allume pas, consultez la section « Avant d'appeler le service technique ».

### Rallumage automatique

Si un ou plusieurs brûleurs s'éteignent, l'allumeur électronique produit automatiquement des étincelles pour rallumer la flamme. Ne touchez pas aux brûleurs pendant que les allumeurs produisent des étincelles.

#### IMPORTANT:

- Pour assurer une bonne combustion, n'utilisez pas la table de cuisson sans les grilles des brûleurs.
- L'allumage et la combustion du gaz produisent un petit bruit qui est tout à fait normal.

Sur les cuisinières alimentées par du gaz propane, il est possible que vous entendiez un petit bruit sec au niveau des orifices du brûleur Star<sup>mc</sup> quelques secondes après l'avoir éteint.

### Positionnement des chapeaux des brûleurs

Pour assurer un fonctionnement approprié, les chapeaux des brûleurs Star<sup>mc</sup> doivent être placés adéquatement sur leur base. Si le chapeau n'est pas placé adéquatement, l'un ou l'autre des problèmes suivants pourrait survenir :

- Les flammes du brûleur sont trop hautes.
- Des flammes excessives jaillissent du brûleur.
- Le brûleur ne s'allume pas.
- Les flammes du brûleur sont inégales.
- Le brûleur émet des odeurs.



#### AVERTISSEMENT:

Pour éviter que des produits ne s'enflamment ou créent des vapeurs nocives, n'utilisez pas la surface de cuisson si les chapeaux et les grilles des brûleurs ne sont pas tous placés.



#### AVERTISSEMENT:

Pour prévenir toute brûlure, éviter de toucher les chapeaux et les grilles des brûleurs lorsqu'ils sont chauds. Éteignez la table de cuisson et laissez les brûleurs refroidir.

### Vérification de la position des chapeaux des brûleurs.

- Vérifiez chaque brûleur pour vous assurer qu'il n'y a pas d'espace entre le chapeau et la base du brûleur. Voir les Figures 14 et 15 pour des exemples de chapeau de brûleur correctement ou incorrectement placés.
- Vous pouvez essayer de déplacer délicatement les chapeaux des brûleurs latéralement pour vous assurer qu'ils sont placés correctement sur leur base. Lorsqu'ils sont bien placés, les chapeaux des brûleurs sont droits sur la base et couvrent complètement la base du brûleur en forme d'étoile lorsque vous les regardez d'en haut, comme sur la Figure 14.



Figure 14 : Chapeau de brûleur correctement placé

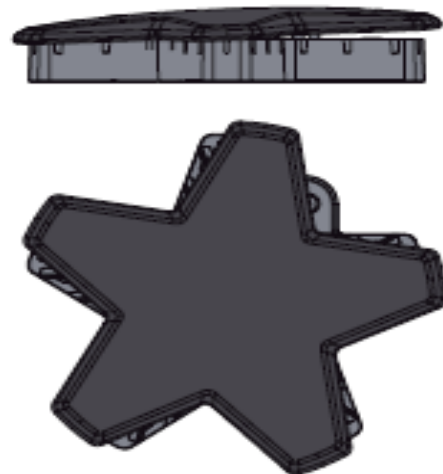


Figure 15 : Chapeau de brûleur incorrectement placé

## Panne de courant

- En cas de panne de courant, seuls les brûleurs standards peuvent être allumés manuellement. Chacun d'eux doit être allumé individuellement.
- Si une panne de courant survient pendant que vous utilisez la cuisinière, tournez tous les boutons à la position OFF.
- Vous pouvez allumer les brûleurs Star<sup>mc</sup> standards en approchant une allumette enflammée près des orifices et en tournant le bouton à la position HI. Attendez que la flamme soit allumée tout autour du chapeau du brûleur avant de la régler à la hauteur voulue.
- N'essayez pas d'allumer les deux brûleurs XLO<sup>mc</sup> de gauche et les deux brûleurs XLO<sup>mc</sup> de droite pendant une panne de courant. Ces brûleurs sont munis de la fonction ExtraLow<sup>mc</sup> et ne peuvent être allumés manuellement.
- Si un brûleur ExtraLow est allumé pendant une panne de courant, il ne peut être remis en circuit tant que le bouton n'est pas réglé à la position OFF.
- La plaque chauffante et le gril ne peuvent être utilisés pendant une panne de courant.
- Si vous détectez une odeur de gaz, consultez les instructions de sécurité de la page 1.



### AVERTISSEMENT:

En cas de panne de courant, mettez tous les boutons à la position OFF. Seuls les brûleurs standards Star<sup>mc</sup> peuvent être allumés manuellement.

## Hauteur de la flamme

- La hauteur correcte de la flamme dépend : (1) de la taille et du matériau du récipient utilisé; (2) des aliments à cuire; et (3) de la quantité de liquide dans le récipient.
- La flamme ne doit pas dépasser les côtés de la base du récipient.
- Utilisez une flamme basse ou moyenne pour les récipients dont le matériau conduit lentement la chaleur, comme l'acier émaillé ou la vitrocéramique.

## Description de la flamme

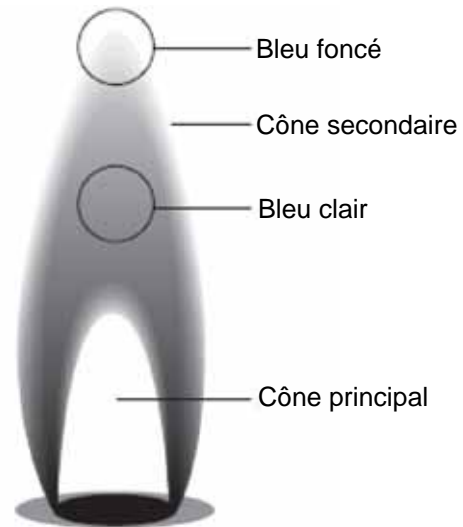


Figure 16 : Couleurs de la flamme

- La flamme des brûleurs doit être bleue sans pointe jaune. Elle devient parfois partiellement orange : cela indique que des impuretés flottant dans l'air sont en train de se consumer. Elles disparaîtront avec l'usage.
- Avec le gaz propane, il est normal qu'il y ait un peu de jaune dans le cône primaire.
- La flamme doit brûler tout autour du chapeau du brûleur. Si ce n'est pas le cas, assurez-vous que le chapeau est bien posé sur la base et que les orifices ne sont pas bouchés.
- La flamme doit être stable, ne pas voltiger ni faire de bruit excessif.



### AVERTISSEMENT:

Ce produit contient ou facilite l'émission, lors d'une utilisation ordinaire pour laquelle il est prévu, d'un ou de plusieurs produits chimiques qui, selon les connaissances de l'État de la Californie, peuvent causer le cancer des anomalies congénitales ou d'autres problèmes congénitaux. Pour minimiser toute exposition à ces produits chimiques, veuillez faire ce qui suit :

1. Pour assurer une combustion adéquate, la conversion et l'ajustement des brûleurs doivent être réalisés par une agence ou un installateur accrédités.
2. Lorsque vous cuisinez au gaz, assurez-vous de bien aérer la pièce en ouvrant une fenêtre ou en utilisant un ventilateur ou une hotte.
3. Faites toujours fonctionner l'appareil conformément aux instructions fournies avec votre cuisinière ou votre surface de cuisson.

## Récipients recommandés



### AVERTISSEMENT:

Pour éviter tout risque de dommages sérieux à l'appareil ou à un récipient, observez les consignes suivantes:

- Les grands récipients, les plaques à biscuits, etc. ne doivent pas être utilisés sur la surface de cuisson.
- Placez les grandes casseroles de façon décalée lorsque vous utilisez la surface de cuisson.

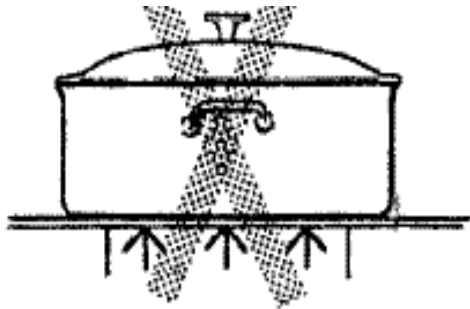


Figure 17 : Diamètre de la base

- Choisissez une casserole dont la base correspond au diamètre de la flamme. La flamme doit être égale ou légèrement plus petite que la base du récipient. Des récipients surdimensionnés ou sous-dimensionnés nuisent aux résultats de la cuisson. Une base d'un diamètre de 5 ½ po (14 cm) est généralement la plus petite taille conseillée.
- Évitez d'utiliser un réglage de flamme intense lors de l'utilisation d'un poêlon plus grand que la grille ou qui occupe plus que l'espace d'un seul brûleur, comme une plaque, pour de longues périodes. Cela peut générer une mauvaise combustion et des vapeurs nocives.



Figure 18 : Récipient stable

- L'assise du récipient est un facteur important de stabilité et d'uniformité de la cuisson. La poignée ne doit pas être plus lourde que le récipient, car celui-ci pourrait pencher sur un côté. Le récipient doit reposer bien à plat sur la grille sans se balancer ni être instable.

- Les aliments enveloppés dans du papier aluminium ne doivent pas être placés directement sur la grille du brûleur, car l'aluminium peut fondre pendant la cuisson.
- Ne laissez pas du plastique, du papier ou du tissu entrer en contact avec une grille de brûleur chaude. Ils pourraient fondre ou s'enflammer.
- Ne laissez jamais une casserole cuire à sec. Vous pourriez endommager la casserole et la surface de cuisson.
- Des récipients de qualité professionnelle à poignée métallique sont recommandés, car les poignées en plastique risquent de fondre ou de se déformer si la flamme déborde du récipient. Des récipients de qualité professionnelle sont en vente dans les magasins de fournitures pour restaurant et dans les boutiques gastronomiques. Tous les récipients utilisés doivent posséder les caractéristiques suivantes : bonne conductivité de la chaleur, bonne assise, dimensions adéquates du diamètre de la base, base lourde et fond plat, et couvercle bien adapté.
- Pour de meilleurs résultats de cuisson, la flamme ne doit pas déborder du fond de la casserole
- L'aluminium et le cuivre sont des matériaux qui conduisent la chaleur rapidement et uniformément. Le fond des récipients est souvent fabriqué avec ces métaux. Ils peuvent également être insérés entre des couches d'acier inoxydable.

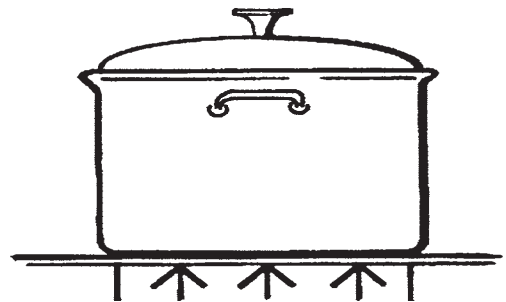


Figure 19 : Récipient à fond plat

- Un fond plat et lourd est plus stable lorsque chauffé. Les casseroles déformées, légères et bosselées ne permettent pas une cuisson uniforme. Chauffez et refroidissez les casseroles graduellement pour éviter les changements soudains de température, qui peuvent déformer les casseroles. Ne mettez pas d'eau froide dans une casserole chaude.

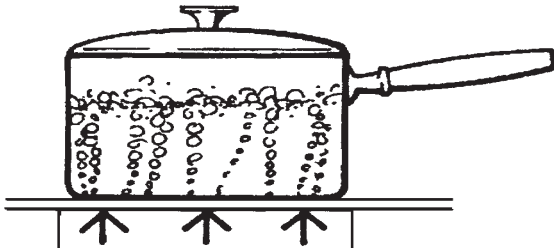


Figure 20: Covered Pan

- Un couvercle adapté au diamètre d'un récipient raccourcit le temps de cuisson et permet l'utilisation de réglages plus bas.

## Récipients pour spécialités

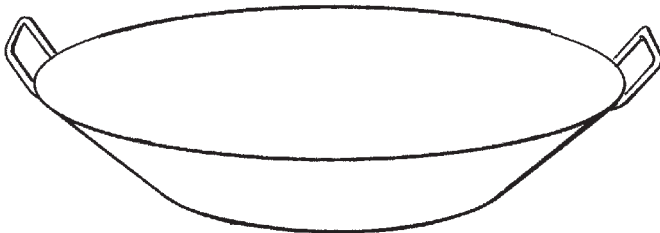


Figure 21 : Wok à fond plat

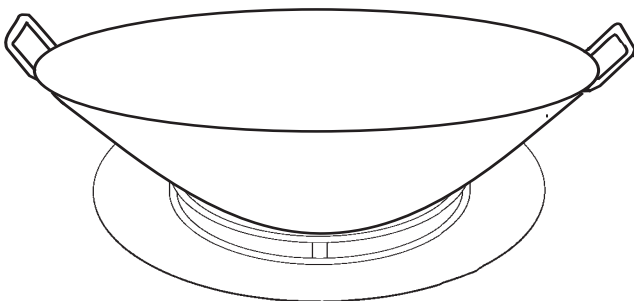


Figure 22 : Wok à fond rond dans un anneau de support

- **Woks** — Les woks à fond plat ou rond avec un anneau de support peuvent être utilisés sur tous les modèles. Un anneau de support doit être utilisé avec les woks à fond rond. Le wok et l'anneau à wok en fonte revêtu d'une couche de porcelaine sont vendus séparément.
- **Cocottes et marmites** — choisissez une base dont le diamètre dépasse au maximum de 2 po (51 mm) de la grille.

### Bain-marie de dimensions standards

21 à 22 pintes (19,95 à 20,9 litres) avec une base de 11-12 po (279 à 305 mm) et une hauteur de 9 à 11 po (229 à 279 mm).

### Cocotte-Minute de dimensions standards

8 à 22 pintes (7,6 à 20,9 litres) avec une base de 8 à 11 po (20,3 à 27,9 cm) et une hauteur de 6,5 à 12 po (165 à 305 mm).

### Conseils d'utilisation:

- Il est préférable d'utiliser un récipient à fond plat qu'un récipient à fond concave, convexe ou ondulé.
- Si vous utilisez deux cocottes en même temps, placez-les sur des brûleurs décalés. Ne bloquez pas la circulation d'air autour des brûleurs. La flamme a besoin d'une certaine quantité d'air pour bien brûler.
- Mettez un couvercle sur la cocotte lorsque vous portez son contenu à ébullition.
- Quand le contenu bout au réglage HI, baissez la flamme le plus possible pour maintenir à ébullition ou maintenir la pression.
- La cuisson à la cocotte produit de grandes quantités de vapeur. Faites attention pour ne pas vous brûler.

## Conseils de cuisson

### Suggestions d'utilisation des conseils

Consultez le tableau des pages 19 et 20 pour vous guider. Les réglages à utiliser varient selon l'ustensile choisi et la température initiale des aliments.

Dans le tableau, le « Réglage final » est séparé pour les brûleurs standards et les brûleurs ExtraLow<sup>mc</sup>. Selon le cas, ce réglage sera identique ou différent.

Le réglage ExtraLow des brûleurs Star<sup>mc</sup> peut être un réglage de cuisson ou de maintien de température.

Augmentez ou diminuez la flamme progressivement. Laissez le temps au récipient et aux aliments de réagir au nouveau réglage.

## Conseils de cuisson – Brûleurs de la table de cuisson

Aliments	Réglage initial	Réglage final – brûleurs standards	Réglage final – brûleurs ExtraLow <sup>mc</sup> (XLO)
<b>BOISSONS</b> Cacao	<b>MED</b> – Chauffer le lait, couvrir	<b>SIM</b> – Finir de chauffer	<b>XLO</b> – Maintenir au chaud, couvrir*
<b>PAIN</b> Pain doré Crêpes Sandwiches grillés	<b>MED</b> – Préchauffer le poêlon	<b>SIM</b> à <b>MED</b> – cuire	Identique aux brûleurs standards
<b>BEURRE</b> À fondre	<b>SIM</b> – pour commencer à faire fondre	<b>XLO</b> - Pour maintenir la température*	Laisser fondre pendant 5 à 10 minutes
<b>CÉRÉALES</b> Semoule de maïs, gruau, avoine	<b>HI</b> – Couvrir, porter l'eau à ébullition, ajouter les céréales	<b>SIM</b> à <b>MED</b> – terminer la cuisson selon les instructions sur l'emballage.	<b>XLO</b> – Pour maintenir la température, couvrir*
<b>CHOCOLAT</b> À fondre	<b>XLO</b> – peut être remué pour faire fondre plus vite	Utiliser <b>XLO</b>	<b>XLO</b> – Laisser fondre pendant 10 à 15 minutes. <b>XLO</b> – Pour maintenir la température*
<b>DESSERTS</b> Bonbons	<b>SIM</b> à <b>MED</b> – cuire selon la recette	<b>SIM</b> à <b>MED</b>	Identique aux brûleurs standards
Pouding et mélange pour garniture à tarte	<b>SIM</b> à <b>MED</b> <b>SIM</b> – suivre les indications sur l'emballage	<b>SIM</b>	Identique aux brûleurs standards
Pudding	<b>SIM</b> à <b>MED</b> <b>SIM</b> – Faire bouillir le lait	<b>SIM</b>	Identique aux brûleurs standards
<b>OEUFS</b> À la coque	<b>MED HI</b> – couvrir les œufs avec de l'eau, couvrir, porter l'eau à ébullition	Utiliser <b>XLO</b>	<b>XLO</b> – 3 à 4 minutes pour œufs mollets; 15 à 20 minutes pour œufs durs
Frits, brouillés	<b>SIM</b> à <b>MED</b> – Faire fondre le beurre, ajouter les œufs	<b>SIM</b> – pour terminer la cuisson	Identique aux brûleurs standards
Pochés	<b>HI</b> – Porter à ébullition, ajouter les œufs	<b>SIM</b> à <b>MED</b> – pour terminer la cuisson	Identique aux brûleurs standards
<b>VIANDE, POISSON, VOLAILLES</b> Bacon, Saucisses, galettes	<b>HI</b> – Jusqu'à ce que la viande commence à grésiller	<b>SIM</b> à <b>MED</b> – pour terminer la cuisson	Identique aux brûleurs standards
Braiser : steak suisse, rôti à la cocotte, ragoût	<b>MED HI</b> – Faire fondre la graisse, faire revenir à <b>MED HI</b> à <b>HI</b> , ajouter du liquide, couvrir		<b>XLO</b> Laisser mijoter jusqu'à ce que la viande soit tendre
Grillade rapide au poêlon; steaks pour déjeuner	<b>MED HI</b> – préchauffer le poêlon	<b>MED</b> à <b>MED HI</b> – frire rapidement au poêlon	Identique aux brûleurs standards
Friture : poulet	<b>MED HI</b> – Faire chauffer l'huile puis faire dorer à <b>MED</b>	<b>SIM</b> – couvrir pour terminer la cuisson	Identique aux brûleurs standards
Grande friture : crevettes	<b>MED HI</b> – Faire chauffer l'huile	<b>MED</b> à <b>MED HI</b> – pour maintenir la température	Identique aux brûleurs standards

\*Il est recommandé de remuer ces aliments de temps en temps.



<b>Aliments</b>	<b>Réglage initial</b>	<b>Réglage final – brûleurs standards</b>	<b>Réglage final – brûleurs ExtraLow<sup>mc</sup> (XLO)</b>
Grillade au poêlon : côtelettes d'agneau, steaks minces, hamburgers, saucisses en chapelet	<b>MED HI</b> – Préchauffer le poêlon	<b>MED</b> – pour brunir la viande	Identique aux brûleurs standards <b>XLO</b> – pour maintenir
Pocher : poulet, entier ou morceaux, poisson	<b>MED HI</b> – Couvrir, porter à ébullition		Pour terminer la cuisson
Faire mijoter : poulet à l'étouffée, corned-beef, langue, etc.	<b>HI</b> – Couvrir, porter à ébullition		Laisser mijoter
<b>PÂTES</b> Macaronis, nouilles, spaghettis	<b>HI</b> – Porter l'eau à ébullition, ajouter les pâtes	<b>MED à HI</b> – pour maintenir à ébullition	Identique aux brûleurs standards
<b>COCOTTE-MINUTE</b> Viande	<b>MED HI à HI</b> – faire monter la pression	<b>SIM à MED</b> – maintenir la pression	Identique aux brûleurs standards
Légumes	<b>HI</b> – faire monter la pression	<b>MED SIM à MED</b> – maintenir la pression	Identique aux brûleurs standards
<b>RIZ</b>	<b>HI</b> – Couvrir, porter l'eau et le riz à ébullition.	Réduire la chaleur à <b>SIM</b> . Couvrir et faire cuire jusqu'à ce que l'eau soit absorbée	Faire cuire selon les instructions du sachet <b>XLO</b> – Pour maintenir la chaleur, couvrir
<b>SAUCES</b> Sauce tomate	<b>MED HI</b> – cuire la viande/les légumes selon la recette	<b>SIM</b> pour faire mijoter	<b>XLO</b> – laisser mijoter sans couvercle pour que la sauce épaississe
Sauce blanche, à la crème, béarnaise	<b>MED</b> – Faire fondre la graisse, suivre la recette	<b>SIM</b> – pour terminer la cuisson	<b>XLO</b> – Pour maintenir la chaleur, couvrir*
Hollandaise	<b>XLO</b>		<b>XLO</b> – Pour maintenir la chaleur, réglage le plus bas
<b>SOUPES, BOUILLONS</b>	<b>HI</b> – Couvrir, porter à ébullition	<b>SIM</b> pour faire mijoter	Mijoter à <b>XLO</b> – Pour maintenir la chaleur, couvrir*
<b>LÉGUMES</b> Frais	<b>HI</b> – Couvrir, porter l'eau et les légumes à ébullition	<b>SIM à MED</b> – faire cuire 10 minutes ou jusqu'à ce qu'ils soient tendres	<b>XLO</b> – pour maintenir la chaleur, couvrir
Congelés	<b>HI</b> – Couvrir, porter l'eau et les légumes à ébullition	<b>SIM à MED</b> – faire cuire selon les instructions du paquet	Identique aux brûleurs standards
Grande friture	<b>HI</b> – Faire chauffer l'huile	<b>MED à MED HI</b> – pour conserver la température de friture	Identique aux brûleurs standards
Sautés	<b>MED HI</b> – Faire chauffer l'huile ou faire fondre le beurre, ajouter les légumes	<b>SIM à MED</b> – laisser cuire jusqu'au point de cuisson désiré	Identique aux brûleurs standards
Revenus à la poêle	<b>HI</b> – Faire chauffer l'huile, ajouter les légumes	<b>HI à HI</b> – pour terminer la cuisson	Identique aux brûleurs standards

\*Il est recommandé de remuer ces aliments de temps en temps.

## Utilisation de la plaque chauffante électrique (disponible avec certains modèles)

### Description

La plaque chauffante intégrée est fabriquée en aluminium de qualité commerciale enduit d'un revêtement antiadhésif en titane, ce qui donne une surface facile à nettoyer où la chaleur se répand de façon uniforme.

Une planche à découper en érable, un couvercle en acier inoxydable et un gril avec revêtement en aluminium sont disponibles comme accessoires et peuvent être achetés séparément. La planche à découper en érable et le couvercle en acier inoxydable sont conçus pour s'ajuster à la surface lorsque la plaque n'est pas utilisée. Le gril avec revêtement en aluminium est conçu pour remplacer la plaque chauffante. Consultez les instructions de la plaque chauffante pour obtenir de plus amples détails.

La planche à découper et le couvercle doivent être enlevés avant d'utiliser la plaque chauffante.

- La tension d'alimentation nominale de l'élément de la plaque chauffante est de 120 VAC, 1630 watts.



#### ATTENTION :

La plaque est chaude après usage. Laissez-la refroidir complètement avant de la nettoyer.



#### AVERTISSEMENT :

Pour éviter tout risque de blessure, ne faites jamais fonctionner la table de cuisson si la plaque ou l'accessoire du gril n'est pas installé. N'utilisez jamais la plaque d'une façon autre que ce qui est indiqué dans le guide d'utilisation et d'entretien.

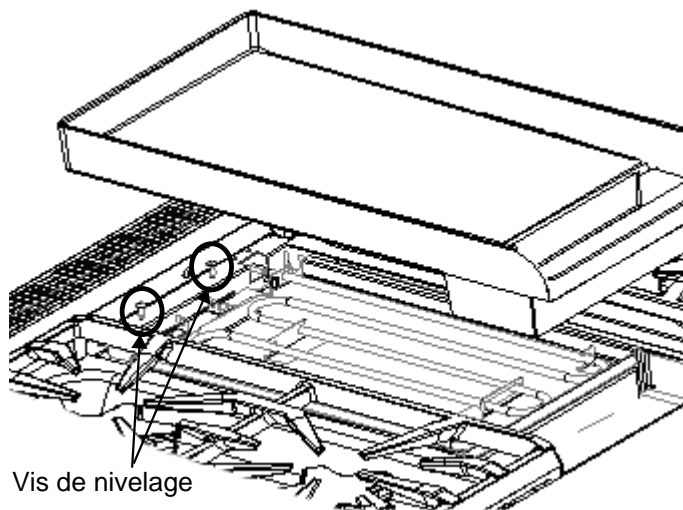


Figure 23 : Vis de nivelage de la plaque chauffante

Le plateau (ou le gril) doit toujours être en place lors de l'utilisation de la plaque chauffante.

### Bouton de commande de la plaque chauffante

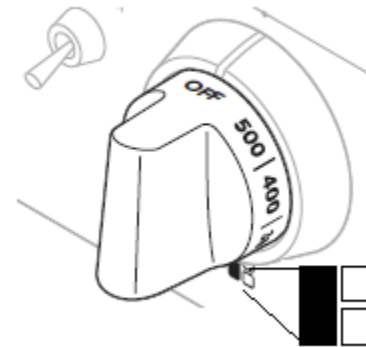


Figure 24 : Bouton de commande de la plaque chauffante

- La plaque chauffante est ajustée électroniquement aux températures indiquées sur les boutons, de 150 °F à 500 °F (66 °C à 260 °C).
- Il n'y a pas de réglages fixes sur les boutons.
- Appuyez et tournez les boutons dans le sens horaire pour obtenir le réglage désiré.

### Préparation de la plaque

La plaque doit être légèrement inclinée vers l'avant pour offrir un rendement optimal. Consultez le guide d'installation pour l'installer avec l'inclinaison appropriée. Lorsqu'elle est assemblée en usine, la plaque chauffante est légèrement inclinée. Toutefois, pendant l'installation, l'installateur est responsable de mettre l'appareil de niveau.

Avant d'être utilisée, la plaque chauffante doit être lavée à l'eau chaude savonneuse, puis rincée à l'eau claire. La plaque peut être utilisée sans beurre, margarine ou huile. Toutefois, une petite quantité peut être utilisée pour donner du goût aux aliments.

Tous les types d'ustensiles peuvent être utilisés sur la plaque. Prenez garde de ne pas endommager la surface avec les ustensiles. Ne coupez pas directement d'aliments sur la plaque chauffante.

**AVIS:**

Le rendement de la plaque chauffante ou du grill peut varier si la circulation d'air près de l'appareil est trop élevée. Une circulation d'air excessive pourrait provenir d'un ventilateur de plafond ou d'un appareil de climatisation soufflant sur la surface de cuisson. Cela pourrait prolonger le temps d'échauffement ou faire en sorte que la température de la plaque chauffante ne corresponde pas à ce que le réglage des boutons de commande indique.

**Note:**

Une hotte dûment installée n'est pas considérée comme une source de circulation d'air excessive.

**Conseils de cuisson – Plaque chauffante**

ALIMENT	RÉGLAGE
Oeufs	325 °F à 350 °F (160 °C à 180 °C)
Bacon, saucisses à déjeuner	375 °F à 400 °F (190 °C à 205 °C)
Sandwichs grillés	350 °F à 375 °F (180 °C à 190 °C)
Poitrines de poulet désossées	375 °F à 400 °F (190 °C à 205 °C)
Côtelettes de porc désossées de 1 po (25,4 mm) d'épaisseur	375 °F à 400 °F (190 °C à 205 °C)
Steaks de 1 po (25,4 mm) d'épaisseur	400 °F à 425 °F (200 °C à 220 °C)
Boulettes de bœuf haché de 6 onces	375 °F à 400 °F (190 °C à 205 °C)
Hot Dogs	350 °F à 375 °F (180 °C à 190 °C)
Tranches de jambon de 1/2 po (12,7 mm) d'épaisseur	350 °F à 375 °F (180 °C à 190 °C)
Crêpes, pain doré	400 °F à 425 °F (205 °C à 218 °C)
Pommes de terre, pommes de terre rissolées	375 °F à 400 °F (190 °C à 205 °C)

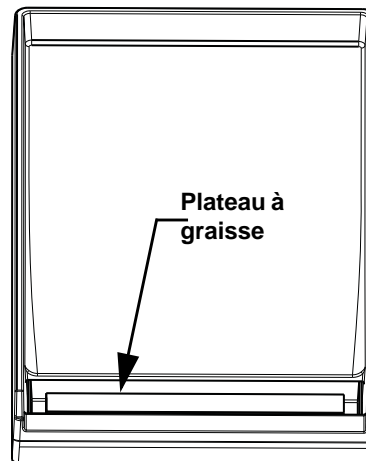
**Plateau à graisse de la plaque chauffante**

Figure 25 : Plateau à graisse

- Nettoyez le plateau à graisse après chaque utilisation. Lorsque vous le retirez en l'inclinant, faites attention pour ne pas que son contenu se déverse.
- Le plateau de la plaque chauffante et son plateau à graisse sont lavables au lave-vaisselle.
- Lorsqu'elle a refroidi, versez la graisse dans un contenant résistant à la graisse avant de la jeter.

**Cuisson sur la plaque chauffante**

1. Tournez le bouton à la température de cuisson appropriée pour préchauffer la plaque chauffante.
2. Préchauffez-la jusqu'à ce que le témoin de la plaque s'éteigne.
3. Ajoutez du beurre, de la margarine, de l'huile ou de la graisse végétale, si désiré.

# Utilisation du four

## Fonctions de cuisson supplémentaires

### Commandes pour le réglage du four



1. La touche **ENTER** confirme la sélection.
2. La touche (-) augmente le temps ou la température, et la touche (+) les diminue. Ces touches servent également à choisir l'une des fonctions du menu : minuterie, minuterie du four, décalage de température et mode sabbat.
3. La touche **CANCEL** annule toutes les fonctions choisies.

Figure 26 : Commandes du four

### Minuterie (Kitchen Timer)

La Minuterie peut être réglée jusqu'à 12 heures. Elle peut être utilisée même si la cuisinière est en marche et est indépendante de toutes les autres fonctions.

### Minuterie de four (Cook Timer)

La Minuterie du four sert à éteindre mécaniquement le four lorsque le temps de cuisson désiré est complété. La Minuterie du four n'est disponible que pour les fonctions de cuisson au four, de cuisson par convection et de rôtissage. Elle ne peut fonctionner avec les fonctions de grilloir ou d'autonettoyage. La Minuterie du four peut être activée à tout moment durant le cycle de cuisson.

### Pour régler la minuterie:

1. Appuyez sur ENTER.
2. Utilisez les touches « + » et « - » pour choisir la MINUTERIE ou la MINUTERIE DU FOUR.
3. Appuyez sur ENTER.
4. Utilisez les touches « + » et « - » pour choisir le temps désiré.
5. Un bip est émis lorsque le temps s'est écoulé. Appuyez sur CANCEL pour éteindre le bip et la minuterie.

### Note :

- La Minuterie du four ne peut être utilisée lors de l'utilisation d'une sonde thermique.
- Le réglage maximal de la Minuterie du four est de 12 heures.

### Utilisation de la fonction de décalage de température

La fonction OFFSET se trouve dans le menu SETTINGS > OFFSET. Elle donne à l'utilisateur la possibilité d'ajuster les paramètres de cuisson selon les réglages personnels qu'il désire obtenir en lui permettant de décaler la température du four de +/- 95 °F (35 °C), à coup de 5 °F par rapport à ce qu'indique le tableau de commande. Par exemple, si l'utilisateur juge que la température du four est toujours trop élevée et qu'il souhaite la diminuer de 5 °F, il lui suffit d'appuyer sur la touche « - », ou vice-versa pour l'augmenter. Cette fonction est utile si vous trouvez que les aliments sont continuellement trop brunis ou trop pâles à votre goût.

- Le four doit être éteint pour régler un décalage de température.
- La fonction de décalage est disponible à tous les modes, sauf pour l'autonettoyage.
- Par défaut, la température est ajustée à 0°.
- L'appareil continuera d'appliquer la valeur de décalage entrée indéfiniment jusqu'à ce que l'utilisateur choisisse de la modifier ou jusqu'à ce qu'il manque d'électricité. La fonction de décalage de température devra alors être réinitialisée.

## Utilisation du mode sabbat

Le mode sabbat sert à répondre à l'exigence de ne pas travailler le jour du sabbat. Le four reste allumé à une température précise aussi longtemps que nécessaire. L'utilisateur peut préparer un repas avant le jour de congé puis le laisser à sa fonction de conservation de chaleur jusqu'à ce qu'il soit prêt à manger.

- La lumière du four est désactivée avec le mode sabbat pour éviter que quoi que ce soit ne se produise lorsque le four est ouvert.
- Les brûleurs au gaz et la plaque chauffante sont toujours fonctionnels lors de l'utilisation de ce mode.
- Pour les modèles à deux fours, le mode sabbat est disponible pour les deux fours, mais pas simultanément.
- Le mode sabbat n'est disponible que lorsque la cuisinière n'est pas réglée à un autre mode de cuisson ou d'autonettoyage.
- Si la porte est ouverte durant le préchauffage ou durant le fonctionnement d'un cycle, aucun changement ne sera apporté à l'état actuel du four. C'est-à-dire que si l'élément de cuisson au four était allumé avant que la porte ne soit ouverte, l'élément reste allumé. Si l'élément était éteint juste avant que la porte ne soit ouverte, il reste éteint même s'il continue normalement à chauffer lors de son réglage. Le cycle régulier se complètera lorsque la porte sera fermée.

## Pour régler le mode sabbat:

1. Placez la grille et la nourriture à la position de grille désirée et fermez la porte du four.
2. Tournez le bouton de réglage de température (voir Figure 31) à la position désirée.
3. À l'aide des commandes du four, appuyez sur les touches « + » et « - » pour choisir une durée entre 0 et 99 heures.
  - Lorsque la minuterie atteint « 0:00 », le mode de cuisson prend fin et le tableau d'affichage émet un bip. Le four s'éteint automatiquement lorsque le temps de cuisson déterminé arrive à sa fin.

## Programmation de la sonde thermique

La sonde thermique vous permet de mieux contrôler la façon dont vos aliments sont cuits en annulant automatiquement le mode de cuisson choisi lorsque la température désirée d'un plat, déterminée par l'utilisateur, est atteinte.

1. Dans le four principal, ou dans le petit four sur certains modèles, basculez l'interrupteur de la prise de la sonde vers le haut (voir Figure 7).

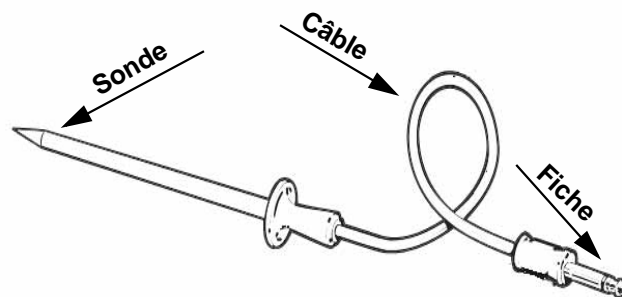


Figure 27 : Sonde thermique

2. Insérez le bout de la fiche dans la prise (voir Figure 27).
  - L'écran de sélection de température de la sonde (PROBE) n'apparaît que lorsque la fiche de la sonde est insérée dans la prise.
  - L'écran de commande affiche automatiquement le mot PROBE à une température par défaut de 160 °F/71 °C.
3. Insérez la pointe de la sonde dans la viande.
  - Pour éviter d'endommager la sonde, assurez-vous que la viande est totalement dégelée avant de l'y insérer.
  - Insérez la sonde jusqu'à ce que sa pointe repose au centre de la portion la plus épaisse et la plus riche de la viande. Assurez-vous que la sonde ne touche pas à un os, à du gras ou à du cartilage.
  - La sonde ne doit pas toucher le plat de cuisson ou des parties du four, car cela affectera l'exactitude des résultats.
4. Fermez la porte du four.
5. Appuyez sur les touches « + » et « - » pour diminuer ou augmenter la température interne désirée à atteindre.
6. Choisissez le *mode de cuisson* et la *température du four* à l'aide de boutons du tableau de commande.
  - La fonction de la sonde n'est disponible qu'avec les modes *cuisson au four*, *cuisson par convection* et *rôtissage*.
  - La sonde n'est pas disponible lorsque la minuterie du four est réglée.
  - La température de la sonde peut osciller entre 160 °F (71 °C) et 200 °F (93 °C).
7. Lorsque la température réelle de la sonde atteint le réglage de température désiré, le mode de cuisson se termine et le bip de la minuterie sonne pour indiquer que le processus de cuisson est terminé.

## Températures de cuisson internes minimales

Les températures internes minimales considérées comme sécuritaire pour qu'un aliment puisse être mangé, comme établi par le *U. S Department of Agriculture Food Safety and Inspection Service*, sont les suivantes:

<b>Viande hachée fraîche (bœuf, veau, agneau, porc)</b>	160 °F (72 °C)
<b>Côtelettes, filets et rôtis de bœuf, de veau et d'agneau</b>	
À point	145 °F (63 °C)
Médium	160 °F (72 °C)
Bien cuit	170 °F (77 °C)
<b>Côtelettes, filets et rôtis de porc frais</b>	
Médium	155 °F (68 °C)
Bien cuit	170 °F (77 °C)
<b>Jambon</b>	
Cuit avant d'être mangé	160 °F (72 °C)
Cuit et réchauffé	145 °F (63 °C)
<b>Volaille</b>	
Poulet haché ou dinde hachée	165 °F (74 °C)
Poulet entier ou dinde entière	165 °F (74 °C)
Poitrines, rôtis	165 °F (74 °C)
Cuisses et ailes	165 °F (74 °C)
Farce (préparée seule ou dans une volaille)	165 °F (74 °C)
Plats à base d'œufs, plats cuisinés	160 °F (72 °C)
Restants	165 °F (74 °C)

## Utilisation et entretien de la sonde

- Pour éviter d'endommager votre sonde, ne tirez pas sur le câble lorsque vous essayez de l'enlever d'un aliment.
- N'utilisez pas des pinces ou d'autres instruments pour tirer sur la sonde en faisant levier ou lorsque vous l'enlevez et ne l'enfoncez pas violemment dans un aliment.
- Ne nettoyez pas la sonde au lave-vaisselle. Utilisez plutôt de l'eau chaude savonneuse.
- Pour éviter tout risque de brûlure, attendez que le four ait refroidi avant de tenter d'enlever la sonde de la prise.
- N'entreposez pas la sonde dans le four.

## Fonctions du four

### Conseils de cuisson au four

#### Préchauffage du four

La plupart des durées de cuisson évoquées dans les recettes sont conçues pour un four préchauffé et requièrent du four qu'il ait déjà atteint une certaine température avant de commencer la cuisson. Consultez votre recette pour les recommandations de préchauffage. Le temps de préchauffage dépend du réglage de la température et du nombre de grilles placées dans le four (consultez également la section « Réglage des fours »).

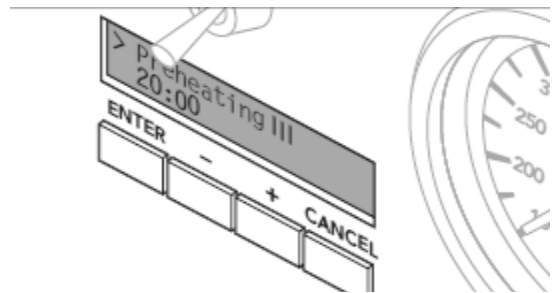


Figure 28 : Indicateur de préchauffage

#### Optimisation des résultats

- Réduisez au maximum le temps d'ouverture de la porte.
  - Utilisez la minuterie intégrée.
  - Utilisez la lumière intérieure du four.
- Utilisez le récipient recommandé dans la recette.
- Sortez la ou les lèchefrites du four. Une lèchefrite sans aliments nuira au dorage et à la cuisson.
- Le dorage dépend du type d'ustensile utilisé :
  - Pour obtenir des croûtes tendres et légèrement dorées, utilisez des ustensiles antiadhésifs, anodisés ou en métal brillant.
  - Pour des croûtes croustillantes plus dorées, utilisez des ustensiles métalliques antiadhésifs, anodisés ou noirs étamés ou encore en verre convenant aux fours. Vous pourriez avoir à diminuer la température de cuisson de 25 °F (14 °C).

#### Types de plats pour le four

- Plats en métal (avec ou sans revêtement antiadhésif), en verre résistant à la chaleur, en vitrocéramique, en terre cuite ou autres ustensiles allant au four.
- Les plaques de four adaptées ont un petit rebord d'un seul côté. Les tôles épaisses ou celles qui ont plus d'un côté peuvent altérer le temps de cuisson.
- Des plaques commerciales à pâtisserie pleine grandeur (18 po x 26 po – 457 mm x 660 mm) peuvent être utilisées dans les fours de 36 et 48 pouces (914 mm et 1219 mm).



## Position des grilles de four

Les positions des grilles de four sont numérotées comme un ascenseur. Le numéro un correspond à la position la plus basse (Figure 29).

### Positionnement

- Laissez au moins 1 po (25,4 mm) d'espace entre les casseroles et les parois du four de façon à ce que la chaleur puisse circuler autour de chaque casserole.
- Décaler les plats de cuisson de façon à ce qu'ils ne soient pas directement l'un au-dessus de l'autre. Laissez 1 ½ po (38 mm) d'espace au-dessus et en dessous de chaque plat.

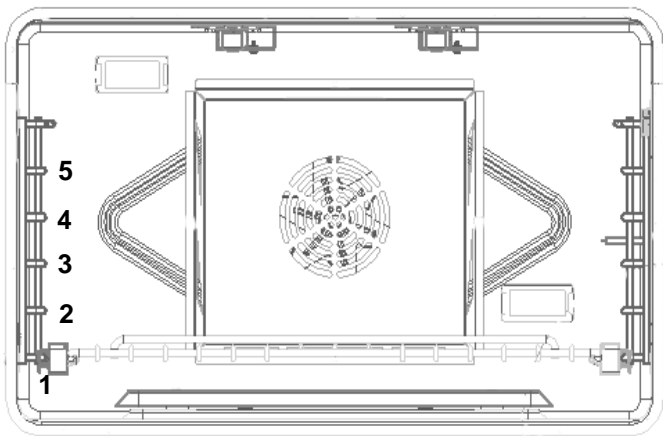


Figure 29 : Four principal au gaz avec positions des grilles

## Four principal

### Cuisson avec une grille

- Le mode Bake (cuisson au four) est le plus adapté à la cuisson au four avec une seule grille placée à la position numéro 3; c'est le mode utilisé pour faire cuire la plupart des aliments. Si la pièce à cuire est haute, comme un gâteau des anges, vous pouvez utiliser la position numéro 2. Les tartes cuisent mieux à la position numéro 2, le dessous de la pâte est ainsi bien cuit et le dessus ne roussit pas. Pour faire rôtir de grosses pièces de viandes ou de volaille, comme une côte de bœuf ou une dinde, la position numéro 2 est la plus adaptée.

### Cuisson avec deux grilles

- Les plats préparés au four peuvent être cuits en utilisant les niveaux 2 et 5. Vous pouvez aussi utiliser la cuisson à convection.

### Cuisson avec trois grilles

- Pour la cuisson avec trois grilles, il serait préférable d'utiliser le mode **Convection Bake** (Cuisson à convection).

### Four secondaire (modèles de 48 po)

- La cuisson à la position 3 donne de meilleurs résultats. Lorsque plus d'espace est nécessaire, vous pouvez utiliser la position 2. L'utilisation de la position 2 pour faire cuire des tartes donne une croûte croustillante au fond sans trop cuire le dessus.

## Réglage pour cuisson au four/cuisson par convection/rôtissage

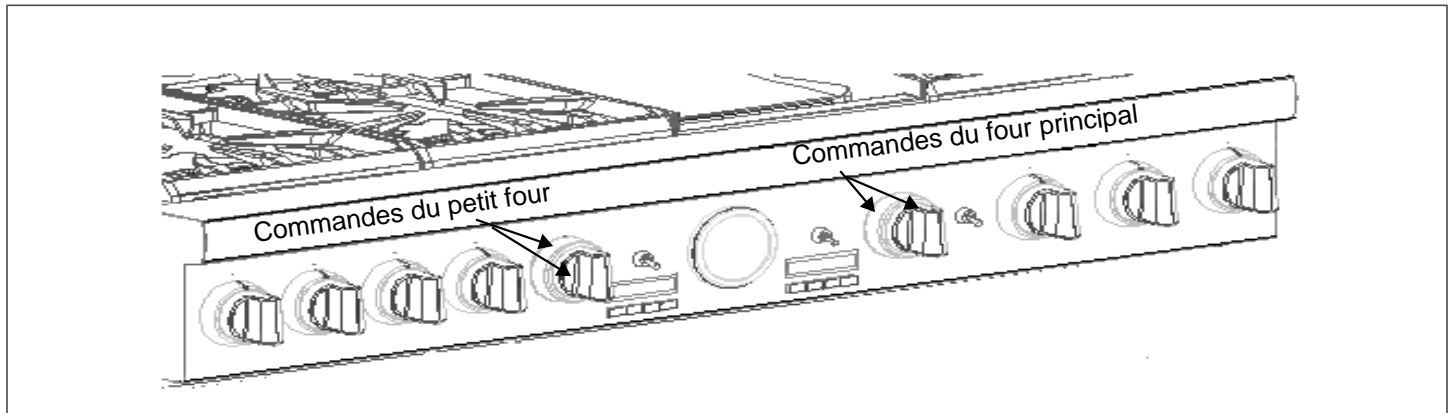


Figure 30 : Tableau de commande du modèle de 48 po

### Réglage des fours

1. Placez la grille à la position désirée et fermez la porte.
2. Réglez l'anneau de sélection de mode (Figure 31) à Bake (cuisson au four), Convection Bake (cuisson par convection) ou Roast (rôtissage).

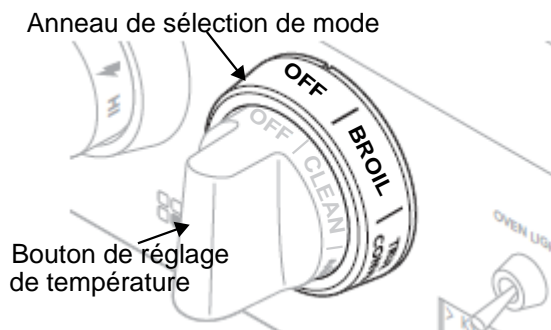


Figure 31 : Anneau de sélection de mode et bouton de réglage de température

3. Réglez le bouton de réglage de température à la température désirée.
  - Si vous utilisez le mode cuisson par convection, réglez le bouton de réglage de température 25 °F/ 14 °C sous la température de cuisson conseillée dans la recette. Aucune variation du réglage de température n'est nécessaire si vous faites rôtir de la viande ou de la volaille.
4. Une fois que le bouton et l'anneau ont été ajustés au réglage désiré, l'afficheur indiquera « Preheating [ ] ... » avec le mode de cuisson choisi (par exemple, « Bake ») et la température désirée (« 350 °F/ 177 °C »).

- Les barres du préchauffage sont un indicateur de la durée nécessaire pour que le four atteigne la température désirée. Par exemple, si la température désirée est de 400 °F/204 °C, que le four est à 375 °F/191 °C et que l'utilisateur descend le bouton de réglage de température à 250 °F/121 °C, le nombre de barres de préchauffage diminuera, car même si le four est plus chaud que la température désirée, la différence entre 250 °F/121 °C et 400 °F/204 °C est plus grande que la différence antérieure. Ainsi, le four doit maintenant « préchauffer » de 375 °F/ 191 °C à 250 °F/121 °C, et le nombre de barres augmentera à mesure que la température s'approchera de la température inférieure désirée.
5. L'indicateur de température commencera à bouger vers le réglage de température désirée. L'indicateur de température reflète le réglage de température.
    - L'aiguille de l'indicateur de température se déplacera vers la nouvelle température choisie si le réglage de température est plus haut ou plus bas.
    - **La jauge ne sert qu'à des fins de référence.**
    - À mesure que le four se refroidit, l'indicateur de température baissera afin de refléter la température descendante du four.
  6. Une fois que le four est préchauffé, placez-y les aliments à faire cuire.

## Rôtissage

La température de la fonction rôtissage est plus élevée que la cuisson au four traditionnelle. Cette température sert pour rôtir de façon traditionnelle, lorsque de la graisse de cuisson est désirée, ou pour rôtir avec un plat couvert.

### Conseils avec le mode rôtissage

- Le mode rôtissage est excellent pour les viandes ou les volailles plus tendres, lorsque la viande est braisée et qu'un plat fermé est utilisé.
- Ajoutez du liquide, comme de l'eau, du jus, du vin, du bouillon ou du fond de sauce pour des plats plus savoureux et plus juteux.
- Vous pouvez utiliser un sac brunisseur avec ce mode.
- Lorsque vous faites rôtir un poulet entier ou une dinde entière, repliez les ailes vers l'arrière et attachez les cuisses avec une ficelle à cuisson.

Recommandations pour le rôtissage				
VIANDE ET VOLAILLE DANS UN PLAT FERMÉ	TEMPÉRATURE DU FOUR	POSITION DE GRILLE	DURÉE DE CUISSON	TEMP. FINALE
<b>Bœuf :</b>				
Braisé, 3-4 livres	350°F / 177°C	1	40 à 60 minutes par livre	170°F / 77°C
Pointe de poitrine	350°F / 177°C	2	50 à 60 minutes par livre	170°F / 77°C
Bloc d'épaule	350°F / 177°C	1	45 à 55 minutes par livre	170°F / 77°C
Pain de viande	350°F / 177°C	3	45 à 60 minutes	170°F / 77°C
<b>Volaille :</b>				
Poulet, entier	375°F / 191°C	1	18 à 21 minutes par livre	180°F / 82°C
Poulet, morceaux	375°F / 191°C	1	60 minutes	180°F / 82°C
Dinde, entière	325°F / 163°C	2	11 à 15 minutes par livre	180°F / 82°C
<b>Porc :</b>				
Épaule	325°F / 163°C	1	35 à 40 minutes par livre	170°F / 77°C
Demi-jambon fumé	325°F / 163°C	1	2 à 3 heures	170°F / 77°C

## Convection

### Cuisiner par convection

La cuisson à convection présente de nombreux avantages. Dans le système à convection, un ventilateur à l'arrière du four déplace uniformément l'air dans le four. Cet air répand uniformément la chaleur de sorte que les résultats de cuisson demeurent constants, indépendamment de la position de grille utilisée. Des aliments sur plusieurs grilles peuvent être cuits en même temps. Les aliments cuiront uniformément sans que vous ayez à tourner les plats.

Des plats peu profonds peuvent être utilisés pour la cuisson à convection. Ceci permet à l'air de bien circuler autour des aliments. Les plats à rebords élevés ou couverts ne conviennent pas à ce type de cuisson, car l'air chaud ne peut circuler autour des aliments.

Vous pouvez prendre vos plats préférés pour utiliser la cuisson à convection, pourvu que les bords soient peu profonds et que l'air puisse circuler autour des aliments. Tout aliment non couvert brunira uniformément et une croûte riche se formera. La cuisson à convection ne convient pas aux aliments dans des casseroles couvertes (casseroles, rôtis) ou contenant de la crème anglaise.

### Cuisson à convection

Vous pouvez économiser du temps en faisant cuire une bonne quantité de biscuits en même temps et de façon uniforme. La durée de cuisson peut être moindre en raison de l'air chaud qui circule. Pour de petits morceaux, comme des biscuits, vérifiez la cuisson deux minutes avant le temps indiqué dans la recette. Pour des articles plus grands, comme des gâteaux, vérifiez cinq à six minutes avant le temps indiqué dans la recette.

La cuisson à convection de la viande et de la volaille donnera des aliments brunis et croustillants à l'extérieur, tendres et juteux à l'intérieur. De grosses pièces de viande ou de volaille peuvent prendre jusqu'à 30 minutes de moins que le temps recommandé dans la recette; par conséquent, assurez-vous qu'elles ne cuisent pas trop. Un thermomètre à viande assurera des résultats plus précis que la technique du nombre de minutes par livres (consultez la section « Réglage de température »). Plus la pièce de viande ou de volaille est grosse, plus il y a économie de temps.

## Conversion de la cuisson conventionnelle à la cuisson à convection

Pour convertir la plupart des recettes (biscuits, gâteaux, tartes, etc.), réduisez la température du four de 25 °F (14 °F). Pour la viande et la volaille, la température ne doit pas être réduite. Utilisez la même température que celle recommandée dans la recette et les tableaux de cuisson pour la viande et la volaille.

## Conseils de cuisson à convection

### Préchauffage du four

Préchauffez le four avant de faire cuire des aliments, sauf pour les grosses pièces de viande ou de volaille. Consultez la recette pour connaître le préchauffage recommandé. La durée de préchauffage dépend du réglage de température et du nombre de grilles dans le four.

### Réglage de température

Pour la cuisson à convection, réduisez la température recommandée dans la recette de 25 °F (14 °F), bien que la température n'ait pas à être réduite lors de la cuisson de viande ou de volaille. Pour rôtir la viande, vérifiez la température interne avant le temps indiqué dans la recette pour éviter de la faire trop cuire.

### Cuisson à haute altitude

Pour la cuisson à haute altitude, en mode cuisson ou cuisson à convection, les recettes et les durées de cuisson varient. Pour une information précise, écrivez à Extension Service, Colorado State University, Fort Collins, Colorado 80521. Vous pourriez avoir à payer des frais pour obtenir les bulletins. Précisez le type d'information désiré (ex. : gâteaux, biscuits, pains, etc).

### Condensation

Il est normal qu'une certaine quantité d'humidité s'évapore des aliments pendant la cuisson. La quantité dépend du contenu d'humidité de l'aliment. L'humidité se condense sur les surfaces plus froides que l'intérieur du four, comme le panneau de commande.

### Position des grilles (voir la figure 1)

#### – Cuisson à une grille

- Pour la cuisson avec une grille, de meilleurs résultats sont obtenus en mode cuisson (voir « Cuisson à une grille »).
- Pour faire rôtir une dinde ou une grosse pièce de viande, la cuisson à convection peut être utilisée. La position de grille 2 est la plus appropriée.

#### – Cuisson à deux grilles

- Les positions de grille 2 et 4 sont les plus appropriées lors de l'utilisation du mode de cuisson à convection. Les moules à gâteau devraient être décalés sur les grilles 2 et 4. Les plaques à biscuits devraient être placées aux positions 2 et 4, directement l'une sous l'autre.
- Les positions de grille 2 et 4 peuvent être utilisées pour les gâteaux, les biscuits et d'autres aliments pour lesquels il est conseillé d'utiliser deux grilles.
- Pour faire cuire plusieurs casseroles, tartes surgelées ou gâteaux, utilisez les positions de grille 2 et 4.

### Cuisson à trois grilles

- Pour faire cuire plusieurs plaques à biscuits, placez-les aux positions de grille 1, 3 et 5, les unes directement au-dessus des autres afin que l'air puisse bien circuler autour des plaques à biscuits.

### Types de casseroles

- Les casseroles en aluminium offrent les meilleurs résultats de brunissage.
- Les plaques à biscuits à un ou deux côtés donnent les meilleurs résultats. Il est aussi possible d'utiliser des demi-plaques de type commercial en aluminium, mais cela augmente le temps de cuisson.

### Emplacement

- Pour un meilleur brunissage, certains ustensiles, comme les plaques à biscuits, les moules à gâteau roulé et les plats rectangulaires doivent être placés sur la largeur de la grille avec les côtés plus courts à droite et à gauche. Ceci permet à l'air de circuler librement.
- Au moment de faire cuire avec plus d'une grille, les plaques à biscuit ne doivent pas être décalées, contrairement aux moules à gâteau ronds.



### ATTENTION :

**N'utilisez jamais du papier d'aluminium pour couvrir les grilles ou chemiser le four lorsque vous utilisez le four à n'importe quel mode.** Cela peut endommager le four et causer un risque d'incendie si la chaleur ne peut s'échapper.

## Recommandations pour la cuisson à convection

ALIMENTS	DIMENSIONS DU PLAT	RÉGLAGE DE TEMPÉRATURE	TEMPS DE CUISSON TOTAL SUGGÉRÉ
Biscuits	Plaque à biscuits de 12 po x 15 po	375°F / 191°C	8 à 12 minutes
Gâteaux fourrés	Moule rond de 8 po ou 9 po	350°F / 177°C	25 à 35 minutes
Feuilletés	Moule de 9 po x 13 po	350°F / 177°C	30 à 40 minutes
Gâteaux Bundt™	12 moules	325°F / 163°C	60 à 75 minutes
Carrés au chocolat ou biscuits rectangulaires	Moule de 9 po x 9 po	325°F / 163°C	20 à 25 minutes
Biscuits	Plaque à biscuits de 12 po x 15 po	425°F / 218°C ou selon les instructions de l'emballage	10 à 15 minutes
Préparation rapide pour pain	Moule à pain de 8 po x 4 po	350°F / 177°C	55 à 70 minutes
Muffins	moules à muffins de 12	425°F / 218°C	14 à 19 minutes
Tartes aux fruits	Assiette de 9 po de dia.	425°F / 218°C	35 à 45 minutes
Pavés aux fruits	Moule de 9 po x 9 po	400°F / 204°C	25 à 30 minutes
Pain à la levure, miches	Moule à pain de 8 po x 4 po	350°F / 177°C	25 à 30 minutes
Petits pains	Moule de 9 po x 13 po	375°F / 191°C	12 à 18 minutes
Rouleaux à la cannelle	Moule de 9 po x 13 po	375°F / 191°C	25 à 30 minutes
Gâteau danois	Plaque à biscuits de 12 po x 15 po	375°F / 191°C	20 à 30 minutes

## Garder-au-chaud

Cette fonction conserve la température nécessaire pour garder les plats cuisinés à la température de service. Commencez toujours avec des aliments chauds. N'utilisez PAS ce mode pour réchauffer des aliments froids autres que des craquelins, des croustilles et des céréales sèches. Vous pouvez conserver les plats à température de service avec ce mode. N'utilisez pas le mode WARM pour faire cuire des aliments.



### AVERTISSEMENT:

**Salubrité alimentaire – Possibilité d'intoxication alimentaire** – N'utilisez pas le mode Garder-au-chaud pour faire cuire des aliments. Ce mode n'est pas assez pour faire cuire des aliments à des températures adéquates.

1. Choisissez le mode WARM avec l'anneau de sélection de mode. Ne tournez pas le bouton de réglage de la température du four.
  - Vous pouvez conserver les aliments au chaud dans le plat dans lequel vous l'avez fait cuire ou les transférer dans un plat de service résistant à la chaleur.
  - Vous pouvez utiliser du papier d'aluminium pour couvrir les aliments. Utilisez seulement des plats résistants à la chaleur.
2. Lorsque vous gardez des aliments au chaud, laissez au four le temps de préchauffer avant de placer les aliments dans le four.
  - Les températures de ce mode varient entre 140-150 °F/60-66 °C.
  - Les aliments doivent être à une température de service (plus de 140 °F/60 °C) avant d'être mis au four.

3. Mettez le plat chaud au four. Fermez la porte.
  - N'ouvrez pas inutilement la porte du four, ce qui réduira la température du four.



### ATTENTION:

Les contenants en plastique et le plastique peuvent fondre s'ils sont en contact direct avec les parois ou la base du four.

### Fonctionnement automatique de la soufflerie de refroidissement:

Le ventilateur arrière ne fonctionne pas avec les réglages de température inférieurs à 300°F/ 149°C du mode BAKE. Pour les températures plus élevées, la soufflerie de refroidissement s'active seulement lorsque le four atteint 300°F/ 149°C, pendant que la température monte jusqu'au réglage désiré.

Lorsque le four est éteint, la soufflerie continue de fonctionner jusqu'à ce que le four atteigne 375 °F/191 °C. Même chose pour le mode BROIL : la soufflerie s'active seulement lorsque le four atteint 300°F/ 149°C.

### Note:

Le processus de refroidissement rejette normalement l'air chaud par la grille située sur le dessus de la porte du four.

NE continuez PAS à utiliser le four si la soufflerie de refroidissement ne s'active pas pendant la cuisson à une température de 300°F/ 149°C ou plus lors de l'utilisation du grilloir ou du mode d'autonettoyage. Communiquez avec un centre de service qualifié pour faire réparer la cuisinière.

## Apprêt (modèles de 48 po seulement)

La fonction d'apprêt permet de maintenir l'environnement chaud et sans courants d'air nécessaire pour le levage de produits panifiés. La température d'apprêt est ajustée à 100 °F/38 °C.

### Comment ajuster le four secondaire à la fonction d'apprêt

1. Mettez la pâte dans un plat dans le four et couvrez partiellement.
2. Utilisez n'importe quelle position de grille qui correspond aux dimensions du bol ou du moule. Fermez la porte.
3. Placez le sélecteur de mode à PROOF. Ne touchez pas au bouton de commande de la température du four.
  - La température idéale de levage sera maintenue jusqu'à ce que le sélecteur de mode soit mis hors circuit.
  - N'ouvrez pas la porte inutilement pour éviter que la température du four ne diminue, ce qui allongera le temps requis pour le levage. Utilisez plutôt la lumière du four pour voir où en est le levage de la pâte.

Le temps de levage peut être réduit lorsque le four principal est utilisé en même temps. Vérifiez l'état du produit panifié pour éviter un levage excessif. Pour obtenir des résultats optimaux, nous vous conseillons, si vous utilisez le four principal durant de longues périodes, de procéder au levage avant d'utiliser le four principal.

## Autres utilisations du four

### Cuisson au four lente et à basse température

En plus d'offrir des températures idéales pour faire cuire et rôtir, ce four permet de conserver des plats cuisinés au chaud et de réchauffer des plats, grâce à ses réglages à basse température.

Les plats cuisinés chauds peuvent être conservés à la température de service. Réglez le four sur au mode de cuisson au four et utilisez la température indiquée dans le tableau.

Pour de meilleurs résultats, préchauffez le four à la température souhaitée.

Les aliments susceptibles de se dessécher devront être recouverts de papier d'aluminium ou d'un couvercle.



### AVERTISSEMENT:

**SALUBRITÉ ALIMENTAIRE** – Le ministère de l'Agriculture américain vous conseille de NE PAS CONSERVER d'aliments à des températures comprises entre 4 °C (40 °F) et 60 °C (140 °F) pendant plus de deux heures. Il n'est pas conseillé de faire cuire des aliments crus à des températures inférieures à 135 °C (275 °F).

### Suggestions de température pour conserver la chaleur des aliments

ALIMENT	TEMPÉRATURE DU FOUR
Bœuf	150 °F (70 °C)
Bacon	200 ° – 225 °F (90 – 110 °C)
Biscuits et muffins (recouverts)	175 ° – 200 °F (80 – 90 °C)
Ragoût (recouvert)	175 ° – 200 °F (80 – 90 °C)
Poisson et fruits de mer	175 ° – 200 °F (80 – 90 °C)
Aliments frits	200 ° – 225 °F (90 – 110 °C)
Jus de viande ou sauces à la crème (recouverts)	175 °F (80 °C)
Rôtis de veau et d'agneau	175 ° – 200 °F (80 – 90 °C)
Crêpes et gaufres (recouvertes)	200 ° – 225 °F (90 – 110 °C)
Pommes de terre cuites	200 °F (90 °C)
Purée de pommes de terre (recouverte)	175 °F (80 °C)
Pâtes et pâtisseries	175 °F (80 °C)
Pizza (recouverte)	225 °F (110 °C)
Porc	175 ° – 200 °F (80 – 90 °C)
Volaille (recouverte)	175 ° – 200 °F (80 – 90 °C)
Légumes (recouverts)	175 °F (80 °C)



## Grilloir

### Recommandations pour le grilloir

#### Préchauffage du grilloir

Il est recommandé de préchauffer l'élément du grilloir avant de commencer à cuisiner. Faites préchauffer jusqu'à ce que le sélecteur de température du four indique BROIL.

#### Pour obtenir les meilleurs résultats

- Décongelez les aliments avant de les faire griller.
- Assurez-vous que la porte du four est fermée pendant la grillade.
- Ne retournez les aliments qu'une fois, au milieu du temps total de cuisson. Il n'est pas nécessaire de retourner les morceaux très fins (tranches de jambon, filets de poisson, etc). Les tranches de foie doivent être retournées indépendamment de leur épaisseur.
- Utilisez une minuterie. Réglez-la à la durée minimum de vérification de la cuisson.
- Placez les aliments directement sous l'élément du grilloir pour qu'ils soient bien dorés.

#### Position de la grille

Avant d'allumer le four, placez la grille à la position désirée. Centrez la lèchefrite sous le brûleur du grilloir (voir la Figure 29).

#### Four principal

- Position de grille 5 – Utilisez cette position pour faire griller les steaks de bœuf, les boulettes de bœuf, les steaks de jambon et les côtes d'agneau d'une épaisseur de 1 po (25,4 mm) ou moins. Utilisez-la également pour faire dorer le dessus des aliments.
- Position de grille 4 – Utilisez cette position pour faire griller des viandes d'une épaisseur de 1-1/8 po (29 mm) ou plus, ou du poisson, de la volaille, des côtes de porc et des steaks de jambon d'une épaisseur de 1 po (25,4 mm) ou plus.
- Position de grille 3 – Utilisez cette position pour faire rôtir des moitiés ou des quarts de poulet.

#### Four secondaire (modèles de 48 po)

Des aliments peuvent être grillés aux positions de grille 3 ou 4 selon leur type et leur épaisseur. La position 5 peut servir à brunir certains aliments.

#### Ustensiles

- La lèchefrite de deux pièces en porcelaine émaillée avec une grille est incluse avec la cuisinière. NE recouvrez PAS la grille quadrillée (dessus) avec du papier d'aluminium.
- Utilisez des plats en métal ou en vitrocéramique pour faire gratiner les ragoûts, les plats ou le pain.

- N'utilisez PAS de plats en verre résistant à la chaleur ou en terre cuite. Ce type de plats ne résistera pas à l'intense chaleur du grilloir à gaz.
- La petite lèchefrite de deux pièces en porcelaine est conçue pour être utilisée dans le four secondaire des modèles de 48 pouces.

Pour un steak saignant, faites d'abord cuire le premier côté à 90 °F (32 °C). Pour un steak à point ou bien cuit, faites cuire le premier côté à 100 °F (38 °C). Retournez et faites cuire le second côté jusqu'à la température interne voulue.

#### Note:

Il est impossible d'utiliser simultanément le mode BAKE et le grilloir. Quand l'un d'eux est en marche, l'autre ne peut pas être allumé.

#### Réglage du grilloir

Seuls les brûleurs de voûte chauffent au mode BROIL (GRILLOIR). Pour être réussie, une grillade doit être exposée constamment à une chaleur intense.

1. Placez la grille à la position voulue dans le four.
2. Réglez le sélecteur de mode à BROIL.
3. Réglez le sélecteur de température à BROIL.
  - L'indicateur de température indiquera BROIL après cinq minutes.
4. Placez l'aliment dans le four, à la position désirée, comme indiqué ci-dessous.
5. La porte doit être fermée pendant le cycle de grillade.
  - Une grande lèchefrite de deux pièces est fournie avec votre cuisinière PROFESSIONAL<sup>mc</sup> de THERMADOR. Les jus de cuisson coulent au travers de la grille quadrillée dans la partie inférieure, s'éloignant ainsi de l'intense chaleur du grilloir pour minimiser les éclaboussures et la fumée.
  - Les modèles de 48 pouces sont vendus avec une lèchefrite de deux pièces en porcelaine, pour une utilisation dans le four secondaire.

#### Fonctionnement automatique de la soufflerie de refroidissement:

Pour le mode BROIL, la soufflerie de refroidissement se met en marche seulement lorsque le four atteint une chaleur de 300°F/ 149°C nécessaire pour les grillades. Lorsque le grilloir est éteint, la soufflerie continue de fonctionner jusqu'à ce que le four atteigne une température de 375 °F/191 °C.

NE continuez PAS à utiliser le grilloir si la soufflerie de refroidissement ne se met pas en marche. Appelez un centre de service qualifié pour que le four soit réparé.

## Recommandations pour l'utilisation du grilloir

Toutes les viandes doivent être placées sur la lèchefrite fournie avec la cuisinière.

Aliments	No. de Grille	Mode du Four	Réglage de Température	Temps de Cuisson Approximatif	Instructions Particulières Et Conseils
<b>BOEUF</b> Boulette, ½ po (12,7) mm d'épaisseur	4	Grilloir	Grilloir	15 à 20 minutes	Faire griller jusqu'à la disparition de la teinte rosée au centre.
Bifteck de flanc	4	Grilloir	Grilloir	12 à 20 minutes	Le temps dépend du point de cuisson. saignant/à point.
Bifteck d'aloyau	4	Grilloir	Grilloir	12 à 20 minutes	
Rôti de côte	3	Cuisson au four ou par convection	425°F / 218°C pour roussir 325°F/163°C pour terminer	18 à 20 min/lb	Les petits rôtis requièrent plus de temps par livre. Réduire la durée en utilisant la cuisson à convection.
<b>PORC</b> Rôti de longe	3	Cuisson au four ou par convection	325°F / 163°C	20 à 25 min/lb	Laisser cuire jusqu'à l'élimination des jus.
<b>VOLAILLE</b> Poitrines de poulet sans os, sans peau	4	Grilloir	Grilloir	20 à 25 minutes	Laisser cuire jusqu'à l'élimination des jus.
Cuisses de poulet	3	Grilloir	Grilloir	25 à 30 minutes	Retirer la peau; laisser jusqu'à l'élimination des jus.
Demi-poulets	3	Grilloir	Grilloir	30 à 35 minutes	Retourner l'aide d'une pince; laisser cuire jusqu'à l'élimination des jus.
Poulet à rôtir	2	Cuisson au four ou par convection	325°F / 163°C	20 à 25 min/lb	Ne pas farcir; réduire la durée pendant le gril à convection.
Dinde	2	Cuisson au four ou par convection	325°F / 163°C	75 à 90 minutes	Ne pas farcir; réduire la durée pendant le gril à convection.

# Entretien et nettoyage

## Autonettoyage du four



### AVERTISSEMENT :

- Ne laissez pas d'enfants seuls ou sans surveillance dans un endroit où des électroménagers sont en cours d'utilisation.
- Durant le cycle d'autonettoyage, les surfaces extérieures de l'appareil peuvent devenir plus chaudes que d'habitude. Certaines pièces de l'appareil peuvent être dangereuses pour les enfants et pour les personnes qui ne possèdent pas les connaissances d'un adulte par rapport aux électroménagers ou qui ne réagissent pas comme un adulte devrait le faire dans une situation potentiellement dangereuse. Ces personnes devraient s'éloigner de l'appareil durant l'autonettoyage ou lorsqu'il est en cours d'utilisation.
- L'élimination de saletés durant le processus d'autonettoyage peut favoriser l'émission de petites quantités de produits chimiques ou d'autres substances auxquelles une certaine exposition pourrait être dangereuse. Pour minimiser toute exposition à ces substances, assurez-vous de bien aérer la pièce en ouvrant une fenêtre ou en utilisant un ventilateur ou une hotte.
- Gardez vos oiseaux de compagnie à l'extérieur de la cuisine ou d'autres pièces où la fumée de la cuisine pourrait les atteindre. La fumée qui se dégage de l'appareil durant l'autonettoyage peut être nuisible aux oiseaux.

Le mode d'autonettoyage de votre nouvelle cuisinière comprend une fonction d'autonettoyage pyrolytique. Lorsque vous le mettez en mode CLEAN, le four atteint une température élevée, environ 830 °F/454 °C, qui consomment toutes les saletés du four.

Lorsque le four est réglé à CLEAN, vous pouvez utiliser les brûleurs standards et la plaque chauffante électrique de la surface de cuisson. Seul un four à la fois peut être utilisé ou en mode d'autonettoyage. Les brûleurs munis de la fonction ExtraLow<sup>mc</sup> ne peuvent pas être utilisés.

**Il est commun de voir de la fumée ou des flammes durant le cycle de nettoyage**, selon le contenu et la quantité de saletés qui se trouvent dans le four. Si une flamme persiste, éteignez le four et laissez-le refroidir avant d'ouvrir la porte pour enlever les saletés excessives.

À la fin du cycle de nettoyage, de la cendre grise ou des résidus peuvent se trouver à l'intérieur du four. Il s'agit de dépôts minéraux qui n'ont pas brûlé ou fondu. La quantité de cendre dépend de la mesure dans laquelle le four était sale avant d'être nettoyé. Lorsque le four est froid, vous pouvez facilement enlever ces cendres ou résidus avec un essuie-tout, une éponge ou un chiffon humide.

Essayez tous les résidus qui se trouvent sur le bâti avant avec du Formula 409<sup>mc</sup> ou du Fantastik<sup>mc</sup>. Si des taches persistent, utilisez un nettoyant liquide doux. La quantité de taches de fumée est directement liée à la quantité de résidus d'aliments laissés dans le four au moment de procéder à l'autonettoyage. Nettoyez souvent le four.

### Avant de procéder à l'autonettoyage du four

Essayez les accumulations de graisse et toutes les saletés faciles à enlever pour réduire les possibilités de production de flammes ou de fumée. Enlevez les saletés se trouvant à l'extérieur du joint d'étanchéité de la porte. Cet appareil est conçu pour nettoyer l'intérieur du four et la partie de la porte située à l'intérieur du four. Les parties extérieures de la porte et le cadre entourant la partie avant du four ne se trouvent pas dans la zone de nettoyage. Nettoyez ces surfaces.

### Avant de régler le four pour l'autonettoyage

- Enlevez tous les ustensiles.
- Enlevez les grilles.
- Nettoyez le bâti avant du four et les côtés de la porte. Essayez les éclaboussures et les accumulations de graisse.
- Assurez-vous que les ampoules et les couvercles de verre des lampes sont en place.
- Allumez la hotte au-dessus de la cuisinière et laissez-la jusqu'à ce que le cycle d'autonettoyage du four soit terminé.

### IMPORTANT :

La première fois que vous utilisez le cycle d'autonettoyage de votre nouvelle cuisinière, sortez les petits animaux et les oiseaux de la cuisine et des endroits à proximité du four. Ouvrez une fenêtre pour une meilleure aération.

## Verrouillage

Lorsque le cycle d'autonettoyage se met en marche, la porte se verrouille automatiquement. La jauge de température se dirige vers CLEAN cinq minutes après le début du cycle. Assurez-vous que la porte est verrouillée. Vous pouvez mettre fin à l'autonettoyage en mettant le bouton de commande à OFF. Le témoin CLEANING s'éteindra seulement lorsque la température du four aura atteint 500 °F et que la fonction de verrouillage de la porte ne sera plus active.

**Assurez-vous que la porte du four est verrouillée au début du cycle d'autonettoyage.**

## Comment programmer l'autonettoyage des fours

1. **Enlevez les grilles du four.**
2. Assurez-vous que la porte du four est fermée.
3. Sélectionnez SELF CLEAN avec l'anneau de sélection de mode (voir la Figure 31).
4. Placez le bouton de réglage de température à CLEAN.
  - Le loquet de la porte du four s'enclenche pour verrouiller la porte
  - La soufflerie de refroidissement se met en marche.
  - L'indicateur de température indique CLEAN après cinq minutes.

### Note :

Le processus de verrouillage de la porte dure environ vingt secondes, après quoi la porte est verrouillée. **Assurez-vous que la porte est bel et bien verrouillée.**

### Lorsque le cycle de nettoyage est terminé

Le cycle de nettoyage dure environ deux heures. Ne tournez pas les boutons du four à la position OFF avant que le cycle de verrouillage automatique ne soit à la position ouverte.

1. Mettez le sélecteur de mode à la position OFF.
  - Le loquet de la porte s'ouvrira automatiquement lorsque la température du four sera inférieure à 500 °F et que le verrouillage automatique de la porte passera à la position ouverte en environ vingt secondes.
  - La soufflerie de refroidissement s'éteint lorsque la température du four atteint 375 °F/191 °C.

2. Tournez le bouton de commande du four à la position OFF.

## Empêchement de cycles d'autonettoyage successifs

Les fours sont programmés pour empêcher la mise en marche d'un deuxième cycle d'autonettoyage pour une période de 24 heures. Toutes les autres fonctions sont disponibles immédiatement lorsque l'autonettoyage est terminé.

## Trucs de nettoyage

1. Le fini en porcelaine émaillée résiste à l'acide, mais il n'est pas antiacide. Vous devriez essuyer les aliments acides, comme les jus d'agrumes, le jus de tomates, le jus de rhubarbe, l'alcool et le lait, et ne pas les faire cuire dans la porcelaine lors de la prochaine utilisation.
2. **Enlevez les grilles du four.**
3. **Les brûleurs à infrarouge du grilloir dans le(s) four(s) ne doivent pas être nettoyés.** Ils se nettoient d'eux-mêmes lors de l'utilisation du four.



### AVERTISSEMENT :

L'intérieur du four sera toujours à une température de cuisson lorsque le verrouillage automatique cessera et qu'il sera possible d'ouvrir la porte du four.

## Nettoyage de la cuisinière

### Lors du nettoyage de la cuisinière:

1. Utilisez la méthode de nettoyage qui, tout en restant efficace, est la plus douce possible. Certains produits nettoyants similaires sont plus rudes que d'autres. Faites d'abord un essai sur une petite surface.
2. Passez toujours les produits pour métal dans le sens des lignes de polissage pour une efficacité maximale et pour éviter de rayer la surface.
3. N'utilisez que des éponges, des serviettes en papier, des brosses et des chiffons doux et propres, des tampons à récurer savonneux en plastique, non métalliques, pour nettoyer et gratter, comme recommandé dans le tableau.
4. La plupart des pièces externes de cet appareil peuvent être nettoyées avec de l'eau savonneuse chaude (sauf lors d'indications contraires concernant certaines pièces). Lorsque vous devez rincer une pièce, rincez-la à fond.
5. Essuyez toujours immédiatement pour éviter les traces d'eau de la surface nettoyée.



### AVERTISSEMENT

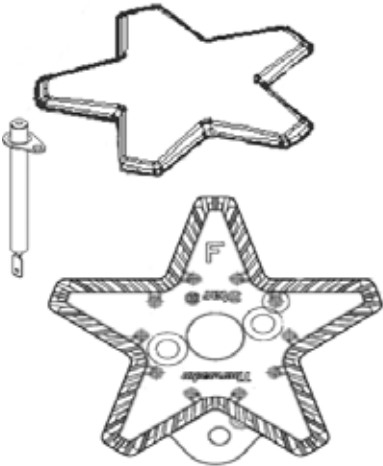
Évitez de nettoyer les pièces du four lorsqu'elles sont encore chaudes.

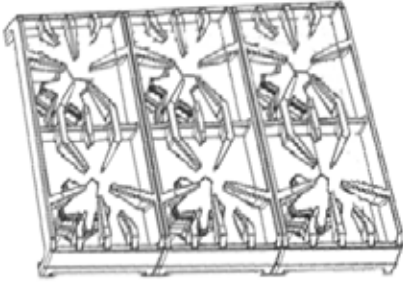
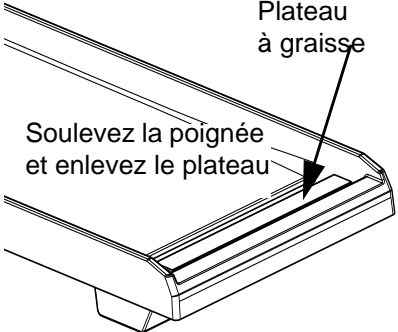
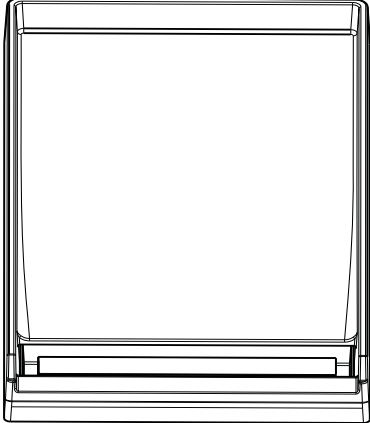
## Marques de produit

Les marques de produits utilisées sont destinées à indiquer un type de produit nettoyant et non à en faire la promotion. L'omission d'une marque ne signifie pas qu'elle convient ou ne convient pas. De nombreux produits sont distribués à

grande échelle et il est possible de les trouver localement. Il est essentiel que les produits soient utilisés conformément à leur mode d'emploi. Le tableau suivant fournit des directives pour nettoyer la cuisinière.

## Recommandations pour le nettoyage

PIÈCE/MATÉRIAU	PRODUITS NETTOYANTS SUGGÉRÉS	RAPPELS IMPORTANTS
<b>Base de brûleur en cuivre et chapeau en fonte</b> 	<ul style="list-style-type: none"> <li>• Eau chaude savonneuse : rincez puis séchez soigneusement.</li> <li>• Produits abrasifs doux : Bon Ami<sup>mc</sup>, produit nettoyant pour acier inoxydable et aluminium Cameo<sup>mc</sup>, produit lustrant pour cuivre universel Wright's<sup>mc</sup>.</li> <li>• Produits nettoyants liquides : Kleen King<sup>mc</sup>.</li> <li>• Brosse à dents à poils de nylon durs pour nettoyer les orifices.</li> <li>• Après le nettoyage, s'assurer que le capuchon de brûleur est bien positionné sur la base du brûleur.</li> </ul>	<ul style="list-style-type: none"> <li>• Ne pas égratigner ni endommager le port de la base de brûleur en laiton.</li> </ul>
<b>Boutons de commande</b> en plastique <b>Enjoliveurs</b> en chrome <b>Grille de four Full Access<sup>mc</sup></b> /en chrome	<p>Eau chaude savonneuse : rincez et séchez immédiatement</p>	<ul style="list-style-type: none"> <li>• Ne trempez pas les boutons dans l'eau.</li> <li>• Ne forcez pas un bouton sur un axe qui n'est pas le sien.</li> </ul>
<b>Finition externe/dosseret</b> Acier inoxydable	<ul style="list-style-type: none"> <li>• Produits nettoyants non abrasifs : eau chaude et produit détergent, ammoniac, Fantastic, Formula 409<sup>mc</sup>. Rincez et séchez immédiatement.</li> <li>• Produits lustrant d'entretien : Stainless Steel Magic<sup>mc</sup> pour protéger le revêtement contre les piqûres de corrosion et les taches; améliore l'aspect.</li> <li>• Taches de calcaire : vinaigre.</li> <li>• Produits pour aluminium et acier inoxydable Siege, produit liquide Kleen King<sup>mc</sup> pour acier inoxydable.</li> <li>• Décoloration due à la chaleur : Cameo<sup>mc</sup>, Barkeepers Friend<sup>mc</sup>, Zud<sup>mc</sup>, produit lustrant universel pour cuivre Wright's<sup>mc</sup>.</li> </ul>	<ul style="list-style-type: none"> <li>• L'acier inoxydable résiste à la plupart des taches d'aliments et aux piqûres de corrosion si la surface est maintenue propre et protégée.</li> <li>• Ne laissez jamais laisser les taches d'aliments ou de sel sur l'acier inoxydable.</li> <li>• Frottez légèrement dans le sens des lignes de polissage.</li> <li>• Le chlore et les composés au chlore présents dans certains produits corrodent l'acier inoxydable. Vérifiez la composition du produit sur l'étiquette.</li> </ul>

PIÈCE/MATÉRIAU	PRODUITS NETTOYANTS SUGGÉRÉS	RAPPELS IMPORTANTS
<p><b>Grilles</b> Porcelaine émaillée sur fonte</p> 	<ul style="list-style-type: none"> <li>• Produits nettoyants non abrasifs : eau chaude et produit détergent, Fantastic<sup>mc</sup>, Formula 409<sup>mc</sup>. Rincez et séchez immédiatement.</li> <li>• Produits nettoyants abrasifs doux : Bon Ami<sup>mc</sup> et Soft Scrub<sup>mc</sup>.</li> <li>• Produits nettoyants abrasifs pour taches récalcitrantes : tampons métalliques à récurer.</li> <li>• Lestoil<sup>mc</sup> ou tout autre produit dégraissant.</li> </ul>	<ul style="list-style-type: none"> <li>• Les grilles sont lourdes; faites attention en les enlevant. Placez-les sur une surface protégée.</li> <li>• La formation de cloques, de craquelures et d'éclats est fréquente en raison des températures extrêmes que peuvent atteindre les pointes des grilles et aux brusques changements de températures.</li> <li>• Les renversements de produits acides et sucrés détériorent l'émail. Nettoyez-les immédiatement.</li> <li>• Les produits nettoyants abrasifs utilisés trop vigoureusement ou trop souvent peuvent rayer l'émail.</li> </ul>
<p><b>Plateau à graisse de la plaque</b> Aluminium avec revêtement antiadhésif</p> 	<ul style="list-style-type: none"> <li>• Enlevez le plateau à graisse et versez la graisse dans un contenant adéquat avant de vous en débarrasser. Lavez le plateau à graisse dans de l'eau savonneuse chaude ou mettez-le au lave-vaisselle.</li> <li>• Nettoyez le plateau à graisse après chaque usage.</li> <li>• Lavable au lave-vaisselle.</li> <li>• Lavez-le dans de l'eau chaude avec du détergent; rincez puis séchez.</li> <li>• Résidus récalcitrants : Soft Scrub<sup>mc</sup></li> </ul>	<ul style="list-style-type: none"> <li>• Videz le plateau à graisse après chaque usage.</li> <li>• Retirez le plateau une fois que la graisse a refroidi. Faire attention à ne pas trop remplir le plateau pour éviter qu'il se renverse au moment de l'enlever.</li> </ul>
<p><b>Plaque</b> / Aluminium avec revêtement antiadhésif</p> 	<ul style="list-style-type: none"> <li>• Lavez la surface de la plaque ou du gril à l'eau tiède savonneuse puis rincez-le à l'eau tiède. Essuyez avec un chiffon doux.</li> <li>• Si des résidus d'aliments collent, nettoyez-les avec un produit nettoyant abrasif doux comme du Soft Scrub<sup>mc</sup>.</li> </ul>	<ul style="list-style-type: none"> <li>• Ne rincez jamais à l'eau froide. La plaque d'aluminium pourrait se déformer ou se fissurer.</li> <li>• Ne nettoyez pas dans le four autonettoyant.</li> </ul>



PIÈCE/MATÉRIAU	PRODUITS NETTOYANTS SUGGÉRÉS	RAPPELS IMPORTANTS
<b>Allumeurs</b> en céramique	<ul style="list-style-type: none"> <li>Utilisez un tampon de coton mouillé avec de l'eau, du Formula 409<sup>mc</sup> ou du Fantastic<sup>mc</sup>.</li> </ul>	<ul style="list-style-type: none"> <li>N'utilisez pas d'outils coupants pour gratter les allumeurs. Ils sont fragiles; s'ils sont endommagés, les brûleurs ne s'allumeront pas.</li> </ul>
<b>Plateaux collecteurs/bandes de finition de la surface</b> Porcelaine émaillée (fini lustré)	<p>Un nettoyant comme du Soft Scrub<sup>mc</sup> peut être utilisé. Appliquez avec une éponge ou un chiffon humide selon les instructions du fabricant. Bien rincer et assécher avec un chiffon doux.</p> <p>Si vous utilisez un produit comme Bar Keeper's Friend<sup>mc</sup>, Bon-ami<sup>mc</sup>, Comet<sup>mc</sup> ou Ajax<sup>mc</sup>, appliquez-le avec une éponge ou un chiffon humide selon les instructions du fabricant. Frottez sans trop mettre de pression, car ces produits peuvent égratigner le fini. Rincez soigneusement et séchez avec un chiffon doux.</p> <p>Pour les aliments brûlés, vous pouvez utiliser une laine d'acier ou un tampon savonneux, comme S.O.S.<sup>mc</sup> ou Brillo<sup>mc</sup>. Mouillez le tampon et frottez délicatement. Faites attention pour ne pas endommager le fini. Rincez soigneusement et séchez avec un chiffon doux.</p>	
<b>Grille/base</b> de la lèchefrite Porcelaine émaillée	<p><b>NE NETTOYEZ PAS DANS LE FOUR AUTONETTOYANT</b></p> <p>Pour détacher les résidus d'aliments, saupoudrez la grille quand elle est encore chaude avec un nettoyant en poudre pour la lessive ou aspergez-la d'un produit liquide, puis couvrez-la avec des serviettes en papier mouillées. Laissez reposer.</p> <p><b>Eau chaude savonneuse.</b></p> <ul style="list-style-type: none"> <li>Lavez, rincez soigneusement, puis séchez.</li> </ul> <p><b>Produits nettoyants :</b> Soft Scrub<sup>mc</sup>.</p> <ul style="list-style-type: none"> <li>Appliquez à l'aide d'une éponge ou d'un chiffon humide selon les indications du fabricant. Rincez et séchez.</li> </ul> <p><b>Produit nettoyant en poudre :</b> Bon-ami<sup>mc</sup>, Comet<sup>mc</sup>, Ajax<sup>mc</sup>.</p> <ul style="list-style-type: none"> <li>Appliquez à l'aide d'une éponge ou d'un chiffon humide selon les indications du fabricant. Frottez doucement en prenant garde de ne pas rayer la surface. Rincez soigneusement et séchez.</li> </ul> <p><b>Tampons métalliques à récurer ou savonneux :</b> S.O.S.<sup>mc</sup>, Brillo<sup>mc</sup>.</p> <ul style="list-style-type: none"> <li>Mouillez le tampon, frottez légèrement en prenant garde de ne pas rayer la surface. Rincez soigneusement et séchez.</li> </ul>	
<b>Portes</b> Extérieur, cadre, poignée Acier inoxydable	<p>Prenez garde de ne pas laisser les produits nettoyants et l'eau entrer dans les orifices de la porte : l'eau pourrait causer de petites stries dans le verre intérieur.</p> <p>Consultez la section Finition externe/Dosseret.</p>	
<b>Joint d'étanchéité</b> Joint de porte	<p>Produits nettoyants génériques pour cuisines : Formula 409<sup>mc</sup>, Fantastik<sup>mc</sup>.</p> <p>Vaporisez et essuyez le produit avec un chiffon. Ne frottez pas. Ne déplacez pas, n'enlevez pas et n'endommagez pas le tissu à mailles.</p>	

## Entretien à faire soi-même

### Changement de l'ampoule du four



#### AVERTISSEMENT :

Avant de remplacer une ampoule, assurez-vous que l'interrupteur de la lumière du four est à la position OFF. Laissez l'ampoule et le couvercle refroidir complètement avant d'y toucher. Si le verre de l'ampoule n'est pas bien fixé sur sa base, coupez l'alimentation du four au niveau du disjoncteur avant d'ôter l'ampoule de la douille.

Remplacez l'ampoule exclusivement par une ampoule recommandée pour cuisinière. N'UTILISEZ PAS une ampoule standard à usage domestique dans le four. Appelez le centre de service à la clientèle de THERMADOR<sup>mc</sup> au 1-800-735-4328 ou le détaillant THERMADOR<sup>mc</sup> le plus près de chez vous pour vous informer des ampoules à utiliser avec votre cuisinière. Vous devrez connaître le numéro de série de votre cuisinière.

#### Remplacement de l'ampoule:

Utilisez seulement des ampoules halogènes à deux plots de 10 watts, 12 volts. Utilisez un linge propre et sec pour manipuler les ampoules halogènes. Cela augmentera leur durée de vie.

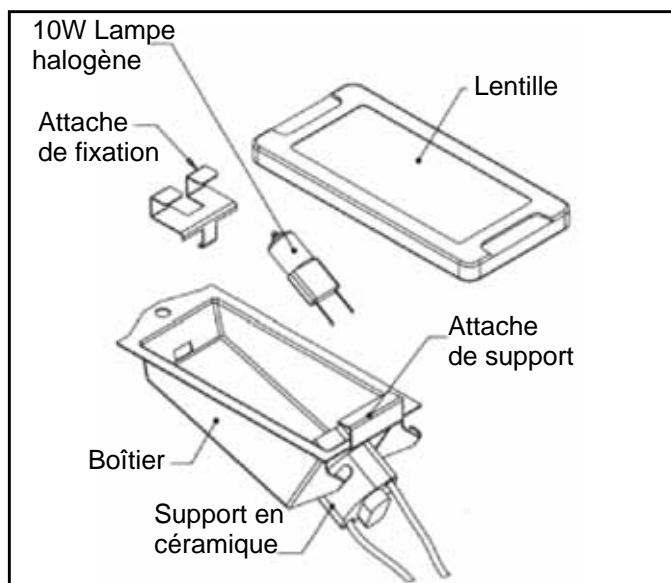


Figure 32 : Assemblage de la lampe du four

1. Coupez l'alimentation du disjoncteur.
2. Enlevez les grilles du four.
3. Insérez la pointe d'un tournevis plat entre l'attache de fixation et le boîtier de la lampe (Figure 32 et 33).



Insérez la pointe du tournevis ici. Détachez la lentille de verre et enlevez-la.

Figure 33 : Emplacement de l'ouverture

4. Soutenez le couvercle de la lentille de verre avec deux doigts le long du rebord inférieur pour empêcher qu'il tombe sur le plancher du four.
5. Tournez doucement le tournevis plat pour détacher le couvercle de la lentille de verre.
6. Enlevez le couvercle de la lentille de verre et l'attache de fixation.
7. Retirez l'ampoule en la saisissant et la faisant glisser vers l'arrière jusqu'à ce que les deux broches sortent du support en céramique.
8. Ne touchez pas au verre de la nouvelle ampoule de remplacement avec vos doigts, sans quoi elle ne fonctionnera pas lorsque vous l'allumerez. Prenez l'ampoule de remplacement avec un linge sec et propre. Localisez les deux fentes du support de céramique en y poussant doucement les deux broches de l'ampoule.
9. Tirez vers le bas pour bien installer l'ampoule.
10. Faites glisser la lentille de protection dans l'attache du support et poussez l'autre extrémité jusqu'à ce que l'attache de fixation s'enclenche dans le boîtier.
11. Rallumez le disjoncteur.

### Panne de courant

En cas de panne de courant, seuls les brûleurs standards peuvent être allumés manuellement. Vous devez allumer chaque brûleur standard individuellement.

Si vous voulez utiliser la table de cuisson de la cuisinière pendant une panne de courant, tournez tous les boutons de commande des brûleurs à la position OFF. Approchez une allumette de l'orifice du brûleur standard et tournez le bouton de commande à la position HI. Attendez que la flamme brûle tout autour du chapeau du brûleur avant de la régler à l'intensité voulue.

Les deux brûleurs ExtraLow® du côté gauche de la cuisinière ne peuvent pas être utilisés pendant une panne de courant. Assurez-vous de les éteindre si une panne de courant survient, car ils ne se rallumeront pas tant que les boutons de contrôle ne seront pas mis à la position OFF puis rallumés. Consultez la section « Si vous sentez une odeur de gaz ».

Si la pression de l'arrivée de gaz est faible, communiquez avec votre compagnie de gaz.

### Production intermittente ou constante d'étincelles par l'allumeur

La production intermittente ou constante d'étincelles au niveau des brûleurs hermétiquement encastrés de la table de cuisson peut être due à des facteurs qu'il est possible d'éviter. Éliminez ces facteurs comme indiqué dans le tableau.

SYMPTÔME	CAUSE	SOLUTION
Production intermittente d'étincelles	<ul style="list-style-type: none"><li>• L'allumeur en céramique est mouillé ou sale.</li><li>• Les orifices du brûleur sont bouchés.</li></ul>	<ul style="list-style-type: none"><li>• Séchez ou nettoyez soigneusement l'allumeur.</li><li>• Nettoyez les orifices de répartition de la flamme à l'aide d'un fil métallique, d'une aiguille ou d'un trombone déplié.</li></ul>
Plus de quatre déclics de l'allumeur avant que la flamme ne s'allume	<ul style="list-style-type: none"><li>• Le chapeau du brûleur est mal posé sur sa base.</li></ul>	<ul style="list-style-type: none"><li>• Alignez bien le chapeau du brûleur sur la base du brûleur.</li></ul>
Production constante d'étincelles	<ul style="list-style-type: none"><li>• La mise à la terre de la cuisinière a été mal faite.</li><li>• L'alimentation électrique est mal polarisée.</li></ul>	<ul style="list-style-type: none"><li>• Consultez le manuel d'installation. Appelez un électricien qualifié pour qu'il effectue la mise à la terre adéquate de la cuisinière.</li><li>• Consultez les instructions d'installation. Appelez un électricien qualifié pour qu'il effectue une mise à la terre adéquate pour la cuisinière.</li></ul>

# Avant d'appeler le service technique

Avant d'appeler le service technique, vérifiez les points suivants afin d'éviter des frais inutiles.

## Vérifiez d'abord les points suivants :

- Y a-t-il une panne de courant dans le voisinage?
- Les fusibles ont-ils sauté ou le disjoncteur s'est-il déclenché?
- La cuisinière est-elle débranchée?

## Si les brûleurs ne s'allument pas

- Les chapeaux des brûleurs sont-ils correctement alignés et posés sur les bases des brûleurs?
- Les orifices des brûleurs sont-ils bouchés?
- Un fusible a-t-il sauté ou le disjoncteur s'est-il déclenché?
- Le robinet manuel de coupure du gaz est-il fermé, empêchant l'arrivée de gaz?

## Plaque signalétique

La plaque signalétique indique le modèle et le numéro de série de votre cuisinière. Elle se trouve dans l'espace créé entre le côté droit de la cavité du four et le panneau latéral de la cuisinière.

Les schémas de câblage électrique et les dessins placés dans la zone de la base ne doivent pas être enlevés sauf par un technicien de service. Remettez-les en place après l'entretien.

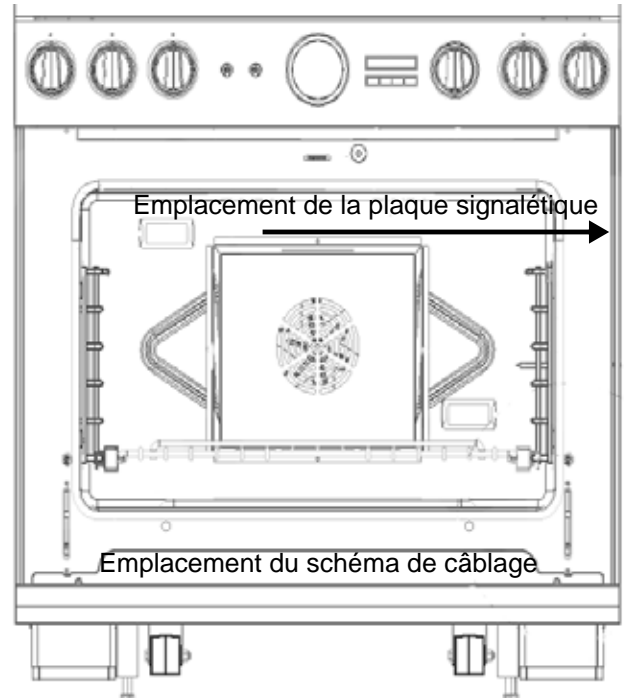


Figure 34 : Emplacement de la plaque signalétique

## Renseignements pour le service technique

Pour une consultation facile, copiez les renseignements ci-dessous de la plaque signalétique située dans l'espace créé entre le côté droit de la cavité du four et le panneau latéral de la cuisinière. Conservez votre facture pour que votre garantie soit valide.

Numéro du modèle \_\_\_\_\_

Numéro de série \_\_\_\_\_

Date d'achat \_\_\_\_\_

Nom du détaillant \_\_\_\_\_

Numéro de téléphone du marchand \_\_\_\_\_

Nom du centre de service \_\_\_\_\_

Numéro de téléphone du centre de service \_\_\_\_\_

Complétez également la carte d'enregistrement du produit comprise avec ce produit et postez-la à l'adresse indiquée.

# ÉNONCÉ DE GARANTIE LIMITÉE DU PRODUIT

## Couverture de la garantie et à qui elle s'applique

La garantie limitée fournie par BSH Home Appliances THERMADOR<sup>mc</sup> dans le présent énoncé de garantie limitée du produit s'applique seulement à l'appareil THERMADOR<sup>mc</sup> qui vous est vendu, le premier acheteur à l'utiliser, à la condition que le produit ait été acheté:

- Pour votre usage domestique (non commercial) normal et qu'il ait effectivement, en tout temps, été utilisé à des fins domestiques normales;
- À l'état neuf au détail (et non comme un modèle d'exposition "en état", ou modèle préalablement retourné), et non pour la revente ou l'utilisation commerciale;
- Aux États-Unis ou au Canada, et qu'il soit en tout temps demeuré dans le pays de l'achat d'origine. Les garanties énoncées aux présentes s'appliquent seulement au premier acheteur du produit et ne sont pas cessibles.

S'assurer de retourner la carte d'enregistrement; quoique non nécessaire pour que la couverture de la garantie prenne effet, elle constitue le meilleur moyen pour THERMADOR<sup>mc</sup> de vous prévenir dans l'éventualité improbable d'un avis de sécurité ou d'un rappel de produit.

## Durée de la garantie

THERMADOR<sup>mc</sup> garantit pour une période de trois cent soixante-cinq (365) jours à partir de la date d'achat que le produit ne comporte aucun défaut matériel ou de main-d'œuvre. Cette période commence à courir à partir de la date d'achat et ne sera pas retardée, restreinte, prolongée ni suspendue pour quelque raison que ce soit.

## La réparation ou le remplacement du produit comme recours exclusif

Pendant cette période de garantie, THERMADOR<sup>mc</sup> ou l'un de ses prestataires de services agréés réparera le produit sans frais de votre part (sous réserve de certaines limitations énoncées aux présentes) s'il s'avère que la fabrication de votre produit présente un défaut de matière ou de fabrication. Si des tentatives raisonnables de réparation du produit ont été faites sans succès, alors THERMADOR<sup>mc</sup> remplacera le produit (des modèles mis à niveau peuvent être mis à votre disposition), à la seule discrétion de THERMADOR<sup>mc</sup>, moyennant des frais supplémentaires). Toute composante ou pièce enlevée devient la propriété de THERMADOR<sup>mc</sup>, à sa seule option. Toute pièce remplacée et/ou réparée doit assumer

l'identité de la pièce d'origine aux fins de la présente garantie, et cette dernière ne sera pas prolongée au regard de ces pièces. La seule obligation et responsabilité de THERMADOR<sup>mc</sup> en vertu des présentes est de réparer seulement le produit présentant un défaut de fabrication, par l'entremise d'un prestataire de services agréé THERMADOR<sup>mc</sup> aux heures normales de travail. Pour des questions de sécurité et de dommages à la propriété, THERMADOR<sup>mc</sup> recommande vivement de ne pas tenter de réparer soi-même le produit, ni d'utiliser un service de réparation non autorisé. THERMADOR<sup>mc</sup> décline toute responsabilité pour les réparations ou le travail effectués par un service de réparation non autorisé. Si vous choisissez de faire réparer le produit par une personne autre qu'un prestataire de services agréé, CETTE GARANTIE DEVIENDRA AUTOMATIQUÉMENT NULLE ET NON AVENUE. Les prestataires de services agréés sont des personnes ou des compagnies qui ont été spécialement formées pour les produits THERMADOR<sup>mc</sup> et qui possèdent, de l'avis de THERMADOR<sup>mc</sup>, une excellente réputation pour le service à la clientèle et des aptitudes techniques (il est à noter qu'il s'agit d'entités indépendantes et non des agents, partenaires, affiliés ou représentants de THERMADOR<sup>mc</sup>). Néanmoins, THERMADOR<sup>mc</sup> n'assumera aucune responsabilité ou obligation à l'égard du produit s'il est situé dans une région éloignée (plus de 100 miles (160,9 km) d'un prestataire de services agréé) ou s'il est raisonnablement inaccessible ou à un endroit, dans une zone ou dans un environnement dangereux, menaçants ou hasardeux; dans un tel cas, si vous en faites la demande, THERMADOR<sup>mc</sup> pourrait payer les frais de main-d'œuvre et de pièce et expédier les pièces au prestataire de service agréé le plus proche, mais vous seriez quand même entièrement responsable pour tout déplacement ou autre frais spécial requis par le service de réparation, à supposer qu'il accepte d'effectuer un appel de service.

## Produit hors garantie

THERMADOR<sup>mc</sup> n'est nullement tenu, en droit ou autrement, de vous offrir toute concession, y compris réparations, tarifs proportionnels ou remplacement de produit, une fois que la garantie est expirée.

## Exclusions de la garantie

La couverture de garantie décrite aux présentes exclut tout défaut ou dommage qui n'est pas une faute directe de THERMADOR<sup>mc</sup>, y compris sans limitation, un ou plusieurs des cas suivants :

- Utilisation du produit d'une façon autre que normale, habituelle et prévue (y compris, sans limitation, toute forme d'utilisation commerciale, utilisation ou tout rangement d'un produit pour l'intérieur à l'extérieur, utilisation du produit avec des aéronefs ou des bateaux, quels qu'ils soient) ;
- Mauvaise conduite volontaire de toute partie, conduite négligente, mauvaise utilisation, abus, accidents, négligence, exploitation irrégulière, manquement à l'entretien, installation inadéquate ou négligée, altération, manquement à observer les instructions de fonctionnement, manipulation sans précaution, service non autorisé (y compris le "bricolage" fait soi-même ou l'exploration du fonctionnement interne de l'appareil) ;
- Réglage, altération ou modification de toute sorte ;
- Manquement à se conformer à tous les codes électriques, de plomberie et/ou de construction de l'état, locaux, municipaux ou du comté, règlements ou lois en vigueur, y compris le manquement à installer le produit strictement en conformité avec les codes et règlements d'incendie et de construction locaux ;
- Usure et détérioration normales, déversements d'aliments, liquides, accumulation de graisse, ou autres substances accumulées sur, dans ou autour du produit ;
- Et toute force et tout facteur externes, élémentaires et/ou environnementaux, y compris sans limitation, pluie, vent, sable, inondation, incendie, glissement de terrain, gel, humidité excessive ou exposition prolongée à l'humidité, foudre, surtension, défauts de structure environnante de l'appareil, et catastrophes naturelles.

En aucun cas THERMADOR<sup>mc</sup> n'assumera la moindre responsabilité pour des dommages survenus à la propriété environnante, y compris armoires, planchers, plafonds et autres structures ou objets autour du produit. Également exclus de la garantie sont les égratignures, éraflures, encoches mineures et dommages esthétiques sur les surfaces externes et les pièces exposées; les produits dont les numéros de série ont été modifiés, effacés ou enlevés; les visites de service pour montrer au client comment utiliser le produit ou les visites alors que le produit ne présente aucun problème; la correction de problèmes d'installation (vous êtes entièrement responsable de toute structure et tout réglage du produit, y compris électricité, plomberie ou autres services utilitaires, pour un plancher ou une fondation appropriés et pour toute modification y compris, sans limitation, armoires, murs, planchers, étagères, etc.); et remise en fonction des coupe-circuits ou fusibles.

DANS LA MESURE OÙ LA LOI LE PERMET, LA PRÉSENTE GARANTIE ÉNONCE VOS RECOURS EXCLUSIFS À L'ÉGARD DU PRODUIT, QUE LA RÉCLAMATION SOIT DE NATURE CONTRACTUELLE OU DÉLICTELLE (Y COMPRIS LA RESPONSABILITÉ ABSOLUE OU LA NÉGLIGENCE) OU AUTRE. LA PRÉSENTE GARANTIE REMPLACE TOUTES LES AUTRES GARANTIES, EXPRESSES OU IMPLICITES. TOUTE GARANTIE IMPLICITE EN VERTU DE LA LOI, QUE CE SOIT À DES FINS DE QUALITÉ MARCHANDE OU D'ADAPTATION À UN BUT PARTICULIER, OU AUTREMENT, EST EN VIGUEUR UNIQUEMENT PENDANT LA PÉRIODE AU COURS DE LAQUELLE LA PRÉSENTE GARANTIE LIMITÉE EXPRESSE EST EN VIGUEUR. LE FABRICANT NE SERA EN AUCUN CAS RESPONSABLE DES DOMMAGES, PERTES OU FRAIS CONSÉCUTIFS, PARTICULIERS, ACCESSOIRES, INDIRECTS, ET/OU PUNITIFS, DES PERTES COMMERCIALES, Y COMPRIS, NOTAMMENT, LE TEMPS D'ABSENCE AU TRAVAIL, L'HÉBERGEMENT ET/OU LES REPAS AU RESTAURANT, LES FRAIS DE REMANIEMENT EN EXCÉDENT DES DOMMAGES DIRECTS QUI SONT MANIFESTEMENT CAUSÉS EXCLUSIVEMENT PAR THERMADOR<sup>mc</sup> OU AUTREMENT. CERTAINS ÉTATS NE PERMETTENT PAS L'EXCLUSION OU LA LIMITATION DES DOMMAGES ACCESSOIRES OU INDIRECTS ET CERTAINS ÉTATS NE PERMETTENT PAS LA LIMITATION SUR LA DURÉE D'UNE GARANTIE IMPLICITE, DE SORTE QUE LES LIMITATIONS CI-DESSUS PEUVENT NE PAS S'APPLIQUER À VOTRE CAS. LA PRÉSENTE GARANTIE VOUS DONNE DES DROITS JURIDIQUES SPÉCIFIQUES ET VOUS POUVEZ AVOIR ÉGALEMENT D'AUTRES DROITS QUI VARIENT D'UN ÉTAT À L'AUTRE.

Aucune tentative d'altérer, de modifier ou d'amender la présente garantie ne peut être effective à moins d'une autorisation écrite par un représentant de BSH.

Nous nous réservons le droit d'apporter des modifications au produit ou au manuel sans préavis.

Enregistrez votre produit THERMADOR<sup>mc</sup> afin de vous assurer de recevoir un service opportun et d'avoir accès aux renseignements propres à votre produit. Vous pouvez enregistrer votre produit de l'une des manières suivantes :

1. Envoi par la poste de la carte d'enregistrement du produit THERMADOR<sup>mc</sup>.
2. Enregistrement de votre produit en ligne au [thermador.com](http://thermador.com)
3. Appel au service à la clientèle de THERMADOR<sup>mc</sup> au 1-800-735-4328.



---

# Español Índice de Materias

<b>Introducción</b> .....	<b>1</b>	Modo Sabbat .....	24
<b>Seguridad</b> .....	<b>2</b>	Sonda térmica .....	24
Instrucciones de seguridad importantes .....	2	Temperaturas mínimas de cocción interna.....	25
<b>Antes de Comenzar</b> .....	<b>7</b>	<b>Funciones de la hornilla</b> .....	<b>25</b>
Antes de Usar Su Estufa por Primera Vez .....	7	Consejos para hornear .....	25
<b>Descripción de las estufas</b> .....	<b>10</b>	Hornear, hornear por convección o asar .....	27
Modelo e identificación— Estufa de 48 pulg .....	10	Asar .....	27
Modelo e identificación— Estufa de 36 pulg .....	11	Recomendaciones para asar .....	28
<b>Usar la estufa</b> .....	<b>12</b>	Hornear por convección.....	28
Recomendaciones para los utensilios de cocina..	17	Recomendaciones para convección .....	30
Utensilios especiales de cocina .....	18	Guarda-caliente .....	30
Recomendaciones para cocinar .....	19	Preparación de masa (48 pulg.) .....	31
Plancha eléctrica (algunos modelos).....	21	Grill .....	32
Recomendaciones para cocinar con la plancha .....	22	Recomendaciones para usar el grill.....	33
<b>Usar la hornilla</b> .....	<b>23</b>	<b>Cuidado y mantenimiento</b> .....	<b>34</b>
Funciones adicionales de la hornilla .....	23	Autolimpieza de la hornilla .....	34
Temporizador .....	23	Recomendaciones de limpieza .....	36
Temporizador de la hornilla .....	23	Mantenimiento hecho por usted mismo .....	39
Desfase de temperatura .....	23	<b>Antes de solicitar servicio</b> .....	<b>41</b>
		<b>Declaración de garantía limitada del producto</b> .....	<b>42</b>

Este electrodoméstico de THERMADOR® está hecho por  
BSH Home Appliances Corporation  
5551 McFadden Ave.  
Huntington Beach, CA 92649

## ¿Preguntas?

1-800-735-4328

[www.thermador.com](http://www.thermador.com)

**¡Esperamos oír de usted!**

# Introducción

Antes de usar su estufa, asegúrese de leer este manual. Ponga especial atención a la sección **Instrucciones de seguridad importantes** al principio del manual.



## ADVERTENCIA:

Si no sigue rigurosamente la información contenida en este manual podría provocar un incendio o una explosión, y como resultado daños a la propiedad, lesiones o la muerte.

— **No guarde o use materiales combustibles, gasolina u otros productos inflamables, bajo cualquier tipo de forma, cerca de este o cualquier otro aparato.**

## — QUÉ HACER EN CASO DE OLER A GAS

- No trate de encender ningún aparato.
- No toque ningún interruptor eléctrico.
- No use ningún teléfono en su casa.
- Llame de inmediato a su proveedor de gas desde el teléfono de algún vecino y siga las instrucciones de su proveedor de gas.
- Cuando no pueda localizar a su proveedor de gas, llame a los bomberos.

— **Un instalador cualificado, una agencia de servicio autorizada o el proveedor de gas debe realizar la instalación y el servicio.**

Las estufas PROFESSIONAL® de THERMADOR son aparatos aislados e independientes que están disponibles en un gran número de configuraciones. Todos los modelos incluyen una superficie para cocinar de tamaño profesional, un sistema de convección por gas y una hornilla con un modo de autolimpieza y un asador.

Este manual contiene información importante de uso y cuidado para todas las estufas PROFESSIONAL® de THERMADOR. Cuando use este manual, es sumamente importante que conozca el número de modelo de su estufa, puesto que cierta información puede ser exclusiva para cada estufa. Usted puede encontrar el número de modelo en la etiqueta de la placa de señalización. Las tablas de las páginas siguientes resumen los diferentes modelos de estufas e identifican las características de cada estufa.



## ADVERTENCIA: ¡Riesgo de vuelco!



**Un niño o un adulto podrían volcar el aparato y perder la vida.**

**Asegúrese de que el dispositivo antivuelco esté instalado adecuadamente y que su soporte sujete la pata del aparato al reinstalarlo en su sitio.**

No utilice el aparato si el dispositivo antivuelco no está instalado. El hecho de no leer las instrucciones de este manual puede causar la muerte o graves quemaduras a niños y adultos.

Asegúrese de que el soporte antivuelco esté bien instalado y debidamente utilizado. Incline levemente la estufa por delante tirando de la parte posterior para asegurarse de que el soporte antivuelco esté bien enganchado en la base moldada de aluminio y que el aparato no pueda volcar. La estufa no debería poder moverse más de una pulgada (2,5cm).

# Seguridad



## INSTRUCCIONES IMPORTANTES DE SEGURIDAD

### LEA Y GUARDE ESTAS INSTRUCCIONES

Requisitos de instalación acerca del suministro de gas y de la alimentación eléctrica e instrucciones para la toma de tierra.

### LEA ATENTAMENTE LAS SIGUIENTES INFORMACIONES

#### Verificación del tipo de gas

Verifique el tipo de gas del suministro. Asegúrese de que el aparato esté conectado al tipo de gas para el cual está certificado. Los modelos vienen de fábrica con certificado para un uso con gas natural o gas propano. Asegúrese de que su estufa y el tipo de gas sean el mismo. Consulte la placa de señalización del producto que se encuentra como se indica en la Figura 35.



#### PRECAUCIÓN:

Cuando conecte el aparato con gas propano, asegúrese de que el tanque de gas propano venga con su propio regulador de alta presión además del regulador de presión que se incluye con la estufa. **La máxima presión de gas de este aparato no debe exceder 14,0 pulgadas de columna de agua (34m9 mb) del tanque de gas propano al regulador de presión.**

#### IMPORTANTE:

Todas las estufas deben instalarse con una consola trasera de protección. Para las instalaciones de tipo isla y las otras instalaciones donde hay un espacio horizontal de más de doce pulgadas entre los materiales combustibles y la parte trasera de la estufa, todos los modelos vienen con un adorno de tipo isla. Se debe comprar por separado e instalar una consola trasera baja o un estante alto THERMADOR® cuando el espacio horizontal es inferior a 12 pulg. (305 mm). Antes de usar la estufa, asegúrese de que tenga una consola trasera de protección apropiada. Consulte las instrucciones de instalación incluidas para obtener más información.

Avant d'utiliser la cuisinière, assurez-vous qu'elle est munie d'un dossier adéquat. Consultez les instructions d'installation qui accompagnent cet appareil pour obtenir de plus amples renseignements.



#### ADVERTENCIA:

Para evitar un posible riesgo de quemaduras o fuego se debe instalar una consola trasera de protección diseñada específicamente para esta estufa antes de utilizarla.



#### PRECAUCIÓN:

¡El estante alto puede calentarse mucho! NO coloque encima de este estante:

- plásticos o contenedores que se puedan derretir
- artículos inflamables
- una carga de más de 30 libras (13,6 kg).

#### Modelos con gas de 36 pulg.:

120 voltios, 60 Hz., se requiere un circuito eléctrico de 15 amperios. Modelo de 36 pulg. con plancha eléctrica – se requiere un circuito eléctrico de 20 A

#### Modelos con gas de 48 pulg.:

120 voltios, 60 Hz., se requiere un circuito eléctrico de 20 amperios.



#### ADVERTENCIA:

QUITE SIEMPRE EL ENCHUFE ELÉCTRICO DEL ENCHUFE DE LA PARED ANTES DE DAR SERVICIO A LA ESTUFA.

Recomendamos proporcionar un circuito dedicado para alimentar este aparato.

El uso de estufas de gas produce calor y humedad.



#### PRECAUCIÓN:

**POR CUESTIÓN DE SEGURIDAD PERSONAL, ESTE APARATO DEBE ESTAR CONECTADO A UNA ALIMENTACIÓN ELÉCTRICA POLARIZADA CON UNA TOMA DE TIERRA ADECUADA.**

Vea las instrucciones de instalación para conocer los requisitos de alimentación eléctrica y de toma de tierra.

Es responsabilidad y obligación del usuario asegurarse de que un electricista cualificado conecte este aparato a la alimentación eléctrica conforme al código eléctrico nacional y/o a los códigos y regulaciones locales vigentes.



# INSTRUCCIONES IMPORTANTES DE SEGURIDAD

## LEA Y GUARDE ESTAS INSTRUCCIONES



### PRECAUCIÓN — PARA TODOS LOS MODELOS: EN CASO DE FALLO ELÉCTRICO

Si por algún motivo una perilla de gas está prendida y no hay corriente eléctrica para operar los encendedores eléctricos en los quemadores de gas de la estufa, **apague la perilla de control y espere 5 minutos** para que se disipe el gas antes de prender el quemador manualmente.

Para prender los quemadores manualmente, sostenga un cerillo prendido cerca de los orificios del quemador y gire la perilla de control de gas a HI. Durante un fallo de luz, usted puede usar los quemadores estándares de la estufa, pero los debe encender con un cerillo.

NO trate de encender los dos quemadores XLO<sup>®</sup> de la izquierda y los dos quemadores XLO<sup>®</sup> de la derecha manualmente. Estos quemadores vienen equipados con la opción ExtraLow<sup>®</sup> y no se pueden encender manualmente.

### PROBADO CONFORME A:

- ANSI Z21.1 – norma americana para aparatos domésticos de gas
- UL 858 – norma de seguridad para estufas eléctricas domésticas
- CAN/CSA-C22.2 No 61-08 – norma canadiense para estufas domésticas
- CAN/CGA1.1-M81 – estufas domésticas de gas

Consulte los códigos locales que se apliquen a su caso de construcción para un correcto método de instalación. Si no hay códigos locales, se debe instalar esta unidad conforme al Código Nacional de Gas americano No. Z223.1, edición actual, y el Código Eléctrico Nacional americano ANSI/NFPA No. 70, edición actual, o bien al Código de instalación Can - B149 para aparatos de gas y al Código Eléctrico Canadiense C22.1 Parte 1.

Incumbe al dueño y al instalador determinar si requisitos o normas adicionales se aplican a la instalación específica.

### Prácticas de seguridad para evitar lesiones

Con el cuidado adecuado, su nueva estufa PROFESSIONAL<sup>®</sup> de THERMADOR ha sido diseñada para ser un aparato seguro y fiable. Sin embargo, tenga mucho cuidado cuando use esta estufa de tamaño comercial ya que este tipo de aparato genera mucho calor. Cuando use aparatos de cocina, se deben tener en cuenta precauciones básicas, incluyendo las siguientes:

Lea atentamente este manual de uso y cuidado antes de usar su nueva estufa para reducir el riesgo de fuego, de descarga eléctrica o de lesiones.

Se deben efectuar correctamente la instalación y el mantenimiento de este aparato. Siga las instrucciones de instalación que se incluyen con el producto. Asegúrese de que un técnico cualificado instale el aparato y haga la toma de tierra de la estufa.

Pídale al instalador que le muestre dónde se encuentra la válvula de cierre de gas y el disyuntor, de manera que usted sepa cómo y dónde apagar el suministro de gas y la alimentación eléctrica de la estufa.

En el caso de que haya un escape de gas en un quemador, abra una ventana o una puerta. No intente usar la estufa antes de que el gas se haya disipado. Espere como mínimo cinco minutos antes de usar la estufa.

No repare o reemplace ninguna parte del aparato a menos que haya sido recomendado específicamente en este manual. Para cualquier otro servicio, contrate a un técnico cualificado.

Nunca se deben dejar solos a niños en un área donde se use un aparato. Nunca se les debe permitir sentarse o subir sobre ninguna parte de la estufa. Cuando se les permita usar la estufa a los niños, éstos deben estar supervisados de cerca por un adulto.



### PRECAUCIÓN:

No almacene objetos de interés para los niños encima de la estufa o en la parte trasera de ésta. Podrían subir sobre la estufa para alcanzarlos y sufrir heridas serias.

Nunca use ninguna parte de la estufa o de la hornilla para almacenar cosas. Los materiales inflamables pueden arder y los artículos de plástico pueden derretirse o quemarse.



# INSTRUCCIONES IMPORTANTES DE SEGURIDAD

LEA Y GUARDE ESTAS INSTRUCCIONES



## ADVERTENCIA:

PARA REDUCIR LOS RIESGOS DE INCENDIO DE LA GRASA:

- a) Nunca deje la estufa sin atención cuando cocine a fuego alto. Los derrames causan humo y la grasa derramada puede arder. Caliente el aceite lentamente, a fuego lento o medio.
- b) Siempre encienda la campana cuando cocine a fuego alto o flamee alimentos (p.e. crepes Suzette, cerezas al jubileo, carne flameada a la pimienta).
- c) Limpie los ventiladores frecuentemente. No deje que la grasa se acumule sobre los ventiladores o los filtros.
- d) Use ollas de tamaño adecuado. Siempre use utensilios de cocina adecuados para el tamaño del fogón o del quemador.

No cuelgue artículos de ninguna parte del aparato y no apoye nada contra la hornilla. Algunas telas son muy inflamables y pueden prender fuego.

Si la estufa está cerca de una ventana, asegúrese de que las cortinas no alcancen los quemadores de la estufa ya que podrían arder.

Asegúrese de que siempre haya un detector de humo que funcione cerca de la cocina.

Si sus prendas o sus cabellos prenden fuego, tírese al suelo inmediatamente y dé vueltas para apagar las llamas.

Tenga un extintor apropiado a su disposición, cerca, muy visible y fácilmente accesible al lado del aparato.

Sofoque las llamas de los alimentos ardiendo, que no sea fuego de grasa, con bicarbonato sódico. Nunca utilice agua en incendios de cocina.

Cuando sea posible, apague el sistema de ventilación si hay fuego en su estufa. No intente alcanzar las perillas a través del fuego para apagarlas.

Cuando los niños lleguen a la edad suficiente para operar el aparato, es responsabilidad legal de los padres o de los tutores legales asegurar que personas cualificadas los instruyan sobre prácticas seguras.

Nunca permita el contacto de ropa, asas de ollas u otros materiales inflamables con ningún quemador infrarrojo, quemador superior o rejilla del quemador hasta que se haya enfriado. Las telas pueden encenderse y causar lesiones serias.

Siempre use asas secas para las ollas: Las asas mojadas o húmedas pueden causar quemaduras por el vapor. No use una toalla u otro trapo que estorbe en lugar de las asas. No permita que las asas toquen rejillas de quemadores, quemadores infrarrojos, o quemadores calientes.



## ADVERTENCIA:

PARA REDUCIR LOS RIESGOS DE LESIONES, EN EL CASO DE UN INCENDIO DE GRASA, LEA LO SIGUIENTE:

- SOFOQUE LAS LLAMAS con una tapa ajustada, una hoja u otra bandeja metálica, luego apague el quemador de gas o el fogón. TENGA CUIDADO de no quemarse. Si las llamas no desaparecen enseguida, EVACUE LA COCINA Y LLAME EL SERVICIO DE INCENDIOS.
- NUNCA TOMA UNA SARTÉN EN LLAMAS – Podría quemarse.
- NO USE AGUA o un trapo o una toalla mojada: se producirá una explosión de vapor.
- Use un extintor SÓLO si:
  - Sabe que tiene un extintor de tipo ABC y sabe cómo usarlo.
  - El fuego es pequeño y se limita al sitio donde comenzó.
  - Ya ha llamado al servicio de incendios
- Puede luchar contra el fuego y tiene acceso a una salida

Por cuestiones de seguridad use ropa adecuada. No use ropa holgada o mangas que cuelguen cuando use este aparato. Algunas telas sintéticas son muy inflamables y no deben usarse cuando cocina.



# INSTRUCCIONES IMPORTANTES DE SEGURIDAD

## LEA Y GUARDE ESTAS INSTRUCCIONES



### ADVERTENCIA - RIESGO DE VUELCO DE LA ESTUFA

- Todas las estufas pueden volcarse y producir lesiones. Para prevenir el vuelco accidental de la estufa, fíjela a la pared, al piso o al gabinete con el dispositivo antivuelco que se incluye.
- Cuando no se instala el aparato de acuerdo con estas instrucciones, existe el riesgo de que se vuelque.
- Cuando jale la estufa de la pared por motivos de limpieza, servicio u otra razón, asegúrese de volver a insertar correctamente el dispositivo antivuelco cuando empuje la estufa contra la pared. Sino, en el caso de un uso poco normal de la estufa (por ejemplo si alguien trepa, se sienta o se apoya sobre una puerta abierta), ésta podría volcarse. El hecho de ignorar esta precaución puede causar el vuelco de la estufa, lo que podría causar lesiones debido a líquidos calientes derramados o al peso mismo de la estufa.

Cuando usa la estufa: NO TOQUE LAS REJILLAS DE LOS QUEMADORES O EL ÁREA CERCANA. Las áreas cercanas a los quemadores pueden calentarse suficientemente para causar quemaduras.

Nunca deje el aparato sin atención cuando cocine a muchas temperaturas. Los derrames causan humo y puede arder la grasa derramada. Además, si se sofocan las llamas de un quemador, se escapará gas a la habitación. Vea la página 1 para tener más información sobre fugas de gas.

Use solamente ciertos tipos de utensilios de vidrio, vidrio cerámico refractario, cerámica, barro u otros vidrios que estén disponibles para cocinar con los quemadores de la estufa. Este tipo de utensilio puede romperse con cambios repentinos de temperatura. Utilice solamente llama media o baja según las indicaciones del fabricante del utensilio.

No caliente recipientes cerrados. La presión acumulada puede causar que el contenedor explote y provocar lesiones.



### ADVERTENCIA:

El aparato sirve para cocinar. Basado en consideraciones de seguridad, nunca use la hornilla o la estufa para calentar una habitación. Además, tal uso puede dañar las partes de la estufa o de la hornilla.



### ADVERTENCIA:

Evite el uso de llamas altas con una olla más grande que la rejilla o con una olla que abarque más de un quemador, como una plancha, por periodos largos de tiempo. Esto puede causar una mala combustión que genere derivados nocivos.

Tenga cuidado y asegúrese de que las corrientes de aire producidas por aberturas de ventilación o ventiladores no lleven material inflamable hacia las llamas o que empujen las llamas de modo que éstas se extiendan más allá de los bordes de la olla.

Siempre use ollas con un fondo plano suficientemente grandes para cubrir el quemador. El uso de ollas muy pequeñas podría dejar expuesta una parte de la llama y causar que la ropa se prenda.

Para minimizar el riesgo de quemaduras, el encendido de materiales inflamables y derrames por accidente, coloque los mangos de los utensilios hacia adentro de modo que no se extiendan encima de áreas cercanas de trabajo, áreas de cocinar o el borde de la estufa.

Agarre el mango de la olla para evitar que se mueva el utensilio cuando remueva o voltee alimentos.



### ADVERTENCIA:

NUNCA utilice esta unidad como un calentador para calentar el cuarto. El hacerlo puede sufrir una intoxicación por monóxido de carbono y sobrecalentamiento de la hornilla.



### ADVERTENCIA:

NUNCA utilice esta unidad para calentar un cuarto. Podría provocar una intoxicación por monóxido de carbono y sobrecalentamiento de la hornilla.

No use papel de aluminio para forrar ninguna parte de la hornilla o de la estufa. De lo contrario podría causar una descarga eléctrica o un fuego, o se podría obstruir el flujo del aire de combustión y de ventilación. El aluminio es un excelente aislante térmico y retiene el calor. Su utilización afectará a la cocción y podría dañar el acabado de la hornilla o de la estufa.





# INSTRUCCIONES IMPORTANTES DE SEGURIDAD

## LEA Y GUARDE ESTAS INSTRUCCIONES

No use detergentes inflamables para limpiar la estufa.

Las ollas grandes, las bandejas para galletas, etc. nunca se deben usar en la plancha.

No use la placa de la plancha para cocinar carnes muy grasas o productos que ardan fácilmente.

Quite la tabla de cortar opcional de la cubierta de la plancha antes de utilizar la plancha o los quemadores adyacentes.

**LA GRASA ES INFLAMABLE.** Permita que la grasa caliente se enfríe antes de tratar de manipularla. Evite la acumulación de depósitos de grasa. Limpie después de cada uso.

Para que se enciendan y funcionen correctamente los quemadores, mantenga limpios los orificios de los encendedores. Límpielos cuando haya un derrame de alimentos hervidos o cuando el quemador no se encienda bien, aunque funcione el sistema de encendido electrónico. Vea la sección "Mantenimiento hecho por usted mismo".



### ADVERTENCIA:

Apague el quemador después de un derrame de alimentos y limpie el área alrededor de los orificios de los quemadores. Después de la limpieza, asegúrese de que funcione normalmente.



### ADVERTENCIA:

Para evitar un posible riesgo de quemaduras o fuego se debe instalar una consola trasera de protección diseñada específicamente para esta estufa antes de utilizarla.

Limpie la estufa cuidadosamente. Evite quemaduras de vapor: no use una esponja o un trapo húmedo para limpiar la estufa cuando esté caliente. Algunos detergentes producen vapores nocivos cuando son aplicados a una superficie caliente. Siga las indicaciones del fabricante del detergente.

Asegúrese de que todos los controles de la estufa estén apagados y que la plancha esté fría antes de usar algún tipo de detergente aerosol encima o alrededor de la estufa. Los químicos provocados por la acción del spray podrían inflamarse o causar la corrosión de partes metálicas en presencia de calor.

Cuando use la hornilla: no toque los quemadores infrarrojos, las superficies internas de la hornilla o el área exterior alrededor de la puerta. Las superficies internas de la hornilla se calientan suficientemente para poder causar quemaduras. El deflector de calor, que desvía el calor de la estufa y del adorno hacia arriba y hacia los lados de la puerta de la hornilla, se calienta también cuando se usa la hornilla.

Coloque las rejillas de la hornilla en la posición deseada mientras que la hornilla está fría. Cuando se deba quitar una rejilla mientras que la hornilla está caliente, no permita que las agarraderas entren en contacto con el quemador infrarrojo.

Tenga cuidado al abrir la puerta de la hornilla; permita que el aire caliente o el vapor salga antes de sacar o introducir alimentos.

Antes de proceder a la autolimpieza de la hornilla, quite la bandeja de asar, las rejillas, los demás utensilios y las acumulaciones de suciedad.

No debe limpiar, frotar, dañar, mover o quitar el cierre hermético de la puerta. Es esencial para un buen sellado durante el horneado y cuando se procede a la autolimpieza de la hornilla. Si el cierre está gastado o muy sucio, reemplácelo para garantizar una buena estanquidad.

Proteja el dispositivo de autolimpieza. Limpie solamente las partes indicadas en este manual. No use ningún tipo de detergente comercial para hornilla o recubrimientos de protección para la camisa interior de la hornilla dentro o alrededor de la hornilla de autolimpieza.

**NO OBSTRUYA** el flujo del aire de combustión o de ventilación.

Por cuestiones de seguridad y para no dañar el equipo, nunca debe sentarse, pararse o recostarse contra la puerta de la hornilla.

Solamente técnicos autorizados deben dar servicio. Los técnicos deben desconectar la fuente de alimentación antes de dar servicio a esta unidad.

## INSTRUCCIONES IMPORTANTES DE SEGURIDAD

La Ley del Estado de California para Agua Potable y Tóxicos requiere que el Gobernador de California (California Safe Drinking Water and Toxic Enforcement Act) publique una lista de sustancias conocidas que causan cáncer, defectos de nacimiento u otros daños reproductivos, y requiere que las empresas adviertan a sus clientes de la exposición potencial ante tales sustancias.

La combustión de gas como combustible para cocinar y la eliminación de residuos durante la autolimpieza pueden generar cantidades pequeñas de monóxido de carbono. Para minimizar la exposición a estas sustancias:

1. Proporcione una buena ventilación cuando cocine.

2. Proporcione una buena ventilación durante e inmediatamente después de proceder a la autolimpieza de la hornilla.
3. Utilice la unidad conforme a las instrucciones en este manual.

No almacene o use químicos corrosivos, vapores, productos inflamables o no alimenticios en o cerca de este aparato. Este tipo de estufa está diseñado específicamente para calentar o cocinar alimentos. El uso de químicos corrosivos cuando caliente o limpie la estufa puede dañar el aparato y causar lesiones.

## Antes de comenzar

Antes de usar su estufa por primera vez, asegúrese de que tenga los artículos siguientes:

Tabla 1: Piezas y accesorios de la hornilla

DESCRIPCIÓN	36 pulg., 4 quemadores y una plancha	36 pulg., 6 quemadores	48 pulg., 6 quemadores y una plancha
Rejillas Full Access <sup>®</sup> , hornilla principal	3	3	3
Rejillas Full Access <sup>®</sup> , hornilla secundaria	0	0	2
Bandeja de asar, 2 piezas*	1	1	2
Sonda térmica	1	1	2
Tapas de los quemadores Star <sup>®</sup>	4	6	6
Rejillas de los quemadores	2	3	3
Perillas de control	7	8	9
Plancha de aluminio con revestimiento de titanio	1	0	1
Ensamblaje de las cubiertas de las patas	4	4	4
Adorno de tipo isla	1	1	1
Tarjeta de registro del producto	1	1	1
Guía de trucos prácticos	1	1	1
Manual de instalación	1	1	1
Manual de uso y cuidado	1	1	1

\*Todos los modelos se venden con una bandeja de asar de dos piezas de porcelana para la hornilla. Los modelos de 48 pulg. también se venden con una pequeña bandeja de asar de dos piezas para la hornilla secundaria.

\*\*Todos los modelos se venden con un adorno de tipo isla. Sin embargo, consulte la advertencia acerca del espacio detrás de la cocina cuando utiliza la estufa con este accesorio.



Quite todo el material de embalaje y las etiquetas temporales de la hornilla y de la estufa. Por favor, recicle el material de embalaje ya que todo lo que utiliza THERMADOR<sup>®</sup> para empacar sus aparatos es reciclable.

atención al cliente. Escriba también esta información en la tarjeta de registro que se incluye con este producto y luego envíela a la dirección indicada.

1. Asegúrese de tener los artículos listados en la Tabla 1.
2. **Anote el número de modelo y de serie.** Consulte la información que aparece en la placa de señalización. La placa de señalización está ubicada a la derecha del aparato, entre la cavidad de la hornilla y el panel lateral (vea la Figura 35). Usted puede recurrir a esa información cada vez que se ponga en contacto con la

3. Accesorios opcionales: placa de parrilla, tabla de cortar, cubierta para la plancha, rodapié, anillo de soporte para wok y otros accesorios están disponibles en su distribuidor THERMADOR<sup>®</sup>.

4. **Ponga las rejillas correctamente en la hornilla.** La posición correcta de las rejillas depende de la receta y del modo de cocinar. **Las posiciones de rejillas están numeradas desde abajo hacia arriba, igual que un elevador.** La posición de rejilla 3 es la posición que se usa con mayor frecuencia. Coloque la(s) rejilla(s) en la posición correcta antes de encender la hornilla.

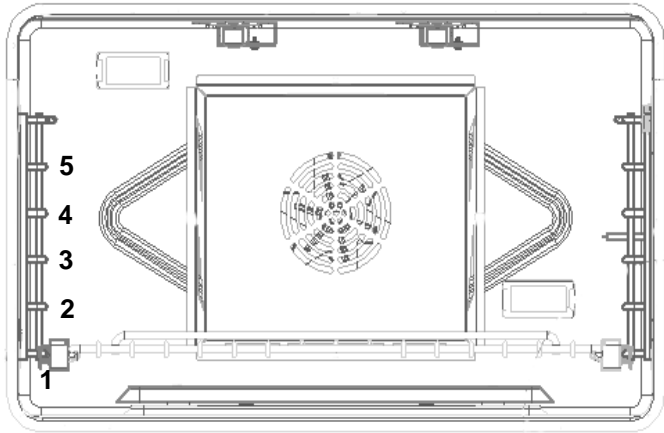


Figura 1: Posiciones de las rejillas en la hornilla

5. **Las rejillas correderas Full Access® de THERMADOR vienen con todos los modelos:** Puede tirar y empujar las rejillas en la hornilla con un esfuerzo mínimo, aun cuando pone un pavo o un asado pesado encima de la rejilla.

**IMPORTANTE:**

Siempre quite las rejillas Full Access® antes de proceder a la autolimpieza de la hornilla. Si las rejillas correderas se quedan en la hornilla durante la autolimpieza, los lubricantes del mecanismo de cada rejilla se dañarán y el acabado se decolorará.



**ADVERTENCIA:**

Para prevenir los riesgos de quemaduras, no quite ni desplace NUNCA las rejillas cuando esté encendida la hornilla o se esté enfriando.

Quite siempre las rejillas antes de proceder a la autolimpieza

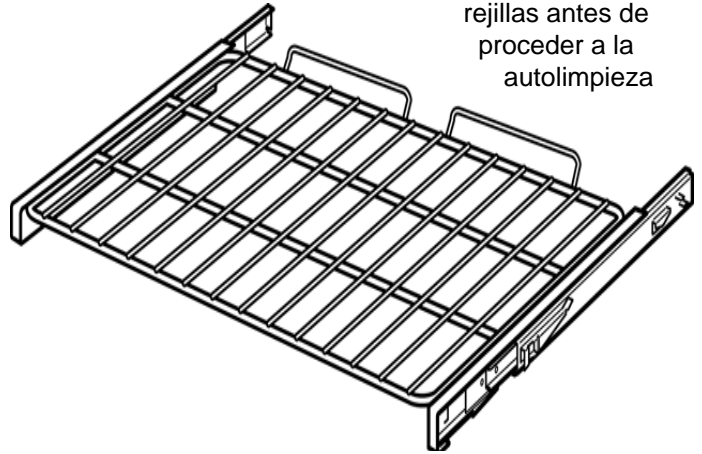


Figura 2: Rejilla corredera

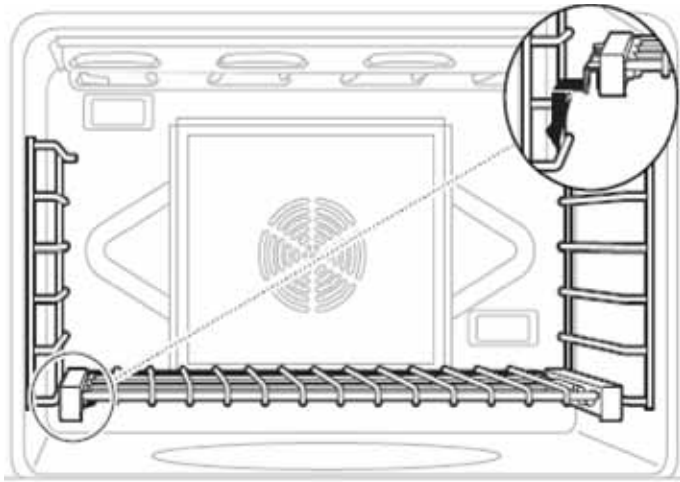
**Instalación de las rejillas en la hornilla:**

Para instalar una rejilla en la hornilla, sujétela con la parte delantera hacia usted. Coloque los ganchos de seguridad bajo la parte delantera de las ranuras de las guías. Empuje la rejilla sobre la hornilla, levantándola por encima de los toques de seguridad situadas en la parte delantera de las guías. Empuje la rejilla a su sitio.

Cuando pone platos en una rejilla, tire de la rejilla hasta su extremo. Las rejillas están diseñadas para bloquear y no inclinarse cuando están totalmente extendidas.

### Para quitar las rejillas de la hornilla:

Para quitar o cambiar una rejilla de posición, tire de la rejilla hacia adelante. Levante la parte delantera por encima de los topes de seguridad y quítela.



#### IMPORTANTE:

Cuando instale una rejilla corredera en la hornilla, asegúrese de que los soportes frontales de las guías estén apoyados en las ranuras grandes de las esquinas de la rejilla, como se ilustra. Esto es necesario para asegurarse que la rejilla esté en la posición correcta cuando sea empujada hasta el fondo de la hornilla.

Figura 3: Vista de lado de una rejilla en las guías



#### PRECAUCIÓN:

Nunca se debe usar papel de aluminio para cubrir las rejillas de la hornilla o para forrar la hornilla. No quite el elemento del grill de la hornilla eléctrica.

#### Nota:

Es normal durante el proceso de enfriamiento que la hornilla eche aire caliente a la habitación donde se halla.

Las estufas PROFESSIONAL® de THERMADOR emiten a veces olores particulares o humo cuando se usan por primera vez. Esos olores o este humo provienen de residuos de fabricación que queman, lo que es típico en una nueva estufa, sin importar el fabricante. **Antes de usar la hornilla o el grill**, encienda la hornilla y el grill para quemar los aceites de fabricación recurriendo a uno de los métodos siguientes:

— Encienda el sistema de ventilación (si la campana usada funciona con un sistema de recuperación de aire, abra una ventana). Ajuste la hornilla a 500°F/260°C y déjelo funcionar durante dos horas a una temperatura alta, luego apáguelo. Consulte la sección “Mantenimiento hecho por usted mismo” antes de limpiar las rejillas de la hornilla.

— Encienda el sistema de ventilación (si la campana usada funciona con un sistema de recuperación de aire, abra una ventana). Quite las rejillas de la hornilla. Ajuste la hornilla al modo de autolimpieza y deje terminar su ciclo (consulte la sección “Autolimpieza de la hornilla”).

Note que los pájaros domésticos pueden ser sensibles a los olores creados durante la utilización de la hornilla a temperaturas altas, que provengan de la combustión de residuos de fabricación o de alimentos. Así, se recomienda no dejar los pájaros domésticos en la cocina.

6. **Asegúrese de que las tapas de los quemadores Star® estén bien colocados en sus bases (Figuras 14 y 15).** Encienda cada quemador para asegurarse de que el color de la llama es correcto. Consulte la sección “Descripción de la llama” para obtener más detalles.

# Descripción

## Identificación del modelo y de las piezas - Estufas de 48 pulg

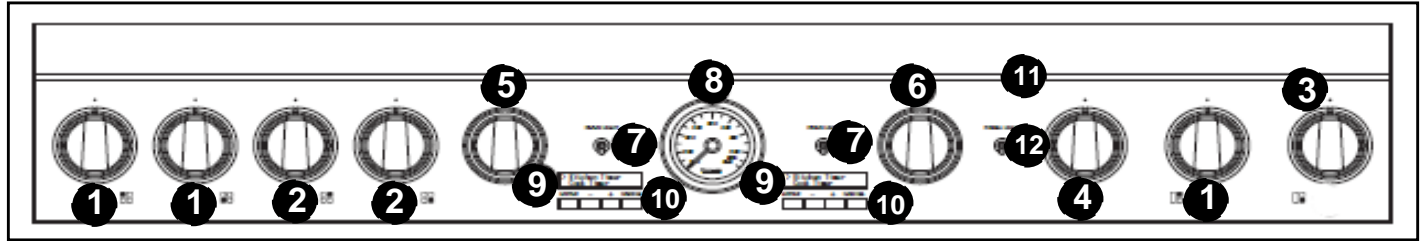


Figura 4: Tablero de control de la estufa mixta de 48 pulgadas

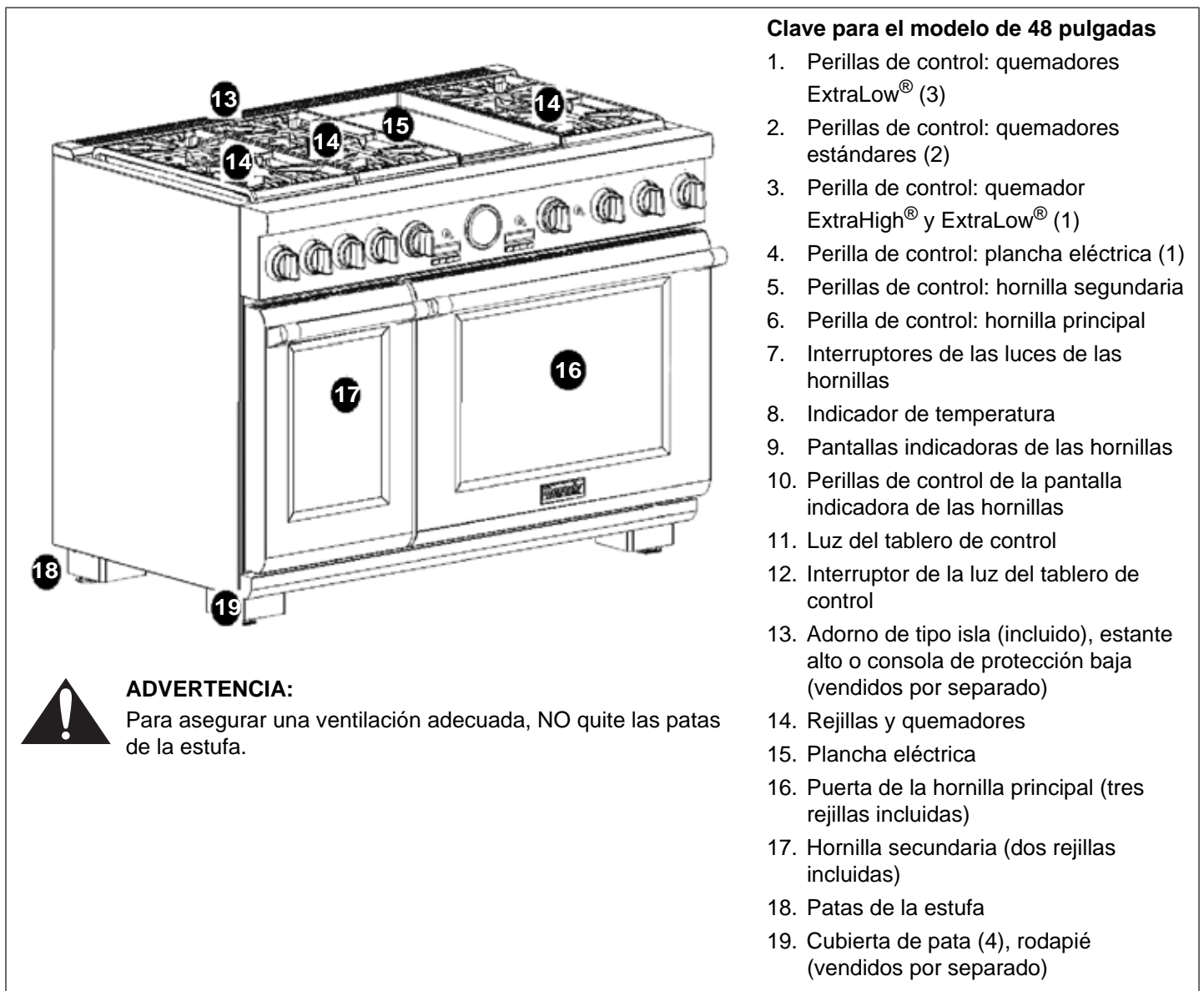


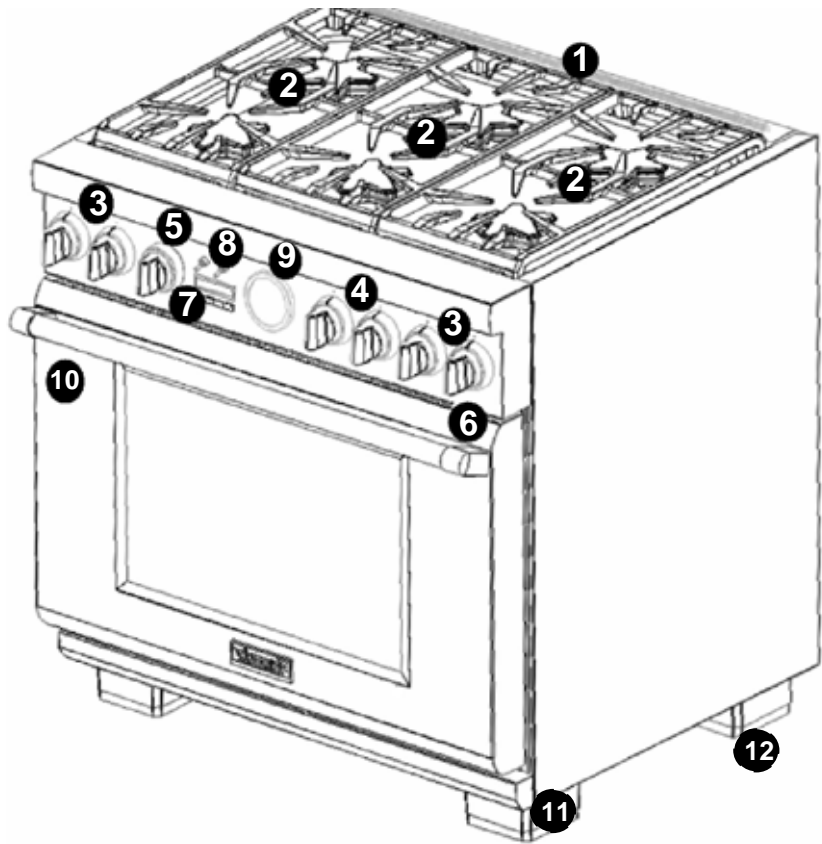
Figura 5: Identificación de las piezas de la estufa mixta de 48 pulgadas



# Identificación del modelo y de las piezas - Estufas de 36 pulg

## Clave para el modelo de 36 pulgadas

1. Adorno de tipo isla (incluido), estante alto o consola de protección baja (vendidos por separado)
2. Rejillas y quemadores (plancha situada en el centro para algunos modelos)
3. Perillas de control: quemadores ExtraLow® (3)
4. Perillas de control: quemadores estándares (2)
5. Perilla de control e indicador de la hornilla
6. Perilla de control: quemador ExtraHigh® y ExtraLow® (1)
7. Pantalla indicadora y perillas de control de la hornilla
8. Luz e interruptores de las luces del tablero de control de la hornilla
9. Indicador de temperatura
10. Puerta de la hornilla
11. Pata de la estufa
12. Cubierta de pata (4), rodapié (vendidos por separado)



### ADVERTENCIA:

Para asegurar una ventilación adecuada, NO quite las patas de la estufa.

Figura 6: Identificación de las piezas de la estufa mixta de 36 pulgadas

## Interior de la hornilla a gas principal

1. Luces interiores (2)
2. Quemadores infrarrojos del grill (2)
3. Sensor de temperatura de la hornilla
4. Enchufe de la sonda térmica
5. Guías de las rejillas
6. Rejillas correderas de la hornilla (3 incluidas – no ilustradas)
7. Quemador de la hornilla (oculto)
8. Tapa del ventilador para cocción por convección
9. Encendedores del grill (2)

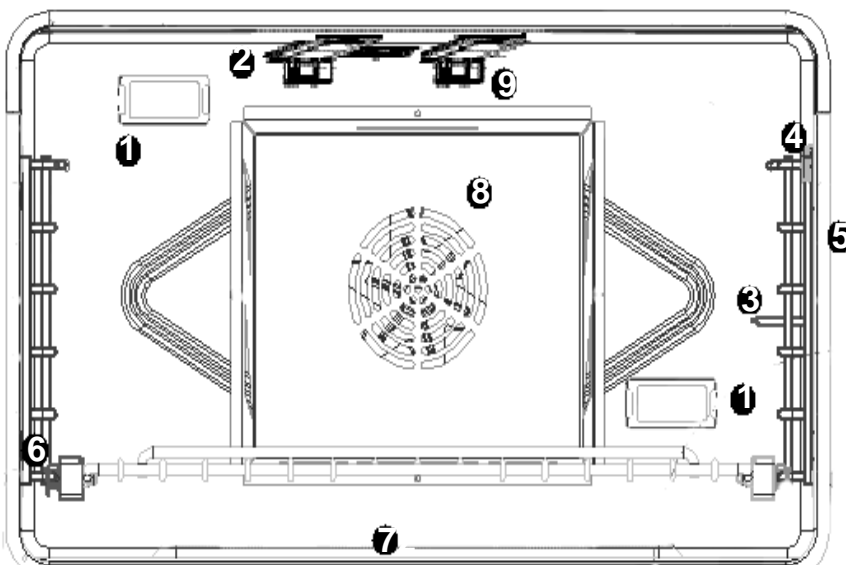


Figura 7: Intérieur du four au gaz des modèles de 36 po et 48 po



# Usar la estufa

## Quemadores sellados



Figura 8: Base del quemador Star® de latón

La estufa viene con cuatro o seis quemadores de gas Star®; el quemador Star® delantero derecho tiene una potencia de 22,000 BTU/h (18,000 BTU/h con gas propano) y todos los demás quemadores Star® tienen una potencia de 18,000 BTU/h (15,000 BTU/h con gas propano).

Cada quemador tiene un dispositivo QuickClean® único que facilita la limpieza del quemador y del área cercana.

En todos los modelos, los dos quemadores Star® de la izquierda y los dos quemadores Star® de la derecha incluyen la opción exclusiva ExtraLow®, mientras que los quemadores restantes son estándares. Cada quemador tiene su propia perilla de control.

### Perillas de control

Normalmente, las perillas de control para dos quemadores se encuentran directamente enfrente del par de quemadores al que corresponden en el tablero de control, situados uno en frente del otro en la superficie de la estufa.

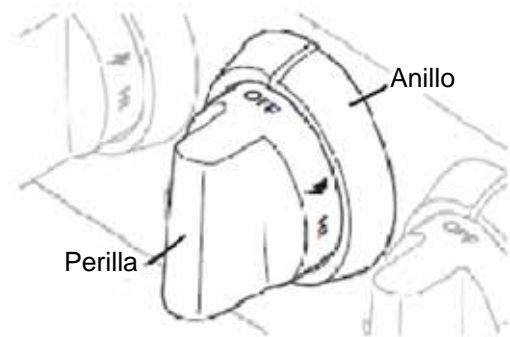


Figura 9: Perilla de control estándar de un quemador Star®

El símbolo sobre cada perilla de control identifica la posición que ocupa en la superficie de la estufa. Los símbolos de la Figura 10 corresponden al modelo de estufa de 48 pulg.

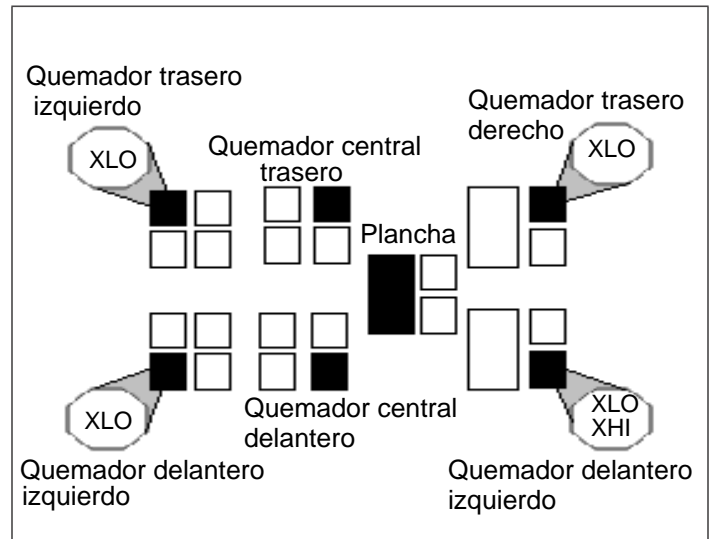



Figura 10: Símbolos de la superficie de la estufa

### Operación de los quemadores

- Oprima la perilla y gírela en sentido opuesto a las agujas del reloj a la posición .
- El encendedor del quemador seleccionado hace un chasquido y echa chispas.
- Después de encender la llama, el chasquido del encendedor se detiene.
- Gire la perilla a cualquier ajuste de la llama entre HI y SIM.

- Se prende la luz azul de señal directamente encima de cada perilla de quemador. Se enciende la luz cuando uno de los quemadores queda prendido y se apaga cuando está en la posición OFF.

#### BTU de los quemadores estándares

- HI equivale a 15,000 BTU / HR (13,000 BTU/HR con gas propano).
- SIM equivale a 2,100 BTU / HR.

#### BTU de los quemadores ExtraLow®

- HI equivale a 15,000 BTU / HR (13,000 BTU / HR con gas propano).
- SIM equivale a 3,000 BTU / HR.
- XLO equivale a 370 BTU / HR cuando la perilla está ajustada a la temperatura más baja del quemador ExtraLow®.

#### BTU de los quemadores Powerboost®

- XHI® equivale a 22 000 BTU/h (18 000 BTU/h con gas propano).
- SIM equivale a 3 000 BTU/h.
- XLO® equivale a 375 BTU/h cuando la perilla está ajustada a la temperatura más baja del quemador ExtraLow®.

#### Quemadores ExtraLow®

Los controles de los dos quemadores de la izquierda, y de los dos quemadores de la derecha, delanteros y traseros, tienen ajustes de las llamas aún más bajos que los ajustes estándares de fuego lento.

La figura 11 muestra que la perilla de control tiene un rango adicional entre el ajuste SIM y XLO®. Cuando se ajusta la perilla dentro de este rango, la llama se prende y se apaga. Variando la duración de tiempo que se prende y apaga la llama, se puede reducir el calor aún más para cocinar alimentos delicados. Por ejemplo, estos ajustes son apropiados para hervir a fuego lento y para escalfar, derretir chocolate y mantequilla, mantener alimentos calientes sin quemarlos, etc.

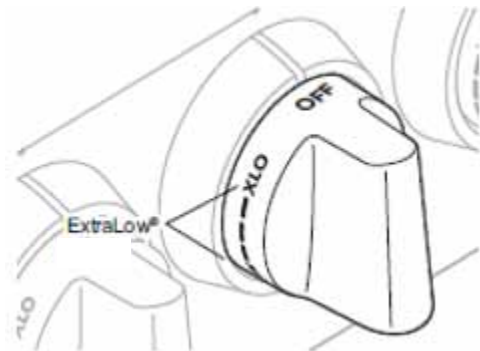


Figura 11: Perilla de control de un quemador ExtraLow®

#### Funcionamiento de los quemadores ExtraLow®

- XLO®, el ajuste de calor más bajo, funciona por ciclos de un minuto donde la llama se prende durante unos 7 segundos y se apaga durante 53 segundos.
- Cuando se ajusta la perilla justo debajo de la posición SIM, se prende a llama cada minuto durante unos 54 segundos y se apaga durante unos 6 segundos.
- Para variar la intensidad de calor, se puede ajustar el control en cualquier posición dentro del rango de SIM y XLO marcado en la perilla.

#### Técnicas ExtraLow®

- El tipo y la cantidad de alimentos afectan al ajuste que se debe usar.
- La olla seleccionada afecta al ajuste de calor. Su tamaño, tipo, material y el uso de una tapa afectan la constancia de la temperatura de cocción.
- Para mantener un calor bajo, se debe calentar el alimento hasta hervir. Revuelva bien, luego tape la olla y baje el calor a un ajuste un poco abajo de SIM.
- Revise periódicamente si se debe modificar el ajuste de la perilla de control.
- Cuando se usa una olla demasiado grande, la acción de hervir a fuego lento puede producirse principalmente en el centro de la olla. Para igualar la temperatura en todo el alimento, revuélvalo bien de los extremos exteriores de la olla hacia el centro.
- Es normal revolver el alimento de vez en cuando, cuando cocine a fuego lento, sobre todo cuando debe cocer durante varias horas, como en el caso de una salsa casera de espaguetis o de frijoles.
- Cuando baje el ajuste de la llama, hágalo en pasos pequeños.
- Si el ajuste es demasiado bajo para seguir a fuego lento, vuelva a llevar a ebullición antes de reajustar a una temperatura más alta.
- Es normal no ver burbujas después de revolver un alimento.
- Se pueden formar burbujas cuando la llama se prende y desaparecer cuando la llama se apaga. Aún cuando la llama está apagada, habrá vapor y una ligera agitación en la superficie del líquido.

#### POWERBOOST®

La perilla de control POWERBOOST, o XHI®, se ubica en la posición delantera derecha de la estufa. La función XHI® es superior de 4000 BTU al ajuste de los otros quemadores Star®. Es práctico para hervir agua, cocinar filetes a fuego vivo, saltear verduras, etc. Las funciones SIM y XLO® se usan de la misma forma que con los demás quemadores.

## Encendedor electrónico único

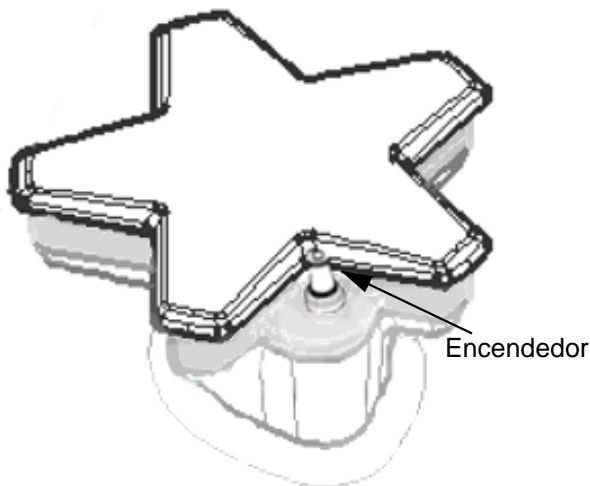


Figura 12: Encendedor

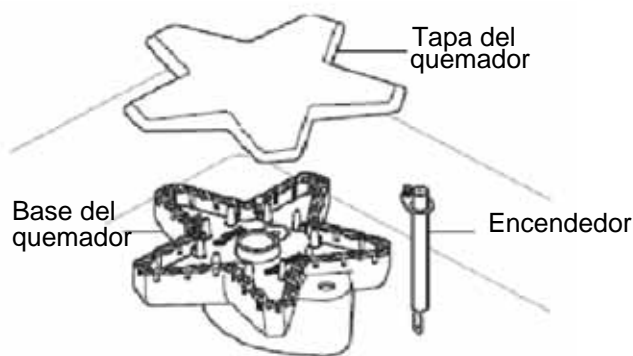


Figura 13: Componentes de los quemadores Star®

Cada quemador Star® tiene su propio encendedor electrónico que echa chispas cuando se activa la perilla. Los quemadores deben encenderse en 4 segundos o menos. Si un quemador no se enciende, asegúrese de que la tapa esté colocada correctamente sobre la base (vea las Figuras 14 y 15).



### PRECAUCIÓN:

No toque los quemadores cuando los encendedores echan chispas.

Si un quemador no enciende, consulte la sección "Antes de solicitar servicio".

## Reencendido Automático

Si se apagan las llamas de uno o más quemadores, el encendedor electrónico echa chispas automáticamente para volver a encender la llama. No toque los quemadores cuando los encendedores echen chispas.

### IMPORTANTE:

- Para una combustión adecuada, no use la estufa sin tener las rejillas de los quemadores en su lugar.
- Hay un ligero sonido asociado con la combustión de gas y el encendido. Esto es normal.

## Posición de las tapas de los quemadores

Para asegurar un funcionamiento correcto, se deben colocar correctamente las tapas de los quemadores Star® sobre su base. Si la tapa no se coloca correctamente, podría ocurrir uno de los siguientes problemas:

- Las llamas del quemador son demasiado altas
- Llamas excesivas salen del quemador
- El quemador no se enciende
- Las llamas del quemador son irregulares
- El quemador desprende olores



### ADVERTENCIA:

Para evitar que los productos se prendan fuego o que se creen gases nocivos, no use la superficie de la estufa si las tapas y las rejillas no están todas colocadas correctamente.



### ADVERTENCIA:

Para prevenir quemaduras, evite tocar las tapas y las rejillas de los quemadores cuando estén calientes. Apague la estufa y deje los quemadores enfriarse.

### Verificación de la posición de las tapas de los quemadores

- Compruebe cada quemador para asegurarse de que no hay espacio entre la tapa y la base del quemador. Vea las Figuras 14 y 15 para ejemplos de tapa de quemador instalada correcta e incorrectamente.
- Puede intentar mover con cuidado las tapas de los quemadores lateralmente para asegurarse que están colocadas correctamente en su base. Cuando es el caso, las tapas están rectas en la base y cubren completamente la base del quemador en forma de estrella al miraras desde arriba, como se muestra en la Figura 14.



Figura 14: Tapa de quemador colocado correctamente

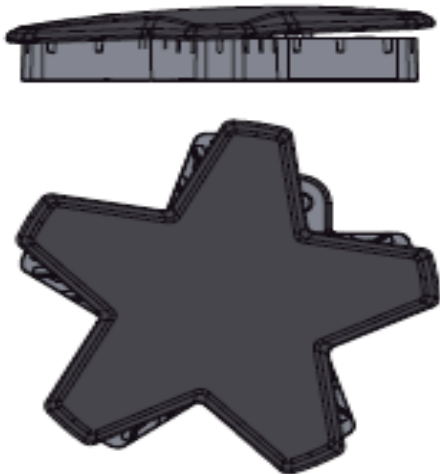


Figura 15: Tapa de quemador colocado incorrectamente

### Apagón

- En el caso de un apagón, sólo se pueden encender manualmente los quemadores estándares. Se debe encender cada uno individualmente.
- Si se está usando la estufa cuando se va la luz, gire todas las perillas a la posición OFF.
- Se pueden encender los quemadores Star® estándares sosteniendo un cerillo prendido cerca de los orificios y girando la perilla de control a la posición HI. Espere que la llama envuelva toda la tapa del quemador antes de ajustar la llama a la altura deseada.
- No intente encender los dos quemadores XLO® de la izquierda y los dos quemadores XLO® de la derecha durante un apagón. Estos quemadores tienen la función ExtraLow® y no se pueden encender manualmente.
- Si un quemador ExtraLow está prendido cuando se va la luz, no se puede volver a prender hasta ajustar la perilla a la posición OFF.
- No se pueden usar la plancha o el grill durante un apagón.
- Si huele a gas, consulte las instrucciones de seguridad de la página 1.



#### **ADVERTENCIA:**

En el caso de un apagón, se deben girar todas las perillas a la posición OFF. Solamente se pueden encender manualmente los quemadores estándares Star®.

### Altura de la llama

- La altura correcta de la llama depende de: 1) tamaño y material de la olla utilizada; 2) alimento que se está preparando; 3) cantidad de líquido en la olla.
- La llama nunca se debe extender más allá de la base de la olla.
- Use una llama baja o mediana para ollas de materiales que conduzcan el calor lentamente, como el acero esmaltado o la vitrocerámica.

## Descripción de la llama

---

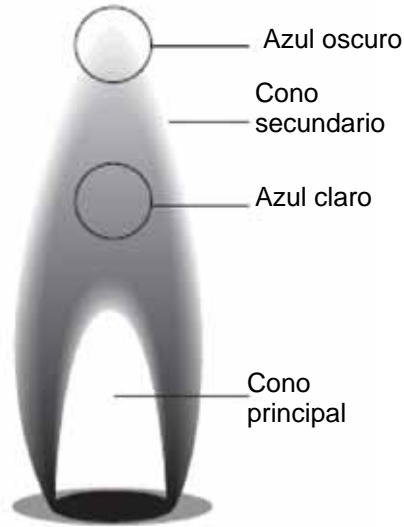


Figura 16: Color de la llama



### ADVERTENCIA:

Este producto contiene, en el caso de una utilización normal para la que está concebido, uno o varios productos químicos que, según el Estado de California, pueden causar cáncer, defectos de nacimiento u otros daños reproductivos. Para minimizar la exposición a dichos productos químicos:

- (1) Para asegurar una combustión adecuada, un instalador o una agencia acreditados deben proceder a la conversión y al ajuste de los quemadores.
- (2) Cuando cocine con gas, asegúrese de ventilar bien la sala abriendo una ventana o usando un ventilador o una campana.
- (3) Maneje Siempre el aparato conforme a las instrucciones proporcionadas con su estufa.

- La llama de los quemadores debe ser de color azul sin puntas amarillas. A veces, toma parcialmente un color naranja: esto indica que se están quemando impurezas suspendidas en el aire. Desaparecerá con el uso.
- Con gas propano (LP), es normal tener algunas puntas de color amarillo en el cono principal.
- La llama debe quemar completamente alrededor de la tapa del quemador. En caso contrario asegúrese de que la tapa esté colocada correctamente sobre la base y que los puertos no estén tapados.
- La llama debe estar estable sin ruido o flameado excesivo.

## Recomendaciones para los utensilios de cocina



### PRECAUCIÓN:

Para evitar dañar seriamente el aparato o las ollas, lea las siguientes instrucciones:

- Nunca se deben usar grandes utensilios en la superficie de la estufa, como cazuelas grandes, bandejas para galletas, etc.
- Las ollas grandes para caldos deben colocarse en forma escalonada cuando se usan en la estufa.

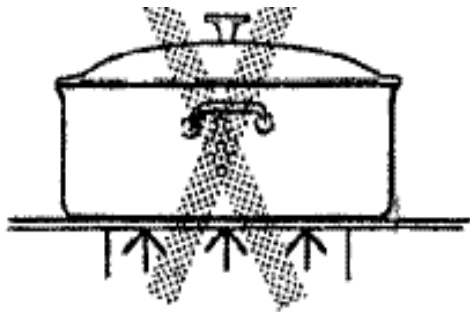


Figura 17: Diámetro de base

- Seleccione ollas cuyo diámetro coincida con el diámetro de la llama. El diámetro de la llama debe ser del mismo tamaño que la base de la olla o ligeramente más pequeña. Ollas demasiado grandes o pequeñas perjudican el rendimiento. Generalmente un tamaño de olla de 5 -1/2" (140 mm) es el más pequeño que se recomienda.
- Evite usar durante demasiado tiempo un ajuste de llama intenso cuando utilice una olla cuyo diámetro sea más grande que la rejilla o que ocupe el espacio de más de un quemador, como una bandeja. Esto puede generar una mala combustión y gases nocivos.



Figura 18: Olla balanceada

- La base de la olla es un factor importante para la estabilidad y uniformidad de la cocción. El asa no debe ser más pesada que la olla para que ésta no se incline. La olla debe ponerse al ras sobre la rejilla sin balancearse ni estar inestable.
- No se deben colocar alimentos envueltos en papel de aluminio directamente sobre la rejilla del quemador. El papel de aluminio puede derretirse durante la cocción.

- No permita que artículos de plástico, papel o tela entren en contacto con la rejilla caliente de un quemador. Podrían derretirse o prender fuego.
- Nunca hierva una olla hasta quedar seca. Esto puede dañar su olla y la superficie de la estufa.
- Recomendamos utilizar ollas de calidad profesional con asas de metal porque las asas de plástico pueden derretirse o bullir cuando la llama sube por el costado de la olla. Se pueden encontrar ollas de calidad profesional en tiendas de suministro para restaurantes y tiendas especiales. Todos los utensilios de cocina deben tener estas características: buena conductividad de calor, buen balance de peso, diámetro de la base de tamaño correcto, una base plana, pesada y una tapa que cierre bien.
- Para lograr mejores resultados, se debe mantener la llama bajo el fondo de la olla.
- El aluminio y el cobre son materiales de ollas que conducen el calor de un modo rápido y uniforme. Estos metales se encuentran a veces en la base de la olla o entre las capas de acero inoxidable.

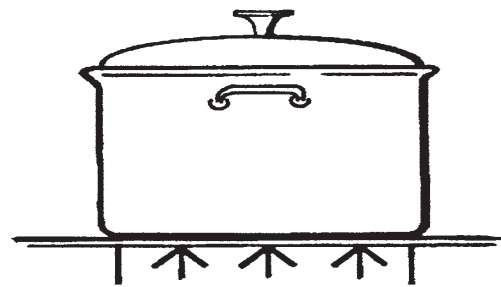


Figura 19: Olla de base plana

- Una base plana y pesada es estable cuando se calienta. Bases de ollas deformadas, dentadas, estriadas o muy ligeras se calientan de un modo poco uniforme. Caliente y enfríe las ollas gradualmente para evitar cambios repentinos de temperatura, lo cual tiende a deformarlas. No ponga agua fría en una olla caliente.

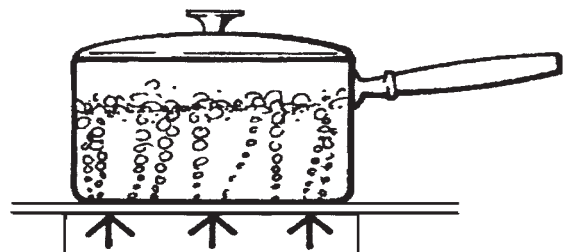


Figura 20: Olla tapada



## Utensilios especiales de cocina

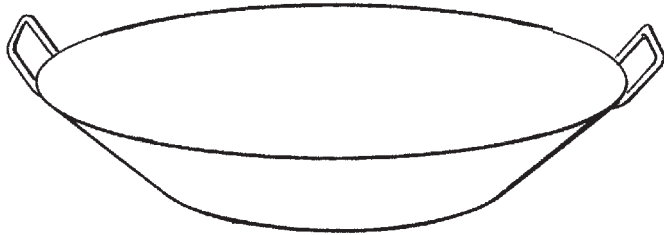


Figura 21: Olla tipo wok con base plana

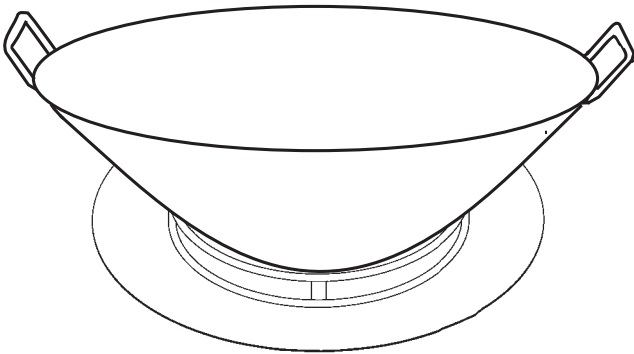


Figura 22: Wok con base redonda en un anillo de soporte

- **Wok** — Se pueden usar tanto woks de base plana como redonda con el anillo de soporte en todos los modelos. Para los woks de base redonda se debe usar un anillo de soporte. El wok y el anillo de soporte para wok de hierro fundido esmaltado de porcelana se venden por separado (PWOKRINGHC).
- **Olla grande para caldos y olla a presión** — Seleccione una con un diámetro de base que no salga más de 2 pulgadas (51mm) de la rejilla.

### Baño María de dimensiones estándares

21 a 22 cuartos de galón (19,95 a 20,9 litros), con una base de 11 a 12 pulg. (279 a 305 mm) y una altura de 9 a 11 pulg. (229 a 279 mm).

### Olla a presión

8 a 22 cuartos de galón (7,6 a 20,9 litros), con una base de 8 a 11 pulg. (203 a 279 mm) y una profundidad de 6,5 a 12 pulg. (165 – 305 mm).

Consejos para usar ollas a presión:

- Es preferible usar una base plana que una cóncava, convexa o estriada.
- Cuando use dos ollas a presión al mismo tiempo, use quemadores escalonados. No bloquee la circulación de aire alrededor de los quemadores. Una llama necesita el aire suficiente para que la combustión se haga bien.
- Use una tapa sobre las ollas a presión cuando lleve el contenido a ebullición.
- Una vez que el contenido haya hervido en la posición HI, use la llama más baja posible para mantener la ebullición o la presión.
- Las ollas a presión producen grandes cantidades de vapor. Tenga cuidado para evitar quemaduras.

### Recomendaciones para la cocción

Sugerencias para usar las recomendaciones

Consulte la tabla de las páginas 19 y 20. Los ajustes de temperaturas varían dependiendo de las ollas seleccionadas y de la temperatura inicial de los alimentos.

En la tabla se ha separado el "Ajuste final" para los quemadores estándares y los quemadores ExtraLow<sup>®</sup>. Según el caso, puede haber un cambio entre los ajustes de los dos tipos de quemadores.

El ajuste ExtraLow<sup>®</sup> de los quemadores Star<sup>®</sup> puede servir para cocinar o para mantener alimentos calientes.

Suba o baje el ajuste de la llama gradualmente. Dé tiempo para que la olla y el alimento se puedan ajustar al nuevo ajuste de calor.

## Recomendaciones de cocción con los quemadores de la estufa

Alimento	Ajuste Inicial	Ajuste Final – Quemador estándar	Ajuste Final – Quemador ExtraLow® (XLO)
<b>BEBIDAS</b> Cacao (Chocolate)	<b>MED</b> – calentar la leche, cubrir	<b>SIM</b> – terminar de calentar	<b>XLO</b> – para mantener caliente, tapar*
<b>PANES</b> Pan Francés, Crepas, Sándwich a la plancha	<b>MED</b> – precalentar la sartén	<b>SIM a MED</b> – cocinar	Igual que el quemador estándar
<b>MANTEQUILLA</b> Derretir	<b>SIM</b> – para empezar el derretimiento	<b>XLO</b> – Para mantener la temperatura*	5 a 10 minutos para que se derrita
<b>CEREALES</b> Harina de maíz, Sémola, Avena	<b>HI</b> – tapar, hervir el agua, agregar los cereales	<b>SIM a MED</b> – terminar la cocción según las indicaciones en el embalaje	<b>XLO</b> – mantener, tapar*
<b>CHOCOLATE</b> Derretir	<b>XLO</b> – se puede revolver para acelerar el proceso	Usar <b>XLO</b>	<b>XLO</b> –10 a 15 minutos para que se derrita <b>XLO</b> – mantener*
<b>POSTRES</b> Caramelos	<b>SIM a MED</b> – cocinar según la receta	<b>MED SIM a MED</b>	Igual que el quemador estándar
Pudín y Relleno para tartas	<b>SIM a MED SIM</b> – cocinar según las indicaciones	<b>SIM a MED</b>	Igual que el quemador estándar
Pudín	<b>SIM a MED SIM</b> – hervir la leche	<b>SIM</b>	Igual que el quemador estándar
<b>HUEVOS</b> Cocidos con la cáscara	<b>MED HI</b> – tapar, hervir el agua, agregar huevos, tapar	Usar <b>XLO</b>	<b>XLO</b> – cocinar 3 a 4 minutos para quedar suave; o 15 a 20 minutos para quedar duros
Fritos, Revueltos	<b>SIM a MED</b> – derretir mant., agr. huevos	<b>SIM</b> – terminar la cocción	Igual que el quemador estándar
Escalfados	<b>HI</b> – hervir agua, agregar huevos	<b>MED a MED</b> – terminar la cocción	Igual que el quemador estándar
<b>CARNE, PESCADO, AVE</b> Tocino, Salchichas	<b>MED HI</b> – hasta que la carne empieza a chisporrotear	<b>MED a MED</b> – terminar la cocción	Igual que el quemador estándar
En su jugo: Filete Suizo, Estofado, Guisar carne	<b>MED HI</b> – derretir grasa, dorar en <b>MED HI</b> , agr. líquido, tapar		<b>XLO</b> – Dejar a fuego lento hasta que la carne está tierna
Fritura rápida: Filetes de desayuno	<b>MED HI</b> – precalentar sartén	<b>MED a MED HI</b> – freír rápidamente en la sartén	Igual que el quemador estándar
Fritura: Pollo	<b>MED HI</b> – calentar aceite, dorar en <b>MED</b>	<b>SIM</b> – cubrir, terminar la cocción	Igual que el quemador estándar
Fritura con aceite abundante: Camarones	<b>MED HI</b> – calentar aceite	<b>MED a MED HI</b> – mantener la temperatura	Igual que el quemador estándar

\*Se recomienda revolver los alimentos de vez en cuando.

<b>Alimento</b>	<b>Ajuste Inicial</b>	<b>Ajuste Final – Quemador estándar</b>	<b>Ajuste Final – Quemador ExtraLow® (XLO)</b>
Fritura: chuletas de cordero, filetes delg., hamburguesas., salchichas enteras	<b>MED HI</b> – precalentar sartén	<b>MED</b> – dorar la carne	Igual que el quemador estándar
Escalfado: pollo, entero o piezas, pescado	<b>MED HI</b> – tapar, hervir los líquidos		Para terminar de cocinar
Hervido a fuego lento: Pollo estofado, carne curada, Lengua, etc.	<b>HI</b> – tapar, hervir los líquidos		Dejar a fuego lento
<b>PASTA</b> Macarrones, Fideos, Espaguetis	<b>HI</b> – hervir el agua, agregar la pasta	<b>MED a HI</b> – para q siga hirviendo	Igual que el quemador estándar
<b>OLLA DE PRESIÓN</b> Carne	<b>MED HI a HI</b> – aumentar presión	<b>SIM a MED</b> – mantener presión	Igual que el quemador estándar
Verduras	<b>HI</b> – aumentar presión	<b>MED SIM a MED</b> – mantener presión	Igual que el quemador estándar
Arroz	<b>HI</b> – cubrir, calentar el agua y el arroz hasta que hierva	mantener hirviendo a <b>SIM</b> , cubrir hasta que se evapore el agua.	Cocinar según las indicaciones del embalaje <b>XLO</b> – mantener, tapar
<b>SALSAS</b> A base de tomate	<b>MED HI</b> – cocinar carne / verduras, seguir la receta	<b>SIM</b> para cocinar a fuego lento	<b>XLO</b> – fuego lento para espesar la salsa, destapado
Blanca, Crema, Bernesa	<b>MED</b> – derretir la grasa, seguir la receta	<b>SIM a MED SIM</b> – terminar la cocción	<b>XLO</b> –mantener, tapar*
Holandesa	<b>XLO</b>		<b>XLO</b> – mantener el ajuste de calor más bajo por un período corto, revolver frecuentemente
<b>SOPAS, CALDOS</b>	<b>HI</b> – tapar, hervir el líquido	<b>SIM</b> para cocinar a fuego lento	Fuego lento <b>XLO</b> – mantener, tapar*
<b>VERDURAS</b> Frescas	<b>HI</b> – tapar, hervir el agua y las verduras	<b>SIM a MED</b> – cocinar 10 min., o hasta quedar suave	<b>XLO</b> – mantener, tapar
Congeladas	<b>HI</b> – tapar, hervir el agua y las verduras	<b>SIM a MED</b> – cocinar según las indicaciones del embalaje	Igual que el quemador estándar
Fritura en aceite abundante	<b>HI</b> – calentar aceite	<b>MED a MED HI</b> – mantener temperatura de fritura	Igual que el quemador estándar
Salteadas	<b>MED HI</b> – calentar aceite o derretir mantequilla y agregar verduras	<b>SIM a MED</b> – cocinar al término deseado	Igual que el quemador estándar
Sofritas	<b>HI</b> – calentar aceite, agregar verduras	<b>HI</b> – terminar la cocción	Igual que el quemador estándar

\*Se recomienda revolver los alimentos de vez en cuando.

## Uso de la plancha eléctrica (disponible con algunos modelos)

### Descripción

La plancha incorporada está hecha de aluminio de calidad de restaurante, con una cubierta antiadherente de titanio. Esto crea una superficie fácil de limpiar que conduce el calor uniformemente.

Se venden por separado como accesorios: una tabla de cortar de arce, una cubierta de acero inoxidable y una bandeja con revestimiento de aluminio. La tabla de cortar de arce y la cubierta en acero inoxidable están diseñadas para encajar sobre la superficie de la plancha cuando no se utiliza la plancha. La bandeja con revestimiento de aluminio está diseñada para reemplazar a la plancha. Para obtener más detalles, vea las instrucciones de los accesorios de la plancha.

Antes de encender la plancha se deben quitar la tabla de cortar de arce y la cubierta de acero inoxidable.

- La plancha eléctrica tiene una potencia de 120 VCA, 1630 vatios.



#### PRECAUCIÓN

La plancha está caliente después de cada utilización. Déjela enfriar completamente antes de limpiarla.



#### ADVERTENCIA:

Para evitar lesionarse, no utilice nunca la plancha si la bandeja o la parrilla no están instaladas. No utilice la plancha de una forma distinta de lo que está indicado en el manual de uso y cuidado..

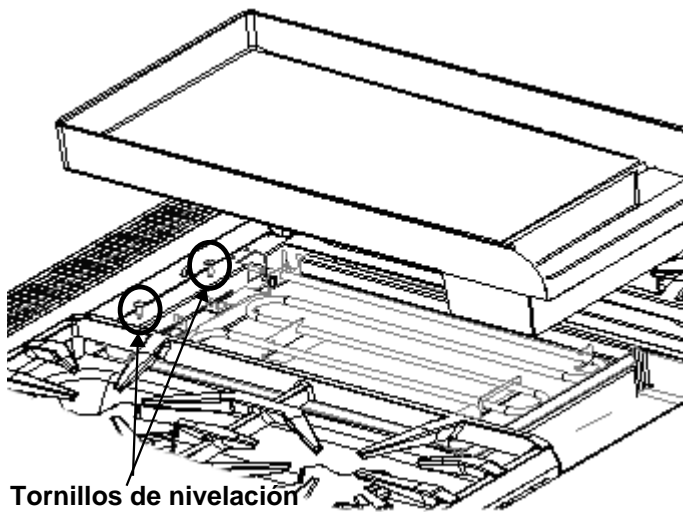


Figura 23: Tornillos de nivelación de la plancha

La bandeja de la plancha (o el accesorio de la parrilla) siempre debe estar instalada cuando se usa la plancha.

### Perilla de control de la plancha

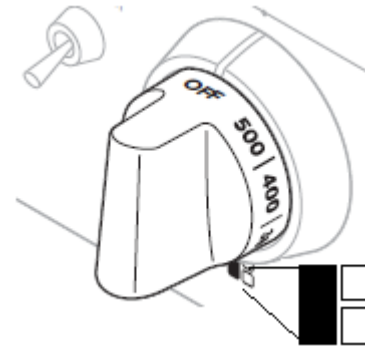


Figura 24: Perilla de control de la plancha

- La plancha se ajusta electrónicamente a las temperaturas indicadas en las perillas, de 150°F a 500°F (66 °C a 260 °C).
- No hay ajustes fijos en la perilla.
- Oprima y gire la perilla en el sentido de las agujas del reloj para obtener la temperatura deseada.

### Preparación de la plancha

La plancha debe estar inclinada ligeramente hacia adelante para obtener el máximo rendimiento. Lea el manual de instalación para ajustar la plancha con la inclinación correcta. Al ensamblarla en la fábrica, la plancha está ligeramente inclinada. Sin embargo, durante la instalación, el instalador debe nivelarla.

Antes de usarla, se debe lavar la bandeja de la plancha con agua caliente jabonosa y luego enjuagarla con agua limpia. Se puede usar la plancha sin mantequilla, margarina o aceite, o se puede echar una cantidad pequeña para dar sabor a los alimentos.

Se puede usar cualquier tipo de utensilio en la plancha. Tenga cuidado de no dañar la superficie. No corte alimentos directamente sobre la plancha.

**AVISO:**

El rendimiento de la plancha / estufa puede variar si el flujo de aire alrededor del aparato es demasiado elevado. El flujo de aire excesivo podría provenir de un registro de aire acondicionado o de un ventilador de techo que sopla hacia el aparato. Esto podría prolongar el tiempo de calentamiento o provocar temperaturas en la plancha/ estufa que no corresponden con el ajuste indicado por los botones.

**Nota:**

Una campana adecuadamente instalada no se considera como una fuente de flujo de aire excesiva.

**Recomendaciones para usar la plancha**

ALIMENTO	AJUSTE
Huevos	325 °F a 350 °F (160 °C a 180 °C)
Tocino, salchichas de desayuno	375 °F a 400 °F (190 °C a 205 °C)
Sándwich tostado	350 °F a 375 °F (180 °C a 190 °C)
Pechuga pollo sin hueso	375 °F a 400 °F (190 °C a 205 °C)
Chuletas de 1 pulg. (25,4 mm)	375 °F a 400 °F (190 °C a 205 °C)
Filete de 1 pulg. (25,4 mm)	400 °F a 425 °F (200 °C a 220 °C)
Carne molida (hamburguesas 6 onzas)	375 °F a 400 °F (190 °C a 205 °C)
Perritos calientes	350 °F a 375 °F (180 °C a 190 °C)
Lonchas de jamón de 1/2 pulg. (12,7 mm)	350 °F a 375 °F (180 °C a 190 °C)
Crepes, Pan Francés	400 °F a 425 °F (205 °C a 218 °C)
Papas; papas doradas	375 °F a 400 °F (190 °C a 205 °C)

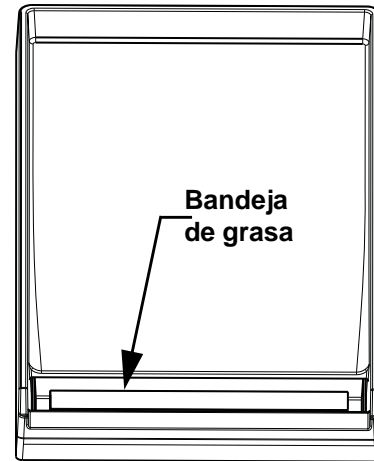
**Bandeja de grasa de la plancha**

Figura 25: Bandeja de grasa

- Limpie la bandeja después de cada uso. Al quitar la bandeja, tenga cuidado para que no se derrame el contenido.
- La placa y la bandeja de grasa de la plancha se pueden lavar en el lavavajillas.
- Cuando se ha enfriado, ponga la grasa en un recipiente resistente a la grasa antes de tirarlo.

**Cocinar en la plancha**

1. Gire la perilla a la temperatura de cocción apropiada para precalentar la plancha.
2. Precaliéntela hasta que la luz de la plancha se apague.
3. Añada mantequilla, margarina, aceite o grasa vegetal si lo desea.

# Usar la hornilla

## Funciones adicionales de la hornilla

### Mandos para el ajuste de la hornilla



1. La tecla **ENTER** confirma la selección.
2. La tecla (+) aumenta la duración o la temperatura, y la tecla (-) las reduce. Estas teclas sirven también para seleccionar una de las funciones del menú: temporizador, temporizador de la hornilla, desfase de temperatura y modo Sabbath.
3. La tecla **CANCEL** anula todas las funciones elegidas de la hornilla.

Figura 26: Mandos de la hornilla

### Temporizador (*Kitchen Timer*)

Se puede ajustar el temporizador hasta 12 horas. Se puede usar aunque la estufa esté funcionando y es independiente de todas las demás funciones.

### Temporizador de la hornilla (*Cook Timer*)

El Temporizador de la hornilla sirve para apagar automáticamente la hornilla cuando el tiempo de cocción se ha cumplido. El Temporizador de la hornilla sólo está disponible para las funciones de hornear, de hornear por convección y de asar. No puede funcionar con el grill o la autolimpieza. El temporizador de la hornilla se puede activar en cualquier momento durante el ciclo de cocción.

#### Para ajustar el temporizador:

1. Pulse la tecla **ENTER**.
2. Use las teclas (-) y (+) para elegir el temporizador (*Kitchen Timer*) o el temporizador de la hornilla (*Cook Timer*).
3. Pulse la tecla **ENTER**.
4. Use las teclas (-) y (+) para elegir la duración deseada.
5. Una señal se emite cuando se acaba el tiempo elegido. Pulse la tecla **CANCEL** para apagar la señal y el temporizador.

#### Nota:

- No se puede usar el Temporizador de la hornilla cuando se usa una sonda térmica.
- El máximo ajuste del Temporizador de la hornilla es de 12 horas.

#### Utilización de la función de desfase de temperatura

La función **OFFSET** se encuentra en el menú **SETTINGS > OFFSET**. Da al usuario la posibilidad de ajustar los parámetros de cocción según los ajustes personalizados que desea obtener, permitiéndole desfasar la temperatura de la hornilla de +/- 95 °F (35 °C) respecto a lo que indica el tablero de control, 5 °F a la vez. Por ejemplo, si el usuario decide que la temperatura de la hornilla es siempre demasiado alta, basta con que pulse la tecla (-) para reducirla de 5 °F, o vice-versa y pulse la tecla (+) para aumentarla. Esta función es útil si a Usted le parece que los alimentos quedan siempre muy hechos o crudos.

- Se debe apagar la hornilla para ajustar el desfase de temperatura.
- La función de desfase está disponible en todos los modos, menos para la autolimpieza.
- Por defecto, la temperatura está ajustada a 0 °.
- El aparato seguirá aplicando el valor de desfase introducido indefinidamente hasta que el usuario elija modificarla o haya un apagón. Se deberá entonces reinicializar la función de desfase de temperatura.

#### Utilización del modo Sabbath

El modo Sabbath sirve para respetar la exigencia de no trabajar el día del Sabbath. La hornilla queda encendida a una temperatura precisa el tiempo que haga falta. El usuario puede preparar una comida antes del día festivo y dejarlo a la función de conservación de calor hasta que esté listo para comer.

- La luz de la hornilla queda desactivada con el modo Sabbath para evitar cualquier acción al abrir la hornilla.
- Los quemadores de gas y la plancha siguen funcionando al usar este modo.
- Para los modelos con dos hornillas, el modo Sabbath está disponible con las dos hornillas, pero no al mismo tiempo.
- El modo Sabbath sólo está disponible cuando la estufa no está ajustada a otro modo de cocción o al modo de autolimpieza.



- Si se abre la puerta durante el precalentamiento o durante el funcionamiento de un ciclo, no se cambiará nada al estado actual de la hornilla. Es decir que si el elemento de hornear estaba encendido antes de que se abriese la puerta, el elemento seguirá encendido. Si se apaga el elemento justo antes de abrir la puerta, no se reencenderá, como haría normalmente con el cambio de temperatura. El ciclo regular se acabará cuando se cierre la puerta.

#### Para ajustar el modo Sabbat:

1. Coloque la rejilla y la comida en la posición deseada y cierre la puerta.
2. Gire la perilla de control de temperatura (vea la figura 31) a la posición deseada.
3. Con los mandos de la hornilla, pulse las teclas (+) y (-) para elegir una duración entre 0 y 99 horas.
  - Cuando el temporizador indica "0:00", se acaba el modo de cocción y la pantalla emite una señal. La hornilla se apaga automáticamente cuando la cuenta atrás llega a su fin.

#### Programación de la sonda térmica

La sonda térmica le permite controlar mejor la forma de cocer los alimentos, anulando automáticamente el modo de cocción elegido cuando la temperatura alcanza la temperatura seleccionada.

1. En la hornilla principal, o en la hornilla secundaria con algunos modelos, mueva el interruptor del enchufe de la sonda hacia arriba (vea la Figura 7).

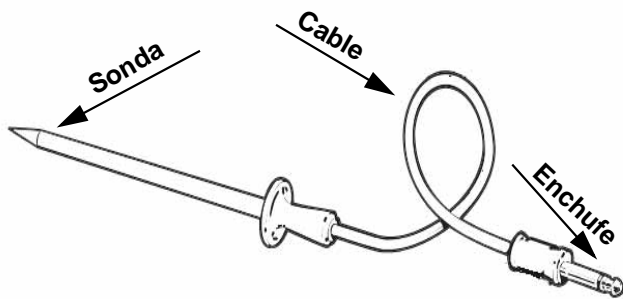


Figura 27: Meat Probe

2. Conecte el extremo del enchufe en el enchufe de la hornilla (vea la Figura 27).
  - La pantalla de selección de temperatura de la sonda (PROBE) aparece únicamente cuando el enchufe de la sonda se conecta en el enchufe de la hornilla.
  - La palabra PROBE aparece automáticamente en la pantalla a una temperatura por defecto de 160 °F/71 °C.

3. Inserte la punta de la sonda en la carne.
  - Para evitar dañar la sonda, asegúrese de que la carne esté totalmente descongelada antes de insertar la sonda.
  - Inserte la sonda hasta que su punta descansa en el centro de la porción más espesa y rica de la carne. Asegúrese de que la sonda no toque el plato, un hueso, grasa o cartílago.
  - La sonda no debe tocar el plato o partes de la hornilla ya que esto influirá en la exactitud de los resultados.
4. Cierre la puerta de la hornilla.
5. Pulse las teclas (-) o (+) para reducir o aumentar la temperatura interna deseada para alcanzar.
6. Elija el *modo de cocción* y la *temperatura de la hornilla* con las perillas del tablero de control.
  - La función de la sonda sólo está disponible con los modos hornear, hornear por convección y asar.
  - La sonda no está disponible cuando se usa el Temporizador de la hornilla.
  - La temperatura de la sonda puede oscilar entre 160 °F (71 °C) y 200 °F (93 °C).
7. Cuando la temperatura real de la sonda alcanza el ajuste de temperatura deseada, el modo cocción se acaba y la señal del temporizador suena para indicar que el proceso de cocción ha finalizado..

#### Temperaturas mínimas de cocción interna

Las temperaturas mínimas de cocción interna consideradas como seguras para que se pueda comer un alimento, tal y como lo estableció el *U. S Department of Agriculture Food Safety and Inspection Service*, son las siguientes:

<b>Carne molida fresca (res, ternera, cordero, cerdo)</b>	160 °F (72 °C)
<b>Chuletas, filetes y asados de res, ternera y cordero</b>	
En su punto	145 °F (63 °C)
Término medio	160 °F (72 °C)
Bien hecho	170 °F (77 °C)
<b>Chuletas, filetes y asados de cerdo fresco</b>	
Término medio	155 °F (68 °C)
Bien hecho	170 °F (77 °C)
<b>Jamón</b>	
Cocido antes de ser comido	160 °F (72 °C)
Cocido y calentado	145 °F (63 °C)
<b>Ave</b>	
Pollo o pavo molido	165 °F (74 °C)
Pollo o pavo entero	165 °F (74 °C)
Pechugas asadas	165 °F (74 °C)
Muslos y alas	165 °F (74 °C)
Relleno (preparado solo o en un ave)	165 °F (74 °C)
Platos a base de huevos, guisos	160 °F (72 °C)
Sobras	165 °F (74 °C)

### Utilización y mantenimiento de la sonda

- Para evitar dañar la sonda, no tire del cable al intentar sacarla de un alimento.
- No use alicates u otras herramientas para tirar de la sonda al sacarla, y no la inserte violentamente en un alimento.
- No lave la sonda en el lavavajillas. Use en todo caso agua jabonosa caliente.
- Para evitar quemarse, espere a que se haya enfriado la hornilla antes de desenchufar la sonda.
- No almacene la sonda en la hornilla.

## Funciones de la hornilla

### Recomendaciones para hornear

#### Precalentamiento de la hornilla

La mayor parte de los tiempos de cocción en las recetas están diseñados para una hornilla precalentada y necesitan de la hornilla que haya alcanzado una cierta temperatura antes de que se empiece la cocción. Consulte su receta para conocer las recomendaciones de precalentamiento. El tiempo de precalentamiento depende del ajuste de temperatura y de la cantidad de rejillas colocadas en la hornilla (vea también la sección “Ajuste de las hornillas”).

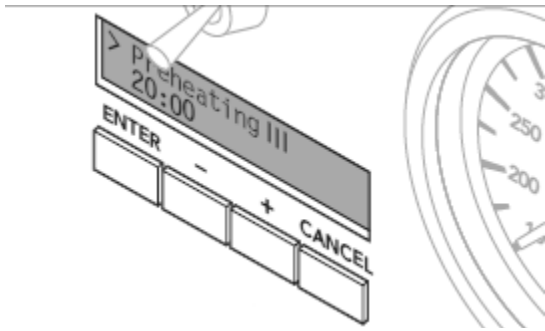


Figura 28: Indicador de precalentamiento

### Para obtener resultados superiores

- Minimice la abertura de la puerta:
  - Use el temporizador integrado.
  - Use la luz interna de la hornilla
- Utilice la olla recomendada en la receta.
- Guarde la(s) bandeja(s) de asar fuera de la hornilla. Una bandeja sin alimentos afecta al dorado y la cocción.
- El tipo de utensilio utilizado afecta al dorado:
  - Para una corteza suave y dorada, use utensilios claros de teflón, antiadherentes o brillantes de metal.
  - Para una corteza dorada, crujiente use utensilios oscuros de teflón, antiadherentes, de vidrio, u oscuros sin brillo. Pueden requerir bajar la temperatura de 25 °F (14 °C).

### Tipos de platos para la hornilla

- Platos de metal (con o sin un acabado de teflón), vidrio refractario, vitrocerámica, terracota u otros utensilios que van con la hornilla.
- Las bandejas para galletas adaptadas para las hornillas tienen un pequeño borde de un lado. El tiempo de cocción puede estar afectado por las bandejas pesadas o aquellas con más de un lado.
  - Se pueden utilizar las bandejas de hornear de gran tamaño (18 pulg. x 26 pulg. – 457 mm x 660 mm) en las hornillas de 36 y 48 pulgadas (914 mm et 1219 mm).

### Posiciones de las rejillas para hornear

- Las posiciones de las rejillas en la hornilla están numeradas como un elevador. La posición número uno es la más baja (Figura 29).

## Colocación

- Deje por lo menos 1 pulg. (25,4 mm) de espacio entre las ollas y las paredes de la hornilla para que el calor pueda circular alrededor de cada olla.
- Coloque las ollas para que no estén una directamente debajo de la otra. Deje por lo menos 1 ½ pulg. (38 mm) de espacio encima y debajo de cada plato.

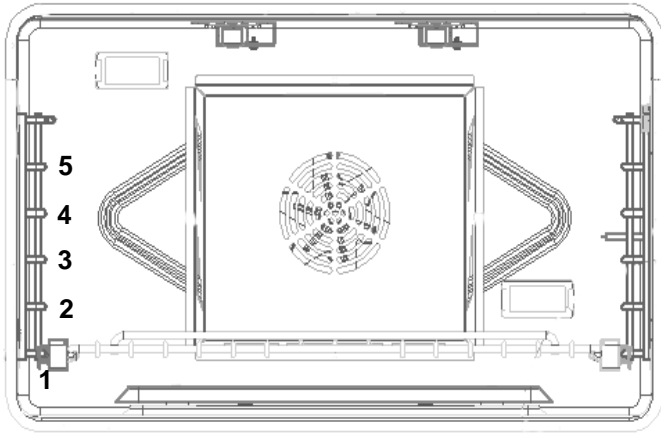


Figura 29: Hornilla principal y posiciones de las rejillas

## Hornilla principal

### Hornear con una rejilla

- El modo Bake (hornear) sirve mejor para hornear con una sola rejilla en la posición #3 que se usa para la mayoría de los alimentos horneados. Cuando el alimento está muy alto, como un pastel tipo bizcocho, se puede usar la posición de rejilla #2. Las tartas, para que la corteza esté bien cocida sin que la parte superior esté demasiado dorada, salen mejor en la posición de rejilla #2. Para asar piezas grandes de carne o pollo, como una chuleta de res o un pavo, la posición #2 es la más aconsejada.

### Hornear con dos rejillas

- Se pueden usar las posiciones de rejilla 2 y 5 para platos horneados. Se puede también recurrir a la cocción por convección.

### Hornear con tres rejillas

- Para hornear con tres rejillas, es preferible utilizar el modo **Convection Bake** (hornear por convección).

### Hornilla secundaria (modelos de 48 pulg.)

- Hornear en la posición 3 da mejores resultados. Cuando se necesita más espacio, se puede utilizar esta posición. Las tartas, para que la corteza esté bien cocida sin que la parte superior esté demasiado dorada, salen mejor en la posición de rejilla.

## Ajustes para hornear/hornear por convección /asar

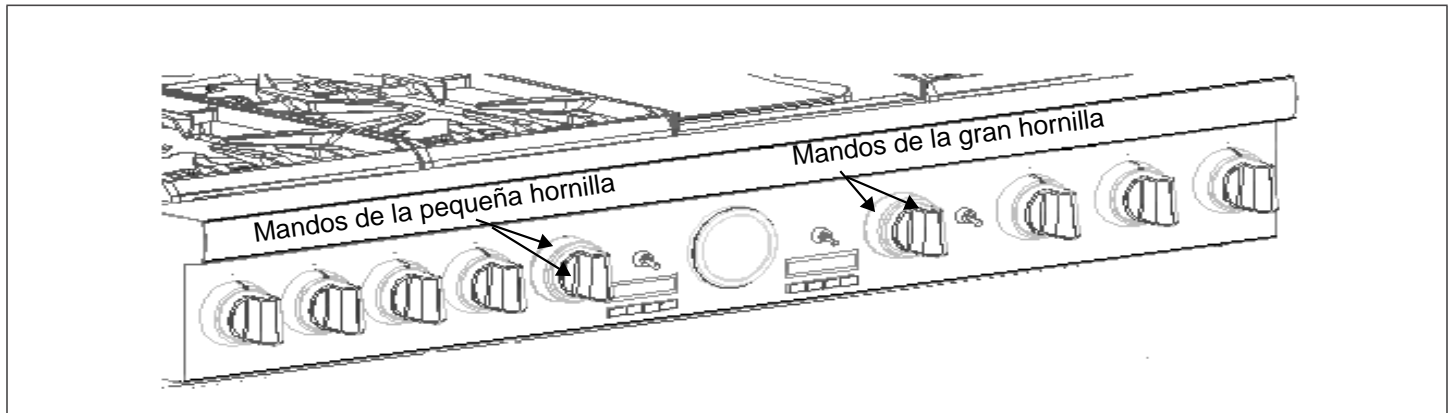


Figura 30: Tablero de mandos del modelo de 48 pulg

### Ajuste de las hornillas

1. Coloque la rejilla en la posición deseada y cierre la puerta.
2. Ajuste el anillo de selección de modo (Figura 31) a Bake (Hornear), Convection Bake (Hornear por convección) o Roast (Asar).

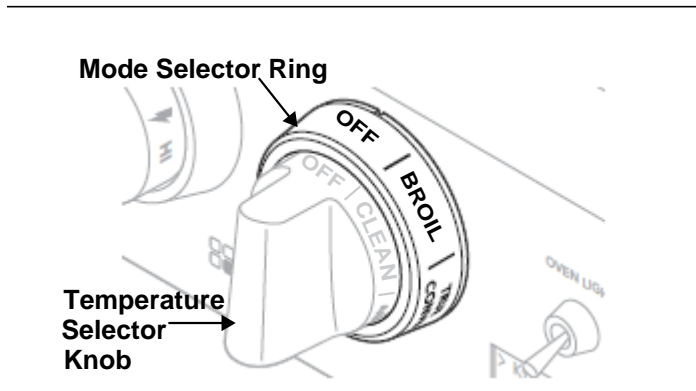


Figura 31: Mode Selector Ring & Temperature Knob

3. Ajuste la perilla de ajuste de temperatura a la temperatura deseada.
  - Si se usa el modo hornear por convección, ajuste la perilla de ajuste de temperatura 25 °F/14 °C bajo la temperatura de cocción recomendada en la receta. Ninguna variación del ajuste de temperatura es necesaria si asa carnes o aves.
4. Una vez que la perilla de ajuste de temperatura y el anillo estén ajustados como se desea, la pantalla indicará "Preheating [ ] ...]" con el modo de cocción elegido (por ejemplo "Bake") y la temperatura elegida ("350 °F/ 177 °C").
  - Las barras de precalentamiento indican la duración necesaria para que la hornilla alcance la temperatura seleccionada. Por ejemplo, si la temperatura deseada es de 400 °F/204 °C, y la temperatura de la hornilla es de 375 °F/191 °C y que el usuario baja el ajuste de temperatura a 250 °F/121 °C, la cantidad de barras de

precalentamiento disminuirá, ya que aunque la hornilla esté más caliente que la temperatura deseada, la diferencia entre 250 °F/121 °C y 400 °F/204 °C es mayor que la diferencia anterior. Así, la hornilla debe ahora "precalentarse" de 375 °F/191 °C a 250 °F/121 °C, y la cantidad de barras aumentará según la temperatura se vaya acercando a la temperatura inferior deseada.

5. El indicador de temperatura comenzará a moverse hacia el ajuste de temperatura deseada. El indicador de temperatura refleja el ajuste de temperatura.
  - La aguja del indicador de temperatura se desplazará hacia la nueva temperatura seleccionada si el ajuste de temperatura es más alto o más bajo.
  - **El indicador sólo sirve de referencia.**
  - Según se vaya enfriando la hornilla, el indicador de temperatura baja a fin de reflejar la temperatura que baja de la hornilla.
6. Cuando la hornilla está precalentada, coloque los alimentos que quiere cocer.

### Asar

La temperatura de la función asar es más alta en la parte superior que con el modo hornear. Esta temperatura superior sirve para asar de forma tradicional con una olla abierta, cuando se desea grasa de cocción, o para asar con una olla tapada.

### Consejos con el modo asar

- El modo asar es excelente para las carnes o las aves más tiernas, cuando se cuece la carne a fuego lento y cuando se usa una olla tapada.
- Añada líquido, como agua, jugo, vino o caldo para obtener platos más sabrosos y jugosos.
- Puede usar una bolsa para asar de este modo.

- Cuando asa un pollo o un pavo entero, doble las alas hacia atrás y sujete los muslos con un cordel de cocinar.

<b>Recomendaciones para asar</b>				
CARNES Y AVES EN UNA OLLA CERRADA	TEMPERATURA DE LA HORNILLA	POSICIÓN DE LA REJILLA	DURACIÓN DE LA COCCIÓN	TEMP. FINAL
<b>Res:</b>				
A la brasa, 3-4 libras	350 °F / 177 °C	1	40 a 60 minutos por libra	170 °F / 77 °C
Falda	350 °F / 177 °C	2	50 a 60 minutos por libra	170 °F / 77 °C
Aguja	350 °F / 177 °C	1	45 a 55 minutos por libra	170 °F / 77 °C
Pan de carne	350 °F / 177 °C	3	45 a 60 minutos	170 °F / 77 °C
<b>Aves:</b>				
Pollo, entero	375 °F / 191 °C	1	18 a 21 minutos por libra	180 °F / 82 °C
Pollo, trozos	375 °F / 191 °C	1	60 minutos	180 °F / 82 °C
Pavo, entero	325 °F / 163 °C	2	11 a 15 minutos por libra	180 °F / 82 °C
<b>Cerdo:</b>				
Paletilla	325 °F / 163 °C	1	35 a 40 minutos por libra	170 °F / 77 °C
Jamón humado, medio	325 °F / 163 °C	1	2 a 3 horas	170 °F / 77 °C

## Convección

### Cocinar con un sistema por convección

El modo hornear por convección ofrece muchas ventajas. Al usar este modo, un ventilador en la parte trasera de la hornilla hace circular el aire uniformemente dentro de la hornilla. El calor se extiende uniformemente en la hornilla. Así, los alimentos se pueden colocar en cualquier posición de rejilla y dar resultados constantes. Se pueden hornear platos en múltiples rejillas al mismo tiempo sin que se tengan que voltear los moldes.

Se pueden usar moldes poco profundos para hornear por convección. Esto permite que el aire caliente circule bien alrededor de los alimentos. Los moldes altos o tapados no convienen para este tipo de cocción porque no permiten que el aire caliente circule alrededor de los alimentos.

Puede usar sus moldes preferidos para hornear por convección, siempre y cuando sean poco profundos y permitan que el aire caliente circule alrededor de los alimentos. Cualquier alimento destapado quedará dorado uniformemente y tendrá una corteza perfecta. La cocción por convección no da buenos resultados con platos tapados (guisados, estofados) o los flanes delicados.

### Hornear por convección

Se puede ahorrar mucho tiempo horneando una buena cantidad de galletas uniformemente al mismo tiempo. La duración de la cocción por convección puede ser más corta que la cocción tradicional por el aire caliente que circula. Para alimentos más pequeños como galletas, compruebe si están listos uno o dos minutos antes del tiempo indicado en la receta. Para alimentos más grandes, como pasteles, hágalo cinco a seis minutos antes del tiempo indicado en la receta.

Hornear carne y aves por convección produce alimentos dorados y crujientes por fuera, y húmedos y jugosos por dentro. Cortes grandes de carne o ave pueden estar listos hasta 30 minutos antes del tiempo recomendado en la receta. Asegúrese de que no cuezan demasiado. Un termómetro para carne dará resultados más precisos que el método del minuto por libra (vea la sección “desfase de temperatura”). Cuanto más grande es el pedazo de carne o de ave, más tiempo se ahorrará.

### Convertir la cocción convencional por la cocción por convección

Para convertir la mayoría de las recetas (galletas, pasteles, tartas, etc.) al modo de hornear por convección, reduzca la temperatura de la hornilla de 25 °F, menos para las carnes y las aves. En este caso, use la temperatura recomendada en las recetas y tablas de cocinar para cocer carnes y aves.

### Consejos para hornear por convección

#### Pre calentamiento de la hornilla

Pre caliente la hornilla antes de hornear alimentos, menos para los trozos grandes de carne o de ave. Mire su receta para saber el pre calentamiento recomendado. La duración de pre calentamiento depende de la temperatura y del número de rejillas en la hornilla.

#### Ajuste de temperatura

Cuando use el modo por convección, reduzca la temperatura recomendada de 25 °F (14 °F), menos para la carne o los aves. Cuando ase carnes, compruebe la temperatura interna antes del tiempo recomendado en la receta para evitar que cueza demasiado.

## Hornear a gran altitud

Cuando hornee a grandes altitudes, ya sea en el modo de BAKE o CONVECTION BAKE, las recetas y las duraciones de cocción recomendadas pueden variar. Para tener más información, escriba a Extension Service, Colorado State University, Fort Collins, Colorado 80521. Puede ser que tenga que pagar para obtener los boletines. Especifique el tipo de información que desea (ejemplo: pasteles, galletas, panes, etc.).

## Condensación

Es normal que cierta cantidad de humedad se evapore de los alimentos durante la cocción. La cantidad depende de la humedad contenida en el alimento. La humedad se condensa en superficies más frías que el interior de la hornilla, como el tablero de control.

## Posiciones de las rejillas (vea la Figura 1)

### – Cocción con una rejilla

- Para hornear en una sola rejilla, se obtienen mejores resultados con el modo BAKE (vea la sección “Hornear con una rejilla”).
- Para asar un pavo o un trozo grande de carne, se puede usar el modo hornear por convección. La posición de rejilla 2 es la rejilla más apropiada.

### – Cocción con dos rejillas

- Las posiciones de rejilla 2 y 4 son las más apropiadas cuando se utiliza el modo hornear por convección. Se deben escalonar los moldes de pasteles con esas posiciones de rejilla. Las bandejas para galletas se deberían colocar en las posiciones de rejilla 2 y 4, una directamente debajo de la otra.
- Las posiciones de rejilla 2 y 4 se pueden usar para preparar pasteles, galletas, panecillos y otros alimentos para los cuales se aconseja hornear con dos rejillas.
- Para hornear varios guisos, tartas congeladas o pasteles, use las posiciones de rejilla 2 y 4.

### – Cocción con tres rejillas

- Para hornear varias bandejas con galletas, colóquelas en las posiciones de rejilla 1, 3 y 5, unas directamente encima de las otras para permitir que el aire pueda fluir libremente alrededor de las bandejas.

## Tipos de platos

- Los platos de aluminio dan los mejores resultados para dorar.
- Las bandejas para galletas con solamente uno o dos costados dan mejores resultados. Se pueden usar bandejas comerciales de aluminio o utensilios profesionales para hornear, pero la duración de cocción aumenta.

## Colocación

- Para dorar mejor, se deben colocar algunos utensilios, como las bandejas para galletas, los moldes para brazos de gitano y pasteles rectangulares en la rejilla con los costados más cortos en el lado derecho e izquierdo. Esto permite al aire circular libremente.
- Cuando hornee en más de una rejilla, no se deben escalonar las bandejas para galletas, al contrario de los moldes redondos para pasteles.



### PRECAUCIÓN:

Nunca use papel de aluminio para cubrir las rejillas de la hornilla o para forrar la hornilla cuando use la hornilla en cualquier de los modos. **Esto puede dañar la hornilla y causar un riesgo de incendio si el calor no puede escapar..**



## Recomendaciones para hornear por convección

ALIMENTO	TAMAÑO DEL MOLDE	AJUSTE DE TEMPERATURA	TIEMPO DE COCCIÓN SUGERIDO
Galletas	Bandeja para galletas de 12 pulg. x 15 pulg.	375°F / 191°C	8 a 12 minutos
Pasteles con relleno	Molde redondo de 8 pulg. o 9 pulg.	350°F / 177°C	25 a 35 minutos
Hojaldre	Molde de 9 pulg. x 13 pulg.	350°F / 177°C	30 a 40 minutos
Pasteles Bundt™	12 moldes	325°F / 163°C	60 a 75 minutos
Brownies o galletas	Molde de 9 pulg. x 9 pulg.	325°F / 163°C	20 a 25 minutos
Panecillos	Bandeja para galletas de 12 pulg. x 15 pulg.	425°F / 218°C o según las instrucciones del embalaje	10 a 15 minutos
Pan rápido	Molde para pan de 8 pulg. x 4 pulg.	350°F / 177°C	55 a 70 minutos
Molletes	Moldes para molletes de 12	425°F / 218°C	14 a 19 minutos
Tarta de fruta	Plato de 9 pulg. de diámetro	425°F / 218°C	35 a 45 minutos
Pasteles de fruta	Molde de 9 pulg. x 9 pulg.	400°F / 204°C	25 a 30 minutos
Pan levadura	Molde para pan de 8 pulg. x 4 pulg.	350°F / 177°C	25 a 30 minutos
Rollos de pan	Molde de 9 pulg. x 13 pulg.	375°F / 191°C	12 a 18 minutos
Rollos de canela	Molde de 9 pulg. x 13 pulg.	375°F / 191°C	25 a 30 minutos
Pastel levadura para café	Bandeja para galletas de 12 pulg. x 15 pulg.	375°F / 191°C	20 a 30 minutos

### Guarda-caliente

Esta función proporciona la temperatura adecuada para mantener calientes platos preparados a una temperatura de servicio. Use Siempre esta función con alimentos calientes. NO use este modo para calentar alimentos fríos, a excepción de galletas crujientes, patatas fritas y cereales secas. Puede guardar platos a temperatura de servicio con este modo. No use el modo WARM para cocer alimentos.



#### PRECAUCIÓN:

**Salubridad alimenticia, posible envenenamiento alimenticio** – No utilice el modo de calentamiento para cocinar alimentos. El modo de la hornilla para calentar no es lo suficientemente caliente como para cocinar alimentos a temperaturas seguras.

- Elija el modo WARM con el anillo de selección de modo. No gire la perilla de ajuste de temperatura de la hornilla.
  - Puede mantener alimentos calientes en la olla en la que los preparó o servirlos en un plato de servicio resistente al calor.
  - Se puede usar papel de aluminio para cubrir los alimentos. Use únicamente platos que resistan al calor.
- Cuando se mantienen alimentos calientes, deje a la hornilla el tiempo suficiente para precalentar antes de colocar los alimentos en la hornilla.
  - Las temperaturas de este modo varían entre 140°-150 °F/60-66 °C.

- Antes de colocar los alimentos en la hornilla, deben estar a una temperatura de servicio (más de 140 °F/60 °C).
- Ponga el plato caliente en la hornilla. Cierre la puerta.
    - No abra la puerta de la hornilla inútilmente, reducirá la temperatura de la hornilla.



#### PRECAUCIÓN:

Los contenedores de plástico y el plástico pueden derretirse si están en contacto directo con las paredes o la base de la hornilla.

#### Operación automática del ventilador de enfriamiento:

El ventilador de enfriamiento no se prende cuando la temperatura es inferior a 300°F / 149°C en el modo de hornear (BAKE). Para temperaturas superiores, el ventilador de enfriamiento se prende solamente después de que la hornilla alcance 300°F / 149°C, mientras se está calentando para llegar a la temperatura prefijada.

Cuando se apaga la hornilla, el ventilador sigue funcionando hasta que la hornilla alcanza la temperatura de 300°F / 149°C. Igual en el modo BROIL: el ventilador de enfriamiento se prende solamente después de que la hornilla alcance 300°F / 149°C.

#### Nota:

Es normal durante el proceso de enfriamiento que la hornilla eche aire caliente en la habitación donde se halla.

NO siga usando el asador si el ventilador de enfriamiento no se enciende durante la cocción a una temperatura de 300°F / 149°C o más cuando use el asador o el modo de autolimpieza. Llame a una agencia de servicio cualificada para reparar la estufa.

## Preparación de masa (solamente modelos de 48 pulg.)

La función de preparación de masa proporciona un ambiente caliente y sin corrientes de aire necesario para la preparación de productos derivados del pan. La temperatura de preparación de masa está preajustada a 100 °F/38 °C.

### Como ajustar la hornilla secundaria a la función de preparación de la masa

1. Coloque la masa en un plato dentro de la hornilla y cúbrala parcialmente.
2. Use cualquier posición de rejilla que corresponda a las dimensiones del recipiente o del molde. Cierre la puerta.
3. Gire el selector de modo a PROF. No gire la perilla de control de temperatura de la hornilla.
  - La temperatura ideal para la preparación de la masa se mantendrá hasta apagar el selector de modo.
  - No abra la puerta inútilmente para evitar que disminuya la temperatura de la hornilla, lo que aumentará el tiempo necesario para la preparación de la masa. Use la luz de la hornilla para ver la evolución de la masa.

Se puede reducir el tiempo de preparación de la masa cuando se usa la hornilla principal al mismo tiempo. Compruebe la masa para evitar dejarla demasiado tiempo en la hornilla. Para obtener mejores resultados, le aconsejamos, si usa la hornilla principal durante largos periodos, que prepare la masa antes de usar la hornilla principal.

## Otros usos de la hornilla

### Cocción lenta y a baja temperaturas en la hornilla.

Además de proporcionar temperaturas perfectas para hornear y asar, se puede usar la hornilla a temperaturas bajas para mantener calientes alimentos cocidos, para deshidratar alimentos y para calentar platos.

Se pueden mantener calientes alimentos cocidos a la temperatura ideal para servir. Ajuste la hornilla al modo BAKE y use la temperatura sugerida en la tabla.

Para lograr mejores resultados, precaliente la hornilla a la temperatura deseada.

Se deberían cubrir los alimentos susceptibles de secarse con papel de aluminio o con una tapa.



### ADVERTENCIA:

#### SEGURIDAD ALIMENTICIA

El ministerio de Agricultura de los Estados Unidos recomienda NO MANTENER alimentos calientes a temperaturas entre 4 °C (40 °F) y 60 °C (140 °F) durante más de dos horas. No se recomienda cocer alimentos crudos a temperaturas inferiores a 135 °C (275 °F).

### Temperaturas sugeridas para mantener alimentos calientes

ALIMENTO	TEMPERATURA DE LA HORNILLA
Res	150 °F (70 °C)
Tocino	200° – 225 °F (90 – 110 °C)
Galletas y panecillos (tapados)	175° – 200 °F (80 – 90 °C)
Guisado (tapado)	175° – 200 °F (80 – 90 °C)
Pescados y mariscos	175° – 200 °F (80 – 90 °C)
Alimentos fritos	200° – 225 °F (90 – 110 °C)
Caldos de carne o salsas cremosas (tapados)	175 °F (80 °C)
Asados de cordero y de ternera	175° – 200 °F (80 – 90 °C)
Crepas y waffles (tapados)	200° – 225 °F (90 – 110 °C)
Papas horneadas	200 °F (90 °C)
Puré de papas (tapada)	175 °F (80 °C)
Tartas y pastelitos	175 °F (80 °C)
Pizza (tapada)	225 °F (110 °C)
Cerdo	175° – 200 °F (80 – 90 °C)
Ave (tapado)	175° – 200 °F (80 – 90 °C)
Verduras (tapadas)	175 °F (80 °C)

## Grill

### Recomendaciones para usar el grill

#### Pre calentamiento del grill

Se recomienda precalentar el quemador aparato del grill antes de comenzar a cocinar. Precaliente hasta que el selector de temperatura de la hornilla indique BROIL.

#### Para obtener los mejores resultados

- Descongele los alimentos antes de gratinarlos.
- Asegúrese de que la puerta esté cerrada cuando use el grill.
- Voltee los alimentos solamente una vez, a mitad del tiempo de cocción. No es necesario voltear alimentos muy finos (lonchas de jamón, filetes de pescado, etc.). Se deben voltear las lonchas de hígado, no importa su grosor.
- Use un temporizador. Ajústelo para el tiempo mínimo de comprobación de la cocción.
- Centre los alimentos directamente debajo del quemador del grill para que queden bien dorados.

#### Posiciones de las rejillas

Antes de prender la hornilla, coloque la rejilla en la posición deseada. Centre la bandeja de asar debajo del quemador del grill (vea la Figura 29).

#### Hornilla principal

- Posición de rejilla 5 — Use esta posición de rejilla cuando gratine filetes de res, hamburguesas de carne picada y chuletas de cordero con un grosor de una pulgada (25,4 mm) o menos. Además, use esta posición para dorar alimentos.
- Posición de rejilla 4 — Use esta posición de rejilla cuando ase carnes con un grosor de 1-1/8 pulgada (29 mm) o más, pescado, aves, chuletas de cerdo y filetes de jamón con un grosor de una pulgada (25,4 mm) o más.
- Posición de rejilla 3 — Use esta posición de rejilla cuando gratine pollo en cuartos o mitades.

#### Hornilla secundaria (modelos de 48 pulg.)

Se pueden gratinar alimentos en las posiciones de rejilla 3 o 4, según el tipo y el grosor del alimento. La posición 5 puede servir para dorar algunos alimentos.

#### Utensilios

- Viene con la estufa una bandeja de asar de dos piezas de porcelana esmaltada con una rejilla. NO forre la pieza de ranuras (superficie) con papel de aluminio.
- Use moldes de metal o de vitrocerámica para dorar guisos, platos principales o pan.

- NO use vidrio refractario o cerámica. Este tipo de material no puede resistir el intenso calor del quemador del grill.
- La pequeña bandeja de asar de dos piezas de porcelana está diseñada para la hornilla secundaria de los modelos de 48 pulgadas.

Para obtener filetes poco hechos, ase el primer lado a 90 °F (32 °C). Para filetes en su punto o muy hechos, ase el primer lado a una temperatura de 100°F (38 °C). Voltee la carne y deje del otro lado hasta obtener la temperatura interna deseada.

#### Nota:

Es imposible usar la hornilla y el grill al mismo tiempo. Cuando uno de los dos está prendido, no se puede prender el otro.

#### Ajuste del grill

Solamente calientan los quemadores del techo de la hornilla con el modo BROIL (Grill). Un buen gratinado requiere una exposición constante a un calor intenso.

1. Coloque la rejilla en la posición deseada.
2. Cambie el selector al modo BROIL.
3. Cambie la perilla de control de la temperatura al modo BROIL.
  - La palabra BROIL aparecerá en el indicador de temperatura después de cinco minutos.
4. Ponga los alimentos en la hornilla, en la posición deseada, como se indica abajo.
5. **La puerta de la hornilla debe estar cerrada durante el uso del grill.**
  - Su estufa PROFESSIONAL® de THERMADOR viene con una bandeja grande de asar de dos piezas. La grasa procedente de la cocción cae por las ranuras de la parte superior a la parte inferior de la bandeja, alejándose del calor intenso de los quemadores de gratinar para minimizar las salpicaduras y la formación de humo.
  - Los modelos de 48 pulg. se venden con una pequeña bandeja de asar de dos piezas de porcelana, para la hornilla secundaria.

#### Operación automática del ventilador de enfriamiento:

Con el modo **BROIL**, el ventilador de enfriamiento se prende únicamente cuando la temperatura alcanza 300°F/ 149°C y alcanza la temperatura necesaria para gratinar. Cuando se apaga el grill, el ventilador sigue funcionando hasta que la hornilla alcanza la temperatura de 300°F/ 149°C.

NO siga usando el grill si el ventilador de enfriamiento no se enciende. Llame a una agencia de servicio calificada para reparar la estufa.

## Recomendaciones para gratinar

Se deben colocar todas las carnes en la bandeja de asar vendida con la estufa.

ALIMENTOS	NO. DE REJILLA	MODO DE LA HORNILLA	AJUSTE DE TEMPERATURA	TIEMPO DE COCCIÓN APPROX.	INSTRUCCIONES Y CONSEJOS ESPECIALES
<b>RES</b> Carne molida Hamb., ½ pulg. (12,7 mm)	4	Grill	Grill	15 a 20 minutos	Gratinar hasta quedar rosa en el centro
Filete falda	4	Grill	Gratinar (Broil)	12 a 20 minutos	Tiempo depende del término de la carne.
Solomillo	4	Grill	Gratinar (Broil)	12 a 20 minutos	Poco hecho / a punto.
Asado de costillas	3	Hornear o hornear por convección	425°F/ 218°C para dorar 325°F/ 163°C para terminar	18 a 20 min./lb.	Pequeños asados necesitan más min. por libra. Reducir la duración utilizando la cocción por convección.
<b>CERDO</b> Lomo asado	3	Hornear o hornear por convección	325°F/ 163°C	20 a 25 min./lb.	Cocinar hasta que no haya jugo
<b>AVES</b> Pechugas de pollo sin hueso / piel	4	Grill	Grill	20 a 25 minutos	Cocinar hasta que no haya jugo
Muslos de pollo	3	Grill	Grill	25 a 30 minutos	Quitar la piel, Cocinar hasta que no haya jugo
Medios pollos	3	Grill	Grill	30 a 35 minutos	Voltear con pinzas; Cocinar hasta que no haya jugo.
Pollo asado	2	Hornear o hornear por convección	325°F/ 163°C	20 a 25 min./lb.	No rellenar; reducir el tiempo cuando se asa por convección.
Pavo	2	Hornear o hornear por convección	325°F/ 163°C	75 a 90 minutos	No rellenar; reducir el tiempo cuando se asa por convección

# Cuidado y Mantenimiento

## Autolimpieza de la hornilla



- No deje niños solos en un lugar donde se utilizan electrodomésticos.
- Durante el ciclo de autolimpieza, las superficies exteriores del aparato pueden estar más calientes que de costumbre. Algunas piezas del aparato pueden ser peligrosas para los niños y para las personas que no tienen el conocimiento de un adulto respecto a los electrodomésticos o que no reaccionan como debería hacerlo un adulto en una situación potencialmente peligrosa. Esas personas deberían alejarse durante la autolimpieza o la utilización del aparato.
- La eliminación de residuos durante el proceso de autolimpieza puede favorecer la emisión de pequeñas cantidades de productos químicos o de otras sustancias que podrían ser peligrosas en caso de una exposición suficientemente prolongada. Para minimizar la exposición a dichas sustancias, asegúrese de que la ventilación sea la adecuada abriendo una ventana o utilizando un ventilador o una campana extractora.
- Mantenga sus pájaros domésticos fuera de la cocina o de otras habitaciones que el humo de la cocina pueda alcanzar. El humo que se desprende del aparato puede ser dañino para los pájaros.

El modo de autolimpieza de su nueva estufa incluye una función de autolimpieza pirolítica. Cuando se cambia al modo CLEAN, la hornilla alcanza altas temperaturas de aproximadamente 830 °F/454 °C que queman los restos de comida y de grasa.

Cuando la hornilla está en el modo CLEAN, puede utilizar los quemadores estándares y la plancha. La hornilla secundaria de los modelos de 48" no se puede usar durante el modo de autolimpieza. Sólo se puede usar una hornilla a la vez en modo de autolimpieza. Los quemadores que tienen la función ExtraLow® no se pueden usar.

**Es normal ver humo y/o una llama ocasional durante el ciclo de autolimpieza**, dependiendo del contenido y de la cantidad de suciedad que queda en la hornilla. Si persiste una llama, apague la hornilla y deje que se enfríe antes de abrir la puerta para limpiar los restos de comida con un trapo.

Al final del ciclo de autolimpieza, pueden quedar algunos residuos quemados o cenizas dentro de la hornilla. Se trata de restos minerales que no se quemaron o derritieron. La cantidad de cenizas depende de hasta qué punto estaba sucia la hornilla antes de limpiarla. Es fácil quitar estos residuos, una vez que la hornilla se ha enfriado, usando una toalla de papel, una esponja o un trapo húmedo.

Limpie todos los residuos que queden en el bastidor delantero con Formula 409® o Fantastik®. Si algunas manchas persisten, use un detergente líquido suave. La cantidad de manchas de humo está relacionada directamente a la cantidad de restos alimenticios que se quedaron dentro de la hornilla en el momento de proceder a la autolimpieza. Limpie la hornilla frecuentemente.

### Antes de proceder a la autolimpieza de la hornilla

Quite las acumulaciones de grasa y todos los residuos fáciles de limpiar que se encuentran en la hornilla y cerca del cierre hermético de la puerta para reducir las posibilidades de producción de llamas o de humo. Este aparato está diseñado para limpiar el interior de la hornilla y la parte de la puerta del interior de la hornilla. Los bordes exteriores de la puerta no forman parte de la zona de limpieza. Limpie esta área.

### Antes de ajustar la hornilla al modo de autolimpieza

- Saque todos los utensilios de la hornilla.
- Saque las rejillas.
- Limpie el bastidor delantero de la hornilla y el exterior de la puerta. Recoja los derrames y las acumulaciones de grasa.
- Asegúrese de que las bombillas y las cubiertas de lentes de las lámparas estén en su lugar.
- Encienda la campana y déjela encendida hasta que el ciclo de autolimpieza de la hornilla acabe.

### IMPORTANTE:

Durante el primer ciclo de autolimpieza, retire animales pequeños y pájaros de la cocina y de las áreas cercanas. Abra una ventana cercana para una ventilación adicional.

### Cierre automático

Cuando comienza el ciclo de autolimpieza, la puerta se bloquea automáticamente. A los cinco minutos, el indicador de temperatura se empieza a mover hacia la palabra CLEAN. Asegúrese de que la puerta está bloqueada. Se puede detener el ciclo de autolimpieza poniendo la perilla de control en la posición OFF. La luz indicadora de autolimpieza (CLEANING) se apagará solamente después de que la hornilla se haya enfriado por debajo de 500°, y el bloqueo automático de la puerta se encontrará en la posición de abierta.

**Asegúrese de que la puerta de la hornilla esté bloqueada al comienzo del ciclo de autolimpieza.**

### Cómo programar la autolimpieza de las hornillas

1. Quite las rejillas de la hornilla.
2. Asegúrese de que la puerta de la hornilla está cerrada.
3. Seleccione SELF CLEAN con el anillo de selección de modo (vea la Figura 31).
4. Ponga la perilla de ajuste de la temperatura en CLEAN.
  - El cerrojo de la puerta de la hornilla bloquea la puerta.
  - Se enciende el ventilador de enfriamiento.
  - La palabra CLEAN aparece en el indicador de temperatura después de cinco minutos.

### Nota:

El proceso del cierre de la puerta necesita aproximadamente 20 segundos, después de los cuales la puerta se bloquea. **Asegúrese de que la puerta esté bloqueada correctamente.**

### Al final del ciclo de autolimpieza

El ciclo de autolimpieza dura unas cuatro horas. Cuando termina el ciclo se apagan las luces OVEN y CLEANING. No cambie la perilla de control de la hornilla a la posición OFF antes de que el bloqueo automático esté en la posición de abierta.

1. Seleccione OFF usando el selector.
  - El seguro de la puerta se abrirá automáticamente cuando la temperatura sea inferior a 500° y el bloqueo automático de la puerta terminará su ciclo de 20 segundos hacia la posición abierta.
  - Se apaga el ventilador de enfriamiento cuando la temperatura de la hornilla es inferior a 375 °F/ 191 °C.
2. Cambie la perilla de control de la hornilla a la posición OFF.

### Impedimento de ciclos de autolimpieza sucesivos

Las hornillas están programadas para impedir que se haga un segundo ciclo de autolimpieza por un periodo de 24

horas. Todas las otras funciones están disponibles inmediatamente después de terminar la autolimpieza.

### Consejos de limpieza

1. El acabado de porcelana esmaltada resiste los ácidos, pero no es a prueba de ácidos. Seque de inmediato los derrames de alimentos ácidos, tal como jugos cítricos, tomates, ruibarbo, vinagre, l alcohol o leche y evite hornearlos sobre la porcelana durante el siguiente uso.
2. Saque las rejillas de la hornilla. Vea rejillas, en las recomendaciones de limpieza de la estufa.
3. No es necesario limpiar los quemadores infrarrojos de la(s) hornilla(s). Se limpian solos cuando se usa la hornilla.



### ADVERTENCIA:

El interior de la hornilla sigue estando a temperaturas de hornear cuando el bloqueo automático cambia a la posición abierta, y se puede abrir la puerta de la hornilla.

### Limpieza de la estufa

#### Al limpiar la estufa:

1. Use la técnica de limpieza más suave pero que limpie de manera eficaz. Algunos detergentes del mismo tipo son más abrasivos que otros. Úselo primero en un área pequeña.
2. Siempre frote los acabados metálicos en la dirección de las líneas de pulido para mayor efectividad y para evitar dañar la superficie.
3. Use solamente trapos limpios suaves, esponjas, toallas de papel, cepillos fibrosos, esponjillas de plástico, no metálicas, para limpiar y frotar, como se recomienda en la tabla.
4. Se pueden limpiar la mayoría de las partes de este aparato con agua jabonosa caliente (menos cuando hay indicaciones contrarias acerca de algunas piezas). Cuando se necesite enjuagar, hágalo a fondo.
5. Seque siempre de inmediato para evitar marcas de agua.



### ADVERTENCIA

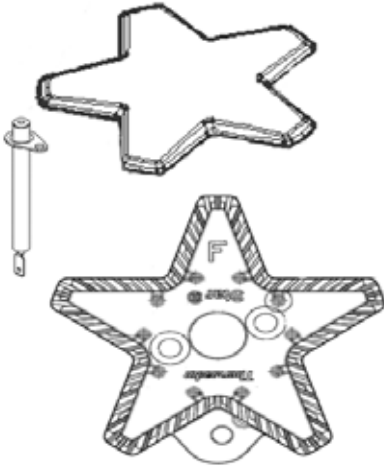
Evite limpiar la estufa o sus piezas mientras estén calientest.

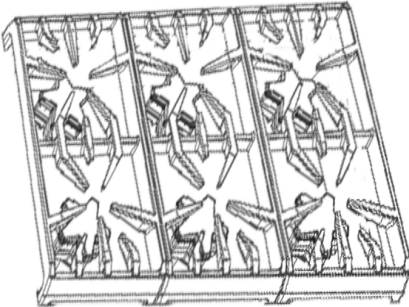
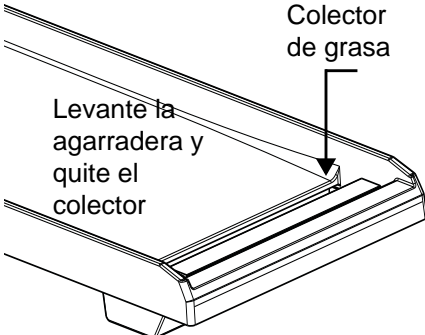
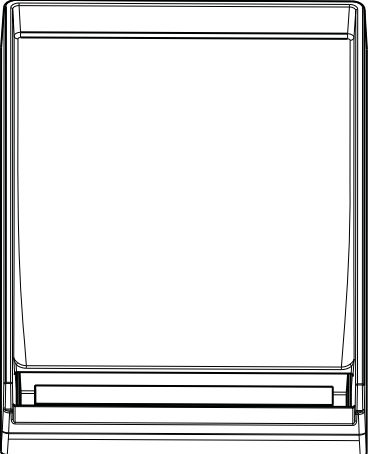
### Nombres de marcas

El uso de nombres de marcas sirve únicamente para indicar un tipo de detergente y no constituye ninguna promoción. La omisión de un nombre de marca no implica su aptitud o insuficiencia. Muchos de los productos mencionados se pueden encontrar en los mercados locales. Es imprescindible usar todos los productos rigurosamente conforme a las instrucciones del empaque. La siguiente tabla da indicaciones para limpiar la estufa.



## Recomendaciones de limpieza

PIEZA / MATERIAL	DETERGENTES SUGERIDOS	INDICACIONES IMPORTANTES
<p><b>Base de quemador de cobre y tapa de hierro colado</b></p> 	<ul style="list-style-type: none"> <li>• Agua jabonosa caliente; enjuagar y secar bien.</li> <li>• Detergentes poco abrasivos: Bon Ami<sup>®</sup>, Limpiador para aluminio y acero inoxidable Cameo<sup>®</sup>, Pulido de bronce para todo propósito Wright's<sup>®</sup>.</li> <li>• Detergentes líquidos: Kleen King<sup>®</sup>.</li> <li>• Cepillo de dientes duros de cerda de nylon para limpiar los orificios de los puertos.</li> <li>• Después de la limpieza, asegúrese de asentar correctamente la tapa del quemador en su base.</li> </ul>	<ul style="list-style-type: none"> <li>• No deben rayar los orificios de los puertos de la base del quemador de bronce.</li> </ul>
<p><b>Perillas de control / Plástico</b> <b>Anillos / Cromo</b> <b>Rejillas Full Access<sup>®</sup> / Cromo</b></p>	<ul style="list-style-type: none"> <li>• Agua jabonosa caliente; enjuagar y secar de inmediato.</li> </ul>	<ul style="list-style-type: none"> <li>• No remojar las perillas.</li> <li>• No forzar las perillas sobre el eje de la válvula equivocada.</li> </ul>
<p><b>Acabado exterior / Consola trasera de protección</b> Acero Inoxidable</p>	<ul style="list-style-type: none"> <li>• Detergentes no abrasivos: Agua caliente y detergente, amoníaco, Fantastic<sup>®</sup>, Formula 409<sup>®</sup>. Enjuagar y secar de inmediato.</li> <li>• Pulido: Stainless Steel Magic<sup>®</sup> para proteger el acabado de manchas y picaduras; realza la apariencia.</li> <li>• Manchas de agua dura: Vinagre casero.</li> <li>• Detergentes poco abrasivos: Detergente para acero inoxidable y aluminio Siege, Detergente líquido para acero inoxidable Kleen King<sup>®</sup></li> <li>• Decoloración térmica: Cameo<sup>®</sup>, Barkeepers Friend<sup>®</sup>, Zud<sup>®</sup>. Pulido de bronce para todo propósito Wright's<sup>®</sup>.</li> </ul>	<ul style="list-style-type: none"> <li>• El acero inoxidable resiste muchas manchas de alimentos y picaduras, siempre y cuando la superficie se mantenga limpia y protegida.</li> <li>• Nunca permita que las manchas de alimentos o de sal permanezcan mucho tiempo sobre acero inoxidable.</li> <li>• Frotar ligeramente en la dirección de las líneas de pulido.</li> <li>• Cloro y compuestos de cloro en algunos detergentes son corrosivos para el acero inoxidable. Revise los ingredientes en la etiqueta.</li> </ul>

PIEZA / MATERIAL	DETERGENTES SUGERIDOS	INDICACIONES IMPORTANTES
<p><b>Rejillas</b> Porcelana esmaltada sobre hierro fundido</p> 	<ul style="list-style-type: none"> <li>• Detergentes no abrasivos: Agua caliente y detergente, Fantastic<sup>®</sup>, Formula 409<sup>®</sup>. Enjuagar y secar de inmediato.</li> <li>• Detergentes poco abrasivos: Bon Ami<sup>®</sup> y Soft Scrub<sup>®</sup>.</li> <li>• Detergentes abrasivos para suciedad persistente: esponjillas de fibra metálica con jabón.</li> <li>• Lestoil<sup>®</sup> u otro detergente contra la grasa.</li> </ul>	<ul style="list-style-type: none"> <li>• Las rejillas son pesadas; tener cuidado cuando las levante. Ponerlas sobre una superficie protegida.</li> <li>• Ampollas / grietas / astillas son comunes debido a las extremas temperaturas en los dedos de las rejillas y los cambios rápidos de temperatura.</li> <li>• Derrames de ácidos y de azúcar echan a perder el esmalte. Quitar la suciedad de inmediato.</li> <li>• Detergentes abrasivos usados con mucha frecuencia pueden dañar el esmalte con el tiempo.</li> </ul>
<p><b>Colector de grasa</b> Aluminio con una cubierta antiadherente</p> 	<ul style="list-style-type: none"> <li>• Quite el colector de grasa y ponga la grasa en un contenedor adecuado antes de echarla. Limpie el colector de grasa en agua jabonosa o póngalo en el lavavajillas.</li> <li>• Limpie el colector después de cada uso.</li> <li>• Se puede lavar en el lavavajillas.</li> <li>• Lavar en agua caliente con detergente; enjuagar y secar.</li> <li>• Suciedad persistente: Soft Scrub<sup>®</sup></li> </ul>	<ul style="list-style-type: none"> <li>• Vaciar el colector después de cada uso.</li> <li>• Quitar el colector después de que la grasa se haya enfriado. Tenga cuidado de no llenar el colector demasiado para no tirar la grasa cuando incline el colector.</li> </ul>
<p><b>Bandeja de la plancha</b> Aluminio con una cubierta antiadherente</p> 	<ul style="list-style-type: none"> <li>• Quitar el colector y tirar la grasa en un contenedor resistente a grasas para su eliminación. Lavar el colector con agua jabonosa caliente o en el lavavajillas. Limpiar la superficie del asador o de la plancha con agua jabonosa tibia y enjuagar con agua tibia. Secar con un trapo suave.</li> <li>• Cuando haya partículas de alimentos pegadas a la bandeja del asador o de la plancha, quitarlas con un detergente poco abrasivo como Soft Scrub<sup>®</sup>.</li> </ul>	<ul style="list-style-type: none"> <li>• Nunca se debe lavar un asador o una plancha caliente con agua fría. Esto puede deformar o romper la bandeja de aluminio.</li> <li>• No se debe limpiar ninguna parte del asador en una hornilla de autolimpieza.</li> </ul>

PIEZA MATERIAL	DETERGENTES SUGERIDOS	INDICACIONES IMPORTANTES
<b>Encendedores/ Cerámica</b>	<ul style="list-style-type: none"> <li>Usar un poco de algodón humedecido con agua, Formula 409<sup>®</sup> o Fantastic<sup>®</sup></li> </ul>	<ul style="list-style-type: none"> <li>No use herramientas afiladas para raspar los encendedores. Son frágiles. Si se daña un encendedor, tal vez ya no pueda prender el quemador</li> </ul>
<b>Bandejas de limpieza / Adornos</b> Porcelana esmaltada (acabado lustroso)	<p>Se puede usar un detergente como Soft Scrub<sup>®</sup>. Aplicar con una esponja o un paño húmedo conforme a las indicaciones del fabricante. Enjuagar bien y secar con un paño suave.</p> <p>Cuando se usan detergentes como Bar Keeper's Friend<sup>®</sup>, Bon-ami<sup>®</sup>, Comet<sup>®</sup> o Ajax<sup>®</sup>, aplicar con una esponja o un paño húmedo conforme a las indicaciones del fabricante. Frotar con cuidado ya que estos detergentes pueden rayar la superficie. Enjuagar bien y secar con un paño suave.</p> <p>Para quitar alimentos quemados se pueden usar esponjillas de fibra metálica con jabón, como S.O.S.<sup>®</sup> o Brillo<sup>®</sup>. Humedecer la esponjilla y frotar con cuidado. Se debe tener cuidado ya que estos detergentes pueden rayar la superficie. Enjuagar bien y secar con un paño suave.</p>	
<b>Rejillas y base de la bandeja de asar</b> Porcelana esmaltada	<p><b>NO LIMPIAR EN UNA HORNILLA DE AUTOLIMPIEZA</b></p> <p>Para eliminar restos de alimentos muy pegados, rociar la rejilla vacía caliente con detergente en polvo de lavandería o con detergente líquido y tapar con toallas húmedas de papel. Dejar reposar.</p> <p><b>Agua jabonosa caliente.</b></p> <ul style="list-style-type: none"> <li>Lavar, enjuagar bien y secar.</li> </ul> <p><b>Detergentes:</b> Soft Scrub<sup>®</sup>.</p> <ul style="list-style-type: none"> <li>Aplicar con una esponja o un trapo húmedo conforme a las indicaciones del fabricante. Enjuagar y secar.</li> </ul> <p><b>Detergentes en polvo:</b> Bon-ami<sup>®</sup>, Comet<sup>®</sup>, Ajax<sup>®</sup>.</p> <ul style="list-style-type: none"> <li>Aplicar con una esponja o un trapo húmedo conforme a las indicaciones del fabricante. Frotar con cuidado, puede rayar la superficie. Enjuagar bien y secar.</li> </ul> <p><b>Esponjillas de fibra metálica con jabón:</b> S.O.S.<sup>®</sup>, Brillo<sup>®</sup>.</p> <ul style="list-style-type: none"> <li>Humedecer la esponjilla, frotar con cuidado, puede rayar la superficie. Enjuagar bien y secar.</li> </ul>	
<b>Portes</b> Exterior, Bastidor, Agarradera, Acero inoxidable	<p>Mantener los detergentes y el agua alejados de las aberturas de ventilación de las puertas. Si entra agua o detergente puede rayar el vidrio interior.</p>	
<b>Cierre hermético</b> Empaque de la puerta	<p>Detergentes generales para cocina: Formula 409<sup>®</sup>, Fantastik<sup>®</sup>.</p> <ul style="list-style-type: none"> <li>Aplicar y secar con un trapo. No frotar. No mover, quitar o dañar la malla.</li> </ul>	

## Mantenimiento hecho por usted mismo

### Reemplazar una bombilla en la hornilla



#### PRECAUCIÓN:

Antes de reemplazar una bombilla, asegúrese de que el interruptor de la luz está en la posición OFF. Espere a que se enfríen completamente la bombilla y la cubierta antes de tocarlas. Si se rompe el vidrio del foco en la base, corte la alimentación eléctrica de la hornilla antes de tratar de sacar el foco de la base del portalámparas.

Reemplácela solamente con una bombilla diseñada para hornillas. NO USE una bombilla estándar en la hornilla. Póngase en contacto con atención al cliente de Thermador en el 1-800-735-4328 o con la tienda Thermador más cerca para obtener información sobre las bombillas que tiene que utilizar con su estufa. Debe tener el número de serie de su estufa.

#### Para reemplazar la bombilla:

Use únicamente bombillas halógenas de dos contactos, 10 vatios, 12 voltios. Use un trapo limpio y seco para manipular las bombillas halógenas. Esto aumentará su ciclo de vida.

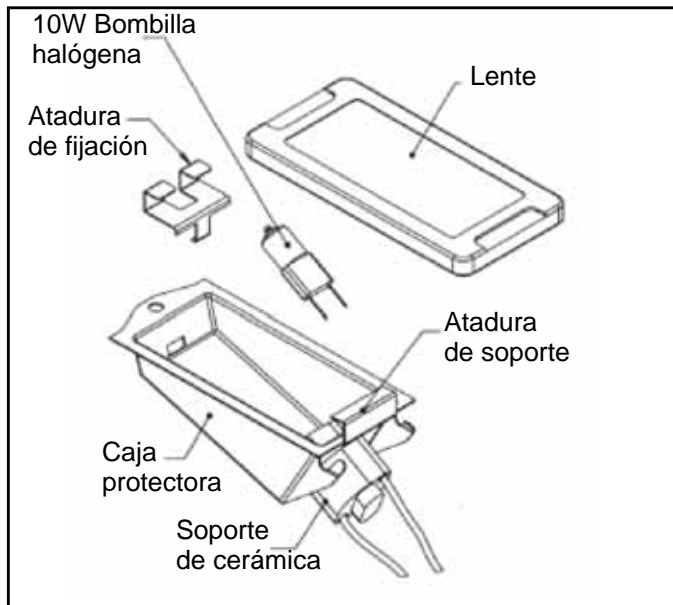


Figura 32: Ensamblaje de la lámpara de la hornilla

1. Corte la alimentación del disyuntor.
2. Quite las rejillas de la hornilla.
3. Inserte un destornillador plano entre la atadura de fijación y la caja protectora (Figuras 33 y 34).



Inserte la punta del destornillador aquí. Afloje la lente de vidrio y quítela.

Figura 33: Ubicación de la abertura

4. Sostenga la tapa de la lente de vidrio con dos dedos a lo largo del borde inferior para impedir que caiga en el piso de la hornilla.
5. Gire con cuidado el destornillador para aflojar la tapa de la lente de vidrio.
6. Quite la tapa de la lente de vidrio y la atadura de fijación.
7. Quite la bombilla cogiéndola y tirando de ella hacia atrás hasta que las dos puntas salgan del soporte de cerámica.
8. No toque el vidrio de la nueva bombilla con sus dedos sino podría no funcionar cuando la encienda. Coja la bombilla de reemplazo con un trapo limpio y seco. Localice las dos ranuras del soporte de cerámica empujando lentamente las dos puntas de la bombilla.
9. Tire hacia abajo para instalar la bombilla correctamente.
10. Instale la lente de protección en la atadura del soporte y empuje la otra extremidad hasta que la atadura de fijación se enganche a la caja protectora.
11. Vuelva a encender el disyuntor.

## Apagón

En el caso de un apagón se pueden encender solamente los quemadores estándares manualmente. Es necesario prender cada quemador estándar individualmente.

Si se está usando la estufa cuando se produzca el fallo de luz, gire todas las perillas de control de los quemadores a la posición OFF. Luego, puede encender los quemadores estándar con un cerillo prendido cerca de los puertos, girando la perilla de control a la posición HI. Espere a que la llama envuelva toda la tapa del quemador antes de ajustar la llama a la intensidad deseada.

No se pueden usar los dos quemadores ExtraLow® de la izquierda durante un apagón. Asegúrese de apagarlo si se produce un apagón porque el quemador no se podrá reencender antes de que se apague, y las perillas de control estén en la posición OFF. Vea “Qué hacer cuando huele a gas”.

Si se produce una bajada en la presión de gas, póngase en contacto con su proveedor de gas.

## Chispas intermitentes o constantes del encendedor

Chispas intermitentes o constantes de los quemadores sellados de gas pueden ser el resultado de varias causas evitables. Elimine estas causas como se indica en la tabla.

SÍNTOMA	CAUSA	REMEDIO
Chispas intermitentes	<ul style="list-style-type: none"><li>• Encendedor sucio o húmedo.</li><li>• Puertos del quemador tapados.</li></ul>	<ul style="list-style-type: none"><li>• Secar o limpiar bien el encendedor.</li><li>• Limpiar puertos de la tapa del quemador con un alambre, una aguja o un clip enderezado.</li></ul>
Más de cuatro chasquidos del encendedor antes de prender	<ul style="list-style-type: none"><li>• La tapa del quemador no cabe en la base del quemador.</li></ul>	<ul style="list-style-type: none"><li>• Alinear la tapa del quemador sobre la base del quemador.</li></ul>
Chispas constantes	<ul style="list-style-type: none"><li>• La toma de tierra de la estufa está mal hecha.</li><li>• Alimentación eléctrica está mal polarizada.</li></ul>	<ul style="list-style-type: none"><li>• Consultar instrucciones de instalación. Contratar a un eléctrico cualificado para realizar la toma de tierra.</li><li>• Consultar instrucciones de instalación. Contratar a un eléctrico cualificado para realizar la toma de tierra.</li></ul>

# Antes de solicitar servicio

Antes de solicitar servicio, compruebe lo siguiente para evitar cargos innecesarios de servicio.

## Asegúrese de comprobar primero estos puntos:

- ¿Hay un apagón en el área?
- ¿Se quemó un fusible en la casa o se activó el disyuntor?
- ¿Está conectada la estufa a la alimentación eléctrica?

## Cuando no se prenden los quemadores

- ¿Las tapas de los quemadores están bien alineados y asentados en sus bases?
- ¿Están tapados los puertos de los quemadores?
- ¿Se quemó un fusible en la casa o se activó el disyuntor?
- ¿Está cerrada la válvula de cierre del gas, impidiendo el suministro de gas?

## Placa de señalización

La placa de señalización indica el número de modelo y de serie de su estufa. Se encuentra en el espacio que hay entre el lado derecho del hueco de la hornilla y el panel lateral de la estufa.

El diagrama del cableado eléctrico detrás de la placa no se debe quitar, excepto por un técnico de mantenimiento. Vuelva a ponerlos en su sitio después de realizar el mantenimiento.

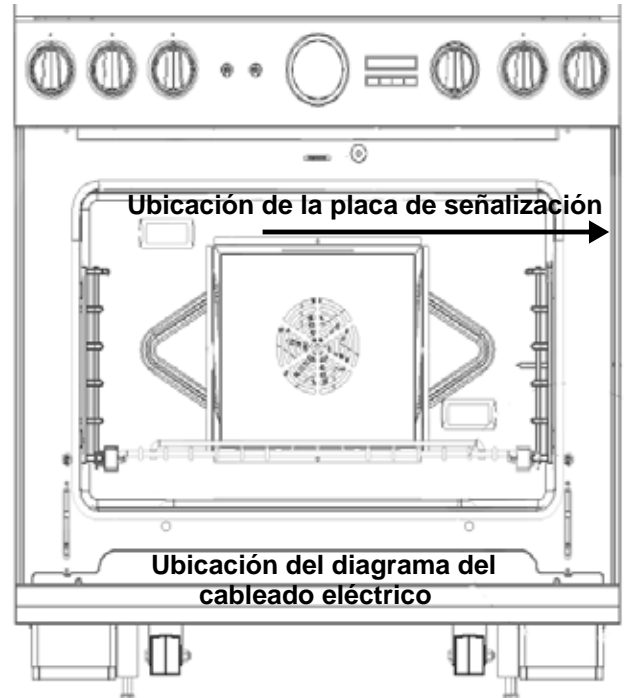


Figura 34: Ubicación de la placa de señalización

## Información para el servicio técnico

Para una consulta útil, anote aquí abajo la información de la placa de señalización situada entre el lado derecho del hueco de la hornilla y el panel lateral de la estufa. Conserve su factura para que su garantía sea válida.

Número de modelo \_\_\_\_\_  
Número de serie \_\_\_\_\_  
Fecha de compra \_\_\_\_\_  
Nombre del distribuidor \_\_\_\_\_  
Teléfono del distribuidor \_\_\_\_\_  
Nombre del centro de Servicio \_\_\_\_\_  
Teléfono del centro de Servicio \_\_\_\_\_

Además, anote esta información en el formulario de registro del producto que se incluye con esta estufa, luego envíela a la dirección indicada.



# DECLARACIÓN DE GARANTÍA LIMITADA DEL PRODUCTO

## Cobertura de esta garantía y a quiénes se aplica

La garantía limitada otorgada por BSH Home Appliances Thermador en esta Declaración de Garantía Limitada del Producto se aplica únicamente al electrodoméstico Thermador vendido a usted, el primer comprador usuario, siempre que el Producto haya sido Comprado:

- Para uso doméstico (no comercial) normal y que haya sido utilizado en todo momento únicamente para fines domésticos normales.
- Nuevo en una tienda minorista (que no sea un producto de exhibición, ni un producto vendido "en las condiciones en que se encuentra" ni un modelo devuelto anteriormente) y no esté destinado para reventa ni uso comercial.
- Dentro de los Estados Unidos o Canadá, y permanezca en todo momento dentro del país de compra original. Las garantías incluidas en el presente se aplican únicamente al primer comprador del Producto y no son transferibles.

Asegúrese de devolver su tarjeta de registro; si bien no es necesario para hacer efectiva la cobertura de la garantía, es la mejor manera para que Thermador le notifique en el caso poco probable de que se emita un aviso de seguridad o se retire del mercado un producto.

## Duración de la garantía

THERMADOR® garantiza durante un periodo de trescientos sesenta y cinco (365) días a partir de la fecha de la compra, que el producto no tiene defectos materiales o de mano de obra. El período anterior comienza a contar a partir de la fecha de compra y no se interrumpirá, dejará sin efecto, extenderá ni suspenderá por ningún motivo.

## Reparación / reemplazo como único recurso

Durante el período de esta garantía, Thermador o uno de sus proveedores de servicio técnico autorizados reparará su Producto sin cargo para usted (con sujeción a determinadas limitaciones especificadas en el presente documento) si se prueba que su Producto ha sido fabricado con un defecto en los materiales o en la mano de obra. Si se ha intentado de manera razonable reparar el Producto sin éxito, Thermador reemplazará su Producto (es posible que usted tenga disponibles modelos mejorados, a entera discreción de Thermador, con un cargo adicional). Todas las piezas y los componentes extraídos serán propiedad de Thermador, a su entera discreción. Todas las piezas reemplazadas o reparadas se considerarán como la pieza original a los fines de esta garantía, y esta garantía no será extensible a dichas

piezas. En virtud del presente documento, la única y exclusiva responsabilidad y obligación de Thermador es únicamente reparar el Producto defectuoso de fábrica, a través de un proveedor de servicio técnico autorizado por Thermador durante el horario de oficina. Por cuestiones de seguridad y daños materiales, Thermador recomienda encarecidamente que no intente reparar el Producto usted mismo ni usar un proveedor de servicio técnico no autorizado; Thermador no será responsable ni tendrá obligación alguna sobre las reparaciones o trabajos realizados por un centro de servicio técnico no autorizado. Si usted prefiere que una persona que no sea proveedor de servicio técnico autorizado trabaje en su Producto, **ESTA GARANTÍA SE ANULARÁ AUTOMÁTICAMENTE.** Los proveedores de servicio técnico autorizados son aquellas personas o compañías que han sido especialmente capacitadas para manejar los productos de Thermador y que tienen, según el criterio de Thermador, una reputación superior de servicio con el cliente y capacidad técnica (debe tener en cuenta que son entidades independientes y no son agentes, socios, afiliados ni representantes de Thermador). Sin perjuicio de lo anterior, Thermador no tendrá responsabilidad ni obligación alguna sobre el Producto que se encuentre en un área remota (a más de 100 millas de un proveedor de servicio técnico autorizado) o en un lugar, área circundante o entorno que no sea accesible por medios razonables o que sea peligroso, hostil o arriesgado; en cualquier caso, cuando lo solicite, Thermador de todas maneras pagará por la mano de obra y las piezas, y enviará las piezas al proveedor de servicio técnico autorizado más cercano, pero usted seguirá siendo totalmente responsable del tiempo de viaje y demás cargas especiales de la compañía de servicio técnico, suponiendo que acepte hacer la visita de servicio técnico.

## Producto fuera de garantía

Thermador no tiene obligación alguna, en virtud de la ley o por otro motivo, de otorgarle ninguna concesión, incluidos reparaciones, prorratesos o reemplazo del Producto, con posterioridad al vencimiento de la garantía.

## Exclusiones de la garantía

La cobertura de garantía descrita en el presente documento excluye todos los defectos o daños que no fueron provocados directamente por Thermador, incluidos, entre otros, alguno de los siguientes:

- Uso del Producto de maneras distintas del uso normal, habitual y previsto (incluidos, entre otros, cualquier forma de uso comercial, uso o almacenamiento en exteriores de un producto diseñado para interiores, uso del Producto en aeronaves o embarcaciones).
- Conducta indebida, negligencia, uso indebido, abuso, accidentes, descuido, operación inadecuada, omisión de mantenimiento, instalación inadecuada o negligente, adulteración, omisión de seguir las instrucciones de operación, manipulación inadecuada, servicio técnico no autorizado (incluidos "arreglos" o exploración de los mecanismos internos del electrodoméstico realizados por uno mismo) por parte de cualquier persona.
- Ajuste, alteración o modificación de cualquier tipo.
- Incumplimiento de los códigos, reglamentaciones o leyes de electricidad, fontanería o construcciones locales estatales, municipales o de condado, incluida la omisión de instalar el producto cumpliendo estrictamente con los códigos y las reglamentaciones locales de construcción y protección contra incendios.
- Desgaste habitual, derrames de alimentos, líquidos, acumulaciones de grasa u otras sustancias que se acumulen sobre el Producto, dentro o alrededor de este.
- Y cualquier fuerza o factor externo, elemental o ambiental, incluidos, entre otros, lluvia, viento, arena, inundaciones, incendios, aludes de lodo, temperaturas bajas extremas, humedad excesiva o exposición prolongada a la humedad, rayos, sobrecargas eléctricas, fallos estructurales alrededor del electrodoméstico y caso fortuito, circundantes, incluidos los gabinetes, pisos, techos y demás estructuras u objetos que se encuentren alrededor del producto. También se excluyen de esta garantía las rayas, hendiduras, abolladuras menores y daños estéticos en superficies externas y piezas expuestas; productos en los que los números de serie hayan sido alterados, modificados o eliminados; visitas del servicio técnico para enseñarle a usar el Producto o visitas en las que se determine que no hay ningún problema con el Producto; corrección de los problemas de instalación (usted es el único responsable de cualquier estructura y soporte del Producto, incluidas todas las instalaciones de electricidad y fontanería o demás instalaciones de conexión, de la correcta instalación en bases / pisos y de cualquier alteración, incluidos, entre otros, gabinetes, paredes, pisos, repisas, etc.); y el restablecimiento de disyuntores o fusibles.

EN LA MEDIDA PERMITIDA POR LA LEY, ESTA GARANTÍA ESTABLECE SUS RECURSOS EXCLUSIVOS CON RESPECTO AL PRODUCTO, INDEPENDIENTEMENTE DE QUE LA RECLAMACIÓN SEA CONTRACTUAL O EXTRACONTRACTUAL (INCLUIDA LA RESPONSABILIDAD OBJETIVA O LA

NEGLIGENCIA), O DE CUALQUIER OTRO MODO. ESTA GARANTÍA REEMPLAZA TODAS LAS DEMÁS GARANTÍAS EXPRESAS O IMPLÍCITAS. LAS GARANTÍAS IMPLÍCITAS POR LEY, YA SEA DE COMERCIALIZABILIDAD O APTITUD PARA UN FIN ESPECÍFICO, O DE CUALQUIER OTRO TIPO, TENDRÁN VIGENCIA ÚNICAMENTE DURANTE EL PERÍODO DE VIGENCIA DE LA PRESENTE GARANTÍA LIMITADA EXPRESA.

EN NINGÚN CASO, EL FABRICANTE SERÁ RESPONSABLE DE LOS DAÑOS CONSECUENTES, ESPECIALES, INCIDENTALES, INDIRECTOS, POR "PÉRDIDAS COMERCIALES" O DAÑOS PUNITIVOS, PÉRDIDAS O GASTOS, INCLUIDOS, ENTRE OTROS, TIEMPO FUERA DEL TRABAJO, HOTELES O COMIDAS EN RESTAURANTES, GASTOS DE REMODELACIÓN QUE SUPEREN LOS DAÑOS DIRECTOS, QUE DEFINITIVAMENTE HAYAN SIDO CAUSADOS DE MANERA EXCLUSIVA POR THERMADOR O DE OTRO MODO. ALGUNOS ESTADOS NO PERMITEN LA EXCLUSIÓN O LIMITACIÓN DE DAÑOS INCIDENTALES O CONSECUENTES, Y ALGUNOS ESTADOS NO PERMITEN LIMITACIONES CON RESPECTO AL PLAZO DE VIGENCIA DE UNA GARANTÍA IMPLÍCITA; POR LO TANTO, ES POSIBLE QUE LAS LIMITACIONES ANTERIORES NO SE APLIQUEN A USTED. ESTA GARANTÍA LE OTORGA DERECHOS LEGALES ESPECÍFICOS, Y TAMBIÉN PUEDEN CORRESPONDERLE OTROS DERECHOS QUE PUEDEN VARIAR SEGÚN EL ESTADO.

Cualquier intento de alterar, modificar o enmendar la presente garantía no tendrá vigencia, a menos que fuera autorizado por escrito por un ejecutivo de BSH.

Nos reservamos el derecho a modificar el producto sin previo aviso.

Registre su producto THERMADOR® para asegurarse de recibir un servicio oportuno y de tener acceso a la información relativa a su producto. Puede registrar su producto de las siguientes formas :

1. Enviando por correo la carta de registro del producto THERMADOR®
2. Registrando su producto en línea: thermador.com
3. Llamando al teléfono de atención al cliente de THERMADOR® 1-800-735-4328.

# Thermador Support/Entretien/Mantenimiento

## Service

We realize that you have made a considerable investment in your kitchen. We are dedicated to supporting you and your appliance so that you have many years of creative cooking.

Please don't hesitate to contact our "Star" Customer Support Department if you have any questions or in the unlikely event that your Thermador appliance needs service. Our service team is ready to assist you.

[www.thermador.com/support](http://www.thermador.com/support)

1-800-735-4328

## Parts & Accessories

Parts, filters, descalers, stainless steel cleaners and more can be purchased in the Thermador eShop or by phone.

[www.thermador-eshop.com](http://www.thermador-eshop.com)

---

## Entretien

Nous savons bien que vous avez investi une somme considérable dans votre cuisine. Nous nous faisons un devoir de vous soutenir pour que vous puissiez profiter pleinement d'une cuisine où vous pourrez exprimer toute votre créativité de nombreuses années durant.

N'hésitez pas à communiquer avec l'un des membres chevronnés de notre équipe de soutien au client si vous avez des questions ou dans le cas plutôt improbable où votre appareil Thermador aurait besoin d'entretien. Notre équipe sera prête à vous aider.

[www.thermador.com/support](http://www.thermador.com/support)

1-800-735-4328

## Pièces et accessoires

Vous pouvez vous procurer par téléphone ou à notre boutique Thermador en ligne des pièces, des filtres, des produits nettoyants pour acier inoxydable et plus encore.

[www.thermador-eshop.com](http://www.thermador-eshop.com)

---

## Mantenimiento

Nos damos cuenta que Usted invirtió una suma considerable en su cocina. Nos dedicamos a atenderle para que pueda sacar provecho de una cocina donde podrá expresar toda su creatividad durante muchos años.

Por favor, no dude en ponerse en contacto con uno de nuestros empleados "estrellas" de atención al cliente si tiene preguntas o en el caso más bien improbable que su aparato THERMADOR® necesite mantenimiento. Nuestro equipo estará listo para ayudarle.

[www.thermador.com/support](http://www.thermador.com/support)

1-800-735-4328

## Piezas y accesorios

Usted puede comprar piezas, filtros, productos de limpieza para acero inoxidable por teléfono o en nuestra tienda THERMADOR® en línea.

[www.thermador-eshop.com](http://www.thermador-eshop.com)

**Thermador** <sup>™</sup>  
**REAL INNOVATIONS FOR REAL COOKS**<sup>™</sup>

5551 McFadden Avenue, Huntington Beach, CA 92649 • 1-800-735-4328 • [www.thermador.com](http://www.thermador.com)  
9000668607 • Rev. A • 5U03SG • 7/11 © BSH Home Appliances Corporation, 2011