

L-SERIES  
**WHEEL LOADERS**



**JOHN DEERE**

744L / 824L / 844L



**LARGE AND  
IN CHARGE**

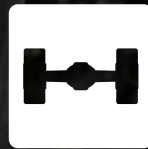
INTRODUCING THE  
**L-SERIES LOADERS**



**GO THE  
EXTRA MILE.**



+



**BETTER FUEL  
ECONOMY\***

**HEAVY-DUTY  
AXLES**

*\*Compared to John Deere K-Series models.*



## ***WE'LL DO THE HEAVY LIFTING.***

Combining serious productivity with a redesigned cab and controls, our 744L, 824L, and 844L Loaders provide the muscle for operators to work comfortably. Enhancements include increased horsepower, ergonomic programmable controls, and reimagined electrical and hydraulic routing. Plus they're built rock solid with rugged John Deere EPA Tier 3/EU Stage IIIA-compliant diesels and high-capacity heavy-duty axles. These large-scale wheel loaders deliver the performance, reliability, and comfort you need to stay productive all day long.

# COMFORTABLE, CAPABLE, AND FUEL EFFICIENT

*EARN MORE, BURN LESS.*

L-Series Loaders feature a new cab, joystick steering, intuitive controls, fuel-efficient engines, and a host of other features that help reduce operator burnout while burning less fuel.

## Redesigned cab

The operator station is more spacious and comfortable than K-Series models, with additional legroom, an improved HVAC system, extra storage, and a heated/ventilated adjustable seat.

## Redesigned routing

Routing of the electrical and hydraulic systems has been significantly simplified to improve reliability and ease of maintenance. Over three dozen steel tubes replace 81 ft. of hoses.

## Operator station enhancements

A seat-belt minder sends an alert to the JDLink™ machine monitoring system if the safety belt isn't latched within 60 seconds after the parking brake is released. Other enhancements include remotely adjustable heated mirrors, an anchor tie-off point with window-washing platforms to ease cleaning windows, and a large platform for entry and exit from the cab.

## New EH controls

Seat-mounted right-hand hydraulic controls are easier and more intuitive to operate than previous models, and feature two programmable multifunction buttons with new electrohydraulic (EH) controls. Joystick steering comes standard (steering wheel optional).



**2 PROGRAMMABLE  
MULTIFUNCTION  
BUTTONS** WITH NEW  
EH CONTROLS



STANDOUT FEATURE

***IT HARDLY  
SEEMS LIKE  
WORK.***

# CALM, COOL, AND COLLECTING LOADS

ALWAYS HAS YOUR BACK.

L-Series Loaders deliver loads of comfort, with a heated/ventilated seat; more legroom, storage, and power ports; and a better HVAC system than previous models.



## Chill out

Blower vent behind the seat improves airflow and defrosts the rear window. With convenient filter and service locations, the new HVAC system is easier to maintain, too. The brushless motor is reliable and provides infinite fan speeds, quiet operation, and good airflow.

## Set and forget

Automatic temperature control (ATC) system allows operators to simply select a desired temperature instead of fiddling with knobs to get comfortable.

## Sight for sore eyes

Joystick steering improves forward visibility, while making room for easier entry and exit. A wider door than on K-Series models also simplifies getting in and out of the cab.

## Multi-language color LCD display

A large seven-inch display with easy-on-the-eyes clarity enables intuitive push-button access to key info. Opt for a rearview camera to display activity behind the machine on the LCD screen. Add a dedicated seven-inch rearview display to see the action behind the machine and still have access to vital operating data at all times.

## Stow your stuff

HVAC system has been relocated outside the cab to add storage area. There's plenty of space for a powered cooler, along with a handy 12-volt outlet. There's also a Thermos® holder with a Velcro® strap, plus a conveniently placed cupholder and a coat hook.

## Daylong comfort

All-new cab boasts three-inches more legroom than previous models. Joystick controls, foot pedals, and sealed-switch module are all ergonomically placed for optimal comfort and convenience. Additional 12-volt and USB power ports and mounting points keep your devices charged up and within easy reach.

## Sit down and get to work

Heated/ventilated seat is even more adjustable, for daylong comfort and support. Seat pan can be tilted and extended to match operator preferences, maximizing comfort. The pedestal has been moved farther to the rear to provide more legroom.





### Expanded EH control

Operators can easily enable and adjust the following electrohydraulic (EH) functions through the monitor:

- **EH Precision** mode allows precise metering of the bucket and boom when laying pipe, moving heavy objects such as road barriers, or placing manholes.
- **Soft hydraulic stops** for both the boom and bucket are enabled for smooth operation or temporarily disabled when the application calls for dislodging stubborn materials.
- **Boom and bucket** aggressiveness can be set to low, medium, and high, for quicker and more precise response compared to previous models.
- **Attachment configuration** allows settings such as hydraulic flow and responsiveness for up to 10 different attachments to be conveniently stored.

### New SSM functionality

Sealed-switch module (SSM) has been repositioned under the monitor so it's in the operator's line of sight. Updated or new functions include:

- **Return-to-dig** now allows leveling of the bucket from both dump and curl positions, for quick and easy leveling.
- **Constant-flow hydraulics** allow the operator to continuously run attachments without having to hold a lever or roller at full stop.
- **Throttle lock** maintains a specified rpm so the operator can warm up a machine, run a continuous-flow attachment, or road the machine without having to hold the throttle pedal down.

### Low-effort joystick steering

Standard joystick steering is ideal for V-pattern truck loading. It adapts to ground speed to deliver smooth, low-effort control, even during load-and-carry operations.

### Keep in touch

Operators can easily control up to eight functions without removing their hand from the ergonomically designed joystick. A larger F-N-R switch provides convenient direction and full-range gear changes. Two industry-exclusive multifunction buttons can each be programmed to handle any of nine functions selected through the LCD monitor.



**INTUITIVE**  
**JOYSTICK STEERING**





# ***WON'T STEER YOU WRONG***

***STICK TO THE DETAILS.***

Featuring standard joystick steering, L-Series Loaders lead you in the right direction, with smooth, low-effort control of steering and multiple functions.



**LEAN, MEAN**  
**HAULING**  
**MACHINE.**

**DO MORE**  
**FOR LESS**

You can heap heavier and haul more in an L-Series Loader. And with advantages such as fuel-efficient engines, lockup torque converters, and a dedicated steering pump, you'll burn less fuel.



**UP TO**  
**16% MORE**  
**FUEL EFFICIENT**  
*COMPARED TO THE K-SERIES*



### **Pump up the volume**

Dedicated steering pump improves multifunction performance and fuel efficiency, while enabling faster steering, bucket raising, and cycle times than previous models.

### **Road and go**

New log-handler and pipe-handler configurations deliver more full-turn tipping-load capacity than the K-Series (up to 11 percent on the 744L and up to 15 percent on the 844L).

### **Keep a low profile**

Low-profile tire options boost traction, flotation, and stability over standard tires.

### **Productive performers**

Deere 9.0L diesel replaces the 13.5L engine on the 824L, improving fuel economy without loss of performance. Lockup torque converters, standard on all models, enable outstanding load-and-carry efficiency.

### **Fuel savers**

Standard five-speed transmission with torque-converter lockup in gears 2–5 increases acceleration, speeds cycles, and optimizes power and fuel efficiency during transport, roading, and ramp climbing. Redesigned torque converter on the 844L improves pushing and stockpiling performance over its K-Series predecessor.

# ***BUILT FOR THE LONG HAUL.***

## ***TOUGH AXLES, EFFICIENT COOLING, AND SIMPLE SERVICE***

### **Heavy-duty axles**

Larger, higher-capacity heavy-duty axles with standard axle cooling and filtration increase durability in demanding conditions compared to previous models.

### **Easy greasing**

Greasing is less messy thanks to centralized lube banks that are grouped for quick and convenient access to zerks. Auto-lube system is electrically powered and integrated with machine diagnostics.

### **Reliable electrical and hydraulic systems**

Routing for electrical wire harnesses and hydraulic hoses has been improved over the K-Series, boosting durability and reliability.

### **Same-side ground-level service**

All daily service points including fuel are conveniently grouped on the left side of the machine for easy access.

### **Innovative Quad-Cool™ system**

Quad-Cool design places coolers in a unique boxed configuration that's isolated from engine heat, for increased efficiency and durability. Hydraulic reversing fan (standard on the 844L, optional on the 824L and 744L) automatically reverses at predetermined intervals, or can be programmed through the monitor, to eject debris from the cooler cores.



---

Get valuable insight with

## **JOHN DEERE WORKSIGHT™**

The John Deere WorkSight suite of construction technology delivers **Productivity Solutions** to help you get more done, more efficiently. The in-base, five-year JDLink™ telematics subscription provides machine location, utilization data, and alerts to help you maximize productivity and efficiency. Other productivity solutions include grade-management and payload-weighting options.

To maximize uptime and lower costs, JDLink telematics also enables **John Deere Connected Support™**. John Deere's centralized Machine Health Monitoring Center analyzes data from thousands of connected machines, identifies trends, and develops actions to prevent downtime called Expert Alerts. Dealers use Expert Alerts to proactively address conditions that would otherwise likely lead to downtime. Your dealer can also monitor machine health and leverage remote diagnostics and programming capability to further diagnose problems and even update machine software without a time-consuming trip to the jobsite.





# 744L SPECIFICATIONS

While general information, pictures, and descriptions are provided, some illustrations and text may include product options and accessories NOT AVAILABLE in all regions, and in some countries products and accessories may require modifications or additions to ensure compliance with the local regulations of those countries.

Engine		744L	
Manufacturer and Model	John Deere PowerTech™ Plus 6090H	Net Torque Rise	47%
Non-Road Emission Standard	EPA Tier 3/EU Stage IIIA	Fuel System (electronically controlled)	High-pressure common rail
Cylinders	6	Lubrication	Full-flow spin-on filter and integral cooler
Valves per Cylinder	4	Aspiration	Turbocharged, charge air cooled
Displacement	9.0 L (548 cu. in.)	Air Cleaner	Under-hood, dual-element dry type, restriction indicator in cab monitor for service
Net Peak Power (ISO 9249)	236 kW (316 hp) at 1,500 rpm		
Net Peak Torque (ISO 9249)	1501 Nm (1,107 lb.-ft.) at 1,400 rpm		
Cooling			
Fan Drive	Hydraulically driven, proportionally controlled, fan aft of coolers		
Electrical			
Electrical System	24 volt with 150-amp alternator		
Batteries (2 – 12 volt)	1,400 CCA (each)		
Transmission System			
Type	Countershaft-type PowerShift™ with lockup torque converter		
Torque Converter	Single stage, dual phase with freewheeling stator with lockup clutch		
Shift Control	Electronically modulated, adaptive, load and speed dependent		
Operator Interface	Steering-column or joystick-mounted F-N-R and gear-select lever; Quick-Shift button on hydraulic lever		
Shift Modes	Manual/auto (1st–5th or 2nd–5th); Quick-Shift button with 2 selectable modes: kick-down or kick-up/down; and 4 settings for clutch cutoff		
Maximum Travel Speeds (with 26.5 R 25, 1 Star L3 tires)	<i>Forward</i>	<i>Reverse</i>	
Range 1	7.1 km/h (4.4 mph)	7.1 km/h (4.4 mph)	
Range 2	12.8 km/h (8.0 mph)	12.8 km/h (8.0 mph)	
Range 3	19.6 km/h (12.2 mph)	28.0 km/h (17.4 mph)	
Range 4	28.0 km/h (17.4 mph)	N/A	
Range 5	40.0 km/h (24.9 mph)	N/A	
Axles/Brakes			
Final Drives	Heavy-duty inboard-mounted planetary		
Differentials	Hydraulic locking front with conventional rear – standard; dual locking front and rear – optional		
Rear Axle Oscillation, Stop to Stop (with 26.5 R 25, 1 Star L3 tires)	26 deg. (13 deg. each direction)		
Brakes (conform to ISO 3450)			
Service	Hydraulically actuated, spring released, inboard, sun-gear mounted, oil cooled, self-adjusting, single disc		
Parking	Automatic spring applied, hydraulically released, oil cooled, multi disc		
Tires/Wheels (see page 19 for complete tire adjustments)			
	<i>Tread Width</i>	<i>Width Over Tires</i>	
Michelin 26.5 R 25, 2 Star L3	2298 mm (90.5 in.)	3084 mm (121.4 in.)	
Serviceability			
Refill Capacities			
Fuel Tank with Lockable Cap	477 L (126 gal.)		
Cooling System	48 L (50.7 qt.)		
Engine Oil with Vertical Spin-On Filter	34 L (36 qt.)		
Transmission Reservoir with Vertical Filter	28 L (29.5 qt.)		
Axle Oil (front and rear, each)	55.3 L (58.4 qt.)		
Hydraulic Reservoir and Filter	159 L (42 gal.)		
Park Brake Oil (wet disc)	0.7 L (24 oz.)		
Hydraulic System/Steering			
Loader Pumps	2 variable-displacement, load-sensing axial-piston pumps; closed-center system		
Maximum Rated Flow at 6895 kPa (1,000 psi) and 2,000 rpm	484.5 L/m (128 gpm)		
Steering Pump	1 variable-displacement, load-sensing axial-piston pump; closed-center system		
Maximum Rated Flow at 6895 kPa (1,000 psi) and 2,000 rpm	161.5 L/m (43 gpm)		
System Relief Pressure (loader and steering)	23 000 kPa (3,336 psi)		
Loader Controls	2-function valve; single- or dual-lever controls; control lever lockout feature; optional 3rd- and 4th-function valve with auxiliary controls		
Steering (conforms to ISO 5010)			
Type	Power, fully hydraulic		
Articulation Angle	80-deg. arc (40 deg. each direction)		
Turning Radius (measured to centerline of outside tire)	5.92 m (19 ft. 5 in.)		

# 744L SPECIFICATIONS

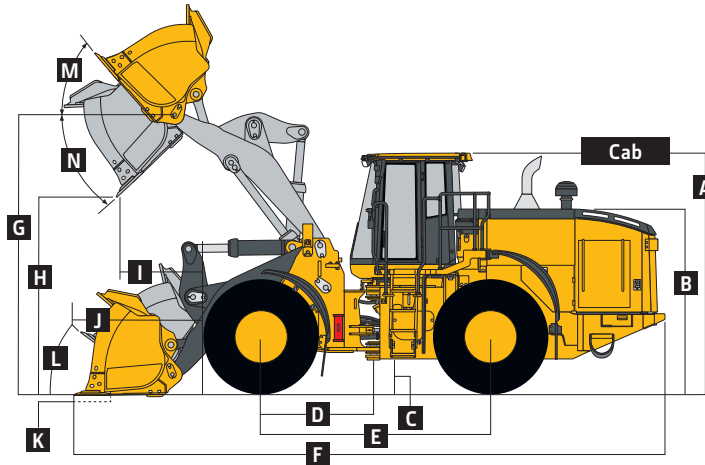


While general information, pictures, and descriptions are provided, some illustrations and text may include product options and accessories NOT AVAILABLE in all regions, and in some countries products and accessories may require modifications or additions to ensure compliance with the local regulations of those countries.

## Hydraulic System/Steering (continued) 744L

Hydraulic Cycle Times	Standard-Lift / High-Lift
Raise	5.9 sec.
Dump	1.4 sec.
Lower (float down)	2.8 sec.
Total	10.1 sec.

## Dimensions and Specifications with Pin-On Bucket



744L STANDARD-LIFT AND HIGH-LIFT LOADERS WITH PIN-ON BUCKET

Dimensions with Bucket	4.0-m <sup>3</sup> (5.25 cu. yd.) general-purpose			4.2-m <sup>3</sup> (5.5 cu. yd.) general-purpose enhanced production			4.5-m <sup>3</sup> (5.85 cu. yd.) material-handling enhanced production		High-Lift 4.0-m <sup>3</sup> (5.25 cu. yd.) general-purpose bolt-on
	bolt-on edge	teeth and segments	JAGZ™	bolt-on edge	teeth and segments	JAGZ	edge	JAGZ	edge
<b>A</b> Height to Top of Cab	3.57 m (11 ft. 9 in.)	3.57 m (11 ft. 9 in.)	3.57 m (11 ft. 9 in.)	3.57 m (11 ft. 9 in.)	3.57 m (11 ft. 9 in.)	3.57 m (11 ft. 9 in.)	3.57 m (11 ft. 9 in.)	3.57 m (11 ft. 9 in.)	3.57 m (11 ft. 9 in.)
<b>B</b> Hood Height	2.73 m (8 ft. 11 in.)	2.73 m (8 ft. 11 in.)	2.73 m (8 ft. 11 in.)	2.73 m (8 ft. 11 in.)	2.73 m (8 ft. 11 in.)	2.73 m (8 ft. 11 in.)	2.73 m (8 ft. 11 in.)	2.73 m (8 ft. 11 in.)	2.73 m (8 ft. 11 in.)
<b>C</b> Ground Clearance	458 mm (18 in.)	458 mm (18 in.)	458 mm (18 in.)	458 mm (18 in.)	458 mm (18 in.)	458 mm (18 in.)	458 mm (18 in.)	458 mm (18 in.)	458 mm (18 in.)
<b>D</b> Length from Centerline to Front Axle	1.70 m (5 ft. 7 in.)	1.70 m (5 ft. 7 in.)	1.70 m (5 ft. 7 in.)	1.70 m (5 ft. 7 in.)	1.70 m (5 ft. 7 in.)	1.70 m (5 ft. 7 in.)	1.70 m (5 ft. 7 in.)	1.70 m (5 ft. 7 in.)	1.70 m (5 ft. 7 in.)
<b>E</b> Wheelbase	3.46 m (11 ft. 4 in.)	3.46 m (11 ft. 4 in.)	3.46 m (11 ft. 4 in.)	3.46 m (11 ft. 4 in.)	3.46 m (11 ft. 4 in.)	3.46 m (11 ft. 4 in.)	3.46 m (11 ft. 4 in.)	3.46 m (11 ft. 4 in.)	3.46 m (11 ft. 4 in.)
<b>F</b> Overall Length, Bucket on Ground	9.02 m (29 ft. 7 in.)	9.23 m (30 ft. 4 in.)	9.02 m (29 ft. 7 in.)	9.10 m (29 ft. 10 in.)	9.30 m (30 ft. 6 in.)	9.10 m (29 ft. 10 in.)	9.16 m (30 ft. 1 in.)	9.16 m (30 ft. 1 in.)	9.66 m (31 ft. 8 in.)
<b>G</b> Height to Hinge Pin, Fully Raised	4.27 m (14 ft. 0 in.)	4.27 m (14 ft. 0 in.)	4.27 m (14 ft. 0 in.)	4.27 m (14 ft. 0 in.)	4.27 m (14 ft. 0 in.)	4.27 m (14 ft. 0 in.)	4.27 m (14 ft. 0 in.)	4.27 m (14 ft. 0 in.)	4.84 m (15 ft. 11 in.)
<b>H</b> Dump Clearance, 45 deg., Full Height	3.04 m (10 ft. 0 in.)	2.90 m (9 ft. 6 in.)	3.04 m (10 ft. 0 in.)	2.98 m (9 ft. 9 in.)	2.85 m (9 ft. 4 in.)	2.99 m (9 ft. 10 in.)	2.94 m (9 ft. 8 in.)	2.94 m (9 ft. 8 in.)	3.69 m (12 ft. 1 in.)
<b>I</b> Reach, 45-deg. Dump, Full Height	1.27 m (4 ft. 2 in.)	1.41 m (4 ft. 7 in.)	1.27 m (4 ft. 2 in.)	1.32 m (4 ft. 4 in.)	1.45 m (4 ft. 9 in.)	1.32 m (4 ft. 4 in.)	1.36 m (4 ft. 6 in.)	1.36 m (4 ft. 6 in.)	1.53 m (5 ft. 0 in.)
<b>J</b> Reach, 45-deg. Dump, 2.13-m (7 ft. 0 in.) Clearance	1.89 m (6 ft. 2 in.)	1.96 m (6 ft. 5 in.)	1.89 m (6 ft. 2 in.)	1.92 m (6 ft. 4 in.)	1.98 m (6 ft. 6 in.)	1.92 m (6 ft. 4 in.)	1.94 m (6 ft. 4 in.)	1.94 m (6 ft. 4 in.)	2.45 m (8 ft. 0 in.)
<b>K</b> Maximum Digging Depth	104 mm (4.1 in.)	120 mm (4.7 in.)	101 mm (4.0 in.)	110 mm (4.3 in.)	130 mm (5.1 in.)	107 mm (4.2 in.)	115 mm (4.5 in.)	115 mm (4.5 in.)	219 mm (8.6 in.)
<b>L</b> Maximum Rollback at Ground Level	40.2 deg.	40.2 deg.	40.2 deg.	40.2 deg.	40.2 deg.	40.2 deg.	40.2 deg.	40.2 deg.	41.2 deg.
<b>M</b> Maximum Rollback, Boom Fully Raised	54.9 deg.	54.9 deg.	54.9 deg.	54.9 deg.	54.9 deg.	54.9 deg.	54.9 deg.	54.9 deg.	53.1 deg.
<b>N</b> Maximum Bucket Dump Angle, Fully Raised	49.3 deg.	49.3 deg.	49.3 deg.	49.9 deg.	49.9 deg.	49.9 deg.	49.9 deg.	49.9 deg.	39.2 deg.
Loader Clearance Circle, Bucket Carry Position	14.01 m (46 ft. 0 in.)	14.13 m (46 ft. 4 in.)	14.01 m (46 ft. 0 in.)	14.06 m (46 ft. 2 in.)	14.22 m (46 ft. 8 in.)	14.06 m (46 ft. 2 in.)	14.10 m (46 ft. 3 in.)	14.10 m (46 ft. 3 in.)	14.20 m (46 ft. 7 in.)

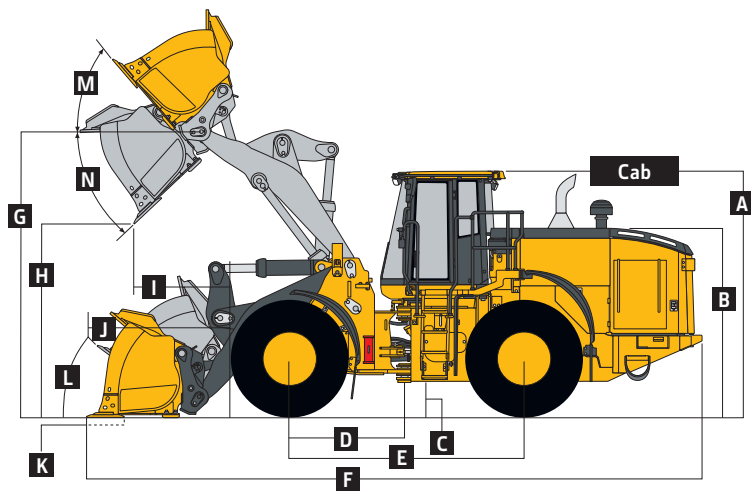
While general information, pictures, and descriptions are provided, some illustrations and text may include product options and accessories NOT AVAILABLE in all regions, and in some countries products and accessories may require modifications or additions to ensure compliance with the local regulations of those countries.

**Dimensions and Specifications with Pin-On Bucket (continued)** **744L**

	Standard-Lift	Standard-Lift	Standard-Lift	Standard-Lift	Standard-Lift	Standard-Lift	Standard-Lift	Standard-Lift	High-Lift
<b>Specifications with Bucket</b>	4.0-m <sup>3</sup> (5.25 cu. yd.) general-purpose			4.2-m <sup>3</sup> (5.5 cu. yd.) general-purpose enhanced production			4.5-m <sup>3</sup> (5.85 cu. yd.) material-handling enhanced production		4.0-m <sup>3</sup> (5.25 cu. yd.) general-purpose
<b>Cutting Edge Type</b>	bolt-on edge	teeth and segments	JAGZ	bolt-on edge	teeth and segments	JAGZ	bolt-on edge	JAGZ	bolt-on edge
Capacity, Heaped	4.0 m <sup>3</sup> (5.25 cu. yd.)	4.0 m <sup>3</sup> (5.25 cu. yd.)	4.0 m <sup>3</sup> (5.25 cu. yd.)	4.2 m <sup>3</sup> (5.5 cu. yd.)	4.2 m <sup>3</sup> (5.5 cu. yd.)	4.2 m <sup>3</sup> (5.5 cu. yd.)	4.5 m <sup>3</sup> (5.85 cu. yd.)	4.5 m <sup>3</sup> (5.85 cu. yd.)	4.0 m <sup>3</sup> (5.25 cu. yd.)
Capacity, Heaped at 110% Fill Factor	4.4 m <sup>3</sup> (5.78 cu. yd.)	4.4 m <sup>3</sup> (5.78 cu. yd.)	4.4 m <sup>3</sup> (5.78 cu. yd.)	4.6 m <sup>3</sup> (6.05 cu. yd.)	4.6 m <sup>3</sup> (6.05 cu. yd.)	4.6 m <sup>3</sup> (6.05 cu. yd.)	5.0 m <sup>3</sup> (6.44 cu. yd.)	5.0 m <sup>3</sup> (6.44 cu. yd.)	4.4 m <sup>3</sup> (5.78 cu. yd.)
Capacity, Struck	3.4 m <sup>3</sup> (4.5 cu. yd.)	3.4 m <sup>3</sup> (4.5 cu. yd.)	3.4 m <sup>3</sup> (4.5 cu. yd.)	3.5 m <sup>3</sup> (4.6 cu. yd.)	3.5 m <sup>3</sup> (4.6 cu. yd.)	3.5 m <sup>3</sup> (4.6 cu. yd.)	3.8 m <sup>3</sup> (4.9 cu. yd.)	3.8 m <sup>3</sup> (4.9 cu. yd.)	3.4 m <sup>3</sup> (4.5 cu. yd.)
Bucket Weight with Bolt-On Cutting Edge	2592 kg (5,714 lb.)	2722 kg (6,001 lb.)	2616 kg (5,767 lb.)	2866 kg (6,318 lb.)	2998 kg (6,609 lb.)	2889 kg (6,369 lb.)	2913 kg (6,422 lb.)	2944 kg (6,473 lb.)	2592 kg (5,714 lb.)
Bucket Width	3.28 m (10 ft. 9 in.)	3.30 m (10 ft. 10 in.)	3.28 m (10 ft. 9 in.)	3.28 m (10 ft. 9 in.)	3.30 m (10 ft. 10 in.)	3.28 m (10 ft. 9 in.)	3.28 m (10 ft. 9 in.)	3.28 m (10 ft. 9 in.)	3.28 m (10 ft. 9 in.)
Breakout Force	19 414 kg (42,800 lb.)	16 941 kg (37,348 lb.)	19 447 kg (42,873 lb.)	18 307 kg (40,360 lb.)	16 057 kg (35,400 lb.)	18 339 kg (40,431 lb.)	17 550 kg (38,691 lb.)	17 501 kg (38,583 lb.)	17 396 kg (38,352 lb.)
Tipping Load, Straight, No Tire Deflection	19 169 kg (42,261 lb.)	18 995 kg (41,877 lb.)	19 140 kg (42,196 lb.)	18 701 kg (41,229 lb.)	18 523 kg (40,836 lb.)	18 682 kg (41 187 lb.)	18 558 kg (40,913 lb.)	18 521 kg (40,832 lb.)	15 179 kg (33,464 lb.)
Tipping Load, Straight, with Tire Deflection	17 946 kg (39,564 lb.)	17 775 kg (39,187 lb.)	17 919 kg (39,505 lb.)	17 502 kg (38,585 lb.)	17 325 kg (38,195 lb.)	17 481 kg (38,539 lb.)	17 358 kg (38,268 lb.)	17 322 kg (38,188 lb.)	14 295 kg (31,515 lb.)
Tipping Load, 37-deg. Partial Turn, No Tire Deflection	16 896 kg (37,249 lb.)	16 722 kg (36,866 lb.)	16 867 kg (37,185 lb.)	16 452 kg (36,270 lb.)	16 273 kg (35,876 lb.)	16 432 kg (36,226 lb.)	16 319 kg (35,977 lb.)	16 283 kg (35,898 lb.)	13 293 kg (29,306 lb.)
Tipping Load, 40-deg. Full Turn, No Tire Deflection	16 528 kg (36,438 lb.)	16 354 kg (36,054 lb.)	16 499 kg (36,374 lb.)	16 088 kg (35,468 lb.)	15 909 kg (35,073 lb.)	16 068 kg (35,424 lb.)	15 957 kg (35,179 lb.)	15 920 kg (35,098 lb.)	12 988 kg (28,634 lb.)
Tipping Load, 40-deg. Full Turn, with Tire Deflection	14 973 kg (33,010 lb.)	14 802 kg (32,633 lb.)	14 943 kg (32,944 lb.)	14 559 kg (32,097 lb.)	14 382 kg (31,707 lb.)	14 538 kg (32,051 lb.)	14 427 kg (31,806 lb.)	14 391 kg (31,727 lb.)	11 838 kg (26,098 lb.)
Rated Operating Load, 50% Full-Turn Tipping Load, with Tire Deflection (conforms to ISO 14397-1)*	7487 kg (16,506 lb.)	7401 kg (16,316 lb.)	7472 kg (16,473 lb.)	7280 kg (16,050 lb.)	7191 kg (15,853 lb.)	7269 kg (16,025 lb.)	7214 kg (15,904 lb.)	7196 kg (15,864 lb.)	5919 kg (13,049 lb.)
Operating Weight	24 894 kg (54,882 lb.)	25 023 kg (55,166 lb.)	24 917 kg (54,933 lb.)	25 167 kg (55,484 lb.)	25 299 kg (55,775 lb.)	25 190 kg (55,534 lb.)	25 214 kg (55,587 lb.)	25 245 kg (55,656 lb.)	25 445 kg (56,097 lb.)

Loader operating information is based on machine with identified linkage and standard equipment, PowerTech Plus 6090H (EPA Tier 3/EU Stage IIIA) engine, ROPS cab, rear cast bumper/counterweight, transmission side-frame guards, bottom guards, standard tires, full fuel tank, and 79-kg (175 lb.) operator. This information is affected by changes in tires, ballast, and different attachments.  
 \*Rated operating capacity based on Deere attachments only.

**Dimensions and Specifications with Coupler and Hook-On Bucket**



**744L STANDARD-LIFT AND HIGH-LIFT LOADERS WITH HOOK-ON BUCKET**

	Standard-Lift	Standard-Lift	Standard-Lift	Standard-Lift	Standard-Lift	Standard-Lift	High-Lift
<b>Dimensions with Bucket</b>	3.8-m <sup>3</sup> (5.0 cu. yd.) general-purpose (GP) enhanced production (EP)			4.0-m <sup>3</sup> (5.25 cu. yd.) general-purpose (GP) enhanced production (EP)			3.8-m <sup>3</sup> (5.0 cu. yd.) GP EP
<b>Cutting Edge Type</b>	bolt-on edge	teeth and segments	JAGZ	bolt-on edge	teeth and segments	JAGZ	bolt-on edge
<b>A</b> Height to Top of Cab	3.57 m (11 ft. 9 in.)	3.57 m (11 ft. 9 in.)	3.57 m (11 ft. 9 in.)	3.57 m (11 ft. 9 in.)	3.57 m (11 ft. 9 in.)	3.57 m (11 ft. 9 in.)	3.57 m (11 ft. 9 in.)
<b>B</b> Hood Height	2.73 m (8 ft. 11 in.)	2.73 m (8 ft. 11 in.)	2.73 m (8 ft. 11 in.)	2.73 m (8 ft. 11 in.)	2.73 m (8 ft. 11 in.)	2.73 m (8 ft. 11 in.)	2.73 m (8 ft. 11 in.)
<b>C</b> Ground Clearance	458 mm (18 in.)	458 mm (18 in.)	458 mm (18 in.)	458 mm (18 in.)	458 mm (18 in.)	458 mm (18 in.)	458 mm (18 in.)
<b>D</b> Length from Centerline to Front Axle	1.70 m (5 ft. 7 in.)	1.70 m (5 ft. 7 in.)	1.70 m (5 ft. 7 in.)	1.70 m (5 ft. 7 in.)	1.70 m (5 ft. 7 in.)	1.70 m (5 ft. 7 in.)	1.70 m (5 ft. 7 in.)
<b>E</b> Wheelbase	3.46 m (11 ft. 4 in.)	3.46 m (11 ft. 4 in.)	3.46 m (11 ft. 4 in.)	3.46 m (11 ft. 4 in.)	3.46 m (11 ft. 4 in.)	3.46 m (11 ft. 4 in.)	3.46 m (11 ft. 4 in.)
<b>F</b> Overall Length, Bucket on Ground	9.17 m (30 ft. 1 in.)	9.38 m (30 ft. 9 in.)	9.17 m (30 ft. 1 in.)	9.18 m (30 ft. 1 in.)	9.39 m (30 ft. 10 in.)	9.18 m (30 ft. 1 in.)	9.81 m (32 ft. 2 in.)
<b>G</b> Height to Hinge Pin, Fully Raised	4.27 m (14 ft. 0 in.)	4.27 m (14 ft. 0 in.)	4.27 m (14 ft. 0 in.)	4.27 m (14 ft. 0 in.)	4.27 m (14 ft. 0 in.)	4.27 m (14 ft. 0 in.)	4.84 m (15 ft. 11 in.)
<b>H</b> Dump Clearance, 45 deg., Full Height	2.95 m (9 ft. 8 in.)	2.81 m (9 ft. 2.63 in.)	2.95 m (9 ft. 8 in.)	2.94 m (9 ft. 8 in.)	2.80 m (9 ft. 2 in.)	2.94 m (9 ft. 8 in.)	6.34 m (20 ft. 10 in.)
<b>I</b> Reach, 45-deg. Dump, Full Height	1.41 m (4 ft. 8 in.)	1.54 m (5 ft. 1 in.)	1.41 m (4 ft. 8 in.)	1.41 m (4 ft. 8 in.)	1.55 m (5 ft. 1 in.)	1.41 m (4 ft. 8 in.)	1.69 m (5 ft. 7 in.)
<b>J</b> Reach, 45-deg. Dump, 2.13-m (7 ft. 0 in.) Clearance	1.98 m (6 ft. 6 in.)	2.05 m (6 ft. 9 in.)	1.98 m (6 ft. 6 in.)	1.98 m (6 ft. 6 in.)	2.05 m (6 ft. 9 in.)	1.98 m (6 ft. 6 in.)	2.55 m (8 ft. 4 in.)



While general information, pictures, and descriptions are provided, some illustrations and text may include product options and accessories NOT AVAILABLE in all regions, and in some countries products and accessories may require modifications or additions to ensure compliance with the local regulations of those countries.

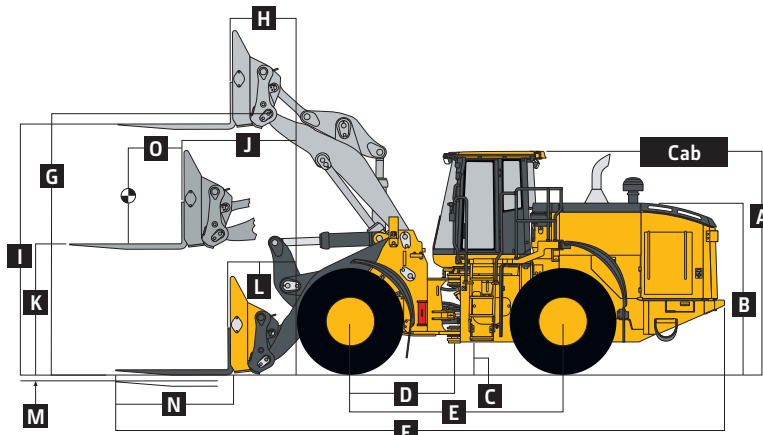
**Dimensions and Specifications with Coupler and Hook-On Bucket (continued)** **744L**

	Standard-Lift 3.8-m <sup>3</sup> (5.0 cu. yd.) general-purpose (GP) production (EP)	Standard-Lift 4.0-m <sup>3</sup> (5.25 cu. yd.) general-purpose (GP) enhanced production (EP)	Standard-Lift 4.0-m <sup>3</sup> (5.25 cu. yd.) general-purpose (GP) enhanced production (EP)	Standard-Lift 4.0-m <sup>3</sup> (5.25 cu. yd.) general-purpose (GP) enhanced production (EP)	Standard-Lift 4.0-m <sup>3</sup> (5.25 cu. yd.) general-purpose (GP) enhanced production (EP)	Standard-Lift 4.0-m <sup>3</sup> (5.25 cu. yd.) general-purpose (GP) enhanced production (EP)	High-Lift 3.8-m <sup>3</sup> (5.0 cu. yd.) GP EP	
<b>Dimensions with Bucket (continued)</b>								
<b>Cutting Edge Type</b>	bolt-on edge		teeth and segments	JAGZ	bolt-on edge		teeth and segments	JAGZ
<b>K Maximum Digging Depth</b>	83 mm (3.3 in.)	103 mm (4.1 in.)	80 mm (3.2 in.)	88 mm (3.5 in.)	109 mm (4.3 in.)	86 mm (3.4 in.)	199 mm (7.8 in.)	
<b>L Maximum Rollback at Ground Level</b>	40.3 deg.	40.3 deg.	40.3 deg.	40.3 deg.	40.3 deg.	40.3 deg.	41.2 deg.	
<b>M Maximum Rollback, Boom Fully Raised</b>	54.9 deg.	54.9 deg.	54.9 deg.	54.9 deg.	54.9 deg.	54.9 deg.	53.1 deg.	
<b>N Maximum Bucket Dump Angle, Fully Raised</b>	49.5 deg.	49.5 deg.	49.5 deg.	49.5 deg.	49.5 deg.	49.5 deg.	40.0 deg.	
<b>Loader Clearance Circle, Bucket Carry Position</b>	14.1 m (46 ft. 3 in.)	14.3 m (46 ft. 11 in.)	14.1 m (46 ft. 3 in.)	14.1 m (46 ft. 3 in.)	14.3 m (46 ft. 11 in.)	14.1 m (46 ft. 3 in.)	14.4 m (47 ft. 1 in.)	
<b>Specifications with Bucket</b>								
<b>Capacity, Heaped</b>	3.8 m <sup>3</sup> (5.0 cu. yd.)	3.8 m <sup>3</sup> (5.0 cu. yd.)	3.8 m <sup>3</sup> (5.0 cu. yd.)	4.0 m <sup>3</sup> (5.25 cu. yd.)	4.0 m <sup>3</sup> (5.25 cu. yd.)	4.0 m <sup>3</sup> (5.25 cu. yd.)	3.8 m <sup>3</sup> (5.0 cu. yd.)	
<b>Capacity, Heaped at 110% Fill Factor</b>	4.2 m <sup>3</sup> (5.5 cu. yd.)	4.2 m <sup>3</sup> (5.5 cu. yd.)	4.2 m <sup>3</sup> (5.5 cu. yd.)	4.4 m <sup>3</sup> (5.75 cu. yd.)	4.4 m <sup>3</sup> (5.75 cu. yd.)	4.4 m <sup>3</sup> (5.75 cu. yd.)	4.2 m <sup>3</sup> (5.5 cu. yd.)	
<b>Capacity, Struck</b>	3.25 m <sup>3</sup> (4.25 cu. yd.)	3.25 m <sup>3</sup> (4.25 cu. yd.)	3.25 m <sup>3</sup> (4.25 cu. yd.)	3.4 m <sup>3</sup> (4.5 cu. yd.)	3.4 m <sup>3</sup> (4.5 cu. yd.)	3.4 m <sup>3</sup> (4.5 cu. yd.)	3.25 m <sup>3</sup> (4.25 cu. yd.)	
<b>Bucket Weight with Bolt-On Cutting Edge</b>	2499 kg (5,509 lb.)	2625 kg (5,788 lb.)	2522 kg (5,560 lb.)	2586 kg (5,701 lb.)	2712 kg (5,980 lb.)	2609 kg (5,752 lb.)	2499 kg (5,509 lb.)	
<b>Bucket Width</b>	3.28 m (10 ft. 9 in.)	3.30 m (10 ft. 10 in.)	3.28 m (10 ft. 9 in.)	3.28 m (10 ft. 9 in.)	3.30 m (10 ft. 10 in.)	3.28 m (10 ft. 9 in.)	3.28 m (10 ft. 9 in.)	
<b>Breakout Force</b>	17 280 kg (38,096 lb.)	15 256 kg (33,634 lb.)	17 304 kg (38,149 lb.)	17 114 kg (37,730 lb.)	15 116 kg (33,325 lb.)	17 136 kg (37,778 lb.)	15 433 kg (34,024 lb.)	
<b>Tipping Load, Straight, No Tire Deflection</b>	17 624 kg (38,854 lb.)	17 456 kg (38,484 lb.)	17 596 kg (38,792 lb.)	17 631 kg (38,870 lb.)	17 461 kg (38,495 lb.)	17 603 kg (38,808 lb.)	13 964 kg (30,785 lb.)	
<b>Tipping Load, Straight, with Tire Deflection</b>	16 464 kg (36,297 lb.)	16 299 kg (35,933 lb.)	16 437 kg (36,237 lb.)	16 461 kg (36,290 lb.)	16 296 kg (35,926 lb.)	16 434 kg (36,231 lb.)	13 101 kg (28,883 lb.)	
<b>Tipping Load, 37-deg. Partial Turn, No Tire Deflection</b>	15 455 kg (34,072 lb.)	15 286 kg (33,700 lb.)	15 426 kg (34,008 lb.)	15 451 kg (34,064 lb.)	15 282 kg (33,691 lb.)	15 423 kg (34,002 lb.)	12 144 kg (26,773 lb.)	
<b>Tipping Load, 40-deg. Full Turn, No Tire Deflection</b>	15 103 kg (33,296 lb.)	14 935 kg (32,926 lb.)	15 075 kg (33,235 lb.)	15 099 kg (33,288 lb.)	14 929 kg (32,913 lb.)	15 071 kg (33,226 lb.)	11 850 kg (26,125 lb.)	
<b>Tipping Load, 40-deg. Full Turn, with Tire Deflection</b>	13 620 kg (30,027 lb.)	13 455 kg (29,663 lb.)	13 590 kg (29,961 lb.)	13 605 kg (29,994 lb.)	13 437 kg (29,623 lb.)	13 575 kg (29,928 lb.)	10 722 kg (23,638 lb.)	
<b>Rated Operating Load, 50% Full-Turn</b>	6810 kg	6728 kg	6795 kg	6803 kg	6719 kg	6788 kg	5361 kg	
<b>Tipping Load, with Tire Deflection (conforms to ISO 14397-1)*</b>	(15,013 lb.)	(14,833 lb.)	(14,980 lb.)	(14,998 lb.)	(14,813 lb.)	(14,965 lb.)	(11,819 lb.)	
<b>Operating Weight</b>	25 631 kg (56,507 lb.)	25 758 kg (56,787 lb.)	25 654 kg (56,557 lb.)	25 716 kg (56,694 lb.)	25 842 kg (56,972 lb.)	25 739 kg (56,745 lb.)	26 183 kg (57,724 lb.)	

Loader operating information is based on machine with identified linkage and standard equipment, PowerTech Plus 6090H (EPA Tier 3/EU Stage IIIA) engine, ROPS cab, rear cast bumper/counterweight, transmission side-frame guards, bottom guards, standard tires, full fuel tank, and 79-kg (175 lb.) operator. This information is affected by changes in tires, ballast, and different attachments.

\*Rated operating capacity based on Deere attachments only.

**Dimensions and Specifications with Coupler and Hook-On Construction Forks**



**744L STANDARD-LIFT AND HIGH-LIFT LOADERS WITH HOOK-ON CONSTRUCTION FORKS**

	Standard-Lift 1.83-m (72 in.) tine length	Standard-Lift 2.44-m (96 in.) tine length	High-Lift 1.83-m (72 in.) tine length
<b>Dimensions with Forks</b>			
<b>A Height to Top of Cab</b>	3.57 m (11 ft. 9 in.)	3.57 m (11 ft. 9 in.)	3.57 m (11 ft. 9 in.)
<b>B Hood Height</b>	2.73 m (8 ft. 11 in.)	2.73 m (8 ft. 11 in.)	2.73 m (8 ft. 11 in.)
<b>C Ground Clearance</b>	458 mm (18 in.)	458 mm (18 in.)	458 mm (18 in.)
<b>D Length from Centerline to Front Axle</b>	1.70 m (5 ft. 7 in.)	1.70 m (5 ft. 7 in.)	1.70 m (5 ft. 7 in.)
<b>E Wheelbase</b>	3.46 m (11 ft. 4 in.)	3.46 m (11 ft. 4 in.)	3.46 m (11 ft. 4 in.)
<b>F Overall Length, Forks on Ground</b>	9.82 m (32 ft. 3 in.)	10.43 m (34 ft. 3 in.)	10.49 m (34 ft. 5 in.)
<b>G Height to Hinge Pin, Fully Raised</b>	4.27 m (14 ft. 0 in.)	4.27 m (14 ft. 0 in.)	4.84 m (15 ft. 11 in.)
<b>H Reach, Fully Raised</b>	0.90 m (35 in.)	0.90 m (35 in.)	1.05 m (3 ft. 5 in.)
<b>I Fork Height, Fully Raised</b>	3.22 m (10 ft. 7 in.)	3.22 m (10 ft. 7 in.)	3.79 m (12 ft. 5 in.)
<b>J Maximum Reach, Fork Level</b>	1.77 m (5 ft. 10 in.)	1.77 m (5 ft. 10 in.)	2.29 m (7 ft. 6 in.)
<b>K Fork Height, Maximum Reach</b>	1.29 m (4 ft. 3 in.)	1.29 m (4 ft. 3 in.)	1.29 m (4 ft. 3 in.)
<b>L Reach, Ground Level</b>	1.00 m (3 ft. 3 in.)	1.00 m (3 ft. 3 in.)	1.67 m (5 ft. 6 in.)
<b>M Depth Below Ground</b>	56 mm (2.2 in.)	56 mm (2.2 in.)	59 mm (2.3 in.)
<b>N Tine Length</b>	1.83 m (72 in.)	2.44 m (96 in.)	1.83 m (72 in.)
<b>O Load Position, 50% Tine Length</b>	0.92 m (36 in.)	1.22 m (48 in.)	0.92 m (36 in.)

<b>Dimensions and Specifications with Coupler and Hook-On Construction Forks (continued)</b>			
	<b>744L</b>		
	<i>Standard-Lift</i>	<i>Standard-Lift</i>	<i>High-Lift</i>
<b>Specifications with Forks</b>	<i>1.83-m (72 in.) tine length</i>	<i>2.44-m (96 in.) tine length</i>	<i>1.83-m (72 in.) tine length</i>
Tipping Load, Straight, No Tire Deflection	12 420 kg (27,381 lb.)	11 252 kg (24,806 lb.)	10 363 kg (22,846 lb.)
Tipping Load, Straight, with Tire Deflection	12 408 kg (27,355 lb.)	11 241 kg (24,782 lb.)	10 062 kg (22,183 lb.)
Tipping Load, 37-deg. Partial Turn, No Tire Deflection	10 957 kg (24,156 lb.)	9903 kg (21,832 lb.)	9085 kg (20,029 lb.)
Tipping Load, 40-deg. Full Turn, No Tire Deflection	10 720 kg (23,634 lb.)	9685 kg (21,352 lb.)	8879 kg (19,575 lb.)
Tipping Load, 40-deg. Full Turn, with Tire Deflection	10 707 kg (23,605 lb.)	9675 kg (21,330 lb.)	8463 kg (18,658 lb.)
Rated Operating Load, 50% Full-Turn Tipping Load, with Tire Deflection (conforms to ISO 14397-1)*	5354 kg (11,804 lb.)	4838 kg (10,666 lb.)	4232 kg (9,330 lb.)
Rated Operating Load, Rough Terrain, 60% Full-Turn Tipping Load, with Tire Deflection (conforms to EN474-3)*	6424 kg (14,162 lb.)	5805 kg (12,798 lb.)	5078 kg (11,195 lb.)
Rated Operating Load, Firm and Level Ground, 80% Full-Turn Tipping Load, with Tire Deflection (conforms to EN474-3)*	8566 kg (18,885 lb.)	7740 kg (17,064 lb.)	6770 kg (14,926 lb.)
Operating Weight	24 564 kg (54,154 lb.)	24 736 kg (54,533 lb.)	25 115 kg (55,369 lb.)

*Loader operating information is based on machine with identified linkage and standard equipment, PowerTech Plus 6090H (EPA Tier 3/EU Stage IIIA) engine, ROPS cab, rear cast bumper/counterweight, transmission side-frame guards, bottom guards, standard tires, full fuel tank, and 79-kg (175 lb.) operator. This information is affected by changes in tires, ballast, and different attachments.*

*\*Rated operating capacity based on Deere attachments only.*

<b>LOG HANDLER Dimensions and Specifications with Pin-On Millyard Forks</b>			
	<i>Standard-Lift</i>		<i>Standard-Lift</i>
	<i>Wicker with 1.68-m (66 in.) tine length</i>		<i>Wicker with 1.68-m (66 in.) tine length</i>
<b>Dimensions with Millyard Forks</b>			
Height to Top of Cab	3.57 m (11 ft. 9 in.)		
Hood Height	2.73 m (8 ft. 11 in.)		
Ground Clearance	458 mm (18 in.)		
Length from Centerline to Front Axle	1.70 m (5 ft. 7 in.)		
Wheelbase	3.46 m (11 ft. 4 in.)		
Overall Length, Forks on Ground	9.30 m (30 ft. 6 in.)		
Height to Hinge Pin, Fully Raised	4.27 m (14 ft. 0 in.)		
Reach, Fully Raised	2.35 m (7 ft. 9 in.)		
Fork Height, Fully Raised	3.28 m (10 ft. 9 in.)		
Maximum Reach, Fork Level	3.22 m (10 ft. 7 in.)		
Fork Height, Maximum Reach	1.30 m (4 ft. 3 in.)		
Reach, Ground Level	2.56 m (8 ft. 5 in.)		
Depth Below Ground	112 mm (4.4 in.)		
Tine Length	1.68 m (66 in.)		
Grapple Weight	2381 kg (5,250 lb.)		
Overall Grapple Width	2.21 m (87 in.) (7 ft. 3 in.)		
<b>Specifications with Millyard Forks</b>			
Tipping Load, Straight, No Tire Deflection			15 462 kg (34,088 lb.)
Tipping Load, Straight, with Tire Deflection			14 718 kg (32,448 lb.)
Tipping Load, 37-deg. Partial Turn, No Tire Deflection			13 589 kg (29,959 lb.)
Tipping Load, 40-deg. Full Turn, No Tire Deflection			13 286 kg (29,291 lb.)
Tipping Load, 40-deg. Full Turn, with Tire Deflection			12 279 kg (27,071 lb.)
Operating Weight			26 033 kg (57,393 lb.)

*Loader operating information is based on machine with identified linkage and standard equipment, PowerTech Plus 6090H (EPA Tier 3/EU Stage IIIA) engine, ROPS cab, rear cast bumper/counterweight, transmission side-frame guards, bottom guards, standard tires, full fuel tank, and 79-kg (175 lb.) operator. This information is affected by changes in tires, ballast, and different attachments.*

While general information, pictures, and descriptions are provided, some illustrations and text may include product options and accessories NOT AVAILABLE in all regions, and in some countries products and accessories may require modifications or additions to ensure compliance with the local regulations of those countries.

**Dimensions and Specifications with Pin-On Pipe Grapple**

**744L PIPE HANDLER**

Standard-Lift	
Rockland with 0.09-m x 0.20-m x 2.44-m 3.5 in. x 8.0 in. x 96.0 in.) tine length	
Height to Top of Cab	3.57 m (11 ft. 9 in.)
Hood Height	2.73 m (8 ft. 11 in.)
Ground Clearance	458 mm (18.0 in.)
Length from Centerline to Front Axle	1.70 m (5 ft. 7 in.)
Wheelbase	3.46 m (11 ft. 4 in.)
Overall Length, Forks on Ground	9.91 m (32 ft. 6 in.)
Height to Hinge Pin, Fully Raised	4.27 m (14 ft. 0 in.)
Reach, Fully Raised	3.34 m (11 ft. 0 in.)
Fork Height, Fully Raised	3.64 m (11 ft. 11 in.)
Maximum Reach, Fork Level	4.19 m (13 ft. 9 in.)
Fork Height, Maximum Reach	1.30 m (4 ft. 3 in.)
Reach, Ground Level	2.98 m (9 ft. 9 in.)
Depth Below Ground	470 mm (18.5 in.)
Tine Length	2.44 m (96 in.)
Grapple Weight	3406 kg (7,510 lb.)
Overall Grapple Width	3.05 m (102 in.) (10 ft. 0 in.)

Standard-Lift	
Rockland with 0.09-m x 0.20-m x 2.44-m 3.5 in. x 8.0 in. x 96.0 in.) tine length	
<b>Specifications with Pipe Grapple</b>	
Tipping Load, Straight, No Tire Deflection	12 273 kg (27,057 lb.)
Tipping Load, Straight, with Tire Deflection	12 261 kg (27,031 lb.)
Tipping Load, 37-deg. Partial Turn, No Tire Deflection	10 667 kg (23,517 lb.)
Tipping Load, 40-deg. Full Turn, No Tire Deflection	10 392 kg (22,910 lb.)
Tipping Load, 40-deg. Full Turn, with Tire Deflection	10 407 kg (22,943 lb.)
Operating Weight	27 058 kg (59,653 lb.)

*Loader operating information is based on machine with identified linkage and standard equipment, PowerTech Plus 6090H (EPA Tier 3/EU Stage IIIA) engine, ROPS cab, rear cast bumper/counterweight, transmission side-frame guards, bottom guards, standard tires, full fuel tank, and 79-kg (175 lb.) operator. This information is affected by changes in tires, ballast, and different attachments.*

**Adjustments to Operating Weights and Tipping Loads with Buckets**

Adjustments to operating weights, tipping loads, and tires are based on Standard-Lift machine with pin-on 4.0-m<sup>3</sup> (5.25 cu. yd.) general-purpose bucket with bolt-on cutting edge, ROPS cab, rear cast bumper/counterweight, transmission side-frame guards, bottom guards, standard tires, full fuel tank, and 79-kg (175 lb.) operator\*

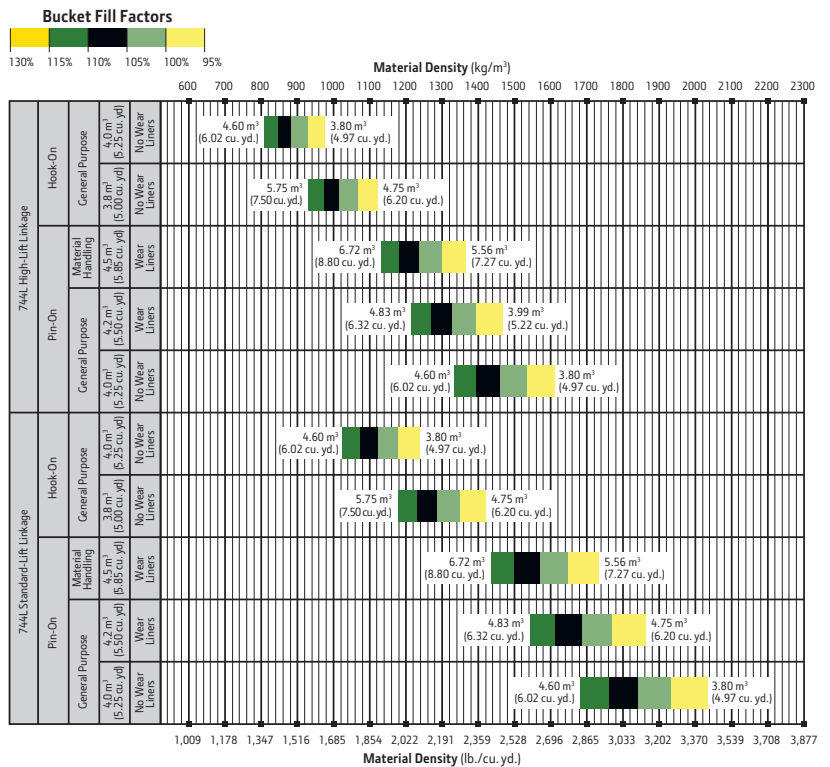
Add (+) or deduct (-) kg (lb.) as indicated for loaders with 3-piece rims	Operating Weight	Tipping Load, Straight	Tipping Load, 37-deg. Partial Turn	Tipping Load, 40-deg. Full Turn	Tread Width	Width Over Tires	Vertical Height
Michelin 26.5 R 25, 2 Star L-3	0 kg (0 lb.)	0 kg (0 lb.)	0 kg (0 lb.)	0 kg (0 lb.)	0 mm (0 in.)	0 mm (0 in.)	0 mm (0 in.)
Titan 26.5 R 25, 1 Star L-3	0 kg (0 lb.)	0 kg (0 lb.)	0 kg (0 lb.)	0 kg (0 lb.)	0 mm (0 in.)	-8 mm (-0.30 in.)	4 mm (0.15 in.)
Goodyear 26.5 R 25, 1 Star L-3	-56 kg (-123 lb.)	-42 kg (-93 lb.)	-38 kg (-84 lb.)	-37 kg (-82 lb.)	0 mm (0 in.)	0 mm (0 in.)	4 mm (0.15 in.)
Firestone 26.5-25, 20-Ply L-3	-360 kg (-794 lb.)	-270 kg (-595 lb.)	-242 kg (-533 lb.)	-238 kg (-525 lb.)	0 mm (0 in.)	-30 mm (-1.18 in.)	+41 mm (+1.61 in.)
Firestone 26.5-25, 20-Ply L-5 <sup>†</sup>	+312 kg (+688 lb.)	+234 kg (+516 lb.)	+210 kg (+463 lb.)	+206 kg (+454 lb.)	0 mm (0 in.)	-20 mm (-0.8 in.)	+64 mm (+2.51 in.)
Michelin 775/65 R29, 1 Star L-3 <sup>‡</sup>	+726 kg (+1,601 lb.)	+544 kg (+1,199 lb.)	+488 kg (+1,076 lb.)	+479 kg (+1,056 lb.)	0 mm (0 in.)	+104 mm (+4.09 in.)	+23 mm (+0.91 in.)
Bridgestone 775/65 R29, 1 Star L-3 <sup>‡</sup>	+876 kg (+1,931 lb.)	+656 kg (+1,446 lb.)	+589 kg (+1,299 lb.)	+578 kg (+1,274 lb.)	0 mm (0 in.)	+99 mm (+3.90 in.)	+14 mm (+0.55 in.)
4.2-m <sup>3</sup> (5.5 cu. yd.) General-Purpose Bucket with Wear Liners	+212 kg (+467 lb.)	-211 kg (-465 lb.)	-212 kg (-467 lb.)	-212 kg (-467 lb.)	0 mm (0 in.)	0 mm (0 in.)	0 mm (0 in.)
4.5-m <sup>3</sup> (5.85 cu. yd.) Material-Handling Bucket with Wear Liners	+278 kg (+613 lb.)	-282 kg (-622 lb.)	-283 kg (-624 lb.)	-283 kg (-624 lb.)	0 mm (0 in.)	0 mm (0 in.)	0 mm (0 in.)
High-Lift Boom	+551 kg (+1,215 lb.)	-412 kg (-9,083 lb.)	-3718 kg (-8,196 lb.)	-3653 kg (-8,053 lb.)	0 mm (0 in.)	0 mm (0 in.)	0 mm (0 in.)

\*May change based on vehicle configuration, weight, or tire-pressure adjustments.

<sup>†</sup>Requires 8-deg. rear axle stops.

**Bucket Selection Guides**

LOOSE MATERIALS	kg/m <sup>3</sup>	lb./cu. yd.	LOOSE MATERIALS	kg/m <sup>3</sup>	lb./cu. yd.
Chips, pulpwood	288	486	Limestone, coarse, sized	1570	2,646
Cinders (coal, ashes, clinkers)	673	1,134	Limestone, mixed sizes	1682	2,835
Clay and gravel, dry	1602	2,700	Limestone, pulverized or crushed	1362	2,295
Clay, compact, solid	1746	2,943	Sand, damp	2083	3,510
Clay, dry in lump loose	1009	1,701	Sand, dry	1762	2,970
Clay, excavated in water	1282	2,160	Sand, voids, full of water	2083	3,510
Coal, anthracite, broken, loose	865	1,458	Sandstone, quarried	1314	2,214
Coal, bituminous, moderately wet	801	1,350	Shale, broken crushed	1362	2,295
Earth, common loam, dry	1218	2,052	Slag, furnace granulated	1955	3,294
Earth, mud, packed	1843	3,105	Shale, broken crushed (1.5 to 3.5 in.) size	1442	2,430
Granite, broken	1538	2,592	Stone or gravel, 18.75-mm (0.75 in.) size	1602	2,700
Gypsum	2275	3,834			





# 824L SPECIFICATIONS

While general information, pictures, and descriptions are provided, some illustrations and text may include product options and accessories NOT AVAILABLE in all regions, and in some countries products and accessories may require modifications or additions to ensure compliance with the local regulations of those countries.

Engine		824L	
Manufacturer and Model	John Deere PowerTech™ Plus 6090	Net Torque Rise	55%
Non-Road Emission Standard	EPA Tier 3/EU Stage IIIA	Fuel System	High-pressure common rail
Cylinders	6	Lubrication	Full-flow spin-on filter and integral cooler
Valves per Cylinder	4	Aspiration	Turbocharged, charge air cooled
Displacement	9.0 L (548 cu. in.)	Air Cleaner	Under-hood, dual-element dry type, restriction indicator in cab monitor for service
Net Peak Power (ISO 9249)	256 kW (343 hp) at 1,600 rpm		
Net Peak Torque (ISO 9249)	1627 Nm (1,200 lb.-ft.) at 1,300 rpm		
Cooling			
Fan Drive	Hydraulically driven, proportionally controlled, fan aft of coolers		
Electrical			
Electrical System	24 volt with 150-amp alternator		
Batteries (2 – 12 volt)	1,400 CCA (each)		
Transmission System			
Type	Countershaft-type PowerShift™ with lockup torque converter		
Torque Converter	Single stage, dual phase with freewheeling stator with lockup clutch		
Shift Control	Electronically modulated, adaptive, load and speed dependent		
Operator Interface	Steering-column or joystick-mounted F-N-R and gear-select lever; Quick-Shift button on hydraulic lever		
Shift Modes	Manual/auto (1st–5th or 2nd–5th); Quick-Shift button with 2 selectable modes: kick-down or kick-up/down; and 4 settings for clutch cutoff		
Maximum Travel Speeds (with 26.5 R 25, 1 Star L3 tires)	<i>Forward</i>	<i>Reverse</i>	
Range 1	7.1 km/h (4.4 mph)	7.1 km/h (4.4 mph)	
Range 2	12.8 km/h (8.0 mph)	12.8 km/h (8.0 mph)	
Range 3	19.6 km/h (12.2 mph)	28.0 km/h (17.4 mph)	
Range 4	28.0 km/h (17.4 mph)	N/A	
Range 5	40.0 km/h (24.9 mph)	N/A	
Axles/Brakes			
Final Drives	Heavy-duty inboard-mounted planetary		
Differentials	Hydraulic locking front with conventional rear – standard; dual locking front and rear – optional		
Rear Axle Oscillation, Stop to Stop (with 26.5 R 25, 1 Star L3 tires)	26 deg. (13 deg. each direction)		
Brakes (conform to ISO 3450)			
Service	Hydraulically actuated, spring released, inboard, sun-gear mounted, pressure oil cooled, self-adjusting, single disc		
Parking	Automatic spring applied, hydraulically released, oil cooled, multi disc		
Tires/Wheels (see page 25 for complete tire adjustments)			
	<i>Tread Width</i>	<i>Width Over Tires</i>	
Michelin 26.5 R 25, 1 Star L3	2298 mm (90.5 in.)	3084 mm (121.4 in.)	
Serviceability			
Refill Capacities			
Fuel Tank with Lockable Cap	477 L (126 gal.)		
Cooling System	48 L (50.7 qt.)		
Engine Oil with Vertical Spin-On Filter	34 L (36 qt.)		
Transmission Reservoir with Vertical Filter	28 L (29.5 qt.)		
Axle Oil (front and rear, each)	55.3 L (58.4 qt.)		
Hydraulic Reservoir and Filter	142 L (37.5 gal.)		
Park Brake Oil (wet disc)	0.7 L (24 oz.)		
Hydraulic System/Steering			
Loader Pumps	2 variable-displacement, load-sensing axial-piston pumps; closed-center system		
Maximum Rated Flow at 6895 kPa (1,000 psi) and 2,250 rpm	484.5 L/m (128 gpm)		
Steering Pump	1 variable-displacement, load-sensing axial-piston pump; closed-center system		
Maximum Rated Flow at 6895 kPa (1,000 psi) and 2,250 rpm	161.5 L/m (43 gpm)		
System Relief Pressure (loader and steering)	24 900 kPa (3,610 psi)		
Loader Controls	2-function valve; single- or dual-lever controls; control lever lockout feature; optional 3rd- and 4th-function valve with auxiliary levers		
Steering (conforms to ISO 5010)			
Type	Power, fully hydraulic		
Articulation Angle	80-deg. arc (40 deg. each direction)		

# 824L SPECIFICATIONS



While general information, pictures, and descriptions are provided, some illustrations and text may include product options and accessories NOT AVAILABLE in all regions, and in some countries products and accessories may require modifications or additions to ensure compliance with the local regulations of those countries.

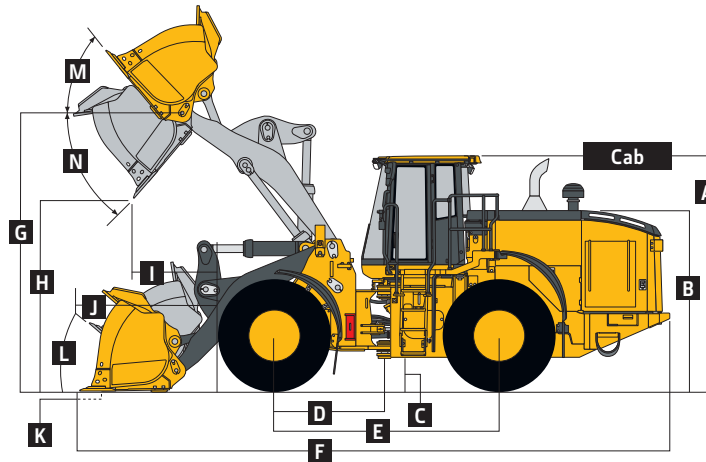
## Hydraulic System/Steering (continued) 824L

Turning Radius (measured to centerline of outside tire) 5.92 m (19 ft. 5 in.)

### Hydraulic Cycle Times Standard-Lift

Raise	5.9 sec.
Dump	1.3 sec.
Lower (float down)	2.5 sec.
Total	9.7 sec.

## Dimensions and Specifications with Pin-On Bucket



### 824L STANDARD-LIFT AND HIGH-LIFT LOADERS WITH PIN-ON BUCKET

Dimensions with Bucket	Standard-Lift 4.6-m <sup>3</sup> (6.0 cu. yd.) general-purpose			Standard-Lift 4.8-m <sup>3</sup> (6.25 cu. yd.) general-purpose enhanced production			Standard-Lift 5.2-m <sup>3</sup> (6.75 cu. yd.) material-handling		High-Lift 4.6-m <sup>3</sup> (6.0 cu. yd.) general-purpose	
	bolt-on edge	teeth and segments	JAGZ™	bolt-on edge	teeth and segments	JAGZ	bolt-on edge	JAGZ	bolt-on edge	teeth and segments
<b>A</b> Height to Top of Cab	3.57 m (11 ft. 9 in.)	3.57 m (11 ft. 9 in.)	3.57 m (11 ft. 9 in.)	3.57 m (11 ft. 9 in.)	3.57 m (11 ft. 9 in.)	3.57 m (11 ft. 9 in.)	3.57 m (11 ft. 9 in.)	3.57 m (11 ft. 9 in.)	3.57 m (11 ft. 9 in.)	3.57 m (11 ft. 9 in.)
<b>B</b> Hood Height	2.73 m (8 ft. 11 in.)	2.73 m (8 ft. 11 in.)	2.73 m (8 ft. 11 in.)	2.73 m (8 ft. 11 in.)	2.73 m (8 ft. 11 in.)	2.73 m (8 ft. 11 in.)	2.73 m (8 ft. 11 in.)	2.73 m (8 ft. 11 in.)	2.73 m (8 ft. 11 in.)	2.73 m (8 ft. 11 in.)
<b>C</b> Ground Clearance	458 mm (18 in.)	458 mm (18 in.)	458 mm (18 in.)	458 mm (18 in.)	458 mm (18 in.)	458 mm (18 in.)	458 mm (18 in.)	458 mm (18 in.)	458 mm (18 in.)	458 mm (18 in.)
<b>D</b> Length from Centerline to Front Axle	1.70 m (5 ft. 7 in.)	1.70 m (5 ft. 7 in.)	1.70 m (5 ft. 7 in.)	1.70 m (5 ft. 7 in.)	1.70 m (5 ft. 7 in.)	1.70 m (5 ft. 7 in.)	1.70 m (5 ft. 7 in.)	1.70 m (5 ft. 7 in.)	1.70 m (5 ft. 7 in.)	1.70 m (5 ft. 7 in.)
<b>E</b> Wheelbase	3.46 m (11 ft. 4 in.)	3.46 m (11 ft. 4 in.)	3.46 m (11 ft. 4 in.)	3.46 m (11 ft. 4 in.)	3.46 m (11 ft. 4 in.)	3.46 m (11 ft. 4 in.)	3.46 m (11 ft. 4 in.)	3.46 m (11 ft. 4 in.)	3.46 m (11 ft. 4 in.)	3.46 m (11 ft. 4 in.)
<b>F</b> Overall Length, Bucket on Ground	9.28 m (30 ft. 5 in.)	9.49 m (31 ft. 2 in.)	9.28 m (30 ft. 5 in.)	9.38 m (30 ft. 9 in.)	9.59 m (31 ft. 6 in.)	9.37 m (30 ft. 9 in.)	9.44 m (31 ft. 0 in.)	9.44 m (31 ft. 0 in.)	9.78 m (32 ft. 1 in.)	9.99 m (32 ft. 9 in.)
<b>G</b> Height to Hinge Pin, Fully Raised	4.48 m (14 ft. 9 in.)	4.48 m (14 ft. 9 in.)	4.48 m (14 ft. 9 in.)	4.48 m (14 ft. 9 in.)	4.48 m (14 ft. 9 in.)	4.48 m (14 ft. 9 in.)	4.48 m (14 ft. 9 in.)	4.48 m (14 ft. 9 in.)	4.85 m (15 ft. 11 in.)	4.85 m (15 ft. 11 in.)
<b>H</b> Dump Clearance, 45 deg., Full Height	3.19 m (10 ft. 6 in.)	3.06 m (10 ft. 0 in.)	3.20 m (10 ft. 6 in.)	3.12 m (10 ft. 3 in.)	2.98 m (9 ft. 9 in.)	3.13 m (10 ft. 3 in.)	3.08 m (10 ft. 1 in.)	3.08 m (10 ft. 1 in.)	3.64 m (11 ft. 11 in.)	3.51 m (11 ft. 6 in.)
<b>I</b> Reach, 45-deg. Dump, Full Height	1.28 m (4 ft. 2 in.)	1.42 m (4 ft. 8 in.)	1.28 m (4 ft. 2 in.)	1.33 m (4 ft. 4 in.)	1.47 m (4 ft. 10 in.)	1.33 m (4 ft. 4 in.)	1.38 m (4 ft. 6 in.)	1.38 m (4 ft. 6 in.)	1.64 m (5 ft. 5 in.)	1.79 m (5 ft. 10 in.)
<b>J</b> Reach, 45-deg. Dump, 2.13-m (7 ft. 0 in.) Clearance	2.05 m (6 ft. 9 in.)	2.12 m (6 ft. 11 in.)	2.05 m (6 ft. 9 in.)	2.08 m (6 ft. 10 in.)	2.15 m (7 ft. 1 in.)	2.09 m (6 ft. 10 in.)	2.11 m (6 ft. 11 in.)	2.11 m (6 ft. 11 in.)	2.50 m (8 ft. 2 in.)	2.58 m (8 ft. 5 in.)
<b>K</b> Maximum Digging Depth	116 mm (4.6 in.)	135 mm (5.3 in.)	112 mm (4.4 in.)	123 mm (4.8 in.)	143 mm (5.6 in.)	119 mm (4.7 in.)	129 mm (5.1 in.)	126 mm (5.0 in.)	229 mm (9.0 in.)	249 mm (9.8 in.)
<b>L</b> Maximum Rollback at Ground Level	45.4 deg.	45.4 deg.	45.4 deg.	45.4 deg.	45.4 deg.	45.4 deg.	45.4 deg.	45.4 deg.	41.5 deg.	41.5 deg.
<b>M</b> Maximum Rollback, Boom Fully Raised	52.0 deg.	52.0 deg.	52.0 deg.	52.0 deg.	52.0 deg.	52.0 deg.	52.0 deg.	52.0 deg.	53.1 deg.	53.1 deg.
<b>N</b> Maximum Bucket Dump Angle, Fully Raised	44.3 deg.	44.3 deg.	44.3 deg.	44.8 deg.	44.8 deg.	44.8 deg.	44.8 deg.	44.8 deg.	40.0 deg.	40.0 deg.
Loader Clearance Circle, Bucket Carry Position	14.14 m (46 ft. 5 in.)	14.26 m (46 ft. 9 in.)	14.13 m (46 ft. 4 in.)	14.20 m (46 ft. 7 in.)	14.34 m (47 ft. 1 in.)	14.20 m (46 ft. 7 in.)	14.24 m (46 ft. 9 in.)	14.24 m (46 ft. 9 in.)	14.27 m (46 ft. 10 in.)	14.35 m (47 ft. 1 in.)

While general information, pictures, and descriptions are provided, some illustrations and text may include product options and accessories NOT AVAILABLE in all regions, and in some countries products and accessories may require modifications or additions to ensure compliance with the local regulations of those countries.

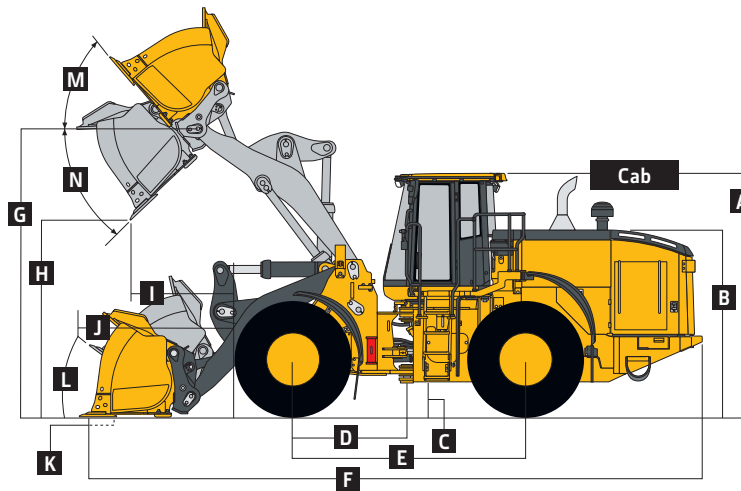
**Dimensions and Specifications with Pin-On Bucket (continued)**

	Standard-Lift		Standard-Lift		Standard-Lift		Standard-Lift		Standard-Lift		High-Lift	
	4.6-m <sup>3</sup> (6.0 cu. yd.) general-purpose		4.8-m <sup>3</sup> (6.25 cu. yd.) general-purpose enhanced production		4.8-m <sup>3</sup> (6.25 cu. yd.) general-purpose enhanced production		5.2-m <sup>3</sup> (6.75 cu. yd.) material-handling enhanced production		4.6-m <sup>3</sup> (6.0 cu. yd.) general-purpose			
	bolt-on edge	teeth and segments	JAGZ	bolt-on edge	teeth and segments	JAGZ	bolt-on edge	JAGZ	bolt-on edge	teeth and segments	JAGZ	
Capacity, Heaped	4.6 m <sup>3</sup> (6.0 cu. yd.)	4.6 m <sup>3</sup> (6.0 cu. yd.)	4.6 m <sup>3</sup> (6.0 cu. yd.)	4.8 m <sup>3</sup> (6.25 cu. yd.)	4.8 m <sup>3</sup> (6.25 cu. yd.)	4.8 m <sup>3</sup> (6.25 cu. yd.)	5.2 m <sup>3</sup> (6.75 cu. yd.)	5.2 m <sup>3</sup> (6.75 cu. yd.)	4.6 m <sup>3</sup> (6.0 cu. yd.)	4.6 m <sup>3</sup> (6.0 cu. yd.)	4.6 m <sup>3</sup> (6.0 cu. yd.)	4.6 m <sup>3</sup> (6.0 cu. yd.)
Capacity, Heaped at 110% Fill Factor	5.1 m <sup>3</sup> (6.6 cu. yd.)	5.1 m <sup>3</sup> (6.6 cu. yd.)	5.1 m <sup>3</sup> (6.6 cu. yd.)	5.3 m <sup>3</sup> (6.88 cu. yd.)	5.3 m <sup>3</sup> (6.88 cu. yd.)	5.3 m <sup>3</sup> (6.88 cu. yd.)	5.7 m <sup>3</sup> (7.43 cu. yd.)	5.7 m <sup>3</sup> (7.43 cu. yd.)	5.1 m <sup>3</sup> (6.6 cu. yd.)	5.1 m <sup>3</sup> (6.6 cu. yd.)	5.1 m <sup>3</sup> (6.6 cu. yd.)	5.1 m <sup>3</sup> (6.6 cu. yd.)
Capacity, Struck	4.0 m <sup>3</sup> (5.25 cu. yd.)	4.0 m <sup>3</sup> (5.25 cu. yd.)	4.0 m <sup>3</sup> (5.25 cu. yd.)	4.1 m <sup>3</sup> (5.36 cu. yd.)	4.1 m <sup>3</sup> (5.36 cu. yd.)	4.1 m <sup>3</sup> (5.36 cu. yd.)	4.4 m <sup>3</sup> (5.8 cu. yd.)	4.4 m <sup>3</sup> (5.8 cu. yd.)	4.0 m <sup>3</sup> (5.25 cu. yd.)	4.0 m <sup>3</sup> (5.25 cu. yd.)	4.0 m <sup>3</sup> (5.25 cu. yd.)	4.0 m <sup>3</sup> (5.25 cu. yd.)
Bucket Weight with Bolt-On Cutting Edge	2872 kg (6,146 lb.)	2956 kg (6,517 lb.)	2880 kg (6,349 lb.)	3009 kg (6,634 lb.)	3141 kg (6,927 lb.)	3032 kg (6,684 lb.)	3073 kg (6,775 lb.)	3096 kg (6,826 lb.)	2872 kg (6,146 lb.)	2956 kg (6,517 lb.)	2872 kg (6,146 lb.)	2956 kg (6,517 lb.)
Bucket Width	3.28 m (10 ft. 9 in.)	3.31 m (10 ft. 9 in.)	3.28 m (10 ft. 9 in.)	3.28 m (10 ft. 9 in.)	3.31 m (10 ft. 9 in.)	3.28 m (10 ft. 9 in.)	3.28 m (10 ft. 9 in.)	3.28 m (10 ft. 9 in.)	3.28 m (10 ft. 9 in.)	3.28 m (10 ft. 9 in.)	3.28 m (10 ft. 9 in.)	3.28 m (10 ft. 9 in.)
Breakout Force	18 720 kg (41,270 lb.)	16 536 kg (36,456 lb.)	18 736 kg (41,306 lb.)	17 570 kg (38,735 lb.)	15 564 kg (34,313 lb.)	17 592 kg (38,784 lb.)	16 842 kg (37,130 lb.)	16 860 kg (37,170 lb.)	17 534 kg (38,655 lb.)	17 437 kg (38,443 lb.)	17 534 kg (38,655 lb.)	17 437 kg (38,443 lb.)
Tipping Load, Straight, No Tire Deflection	19 704 kg (43,440 lb.)	19 587 kg (43,184 lb.)	19 694 kg (43,418 lb.)	19 224 kg (42,384 lb.)	19 046 kg (41,990 lb.)	19 196 kg (42,320 lb.)	19 049 kg (41,996 lb.)	19 019 kg (41,931 lb.)	16 528 kg (36,438 lb.)	16 417 kg (36,193 lb.)	16 528 kg (36,438 lb.)	16 417 kg (36,193 lb.)
Tipping Load, Straight, with Tire Deflection	18 396 kg (40,556 lb.)	18 282 kg (40,305 lb.)	18 384 kg (40,530 lb.)	17 946 kg (39,564 lb.)	17 769 kg (39,174 lb.)	17 916 kg (39,498 lb.)	17 772 kg (39,181 lb.)	17 742 kg (39,114 lb.)	15 513 kg (34,200 lb.)	15 402 kg (33,956 lb.)	15 513 kg (34,200 lb.)	15 402 kg (33,956 lb.)
Tipping Load, 37-deg. Partial Turn	17 251 kg (38,034 lb.)	17 135 kg (37,777 lb.)	17 241 kg (38,011 lb.)	16 812 kg (37,065 lb.)	16 633 kg (36,671 lb.)	16 783 kg (37,001 lb.)	16 648 kg (36,704 lb.)	16 619 kg (36,639 lb.)	14 395 kg (31,736 lb.)	14 284 kg (31,491 lb.)	14 395 kg (31,736 lb.)	14 284 kg (31,491 lb.)
Tipping Load, 40-deg. Full Turn, No Tire Deflection	16 855 kg (37,159 lb.)	16 738 kg (36,902 lb.)	16 844 kg (37,136 lb.)	16 422 kg (36,204 lb.)	16 243 kg (35,810 lb.)	16 393 kg (36,140 lb.)	16 260 kg (35,848 lb.)	16 230 kg (35,782 lb.)	14 050 kg (30,975 lb.)	13 938 kg (30,728 lb.)	14 050 kg (30,975 lb.)	13 938 kg (30,728 lb.)
Tipping Load, 40-deg. Full Turn, with Tire Deflection	15 165 kg (33,433 lb.)	15 051 kg (33,182 lb.)	15 153 kg (33,407 lb.)	14 766 kg (32,553 lb.)	14 589 kg (32,163 lb.)	14 739 kg (32,494 lb.)	14 604 kg (32,196 lb.)	14 577 kg (32,137 lb.)	12 714 kg (28,030 lb.)	12 603 kg (27,785 lb.)	12 714 kg (28,030 lb.)	12 603 kg (27,785 lb.)
Rated Operating Load, 50% Full-Turn Tipping Load, with Tire Deflection (conforms to ISO 14397-1)*	7583 kg (16,718 lb.)	7525 kg (16,591 lb.)	7576 kg (16,703 lb.)	7383 kg (16,277 lb.)	7294 kg (16,082 lb.)	7369 kg (16,247 lb.)	7302 kg (16,098 lb.)	7288 kg (16,068 lb.)	6357 kg (14,015 lb.)	6302 kg (13,894 lb.)	6357 kg (14,015 lb.)	6302 kg (13,894 lb.)
Operating Weight	27 056 kg (59,648 lb.)	27 140 kg (59,833 lb.)	27 065 kg (59,668 lb.)	27 193 kg (59,950 lb.)	27 325 kg (60,241 lb.)	27 216 kg (60,001 lb.)	27 257 kg (60,091 lb.)	27 281 kg (60,144 lb.)	27 443 kg (60,501 lb.)	27 528 kg (60,501 lb.)	27 443 kg (60,501 lb.)	27 528 kg (60,689 lb.)

Loader operating information is based on machine with identified linkage and standard equipment, PowerTech Plus 6090 (EPA Tier 3/EU Stage IIIA) engine, ROPS cab, rear cast bumper/counterweight, transmission side-frame guards, bottom guards, standard tires, full fuel tank, and 79-kg (175 lb.) operator. This information is affected by changes in tires, ballast, and different attachments.

\*Rated operating capacity based on Deere attachments only.

**Dimensions and Specifications with Coupler and Hook-On Bucket**



824L STANDARD-LIFT AND HIGH-LIFT LOADERS WITH COUPLER AND HOOK-ON BUCKET

	Standard-Lift	Standard-Lift	Standard-Lift	Standard-Lift	Standard-Lift	Standard-Lift	Standard-Lift	Standard-Lift	Standard-Lift	Standard-Lift	Standard-Lift	High-Lift	
	3.8-m <sup>3</sup> (5.0 cu. yd.) general-purpose (GP) enhanced production (EP)			4.0-m <sup>3</sup> (5.25 cu. yd.) general-purpose (GP) enhanced production (EP)			4.4-m <sup>3</sup> (5.75 cu. yd.) general-purpose (GP) enhanced production (EP)			4.6-m <sup>3</sup> (6.0 cu. yd.) general-purpose (GP) enhanced production (EP)			4.4-m <sup>3</sup> (5.75 cu. yd.) GP EP
	bolt-on edge	teeth and segments	JAGZ	bolt-on edge	teeth and segments	JAGZ	bolt-on edge	teeth and segments	JAGZ	bolt-on edge	teeth and segments	JAGZ	bolt-on edge
A Height to Top of Cab	3.57 m (11 ft. 9 in.)	3.57 m (11 ft. 9 in.)	3.57 m (11 ft. 9 in.)	3.57 m (11 ft. 9 in.)	3.57 m (11 ft. 9 in.)	3.57 m (11 ft. 9 in.)	3.57 m (11 ft. 9 in.)	3.57 m (11 ft. 9 in.)	3.57 m (11 ft. 9 in.)	3.57 m (11 ft. 9 in.)	3.57 m (11 ft. 9 in.)	3.57 m (11 ft. 9 in.)	3.57 m (11 ft. 9 in.)
B Hood Height	2.73 m (8 ft. 11 in.)	2.73 m (8 ft. 11 in.)	2.73 m (8 ft. 11 in.)	2.73 m (8 ft. 11 in.)	2.73 m (8 ft. 11 in.)	2.73 m (8 ft. 11 in.)	2.73 m (8 ft. 11 in.)	2.73 m (8 ft. 11 in.)	2.73 m (8 ft. 11 in.)	2.73 m (8 ft. 11 in.)	2.73 m (8 ft. 11 in.)	2.73 m (8 ft. 11 in.)	2.73 m (8 ft. 11 in.)
C Ground Clearance	458 mm (18 in.)	458 mm (18 in.)	458 mm (18 in.)	458 mm (18 in.)	458 mm (18 in.)	458 mm (18 in.)	458 mm (18 in.)	458 mm (18 in.)	458 mm (18 in.)	458 mm (18 in.)	458 mm (18 in.)	458 mm (18 in.)	458 mm (18 in.)

While general information, pictures, and descriptions are provided, some illustrations and text may include product options and accessories NOT AVAILABLE in all regions, and in some countries products and accessories may require modifications or additions to ensure compliance with the local regulations of those countries.

**Dimensions and Specifications with Coupler and Hook-On Bucket (continued)**

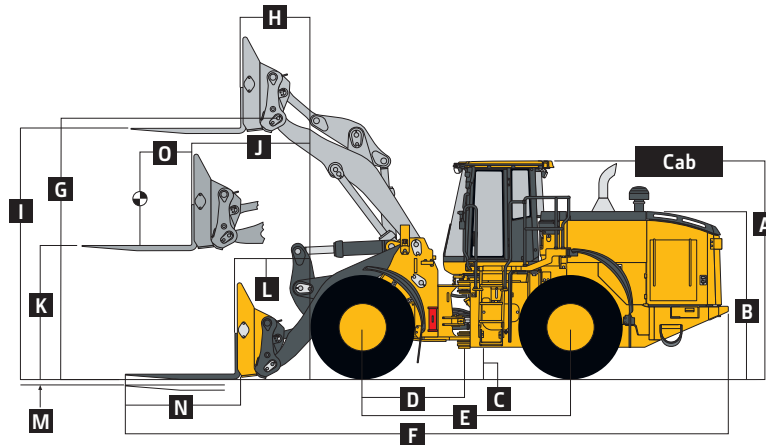
**824L**

	Standard-Lift	Standard-Lift	Standard-Lift	Standard-Lift	Standard-Lift	Standard-Lift	Standard-Lift	Standard-Lift	Standard-Lift	Standard-Lift	Standard-Lift	Standard-Lift	High-Lift 4.4-m <sup>3</sup> (5.75 cu. yd.) GP EP
<b>Dimensions with Bucket (continued)</b>	3.8-m <sup>3</sup> (5.0 cu. yd.) general-purpose (GP) enhanced production (EP)			4.0-m <sup>3</sup> (5.25 cu. yd.) general-purpose (GP) enhanced production (EP)			4.4-m <sup>3</sup> (5.75 cu. yd.) general-purpose (GP) enhanced production (EP)			4.6-m <sup>3</sup> (6.0 cu. yd.) general-purpose (GP) enhanced production (EP)			4.4-m <sup>3</sup> (5.75 cu. yd.) GP EP
<b>Cutting Edge Type</b>	bolt-on edge		teeth and segments		JAGZ		bolt-on edge		teeth and segments		JAGZ		bolt-on edge
<b>D Length from Centerline to Front Axle</b>	1.70 m (5 ft. 7 in.)	1.70 m (5 ft. 7 in.)	1.70 m (5 ft. 7 in.)	1.70 m (5 ft. 7 in.)	1.70 m (5 ft. 7 in.)	1.70 m (5 ft. 7 in.)	1.70 m (5 ft. 7 in.)	1.70 m (5 ft. 7 in.)	1.70 m (5 ft. 7 in.)	1.70 m (5 ft. 7 in.)	1.70 m (5 ft. 7 in.)	1.70 m (5 ft. 7 in.)	1.70 m (5 ft. 7 in.)
<b>E Wheelbase</b>	3.46 m (11 ft. 4 in.)	3.46 m (11 ft. 4 in.)	3.46 m (11 ft. 4 in.)	3.46 m (11 ft. 4 in.)	3.46 m (11 ft. 4 in.)	3.46 m (11 ft. 4 in.)	3.46 m (11 ft. 4 in.)	3.46 m (11 ft. 4 in.)	3.46 m (11 ft. 4 in.)	3.46 m (11 ft. 4 in.)	3.46 m (11 ft. 4 in.)	3.46 m (11 ft. 4 in.)	3.46 m (11 ft. 4 in.)
<b>F Overall Length, Bucket on Ground</b>	9.30 m (30 ft. 6 in.)	9.51 m (31 ft. 3 in.)	9.30 m (30 ft. 6 in.)	9.32 m (30 ft. 7 in.)	9.53 m (31 ft. 3 in.)	9.31 m (30 ft. 7 in.)	9.41 m (30 ft. 11 in.)	9.62 m (31 ft. 7 in.)	9.40 m (30 ft. 10 in.)	9.46 m (31 ft. 1 in.)	9.67 m (31 ft. 9 in.)	9.46 m (31 ft. 1 in.)	9.91 m (32 ft. 6 in.)
<b>G Height to Hinge Pin, Fully Raised</b>	4.48 m (14 ft. 9 in.)	4.48 m (14 ft. 9 in.)	4.48 m (14 ft. 9 in.)	4.48 m (14 ft. 9 in.)	4.48 m (14 ft. 9 in.)	4.48 m (14 ft. 9 in.)	4.48 m (14 ft. 9 in.)	4.48 m (14 ft. 9 in.)	4.48 m (14 ft. 9 in.)	4.85 m (15 ft. 11 in.)	4.85 m (15 ft. 11 in.)	4.85 m (15 ft. 11 in.)	4.48 m (14 ft. 9 in.)
<b>H Dump Clearance, 45 deg., Full Height</b>	3.17 m (10 ft. 5 in.)	3.03 m (9 ft. 11 in.)	3.18 m (10 ft. 5 in.)	3.16 m (10 ft. 5 in.)	3.02 m (9 ft. 11 in.)	3.17 m (10 ft. 5 in.)	3.10 m (10 ft. 2 in.)	2.96 m (9 ft. 9 in.)	3.11 m (10 ft. 2 in.)	3.07 m (10 ft. 1 in.)	2.93 m (9 ft. 7 in.)	3.07 m (10 ft. 1 in.)	3.57 m (11 ft. 9 in.)
<b>I Reach, 45-deg. Dump, Full Height</b>	1.32 m (4 ft. 4 in.)	1.45 m (4 ft. 9 in.)	1.32 m (4 ft. 4 in.)	1.32 m (4 ft. 4 in.)	1.46 m (4 ft. 9 in.)	1.32 m (4 ft. 4 in.)	1.39 m (4 ft. 7 in.)	1.52 m (5 ft. 0 in.)	1.39 m (4 ft. 7 in.)	1.41 m (4 ft. 8 in.)	1.55 m (5 ft. 1 in.)	1.41 m (4 ft. 8 in.)	1.77 m (5 ft. 10 in.)
<b>J Reach, 45-deg. Dump, 2.13-m (7 ft. 0 in.) Clearance</b>	2.10 m (6 ft. 11 in.)	2.17 m (7 ft. 1 in.)	2.10 m (6 ft. 11 in.)	2.10 m (6 ft. 11 in.)	2.17 m (7 ft. 1 in.)	2.10 m (6 ft. 11 in.)	2.14 m (7 ft. 0 in.)	2.20 m (7 ft. 3 in.)	2.14 m (7 ft. 0 in.)	2.15 m (7 ft. 1 in.)	2.21 m (7 ft. 3 in.)	2.15 m (7 ft. 1 in.)	2.59 m (8 ft. 6 in.)
<b>K Maximum Digging Depth</b>	85 mm (3.3 in.)	105 mm (4.1 in.)	82 mm (3.2 in.)	90 mm (3.6 in.)	110 mm (4.3 in.)	87 mm (3.4 in.)	94 mm (3.7 in.)	114 mm (4.5 in.)	92 mm (3.6 in.)	106 mm (4.1 in.)	124 mm (4.9 in.)	101 mm (4.0 in.)	208 mm (8.2 in.)
<b>L Maximum Rollback at Ground Level</b>	45.4 deg.	45.4 deg.	45.4 deg.	45.4 deg.	45.4 deg.	45.4 deg.	45.4 deg.	45.4 deg.	45.4 deg.	45.4 deg.	45.4 deg.	45.4 deg.	45.4 deg.
<b>M Maximum Rollback, Boom Fully Raised</b>	52.0 deg.	52.0 deg.	52.0 deg.	52.0 deg.	52.0 deg.	52.0 deg.	52.0 deg.	52.0 deg.	52.0 deg.	52.0 deg.	52.0 deg.	52.0 deg.	52.0 deg.
<b>N Maximum Bucket Dump Angle, Fully Raised</b>	44.0 deg.	44.0 deg.	44.0 deg.	44.0 deg.	44.0 deg.	44.0 deg.	44.0 deg.	44.0 deg.	44.0 deg.	44.0 deg.	44.0 deg.	44.0 deg.	44.0 deg.
<b>Loader Clearance Circle, Bucket Carry Position</b>	14.15 m (46 ft. 5 in.)	14.31 m (46 ft. 11 in.)	14.16 m (46 ft. 5 in.)	14.16 m (46 ft. 5 in.)	14.32 m (47 ft. 0 in.)	14.16 m (46 ft. 6 in.)	14.21 m (46 ft. 8 in.)	14.37 m (47 ft. 2 in.)	14.22 m (46 ft. 8 in.)	14.24 m (46 ft. 9 in.)	14.40 m (47 ft. 3 in.)	14.24 m (46 ft. 9 in.)	14.40 m (47 ft. 3 in.)
<b>Specifications with Bucket</b>													
<b>Capacity, Heaped</b>	3.8 m <sup>3</sup> (5.0 cu. yd.)	3.8 m <sup>3</sup> (5.0 cu. yd.)	3.8 m <sup>3</sup> (5.0 cu. yd.)	4.0 m <sup>3</sup> (5.25 cu. yd.)	4.0 m <sup>3</sup> (5.25 cu. yd.)	4.0 m <sup>3</sup> (5.25 cu. yd.)	4.4 m <sup>3</sup> (5.75 cu. yd.)	4.4 m <sup>3</sup> (5.75 cu. yd.)	4.4 m <sup>3</sup> (5.75 cu. yd.)	4.6 m <sup>3</sup> (6.0 cu. yd.)	4.6 m <sup>3</sup> (6.0 cu. yd.)	4.6 m <sup>3</sup> (6.0 cu. yd.)	4.4 m <sup>3</sup> (5.75 cu. yd.)
<b>Capacity, Heaped at 110% Fill Factor</b>	4.2 m <sup>3</sup> (5.5 cu. yd.)	4.2 m <sup>3</sup> (5.5 cu. yd.)	4.2 m <sup>3</sup> (5.5 cu. yd.)	4.4 m <sup>3</sup> (5.75 cu. yd.)	4.4 m <sup>3</sup> (5.75 cu. yd.)	4.4 m <sup>3</sup> (5.75 cu. yd.)	4.8 m <sup>3</sup> (6.33 cu. yd.)	4.8 m <sup>3</sup> (6.33 cu. yd.)	4.8 m <sup>3</sup> (6.33 cu. yd.)	5.1 m <sup>3</sup> (6.6 cu. yd.)	5.1 m <sup>3</sup> (6.6 cu. yd.)	5.1 m <sup>3</sup> (6.6 cu. yd.)	4.8 m <sup>3</sup> (6.33 cu. yd.)
<b>Capacity, Struck</b>	3.25 m <sup>3</sup> (4.25 cu. yd.)	3.25 m <sup>3</sup> (4.25 cu. yd.)	3.25 m <sup>3</sup> (4.25 cu. yd.)	3.4 m <sup>3</sup> (4.5 cu. yd.)	3.4 m <sup>3</sup> (4.5 cu. yd.)	3.4 m <sup>3</sup> (4.5 cu. yd.)	3.8 m <sup>3</sup> (4.97 cu. yd.)	3.8 m <sup>3</sup> (4.97 cu. yd.)	3.8 m <sup>3</sup> (4.97 cu. yd.)	4.0 m <sup>3</sup> (5.25 cu. yd.)	4.0 m <sup>3</sup> (5.25 cu. yd.)	4.0 m <sup>3</sup> (5.25 cu. yd.)	3.8 m <sup>3</sup> (4.97 cu. yd.)
<b>Bucket Weight with Bolt-On Cutting Edge</b>	2499 kg (5,509 lb.)	2625 kg (5,788 lb.)	2522 kg (5,560 lb.)	2586 kg (5,701 lb.)	2712 kg (5,980 lb.)	2609 kg (5,752 lb.)	2672 kg (5,890 lb.)	2735 kg (6,031 lb.)	2695 kg (5,941 lb.)	2730 kg (6,019 lb.)	2857 kg (6,298 lb.)	2753 kg (6,070 lb.)	2672 kg (5,890 lb.)
<b>Bucket Width</b>	3.28 m (10 ft. 9 in.)	3.31 m (10 ft. 9 in.)	3.28 m (10 ft. 9 in.)	3.28 m (10 ft. 9 in.)	3.31 m (10 ft. 9 in.)	3.28 m (10 ft. 9 in.)	3.28 m (10 ft. 9 in.)	3.31 m (10 ft. 9 in.)	3.28 m (10 ft. 9 in.)	3.28 m (10 ft. 9 in.)	3.31 m (10 ft. 9 in.)	3.28 m (10 ft. 9 in.)	3.28 m (10 ft. 9 in.)
<b>Breakout Force</b>	18 001 kg (39,685 lb.)	15 908 kg (35,071 lb.)	18 025 kg (39,738 lb.)	17 834 kg (39,317 lb.)	15 767 kg (34,760 lb.)	17 856 kg (39,366 lb.)	16 768 kg (36,967 lb.)	14 905 kg (32,860 lb.)	16 787 kg (37,009 lb.)	16 266 kg (35,860 lb.)	14 494 kg (31,954 lb.)	16 283 kg (35,898 lb.)	15 681 kg (34,571 lb.)
<b>Tipping Load, Straight, No Tire Deflection</b>	18 528 kg (40,847 lb.)	18 362 kg (40,481 lb.)	18 500 kg (40,785 lb.)	18 535 kg (40,863 lb.)	18 367 kg (40,492 lb.)	18 507 kg (40,801 lb.)	18 308 kg (40,362 lb.)	18 138 kg (39,987 lb.)	18 279 kg (40,298 lb.)	18 075 kg (39,849 lb.)	17 906 kg (39,476 lb.)	18 047 kg (39,787 lb.)	15 390 kg (33,929 lb.)
<b>Tipping Load, Straight, with Tire Deflection</b>	17 280 kg (38,096 lb.)	17 115 kg (37,732 lb.)	17 253 kg (38,036 lb.)	17 277 kg (38,089 lb.)	17 112 kg (37,725 lb.)	17 250 kg (38,030 lb.)	17 055 kg (37,600 lb.)	16 887 kg (37,229 lb.)	17 025 kg (37,534 lb.)	16 830 kg (37,104 lb.)	16 662 kg (36,733 lb.)	16 803 kg (37,044 lb.)	14 397 kg (31,740 lb.)
<b>Tipping Load, 37-deg. Partial Turn</b>	16 172 kg (35,653 lb.)	16 005 kg (35,285 lb.)	16 144 kg (35,591 lb.)	16 168 kg (35,644 lb.)	16 001 kg (35,276 lb.)	16 140 kg (35,583 lb.)	15 956 kg (35,177 lb.)	15 787 kg (34,804 lb.)	15 928 kg (35,115 lb.)	15 745 kg (34,712 lb.)	15 575 kg (34,337 lb.)	15 716 kg (34,648 lb.)	13 327 kg (29,381 lb.)
<b>Tipping Load, 40-deg. Full Turn, No Tire Deflection</b>	15 790 kg (34,811 lb.)	15 624 kg (34,445 lb.)	15 763 kg (34,751 lb.)	15 785 kg (34,800 lb.)	15 618 kg (34,432 lb.)	15 758 kg (34,740 lb.)	15 576 kg (34,339 lb.)	15 406 kg (33,964 lb.)	15 547 kg (34,275 lb.)	15 368 kg (33,881 lb.)	15 198 kg (33,506 lb.)	15 339 kg (33,817 lb.)	12 993 kg (28,645 lb.)
<b>Tipping Load, 40-deg. Full Turn, with Tire Deflection</b>	14 172 kg (31,244 lb.)	14 007 kg (30,880 lb.)	14 142 kg (31,178 lb.)	14 157 kg (31,211 lb.)	13 992 kg (30,847 lb.)	14 130 kg (31,151 lb.)	13 950 kg (30,754 lb.)	13 782 kg (30,384 lb.)	13 920 kg (30,688 lb.)	13 752 kg (30,318 lb.)	13 584 kg (29,948 lb.)	13 725 kg (30,258 lb.)	11 682 kg (25,754 lb.)
<b>Rated Operating Load, 50% Full-Turn Tipping Load, with Tire Deflection (conforms to ISO 14397-1)*</b>	7086 kg (15,622 lb.)	7004 kg (15,441 lb.)	7071 kg (15,589 lb.)	7079 kg (15,607 lb.)	6996 kg (15,424 lb.)	7065 kg (15,576 lb.)	6975 kg (15,377 lb.)	6891 kg (15,192 lb.)	6960 kg (15,344 lb.)	6876 kg (15,159 lb.)	6792 kg (14,974 lb.)	6863 kg (15,130 lb.)	5841 kg (12,877 lb.)
<b>Operating Weight</b>	27 514 kg (60,658 lb.)	27 641 kg (60,938 lb.)	27 537 kg (60,709 lb.)	27 599 kg (60,845 lb.)	27 725 kg (61,123 lb.)	27 622 kg (60,896 lb.)	27 687 kg (61,039 lb.)	27 814 kg (61,319 lb.)	27 710 kg (61,090 lb.)	27 743 kg (61,163 lb.)	27 870 kg (61,443 lb.)	27 766 kg (61,213 lb.)	28 075 kg (61,895 lb.)

Loader operating information is based on machine with identified linkage and standard equipment, PowerTech Plus 6090 (EPA Tier 3/EU Stage IIIA) engine, ROPS cab, rear cast bumper/counterweight, transmission side-frame guards, bottom guards, standard tires, full fuel tank, and 79-kg (175 lb.) operator. This information is affected by changes in tires, ballast, and different attachments.

\*Rated operating capacity based on Deere attachments only.

**Dimensions and Specifications with  
Coupler and Hook-On Construction Forks 824L**



**824L STANDARD-LIFT AND HIGH-LIFT LOADERS WITH HOOK-ON CONSTRUCTION FORKS**

	<i>Standard-Lift</i>	<i>Standard-Lift</i>	<i>High-Lift</i>
<b>Dimensions with Forks</b>	<i>1.83-m (72 in.) tine length</i>	<i>2.44-m (96 in.) tine length</i>	<i>1.83-m (72 in.) tine length</i>
<b>A</b> Height to Top of Cab	3.57 m (11 ft. 9 in.)	3.57 m (11 ft. 9 in.)	3.57 m (11 ft. 9 in.)
<b>B</b> Hood Height	2.73 m (8 ft. 11 in.)	2.73 m (8 ft. 11 in.)	2.73 m (8 ft. 11 in.)
<b>C</b> Ground Clearance	458 mm (18 in.)	458 mm (18 in.)	458 mm (18 in.)
<b>D</b> Length from Centerline to Front Axle	1.70 m (5 ft. 7 in.)	1.70 m (5 ft. 7 in.)	1.70 m (5 ft. 7 in.)
<b>E</b> Wheelbase	3.46 m (11 ft. 4 in.)	3.46 m (11 ft. 4 in.)	3.46 m (11 ft. 4 in.)
<b>F</b> Overall Length, Forks on Ground	9.96 m (32 ft. 8 in.)	10.57 m (34 ft. 8 in.)	10.49 m (34 ft. 5 in.)
<b>G</b> Height to Hinge Pin, Fully Raised	4.48 m (14 ft. 9 in.)	4.48 m (14 ft. 9 in.)	4.48 m (14 ft. 9 in.)
<b>H</b> Reach, Fully Raised	0.81 m (32 in.)	0.81 m (32 in.)	1.05 m (3 ft. 5 in.)
<b>I</b> Fork Height, Fully Raised	3.45 m (11 ft. 4 in.)	3.45 m (11 ft. 4 in.)	3.79 m (12 ft. 5 in.)
<b>J</b> Maximum Reach, Fork Level	1.87 m (6 ft. 2 in.)	1.87 m (6 ft. 2 in.)	2.29 m (7 ft. 6 in.)
<b>K</b> Fork Height, Maximum Reach	1.29 m (4 ft. 3 in.)	1.29 m (4 ft. 3 in.)	1.29 m (4 ft. 3 in.)
<b>L</b> Reach, Ground Level	1.14 m (3 ft. 9 in.)	1.14 m (3 ft. 9 in.)	1.67 m (5 ft. 6 in.)
<b>M</b> Depth Below Ground	55 mm (2.2 in.)	55 mm (2.2 in.)	59 mm (2.3 in.)
<b>N</b> Tine Length	1.83 m (72 in.)	2.44 m (96 in.)	1.83 m (72 in.)
<b>O</b> Load Position, 50% Tine Length	0.92 m (36 in.)	1.22 m (48 in.)	0.92 m (36 in.)
<b>Specifications with Forks</b>			
Tipping Load, Straight, No Tire Deflection	13 233 kg (29,174 lb.)	12 029 kg (26,519 lb.)	11 503 kg (25,360 lb.)
Tipping Load, Straight, with Tire Deflection	13 221 kg (29,147 lb.)	12 015 kg (26,489 lb.)	11 166 kg (24,617 lb.)
Tipping Load, 37-deg. Partial Turn, No Tire Deflection	11 620 kg (25,618 lb.)	10 539 kg (23,234 lb.)	10 053 kg (22,163 lb.)
Tipping Load, 40-deg. Full Turn, No Tire Deflection	11 359 kg (25,042 lb.)	10 298 kg (22,703 lb.)	9819 kg (21,647 lb.)
Tipping Load, 40-deg. Full Turn, with Tire Deflection	11 346 kg (25,014 lb.)	10 287 kg (22,679 lb.)	9351 kg (20,615 lb.)
Rated Operating Load, 50% Full-Turn Tipping Load, with Tire Deflection (conforms to ISO 14397-1)*	5673 kg (12,507 lb.)	5144 kg (11,341 lb.)	4676 kg (10,309 lb.)
Rated Operating Load, Rough Terrain, 60% Full-Turn Tipping Load, with Tire Deflection (conforms to EN474-3)*	6808 kg (15,008 lb.)	6172 kg (13,607 lb.)	5611 kg (12,369 lb.)
Rated Operating Load, Firm and Level Ground, 80% Full-Turn Tipping Load, with Tire Deflection (conforms to EN474-3)*	9077 kg (20,011 lb.)	8230 kg (18,143 lb.)	7481 kg (16,492 lb.)
Operating Weight	26 447 kg (58,306 lb.)	26 619 kg (58,685 lb.)	26 834 kg (59,159 lb.)

Loader operating information is based on machine with identified linkage and standard equipment, PowerTech Plus 6090 (EPA Tier 3/EU Stage IIIA) engine, ROPS cab, rear cast bumper/counterweight, transmission side-frame guards, bottom guards, standard tires, full fuel tank, and 79-kg (175 lb.) operator. This information is affected by changes in tires, ballast, and different attachments.

\*Rated operating capacity based on Deere attachments only.



While general information, pictures, and descriptions are provided, some illustrations and text may include product options and accessories NOT AVAILABLE in all regions, and in some countries products and accessories may require modifications or additions to ensure compliance with the local regulations of those countries.

**Adjustments to Operating Weights and Tipping Loads with Buckets**

824L

Adjustments to operating weights, tipping loads, and tires are based on Standard-Lift machine with pin-on 4.6-m<sup>3</sup> (6.0 cu. yd.) general-purpose bucket with bolt-on cutting edge, ROPS cab, rear cast bumper/counterweight, transmission side-frame guards, bottom guards, standard tires, full fuel tank, and 79-kg (175 lb.) operator\*

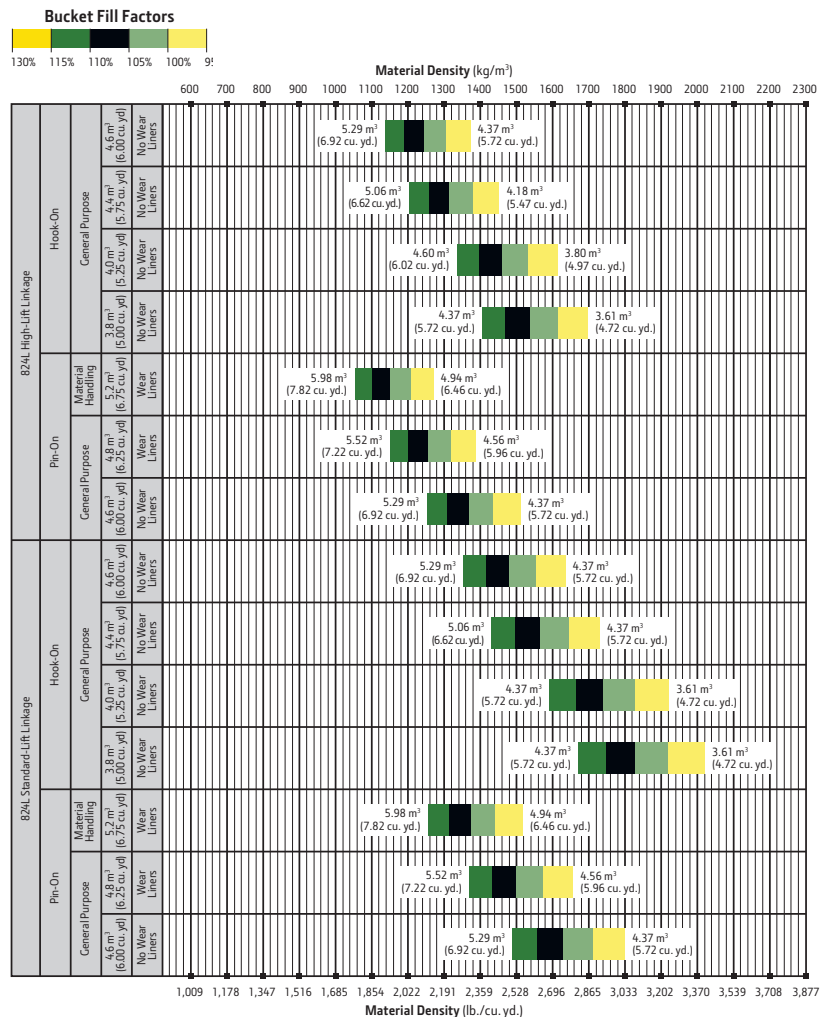
Add (+) or deduct (-) kg (lb.) as indicated for loaders with 3-piece rims	Operating Weight	Tipping Load,			Tread Width	Width Over Tires	Vertical Height
		Straight	37-deg. Partial Turn	40-deg. Full Turn			
Michelin 26.5 R 25, 2 Star L-3	0 kg (0 lb.)	0 kg (0 lb.)	0 kg (0 lb.)	0 kg (0 lb.)	0 mm (0 in.)	0 mm (0 in.)	0 mm (0 in.)
Titan 26.5 R 25, 1 Star L-3	0 kg (0 lb.)	0 kg (0 lb.)	0 kg (0 lb.)	0 kg (0 lb.)	0 mm (0 in.)	-7 mm (-0.27 in.)	+4 mm (+0.16 in.)
Goodyear 26.5 R 25, 1 Star L-3	-56 kg (-123 lb.)	-40 kg (-88 lb.)	-36 kg (-79 lb.)	-35 kg (-77 lb.)	0 mm (0 in.)	+1 mm (+0.04 in.)	+4 mm (+0.16 in.)
Firestone 26.5-25, 20-Ply L-3	-360 kg (-794 lb.)	-256 kg (-565 lb.)	-230 kg (-507 lb.)	-226 kg (-498 lb.)	0 mm (0 in.)	-28 mm (-1.10 in.)	+39 mm (+1.53 in.)
Firestone 26.5-25, 20-Ply L-5 <sup>§</sup>	+312 kg (+688 lb.)	+222 kg (+490 lb.)	+199 kg (+440 lb.)	+196 kg (+432 lb.)	0 mm (0 in.)	-18 mm (-0.70 in.)	+63 mm (+2.48 in.)
Michelin 775/65 R29, 1 Star L-3 <sup>§</sup>	+726 kg (+1,601 lb.)	+517 kg (+1,140 lb.)	+464 kg (+1,023 lb.)	+456 kg (+1,005 lb.)	0 mm (0 in.)	+104 mm (+4.09 in.)	+23 mm (+0.91 in.)
Bridgestone 775/65 R29, 1 Star L-3 <sup>§</sup>	+876 kg (+1,931 lb.)	+624 kg (+1,376 lb.)	+560 kg (+1,235 lb.)	+578 kg (+1,274 lb.)	0 mm (0 in.)	+99 mm (+3.90 in.)	+14 mm (+0.55 in.)
4.8-m <sup>3</sup> (6.25 cu. yd.) General-Purpose Bucket with Wear Liners	+238 kg (+525 lb.)	-246 kg (-542 lb.)	-247 kg (-545 lb.)	-247 kg (-545 lb.)	0 mm (0 in.)	0 mm (0 in.)	0 mm (0 in.)
5.2-m <sup>3</sup> (6.75 cu. yd.) Material-Handling Bucket with Wear Liners	+238 kg (+525 lb.)	-246 kg (-542 lb.)	-247 kg (-545 lb.)	-247 kg (-545 lb.)	0 mm (0 in.)	0 mm (0 in.)	0 mm (0 in.)
High-Lift Boom	+387 kg (+853 lb.)	-3273 kg (-7,216 lb.)	-2943 kg (-6,488 lb.)	-2890 kg (-6,371 lb.)	0 mm (0 in.)	0 mm (0 in.)	0 mm (0 in.)

\*May change based on vehicle configuration, weight, or tire-pressure adjustments.

§Requires 8-deg. rear axle stops.

**Bucket Selection Guides**

LOOSE MATERIALS	kg/m <sup>3</sup>	lb./cu. yd.	LOOSE MATERIALS	kg/m <sup>3</sup>	lb./cu. yd.
Chips, pulpwood	288	486	Limestone, coarse, sized	1570	2,646
Cinders (coal, ashes, clinkers)	673	1,134	Limestone, mixed sizes	1682	2,835
Clay and gravel, dry	1602	2,700	Limestone, pulverized or crushed	1362	2,295
Clay, compact, solid	1746	2,943	Sand, damp	2083	3,510
Clay, dry in lump loose	1009	1,701	Sand, dry	1762	2,970
Clay, excavated in water	1282	2,160	Sand, voids, full of water	2083	3,510
Coal, anthracite, broken, loose	865	1,458	Sandstone, quarried	1314	2,214
Coal, bituminous, moderately wet	801	1,350	Shale, broken crushed	1362	2,295
Earth, common loam, dry	1218	2,052	Slag, furnace granulated	1955	3,294
Earth, mud, packed	1843	3,105	Stone or gravel, 37.5 to 87.5-mm (1.5 to 3.5 in.) size	1442	2,430
Granite, broken	1538	2,592	Stone or gravel, 18.75-mm (0.75 in.) size	1602	2,700
Gypsum	2275	3,834			





# 844L SPECIFICATIONS

While general information, pictures, and descriptions are provided, some illustrations and text may include product options and accessories NOT AVAILABLE in all regions, and in some countries products and accessories may require modifications or additions to ensure compliance with the local regulations of those countries.

<b>Engine</b>	<b>844L</b>	
Manufacturer and Model	John Deere PowerTech™ Plus 6135	
Non-Road Emission Standard	EPA Tier 3/EU Stage IIIA	
Cylinders	6	
Valves per Cylinder	4	
Displacement	13.5 L (824 cu. in.)	
Net Peak Power (ISO 9249)	311 kW (417 hp) at 1,400 rpm	
Net Peak Torque (ISO 9249)	2119 Nm (1,563 lb.-ft.) at 1,400 rpm	
Net Torque Rise	44%	
Fuel System	Mechanically actuated electronic unit injectors	
Lubrication	Full-flow spin-on filter and integral cooler	
Aspiration	Series turbocharged, charge air cooled	
Air Cleaner	Dual-element dry type, restriction indicator in cab monitor for service; additional centrifugal engine pre-cleaner	
<b>Cooling</b>		
Fan Drive	Hydraulically driven, proportionally controlled, fan aft of coolers; automatic reversing fan drive	
<b>Electrical</b>		
Electrical System	24 volt with 150-amp alternator	
Batteries (2 – 12 volt)	1,400 CCA (each)	
<b>Transmission System</b>		
Type	Countershaft-type PowerShift™ with lockup torque converter	
Torque Converter	Single stage, dual phase with freewheeling stator with lockup clutch	
Shift Control	Electronically modulated, adaptive, load and speed dependent	
Operator Interface	Steering-column or joystick-mounted F-N-R and gear-select lever; Quick-Shift button on hydraulic lever	
Shift Modes	Manual/auto (1st–5th or 2nd–5th); Quick-Shift button with 2 selectable modes: kick-down or kick-up/down; and 4 settings for clutch cutoff	
Maximum Travel Speeds (with 875/65R29 L3 tires)	<i>Forward</i>	<i>Reverse</i>
Range 1	6.4 km/h (4.0 mph)	6.4 km/h (4.0 mph)
Range 2	11.5 km/h (7.1 mph)	11.5 km/h (7.1 mph)
Range 3	17.4 km/h (10.8 mph)	24.7 km/h (15.3 mph)
Range 4	24.6 km/h (15.3 mph)	N/A
Range 5	40.0 km/h (24.9 mph)	N/A
<b>Axles/Brakes</b>		
Final Drives	Heavy-duty mid-board planetary	
Differentials	Conventional differential front and rear – standard; hydraulic locking front with conventional rear – optional; dual locking front and rear – optional	
Rear Axle Oscillation, Stop to Stop		
With 29.5 R 25, 1 Star L3 Tires	26 deg. (13 deg. each direction)	
With 875/65R29 L3 Tires	16 deg. (8 deg. each direction)	
Brakes (conform to ISO 3450)		
Service	Outboard, forced oil cooled, multi disc	
Parking	Automatic spring applied, hydraulically released, sealed wet multi disc	
<b>Tires/Wheels (see page 29 for complete tire adjustments)</b>		
	<i>Tread Width</i>	<i>Width Over Tires</i>
Michelin 875/65R29, 1 Star L-3	2440 mm (96.1 in.)	3408 mm (134.2 in.)
<b>Serviceability</b>		
Refill Capacities		
Fuel Tank (with ground-level fueling)	534 L (141 gal.)	
Cooling System	78.75 L (83.2 qt.)	
Engine Oil with Vertical Spin-On Filter	40 L (42.3 qt.)	
Transmission Reservoir with Vertical Filter	28 L (29.5 qt.)	
Axle Oil (front and rear, each)	68 L (72 qt.)	
Hydraulic Reservoir and Filter	181.7 L (48 gal.)	
Park Brake Oil (wet disc)	0.7 L (24 oz.)	
<b>Hydraulic System/Steering</b>		
Loader Pumps	2 variable-displacement, load-sensing axial-piston pumps; closed-center system	
Maximum Rated Flow at 6895 kPa (1,000 psi) at 2,000 rpm	570 L/m (150.5 gpm)	
System Relief Pressure	24 900 kPa (3,611 psi)	
Steering Pump	1 variable-displacement, load-sensing axial-piston pump; closed-center system	
Maximum Rated Flow at 6895 kPa (1,000 psi) at 2,000 rpm	199.5 L/m (52.7 gpm)	
System Relief Pressure	24 900 kPa (3,611 psi)	
Loader Controls	2-function valve; single- or dual-lever controls; control lever lockout feature; optional 3rd-function valve with auxiliary levers	

# 844L SPECIFICATIONS



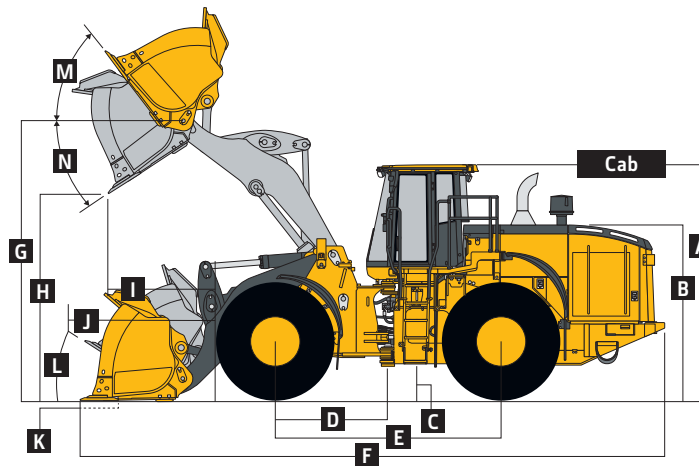
While general information, pictures, and descriptions are provided, some illustrations and text may include product options and accessories NOT AVAILABLE in all regions, and in some countries products and accessories may require modifications or additions to ensure compliance with the local regulations of those countries.

## Hydraulic System/Steering (continued) 844L

Steering (conforms to ISO 5010)

Type	Power, fully hydraulic; single-lever control and adjustable wristrest with conventional steering wheel override
Articulation Angle	80-deg. arc (40 deg. each direction)
Turning Radius (measured to centerline of outside tire)	6.30 m (20 ft. 8 in.)
Hydraulic Cycle Times	<i>Standard Lift</i>
Raise	5.9 sec.
Dump	1.9 sec.
Lower (float down)	3.6 sec.
Total	11.4 sec.

## Dimensions and Specifications with Pin-On Bucket



844L STANDARD-LIFT LOADER WITH PIN-ON BUCKET

Dimensions with Bucket	5.5-m <sup>3</sup> (72.5 cu. yd.) general-purpose			5.7-m <sup>3</sup> (75 cu. yd.) general-purpose enhanced production			6.1-m <sup>3</sup> (8.0 cu. yd.) material-handling enhanced production		4.8-m <sup>3</sup> (6.3 cu. yd.) spade-nose rock with wear liners			5.7-m <sup>3</sup> (7.5 cu. yd.) material-handling narrow
	bolt-on edge	teeth and segments	JAGZ™	bolt-on edge	teeth and segments	JAGZ	bolt-on edge	JAGZ	bolt-on edge	teeth and segments	bolt-on edge	
<b>A</b> Height to Top of Cab	3.73 m (12 ft. 3 in.)	3.73 m (12 ft. 3 in.)	3.73 m (12 ft. 3 in.)	3.73 m (12 ft. 3 in.)	3.73 m (12 ft. 3 in.)	3.73 m (12 ft. 3 in.)	3.73 m (12 ft. 3 in.)	3.73 m (12 ft. 3 in.)	3.73 m (12 ft. 3 in.)	3.73 m (12 ft. 3 in.)	3.73 m (12 ft. 3 in.)	3.73 m (12 ft. 3 in.)
<b>B</b> Hood Height	2.74 m (9 ft. 0 in.)	2.74 m (9 ft. 0 in.)	2.74 m (9 ft. 0 in.)	2.74 m (9 ft. 0 in.)	2.74 m (9 ft. 0 in.)	2.74 m (9 ft. 0 in.)	2.74 m (9 ft. 0 in.)	2.74 m (9 ft. 0 in.)	2.74 m (9 ft. 0 in.)	2.74 m (9 ft. 0 in.)	2.74 m (9 ft. 0 in.)	2.74 m (9 ft. 0 in.)
<b>C</b> Ground Clearance	463 mm (18.2 in.)	463 mm (18.2 in.)	463 mm (18.2 in.)	463 mm (18.2 in.)	463 mm (18.2 in.)	463 mm (18.2 in.)	463 mm (18.2 in.)	463 mm (18.2 in.)	463 mm (18.2 in.)	463 mm (18.2 in.)	463 mm (18.2 in.)	463 mm (18.2 in.)
<b>D</b> Length from Centerline to Front Axle	1.85 m (6 ft. 1 in.)	1.85 m (6 ft. 1 in.)	1.85 m (6 ft. 1 in.)	1.85 m (6 ft. 1 in.)	1.85 m (6 ft. 1 in.)	1.85 m (6 ft. 1 in.)	1.85 m (6 ft. 1 in.)	1.85 m (6 ft. 1 in.)	1.85 m (6 ft. 1 in.)	1.85 m (6 ft. 1 in.)	1.85 m (6 ft. 1 in.)	1.85 m (6 ft. 1 in.)
<b>E</b> Wheelbase	3.70 m (12 ft. 2 in.)	3.70 m (12 ft. 2 in.)	3.70 m (12 ft. 2 in.)	3.70 m (12 ft. 2 in.)	3.70 m (12 ft. 2 in.)	3.70 m (12 ft. 2 in.)	3.70 m (12 ft. 2 in.)	3.70 m (12 ft. 2 in.)	3.70 m (12 ft. 2 in.)	3.70 m (12 ft. 2 in.)	3.70 m (12 ft. 2 in.)	3.70 m (12 ft. 2 in.)
<b>F</b> Overall Length, Bucket on Ground	9.71 m (31 ft. 10 in.)	9.97 m (32 ft. 9 in.)	9.71 m (31 ft. 10 in.)	9.79 m (32 ft. 1 in.)	10.04 m (32 ft. 11 in.)	9.79 m (32 ft. 1 in.)	9.79 m (32 ft. 1 in.)	9.86 m (32 ft. 4 in.)	9.86 m (32 ft. 4 in.)	9.93 m (32 ft. 5 in.)	9.93 m (32 ft. 7 in.)	9.99 m (32 ft. 9 in.)
<b>G</b> Height to Hinge Pin, Fully Raised	4.60 m (15 ft. 1 in.)	4.60 m (15 ft. 1 in.)	4.60 m (15 ft. 1 in.)	4.60 m (15 ft. 1 in.)	4.60 m (15 ft. 1 in.)	4.60 m (15 ft. 1 in.)	4.60 m (15 ft. 1 in.)	4.60 m (15 ft. 1 in.)	4.60 m (15 ft. 1 in.)	4.60 m (15 ft. 1 in.)	4.60 m (15 ft. 1 in.)	4.60 m (15 ft. 1 in.)
<b>H</b> Dump Clearance, 45 deg., Full Height	3.30 m (10 ft. 10 in.)	3.11 m (10 ft. 2 in.)	3.30 m (10 ft. 10 in.)	3.26 m (10 ft. 8 in.)	3.06 m (10 ft. 0 in.)	3.26 m (10 ft. 8 in.)	3.21 m (10 ft. 6 in.)	3.21 m (10 ft. 6 in.)	3.19 m (10 ft. 6 in.)	3.17 m (10 ft. 5 in.)	3.17 m (10 ft. 5 in.)	3.10 m (10 ft. 2 in.)
<b>I</b> Reach, 45-deg. Dump, Full Height	1.49 m (4 ft. 11 in.)	1.49 m (4 ft. 11 in.)	1.49 m (4 ft. 11 in.)	1.55 m (5 ft. 1 in.)	1.55 m (5 ft. 1 in.)	1.55 m (5 ft. 1 in.)	1.59 m (5 ft. 3 in.)	1.59 m (5 ft. 3 in.)	1.63 m (5 ft. 4 in.)	1.66 m (5 ft. 5 in.)	1.66 m (5 ft. 5 in.)	1.65 m (5 ft. 5 in.)
<b>J</b> Reach, 45-deg. Dump, 2.13-m (7 ft. 0 in.) Clearance	2.27 m (7 ft. 5 in.)	2.27 m (7 ft. 5 in.)	2.26 m (7 ft. 5 in.)	2.30 m (7 ft. 7 in.)	2.30 m (7 ft. 7 in.)	2.30 m (7 ft. 7 in.)	2.33 m (7 ft. 8 in.)	2.33 m (7 ft. 8 in.)	2.36 m (7 ft. 9 in.)	2.38 m (7 ft. 10 in.)	2.38 m (7 ft. 10 in.)	2.38 m (7 ft. 10 in.)
<b>K</b> Maximum Digging Depth	115 mm (4.5 in.)	115 mm (4.5 in.)	117 mm (4.6 in.)	115 mm (4.5 in.)	115 mm (4.5 in.)	117 mm (4.6 in.)	122 mm (4.8 in.)	123 mm (4.8 in.)	107 mm (4.2 in.)	107 mm (4.2 in.)	107 mm (4.2 in.)	132 mm (5.0 in.)
<b>L</b> Maximum Rollback at Ground Level	40.2 deg.	40.2 deg.	40.2 deg.	45.3 deg.	45.3 deg.	45.3 deg.	45.3 deg.	45.3 deg.	40.2 deg.	40.2 deg.	40.2 deg.	45.3 deg.
<b>M</b> Maximum Rollback, Boom Fully Raised	57.4 deg.	57.4 deg.	57.4 deg.	59.8 deg.	59.8 deg.	59.8 deg.	59.8 deg.	59.8 deg.	57.4 deg.	57.4 deg.	57.4 deg.	59.8 deg.
<b>N</b> Maximum Bucket Dump Angle, Fully Raised	46.1 deg.	46.1 deg.	46.1 deg.	46.2 deg.	46.2 deg.	46.2 deg.	46.2 deg.	46.2 deg.	41.2 deg.	41.2 deg.	41.2 deg.	46.1 deg.
Loader Clearance Circle, Bucket Carry Position	15.06 m (49 ft. 5 in.)	15.13 m (49 ft. 8 in.)	14.97 m (49 ft. 1 in.)	15.07 m (49 ft. 5 in.)	15.23 m (50 ft. 0 in.)	15.09 m (49 ft. 6 in.)	15.11 m (49 ft. 7 in.)	15.13 m (49 ft. 8 in.)	14.99 m (49 ft. 2 in.)	15.17 m (49 ft. 9 in.)	15.17 m (49 ft. 9 in.)	14.78 m (48 ft. 6 in.)

While general information, pictures, and descriptions are provided, some illustrations and text may include product options and accessories NOT AVAILABLE in all regions, and in some countries products and accessories may require modifications or additions to ensure compliance with the local regulations of those countries.

**Dimensions and Specifications with Pin-On Bucket (continued) 844L**

Specifications with Bucket	5.5-m <sup>3</sup> (725 cu. yd.) general-purpose			5.7-m <sup>3</sup> (75 cu. yd.) general-purpose enhanced production			6.1-m <sup>3</sup> (8.0 cu. yd.) material-handling enhanced production		4.8-m <sup>3</sup> (6.3 cu. yd.) spade-nose rock with wear liners		5.7-m <sup>3</sup> (75 cu. yd.) material-handling narrow
	bolt-on edge	teeth and segments	JAGZ™	bolt-on edge	teeth and segments	JAGZ	bolt-on edge	JAGZ	bolt-on edge	teeth and segments	bolt-on edge
Capacity, Heaped	5.5 m <sup>3</sup> (725 cu. yd.)	5.5 m <sup>3</sup> (725 cu. yd.)	5.5 m <sup>3</sup> (725 cu. yd.)	5.7 m <sup>3</sup> (75 cu. yd.)	5.7 m <sup>3</sup> (75 cu. yd.)	5.7 m <sup>3</sup> (75 cu. yd.)	6.1 m <sup>3</sup> (8.0 cu. yd.)	6.1 m <sup>3</sup> (8.0 cu. yd.)	4.8 m <sup>3</sup> (6.3 cu. yd.)	4.8 m <sup>3</sup> (6.3 cu. yd.)	5.7 m <sup>3</sup> (75 cu. yd.)
Capacity, Heaped at 110% Fill Factor	6.1 m <sup>3</sup> (798 cu. yd.)	6.1 m <sup>3</sup> (798 cu. yd.)	6.1 m <sup>3</sup> (798 cu. yd.)	6.3 m <sup>3</sup> (825 cu. yd.)	6.3 m <sup>3</sup> (825 cu. yd.)	6.3 m <sup>3</sup> (825 cu. yd.)	6.7 m <sup>3</sup> (88.8 cu. yd.)	6.7 m <sup>3</sup> (88.8 cu. yd.)	5.3 m <sup>3</sup> (69.9 cu. yd.)	5.3 m <sup>3</sup> (69.9 cu. yd.)	6.3 m <sup>3</sup> (825 cu. yd.)
Capacity, Struck	4.7 m <sup>3</sup> (6.2 cu. yd.)	4.7 m <sup>3</sup> (6.2 cu. yd.)	4.7 m <sup>3</sup> (6.2 cu. yd.)	4.7 m <sup>3</sup> (6.2 cu. yd.)	4.7 m <sup>3</sup> (6.2 cu. yd.)	4.7 m <sup>3</sup> (6.2 cu. yd.)	5.0 m <sup>3</sup> (6.6 cu. yd.)	5.0 m <sup>3</sup> (6.6 cu. yd.)	4.1 m <sup>3</sup> (5.4 cu. yd.)	4.1 m <sup>3</sup> (5.4 cu. yd.)	5.0 m <sup>3</sup> (6.6 cu. yd.)
Bucket Weight with Bolt-On Cutting Edge	3515 kg (7749 lb.)	3786 kg (8,347 lb.)	3673 kg (8,098 lb.)	3763 kg (8,296 lb.)	3957 kg (8,724 lb.)	3843 kg (8,472 lb.)	3835 kg (8,455 lb.)	3915 kg (8,631 lb.)	4217 kg (9,297 lb.)	4347 kg (9,583 lb.)	3551 kg (7740 lb.)
Bucket Width	3.46 m (11 ft. 4 in.)	3.47 m (11 ft. 5 in.)	3.47 m (11 ft. 5 in.)	3.46 m (11 ft. 4 in.)	3.47 m (11 ft. 5 in.)	3.47 m (11 ft. 5 in.)	3.45 m (11 ft. 4 in.)	3.47 m (11 ft. 5 in.)	3.49 m (11 ft. 6 in.)	3.49 m (11 ft. 6 in.)	3.00 m (9 ft. 10 in.)
Breakout Force	22 194 kg (48,929 lb.)	19 071 kg (42,044 lb.)	22 117 kg (48,760 lb.)	20 121 kg (44,359 lb.)	17 379 kg (38,314 lb.)	20 073 kg (44,253 lb.)	19 209 kg (42,349 lb.)	19 158 kg (42,236 lb.)	19 660 kg (43,343 lb.)	16 870 kg (37,192 lb.)	17 899 kg (39,460 lb.)
Tipping Load, Straight, No Tire Deflection	24 200 kg (53,353 lb.)	23 865 kg (52,615 lb.)	24 013 kg (52,941 lb.)	24 106 kg (53,145 lb.)	23 850 kg (52,581 lb.)	24 000 kg (52,912 lb.)	23 886 kg (52,661 lb.)	23 780 kg (52,426 lb.)	23 886 kg (51,882 lb.)	23 333 kg (51,442 lb.)	24 204 kg (53,361 lb.)
Tipping Load, Straight, with Tire Deflection	22 920 kg (50,530 lb.)	22 587 kg (49,796 lb.)	22 734 kg (50,120 lb.)	22 773 kg (50,206 lb.)	22 521 kg (49,650 lb.)	22 668 kg (49,974 lb.)	22 557 kg (49,730 lb.)	22 452 kg (49,498 lb.)	22 257 kg (49,068 lb.)	22 059 kg (48,632 lb.)	22 842 kg (50,358 lb.)
Tipping Load, 37-deg. Partial Turn	21 355 kg (47,081 lb.)	21 020 kg (46,343 lb.)	21 168 kg (46,669 lb.)	21 246 kg (46,841 lb.)	20 991 kg (46,277 lb.)	21 141 kg (46,608 lb.)	20 942 kg (46,390 lb.)	20 935 kg (46,155 lb.)	20 673 kg (45,578 lb.)	20 473 kg (45,137 lb.)	21 339 kg (47,046 lb.)
Tipping Load, 40-deg. Full Turn, No Tire Deflection	20 895 kg (46,066 lb.)	20 560 kg (45,328 lb.)	20 708 kg (45,653 lb.)	20 784 kg (45,821 lb.)	20 528 kg (45,257 lb.)	20 678 kg (45,588 lb.)	20 581 kg (45,375 lb.)	20 475 kg (45,140 lb.)	20 210 kg (44,557 lb.)	20 010 kg (44,116 lb.)	20 876 kg (46,024 lb.)
Tipping Load, 40-deg. Full Turn, with Tire Deflection	19 293 kg (42,534 lb.)	18 963 kg (41,806 lb.)	19 110 kg (42,130 lb.)	19 119 kg (42,150 lb.)	18 867 kg (41,595 lb.)	19 017 kg (41,925 lb.)	18 921 kg (41,714 lb.)	18 816 kg (41,482 lb.)	18 618 kg (41,046 lb.)	18 420 kg (40,609 lb.)	19 173 kg (42,269 lb.)
Rated Operating Load, 50% Full-Turn Tipping Load, with Tire Deflection (conforms to ISO 14397-1)*	9646 kg (21,267 lb.)	9481 kg (20,903 lb.)	9555 kg (21,065 lb.)	9559 kg (21,075 lb.)	9433 kg (20,797 lb.)	9508 kg (20,963 lb.)	9408 kg (20,857 lb.)	9408 kg (20,741 lb.)	9309 kg (20,523 lb.)	9210 kg (20,305 lb.)	9586 kg (21,135 lb.)
Operating Weight	33 666 kg (74,221 lb.)	33 939 kg (74,823 lb.)	33 826 kg (74,573 lb.)	33 916 kg (74,772 lb.)	34 109 kg (75,197 lb.)	33 996 kg (74,948 lb.)	33 988 kg (74,931 lb.)	34 068 kg (75,107 lb.)	34 370 kg (75,773 lb.)	34 500 kg (76,059 lb.)	34 146 kg (75,279 lb.)

Loader operating information is based on machine with identified linkage and standard equipment, PowerTech Plus 6135 (EPA Tier 3/EU Stage IIIA) engine, ROPS cab, rear cast bumper counterweight, transmission side-frame guards, bottom guards, standard tires, full fuel tank, and 79-kg (175 lb.) operator. This information is affected by changes in tires, ballast, and different attachments.

\*Rated operating capacity based on Deere attachments only.

**LOG HANDLER Dimensions and Specifications with Pin-On Millyard Forks**

Dimensions with Millyard Forks	Standard-Lift Rockland with 2.13-m (84 in.) tine length	Specifications with Millyard Forks	Standard-Lift Rockland with 2.13-m (84 in.) tine length
Height to Top of Cab	3.73 m (12 ft. 3 in.)	Tipping Load, Straight, No Tire Deflection	17 867 kg (39,390 lb.)
Hood Height	2.74 m (9 ft. 0 in.)	Tipping Load, Straight, with Tire Deflection	17 178 kg (37,871 lb.)
Ground Clearance	463 mm (18.2 in.)	Tipping Load, 37-deg. Partial Turn	15 568 kg (34,322 lb.)
Length from Centerline to Front Axle	1.85 m (6 ft. 1 in.)	Tipping Load, 40-deg. Full Turn, No Tire Deflection	15 195 kg (33,499 lb.)
Wheelbase	3.70 m (12 ft. 2 in.)	Tipping Load, 40-deg. Full Turn, with Tire Deflection	14 274 kg (31,469 lb.)
Overall Length, Forks on Ground	10.74 m (35 ft. 3 in.)	Operating Weight	36 490 kg (80,447 lb.)
Height to Hinge Pin, Fully Raised	4.60 m (15 ft. 1 in.)	Loader operating information is based on machine with identified linkage and standard equipment, PowerTech Plus 6135 (EPA Tier 3/EU Stage IIIA) engine, ROPS cab, rear cast bumper/counterweight, transmission side-frame guards, bottom guards, standard tires, full fuel tank, and 79-kg (175 lb.) operator. This information is affected by changes in tires, ballast, and different attachments.	
Reach, Fully Raised	3.06 m (10 ft. 0 in.)		
Fork Height, Fully Raised	3.33 m (10 ft. 11 in.)		
Maximum Reach, Fork Level	4.04 m (13 ft. 3 in.)		
Fork Height, Maximum Reach	1.32 m (4 ft. 3.97 in.)		
Reach, Ground Level	3.44 m (11 ft. 3 in.)		
Depth Below Ground	164 mm (6.5 in.)		
Tine Length	2.13 m (84 in.)		
Grapple Weight	4468 kg (9,850 lb.)		
Overall Grapple Width	2.74 m (108 in.) (9 ft. 0 in.)		

While general information, pictures, and descriptions are provided, some illustrations and text may include product options and accessories NOT AVAILABLE in all regions, and in some countries products and accessories may require modifications or additions to ensure compliance with the local regulations of those countries.

Dimensions and Specifications with Pin-On Pipe Grapple		844L PIPE HANDLER	
	<i>Standard-Lift</i>		<i>Standard-Lift</i>
	<i>Rockland with 0.10-m x 0.25-m x 2.44-m (4 in. x 10 in. x 96 in.) tine length</i>		<i>Rockland with 0.10-m x 0.25-m x 2.44-m (4 in. x 10 in. x 96 in.) tine length</i>
<b>Dimensions with Pipe Grapple</b>		<b>Specifications with Pipe Grapple</b>	
Height to Top of Cab	3.73 m (12 ft. 3 in.)	Tipping Load, Straight, No Tire Deflection	15 939 kg (35,139 lb.)
Hood Height	2.74 m (9 ft. 0 in.)		
Ground Clearance	463 mm (18.2 in.)	Tipping Load, Straight, with Tire Deflection	15 435 kg (34,028 lb.)
Length from Centerline to Front Axle	1.85 m (6 ft. 1 in.)		
Wheelbase	3.70 m (12 ft. 2 in.)	Tipping Load, 37-deg. Partial Turn	13 914 kg (30,675 lb.)
Overall Length, Forks on Ground	11.04 m (36 ft. 3 in.)	Tipping Load, 40-deg. Full Turn, No Tire Deflection	13 587 kg (29,954 lb.)
Height to Hinge Pin, Fully Raised	4.60 m (15 ft. 1 in.)		
Reach, Fully Raised	3.37 m (11 ft. 1 in.)	Tipping Load, 40-deg. Full Turn, with Tire Deflection	12 897 kg (28,433 lb.)
Fork Height, Fully Raised	3.46 m (11 ft. 4 in.)		
Maximum Reach, Fork Level	4.36 m (14 ft. 4 in.)	Operating Weight	35 945 kg (79,245 lb.)
Fork Height, Maximum Reach	1.32 m (4 ft. 4 in.)	<i>Loader operating information is based on machine with identified linkage and standard equipment, PowerTech Plus 6135 (EPA Tier 3/EU Stage IIIA) engine, ROPS cab, rear cast bumper/counterweight, transmission side-frame guards, bottom guards, standard tires, full fuel tank, and 79-kg (175 lb.) operator. This information is affected by changes in tires, ballast, and different attachments.</i>	
Reach, Ground Level	3.66 m (12 ft. 0 in.)		
Depth Below Ground	38 mm (1.5 in.)		
Tine Length	2.44 m (96 in.)		
Grapple Weight	3924 kg (8,651 lb.)		
Overall Grapple Width	3.05 m (120 in.) (10 ft. 0 in.)		

**Adjustments to Operating Weights and Tipping Loads with Buckets**

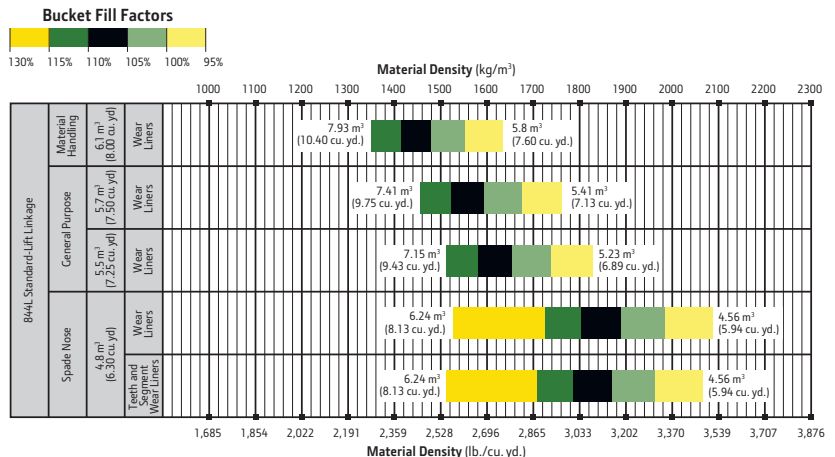
Adjustments to operating weights, tipping loads, and tires are based on Standard-Lift machine with pin-on 5.5-m<sup>3</sup> (7.25 cu. yd.) general-purpose bucket with bolt-on cutting edge, ROPS cab, rear cast bumper/counterweight, transmission side-frame guards, bottom guards, standard tires, full fuel tank, and 79-kg (175 lb.) operator\*

Add (+) or deduct (-) kg (lb.) as indicated for loaders with 3-piece rims	Operating Weight	Tipping Load, 37-deg.			Tread Width	Width Over Tires	Vertical Height
		Straight	Partial Turn	40-deg. Full Turn			
Michelin 875/65R29, 1 Star L-3 <sup>§</sup>	0 kg (0 lb.)	0 kg (0 lb.)	0 kg (0 lb.)	0 kg (0 lb.)	0 mm (0 in.)	0 mm (0 in.)	0 mm (0 in.)
Bridgestone 875/65R29, 1 Star L-3 <sup>§</sup>	+388 kg (+855 lb.)	+288 kg (+635 lb.)	+259 kg (+571 lb.)	+254 kg (+560 lb.)	0 mm (0 in.)	-31 mm (-1.2 in.)	+16 mm (+0.62 in.)
Michelin 29.5 R 25, 2 Star L-3	-452 kg (-996 lb.)	-336 kg (-741 lb.)	-302 kg (-666 lb.)	-296 kg (-653 lb.)	0 mm (0 in.)	-132 mm (-5.2 in.)	+3 mm (+0.11 in.)
Titan 29.5 R 25, 1 Star L-3	-392 kg (-864 lb.)	-291 kg (-642 lb.)	-262 kg (-578 lb.)	-257 kg (-567 lb.)	0 mm (0 in.)	-133 mm (-5.2 in.)	+4 mm (+0.15 in.)
Bridgestone 29.5 R 25, 1 Star L-3	-336 kg (-741 lb.)	-250 kg (-551 lb.)	-224 kg (-494 lb.)	-220 kg (-484 lb.)	0 mm (0 in.)	-120 mm (-4.7 in.)	+9 mm (+0.3 in.)
Firestone 29.5-25, 28-Ply L-3	+40 kg (+88 lb.)	+30 kg (+66 lb.)	+27 kg (+60 lb.)	+26 kg (+57 lb.)	0 mm (0 in.)	-112 mm (-4.4 in.)	-9 mm (-0.35 in.)
Bridgestone 29.5 R 25, 1 Star L-5 <sup>§</sup>	+900 kg (+1,984 lb.)	+669 kg (+1,475 lb.)	+601 kg (+1,325 lb.)	+590 kg (+1,301 lb.)	0 mm (0 in.)	-116 mm (-4.6 in.)	+45 mm (+1.77 in.)
Michelin 29.5 R 25, 1 Star L-5 <sup>§</sup>	+356 kg (+785 lb.)	+264 kg (+582 lb.)	+238 kg (+525 lb.)	+233 kg (+514 lb.)	0 mm (0 in.)	-112 mm (-4.4 in.)	+26 mm (+1.02 in.)
5.5-m <sup>3</sup> (7.25 cu. yd.) General-Purpose Bucket with Wear Liners	+359 kg (+792 lb.)	-378 kg (-834 lb.)	-378 kg (-833 lb.)	-378 kg (-834 lb.)	N/A	N/A	N/A
5.7-m <sup>3</sup> (7.5 cu. yd.) General-Purpose Bucket with Wear Liners	+253 kg (+557 lb.)	-263 kg (-581 lb.)	-264 kg (-584 lb.)	-264 kg (-584 lb.)	N/A	N/A	N/A
6.1-m <sup>3</sup> (8.0 cu. yd.) Material-Handling Bucket with Wear Liners	+253 kg (+557 lb.)	-265 kg (-586 lb.)	-266 kg (-587 lb.)	-267 kg (-588 lb.)	N/A	N/A	N/A

\*May change based on vehicle configuration, weight, or tire-pressure adjustments.  
<sup>§</sup>Requires 8-deg. rear axle stops.

**Bucket Selection Guides**

LOOSE MATERIALS	kg/m <sup>3</sup>	lb./cu. yd.	LOOSE MATERIALS	kg/m <sup>3</sup>	lb./cu. yd.
Chips, pulpwood	288	486	Limestone, coarse, sized	1570	2,646
Cinders (coal, ashes, clinkers)	673	1,134	Limestone, mixed sizes	1682	2,835
Clay and gravel, dry	1602	2,700	Limestone, pulverized or crushed	1362	2,295
Clay, compact, solid	1746	2,943	Sand, damp	2083	3,510
Clay, dry in lump loose	1009	1,701	Sand, dry	1762	2,970
Clay, excavated in water	1282	2,160	Sand, voids, full of water	2083	3,510
Coal, anthracite, broken, loose	865	1,458	Sandstone, quarried	1314	2,214
Coal, bituminous, moderately wet	801	1,350	Shale, broken crushed	1362	2,295
Earth, common loam, dry	1218	2,052	Slag, furnace granulated	1955	3,294
Earth, mud, packed	1843	3,105	Stone or gravel, 37.5 to 87.5-mm (1.5 to 3.5 in.) size	1442	2,430
Granite, broken	1538	2,592	Stone or gravel, 18.75-mm (0.75 in.) size	1602	2,700
Gypsum	2275	3,834			



# Additional equipment

Key: ● Standard ▲ Optional or special See your John Deere dealer for further information.

744L	824L	844L	Engine
●	●	●	Wet-sleeve cylinder liners
●	●	●	Programmable auto-idle and auto shutdown
●	●	●	Selected idle adjustment from 900–1,250 rpm
●	●	●	Starter excessive-cranking protection
●	●	●	Automatic engine cool-down timer
●	●	●	Automatic derating for exceeded system temperatures
●	●	●	Serpentine drive belt for automatic tensioner
●	●	●	Electrical fuel-priming pump
●	●	●	Dual-stage fuel filter and water separator
●	●	●	500-hour vertical spin-on oil filter
●	●	●	Engine-compartment light
▲	▲	▲	Chrome exhaust stack
▲	▲	▲	Automatic ether starting aid and engine block heater (recommended for cold starts below –12 deg. C [10 deg. F])
●	●	●	Centrifugal engine air pre-cleaner
▲	▲	▲	Throttle lock
<b>Powertrain</b>			
●	●	●	Clutch cutoff with 4 operator settings: Automatic, level ground, small slope, or steep slope
●	●	●	Programmable maximum high gear
●	●	●	Clutch calibration engaged from monitor
●	●	●	2,000-hour vertical spin-on transmission filter
●	●	●	Transmission fill tube with sight gauge
●	●	●	Transmission diagnostic ports
●	●	●	5-speed transmission with lockup torque converter
●	●	▲	Front locking differential
▲	▲	▲	Rear locking differential
●	●	●	Brake adjusters and retractors
▲	▲	▲	Automatic differential lock
●	●	●	Axle oil temperature sensing
●	●	●	Wheel-spin control
<b>Quad-Cool™ Cooling System</b>			
●	●	●	Heavy-duty, trash-resistant radiator and high-ambient cooling package
●	●	●	2-side access to all coolers
●	●	●	Isolated from engine compartment
●	●	●	Engine radiator
●	●	●	Integral engine oil cooler
●	●	●	Hydraulic oil cooler (oil to air)
●	●	●	Transmission oil cooler (oil to air)
●	●	●	Charge air cooler (air to air)
●	●	●	Fuel cooler
●	●	●	Coolant recovery tank with under-hood lighting
●	●	●	Coolant-loss sensor
●	●	●	Antifreeze, –37 deg. C (–34 deg. F)
●	●	●	Cool-on-demand swing-out fan
●	●	●	Enclosed fan safety guard
▲	▲	●	Automatic reversing fan drive
●	●	●	Axle and service-brake coolers
<b>Hydraulics</b>			
●	●	●	Electrohydraulic control with soft stops and adjustable settings
●	●	●	In-cab adjustable automatic return-to-dig bucket positioner

744L	824L	844L	Hydraulics (continued)
●	●	●	In-cab adjustable automatic boom-height kickout/return to carry
●	●	●	Reservoir with sight gauge and fill strainer
●	●	●	Hydraulic diagnostic ports
●	●	●	4,000-hour in-tank filter
●	●	●	2 function — 2-lever fingertip controls
▲	▲	▲	2 function — joystick
▲	▲	▲	2 function — joystick with F-N-R (steering wheel only)
▲	▲	▲	3 function — 3-lever fingertip controls
▲	▲	▲	3 function — joystick with integrated 3rd-function roller
▲	▲	▲	3 function — joystick with integrated 3rd-function roller and F-N-R (steering wheel only)
▲	▲	▲	4 function — joystick with integrated 3rd/4th-function rollers
▲	▲	▲	4 function — joystick with integrated 3rd/4th-function rollers and F-N-R (steering wheel only)
●	●	●	2 programmable multifunction buttons
●	●	●	Adjustable and continuous auxiliary hydraulic-flow settings
●	●	●	Programmable attachment settings
●	●	●	Ride control, automatic with monitor-adjustable speed settings
▲	▲	▲	Hydraulic control system for quick-coupler locking pins
▲	▲	▲	Hydra™ XR cold-temperature hydraulic fluid recommended below –25 deg. C (–13 deg. F)
<b>Steering Systems</b>			
●	●	●	Joystick steering with gearshift, F-N-R, and horn
▲	▲	▲	Conventional steering wheel with spinner knob
▲	▲	▲	Joystick steering with gearshift, F-N-R, horn, and conventional steering wheel
▲	▲	▲	Secondary steering
<b>Electrical</b>			
●	●	●	Solid-state electrical power-distribution system
●	●	●	Lockable master electrical-disconnect switch
●	●	●	Battery-terminal safety covers
●	●	●	By-pass start safety cover at starter
●	●	●	Remote jump-start access in battery box
●	●	●	Pre-wired for beacon/strobe light
▲	▲	▲	Beacon bracket (single or dual available)
▲	▲	▲	LED strobe beacon
●	●	●	Lights: Halogen driving lights with guards (2) / Front (4), rear cab (2), and rear grille (2) work lights / LEF front turn signals and flashers / LED stop- and taillights
▲	▲	▲	Premium LED work, drive, and marker lights
●	●	●	Programmable courtesy lights
●	●	●	Horn, electric
●	●	●	Reverse warning alarm
●	●	●	Multifunction/multi-language 178-mm (7 in.) LCD color monitor includes: Digital instruments — Analog display (hydraulic oil temperature, engine coolant temperature, transmission oil temperature, and engine oil pressure) / Digital display (engine rpm, transmission gear/direction indicator, hour meter, fuel level, speedometer, odometer, and average fuel consumption)
●	●	●	Integrated cycle counter with 5 categories
●	●	●	Indicator lights: Standard and selected options / Amber caution and red stop

While general information, pictures, and descriptions are provided, some illustrations and text may include product options and accessories NOT AVAILABLE in all regions, and in some countries products and accessories may require modifications or additions to ensure compliance with the local regulations of those countries.

Net engine power is with standard equipment including air cleaner, exhaust system, alternator, and cooling fan at test conditions per ISO 9249. No derating is required up to 3050-m (10,000 ft.) altitude. Specifications and design subject to change without notice. Specifications with the exception of bucket capacity are in accordance with all applicable ISO standards. Except where otherwise noted, these specifications are based on units with applicable linkage and standard equipment, ROPS cab, rear cast bumper/counterweight, transmission side-frame guards, bottom guards, standard tires, full fuel tank, and 79-kg (175 lb.) operator.

# Additional equipment *(continued)*

Key: ● Standard ▲ Optional or special See your John Deere dealer for further information.

744L	824L	844L	Electrical <i>(continued)</i>
●	●	●	Operator-warning messages
●	●	●	Built-in diagnostics: Diagnostic-code details / Sensor values / Calibrations / Individual circuit tester
▲	▲	▲	Electrical corrosion-prevention package
●	●	●	Premium AM/FM/Weather Band (WB) radio with Bluetooth®, remote auxiliary port, and remote USB port (premium cab only)
▲	▲	▲	24- to 12-volt, 30-amp converter with 3 in-cab power ports
Operator's Station			
●	●	●	Quiet Cab with air conditioning/heater (ROPS/FOPS Level 2, isolation mounted)
●	●	●	Automatic temperature control (premium cab only)
●	●	●	Rear window defrost vent
●	●	●	Keyless start with multiple security modes
●	●	●	Sealed-switch module with function indicators
●	●	●	Seat with backrest extension, deep foam, fabric cover, and adjustable air suspension
▲	▲	▲	Premium seat with high-wide back and headrest extension, heated and ventilated, leather/fabric cover, pan tilt/extend, damper adjustments, and adjustable heavy-duty air suspension
●	●	●	Hydraulic controls and joystick steering integrated to seat
●	●	●	High-visibility, bright-orange seat belt, 76 mm (3 in.), with retractor
●	●	●	Seat-belt minder monitoring seat-belt-usage awareness with JDLink™
▲	▲	▲	Seat-belt indicator light for bystander awareness
●	●	●	Cup holder and cup/thermos holder with retaining strap
●	●	●	Lunch-box/cooler holder with tie-down brackets
●	●	●	LED dome and reading light
●	●	●	Coat hook
●	●	●	Rubber floor mat
▲	▲	▲	Dual-tilt steering column (steering wheel only)
●	●	●	Operator's manual storage compartment
●	●	●	Outside (2) and inside (2) rearview mirrors
●	●	●	In-cab adjustable heated outside mirrors with convex lens (premium cab only)
●	●	●	Left-side operator-station access
●	●	●	Front window-washing platforms with fall-arrest system anchor points tested to 2268 kg (5,000 lb.)
●	●	●	Slip-resistant steps and ergonomic handholds
●	●	●	Pull-down front sun visor
▲	▲	▲	Pull-down rear sun visor
●	●	●	CB radio ready with 12-volt power, bracket, and antennae included
●	●	●	Front and rear intermittent windshield wiper and washers
▲	▲	▲	Powered cab air pre-cleaner
▲	▲	▲	Rearview camera
▲	▲	▲	Rearview camera and radar object-detection system
▲	▲	▲	Dedicated 178-mm (7 in.) rearview camera display
●	●	●	Payload scale ready
▲	▲	▲	Payload scale system
▲	▲	▲	Payload scale system with printer
▲	▲	▲	Fire extinguisher
Loader Linkage			
●	●	●	Z-Bar loader linkage
▲	▲		High-Lift Z-Bar loader linkage

744L	824L	844L	Buckets and Attachments
▲	▲	▲	Full line of Deere pin-on buckets, hook-on buckets, and forks
▲	▲		John Deere hydraulic coupler that accepts JRB 420-pattern attachments
▲	▲	▲	Bolt-on bucket spill guard
▲	▲	●	Bushed pin joints (including static joints) on optional Enhanced-Production buckets
Overall Vehicle			
●	●	●	JDLink wireless communication system (available in specific countries; see your dealer for details)
●	●	●	Auto-lube system with empty reservoir sensor and diagnostics integrated into machine diagnostics and JDLink alerts
●	●		NeverGrease™ rear-axle oscillation
●	●		Front and rear tie-downs
		●	Front, mid, and rear tie-downs
●	●	●	Rear cast bumper with rear hitch and locking pin
●	●	●	Articulation locking bar
●	●		Loader boom service locking bar
●	●	●	40-deg. steering articulation to each side with rubber-cushion stops on frame
●	●	●	Vandal protection with lockable engine enclosures, right counterweight storage, battery box, and filler access for radiator/fuel/hydraulic transmission
●	●	●	Right and left handrails, platforms, and steps
●	●	●	Service steps and handholds
●	●	●	Storage compartment
●	●	●	Fuel-tank fill strainer
●	●	●	Heavy-duty fuel-tank guard
●	●	●	Ground-level fueling
●	●	●	Same-side ground-level daily servicing
●	●	●	Environmental drains for engine, transmission, hydraulic oils, and engine coolant
●	●	●	Fluid-sampling ports for engine, transmission, hydraulic and axle oils, and engine coolant
●	●		26.5R25 tires on 5-piece rims
▲		●	29.5R25 tires on 5-piece rims
▲	▲		775/65R29 tires on 5-piece rims
		▲	875/65R29 tires on 5-piece rims
▲	▲	▲	Tire-pressure monitoring system
●	●	●	Level 1 sound package
●	●	●	Level 2 sound package
▲	●	●	Transmission side-frame and bottom guards
▲	▲	▲	Fast-fuel system
▲	▲	▲	Quick fluid service (engine, transmission, hydraulic oils, and engine coolant)
●	●	●	Fenders, full-coverage, front
▲	▲	▲	Fenders, full-coverage, front and rear
▲	▲	▲	Fenders, roading, full-coverage, front and rear
▲			Less wheels and tires with axle stops
▲			Rims less tires
●	●	●	Lift eyes
▲	▲	▲	Wheel-chock-mounting brackets
▲	▲	▲	License-plate bracket and light
▲		▲	Log handler (Standard-Lift only)
▲		▲	Pipe handler (Standard-Lift only)
▲	▲	▲	Special guarding for waste and forestry applications

While general information, pictures, and descriptions are provided, some illustrations and text may include product options and accessories NOT AVAILABLE in all regions, and in some countries products and accessories may require modifications or additions to ensure compliance with the local regulations of those countries.

Net engine power is with standard equipment including air cleaner, exhaust system, alternator, and cooling fan at test conditions per ISO 9249. No derating is required up to 3050-m (10,000 ft.) altitude. Specifications and design subject to change without notice. Specifications with the exception of bucket capacity are in accordance with all applicable ISO standards. Except where otherwise noted, these specifications are based on units with applicable linkage and standard equipment, ROPS cab, rear cast bumper/counterweight, transmission side-frame guards, bottom guards, standard tires, full fuel tank, and 79-kg (175 lb.) operator.



**JOHN DEERE**



[JohnDeere.com](http://JohnDeere.com)