

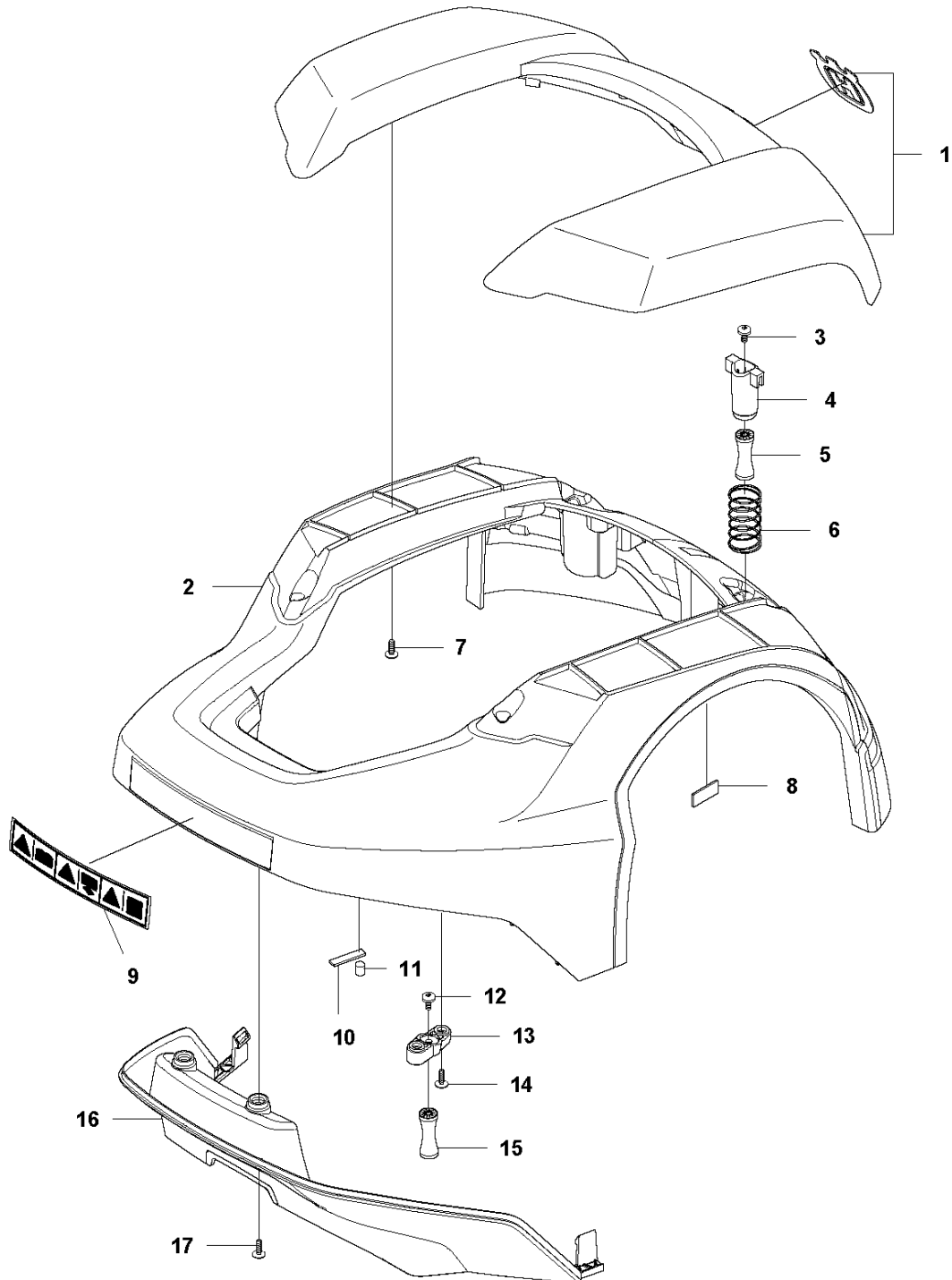


SPARE PARTS LIST

ROBOTIC LAWN MOWERS

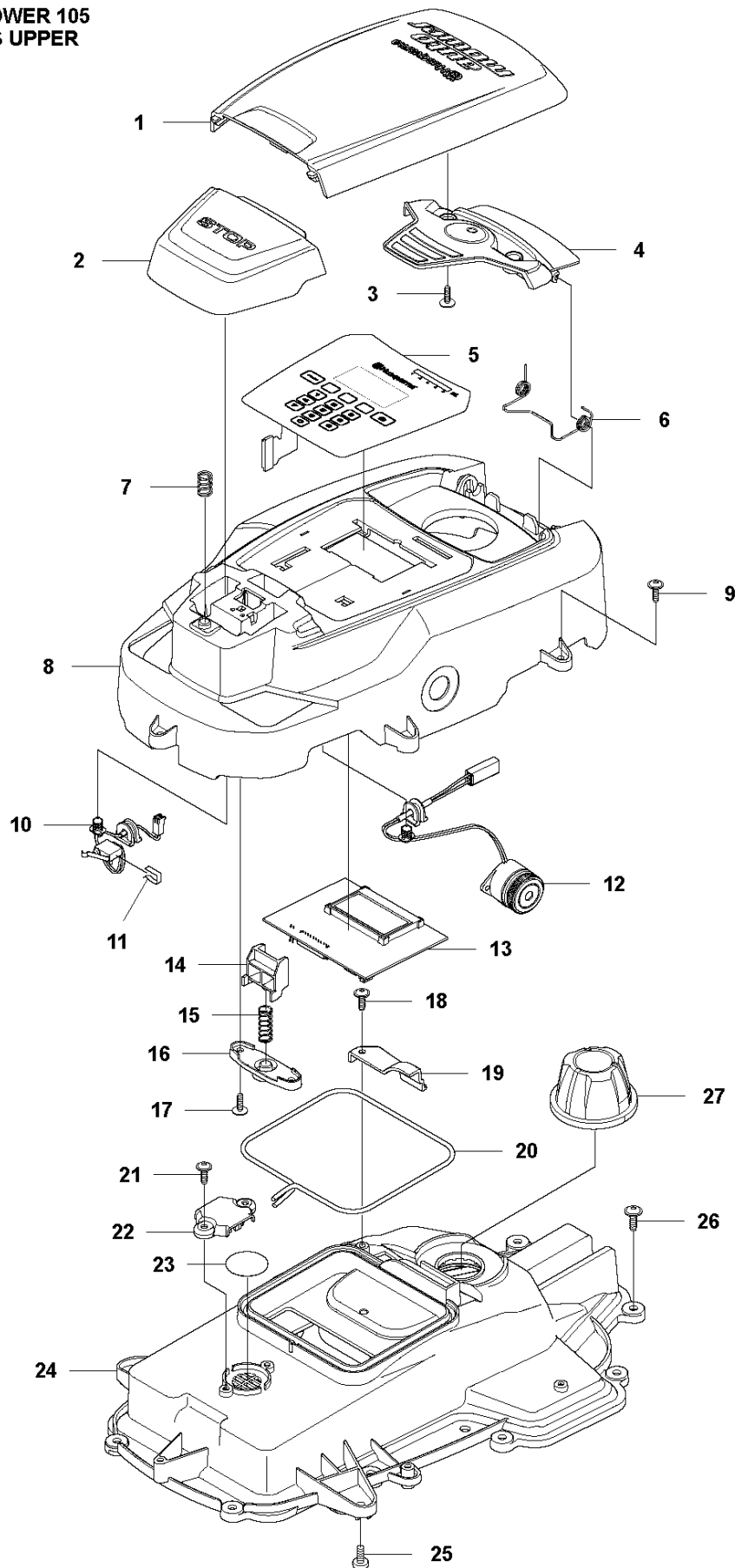
AUTOMOWER 105,2019-

A AUTOMOWER 105
COVER

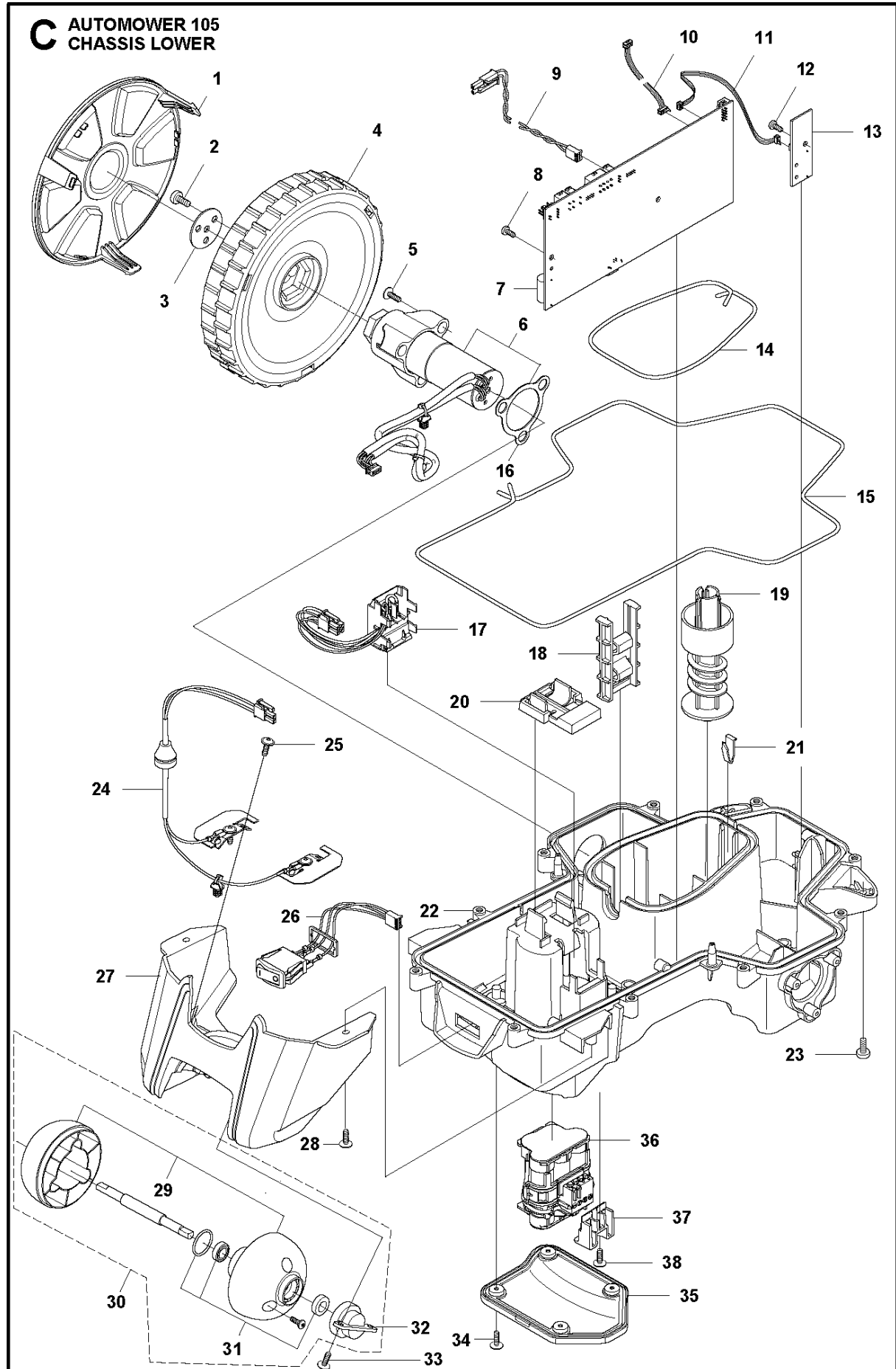


Ref	Artikelnr	Beskrivning	Anmärkning	ANT SATS AL
1	577 73 47-02	KIT	Bumper Front, Grey	1
2	577 74 72-02	KIT	Main Body KIT	1
3	590 74 02-01	SCREW	Screw	2
4	574 46 90-02	FÄSTE	Bracket, Lift Sensor	2
5	574 46 91-02	DAMPER	Rubber Damper	2
6	574 48 51-02	FJÄDER	Spring, Lift Sensor	2
7	575 54 33-14	SCREW	Screw, Grey (14 mm)	7
8	576 18 32-02	MAGNET	Magnet, Lift Sensor	1
9	576 24 00-01	DEKAL	Warning Label	1
10	576 03 01-01	PLATTA	Plate, Collision Sensor	1
11	576 18 33-01	MAGNET	Magnet, Collision Sensor	1
12	590 74 02-01	SCREW	Screw	2
13	575 41 60-02	SUPPORT CLAMP	Support Clamp	2
14	575 54 33-14	SCREW	Screw, Grey (14 mm)	4
15	574 46 91-02	DAMPER	Rubber Damper	2
16	574 46 52-02	STÖTFÅNGARE	Bumper, Rear	1
17	575 54 33-10	SCREW	Screw, Grey (10 mm)	2

B AUTOMOWER 105
CHASSIS UPPER

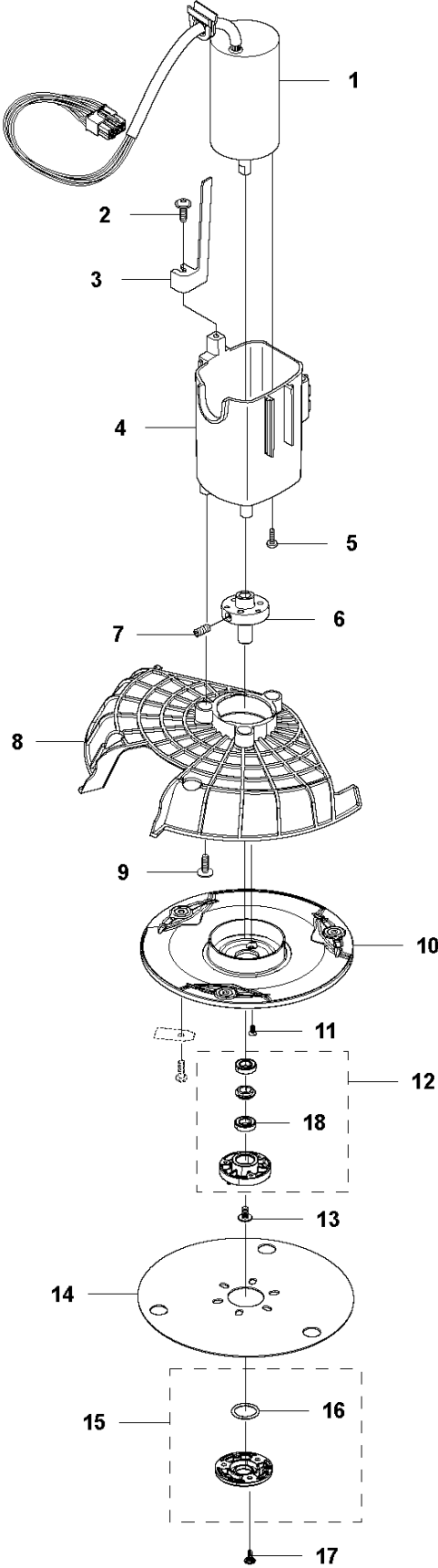


Ref	Artikelnr	Beskrivning	Anmärkning	ANT SATS AL
1	588 79 76-03	KÅPA	Cover Height Adjustment, Grey	1
2	574 46 47-01	KNAPP	Stop Button	1
3	575 54 33-14	SCREW	Screw, Grey (14 mm)	2
4	574 37 79-01	GÅNGJÄRN	Hinge, Height Adjustment Lid	1
5	575 77 94-01	TANGENTBORD	Keyboard	1
6	576 24 21-01	FJÄDER	Spring, Height Adjustment Lid	1
7	574 48 70-01	FJÄDER	Spring, Stop Button	1
8	577 75 28-02	KIT	Display Cover KIT incl. Sealing & Keypad	1
9	575 54 33-14	SCREW	Screw, Grey (14 mm)	5
10	574 48 03-01	BRYTARE	Micro Switch, Stop Button	1
11	535 08 98-01	KLÄMMA	Clip, Stop Button	1
12	574 47 59-01	BUZZER	Buzzer, Display Cover	1
13	588 44 19-01	KRETSKORT	Display/HMI, Circuit Board (From S/N 16010001-)	1
14	575 40 90-01	LÅS	Lock, Stop Button	1
15	576 24 22-01	FJÄDER	Spring Lock, Stop Button	1
16	575 41 58-01	FJÄDERHÅLLARE	Spring Holder, Stop Button	1
17	575 54 33-14	SCREW	Screw, Grey (14 mm)	2
18	575 54 33-14	SCREW	Screw, Grey (14 mm)	1
19	576 05 39-02	KÅPA	Cover, Height Indicator	1
20	574 87 47-04	TÄTNINGSLIST	Sealing Strip (1 pcs, 4 mm)	1
21	575 54 33-14	SCREW	Screw, Grey (14 mm)	2
22	576 69 70-01	KÅPA	Cover, Air Filter	1
23	577 75 37-01	LUFTFILTER	Air Filter KIT (10 pcs)	1
24	577 75 29-02	KIT	Chassis Upper KIT incl. Sealing & Air Filter	1
25	590 74 02-01	SCREW	Screw	2
26	574 45 01-01	SKRUV ITXPANT	Screw	10
27	579 74 24-01	KNOPP	Knob, KIT incl. Label	1

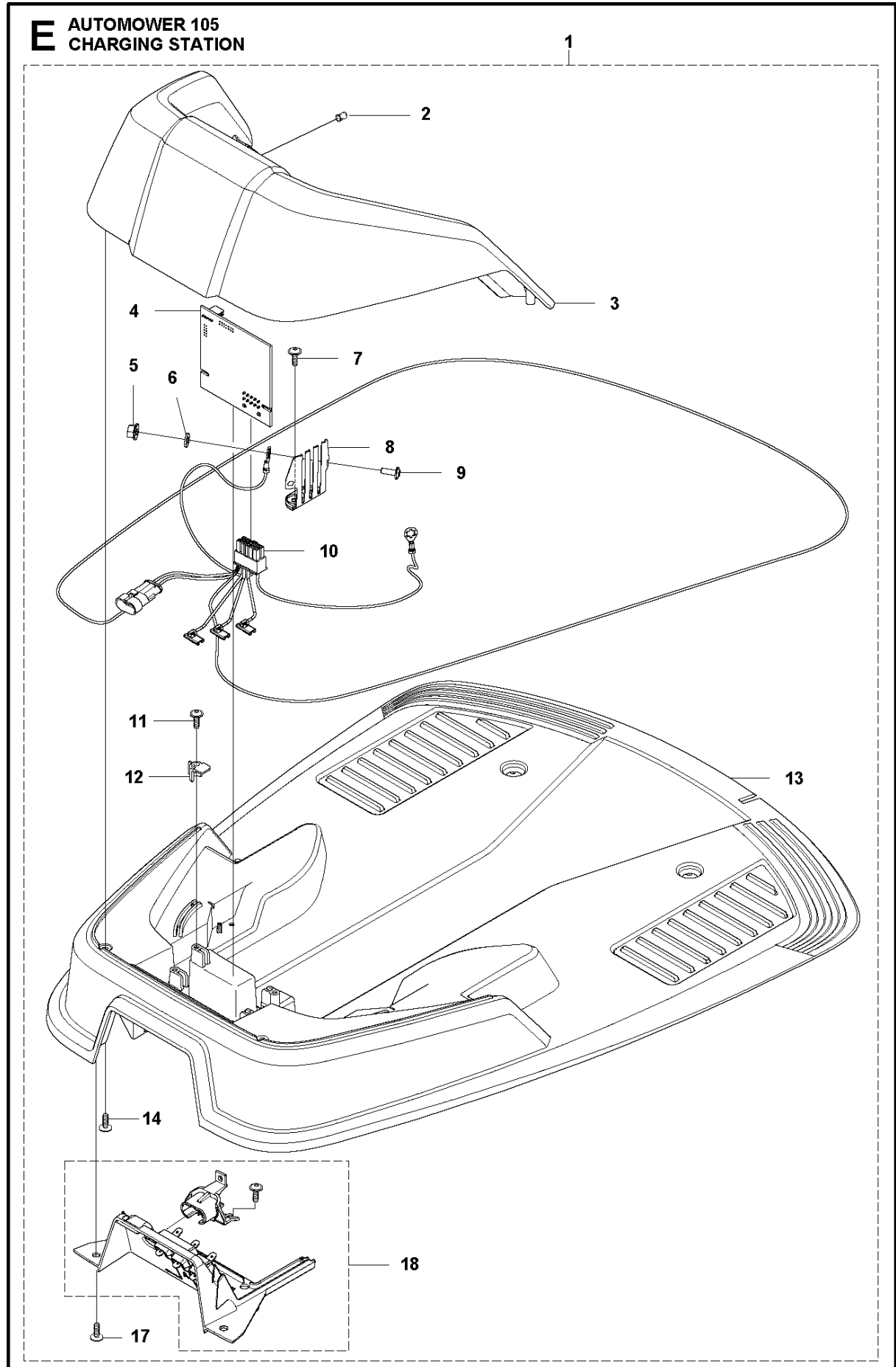


Ref	Artikelnr	Beskrivning	Anmärkning	ANT SATS AL
1	575 43 08-01	NAVKAPSEL	Hub Cap, Drive Wheel	2
2	576 21 39-02	SKRUV ITXPANM	Screw	6
3	577 09 32-01	BRICKA	Washer, Drive Wheel	2
4	574 46 51-04	HJUL	Wheel, Drive Wheel	2
5	575 54 33-14	SCREW	Screw, Grey (14 mm)	6
6	577 83 99-06	HJUL MOTOR	Wheel Motor KIT incl. Sealing	2
7	592 85 17-01	KRETSKORT	Main Circuit Board (MCB) (From S/N 16010001-)	1
8	535 13 03-10	SKRUV ITXPANT	Screw (10 mm)	2
9	576 22 02-01	KABLAGE KPL	Loom, Buzzer Extension	1
10	588 83 27-01	KABLAGE KPL	Loom, Display (From S/N 16010001-)	1
11	588 90 12-01	KABLAGE KPL	Loom, Loop and Lift Sensor (From S/N 16010001-)	1
12	535 13 03-10	SKRUV ITXPANT	Screw (10 mm)	1
13	592 85 19-01	KRETSKORT	PCB Sensor Board	1
14	574 87 47-04	TÄTNINGSLIST	Sealing Strip (1 pcs, 4 mm)	1
15	574 87 47-03	TÄTNINGSLIST	Sealing Strip, Chassis (1 pcs, 4 mm)	1
16	574 37 37-01	PACKNING	Sealing/Gasket, Motor Flange	2
17	574 47 98-01	KABLAGE KPL	Loom, Li-Ion Battery	1
18	574 50 19-02	STYRSKENA	Guide Rail, Motor Bowl	2
19	574 48 46-01	SCREW	Height Adjustment Screw	1
20	575 40 82-01	LÅS	Lock, Battery Plug	1
21	577 10 32-01	LÅSFJÄDER	Locking Spring	1
22	577 84 62-03	CHASSI	Chassis Lower KIT, incl. Sealing	1
23	590 74 02-01	SCREW	Screw	2
24	588 95 09-02	KABLAGE KPL	Loom, Charging Plate	1
25	575 52 95-02	SKRUV ITXPANTT	Screw, Grey (14 mm)	2
26	579 70 87-01	KABLAGE KPL	Swith ON/OFF with Seal	1
27	574 46 72-02	HUS	Housing, Rear Wheel	1
28	575 54 33-14	SCREW	Screw, Grey (14 mm)	3
29	583 85 39-02	BAKHJUL	Rear Wheel KIT	1
30	578 27 51-03	BAKHJUL	Rear Wheel KIT Complete	1
31	578 27 52-01	LAGERSATS	Bearing (x2), Sealing (x2), O-Ring (x1)	1
32	577 71 50-01	LAGERHUS	Bearing Housing, Rear Wheel	2
33	575 54 33-14	SCREW	Screw, Grey (14 mm)	4
34	574 45 01-01	SKRUV ITXPANT	Screw	4
35	574 46 73-01	KÅPA	Cover, Battery	1
36	589 58 61-01	BATTERI	Battery, Lithium 18 v	1
37	582 38 61-01	FÄSTE	Bracket	1
38	575 54 33-14	SCREW	Screw, Grey (14 mm)	1

D AUTOMOWER 105
BLADE MOTOR & CUTTING EQUIPMENT



Ref	Artikelnr	Beskrivning	Anmärkning	ANT	SATS
				AL	
1	584 98 93-02	MOTOR	Cutting Motor	1	
2	575 54 33-10	SCREW	Screw, Grey (14 mm)	1	
3	574 50 35-01	HEIGHT INDICATOR	Height Indicator	1	
4	581 02 03-01	MOTORHUS	Motor Housing	1	
5	588 22 22-01	SKRUV ITXPANM	Screw	3	
6	587 42 34-01	NAV	Hub, Cutting Motor	1	
7	576 21 35-01	SKRUV IHSETM	Stop Screw	1	
8	579 75 83-01	SKYDD	Guard, Cutting Disc	1	
9	575 54 33-14	SCREW	Screw, Grey (14 mm)	3	
10	587 42 36-01	KNIVDISK	Cutting Disc	1	
11	535 13 05-02	SCREW	Screw	3	
12	588 42 17-02	LAGERHUS KPL	Bearing Housing ASSY	1	
13	535 07 60-01	SCREW	Screw	1	
14	587 42 37-01	HASPLÅT	Skid Plate	1	
15	587 44 96-01	TÄCKLOCKSSATS	Bearing Cover	1	
16	585 29 75-01	O-RING	O-Ring	1	
17	575 54 33-14	SCREW	Screw	3	
18	535 07 57-03	KULLAGER		1	12
18	593 08 08-01	KULLAGER	Tube 50 pcs	1	

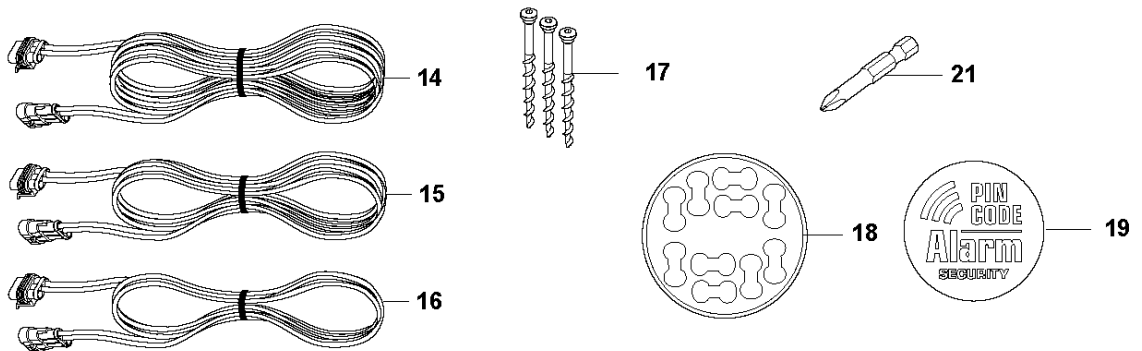
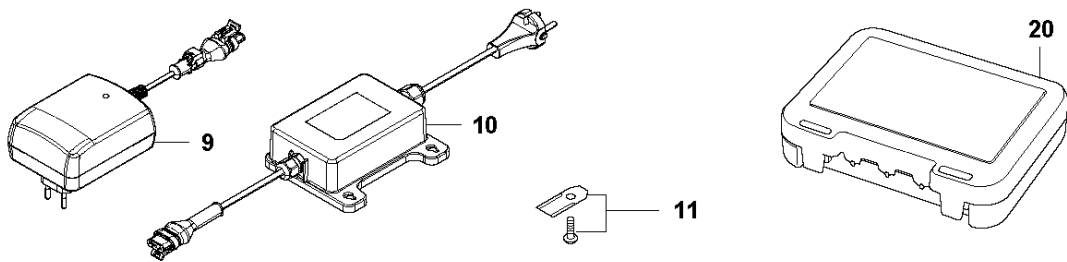
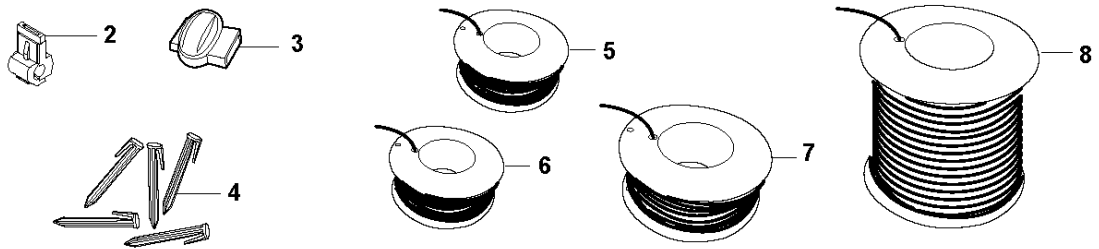
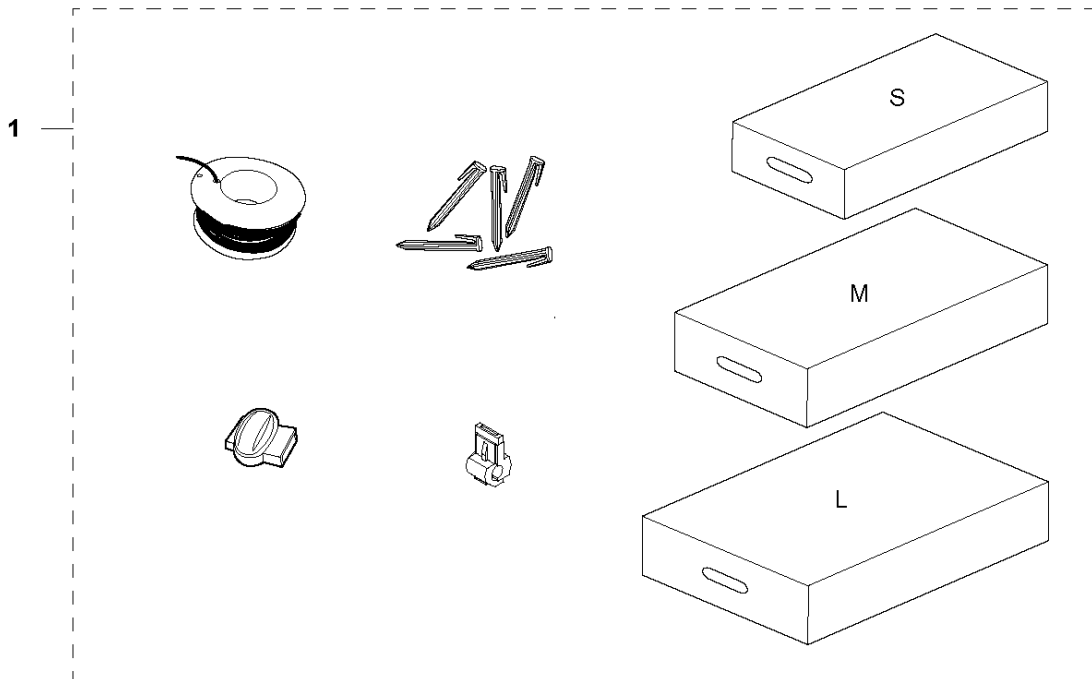


LADDSTATION

AUTOMOWER 105,2019-

Ref	Artikelnr	Beskrivning	Anmärkning	ANT SATS AL
1	576 63 67-12	LADDSTATION	Charging Station	1
2	590 21 72-01	LINS	Diode Lens	1
3	575 70 84-02	LADDSTATION	Charging Station Cover, Grey	1
4	592 90 94-01	KRETSKORT	Circuit Board, Charging Station	1
5	588 22 21-01	HEXAGON NUT FLANGE	Nut Flange	2
6	535 08 74-01	BRICKA	Washer	2
7	575 54 33-14	SCREW	Screw, Grey (14 mm)	2
8	587 12 51-01	KONTAKT	Contact, Charging Station	2
9	588 22 22-01	SKRUV ITXPANM	Screw	2
10	582 38 10-01	KABLAGE KPL	Loom, Charging Station	1
11	575 54 33-14	SCREW	Screw, Grey (14 mm)	2
12	535 12 79-01	FÄSTE	Bracket	2
13	581 55 19-03	LADDSTATION	Charging Station Base Plate	1
14	575 54 33-14	SCREW	Screw, Grey (14 mm)	4
17	575 54 33-14	SCREW	Screw, Grey (14 mm)	4
18	582 35 64-01	PANEL ASSY	Guide Cover, Charging Station	1

F AUTOMOWER 105
INSTALLATION ACCESSORIES

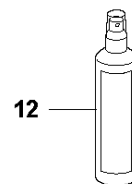
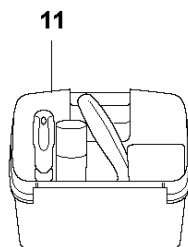
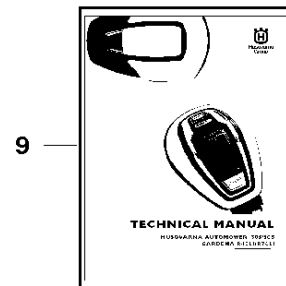
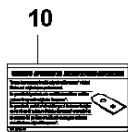
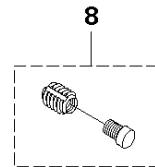
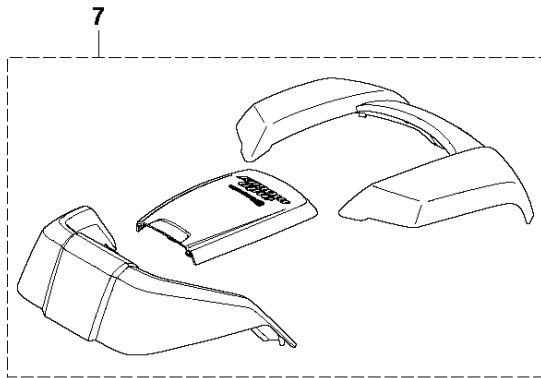
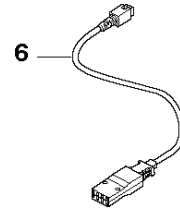
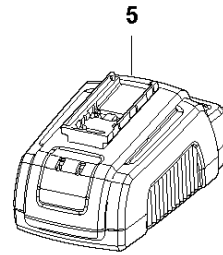
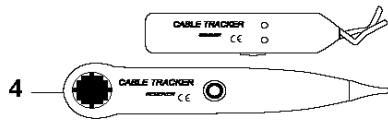


INSTALLATIONSTILLBEHÖR

AUTOMOWER 105,2019-

Ref	Artikelnr	Beskrivning	Anmärkning	ANT SATS AL
1	967 62 36-01	INSTALLATION KIT	Installation KIT S: Wire (150 m), Staples (300 pcs), Connectors (3 pcs), Couplers (5 pcs)	1
1	967 62 36-02	INSTALLATION KIT	Installation KIT M: Wire (250 m), Staples (400 pcs), Connectors (3 pcs), Couplers (5 pcs)	1
1	967 62 36-03	INSTALLATION KIT	Installation KIT L: Wire (400 m), Staples (600 pcs), Connectors (5 pcs), Couplers (5 pcs)	1
2	535 12 90-01	KOPPLING	Loop Wire Connector	1
2	577 86 48-01	KOPPLING	Loop Wire Connector, Blister Pack, 5 pcs	1
2	535 12 90-02	KOPPLING	Loop Wire Connector, Blister Pack, 100 pcs	1
3	501 98 02-01	KOPPLING	Coupler, 1 pcs	1
3	577 86 47-01	KOPPLING	Coupler, Blister Pack, 5 pcs	1
3	501 98 02-03	KOPPLING	Coupler, 100 pcs	1
4	583 97 34-01	KLAMMER	Staples, 100 pcs (85 mm)	1
4	577 86 42-01	KLAMMER	Staples, Blister Pack, 100 pcs (105 mm)	1
5	577 86 43-02	VAJER	Loop Wire, Blister Pack (50 m)	1
5	580 66 20-02	VAJER	Loop Wire (150 m)	1
5	577 86 43-01	VAJER	Loop Wire, Blister Pack (150 m)	1
6	580 66 20-03	VAJER	Loop Wire (200 m)	1
7	580 66 20-01	VAJER	Loop Wire (250 m)	1
8	580 66 20-04	VAJER	Wire (800 m)	1
9	593 16 36-01	DRIVENHET	Power Supply Unit EU	1
10	584 86 26-02	DRIVENHET	Power Supply Unit UK	1
10	584 86 26-01	DRIVENHET	EU	1
10	590 44 22-03	DRIVENHET	Power Supply Unit CH	1
10	584 86 26-05	DRIVENHET	Power Supply Unit AU-NZ	1
10	584 86 26-06	DRIVENHET	Power Supply Unit JP	1
11	577 86 46-03	BLADE SET	Long Life - Safety Blade, Blister pack, 9 pcs	1
11	577 60 65-05	BLADE SET	Long Life - Safety Blade, 45 pcs	1
11	577 60 66-04	BLADE SET	Long Life - Safety Blade, 300 pcs	1
14	579 82 51-01	KABLAGE KPL	Low Voltage Cable 20 m	1
15	579 82 51-02	KABLAGE KPL	Low Voltage Cable 10 m	1
16	579 82 51-03	KABLAGE KPL	Low Voltage Cable 3 m	1
16	579 82 51-04	KABLAGE KPL	Low Voltage Cable (5 m)	1
17	575 23 86-02	SCREW KIT	Anchor Screw KIT, 3 pcs	1
17	577 86 49-01	SCREW	Anchor Screw KIT, Blister Pack, 3 pcs	1
18	586 27 79-01	ETIKETT	Sticker, Cable Markers, 10 pcs	1
19	579 57 12-01	DEKAL	Label Alarm	1
20	590 85 50-01	LÅDA	Cable Connector Protection	1
21	596 33 98-01	VERKTYG	Bit for Automower blades MOQ 5 pcs	1

G AUTOMOWER 105
ACCESSORIES



TILLBEHÖR

AUTOMOWER 105,2019-

Ref	Artikelnr	Beskrivning	Anmärkning	ANT SATS AL
1	577 85 81-03	DVD	Autocheck EXP - Service Program DVD	1
2	577 51 81-02	KABEL	USB Service Cable, G3 Mowers	1
3	580 68 95-02	DEKAL	Warranty Seal 1pcs	1
4	577 60 68-01	TESTUTRUSTNING	Loop Wire Interruption Detector	1
5	588 40 84-01	LADDARE	Quick Charger with Battery Test	1
6	588 20 26-01	KABLAGE KPL	Cable Quick Charger	1
7	580 96 54-02	BODY KIT	Body, White Upgrade KIT	1
8	581 16 57-01	GÄNGINSATS	Metal Insert Repair KIT (4 pcs)	1
9	115 44 50-01	VERKSTADSHANDBOK	TECHNICAL MANUAL, Swedish	1
9	115 44 50-06	VERKSTADSHANDBOK	TECHNICAL MANUAL, Danish	1
9	115 44 50-11	VERKSTADSHANDBOK	TECHNICAL MANUAL, Finnish	1
9	115 44 50-21	VERKSTADSHANDBOK	TECHNICAL MANUAL, Norwegian	1
9	115 44 50-26	VERKSTADSHANDBOK	TECHNICAL MANUAL, English	1
9	115 44 50-31	VERKSTADSHANDBOK	TECHNICAL MANUAL, French	1
9	115 44 50-36	VERKSTADSHANDBOK	TECHNICAL MANUAL, Dutch	1
9	115 44 50-41	VERKSTADSHANDBOK	TECHNICAL MANUAL, Italian	1
9	115 44 50-46	VERKSTADSHANDBOK	TECHNICAL MANUAL, Spanish	1
9	115 44 50-51	VERKSTADSHANDBOK	TECHNICAL MANUAL, German	1
9	115 44 50-56	VERKSTADSHANDBOK	TECHNICAL MANUAL, Russian	1
9	115 44 50-58	VERKSTADSHANDBOK	TECHNICAL MANUAL, Hungarian	1
9	115 44 50-61	VERKSTADSHANDBOK	TECHNICAL MANUAL, Polish	1
9	115 44 50-62	VERKSTADSHANDBOK	TECHNICAL MANUAL, Romanian	1
9	115 44 50-63	VERKSTADSHANDBOK	TECHNICAL MANUAL, Estonian	1
9	115 44 50-64	VERKSTADSHANDBOK	TECHNICAL MANUAL, Latvian	1
9	115 44 50-65	VERKSTADSHANDBOK	TECHNICAL MANUAL, Lithuanian	1
9	115 44 50-71	VERKSTADSHANDBOK	TECHNICAL MANUAL, Greek	1
9	115 44 50-76	VERKSTADSHANDBOK	TECHNICAL MANUAL, Turkish	1
9	115 44 50-81	VERKSTADSHANDBOK	TECHNICAL MANUAL, Croatian	1
9	115 44 50-90	VERKSTADSHANDBOK	TECHNICAL MANUAL, Czech	1
10	591 37 41-01	DEKAL	Original Parts sticker SV NO DK FI	1
10	591 37 41-02	DEKAL	Original Parts sticker DE FR NL IT	1
10	591 37 41-03	DEKAL	Original Parts sticker EN ES FR IT	1
11	590 85 51-01	SATS	Maintenance and cleaning kit	1
12	593 96 79-01	SPRAY		1