



ALARMS & INDICATION

KELE REMOTE ALARM INDICATION STATION RAD-1



DESCRIPTION

The Kele RAD-1 is a wall mounted remote alarm indication station mounted on a stainless steel plate. Any contact closure alarm initiating device that can switch 24 VAC or DC can be used with the RAD-1. When 24 VAC or DC is applied to the RAD-1 through an alarm initiating device, the red alarm LED will light, the horn will sound and the alarm status relay will energize. If an initial alarm delay has been set, when 24 VAC or DC is applied, the red alarm LED will blink until the delay period has expired when it will light continuously, the horn will sound continuously and the relay will energize. During an alarm (24V applied to the RAD-1), the horn may be silenced by momentarily pressing the silence switch. The alarm LED will remain lighted, and the alarm status relay will remain energized when the horn is silenced until the alarm condition is cleared (24V removed). If an alarm repeat after silence time has been set, the horn will re-sound at the end of the repeat time.



RAD-1

SEQUENCE OF OPERATION

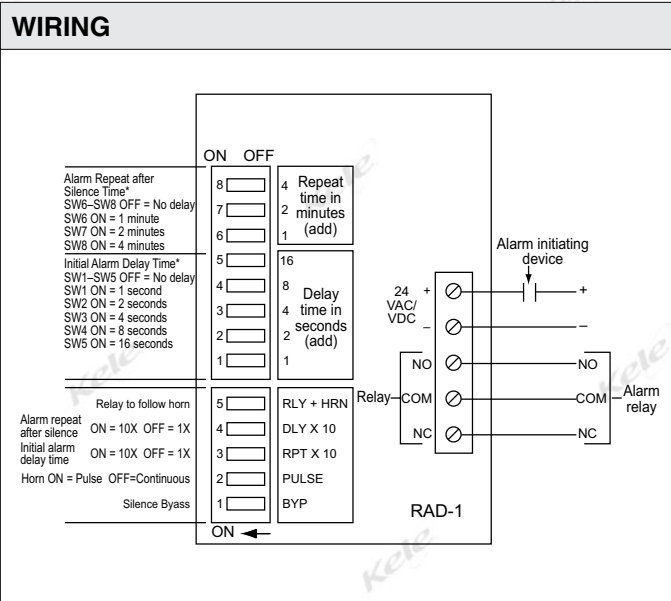
When 24 VAC or VDC is applied to the RAD-1 through an alarm-initiating device, the red alarm LED will light, the horn will sound, and the alarm status relay will energize. If an initial alarm delay has been set, when 24 VAC or VDC is applied, the red alarm LED will blink until the delay period has expired. Then it will light continuously, the horn will sound continuously, and the relay will energize. If power is interrupted, the RAD-1 will reset to normal state.

During an alarm (24V applied to the RAD-1), the horn may be silenced by momentarily pressing the silence switch. The alarm LED will remain lighted, and the alarm status relay will remain energized when the horn is silenced until the alarm condition is cleared (24V removed). If an alarm repeat after silence time has been set, the horn will re-sound at the end of the repeat time. If the relay-follows-horn is set to ON, the alarm status relay will de-energize when the horn is silenced and re-energize when the horn sounds at the end of the repeat-after-silence time.

If a pulsed (instead of continuous tone) horn is desired, the horn-pulsed can be set to ON. If both the horn pulsed switch and the relay-follow-horn switch are set to ON, the alarm status relay will energize and de-energize with the pulsed horn.

FEATURES

- Red alarm LED
- Alarm horn, continuous tone or pulsed
- Alarm horn silence switch
- Adjustable alarm delay time
- Adjustable alarm repeat time
- Alarm status SPDT relay
- Relay operates with the alarm horn option
- Silence bypass-user can disable the mute button



SPECIFICATIONS

Supply Voltage	24 VAC @ 100 mA or 24 VDC @ 34 mA
Alarm Delay Time	None, or 1 to 31 seconds in one-second increments, or 10 to 310 seconds in 10-second increments
Alarm Horn	Continuous or pulsed tone, 70 db min
Alarm Repeat Time	None, or 1 to 7 in one-minute increments, or 10 to 70 minutes in 10-minute increments

Alarm Relay	SPDT, 0.5A @ 24 VAC, 1.0A @ 30 VDC, Follows horn or lamp selectable
Connections	Screw terminals, 22 - 14 AWG wires
Mounting	Brushed stainless steel plate mounts to standard single junction box, with two screws provided
Dimensions	4.5"H x 2.75"W x 1.0"D (11.4 x 7.0 x 2.5 cm)
Weight	0.19 lb (0.07 Kg)
Approvals	RoHS
Warranty	18 months

ORDERING INFORMATION

MODEL	DESCRIPTION
RAD-1	Remote alarm indication station