

INSTRUCTIONS FOR USE

Nebulizer for single patient use only



INCLUDES INSTRUCTIONS FOR THE PARI LCPLUS® NEBULIZER

IMPORTANT: READ INSTRUCTIONS AND SAFETY PRECAUTIONS BEFORE USE

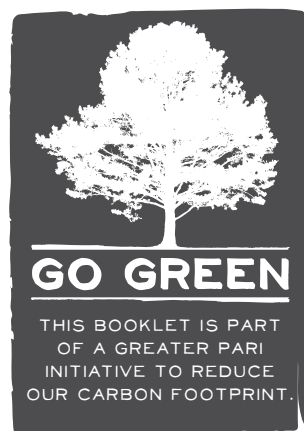


AEROSOL DELIVERY SYSTEM



Instructional Video Available Online

Scan this code with your smartphone or tablet to view the Vios® Instructional Video, or simply visit www.PARI.com/instructional-videos online.



READ ALL WARNINGS AND INSTRUCTIONS BEFORE USE. USE THE PRODUCT ONLY FOR ITS INTENDED USE AS DESCRIBED IN THESE INSTRUCTIONS FOR USE. IMPROPER USE CAN RESULT IN SERIOUS OR FATAL ILLNESS/ INJURY, IMPROPER TREATMENT OR PROPERTY DAMAGE.

! REMEMBER
■ REPLACE YOUR REUSABLE NEBULIZER CUP EVERY SIX MONTHS



AEROSOL DELIVERY SYSTEM

Welcome to the Vios experience! The Vios® Aerosol Delivery System is designed from PARI's long legacy of clinically proven products and consists of two important components: a Vios® compressor and a PARI nebulizer. Vios® was inspired by the Latin and Greek words for "Life" and our goal is to improve your quality of "Life" through the efficient delivery of aerosol.

Your physician has prescribed the Vios® to treat your respiratory symptoms because of PARI's reputation for consistent particle size and fast treatments resulting in targeted delivery to the lungs. PARI products have been used in more than 25 clinical trials for new nebulized medications. Designed with the patient in mind, these instructions will help you achieve the best aerosol therapy experience.

We hope the Vios experience allows for a "Life Inspired".

SAVE THESE INSTRUCTIONS
FOR FUTURE USE

INDICATIONS FOR USE: LC PLUS®

The PARI LC PLUS® reusable nebulizer is used to deliver aerosolized medication to the lungs. This nebulizer is used with patients for whom a physician has prescribed medication for aerosol treatments in the home, doctor's office, hospital, or clinic.

A. SAFETY PRECAUTIONS - LC PLUS®

▲ CAUTION

US Federal Law restricts this device to sale by or on the order of a physician. Use only when prescribed by a physician and with the prescribed medication.

The LC PLUS® is a handheld nebulizer, designed to aerosolize medication approved for nebulization and prescribed by a physician. The LC PLUS® is intended for adult and pediatric patients consistent with the indications for the aerosol medication. Improper use can result in serious or fatal illness or injury. Nebulizer is not sterile.

▲ WARNING

Use only when prescribed by a physician and with the prescribed medication. In order to achieve the specified droplet characteristics the compressor or central air supply must provide 3.5 - 8 lpm at a minimum of 20psi.

▲ WARNING

1. To reduce the risk of increased bacterial growth, infection, illness, or injury from contamination: thoroughly clean and dry all parts of the nebulizer and thoroughly dry any moisture or condensation in the tubing at the end of every treatment following the instructions below.
2. Cleaning the nebulizer after each treatment is not enough---you must regularly disinfect or sterilize the nebulizer between treatments to prevent serious or fatal illness caused by contamination of the nebulizer.
3. Never use a nebulizer with a clogged nozzle. If the nozzle is clogged, the aerosol mist will be reduced, altered or stopped, which will diminish or eliminate the effectiveness of the treatment. If clogging occurs, replace with the same model PARI Reusable Nebulizer.
4. Close supervision is necessary when this product is used by or near children and physically or mentally impaired. Never use when sleeping or drowsy.
5. This product contains small parts that may present a choking hazard to small children. The tubing also presents a strangulation hazard. ALWAYS USE CLOSE ADULT SUPERVISION WHEN ADMINISTERING A TREATMENT TO A CHILD. DO NOT LEAVE CHILD UNATTENDED DURING TREATMENT.
6. Patients under the age of 4 or any patients who have special needs should use a facemask instead of the valved mouthpiece.
7. Before use, check PARI Reusable Nebulizer for proper assembly. All parts should be seated firmly in place. Use of an improperly assembled nebulizer could diminish or prevent adequate delivery of medication and the effectiveness of the treatment.

INDICATIONS FOR USE: VIOS® AEROSOL DELIVERY SYSTEM

The Vios® is a tabletop, AC-powered air compressor intended to provide a source of compressed air for use with jet nebulizers. The Vios® Compressor is intended for adult and pediatric patients for use in hospital, clinic, or home environments.

B. SAFETY PRECAUTIONS - VIOS® AEROSOL DELIVERY SYSTEM

▲WARNING

Use only with nebulizers and tubing authorized by PARI for this device. Other nebulizers and tubing may result in improper treatment.

When using electrical and medical products, especially when children are present, basic safety precautions must be followed.

▲DANGER

To reduce the risk of serious or fatal injury from electrocution:

1. Do not place or store product where it can fall or be pulled into a bathtub, sink, water, or other liquid. Do not place in or drop into water or other liquid. Do not use while bathing.
2. Do not reach for a product that has fallen into water or other liquid. Unplug immediately.

▲WARNING

To reduce the risk of serious or fatal injury from electrocution, fire or burns and to reduce the risk of damage and malfunction to the product:

1. Before use, check the serial number label on the bottom of the PARI Vios® Compressor to ensure that the voltage and current indicated on the compressor label correspond to the voltage and current available.
2. Never operate this product if it has a damaged cord or plug, if it is not working properly, if it has been dropped or damaged, or if it has been exposed to any liquids inside the case. Please contact PARI Patient Connection at 1.800.FAST.NEB (327.8632).
3. Keep all electrical cords away from heated surfaces. Do not overload wall outlets or use extension cords.
4. This appliance has a polarized plug (one blade is wider than the other). As a safety feature, this plug will fit in a polarized outlet only one way. If the plug does not fit fully in the outlet, reverse the plug.
5. Never block the air vents of this compressor or place it on a soft surface, such as a bed or couch, where the air vents may be blocked. Keep the air vents free of lint, hair, and similar substances. Blocked vents could cause excessive heat buildup. This product should never be left unattended when plugged in.

▲WARNING

6. Do not operate outdoors.
7. Not suitable for use in the presence of flammable anesthetic mixture with air or oxygen or nitrous oxide.
8. Do not operate where oxygen is being administered in a closed environment such as an oxygen tent.
9. Never drop or insert any object into any openings.
10. Always unplug this product immediately after using.
11. Be sure the PARI Vios® Compressor is unplugged prior to cleaning.
12. Do not open or disassemble the PARI Vios® Compressor. Refer all servicing to PARI.

▲WARNING

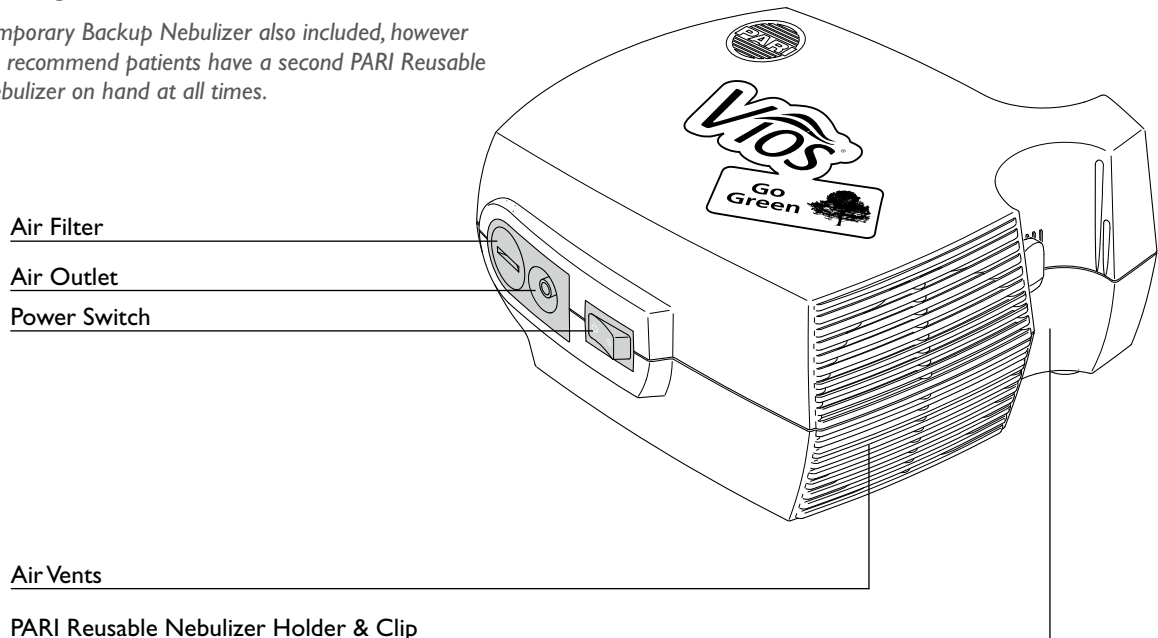
To reduce risk that the compressor will fail to operate properly as a result of decreased electromagnetic interference, resulting in improper treatment:

1. This device needs special precautions regarding electromagnetic compatibility (“EMC”) and must be installed and put into service according to the EMC information provided in these Instructions For Use.
2. Portable and mobile radio frequency (“RF”) communication devices can disrupt electrical medical equipment. Technical EMC information is available on pages 9-10.
3. Use only with accessories and cables authorized by PARI for this device. Use of this device with unauthorized accessories and cables may result in increased electromagnetic emissions or decreased electromagnetic immunity of the device.
4. This device should not be used adjacent to, or stacked with other equipment. If adjacent or stacked use is necessary, this device should be observed to verify normal operation.

C. GETTING STARTED

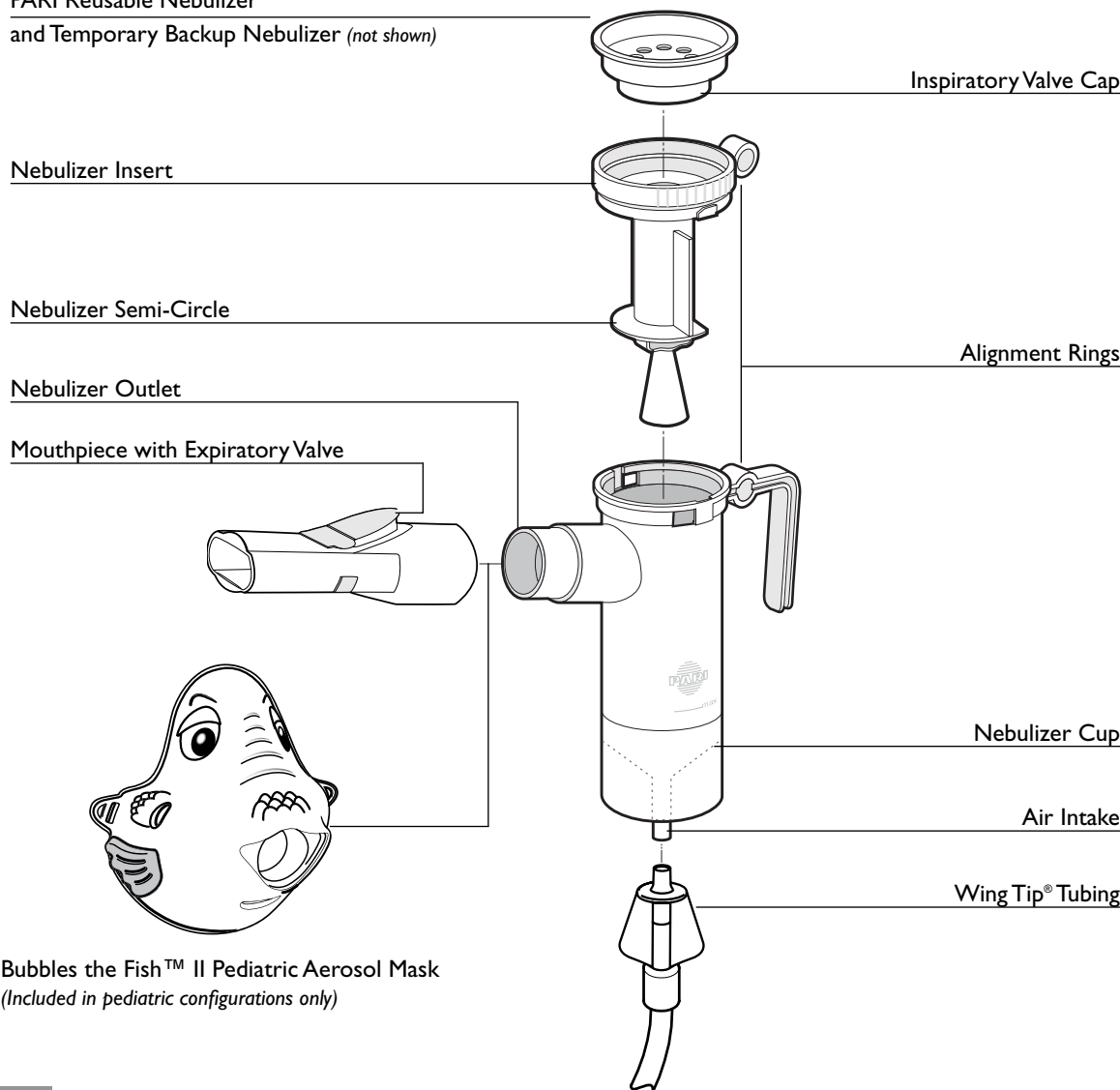
Check your Vios® package to ensure you have the following items.

Temporary Backup Nebulizer also included, however we recommend patients have a second PARI Reusable Nebulizer on hand at all times.



PARI Reusable Nebulizer

and Temporary Backup Nebulizer (not shown)




D. VIOS® SET-UP

You are 10 Steps away from starting your treatment with Vios®. Please follow step by step.


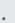
1. **Clean/Disinfect Nebulizer Cup:** Refer to Sections F & G to properly clean and disinfect your nebulizer prior to first use. Re-assemble nebulizer.

▲WARNING

Never block the air vents of this compressor or place it on a soft surface, such as a bed or couch, where the air vents may be blocked. Keep the air vents free of lint, hair, and similar substances. Blocked vents could cause excessive heat buildup.

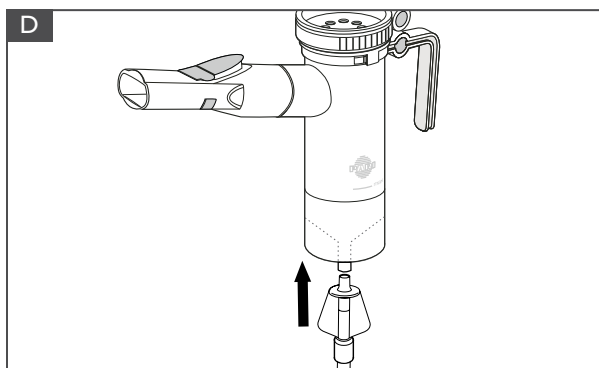
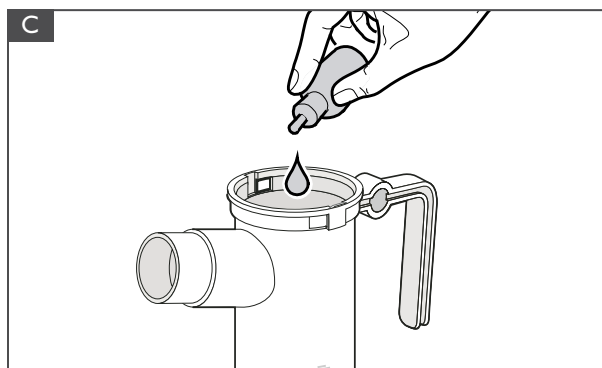
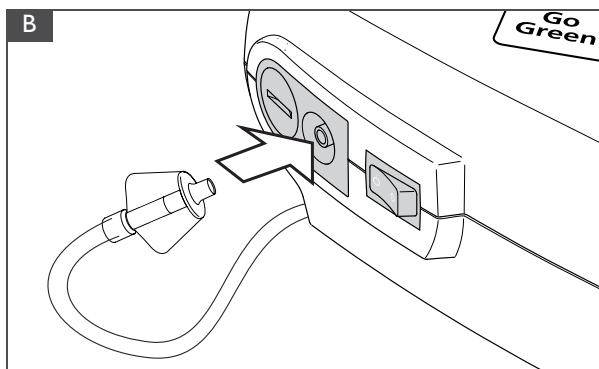
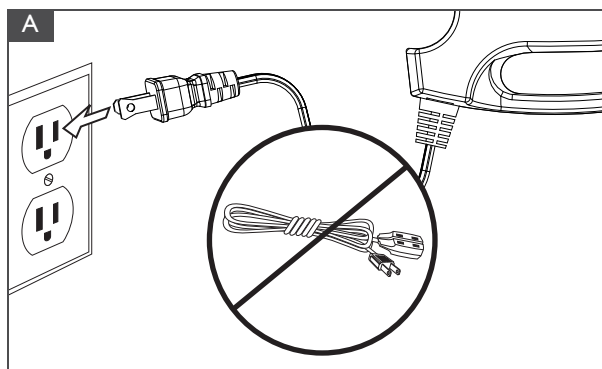
2. **Set-up Compressor:** Place the compressor on a flat, stable surface free of dust. Avoid cushioned, upholstered or carpeted surfaces. Make sure power switch is turned to , the “OFF” position. Plug power cord into wall outlet (Fig A).
3. **Connect Tubing To Compressor:** Insert one end of Wing Tip® tubing to the air outlet on the compressor. It should fit snugly (Fig. B).
4. **Load Medication:** Remove the nebulizer insert by twisting counter-clockwise until it stops and lift up. Pour the prescribed dose of medication into the nebulizer cup. Never fill past the max fill line of 8ml (Fig. C). Replace the nebulizer insert making sure the two alignment rings are lined up with each other.
5. **Attach Mouthpiece or Mask:** If using the mouthpiece, attach the mouthpiece to the nebulizer outlet with the expiratory valve facing up. Then attach the inspiratory valve cap by pressing it firmly into the

top of the nebulizer. If using the Bubbles the Fish™ II Pediatric Mask provided with the unit, attach the mask directly to the nebulizer outlet. If using another type of mask refer to the mask instructions.

6. **Attach Tubing To Nebulizer Cup:** Firmly press the other end of the Wing Tip® tubing to bottom of PARI reusable nebulizer (Fig. D).
7. **Starting Treatment:** Sit in a relaxed, upright position and turn the compressor “ON” () .
8. **Nebulizer Position:** Place the mouthpiece on top of tongue and close lips around it. Take slow, deep breaths. As you inhale, the inhalation valve opens.
9. **Breathing:** For mouthpiece, inhale and exhale slowly through your mouth. As you exhale, the valve on the mouthpiece opens to allow the exhaled mist to escape. For mask, place mask over nose and mouth and inhale and exhale slowly.
10. **Complete Treatment:** Continue until the medication is gone or you hear a slight “sputtering” sound. Turn compressor off  .

A NOTE ON TREATMENT TIME

Please note that many factors affect treatment time, such as a patient’s age, condition, breathing pattern, and medication. The Vios® was designed for intermittent use to deliver respiratory medications, not continuous use for humidification or prolonged treatments (for example, over 35 minutes at one time). It is possible with prolonged treatments that the tubing may get warm and disconnect from the Vios® air outlet. If your physician prescribed consecutive (back to back) treatments, resulting in the use of your Vios® for longer than 35 minutes at a time, please contact PARI Patient Connection at 1.800.FAST.NEB (327.8632).



E. REPLACING YOUR NEBULIZER CUP

It is very important to replace your PARI reusable nebulizer every 6 months for the most effective treatments.

! REMEMBER

REPLACE YOUR REUSABLE NEBULIZER CUP EVERY SIX MONTHS

Advantages of Replacing Your Nebulizer Cup:

- Consistent medication delivery to the lungs
- Fast and efficient treatments
- Bacterial contamination can be reduced*

* Lester, Mary K. Nebulizer Use and Maintenance by Cystic Fibrosis Patients: A Survey Study. *Respiratory Care* 2004; 49(12): 1504-1508.

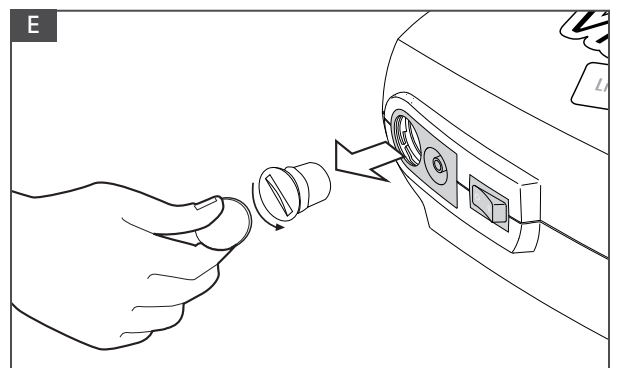
F. CLEANING YOUR PARI REUSABLE NEBULIZER

1. Disconnect the tubing from the air intake on the bottom of the nebulizer cup.
2. If there is any moisture (condensation) in the tubing, let the compressor run with only the tubing attached for 2-3 minutes. The warm air from the compressor will dry out the tubing. Alternatively, you can dry the tubing by removing it from the compressor and hanging it up with the “ends down” to allow any moisture (condensation) to drain out and evaporate. Use a clean damp cloth to wipe the exterior of the tubing.
3. Disassemble reusable nebulizer parts as illustrated on page 3.
4. Wash all parts including the Bubbles II pediatric mask in warm water and liquid dish soap. **DO NOT WASH TUBING.**
5. Rinse the reusable nebulizer parts and Bubbles II pediatric mask thoroughly with warm water and shake out water.
6. Air dry or hand dry nebulizer parts on a clean, lint-free cloth. Reassemble nebulizer when parts are dry and store.
7. You can also wash all parts of the nebulizer on the top shelf of a dishwasher. **DO NOT WASH TUBING. DO NOT PLACE BUBBLES II MASK IN DISHWASHER.** Place the reusable nebulizer parts in a dishwasher basket, then place the basket on the top rack of the dishwasher. Remove and dry the parts when the dishwasher cycle is complete

▲ WARNING

TO REDUCE RISK OF INFECTION:

1. Nebulizer for single patient use (one person) only. Do not share your nebulizer with other patients.
2. You must regularly disinfect or sterilize the nebulizer between treatments. Failure to do so could lead to serious or fatal illness.



G. DISINFECTING YOUR PARI REUSABLE NEBULIZER

1. Clean the nebulizer as described in Section F. For low-level disinfection every other treatment day, soak all parts of the PARI Reusable Nebulizer (except tubing and mask) in a solution of 1 part distilled white vinegar and 3 parts hot tap water for 1 hour. You can substitute respiratory equipment disinfectant (like Control III®) for distilled white vinegar (follow manufacturer's instructions for mixing).
2. Rinse all parts of the PARI Reusable Nebulizer thoroughly with warm tap water and dry with a clean, lint-free cloth. Discard the vinegar solution when disinfection is complete.
3. The PARI Reusable Nebulizer parts (except tubing and mask) may also be disinfected by boiling them in a clean pot of water for a full 5 minutes.
4. Hospitals and clinics can sterilize the PARI Reusable Nebulizer parts (except mask and tubing) by autoclaving (a maximum of 277° F or 136° C), follow autoclave manufacturer's instructions.
5. Dry parts on a clean, lint-free cloth.

CONTROL III® is a registered trademark of Maril Products, Inc.

NOTE: FOR PATIENTS WITH CYSTIC FIBROSIS, THE CF FOUNDATION RECOMMENDS BOILING FOR A FULL 5 MINUTES TO DISINFECT.

H. MAINTENANCE OF YOUR VIOS®

FILTER

Your Vios® air filter is bright white when new. With use, the filter will slowly turn grey, indicating the need for replacement. The filter must be replaced immediately if it gets wet or becomes clogged. A good rule to follow is to replace your filter every 6 months – at the same time as your PARI reusable nebulizer.

Removing: First make sure the Vios® power switch is turned off. Using a coin, remove the air filter cover by turning it counter-clockwise (Fig.E). Pull the cap and filter out, then remove the filter from the cap (FigE-F).

NOTE: THERE ARE TWO TYPES OF FILTERS THAT FIT THE VIOS® COMPRESSOR. IF YOUR FILTER IS OPEN ONLY ON ONE END AS SHOWN IN FIGURE F, FOLLOW INSTRUCTIONS AS SHOWN IN FIGURE F AND G. IF YOUR FILTER IS OPEN ON BOTH ENDS, PRESS EITHER END OF THE FILTER INTO THE CAP.

Take a new filter and press into cap with the open end visible. Place the cap and filter back into the front of your Vios®. Use the coin to tighten by turning the cover clockwise.

NOTE: DO NOT ATTEMPT TO WASH AND REUSE AIR FILTERS. DO NOT USE SUBSTITUTE FILTER MATERIAL COMPRESSOR DAMAGE MAY RESULT.

COMPRESSOR

Use a damp cloth to wipe the exterior of your Vios® housing and Wing Tip® tubing.

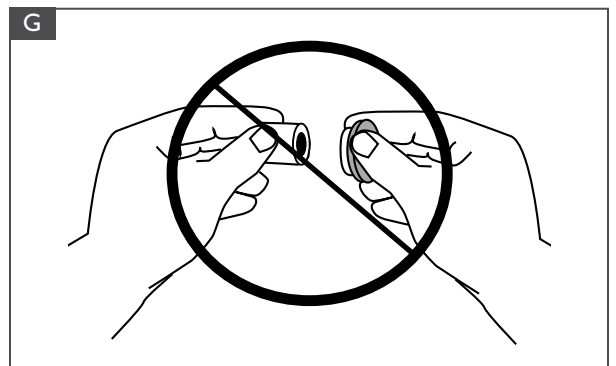
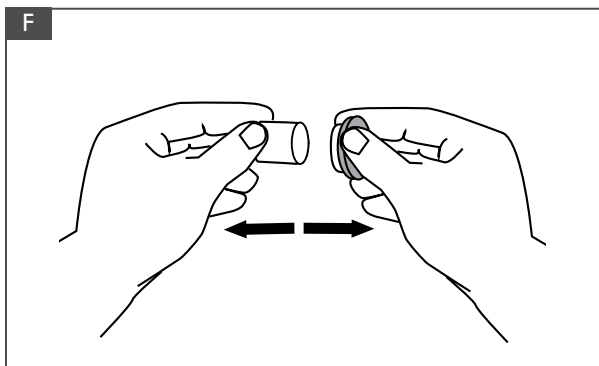
CAUTION

Never spray fluid into the ventilation slots on your Vios®. Fluid could cause damage to the electrical & compressor parts and could lead to malfunction. In the event fluid enters the unit, please contact PARI Patient Connection at 1.800.FAST.NEB (327.8632).

MAINTENANCE & REPAIR

Never operate your Vios® if it is improperly or incompletely assembled or damaged. Use only original PARI parts and attachments authorized by PARI for the Vios® Aerosol Delivery System. Use of other parts and attachments may damage the unit or cause improper treatment. Do not open or disassemble the compressor unit at any time.

NOTE: THERE ARE NO SERVICEABLE PARTS INSIDE THE VIOS® AEROSOL DELIVERY SYSTEM. SERVICE BY ANYONE VOIDS WARRANTY.



I. SPECIFICATIONS

VIOS® SPECIFICATIONS

Weight:..... 3 lbs.
Dimensions:..... 6.5 x 6.5 x 3.75 in.
Electrical Requirements:..... 120V AC, 60Hz, 1.5A
Power Wattage:..... 80 W, under normal load
Ambient Operating Conditions:..... 10°C to 40°C, (50°F to 104°F)
Power cord length:..... 5 ft.

TRANSPORT/STORAGE CONDITIONS:


Ambient temperature:.....-40°C to 70°C, (-40°F to 158°F)
Relative Humidity:..... 10% to 95%
Atmospheric Pressure:.....500 hpa to 1060 hpa


AEROSOL PERFORMANCE


PARI Vios® compressor with PARI LC PLUS® nebulizer¹


	Albuterol Sulfate	Ipratropium Bromide	Cromolyn Sodium
MMAD (µm) ²	1.83	1.77	1.93
RM (% of fill) ³	21.00	19.00	13.13
Total Dose (µg) ⁴	738.6	138.6	3965.0


EXPLANATION OF SYMBOLS


Attention: Read all “Instructions for Use” before operation:..... 


Insulation enclosed Class II equipment:..... 

Type “B” Protection from electrical shock:..... 

Do not dispose of in unsorted municipal trash.
Please consult local laws and regulations for proper disposal:..... 

Power Switch:..... 

“On” Position (compressor running):..... 

“Off” Position (compressor is not running):..... 

NOTE: WHEN SWITCH IS IN THE “OFF” POSITION AND THE COMPRESSOR IS NOT RUNNING, THERE WILL STILL BE ELECTRICAL POTENTIAL INSIDE THE COMPRESSOR HOUSING. TO REMOVE POWER FROM THE COMPRESSOR, THE POWER PLUG MUST BE REMOVED FROM THE POWER SOURCE.

(1) Measured by 7-stage Cascade Impactor, with membrane filter for 8th stage, equipped with a USP <601> throat, at 28 LPM continuous inspiratory flow.

(2) Mass Median Aerodynamic Diameter

(3) Respirable Mass delivered (0.5 – 5 µm) as a percentage of initial fill

(4) Total Dose delivered by the nebulizer and captured by the impactor

J. WARRANTY & RETURN INFORMATION

PARI LC PLUS® REUSABLE NEBULIZER LIMITED WARRANTY

PARI reusable nebulizers include a 6 month limited warranty for home care use. If you have any problems and need to return your PARI reusable nebulizer, contact PARI Patient Connection at 1.800.FAST.NEB (327.8632).

Please be sure to clean and disinfect your PARI reusable nebulizer and place it in a plastic bag before returning.

VIOS® AEROSOL DELIVERY SYSTEM LIMITED WARRANTY

PARI offers a standard five (5) year limited warranty on the Vios® Aerosol Delivery System and its parts. The warranty period will be printed on the serial number label located on the bottom of the compressor. PARI warrants that the Vios® Aerosol Delivery System and its parts will be free from defects in workmanship and materials for a period of sixty (60) months, from the date of first retail purchase of the equipment. This warranty does not cover failures of the nebulizer, tubing, or accessories. This warranty does not extend to failures resulting from accident, misuse, abuse, alteration, use of unauthorized service; parts or cleaning solutions, or failure to comply with Instructions For Use. If the warranted equipment should fail during the warranty period, PARI, at its option, will repair or replace the equipment or parts at issue, provided the claim is bona fide. It shall be the responsibility of the purchaser to pack and return the equipment in a manner to avoid shipping damage. The shipment must be prepaid to PARI Respiratory Equipment, Inc. This warranty covers the cost of labor incurred in the removal or replacement of the warranted component parts at authorized PARI service centers only. To make a claim under this warranty, notify the authorized service center by calling PARI Patient Connection at: 1.800.FAST.NEB (327.8632), Press 2

THERE ARE NO OTHER EXPRESS WARRANTIES. ALL IMPLIED WARRANTIES ON THE Vios® Aerosol Delivery System AND ITS PARTS, INCLUDING IMPLIED WARRANTIES OF MERCHANTABILITY AND FITNESS FOR A PARTICULAR PURPOSE, ARE LIMITED TO SIXTY (60) MONTHS FROM THE DATE OF FIRST RETAIL PURCHASE.

ALL EXPRESS OR IMPLIED WARRANTIES ON ANY OTHER PARTS, INCLUDING THE IMPLIED WARRANTIES OF MERCHANTABILITY AND FITNESS FOR A PARTICULAR PURPOSE, ARE DISCLAIMED. Some states do not allow limitations on how long an implied warranty lasts, so the above limitation may not apply to you. The sole and exclusive remedy under this warranty is to repair or replace the Vios® Aerosol Delivery System and/or its parts at the option of PARI. IN NO EVENT SHALL PARI BE LIABLE FOR INCIDENTAL OR CONSEQUENTIAL DAMAGES TO THE PURCHASER OR ANY THIRD PARTY, INCLUDING WITHOUT LIMITATION, DAMAGES ARISING FROM LOST PROFITS, LOSS OF BUSINESS OPPORTUNITY, LOSS OF PROPERTY, ECONOMIC LOSSES, OR STATUTORY OR EXEMPLARY DAMAGES, WHETHER IN NEGLIGENCE, WARRANTY, STRICT LIABILITY OR OTHERWISE. Some states do not allow the exclusion or limitation of incidental or consequential damages, so the above limitations or exclusions may not apply to you. This warranty gives you specific rights. You may also have other rights which vary from State to State.

Register your Vios® Aerosol Delivery System today with one of these three ways:



Online at pari.com/register



Call 1.800.FAST.NEB (327.8632)



Fill out the pre-addressed, postage paid registration card and drop it in any USPS Mailbox.

Failure to register your Vios® does not affect your standard product limited warranty.

If you have any problems and need to return your Vios® compressor, contact PARI Patient Connection at **1.800.FAST.NEB (327.8632)**.

PARI Respiratory Equipment, Inc.

2412 PARI Way, Midlothian, VA 23112 USA
Tel: 800.FAST.NEB (327.8632) and 804.253.7274
Fax: 800.727.4112 | Product.Info@PARI.com
Online at: www.PARI.com



© 2015 PARI Respiratory Equipment, Inc.
310D0049 Rev B 12/15


K. SPECIFICATIONS: IEC TABLES

The Following Tables Are Provided In Accordance With IEC 60601-1-2:

Recommended separation distances between portable and mobile RF communications equipment and the Vios®			
The Vios® is intended for use in an electromagnetic environment in which radiated RF disturbances are controlled. The customer or the user of the Vios® can help prevent electromagnetic interference by maintaining a minimum distance between portable and mobile RF communications equipment (transmitters) and the Vios® can help prevent electromagnetic interference by maintaining a minimum as recommended below, according to the maximum output power of the communications equipment.			
Rated maximum output power of transmitter W	Separation distance according to frequency of transmitter m		
	150 kHz to 80 MHz $d = \left[\frac{3,5}{V_1} \right] \sqrt{P}$	80 MHz to 800 MHz $d = \left[\frac{3,5}{E_1} \right] \sqrt{P}$	800 MHz to 2,5 GHz $d = \left[\frac{7}{E_1} \right] \sqrt{P}$
0,01	.12	.12	.23
0,1	.37	.37	.74
1	1.17	1.17	2.33
10	3.69	3.69	7.38
100	11.67	11.67	23.33
For transmitters rated at a maximum output power not listed above, the recommended separation distance <i>d</i> in metres (m) can be estimated using the equation applicable to the frequency of the transmitter, where <i>P</i> is the maximum output power rating of the transmitter in watts (W) according to the transmitter manufacturer.			
NOTE 1 At 80 MHz and 800 MHz, the separation distance for the higher frequency range applies.			
NOTE 2 These guidelines may not apply in all situations. Electromagnetic propagation is affected by absorption and reflection from structures, objects and people.			

Guidance and manufacturer's declaration – electromagnetic immunity			
The Vios® is intended for use in the electromagnetic environment specified below. The customer or the user of the Vios® should assure that it is used in such an environment.			
Immunity test	IEC 60601 test level	Compliance level	Electromagnetic environment – guidance
Electrostatic discharge (ESD) IEC 61000-4-2	±6 kV contact ±8 kV air	±6 kV contact ±8 kV air	Floors should be wood, concrete or ceramic tile. If floors are covered with synthetic material, the relative humidity should be at least 30 %.
Electrical fast transient/burst IEC 61000-4-4	±2 kV for power supply lines ±1 kV for input/output lines	±2 kV for power supply lines ±1 kV for input/output lines	Mains power quality should be that of a typical commercial or hospital environment.
Surge IEC 61000-4-5	±1 kV differential mode ±2 kV common mode	±1 kV differential mode ±2 kV common mode	Mains power quality should be that of a typical commercial or hospital environment.
Voltage dips, short interruptions and voltage variations on power supply input lines IEC 61000-4-11	<5 % U_T (>95 % dip in U_T) for 0,5 cycle 40 % U_T (60 % dip in U_T) for 5 cycles 70 % U_T (30 % dip in U_T) for 25 cycles <5 % U_T (>95 % dip in U_T) for 5 sec	<5 % U_T (>95 % dip in U_T) for 0,5 cycle 40 % U_T (60 % dip in U_T) for 5 cycles 70 % U_T (30 % dip in U_T) for 25 cycles <5 % U_T (>95 % dip in U_T) for 5 sec	Mains power quality should be that of a typical commercial or hospital environment. If the user of the Vios® requires continued operation during power mains interruptions, it is recommended that the Vios® be powered from an uninterruptible power supply or a battery.
Power frequency (50/60 Hz) magnetic field IEC 61000-4-8	3 A / m	3 A / m	Power frequency magnetic fields should be at levels characteristic of a typical location in a typical commercial or hospital environment.
NOTE U_T is the a.c. mains voltage prior to application of the test level.			

Guidance and manufacturer's declaration –electromagnetic emissions		
The Vios® is intended for use in the electromagnetic environment specified below. The customer or the user of the Vios® should assure that it is used in such an environment.		
Emissions test	Compliance	Electromagnetic environment – guidance
RF emissions CISPR 11	Group 1	The Vios® uses RF energy only for its internal function. Therefore, its RF emissions are very low and are not likely to cause any interference in nearby electronic equipment.
RF emissions CISPR 11	Class B	The Vios® is suitable for use in all establishments, including domestic establishments and those directly connected to the public low-voltage power supply network that supplies buildings used for domestic purposes.
Harmonic emissions IEC 61000-3-2	Not applicable	
Voltage fluctuations / flicker emissions IEC 61000-3-3	Not applicable	

Guidance and manufacturer's declaration –electromagnetic immunity			
The Vios® is intended for use in the electromagnetic environment specified below. The customer or the user of the Vios® should assure that it is used in such an environment.			
Immunity test	IEC 60601 test level	Compliance level	Electromagnetic environment – guidance
Conducted RF IEC 61000-4-6	3 Vrms 150 kHz to 80 MHz	3 Vrms 150 kHz to 80 MHz	<p>Portable and mobile RF communications equipment should be used no closer to any part of the Vios®, including cables, than the recommended separation distance calculated from the equation applicable to the frequency of the transmitter.</p> <p>Recommended separation distance</p> $d = \left[\frac{3,5}{V_1} \right] \sqrt{P}$ $d = \left[\frac{3,5}{E_1} \right] \sqrt{P} \quad 80 \text{ MHz to } 800 \text{ MHz}$ $d = \left[\frac{7}{E_1} \right] \sqrt{P} \quad 800 \text{ MHz to } 2,5 \text{ GHz}$ <p>where P is the maximum output power rating of the transmitter in watts (W) according to the transmitter manufacturer and d is the recommended separation distance in metres (m).</p> <p>Field strengths from fixed RF transmitters, as determined by an electromagnetic site survey,^a should be less than the compliance level in each frequency range.^b</p> <p>Interference may occur in the vicinity of equipment marked with the following symbol:</p> 
Radiated RF IEC 61000-4-3	3 V/m 80 MHz to 2,5 GHz	3 V/m 80 MHz to 2,5 GHz	

NOTE 1 At 80 MHz and 800 MHz, the higher frequency range applies.

NOTE 2 These guidelines may not apply in all situations. Electromagnetic propagation is affected by absorption and reflection from structures, objects and people.

^a Field strengths from fixed transmitters, such as base stations for radio (cellular/cordless) telephones and land mobile radios, amateur radio, AM and FM radio broadcast and TV broadcast cannot be predicted theoretically with accuracy. To assess the electromagnetic environment due to fixed RF transmitters, an electromagnetic site survey should be considered. If the measured field strength in the location in which the Vios® is used exceeds the applicable RF compliance level above, the Vios® should be observed to verify normal operation. If abnormal performance is observed, additional measures may be necessary, such as re-orienting or relocating the Vios®.

^b Over the frequency range 150 kHz to 80 MHz, field strengths should be less than $[V_1]$ V/m.

INSTRUCCIONES DE USO

El nebulizador es para uso individual solamente



ESTAS INSTRUCCIONES SE APLICAN A LA NEBULIZADOR LC PLUS®

IMPORTANTE: LEA LAS INSTRUCCIONES Y PRECAUCIONES DE SEGURIDAD ANTES DE USAR EL DISPOSITIVO.



AEROSOL DELIVERY SYSTEM



Video instructivo disponible en línea

Escanee este código con su teléfono inteligente o tablet para ver el video instructivo de Vios® o simplemente visite la dirección www.PARI.com/instructional-videos.



LEA TODAS LAS ADVERTENCIAS E INSTRUCCIONES ANTES DE UTILIZAR EL EQUIPO. USE EL PRODUCTO SÓLO PARA EL PROPÓSITO PARA EL QUE FUE DISEÑADO QUE SE DESCRIBE EN ESTAS INSTRUCCIONES DE USO. UN USO INCORRECTO PUEDE PROVOCAR TRASTORNOS/LESIONES GRAVES O MORTALES, TRATAMIENTO INADECUADO O DAÑO A LA PROPIEDAD.

! RECUERDE
REEMPLACE LA TAZA DEL NEBULIZADOR REUTILIZABLE CADA SEIS MESES



AEROSOL DELIVERY SYSTEM

¡Bienvenido a la experiencia Vios! El Sistema de Administración por Aerosol Vios® está diseñado a partir del vasto legado de productos clínicamente probados de PARI y consta de dos componentes importantes: un compresor Vios® y un nebulizador PARI. El nombre Vios® está inspirado en las palabras latinas y griegas que significan “Vida” y nuestro objetivo es mejorar su calidad de “Vida” mediante la administración eficiente por aerosol.

Su médico le ha recetado el Vios® para tratar sus síntomas respiratorios debido a la reputación de PARI de tamaño de partículas consistente y rápidos tratamientos que favorecen la administración dirigida a los pulmones. Los productos PARI se han usado en más de 25 pruebas clínicas de nuevos medicamentos para administración con nebulizador. Éstos se diseñan pensando en el paciente y estas instrucciones le ayudarán a obtener la mejor experiencia en terapia por aerosol.

Esperamos que viva una experiencia Vios “Inspirada en la Vida”.

GUARDE ESTAS
INSTRUCCIONES PARA
REFERENCIA FUTURA

INSTRUCCIONES DE USO: LC PLUS®

El nebulizador reutilizable PARI LC PLUS® se usan para administrar medicamento por aerosol a los pulmones. Este nebulizador se usan con pacientes para los que su médico ha recetado un medicamento para tratamientos de administración por aerosol en el hogar, en la consulta del médico, en el hospital o en la clínica.

A. PRECAUCIONES DE SEGURIDAD - LC PLUS®

▲PRECAUCIÓN

La legislación federal de Estados Unidos restringe la venta de este dispositivo; su adquisición sólo puede realizarse mediante receta médica. Utilícelo únicamente por indicación médica y con el medicamento recetado.

El LC PLUS® es un nebulizador de mano, diseñado para suministrar medicamento por aerosol aprobado para nebulización y recetado por un médico. El LC PLUS® está destinado para uso en pacientes adultos y pediátricos, de manera consistente con las indicaciones para el medicamento de administración por aerosol. El uso indebido de este producto puede ocasionar enfermedades fatales o lesiones graves. El nebulizador no está esterilizado.

▲ ADVERTENCIA

Utilícelo únicamente por indicación médica y con el medicamento recetado. A fin de lograr las características de gota especificadas, el compresor o suministro de aire central deben proporcionar 3,5 - 8 lpm a un mínimo de 20 psi.

▲ ADVERTENCIA

1. Para reducir el riesgo de mayor crecimiento bacteriano, infección, enfermedad o lesiones producidas por contaminación: limpie y seque cuidadosamente todas las piezas del nebulizador y elimine con cuidado cualquier rastro de humedad o condensación en la entubación después de cada tratamiento de acuerdo con las instrucciones de abajo.
2. La limpieza del nebulizador posterior a cada tratamiento no es suficiente; debe desinfectar o esterilizar regularmente el nebulizador entre tratamientos para evitar enfermedades graves o fatales causadas por la contaminación del mismo.
3. Nunca use un nebulizador con una boquilla obstruida. Si la boquilla está obstruida, el vapor o aerosol disminuirá, se alterará o dejará de salir, lo que mermará o eliminará la eficacia del tratamiento. Si se produce una obstrucción, reemplace por el Nebulizador reutilizable PARI del mismo modelo.
4. Es necesario supervisar atentamente el uso de este producto especialmente cuando hay niños y personas con alguna discapacidad física o mental cerca. Nunca lo use mientras duerme o está somnoliento.
5. El producto contiene piezas pequeñas que pueden presentar un riesgo de asfixia para niños pequeños. La entubación además presenta un riesgo de estrangulación. SIEMPRE CUENTE CON LA SUPERVISIÓN DE UN ADULTO CUANDO ADMINISTRE EL TRATAMIENTO A UN NIÑO. NO DEJE SOLO AL NIÑO DURANTE EL TRATAMIENTO.
6. Los pacientes menores de cuatro años o cualquier paciente con necesidades especiales deben usar una mascarilla en lugar de la boquilla con válvula.
7. Antes de usarlo, verifique que el nebulizador reutilizable PARI esté armado correctamente. Todas las piezas deben estar perfectamente ajustadas en su lugar. El uso de un nebulizador armado en forma incorrecta puede mermar o impedir el suministro adecuado de medicamento y la eficacia del tratamiento.

INSTRUCCIONES DE USO: VIOS® AEROSOL DELIVERY SYSTEM

El Vios® es un compresor de aire de mesa con potencia CA cuyo fin es proporcionar una fuente de aire comprimido para usar con nebulizadores tipo jet. El Compresor Vios® está diseñado para pacientes adultos y pediátricos para uso en hospitales, clínicas o en entornos domésticos.

B. PRECAUCIONES DE SEGURIDAD - VIOS® AEROSOL DELIVERY SYSTEM

▲ ADVERTENCIA

Úselo sólo con nebulizadores y entubación autorizados por PARI para este dispositivo. Otros tipos de nebulizador y entubación pueden dar como resultado un tratamiento inadecuado.

Cuando use productos eléctricos y médicos, especialmente en presencia de niños, debe tomar algunas precauciones de seguridad básicas.

▲ PELIGRO

A fin de reducir el riesgo de lesiones graves o fatales por electrocución:

1. No coloque ni guarde el producto en un lugar del que pueda caerse o jalarse a una bañera, lavabo, agua u otro líquido. No lo coloque ni lo deje caer en agua u otro líquido. No lo use mientras se baña.
2. No intente tomar un producto que ha caído al agua u otro líquido. Desenchúfelo de inmediato.

▲ ADVERTENCIA

A fin de reducir el riesgo de lesiones graves o fatales por electrocución, incendio, quemaduras y para reducir el riesgo de daños o funcionamiento incorrecto del producto:

1. Antes de usarlo, verifique la etiqueta del número de serie en la parte inferior del Compresor PARI Vios® a fin de asegurarse de que el voltaje y la corriente indicados en la etiqueta del compresor coincidan con el voltaje y la corriente disponibles.
2. Nunca haga funcionar este producto si el cable o el enchufe están dañados, si no funciona correctamente, si se ha caído o sufrido daños y si ha estado expuesto a cualquier líquido dentro de la carcasa. Comuníquese con PARI Patient Connection al 1.800.FAST.NEB (327.8632).
3. Mantenga todos los cables eléctricos lejos de superficies calientes. No sobrecargue los tomacorrientes de pared ni use cables de extensión.
4. El artefacto tiene un enchufe polarizado (una patilla es más ancha que la otra). Una característica de seguridad de este enchufe es que se enchufa a un tomacorriente polarizado en sólo un sentido. Si el enchufe no encaja totalmente en el tomacorriente, délo vuelta.
5. Nunca obstruya las ventilaciones de aire de este compresor ni lo coloque en una superficie blanda, como una cama o sofá, donde se puedan obstruir las ventilaciones. Mantenga las ventilaciones limpias de pelusa, cabello o sustancias similares. Las ventilaciones obstruidas pueden causar un exceso de acumulación de calor. Cuando el producto esté enchufado, nunca lo descuide.

▲ ADVERTENCIA

6. No lo utilice en exteriores.
7. No es adecuado para usarlo en presencia de una mezcla anestésica inflamable con aire, oxígeno u óxido nitroso.
8. No lo use en lugares donde se administra oxígeno en un entorno cerrado, como una tienda de oxígeno.
9. Nunca deje caer ni inserte ningún objeto en ninguna de las aberturas.
10. Siempre desenchufe el producto de inmediato después de usarlo.
11. Asegúrese de que el Compresor PARI Vios® esté desenchufado antes de limpiarlo.
12. No abra ni desarme el Compresor PARI Vios®. Todas las reparaciones las debe realizar PARI.

▲ ADVERTENCIA

Para reducir el riesgo de que el compresor deje de funcionar correctamente con motivo de una menor interferencia electromagnética, lo que dará como resultado un tratamiento inadecuado:

1. Debe tomar precauciones especiales con el dispositivo en cuanto a la compatibilidad electromagnética ("EMC, electromagnetic compatibility") y lo debe instalar y poner en funcionamiento de acuerdo con la información de EMC proporcionada en estas Instrucciones de uso.
2. Los dispositivos de comunicación de radiofrecuencia portátiles y móviles ("RF") pueden interferir con equipos médicos electrónicos. La información técnica de EMC está disponible en las páginas 9 y 10.
3. Úselo sólo con accesorios y cables autorizados por PARI para este dispositivo. El uso de este dispositivo con accesorios y cables no autorizados puede dar como resultado mayores emisiones electromagnéticas o una menor inmunidad de las emisiones electromagnéticas del dispositivo.
4. No debe usar el dispositivo junto a o apilado sobre otros equipos. Si es necesario usarlo junto a o apilado sobre otros equipos, debe observarlo para verificar su funcionamiento normal.

C. INTRODUCCIÓN

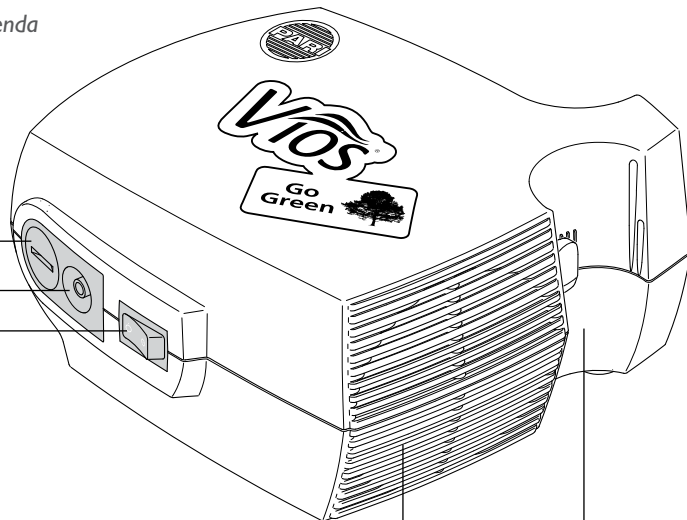
Revise el paquete de su Vios® para asegurarse de que todos los elementos estén incluidos.

Nebulizador de respaldo incluido, pero PARI recomienda que los pacientes siempre tengan un nebulizador reutilizable de respaldo.

Filtro de aire

Salida de aire

Interruptor eléctrico



Ventilaciones de Aire

Sujetador y clip del nebulizador reutilizable PARI

Nebulizador reutilizable PARI

Nebulizador de respaldo temporal (no esta notado)

Tapa de la válvula de inspiración

Inserto del nebulizador

Semicírculo del nebulizador

Anillos de alineación

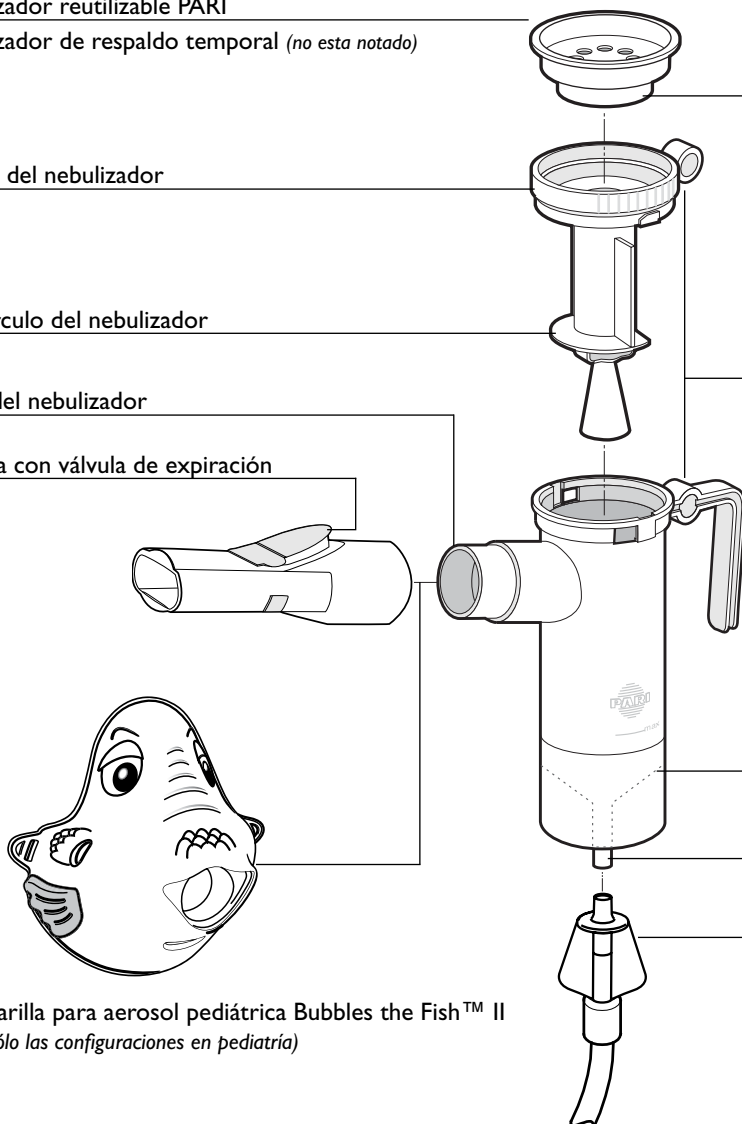
Salida del nebulizador

Boquilla con válvula de expiración

Taza del nebulizador

Entrada de aire

Entubación Wing Tip®



La mascarilla para aerosol pediátrica Bubbles the Fish™ II
(Incluye sólo las configuraciones en pediatría)

D. INSTALACIÓN DEL VIOS®

Sólo le quedan 10 pasos para iniciar su tratamiento con Vios®. Sígalos uno por uno.

1. **Limpie/Desinfecte la Taza del Nebulizador:** Consulte sección F-G para limpiar y desinfectar adecuadamente su nebulizador antes del primer uso. Vuelva a armar el nebulizador.

▲ ADVERTENCIA

Nunca obstruya las ventilaciones de aire de este compresor ni lo coloque en una superficie blanda, como una cama o sofá, donde se puedan obstruir las ventilaciones. Mantenga las ventilaciones limpias de pelusa, cabello o sustancias similares. Las ventilaciones obstruidas pueden causar un exceso de acumulación de calor.

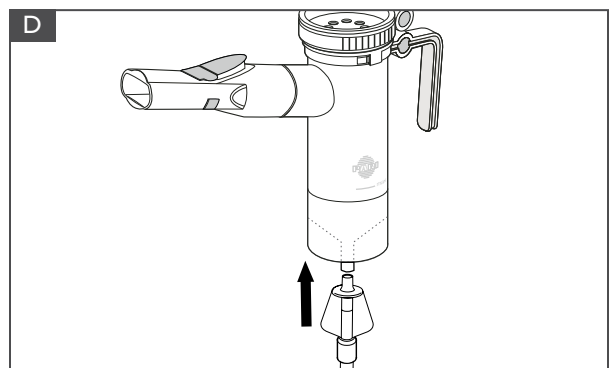
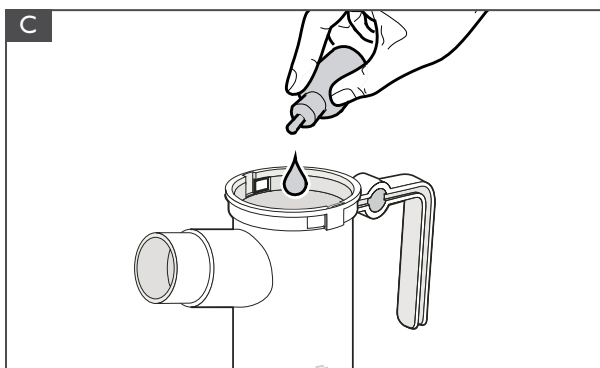
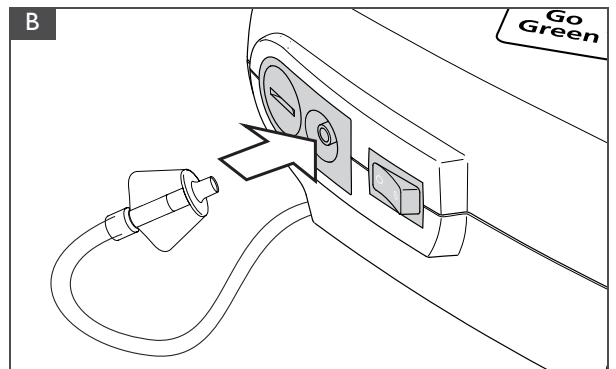
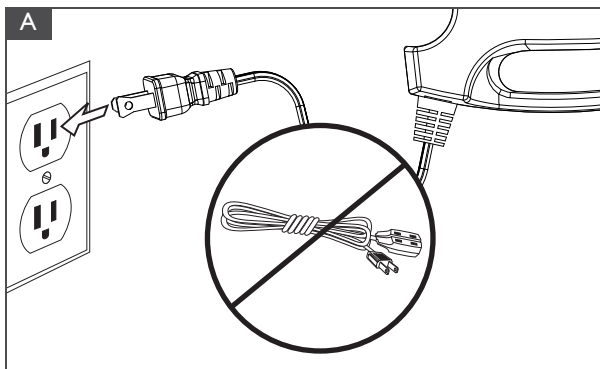
2. **Instale el compresor:** Coloque el compresor en una superficie plana, estable y limpia de polvo. Evite superficies acolchadas, tapizadas o alfombradas. Asegúrese de que el interruptor eléctrico esté en O , la posición "OFF". Enchufe el cable eléctrico a un tomacorriente de pared (Fig. A).
3. **Conecte la entubación al compresor:** Inserte un extremo de la entubación Wing Tip® a la salida de aire en el compresor. Debe ajustarse bien (Fig. B).
4. **Cargue el Medicamento:** Extraiga el inserto del nebulizador al doblarlo a la izquierda hasta que se detenga y se levante. Vierta dosis prescrita el medicamento en la taza del nebulizador. Nunca pase la línea de llenado máximo de 8ml del LC PLUS® (Fig. C). Vuelva a colocar el inserto del nebulizador asegurándose de que los dos anillos de alineación estén alineados entre sí.
5. **Conecte la boquilla o mascarilla:** Si usa la boquilla, conéctela a la salida del nebulizador con la válvula de expiración hacia arriba. Luego, cierre la tapa de la válvula de inspiración al presionarla firmemente en la parte superior del nebulizador. Si utiliza las mascarilla

pediátrica Bubbles the Fish™ empacada con esta unidad, fijar la mascarilla directamente al nebulizador. Si esta usando una mascarilla, que NO es Bubbles the Fish™ mascarilla pediátrica, por favor seguir las instrucciones de uso de esa mascarilla.

6. **Conecte la entubación a la taza del nebulizador:** Presione con firmeza el otro extremo de la entubación Wing Tip® a la parte inferior del nebulizador reutilizable PARI (Fig. D).
7. **Inicie el tratamiento:** Siéntese en una posición relajada y recta y coloque el compresor en "ON" (O).
8. **Posicione el nebulizador:** Coloque la boquilla en la parte superior de la lengua y cierre los labios alrededor de ella. Inspire en forma lenta y profunda. A medida que inhala, se abre la válvula de inhalación.
9. **Respiración:** Si usa boquilla, inhale y exhale lentamente por la boca. Cuando exhala, la válvula en la boquilla se abre para permitir que escape el vapor exhalado. Si usa mascarilla, colóquesela sobre la nariz y la boca e inhale y exhale lentamente.
10. **Finalice el tratamiento:** Continúe hasta que se acabe el medicamento o escuche un sonido suave de "chisporroteo". A pague el compresor O .

NOTA SOBRE EL TIEMPO DE TRATAMIENTO

Tenga en cuenta que son muchos los factores que afectan el tiempo de tratamiento, como la edad del paciente, la enfermedad, el patrón de respiración y el medicamento. El Vios® fue diseñado para uso intermitente para suministrar medicamentos respiratorios, no para el uso continuo para humidificación ni tratamientos prolongados (por ejemplo, más de 35 minutos una sola vez). Es posible que, con tratamientos prolongados, la entubación se caliente y desconecte de la salida de aire del Vios®. Si su médico le recetó tratamientos consecutivos (continuos) que dan como resultado que el uso de su Vios® se prolongue por más de 35 minutos, comuníquese con PARI Patient Connection al 1.800.FAST.NEB (327.8632).



E. REEMPLAZAR LA TAZA DEL NEBULIZADOR

Para obtener los tratamientos más eficaces, es muy importante que reemplace su nebulizador reutilizable PARI cada 6 meses.

! RECUERDE

REEMPLACE LA TAZA DEL NEBULIZADOR REUTILIZABLE CADA SEIS MESES

Ventajas de reemplazar la taza del nebulizador:

- *Suministro consistente del medicamento a los pulmones*
- *Tratamientos rápidos y eficaces*
- *Se reduce la contaminación bacterial**

* Lester, Mary K. Nebulizer Use and Maintenance by Cystic Fibrosis Patients: (Uso y mantenimiento de nebulizadores por parte de pacientes con Fibrosis)

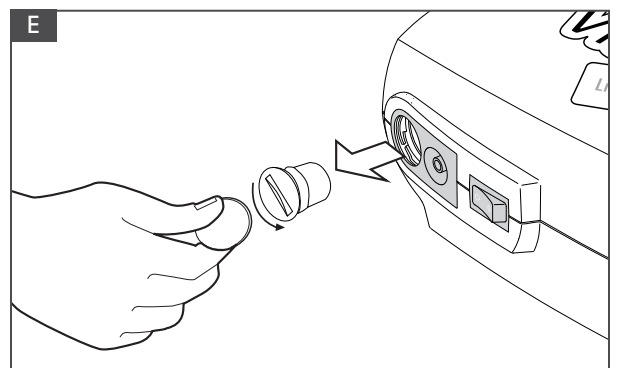
F. LIMPIEZA DE SU NEBULIZADOR REUTILIZABLE PARI

1. Desconecte la entubación de la entrada de aire ubicada en la parte inferior de la taza del nebulizador.
2. Si hay humedad (condensación) en la entubación, permita que el compresor funcione sólo con la entubación conectada por 2 a 3 minutos. El aire tibio del compresor secará la entubación. De manera alternativa, puede secar la entubación al extraerla del compresor y colgarla con los extremos mirando hacia abajo para permitir el drenaje y la evaporación de cualquier rastro de humedad (condensación). Use un trapo limpio para limpiar el exterior de la entubación.
3. Desarme las piezas del nebulizador reutilizable como se muestra en la página 3.
4. Lave todas las piezas incluyendo la mascarilla Bubbles II con agua tibia y detergente de platos líquido. **NO LAVE LA ENTUBACIÓN.**
5. Enjuague las piezas del nebulizador reutilizable y la mascarilla Bubbles II cuidadosamente con agua tibia y sacúdalas para botar los restos de agua.
6. Deje secar al aire las piezas del nebulizador o séquelas a mano sobre un paño limpio y sin pelusa. Vuelva a armar el nebulizador cuando se hayan secado las piezas y guárdelo.
7. También puede lavar todas las piezas del nebulizador reutilizable en la bandeja superior de una lavadora de platos. **NO COLOQUE BUBBLES II LA MÁSCARA DE LAVAVAJILLAS. NO LAVE LA ENTUBACIÓN.** Coloque las piezas del nebulizador reutilizable en la rejilla de la lavadora de platos y luego coloque la rejilla en la bandeja superior de la lavadora de platos. Extraiga y seque las piezas después de que finalice el ciclo de la lavadora de platos.

⚠ ADVERTENCIA

PARA REDUCIR EL RIESGO DE INFECCIÓN:

1. El nebulizador es para uso individual (un paciente) solamente. No comparta su nebulizador con otros pacientes.



2. Debe desinfectar o esterilizar regularmente el nebulizador entre tratamientos. Si no lo hace, el paciente puede contraer una enfermedad grave o fatal.

G. DESINFECCIÓN SU NEBULIZADOR REUTILIZABLE PARI

1. Limpie el nebulizador como se describe en la Sección F. Para realizar una desinfección de bajo nivel cada dos o tres días de tratamiento, remoje todas las piezas del Nebulizador reutilizable PARI (excepto la entubación y la mascarilla) en una solución de 1 parte de vinagre blanco destilado y 3 partes de agua potable durante una hora. Puede reemplazar el desinfectante de equipos respiratorios (como Control III®) por vinagre blanco destilado (siga las instrucciones del fabricante para la mezcla).
2. Enjuague cuidadosamente todas piezas del Nebulizador reutilizable PARI con agua potable y séquelas con un paño limpio sin pelusa. Deseche la solución de vinagre cuando finalice la desinfección.
3. Las piezas del Nebulizador reutilizable PARI (excepto la entubación y la mascarilla) también se pueden desinfectar al hervirlas en un recipiente limpio con agua durante 5 minutos.
4. Los hospitales y clínicas pueden esterilizar las piezas del Nebulizador reutilizable PARI (excepto la mascarilla y la entubación) en autoclave (un máximo de 277° F ó 136° C); siga las instrucciones de autoclave del fabricante.
5. Seque las piezas sobre un paño limpio y sin pelusa.

CONTROL III® ES UNA MARCA COMERCIAL REGISTRADA DE MARIL PRODUCTS, INC.

NOTA : PARA PACIENTES QUE PADECEN DE FIBROSIS QUIÍSTICA, LA CF FOUNDATION RECOMIENDA HERVIR DURANTE 5 MINUTOS PARA DESINFECTAR.

H. MANTENIMIENTO DEL VIOS®

FILTRO

El filtro de aire del Vios® es blanco brillante cuando está nuevo. Con el uso, el filtro se volverá lentamente gris, lo que indica que debe reemplazarlo. Debe reemplazar inmediatamente el filtro si se moja o se obstruye. Una buena norma es reemplazar el filtro cada 6 meses, al mismo tiempo que su nebulizador reutilizable PARI.

Extracción: En primer lugar, asegúrese de que el interruptor eléctrico del Vios® esté apagado. Con una moneda, extraiga la cubierta del filtro de aire al girarla hacia la izquierda, (Fig.E). Retire la tapa y el filtro y luego retire el filtro de la tapa (Fig.E-F).

NOTA: EXISTEN DOS TIPOS DE FILTROS QUE SE AJUSTAN AL COMPRESOR VIOS®. SI SU FILTRO ESTÁ ABIERTO EN UN EXTREMO COMO SE MUESTRA EN LA FIGURA F, SIGA LAS INSTRUCCIONES COMO SE MUESTRA EN LA FIGURA F Y G. SI SU FILTRO ESTÁ ABIERTO EN AMBOS EXTREMOS, PRESIONE CADA EXTREMO DEL FILTRO EN LA TAPA.

Tome un filtro nuevo y presiónelo en la tapa con el extremo abierto a la vista. Vuelva a colocar la tapa y el filtro en la parte frontal de su Vios®. Use la moneda para ajustar la cubierta hacia la derecha.

NOTA: NO INTENTE LAVAR Y REUTILIZAR FILTROS DE AIRE. NO USE UN MATERIAL DE FILTRO DE SUSTITUCIÓN, PUESTO QUE PUEDE DAÑAR EL COMPRESOR.

COMPRESOR

Use un trapo húmedo para limpiar la parte externa de la carcasa del Vios® y la entubación Wing Tip®.

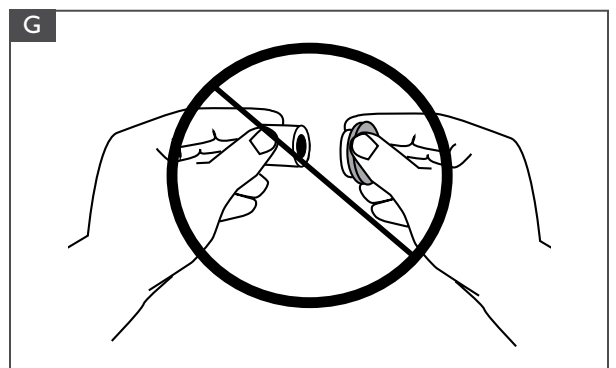
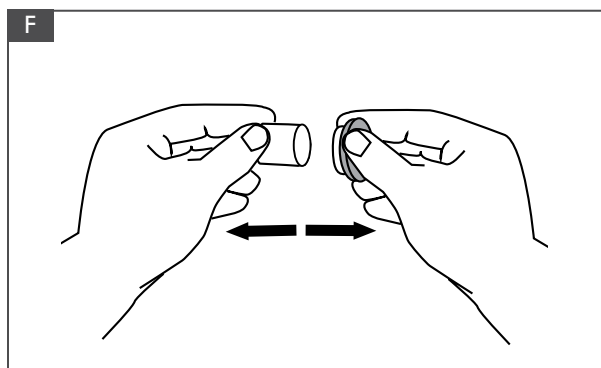
▲ PRECAUCIÓN

Nunca rocíe líquido en las ranuras de ventilación de su Vios®. El líquido puede causar daños en las piezas eléctricas y del compresor y un funcionamiento incorrecto. En caso de que entre líquido a la unidad, comuníquese con PARI Patient Connection al 1.800.FAST.NEB (327.8632).

MANTENIMIENTO Y REPARACIÓN

Nunca utilice su Vios® si está armado en forma incorrecta o incompleta o bien, está dañado. Use sólo piezas y accesorios originales PARI autorizados por PARI para el Sistema de Administración por Aerosol Vios®. El uso de otras piezas y accesorios puede dañar la unidad o causar un tratamiento incorrecto. No abra ni desarme la unidad del compresor en ningún momento.

NOTA: NO HAY PIEZAS QUE PUEDAN RECIBIR MANTENIMIENTO DENTRO DEL SISTEMA DE ADMINISTRACIÓN POR AEROSOL VIOS®. EL MANTENIMIENTO REALIZADO POR CUALQUIER OTRA PERSONA ANULA LA GARANTÍA.



I. ESPECIFICACIONES


ESPECIFICACIONES DEL VIOS®


Peso:.....3 lbs.
Dimensiones:..... 6.5 x 6.5 x 3.75 pulg.
Requisitos eléctricos:..... 120V CA, 60Hz, 1,5A
Vataje de potencia:.....80 W, en carga normal
Condiciones ambientales de funcionamiento:..... 10°C a 40°C, (50°F a 104°F)
Longitud del cable eléctrico:..... 5 ft.


CONDICIONES DE TRANSPORTE/ALMACENAMIENTO:


Temperatura ambiente:.....-40°C a 70°C, (-40°F a 158°F)
Humedad relativa:..... 10% a 95%
Presión atmosférica:..... 500 hpa a 1060 hpa


EXPLICACIÓN DE SÍMBOLOS


Atención: Lea todas las “Instrucciones de uso” antes de usarlo:..... 


Equipo de aislamiento cerrado Clase II:..... 

Protección tipo “B” contra choque eléctrico:..... 

No lo elimine como desechos no clasificados.
Consulte las leyes y reglamentaciones locales para eliminarlo adecuadamente:..... 

Interruptor eléctrico:..... 

Posición “On” (compresor funcionando):..... 

Posición “Off” (compresor apagado):..... 

NOTA: CUANDO EL INTERRUPTOR ESTÁ EN LA POSICIÓN “OFF” Y EL COMPRESOR NO ESTÁ FUNCIONANDO, IGUAL EXISTE POTENCIAL ELÉCTRICO DENTRO DE LA CARCASA DEL COMPRESOR. PARA DESENERGIZAR EL COMPRESOR, DEBE DESCONECTAR EL ENCHUFE ELÉCTRICO DE LA FUENTE DE ENERGÍA.

J. INFORMACIÓN DE GARANTÍA Y DE DEVOLUCIÓN

GARANTÍA LIMITADA DEL NEBULIZADOR REUTILIZABLE LC PLUS®

Los nebulizadores reutilizables PARI incluyen una garantía limitada de 6 meses para uso en tratamientos domiciliarios.
Si tiene algún problema y necesita devolver el nebulizador reutilizable PARI, comuníquese con PARI Patient Connection al 1.800.FAST.NEB (327.8632).

Asegúrese de limpiar y desinfectar su nebulizador reutilizable PARI y colóquelo en una bolsa plástica antes de devolverlo.

GARANTÍA LIMITADA DEL SISTEMA DE ADMINISTRACIÓN POR AEROSOL VIOS®

PARI ofrece una garantía limitada de cinco (5) años estándar para el Sistema de Suministro por Aerosol Vios® y sus piezas. El período de garantía se imprimirá en la etiqueta del número de serie ubicada en la parte inferior del compresor. PARI garantiza que el Sistema de Suministro por Aerosol Vios® y sus piezas estarán libres de defectos de fabricación y materiales por un período de sesenta (60) meses a partir de la fecha de la primera compra del equipo en el mercado minorista. La garantía no contempla fallas del nebulizador, la entubación o los accesorios. Esta garantía no se extiende a fallas resultantes de accidente, uso indebido, abuso, alteración, uso de servicio no autorizado; piezas o soluciones de limpieza o el incumplimiento de las Instrucciones de uso. Si el equipo con garantía falla durante el período de garantía, PARI, a su entera discreción, reparará o reemplazará el equipo o las piezas en cuestión, siempre y cuando el reclamo sea de buena fe. El comprador asumirá la responsabilidad de empaquetar y devolver el equipo de tal manera de evitar que se produzcan daños durante el transporte. El envío debe pagarse previamente a PARI Respiratory Equipment, Inc. Esta garantía contempla el costo de mano de obra incurrido en la extracción o reemplazo de las piezas de componentes con garantía sólo en centros de servicios autorizados de PARI. Para efectuar un reclamo en virtud de esta garantía, notifique al centro de servicio autorizado llamando a PARI Patient Connection al: 1.800.FAST.NEB (327.8632), Presione 2

NO EXISTEN OTRAS GARANTÍAS EXPRESAS. TODAS LAS GARANTÍAS IMPLÍCITAS DEL Sistema de Suministro por Aerosol Vios® Y SUS PIEZAS, INCLUIDAS LAS GARANTÍAS IMPLÍCITAS DE COMERCIALIZACIÓN Y ADECUACIÓN PARA UN PROPÓSITO PARTICULAR, SE LIMITAN A SESENTA (60) MESES A PARTIR DE LA FECHA DE LA PRIMERA COMPRA EN EL MERCADO MINORISTA TODAS LAS GARANTÍAS EXPRESAS O IMPLÍCITAS SOBRE CUALQUIER OTRA PIEZA, INCLUIDAS LAS GARANTÍAS IMPLÍCITAS DE COMERCIALIZACIÓN Y ADECUACIÓN PARA UN PROPÓSITO PARTICULAR, ESTÁN EXCLUIDAS.

Algunos estados no permiten limitaciones en el período de vigencia de una garantía implícita, de manera que es posible que la limitación anterior no se aplique a usted. La única y exclusiva medida de remediación en virtud de esta garantía es reparar o reemplazar el Sistema de Suministro por Aerosol Vios® y/o sus piezas a discreción de PARI. EN NINGUNA CIRCUNSTANCIA PARI ASUMIRÁ LA RESPONSABILIDAD POR DAÑOS INCIDENTALES O EMERGENTES EN EL COMPRADOR O CUALQUIER TERCERO, INCLUIDOS, PERO SIN LIMITACIÓN, DAÑOS POR PÉRDIDAS DE UTILIDADES, PÉRDIDA DE OPORTUNIDADES COMERCIALES, PÉRDIDA DE PROPIEDAD, PÉRDIDAS ECONÓMICAS, DAÑOS LEGALES O POR ESCARMIENTO, YA SEA POR NEGLIGENCIA, GARANTÍA, RESPONSABILIDAD CIVIL ESTRICTA O DE OTRA NATURALEZA. Algunos estados no permiten la exclusión o limitación de daños incidentales o emergentes, de manera que es posible que las limitaciones anteriores no se apliquen a usted. Esta garantía le concede derechos específicos. Es posible que también tenga otros derechos, según el estado donde vive.

Registre su Sistema de Suministro por Aerosol Vios® hoy de una de estas tres maneras:



En línea en pari.com/register



Llame al 1.800.FAST.NEB (327.8632)



Llene la tarjeta de registro predirigida con franqueo prepagado y colóquela en cualquier Buzón USPS.

No registrar su Vios® no afecta su garantía limitada estándar del producto.

Si tiene algún problema y necesita devolver su compresor Vios®, comuníquese con PARI Patient Connection al **1.800.FAST.NEB (327.8632)**.

Fabricado para:

PARI Respiratory Equipment, Inc.

2412 PARI Way, Midlothian, VA 23112 Estados Unidos

Tel: 800.FAST.NEB (327.8632) y 804.253.7274

Fax: 800.727.4112 | Product.Info@PARI.com

En línea en: www.PARI.com



© 2015 PARI Respiratory Equipment, Inc.
310D0049 Rev B 12/15