



**IMPORTANT FOR FUTURE REFERENCE**  
Please complete this information and retain this manual for the life of the equipment:

Model #: \_\_\_\_\_  
Serial #: \_\_\_\_\_  
Date Purchased: \_\_\_\_\_

**ENGLISH**

# Exploded Parts Manual

## SSHLV14, SSHLV14T



**TO THE PURCHASER**

Post in a prominent location the instructions to be followed in the event that an operator smells gas. Obtain this information from your local gas supplier.

**FOR YOUR PROTECTION**

DO NOT store or use gasoline or other flammable vapors and liquids in the vicinity of this or any other appliance. Do not spray aerosols in the vicinity of this appliance when it is in operation.

**WARNING**

Improper installation, operation, alteration, adjustments, service or maintenance can cause property damage, injury or death. Read the installation, operating and maintenance instructions thoroughly before installing, operation, servicing this appliance.

**WARNING**

Installation, maintenance and repairs should be performed by a Pitco Authorized Service and Parts (ASAP) company technician or other qualified personnel. Installation, maintenance or repairs by an unauthorized and unqualified personnel will void the warranty.

**WARNING**

Installation and all connections must be made according to local codes in force. In the absence of local codes in North America, the installation must conform with the National Fuel Gas Code, ANSI Z223.1/NFPA 54 or the Natural Gas and Propane Installation Code CSA B149.1 as applicable. In Australia, the appliance must be installed in compliance with AS/NZS 5601.

**WARNING**

During the warranty period if a customer elects to use a non-original part or modifies an original part purchased from Pitco and/or its Authorized Service and Parts (ASAP) companies, this warranty will be void. In addition, Pitco and its affiliates will not be liable for any claims, damages or expenses incurred by the customer which arises directly or indirectly, in whole or in part, due to the installation of any modified part and/or received from an unauthorized service center.

**WARNING**

This appliance, when installed, must be electrically grounded in accordance with local codes, or in the absence of local codes, with the National Electrical Code, ANSI/NFPA 70, or the Canadian Electrical Code, CSA C22.2, as applicable

**WARNING**

Adequate means must be provided to LIMIT the movement of this appliance without depending on the gas or electrical cord connection. Single appliances equipped with legs must be stabilized by installing anchor straps. All appliances equipped with casters must be stabilized by installing restraining chains.

**WARNING**

DO NOT alter or remove structural material on the appliance to accommodate placement under a ventilation hood.

**WARNING**

If the appliance is equipped with a power cord and it is damaged, it must be replaced by a Pitco Authorized Service and Parts (ASAP) company technician, or a similarly qualified person in order to avoid a hazard.

**WARNING**

The power supply must be disconnected before servicing, maintaining or cleaning this appliance.

**WARNING**

The appliance is NOT jet stream approved. DO NOT clean the appliance with a water jet.

**WARNING**

DO NOT attempt to move this appliance or transfer hot liquids from one container to another when the unit is at operating temperature or filled with hot liquids. Serious personal injury could result if skin comes in contact with the hot surfaces or liquids.

**WARNING**

DO NOT use an open flame to check for gas leaks!

**WARNING**

DO NOT sit or stand on this appliance. The appliance's front panel, tank, splash back, tank cover, work shelf, drain board is not a step. Serious injury could result from slipping, falling or contact with hot liquids.

**WARNING**

NEVER use the appliance as a step for cleaning or accessing the ventilation hood. Serious injury could result from slips, trips or from contacting hot liquids.

**WARNING**

The oil/shortening level should NOT fall below the minimum indicated level line at any time. The use of old shortening can be dangerous as it will have a reduced flash point and be more prone to surge boiling.

**WARNING**

The contents of the crumb catch and/or filter pan of any filter system must be emptied into a fireproof container at the end of the frying operation each day. Some food particles can spontaneously combust into flames if left soaking in certain oil/shortening materials.

**WARNING**

Completely shut the appliance down when shortening/oil is being drained from the appliance. This will prevent the appliance from heating up during the draining and filling process. Serious injury can occur.

**WARNING**

This appliance is intended for indoor use only.

**WARNING**

DO NOT operate appliance unless all panels and access covers are attached correctly.

**WARNING**

It is recommended that this appliance be inspected by a qualified service technician for proper performance and operation on a yearly basis.

**WARNING**

There is an open flame inside this appliance. The unit may get hot enough to set nearby materials on fire. Keep the area around the appliance free from combustibles.

**WARNING**

DO NOT supply the appliance with a gas that is not indicated on the data plate. If you need to convert the appliance to another type of fuel, contact your dealer.

**WARNING**

If gas flow to appliance is interrupted, or pilots extinguish, wait 5 minutes before attempting to relight the pilot to allow any residual gas in appliance to dissipate.

**WARNING**

Ensure that the appliance can get enough air to keep the flame burning correctly. If the flame is starved for air, it can give off a dangerous carbon monoxide gas. Carbon monoxide is a clear odorless gas that can cause suffocation.

**WARNING**

Never add oil to the appliance when it is at operating temperature. Splashing hot oil can cause severe injuries.

**WARNING**

Never add water to hot oil. Violent boiling can occur causing severe injury.

**WARNING**

This appliance is intended for professional use only and should be operated by fully trained and qualified personnel.

**WARNING**

To avoid splashing of hot liquid when installed, this fryer must be restrained either by the manner of installation, or with adequate ties to prevent tipping.

**WARNING**

An appliance equipped with casters and a flexible gas line must be connected to the gas supply with a quick disconnect device. In North America, gas appliances equipped with casters must be installed with connectors that comply with the Standard for Connectors for Movable Gas Appliances, ANSI Z21.69.CSA 6.16 Latest Edition. This connection should include a quick disconnect device that complies with the Standard for Quick Disconnect Devices for Use With Gas Fuel ANSI Z221.41.CSA 6.9 Latest Edition. In Australia, an appliance equipped with casters and a flexible gas line must be connected to the gas supply with a quick disconnect device that complies with AS 4627. The hose must comply with AS/NZS 1869 and be class B or D and have a restraining cable. The restraining cable must not exceed 80% of the length of the flexible gas line.

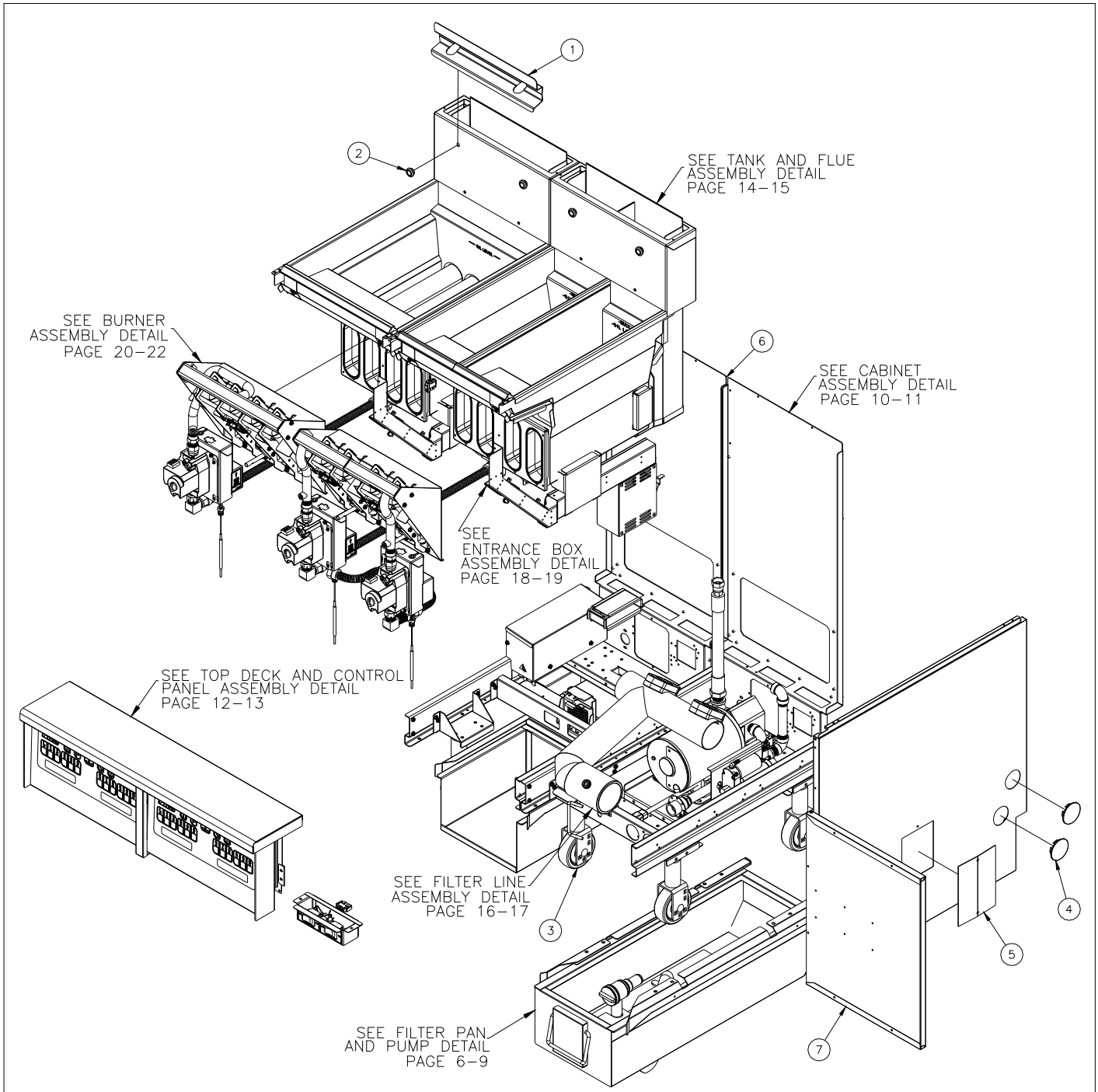
## Table of Contents

A.) FRYER EXPLODED PARTS LIST .....	4
FRYER EXPLODED DETAIL.....	5
B.) FILTER PAN & PUMP PARTS LIST .....	6
FILTER PAN AND PUMP DETAIL.....	7
C.) SOLO FILTER PAN PARTS LIST .....	8
SOLO FILTER PAN DETAIL.....	9
D.) CABINET PARTS LIST .....	10
CABINET DETAIL.....	11
E.) TOP DECK & CONTROL PANEL PARTS LIST .....	12
TOP DECK & CONTROL PANEL DETAIL.....	13
F.) TANK & FLUE PARTS LIST .....	14
TANK & FLUE DETAIL.....	15
G.) DRAIN LINE PARTS LIST .....	16
DRAIN LINE DETAIL.....	17
H.) ENTRANCE BOX PARTS LIST .....	18
ENTRANCE BOX VIEW.....	19
J.) BURNER & GAS SUPPLY PARTS LIST .....	20
BURNER & GAS SUPPLY DETAIL.....	21
BURNER & GAS SUPPLY PARTS LIST B.....	22
K.) BASKET LIFT ASSEMBLY PARTS LIST .....	24
BASKET LIFT ASSEMBLY DETAIL.....	25
L.) BASKET LIFT COMPONENTS PARTS LIST .....	26
BASKET LIFT COMPONENTS DETAIL.....	27

## A.) Fryer Exploded Parts List

ITEM #	PART#	PART DESCRIPTION
1	A1103204	BASKET HANGER,W/O CAP DG,MDG
2	<a href="#">60138101</a>	TANK,STUD SPLASH BACK SCREW ON
3	<a href="#">60132401</a>	9" LEG
	<a href="#">B3900704</a>	9" LEG SET OF 4 WITH HARDWARE
	<a href="#">60115301</a>	9" LEG WITH BOTTOM BOLT FLANGE ADJUSTABLE
	<a href="#">PP10814</a>	9" CASTER NON-LOCKING
	<a href="#">B3901504</a>	9" CASTER SET OF 4 (2 LOCKING, 2 NON-LOCKING)
	<a href="#">B3902302</a>	9" RIGID CASTER NON-LOCKING
	<a href="#">PP10815</a>	9" CASTER LOCKING
	<a href="#">B3902304</a>	9" RIGID CASTER LOCKING
4	<a href="#">P6071498</a>	HOLE PLUG 1-1/2" CHROME PLATED
5	<a href="#">A6613102-C</a>	FILTER DRAIN LINE CABINET COVER SST
6	A1859206	CABINET, REAR JOINING STRIP TOP
	A1859208	CABINET, REAR JOINING STRIP BOTTOM
	A1865901	CABINET, FRONT JOINING STRIP
	A1908202	CHANNEL STRIP, CABINET JOINING
7	B2304619	DOOR ASSEMBLY, SSSLV14, SSSLV14T
8	<a href="#">B3801801</a>	HINGE WELDMENT LOWER RIGHT HAND SG*
	<a href="#">B3801802</a>	HINGE WELDMENT LOWER LEFT HAND SG*
9	<a href="#">B3802401</a>	HINGE WELDMENT UPPER RIGHT HAND SG*
	B2802402	HINGE WELDMENT UPPER LEFT HAND SG*

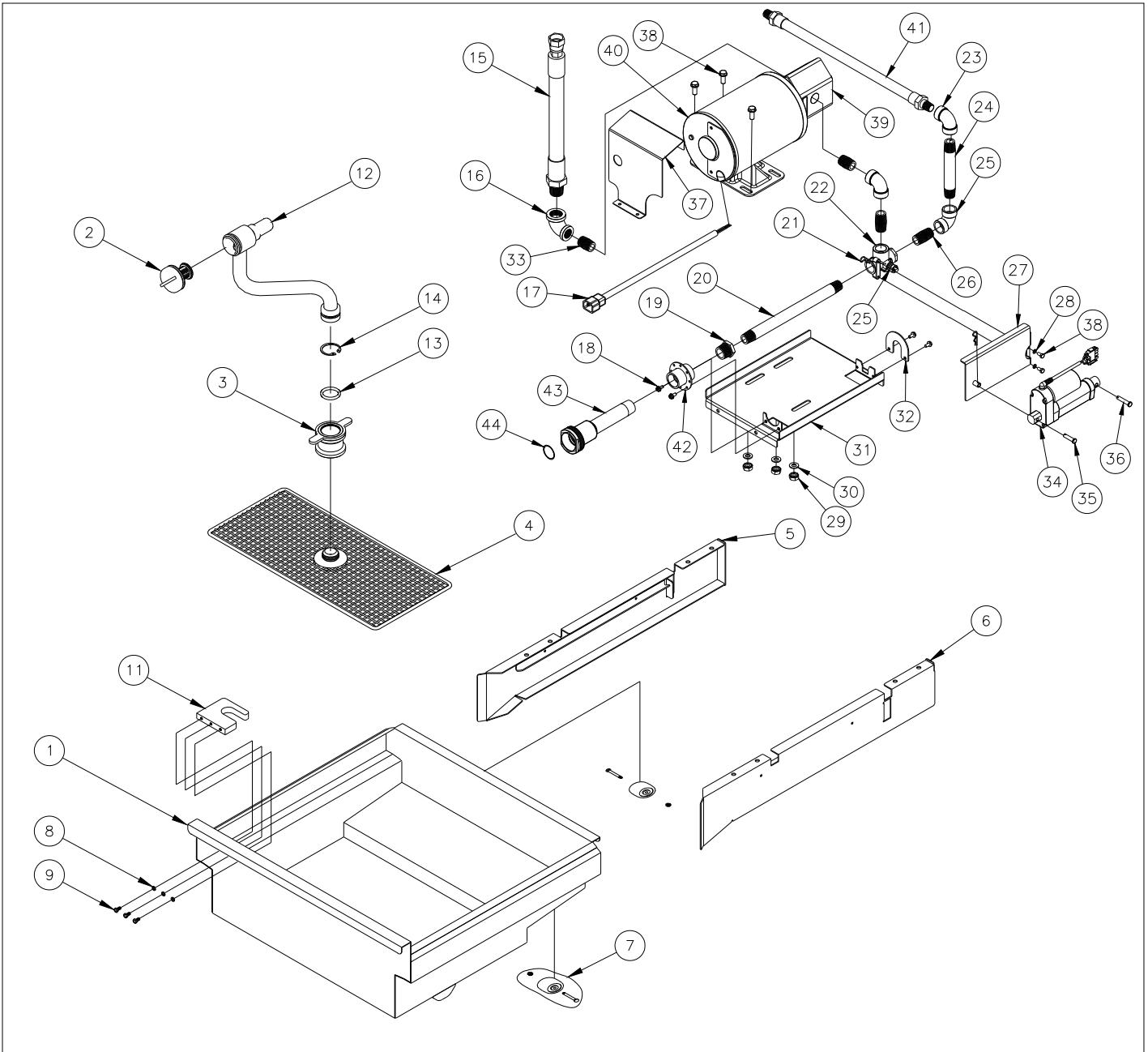
### Fryer Exploded Detail



## B.) Filter Pan & Pump Parts List

ITEM #	PART#	PART DESCRIPTION
1	<a href="#">B6673401</a>	FILTER, WELDMENT PAN
2	<a href="#">B6671202</a>	FILTER, STRAINER CAP ASSEMBLY
3	<a href="#">B6677401</a>	FILTER, CLIP PAPER WELDMENT
4	<a href="#">B6664304</a>	FILTER, SUPPORT WELDMENT
5	<a href="#">B6672501</a>	FILTER, WELDMENT RAIL MOUNT LH
6	<a href="#">B6672502</a>	FILTER, WELDMENT RAIL MOUNT RH'
7	<a href="#">60168302-C</a>	WHEEL, 2" WITH AXLE AND NUT BULK PACK
8	<a href="#">PP11208</a>	WASHER, LOCK #10 SST (SPLIT)
9	<a href="#">P0112000</a>	BOLT, 10-24 X 1/2 HHC SST
11	<a href="#">A7030102</a>	FILTER, GUIDE PICK-UP TUBE
12	<a href="#">B6677601</a>	FILTER, TUBE PICKUP WELDMENT
13	<a href="#">PP10879</a>	O-RING MFR. NO 217-3107
14	<a href="#">60136301</a>	RING, EXTERNAL RETAINING 1-7/16"
15	<a href="#">60132201</a>	HOSE, PTFE F SWIVEL X MPT
16	<a href="#">PP10485</a>	ELBOW, BLACK REDUCER 90 3/4 X 1/2 NPT
17	<a href="#">PP11338</a>	CORD, PLUG IEC-320 16-3 AWG 17.5
18	<a href="#">PP10023</a>	SCREW, 10-24 X 3/8 SELF TAP
19	<a href="#">P7036013</a>	BUSHING, REDUCER HEX 3/4 X 1/2 NPT BLACK
20	<a href="#">P7037109</a>	NIPPLE, BLACK 1/2 X 10
21	<a href="#">P0154100</a>	CLIP, HITCH PIN
22	<a href="#">P6071757</a>	VALVE, BALL 1/2NPT 3-WAY
23	<a href="#">P7037678</a>	ELBOW, BLACK 90 1/2
24	<a href="#">P7037099</a>	NIPPLE, BLACK 1/2" X 5"
25	<a href="#">B6692801</a>	FILTER, DIVERTER VALVE HANDLE WELDMENT
26	<a href="#">P7037092</a>	NIPPLE, BLACK 1/2" X 1-1/2"
27	<a href="#">B6693101</a>	FILTER, ACTUATOR BRACKET WELDMENT
28	<a href="#">P0082400</a>	WASHER, LOCK #10 ZINC (SPLIT)
29	<a href="#">PP10828</a>	NUT, HEX (KEP) 5/16-18 ZINC
30	<a href="#">P0080750</a>	WASHER, FLAT 5/16 ZINC SAE
31	<a href="#">A7049301</a>	FILTER, PUMP PLATE
32	<a href="#">A7049601</a>	FILTER, PIPING CLAMP
33	<a href="#">P7037090</a>	NIPPLE, BLACK 1/2" CLOSE
34	<a href="#">60155704</a>	ACTUATOR, LINEAR 2" 24VDC
35	<a href="#">60047806</a>	PIN, CLEVIS 1/4 OD X 1"
36	<a href="#">60047803</a>	PIN, CLEVIS 1/4 OD X 1-1/4"
37	<a href="#">A7097301</a>	FILTER, COVER PUMP
38	<a href="#">PP11261</a>	BOLT, 5/16 X 3/4
39	<a href="#">60143505</a>	MOTOR 115/230V 50/60HZ
	<a href="#">60143506</a>	MOTOR 240V 50/60HZ
	<a href="#">60143518</a>	MOTOR 208V 50/60HZ
40	<a href="#">60143508</a>	PUMP, 4 GPM
41	<a href="#">A6653512</a>	FILTER HOSE 47.75 CPF65 OUT
42	<a href="#">B6677001</a>	FILTER SUPPORT INLET PG SG/SE FD/SF*
43	<a href="#">B6676001</a>	FILTER, PICKUP BLOCK SGF*, SG6H
44	<a href="#">60068301</a>	O-RING, VITON 1" ID X 1.375 OD

**Filter Pan and Pump Detail**

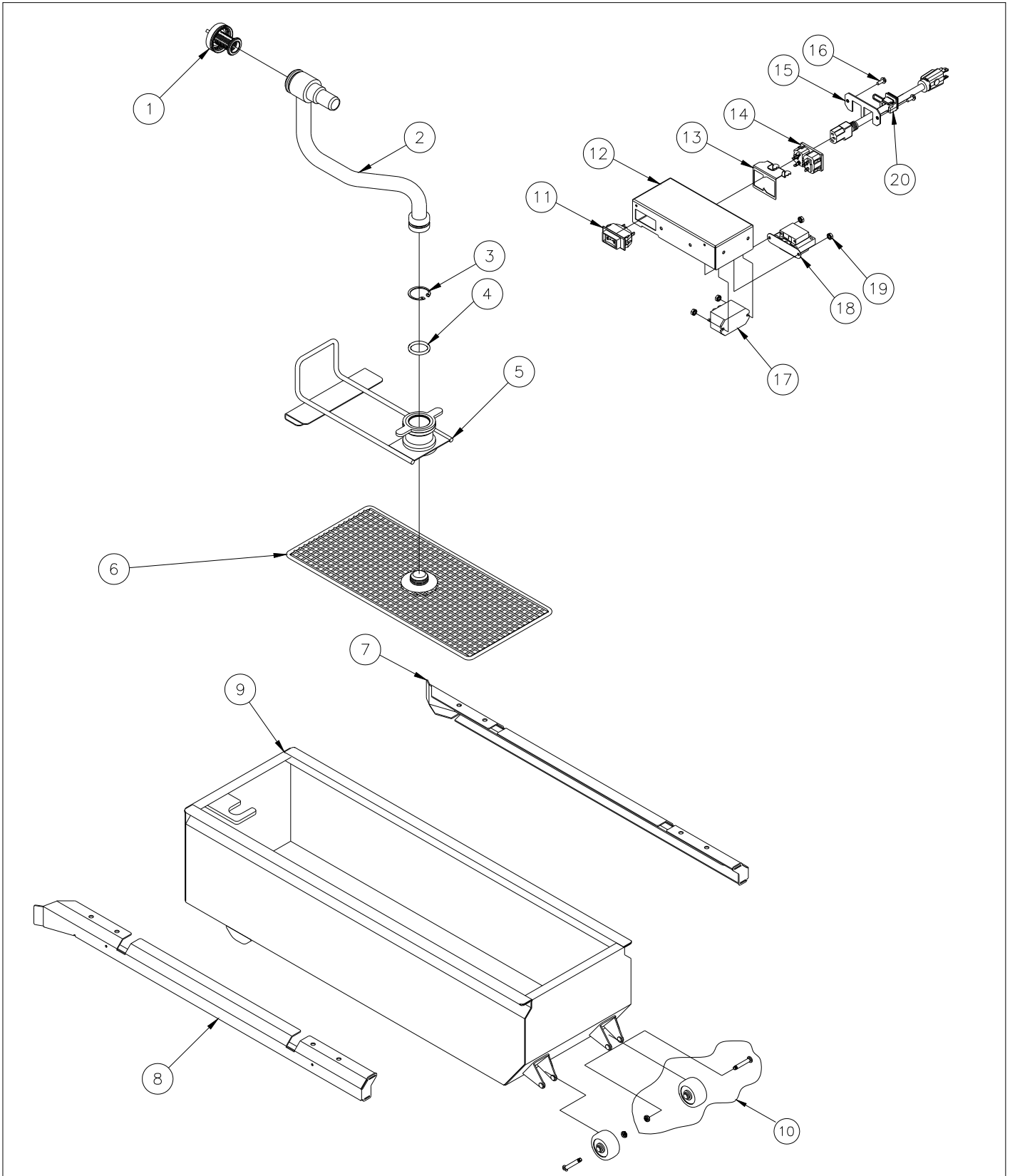


### C.) Solo Filter Pan Parts List

ITEM #	PART#	PART DESCRIPTION
1	<a href="#">B6671202</a>	FILTER, STRAINER CAP ASSEMBLY
2	<a href="#">B6673902</a>	FILTER, TUBE PICKUP WELDMENT SFSG14
3	<a href="#">60136301</a>	RING, EXTERNAL RETAINING 1-7/16"
4	<a href="#">PP10879</a>	O-RING MFR. NO 217-3107
5	<a href="#">B6671102</a>	FILTER, CLIP PAPER WELDMENT
6	<a href="#">B6664303</a>	FILTER, SUPPORT WELDMENT
7	<a href="#">B6693702</a>	FILTER, MOUNT WELDMENT LEFT SIDE
8	<a href="#">B6693701</a>	FILTER, MOUNT WELDMENT RIGHT SIDE
9	<a href="#">B6670805</a>	FILTER, PAN WELDMENT SFSG14
10	<a href="#">60168302-C</a>	WHEEL, 2" WITH AXLE AND NUT BULK PACK
11	<a href="#">60077901</a>	CIRCUIT ROCKER SPST 250V 10A
12	<a href="#">A7028701-C</a>	FILTER PUMP BOX SGF*
13	<a href="#">A7044001</a>	FLTR,STRN RLF PMP BOX DUAL
14	<a href="#">60148401</a>	CONNECTOR POWER INLET & OUT IEC320
15	<a href="#">A1844001-C</a>	CABLE RETAINER SG
16	<a href="#">P0075400</a>	SCREW, 10-24 X 1/2 SELF TAP
17	<a href="#">P5045508</a>	SCR,10-24 X 3/8 TH PHILLIPS
18	<a href="#">60130301</a>	TRANSFORMER,5VA 120V
	<a href="#">60130302</a>	TRANSFORMER,5VA 240V
	<a href="#">60130303</a>	TRANSFORMER,5VA 230V
19	<a href="#">P0092300</a>	NUT,HEX (KEP) 10-24 ZN
20	<a href="#">60128501</a>	CORD,NEMA5-15P/IEC320 16-3



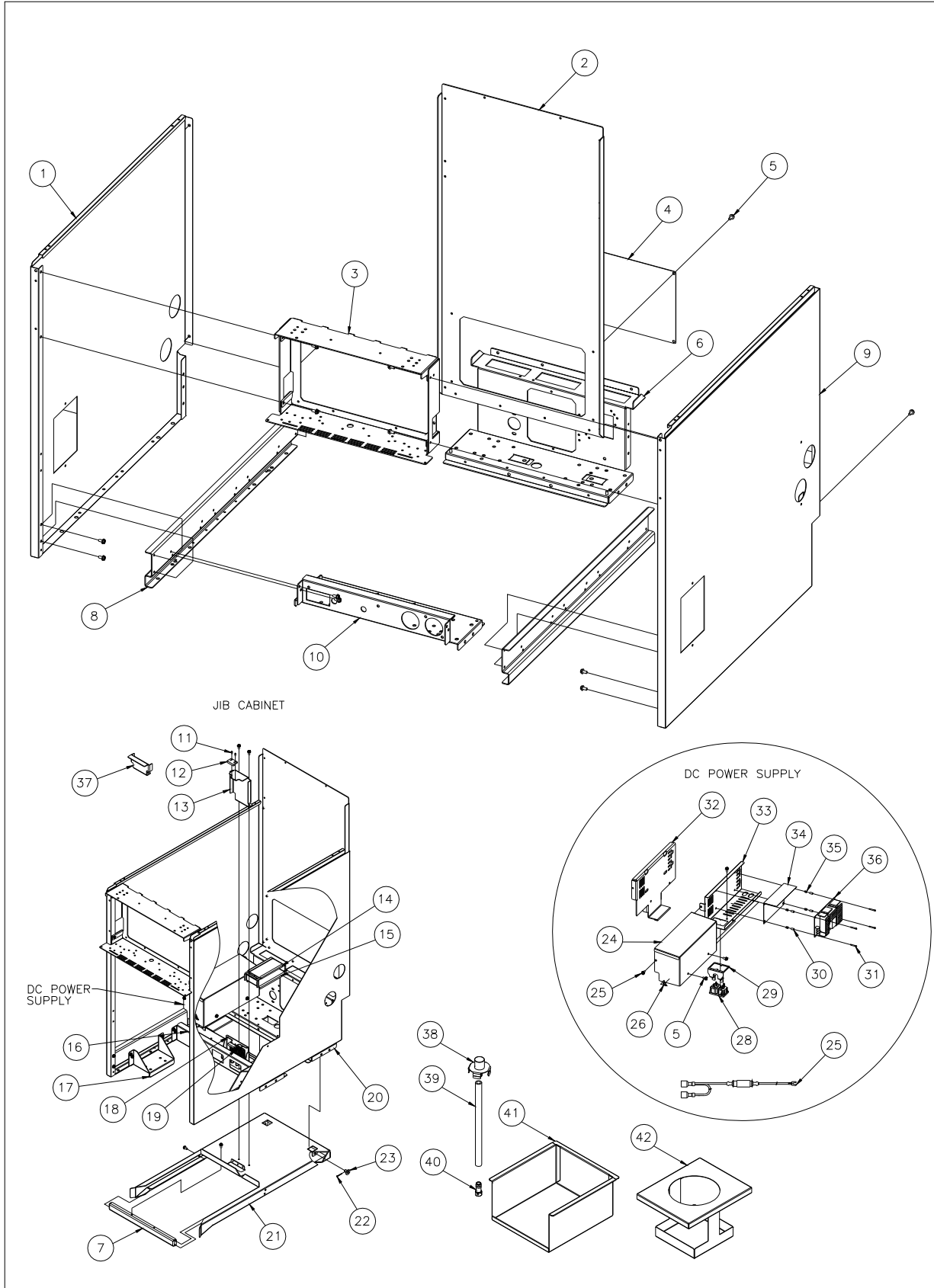
**Solo Filter Pan Detail**



## D.) Cabinet Parts List

ITEM #	PART#	PART DESCRIPTION
1	A1541202	CABINET SIDE, LEFT HAND
2	A1640801	CABINET BACK, TOP
3	A1861501	CABINET, SPACER
4	A1631401	CABINET BACK, COVER SGH50, SGH50T
5	<a href="#">PP10023</a>	SCREW, 10-24 X .375" SELF TAPPING
6	A1640701	CABINET BACK, BOTTOM S*LV WITHOUT JIB
7	A5073901	ACCESSORIES, JIB PAN RAIL SUPPORT
8	A1540501	CABINET SIDE, SUPPORT
9	A1541204	CABINET SIDE, RIGHT HAND
10	A1238501	CABINET, BOTTOM BRACE FRONT S*LV
11	<a href="#">60066801</a>	SCREW, 4-40 X .250" RDH ZINC
12	B53050001	ELECTRICAL ASSEMBLY, DVI
13	A5074201	ACCESSORIES, JIB PROXIMITY SENSOR MOUNTING BRACKET S*LV
14	A5074301	ACCESSORIES, JIB HOSE HOLDER UPPER
15	A5074401	ACCESSORIES, JIB HOSE HOLDER LOWER
16	A1238201	CABINET, BOTTOM BRACE JIB WEIGHING
17	A1238301	CABINET, BOTTOM BRACE JIB SUPPORT
18	A5074201	ACCESSORIES, JIB SPRING MOUNTING BRACKET
19	60135202	SPRING, EXTENSION .750" OD, .080 WIRE X 2.75" (DISCONTINUED AFTER 12/13)
20	A1640703	CABINET BACK, BOTTOM S*LV WITH JIB
21	A5073801	ACCESSORIES, JIB RAIL S*LV
22	<a href="#">P0190200</a>	PIN, COTTER EXT PRONG. .062 X .750 ZINC
23	B5052701	ACCESSORIES, JIB RAIL MOUNTING PIN WELDMENT S*LV
24	A2043701	CONTROL BOX, DC POWER HOUSING COVER
25	<a href="#">B6795701</a>	WIRING, DC POWER BOX S*LV
26	A6051201	LABEL, HIGH VOLTAGE
28	<a href="#">60148401</a>	CONNECTOR, POWER INLET & OUTLET IEC320
29	A7044001	FILTER, STRAIN RELIEF PUMP BOX DUAL IEC
30	60117203	SPACER, .126ID X .195 ODX .355L NYLON
31	<a href="#">PP11351</a>	SCREW, 4-40 X .750 ROUND HEAD SLOTTED ZINC
32	A2043901	CONTROL BOX, DC POWER HOUSING BRACKET
33	A2043801	CONTROL BOX, DC POWER HOUSING
34	<a href="#">60175501</a>	INSULATION, DC POWER SUPPLY S*LV
35	60092101	NUTSERT, 4-40 UNC
36	<a href="#">60155401</a>	POWER SUPPLY, 24VDC 150W
37	A5074201 REV D	(USED AFTER 2/17/14) ACCESSORIES, JIB PROXIMITY MOUNTING BRACKET
38	<a href="#">A5074701</a>	ACCESSORIES, JIB CAP STANDARD #35 JIB S*LV
39	<a href="#">A5075201</a>	ACCESSORIES, HOSE 1/2ID X 12.75L BRAIDED SILICON
40	<a href="#">A5074801</a>	ACCESSORIES, JIB HOSE WEIGHT S*LV
41	B5052401	ACCESSORIES, JIB PAN WELDMENT S*LV
42	B5052601	ACCESSORIES, SMALL JUG SUPPORT WELDMENT S*LV

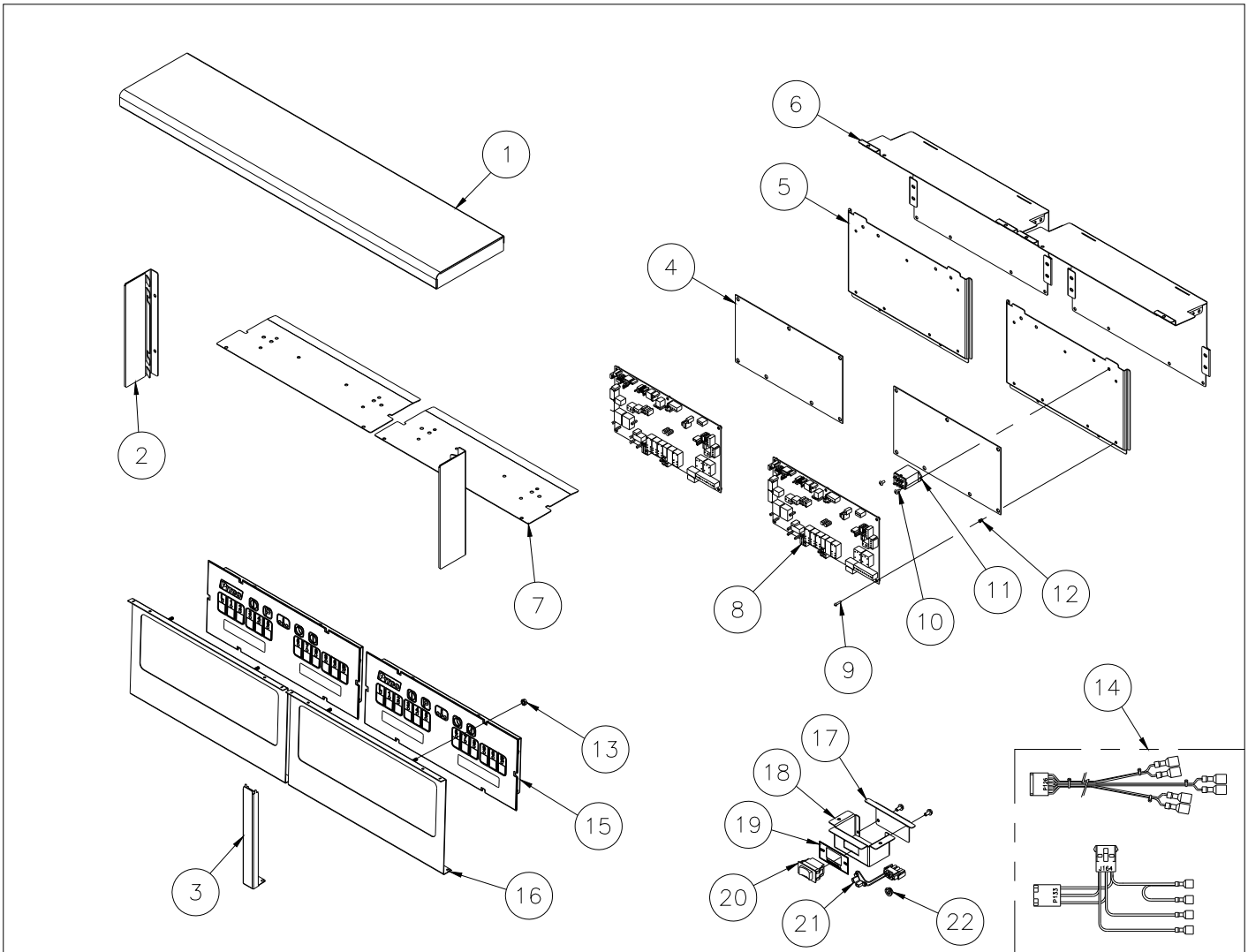
**Cabinet Detail**



## E.) Top Deck & Control Panel Parts List

ITEM #	PART#	PART DESCRIPTION
1	B3638601	FRONT PANEL, HEMMED TOP DECK ASSEMBLY S*LV-1
	B3638602	FRONT PANEL, HEMMED TOP DECK ASSEMBLY S*LV-2
	B3638603	FRONT PANEL, HEMMED TOP DECK ASSEMBLY S*LV-3
	B3638604	FRONT PANEL, HEMMED TOP DECK ASSEMBLY S*LV-4
	B3638605	FRONT PANEL, HEMMED TOP DECK ASSEMBLY S*LV-5
2	A3685002	FRONT PANEL,END CAP LH-RH S*LV
3	A3685702	FRONT PANEL, MIDDLE CAP S*LV
4	<a href="#">60186501</a>	INSULATION, AUTO FILTER BOARD #2
5	A2042301	CONTROL BOX, HEAT SHIELD WRB SGLV
6	A2042201	CONTROL BOX, SSSLV14
7	A3685301	FRONT PANEL, HEAT SHIELD S*LV
8	<a href="#">60183201</a>	PCB, AUTO FILTER BOARD #2
	<a href="#">60183201</a>	PCB, AUTO FILTER BOARD #2 DUAL
9	PP11312	SCREW, 4-40 X .500 RDH ZN
10	<a href="#">PP10687</a>	SCREW, 6-32 X 313 THRUSS HEAD PHILLIPS ZN
11	<a href="#">PP11068</a>	RELAY, 24VDC DPDT WITH MOUNTING TABS
12	<a href="#">P0091400</a>	NUTSERT, 6-32 UNC
13	<a href="#">P0092300</a>	NUT, HEX KEP 10-24 ZN
14	<a href="#">B6801201</a>	WIRING,I12 TO AUTO FILTER BOARD #2 FBW RS485CO
	<a href="#">B6800901</a>	WIRING, GAS VALVE CONNECTOR HARNESS
	<a href="#">B6760501</a>	WIRING, HARNESS CLEAN SWEEP
	<a href="#">B6747001</a>	WIRING, RELAY BOARD NO BACKUP
15	<a href="#">60149517-CL</a>	COMPUTER,12+ FULL ROV UNCONFIGURED SERVICE
	<a href="#">60149518-CL</a>	COMPUTER,I12+ SPLIT ROV UNCONFIGURED SERVICE
16	B3638710	FRONT PANEL, BEZEL WELDMENT ATO AUTOFILTER I12
17	A2043601	CONTROL BOX,COVER SWITCH TANK REFILL FULL
	A2043603	CONTROL BOX,COVER SWITCH TANK REFILL SPLIT
18	A2043501	CONTROL BOX,HOUSING SWITCH TANKK REFILL FULL
	A2043503	CONTROL BOX,HOUSING SWITCH TANKK REFILL SPLIT
19	A6105601	LABEL,TANK REFILL
20	B2007602	CONTROL BOX, ASSEMBLY TANK REFILL SWITCH SPLIT
21	<a href="#">PP10654</a>	SWITCH, ROCKER SPST W/BK (1-0)
22	<a href="#">60130401</a>	BUSHING, .512 HOLE DIAMETER

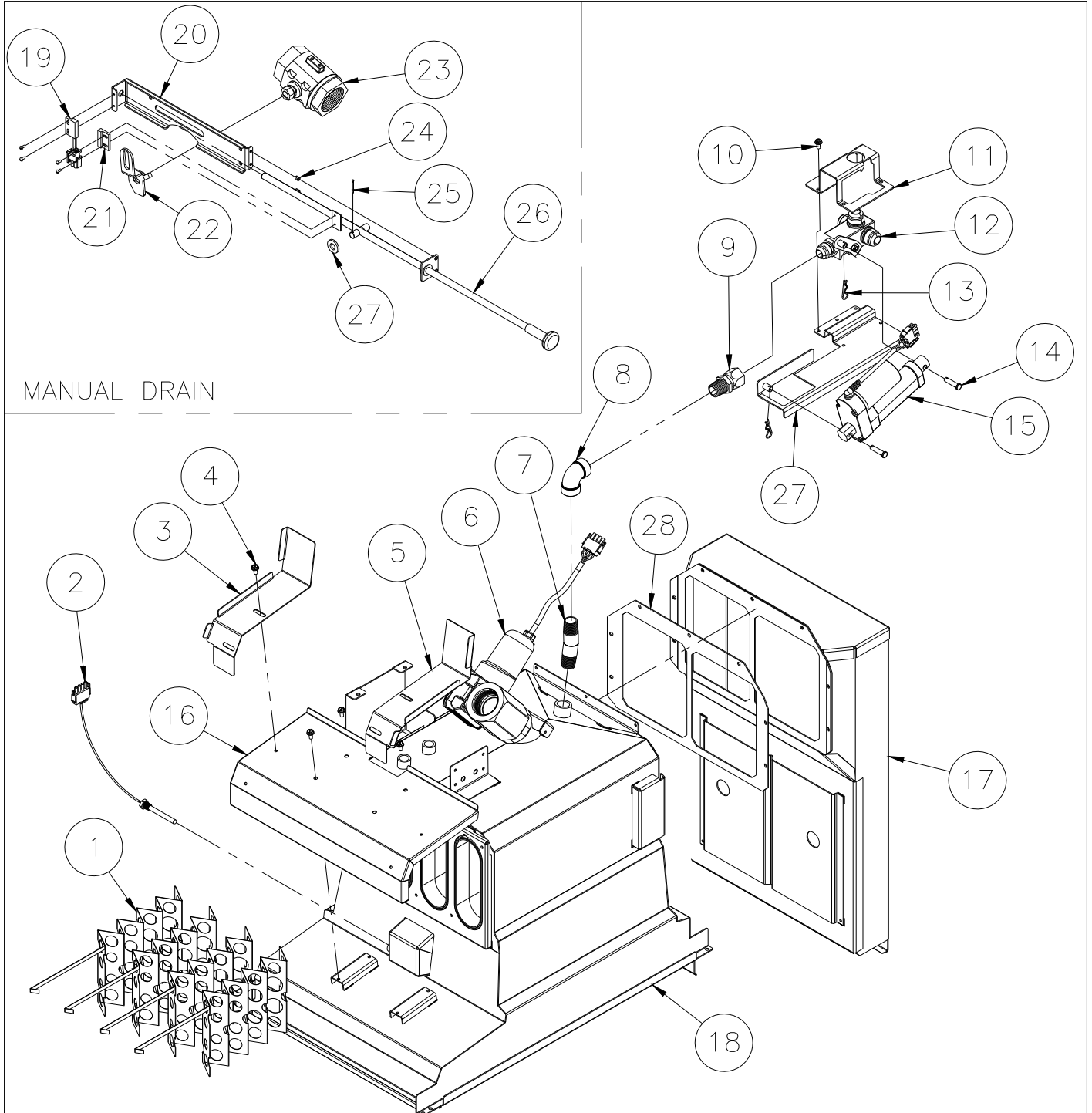
**Top Deck & Control Panel Detail**



## F.) Tank & Flue Parts List

ITEM #	PART#	PART DESCRIPTION
1	<a href="#">B1003601</a>	BAFFLE, WELDMENT DG
2	<a href="#">60182701</a>	PROBE, OIL LEVEL SSSLV
3	A3372803	TANK, HEAT SHIELD SIDE RH
4	<a href="#">PP10023</a>	SCREW, 10-24 X 3/8 SELF TAP
5	A3372801	TANK, HEAT SHIELD SIDE LH
6	<a href="#">60186601</a>	VALVE, BALL 1-1/4 FP POWERED
7	B6692101	FILTER, RETURN ANGLE COUPLING
8	<a href="#">P7037678</a>	ELBOW, BLACK 90 .500 NPT
9	<a href="#">60130101</a>	FITTING, ADAPTOR 37.5 FLARE X .5 MPT
10	B6693201	FILTER, WELDMENT RETURN ACTUATOR MOUNT S*LV
11	A7049801	FILTER, BRACKET ACTUATOR RETURN VALVE BOTTOM S*LV
12	B6693301	FILTER, WELDMENT RETURN VALVE HANDLE
13	<a href="#">P0154100</a>	CLIP, HITCH PIN
14	<a href="#">60047806</a>	PIN, CLEVIS .250 X 1.000, .06 PIN CRS
15	<a href="#">60155704</a>	ACTUATOR, LINEAR 2" 24VDC
16	A3372702	TANK, JACKET FRONT SSSLV14
	A3372704	TANK, JACKET FRONT SSSLV14T
17	B3507301	FLUE, WELDMENT SSSLV14
	B3507201	FLUE, WELDMENT SSSLV14T
18	B3337001	TANK, WELDMENT STANDARD SSSLV14
	B3337002	TANK, WELDMENT OIL LVL SENSOR SSSLV14
	B3337901	TANK, WELDMENT STF SSSLV14T
	B3337902	TANK, WELDMENT OLP SSSLV14T
19	<a href="#">B5305001</a>	ELECTRIC ASSEMBLY DVI
20	A4027901	HANDLE DRAIN BRACKET (LEFT HAND, VIEWED FROM FRONT OF FRYER)
	A4027903	HANDLE DRAIN BRACKET (RIGHT HAND, VIEWED FROM FRONT OF FRYER)
21	<a href="#">PP10263</a>	SWITCH PROXIMITY
22	A4027802	HANDLE DRAIN VALVE (LEFT HAND, VIEWED FROM FRONT OF FRYER)
	A4027804	HANDLE DRAIN VALVE (RIGHT HAND, VIEWED FROM FRONT OF FRYER)
23	<a href="#">60138701</a>	VALVE BALL 1-1/4 FP NON LOCKING
24	60092101	NUTSERT 4-40 UNC
25	<a href="#">P0190200</a>	PIN COTTER 1/16 X 3/4 ZN
26	<a href="#">B4007901</a>	HANDLE DRAIN VALVE SSSLV14*
27	B6693201	FILTER WELDMENT RETURN ACTUATOR MOUNT S*LV
28	A3535901	FLUE GASKET SSSLV14
	A3535903	FLUE GASKET SSSLV14T

**Tank & Flue Detail**

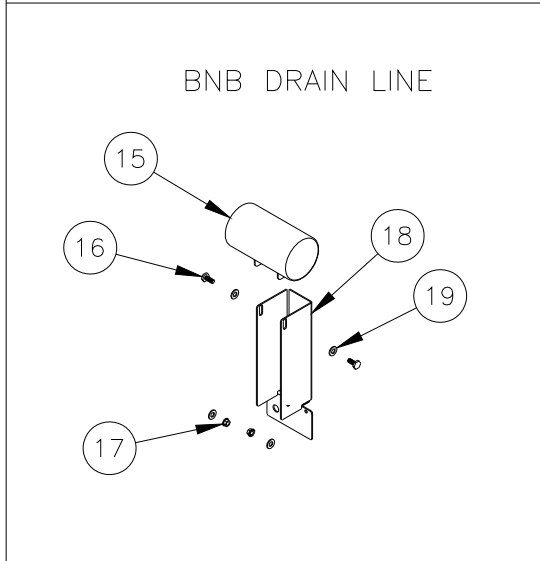
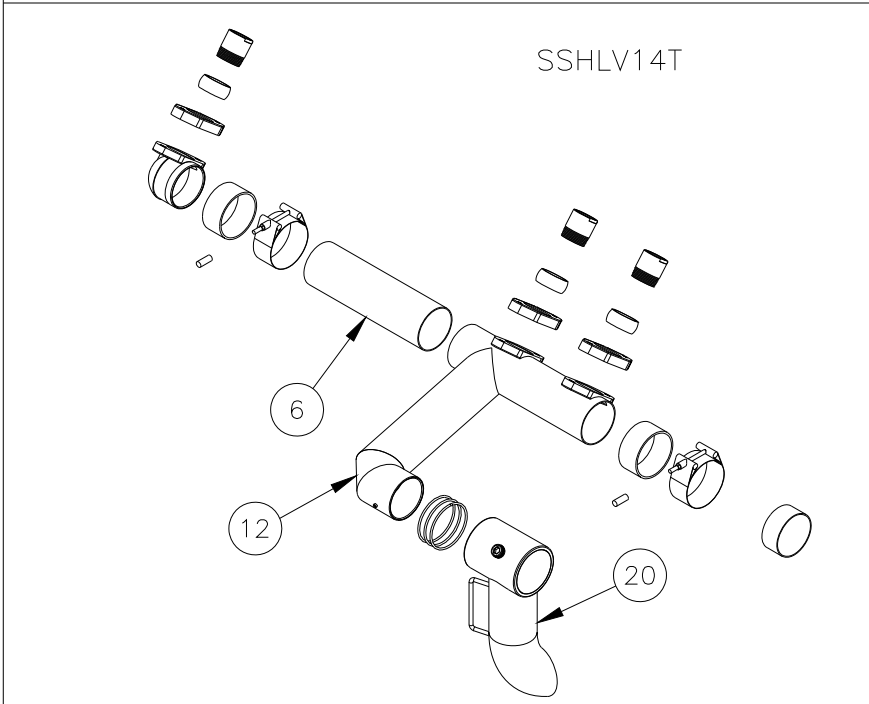
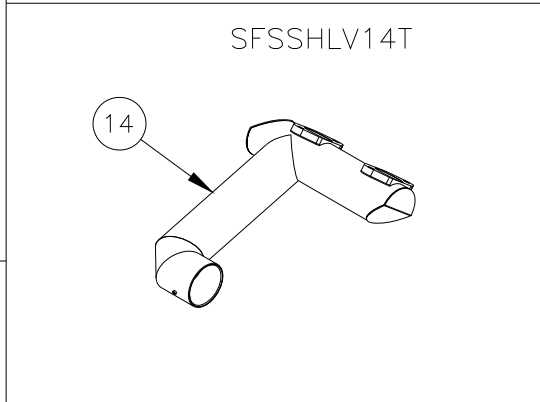
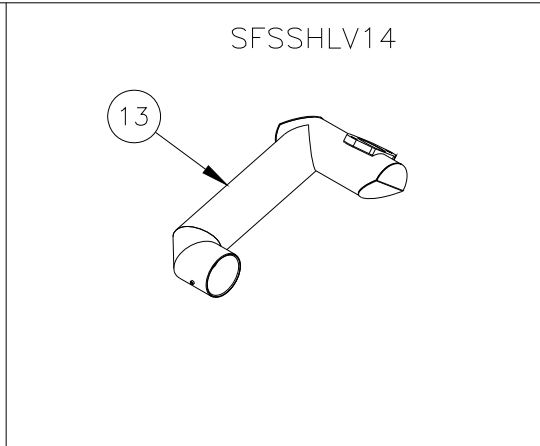
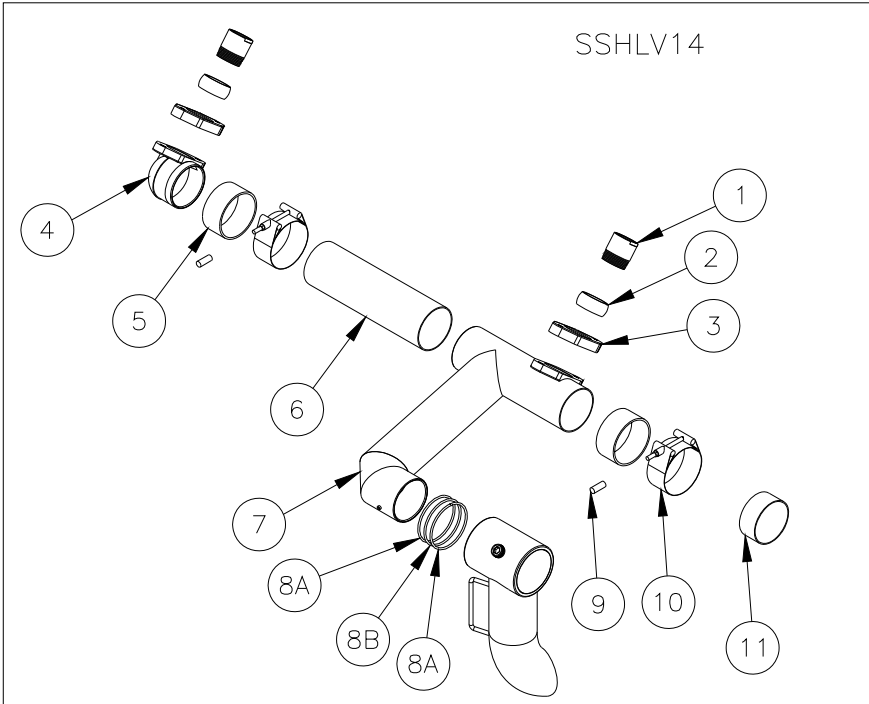


## G.) Drain Line Parts list

ITEM #	PART#	PART DESCRIPTION
1	<a href="#">A7021701</a>	FILTER, NIPPLE ADAPTER
2	<a href="#">A7022101</a>	FILTER DRAIN SEAL FERRULE
3	<a href="#">A7022201</a>	FILTER DRAIN FLANGE
4	<a href="#">B6665101</a>	FILTER DRAIN ELBOW
5	<a href="#">60059302</a>	DRAIN LINE GASKET
6	A7022453	FILTER DRAIN LINE TUBE SSSLV14-SSHLV
	A7022455	FILTER DRAIN LINE TUBE SSSLV14T-SSHLV
7	B6695001	FILTER, DRAIN LINE WELDMENT
8A	<a href="#">60068303</a>	FLUROPOLYMER O-RING, 3" X 3.25 OD (WHITE)
8B	<a href="#">60068302</a>	VITON O-RING (BLACK)
8C	<a href="#">60068303</a>	FLUROPOLYMER O-RING, 3" X 3.25 OD (WHITE)
9	<a href="#">PP10177</a>	VINYL SCREW PROTECTION CAP
10	<a href="#">60127702</a>	QUICK RELEASE BAND CLAMP
11	<a href="#">B6679501</a>	FILTER WELDMENT DRAIN LINE END CAPF
12	<a href="#">B6695201</a>	FILTER DRAIN LINE WELDMENT SSSLV14T
13	B6695401	FILTER DRAIN LINE WELDMENT SSSLV14 SOLO FILTER
14	B6695301	FILTER DRAIN LINE WELDMENT SSSLV14T SOLO FILTER
15	<a href="#">B6665501</a>	B-N-B DRAIN LINE
16	<a href="#">P0113300</a>	SCREW, 1/4 - 20 X 3/8
17	<a href="#">PP10668</a>	ACORN NUT, 1/4 - 20
18	A7049201	FILTER BRACKET BNB DRAIN SUPPORT
19	<a href="#">P0080650</a>	WASHER, FLAT 1/4
20	B6695101	FILTER DRAIN LINE DOWN SPOUT SSSLV14*



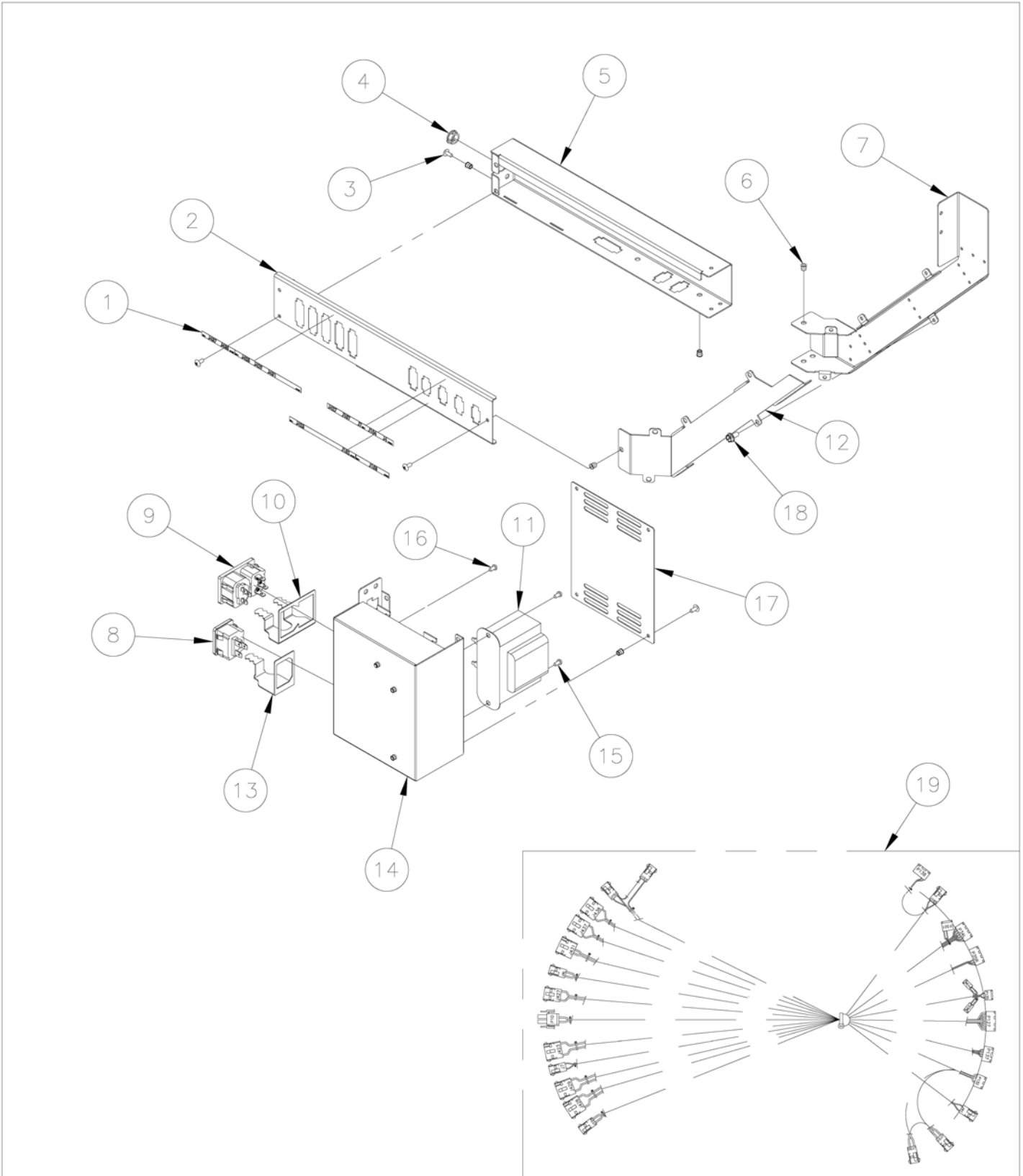
### Drain Line Detail



## H.) Entrance Box Parts List

ITEM #	PART#	PART DESCRIPTION
1	A6103101	LABEL CONNECTOR ID SSSLV14*
2	A2978101	ENTRANCE BOX,RACEWAY BODY COVER
3	<a href="#">PP10687</a>	SCR,6-32 X 5/16 TH PHILLIPS
4	<a href="#">60130401</a>	BUSHING .512 HOLE DIAMETER
5	A2978001	ENTRANCE BOX RACEWAY BODY
6	<a href="#">P0091400</a>	NUTSERT 6-32 UNC
7	A2978301	ENTRANCE BOX RACEWAY
8	<a href="#">PP11337</a>	RECEPTICLE 10A-250V IEC-320 SNAP IN
9	<a href="#">60148401</a>	CONNECTOR POWER INLET & OUT IEC320
10	A7044001	FILTER STRAIN RELIEF PUMP BOX DUAL IEC
11	<a href="#">PP10429</a>	TRANSFORMER 80VA 120/208/240V TO 24V
12	A2978201	ENTRANCE BOX RACEWAY VERTICAL GUIDE
13	A2965603	ENTRANCE BOX,STRAIN RELIEF IEC RH
14	A2978401	ENTRANCE BOX,POWER SUPPLY SSSLV14*
15	<a href="#">PP10686</a>	SCREW 6-32 X 1/4 ROUND HEAD PHILLIPS ZINC
16	<a href="#">PP10689</a>	SCR,6-32 X 1/2 RDH PHILLIPS ZN
17	A2978501	ENTRANCE BOX,POWER SUPPLY COVER
18	<a href="#">PP10023</a>	SCREW 10-24 X 3/8 SELF TAP
19	B6800801	WIRING CONTROL SSSLV

**Entrance Box View**

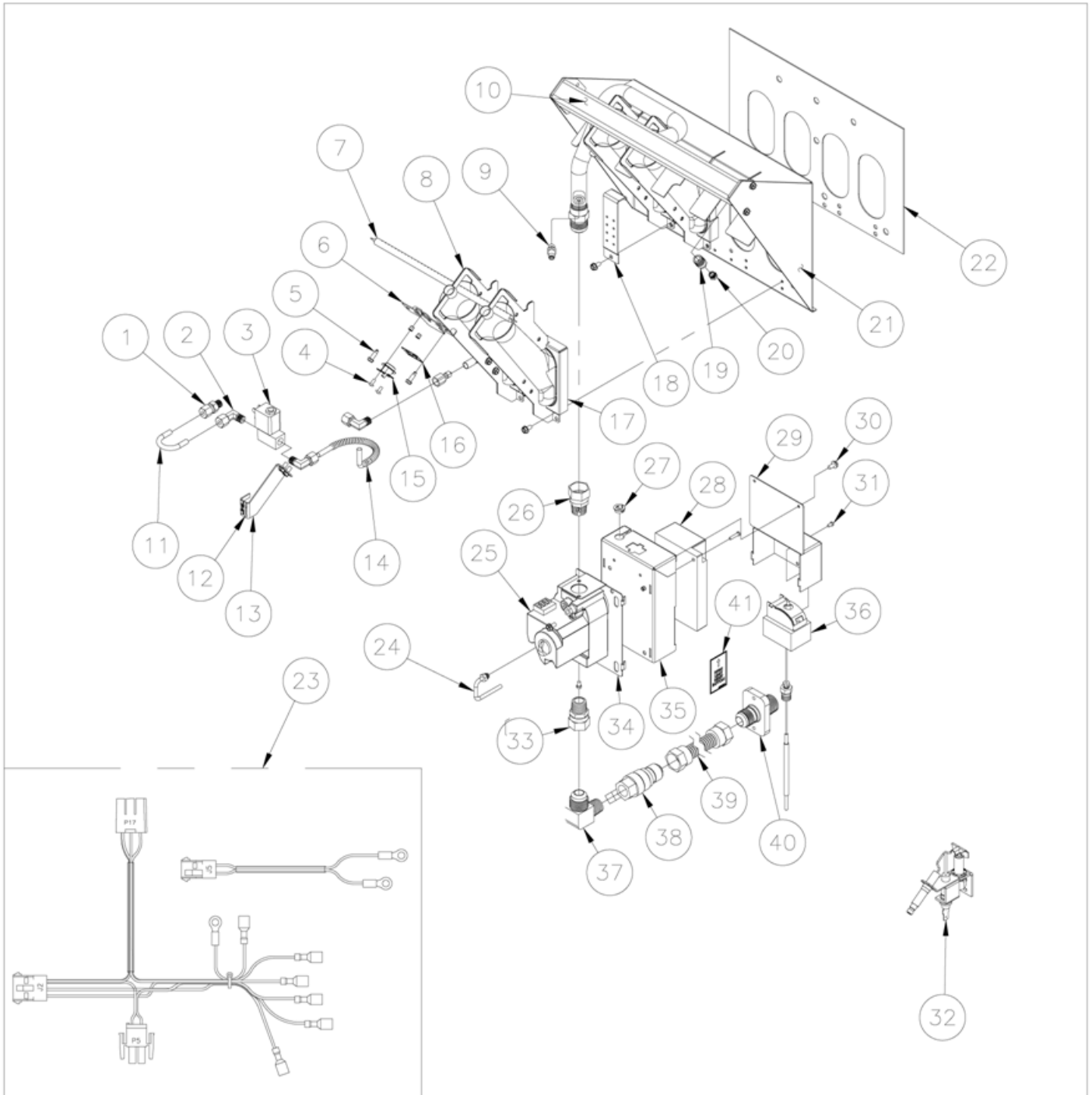




## J.) Burner & Gas Supply Parts List

ITEM #	PART#	PART DESCRIPTION
1	<a href="#">PP10934</a>	FITTING, COMPRESSION BRASS STRAIGHT 1/4TU X 1/8MPT
2	<a href="#">P7037797</a>	FITTING, COMPRESSION ELBOW BRASS 1/4TU X 1/8MPT
3	<a href="#">60148101</a>	VALVE, SOLENOID 24VAC
4	<a href="#">PP10687</a>	SCREW 6-32 X 5/16 TRUSS HEAD PHILLIPS ZN
5	<a href="#">P0075300</a>	SCREW 10-16 X 5/8 HEX HEAD SELF-DRILLING
6	A2036910	SELF-CLEANING BURNER HIGH-LIMIT BRACKET SSSLV*
7	B8060101	PIPING BURNER RUNNER TUBE SSSLV14
	B8060102	PIPING BURNER RUNNER TUBE SSSLV14T
8	SEE PARTS LIST B	BURNER
9	<a href="#">60132801</a>	FITTING TEST PRESSURE PLUG 1/8-27 (CE)
10	SEE PARTS LIST B	BURNER MANIFOLD WELDMENT
11	<a href="#">A8039001</a>	PIPING, TUBING SCB SG
12	<a href="#">A6100501</a>	LABEL ROLLOUT RESET SWITCH
13	A2043001	CONTROL BOX PILOT ORIFICE RETAINING BRACKET SSSLV14*
14	<a href="#">60119010</a>	TUBE, FLEXIBLE WITHOUT FITTINGS 6 X 1/4 OD
15	<a href="#">60147801</a>	THERMAL-LIMIT SWITCH WITH MANUAL RESET
16	A6099001	LABEL SCB ROLLOUT RESET SWITCH SG
17	SEE PARTS LIST B	BURNER SHIELD
18	SEE PARTS LIST B	BURNER FLAME JUMPER
19	<a href="#">60129701</a>	FITTING 1/4 MNPT X .344-32 UNS ORIFICE TIP BRASS
20	SEE PARTS LIST B	ORIFICE TIP
21	SEE PARTS LIST B	BURNER BRACKET
22	<a href="#">A8050901</a>	PIPING GASKET BURNER SSSLV14
	A8050902	PIPING GASKET BURNER SSSLV14T
23	B6800701	WIRING EI MODULE HARNESS
	<a href="#">P5045113</a>	WIRE ASSY ELECTRIC IGN-HV
	<a href="#">B6783401</a>	WIRING IGN CABLE W/GND 20 IN
24	<a href="#">60125901</a>	TUBE VENT GAS VALVE*
25	SEE PARTS LIST B	GAS VALVE
26	<a href="#">60127601</a>	FITTING, ADAPTER FEMALE SWIVEL X 1/2 MPT
27	<a href="#">60130401</a>	BUSHING .512 HOLE DIAMETER
28	<a href="#">60181901</a>	CONTROL, IGNITION SPARK 24VAC CE
29	A8050701	PIPING, IGNITION MODULE HI LIMIT BRACKET
30	<a href="#">PP10023</a>	SCREW, 10-24 X .375 SELF TAPPING
31	<a href="#">PP10686</a>	SCREW 6-32 X .250 ROUND HEAD PHILLIPS ZN
32	<a href="#">60182601</a>	PILOT, INLINE ELECTRONIC IGNITION NATURAL
	60182602	PILOT, INLINE ELECTRONIC IGNITION PROPANE
33	<a href="#">2908-0940501</a>	ORIFICE PILOT RUNNER TUBE
34	A8050601	PIPING VALVE SHIELD BRACKET LH
	A8050603	PIPING VALVE SHIELD BRACKET RH
35	A8050501	PIPING VALVE SHIELD SPLASH GUARD SSSLV14 LEFT HAND
	A8050501	PIPING VALVE SHIELD SPLASH GUARD SSSLV14T RIGHT HAND
36	<a href="#">PP10084</a>	SWITCH, HI-LIMIT LCM05030
37	<a href="#">60127401</a>	FITTING, ELBOW MALE FLARE X MALE PIPE THREAD
38	<a href="#">60128101</a>	VALVE, GAS SUPPLY SHUTOFF
39	<a href="#">60128015</a>	TUBING, FLEXIBLE WITH FITTINGS 22 GAS
40	<a href="#">A8029105</a>	COUPLING, GAS SUPPLY SHORT SG, MKG
41	A6104701	LABEL HIGH LIMIT RESET

**Burner & Gas Supply Detail**



**Burner & Gas Supply Parts List B**

ITEM #	PART#	PART DESCRIPTION
8	<a href="#">B8037301-C</a>	BURNER SLOTTED-FACE NATURAL
	<a href="#">B8037302-C</a>	BURNER SLOTTED-FACE LP
	<a href="#">B8041901</a>	BURNER INCONEL 601 WIRE-FACE SCREEN NATURAL SCB & LP
10	B8060001	PIPING BURNER CENTER TAP MANIFOLD WELDMENT SSSLV
	B8060301	PIPING, BURNER MANIFOLD WELDMENT SSSLV14T
17	<a href="#">A8031703</a>	BURNER SHIELD NATURAL RIGHT-HAND SGM1824
	<a href="#">A8034903-C</a>	BURNER COLLAR LP FULL RIGHT-HAND SGM1824
	A8031707	BURNER SHIELD NATURAL RIGHT-HAND SGM24
	<a href="#">A8034909-C</a>	BURNER COLLAR LP FULL RIGHT-HAND SGM24
	A8031711	BURNER SHIELD NATURAL RIGHT-HAND SGM34
	<a href="#">A8034913-C</a>	BURNER COLLAR LP FULL RIGHT-HAND SGM34
18	<a href="#">A8027701</a>	BURNER FLAME JUMPER SG14,SG14R,SG18,SG18F,SGC
	<a href="#">A8031601</a>	BURNER CROSSOVER SGM1824,SGM24,SGM34
20	A7513708	ORIFICE, 2.15MM
	A7513707	ORIFICE, 1.90MM
	P6071357	ORIFICE, #57
	<a href="#">P6071356</a>	ORIFICE, #56
	<a href="#">PP10862</a>	ORIFICE, 1.25MM
	<a href="#">P6071347</a>	ORIFICE, #47
21	A8050801	PIPING, BURNER BRACKET SSSLV14
	A8051301	PIPING, BURNER BRACKET SSSLV14T
25	<a href="#">60113501-C</a>	VALVE GAS VR8204 24V FAST NAT
	<a href="#">60113502-C</a>	VALVE GAS VR8204 24V FAST LP
	<a href="#">60113503-C</a>	VALVE GAS VR8204 24V FAST CE NAT
	<a href="#">60113504-C</a>	VALVE GAS VR8204 24V FAST CE LP



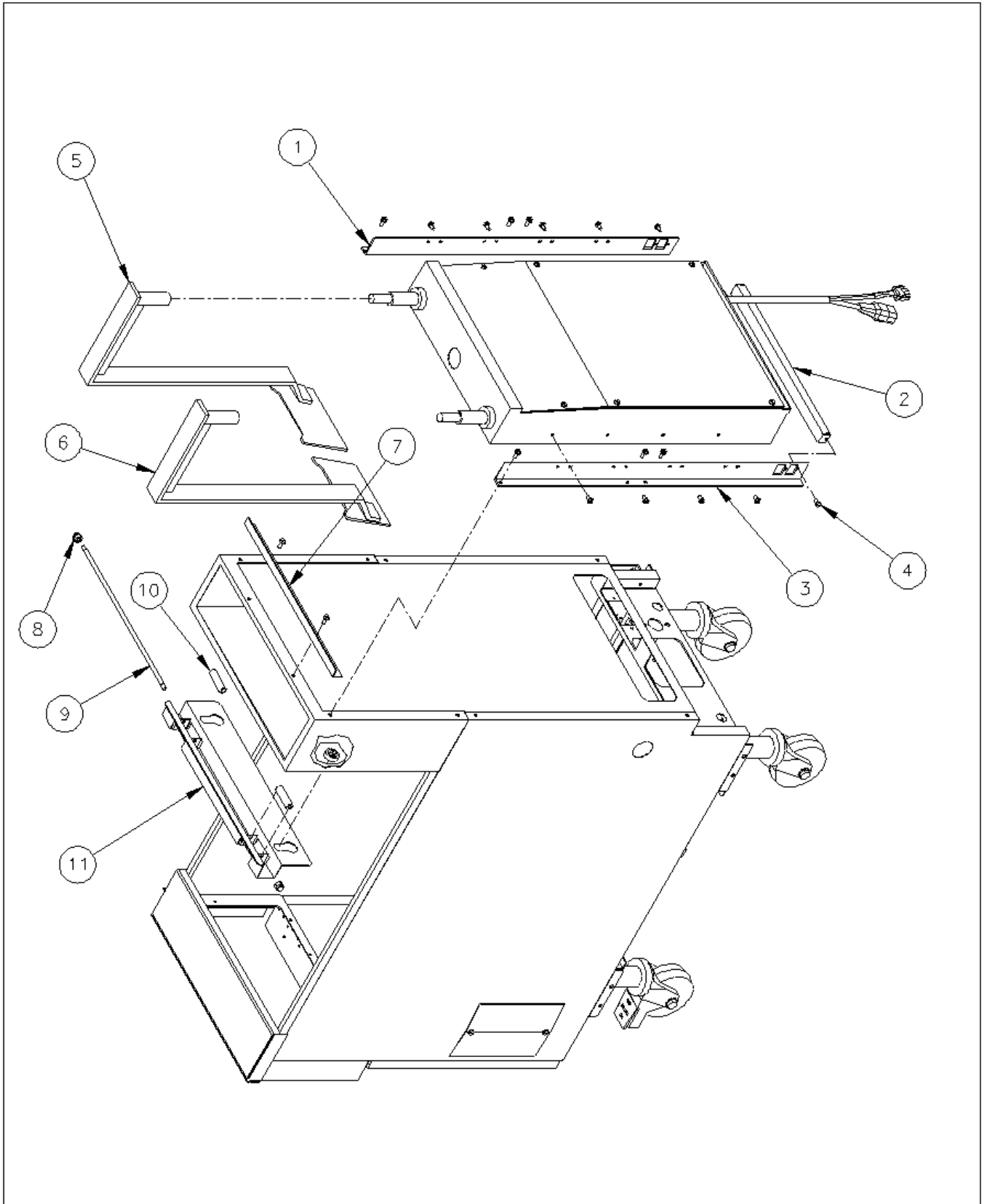
**This Page Left Intentionally Blank**

## K.) Basket Lift Assembly Parts List

ITEM #	PART#	PART DESCRIPTION
1	A5624306	BASKET LIFT MOUNT SIDE LEFT SSSLV14
2	<a href="#">A5618302</a>	BASKET LIFT MOUNT BOTTOM SG
3	A5624308	BASKET LIFT MOUNT SIDE RIGHT SSSLV14
4	<a href="#">PP10023</a>	SCREW 10-24 X 3/8 SELF TAPPING
5	<a href="#">B5609401</a>	BASKET LIFT, PADDLE SSSLV14* LH
	B5609403	BASKET LIFT, PADDLE SSSLV14T LH
6	<a href="#">B5609402</a>	BASKET LIFT, PADDLE SSSLV14* RH
	B5609404	BASKET LIFT, PADDLE SSSLV14T RH
7	A5618502	BASKET LIFT DRIP SHIELD SG
8	<a href="#">PP10668</a>	NUT ACORN W/CENTERLOCK 1/4-20
9	<a href="#">A5617902</a>	BASKET LIFT HANGER SUPPORT AXLE SG
10	<a href="#">A5617801</a>	BASKET LIFT HANGER SUPPORT WHEEL SG
11	A5627402	BASKET LIFT, HANGER SUPPORT SSSLV14*
12 NOT SHOWN	B5604409	BASKET LIFT HANGER SUPPORT ASSY SSSLV* (INCLUDES 8-11)
13 NOT SHOWN (INCLUDES ALL ITEMS)	B5604512	BASKET LIFT HANGER AND MOUNTING KIT SSSLV14 (INCLUDES 1-11)
	B5604513	BASKET LIFT HANGER AND MOUNTING KIT SSSLV14T (INCLUDES 1-11)



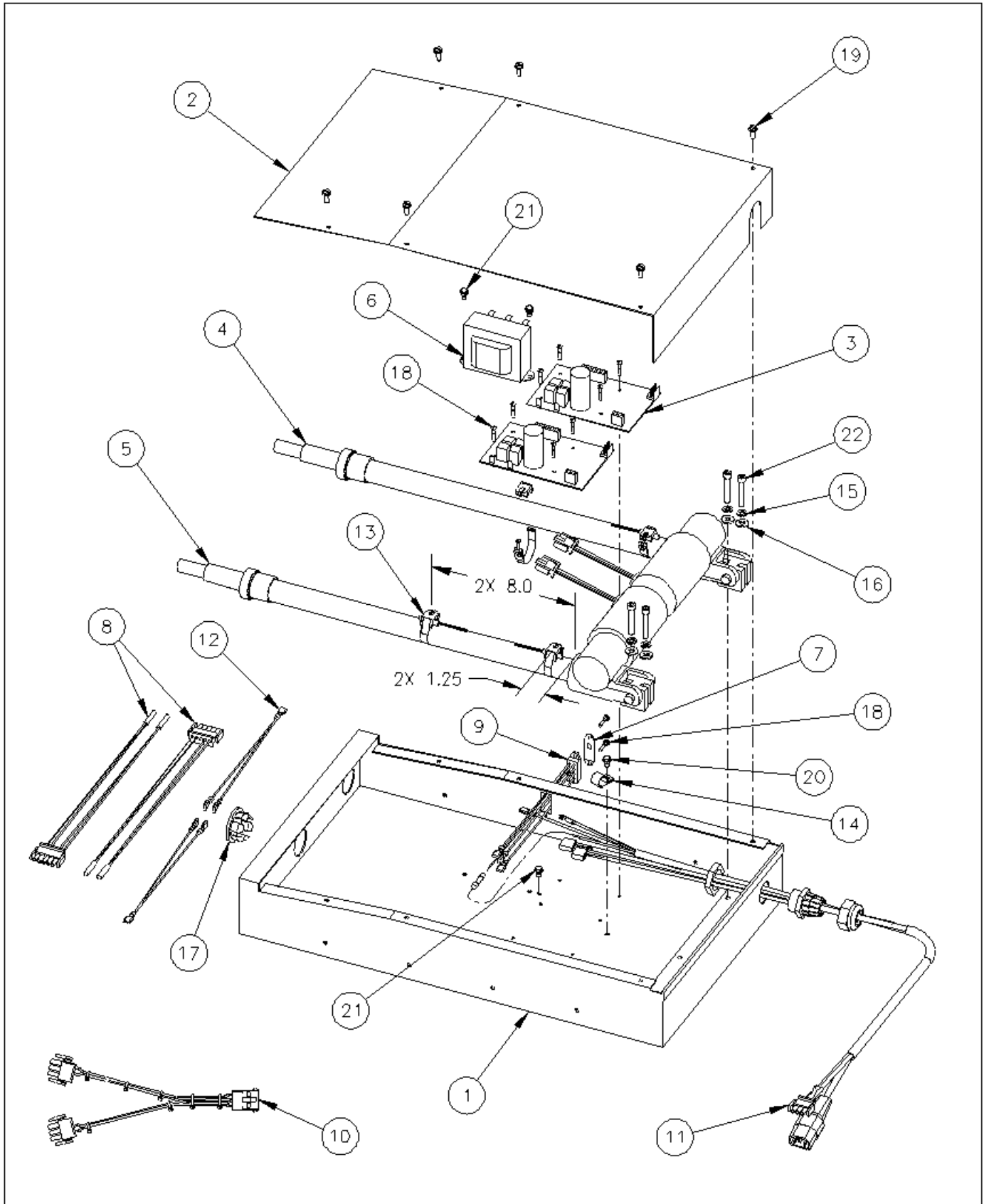
**Basket Lift Assembly Detail**



## L.) Basket Lift Components Parts List

ITEM #	PART #	PART DESCRIPTION
1	B5605601	BASKET LIFT BOX ACTUATOR MODULAR WELDMENT
2	A5619002	BASKET LIFT BOX COVER ACTUATOR MODULAR
3	60134001	CONTROL BASKET LIFT DRIVER BOARD
4	60134301	ACTUATOR 25 3.3-9.4 24VDC 1IPS LEFT-HAND
5	60134302	ACTUATOR 25 3.3-9.4 24VDC 1IPS RIGHT-HAND
6	PP10429-M	TRANSFORMER 80VA 120/208/240V TO 24V
7	A2958102	ENTRANCE BOX SWITCH COVER 120V
	A2958104	ENTRANCE BOX SWITCH COVER 208V
	A2958106	ENTRANCE BOX SWITCH COVER 220/240V
8	B5308901	WIRING BASKET LIFT LIMIT SWITCH ACTUATOR
9	B6744901	WIRING VOLTAGE SELECT 120/208/220-240V
10	B6748901	WIRING HARNESS BASKET LIFT (SG14T)
11	B6779001	WIRING BASKET LIFT MAIN ACTUATOR
12	B6779101	WIRING BASKET LIFT TRANSFORMER ACTUATOR
13	60136901	CLAMP BASKET LIFT LIMIT SWITCH
14	P6071071	CLAMP WIRE 3/8 NYLON
15	PP10673	WASHER LOCK 1/4 SST SPLIT
16	N/A	WASHER FLAT 1/4 SST
17	N/A	HOLE PLUG KEYSTONE #7610 OR EQUIVALENT
18	N/A	SCREW 6-32 X 3/4 PHH PNH SST W/LK WASHER
19	P0075400	SCREW 10-24 X 1/2 SELF TAPPING
20	PP10693	SCREW 10-24 X 3/8 PHH TRH ZN
21	N/A	SCREW 10-24 X 3/8 INDT HEX W/EXT WASHER
22	N/A	SOCKET HEAD CAP SCREW 1/4-20 X 1-1/2 SST
23 NOT SHOWN (INCLUDES ALL ITEMS)	B5604601-C	BASKET LIFT ACTUATOR BOX ALL VOLTAGES (NOT SHOWN)

**Basket Lift Components Detail**





In the event of problems with or questions about your order, please contact the Pitco Frialator factory at

(603) 225-6684 World Wide  
[www.pitco.com](http://www.pitco.com)

In the event of problems with or questions about your equipment, please contact the Pitco Frialator Authorized Service and Parts representative (ASAP) covering your area, or contact Pitco at the numbers listed to the left.

MAILING ADDRESS – P.O. BOX 501, CONCORD, NH 03302-0501  
SHIPPING ADDRESS – 10 FERRY ST., CONCORD, NH 03301