

**Slant/Fin**

**INTREPID**

**★ LIBERTY II**

**OIL-FIRED WATER AND STEAM BOILERS/NO. 2 OIL**



SERVICE COMPANY

Name \_\_\_\_\_

Address \_\_\_\_\_

Telephone \_\_\_\_\_

Model # \_\_\_\_\_

Serial # \_\_\_\_\_

**INSTALLATION AND OPERATING INSTRUCTIONS**

READ AND SAVE THESE INSTRUCTIONS FOR REFERENCE.

**SAFETY WARNING:**

**KEEP BOILER AREA CLEAR AND FREE FROM COMBUSTIBLE MATERIALS, GASOLINE AND OTHER FLAMMABLE VAPORS AND LIQUIDS. FAILURE TO ADHERE TO ABOVE SAFETY WARNING, MAY RESULT IN PERSONAL INJURY OR DEATH AND PROPERTY DAMAGE.**



CONTENTS .....	PAGE
Ratings and Dimensions .....	2
Installation Requirements:	
Boiler Location .....	3
Clearances .....	3
Chimney Requirements .....	3
Air Supply and Venting .....	3
Controls and Accessories .....	7
Piping for Steam Boilers .....	7
Cleaning Piping System .....	7
Piping for Water Units .....	7
Piping for Tankless Heater .....	8
Installing Burner .....	8
Oil Supply Piping .....	8
Wiring the Boiler .....	8
Vent Piping and Draft Regulator .....	9
Operating Instructions:	
Precautions Before Starting .....	9
Start-up .....	9
Cleaning and Filling New Water Boiler .....	9
Blowing Off a Steam Boiler .....	7, 10
Cleaning and Filling New Steam Boiler .....	10
Low Water Cut-off Check-out .....	10
Pressure Control Check-out .....	11
Replacement of Steam Boiler .....	11
Wiring Diagrams .....	12-17
Liberty Boiler .....	13
Burner Data .....	19-25
Care and Maintenance:	
Extended Shutdown .....	26
Freezing Protection .....	26
Oil Burner .....	26
General Maintenance .....	26

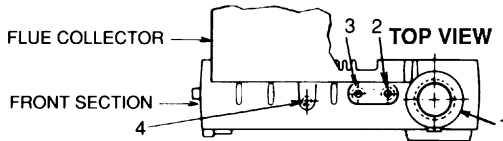
**IMPORTANT:** The installation of this equipment must conform to the requirements of the authority having jurisdiction or, in the absence of such requirements, to the Installation of Oil Burning Equipment, ANSI/NFPA 31, latest edition, and to the National Electrical Code ANSI/NFPA 70, latest edition. The installation must also conform to the additional requirements in this Slant/Fin Instruction Manual. Where there is any difference, the more stringent requirement shall govern.

In addition, where required by the authority having jurisdiction, the installation must conform to American Society of Mechanical Engineers Safety Code for Controls and Safety Devices for Automatically Fired Boilers, No. CSD-1, latest edition.

**THIS MANUAL MUST BE LEFT WITH OWNER AND SHOULD BE HUNG ON OR ADJACENT TO THE BOILER FOR REFERENCE.**

**IMPORTANT:** This boiler must be installed by a trained, experienced, service technician, licensed for the installation and servicing of oil burning equipment or otherwise qualified by the authorities having jurisdiction over the installation.

**TAPPINGS AND OPENINGS**



Tapping Location	Steam Boiler	Water Boiler
1	3" supply	1 1/2" supply
1A	2" supply on rear section *	
2	second 1/4" siphon & pressure cutout if required	3/4" air vent or expansion tank
3	3/4" steam safety valve	3/4" water relief valve
4	1/4" siphon, pressure gauge & pressure cut-out	
5A		1/2" tankless inlet
5B		1/2" tankless outlet
6		1/4" pressure temp. gauge
7		1/2" high limit, hi/lo or combination control
8	3/4" alternate electronic low water cut-off	
9	1 1/2" skimmer tapping	
10	1/2" low limit for tankless	
11A	1/2" tankless inlet	
11B	1/2" tankless outlet	
12	1/2" steam gauge glass & 67 LWCO	
13	1 1/2" bushed to 3/4" for drain cock	1 1/2" return & 3/4" drain cock
14	1 1/2" condensate return	1 1/2" alternate return
15	3/4" NPT zone tapping	

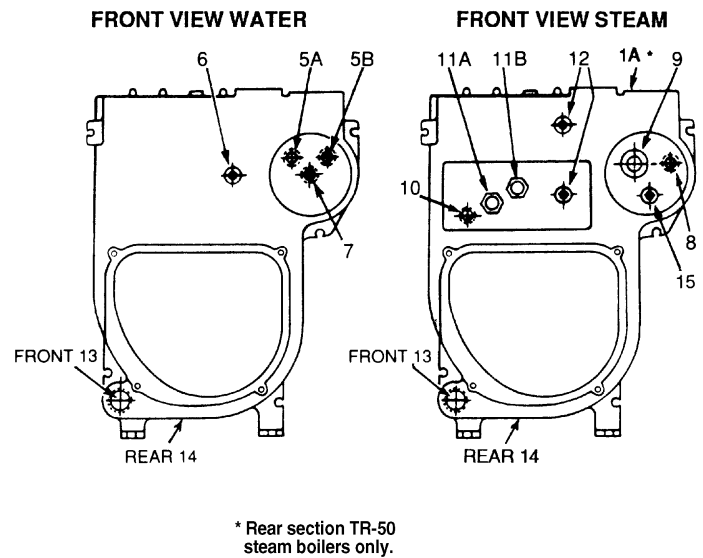


Figure 1

\* Rear section TR-50 steam boilers only.

**DIMENSIONS**

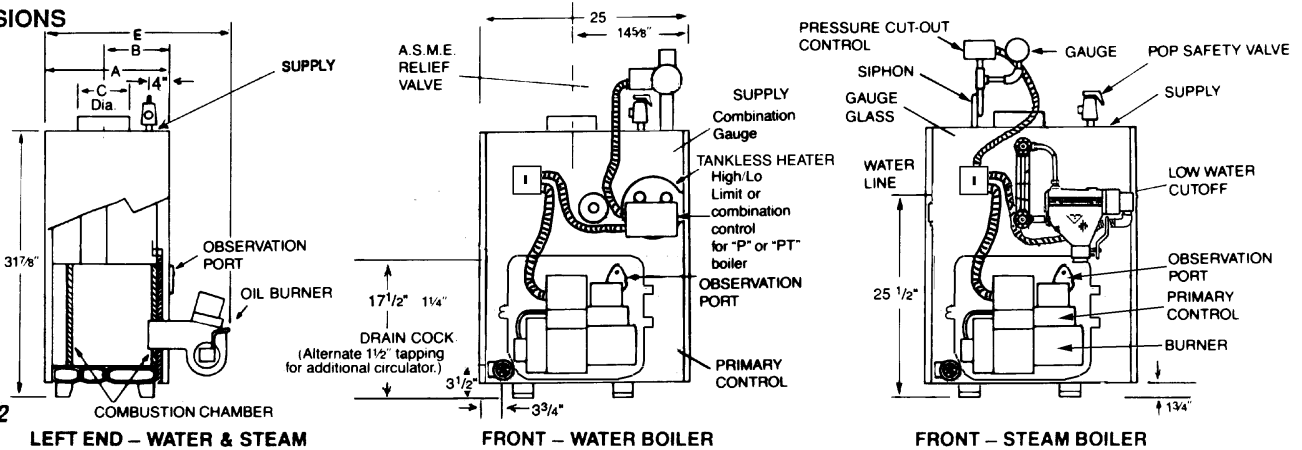


Figure 2

**RATINGS**

Intrepid Boiler Net Ratings <small>AHRI CERTIFIED</small>										Dimensions (inches)					Boiler Sect.	Tankless Heater GPM **				
Boiler Model No. *	AHRI Burner Capacity (GPH) †	Input Rating (MBH)	D.O.E. Heating Capacity MBH		AHRI Net Rating Water (MBH) *	AHRI Net Rating Steam (MBH) *	Steam Sq. Ft.	AHRI Chimney Size			A.F.U.E. %		Boiler Length "A"	Front to Flue "B"		Flue Dia. "C"	Return Circulator Flange "D"	Overall Length "E"		Water
			Water	Steam				Rectangular (in.)	Round (in.)	Height (ft.)	Water	Steam								
TR-20H	0.65	91	78	—	68	—	8 x 8	5	15	86.0	85.0	11 1/2"	8 9/32"	6 1/2"	1 1/4"	24 1/4"	2	2.20	—	
TR-30H	1.00	140	120	119	104	89	8 x 8	6	15	86.0	85.0	14 1/2"	10 1/2"	6 1/2"	1 1/4"	27 3/4"	3	3.10	—	
LD-30H	1.00	140	120	119	104	89	8 x 8	6	15	86.0	85.0	14 1/2"	10 1/2"	6 1/2"	1 1/4"	27 3/4"	3	3.10	—	
TR-40H	1.50	210	181	178	157	134	8 x 8	7	15	86.0	85.0	18 1/2"	11 23/32"	7 1/2"	1 1/4"	31 1/4"	4	3.80	3.40	
TR-50H	2.00	280	241	238	210	179	8 x 8	8	15	86.0	85.0	21 1/2"	13 1/2"	8 1/2"	1 1/2"	34 1/4"	5	4.30	3.90	
LD-50-2.15	2.15	301	250	248	217	186	8 x 8	8	15	86.0	85.0	21 1/2"	13 1/2"	8 1/2"	1 1/2"	34 1/4"	5	4.30	3.90	
TR-60-2.60	2.60	364	301	311	262	233	971	8 x 12	10	15	82.7 <sup>†</sup>	85.5 <sup>†</sup>	25	15 1/2"	8 1/2"	1 1/2"	37 3/4"	6	5.00	—
LD-60-2.60	2.60	364	301	311	262	233	971	8 x 12	10	15	82.7 <sup>†</sup>	85.5 <sup>†</sup>	25	15 1/2"	8 1/2"	1 1/2"	37 3/4"	6	5.00	4.50
TR-60-2.85	2.85	399	326	—	283	—	—	8 x 12	10	15	82.7 <sup>†</sup>	—	25	15 1/2"	8 1/2"	1 1/2"	37 3/4"	6	5.00	—
LD-70-3.00	3.00	420	355	349	309	262	1096	8 x 12	10	15	82.4 <sup>†</sup>	83.2 <sup>†</sup>	28 1/2"	16 25/32"	9 1/2"	—	41 1/4"	7	5.40	5.00
TR-70-3.00	3.10	420	358	326	311	272	1108	8 x 12	10	15	82.4 <sup>†</sup>	83.2 <sup>†</sup>	28 1/2"	16 25/32"	9 1/2"	—	41 1/4"	7	5.40	5.00
TR-70-3.35	3.35	435	381	—	331	—	—	8 x 12	10	15	81.2 <sup>†</sup>	—	28 1/2"	16 25/32"	9 1/2"	—	41 1/4"	7	5.45	5.00

Standard working pressure 30 psi water, 15 psi steam.

All boilers hydrostatically tested — A.S.M.E.

\* For forced hot water heating systems where the boiler and all piping are located within the area to be heated, the boiler may be selected on the basis of gross D.O.E. capacity output. The net AHRI output ratings shown are based on an allowance for piping and pickup of 1.15 (water) or 1.33 (steam). D.O.E. capacity gross output is divided by the allowance to obtain net rating. The manufacturer should be consulted before selecting a boiler for unusual piping and pickup requirements such as intermittent system operation, extensive piping, etc.

† Ratings apply to the use of light oil at 140,000 Btu per gallon, and apply only when burner models listed on pages 19-25 of this manual are used, and are properly adjusted to produce 13% CO<sub>2</sub>.

§ Nominal clay tile liner dimensions.

\*\* Tankless heater rating based on intermittent draw.

† AHRI gross output (Btuh) and thermal efficiency.

□ Collar is oblong, will fit 6" diameter nominal connector.

c This dimension is from the boiler jacket to the center of the flue outlet.

NOTE: All boilers under 300,000 Btuh input are tested and rated for capacity under the U.S. Department of Energy (D.O.E.) test procedures for boilers.

## INSTALLATION REQUIREMENTS

### BOILER LOCATION

Provide a level, solid foundation for the boiler. Location should be near the chimney so that the Flue Pipe Connector or Breeching to the chimney is short and direct.

- A. The foundation must be capable of supporting the weight of the boiler when filled with water:

Boiler Size	Approximate Total Weight of Boiler Assembly, filled with water
TR-20H	440
TR-30H/LD-30H	550
TR-40H	660
TR-50H/LD-50	785
TR-60/LD-60	895
TR-70/LD-70	1000

- B. The boiler can be installed on both combustible and non-combustible floors, but must NOT be installed on or above carpeting.
- C. The Intrepid Boiler has full wet base sections which surround fire-box for maximum heat absorption of burning fuel, and low floor temperature.
- D. If boiler is to be located over buried conduit containing electric wires or telephone cables, consult local codes or the National Board of Fire Underwriters for specific requirements.

**CAUTION:** NEVER BURN GARBAGE OR PAPER IN THE UNIT AND NEVER LEAVE COMBUSTIBLE MATERIAL AROUND IT.

### MINIMUM CLEARANCE

Provide accessibility clearance of 24" from surfaces requiring servicing (top and front) and 18" on any side requiring passage. The boiler shall be installed with the following MINIMUM clearances from combustible materials:

- A. CHIMNEY CONNECTOR-18"
- B. BACK AND SIDES- 6" EXCEPT as limited by 18" clearance from chimney connector

NOTE: Except in closets and alcoves, clearances above in (A) and (B) may be reduced by providing forms of protection as specified in NFPA 31, latest edition.

### CHIMNEY REQUIREMENTS

- A. The chimney must be constructed in accordance with all local applicable codes and the National Board of Fire Underwriters. See boiler models and rating table shown on page 2 for chimney sizes.
- B. Check chimney condition. Existing chimneys and stacks may have deteriorated; without repairs their use would be hazardous. Before connecting to an old chimney or stack:
  1. Clean it.
  2. Inspect it thoroughly.
  3. Remove obstructions.
  4. Replace worn sections of metal stacks.
  5. Seal bad masonry joints.
  6. Repair damaged linings.
- C. Where more than one appliance vents into a common chimney, the area of the common breeching should at least equal the area of the largest appliance flue plus 50% of the additional flue areas.
- D. Breeching area must not be reduced at connection into chimney. Breeching must be inserted into, but not beyond, inside of chimney liner.
- E. Chimney height shall extend at least 3 feet above where it passes through the roof of the building, and at least 2 feet above any ridge within 10 feet of the chimney.
- F. The use of a vent cap, where permitted by code, gives additional protection against adverse wind conditions and precipitation.
- G. Flue Connection: Connect flue pipe between top of boiler and chimney. Horizontal sections of flue pipe must be pitched upward to the chimney at least 1/4" per foot. Flue must be inserted into, but not extend beyond, the inside wall of the chimney flue. Install draft regulator in flue pipe, as shown in figure 3.

### AIR SUPPLY AND VENTILATION (see NFPA 31, latest edition)

Sufficient air for combustion and ventilation in the boiler room must be provided. Failure to do this will result in poor combustion, heavy sooting and health hazards.

**CAUTION:** AN OIL-FIRED UNIT SHALL BE CONNECTED TO A VENT HAVING A SUFFICIENT DRAFT AT ALL TIMES TO ENSURE SAFE AND PROPER OPERATION OF THE UNIT.

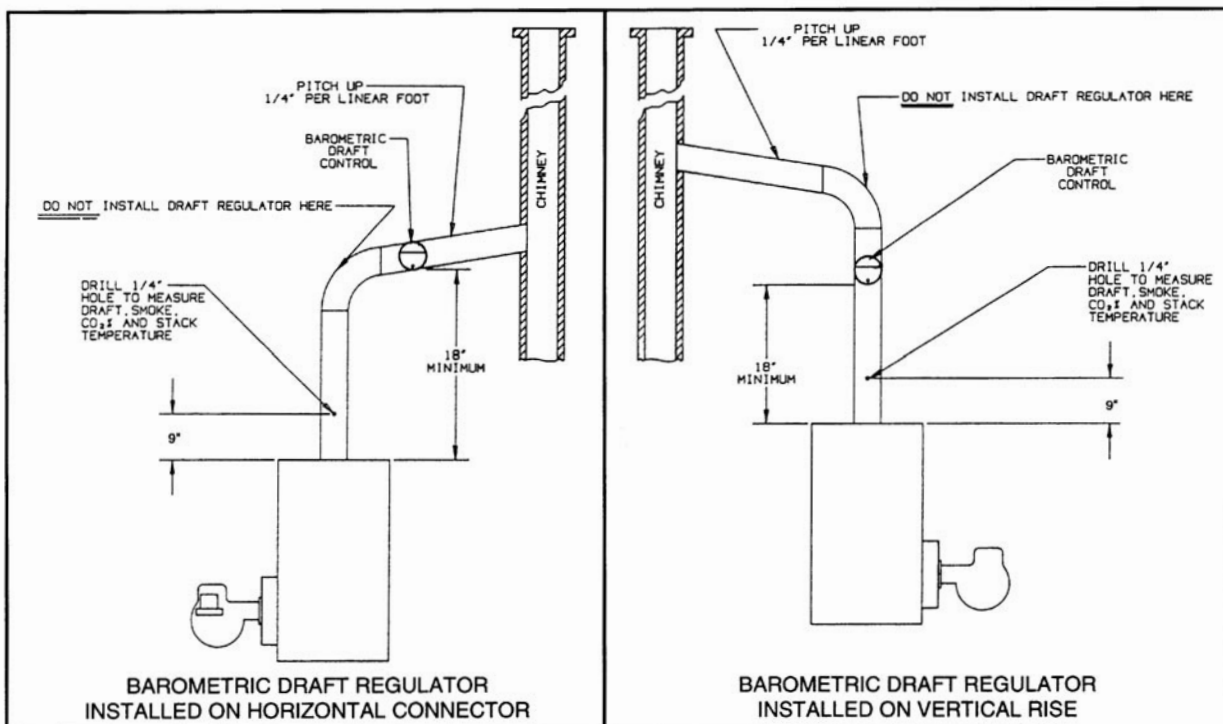
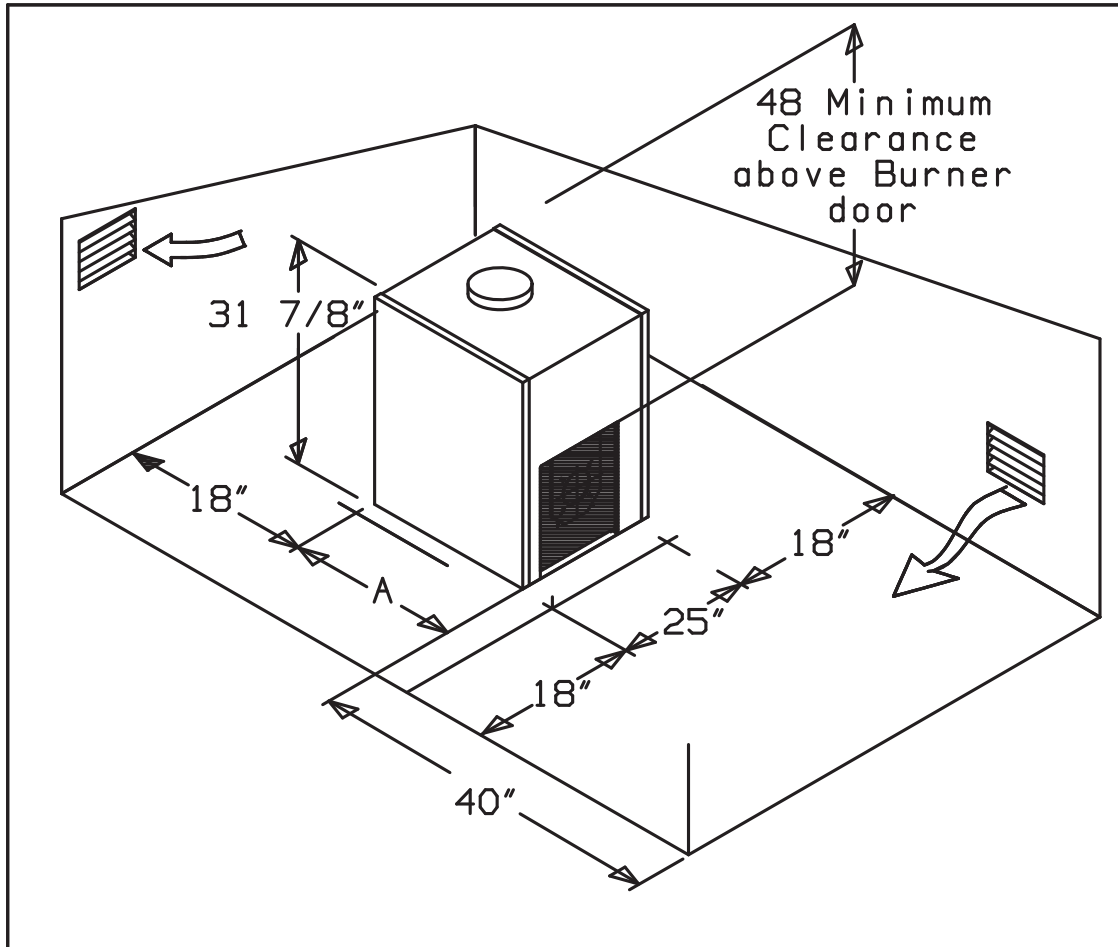


Figure 3. Barometric Draft Regulator

Sufficient space shall be left clear around the boiler.

Do not stack items on or box in the appliance within the required clearances to combustibles.



BOILER MODELS	A (in)
TR-30H / TR(DV)-30 / LD-30H	14 7/8"
TR-40H	18 1/4"
TR-50H	21 5/8"
TR-60 / LD-60	25"
TR-70 / LD-70	28 3/8"

Any oil-fired boiler must have a steady draft\* and an ample supply of combustion air at all times during firing. If air supply or chimney draft\* is unreliable, CO<sub>2</sub> and overfire draft\* will change unpredictably.

DO NOT vent this boiler to the same chimney flue used by a fireplace or coal or wood burning furnace or boiler. The draft\* produced by solid fueled devices varies tremendously between high fire and low fire:

In modern, weather stripped, energy-saving buildings or older buildings which have been modified similarly, natural infiltration may not supply enough air for combustion, particularly if other fuel burning appliances, exhaust fans or draft inducers are competing for the same air supply. Fireplaces, other solid fuel burning appliances and exhaust fans consume great quantities of air; if air supply is not ample, such an appliance will create a downdraft in the oil-fired boiler flue. This can create a hazardous condition. Flue gases can be sucked out of the chimney through

the vent regulator into the living space. DO NOT operate this boiler and a solid fuel burning appliance at the same time, unless the solid fuel burner is provided with its own outside air supply.

See Table 2, "Provisions for Combustion and Ventilation Air Supply" for determining need and method of providing air for combustion and ventilation.

If fly screen must be used over air supply openings, areas calculated should be doubled; the screen should be inspected and cleaned frequently to maintain free air flow.

Protect air openings against closure by snow, debris, etc. Openings such as doors or windows, if used, must be locked open.

\* Draft is negative or suction pressure

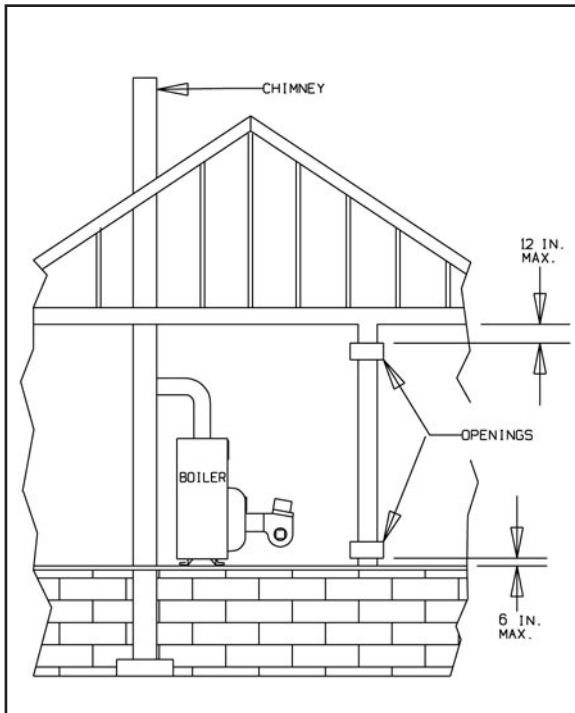
**TABLE 2: Provisions for Combustion and Ventilation Air Supply.** See NFPA 31, latest edition for more detailed information.

	Boiler Location	Air Supply	Action Required
2.1	Unconfined space	Is there sufficient air for combustion by natural infiltration (see NOTE (1), "Test..." below)?	NONE
2.2	Unconfined space	If there is NOT sufficient air for combustion by natural infiltration due to tight construction or other conditions, then it REQUIRES AIR FROM OUTDOORS. SEE "ACTION REQUIRED" column at right. See Notes (1) and (2) below.	Provide air from outdoors directly through a permanent outside wall opening or openings with a free open area of not less than 1 sq. in. per 4000 Btu/hr of TOTAL input of ALL fuel burning appliances in the building. See Note (1) and (3).
2.3	Confined space	If there is sufficient air for combustion from within building but it comes from outside of the confined space. SEE "ACTION REQUIRED" column at right. See Note (1) below.	The confined space shall be provided with two permanent air openings, one near the top of the enclosure and one near the bottom. EACH opening shall have a free air opening of not less than 1 sq. in. per 1000 Btu/hr. of TOTAL input of ALL fuel burning appliances within the enclosure. The two openings shall freely communicate with the interior areas of the building which in turn would have to have adequate infiltration of air from outdoors. See Notes (1, 3) and Figure 3a.
2.4	Confined space	If there is NOT sufficient air for combustion due to tight construction or other conditions it REQUIRES AIR FROM OUTDOORS. SEE "ACTION REQUIRED" column at right. See NOTE (2) below.	(a) Air from the outdoors shall be provided to the confined space by two permanent openings, one in or near the top of the enclosure space and one in or near the bottom. The openings shall communicate directly, or by means of ducts, with outdoors or to such spaces (crawl or attic) that freely communicate with outdoors (See figures 3b, 3c and 3d). (b) Where directly communicating with outdoors or by means of vertical ducts, each opening shall have a free area of not less than 1 sq. in. per 4,000 Btu/hr. (35 sq. in. per gal. per hr.) of TOTAL input rating of ALL appliances in the enclosure. If horizontal ducts are used, each opening shall have a free area of not less than 1 sq. in. per 2,000 Btu/hr. (70 sq. in. per gal. per hr.) of TOTAL input of ALL appliances in the confined space. See Figures 3b, 3c and 3d.

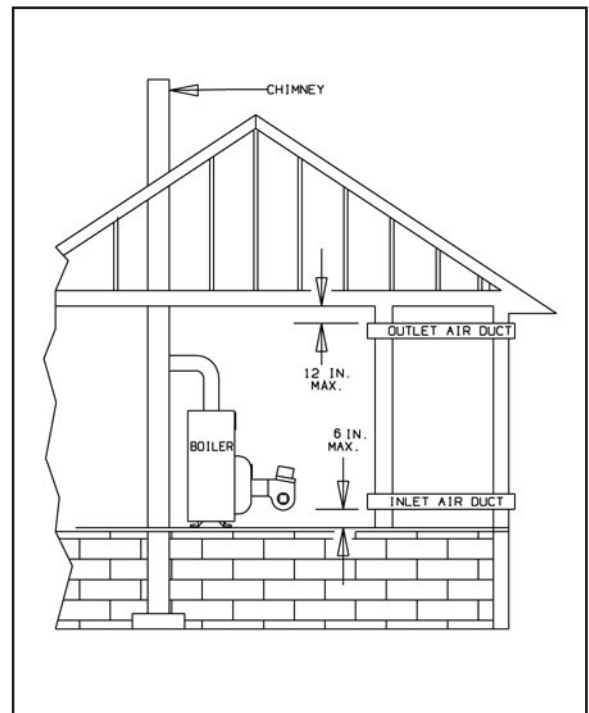
(1) Test for sufficient air for combustion by infiltration by running this boiler for 30 minutes under all of the following conditions and at the same time: a) all doors, windows and other like openings must be closed, b) all fuel burning appliances should be FIRING, c) all exhaust fans and clothes dryers turned ON. At the above conditions the CO<sub>2</sub>, smoke and draft readings must be normal. (CO<sub>2</sub> between 11% and 13%, smoke between ZERO and a TRACE, draft between .02" W.C. and .04" W.C. negative pressure.)

(2) Aside from tight construction, some of the conditions that steal air for combustion from a boiler are other fuel burning appliances, exhaust fans and clothes dryers.

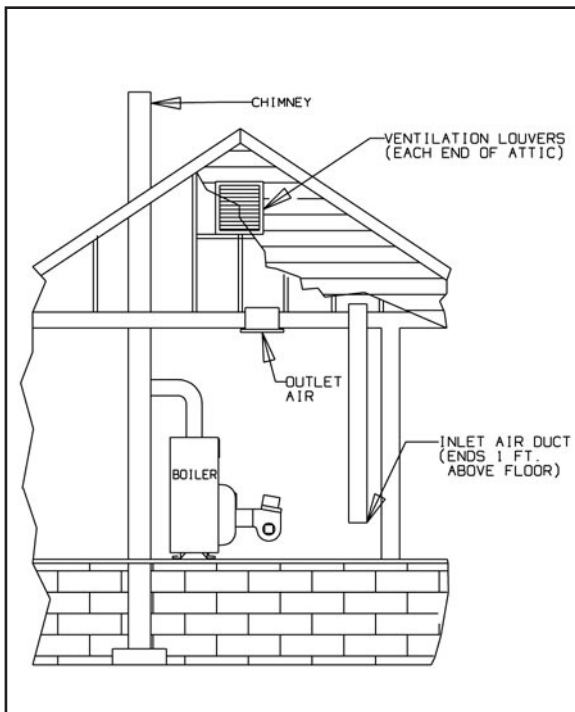
(3) Generally, louvers made of wood have a free open area of 20% and those made of metal have a 60% to 70% free open area. Screens also reduce the open area of the louvers.



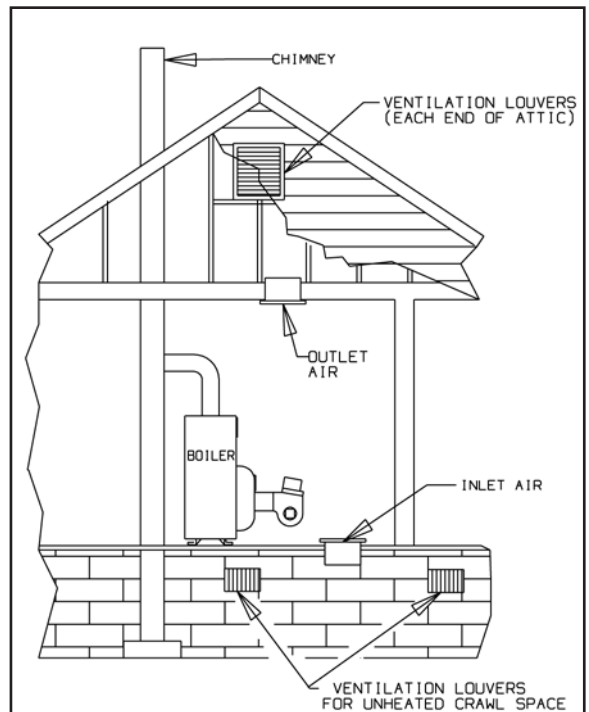
**Figure 3a.**  
Appliances located in confined spaces. Air from inside the building. See Table 2 (2.3).



**Figure 3b.**  
Appliances located in confined spaces. Air from outdoors. See Table 2 (2.4).



**Figure 3c.**  
Appliances located in confined spaces. Air from outdoors through ventilated attic. See Table 2 (2.4).



**Figure 3d.**  
Appliances located in confined spaces. All air from outdoors through ventilated crawl space and outlet air to ventilated attic. See Table 2 (2.4).



**INSTALLING CONTROLS AND ACCESSORIES ON BOILER UNITS**

**Note:** Jacket must be installed on boiler units prior to installation of trim.

- I. STEAM BOILER TRIM, see page 2 for tapping locations, and figure 4 for illustration of steam boiler.
  - A. Steam pressure gauge and pressure cut-out, install in tapping no. 4, figure 4.
  - B. Gauge glass set — use tapping no. 12.
  - C. Pop safety valve — use tapping no. 3, piped full size to boiler; or pipe full size into a valveless steam header.
  - D. Combustion safety control — mounted on burner.
- II. WATER BOILER TRIM, see page 2 for tapping locations, and figures 1 and 2 for illustration of water boiler.
  - A. Pressure- temperature - altitude gauge — use tapping no. 6.
  - B. High temperature limit — use tapping no. 7.
  - C. Operating control (if used) — use tapping no. 7.
  - D. Water relief valve — use tapping no. 3, piped full size to boiler.
  - E. Automatic air vent or compression tank tapings — if used, install in tapping no. 2.
  - F. Combustion safety control — mounted on burner.

**PIPING**

**IMPORTANT:** Boilers are to be used with closed system. Any application that uses steam or water from system, causes the introduction of a frequent supply of fresh water into the boiler. This will cause damage to the boiler. Use of heat exchangers will prevent this damage.

**PIPING FOR STEAM BOILERS**

Provide Header and Hartford Loop as suggested. See figures 4 and 5. Local codes apply.

**CLEANING PIPING SYSTEM**

- A. To clean piping system, open all valves at the heating elements. After getting up a good head of steam, shut the boiler down and allow the condensate to return to the boiler. The condensate will carry the oil film with it. Again blow-off the boiler. On extremely fouled systems, it may require several visits over a few days to clean the system.
- B. When steam only (no water) is released through the hand valve, the boiler will not surge or flood.

**PIPING FOR WATER UNITS**

**NOTE:** On knocked-down boiler only, jacket may be installed after supply and return piping connection, but must be installed prior to adding trim.

**I. CIRCULATING SYSTEM**

- A. **FORCED CIRCULATION** hot water heating system: Use the top tapping as supply tapping, and use the front or rear bottom tapings for the return.
- B. A **FLOW CONTROL VALVE** (See figure 6) will prevent gravity circulation and usually is required when tankless heater is installed.

**II. AIR CONTROL SYSTEMS**

- A. **DIAPHRAGM-TYPE COMPRESSION TANKS** are used to control system pressure in an **AIR ELIMINATING SYSTEM**: an automatic air vent is used to REMOVE air from the system water. See figure 6. If system pressure needs further control, add an additional tank or install a larger capacity tank. The automatic air vent should be installed in the top of the boiler, as in figure 6.
- B. **CONVENTIONAL COMPRESSION TANKS** (non-diaphragm type) are used to control system pressure in an **AIR COLLECTING SYSTEM**. Within the system, after initial start-up and venting, air is collected in the tank and acts in contact with the water to control pressure. Air is not vented from this system. If system pressure needs further control, add another tank in parallel with the original tank or install a large capacity tank. Locate the tank at the inlet end of the pump near the boiler. (See figure 7)

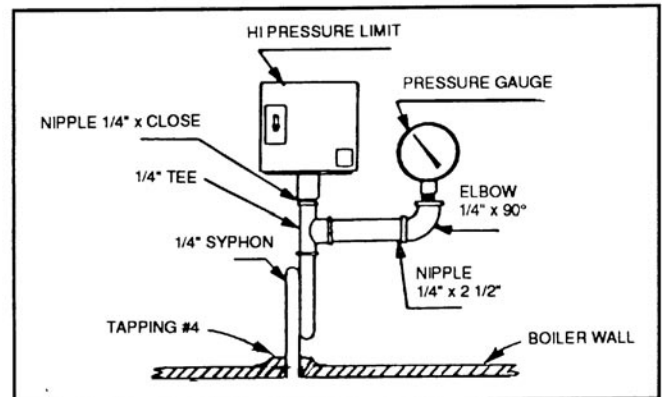


Figure 4.

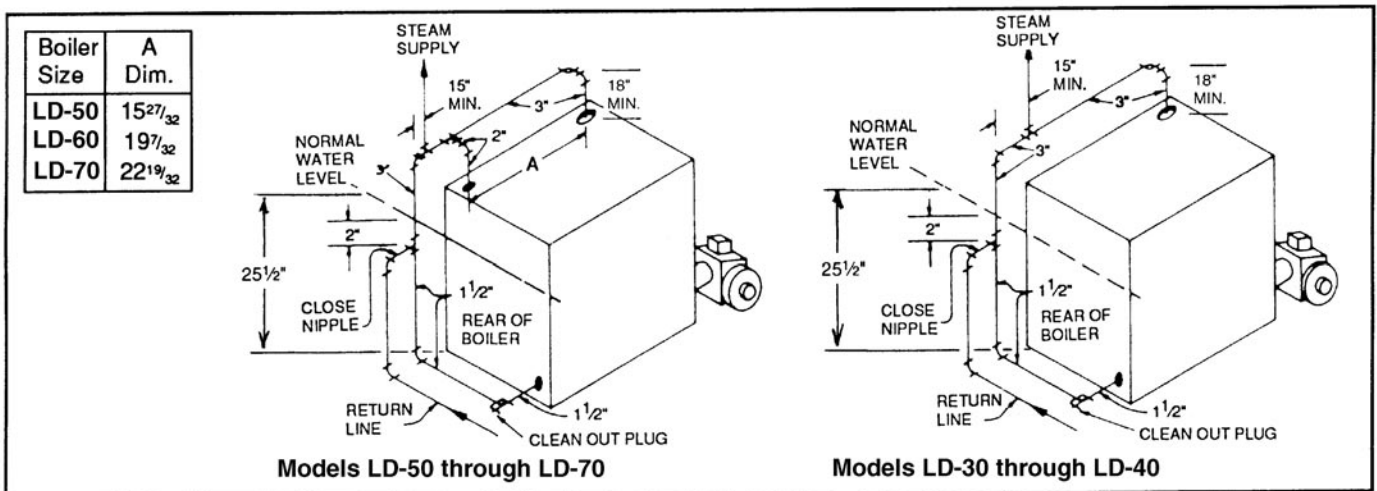


Figure 5. Recommended Steam Piping at Boiler

- C. **HOT WATER RADIATION VENTING** - Manual air vents should be installed at the top of all "drops"(where piping goes downward). Air must be vented or purged from all zone lines to permit proper system heating.
- D. **PUMP LOCATION**-Locating low-head pump(s) on return to boiler is only acceptable in residences of one or two stories. (See figure 6) The pump location shown in figure 7 is required in large, multi-story building installations, especially when high-head pumps are used and is also recommended for all applications.
- E. A conventional compression tank may be connected to the 3/4" tapping as shown in figure 7.

**IMPORTANT:** Hot water heating systems containing high water volume, such as would occur with cast-iron radiation, require special care with air elimination. The circulator pump should be located on the boiler supply pipe and the expansion tank and air scoop should be located near the pump suction. (See Figure 6, Alternate Pump Location.)

#### PIPING TANKLESS HEATER (if used)

- I. Heater capacities are listed on Page 2.
- II. Pipe the built-in tankless heater using the inlet and outlet tapings indicated on the heater (figure 8).
  - A. Tempering valve (illustrated, but not furnished) is suggested to provide more volume of temperate water to kitchen and bath.
  - B. High temperature water, for dishwasher and laundry, may be piped direct.
  - C. A flow control valve should be used to control the rate of flow of water through the coil, otherwise the heating capacity of the coil will be exceeded. To insure sufficient hot water, the flow rate through the coil should be limited to a maximum shown for intermittent draw in the ratings table on page 2.

**IMPORTANT:** Escape pipes or drain pipes from relief valves, safety valves, blow-down valves, and low-water cut-off must be piped off to a safe place.

#### INSTALLING THE BURNER

See Burner Data, pages 14-18, and Burner Manual supplied with burner. If burner is not mounted as received, mount to boiler, placing flange over mounting studs. Use gasket between flange and boiler. Distance between flange and nose of burner must be as shown on pages 14-18. Check to see that nozzle and settings are as given in burner data tables, pages 14-18.

**CAUTION:** DO NOT USE GASOLINE, CRANKCASE DRAININGS, OR ANY OIL CONTAINING GASOLINE.

#### OIL SUPPLY PIPING

Install the oil tank or tanks and piping from tank to burner. Follow local codes and practices, NFPA No. 31, **INSTALLATION OF OIL BURNING EQUIPMENT** and the instruction sheet attached to the oil burner pump. A one-pipe system should be used for gravity-fed fuel systems and for lift systems, where the total lift is less than 8 feet. Where the total lift is greater than 8 feet, a two-pipe system must be used. In some instances, local codes may require a two-pipe system for below grade fuel oil tanks. Be sure to set-up the fuel oil pump for the piping system used; follow the instructions attached to the pump. Be sure to include a good quality, low pressure drop fuel oil filter in the supply line from the tank. This is necessary, especially at low fuel oil flow rates (small nozzle sizes), to prevent nozzle plugging. See Slant/Fin publication on one-pipe and two-pipe fuel oil systems.

#### WIRING THE BOILER

- A. The wiring diagrams for the burner and boiler may be found on pages 11-13.
- B. 24 volt control wiring should be approved Safety Circuit wire, protected as needed.
- C. Power supply wiring to the burner must be 14 gauge or heavier, as required, and should have a properly fused disconnect switch. 120 volt wiring to pumps and safety controls must also be 14 gauge or heavier. Wire must be enclosed in approved conduit.
- D. All wiring must be installed in compliance with the National Electric Code, or any local or insurance codes having jurisdiction.

Wiring to the boiler must come through an emergency power isolation switch with a clearly marked red switch plate. This switch should be located so that it is apparent to the homeowner when entering the basement or other boiler area. The homeowner should be made familiar with operating the toggle to provide or stop the power to the boiler.

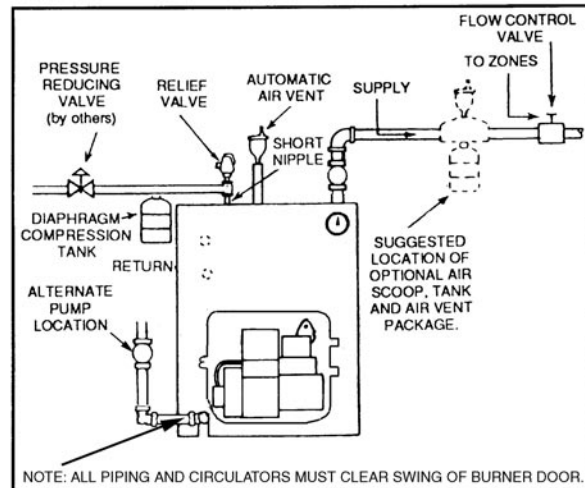


Figure 6. Air Eliminating System

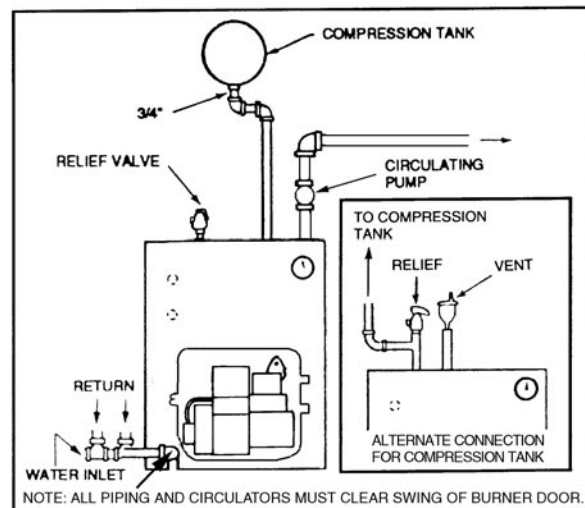


Figure 7. Air Collecting System

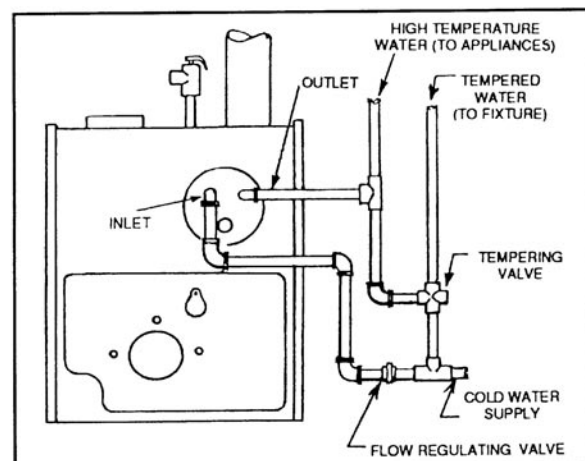


Figure 8. Recommended Piping to Tankless Heater



**VENT PIPING AND DRAFT REGULATOR**

- A. Vent pipes must be installed having the same diameter as the boiler outlet. (See page 2)
- B. Vent pipes and breeching must be pitched upward a minimum of 1/4" per foot.
- C. Connect vent pipe to the chimney using as few elbows as possible.
- D. Horizontal vent connector into the chimney should not be inserted beyond the inside wall of the chimney.
- E. Install barometric draft regulator on horizontal breeching, near chimney, with hinge horizontal and face vertical. See manufacturer's instructions packed in carton with barometric draft regulator.
- F. If two or more appliances are used on the same chimney, see CHIMNEY, page 3.
- G. Make up all joints with minimum air leaks, secure with sheet metal screws.

- G. Once burner and draft have been set up, then smoke, CO<sub>2</sub> and stack temperature should be checked and recorded. If smoke is greater than trace, review the burner instructions; replace the nozzle if necessary. Normal smoke to be expected at approximately 13% CO<sub>2</sub> is zero to a trace.

**OPERATING INSTRUCTIONS**

**PRECAUTIONS BEFORE STARTING OIL BURNER**

Make a positive check of A through F before starting burner:

- A. Boiler and system are full of water. All air is vented from system. See below.
- B. All wiring is completed. See pages 12-17.
- C. Oil supply is connected to the burner; nozzle is installed correctly; oil valve is open at tank.
- D. Smokepipe is connected to chimney.
- E. All combustible materials are cleared away.
- F. Combustion air supply is provided. See page 3.
- G. Burner settings are adjusted as per pages 18-24 and as shown on boiler jacket.
- H. Main cast-iron door on which burner is mounted is bolted shut and fiberglass rope seal is making good contact.

**CAUTION:** DO NOT START THE BURNER UNLESS ALL CLEANOUT DOORS ARE SECURED IN PLACE.

**WARNING:** NEVER OPERATE any natural draft\* boiler (Intrepid boiler is a natural draft boiler) with zero draft or overfire pressure: early failure of the burner, nozzle and chamber is inevitable if you do. Use a draft gauge, and make sure that overfire draft\* is .02", minimum, during all operating conditions.

\* Draft is negative or suction pressure.

**START-UP (COMBUSTION TEST INSTRUMENTS MUST BE USED)**

- A. Make sure the boiler is installed and wired properly and is full of water.
- B. Open the observation door (on the front, above the burner).
- C. Start the oil burner (see burner instructions for bleeding air from oil, etc.). IMMEDIATELY, set burner air bands to obtain a bright fire without smoke or oil stain. Set the DRAFT REGULATOR to obtain .02" overfire draft\*. Take draft reading through slot in observation door.
- D. Close the observation door. Allow the burner to fire for at least one hour total firing time, to bake out the volatile binders in the combustion chamber before taking final combustion readings.
- E. By alternate adjustment of the barometric draft regulator, the burner air regulation and head regulation devices (whichever apply), set for a trace of smoke and as close to 13% CO<sub>2</sub> as you can. Then open the air bands or shutter (whichever apply) an additional 1/8". This should result in zero smoke with NO raw oil on the smoke paper and a smooth light-off. DO NOT ATTEMPT TO SET FIRE BY EYE. Flame retention burners may appear efficient and smoke free from an inefficient 7% up to an overly high 14% CO<sub>2</sub>. However, a very low CO<sub>2</sub> can also result in poor ignition and raw (unburned) oil entering the fire box. At very high CO<sub>2</sub>, any slight decrease in air flow for any reason will cause incomplete combustion, with high smoke and dry soot formation in the fire box.
- F. If smoke reading is satisfactory, but CO<sub>2</sub> can not be increased to a satisfactory level (12% or better) or overfire draft of 0.02" W.C. can not be obtained, check for proper sealing between sections, between burner mounting plate and front section, around burner blast tube and around flue collector and collar. If seal is not satisfactory, reseal with furnace putty or silicone with a temperature rating of at least 400° F. (All safety precautions indicated on material package must be followed.)

**CLEANING AND FILLING A NEW WATER BOILER**

- I. There are a number of commercial preparations available from your distributor for cleaning and for corrosion protection conditioning the internal (waterside) surfaces of boilers. Follow the preparation manufacturer's instructions.

**DANGER:** Use CAUTION when handling chemicals and draining hot water from a boiler. Scalding water and/or chemicals can cause permanent injury to the skin, eyes and respiratory system.

**II. FILLING AND VENTING THE WATER BOILER**

- A. Refill the system with fresh water.
- B. Bring water temperature to at least 180° F. promptly.
- C. Circulate water through entire system.
- D. Vent the system, including the radiation.
- E. The boiler is now ready to be put into service or on standby.
- F. If brand-name air-control devices are used, venting instructions furnished with the devices should be followed.

**III. SAFETY CHECK FOR CONTROL SYSTEM**

High limit control test: Set thermostat high enough for boiler water temperature to reach high limit control setting. When this temperature is reached, the high limit switch should open, and the burner should shut off automatically. If the high limit does not operate to shut off the burner, the high limit or the wiring is faulty. Repair or replace immediately.

WATER CONTENT OF BOILER (GALLONS) *						
	TR-20H	TR-30H LD-30H	TR-40H	TR-50H	TR-60	TR-70
WATER BOILER	8.3	10.7	13.1	15.5	17.8	20.2
STEAM BOILER	—	6.9	8.8	10.7	12.6	14.5

\*Without tankless coil

**VOLUME OF WATER IN STANDARD PIPE OR TUBE**

NOMINAL PIPE SIZE INCHES	STANDARD STEEL PIPE			TYPE L COPPER TUBE	
	SCHEDULE NO.	INSIDE DIAMETER INCHES	GALLONS PER LIN. FT.	INSIDE DIA. INCHES	GALLONS PER LIN. FT.
3/8	—	—	—	0.430	0.0075
1/2	40	0.622	0.0157	0.545	0.0121
5/8	—	—	—	0.666	0.0181
3/4	40	0.824	0.0277	0.785	0.0251
1	40	1.049	0.0449	1.025	0.0429
1 1/4	40	1.380	0.0779	1.265	0.0653
1 1/2	40	1.610	0.106	1.505	0.0924
2	40	2.067	0.174	1.985	0.161
2 1/2	40	2.469	0.249	2.465	0.248
3	40	3.068	0.384	2.945	0.354

## CLEANING AND FILLING A NEW STEAM BOILER

### I. BEFORE USING STEAM BOILER

- A. Check burner to be certain it is ready for firing. DO NOT FIRE into an empty boiler.
- B. Be prepared to heat raw water to at least 180°F. as soon as it is introduced into the boiler. This procedure will remove dissolved, corrosive gases.
- C. Provide drain line, with valve, from boiler. Use a bottom tapping. Line and drain must be suitable for handling caustic solution.
- D. Check for low water cut-off operation, see section below for check-out.

### II. CLEAN STEAM BOILER SYSTEM.

- A. Fill the boiler to water line indicated on the boiler.
- B. Follow start-up procedure for burner and operate the boiler with steam in the entire system for 2 or 3 days to bring oil and dirt from the system to the boiler. While system is in operation, maintain the proper water level in the boiler by slowly adding water to the boiler.
- C. Shut down burner, cool down boiler and drain system.

### III. FILLING AND VENTING THE STEAM BOILER

- A. Refill the boiler to the indicated water line.
- B. Bring water to boiling temperature, promptly.
- C. The boiler is now ready to be put into service or on standby.

## BLOWING OFF A LOW PRESSURE STEAM BOILER

- A. A 1-1/2" NPT tapping is provided in the front of the boiler (tapping no. 9, figure 1) for use as a surface blow down to provide rapid skimming of oil and grease which accumulate on the surface of the water. The boiler should be blown down as outlined below.
- B. Turn off electrical power supply to boiler. Allow boiler to cool down and steam pressure to reduce to zero before removing skimmer tapping plug. Check for steam pressure by testing the pop safety valve. Drain boiler down one to two inches below skimmer tapping. The water might be hot. Remove skimmer plug slowly and carefully install a 150 psi malleable iron 1-1/2" NPT street elbow, a 1-1/2" NPT skimmer valve and length of pipe and place a bucket underneath the open end of the pipe. Cover bucket with a piece of cloth. (See figure 9)
- C. Fill boiler slowly until water level is two inches from top of gauge glass. (This is the starting water level for skimming only.) Fire boiler to produce steam. If the system is heavily laden with oil, it may be difficult to obtain much more than a pound or so of pressure. Set the pressure control at about 7 psi. The higher the steam pressure you can use, the better and faster the cleaning.
- D. As steam develops, open the SKIMMER drain valve with caution to skim the oil and film from the top of the water. DO NOT open the boiler drain valve. Close the skimmer drain valve when the water level drops to about 5" from the top of the gauge glass. The water may stop before the level drops to 5" below the top of the glass. Refill boiler until water level is again two inches from the top of the gauge glass.

- E. Repeat (D) above until all film is skimmed off and the water settles to a normal movement. Add make up fresh water to the boiler as described in (D) above, during the blow-off operation, to maintain the proper skimming water level in the vessel. Empty bucket frequently in order to see the difference in water cleanliness.
- F. When surging has stopped and water is clean, and no film can be seen floating in the bucket, shut off boiler, drain down to level of skimmer tapping, remove valve, plug skimmer tapping and refill the boiler to 24-1/2" water level. After 15 minute operation, readjust level to normal operating level of 25-1/2" from bottom of boiler (see figure 9). Check the pop safety valve for proper operation. Check the low water cut-off operation, see below.
- G. The entire process may have to be repeated over a period of a few days on extremely fouled systems.

## LOW WATER CUT-OFF CHECK-OUT

- I. Electronic probe type low water cut-off
 

If this boiler is factory equipped with an electronic probe type low water cut-off, operation of cut-off should be checked at least twice a year as follows:

  - A. While boiler is running, drain down boiler water slowly through Boiler Drain Cock shown on page 4, just until light goes on. Boiler should shut down 10 seconds after light goes on.
  - B. Be sure that it is the low water cut-off and not the room thermostat, pressure cut-out, or other control that has shut off the burner.
  - C. Refill the boiler and repeat test.
  - D. Refill the boiler and reset controls for normal operation.
- II. Float type low water cut-off
 

If this boiler is factory equipped with a McDonnell & Miller float type low water cut-off, the low water cut-off must be blown down (flushed), at least once a week.

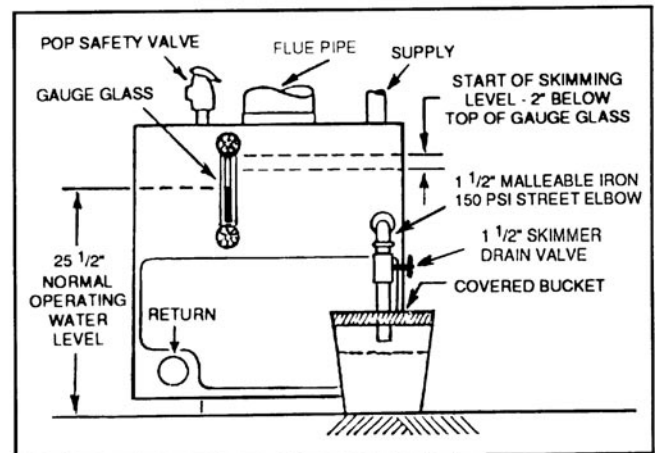


Figure 9.

CAUTION: When flushing float type low water cut-off control, hot water and steam will flow out the blow down valve. Blow down valve is illustrated below.

**A. SPECIAL FLUSHING INSTRUCTIONS**

For new boiler installed in old system.

Installation of new boiler may break loose a heavy accumulation of sediment and scale from old piping and radiators. It is extremely important to blow down your McDonnell cut-off more frequently the first week.

First week — 3 times

Thereafter — at least once a week.

- B. As boiler water circulates through the float chamber, dirt or other sediment may be deposited. This chamber is extra deep. But the only sure way to keep any accumulation from interfering with float action is to "blow down", or flush out, the control once a week. Do it while boiler is in operation. First note water level in gauge glass. Open blow-off valve at bottom of control; water will pour out, flushing away sediment. Drain until water is clear — about a pail — then close valve. If level in gauge glass has dropped, add water to boiler to restore level.
- C. NOTE: Opening blow-off valve checks cut-off operation too. As float drops with falling water level, burner will stop. After burner is off and normal operating conditions restored, burner will resume firing.
- D. Be sure that it is the low water cut-off and not the room thermostat, pressure cut-out, or other control that has shut off the burner.

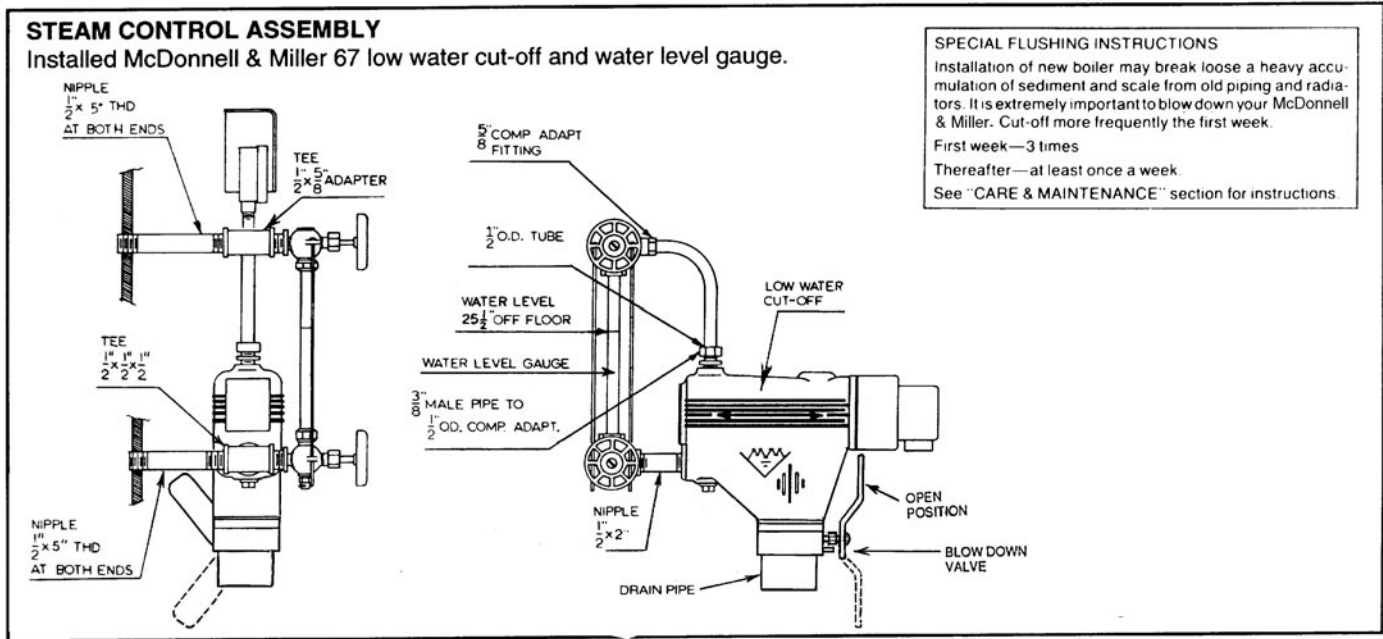
**PRESSURE CONTROL CHECK-OUT**

- A. Check burner to be certain it is ready for firing. DO NOT FIRE into an empty boiler.
- B. Set thermostat high enough for boiler to make steam. Set the pressure control down to its lowest setting. As the boiler starts to produce steam, the steam pressure will start to build. The burner will shut off when the steam pressure exceeds the pressure setting (plus differential if control has this feature).
- C. Adjust the pressure control to a higher setting. The higher setting should be above the steam pressure in the boiler. This should turn the burner back on.
- D. Reset the pressure control as needed for the system. The pressure control should be checked at least twice a year.

**REPLACEMENT OF STEAM BOILERS**

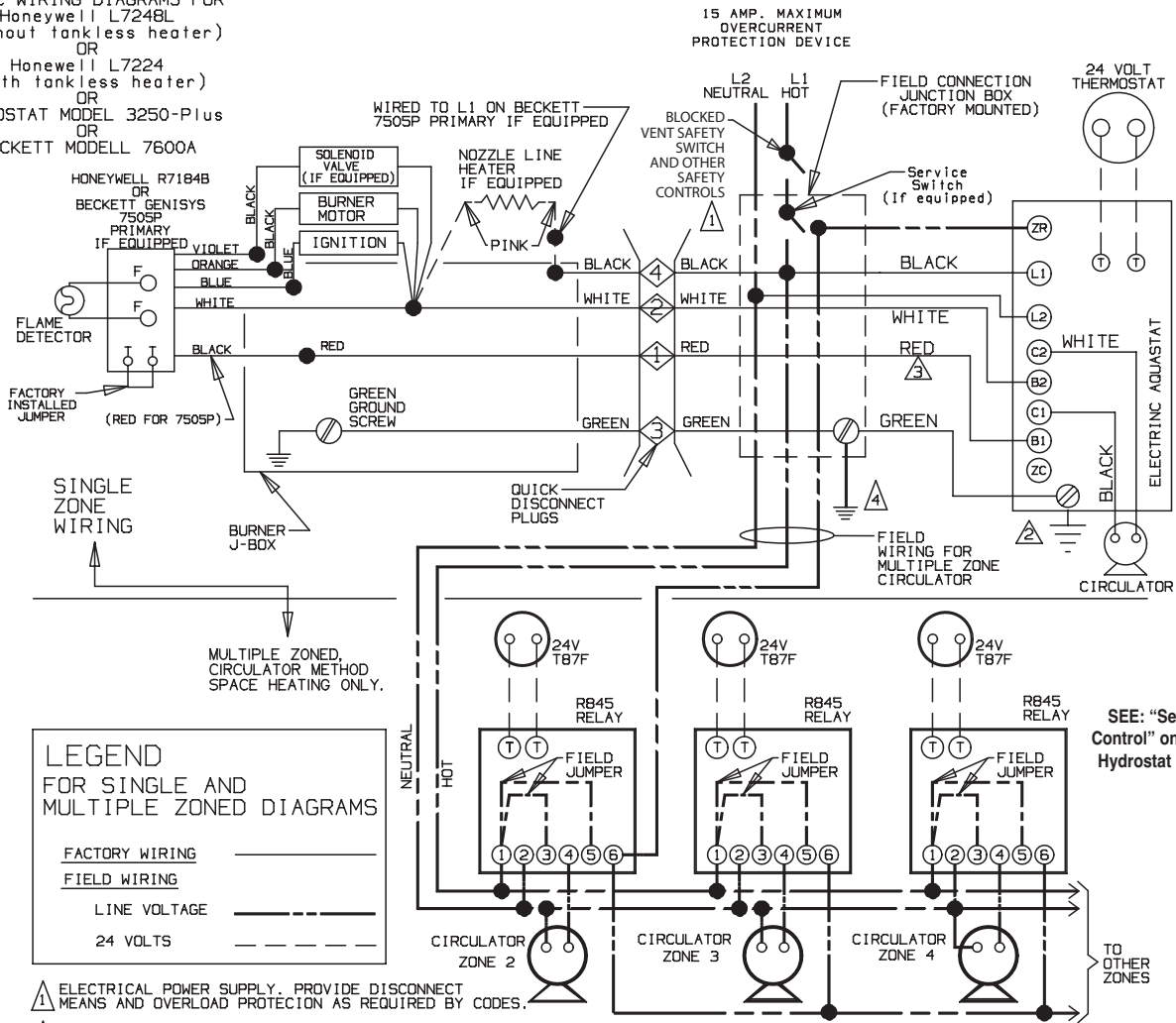
Anytime an older steam boiler is removed from the heating system and replaced with a new boiler, there are certain conditions that have to be examined on the heating system.

- A. Steam systems have a tendency to develop scale inside the wet return lines and the boiler. The older the system the greater the accumulation of scale that can exist inside the piping. Therefore, it is necessary when replacing a steam boiler to check the piping for blockage or restrictions. Clean or replace the piping as required. (See special flushing instructions on this page.)
- B. Replace all buried wet return lines.
- C. All equipment (air vents, radiation equipment, etc.) in the steam heating system should be checked for proper operation. All piping should be checked for proper pitch.
- D. It is good engineering practice to repack or tighten the packing nuts on all valves in the heating system.



See page 13 for other primaries

BASIC WIRING DIAGRAMS FOR  
 Honeywell L7248L  
 (without tankless heater)  
 OR  
 Honeywell L7224  
 (with tankless heater)  
 OR  
 HYDROSTAT MODEL 3250-Plus  
 OR  
 BECKETT MODELL 7600A

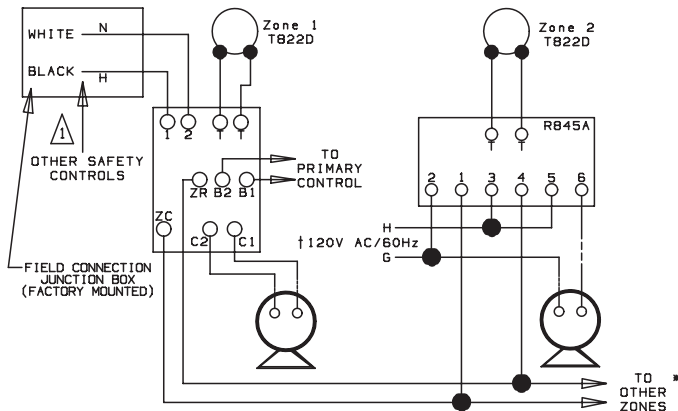


LEGEND FOR SINGLE AND MULTIPLE ZONED DIAGRAMS	
FACTORY WIRING	—————
FIELD WIRING	-----
LINE VOLTAGE	—————
24 VOLTS	-----

- ⚠ ELECTRICAL POWER SUPPLY. PROVIDE DISCONNECT MEANS AND OVERLOAD PROTECTION AS REQUIRED BY CODES.
- ⚠ CONTROL CASE MUST BE CONNECTED TO EARTH GROUND. USE GROUNDING SCREW PROVIDED.
- ⚠ B1 IS 1/4 IN. TAB TERMINAL.
- ⚠ GROUNDING CONDUCTOR: TWO GREEN GROUND WIRES ARE FACTORY CONNECTED TO THE GREEN GROUND SCREW IN THIS BOX. FIELD WIRE A GROUNDED CONDUCTOR TO THIS SCREW TOGETHER WITH THE TWO GREEN FACTORY CONNECTED GREEN GROUND WIRES.
- ⚠ OPTIONAL HYDROSTAT MODEL 3150 IS EQUIPPED WITH AN INTERNAL LOW WATER CUT-OFF.

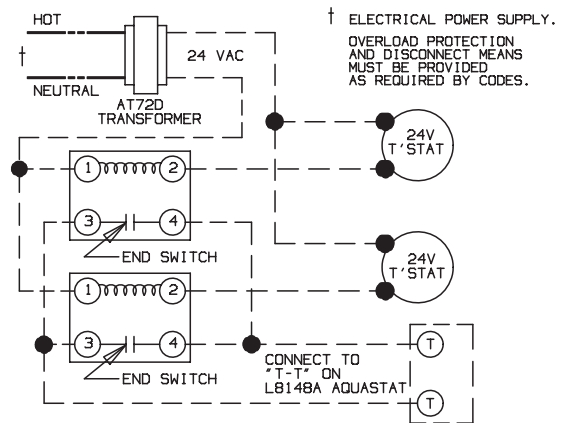
SEE: "Setting the Control" on pg. 13 for Hydrostat 3250 Plus

ZONE WIRING DIAGRAM  
 CIRCULATOR METHOD FOR  
 L8124, L7224 OR OPTIONAL  
 HYDROSTAT 3250-Plus CONTROLS.  
 (FOR TANKLESS HEATER APPLICATIONS)



\*Note: Total load not to exceed 8 amp full load, for circuits shown.

MULTIPLE ZONED, ZONE VALVE METHOD  
 USING HONEYWELL V8043F OR ERIE 765



FOR L7224C OR L7248L

**ADJUSTING SETTINGS**

To discourage unauthorized changing of Aquastat settings, a procedure to enter the ADJUSTMENT mode is required. To enter the ADJUSTMENT mode, press the UP, DOWN, and I buttons simultaneously for three seconds. Press the I button until the feature requiring adjustment is displayed:

- . HL\_ . High Limit.
- . LL\_ . Low Limit. (L7224 only)
- . Ldf . Low Limit Differential. (L7224 only)
- . °F . °C.
- . ELL\_ External Low Limit (L7248L only)

Then press the UP and/or DOWN buttons to move the set point to the desired value, to change between °F and C°, or to enable (On) or disable (Off) the External Low Limit. After 60 seconds without any button inputs, the control will automatically return to the RUN mode.

**DISPLAY**

In the RUN mode, the Aquastat will flash .bt. (boiler temp) followed by the temperature (i.e., 220), followed by °F or °C.

To read boiler settings, press the I key to read the parameter of interest. For example, press I High Limit (HL) is displayed, followed by a three-digit number, i.e., 220, followed

by °F or °C. Pressing the I button again (on L7224 models) will display the Low Limit (LL) followed by a three-digit number and the corresponding degree designator.

After approximately 60 seconds without any key presses, the display will enter a dim display mode. To return to the bright display mode, simply press any key.

**DESCRIPTION**

- Boiler Temperature – bt
- High Limit – HL
- Low Limit – LL
- Low Limit Differential – Ldf
- Local Thermostat Status – tt
- EnviraCom Thermostat Status – tte
- Error Code – Err
- Degrees Fahrenheit – °F
- Degrees Celsius – °C

Aquastat Error Code	Cause/Action	EnviraCOM Alarm
Err1	Aquastat sensor fault; check water sensor.	18
Err2	ECOM fault; check EnviraCOM™ wiring.	18
Err3	Excessive electrical noise or frequency out of range. Hardware fault; replace controller.	18, 58
Err4	B1 fault; check B1 wiring/voltage.	64
Err5	Low Line; check L1-L2, 110 Vac.	59
Err6 <sup>a</sup>	Warning: Fuse; check ECOM wires, replace fuse.	92
Err7	Warning: EEPROM, HL, LL, Hdf, Ldf; reset to default values.	N/A
Err8 <sup>b</sup>	Repeated B1 fault (voltage present at B1 when output is turned off); check B1 wiring/voltage.	25
Err9 <sup>a</sup>	Warning: Outdoor Reset System failure; communication to Outdoor Reset Module lost, Outdoor Reset Module failure, multiple outdoor temperature sensors detected on the bus, or outdoor temperature sensor failure. Check EnviraCOM wiring (1, 2, 3), check sensor wiring.	50, 53, 149
Err10 <sup>a</sup>	Warning: Boost Failure; Boost Mode active at least once per cycle for the last 60 consecutive cycles. Check Outdoor Reset curve settings.	150
Err11 <sup>a</sup>	DHW Module/Sensor failure; communication to DHW Module lost, DHW Module failure, or temperature sensor failure. Check EnviraCOM wiring (1, 2, 3), check sensor wiring.	146, 147, 148

<sup>a</sup> Warnings are generated to enunciate the system is not operating optimally, but the Aquastat is still operating and maintaining boiler temperature. In the instance where an Outdoor Reset Module is used, the warnings may indicate a reset curve setting error one or more features is not running optimally, and the Aquastat is reverting to default settings or has stopped running the Outdoor Reset algorithms. The warnings are cleared when the issue(s) is resolved.

<sup>b</sup> To clear Err 8 condition, depress and hold all three user keys simultaneously for 60 seconds. Err 8 condition clears and display returns to normal. Err 8 condition is designed to catch welded relays on the Aquastat and will normally only occur near end of life for the control. If Err 8 condition has occurred early in the controls life, be sure to check for voltage feedback to B1 when B1 should be off and check current draw on b terminal to be sure oil burner is not drawing excessive current. Err 8 condition will keep repeating if B1 fault is not cleared.

**IMPORTANT**

This boiler is equipped with a feature that saves energy by reducing the boiler water temperature as the heating load decreases. This feature is equipped with an override which is provided primarily to permit the use of an external energy management system that serves the same function. **THIS OVERRIDE MUST NOT BE USED UNLESS AT LEAST ONE OF THE FOLLOWING CONDITIONS IS TRUE:**

- An external energy management system is installed that reduces the boiler water temperature as the heating load decreases.
- This boiler is not used for any space heating
- This boiler is part of a modular or multiple boiler system having a total input of 300,000 BTU/hr or greater.
- This boiler is equipped with a tankless coil.

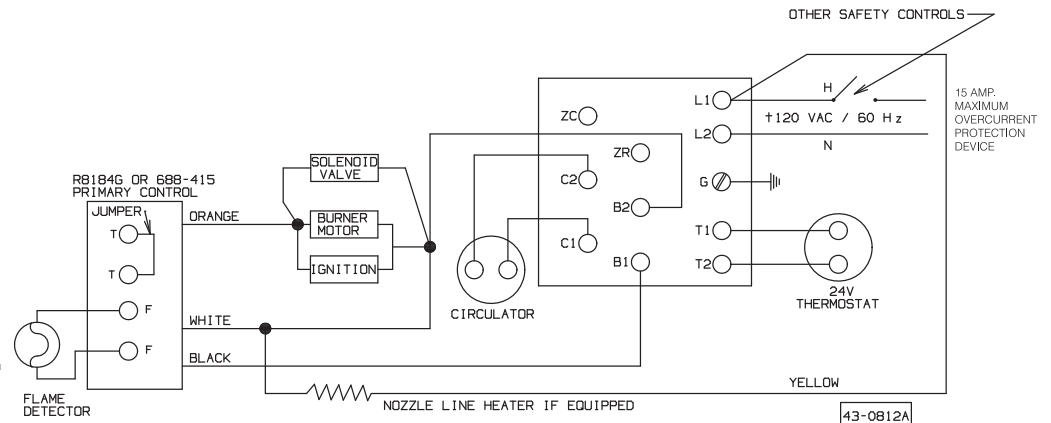
**BASIC WIRING DIAGRAMS**

L7224C OR L8124C OR A  
(WITH TANKLESS HEATER)

**NOTES:**

1. RECOMMENDED HIGH LIMIT SETTING IS 200°F. LOW LIMIT MUST BE SET AT LEAST 20°F BELOW HIGH LIMIT SETTING.
2. PUMP ZONING TERMINALS ZR AND ZC FURNISHED ON L8124 AND L7224C CONTROLS. SEE PUMP ZONING DIAGRAM BELOW

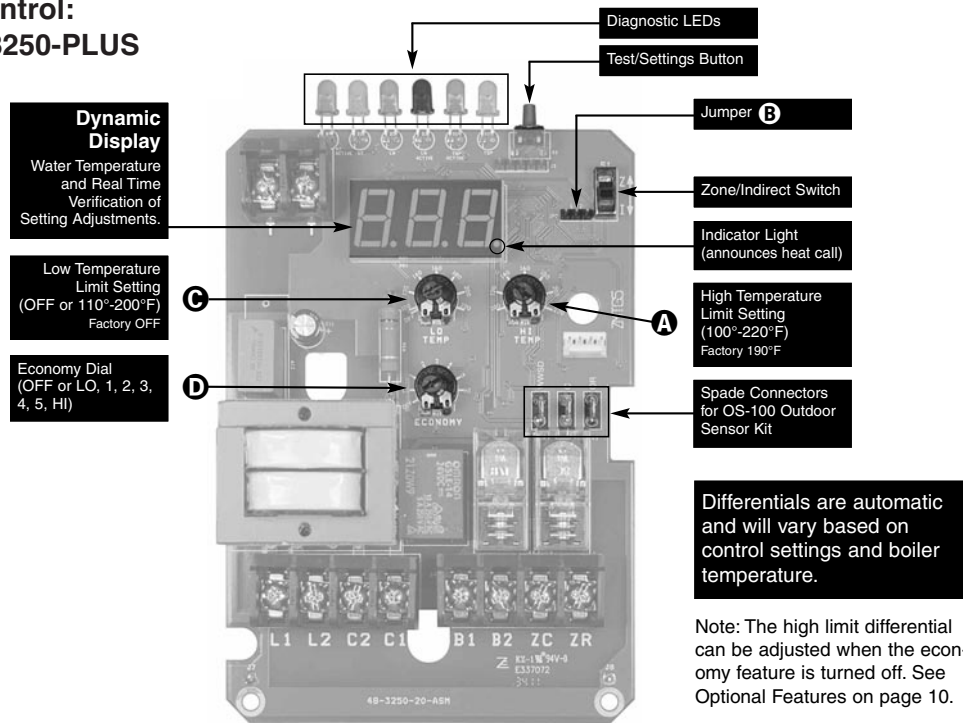
† OVERLOAD PROTECTION AND DISCONNECT SWITCH MUST BE PROVIDED AS REQUIRED BY LOCAL CODES.



43-0812A



# Setting the Control: HYDROSTAT 3250-PLUS



Differentials are automatic and will vary based on control settings and boiler temperature.

Note: The high limit differential can be adjusted when the economy feature is turned off. See Optional Features on page 10.

**NOTE:** Settings can be checked using the TEST/SETTINGS Button. See page 11 for details.

### Setting the High Limit

The high limit is factory set at 190°F. To adjust, turn the HI TEMP Dial **A** until the desired setting is displayed. (Setting range: 100°-220°F)

### Setting the Low Limit

The low limit is designed to maintain temperature in boilers equipped with tankless coils used for domestic hot water. The low limit is factory set to OFF. Prior to adjusting, remove the jumper (not equipped on all units) **B**. Then turn the LO TEMP Dial **C** clockwise until the desired temperature is displayed. For proper operation, the low temperature limit setting should be at least 10° below the high limit setting. **NOTE:** For cold start operation, the low limit must be turned OFF. **IMPORTANT:** If low limit temperature cannot be set above 140°F, remove jumper **B**. (Setting range: OFF or 110°-200°F).

### Setting the Economy Feature

The Economy Feature is factory set for a 1 zone heating system. To adjust, turn the ECONOMY Dial **D** until the number displayed equals the number of heating zones. **Do not include indirect water heaters in the number of heating zones.** The Economy Feature conserves fuel by reducing boiler temperature (see "How Thermal Targeting Works" on page

8 in the Hydrostat 3250 Plus manual). If the heating system is unable to supply needed heat to the house, the ECONOMY Dial should be turned to a lower setting (example: In a three zone house, turn the dial to 2 or 1). Conversely, if the boiler provides adequate heat, added fuel savings can be achieved by selecting a higher setting (example: 4 or 5). If the heating and indirect water heater signals were not separated when wiring the control, the Economy Feature should be turned OFF to ensure the boiler supplies adequate temperature to heat the indirect tank.

### Setting the Zone/Indirect Switch

See WIRING on page 4-6 in the Hydrostat 3250 Plus manual.

SETTING	DESCRIPTION
OFF	Disables economy function. Will allow boiler to fire until high limit temp is reached and re-fire with a 10° subtractive differential.
LO	Provides lowest level of fuel savings. Use this setting only if the house does not stay warm at higher settings.
1	Recommended setting for single zone systems
2	Recommended setting for Two zone systems
3	Recommended setting for Three zone systems
4	Recommended setting for Four zone systems
5	Recommended setting for Five zone systems
HI	Provides highest level of fuel savings

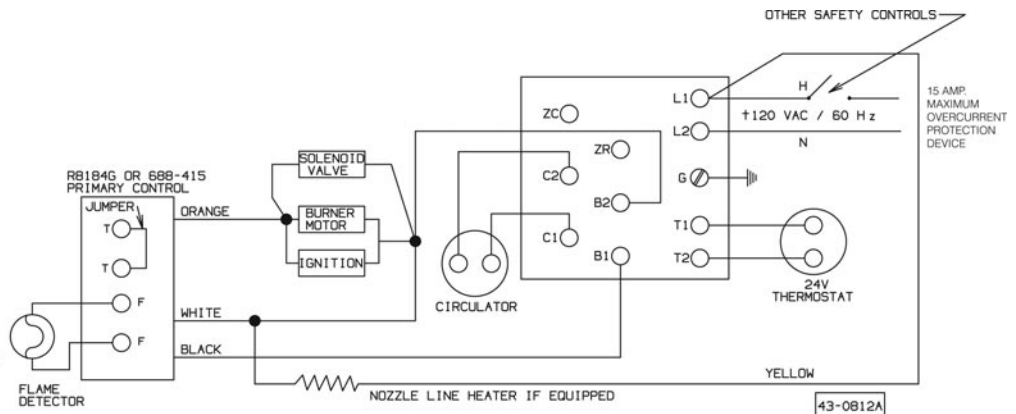
## BASIC WIRING DIAGRAMS

L7224C OR L8124C OR A  
(WITH TANKLESS HEATER)

### NOTES:

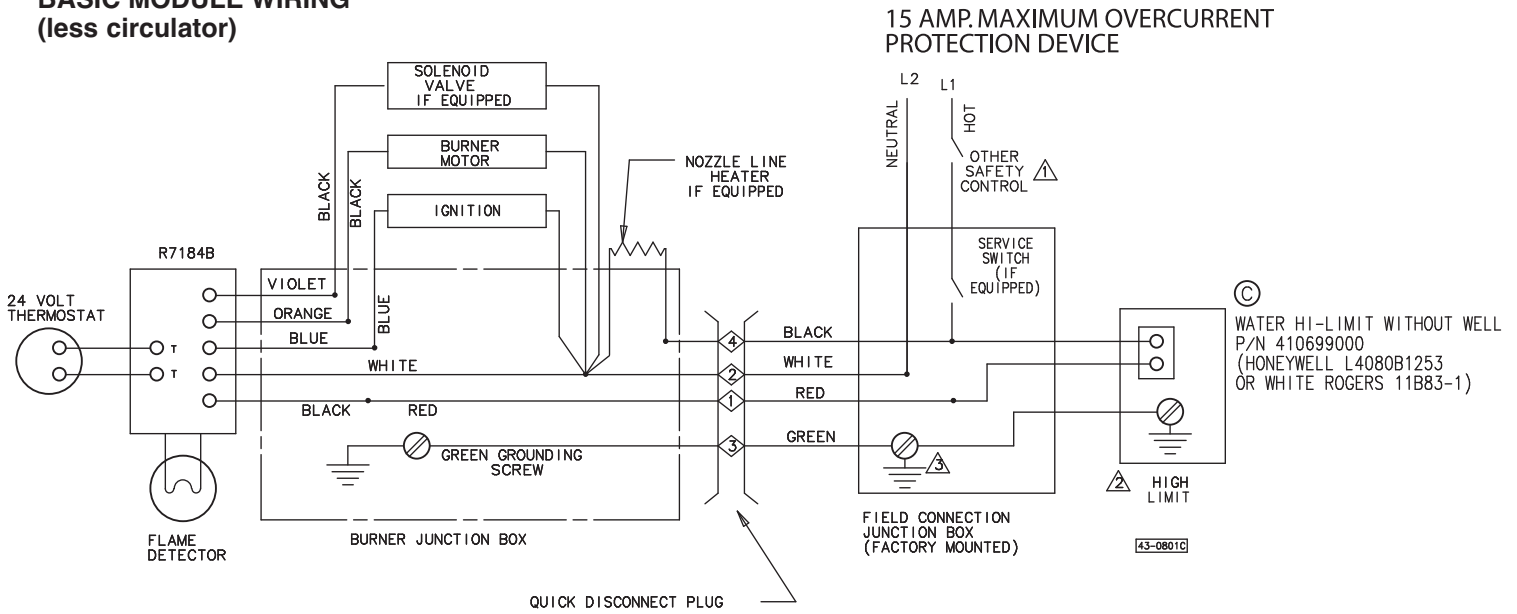
1. RECOMMENDED HIGH LIMIT SETTING IS 200°F; LOW LIMIT MUST BE SET AT LEAST 20°F BELOW HIGH LIMIT SETTING.
2. PUMP ZONING TERMINALS ZR AND ZC FURNISHED ON L8124 AND L7224C CONTROLS. SEE PUMP ZONING DIAGRAM BELOW

† OVERLOAD PROTECTION AND DISCONNECT SWITCH MUST BE PROVIDED AS REQUIRED BY LOCAL CODES.



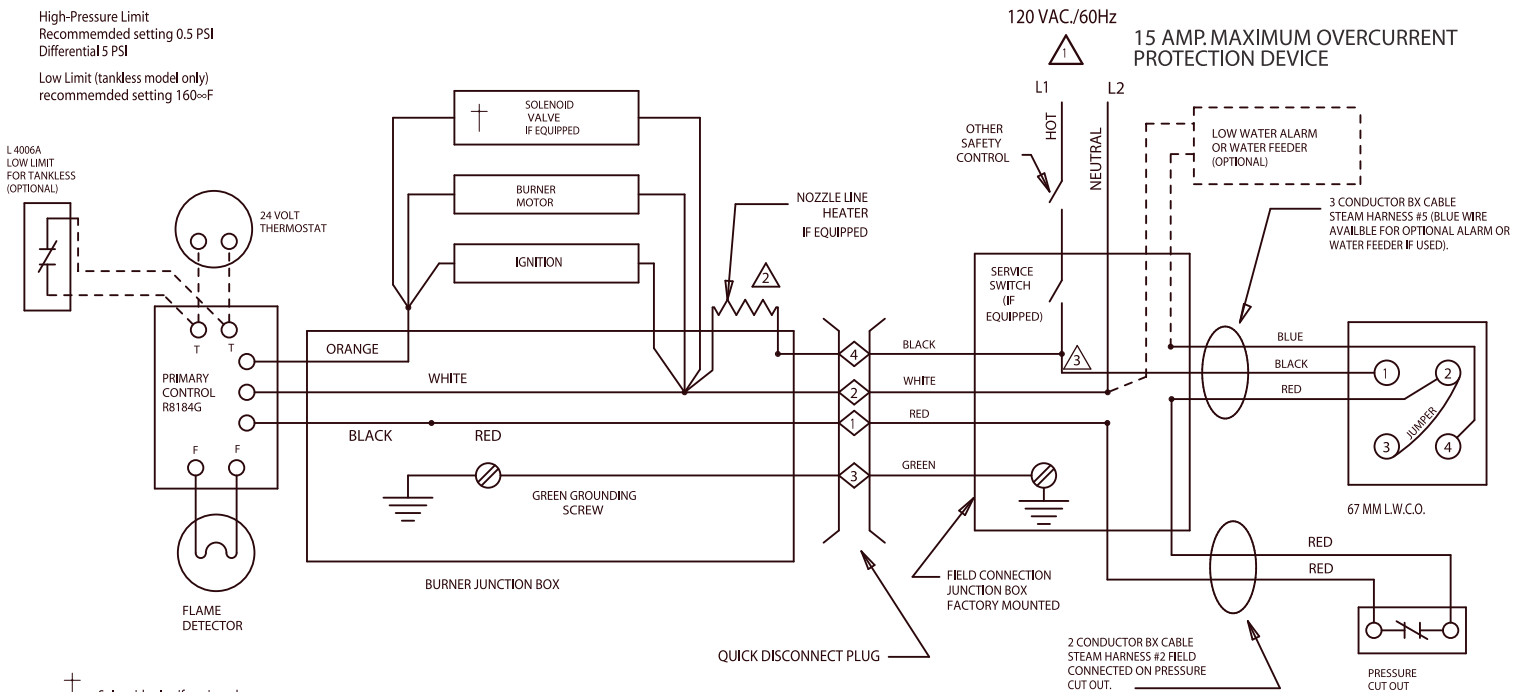
43-0812A

**BASIC MODULE WIRING  
(less circulator)**



- ⚠ ELECTRICAL POWER SUPPLY. PROVIDE DISCONNECT MEANS AND OVERLOAD PROTECTION AS REQUIRED BY CODES.
- ⚠ CONTROL CASE MUST BE CONNECTED TO EARTH GROUND USE GROUNDING SCREW PROVIDED.
- ⚠ GROUNDING CONDUCTOR: TWO GREEN GROUND WIRES ARE FACTORY CONNECTED TO THE GREEN GROUND SCREW IN THIS BOX. FIELD WIRE A GROUNDED CONDUCTOR TO THIS SCREW TOGETHER WITH THE TWO GREEN FACTORY CONNECTED GREEN WIRES.

**WIRING FOR PACKAGED STEAM BOILER EQUIPPED WITH McDONNELL NO.67 L.W.C.O.**



High-Pressure Limit  
Recommended setting 0.5 PSI  
Differential 5 PSI

Low Limit (tankless model only)  
recommended setting 160°F

L4006A  
LOW LIMIT  
FOR TANKLESS  
(OPTIONAL)

- † Solenoid valve if equipped.
- Splice
- Terminal
- ⚠ Overload protection and disconnect switch must be provided as required by local codes.
- ⚠ Nozzle line heater, if equipped.
- ⚠ On burners without nozzle line heater, field connect hot line to single black wire from 3 conductor box cable in 4 x 4 junction box.

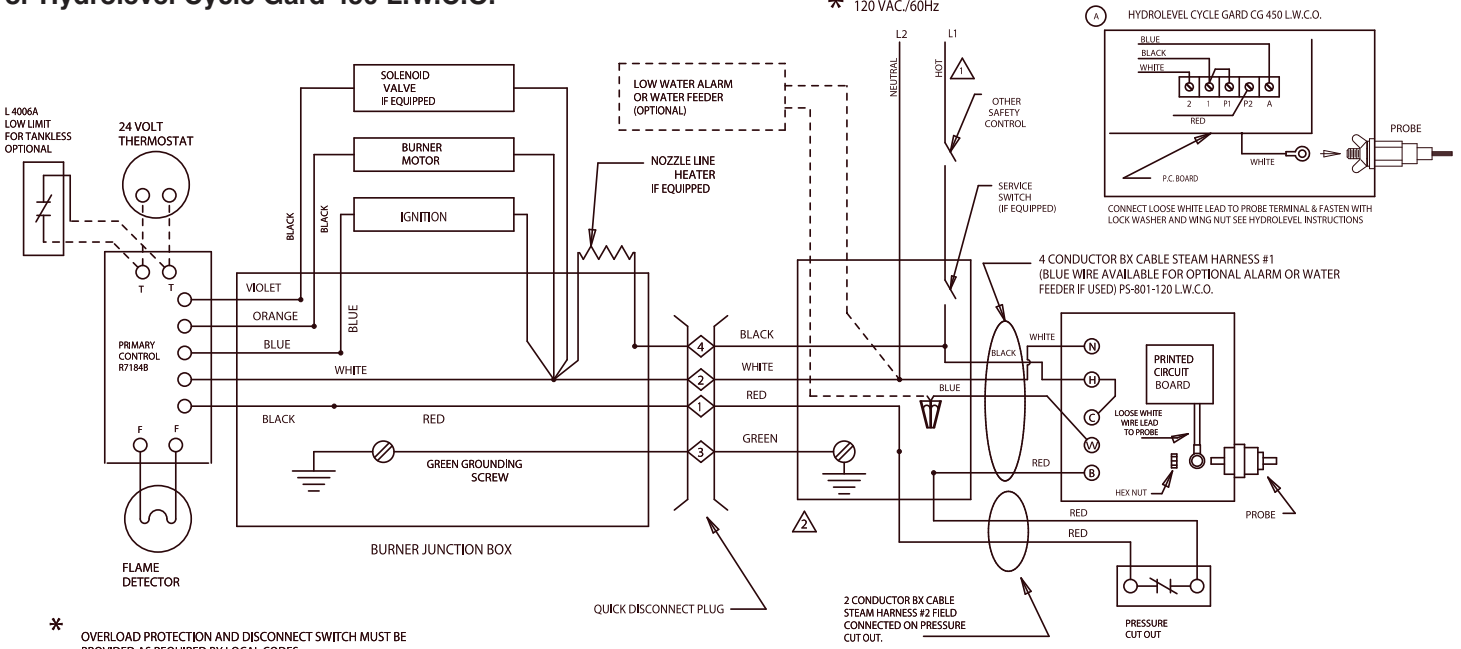
43-0804

### WIRING FOR PACKAGED STEAM BOILER

For alternate option PS-801-120 L.W.C.O.  
or Hydrolevel Cycle Gard 450 L.W.C.O.

15 AMP. MAXIMUM OVERCURRENT PROTECTION DEVICE

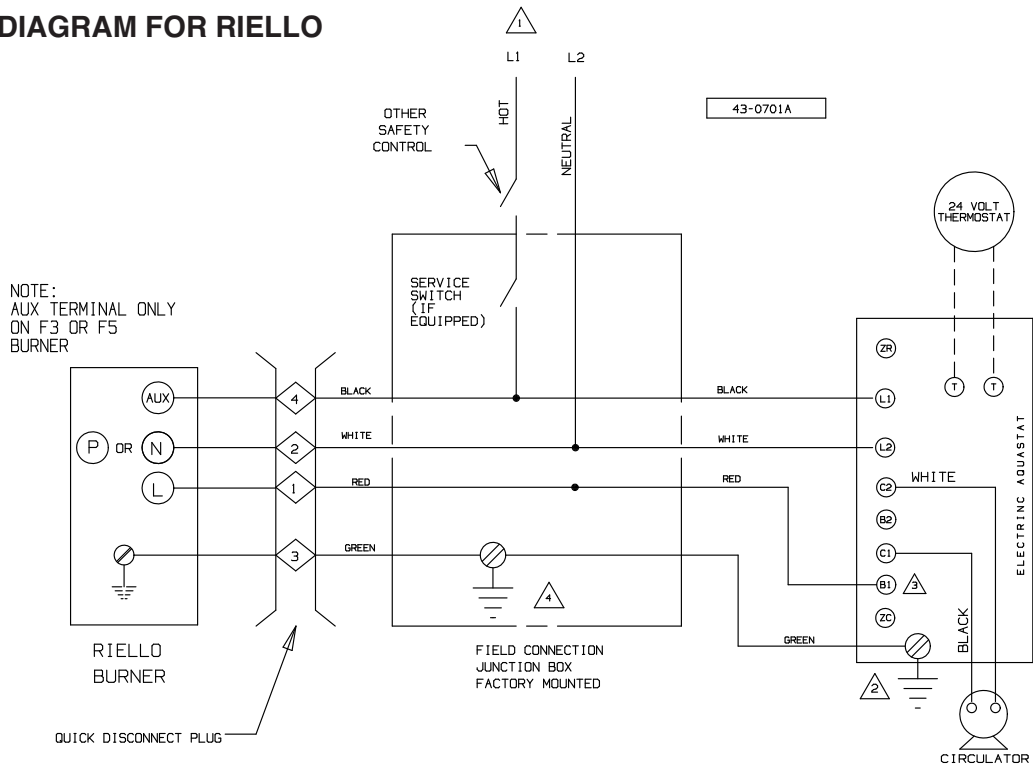
\* 120 VAC/60Hz



- \* OVERLOAD PROTECTION AND DISCONNECT SWITCH MUST BE PROVIDED AS REQUIRED BY LOCAL CODES.
- ⚠ ELECTRICAL POWER SUPPLY. PROVIDE DISCONNECT MEANS AND OVERLOAD PROTECTION AS REQUIRED BY CODES.
- ⚠ GROUNDING CONDUCTOR: GREEN GROUND WIRES ARE FACTORY CONNECTED TO THE GREEN GROUND SCREW IN THIS BOX. FIELD WIRE A GROUNDED CONDUCTOR TO THIS SCREW TOGETHER WITH THE GREEN FACTORY CONNECTED GREEN WIRES.

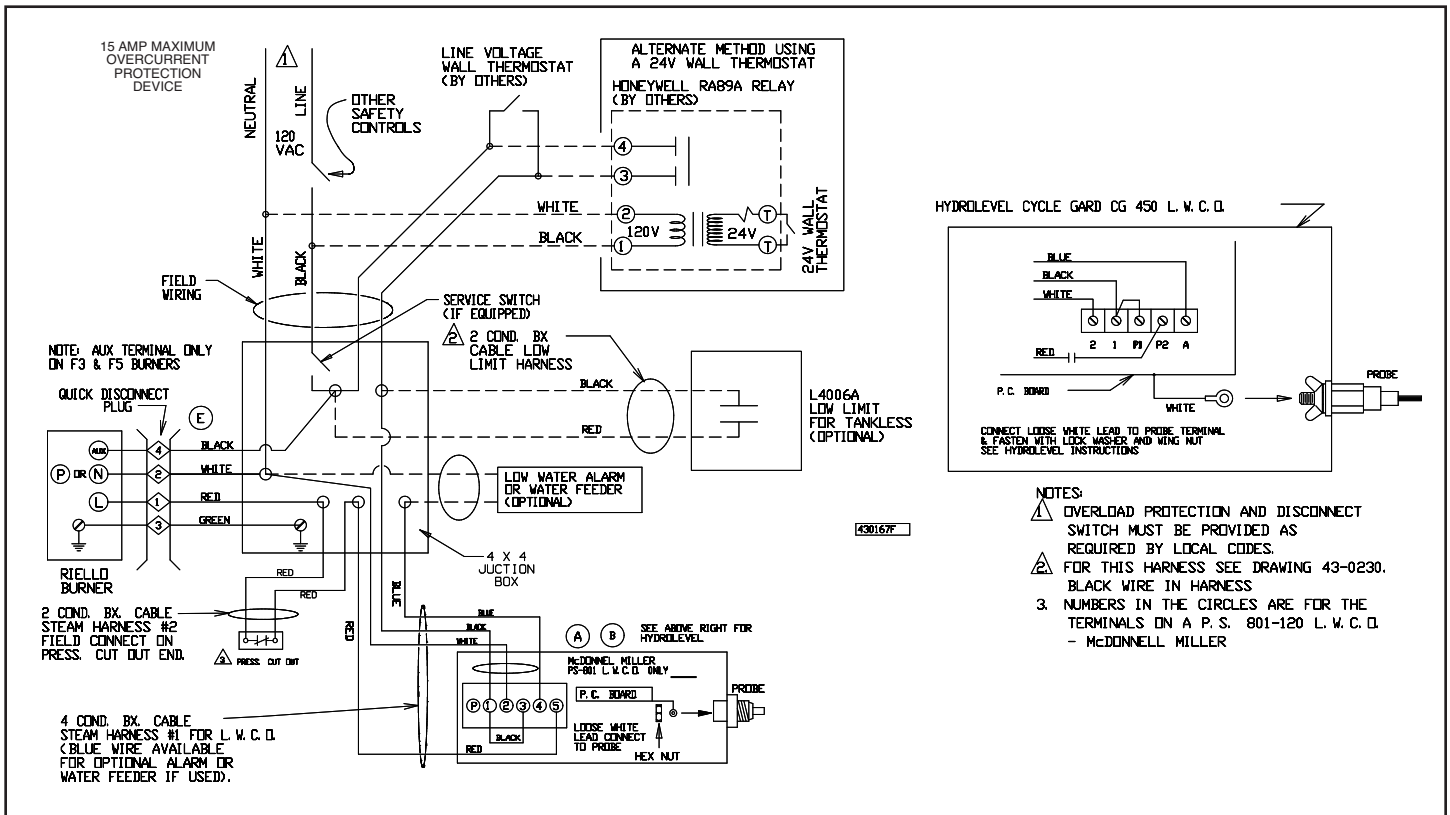
43-0802D

### BOILER WIRING DIAGRAM FOR RIELLO

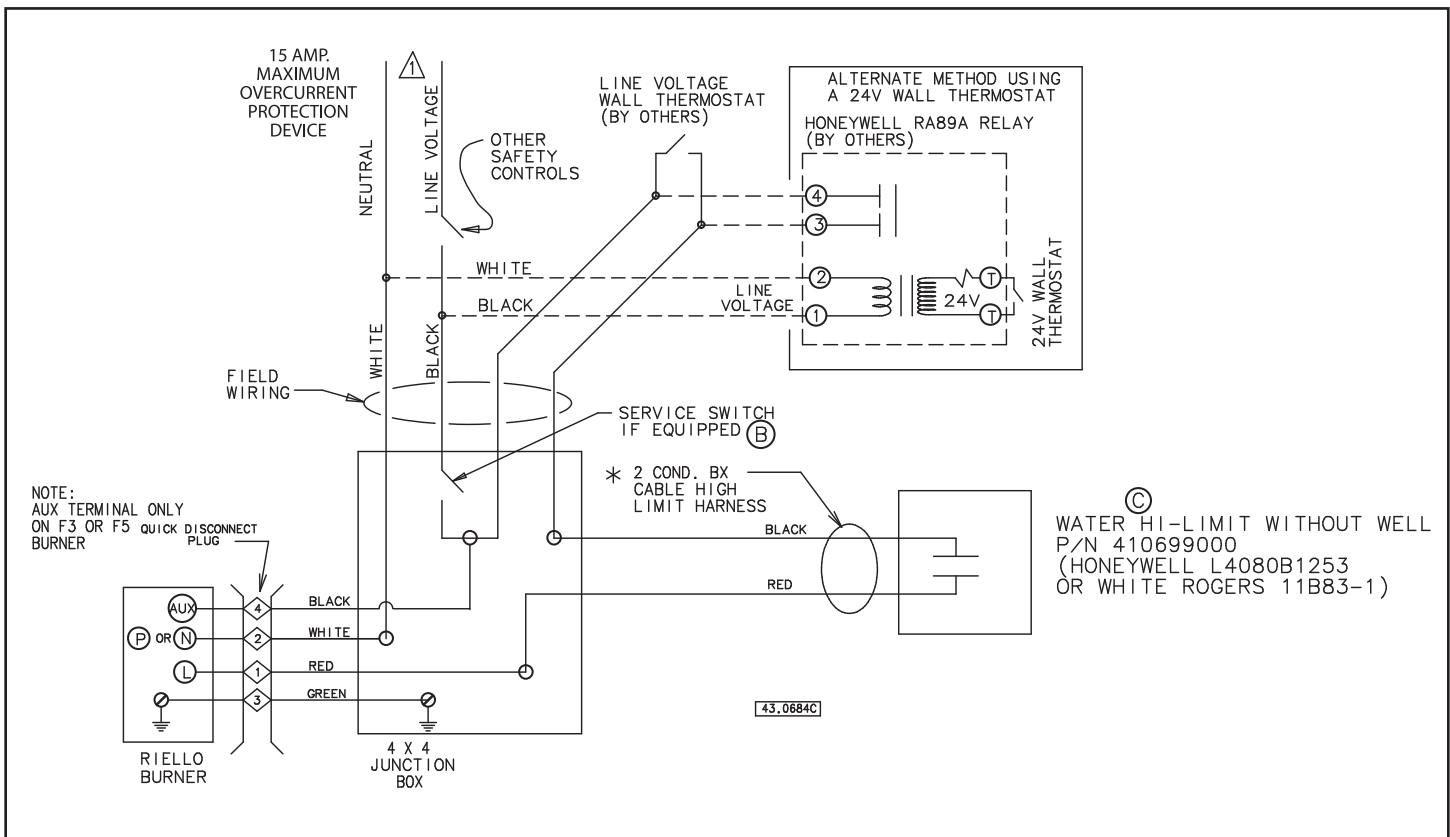


- ⚠ ELECTRICAL POWER SUPPLY. PROVIDE DISCONNECT MEANS AND OVERLOAD PROTECTION AS REQUIRED BY CODES.
- ⚠ CONTROL CASE MUST BE CONNECTED TO EARTH GROUND. USE GROUNDING SCREW PROVIDED.
- ⚠ B1 IS 1/4 IN. TAB TERMINAL.
- ⚠ GROUNDING CONDUCTOR: TWO GREEN GROUND WIRES ARE FACTORY CONNECTED TO THE GREEN GROUND SCREW IN THIS BOX. FIELD WIRE A GROUNDED CONDUCTOR TO THIS SCREW TOGETHER WITH THE TWO GREEN FACTORY CONNECTED GREEN GROUND WIRES.

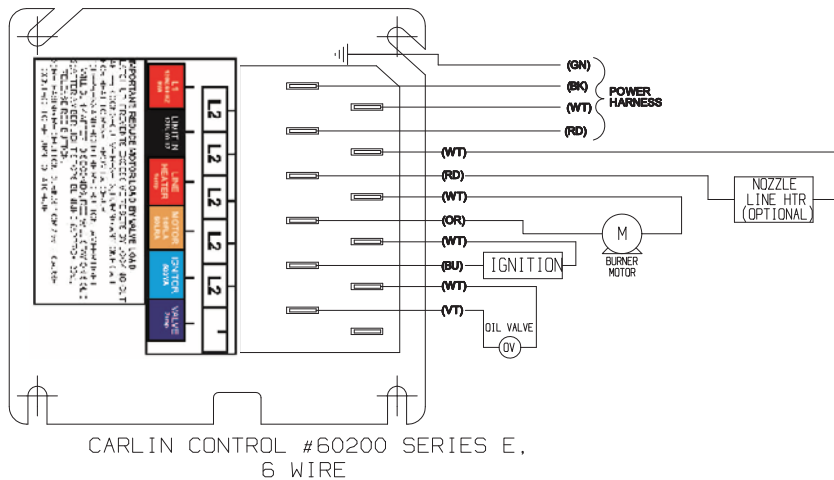
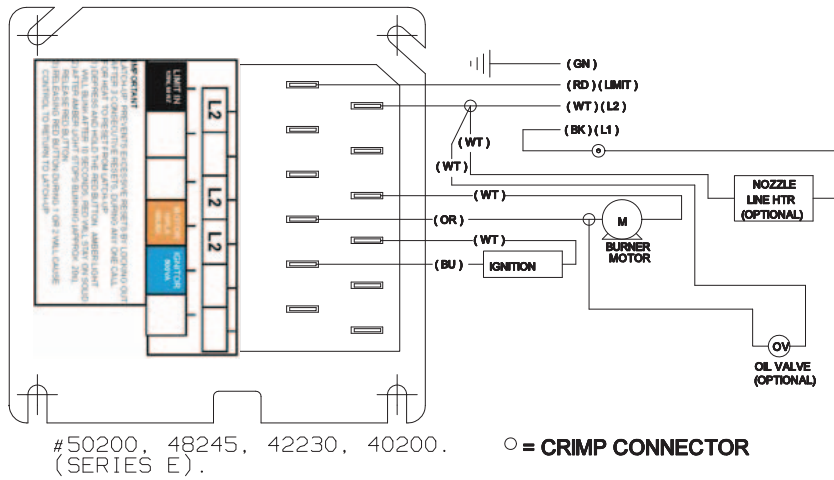
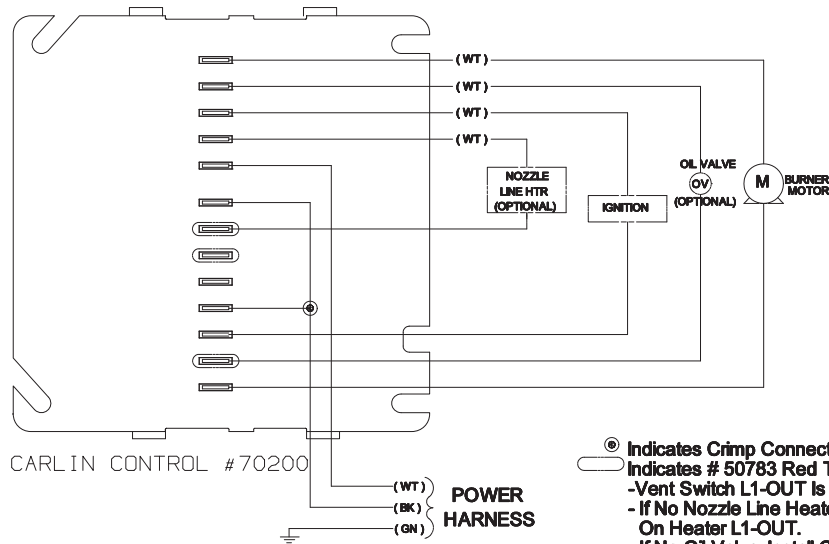
**STEAM BOILER WIRING FOR RIELLO BURNER AND McDONELL MILLER P.S. 801 L.W.C.O. FOR CONNECTION TO LINE VOLTAGE WALL THERMOSTAT (BY OTHERS)**



**WATER BOILER WIRING FOR RIELLO BURNER AND HIGH LIMIT, LINE VOLTAGE WALL THERMOSTAT (BY OTHERS)**



### CARLIN PRIMARY OPTIONS





**BURNER DATA – BECKETT AFG BURNERS**

BOILER MODEL	BURNER MODEL*	BURNER HEAD	FIRING RATE (GPH)	NOZZLES			OIL PUMP PRESSURE SETTING (PSIG)	APPROX. AIR SHUTTER SETTING NO.†	APPROX. AIR BAND SETTING NO.†
				SIZE (GPH)	ANGLE & TYPE	MFR.			
TR-20H	AFG-SF-11-12	L1	.65	.55	70° B	DELAVAN	140	5	CLOSED
TR-30H LD-30H	AFG-SF-11-07	F4S	1.00	1.00	80° A	DELAVAN	100	8	CLOSED
					80° W	DELAVAN			
TR-40H	AFG-SF-11-02	F120	1.50	1.50	80° B	DELAVAN	100	10	1-1/4
TR-50H	AFG-SF-11-05	F164	2.00	2.00	80° B	DELAVAN	100	10	1-1/2
LD-50 ¶	AFG-SF-11-05	F164	2.15	2.00	80° B	DELAVAN	115	10	1-3/4

† Air shutter and air band settings shown are approximate ONLY.

See **START-UP** page 9

\* All burner models shown are single stage.

¶ "Caravan" applications only – not for single boiler applications.

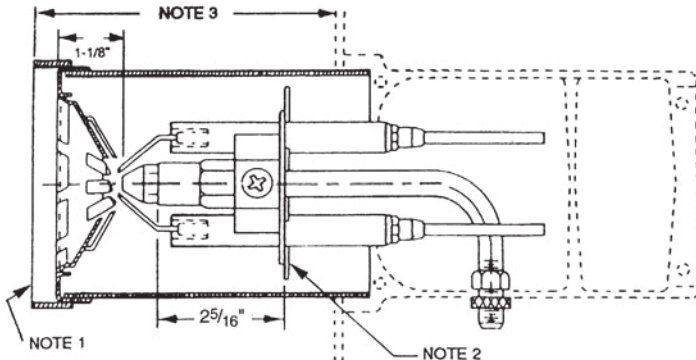
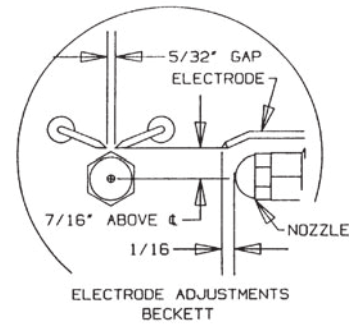
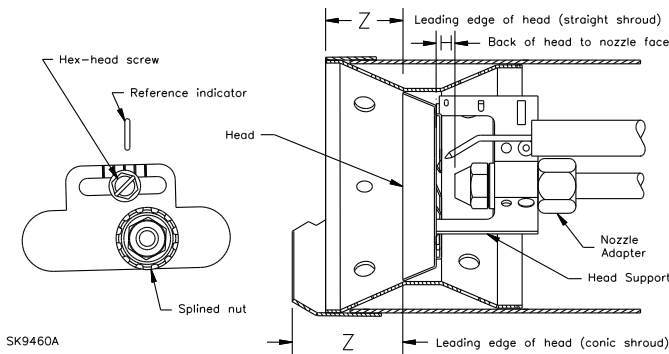
NOTE: 1. Extended heads on all units, except TR-20H.

2. No static plate for TR-50H only.

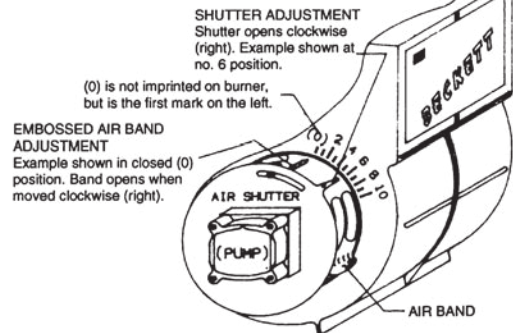
3. Insertion depth 2-5/32 for TR-30H/LD-30H and TR-40H; 2-21/32 for TR-50H.

4. Air Band: 2 slot for TR-30H/LD-30H, 4 slot for TR-40H, 8 slot for TR50H/LD-50.

5. Burner may be equipped with a prepurge control.



See table for approximate settings.



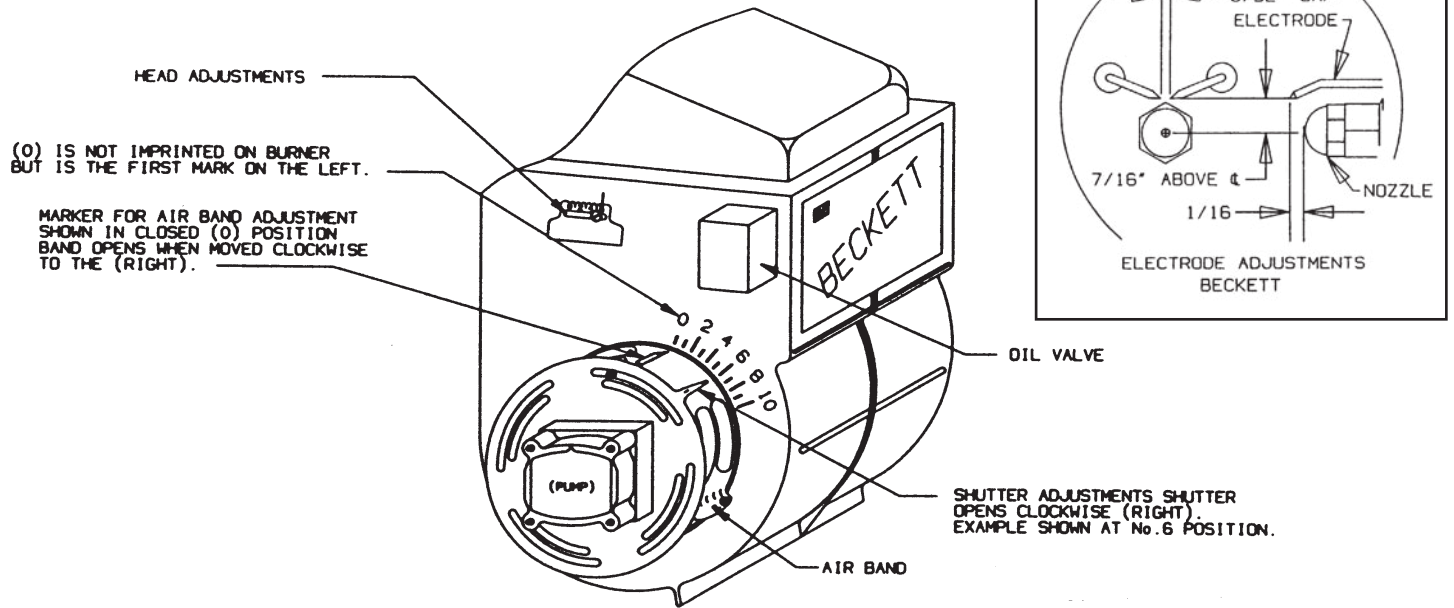
**BURNER DATA – BECKETT CF-375 BURNERS**

Boiler Model	Burner Model *	Nozzles				Oil Pump Pressure Setting (PSIG)	Air Shutter Setting †	Air Band Setting	Head Setting
		Firing Rate (GPH)	Size (GPH)	Angle & Type	MFG				
TR-60/LD-60	CF-375	2.60	2.25	45° B	DELAVAN	135	10	3	1
TR-60	CF-375	2.85	2.25	45° B	DELAVAN	160	10	2	2
LD-70 ††	CF-375	3.00	2.50	45° W	DELAVAN	145	10	4	3
TR-70	CF-375	3.10	2.50	45° W	DELAVAN	155	10	4	4
TR-70	CF-375	3.35	2.75	45° B	DELAVAN	148	10	4	5

† Air shutter and air band settings shown are approximate ONLY. See START-UP page 8.

\* All burner models shown are single stage.

†† "Caravan" applications only – not for single boiler applications.



See table for approximate settings.

**BURNER DATA – RIELLO BURNERS**

BOILER MODEL	BURNER MODEL*	BURNER DESCRIPTION	FIRING RATE NO/2 OIL (GPH)	MODEL			OIL PUMP PRESSURE SETTING (PSIG)	APPROX. AIR SHUTTER SETTING NO.†	APPROX. HEAD SETTING NO.†
				SIZE (GPH)	ANGLE & TYPE	MFR.			
TR-20H	40 SERIES F-3	WITH SHORT TUBE	0.65	0.55	70° B	DELANAN	140	3.00	0
TR-30H	40 SERIES F-5	WITH SHORT TUBE	1.00	.75	60° B	DELANAN	178	2.40	0
TR-40H	40 SERIES F-10	WITH SHORT TUBE	1.50	1.25	70° B	DELANAN	145	2.00	0
TR-50H	40 SERIES F-10	WITH SHORT TUBE	2.00	1.50	45° B	DELANAN	178	3.00	1
LD-50 ††	40 SERIES F-10	WITH SHORT TUBE	2.15	1.65	60° W	DELANAN	170	4.00	2

† Air shutter and head settings shown are approximate ONLY. See START-UP page 8.

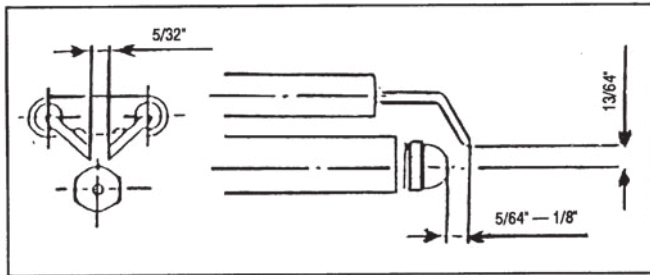
\* All burner models shown are single stage.

†† "Caravan" applications only – not for single boiler applications

NOTE: For proper insertion into combustion chamber see figure 12.

**Figure 9A Riello 40 Series**

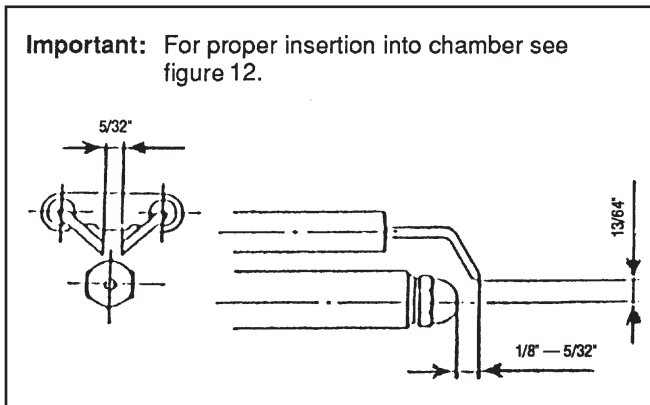
**MODEL F-5  
ELECTRODE SETTING**



**BURNER DATA – RIELLO (continued)**

**Figure 9B**

**MODEL F-10  
ELECTRODE SETTING**



**NOTE: ELECTRODES ARE PRESET AT THE FACTORY.**

**REGULATION OF THE TURBULATOR AND AIR SHUTTER FOR PROPER COMBUSTION**

**Turbulator Setting**

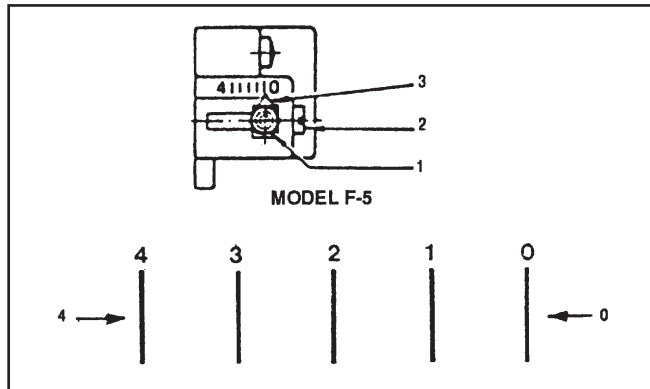
1. Loosen nut, 1, then turn the screw, 2, until the index marker, 3, is aligned with the correct index number.
2. Retighten the retaining nut, 1.

**TURBULATOR SETTINGS - RIELLO 40 SERIES**

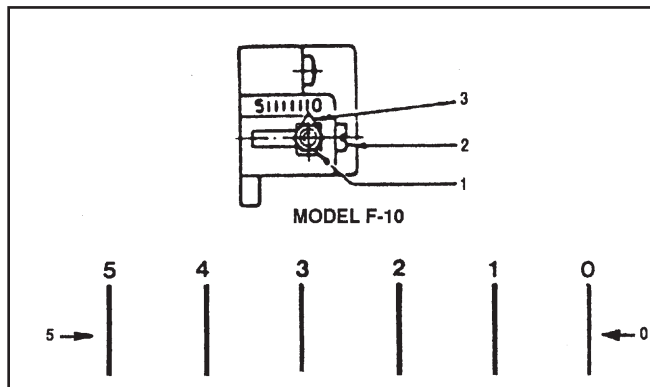
The numbers on the casting are there to denote the high and low end of the scale — in all cases the first mark if "Zero".

The air/oil ratio depends on accurate setting of the turbulator disc. Be careful when making this adjustment as an incorrect setting will result in an unsatisfactory installation. See figures 10A and 10B.

**Figure 10A**



**Figure 10B**

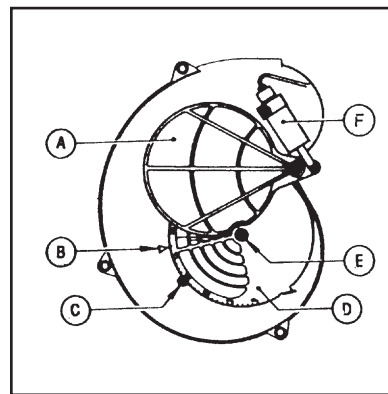


**SETTING THE AIR ADJUSTMENT PLATE (See figure 11)**

1. The hydraulic AIR SHUTTER (A) is operated by the HYDRAULIC JACK (F), assuring complete opening of the combustion air intake. Regulation of the combustion air flow is made by adjustment of the manual AIR ADJUSTMENT PLATE (D) after loosening the FIXING SCREWS (C and E). The initial setting of the air adjustment plate should be made according to page 16.
2. The proper number on the manual AIR ADJUSTMENT PLATE (D) should line up with the SETTING INDICATOR (B) on the fan housing cover. Once set, the air adjustment plate should be secured in place by tightening SCREWS C and E. Manually open and release the hydraulic air shutter to ensure it has free movement.
3. The final position of the air adjustment plate will vary on each installation. Use instruments to establish the proper settings for maximum CO<sub>2</sub> and a smoke reading of zero.

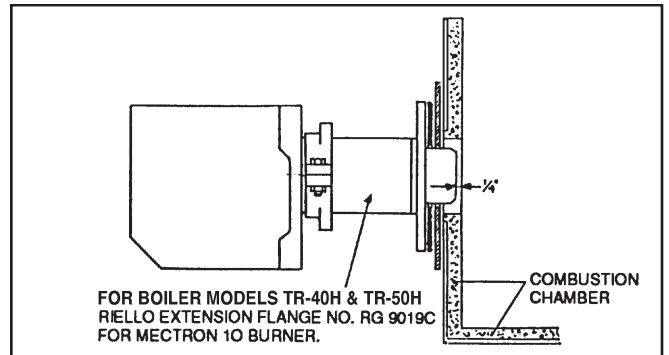
**NOTE:** Variations in flue gas, smoke, CO<sub>2</sub> and temperature readings may be experienced when the burner cover is put in place. Therefore, the burner cover **must** be in place when making the final combustion instrument readings, to ensure proper test results.

**Figure 11**



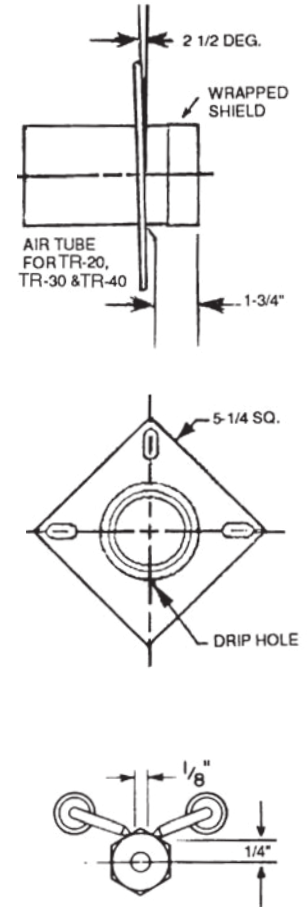
**Figure 12**

**FOR PROPER INSERTION INTO COMBUSTION CHAMBER**



**BURNER DATA – CARLIN BURNERS**

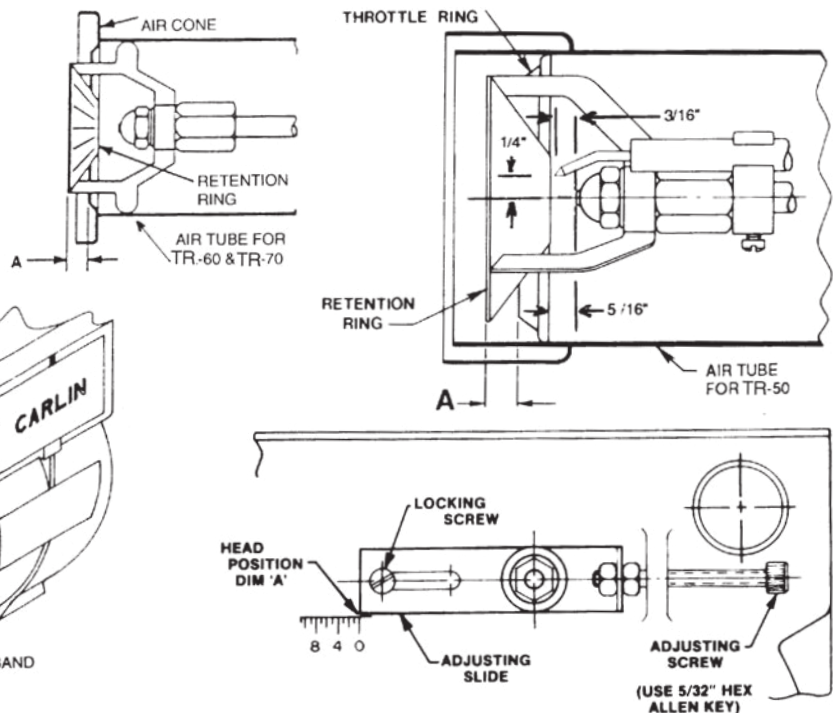
BOILER MODEL	BURNER MODEL*	FIRING RATE NO. 2 OIL (GPH)	NOZZLES			OIL PUMP PRESSURE SETTING (PSIG)	"A" APPROX HEADSETTING NO.†	APPROX. AIR BAND OPENING%†
			SIZE (GPH)	ANGLE & TYPE	MFR.			
TR-20H	71357 99-FRD	0.65	0.55	70A	DELAN	140	0-1	40-45
TR-30H LD-30H	71357 99-FRD	1.00	1.00	60° A	DELAN	100	2-3	70-80
TR-40H	71373 99-FRD	1.50	1.50	70° B	DELAN	100	3	50
TR-50H	71399 99-FRD	2.00	2.00	60° B	DELAN	100	3	40
LD-50 †		2.15	2.00	60° B	DELAN	115	3	45
TR-60 LD-60	71316 102-CRD-3	2.60	2.50	70° W	DELAN	108	5	50
TR-60	71316 102-CRD-3	2.85	2.75	70° W	DELAN	108	6	80
TR-60 BAR N.Y.C ONLY	87189 102-CRD-3	2.60	2.50	70° W	DELAN	108	5	50
TR-70	71332 102-CRD	3.10	2.75	60° W	DELAN	125	8	90
	71332 102-CRD	3.35	3.00	60° W	DELAN	125	10	90
TR-70 BAR N.Y.C ONLY	78790 102-CRD	3.10	3.00	60° B	DELAN	108	8	90
LD-70 †	71332 102-CRD	3.00	2.75	60° W	DELAN	119	7-8	80-90



† Head and air band settings are approximate ONLY.  
See START-UP on page 8 and burner figure below.  
\* All burner models shown are single stage.  
† "Caravan" applications only – not for single boiler applications.

- NOTE:
1. The air shutters on the burners for models TR-30H and TR-40H are blank (closed).
  2. The air shutters on the burners for models TR-50H are full open.
  3. Single slotted air band for TR-30H/LD-30H.
  4. Double slotted air band TR-40H and TR-50H

See table for approximate settings.



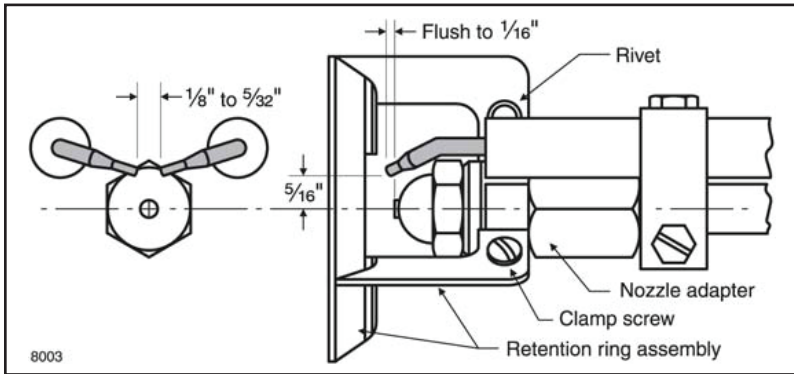


**BURNER DATA – CARLIN EZ-2HP PRO**

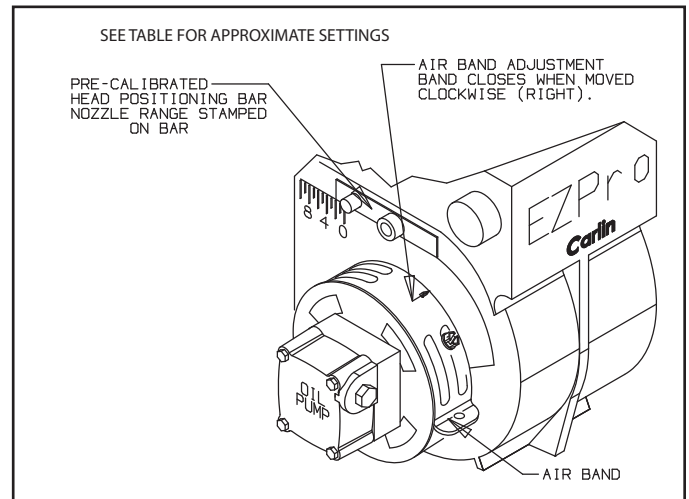
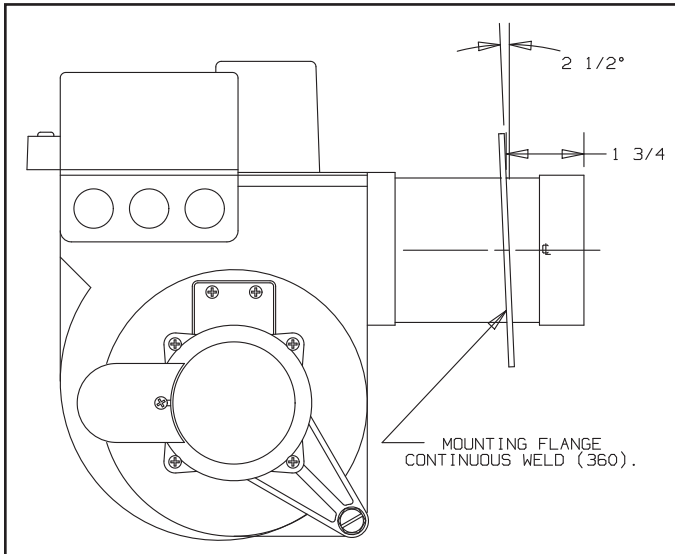
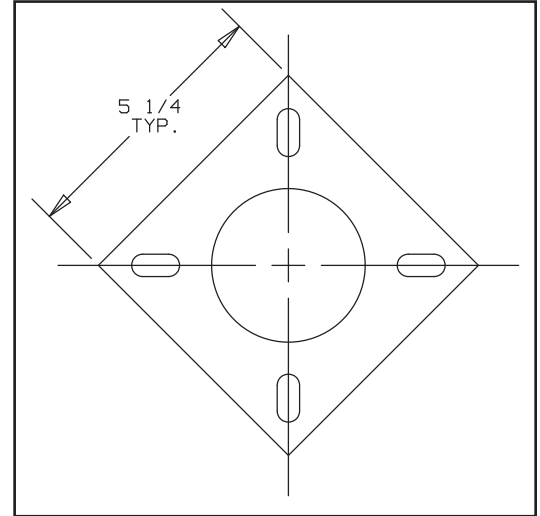
BOILER MODEL	BURNER MODEL	FIRING RATE NO.2 OIL (GPH)	NOZZLE			OIL PUMP PRESSURE SETTING (PSIG)	APPROX. AIR BAND SETTING NO.	HEAD POSITION BAR USED (GPH)
			SIZE (GPH)	ANGLE & TYPE	MFR.			
TR-40H	EZ-2 HP	1.50	1.20	60°B	DELAVAN	156	20	#3

**Note:**

1. Only the electrodes and the air band can be adjusted. The burner is supplied with a calibrated bar that properly position the head in the air tube. See the table above for the head positioning bars used.
2. Tripled slotted air shutter on the the burner for model TR-40

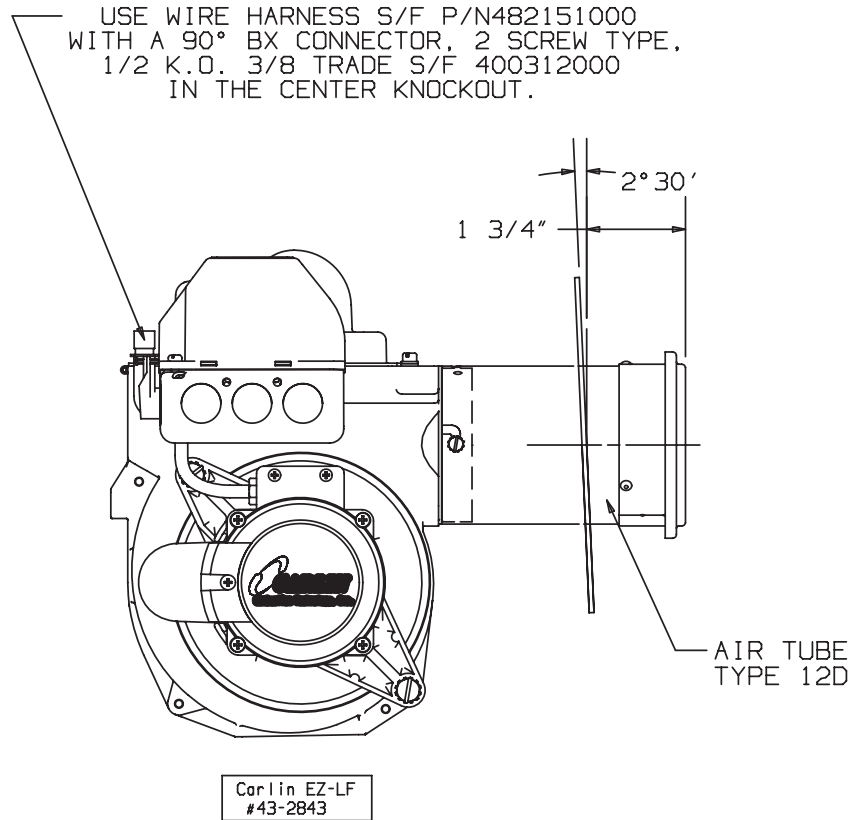


*Electrode placement, retention ring assembly and nozzle adapter.*



**BURNER DATA – CARLIN EZ-LF PRO**

LIBERTY/INTREPID SPECIFICATIONS - CARLIN EZ-LF PRO BURNER							
BOILER MODEL No	BURNER MODEL No	FIRING RATE GPH	NOZZLE SIZE GPH	NOZZLE PRESSURE PSIG	NOZZLE MANUFACTURER	HEAD POSITIONING BAR USED(GPH)	APPROX AIR BAND
					DELAVAN 60°A		
LD-30H/TR-30H	EZ-LF	1.00	0.75	175		0.75	53



**BAFFLE LAYOUT CHART**

"L" BAFFLE P/N 430885000  
 "T" BAFFLE ASSY. P/N 430886020

	BAFFLES BETWEEN FRONT & REAR SECT.	BAFFLES BETWEEN FRONT & CENTER SECT.	BAFFLES BETWEEN CENTER SECTIONS	BAFFLES BETWEEN CENTER & REAR SECT.
TR/LD-20H	1 X "L" BAFFLE			
TR/LD/TRDV-30H		1 X "L" BAFFLE		1 X "T" BAFFLE
TR/LD-40H		1 X "L" BAFFLE	1 X "T" BAFFLE	1 X "T" BAFFLE
TR/LD-50H			2 X "T" BAFFLE	1 X "T" BAFFLE
TR/LD-60H			3 X "T" BAFFLE	1 X "T" BAFFLE
TR/LD-70H			4 X "T" BAFFLE	1 X "T" BAFFLE

NOTE: THE ABOVE BAFFLE LAYOUT CHART IS FOR ALL WATER AND STEAM BOILERS.  
 (A)

## CARE AND MAINTENANCE

**CAUTION:** DO NOT ATTEMPT TO START THE BURNER WHEN EXCESS OIL HAS ACCUMULATED, WHEN THE UNIT IS FULL OF VAPOR, OR WHEN THE COMBUSTION CHAMBER IS VERY HOT.

**CAUTION:** DO NOT TAMPER WITH THE UNIT OR CONTROLS—CALL YOUR SERVICE PERSONNEL.

### I. EXTENDED SHUTDOWN, CLEANING OR REMOVAL OF BOILER FROM SERVICE.

**DANGER:** Use CAUTION when handling chemicals and draining hot water from a boiler. Scalding water and/or chemicals can cause permanent injury to the skin, eyes and respiratory system.

- A. Shut down burner by disconnecting all electrical power to the burner by turning OFF the BURNER EMERGENCY SWITCH of this boiler. After shutting down burner, while the boiler is still hot (180°F to 200°F), drain water from the bottom of the boiler until it runs clear.
- B. To clean the fireside boiler surfaces, first shut down burner by disconnecting all electrical power to the burner by turning OFF the OIL BURNER EMERGENCY SWITCH of this boiler in order to perform the following work in (1) through (10) below.
  1. Remove the flue pipe from the boiler flue collar and clean thoroughly.
  2. Inspect the entire vent connector back to the chimney and clean if necessary.
  3. Inspect the chimney for soot, debris and other unsafe conditions of the chimney and take the necessary action.
  4. Remove the flue collector by first removing the top jacket panel. The flue collector is held in place by a 1/4-20 Wing Nut. Remove the Wing Nut and carefully remove the flue collector. Try not to disturb the sealant under the flue collector. (For the Hinge Style the flue collectors, see 4A.)
  - 4a. For the Hinge Style flue collector (TR-30H/LD-30H and TR-40H) only. Open the two latches and swing open the flue collector top on its hinge.
  5. When necessary to clean the combustion chamber you must first CLOSE the suction valve (and return valve if two pipe). Then disconnect the oil lines from the burner. The flexible electric conduit connected from the junction box on the boiler to the burner via a plastic connector must be disconnected from the burner by grasping the plastic half of the connector closest to the flexible conduit and gently pulling it in the direction of the conduit until it is disconnected. Remove the single 3/8-16 hex head screw on the LEFT side of the swinging door. You will need a 9/16" drive socket. Open the door to completely expose the combustion chamber for thorough cleaning and for inspection of target wall, blanket (provided in certain models; see rating plate), main cast iron burner door insulation and burner door fiberglass sealing rope. If combustion chamber parts above are badly deteriorated then replace with original factory parts available at your distributor.
  6. Remove the Baffles from between the casting sections. Use the flue brush to clean the pinned flueways between the sections.† A wire brush may be used to remove any carbon accumulation that may have developed in the combustion chamber. Vacuum the loose soot and debris from the boiler. Reinstall all flue Baffles between the casting sections. (see pg. 23 for Baffle Layout Chart)
  7. Inspect the burner combustion head. Clean if necessary and make sure all the adjustments are correct. (See burner data pages for the burner installed.) Replace oil nozzle with new one and readjust electrodes. To insure proper burner operation **ONLY THE NOZZLES SPECIFIED IN THIS MANUAL OR ON THE BURNER LABEL SHOULD BE USED FOR REPLACEMENT.**
  8. Close main cast iron burner door (door on which burner is mounted). Make sure that the entire seal (fiberglass rope) is making good contact with the boiler casting when replacing 3/8-16 x 1" long hex head bolt and tightening.
  9. Check the flue collector seal. This is the sealant on top of the

heat exchanger. The sealant must be in place adjacent to the long bosses on front and rear sections and adjacent to the short bosses on the intermediate sections. The sealant should be directly under the flue collector flange when the flue collector is replaced. Use the 1/4-20 Wing Nut and washer to fasten the flue collector. In order to assure a proper seal be sure that the sealant is pressed tight against the flue collector and castings. (For the Hinge Style the flue collectors, see 9A.)

- 9a. For the Hinge Style flue collectors (TR-30H/LD-30H and TR-40H) only. Inspect the Fiberglass rope seal to ensure its proper location and close the Hinged top using the two latches.
- C. If boiler room is damp, provide ventilation.

**CAUTION:** ALWAYS KEEP THE OIL SUPPLY VALVE SHUT OFF IF THE BURNER IS SHUT DOWN FOR AN EXTENDED PERIOD OF TIME.

### II. PROVIDING PROTECTION FOR FREEZING

Anti-freeze is sometimes used in hydronic heating systems to protect against freeze-up in the event of power failure, or safety control shutdown when the building is unoccupied. It should be recognized that unless the building is kept above freezing temperature by some means, the plumbing system is not protected.

PROPYLENE GLYCOL is used in the quick-freeze food industry; it is practically non-toxic. Its use may be permitted when tankless heaters are used. When anti-freeze must be used, inhibited propylene glycol is recommended. Useful information on the characteristics, mixing proportions, etc. of glycol in heating systems is given in Technical Topics No. 2A, available from the Hydronics Institute, 35 Russo Place, Berkeley Heights, N.J. 07922. Consult glycol manufacturers for sources of propylene glycol. DO NOT use ethylene glycol because it is toxic.

### III. OIL BURNER

All service to the oil burner, oil filter, oil strainers, etc., should be performed by a professionally trained service person. Inspect and clean annually and following any period of improper operation. Recheck and adjust settings as specified for burner model and nozzle size. Set burner air and draft regulator, using test instruments to obtain recommended CO<sub>2</sub> and draft without smoke. Refer to page 8.

### IV. GENERAL MAINTENANCE

These operations are recommended to be performed at regular intervals:

- A. **BOILER HEATING SURFACES:** clean off all coatings found. Reseal covers.
- B. **BOILER CONTROLS:** check contacts, settings, correct functioning.
- C. **PIPING:** check piping and accessories for leaks.
- D. **CHIMNEY or STUB VENT and BREECHING:** check for obstructions and leaks.
- E. **COMBUSTION AIR TO BURNER:** check for continued POSITIVE supply of air as required. Air needs are greatest in coldest weather. Refer to AIR SUPPLY, page 3.
- F. **WATER SYSTEM:** check
  1. System to be full of water and pressure to remain stable (between 12 psi and 25 psi).
  2. Air-control system: noise and air binding in radiation should not occur.
  3. Water lines: slightest leaks should be corrected.
  4. Low water cut-off, for operation (see instructions furnished with unit). See page 9.
- G. **STEAM SYSTEM:** check
  1. Low water cut-off, for operation (see instructions furnished with unit). See page 9.
  2. Check pressure cut-off for operation. See page 10.
  3. Any unusual water conditions. Obtain water analysis and treat water.
- H. **BOILER ROOM AIR SUPPLY:** air vents should be open and free of obstruction. See page 3.

† A flue brush (2-1/4" dia.) is supplied with boiler. Replacements are available from dealer or hardware stores.



Since 1949  
***Slant/Fin***®

© Copyright 2021

---

**SLANT/FIN CORPORATION, Greenvale, N.Y. 11548 • Phone: (516) 484-2600**

FAX: (516) 484-0933 • Canada: *Slant/Fin LTD/LTEE, Mississauga, Ontario*

[www.slantfin.com](http://www.slantfin.com)