

PRODEMAND

YMMS: 2007 Nissan Pathfinder LE
 Engine: 4.0L Eng
 VIN: 5N1AR18UX7C637487

Mar 22, 2021
 License:
 Odometer:

SPARK PLUG

SPARK PLUG SPECIFICATIONS

Make	NGK
Standard type	PLFR5A-11
Gap (nominal)	1.1 mm (0.043 in)

SPECIFICATIONS INDEX

PATHFINDER SPECIFICATIONS INDEX

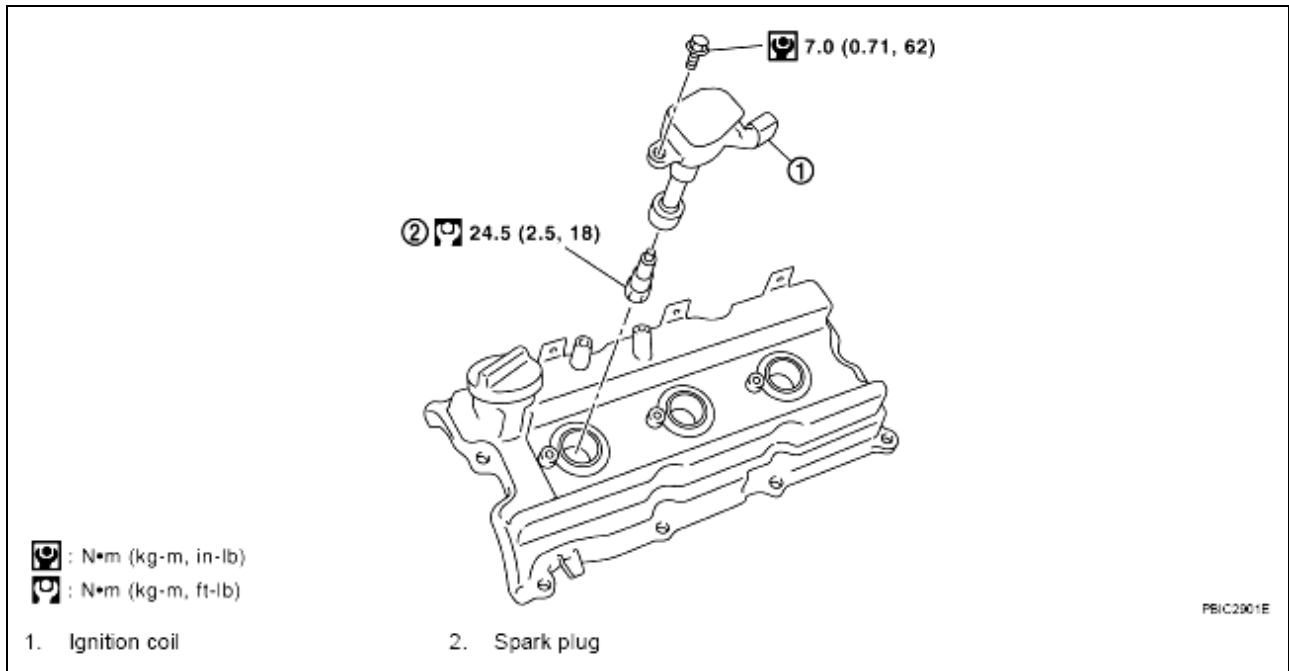
System	Specification/Procedure
Air Conditioning	
Automatic	
Service	SERVICE DATA AND SPECIFICATIONS (SDS)
Torque	See applicable components in AUTOMATIC AIR CONDITIONER article.
Manual	
Service	SERVICE DATA AND SPECIFICATIONS (SDS)
Torque	See applicable components in MANUAL AIR CONDITIONER article.
Axle Nut/Hub Nut	
Front Axle Nut	137 N.m (101 Ft.lbs)
Front Hub Bolts	60 N.m (44 Ft.lbs)
Rear Axle Nut	240 N.m (177 Ft.lbs)
Rear Hub Bolts	60 N.m (44 Ft.lbs)
Battery	
BATTERY	
Brakes	
Bleeding Sequence	BLEEDING BRAKE SYSTEM
Disc Brakes	
Front	FRONT DISC BRAKE
Rear	REAR DISC BRAKE

Torque		
	Front	Refer to applicable components in COMPONENTS
	Rear	Refer to applicable components in COMPONENTS
Charging		
Generator		GENERATOR
Torque		REMOVAL AND INSTALLATION
Drive Belts		
Belt Routing		DRIVE BELTS
Belt Tensioning		TENSION ADJUSTMENT
Engine Cooling		
General Service Specifications		SERVICE DATA AND SPECIFICATIONS (SDS)
Radiator Cap Pressure		78-98 kPa (0.8-1.2 kgf/cm ² , 11-14 psi)
Thermostat R & I		WATER INLET AND THERMOSTAT ASSEMBLY
Water Pump R & I		WATER PUMP
Engine Mechanical		
Compression		GENERAL SPECIFICATIONS
Oil Pressure		
	@ Idle	98 kPa (1.0 kgf/cm ² , 14 psi) or more
	@ 2000 RPM	294 kPa (3.0 kgf/cm ² , 43 psi) or more
Overhaul		SERVICE DATA AND SPECIFICATIONS (SDS)
Torque		See applicable component in ENGINE MECHANICAL article.
Fluid Specifications		See FLUIDS under MAINTENANCE tab. From within Manager or Service Writer, click the "30/60/90 Interval" or "Maint" button.
Flywheel/Flex Plate (Drive Plate) Torque		88 N.m (65 Ft.lbs)
Fuel System		
Pressure		@ Idling: Approximately 350 kPa (3.57 kg/cm ² , 51 psi)
Fuel Pressure Test Procedure		FUEL PRESSURE CHECK
Fuel Filter Location		In Tank Type
Fuel Filter R & I		FUEL LEVEL SENSOR UNIT, FUEL FILTER AND FUEL PUMP ASSEMBLY

Ignition		
	Firing Order & Cylinder Identification	FIRING ORDER & CYLINDER IDENTIFICATION
	Ignition Wires (Resistance)	Coil On Plug
	Ignition Wires (Routing)	NA
	Spark Plugs	SPARK PLUG
Starting		
	Starter	STARTER
	Torque	REMOVAL AND INSTALLATION
Wheel Alignment		
	Adjustment Specifications	
	Front	SERVICE DATA AND SPECIFICATIONS (SDS)
	Rear	SERVICE DATA AND SPECIFICATIONS (SDS)
	Torque	
	Front	See applicable components in FRONT SUSPENSION article.
	Rear	See applicable components in REAR SUSPENSION article.
Wheel & Tire		
	Lug Nut Torque	133 N.m (14 kg.m, 98 Ft.lbs)
How To Use Nissan/Infiniti Service Information		
Includes: Standard Bolt Torque Symbol Identification General Connector Info	GENERAL INFORMATION	

Spark Plugs Replacement Components With Torque Specifications

Fig 1: Spark Plugs Replacement Components With Torque Specifications



Courtesy of NISSAN MOTOR CO., U.S.A.