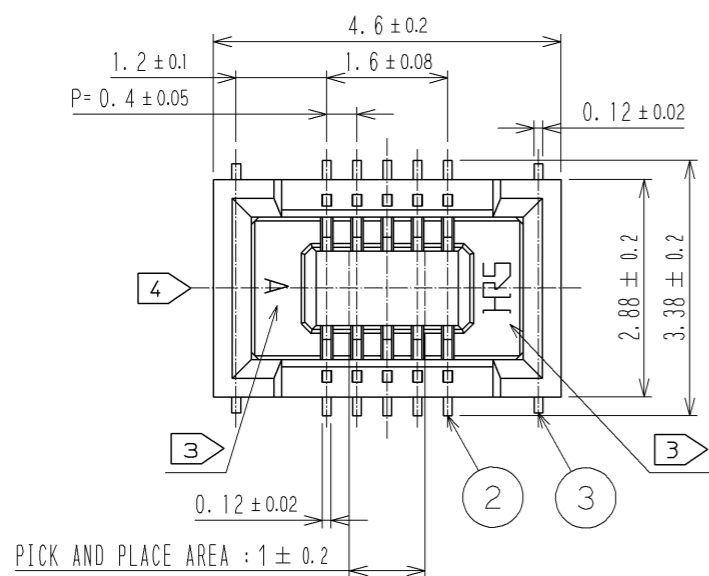
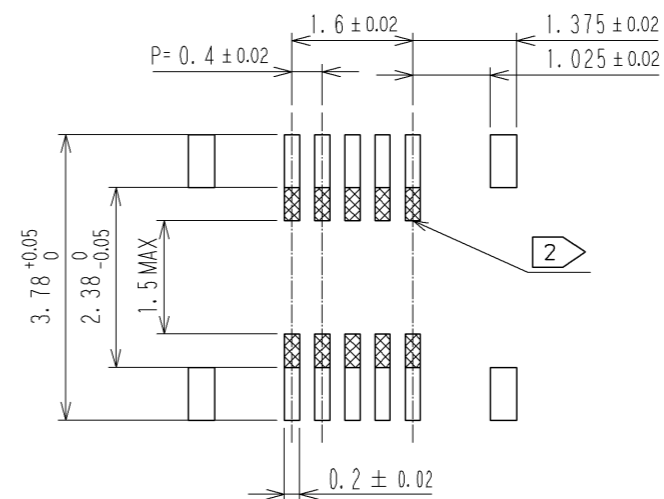


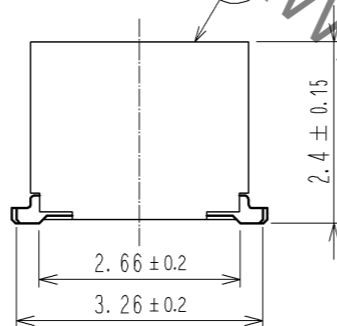
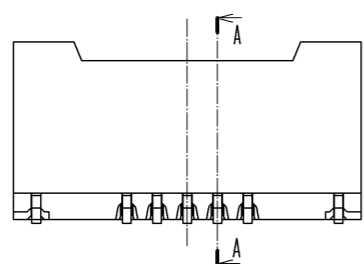
Sep.1.2021 Copyright 2021 HIROSE ELECTRIC CO., LTD. All Rights Reserved.  
In case of consideration for using Automotive equipment / device which demand high reliability, kindly contact our sales window correspondents.



RECOMMENDED PATTERN

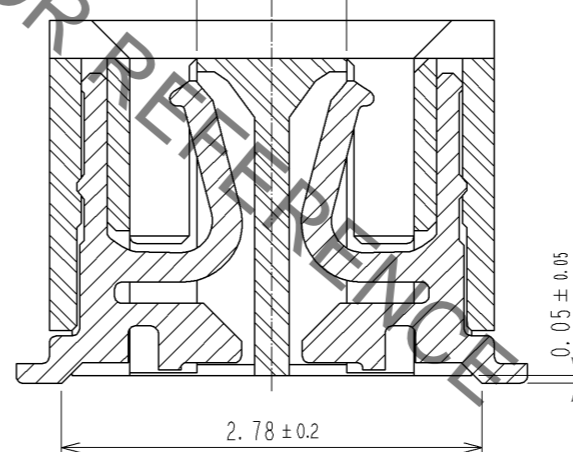


RECOMMENDED METAL MASK THICKNESS : 120um  
RECOMMENDED METAL MASK OPENING RATIO : 80% FOR LEAD PAD

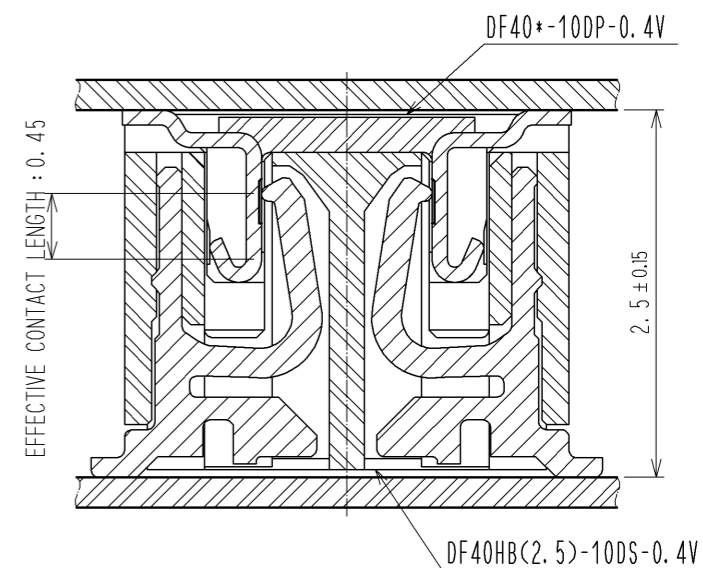


A-A (20:1)

PICK AND PLACE AREA : 0.99 ± 0.1



ENGAGED FIGURE (20:1)

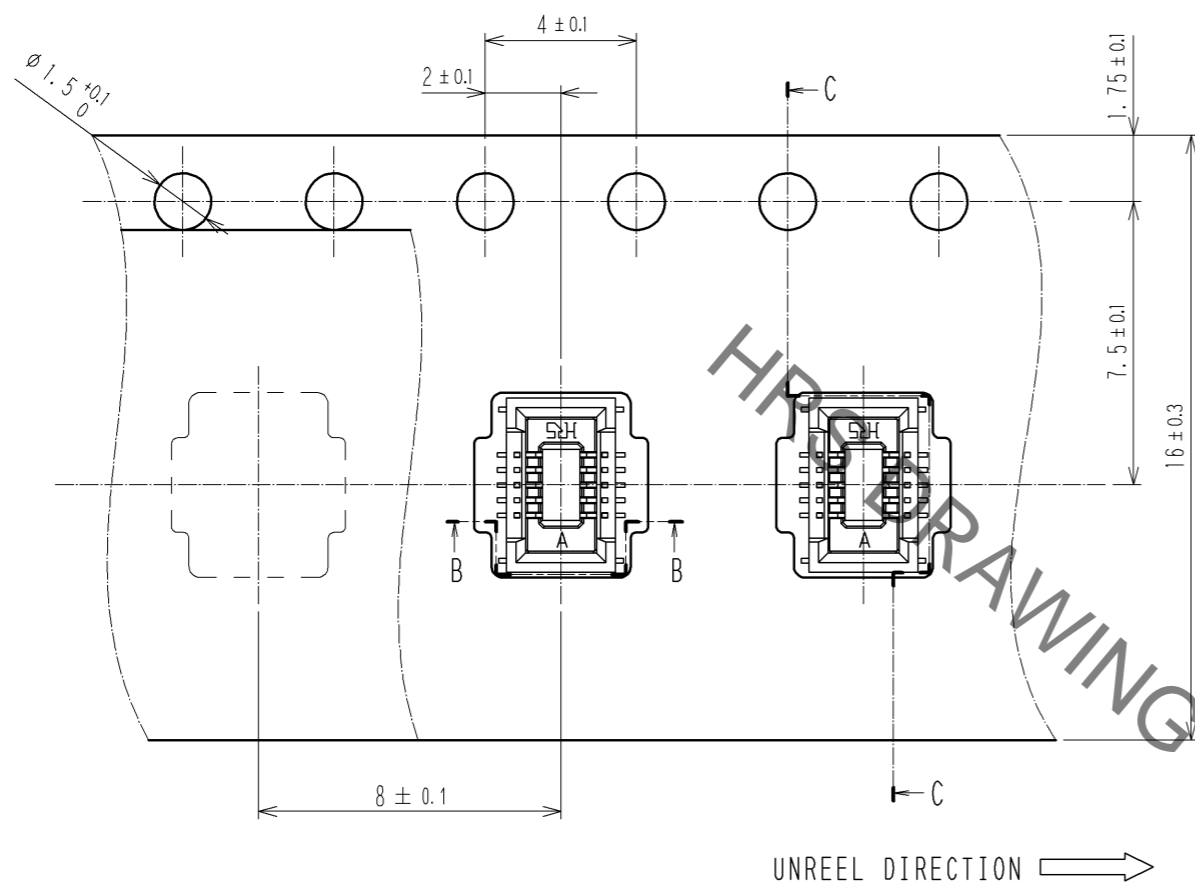


NOTE 1. ALL LEADS CO-PLANARITY SHALL BE 0.1 MAX.  
 2 IS NO PATTERN AREA OTHER THAN THE SAME CIRCUIT.  
 3 HRS MARK AND CAV NO. IS INDICATED IN APPROXIMATE POSITION SHOWN.  
 4 GATE POSITION IS IN APPROXIMATE AREA SHOWN.

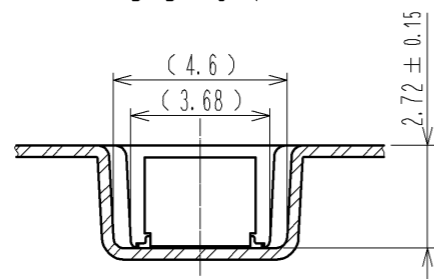
2	PHOSPHOR BRONZE	CONTACT AREA:GOLD 0.05 μm MIN SMT LEAD:GOLD 0.05 μm MIN UNDERPLATING:NICKEL 1 μm MIN	7	PS	CLEAR, REINFORCEMENT COLLAR			
1	LCP	BLACK, UL94V-0	6	PS	BLACK, PLASTIC REEL			
			5	POLYESTER	CLEAR, COVER TAPE			
			4	PS	CLEAR, EMBOSSED CARRIER TAPE			
			3	PHOSPHOR BRONZE	GOLD 0.05 μm MIN			
NO.	MATERIAL	FINISH . REMARKS	NO.	MATERIAL	FINISH . REMARKS			
UNITS	mm	SCALE	10 : 1	COUNT	DESCRIPTION OF REVISIONS	DESIGNED	CHECKED	DATE
		APPROVED : KH. IKEDA	14.05.30	DRAWING NO. EDC3-345844-01				
		CHECKED : TS. MIYAZAKI	14.05.30	PART NO. DF40HB(2.5)-10DS-0.4V(51)				
		DESIGNED : TY.001	14.05.29	CODE NO. CL684-4189-3-51				
		DRAWN : TY.001	14.05.29	1/2				

Sep.1.2021 Copyright 2021 HIROSE ELECTRIC CO., LTD. All Rights Reserved.  
In case of consideration for using Automotive equipment / device which demand high reliability, kindly contact our sales window correspondents.

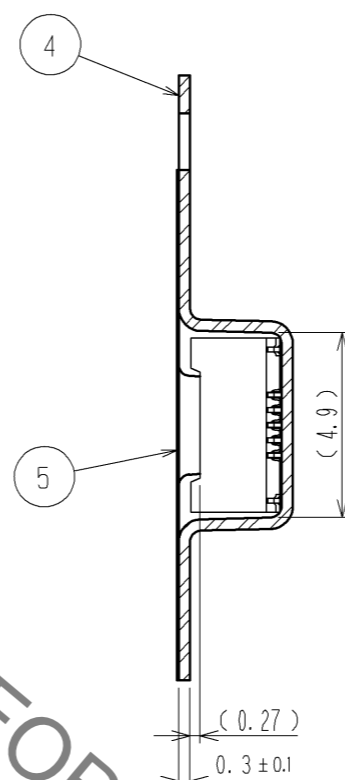
EMBOSSED CARRIER TAPE PACKAGING (5:1)



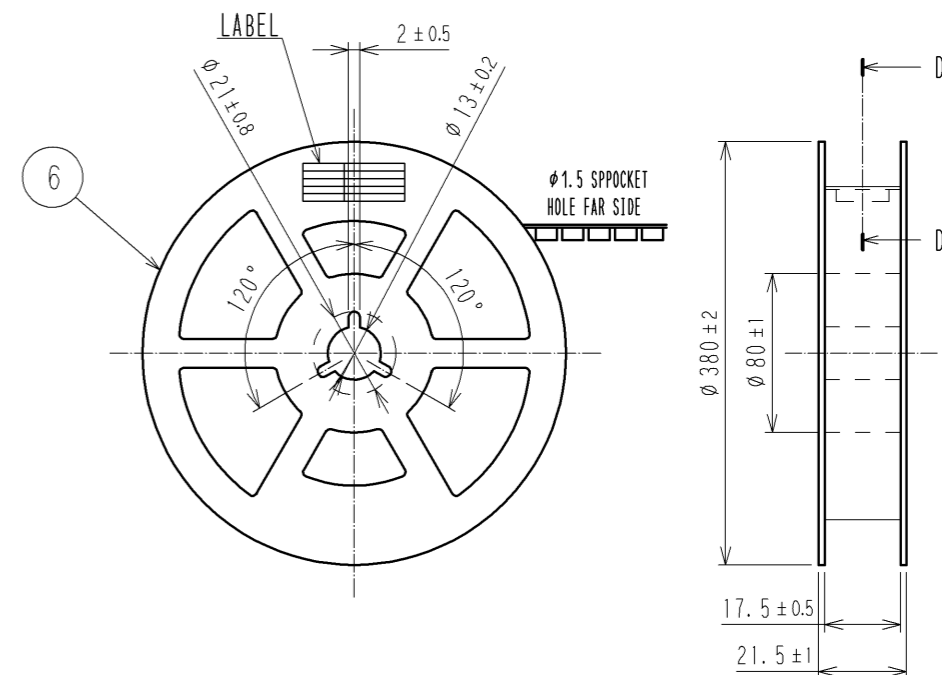
B-B (5:1)



C-C (5:1)



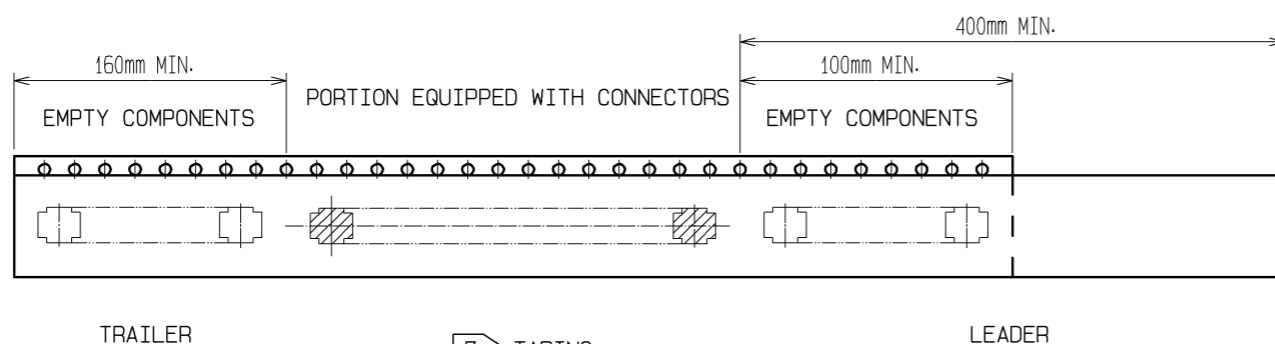
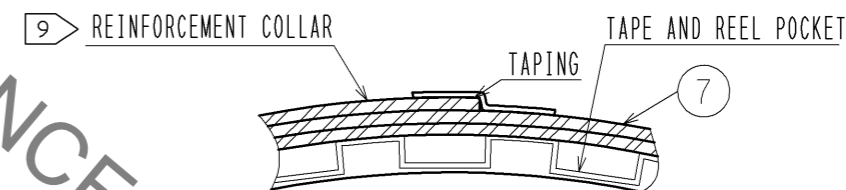
STYLE AND DIMENSION OF REEL (FREE SIZE)



8 > DETAIL OF PART NO. LABEL

製造年月日	** ** *
製品コード	CL684-4189-3-51
製品名	DF40HB(2.5)-10DS-0.4V(51)
数量	3000
納入者	ヒロセ電機(株)

D-D (FREE)



- NOTES )
- PER REEL 3000 CONNECTORS.
  - THE DIMENSIONS IN PARENTHESSES ARE FOR REFERENCE.
  - REFER TO JIS C 0806(PACKING OF COMPONENTS FOR AUTOMATIC HANDLING)
  - DETAIL OF PART NO. LABEL IS WRITTEN IN JAPANESE.  
PRODUCTION DATE: \*\* \*\* \*\*  
PRODUCT CODE: CL684-4189-3-51  
PART NUMBER: DF40HB(2.5)-10DS-0.4V(51)  
NUMBER OF PIECES: 3000 PIECES  
SUPPLIER NAME: HIROSE ELECTRIC CO., LTD.
  - AFTER PACKAGING, ROLL 2 METERS OF THE REINFORCEMENT COLLAR TO OUTER CIRCUMFERENCE OF TAPE AND REEL POCKET. AND TAPE DOWN AT THE END THE COLLAR.

<b>HRS</b>	DRAWING NO.	EDC3-345844-01
	PART NO.	DF40HB(2.5)-10DS-0.4V(51)
	CODE NO.	CL684-4189-3-51
		$\triangle$ 2/2