

INSIGNIA™

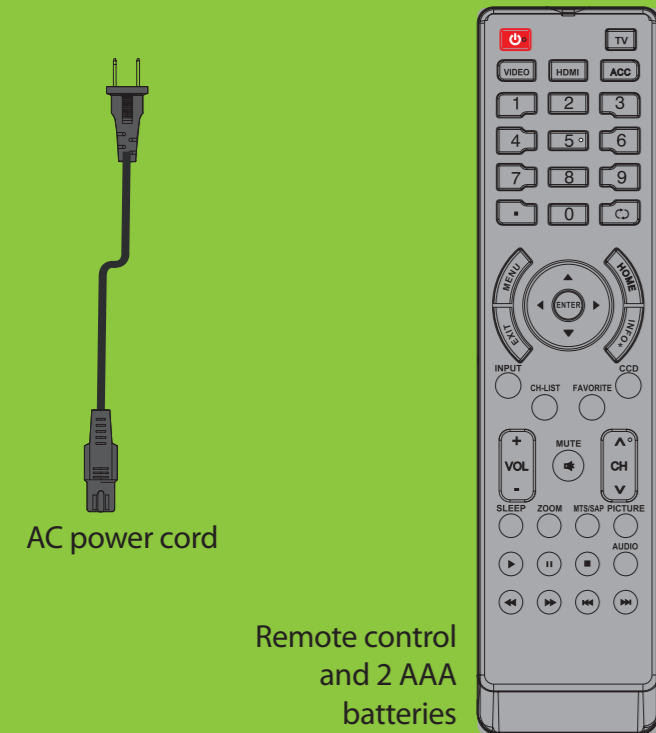
32"/46" LCD TV

QUICK SETUP GUIDE

NS-32L120A13/NS-46L240A13/NS-32L240A13

Thank You

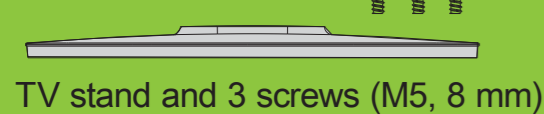
for purchasing this fine Insignia television. We hope you enjoy the quality and reliability of this product for years to come.



AC power cord

Remote control and 2 AAA batteries

NS-32L240A13



TV stand and 3 screws (M5, 8 mm)

NS-32L120A13



TV stand and 3 screws (M5, 8 mm)

NS-46L240A13



TV stand and 4 screws (M5, 8 mm)

WE ARE GOING GREEN!

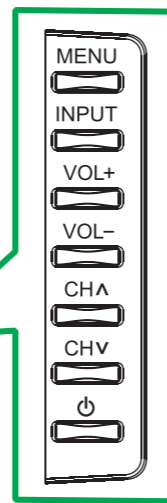
A copy of your User Guide is not provided in the box but is available online. Go to www.insigniaproducts.com, click **Support & Service**, enter your model number in the **Product Search** field, then click **Search**.



Front features



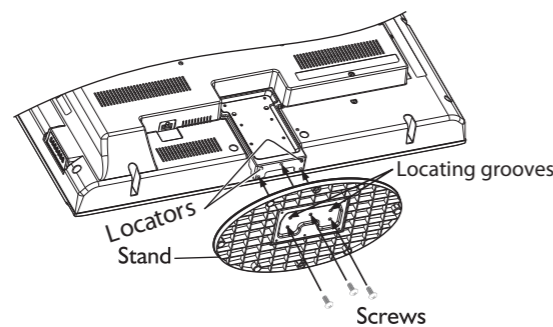
Remote control sensor Power indicator



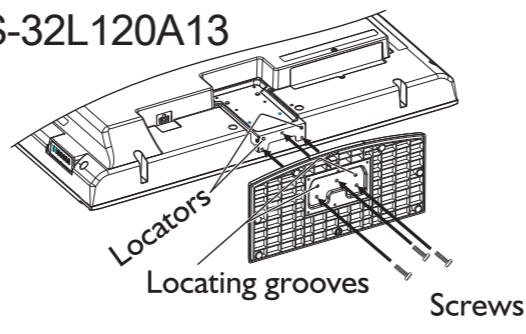
Installing the stand

- Carefully place your TV screen face-down on a cushioned, clean surface to protect the screen from damages and scratches.
- Align the stand to the TV and secure it to the stand column with the screws provided.

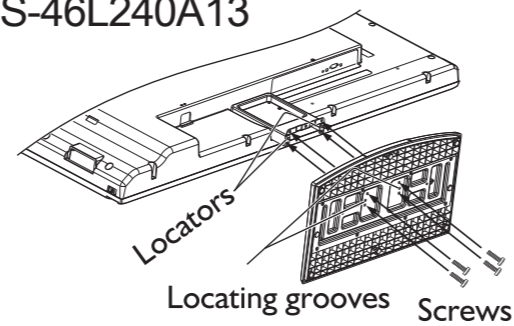
NS-32L240A13



NS-32L120A13



NS-46L240A13



Note: The appearance of your actual TV may differ from the illustrations in this Guide.

Installing a wall-mount bracket

- Carefully place your TV screen face-down on a cushioned, clean surface to protect the screen from damages and scratches.
- Remove the screws holding the TV to its stand column.
- Remove the stand column.
- Attach the wall-mount bracket to your TV using the mounting holes on the back of your TV. See the instructions that came with the wall-mount bracket for information about how to correctly hang your TV.

Warning

This apparatus is intended to be supported by a UL Listed wall mount bracket.

Identifying cables

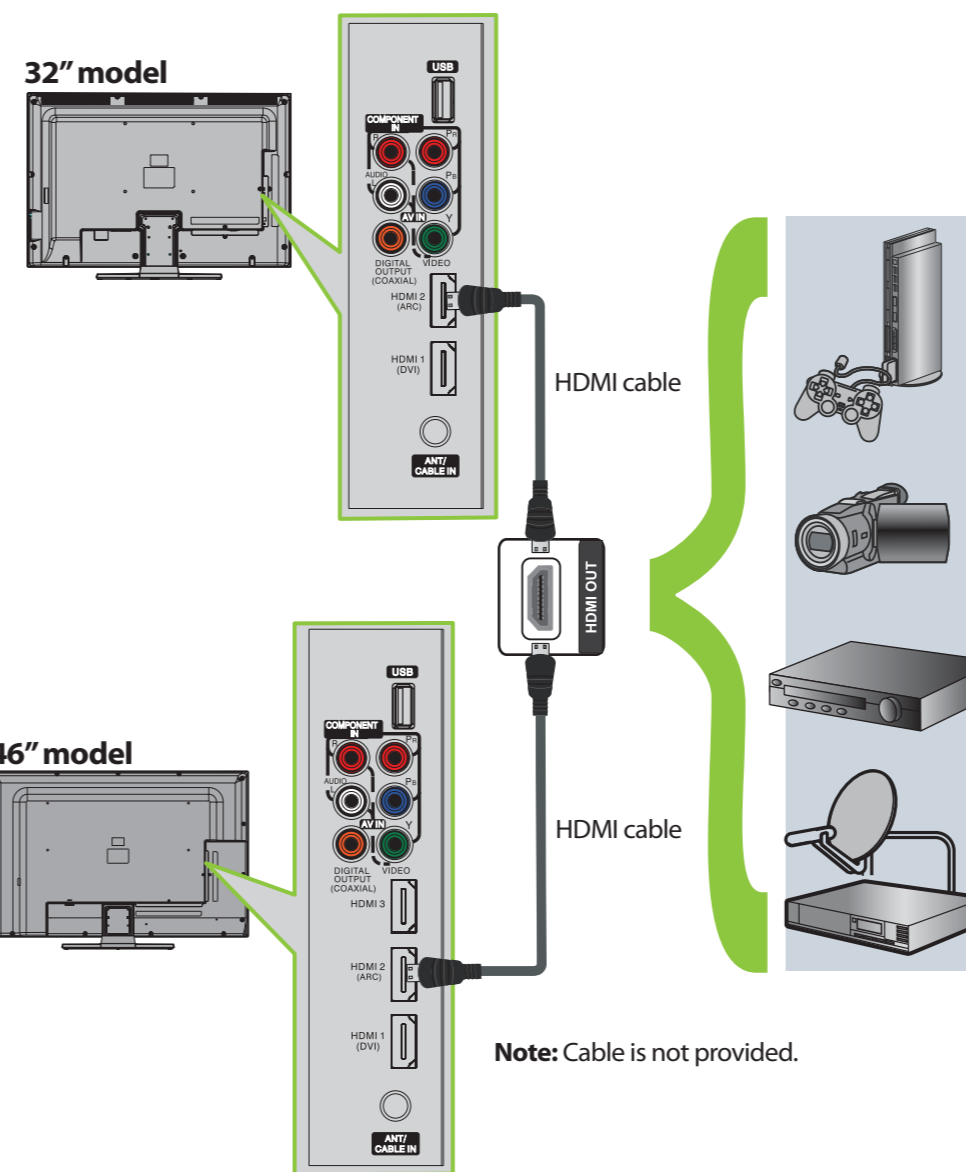
Your TV has several connection types for connecting devices. For the best video quality, connect a device to the best available connection.

Connection type	Video quality	Cable connector
HDMI video/audio	Best	
OR		
Component video and analog audio	Better	
OR		
Composite video and analog audio	Good	

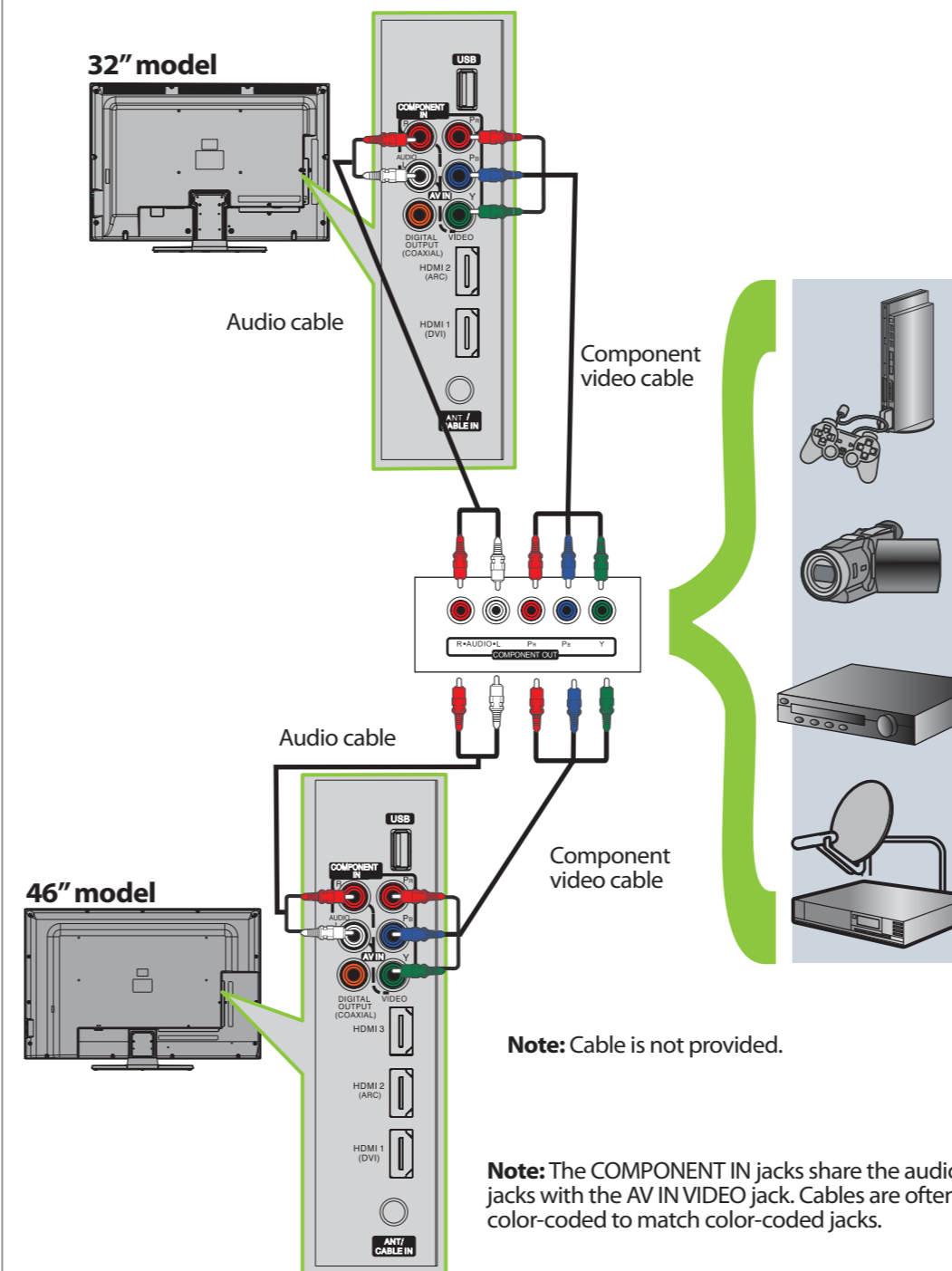
You can use the HDMI 1 jack to connect a DVI device to your TV. You need to attach an HDMI-to-DVI adapter to the end of the HDMI cable that connects to the DVI device's jack.

Connecting a DVD or Blu-ray player, cable box, satellite receiver, camcorder, or game station

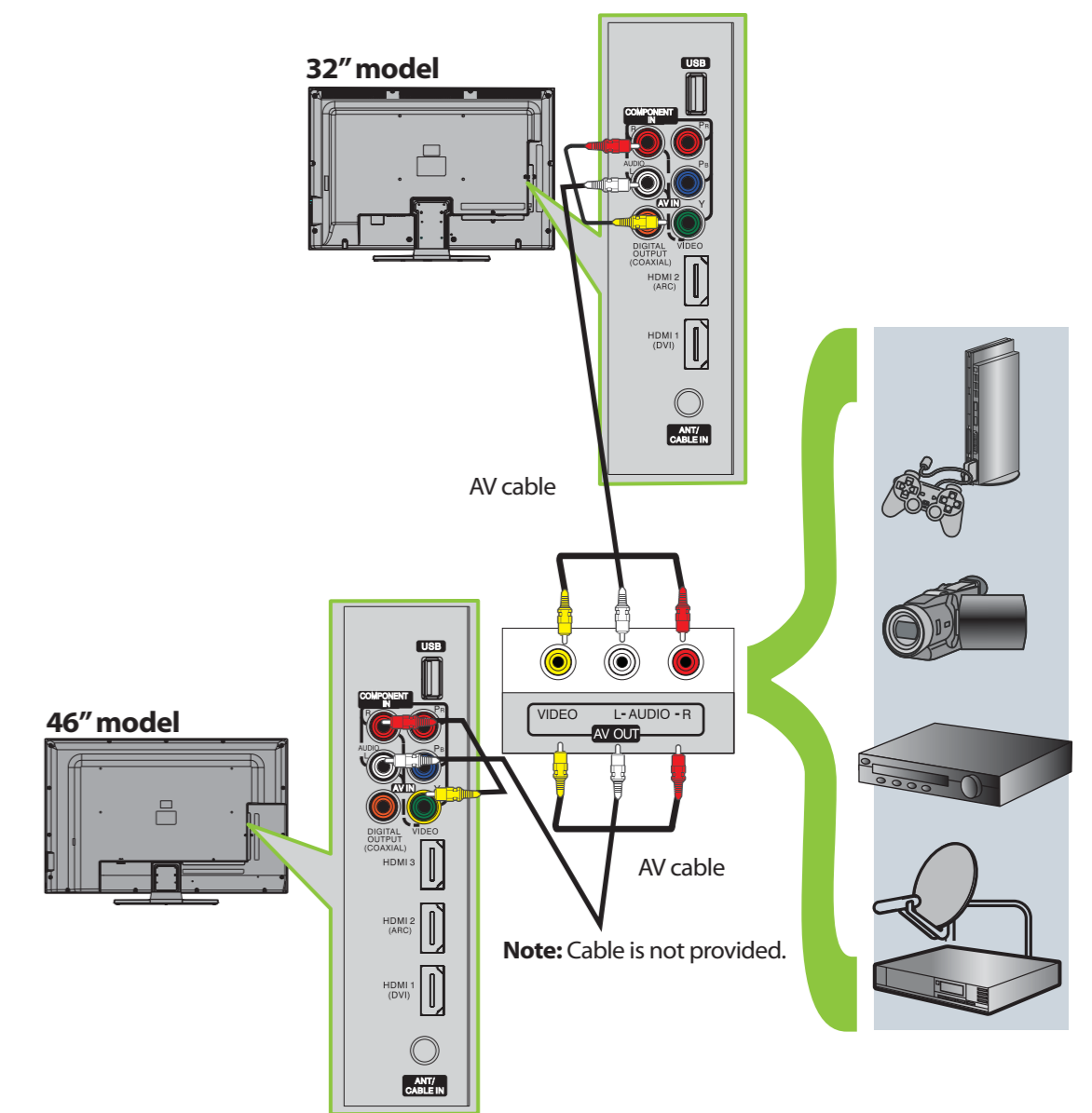
Using an HDMI cable (best)



Using component cables (better)



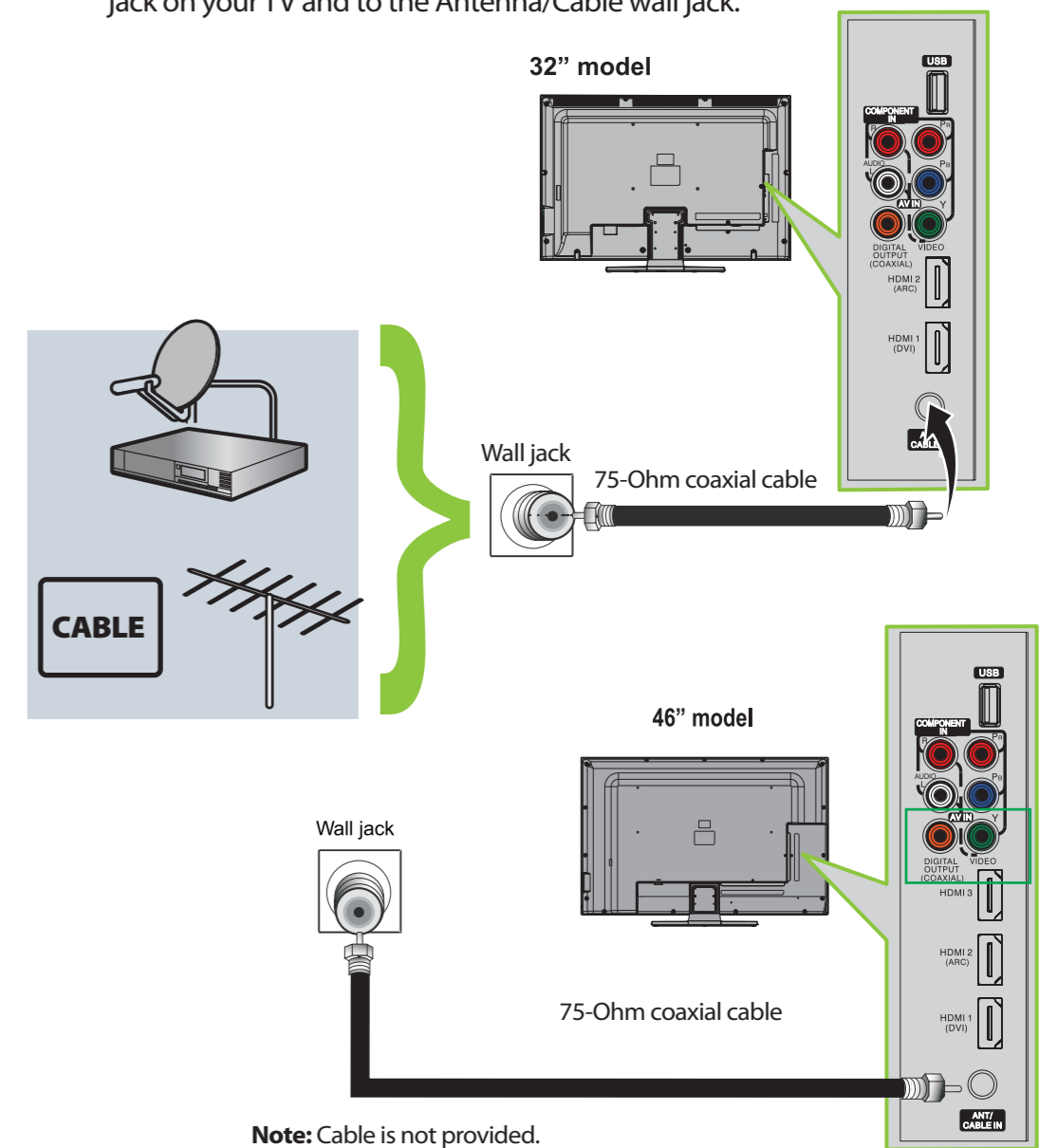
Using composite cables (good)



Note: Connect your Yellow video cable to the Green Y/Video jack.

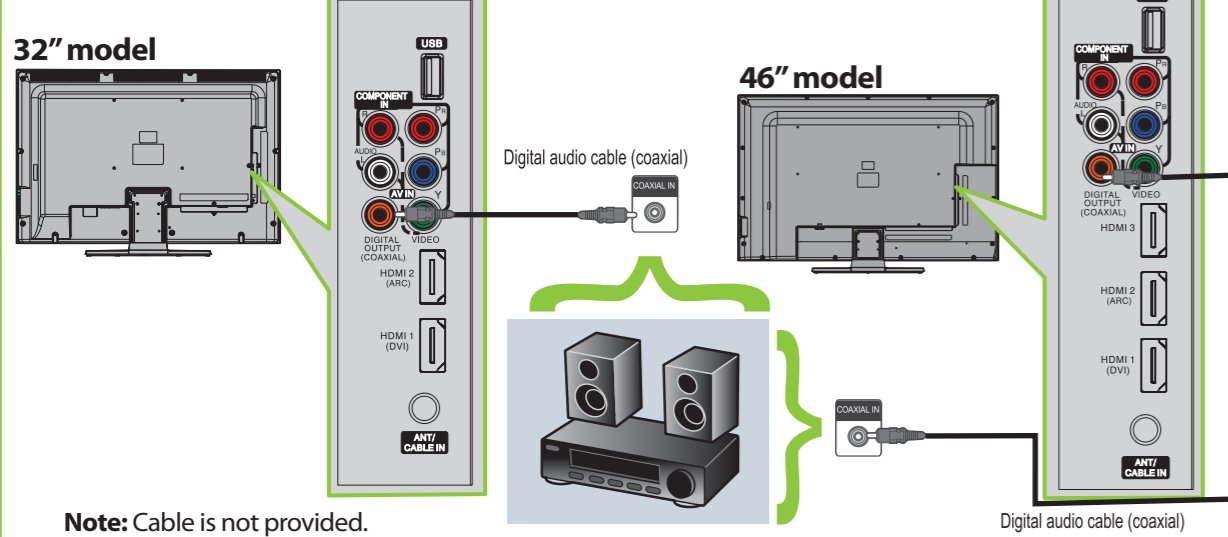
Connecting an antenna/cable wall jack

Connect a coaxial cable (not included) to the ANT/CABLE IN jack on your TV and to the Antenna/Cable wall jack.



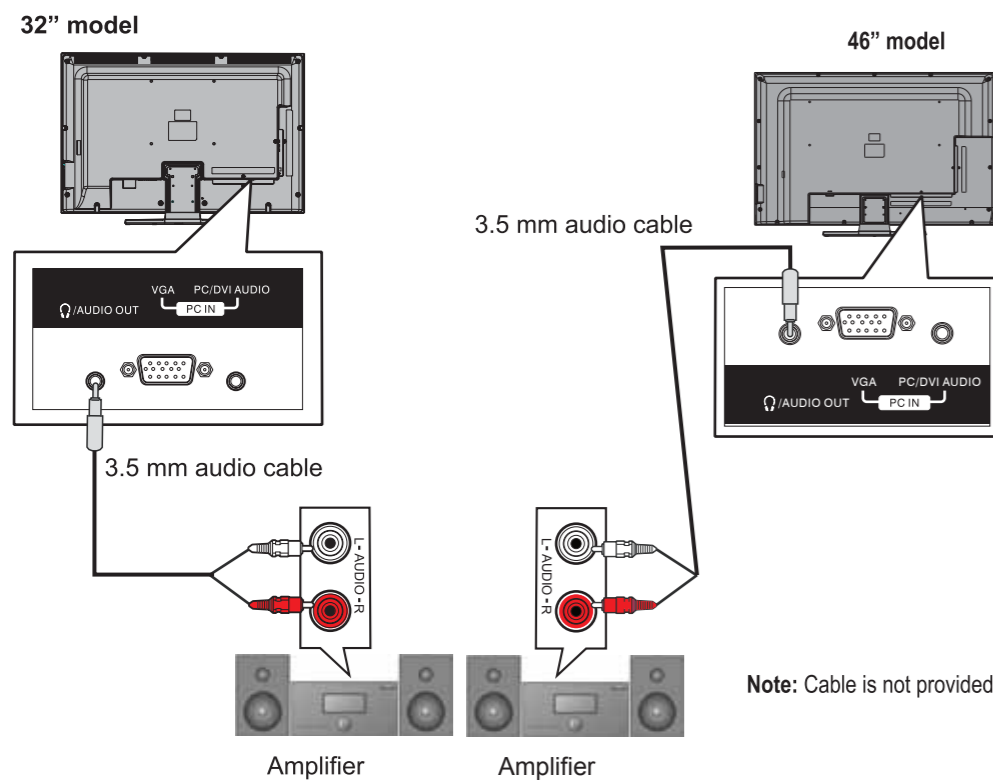
Connecting a Home Theater System

Using Digital audio



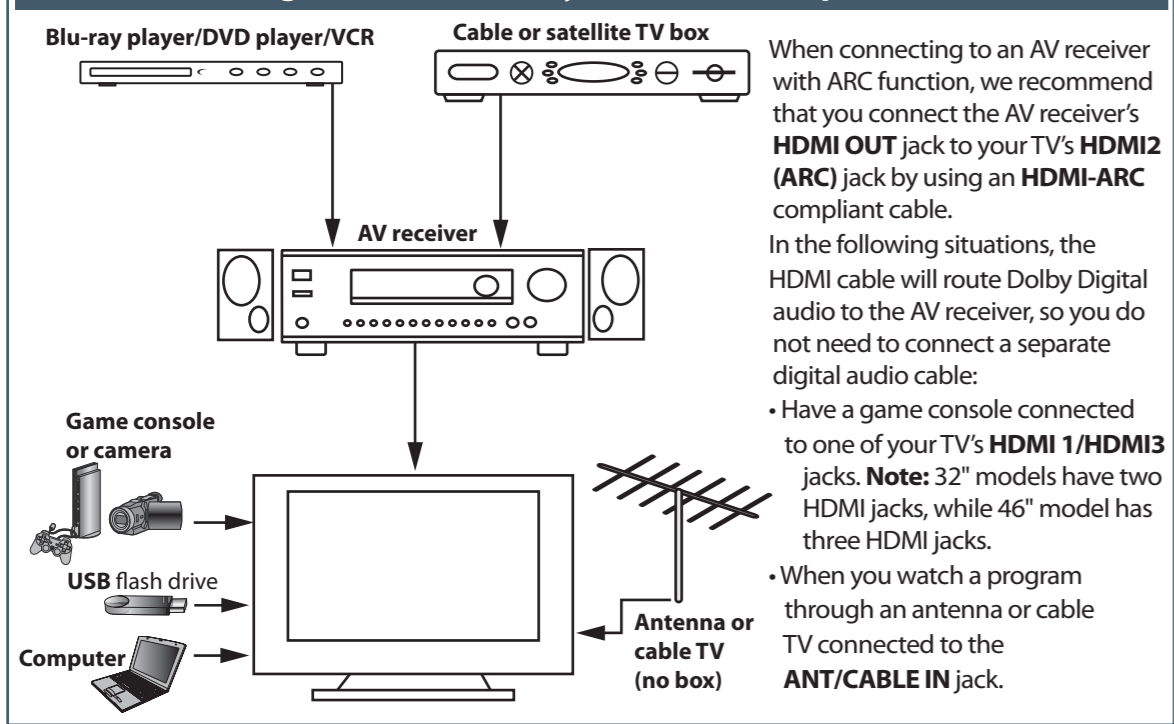
Note: Cable is not provided.

Using Analog audio



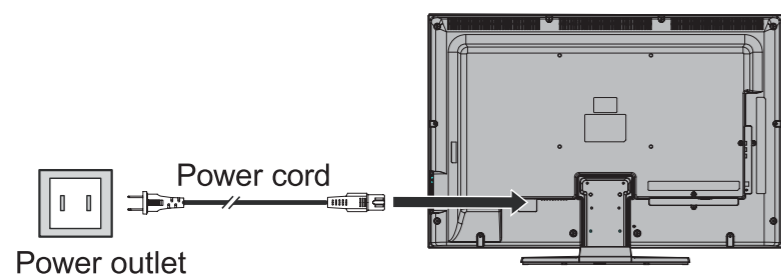
Note: Cable is not provided.

Connecting a home theater system with multiple devices



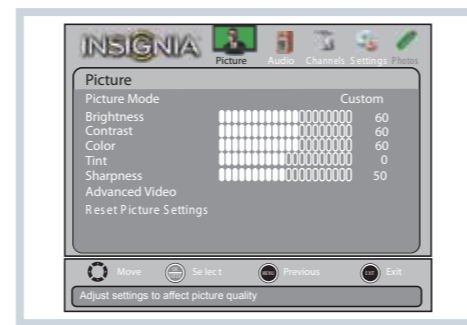
Connecting power

Plug the AC power cord into the **AC IN** jack on the back of your TV, then plug the other end of the cord into a power outlet.



Setting up and using your remote control

- 1 Press the release button on the back of the remote to remove the battery compartment cover.
- 2 Insert two AAA batteries into the battery compartment. Make sure that the + and - symbols on the batteries match the + and - symbols in the battery compartment.
- 3 Replace the cover.



32" model	46" model
INPUT SOURCE	INPUT SOURCE
TV	TV
COMP/AV	COMP/AV
HDMI1	HDMI1
HDMI2	HDMI2
VGA	VGA
USB	USB

Aspect ratio options

- Normal:** Displays the original 4:3 aspect ratio with black bars vertical on the left and right hand side of the screen. If the original aspect ratio is 16:9, then the image displays in 16:9.
- Zoom:** Expands the image to fill the screen. The top and bottom of the image may be cropped.
- Wide:** Use this option to view content in a 16:9 (wide-screen) aspect ratio.
- Cinema:** Stretches the image at the edges, but keeps a clear image in the center.
- Auto:** Automatically adjusts the image based on the screen size and the TV program. **Note:** Auto is only available when Auto Zoom in the Channels menu is set to On.

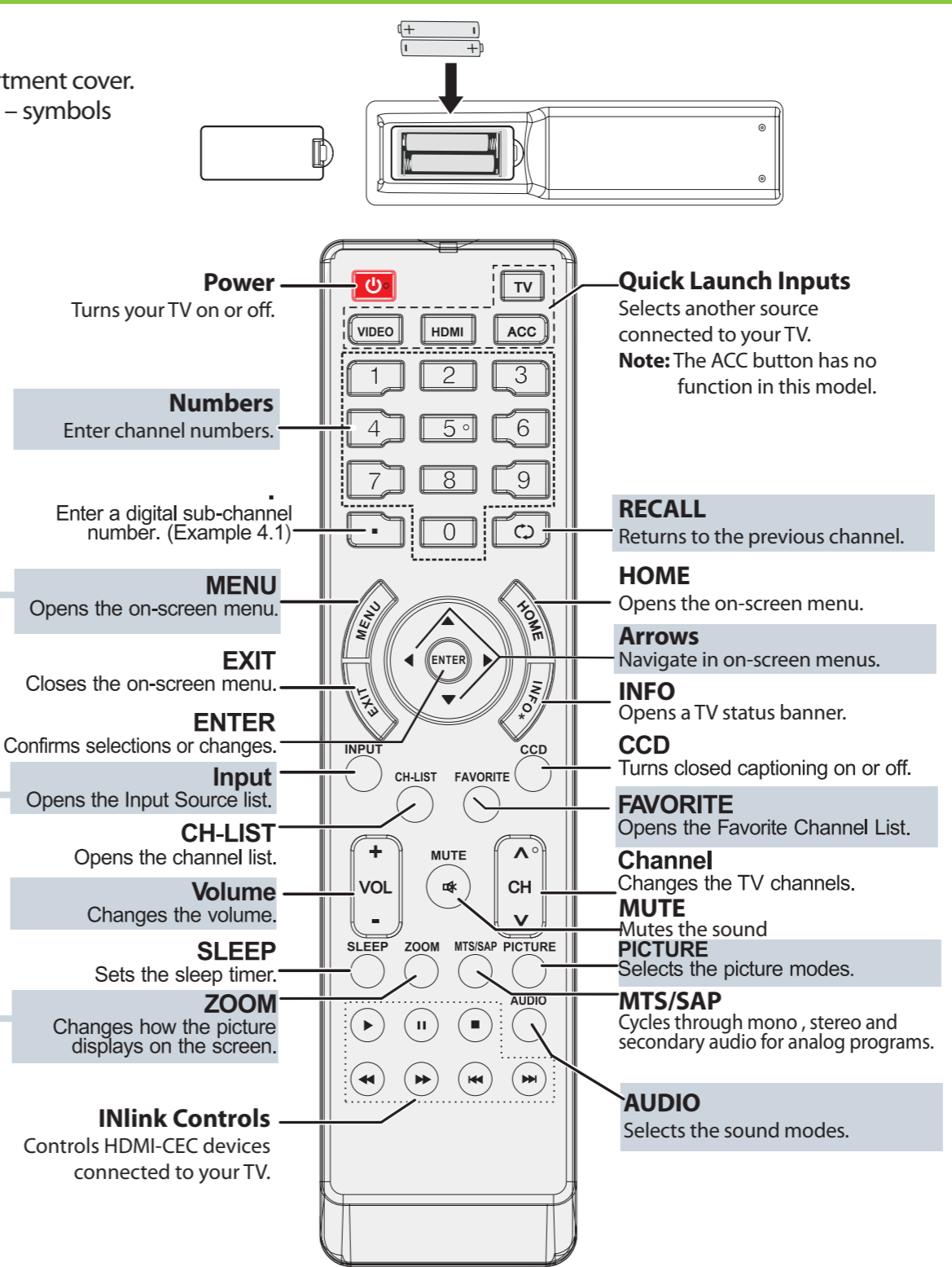
Programming your remote control

To program your universal remote control to work with your new Insignia TV, see the table for common codes. If you have problems programming your remote or need a different remote control code, visit www.insigniaproducts.com/remotecodes for the latest remote control code information.

Universal remote TV codes												
Universal remote controls				Cable/Satellite/Set-top boxes								
One for All	Philips	RCA	Sony	Cablevision	Charter	Comcast	Cox	Direct TV	Dish Network	Time Warner	Tivo	Verizon
0054	0198, 0490	135	068, 069, 078, 096, 100, 164, 168, 229, 026	068, 069, 078, 096, 100, 164, 168, 229, 026	2002, 1204, 1423, 1517, 0171, 1963, 0463, 1463, 0842, 1326, 167, 415, 424, 450, 456, 461, 507, 523, 567, 577, 586	10171, 11204, 11326, 11463, 11517, 11641, 11780, 11785, 11892, 11963, 12002	1326, 1463	10171, 11204, 11326, 11517, 11564, 11641, 11963, 12002	720	400, 450, 461, 456, 10463, 1463, 0463	0091	0198, 0490

Turning on your TV for the first time

- 1 Connect your TV's power cord to a power outlet, then press **power**.
- 2 Press **▲** or **▼** to highlight a language, then press **ENTER**.
- 3 Press **◀** or **▶** to select **Auto** or **Manual**. If you select **Auto**, the date and time are set automatically from a digital TV signal. If you select **Manual**, you can manually set the date and time. Press **ENTER**.
- 4 Press **▲** or **▼** to highlight **Home Mode** or **Retail Mode**, then press **ENTER**. If you select **Retail Mode**, a message asks you to confirm your selection. Select **Yes** or **No**. **Retail mode** is not an energy-saving mode. The *Choose Your TV Source* screen opens.
- 5 Press **▲** or **▼** to highlight **Antenna**, **Cable**, or **Satellite Box**, then press **ENTER**.
 - A. If you select **Antenna**, your TV scans for available channels. The scan may take several minutes.
 - B. If you select **Cable**, a message asks if you have a cable box.
 - Select **No** if no cable box is connected. Your TV scans for available channels. The scan may take several minutes.
 - Select **Yes** if a cable box is connected. A message asks how you connected the cable box to your TV:
 - Select **AV**, **Component**, or **HDMI** if you connected a cable box to your TV using one of these cables. Read the message, then press **ENTER** to close the wizard.
 - Select **Coaxial** if you connected a cable box to your TV using a coaxial cable. Read the message, then press **ENTER** to start the channel scan (VHF channels only).
 - C. If you select **Satellite Box**, a message asks how you connected the satellite box to your TV:
 - Select **AV**, **Component**, or **HDMI** if you connected a satellite box to your TV using one of these cables. Read the message, then press **ENTER** to close the wizard.
 - Select **Coaxial** if you connected a satellite box to your TV using a coaxial cable. Read the message, then press **ENTER** to start the channel scan (VHF channels only).



One-year limited warranty

See your *User Guide* or visit www.insigniaproducts.com for details.

Need additional help?

See your *User Guide*! This comprehensive guide includes everything from basic how-to steps to more advanced features. Check out our **online community forum** at www.insigniaproducts.com for helpful information from other Insignia TV owners.

We're here for you

www.insigniaproducts.com
For customer service, call:
877-467-4289 (U.S./Canada markets)

Distributed by Best Buy Purchasing, LLC
7601 Penn Avenue South, Richfield, MN USA
55423-3645

© 2012 BBY Solutions, Inc.
All rights reserved. INSIGNIA is a trademark of BBY Solutions, Inc. Registered in some countries. All other products and brand names are trademarks of their respective owners.

WE ARE GOING GREEN!

A copy of your *User Guide* is not provided in the box but is available online. Go to www.insigniaproducts.com, click **Support & Service**, enter your model number in the *Product Search* field, then click **Search**.

