



Owner's manual

Clarity II

Adjustable bed



SERIAL NUMBER: _____
(Place your serial number here for ready reference)



Table of contents

Safety precautions	4
Parts list	6
Installation guide	7
Remote control guide	11
Special functions	14
Troubleshooting	16
Warranty	18
Registration	19

Model Number: MANGX02

This product and all our bedding products are covered by one or more of the following issued and pending U.S. patents including Nos. 7448100, D657157, D663542, D657158, D657156, 8209801, 8209800, D663544, D663543 and other patents pending.

Photos are for illustration purposes only.

COPYRIGHT© 2020 Production and publication under limited copyright license by Mantua Manufacturing Co.

MANGX02UG001 | AWMANGX02UG-3 | 01.07.2020

Safety precautions

Attention!

IMPORTANT SAFETY INSTRUCTIONS.
PLEASE READ THESE INSTRUCTIONS THOROUGHLY BEFORE USING THIS PRODUCT.

Electrical safety

Always unplug this adjustable bed from the electrical outlet before any cleaning of the bed. To safely disconnect, make sure all controls are in the off position, then remove the plug from the outlet.

Keep cord away from heated surfaces. Keep air openings free of lint, hair and the like. Never operate when air openings are blocked. Never drop or insert any object into any opening. Use only indoors.

Cease use of this adjustable bed and contact the Customer Care Center for repair if: (1) it has a damaged cord or plug, (2) it is not working properly, (3) it has been dropped or damaged, or (4) it has been dropped into water.

Grounding safety

To reduce the risk of electric shock, electrical fire, or faulty operation of this product, your adjustable bed may feature a polarized plug meant to be used only with a grounded electrical outlet. If this plug does not fit into your outlet, contact a qualified electrician to install a properly grounded outlet. Failure to use a properly grounded outlet for this product will compromise this important grounding safety feature. The use of adapters is not recommended unless the outlet is checked by a qualified electrician to ensure the proper grounding of the adapter. NOTE: Unauthorized modifications to this product could void the electrical portion of your warranty.

Warranty warning!

This bed is specifically designed to require no maintenance by you, the user. Any opening or tampering with the control box, motors, or hand controls (with the exception of the battery compartment if equipped) will result in a void of the warranty. Only those authorized may conduct repairs or part replacement on your adjustable bed. Unauthorized modifications to this product could void the electrical portion of your warranty.

In-home use only

This adjustable bed is designed exclusively for in-home use.

HOSPITAL DISCLAIMER: It is NOT designed for hospital use and is NOT designed to meet hospital standards. Do not use this bed with TENT TYPE oxygen therapy equipment or use near explosive gases.

Important safety features

Weight fail safe feature: In the case that an overload of weight is placed on the head or foot mechanism, the control unit will automatically stop all functions. The control unit will automatically resume all functions 30 seconds after excess weight is removed.

The recommended weight limitations for your adjustable bed is up to 850 lbs. on all sizes. For your adjustable bed to structurally support the recommended weight, weight must be distributed evenly across the head and foot sections. The adjustable bed will not and is not intended to support or lift this amount in just the head or foot section. Dependent on the size and/or model of mattress, the available weight limit may be less.

Locking caster feature: This adjustable bed may be equipped with special locking casters. For your safety, these casters will prevent bed movement when all casters are in the locked position. To lock casters, push down the safety latch on the caster. To resume product mobility, lift the safety latch up.

NOTE: If your adjustable bed is positioned on a hard floor surface such as hardwood or tile, it is strongly recommended that rubber caster cups or carpet squares are placed under the casters in addition to locking them in place. Casters will not roll when locked, but may slide on an uncarpeted surface.

User-serviceable parts

This bed is specifically designed to have no maintenance by you, the user. Therefore, you are encouraged not to open any motors, alter the wiring, or adjust, modify or change the structure of the product, as it will void the warranty.

Radio frequency is 2.4 ghz

FCC compliant device complies with part 15 of the FCC Rules. Operation is subject to the following two conditions: (1) This device may not cause harmful interference, and (2) this device must accept any interference received, including interference that may cause undesired operation.

IMPORTANT NOTE: To comply with the FCC RF exposure compliance requirements, no change to the antenna or the device is permitted. Any change to the antenna or the device could result in the device exceeding the RF exposure requirements and void user's authority to operate the device.



FOR OPTIMAL SAFETY, YOUR ADJUSTABLE BED SHOULD BE PLUGGED INTO A SURGE PROTECTOR (not supplied with this adjustable bed).

Safety precautions

Consumers with pacemakers

It is possible that the (optional) vibrating feature of this adjustable bed may be misinterpreted by some pacemakers as movement and/or exercise. This is common with any product that produces a vibrating motion, and may or may not affect your pacemaker. Please consult your physician with any concerns.

Product ratings

Lift Motor Restrictions: The lift motors in this bed are NOT designed to operate continuously for more than two (2) minutes over a twenty (20) minute time period, or approximately 10% duty cycle. To ensure reliable functionality and full life of this product, do not attempt to exceed these limits.

NOTE: Attempting to circumvent or exceed this rating will shorten the life expectancy of the product and may void the warranty.

The structure of the bed will support the recommended weight when distributed evenly across the bed. The head and foot sections are not designed to individually support or lift this amount of weight. For optimal performance, entering and exiting the adjustable bed with the bed in the flat or level position is recommended.

NOTE: Exceeding the recommended weight restrictions could damage your adjustable bed and void your warranty.

Small children and pets warning

Immediately dispose of all packing materials as it can pose a smother risk to small children and pets. Injury could occur also if children or pets are permitted to play on or under the bed. Do not allow children to operate this bed without adult supervision.

Lift warning

Do not sit on the head or foot sections while in the raised position, or during lift or lowering cycles.

Moving after installation

Do not place adjustable bed vertically on its head or foot sections. This may cause injury to persons or damage to the adjustable bed. Two people are required for moving this adjustable bed due to its heavy weight.

Safety

When an overload of weight is placed on the head or foot mechanism, the control unit will automatically stop all functions. The control unit will automatically resume all functions after the excess weight is removed.

Massage motors, if any, will automatically shut off after running continuously for 15 minutes. All massage functions will be operational again after 5 minutes.

NOTICE: The changes or modifications not expressly approved by the party responsible for compliance could void the user's authority to operate the equipment.

Read the Owner's Manual carefully and completely before operating the product. Electric shock may occur if electrical components are not installed or operated according to these guidelines.

SAVE THESE INSTRUCTIONS. Proper operation of your adjustable bed is necessary to ensure the long life and durability you expect from a high-quality product. The manufacturer has tested and inspected this product prior to shipment.

Parts list

Before discarding any packing materials, check the adjustable bed carton and verify all items in the parts list are included.



Remote control (1)



AAA batteries (3)



Mattress retainer bar (1)



Sync cable (1) *



Bed leg strap (1) *



Adjustable bed legs **

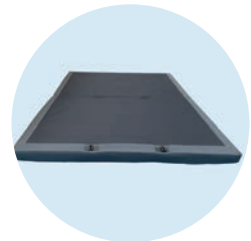
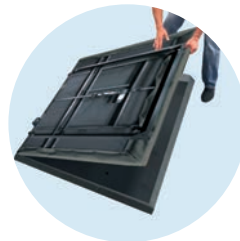
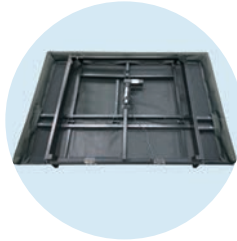
* Only available in Twin XL, Split Queen, and Split California King beds.

** Twin, Twin XL, Full, Full XL, Queen, and Split Queen beds have six (6) bed legs. King and California King have seven (7) bed legs.

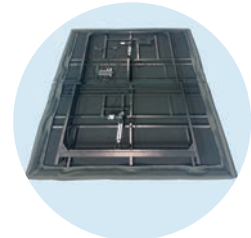
Installation guide

Setting up your adjustable bed

- 1 Open the box and remove the accessory boxes from the adjustable bed.
- 2 Lift the folded adjustable bed out of the box, place it on a flat floor, and unfold it.



- 3 Turn the adjustable bed over carefully with the top side face down.



- 4 Take out all the adjustable bed legs from the accessory box.

If you are installing your adjustable bed on a platform or slatpack bedding system, do not attach the bed legs. Proceed to step 7.

- 5 Make sure all legs are adjusted to the same height. Twist the movable part of the leg to your desired height. Do the same for all the legs.

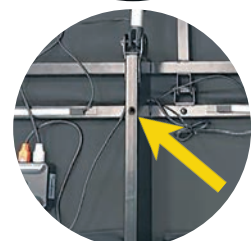


- 6 Attach the legs securely to the bed by gripping the movable part (as shown) and threading them in a clockwise direction into the pre-drilled holes on the frame.



NOTE: Do not overtighten the bed legs, but make sure they are tight and securely fastened to the bed.

IMPORTANT: For King and Cal King bed sizes, attach one (1) additional bed leg to the frame for stability and safety.



- 7 Remove the retainer bracket and the power supply unit attached to the adjustable bed.

NOTE: For safety reasons, lifting of the adjustable bed must always be performed by two (2) people; and the unit should always be on a flat surface before opening.

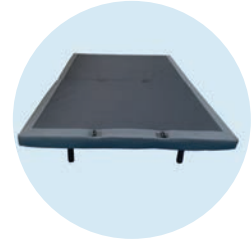
Installation guide

- 8 Turn the bed over carefully onto the legs so the top side is now facing up.

NOTES:

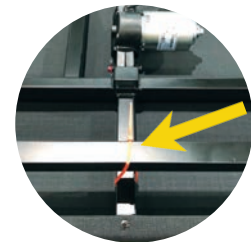
- Do not lift the bed from the head deck to avoid damage to the adjustable bed.
- Do not rest the bed on its side so the weight may not damage the legs.

If you are installing your adjustable bed on a platform or slatpack bedding system, apply anti-skid pads to the frame before turning it over. See "Applying anti-skid pads for platform bed use" on page 10.



- 9 From under the head section of the adjustable bed, cut and remove the orange zip tie holding the bars.

NOTE: The orange zip tie is located right at the edge of the head section of the bed and is easily accessible for cutting.



Setting up the electronics

- 1 Plug the AC power cable into a working electrical outlet.

NOTE: For optimal safety, using a surge protector (not included) is highly recommended.

- 2 Install batteries in the remote control. Try all functions on the remote to make sure all features are operational.

NOTE: If the bed does not work, see the Troubleshooting section of this manual.

- 3 Return bed to flat position before continuing with the installation.

NOTE: Make sure your bed is in a flat position before using it. Press the Flat button on the remote control after plugging in the power cord.



Installing the mattress retainer bar

- 1 Align the open ends of the retainer bar with the "loop" retainer anchors located at the foot of the bed.
- 2 Slide the retainer bar into the anchors allowing the ends to glide into the loop.

If the adjustable bed is set up without a headboard, place your mattress on the adjustable bed surface. Your adjustable bed installation is now complete. If a headboard is to be installed, see "Assembling the headboard bracket."



IMPORTANT! Make sure power cords do not obstruct any adjustable bed mechanisms.

Installation guide

Installing the bed leg straps (optional)

To help prevent bed separation when using two adjustable beds together, you may use the bed leg straps.

- 1 Wrap the bed legs (front & back) together tightly using the bed leg straps.
- 2 Fasten the straps to prevent movement & maintain stability.



Assembling the headboard bracket (optional)

NOTE: Headboard bracket parts are sold separately.

- 1 Turn the adjustable bed over with the top side facing downward.
- 2 Remove the leg from the head section of the adjustable bed by turning the leg in a counter-clockwise direction.
- 3 Slide the inner headboard bracket over the hole for the leg installation. (The bracket opening should face away from the adjustable bed.)
- 4 Screw the leg back in, turning it clockwise. This will secure the inner headboard bracket to the adjustable bed.
- 5 Place the open side of the outer headboard bracket onto the exposed square tube of the inner headboard bracket.
- 6 Insert a retainer bolt fitted with a washer through the outer headboard bracket and into the inner headboard bracket. Tighten the bolt with an Allen key wrench. Leave loose enough for adjusting.
- 7 Repeat steps 2 and 6 to install the brackets on the other side of the head section of the adjustable bed.

NOTE: When the headboard brackets are assembled, make sure there is a space of 1.5 inches (38.1mm) to 2 inches (50.8mm) between the edge of the bed and the headboard brackets.

- 8 If you need to adjust the headboard brackets, unscrew the bolts holding the outer headboard bracket and move them the necessary distance. Reinstall the bracket and tighten the bolts securely.



Place your mattress on the adjustable bed surface.
Your adjustable bed and headboard installation is now complete.

IMPORTANT!

- Failure to follow the installation steps as they appear in this guide could result in damage to your adjustable bed.
- For safety reasons, lifting of the adjustable bed must always be performed by two (2) people; and the unit should always be on a flat surface.
- Make sure to position the bottom of the headboard cross member no more than 3 inches (76.2mm) between the headboard and the top of the mattress.

Installation guide

Applying anti-skid pads for platform bed use

Your adjustable base is also created for platform or slatpack bed systems. Before installing on a platform or slat pack bed, apply anti-skid pads under the adjustable base to keep it in place.

- 1 With the top side of your adjustable base face down on the floor, locate the areas near the center and corner brackets of the frame.

NOTE: For safety reasons, lifting of the adjustable base must always be performed by two (2) people.



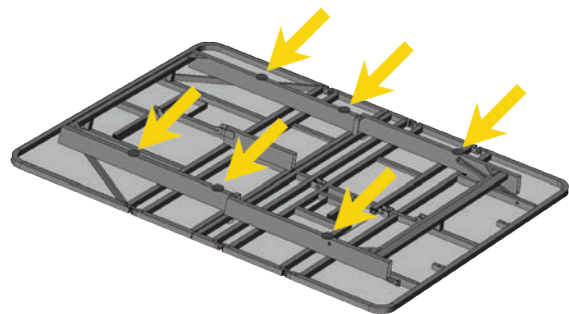
The anti-skid pads are packed in one bag inside the legs accessory box.

- 2 Take the anti-skid pads and remove them from the adhesive backer.

- 3 Apply the anti-skid pads on each of the identified areas near the center and corner brackets as shown.

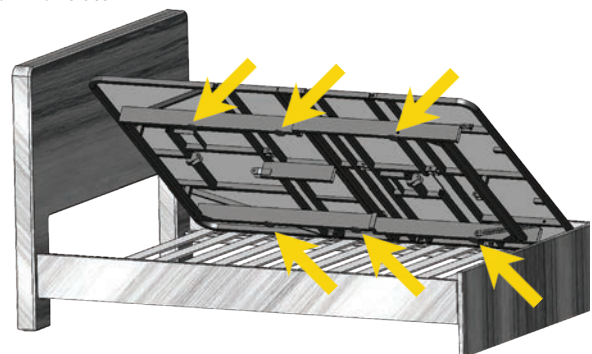
IMPORTANT!

- Make sure to align the anti-skid pads so that they will rest on one of the slats under the adjustable base. If your bed system is a solid deck surface, there is no need to align the pads to a slat.
- For the areas near the center of the frame, you may apply the anti-skid pads to either bar. Make sure to align them with the slats.
- A total of 6 anti-skid pads must be applied to the adjustable base to secure it in place and keep it from slipping.



- 4 After applying all the anti-skid pads under the adjustable base, with two people, turn the base over and place it onto the platform or slats carefully.

- 5 Continue setting up the electronics and other parts of your adjustable base on page 8.



Remote control guide



Head and Foot Position Adjustments (3, 10)

Press the up  or down  button to raise or lower the head and foot sections of your adjustable bed.

Presets

LEISURE (1)

Press this button to adjust the bed into a chaise lounge position to help remove stress and tension from your lower back.

INCLINE (2)

Press this button to raise the head section to an ideal position for watching TV, reading, or laptop use.

FLAT (4)

Press this button to return the bed to a flat position.

NOTE: Make sure your bed is in a flat position before using it. Press the Flat button on the remote control after plugging in the power cord.

ANTI-SNORE (5)

Press this button to gently raise the head section and allow easier air intake which can help reduce snoring.

ZERO GRAVITY (8)

Press this button to elevate the foot section slightly higher than the chest, in effect, allowing the blood to flow back to the heart to help reduce stress and fatigue.

PROGRAM (9)

Press and hold this button together with a preset button to override factory default presets with your customized presets. For safety reasons, the Anti-Snore and Flat buttons cannot be customized. For more information, see "Customizing the preset buttons".




Under-bed Light (13)

Press this button to turn the under-bed lighting on, helping you safely navigate in and out of bed during the night. Press the button again to turn the under-bed light off.

Remote control guide

Massage

START MESSAGE (12)

Press the up  button to activate the massage feature on the bed. Intensity starts at level 3. Press the up  or down  button to increase or decrease the intensity of the massage.

NOTE: This feature has an Auto Shutoff Timer that automatically turns off the massage after 15 minutes of continuous use.

WAVE MODE (6)

Press this button to activate and select from different massage feels. The LED lights (7) indicate the mode you selected. You can also press this button to turn massage on. Intensity for the wave modes start at level 4.

STOP MESSAGE (11)

Press this button to disable any active massage.

Understanding the remote control features

- The adjustable bed uses RF (radio frequency) remote control system.
- The buttons are backlit when pressed to aid in the visibility of the remote control in low-light environments.
- It is not necessary to face the receiver when operating the remote control. Remote signal is best transmitted within 9 feet (3 meters) of the bed.

NOTE: The bed may show minor intermittent performance because of typical radio frequency interference. This is normal in the operation of the bed, not a defect.

Customizing the preset buttons

You can store new head and foot positions by customizing the preset buttons: Incline, Leisure, and Zero Gravity. These can be reprogrammed with your desired positions at any time. For safety reasons, the Anti-Snore and Flat buttons cannot be customized.

- 1 Move the head and/or foot sections to your desired position.
- 2 Press and hold the **Program** button and **any of the preset buttons** at the same time for 2.5 seconds.

The new bed position is now stored in your selected preset button overriding the factory default.

To restore the presets to their factory settings, see "Resetting your system".



Pairing the remote control to your adjustable bed

Your adjustable bed is already paired to your remote at the factory. Manual pairing is only needed for replacement remote controls .

NOTE: For the pairing to be successful, make sure the distance between the control box and the remote control is not more than 2 meters.

- 1 Make sure your bed is connected to a working electrical outlet. A surge protector is recommended.

Remote control guide

2 To pair your remote control to your adjustable bed, do one of the following:

- Unplug the power cord from the outlet and then plug it back in. The LED light on the control box turns blue and the control box is in remote pairing mode for 20 seconds.
- On the control box, press the **PAIR** button twice. The LED light on the control box turns blue and the control box is in remote pairing mode for 20 seconds.



Pairing method 1:
Unplug the power cord,
then plug it back in.

3 On your remote control, press and hold the **Flat** and massage **Stop** buttons for four (4) seconds.

If the pairing is successful, the LED light on the control box turns to green immediately. If pairing fails, the LED light on the control box stays blue and turns green only after the 20-second timeout. Repeat steps 2 to 3 until pairing is successful.



Pairing method 2:
Press the PAIR button twice.



Synchronizing two beds for tandem operation

To operate two adjustable beds simultaneously, you must connect both beds using the sync cable.

1 Plug both Bed A and Bed B to working and grounded electrical outlets. A surge protector is recommended.

2 Before starting the sync process, make sure Bed A and Bed B are in a flat position. Press the **Flat** button on Remote A and Remote B to align the beds properly.

3 Plug one end of the sync cable to the control box on Bed A. Insert it into the port labeled "SYNC".

4 Plug the other end of the sync cable to the control box on Bed B. Insert it into the port labeled "SYNC".

Beds A and B can now be controlled by both remotes individually. However, only one remote control works at any given time.

NOTE: When doing a tandem operation, both Bed A and Bed B should be plugged into working electrical outlets.



Remote control guide

Resetting your system

Resetting the system is sometimes necessary to restore any customizations on the preset buttons to its factory settings.

On the remote control, press and hold the **Program** and **Flat** buttons for 2.5 seconds until the remote backlight flashes.

All customized settings on the remote control are now restored to their default settings.



Special functions

Using the mounted USB ports

The convenient USB ports located on each side of your adjustable bed provide easy access for charging today's tech devices.



Activating the emergency power down feature

The power supply unit on your adjustable bed supports the emergency power down feature if a power failure occurs while the head and/or foot sections are raised.

- 1 Locate and remove the cover on the 9V battery compartment of your power supply unit.
- 2 Install two (2) alkaline 9V batteries (not included with the adjustable bed).
- 3 Replace the battery cover.
- 4 When the 9V batteries are installed and a power failure occurs, press and hold the **Flat** button on the remote control for 1 second for the bed to return to a flat position.

NOTE: The two (2) 9V batteries are for single use only. After lowering the adjustable bed once during a power failure, replace with a new set of batteries.



Special functions

Connecting your bed to a smart device

Your adjustable bed can be controlled using your iOS or Android smart device through the Rize Clarity II - O mobile application.

Before connecting your bed to the mobile app, do the following:


- Make sure your adjustable bed is plugged into a working electrical outlet and the control box is on.
- Download and install the Rize Clarity II - O mobile app from the App Store® or the Google Play™ Store.
- For iOS users, turn on your device's Bluetooth®. For Android users, turn on your device's Bluetooth® and Location settings.

- 1 If you are connecting your bed to the mobile app for the first time, enable the mobile device pairing mode on your bed's control box.

Do one of the following:

- Unplug the power cord from the outlet and then plug it back in. The LED light on the control box turns blue. After 20 seconds, the LED light turns green and the control box enters mobile device pairing mode.
- On the control box, press the PAIR button twice. The LED light on the control box turns blue. After 20 seconds, the LED light turns green and the control box enters mobile device pairing mode.

NOTE: The control box stays in mobile device pairing mode for 60 seconds and the name of your bed is now visible on the app.

- 2 From your mobile device, launch the app, and then tap the gear  icon to go to the Settings screen.

- 3 From the Devices list, select the name of your adjustable bed. The name of your adjustable bed is on the sticker on the front cover of the Owner's Manual and on the bed's control box.

NOTES:

- If your bed is not on the Devices list, make sure your bed is in mobile device pairing mode. See step 1 for options to enable the mobile device pairing mode on your bed's control box.
- You can only connect one smart device to one adjustable bed at a time.
- The bed is automatically disconnected from the app when you close the app (not running in the background) or move out of range of the connection. Pair the bed to the app again next time you use the app.
- For more information on using the mobile app to control your adjustable bed, see the Rize Clarity II - O App Guide.



Pairing method 1:
Unplug the power cord,
then plug it back in.



Pairing method 2:
Press the PAIR button twice.



Sample sticker with the name
of your adjustable bed

Troubleshooting

In the event the adjustable bed fails to operate, investigate the symptoms and possible solutions below.

Symptom

Solutions

The adjustable bed does not respond when the remote is used. The remote does not work.

Make sure the remote control is paired with the adjustable bed.

Check that the power cord is plugged into a working electrical outlet. Unplug the power cord from the outlet. After 30 seconds, plug it back in. Press any button on the remote control and check if the bed responds.

No features or functions of the adjustable bed activates.

Check if the control box is working properly. Make sure the control box is properly connected to the power supply unit by checking if the LED light turns on when the power cord is plugged in.

Check the batteries in the remote control. Replace with new batteries, if necessary.

Make sure batteries are properly installed. Follow the markings on the battery compartment.

Remove batteries. Leave them out for 30 seconds before putting them back into the remote control.

Scratch the terminals inside the remote's battery compartment with a coin or key.

Check that the surge protection device or electrical outlet is not defective. Test the outlet by plugging in another working appliance.

Remote control does not work or light up.

Check if the remote buttons light up when pressed. If not, replace the batteries.

Remove batteries. Leave them out for 30 seconds before putting them back into the remote control.

Scratch the terminals inside the remote's battery compartment with a coin or key.

Make sure batteries are properly installed. Follow the markings on the battery compartment.

The adjustable bed stutters when in motion.

Clear any clutter or obstructions under and around the adjustable bed. Radio frequency interference from other remotes or electronic devices may affect normal operation.

Check the batteries in the remote.

Press the lift buttons firmly and accurately.

Split or tandem system is out of sync. Only one of the two adjustable bed raises or both beds raise but one side is higher than the other.

Reset the system and then sync one remote to both adjustable beds again.

Troubleshooting

In the event the adjustable bed fails to operate, investigate the symptoms and possible solutions below.

Symptom

Solutions

Head or foot section elevates adjustable bed but does not return to flat position.

Your adjustable bed may be obstructed preventing smooth operation. Remove obstructions from around and under the bed.

Check that the head section is not too close to the wall.

If a headboard is installed, check that it is not too close to the edge of the mattress. Make sure there is enough distance between the headboard bracket and the mattress.

Head or foot lift function has minor interference during operation.

Check the batteries in the remote control. Replace with new batteries, if necessary.

Make sure that you are following the duty cycle of the motors. Do not operate for more than two minutes over a 20-minute period or approximately 10% duty cycle.

Press the lift buttons firmly and accurately.

Wireless remote control may be experiencing common radio frequency interference from other radio transmitting devices. Wait several seconds and then try pressing the lift buttons again.

Massage motors seem excessively loud during operation.

Hard surface flooring may cause added vibration. To correct, place carpet pieces or rubber furniture cups under each leg or caster of the bed.

Elevate the head or foot section a short distance (using the remote control) to realign the lift/lower mechanisms with the bed support platform.

Check that the bed is not in direct contact with a wall, nightstand, or other object that may cause vibration or noise.

If the adjustable bed is installed on top of a bed, check that the massage motors are not causing the bed (or bed components) to vibrate or rattle.

Check that the headboard attachment hardware is tightened firmly (if used).

The adjustable bed is squeaking.

1. Remove or loosen any pin, nut, bolt or white bushing one at a time.
2. Lubricate it by applying the grease with a cotton swab. Using a lithium or spray lubricant is recommended. (Lubrication can be obtained by contacting Customatic's Customer Care Center).
3. When placing the lubricated pin, nut, bolt, or white bushing back onto the adjustable bed, make sure there is a looser tightening on the nut.
4. Additional solution: After completing these steps, spray the pins, nuts, bolts, and white bushings with a lubricant.

Warranty



Limited Warranty For Adjustable Beds

LIMITED WARRANTY: Subject to the terms and conditions set forth herein, the manufacturer of this product, PPJ, LLC (“Customatic®”) warrants to the original retail purchaser for the time periods stated herein that the adjustable bed system purchased from an authorized reseller of genuine Customatic® products is merchantable and free of defects and materials and is fit for the purpose of residential, non-hospital bedding. Floor samples are not warranted and are purchased AS IS. This warranty applies only to genuine Customatic® products, and without limiting the foregoing, does not apply to power cords or other accessories supplied by the seller or other parties.

5-Year Period for All Labor: The above warranty will apply for 5 years for labor on the bed frame, all components, parts, including, without limitation, electronics, electrical components, drive motors, WiFi module, power supply and power cords, and massage motors.

5-Year Period for All Components: The above warranty will apply for 5 years for the bed frame, all components and parts, including, without limitation, electronics, electrical components, drive motors, WiFi module, power supply and power cords, and massage motors.

20-Year Period for Bed Frame: The above warranty will apply for 20 Years prorated to the bed frame, defined as follows: the metal structure of the adjustable bed system only, and specifically does not include its cover, side rails, decking or legs, or other attachments thereto, such as actuator lift motors, control box, WiFi modules, power supply, power cords, control box or other electrical or mechanical components. For years 6 through 20 the warranty will be reduced by one-fifteenth (1/15) for each year beyond the fifth year.

Start of Warranty Period: The warranty periods stated above will commence on the date of the first retail purchase of the adjustable bed system from an authorized Customatic® reseller, provided that proof of purchase and warranty registration occur within the time and in the manner set forth below. In the case of replacement parts provided by Customatic, the warranty will apply to the original warranty period and will not extend beyond such period.

NO OTHER WARRANTY EXPRESS OR IMPLIED: The foregoing express warranty is the only warranty by Customatic and all other express warranties or warranties implied by law or otherwise (including without limitation, any implied warranty of fitness for a particular purpose) are hereby denied and disclaimed to the full extent permitted by applicable law.

EXCLUSIONS FROM WARRANTY: Loss, damage, malfunctions or other defects caused in whole or in part by any one or more of the following are not covered by any warranty and neither Customatic nor the seller shall be responsible for them: ordinary wear and tear; damage not directly caused by a defect covered by this express

warranty; failure to comply with this user Manual and/or any other user instructions issued by Customatic for use and maintenance, including without limitation, weight limits and operation; modifications not performed by Customatic; use of any parts, components, or accessories that are not supplied by Customatic for the specific product and installed by an authorized Customatic service provider; use of the product for purposes or in a manner not expressly intended by Customatic as described in this Manual or any other misuse or abuse; storage or use outside of home or other exposure to the elements; dampness; or transportation or other handling by anyone other than Customatic.

EXCLUSIVE LIMITED REMEDY: The sole and exclusive remedy for any item which fails to meet the express written warranty set forth above shall be, at Customatic’s option, either repair or replacement of the defective item. Customatic may require reasonable evidence of the existence of a defect, and Customatic customer service staff will discuss specific requirements with the purchaser based on the defects identified by the purchaser. Replacement parts will be provided at no cost to the purchaser, provided that the defective parts are delivered to Customatic, unless Customatic instructs otherwise in the claims process (see below). Subject to advance approval by Customatic, it will also pay reasonable shipping costs for returns requested by Customatic and replacement parts or bedding systems.

CLAIMS PROCESS: Prior to contacting Customatic, please refer to the TROUBLESHOOTING section of this Manual and also ensure that use and maintenance instructions in this Manual have been followed. The following process must be followed to initiate a warranty claim: (1) during the applicable warranty period stated above, contact Customatic customer service to initiate the claim and request proof of status as the original retail purchaser from an authorized Customatic® products reseller and prior timely registration of the product (see PRODUCT REGISTRATION below); (2) identification of suspected defect and compliance with Customatic requests for documentation or other evidence of the defect, such as return of parts to Customatic, the cost of which will be paid by Customatic if the defect is confirmed by it or inspection by an authorized Customatic service technician or other person approved in writing for that purpose by Customatic; and (3) remedy by Customatic as stated herein.

LIMITATION OF LIABILITY: In no event shall Customatic be liable for incidental or consequential damages of any kind or nature whatsoever caused by or arising out of any product defects, and the sole and exclusive remedy shall be repair or replacement of defective items within warranty to the extent and in the manner provided herein.

CUSTOMATIC® is a registered trademark of PPJ, LLC; d.b.a. Customatic Technologies and Customatic Adjustable Bedz. All other product names, brands, and trademarks are the property of their respective owners.

Registration



Warranty Registration Form

Name: _____ Phone: _____

Address: _____

City: _____ State: _____ Zip code: _____

Email address: _____

Store where purchased: _____

Serial no: _____ Invoice no: _____ Model no: _____

Survey

Gender:

M F

Age:

18-30 31-40 41-50 51-60 61-70 71 & up

Reason for purchasing an adjustable bed:

Health Comfort Other

How did you find out about our beds?

Advertising A friend Store Article Internet Other

Please mail to:

Rize Customer Care Center
31050 Diamond Parkway
Solon, OH 44139

Customer Care Center Phone #
1-843-800-8372

You can also register your bed
online at www.rizebeds.com.



IF YOU EXPERIENCE ANY TROUBLE WITH YOUR ADJUSTABLE BED WITHIN THE WARRANTY PERIOD, PLEASE CONSULT THE TROUBLESHOOTING GUIDE PROVIDED WITH YOUR BED AND ONLINE, IF APPLICABLE.

IF PROBLEMS PERSIST, PLEASE CALL CUSTOMER SERVICE TOLL FREE NUMBER

1-843-800-8372

Please have your receipt ready and available.

Thank you and enjoy your adjustable bed!