

Mi Drone

Before using the device read the instructions carefully

Precautions

- Persons under 18 years old and incapable persons are prohibited to use quadcopter.
- During use ensure a safe distance between quadcopter and people, animals, trees, cars and buildings. Manage your device carefully if there are people nearby.
- Do not use quadcopter near airfields, railways, highways, high-rise buildings, power lines and other dangerous objects.
- Do not use quadcopter close to the cellular base stations, antennas of ultrahigh power and other areas of electromagnetic signals.
- Place of take-off, height and distance of the flight of quadcopter must meet legal regulations and restrictions.
- Do not use quadcopter in places, where the operation is prohibited by law and not violate time limits its use.
- In order to protect the legitimate rights and interests of users, follow the safety rules of quadcopter use.

Scan and install Mi Drone APP

Introductory course of flight

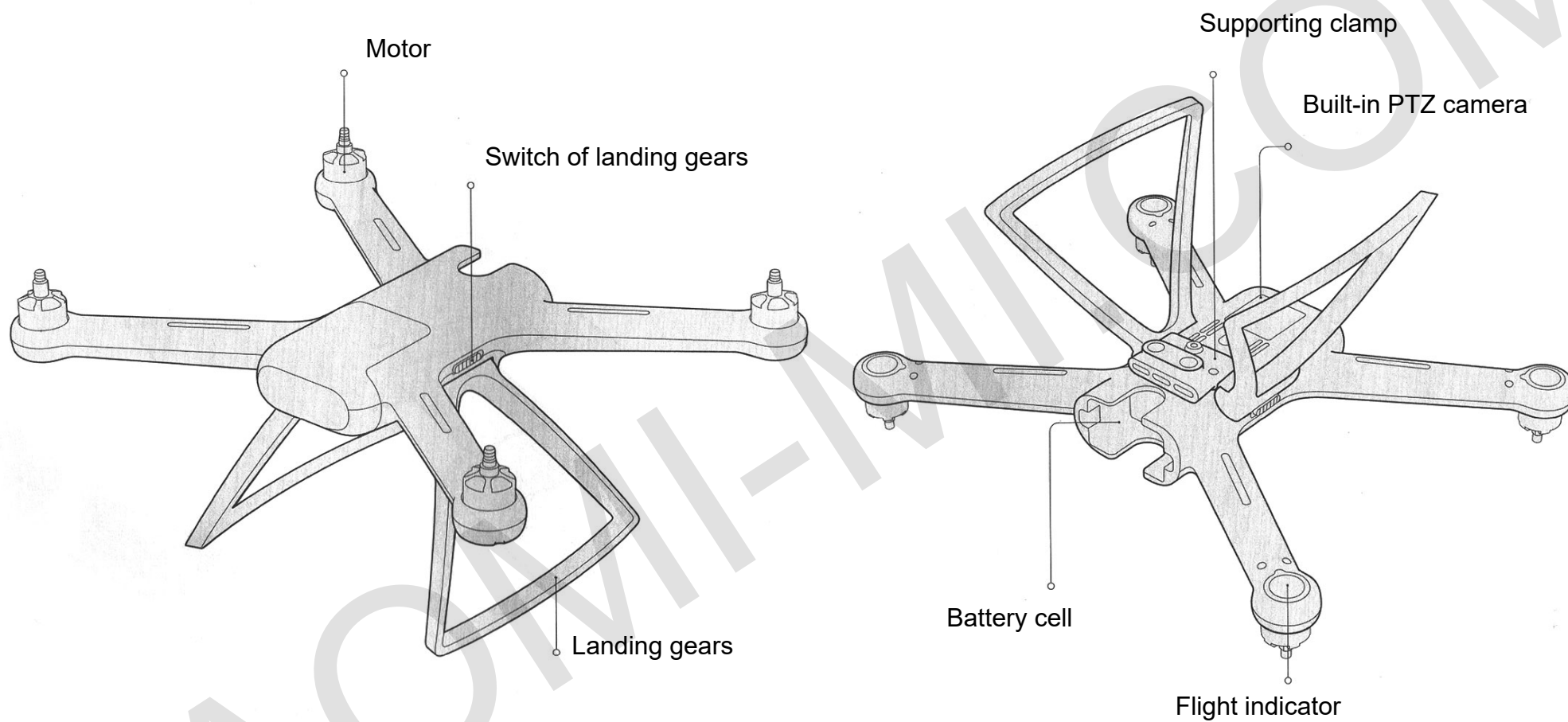
Online map

Real time Aerial Photography



Device and accessories

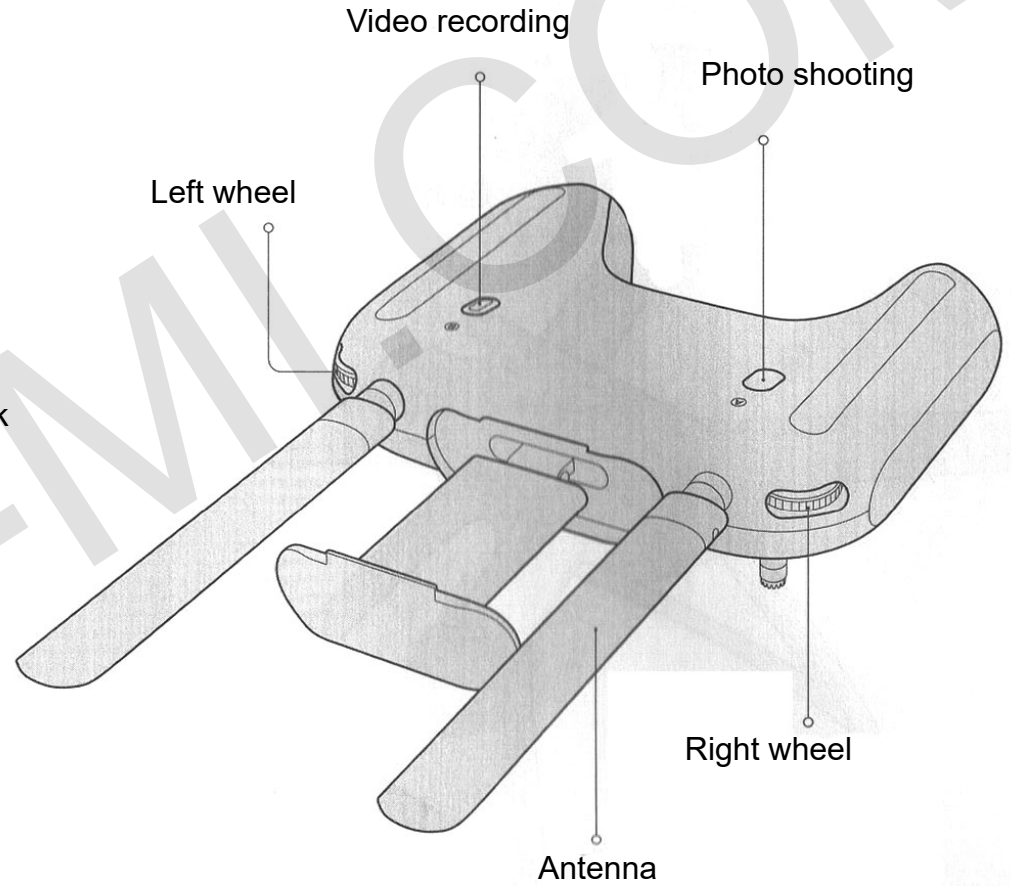
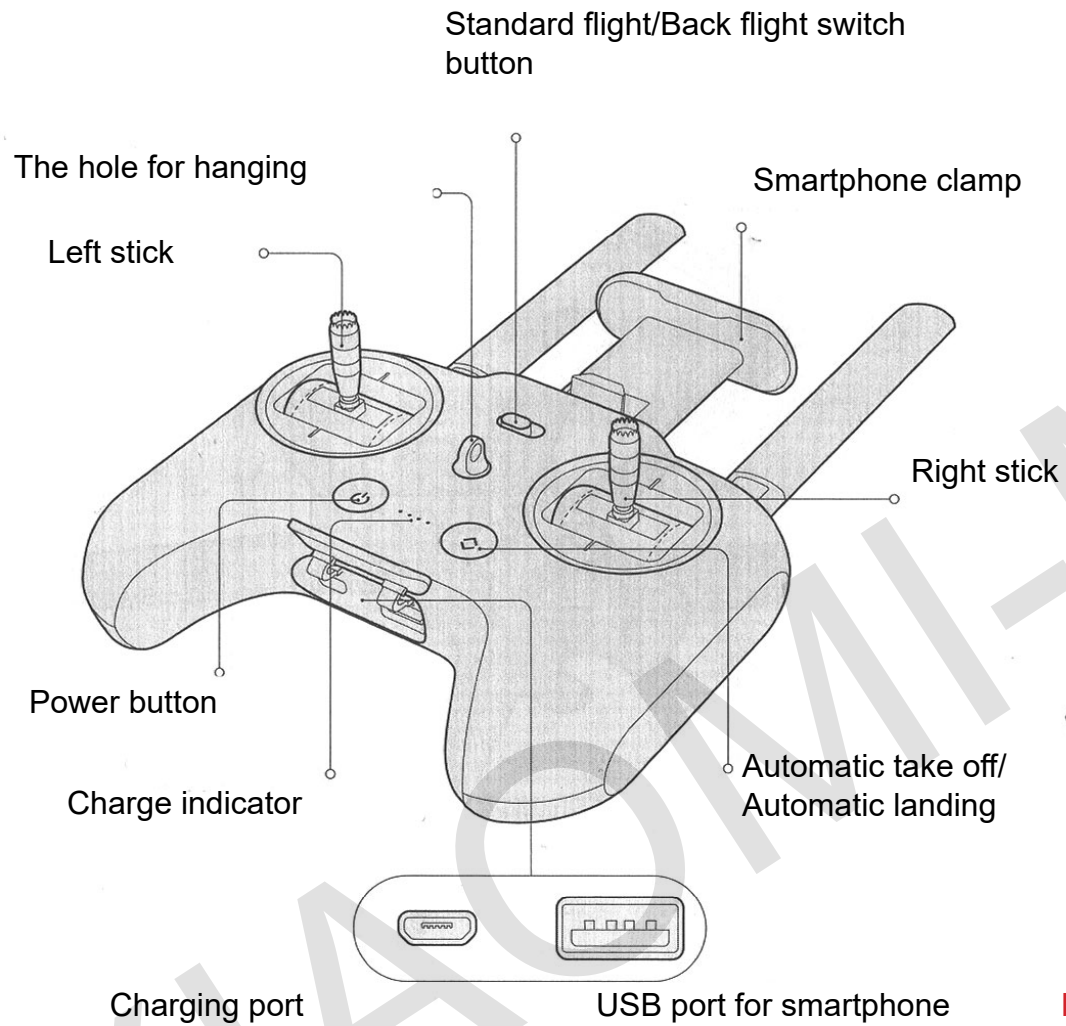
Quadcopter



Note: In the package landing gears are folded.

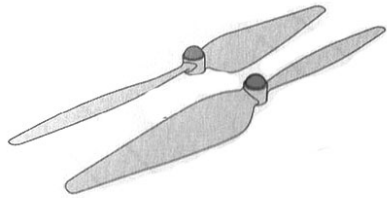
Device and accessories

Remote control

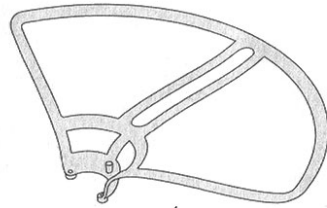


Note: It is necessary to coordinate the use of the left button for video and photo / video recording button of PTZ camera.

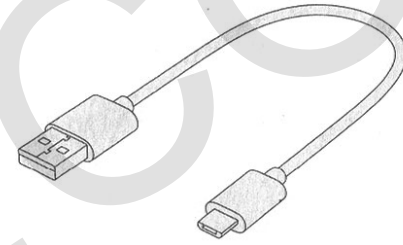
Device and accesories



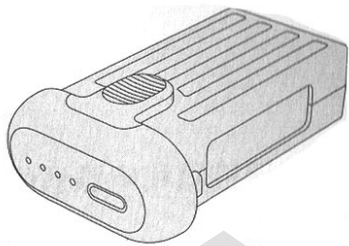
Self-tightened propeller x4
direct / reverse rotation.



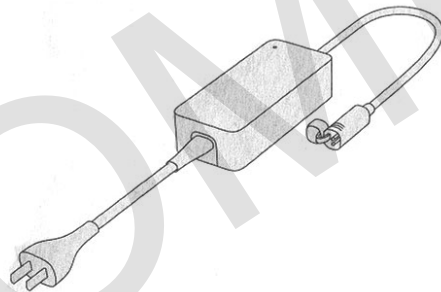
x4
Protective covers



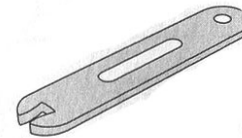
USB cable



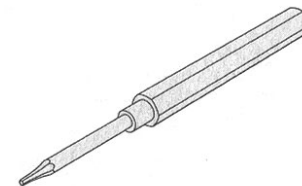
Battery x1



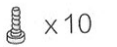
Charging device x1



Wrench



Screwdriver



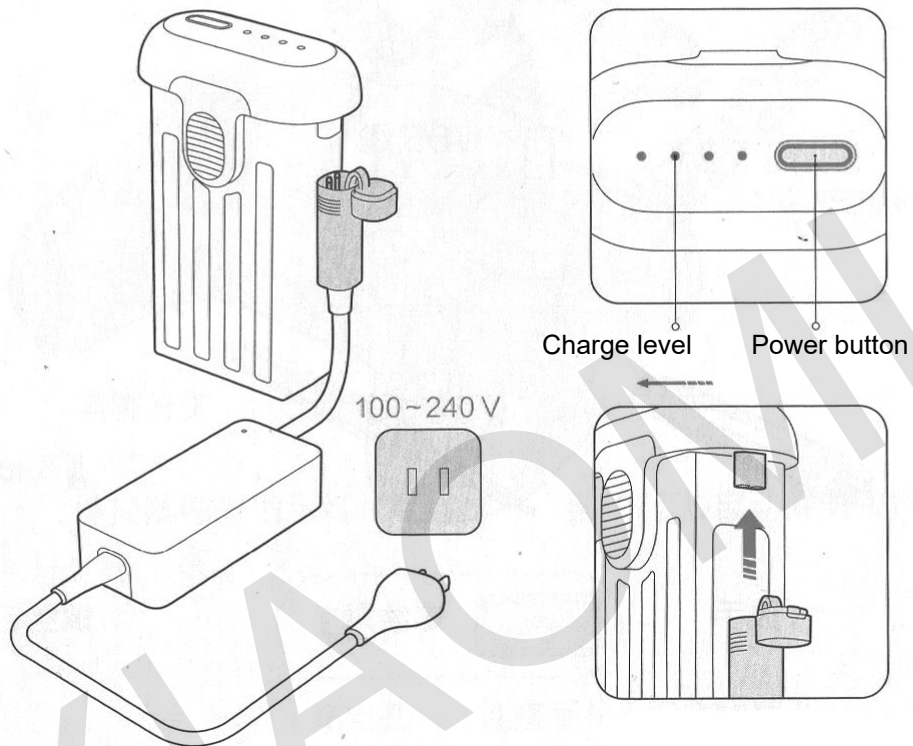
Screws

Charging

Charging a quadcopter battery

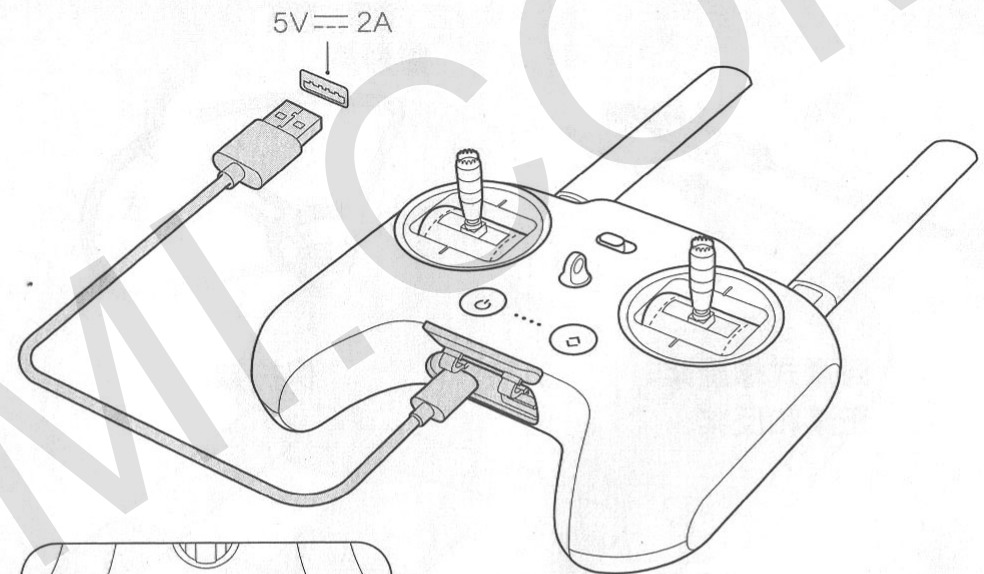
Connect the battery with a power adapter and plug it into a power supply as shown below.

During charging indicator blinks to indicate a current charge level. After full charging lamp does not lit.



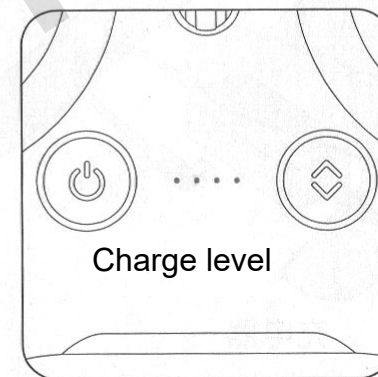
Note: You may connect battery to adapter from both sides.

Charging the remote control



Connect remote control adapter as shown above.

During the charging indicator blinks to indicate the current charge level. After full charging lamp does not lit.



Installation and disassembly

Quadcopter

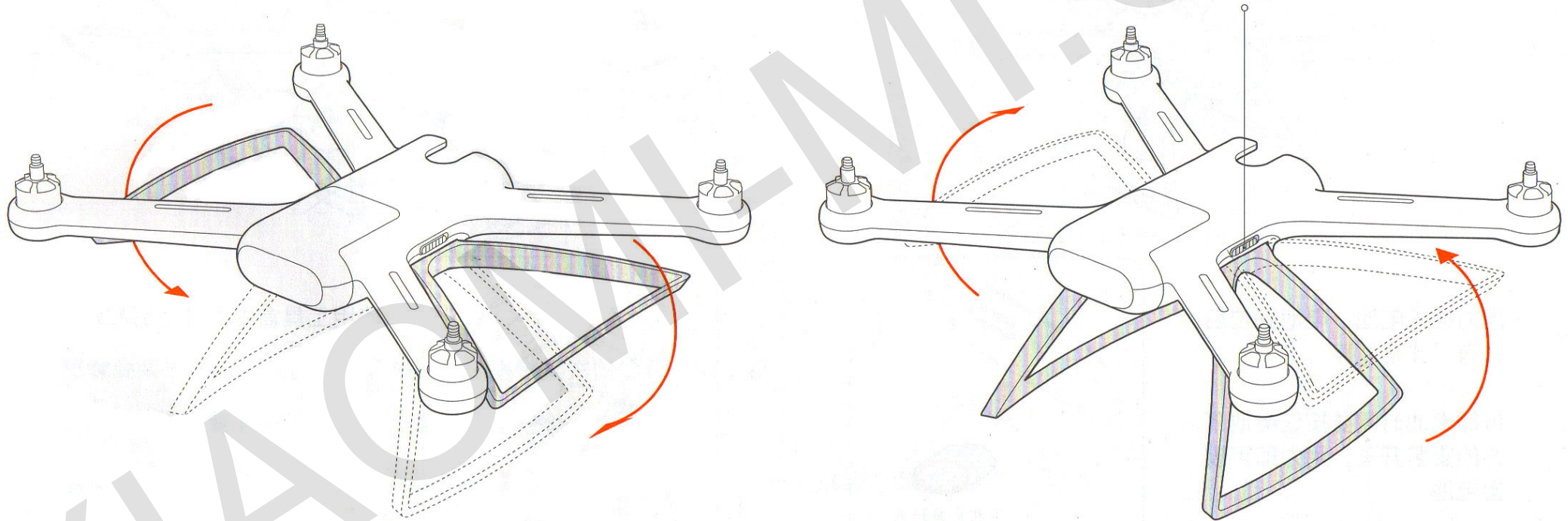
a) Landing gears

Put down landing gears until it clicks, then they will fix in one position.

Note: landing gears have an embedded compass, so make sure to install and fix them properly.

Switch of landing gears

Unlock landing gears using a special switch, then remove them from the device.

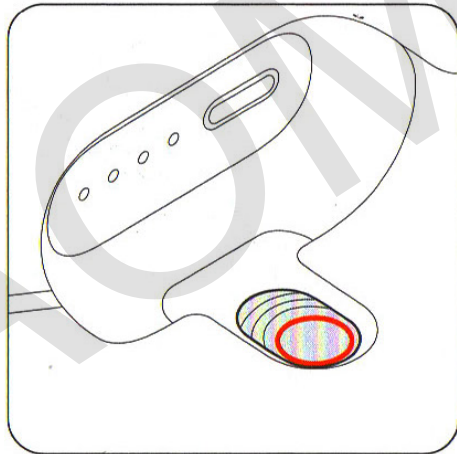
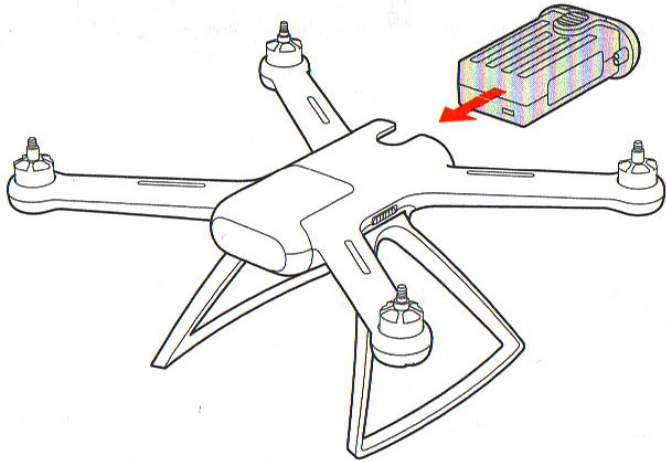


Installation and disassembly

b) Battery

Using force, insert a battery in until it clicks.

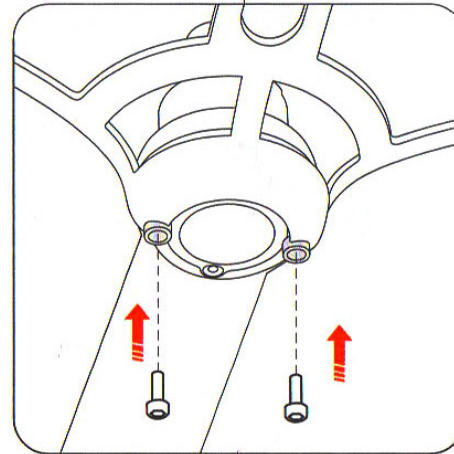
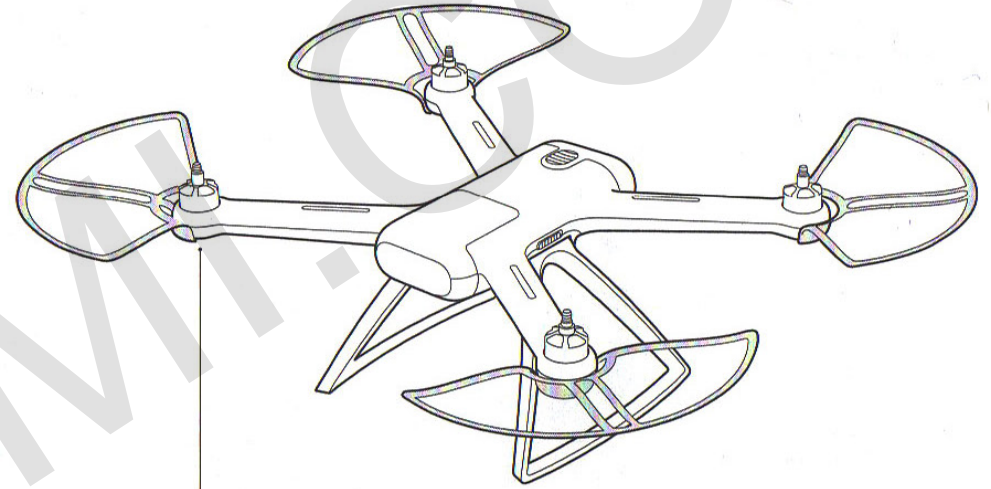
To remove a battery from the device you need to press down lower switch of a battery. Remove a battery, using force.



c) Protective covers

To install protective covers use screws and a screwdriver.

You will need 2 screws for each protective cover.



Note: To unscrew screws and remove the protective cover, use a screwdriver.

Installation and disassembly

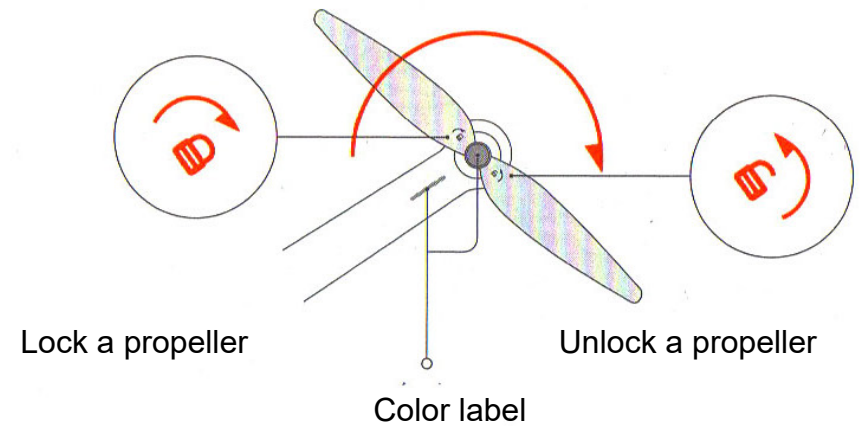
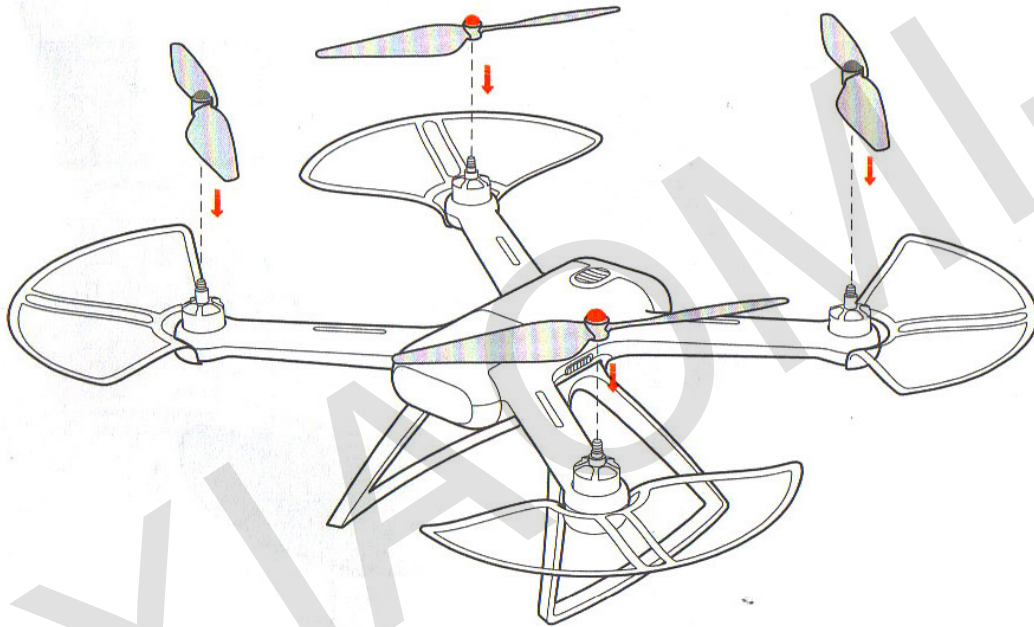
d) Propeller

Set propellers according to colored labels on them. Secure the propeller scrolling aside its image of a closed lock.

In flight, propellers can automatically scroll. Make sure its strongly fixed.

When disassembling the propeller, please use a wrench that comes with the kit to clamp the motor and blades put aside an image of an open lock.

Note: If propeller is damaged, replace it for efficient and safe flight.



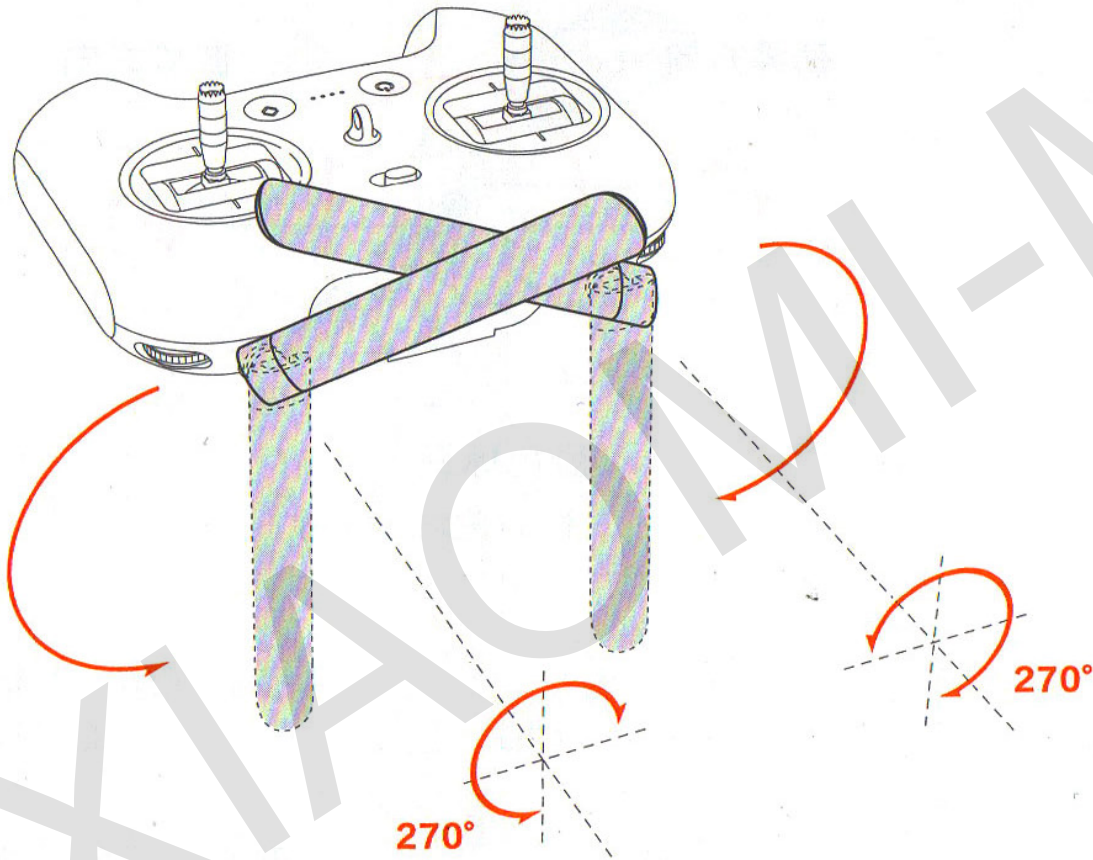
Installation and disassembly

Remote control

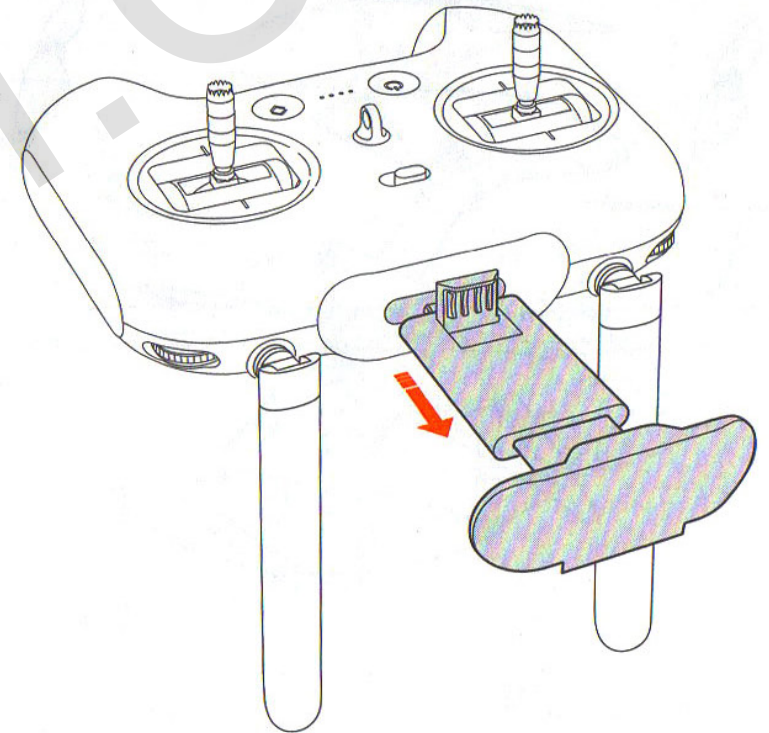
Place antennas of remote control as shown below.

WARNING:

1. Antenna rotates only within 270 degrees. Gently rotate it, not to break it.
2. For a more stable signal point remote antennas toward the quadcopter.

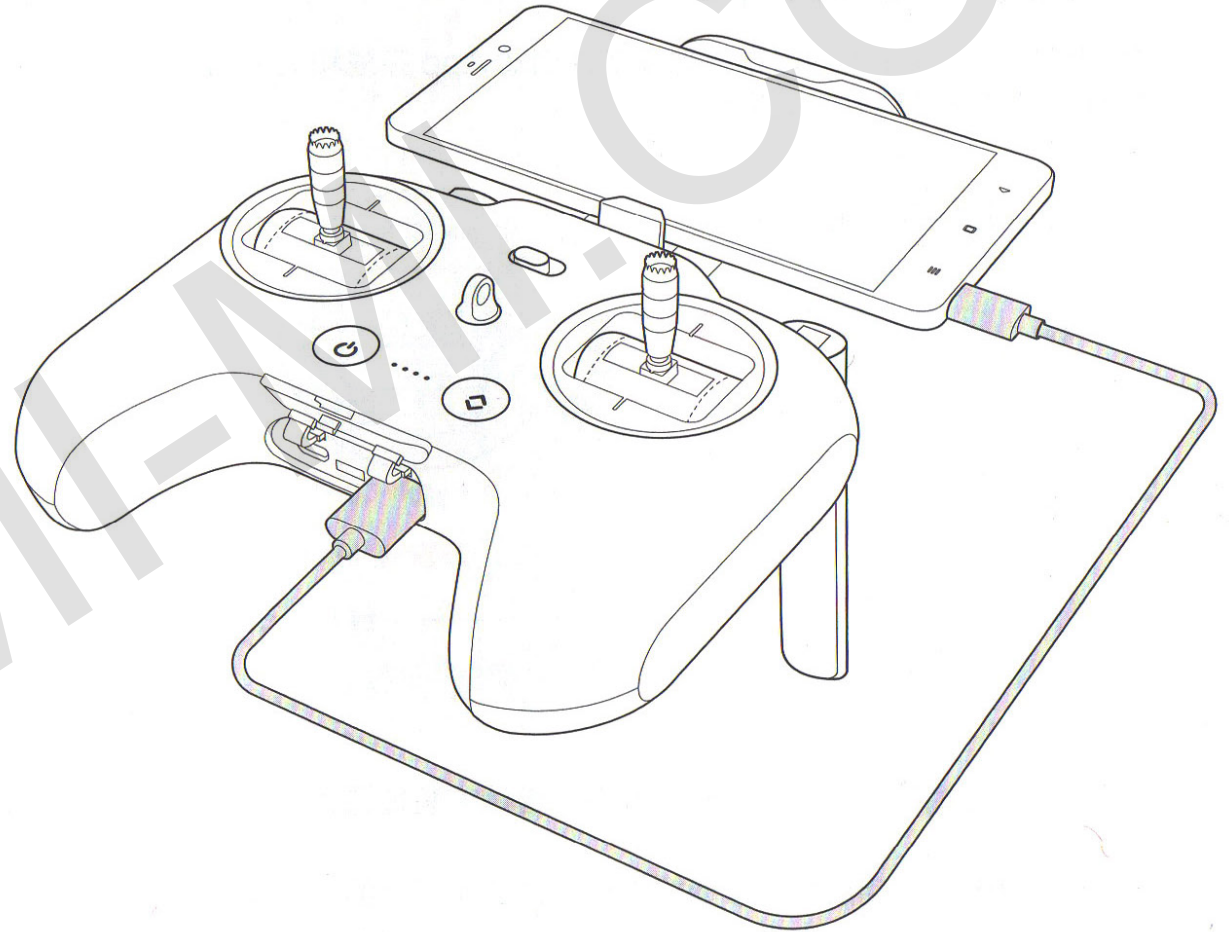
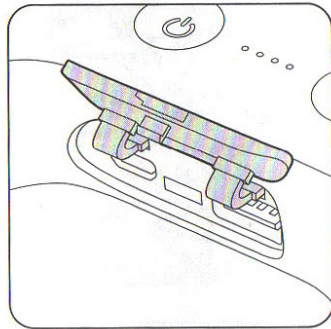
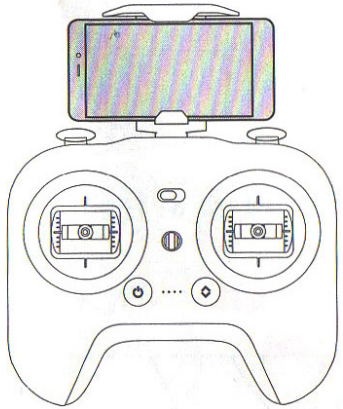


Pull out smartphone dock



Installation and disassembly

Note: You get a Micro USB cable with the device. Other means of communication are not included as standard. Some phones do not fit the dock because of their size.



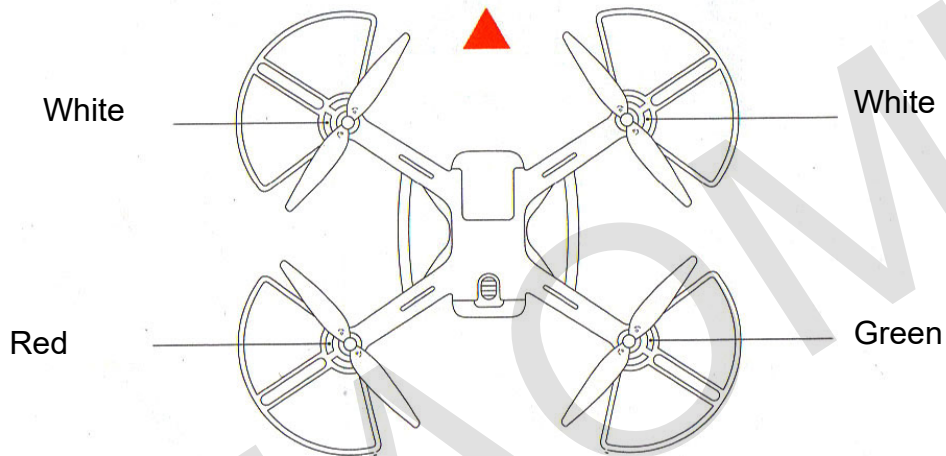
- Firmly place the phone in its dock. Please make sure that bottom edge of the lock does not presses buttons of a phone.
- Open bottom panel of the remote control.
- Connect your phone to the remote control via a USB cable.
- According to guidelines of Mi Drone App, create a connection between devices, make control settings and update firmware.

Mi Drone APP

User must correctly pair a mobile phone with the remote control, start Mi Drone App and connect to the quadcopter. Only after the completion of these steps is possible to unlock and start motors.

Definite a front of the quadcopter.

Place of PTZ camera indicates a front of the quadcopter. Place of a battery block indicates a back of the quadcopter.

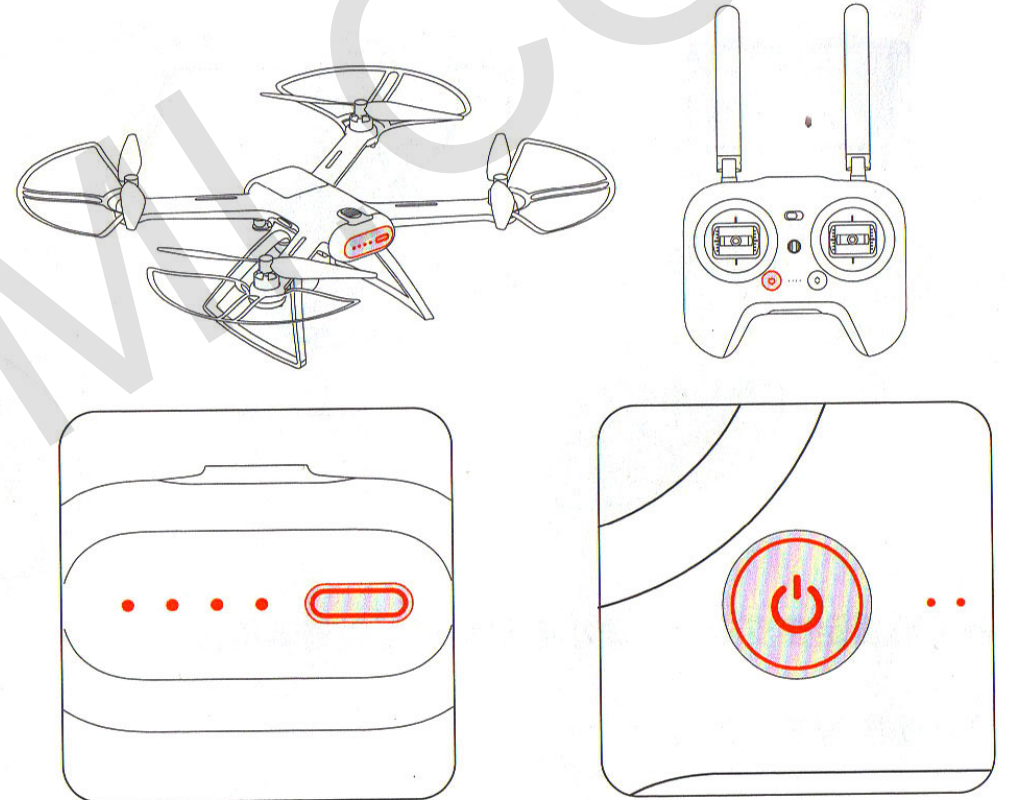


You can also define front and back of the quadcopter after its flight lights. Two white lights indicate a front of the quadcopter. Green and red - indicate a back.

Switching on the quadcopter and remote control

Control a battery level:

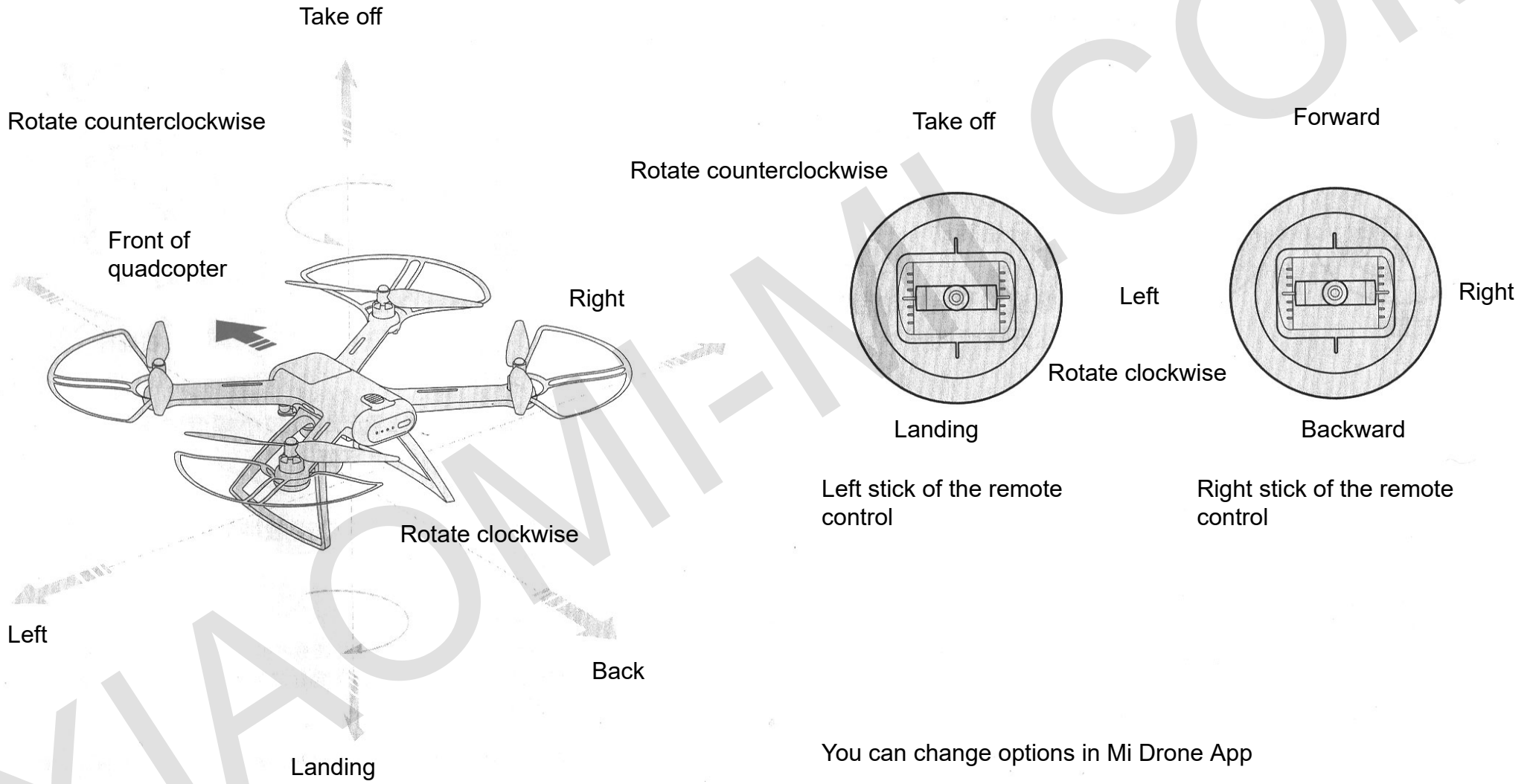
- Short press a button to view a current battery level.
- One short press and re-press and hold for 2 seconds to switch on or off.



Safety Tips: While manage the quadcopter, hold a back of the device toward an operator. Otherwise, there may be problems in determining the direction of the device and increases the risk of an accident.

Remote control Sticks functionality

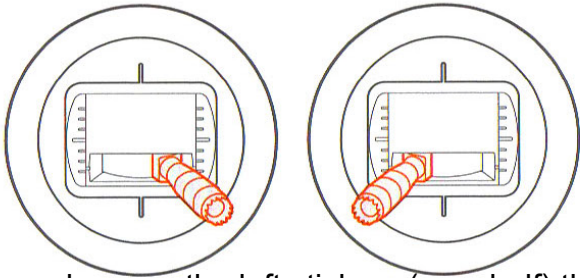
Note: The figure shows the basic principles of management of quadcopter



Take off and landing with remote control

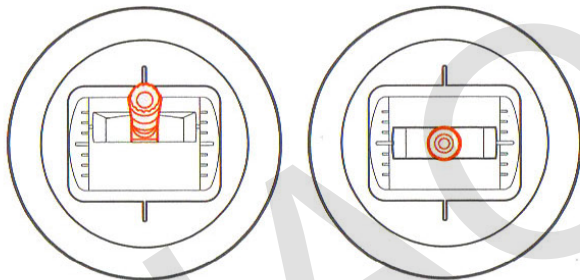
Point two remote control sticks in the inner lower part to the limit, creating a V-shape, and hold for 3 seconds. Propellers begins to rotate.

After initial propeller scroll simultaneously release two sticks.



Strongly move the left stick up (over half) then quadcopter begins to take off.

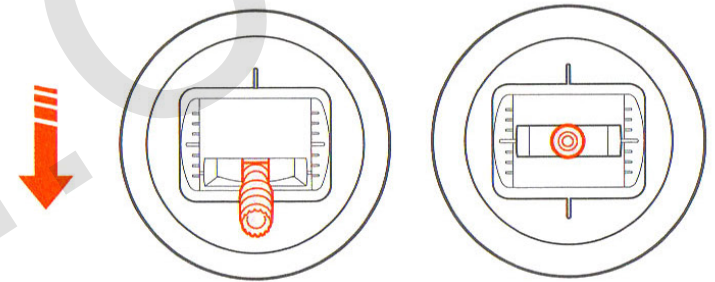
At any time of flight, release both of remote control sticks, then quadcopter hangs in the air.



Safety Tips: During take off strongly turn the left stick up. Too slow actions can cause overturning of the quadcopter.

Slowly move the stick down

During the descent and landing slowly and steadily move the left stick in the down position, ensure a steady landing of the quadcopters.

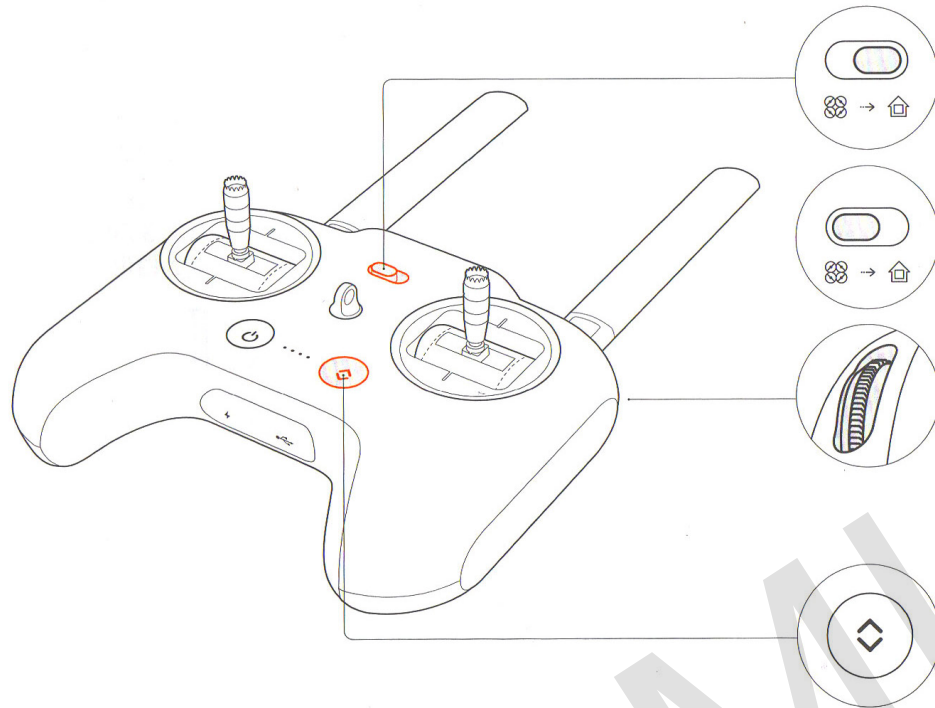


After a secure and full contact of landing gears and a ground, move the left stick of the remote control down to the limit and hold it for 5 seconds. Quadcopter's motors will off.

Safety Tips: If the quadcopters glanced to one side or there was another similar situation, after which motors does not turn off automatically, simultaneously press and hold the remote control power button and automatic take-off / automatic landing button for 3 seconds and quadcopter's motors will shut down.

In normal flight simultaneously press the remote control power button and automatic take-off / automatic landing button, in order to avoid the quadcopter free fall.

Fast operation buttons of the remote control



Note: Other buttons and wheels used to control PTZ camera and photo camera. Please see a manual of PTZ camera and a photo camera.

During the flight turn Standard flight / return flight (return) button to the right side. Quadcopter automatically returns to the approximate location of take-off and lands automatically.

During the flight back to the place of takeoff, turn Standard flight / return flight (return) button to the left. Quadcopters hangs in the air waiting for manual control commands.

Scroll right remote control wheel, adjust the brightness of white front running lights.

If the automatic take-off / landing automatic button is lit white, quadcopter can perform automatic takeoff or landing.

If you are satisfied with automatic takeoff, click the button once, then press and hold for 2 seconds. Quadcopter perform automatic takeoff.

If you are satisfied with automatic landing, click the button once, then press and hold for 2 seconds. Quadcopters perform an automatic landing.

Maintenance and setting

1. Propeller

Propeller is one of parts, that easy wear. If you find signs of wear of propeller, replace it promptly. Otherwise, it will have a negative impact on the use of quadcopter normally.

2. Protective cover

Protective cover is one of parts, that easy wear. If you find signs of wear of propeller, replace it promptly.

Safety Tips: Protective cover provides limited protective effect. Operator must operate in accordance with safety regulations, direct the unit away from people, animals and other items.

3. Battery

Do not put a battery in fire; don't hammer battery. The capacity of the lithium battery at low temperatures is significantly reduced. Do not use it at temperatures below 50C.

4. Self-check of quadcopter

On every switch on the quadcopter performs some self-test operations. If self-test failed, you will find appropriate notification to the app.

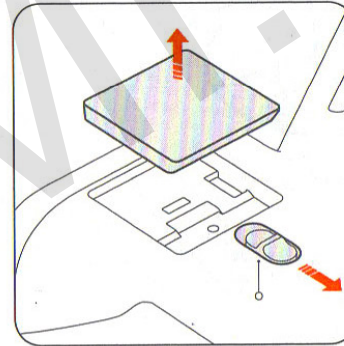
5. Compass setting

If magnetic field has changed, you need to re-adjust a compass for safe flight. If you need to set a compass, open the app and find the relevant notification and instructions.

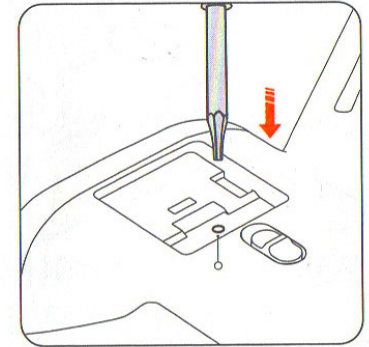
6 Remote control code

When replacing the remote control or kvadrokoptera you need to re-synchronize the remote control code of quadcopter:

1. Switch on the quadcopter
2. The remote control is turned off. First, once press the power button, and then press and hold until a button indicator flashes rapidly. Synchronization mode of the remote control is on.
3. Set the PTZ camera installation / disassembly button, remove the cover and locate the code hole. Using the supplied screwdriver to the main assembly, press and hold this hole for 1 second. Three specific remote control signals to indicate successful pairing. At the same time remote control power button light will change color to white.



Installation / disassembly PTZ camera button



Remote control code hole

7. Setting a remote control stick

If during flight you notice a discrepancy between flight unit and your actions on the remote control, try setting the remote control stick. If there was a gap to connect the remote control with quadcopter, make the necessary settings in the app.

Indicators

Quadcopter indicators

	Indicator	Quadcopter status
1	4 indicators increase / decrease brightness	Self-test
2	4 indicator lit constantly	Quadcopter on the ground. Quadcopter don't pass self-test. Flight is impossible. Caution: fix faults via app.
		Quadcopter in the air: internal error
3	Two flight lights lit constantly. Green and red lights are flashing.	Ready to take off/normal flight mode
4	4 indicators are flashing pairwise	Low battery
5	4 indicators are flashing rapidly	Low battery. Need to landing

Remote control indicators

	Indicator	Remote control status
1	Red indicator of power button lit constantly	Poor signal
2	White indicator of power button lit constantly	Stable signal
3	Red indicator of power button is flashing	Firmware synchronization or update
4	White indicator of power button is flashing	Video recording
5	Red indicator of automatic takeoff/landing button lit constantly	Automatic takeoff/landing prohibited
6	White indicator of automatic takeoff/landing button lit constantly	Automatic takeoff/landing allowed

Main specifications

Model: MJSZFXQ01FM;
Dimensions: 310x380x53 mm;
Wheelbase of quadcopter: 434 mm;
Weight: 0,67kg (without battery);
Battery type: Li-On;
Battery capacity: 5100 mAh/ 15,2 V;
Power input: 100-240V-50 / 60Hz, 1.5A MAX;
Output voltage: 16V --- 2.9A;

Remote control weight: 0.5 kg;
Distant signal: 2.4GHz;
Remote control battery type: Li;
Battery capacity: 5000mAh / 3.7V (18.5Wh);
Power input: 5V --- 2A;

Working temperature range: 0 - 40C;
Altitude: less than 5000 m;
Standard: Q / BJFMK0001-2016.

Table of use of components and parts

Name of Mi Drone part	Model
Propeller	LXJ01FM
Protective cover	FZJ01FM
Remote control	YKQ01FM
PTZ camera	YTXJ01FM
Battery	DC01FM
Supporting lock	DW01FM

Updated information on the new kit of parts can be found on the official Mi website.

The presence of toxic and hazardous substances

Name of part	Pb PBDE	Hg	Cd	Cr6+	PBB	PBDE
Plastic housing	0	0	0	0	0	0
Metal components	X	0	0	0	0	0
Printed circuit board	0	0	0	0	0	0
Cable	0	0	0	0	0	0
Lens	0	0	0	0	0	0
Battery	X	0	0	0	0	0
Adapter	X	0	0	0	0	0

0: toxic and harmful substances in all components of the device are contained in an amount below the limit value according to SJ / T11363-2006 «limit the requirement for toxic and hazardous substances in products.»

X: indicates the presence of toxic and harmful substances, at least one of the components of this product in excess of the limit value, according to SJ / T11363-2006 «Requirements limiting the presence of toxic and hazardous substances in products.»

Warranty

Warranty period

Unit	Information on warranty maintenance	Period
Quadcopter	Circuit elements	12 month
Motor		6 month
Remote control		12 month
Supporting lock		12 month.
Battery		6 month, but no more, than 150 charging cycles
Adapter		12 month
Housing	Housing, landing gear, propeller	No period
Accessories	USB cable, wrench, screwdriver, screws	No period
Protective cover		No period

Warranty Terms

Warranty service is carried out in accordance with the law on «consumer rights» and the «Law on the quality of products.» The warranty service includes:

1. Within 7 days from the date of purchase, in case of a problem from the «List of faults», Xiaomi service center determines the cause of the problem, then you can choose a free replacement product or a refund.
2. Within 8-15 days of purchase, in case of a problem of «fault list» Xiaomi service center defines the problem, then you choose a free replacement or repair of the goods.
3. Within 12 months from the date of purchase, in case of a problem from the «List of faults», Xiaomi service center defines the problem, then you are given a free repair.

List of faults

Type of fault	
Mi Drone	Problems with turning on the Quadcopter, problems with flight
	Problems with turning on the remote control, problems with its use
	Problems with recharging a battery, or its turning on
	Problem with use of adapter
	Detecting defects of the device before using it

Terms, not included to the warranty

1. Completion of maintenance, fall, neglect, abuse, water impact, accident, or broken label and marking device;
2. The warranty period has expired;
3. Damage arising under force majeure circumstances;
4. damage that do not meet the «List of faults» service center Xiaomi;
5. Breakdown device or its components' list of faults «have arisen due to the human factor and which prevent proper operation.

Manufacturer: «Xiaomi Technology», address: Beijing district. Haidian, st. Xinxu, 28

Disclaimer and safety

Disclaimer

1. Protecting the rights and interests of users, before using this device, please carefully read the attached instructions, Disclaimer and safety regulations. Mi Company reserves the right to update these documents. You must use the device in accordance with the instruction and safety regulations.
2. Persons under 18 years of age, and disabled persons prohibited to use the quadcopter.
3. If you are using the device, it is assumed that you have read, understood and accepted all conditions and rules of operation, described in the manual, disclaimer and safety regulations. User is responsible for any consequences of their actions. User is obliged to use this device only for legitimate purposes, and to accept all the terms and conditions that the Mi company sets.
4. In the process of using this device, you must observe and comply with all rules described in the instructions and safety rules. The force majeure or if a user violates the rules of operation and security, which led to any

infliction of physical harm, personal injury, property damage, legal disputes, conflicts of interest and other adverse events, the user is solely responsible and losses. Mi Company is not responsible for the consequences of such cases.

5. If a user directly or indirectly violate the law by their actions, the company Mi accepts no responsibility for the consequences.

Safety regulations

1. Persons under 18 years of age, and disabled persons prohibited to use the quadcopter.
2. This product has a large size body, rapidly rotating propeller and a lot of power, so there is some risk in its use. Operation is carried out in accordance with all of its terms of use, or it may be a dangerous situation or damage.
3. Do not use quadcopter near airfields, railways, highways, tall buildings, power lines and other dangerous objects.
4. Do not use quadcopter near base stations, antennas, ultra-high capacity and other areas with electromagnetic signals.
5. Do not use near quadcopter with various manned aircraft.
6. Do not use the device in the rain, lightning, sand dust, fog, snow, strong wind, low temperature and other adverse conditions.
7. At an altitude of 3000 m above sea level, environmental factors can lead to degraded performance. Careful use of this device.
8. This device is not waterproof, do not try to put him in the water.
9. When operating, constantly follow a safe distance (10 m) between quadcopter and people or animals.
10. Using the device in a deserted place, the operator should not lose

sight of the quadcopter.

11. Do not force the device to hover or fly over the crowd of people, so as not to scare people for your fun.

12. When approaching to a large number of people, carefully manage quadcopter. As fast as possible, lower the height, and set it to avoid unforeseen situations.

13. Do not use this product near children's playgrounds.

14. Do not use this product to chase the vehicle or affect its normal operation.

15. A very important condition! Do not turn off the engine quadcopter when it is in the air.

16. Do not use this product if you have drunk alcohol, feel fatigue, malaise, are taking specific medicines, etc.

17. Before each use, the device is performing self-test. Including component parts, chassis, propeller (cracks and wear), the battery level

indicator functionality etc. If you find any problem, immediately stop using the unit and replace the incorrect part.

18. In case of violation of an operating status of the device, or a malfunction, an accident can occur. In no case do not start propeller and do not force quadcopter to fly.

19. If the device is switched on, do not try to stop any moving parts.

20. Do not block the hole / opening heat dissipation.

21. Do not make any changes to the device. Do not use for their own purposes, which are different from the original application.

22. This device may not be used to transport any things.

23. Use in accordance with its rules of operation.

24. Use original parts for maintenance or replacement of parts.

25. When you share control of quadcopter to another person, make sure that new operator understands and complies with safety regulations.

XIAOMI-MI.COM