

# ↗ DOMETIC

# ENERGY & LIGHTING

# PERFECTCHARGE



MCA1215, MCA1225, MCA1235

EN

**Battery charger**

Installation and Operating Manual

**Please read this instruction manual carefully before installation and first use, and store it in a safe place. If you pass on the product to another person, hand over this instruction manual along with it.**

## Table of contents

1	Explanation of symbols . . . . .	3
2	General safety instructions . . . . .	3
3	Intended use . . . . .	8
4	Scope of delivery . . . . .	9
5	Accessories . . . . .	9
6	Technical description . . . . .	10
7	Installing the device . . . . .	14
8	Connecting the device . . . . .	16
9	Using the device . . . . .	25
10	Maintaining and cleaning the device . . . . .	26
11	Troubleshooting . . . . .	27
12	Warranty . . . . .	28
13	Disposal . . . . .	28
14	Technical data . . . . .	29

# 1 Explanation of symbols

**DANGER!**

**Safety instruction:** Failure to observe this instruction will cause fatal or serious injury.

**WARNING!**

**Safety instruction:** Failure to observe this instruction can cause fatal or serious injury.

**CAUTION!**

**Safety instruction:** Failure to observe this instruction can lead to injury.

**NOTICE!**

Failure to observe this instruction can cause material damage and impair the function of the product.

**NOTE**

Supplementary information for operating the product.

# 2 General safety instructions

The manufacturer accepts no liability for damage in the following cases:

- Faulty assembly or connection
- Damage to the product resulting from mechanical influences and excess voltage
- Alterations to the product without express permission from the manufacturer
- Use for purposes other than those described in the operating manual

Observe the following instructions:

- Connection to supply mains is to be in accordance with National wiring rules.
- Before charging, read the instructions.
- For indoor use. Do not expose to rain.

**WARNING!**

Note the following basic safety information when using electrical devices to protect against:

- Electric shock
- Fire hazards
- Injury

## 2.1 General safety

**DANGER!**

- In the event of fire, use a fire extinguisher which is suitable for electrical devices.

**WARNING!**

- Only use the device as intended.
- Disconnect the device from the mains:
  - Before cleaning and maintenance
  - After use
  - Before changing a fuse
- If you disassemble the device:
  - Detach all connections
  - Make sure that no voltage is present at any of the inputs and outputs
- The device may not be used if the device itself or the connection cable are visibly damaged.
- If this power cable for this device is damaged, it must be replaced by the manufacturer, customer service or a similarly qualified person in order to prevent safety hazards.
- This device may only be repaired by qualified personnel. Inadequate repairs may cause serious hazards.
- This device can be used by children aged 8 years or over, as well as by persons with diminished physical, sensory or mental capacities or a lack of experience and/or knowledge, providing they are supervised or have been taught how to use the device safely and are aware of the resulting risks.

- **Electrical devices are not toys.**

Always keep and use the appliance out of the reach of children.

- Children must be supervised to ensure that they do not play with the device.

**NOTICE!**

- Before start-up, check that the voltage specification on the type plate is the same as that of the power supply.
- Ensure that other objects **cannot** cause a short circuit at the contacts of the device.
- Never pull the plug out of the socket by the connection cable.
- Store the device in a dry and cool place.

## 2.2 Safety when installing the device

**DANGER!**

- Never mount the device anywhere where there is a risk of gas or dust explosion.

**CAUTION!**

- Ensure that the device is standing firmly.  
The device must be set up and fastened in such a way that it cannot tip over or fall down.

**NOTICE!**

- Do not expose the device to a heat source (such as direct sunlight or heating). Avoid additional heating of the device in this way.
- Set up the device in a dry location where it is protected against splashing water.

## 2.3 Safety when connecting the device electronically

**DANGER! Danger of electrocution**

- **For installation on boats:**

If electrical devices are incorrectly installed on boats, corrosion damage might occur. Have the device installed by a specialist (marine) electrician according to AS 3000, AS 3001.

- If you are working on electrical systems, ensure that there is somebody close at hand who can help you in emergencies.

**WARNING!**

- Always use sockets which are grounded and secured by residual current circuit breakers.
- Make sure that the lead has a sufficient cross-section.
- Lay the cables so that they cannot be damaged by the doors or the bonnet.  
Crushed cables can lead to serious injury.

**CAUTION!**

- Lay the cables so that they cannot be tripped over or damaged.

**NOTICE!**

- Use ductwork or cable ducts if it is necessary to lay cables through metal panels or other panels with sharp edges.
- Do **not** lay the 230 V mains cable and the 12 V DC cable in the same duct.
- Do **not** lay the cable so that it is loose or heavily kinked.
- Fasten the cables securely.
- Do not pull on the cables.

## 2.4 Operating the device safely

**DANGER! Danger of electrocution**

- Do not touch exposed cables with your bare hands. This applies especially when operating the device from the AC mains.
- To be able to disconnect the device quickly from the mains, the socket must be close to the device and be easily accessible.

**WARNING!**

- Only use the device in closed, well-ventilated rooms.
- Do **not** operate the device in systems with lead acid batteries. These batteries give off explosive hydrogen gas that can be ignited by sparks on electrical connections.

**CAUTION!**

- Do **not** operate the device
  - In salty, wet or damp environments
  - In the vicinity of corrosive fumes
  - In the vicinity of combustible materials
  - In areas where there is a danger of explosions.
- Before starting the device, ensure that the power supply line and the plug are dry.
- Always disconnect the power supply when working on the device.
- Please observe that parts of the device may still conduct voltage even if the fuse has blown.
- Do not disconnect any cables when the device is still in use.

**NOTICE!**

- Make sure the air inlets and outlets of the device are not covered.
- Ensure good ventilation.

## 2.5 Safety precautions when handling batteries

**WARNING!**

- Batteries contain aggressive and caustic acids. Avoid battery fluid coming into contact with your body. If your skin does come into contact with battery fluid, wash the part of your body in question thoroughly with water.  
If you sustain any injuries from acids, contact a doctor immediately.

**CAUTION!**

- When working on the batteries, do not wear any metal objects such as watches or rings.  
Lead acid batteries can cause short circuits which can cause serious injuries.
- **Danger of explosions!**  
Never attempt to charge a frozen or defective battery.  
Place the battery in a frost-free area and wait until the battery has acclimatised to the ambient temperature. Then start the charging process.
- Wear goggles and protective clothing when you work on batteries.  
Do not touch your eyes when you are working on the battery.
- Do not smoke and ensure that no sparks can arise in the vicinity of the engine or battery.

**NOTICE!**

- Only use rechargeable batteries.
- Prevent any metal parts from falling on the battery. This can cause sparks or short-circuit the battery and other electrical parts.
- Make sure the polarity is correct when connecting the battery.
- Follow the instructions of the battery manufacturer and those of the manufacturer of the system or vehicle in which the battery is used.
- If you need to remove the battery, first disconnect the earth connection. Disconnect all connections and all consumers from the battery before removing it.

### 3 Intended use

The PerfectCharge MCA1215, MCA1225, MCA1235 battery charger can charge or supply a retention voltage to batteries which are used to generate power in vehicles or on boats.

The MCA charger can be used to continuously charge supply or starter batteries. This allows the batteries to be charged and to maintain a high charge level:

- 12 V batteries: MCA1215, MCA1225, MCA1235

The MCA battery charger are designed to charge the following battery types:

- Lead starter batteries
- Lead gel batteries
- Absorbed glass mat (AGM) batteries
- Dometic eStore Lithium-ion batteries

**Never** use the devices to charge other battery types (such as NiCd or NiMH).

**WARNING! Danger of explosions**

- Do not charge batteries with a cell short circuit. The oxyhydrogen they produce can cause explosions.
- Do not charge lead batteries in unventilated rooms. The oxyhydrogen they produce can cause explosions.
- Do not charge nickel cadmium and non-rechargeable batteries with the charger. The cases of these batteries can burst explosively.



## 4 Scope of delivery

Quantity	Description
1	Battery charger
2	230 V power cable
3	Installation and operating manual

Check before starting up the device that all parts are available belonging to the scope of delivery.

## 5 Accessories

Available as accessory (not included in scope of delivery):

Description	Ref. no.
Remote Control MCA-RC1	9102500037
Temperature sensor MCA-TS1	9102500036
Battery sensor MCA-HS1 (IBS) – Hella Sensor	9102500038
Battery Management System PerfectControl MPC01	9102500073

## 6 Technical description

The low weight and compact construction of the battery charger allow for easy installation in mobile homes, commercial vehicles or motor and sailing yachts. It charges batteries that are used on board vehicles or boats to generate power or supplies them with a retention voltage so that they do not discharge.

A control lamp on the device enables constant monitoring in the battery charger.

The device has the following protective systems:

- Short circuit
- Overheating protection
- with sensor (accessory): Battery overheating

The device can also be integrated into a LIN bus using two connections.

The cooling system uses fans whose speed depends on the charging power and can be switched off using an external switch.

### 6.1 Device versions

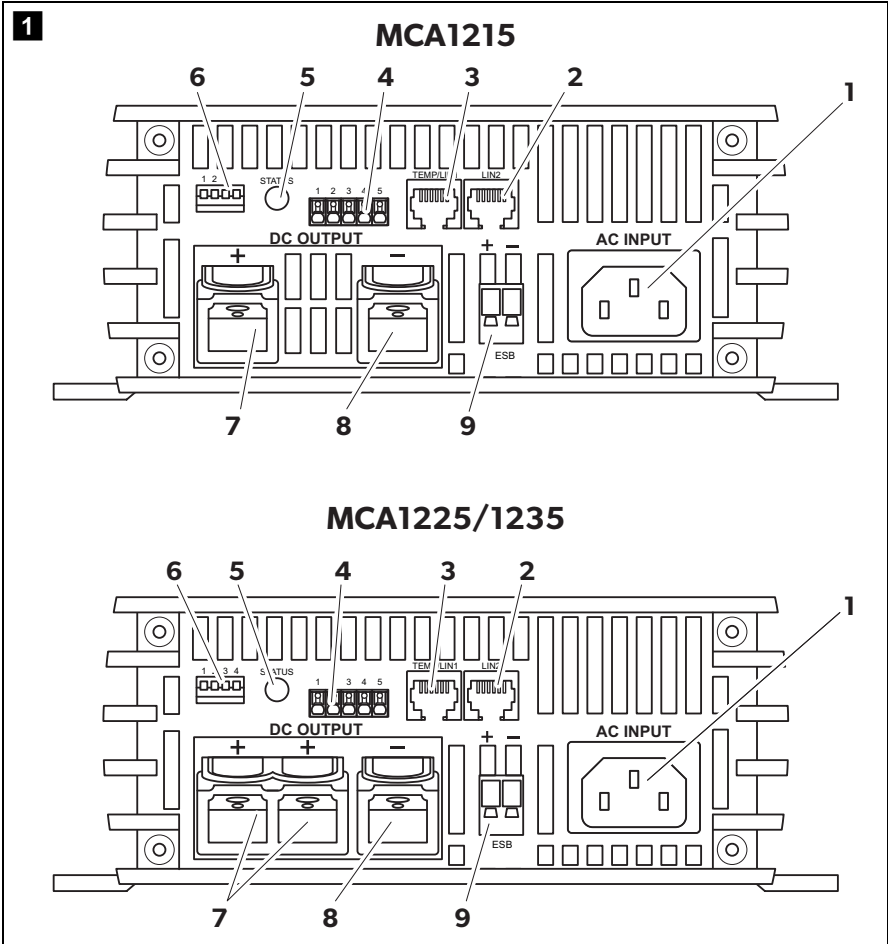
The PerfectCharge MCA battery chargers are available in different versions.

Your MCA battery charger can be used to charge batteries up to a specified battery capacity (see chapter "Technical data" on page 29):

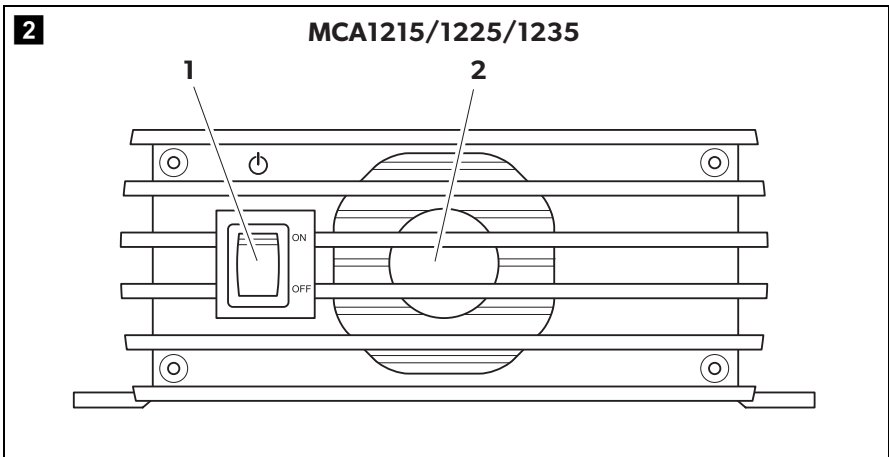
- MCA1215: suitable for charging one supply battery and one starter battery
- MCA1225, MCA1235: suitable for charging up to two supply batteries and one starter battery

For the identification of your device, see the reference number on the type plate.

## 6.2 Connections and controls



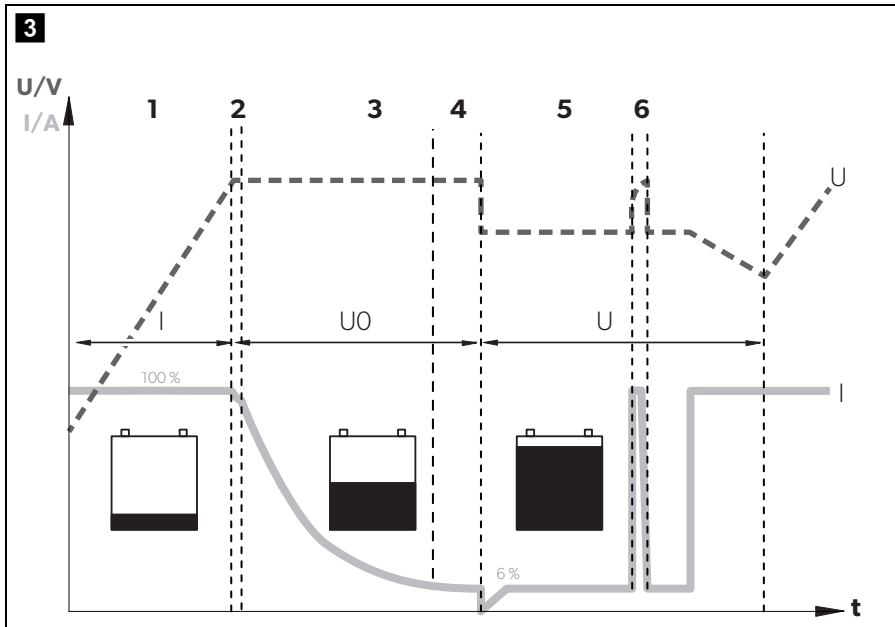
No. in fig. 1, page 11	Explanation/function
1	Mains connection
2	LIN2 bus connection
3	TENMP/LIN1 bus connection
4	CN2 socket for Alarm and Fan
5	Status LED
6	DIP switch
7	Battery terminals (+)
8	Battery terminals (-)
9	Starter battery connection



No. in fig. 2, page 12	Explanation/function
1	On/Off switch
2	Fan

### 6.3 Battery charging function

The charging characteristics are referred to as modified IUOU characteristics.



#### 1: I phase (bulk)

At the beginning of the charging process, the flat battery is charged with a constant current (100 % charge current) until the battery voltage reaches the charging voltage. The charging current decreases when the battery has reached this charging level.

#### 2, 3, 4: U0 phase (absorption)

Now the three-stage absorption charging process (U0 phase) begins, where the duration depends on the battery. The voltage remains constant (U0). In the first 2 minutes, the charging of the battery is determined. Then the main charging phase begins when the battery is fully charged.

Once the battery is completely charged, or the charging current is below 6 % of the rated charging current for 15 minutes, the U0 phase has finished.

## 5: U phase (float)

After the U0 phase, the battery charger switches to conservation charging function (U phase).

If DC loads are connected, they are powered by the device. Only if the power required exceeds the capacity of the device is this surplus power provided by the battery. The battery is then discharged until the device re-enters the I phase and charges the battery.

## 6: 12-day conditioning

Every 12 days, the battery charger switches back to phase I for 85 min in order to revive the battery. This prevents any fatigue symptoms such as sulphation.

# 7 Installing the device

When selecting the installation location, observe the following instructions:

- The device can be installed horizontally or vertically.
- Do **not** install the device
  - In wet or damp environments
  - In dusty environments
  - In the vicinity of combustible materials
  - In areas where there is a danger of explosions
- Connection to supply mains is to be in accordance with National wiring rules.
- Before charging, read the instructions.
- For indoor use. Do not expose to rain.
- The place of installation must be well ventilated. A ventilation system must be available for installations in small, enclosed spaces. The clearance around the device must be at least 25 cm.
- The air inlet on the underside and the air outlet on the back of the device must remain clear.
- For ambient temperatures higher than 40 °C (such as in engine or heating compartments, or direct sunlight), the heat from the device under load can lead to reduced output.
- The device must be installed on a level and sufficiently sturdy surface.
- Do not install the device in the same area as the batteries.

- Do not install the device above batteries, because they can emit corrosive sulphur fumes that will damage the device.

**NOTICE!**

Before drilling any holes, make sure that no electrical cables or other parts of the vehicle can be damaged by drilling, sawing and filing.

For installation and mounting you will need the following tools:

- Pen for marking
- Drill bit set
- Drill
- Screwdriver

To secure the device in place you will need:

- Machine bolts (M4) with washers and self-locking nuts or
- self-tapping screws or wood screws

Fasten the device as follows:

- Hold the device against the installation location.
- Mark the fastening points.
- Fasten the device with one screw through each hole in the holders.

## 8 Connecting the device

### 8.1 Connecting to battery and power supply

#### Connecting the battery

Observe the following instructions when connecting the battery:



#### CAUTION!

- Avoid coming into contact with the battery fluid.
- Batteries with a cell short circuit may not be charged, as explosive gases may form due to overheating of the battery.

- Make sure the battery terminals are clean when connecting them.
  - Make sure the plug connector is fitted securely.
  - Select a connection cable with a sufficient cross-section (see chapter “Technical data” on page 29).
  - Lay the cables in accordance with AS 3000, AS 3001.
  - Connect the negative cable directly to the negative terminal of the battery, and **not** to the chassis of a vehicle or boat.
  - Use the following cable colours:
    - Red: positive connection
    - Black: negative connection
  - Do not reverse the polarity. Reversing the polarity can cause damage to the device.
- Lay the positive cable from the battery charger to the positive terminal of the battery and connect it.
- Lay the negative cable from the battery charger to the negative terminal of the battery and connect it.

#### Connecting the 230 V power supply

- Plug the 230 V connection cable included in the delivery into the MCA battery charger's “AC INPUT” socket.
- Connect the device with the he 230 V connection cable to a 230 V socket which is protected by a residual current circuit breaker.



## 8.2 Charge versions

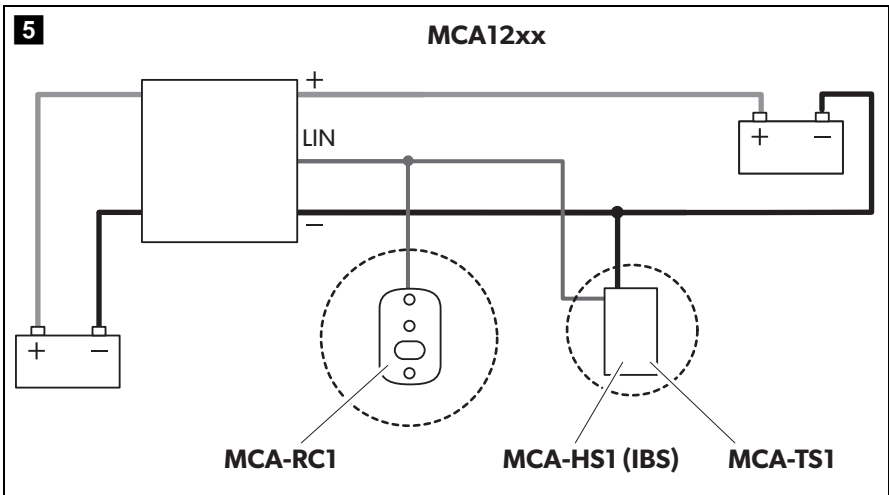
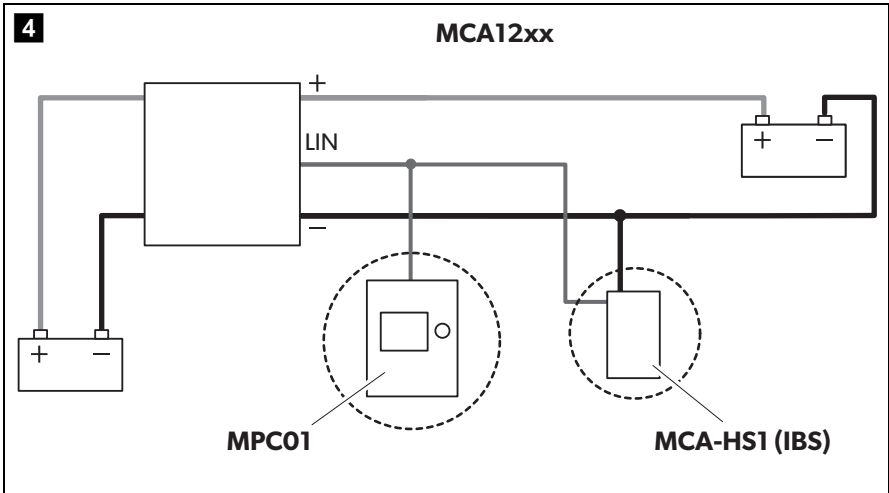


fig. 4, page 17	
Battery sensor MCA-HS1 (IBS)	Perfect Control MPC01
–	–
✓	–
✓	✓

fig. 5, page 17	
Remote control MCA-RC1	Temperature sensor MCA-TS1 or Battery sensor MCA-HS1 (IBS)
–	–
✓	–
–	✓
✓	✓

– without; ✓ with

### Charging the battery

- Connect the battery to the “DC OUTPUT” socket of the MCA battery charger. Make sure the polarity of the connections is correct.

### Charging the starter battery

- Connect the starter battery to the “ESB” socket of the MCA battery charger. Make sure the polarity of the connections is correct.

### Charging using the temperature sensor MCA-TS1 (accessory)

- Connect the temperature sensor to the TEMP/LIN connection.
- ✓ The charging voltage is adjusted according to the temperature measured.

### Charging using the IBS battery sensor MCA-HS1 (accessory)

- Connect the battery sensor to the TEMP/LIN connection.
- ✓ The battery sensor transmits the battery temperature and the battery voltage to the charger via the LIN communication port. The charging voltage is regulated according to the temperature. Any potential loss of voltage in the connecting cables is also compensated.

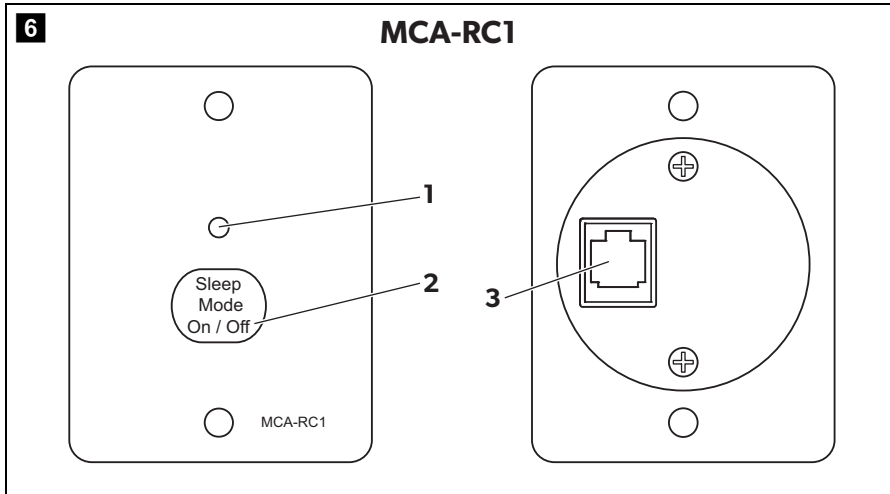
### Charging using the battery management system PerfectControl MPC01 (accessory)

- Set the DIP switches 1 to 3 on the MCA battery charger to “ON” (chapter “Setting the DIP switches” on page 23).

You can find detailed information in the operating manual for MPC01.

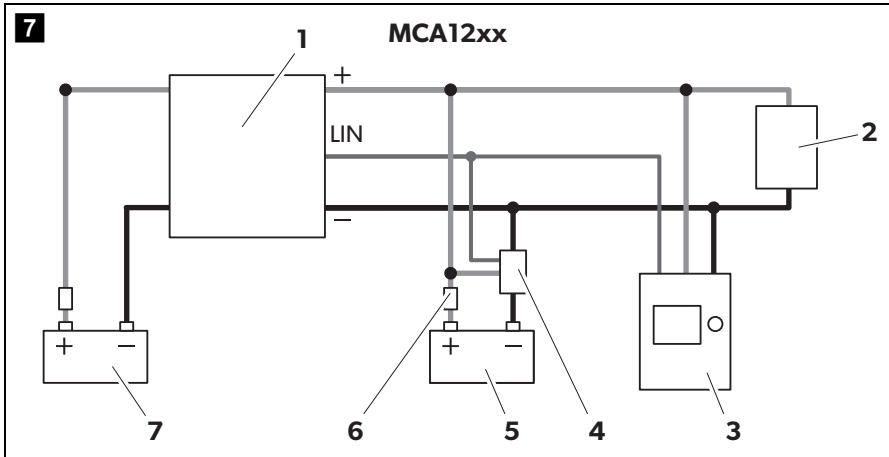
**Charging using the remote control MCA-RC1 (accessory)****NOTE**

The length of the RJ-11 cable may not exceed 7 m.



- Insert one end of the RJ-11 cable into the socket (fig. **6** 3, page 19) of the MCA-RC1.
- Insert the other end of the RJ-11 cable into the TEMP/LIN1 socket on the MCA battery charger.

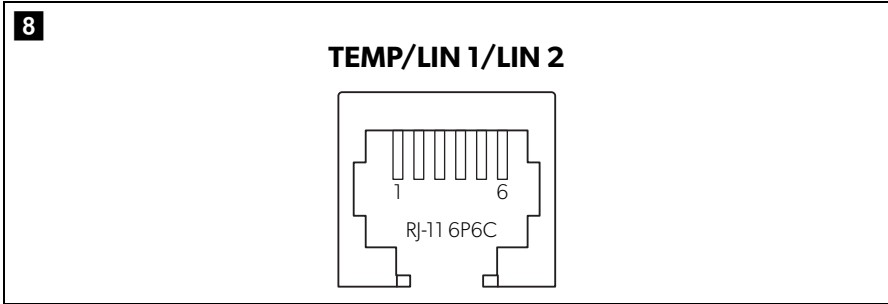
## 8.3 Wiring diagrams



Example of a wiring diagram, 12 V: see fig. **7**, page 20.

No. in fig. <b>7</b> , page 20	Explanation/function
1	MCA charger
2	Consumer
3	PerfectControl MPC01
4	12 V battery sensor IBS
5	12 V battery
6	Fuse
7	Starter battery

## 8.4 Pin assignment

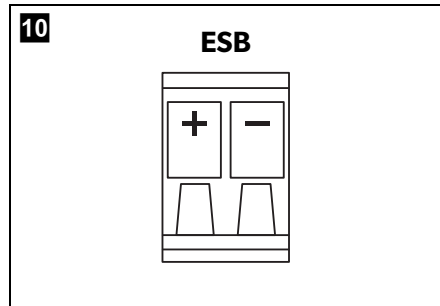
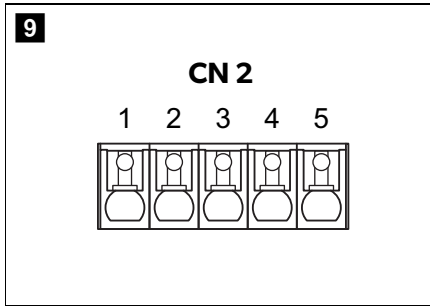


The pins for the TEMP/LIN1 bus socket are assigned as follows:

Pin in fig. 8, page 21	Allocation
1	R_VCC
2	GND
3	TEMP
4	BAT -
5	LIN BUS DATA I/O
6	BAT +

The pins for the LIN2 bus socket are assigned as follows:

Pin in fig. 8, page 21	Allocation
1	R_VCC
2	BAT -
3	NC
4	BAT -
5	LIN BUS DATA I/O
6	BAT +



The pins for the CN2 socket (alarm signal and fan control) are assigned as follows:

Pin in fig. 9, page 22	Allocation
1	NC (Normally Closed): normally closed contact
2	NO (Normally Open): normally open contact
3	COM (Common): common contact
4	Sleep mode control
5	GND
4 – 5 bridged	Sleep mode on
4 – 5 open	Sleep mode off

The pins for the ESB socket (starter battery connection) are assigned as follows:

Pin in fig. 10, page 22	Allocation
+	VCC (Positive terminal)
-	GND (Negative terminal)

## 8.5 Setting the DIP switches

You can adjust the device using the DIP switch.

S1 is used to set the voltage at which the device switches over from the I phase (bulk) to the U0 phase (absorption) (also see chapter "Battery charging function" on page 13). S3 must be set to "OFF".

S2 is used to set the retention voltage. S3 must be set to "OFF".

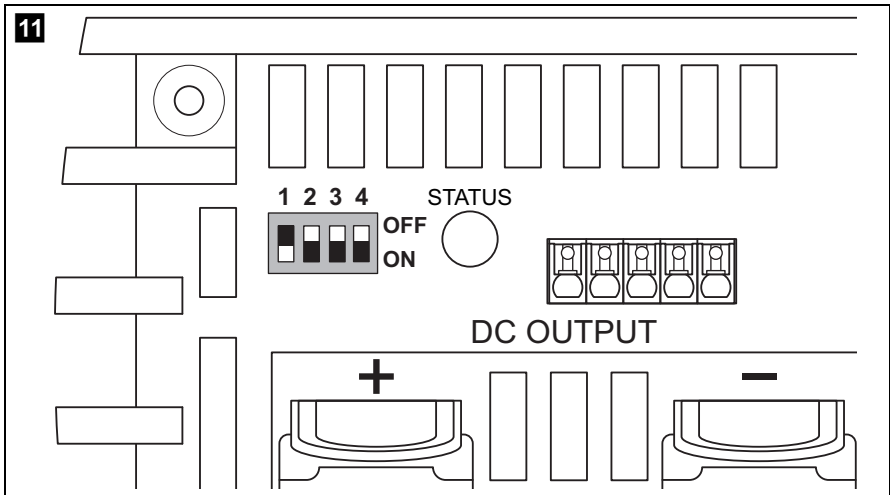
When a battery sensor is connected, the output voltages is adapted to the temperature for these two functions:

- MCA 12xx:  $-20 \text{ mV}/^{\circ}\text{C}$

S3 activates the power mode when either S1 or S2, or both, are set to "Off". In power mode, the short circuit, overvoltage and overheating protection are controlled by the internal sensor.

When S1, S2 and S3 are set to "On", then the function control by external devices is activated. Among others the type of battery and the charging voltage are set using the external device in this mode.

S4 regulates the fan function. When S4 is set to "On", then the fan is switched to sleep mode (noise-reduced mode). When S4 is set to "Off", then the fan is not regulated.



- Use the DIP switches (fig. 11, page 24) to set the required functions and values:
  - To set the absorption voltage:

Switch 1	Switch 3	Switchover voltage
ON	OFF	14.4 V
OFF	OFF	14.7 V

- To set the floating voltage:

Switch 2	Switch 3	Retention voltage
ON	OFF	13.5 V
OFF	OFF	13.8 V

- To set the power supply mode (recommended for Dometic eStore batteries):

Switch 1	Switch 2	Switch 3	Constant voltage
OFF	OFF	ON	13.2 V
OFF	ON	ON	13.8 V
ON	OFF	ON	14.4 V

- Enabling the control for external devices (such as MPC01, does not apply to MCA-RC1)



- Set for optimal charging voltage controlled by external sensor:

Switch 1	Switch 2	Switch 3
ON	ON	ON

- To activate sleep mode:

Switch 4
ON

## 9 Using the device

- ▶ Set the On/off switch to “On”.

To switch off the device set the On/off switch to “On”.

- ✓ Depending on the charging condition of the battery, the battery charger starts charging or supplies a retention voltage.
- ✓ The “Status” LED (fig. 1 5, page 11) displays the operating status (see following table and chapter “Battery charging function” on page 13).

Display	Meaning
Orange, quickly flashing	Phase 1
Orange, slowly flashing	Phase 2
Orange, constantly lit	Phase 3
Green, constantly lit	Phase 4
Green, slowly flashing	Phase 5
Red, constantly lit	Short circuit or defective fuse
Red, quickly flashing	Battery or battery charger is overheating
Red, slowly flashing	Battery undervoltage or overload
Red, double flash	Fan fault
Red, slow double flash	Fault at the starter battery connection



### NOTE

In the event of a fault (the Status LED is red), refer to chapter “Troubleshooting” on page 27).

**When you have connected the remote control MCA-RC1 (accessory)**

- ▶ Activate or deactivate sleep mode (noise reduced mode) using the “Sleep Mode” button (fig. **6** 2, page 19).

The fan is not regulated in sleep mode.

- ✓ The LED (fig. **6** 1, page 19) on the MCA-RC1 indicates the operating status (see following table).

Mode	Display	Meaning
Sleep mode activated	Orange, constantly lit	Phase 1 to 5
Sleep mode deactivated	Green, slowly flashing	Phase 1 to 4
	Green, constantly lit	Phase 5
Fault	Red, constantly lit	Short circuit or defective fuse
	Red, quickly flashing	Battery or battery charger is overheating
	Red, slowly flashing	Battery undervoltage or overload
	Red, double flash	Fan fault
	Red, slow double flash	Fault at the starter battery connection

**NOTE**

In the event of a fault (the Status LED is red), refer to chapter “Troubleshooting” on page 27).

**10 Maintaining and cleaning the device****NOTICE!**

Do not use any sharp or hard objects for cleaning since they may damage the device.

- ▶ Disconnect the device from the 230 V power supply.
- ▶ Disconnect the device from the battery.
- ▶ Prevent the device from being switched on.

- Occasionally clean the device with a damp cloth.
- Regularly clean the vents.
- Check the electrical wiring at least once a year.  
Repair any defects such as loose connections or burnt cables.

## 11 Troubleshooting

The “Status” LED (fig. **1** 5, page 11) displays the fault:

LED display	Cause	Remedy
Red, slowly flashing	Battery undervoltage or battery overload	Check the battery. Switch the battery charger off and on again.
	Defective battery	Replace the battery.
Red, slowly flashing	Overheating	Improve the ventilation of the battery charger or battery. Make sure that no ventilation openings are covered. If necessary, reduce the ambient temperature.
Red, permanently lit	Short circuit or reversed polarity	Connect the battery charger with the correct polarity. Rectify the short circuit. Check if the fuse has triggered and replace it if necessary.
Red, double flash	Fan fault	Check the fan for dirt or damage.
Red, slow double flash	Fault at the starter battery connection	Check the starter battery connection for a short circuit.



### NOTE

If you have detailed questions on the **battery specifications**, please contact the battery manufacturer.

## 12 Warranty

The statutory warranty period applies. If the product is defective, please contact the manufacturer's branch in your country (see the back of the instruction manual for the addresses) or your retailer.

For repair and guarantee processing, please include the following documents when you send in the device:

- A copy of the receipt with purchasing date
- A reason for the claim or description of the fault

## 13 Disposal

- Place the packaging material in the appropriate recycling waste bins wherever possible.




If you wish to finally dispose of the product, ask your local recycling centre or specialist dealer for details about how to do this in accordance with the applicable disposal regulations.

# 14 Technical data

## General technical data

	<b>MCA12xx</b>
Battery types:	Lead-acid, gel, AGM, Dometic eStore
Heat dissipation:	Fan
Charge mode:	6-level
Maximum ambient temperature:	-20 °C to +50 °C
Storage temperature:	-40 °C to +85 °C
Air humidity:	20 – 90 %
Temperature coefficient:	± 0.03 %/°C (0 °C to 50 °C)
Temperature compensation (MCA 12xx):	-20 mV/°C (battery sensor)
Vibration Test type:	Sinusoidal sweep
Frequency range:	10 – 50 Hz
Vibration profile:	0.35 mm
Sweep rate:	1 oct/min
Duration:	30 min per axis
Test axis:	Vertical
Voltage insulation:	I/P – O/P: 4 kV~ I/P – FG: 1.7 kV~ O/P – FG: 0.7 kV~
Insulation resistance:	I/P – O/P: 100 MΩ/500 V===
Alarm signal:	via relay contact
Communication:	via LIN-BUS
Sleep mode (noise-reduced mode):	via remote control (accessory) or DIP switch
Remote control (accessory):	On/off switch, three-colour LED, sleep mode option

<b>MCA12xx</b>	
Testing/certification:	<div style="text-align: center;">  </div> <p>In compliance with the EMC directive 2004/108/EC including 2009/19/EC and the Low-voltage Directive 2006/95/EC</p> <p>EN 60335-1                      EN 60335-2-29                      EN 55022                      EN 61000-3-2                      EN 61000-3-3                      EN 61000-4-2, 3, 4, 5, 6, 8, 11                      ENV 50204</p> <p>In compliance with Australian standard AS/NZS60335.2.29 and IEC60068.2.6</p>

**Protective devices**

<b>MCA12xx</b>	
Output side short circuit:	Current is reduced to 25% of the maximum current
Overvoltage:	16 V
Protection class:	IP21
Battery charger over temperature:	100 °C ± 5 °C (measured internally)
Battery over temperature:	52 °C ± 5 °C (with battery sensor)

**Input data**

	<b>MCA1215</b>	<b>MCA1225</b>	<b>MCA1235</b>
Rated input voltage:	200 – 240 V~		
Output factor correction:	> 97% (full load)		
Input frequency:	50 Hz – 60 Hz		
Efficiency at 240 V~ ?	87%		
Leakage current:	< 1 mA at 240 V~		
Input current at 240 V~ ?	1.07 A	1.8 A	2.8 A

**Output data**

	<b>MCA1215</b>	<b>MCA1225</b>	<b>MCA1235</b>
Charging voltage:	14.4 V / 14.7 V		
Retention voltage:	13.8 V		
Rated charging current:	15 A	25 A	35 A
Charging current:	0 – 15 A	0 – 25 A	0 – 35 A
Outputs:	1	2	2
ESB outputs (Starter battery):	1	1	1
ESB charging voltage :	13.8 V	13.8 V	13.8 V
ESB charging current:	2 A	2 A	2 A

**Dimensions and weight:**

	<b>MCA1215</b>	<b>MCA1225</b>	<b>MCA1235</b>
Ref. no.:	9108400809	9108400810	9108400811
Dimensions L x W x H (mm):	238x179x63	238x179x63	274x179x63
Weight:	1.6 kg	1.7 kg	1.9 kg

**Technical data MCA-RC1 (accessory)**

	<b>MCA-RC1</b>
Ref. no.:	9102500037
Rated input voltage:	10.5 – 15 V $\overline{=}$
Standby current consumption:	< 40 mA
Protection class:	IP21
Maximum ambient temperature:	-10 °C to +45 °C
Storage temperature:	-30 °C to +70 °C

**AUSTRALIA****Dometic Australia Pty. Ltd.**

1 John Duncan Court · Varsity Lakes QLD 4227

☎ 1800 212121 · 📠 +61 7 55076001

Mail: sales@dometic.com.au

[www.dometic.com](http://www.dometic.com)DOMETIC**AUSTRIA****Dometic Austria GmbH**

Neudorferstraße 108

A-2353 Guntramdsdorf

☎ +43 2236 908070

☎ +43 2236 90807060

Mail: info@dometic.at

**BENELUX****Dometic Branch Office Belgium**

Zincstraat 3

B-1500 Halle

☎ +32 2 3598040

☎ +32 2 3598050

Mail: info@dometic.be

**BRAZIL****Dometic DO Brasil LTDA**

Avenida Paulista 1754, conj. 111

SP 01310-920 Sao Paulo

☎ +55 11 3251 3352

☎ +55 11 3251 3362

Mail: info@dometic.com.br

**DENMARK****Dometic Denmark A/S**

Nordensvej 15, Taulov

DK-7000 Fredericia

☎ +45 75585966

☎ +45 75586307

Mail: info@dometic.dk

**FINLAND****Dometic Finland OY**

Mestarintie 4

FIN-01730 Vantaa

☎ +358 20 7413220

☎ +358 9 7593700

Mail: info@dometic.fi

**FRANCE****Dometic SAS**

ZA du Pré de la Dame Jeanne

B.P. 5

F-60128 Plailly

☎ +33 3 44633525

☎ +33 3 44633518

Mail: vehiculesdeloisirs@dometic.fr

**GERMANY****Dometic WAECO International GmbH**

Hülfefeldstraße 63

D-48282 Emsdetten

☎ +49 (0) 2572 879-195

☎ +49 (0) 2572 879-322

Mail: info@dometic-waeco.de

**HONG KONG****Dometic Group Asia Pacific**

Suites 2207-11 · 22/F · Tower 1

The Gateway · 25 Canton Road,

Tsim Sha Tsui · Kowloon

☎ +852 2 4611386

☎ +852 2 4665553

Mail: info@waeco.com.hk

**HUNGARY****Dometic Zrt. Sales Office**

Kerékgyártó u. 5.

H-1147 Budapest

☎ +36 1 468 4400

☎ +36 1 468 4401

Mail: budapest@dometic.hu

**ITALY****Dometic Italy S.r.l.**

Via Virgilio, 3

I-47122 Forlì (FC)

☎ +39 0543 754901

☎ +39 0543 754983

Mail: vendite@dometic.it

**JAPAN****Dometic KK**

Maekawa-Shibaura, Bldg. 2

2-13-9 Shibaura Minato-ku

Tokyo 108-0023

☎ +81 3 5445 3333

☎ +81 3 5445 3339

Mail: info@dometic.jp

**MEXICO****Dometic Mx, S. de R. L. de C. V.**

Circuito Médicos No. 6 Local 1

Colonia Ciudad Satélite

CP 53100 Naucalpan de Juárez

Estado de México

☎ +52 55 5374 4108

☎ +52 55 5393 4683

Mail: info@dometic.com.mx

**NETHERLANDS****Dometic Benelux B.V.**

Ecustraat 3

NL-4879 NP Etten-Leur

☎ +31 76 5029000

☎ +31 76 5029019

Mail: info@dometic.nl

**NEW ZEALAND****Dometic New Zealand Ltd.**

PO Box 12011

Penrose

Auckland 1642

☎ +64 9 622 1490

☎ +64 9 622 1573

Mail: customerservices@dometic.co.nz

**NORWAY****Dometic Norway AS**

Østerøyveien 46

N-3232 Sandefjord

☎ +47 33428450

☎ +47 33428459

Mail: firmapost@dometic.no

**POLAND****Dometic Poland Sp. z o.o.**

Ul. Puławska 435A

PL-02-801 Warszawa

☎ +48 22 414 3200

☎ +48 22 414 3201

Mail: info@dometic.pl

**PORTUGAL****Dometic Spain, S.L.**

Branch Office em Portugal

Rot. de São Gonçalo nº 1 – Esc. 12

2775-399 Carcavelos

☎ +351 219 244 173

☎ +351 219 243 206

Mail: info@dometic.pt

**RUSSIA****Dometic RUS LLC**

Komsomolskaya square 6-1

RU-107140 Moscow

☎ +7 495 780 79 39

☎ +7 495 916 56 53

Mail: info@dometic.ru

**SINGAPORE****Dometic Pte Ltd**

18 Boon Lay Way 06-140 Trade Hub 21

Singapore 609966

☎ +65 6795 3177

☎ +65 6862 6620

Mail: dometic@dometic.com.sg

**SLOVAKIA****Dometic Slovakia s.r.o. Sales Office Bratislava**

Nádražná 34/A

900 28 Ivanka pri Dunaji

☎/☎ +421 2 45 529 680

Mail: bratislava@dometic.com

**SOUTH AFRICA****Dometic (Pty) Ltd.****Regional Office****South Africa & Sub-Saharan Africa**

Unit 6-7 on Mastiff Linbro Park

2008 Johannesburg

☎ +27 11 4504978

☎ +27 11 4504976

Mail: info@dometic.co.za

**SPAIN****Dometic Spain S.L.**

Avda. Sierra del Guadarrama, 16

E-28691 Villanueva de la Cañada

Madrid

☎ +34 902 111 042

☎ +34 900 100 245

Mail: info@dometic.es

**SWEDEN****Dometic Scandinavia AB**

Gustaf Melins gata 7

S-42131 Västra Frölunda

☎ +46 31 7341100

☎ +46 31 7341101

Mail: info@dometicgroup.se

**SWITZERLAND****Dometic Switzerland AG**

Riedackerstrasse 7a

CH-8153 Rümlang

☎ +41 44 8187171

☎ +41 44 8187191

Mail: info@dometic.ch

**UNITED ARAB EMIRATES****Dometic Middle East FZCO**

P. O. Box 17860

S-D 6, Jebel Ali Freezone

Dubai

☎ +971 4 883 3858

☎ +971 4 883 3868

Mail: info@dometic.ae

**UNITED KINGDOM****Dometic UK Ltd.**

Dometic House, The Brewery

Blandford St. Mary

Dorset DT11 9LS

☎ +44 344 626 0133

☎ +44 344 626 0143

Mail: customerservices@dometic.co.uk

**USA****Dometic RV Division**

1120 North Main Street

Elkhart, IN 46515

☎ +1 574-264-2131

4445101588 10/2016