

2-WAY GENERAL PURPOSE SOLENOID VALVES

NORMALLY OPEN/ NORMALLY CLOSED MODELS

SV200/SV210 Series



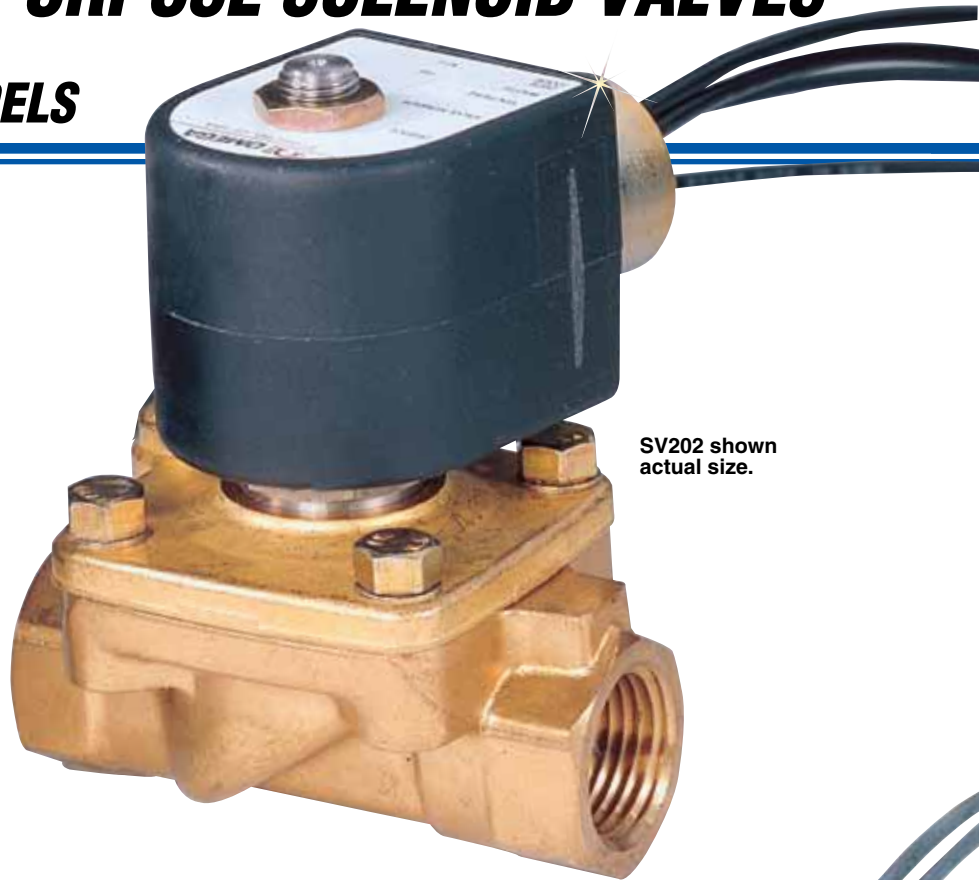
- ✓ Durable Brass Valve Body
- ✓ Rugged NEMA 4 (IP65) Housing
- ✓ Mounts in Any Position
- ✓ Rated for Continuous Duty

TYPICAL APPLICATIONS

- ✓ Water Treatment
- ✓ Dry Cleaning
- ✓ Commercial Laundry Equipment
- ✓ Irrigation
- ✓ Cooling
- ✓ Petroleum Processing
- ✓ Dish and Bottle Washing
- ✓ Pollution Control
- ✓ Heat Exchangers

The SV201 and SV202 are direct-lift valves, which combine the features of a direct-acting valve with those of a pilot-operated valve. Because of a flexible link between the solenoid plunger and the diaphragm, the direct-lift valve functions as a direct-acting valve at low pressures and as a pilot-operated valve at high pressures. It is sometimes referred to as a zero delta pressure valve or a hung diaphragm valve.

The SV203 through SV207 and SV210 models are pilot-operated solenoid valves. These valves use the energy stored in the pressurized fluid to actuate the valving mechanism. They require the minimum pressure differential specified for proper valve operation. A direct-acting, solenoid valve is an integral part of the pilot-operated valve and is used to affect the balance of pressure above and below a diaphragm or piston.



SV202 shown actual size.

SPECIFICATIONS

Operation:
SV201 and SV202: Direct lift
SV203 to SV207:
Pilot operated
SV210:
Pilot operated

Wetted Parts: Brass, stainless steel, copper and seal

Medium: Liquid or gases

Max Static Pressure:
5 times max psid

Ambient Temp: -9 to 50°C
(15 to 122°F)

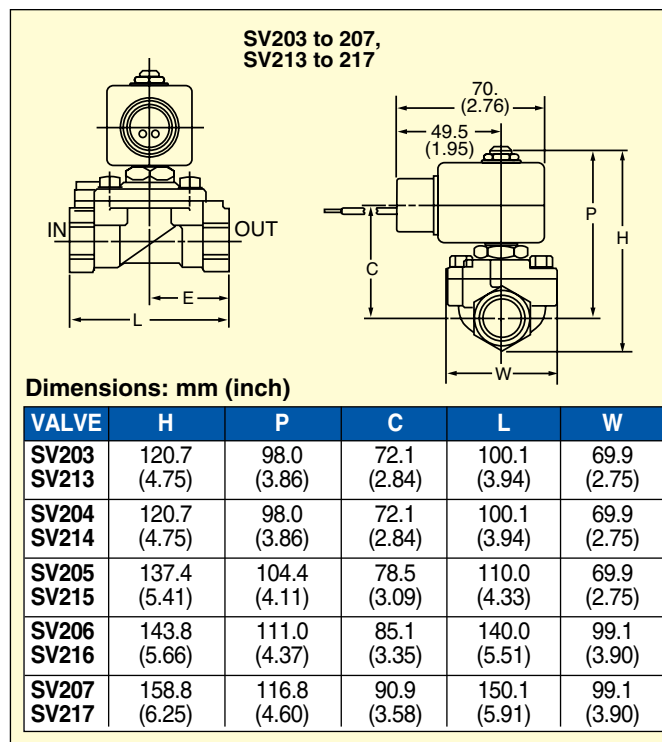
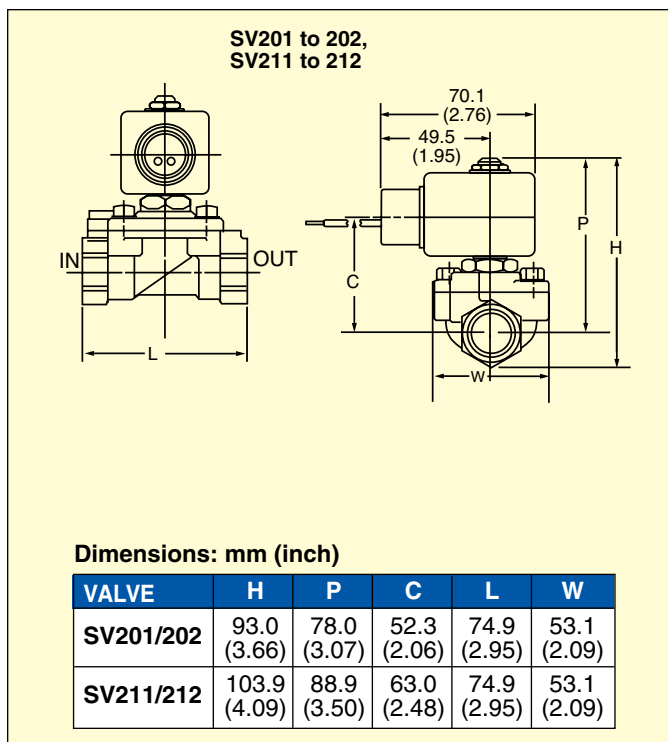
Mounting: Pipe mounting, any direction

Power:
10 W, 120 Vac, Class F



SV212 shown actual size.

DIRECT-ACTING OR PILOT-OPERATED, BRASS VALVE BODY



To Order Visit omega.com/sv200_series for Pricing and Details

MODEL NO.	NPT FITTING	ORIFICE	C _v	SEAL	DIFF PRES (psid)		TEMP		RESPONSE TIME	
					MIN	MAX	°C	°F	OPEN	CLOSE
NORMALLY CLOSED MODELS										
SV201	3/8	1 9/32"	4.4	Buna-N	0	230	85	185	30 to 100 ms	350 to 900 ms*
SV202	1/2	1 9/32"	4.4	Buna-N	0	230	85	185	30 to 100 ms	350 to 900 ms*
SV203	3/4	2 5/32"	9.6	Buna-N	5	230	85	185	50 to 80 ms	1.8 to 3 s
SV204	1	1"	12.5	Buna-N	5	230	85	185	50 to 80 ms	1.8 to 3 s
SV205	1 1/4	1 1/8"	19.3	Buna-N	5	230	85	185	50 to 80 ms	1.8 to 3 s
SV206	1 1/2	1 9/16"	29.0	Buna-N	5	230	85	185	50 to 80 ms	1.8 to 3 s
SV207	2	1 9/16"	38.6	Buna-N	5	230	85	185	50 to 80 ms	1.8 to 3 s
NORMALLY OPEN MODELS										
SV211	3/8	7/16"	3.5	Buna-N	5	600	85	185	120 ms	200 ms
SV212	1/2	9/16"	4.1	Buna-N	5	600	85	185	120 ms	200 ms
SV213	3/4	3/4"	9.6	Buna-N	5	230	85	185	50 to 80 ms	0.6 to 4.5 s
SV214	1	1"	12.5	Buna-N	5	230	85	185	50 to 80 ms	0.6 to 4.5 s
SV215	1 1/4	1 1/8"	19.3	Buna-N	5	230	85	185	50 to 80 ms	0.8 to 5.8 s
SV216	1 1/2	1 9/16"	29.0	Buna-N	5	170	85	185	50 to 80 ms	1.5 to 9.0 s
SV217	2	1 9/16"	38.6	Buna-N	5	170	85	185	50 to 80 ms	1.5 to 9.5 s

ACCESSORIES

MODEL NO.	DESCRIPTION
SVCOIL-110AC	Replacement coil, 110 Vac
SVCOIL-220AC	Replacement coil, 220 Vac
SVCOIL-24VDC	Replacement coil, 24 Vdc

Comes complete with operator's manual.

Note: Some solenoid valves are available with 24 Vdc coils. Five piece minimum order. UL approval is not available with 24 Vdc coils. Specifications effected; pressure ratings may decrease; coil wattage ratings may increase. Consult Engineering.

Ordering Examples: SV203, pilot-operated brass body NC valve with 3/4 NPT fitting and Buna-N seal.

SV207, pilot-operated brass body NC valve with 2 NPT fitting and Buna-N seal.