

K9-C26 & K9-C26-B INSTALLATION INSTRUCTIONS

K9 Kit for 2021 CHEVY TAHOE PPV

TOOLS REQUIRED:

Phillips Screw Driver Metric Socket set Trim panel removal tool Caulk Gun
 Standard Socket set Wire Cutters /Crimpers Drill & Drill bits

As of 12/1/20 - Black Powder coat finish is the standard color floor on all White and Black K9 inserts.

PARTS and MOUNTING HARDWARE:

<u>QTY</u>	<u>DESCRIPTION</u>	<u>ITEM#</u>	
1	Driver floor mounting bracket	23302	
1	Passenger side floor mount bracket	23303	
1	Floor	N/A – White	23301 – Black
1	Floor stiffener	23307	
1	Floor filler plate	23314 – White	24099 – Black
1	Rear bulkhead	23306 – White	24094 – Black
1	Front bulkhead	23304 – White	24093 – Black
1	DS “B” pillar bracket	23312	
1	PS “B” pillar bracket	23313	
1	Ceiling	23305 – White	24104 – Black
1	DS Inner side trim panel	23308 – White	24095 – Black
1	PS Inner side trim panel	23309 – White	24096 – Black
1	DS Outer trim panel	23310 – White	24097 – Black
1	PS Outer trim panel	23311 – White	24098 – Black
1	DS Door panel	23315 – White	24100 – Black
1	PS Door panel	23316 – White	24101 – Black
1	DS Window guard	23317	
1	PS Window guard	23318	
1	Floor mat	24103	
1	Dome light kit	17987	
1	Silicone	20011 – White	20012 - Black

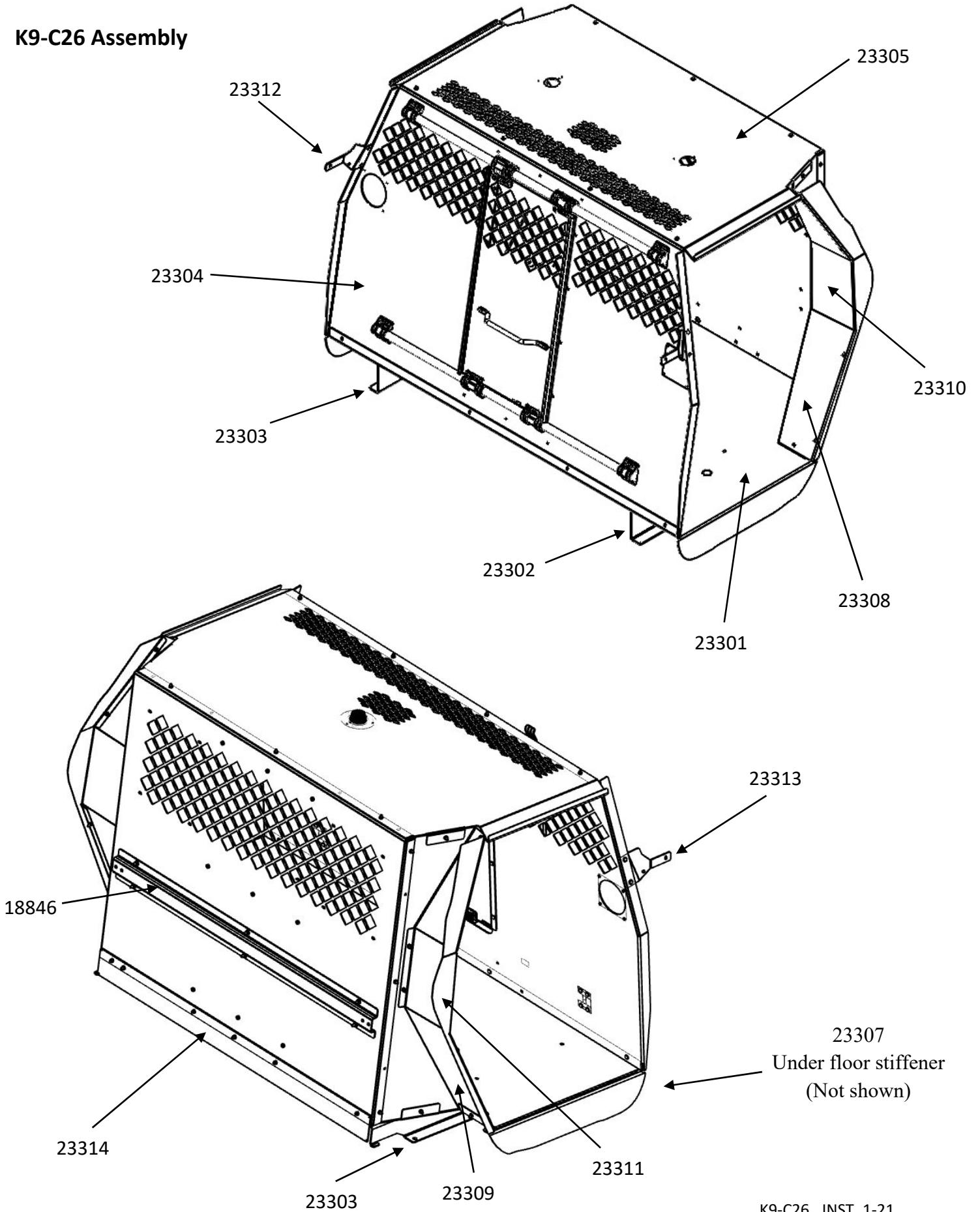
24102 Hardware kit (C-HK-359)

<u>QTY</u>	<u>DESCRIPTION</u>	<u>ITEM#</u>
14	1/4" x 3/4" Carriage bolt	16235
2	1 1/16" Dome plug	15804
46	1/4" Flat washer	16154
46	1/4" Phillips screw	16618
14	1/4" Serrated nut	16086
4	M10 x 45mm Bolt	16518
34	#10 x 1/2" Screw	16655
10	#10 x 1/2" Flat head screw	16641

Always!

- Read all instructions before installing any Havis, Inc. products.
- **Check for obstructions (Wires, brake lines, fuel tank, etc.) before drilling any holes!**
- Use hardware provided with install kit

K9-C26 Assembly





Remove rear seats



Flip seat seats forward to access hardware.



Flip seat seats down and remove plastic trim covers to access front hardware.



Save removed hardware from seats.
To be reused later.



Remove plastic covers behind the paddle handle.
Remove screws. (7mm socket)
Note: A small 90° scribe helps to pick plastic covers off.



Remove plastic covers behind armrest handle.
Remove screws. (7mm socket)
Note: A small 90° scribe helps to pick plastic covers off.



Remove screw at bottom of door panel.
(7mm socket)



Remove / unsnap entire door panel from door.
(Trim removal tool)
Remove armrest bracket.



Disconnect door latch cable and lock pin. Remove speaker. (7mm socket)



Gently remove trim around window frame.



NOTE: Window guards are shipped flat. On the edge of a workbench, bend a contour in the middle of the guard so it will fit tight against the window frame.



Hook top of door panel into rubber window gasket.
Center door panel and drill 1/8" mount holes.
Attach with # 10 x 3/4" sheet metal screws.



Align the hinge mounting holes to holes in the door panel. Attach hinge with # 10 x 1/2 Phillips pan head sheet metal screws.



Mount optional K9-A-104 Fan and Fan mount to window guard with 1/4" hardware and spacers as per the instructions provided in the K9-A-104 kit.



Using previously removed seat mounting hardware, attach driver side floor mounting bracket.

Do not tighten hardware yet.

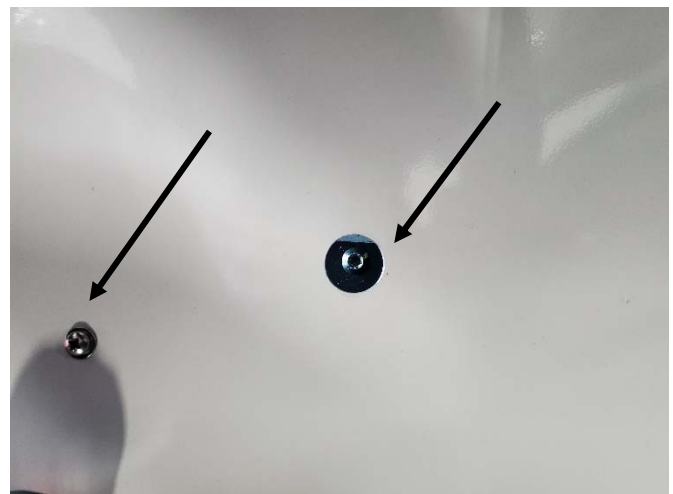


Repeat on passenger side.

Do not tighten hardware yet.



Attach stiffener (angle) bracket to bottom of K9 floor with (3) 1/4" x 3/4" Phillips head bolts and flat washers. Place floor in vehicle and properly line up to brackets.



Loosely attach floor to brackets with 1/4" x 3/4" Phillips head bolts and flat washers. Tighten all floor and floor bracket hardware.



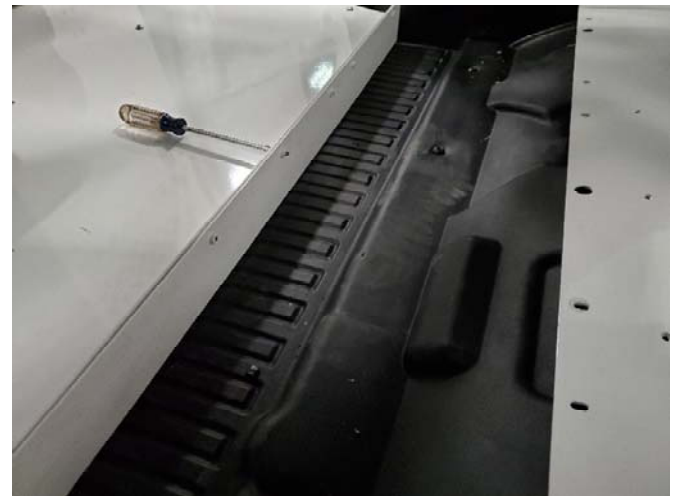
Tighten rear floor mounting hardware.



Install supplied 1.0625 dome plugs into holes in floor. It is recommended to also use silicone to prevent leaks.



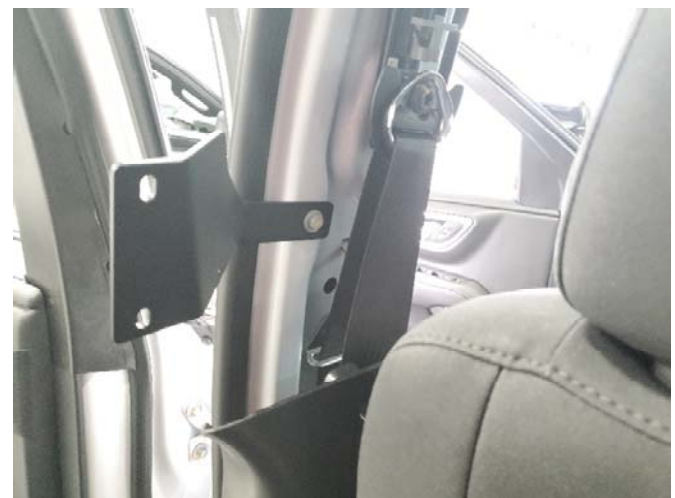
Attach rear cargo filler plate to rear of K9 floor prior to installing rear bulkhead.



Attach plate to fill gap below floor using (3) 1/4" x 3/4" Phillips head bolts and flat washers.



Attach rear bulkhead to floor using 1/4" x 3/4" Phillips head bolts and flat washers.



Remove OEM upper B pillar trim panel and grab handle. Using previously removed hardware and attach driver side B pillar mounting bracket. Repeat for passenger side. Reinstall trim panels over brackets.



Attach front bulkhead to floor and B pillar mounting brackets with 1/4"x 3/4" carriage bolts and nuts.



Place ceiling panel on top of front and rear bulkheads.



Attach ceiling to bulkheads with 1/4" x 3/4" Phillips head bolts and flat washers.



Pre-assemble side trim panels outside of the vehicle. Place inside as one piece.



Square up kit and loosely attach side trim to floor with 1/4" x 3/4" Phillips head bolts and flat washers.



Attach trim to rear wall and ceiling with 1/4" x 3/4" Phillips head bolts and flat washers.



Install LED dome light with hardware included as per instructions in the dome light kit.



Example of optional **K9-A-102** installed on passenger side of front bulkhead.



Neatly silicone / caulk the lower seams to shed water out of vehicle.
Note: The floor is designed to minimize the need for sealant. Caulk (sealant) is mostly needed where the floor meets the doorsill and lower filler panels.



Confirm smooth operation of the sliding door.



K9-C26 shown with SBX-5008 mount and SBX-1000 series box.



After silicone is dry, place in rubber mat to complete installation.