



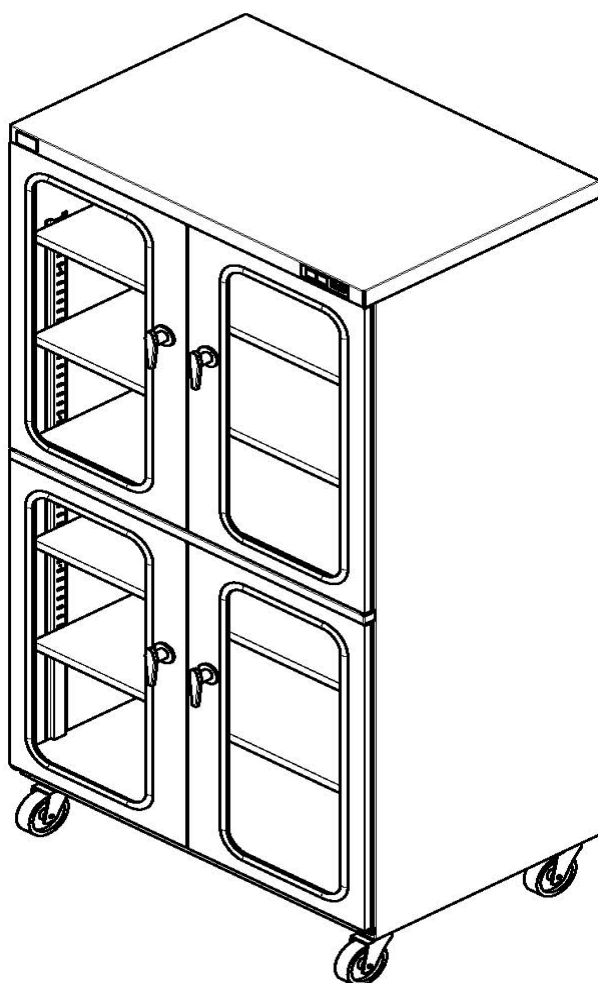
Laboratory Equipment Manufacturer
www.mrclab.com



DIGITAL DRY CABINET

INSTRUCTION MANUAL

DYCM/DYCD/DYCDE/DYCDG-SERIES



Hagavish st. Israel 58817 Tel: 972 3 5595252, Fax: 972 3 5594529 mrc@mrclab.com

MRC.5.16

Important Notice

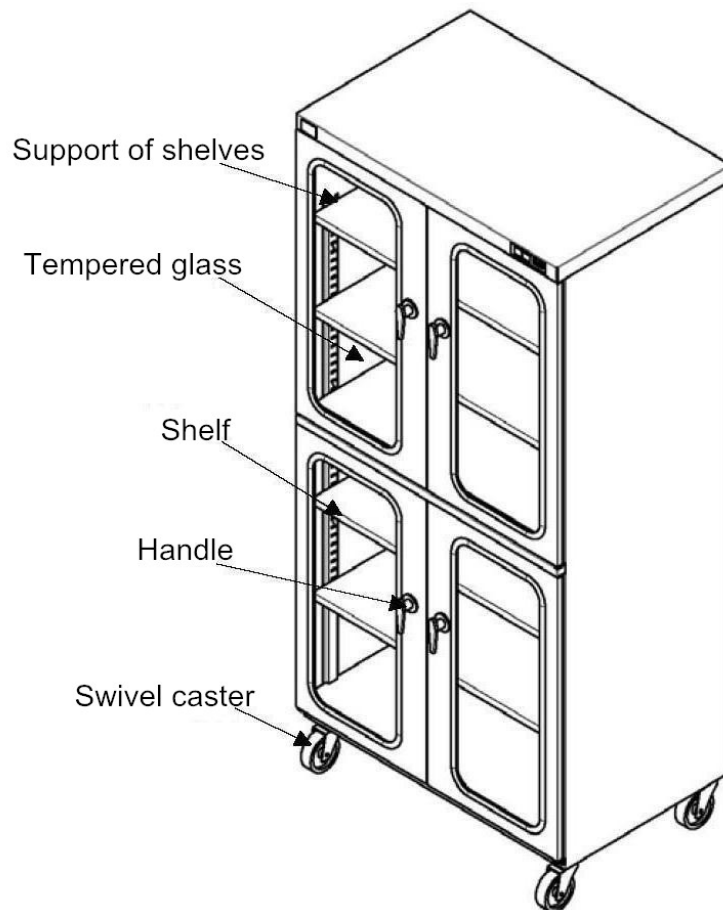
1. When first using, please carefully read the instruction. If you do not operate according to the instruction and cause problems, the factory will not bear any responsibilities.
2. Please do not put the cabinet nearby air outlet (such as beside the air-conditioning and extractor fan, under the fan, at the door etc.) and in the place of heavy smog and high moisture, which will affect the effect of humidity control.
3. Please put the cabinet in the room with no direct sunlight.
4. To keep good effect of humidity control, there should be about 20cm between cabinet and wall.
5. When electrifying at first time or using again after leaving unused for a long time, please run more than 12 hours with empty container, and affirm that humidity has moved down to lower level.

Notice of Placing Things:

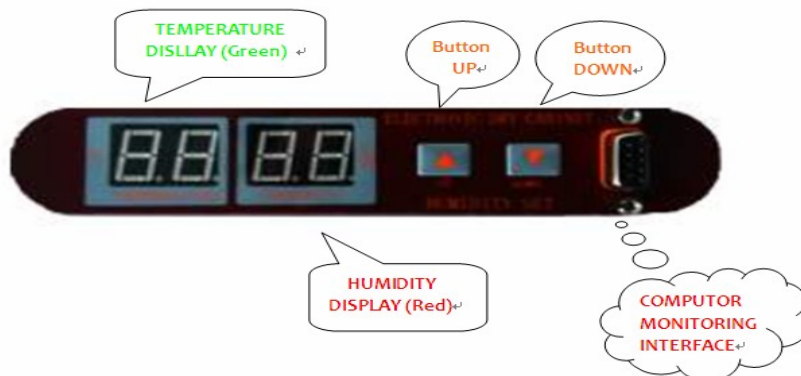
1. When putting items in the cabinet, please pay attention: not close to the dehumidification unit and the exhaust vent should not be jammed by tiny things, to leave certain dehumidification space for the unit and avoid affecting the dehumidifying effect.
2. When first putting items in the cabinet, due to the large quantity of items or high moisture in them, the cabinet needs longer time to reach the humidity you have set. In addition, when taking or putting items, please minimize the time of opening the door, to prevent the inner humidity from rising too high.
3. When placing the foods and chemicals, please pack them closely, to avoid taint of odor and to affect the effect of moisture absorption.

Led Series Dry Cabinet Instructions

Name of Each Part



LED DISPLAY BOARD



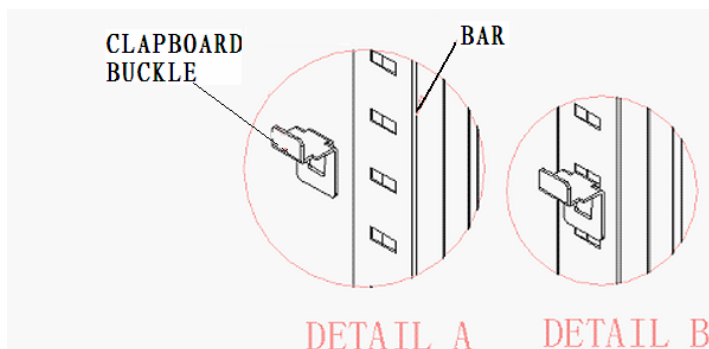
- Humidity Control : LED setting, automatic regulation
- Rated Voltage : AC100V~220V Ranges to choose

Instruction

- 1) In the digital cabinet, red means temperature, green means humidity.
- 2) If we design a new style, please understand that we will not notice.

Functions and Features

1. The dehumidification unit is durable and silent because of advanced technology of dehumidification.
2. Capable of low humidity adjustment using the humidity control.
3. Super low power consumption.
4. Maintains low humidity and normal temperature. No harm to the quantity of store items.
5. The height of the shelf is adjustable for the convenient of storage, and prevent the items from falling.



6. Special drying agent, no need for replacement.
7. No vibration .No dust.

Using

□ How to use

1. Plug the power cord into a power outlet (AC100V~220V)
2. Set the humidity control dial to the desired setting. "DOWN" means reducing humidity. "UP" means increasing humidity. For Nitrogen cabinet, flow gauge has been set before leave factory. So customer need connect gas source then open switch, it will be used.
3. Set shelf according to the height of store items.

□ Using Instructions

Please see page 5

- **Notice of Proceeding**



Set-up Location

1. Place the dry-cabinet on a level and strong surface. Turn the adjuster to be balance.
2. Leave a space of at least 5cm behind the unit for ventilation.
3. Attach the signal cable in series, then offer AC supply. (More then 2 units, it will be series connection, and be ready connected before leaving factory.)
4. When electrifying at first time or using again after leaving unused for a long time, please run 12 hours more with empty container , and affirm that humidity has moved down to lower level.
5. Humidity set: After power on, LED has two sets of show, the green on the left shows current temperature, which cannot be adjusted; the red on the right shows current humidity, which can be adjusted. For adjusting humidity, please press UP or DOWN button, then the RED LED will show a set of figure, which is the current humidity; pressing UP button once means the figure will be added 1 and pressing DOWN button once, the figure will be subtracted 1. Furthermore, one cable monitoring network system connection be set for option. (For LED display dry cabinet)
6. For LED cabinet, if the red and green indicator lights are flash, it is a normal phenomenon, which means the working condition of dehumidification unit. (For LED display dry cabinet)

▼Do not place the dry-cabinet in the any of following locations

1. Areas where there is the direct of air flow ,such as in front of a conditioner.
2. Hot areas .
3. Areas where have in direct sunlight.
4. Areas where have smokes or stream.

※Note

1. Let the dry-cabinet run empty for 8 hours before putting any items in it and make sure whether the humidity has lowered.
2. If opening the door every time should be as short as possible, You'd better control it in one minute.
3. Please try not to let the power off, so as to avoid impairing its use.
4. When an item is placed inside the storage unit, the humidity will rise due to the moisture in the item, and it may spend about 1 to 2 days for in dropping the humidity and more time for the items that contain a lot of papers or clothes.
5. During dehumidification, the outer shutter of the storage units opens, and the surface of dehumidification unit, and the area around it will get warm, however this is normal and there is nothing wrong with the storage unit.
6. Do not cover the electronic unit's exhaust vent located on the back of storage units.
7. After setting the humidity, the product has the function of memory which is setted, even if cut off the power, we do not set it again.

8. when the environment humidity is lower than the design values, and the environment humidity is same as the inside box, this is normally condition

9. Please attach the line of preventing static electricity pad.

10. If the power cut off more than 12 hours, we suggest move the goods in the cabinet to safe places.

- **Applications and reference humidity of storing items**

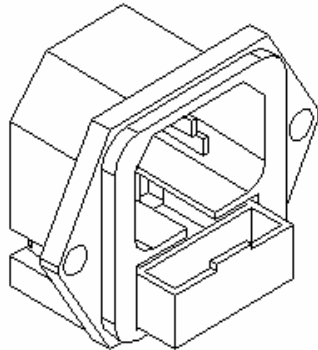
Humidity	Suitable Storage of Items
60% — 50%	Paintings, antiques, paper money, old books, Fax paper, copy paper
50% — 40%	Cameras, video cameras, lenses, microscopes, endoscopes , binoculars ,magnetic tape , disks , records , film, negatives , positive film, musical instrument , stamps, furs, medicinal materials, tea, coffee , cigarette etc
40% — 20%	Precision dies, measurement instruments, all electronic parts , pc boards , metallic powders, semiconductors , medical supplies etc.
20% or below	Sample, standard measuring tool, seeds, pollen, seedlings etc.

Above described products are not corresponding humidity in each ranges for some products.

- **Friendship Remind**

✧ Before requesting servicing

1. Is the plug in properly? Has the power supply been cut off ? Has the fuse broken?



change the fuse

2. If you store items with much water content at first , such as a lot of paper in the cabinet , it may take several days for the humidity the drop of the humidity.

3. When operating cabinet for the first time or having a long time not use for a long time, did you switch on and let it works for at least 8 hours with the door shut?

4. Is the humidity control near “L”? (Be suitable for Analog Series Dry Cabinet)

If after checking the above items the electronic dry unit fails to operate ,Please remove the 6 screws in the outside of the unit and send us the unit only.

Model Preview Table

Life Series Dry Cabinet:

LED Series	Outer Size W*D*H(mm)	Inner Size W*D*H(mm)
DYCM/DYCD/DYCDE/ DYCDG 60	400*400*475	398*375*400
DYCM/DYCD/DYCD/ DYCDG 80	400*400*620	398*375*545
DYCM/DYCD/DYCD/ DYCDG 100	400*400*760	398*375*685
DYCM/DYCD/DYCD/ DYCDG 120	400*400*865	398*375*790
DYCM/DYCD/DYCD/ DYCDG 140	400*400*1015	398*375*940
DYCM/DYCD/DYCD/ DYCDG 180	400*400*1315	398*375*1240

Industry Series Dry Cabinet:

Specification	Model	Outer Size W*D*H(mm)	Inner Size W*D*H(mm)
DYCM/DYCD/DYCD/ DYCDG	160	450*450*1030	448*422*848
DYCM/DYCD/DYCD/ DYCDG	240	600*400*1265	598*370*1083
DYCM/DYCD/DYCD/ DYCDG	320	900*450*1030	898*420*848
DYCM/DYCD/DYCD/ DYCDG	435	900*600*1030	898*570*848
DYCM/DYCD/DYCD/ DYCDG	540	600*750*1500	598*720*1318
DYCM/DYCD/DYCD/ DYCDG	728-2	600*710*1920	598*680*1738
DYCM/DYCD/DYCD/ DYCDG	728-3	600*710*1920	598*680*1738
DYCM/DYCD/DYCD/ DYCDG	870	900*600*1880	898*570*1698
DYCM/DYCD/DYCD/ DYCDG	1428-4	1200*710*1920	1198*680*1738
DYCM/DYCD/DYCD/ DYCDG	1428-6	1200*710*1920	1198*680*1738

**Remark: DYCM for LED Series 20-60%RH;
 DYCD for LED Series 10-20%RH;
 DYCD/ for LED Series 1-10%RH;
 DYCDG for Nitrogen Cabinet 1-60%RH.**

IF YOU HAVE ANY QUESTION, WELCOME TO CONTACT US!