

Indoor Condensing Units Air and Water Cooled



Tecumseh

1/8 to 8 Horsepower
R404A/R507, R134a, R290, R407C, R22 and R12
Commercial, High, Medium and Low Temperature

Why Tecumseh...

Accomplish More With Less.

Tecumseh Indoor Condensing Units deliver the cooling and reliability that you've come to expect from Tecumseh. To start with, every Tecumseh condensing unit features a performance proven Tecumseh compressor that is designed to handle the rigors of commercial refrigeration. Further, Tecumseh condensing units incorporate standard and optional features, allowing you to select the model that fits your application needs. All of this is backed by a company that you can trust, including Sales Engineers and Technical Service personnel to assist with product selection, application support and troubleshooting.

Tecumseh Celseon Fractional Horsepower Indoor Air-Cooled condensing units provide the smallest footprint for the greatest amount of cooling capacity. Celseon units come standard with easy-to-remove condenser fan shroud and motor assemblies, making service and maintenance quick and easy. Evaporative Condensate units are the perfect solution for commercial kitchens and other environments where it is impractical to run condensate drain lines across the floor. Celseon AJ Large Pump Down models boast oversized receiver tanks, accommodating a larger refrigerant charge for use with remote installations that require longer line sets.

One (1) through eight (8) horsepower cooling requirements are served by Tecumseh VSC Scroll and Large Reciprocating condensing units. VSC Scroll units offer high performance and energy efficiency; while Large Reciprocating units offer reliability and dependability.

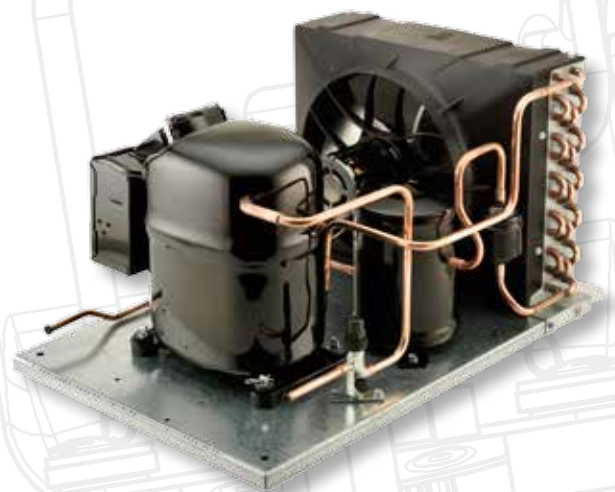
Tecumseh's line of Water Cooled Condensing units offer a unique opportunity to serve applications where quiet operation is essential and excessively high ambient environments rule out the use of air-cooled units. These models are designed to operate at 105°F (41°C) condensing temperature and come equipped with a factory installed water regulating valve.



CELSEON

Table of Contents

Introduction	2	VSC Scroll	40
Celseon Low Profile.....	4	Features and Benefits.....	40
Features and Benefits.....	4	Specifications.....	41
Specifications.....	5	Dimensions/Nomenclature	41
Dimensions/Nomenclature	5	Performance Data.....	42-43
Performance Data.....	6-13	Large Reciprocating	44
Celseon Evaporate Condensate.....	14	Features and Benefits.....	44
Features and Benefits.....	14	Specifications.....	45
Specifications.....	15	Nomenclature.....	45
Dimensions/Nomenclature	15	Performance Data.....	46-59
Performance Data.....	16-21	Dimensions	58-59
Celseon AE², AK/AJ	22	Water Cooled.....	60
Features and Benefits.....	22	Features and Benefits.....	60
Specifications.....	23	Specifications.....	61
Dimensions/Nomenclature	23	Nomenclature.....	61
Performance Data.....	24-35	Performance Data.....	62-65
Celseon AJ Large Pump Down	36	Dimensions	66
Features and Benefits.....	36		
Specifications.....	37		
Dimensions/Nomenclature	37		
Performance Data.....	38-39		



Celseon[®] Low Profile

Low Profile. High Efficiency. Maximum Cold.

Celseon Low Profile models include all of the features and benefits of the standard Celseon offering but at a reduced height of 8.9", allowing maximization of the refrigerated cabinet while providing ease-of-service for field technicians.

Celseon's modular construction is built around a common base plate that accommodates an assortment of Tecumseh compressor models and standardized components. Compressor models include the TH series and the all-new, High Efficiency AE² series. Options include power cord, service valves and liquid line receiver tank.

The Low Profile product offering covers a capacity range from 1/8th to 1/3rd Horsepower and for refrigerants R134a and R404A/R507, R290 as well as R12, R22 and their replacement blends.

FEATURES AND BENEFITS

- **FEWER MODELS TO STOCK**

Celseon covers a broad capacity range with a limited number of models.

- **COMPACT SIZE**

Works well in space restricted applications.

- **EFFICIENT**

Molded fan shroud directs air-flow across entire coil surface, optimizing system performance.

- **QUICK AND EASY**

Detachment of fan motor/shroud for easy replacement and cleaning.

- **EASY CHANGE-OUT**

Shut-off valve allows system isolation for easy replacement and servicing.

- **SAVES TIME & MONEY**

Sweat connections and electrical screw terminations makes installation fast and easy.



SPECIFICATIONS

Application

Evaporating Ranges:	High Temperature	+10°F to +55°F (-12.2°C to +12.8°C)
	Commercial Temperature	-5°F to +40°F (-20.6°C to +4.4°C)
	Low Temperature	-40°F to +5°F (-40°C to -15.0°C)
Ambient Operating Temperature:	+80°F (+26.6°C) to +110°F (+43.3°C)	

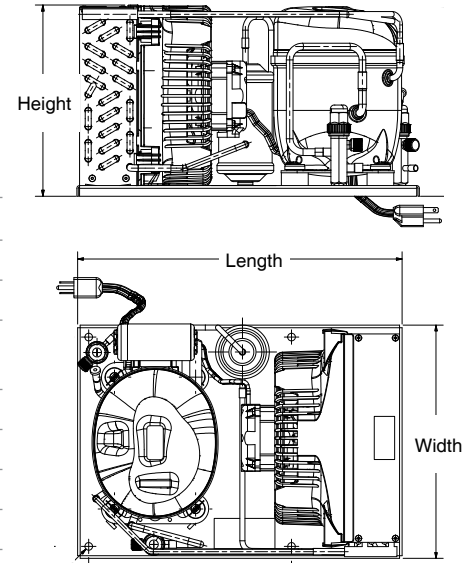
Materials

Valves:	Steel, Base Mounted with Copper Sweat Connections	
Receiver:	Steel, Plated Body with Copper Sweat Connections	
Base Plate:	Cold Rolled Steel 16 Ga. Galvanized G90U	
Refrigerant/Oil:	R134a, R404A/R507	R22, R12
	Polyolester (POE)	Synthetic Alkylate (AB)
Electrical Terminations:	Screw	
Fan Guard:	High Density Polypropylene	
Fan Blade:	Polypropylene	
Fan Motor:	Shaded Pole (6 or 9 Watt) or ECM	
Condenser:	Copper Tube and Aluminum Fin	
Electrical Cord:	Length: 20 inches (508 mm)	Type: Three Prong, Grounded Plug

Physical Properties

Dimensions:	Length:	Width:	Height:
	16 inches (406 mm)	11.5 inches (292 mm)	8.9 inches (226 mm) *9.9 inches (252 mm) *TPA models only
Connection Type:	Suction Line: 5/16 inch (7.9 mm) without valves or 3/8 inch (9.5 mm) ODF Sweat with valves Liquid Line: 1/4 inch (6.4 mm) ODF Sweat		

DIMENSIONS



AVAILABLE OPTIONS

Select the Model Designation for Customized Option Configurations

Options Model No (Item No)	Option Configuration
K (39)	Sweat Connections and Power Cord
B (49)	Sweat Connections, Power Cord and Receiver Tank
C (59)	Sweat Connections, Power Cord, Receiver Tank and Service Valves
S (69)	Sweat Connections, Power Cord and Service Valves

Note: Bill of Materials ending in XP or XPS utilize an ECM motor, except R290 units, which have ECM motors as standard.

LOW PROFILE CONDENSING UNIT MODEL NUMBER

AE 4 440 Y - AA 1A S K (AE² models only)
AEA 9 440 Z XA S K (All models except AE²)

Family & Generation

AE², AEA, AEB Compressor Series
 TPA, TPB Compressor Series
 THA Compressor Series

Application Range

3, 4 High +10°F to +55°F (-12.2°C to +12.8°C)
 0, 9, 4* Comm. -5°F to +40°F (-20.6°C to +4.4°C)
 *(AE² models only using R404A/R507 and R290)
 1, 2 Low -40°F to +5°F (-40°C to -15.0°C)

Capacity

First number is total digits. Remainder is capacity in Btu/h.
 This example 4000 Btu/h Capacity

Refrigerant

A = R12 E = R22 U = R290 Y = R134a Z = R404A/R507

Options

K (39), B (49), C (59), S (69)

Fan Motor Type

S Shaded Pole (SP), Std Efficiency
 C Electronically Commutated Motor (ECM), High Efficiency

Voltage/Frequency/Ph

XA 115/60/1; 100/50/1
 AB 115/60/1; 90/50/1
 AA 115/60/1

Efficiency Level



Commercial Temperature

Model Number	Item Number (Bill of Material)	HP	Ambient °F (°C)	Capacity (Btu/h) at Rated Conditions/ Evaporator Temperature									
				-5°F	0°F	5°F	10°F	15°F	20°F	25°F	30°F	35°F	40°F
				-20.6°C	-17.8°C	-15.0°C	-12.2°C	-9.4°C	-6.7°C	-3.9°C	-1.1°C	1.7°C	4.4°C
R404A/R507 CBP Application Range -5°F to 40°F (-20.6°C to 4.4°C)													
AE4425Z-AA1AS*	32F562-***S	1/5	90 (32.2)	940	1,060	1,190	1,340	1,500	1,660	1,950	2,140	2,340	2,540
			100 (37.8)	830	930	1,060	1,190	1,330	1,480	1,750	1,920	2,100	2,280
			110 (43.3)	720	810	920	1,040	1,170	1,300	1,550	1,710	1,870	2,020
AE4430Z-AA1AS*	32F474-***S	1/4	90 (32.2)	1,030	1,190	1,350	1,520	1,690	1,870	2,170	2,360	2,550	2,730
			100 (37.8)	920	1,060	1,210	1,360	1,510	1,660	1,950	2,120	2,280	2,450
			110 (43.3)	810	940	1,070	1,200	1,330	1,470	1,740	1,880	2,030	2,170
AE4440Z-AA1AS*	32F364-***S	1/3	90 (32.2)	1,400	1,560	1,740	1,930	2,130	2,350	2,590	2,840	3,120	3,390
			100 (37.8)	1,240	1,380	1,540	1,710	1,890	2,090	2,300	2,520	2,770	3,020
			110 (43.3)	1,090	1,230	1,370	1,510	1,660	1,800	1,950	2,100	2,300	2,400
TPA9423ZAAC*	32G342-***XP	1/3	90 (32.2)	1,610	1,770	1,940	2,130	2,340	2,560	2,800	3,050	3,320	3,600
			100 (37.8)	1,440	1,580	1,740	1,910	2,100	2,290	2,500	2,720	2,950	3,200
			110 (43.3)	1,280	1,410	1,550	1,700	1,870	2,040	2,220	2,410	2,620	2,830
R134a CBP Application Range -5°F to 40°F (-20.6°C to 4.4°C)													
THA0370YXAS*	32G710-***S	1/9	90 (32.2)	430	480	550	630	720	820	920	1,040	1,160	1,290
			100 (37.8)	400	440	500	580	660	750	840	950	1,060	1,180
			110 (43.3)	360	400	460	520	590	680	760	860	960	1,070
THA0384YXAC*	32G662-**XPS	1/8	90 (32.2)	670	700	750	830	900	1,000	1,110	1,230	1,370	1,530
			100 (37.8)	400	530	590	670	830	910	1,030	1,160	1,290	1,430
			110 (43.3)	330	400	430	530	710	800	920	1,050	1,180	1,310
THA0384YXAS*	32G662-***S	1/8	90 (32.2)	520	600	700	800	910	1,040	1,170	1,310	1,450	1,600
			100 (37.8)	480	560	640	740	840	960	1,080	1,210	1,350	1,480
			110 (43.3)	450	520	590	680	780	890	1,000	1,120	1,250	1,380
THA0410YXAS*	32G574-***S	1/6	90 (32.2)	620	720	830	950	1,090	1,240	1,400	1,560	1,730	1,910
			100 (37.8)	560	650	750	870	1,010	1,150	1,300	1,460	1,620	1,790
			110 (43.3)	490	580	680	800	920	1,060	1,210	1,360	1,510	1,670
THA0412YXAC*	32G572-**XPS	1/5	90 (32.2)	860	990	1,060	1,160	1,340	1,470	1,630	1,820	2,020	2,240
			100 (37.8)	770	900	960	1,060	1,260	1,360	1,510	1,690	1,880	2,080
			110 (43.3)	560	740	830	930	1,140	1,250	1,410	1,570	1,740	1,920
THA0412YXAS*	32G572-***S	1/5	90 (32.2)	750	860	990	1,130	1,290	1,470	1,650	1,840	2,030	2,200
			100 (37.8)	690	790	910	1,050	1,200	1,360	1,530	1,710	1,890	2,070
			110 (43.3)	630	720	830	960	1,100	1,250	1,410	1,580	1,750	1,910

*/**Options (see available options on page 5)

Commercial Temperature

Model Number	Item Number (Bill of Material)	Line Connections in (mm)		Gross Weight lb (kg)	Pump Down Cap 90% lb (kg) @ 90°F Ambient	Oil Type	Min Circuit Ampacity	Max Fuse Size (Amps)	Fan Motor	Power Cord	Rec'r Tank	Srvc Valves
		Suction	Liquid									
R404A/R507 CBP Application Range -5°F to 40°F (-20.6°C to 4.4°C)												
AE4425Z-AA1ASK	32F562-39S	5/16 (7.9)	1/4 (6.4)	38.1 (17.3)	N/A	POE	5.7	15	6W115	■		
AE4425Z-AA1ASB	32F562-49S	5/16 (7.9)	1/4 (6.4)	38.7 (17.6)	1.36 (0.6)	POE	5.7	15	6W115	■	■	
AE4425Z-AA1ASC	32F562-59S	3/8 (9.5)	1/4 (6.4)	39.5 (17.9)	1.36 (0.6)	POE	5.7	15	6W115	■	■	■
AE4425Z-AA1ASS	32F562-69S	3/8 (9.5)	1/4 (6.4)	38.9 (17.6)	N/A	POE	5.7	15	6W115	■		■
AE4430Z-AA1ASK	32F474-39S	5/16 (7.9)	1/4 (6.4)	38.1 (17.3)	N/A	POE	6.8	15	6W115	■		
AE4430Z-AA1ASB	32F474-49S	5/16 (7.9)	1/4 (6.4)	38.7 (17.6)	1.36 (0.6)	POE	6.8	15	6W115	■	■	
AE4430Z-AA1ASC	32F474-59S	3/8 (9.5)	1/4 (6.4)	39.5 (17.9)	1.36 (0.6)	POE	6.8	15	6W115	■	■	■
AE4430Z-AA1ASS	32F474-69S	3/8 (9.5)	1/4 (6.4)	38.9 (17.6)	N/A	POE	6.8	15	6W115	■		■
AE4440Z-AA1ASK	32F364-39S	5/16 (7.9)	1/4 (6.4)	38.1 (17.3)	N/A	POE	8.5	15	9W115	■		
AE4440Z-AA1ASB	32F364-49S	5/16 (7.9)	1/4 (6.4)	38.7 (17.6)	1.36 (0.6)	POE	8.5	15	9W115	■	■	
AE4440Z-AA1ASC	32F364-59S	3/8 (9.5)	1/4 (6.4)	39.5 (17.9)	1.36 (0.6)	POE	8.5	15	9W115	■	■	■
AE4440Z-AA1ASS	32F364-69S	3/8 (9.5)	1/4 (6.4)	38.9 (17.6)	N/A	POE	8.5	15	9W115	■		■
TPA9423ZAACK	32G342-39XP	5/16 (7.9)	1/4 (6.4)	49 (22.2)	N/A	POE	9.6	15	810-141E	■		
TPA9423ZAACB	32G342-49XP	5/16 (7.9)	1/4 (6.4)	50 (22.7)	1.78 (0.8)	POE	9.6	15	810-141E	■	■	
TPA9423ZAACC	32G342-59XP	3/8 (9.5)	1/4 (6.4)	51 (23.1)	1.78 (0.8)	POE	9.6	15	810-141E	■	■	■
TPA9423ZAACS	32G342-69XP	3/8 (9.5)	1/4 (6.4)	50 (22.7)	N/A	POE	9.6	15	810-141E	■		■
R134a CBP Application Range -5°F to 40°F (-20.6°C to 4.4°C)												
THA0370YXASK	32G710-39S	5/16 (7.9)	1/4 (6.4)	38.1 (17.3)	N/A	POE	2.8	15	6W115	■		
THA0370YXASS	32G710-69S	3/8 (9.5)	1/4 (6.4)	39.5 (17.9)	N/A	POE	2.8	15	6W115	■		■
THA0384YXACK	32G662-39XPS	5/16 (7.9)	1/4 (6.4)	30.6 (13.9)	N/A	POE	3.3	15	810-141E	■		
THA0384YXACS	32G662-69XPS	3/8 (9.5)	1/4 (6.4)	31.4 (14.2)	N/A	POE	3.3	15	810-141E	■		■
THA0384YXASK	32G662-39S	5/16 (7.9)	1/4 (6.4)	38.1 (17.3)	N/A	POE	3.4	15	6W115	■		
THA0384YXASS	32G662-69S	3/8 (9.5)	1/4 (6.4)	39.5 (17.9)	N/A	POE	3.4	15	6W115	■		■
THA0410YXASK	32G574-39S	5/16 (7.9)	1/4 (6.4)	38.1 (17.3)	N/A	POE	4.2	15	6W115	■		
THA0410YXASS	32G574-69S	3/8 (9.5)	1/4 (6.4)	39.5 (17.9)	N/A	POE	4.2	15	6W115	■		■
THA0412YXACK	32G572-39XPS	5/16 (7.9)	1/4 (6.4)	30.6 (13.9)	N/A	POE	4.5	15	810-141E	■		
THA0412YXACS	32G572-69XPS	3/8 (9.5)	1/4 (6.4)	31.4 (14.2)	N/A	POE	4.5	15	810-141E	■		■
THA0412YXASK	32G572-39S	5/16 (7.9)	1/4 (6.4)	38.1 (17.3)	N/A	POE	4.6	15	6W115	■		
THA0412YXASS	32G572-69S	3/8 (9.5)	1/4 (6.4)	39.5 (17.9)	N/A	POE	4.6	15	6W115	■		■



Commercial Temperature

Model Number	Item Number (Bill of Material)	HP	Ambient °F (°C)	Capacity (Btu/h) at Rated Conditions/ Evaporator Temperature									
				-5°F	0°F	5°F	10°F	15°F	20°F	25°F	30°F	35°F	40°F
				-20.6°C	-17.8°C	-15.0°C	-12.2°C	-9.4°C	-6.7°C	-3.9°C	-1.1°C	1.7°C	4.4°C
R134a CBP Application Range -5°F to 40°F (-20.6°C to 4.4°C) continued													
TPB9415YAAC*	32G522-**XPS	1/5	90 (32.2)	1,040	1,150	1,290	1,440	1,630	1,810	2,030	2,250	2,490	2,760
			100 (37.8)	930	1,050	1,180	1,310	1,550	1,670	1,870	2,070	2,300	2,530
			110 (43.3)	890	970	1,080	1,200	1,420	1,530	1,730	1,920	2,140	2,380
TPB9417YAAC*	32G462-**XPS	1/4	90 (32.2)	1,210	1,310	1,450	1,590	1,790	2,000	2,240	2,490	2,760	3,070
			100 (37.8)	1,090	1,200	1,330	1,460	1,700	1,850	2,080	2,300	2,550	2,830
			110 (43.3)	910	1,020	1,160	1,290	1,550	1,680	1,890	2,100	2,330	2,580
TPB9421YAAC*	32G358-**XP	1/3	90 (32.2)	1,370	1,480	1,710	1,880	2,130	2,380	2,660	2,960	3,280	3,630
			100 (37.8)	1,220	1,450	1,570	1,730	2,050	2,200	2,450	2,720	3,000	3,310
			110 (43.3)	1,050	1,300	1,420	1,570	1,880	2,030	2,260	2,500	2,760	3,030
R290 CBP Application Range -5°F to 40°F (-20.6°C to 4.4°C)													
THA9416UAACK	32G531-39S	1/5	90 (32.2)	1,030	1,160	1,300	1,440	1,590	1,740	1,890	2,050	2,220	2,390
			100 (37.8)	930	1,050	1,180	1,300	1,440	1,570	1,720	1,860	2,020	2,170
			110 (43.3)	840	950	1,060	1,170	1,290	1,410	1,540	1,680	1,810	1,960
AE4430U-AA1ACK	32G484-39S	1/4	90 (32.2)	---	---	1,560	1,750	1,950	2,160	2,390	2,630	2,880	3,130
			100 (37.8)	---	---	1,450	1,620	1,800	1,990	2,200	2,420	2,640	2,880
			110 (43.3)	---	---	1,350	1,500	1,670	1,840	2,030	2,230	2,440	2,650
AE4435U-AA1ACK	32G482-39S	1/4	90 (32.2)	---	---	1,770	1,970	2,190	2,420	2,670	2,940	3,210	3,480
			100 (37.8)	---	---	1,650	1,840	2,040	2,270	2,500	2,750	3,000	3,250
			110 (43.3)	---	---	1,530	1,710	1,900	2,110	2,330	2,550	2,790	3,020
AE4440U-AA1ACK	32G365-39S	1/3	90 (32.2)	---	---	2,060	2,310	2,560	2,830	3,100	3,380	3,660	3,950
			100 (37.8)	---	---	1,900	2,130	2,380	2,630	2,880	3,140	3,410	3,680
			110 (43.3)	---	---	1,750	1,970	2,190	2,430	2,670	2,910	3,160	3,400
R22 CBP Application Range -5°F to 40°F (-20.6°C to 4.4°C)													
AE4430E-AA1AS*	32F478-**S	1/4	90 (32.2)	960	1,100	1,280	1,470	1,690	1,920	2,170	2,430	2,710	2,990
			100 (37.8)	890	1,020	1,180	1,370	1,570	1,790	2,030	2,270	2,530	2,800
			110 (43.3)	810	940	1,090	1,260	1,450	1,660	1,880	2,110	---	---

*/**Options (see available options on page 5)



Commercial Temperature

Model Number	Item Number (Bill of Material)	Line Connections in (mm)		Gross Weight lb (kg)	Pump Down Cap 90% lb (kg) @ 90°F Ambient	Oil Type	Min Circuit Ampacity	Max Fuse Size (Amps)	Fan Motor	Power Cord	Rec'r Tank	Srcv Valves
		Suction	Liquid									
R134a CBP Application Range -5°F to 40°F (-20.6°C to 4.4°C) continued												
TPB9415YAACK	32G522-39XPS	5/16 (7.9)	1/4 (6.4)	48 (21.8)	N/A	POE	5.9	15	810-141E	■		
TPB9415YAACB	32G522-49XPS	5/16 (7.9)	1/4 (6.4)	49 (22.2)	1.83 (0.8)	POE	5.9	15	810-141E	■	■	
TPB9415YAACC	32G522-59XPS	3/8 (9.5)	1/4 (6.4)	50 (22.7)	1.83 (0.8)	POE	5.9	15	810-141E	■	■	■
TPB9415YAACS	32G522-69XPS	3/8 (9.5)	1/4 (6.4)	49 (22.2)	N/A	POE	5.9	15	810-141E	■		■
TPB9417YAACK	32G462-39XPS	5/16 (7.9)	1/4 (6.4)	48 (21.8)	N/A	POE	6.7	15	810-141E	■		
TPB9417YAACB	32G462-49XPS	5/16 (7.9)	1/4 (6.4)	49 (22.2)	1.83 (0.8)	POE	6.7	15	810-141E	■	■	
TPB9417YAACC	32G462-59XPS	3/8 (9.5)	1/4 (6.4)	50 (22.7)	1.83 (0.8)	POE	6.7	15	810-141E	■	■	■
TPB9417YAACS	32G462-69XPS	3/8 (9.5)	1/4 (6.4)	49 (22.2)	N/A	POE	6.7	15	810-141E	■		■
TPB9421YAACC	32G358-59XP	3/8 (9.5)	1/4 (6.4)	51 (23.1)	2.08 (0.9)	POE	8.1	15	810-141E	■	■	■
R290 CBP Application Range -5°F to 40°F (-20.6°C to 4.4°C)												
THA9416UAACK	32G531-39S	5/16 (7.9)	1/4 (6.4)	39.8 (18.1)	N/A	POE	4.6	15	810-141E	■		
AE4430U-AA1ACK	32G484-39S	5/16 (7.9)	1/4 (6.4)	40.8 (18.5)	N/A	POE	5.6	15	810-141EA	■		
AE4435U-AA1ACK	32G482-39S	5/16 (7.9)	1/4 (6.4)	40.8 (18.5)	N/A	POE	6.8	15	810-141EA	■		
AE4440U-AA1ACK	32G365-39S	5/16 (7.9)	1/4 (6.4)	40.8 (18.5)	N/A	POE	7.1	15	810-141EA	■		
R22 CBP Application Range -5°F to 40°F (-20.6°C to 4.4°C)												
AE4430E-AA1ASK	32F478-39S	5/16 (7.9)	1/4 (6.4)	38.1 (17.3)	N/A	POE	7.0	15	6W115	■		
AE4430E-AA1ASB	32F478-49S	5/16 (7.9)	1/4 (6.4)	38.7 (17.6)	1.88 (0.9)	POE	7.0	15	6W116	■	■	
AE4430E-AA1ASC	32F478-59S	3/8 (9.5)	1/4 (6.4)	39.5 (17.9)	1.88 (0.9)	POE	7.0	15	6W117	■	■	■
AE4430E-AA1ASS	32F478-69S	3/8 (9.5)	1/4 (6.4)	38.9 (17.6)	N/A	POE	7.0	15	6W118	■		■



High Temperature

Model Number	Item Number (Bill of Material)	HP	Ambient °F (°C)	Capacity (Btu/h) at Rated Conditions/ Evaporator Temperature									
				10°F	15°F	20°F	25°F	30°F	35°F	40°F	45°F	50°F	55°F
				-12.2°C	-9.4°C	-6.7°C	-3.9°C	-1.1°C	1.7°C	4.4°C	7.2°C	10.0°C	12.8°C
R134a HBP Application Range +10°F to 55°F (-12.2°C to 12.7°C)													
AE3425Y-AA1AS*	32F560-***S	1/5	90 (32.2)	1,140	1,370	1,590	1,810	2,040	2,260	2,480	2,700	2,910	3,130
			100 (37.8)	1,080	1,280	1,480	1,670	1,860	2,050	2,230	2,410	2,590	2,760
			110 (43.3)	920	1,130	1,320	1,510	1,680	1,850	2,000	2,140	2,280	2,400
AE4430Y-AA1AS*	32F470-***S	1/4	90 (32.2)	1,430	1,620	1,830	2,050	2,290	2,540	2,800	3,080	3,380	3,690
			100 (37.8)	1,320	1,490	1,680	1,880	2,100	2,330	2,570	2,840	3,110	3,400
			110 (43.3)	1,190	1,350	1,530	1,710	1,910	2,120	2,340	2,570	2,810	3,070
AE4440Y-AA1AS*	32F360-***S	1/3	90 (32.2)	1,880	2,100	2,340	2,580	2,830	3,100	3,370	3,650	3,950	4,250
			100 (37.8)	1,700	1,930	2,150	2,390	2,620	2,860	3,110	3,360	3,610	3,870
			110 (43.3)	1,570	1,760	1,970	2,180	2,390	2,620	2,850	3,080	3,330	3,580
R12† HBP Application Range +10°F to 55°F (-12.2°C to 12.7°C)													
AE4430A-AA1AS*	32F472-***S	1/4	90 (32.2)	1,620	1,830	2,070	2,320	2,590	2,870	3,160	3,480	3,820	4,170
			100 (37.8)	1,550	1,750	1,970	2,210	2,470	2,740	3,020	3,340	3,650	4,000
			110 (43.3)	1,520	1,730	1,960	2,190	2,450	2,720	3,000	3,290	3,600	3,930
AE4440A-AA1AS*	32F362-***S	1/3	90 (32.2)	2,120	2,370	2,640	2,920	3,200	3,500	3,810	4,120	4,660	4,800
			100 (37.8)	1,950	2,220	2,470	2,750	3,010	3,290	3,580	3,860	4,150	4,450
			110 (43.3)	1,840	2,060	2,300	2,550	2,800	3,070	3,330	3,600	3,900	4,190

*/**Options (see available options on page 5)

† Or compatible equivalent.



High Temperature												
Model Number	Item Number (Bill of Material)	Line Connections in (mm)		Gross Weight lb (kg)	Pump Down Cap 90% lb (kg) @ 90°F Ambient	Oil Type	Min Circuit Ampacity	Max Fuse Size (Amps)	Fan Motor	Power Cord	Rec'r Tank	Srcv Valves
		Suction	Liquid									
R134a HBP Application Range +10°F to 55°F (-12.2°C to 12.7°C)												
AE3425Y-AA1ASK	32F560-39S	5/16 (7.9)	1/4 (6.4)	38.1 (17.3)	NA	POE	5.0	15	6W115	■		
AE3425Y-AA1ASS	32F560-69S	3/8 (9.5)	1/4 (6.4)	38.9 (17.6)	NA	POE	5.0	15	6W115	■		■
AE4430Y-AA1ASK	32F470-39S	5/16 (7.9)	1/4 (6.4)	38.1 (17.3)	N/A	POE	6.7	15	9W115	■		
AE4430Y-AA1ASB	32F470-49S	5/16 (7.9)	1/4 (6.4)	38.7 (17.6)	1.83 (0.8)	POE	6.7	15	9W115	■	■	
AE4430Y-AA1ASC	32F470-59S	3/8 (9.5)	1/4 (6.4)	39.5 (17.9)	1.83 (0.8)	POE	6.7	15	9W115	■	■	■
AE4430Y-AA1ASS	32F470-69S	3/8 (9.5)	1/4 (6.4)	38.9 (17.6)	N/A	POE	6.7	15	9W115	■		■
AE4440Y-AA1ASK	32F360-39S	5/16 (7.9)	1/4 (6.4)	38.1 (17.3)	N/A	POE	7.9	15	9W115	■		
AE4440Y-AA1ASB	32F360-49S	5/16 (7.9)	1/4 (6.4)	38.7 (17.6)	1.83 (0.8)	POE	7.9	15	9W115	■	■	
AE4440Y-AA1ASC	32F360-59S	3/8 (9.5)	1/4 (6.4)	39.5 (17.9)	1.83 (0.8)	POE	7.9	15	9W115	■	■	■
AE4440Y-AA1ASS	32F360-69S	3/8 (9.5)	1/4 (6.4)	38.9 (17.6)	N/A	POE	7.9	15	9W115	■		■
R12† HBP Application Range +10°F to 55°F (-12.2°C to 12.7°C)												
AE4430A-AA1ASC	32F472-59S	3/8 (9.5)	1/4 (6.4)	39.5 (17.9)	2.58 (1.2)	AB	6.7	15	9W115	■	■	■
AE4430A-AA1ASS	32F472-69S	3/8 (9.5)	1/4 (6.4)	38.9 (17.6)	N/A	AB	6.7	15	9W115	■		■
AE4440A-AA1ASC	32F362-59S	3/8 (9.5)	1/4 (6.4)	39.5 (17.9)	2.58 (1.2)	AB	7.9	15	9W115	■	■	■
AE4440A-AA1ASS	32F362-69S	3/8 (9.5)	1/4 (6.4)	38.9 (17.6)	N/A	AB	7.9	15	9W115	■		■

† Or compatible equivalent.

Low Temperature

Model Number	Item Number (Bill of Material)	HP	Ambient °F (°C)	Capacity (Btu/h) at Rated Conditions/ Evaporator Temperature									
				-40°F	-35°F	-30°F	-25°F	-20°F	-15°F	-10°F	-5°F	0°F	5°F
				-40.0°C	-37.2°C	-34.4°C	-31.7°C	-28.9°C	-26.1°C	-23.3°C	-20.6°C	-17.8°C	-15.0°C
R404A/R507 LBP Application Range -40°F to 5°F (-40°C to -15.0°C)													
AE2410Z-AA1AS*	32F416-***S	1/4	90 (32.2)	410	460	540	630	730	850	980	1,130	1,280	1,450
			100 (37.8)	430	460	500	570	650	750	870	980	1,110	1,250
			110 (43.3)	430	440	470	520	580	650	740	840	950	1,060
AE2415Z-AA1AS*	32F328-***S	1/3	90 (32.2)	550	650	770	910	1,060	1,220	1,380	1,550	1,730	1,910
			100 (37.8)	480	570	680	800	930	1,080	1,230	1,390	1,540	1,710
			110 (43.3)	410	490	590	700	810	940	1,080	1,220	1,360	1,500
TPA2411ZAAC*	32G332-***XPS	1/3	90 (32.2)	820	880	960	1,060	1,170	1,290	1,430	1,590	1,760	1,940
			100 (37.8)	960	970	1,000	1,050	1,110	1,200	1,310	1,440	1,580	1,740
			110 (43.3)	560	640	730	830	930	1,040	1,160	1,290	1,410	1,530
R134a LBP Application Range -40°F to 5°F (-40°C to -15.0°C)													
AE2410Y-AA1AS*	32F414-***S	1/4	90 (32.2)	270	350	450	560	590	750	910	1,110	1,270	1,440
			100 (37.8)	220	300	400	500	610	740	780	950	1,160	1,310
			110 (43.3)	180	260	340	440	540	660	780	910	1,010	1,200
AE2413Y-AA1BS*	32F324-***S	1/3	90 (32.2)	470	580	700	830	980	1,140	1,310	1,480	1,670	1,860
			100 (37.8)	430	530	640	760	890	1,040	1,200	1,360	1,530	1,710
			110 (43.3)	390	480	580	690	810	950	1,090	1,240	1,400	1,560
R290 LBP Application Range -40°F to 5°F (-40°C to -15.0°C)													
AE2413U-AA1ACK	32G322-39S	1/3	90 (32.2)	530	650	770	890	1,010	1,180	1,340	1,500	1,680	1,870
			100 (37.8)	490	590	700	800	920	1,080	1,220	1,370	1,540	1,720
			110 (43.3)	450	540	630	730	830	970	1,100	1,250	1,400	1,570
AE2420U-AA1ACK	32G201-39S	1/2	90 (32.2)	840	970	1,110	1,270	1,430	1,610	1,790	1,990	2,190	2,410
			100 (37.8)	780	900	1,030	1,180	1,330	1,490	1,660	1,850	2,040	2,240
			110 (43.3)	730	840	960	1,080	1,220	1,370	1,530	1,770	1,880	2,070
R12[†] LBP Application Range -40°F to 5°F (-40°C to -15.0°C)													
AE2410A-AA1AS*	32F412-***S	1/4	90 (32.2)	340	430	540	670	690	860	1,030	1,230	1,380	1,540
			100 (37.8)	290	390	510	620	750	890	930	1,110	1,330	1,470
			110 (43.3)	250	350	450	580	700	840	970	1,110	1,210	1,420
AE2413A-AA1BS*	32F326-***S	1/3	90 (32.2)	740	880	790	1,060	1,330	1,560	1,760	1,930	2,090	2,220
			100 (37.8)	300	500	570	810	1,060	1,320	1,580	1,850	2,120	2,390
			110 (43.3)	210	390	620	700	830	1,010	1,220	1,480	1,750	2,080

*/**Options (see available options on page 5)

† Or compatible equivalent.



Low Temperature												
Model Number	Item Number (Bill of Material)	Line Connections* in (mm)		Gross Weight lb (kg)	Pump Down Cap 90% lb (kg) @ 90°F Ambient	Oil Type	Min Circuit Ampacity	Max Fuse Size (Amps)	Fan Motor	Power Cord	Rec'r Tank	Srvc Valves
		Suction	Liquid									
R404A/R507 LBP Application Range -40°F to 5°F (-40°C to -15.0°C)												
AE2410Z-AA1ASK	32F416-39S	5/16 (7.9)	1/4 (6.4)	38.1 (17.3)	N/A	POE	4.9	15	6W115	■		
AE2410Z-AA1ASB	32F416-49S	5/16 (7.9)	1/4 (6.4)	38.7 (17.6)	1.36 (0.6)	POE	4.9	15	6W115	■	■	
AE2410Z-AA1ASC	32F416-59S	3/8 (9.5)	1/4 (6.4)	39.5 (17.9)	1.36 (0.6)	POE	4.9	15	6W115	■	■	■
AE2410Z-AA1ASS	32F416-69S	3/8 (9.5)	1/4 (6.4)	38.9 (17.6)	N/A	POE	4.9	15	6W115	■		■
AE2415Z-AA1ASK	32F328-39S	5/16 (7.9)	1/4 (6.4)	38.1 (17.3)	N/A	POE	6.8	15	9W115	■		
AE2415Z-AA1ASB	32F328-49S	5/16 (7.9)	1/4 (6.4)	38.7 (17.6)	1.57 (0.7)	POE	6.8	15	9W115	■	■	
AE2415Z-AA1ASC	32F328-59S	3/8 (9.5)	1/4 (6.4)	39.5 (17.9)	1.57 (0.7)	POE	6.8	15	9W115	■	■	■
AE2415Z-AA1ASS	32F328-69S	3/8 (9.5)	1/4 (6.4)	38.9 (17.6)	N/A	POE	6.8	15	9W115	■		■
TPA2411ZAACK	32G332-39XPS	5/16 (7.9)	1/4 (6.4)	45 (20.4)	N/A	POE	6.1	15	810-141E	■		
TPA2411ZAACB	32G332-49XPS	5/16 (7.9)	1/4 (6.4)	46 (20.9)	1.57 (0.7)	POE	6.1	15	810-141E	■	■	
TPA2411ZAACC	32G332-59XPS	3/8 (9.5)	1/4 (6.4)	47 (21.3)	1.57 (0.7)	POE	6.1	15	810-141E	■	■	■
TPA2411ZAACS	32G332-69XPS	3/8 (9.5)	1/4 (6.4)	45 (20.4)	N/A	POE	6.1	15	810-141E	■		■
R134a LBP Application Range -40°F to 5°F (-40°C to -15.0°C)												
AE2410Y-AA1ASK	32F414-39S	5/16 (7.9)	1/4 (6.4)	38.1 (17.3)	N/A	POE	4.6	15	6W115	■		
AE2410Y-AA1ASB	32F414-49S	5/16 (7.9)	1/4 (6.4)	38.7 (17.6)	1.83 (0.8)	POE	4.6	15	6W115	■	■	
AE2410Y-AA1ASC	32F414-59S	3/8 (9.5)	1/4 (6.4)	39.5 (17.9)	1.83 (0.8)	POE	4.6	15	6W115	■	■	■
AE2410Y-AA1ASS	32F414-69S	3/8 (9.5)	1/4 (6.4)	38.9 (17.6)	N/A	POE	4.6	15	6W115	■		■
AE2413Y-AA1BSK	32F324-39S	5/16 (7.9)	1/4 (6.4)	38.1 (17.3)	N/A	POE	5.5	15	9W115	■		
AE2413Y-AA1BSB	32F324-49S	5/16 (7.9)	1/4 (6.4)	38.7 (17.6)	1.71 (0.8)	POE	5.5	15	9W115	■	■	
AE2413Y-AA1BSC	32F324-59S	3/8 (9.5)	1/4 (6.4)	39.5 (17.9)	1.71 (0.8)	POE	5.5	15	9W115	■	■	■
AE2413Y-AA1BSS	32F324-69S	3/8 (9.5)	1/4 (6.4)	38.9 (17.6)	N/A	POE	5.5	15	9W115	■		■
R290 LBP Application Range -40°F to 5°F (-40°C to -15.0°C)												
AE2413U-AA1ACK	32G322-39S	5/16 (7.9)	1/4 (6.4)	40.8 (18.5)	N/A	POE	4.7	15	810-141E	■		
AE2420U-AA1ACK	32G201-39S	5/16 (7.9)	1/4 (6.4)	40.8 (18.5)	N/A	POE	7.0	15	810-141E	■		
R12† LBP Application Range -40°F to 5°F (-40°C to -15.0°C)												
AE2410A-AA1BSC	32F412-59S	3/8 (9.5)	1/4 (6.4)	39.5 (17.9)	2.31 (1)	AB	4.8	15	6W115	■	■	■
AE2410A-AA1BSS	32F412-69S	3/8 (9.5)	1/4 (6.4)	38.9 (17.6)	N/A	AB	4.8	15	6W115	■		■
AE2413A-AA1BSC	32F326-59S	3/8 (9.5)	1/4 (6.4)	39.5 (17.9)	2.58 (1.2)	AB	5.8	15	9W115	■	■	■
AE2413A-AA1BSS	32F326-69S	3/8 (9.5)	1/4 (6.4)	38.9 (17.6)	N/A	AB	5.8	15	9W115	■		■

† Or compatible equivalent.

Celseon® Evap Condensate

When Condensate Lines Are Impractical.

Tecumseh's Celseon line-up includes evaporative condensate condensing units, the perfect choice when it's impractical to run condensate lines across a floor or ceiling. A non-corrosive plastic base pan collects condensate from the system evaporator coil and a hot gas refrigerant loop is used to evaporate the collected condensate.

Like all Celseon units, evaporative condensate condensing units accommodate an assortment of Tecumseh compressor models and standardized components. Options include power cord, service valves and liquid line receiver tank.

The Evaporative Condensate product offering covers a capacity range from 1/5th to 1/2 HP and for refrigerants R134a and R404A/R507, as well as R22 and its replacement blends.

FEATURES AND BENEFITS

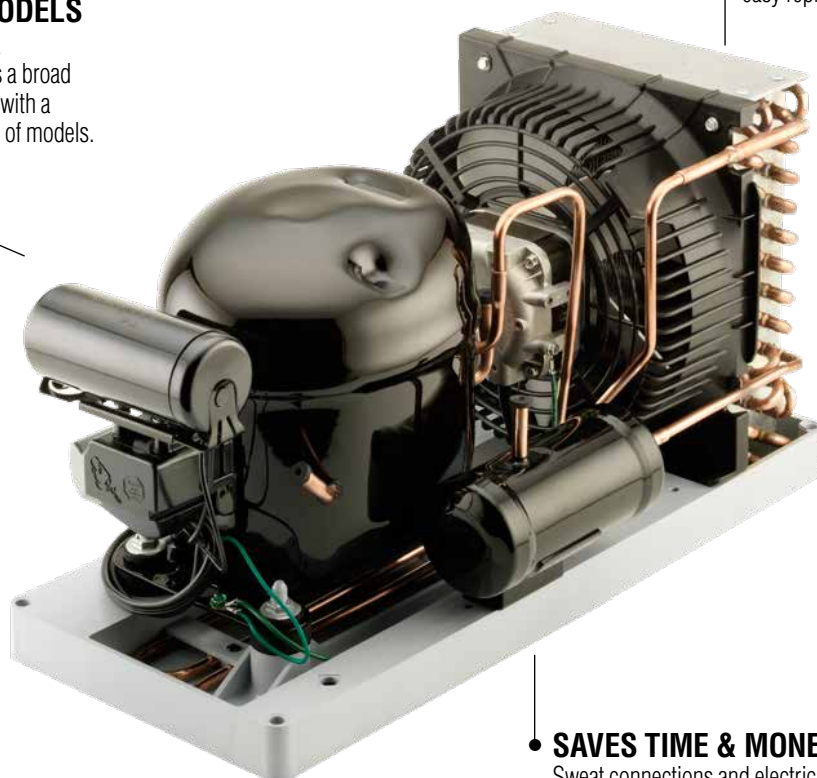
• **FEWER MODELS TO STOCK**
Celseon covers a broad capacity range with a limited number of models.

• **QUICK AND EASY**
Detachment of fan motor/shroud for easy replacement and cleaning.

• **EFFICIENT**
Molded fan shroud directs air-flow across entire coil surface, optimizing system performance.

• **COMPACT SIZE**
Works well in space restricted applications.

• **SAVES TIME & MONEY**
Sweat connections and electrical screw terminations makes installation fast and easy.



SPECIFICATIONS

Application

Evaporating Ranges:	High Temperature	+10°F to +55°F (-12.2°C to +12.8°C)
	Medium/Comm. Temperature	-5°F to +40°F (-20.6°C to +4.4°C)
	Low Temperature	-40°F to +5°F (-40°C to -15.0°C)
Ambient Operating Temperature:		+80°F (+26.6°C) to +110°F (+43.3°C)

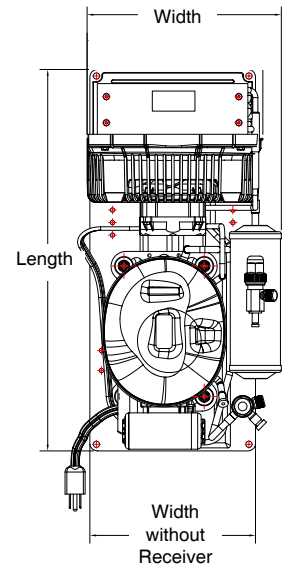
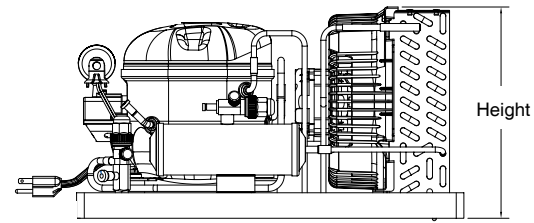
Materials

Valves:	Copper/Steel with Sweat/Flare Connections or with a valve	
Receiver:	Steel, Base Mounted with Copper Sweat Connections or with a valve	
Base Plate:	Grey: Poly Vinyl Chloride (PVC)	Black or 10x20: Glass Filled Polypropylene
Refrigerant/Oil:	R134a, R404A/R507 Polyolester (POE)	R22 Synthetic Alkylate (AB)
Electrical Terminations:	Screw	
Fan Guard/Blade:	Polypropylene	
Fan Motor:	Shaded Pole	6 or 9 Watt
Condenser:	Copper Tube and Aluminum Fin	
Electrical Cord:	Length: 20 inches (50.8 mm)	Type: Three Prong, Grounded Plug

Physical Properties

Dimensions:	Length:	Width:	Height:
Grey:	19 inches (483 mm)	9.7 inches (246 mm) with receiver	10.3 inches (262 mm)
	19 inches (483 mm)	8.7 inches (223 mm) without receiver	10.3 inches (262 mm)
Black: 10x20	16 3/8 inches (416 mm)	13.0 inches (330 mm)	11.6 inches (295 mm)
	20 inches (508 mm)	10.0 inches (254 mm)	11.6 inches (295 mm)
Connection Type:	Varies by model - see line connections		

DIMENSIONS



Evaporative Condensate

AVAILABLE OPTIONS

Select the Model Designation for Customized Option Configurations

Options Model No (Item No)	Option Configurations
L (29)	Standard unit (Does <u>Not</u> Include Power Cord, Receiver Tank, or Service Valves)
K (39)	Includes Power Cord
B (49)	Includes Power Cord and Receiver Tank
C (59)	Includes Power Cord, Receiver Tank and Service Valves

LOW PROFILE CONDENSING UNIT MODEL NUMBER

AE 4 440 Y - AA 1A G K (AE² models only)
AEA 4 440 Y XA G K (All models except AE²)

Family & Generation

AE², AEA, AEB Compressor Series
 TPA, TPB Compressor Series

Application Range

3, 4	High	+10°F to +55°F (-12.2°C to +12.8°C)
0, 9, 4*	Comm.	-5°F to +40°F (-20.6°C to +4.4°C)
*(AE ² models only using R404A/R507 and R290)		
7	Medium	-5°F to +40°F (-20.6°C to +4.4°C)
1, 2	Low	-40°F to +5°F (-40°C to -15.0°C)

Capacity

First number is total digits. Remainder is capacity in Btu/h.
 This example 4000 Btu/h Capacity

Refrigerant

E = R 22 U = R 290 Y = R134a Z = R404A/R507

Options: Model (Item No.)
 L (29), K (39), B (49), C (59)

Evap Condensate Unit Voltage/Frequency/Ph

AA	115/60/1
AB	115/60/1; 90/50/1
XA	115/60/1; 100/50/1
XD	208-230/60/1; 200/50/1
XC	220-240/50/1

Efficiency Level



Tecumseh

Commercial Temperature

Model Number	Item Number (Bill of Material)	HP	Ambient °F (°C)	Capacity (Btu/h) at Rated Conditions/ Evaporator Temperature									
				-5°F	0°F	5°F	10°F	15°F	20°F	25°F	30°F	35°F	40°F
				-20.6°C	-17.8°C	-15.0°C	-12.2°C	-9.4°C	-6.7°C	-3.9°C	-1.1°C	1.7°C	4.4°C
R404A/R507 CBP Application Range -5°F to 40°F (-20.6°C to 4.4°C)													
AE4425Z-AA1AG*	33Y562-**	1/5	90 (32.2)	880	1,000	1,120	1,240	1,370	1,500	1,740	1,890	2,040	2,180
			100 (37.8)	780	870	980	1,090	1,210	1,320	1,550	1,680	1,810	1,930
			110 (43.3)	670	760	850	950	1,050	1,150	1,360	1,470	1,580	1,690
AE4430Z-AA1AG*	33Y474-**	1/4	90 (32.2)	1,010	1,140	1,280	1,420	1,580	1,740	2,030	2,210	2,390	2,570
			100 (37.8)	890	1,000	1,130	1,260	1,400	1,540	1,820	1,980	2,140	2,300
			110 (43.3)	770	880	990	1,100	1,230	1,350	1,610	1,750	1,890	2,030
AE4440Z-AA1AG*	33Y364-**	1/3	90 (32.2)	1,260	1,420	1,580	1,750	1,920	2,090	2,440	2,620	2,810	2,980
			100 (37.8)	1,110	1,240	1,390	1,540	1,690	1,840	2,160	2,320	2,480	2,630
			110 (43.3)	960	1,080	1,200	1,330	1,460	1,590	1,890	2,030	2,160	2,290
AKA9429ZAEC	32D355-1	1/3	90 (32.2)	1,300	1,610	1,920	2,230	2,540	2,850	3,160	3,470	3,780	4,080
			100 (37.8)	---	---	---	---	---	---	---	---	---	---
			110 (43.3)	---	---	---	---	---	---	---	---	---	---
R134a CBP Application Range -5°F to 40°F (-20.6°C to 4.4°C)													
THA0370YXAG*	33X710-**	1/9	90 (32.2)	420	470	540	620	710	800	900	1,020	1,140	1,260
			100 (37.8)	390	430	490	570	650	740	820	930	1,040	1,160
			110 (43.3)	350	390	450	510	580	670	740	840	940	1,050
THA0410YXAG*	33X574-**	1/8	90 (32.2)	620	700	800	920	1,050	1,190	1,130	1,490	1,640	1,800
			100 (37.8)	550	630	720	830	950	1,080	1,220	1,360	1,510	1,660
			110 (43.3)	480	560	640	740	860	980	1,110	1,250	1,390	1,530
AKA9426YXAEC	32D304-1	1/3	90 (32.2)	1,200	1,500	1,780	2,050	2,330	2,600	---	---	---	---
			100 (37.8)	---	---	---	---	---	---	---	---	---	---
			110 (43.3)	---	---	---	---	---	---	---	---	---	---
R290 CBP Application Range +10°F to 55°F (-12.2°C to 12.7°C)													
THA9416UAAGK	33X531-39	1/5	90 (32.2)	1,030	1,160	1,300	1,440	1,590	1,740	1,890	2,050	2,220	2,390
			100 (37.8)	930	1,050	1,180	1,300	1,440	1,570	1,720	1,860	2,020	2,170
			110 (43.3)	840	950	1,060	1,170	1,290	1,410	1,540	1,680	1,810	1,960
AE4430U-AA1AGK	33Y484-39	1/4	90 (32.2)	---	---	1,500	1,670	1,850	2,030	2,230	2,440	2,650	2,860
			100 (37.8)	---	---	1,400	1,550	1,710	1,890	2,070	2,260	2,450	2,650
			110 (43.3)	---	---	1,300	1,440	1,590	1,750	1,920	2,100	2,280	2,460
AE4435U-AA1AGK	33Y482-39	1/4	90 (32.2)	---	---	1,690	1,880	2,080	2,290	2,520	2,750	2,980	3,210
			100 (37.8)	---	---	1,570	1,750	1,940	2,140	2,350	2,560	2,780	2,990
			110 (43.3)	---	---	1,460	1,620	1,800	1,990	2,180	2,380	2,580	2,780
AE4440U-AA1AGK	33Y365-39	1/3	90 (32.2)	---	---	1,950	2,170	2,400	2,640	2,870	3,110	3,360	3,590
			100 (37.8)	---	---	1,790	2,010	2,220	2,440	2,670	2,900	3,120	3,340
			110 (43.3)	---	---	1,650	1,850	2,060	2,260	2,480	2,690	2,900	3,110

*/**Options (see available options on page 15)

Commercial Temperature												
Model Number	Item Number (Bill of Material)	Line Connections* in (mm)		Gross Weight lb (kg)	Pump Down Cap 90% lb (kg) @ 90°F Ambient	Oil Type	Min Circuit Ampacity	Max Fuse Size (Amps)	Fan Motor	Power Cord	Rec'r Tank	Srvc Valves
		Suction	Liquid									
R404A/R507 CBP Application Range -5°F to 40°F (-20.6°C to 4.4°C)												
AE4425Z-AA1AGL	33Y562-29	5/16 (7.9)	1/4 (6.4)	40 (18.1)	N/A	POE	5.7	15	6W115			
AE4425Z-AA1AGK	33Y562-39	5/16 (7.9)	1/4 (6.4)	40 (18.1)	N/A	POE	5.7	15	6W115	■		
AE4425Z-AA1AGB	33Y562-49	3/8 (9.5)	1/4 (6.4)	40 (18.1)	1.53 (0.7)	POE	5.7	15	6W115	■	■	
AE4425Z-AA1AGC	33Y562-59	3/8 (9.5)	1/4 (6.4)	41 (18.6)	1.85 (0.8)	POE	5.7	15	6W115	■	■	■
AE4430Z-AA1AGL	33Y474-29	5/16 (7.9)	1/4 (6.4)	39.6 (18)	N/A	POE	6.9	15	6W115			
AE4430Z-AA1AGK	33Y474-39	5/16 (7.9)	1/4 (6.4)	39.6 (18)	N/A	POE	6.9	15	6W115	■		
AE4430Z-AA1AGB	33Y474-49	3/8 (9.5)	1/4 (6.4)	40.2 (18.2)	1.53 (0.7)	POE	6.9	15	6W115	■	■	
AE4430Z-AA1AGC	33Y474-59	3/8 (9.5)	1/4 (6.4)	40.8 (18.5)	1.85 (0.8)	POE	6.9	15	6W115	■	■	■
AE4440Z-AA1AGL	33Y364-29	5/16 (7.9)	1/4 (6.4)	39.6 (18)	N/A	POE	8.5	15	9W115			
AE4440Z-AA1AGK	33Y364-39	5/16 (7.9)	1/4 (6.4)	39.6 (18)	N/A	POE	8.5	15	9W115	■		
AE4440Z-AA1AGB	33Y364-49	3/8 (9.5)	1/4 (6.4)	40.2 (18.2)	1.79 (0.8)	POE	8.5	15	9W115	■	■	
AE4440Z-AA1AGC	33Y364-59	3/8 (9.5)	1/4 (6.4)	40.8 (18.5)	2.12 (1)	POE	8.5	15	9W115	■	■	■
AKA9429ZAEC	32D355-1	1/2 SAE (12.7 SAE)	1/4 SAE (6.4 SAE)	70 (31.8)	3 (1.4)	POE	10.3	15	9W115	■		■
R134a CBP Application Range -5°F to 40°F (-20.6°C to 4.4°C)												
THA0370YXAGL	33X710-29	5/16 (7.9)	1/4 (6.4)	39.6 (18)	N/A	POE	2.8	15	6W115			
THA0370YXAGK	33X710-39	5/16 (7.9)	1/4 (6.4)	39.6 (18)	N/A	POE	2.8	15	6W115	■		
THA0410YXAGL	33X574-29	5/16 (7.9)	1/4 (6.4)	39.6 (18)	N/A	POE	4.2	15	6W115			
THA0410YXAGK	33X574-39	5/16 (7.9)	1/4 (6.4)	39.6 (18)	N/A	POE	4.2	15	6W115	■		
AKA9426YXAEC	32D304-1	1/2 SAE (12.7 SAE)	1/4 SAE (6.4 SAE)	64 (29)	2.9 (1.3)	POE	12.5	20	9W115		■	■
R290 CBP Application Range -5°F to 40°F (-20.6°C to 4.4°C)												
THA9416UAAGK	33X531-39	5/16 (7.9)	1/4 (6.4)	39.8 (18.1)	N/A	POE	4.6	15	810-141E	■		
AE4430U-AA1AGK	33Y484-39	5/16 (7.9)	1/4 (6.4)	39.8 (18.1)	N/A	POE	5.6	15	810-141EA	■		
AE4435U-AA1AGK	33Y482-39	5/16 (7.9)	1/4 (6.4)	39.8 (18.1)	N/A	POE	6.8	15	810-141EA	■		
AE4440U-AA1AGK	33Y365-39	5/16 (7.9)	1/4 (6.4)	39.8 (18.1)	N/A	POE	7.1	15	810-141EA	■		

*Connections are ODF, unless otherwise stated.



Tecumseh

Commercial Temperature

Model Number	Item Number (Bill of Material)	HP	Ambient °F (°C)	Capacity (Btu/h) at Rated Conditions/ Evaporator Temperature									
				-5°F	0°F	5°F	10°F	15°F	20°F	25°F	30°F	35°F	40°F
				-20.6°C	-17.8°C	-15.0°C	-12.2°C	-9.4°C	-6.7°C	-3.9°C	-1.1°C	1.7°C	4.4°C
R22[†] CBP Application Range -5°F to 40°F (-20.6°C to 4.4°C)													
AE4430E-AA1AG*	33Y478-**	1/4	90 (32.2)	930	1,070	1,230	1,420	1,620	1,840	2,070	2,310	2,550	2,800
			100 (37.8)	860	990	1,140	1,320	1,510	1,710	1,930	2,150	2,380	2,620
			110 (43.3)	790	910	1,050	1,210	1,390	1,580	1,790	2,000	2,210	2,430
AE4450E-AA1BE*	32V352-**	1/3	90 (32.2)	1,780	2,010	2,270	2,550	2,850	3,170	3,490	3,810	4,120	4,420
			100 (37.8)	1,630	1,850	2,090	2,370	2,660	2,960	3,260	3,570	3,860	4,140
			110 (43.3)	1,480	1,690	1,930	2,190	2,470	2,760	3,050	3,340	---	---

High Temperature

R134a HBP				10°F	15°F	20°F	25°F	30°F	35°F	40°F	45°F	50°F	55°F
Application Range 10°F to 55°F (-12.2°C to 12.8°C)				-12.2°C	-9.4°C	-6.7°C	-3.9°C	-1.1°C	1.7°C	4.4°C	7.2°C	10.0°C	12.8°C
AE3425Y-AA1AG*	33Y560-**	1/5	90 (32.2)	---	---	1,530	1,730	1,920	2,110	2,290	2,470	2,650	---
			100 (37.8)	---	---	1,400	1,580	1,760	1,950	2,140	2,340	2,550	---
			110 (43.3)	---	---	1,270	1,410	1,570	1,730	1,910	2,100	2,300	---
AE4430Y-AA1AG*	33Y430-**	1/4	90 (32.2)	---	---	1,870	2,090	2,310	2,540	2,760	2,990	3,220	---
			100 (37.8)	---	---	1,730	1,940	2,150	2,360	2,580	2,800	3,030	---
			110 (43.3)	---	---	1,580	1,750	1,940	2,140	2,350	2,570	2,800	---
AE4430Y-XN1AG*	33Y479-**	1/4	90 (32.2)	---	---	1,890	2,110	2,330	2,570	2,790	3,020	3,250	---
			100 (37.8)	---	---	1,750	1,960	2,170	2,380	2,610	2,830	3,060	---
			110 (43.3)	---	---	1,600	1,770	1,960	2,160	2,370	2,600	2,830	---
AE4440Y-AA1AG*	33Y360-**	1/3	90 (32.2)	---	---	2,360	2,610	2,860	3,110	3,370	3,620	3,890	---
			100 (37.8)	---	---	2,160	2,400	2,640	2,870	3,110	3,340	3,570	---
			110 (43.3)	---	---	1,990	2,210	2,420	2,620	2,830	3,020	3,220	---
AE4440Y-XN1AGK	33Y366-**	1/3	90 (32.2)	---	---	2,380	2,640	2,890	3,140	3,400	3,660	---	---
			100 (37.8)	---	---	2,180	2,420	2,670	2,900	3,140	---	---	---
			110 (43.3)	---	---	2,010	2,230	2,440	2,650	---	---	---	---
AKA4460YXAEE	32D210-1	1/2	90 (32.2)	---	---	3,570	4,000	4,450	4,920	5,390	5,880	---	---
			100 (37.8)	---	---	---	---	---	---	---	---	---	---
			110 (43.3)	---	---	---	---	---	---	---	---	---	---
AKA4476YXAED	32D247-1	1/2	90 (32.2)	---	---	4,400	4,900	5,400	5,950	6,500	7,100	---	---
			100 (37.8)	---	---	---	---	---	---	---	---	---	---
			110 (43.3)	---	---	---	---	---	---	---	---	---	---

**Options (see available options on page 15)

† Or compatible equivalent.



Commercial Temperature

Model Number	Item Number (Bill of Material)	Line Connections* in (mm)		Gross Weight lb (kg)	Pump Down Cap 90% lb (kg) @ 90°F Ambient	Oil Type	Min Circuit Ampacity	Max Fuse Size (Amps)	Fan Motor	Power Cord	Rec'r Tank	Srvc Valves
		Suction	Liquid									
R22[†] CBP Application Range -5°F to 40°F (-20.6°C to 4.4°C)												
AE4430E-AA1AGL	33Y478-29	5/16 (7.9)	1/4 (6.4)	39.6 (18)	N/A	POE	7.0	15	6W115			
AE4430E-AA1AGK	33Y478-39	5/16 (7.9)	1/4 (6.4)	39.6 (18)	N/A	POE	7.0	15	6W115	■		
AE4430E-AA1AGB	33Y478-49	5/16 (7.9)	1/4 (6.4)	40.2 (18.2)	1.6 (0.7)	POE	7.0	15	6W115	■	■	
AE4430E-AA1AGC	33Y478-59	5/16 (7.9)	1/4 (6.4)	40.8 (18.5)	1.97 (0.9)	POE	7.0	15	6W115	■	■	■
AE4450E-AA1BEL	32V352-29	5/16 (7.9)	1/4 (6.4)	50 (22.7)	N/A	POE	9.5	15	9W115			
AE4450E-AA1BEK	32V352-39	5/16 (7.9)	1/4 (6.4)	50 (22.7)	N/A	POE	9.5	15	9W115	■		
AE4450E-AA1BEB	32V352-49	5/16 (7.9)	1/4 (6.4)	52 (23.6)	2.15 (1)	POE	9.5	15	9W115	■	■	
AE4450E-AA1BEC	32V352-59	5/16 (7.9)	1/4 (6.4)	53 (24)	2.64 (1.2)	POE	9.5	15	9W115	■	■	■

High Temperature

R134a HBP Application Range 10°F to 55°F (-12.2°C to 12.8°C)

AE3425Y-AA1AGL	33Y560-29	5/16 (7.9)	1/4 (6.4)	39.6 (18)	N/A	POE	5.0	15	6W115			
AE3425Y-AA1AGK	33Y560-39	5/16 (7.9)	1/4 (6.4)	39.6 (18)	N/A	POE	5.0	15	6W115	■		
AE4430Y-AA1AGL	33Y430-29	5/16 (7.9)	1/4 (6.4)	39.6 (18)	N/A	POE	6.5	15	6W115		■	
AE4430Y-AA1AGK	33Y430-39	5/16 (7.9)	1/4 (6.4)	39.6 (18)	N/A	POE	6.5	15	6W115		■	■
AE4430Y-AA1AGB	33Y430-49	5/16 (7.9)	1/4 (6.4)	40.2 (18.2)	1.78 (0.8)	POE	6.5	15	6W115			
AE4430Y-AA1AGC	33Y430-59	3/8 (9.5)	1/4 (6.4)	40.8 (18.5)	2.16 (1)	POE	6.5	15	6W115	■		
AE4430Y-XN1AGL	33Y479-29	5/16 (7.9)	1/4 (6.4)	39.6 (18)	N/A	POE	3.2	15	6W230		■	
AE4430Y-XN1AGK	33Y479-39	5/16 (7.9)	1/4 (6.4)	39.6 (18)	N/A	POE	3.2	15	6W230		■	■
AE4430Y-XN1AGB	33Y479-49	5/16 (7.9)	1/4 (6.4)	40.2 (18.2)	1.61 (0.7)	POE	3.2	15	6W230			
AE4430Y-XN1AGC	33Y479-59	3/8 (9.5)	1/4 (6.4)	40.8 (18.5)	1.99 (0.9)	POE	3.2	15	6W230	■		
AE4440Y-AA1AGL	33Y360-29	5/16 (7.9)	1/4 (6.4)	39.6 (18)	N/A	POE	7.9	15	9W115		■	
AE4440Y-AA1AGK	33Y360-39	5/16 (7.9)	1/4 (6.4)	39.6 (18)	N/A	POE	7.9	15	9W115		■	■
AE4440Y-AA1AGB	33Y360-49	5/16 (7.9)	1/4 (6.4)	40.2 (18.2)	2.09 (0.9)	POE	7.9	15	9W115			
AE4440Y-AA1AGC	33Y360-59	3/8 (9.5)	1/4 (6.4)	40.8 (18.5)	2.47 (1.1)	POE	7.9	15	9W115	■		
AE4440Y-XN1AGL	33Y366-29	5/16 (7.9)	1/4 (6.4)	39.6 (18)	N/A	POE	4.1	15	9W230		■	
AE4440Y-XN1AGK	33Y366-39	5/16 (7.9)	1/4 (6.4)	39.6 (18)	N/A	POE	4.1	15	9W230		■	■
AE4440Y-XN1AGB	33Y366-49	5/16 (7.9)	1/4 (6.4)	40.2 (18.2)	1.41 (0.6)	POE	4.1	15	9W230			
AE4440Y-XN1AGC	33Y366-59	3/8 (9.5)	1/4 (6.4)	40.8 (18.5)	1.79 (0.8)	POE	4.1	15	9W230	■		
AKA4460YXAEE	32D210-1	1/2 SAE (12.7 SAE)	1/4 SAE (6.4 SAE)	63 (28.6)	2.9 (1.3)	POE	12.5	20	9W115		■	
AKA4476YXAED	32D247-1	1/2 SAE (12.7 SAE)	3/8 SAE (9.5 SAE)	70 (31.8)	N/A	POE	15.5	25	34W115		■	■

*Connections are ODF, unless otherwise stated.

[†] Or compatible equivalent.



Tecumseh

Medium Temperature

Model Number	Item Number (Bill of Material)	HP	Ambient °F (°C)	Capacity (Btu/h) at Rated Conditions/ Evaporator Temperature									
				-5°F	0°F	5°F	10°F	15°F	20°F	25°F	30°F	35°F	40°F
				-20.6°C	-17.8°C	-15.0°C	-12.2°C	-9.4°C	-6.7°C	-3.9°C	-1.1°C	1.7°C	4.4°C
R134a MBP Application Range -5°F to 40°F (-20.6°C to 4.4°C)													
AKA7437YXAEC	32D207-1	1/2	90 (32.2)	1,940	2,250	2,630	3,000	3,400	3,800	4,250	4,700	---	---
			100 (37.8)	1,500	1,800	2,150	2,500	2,900	3,300	3,700	4,100	---	---
			110 (43.3)	1,200	1,500	1,750	2,100	2,450	2,800	3,200	3,600	---	---
AKA7437YXAED	32D208-1	1/2	90 (32.2)	1,940	2,250	2,630	3,000	3,400	3,800	4,250	4,700	3,220	---
			100 (37.8)	1,500	1,800	2,150	2,500	2,900	3,300	3,700	4,100	3,030	---
			110 (43.3)	1,200	1,500	1,750	2,100	2,450	2,800	3,200	3,600	2,800	---

Low Temperature

Model Number	Bill of Material	HP	Ambient	Capacity (Btu/h) at Rated Conditions/ Evaporator Temperature (°F)									
				-40°F	-35°F	-30°F	-25°F	-20°F	-15°F	-10°F	-5°F	0°F	5°F
				-40.0°C	-37.2°C	-34.4°C	-31.7°C	-28.9°C	-26.1°C	-23.3°C	-20.6°C	-17.8°C	-15.0°C
R404A/R507 LBP Application Range -40°F to 5°F (-40°C to -15.0°C)													
AE2410Z-AA1AG*	33Y416-**	1/4	90 (32.2)	---	---	430	530	640	760	890	1,020	1,160	1,300
			100 (37.8)	---	---	370	460	560	670	780	900	1,030	1,160
			110 (43.3)	---	---	390	480	580	680	790	900	1,010	1,130
AE2415Z-AA1AG*	33Y328-**	1/3	90 (32.2)	---	---	820	940	1,070	1,220	1,370	1,530	1,690	1,860
			100 (37.8)	---	---	740	850	960	1,090	1,220	1,370	1,510	1,660
			110 (43.3)	---	---	---	750	850	960	1,080	1,210	1,340	1,470
AJA2422ZXAEC	32D257-1	1/2	90 (32.2)	---	---	1,290	1,500	1,710	1,930	2,180	2,420	2,660	2,910
			100 (37.8)	---	---	1,060	1,270	1,475	1,680	1,885	2,090	2,330	2,535
			110 (43.3)	---	---	875	1,070	1,270	1,450	1,640	1,810	1,980	2,140
R134a LBP Application Range -40°F to 5°F (-40°C to -15.0°C)													
AE2410Y-AA1AG*	33Y414-**	1/4	90 (32.2)	260	340	430	550	570	730	880	1,090	1,220	1,360
			100 (37.8)	220	290	380	490	600	720	760	930	1,110	1,240
			110 (43.3)	180	250	330	430	530	640	760	880	980	1,110
AE2413Y-AA1BG*	33Y324-**	1/3	90 (32.2)	---	---	680	800	930	1,080	1,230	1,400	1,570	1,740
			100 (37.8)	---	---	600	710	840	970	1,120	1,270	1,430	1,600
			110 (43.3)	---	---	530	630	750	880	1,010	1,150	1,300	1,460
R290 LBP Application Range -40°F to 5°F (-40°C to -15.0°C)													
AE2413U-AA1AGK	33Y322-39	1/3	90 (32.2)	520	640	750	860	970	1,130	1,280	1,430	1,590	1,760
			100 (37.8)	480	580	680	780	880	1,030	1,160	1,300	1,450	1,620
			110 (43.3)	440	530	620	710	800	930	1,050	1,180	1,330	1,480

**Options (see available options on page 15)



Medium Temperature

Model Number	Item Number (Bill of Material)	Line Connections* in (mm)		Gross Weight lb (kg)	Pump Down Cap 90% lb (kg) @ 90°F Ambient	Oil Type	Min Circuit Ampacity	Max Fuse Size (Amps)	Fan Motor	Power Cord	Rec'r Tank	Srvc Valves
		Suction	Liquid									
R134a MBP Application Range -5°F to 40°F (-20.6°C to 4.4°C)												
AKA7437YXAEC	32D207-1	1/2 SAE (12.7 SAE)	1/4 SAE (6.4 SAE)	65 (29.5)	3.3 (1.5)	POE	11.5	20	9W115		■	■
AKA7437YXAED	32D208-1	1/2 SAE (12.7 SAE)	1/4 SAE (6.4 SAE)	65 (29.5)	3.3 (1.5)	POE	11.5	20	9W115			■

Low Temperature

Model Number	Bill of Material	Line Connections (in)*		Gross Weight lb (kg)	Pump Down Cap 90% lb (kg) @ 90°F Ambient	Oil Type	Min Circuit Ampacity	Max Fuse Size (Amps)	Fan Motor	Power Cord	Rec'r Tank	Srvc Valves
		Suction	Liquid									
R404A/R507 LBP Application Range -40°F to 5°F (-40°C to -15.0°C)												
AE2410Z-AA1AGL	33Y416-29	5/16 (7.9)	1/4 (6.4)	39.6 (18)	N/A	POE	4.9	15	6W115			
AE2410Z-AA1AGK	33Y416-39	5/16 (7.9)	1/4 (6.4)	39.6 (18)	N/A	POE	4.9	15	6W115	■		
AE2410Z-AA1AGB	33Y416-49	5/16 (7.9)	1/4 (6.4)	40.2 (18.2)	1.53 (0.7)	POE	4.9	15	6W115	■	■	
AE2410Z-AA1AGC	33Y416-59	3/8 (9.5)	1/4 (6.4)	40.8 (18.5)	1.85 (0.8)	POE	4.9	15	6W115	■	■	■
AE2415Z-AA1AGL	33Y328-29	5/16 (7.9)	1/4 (6.4)	39.6 (18)	N/A	POE	6.8	15	9W115			
AE2415Z-AA1AGK	33Y328-39	5/16 (7.9)	1/4 (6.4)	39.6 (18)	N/A	POE	6.8	15	9W115	■		
AE2415Z-AA1AGB	33Y328-49	5/16 (7.9)	1/4 (6.4)	40.2 (18.2)	1.53 (0.7)	POE	6.8	15	9W115	■	■	
AE2415Z-AA1AGC	33Y328-59	3/8 (9.5)	1/4 (6.4)	40.8 (18.5)	1.85 (0.8)	POE	6.8	15	9W115	■	■	■
AJA2422ZXAE	32D257-1	1/2 SAE (12.7 SAE)	1/4 SAE (6.4 SAE)	99 (44.9)	3 (1.4)	POE	11.5	20	34W115		■	■
R134a LBP Application Range -40°F to 5°F (-40°C to -15.0°C)												
AE2410Y-AA1AGL	33Y414-29	5/16 (7.9)	1/4 (6.4)	39.6 (18)	N/A	POE	4.6	15	6W115			
AE2410Y-AA1AGK	33Y414-39	5/16 (7.9)	1/4 (6.4)	39.6 (18)	N/A	POE	4.6	15	6W115	■		
AE2410Y-AA1AGB	33Y414-49	5/16 (7.9)	1/4 (6.4)	40.2 (18.2)	1.78 (0.8)	POE	4.6	15	6W115	■	■	
AE2410Y-AA1AGC	33Y414-59	3/8 (9.5)	1/4 (6.4)	40.8 (18.5)	2.16 (1)	POE	4.6	15	6W115	■	■	■
AE2413Y-AA1BGL	33Y324-29	5/16 (7.9)	1/4 (6.4)	39.6 (18)	N/A	POE	5.5	15	9W115			
AE2413Y-AA1BGK	33Y324-39	5/16 (7.9)	1/4 (6.4)	39.6 (18)	N/A	POE	5.5	15	9W115	■		
AE2413Y-AA1BGB	33Y324-49	5/16 (7.9)	1/4 (6.4)	40.2 (18.2)	2.09 (0.9)	POE	5.5	15	9W115	■	■	
AE2413Y-AA1BGC	33Y324-59	5/16 (7.9)	1/4 (6.4)	40.8 (18.5)	2.47 (1.1)	POE	5.5	15	9W115	■	■	■
R290 LBP Application Range -40°F to 5°F (-40°C to -15.0°C)												
AE2413U-AA1AGK	33Y322-39	5/16 (7.9)	1/4 (6.4)	39.8 (18.1)	N/A	POE	4.7	15	810-141EA	■		

* Connections are ODF, unless otherwise stated.

Celseon® AE², AK/AJ

Modular Design = True Simplicity.

The AE², AK/AJ Series extends the Celseon indoor condensing unit offering from 1/3rd to 1-1/4 HP and incorporates additional features. Options include power cord, service valves, liquid-line receiver tank, filter-drier and sight glass.

Celseon AE², AK/AJ's modular construction is built around three (3) common base plates, scaled to unit capacity, that accommodate an assortment of Tecumseh compressor models and standardized components, including higher efficiency PSC fan motors.

Models are available in refrigerants R134a and R404A/R507, as well as R12, R22 and their replacement blends.

FEATURES AND BENEFITS

• SPACE EFFICIENT

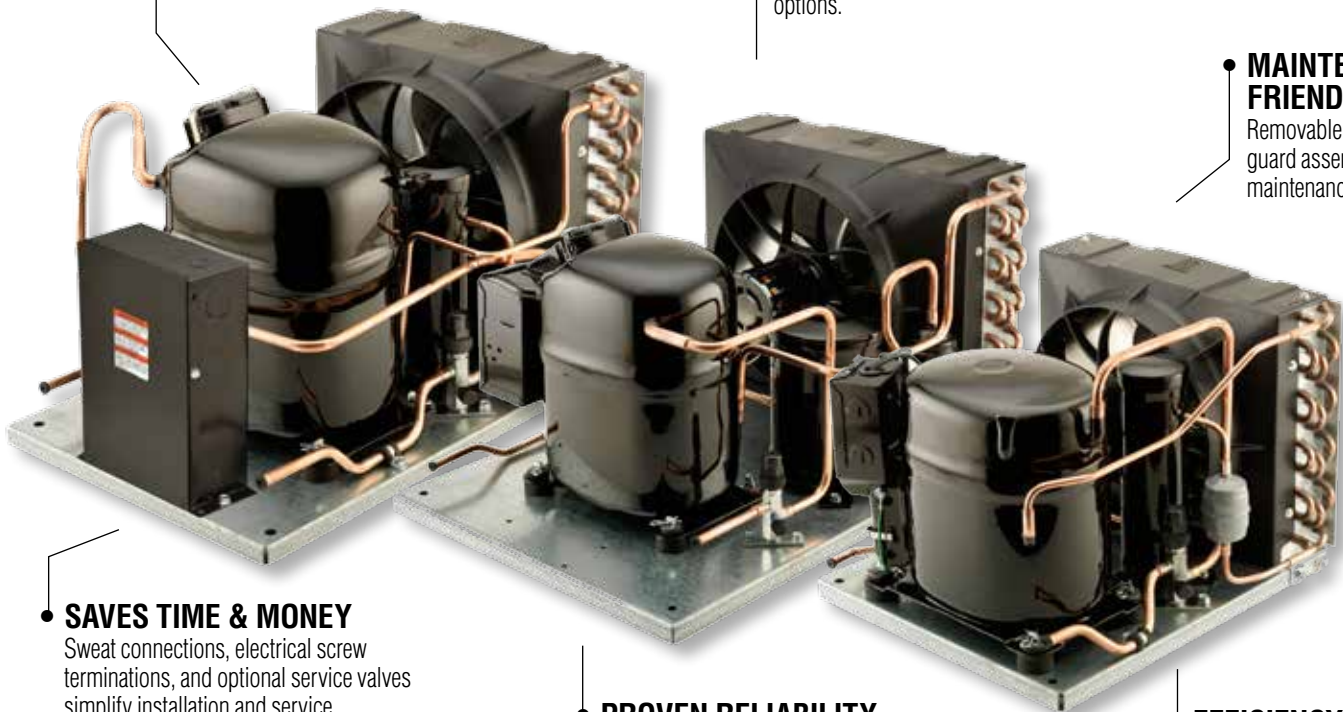
Modular design, built on three (3) compact bases that are scaled to unit capacity.

• FEWER MODELS TO STOCK

Celseon covers a broad capacity range and refrigerant types with popular feature options.

• MAINTENANCE FRIENDLY

Removable molded fan guard assembly for ease of maintenance and cleaning.



• SAVES TIME & MONEY

Sweat connections, electrical screw terminations, and optional service valves simplify installation and service.

• PROVEN RELIABILITY

High quality components, along with rugged Tecumseh compressors deliver long life and greater "up time".

• EFFICIENCY

Standard higher efficiency PSC condenser fan motor. Improved air flow across the coil.



SPECIFICATIONS

Application

Evaporating Ranges:	High Temperature:	+10°F to +55°F (-12.2°C to +12.8°C)
	Med./Comm. Temperature:	-5°F to +40°F (-20.6°C to +4.4°C)
	Low Temperature:	-40°F to +5°F (-40°C to -15.0°C)
Ambient Operating Temperature:	+80°F (+26.6°C) to +110°F (+43.3°C)	

Materials

Valves:	Steel, Bracket Mounted with Copper Sweat Connections	
Receiver:	Steel, Base Mounted with Copper Sweat Connections	
Base Plate:	Cold Rolled Steel 16 Ga. Galvanized G90U	
Refrigerant/Oil:	R134a, R404A/R507 Polyolester (POE)	R22, R12 compatible Synthetic Alkylate (AB)
Fan Guard:	Polypropylene	
Fan Blade:	Aluminum	
Fan Motor:	Permanent Split Capacitor (PSC) 12, 35, or 50 Watt	
Condenser:	Copper Tube and Aluminum Fin	
Electrical Cord:	Length: 42 inches (1066 mm) Type: Three Prong, Grounded Plug	

Physical Properties

Dimensions:	Length	Width	Height
Small:	15 in (381 mm)	14 in (330 mm)	12 in (304 mm)
Medium:	20 in (508 mm)	14.3 in (330 mm)	12 in (304 mm)
Large:	24 in (609 mm)	17.5 in (734 mm)	13 in (330 mm)

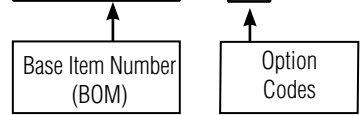
Connection Type: Suction Line: 5/8 inch (15.9 mm) or 1/2 inch (12.7 mm) ODF Sweat
Liquid Line: 1/4 inch (6.3 mm) ODF Sweat - Base unit only (Sm + Med)
3/8 in (9.5 mm) ODF Sweat - All other size and options

UNIT ITEM NUMBER (BILL OF MATERIAL)

Select the Bill of Material prefix for Customized Option Configurations.

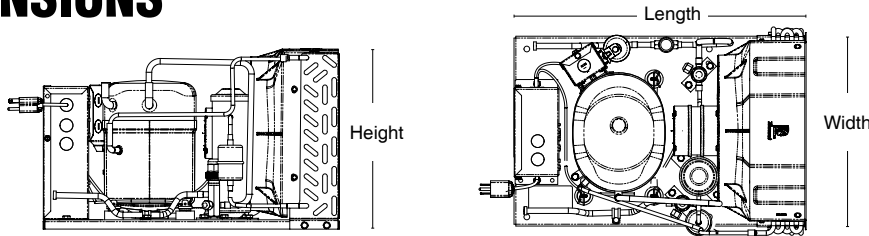
Bill of Material number prefix: 2G = AK/AJ Celseon

2G*-*9**



Model Number Options	Item No. Options <u>NO</u> Power Cord	Option Configuration	Item No. Options <u>with</u> Power Cord	Model Number Options
A	-09	Sweat Connections	-39	K
H	-29	Sweat Connections, and Service Valves	-69	S
G	-19	Sweat Connections, Service Valves and Receiver Tank	-59	C
J	-79	Sweat Connections, Service Valves, Receiver Tank, Filter-Drier and Sight Glass	-89	P

DIMENSIONS



AE², AK/AJ CONDENSING UNIT MODEL NUMBER

AE 4 440 Y - AA 1A D K (AE² models only)

AEA 4 440 Y XA D K (All models except AE²)

Family & Generation

AE², AK, AJ Compressor Series

Application Range

4 High +10°F to +55°F (-12.2°C to +12.8°C)
4*, 7, 9 Med/Comm -5°F to +40°F (-20.6°C to +4.4°C)
*(AE² models only using R404A/R507)
2 Low -40°F to +5°F (-40°C to -15.0°C)

Capacity

First number is total digits. Remainder is capacity in Btu/h. This example 4000 Btu/h Capacity

Refrigerant

A = R12 E = R22 Y = R134a Z = R404A/R507

Options: Model (Item No.)

A (09), H (29), G (19), J (79) with no power cord
K (39), S (69), C (59), P (89) with power cord

Fan Motor/Efficiency

D Permanent Split Capacitor Motor (PSC)

Voltage/Frequency/Phase

AA 115/60/1
NA 208-230/60/1

Efficiency Level



Tecumseh

Commercial Temperature

Model Number	Item Number (Bill of Material)	HP	Base Size	Ambient °F (°C)	Capacity (Btu/h) at Rated Conditions/ Evaporator Temperature									
					-5°F	0°F	5°F	10°F	15°F	20°F	25°F	30°F	35°F	40°F
					-20.6°C	-17.8°C	-15.0°C	-12.2°C	-9.4°C	-6.7°C	-3.9°C	-1.1°C	1.7°C	4.4°C
R404A/R507 CBP Application Range -5°F to 40°F (-20.6°C to 4.4°C)														
AKA9430ZAAD*	2G301-**	1/3	S	90 (32.2)	---	1,970	2,240	2,510	2,790	3,090	3,400	3,720	4,060	4,400
				100 (37.8)	---	1,600	1,840	2,090	2,370	2,670	2,990	3,320	3,680	4,060
				110 (43.3)	---	1,180	1,450	1,720	1,990	2,260	2,530	2,790	3,060	3,320
AKA9430ZNAD*	2G302-**	1/3	S	90 (32.2)	---	1,970	2,240	2,510	2,790	3,090	3,400	3,720	4,060	4,400
				100 (37.8)	---	1,600	1,840	2,090	2,370	2,670	2,990	3,320	3,680	4,060
				110 (43.3)	---	1,180	1,450	1,720	1,990	2,260	2,530	2,790	3,060	3,320
AKA9442ZAAD*	2G212-**	1/2	M	90 (32.2)	---	2,680	3,170	3,670	4,180	4,240	5,150	5,590	5,980	6,280
				100 (37.8)	---	2,070	2,540	3,020	3,500	3,980	4,430	4,850	5,200	5,480
				110 (43.3)	---	1,510	1,950	2,410	2,870	3,320	3,750	4,140	4,470	4,710
AKA9442ZNAD*	2G213-**	1/2	M	90 (32.2)	---	2,680	3,170	3,670	4,180	4,240	5,150	5,590	5,980	6,280
				100 (37.8)	---	2,070	2,540	3,020	3,500	3,980	4,430	4,850	5,200	5,480
				110 (43.3)	---	1,510	1,950	2,410	2,870	3,320	3,750	4,140	4,470	4,710
AKA9457ZAAD*	2G714-**	3/4	L	90 (32.2)	---	3,770	4,190	4,650	5,160	5,710	6,300	6,940	7,620	8,350
				100 (37.8)	---	3,240	3,620	4,040	4,500	5,000	5,540	6,120	6,740	7,400
				110 (43.3)	---	2,720	3,080	3,470	3,890	4,330	4,800	5,300	5,820	6,380
AKA9457ZNAD*	2G715-**	3/4	L	90 (32.2)	---	3,770	4,190	4,650	5,160	5,710	6,300	6,940	7,620	8,350
				100 (37.8)	---	3,240	3,620	4,040	4,500	5,000	5,540	6,120	6,740	7,400
				110 (43.3)	---	2,720	3,080	3,470	3,890	4,330	4,800	5,300	5,820	6,380
AKA9463ZAAD*	2G717-**	3/4	L	90 (32.2)	---	4,290	4,750	5,250	5,790	6,360	6,970	7,610	8,290	9,010
				100 (37.8)	---	3,690	4,110	4,570	5,050	5,570	6,110	6,680	7,280	7,910
				110 (43.3)	---	3,140	3,550	3,960	4,350	4,740	5,110	5,470	5,810	6,150
AKA9463ZNAD*	2G718-**	3/4	L	90 (32.2)	---	4,290	4,750	5,250	5,790	6,360	6,970	7,610	8,290	9,010
				100 (37.8)	---	3,690	4,110	4,570	5,050	5,570	6,110	6,680	7,280	7,910
				110 (43.3)	---	3,140	3,550	3,960	4,350	4,740	5,110	5,470	5,810	6,150

**Options (see available options on page 23)

Note: For more information on base sizes, refer to page 23.

Commercial Temperature

With / Without Power Cord [^]		Line Connections* in (mm)		Gross Weight lb (kg)	Pump Down Cap 90% lb (kg) @ 90°F Ambient	Oil Type	Min Circuit Ampacity	Max Fuse Size (Amps)	Fan Motor	Rec'r Tank	Srcv Valves	Filter Drier	Sight Glass
Model Number	Item Number (Bill of Material)	Suction	Liquid										
R404A/R507 CBP Application Range -5°F to 40°F (-20.6°C to 4.4°C)													
AKA9430ZAADK/A	2G301-39/09	3/8 (9.5)	1/4 (6.4)	52 (23.6)	N/A	POE	10.1	15	810-10001				
AKA9430ZAADC/G	2G301-59/19	1/2 (12.7)	3/8 (9.5)	54 (24.5)	2.2 (1)	POE	10.1	15	810-10001	■	■		
AKA9430ZAADS/H	2G301-69/29	1/2 (12.7)	3/8 (9.5)	52 (23.6)	N/A	POE	10.1	15	810-10001		■		
AKA9430ZAADP/J	2G301-89/79	1/2 (12.7)	3/8 (9.5)	52 (23.6)	N/A	POE	10.1	15	810-10001	■	■	■	■
AKA9430ZNADK/A	2G302-39/09	3/8 (9.5)	1/4 (6.4)	52 (23.6)	N/A	POE	5.0	15	810-10001				
AKA9430ZNADC/G	2G302-59/19	1/2 (12.7)	3/8 (9.5)	54 (24.5)	2.2 (1)	POE	5.0	15	810-10001	■	■		
AKA9430ZNADS/H	2G302-69/29	1/2 (12.7)	3/8 (9.5)	52 (23.6)	N/A	POE	5.0	15	810-10001		■		
AKA9430ZNADP/J	2G302-89/79	1/2 (12.7)	3/8 (9.5)	52 (23.6)	N/A	POE	5.0	15	810-10001	■	■	■	■
AKA9442ZAADK/A	2G212-39/09	3/8 (9.5)	1/4 (6.4)	53 (24.0)	N/A	POE	12.4	20	810-10003				
AKA9442ZAADC/G	2G212-59/19	5/8 (15.9)	3/8 (9.5)	54 (24.5)	2.7 (1.2)	POE	12.4	20	810-10003	■	■		
AKA9442ZAADS/H	2G212-69/29	5/8 (15.9)	3/8 (9.5)	53 (24.0)	N/A	POE	12.4	20	810-10003		■		
AKA9442ZAADP/J	2G212-89/79	5/8 (15.9)	3/8 (9.5)	53 (24.0)	N/A	POE	12.4	20	810-10003	■	■	■	■
AKA9442ZNADK/A	2G213-39/09	3/8 (9.5)	1/4 (6.4)	53 (24.0)	N/A	POE	5.8	15	810-10002				
AKA9442ZNADC/G	2G213-59/19	5/8 (15.9)	3/8 (9.5)	54 (24.5)	2.7 (1.2)	POE	5.8	15	810-10002	■	■		
AKA9442ZNADS/H	2G213-69/29	5/8 (15.9)	3/8 (9.5)	53 (24)	N/A	POE	5.8	15	810-10002		■		
AKA9442ZNADP/J	2G213-89/79	5/8 (15.9)	3/8 (9.5)	53 (24)	N/A	POE	5.8	15	810-10002	■	■	■	■
AKA9457ZAADK/A	2G714-39/09	3/8 (9.5)	3/8 (9.5)	66 (29.9)	N/A	POE	13.0	20	810-10004				
AKA9457ZAADC/G	2G714-59/19	5/8 (15.9)	3/8 (9.5)	67 (30.4)	6.1 (2.8)	POE	13.0	20	810-10004	■	■		
AKA9457ZAADS/H	2G714-69/29	5/8 (15.9)	3/8 (9.5)	66 (29.9)	N/A	POE	13.0	20	810-10004		■		
AKA9457ZAADP/J	2G714-89/79	5/8 (15.9)	3/8 (9.5)	66 (29.9)	N/A	POE	13.0	20	810-10004	■	■	■	■
AKA9457ZNADK/A	2G715-39/09	3/8 (9.5)	3/8 (9.5)	66 (29.9)	N/A	POE	7.8	15	810-10041				
AKA9457ZNADC/G	2G715-59/19	5/8 (15.9)	3/8 (9.5)	67 (30.4)	6.1 (2.8)	POE	7.8	15	810-10041	■	■		
AKA9457ZNADS/H	2G715-69/29	5/8 (15.9)	3/8 (9.5)	66 (29.9)	N/A	POE	7.8	15	810-10041		■		
AKA9457ZNADP/J	2G715-89/79	5/8 (15.9)	3/8 (9.5)	66 (29.9)	N/A	POE	7.8	15	810-10041	■	■	■	■
AKA9463ZAADK/A	2G717-39/09	3/8 (9.5)	3/8 (9.5)	66 (29.9)	N/A	POE	16.3	25	810-10004				
AKA9463ZAADC/G	2G717-59/19	5/8 (15.9)	3/8 (9.5)	67 (30.4)	6.1 (2.8)	POE	16.3	25	810-10004	■	■		
AKA9463ZAADS/H	2G717-69/29	5/8 (15.9)	3/8 (9.5)	66 (29.9)	N/A	POE	16.3	25	810-10004		■		
AKA9463ZAADP/J	2G717-89/79	5/8 (15.9)	3/8 (9.5)	66 (29.9)	N/A	POE	16.3	25	810-10004	■	■	■	■
AKA9463ZNADK/A	2G718-39/09	3/8 (9.5)	3/8 (9.5)	66 (29.9)	N/A	POE	9.0	15	810-10041				
AKA9463ZNADC/G	2G718-59/19	5/8 (15.9)	3/8 (9.5)	67 (30.4)	6.1 (2.8)	POE	9.0	15	810-10041	■	■		
AKA9463ZNADS/H	2G718-69/29	5/8 (15.9)	3/8 (9.5)	66 (29.9)	N/A	POE	9.0	15	810-10041		■		
AKA9463ZNADP/J	2G718-89/79	5/8 (15.9)	3/8 (9.5)	66 (29.9)	N/A	POE	9.0	15	810-10041	■	■	■	■

[^] Options (see available options on page 23)

* Connections are ODF, unless otherwise stated.

Commercial Temperature

Model Number	Item Number (Bill of Material)	HP	Base Size	Ambient °F (°C)	Capacity (Btu/h) at Rated Conditions/ Evaporator Temperature									
					-5°F	0°F	5°F	10°F	15°F	20°F	25°F	30°F	35°F	40°F
					-20.6°C	-17.8°C	-15.0°C	-12.2°C	-9.4°C	-6.7°C	-3.9°C	-1.1°C	1.7°C	4.4°C
R22† CBP Application Range -5°F to 40°F (-20.6°C to 4.4°C)														
AKA9435EAAD*	2G303-**	1/2	S	90 (32.2)	1,850	2,120	2,430	2,760	3,120	3,510	3,930	4,370	4,850	5,350
				100 (37.8)	1,410	1,720	2,060	2,410	2,780	3,170	3,570	4,000	4,440	4,900
				110 (43.3)	1,140	1,450	1,760	2,100	2,450	2,810	3,190	3,580	3,990	---
AKA9435ENAD*	2G304-**	1/2	S	90 (32.2)	1,850	2,120	2,430	2,760	3,120	3,510	3,930	4,370	4,850	5,350
				100 (37.8)	1,410	1,720	2,060	2,410	2,780	3,170	3,570	4,000	4,440	4,900
				110 (43.3)	1,140	1,450	1,760	2,100	2,450	2,810	3,190	3,580	3,990	---
AKA9446EAAD*	2G214-**	1/2	M	90 (32.2)	2,200	2,600	3,050	3,500	4,050	4,600	5,150	5,700	6,300	6,900
				100 (37.8)	1,800	2,200	2,600	3,100	3,550	4,100	4,600	5,150	5,700	6,350
				110 (43.3)	1,400	1,750	2,150	2,600	3,100	3,600	4,100	4,700	5,200	5,800
AKA9446ENAD*	2G215-**	1/2	M	90 (32.2)	2,200	2,600	3,050	3,500	4,350	4,600	5,150	5,700	6,300	6,900
				100 (37.8)	1,800	2,200	2,600	3,100	3,550	4,100	4,600	5,150	5,700	6,350
				110 (43.3)	1,400	1,750	2,150	2,600	3,100	3,600	4,100	4,700	5,200	5,800
AKA9461ENAD*	2G716-**	3/4	L	90 (32.2)	3,000	3,500	4,100	4,700	5,400	6,100	6,900	7,700	8,500	9,300
				100 (37.8)	2,800	3,300	3,800	4,400	5,100	5,700	6,500	7,200	7,900	8,700
				110 (43.3)	---	---	3,500	4,100	4,700	5,300	6,000	6,700	7,500	8,200
AKA9470ENAD*	2G719-**	3/4	L	90 (32.2)	3,800	4,300	5,000	5,600	6,300	7,000	7,800	8,500	9,300	10,100
				100 (37.8)	3,300	3,800	4,500	5,100	5,700	6,400	7,100	7,800	8,600	9,300
				110 (43.3)	3,000	3,500	4,000	4,600	5,300	5,900	6,500	7,200	7,900	8,600
AJA9486ENAD*	2G1002-**	1	L	90 (32.2)	4,300	5,100	5,900	6,800	7,700	8,600	9,500	10,400	11,400	12,400
				100 (37.8)	3,700	4,500	5,200	6,100	6,900	7,800	8,600	9,500	10,500	11,400
				110 (43.3)	---	---	4,700	5,500	6,300	7,100	7,900	8,800	9,700	10,600

**Options (see available options on page 23)

Note: For more information on base sizes, refer to page 23.

† Or compatible equivalent.

Commercial Temperature

With / Without Power Cord [^]		Line Connections* in (mm)		Gross Weight lb (kg)	Pump Down Cap 90% lb (kg) @ 90°F Ambient	Oil Type	Min Circuit Ampacity	Max Fuse Size (Amps)	Fan Motor	Rec'r Tank	Srcv Valves	Filter Drier	Sight Glass
Model Number	Item Number (Bill of Material)	Suction	Liquid										
R22[†] CBP Application Range -5°F to 40°F (-20.6°C to 4.4°C)													
AKA9435EAADK/A	2G303-39/09	3/8 (9.5)	1/4 (6.4)	52 (23.6)	N/A	AB	9.5	15	810-10001				
AKA9435EAADC/G	2G303-59/19	1/2 (12.7)	3/8 (9.5)	54 (24.5)	2.5 (1.1)	AB	9.5	15	810-10001	■	■		
AKA9435EAADS/H	2G303-69/29	1/2 (12.7)	3/8 (9.5)	52 (23.6)	N/A	AB	9.5	15	810-10001		■		
AKA9435EAADP/J	2G303-89/79	1/2 (12.7)	3/8 (9.5)	52 (23.6)	N/A	AB	9.5	15	810-10001	■	■	■	■
AKA9435ENADK/A	2G304-39/09	3/8 (9.5)	1/4 (6.4)	52 (23.6)	N/A	AB	5.0	15	810-10000				
AKA9435ENADC/G	2G304-59/19	1/2 (12.7)	3/8 (9.5)	54 (24.5)	2.5 (1.1)	AB	5.0	15	810-10000	■	■		
AKA9435ENADS/H	2G304-69/29	1/2 (12.7)	3/8 (9.5)	52 (23.6)	N/A	AB	5.0	15	810-10000		■		
AKA9435ENADP/J	2G304-89/79	1/2 (12.7)	3/8 (9.5)	52 (23.6)	N/A	AB	5.0	15	810-10000	■	■	■	■
AKA9446EAADK/A	2G214-39/09	3/8 (9.5)	1/4 (6.4)	53 (24)	N/A	AB	11.9	20	810-10003				
AKA9446EAADC/G	2G214-59/19	1/2 (12.7)	3/8 (9.5)	54 (24.5)	3.1 (1.4)	AB	11.9	20	810-10003	■	■		
AKA9446EAADS/H	2G214-69/29	1/2 (12.7)	3/8 (9.5)	53 (24)	N/A	AB	11.9	20	810-10003		■		
AKA9446EAADP/J	2G214-89/79	1/2 (12.7)	3/8 (9.5)	53 (24)	N/A	AB	11.9	20	810-10003	■	■	■	■
AKA9446ENADK/A	2G215-39/09	3/8 (9.5)	1/4 (6.4)	53 (24)	N/A	AB	5.8	15	810-10002				
AKA9446ENADC/G	2G215-59/19	1/2 (12.7)	3/8 (9.5)	54 (24.5)	3.1 (1.4)	AB	5.8	15	810-10002	■	■		
AKA9446ENADS/H	2G215-69/29	1/2 (12.7)	3/8 (9.5)	53 (24)	N/A	AB	5.8	15	810-10002		■		
AKA9446ENADP/J	2G215-89/79	1/2 (12.7)	3/8 (9.5)	53 (24)	N/A	AB	5.8	15	810-10002	■	■	■	■
AKA9461ENADK/A	2G716-39/09	3/8 (9.5)	3/8 (9.5)	66 (29.9)	N/A	AB	7.0	15	810-10041				
AKA9461ENADC/G	2G716-59/19	5/8 (15.9)	3/8 (9.5)	67 (30.4)	7 (3.2)	AB	7.0	15	810-10041	■	■		
AKA9461ENADS/H	2G716-69/29	5/8 (15.9)	3/8 (9.5)	66 (29.9)	N/A	AB	7.0	15	810-10041		■		
AKA9461ENADP/J	2G716-89/79	5/8 (15.9)	3/8 (9.5)	66 (29.9)	N/A	AB	7.0	15	810-10041	■	■	■	■
AKA9470ENADK/A	2G719-39/09	3/8 (9.5)	3/8 (9.5)	66 (29.9)	N/A	AB	7.4	15	810-10041				
AKA9470ENADC/G	2G719-59/19	5/8 (15.9)	3/8 (9.5)	67 (30.4)	7.1 (3.2)	AB	7.4	15	810-10041	■	■		
AKA9470ENADS/H	2G719-69/29	5/8 (15.9)	3/8 (9.5)	66 (29.9)	N/A	AB	7.4	15	810-10041		■		
AKA9470ENADP/J	2G719-89/79	5/8 (15.9)	3/8 (9.5)	66 (29.9)	N/A	AB	7.4	15	810-10041	■	■	■	■
AJA9486ENADK/A	2G1002-39/09	3/8 (9.5)	3/8 (9.5)	76 (34.5)	N/A	AB	10.7	15	810-10041				
AJA9486ENADC/G	2G1002-59/19	5/8 (15.9)	3/8 (9.5)	77 (34.9)	7.1 (3.2)	AB	10.7	15	810-10041	■	■		
AJA9486ENADS/H	2G1002-69/29	5/8 (15.9)	3/8 (9.5)	76 (34.5)	N/A	AB	10.7	15	810-10041		■		
AJA9486ENADP/J	2G1002-89/79	5/8 (15.9)	3/8 (9.5)	76 (34.5)	N/A	AB	10.7	15	810-10041	■	■	■	■

[^] Options (see available options on page 23)

* Connections are ODF, unless otherwise stated.

[†] Or compatible equivalent.



High Temperature

Model Number	Item Number (Bill of Material)	HP	Base Size	Ambient °F (°C)	Capacity (Btu/h) at Rated Conditions/ Evaporator Temperature									
					10°F	15°F	20°F	25°F	30°F	35°F	40°F	45°F	50°F	55°F
					-12.2°C	-9.4°C	-6.7°C	-3.9°C	-1.1°C	1.7°C	4.4°C	7.2°C	10.0°C	12.7°C
R404A/R507 HBP Application Range +10°F to 55°F (-12.2°C to 12.7°C)														
AE4450Z-AA1*	2G225-***	1/2	S	90 (32.2)	---	---	1,840	2,030	2,250	2,490	2,750	3,030	3,320	3,620
				100 (37.8)	---	---	1,650	1,820	2,010	2,220	2,450	2,700	2,960	3,230
				110 (43.3)	---	---	1,460	1,610	1,770	1,960	2,160	2,380	2,610	2,850
AE4470Z-AA3*	2G229-***	1/2	S	90 (32.2)	---	---	2,500	2,800	3,110	3,450	3,810	4,180	4,560	4,950
				100 (37.8)	---	---	2,240	2,500	2,790	3,090	3,420	3,750	4,090	4,430
				110 (43.3)	---	---	1,980	2,220	2,470	2,740	3,030	3,330	3,630	3,930
R134a HBP Application Range +10°F to 55°F (-12.2°C to 12.7°C)														
AE4450Y-AA1*	2G224-***	1/2	S	90 (32.2)	---	---	1,400	1,620	1,860	2,120	2,410	2,710	3,020	3,480
				100 (37.8)	---	---	1,270	1,470	1,700	1,940	2,200	2,480	2,770	3,200
				110 (43.3)	---	---	1,150	1,330	1,540	1,760	2,000	2,260	2,520	2,930
AE4456Y-AA1*	2G226-***	1/2	S	90 (32.2)	---	---	1,550	1,810	2,090	2,380	2,680	2,990	3,310	3,780
				100 (37.8)	---	---	1,410	1,650	1,900	2,170	2,450	2,730	3,030	3,470
				110 (43.3)	---	---	1,280	1,490	1,730	1,970	2,220	2,480	2,750	3,170
AE4460Y-AA3*	2G227-***	1/2	M	90 (32.2)	---	---	1,440	1,710	2,000	2,320	2,650	3,000	3,490	3,900
				100 (37.8)	---	---	1,280	1,540	1,820	2,130	2,450	2,790	3,270	3,660
				110 (43.3)	---	---	1,110	1,370	1,650	1,940	2,250	2,580	3,050	3,420
AKA4457YAAD*	2G222-***	1/2	S	90 (32.2)	---	---	3,500	3,920	4,330	4,750	5,170	5,670	6,020	6,440
				100 (37.8)	---	---	3,110	3,500	3,890	4,280	4,670	5,070	5,460	5,860
				110 (43.3)	---	---	2,760	3,130	3,480	3,830	4,180	4,520	4,860	5,200
AKA4457YNAD*	2G223-***	1/2	S	90 (32.2)	---	---	3,500	3,920	4,330	4,750	5,170	5,670	6,020	6,440
				100 (37.8)	---	---	3,110	3,500	3,890	4,280	4,670	5,070	5,460	5,860
				110 (43.3)	---	---	2,760	3,130	3,480	3,830	4,180	4,520	4,860	5,200
AKA4472YAAD*	2G731-***	1/2	M	90 (32.2)	---	---	4,430	4,960	5,500	6,050	6,620	7,190	7,770	8,360
				100 (37.8)	---	---	3,930	4,420	4,930	5,440	5,960	6,500	7,040	7,600
				110 (43.3)	---	---	3,470	3,940	4,400	4,850	5,300	5,740	6,180	6,610
AKA4472YNAD*	2G732-***	1/2	M	90 (32.2)	---	---	4,430	4,960	5,500	6,050	6,620	7,190	7,770	8,360
				100 (37.8)	---	---	3,930	4,420	4,930	5,440	5,960	6,500	7,040	7,600
				110 (43.3)	---	---	3,470	3,940	4,400	4,850	5,300	5,740	6,180	6,610

*/** Options (see available options on page 23)

Note: For more information on base sizes, refer to page 23.

High Temperature

With / Without Power Cord [^]		Line Connections* in (mm)		Gross Weight lb (kg)	Pump Down Cap 90% lb (kg) @ 90°F Ambient	Oil Type	Min Circuit Ampacity	Max Fuse Size (Amps)	Fan Motor	Rec'r Tank	Srcv Valves	Filter Drier	Sight Glass
Model Number	Item Number (Bill of Material)	Suction	Liquid										
R404A/R507 HBP Application Range +10°F to 55°F (-12.2°C to 12.7°C)													
AE4450Z-AA1ADK/A	2G225-39/09	5/16 (7.9)	1/4 (6.4)	39 (17.7)	N/A	POE	11.9	20	810-10001				
AE4450Z-AA1ADC/G	2G225-59/19	1/2 (12.7)	3/8 (9.5)	41 (18.6)	2.5 (1.1)	POE	11.9	20	810-10001	■	■		
AE4450Z-AA1ADS/H	2G225-69/29	1/2 (12.7)	3/8 (9.5)	39 (17.7)	N/A	POE	11.9	20	810-10001		■		
AE4450Z-AA1ADP/J	2G225-89/79	1/2 (12.7)	3/8 (9.5)	39 (17.7)	N/A	POE	11.9	20	810-10001	■	■	■	■
AE4470Z-AA3CDK/A	2G229-39/09	3/8 (9.5)	1/4 (6.4)	45 (20.4)	N/A	POE	12.1	20	810-10003				
AE4470Z-AA3CDC/G	2G229-59/19	1/2 (12.7)	3/8 (9.5)	47 (21.3)	2.7 (1.2)	POE	12.1	20	810-10003	■	■		
AE4470Z-AA3CDS/H	2G229-69/29	1/2 (12.7)	3/8 (9.5)	45 (20.4)	N/A	POE	12.1	20	810-10003		■		
AE4470Z-AA3CDP/J	2G229-89/79	1/2 (12.7)	3/8 (9.5)	45 (20.4)	N/A	POE	12.1	20	810-10003	■	■	■	■
R134a HBP Application Range +10°F to 55°F (-12.2°C to 12.7°C)													
AE4450Y-AA1ADK/A	2G224-39/09	5/16 (7.9)	1/4 (6.4)	39 (17.7)	N/A	POE	10.5	15	810-10001				
AE4450Y-AA1ADC/G	2G224-59/19	1/2 (12.7)	3/8 (9.5)	41 (18.6)	2.9 (1.3)	POE	10.5	15	810-10001	■	■		
AE4450Y-AA1ADS/H	2G224-69/29	1/2 (12.7)	3/8 (9.5)	39 (17.7)	N/A	POE	10.5	15	810-10001		■		
AE4450Y-AA1ADP/J	2G224-89/79	1/2 (12.7)	3/8 (9.5)	39 (17.7)	N/A	POE	10.5	15	810-10001	■	■	■	■
AE4456Y-AA1CDK/A	2G226-39/09	3/8 (9.5)	1/4 (6.4)	39 (17.7)	N/A	POE	14.8	25	810-10001				
AE4456Y-AA1CDC/G	2G226-59/19	1/2 (12.7)	3/8 (9.5)	41 (18.6)	2.9 (1.3)	POE	14.8	25	810-10001	■	■		
AE4456Y-AA1CDS/H	2G226-69/29	1/2 (12.7)	3/8 (9.5)	39 (17.7)	N/A	POE	14.8	25	810-10001		■		
AE4456Y-AA1CDP/J	2G226-89/79	1/2 (12.7)	3/8 (9.5)	39 (17.7)	N/A	POE	14.8	25	810-10001	■	■	■	■
AE4460Y-AA3CDK/A	2G227-39/09	3/8 (9.5)	1/4 (6.4)	45 (20.4)	N/A	POE	11.6	20	810-10003				
AE4460Y-AA3CDC/G	2G227-59/19	1/2 (12.7)	3/8 (9.5)	47 (21.3)	3.2 (1.5)	POE	11.6	20	810-10003	■	■		
AE4460Y-AA3CDS/H	2G227-69/29	1/2 (12.7)	3/8 (9.5)	45 (20.4)	N/A	POE	11.6	20	810-10003		■		
AE4460Y-AA3CDP/J	2G227-89/79	1/2 (12.7)	3/8 (9.5)	45 (20.4)	N/A	POE	11.6	20	810-10003	■	■	■	■
AKA4457YAADK/A	2G222-39/09	3/8 (9.5)	1/4 (6.4)	52 (23.6)	N/A	POE	12.3	20	810-10001				
AKA4457YAADC/G	2G222-59/19	5/8 (15.9)	3/8 (9.5)	54 (24.5)	2.5 (1.1)	POE	12.3	20	810-10001	■	■		
AKA4457YAADS/H	2G222-69/29	5/8 (15.9)	3/8 (9.5)	52 (23.6)	N/A	POE	12.3	20	810-10001		■		
AKA4457YAADP/J	2G222-89/79	5/8 (15.9)	3/8 (9.5)	52 (23.6)	N/A	POE	12.3	20	810-10001	■	■	■	■
AKA4457YNADK/A	2G223-39/09	3/8 (9.5)	1/4 (6.4)	52 (23.6)	N/A	POE	6.3	15	810-10000				
AKA4457YNADC/G	2G223-59/19	5/8 (15.9)	3/8 (9.5)	54 (24.5)	2.5 (1.1)	POE	6.3	15	810-10000	■	■		
AKA4457YNADS/H	2G223-69/29	5/8 (15.9)	3/8 (9.5)	52 (23.6)	N/A	POE	6.3	15	810-10000		■		
AKA4457YNADP/J	2G223-89/79	5/8 (15.9)	3/8 (9.5)	52 (23.6)	N/A	POE	6.3	15	810-10000	■	■	■	■
AKA4472YAADK/A	2G731-39/09	3/8 (9.5)	1/4 (6.4)	53 (24)	N/A	POE	15.0	25	810-10003				
AKA4472YAADC/G	2G731-59/19	5/8 (15.9)	3/8 (9.5)	54 (24.5)	3.2 (1.5)	POE	15.0	25	810-10003	■	■		
AKA4472YAADS/H	2G731-69/29	5/8 (15.9)	3/8 (9.5)	53 (24)	N/A	POE	15.0	25	810-10003		■		
AKA4472YAADP/J	2G731-89/79	5/8 (15.9)	3/8 (9.5)	53 (24)	N/A	POE	15.0	25	810-10003	■	■	■	■
AKA4472YNADK/A	2G732-39/09	3/8 (9.5)	1/4 (6.4)	53 (24)	N/A	POE	7.5	15	810-10002				
AKA4472YNADC/G	2G732-59/19	5/8 (15.9)	3/8 (9.5)	54 (24.5)	3.2 (1.5)	POE	7.5	15	810-10002	■	■		
AKA4472YNADS/H	2G732-69/29	5/8 (15.9)	3/8 (9.5)	53 (24)	N/A	POE	7.5	15	810-10002		■		
AKA4472YNADP/J	2G732-89/79	5/8 (15.9)	3/8 (9.5)	53 (24)	N/A	POE	7.5	15	810-10002	■	■	■	■

[^] Options (see available options on page 23)

* Connections are ODF, unless otherwise stated.



Tecumseh

Celsoen AE², AK/AJ

High Temperature

Model Number	Item Number (Bill of Material)	HP	Base Size	Ambient °F (°C)	Capacity (Btu/h) at Rated Conditions/ Evaporator Temperature									
					10°F	15°F	20°F	25°F	30°F	35°F	40°F	45°F	50°F	55°F
					-12.2°C	-9.4°C	-6.7°C	-3.9°C	-1.1°C	1.7°C	4.4°C	7.2°C	10.0°C	12.7°C
R134a HBP Application Range +10°F to 55°F (-12.2°C to 12.7°C) continued														
AJA4480YAAD*	2G733-**	3/4	M	90 (32.2)	---	---	4,790	5,330	5,870	6,410	6,950	7,550	7,990	---
				100 (37.8)	---	---	4,300	4,800	5,300	5,800	6,290	6,780	7,250	---
				110 (43.3)	---	---	3,830	4,290	4,750	5,210	5,660	6,110	6,530	---
AJA4480YNAD*	2G734-**	3/4	M	90 (32.2)	---	---	4,790	5,330	5,870	6,410	6,950	7,550	7,990	---
				100 (37.8)	---	---	4,300	4,800	5,300	5,800	6,290	6,780	7,250	---
				110 (43.3)	-	---	3,830	4,290	4,750	5,210	5,660	6,110	6,530	---

R12† HBP Application Range +10°F to 55°F (-12.2°C to 12.7°C)														
AJA4456AAAD*	2G220-**	1/2	S	90 (32.2)	---	---	3,800	4,180	4,530	4,900	5,300	5,680	---	---
				100 (37.8)	---	---	3,500	3,860	4,200	4,580	4,950	5,330	---	---
				110 (43.3)	---	---	3,280	3,600	3,940	4,300	4,680	5,050	---	---
AJA4456ANAD*	2G221-**	1/2	S	90 (32.2)	---	---	3,800	4,180	4,530	4,900	5,300	5,680	---	---
				100 (37.8)	---	---	3,500	3,860	4,200	4,580	4,950	5,330	---	---
				110 (43.3)	---	---	3,280	3,600	3,940	4,300	4,680	5,050	---	---
AJA4488AAAD*	2G737-**	3/4	M	90 (32.2)	---	---	5,800	6,380	6,950	7,580	8,200	8,800	9,500	---
				100 (37.8)	---	---	5,450	6,000	6,550	7,180	7,800	8,400	9,050	---
				110 (43.3)	---	---	5,100	5,650	6,200	6,800	7,400	8,000	8,600	---
AJA4488ANAD*	2G738-**	3/4	M	90 (32.2)	---	---	5,800	6,380	6,950	7,580	8,200	8,800	9,500	---
				100 (37.8)	---	---	5,450	6,000	6,550	7,180	7,800	8,400	9,050	---
				110 (43.3)	---	---	5,100	5,650	6,200	6,800	7,400	8,000	8,600	---
AJA4512ANAD*	2G1020-**	1	L	90 (32.2)	---	---	7,400	8,200	8,900	9,840	10,780	11,780	12,780	---
				100 (37.8)	---	---	7,050	7,800	8,600	9,400	10,200	11,150	12,150	---
				110 (43.3)	---	---	6,700	7,400	8,000	8,800	9,600	10,500	10,500	---

** Options (see available options on page 23)

† Or compatible equivalent.

Note: For more information on base sizes, refer to page 23.

High Temperature

With / Without Power Cord [^]		Line Connections* in (mm)		Gross Weight lb (kg)	Pump Down Cap 90% lb (kg) @ 90°F Ambient	Oil Type	Min Circuit Ampacity	Max Fuse Size (Amps)	Fan Motor	Rec'r Tank	Srvc Valves	Filter Drier	Sight Glass
Model Number	Item Number (Bill of Material)	Suction	Liquid										
R134a HBP Application Range +10°F to 55°F (-12.2°C to 12.7°C) continued													
AJA4480YAADK/A	2G733-39/09	3/8 (9.5)	1/4 (6.4)	63 (28.6)	N/A	POE	17.1	30	810-10003				
AJA4480YAADC/G	2G733-59/19	5/8 (15.9)	3/8 (9.5)	64 (29)	3.2 (1.5)	POE	17.1	30	810-10003	■	■		
AJA4480YAADS/H	2G733-69/29	5/8 (15.9)	3/8 (9.5)	63 (28.6)	N/A	POE	17.1	30	810-10003		■		
AJA4480YAADP/J	2G733-89/79	5/8 (15.9)	3/8 (9.5)	63 (28.6)	N/A	POE	17.1	30	810-10003	■	■	■	■
AJA4480YXNADK/A	2G734-39/09	3/8 (9.5)	1/4 (6.4)	63 (28.6)	N/A	POE	9.2	15	810-10002				
AJA4480YNADC/G	2G734-59/19	5/8 (15.9)	3/8 (9.5)	64 (29)	3.2 (1.5)	POE	9.2	15	810-10002	■	■		
AJA4480YNADS/H	2G734-69/29	5/8 (15.9)	3/8 (9.5)	63 (28.6)	N/A	POE	9.2	15	810-10002		■		
AJA4480YNADP/J	2G734-89/79	5/8 (15.9)	3/8 (9.5)	63 (28.6)	N/A	POE	9.2	15	810-10002	■	■	■	■
R12[†] HBP Application Range +10°F to 55°F (-12.2°C to 12.7°C)													
AJA4456AAADK/A	2G220-39/09	3/8 (9.5)	1/4 (6.4)	62 (28.1)	N/A	AB	11.8	20	810-10001				
AJA4456AAADC/G	2G220-59/19	5/8 (15.9)	3/8 (9.5)	64 (29)	2.8 (1.3)	AB	11.8	20	810-10001	■	■		
AJA4456AAADS/H	2G220-69/29	5/8 (15.9)	3/8 (9.5)	62 (28.1)	N/A	AB	11.8	20	810-10001		■		
AJA4456AAADP/J	2G220-89/79	5/8 (15.9)	3/8 (9.5)	62 (28.1)	N/A	AB	11.8	20	810-10001	■	■	■	■
AJA4456ANADK/A	2G221-39/09	3/8 (9.5)	1/4 (6.4)	62 (28.1)	N/A	AB	5.9	15	810-10000				
AJA4456ANADC/G	2G221-59/19	5/8 (15.9)	3/8 (9.5)	64 (29)	2.8 (1.3)	AB	5.9	15	810-10000	■	■		
AJA4456ANADS/H	2G221-69/29	5/8 (15.9)	3/8 (9.5)	62 (28.1)	N/A	AB	5.9	15	810-10000		■		
AJA4456ANADP/J	2G221-89/79	5/8 (15.9)	3/8 (9.5)	62 (28.1)	N/A	AB	5.9	15	810-10000	■	■	■	■
AJA4488AAADK/A	2G737-39/09	3/8 (9.5)	1/4 (6.4)	63 (28.6)	N/A	AB	18.0	30	810-10003				
AJA4488AAADC/G	2G737-59/19	5/8 (15.9)	3/8 (9.5)	64 (29)	3.4 (1.5)	AB	18.0	30	810-10003	■	■		
AJA4488AAADS/H	2G737-69/29	5/8 (15.9)	3/8 (9.5)	63 (28.6)	N/A	AB	18.0	30	810-10003		■		
AJA4488AAADP/J	2G737-89/79	5/8 (15.9)	3/8 (9.5)	63 (28.6)	N/A	AB	18.0	30	810-10003	■	■	■	■
AJA4488ANADK/A	2G738-39/09	3/8 (9.5)	1/4 (6.4)	63 (28.6)	N/A	AB	9.2	15	810-10002				
AJA4488ANADC/G	2G738-59/19	5/8 (15.9)	3/8 (9.5)	64 (29)	3.4 (1.5)	AB	9.2	15	810-10002	■	■		
AJA4488ANADS/H	2G738-69/29	5/8 (15.9)	3/8 (9.5)	63 (28.6)	N/A	AB	9.2	15	810-10002		■		
AJA4488ANADP/J	2G738-89/79	5/8 (15.9)	3/8 (9.5)	63 (28.6)	N/A	AB	9.2	15	810-10002	■	■	■	■
AJA4512ANADK/A	2G1020-39/09	3/8 (9.5)	3/8 (9.5)	76 (34.5)	N/A	AB	9.2	15	810-10041				
AJA4512ANADC/G	2G1020-59/19	5/8 (15.9)	3/8 (9.5)	77 (34.9)	7.8 (3.5)	AB	9.2	15	810-10041	■	■		
AJA4512ANADS/H	2G1020-69/29	5/8 (15.9)	3/8 (9.5)	76 (34.5)	N/A	AB	9.2	15	810-10041		■		
AJA4512ANADP/J	2G1020-89/79	5/8 (15.9)	3/8 (9.5)	76 (34.5)	N/A	AB	9.2	15	810-10041	■	■	■	■

[^] Options (see available options on page 23)

* Connections are ODF, unless otherwise stated.

[†] Or compatible equivalent.



Medium Temperature														
Model Number	Item Number (Bill of Material)	HP	Base Size	Ambient °F (°C)	Capacity (Btu/h) at Rated Conditions/ Evaporator Temperature									
					-5°F	0°F	5°F	10°F	15°F	20°F	25°F	30°F	35°F	40°F
					-20.6°C	-17.8°C	-15.0°C	-12.2°C	-9.4°C	-6.7°C	-3.9°C	-1.1°C	1.7°C	4.4°C
R404A/R507 MBP Application Range -5°F to 40°F (-20.6°C to 4.4°C)														
AJA7480ZNAD*	2G1010-**/*	1	L	90 (32.2)	5,180	5,760	6,330	6,880	7,420	7,940	8,450	9,140	9,420	---
				100 (37.8)	4,450	4,960	5,460	5,950	6,420	6,880	7,330	7,930	8,180	---
				110 (43.3)	3,780	4,250	4,700	5,130	5,540	5,920	6,280	6,750	6,940	---
R134a MBP Application Range -5°F to 40°F (-20.6°C to 4.4°C)														
AKA7437YAAD*	2G209-**	1/2	S	90 (32.2)	1,840	2,180	2,540	2,910	3,290	3,750	4,080	4,660	4,920	---
				100 (37.8)	1,540	1,870	2,200	2,550	2,900	3,270	3,640	4,180	4,420	---
				110 (43.3)	1,200	1,520	1,850	2,190	2,530	2,870	3,220	3,720	3,940	---
AJA7455YAAD*	2G710-**	3/4	M	90 (32.2)	2,910	3,410	3,910	4,440	4,980	5,540	6,120	6,710	7,320	---
				100 (37.8)	2,470	2,930	3,400	3,900	4,410	4,950	5,500	6,080	6,670	---
				110 (43.3)	2,060	2,490	2,940	3,400	3,880	4,380	4,900	5,430	5,980	---
AJA7455YNAD*	2G711-**	3/4	M	90 (32.2)	2,910	3,410	3,910	4,440	4,980	5,540	6,120	6,710	7,320	---
				100 (37.8)	2,470	2,930	3,400	3,900	4,410	4,950	5,500	6,080	6,670	---
				110 (43.3)	2,060	2,490	2,940	3,400	3,880	4,380	4,900	5,430	5,980	---
R12† MBP Application Range -5°F to 40°F (-20.6°C to 4.4°C)														
AJA7444AAAD*	2G210-**	1/2	S	90 (32.2)	---	2,860	3,240	3,610	4,000	4,400	4,820	5,280	---	---
				100 (37.8)	---	2,630	2,990	3,350	3,730	4,120	4,500	5,000	---	---
				110 (43.3)	---	2,390	2,740	3,090	3,480	3,830	4,200	4,630	---	---
AJA7444ANAD*	2G211-**	1/2	S	90 (32.2)	---	2,860	3,240	3,610	4,000	4,400	4,820	5,280	---	---
				100 (37.8)	---	2,630	2,990	3,350	3,730	4,120	4,500	5,000	---	---
				110 (43.3)	---	2,390	2,740	3,090	3,480	3,830	4,200	4,630	---	---
AJA7465AAAD*	2G712-**	3/4	M	90 (32.2)	---	4,260	4,810	5,360	5,960	6,560	7,200	7,650	---	---
				100 (37.8)	---	4,020	4,570	5,110	5,690	6,300	6,880	7,510	---	---
				110 (43.3)	---	3,780	4,310	4,830	5,450	6,080	6,600	7,190	---	---
AJB7465ANAD*	2G713-**	3/4	M	90 (32.2)	---	4,260	4,810	5,360	5,960	6,560	7,200	7,650	---	---
				100 (37.8)	---	4,020	4,570	5,110	5,690	6,300	6,880	7,510	---	---
				110 (43.3)	---	3,780	4,310	4,830	5,450	6,080	6,600	7,190	---	---

*/** Options (see available options on page 23)

† Or compatible equivalent.

Note: For more information on base sizes, refer to page 23.

Medium Temperature

With / Without Power Cord [^]		Line Connections* in (mm)		Gross Weight lb (kg)	Pump Down Cap 90% lb (kg) @ 90°F Ambient	Oil Type	Min Circuit Ampacity	Max Fuse Size (Amps)	Fan Motor	Rec'r Tank	Srcv Valves	Filter Drier	Sight Glass
Model Number	Item Number (Bill of Material)	Suction	Liquid										
R404A/R507 MBP Application Range -5°F to 40°F (-20.6°C to 4.4°C)													
AJA7480ZNADK/A	2G1010-39/09	3/8 (9.5)	3/8 (9.5)	76 (28.6)	N/A	POE	12.0	20	810-10041				
AJA7480ZNADC/G	2G1010-59/19	5/8 (15.9)	3/8 (9.5)	77 (29)	6.1 (2.8)	POE	12.0	20	810-10041	■	■		
AJA7480ZXNADS/H	2G1010-69/29	5/8 (15.9)	3/8 (9.5)	76 (28.6)	N/A	POE	12.0	20	810-10041		■		
AJA7480ZXNADP/J	2G1010-89/79	5/8 (15.9)	3/8 (9.5)	76 (28.6)	N/A	POE	12.0	20	810-10041	■	■	■	■
R4134a MBP Application Range -5°F to 40°F (-20.6°C to 4.4°C)													
AKA7437YAADK/A	2G209-39/09	3/8 (9.5)	1/4 (6.4)	52 (23.6)	N/A	POE	14.5	25	810-10001				
AKA7437YAADC/G	2G209-59/19	5/8 (15.9)	3/8 (9.5)	54 (24.5)	2.5 (1.1)	POE	14.5	25	810-10001	■	■		
AKA7437YAADS/H	2G209-69/29	5/8 (15.9)	3/8 (9.5)	52 (23.6)	N/A	POE	14.5	25	810-10001		■		
AKA7437YAADP/J	2G209-89/79	5/8 (15.9)	3/8 (9.5)	52 (23.6)	N/A	POE	14.5	25	810-10001	■	■	■	■
AJA7455YAADK/A	2G710-39/09	3/8 (9.5)	1/4 (6.4)	63 (28.6)	N/A	POE	13.5	20	810-10003				
AJA7455YAADC/G	2G710-59/19	5/8 (15.9)	3/8 (9.5)	64 (29)	3.2 (1.5)	POE	13.5	20	810-10003	■	■		
AJA7455YAADS/H	2G710-69/29	5/8 (15.9)	3/8 (9.5)	63 (28.6)	N/A	POE	13.5	20	810-10003		■		
AJA7455YAADP/J	2G710-89/79	5/8 (15.9)	3/8 (9.5)	63 (28.6)	N/A	POE	13.5	20	810-10003	■	■	■	■
AJA7455YNADK/A	2G711-39/09	3/8 (9.5)	1/4 (6.4)	63 (28.6)	N/A	POE	8.5	15	810-10002				
AJA7455YNADC/G	2G711-59/19	5/8 (15.9)	3/8 (9.5)	64 (29)	3.2 (1.5)	POE	8.5	15	810-10002	■	■		
AJA7455YNADS/H	2G711-69/29	5/8 (15.9)	3/8 (9.5)	63 (28.6)	N/A	POE	8.5	15	810-10002		■		
AJA7455YNADP/J	2G711-89/79	5/8 (15.9)	3/8 (9.5)	63 (28.6)	N/A	POE	8.5	15	810-10002	■	■	■	■
R12[†] MBP Application Range -5°F to 40°F (-20.6°C to 4.4°C)													
AJA7444AAADK/A	2G210-39/09	3/8 (9.5)	1/4 (6.4)	62 (28.6)	N/A	AB	11.4	20	810-10001				
AJA7444AAADC/G	2G210-59/19	5/8 (15.9)	3/8 (9.5)	64 (29)	2.8 (1.3)	AB	11.4	20	810-10001	■	■		
AJA7444AAADS/H	2G210-69/29	5/8 (15.9)	3/8 (9.5)	62 (28.6)	N/A	AB	11.4	20	810-10001		■		
AJA7444AAADP/J	2G210-89/79	5/8 (15.9)	3/8 (9.5)	62 (28.6)	N/A	AB	11.4	20	810-10001	■	■	■	■
AJA7444ANADK/A	2G211-39/09	3/8 (9.5)	1/4 (6.4)	62 (28.6)	N/A	AB	6.5	15	810-10000				
AJA7444ANADC/G	2G211-59/19	5/8 (15.9)	3/8 (9.5)	64 (29)	2.8 (1.3)	AB	6.5	15	810-10000	■	■		
AJA7444ANADS/H	2G211-69/29	5/8 (15.9)	3/8 (9.5)	62 (28.6)	N/A	AB	6.5	15	810-10000		■		
AJA7444ANADP/J	2G211-89/79	5/8 (15.9)	3/8 (9.5)	62 (28.6)	N/A	AB	6.5	15	810-10000	■	■	■	■
AJA7465AAADK/A	2G712-39/09	3/8 (9.5)	1/4 (6.4)	63 (28.6)	N/A	AB	15.4	25	810-10003				
AJA7465AAADC/G	2G712-59/19	5/8 (15.9)	3/8 (9.5)	64 (29)	3.4 (1.5)	AB	15.4	25	810-10003	■	■		
AJA7465AAADS/H	2G712-69/29	5/8 (15.9)	3/8 (9.5)	63 (28.6)	N/A	AB	15.4	25	810-10003		■		
AJA7465AAADP/J	2G712-89/79	5/8 (15.9)	3/8 (9.5)	63 (28.6)	N/A	AB	15.4	25	810-10003	■	■	■	■
AJB7465ANADK/A	2G713-39/09	3/8 (9.5)	1/4 (6.4)	63 (28.6)	N/A	AB	9.2	15	810-10002				
AJB7465ANADC/G	2G713-59/19	5/8 (15.9)	3/8 (9.5)	64 (29)	3.4 (1.5)	AB	9.2	15	810-10002	■	■		
AJB7465ANADS/H	2G713-69/29	5/8 (15.9)	3/8 (9.5)	63 (28.6)	N/A	AB	9.2	15	810-10002		■		
AJB7465ANADP/J	2G713-89/79	5/8 (15.9)	3/8 (9.5)	63 (28.6)	N/A	AB	9.2	15	810-10002	■	■	■	■

[^]Options (see available options on page 23)

* Connections are ODF, unless otherwise stated.

[†] Or compatible equivalent.



Low Temperature

Model Number	Item Number (Bill of Material)	HP	Base Size	Ambient °F (°C)	Capacity (Btu/h) at Rated Conditions/ Evaporator Temperature (°F)									
					-40°F	-35°F	-30°F	-25°F	-20°F	-15°F	-10°F	-5°F	0°F	5°F
					-40.0°C	-37.2°C	-34.4°C	-31.7°C	-28.9°C	-26.1°C	-23.3°C	-20.6°C	-17.8°C	-15.0°C
R404A/R507 LBP Application Range -40°F to 5°F (-40°C to -15.0°C)														
AJA2423ZAAD*	2G202-***	1/2	S	90 (32.2)	820	1,030	1,250	1,490	1,730	1,990	2,310	2,570	2,820	3,120
				100 (37.8)	630	830	1,040	1,260	1,490	1,720	1,960	2,220	2,470	2,740
				110 (43.3)	350	590	800	1,020	1,240	1,470	1,690	1,920	2,150	2,380
AE2425Z-AA3*	2G740-***	3/4	M	90 (32.2)	990	1,180	1,390	1,610	1,850	2,100	2,440	2,640	2,920	3,210
				100 (37.8)	850	1,030	1,220	1,420	1,640	1,870	2,110	2,360	2,610	2,870
				110 (43.3)	730	880	1,050	1,240	1,440	1,640	1,860	2,080	2,310	2,540
AKA2430ZAAD*	2G739-***	3/4	M	90 (32.2)	820	1,150	1,490	1,850	2,220	2,600	3,000	3,360	3,750	4,130
				100 (37.8)	540	850	1,170	1,510	1,850	2,200	2,560	2,910	3,260	3,610
				110 (43.3)	290	570	870	1,190	1,510	1,830	2,150	2,480	2,800	3,110
AJB2439ZAAD*	2G701-***	1	M	90 (32.2)	1,750	2,070	2,410	2,770	3,140	3,520	3,900	4,280	4,640	4,990
				100 (37.8)	1,500	1,780	2,080	2,410	2,740	3,080	3,410	3,750	4,070	4,360
				110 (43.3)	1,260	1,510	1,780	2,060	2,360	2,650	2,950	3,230	3,500	3,750
AJB2447ZNAD*	2G1001-***	1-1/4	M	90 (32.2)	2,090	2,460	2,860	3,280	3,730	4,190	4,650	5,110	5,550	5,970
				100 (37.8)	1,770	2,100	2,470	2,850	3,260	3,670	4,090	4,500	4,890	5,250
				110 (43.3)	1,470	1,770	2,100	2,440	2,810	3,180	3,540	3,900	4,230	4,530
R134a LBP Application Range -40°F to 5°F (-40°C to -15.0°C)														
AJA2423YAAD*	2G201-***	1/2	S	90 (32.2)	160	360	740	1,120	1,520	1,920	2,320	2,720	3,110	3,490
				100 (37.8)	130	200	320	700	1,090	1,480	1,870	2,260	2,640	3,000
				110 (43.3)	100	160	220	310	690	1,070	1,450	1,820	2,190	2,550
R12[†] LBP Application Range -40°F to 5°F (-40°C to -15.0°C)														
AJA2427AAAD*	2G203-***	3/4	S	90 (32.2)	1,180	1,400	1,630	1,890	2,160	2,470	2,780	3,090	3,400	3,780
				100 (37.8)	1,000	1,260	1,500	1,750	2,000	2,300	2,600	2,920	3,230	3,580
				110 (43.3)	830	1,080	1,340	1,620	1,890	2,160	2,430	2,740	3,050	3,390
AJA2427ANAD*	2G204-***	3/4	S	90 (32.2)	1,180	1,400	1,630	1,890	2,160	2,470	2,780	3,090	3,400	3,780
				100 (37.8)	1,000	1,250	1,500	1,750	2,000	2,300	2,600	2,910	3,230	3,580
				110 (43.3)	830	1,080	1,340	1,620	1,890	2,160	2,430	2,740	3,050	3,390

*/** Options (see available options on page 23)

[†] Or compatible equivalent.

Note: For more information on base sizes, refer to page 23.

Low Temperature

With / Without Power Cord [^]		Line Connections* in (mm)		Gross Weight lb/kg	Pump Down Cap 90% lb (kg) @ 90°F Ambient	Oil Type	Min Circuit Ampacity	Max Fuse Size (Amps)	Fan Motor	Rec'r Tank	Srcv Valves	Filter Drier	Sight Glass
Model Number	Item Number (Bill of Material)	Suction	Liquid										
R404A/R507 LBP Application Range -40°F to 5°F (-40°C to -15.0°C)													
AJA2423ZAADK/A	2G202-39/09	3/8 (9.5)	1/4 (6.4)	62 (28.1)	N/A	POE	10.5	15	810-10001				
AJA2423ZAADC/G	2G202-59/19	5/8 (15.9)	3/8 (9.5)	64 (29)	2.2 (1)	POE	10.5	15	810-10001	■	■		
AJA2423ZAADS/H	2G202-69/29	5/8 (15.9)	3/8 (9.5)	62 (28.1)	N/A	POE	10.5	15	810-10001		■		
AJA2423ZAADP/J	2G202-89/79	5/8 (15.9)	3/8 (9.5)	62 (28.1)	N/A	POE	10.5	15	810-10001	■	■	■	■
AE2425Z-AA3CDK/A	2G740-39/09	5/16 (7.9)	5/16 (7.9)	45 (28.6)	N/A	POE	8.9	15	810-10003				
AE2425Z-AA3CDC/G	2G740-59/19	5/8 (15.9)	3/8 (9.5)	47 (29)	2.7 (1.2)	POE	8.9	15	810-10003	■	■		
AE2425Z-AA3CDS/H	2G740-69/29	5/8 (15.9)	3/8 (9.5)	45 (28.6)	N/A	POE	8.9	15	810-10003		■		
AE2425Z-AA3CDP/J	2G740-89/79	5/8 (15.9)	3/8 (9.5)	45 (28.6)	N/A	POE	8.9	15	810-10003	■	■	■	■
AKA2430ZAADK/A	2G739-39/09	3/8 (9.5)	1/4 (6.4)	63 (28.6)	N/A	POE	9.1	15	810-10003				
AKA2430ZAADC/G	2G739-59/19	5/8 (15.9)	3/8 (9.5)	64 (29)	2.7 (1.2)	POE	9.1	15	810-10003	■	■		
AKA2430ZAADS/H	2G739-69/29	5/8 (15.9)	3/8 (9.5)	63 (28.6)	N/A	POE	9.1	15	810-10003		■		
AKA2430ZAADP/J	2G739-89/79	5/8 (15.9)	3/8 (9.5)	63 (28.6)	N/A	POE	9.1	15	810-10003	■	■	■	■
AJB2439ZAADK/A	2G701-39/09	3/8 (9.5)	1/4 (6.4)	63 (28.6)	N/A	POE	14.1	20	810-10003				
AJB2439ZAADC/G	2G701-59/19	5/8 (15.9)	3/8 (9.5)	64 (29)	2.7 (1.2)	POE	14.1	20	810-10003	■	■		
AJB2439ZAADS/H	2G701-69/29	5/8 (15.9)	3/8 (9.5)	63 (28.6)	N/A	POE	14.1	20	810-10003		■		
AJB2439ZAADP/J	2G701-89/79	5/8 (15.9)	3/8 (9.5)	63 (28.6)	N/A	POE	14.1	20	810-10003	■	■	■	■
AJB2447ZNADK/A	2G1001-39/09	3/8 (9.5)	1/4 (6.4)	63 (28.6)	N/A	POE	11.1	15	810-10002				
AJB2447ZNADC/G	2G1001-59/19	5/8 (15.9)	3/8 (9.5)	64 (29)	2.7 (1.2)	POE	11.1	15	810-10002	■	■		
AJB2447ZNADS/H	2G1001-69/29	5/8 (15.9)	3/8 (9.5)	63 (28.6)	N/A	POE	11.1	15	810-10002	■	■		
AJB2447ZNADP/J	2G1001-89/79	5/8 (15.9)	3/8 (9.5)	63 (28.6)	N/A	POE	11.1	15	810-10002	■	■	■	■
R4134a LBP Application Range -40°F to 5°F (-40°C to -15.0°C)													
AJA2423YAADK/A	2G201-39/09	3/8 (9.5)	1/4 (6.4)	62 (28.1)	N/A	POE	9.5	15	810-10001				
AJA2423YAADC/G	2G201-59/19	5/8 (15.9)	3/8 (9.5)	64 (29)	2.5 (1.1)	POE	9.5	15	810-10001	■	■		
AJA2423YAADS/H	2G201-69/29	5/8 (15.9)	3/8 (9.5)	62 (28.1)	N/A	POE	9.5	15	810-10001		■		
AJA2423YAADP/J	2G201-89/79	5/8 (15.9)	3/8 (9.5)	62 (28.1)	N/A	POE	9.5	15	810-10001	■	■	■	■
R12[†] LBP Application Range -40°F to 5°F (-40°C to -15.0°C)													
AJA2427AAADK/A	2G203-39/09	3/8 (9.5)	1/4 (6.4)	62 (28.1)	N/A	AB	10.3	15	810-10001				
AJA2427AAADC/G	2G203-59/19	5/8 (15.9)	3/8 (9.5)	64 (29)	2.8 (1.3)	AB	10.3	15	810-10001	■	■		
AJA2427AAADS/H	2G203-69/29	5/8 (15.9)	3/8 (9.5)	62 (28.1)	N/A	AB	10.3	15	810-10001		■		
AJA2427AAADP/J	2G203-89/79	5/8 (15.9)	3/8 (9.5)	62 (28.1)	N/A	AB	10.3	15	810-10001	■	■	■	■
AJA2427ANADK/A	2G204-39/09	3/8 (9.5)	1/4 (6.4)	62 (28.6)	N/A	AB	5.7	15	810-10000				
AJA2427ANADC/G	2G204-59/19	5/8 (15.9)	3/8 (9.5)	64 (29)	2.8 (1.3)	AB	5.7	15	810-10000	■	■		
AJA2427ANADS/H	2G204-69/29	5/8 (15.9)	3/8 (9.5)	62 (28.6)	N/A	AB	5.7	15	810-10000		■		
AJA2427ANADP/J	2G204-89/79	5/8 (15.9)	3/8 (9.5)	62 (28.6)	N/A	AB	5.7	15	810-10000	■	■	■	■

[^]Options (see available options on page 23)

* Connections are ODF, unless otherwise stated.

[†] Or compatible equivalent.



Celseon® AJ Large Pump Down

Best Fit for Ease of Installation and Application.

As a complement to the existing line of Celseon Air Cooled Condensing Units, Large Pump Down models offer an oversized receiver tank for added refrigerant storage to accommodate a larger refrigerant charge and/or longer line set lengths.

The Large Pump Down is a fully featured model with oversized receiver tank, service valves, sweat connections, and power cord as standard while boasting a variety of optional features including low pressure controls, filter drier and sight glass - all on a 20" x 14.3" (508 mm x 363.2 mm) base plate.

While the Large Pump Down models continue to offer user friendly maintenance features, such as easy to remove assemblies, they also include line set connections of 5/8" (15.9 mm) ODF Suction and 3/8" (9.5 mm) ODF Liquid for ease of installation and field replacement.

All models are 3/4 Horsepower for use in a wide range of applications including HBP, MBP, and LBP. Models are available for use with refrigerants R404A/R507, R134a, and, R12 and, it's compatible replacement blends.

FEATURES AND BENEFITS

• COMMON FOOTPRINT

Utilizes standard Celseon modular base plate while keeping space requirements to a minimum.

• EASY MAINTENANCE

Simple to remove condenser fan shroud and motor assembly for ease of cleaning and service

• OVER SIZED RECEIVER TANK

Greater Pump Down Capacity houses a larger refrigerant charge and provides for longer line set lengths

• STANDARD SIZED LINE CONNECTIONS

5/8" (15.9 mm) Suction - 3/8" (9.5 mm) Liquid ODF provide ease of installation and service



• SAVES TIME & MONEY

Power cord, Sweat connections, Service valves, and Electrical screw terminations simplify installation and service.

• LOW PRESSURE CONTROLS (optional)

Adjustable settings for optimal regulation of the system's suction pressure, providing greater safety and control

SPECIFICATIONS

Application

Evaporating Ranges:	High Temperature:	+10°F to +55°F (-12.2°C to +12.8°C)
	Med./Comm. Temperature:	-5°F to +40°F (-20.6°C to +4.4°C)
	Low Temperature:	-40°F to +5°F (-40°C to -15.0°C)
Ambient Operating Temperature:	+80°F (+26.6°C) to +110°F (+43.3°C)	

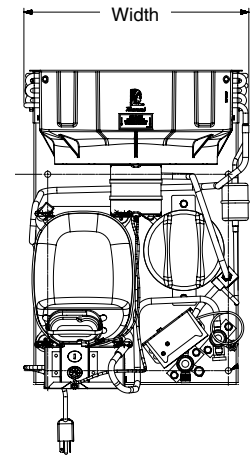
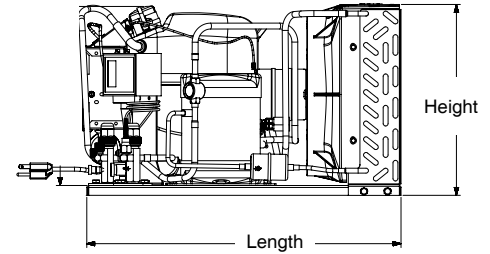
Materials

Valves:	Steel, Bracket Mounted with Copper Sweat Connections	
Receiver:	Steel, Base Mounted with Copper Sweat Connections	
Base Plate:	Cold Rolled Steel 16 Ga. Galvanized G90U	
Refrigerant/Oil:	R134a, R404A/R507 Polyolester (POE)	R12 Synthetic Alkylate (AB)
Fan Guard:	Polypropylene	
Fan Blade:	Aluminum	
Fan Motor:	Permanent Split Capacitor (PSC) 35 Watt	
Condenser:	Copper Tube and Aluminum Fin	
Electrical Cord:	Length: 42 inches (1066 mm) Type: Three Prong, Grounded Plug	

Physical Properties

Dimensions:	Length	Width	Height
Medium:	20 in (508 mm)	14.3 in (330 mm)	12.1 in (307 mm)
Connection Type:	Suction Line: 5/8 inch (15.9 mm) ODF Sweat Liquid Line: 3/8 inch (9.5 mm) ODF Sweat		

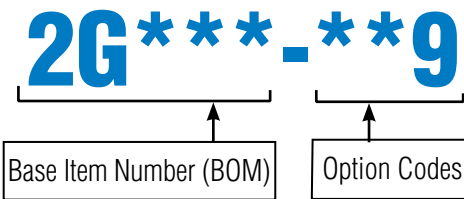
DIMENSIONS



UNIT ITEM NUMBER (BILL OF MATERIAL)

Select the Bill of Material prefix for Customized Option Configurations.

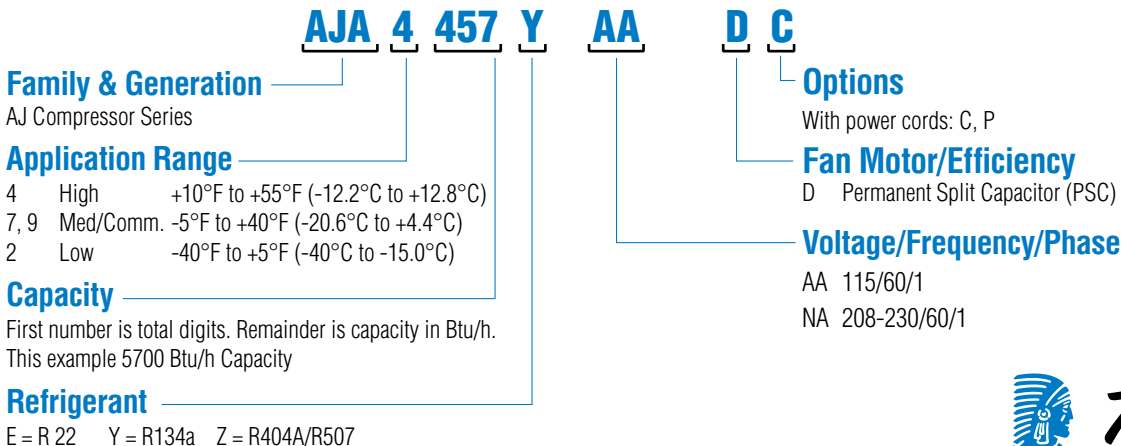
Bill of Material number prefix: 2G = AJ Celseon



Model Number Options	Item No. Options Codes	Option Configuration
C	-59	Sweat Connections, Power Cord, Receiver Tank, Service Valves
P	-89	Sweat Connections, Power Cord, Receiver Tank, Service Valves, Filter Drier, and Sight Glass
C	-99	Sweat Connections, Power Cord, Receiver Tank, Service Valves, and Low Pressure Control*
P	-109	Sweat Connections, Power Cord, Receiver Tank, Service Valves, Filter Drier, Sight Glass, and Low Pressure Control*

*Low Pressure controls are factory set and have a manual reset.

AJ CONDENSING UNIT MODEL NOMENCLATURE



Celseon AJ Large Pump Down



High/Medium/Low Temperature													
Model Number	Item Number (Bill of Material)	HP	Ambient °F (°C)	Capacity (Btu/h) at Rated Conditions/ Evaporator Temperature									
				10°F	15°F	20°F	25°F	30°F	35°F	40°F	45°F	50°F	55°F
				-12.2°C	-9.4°C	-6.7°C	-3.9°C	-1.1°C	1.7°C	4.4°C	7.2°C	10.0°C	12.8°C
R134a HBP Application Range 10°F to 55°F (-12.2°C to 12.8°C)													
AJA4480YAAD*	2G746-**	3/4	90 (32.2)	---	---	4,790	5,330	5,870	6,410	6,950	7,550	7,990	---
			100 (37.8)	---	---	4,300	4,800	5,300	5,800	6,290	---	---	---
			110 (43.3)	---	---	3,830	4,290	4,750	---	---	---	---	---
AJA4480YNAD*	2G747-**	3/4	90 (32.2)	---	---	4,790	5,330	5,870	6,410	6,950	7,550	7,990	---
			100 (37.8)	---	---	4,300	4,800	5,300	5,800	6,290	---	---	---
			110 (43.3)	---	---	3,830	4,290	4,750	---	---	---	---	---
R12[†] HBP Application Range 10°F to 55°F (-12.2°C to 12.8°C)													
AJA4488AAAD*	2G748-**	3/4	90 (32.2)	---	---	5,800	6,380	6,950	7,580	8,200	8,800	9,500	---
			100 (37.8)	---	---	5,450	6,000	6,550	7,180	7,800	8,400	9,050	---
			110 (43.3)	---	---	5,100	5,650	6,200	6,800	7,400	8,000	8,600	---
AJA4488ANAD*	2G749-**	3/4	90 (32.2)	---	---	5,800	6,380	6,950	7,580	8,200	8,800	9,500	---
			100 (37.8)	---	---	5,450	6,000	6,550	7,180	7,800	8,400	9,050	---
			110 (43.3)	---	---	5,100	5,650	6,200	6,800	7,400	8,000	8,600	---
R134a MBP				-5°F	0°F	5°F	10°F	15°F	20°F	25°F	30°F	35°F	40°F
Application Range -5°F to 40°F (-20.6°C to 4.4°C)				-20.6°C	-17.8°C	-15.0°C	-12.2°C	-9.4°C	-6.7°C	-3.9°C	-1.1°C	1.7°C	4.4°C
AJA7455YAAD*	2G742-**	3/4	90 (32.2)	2,440	2,910	3,410	3,910	4,440	4,980	5,540	6,120	6,710	7,320
			100 (37.8)	2,040	2,470	2,930	3,400	3,900	4,410	4,950	5,500	6,080	---
			110 (43.3)	1,650	2,060	2,490	2,940	3,400	3,880	4,380	---	---	---
AJA7455YNAD*	2G743-**	3/4	90 (32.2)	2,440	2,910	3,410	3,910	4,440	4,980	5,540	6,120	6,710	7,320
			100 (37.8)	2,040	2,470	2,930	3,400	3,900	4,410	4,950	5,500	6,080	---
			110 (43.3)	1,650	2,060	2,490	2,940	3,400	3,880	4,380	---	---	---
R12[†] MBP Application Range -5°F to 40°F (-20.6°C to 4.4°C)													
AJA7465AAAD*	2G744-**	3/4	90 (32.2)	---	---	4,260	4,810	5,360	5,960	6,560	7,200	7,650	---
			100 (37.8)	---	---	4,020	4,570	5,110	5,690	6,300	6,880	7,510	---
			110 (43.3)	---	---	3,780	4,310	4,830	5,450	6,080	6,600	7,190	---
AJA7465ANAD*	2G745-**	3/4	90 (32.2)	---	---	4,260	4,810	5,360	5,960	6,560	7,200	7,650	---
			100 (37.8)	---	---	4,020	4,570	5,110	5,690	6,300	6,880	7,510	---
			110 (43.3)	---	---	3,780	4,310	4,830	5,450	6,080	6,600	7,190	---
R404A/R507 LBP				-40°F	-35°F	-30°F	-25°F	-20°F	-15°F	-10°F	-5°F	0°F	5°F
Application Range -40°F to 5°F (-40°C to -15°C)				-40.0°C	-37.2°C	-34.4°C	-31.7°C	-28.9°C	-26.1°C	-23.3°C	-20.6°C	-17.8°C	-15.0°C
AJA2431ZAAD*	2G741-**	3/4	90 (32.2)	670	1,060	1,480	1,890	2,320	2,750	3,180	3,600	4,010	4,390
			100 (37.8)	330	690	1,070	1,450	1,850	2,240	2,630	3,020	3,380	3,720
			110 (43.3)	300	360	700	1,050	1,410	1,770	2,130	2,470	2,800	3,100

** Options (see available options on page 37)

[†] Or compatible equivalent.

High/Medium/Low Temperature

Model Number	Item Number (Bill of Material)	ODF Line Connections in (mm)		Gross Weight lb (kg)	Pump Down Cap 90% lb (kg) @ 90°F Ambient	Oil Type	Min Circuit Ampacity	Max Fuse Size (Amps)	Fan Motor	Filter Drier	Sight Glass	LP Ctrls
		Suction	Liquid									
R134a HBP Application Range 10°F to 55°F (-12.2°C to 12.8°C)												
AJA4480YAADC	2G746-99	5/8 (15.9)	3/8 (9.5)	64 (29)	6.6 (3)	POE	17.1	30	810-10003			■
AJA4480YAADP	2G746-109	5/8 (15.9)	3/8 (9.5)	64 (29)	6.6 (3)	POE	17.1	30	810-10003	■	■	■
AJA4480YAADC	2G746-59	5/8 (15.9)	3/8 (9.5)	64 (29)	6.6 (3)	POE	17.1	30	810-10003			
AJA4480YAADP	2G746-89	5/8 (15.9)	3/8 (9.5)	64 (29)	6.6 (3)	POE	17.1	30	810-10003	■	■	
AJA4480YNADC	2G747-99	5/8 (15.9)	3/8 (9.5)	64 (29)	6.6 (3)	POE	9.2	15	810-10002			■
AJA4480YNADP	2G747-109	5/8 (15.9)	3/8 (9.5)	64 (29)	6.6 (3)	POE	9.2	15	810-10002	■	■	■
AJA4480YNADC	2G747-59	5/8 (15.9)	3/8 (9.5)	64 (29)	6.6 (3)	POE	9.2	15	810-10002			
AJA4480YNADP	2G747-89	5/8 (15.9)	3/8 (9.5)	64 (29)	6.6 (3)	POE	9.2	15	810-10002	■	■	
R12[†] HBP Application Range 10°F to 55°F (-12.2°C to 12.8°C)												
AJA4488AAADC	2G748-99	5/8 (15.9)	3/8 (9.5)	64 (29)	7.2 (3.3)	POE	18.0	30	810-10003			■
AJA4488AAADP	2G748-109	5/8 (15.9)	3/8 (9.5)	64 (29)	7.2 (3.3)	POE	18.0	30	810-10003	■	■	■
AJA4488AAADC	2G748-59	5/8 (15.9)	3/8 (9.5)	64 (29)	7.2 (3.3)	POE	18.0	30	810-10003			
AJA4488AAADP	2G748-89	5/8 (15.9)	3/8 (9.5)	64 (29)	7.2 (3.3)	POE	18.0	30	810-10003	■	■	
AJA4488ANADC	2G749-99	5/8 (15.9)	3/8 (9.5)	64 (29)	7.2 (3.3)	POE	9.2	15	810-10002			■
AJA4488ANADP	2G749-109	5/8 (15.9)	3/8 (9.5)	64 (29)	7.2 (3.3)	POE	9.2	15	810-10002	■	■	■
AJA4488ANADC	2G749-59	5/8 (15.9)	3/8 (9.5)	64 (29)	7.2 (3.3)	POE	9.2	15	810-10002			
AJA4488ANADP	2G749-89	5/8 (15.9)	3/8 (9.5)	64 (29)	7.2 (3.3)	POE	9.2	15	810-10002	■	■	
R134a MBP Application Range -5°F to 40°F (-20.6°C to 4.4°C)												
AJA7455YAADC	2G742-99	5/8 (15.9)	3/8 (9.5)	64 (29)	6.6 (3)	POE	13.5	20	810-10003			■
AJA7455YAADP	2G742-109	5/8 (15.9)	3/8 (9.5)	64 (29)	6.6 (3)	POE	13.5	20	810-10003	■	■	■
AJA7455YAADC	2G742-59	5/8 (15.9)	3/8 (9.5)	64 (29)	6.6 (3)	POE	13.5	20	810-10003			
AJA7455YAADP	2G742-89	5/8 (15.9)	3/8 (9.5)	64 (29)	6.6 (3)	POE	13.5	20	810-10003	■	■	
AJA7455YNADC	2G743-99	5/8 (15.9)	3/8 (9.5)	64 (29)	6.6 (3)	POE	8.5	15	810-10002			■
AJA7455YNADP	2G743-109	5/8 (15.9)	3/8 (9.5)	64 (29)	6.6 (3)	POE	8.5	15	810-10002	■	■	■
AJA7455YNADC	2G743-59	5/8 (15.9)	3/8 (9.5)	64 (29)	6.6 (3)	POE	8.5	15	810-10002			
AJA7455YNADP	2G743-89	5/8 (15.9)	3/8 (9.5)	64 (29)	6.6 (3)	POE	8.5	15	810-10002	■	■	
R12[†] MBP Application Range -5°F to 40°F (-20.6°C to 4.4°C)												
AJA7465AAADC	2G744-99	5/8 (15.9)	3/8 (9.5)	64 (29)	7.2 (3.3)	POE	15.4	25	810-10003			■
AJA7465AAADP	2G744-109	5/8 (15.9)	3/8 (9.5)	64 (29)	7.2 (3.3)	POE	15.4	25	810-10003	■	■	■
AJA7465AAADC	2G744-59	5/8 (15.9)	3/8 (9.5)	64 (29)	7.2 (3.3)	POE	15.4	25	810-10003			
AJA7465AAADP	2G744-89	5/8 (15.9)	3/8 (9.5)	64 (29)	7.2 (3.3)	POE	15.4	25	810-10003	■	■	
AJA7465ANADC	2G745-99	5/8 (15.9)	3/8 (9.5)	64 (29)	7.2 (3.3)	POE	9.2	15	810-10002			■
AJA7465ANADP	2G745-109	5/8 (15.9)	3/8 (9.5)	64 (29)	7.2 (3.3)	POE	9.2	15	810-10002	■	■	■
AJA7465ANADC	2G745-59	5/8 (15.9)	3/8 (9.5)	64 (29)	7.2 (3.3)	POE	9.2	15	810-10002			
AJA7465ANADP	2G745-89	5/8 (15.9)	3/8 (9.5)	64 (29)	7.2 (3.3)	POE	9.2	15	810-10002	■	■	
R404A/R507 LBP Application Range -40°F to 5°F (-40°C to -15°C)												
AJA2431ZAADC	2G741-99	5/8 (15.9)	3/8 (9.5)	64 (29)	5.7 (2.6)	POE	11.1	15	810-10003			■
AJA2431ZAADP	2G741-109	5/8 (15.9)	3/8 (9.5)	64 (29)	5.7 (2.6)	POE	11.1	15	810-10003	■	■	■
AJA2431ZAADC	2G741-59	5/8 (15.9)	3/8 (9.5)	64 (29)	5.7 (2.6)	POE	11.1	15	810-10003			
AJA2431ZAADP	2G741-89	5/8 (15.9)	3/8 (9.5)	64 (29)	5.7 (2.6)	POE	11.1	15	810-10003	■	■	

* Connections are ODF, unless otherwise stated.

† Or compatible equivalent.

VSC Scroll

High Performance, Efficiency and Reliability.

VSC Series Scroll Indoor condensing units deliver reliable cooling performance, high efficiency and quiet operation all in one compact, easy-to-install package. This makes VSC series scroll units the preferred choice for commercial refrigeration applications such as walk-in coolers and freezers, large refrigerated display cases and various food processing equipment.

Performance proven Tecumseh VSC Scroll condensing units are designed for commercial refrigeration systems requiring multiple evaporators, pump down cycles and reliable operation, regardless of varying loads and extreme ambient temperatures. All Tecumseh scroll condensing units are equipped with a VSC series scroll compressor that deliver best-in-class efficiency due to their energy-efficient motor construction and enhanced scroll wrap design.

VSC Series Scroll condensing units range in capacity from 2 to 8 HP. Commercial and low temperature models are available for use with refrigerant R404A/R507. All VSC series condensing units come equipped with a liquid line receiver tank, suction line accumulator and BX wiring cable. VSC Series Scroll Compressors come standard with refrigerant sight glass and a Schrader type refrigerant access port.

FEATURES AND BENEFITS

• PROVEN RELIABILITY

Rugged Tecumseh Scroll compressors along with quality components deliver long life and greater up time.

• FEWER MODELS TO STOCK

Standard models are readily available, covering capacities from 2 to 8 HP with the most popular features.



• PERFORMANCE PLUS

Tecumseh Scroll compressors are used in Single or Dual Fan Unit configurations.

• STANDARD FEATURES

Standard features include, PSC Fan Motors, Receiver Tank, Fan Controls, High and Low Pressure Controls and Conduit Connected.

SPECIFICATIONS

Applications

Evaporating Ranges:	Commercial Temperature:	-5°F to +40°F (-20.6°C to +4.4°C)
	Low Temperature:	-40°F to +5°F (-40°C to -15.0°C)
Ambient Operating Temp:		+80°F (+26.6°C) to +110°F (+43.3°C)

Materials

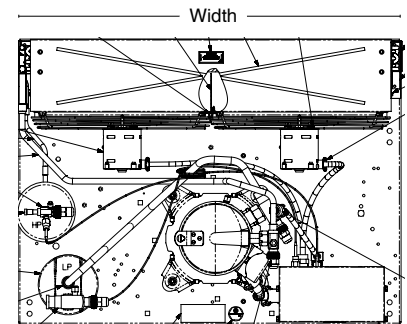
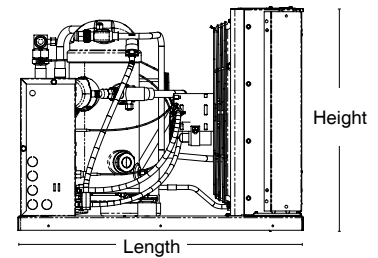
Valves:	Steel, Rotolock x Copper Sweat Connections	
Receiver:	Steel, Base Mounted	
	Vertical with Rotolock Valve connection Horizontal with Copper Sweat Connections	
Base Plate:	Cold Rolled Steel 16 Ga. Galvanized G90U	
Refrigerant/Oil:	R404A/R507	Polyvinylether (PVE)
Fan Guard:	Wire	
Fan Blade:	Aluminum	
Fan Motor:	Permanent Split Capacitor (PSC) 50 Watts or 1/4 Horse Power	
Condenser:	Copper Tube and Aluminum Fin	

Physical Properties

	Length	Width	Height
Small:	34 in (364 mm)	25 in (635mm)	20 in (508 mm)
Large:	45 in (1143 mm)	29 in (737 mm)	27 in (686 mm)

Connection Type:	Suction Line:	5/8 inch (15.9 mm) ODF Sweat 7/8 inch (22.2 mm) ODF Sweat or 1 1/8 (28.6 mm) ODF Sweat (VSC2533 model only)
	Liquid Line:	3/8 inch (9.5 mm) ODF Sweat 1/2 inch (17.7 mm) ODF Sweat

DIMENSIONS



VSC SCROLL CONDENSING UNIT MODEL NOMENCLATURE

VSC 9 518 Z NA XM

Family & Generation

VSC Series

Application Range

9	Commercial	-5°F to +40°F (-20.6°C to +7.2°C)
2	Low	-40°F to +5°F (-40°C to -15.0°C)

Capacity

First number is total digits, remainder is capacity in Btu/h
This example 18,000 Btu/h Capacity

Release Variant

Receiver Tank, BX cable and Accumulator

Voltage/Frequency/Phase

NA	208-230/60/1
XT	200-230/60/3; 200-220/50/3

Refrigerant

Z = R404A, R507

Commercial Temperature

Model Number	Item Number (Bill of Material)	HP	Ambient °F (°C)	Capacity (Btu/h) at Rated Conditions/ Evaporator Temperature									
				-5°F	0°F	5°F	10°F	15°F	20°F	25°F	30°F	35°F	40°F
				-20.6°C	-17.8°C	-15.0°C	-12.2°C	-9.4°C	-6.7°C	-3.9°C	-1.1°C	1.7°C	4.4°C
R404A/R507 CBP Application Range -5°F to 40°F (-20.6°C to 4.4°C)													
VSC9518Z**XM	2C2165-1	2	90 (32.2)	7,500	9,700	11,850	13,960	16,030	18,040	20,010	21,940	23,810	25,630
	2C2166-1		100 (37.8)	6,640	8,720	10,740	12,720	14,640	16,520	18,340	20,100	21,810	23,460
			110 (43.3)	5,810	7,760	9,650	11,490	13,270	14,990	16,660	18,260	19,800	21,280
VSC9522Z**XM	2B3277-1	3	90 (32.2)	12,910	14,250	15,930	17,870	20,020	22,310	24,660	27,030	29,330	31,510
	2B3278-1		100 (37.8)	11,710	12,890	14,400	16,170	18,140	20,230	22,390	24,540	26,620	28,570
			110 (43.3)	10,520	11,550	12,890	14,490	16,270	18,170	20,120	22,070	23,930	25,650
VSC9524Z**XM	2B3279-1	3	90 (32.2)	14,070	15,530	17,390	19,560	22,010	24,670	27,490	30,400	33,360	36,300
	2B3280-1		100 (37.8)	12,960	14,260	15,920	17,890	20,110	22,520	25,070	27,700	30,350	32,970
			110 (43.3)	11,690	12,830	14,320	16,110	18,120	20,310	22,620	24,990	27,370	29,690
VSC9529Z**XM	2B3281-1	4	90 (32.2)	17,310	19,160	21,440	24,080	27,000	30,150	33,440	36,810	40,190	43,490
	2B3282-1		100 (37.8)	15,570	17,290	19,410	21,860	24,580	27,500	30,540	33,630	36,690	39,670
			110 (43.3)	13,650	15,250	17,230	19,520	22,060	24,760	27,560	30,390	33,170	35,840
VSC9534Z**XM	2A4097-1	4 1/2	90 (32.2)	20,500	22,590	25,240	28,370	31,870	35,660	39,650	43,740	47,840	51,860
	2A4098-1		100 (37.8)	18,700	20,530	22,900	25,720	28,890	32,330	35,930	39,620	43,290	46,860
			110 (43.3)	16,700	18,300	20,420	22,960	25,830	28,940	32,200	35,510	38,780	41,930

Low Temperature

Model Number	Item Number (Bill of Material)	HP	Ambient °F (°C)	Capacity (Btu/h) at Rated Conditions/ Evaporator Temperature									
				-40°F	-35°F	-30°F	-25°F	-20°F	-15°F	-10°F	-5°F	0°F	5°F
				-40.0°C	-37.2°C	-34.4°C	-31.7°C	-28.9°C	-26.1°C	-23.3°C	-20.6°C	-17.8°C	-15.0°C
R404A/R507 LBP Application Range -40°F to 5°F (-40.6°C to -15.0°C)													
VSC2518ZXTXM	2A4099-1	4 1/2	90 (32.2)	10,360	11,760	13,290	14,940	16,700	18,560	20,510	22,540	24,630	26,780
			100 (37.8)	---	10,800	12,220	13,750	15,380	17,100	18,890	20,750	22,660	24,620
			110 (43.3)	---	---	11,150	12,550	14,040	15,600	17,240	18,920	20,650	22,420
VSC2522ZXTXM	2A5113-1	5 1/2	90 (32.2)	12,540	14,190	16,020	17,990	20,090	22,320	24,650	27,070	29,570	32,120
			100 (37.8)	---	12,990	14,670	16,490	18,430	20,470	22,610	24,820	27,100	29,420
			110 (43.3)	---	---	13,320	14,980	16,740	18,600	20,540	22,540	24,590	26,670
VSC2527ZXTXM	2A6007-1	7	90°F	15,060	17,020	19,230	21,660	24,290	27,090	30,050	33,150	36,340	39,630
			100 (37.8)	---	15,820	17,880	20,150	22,580	25,180	27,900	30,730	33,650	36,620
			110 (43.3)	---	---	---	18,620	20,850	23,210	25,674	28,230	30,840	33,492
VSC2533ZXTXM	2A8000-1	8	90 (32.2)	18,560	20,940	23,620	26,540	29,680	33,000	36,450	40,010	43,630	47,270
			100 (37.8)	---	19,510	22,000	24,730	27,640	30,700	33,870	37,120	40,410	43,700
			110 (43.3)	---	---	20,350	22,850	25,510	28,290	31,160	34,080	37,010	39,920

*XM Voltage options (see available options on page 41)

Commercial Temperature												
Model Number	Item Number (Bill of Material)	Line Connections* in (mm)		Gross Weight lb (kg)	Pump Down Cap 90% lb (kg) @90°F Ambient	Oil Type	Min Circuit Ampacity	Max Fuse Size (Amps)	Fan Motor	Rec'r Tank	Filter Drier	Sight Glass
		Suction	Liquid									
R404A/R507 CBP Application Range -5°F to 40°F (-20.6°C to 4.4°C)												
VSC9518ZNAXM	2C2165-1	5/8 (15.9)	3/8 (9.5)	290 (131.5)	12 (5.4)	PVE	16.6	25	810F050C20	■		
VSC9518ZXTXM	2C2166-1	5/8 (15.9)	3/8 (9.5)	290 (131.5)	12 (5.4)	PVE	13.0	20	810F050C20	■		
VSC9522ZNAXM	2B3277-1	5/8 (15.9)	3/8 (9.5)	295 (133.8)	17 (7.7)	PVE	21.4	35	810F050C20	■		
VSC9522ZXTXM	2B3278-1	5/8 (15.9)	3/8 (9.5)	295 (133.8)	17 (7.7)	PVE	15.4	25	810F050C20	■		
VSC9524ZNAXM	2B3279-1	5/8 (15.9)	3/8 (9.5)	295 (133.8)	17 (7.7)	PVE	22.3	35	810F050C20	■		
VSC9524ZXTXM	2B3280-1	5/8 (15.9)	3/8 (9.5)	295 (133.8)	17 (7.7)	PVE	15.4	25	810F050C20	■		
VSC9529ZNAXM	2B3281-1	7/8 (22.2)	1/2 (12.7)	305 (138.3)	41 (18.6)	PVE	30.1	50	810S186B40	■		
VSC9529ZXTXM	2B3282-1	7/8 (22.2)	1/2 (12.7)	305 (138.3)	41 (18.6)	PVE	21.4	35	810S186B40	■		
VSC9534ZNAXM	2A4097-1	7/8 (22.2)	1/2 (12.7)	305 (138.3)	41 (18.6)	PVE	34.2	50	810S186B40	■		
VSC9534ZXTXM	2A4098-1	7/8 (22.2)	1/2 (12.7)	305 (138.3)	41 (18.6)	PVE	24.6	40	810S186B40	■		
Low Temperature												
Model Number	Item Number (Bill of Material)	Line Connections* in (mm)		Gross Weight lb (kg)	Pump Down Cap 90% lb (kg) @90°F Ambient	Oil Type	Min Circuit Ampacity	Max Fuse Size (Amps)	Fan Motor	Rec'r Tank	Filter Drier	Sight Glass
		Suction	Liquid									
R404A/R507 LBP Application Range -40°F to 5°F (-40°C to -15°C)												
VSC2518ZXTXM	2A4099-1	7/8 (22.2)	1/2 (12.7)	285 (129.3)	41 (18.6)	PVE	26.2	40	810S186B40	■	■	■
VSC2522ZXTXM	2A5113-1	7/8 (22.2)	1/2 (12.7)	285 (129.3)	41 (18.6)	PVE	27.0	45	810S186B40	■	■	■
VSC2527ZXTXM	2A6007-1	7/8 (22.2)	1/2 (12.7)	285 (129.3)	45 (20.4)	PVE	28.8	45	810S186B40	■	■	■
VSC2533ZXTXM	2A8000-1	1 1/8 (28.6)	1/2 (12.7)	400 (181.4)	45 (20.4)	PVE	35.9	60	810S186B40	■	■	■

* Connections are ODF, unless otherwise stated.

Large Reciprocating

Rugged and Reliable Operation.

Tecumseh's line of Large Reciprocating Condensing Units are the preferred choice of Original Equipment manufacturers and refrigeration contractors across the globe because of their rugged design and reliable operation.

Large Reciprocating condensing units are available in capacities up to 6 HP and are designed for use in ambient temperatures up to +110°F (+43.3°C). Standard features include PSC condenser fan motors, liquid line receiver tank, high/low pressure cut-out switches and, low or dual pressure controls which contribute to their reliable operation. ECM condenser fan motors, BX wiring cables, filter driers, suction line accumulators and crankcase heaters are available options.

Low, Medium, Commercial and High Temperature models are available for use with refrigerants R404A/R507, R407C, as well as R22, R12 and their compatible blends.

FEATURES AND BENEFITS

• FLEXIBILITY

Single or Dual fan configurations with PSC motors or optional ECM motors.

• PROVEN RELIABILITY

Tecumseh's Large Reciprocating compressors are known for durability and dependability.

• ROBUST FEATURES

Standard features for a wide variety of applications include Receiver Tank, High and Low Pressure Switches, Low/Dual Pressure Controls. Options: BX Cable, Filter Drier, Accumulator and Crankcase Heater.



• COMPREHENSIVE PERFORMANCE

Suitable for commercial, high, medium and low temperature applications in R407C, R404A/R507, R22 and R12; up to 6 horsepower.

SPECIFICATIONS

Applications

Evaporating Ranges:	High Temperature:	-10°F to +55°F (-12.2°C to +12.8°C)
	Med./Comm. Temperature:	-5°F to +40°F (-20.6°C to +4.4°C)
	Low (Vapor Injection) Temp:	-40°F to +5°F (-40°C to -15.0°C)
Ambient Operating Temp:	+80°F (+26.6°C) to +110°F (+43.3°C)	

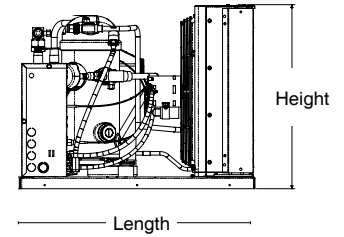
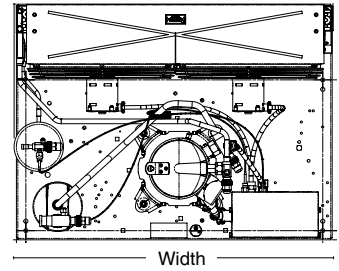
Materials

Base Plate:	Steel, Hot Rolled and Painted or Cold Rolled Galvanized G90U; 16 Ga.	
Refrigerant/Oil:	R404A/R507, R407C	R22, R12
	Polyolester (POE)	Synthetic Alkylate (AB)
Fan Guard:	Wire	
Fan Blade:	Aluminum	
Fan Motor:	Permanent Split Capacitor (PSC)	
Condenser:	Copper Tube and Aluminum Fin	

Physical Properties

Dimensions:	Vary by model - see pages 58-59
Connection Type:	Vary by model - see pages 49-51

DIMENSIONS



Large Reciprocating

CONDENSING UNIT RELEASE VARIANT CODES

Air Cooled Condensing Units		Air Fan Cooled	Receiver Tank	BX Cable	See Item No. / (BOM)*	Accumulator
XA	Standard Unit	•				
XB	Std. Unit W/Receiver Tank	•	•			
XC	Std. Unit W/Receiver Tank & BX Cable	•	•	•		
XD	Std. Unit W/BX Cable	•		•		
XE, XF, XK	Physical Design Variant (Conduit)	•		•	•	
XG, XH, XJ, XL, XP	Physical Design Variant (Standard)	•			•	
XM	Advanced Commercial Design	•	•	•		•
XN	Advanced Commercial Design	•		•		•

*Note: See Item No./Bill of Material (BOM) must be referred to in order to determine other features not represented in the model nomenclature or release variant codes.

LARGE RECIPROCATING MODEL NOMENCLATURE

AWA 2 490 Z XD XG

Family & Generation

AW, AV, AG, AH Compressor Series

Application Range

4	High	+10°F to +55°F (-12.2°C to +12.8°C)
7, 9	Medium/Comm.	-5°F to +40°F (-20.6°C to +4.4°C)
2	Low	-40°F to +5°F (-40.0°C to -15.0°C)

Capacity

First number is total digits, the remainder is capacity in Btu/h. This example 9000 Btu/h capacity.

Refrigerant

A = R12 C = R407C E = R22 Z = R404A/R507

Release Variant

Voltage/Frequency/Phase

XD	208-230/60/1; 200/50/1
XN	208-230/60/1; 200-220/50/1
XT	200-230/60/3; 200-220/50/3
XG	460/60/3; 380-420/50/3
XF	208-230/60/3; 200-240/50/3



Tecumseh

Commercial Temperature

Model Number	Item Number (Bill of Material)	HP	Ambient °F (°C)	Capacity (Btu/h) at Rated Conditions/ Evaporator Temperature									
				-5°F	0°F	5°F	10°F	15°F	20°F	25°F	30°F	35°F	40°F
				-20.6°C	-17.8°C	-15.0°C	-12.2°C	-9.4°C	-6.7°C	-3.9°C	-1.1°C	1.7°C	4.4°C
R404A/R507 CBP Application Range -5°F to 40°F (-20.6°C to 4.4°C)													
AWA9511ZXNXC	2B1138-9	1	90 (32.2)	5,700	6,600	7,500	8,500	9,600	10,800	12,000	13,200	14,600	16,000
			100 (37.8)	5,200	5,900	6,600	7,400	8,300	9,300	10,300	11,400	12,700	14,000
			110 (43.3)	4,200	4,800	5,400	6,100	6,900	7,800	8,800	9,800	10,900	12,100
AWA9511ZXTXC	2B1140-9	1	90 (32.2)	5,700	6,600	7,500	8,500	9,600	10,800	12,000	13,200	14,600	16,000
			100 (37.8)	5,200	5,900	6,600	7,400	8,300	9,300	10,300	11,400	12,700	14,000
			110 (43.3)	4,200	4,800	5,400	6,100	6,900	7,800	8,800	9,800	10,900	12,100
AWA9511ZXGXC	32B1141-1	1	90 (32.2)	5,700	6,600	7,500	8,500	9,600	10,800	12,000	13,200	14,600	16,000
			100 (37.8)	5,200	5,900	6,600	7,400	8,300	9,300	10,300	11,400	12,700	14,000
			110 (43.3)	4,200	4,800	5,400	6,100	6,900	7,800	8,800	9,800	10,900	12,100
AWA9514ZXTXM	2B3239-9	1 3/4	90 (32.2)	7,500	8,500	9,700	11,100	12,500	14,100	15,800	17,500	19,400	21,400
			100 (37.8)	6,600	7,200	8,300	9,500	10,800	12,200	14,300	15,400	17,100	18,900
			110 (43.3)	5,500	6,200	7,100	8,200	9,300	10,500	11,900	13,300	14,800	16,400
AWA9514ZXNXM	2B3238-9	1 3/4	90 (32.2)	7,500	8,500	9,700	11,100	12,500	14,100	15,800	17,500	19,400	21,400
			100 (37.8)	6,600	7,200	8,300	9,500	10,800	12,200	14,300	15,400	17,100	18,900
			110 (43.3)	5,500	6,200	7,100	8,200	9,300	10,500	11,900	13,300	14,800	16,400
AWA9518ZXNXM	2C2133-9	2 1/2	90 (32.2)	10,000	11,400	13,000	14,600	16,500	18,400	20,600	22,700	25,000	27,500
			100 (37.8)	8,600	9,800	11,300	12,800	14,500	16,200	18,200	20,100	22,200	24,400
			110 (43.3)	7,000	8,200	9,500	11,000	12,500	14,100	15,900	17,600	19,500	21,500
AWA9518ZXTXM	2C2134-9	2 1/2	90 (32.2)	10,000	11,400	13,000	14,600	16,500	18,400	20,600	22,700	25,000	27,500
			100 (37.8)	8,600	9,800	11,300	12,800	14,500	16,200	18,200	20,100	22,200	24,400
			110 (43.3)	7,000	8,200	9,500	11,000	12,500	14,100	15,900	17,600	19,500	21,500
AVA9523ZXGXM	2C2137-9	3	90 (32.2)	12,200	14,000	15,900	18,000	20,200	22,500	25,000	27,500	30,300	33,100
			100 (37.8)	10,300	13,000	14,900	16,800	18,900	21,100	23,500	26,000	28,500	31,300
			110 (43.3)	8,500	12,000	13,800	15,600	17,600	19,800	22,000	24,300	26,700	29,300
AVA9523ZXTXM	2C2136-9	3	90 (32.2)	12,200	14,000	15,900	18,000	20,200	22,500	25,000	27,500	30,300	33,100
			100 (37.8)	10,300	13,000	14,900	16,800	18,900	21,100	23,500	26,000	28,500	31,300
			110 (43.3)	8,500	12,000	13,800	15,600	17,600	19,800	22,000	24,300	26,700	29,300
AVA9525ZXGXM	2B3155-9	3	90 (32.2)	13,900	15,800	17,800	19,900	22,100	24,500	27,000	29,700	32,500	35,400
			100 (37.8)	11,700	13,500	15,400	17,400	19,500	21,700	24,000	26,400	29,000	31,600
			110 (43.3)	9,700	11,300	13,100	14,900	16,700	18,700	20,700	22,800	25,000	27,300
AVA9525ZXTXM	2B3154-9	3	90 (32.2)	13,900	15,800	17,800	19,900	22,100	24,500	27,000	29,700	32,500	35,400
			100 (37.8)	11,700	13,500	15,400	17,400	19,500	21,700	24,000	26,400	29,000	31,600
			110 (43.3)	9,700	11,300	13,100	14,900	16,700	18,700	20,700	22,800	25,000	27,300
AVA9529ZXTXM	2B3158-9	3 1/2	90 (32.2)	17,200	19,300	21,500	23,900	26,300	28,900	31,600	34,400	37,400	40,400
			100 (37.8)	15,000	16,800	18,800	20,800	23,000	25,400	27,900	30,500	33,200	36,100
			110 (43.3)	13,100	14,800	16,500	18,200	19,900	21,700	23,400	25,200	27,000	28,900

Commercial Temperature

Model Number	Item Number (Bill of Material)	Line Connections* in (mm)		Gross Weight lb (kg)	Pump Down Cap 90% lb (kg) @ 90°F Ambient	Oil Type	Min Circuit Ampacity	Max Fuse Size (Amps)	Fan Motor	LP Ctrls	Crank case Heater	Accum
		Suction	Liquid									
R404A/R507 CBP Application Range -5°F to 40°F (-20.6°C to 4.4°C)												
AWA9511ZXNXC	2B1138-9	7/8 (22.2)	3/8 (9.5)	122 (55.3)	6.9 (3.1)	POE	14.0	25	810F050C20	■	■	
AWA9511ZXTXC	2B1140-9	7/8 (22.2)	3/8 (9.5)	122 (55.3)	6.9 (3.1)	POE	9.0	15	810F050C20	■	■	
AWA9511ZXGXC	32B1141-1	7/8 SAE (22.2 SAE)	3/8 SAE (9.5 SAE)	130 (59)	11.6 (5.3)	POE	5.6	25	810G50A49	■	■	
AWA9514ZXTXM	2B3239-9	7/8 (22.2)	3/8 (9.5)	121 (54.9)	8.8 (4)	POE	10.8	20	810F050C20	■	■	■
AWA9514ZXNXM	2B3238-9	7/8 (22.2)	3/8 (9.5)	150 (68)	13.8 (6.3)	POE	17.2	25	810F050C20	■	■	■
AWA9518ZXNXM	2C2133-9	7/8 (22.2)	3/8 (9.5)	192 (87.1)	9.1 (4.1)	POE	19.6	35	810F050C20	■	■	■
AWA9518ZXTXM	2C2134-9	7/8 (22.2)	3/8 (9.5)	189 (85.7)	9.1 (4.1)	POE	13.6	25	810F050C20	■	■	■
AVA9523ZXGXM	2C2137-9	7/8 (22.2)	3/8 (9.5)	212 (96.2)	9.1 (4.1)	POE	8.6	15	810F050B51	■	■	■
AVA9523ZXTXM	2C2136-9	7/8 (22.2)	3/8 (9.5)	212 (96.2)	9.1 (4.1)	POE	18.1	30	810F050C20	■	■	■
AVA9525ZXGXM	2B3155-9	7/8 (22.2)	3/8 (9.5)	150 (68)	9.1 (4.1)	POE	8.7	15	810F050B51	■	■	■
AVA9525ZXTXM	2B3154-9	7/8 (22.2)	3/8 (9.5)	150 (68)	13.8 (6.3)	POE	21.2	35	810F050C20	■	■	■
AVA9529ZXTXM	2B3158-9	7/8 (22.2)	3/8 (9.5)	208 (94.3)	12 (5.4)	POE	25.7	45	810F050C20	■	■	■

* Connections are ODF, unless otherwise stated.

Large Reciprocating



Tecumseh

High Temperature

Model Number	Item Number (Bill of Material)	HP	Ambient °F (°C)	Capacity (Btu/h) at Rated Conditions/ Evaporator Temperature									
				10°F	15°F	20°F	25°F	30°F	35°F	40°F	45°F	50°F	55°F
				-12.2°C	-9.4°C	-6.7°C	-3.9°C	-1.1°C	1.7°C	4.4°C	7.2°C	10.0°C	12.8°C
R407C HBP Application Range 10°F to 55°F (-12.2°C to 12.8°C)													
AWG4517CXNXC	2B3270-1	1 1/2	90 (32.2)	7,100	8,400	9,700	11,100	12,500	14,000	15,400	17,000	18,500	20,100
			100 (37.8)	5,800	7,100	8,300	9,600	10,900	12,200	13,500	14,800	16,100	17,500
			110 (43.3)	4,800	5,900	7,100	8,200	9,300	10,400	11,500	12,600	13,600	14,700
AWG4517CXNXC	2B3272-1	1 1/2	90 (32.2)	7,100	8,400	9,700	11,100	12,500	14,000	15,400	17,000	18,500	20,100
			100 (37.8)	5,800	7,100	8,300	9,600	10,900	12,200	13,500	14,800	16,100	17,500
			110 (43.3)	4,800	5,900	7,100	8,200	9,300	10,400	11,500	12,600	13,600	14,700
AWG4520CXNXM	2B3271-1	1 3/4	90 (32.2)	7,500	8,800	10,200	11,900	13,700	15,700	17,800	20,200	22,700	25,400
			100 (37.8)	6,700	7,600	8,700	10,100	11,700	13,500	15,600	17,900	20,400	23,200
			110 (43.3)	3,200	4,900	6,600	8,300	10,000	11,800	13,700	15,500	17,500	19,400
AWG4528CXNXM	2C2159-1	2	90 (32.2)	11,800	13,800	15,900	18,100	20,400	22,800	25,300	27,800	30,400	33,200
			100 (37.8)	10,100	11,900	13,900	15,900	18,000	20,200	22,500	24,900	27,400	30,000
			110 (43.3)	7,900	9,800	11,700	13,800	15,800	17,900	20,100	22,300	24,600	26,900
AVA4536CXTXM	2B3182-1	3	90 (32.2)	16,600	19,200	21,800	24,500	27,300	30,100	33,000	36,000	39,000	42,100
			100 (37.8)	13,700	16,300	18,800	21,400	24,100	26,800	29,500	32,300	35,200	38,100
			110 (43.3)	8,300	11,500	14,700	17,800	20,700	23,600	26,300	29,000	31,600	34,000
AGA4549CXTXM	2A4094-1	4	90 (32.2)	19,800	23,400	27,100	31,000	35,100	39,400	43,900	48,600	53,500	58,600
			100 (37.8)	17,500	20,800	24,300	27,900	31,700	35,700	39,800	44,100	48,500	53,100
			110 (43.3)	10,900	15,200	19,500	23,700	27,900	32,000	36,000	40,000	43,900	47,800
AGA4562CXTXM	2A5104-1	5	90 (32.2)	25,600	30,900	36,100	41,300	46,500	51,600	56,700	61,800	66,800	71,800
			100 (37.8)	23,100	27,200	31,400	35,800	40,300	45,000	49,900	54,900	60,100	65,500
			110 (43.3)	16,900	21,700	26,400	31,200	35,900	40,700	45,500	50,300	55,100	59,900
AGA4562CXTXS	2A5102-1	5	90 (32.2)	---	---	36,100	41,300	46,500	51,600	56,700	61,800	66,800	71,800
			100 (37.8)	---	---	31,400	35,800	40,300	45,000	49,900	54,900	60,100	65,500
			110 (43.3)	---	---	26,400	31,200	35,900	40,700	45,500	50,300	55,100	59,600
R22† HBP Application Range 10°F to 55°F (-12.2°C to 12.8°C)													
AWG4516EXNXC	2B1112-9	1 1/4	90 (32.2)	---	---	9,400	10,500	11,700	13,000	14,300	15,800	17,400	---
			100 (37.8)	---	---	8,200	9,300	10,500	11,700	12,900	14,300	15,600	---
			110 (43.3)	---	---	7,200	8,200	9,300	10,400	11,600	12,800	14,100	---
AWG4516EXTXC	2B1113-9	1 1/4	90 (32.2)	7,400	8,300	9,400	10,500	11,700	13,000	14,300	15,800	17,400	19,000
			100 (37.8)	6,200	7,200	8,200	9,300	10,500	11,700	12,900	14,300	15,600	17,000
			110 (43.3)	5,300	6,200	7,200	8,200	9,300	10,400	11,600	12,800	14,100	15,400
AWG4520EXNXC	2B3215-9	1 1/2	90 (32.2)	---	---	11,800	13,200	14,600	16,100	17,600	19,100	20,700	22,300
			100 (37.8)	---	---	10,500	11,800	13,200	14,600	16,000	17,500	19,000	20,500
			110 (43.3)	---	---	9,300	10,500	11,800	13,000	14,400	15,700	17,100	18,500

† Or compatible equivalent.

High Temperature

Model Number	Item Number (Bill of Material)	Line Connections* in (mm)		Gross Weight lb (kg)	Pump Down Cap 90% lb (kg) @ 90°F Ambient	Oil Type	Min Circuit Ampacity	Max Fuse Size (Amps)	Fan Motor	LP Ctrls**	Crank Case Heater	Accum
		Suction	Liquid									
R407C HBP Application Range 10°F to 55°F (-12.2°C to 12.8°C)												
AWG4517CXNXC	2B3270-1	7/8 (22.2)	3/8 (9.5)	134 (60.8)	10.9 (4.9)	POE	12.6	20	810F050C20		■	
AWG4517CXNXC	2B3272-1	7/8 (22.2)	3/8 (9.5)	134 (60.8)	10.9 (4.9)	POE	12.6	20	810F050C20	Dual	■	
AWG4520CXNXM	2B3271-1	7/8 (22.2)	3/8 (9.5)	195 (88.5)	14.7 (6.7)	POE	13.3	20	810F050C20	■	■	■
AWG4528CXNXM	2C2159-1	7/8 (22.2)	3/8 (9.5)	195 (88.5)	14.7 (6.7)	POE	18.9	30	810F050C20	■	■	■
AVA4536CXTXM	2B3182-1	7/8 (22.2)	3/8 (9.5)	211 (95.7)	14.7 (6.7)	POE	18.7	30	810F050C20	■	■	■
AGA4549CXTXM	2A4094-1	7/8 SAE (22.2 SAE)	1/2 SAE (12.7 SAE)	365 (165.6)	30 (13.6)	POE	22.0	35	810S124B38	■	■	■
AGA4562CXTXM	2A5104-1	7/8 SAE (22.2 SAE)	1/2 SAE (12.7 SAE)	395 (179.2)	47.2 (21.4)	POE	28.8	45	810S186B40	■	■	
AGA4562CXTXS	2A5102-1	7/8 (22.2)	1/2 (12.7)	294 (133.4)	47.2 (21.4)	POE	28.8	45	810S186B40		■	
R22† HBP Application Range 10°F to 55°F (-12.2°C to 12.8°C)												
AWG4516EXNXC	2B1112-9	7/8 (22.2)	3/8 (9.5)	120 (54.4)	11.3 (5.1)	AB	11.3	15	810F050C20	■	■	
AWG4516EXTXC	2B1113-9	7/8 (22.2)	3/8 (9.5)	120 (54.4)	11.3 (5.1)	AB	8.6	15	810F050C20	■	■	
AWG4520EXNXC	2B3215-9	7/8 (22.2)	3/8 (9.5)	134 (60.8)	8.4 (3.8)	AB	13.4	20	810F050C20	Dual	■	

* Connections are ODF, unless otherwise stated.

**Dual= Low and High Pressure Controls

† Or compatible equivalent.



High Temperature

Model Number	Item Number (Bill of Material)	HP	Ambient °F (°C)	Capacity (Btu/h) at Rated Conditions/ Evaporator Temperature									
				10°F	15°F	20°F	25°F	30°F	35°F	40°F	45°F	50°F	55°F
				-12.2°C	-9.4°C	-6.7°C	-3.9°C	-1.1°C	1.7°C	4.4°C	7.2°C	10.0°C	12.8°C
R22† HBP Application Range 10°F to 55°F (-12.2°C to 12.8°C) continued													
AWG4520EXTXC	2B3216-9	1 1/2	90 (32.2)	---	---	11,800	13,200	14,600	16,100	17,600	19,100	20,700	22,300
			100 (37.8)	---	---	10,500	11,800	13,200	14,600	16,000	17,500	19,000	20,500
			110 (43.3)	---	---	9,300	10,500	11,800	13,000	14,400	15,700	17,100	18,500
AWG4524EXNXM	2C2103-9	2	90 (32.2)	---	---	14,700	16,400	18,200	20,100	22,100	24,200	26,400	28,600
			100 (37.8)	---	---	13,200	14,800	16,500	18,300	20,200	22,100	24,100	26,200
			110 (43.3)	---	---	11,900	13,300	14,800	16,500	18,200	19,900	21,800	23,800
AWG4524EXTXM	2C2108-9	2	90 (32.2)	---	---	14,700	16,400	18,200	20,100	22,100	24,200	26,400	28,600
			100 (37.8)	---	---	13,200	14,800	16,500	18,300	20,200	22,100	24,100	26,200
			110 (43.3)	---	---	11,900	13,300	14,800	16,500	18,200	19,900	21,800	23,800
AWG4530EXGXM	2C2110-1	2 1/2	90 (32.2)	---	---	18,600	20,800	23,000	25,400	27,800	30,400	33,000	35,800
			100 (37.8)	---	---	16,900	19,000	21,100	23,300	25,700	28,100	30,700	33,400
			110 (43.3)	---	---	15,300	17,200	19,100	21,200	23,300	25,600	28,000	30,400
AWG4530EXNXM	2C2106-9	2 1/2	90 (32.2)	---	---	18,600	20,800	23,000	25,400	27,800	30,400	33,000	35,800
			100 (37.8)	---	---	16,900	19,000	21,100	23,300	25,700	28,100	30,700	33,400
			110 (43.3)	---	---	15,300	17,200	19,100	21,200	23,300	25,600	28,000	30,400
AWG4530EXTXM	2C2107-9	2 1/2	90 (32.2)	---	---	18,600	20,800	23,000	25,400	27,800	30,400	33,000	35,800
			100 (37.8)	---	---	16,900	19,000	21,100	23,300	25,700	28,100	30,700	33,400
			110 (43.3)	---	---	15,300	17,200	19,100	21,200	23,300	25,600	28,000	30,400
AVA4540EXNXM	2B3127-9	3 1/2	90 (32.2)	19,600	22,200	24,500	27,500	30,500	33,500	36,600	39,800	43,000	46,300
			100 (37.8)	17,300	19,800	22,400	25,100	27,800	30,600	33,500	36,400	39,300	42,300
			110 (43.3)	15,500	17,900	20,200	22,700	25,200	27,800	30,500	33,100	35,800	38,600
AVA4540EXTXM	2B3128-9	3 1/2	90 (32.2)	---	---	24,500	27,500	30,500	33,500	36,600	39,800	43,000	46,300
			100 (37.8)	---	---	22,400	25,100	27,800	30,600	33,500	36,400	39,300	42,300
			110 (43.3)	---	---	20,200	22,700	25,200	27,800	30,500	33,100	35,800	38,600
AGA4553EXNXM	2A4052-9	4 1/2	90 (32.2)	---	---	35,000	38,300	41,500	45,000	48,200	53,000	56,000	---
			100 (37.8)	---	---	32,100	35,300	38,600	42,300	46,000	49,700	52,500	---
			110 (43.3)	---	---	27,100	31,700	36,200	39,500	42,700	46,400	49,100	---
AGA4553EXTXM	2A4053-9	4 1/2	90 (32.2)	---	---	35,000	38,300	41,500	45,000	48,200	53,000	56,000	---
			100 (37.8)	---	---	32,100	35,300	38,600	42,300	46,000	49,700	52,500	---
			110 (43.3)	---	---	27,100	31,700	36,200	39,500	42,700	46,400	49,100	---
AGA4563EXNXM	2A5058-9	5	90 (32.2)	---	---	42,000	46,000	50,000	54,000	58,000	62,500	65,300	---
			100 (37.8)	---	---	37,600	41,600	45,500	49,800	54,100	58,500	61,500	---
			110 (43.3)	---	---	33,100	37,100	41,000	45,400	49,700	53,800	57,200	---
AGA4563EXTXM	2A5059-9	5	90 (32.2)	---	---	42,000	46,000	50,000	54,000	58,000	62,500	65,300	---
			100 (37.8)	---	---	37,600	41,600	45,500	49,800	54,100	58,500	61,500	---
			110 (43.3)	---	---	33,100	37,100	41,000	45,400	49,700	53,800	57,200	---

† Or compatible equivalent.

High Temperature

Model Number	Item Number (Bill of Material)	Line Connections* in (mm)		Gross Weight lb (kg)	Pump Down Cap 90% lb (kg) @ 90°F Ambient	Oil Type	Min Circuit Ampacity	Max Fuse Size (Amps)	Fan Motor	LP Ctrls**	Crank Case Heater	Accum
		Suction	Liquid									
R22† HBP Application Range 10°F to 55°F (-12.2°C to 12.8°C) continued												
AWG4520EXTXC	2B3216-9	7/8 (22.2)	3/8 (9.5)	154 (69.9)	8.4 (3.8)	AB	9.1	15	810F050C20		■	■
AWG4524EXNXM	2C2103-9	7/8 (22.2)	3/8 (9.5)	187 (84.8)	10.1 (4.6)	AB	15.6	25	810F050C20	■	■	■
AWG4524EXTXM	2C2108-9	7/8 (22.2)	3/8 (9.5)	185 (83.9)	10.1 (4.6)	AB	10.1	15	810F050C20	■	■	■
AWG4530EXGXM	2C2110-1	7/8 (22.2)	3/8 (9.5)	200 (90.7)	10.5 (4.7)	AB	7.1	15	810F050B51	■	■	■
AWG4530EXNXM	2C2106-9	7/8 (22.2)	3/8 (9.5)	200 (90.7)	10.5 (4.7)	AB	17.7	35	810F050C20	■	■	■
AWG4530EXTXM	2C2107-9	7/8 (22.2)	3/8 (9.5)	196 (88.9)	10.5 (4.7)	AB	11.9	20	810F050C20	■	■	■
AVA4540EXNXM	2B3127-9	7/8 (22.2)	3/8 (9.5)	221 (100.2)	13.8 (6.3)	AB	29.3	50	810F050C20	■	■	■
AVA4540EXTXM	2B3128-9	7/8 (22.2)	3/8 (9.5)	211 (95.7)	8.4 (3.8)	AB	19.4	30	810F050C20	■	■	■
AGA4553EXNXM	2A4052-9	7/8 SAE (22.2 SAE)	1/2 SAE (12.7 SAE)	311 (141.1)	29 (13.2)	AB	37.3	60	810S124B38	■	■	■
AGA4553EXTXM	2A4053-9	7/8 SAE (22.2 SAE)	1/2 SAE (12.7 SAE)	304 (137.9)	29.7 (13.5)	AB	23.7	40	810S124B38	■	■	■
AGA4563EXNXM	2A5058-9	7/8 SAE (22.2 SAE)	1/2 SAE (12.7 SAE)	383 (173.7)	34.7 (15.7)	AB	42.1	70	810S186B40	■	■	■
AGA4563EXTXM	2A5059-9	7/8 SAE (22.2 SAE)	1/2 SAE (12.7 SAE)	321 (145.6)	34.7 (15.7)	AB	27.5	45	810S186B40	■	■	■

* Connections are ODF, unless otherwise stated.

** Dual = Low and High Pressure Controls

† Or compatible equivalent.



High Temperature

Model Number	Item Number (Bill of Material)	HP	Ambient °F (°C)	Capacity (Btu/h) at Rated Conditions/ Evaporator Temperature									
				10°F	15°F	20°F	25°F	30°F	35°F	40°F	45°F	50°F	55°F
				-12.2°C	-9.4°C	-6.7°C	-3.9°C	-1.1°C	1.7°C	4.4°C	7.2°C	10.0°C	12.8°C
R22† HBP Application Range 10°F to 55°F (-12.2°C to 12.8°C) continued													
AGA4572EXNXM	2A5060-9	6	90 (32.2)	---	---	44,000	49,500	55,000	61,000	67,000	72,000	80,000	---
			100 (37.8)	---	---	39,400	44,700	50,000	56,300	62,500	67,500	75,000	---
			110 (43.3)	---	---	34,700	39,900	45,100	51,300	57,400	62,100	70,100	---
AGA4572EXTXM	2A5061-9	6	90 (32.2)	---	---	44,000	49,500	55,000	61,000	67,000	72,000	80,000	---
			100 (37.8)	---	---	39,400	44,700	50,000	56,300	62,500	67,500	75,000	---
			110 (43.3)	---	---	34,700	39,900	45,100	51,300	57,400	62,100	70,100	---
R12† HBP Application Range 10°F to 55°F (-12.2°C to 12.8°C)													
AHA4518AXDXC	2B3233-49	1 1/2	90 (32.2)	---	---	10,900	12,300	13,600	14,900	16,200	17,400	18,600	---
			100 (37.8)	---	---	10,300	11,700	13,000	14,200	15,400	16,600	17,700	---
			110 (43.3)	---	---	9,800	11,100	12,300	13,500	14,600	15,800	16,900	---

Medium Temperature

Model Number	Item Number (Bill of Material)	HP	Ambient °F (°C)	Capacity (Btu/h) at Rated Conditions/ Evaporator Temperature									
				-5°F	0°F	5°F	10°F	15°F	20°F	25°F	30°F	35°F	40°F
				-20.6°C	-17.8°C	-15.0°C	-12.2°C	-9.4°C	-6.7°C	-3.9°C	-1.1°C	1.7°C	4.4°C
R404A/R507 MBP Application Range -5°F to 40°F (-20.6°C to 4.4°C)													
AWA7512ZDXDC	2B3217-9	1 1/2	90 (32.2)	6,800	7,700	8,700	9,700	10,800	11,900	13,100	14,400	---	---
			100 (37.8)	6,000	6,700	7,500	8,300	9,200	10,100	11,200	12,300	---	---
			110 (43.3)	4,600	5,300	6,000	6,800	7,700	8,600	9,500	10,500	---	---
AWA7512ZXTXC	2B3218-9	1 1/2	90 (32.2)	6,800	7,700	8,700	9,700	10,800	11,900	13,100	14,400	---	---
			100 (37.8)	6,000	6,700	7,500	8,300	9,200	10,100	11,200	12,300	---	---
			110 (43.3)	4,600	5,300	6,000	6,800	7,700	8,600	9,500	10,500	---	---
AWA7515ZDXDC	2B3220-9	1 3/4	90 (32.2)	8,900	9,900	10,900	12,000	13,200	14,400	15,700	17,000	---	---
			100 (37.8)	7,600	8,500	9,500	10,400	11,400	12,400	13,500	14,600	---	---
			110 (43.3)	6,400	7,200	8,000	8,800	9,700	10,600	11,500	12,500	---	---
AWA7515ZXTXC	2B3219-9	1 3/4	90 (32.2)	8,900	9,900	10,900	12,000	13,200	14,400	15,700	17,000	---	---
			100 (37.8)	7,600	8,500	9,500	10,400	11,400	12,400	13,500	14,600	---	---
			110 (43.3)	6,400	7,200	8,000	8,800	9,700	10,600	11,500	12,500	---	---
AWA7523ZXNXC	2B3136-9	3	90 (32.2)	13,600	15,400	17,100	19,000	20,900	22,800	24,800	26,800	---	---
			100 (37.8)	11,600	13,100	14,600	16,200	17,900	19,500	21,300	23,100	---	---
			110 (43.3)	9,500	10,800	12,100	13,500	14,900	16,400	17,900	19,400	---	---
AWA7523ZXTXC	2B3137-9	3	90 (32.2)	13,600	15,400	17,100	19,000	20,900	22,800	24,800	26,800	---	---
			100 (37.8)	11,600	13,100	14,600	16,200	17,900	19,500	21,300	23,100	---	---
			110 (43.3)	9,500	10,800	12,100	13,500	14,900	16,400	17,900	19,400	---	---

† Or compatible equivalent.

High Temperature												
Model Number	Item Number (Bill of Material)	Line Connections* in (mm)		Gross Weight lb (kg)	Pump Down Cap 90% lb (kg) @ 90°F Ambient	Oil Type	Min Circuit Ampacity	Max Fuse Size (Amps)	Fan Motor	LP Ctrls**	Crank Case Heater	Accum
		Suction	Liquid									
R22[†] HBP Application Range 10°F to 55°F (-12.2°C to 12.8°C) continued												
AGA4572EXNXM	2A5060-9	7/8 SAE (22.2 SAE)	1/2 SAE (12.7 SAE)	395 (179.2)	34.7 (15.7)	AB	47.5	80	810S186B40	■	■	■
AGA4572EXTXM	2A5061-9	7/8 SAE (22.2 SAE)	1/2 SAE (12.7 SAE)	315 (142.9)	34.7 (15.7)	AB	31.0	50	810S186B40	■	■	■
R12[†] HBP Application Range 10°F to 55°F (-12.2°C to 12.8°C)												
AHA4518AXDXC	2B3233-49	7/8 (22.2)	3/8 (9.5)	134 (60.8)	13 (5.9)	AB	13.8	20	810F050C20	Dual	■	
Medium Temperature												
Model Number	Item Number (Bill of Material)	Line Connections* in (mm)		Gross Weight lb (kg)	Pump Down Cap 90% lb (kg) @ 90°F Ambient	Oil Type	Min Circuit Ampacity	Max Fuse Size (Amps)	Fan Motor	LP Ctrls**	Crank Case Heater	Accum
		Suction	Liquid									
R404A/R507 MBP Application Range -5°F to 40°F (-20.6°C to 4.4°C)												
AWA7512ZXDXC	2B3217-9	7/8 (22.2)	3/8 (9.5)	130 (59)	6.9 (3.1)	POE	16.7	30	810F050C20	Dual	■	
AWA7512ZXTXC	2B3218-9	7/8 (22.2)	3/8 (9.5)	129 (58.5)	9.8 (4.4)	POE	11.1	20	810F050C20	■	■	
AWA7515ZXDXC	2B3220-9	7/8 (22.2)	3/8 (9.5)	129 (58.5)	9.8 (4.4)	POE	21.6	35	810F050C20	Dual	■	
AWA7515ZXTXC	2B3219-9	7/8 (22.2)	3/8 (9.5)	129 (58.5)	6.9 (3.1)	POE	11.1	20	810F050C20	■	■	
AVA7523ZXNXC	2B3136-9	7/8 (22.2)	3/8 (9.5)	119 (54)	11.7 (5.3)	POE	28.3	50	810F050C20	■	■	
AVA7523ZXTXC	2B3137-9	7/8 (22.2)	3/8 (9.5)	119 (54)	11.7 (5.3)	POE	17.1	25	810F050C20	■	■	

* Connections are ODF, unless otherwise stated.
 ** Dual = Low and High Pressure Controls
 † Or compatible equivalent.

Medium Temperature

Model Number	Item Number (Bill of Material)	HP	Ambient °F (°C)	Capacity (Btu/h) at Rated Conditions/ Evaporator Temperature									
				-5°F	0°F	5°F	10°F	15°F	20°F	25°F	30°F	35°F	40°F
				-20.6°C	-17.8°C	-15.0°C	-12.2°C	-9.4°C	-6.7°C	-3.9°C	-1.1°C	1.7°C	4.4°C
R12[†] MBP Application Range -5°F to 40°F (-20.6°C to 4.4°C)													
AHA7480AXDXC	2B1126-49	1	90 (32.2)	4,300	5,300	6,200	7,100	7,900	8,600	9,400	10,100	---	---
			100 (37.8)	3,800	4,800	5,700	6,600	7,300	8,100	8,900	9,600	---	---
			110 (43.3)	3,300	4,300	5,200	6,000	6,800	7,600	8,300	9,000	---	---
AHA7480AXFXC	2B1127-49	1	90 (32.2)	4,300	5,300	6,200	7,100	7,900	8,600	9,400	10,100	---	---
			100 (37.8)	3,800	4,800	5,700	6,600	7,300	8,100	8,900	9,600	---	---
			110 (43.3)	3,300	4,300	5,200	6,000	6,800	7,600	8,300	9,000	---	---
AHA7511AXFXC	2B3237-49	1 1/2	90 (32.2)	7,300	8,300	9,400	10,400	11,600	12,800	14,300	15,800	---	---
			100 (37.8)	6,300	7,300	8,400	9,400	10,600	11,800	13,100	14,600	---	---
			110 (43.3)	5,400	6,300	7,300	8,300	9,500	10,600	11,900	13,400	---	---
AHB7511AXDXC	2B3235-49	1 1/2	90 (32.2)	---	8,300	9,400	10,400	11,600	12,800	14,300	14,800	---	---
			100 (37.8)	---	7,300	8,400	9,400	10,600	11,800	13,100	14,600	---	---
			110 (43.3)	---	6,300	7,300	8,300	9,500	10,600	11,900	13,400	---	---
AHA7514AXDXC	2B3234-49	1 3/4	90 (32.2)	8,500	9,500	10,500	11,500	12,800	14,000	15,400	16,800	---	---
			100 (37.8)	7,400	8,400	9,500	10,500	11,700	12,800	14,200	15,600	---	---
			110 (43.3)	6,400	7,400	8,500	9,500	10,700	11,900	13,300	14,600	---	---

Low Temperature

Model Number	Item Number (Bill of Material)	HP	Ambient °F (°C)	Capacity (Btu/h) at Rated Conditions/ Evaporator Temperature									
				-40°F	-35°F	-30°F	-25°F	-20°F	-15°F	-10°F	-5°F	0°F	5°F
				-40.0°C	-37.2°C	-34.4°C	-31.7°C	-28.9°C	-26.1°C	-23.3°C	-20.6°C	-17.8°C	-15.0°C
R404A/R507 LBP Application Range -40°F to 5°F (-40°C to -15.0°C)													
AWA2448ZDXC	2B1118-9	1 1/4	90 (32.2)	1,400	1,900	2,400	3,000	3,600	4,200	4,800	5,500	6,200	7,000
			100 (37.8)	900	1,400	1,900	2,400	2,900	3,500	4,100	4,600	5,200	5,900
			110 (43.3)	500	900	1,400	1,800	2,300	2,800	3,300	3,800	4,400	4,900
AWA2448ZTXC	2B1121-9	1 1/4	90 (32.2)	1,400	1,900	2,400	3,000	3,600	4,200	4,800	5,500	6,200	7,000
			100 (37.8)	900	1,400	1,900	2,400	2,900	3,500	4,100	4,600	5,200	5,900
			110 (43.3)	500	900	1,400	1,800	2,300	2,800	3,300	3,800	4,400	4,900
AWA2457ZDXC	2B3243-9	1 1/2	90 (32.2)	1,900	2,500	3,100	3,700	4,400	5,000	5,700	6,500	7,200	8,000
			100 (37.8)	---	---	2,500	3,100	3,700	4,300	4,900	5,500	6,200	6,900
			110 (43.3)	---	---	1,800	2,400	3,000	3,500	4,100	4,700	5,300	5,900
AWA2457ZTXC	2B3244-9	1 1/2	90 (32.2)	1,900	2,500	3,100	3,700	4,400	5,000	5,700	6,500	7,200	8,000
			100 (37.8)	---	---	2,500	3,100	3,700	4,300	4,900	5,500	6,200	6,900
			110 (43.3)	---	---	1,800	2,400	3,000	3,500	4,100	4,700	5,300	5,900
AWA2464ZDXC	2B3224-9	1 3/4	90 (32.2)	2,600	3,200	3,800	4,400	5,100	5,800	6,500	7,100	7,900	8,600
			100 (37.8)	2,000	2,500	3,100	3,700	4,300	4,900	5,400	6,000	6,700	7,300
			110 (43.3)	1,200	1,800	2,300	2,900	3,400	3,900	4,500	5,000	5,500	6,000
AWA2464ZTXC	2B3225-9	1 3/4	90 (32.2)	2,600	3,200	3,800	4,400	5,100	5,800	6,500	7,100	7,900	8,600
			100 (37.8)	2,000	2,500	3,100	3,700	4,300	4,900	5,400	6,000	6,700	7,300
			110 (43.3)	1,200	1,800	2,300	2,900	3,400	3,900	4,500	5,000	5,500	6,000

[†] Or compatible equivalent.



Medium Temperature												
Model Number	Item Number (Bill of Material)	Line Connections* in (mm)		Gross Weight lb (kg)	Pump Down Cap 90% lb (kg) @ 90°F Ambient	Oil Type	Min Circuit Ampacity	Max Fuse Size (Amps)	Fan Motor	LP Ctrls**	Crank Case Heater	Accum
		Suction	Liquid									
R12† MBP Application Range -5°F to 40°F (-20.6°C to 4.4°C)												
AHA7480AXDXC	2B1126-49	5/8 (15.9)	3/8 (9.5)	120 (54.4)	7.8 (3.5)	AB	9.2	15	810F050C20	■		
AHA7480AXFXC	2B1127-49	5/8 (15.9)	3/8 (9.5)	122 (55.3)	7.8 (3.5)	AB	7.6	15	810F050C20	Dual		
AHA7511AXFXC	2B3237-49	7/8 (22.2)	3/8 (9.5)	136 (61.7)	13 (5.9)	AB	8.5	15	810F050C20	■	■	
AHB7511AXDXC	2B3235-49	7/8 (22.2)	3/8 (9.5)	130 (59)	10.1 (4.6)	AB	11.7	20	810F050C20	Dual	■	
AHA7514AXDXC	2B3234-49	7/8 (22.2)	3/8 (9.5)	138 (62.6)	13 (5.9)	AB	15.8	25	810F050C20	Dual	■	

Low Temperature												
Model Number	Item Number (Bill of Material)	Line Connections* in (mm)		Gross Weight lb (kg)	Pump Down Cap 90% lb (kg) @ 90°F Ambient	Oil Type	Min Circuit Ampacity	Max Fuse Size (Amps)	Fan Motor	LP Ctrls**	Crank Case Heater	Accum
		Suction	Liquid									
R404A/R507 LBP Application Range -40°F to 5°F (-40°C to -15.0°C)												
AWA2448ZDXC	2B1118-9	5/8 (15.9)	3/8 (9.5)	119 (54)	6.3 (2.9)	POE	12.0	15	810F050C20	Dual		
AWA2448ZTXC	2B1121-9	5/8 (15.9)	3/8 (9.5)	119 (54)	6.3 (2.9)	POE	7.4	15	810F050C20	■		
AWA2457ZDXC	2B3243-9	7/8 (22.2)	3/8 (9.5)	120 (54.4)	6.3 (2.9)	POE	12.6	25	810F050C20	Dual		
AWA2457ZTXC	2B3244-9	7/8 (22.2)	3/8 (9.5)	120 (54.4)	6.3 (2.9)	POE	6.4	20	810F050C20	■		
AWA2464ZDXC	2B3224-9	7/8 (22.2)	3/8 (9.5)	130 (59)	6.3 (2.9)	POE	16.9	25	810F050C20	Dual		
AWA2464ZTXC	2B3225-9	7/8 (22.2)	3/8 (9.5)	130 (59)	6.3 (2.9)	POE	11.6	20	810F050C20	■		

* Connections are ODF, unless otherwise stated.

** Dual = Low and High Pressure Controls

† Or compatible equivalent.



Tecumseh

Low Temperature

Model Number	Item Number (Bill of Material)	HP	Ambient °F (°C)	Capacity (Btu/h) at Rated Conditions/ Evaporator Temperature									
				-40°F	-35°F	-30°F	-25°F	-20°F	-15°F	-10°F	-5°F	0°F	5°F
				-40.0°C	-37.2°C	-34.4°C	-31.7°C	-28.9°C	-26.1°C	-23.3°C	-20.6°C	-17.8°C	-15.0°C
R404A/R507 LBP Application Range -40°F to 5°F (-40°C to -15.0°C)													
AWA2479ZDXC	2C2114-9	2	90 (32.2)	2,300	3,200	4,100	5,000	5,900	6,900	7,900	8,900	9,900	11,000
			100 (37.8)	2,300	2,900	3,600	4,300	5,000	5,800	6,600	7,500	8,400	9,400
			110 (43.3)	1,700	2,300	2,800	3,400	4,100	4,800	5,500	6,300	7,100	7,900
AWA2479ZTXC	2C2115-9	2	90 (32.2)	2,300	3,200	4,100	5,000	5,900	6,900	7,900	8,900	9,900	11,000
			100 (37.8)	2,300	2,900	3,600	4,300	5,000	5,800	6,600	7,500	8,400	9,400
			110 (43.3)	1,700	2,300	2,800	3,400	4,100	4,800	5,500	6,300	7,100	7,900
AWA2490ZDXC	2C2111-9	2	90 (32.2)	---	---	4,100	5,200	6,400	7,600	8,800	10,100	11,400	12,700
			100 (37.8)	---	---	3,600	4,400	5,300	6,300	7,400	8,500	9,700	11,000
			110 (43.3)	---	---	---	3,600	4,300	5,200	6,100	7,100	8,200	9,300
AWA2490ZTXC	2C2112-9	2	90 (32.2)	---	---	4,100	5,200	6,400	7,600	8,800	10,100	11,400	12,700
			100 (37.8)	---	---	3,600	4,400	5,300	6,300	7,400	8,500	9,700	11,000
			110 (43.3)	---	---	---	3,600	4,300	5,200	6,100	7,100	8,200	9,300
AVA2510ZXNXC	2C2116-9	2 1/2	90 (32.2)	3,600	4,700	5,800	6,800	7,900	8,900	10,000	11,000	12,100	13,100
			100 (37.8)	2,900	3,800	4,800	5,700	6,600	7,600	8,500	9,400	10,300	11,100
			110 (43.3)	2,300	3,100	3,900	4,600	5,400	6,200	7,000	7,800	8,600	9,500
AVA2510ZTXC	2C2117-9	2 1/2	90 (32.2)	3,600	4,700	5,800	6,800	7,900	8,900	10,000	11,000	12,100	13,100
			100 (37.8)	2,900	3,800	4,800	5,700	6,600	7,600	8,500	9,400	10,300	11,100
			110 (43.3)	2,300	3,100	3,900	4,600	5,400	6,200	7,000	7,800	8,600	9,500
AVA2512ZXNXM	2B3140-9	3	90 (32.2)	---	5,300	6,500	7,800	9,100	10,500	11,900	13,300	14,800	16,300
			100 (37.8)	---	4,300	5,400	6,500	7,700	8,900	10,200	11,400	12,800	14,100
			110 (43.3)	---	3,500	4,600	5,700	6,800	7,900	9,000	10,200	11,300	12,500
AVA2512ZTXM	2B3141-9	3	90 (32.2)	---	5,300	6,500	7,800	9,100	10,500	11,900	13,300	14,800	16,300
			100 (37.8)	---	4,300	5,400	6,500	7,700	8,900	10,200	11,400	12,800	14,100
			110 (43.3)	---	3,500	4,600	5,700	6,800	7,900	9,000	10,200	11,300	12,500
AVA2515ZXNXC	2B3144-9	3 1/2	90 (32.2)	5,100	6,400	7,800	9,300	10,900	12,600	14,500	16,400	18,500	20,700
			100 (37.8)	---	4,800	6,200	7,700	9,200	10,800	12,500	14,100	15,900	17,600
			110 (43.3)	---	---	---	5,100	6,700	8,200	9,800	11,400	13,000	14,700
AVA2515ZTXC	2B3145-9	3 1/2	90 (32.2)	5,100	6,400	7,800	9,300	10,900	12,600	14,500	16,400	18,500	20,700
			100 (37.8)	---	4,800	6,200	7,700	9,200	10,800	12,500	14,100	15,900	17,600
			110 (43.3)	---	---	---	5,100	6,700	8,200	9,800	11,400	13,000	14,700
R12[†] LBP Application Range -40°F to 5°F (-40°C to -15.0°C)													
AHA2435AXDXC	2C702-49	1	90 (32.2)	1,100	1,600	2,100	2,600	3,100	3,600	4,100	4,700	5,200	5,800
			100 (37.8)	800	1,300	1,800	2,200	2,700	3,300	3,800	4,300	4,800	5,400
			110 (43.3)	500	1,000	1,500	2,000	2,400	3,000	3,500	4,000	4,500	5,100
AHA2445AXDXC	2B1125-49	1 1/4	90 (32.2)	1,600	2,100	2,600	3,200	3,800	4,300	4,900	5,600	6,200	6,900
			100 (37.8)	1,300	1,800	2,400	2,900	3,500	4,100	4,700	5,300	5,900	6,600
			110 (43.3)	1,100	1,600	2,100	2,700	3,200	3,800	4,400	5,000	5,600	6,300

[†] Or compatible equivalent.

Low Temperature												
Model Number	Item Number (Bill of Material)	Line Connections* in (mm)		Gross Weight lb (kg)	Pump Down Cap 90% lb (kg) @ 90°F Ambient	Oil Type	Min Circuit Ampacity	Max Fuse Size (Amps)	Fan Motor	LP Ctrls**	Crank Case Heater	Accum
		Suction	Liquid									
R404A/R507 LBP Application Range -40°F to 5°F (-40°C to -15.0°C)												
AWA2479ZDXC	2C2114-9	7/8 (22.2)	3/8 (9.5)	119 (54)	9.8 (4.4)	POE	17.1	25	810F050C20	Dual		
AWA2479ZXTXC	2C2115-9	7/8 (22.2)	3/8 (9.5)	119 (54)	9.8 (4.4)	POE	11.8	20	810F050C20	■		
AWA2490ZDXC	2C2111-9	5/8 (15.9)	3/8 (9.5)	119 (54)	11.7 (5.3)	POE	18.4	30	810F050C20	■		
AWA2490ZXTXC	2C2112-9	5/8 (15.9)	3/8 (9.5)	119 (54)	11.7 (5.3)	POE	13.1	20	810F050C20	■		
AVA2510ZXNXC	2C2116-9	7/8 (22.2)	3/8 (9.5)	130 (59)	10.8 (4.9)	POE	21.7	35	810S050A99	Dual		
AVA2510ZXTXC	2C2117-9	7/8 (22.2)	3/8 (9.5)	130 (59)	10.8 (4.9)	POE	13.7	20	810F050C20	■		
AVA2512ZXNXM	2B3140-9	7/8 (22.2)	3/8 (9.5)	130 (59)	11.6 (5.3)	POE	22.8	35	810F050C20	■	■	■
AVA2512ZXTXM	2B3141-9	7/8 (22.2)	3/8 (9.5)	130 (59)	11.6 (5.3)	POE	14.8	20	810F050C20	■	■	■
AVA2515ZXNXC	2B3144-9	7/8 (22.2)	3/8 (9.5)	130 (59)	12 (5.4)	POE	29.0	45	810F050C20	■	■	
AVA2515ZXTXC	2B3145-9	7/8 (22.2)	3/8 (9.5)	130 (59)	12 (5.4)	POE	16.6	25	810F050C20	■		
R12† LBP Application Range -40°F to 5°F (-40°C to -15.0°C)												
AHA2435AXDXC	2C702-49	5/8 (15.9)	3/8 (9.5)	128 (58.1)	7.6 (3.4)	POE	8.3	15	810M009C08			
AHA2445AXDXC	2B1125-49	5/8 (15.9)	3/8 (9.5)	122 (55.3)	7.8 (3.5)	POE	11.4	15	810F050C20			

* Connections are ODF, unless otherwise stated.

** Dual = Low and High Pressure Controls

† Or compatible equivalent.

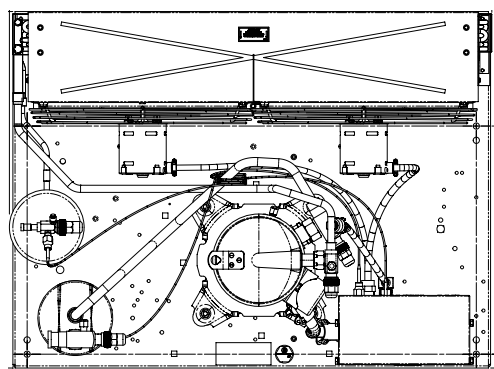
Low Temperature

Model Number	Item Number (Bill of Material)	HP	Ambient °F (°C)	Capacity (Btu/h) at Rated Conditions/ Evaporator Temperature									
				-40°F	-35°F	-30°F	-25°F	-20°F	-15°F	-10°F	-5°F	0°F	5°F
				-40.0°C	-37.2°C	-34.4°C	-31.7°C	-28.9°C	-26.1°C	-23.3°C	-20.6°C	-17.8°C	-15.0°C
R12[†] LBP Application Range -40°F to 5°F (-40°C to -15.0°C) continued													
AHA2466AXDXC	2B3232-49	1 3/4	90 (32.2)	2,200	2,900	3,600	4,400	5,200	6,100	6,900	7,900	8,800	9,900
			100 (37.8)	2,000	2,700	3,400	4,200	4,900	5,700	6,500	7,400	8,300	9,400
			110 (43.3)	1,800	2,500	3,100	3,800	4,500	5,300	6,100	7,000	7,900	8,900
AHA2466AXFXC	2B3236-49	1 3/4	90 (32.2)	2,200	2,900	3,600	4,400	5,200	6,100	6,900	7,900	8,800	9,900
			100 (37.8)	2,000	2,700	3,400	4,200	4,900	5,700	6,500	7,400	8,300	9,400
			110 (43.3)	1,800	2,500	3,100	3,800	4,500	5,300	6,100	7,000	7,900	8,900

[†] Or compatible equivalent.

LARGE RECIPROCATING DIMENSIONS

CBP Application Range -10°F to 40°F (-23.3°C to 4.4°C)				
Model Number	Item Number (BOM)	Length in (mm)	Width in (mm)	Height in (mm)
R404A/R507 CBP				
AWA9511ZXNXC	2B1138-9	24.0 (610)	19.4 (493)	16.2 (411)
AWA9511ZXTXC	2B1140-9	24.0 (610)	19.4 (493)	16.2 (411)
AWA9511ZXGXC	32B1141-1	24.0 (610)	19.4 (493)	16.2 (411)
AWA9514ZXTXM	2B3239-9	33.8 (859)	25.0 (635)	19.5 (495)
AWA9514ZXNXM	2B3238-9	25.0 (635)	33.4 (850)	19.5 (495)
AWA9518ZXNXM	2C2133-9	33.8 (859)	25.0 (635)	19.5 (495)
AWA9518ZXTXM	2C2134-9	33.8 (859)	25.0 (635)	19.5 (495)
AVA9523ZXGXM	2C2137-9	33.8 (859)	25.0 (635)	19.5 (495)
AVA9523ZXTXM	2C2136-9	33.8 (859)	25.0 (635)	19.5 (495)
AVA9525ZXGXM	2B3155-9	33.7 (856)	25.0 (635)	19.5 (495)
AVA9525ZXTXM	2B3154-9	25.0 (635)	33.7 (856)	19.5 (495)
AVA9529ZXTXM	2B3158-9	25.0 (635)	33.7 (856)	19.5 (495)



Width

HBP Application Range 20°F to 55°F (-6.7°C to 12.8°C)				
Model Number	Item Number (BOM)	Length in (mm)	Width in (mm)	Height in (mm)
R404A/R507 HBP				
AWG4517CXNXC	2B3270-1	24.0 (610)	19.4 (493)	16.2 (411)
AWG4517CXNXC	2B3272-1	24.0 (610)	19.4 (493)	16.2 (411)
AWG4520CXNXM	2B3271-1	25.0 (635)	33.4 (850)	19.5 (495)
AWG4528CXNXM	2C2159-1	25.0 (635)	33.4 (850)	19.5 (495)
AVA4536CXTXM	2B3182-1	25.0 (635)	33.4 (850)	19.5 (495)
AGA4549CXTXM	2A4094-1	28.8 (732)	44.9 (1140)	26.9 (683)
AGA4562CXTXM	2A5104-1	28.8 (732)	44.9 (1140)	26.9 (683)
AGA4562CXTXS	2A5102-1	28.7 (729)	45.7 (1161)	26.9 (683)
AVA9523ZXTXM	2C2136-9	33.8 (859)	25.0 (635)	19.5 (495)
AVA9525ZXGXM	2B3155-9	33.7 (856)	25.0 (635)	19.5 (495)
AVA9525ZXTXM	2B3154-9	25.0 (635)	33.7 (856)	19.5 (495)
R22 HBP				
AWG4516EXNXC	2B1112-9	24.0 (610)	19.4 (493)	16.2 (411)
AWG4516EXTXC	2B1113-9	24.0 (610)	19.4 (493)	16.2 (411)
AWG4520EXNXC	2B3215-9	24.0 (610)	19.4 (493)	16.2 (411)
AWG4520EXTXC	2B3216-9	24.0 (610)	19.4 (493)	16.2 (411)
AWG4524EXNXM	2C2103-9	33.5 (851)	25.0 (635)	19.5 (495)
AWG4524EXTXM	2C2108-9	33.5 (851)	25.0 (635)	19.5 (495)
AWG4530EXGXM	2C2110-1	33.48 (850)	25.0 (635)	19.5 (495)
AWG4530EXNXM	2C2106-9	33.5 (851)	25.0 (635)	19.5 (495)
AWG4530EXTXM	2C2107-9	33.5 (851)	25.0 (635)	19.5 (495)
AVA4540EXNXM	2B3127-9	25.0 (635)	33.6 (853)	19.5 (495)
AVA4540EXTXM	2B3128-9	25.0 (635)	33.6 (853)	19.5 (495)
AGA4553EXNXM	2A4052-9	28.6 (726)	44.9 (1140)	26.9 (683)
AGA4553EXTXM	2A4053-9	28.8 (732)	44.9 (1140)	26.9 (683)
AGA4563EXNXM	2A5058-9	28.8 (732)	44.9 (1140)	26.9 (683)
AGA4563EXTXM	2A5059-9	28.6 (726)	44.9 (1140)	26.9 (683)
AGA4572EXNXM	2A5060-9	28.6 (726)	44.9 (1140)	26.9 (683)
AGA4572EXTXM	2A5061-9	28.8 (732)	44.9 (1140)	26.9 (683)
AHA4518AXDXC	2B3233-49	24.9 (632)	17.0 (432)	16.2 (411)



Low Temperature

Model Number	Item Number (Bill of Material)	Line Connections* in (mm)		Gross Weight lb (kg)	Pump Down Cap 90% lb (kg) @ 90°F Ambient	Oil Type	Min Circuit Ampacity	Max Fuse Size (Amps)	Fan Motor	LP Ctrls**	Crank Case Heater	Accum
		Suction	Liquid									
R12[†] LBP Application Range -40°F to 5°F (-40°C to -15.0°C) continued												
AHA2466AXDXC	2B3232-49	7/8 (22.2)	3/8 (9.5)	140 (63.5)	13 (5.9)	POE	13.2	20	810F050C20	Dual		
AHA2466AXFXC	2B3236-49	7/8 (22.2)	3/8 (9.5)	138 (62.6)	13 (5.9)	POE	7.9	15	810F050C20	Dual		

* Connections are ODF, unless otherwise stated.

** Dual = Low and High Pressure Controls

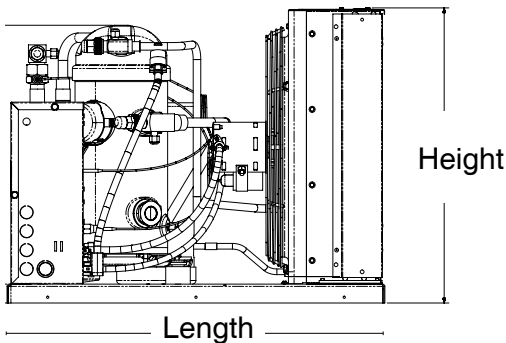
† Or compatible equivalent.

MBP Application Range -10°F to 40°F (-23.3°C to 4.4°C)

Model Number	Item Number (BOM)	Length in (mm)	Width in (mm)	Height in (mm)
R404A/R507 MBP				
AWA7512ZDXC	2B3217-9	24.0 (610)	19.4 (493)	16.2 (411)
AWA7515ZTXC	2B3218-9	24.0 (610)	19.4 (493)	16.2 (411)
AWA7515ZDXC	2B3220-9	24.0 (610)	19.4 (493)	16.2 (411)
AWA7515ZTXC	2B3219-9	24.0 (610)	19.4 (493)	16.2 (411)
AVA7523ZNXC	2B3136-9	25.0 (635)	33.5 (851)	19.5 (495)
AVA7523ZTXC	2B3137-9	25.0 (635)	33.6 (853)	19.5 (495)
AHA7480AXDXC	2B1126-49	25.0 (635)	17.8 (452)	14.6 (371)
AHA7480AXFXC	2B1127-49	24.9 (632)	17.8 (452)	15.6 (396)
AHA7511AXFXC	2B3237-49	24.9 (632)	17.0 (432)	16.2 (411)
AHB7511AXDXC	2B3235-49	24.0 (610)	19.4 (493)	16.2 (411)
AHA7514AXDXC	2B3234-49	24.9 (632)	19.4 (493)	16.2 (411)

LBP Application Range 20°F to 55°F (-6.7°C to 12.8°C)

Model Number	Item Number (BOM)	Length in (mm)	Width in (mm)	Height in (mm)
R404A/R507 LBP				
AWA2448ZDXC	2B1118-9	24.0 (610)	17.8 (452)	15.4 (391)
AWA2448ZTXC	2B1121-9	24.0 (610)	17.8 (452)	15.4 (391)
AWA2457ZDXC	2B3243-9	24.0 (610)	17.8 (452)	16.4 (417)
AWA2457ZTXC	2B3244-9	24.0 (610)	17.8 (452)	16.4 (417)
AWA2464ZDXC	2B3224-9	24.0 (610)	17.8 (452)	15.4 (391)
AWA2464ZTXC	2B3225-9	24.0 (610)	17.8 (452)	16.4 (417)
AWA2479ZDXC	2C2114-9	24.0 (610)	19.4 (493)	16.2 (411)
AWA2479ZTXC	2C2115-9	24.0 (610)	19.4 (493)	16.2 (411)
AWA2490ZDXC	2C2111-9	25.0 (635)	33.6 (853)	19.5 (495)
AWA2490ZTXC	2C2112-9	25.0 (635)	33.6 (853)	19.5 (495)
AVA2510ZNXC	2C2116-9	24.0 (610)	19.4 (493)	16.2 (411)
AVA2510ZTXC	2C2117-9	24.0 (610)	19.4 (493)	16.2 (411)
AVA2512ZNXM	2B3140-9	25.0 (635)	33.6 (853)	19.5 (495)
AVA2512ZTXM	2B3141-9	25.0 (635)	33.5 (851)	19.5 (495)
AVA2515ZNXC	2B3144-9	25.0 (635)	33.6 (853)	19.5 (495)
AVA2515ZTXC	2B3145-9	25.0 (635)	33.6 (853)	19.5 (495)
AWG4524EXNXM	2C2103-9	33.5 (851)	25.0 (635)	19.5 (495)
AWG4524EXTXM	2C2108-9	33.5 (851)	25.0 (635)	19.5 (495)
AWG4530EXGXM	2C2110-1	33.4 (850)	25.0 (635)	19.5 (495)
AWG4530EXNXM	2C2106-9	33.5 (851)	25.0 (635)	19.5 (495)
AWG4530EXTXM	2C2107-9	33.5 (851)	25.0 (635)	19.5 (495)
AVA4540EXNXM	2B3127-9	25.0 (635)	33.6 (853)	19.5 (495)
AVA4540EXTXM	2B3128-9	25.0 (635)	33.6 (853)	19.5 (495)



Water Cooled

Quiet Operation and Optimum Performance

Tecumseh's line of water cooled condensing units are the perfect alternative when air cooled units are impractical due to excessively high ambient temperatures or excessive fan noise.

All water cooled models utilize performance-proven Tecumseh reciprocating compressors and high-quality coaxial condensers. A factory installed water regulating valve allows the user to fine-tune system performance based on discharge pressure.

Low, Medium, Commercial and High Temperature models are available ranging in capacity from 1/3rd to 5 HP and compatible with refrigerants R404A/R507, R134a, R22 and R12 and their compatible blends. Optional features include crankcase heaters and service valves. All Tecumseh low temperature water-cooled condensing units come equipped with a compressor cooling fan to insure continuous operation during extreme loads.

FEATURES AND BENEFITS

• OPTIMUM PERFORMANCE

High efficiency, low operating pressures are primary advantages of the Water Cooled design. Great for applications where lower condensing temperatures are desired.

• QUIET OPERATION

Fan noise is virtually eliminated when compared to a traditional air cooled condensing unit, while low temperature models use an exceptionally quiet head cooling fan.

• TIME HONORED

Tecumseh's 'tried and true' line up of dependable AE, AH, AK, AJ, AV and AW Reciprocating Compressors offer reliability and long life.



• APPLICATIONS

Available in Commercial, High, Medium, and Low Temperatures from 1/3 to 5 Horsepower for R404A/R507, R134a, R22, R12 and their compatible equivalent refrigerants.



SPECIFICATIONS

Applications

Evaporating Ranges:	High Temperature:	-10°F to +50°F (-12.2°C to +12.8°C)
	Med./Comm. Temperature:	-5°F to +40°F (-20.6°C to +4.4°C)
	Low (Vapor Injection) Temp:	-40°F to +5°F (-40°C to -15.0°C)
Performance at +105°F (+40.6°C) Condensing Temperature		

Materials

Valves:	Steel, Copper Sweat Connections	
Receiver:	Steel, Rotolock Valve Connection	
Base Plate:	Hot Rolled Steel, 14-16 Ga.	
Refrigerant/Oil:	R134a, R404A/R507 Polyolester (POE)	R22, R12 Synthetic Alkylate (AB)
Condenser:	Coaxial Coil with Steel Outer Tube and Copper Inner Tube	
Water Regulating Valve:	Factory installed, Opening setting based on 105°F (+40.6°C) Condensing Temperature	

Physical Properties

Dimensions:	Vary by model - see pages 66
Connection Type:	Vary by model - see pages 63 and 65

WATER COOLED CONDENSING UNIT MODEL NOMENCLATURE

AWA 2 490 Z XD XW

Family & Generation

AE, AH, AJ, AK, AW, AV Compressor Series

Application Range

4	High	+10°F to +55°F (-12.2°C to +12.8°C)
7, 9	Medium/Comm.	-5°F to +40°F (-20.6°C to +4.4°C)
2	Low	-40°F to +5°F (-40.0°C to -15.0°C)

Capacity

First number is total digits, the remainder is capacity in Btu/h.
This example 9000 Btu/h capacity.

Refrigerant

A = R12 C = R407C E = R22 Z = R404A/R507

Release Variant

Voltage/Frequency/Phase

XA	115/60/1; 100/50/1
XD	208-230/60/1; 200/50/1
XF	208-230/60/3; 200-240/50/3
XG	460/60/3; 380-420/50/3
XN	208-230/60/1; 200-220/50/1
XT	200-230/60/3; 200-220/50/3



Tecumseh

Commercial Temperature

Model Number	Item Number (Bill of Material)	HP	Flow Rate (GPM) at Rating Point	Performance at 105°F (40.6°C) Condensing Temperature Capacity (Btu/h) at Suction Temperature				
				0°F	10°F	20°F	30°F	40°F
				-17.8°C	-12.2°C	-6.7°C	-1.1°C	4.4°C
R404A/R507 CBP Application Range 0°F to 40°F (-17.8°C to 4.4°C)								
AKA9442ZXAXW	2D288-1	1/2	0.5	2,400	3,600	5,000	6,600	8,400
AKA9442ZDXW	2D289-9	1/2	0.5	2,400	3,600	5,000	6,600	8,400
AKA9467ZXAXW	2B774-1	3/4	0.8	3,670	5,090	6,840	8,520	---
AKA9467ZDXW	32B775-1	3/4	0.8	3,670	5,090	6,840	8,520	---
AKA9476ZDXW	2B1103-1	1	0.9	4,470	6,100	7,870	9,980	---
R22† CBP Application Range 0°F to 40°F (-17.8°C to 4.4°C)								
AEA9423EXAXW	32C363-1	1/3	0.4	1,420	2,000	2,580	3,350	4,180
AKA9457EXAXW	32C290-1	3/4	0.8	2,120	3,770	5,500	7,170	9,150
AKA9457EXDXW	32C291-1	3/4	0.8	2,120	3,770	5,500	7,170	9,150
AKA9479EXDXW	32B746-1	1	1.1	3,410	5,640	7,810	10,110	12,750
AJA9511EXDXW	32A1192-1	1 1/4	1.8	4,570	7,730	10,710	13,720	17,110
AWG9513EXNXW	2B3227-9	1 1/2	2.6	6,750	9,610	13,000	17,000	21,740
AWG9513EXTXW	2B3228-9	1 1/2	2.6	6,750	9,610	13,000	17,000	21,740

High Temperature

Model Number	Item Number (Bill of Material)	HP	Flow Rate (GPM) at Rating Point	Performance at 105°F (40.6°C) Condensing Temperature Capacity (Btu/h) at Suction Temperature				
				20°F	30°F	40°F	45°F	50°F
				-6.7°C	-1.1°C	4.4°C	7.2°C	10.0°C
R134a HBP Application Range 20°F to 50°F (-6.7°C to 10.0°C)								
AEA4440YXAXW	32C391-1	1/3	0.5	2,500	3,200	4,100	4,600	5,200
AKA4475YXAXW	2D294-1	1/2	0.8	3,800	5,050	6,600	7,500	8,400
AKA4475YDXW	2D295-1	1/2	0.8	3,800	5,050	6,600	7,500	8,400
AKA4490YDXW	2B779-1	3/4	1.2	4,700	6,100	8,000	9,000	10,000
AJA4510YDXW	32B780-1	1	1.3	5,400	7,000	9,000	10,200	11,400
AJA4514YDXW	32B1104-1	1 1/4	2.0	7,500	9,500	12,500	14,000	15,500
R22† HBP Application Range 20°F to 50°F (-6.7°C to 10.0°C)								
AWG4520EXNXW	32W1501-1	2 1/2	3.3	14,670	19,230	24,800	27,590	---
AWG4524EXNXW	32W2101-1	2 1/2	3.3	14,670	19,230	24,800	27,590	---
AWG4524EXTXW	32W2102-1	2 1/2	3.3	14,670	19,230	24,800	27,590	---
AWG4530EXNXW	32W2503-1	3	4.2	18,410	23,810	30,260	33,480	---
AWG4530EXTXW	32W2504-1	3	4.2	18,410	23,810	30,260	33,480	---
AVA4535EXNXW	32W3105-1	3	4.5	19,930	26,730	30,940	35,160	39,370
AVA4535EXTXW	32W3106-1	3	4.2	19,930	26,730	30,940	35,160	---
AWG4532EXNXW	32W3151-1	3	7.2	20,330	26,030	32,560	36,170	40,030
AWG4532EXTXW	32W3152-1	3	7.2	20,330	26,030	32,560	36,170	40,030
AVB4538EXNXW	32W4079-1	4	9.1	24,310	31,770	40,490	45,390	50,690

† Or compatible equivalent.

Note: The water valve should be adjusted to maintain a maximum of 95°F (35°C) water outlet temperature to minimize scaling within the condenser.



Commercial Temperature

Model Number	Item Number (Bill of Material)	Line Connections* in (mm)		Gross Weight lb (kg)	Water Valve inlet NPT** in (mm)	Pump Down Cap 90% lb (kg) @ 90°F Ambient	Oil Type	Min Circuit Ampacity	Max Fuse Size (Amps)
		Suction	Liquid						
R404A/R507 CBP Application Range 0°F to 40°F (-17.8°C to 4.4°C)									
AKA9442ZXAXW	2D288-1	1/2 SAE (12.7 SAE)	1/4 SAE (6.4 SAE)	67 (30.4)	3/8 (9.5)	1.7 (0.8)	POE	11.5	20
AKA9442ZDXW	2D289-9	1/2 SAE (12.7 SAE)	1/4 SAE (6.4 SAE)	82 (37.2)	3/8 (9.5)	1.7 (0.8)	POE	5.4	15
AKA9467ZXAXW	2B774-1	1/2 SAE (12.7 SAE)	1/4 SAE (6.4 SAE)	82 (37.2)	3/8 (9.5)	1.7 (0.8)	POE	12.6	20
AKA9467ZDXW	32B775-1	1/2 SAE (12.7 SAE)	1/4 SAE (6.4 SAE)	82 (37.2)	3/8 (9.5)	1.7 (0.8)	POE	12.6	20
AKA9476ZDXW	2B1103-1	1/2 SAE (12.7 SAE)	1/4 SAE (6.4 SAE)	82 (37.2)	3/8 (9.5)	1.7 (0.8)	POE	8.5	15
R22† CBP Application Range 0°F to 40°F (-17.8°C to 4.4°C)									
AEA9423EXAXW	32C363-1	3/8 SAE (9.5 SAE)	1/4 SAE (6.4 SAE)	45 (20.4)	3/8 (9.5)	2.8 (1.3)	AB	7.6	15
AKA9457EXAXW	32C290-1	1/2 SAE (12.7 SAE)	1/4 SAE (6.4 SAE)	67 (30.4)	3/8 (9.5)	2.7 (1.2)	AB	11.0	20
AKA9457EXDXW	32C291-1	1/2 SAE (12.7 SAE)	1/4 SAE (6.4 SAE)	67 (30.4)	3/8 (9.5)	2.7 (1.2)	AB	5.4	15
AKA9479EXDXW	32B746-1	1/2 SAE (12.7 SAE)	1/4 SAE (6.4 SAE)	82 (37.2)	3/8 (9.5)	2.7 (1.2)	AB	6.9	15
AJA9511EXDXW	32A1192-1	1/2 SAE (12.7 SAE)	3/8 SAE (9.5 SAE)	94 (42.6)	3/8 (9.5)	7 (3.2)	AB	8.6	15
AWG9513EXNXW	2B3227-9	7/8 (22.2)	3/8 SAE (9.5 SAE)	121 (54.9)	3/8 (9.5)	N/A	AB	12.1	20
AWG9513EXTXW	2B3228-9	7/8 (22.2)	3/8 (9.5)	121 (54.9)	3/8 (9.5)	N/A	AB	7.9	15

High Temperature

Model Number	Item Number (Bill of Material)	Line Connections* in (mm)		Gross Weight lb (kg)	Water Valve inlet NPT** in (mm)	Pump Down Cap 90% lb (kg) @ 90°F Ambient	Oil Type	Min Circuit Ampacity	Max Fuse Size (Amps)
		Suction	Liquid						
R134a HBP Application Range 20°F to 50°F (-6.7°C to 10.0°C)									
AEA4440YXAXW	32C391-1	3/8 SAE (9.5 SAE)	1/4 SAE (6.4 SAE)	45 (20.4)	3/8 (9.5)	2.5 (1.1)	POE	9.0	15
AKA4475YXAXW	2D294-1	1/2 SAE (12.7 SAE)	1/4 SAE (6.4 SAE)	82 (37.2)	3/8 (9.5)	2.8 (1.3)	POE	11.9	20
AKA4475YDXW	2D295-1	1/2 SAE (12.7 SAE)	1/4 SAE (6.4 SAE)	82 (37.2)	3/8 (9.5)	2.8 (1.3)	POE	6.0	15
AKA4490YDXW	2B779-1	1/2 SAE (12.7 SAE)	3/8 SAE (9.5 SAE)	84 (38.1)	3/8 (9.5)	6.5 (2.9)	POE	7.1	15
AJA4510YDXW	32B780-1	1/2 SAE (12.7 SAE)	3/8 SAE (9.5 SAE)	94 (42.6)	3/8 (9.5)	6.5 (2.9)	POE	8.8	15
AJA4514YDXW	32B1104-1	1/2 SAE (12.7 SAE)	3/8 SAE (9.5 SAE)	94 (42.6)	3/8 (9.5)	6.5 (2.9)	POE	8.8	15
R22† HBP Application Range 20°F to 50°F (-6.7°C to 10.0°C)									
AWG4520EXNXW	32W1501-1	5/8 (15.9)	3/8 (9.5)	107 (48.5)	3/8 (9.5)	8.4 (3.8)	AB	12.4	20
AWG4524EXNXW	32W2101-1	1/2 (12.7)	3/8 (9.5)	110 (49.9)	3/8 (9.5)	8.4 (3.8)	AB	14.9	25
AWG4524EXTXW	32W2102-1	1/2 (12.7)	3/8 (9.5)	113 (51.3)	3/8 (9.5)	8.4 (3.8)	AB	10.9	15
AWG4530EXNXW	32W2503-1	1/2 (12.7)	3/8 (9.5)	119 (54)	3/8 (9.5)	8.4 (3.8)	AB	18.5	35
AWG4530EXTXW	32W2504-1	1/2 (12.7)	3/8 (9.5)	119 (54)	3/8 (9.5)	8.4 (3.8)	AB	11.0	20
AVA4535EXNXW	32W3105-1	7/8 (22.2)	3/8 (9.5)	134 (60.8)	1/2 (12.7)	14.4 (6.5)	AB	12.4	20
AVA4535EXTXW	32W3106-1	1/2 (12.7)	3/8 (9.5)	134 (60.8)	3/8 (9.5)	8.4 (3.8)	AB	18.0	30
AWG4532EXNXW	32W3151-1	5/8 (15.9)	1/2 (12.7)	121 (54.9)	1/2 (12.7)	14.4 (6.5)	AB	18.0	30
AWG4532EXTXW	32W3152-1	5/8 (15.9)	1/2 (12.7)	121 (54.9)	1/2 (12.7)	14.4 (6.5)	AB	12.4	20
AVB4538EXNXW	32W4079-1	7/8 (22.2)	5/8 (15.9)	134 (60.8)	1/2 (12.7)	26.3 (11.9)	AB	23.1	40

* Connections are ODF, unless otherwise stated.

† Or compatible equivalent.

** Use 3/8 inch (9.5 mm) min. pipe size when water inlet size is 3/8 inch (9.5 mm) NPT.

** Use 3/4 inch (19.1 mm) min. pipe size when water inlet size is 3/4 inch (91.1 mm) or 1/2 inch (12.7 mm) NPT.



Tecumseh

High Temperature

Model Number	Item Number (Bill of Material)	HP	Flow Rate (GPM) at Rating Point	Performance at 105°F (40.6°C) Condensing Temperature Capacity (Btu/h) at Suction Temperature				
				20°F	30°F	40°F	45°F	50°F
				-6.7°C	-1.1°C	4.4°C	7.2°C	10.0°C
R22† HBP Application Range 20°F to 50°F (-6.7°C to 10.0°C) continued								
AVB4538EXTXW	32W4080-1	4	9.1	24,310	31,770	40,490	45,390	50,690
AVB4549EXNXW	32W4791-1	5	11.7	31,170	40,810	52,510	58,330	65,040
AVB4549EXTXW	32W4792-1	5	11.7	31,170	40,810	52,510	58,330	65,040
AVB4558EXNXW	32W5093-1	5	13.5	37,160	45,930	56,030	61,850	68,160
AVB4558EXTXW	32W5094-1	5	13.5	37,160	45,930	46,030	61,850	68,160

Medium/High Temperature

R12† MBP Application Range 20°F to 50°F (-6.7°C to 10.0°C)				20°F	30°F	40°F	45°F	50°F
				-6.7°C	-1.1°C	4.4°C	7.2°C	10.0°C
AJA7441AXAXW	2B209-9	1/2	0.5	2,080	2,810	3,800	4,980	6,280
AJA7441AXDXW	2B210-9	1/2	0.5	2,080	2,810	3,800	4,980	6,280
AJA7465AXAXW	2A730-9	1	0.8	3,220	4,580	6,220	7,990	9,860
AJB7465AXDXW	2A731-9	1	0.8	3,220	4,580	6,220	7,990	9,860
AHA7480AXDXW	2B1123-49	1 1/4	1.7	4,110	5,700	7,800	10,400	13,390
AHA7480AXFXW	2B1124-49	1 1/4	1.7	4,110	5,700	7,800	10,400	13,390
AHA7511AXFXW	2B3231-49	1 3/4	2.4	6,100	8,300	11,300	14,600	18,250
AHB7511AXDXW	2B3230-49	1 3/4	2.4	6,100	8,300	11,300	14,600	18,250
AHA7514AXDXW	2C2129-49	2	3.3	8,000	10,150	13,200	16,400	20,200
AHA7514AXFXW	2C2130-49	2	3.3	8,000	10,150	13,200	16,400	20,200
R404A/R507 MBP/HBP Application Range 20°F to 50°F (-6.7°C to 10.0°C)								
AJA7512ZDXDW	32B3210-1	1 1/2	1.8	5,000	7,000	9,000	12,000	14,000
AWA7515ZDXDW	2B3221-9	1 3/4	2.1	5,740	8,160	11,190	14,820	19,020
AWA7515ZXTXW	2B3222-9	1 3/4	2.1	5,740	8,160	11,190	14,820	19,020

Low Temperature

R404A/R507 LBP Application Range -30°F to 10°F (-34.4°C to -12.2°C)				-30°F	-20°F	-10°F	0°F	10°F
				-34.4°C	-28.9°C	-23.3°C	-17.8°C	-12.2°C
AJA2424ZDXDW	32D286-1	1/2	0.5	1,100	1,700	2,400	3,100	4,000
AJA2433ZDXDW	32B781-1	1/2	0.7	1,100	1,700	2,400	3,100	4,000
AWA2453ZDXDW	2B1119-9	1 1/4	1.4	2,110	3,500	5,280	7,420	9,850
AWA2488ZDXDW	2C2113-9	2	2.2	3,800	6,020	8,760	12,050	15,910
AVA2512ZXNXW	2B3143-9	3	3.1	5,980	8,900	12,540	17,080	22,650
AVA2512ZXTXW	2B3142-9	3	3.1	5,980	8,900	12,540	17,080	22,650
R12† LBP Application Range -30°F to 10°F (-34.4°C to -12.2°C)								
AHA2435AXDXW	2C701-49	1	0.5	1,540	2,660	3,980	5,460	6,930
AHA2445AXDXW	2B1122-49	1 1/4	0.6	1,870	3,300	5,100	7,050	8,990
AHA2466AXDXW	2B3229-49	1 3/4	0.9	3,600	5,400	7,300	9,750	12,200

† Or compatible equivalent.

Note: The water valve should be adjusted to maintain a maximum of 95°F (35°C) water outlet temperature to minimize scaling within the condenser.



High Temperature

Model Number	Item Number (Bill of Material)	Line Connections* in (mm)		Gross Weight lb (kg)	Water Valve inlet NPT** in (mm)	Pump Down Cap 90% lb (kg) @ 90°F Ambient	Oil Type	Min Circuit Ampacity	Max Fuse Size (Amps)
		Suction	Liquid						
R22[†] HBP Application Range 20°F to 50°F (-6.7°C to 10.0°C) continued									
AVB4538EXTXW	32W4080-1	7/8 (22.2)	5/8 (15.9)	134 (60.8)	3/4 (19.1)	26.3 (11.9)	AB	14.7	25
AVB4549EXNXW	32W4791-1	7/8 (22.2)	5/8 (15.9)	134 (60.8)	3/4 (19.1)	26.3 (11.9)	AB	28.3	50
AVB4549EXTXW	32W4792-1	7/8 (22.2)	5/8 (15.9)	134 (60.8)	3/4 (19.1)	26.3 (11.9)	AB	18.6	35
AVB4558EXNXW	32W5093-1	7/8 (22.2)	5/8 (15.9)	134 (60.8)	3/4 (19.1)	26.3 (11.9)	AB	33.9	60
AVB4558EXTXW	32W5094-1	7/8 (22.2)	5/8 (15.9)	134 (60.8)	3/4 (19.1)	26.3 (11.9)	AB	21.0	35

Medium/High Temperature

R12[†] MBP Application Range 20°F to 50°F (-6.7°C to 10.0°C)

AJA7441AXAXW	2B209-9	1/2 SAE (12.7 SAE)	3/8 SAE (9.5 SAE)	89 (40.4)	3/8 (9.5)	5.3 (2.4)	AB	11.0	15
AJA7441AXDXW	2B210-9	1/2 SAE (12.7 SAE)	3/8 SAE (9.5 SAE)	88 (39.9)	3/8 (9.5)	5.3 (2.4)	AB	6.3	15
AJA7465AXAXW	2A730-9	1/2 SAE (12.7 SAE)	3/8 SAE (9.5 SAE)	98 (44.5)	3/8 (9.5)	5.3 (2.4)	AB	14.5	25
AJB7465AXDXW	2A731-9	5/8 SAE (15.9 SAE)	3/8 SAE (9.5 SAE)	96 (43.5)	3/8 (9.5)	5.3 (2.4)	AB	8.8	15
AHA7480AXDXW	2B1123-49	5/8 SAE (15.9 SAE)	3/8 SAE (9.5 SAE)	111 (50.3)	3/8 (9.5)	5.3 (2.4)	AB	8.1	15
AHA7480AXFXW	2B1124-49	5/8 (15.9)	3/8 SAE (9.5 SAE)	114 (51.7)	3/8 (9.5)	5.3 (2.4)	AB	6.5	15
AHA7511AXFXW	2B3231-49	7/8 (22.2)	3/8 SAE (9.5 SAE)	116 (52.6)	3/8 (9.5)	5.3 (2.4)	AB	7.1	15
AHB7511AXDXW	2B3230-49	7/8 (22.2)	3/8 SAE (9.5 SAE)	121 (54.9)	3/8 (9.5)	5.3 (2.4)	AB	10.8	15
AHA7514AXDXW	2C2129-49	7/8 (22.2)	3/8 SAE (9.5 SAE)	121 (54.9)	3/8 (9.5)	5.3 (2.4)	AB	14.3	25
AHA7514AXFXW	2C2130-49	7/8 (22.2)	3/8 SAE (9.5 SAE)	119 (54)	3/8 (9.5)	5.3 (2.4)	AB	9.1	15

R404A/R507 MBP/HBP Application Range 20°F to 50°F (-6.7°C to 10.0°C)

AJA7512ZDXW	32B3210-1	1/2 SAE (12.7 SAE)	3/8 SAE (9.5 SAE)	121 (54.9)	3/8 (9.5)	4 (1.8)	POE	11.5	20
AWA7515ZDXW	2B3221-9	7/8 (22.2)	3/8 SAE (9.5 SAE)	119 (54)	3/8 (9.5)	5.6 (2.5)	POE	16.1	25
AWA7515ZTXW	2B3222-9	7/8 (22.2)	3/8 SAE (9.5 SAE)	119 (54)	3/8 (9.5)	5.6 (2.5)	POE	10.5	15

Low Temperature

R404A/R507 LBP Application Range -30°F to 10°F (-34.4°C to -12.2°C)

AJA2424ZDXW	32D286-1	1/2 SAE (12.7 SAE)	3/8 SAE (9.5 SAE)	94 (42.6)	3/8 (9.5)	4 (1.8)	POE	4.7	15
AJA2433ZDXW	32B781-1	1/2 SAE (12.7 SAE)	3/8 SAE (9.5 SAE)	73 (33.1)	3/8 (9.5)	4 (1.8)	POE	6.0	15
AWA2453ZDXW	2B1119-9	5/8 (15.9)	3/8 SAE (9.5 SAE)	119 (54)	3/8 (9.5)	5.1 (2.3)	POE	11.2	15
AWA2488ZDXW	2C2113-9	7/8 (22.2)	3/8 SAE (9.5 SAE)	129 (58.5)	3/8 (9.5)	5.1 (2.3)	POE	16.1	25
AVA2512ZNXW	2B3143-9	7/8 (22.2)	3/8 SAE (9.5 SAE)	119 (54)	3/8 (9.5)	5.6 (2.5)	POE	20.7	35
AVA2512ZTXW	2B3142-9	7/8 (22.2)	3/8 SAE (9.5 SAE)	119 (54)	3/8 (9.5)	5.6 (2.5)	POE	12.7	20

R12[†] LBP Application Range -30°F to 10°F (-34.4°C to -12.2°C)

AHA2435AXDXW	2C701-49	5/8 (15.9)	3/8 (9.5)	118 (53.5)	3/8 (9.5)	5.3 (2.4)	AB	8.3	15
AHA2445AXDXW	2B1122-49	5/8 (15.9)	3/8 (9.5)	129 (58.5)	3/8 (9.5)	5.3 (2.4)	AB	10.6	15
AHA2466AXDXW	2B3229-49	7/8 (22.2)	3/8 (9.5)	129 (58.5)	3/8 (9.5)	5.3 (2.4)	AB	12.4	20

* Connections are ODF, unless otherwise stated.

† Or compatible equivalent.

** Use 3/8 inch (9.5 mm) min. pipe size when water inlet size is 3/8 inch (9.5 mm) NPT.

** Use 3/4 inch (19.1 mm) min. pipe size when water inlet size is 3/4 inch (19.1 mm) or 1/2 inch (12.7 mm) NPT.



Tecumseh

WATER COOLED CONDENSING UNIT DIMENSIONS

CBP Application Range -10°F to 40°F (-23.3°C to 4.4°C)

Model number	Item Number (BOM)	Length in (mm)	Width in (mm)	Height in (mm)	Compressor Height in (mm)
--------------	-------------------	----------------	---------------	----------------	---------------------------

R404A/R507 CBP Application Range -10°F to 40°F (-23.3°C to 4.4°C)

AKA9442ZXAXW	2D288-1	21.4 (544)	14.0 (356)	10.5 (267)	10.1 (257)
AKA9442ZXDXW	2D289-9	21.4 (544)	14.0 (356)	10.5 (267)	10.5 (267)
AKA9467ZXAXW	2B774-1	21.4 (544)	14.0 (356)	10.5 (267)	10.1 (257)
AKA9467ZXDXW	32B775-1	21.4 (544)	14.0 (356)	10.5 (267)	10.1 (257)
AKA9476ZXDXW	2B1103-1	21.4 (544)	14.0 (356)	10.5 (267)	10.1 (257)

R22 CBP Application Range -10°F to 40°F (-23.3°C to 4.4°C)

AEA9423EXAXW	32C363-1	18.5 (470)	13.0 (330)	10 (254)	8.8 (224)
AKA9457EXAXW	32C290-1	21.4 (544)	14.0 (356)	10.5 (267)	10.1 (257)
AKA9457EXDXW	32C291-1	21.4 (544)	14.0 (356)	10.5 (267)	10.1 (257)
AKA9479EXDXW	32B746-1	21.4 (544)	14.0 (356)	10.5 (267)	10.5 (267)
AJA9511EXDXW	32A1192-1	24.0 (610)	17.0 (432)	13.6 (345)	12.0 (305)
AWG9513EXNXW	2B3227-9	24.3 (617)	17.9 (455)	15.2 (386)	14.3 (363)
AWG9513EXTXW	2B3228-9	24.3 (617)	17.9 (455)	15.2 (386)	14.3 (363)

HBP Application Range 20°F to 55°F (-6.7°C to 12.8°C)

Model number	Item Number (BOM)	Length in (mm)	Width in (mm)	Height in (mm)	Compressor Height in (mm)
--------------	-------------------	----------------	---------------	----------------	---------------------------

R134a HBP Application Range 20°F to 55°F (-6.7°C to 12.8°C)

AEA4440YXAXW	32C391-1	18.4 (467)	13.0 (330)	10.5 (267)	8.8 (224)
AKA4475YXAXW	2D294-1	21.4 (544)	14.0 (356)	10.5 (267)	10.1 (257)
AKA4475YXDXW	2D295-1	21.4 (544)	14.0 (356)	10.5 (267)	10.1 (257)
AKA4490YXDXW	2B779-1	21.4 (544)	14.0 (356)	11.7 (297)	10.1 (257)
AJA4510YXDXW	32B780-1	24.0 (610)	17.0 (432)	10.9 (277)	12.0 (305)
AJA4514YXDXW	32B1104-1	24.0 (610)	17.0 (432)	10.9 (277)	12.0 (305)

R22 HBP Application Range 20°F to 55°F (-6.7°C to 12.8°C)

AWG4520EXNXW	32W1501-1	24.0 (610)	17.0 (432)	15.0 (381)	12.7 (323)
AWG4524EXNXW	32W2101-1	24.0 (610)	17.0 (432)	15.0 (381)	12.7 (323)
AWG4524EXTXW	32W2102-1	24.0 (610)	17.0 (432)	15.0 (381)	12.7 (323)
AWG4530EXNXW	32W2503-1	24.0 (610)	17.0 (432)	15.0 (381)	12.7 (323)
AWG4530EXTXW	32W2504-1	24.0 (610)	17.0 (432)	15.0 (381)	12.7 (323)
AVA4535EXNXW	32W3105-1	27.4 (696)	23.6 (599)	15.5 (394)	15.4 (391)
AVA4535EXTXW	32W3106-1	24.0 (610)	17.0 (432)	15.0 (381)	14.0 (356)
AWG4532EXNXW	32W3151-1	26.0 (660)	23.6 (599)	15.4 (391)	14.3 (363)
AWG4532EXTXW	32W3152-1	26.0 (660)	23.6 (599)	15.4 (391)	14.3 (363)
AVB4538EXNXW	32W4079-1	27.4 (696)	23.6 (599)	22.3 (566)	15.4 (391)
AVB4538EXTXW	32W4080-1	27.4 (696)	23.6 (599)	22.3 (566)	15.4 (391)
AVB4549EXNXW	32W4791-1	27.4 (696)	23.6 (599)	22.3 (566)	15.4 (391)
AVB4549EXTXW	32W4792-1	27.4 (696)	23.6 (599)	22.3 (566)	15.4 (391)
AVB4558EXNXW	32W5093-1	27.4 (696)	23.6 (599)	22.3 (566)	15.4 (391)
AVB4558EXTXW	32W5094-1	27.4 (696)	23.6 (599)	22.3 (566)	15.4 (391)



MBP/HBP Application Range -10°F to 40°F (-23.3°C to 4.4°C)

Model number	Item Number (BOM)	Length in (mm)	Width in (mm)	Height in (mm)	Compressor Height in (mm)
--------------	-------------------	----------------	---------------	----------------	---------------------------

R12 MBP/HBP Application Range -10°F to 40°F (-23.3°C to 4.4°C)

AJA7441AXAXW	2B209-9	24.0 (610)	17.0 (432)	9.0 (229)	11.6 (295)
AJA7441AXDXW	2B210-9	24.0 (610)	17.0 (432)	9.0 (229)	11.6 (295)
AJA7465AXAXW	2A730-9	24.0 (610)	17.0 (432)	9.0 (229)	12.0 (305)
AJB7465AXDXW	2A731-9	24.0 (610)	17.0 (432)	9.0 (229)	12.0 (305)
AHA7480AXDXW	2B1123-49	24.9 (632)	17.0 (432)	9.0 (229)	15.6 (396)
AHA7480AXFXW	2B1124-49	24.9 (632)	18.0 (457)	9.0 (229)	15.6 (396)
AHA7511AXFXW	2B3231-49	24.9 (632)	18.0 (457)	9.0 (229)	15.6 (396)
AHB7511AXDXW	2B3230-49	24.9 (632)	17.0 (432)	9.0 (229)	15.6 (396)
AHA7514AXDXW	2C2129-49	24.9 (632)	17.0 (432)	9.0 (229)	15.6 (396)
AHA7514AXFXW	2C2130-49	24.9 (632)	18.0 (457)	9.0 (229)	15.6 (396)

R404A/R507 MBP Application Range -10°F to 40°F (-23.3°C to 4.4°C)

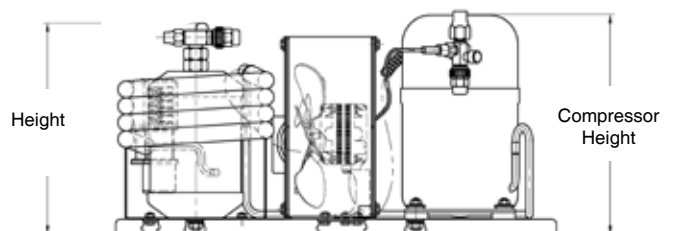
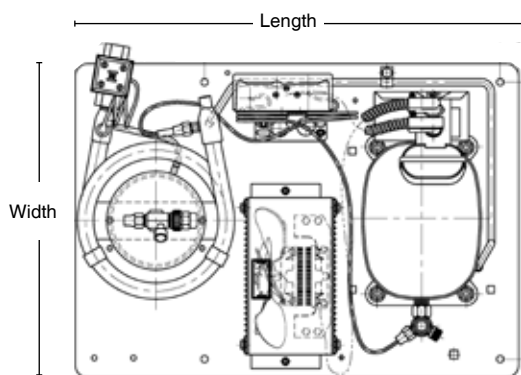
AJA7512ZDXW	32B3210-1	24.0(610)	17.0 (432)	10.9 (277)	12.0 (305)
AWA7515ZDXW	2B3221-9	24.3 (617)	17.0 (432)	15.5 (394)	14.3 (363)
AWA7515ZTXW	2B3222-9	24.3 (617)	17.0 (432)	15.5 (394)	14.3 (363)

R404A/R507 LBP Application Range -40°F to 10°F (-40°C to -12.2°C)

AJA2424ZDXW	32D286-1	24.9 (632)	19.8 (503)	15.4 (391)	12.5 (318)
AJA2433ZDXW	32B781-1	24.9 (632)	19.8 (503)	15.4 (391)	12.5 (318)
AWA2453ZDXW	2B1119-9	24.3 (617)	17.0 (432)	15.7 (399)	14.3 (363)
AWA2488ZDXW	2C2113-9	24.3 (617)	17.0 (432)	15.7 (399)	14.3 (363)
AVA2512ZNXW	2B3143-9	24.3 (617)	17.0 (432)	16.6 (422)	14.6 (371)
AVA2512ZTXW	2B3142-9	24.3 (617)	17.0 (432)	16.6 (422)	14.6 (371)

R12 LBP Application Range -40°F to 10°F (-40°C to -12.2°C)

AHA2435AXDXW	2C701-49	24.3 (617)	17.0 (432)	15.7 (399)	12.0 (305)
AHA2445AXDXW	2B1122-49	24.9 (632)	17.0 (432)	15.7 (399)	14.3 (363)
AHA2466AXDXW	2B3229-49	24.9 (632)	17.0 (432)	15.7 (399)	14.3 (363)



Tecumseh Products Company

North America Headquarters Sales and Marketing

5683 Hines Drive
Ann Arbor, MI 48108
ph.: 734.585.9500 or
ph.: 800.211.3427

tecumsehusa@tecumseh.com

Canada Sales

200 Elm Street
Alymer, Ontario N5H 2MB
ph: 519.765.1556
fax: 519.765.1574

can.sales.marketing@tecumseh.com

TECHNICAL SERVICES

ph: 800.211.3427

North America: technical.service@tecumseh.com
Canada: can.tech.support@tecumseh.com

For more information on products by Tecumseh,
please visit our website www.tecumseh.com



Tecumseh

