

SIEMENS

Ingenuity for life



3VS Motor Protection Circuit Breaker

Smart & Reliable

www.siemens.co.in



Index

Overview	Pg 3
Selection and ordering data	Pg 4
Technical data	Pg 5
Characteristic curves	Pg 7
Accessories	Pg 10
Accessories placement	Pg 11
Technical Data for Accessories	Pg 12
Dimensional drawings	Pg 13



3VS Motor Starter Protectors

Overview

Description

The 3VS13, 3VS16 motor starter protectors are compact motor starter protectors for currents up to 52 A which operate according to the current limiting principle. The devices are used for switching and protecting motors or other loads. They are fitted with instantaneous overcurrent releases and inverse-time delayed overload relay. Motor starter protectors and contactors can be combined to form fuseless starter combinations.

The 3VS13, 3VS16 motor starter protectors are suitable for use in any climate.

Motor Starter Protectors

- for motor protection
 - 3VS13: 0.4~25 A
 - 3VS16: 6~52 A

The characteristic curves of these motor starter protectors are specially laid-out for the overload and short-circuit protection of motors.

The inverse-time delayed releases (“a releases”) are adjustable for setting the rated current of the motors to be protected. The instantaneous short-circuit releases (“n releases”) are fixed-set to 12 times the value so as to assure faultless starting of the motors.

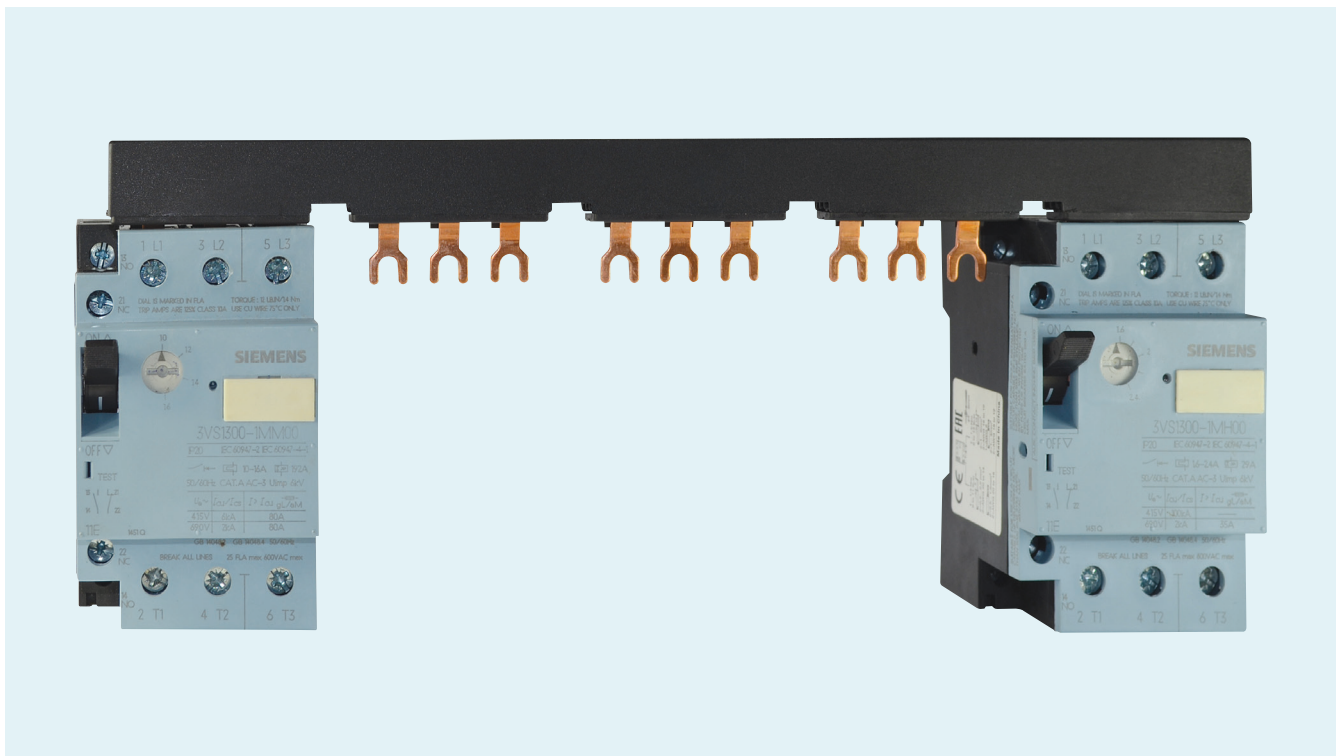
Current Limiting is achieved in 3VS as follows

In case of a short circuit, the contacts are opened electro-dynamically by the short circuit current. The instantaneous overcurrent release, through the switching mechanism, trips all the three poles of the breaker. A large arc voltage is quickly built up in the arc chamber limiting the short circuit current. Thus ensures faster fault clearing

Ambient temperature compensation upto 55°C hence no derating required upto 55°C.

Safety

- Trip Free Mechanism
The breakers have a trip-free mechanism. Even by holding the toggle, tripping operation can not be stopped or blocked once it is started. Thus ensure positive opening in the event of fault.
- Positive ON/OFF indication through toggle switch
- Compact and space saving

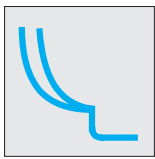


3VS Busbar Mounting

3VS Motor Starter Protectors

Selection and ordering data

Motor starter protectors



Rated current I_n	Motor output	Setting range	DT	Order No.	Weight per PU approx.
		Thermal overload releases	Instantaneous overcurrent releases		
A	kW	A	A		kg

3VS13 Motor Starter Protectors, up to 25 A



0.6	0.12/0.18	0.4 ... 0.6	7.2	3VS13 00-□ME00	0,280
1	0.25	0.6 ... 1	12	3VS13 00-□MF00	0,280
1.6	0.37/0.55	1 ... 1.6	19	3VS13 00-□MG00	0,280
2.4	0.75	1.6 ... 2.4	29	3VS13 00-□MH00	0,280
3.2	1.1	2 ... 3.2	38	3VS13 00-□NH00	0,280
4	1.1/1.5	2.4 ... 4	48	3VS13 00-□MJ00	0,280
5	1.5/2.2	3.2 ... 5	60	3VS13 00-□NJ00	0,280
6	2.2	4 ... 6	72	3VS13 00-□MK00	0,280
8	3	5 ... 8	96	3VS13 00-□NK00	0,280
10	3/4	6 ... 10	120	3VS13 00-□ML00	0,280
13	4/5.5	8 ... 13	156	3VS13 00-□NL00	0,280
16	7.5	10 ... 16	190	3VS13 00-□MM00	0,280
20	7.5	14 ... 20	240	3VS13 00-□MN00	0,280
25	11	18 ... 25	300	3VS13 00-□MP00	0,280

No auxiliary contacts
with auxiliary contacts
integrated in the motor starter protector

1NO+1NC

0
1

3VS16 Motor Starter Protectors, up to 52 A



10	3/4	6 ... 10	120	3VS16 00-□ML00	0,740
16	5.5/7.5	10 ... 16	190	3VS16 00-□MM00	0,740
25	11	16 ... 25	300	3VS16 00-□MN00	0,740
32	15	22 ... 32	380	3VS16 00-□MP00	0,740
40	18.5	28 ... 40	480	3VS16 00-□MQ00	0,740
52	22	36 ... 52	600	3VS16 00-□MR00	0,740

No auxiliary contacts
with auxiliary contacts
integrated in the motor starter protector

1NO+1NC

0
1



3VS Padlock in OFF position

3VS Motor Starter Protectors

Technical data

according to DIN VDE 0660; IEC 60947-1; IEC 60947-2; IEC 60947-4-1

Type		3VS13	3VS16	
Number of poles		3	3	
Max. rated current I_n				
• motor protection	A	25	52	
• starter combinations	A	25	52	
Permissible ambient temperature				
• at full rated current	°C	-20 ... +55		
• in storage	°C	-50 ... +80		
Rated operational voltage U_e	AC V	690		
Rated frequency	Hz	50/60		
Rated insulation voltage U_i	AC V	750		
Rated impulse withstand voltage U_{imp}	kV	6		
Utilization category				
• to IEC 60947-2 (motor starter protectors)		A		
• to IEC 60947-4-1 (motor starters)		AC-3		
Mechanical endurance				
• up to 25 A	Operating cycles	100,000	100,000	
• 25 A upwards			30,000	
Number of operating cycles/h (on load)	1/h	25	25	
Degree of protection with open terminals/with conductors connected		IP00/IP20		
Temperatures compensation	to IEC 60947-4-1	Yes		
Phase failure sensitivity	To IEC 60947-4-1	Yes		
Auxiliary contact				
Rated operational voltage U_e	AC V	230	400	500
Rated operational current I_e	A	3	1.5	1
Utilization category		AC-15	AC-15	AC-15
Rated operational voltage U_e DC L/R200 ms	DC V	24	60	220
Rated operational current I_e	A	2.3	0.7	0.3
Utilization category		DC-13	DC-13	DC-13

3VS Motor Starter Protectors

Technical data

Type		3VS13	3VS16
Cross-section for main conductors			
Solid or stranded	mm ²	2 x (1 ... 6)	1 x 1.5 ... 2 x 16 or 1 x 25+1 x 10
Finely stranded with end sleeve	mm ²	2 x (1 ... 4)	1 x 1.5 ... 2 x 10 or 1 x 16+1 x 10
Cross-sections for auxiliary and control connecting leads			
Solid or stranded	mm ²	1 x 0.5 ... 2 x 2.5	--
Finely stranded with end sleeve	mm ²	1 x 0.5 ... 2 x 1.5	--

Rated short-circuit breaking capacity

The table shows the rated ultimate short-circuit breaking capacity I_{cu} and the rated service short-circuit breaking capacity I_{cs} for the 3VS motor starter protectors with respect to rated current I_n and reated operational voltage U_e .

Infeed is permitted at top or bottom without reduction of rated data. In the short-circuit proof areas, I_{cu} is at least 100 kA. A backup fuse is therefore not necessary.

In the other areas, when the short-circuit current at the installation point exceeds the rated short-circuit breaking capacity given in the table for the motor starter protectors,

the motor starter protector must be protected by a backup fuse. See the following table for the maximum reated current for the backup fuse. With a backup fuse according to the table, the maximum short-circuit current is permitted to equal the rated breaking capacity of the backup fuse.

Fuseless construction

In fuseless construction, for the 3VS13 motor starter protectors, the limiter 3VU9 138-2AB00 is connected to the input instead of a backup fuse. This increases the short-circuit breaking capacity at AC 415 V to 50 kA. For other voltages, the values are given in brackets.

Motor Starter Protectors	Rated current I_n	Up to AC 240 V			Up to AC 415 V			Up to AC 440 V			Up to AC 500 V			Up to AC 690 V												
		I_{cu}	I_{cs}	Max. backup fuse (gL/gG)	I_{cu}	I_{cs}	Max. backup fuse (gL/gG)	I_{cu}	I_{cs}	Max. backup fuse (gL/gG)	I_{cu}	I_{cs}	Max. backup fuse (gL/gG)	I_{cu}	I_{cs}	Max. backup fuse (gL/gG)										
Type	A	kA	kA	A	kA	kA	A	kA	kA	A	kA	kA	A	kA	kA	A										
3VS13	Up to 1 A	Short-circuit proof up to 100 kA, backup fuse is not necessary																								
	1.6 A														2	2	20									
	2.4 A														2	2	35									
	3.2 and 4 A														10 (50)	10 (50)	50									
	5 and 6 A														3 (50)	3 (50)	50									
	8 and 10 A														5 (50)	5 (50)	63									
	13 and 16 A														3 (50)	3 (50)	63									
	20 and 25 A														3 (5)	3 (5)	63									
		10 (50)	10 (50)	100	10 (50)	10 (50)	80	5 (50)	5 (50)	80	3 (5)	3 (5)	80	2	2	80										
3VS16	Up to 2.4 A	Short-circuit proof up to 100 kA, backup fuse is not necessary																								
	4 A														4	4	80									
	6 A														50	4	4	100								
	10 A														10	5	160	4	4	125						
	16 A														25	13	200	4	4	125						
	25 A														25	13	200	4	4	160						
	32 and 52 A														35	17	200	25	13	200	10	5	200	4	4	160

Note: () Values in brackets: short-circuit breaking capacity for 3VS13 with limiter

Relation between short-circuit breaking capacity I , related power factor and minimum short-circuit making capacity to IEC 60947-2		
Short-circuit breaking capacity	Power factor $\cos \varphi$	Short-circuit making capacity
A		
$I \leq 3000$	0.9	$1.42 \times I$
$3000 < I \leq 4500$	0.8	$1.47 \times I$
$4500 < I \leq 6000$	0.7	$1.5 \times I$
$6000 < I \leq 10000$	0.5	$1.7 \times I$
$10000 < I \leq 20000$	0.3	$2.0 \times I$
$20000 < I \leq 50000$	0.25	$2.1 \times I$
$50000 < I$	0.2	$2.2 \times I$

3VS Motor Starter Protectors

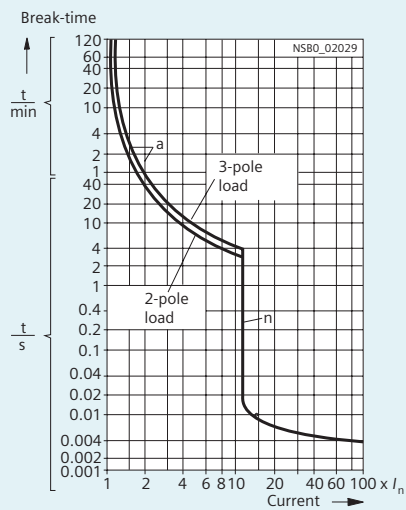
Characteristic curves

The characteristic curves are obtained in the cold state and 3-pole loading.

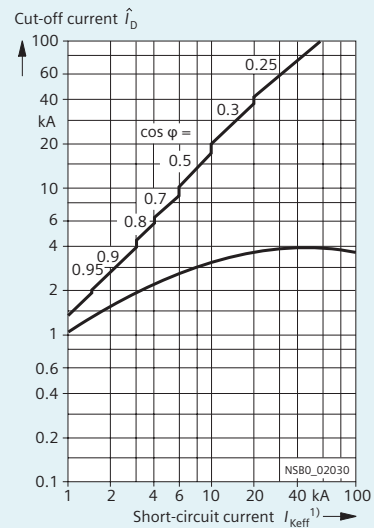
At operating temperature, the tripping time of the thermal releases drops by about 25 %. With 3-pole loading, the deviation in tripping time for 3 times the current and upwards is $\pm 20\%$ in accordance with DIN VDE 0165

Characteristic curves for 3VS13

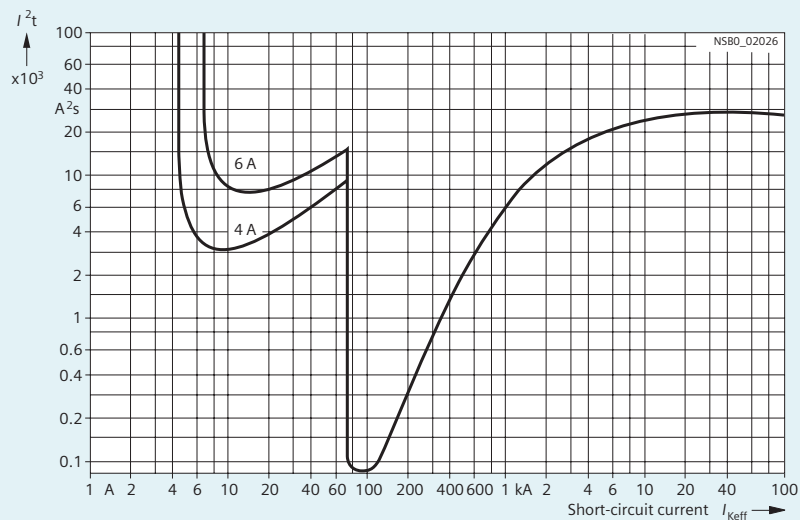
The characteristic curves shown here apply for a 3VS1300-0MK00 motor starter protector with a rated current of 6 A, a current setting range of 4 to 6 A and a tripping current for the instantaneous overcurrent release of 72 A, at a rated voltage of AC 50 Hz, 400 V.



Schematic representation of the time/current characteristic for 3VS13



Current limiting characteristic for 3VS1300-0MK00



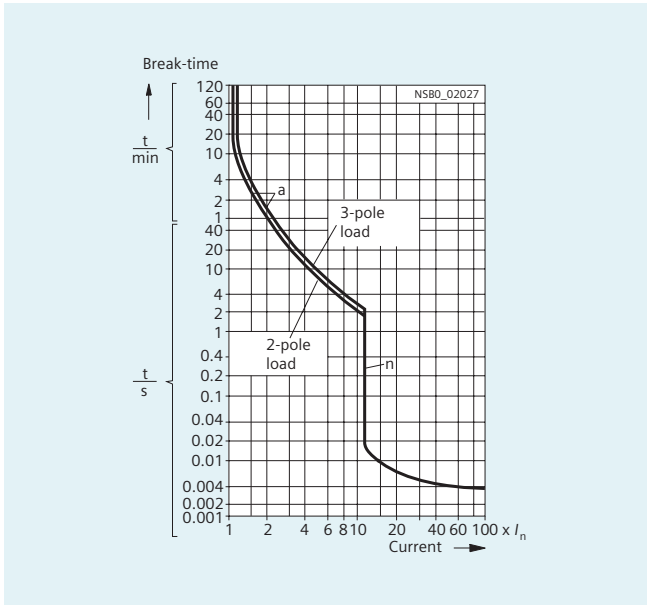
I^2t characteristic for 3VS1300-0MK00

3VS Motor Starter Protectors

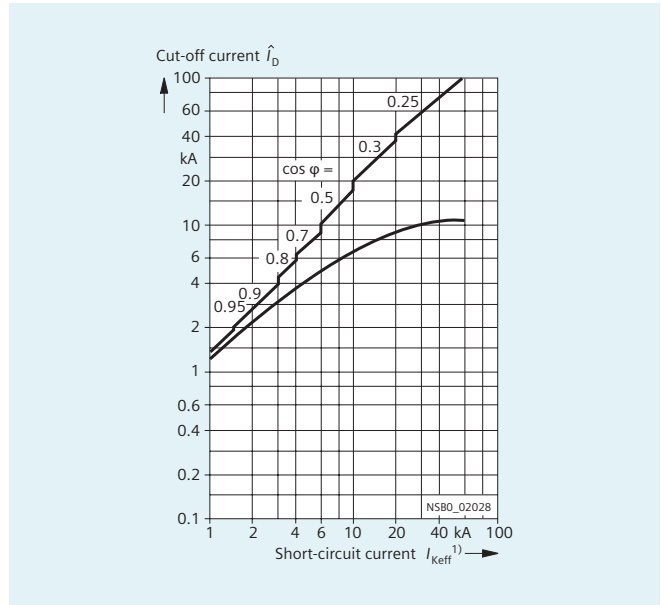
Characteristic curves

Characteristic curves for 3VS16

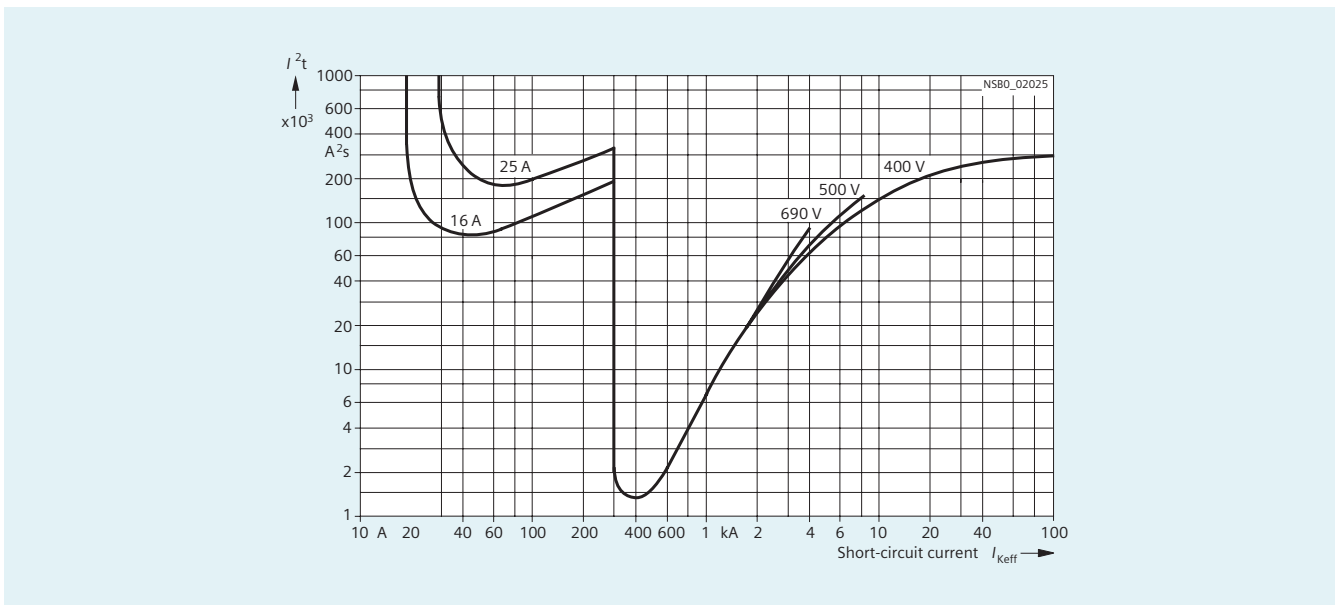
The characteristic curves shown here apply for a 3VS1600-0MN00 motor starter protector with a rated current of 25 A and a tripping current for the instantaneous overcurrent release of 300 A, at a rated voltage of AC 50 Hz, 400 V.



Schematic representation of the time/current characteristic for 3VS16








Current limiting characteristic for 3VS1600-0MN00



I^2t characteristic for 3VS1600-0MN00

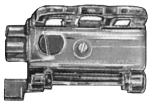

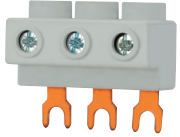
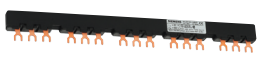

3VS Motor Starter Protectors

Accessories for 3VS13/16

3VU9	Description	Width (modules) 1=18mm	Information		Order Number	Wt. (Kg)
 3VU9 131-3AA00	Auxiliary contact block 1NO+1NC	0.5	1NO+1NC side mounted auxiliary contact blocks for 3VS		3VU9138 -2AB00	0.04
 3VU9 131-7AA00	Signaling Switch 1NO+1NC	0.5	1NO+1NC side mounted signaling switch. Contacts changeover when MPCB trips. Useful for remote tripping indication.		3VU9131 -7AA00	0.04
 3VU9 132-0AB15	Under-voltage Release	1	AC 50Hz	AC 60Hz	3VU9 132	-0AB15 -0AB25 -0AB17 -0AB18 -0AB23 -0AB24 -0AB26
			230V 240V 400V 415V	120V 208V 240V		
 3VU9 132-0AB35	Undervoltage Release with two leading Aux contacts	1	AC 50Hz	AC 60Hz	3VU9132	-0AB35 -0AB45 -0AB37 -0AB38 -0AB43 -0AB44 -0AB46
			230V 240V 400V 415V	120V 208V 240V		
 3VU9 132-0AB55	Shunt Release	1	AC 50Hz	AC 60Hz	3VU9 132	-0AB50 -0AB59 -0AB55 -0AB65 -0AB57 -0AB58 -0AB63 -0AB64 -0AB66
			24V 42V 230V 240V 400V 415V	120V 208V 240V		
			DC			
24-60V 110-240V						

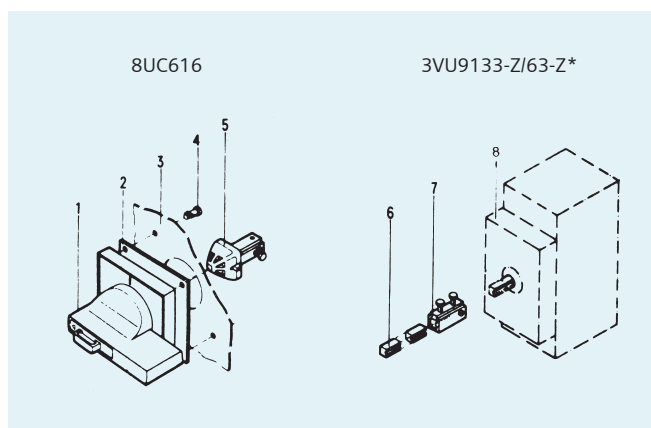
3VS Motor Starter Protectors

Accessories for 3VS13/16

3VU9	Description	Width (modules) 1=18mm	Information	Order Number	Wt. (Kg)
 3VU9168-0KA00	Padlocking device	–	Padlocking in OFF position to avoid accidental ON command during maintenance work	3VU9168-0KA00	0.02
	3VS-3TS connector for Direct mounting of Contactor on MPCB	3	Upto 12A, with 3TF30/31 OR 3TS30/31	3TS9001-8K	0.04
			Upto 22A, with 3TF32/33 OR 3TS33/34	3TS9002-8K	
	3-Phase Feed in Terminal Only for 3VS13	–	To be used with 3 Phase bus bar for cable connection. For use with cables 4-16 Sq.mm with Sleeve 6-25 Sq.mm without Sleeve	3VU9 135-1BB01	0.03
	3-Phase Bus bars ¹ Only for 3VS13	–	To be used with 3VU9135-1BB01 for cable entry with 1st MPCB. For 63A max, 690V.	2MPCB 3VU9135-1AB02	0.05
				3MPCB 3VU9135-1AB03	0.05
				4MPCB 3VU9135-1AB04	0.10
				5 MPCB 3VU9135-1AB05	0.12
	Cover Caps for - Empty slots of 3 Phase bus bars	–	Cover caps provide touch protection for reserve/ empty slots.	3VU9 135-1GB00	0.01

1) 3 Phase Bus bar are also available for MPCB with Auxiliary switches

Door operating mechanism for 3VS13/16



1. Handle with masking frame
2. Gasket
3. Fixing screws
4. Drive coupling
5. Extension shaft - 300 mm
6. Adapter
7. Breaker operator

* 1 set consisting of breaker operator kit and 8UC front drive together

Breaker Operator Kit for 3VS13 - 3VU9133-Z

Breaker Operator Kit for 3VS16 - 3VU9163-Z

Note: All the above accessories have standard package no. = 1

For maximum flexibility, accessories can be added to the motor starter protector as required, easily

3VS Motor Starter Protectors

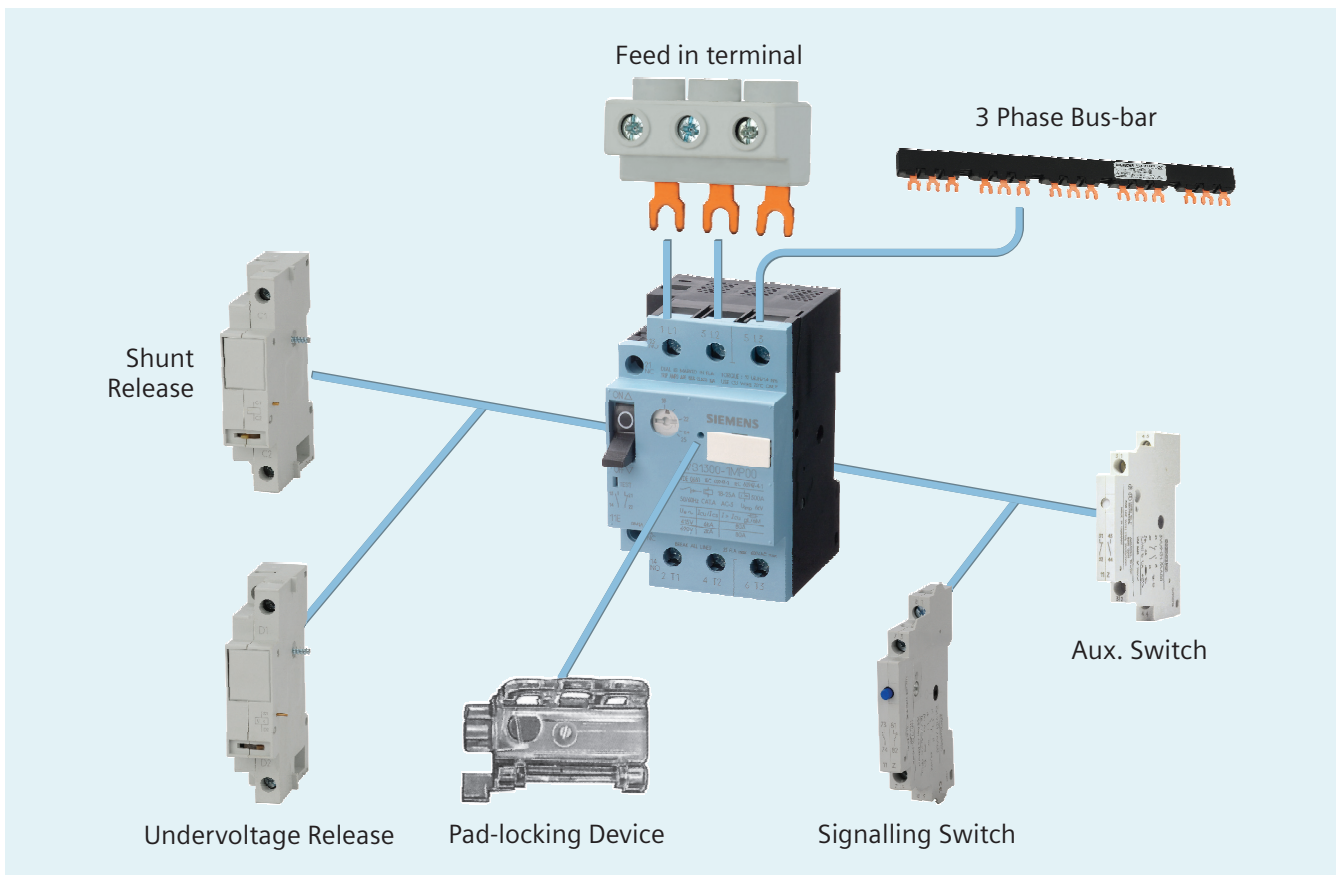
Accessories for 3VS13/16

3VS Accessory compatibility table

Accessory 1 \ Accessory 2	MLFB	3VS13	3VS16	Aux Switch 3VU9 131- 3AA00	Signaling Switch 3VU9 131- 7AA00	UV Rel. 3VU9132- 0AB35	UV Rel. with 2 Lead contacts + 3VU9132- 0AB35	Shunt Rel. 3VU9132- 0AB55	Pad locking 3VU9168- 0KA00	Connector 3TS9001- 8K/02
Aux Switch	3VU9 131-3AA00	✓	✓	X	X	✓	✓	✓	✓	✓
Signaling Switch	3VU9 131-7AA00	✓	✓	X	X	✓	✓	✓	✓	✓
Undervoltage Rel	3VU9 132-0AB15	✓	✓	✓	✓	X	X	X	✓	✓
Undervoltage Rel with 2 Leading contacts	3VU9 132-0AB35	✓	✓	✓	✓	X	X	X	✓	✓
Shunt Release	3VU9 132-0AB55	✓	✓	✓	✓	X	X	X	✓	✓
Pad locking device	3VU9168-0KA00	✓	✓	✓	✓	✓	✓	✓	X	✓
Connector for Direct mounting of contactor	3TS9001-8K/02	✓	X	✓	✓	✓	✓	✓	✓	X
3 Phase Feed in Terminal	3VU9 135-1BB01	✓	X	✓	✓	✓	✓	✓	✓	✓
3 Phase Busbars	3VU9135-1AB02/3/4/5	✓	X	X	X	X	X	X	✓	✓
3 Phase Busbars with Aux /Accessories	3VU9135-1KA02/4	✓	X	✓	✓	✓	✓	✓	✓	✓
Cover caps for empty slots	3VU9 135-1GB00	✓	X	✓	✓	✓	✓	✓	✓	✓

✓ Recommended combination of accessory 1 & 2

X Combination not recommended of accessory 1 & 2



3VS Motor Starter Protectors

Technical data for accessories

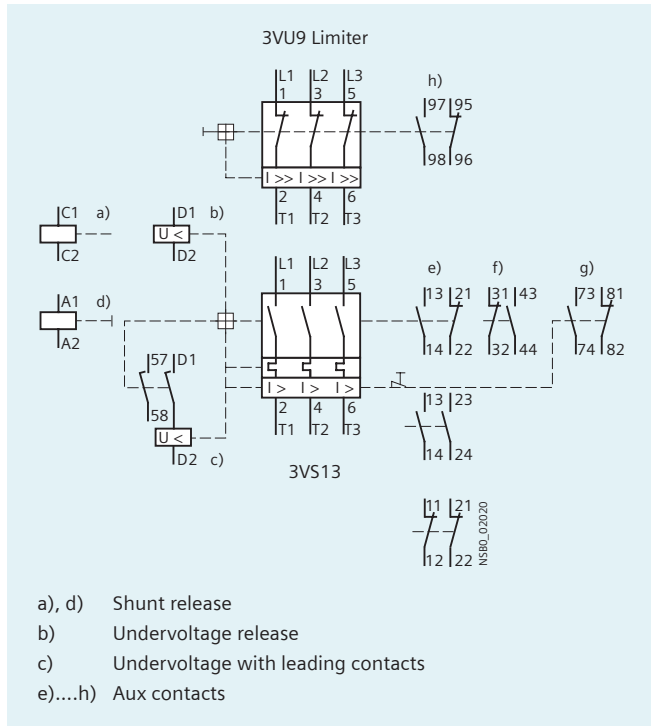
Type		3VS13	3VS16
Undervoltage Release			
Consumption During Pick-up	VA/W	10/6	
Consumption During Running	VA/W	4.7/2	
Dropout	V	0.7 to 0.35 X Ue	
Pickup	V	0.85 to 1.1 X Ue	
Max Operating Time	ms	20	
Shunt Release			
Consumption	VA/W	10/6	
Max Continuous Rating	Sec	5	
Pickup	V	0.7 to 1.1 X Ue	
Current Limiter for 3VS13			
Rated Current In		56 Amps	
Rated Voltage Ue		500 V, 50 / 60 Hz	
Power Connection	mm ²	2 x (1 to 6)	
Mounting			
Mounting method		on DIN Rail in any position	

3VS Motor Starter Protectors

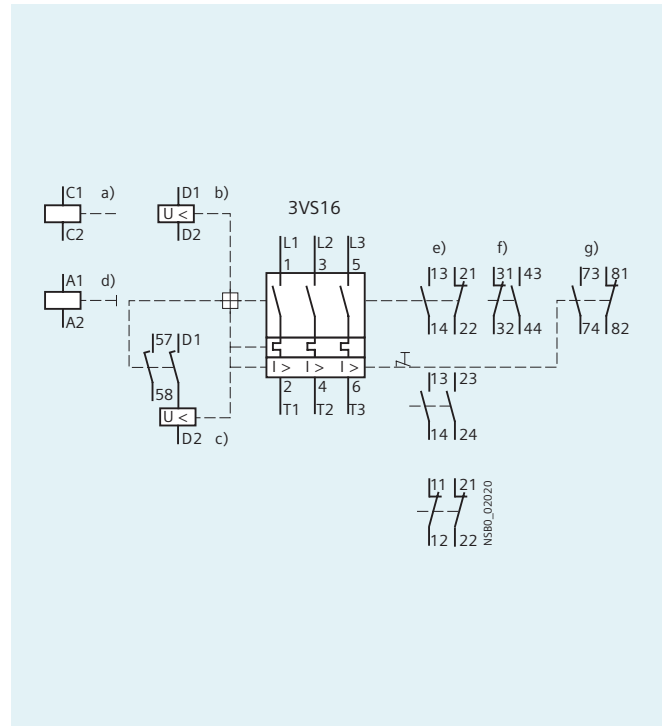
Circuit diagrams & dimension drawings

As defined by DIN 40 713, the graphical symbols in the equipment circuit diagrams only provide information about the type, connection and operation of the devices, but not about their construction.

Equipment circuit diagrams



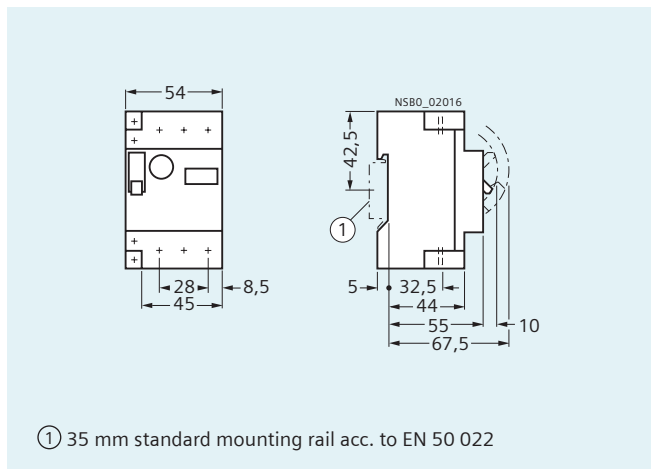
3VS13 motor starter protectors and 3VU9 limiter



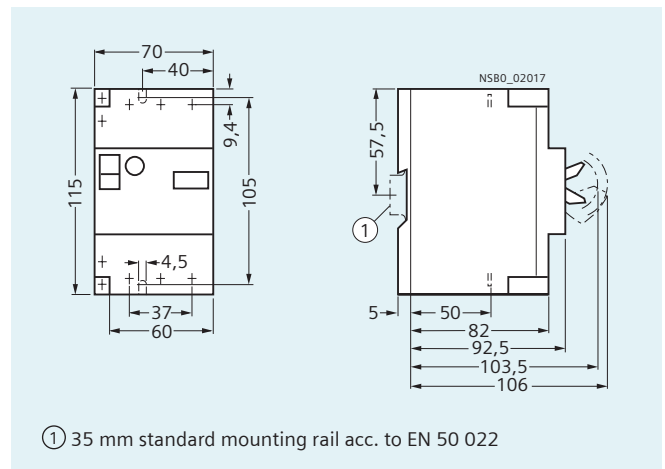
3VS16 motor starter protectors

Dimension drawings

3VS13



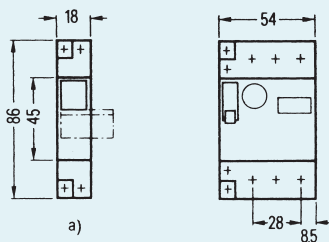
3VS16



3VS Motor Starter Protectors

Dimension drawings

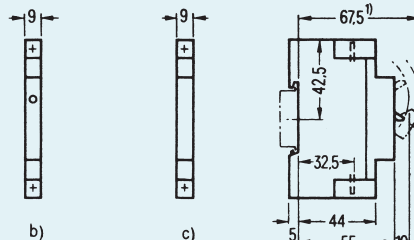
3VS13 circuit-breakers and accessories



3VS13 circuit-breakers

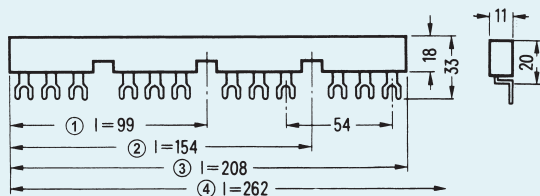
can be combined with

- a) undervoltage or shunt release and/or
- b) short-circuit signalling switch and/or
- c) auxiliary contacts



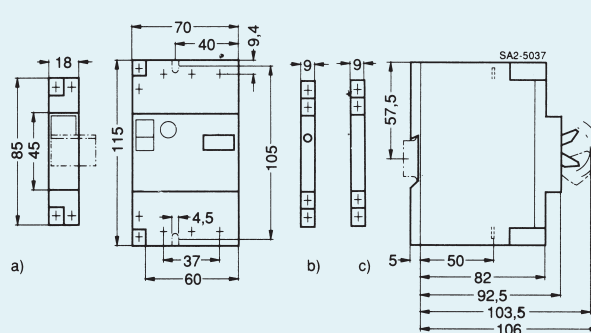
3VU9 138-2AB00 limiter

The limiter has the same dimensions as the standard version of the 3VS13 circuit-breaker



3VU9 135-1AB02,
3VU9 135-1AB03,
3VU9 135-1AB04,
3VU9 135-1AB05
three-phase busbar

- ① For 2 devices: 3VU9 135-1AB02
- ② For 3 devices: 3VU9 135-1AB03
- ③ For 4 devices: 3VU9 135-1AB04
- ④ For 5 devices: 3VU9 135-1AB05

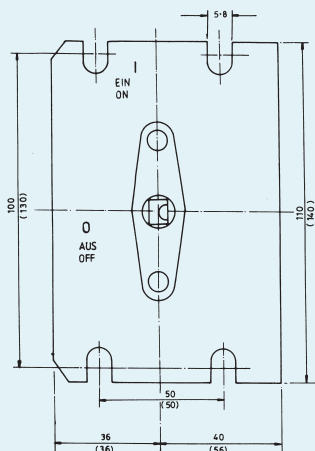


3VS16 circuit-breakers

can be combined with

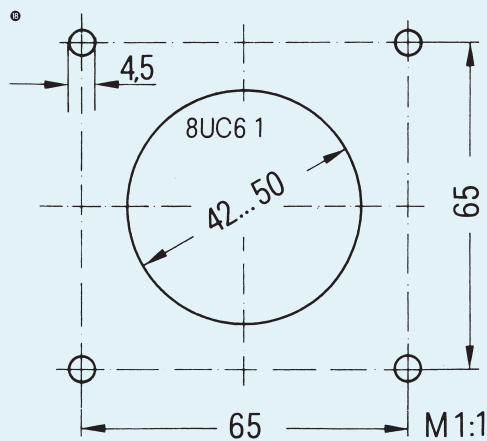
- a) undervoltage or shunt release and/or
- b) short-circuit signalling switch and/or
- c) auxiliary contacts

Door operating mechanism with extension shaft (300mm)
with door interlock & padlocking facilities.



Mounting bracket of 3VS 13/16
3VU9133-1PA01 for 3VS 13
3VU9163-1PA02 for 3VS 16

(Figures in bracket are for 3VS 16)
Mounting bracket



Front door cutout for Handle

3VS Motor Starter Protectors

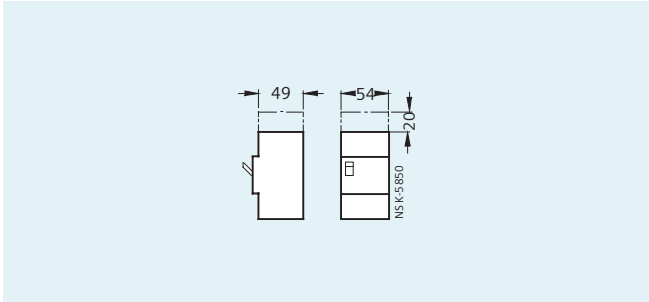
Dimension drawings

Space required above arc chutes for 3VS motor starter protectors

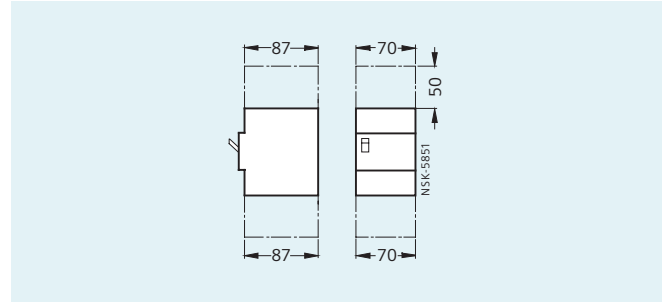
Minimum clearance with rated voltage to adjacent parts as well as non-insulated live parts.

The spacing of minimum 1 cm with 3VS13 and minimum 2 cm with 3VS16 between large-surface covers and arc openings should be observed.

3VS13



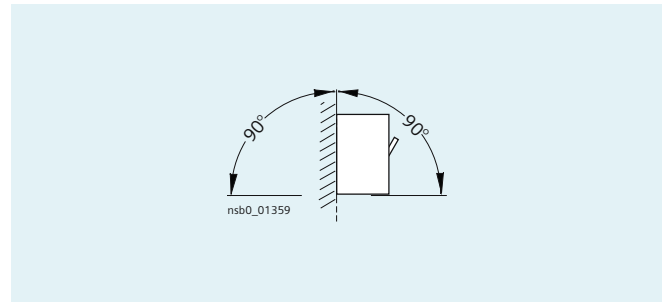
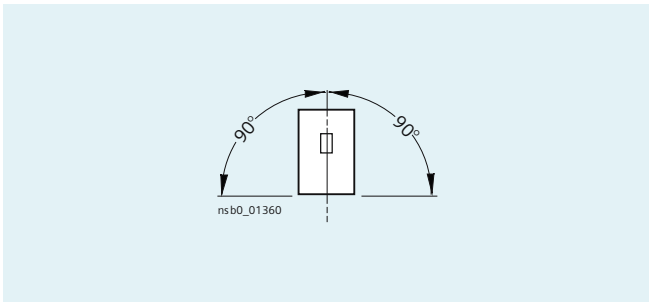
3VS13



Uninsulated conductors must be insulated within the space required above arc chutes.

3VS Permissible mounting position

3VS13, 3VS16 motor starter protectors permissible mounting position due to position of the operating parts, note DIN 43 602.



3VS13 motor starter protectors and 3VU9 limiter

Your partners

Sales offices:

Ahmedabad

3rd Floor, Prerna Arbour
Girish Coldrinks Cross Roads, Navrangpura
Ahmedabad - 380 009
☎ : +91 79 30927600
Fax: +91 79 30927699

Baroda

Ground Floor, Urja Bhavan
Opp.Makarpura Railway Station, Maneja
Vadodara - 390 013
☎ : +91 265 3957700
Fax: +91 265 3039190

Bengaluru

1st Floor, Jyoti Mahal, No. 49, St. Marks Rd.
Bengaluru - 560 001
☎ : +91 80 33422000
Fax: +91 80 33424131

Bhubaneswar

Unit: 1102 & 1103, DLF Cyber City
Chandaka Industrial Estate, Patia, Bhubaneswar
Odisha - 751024

Chandigarh

SCO 188/191, 3rd Floor, Sector-17 C
Chandigarh - 160 017
☎ : +91 172 4690300
Fax: +91 172 4690399

Territory managers:

Agra

F7B, ACR Desire Appartment
Near Kargil Petrol Pump, Sikandra
Agra - 282007, U.P.
Mobile: +91 7665590333
E-mail: jain.nitin@siemens.com

Aurangabad

Mobile: +91 9673333024
E-mail: brajesh.rathor@siemens.com

Belgavi

Flat no-201, 2nd Floor, Harimanor Apartment
1st Cross- Bhagya Nagar, Angol Extension, Belgavi
Karnataka 590006
Tel.: +91 0831 2495156
Mobile: +91 9740277991
E-mail: anand.gawade@siemens.com
Mobile: +91 8105254395
E-mail: siddu.mareguddi@siemens.com

Bharuch

Gold B, 804, Samruddhi Residency
Opp. Zadeshwar Bus Stop, Zadeshwar Road
Bharuch - 392011
Mobile: +91 94293037805
E-mail: kalpeshkumar.darji@siemens.com

Bhilai

C/o. Mr. Anil Dhusia
Qtr No. 4A, Street 33, Sector - 4
Bhilai - 490001
Mobile: +91 9869922211
E-mail: pravlin.deshbhatar@siemens.com

Bhopal

Flat-102, Tower – Jasmine Nikhil Nestles
Jatkeri Hoshangabad Road
Bhopal, MP - 462026
Mobile: +91 9711007466
E-mail: vinay.mittal@siemens.com

Boisar

Flat No. A-21, Sai Sagar CHS, MAHADA Colony
Chitrayalaya Road, Boisar - 401506
Mobile: +91 9819231892
E-mail: debashis.biswas@siemens.com

Cochin

Jomer Symphony, 33/2317, 5th Floor
Chalikkavattom, Ponnurrunni North, Vytilla
Kochi - 682019
Tel.: +91 4028611/22
Mobile: +91 9656690111
E-mail: vinu.pillai@siemens.com

Durgapur

6/15, Bengal Ambuja
(Near Durgapur Cinema Hall), Citi Centre
Durgapur - 713216
Mobile: +91 9051020207
E-mail: sayantan.ghosh@siemens.com

Gandhidham

Plot No. 299, Ward 3A, Adipur
Gandhidham - 370205, Gujarat
Mobile: +91 9099010323
E-mail: Vismay.pandya@siemens.com

Gorakhpur

Flat No. 3B, 3rd Floor, Plot No. 298
Near Sawatri Hospital, Purdilpur, Vijay Chowk
Gorakhpur - 273001, UP
Mobile: +91 917800960310
E-mail: tiwari.mayank@siemens.com

Guwahati

Shivalaya Housing Society, Flat No. B3A
Bylane 4, Joymati Nagar, Adabari, Pandu
Guwahati - 781012
Mobile: +91 9864110684
E-mail: biplab.datta@siemens.com

Chennai

4th Floor, ETA Mount Centre
Seethakathi Business Centre, Mount Road
Chennai - 600006
☎ : +91 44 30474000
Fax: +91 44 30474080

Coimbatore

1st Floor, "Senthil Towers", 1078, Avinashi Road
Coimbatore - 641018
☎ : +91 422 3076300
Fax: +91 422 3076310

Gurgaon

Plot No. - 78, Tower - B
Jagatjit Industries Building (JIL)
Opposite SBI Academy, Sector-18
Gurgaon - 122015
☎ : +91 124 2842000, 3810200

Hyderabad

5-9-19, 4th & 5th Floor, Laxmi Narasinh Estate
Opp. Secretariat Road, Saifabad
Hyderabad - 500 004
☎ : +91 40 30922500
Fax: +91 40 30923145

Haridwar

Flat No. 204, Shiv Asthaly Appartment
Purshotyam Vihar, Kankhal, Haridwar - 249408
Mobile: +91 9889384222
E-mail: umesh.pandey@siemens.com

Hospet

#727, Lakshmi Narasimha Nilaya
Near Surbhi Kalyana Mantapa, Amaravathi
Hospet - 583203
Mobile: +91 9741114877
E-mail: naveen.sn@siemens.com

Hosur

Plot No. 12 Vishnu Anandam Galaxy
Chittanapalli Nallur Village, Hosur - 635109
Mobile: +91 8971200266
E-mail: dinesh.rajaian@siemens.com

Hubli

Plot No. 8, Abhi Nilay, Manjunath Nagar
Gokul Road, Hubli - 30, Karnataka
Mobile: +91 9945961052
E-mail: kiran.kage@siemens.com

Jalandhar

H.No. 140, Ground Floor, Defence Colony
Jalandhar, Punjab - 144001
Mobile: +91 8427979870
E-mail: himanshu.kaushik@siemens.com

Jodhpur

A-240, Shastri Nagar, Jodhpur - 342003
Mobile: +91 9929110493
E-mail: rajendra.kabra@siemens.com

Kanpur

Flat No. 702, Pushpi Apartments
Sharda Nagar, Kanpur - 208025, Uttar Pradesh
Mobile: +91 8802011478
E-mail: singh.amar@siemens.com

Khopoli

Samarthnagar Co-op Hsg. Soc.
Mogalwadi Road, Khopoli,
Taluka - Khalapur, Dist. Raigad - 410 203
Mobile: +91 9867748975
E-mail: deshpande.sachin@siemens.com

Kolhapur

RS No. 84-1, Pinac Prasad, Flat No. A-35
New Palace Road, Kolhapur - 416006
Mobile: +91 9850836839
E-mail: vinay.todkar@siemens.com

Kota

406, Manglayatan Appartment
Near Jain Temple, Bhimgarj Mandi
Kota - 324002
Mobile: +91 9828419111
E-mail: avinash.mathur@siemens.com

Ludhiana

H.No. 1858, First Floor, Sector - 32 A
Ludhiana - 141008, Punjab
Mobile: +91 9876047929
E-mail: sunil.singla@siemens.com

Ludhiana

R-115, Near DAV School
Sarabha Nagar Ext Ph-2, Pakhowal Road
Ludhiana, Punjab - 142022
Mobile: +91 9888484066
E-mail: padam.sharma@siemens.com

Madurai

Anirudh block, F-Top 3, Vasudhara Apartment
84, TPK Main Road, Andalapuram
Madurai - 625 003, Tamil Nadu
Mobile: +91 9894617776
E-mail: sivaprakasam.r@siemens.com

Jaipur

International Business Center, K14 First Floor
Ashok Marg, Ashok Nagar, C Scheme
Jaipur - 302001
☎ : +91 141 5152108
Fax: +91 141 2370482

Jamshedpur

"Roshan Tower", Main Road, Bistupur (2nd Floor)
Jamshedpur - 831001
☎ : +91 657 6682201

Kolkata

3rd Floor, 43, Shanti Palli
Rashbihari Bypass Connector
Kolkata - 700042, India
☎ : +91 33 30939000
Fax: +91 33 30939010

Lucknow

510-511, 5th Floor, Shalimar Titanium
Plot No. TC.G-1/1, Vibhuti Khand
Gomti Nagar, Lucknow
Uttar Pradesh 226010
☎ : +91 522 4031039

Maraimalainagar

No.11, Ambedkar Street, SRS Buildings, Upstairs Raga
Dental Clinic, Potheri, Chennai - 603203
Mobile: +91 9840392926
E-mail: shanmuga.v@siemens.com

Meerut

D-205, Ansal Courtyard, Roorkee Bypass
Modipuram, Meerut - 250110, UP
Mobile: +91 7619047999
E-mail: achint.mathur@siemens.com

Mehsana

Mr. Prabhakaran Mudaliar
Mobile: +91 9724753579
E-mail: prabhakaran.mudaliar@siemens.com

Mysore

No. 980, 4th Cross, 6th Main
Bannimantap B layout, SS Nagar
Mysore - 570015
Mobile: +91 9611311645
E-mail: raashid.syed@siemens.com

Naidupeta

Door No. 3-3-140, Raghavaiahpeta
Sriharikota Road, Opp to Race School
Sullurpeta Town & Mandal, SP5R Nellore District
AP - 524123
Mobile: +91 9840255185
E-mail: r.pradeep@siemens.com

Nashik

Flat No 402, "D" Wing, Hari Shrushti
Near Jogging Track, Opposite WNS, Indira Nagar
Nashik - 422009
Mobile: +91 9822193204
E-mail: dhananjay.thorat@siemens.com

Neemrana

Flat No. F111, Anantraj Aashray Apartment
Plot No. 236, Japanese Zone
Neemrana - 301705, Dist.- Alwar
Mobile: +91 9650481919
E-mail: deepak.benival@siemens.com

Patna

A-53, 5th Floor, Krishna Apartment, Boring Road
Patna - 800001
Mobile: +91 9641574289
E-mail: rajendra.mitra@siemens.com

Pondicherry

R.A.M. Paradise, II Floor, No.4, 2nd Cross
Kamban Nagar, Reddiarpalayam
Puducherry - 605010
Mobile: +91 9176609374
E-mail: gopalakrishnan.shanmugam@siemens.com

Raipur

103 Risabh Regency, Near Shri Medishine Hospital
New Rajendra Nagar, Raipur (CG) - 492001
Mobile: +91 9425601849
E-mail: raghuraj.bisen@siemens.com

Rajkot

301, Snowhill Apartment
Near Golden Supermarket, Amin Marg
Rajkot - 360007, Gujarat
Mobile: +91 9909904993
E-mail: piyush.thaker@siemens.com

Ranchi

Flat No. A-101, 1st Floor, Sundaram Apartment
Kilburn Colony, Hinoo, Ranchi
Jharkhand - 834002
Mobile: +91 8294052647
E-mail: shyamal.bhattacharyya@siemens.com

Mumbai

Business Centre-1
Thane Belapur Road, Thane - 400 601
☎ : +91 22 39663000
Fax: +91 22 39663721

Nagpur

4th Floor, Land Mark Building
Wardha Road, Ramdas Peth
Nagpur - 440 010
☎ : +91 712 3093000
Fax: +91 712 3093111

Pune

Tower B/701-705, ICC Trade Tower
403A, Senapati Bapat Road
Pune - 411016
☎ : +91 20 30466000
Fax: +91 20 30466000

Vishakhapatnam

2nd Floor, 30-8-47, Lakshmi Narasimha Towers
Banu Street, Daba Gardens
Visakhapatnam - 530 020
Andhra Pradesh
☎ : +91 891 3050200
Fax: +91 891 3050222

Renukoot

Vijay Gupta Bhawan, Swami Vivekanand Colony
Murdhawa, Renukoot - 231217, U.P.
Mobile: +91 9984500021
E-mail: kumardeepak@siemens.com

Rourkela

D/7, Gafour Colony, Ground Floor
Near LIC Office, Uditi Nagar
Rourkela - 769012, Odisha
Mobile: +91 9776967773
E-mail: prakhar.chaturvedi@siemens.com

Rudrapur

Shanti Vihar Colony, Chatarpur Road
Opposite – Dr. Pandey Hospital
Rudrapur - 263153, Uttarakhand
Mobile: +91 9839174578
E-mail: girish.pandey@siemens.com

Salem

A 604, Stuti Universal, Green City Road
Pal-Adajan, Surat - 395009, Gujarat
Mobile: +91 8754922245
E-mail: g.suresh@siemens.com

Siliguri

C/o Radhagobindo Paul
Syed Mustafa Ali Road, Raja Rammohan Roy Road
Hakimpara, Ward Number: XV, Dist - Darjeeling
Siliguri - 741201
Mobile: +91 9932276294
E-mail: dibyojyoti.karmakar@siemens.com

Sonepat

H.No. 1103, 1st Floor, Sector - 14
Sonepat, Haryana - 131001
Mobile: +91 9855526122
E-mail: kumar.manish@siemens.com

Sriperumbudur

Villa No. 97, Casa Grande Futura, Chengalpet Road
Sriperumbudur, Kanchipuram Dist - 602105
Mobile: +91 9791045280
E-mail: murugaraj.s@siemens.com

Surat

A 604, Stuti Universal, Green City Road
Pal-Adajan, Surat - 395009, Gujarat
Mobile: +91 9712445504
E-mail: harshwardhan.mishra@siemens.com

Trichy

Flat No.102, 'B' Block, 2nd Floor, Vignesh Empire
Apartments, Salai Road, Woraipur, Trichy - 620003
Mobile: +91 8056025127
E-mail: ponnivalavan.p@siemens.com

Trissur

Plot No. 12, Cherakaran House, Unity Nagar
Kuriachira P.O, Thrissur, Kerala - 680006
Mobile: +91 9947957839
E-mail: nobin.babu@siemens.com

Udaipur

A-39, New Ahinsapuri, Fatehpura
Udaipur - 313004
Mobile: +91 8696222212
E-mail: rohit.nandan@siemens.com

Vapi

Flat No. 302, 3rd Floor, Samrajya-IV
Royal Residency, Gokul Vihar Township
Charwada Road, Taluka - Pardi, Dist. Valsad
Vapi - 396195
Mobile: +91 9825147957
E-mail: rohit.darji@siemens.com

Vijayawada

Mobile: +91 9948664228
E-mail: naga.ganesna@siemens.com

Siemens Ltd.

Digital Factory

Control Products

R&D Technology Centre

Kalwa Works, Thane Belapur Road, Thane - 400 601

Fax: +91 22 33265627

For more information contact toll free 1800 209 1800

E-mail: lvsg-rmktg.india@siemens.com

www.siemens.co.in

Order No.: 109556593

DF-CP- CC115022019

Customer Care Toll free no.

1800 209 987

Email: ics.india@siemens.com

Product upgradation is a continuous process. Hence, data in this catalogue is subject to change without prior notice. For the latest information, please get in touch with our Sales Offices.