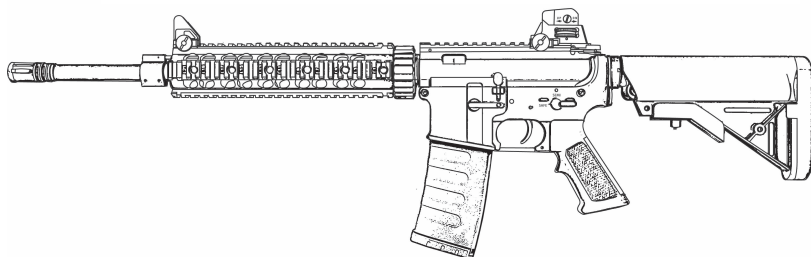
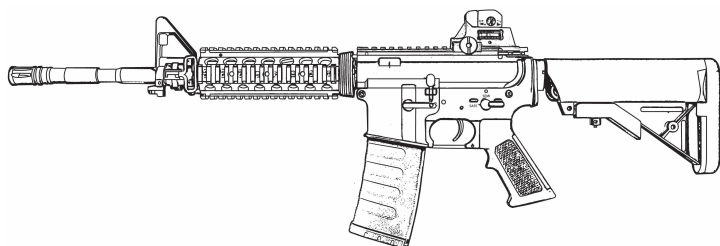


KWA[®]

OPERATOR'S MANUAL



KM4 RIS
KM4 SR7
KM4 SR10

TABLE OF CONTENTS

Use of this manual2

Safety Guidelines 2-3

Specifications 4-6

Contents7

Break-in Period.....7

Loading BBs 8-9

Fire Selector Switch10

Battery Installation 11

Hop-Up System12

Front Sight Adjustment13

Front Rear Adjustment.....14

Disassembly Procedures.....15

Assembly Procedures.....16

Cleaning and Lubrication.....17

Troubleshooting18

Operating Under Unusual Conditions.....19

Diagrams and Parts Lists 20-30

USE OF THIS MANUAL

Before operating the Airsoft gun, read this manual in its entirety. Important safety topics and tips are discussed throughout all of the chapters. It's important that the operator knows the principles of gun handling safety and operation prior to firing the Airsoft gun.

SAFETY GUIDELINES



WARNING! Failure to follow safety guidelines may result in serious injury.

Safety Distance

The effective shooting range is approximately 175 feet. BBs fired from this Airsoft gun may travel further than intended. Make certain that you have an adequate backstop.

Eye Protection

Eye protection should be worn at all times when both shooting and maintaining your Airsoft gun. Protect your eyes from BBs under pressure while performing maintenance on your Airsoft gun.

Assume Every Gun is Always Loaded

Until you are certain the chamber is empty, treat every gun as if it were loaded. Do not assume the chamber is empty based on your memory or someone else's words. Always remove the magazine and visually check to confirm the chamber is empty.

Beware of Barrel Obstructions

Ensure the Airsoft gun barrel is free of obstructions before you fire the gun. Even the smallest obstruction such as dirt, dust or a stuck cleaning patch can cause a jam, misfire or malfunction.

Muzzle Control

Always keep the muzzle of the gun pointed in a safe direction. Never point the muzzle at a person or object that you do not intend to shoot.

Keep Your Safety On

Keep the gun's safety on until your sights are aligned on your target and you are ready to fire.

Keep Your Finger Off The Trigger

Keep your finger off the trigger and out of the trigger guard until your sights are aligned on your target and you are ready to fire.



WARNING! Airsoft BBs can be a choking hazard. Keep them away from children.

SAFETY GUIDELINES

Identify Your Target and Backstop

Before you pull the trigger, make certain of your target and what is beyond it. The Airsoft gun should never be fired at surfaces such as rocks, glass, water, or other hard surfaces where BBs are likely to ricochet in unpredictable directions.



WARNING! Adult supervision is required for any person under the age of 18.

Failure To Fire

If the Airsoft gun fails to fire, misfires, or malfunctions, do not look into the gun barrel. BBs can become lodged into the chamber, and serious eye injury may occur.

Maintain Your Gun Properly

Performing proper maintenance, as outlined in this manual, ensures that your Airsoft gun will be safe to shoot and will perform to its designed specifications for many years. Alterations, modifications or adjustments may damage your Airsoft gun, make it unsafe to shoot, and will void all warranty claims.

Store Your Gun Safely

Always store the Airsoft gun in a safe place, and out of the reach of children. Always transport the Airsoft gun in a carrying case. Never display the Airsoft gun in a public place. Keep the safety engaged, and remove the magazine before storing the Airsoft gun. Note: it is your responsibility to take every reasonable precaution to ensure the safe storage and transportation of your Airsoft gun.

Orange Tip

The orange tip on Airsoft guns helps Law Enforcement distinguish between the replica guns from their real firearm counterparts. Altering the coloration or markings required by state or Federal law so as to make the product look more like a firearm is dangerous and may be a crime. Operator assumes all risks and responsibility when doing so.

Hazards of Being Mistaken for a Real Firearm

Airsoft guns have been mistaken by Police and Law Enforcement as real firearms. A confrontation with law enforcement while carrying an Airsoft gun can result in serious injury or even death. It is strongly advised to operate the Airsoft gun at a safe and legal location. In the event that you are approached by Law Enforcement personnel, you must comply with their instructions immediately to avoid an incident.

Alcohol, Medications, and Drugs

Do not handle or operate your Airsoft gun while under the influence of alcohol, medication or drugs.

Your Responsibility

Your Airsoft gun is well-engineered and manufactured to the highest standards. It was carefully inspected before it was packaged and shipped from our factory. Its safe use depends on you alone. You are the ultimate safety device. Like many other devices, your Airsoft gun is safe unless handled in an irresponsible or uneducated manner.

SPECIFICATIONS

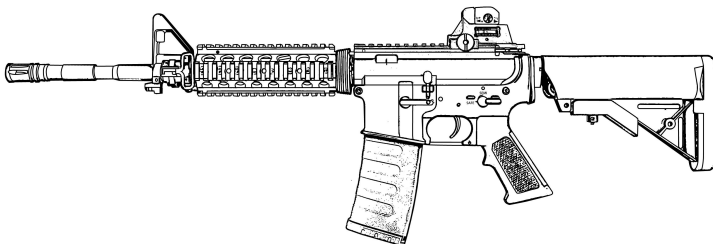
KM4 RIS

- Overall Length (Retracted) = 80.65 cm [31.75"]
- Overall Length (Extended) = 88.9 cm [35"]
- Outer Barrel Length = 381 mm [15"]
- Inner Barrel Length = 395 mm
- Inner Barrel Diameter = 6.05 mm
- Weight = 3.18 kg [7.01 lbs]
- Barrel Thread = -14 mm
- Caliber = 6 mm
- Magazine Capacity = 120 rounds
- Rate of Fire = 20+ RPS
- Velocity = 118-125 MPS [390-410 FPS]
- Energy Output with 0.20g BB = 1.49 Joules
- Power Source = 9.6v NiMh, 7.4v or 11.1v 15c Li-po/Li-Fe

Special Features:

- KWA 2GX gearbox
- KWA 2G high performance bucking
- 2 piece Rail Interface System
- Removable carry handle
- Full metal alloy flat top upper receiver
- Full metal alloy lower receiver
- Adjustable front and rear sights
- 6 position collapsible stock with battery intergrated compartment
- Semi and full auto selective fire
- Adjustable hop-up

*Individual test results may vary depending on brand of BBs, and chronograph used.



SPECIFICATIONS

KM4 SR7

- Overall Length (Retracted) = 71.12 cm [28"]
- Overall Length (Extended) = 78.74 cm [31"]
- Outer Barrel Length = 283 mm [11.14"]
- Inner Barrel Length = 273 mm
- Inner Barrel Diameter = 6.05 mm
- Weight = 2.85 kg [6.28 lbs]
- Barrel Thread = -14 mm
- Caliber = 6 mm
- Magazine Capacity = 120 rounds
- Rate of Fire = 20+ RPS
- Velocity = 100-107 MPS [330-350 FPS]
- Energy Output with 0.20g BB = 1.14 Joules
- Power Source = 9.6v NiMh, 7.4v or 11.1v 15c Li-po/Li-Fe

Special Features:

- KWA 2GX gearbox
- KWA 2G high performance bucking
- 7" free float picatinny rail adapter system
- Full metal alloy flat top upper receiver
- Full metal alloy lower receiver
- Adjustable front and rear sight
- Removable rear sight
- 6 position collapsible stock with integrated battery compartment
- Semi and full auto selective fire
- Adjustable hop-up

*Individual test results may vary depending on brand of BBs, and chronograph used.



SPECIFICATIONS

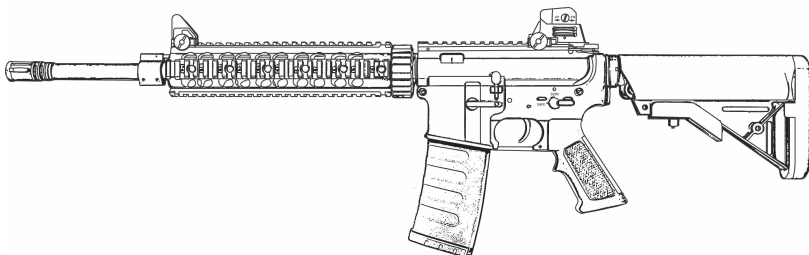
KM4 SR10

- Overall Length (Retracted) = 84.45 cm [33.25"]
- Overall Length (Extended) = 92.71 cm [36.5"]
- Outer Barrel Length = 420 mm [16.5"]
- Inner Barrel Length = 425 mm
- Inner Barrel Diameter = 6.05 mm
- Weight = 2.97 kg [6.55 lbs]
- Barrel Thread = -14 mm
- Caliber = 6 mm
- Magazine Capacity = 120 rounds
- Rate of Fire = 20+ RPS
- Velocity = 118-125 MPS [390-410 FPS]
- Energy Output with 0.20g BB = 1.49 Joules
- Power Source = 9.6v NiMh, 7.4v or 11.1v 15c Li-po/Li-Fe

Special Features:

- KWA 2GX gearbox
- KWA 2G high performance bucking
- 10" free float picatinny rail adapter system
- Full metal alloy flat top upper receiver
- Full metal alloy lower receiver
- Adjustable front and rear sights
- Removable front and rear sights
- 6 position collapsible stock with integrated battery compartment
- Semi and full auto selective fire
- Adjustable hop-up

*Individual test results may vary depending on brand of BBs, and chronograph used.



PACKAGE CONTENTS

- 1 KM4 RIS / KM4 SR7 / KM4 SR10 Airsoft gun
- 2 Allen Wrenches (For cap screw removal)
- 1 Safety Cap
- 1 Sight Adjustment Tool
- 1 Cleaning Rod
- 1 Owners Manual
- 1 K120 Magazine

BREAK-IN PERIOD

Airsoft guns, like many other products require a “break-in” period to ensure the optimal performance. This break-in period allows the spring, piston, gears and other moving parts to be seated and become more consistent in their movements. Every new KM4 Airsoft gun spring is manufactured with more tension than is required, this break-in period will allow the spring to “settle” and operate at the specified FPS range.

The KWA KM4 Airsoft gun’s break-in period will require a minimum of 2000 rounds. During this break-in period, the Airsoft gun will require more cleaning because it will expel excessive grease from the gearbox. After the break-in period, the gun will operate within factory specification. The accuracy of the brass barrel will also improve as you continue to use the gun.

LOADING MAGAZINE

1. Release the magazine from the Airsoft gun by pressing the magazine release button.
2. Feed the BBs into the magazine through the magazine feed lip as shown.

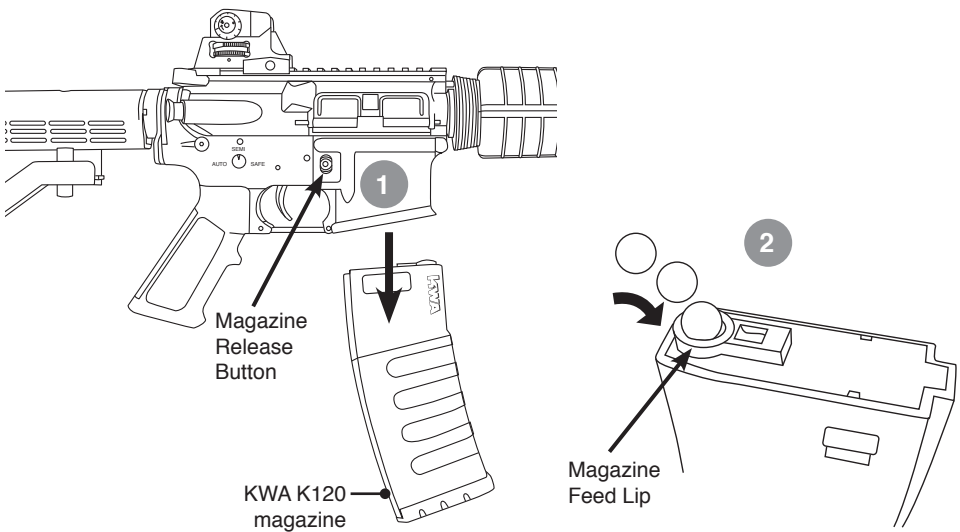
NOTE: The use of a BB loader, such as the KWA High Performance BB Loader, can help make the loading process easier and faster.

Loading safety tips:

- Switch the selector to safe
- Be sure the safety cap is on
- Keep your finger off the trigger at all times



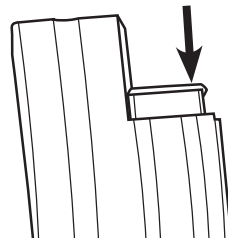
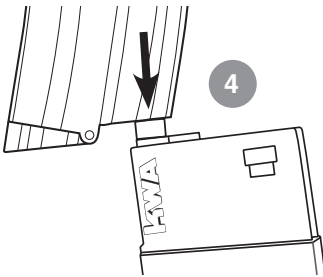
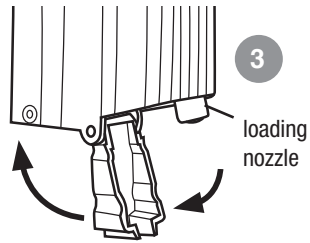
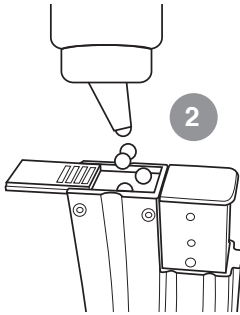
WARNING: Always use high quality 6mm BBs, weight 0.2g or higher. For best result use 0.25g KWA Perfect BBs. Never use recycled or low grade BBs to prevent damage to your gun.



WARNING: KWA K120 magazine holds 120 rounds of BBs. DO NOT load more than 120 rounds into the magazine. Overloading will cause jamming and feeding issue.

USING KWA HIGH PERFORMANCE BB LOADER (Purchase Separately)

1. Release the magazine from the Airsoft gun by pressing the magazine release button.
2. Slide open the trap door on top of the BB loader. Fill the BB loader with BBs. *Do Not Overfill.
3. Flip down the dust cover to reveal the loading nozzle.
4. Fit BB loader into the magazine feed lip.
5. Press on BB loader plunger to load BB into magazine.

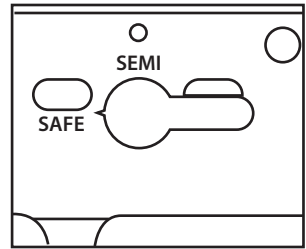


WARNING: Always use high quality 6mm BBs, weight 0.2g or higher. For best result use 0.25g KWA Perfect BBs. Never use recycled or low grade BBs to prevent damage to your gun.

FIRE SELECTOR SWITCH

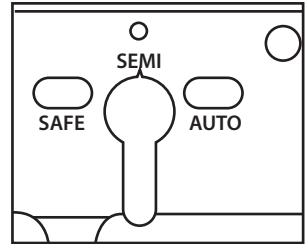
1. Safe

In Safe mode the gun will not fire. For safety, you should keep the switch in Safe mode at all times when you are not ready to fire.



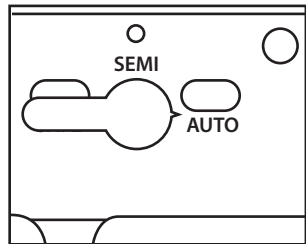
2. Semi-Auto

In Semi-Auto mode the gun will fire one shot for each time you squeeze the trigger.



3. Full Auto

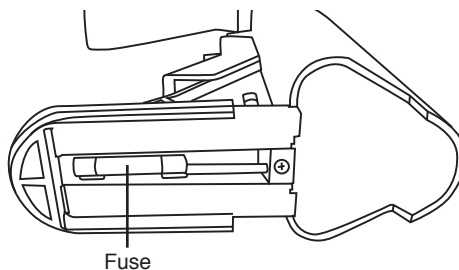
In Full Auto mode the gun will fire continuously as long as the trigger is depressed.



WARNING: Do not pull the trigger when switching the fire selector.

FUSE

To replace the fuse, remove the butt stock cover and replace fuse with up to 20A glass fuse.

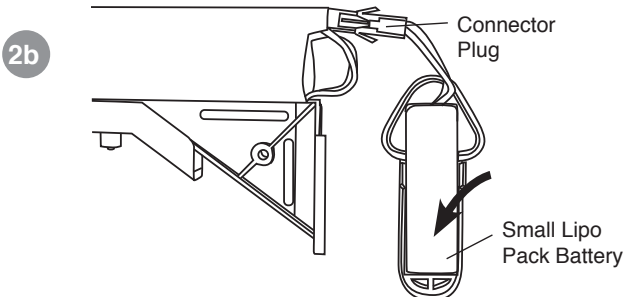
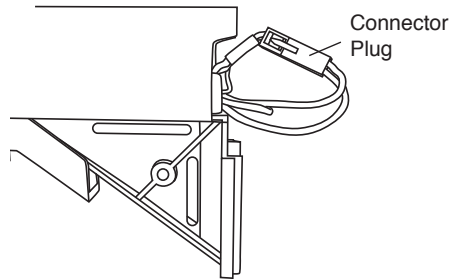
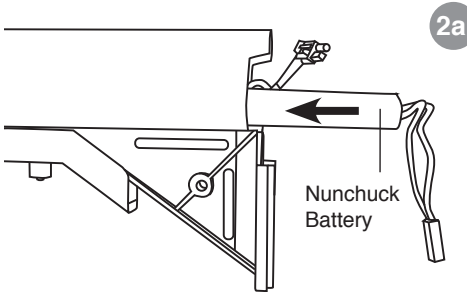
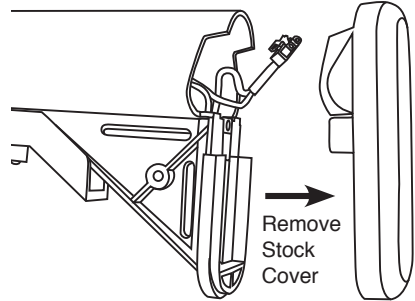
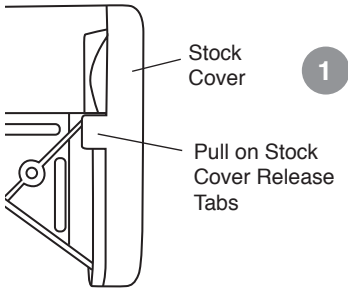


BATTERY INSTALLATION



WARNING: Stock must be fully collapsed before opening the stock cover. Do not remove the stock completely from the gun, doing so will disconnect the terminal inside

1. Set fire selector to safe mode. Slightly pull the stock cover release tabs to remove the cover.
- 2a. Two types of battery can be used, nunchuck battery and small Lipo pack battery. When using a nunchuck battery, place the battery into the stock. Push the connector plugs together firmly until they click into place.
- 2b. When using a small Lipo pack battery, place the battery into the stock cover. Push the connector plugs together firmly until they click into place. *Make sure the small Lipo pack battery size is no larger than 4"H x 1.25"W x 0.62"D
3. Close the butt stock cover.



HOP-UP SYSTEM

The Hop-Up device is one of KWA's standard features, giving Airsoft BBs greater stability, further travel and increased accuracy. Airsoft BBs are light-weight and can be affected by wind when fired. With the Hop-Up system, the trajectory of the Airsoft BBs can be adjusted according to the shooting environment or surroundings.

HOP-UP ADJUSTMENT

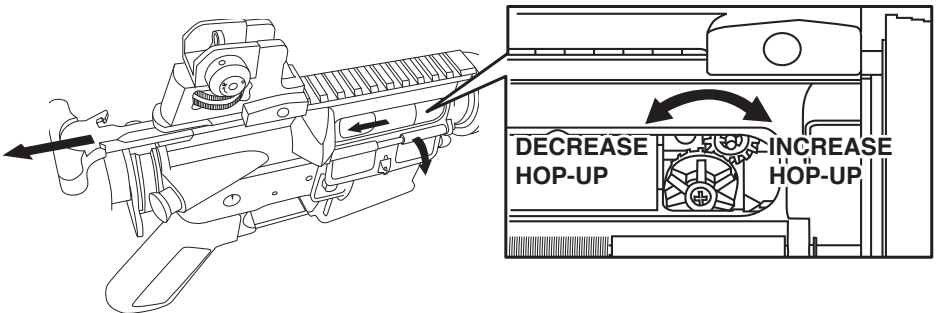
- Pull the charging handle to the rear to open ejection port and reveal Hop-Up adjustment dial. Pull and hold the charging handle to the rear when adjusting Hop-Up.
- Turn the Hop-Up adjustment dial forward to increase hop-up. Turn the Hop-Up adjustment dial backward to decrease hop-up.
- Excessively turning of the Hop-Up adjustment dial forward can cause Airsoft BBs to jam. Continued firing with a jammed barrel will cause damage to the gearbox.
- When jamming occurs, immediately stop shooting and turn the Hop-Up adjustment dial backward to decrease hop. Remove the jammed Airsoft BBs.

Before removing the jammed Airsoft BBs, be sure to return the hop-up adjustment dial to normal position. After removal of Airsoft BBs, test fire 2 – 3 rounds to check for clearance. Resume adjustment. KWA Airsoft guns are made with precision barrel, use only new, quality Airsoft BBs. The use of recycled or low quality Airsoft BBs are the primary cause of jamming. In most cases, it can severely damage the gearbox and inner barrel.

Excessive Hop – Airsoft BB travels an upward trajectory path. Turn the Hop-Up adjustment dial backward to decrease hop-up.

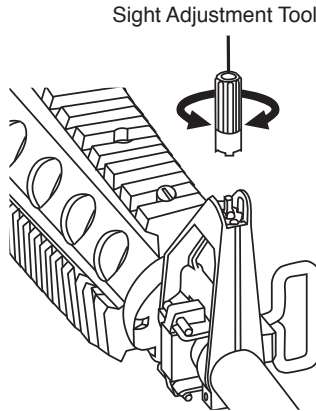
Perfect Hop – Airsoft BB travels long distance horizontally.

Inefficient Hop – Airsoft BB travels a downward trajectory path. Turn the Hop-Up adjustment dial forward to increase hop.



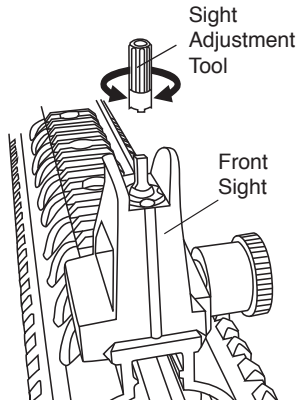
FRONT SIGHT ADJUSTMENT (RIS, SR7)

- The front sight can be moved up and down when zeroing rear sight
- Turn counter clockwise to lower the point of Impact
- Stop turning when a click sound is heard



FRONT SIGHT ADJUSTMENT (SR10)

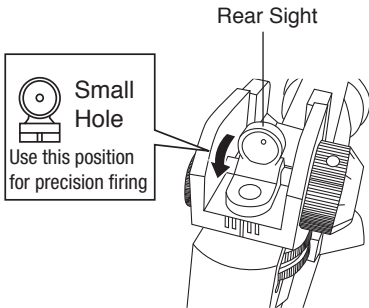
- The front sight can be moved up and down when zeroing rear sight
- Turn counter clockwise to lower the point of Impact
- Stop turning when a click sound is heard



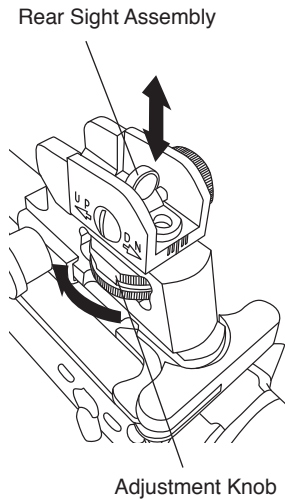
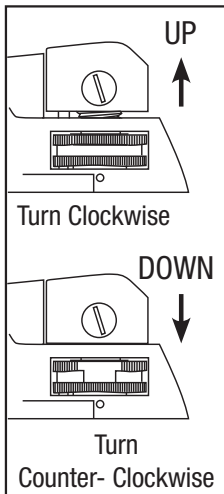
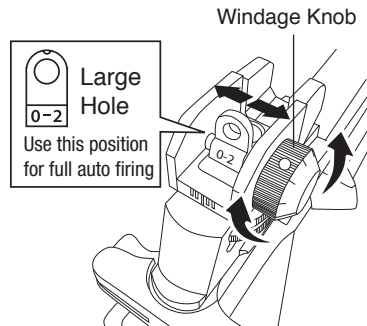
WARNING! If turned too far, the front sight will come off.

REAR SIGHT ADJUSTMENT

- Flip the rear sight between general and precise aiming
- To adjust the horizontal point of impact, rotate the windage knob located on the rear of the sight
- To adjust the vertical point of impact, rotate the sight elevation knob located on the left and right side of the sight



The sight assembly is marked in millimeter for precise adjustments



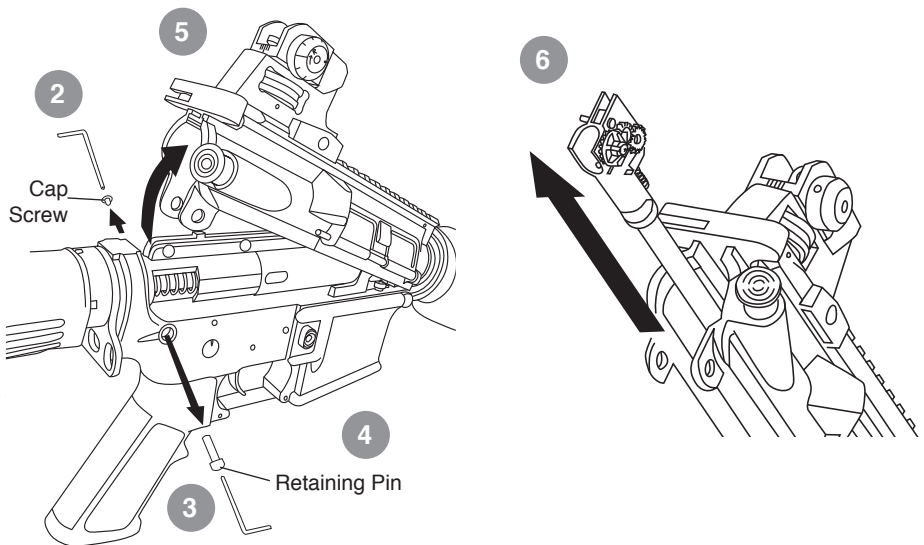
DISASSEMBLY



WARNING: Before removing any parts, be sure the fire selector is set to “safe”. Always place safety cap on the barrel tip when servicing the gun.

Note: Before opening the receiver, the piston must be in the forward position.

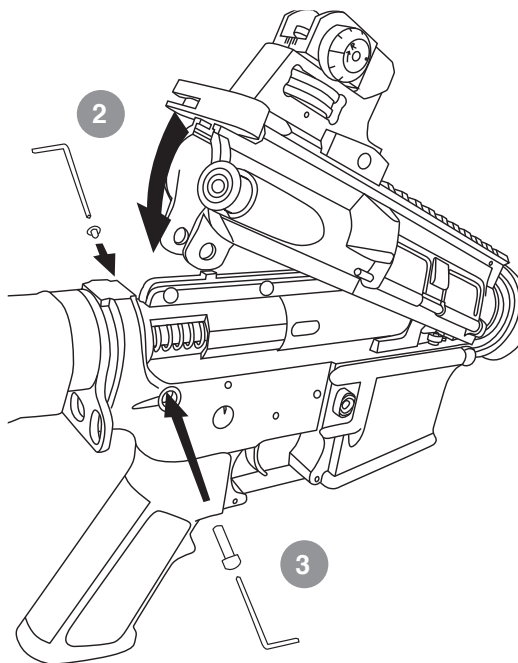
1. Fire in semi-automatic mode 2-3 times to clear the barrel and reset the piston.
2. Remove the Rear Pin only from lower receiver with the provided Allen wrenches.
3. Use one wrench to hold the cap screw and one to turn the set pin.
4. After removal of the cap screw, use the allen wrench to push the pin out.
5. Pull the Upper receiver up.
6. Slide out the inner barrel with Hop-Up assembly.



If the receiver does not open, repeat step 1 as necessary.

ASSEMBLY

1. Insert the inner barrel and Hop-Up assembly into the upper receiver.
2. Secure the Hop-Up assembly into the upper receiver. Push down the upper receiver to close.
3. Align the pin holes. Insert Pin and use the allen wrench to tighten the cap screw.



CLEANING

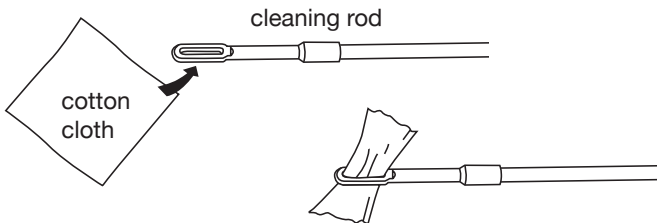


WARNING! Unload and clear the Airsoft gun before cleaning.

Cleaning Procedure

The Airsoft gun barrel should be cleaned after each shooting session. Regular cleaning prevents the effects of BB residue buildup that can hinder performance or jam the gun.

1. Ensure that the safety is engaged
2. Remove the magazine and clear the chamber of loaded BBs
3. Disable Hop-Up by dialing to the OFF position (see Hop-Up section)
4. Disassemble the receiver (see Disassembly section)
5. Steps to use cleaning rod:
 - a. Cut a piece of clean cotton cloth to 1 inch by 0.5 inch size. Insert one end of the cloth into the hole in the cleaning rod (adjust the length of cloth for smooth entry into the barrel)
 - b. Wind the cloth around the cleaning rod
 - c. Insert the cleaning rod into the inner barrel, and push the rod through.
 - d. Remove the cleaning rod and check the cotton cloth for dirt. Repeat steps a. through c. when necessary.



WARNING! DO NOT use spray silicone oil as a cleaning solution for the inner barrel.

BASIC TROUBLESHOOTING GUIDE FOR RIFLE

SYMPTOMS	CAUSE	SOLUTIONS
Air Soft gun is not firing	Selector set to Safe Mode	Select Semi-Auto or Full-Auto Mode
	Dead battery	Replace or Charge battery
	Burned out fuse	Replace with a new fuse
	Motor damaged or bad connection	Return gun for professional care
	Pinched wiring	Return gun for professional care
Motor is running but not firing	Internal failure	Return gun for professional care
Motor or Battery is hot after short use	Pinched wiring	Return gun for professional care
	Motor damaged or bad connection	Return gun for professional care
Semi-Auto feature not functioning properly	Incorrect timing	Set selector to full-auto mode. Dry fire 10-20 rounds before returning it to semi-auto mode
Semi-Auto feature not functioning at all	Internal failure	Return gun for professional care
Firing cycle slows down	Weak battery	Recharge battery
High pitch or grinding noise	Motor level not adjusted or Gear may be damaged	Return gun for professional care
BB travels upward	Excessive hop	Turn hop adjustment dial backward
BB travels downward	Insufficient hop	Turn hop adjustment dial forward
BB double feeding or rolling out of the barrel	Excessive oil in chamber	Fire 200 rounds to eliminate excessive oil
	Hop-Up unit is contaminated	Clean Hop-Up unit with supplied cleaning rod
	Hop-Up unit may be damaged	Return gun for professional care
Hop-Up unit can't be adjusted	Damaged adjustment dial or internal parts	Return gun for professional care
Inner barrel is jammed	Use of recycled or low quality BBs	Use KWA Perfect BBs or other high quality BBs
	Inner barrel is contaminated	Clean inner barrel with supplied cleaning rod
	Inner barrel is damaged	Return gun for professional care
Hi-cap magazine not feeding	Magazine has not been wound	Wind wheel underneath magazine
	BBs are lodged inside the magazine	Shake or tap magazine to unclog the BBs
	Internal failure	Return gun for professional care

OPERATING UNDER UNUSUAL CONDITIONS

Unusual conditions are defined as any condition requiring special maintenance. Perform maintenance outlined for the climate similar to your operational area

Extreme Cold:

Operating an Airsoft gas gun in extremely cold temperatures is not recommended. Cold temperature will cause the Hop-Up Bucking to harden, reducing its effectiveness or cause the gearbox shell to fracture during operation, rendering the gun inoperable.

Extreme Heat:

Do not keep Airsoft gun and batteries under direct sunlight for long periods of time.

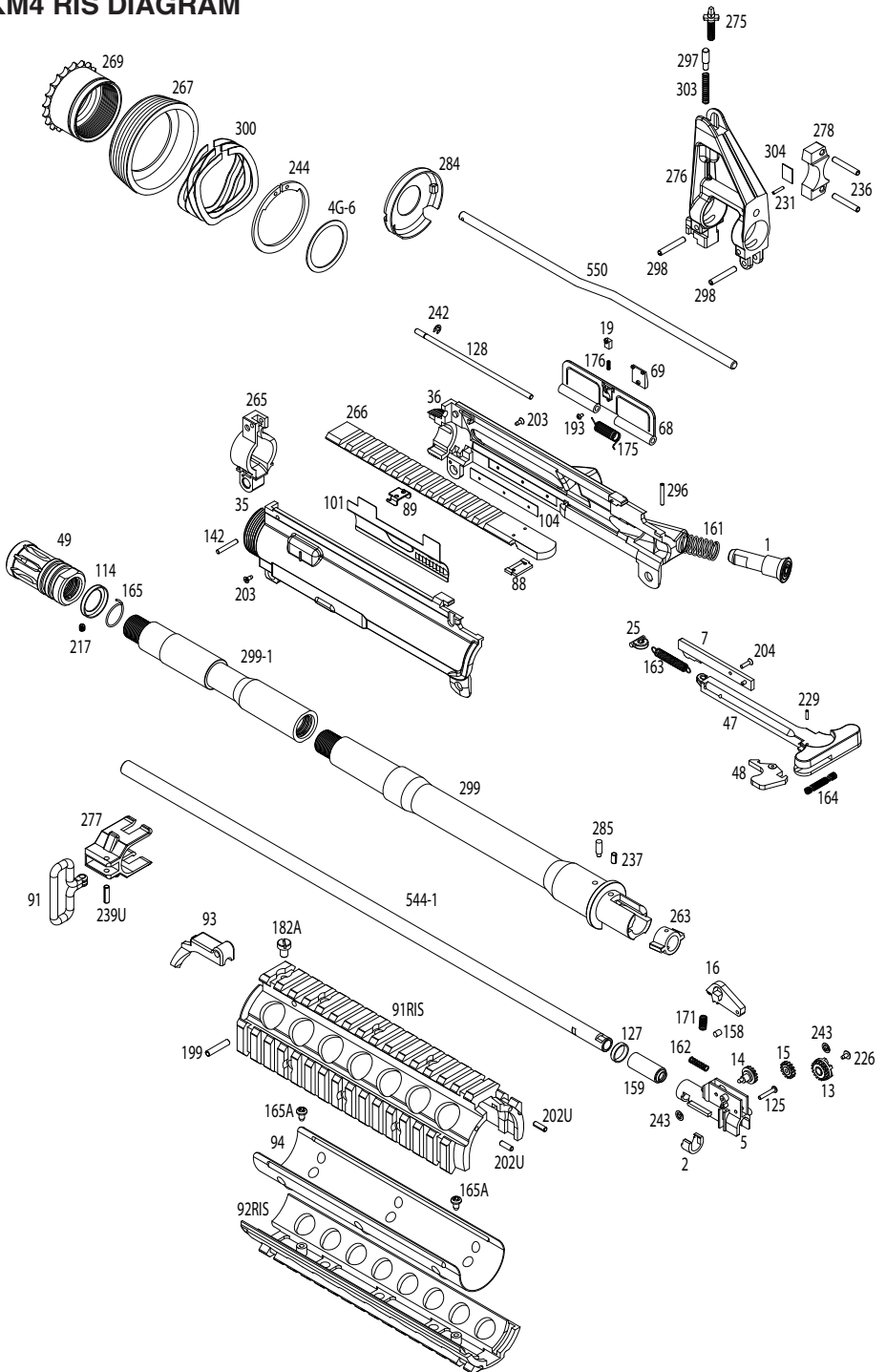
Dust or Sand:

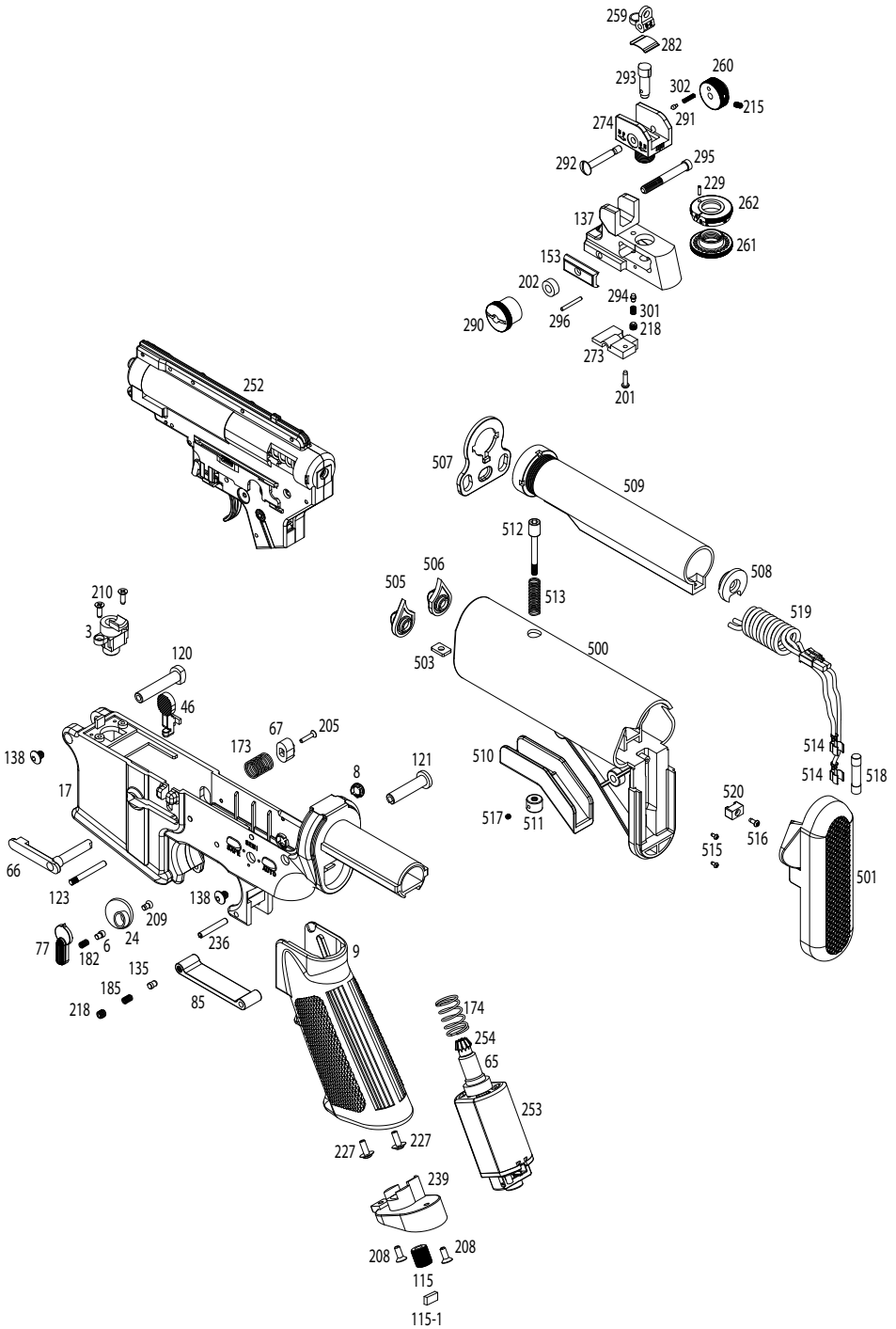
Dust or sand can get into a gun and cause malfunctions and/or excessive wear. Keep the gun covered whenever possible. Use lubricant sparingly, as lube naturally attracts dirt and other particles. After use in a dusty area, always field strip the gun (refer to Disassembly Section) and clean any areas you can reach with a soft, lint-free cloth.

Heavy Rain:

Keep the gun out of the rain and water. This will prevent electrical failure and fluid build-up inside the mechbox. Dry completely with clean cloth and clean inner barrel if necessary.

KM4 RIS DIAGRAM





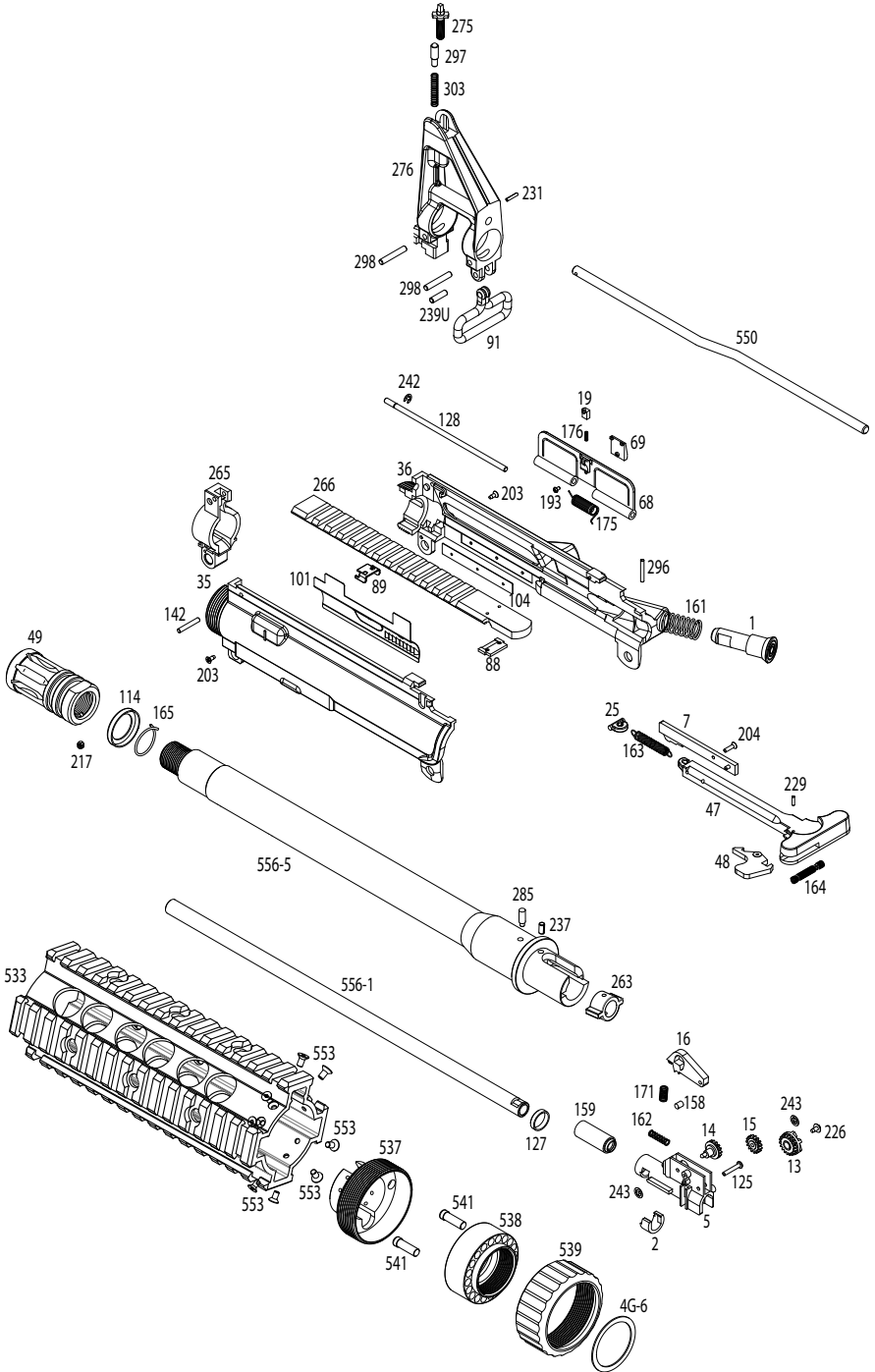
KM4 RIS PARTS LIST

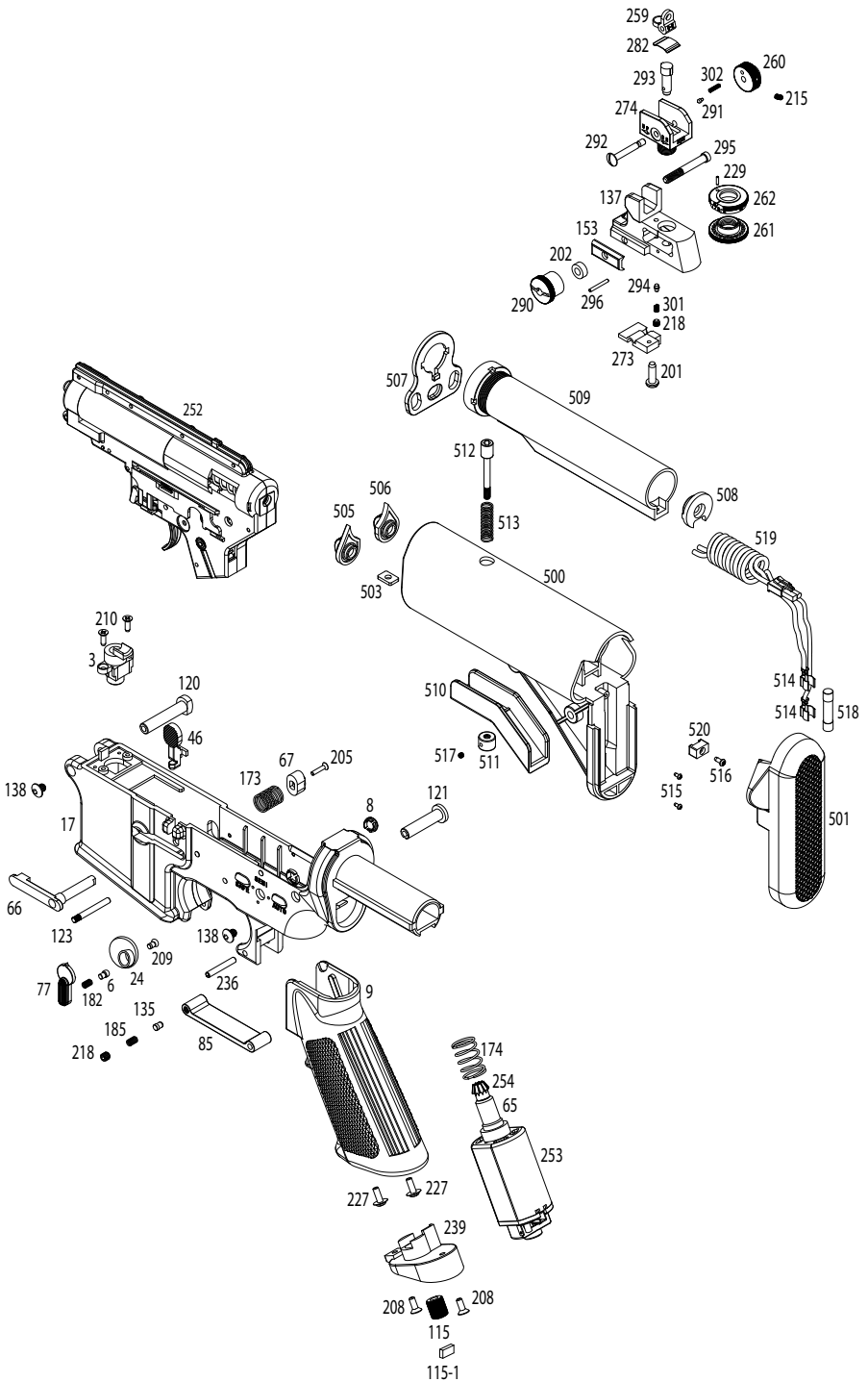
Parts #	Description
KM4 RIS-1	Forward Assist Button
KM4 RIS-2	Inner Barrel Retainer
KM4 RIS-3	BB Ramp
KM4 RIS-4G-6	Barrel Base Washer
KM4 RIS-5	Hop-Up Chamber
KM4 RIS-6	Selector Detente
KM4 RIS-7	Bolt Plate Carrier
KM4 RIS-8	Selector Cover
KM4 RIS-9	Grip
KM4 RIS-13	Hop-Up Adjustment Wheel
KM4 RIS-14	Hop-Up Spindle (Small)
KM4 RIS-15	Hop-Up Spindle (Large)
KM4 RIS-16	Hop-Up Bar
KM4 RIS-17	Lower Receiver
KM4 RIS-19	Ejection Port Cover Lock Plunger
KM4 RIS-24	Selector Plate
KM4 RIS-25	Charging Handle Spring Hook
KM4 RIS-35	Upper Receiver (Left)
KM4 RIS-36	Upper Receiver (Right)
KM4 RIS-46	Bolt Catch
KM4 RIS-47	Charging Handle
KM4 RIS-48	Charging Handle Latch
KM4 RIS-49	Flash Hider
KM4 RIS-65	Motor Spring Base
KM4 RIS-66	Magazine Catch
KM4 RIS-67	Magazine Catch Button
KM4 RIS-68	Ejection Port Cover
KM4 RIS-69	Ejection Port Cover Lock
KM4 RIS-77	Selector
KM4 RIS-85	Trigger Guard
KM4 RIS-88	Rail Retaining Block
KM4 RIS-89	Top Rail Bridge
KM4 RIS-91	Swivel Front
KM4 RIS-91RIS	RIS Top Hand Guard
KM4 RIS-92RIS	RIS Bottom Hand Guard
KM4 RIS-93	Hand Guard Clamp
KM4 RIS-94	Hand Guard Heat Shield
KM4 RIS-101	Bolt Plate
KM4 RIS-104	Dust Cover Retainer
KM4 RIS-114	Flash Hider Washer
KM4 RIS-115	Motor Adjustment Screw
KM4 RIS-115-1	Motor Adjustment Screw Retainer
KM4 RIS-120	Take Down Pin (Front)
KM4 RIS-121	Take Down Pin (Rear)
KM4 RIS-123	Gear Box Set Pin
KM4 RIS-125	Hop-Up Bar Pin
KM4 RIS-127	Hop-Up Chamber Spacer
KM4 RIS-128	Ejection Port Cover Pin
KM4 RIS-135	Trigger Guard Lock Pin
KM4 RIS-137	Rear Sight Base

Parts #	Description
KM4 RIS-138	Receiver Pin Screws
KM4 RIS-142	Top Rail Pin
KM4 RIS-153	Rear Sight Clamp Jaw
KM4 RIS-158	Hop-Up Nub
KM4 RIS-159	Hop-Up Bucking
KM4 RIS-161	Forward Assist Button Spring
KM4 RIS-162	Chamber Block Spring
KM4 RIS-163	Charging Handle Spring
KM4 RIS-164	Charging Handle Latch Spring
KM4 RIS-165	Flash Hider Spring
KM4 RIS-165A	Hand Guard Heat Shield Screws
KM4 RIS-171	Hop-Up Bar Spring
KM4 RIS-173	Magazine Catch Spring
KM4 RIS-174	Motor Tension Spring
KM4 RIS-175	Ejection Port Cover Spring
KM4 RIS-176	Ejection Port Cover Lock Spring
KM4 RIS-182	Selector Spring
KM4 RIS-182A	Hand Guard Clamp Screw
KM4 RIS-185	Trigger Guard Lock Spring
KM4 RIS-193	Ejection Port Cover Screw
KM4 RIS-199	Hand Guard Clamp Pin
KM4 RIS-201	Carry Handle Lock Screws
KM4 RIS-202	Rear Sight Knob Spacer
KM4 RIS-202U	RIS Hand Guard Spacer Pins
KM4 RIS-203	Screw M2X5
KM4 RIS-204	Bolt Plate Carrier Screw
KM4 RIS-205	Magazine Catch Screw
KM4 RIS-208	Motor Plate Screw
KM4 RIS-209	Selector Screw
KM4 RIS-210	BB Ramp Screws
KM4 RIS-215	Windage Knob Set Screw
KM4 RIS-217	Screw M3X3 SC
KM4 RIS-218	Screw M3X8 SC
KM4 RIS-226	Hop-Up Wheel Screw
KM4 RIS-227	Grip Screws
KM4 RIS-229	Charging Handle Latch Pins
KM4 RIS-231	Gas Tube Pin
KM4 RIS-236	SP 3X20 Roll Pins
KM4 RIS-237	Barrel Base Pins
KM4 RIS-239	Motor Base Plate
KM4 RIS-239U	Front Swivel Pin
KM4 RIS-242	Pin Retaining Ring
KM4 RIS-243	Hop-Up Spindle Rings
KM4 RIS-244	Locking Clamp
KM4 RIS-252	Gear Box
KM4 RIS-253	Motor
KM4 RIS-254	Pinion Gear
KM4 RIS-259	Rear Sight
KM4 RIS-260	Windage Knob
KM4 RIS-261	Elevation Knob Dial Base

Parts #	Description
KM4 RIS-262	Elevation Knob Dial
KM4 RIS-263	Inner Barrel Spacer
KM4 RIS-265	Barrel Assembly Block
KM4 RIS-266	Top Rail
KM4 RIS-267	Delta Ring
KM4 RIS-269	Barrel Nut
KM4 RIS-273	Rear Sight Base Cover
KM4 RIS-274	Rear Sight Housing Base
KM4 RIS-275	Front Sight
KM4 RIS-276	Front Sight Housing Base
KM4 RIS-277	Swivel Base
KM4 RIS-278	Swivel Base Lock
KM4 RIS-282	Rear Sight Plate Spring
KM4 RIS-284	Hand Guard End Cap
KM4 RIS-285	Inner Barrel Swivel Pin
KM4 RIS-290	Rear Sight Locking Knob
KM4 RIS-291	Windage Knob Plunger
KM4 RIS-292	Rear Sight Windage Screw
KM4 RIS-293	Elevation Bar
KM4 RIS-294	Rear Sight Elevation Plunger
KM4 RIS-295	Rear Sight Bolt
KM4 RIS-296	Elevation Knob Pin
KM4 RIS-297	Front Sight Plunger
KM4 RIS-298	Front Sight Housing Pins
KM4 RIS-299	Outer Barrel
KM4 RIS-299-1	Outer Barrel Extension
KM4 RIS-300	Delta Ring Lock Spring
KM4 RIS-301	Rear Sight Elevation Spring
KM4 RIS-302	Windage Knob Spring
KM4 RIS-303	Front Sight Spring
KM4 RIS-304	Swivel Mount Spacer
KM4 RIS-500	Crane Stock
KM4 RIS-501	Butt Plate
KM4 RIS-503	Stock Lever Spacer
KM4 RIS-505	Crane Stock Cover (Left)
KM4 RIS-506	Crane Stock Cover (Right)
KM4 RIS-507	Sling Swivel
KM4 RIS-508	Buffer Tube Retainer
KM4 RIS-509	Stock Buffer Tube
KM4 RIS-510	Stock Lever
KM4 RIS-511	Stock Lever Nut
KM4 RIS-512	Stock Lever Bolt
KM4 RIS-513	Stock Lever Spring
KM4 RIS-514	Fuse Terminals
KM4 RIS-515	Fuse Terminal Screws
KM4 RIS-516	Crane Wire Harness Screw
KM4 RIS-517	Stock Lever Nut Screw
KM4 RIS-518	Fuse
KM4 RIS-519	Crane Wire Harness
KM4 RIS-520	Crane Wire Harness Clamp
KM4 RIS-544-1	Inner Barrel
KM4 RIS-550	Gas Tube

KM4 SR7 DIAGRAM





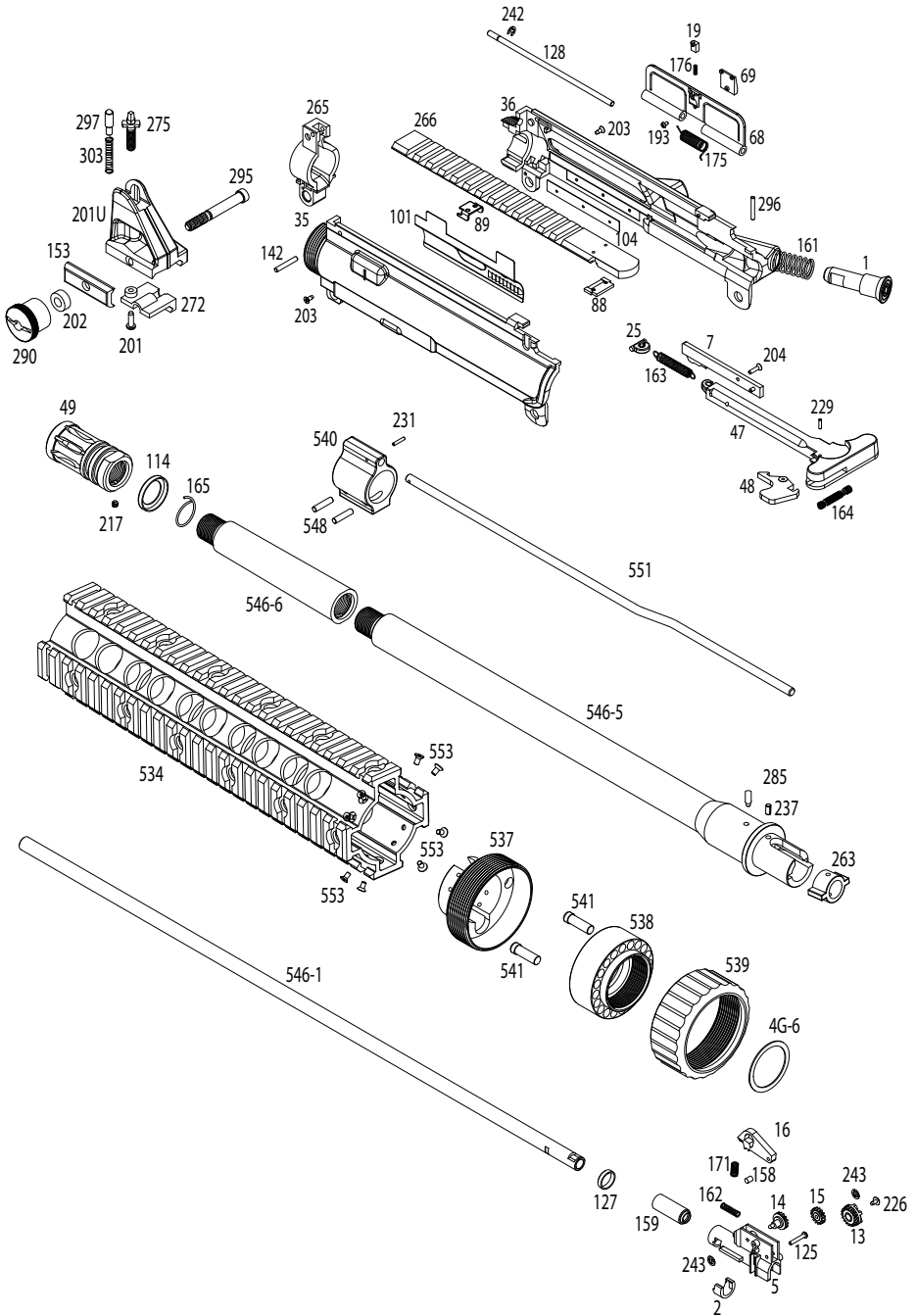
KM4 SR7 PARTS LIST

Parts #	Description
KM4 SR7-1	Forward Assist Button
KM4 SR7-2	Inner Barrel Retainer
KM4 SR7-3	BB Ramp
KM4 SR7-4G-6	Barrel Base Washer
KM4 SR7-5	Hop-Up Chamber
KM4 SR7-6	Selector Detente
KM4 SR7-7	Bolt Plate Carrier
KM4 SR7-8	Selector Cover
KM4 SR7-9	Grip
KM4 SR7-13	Hop-Up Adjustment Wheel
KM4 SR7-14	Hop-Up Spindle (Small)
KM4 SR7-15	Hop-Up Spindle (Large)
KM4 SR7-16	Hop-Up Bar
KM4 SR7-17	Lower Receiver
KM4 SR7-19	Ejection Port Cover Lock Plunger
KM4 SR7-24	Selector Plate
KM4 SR7-25	Charging Handle Spring Hook
KM4 SR7-35	Upper Receiver (Left)
KM4 SR7-36	Upper Receiver (Right)
KM4 SR7-46	Bolt Catch
KM4 SR7-47	Charging Handle
KM4 SR7-48	Charging Handle Latch
KM4 SR7-49	Flash Hider
KM4 SR7-65	Motor Spring Base
KM4 SR7-66	Magazine Catch
KM4 SR7-67	Magazine Catch Button
KM4 SR7-68	Ejection Port Cover
KM4 SR7-69	Ejection Port Cover Lock
KM4 SR7-77	Selector
KM4 SR7-85	Trigger Guard
KM4 SR7-88	Rail Retaining Block
KM4 SR7-89	Top Rail Bridge
KM4 SR7-91	Swivel Front
KM4 SR7-101	Bolt Plate
KM4 SR7-104	Dust Cover Retainer
KM4 SR7-114	Flash Hider Washer
KM4 SR7-115	Motor Adjustment Screw
KM4 SR7-115-1	Motor Adjustment Screw Retainer
KM4 SR7-120	Take Down Pin (Front)
KM4 SR7-121	Take Down Pin (Rear)
KM4 SR7-123	Gear Box Set Pin
KM4 SR7-125	Hop-Up Bar Pin
KM4 SR7-127	Hop-Up Chamber Spacer
KM4 SR7-128	Ejection Port Cover Pin
KM4 SR7-135	Trigger Guard Lock Pin
KM4 SR7-137	Rear Sight Base
KM4 SR7-138	Receiver Pin Screws

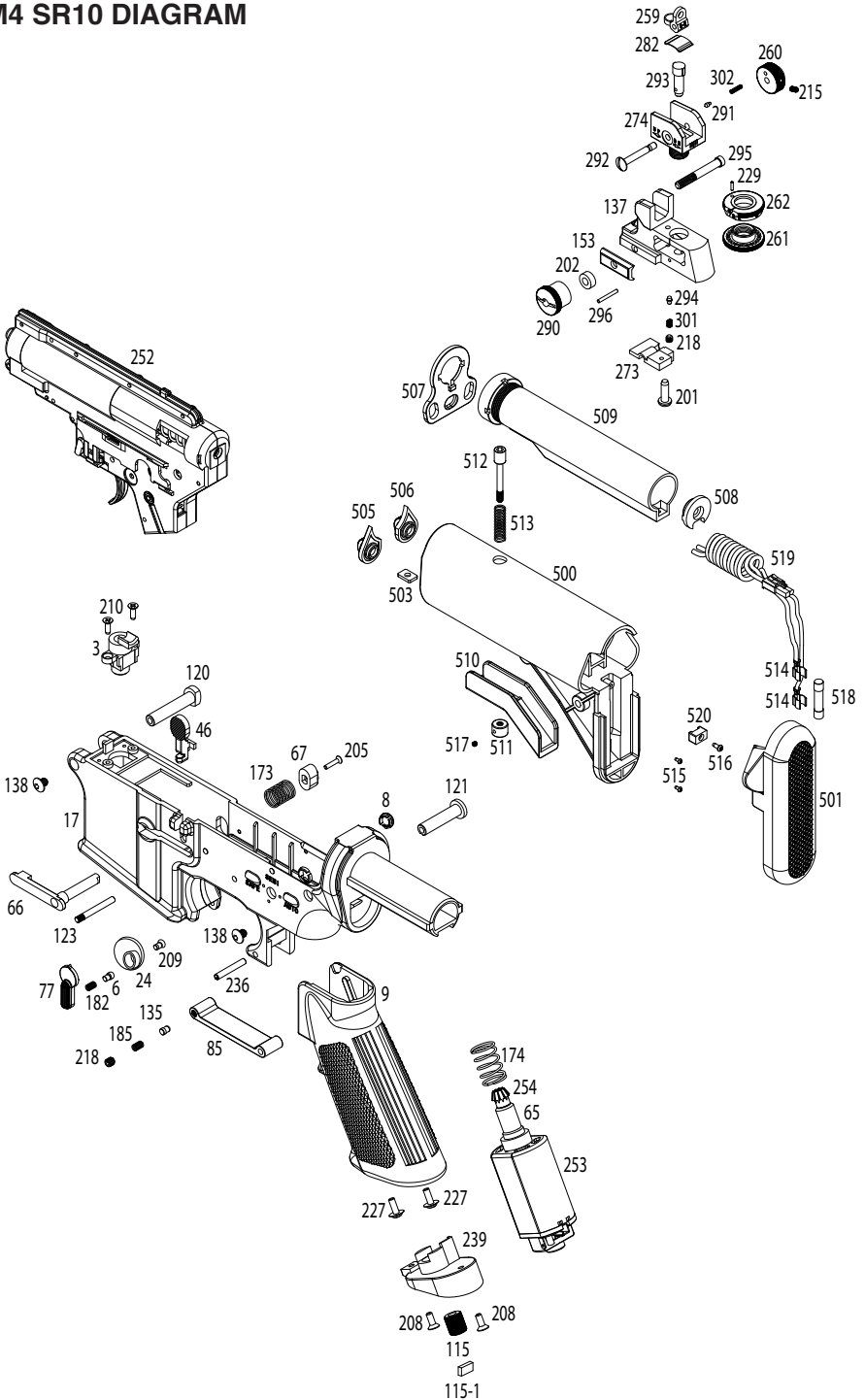
Parts #	Description
KM4 SR7-142	Top Rail Pin
KM4 SR7-153	Rear Sight Clamp
KM4 SR7-158	Hop-Up Nub
KM4 SR7-159	Hop-Up Bucking
KM4 SR7-161	Forward Assist Button Spring
KM4 SR7-162	Chamber Block Spring
KM4 SR7-163	Charging Handle Spring
KM4 SR7-164	Charging Handle Latch Spring
KM4 SR7-165	Flash Hider Spring
KM4 SR7-171	Hop-Up Bar Spring
KM4 SR7-173	Magazine Catch Spring
KM4 SR7-174	Motor Tension Spring
KM4 SR7-175	Ejection Port Cover Spring
KM4 SR7-176	Ejection Port Cover Lock Spring
KM4 SR7-182	Selector Spring
KM4 SR7-185	Trigger Guard Lock Spring
KM4 SR7-193	Ejection Port Cover Screw
KM4 SR7-201	Elevation Cover Screw
KM4 SR7-202	Rear Sight Knob Spacer
KM4 SR7-203	Screw M2X5
KM4 SR7-204	Bolt Plate Carrier Screw
KM4 SR7-205	Magazine Catch Screw
KM4 SR7-208	Motor Plate Screws
KM4 SR7-209	Selector Screw
KM4 SR7-210	BB Ramp Screws
KM4 SR7-215	Windage Knob Set Screw
KM4 SR7-217	Screw M3X3 SC
KM4 SR7-218	Screw M3X8 SC
KM4 SR7-226	Hop-Up Wheel Screw
KM4 SR7-227	Grip Screws
KM4 SR7-229	Charging Handle Latch Pins
KM4 SR7-231	Gas Tube Pin
KM4 SR7-236	SP 3X20 Roll Pin
KM4 SR7-237	Barrel Base Pins
KM4 SR7-239	Motor Base Plate
KM4 SR7-239U	Front Swivel Pin
KM4 SR7-242	Pin Retaining Ring
KM4 SR7-243	Hop-Up Spindle Rings
KM4 SR7-252	Gear Box
KM4 SR7-253	Motor
KM4 SR7-254	Pinion Gear
KM4 SR7-259	Rear Sight
KM4 SR7-260	Windage Knob
KM4 SR7-261	Elevation Dial Base
KM4 SR7-262	Elevation Dial
KM4 SR7-263	Inner Barrel Spacer

Parts #	Description
KM4 SR7-265	Barrel Assembly Block
KM4 SR7-266	Top Rail
KM4 SR7-273	Rear Sight Base Cover
KM4 SR7-274	Rear Sight Housing Base
KM4 SR7-275	Front Sight
KM4 SR7-276	Front Sight Housing Base
KM4 SR7-282	Rear Sight Plate Spring
KM4 SR7-285	Inner Barrel Spacer Pin
KM4 SR7-290	Rear Sight Locking Knob
KM4 SR7-291	Windage Knob Plunger
KM4 SR7-292	Rear Sight Windage Screw
KM4 SR7-293	Elevation Bar
KM4 SR7-294	Elevation Dial Plunger
KM4 SR7-295	Rear Sight Base Screw
KM4 SR7-296	Elevation Knob Pin
KM4 SR7-297	Front Sight Plunger
KM4 SR7-298	Front Sight Housing Pins
KM4 SR7-301	Rear Sight Elevation Spring
KM4 SR7-302	Windage Knob Spring
KM4 SR7-303	Front Sight Spring
KM4 SR7-500	Crane Stock
KM4 SR7-501	Butt Plate
KM4 SR7-503	Stock Lever Spacer
KM4 SR7-505	Crane Stock Cover (Left)
KM4 SR7-506	Crane Stock Cover (Right)
KM4 SR7-507	Sling Swivel
KM4 SR7-508	Buffer Tube Retainer
KM4 SR7-509	Stock Buffer Tube
KM4 SR7-510	Stock Lever
KM4 SR7-511	Stock Lever Nut
KM4 SR7-512	Stock Lever Bolt
KM4 SR7-513	Stock Lever Spring
KM4 SR7-514	Fuse Terminals
KM4 SR7-515	Fuse Terminal Screws
KM4 SR7-516	Crane Wire Harness Screw
KM4 SR7-517	Stock Lever Nut Screw
KM4 SR7-518	Fuse
KM4 SR7-519	Crane Wire Harness
KM4 SR7-520	Crane Wire Harness Clamp
KM4 SR7-533	4-Rail Hand Guard
KM4 SR7-537	Rail Base
KM4 SR7-538	Outer Barrel Nut
KM4 SR7-539	Knurled Rail Ring
KM4 SR7-541	Rail Alignment Pins
KM4 SR7-556-5	Outer Barrel
KM4 SR7-550	Gas Tube
KM4 SR7-553	Rail Base Screws
KM4 SR7-556-1	Inner Barrel

KM4 SR10 DIAGRAM



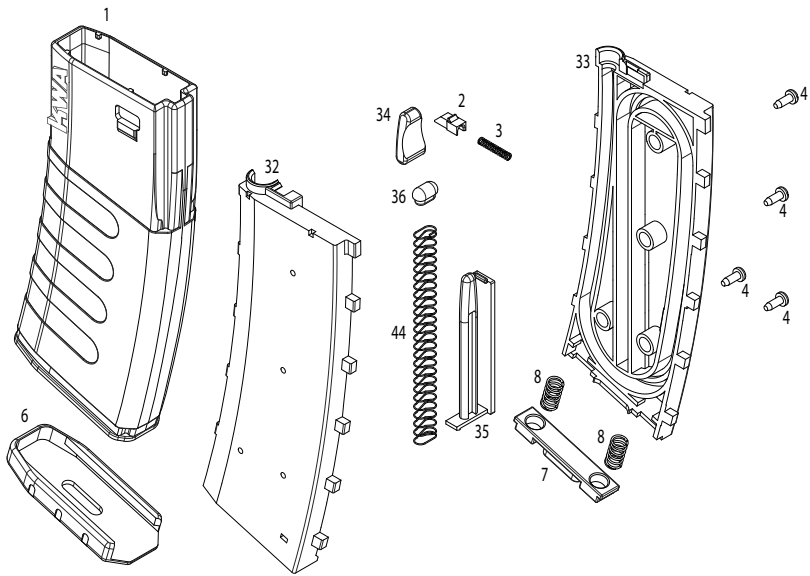
KM4 SR10 DIAGRAM



KM4 SR10 PARTS LIST

Parts #	Description	Parts #	Description	Parts #	Description
KM4 SR10-1	Forward Assist Button	KM4 SR10-161	Forward Assist Button Spring	KM4 SR10-282	Rear Sight Plate Spring
KM4 SR10-2	Inner Barrel Retainer	KM4 SR10-162	Chamber Block Spring	KM4 SR10-285	Inner Barrel Spacer Pin
KM4 SR10-3	BB Ramp	KM4 SR10-163	Charging Handle Spring	KM4 SR10-290	Front/Rear Sight Locking Knob
KM4 SR10-4G-6	Barrel Base Washer	KM4 SR10-164	Charging Handle Latch Spring	KM4 SR10-291	Windage Knob Plunger
KM4 SR10-5	Hop-Up Chamber	KM4 SR10-165	Flash Hider Spring	KM4 SR10-292	Rear Sight Windage Screw
KM4 SR10-6	Selector Detente	KM4 SR10-171	Hop-Up Bar Spring	KM4 SR10-293	Elevation Bar
KM4 SR10-7	Bolt Plate Carrier	KM4 SR10-173	Magazine Catch Spring	KM4 SR10-294	Elevation Dial Plunger
KM4 SR10-8	Selector Cover	KM4 SR10-174	Motor Tension Spring	KM4 SR10-295	Front/Rear Sight Base Screw
KM4 SR10-9	Grip	KM4 SR10-175	Ejection Port Cover Spring	KM4 SR10-296	Elevation Knob Pin
KM4 SR10-13	Hop-Up Adjustment Wheel	KM4 SR10-176	Ejection Port Cover Lock Spring	KM4 SR10-297	Front Sight Plunger
KM4 SR10-14	Hop-Up Spindle (Small)	KM4 SR10-182	Selector Spring	KM4 SR10-301	Rear Sight Elevation Spring
KM4 SR10-15	Hop-Up Spindle (Large)	KM4 SR10-185	Trigger Guard Lock Spring	KM4 SR10-302	Windage Knob Spring
KM4 SR10-16	Hop-Up Bar	KM4 SR10-193	Ejection Port Cover Screw	KM4 SR10-303	Front Sight Spring
KM4 SR10-17	Lower Receiver	KM4 SR10-201	Elevation Cover Screw	KM4 SR10-500	Crane Stock
KM4 SR10-19	Ejection Port Cover Lock Plunger	KM4 SR10-201U	Front Sight Housing Base	KM4 SR10-501	Butt Plate
KM4 SR10-24	Selector Plate	KM4 SR10-202	Front/Rear Sight Knob Spacer	KM4 SR10-503	Stock Lever Spacer
KM4 SR10-25	Charging Handle Spring Hook	KM4 SR10-203	Screw M2X5	KM4 SR10-505	Crane Stock Cover (Left)
KM4 SR10-35	Upper Receiver (Left)	KM4 SR10-204	Bolt Plate Carrier Screw	KM4 SR10-506	Crane Stock Cover (Right)
KM4 SR10-36	Upper Receiver (Right)	KM4 SR10-205	Magazine Catch Screw	KM4 SR10-507	Sling Swivel
KM4 SR10-46	Bolt Catch	KM4 SR10-208	Motor Plate Screws	KM4 SR10-508	Buffer Tube Retainer
KM4 SR10-47	Charging Handle	KM4 SR10-209	Selector Screw	KM4 SR10-509	Stock Buffer Tube
KM4 SR10-48	Charging Handle Latch	KM4 SR10-210	BB Ramp Screws	KM4 SR10-510	Stock Lever
KM4 SR10-49	Flash Hider	KM4 SR10-215	Windage Knob Set Screw	KM4 SR10-511	Stock Lever Nut
KM4 SR10-65	Motor Spring Base	KM4 SR10-217	Screw M3X3 SC	KM4 SR10-512	Stock Lever Bolt
KM4 SR10-66	Magazine Catch	KM4 SR10-218	Screw M3X8 SC	KM4 SR10-513	Stock Lever Spring
KM4 SR10-67	Magazine Catch Button	KM4 SR10-226	Hop-Up Wheel Screw	KM4 SR10-514	Fuse Terminals
KM4 SR10-68	Ejection Port Cover	KM4 SR10-227	Grip Screws	KM4 SR10-515	Fuse Terminal Screws
KM4 SR10-69	Ejection Port Cover Lock	KM4 SR10-229	Charging Handle Latch Pins	KM4 SR10-516	Crane Wire Harness Screw
KM4 SR10-77	Selector	KM4 SR10-231	Gas Tube Pin	KM4 SR10-517	Stock Lever Nut Screw
KM4 SR10-85	Trigger Guard	KM4 SR10-236	SP 3X20 Roll Pin	KM4 SR10-518	Fuse
KM4 SR10-88	Rail Retaining Block	KM4 SR10-237	Barrel Base Pin	KM4 SR10-519	Crane Wire Harness
KM4 SR10-89	Top Rail Bridge	KM4 SR10-239	Motor Base Plate	KM4 SR10-520	Crane Wire Harness Clamp
KM4 SR10-101	Bolt Plate	KM4 SR10-242	Pin Retaining Ring	KM4 SR10-534	4-Rail Hand Guard
KM4 SR10-104	Dust Cover Retainer	KM4 SR10-243	Hop-Up Spindle Rings	KM4 SR10-537	Rail Base
KM4 SR10-114	Flash Hider Washer	KM4 SR10-252	Gear Box	KM4 SR10-538	Outer Barrel Nut
KM4 SR10-115	Motor Adjustment Screw	KM4 SR10-253	Motor	KM4 SR10-539	Knurled Rail Ring
KM4 SR10-115-1	Motor Adjustment Screw Retainer	KM4 SR10-254	Pinion Gear	KM4 SR10-540	Gas Tube Base
KM4 SR10-120	Take Down Pin (Front)	KM4 SR10-259	Rear Sight	KM4 SR10-541	Rail Alignment Pins
KM4 SR10-121	Take Down Pin (Rear)	KM4 SR10-260	Windage Knob	KM4 SR10-546-1	Inner Barrel
KM4 SR10-123	Gear Box Set Pin	KM4 SR10-261	Elevation Dial Base	KM4 SR10-546-6	Outer Barrel Extension
KM4 SR10-125	Hop-Up Bar Pin	KM4 SR10-262	Elevation Dial	KM4 SR10-546-5	Outer Barrel
KM4 SR10-127	Hop-Up Chamber Spacer	KM4 SR10-263	Inner Barrel Spacer	KM4 SR10-548	Gas Tube Base Pins
KM4 SR10-128	Ejection Port Cover Pin	KM4 SR10-265	Barrel Assembly Block	KM4 SR10-551	Gas Tube
KM4 SR10-135	Trigger Guard Lock Pin	KM4 SR10-266	Top Rail	KM4 SR10-553	Rail Base Screws
KM4 SR10-137	Rear Sight Base	KM4 SR10-272	Front Sight Base Cover		
KM4 SR10-138	Receiver Pin Screws	KM4 SR10-273	Rear Sight Base Cover		
KM4 SR10-142	Top Rail Pin	KM4 SR10-274	Rear Sight Housing Base		
KM4 SR10-153	Front/Rear Sight Clamp	KM4 SR10-275	Front Sight		
KM4 SR10-158	Hop-Up Nub				
KM4 SR10-159	Hop-Up Bucking				

KWA K-120 MAGAZINE DIAGRAM AND PARTS LIST



Parts #	Description
KWA K-120-MG1	MAGAZINE BODY
KWA K-120-MG2	MAGAZINE BB STOP
KWA K-120-MG3	MAGAZINE BB STOP SRPING
KWA K-120-MG4	MAGAZINE HOUSING SCREW
KWA K-120-MG6	MAGAZINE BASE PLATE
KWA K-120-MG7	MAGAZINE BASE PLATE STOP
KWA K-120-MG8	MAGAZINE BASE PLATE SPRINGS

Parts #	Description
KWA K-120-MG32	MAGAZINE HOUSING (LEFT PANEL)
KWA K-120-MG33	MAGAZINE HOUSING (RIGHT PANEL)
KWA K-120-MG34	MAGAZINE FOLLOWER
KWA K-120-MG35	MAGAZINE FOLLOWER GUIDE
KWA K-120-MG36	MAGAZINE FOLLOWER LINK
KWA K-120-MG44	MAGAZINE FOLLOWER SPRING

KWA Performance Industries, Inc.

Copyright © September, 2009 KWA Performance Industries, Inc.. All Rights Reserved.