

# Service Facts

UH2-SF-1G



X343070P08

AVAILABLE IN FRENCH CANADIAN (FC)

## Gas Furnace – Var. Speed Blower – Var. Speed Inducer – Two Stage Heat – Direct Vent

**Models:** \* - First letter may be "A" or "T"

\*UH2B060A9V3VA    \*UH2C100A9V5VA    \*DH2B080A9V4VA  
 \*UH2B080A9V3VA    \*UH2D120A9V5VA    \*DH2C100A9V4VA  
 \*UH2B080A9V4VA    \*DH2B060A9V3VA    \*DH2D120A9V5VA  
 \*UH2C100A9V4VA    \*DH2B080A9V3VA

**IMPORTANT** — This document contains a wiring diagram and service information. This is customer property and is to remain with this unit. Please return to service information pack upon completion of work.

**⚠ WARNING DISCONNECT POWER BEFORE SERVICING**

### PRODUCT SPECIFICATIONS ①

MODEL	*UH2B060A9V3VA	*UH2B080A9V3VA	*UH2B080A9V4VA	*UH2C100A9V4VA
TYPE	Upflow / Horizontal	Upflow / Horizontal	Upflow / Horizontal	Upflow / Horizontal
<b>RATINGS ②</b>				
1st Stage Input BTUH	39,000	52,000	52,000	65,000
1st Stage Capacity BTUH (ICS) ③	37,830	50,440	50,440	62,855
2nd Stage Input BTUH	60,000	80,000	80,000	100,000
2nd Stage Capacity BTUH (ICS) ③	58,200	77,600	77,600	96,700
AFUE	97	97	97	97
Temp. rise (Min.-Max.) *F.	35 - 65	35 - 65	35 - 65	35 - 65
<b>BLOWER DRIVE</b>				
Drive	DIRECT	DIRECT	DIRECT	DIRECT
Diameter - Width (In.)	10 x 8	10 x 8	11 x 8	10 x 10
No. Used	1	1	1	1
Speeds (No.)	Variable	Variable	Variable	Variable
CFM vs. in. w.g.	See Fan Performance Table	See Fan Performance Table	See Fan Performance Table	See Fan Performance Table
Motor HP	1/2	1/2	3/4	3/4
R.P.M.	Variable	Variable	Variable	Variable
Volts / Ph / Hz	115/1/60	115/1/60	115/1/60	115/1/60
<b>COMBUSTION FAN - Type</b>				
Drive - No. Speeds	Centrifugal Direct - Variable	Centrifugal Direct - Variable	Centrifugal Direct - Variable	Centrifugal Direct - Variable
Motor HP - RPM	1/50 - 5000	1/50 - 5000	1/50 - 5000	1/50 - 5000
Volts / Ph / Hz	33 - 110/3/60 - 180	33 - 110/3/60 - 180	33 - 110/3/60 - 180	33 - 110/3/60 - 180
FLA	1.0	1.0	1.0	1.0
<b>FILTER — Furnished?</b>				
Type Recommended	Yes	Yes	Yes	Yes
Hi Vel. (No.-Size-Thk.)	High Velocity 1 - 17x25 - 1 in.	High Velocity 1 - 17x25 - 1 in.	High Velocity 1 - 17x25 - 1 in.	High Velocity 1 - 20x25 - 1 in.
<b>VENT — Size (in.)</b>				
	2 Round	2 Round	2 Round	3 Round
<b>HEAT EXCHANGER</b>				
Type - Fired	Aluminized Steel - Type I	Aluminized Steel - Type I	Aluminized Steel - Type I	Aluminized Steel - Type I
-Unfired				
Gauge (Fired)	20	20	20	20
<b>ORIFICES — Main</b>				
Nat. Gas Qty. — Drill Size	3 — 45	4 — 45	4 — 45	5 — 45
L.P. Gas Qty. — Drill Size	3 — 56	4 — 56	4 — 56	5 — 56
<b>GAS VALVE</b>				
	Redundant - Two Stage	Redundant - Two Stage	Redundant - Two Stage	Redundant - Two Stage
<b>PILOT SAFETY DEVICE</b>				
Type	Hot Surface Igniter	Hot Surface Igniter	Hot Surface Igniter	Hot Surface Igniter
<b>BURNERS — Type</b>				
Type	Multiport Inshot	Multiport Inshot	Multiport Inshot	Multiport Inshot
Number	3	4	4	5
<b>POWER CONN. — V / Ph / Hz ④</b>				
Ampacity (In Amps)	115/1/60 11.1	115/1/60 11.1	115/1/60 13.5	115/1/60 13.5
Max. Overcurrent Protection (Amps)	15	15	20	20
<b>PIPE CONN. SIZE (IN.)</b>				
	1/2	1/2	1/2	1/2
<b>DIMENSIONS</b>				
Crated (In.)	H x W x D 41-3/4 x 19-1/2 x 30-1/2	H x W x D 41-3/4 x 19-1/2 x 30-1/2	H x W x D 41-3/4 x 19-1/2 x 30-1/2	H x W x D 41-3/4 x 23 x 30-1/2
<b>WEIGHT</b>				
Shipping (Lbs.) / Net (Lbs)	158 / 146	168 / 156	170 / 158	197 / 185

① Central Furnace heating designs are certified to ANSI Z21.47 / CSA 2.3.

② For U.S. applications, above input ratings (BTUH) are up to 2,000 feet, derate 4% per 1,000 feet for elevations above 2,000 feet above sea level.

For Canadian applications, above input ratings (BTUH) are up to 4,500 feet, derate 4% per 1,000 feet for elevations above 4,500 feet above sea level.

③ Based on U.S. government standard tests.

④ The above wiring specifications are in accordance with National Electrical Code; however, installations must comply with local codes.

**NOTICE:** The manufacturer has a policy of continuous product and product data improvement and reserves the right to change design and specifications without notice.

© 2011 Trane All Rights Reserved

# Service Facts

## PRODUCT SPECIFICATIONS <sup>①</sup>

MODEL	*UH2C100A9V5VA	*UH2D120A9V5VA	*DH2B060A9V3VA
TYPE	Upflow / Horizontal	Upflow / Horizontal	Downflow / Horizontal
<b>RATINGS <sup>②</sup></b>			
1st Stage Input BTUH	65,000	78,000	39,000
1st Stage Capacity BTUH (ICS) <sup>③</sup>	62,855	75,426	37,000
2nd Stage Input BTUH	100,000	120,000	60,000
2nd Stage Capacity BTUH (ICS) <sup>③</sup>	96,700	116,040	57,000
AFUE	96.7	96.7	95
Temp. rise (Min.-Max.) °F.	35 - 65	40 - 70	35 - 65
<b>BLOWER DRIVE</b>			
	DIRECT	DIRECT	DIRECT
Diameter - Width (In.)	11 x 10	10 x 10	10 x 8
No. Used	1	1	1
Speeds (No.)	Variable	Variable	Variable
CFM vs. in. w.g.	See Fan Performance Table	See Fan Performance Table	See Fan Performance Table
Motor HP	1	1	1/2
R.P.M.	Variable	Variable	Variable
Volts / Ph / Hz	115/1/60	115/1/60	115/1/60
<b>COMBUSTION FAN - Type</b>			
	Centrifugal	Centrifugal	Centrifugal
Drive - No. Speeds	Direct - Variable	Direct - Variable	Direct - Variable
Motor HP - RPM	1/50 - 5000	1/50 - 5000	1/50 - 5000
Volts / Ph / Hz	33 - 110/3/60 - 180	33 - 110/3/60 - 180	33 - 110/3/60 - 180
FLA	1.0	1.0	1.0
<b>FILTER — Furnished?</b>			
Type Recommended	Yes	Yes	Yes
Hi Vel. (No.-Size-Thk.)	High Velocity 1 - 20x25 - 1 in.	High Velocity 1 - 24x25 - 1 in.	High Velocity 2 - 14x20 - 1 in.
<b>VENT — Size (in.)</b>			
	3 Round	3 Round	2 Round
<b>HEAT EXCHANGER</b>			
Type - Fired	Aluminized Steel - Type I	Aluminized Steel - Type I	Aluminized Steel - Type I
-Unfired			
Gauge (Fired)	20	20	20
<b>ORIFICES — Main</b>			
Nat. Gas Qty. — Drill Size	5 — 45	6 — 45	3 — 45
L.P. Gas Qty. — Drill Size	5 — 56	6 — 56	3 — 56
<b>GAS VALVE</b>			
	Redundant - Two Stage	Redundant - Two Stage	Redundant - Two Stage
<b>PILOT SAFETY DEVICE</b>			
Type	Hot Surface Igniter	Hot Surface Igniter	Hot Surface Igniter
<b>BURNERS — Type</b>			
	Multiport Inshot	Multiport Inshot	Multiport Inshot
Number	5	6	3
<b>POWER CONN. — V / Ph / Hz <sup>④</sup></b>			
	115/1/60	115/1/60	115/1/60
Ampacity (In Amps)	16.3	15.2	11.1
Max. Overcurrent Protection (Amps)	20	20	15
<b>PIPE CONN. SIZE (IN.)</b>			
	1/2	1/2	1/2
<b>DIMENSIONS</b>			
	H x W x D	H x W x D	H x W x D
Crated (In.)	41-3/4 x 23 x 30-1/2	41-3/4 x 26-1/2 x 30-1/2	41-3/4 x 19-1/2 x 30-1/2
<b>WEIGHT</b>			
Shipping (Lbs.) / Net (Lbs)	199 / 187	206 / 193	160 / 146

① Central Furnace heating designs are certified to ANSI Z21.47 / CSA 2.3.

② For U.S. applications, above input ratings (BTUH) are up to 2,000 feet, derate 4% per 1,000 feet for elevations above 2,000 feet above sea level.

For Canadian applications, above input ratings (BTUH) are up to 4,500 feet, derate 4% per 1,000 feet for elevations above 4,500 feet above sea level.

③ Based on U.S. government standard tests.

④ The above wiring specifications are in accordance with National Electrical Code; however, installations must comply with local codes.

## PRODUCT SPECIFICATIONS ①

MODEL	*DH2B080A9V3VA	*DH2B080A9V4VA	*DH2C100A9V4VA	*DH2D120A9V5VA
TYPE	Downflow / Horizontal	Downflow / Horizontal	Downflow / Horizontal	Downflow / Horizontal
<b>RATINGS ②</b>				
1st Stage Input BTUH	52,000	52,000	65,000	78,000
1st Stage Capacity BTUH (ICS) ③	49,400	49,500	61,750	74,000
2nd Stage Input BTUH	80,000	80,000	100,000	120,000
2nd Stage Capacity BTUH (ICS) ③	76,000	76,000	95,000	114,000
AFUE	95	95	95	95
Temp. rise (Min.-Max.) °F.	35 - 65	35 - 65	35 - 65	40 - 70
<b>BLOWER DRIVE</b>				
	DIRECT	DIRECT	DIRECT	DIRECT
Diameter - Width (In.)	10 x 8	11 x 8	10 x 10	10 x 10
No. Used	1	1	1	1
Speeds (No.)	Variable	Variable	Variable	Variable
CFM vs. in. w.g.	See Fan Performance Table	See Fan Performance Table	See Fan Performance Table	See Fan Performance Table
Motor HP	1/2	3/4	3/4	1
R.P.M.	Variable	Variable	Variable	Variable
Volts / Ph / Hz	115/1/60	115/1/60	115/1/60	115/1/60
<b>COMBUSTION FAN - Type</b>				
	Centrifugal	Centrifugal	Centrifugal	Centrifugal
Drive - No. Speeds	Direct - Variable	Direct - Variable	Direct - Variable	Direct - Variable
Motor HP - RPM	1/50 - 5000	1/50 - 5000	1/50 - 5000	1/50 - 5000
Volts / Ph / Hz	33 - 110/3/60 - 180	33 - 110/3/60 - 180	33 - 110/3/60 - 180	33 - 110/3/60 - 180
FLA	1.0	1.0	1.0	1.0
<b>FILTER — Furnished?</b>				
	Yes	Yes	Yes	Yes
Type Recommended	High Velocity	High Velocity	High Velocity	High Velocity
Hi Vel. (No.-Size-Thk.)	2 - 14x20 - 1 in.	2 - 14x20 - 1 in.	2 - 16x20 - 1 in.	2 - 16x20 - 1 in.
<b>VENT — Size (in.)</b>				
	2 Round	2 Round	3 Round	3 Round
<b>HEAT EXCHANGER</b>				
Type -Fired	Aluminized Steel - Type I	Aluminized Steel - Type I	Aluminized Steel - Type I	Aluminized Steel - Type I
-Unfired				
Gauge (Fired)	20	20	20	20
<b>ORIFICES — Main</b>				
Nat. Gas. Qty. — Drill Size	4 — 45	4 — 45	5 — 45	6 — 45
L.P. Gas Qty. — Drill Size	4 — 56	4 — 56	5 — 56	6 — 56
<b>GAS VALVE</b>				
	Redundant - Two Stage	Redundant - Two Stage	Redundant - Two Stage	Redundant - Two Stage
<b>PILOT SAFETY DEVICE</b>				
Type	Hot Surface Igniter	Hot Surface Igniter	Hot Surface Igniter	Hot Surface Igniter
<b>BURNERS — Type</b>				
	Multiport Inshot	Multiport Inshot	Multiport Inshot	Multiport Inshot
Number	4	4	5	6
<b>POWER CONN. — V / Ph / Hz ④</b>				
	115/1/60	115/1/60	115/1/60	115/1/60
Ampacity (In Amps)	11.1	13.5	13.5	15.2
Max. Overcurrent Protection (Amps)	15	20	20	20
<b>PIPE CONN. SIZE (IN.)</b>				
	1/2	1/2	1/2	1/2
<b>DIMENSIONS</b>				
	H x W x D	H x W x D	H x W x D	H x W x D
Crated (In.)	41-3/4 x 19-1/2 x 30-1/2	41-3/4 x 19-1/2 x 30-1/2	41-3/4 x 23 x 30-1/2	41-3/4 x 26-1/2 x 30-1/2
<b>WEIGHT</b>				
Shipping (Lbs.) / Net (Lbs)	168 / 158	172 / 160	185 / 175	206 / 196

① Central Furnace heating designs are certified to ANSI Z21.47 / CSA 2.3.

② For U.S. applications, above input ratings (BTUH) are up to 2,000 feet, derate 4% per 1,000 feet for elevations above 2,000 feet above sea level.

For Canadian applications, above input ratings (BTUH) are up to 4,500 feet, derate 4% per 1,000 feet for elevations above 4,500 feet above sea level.

③ Based on U.S. government standard tests.

④ The above wiring specifications are in accordance with National Electrical Code; however, installations must comply with local codes.

## SAFETY SECTION

### WARNING

#### **CARBON MONOXIDE POISONING HAZARD**

**Failure to follow the steps outlined below for each appliance connected to the venting system being placed into operation could result in carbon monoxide poisoning or death.**

The following steps shall be followed for each appliance connected to the venting system being placed into operation, while all other appliances connected to the venting system are not in operation:

1. Seal any unused openings in the venting system.
2. Inspect the venting system for proper size and horizontal pitch, as required in the National Fuel Gas Code, ANSI Z223.1/NFPA 54 or the CAN/CGA B149 Installation Codes and these instructions. Determine that there is no blockage or restriction, leakage, corrosion and other deficiencies which could cause an unsafe condition.
3. As far as practical, close all building doors and windows and all doors between the space in which the appliance(s) connected to the venting system are located and other deficiencies which could cause an unsafe condition.
4. Close fireplace dampers.
5. Turn on clothes dryers and any appliance not connected to the venting system. Turn on any exhaust fans, such as range hoods and bathroom exhausts, so they are operating at maximum speed. Do not operate a summer exhaust fan.
6. Follow the lighting instructions. Place the appliance being inspected into operation. Adjust the thermostat so appliance is operating continuously.
7. If improper venting is observed during any of the above tests, the venting system must be corrected in accordance with the National Fuel Gas Code, ANSI Z221.1/NFPA 54 and/or CAN/CGA B149 Installation Codes.
8. After it has been determined that each appliance connected to the venting system properly vents where tested as outlined above, return doors, windows, exhaust fans, fireplace dampers and any other gas-fired burning appliance to their previous conditions of use.

### WARNING

#### **ELECTRIC SHOCK HAZARD**

**THE CABINET MUST HAVE AN UNINTERRUPTED OR UNBROKEN GROUND ACCORDING TO NATIONAL ELECTRICAL CODE, ANSI/NFPA 70 - "LATEST EDITION" AND CANADIAN ELECTRICAL CODE, CSA C22.1 OR LOCAL CODES TO MINIMIZE PERSONAL INJURY IF AN ELECTRICAL FAULT SHOULD OCCUR. FAILURE TO FOLLOW THIS WARNING COULD RESULT IN AN ELECTRICAL SHOCK, FIRE, INJURY, OR DEATH.**

### WARNING

#### **FIRE OR EXPLOSION HAZARD**

**FAILURE TO FOLLOW THE SAFETY WARNINGS EXACTLY COULD RESULT IN SERIOUS INJURY, DEATH OR PROPERTY DAMAGE.**

**NEVER TEST FOR GAS LEAKS WITH AN OPEN FLAME. USE A COMMERCIALY AVAILABLE SOAP SOLUTION MADE SPECIFICALLY FOR THE DETECTION OF LEAKS TO CHECK ALL CONNECTIONS. A FIRE OR EXPLOSION MAY RESULT CAUSING PROPERTY DAMAGE, PERSONAL INJURY, OR LOSS OF LIFE.**

### WARNING

#### **FIRE OR EXPLOSION HAZARD**

**FAILURE TO FOLLOW THE SAFETY WARNINGS EXACTLY COULD RESULT IN SERIOUS INJURY, DEATH OR PROPERTY DAMAGE.**

**IMPROPER SERVICING COULD RESULT IN DANGEROUS OPERATION, SERIOUS INJURY, DEATH, OR PROPERTY DAMAGE.**

### WARNING

#### **EXPLOSION HAZARD**

**PROPANE GAS IS HEAVIER THAN AIR AND MAY COLLECT IN ANY LOW AREAS OR CONFINED SPACES. IF THE GAS FURNACE IS INSTALLED IN A BASEMENT, AN EXCAVATED AREA OR A CONFINED SPACE, IT IS STRONGLY RECOMMENDED TO CONTACT A GAS SUPPLIER TO INSTALL A GAS DETECTING WARNING DEVICE IN CASE OF A GAS LEAK**

**NOTE:** The manufacturer of your furnace does NOT test any detectors and makes no representations regarding any brand or type of detector.

### WARNING

#### **SAFETY HAZARD**

**BODILY INJURY CAN RESULT FROM HIGH VOLTAGE ELECTRICAL COMPONENTS, FAST MOVING FANS, AND COMBUSTIBLE GAS. FOR PROTECTION FROM THESE INHERENT HAZARDS DURING INSTALLATION AND SERVICING, THE ELECTRICAL SUPPLY MUST BE DISCONNECTED AND THE MAIN GAS VALVE MUST BE TURNED OFF. IF OPERATING CHECKS MUST BE PERFORMED WITH THE UNIT OPERATING, IT IS THE TECHNICIANS RESPONSIBILITY TO RECOGNIZE THESE HAZARDS AND PROCEED SAFELY.**

### WARNING

#### **ELECTRIC SHOCK HAZARD**

**DISCONNECT POWER TO THE UNIT BEFORE REMOVING THE BLOWER DOOR. FAILURE TO FOLLOW THIS WARNING COULD RESULT IN AN PROPERTY DAMAGE, PERSONAL INJURY, OR DEATH.**

The following warning complies with State of California law, Proposition 65.

## WARNING

**This product contains fiberglass wool insulation!**

Fiberglass dust and ceramic fibers are believed by the State of California to cause cancer through inhalation. Glasswool fibers may also cause respiratory, skin, or eye irritation.

### PRECAUTIONARY MEASURES

- Avoid breathing fiberglass dust.
- Use a NIOSH approved dust/mist respirator.
- Avoid contact with the skin or eyes. Wear long-sleeved, loose-fitting clothing, gloves, and eye protection.
- Wash clothes separately from other clothing: rinse washer thoroughly.
- Operations such as sawing, blowing, tear-out, and spraying may generate fiber concentrations requiring additional respiratory protection. Use the appropriate NIOSH approved respirator in these situations.

### FIRST AID MEASURES

**Eye Contact** – Flush eyes with water to remove dust. If symptoms persist, seek medical attention.

**Skin Contact** – Wash affected areas gently with soap and warm water after handling.

## WARNING

**EXPLOSION HAZARD**  
SHOULD OVERHEATING OCCUR, OR THE GAS SUPPLY FAIL TO SHUT OFF, SHUT OFF THE GAS VALVE TO THE UNIT BEFORE SHUTTING OFF THE ELECTRICAL SUPPLY. FAILURE TO FOLLOW THIS WARNING COULD RESULT IN PROPERTY DAMAGE, PERSONAL INJURY, OR DEATH

## WARNING

**BURN HAZARD**  
DO NOT TOUCH IGNITER. IT IS EXTREMELY HOT. FAILURE TO FOLLOW THIS WARNING COULD RESULT IN SEVERE BURNS.

## WARNING

**RISK OF ELECTRIC SHOCK:**  
THESE SERVICING INSTRUCTIONS ARE FOR USE BY QUALIFIED PERSONNEL ONLY. TO REDUCE THE RISK OF ELECTRIC SHOCK, DO NOT PERFORM ANY SERVICING OTHER THAN THAT CONTAINED IN THESE OPERATING INSTRUCTIONS UNLESS YOU ARE QUALIFIED TO DO SO. FAILURE TO FOLLOW THIS WARNING COULD RESULT IN PROPERTY DAMAGE, PERSONAL INJURY OR DEATH.

## CAUTION

The integrated furnace control is polarity sensitive. The hot leg of the 115 VAC power must be connected to the BLACK field lead.

## CAUTION

Label all wires prior to disconnection when servicing controls. Wiring errors can cause improper and dangerous operation. Verify proper operation after servicing.

## CAUTION

Do NOT touch igniter. It is extremely hot.

## SEQUENCE OF OPERATION

### WARNING

**EXPLOSION HAZARD**  
SHOULD OVERHEATING OCCUR, OR THE GAS SUPPLY FAIL TO SHUT OFF, SHUT OFF THE GAS VALVE TO THE UNIT BEFORE SHUTTING OFF THE ELECTRICAL SUPPLY. FAILURE TO FOLLOW THIS WARNING COULD RESULT IN PROPERTY DAMAGE, PERSONAL INJURY, OR DEATH

### WARNING

**SAFETY HAZARD**  
BODILY INJURY CAN RESULT FROM HIGH VOLTAGE ELECTRICAL COMPONENTS, FAST MOVING FANS, AND COMBUSTIBLE GAS. FOR PROTECTION FROM THESE INHERENT HAZARDS DURING INSTALLATION AND SERVICING, THE ELECTRICAL SUPPLY MUST BE DISCONNECTED AND THE MAIN GAS VALVE MUST BE TURNED OFF. IF OPERATING CHECKS MUST BE PERFORMED WITH THE UNIT OPERATING, IT IS THE TECHNICIANS RESPONSIBILITY TO RECOGNIZE THESE HAZARDS AND PROCEED SAFELY.

### COMFORT CONTROL CALL FOR HEAT (2-STAGE COMFORT CONTROL)

#### Call for 1st Stage only:

W1 Comfort Control contacts close signaling the control module to run its self-check routine. After the control module has verified that the 1st Stage Pressure Switch contacts are open and the Limit Switch(es) contacts are closed, the draft blower will be energized.

As the induced draft blower comes up to speed, the Pressure Switch contacts will close and the ignitor warm up period will begin. The ignitor will heat for approx. 20 seconds, then the Gas Valve is energized in 1st Stage to permit gas flow to the burners.

The flame sensor confirms that ignition has been achieved within the 4 second ignition trial period.

As the flame sensor confirms that ignition has been achieved, the delay to fan ON period begins timing and after approx. 45 seconds the indoor blower motor will be energized at low speed and will continue to run during the heating cycle.

#### Call for 2nd Stage after 1st Stage:

W2 Comfort Control contacts close signaling a call for 2nd Stage Heat. After a 30 second delay, the induced draft blower will be energized on high speed and the 2nd Stage Pressure Switch contacts will close. The Gas Valve is energized in 2nd Stage and the indoor blower motor in high speed.

# Service Facts

## 2nd Stage satisfied, 1st Stage still called:

W2 Comfort Control contacts open signaling that 2nd Stage Heating requirements are satisfied. The induced draft blower is reduced to low speed allowing the 2nd Stage Pressure Switch contacts to open and the Gas Valve is reduced to 1st Stage. The indoor blower motor is reduced to low speed.

## 1st stage satisfied:

W1 Comfort Control contacts open signaling that 1st Stage heating requirements are satisfied. The Gas Valve will close and the induced draft blower will be de-energized. The indoor blower motor will continue to run for the fan off period (Field selectable at 60, 100, 140 or 180 seconds), then will be de-energized by the control module.

## Comfort Control call for heat (1-Stage Comfort Control)

W1/ W2 (jumpered) Comfort Control contacts close signaling a call for heat. 1st Stage sequence of operation remains the same as above. 2nd Stage Heat will energize after the Stage delay timer (adjustable) has expired.

## Comfort Control satisfied:

W1/ W2 (jumpered) contacts close signaling the control module to close the Gas Valve. The induced draft blower is switched to low speed and de-energized after the post purge timer has expired. The indoor blower motor will continue to operate after the flames are extinguished and then is switched to low heat speed for the FAN-OFF period.

## INDOOR BLOWER TIMING

### ⚠ WARNING

**SAFETY HAZARD**  
**BODILY INJURY CAN RESULT FROM HIGH VOLTAGE ELECTRICAL COMPONENTS, FAST MOVING FANS, AND COMBUSTIBLE GAS. FOR PROTECTION FROM THESE INHERENT HAZARDS DURING INSTALLATION AND SERVICING, THE ELECTRICAL SUPPLY MUST BE DISCONNECTED AND THE MAIN GAS VALVE MUST BE TURNED OFF. IF OPERATING CHECKS MUST BE PERFORMED WITH THE UNIT OPERATING, IT IS THE TECHNICIAN'S RESPONSIBILITY TO RECOGNIZE THESE HAZARDS AND PROCEED SAFELY.**

### ⚠ CAUTION

The integrated furnace control is polarity sensitive. The hot leg of the 115 VAC power must be connected to the BLACK field lead.

**Heating:** The integrated furnace control module controls the indoor blower. The blower start is fixed at 45 seconds after ignition. The FAN-OFF period is field selectable by dip switches SW-2, #1 and #2 at 60, 100, 140, or 180 seconds. The factory setting is 100 seconds.

W1-W2 stage delay (jumpered together) is field selectable by dip switch SW-1, #1 and #2 at .5, 5, 10 or 15 minutes. The factory setting is 10 minutes. (See wiring diagram).

**Cooling:** The fan delay-off period is set by dip switches on the Integrated Furnace Control. The options for cooling delay off is field selectable by dip switches #5 and #6.

Table 1 and Figure 1 explain the delay-off settings:

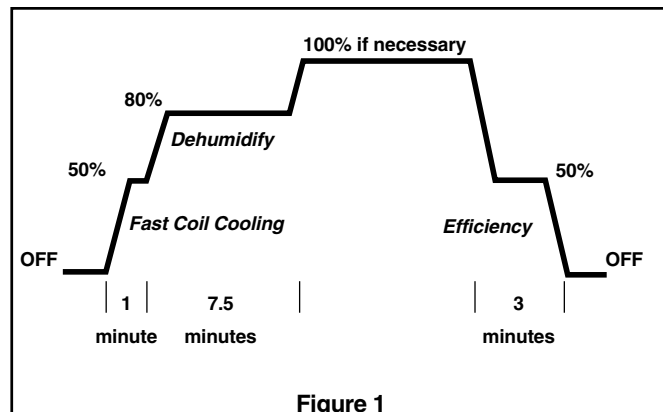
Table 1

### COOLING OFF - DELAY OPTIONS

SWITCH SETTINGS		SELECTION	NOMINAL AIRFLOW
5 - OFF	6 - OFF	NONE	SAME
5 - ON	6 - OFF	1.5 MINUTES	100% *
5 - OFF	6 - ON	3 MINUTES	50%
5 - ON	6 - ON	**	50 - 100%

\* - This setting is equivalent to BAY24X045 relay benefit

\*\* - This selection provides **ENHANCED MODE**, which is a ramping up and ramping down of the blower speed to provide improved comfort, quietness, and potential energy savings. See Wiring Diagram notes on the unit or in the Service Facts for complete wiring setup for **ENHANCED MODE**. The graph which follows, shows the ramping process.



**⚠ WARNING**

**ELECTRIC SHOCK HAZARD**  
**DISCONNECT POWER TO THE UNIT BEFORE REMOVING THE BLOWER DOOR. ALLOW A MINIMUM OF 15 SECONDS FOR IFC POWER SUPPLY TO DISCHARGE TO 0 VOLTS. FAILURE TO FOLLOW THIS WARNING COULD RESULT IN PERSONAL INJURY FROM MOVING PARTS.**

**⚠ WARNING**

**CARBON MONOXIDE POISONING HAZARD**  
**FAILURE TO FOLLOW THE SERVICE AND/OR PERIODIC MAINTENANCE INSTRUCTIONS FOR THE FURNACE AND VENTING SYSTEM, COULD RESULT IN CARBON MONOXIDE POISONING OR DEATH.**

**⚠ WARNING**

**FIRE OR EXPLOSION HAZARD**  
**FAILURE TO FOLLOW THE SAFETY WARNINGS EXACTLY COULD RESULT IN SERIOUS INJURY, DEATH OR PROPERTY DAMAGE.**  
**NEVER TEST FOR GAS LEAKS WITH AN OPEN FLAME. USE A COMMERCIALY AVAILABLE SOAP SOLUTION MADE SPECIFICALLY FOR THE DETECTION OF LEAKS TO CHECK ALL CONNECTIONS. A FIRE OR EXPLOSION MAY RESULT CAUSING PROPERTY DAMAGE, PERSONAL INJURY, OR LOSS OF LIFE.**

**⚠ CAUTION**

**Label all wires prior to disconnection when servicing controls. Wiring errors can cause improper and dangerous operation. Verify proper operation after servicing.**

1. **GENERAL INSPECTION** – *Examine the furnace installation annually for the following items:*
  - a. All flue product carrying areas external to the furnace (i.e. chimney, vent connector) are clear and free of obstruction. A vent screen in the end of the vent (flue) pipe must be inspected for blockage annually.
  - b. The vent connector is in place, slopes upward and is physically sound without holes or excessive corrosion.
  - c. The return air duct connection(s) is physically sound, is sealed to the furnace and terminates outside the space containing the furnace.
  - d. The physical support of the furnace should be sound without sagging, cracks, gaps, etc., around the base so as to provide a seal between the support and the base.
  - e. There are no obvious signs of deterioration of the furnace.
2. **FILTERS** – Filters should be cleaned or replaced (with high velocity filters only), monthly and more frequently during high use times of the year such as midsummer or midwinter.
3. **BLOWERS** – The blower size and speed determine the air volume delivered by the furnace. The blower motor bearings are factory lubricated and under normal operating conditions do not require servicing. If motor lubrication is required it should only be done by a qualified servicer. Annual cleaning of the blower wheel and housing is recommended for maximum air output, and this must be performed only by a qualified servicer or service agency.

**⚠ CAUTION**

**Do NOT touch igniter. It is extremely hot.**

4. **IGNITER** – This unit has a hot surface direct ignition device that automatically lights the burners. Please note that it is very fragile and should be handled with care.
5. **BURNER** – Gas burners do not normally require scheduled servicing, however, accumulation of foreign material may cause a yellowing flame or delayed ignition. Either condition indicates that a service call is required. For best operation, burners must be cleaned annually using brushes and vacuum cleaner.  
 Turn off gas and electric power supply. To clean burners, remove burner box cover (6 to 8 screws) and top burner bracket. Lift burners from orifices.

**NOTE: Be careful not to break igniter when removing burners.**

Clean burners with brush and/or vacuum cleaner. Reassemble parts by reversal of the above procedure. The burner box must be resealed when replacing box cover.

**NOTE: On LP (propane) units, some light yellow tipping of the outer mantle is normal. Inner mantle should be bright blue.**

**Natural gas units should not have any yellow tipped flames. This condition indicates that a service call is required. For best operation, burners must be cleaned annually using brushes and vacuum cleaner.**

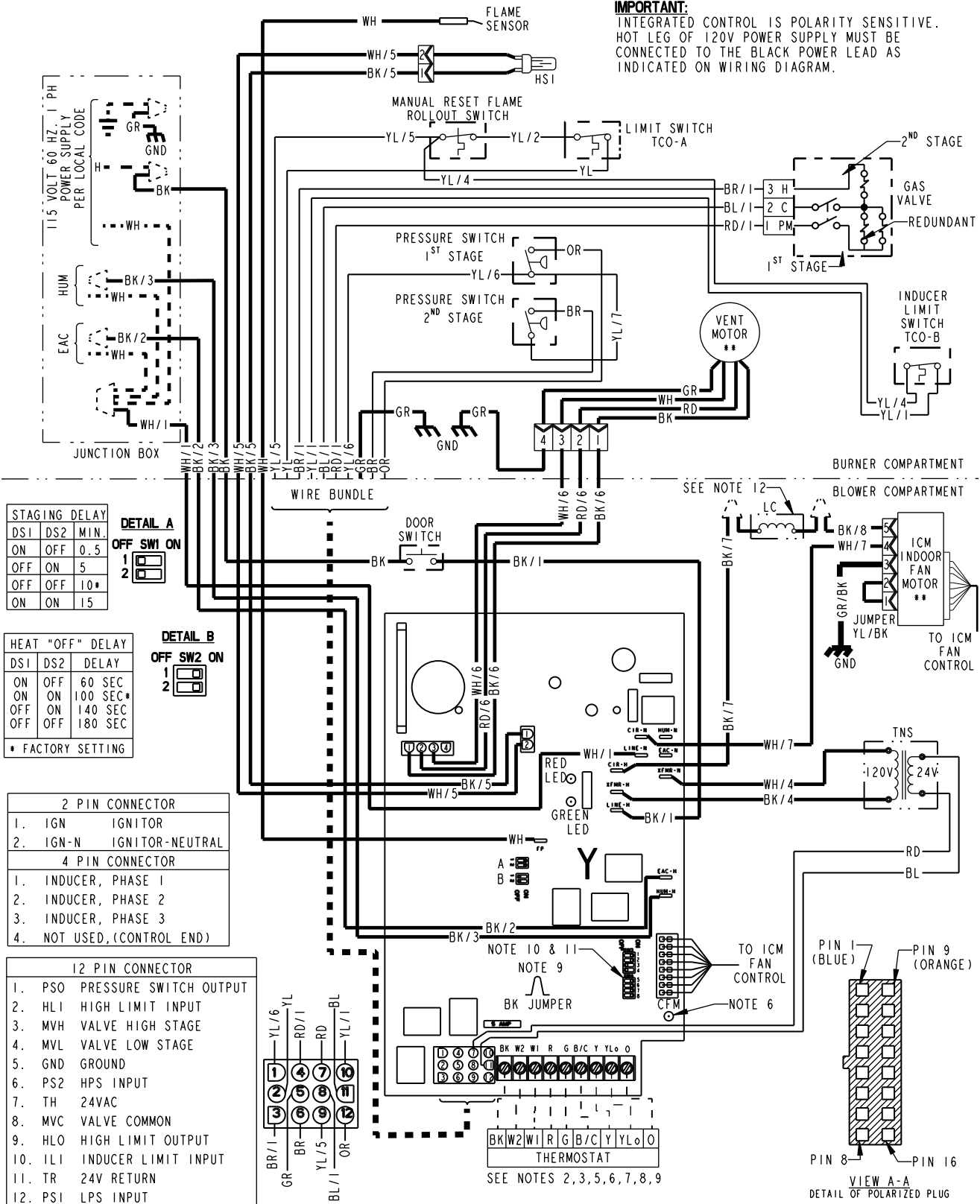
**NOTE: On LP (propane) units, due to variations in BTU content and altitude, servicing may be required at shorter intervals.**

6. **HEAT EXCHANGER/FLUE PIPE** – These items must be inspected for signs of corrosion, and/or deterioration at the beginning of each heating season by a qualified service technician and cleaned annually for best operation. To clean flue gas passages, follow recommendations below:
  - a. Turn off gas and electric power supply.
  - b. Inspect flue pipe exterior for cracks, leaks, holes or leaky joints. Some discoloration of PVC pipe is normal.
  - c. Remove burner compartment door from furnace.
  - d. Inspect around insulation covering flue collector box. Inspect induced draft blower connections from recuperative cell and to the flue pipe connection.
  - e. Remove burners. (See Item 5.)
  - f. Use a mirror and flashlight to inspect interior of heat exchanger, be careful not to damage the igniter, flame sensor or other components.
  - g. If any corrosion is present the heat exchanger should be cleaned by a qualified service technician.
  - h. After inspection is complete replace burner box cover, burners, and furnace door.
  - i. Restore gas supply. Check for leaks using a soap solution. Restore electrical supply. Check unit for normal operation.
7. **COOLING COIL CONDENSATE DRAIN** – If a cooling coil is installed with the furnace, condensate drains should be checked and cleaned periodically to assure that condensate can drain freely from coil to drain. If condensate cannot drain freely water damage can occur. (See Condensate Drain in Installer’s Guide)

# Service Facts

## \*UH2 WIRING DIAGRAM

**IMPORTANT:**  
INTEGRATED CONTROL IS POLARITY SENSITIVE.  
HOT LEG OF 120V POWER SUPPLY MUST BE  
CONNECTED TO THE BLACK POWER LEAD AS  
INDICATED ON WIRING DIAGRAM.



From drawing D344303

X343070P08



## \*UH2 SCHEMATIC DIAGRAM 2

TABLE "A"	
MODELS	
•UH2B060A9V3V**	•UH2C100A9V4V**
•UH2B080A9V3V**	•UH2C100A9V5V**
•UH2B080A9V4V**	•UH2D120A9V5V**

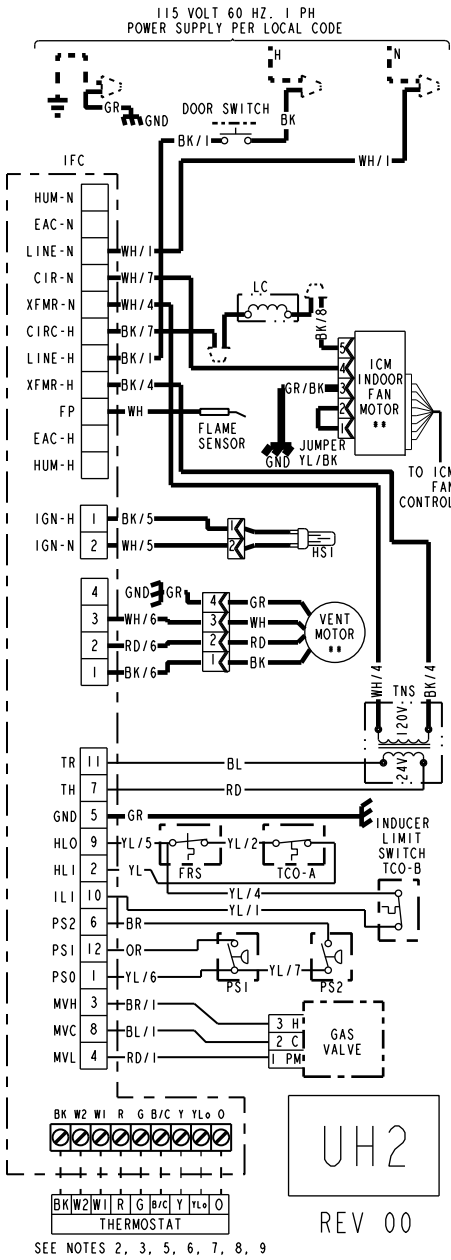
\* PREFIX MAY BE "A" OR "T"  
\* SUFFIX MAY BE "A" THROUGH "Z"

**WARNING**

HAZARDOUS VOLTAGE:  
DISCONNECT ALL ELECTRICAL POWER INCLUDING REMOTE DISCONNECTS BEFORE SERVICING.  
FAILURE TO DISCONNECT POWER BEFORE SERVICING CAN CAUSE SEVERE PERSONAL INJURY OR DEATH.

**CAUTION**

USE COPPER CONDUCTORS ONLY!  
UNIT TERMINALS ARE NOT DESIGNED TO ACCEPT OTHER TYPES OF CONDUCTORS.  
FAILURE TO DO SO MAY CAUSE DAMAGE TO THE EQUIPMENT.



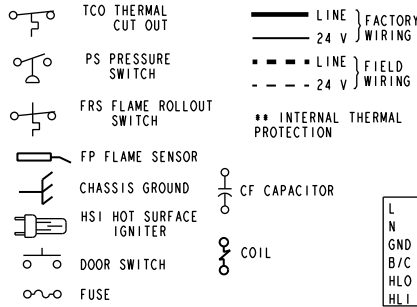
**INTEGRATED FURNACE CONTROL**  
REPLACE WITH PART CN06017 OR EQUIVALENT  
**ELECTRICAL RATING**  
INPUT: 25 VAC 60 HZ.  
XFMR SEC. CURRENT: 450 MA. + MV LOAD  
MV OUTPUT: 1.5 A @ 24 VAC  
IND OUTPUT: 3 PHASE OUTPUT  
IGN OUTPUT: 2.0 A @ 120 VAC  
CIRC. BLOWER OUTPUT: 14.5 FLA,  
25 LRA @ 120 VAC  
HUMIDIFIER & AIR CLEANER  
MAX. LOAD: 1.0 A @ 120 VAC  
**TIMINGS**  
PREPURGE: 0 SEC.; INTERPURGE: 60 SEC.  
POST PURGE: 5 SEC.  
IGN WARMUP: 20 SEC.  
IAP: 2; TFI: 5 SEC.  
RETRIES: 2 RECYCLES: 10  
HEAT ON DELAY: 45 SEC.  
COOL ON DELAY: 0 SEC.  
AUTO RESTART: 60 MIN.  
AUTO RESTART PURGE: 60 SEC.

**DIAGNOSTIC CODES**

RED LED - L1ePort™ DATA - 1 FLASH EVERY 20 SEC.  
2 FLASHES: RETRIES OR RECYCLES EXCEEDED  
3 FLASHES: INDUCER OR PRESSURE SWITCH ERROR  
4 FLASHES: OPEN LIMIT OR ROLLOUT SWITCH  
5 FLASHES: FLAME SENSED WHEN NO FLAME SHOULD BE PRESENT  
6 FLASHES: LINE REVERSE  
7 FLASHES: GAS VALVE CIRCUIT ERROR  
8 FLASHES: WEAK FLAME  
9 FLASHES: OPEN INDUCER LIMIT ERROR

GREEN LED - STATUS  
SLOW FLASH: NORMAL, NO CALL FOR HEAT  
FAST FLASH: NORMAL, CALL FOR HEAT PRESENT

GREEN AND RED LEDs ON CONTINUOUS:  
FUSE OPEN OR INTERNAL CONTROL FAILURE



BK	BLACK	GR	GREEN
WH	WHITE	BR	BROWN
YL	YELLOW	RD	RED
OR	ORANGE	BL	BLUE

WIRE COLOR  
BK/1  
NUMBER ID (IF ANY)

L	LINE	TH	24 VAC (HOT)
N	NEUTRAL	TR	24 VAC (COMMON)
GND	GROUND	MV	MAIN GAS VALVE
B/C	COMMON	TNS	TRANSFORMER
HLO	HIGH LIMIT OUTPUT	ILI	INDUCER LIMIT INPUT
HLI	HIGH LIMIT INPUT		

**NOTES:**

- IF ANY OF THE ORIGINAL WIRING AS SUPPLIED WITH THIS FURNACE MUST BE REPLACED, IT MUST BE WITH WIRE HAVING A TEMPERATURE RATING OF AT LEAST 105°C.
- THERMOSTAT HEAT ANTICIPATOR SETTING: FIRST STAGE .38 AMPS, SECOND STAGE .13 AMPS. IF SETTING IS NOT FIXED ON THERMOSTAT, FOR SINGLE STAGE HEATING THERMOSTAT SET AT .51 AMPS.
- FOR PROPER OPERATION OF COOLING SPEED, "Y" TERMINAL MUST BE CONNECTED TO THE ROOM THERMOSTAT.
- THESE LEADS PROVIDE 120V POWER CONNECTIONS FOR ELECTRONIC AIR CLEANER (EAC) AND HUMIDIFIER (HUM). MAX. LOAD: 1.0 AMPS EACH.
- JUMPER W1 AND W2 FOR SINGLE STAGE HEATING THERMOSTAT, SECOND STAGE WILL BE ENERGIZED, DELAYED PER STAGING DELAY SETTING.
- GREEN LIGHT (CFM) FLASHES ONCE PER 100 CFM COMMAND.
- FOR HEAT PUMP SYSTEMS Y AND O MUST BE CONNECTED TO THE LOW-VOLTAGE TERMINAL BOARD.
- FOR TWO COMPRESSOR SYSTEMS, USE "YLO" FOR LOW SPEED AND "Y" FOR HIGH SPEED CONNECTION TO THE LOW-VOLTAGE TERMINAL BOARD.
- OPTIONAL HUMIDSTAT IS TO BE CONNECTED BETWEEN THE "R" AND "BK". FACTORY INSTALLED JUMPER "R" TO "BK" (BK JUMPER) ON THE CIRCUIT BOARD MUST BE CUT IF OPTIONAL HUMIDSTAT IS USED. THE JUMPER MUST ALSO BE CUT WHEN APPLYING AN AIRFLOW COMMAND SIGNAL TO THE "BK" INPUT SUCH AS WITH THE VARIABLE SPEED SINGLE-ZONE AND MULTI-ZONE SYSTEM CONTROLLERS. ON SINGLE SPEED COOLING ONLY / NON-HEAT PUMP SYSTEMS, JUMPER "Y" TO "O" FOR PROPER OPERATION OF THE DELAY PROFILES AND THE HUMIDSTAT. FOR TWO COMPRESSOR OR TWO SPEED SYSTEMS, JUMPER "YLO" TO "O".
- SEE INDOOR MOTOR AIRFLOW SELECTION CHART, LOCATED IN THE FURNACE FOR DIP SWITCH SETTINGS TO SET AIRFLOW AND COOLING OFF DELAYS.
- POWER MUST BE OFF WHEN DIP SWITCHES ARE SET.
- USED FOR \*UH2B080A9V4V\*\*, \*UH2C100A9V4V\*\*, \*UH2C100A9V5V\*\* & \*UH2D120A9V5V\*\*.
- ON POWER-UP, LAST FOUR FAULTS, IF ANY, WILL BE FLASHED ON RED LED. GREEN LED WILL BE SOLID ON DURING LAST FAULT RECOVERY.

UH2  
REV 00

SEE NOTES 2, 3, 5, 6, 7, 8, 9

# Service Facts

## \*DH2 WIRING DIAGRAM

**DETAIL A**  
OFF SW1 ON

STAGING DELAY		
DS1	DS2	MIN.
ON	OFF	0.5
OFF	ON	5
OFF	OFF	10*
ON	ON	15

**DETAIL B**  
OFF SW2 ON

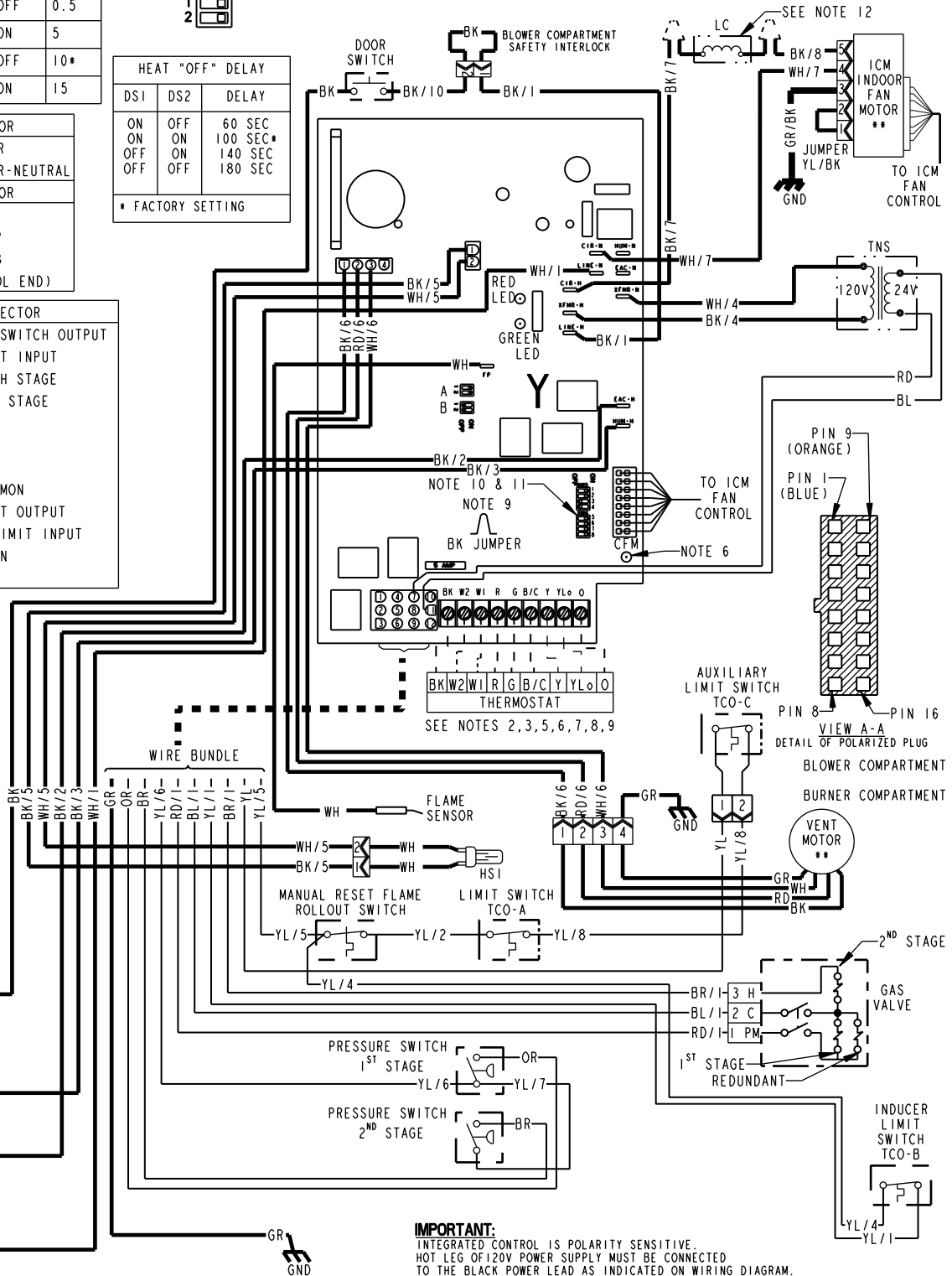
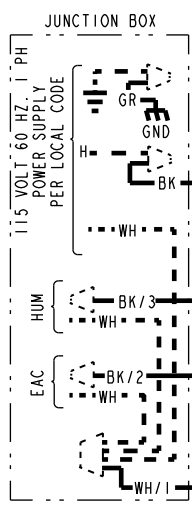
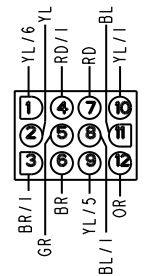
HEAT "OFF" DELAY		
DS1	DS2	DELAY
ON	OFF	60 SEC
ON	ON	100 SEC*
OFF	ON	140 SEC
OFF	OFF	180 SEC

\* FACTORY SETTING

2 PIN CONNECTOR	
1. IGN	IGNITOR
2. IGN-N	IGNITOR-NEUTRAL

4 PIN CONNECTOR	
1.	INDUCER, PHASE 1
2.	INDUCER, PHASE 2
3.	INDUCER, PHASE 3
4.	NOT USED, (CONTROL END)

12 PIN CONNECTOR	
1.	PSO PRESSURE SWITCH OUTPUT
2.	HLI HIGH LIMIT INPUT
3.	MVH VALVE HIGH STAGE
4.	MVL VALVE LOW STAGE
5.	GND GROUND
6.	PS2 HPS INPUT
7.	TH 24VAC
8.	MVC VALVE COMMON
9.	HLO HIGH LIMIT OUTPUT
10.	ILI INDUCER LIMIT INPUT
11.	TR 24V RETURN
12.	PSI LPS INPUT

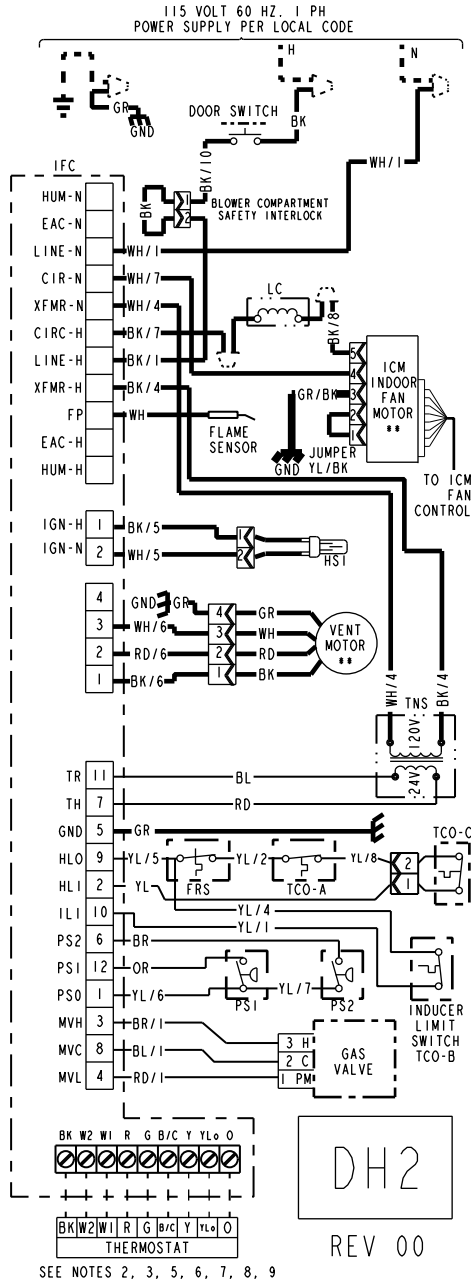


**IMPORTANT:**  
INTEGRATED CONTROL IS POLARITY SENSITIVE.  
HOT LEG OF 120V POWER SUPPLY MUST BE CONNECTED  
TO THE BLACK POWER LEAD AS INDICATED ON WIRING DIAGRAM.

## \*DH2 SCHEMATIC DIAGRAM

TABLE "A"	
MODELS	
*DH2B060A9V3V**	*DH2C100A9V4V**
*DH2B080A9V3V**	*DH2D120A9V5V**
*DH2B080A9V4V**	
* PREFIX MAY BE "A" OR "T"	
* SUFFIX MAY BE "A" THROUGH "Z"	

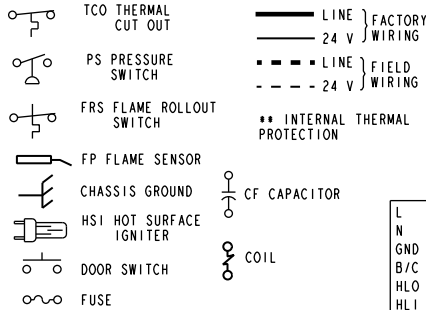
WARNING	
HAZARDOUS VOLTAGE: DISCONNECT ALL ELECTRICAL POWER INCLUDING REMOTE DISCONNECTS BEFORE SERVICING. FAILURE TO DISCONNECT POWER BEFORE SERVICING CAN CAUSE SEVERE PERSONAL INJURY OR DEATH.	
CAUTION	
USE COPPER CONDUCTORS ONLY! UNIT TERMINALS ARE NOT DESIGNED TO ACCEPT OTHER TYPES OF CONDUCTORS. FAILURE TO DO SO MAY CAUSE DAMAGE TO THE EQUIPMENT.	



### INTEGRATED FURNACE CONTROL

REPLACE WITH PART CNT06017 OR EQUIVALENT  
ELECTRICAL RATING  
INPUT: 25 VAC, 60 HZ.  
XFMR SEC. CURRENT: 450 MA. + MV LOAD  
MV OUTPUT: 1.5 A @ 24 VAC  
IND OUTPUT: 3 PHASE OUTPUT  
IGN OUTPUT: 2.0 A @120 VAC  
CIRC. BLOWER OUTPUT: 14.5 FLA,  
25 LRA @ 120 VAC  
HUMIDIFIER & AIR CLEANER  
MAX. LOAD: 1.0 A @ 120 VAC

TIMINGS  
PREPURGE: 0 SEC.; INTERPURGE: 60 SEC.  
POST PURGE: 5 SEC.  
IGN WARMUP: 20 SEC.  
IAP: 2; TFI: 5 SEC.  
RETRIES: 2 RECYCLES: 10  
HEAT ON DELAY: 45 SEC.  
COOL ON DELAY: 0 SEC.  
AUTO RESTART: 60 MIN.  
AUTO RESTART PURGE: 60 SEC.



### DIAGNOSTIC CODES

RED LED - LifePort™ DATA - 1 FLASH EVERY 20 SEC.  
2 FLASHES: RETRIES OR RECYCLES EXCEEDED  
3 FLASHES: INDUCER OR PRESSURE SWITCH ERROR  
4 FLASHES: OPEN LIMIT OR ROLLOUT SWITCH  
5 FLASHES: FLAME SENSE WHEN NO FLAME SHOULD BE PRESENT  
6 FLASHES: LINE REVERSE  
7 FLASHES: GAS VALVE CIRCUIT ERROR  
8 FLASHES: WEAK FLAME  
9 FLASHES: OPEN INDUCER LIMIT ERROR

GREEN LED - STATUS  
SLOW FLASH: NORMAL, NO CALL FOR HEAT  
FAST FLASH: NORMAL, CALL FOR HEAT PRESENT

GREEN AND RED LEDs ON CONTINUOUS:  
FUSE OPEN OR INTERNAL CONTROL FAILURE

BK	BLACK	GR	GREEN
WH	WHITE	BR	BROWN
YL	YELLOW	RD	RED
OR	ORANGE	BL	BLUE

WIRE COLOR  
BK/1  
NUMBER ID (IF ANY)

L	LINE	TH	24 VAC (HOT)
N	NEUTRAL	TR	24 VAC (COMMON)
GND	GROUND	MV	MAIN GAS VALVE
B/C	COMMON	TNS	TRANSFORMER
HLO	HIGH LIMIT OUTPUT	ILI	INDUCER LIMIT INPUT
HLI	HIGH LIMIT INPUT		

### NOTES:

- IF ANY OF THE ORIGINAL WIRING AS SUPPLIED WITH THIS FURNACE MUST BE REPLACED, IT MUST BE WITH WIRE HAVING A TEMPERATURE RATING OF AT LEAST 105°C.
- THERMOSTAT HEAT ANTICIPATOR SETTING: FIRST STAGE .38 AMPS, SECOND STAGE .13 AMPS. IF SETTING IS NOT FIXED ON THERMOSTAT, FOR SINGLE STAGE HEATING THERMOSTAT SET AT .51 AMPS.
- FOR PROPER OPERATION OF COOLING SPEED, "Y" TERMINAL MUST BE CONNECTED TO THE ROOM THERMOSTAT.
- THESE LEADS PROVIDE 120V POWER CONNECTIONS FOR ELECTRONIC AIR CLEANER (EAC) AND HUMIDIFIER (HUM). MAX. LOAD: 1.0 AMPS EACH.
- JUMPER W1 AND W2 FOR SINGLE STAGE HEATING THERMOSTAT, SECOND STAGE WILL BE ENERGIZED, DELAYED PER STAGING DELAY SETTING.
- GREEN LIGHT (CFM) FLASHES ONCE PER 100 CFM COMMAND.
- FOR HEAT PUMP SYSTEMS Y AND O MUST BE CONNECTED TO THE LOW-VOLTAGE TERMINAL BOARD.
- FOR TWO COMPRESSOR SYSTEMS, USE "YLO" FOR LOW SPEED AND "Y" FOR HIGH SPEED CONNECTION TO THE LOW-VOLTAGE TERMINAL BOARD.
- OPTIONAL HUMIDSTAT IS TO BE CONNECTED BETWEEN THE "R" AND "BK". FACTORY INSTALLED JUMPER "R" TO "BK" (BK JUMPER) ON THE CIRCUIT BOARD MUST BE CUT IF OPTIONAL HUMIDSTAT IS USED. THE JUMPER MUST ALSO BE CUT WHEN APPLYING AN AIRFLOW COMMAND SIGNAL TO THE "BK" INPUT SUCH AS WITH THE VARIABLE SPEED SINGLE-ZONE AND MULTI-ZONE SYSTEM CONTROLLERS. ON SINGLE SPEED COOLING ONLY / NON-HEAT PUMP SYSTEMS, JUMPER "Y" TO "O" FOR PROPER OPERATION OF THE DELAY PROFILES AND THE HUMIDSTAT. FOR TWO COMPRESSOR OR TWO SPEED SYSTEMS, JUMPER "YLO" TO "O".
- SEE INDOOR MOTOR AIRFLOW SELECTION CHART, LOCATED IN THE FURNACE FOR DIP SWITCH SETTINGS TO SET AIRFLOW AND COOLING OFF DELAYS.
- POWER MUST BE OFF WHEN DIP SWITCHES ARE SET.
- USED FOR \*DH2B080A9V4V\*\*, \*DH2C100A9V4V\*\* & \*DH2D120A9V5V\*\*.
- ON POWER-UP, LAST FOUR FAULTS, IF ANY, WILL BE FLASHED ON RED LED. GREEN LED WILL BE SOLID ON DURING LAST FAULT RECOVERY.

SEE NOTES 2, 3, 5, 6, 7, 8, 9

# Service Facts

## Quick Check Motor Will Not Run

### ECM-2™ QUICK CHECK Blower Motor Will Not Run

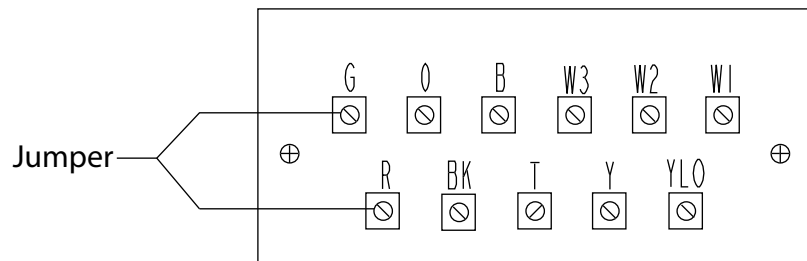
*These service procedures will work on ECM-2™ motors and their motor control board and their 16 Wire Low Voltage Control Cable.*

**1. Jumper 24 Volt A.C. "R" Terminal to "G" terminal on the Low Voltage Terminal board.**

**Does motor run?**

**NO:** Go to step #2.

**YES:** Motor runs, check Comfort Control and Comfort Control wire.

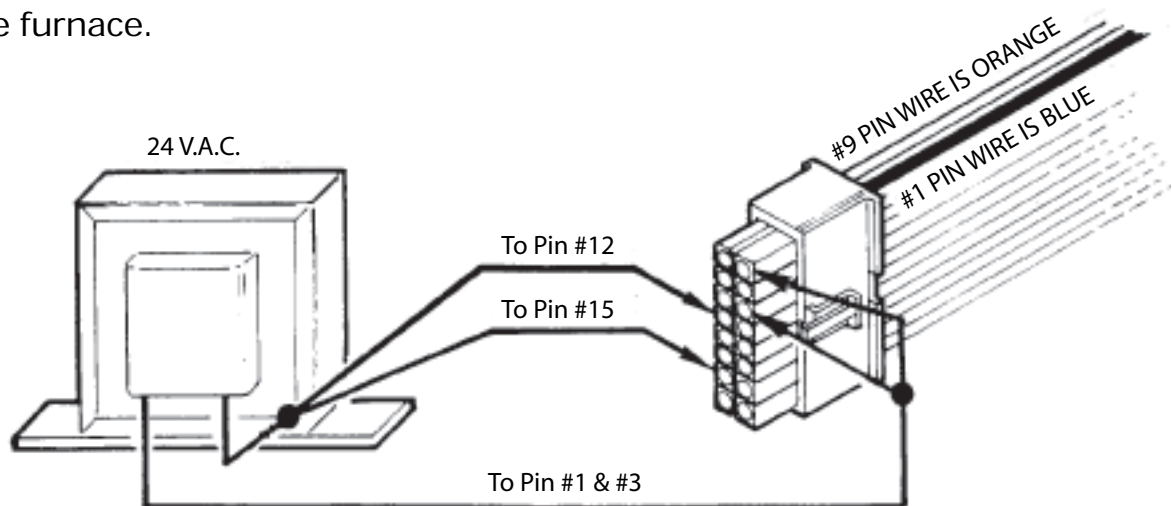


**2. Unplug 16 wire low voltage harness from the interface board. Jumper 24 Volts A.C. to pins #12, #15 and common pins #1 and #3.**

**Does the motor run?**

**NO:** Go to step #3.

**YES:** Replace the variable speed interface board on the furnace.



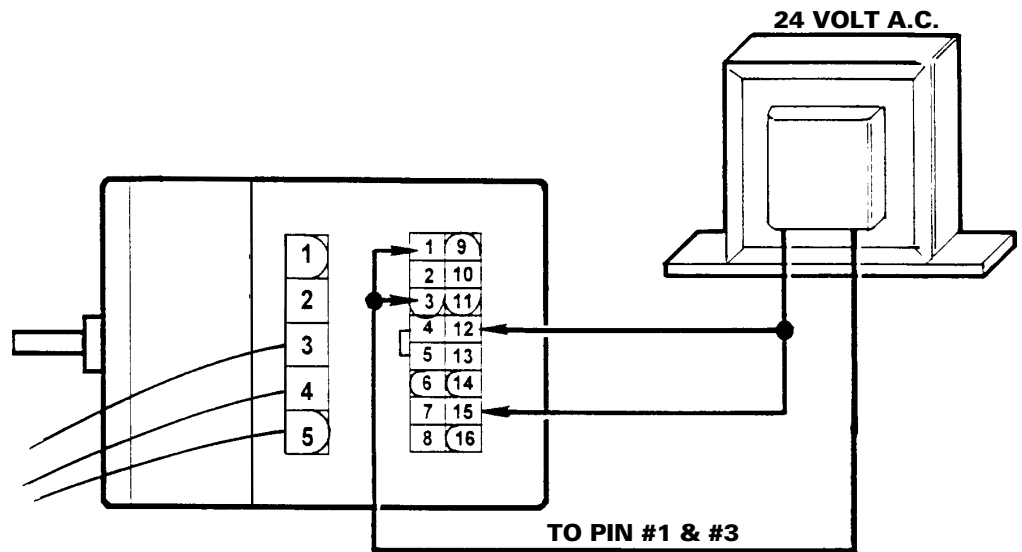
## Quick Check Motor Will Not Run

3. Unplug 16 wire low voltage harness from the motor. Jumper 24 Volts A.C. to motor low voltage plug pins #12 and #15 and pins #1 and #3 which are common.

Does motor run?

**NO:** Go to step #4.

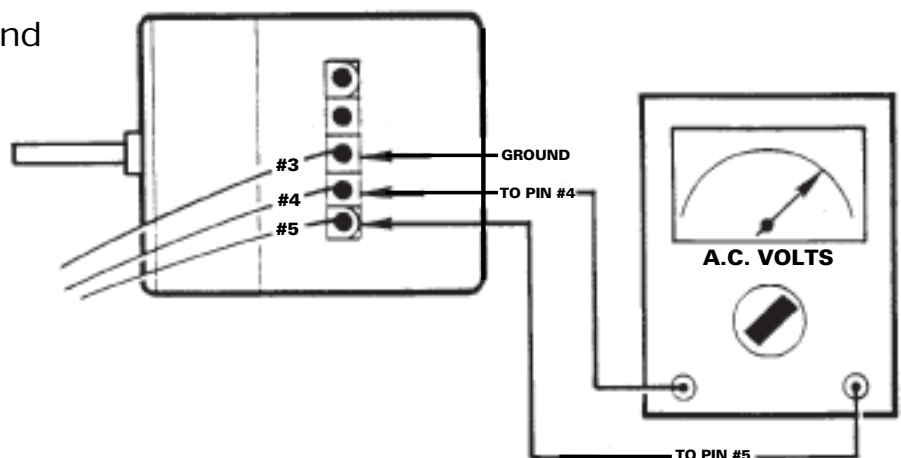
**YES:** Fault is in the 16 wire low voltage harness. Repair or replace it.



4. Is the line voltage to the motor high voltage power plug pin #4 and pin #5 correct?

**NO:** Correct line voltage fault.

**YES:** Live voltage correct and motor will not run. Replace motor.





## Trouble Shooting Kit

---

### Dip Switch Operation

10. In order, turn on dip-switches 1 through 8, one at a time.
11. Verify that the corresponding L.E.D. on the trouble shooter is being turned on: Dip switch 1 on, L.E.D. DS-1 is on.
12. Turn off dip switches 1 through 8 and verify each L.E.D. goes off.
13. If the correct L.E.D.s do not turn on and off in the proper sequence, check continuity of the 16 wire harness with ohmmeter: pin 1 goes to pin 1, pin 2 to pin 2, etc. through pin 16. If harness is good, replace motor control board. If harness is bad, repair or replace.

### Low Voltage Comfort Control Operation

14. Verify thermostat signals by jumping "R" to each of the low voltage terminal connections as follows: BK, O, YLO, G, W1, W2, W3. See exceptions below for furnaces and retro fit motor control boards. The corresponding L.E.D. on the troubleshooter should light when "R" is applied. Verify L.E.D.s on the motor control board light according to the applied signal: BK, YYLO, fan. If L.E.D. on motor control board does not light and 16 wire harness is good, replace board.

### Furnace

W2 will not light W2 L.E.D. on the troubleshooter due to White-Rodgers ignition control's normally open switch.

### Retro Fit Motor Control Board

Retro fit motor control board W2 is not connected and will not light W2 on troubleshooter.

# Service Facts

*UH2B060A9V3V FURNACE HEATING AIRFLOW (CFM) AND POWER (WATTS) VS. EXTERNAL STATIC PRESSURE WITH FILTER									
					1st Stage Capacity = 37,830 2nd Stage Capacity = 58,200				
	AIRFLOW SETTING	DIP SWITCH SETTING			EXTERNAL STATIC PRESSURE				
		SW 7	SW 8		0.1	0.3	0.5	0.7	0.9
HEATING 1ST STAGE	LOW	ON	ON	CFM TEMP. RISE WATTS	600 57 85	600 57 110	600 57 155	600 57 190	-
	MEDIUM LOW	OFF	ON	CFM TEMP. RISE WATTS	700 49 90	700 49 130	700 49 175	700 49 210	-
	NORMAL **	ON	OFF	CFM TEMP. RISE WATTS	775 44 105	775 44 155	775 44 195	775 44 240	-
	HIGH	OFF	OFF	CFM TEMP. RISE WATTS	870 39 135	870 39 185	870 39 235	870 39 290	-
HEATING 2ND STAGE	LOW	ON	ON	CFM TEMP. RISE WATTS	860 61 140	920 57 200	920 57 245	920 57 300	670 79 245
	MEDIUM LOW	OFF	ON	CFM TEMP. RISE WATTS	1000 53 190	1000 53 255	1000 53 305	1000 53 340	700 75 255
	NORMAL **	ON	OFF	CFM TEMP. RISE WATTS	1125 47 250	1125 47 315	1125 47 370	1025 51 355	775 68 285
	HIGH	OFF	OFF	CFM TEMP. RISE WATTS	1250 42 340	1250 42 405	1250 42 445	1100 48 390	1000 53 355

NOTES:  
 \* First letter may be "A" or "T"  
 \*\* Factory setting

*UH2B060A9V3V FURNACE COOLING AIRFLOW (CFM) AND POWER (WATTS) VS. EXTERNAL STATIC PRESSURE WITH FILTER											
OUTDOOR UNIT SIZE (TONS)	AIRFLOW SETTING	DIP SWITCH SETTING					EXTERNAL STATIC PRESSURE				
		SW 1	SW 2	SW 3	SW 4		0.1	0.3	0.5	0.7	0.9
1.5	LOW (350 CFM/TON)	ON	ON	OFF	ON	CFM WATTS	575 65	575 90	575 125	550 155	-
	NORMAL (400 CFM/TON)	ON	ON	OFF	OFF	CFM WATTS	640 70	640 110	640 140	630 175	-
	HIGH (450 CFM/TON)	ON	ON	ON	OFF	CFM WATTS	700 85	700 125	700 160	700 200	-
2.0	LOW (350 CFM/TON)	OFF	ON	OFF	ON	CFM WATTS	700 100	700 130	700 170	700 210	-
	NORMAL (400 CFM/TON)	OFF	ON	OFF	OFF	CFM WATTS	800 115	800 155	800 200	800 250	-
	HIGH (450 CFM/TON)	OFF	ON	ON	OFF	CFM WATTS	900 140	900 195	900 240	900 290	-
2.5	LOW (350 CFM/TON)	ON	OFF	OFF	ON	CFM WATTS	875 130	875 180	875 230	875 270	-
	NORMAL (400 CFM/TON)	ON	OFF	OFF	OFF	CFM WATTS	1000 175	1000 235	1000 285	1000 335	900 310
	HIGH (450 CFM/TON)	ON	OFF	ON	OFF	CFM WATTS	1125 235	1125 295	1125 345	1100 370	925 318
3	LOW (350 CFM/TON)	OFF	OFF	OFF	ON	CFM WATTS	1050 195	1050 260	1050 305	1050 350	920 315
	NORMAL (400 CFM/TON)	OFF	OFF	OFF	OFF	CFM WATTS	1200 275	1200 330	1200 385	1100 385	940 330
	HIGH (450 CFM/TON)	OFF	OFF	ON	OFF	CFM WATTS	1325 360	1325 425	1300 460	1175 425	1000 365

NOTES: \* First letter may be "A" or "T"  
 1. At continuous fan setting: Heating or Cooling airflows are approximately 50% of selected cooling value.  
 2. LOW airflow (350 cfm/ton) is COMFORT & HUMID CLIMATE setting;  
 NORMAL airflow (400 cfm/ton) is typical setting;  
 HIGH airflow (450 cfm/ton) is DRY CLIMATE setting.



# Service Facts

**\*UH2B080A9V3V FURNACE HEATING AIRFLOW (CFM) AND POWER (WATTS) VS. EXTERNAL STATIC PRESSURE WITH FILTER**

1st Stage Capacity = 50,440 2nd Stage Capacity = 77,600									
	AIRFLOW SETTING	DIP SWITCH SETTING			EXTERNAL STATIC PRESSURE				
		SW 7	SW 8		0.1	0.3	0.5	0.7	0.9
HEATING 1ST STAGE	LOW	ON	ON	CFM TEMP. RISE WATTS	800 56 105	800 56 140	800 56 180	800 56 220	800 56 265
	MEDIUM LOW	OFF	ON	CFM TEMP. RISE WATTS	860 52 115	880 51 165	890 50 215	920 48 265	910 49 320
	NORMAL **	ON	OFF	CFM TEMP. RISE WATTS	960 46 150	990 45 200	1000 44 230	1020 44 310	1010 44 350
	HIGH	OFF	OFF	CFM TEMP. RISE WATTS	1080 41 195	1110 40 255	1120 40 315	1120 40 365	1080 41 390
HEATING 2ND STAGE	LOW	ON	ON	CFM TEMP. RISE WATTS	1100 62 205	1100 62 260	1120 61 320	1120 61 370	1090 63 400
	MEDIUM LOW	OFF	ON	CFM TEMP. RISE WATTS	1210 57 265	1240 55 340	1260 54 410	1260 54 470	1130 61 430
	NORMAL **	ON	OFF	CFM TEMP. RISE WATTS	1360 50 365	1390 49 445	1400 49 500	1360 50 535	1210 57 475
	HIGH	OFF	OFF	CFM TEMP. RISE WATTS	1360 50 355	1390 49 450	1400 49 520	1350 51 535	1180 58 465

NOTES:  
 \* First letter may be "A" or "T"  
 \*\* Factory setting

**\*UH2B080A9V3V FURNACE COOLING AIRFLOW (CFM) AND POWER (WATTS) VS. EXTERNAL STATIC PRESSURE WITH FILTER**

OUTDOOR UNIT SIZE (TONS)	AIRFLOW SETTING	DIP SWITCH SETTING					EXTERNAL STATIC PRESSURE				
		SW 1	SW 2	SW 3	SW 4		0.1	0.3	0.5	0.7	0.9
2.0	LOW (350 CFM/TON)	ON	ON	OFF	ON	CFM WATTS	750 84	750 122	750 154	720 185	710 221
	NORMAL (400 CFM/TON)	ON	ON	OFF	OFF	CFM WATTS	840 109	840 146	840 181	840 226	820 264
	HIGH (450 CFM/TON)	ON	ON	ON	OFF	CFM WATTS	940 136	940 177	940 215	940 274	940 318
2.5	LOW (350 CFM/TON)	OFF	ON	OFF	ON	CFM WATTS	850 113	850 150	870 200	890 250	890 295
	NORMAL (400 CFM/TON)	OFF	ON	OFF	OFF	CFM WATTS	960 150	990 200	1000 230	1020 305	1010 350
	HIGH (450 CFM/TON)	OFF	ON	ON	OFF	CFM WATTS	1080 195	1110 255	1120 315	1120 365	1080 390
3.0	LOW (350 CFM/TON)	ON	OFF	OFF	ON	CFM WATTS	1020 175	1020 225	1040 280	1050 330	1050 375
	NORMAL (400 CFM/TON)	ON	OFF	OFF	OFF	CFM WATTS	1170 240	1180 300	1200 365	1200 415	1130 420
	HIGH (450 CFM/TON)	ON	OFF	ON	OFF	CFM WATTS	1290 310	1320 410	1350 470	1340 520	1150 440
3.5	LOW (350 CFM/TON)	OFF	OFF	OFF	ON	CFM WATTS	1170 250	1190 315	1210 370	1210 435	1100 405
	NORMAL (400 CFM/TON)	OFF	OFF	OFF	OFF	CFM WATTS	1360 365	1390 445	1400 500	1360 535	1210 475
	HIGH (450 CFM/TON)	OFF	OFF	ON	OFF	CFM WATTS	1360 355	1390 450	1400 520	1350 535	1180 460

NOTES: \* First letter may be "A" or "T"  
 1. At continuous fan setting: Heating or Cooling airflows are approximately 50% of selected cooling value.  
 2. LOW airflow (350 cfm/ton) is COMFORT & HUMID CLIMATE setting;  
 NORMAL airflow (400 cfm/ton) is typical setting;  
 HIGH airflow (450 cfm/ton) is DRY CLIMATE setting.

# Service Facts

*UH2B080A9V4V FURNACE HEATING AIRFLOW (CFM) AND POWER (WATTS) VS. EXTERNAL STATIC PRESSURE WITH FILTER									
					1st Stage Capacity = 50,440 2nd Stage Capacity = 77,600				
	AIRFLOW SETTING	DIP SWITCH SETTING			EXTERNAL STATIC PRESSURE				
		SW 7	SW 8		0.1	0.3	0.5	0.7	0.9
HEATING 1ST STAGE	LOW	ON	ON	CFM TEMP. RISE WATTS	800 56 105	800 56 140	800 56 180	800 56 220	800 56 265
	MEDIUM LOW	OFF	ON	CFM TEMP. RISE WATTS	860 52 115	880 51 165	890 50 215	920 48 265	910 49 320
	NORMAL **	ON	OFF	CFM TEMP. RISE WATTS	960 46 150	990 45 200	1000 44 230	1020 44 310	1010 44 350
	HIGH	OFF	OFF	CFM TEMP. RISE WATTS	1080 41 195	1110 40 255	1120 40 315	1120 40 365	1080 41 390
HEATING 2ND STAGE	LOW	ON	ON	CFM TEMP. RISE WATTS	1100 62 205	1100 62 260	1120 61 320	1120 61 370	1090 63 400
	MEDIUM LOW	OFF	ON	CFM TEMP. RISE WATTS	1210 57 265	1240 55 340	1260 54 410	1260 54 470	1130 61 430
	NORMAL **	ON	OFF	CFM TEMP. RISE WATTS	1360 50 365	1390 49 445	1400 49 500	1360 50 535	1210 57 475
	HIGH	OFF	OFF	CFM TEMP. RISE WATTS	1360 50 355	1390 49 450	1400 49 520	1350 51 535	1180 58 465

NOTES:  
 \* First letter may be "A" or "T"  
 \*\* Factory setting

*UH2B080A9V4V FURNACE COOLING AIRFLOW (CFM) AND POWER (WATTS) VS. EXTERNAL STATIC PRESSURE WITH FILTER											
OUTDOOR UNIT SIZE (TONS)	AIRFLOW SETTING	DIP SWITCH SETTING					EXTERNAL STATIC PRESSURE				
		SW 1	SW 2	SW 3	SW 4		0.1	0.3	0.5	0.7	0.9
2.5	LOW (350 CFM/TON)	ON	ON	OFF	ON	CFM WATTS	857 107	849 143	841 179	833 223	825 266
	NORMAL (400 CFM/TON)	ON	ON	OFF	OFF	CFM WATTS	970 158	971 205	973 251	966 298	960 345
	HIGH (450 CFM/TON)	ON	ON	ON	OFF	CFM WATTS	1082 209	1093 266	1104 323	1099 374	1095 424
3.0	LOW (350 CFM/TON)	OFF	ON	OFF	ON	CFM WATTS	1004 153	1019 210	1035 267	1038 321	1041 374
	NORMAL (400 CFM/TON)	OFF	ON	OFF	OFF	CFM WATTS	1163 249	1173 311	1184 372	1179 426	1174 480
	HIGH (450 CFM/TON)	OFF	ON	ON	OFF	CFM WATTS	1323 345	1328 411	1332 477	1320 532	1307 586
3.5	LOW (350 CFM/TON)	ON	OFF	OFF	ON	CFM WATTS	1176 254	1188 317	1200 380	1195 437	1190 494
	NORMAL (400 CFM/TON)	ON	OFF	OFF	OFF	CFM WATTS	1356 379	1362 446	1368 514	1353 568	1339 623
	HIGH (450 CFM/TON)	ON	OFF	ON	OFF	CFM WATTS	1536 503	1536 575	1536 647	1512 699	1488 751
4.0	LOW (350 CFM/TON)	OFF	OFF	OFF	ON	CFM WATTS	1376 374	1367 429	1359 483	1354 547	1348 611
	NORMAL (400 CFM/TON)	OFF	OFF	OFF	OFF	CFM WATTS	1562 530	1562 604	1563 677	1531 720	1499 765
	HIGH (450 CFM/TON)	OFF	OFF	ON	OFF	CFM WATTS	1768 757	1759 830	1749 902	1654 866	1559 829

NOTES: \* First letter may be "A" or "T"  
 1. At continuous fan setting: Heating or Cooling airflows are approximately 50% of selected cooling value.  
 2. LOW airflow (350 cfm/ton) is COMFORT & HUMID CLIMATE setting;  
 NORMAL airflow (400 cfm/ton) is typical setting;  
 HIGH airflow (450 cfm/ton) is DRY CLIMATE setting.

# Service Facts

*UH2C100A9V4V FURNACE HEATING AIRFLOW (CFM) AND POWER (WATTS) VS. EXTERNAL STATIC PRESSURE WITH FILTER									
					1st Stage Capacity = 62,855 2nd Stage Capacity = 96,700				
	AIRFLOW SETTING	DIP SWITCH SETTING			EXTERNAL STATIC PRESSURE				
		SW 7	SW 8		0.1	0.3	0.5	0.7	0.9
HEATING 1ST STAGE	LOW	ON	ON	CFM TEMP. RISE WATTS	873 64 100	893 63 145	900 62 195	899 62 240	902 62 290
	MEDIUM LOW	OFF	ON	CFM TEMP. RISE WATTS	971 58 115	997 56 170	1006 56 220	1022 55 280	1029 54 335
	MEDIUM **	ON	OFF	CFM TEMP. RISE WATTS	1136 49 160	1146 49 230	1165 48 295	1180 47 365	1184 47 425
	HIGH	OFF	OFF	CFM TEMP. RISE WATTS	1258 44 225	1298 43 300	1319 42 390	1328 42 450	1286 44 490
HEATING 2ND STAGE	LOW	ON	ON	CFM TEMP. RISE WATTS	1260 68 213	1304 66 305	1329 65 380	1334 65 460	1317 65 510
	MEDIUM LOW	OFF	ON	CFM TEMP. RISE WATTS	1464 59 315	1471 59 405	1478 58 485	1478 58 560	1350 64 540
	MEDIUM **	ON	OFF	CFM TEMP. RISE WATTS	1631 53 450	1678 51 570	1690 51 670	1579 55 645	1419 61 585
	HIGH	OFF	OFF	CFM TEMP. RISE WATTS	1846 47 640	1867 46 760	1794 48 770	1644 52 700	1498 57 650

NOTES:  
 \* First letter may be "A" or "T"  
 \*\* Factory setting

*UH2C100A9V4V FURNACE COOLING AIRFLOW (CFM) AND POWER (WATTS) VS. EXTERNAL STATIC PRESSURE WITH FILTER											
OUTDOOR UNIT SIZE (TONS)	AIRFLOW SETTING	DIP SWITCH SETTING					EXTERNAL STATIC PRESSURE				
		SW 1	SW 2	SW 3	SW 4		0.1	0.3	0.5	0.7	0.9
2.5	LOW (350 CFM/TON)	ON	ON	OFF	ON	CFM WATTS	808 75	824 125	840 170	835 210	830 250
	NORMAL (400 CFM/TON)	ON	ON	OFF	OFF	CFM WATTS	938 100	963 160	959 205	964 255	975 310
	HIGH (450 CFM/TON)	ON	ON	ON	OFF	CFM WATTS	1058 150	1100 200	1121 265	1136 330	1142 395
3.0	LOW (350 CFM/TON)	OFF	ON	OFF	ON	CFM WATTS	1004 120	1010 175	1027 230	1044 285	1050 345
	NORMAL (400 CFM/TON)	OFF	ON	OFF	OFF	CFM WATTS	1141 170	1190 245	1214 310	1229 380	1234 450
	HIGH (450 CFM/TON)	OFF	ON	ON	OFF	CFM WATTS	1336 250	1375 330	1387 410	1388 480	1384 545
3.5	LOW (350 CFM/TON)	ON	OFF	OFF	ON	CFM WATTS	1153 180	1206 250	1230 320	1239 395	1244 460
	NORMAL (400 CFM/TON)	ON	OFF	OFF	OFF	CFM WATTS	1390 285	1418 465	1439 445	1441 515	1373 540
	HIGH (450 CFM/TON)	ON	OFF	ON	OFF	CFM WATTS	1575 400	1606 495	1632 590	1596 645	1445 590
4.0	LOW (350 CFM/TON)	OFF	OFF	OFF	ON	CFM WATTS	1388 290	1423 360	1444 440	1444 515	1390 540
	NORMAL (400 CFM/TON)	OFF	OFF	OFF	OFF	CFM WATTS	1610 415	1641 515	1666 635	1607 650	1449 595
	HIGH (450 CFM/TON)	OFF	OFF	ON	OFF	CFM WATTS	1847 630	1863 735	1816 780	1687 720	1532 665

NOTES: \*First letter may be "A" or "T"  
 1. At Continuous fan setting: Heating or Cooling airflows are approximately 50% of selected cooling value.  
 2. LOW airflow (350 cfm/ton) is COMFORT & HUMID CLIMATE setting;  
 NORMAL airflow (400 cfm/ton) is typical setting;  
 HIGH airflow (450 cfm/ton) is DRY CLIMATE setting.

# Service Facts

*UH2C100A9V5V FURNACE HEATING AIRFLOW (CFM) AND POWER (WATTS) VS. EXTERNAL STATIC PRESSURE WITH FILTER									
1st Stage Capacity = 62,855 2nd Stage Capacity = 96,700									
	AIRFLOW SETTING	DIP SWITCH SETTING			EXTERNAL STATIC PRESSURE				
		SW 7	SW 8		0.1	0.3	0.5	0.7	0.9
HEATING 1ST STAGE	LOW	ON	ON	CFM TEMP. RISE WATTS	873 64 100	893 63 145	900 62 195	899 62 240	902 62 290
	MEDIUM LOW	OFF	ON	CFM TEMP. RISE WATTS	971 58 115	997 56 170	1006 56 220	1022 55 280	1029 54 335
	MEDIUM **	ON	OFF	CFM TEMP. RISE WATTS	1136 49 160	1146 49 230	1165 48 295	1180 47 365	1184 47 425
	HIGH	OFF	OFF	CFM TEMP. RISE WATTS	1258 44 225	1298 43 300	1319 42 390	1328 42 450	1286 44 490
HEATING 2ND STAGE	LOW	ON	ON	CFM TEMP. RISE WATTS	1260 68 213	1304 66 305	1329 65 380	1334 65 460	1317 65 510
	MEDIUM LOW	OFF	ON	CFM TEMP. RISE WATTS	1464 59 315	1471 59 405	1478 58 485	1478 58 560	1350 64 540
	MEDIUM **	ON	OFF	CFM TEMP. RISE WATTS	1631 53 450	1678 51 570	1690 51 670	1579 55 645	1419 61 585
	HIGH	OFF	OFF	CFM TEMP. RISE WATTS	1846 47 640	1867 46 760	1794 48 770	1644 52 700	1498 57 650

NOTES:  
 \* First letter may be "A" or "T"  
 \*\* Factory setting

*UH2C100A9V5V FURNACE COOLING AIRFLOW (CFM) AND POWER (WATTS) VS. EXTERNAL STATIC PRESSURE WITH FILTER											
OUTDOOR UNIT SIZE (TONS)	AIRFLOW SETTING	DIP SWITCH SETTING					EXTERNAL STATIC PRESSURE				
		SW 1	SW 2	SW 3	SW 4		0.1	0.3	0.5	0.7	0.9
3.5	LOW (350 CFM/TON)	OFF	ON	OFF	ON	CFM WATTS	1163 222	1201 304	1209 375	1200 433	1199 495
	NORMAL (400 CFM/TON)	OFF	ON	OFF	OFF	CFM WATTS	1339 331	1365 400	1366 477	1377 555	1382 636
	HIGH (450 CFM/TON)	OFF	ON	ON	OFF	CFM WATTS	1515 440	1538 535	1549 620	1553 708	1547 796
4.0	LOW (350 CFM/TON)	ON	OFF	OFF	ON	CFM WATTS	1339 331	1365 400	1366 477	1377 555	1382 636
	NORMAL (400 CFM/TON)	ON	OFF	OFF	OFF	CFM WATTS	1550 471	1562 550	1574 645	1575 733	1564 813
	HIGH (450 CFM/TON)	ON	OFF	ON	OFF	CFM WATTS	1744 626	1758 736	1770 838	1772 935	1760 1018
5.0	LOW (350 CFM/TON)	OFF	OFF	OFF	ON	CFM WATTS	1695 578	1709 728	1721 820	1772 930	1711 1007
	NORMAL (400 CFM/TON)	OFF	OFF	OFF	OFF	CFM WATTS	1919 862	1919 958	1905 1043	1831 1043	1709 982
	HIGH (450 CFM/TON)	OFF	OFF	ON	OFF	CFM WATTS	NA NA	NA NA	NA NA	NA NA	NA NA

NOTES: \*First letter may be "A" or "T"  
 1. At Continuous fan setting: Heating or Cooling airflows are approximately 50% of selected cooling value.  
 2. LOW airflow (350 cfm/ton) is COMFORT & HUMID CLIMATE setting;  
 NORMAL airflow (400 cfm/ton) is typical setting;  
 HIGH airflow (450 cfm/ton) is DRY CLIMATE setting.  
 3. NA = Not allowed.

# Service Facts

*UH2D120A9V5V FURNACE HEATING AIRFLOW (CFM) AND POWER (WATTS) VS. EXTERNAL STATIC PRESSURE WITH FILTER									
					1st Stage Capacity = 75,426 2nd Stage Capacity = 116,040				
	AIRFLOW SETTING	DIP SWITCH SETTING			EXTERNAL STATIC PRESSURE				
		SW 7	SW 8		0.1	0.3	0.5	0.7	0.9
HEATING 1ST STAGE	LOW	ON	ON	CFM TEMP. RISE WATTS	1090 62 165	1120 60 225	1080 63 270	1070 63 310	1010 67 380
	MEDIUM LOW	OFF	ON	CFM TEMP. RISE WATTS	1210 56 220	1200 56 280	1200 56 330	1180 57 395	1160 58 455
	NORMAL **	ON	OFF	CFM TEMP. RISE WATTS	1340 50 295	1360 50 350	1370 49 425	1380 49 495	1330 51 535
	HIGH	OFF	OFF	CFM TEMP. RISE WATTS	1430 47 390	1570 43 490	1580 43 565	1570 43 625	1390 49 565
HEATING 2ND STAGE	LOW	ON	ON	CFM TEMP. RISE WATTS	1660 63 485	1690 62 590	1680 62 640	1640 64 675	1460 72 600
	MEDIUM LOW	OFF	ON	CFM TEMP. RISE WATTS	1870 56 675	1870 56 745	1810 58 770	1680 62 715	1490 70 625
	NORMAL **	ON	OFF	CFM TEMP. RISE WATTS	2060 51 880	1990 53 890	1850 57 810	1710 61 750	1530 68 665
	HIGH	OFF	OFF	CFM TEMP. RISE WATTS	2200 48 1030	2090 50 965	1940 54 895	1790 58 830	1640 64 750

NOTES:  
 \* First letter may be "A" or "T"  
 \*\* Factory setting

*UH2D120A9V5V FURNACE COOLING AIRFLOW (CFM) AND POWER (WATTS) VS. EXTERNAL STATIC PRESSURE WITH FILTER											
OUTDOOR UNIT SIZE (TONS)	AIRFLOW SETTING	DIP SWITCH SETTING					EXTERNAL STATIC PRESSURE				
		SW 1	SW 2	SW 3	SW 4		0.1	0.3	0.5	0.7	0.9
3.5	LOW (350 CFM/TON)	OFF	ON	OFF	ON	CFM WATTS	1210 220	1210 270	1220 325	1230 400	1230 445
	NORMAL (400 CFM/TON)	OFF	ON	OFF	OFF	CFM WATTS	1400 305	1440 390	1450 465	1450 510	1410 560
	HIGH (450 CFM/TON)	OFF	ON	ON	OFF	CFM WATTS	1590 425	1600 520	1610 600	1600 645	1380 575
4.0	LOW (350 CFM/TON)	ON	OFF	OFF	ON	CFM WATTS	1390 305	1400 375	1430 445	1440 515	1420 565
	NORMAL (400 CFM/TON)	ON	OFF	OFF	OFF	CFM WATTS	1620 420	1650 530	1670 595	1640 660	1480 600
	HIGH (450 CFM/TON)	ON	OFF	ON	OFF	CFM WATTS	1840 600	1830 690	1820 765	1670 700	1490 620
5	LOW (350 CFM/TON)	OFF	OFF	OFF	ON	CFM WATTS	1800 570	1780 630	1780 705	1700 695	1530 615
	NORMAL (400 CFM/TON)	OFF	OFF	OFF	OFF	CFM WATTS	2050 845	2010 875	1860 805	1710 735	1530 655
	HIGH (450 CFM/TON)	OFF	OFF	ON	OFF	CFM WATTS	2160 995	2040 935	1920 875	1780 805	1620 730

NOTES: \* First letter may be "A" or "T"  
 1. At continuous fan setting: Heating or Cooling airflows are approximately 50% of selected cooling value.  
 2. LOW airflow (350 cfm/ton) is COMFORT & HUMID CLIMATE setting;  
 NORMAL airflow (400 cfm/ton) is typical setting;  
 HIGH airflow (450 cfm/ton) is DRY CLIMATE setting.

# Service Facts

*DH2B060A9V3V FURNACE HEATING AIRFLOW (CFM) AND POWER (WATTS) VS. EXTERNAL STATIC PRESSURE WITH FILTER									
					1st STAGE CAPACITY = 37,000 2nd STAGE CAPACITY = 57,000				
	AIRFLOW SETTING	DIP SWITCH SETTING			EXTERNAL STATIC PRESSURE				
		SW 7	SW 8		0.1	0.3	0.5	0.7	0.9
HEATING 1ST STAGE	LOW	ON	ON	CFM	600	600	600	600	600
				TEMP. RISE WATTS	56	56	56	56	56
	MEDIUM LOW	OFF	ON	CFM	675	675	675	675	675
				TEMP. RISE WATTS	50	50	50	50	50
NORMAL **	ON	OFF	CFM	750	750	750	750	750	
			TEMP. RISE WATTS	45	45	45	45	45	
HIGH	OFF	OFF	CFM	850	850	850	850	850	
			TEMP. RISE WATTS	40	40	40	40	40	
HEATING 2ND STAGE	LOW	ON	ON	CFM	900	900	900	900	900
				TEMP. RISE WATTS	58	58	58	58	58
	MEDIUM LOW	OFF	ON	CFM	1000	1050	1050	1050	1050
				TEMP. RISE WATTS	52	50	50	50	50
NORMAL **	ON	OFF	CFM	1100	1150	1150	1150	1100	
			TEMP. RISE WATTS	47	45	45	45	47	
HIGH	OFF	OFF	CFM	1300	1325	1325	1250	1200	
			TEMP. RISE WATTS	40	39	39	42	43	

NOTES:  
 \* First letter may be "A" or "T"  
 \*\* Factory setting

*DH2B060A9V3V FURNACE COOLING AIRFLOW (CFM) AND POWER (WATTS) VS. EXTERNAL STATIC PRESSURE WITH FILTER											
OUTDOOR UNIT SIZE (TONS)	AIRFLOW SETTING	DIP SWITCH SETTING					EXTERNAL STATIC PRESSURE				
		SW 1	SW 2	SW 3	SW 4		0.1	0.3	0.5	0.7	0.9
1.5	LOW (350 CFM/TON)	OFF	OFF	OFF	ON	CFM WATTS	525 45	525 70	525 100	525 135	525 160
	NORMAL (400 CFM/TON)	OFF	OFF	OFF	OFF	CFM WATTS	600 55	600 85	600 120	600 150	600 185
	HIGH (450 CFM/TON)	OFF	OFF	ON	OFF	CFM WATTS	675 65	675 105	625 140	675 175	675 205
2.0	LOW (350 CFM/TON)	ON	ON	OFF	ON	CFM WATTS	700 70	700 115	700 145	700 185	700 220
	NORMAL (400 CFM/TON)	ON	ON	OFF	OFF	CFM WATTS	800 100	800 135	800 175	800 225	800 280
	HIGH (450 CFM/TON)	ON	ON	ON	OFF	CFM WATTS	900 125	900 165	900 220	900 270	900 330
2.5	LOW (350 CFM/TON)	OFF	ON	OFF	ON	CFM WATTS	875 115	875 160	875 210	875 260	875 310
	NORMAL (400 CFM/TON)	OFF	ON	OFF	OFF	CFM WATTS	1000 150	1000 207	1000 265	1000 320	1000 380
	HIGH (450 CFM/TON)	OFF	ON	ON	OFF	CFM WATTS	1125 215	1125 285	1125 340	1125 395	1125 440
3	LOW (350 CFM/TON)	ON	OFF	OFF	ON	CFM WATTS	1050 175	1050 240	1050 305	1050 345	1050 380
	NORMAL (400 CFM/TON)	ON	OFF	OFF	OFF	CFM WATTS	1200 240	1200 315	1200 385	1200 440	1100 410
	HIGH (450 CFM/TON)	ON	OFF	ON	OFF	CFM WATTS	1350 330	1350 410	1350 500	1275 485	1170 450

NOTES: \* First letter may be "A" or "T"  
 1. At continuous fan setting: Heating or Cooling airflows are approximately 50% of selected cooling value.  
 2. LOW airflow (350 cfm/ton) is COMFORT & HUMID CLIMATE setting;  
 NORMAL airflow (400 cfm/ton) is typical setting;  
 HIGH airflow (450 cfm/ton) is DRY CLIMATE setting.

# Service Facts

## \*DH2B080A9V3V FURNACE HEATING AIRFLOW (CFM) AND POWER (WATTS) VS. EXTERNAL STATIC PRESSURE WITH FILTER

1st STAGE CAPACITY = 49,400  
2nd STAGE CAPACITY = 76,000

	AIRFLOW SETTING	DIP SWITCH SETTING			EXTERNAL STATIC PRESSURE				
		SW 7	SW 8		0.1	0.3	0.5	0.7	0.9
HEATING 1ST STAGE	LOW	ON	ON	CFM TEMP. RISE WATTS	800 56 130	800 56 170	800 56 210	790 56 245	-
	MEDIUM LOW	OFF	ON	CFM TEMP. RISE WATTS	900 49 162	900 49 210	900 49 260	900 49 295	-
	NORMAL **	ON	OFF	CFM TEMP. RISE WATTS	1000 44 205	1000 44 265	1000 44 310	1000 44 345	800 56 295
	HIGH	OFF	OFF	CFM TEMP. RISE WATTS	1170 38 305	1170 38 350	1170 38 400	1020 44 360	830 54 310
HEATING 2ND STAGE	LOW	ON	ON	CFM TEMP. RISE WATTS	1150 60 285	1150 60 345	1150 60 385	1020 67*** 360	830 83*** 305
	MEDIUM LOW	OFF	ON	CFM TEMP. RISE WATTS	1275 54 380	1275 54 445	1200 57 425	1040 66*** 380	900 76*** 350
	NORMAL **	ON	OFF	CFM TEMP. RISE WATTS	1430 48 515	1340 51 490	1220 56 455	1090 63 410	930 74*** 380
	HIGH	OFF	OFF	CFM TEMP. RISE WATTS	1430 48 515	1340 51 490	1220 56 455	1090 63 410	930 74*** 380

NOTES: \* - First letter may be "A" or "T"  
\*\* Factory setting  
\*\*\* Above MAX Temperature change value

## \*DH2B080A9V3V - FURNACE COOLING AIRFLOW (CFM) AND POWER (WATTS) VS. EXTERNAL STATIC PRESSURE WITH FILTER

OUTDOOR UNIT SIZE (TONS)	AIRFLOW SETTING	DIP SWITCH SETTING					EXTERNAL STATIC PRESSURE				
		SW 1	SW 2	SW 3	SW 4		0.1	0.3	0.5	0.7	0.9
2.0	LOW (350 CFM/TON)	ON	ON	OFF	ON	CFM WATTS	700 95	700 105	700 115	680 200	670 235
	NORMAL (400 CFM/TON)	ON	ON	OFF	OFF	CFM WATTS	800 130	800 160	800 205	790 245	740 265
	HIGH (450 CFM/TON)	ON	ON	ON	OFF	CFM WATTS	900 160	900 215	900 255	900 300	750 270
2.5	LOW (350 CFM/TON)	OFF	ON	OFF	ON	CFM WATTS	875 145	875 185	875 240	875 280	760 270
	NORMAL (400 CFM/TON)	OFF	ON	OFF	OFF	CFM WATTS	1000 205	1000 265	1000 310	1000 340	800 295
	HIGH (450 CFM/TON)	OFF	ON	ON	OFF	CFM WATTS	1150 295	1150 340	1150 385	1020 350	800 300
3.0	LOW (350 CFM/TON)	ON	OFF	OFF	ON	CFM WATTS	1050 235	1050 295	1050 340	1010 350	800 290
	NORMAL (400 CFM/TON)	ON	OFF	OFF	OFF	CFM WATTS	1200 335	1200 385	1200 410	1040 365	840 310
	HIGH (450 CFM/TON)	ON	OFF	ON	OFF	CFM WATTS	1350 455	1350 480	1210 435	1070 390	900 345

NOTES: \* First letter may be "A" or "T"  
1. At continuous fan setting: Heating or Cooling airflows are approximately 50% of selected cooling value.  
2. LOW airflow (350 cfm/ton) is COMFORT & HUMID CLIMATE setting;  
NORMAL airflow (400 cfm/ton) is typical setting;  
HIGH airflow (450 cfm/ton) is DRY CLIMATE setting.

# Service Facts

*DH2B080A9V4V FURNACE HEATING AIRFLOW (CFM) AND POWER (WATTS) VS. EXTERNAL STATIC PRESSURE WITH FILTER									
					1st STAGE CAPACITY = 49,400 2nd STAGE CAPACITY = 76,000				
	AIRFLOW SETTING	DIP SWITCH SETTING			EXTERNAL STATIC PRESSURE				
		SW 7	SW 8		0.1	0.3	0.5	0.7	0.9
HEATING 1ST STAGE	LOW	ON	ON	CFM TEMP. RISE WATTS	800 56 130	800 56 170	800 56 210	790 56 245	-
	MEDIUM LOW	OFF	ON	CFM TEMP. RISE WATTS	900 49 162	900 49 210	900 49 260	900 49 295	-
	MEDIUM **	ON	OFF	CFM TEMP. RISE WATTS	1000 44 205	1000 44 265	1000 44 310	1000 44 345	800 56 295
	HIGH	OFF	OFF	CFM TEMP. RISE WATTS	1170 38 305	1170 38 350	1170 38 400	1020 44 360	830 54 310
HEATING 2ND STAGE	LOW	ON	ON	CFM TEMP. RISE WATTS	1150 60 285	1150 60 345	1150 60 385	1020 67*** 360	830 83*** 305
	MEDIUM LOW	OFF	ON	CFM TEMP. RISE WATTS	1275 54 380	1275 54 445	1200 57 425	1040 66*** 380	900 76*** 350
	MEDIUM **	ON	OFF	CFM TEMP. RISE WATTS	1430 48 515	1340 51 490	1220 56 455	1090 63 410	930 74*** 380
	HIGH	OFF	OFF	CFM TEMP. RISE WATTS	1430 48 515	1340 51 490	1220 56 455	1090 63 410	930 74*** 380

NOTES: \* - First letter may be "A" or "T"  
 \*\* Factory setting  
 \*\*\* Above MAX Temperature change value

*DH2B080A9V4V - FURNACE COOLING AIRFLOW (CFM) AND POWER (WATTS) VS. EXTERNAL STATIC PRESSURE WITH FILTER											
OUTDOOR UNIT SIZE (TONS)	AIRFLOW SETTING	DIP SWITCH SETTING					EXTERNAL STATIC PRESSURE				
		SW 1	SW 2	SW 3	SW 4		0.1	0.3	0.5	0.7	0.9
2.5	LOW (350 CFM/TON)	ON	ON	OFF	ON	CFM WATTS	849 141	865 191	881 241	878 294	876 348
	NORMAL (400 CFM/TON)	ON	ON	OFF	OFF	CFM WATTS	953 195	965 250	977 305	973 358	970 411
	HIGH (450 CFM/TON)	ON	ON	ON	OFF	CFM WATTS	1057 249	1065 309	1073 369	1069 422	1064 474
3.0	LOW (350 CFM/TON)	OFF	ON	OFF	ON	CFM WATTS	999 188	1003 241	1008 394	1018 354	1029 414
	NORMAL (400 CFM/TON)	OFF	ON	OFF	OFF	CFM WATTS	1144 300	1150 362	1156 423	1160 486	1165 548
	HIGH (450 CFM/TON)	OFF	ON	ON	OFF	CFM WATTS	1288 412	1297 482	1305 552	1303 617	1300 682
3.5	LOW (350 CFM/TON)	ON	OFF	OFF	ON	CFM WATTS	1156 307	1165 374	1174 440	1177 502	1179 563
	NORMAL (400 CFM/TON)	ON	OFF	OFF	OFF	CFM WATTS	1327 446	1335 518	1343 589	1325 641	1307 693
	HIGH (450 CFM/TON)	ON	OFF	ON	OFF	CFM WATTS	1506 634	1502 703	1498 771	1418 746	1338 721
4.0	LOW (350 CFM/TON)	OFF	OFF	OFF	ON	CFM WATTS	1327 446	1335 518	1343 589	1325 641	1307 693
	NORMAL (400 CFM/TON)	OFF	OFF	OFF	OFF	CFM WATTS	1525 656	1522 727	1518 797	1430 761	1341 725
	HIGH (450 CFM/TON)	OFF	OFF	ON	OFF	CFM WATTS	1706 906	1635 881	1563 857	1471 813	1379 769

NOTES: \* First letter may be "A" or "T"  
 1. At continuous fan setting: Heating or Cooling airflows are approximately 50% of selected cooling value.  
 2. LOW airflow (350 cfm/ton) is COMFORT & HUMID CLIMATE setting;  
 NORMAL airflow (400 cfm/ton) is typical setting;  
 HIGH airflow (450 cfm/ton) is DRY CLIMATE setting.



# Service Facts

<b>*DH2C100A9V4V - FURNACE HEATING AIRFLOW (CFM) AND POWER (WATTS) VS. EXTERNAL STATIC PRESSURE WITH FILTER</b>									
					1st STAGE CAPACITY = 61,750 2nd STAGE CAPACITY = 95,000				
	AIRFLOW SETTING	DIP SWITCH SETTING			EXTERNAL STATIC PRESSURE				
		SW 7	SW 8		0.1	0.3	0.5	0.7	0.9
HEATING 1ST STAGE	LOW	ON	ON	CFM TEMP. RISE WATTS	923 61 110	955 59 165	960 58 210	958 58 265	947 59 310
	MEDIUM LOW	OFF	ON	CFM TEMP. RISE WATTS	1020 55 145	1047 53 190	1053 53 250	1042 54 295	1029 54 350
	MEDIUM **	ON	OFF	CFM TEMP. RISE WATTS	1156 48 185	1166 48 240	1172 48 300	1177 48 350	1178 48 420
	HIGH	OFF	OFF	CFM TEMP. RISE WATTS	1275 44 225	1305 43 290	1328 42 365	1328 42 445	1328 42 510
HEATING 2ND STAGE	LOW	ON	ON	CFM TEMP. RISE WATTS	1298 66 235	1320 65 305	1335 65 380	1343 64 445	1343 64 520
	MEDIUM LOW	OFF	ON	CFM TEMP. RISE WATTS	1439 60 310	1459 59 390	1482 58 470	1483 58 550	1470 59 610
	MEDIUM **	ON	OFF	CFM TEMP. RISE WATTS	1639 53 430	1650 52 525	1650 52 600	1644 52 680	1496 58 640
	HIGH	OFF	OFF	CFM TEMP. RISE WATTS	1790 18 570	1818 47 670	1813 47 770	1708 50 750	1535 56 675

NOTES: \* - First letter may be "A" or "T"  
 \*\* Factory setting  
 \*\*\* Above MAX temperature change

<b>*DH2C100A9V4V - FURNACE COOLING AIRFLOW (CFM) AND POWER (WATTS) VS. EXTERNAL STATIC PRESSURE WITH FILTER</b>											
OUTDOOR UNIT SIZE (TONS)	AIRFLOW SETTING	DIP SWITCH SETTING					EXTERNAL STATIC PRESSURE				
		SW 1	SW 2	SW 3	SW 4		0.1	0.3	0.5	0.7	0.9
2.5	LOW (350 CFM/TON)	ON	ON	OFF	ON	CFM WATTS	870 100	885 140	887 185	881 230	876 270
	NORMAL (400 CFM/TON)	ON	ON	OFF	OFF	CFM WATTS	989 120	1018 180	1016 230	1012 285	999 325
	HIGH (450 CFM/TON)	ON	ON	ON	OFF	CFM WATTS	1124 175	1139 225	1130 275	1135 335	1135 390
3.0	LOW (350 CFM/TON)	OFF	ON	OFF	ON	CFM WATTS	1053 145	1075 200	1070 245	1070 295	1049 350
	NORMAL (400 CFM/TON)	OFF	ON	OFF	OFF	CFM WATTS	1186 195	1205 255	1220 310	1220 370	1216 440
	HIGH (450 CFM/TON)	OFF	ON	ON	OFF	CFM WATTS	1336 255	1366 340	1383 405	1385 470	1381 545
3.5	LOW (350 CFM/TON)	ON	OFF	OFF	ON	CFM WATTS	1216 190	1225 255	1235 320	1240 385	1243 445
	NORMAL (400 CFM/TON)	ON	OFF	OFF	OFF	CFM WATTS	1394 270	1422 360	1436 430	1437 505	1430 580
	HIGH (450 CFM/TON)	ON	OFF	ON	OFF	CFM WATTS	1579 395	1604 475	1610 555	1599 645	1517 640
4.0	LOW (350 CFM/TON)	OFF	OFF	OFF	ON	CFM WATTS	1377 270	1412 355	1426 430	1433 510	1428 575
	NORMAL (400 CFM/TON)	OFF	OFF	OFF	OFF	CFM WATTS	1599 425	1624 510	1636 585	1618 670	1512 635
	HIGH (450 CFM/TON)	OFF	OFF	ON	OFF	CFM WATTS	1801 580	1818 690	1815 775	1694 735	1525 660

NOTES: \* - First letter may be "A" or "T"  
 1. At continuous fan setting: Heating or Cooling airflows are approximately 50% of selected cooling value.  
 2. LOW airflow (350 cfm/ton) is COMFORT & HUMID CLIMATE setting;  
 NORMAL airflow (400 cfm/ton) is typical setting;  
 HIGH airflow (450 cfm/ton) is DRY CLIMATE setting.

# Service Facts

*DH2D120A9V5V - FURNACE HEATING AIRFLOW (CFM) AND POWER (WATTS) VS. EXTERNAL STATIC PRESSURE WITH FILTER									
					1st STAGE CAPACITY = 74,000 2nd STAGE CAPACITY = 114,000				
	AIRFLOW SETTING	DIP SWITCH SETTING			EXTERNAL STATIC PRESSURE				
		SW 8	SW 7		0.1	0.3	0.5	0.7	0.9
HEATING 1ST STAGE	LOW	ON	ON	CFM TEMP. RISE WATTS	1025 65 150	1025 65 200	1000 67 240	1000 67 290	1000 67 340
	MEDIUM LOW	OFF	ON	CFM TEMP. RISE WATTS	1200 56 230	1200 56 270	1200 56 330	1200 56 390	1200 56 450
	NORMAL **	ON	OFF	CFM TEMP. RISE WATTS	1350 49 280	1350 49 340	1350 49 490	1350 49 470	1350 49 530
	HIGH	OFF	OFF	CFM TEMP. RISE WATTS	1550 43 400	1550 43 490	1550 43 560	1550 43 620	1450 46 600
HEATING 2ND STAGE	LOW	ON	ON	CFM TEMP. RISE WATTS	1550 66 380	1550 66 470	1550 66 540	1550 66 610	1450 71*** 690
	MEDIUM LOW	OFF	ON	CFM TEMP. RISE WATTS	1850 56 660	1850 56 750	1850 56 780	1700 60 720	1500 69 640
	NORMAL **	ON	OFF	CFM TEMP. RISE WATTS	2050 50 860	2000 51 880	1850 56 810	1700 60 750	1550 66 670
	HIGH	OFF	OFF	CFM TEMP. RISE WATTS	2105 49 1000	2050 50 940	1900 54 880	1775 58 820	1625 63 750

NOTES:  
 \* First letter may be "A" or "T"  
 \*\* Factory setting

*DH2D120A9V5V - FURNACE COOLING AIRFLOW (CFM) AND POWER (WATTS) VS. EXTERNAL STATIC PRESSURE WITH FILTER											
OUTDOOR UNIT SIZE (TONS)	AIRFLOW SETTING	DIP SWITCH SETTING					EXTERNAL STATIC PRESSURE				
		SW 1	SW 2	SW 3	SW 4		0.1	0.3	0.5	0.7	0.9
3.5	LOW (350 CFM/TON)	OFF	ON	OFF	ON	CFM WATTS	1225 240	1225 280	1225 340	1225 400	1225 450
	NORMAL (400 CFM/TON)	OFF	ON	OFF	OFF	CFM WATTS	1400 310	1400 390	1400 470	1400 520	1400 570
	HIGH (450 CFM/TON)	OFF	ON	ON	OFF	CFM WATTS	1600 450	1600 520	1600 590	1600 640	1450 600
4.0	LOW (350 CFM/TON)	ON	OFF	OFF	ON	CFM WATTS	1400 300	1400 380	1400 450	1400 520	1400 570
	NORMAL (400 CFM/TON)	ON	OFF	OFF	OFF	CFM WATTS	1600 460	1600 530	1600 610	1600 670	1450 600
	HIGH (450 CFM/TON)	ON	OFF	ON	OFF	CFM WATTS	1800 610	1800 700	1800 760	1650 690	1500 630
5	LOW (350 CFM/TON)	OFF	OFF	OFF	ON	CFM WATTS	1750 580	1750 640	1750 720	1650 680	1450 610
	NORMAL (400 CFM/TON)	OFF	OFF	OFF	OFF	CFM WATTS	2000 830	2000 860	1850 800	1700 740	1550 660
	HIGH (450 CFM/TON)	OFF	OFF	ON	OFF	CFM WATTS	2100 970	2000 910	1900 850	1650 780	1600 710

NOTES: \* - First letter may be "A" or "T"  
 1. At continuous fan setting: Heating or Cooling airflows are approximately 50% of selected cooling value.  
 2. LOW airflow (350 cfm/ton) is COMFORT & HUMID CLIMATE setting;  
 NORMAL airflow (400 cfm/ton) is typical setting;  
 HIGH airflow (450 cfm/ton) is DRY CLIMATE setting.

CFM VS. TEMPERATURE RISE																	
MODEL	Cubic Feet Per Minute (CFM)																
	800	900	1000	1100	1200	1300	1400	1500	1600	1700	1800	1900	2000	2100	2200	2300	2400
*UH/DH2B060A9V3VA	63	56	51	46	42	39	36	34									
*UH/DH2B080A9V3VA *UH/DH2B080A9V4VA			68	61	56	52	48	45	42	40							
*UH/DH2C100A9V4VA *UH2C100A9V5VA						65	60	56	53	50	47	44	42	40	38	37	35
*UH/DH2D120A9V5VA								67	63	59	56	53	51	48	46	44	42

\* - First letter may be "A" or "T"

INTEGRATED FURNACE CONTROL LED FLASH CODES	
<b>RED LED - LitePort™ DATA - 1 FLASH EVERY 20 SECONDS</b>	
2 Flashes ---	RETRIES OR RECYCLES EXCEEDED
3 Flashes ---	INDUCER OR PRESSURE SWITCH ERROR
4 Flashes ---	OPEN LIMIT OR ROLLOUT SWITCH
5 Flashes ---	FLAME SENSED WHEN NO FLAME SHOULD BE PRESENT
6 Flashes ---	LINE REVERSE POLARITY
7 Flashes ---	GAS VALVE CIRCUIT ERROR
8 Flashes ---	WEAK FLAME
9 Flashes ---	OPEN INDUCER LIMIT ERROR
<b>GREEN LED - STATUS</b>	
Slow Flash	NORMAL, NO CALL FOR HEAT
Fast Flash	NORMAL, CALL FOR HEAT PRESENT
GREEN and RED LED's on Continuously	FUSE OPEN OR INTERNAL CONTROL FAILURE

### FAULT CODE RECOVERY

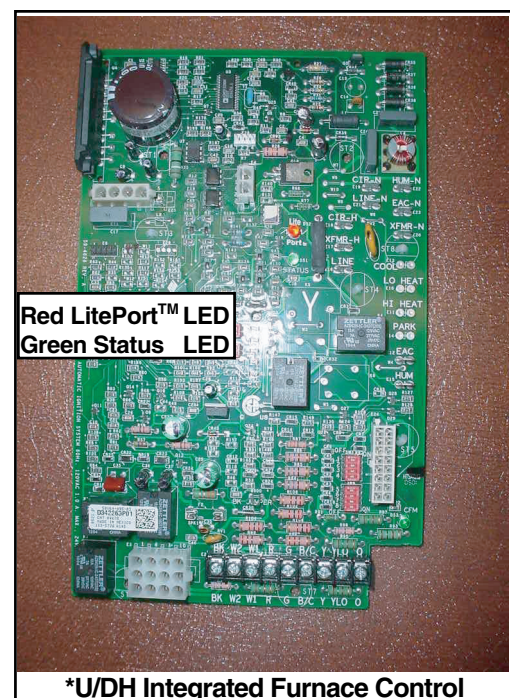
On power up, last 4 faults, if any, will be flashed on the red LED. The newest fault detected will flash first and the oldest last. There will be a 2 second delay between fault code flashes. Solid red LED error codes will not be displayed.

The Green LED will be on solid during last fault recovery. At any other time the control is powered, the Green LED indicator light will operate as shown in the table above and the red LED will flash LitePort data (one flash) every 20 seconds.

INTEGRATED FURNACE CONTROL GREEN "STATUS" LED FLASH CODES	
Flashing Slow ---	Normal - No call for Heat
Flashing Fast ---	Normal - Call for Heat

### Fault Code Reset

The last 4 fault codes can be erased from memory by powering up the control with "G" energized and then applying "R" to the "W1" terminal 3 times within 6 seconds. The control will acknowledge the reset by turning on the red LED for 2 seconds.

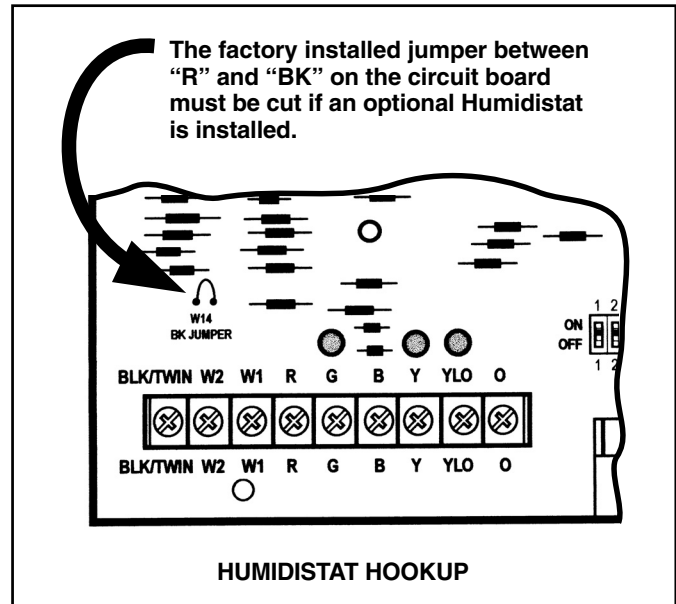


**\*U/DH Integrated Furnace Control**

# Service Facts

## HUMIDISTAT HOOKUP

If an optional humidistat is to be connected between “R” and “BK”, the factory installed jumper between “R” and “BK” on the circuit board must be cut. If an optional Humidistat is used, the jumper must also be cut when applying an airflow command signal to the “BK” input such as with the variable speed single-zone and multi-zone system controller. On single speed cooling only/non-heat pump systems, jumper “Y” to “O” for proper operation of the delay profiles and the humidistat. For two compressor or two speed systems, jumper “Ylo” to “O.”



## Troubleshooting Flowchart Index

- 30) IFC Component Layout
- 31) LED Flash Codes
- 32) Getting started
- 33) 2 Flash Troubleshooting Retry and Recycle Lockout
- 35) 3 Flash Troubleshooting Pressure Switch Fault
- 36) 4 Flash Troubleshooting High Limit and Auxiliary Limit
- 37) 4 Flash Troubleshooting Roll Out Switch
- 38) 5 Flash Troubleshooting Flame Sensed Fault
- 39) 6 Flash Troubleshooting Polarity Reversed
- 40) 7 Flash Troubleshooting External Gas Valve Circuit Fault
- 41) 8 Flash Troubleshooting Low Flame Sense Fault
- 42) 9 Flash Troubleshooting Open Inducer Limit
- 43) VS No Air Flow / Incorrect Air Flow

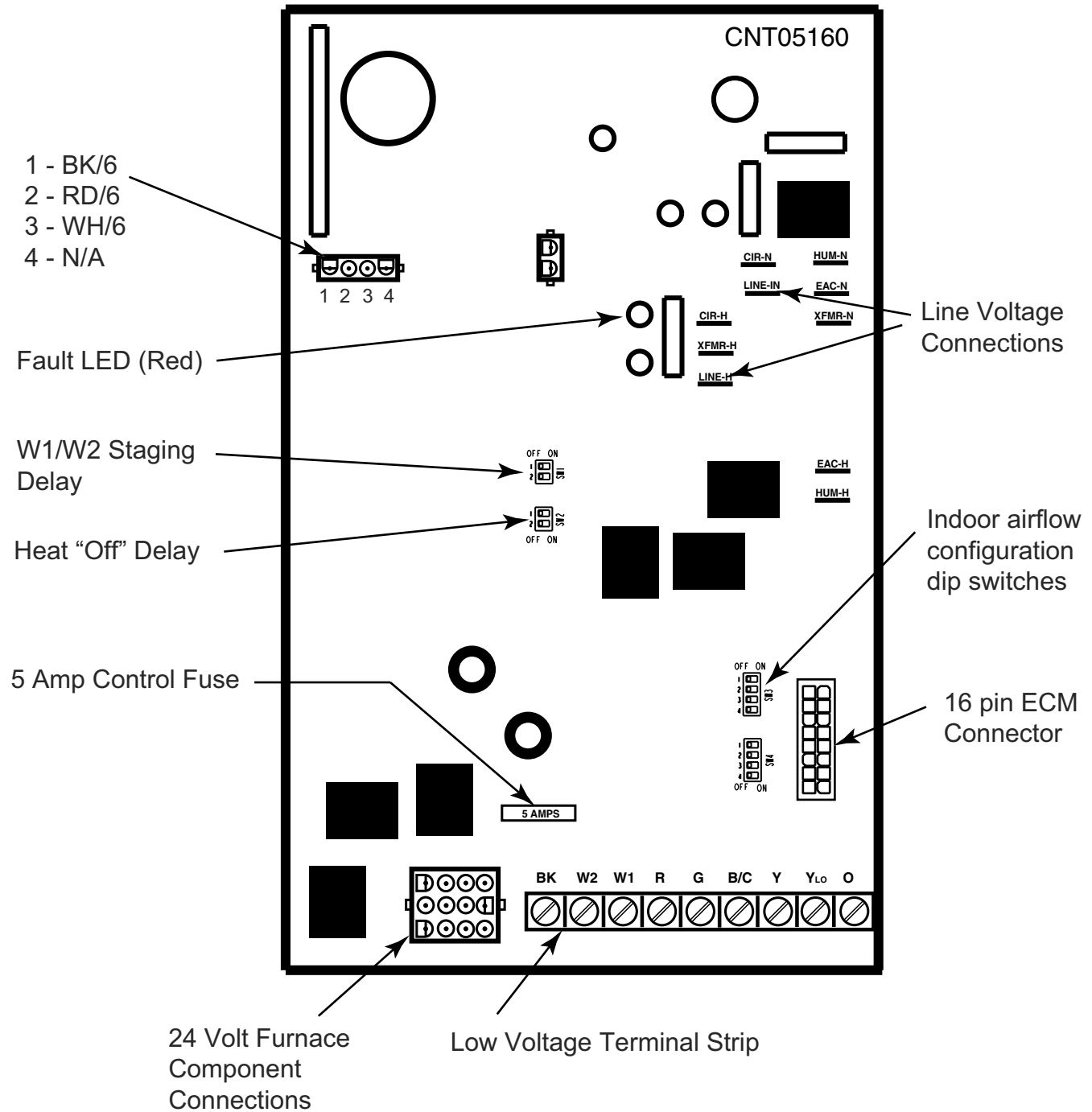
The following pages include troubleshooting flowcharts in reference to the 95% Two Stage (\*UH2) furnaces ONLY; using the FAULT LED as starting points.

The information contained is for reference only and does not cover all scenarios or problems that may be encountered by a qualified field technician.

Only qualified technicians should attempt to install, troubleshoot, or repair this appliance. Failure to follow all cautions and/or warnings could result in personal or property damage; including death.

# Service Facts

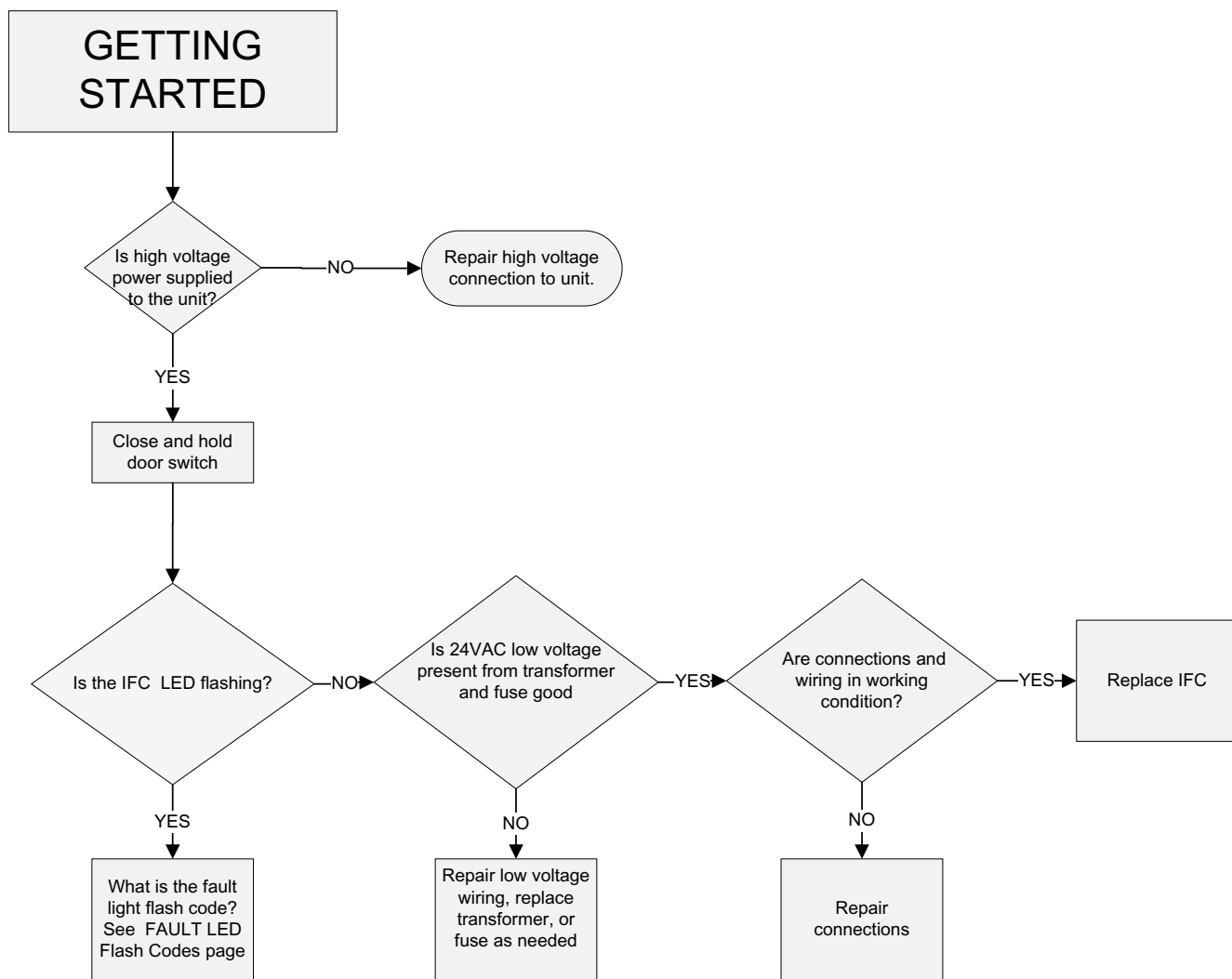
## Integrated Furnace Control (IFC) Component Layout



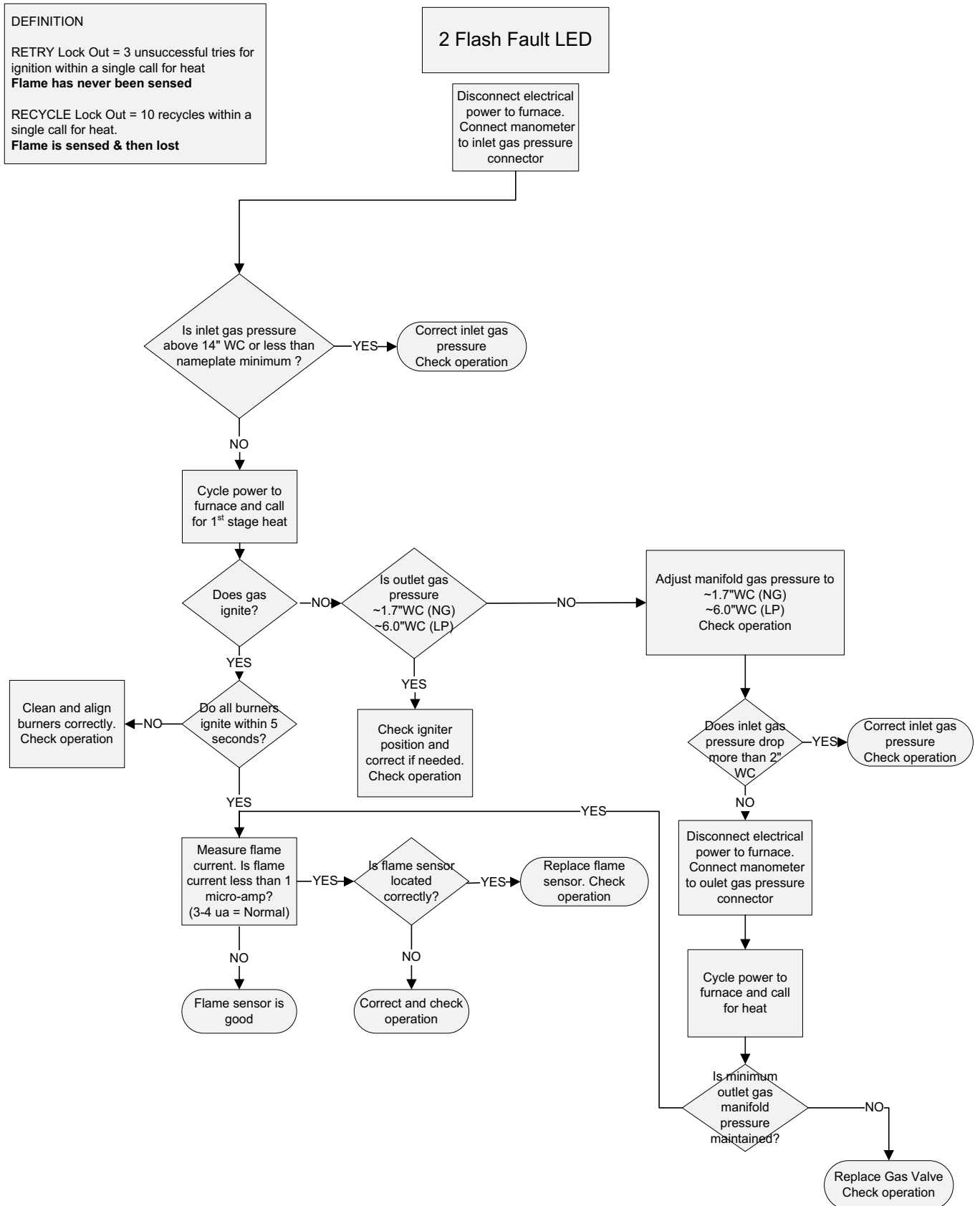
## Fault LED Flash Codes Definitions

<b>INTEGRATED FURNACE CONTROL LED FLASH CODES</b>	
<b>RED LED - LitePort™ DATA - 1 FLASH EVERY 20 SECONDS</b>	
2 Flashes ---	RETRIES OR RECYCLES EXCEEDED
3 Flashes ---	INDUCER OR PRESSURE SWITCH ERROR
4 Flashes ---	OPEN LIMIT OR ROLLOUT SWITCH
5 Flashes ---	FLAME SENSED WHEN NO FLAME SHOULD BE PRESENT
6 Flashes ---	LINE REVERSE POLARITY
7 Flashes ---	GAS VALVE CIRCUIT ERROR
8 Flashes ---	WEAK FLAME
9 Flashes ---	OPEN INDUCER LIMIT ERROR
<b>GREEN LED - STATUS</b>	
Slow Flash	NORMAL, NO CALL FOR HEAT
Fast Flash	NORMAL, CALL FOR HEAT PRESENT
GREEN and RED LED's on Continuously	FUSE OPEN OR INTERNAL CONTROL FAILURE

# Service Facts

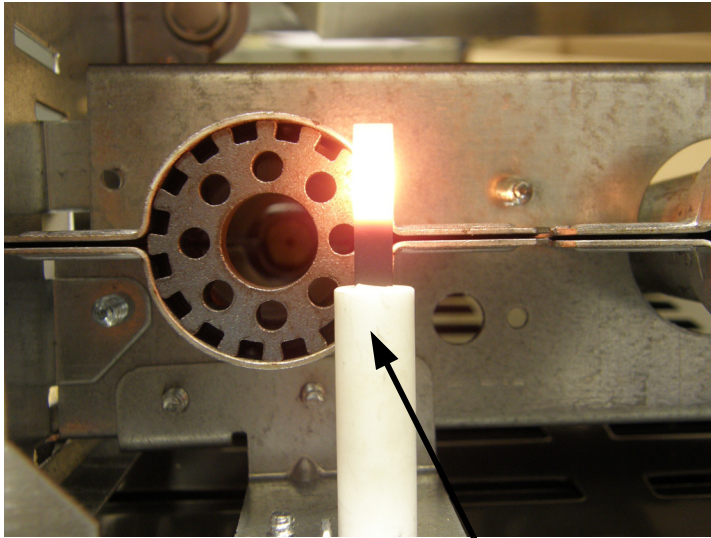






# Service Facts

---



Correct positioning of ignitor sensor.

NOTE the slight overlap of the ignitor and the burner

Igniter slightly overlapping OD of burner

**DEFINITION**

An error has occurred with the PS1 or PS2. The error will be reported, indicating that the pressure switch is either opened or closed, contrary to normal operating sequence.

**In most cases, the pressure switch is not the problem.**

Note: Verify all wiring to pressure switch is correct per wiring diagram

## 3 Flash Fault LED

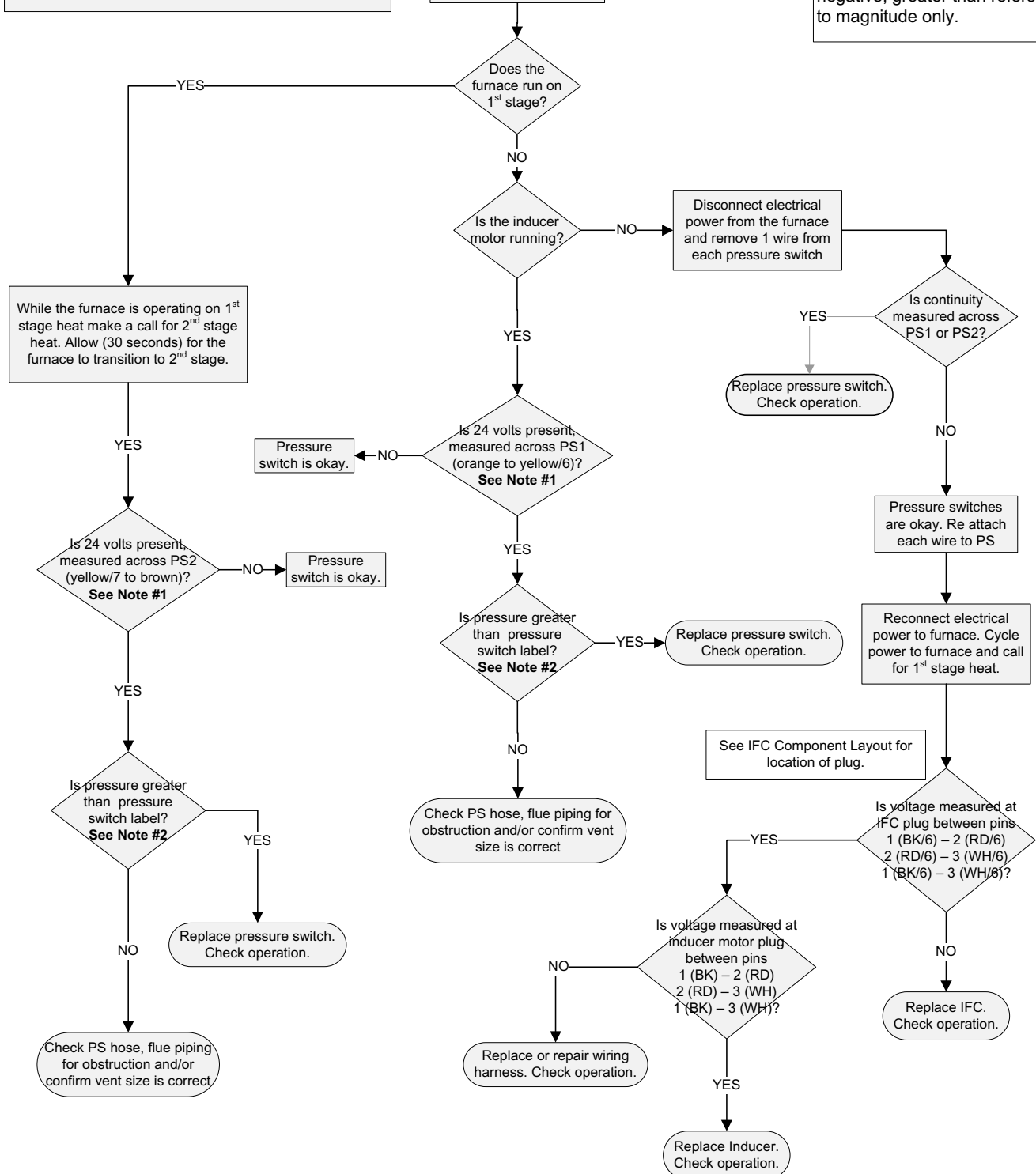
Cycle power to the furnace and call for 1<sup>st</sup> stage heat.

**Note #1**

24 volts = Open Switch  
0 volts = Closed Switch

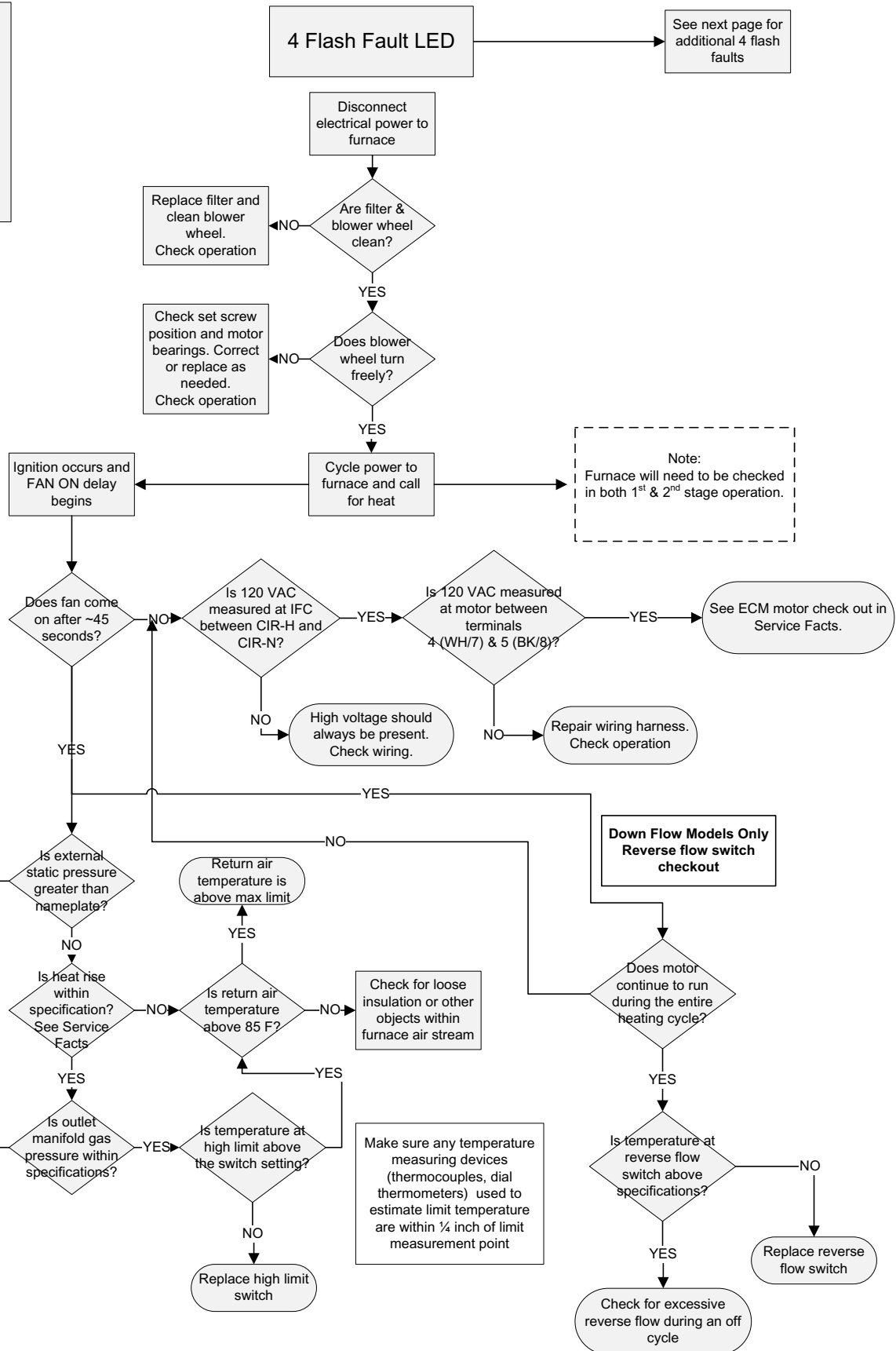
**Note #2**

Measured pressure is negative, greater than refers to magnitude only.



# Service Facts

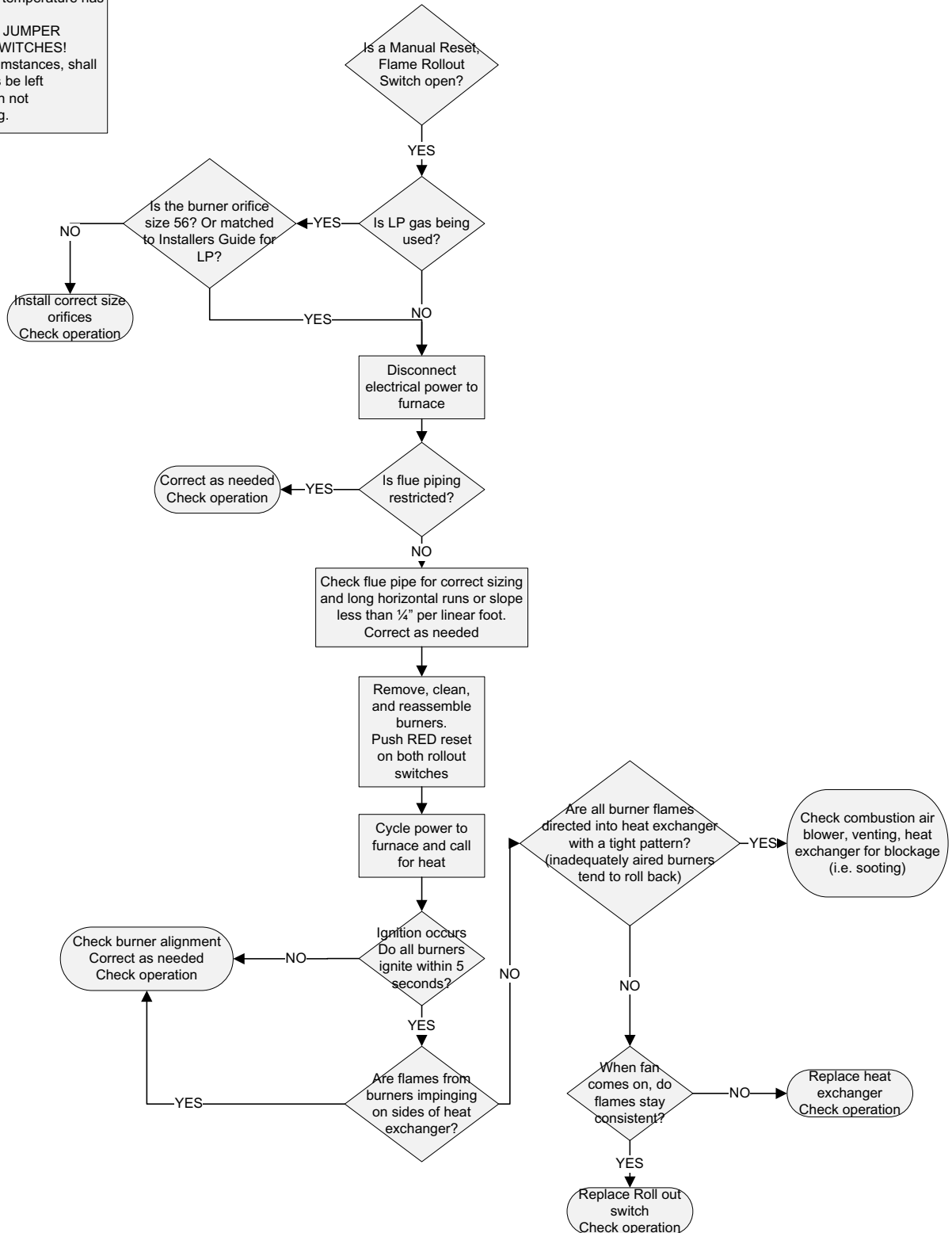
**DEFINITION**  
Limit switches are safety devices that will open when an abnormal high temperature has been sensed.  
**REMOVE ALL JUMPER WIRING TO SWITCHES!**  
Under no circumstances, shall these switches be left jumpered when not troubleshooting.



**DEFINITION:**

Limit switches are safety devices that will open when an abnormal high temperature has been sensed.  
**REMOVE ALL JUMPER WIRING TO SWITCHES!**  
 Under no circumstances, shall these switches be left jumpered when not troubleshooting.

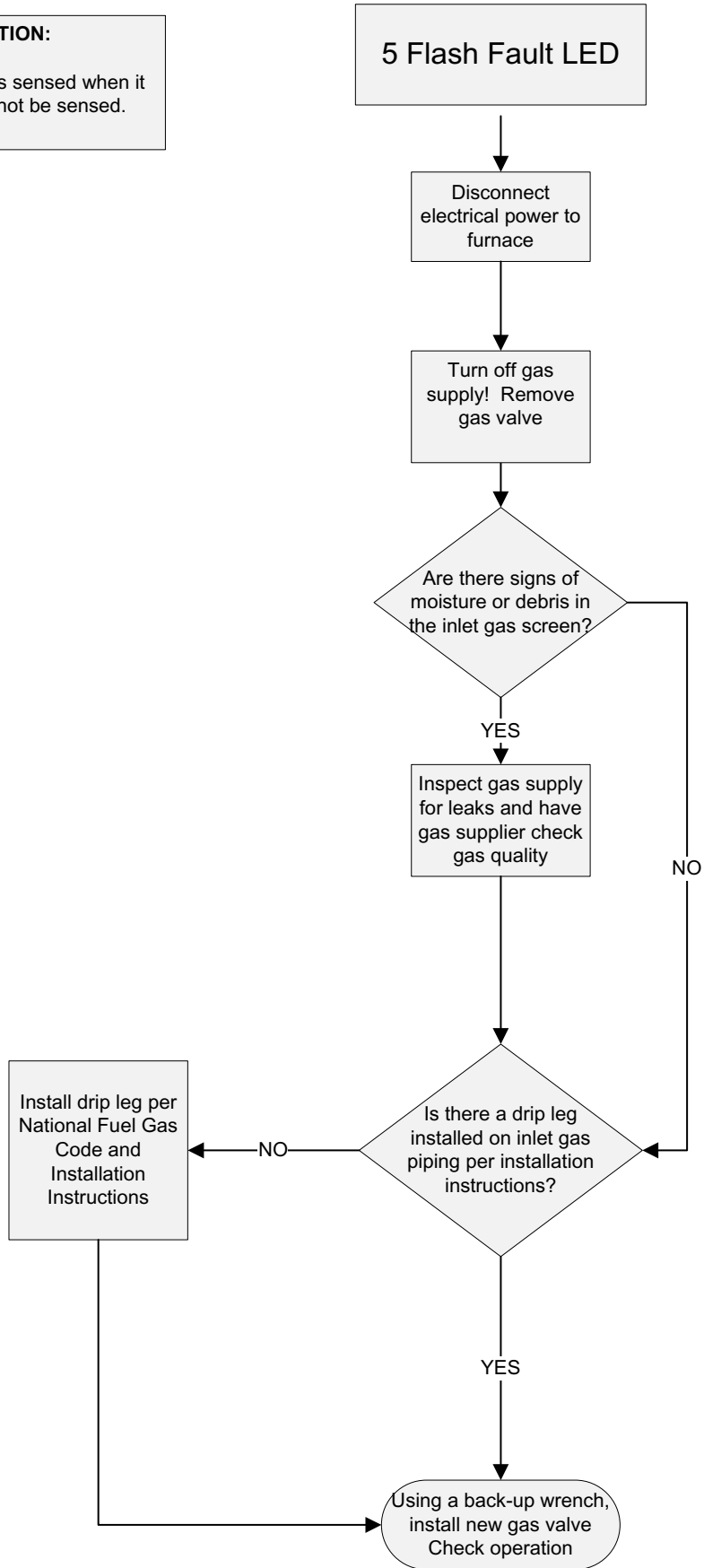
## 4 Flash Fault LED



# Service Facts

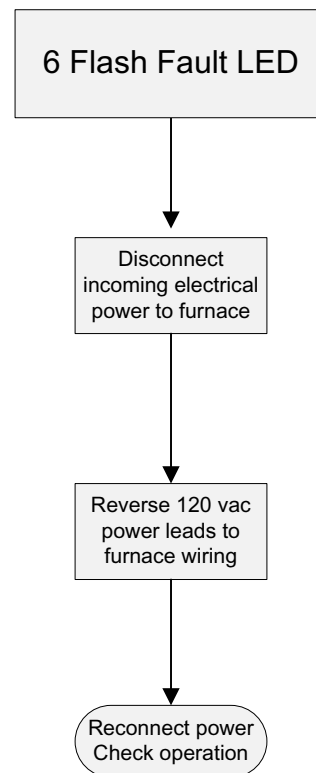
**DEFINITION:**

Flame is sensed when it should not be sensed.



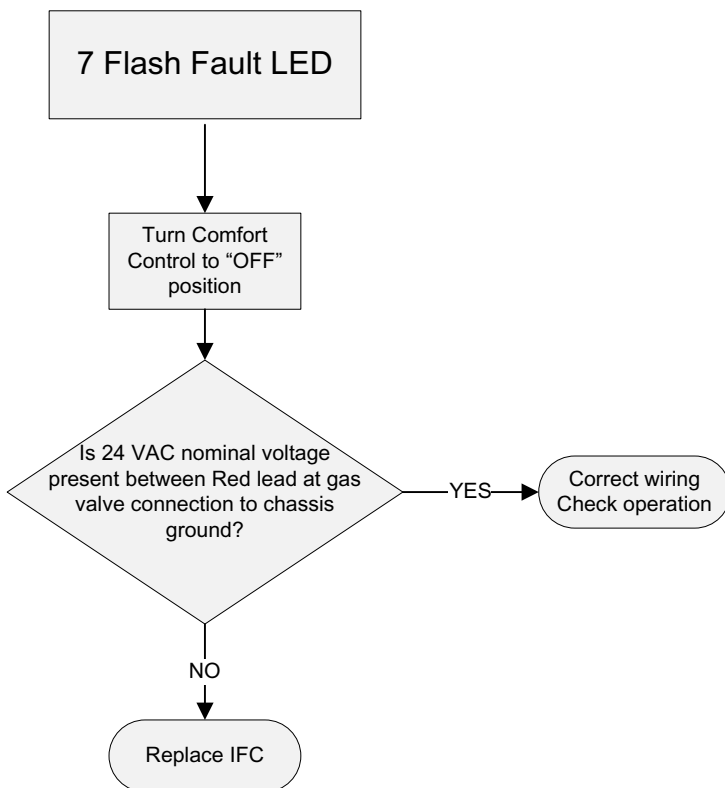
**DEFINITION:**

Polarity Fault – Incoming high voltage wiring is reversed



# Service Facts

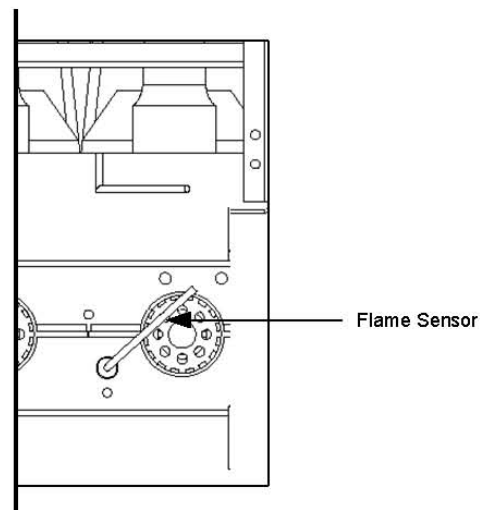
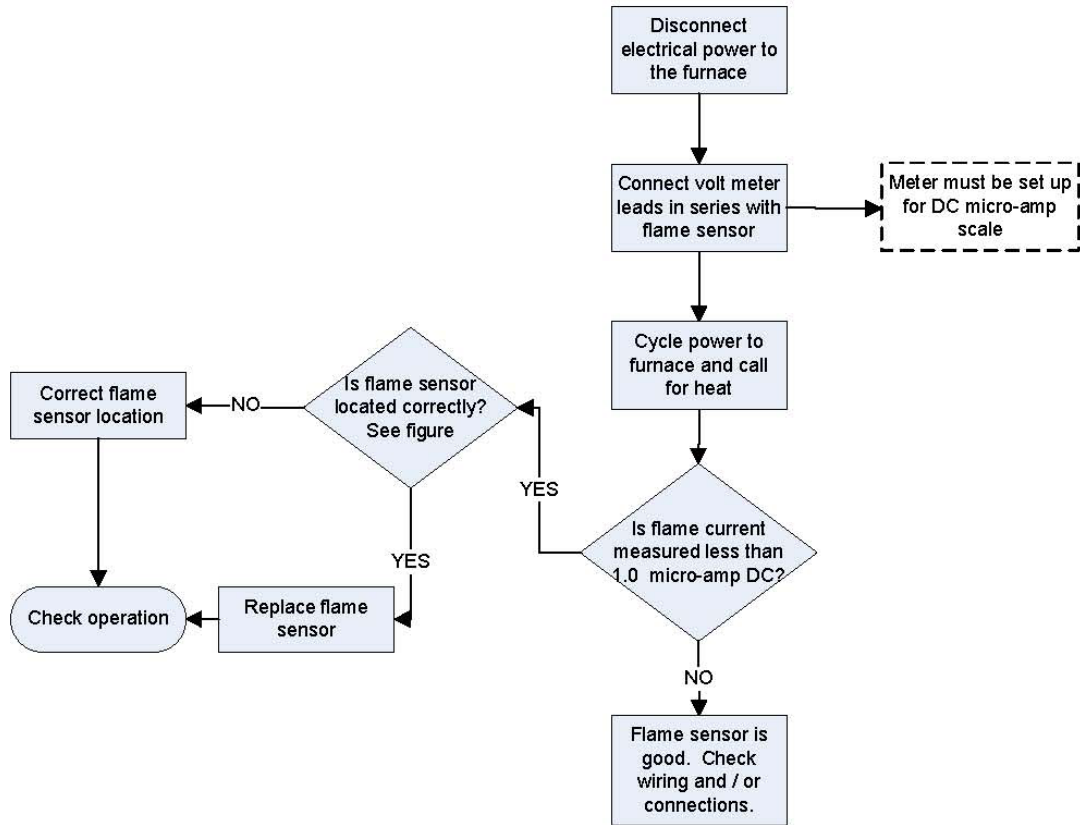
DEFINITION: External Gas Valve Circuit Error (24 volts is present when it should not be present)





**DEFINITION:**  
The flame sense current is less than 1 micro-amp DC

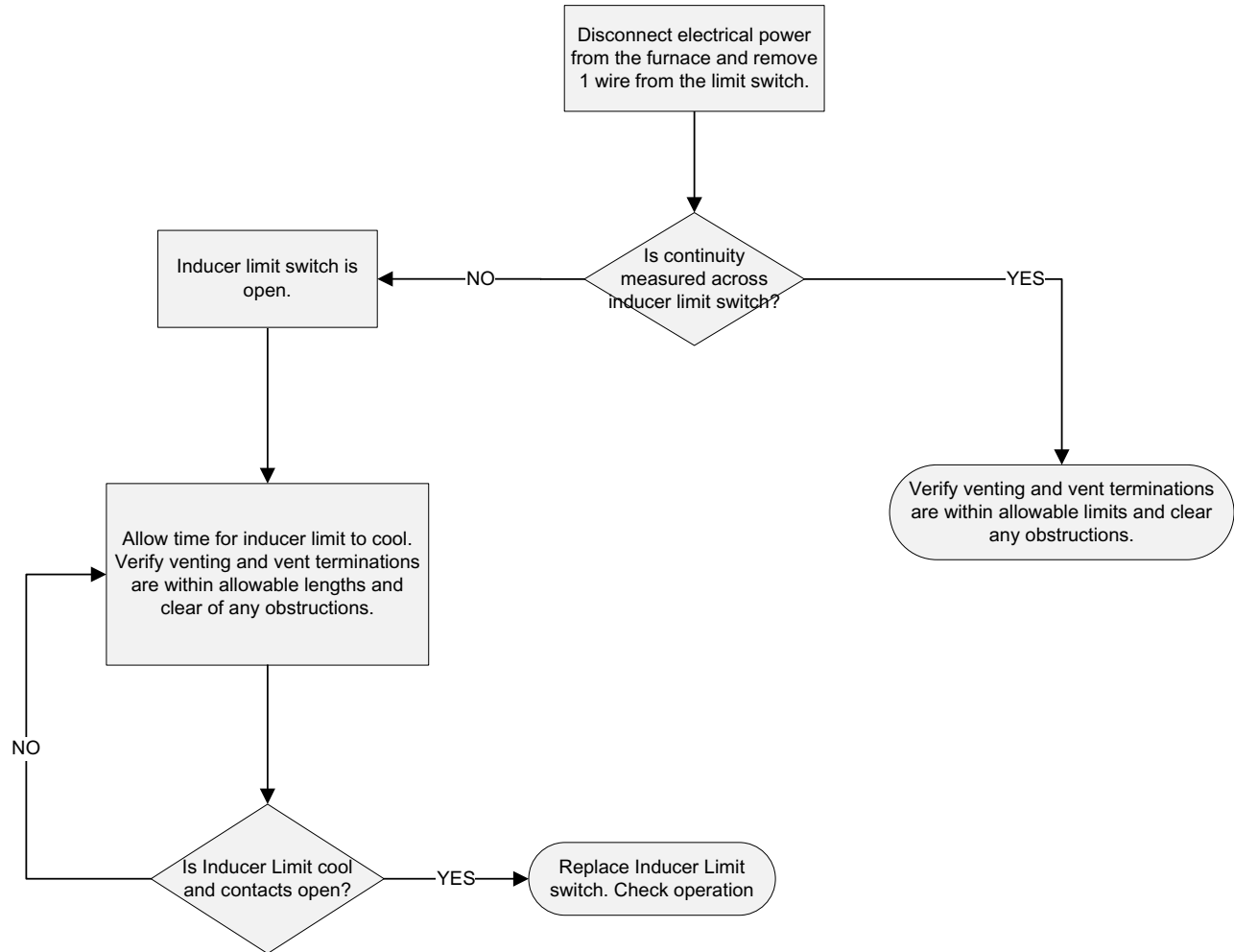
## 8 Flash Fault LED

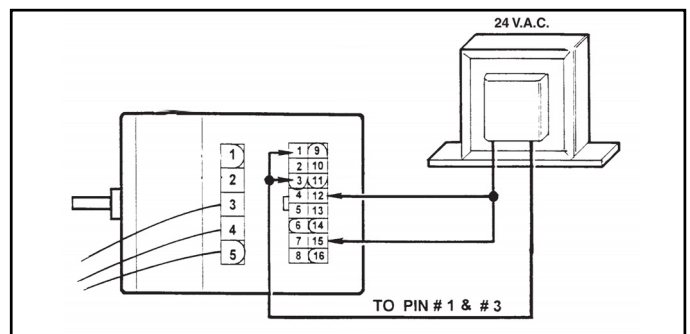
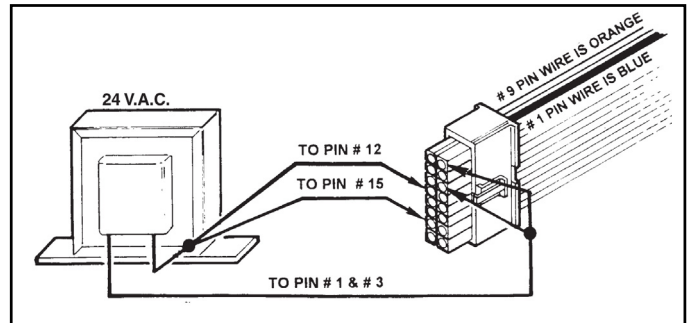
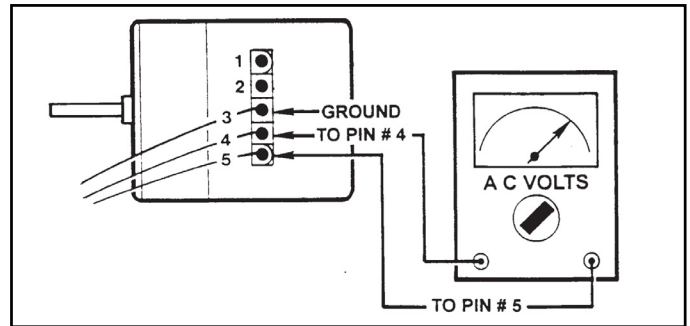
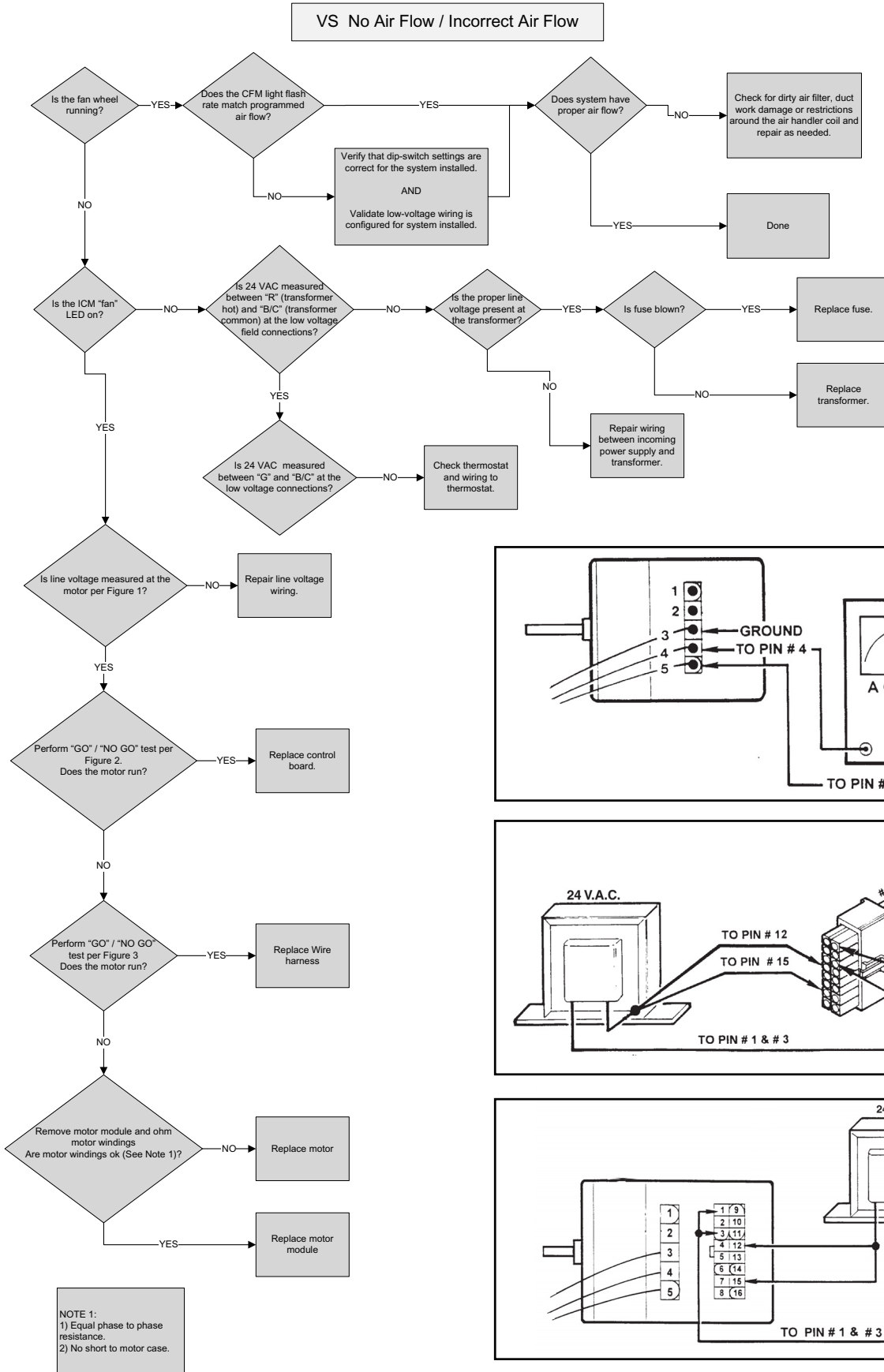


# Service Facts

Definition:  
This error is normally caused by improper installation or application of the furnace venting system.

## 9 Flash Fault LED





**Trane**  
**6200 Troup Highway**  
**Tyler, TX 75707**

*For more information contact  
your local dealer*



*The manufacturer has a policy of continuous product and product data improvement and reserves the right to change design and specifications without notice.*