



7000 Series Parts Manual

Architectural Exit Devices



table of contents

Introduction

Installation Notes	3
How to Order Parts	3
Finish Chart	3

Exit Devices

7100(F) / 7200 Rim Exit Device	4
7200M(F) Rim Exit Device	5
7150(F) / 7250 Rim Exit Device	6
7250M(F) Rim Exit Device	7
7110(F) / 7210 Surface Vertical Rod	8-9
7210M(F) Surface Vertical Rod	10-11
7170(F) Surface Vertical Rod	12-13
7170(F) LBR Surface Vertical Rod (Less Bottom Rod)	14-15
7120(F) / 7220 Concealed Vertical Rod Exit Device	16-17
7220M(F) Concealed Vertical Rod Exit Device	18-19
7160(F) Concealed Exit Device	20-21
7160(F) LBR Concealed Exit Device (Less Bottom Rod)	22-23
7130(F) Mortise Exit Device	24-25
720DB Rigid Bar	26-27
Touch Bar	28-29

Trim

603F, 622F, 624F, 625F, 626F, 628F, 629F Trim	30-31
623F, 627F Trim	32-33
652F, 654F, 656F, 658F Trim	34-35
620F, 621F, 651F Trim	36-37
633F, 635F Trim	38-39
673F, 675F Trim	40-41
632F, 634F, 662F Trim	42-43
630F, 631F, 661F Trim	44-45
680F, 681F, 684F Trim	46
480F, 481F, 482F, 483F Trim	47
502F, 504F, 505F, 506F, 508F, 509F Trim	48-49
500F, 501F, 503F, 507F Trim	50-51
518F, 519F Trim	52-53
513F, 517F Trim	54-55
512F, 514F Trim	56-57
541F, 546F, 548F, 549F Trim	58-59

Levers and Knobs

Levers and Knobs	60
----------------------------	----

Cylinders

Cylinders	61
---------------------	----

Strikes

Strikes	62
-------------------	----

Accessories

Accessories	63-64
-----------------------	-------

Mullions

Mullions	65
--------------------	----

Handing Instructions

Handing Instructions	66-67
--------------------------------	-------

Surface Vertical Rod Devices

Surface Vertical Rod Devices	68
--	----

Concealed Vertical Rod Devices

Concealed Vertical Rod Devices	69
--	----

Troubleshooting

Troubleshooting	70
---------------------------	----

introduction

Installation Notes

1. Any retrofit or other field modification to a fire rated opening can potentially impact the fire rating of the opening, and Yale Locks & Hardware makes no representations or warranties concerning what such impact may be in any specific situation. When retrofitting any portion of an existing fire rated opening, or specifying and installing a new fire rated opening, please consult with a code specialist or local code official (Authority Having Jurisdiction) to ensure compliance with all applicable codes and ratings.
2. Refer to the templates and installation instructions for complete door preparation and installation requirements.
3. Machine screws are provided for steel reinforced doors, threaded-to-the-head AB Type screws are provided for wood door applications. In addition, sex nuts and bolts are provided for fire rated devices and are optional for non-rated devices. It is recommended that sex nuts and bolts be used for all exit device applications. This will improve the performance and extend the life of the product.

How to Order Parts

1. In order to simplify the ordering procedure and maintain regulatory compliance, parts are only available as listed
2. To order parts, provide the appropriate quantity, part number, finish, hand (when required) and description as directed and illustrated below.

For example, use the following configuration to order:

A) ten escutcheon assemblies (page 30) in satin chrome

B) one surface vertical rod latch cover (page 8) in bright brass

	Quantity	Part Number	Finish	Hand	Description
A	10	60-7000-0612-FIN	626	—	Escutcheon Assemblies
B	1	60-7010-X040-FIN	605	—	Top Latch Cover

For assistance, contact your authorized Yale distributor, sales agency or visit our website at www.yalelocks.com.

Finishes

ANSI/BHMA Code	Finish Description
600	Primed for Painting
605	Bright Brass, Clear Coated
606	Satin Brass, Clear Coated
609	Satin Brass, Blackened, Satin Relieved, Clear Coated
611	Bright Bronze, Clear Coated
612	Satin Bronze, Clear Coated
613	Dark Oxidized Satin Bronze, Oil Rubbed ¹
616	Satin Bronze, Blackened, Satin Relieved, Clear Coated
619	Satin Nickel Plated, Clear Coated
620	Satin Nickel Plated, Blackened, Satin Relieved, Clear Coated
625	Bright Chrome Plated
626	Satin Chrome Plated 
629	Bright Stainless Steel
630	Satin Stainless Steel 
693	Black Painted
722	Black Oxidized Bronze, Oil Rubbed ²

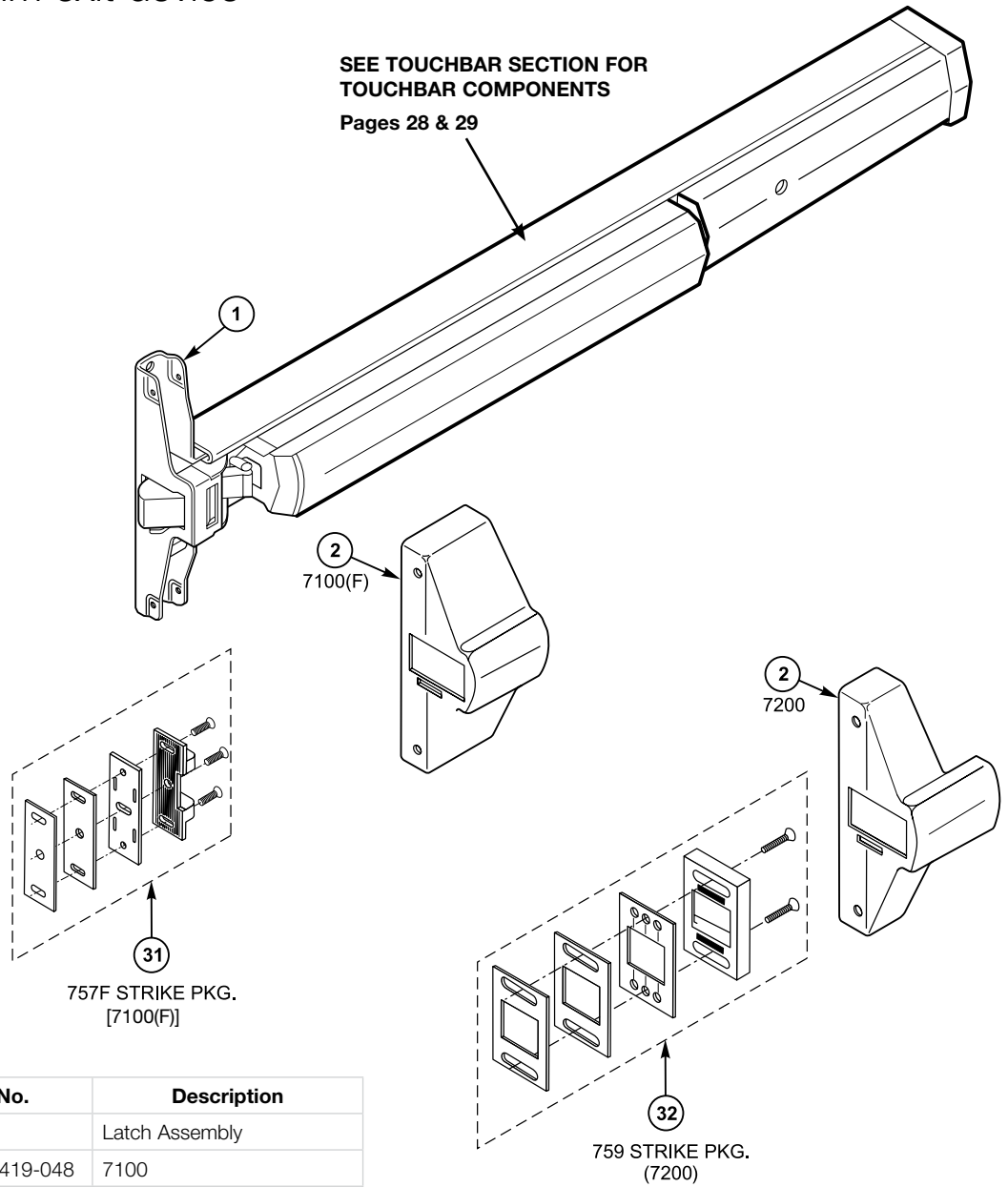
Finishes For Touchbar Covers Only	
BN ³	Semi-Gloss Black Fused Polymer
LUM	Lumi-Lite [®] Photoluminescence
SS	Stainless Steel
WF	Walnut, Stained and Sealed
WU	Unfinished Wood Veneer

1. New May 1, 2010
2. Formerly 613 prior to May 1, 2010
3. Standard for device accent parts and strikes



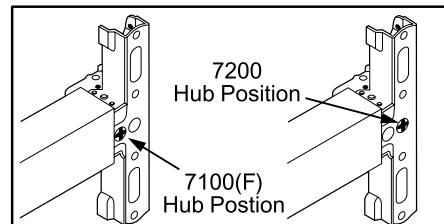
Finish available with MicroShield[®] antimicrobial coating, additional finishes by special application. Consult factory for availability.

7100(F)/7200 rim exit device

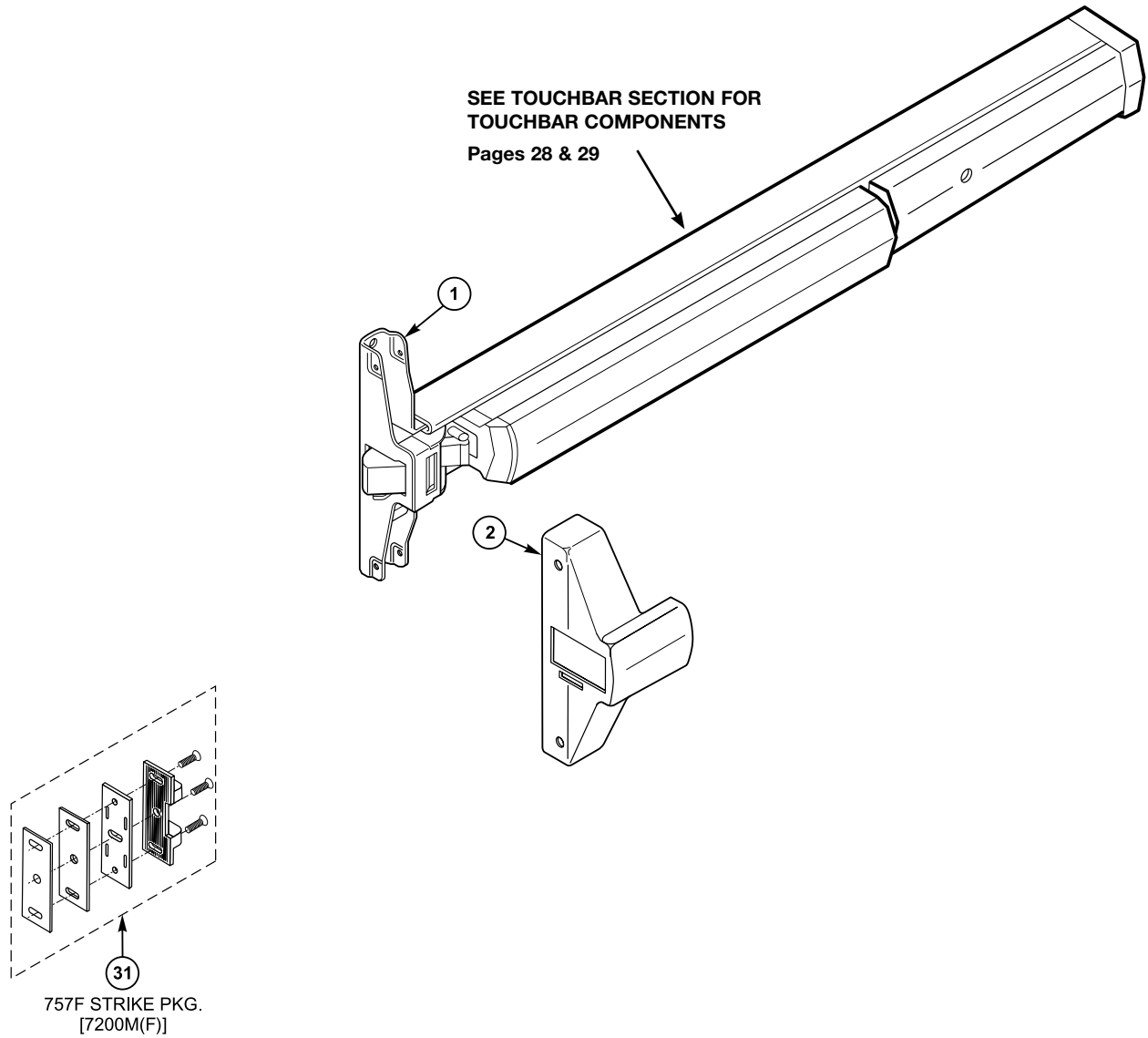


Item	Part No.	Description
1		Latch Assembly
	60-7000-0419-048	7100
	60-7000-0425-048	7100F
2	60-7200-0354-048	7200
		Cover
	60-7100-X026-FIN	7100
	Not Available	7100F
31	60-7000-X111-FIN	7200
31	81-9800-0001-999	757F Strike Packet 7100(F)
32	81-9500-1357-200	759 Strike Packet 7200

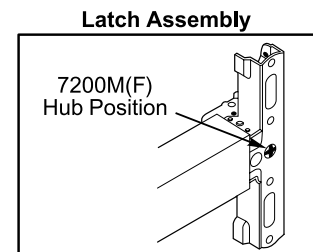
Difference in Latch Assemblies



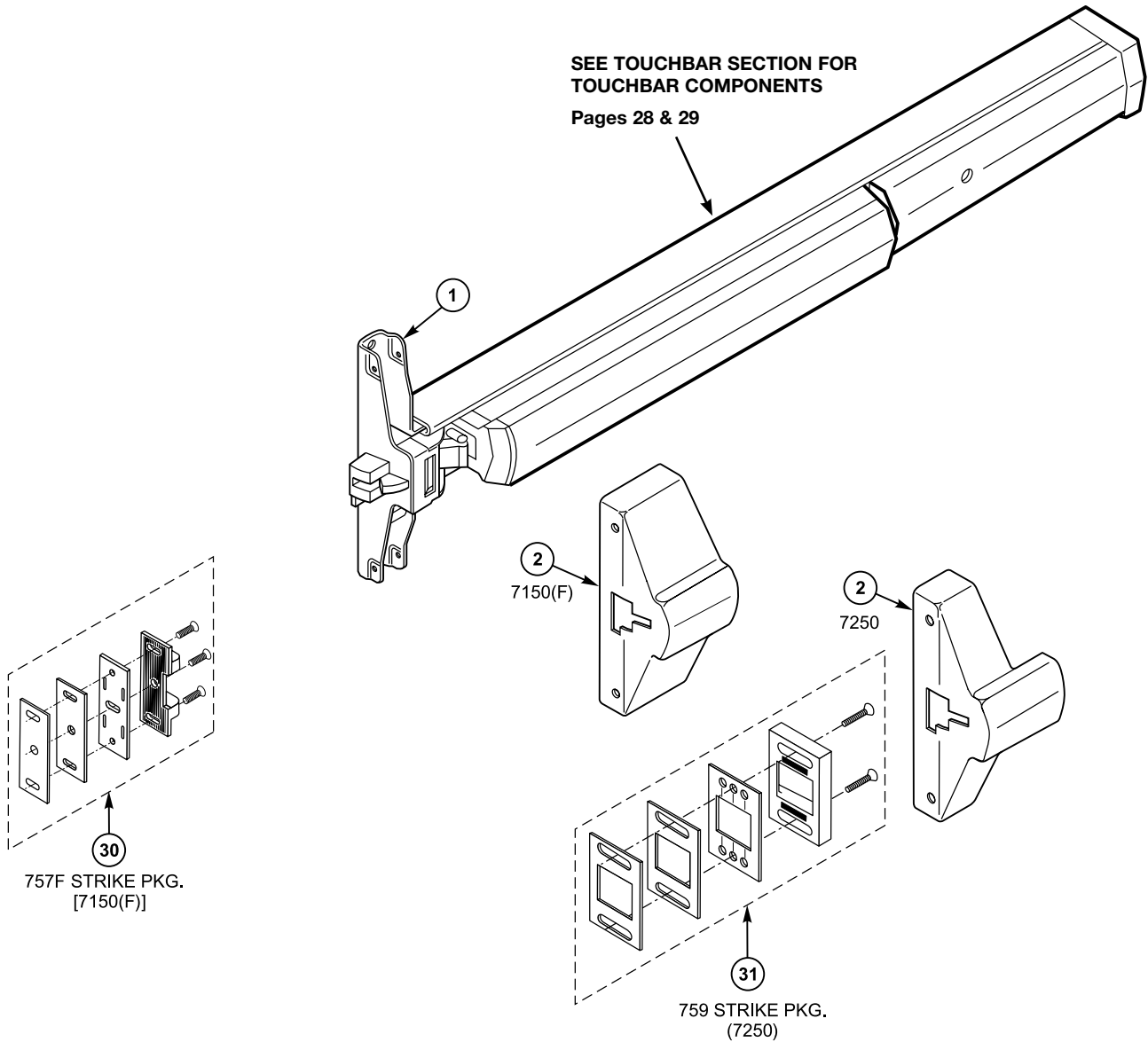
7200M(F) rim exit device



Item	Part No.	Description
1	60-7200-0354-048	Latch Assembly 7200M
	60-7200-0362-048	7100MF
2	60-7000-X111-FIN	Cover 7200M
	Not Available	7100MF
31	81-9800-0001-999	757F Strike Packet 7200M(F)

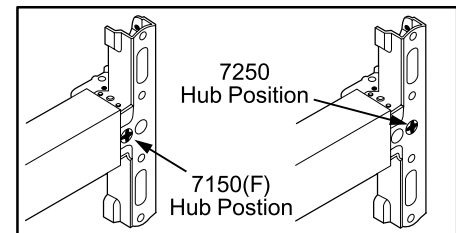


7150(F)/7250 rim exit device

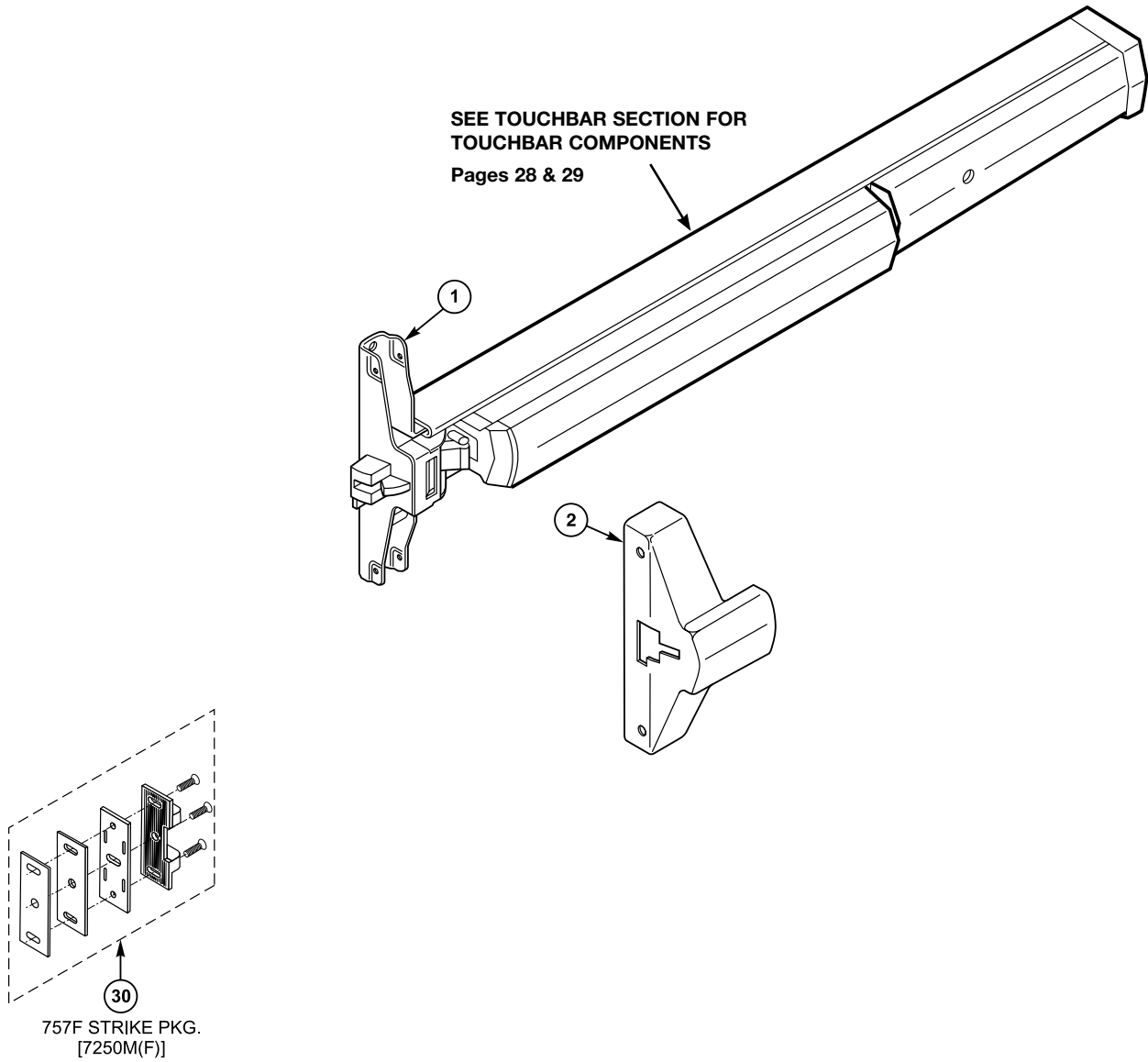


Item	Part No.	Description
1	60-7150-0005-048	Latch Assembly 7150, 7150F
	60-7250-0001-048	7250
2	60-7150-X001-FIN	7150
	Not Available	7150F
	60-7250-X001-FIN	7250
	30	81-9800-0001-999
31	81-9500-1357-200	759 Strike Packet 7250

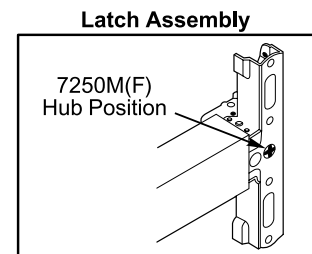
Difference in Latch Assemblies



7250M(F) rim exit device



Item	Part No.	Description
1		Latch Assembly
	60-7250-0001-048	7250M(F)
2		Cover
	60-7250-X001-FIN	7250M
	Not Available	7250MF
30	81-9800-0001-999	757F Strike Packet 7250M(F)





7110(F)/7210 surface vertical rod

Item	Part No.	Description
1		Latch Assembly
	60-7010-0360-048	7110, 7110F (Must Specify Hand)
	60-7210-0354-048	7210 (Must Specify Hand)
2		Cover
	60-7110-X003-FIN	7110
	(Not Available)	7110F (UL)
	60-7010-X069-FIN	7210
3	03-0080-5047-FIN	Sex Nut Pack (4)
		Fire Rated Only (2 Packs)
23	81-9500-1549-FIN	Screw Packet, Cover
		#8-32 x 5/16"
		UFPHMS (5)
32	60-7010-X040-FIN	Cover, Top & Bottom
		Latches (2)
33		Top Latch
	60-7010-0049-999	7110, 7210
	60-7010-0050-999	7110F

Item	Part No.	Description
34	81-9500-1512-000	SVR Pack
		Consists of the following:
	60-7010-1038-048	Top Mtg. Plate
	60-7010-1039-048	Bottom Mtg. Plate
	60-7010-1067-048	Top Rod Connector
	99-9999-4308-999	Rod Connecting Pin
	60-1500-6150-999	Drill Jig
	60-7010-1070-018	Floor Bolt
	60-7010-1055-200	Strike
	81-9500-1546-000	Latch Mounting Screw Packet
	81-9500-1454-200	791 Top Strike Packet
35		Bottom Bolt Case
	60-7010-0054-000	7110, 7210
	60-7010-0053-000	7110F
36	60-7010-X052-FIN	Top Rod
37	60-7010-0020-FIN	Bottom Rod Assembly
39	81-9500-1514-FIN	Rod Guide Packet
		Consists of the following:
	60-7010-9050-999	Guide, Rod (1)
	60-7010-X051-FIN	Cover, Rod Guide (1)
	81-3110-0412-058	Screw, #8 x 1/2 (2)
		RPHMS (4)
81-0011-0404-FIN	Screw, #8-32 x 1/4" (2)	
	FPHMS (4)	
40	81-9500-1464-200	Blade Stop Block Packet (7210 only)

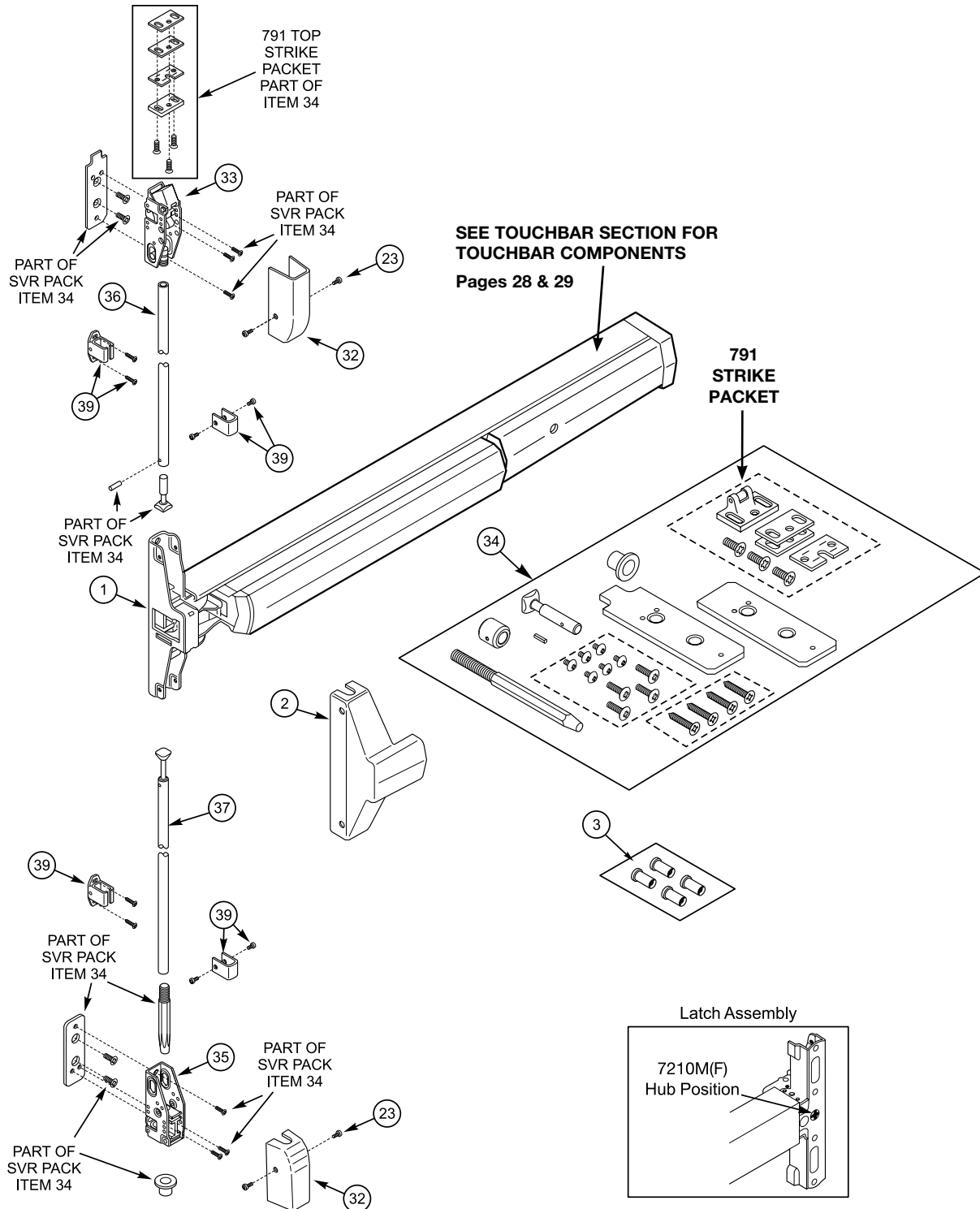


7210M(F) surface vertical rod

Item	Part No.	Description
1		Latch Assembly
	60-7210-0354-048	7210M, 7210MF (Must Specify Hand)
2		Cover
	60-7010-X069-FIN	7210M
	Not Available	7210MF
3	03-0080-5047-FIN	Sex Nut Pack (4) Fire Rated Only
23	81-9500-1549-FIN	Screw Packet, Cover
		#8-32 x 5/16"
		UFPHMS (5)
32	60-7010-X040-FIN	Cover, Top & Bottom Latches (2)
33		Top Latch
	60-7010-0049-999	7210M
	60-7010-0050-VEN	7210MF
34	81-9500-1512-000	SVR Pack
		Consists of the following:
	60-7110-1038-048	Top Mtg. Plate
	60-7010-1039-048	Bottom Mtg. Plate
	60-7010-1067-048	Top Rod Connector
	99-9999-4308-999	Rod Connecting Pin
	60-1500-6150-999	Drill Jig
	60-7010-1070-018	Floor Bolt
	60-7010-1055-200	Strike
	81-9500-1546-000	Latch Mounting Screw Pack
	03-0080-5047-FIN	Sex Nut Pack (4) Fire Rated Only
	81-9500-1454-200	791 Top Strike Packet

Item	Part No.	Description
35		Bottom Bolt Case
	60-7010-0054-000	7210M
	60-7010-0053-000	7210MF
36	60-7010-X052-FIN	Top Rod
37	60-7010-0020-FIN	Bottom Rod Assembly
39	81-9500-1514-FIN	Rod Guide Packet
		Consists of the following:
	60-7010-9050-999	Guide, Rod (1)
	60-7010-X051-FIN	Cover, Rod Guide (1)
	81-3110-0412-058	Screw, #8 x 1/2 (2) RPHMS (4)
	81-0011-0404-FIN	Screw, #8-32 x 1/4" (2) FPHMS (4)

7210M(F) surface vertical rod

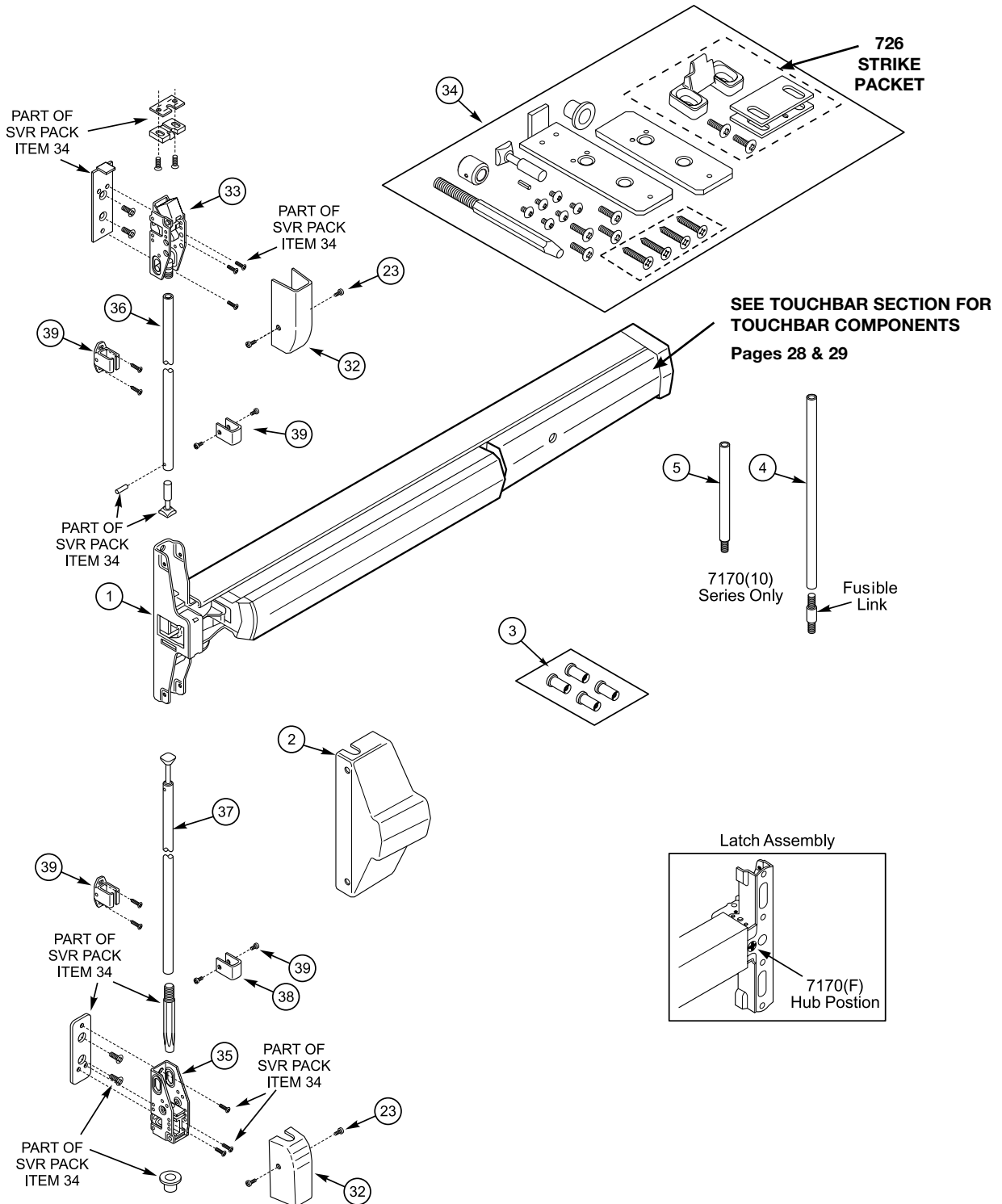


7170(F) surface vertical rod

Item	Part No.	Description
1		Latch Assembly
	60-7010-0360-048	7170, 7170F (Must Specify Hand)
2		Cover
	60-7110-X003-FIN	7170
	Not Available	7170F
3	03-0080-5047-FIN	Sex Nut Pack (4) (Fire Rated Only)
4	60-1510-0281-FIN	Rod Extension Assy., 24" (-10 Device Only)
5	60-1510-0278-FIN	Rod Extension Assy., 12" (-10 Device Only)
23	81-9500-1549-FIN	Screw Packet, Cover
		#8-32 x 5/16"
		UFPHMS (5)
32	60-7010-X040-FIN	Cover, Top & Bottom Latches (2)
33		Top Latch
	60-7010-0049-999	7170
	60-7010-0050-999	7170F
34	81-9500-1610-000	SVR Pack
		Consists of the following:
	60-7110-1005-048	Top Mtg. Plate
	60-7010-1039-048	Bottom Mtg. Plate
	60-7010-1067-048	Top Rod Connector
	99-9999-4308-999	Rod Connecting Pin
	60-1500-6150-999	Drill Jig
	60-7010-1070-018	Floor Bolt
	60-7010-1055-200	Strike
	81-9500-1546-000	Latch Mounting Screw Pack
	81-3111-0676-048	Latch Mounting Screw (4) (Wood Door Panic)
	81-9500-1576-000	726 Top Strike Packet

Item	Part No.	Description
35		Bottom Bolt Case
	60-7010-0054-000	7170
	60-7010-0053-000	7170F
36	60-7010-X052-FIN	Top Rod
37	60-7010-0020-FIN	Bottom Rod Assembly
39	81-9500-1514-FIN	Rod Guide Packet
		Consists of the following:
	60-7010-9050-999	Guide, Rod (1)
	60-7010-X051-FIN	Cover, Rod Guide (1)
	81-3110-0412-058	Screw, #8 x 1/2 (2)
		RPHMS (4)
81-0011-0404-FIN	Screw, #8-32 x 1/4" (2)	
	FPHMS (4)	

7170(F) surface vertical rod





7170(F) LBR surface vertical rod

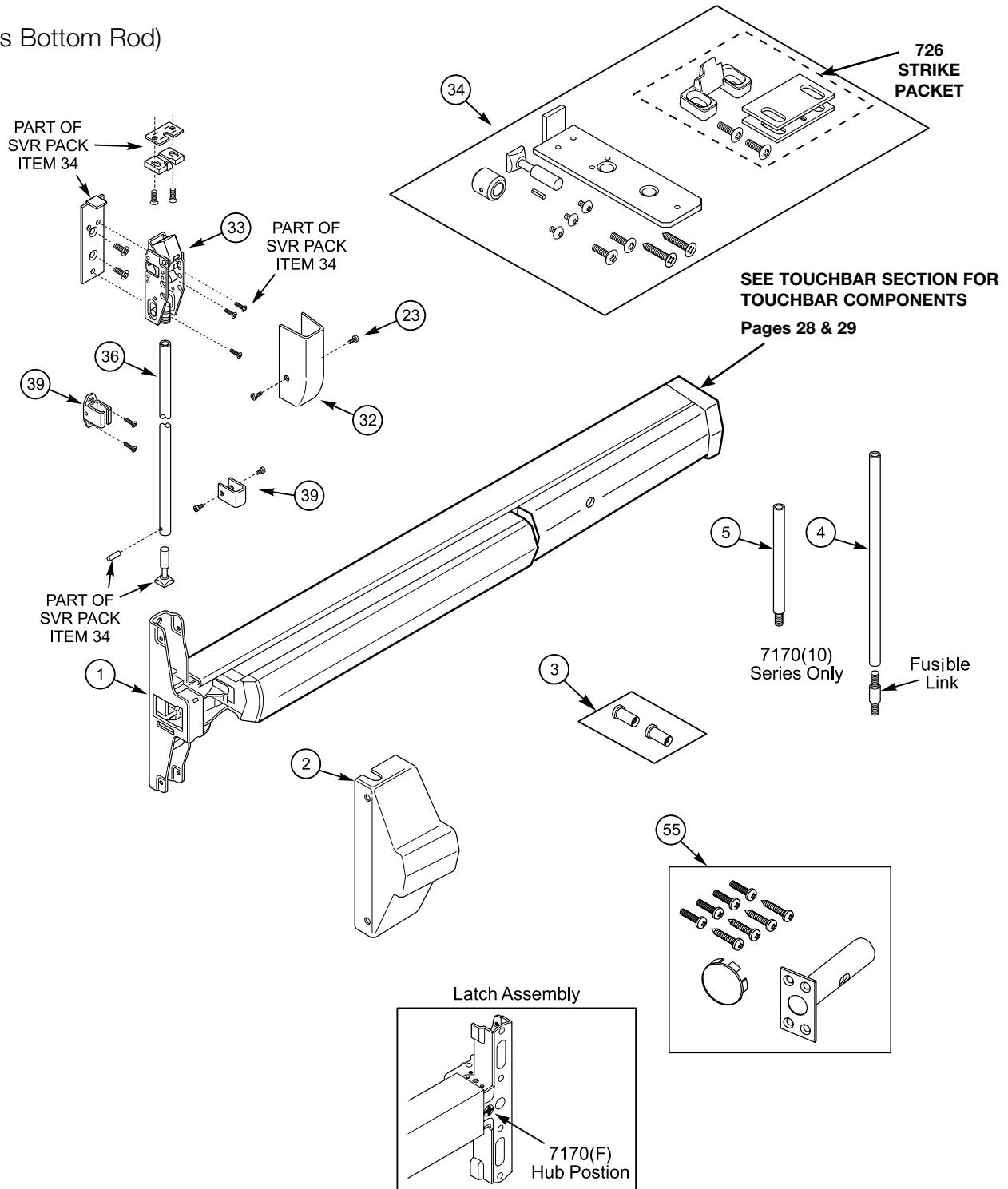
(Less Bottom Rod)

Item	Part No.	Description
1		Latch Assembly
	60-7010-0360-048	7170, 7170F (Must Specify Hand)
2		Cover
	60-7110-X003-FIN	7170
	Not Available	7170F
3	03-0080-5047-FIN	Sex Nut Pack (4), Fire Only
4	60-1510-0281-FIN	Rod Extension Assy., 24" (-10 Device Only)
5	60-1510-0278-FIN	Rod Extension Assy., 12" (-10 Device Only)
23	81-9500-1549-FIN	Screw Packet, Cover
		#8-32 x 5/16"
		UFPHMS (5)
32	60-7010-X040-FIN	Cover, Top & Latch
33	60-7010-0050-999	Top Latch, 7170(F)

Item	Part No.	Description
34	81-9500-1562-000	SVR Pack
		Consists of the following:
	60-7110-1005-048	Top Mtg. Plate
	60-7010-1067-048	Top Rod Connector
	99-9999-4308-999	Rod Connecting Pin
	60-1500-6150-999	Drill Jig
	81-9500-1613-000	Latch Mounting Screw Pack
	81-3111-0676-048	Latch Mounting Screw(2) (wood doors, panic)
36	81-9500-1576-000	726 Top Strike Packet
	60-7010-X052-FIN	Top Rod
39	81-9500-1514-FIN	Rod Guide Packet
		Consists of the following:
	60-7010-9050-999	Guide, Rod (1)
	60-7010-X051-FIN	Cover, Rod Guide (1)
	81-3110-0412-058	Screw, #8 x 1/2 (2) RPHMS (4)
	81-0011-0404-FIN	Screw, #8-32 x 1/4" (2) FPHMS (4)
55	60-7110-0002-999	Popper Packet [Fire Rated (F) Only]

7170(F) LBR surface vertical rod

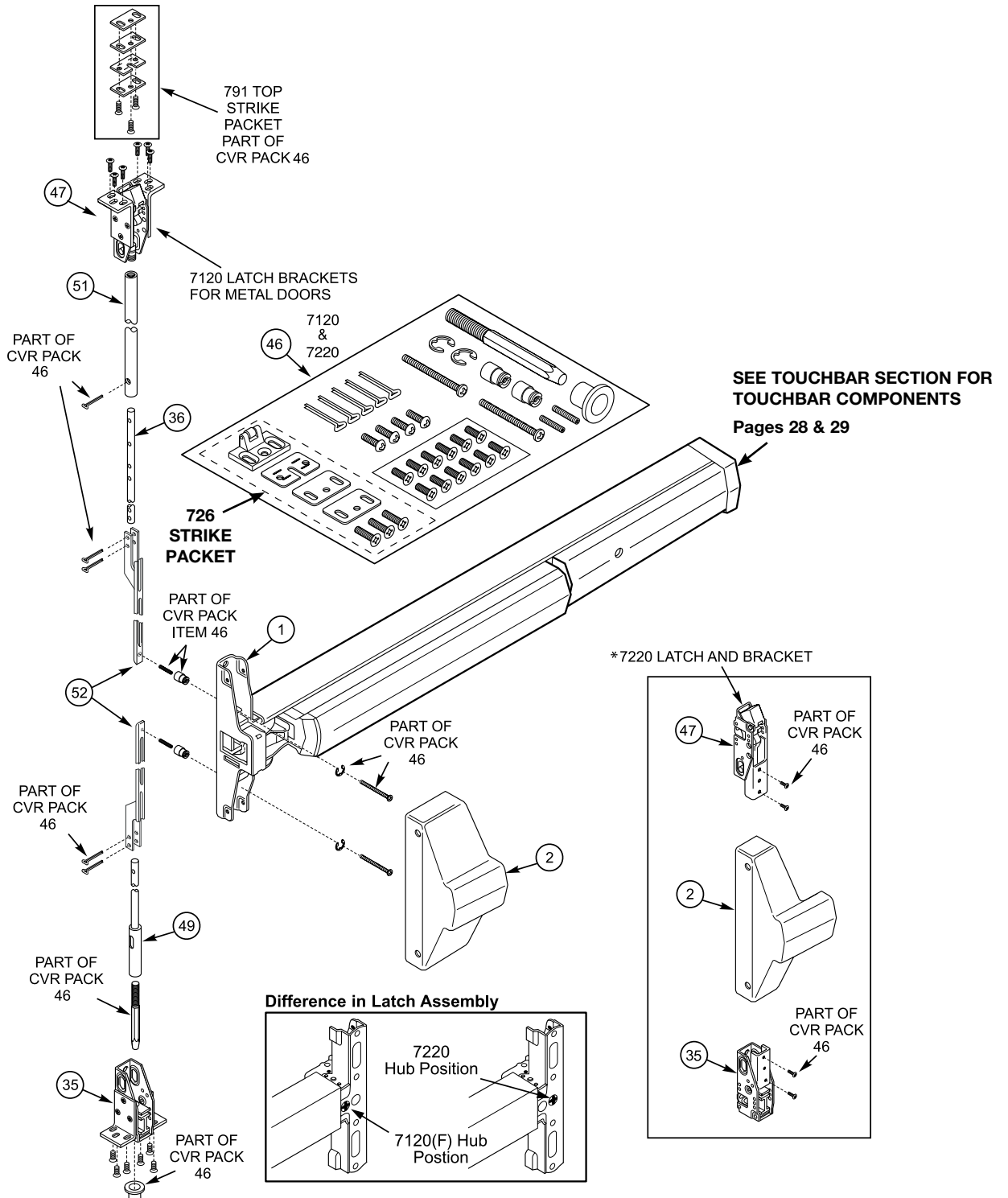
(Less Bottom Rod)



7120(F)/7220 concealed vertical rod

Item	Part No.	Description
1		Latch Case Assembly
	60-7020-0360-048	7120, 7120F Must Specify Hand)
	60-7220-0354-048	7220 (Must Specify Hand)
2		Cover, Latch Assembly
	60-7100-X025-FIN	7120 Not Available 7120F
	60-7000-X353-FIN	7220
35		Bottom Bolt Case
	60-7020-0058-048	7120
	60-7020-0055-048	7120F
	60-7220-0065-048	7220
36	60-7220-1019-059	Top Rod
46	81-9500-1456-000	CVR Pack for 7120 & 7220
		Consists of the following:
	60-7010-1070-018	Floor Bolt
	60-7010-1055-200	Strike
	81-9500-1454-200	791 Top Strike Packet
	60-7120-1047-048	Pin, Rod Yoke (2)
	60-7140-1026-059	Set Screw, Yoke Pin
	99-9958-0045-999	Cotter Pin (5)
	99-9999-4526-999	Ring, Retaining (2)
	81-0014-0430-036	2" Temp Screw (2)
	81-9500-1548-058	Screw Pack
47		Top Latch & Bracket Assembly
	60-7020-0057-000	7120
	60-7020-0060-000	7120F
	60-7220-0066-048	7220
49	60-7020-0059-000	Bottom Rod & Coupler Assembly
51	60-7220-7025-000	Top Rod Tube
52	60-7220-0030-999	Arm & Bracket Assy (2)

7120(F)/7220* concealed vertical rod

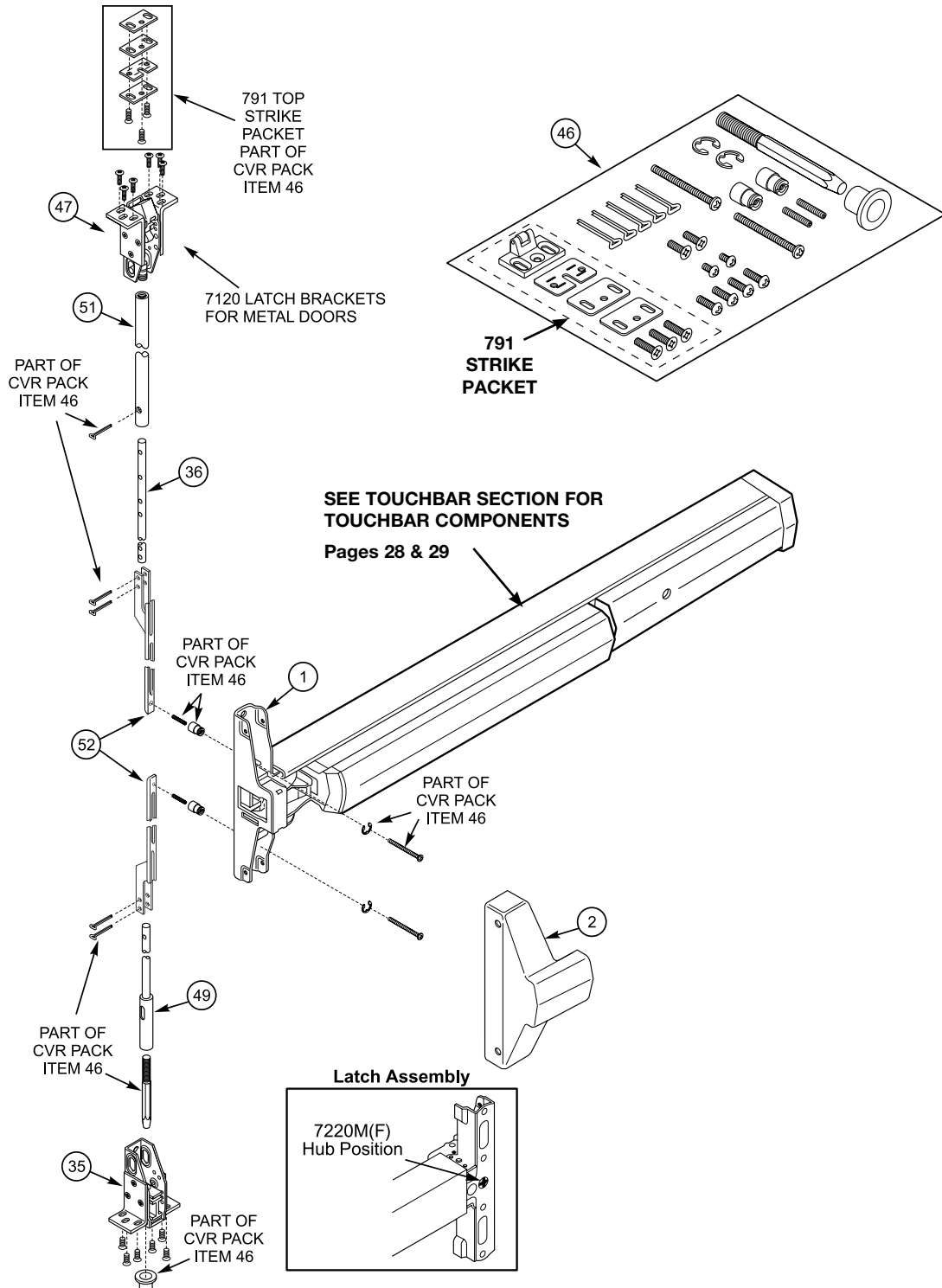




7220M(F) concealed vertical rod

Item	Part No.	Description
1		Latch Assembly
	60-7220-0354-048	7220M, 7220MF (Must Specify Hand)
2		Cover, Latch Assembly
	60-7000-X353-FIN	7220M Not Available 7220MF
35		Bottom Bolt Case
	60-7020-0058-048	7220M
	60-7020-0055-048	7220MF (UL)
36	60-7220-1019-059	Top Rod
46	81-9500-1456-000	CVR Pack
		Consists of the following:
	60-7010-1070-018	Floor Bolt
	60-7010-1055-200	Strike
	81-9500-1454-200	791 Top Strike Packet
	60-7120-1047-048	Pin, Rod Yoke (2)
	60-7140-1026-059	Set Screw, Yoke Pin
	99-9958-0045-999	Cotter Pin (5)
	99-9999-4526-999	Ring, Retaining (2)
	81-9500-1548-058	Screw Pack
81-0014-0430-036	2" Temp Screw (2)	
47		Top Latch & Bracket Assembly
	60-7020-0057-000	7220M
	60-7020-0060-000	7220MF
49	60-7020-0059-000	Bottom Rod & Coupler Assembly
51	60-7220-7025-000	Top Rod Tube
52	60-7220-0030-999	Arm & Bracket Assy (2)

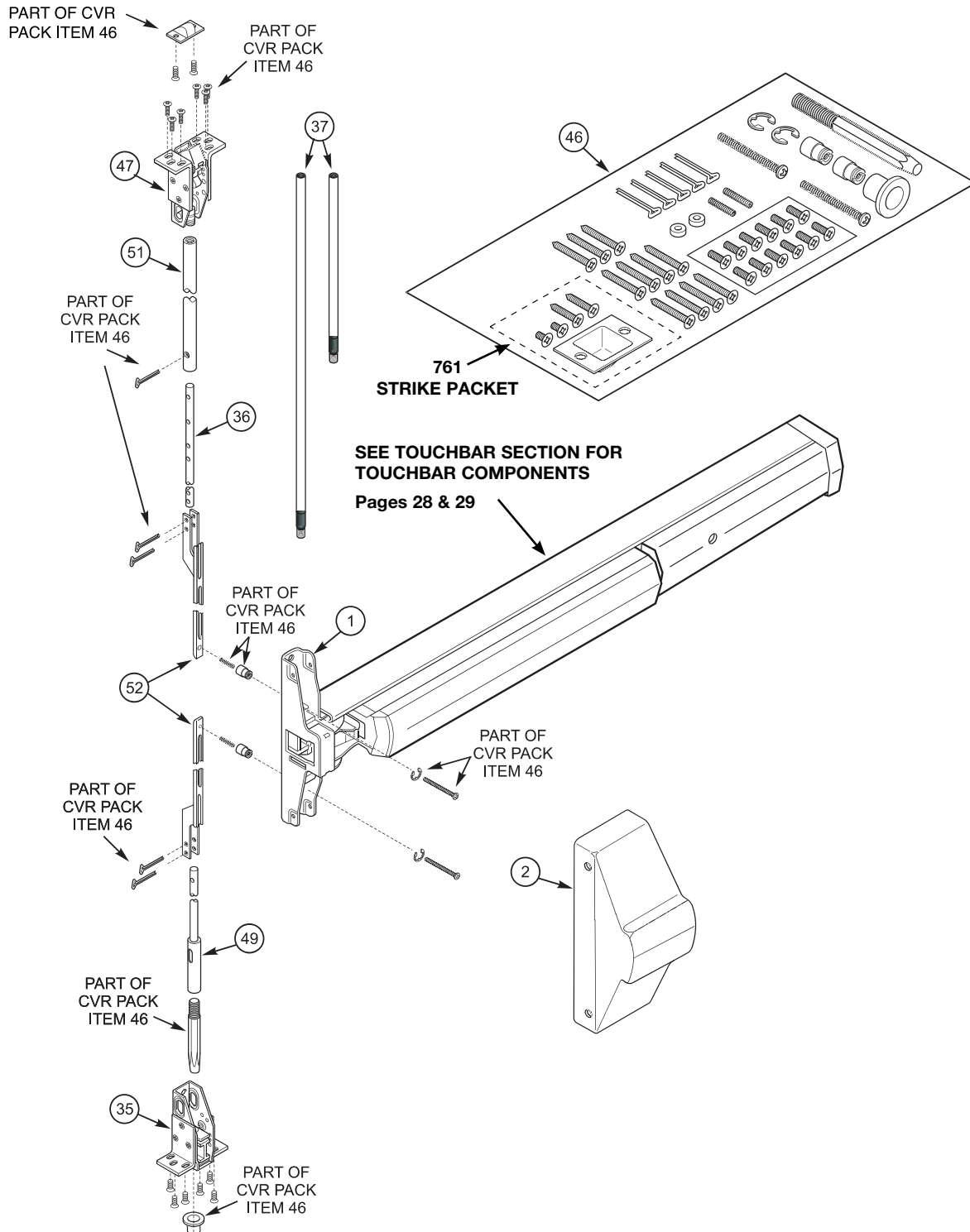
7220M(F) concealed vertical rod



7160(F) concealed vertical rod

Item	Part No.	Description
1		Latch Case Assembly
	60-7020-0360-048	7160, 7160F (Specify Hand)
2		Cover, Latch Assembly
	60-7100-X025-FIN	7160
	Not Available	7160F (UL)
35	60-7020-0055-048	Bottom Bolt Case, 7160F
36	60-7220-1019-059	Top Rod
37		Rod Extension Assembly
	60-1510-0282-000	12" Rod Assembly
	60-1510-0281-000	24" Rod Assembly
46	81-9500-1581-000	CVR Pack
		Consists of the following:
	60-7010-1070-018	Floor Bolt
	60-7010-1055-200	Strike
	60-7160-1004-999	761 Top Strike Packet
	60-7120-1047-048	Pin, Rod Yoke (2)
	60-7140-1026-059	Set Screw, Yoke Pin
	60-7020-1064-059	Yoke Pin Spacer (2)
	99-9958-0045-999	Cotter Pin (5)
	99-9999-4526-999	Ring, Retaining (2)
	81-9500-1580-058	Screw Pack
	81-0014-0430-036	2" Temp Screw (2)
47	60-7160-0060-000	Top Latch & Bracket Assembly, 7160(F)
49	60-7020-0059-000	Bottom Rod & Coupler Assembly
51	60-7220-7025-000	Top Rod Tube
52	60-7220-0030-999	Arm & Bracket Assy. (2)

7160(F) concealed vertical rod





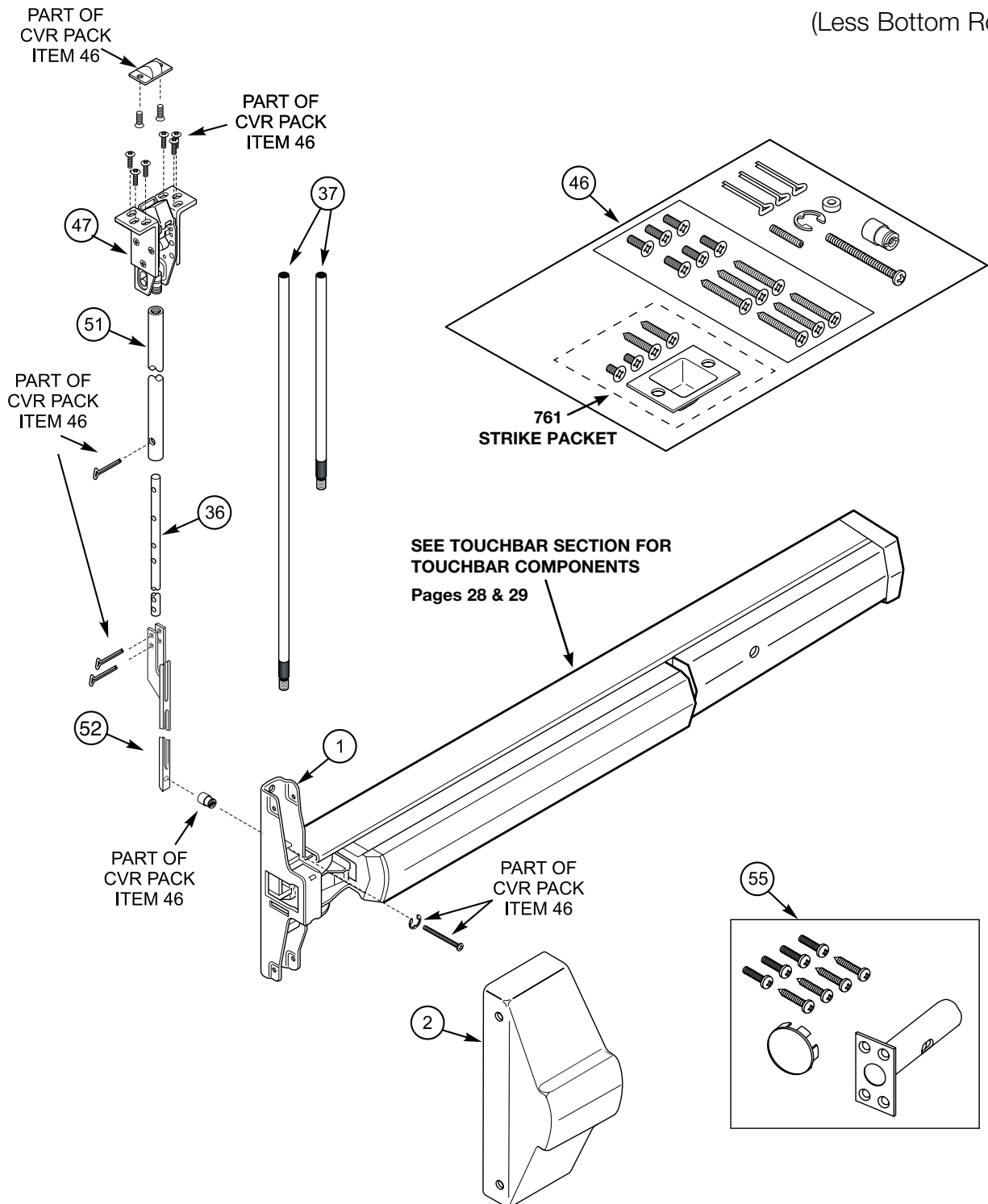
7160(F) LBR concealed vertical rod

(Less Bottom Rod)

Item	Part No.	Description
1		Latch Case Assembly
	60-7020-0360-048	7160, 7160F (Specify Hand)
2		Cover, Latch Assembly
	60-7100-X025-FIN	7160
	Not Available	7160F (UL)
36	60-7220-1019-059	Top Rod
37		Rod Extension Assembly
	60-1510-0282-000	12" Rod Assembly
	60-1510-0281-000	24" Rod Assembly
46	81-9500-1605-000	CVR Pack
		Consists of the following:
	60-7160-1004-999	761 Top Strike Packet
	60-7120-1047-048	Pin, Rod Yoke (1)
	60-7140-1026-059	Set Screw, Yoke Pin
	60-7020-1064-059	Yoke Pin Spacer (1)
	99-9958-0045-999	Cotter Pin (3)
	99-9999-4526-999	Ring, Retaining (1)
	81-0011-0512-058	Screw, 10-24 x 1/2 FHM-PH (6)
	81-0014-0430-036	8x32x2 Temp Screw (1)
47	60-7160-0060-000	Top Latch & Bracket Assembly, 7160(F)
51	60-7220-7025-000	Top Rod Tube
52	60-7220-0030-000	Arm & Bracket Assembly (1)
55	60-7110-0002-999	Popper Pack (Fire Rated Only)

7160(F) LBR concealed vertical rod

(Less Bottom Rod)

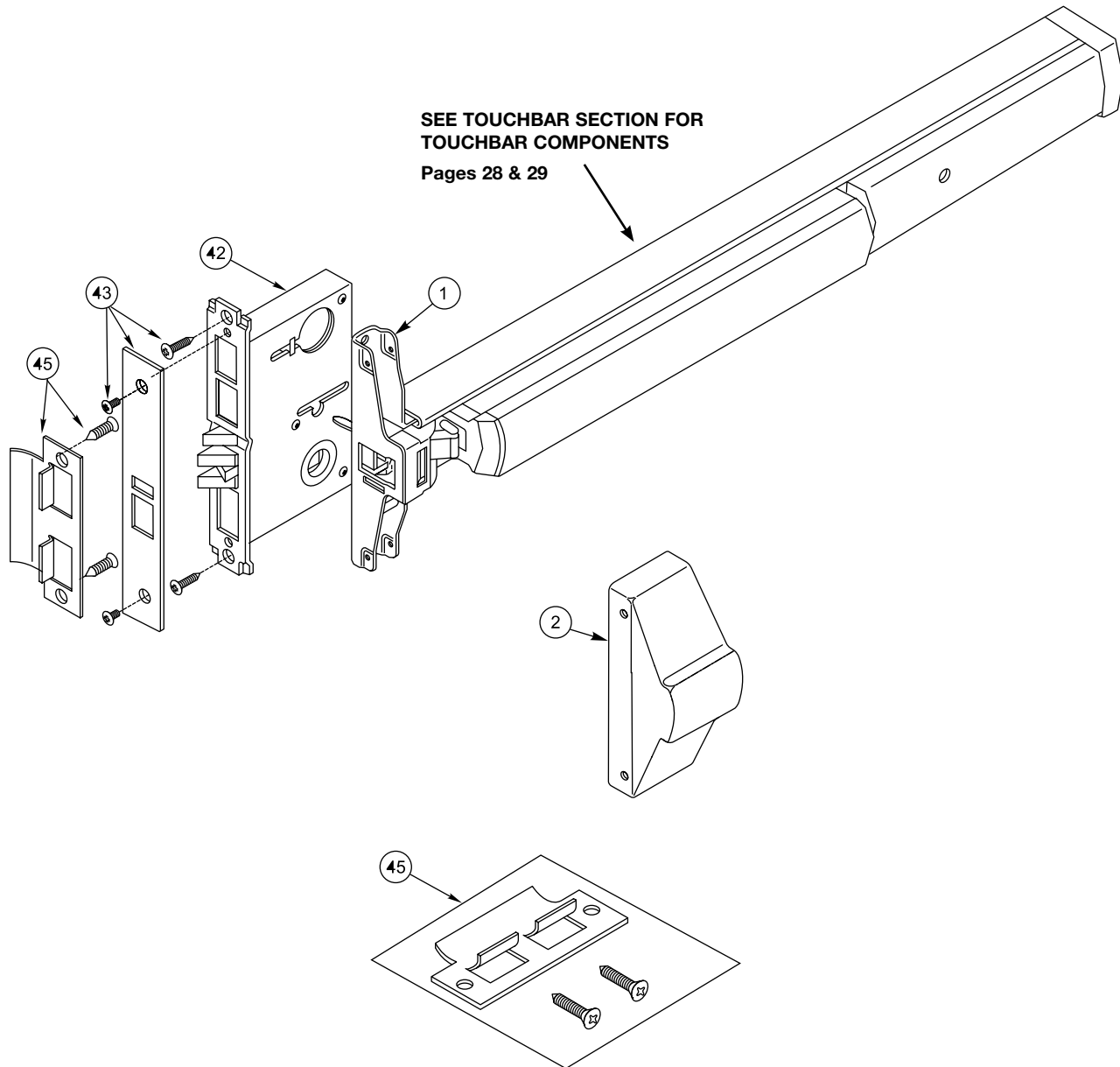




7130(F) mortise exit device

Item	Part No.	Description
1	60-7030-0382-048	Latch Assembly 7130, 7130F
2		Cover
	60-7100-X025-FIN	7130
	Not Available	7130F (UL)
42		Mortise Lock Body Specify Hand
	60-7030-0385-048	7130-T8F
	60-7030-0387-048	7130-K5F
	60-7030-0389-048	7130-K8F
	60-7030-0391-048	7130-L5F
	60-7030-0393-048	7130-L8F
43	60-0000-1159-FIN	Armored Front and Mounting Pack
		Consists of the following:
	60-7030-X049-FIN	Armored Front
	81-0022-0404-FIN	Screw, 8-32 x 1/4 UFPHMS (2)
	81-2012-0620-059	Screw, #12/12-24 Comb.UFPHMS (2)
45	81-9500-0562-200	798 Strike Packet

7130(F) mortise exit device

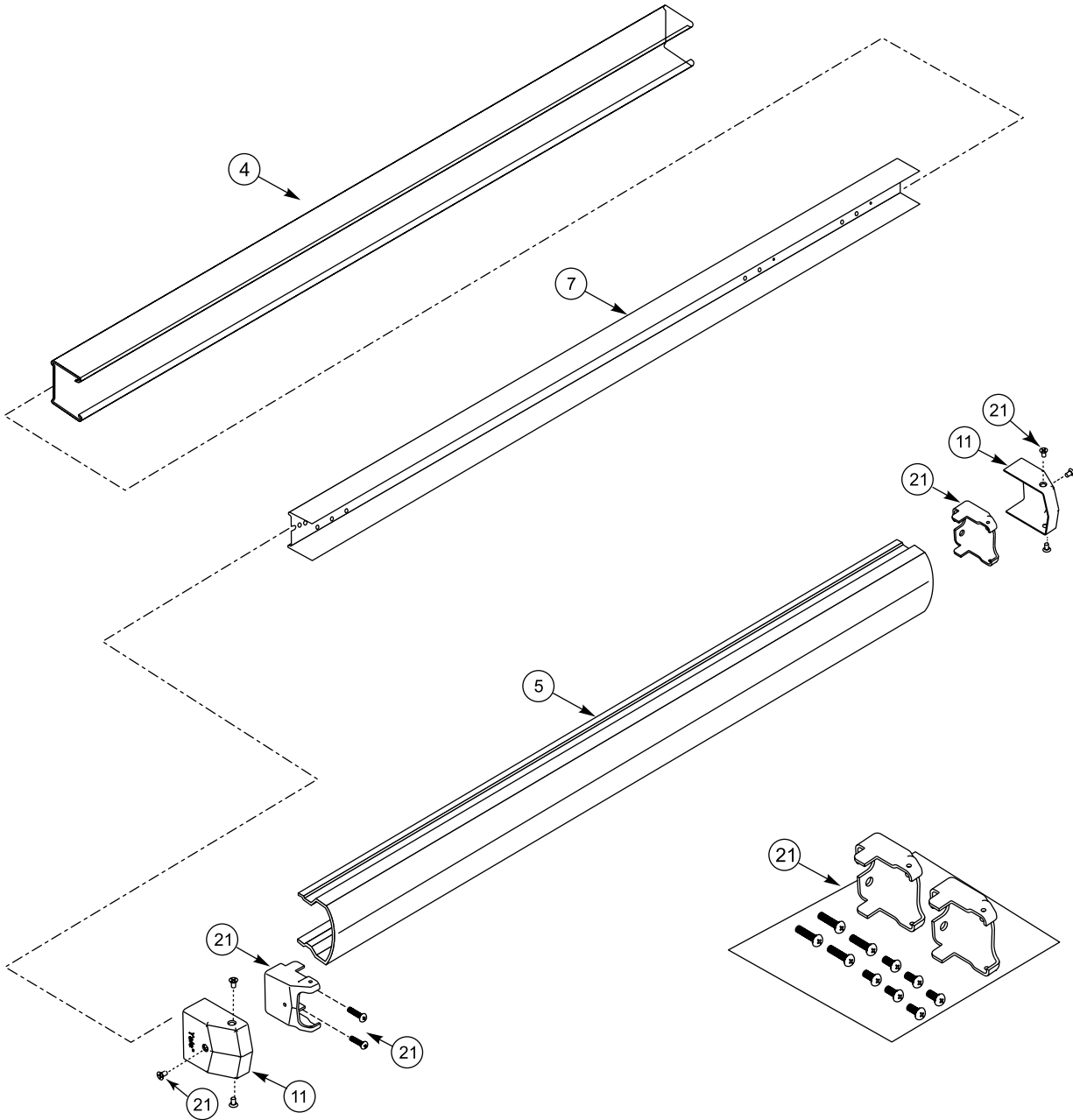




720DB rigid bar

Item	Part No.	Description
4	60-7200-X066-FIN	Bottom Rail, 48"
5	60-7200-X068-FIN	Cover
7	60-7000-1336-999	Carrier Bar
11	60-7000-X360-FIN	End Cap
21	81-9500-0613-FIN	Device Mounting Pack
		Consists of the following:
	60-7000-1423-048	End Clamp (2)
	60-7000-1349-048	Screw, 1/4-20 X 1 PPHMS (4)
	81-9500-1547-FIN	Screw Packet, Cover (2)

720DB rigid bar



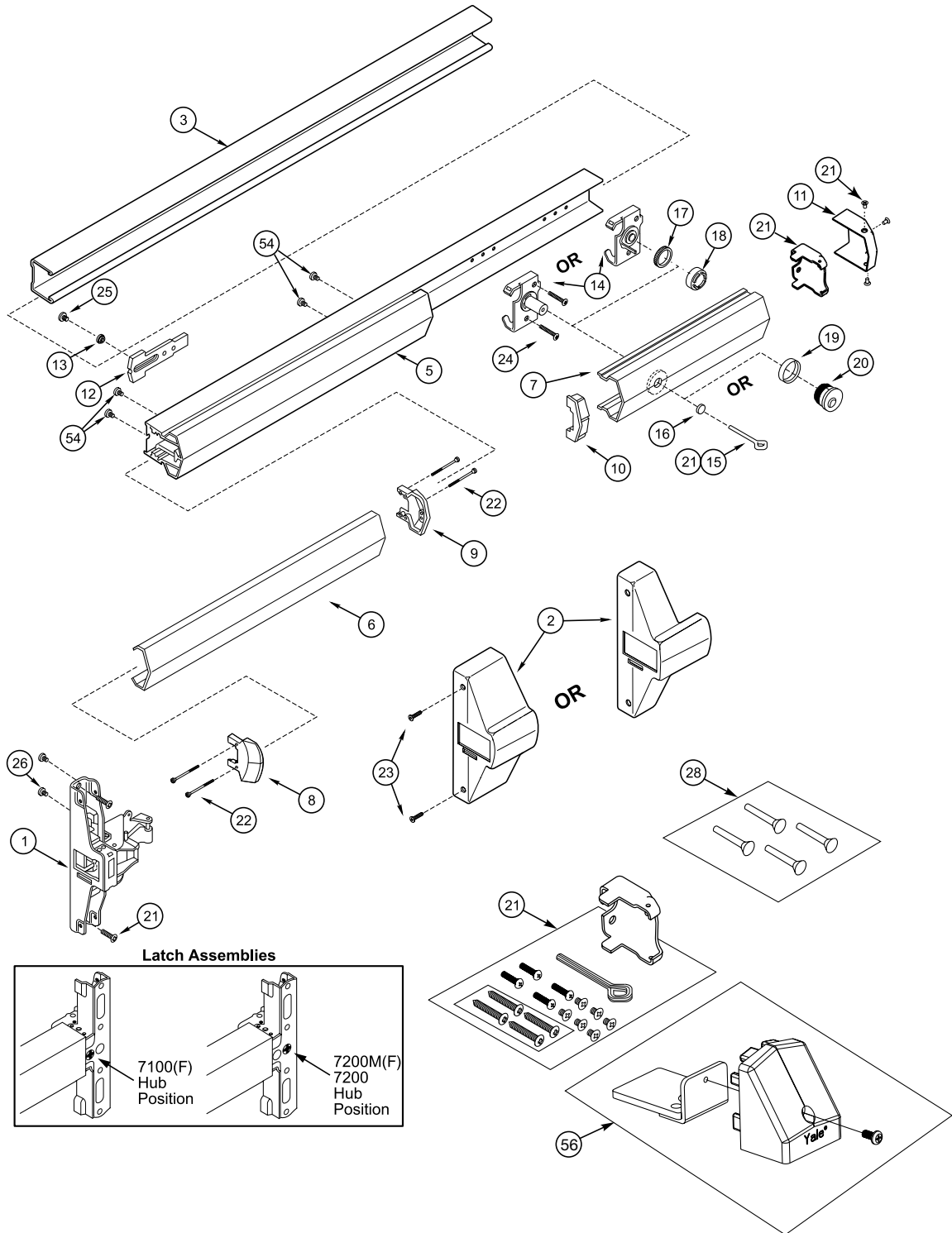
touchbar

Item	Part No.	Description
1		Latch Case Assembly (Reversible) Specify Hand
	60-7000-0419-048	7100
	60-7000-0425-048	7100F
	60-7200-0354-048	7200, 7200M
	60-7200-0362-048	7200MF
	60-7150-0005-048	7150, 7150F
	60-7250-0001-048	7250, 7250M(F)
	60-7010-0360-048	7110(F), 7170(F)
	60-7210-0354-048	7210, 7210M(F)
	60-7020-0360-048	7120(F), 7160(F)
	60-7220-0354-048	7220, 7220M(F)
	60-7030-0382-048	7130(F) (Includes Trim Slide)
2		*Cover, Latch Assembly
	60-7100-X026-FIN	7100
	60-7000-X111-FIN	7200, 7200M
	60-7150-X001-FIN	7150
	60-7250-X001-FIN	7250, 7250M
	60-7110-X003-FIN	7110, 7170
	60-7010-X069-FIN	7210, 7210M
	60-7100-X025-FIN	7120, 7160, 7130
60-7000-X353-FIN	7220, 7220M	
3		Bottom Rail
	60-7000-X079-FIN	36" 7100 Series
	60-7200-X058-FIN	36" 7200 Series
5		Bar & Carrier Assembly
	60-7000-0423-000	36" 7100 Series
	60-7200-0356-000	36" 7200 Series
6		Cover, Bar
	60-7000-X083-FIN	36"
	60-7000-X084-FIN	48"
7		Cover, End
	60-7000-X359-FIN	36" std. 7100 Series
	60-7000-X362-FIN	36" 7100 Series Cylinder Dogging
	60-7200-X360-FIN	36" std. 7200 Series
	60-7200-X363-FIN	36" 7200 Series Cylinder Dogging
	60-7200-X361-FIN	All 48" std.
8	60-7000-6115-999	Touch Pad Cap, Front
	60-7000-6120-999	Touch Pad Cap, Rear

Item	Part No.	Description
10	60-7000-9088-999	Bar Cap, Black Nylon
11	60-7000-X360-FIN	End Cap
12	60-7200-9216-999	Trim Slide (All except Mortise)
13	60-7000-1320-048	Trim Slide Retainer
14		Dogging Assembly
	60-7000-0406-048	Standard Hex Key Dog.
	60-7000-0407-048	Cylinder, Dogging
15	60-7000-1131-036	Dogging Key (5/32" hex)
16	99-9999-4123-999	Dogging Hole Plug
17	60-7000-2421-000	Cylinder Nut
18	60-2000-9153-999	Cylinder Spacer Sleeve
19		Collar, Dogging Cylinder
		None Required
	10-1765-X001-FIN	1-1/8" Cylinder
	10-1765-X013-FIN	1-1/2" Cylinder
20	As Ordered	Dogging Cylinder (Mortise)
21	81-9500-0605-FIN	End Clamp Packet
		Consists of the following:
	60-7000-1423-048	End Clamp (4 Wood Screws)
	60-7000-1349-048	Mounting Screws (4)
	60-7000-1131-036	Hex Dogging Key (Except Fire Rated)
	81-9500-1549-FIN	Cover Screw Packet (6)
22	60-7000-1391-999	Screw, Touch Bar Caps, Torx Cap #6-32 x 3/4" (4)
23	81-9500-1549-FIN	Screw Packet, Cover #8-32 x 5/16" FHUM-PH (5)
24	81-4414-0514-048	Screw, Dogging Assy., #10-24 x 5/8" PHT-T-PN (2)
25	81-3711-0412-048	Screw, Trim Slide, #8-32 x 1/2" FHT-PH
26	81-4014-0404-048	Screw, Latch Head to Carrier, #8-32 x 1/4" PHTC-PH (2)
28	03-0080-5047-FIN	Sex Nut Packet (4) Fire-rated Devices incl.
54	81-4214-0508-036	Screw, #10-24 x 3/8 Type F THP (4)
56	81-9500-0620-FIN	Flush End Cap Kit

*Covers which bare the UL Listing mark for Fire-Rating cannot be shipped with that marking. Therefore, covers for Fire-Rated Latch Case Assemblies are not available.

touchbar





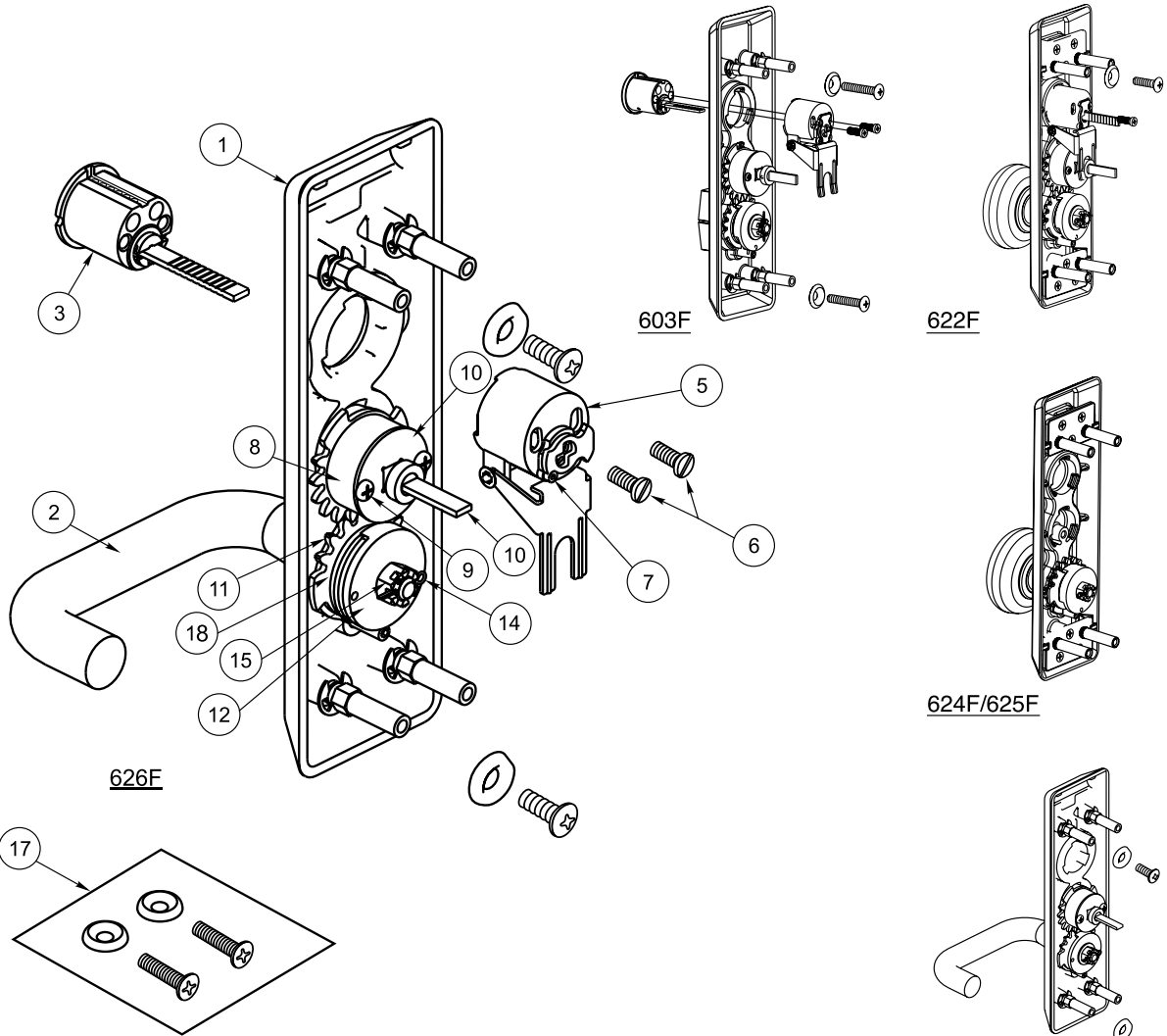
603F, 622F, 624F, 625F, 626F, 628F, 629F trim _____

Item	Part No.	Description
1		Escutcheon Assembly
	60-7000-0612-FIN	603F, 622F, 624F, 625F, 626F
	60-7000-0615-FIN	628F, 629F
2	See Chart page 60	Lever/Knob/Thumbturn Assy. (603F)
3	See Chart page 61	Cylinder, Rim*
5	60-7000-0215-000	Housing & Cam Assy.
6	60-7000-1235-048	Screw, Cylinder Mounting (2)
7	81-0016-2200-999	Screw, NL
8	60-7000-9002-999	Driver Gear Assembly
9	81-4414-0308-036	Screw, Tailpiece Plate, #6 x 3/8", PHT-T-PH (2)
10		Tailpiece Assembly
	60-7000-0611-059	1-3/4" Door Without Shim Kit
	60-7000-0217-059	2" - 2-1/4" Door or Std. Door with Shim Kit
11		Gear, Drive
	60-7000-1328-048	Thumbturn/Lever (603F, 626F, 628F)
	60-7000-1011-059	Knob/Rigid Lever (629F, 625)
	60-7000-1339-048	Knob Gear (622F, 624F)

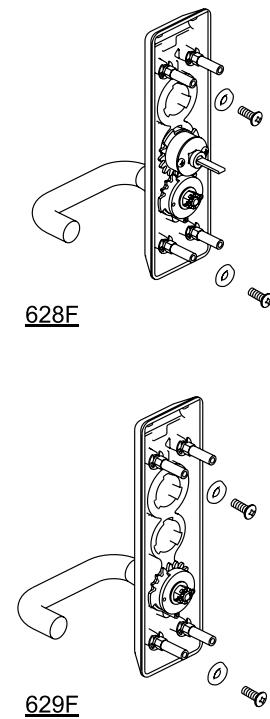
Item	Part No.	Description
12	60-7000-6220-999	Universal Spring Hub, Lever
14	99-9958-0047-999	Cotter Pin
15	99-9999-3516-999	Nut, Spindle
16	60-7000-9001-999	Thimble Insert, Nylon (Levers) Not Shown
17	81-9500-1476-FIN	Screw Packet, Mtg.
		Consists of the following:
	81-0013-0670-FIN	Screw, 1/4-20 x 1 OPHMS (2)
	99-9999-7156-FIN	Washer, #14 Finish (2)
18		Spring, Grip Return
	60-7000-1234-999	Knob Not Shown
	60-7000-1220-999	Levers, Universal Spring
19	60-7000-1306-999	Spring Not Shown Under Tailpiece
20	60-7000-1365-999	Hex Nut / Bushing for Spring Not Shown
21	60-7000-1236-059	Washer Under Tailpiece (2) Not Shown

*See page 61 for cylinder collar applications.

603F, 622F, 624F, 625F, 626F, 628F, 629F trim



Cylinder Controls Thumbturn	Cylinder Controls Knob	(DT) Active Knob (Passage)	(DT) Rigid Knob	Cylinder Controls Lever	Access by Key and Lever	(Passage) Active Lever or (DT) Free Wheeling Lever	(DT) Rigid Lever
11/12	08	02	02	08	09	—	02
603F	622F	624F	625F	626F	626F	628F	629F



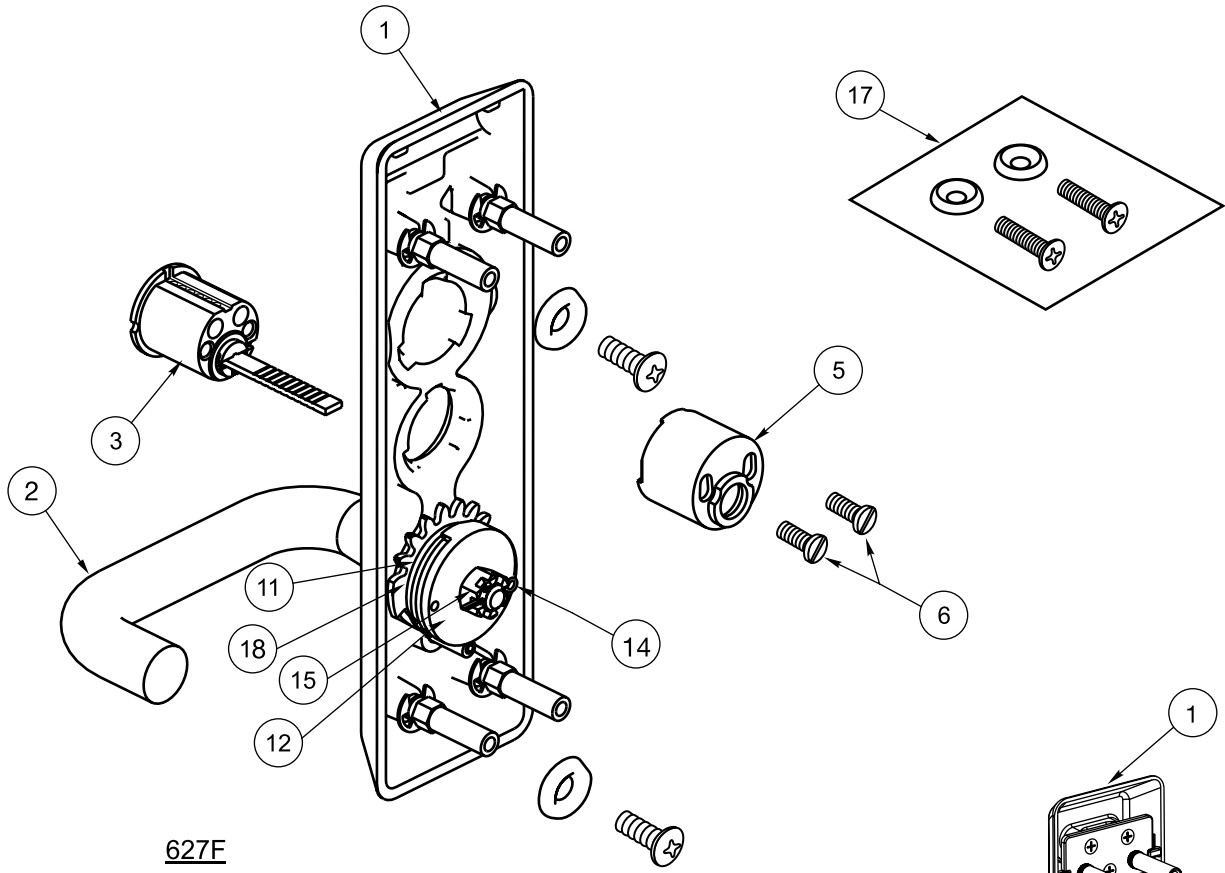


623F, 627F trim

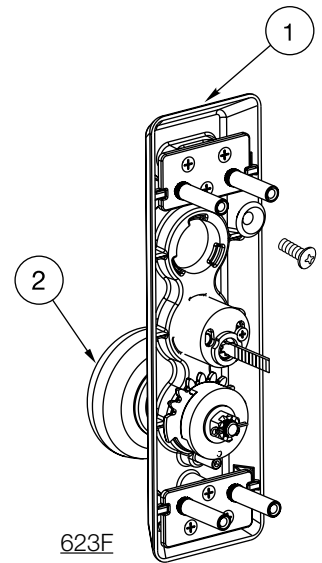
Item	Part No.	Description
1	60-7000-0705-FIN	Escutcheon Assy. 623F, 627F
2	See Chart page 60	Lever / Knob
3	See Chart page 61	Cylinder, Rim*
5	60-2000-6206-082	Housing, Cylinder
6	60-7000-1235-048	Screw, Cylinder Mounting (2)
11	60-7000-1328-048	Gear, Drive
12	60-7000-6220-999	Universal Spring Hub, Lever
14	99-9958-0047-999	Cotter Pin
15	99-9999-3516-999	Nut, Spindle
16	60-7000-9001-999	Thimble Insert, Nylon
		(Levers) Not Shown
17	81-9500-1476-FIN	Screw Packet, Mtg.
		Consists of the following:
	81-0013-0670-FIN	Screw, 1/4-20 x 1
		OPHMS (2)
18	99-9999-7156-FIN	Washer, #14 Finish (2)
		Spring, Grip Return
	60-7000-1234-999	Knob Not Shown
	60-7000-1220-999	Levers, Universal Spring

*See page 61 for cylinder collar applications.

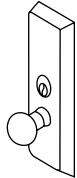
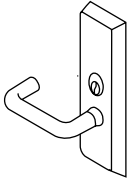
623F, 627F trim



627F



623F

	
Knob Access by Key	Lever Access by Key
03	03
623F	627F

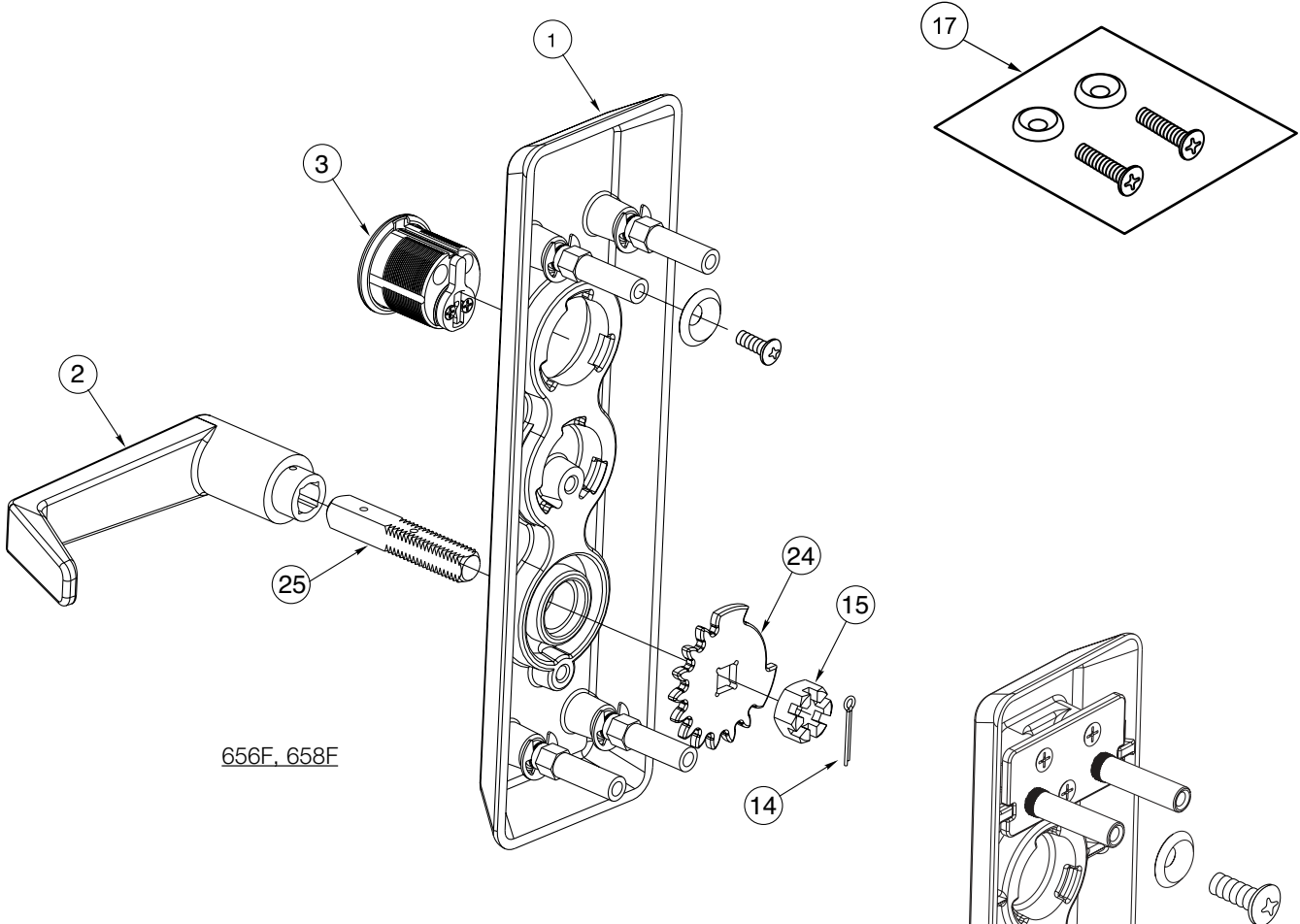


652F, 654F, 656F, 658F trim

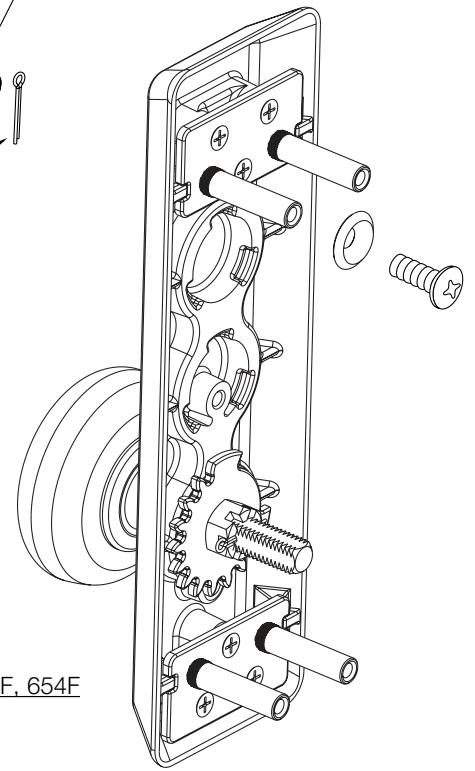
Item	Part No.	Description
1		Escutcheon Assembly
	60-7000-0703-FIN	Cylinder x Lever (656F) or Knob (652F)
	60-7000-0702-FIN	Blank x Lever (658F) or Knob (654F)
2	See Chart page 60	Lever
3	See Chart Page 61	Cylinder, Mortise*
14	99-9958-0047-999	Cotter Pin
15	99-9999-3518-999	Nut, Spindle
16	60-7000-9001-999	Thimble Insert, Nylon (Levers) Not Shown
17	81-9500-1476-FIN	Screw Packet, Mtg.
		Consists of the following:
	81-0013-0670-FIN	Screw, 1/4-20 x 1 OPHMS (2)
	99-9999-7156-FIN	Washer, #14 Finish (2)
23	60-9958-0047-999	Washer, Spindle
24	60-7000-1328-048	Gear
25		Spindle
	60-7030-1045-048	1-3/4" - 2-1/4"
	60-7030-1026-048	2-1/4" - 3"

* See page 61 for cylinder collar applications

652F, 654F, 656F, 658F trim



656F, 658F



652F, 654F

Classroom/ Storeroom	Nightlatch	Passage Active Knob	Dummy Trim Rigid Knob	Cylinder Controls Lever	(DT) Rigid Lever	(Passage) Active Lever or (DT) Free Wheeling Lever
08/09	03	14	02	08/09	02	—
652F		654F		656F	658F	658F

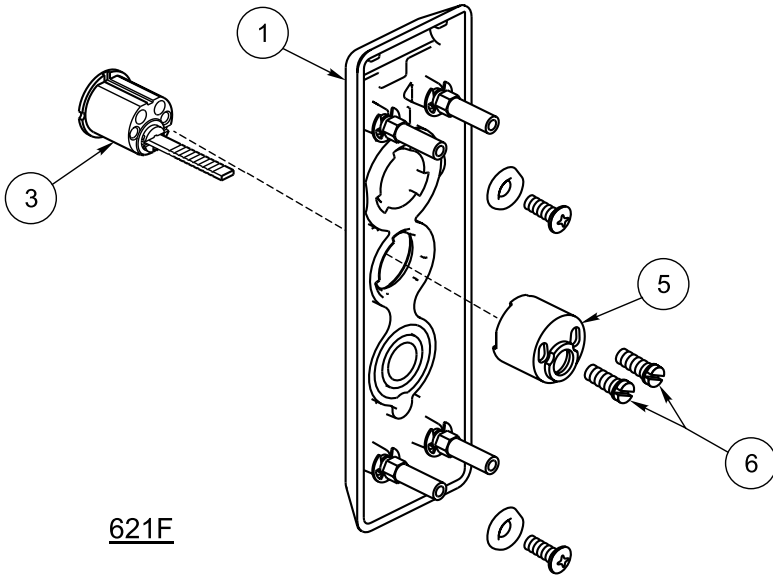


620F, 621F, 651F trim

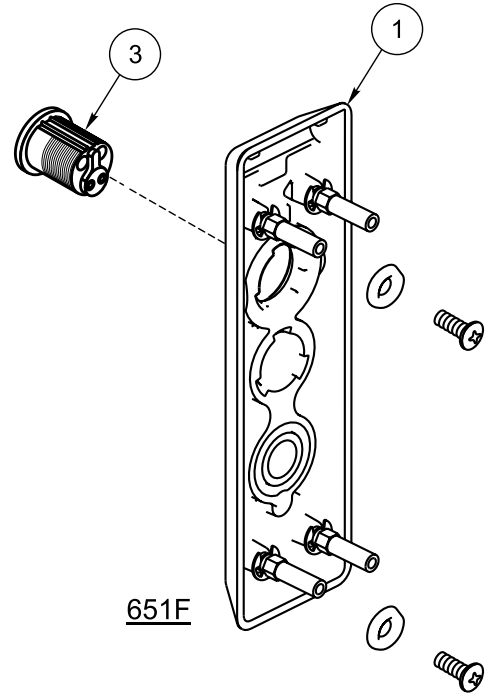
Item	Part No.	Description
1		Escutcheon Assembly
	60-7000-0648-FIN	620F
	60-7000-0614-FIN	621F
	60-7030-0193-FIN	651F
3	See Chart Page 61	Cylinder, Rim or Mortise*
5	60-2000-6206-082	Housing, Cylinder 621F
6	60-7000-1235-048	Screw, Cylinder 621F Mounting (2)
17	81-9500-1476-FIN	Screw Packet, Mtg.
		Consists of the following:
	81-0013-0670-FIN	Screw, 1/4-20 x 1 OPHMS (2)
	99-9999-7156-FIN	Washer, #14 Finish (2)

* See page 61 for cylinder collar applications.

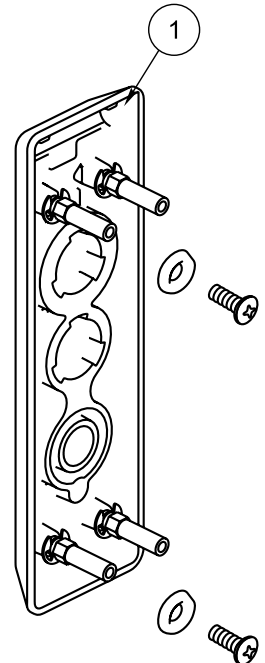
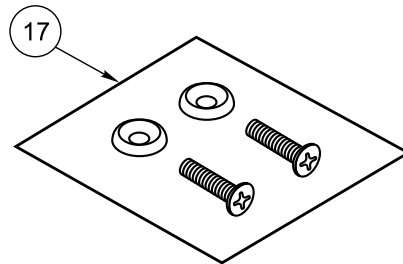
620F, 621F, 651F trim






621F



651F



620F

		
(EO) Blank Plate	(NL) Access by Key	(NL) Access by Key
01	03	07
620F	621F	651F

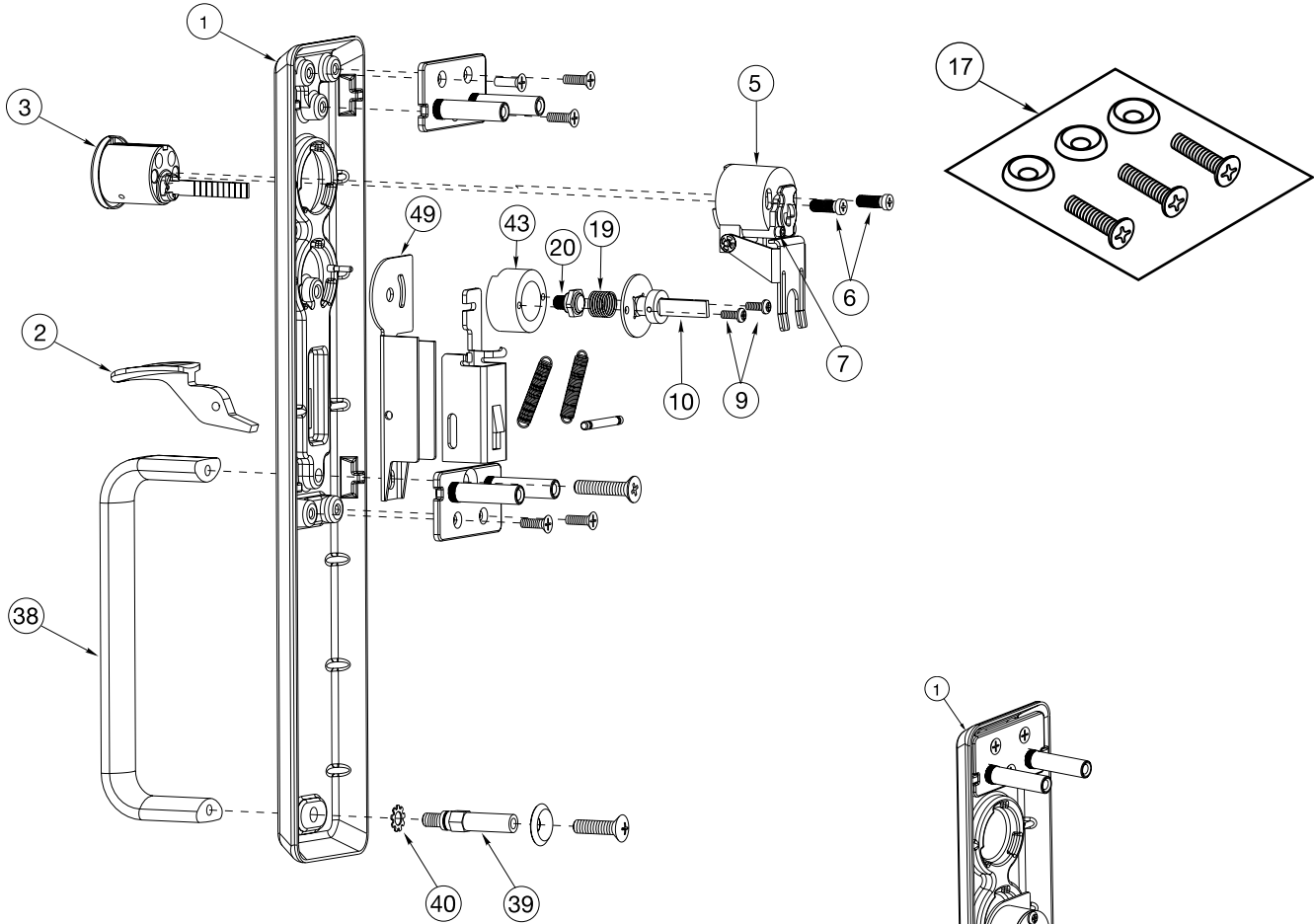


633F, 635F trim

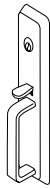

Item	Part No.	Description
1		Escutcheon Assembly
	60-7000-0715-FIN	633F
	60-7000-0714-FIN	635F
2	60-7000-X192-FIN	Thumbpiece
3	See Chart Page 61	Cylinder, Rim* (633F)
5	60-7000-0215-000	Housing & Cam Assembly
6	60-7000-1235-048	Screw, Cylinder Mounting (2)
7	81-0016-2200-999	Screw, NL Function
9	81-4414-0308-036	Screw, Tailpiece Plate, #6 x 3/8 PHT-T-PH (2)
10	60-7000-0611-059	Tailpiece Assembly
17	81-9500-1476-FIN	Screw Packet, Mtg.
		Consists of the following:
	81-0013-0670-FIN	Screw, 1/4-20 x 1OPHMS (3)
	99-9999-7156-FIN	Washer, #14 Finish (3)
19	60-7000-1306-999	Spring Under Tailpiece
20	60-7000-1305-059	Hex Nut/Bushing for Spring
38	60-0010-2639-FIN	Pull, Straight
39	60-7000-1039-048	Screw Post
40	99-9999-7154-036	Lock Washer, Screw Post
41	99-9999-5697-999	Spring, Thumbpiece (2)
42	60-7000-1190-059	Slider, Thumbpiece
43	60-7000-0214-000	Housing, Tailpiece Assy.
48	60-7000-1045-059	Pin, Thumbpiece
49	60-7000-1189-059	Thumbpiece Support Bracket

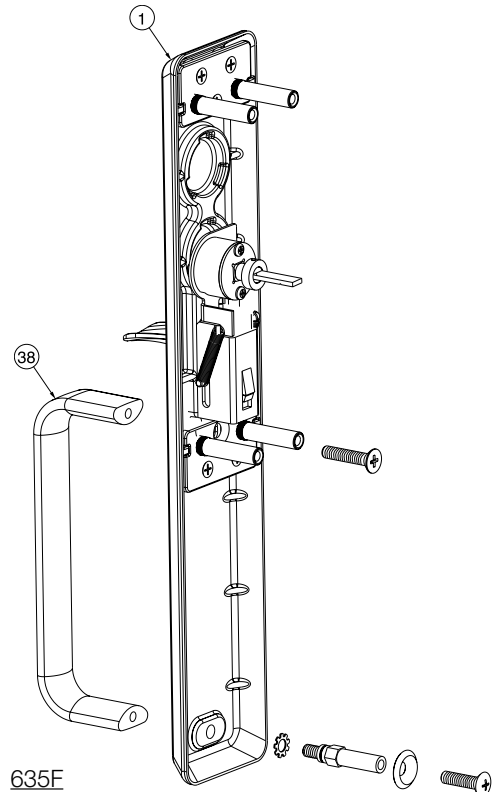
* See page 61 for cylinder collar applications.

633F, 635F trim



633F

		
Cylinder Controls T-Piece	Access by Key and T-Piece	(Passage) Active T-Piece
05	06	—
633F	633F	635F



635F

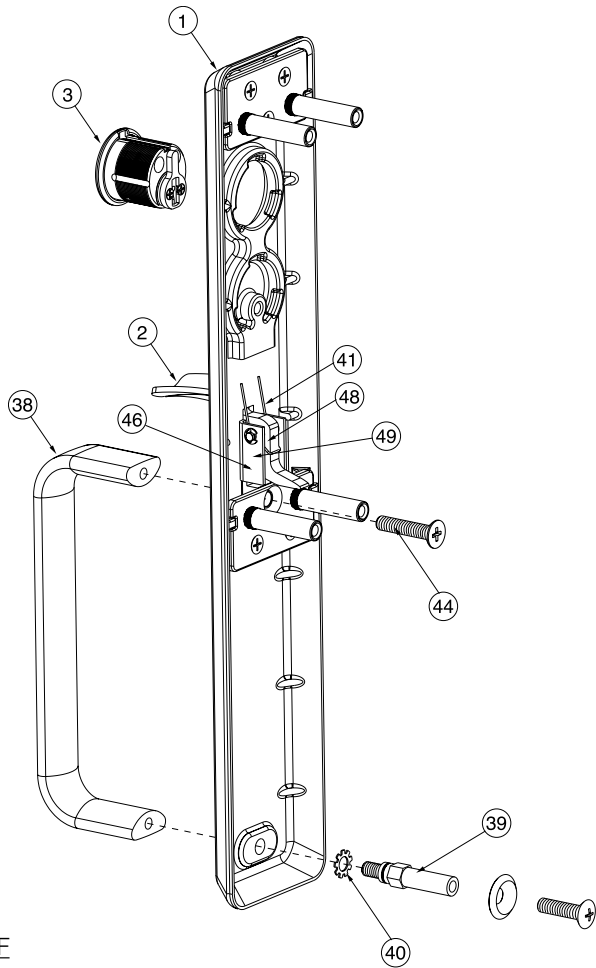


673F, 675F trim

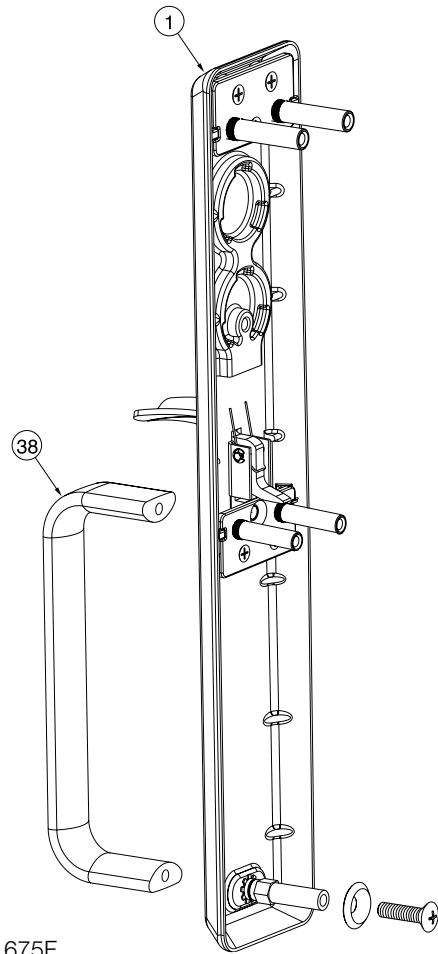
Item	Part No.	Description
1		Escutcheon Assembly
	60-7000-0718-FIN	673F
	60-7000-0717-FIN	675F
2	60-1530-X114-FIN	Thumbpiece
3	See Chart Page 61	Cylinder, Mortise* 673F
17		Screw Packet, Mtg.
	81-9500-1405-FIN	1-3/4" - 2" Doors
	81-9500-1453-FIN	2-1/4" Doors
38	60-0010-2639-FIN	Pull, Straight
39	60-7000-1039-048	Screw Post
40	99-9999-7154-036	Lock Washer, Screw Post (2)
41	60-1530-1133-999	Spring, Thumbpiece
44	81-0011-0674-036	Screw, 1/4-20 x 1-1/4 FHPMS
45	60-7000-1460-048	Thumbpiece, Trim Spacer (Not Shown)
46	60-1500-1806-059	Bracket, Thumbpiece
48	60-1500-7244-000	Pin, Thumbpiece
49	99-9999-4517-999	Tru-Arc Ring

*See page 61 for cylinder collar applications.

673F, 675F trim

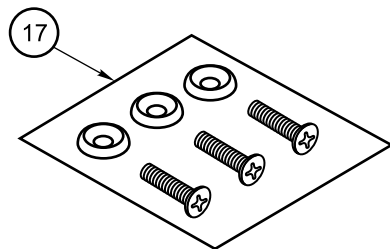


673F



675F

Cylinder Controls Lever	(Passage) Active T-Piece
05	—
673F	675F



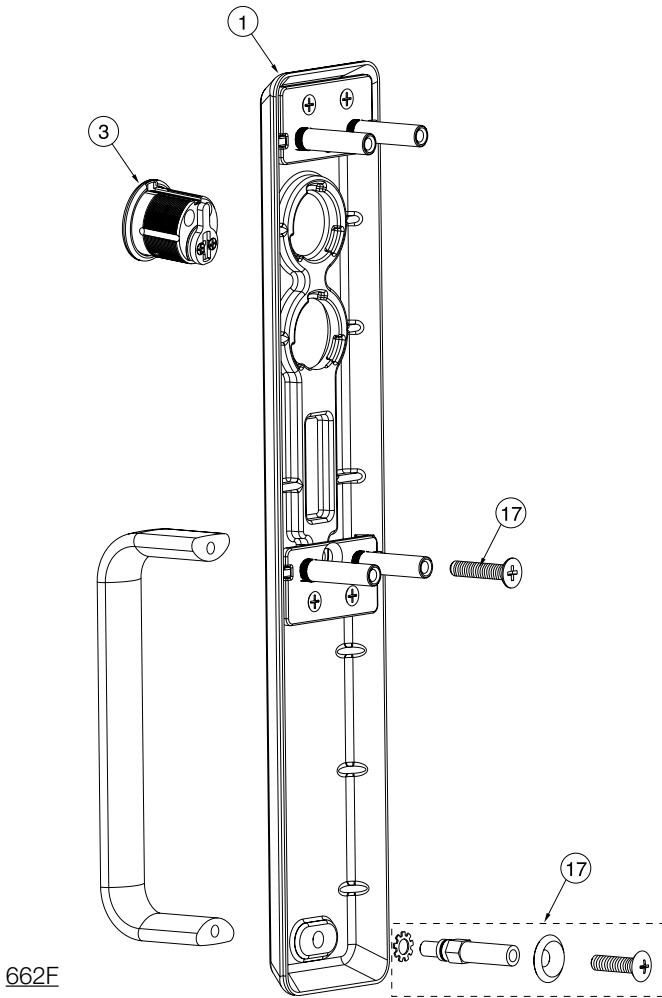


632F, 634F, 662F trim

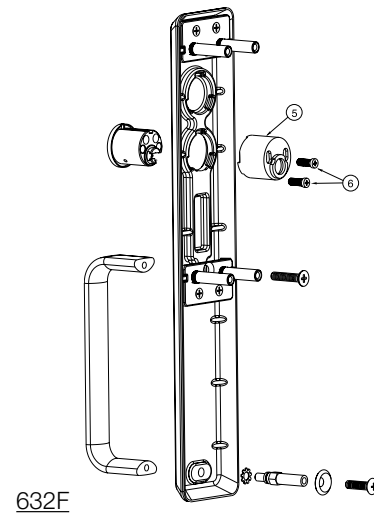
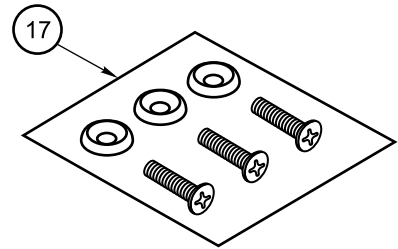
Item	Part No.	Description
1		Escutcheon Assembly
	60-7000-0713-FIN	632F
	60-7000-0711-FIN	634F
	60-7000-0717-FIN	662F
3	See Chart Page 61	Cylinder, Mortise or Rim*
5	60-2000-6206-082	Housing, Cylinder
6	60-7000-1235-048	Screw, Cylinder Mtg. (2)
17	81-9500-1467-FIN	Screw Packet, Mtg.
		Consists of the following:
	60-7000-1039-048	Threaded Post (1)
	81-0011-0674-036	1/4-20 x5/8" (1) RHPMS
	81-0013-0670-FIN	1/4-20 x1" (3) OHPMS
	99-9999-7156-FIN	Washer #14 Finish (3)

*See page 61 for cylinder collar applications.

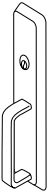


632F, 634F, 662F trim

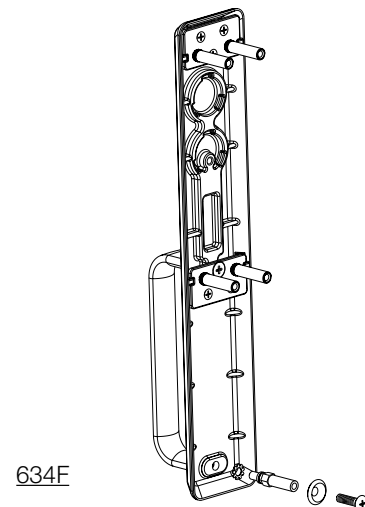


662F



632F

		
(NL) Cylinder by Pull	(DT) Full Plate	(NL) Cylinder by Pull
03	02	03
632F	634F	662F



634F

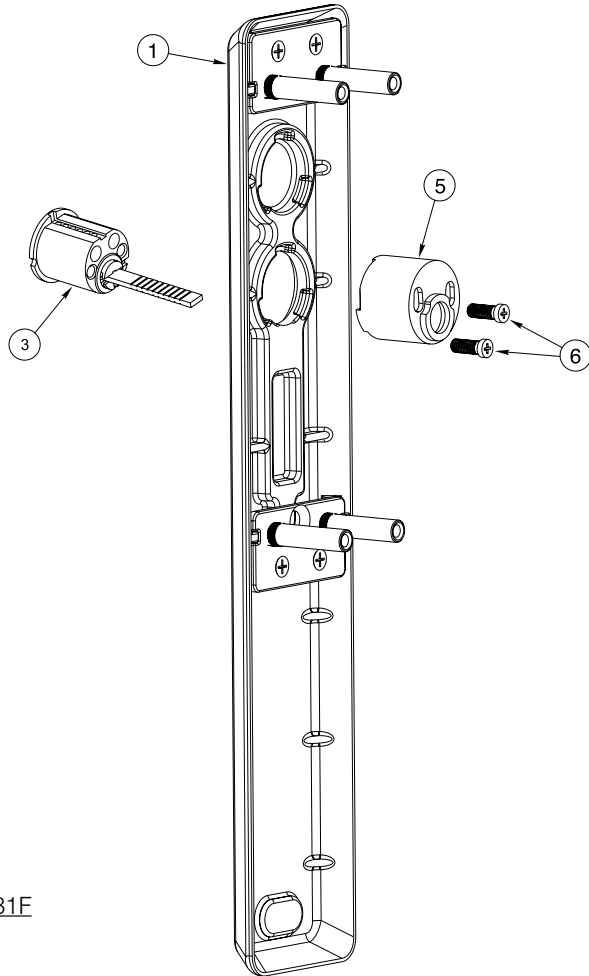


630F, 631F, 661F trim

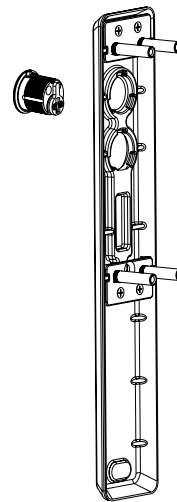
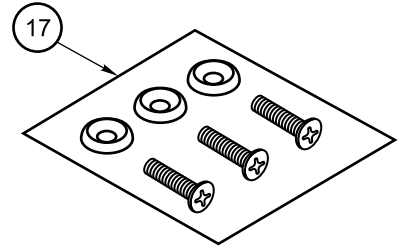
Item	Part No.	Description
1		Escutcheon Assembly
	60-7000-0710-FIN	630F
	60-7000-0712-FIN	631F
	60-7000-0716-FIN	661F
3	See Chart Page 61	Cylinder, Mortise or Rim*
5	60-2000-6206-082	Housing, Cylinder, Rim
6	60-7000-1235-048	Screw, Cylinder Mtg. (2)
17	81-9500-1405-FIN	Screw Packet, Mtg.
		Consists of the following:
	81-0013-0670-FIN	Screw, 1/4-20 x 1 OPHMS (3)
	99-9999-7156-FIN	Washer, #14 Finish (3)

*See page 61 for cylinder collar applications.

630F, 631F, 661F trim

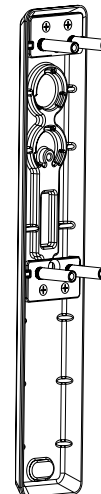


631F



661F

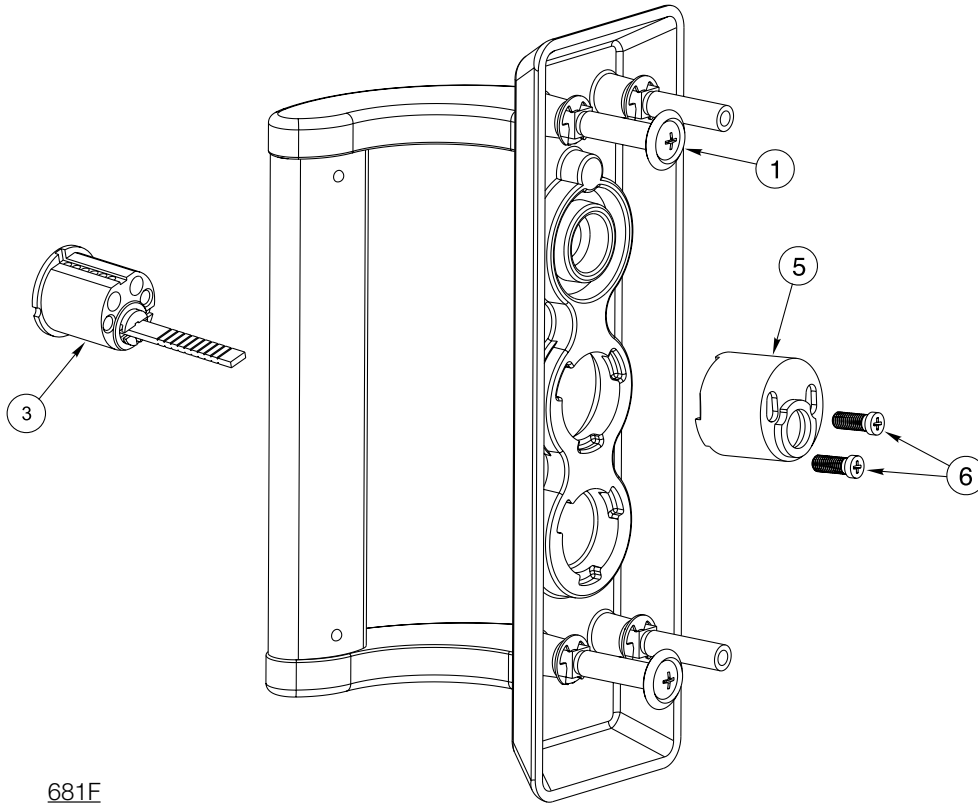
(BT) Blank Plate	(NL) Access by Key	(NL) Access by Key
01	03	03
630F	631F	661F



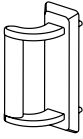
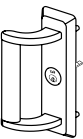
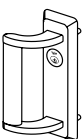
630F



680F, 681F, 684F trim



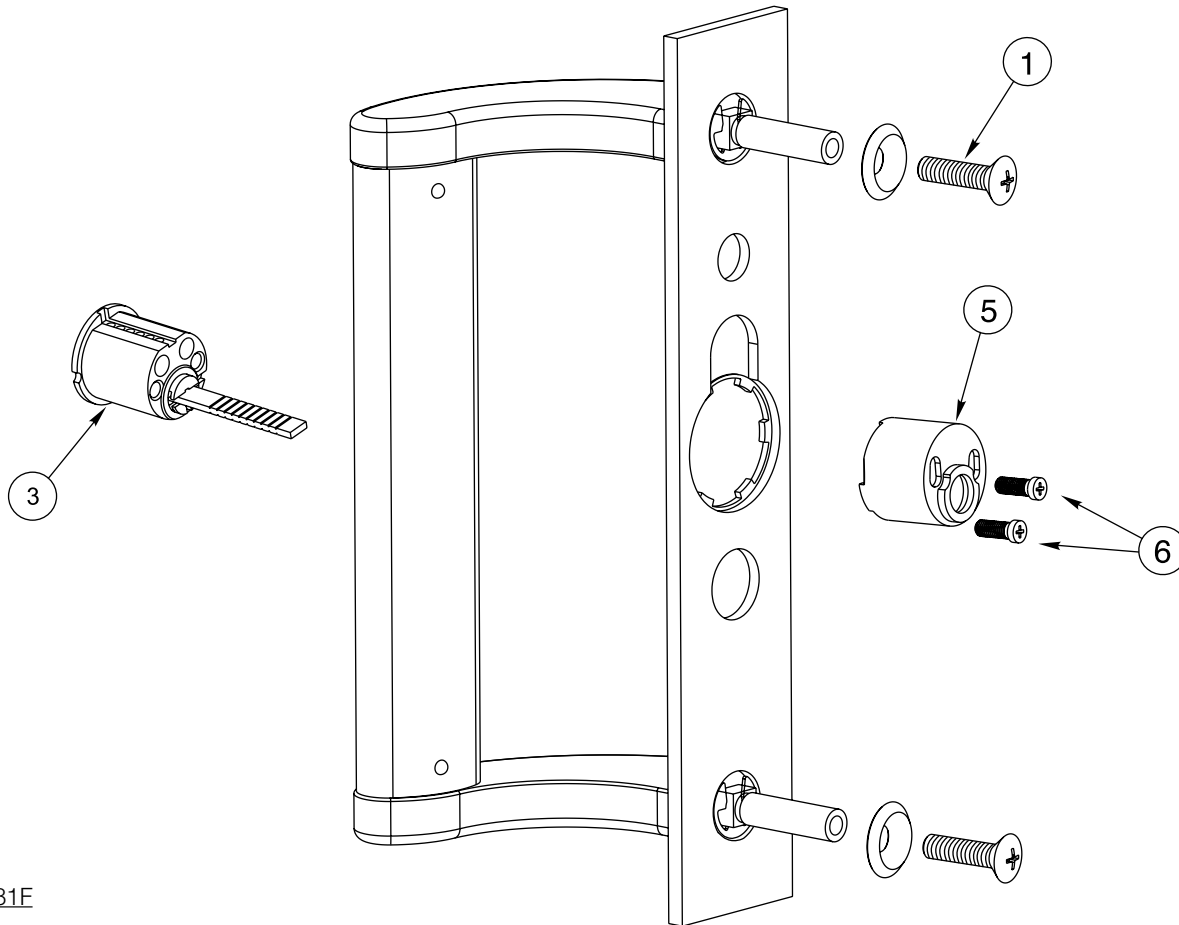
681F

		
Dummy Pull	Nightlatch	Mortise Nightlatch
02	03	03
680F	681F	684F

Item	Part No.	Description
1	81-9500-1476-FIN	Screw Packet, Mtg.
	Consists of the following:	
	81-0013-0670-FIN	Screw 1/4-20 x 1 OPHMS(2)
	99-9999-7156-FIN	Washer #14 Finish (2)
3	See Chart Page 61	Cylinder, Rim or Mortise
5	60-2000-6206-082	Housing, Cylinder (681F)
6	60-7000-1235-048	Screw, Cylinder Mtg. (2)

Note: Handle and Escutcheon sold as assembly only.

480F, 481F, 482F, 483F trim



481F

Dummy Pull	Nightlatch	Dummy Pull (Special lengths)	Nightlatch (Special lengths)
02	03	02	03
480F	481F	482F	483F

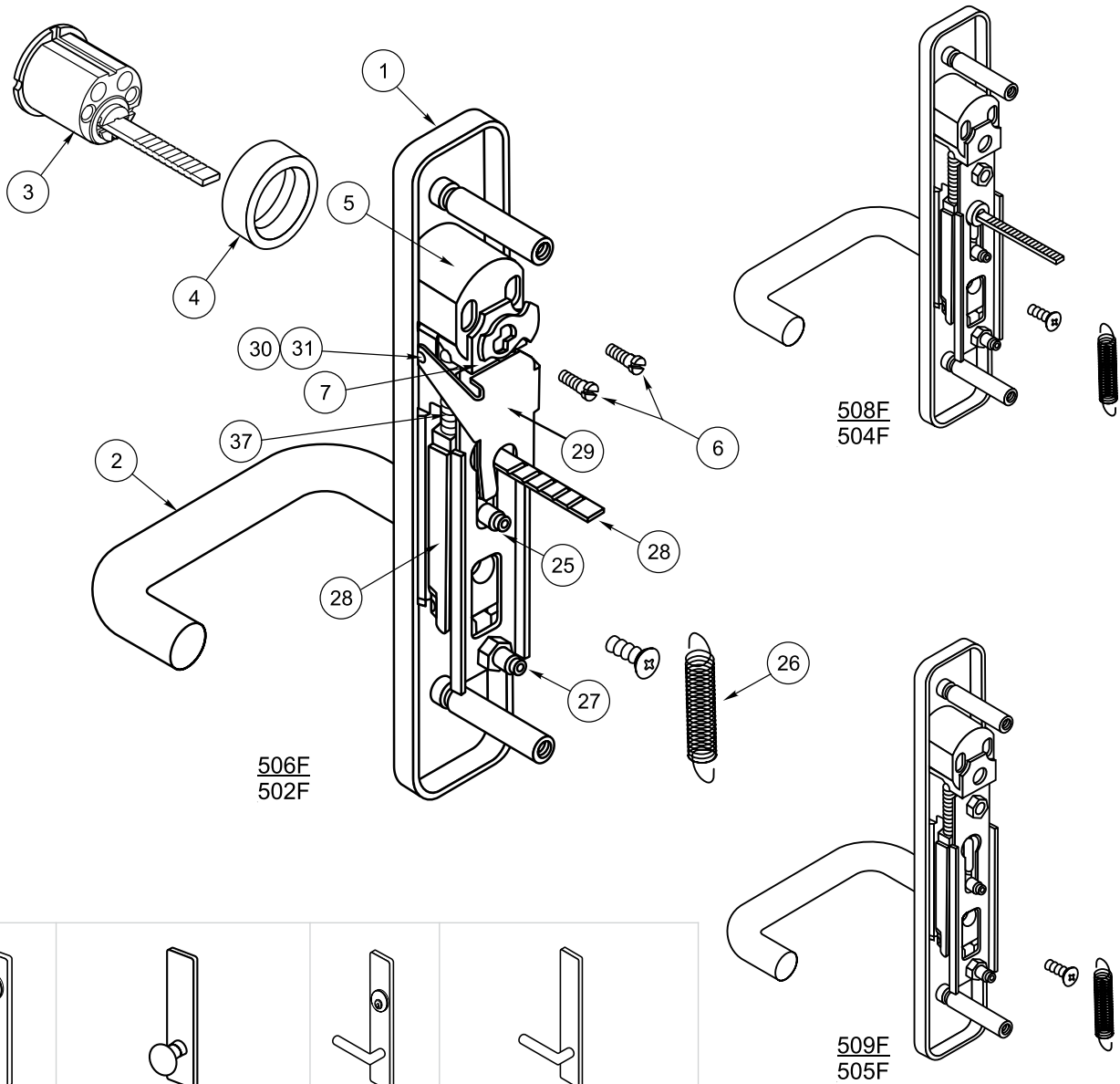
Item	Part No.	Description
1	81-9500-1476-FIN	Screw Packet, Mtg.
		Consists of the following:
	81-0013-0670-FIN	Screw 1/4-20 x 1 OPHMS(2)
	99-9999-7156-FIN	Washer #14 Finish (2)
3	See Chart Page 61	Cylinder, Rim
5	60-2000-6206-082	Housing, Cylinder (481F)
6	60-7000-1235-048	Screw, Cylinder Mtg. (2)

Note: Handle and Escutcheon sold as assembly only.

502F, 504F, 505F, 506F, 508F, 509F trim

Item	Part No.	Description
1		Escutcheon Assembly
	60-7200-0128-FIN	502F, 506F
	60-7200-0129-FIN	504F, 505F, 508F, 509F
2	See Chart page 60	Lever/Knob
3	See Chart Page 61	Rim Cylinder
4	See Chart Page 61	Cylinder Collar
5		Housing & Cam Assembly
	60-7200-0159-000	502F, 506F-Housing,Cyl.
	60-7200-6145-082	504F, 505F, 508F, 509F
6	60-7000-1235-048	Screw, Cylinder Mounting (2)
7	81-0016-2200-999	Screw, NL Function
16	60-7000-9001-999	Thimble Insert, Nylon Not Shown
19	60-7000-1306-999	Spring Under Tailpiece Not Shown
25	60-7200-1120-059	Plate, Cover
26	99-9999-5702-999	Spring, Extension (Levers Only)
27	60-7200-1125-059	Nut, Spring Post (Levers Only)
28		Rack & Tailpiece Assy.
	60-7200-0164-000	Levers/Knobs
29	60-7200-1147-059	Lever, Clutch
30	60-7200-1083-059	Pin, Clutch Lever
31	99-9999-4617-999	Retainer, Clutch Lever Pin (2)
32	99-9999-3508-036	Nut, Cover Plate (2) Not Shown
33	60-7200-1142-000	Hub Not Shown
34	99-9999-0246-999	Bushing, Nylon Not Shown
35	60-7200-1104-059	Washer, Grip Not Shown
36	81-0611-0410-036	Screw, 8-32 x 7/16, Spindle Not Shown
37		Spring, Rack (2)
	60-7200-1134-000	Lever
	60-7200-1133-000	Knob, Thumbturn

502F, 504F, 505F, 506F, 508F, 509F trim



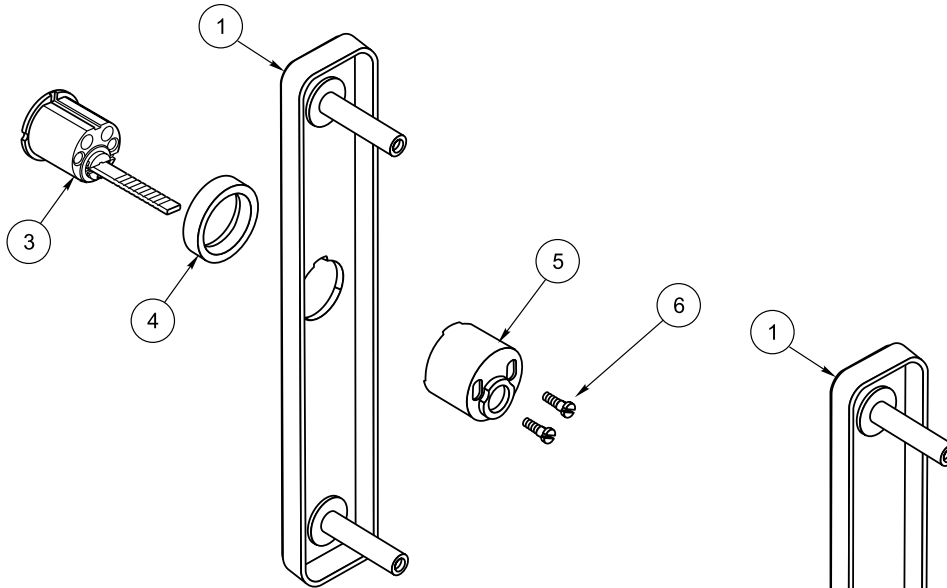
Cylinder Controls Knob	Passage Trim Knob	Rigid Dummy Knob	Cylinder Controls Lever	Passage Trim Lever	Rigid Dummy Lever
09	—	02	08	—	02
502F	504F	505F	506F	508F	509F



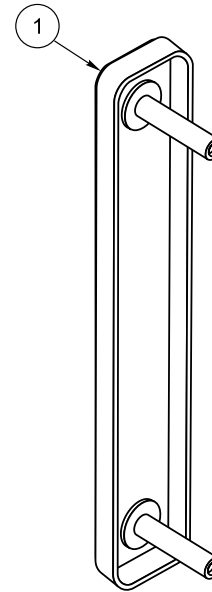
500F, 501F, 503F, 507F trim

Item	Part No.	Description
		Escutcheon Assembly
1	60-7200-0151-FIN	500F
	60-7200-0123-FIN	501F
	60-7200-0127-FIN	503F
	60-7200-0126-FIN	507F
2	60-7200-0156-FIN	Thumbturn / Spindle Assembly
3	See Chart Page 61	Cylinder, Rim
4	See Chart Page 61	Collar, Cylinder
		Housing & Cam Assembly
5	60-7200-0159-000	503F, 507F
	60-2000-6206-082	501F, Housing, Cylinder
6	60-7000-1235-048	Screw, Cylinder Mounting (2)
7	81-0016-2200-999	Screw, NL Function
16	60-7000-9001-999	Thimble Insert, Nylon Not Shown
19	60-7000-1306-999	Spring Under Tailpiece for 503F, 507F Not Shown
25	60-7200-1120-059	Plate, Cover
28	60-7200-0164-000	Rack & Tailpiece Assembly
29	60-7200-1147-059	Lever, Clutch (503F)
30	60-7200-1083-059	Pin, Clutch Lever (503F)
31	99-9999-4617-999	Retainer, Clutch Lever Pin (2) (503F)
32	99-9999-3508-036	Nut, Cover Plate (2)
33	60-7200-1142-000	Hub Not Shown
34	99-9999-0246-999	Bushing, Nylon Not Shown
35	60-7200-1104-059	Washer, Grip Not Shown
36	81-0611-0410-036	Screw, 8-32 x 7/16 Spindle Not Shown
37	60-7200-1133-000	Spring, Rack (2)

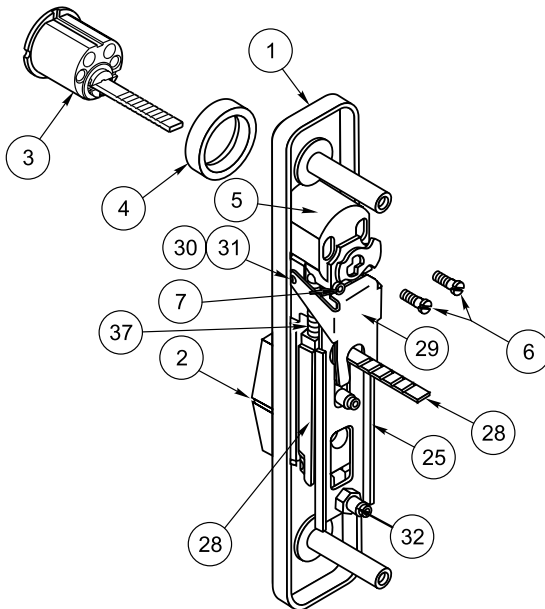
500F, 501F, 503F, 507F trim



501F



500F



503F
507F

(EO) Blank Plate	(NL) Access by Key	Cylinder Controls Thumbturn	Passage Active Turn
—	03	11/12	—
500F	501F	503F	507F

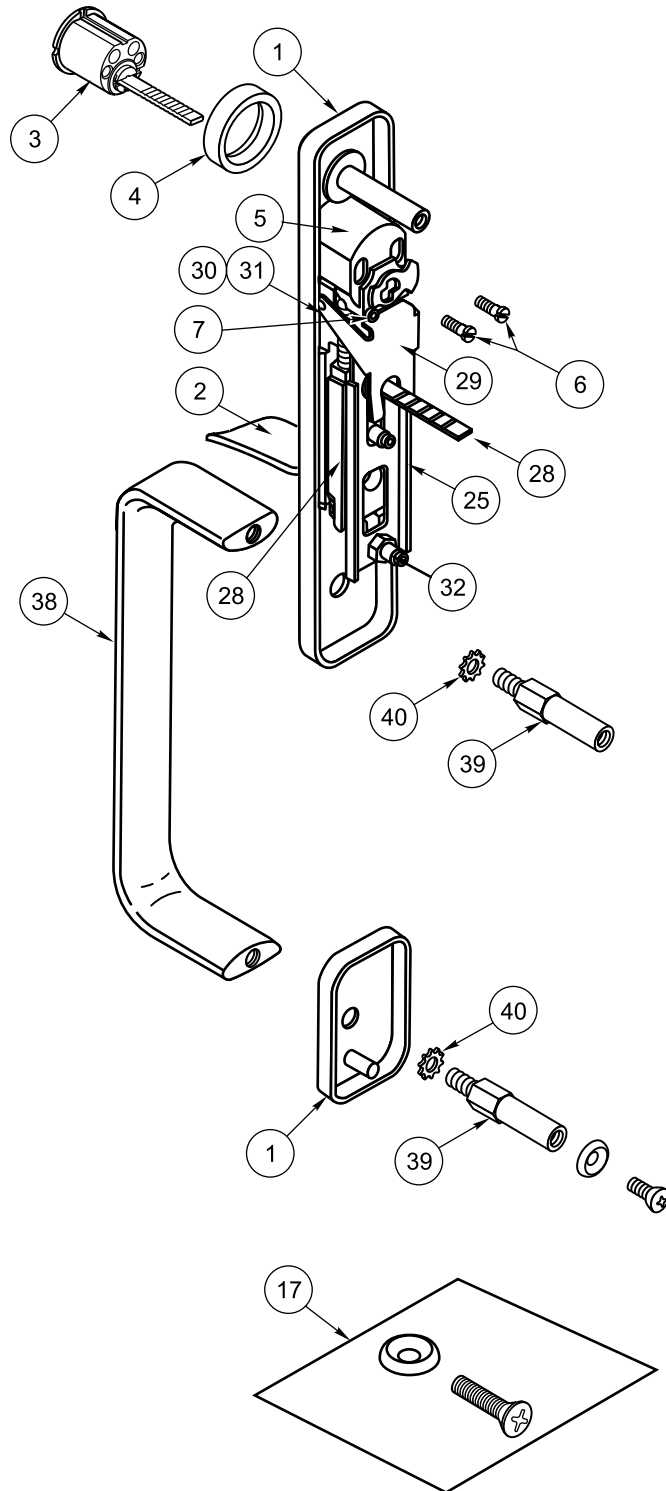


518F, 519F trim

Item	Part No.	Description
1		Escutcheon Assembly
	60-7200-0162-FIN	519F Top
	60-7200-0163-FIN	518F Top
	60-7200-0120-FIN	Bottom
2	60-7000-X192-FIN	Thumbpiece
3	See Chart Page 61	Cylinder, Rim
4	See Chart Page 61	Collar, Cylinder
5	60-7200-0361-000	Housing, Cylinder
6	60-7000-1235-048	Screw, Cylinder Mounting (2)
7	81-0016-2200-999	Screw, NL Function
	60-7000-9001-999	Thimble Insert, Nylon Not Shown
	81-9500-1476-FIN	Screw Packet, Mtg.
		Consists of the following:
	81-0013-0670-FIN	Screw, 1/4-20 x 1 OPHMS (1)
	99-9999-7156-FIN	Washer, #14 Finish (1)
19	60-7000-1306-999	Spring Under Tailpiece 518F Not Shown
25	60-7200-1120-059	Plate, Cover
28	60-7200-0360-000	Rack & Tailpiece Assy
29	60-7200-1147-059	Lever, Clutch (518F)
30	60-7200-1083-059	Pin, Clutch Lever (518F)
31	99-9999-4617-999	Retainer, Clutch Lever Pin (2) (518F)
32	99-9999-3508-036	Nut, Cover Plate (2)
33	60-7200-1142-000	Hub Not Shown
35	60-7200-1104-059	Washer, Grip Not Shown
37	60-7200-1133-000	Spring, Rack (2) Not Shown
38	60-7200-X136-FIN	Pull, Offset
39	60-7000-1039-048	Screw Post (2)
40	99-9999-7154-036	Lockwasher, Screw
50	99-9958-0044-999	Pin, 5/32 x 1-1/8, Groove Not Shown



518F, 519F trim



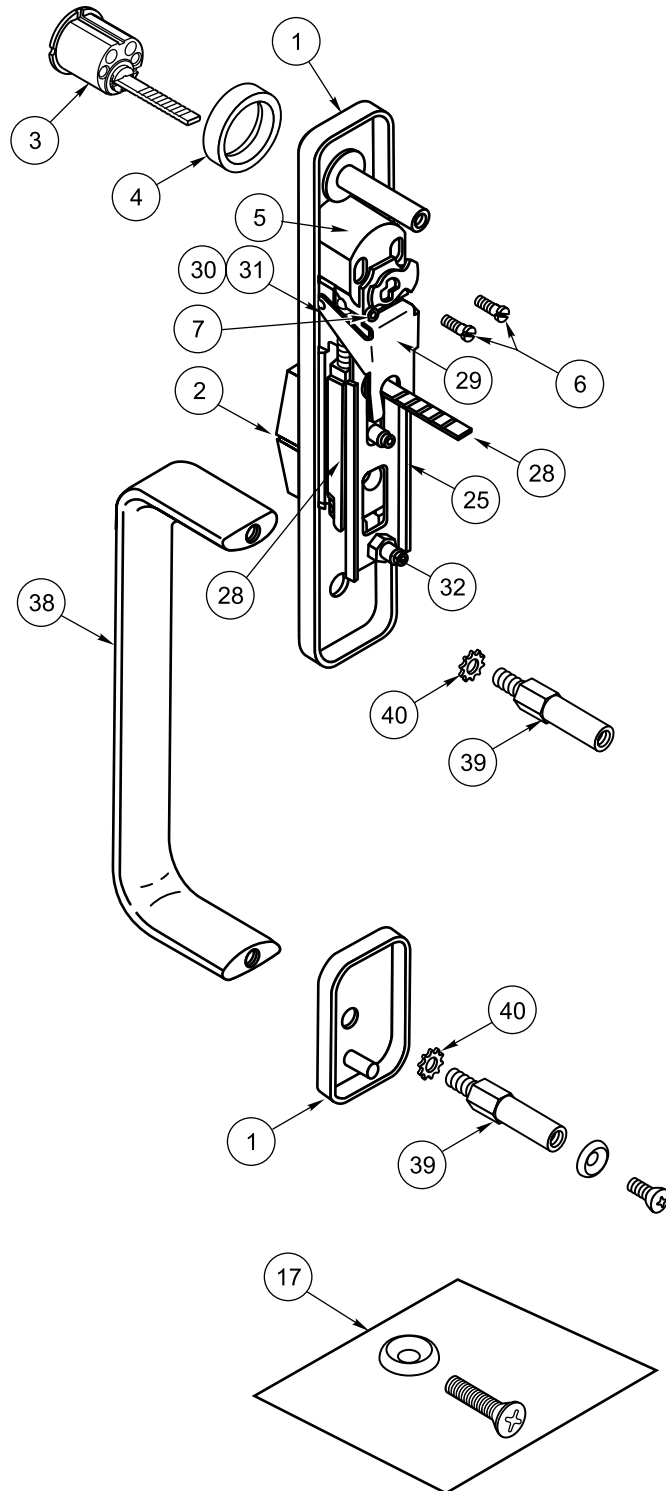
Cylinder Controls T-Piece	Passage Active T-Piece
05/06	—
518F	519F

513F, 517F trim

Item	Part No.	Description
1		Escutcheon Assembly
	60-7200-0154-FIN	513F Top
	60-7200-0155-FIN	517F Top
	60-7200-0120-FIN	Bottom
2	60-7200-0156-FIN	Thumbturn/Spindle Assy.
3	See Chart Page 61	Cylinder, Rim
4	See Chart Page 61	Collar, Cylinder
5		Housing , Cylinder
	60-7200-0159-000	513F
	60-7200-6145-082	517F
6	60-7000-1235-048	Screw, Cylinder Mounting (2)
7	81-0016-2200-999	Screw, NL Function
16	60-7000-9001-999	Thimble Insert, Nylon Not Shown
17	81-9500-1476-FIN	Screw Packet, Mtg.
		Consists of the following:
	81-0013-0670-FIN	Screw, 1/4-20 x 1 OPHMS (1)
	99-9999-7156-FIN	Washer, #14 Finish (1)
19	60-7000-1306-999	Spring Under Tailpiece 513F Not Shown
25	60-7200-1120-059	Plate, Cover
28	60-7200-0164-000	Rack & Tailpiece Assy
29	60-7200-1147-059	Lever, Clutch (513F)
30	60-7200-1083-059	Pin, Clutch Lever (513F)
31	99-9999-4617-999	Retainer, Clutch Lever Pin (2) (513F)
32	99-9999-3508-036	Nut, Cover Plate (2)
33	60-7200-1142-000	Hub (Not Shown)
34	99-9999-0246-999	Bushing, Nylon Not Shown
35	60-7200-1104-059	Washer, Grip Not Shown
37	60-7200-1133-000	Spring, Rack (2) Not Shown
38	60-7200-X136-FIN	Pull, Offset
39	60-7000-1039-048	Screw Post (2)
40	99-9999-7154-036	Lockwasher, Screw Post (2)
50	99-9958-0044-999	Pin, 5/32 x 1-1/8, Groove Not Shown



513F, 517F trim



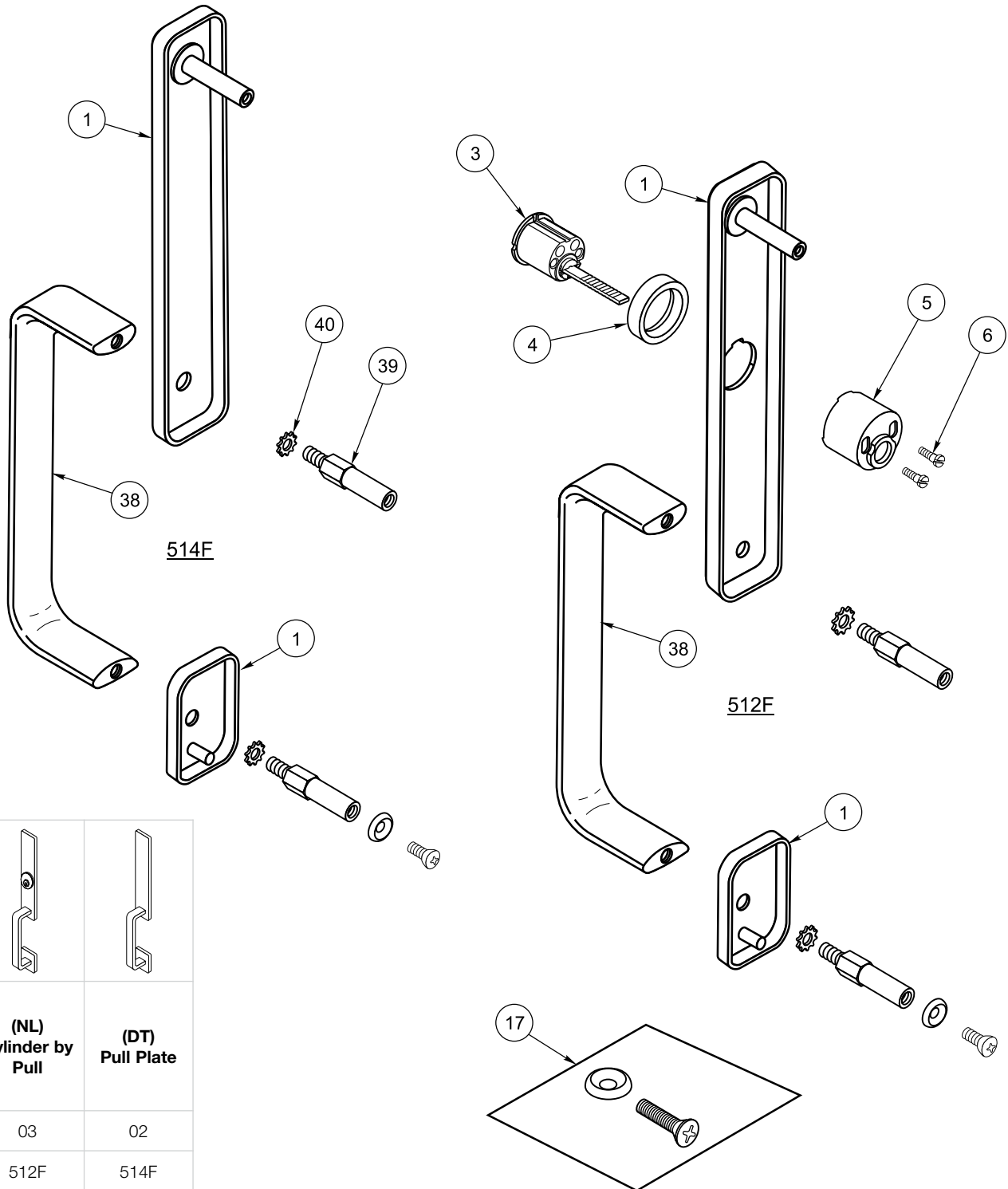
Cylinder Controls T-Turn	(Passage) Active T-Turn
11/12	—
513F	517F



512F, 514F trim

Item	Part No.	Description
1		Escutcheon Assembly
	60-7200-0165-FIN	512F Top
	60-7200-0172-FIN	514F Top
	60-7200-0120-FIN	Bottom
3	See Chart Page 61	Cylinder, Rim
4	See Chart Page 61	Collar, Cylinder
5	60-2000-6206-082	Housing, Cylinder
6	60-7000-1235-048	Screw, Cylinder Mounting (2)
17	81-9500-1476-FIN	Screw Packet, Mtg.
		Consists of the following:
	81-0013-0670-FIN	Screw, 1/4-20 x 1 OPHMS (1)
	99-9999-7156-FIN	Washer, #14 Finish (1)
38	60-7200-X136-FIN	Pull, Offset
39	60-7000-1039-048	Screw Post (2)
40	99-9999-7154-036	Lockwasher, Screw Post (2)

512F, 514F trim





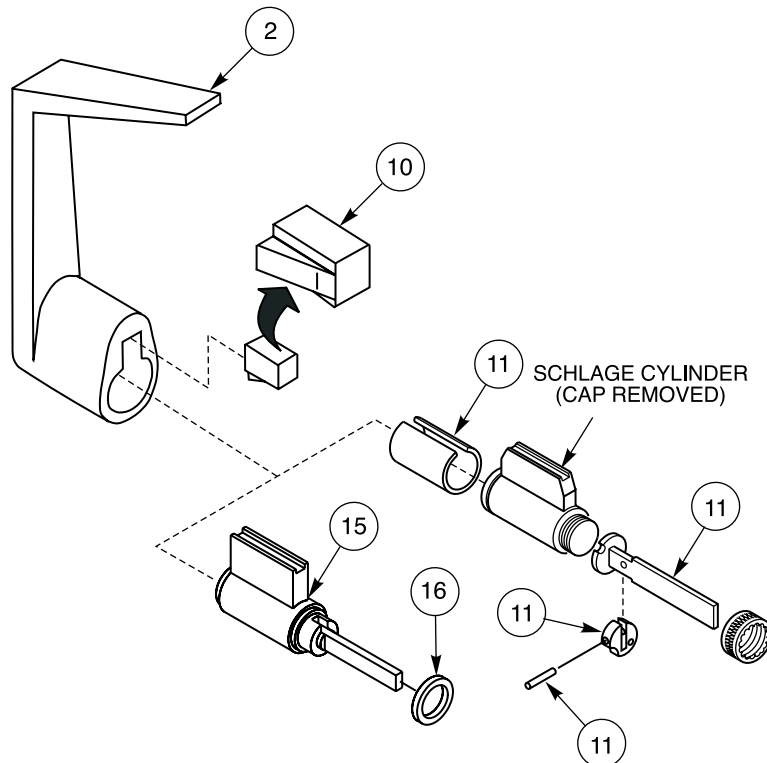
541F, 546F, 548F, 549F trim

Item	Part No.	Description	
1	14-5401-2711-FIN	Rose Scalp	
		Lever	
		Plain	
	14-5401-6640-FIN	AU - Augusta	
	14-5403-6650-FIN	MO - Monroe	
	14-5403-6651-FIN	PB - Pacific Beach	
		Cylinder	
	14-5407-6038-FIN	AU - Augusta	
	14-5407-6042-FIN	MO - Monroe	
	14-5407-6062-FIN	PB - Pacific Beach	
		Yale I/C (6 Pin)	
	2	14-5407-6021-FIN	AU - Augusta
		14-5407-6045-FIN	MO - Monroe
		14-5407-6065-FIN	PB - Pacific Beach
		Yale I/C (7 Pin)	
14-5407-6022-FIN		AU - Augusta	
14-5407-6042-FIN		MO - Monroe	
14-5407-6066-FIN		PB - Pacific Beach	
		Best, Arrow, Falcon SFIC (6 & 7 Pin)	
14-5407-6056-FIN		AU - Augusta	
14-5407-6048-FIN		MO - Monroe	
14-5407-6068-FIN	PB - Pacific Beach		
7	14-5407-1102-000	Tool, Lever Removal Not Shown	
11	107S	Schlage® Retrofit Kit	
15	See Chart Page 61	Cylinder	
16	14-5407-9201-999	Spacer, Cylinder	












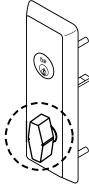
541F, 546F, 548F, 549F trim

(NL) Access by Key	Cylinder Control Lever	(DT) Free Wheeling Lever	Passage Lever	(DT) Rigid Lever
03	08	02	—	02
541F	546F	548F	548F	549F

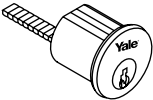
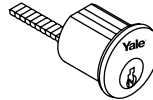
Note: Available as assemblies only.



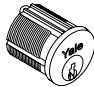
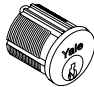
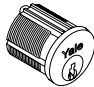
trim designs for escutcheons

<p>AR</p>  <p>Arcadia Projection: 3-1/4" (82mm) Lever assembly: RHR 60-7000-0097-FIN LHR 60-7000-0098-FIN</p>	<p>AU</p>  <p>Augusta Projection: 2-5/8" (61mm) Lever assembly: 60-7000-0095-FIN</p>	<p>CR</p>  <p>Carmel Projection: 3-1/8" (79mm) Lever assembly: 60-7000-0140-FIN</p>	<p>JN</p>  <p>Jefferson Projection: 2-9/16" (65mm) Lever assembly: 60-7000-0093-FIN</p>
<p>MO</p>  <p>Monroe Projection: 3" (76mm) Lever assembly: 60-7000-0239-FIN</p>	<p>PB</p>  <p>Pacific Beach Projection: 3-5/16" (84mm) Lever assembly: 60-7000-0240-FIN</p>	<p>PN</p>  <p>Pinehurst Projection: 3-1/16" (78mm) Lever assembly: 60-7000-0198-FIN</p>	<p>VI</p>  <p>Virginia Projection: 3-1/8" (79mm) Lever assembly: 60-7000-0236-FIN</p>
<p>HA</p>  <p>Hampton Projection: 3-3/8" (86mm) Lever assembly: 60-7000-0285-FIN</p>	<p>CO</p>  <p>Copenhagen Projection: 3-1/2" (90mm) Knob assembly: 60-7000-0062-FIN</p>	<p>LF</p>  <p>Litchfield Projection: 2-7/8" (73mm) Knob assembly: 60-7000-0060-FIN</p>	 <p>603F Thumbturn Assembly: 60-7000-0157-FIN</p>

cylinders

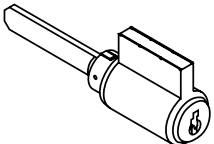
			Application:	Cylinder(s)	Description	Cylinder Ring	Mounting Screws
Rim Cylinder	Narrow Escutcheon Trim 500F/510F Series Rim cylinders with special #599 cylinder rings. NOT AVAILABLE with U5109 cylinder.		7200, 7200M, 7200MF Rim	1109 / 5109 6-pin	Standard / Security	599-.419	60-7000-1235-048
			7250, 7250M, 7250MF	1109 / 5109 7-pin	Standard / Security	599-.419	60-7000-1235-048
			SquareBolt®	1193 / 5193 6-pin	I.C. / Sec. I.C.	599-.544	10-1193-1018-048
			7210, 7210M, 7210MF SVR	1193 / 5193 7-pin	I.C. / Sec. I.C.	599-.544	10-1193-1018-048
			7220, 7220M, 7220MF CVR	1709 6-pin	CMK Cylinder	599-.544	34-2311-8738-048
				1709 7-pin	CMK Cylinder	599-.700	34-2311-8738-048
				1109 / 5109 6-pin	Standard / Security	-----	60-7000-1235-048
	Escutcheon Trim 620F/630F and 600 Series Electric Trim Rim Cylinders		7100(F), Rim	U5109 6-pin	High Security	-----	60-7000-1235-048
			7150(F)	1109 / 5109 7-pin	Standard / Security	-----	60-7000-1235-048
			SquareBolt®	U5109 7-pin	High Security	-----	60-7000-1235-048
			7110(F), 7170(F) SVR	1709 6-pin	CMK Cylinder	1765-.250	34-2311-8738-048
			7120(F), 7160(F) CVR	1709 7-pin	CMK Cylinder	1765-.250	34-2311-8738-048
				1193 / 5193 6-pin	Std. / Sec. I.C.	1765-.250	10-1193-1018-048
				1193 / 5193 7-pin	Std. / Sec. I.C.	1765-.344	10-1193-1018-048

Note: Mounting screw part numbers shown are the screws to mount the cylinder.

			Application:	Cylinder(s)	Description	Cylinder Ring
Mortise Cylinder	Mortise Exit Devices Escutcheon Trim 650F/660F Series		7130(F) Mortise	2153 / 5153, 6 or 7-pin, 1-1/2" (38mm)	Standard / Security	----
				2196 / 5196 6-pin	Std. I.C. / Sec. I.C.	----
				2197 / 5197 7-pin	Std. I.C. / Sec. I.C.	1765 - .062
	Keyed Removable Mullions KRM200/200F		7100(F), 7150(F), 7200, 7250, 7200M(F), 7250(F)	2153/5153*, 6 or 7-pin, 1-1/8" (29mm)	Standard / Security	-----
				2196 / 5196 6-pin	Std. I.C. / Sec. I.C.	1765-.250
				2197 / 5197 7-pin	Std. I.C. / Sec. I.C.	1765-.250
	Cylinder Dogging		Panic-rated devices	2153, 6-pin, 1-1/8" (29mm)	Standard	----
				2153, 7-pin 1-1/4" (32mm)	Optional 7-pin	1765 - .156
				2196, 6-pin 1-1/2" (38mm)	Std. I.C. 6-pin	1765 - .406
	SecureX™ & Alarm Kit		All Exit Devices	2197, 7-pin 1-11/16" (42mm)	Std. I.C. 7-pin	1765 - .594

As with exit device trim you must order a cylinder to go with a keyed removable mullion. The Yale® keyed removable mullion accepts a standard 6-pin 2153 mortise cylinder with cam #2160. Other cylinders are optional.

*U5153 6 and 7-pin cylinders cannot be used with a keyed removable mullion.

		Application:	Cylinder(s)	Description
Knob or Leverset Trim 540F Series Trim Keyed trim uses Yale® cylindrical lock cylinders.		7100(F) Rim 7150(F) SquareBolt 7110(F), 7170(F) SVR 7120(F) CVR	1801	6-pin Knob Cyl. (Std.)
			1802	6-pin Lever Cyl. (Std.)
			1802A	7-pin Lever Cylinder
			1210	6-pin I.C. Lever Cylinder
			1220	7-pin I.C. Lever Cylinder
			5802	6-pin Security Lever Cyl.
			5802A	7-pin Security Lever Cyl.
			5210	6-pin I.C. Security Cyl.
			5220	7-pin I.C. Security Cyl.
			107S	Adaptor kit for Schlage® Cyl.
			"B" Trim Prefix	Trim with lever for Best®, Arrow® or Falcon® SFIC cylinder (specify 6 or 7-pin)

*AU & PB levers only.

Yale®

KeyMark® Refer to separate catalog section for availability.

strikes

Rim Devices

<p>757F Standard 7100(F), 7150(F), 7200M(F), 7250M(F)</p>	<p>793 Optional 7100, 7150, 7200M, 7250M</p>	<p>759 Standard 7200 Rim</p>

Vertical Rod Devices

<p>791 Standard 7110, 7120 Top</p>	<p>797 Bracket for SVR Top Strike in Flush Transom Opening</p>	<p>761 Standard 7160 Top</p>	<p>726 Standard 7170 Top</p>
<p>702 Floor Strike for Bottom Pullman Latch Option</p>	<p>790 Standard All Vertical Rod Devices</p>	<p>794 Floor Strike for fire openings using saddle threshold, or flush floor mount</p>	

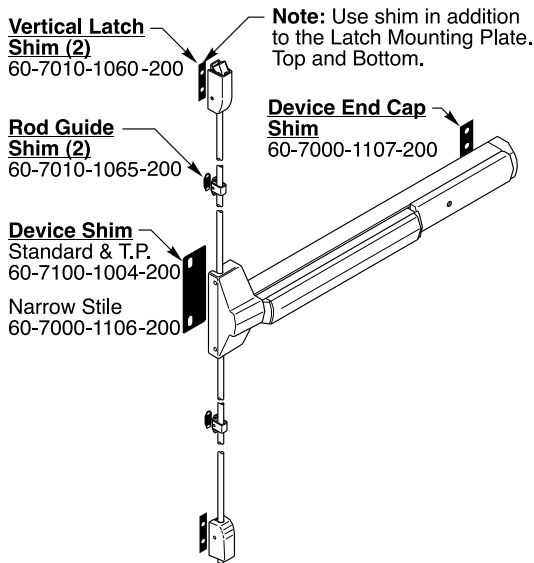
Mortise Devices

<p>798 Standard All Mortise (Non-Handed)</p>	<p>202 Standard Box for ANSI Prep</p>	<p>718 Open Back Strike for Door Pair When Code Allows Use</p>

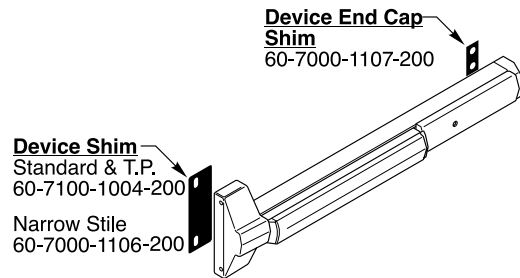
accessories

Shim Kits

**724, 724NS
For Surface Vertical Rod Exit Device**



**723, 723NS
For Rim, Mortise, and CVR Exit Device**

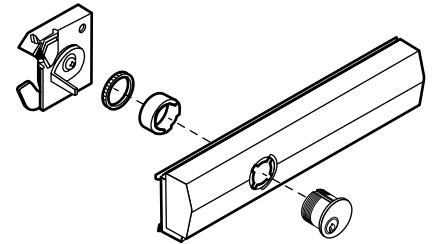


Cylinder Dogging Kits

Designed to convert a panic device from hex key dogging to cylinder dogging.

Not permitted on fire-rated devices.

Bar Length	Part Number
36"	60-7000-0426-FIN
36" NS	60-7200-0358-FIN
48"	60-7000-0427-FIN



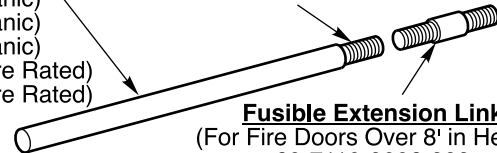
Surface and Concealed Vertical Rod Extension Kits

Used to extend the height of standard length rods for 7110(F)(8' max), 7120, 7160(F), 7170(F), and 7210 Series exit devices.

Rod Extension Assembly

2"	60-1510-0280-FIN (Panic)
6"	60-1510-0277-FIN (Panic)
12"	60-1510-0278-FIN (Panic)
12"	60-1510-0282-FIN (Fire Rated)
24"	60-1510-0281-FIN (Fire Rated)

Extension Link
60-1510-1135-999



Optional Vertical Latches



accessories

Anti-Pry Bracket

Model number: 725

Offers increased security by improving resistance against jamb spreading during a pry attack. When the door is in the closed position, the Anti-Pry Bracket interlocks in position between the exit device strike and frame preventing the strike and exit device latch from being separated.



retrofit kits

Schlage® Cam and Housing Assembly

Part Number: 60-7000-0815



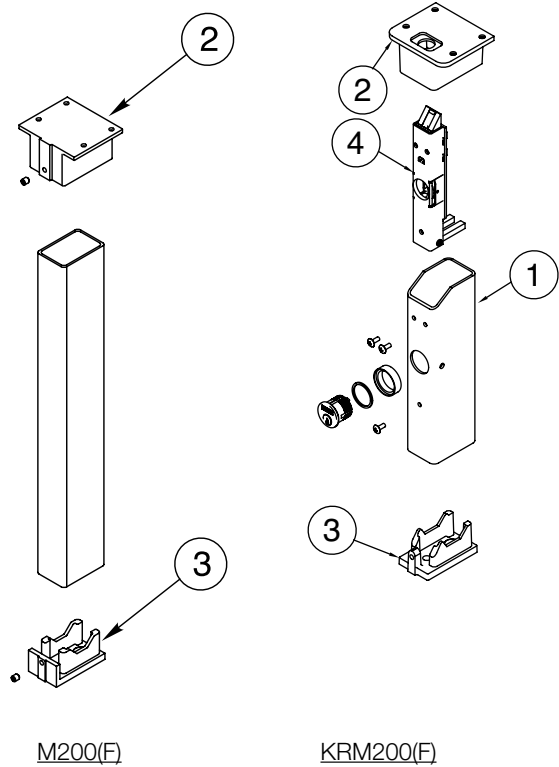
Von Duprin® Tailpiece

Part Number: 34-1145-1005-048

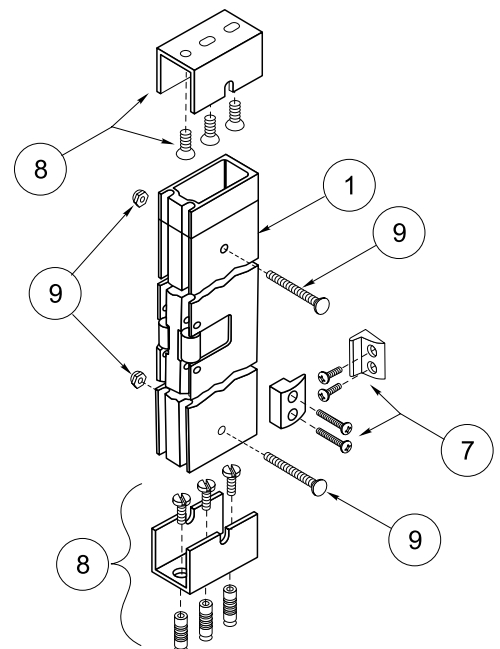


mullions

Item	Part No.	Description
1	60-7200-0011-FIN	Mullion 8" M300
2		Top Retainer Packs:
	60-7000-0759	M200(F)
	60-7000-0755	KRM200(F)
3		Bottom Retainer Packs:
	60-7000-0763	M200(F)
	60-7000-0760	KRM200(F)
4	60-7000-0750	Locking Mechanism, KRM200(F)
5	See Chart Page 61	Cylinder, Mortise
7	81-9500-1417-078	Stabilizer Kit (optional)
		contains:
		Bracket, Stabilizer (2)
		Stabilizer (2)
		Spacer, Stabilizer (4)
		Screw, #10-24 x 3/4"
	FHM-PH (4)	
	Screw, #10-24 x 1" FHM-PH (4)	
8	81-9500-1416-FIN	Mounting Bracket Packet
		contains:
		Mullion Mounting Plate (2)
		Screw, 1/4-20 x 1/2"
	FHUM-PH (6)	
	Anchor, 1/4-20 Masonry (3)	
9	81-9500-1414-FIN	Carriage Bolt Packet
		contains:
	Bolt, 1/4-20 x 1-3/4" Carriage	
Not Shown	81-9500-1523-FIN	Parts Packet contains: Items 7, 8 and 9



M300



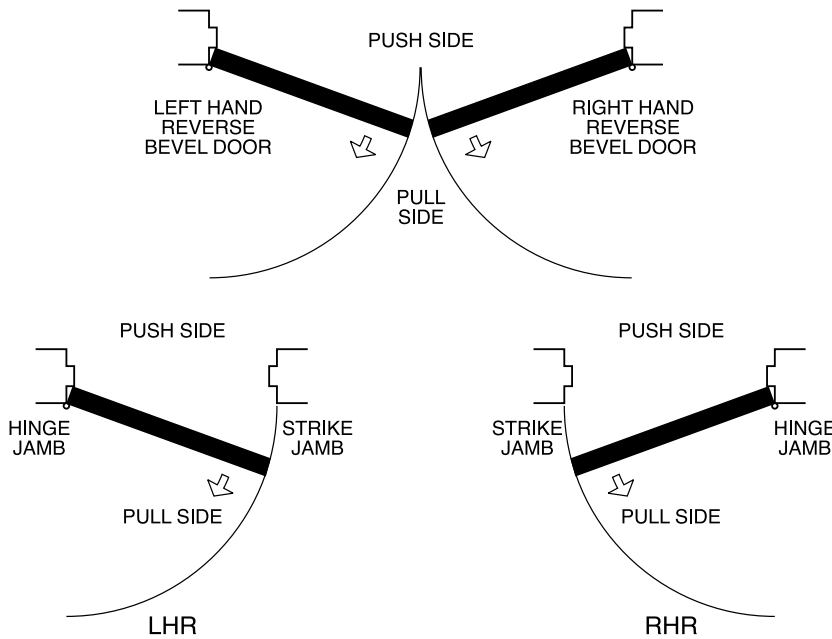
handing instructions

Handing

Left Hand Reverse: Hinges on left, opens outward. For handed devices, specify LHR.

Right Hand Reverse: Hinges on right, opens outward. For handed devices, specify RHR.

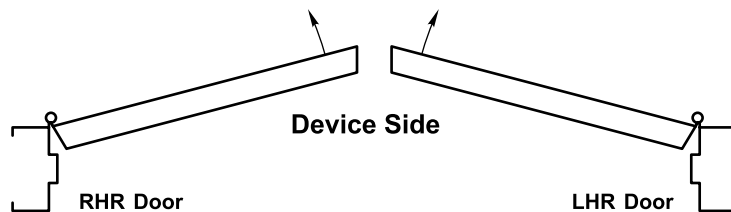
Note: Doors with Panic-Exit and Fire Exit hardware must open out. Therefore, hands must be reverse bevel.



Rim Devices

7100(F), 7150(F), 7200(F) Series

These devices are non-handed.

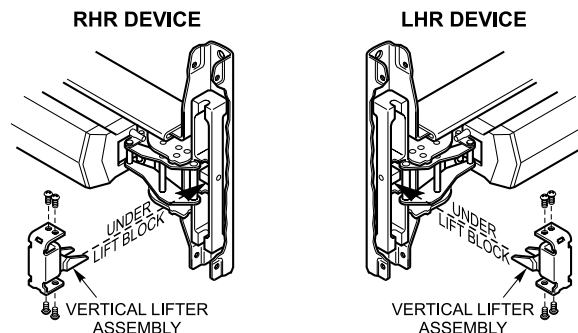


Vertical Rod Devices, Surface and Concealed

7110(F), 7120(F), 7160(F), 7170(F), 7210(F), 7220 Series

Remove four screws and vertical lifter assembly. Turn device to opposite (180 degrees) orientation, insert lifter assembly and reinstall screws.

NOTE: Lifter must fit under lift block as shown.



handing instructions

Effective April 16, 2010, the following Free-Wheeling exit device lever trims will ship with a new universal lever spring and hub:

626F, 627F, 628F, 629F, 690F, 691F

The new universal spring allows the handing for the trim to easily be changed without the need for any additional parts. This means no more red or blue springs!

To accommodate the new universal spring, a slight modification to the door prep has been incorporated. In anticipation of this change, revised door templates for these functions were posted to our website in August 2009.

The required trim handing should be specified on the purchase order and will be set at the factory.

The following details changing the handing in the field:

Tools Needed: Needle Nose pliers, Crescent wrench

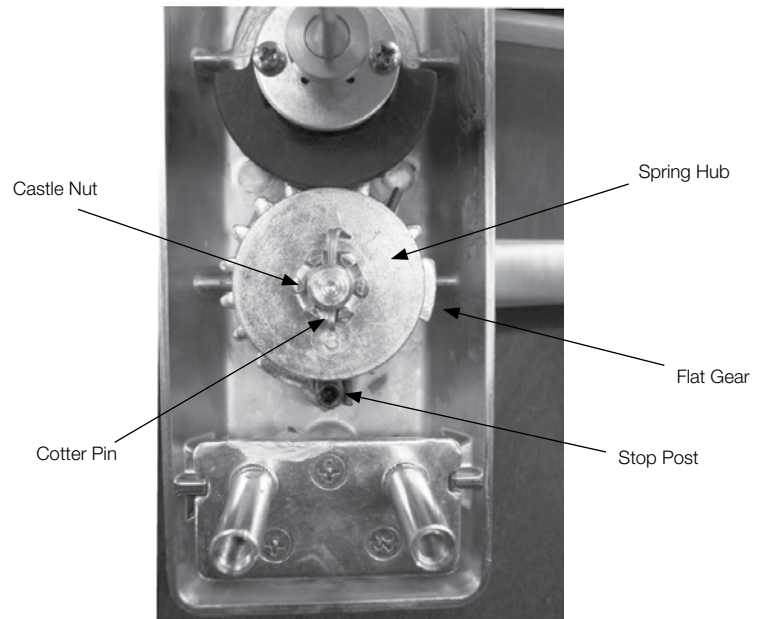
Notes:

During change ensure black gear does not rotate.

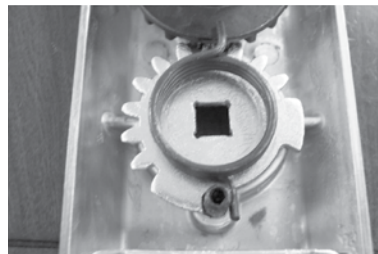
Please wear safety glasses and be aware of spring tension on spring hub upon removal and assembly.

Light lubrication is recommended under flat gear, white lithium grease can be used.

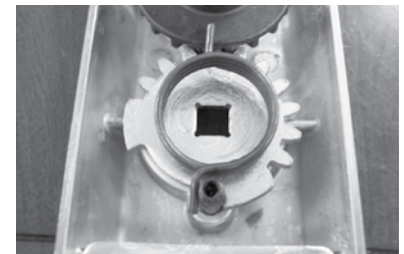
- Remove cotter pin
- Remove castle nut
- Remove washer
- Carefully pull up on spring hub to disengage spring
- Remove spring and note orientation
- Remove lever handle
- Pick-up flat gear, flip and orient stop on opposite side of stop post. See pictures for hand orientation.
- Install spring upside down from original orientation and place spring leg on opposite side of stop post from original installation orientation
- Install lever 180 degrees from original position
- Install spring hub with stamped number in the 6 o'clock position
- Rotate spring leg around with needle nose pliers to engage notch in spring hub, refer to pictures for reference position. Press down on spring hub to ensure complete engagement.
- Install washer
- Install castle nut, do not over tighten, verify by insuring lever returns horizontally on its own
- Install cotter pin



Left Hand Reverse Shown



Left Hand Reverse gear & spring orientation



Right Hand Reverse gear & spring orientation

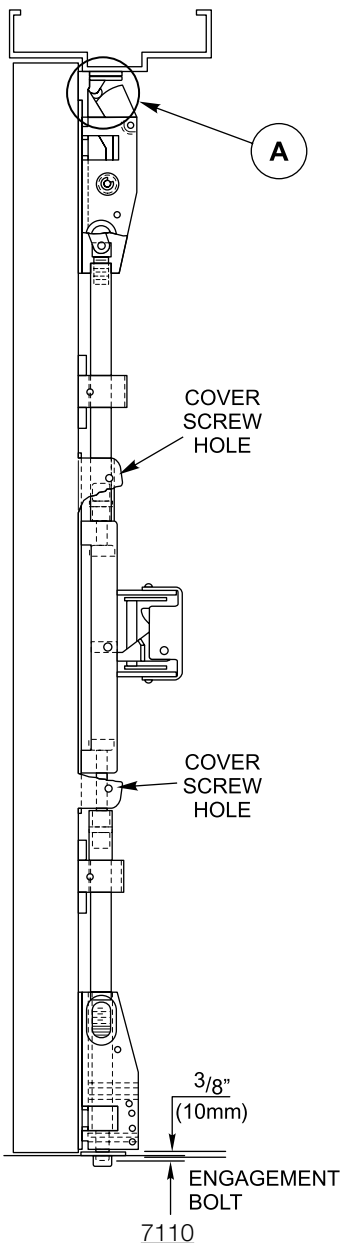


Notch for spring to engage for left hand reverse operation



Spring orientation for right hand reverse operation

surface vertical rod exit devices



If top latch does not engage properly, check alignment. When locked, latch bolt should not be preloaded by strike (**Area A**). Shim or reposition strike if necessary.

Bolts extend automatically when door closes and top strike hits tripping lever. Top bolt should retract flat. Bottom bolt should travel 1/2" and engage 3/8" into strike in down position, without dragging on floor surface in up position.

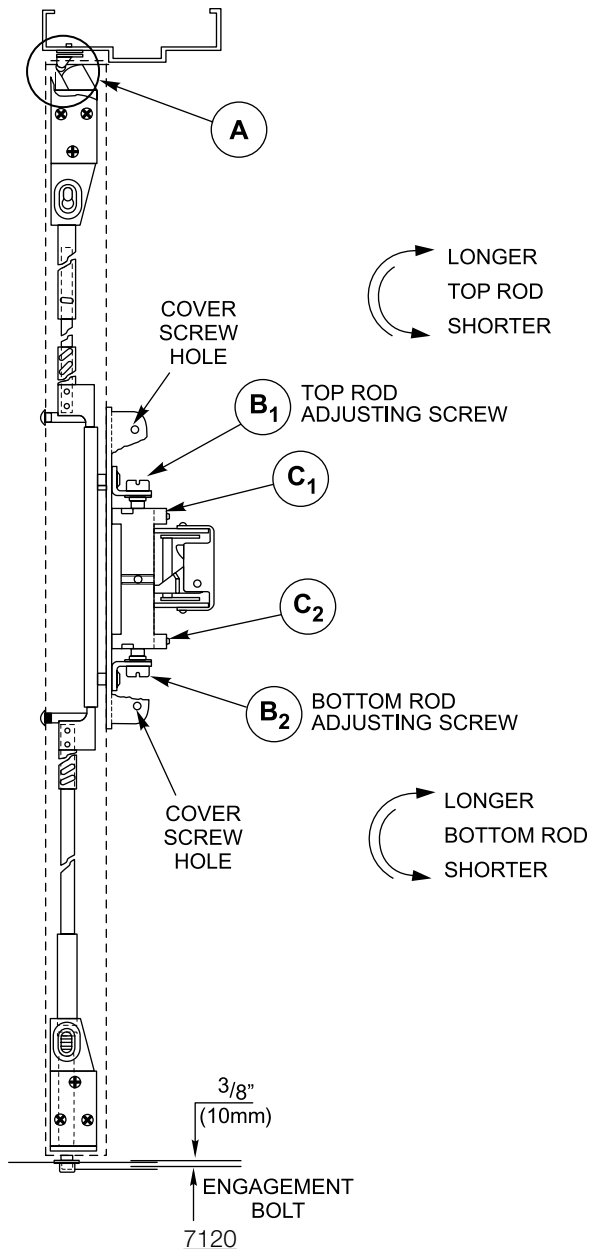
Rod Adjustment

1. Remove active case cover screws and cover.
2. Remove rod guide cover screws and rod guide covers. Tilt rods, top and bottom, out of engagement in active case and out of rod guides.
3. **Adjust top rod first.** Push up on top rod to fully retract top latch with hold back feature engaged. With device in dogged position (panic devices) or touch-bar fully depressed (fire devices), adjust top rod so that the square head of the rod connector slides into engagement in the active case. Shorten rod an additional 1/2 turn.
4. **Adjust bottom rod.** With top rod engaged, top latch retracted in hold back position, and touch bar dogged or fully depressed, adjust bottom rod so that the deadbolt clears the strike by 1/16". The bottom rod should be in position in the active case with the square head of the connector hanging in the slide.
5. **Check device operation** by opening and closing the door. When present, operate the device with the outside trim. An additional minor adjustment may be required for full retraction and correct strike engagement.
6. Reinstall the rod guide covers and the active case cover.

Maintenance

1. Periodically remove covers and coat mechanisms with an appropriate lubricant. This is regularly required in corrosive environments for proper product operation.
2. Check mounting fasteners periodically. Retighten if found loose. Apply screw locking compound or change part fasteners if screws continue to back out.
3. Periodic checks and adjustments of rods may be required to compensate for door or frame sag.

concealed vertical rod exit devices



Rods should move freely inside door. Bolts extend automatically when door closes and top strike is tripped. Top bolt should retract flat. Bottom bolt should travel 1/2" and engage 3/8" into strike in down position, without dragging on floor surface in up position.

If top latch does not engage properly check alignment. When locked, latch bolt should not be preloaded by strike (**Area A**). Shim or reposition strike if necessary.

Rod Adjustment for Bolt Throw

1. Remove Latch assembly cover screws and cover.
2. Use 3/32" Allen wrench to loosen set screws **C₁** and **C₂**.
3. Adjusting screws **B₁** and **B₂** only provide fine rod adjustment. If screws bottom out before proper device operation, door and device must be removed. Larger adjustments may then be made either by threading rod in or out, or by moving cotter pin to different hole in rod.
4. **Adjust top rod first.** With device in dogged position (panic devices) or touchbar fully depressed (fire devices), adjust top rod so that the top latchbolt is flush and the hold back feature is engaged. Lengthen top rod an additional 1/2 turn.
5. **Adjust bottom rod.** With top latch retracted in hold back position, and touch bar dogged or fully depressed, adjust bottom rod so that the deadbolt clears the strike by 1/16". The bottom rod should be in position in the active case with the square head of the connector hanging in the slide.
6. **Check device operation** by opening and closing the door. When present, operate the device with the outside trim. An additional minor adjustment may be required for full retraction and correct strike engagement.
7. When finished, lock adjusting screws in place with Allen set screws.

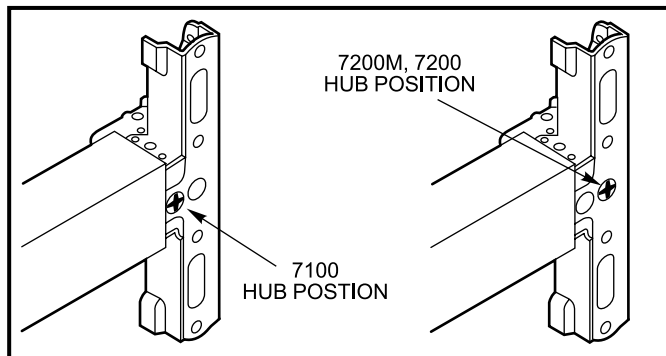
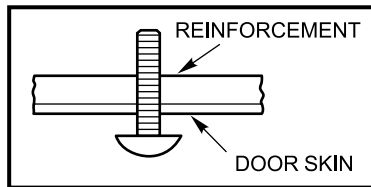
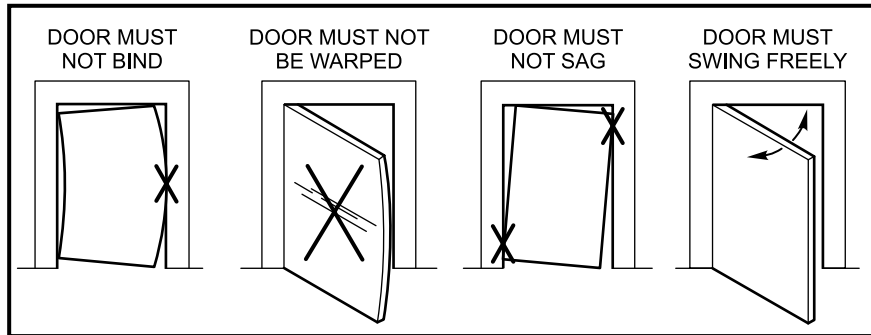
Caution: To avoid thread damage and provide positive locking, be sure Allen set screws engage flats on adjusting screws.

Maintenance

1. Periodically remove covers and coat exposed mechanisms with an appropriate lubricant. This is regularly required in corrosive environments for proper product operation.
2. Check mounting fasteners periodically. Retighten if found loose. Apply screw locking compound or change part fasteners if screws continue to back out.
3. Periodic checks and adjustments of rods may be required to compensate for door or frame sag.

troubleshooting guide

1. Many problems with the operation of exit devices are caused by factors other than the device itself. Among the most common is a misalignment or an improper fit of the door within the frame.
2. Another common source of problems is improper installation. Even if all cutouts and screw holes are properly located, exit devices must be securely fastened to properly reinforced doors. Hollow doors and frames with a structural thickness (metal skin plus reinforcement, or solid hardwood) must have at least three full screw threads to be considered reinforced.
3. Most problems with dogging occur on vertical rod devices. When the dogging function is hard to engage or will not work at all, the rods may be incorrectly adjusted allowing the mechanism to bottom out. Readjust rods per the device instructions or as outlined on the previous pages.



DIFFERENCE IN ACTIVE HEADS



notes _____

online literature and templates

For the latest information on Yale Locks & Hardware products, visit our website at: www.yalelocks.com

Click on the “Product Information” button to find:

- Catalogs
- Parts manuals
- Templates
- Specifications
- Installation instructions

Yale® customers can click on the ebusiness symbol  on the website to register for an ebusiness account to:

- Check the status of orders
 - Check availability of Quick-Ship items
 - Track your order and confirm delivery
 - Receive email notification of template changes
- And More...

Or contact us at:

U.S.A.

Yale Locks & Hardware

Address: 100 Yale Avenue, Lenoir City, TN 37771-3226
Tel: 1-800-438-1951 • Fax: 1-800-338-0965 • www.yalelocks.com

Canada:

ASSA ABLOY Door Security Solutions Canada

Address: 160 Four Valley Drive, Vaughan, Ontario L4K 4T9
Tel: 1-800-461-3007 • Fax: 1-800-461-8989 • www.assaabloy.ca

International:

ASSA ABLOY Americas International

Tel: 1-905-821-7775 • Fax: 1-905-821-1429 • www.assaabloyai.com

Copyright © 2002-2018, Yale Security, Inc., an ASSA ABLOY Group company. All rights reserved. Reproduction in whole or in part without the express written permission of Yale Security, Inc. is prohibited. Patent pending and/or patent www.assaabloydss.com/patents.

YALE, with its unique global reach and range of products, is the world's favorite lock.

ASSA ABLOY is the global leader in door opening solutions, dedicated to satisfying end-user needs for security, safety and convenience.

42210-8/18