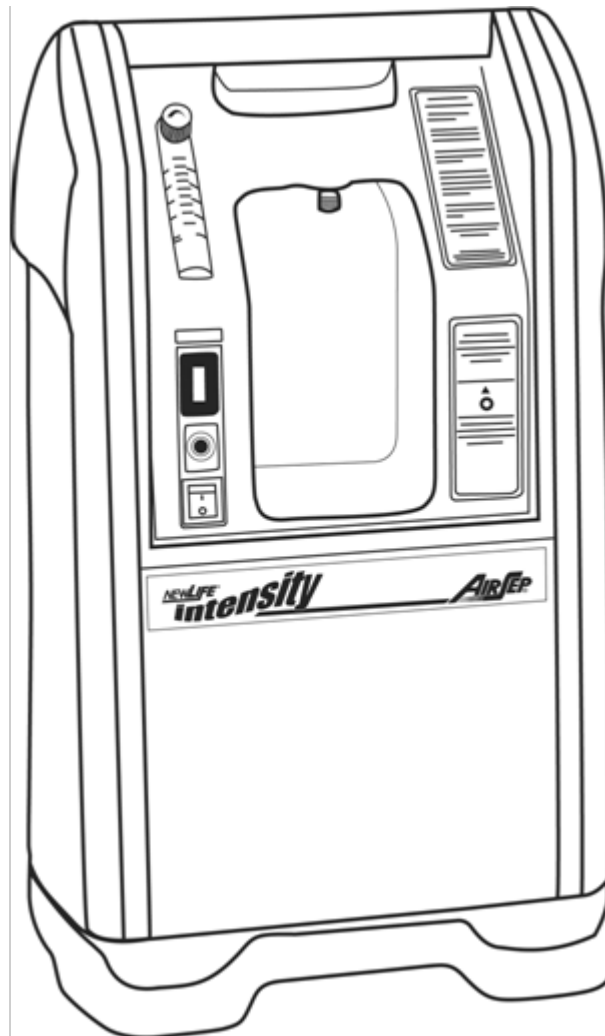


# **NEWLIFE<sup>®</sup> intensity**

## **NewLife<sup>®</sup> Intensity Oxygen Concentrator Service Manual**



AirSep Corporation • 401 Creekside Drive • Buffalo, NY 14228-2085 USA  
Telephone: (716) 691-0202 • 24-Hour Fax: (716) 691-4141 • [www.airsep.com](http://www.airsep.com)

---

Expedited Product Warranty Check service is always at your fingertips with AirSep:

**[http://www.airsep.com/Support/Warranty\\_Information.aspx](http://www.airsep.com/Support/Warranty_Information.aspx)**

OR

In the US or Canada,  
dial **866-873-9277**

---

AirSep® is a registered trademark of AirSep Corporation.

•

NewLife® is a trademark of AirSep Corporation.

# Table of Contents

---

## Section 1.0

### Introduction

1.1	Equipment Provider Responsibility	1
1.2	Important Notice and Symbol Explanations	2
1.3	Functional Specifications	4

---

## Section 2.0

### Operation Check and Oxygen Concentration Test

2.1	Description of Operation	5
2.2	Operation Check	5
2.3	Alarm System	5
2.3.1	Start Up/Battery Test	6
2.3.2	Power Failure Alarm Test	6
2.4	Oxygen Concentration Test and Specification	6

---

## Section 3.0

### Patient Instructions

3.1	Instructions	7
3.2	Routine Maintenance by the Patient	7
3.2.1	Cleaning the Air Intake Gross Particle Filter	7
3.2.2	Checking the Alarm System Battery	7

---

## Section 4.0

### Provider Instructions

4.1	Instructions	8
4.1.1	Air Intake Gross Particle Filter/GPF	8
4.1.2	Product Filter	8
4.1.3	Battery Replacement	8
4.1.4	Recording Maintenance	8
4.2	Preparing for New Patient Use/Method of Cleaning and Infection Control	9

## Section 5.0

### Main Components

5.1	Components	10
5.2	Cabinet Removal	10
5.2.1	Removing Side Panel(s)	10
5.2.2	Removing Back Panel	10
5.2.3	Removing Lower Front Panel	10
5.2.4	Removing Control Panel	10
5.2.5	Superstructure	10
5.2.6	Caster Replacement	10
5.3	Compressor	11
5.3.1	Compressor Replacement	11
5.3.2	Capacitor Replacement	12
5.4	Solenoid Valves	12
5.4.1	Feed/Waste Valve Replacement	12
5.4.2	Solenoid Valve Coil Replacement	12
5.5	Sieve Beds	13
5.5.1	Sieve Bed Replacement	13
5.6	Cabinet Fan	14
5.6.1	Cabinet Fan Replacement	14
5.7	Circuit Board	14
5.7.1	Circuit Board Replacement	15
5.8	Product Tank Replacement	15
5.9	Product Regulator Check and Setting	16
5.9.1	Setting Product Regulator for Normal Operation	16
5.9.2	Product Regulator Cleaning or Rebuilding	16
5.10	Circuit Breaker Replacement	17
5.11	I/O Power Switch Replacement	17
5.12	Buzzer Replacement	18
5.13	Hour Meter Replacement	18
5.14	Flowmeter Replacement	18
5.15	Power Cord Replacement	18
5.16	Oxygen Monitor Circuit Board Replacement	19

## Section 6.0

### Troubleshooting

6.1	Operating Pressure Test	20
6.1.1	High Operating Pressure	20
6.1.2	Low Operating Pressure	20
6.2	General Troubleshooting	21
6.3	Troubleshooting Chart	22
6.4	Tool Kit and Pressure Test Gauge	25

---

## Appendix

### Exploded Drawings

Wiring Diagram – Intensity 120V	A
Wiring Diagram – Intensity 220/240V	B
Control Panel Assembly	C
Main Structure Assembly	D
Base and Cabinet Components	E
Product Tank/Regulator Assembly	F
Valve Block Assembly	G
Compressor Assembly	H
Sieve Bed Assembly	I

---

# 1.0 Introduction

## 1.1 Equipment Provider Responsibility

All Equipment Providers of the NewLife® Intensity Oxygen Concentrator must assume responsibilities for handling, operational check-out, patient instruction, and oxygen concentration checks. These responsibilities are outlined below and throughout this manual.

As an Equipment Provider, you must do all of the following:

- Inspect the condition of each NewLife Intensity unit immediately upon delivery to your business location. Note any sign of damage on the delivery receipt, and report it directly to both the freight company and AirSep Corporation immediately.
- Check the operation of each NewLife Intensity before delivery to a patient. Confirm the oxygen concentration level is within specifications, as referred to in Section 2.4. (Test the battery and power disconnect alarm, as described in Section 2.3 of this manual.)
- Deliver NewLife Intensity units only to patients authorized by a licensed health care provider or physician's prescription. The NewLife Intensity must not be used as a life-supporting device. A backup supply of oxygen must be available.
- Instruct patients how to use the NewLife Intensity in conjunction with the Patient Manual.
- Instruct patients to notify their licensed health care provider/physician if they experience any signs of discomfort.
- Instruct each patient how to perform routine maintenance of the air intake gross particle filter and how to check the alarm system battery. (Refer to Section 3.2.)
- Be available to provide service to each patient at any time.
- Maintain the NewLife Intensity in accordance with Section 4.0.
- Establish and implement a protocol to check oxygen concentration.
- Repair components and replace parts only as outlined in this manual. Use only AirSep parts for replacement in NewLife Intensity Oxygen Concentrators.



This unit is not a life-support device. Geriatric, pediatric, or any other patient unable to communicate discomfort while using this oxygen concentrator may require additional monitoring. Patients with hearing and/or sight impairments may need assistance with monitoring the alarms.






This device supplies high-concentration oxygen that promotes rapid burning. Do not allow smoking or open flames within the same room of (1) this device, or (2) any oxygen-carrying accessory. Failure to observe this warning can result in severe fire, property damage, and/or cause physical injury or death.



Use no oil, grease, or petroleum-based or other flammable products on or near nasal end of cannula or on the Intensity unit. Oxygen accelerates the combustion of flammable substances.




















## 1.2 Important Notice and Symbol Explanations

As you read the manual, pay special attention to the WARNING, CAUTION, and NOTE messages. They identify safety guidelines or other important information as follows:

 <b>WARNING</b>	Describes a hazard or unsafe practice that can result in severe bodily injury or death.
 <b>CAUTION</b>	Describes a hazard or unsafe practice that can result in minor bodily injury or property damage.
 <b>NOTE</b>	Provides information important enough to emphasize or repeat.

Symbols are frequently used on equipment in preference to words with the intention of lessening any possibility of misunderstanding caused by language differences. Symbols can also permit easier comprehension of a concept within a restricted space.

The following table is a list of symbols and definitions that may be used with the NewLife Intensity Oxygen Concentrator. These symbols are referenced from the appropriate International Electrotechnical Commission (IEC) standards:

Symbol	Description	Symbol	Description
	On (power switched on)		Do not disassemble
	Off (power switched off)		Consult instructions for use
	Type B device		Keep in vertical position
	Class II device		Fragile – handle with care
	Do not smoke		Oxygen concentration warning LED
	Complies with the 93/42/EEC directive drawn up by the approved organization n° 0459		Caution: US federal law restricts this device for sale or rental by or on order of a licensed healthcare provider
	Do not expose to open flames		Gas outlet, connection to the circuit
	Do not grease		WEEE Directive
	Consult the accompanying documents		Keep unit and accessories dry
	Safety agency for CAN/CSA C22.2 No. 601.1 M90 for medical electrical equipment		

**Method for disposing of waste:** All waste from the NewLife Intensity (patient circuit, etc.) must be disposed of using appropriate methods specified by local authorities.

**Method for disposing of the device:** In order to preserve the environment, the concentrator must only be disposed of using the appropriate methods specified by local authorities.

**Conformity with EN 60-601 (§ 6.8.2 b):**

“The manufacturer, assembler, installer or importer are not considered to be responsible themselves for the consequences on the safety, reliability and characteristics of a device unless:

- The assembly, fitting, extensions, adjustments, modifications, or repairs have been performed by persons authorized by the party in question.
- The electrical installation of the corresponding premises complies with IEC regulations.
- The device is used in accordance with the instructions for use.” If the replacement parts used for the periodic servicing by an approved technician do not comply with the manufacturer’s specifications, the latter is absolved from all responsibility in the event of an accident. Do not open the device while in operation: risk of electrical shock. This device complies with the requirements of the 93/42/EEC European directive but its operation may be affected by other devices being used close by, such as diathermy and high frequency electro-surgical equipment, defibrillators, short wave therapy equipment, mobile telephones, CB and other portable devices, microwave ovens, induction plates or even remote control toys, and more generally electromagnetic interferences, which exceed the levels specified by the EN 60601-1-2 standard.

**Classification**

Type of protection against electric shock:

- Class II** Protection from electric shock is achieved by DOUBLE INSULATION. Protective earthing or reliance upon installation conditions are not required.

Degree of protection against electric shock:

- Type B** Equipment providing a particular degree of protection against electric shock, particularly regarding:
- 1) allowable leakage current;
  - 2) reliability of protective earth connection (if present).
- Not intended for direct cardiac application.

Degree of protection against harmful ingress of water:

- Drip-proof equipment – IPX1.  
Equipment provided with an enclosure preventing entry of such an amount of falling liquid as might interfere with the satisfactory and safe operation of the equipment.

Method of cleaning and infection control allowed:

- Please refer to the Provider Instructions section in the NewLife Intensity Service Manual.

Degree of safety of application in the presence of flammable anesthetic gases:

- Equipment not suitable for such application.

Mode of operation: Continuous duty.



## 1.3 Functional Specifications

<b>Oxygen Concentration:</b>	2-7 LPM: 92% +3.5/-3% 8 LPM: 90% +5.5/-3% (Based on 70°F [21°C] at sea level)
<b>Accuracy:</b>	Flowmeter $\pm$ 10% or $\pm$ 200ml of indicated flow, whichever is greater.
<b>Response Time:</b>	Allow 5 minutes to attain maximum oxygen concentration.
<b>Positioning:</b>	Operate the unit in an upright position, maintaining at least 12 inches (30.5cm) of open space on all sides for ventilation.
<b>Dimensions:</b>	27.5 in. high x 16.5 in. wide x 14.5 in. deep (69.9 cm high x 41.9 cm wide x 36.8 cm deep)
<b>Weight:</b>	54 lb; shipping weight – 62 lb (24.5 kg; shipping weight – 28.1 kg)
<b>Electrical:</b>	120 VAC, 60 Hz, 4.0 amps, 410 watts 220-240 VAC, 50 Hz, 2.0 amps, 410 watts 220-240 VAC, 60 Hz, 2.0 amps, 410 watts  Two-prong polarized plug Double-insulated cabinet
<b>Alarms:</b>	Power Failure Low Oxygen Concentration (with optional Oxygen Monitor) Low Pressure High Pressure High Temperature Battery Test
<b>Operating Temperature Range:</b>	41°F to 104°F (5°C to 40°C) for 120 VAC 60 Hz models 41°F to 104°F (5°C to 40°C) for 220-240 VAC 50 Hz models 41°F to 104°F (5°C to 40°C) for 220-240 VAC 60 Hz models
<b>Storage Temperature Range:</b>	-4°F to 140°F (-20°C to 60°C)
<b>Humidity:</b>	Up to 95% (non-condensing)

## 2.0 Operational Check and Oxygen Concentration Test


### 2.1 Description of Operation

Air is drawn into the NewLife Intensity Oxygen Concentrator through an external air intake gross particulate filter. Before this air enters the compressor, it passes through the unit's suction resonator which, quiets the compressor's suction sound. Pressurized air then exits the compressor and passes through a heat exchanger. The heat exchanger reduces the temperature of the compressed air. Next, a two-way solenoid feed valve directs the air into one of two sieve beds that contain molecular sieve. The unique property of molecular sieve enables it to physically attract (adsorb) nitrogen when air passes through this material, thus producing high concentrated oxygen.

There are two sieve beds: while one produces high concentration oxygen, the other is purged of the nitrogen it adsorbed (collected) during this pressure swing adsorption (PSA) cycle. Each adsorber produces oxygen and delivers it to the product tank. Oxygen exits the product tank through a pressure regulator, flow control valve, and flowmeter. The NewLife Intensity unit delivers up to 95.5% oxygen at flow rates from 2-8 lpm.

### 2.2 Operation Check

AirSep tests every NewLife Intensity Oxygen Concentrator thoroughly after manufacture. You must perform the following test to ensure that no damage occurred in shipping or handling.

	Do not use extension cords with this unit or connect too many plugs into the same electrical outlet. The use of extension cords could adversely affect the performance of the device. Too many plugs into one outlet can result in an overload to the electrical panel, causing the breaker/fuse to activate or fire if the breaker or fuse fails to operate.
---	---

1. Open and inspect all cartons (that contain units) upon delivery. Unpack the unit and remove it from the carton. Inspect the unit itself for damage. If the exterior of a unit's carton is damaged, or the unit itself is damaged, note it on the freight bill signed by the driver.
2. Connect unit to power, and set the I/O power switch to the "I" position. Check to see that the following occurs:
  - a. A continuous alarm sounds for approximately five seconds. See the troubleshooting chart in Section 6.3 of this manual if the unit's alarm does anything other than sound for five seconds.
  - b. The compressor runs and flow is indicated in flowmeter.
  - c. OPTIONAL: The Oxygen Monitor's amber light remains on until the oxygen concentration reaches 85%  $\pm$ 3% (approximately two minutes). Perform an oxygen concentration test, as described in Section 2.4.

### 2.3 Alarm System

The NewLife Intensity Oxygen Concentrator is equipped with a battery-powered alarm system, which sounds a continuous and loud alarm when a power failure occurs. It sounds

an intermittent alarm if the high or low pressure indicators are activated or if the optional oxygen monitor detects lower than therapeutic levels of oxygen concentration. The alarm remains on until you correct the alarm condition or you set the I/O power switch to the “0” position. Refer to Section 6.0 for a list of probable alarm causes.

### 2.3.1 Start Up/Battery Test

Each time the NewLife Intensity unit is turned on, an alarm should sound for approximately five seconds.

 <b>NOTE</b>	<p>The audio alarm must sound for approximately five seconds each time the unit is turned to the “I” position to indicate the battery is in good condition.</p>
--	---


### 2.3.2 Power Failure Alarm Test

To test the power failure alarm, disconnect the unit from power, set the I/O power switch to the “I” position. This should activate the audio alarm. If it does not, refer to the troubleshooting chart in Section 6.3 of this manual.

## 2.4 Oxygen Concentration Test and Specification

To ensure that the unit’s output of oxygen is within specification, you must perform a test of the oxygen concentration. Test the unit upon delivery to a patient and at periodic intervals. Equipment Providers need to establish and implement a protocol to check oxygen concentration.

1. If a humidifier bottle is used, disconnect it.
2. Connect a calibrated oxygen concentration analyzer to the oxygen outlet.
3. Verify that the product flow rate delivered by the unit matches the patient’s prescription and does not exceed the capacity of the unit.
4. Set the unit’s I/O power switch to the “I” position. Allow approximately five minutes for the oxygen concentration to stabilize. Take oxygen concentration readings and verify levels are within specification at the liter flow being tested.
5. Disconnect the oxygen analyzer, and reconnect the humidifier bottle (if used).

 <b>NOTE</b>	<p>Do not measure oxygen concentration output after the product stream passes through a humidifier bottle, or erroneous readings will result.</p>
--	---

### AirSep NewLife Intensity Concentration Specifications

<u>Liter Flow</u>	<u>Oxygen Concentration</u>	<u>In Spec</u>
2-7 lpm	92% +3.5/-3%	89% or higher
8 lpm	90% +5.5/-3%	87% or higher

## 3.0 Patient Instructions

### 3.1 Instructions

It is important that patients thoroughly understand how to operate the AirSep NewLife Intensity unit. This enables proper treatment, as prescribed by a licensed health care provider/physician. If patients experience any discomfort or the unit alarms, they must notify their licensed health care provider/physician immediately.

You, as the Equipment Provider, are responsible to see that each patient receives the Patient Manual. Explain each step in the operation of the unit to the patient in reference to this manual.



This device supplies high-concentration oxygen that promotes rapid burning. Do not allow smoking or open flames within the same room of (1) this device, or (2) any oxygen-carrying accessory. Failure to observe this warning can result in severe fire, property damage, and /or cause physical injury or death.

### 3.2 Routine Maintenance by the Patient

To ensure accurate output and efficient operation of the unit, the patient must perform two simple routine maintenance tasks:

- Clean the air intake gross particle filter
- Check the alarm system battery

#### 3.2.1 Cleaning the Air Intake Gross Particle Filter



The patient must clean this filter weekly, as described below. The filter may require daily cleaning if the NewLife Intensity unit operates in a harsh environment such as a house heated by wood, kerosene, or oil, or one with excessive cigarette smoke.

1. Remove the dirty air intake gross particle filter from the back of the NewLife Intensity unit, and install a clean filter, as described above.
2. Wash the dirty filter in warm soapy water, and rinse.
3. Use a soft absorbent towel to remove excess water.

#### 3.2.2 Checking the Alarm System Battery

The alarm system battery is tested each time the I/O power switch is set to the “I” position. A continuous alarm sounds for approximately five seconds to indicate a good battery. If the alarm does anything other than sound for five seconds, instruct the patient to call the Equipment Provider immediately.

## 4.0 Provider Instructions

### 4.1 Instructions

To ensure that the unit's output of oxygen is within specification, you must perform a test of the oxygen concentration. Test the unit upon delivery to a patient and at periodic intervals. Equipment Providers need to establish and implement a protocol to check oxygen concentration. (Refer to Section 2.4.)

AirSep does not require preventative maintenance on the concentrator. You do not need to perform any maintenance as long as the NewLife Intensity unit remains within specifications at the desired flow rate.

#### 4.1.1 Air Intake Gross Particle Filter/GPF

The external air intake gross particle filter is located on the back of the unit. You can easily remove it by hand. Instruct the patient to clean this filter weekly. (Refer to Section 3.2.1.)

#### 4.1.2 Product Filter

The product filter, which may be located within the unit's product tank, is designed to last for the life of the unit. Whether inside the product tank or an external component to this tank, there is no required or scheduled replacement needed for this part.

#### 4.1.3 Battery Replacement

Each time the NewLife Intensity unit is turned on, the alarm must sound for approximately five seconds to indicate a good battery. An alarm that does anything other than sound for five seconds indicates a weak battery and requires replacement.

To replace the battery, take the following steps:

1. Set the unit's I/O power switch to the "0" position, and disconnect the power cord.
2. Remove the left side panel.
3. Lift the battery out of the battery holder.
4. Install the new battery, maintaining proper polarity.
5. Set the I/O power switch to the "I" position to test the alarm.
6. Record the battery replacement information on the History Record Label.
7. Reconnect the side panel.

#### 4.1.4 Recording Maintenance

As the Equipment Provider, you can record all routine maintenance and repairs performed on the NewLife Intensity unit, including hours and dates of service.

A History Record label is located on the side panel inside the unit. Keep this record current to avoid unnecessary replacement of parts (i.e., intake filter and battery).



Electrical shock hazard. Disconnect the power cord from the electric outlet before you clean the unit to prevent accidental electrical shock and burn hazard. Only your Equipment Provider or a qualified service technician should remove the covers or service the unit.



Care should be taken to prevent the NewLife Intensity from getting wet or allowing water to enter the unit. This can cause the unit to malfunction or shut down, and cause an increased risk for electrical shock or burns.



Do not use liquid directly on the unit. Clean the exterior of unit and power cord only with a mild household cleaner applied with a damp cloth or sponge, and then wipe all surfaces dry.

## 4.2 Preparing for New Patient Use/Method of Cleaning and Infection Control

When you remove NewLife Intensity from a patient's home or a facility, always dispose of the used nasal cannula and humidifier bottle. Clean the exterior of the NewLife Intensity unit with a soapy water solution or mild household cleaner applied with a damp cloth or sponge to remove any gross debris. Do not use liquid directly on unit, and be careful not to get liquid into the interior of the unit.

Next, following the same guidelines above, clean the exterior with either a common chemical disinfectant or a bleach solution\*, while wearing eye and skin protection. After using the disinfecting solution, wipe entire unit with a cloth or sponge applied with water only, then wipe dry. Make sure unit is completely dry and then retest it before you return it to inventory.

Clean the air intake gross particle filter with warm soapy water between each patient's use. Clean this filter at least once per week, depending on the environment, during normal operation.

---

\* The manufacturers of sodium hypochlorite products recommend various strengths of a bleach solution for killing bacteria, etc., based on the type of germ to disinfect; however, a generally recommended solution is  $\frac{3}{4}$  cups (177mL) of household bleach per gallon (3.79 liters) of water.

---

## 5.0 Main Components

### 5.1 Components

The design of the AirSep NewLife Intensity Oxygen Concentrator allows for easy access and removal of most components. This allows you to perform repair and replacement of parts with minimal time and effort.



To prevent accidental electrical shock or burn, be sure to set the unit's I/O power switch to the "0" position and disconnect the power cord of the unit from the electrical outlet before you service the NewLife Intensity Oxygen Concentrator.



Record all scheduled maintenance. (Refer to Section 4.0.)



Before reattaching tubing connections using a tie-wrap, remove 1/8 inch (0.32 cm) from end of tubing to assure a proper seal. Tubing should be cut evenly across width.

### 5.2 Cabinet Removal

#### 5.2.1 Removing Side Panel(s)

To remove one or both side panels, unscrew the ¼ turn fastener(s) and remove the panel(s).

#### 5.2.2 Removing Back Panel

Remove both side panels, and lift off the back panel. Make sure the power cord can pass freely through the power cord cutout.

#### 5.2.3 Removing Lower Front Panel

Firmly grasp panel with both hands, and slightly bow panel outward to remove.

#### 5.2.4 Removing Control Panel

Four screws hold the control panel in place. Remove them and the control panel to re-install or replace if necessary.

#### 5.2.5 Superstructure

The weight and forces of the internal components rest solely on three parts: the superstructure, compressor plate, and the base. These parts were specially designed and formed. They should never require replacement under normal use.

#### 5.2.6 Caster Replacement

1. Remove the cabinet panels to expose the caster nut.
2. Remove the caster nut with a 9/16-inch socket. Use an extension for the two front caster nut removals.
3. Install the new caster with original washer and securing nut.
4. Reconnect the cabinet panels.

## 5.3 Compressor

The compressor is the “pump” within the oxygen concentrator that pushes the room air into the bottom of the sieve beds. This allows oxygen to flow out of the top of the sieve beds in the NewLife Intensity unit.

Two different aspects of the compressor cause concern: the output and the sound level.

### ***Output***

Compressor output refers to how much compressed air the compressor can produce. This depends upon the model of the compressor, stroke size, bore size, and cup seal condition. The cup seals form the seal between the piston and the cylinder wall. As the cup seals wear, the compressor’s output begins to gradually decrease. This reduction in compressor output results in less air for the sieve beds. Therefore, the production of oxygen decreases.

Since this drop in oxygen production occurs over a long period of time, preventative maintenance on the compressor is not required. You can continue a patient’s therapy on the NewLife Intensity unit as long as that unit’s oxygen concentration level at the prescribed liter flow rate is within AirSep’s specifications.

### ***Sound Level***

The condition of the compressor’s cup seals, bearings, and other components can result in an increased sound level. If the compressor’s cup seals or bearings wear to the point that they become noisy, the concentrator may become noticeably louder; therefore, compressor service or exchange may be required.

### **5.3.1 Compressor Replacement**

#### **Compressor Assembly Removal**

To remove the compressor assembly, follow the steps below:

1. Set the unit’s I/O switch to the “0” position and disconnect the power cord.
2. Remove the side and lower front panels of unit.
3. Disconnect the suction tube.
4. Disconnect the blue compressor lead at the terminal strip and the brown lead at the temperature switch.
5. Disconnect the two leads to the capacitor and remove if necessary.
6. Disconnect the compression fitting for the heat exchanger located at the bottom center of the compressor.
7. Remove the two screws that connect the compressor plate to the base of the unit, and slide the compressor assembly up and out.

#### **Compressor Assembly Installation**

To install compressor assembly, follow the steps below:

1. Perform the compressor removal procedure in reverse order.
2. Make sure to position the compressor’s blue and brown lead wires behind the braided suction tube.
3. Leak test all connections.



### 5.3.2 Capacitor Replacement

The capacitor starts the compressor. If the compressor cannot start, the capacitor may be defective and require replacement. To replace the capacitor, follow the steps below:

1. Set the unit's I/O switch to the "0" position and disconnect the power cord.
2. Remove the side and lower front panels.
3. Disconnect the two leads to the capacitor and slide capacitor out of the tie-wrap holding it in place.
4. To install the new capacitor, connect the leads and slide the capacitor into the tie-wrap holding it in place.

## 5.4 Solenoid Valves

The NewLife Intensity uses five two-way solenoid valves: two feed, two waste, and one equalization. Each valve has an open (energized) and closed (de-energized) position. As the NewLife Intensity operates, two valves are always energized.

The solenoid valves of the NewLife Intensity unit require no scheduled maintenance. If a valve becomes noisy, you can easily replace the internal valve parts. To identify the noisy valve, observe which green circuit board light illuminates at the time of the noise. The lighting matrix on the circuit board corresponds to the valve location.

### 5.4.1 Feed/Waste Valve Replacement

#### Feed/Waste Valve Removal

To remove the feed or waste valves, follow the steps below:

1. Set the unit's I/O switch to the "0" position and disconnect the power cord.
2. Remove the side and back panels.
3. Remove the red cap from the appropriate valve with a slotted-head screwdriver.
4. Lift off the solenoid coil.



**NOTE**

Correct direction of spring is required for proper valve function.

5. Loosen and remove the valve using a one-inch deep well socket. Be sure to also remove and discard valve o-ring.

#### Feed/Waste Valve Installation

To install a feed or waste valve, follow the feed/waste valve removal procedure in reverse order. Make sure to install new o-ring and test for leaks.

### 5.4.2 Solenoid Valve Coil Replacement

An ohmmeter can be a useful tool in determining the condition of a valve coil. When using an ohmmeter in the NewLife Intensity unit, valve coil readings should be as indicated below:

1. 120VAC units
  - a. EQ coil = 800ohms +/- 10%
  - b. Feed/waste coil = 800ohms +/- 10%

## 2. 220-240VAC units

- a. EQ coil = 4,400ohms +/- 10%
- b. Feed/waste coil = 3,220ohms +/- 10%

You can also determine which coil is not operating by checking each valve to see if it becomes energized (magnetized) during unit operation.

To check for coil operation, follow the steps below:

1. Remove plastic cap securing the valve coil to the valve stem. (Do not remove coil).
2. With unit operating, hold a paperclip or the metal tip of a screwdriver slightly over the top of the valve stem located in the center of the coil.
3. When the coil becomes energized (magnetized) the paperclip or tip of the screwdriver will be pulled down onto valve stem, indicating the valve coil is operating.
4. If a coil is faulty, it will not become energized and require replacement.

To replace a solenoid valve coil, follow the steps below:

1. Set the unit's I/O switch to the "0" position and disconnect the power cord.
2. Remove the side and back panels.
3. Remove the red cap with a slotted-head screwdriver.
4. Disconnect the solenoid leads, and lift off the solenoid coil.
5. Replace with the new coil.
6. Press the red cap back on top of the coil, and reconnect the solenoid leads.
7. Reconnect the back and side panels.

## 5.5 Sieve Beds

The NewLife Intensity unit utilizes two sieve beds, each containing molecular sieve. The unique property of molecular sieve enables it to physically attract nitrogen when air passes through this material, thus producing highly concentrated oxygen.

While one sieve bed produces high concentration oxygen, the other is purged of the nitrogen it adsorbed (collected) while it concentrates oxygen. Each adsorber (sieve bed) produces oxygen and delivers it to the product tank

### 5.5.1 Sieve Bed Replacement



**NOTE**

Temporarily seal sieve bed openings with tape to prevent the sieve material from being exposed to the moisture in room air. Prolonged exposure to room air results in contamination and permanent damage to the sieve material.



**NOTE**

Leaks can be so small in air loss that oxygen concentration is not affected immediately. The sieve material can become contaminated gradually. Careful leak testing is important as the sieve material can become contaminated gradually with very small leaks.



**NOTE**

If replacement is necessary, you must replace both sieve beds at the same time.

### **Sieve Bed Removal**

To remove sieve beds, follow the steps below:

1. Set the unit's I/O switch to the "0" position and disconnect the power cord.
2. Remove the side and back panels.
3. Cut the tie-wrap and disconnect green tubing at each elbow fitting located on the top of the sieve beds.
4. Remove the 9/16-inch compression fitting from the bottom of each sieve bed.
5. Cut the tie-wraps securing the sieve beds to the superstructure and remove the sieve beds.

### **Sieve Bed Installation**

To install the sieve beds, follow the sieve bed removal procedure in reverse order. Do not over tighten fittings.

To check for leaks, take the following steps:

1. Connect the unit to power, and set the unit's I/O switch to the "I" position.
2. Allow unit to run for three minutes.
3. Apply soapy water solution around tubing connections on both sieve beds, and check for leaks.

## **5.6 Cabinet Fan**

The cabinet fan pulls ambient air into the NewLife Intensity unit. As this air is drawn in, the air cools internal components (including the compressor) and exits out the bottom of the unit.

The cabinet fan for NewLife Intensity is located in the back of the unit. Refer to the troubleshooting chart in Section 6.0 of this manual for instances where replacement of the fan may be required.

### **5.6.1 Cabinet Fan Replacement**

To replace the cabinet fan, follow the steps below

1. Set the unit's I/O switch to the "0" position and disconnect the power cord.
2. Remove the side and back panels.
3. Remove the two screws that hold the fan to the superstructure, and remove the fan.
4. Disconnect the fan leads.
5. Position the new cabinet fan so that the air flow arrow points toward the compressor and the electrical connections are in the bottom right corner.
6. Connect the fan leads, and install the cabinet fan screws.
7. Reconnect the back and side panels.

## **5.7 Circuit Board**

The solid-state printed circuit board controls the timing operation of the five solenoid valves and the alarm system functions. The five-green-light matrix corresponds to the valve configuration of the NewLife Intensity unit. Two green lights should always illuminate and rotate (cycle) during normal operation.

A green light that fails to illuminate indicates a disconnected or faulty solenoid coil or an electrical malfunction in that valve circuit. The two vertical red lights indicate high and low pressure.

Consult the troubleshooting chart in Section 6.0 to determine when to replace the printed circuit board.



The Printed Circuit Boards (PCBs) contain components that are sensitive to electrostatic discharge (ESD) and can damage the board if not handled properly. As when handling any ESD-sensitive PCB, observe standard ESD safety procedures.

## 5.7.1 Circuit Board Replacement

### Circuit Board Removal

To remove the circuit board, follow the steps below:

1. Set the unit's I/O switch to the "0" position and disconnect the power cord.
2. Remove the side and back panels.
3. Disconnect the main power 10-pin connector from the circuit board.
4. Disconnect the alarm 6-pin connector from the circuit board.
5. Cut the tie-wrap at the circuit board pressure transducer and disconnect the green tube from transducer.



Care must be taken when removing and installing tubing to circuit board sensor to prevent damaging sensor.

6. Push in on the circuit board support tabs while you lift each area of the circuit board to remove circuit board from the control panel.

### Circuit Board Installation

To install the circuit board, follow the steps below:

1. Push the circuit board on to the support tabs.
2. Install green tubing to the top barb of transducer located on the circuit board. Secure with the tie-wrap.
3. Carefully align and firmly install the 6-pin connector and the 10-pin connector to the circuit board so that the connector's tab locks securely into place.
4. Reconnect the back and side panels.

## 5.8 Product Tank Replacement

### Product Tank Removal

To remove the product tank, follow the steps below:

1. Set the unit's I/O power switch to the "0" position, and disconnect the power cord.
2. Remove the sides, lower front, and back panels.
3. Remove the compressor. (Refer to Section 5.3.)
4. Remove the intake resonator, which is held in place by Velcro.
5. Remove the securing nut that holds the product tank to the superstructure. (This securing nut is located in the top right area of the compressor compartment).

6. Remove the screws that hold the control panel to the superstructure. It is not necessary to fully remove the control panel. It is only necessary to create enough room to allow the product tank to be removed from the unit.
7. Remove the green tubing located at the regulator outlet and at the bottom of the product tank assembly.
8. Cut the tie wrap securing the product tank to the superstructure.
9. Lift the product tank with regulator attached from the mounting hole and remove from the unit.
10. Carefully remove regulator from product tank.

### **Product Tank Installation**

To install the product tank assembly, follow the steps below:

1. Perform the product tank removal procedure in reverse order.
2. Apply sealant or sealant tape to threads of product tank fitting before reinstalling regulator onto product tank.
3. Perform the procedure from Section 5.9.1 to set the regulator to 20 psig (138 kPa). Leak test all connections.

## **5.9 Product Regulator Check and Setting**

The product regulator is factory-set at 20 psig (138 kPa) and should not require adjustment. To check for proper adjustment of the product regulator, take the following steps:

1. Install outlet pressure test kit (AirSep p/n: TU131-1) to the outlet of the NewLife Intensity unit.
2. Set the unit's I/O power switch to the "I" position.
3. Turn the flowmeter adjustment knob counter-clockwise until it stops (wide open).
4. Allow the unit to run for five minutes.
5. The outlet pressure should be 20 psig (138 kPa). If the outlet pressure is not at 20 psig (138 kPa), the product regulator needs to be reset.

### **5.9.1 Setting Product Regulator for Normal Operation**

Use the following procedure to set the product regulator to 20 psig (138 kPa):

1. Disconnect the humidifier bottle, if used, and the tubing from oxygen outlet.
2. Remove the side panels and back panel.
3. Connect unit to power.
4. Install outlet pressure test kit (TU131-1) to the outlet of the NewLife Intensity.
5. Set the unit's I/O power switch to the "I" position, and allow unit to run at least five minutes to build up pressure.
6. Turn the flowmeter adjustment knob counter-clockwise until it stops (wide open).
7. Pull outward on the regulator knob to unlock it.
8. Turn the regulator knob until the outlet pressure is 20 psig (138 kPa) on the gauge of the pressure test kit.
9. Push in the regulator knob to lock it.
10. Reconnect the back and side panels.

### **5.9.2 Product Regulator Cleaning or Rebuilding**

Clean or rebuild the product regulator if the regulator cannot be adjusted for lockout.

1. Set the unit's I/O switch to the "0" position and disconnect the power cord.

2. Remove the right side panels and back panels.
3. Use large pliers to unscrew the bonnet of the product regulator, which contains a large spring.



Adjust the product regulator fully counter-clockwise to unload the spring. This makes disassembly and reassembly easier.

4. Remove the diaphragm. (Clean or replace it.)
5. Using a Phillips-head screwdriver, unscrew the diaphragm stem guide located in the center of the regulator body to gain access to the seat.
6. Remove the seat. Be careful not to lose the spring located behind the seat.
7. Clean or replace the seat.
8. With the spring behind the seat, screw the diaphragm stem guide back into the body of the regulator. (Do not over tighten.)
9. Install a clean or replacement diaphragm.
10. Put the large spring and slip ring into the bonnet, and screw the bonnet onto the regulator body.
11. Reset the product regulator as described in Section 5.9.1.

## 5.10 Circuit Breaker Replacement

### Circuit Breaker Removal

To remove the circuit breaker, follow the steps below:

1. Set the unit's I/O switch to the "0" position and disconnect the power cord.
2. Remove the left side panel.
3. Disconnect the circuit breaker leads.
4. Unscrew the circuit breaker while you apply pressure to the circuit breaker retaining ring.

### Circuit Breaker Installation

Follow the removal procedure for the circuit breaker in reverse order to install the new circuit breaker. Wire connections on circuit breaker can be made to either terminal.

## 5.11 I/O Power Switch Replacement

### I/O Power Switch Removal

To remove the I/O power switch, follow the steps below:

1. Set the unit's I/O switch to the "0" position and disconnect the power cord.
2. Remove both side panels and back panel.
3. Disconnect wire connections from the I/O power switch.
4. Push on the back of the power switch, while holding in its upper and lower retaining tabs, and remove the switch through the front panel.

### I/O Power Switch Installation

Follow the removal procedure for the I/O power switch in reverse order to install a new power switch.

1. Be sure to reinstall the new switch properly with the orientation of the "0" on the switch located on the bottom when finished.
2. Same side wire connections of power switch can be made to either terminal.

## 5.12 Buzzer Replacement

1. Set the unit's I/O switch to the "0" position and disconnect the power cord.
2. Remove the left side panel.
3. Unscrew the two Phillips-head screws that hold the buzzer to the superstructure, and solder to disconnect the buzzer leads.
4. Solder the leads to the new buzzer, and screw the buzzer to the superstructure.
5. Reconnect the side panel.

## 5.13 Hour Meter Replacement



### NOTE

HM009-2 is a dual function hour meter. It has a selection switch accessible by a pinhole in the upper right corner of the hour meter.

To toggle between display modes - press in the switch once using a small paperclip.

1. 'TMR1' mode displays accumulated hours, which can be reset to zero hours by pressing and holding the switch in until 0.0 is displayed (approximately 3 seconds).
2. If 'TMR1' is not displayed, then total operating hours of unit is displayed.

1. Set the unit's I/O switch to the "0" position and disconnect the power cord.
2. Remove the left side panel.
3. Disconnect the hour meter leads.
4. Push hour meter mounting tabs inward from the hour meter.
5. Remove the hour meter through the control panel.
6. Install the new hour meter into the control panel, making sure the hours are displayed on top. (Hour glass icon should be located on bottom of hour meter when properly installed).
7. Reconnect the hour meter leads.
8. Reconnect the side panel.

## 5.14 Flowmeter Replacement

### Flowmeter Removal

To remove the flowmeter, follow the steps below:

1. Set the unit's I/O switch to the "0" position and disconnect the power cord.
2. Remove the side panel.
3. Cut the tie-wraps, and remove the ¼-inch green oxygen tubing from the flowmeter fittings.
4. Unscrew the flowmeter nuts with a wrench.
5. Remove the flowmeter through the control panel.

### Flowmeter Installation

To install a new flowmeter, follow the flowmeter removal procedure in reverse order. Leak test the tubing connections.

## 5.15 Power Cord Replacement

1. Set the unit's I/O switch to the "0" position, and disconnect the power cord.
2. Remove the side and back panels.
3. Open the plastic twist clamps.
4. Cut the tie-wraps (located near the power cord push-on connectors).
5. Disconnect the white power cord lead from the I/O switch lead.
6. Disconnect the black power cord lead from the top terminal on the circuit breaker.

7. Locate strain relief inside power cord receptacle. Press both ends together with pliers while pushing power cord from the back to remove power cord. Pull the power cord through the opening on the power cord receptacle.
8. Using the same length of installation for the strain relief from the original power cord, slide the strain relief onto the new power cord so that the larger lip of the strain relief faces the power cord plug end.
9. Insert and install the new power cord through the opening of the receptacle squeezing the strain relief together with pliers to secure in place.
10. Reconnect the power cord leads, close the plastic twist clamps, and reattach the tie-wraps.
11. Reconnect the side and back panels.

## 5.16 Oxygen Monitor Circuit Board Replacement (In Equipped Units)

### Oxygen Monitor Circuit Board Removal

To remove the circuit board, follow the steps below:



Care must be taken when removing and installing tubing to circuit board sensor to prevent damaging sensor.

1. Set the unit's I/O switch to the "0" position, and disconnect the power cord.
2. Remove the side and back panels.
3. Locate oxygen monitor circuit board and carefully disconnect the 4-pin wire harness from circuit board.
4. Using Phillips-head screwdriver, remove screws and spacers securing circuit board to superstructure.
5. Disconnect tubing connections from circuit board sensor. (Note: depending on unit, there may be one or two tubing connections on the sensor). Review of tubing connection position(s) should be made prior to disconnecting.

### Oxygen Monitor Circuit Board Installation

To install a new circuit board, follow the circuit board removal procedure in reverse order.

1. Be sure to reinstall tubing connection(s) to correct position on sensor of new circuit board.
2. Spacers are installed between circuit board and superstructure.



If unit is installed with a ceramic-style O<sub>2</sub> monitor circuit board and the circuit board requires replacement, you will need to retrofit the unit to the ultrasonic-style O<sub>2</sub> monitor circuit board. (Retrofit kit part number: KI366-2)



## 6.0 Troubleshooting

### 6.1 Operating Pressure Test

Testing the operating pressure is a useful diagnostic tool when a concentrator produces low oxygen concentration and requires servicing. Units functioning normally do not require operating pressure tests.

Use the following procedure to test the operating pressure of the unit:

1. Set the unit's I/O power switch to the "0" position, and disconnect the power cord.
2. Remove the right side panel.
3. Locate the pressure test port location (black tube with plug in the end). Remove plug, and using a pressure test port adapter (AirSep p/n KI257-1), connect the pressure gauge to the test port.
4. Connect the unit to power, and set the unit's I/O power switch to the "1" position. Set the flowmeter to 8 lpm, and allow the unit to run five minutes.
5. Observe the maximum and minimum readings on the pressure test gauge.

The maximum reading should not exceed 34 psig (234 kPa).

The minimum reading should not be less than 10 psig (69 kPa).



When you turn the unit on, the system pressure always registers higher than normal for the first few minutes of operation.

#### 6.1.1 High Operating Pressure

Higher than normal operating pressure may indicate any of the following:

- A restrictive exhaust muffler, which does not allow the waste (purge) gas to exit the system freely.  
Operate the unit with the exhaust muffler disconnected to see if the operating pressure returns to normal.
- An improperly operating circuit board or solenoid valve.  
Confirm that the circuit board and solenoid valves function properly.
- Contaminated sieve beds.  
Change the sieve beds.

#### 6.1.2 Low Operating Pressure

If the oxygen concentration level at the desired liter flow is within AirSep's specifications, no service is required, even if operating pressure is low. If concentration is below specifications at the desired liter flow rate with low operating pressure, this may indicate any of the following:

- A restriction in the intake resonator, which limits the amount of room air available to the compressor.  
Disconnect the braided tube at the compressor, and allow the unit to operate without the intake resonator to see if normal operating pressure returns.
- A compressor with reduced output.  
If it is below specifications, replace or repair the compressor.
- An improperly operating circuit board or solenoid valve.  
Confirm that the circuit board and solenoid valves function properly.
- A leak in the unit, which allows system pressure to escape.  
Leak test unit.

## 6.2 General Troubleshooting

Before reviewing the troubleshooting chart, the following steps may be useful to isolate any malfunctions:

1. Turn on the concentrator. If the unit does not turn on, refer to the troubleshooting chart.
2. Verify the outlet pressure is 20 psig (138 kPa). If the outlet pressure is not at 20 psig (138 kPa), the product regulator needs to be reset. Refer to Section 5.9.
3. Make sure the unit is cycling properly by:
  - a. observing the flowmeter ball is stable in flowmeter. (Flowmeter ball does not move up and down more than  $\frac{1}{4}$  of a liter.)
  - b. checking circuit board if high or low pressure lights are illuminated and audible pressure alarm is sounding.
4. Place your thumb over outlet of unit. The flowmeter ball should drop to the bottom of the flowmeter. If the ball does not drop completely to the bottom, there is a leak present between the top of the flowmeter and the outlet of the unit.
5. If concentrator is not meeting specifications, make sure that the unit is leak-free by testing all tubing connections and fittings with leak testing solution. Protect circuit board(s) from solution and start leak test at the heat exchanger, following air flow of unit to oxygen outlet. Repair all leaks by tightening connections and fittings.
6. Set the concentrator at 8 lpm and connect pressure test gauge to unit. Determine pressure parameters by observing high and low pressure points on the gauge. If pressures are high or low, refer to Section 6.1.
7. Review troubleshooting chart to isolate and repair any other malfunctions.

## 6.3 Troubleshooting Chart

<b>Problem</b>	<b>Probable Cause</b>	<b>Solution</b>
<p><i>Unit does not run. Constant audio alarm with I/O power switch in “I” position.</i></p>	<p>No power to unit from electrical outlet. Unit circuit breaker tripped/faulty. Faulty electrical connections. Faulty I/O power switch. Faulty circuit board.</p>	<p>Check/restore power to outlet. Reset or replace circuit breaker. Check electrical connections. Replace I/O power switch. Replace circuit board.</p>
<p><i>Compressor runs and shuts down periodically.</i></p>	<p>Restricted air flow.  Unit overheating due to improper location. Compressor thermally cut off due to excessive heat. NOTE: It will not restart until it cools down.  Faulty high temperature switch.  Faulty cabinet fan.</p>	<p>Remove obstruction.  Locate unit away from heating source, providing adequate ventilation on all sides. (Do not run multiple units next to each other).  Replace high temperature switch.  Replace cabinet fan.</p>
<p><i>Compressor does not start. I/O power switch in “I” position, intermittent alarm, and cabinet fan turns.</i></p>	<p>Extreme cold start.  Faulty electrical connection for compressor.  Faulty capacitor.  Faulty high temperature switch.  Faulty circuit board.</p>	<p>Allow unit to reach room temperature.  Check electrical connections for compressor.  Replace capacitor.  Replace high temperature switch.  Replace circuit board.</p>
<p><i>Compressor runs with intermittent low pressure alarm and low oxygen concentration.</i></p>	<p>Leak. Reduced air intake (suction).  Weak capacitor. Faulty circuit board. Weak compressor.</p>	<p>Leak test and repair leak. Check compressor intake path for obstruction. Clean/remove obstruction.  Replace capacitor. Replace circuit board. Replace compressor.</p>

<b>Problem</b>	<b>Probable Cause</b>	<b>Solution</b>
<i>Compressor runs with intermittent high pressure alarm and low oxygen concentration.</i>	Restriction in exhaust muffler. Faulty solenoid valve. Faulty circuit board. Contaminated sieve beds.	Replace or clean muffler. Repair or replace solenoid valve. Replace circuit board. Replace sieve beds.
<i>Compressor relief valve releases (popping sound)</i>	Faulty electrical connection at waste valve. Faulty solenoid valve coil. (Refer to section 5.4.2 for acceptable ohm ratings) Faulty relief valve. Faulty circuit board. Contaminated sieve beds.	Repair electrical connection. Replace valve coil. (Use of an ohmmeter can be a helpful to easily determine a faulty coil). Replace relief valve or compressor. Replace circuit board. Replace sieve beds.
<i>Constant alarm with I/O power switch in "I" position. Circuit breaker repeatedly trips.</i>	Faulty electrical connection. Faulty capacitor. Faulty circuit breaker. Faulty circuit board. Faulty compressor.	Repair electrical connection. Replace capacitor. Replace circuit breaker. Replace circuit board. Replace compressor.
<i>Alarm does not sound.</i>	Incorrectly installed battery. Faulty electrical connection. Dead battery. Faulty buzzer. Faulty I/O power switch. Faulty circuit board.	Reinstall battery with correct polarity. Repair electrical connection. Replace battery. Replace buzzer. Replace I/O power switch. Replace circuit board.
<i>Flowmeter fluctuates.</i>	Leak. Reduced air intake (suction).  Improperly set or faulty product regulator. Faulty flowmeter. Worn compressor. Faulty circuit board. Faulty solenoid valve.	Leak test and repair leak. Check compressor intake path for obstruction. Clean/remove obstruction.  Check regulator setting. Repair or replace regulator. Replace flowmeter. Replace compressor. Replace circuit board. Repair or replace solenoid valve.

<b>Problem</b>	<b>Probable Cause</b>	<b>Solution</b>
<i>Cabinet fan does not turn.</i>	Faulty electrical connections. Faulty cabinet fan.	Check electrical connections. Replace cabinet fan.
<i>Limited or low flow</i>	Restriction in humidifier/tubing. Product regulator set too low. Leak. Reduced air intake (suction).  Faulty solenoid valve.  Restriction in product tank.  Faulty circuit board. Weak compressor.	Replace humidifier or tubing. Adjust regulator setting. Leak test and repair leak. Check compressor intake path for obstruction. Clean/remove obstruction.  Repair or replace solenoid valve.  Replace product tank.  Replace circuit board. Check system pressure, and rebuild or exchange compressor.
<i>Low oxygen concentration</i>	Outlet pressure not set to 20 psig. Leak. Ambient or unit's temperature is too high. Unit operating above temperature range specifications. Obstructed air intake or exhaust.  Reduced air intake (suction).  Restriction in exhaust muffler. Faulty solenoid valve. Faulty circuit board. Contaminated sieve beds. Weak compressor.	Reset outlet pressure. Leak test and repair leak. Locate unit away from heating source, providing adequate ventilation on all sides. (Do not run multiple units next to each other). Replace cabinet fan.  Check compressor intake path for obstruction. Clean/remove obstruction.  Replace or clean exhaust muffler. Repair or replace solenoid valve. Replace circuit board. Replace sieve beds. Check system pressure, and rebuild or replace compressor.

## **6.4 Tool Kit and Pressure Test Gauge**

The tools needed for you to properly service the NewLife Intensity unit are listed below:

Multi-adjustable pliers, wire cutters, needle-nose pliers, slotted-head screwdriver, Phillips-head screwdriver, ratchet, adjustable wrench, 1-inch deep well socket, 9/16-inch socket, 2-inch extension, 7/16-inch combination wrench, 9/16-inch combination wrench, and 5/8-inch combination wrench.

Pressure test adapter (AirSep p/n: KI057-1).

Outlet pressure test kit (AirSep p/n: TU131-1).

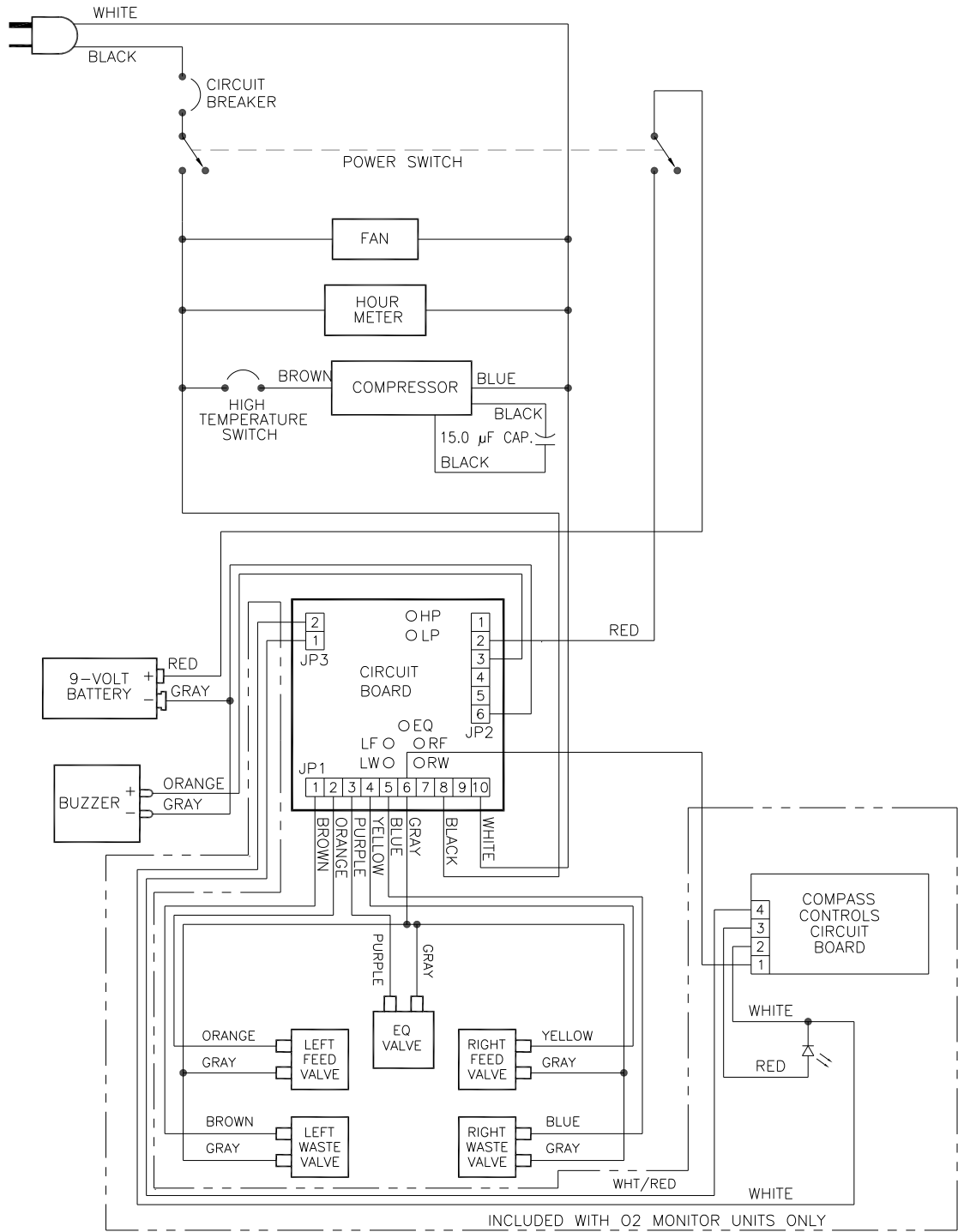
A pressure test gauge (AirSep p/n: KI036-1) to read operating system pressures and outlet pressures on the Intensity unit should be kept available at all times.

# APPENDIX

- **Exploded drawings**

<b>Wiring Diagram – Intensity 120V</b>	<b>A</b>
<b>Wiring Diagram – Intensity 220/240V</b>	<b>B</b>
<b>Control Panel Assembly</b>	<b>C</b>
<b>Main Structure Assembly</b>	<b>D</b>
<b>Base and Cabinet Components</b>	<b>E</b>
<b>Product Tank/Regulator Assembly</b>	<b>F</b>
<b>Valve Block Assembly</b>	<b>G</b>
<b>Compressor Assembly</b>	<b>H</b>
<b>Sieve Bed Assembly</b>	<b>I</b>

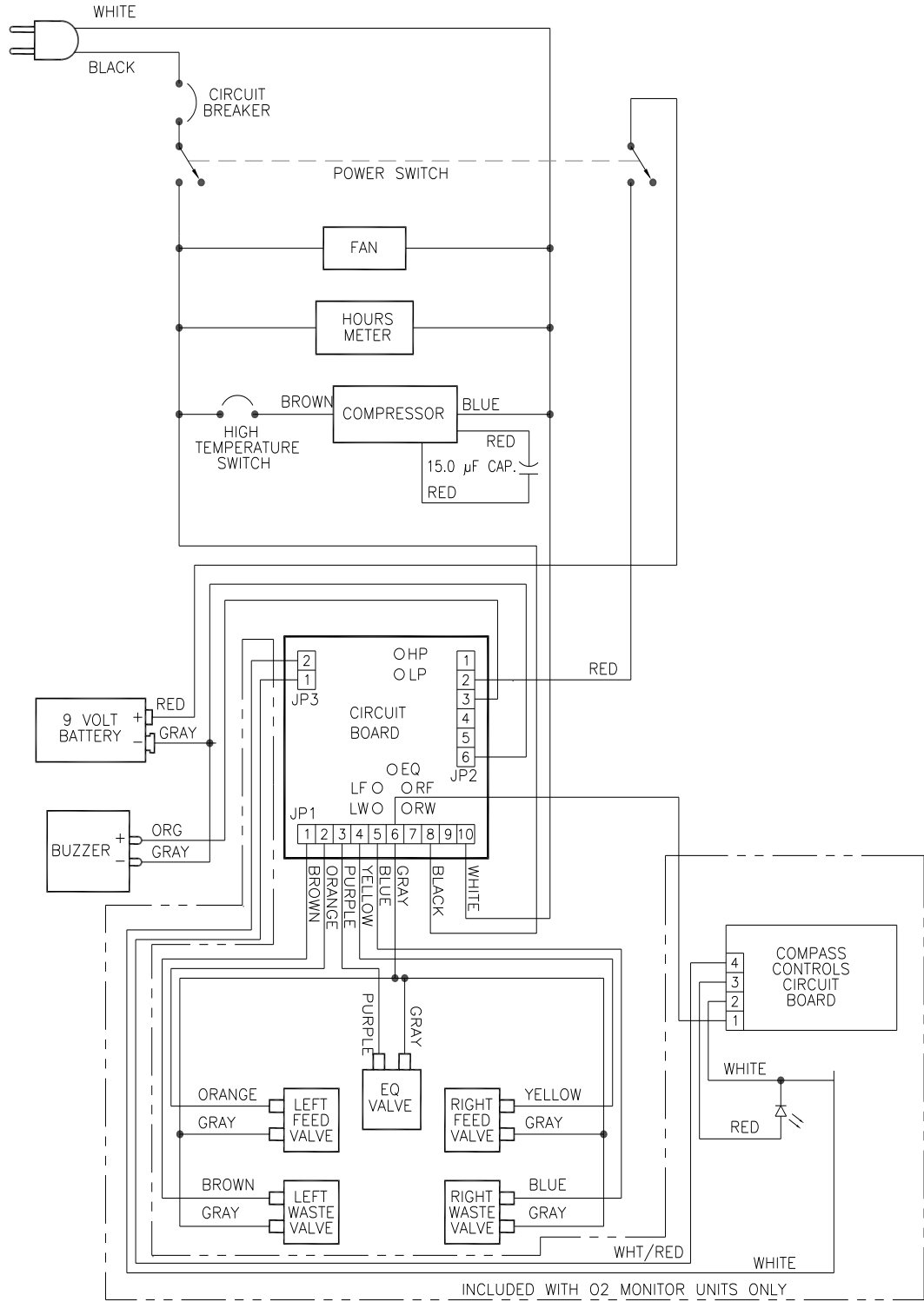
CONNECT TO  
120 VAC/60Hz  
GROUNDED  
POWER OUTLET



**WIRING DIAGRAM**  
**INTENSITY 120V**



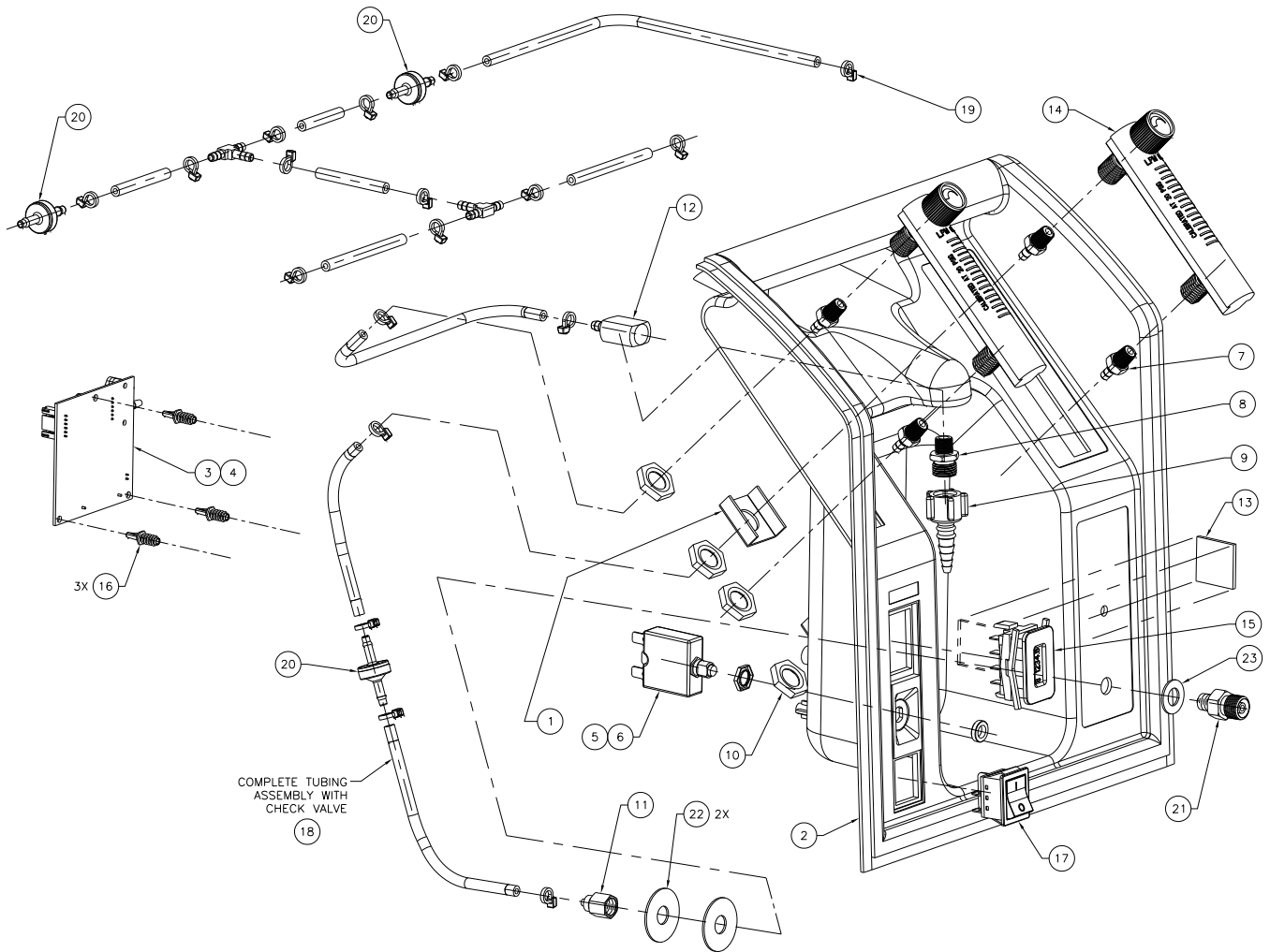
CONNECT TO  
220/240VAC 50/60Hz  
POWER OUTLET



**WIRING DIAGRAM  
INTENSITY 220/240V**

ITEM	PART NUMBER	DESCRIPTION
1	BK016-1	BRACKET, FLOWMETER, DUAL
2	CA003-1	CABINET, CONTROL PANEL
3	CB068-3	CIRCUIT BOARD, 120V
4	CB068-7	CIRCUIT BOARD, 220V
5	CR001-1	CIRCUIT BREAKER, 120V
6	CR001-5	CIRCUIT BREAKER, 220V
7	F0005-2	FITTING, BRASS, ADAPTER
8	F0007-3	FITTING, OUTLET
9	F0025-1	FITTING, OXYGEN CONNECTOR
10	F0414-1	FITTING, PALNUT, FLOWMETER
11	F0590-1	FITTING, ADAPTER, DEMAND VALVE
12	F0631-1	FITTING, OUTLET BLOCK

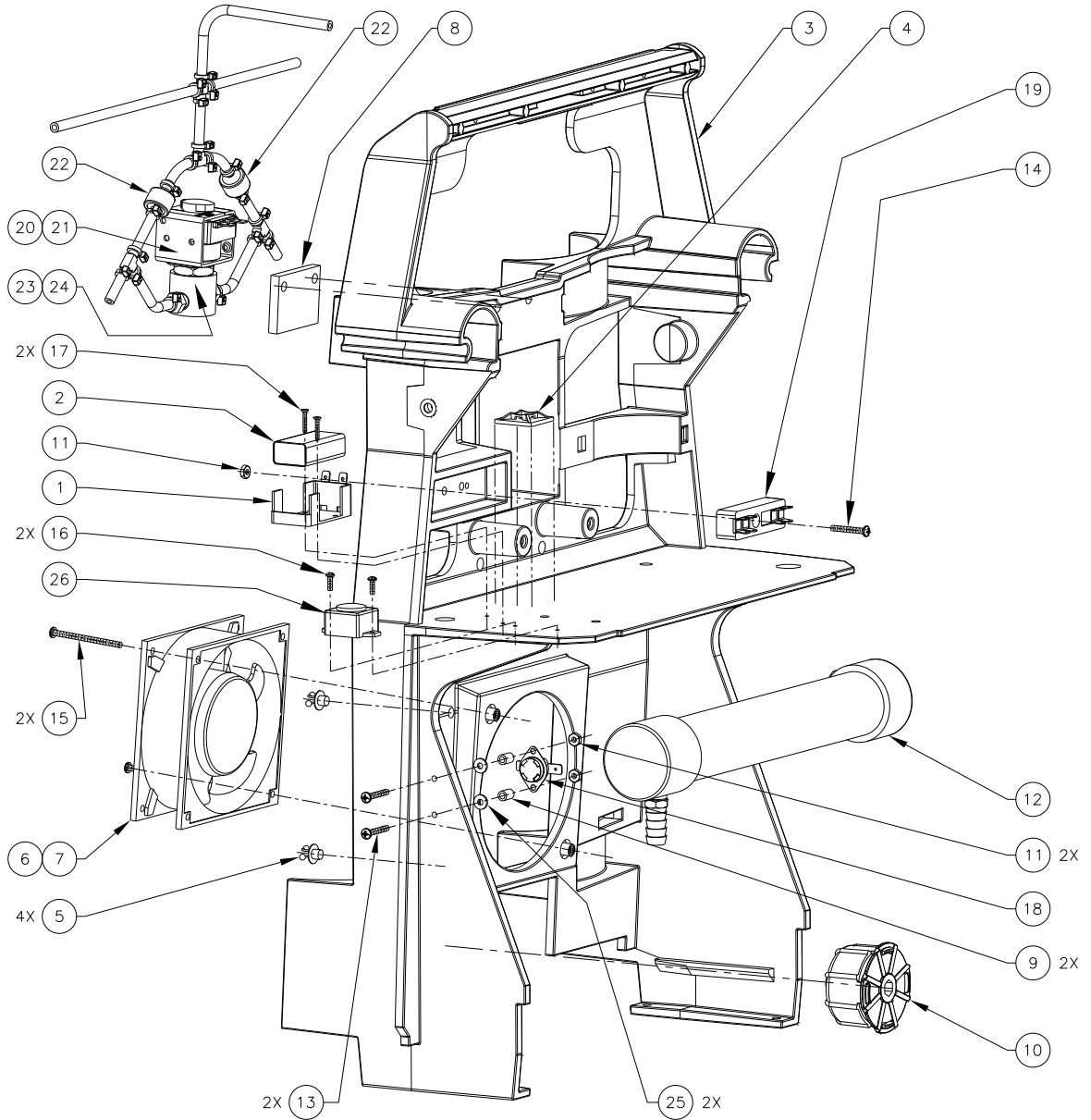
ITEM	PART NUMBER	DESCRIPTION
13	FA002-1	FASTENER, TIE WRAP MOUNT
14	FM044-1	FLOWMETER
15	HM009-2	HOUR METER
16	MO002-1	MOUNT, CIRCUIT BOARD
17	SW114-1	SWITCH, ON/OFF
18	TU201-1	TUBING, ASSY, OUTLET, DUAL, SECONDARY
19	TW001-4	TIE WRAP
20	VA006-2	VALVE, CHECK
21	VA059-3	VALVE, DEMAND
22	WA021-1	WASHER, INTERNAL, DUAL
23	WA036-1	WASHER, EXTERNAL, DUAL



## CONTROL PANEL ASSEMBLY

ITEM	PART NUMBER	DESCRIPTION
1	BT001-2	BATTERY, HOLDER
2	BT002-1	BATTERY
3	CA214-1	CABINET, SUPERSTRUCTURE
4	FA002-1	FASTENER, TIE-WRAP MOUNT
5	FA003-1	FASTENER, WIRE HARNESS
6	FN041-1	FAN, 120V
7	FN022-2	FAN, 220V
8	FO002-1	FOAM, EQ
9	HA001-1	SPACER, TEMP SWITCH
10	MU043-2	MUFFLER
11	NU003-1	NUT, TERMINAL BLOCK
12	RN023-1	RESONATOR
13	SC002-1	SCREW, TEMP SWITCH

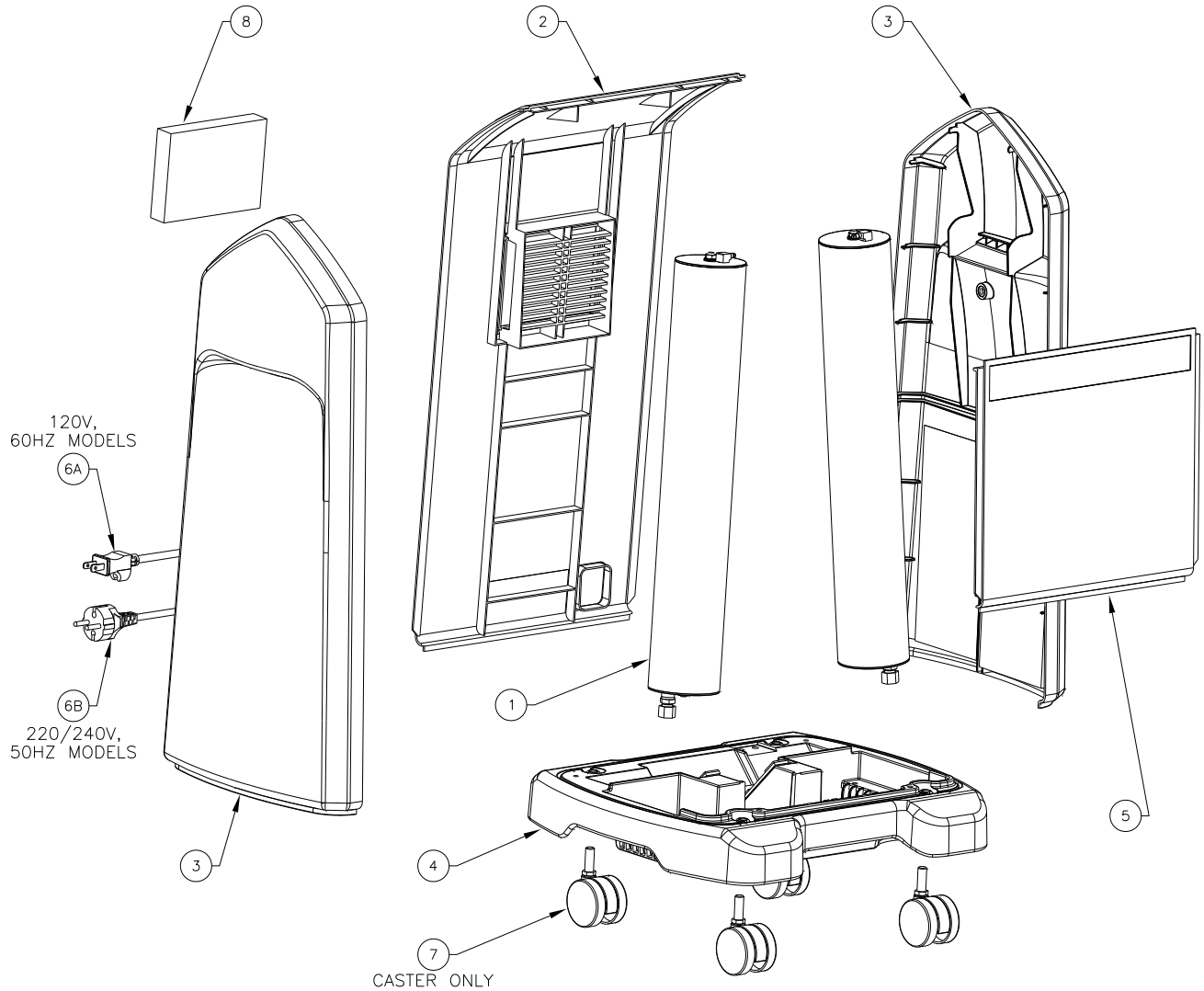
ITEM	PART NUMBER	DESCRIPTION
14	SC001-2	SCREW, TERMINAL BLOCK
15	SC002-6	SCREW, FAN
16	SC003-1	SCREW, BUZZER
17	SC004-1	SCREW, BATTERY HOLDER
18	SW002-3	SWITCH, TEMPERATURE
19	TE040-1	TERMINAL BLOCK
20	VA003-9	VALVE, EQ, 120V
21	VA003-10	VALVE, EQ, 220V
22	VA543-1	VALVE, CHECK
23	VA392-1	VALVE, EQ, ASSY, 120V
24	VA392-2	VALVE, EQ, ASSY, 220V
25	WA002-8	WASHER, TEMP SWITCH
26	WH096-2	WIRE HARNESS, W/BUZZER



**MAIN STRUCTURE ASSEMBLY**

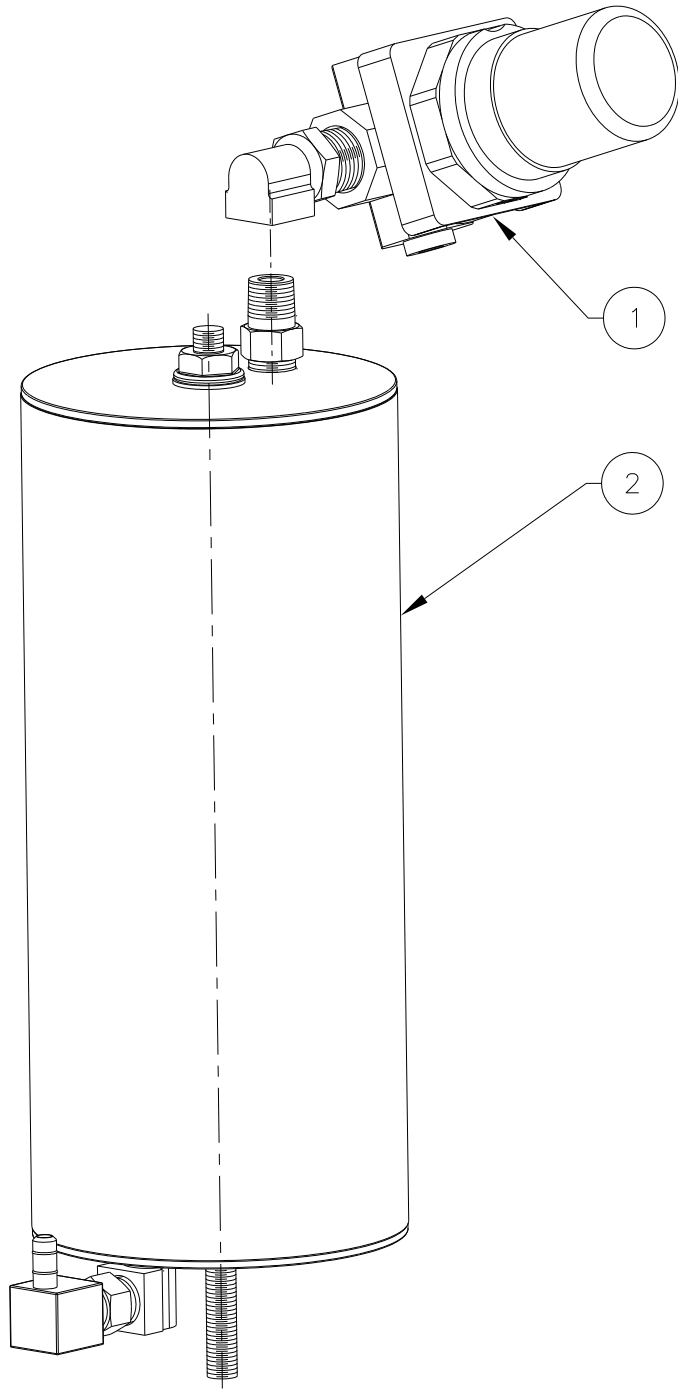
ITEM	PART NUMBER	DESCRIPTION
1	BE157-1R	BEDS
2	CA034-1	CABINET, BACK PANEL
3	CA036-4	CABINET, SIDE PANEL
4	CA201-1	CABINET, ROLLER BASE
5	CA218-1	CABINET, FRONT PANEL

ITEM	PART NUMBER	DESCRIPTION
6A	CD011-2	CORD, POWER, US-STYLE
6B	CD011-4	CORD, POWER, EUROPEAN -STYLE
7	CS001-1	CASTER
8	FI002-1	FILTER, FOAM



## BASE AND CABINET COMPONENTS

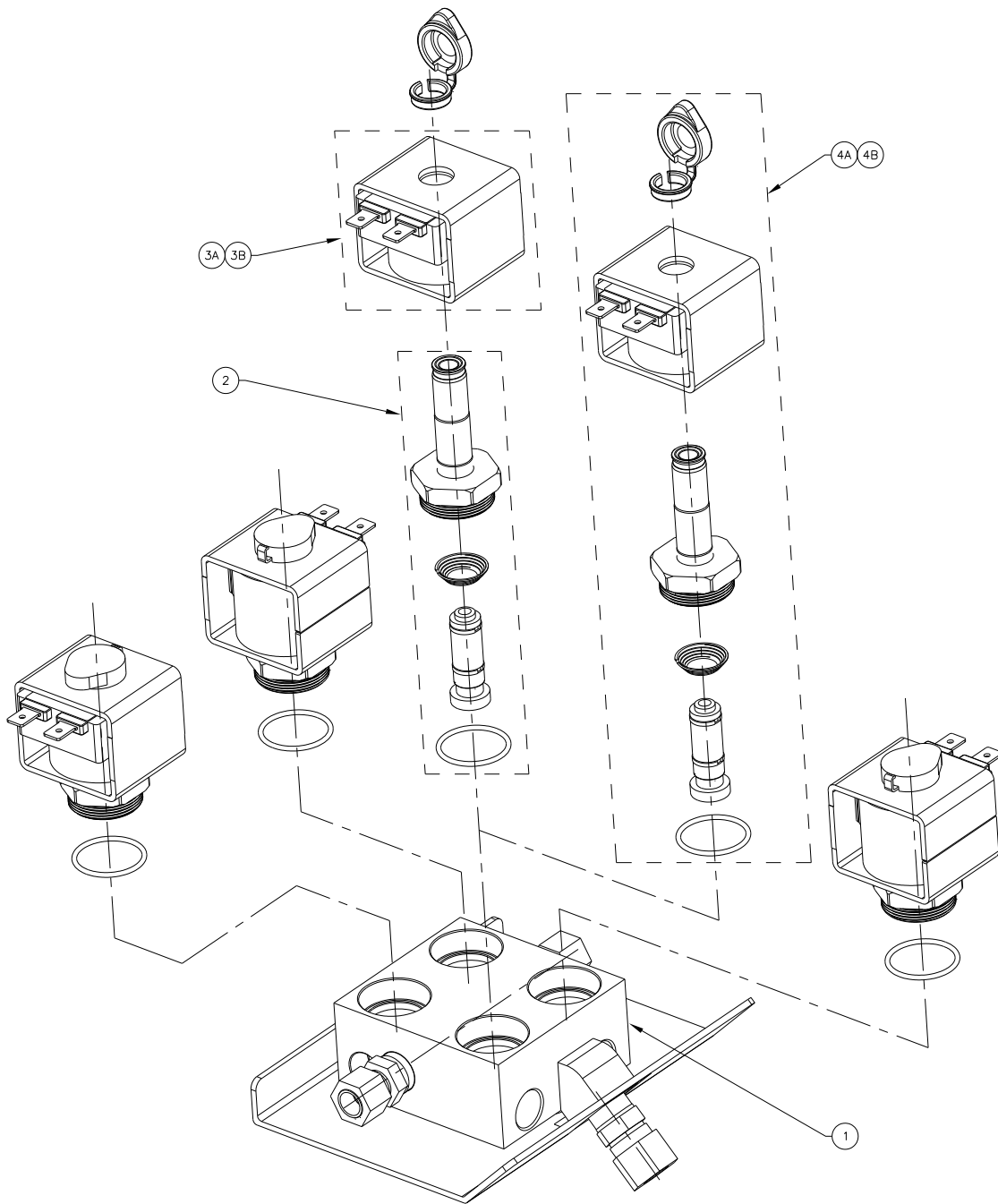
ITEM	PART NUMBER	DESCRIPTION
1	RG088-1	REGULATOR (ONLY)
2	TA132-1	TANK, MIXING, ASSY



**PRODUCT TANK/REGULATOR ASSEMBLY**

ITEM	PART NUMBER	DESCRIPTION
1	VA290-3	VALVE, BLOCK (ONLY)
2	VA034-1	VALVE, FEED/WASTE REBUILT KIT
3A	VA054-1	VALVE, COIL, 120V

ITEM	PART NUMBER	DESCRIPTION
3B	VA117-1	VALVE, COIL, 220V
4A	VA001-1	VALVE, SOLENOID, 120V
4B	VA001-2	VALVE, SOLENOID, 220V



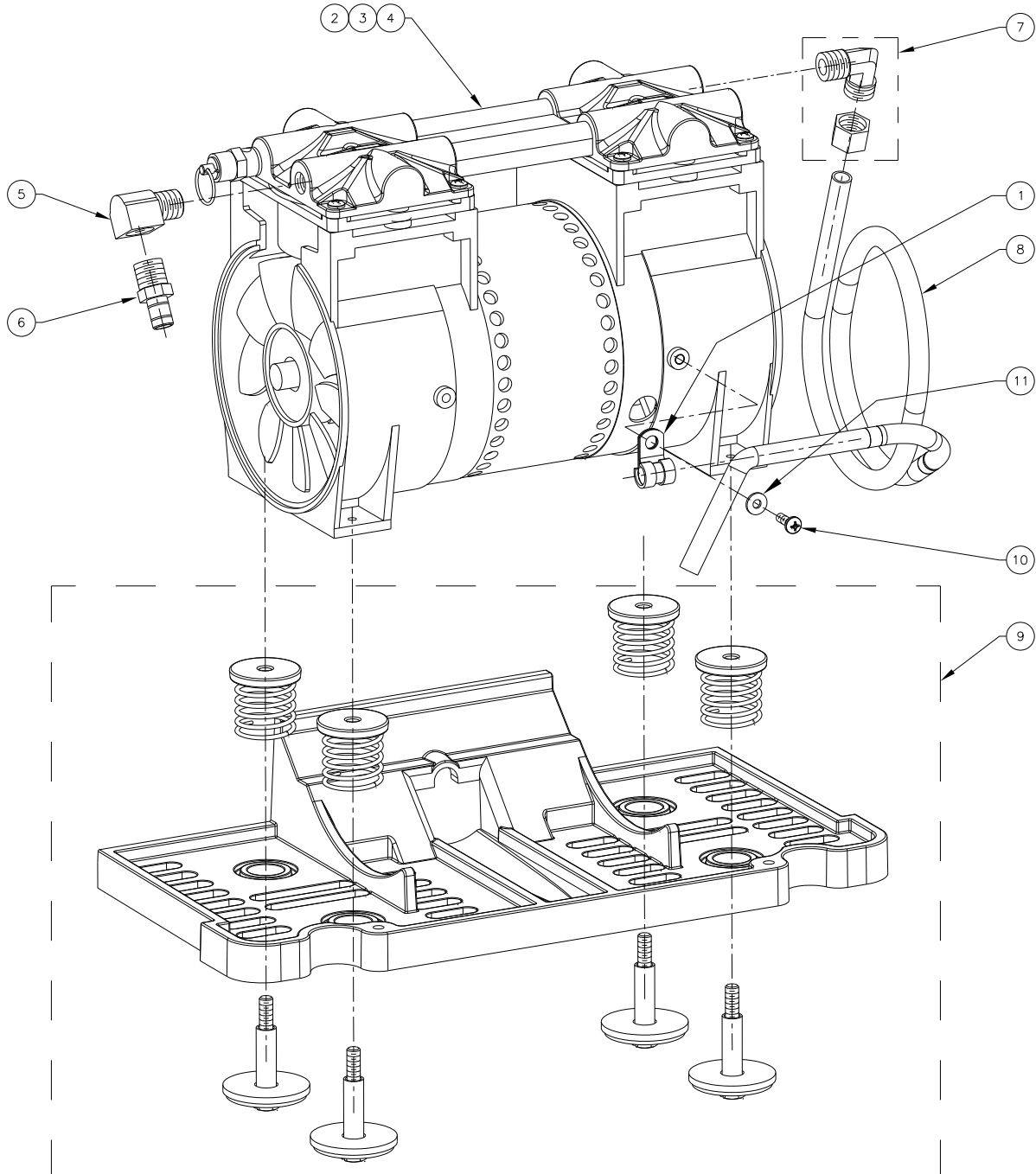
### VALVE BLOCK ASSEMBLY

ITEM	PART	DESCRIPTION
------	------	-------------

ITEM	PART	DESCRIPTION
------	------	-------------

	NUMBER	
1	CL007-1	CLAMP, HEAT EXCHANGER
2	CO006-18R	COMPRESSOR, ASSY, 120V
3	CO006-19R	COMPRESSOR, ASSY, 220V, 50 Hz
4	CO006-21R	COMPRESSOR, ASSY, 220V, 60 Hz
5	F0045-2	FITTING, ELBOW, INTAKE
6	F0006-4	FITTING, ADAPTER, INTAKE

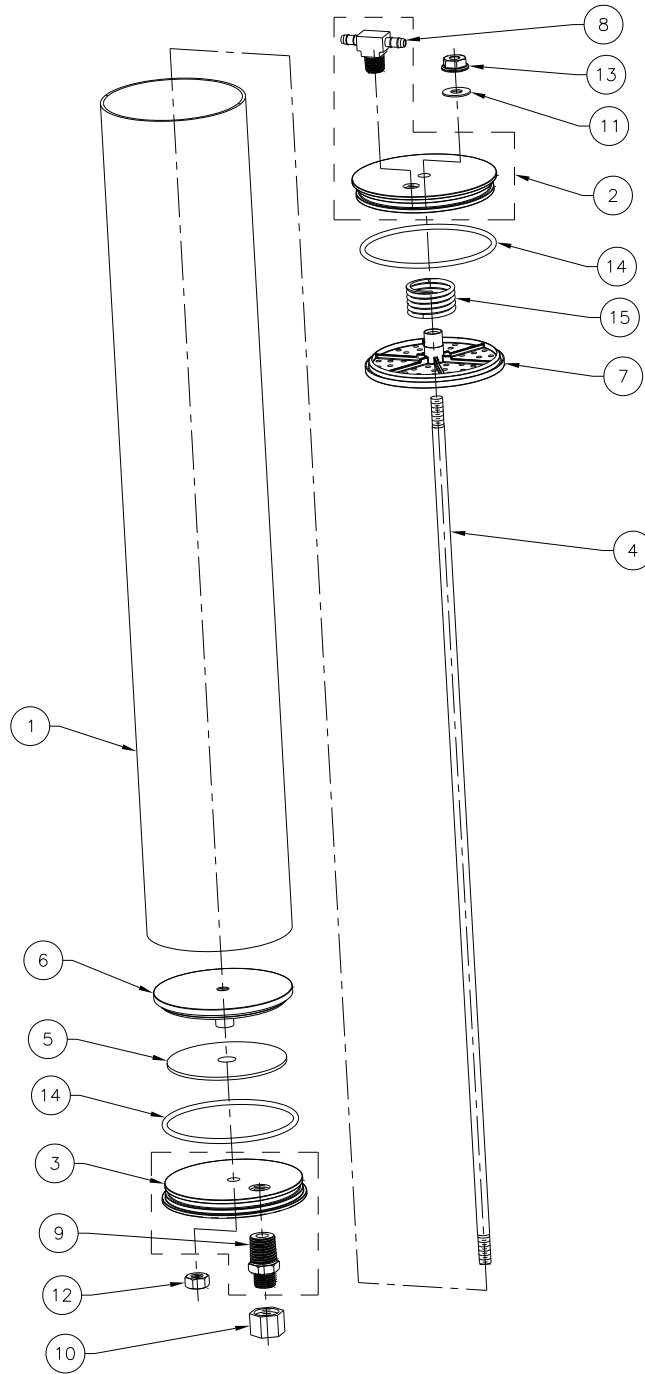
	NUMBER	
7	F0104-1	FITTING, ELBOW, HEAT EXCHANGER
8	HX002-2	HEAT EXCHANGER
9	KI070-1	KIT, SPRING MOUNT
10	SC013-2	SCREW, CLAMP
11	WA002-14	WASHER, CLAMP



**COMPRESSOR ASSEMBLY**

ITEM	PART NUMBER	DESCRIPTION
1	BE002-4	BED, TUBE
2	BE005-1	BEDS, CAP ASSY, TOP
3	BE006-1	BEDS, CAP ASSY, BOTTOM
4	BE011-4	BEDS, RODS
5	BE058-1	BEDS, BAFFLE
6	BE059-1	BEDS, PISTON ASSY, STATIONARY
7	BE071-1	BEDS, PISTON ASSY, MOVING
8	F0103-1	FITTING, TEE

ITEM	PART NUMBER	DESCRIPTION
9	F0105-7	FITTING, ADAPTER, BOTTOM CAP
10	F0134-1	FITTING, COMPRESSION NUT
11	GS017-1	GASKET
12	NU001-1	NUT, BOTTOM CAP
13	NU040-1	NUT, TOP CAP
14	OR001-1	O-RING
15	SP006-1	SPRING



**SIEVE BED ASSEMBLY**