

DISHWASHER
Installation
Instructions

BOSCH

LAVE-VAISSELLE
Instructions
d'installation

LAVADORA DE PLATOS
Instrucciones
de instalación



SHI66A,
SHU33A, SHU43C, SHU53A, SHU66C,
SHU43E, SHU53E, SHU66E,
SHV46C, SHV66A,
SHX33A, SHX46A, SHX46B, SHX56B,
SHY56A, SHY66C

BOSCH

TABLE OF CONTENTS

INTRODUCTION	2
TOOLS AND MATERIALS NEEDED	3
MATERIALS SUPPLIED	4
CHOOSING LOCATION	5
PLUMBING PREPARATION	6
ELECTRICAL PREPARATION	7
PLACING THE DISHWASHER	8
DRAIN HOSE CONNECTION	9
HOT WATER CONNECTION	10
ELECTRICAL SUPPLY CONNECTION	11
GROUNDING INSTRUCTIONS.....	11
DOOR PANEL INSTALLATION.....	12 & 13
FINAL ADJUSTMENTS	14
BASE AND TOE PANEL.....	15
TOE PANEL AND HANDLE	16
FINAL CHECKLIST	17

IMPORTANT: Before you begin, read these instructions completely and carefully.

INSTALLER: Please leave this manual with owner for future reference.

OWNER: Save these installation instructions for local electrical inspector's use and for future reference.

INTRODUCTION

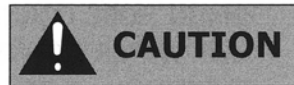
THESE INSTALLATION INSTRUCTIONS ARE INTENDED FOR USE BY QUALIFIED INSTALLERS.

In addition to these instructions the dishwasher shall be installed:

- In the United States, in accordance with the National Electric Code/State and Municipal codes and/or local codes.
- In Canada, in accordance with the Canadian Electric Code C22.1 -latest edition/Provincial and Municipal codes and/or local codes.

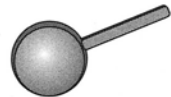
Please read these installation instructions completely and carefully. They will save you time and effort and help to ensure optimum dishwasher performance.

Be sure to observe all listed warnings and cautions. (Look for the triangles with exclamation marks inside.)



IMPORTANT

- **NEW INSTALLATION** - If the dishwasher is a new installation, most of the work must be done **before the dishwasher is moved into place.**
- **REPLACEMENT** - If the dishwasher is replacing another dishwasher, the connections for the dishwasher being replaced **must be checked for compatibility** with the new dishwasher and replaced as necessary.



INSPECT THE DISHWASHER

After unpacking the dishwasher and prior to installation, thoroughly inspect the dishwasher for possible freight or cosmetic damage. Report any damage immediately. Cosmetic defects must be reported within 5 days of installation.

NOTE: Please **do not discard any bags or items** that come with the original package until after the entire installation has been completed!

TOOLS & MATERIALS NEEDED

Tools Needed for Installation

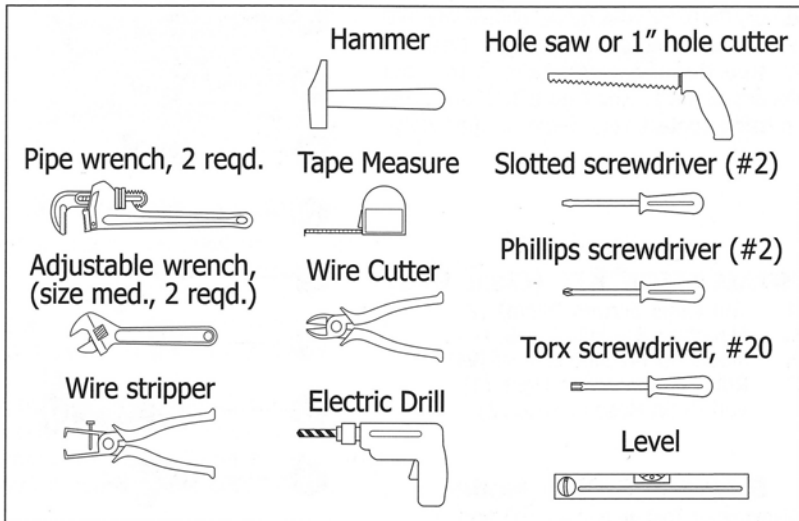


Figure 1

Materials Needed

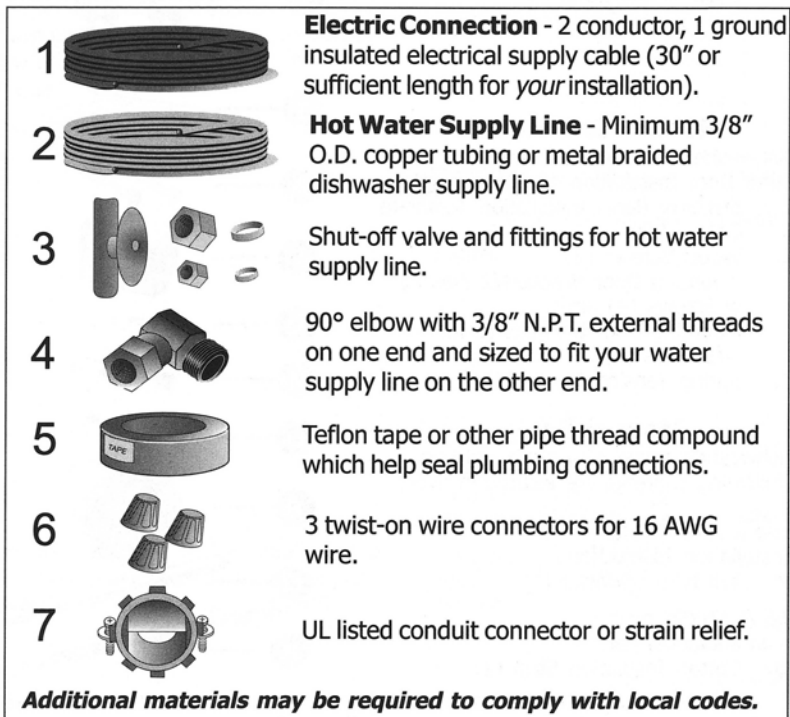


Figure 2

MATERIALS SUPPLIED

Accessory Parts Supplied

Accessory Parts for your model dishwasher will come in one or more plastic bags. Check to make sure that the parts supplied for your model are all there. See Figure 3. If any parts are missing contact your dealer immediately.

DISHWASHER INSTALLATION KIT (Clear Bag)

- D. Toe Panel Screws (8mm) (2)
- E. Mounting Brackets (1L & 1R)
- F. Mounting Bracket Screws (2)
- G. Rubber Connection Hose (1) and Drain Hose Clamps (2)

SHY66 & SHX56 Models

- Dishwasher Installation Kit (1) and (Green Bag) w/ the following:
 - L. J-Box Cover (1)
 - M. J-Box Screw (8mm) (1)
 - N. Toe Panel Screw (4x16) (2)

SHV and SHI Models

- Dishwasher Installation Kit and
- Outer Door Installation Kit (Blue bag):
 - J. SHI/SHV Panel Installation Template
 - C. Cap (2 Blk)
 - K. Wood Screws (2)
 - I. Mounting Door Brackets(2 plastic) w/Screws (4) and; Mounting Door Brackets (2 metal) w/Screws (4)
 - H. Spring Tension Screw (2)

Manual Bag

All Dishwashers come with a manual bag. The following contents are located in every bag:

- Use & Care Manual
- Installation Instructions
 - P. Tall Item Sprinkler (1)

SHY66 & SHX56 models have an additional part:

- Q. Cotton Insulation Strip (1)

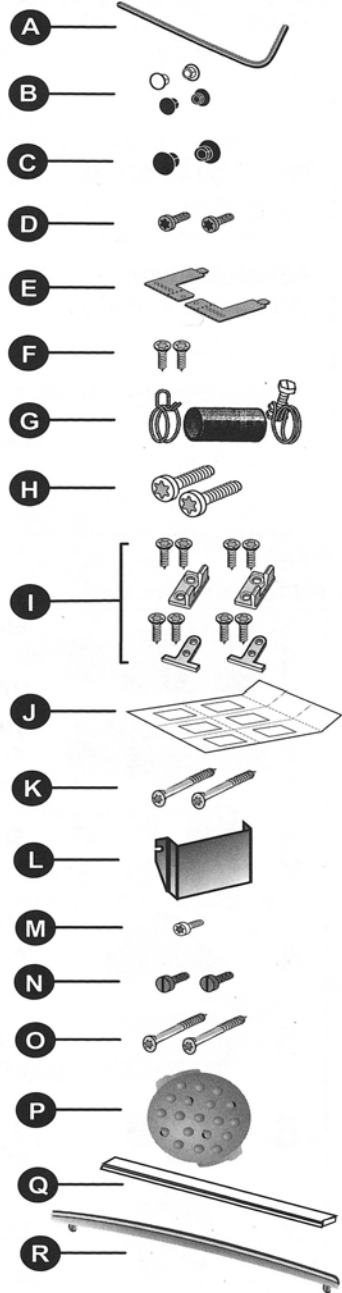


Figure 3

Note: Pictures are not to scale.

CHOOSING A LOCATION

**THESE INSTALLATION
INSTRUCTIONS ARE
INTENDED FOR USE BY
QUALIFIED INSTALLERS**

Choosing the Location

Select a location as close to the sink as possible for ready access to water and drain lines.

Most of the installation work is done *before* the dishwasher is moved into place.

Any built-in dishwasher must be fully enclosed on the top, both sides and back. Therefore the cabinet space below your counter is probably the best location.

For proper operation and appearance of the dishwasher, the cabinet opening should be dimensions as shown in Figure 5.

If the dishwasher is to be installed in a corner, make sure there is adequate clearance to open the door. See Figure 6.

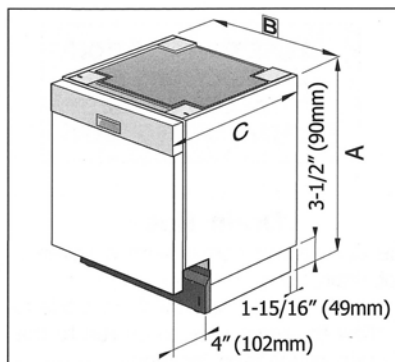


Figure 4

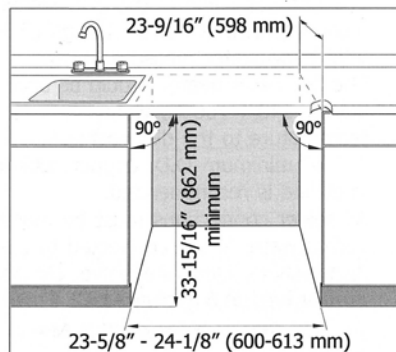


Figure 5

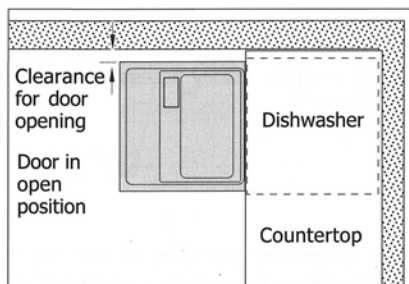


Figure 6

PLUMBING PREPARATION

THESE INSTALLATION INSTRUCTIONS ARE INTENDED FOR USE BY QUALIFIED INSTALLERS

Drain Hose

The dishwasher comes with a seven (7) foot drain hose.

- A 1.25" access hole must be made to allow the drain hose to be run to the drain connection location.

Hot Water Supply

- The hot water line to the dishwasher must provide between 5 - 120 psi (0.3-8.27 bars) water pressure.
- The hot water heater should be set to deliver 140°F (60°C) water temperature to the dishwasher.¹
- A 3/8" minimum O.D. copper tubing inlet line is recommended.
- All solder connections must be made *before* water line is connected to the dishwasher's inlet water valve. **Do not solder within 6 inches (152.4 mm) of the dishwasher's inlet water valve.**
- Drill a 1" (25.4 mm) diameter access hole in the cabinet for the water supply line (Figure 9A).
- Run the line to the approximate fill valve location, as shown in Figure 9A.

It is recommended that a shut-off valve (not supplied) be installed in the hot water supply line in a readily accessible location, see Figure 9.



CAUTION

To protect against possible rupture of the fill valve, water lines leading to the dishwasher, as well as water lines in the dishwasher **MUST** be protected against freezing. If the valve or water line freezes, flooding may occur. Such ruptures are not covered by the warranty.

IMPORTANT

If no air gap is used and the drain line is run into a sink or disposer, the drain line must be elevated to a point higher than the highest water level of the sink to prevent back siphoning into the dishwasher.

NOTE: If connection to an air gap is required by local code, air gap kits are available from local plumbing sources. Install the air gap according to the manufacturer's instructions.

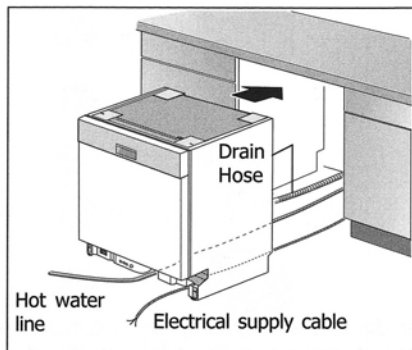


Figure 7

1. In order to reduce running time, Bosch recommends 140° F water inlet temperature. Your dishwasher will perform equally as well at 120° F water temperature, but the run time will be extended.

ELECTRICAL PREPARATION



WARNING

THESE INSTALLATION INSTRUCTIONS ARE INTENDED FOR USE BY QUALIFIED INSTALLERS

Electrical Supply

The customer has the responsibility to ensure that the dishwasher installation is in compliance with all national and local electrical codes and ordinances. The dishwasher shall be installed by a qualified electrician and properly grounded. The electrical supply for which the dishwasher is designed is 120V, 60 Hz, AC, connected to a dishwasher-dedicated electrical circuit with a fuse or breaker rated for 15 amps. If the dishwasher is connected with a food disposer, a 20 amp (and no higher) fuse or circuitbreaker may be used. No other appliances or outlets should be connected to the dishwasher supply circuit. Electrical supply conductors shall be copper only and shall be minimum #16 AWG. Wire connectors proper for the size and number of wires used to connect the dishwasher to the supply circuit shall be used. Do not use all-plastic wire connectors. Strip power supply wires approximately 1/2 inch. Do not pre-twist wire before applying wire connector. After installing wire connectors, gently tug wires to check the integrity of the connector. Place all wires and connectors into the power supply box, and reinstall cover with the screw provided in the installation package.

- Cut a 1" (25.4mm) diameter hole in the cabinet (in area of Figure 9 B). For wood cabinets, sand the hole until smooth. For metal cabinets, cover the edge with a grommet.
- Run flexible cable (as codes permit) from junction through hole in cabinet. Cable should extend 30" (762 mm) from back wall.

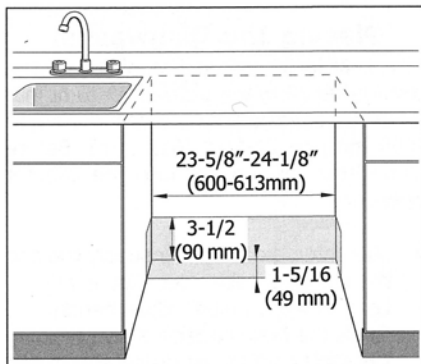


Figure 8

Electrical Rating

Volts	Hertz	Amperes	Watts
120	60	15	1,450 (max)

Table 1

Openings for electrical lines must be installed in the marked areas as shown in Figures 8 and 9 to avoid interference with the dishwasher frame or other components.

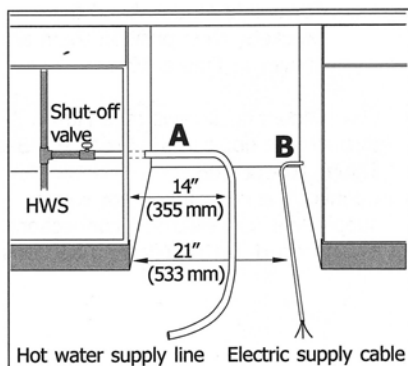


Figure 9

PLACING THE DISHWASHER

Placing the Dishwasher

The profile strips on the sides of the dishwasher allow the dishwasher to fit into a cabinet opening with a width of 23-5/8" (600 mm) to 24-1/8" (613 mm). Before sliding the dishwasher into the cabinet opening:

- Straighten the hot water supply line and the electrical cable (see Figure 11).
- Level & Align (initial adjustments).
- Guide the *drain hose* carefully (avoiding kinks in hose) as the dishwasher is slid into the cabinet opening.
- Make final leveling adjustments (see FINAL STEPS Section).
- To maintain the dishwasher position and alignment, first determine which type of mounting your dishwasher needs:

Top Mount is used for all types of countertops that *will not* be damaged by drilling.

- For a top mount, position the brackets flat on each of the top corners of the dishwasher as shown in Figure 10A.

Side Mount is used when there is a granite, marble or other hard natural surface counter top that could be damaged by drilling.

- For a side mount, bend the brackets, then position them as shown in Figure 10B.
- Drive Mounting Screws (see Figure 3) through the holes in the brackets. See Figure 10A or 10B.
- Connect the drain hose, hot water supply line and electrical connections as described in the following sections.

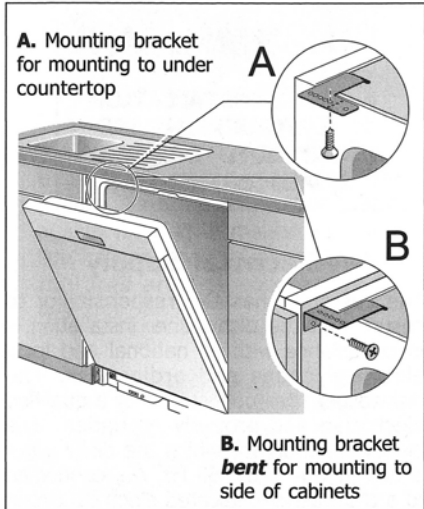


Figure 10

IMPORTANT

If you wish to change the front panel of the dishwasher this must be done before sliding the dishwasher into place.

***Note:** Additional accessory door panels can not be used with SHU 9900 models.

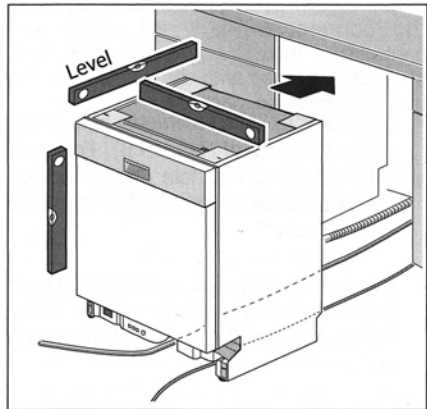


Figure 11

DRAIN HOSE CONNECTION

THESE INSTALLATION INSTRUCTIONS ARE INTENDED FOR USE BY QUALIFIED INSTALLERS

Be sure to follow your national and local codes at all times.

Drain Hose

- Before beginning, turn off the water supply!
- The access hole for the drain hose should be 1.25" (32 mm) diameter.
- Use the hose clamps and rubber connection hose (Figure 3) to connect the drain hose to the sink, disposer or air gap (Figure 14).

Openings for drain lines must be installed in the marked areas as shown in Figures 8 and 9 to avoid interference with the dishwasher frame or other components.



CAUTION

Failure to provide the proper drain connection height, 20" (508mm) above floor level with high loop or air gap, will result in improper draining of the dishwasher. Improper draining may cause damage to the dishwasher.

Drain Hose in Sink with Air Gap/ No Disposer

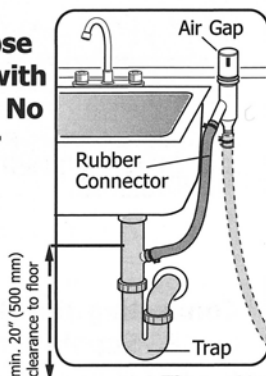


Figure 12

Drain Hose in Sink with Air Gap & Disposer

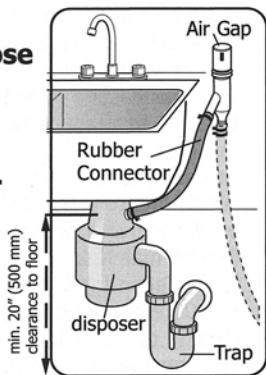


Figure 13

Drain Hose Connected to Sink

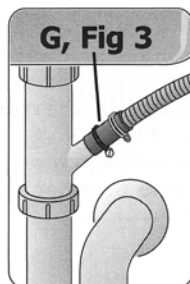


Figure 14

HOT WATER CONNECTION

THESE INSTALLATION INSTRUCTIONS ARE INTENDED FOR USE BY QUALIFIED INSTALLERS

Connecting the Hot Water Supply Line

- If using a solder joint instead of a compression fitting, *be sure to make all solder connections before connecting the water line to the dishwasher.*
- Make sure there are no sharp bends or kinks in the water line which might restrict water flow.
- When connecting threaded pipe use pipe thread compound or Teflon tape to seal the connection.
- Before connecting the copper hot water supply line to the dishwasher, it should be flushed with hot water to clear any foreign material.
- Apply Teflon tape or other pipe sealant to 90° elbow fitting and connect directly to water inlet valve*.
- Turn on the water supply to check for leaks after making connections.

Openings for water lines must be installed in the marked areas as shown in Figures 8 and 9 to avoid interference with the dishwasher frame or other components.

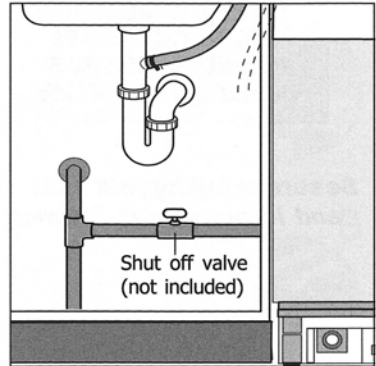


Figure 15



CAUTION

DO NOT SOLDER WITHIN 6 INCHES (152.4 MM) OF THE DISHWASHER'S INLET VALVE. TEMPERATURES REQUIRED FOR SOLDERING WILL DAMAGE THE VALVE!

* *Water inlet valve located at the bottom left front of the dishwasher.*

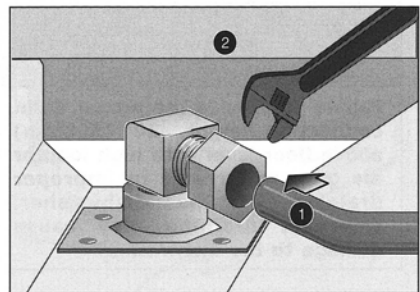


Figure 16

ELECTRICAL SUPPLY CONNECTION

THESE INSTALLATION INSTRUCTIONS ARE INTENDED FOR USE BY QUALIFIED INSTALLERS

Connecting Electrical Supply

Be sure to follow all local and national electrical codes and ordinances.

- Install strain relief or conduit connector into opening on power supply box.
- Strip the insulated wires, being extremely careful not to strip too much insulation.
- Insert and securely fasten into strain relief, two-conductor supply cable with ground.
- Twist wire connectors *tightly* onto the wires, ensuring that no bare wiring is exposed (from insulated wires).
- Press wires back into J-box
- Securely fasten the J-box cover or toe panel (depending on model) with screw(s) provided from accessories package.

* Junction box located at the bottom right front of the dishwasher base.

Grounding Instructions

This appliance must be connected to a grounded metal permanent wiring system; or an equipment grounding conductor must be run with the circuit conductors and connected to the equipment grounding terminal or lead on the dishwasher. The dishwasher must be properly grounded before operating. Make sure that the dishwasher is connected to a suitable ground in compliance with the NATIONAL ELECTRICAL CODE, in the United States, or the CANADIAN ELECTRIC CODE C22.1-latest edition, in Canada as well as any provincial/state or municipal or local codes that apply.



WARNING

ELECTRICAL SHOCK HAZARD

- DISCONNECT ELECTRICAL POWER AT THE CIRCUIT BREAKER BOX OR FUSE BOX BEFORE INSTALLING THE DISHWASHER.
- ELECTRICALLY GROUND DISHWASHER.
- USE COPPER CONDUCTORS ONLY. FAILURE TO FOLLOW THESE INSTRUCTIONS COULD RESULT IN SERIOUS INJURY OR DEATH.

Correct Connection in Junction Box

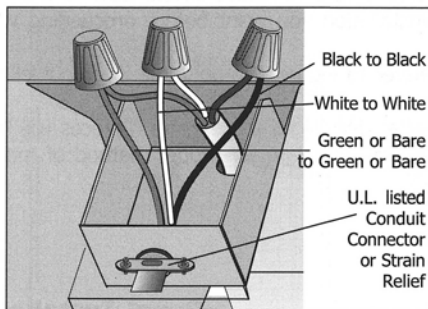


Figure 17

Incorrect Connection in Junction Box

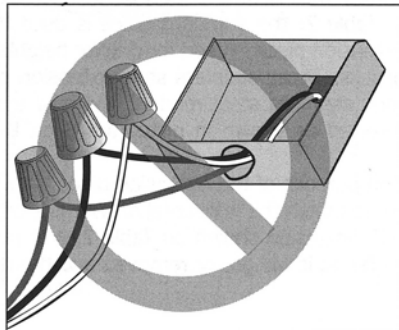


Figure 18

DOOR PANEL INSTALLATION

Accessory Panel Installation SHU Models

If you have an SHU model and have ordered an accessory panel kit it must be installed prior to sliding the dishwasher into place. Dimensions of panel size that may be used is shown in Figure 19.

Panel Installation, SHV Models

If you have an SHV model, a fully integrated model, you will have additional mounting hardware and a folded template sheet with installation instructions comprised of pictograms.

Refer to the folded template sheet for information on how to mount the panel. Please note that one side of the template shows how to mount a one piece panel and the other side of the template shows how to mount a two piece panel. Be sure of what type installation you want before proceeding with the installation.

Refer to Figure 20 and Table 3 for guidelines on custom door panel selections.

After deciding if the extension pieces will be used or not refer to the pictograms printed on the template for proper method of mounting your custom door.

Panel Installation, SHI Models

If you have an SHI model, an integrated model, you will have additional mounting hardware and a folded template sheet with installation instructions comprised of pictograms. In North America the stainless steel models of the integrated series (SHI series), have a control panel that is 5-5/16" (135 mm) tall. The stainless steel model comes with two extension pieces, referred to as the standard and long extension piece in Table 2: the standard piece is used for drawer heights up to 6" (152mm); the long extension piece is used for drawer heights greater than 6" (152mm) but 6-7/16" (164mm) or less. These stainless steel extension pieces are not installed in the control panel. In the stainless steel models, the two extension pieces are shipped loose and must be inserted as shown in pictogram 5 on the template sheet.

The purpose of the extension piece is to allow the increase of the control panel height to try to match the horizontal drawer line of the cabinets. If your drawers are taller than the "C" dimension shown on Table 2, it is recommended that the extension either be slid in as far as it will go, or removed and the door made to fit directly below the control panel.

DOOR PANEL INSTALLATION

SEE FOLDED PANEL INSTALLATION TEMPLATE SHEET FOR STEP BY STEP INSTRUCTIONS ON HOW TO INSTALL YOUR DISHWASHER PANEL(S).

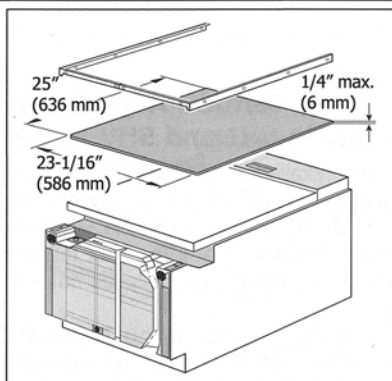
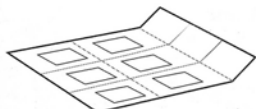


Figure 19

IMPORTANT
Do NOT Drill Completely through your custom door panel.

MODEL	EXTENSION "A" MAX.-MIN.		"B" MAX.-MIN.	"C" MAX.-MIN.
	STANDARD	LONG		
SHB6C05UC	11/16 - 5/16" (18-8mm)	1 1/8 - 11/16" (29 - 18mm)	5 5/16 (135 mm)	6 7/16 - 5 5/8 (164 - 143 mm)

Table 2

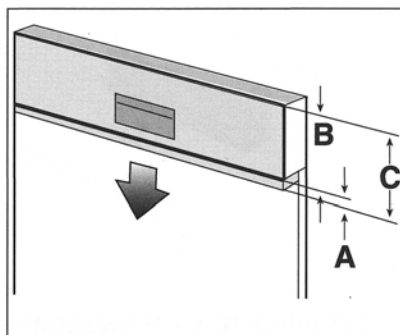


Figure 20

MODEL	D	E*	F
SHV	N/A	27 3/16" - 30 5/16" (690 - 770 mm)	
SHI	20 11/16 - 25 (526-635 mm)	27 3/16" - 30 5/16" (690 - 770 mm)	23 3/16 - 23 3/8 (589 - 594 mm)

Table 3

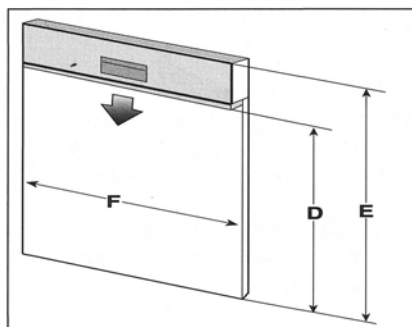


Figure 21

***Note:** Do not exceed 30 5/16" (770mm) for the overall front panel length.

FINAL ADJUSTMENTS

Door Tension Adjustment (only in SHI and SHV models)

After installation of the dishwasher, open and close the door several times to make sure that it does so with ease. If the door closes too quickly or if the door falls open, the spring tension needs to be adjusted.

To Adjust the Spring Tension

- Obtain Spring Tension Screws (2) out of the SHI/SHV parts bag (see Figure 3).
- Insert the screws in the right and left sides and adjust spring tension as shown (see Figure 22).

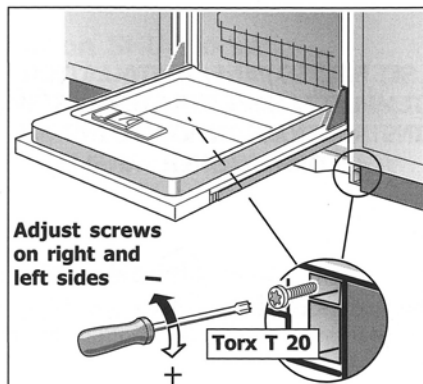


Figure 22

Leveling the Dishwasher

Raising the Rear

The rear leveling leg is adjusted by turning the center screw at the front of the dishwasher.

Raising the Front

The front leveling legs are adjusted by rotating the leveling legs on the front left and right sides of the dishwasher.

- Use a screwdriver and tap the end lightly with a hammer to turn the legs (see Figure 23).

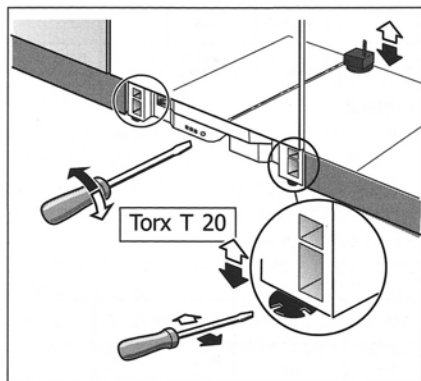


Figure 23

Note: If additional height is needed:
Shims may be added under the leveler feet.

BASE AND TOE PANEL

SHY66 & SHX56 Series Base and Toe Panel Installation Steps

Installation Parts

- SHY66 & SHX56 Base Part
- Base Part Screws
- SHY66 & SHX56 Toe Panel
- SHU Toe Panel Screws
- SHY66 & SHX56 Installation Kit
(Refer to "Materials Supplied" section)

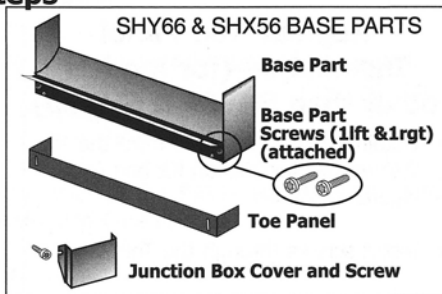


Figure 24

Remember to carefully check, the "Materials Supplied" section against the Installation Kit bag and contents.

Disassembly Steps

- Pull Toe Panel off (Figure 25).
- Loosen Screws
LOW TORQUE, USE HAND TOOL ONLY.
- Remove Base Part by pulling it out and downward.

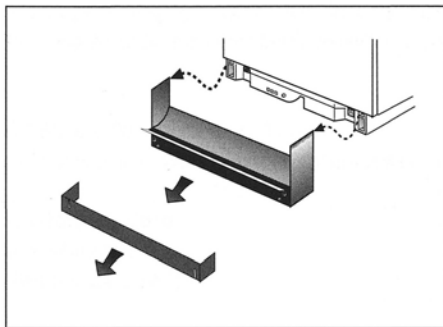


Figure 25

After installation, water and electrical lines are connected and the unit leveled, assemble the base part (see below).

Assembly Steps

- Place J-Box Cover on J-Box, insert and tighten screw (Figure 26).
- Drop screws inside holes in base part.
- Slip Base Part under and up front bottom panel of dishwasher. Tighten Base Part Screws - LOW TORQUE, USE HAND TOOL ONLY.
- Slip Cotton Insulation Strip under unit, between the bottom of Base Part and the floor.

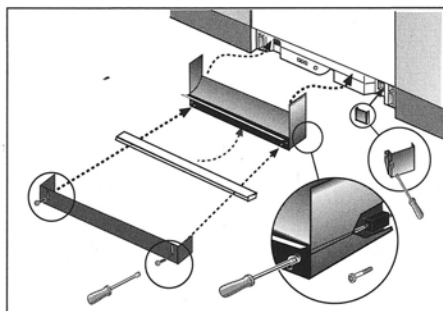


Figure 26

Junction Box Cover is required for any installation application

TOE PANEL AND HANDLE

Regular Toe Panel Installation (for models other than SHY66 & SHX56)

- Obtain Toe Panel Screws from the Dishwasher Installation Kit bag (see Figure 3).
- Insert screws through the Toe Panel.
- With a Torx screwdriver, fasten screws and toe panel into dishwasher base.

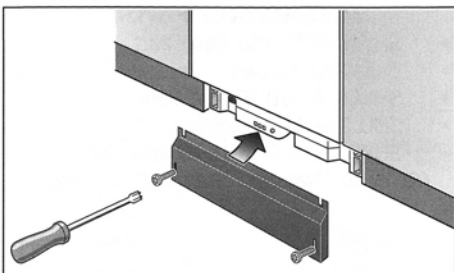


Figure 28

FINAL CHECKLIST

Final Checklist

- Check Electrical Requirements.
- Be sure you have correct electrical supply and recommended grounding method.
- Turn on the hot water shut-off valve and electrical supply. Incoming water temperature should be 120°F-140°F (49°C-60°C).
- Operate the dishwasher through one cycle and check for plumbing leaks.

If the dishwasher does not operate properly, refer to the **SELF- HELP, CUSTOMER SERVICE** and **WARRANTY** sections in the Use and Care Manual.

Customer Service Information

If service becomes necessary, contact your dealer or installer or an authorized service center. Do not attempt to repair the appliance yourself. Any work performed by unauthorized personnel may void the warranty. If problem persists, take the following steps (in the order listed below) until the problem is corrected to your satisfaction.

1. Contact your installer or the Bosch Authorized Service Contractor in your area.
2. E-mail us from the Customer Service section of our web site, www.boschappliances.com.
3. Write to us at the address below:

BSH Home Appliances, Corp.
5551 McFadden Avenue
Huntington Beach, CA 92649

4. Call us at: **1-800/944-2904**.

Please be sure to include (if writing), or have available (if calling), the following information:

- Model Number
- Serial Number
- Date of Original Purchase
- Date Problem Originated
- Explanation of Problem

Also, if writing, please be sure to include a daytime phone number.

(You will find the model number and serial number information on the label located on the right-hand side of the inner door of the dishwasher).

**LEAVE INSTALLATION INSTRUCTIONS AND
USE & CARE MANUAL WITH OWNER.**

BOSCH

TABLE DES MATIÈRES

INTRODUCTION	20
OUTILS ET MATÉRIAUX REQUIS	21
MATÉRIAUX FOURNIS	22
CHOIX DE L'EMPLACEMENT	23
PRÉPARATION DE LA PLOMBERIE	24
PRÉPARATION DE L'ÉLECTRICITÉ	25
INSTALLATION DU LAVE-VAISSELLE	26
CONNEXION DU TUYAU DE VINDANGE	27
CONNEXION DE L'EAU CHAUDE	28
CONNEXION DE L'ALIMENTATION ÉLECTRIQUE	29
INSTRUCTIONS DE MISE À LA TERRE	29
INSTALLATION DU PANNEAU DE PORTE	30 et 31
DERNIERS RÉGLAGES	32
BASE ET PANNEAU DU BAS	33
PANNEAU DU BAS ET POIGNÉE	34
Liste de vérification	35

IMPORTANT : Avant de commencer, lire attentivement les instructions.
INSTALLATEUR : Laisser ce guide au propriétaire à des fins de références.
PROPRIÉTAIRE : Conserver les instructions d'installation pour l'inspecteur en électricité et à des fins de références.

INTRODUCTION

CES INSTRUCTIONS D'INSTALLATION SONT DESTINÉES À DES INSTALLATEURS QUALIFIÉS.

En plus de ces instructions, le lave-vaisselle doit être installé :

- Aux États-Unis, selon le Code national d'électricité, les codes des états et municipaux et/ou les codes locaux.
- Au Canada, selon le Code canadien de l'électricité C22.1, dernière édition, les codes provinciaux et municipaux et/ou les codes locaux.

Lire attentivement et entièrement les instructions d'installation.

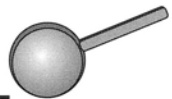
Elles permettront d'économiser temps et effort et aideront à maximiser le rendement du lave-vaisselle.

S'assurer d'observer toutes les remarques « **Avertissement** » et « **Attention** ». (Repérer les triangles avec le point d'exclamation.)



IMPORTANT

- **NOUVELLE INSTALLATION** - S'il s'agit d'une nouvelle installation, presque tout le travail doit être fait **avant d'installer le lave-vaisselle**.
- **REPLACEMENT** - S'il s'agit d'un lave-vaisselle de remplacement, les connexions **doivent être vérifiées afin qu'elles soient compatibles** avec celles du nouveau lave-vaisselle. Les remplacer au besoin.



VÉRIFICATION DU LAVE-VAISSELLE

Après avoir déballé le lave-vaisselle et avant l'installation, vérifier entièrement le lave-vaisselle pour s'assurer qu'il n'y ait pas de dommages. Rapporter tout dommage immédiatement. Les dommages esthétiques doivent être rapportés dans un délai de 5 jours suivant l'installation.

REMARQUE : Ne pas jeter les sacs ou autres fournis avec l'emballage tant que l'installation n'est pas complétée !

OUTILS ET MATÉRIAUX NÉCESSAIRES

Outils nécessaires à l'installation

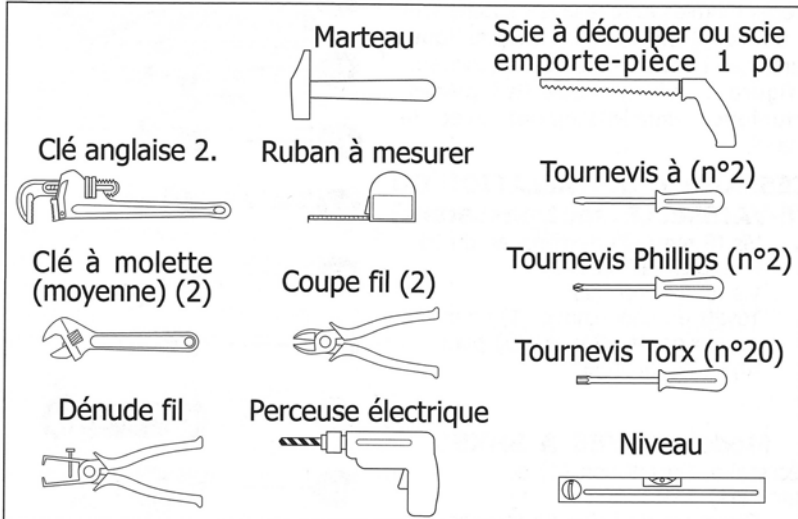
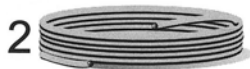


Figure 1

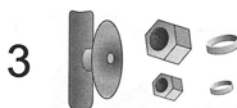
Matériaux nécessaires



Connexion électrique - 2 conducteurs, 1 câble d'alimentation électrique mis à la terre (30 po ou de longueur suffisante).



Canalisation d'alimentation en eau chaude - Tuyau en cuivre 3/8 po D. E. minimum ou canalisation métallique.



Soupape d'arrêt et raccords pour canalisation d'eau chaude.



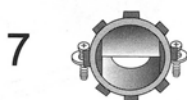
Coude 90° avec filets externes 3/8 po N.P.T. à une extrémité et de grosseur appropriée à l'autre extrémité pour s'ajuster à la canalisation..



Ruban Teflon ou autre enduit pour tuyau afin de sceller les connexions de plomberie.



3 serre-fils pour fil de 16 AWG.



Connecteur approuvé UL ou réducteur de tension.

D'autres matériaux peuvent être nécessaires selon les codes locaux.

Figure 2

MATÉRIAUX FOURNIS

Pièces fournies

Les pièces fournies avec le lave-vaisselle sont dans un ou plusieurs sacs en plastique. S'assurer que toutes les pièces sont incluses. Voir figure 3. S'il manque des pièces, communiquer immédiatement avec le marchand.

NÉCESSAIRE D'INSTALLATION DU LAVE-VAISSELLE (sac transparent)

- D. Vis (8 mm) (2) du panneau du bas
- E. Fixations (1G et 1 D)
- F. Vis de fixation (2)
- G. Tuyau en caoutchouc (1) pour connexion et attaches (2) pour tuyau de vidange

Modèle SHY66 & SHX56

- Nécessaire d'installation (1) et
- (sac vert) avec :
 - L. Couvercle de boîte de jonction (1)
 - M. Vis (8 mm) (1) pour boîte de jonction
 - N. Vis (10mm) (2) du panneau du bas

Modèles SHV et SHI

- Nécessaire d'installation et
- Nécessaire d'installation de porte extérieure (sac bleu):
 - J. Gabarit de panneau SHI/SHV
 - C. Capuchons (2 noirs)
 - K. Vis à bois (2)
 - I. Fixations de porte (2 en plastique) avec vis (4) et ; fixations de porte (2 en métal) avec vis (4)
 - H. Vis de tension (2)

Sac avec guides

Tous les lave-vaisselle sont dotés d'un sac avec guides comprenant :

- Guide d'utilisation et d'entretien
- Instructions d'installation
- P. Gicleur pour articles hauts (1)

Pièce additionnelle pour modèle SHY66 & SHX56 :

- Q. Bande isolante en coton (1)

Remarque : Illustrations non à l'échelle.

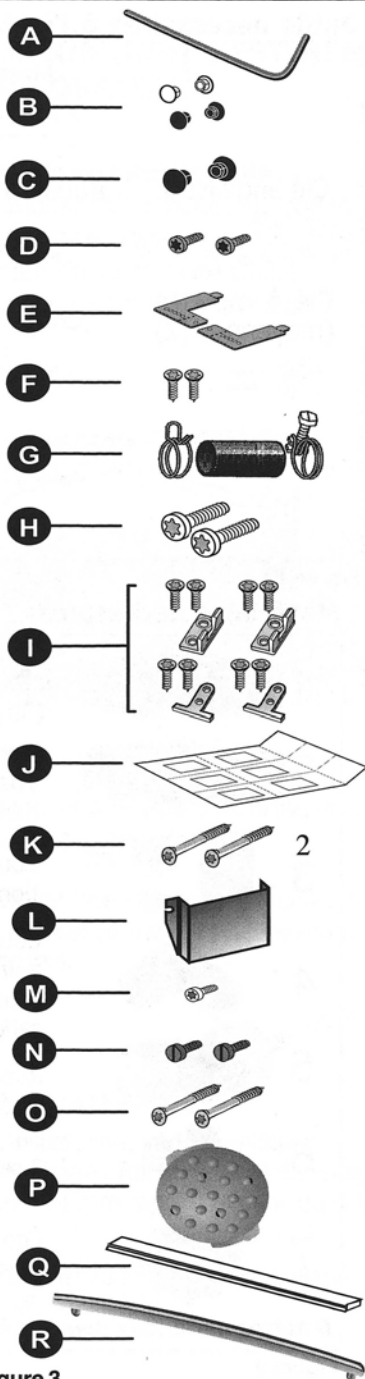


Figure 3

CHOIX DE L'EMPLACEMENT

CES INSTRUCTIONS D'INSTALLATION SONT DESTINÉES À UN INSTALLATEUR QUALIFIÉ.

Choix de l'emplacement

Choisir un emplacement aussi près que possible de l'évier pour avoir accès aux canalisations d'eau et de vidange.

Le travail pour l'installation doit être fait *avant* de mettre le lave-vaisselle en place.

Tout lave-vaisselle à encastrer doit être entièrement intégré au haut, sur les côtés et à l'arrière. Par conséquent, l'espace de l'armoire sous le comptoir est le meilleur emplacement.

Pour une belle allure et un rendement appropriés du lave-vaisselle, l'ouverture de l'armoire doit être carrée et avoir les dimensions indiquées à la figure 5.

Si le lave-vaisselle doit être installé dans un coin, s'assurer qu'il y a un dégagement suffisant pour ouvrir la porte. Voir figure 6.

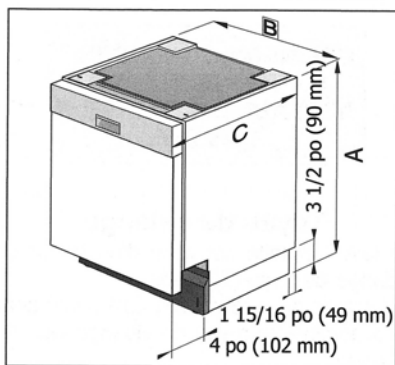


Figure 4

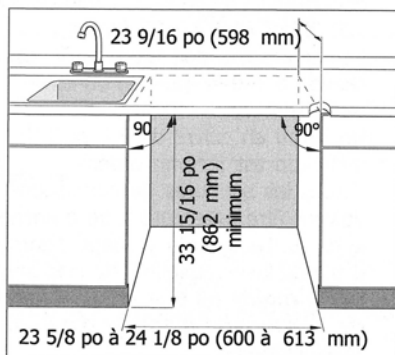


Figure 5

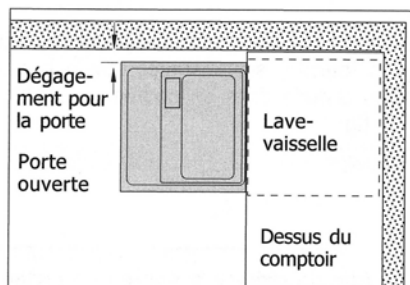


Figure 6

PRÉPARATION DE LA PLOMBERIE

CES INSTRUCTIONS D'INSTALLATION SONT DESTINÉES À UN INSTALLATEUR QUALIFIÉ.

Tuyau de vidange

Le lave-vaisselle est doté d'un tuyau de vidange de sept (7) pieds.

- Un trou de 1,25 po doit être percé pour acheminer le tuyau de vidange vers le drain.

Alimentation en eau chaude

- Le tuyau d'eau chaude au lave-vaisselle doit fournir une pression d'eau de 5 à 120 lb/po² (0,3 à 8,27 barres).
- Le chauffe-eau doit fournir une eau chaude à 140 °F (60 °C) au lave-vaisselle.¹
- Un tuyau en cuivre de 3/8 po D.E. minimum est recommandé.
- Toutes les soudures de connexions doivent être faites *avant* de brancher le tuyau d'eau sur la soupape d'entrée d'eau du lave-vaisselle. **Ne pas souder à moins de 6 po (152,4 mm) de la soupape d'entrée d'eau du lave-vaisselle.**
- Percer un trou de 1 po (25,4 mm) de diamètre dans l'armoire pour le tuyau d'eau (figure 9A).
- Acheminer le tuyau près de l'emplacement de la soupape de remplissage, tel qu'il est illustré à la figure 9A.

Il est recommandé que la soupape d'arrêt (non fournie) soit installée sur le tuyau d'eau chaude dans un endroit accessible. Voir figure 9.



ATTENTION

Afin de protéger la soupape de remplissage contre les ruptures possibles, les tuyaux d'eau menant au lave-vaisselle DOIVENT être protégés du gel. Si la soupape ou les tuyaux gèlent, il peut y avoir un déversement. Ces ruptures ne sont pas couvertes par la garantie.

IMPORTANT

Si l'on n'utilise pas d'intervalle d'air et que le tuyau de vidange se déverse dans un évier ou autre, le tuyau de vidange doit être élevé à un point plus haut que le plus haut niveau d'eau de l'évier pour éviter le refoulement dans le lave-vaisselle.

REMARQUE : Si la connexion sur un intervalle d'air est requis par les codes locaux, des nécessaires sont disponibles chez les fournisseurs de plomberie. Installer l'intervalle d'air selon les instructions du fabricant.

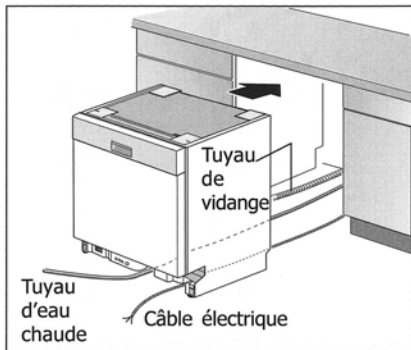


Figure 7

1. Afin de réduire la durée de fonctionnement, Bosch recommande que la température de l'entrée d'eau soit à 140 °F. Le lave-vaisselle aura également un bon rendement à une température d'eau de 120 °F, mais la durée de fonctionnement sera plus longue.

PRÉPARATION DE L'ÉLECTRICITÉ



AVERTISSEMENT

**CES INSTRUCTIONS
D'INSTALLATION SONT
DESTINÉES À UN INSTAL-
LATEUR QUALIFIÉ.**

Alimentation électrique

Le client a la responsabilité de s'assurer que l'installation du lave-vaisselle est conforme aux règlements et aux codes électriques locaux et nationaux. Le lave-vaisselle doit être installé par un électricien qualifié et doit être mis à la terre de façon adéquate. L'alimentation électrique pour laquelle le lave-vaisselle est conçu est 120 volts, 60 Hz, c.a. branchée sur un circuit électrique destiné au lave-vaisselle avec un fusible ou un coupe-circuit coté à 15 amp. Si le lave-vaisselle est branché avec un broyeur à déchets, un fusible ou un coupe-circuit de 20 amp. (maximum) peut être utilisé. Aucun autre appareil ni prise ne doit être branché sur le circuit du lave-vaisselle. Les conducteurs d'alimentation électrique doivent être en cuivre, n° 16AWG seulement. Utiliser seulement des connecteurs de fils appropriés pour la grosseur et le nombre de fils utilisés pour brancher le lave-vaisselle sur le circuit d'alimentation. Ne pas utiliser des connecteurs en plastique. Dégainer les fils de l'alimentation électrique d'environ 1/2 po. Ne pas tourner les fils avant de mettre les connecteurs. Une fois les connecteurs installés, tirer délicatement sur les fils pour s'assurer de l'intégrité du connecteur. Placer tous les fils et les connecteurs dans la boîte de l'alimentation électrique et réinstaller le couvercle avec les vis fournies avec le sac d'installation.

- Percer un trou de 1 po (25,4 mm) de diamètre dans l'armoire (figure 9B). Pour les armoires en bois, poncer le trou. Pour les armoires en métal, couvrir le bord à l'aide d'un passe-fil.
- Faire passer un câble flexible (tel qu'il est permis par les codes) de la boîte de jonction par le trou. Le câble doit avoir environ 30 po (762 mm) depuis le mur arrière.

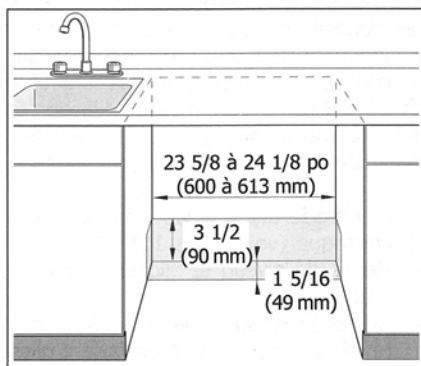


Figure 8

Cote électrique

Volts	Hertz	Ampères	Watts
120	60	15	1,450 (max)

Tableau 1

Les ouvertures pour les fils électriques doivent être installées tel qu'il est illustré aux figures 8 et 9 afin d'éviter toute interférence avec le cadre du lave-vaisselle ou autres composants.

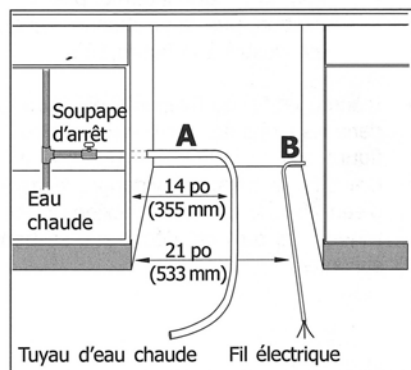


Figure 9

EMPLACEMENT DU LAVE-VAISSELLE

Emplacement du lave-vaisselle

Les bandes profilées sur les côtés du lave-vaisselle permettent de l'installer dans l'ouverture de l'armoire, dont la largeur est de 23 5/8 po (600 mm) à 24 1/8 po (613 mm). Avant de faire glisser le lave-vaisselle dans l'ouverture :

- Étendre le tuyau d'eau chaude et le fil électrique (voir figure 11).
- Mettre de niveau et aligner (réglage initial).
- Guider le *tuyau de vidange* doucement (éviter de le plier) tout en faisant glisser le lave-vaisselle dans l'ouverture.
- Mettre de nouveau de niveau (voir ÉTAPES FINALES).
- Pour maintenir la position et l'alignement du lave-vaisselle, déterminer d'abord quel type de fixation est nécessaire :

Fixation supérieure pour tout type de comptoir qui ne sera pas endommagé par une perceuse.

- Pour la fixation supérieure, positionner les fixations à plat sur chaque coin du lave-vaisselle, tel qu'il est illustré à la figure 10A.

Fixation latérale pour tout type de comptoir en granite, marbre ou autre surface naturelle pouvant être endommagée par une perceuse.

- Pour la fixation latérale, plier la fixation, puis la positionner, tel qu'il est illustré à la figure 10B.
- Insérer les vis de fixation (voir figure 3) dans les trous des fixations. Voir figure 10A ou 10B.
- Brancher le tuyau de vidange, le tuyau d'eau chaude et les connexions électriques, tel qu'il est décrit aux sections suivantes

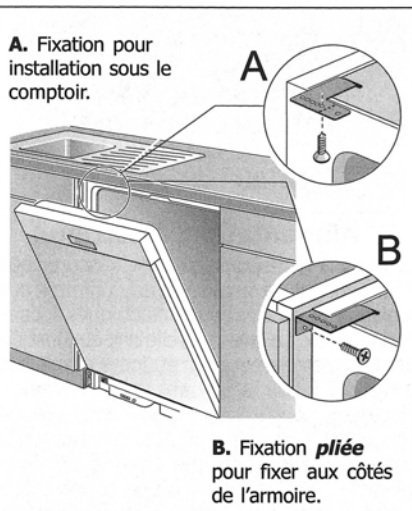


Figure 10

IMPORTANT

Si l'on désire changer le panneau avant, cela doit être fait avant de faire glisser le lave-vaisselle en place.

***Remarque :** Des panneaux de porte additionnels ne peuvent être utilisés avec les modèles SHU 9900.

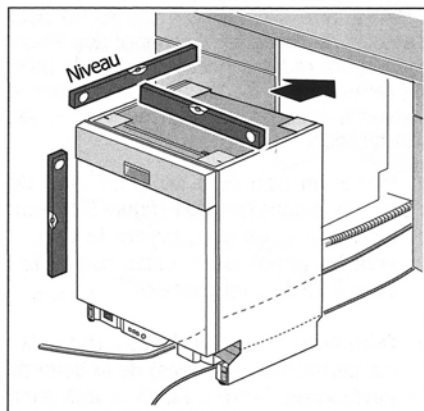


Figure 11

CONNEXION DU TUYAU DE VIDANGE

CES INSTRUCTIONS D'INSTALLATION SONT DESTINÉES À UN INSTALLATEUR QUALIFIÉ

S'assurer d'observer les codes nationaux et locaux en tout temps.

Tuyau de vidange

- Avant de commencer, fermer l'alimentation en eau !
- Le trou d'accès pour le tuyau de vidange devrait être de 1,25 po (32 mm) de diamètre.
- Utiliser les pinces à tuyau et le tuyau de connexion en caoutchouc (figure 3) pour bancher le tuyau de vidange à l'évier, au broyeur ou à l'intervalle d'air (figure 14).

Les ouvertures pour les tuyaux de vidange doivent être installées selon les figures 8 et 9 pour éviter toute interférence avec le cadre du lave-vaisselle ou autres composants.



ATTENTION

Si la hauteur de la connexion de vidange n'est pas adéquate, 20 po (508 mm) au-dessus du niveau du sol avec boucle élevée ou intervalle d'air, cela peut causer un mauvais drainage du lave-vaisselle, causant ainsi des dommages à l'appareil.

Tuyau de vidange dans l'évier avec intervalle d'air sans broyeur

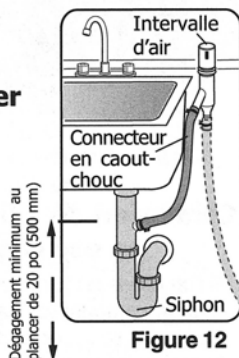


Figure 12

Tuyau de vidange dans l'évier avec intervalle d'air et broyeur

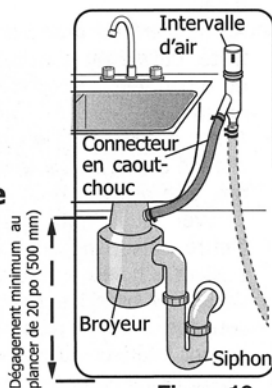


Figure 13

Tuyau de vidange branché sur l'évier

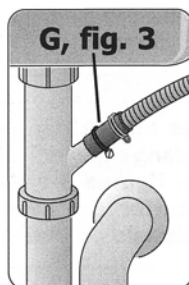


Figure 14

CONNEXION D'EAU CHAUDE

CES INSTRUCTIONS D'INSTALLATION SONT DESTINÉES À UN INSTALLATEUR QUALIFIÉ

Connexion de l'alimentation en eau chaude

- Si l'on utilise un joint soudé au lieu d'une fixation comprimée, *s'assurer de faire toutes les connexions soudées avant de brancher le tuyau d'eau au lave-vaisselle.*
- S'assurer que le tuyau d'eau n'est pas plié ni tordu, ce qui peut réduire le débit d'eau.
- Au moment de brancher un tuyau fileté, utiliser un enduit pour tuyau ou du ruban Teflon pour sceller la connexion.
- Avant de brancher le tuyau d'eau chaude en cuivre sur le lave-vaisselle, il doit être rincé à l'eau chaude pour enlever tout objet.
- Mettre du ruban Teflon ou autre scellant à tuyau au raccord en coude de 90° et brancher directement sur la soupape d'entrée d'eau (située sur le devant inférieur du lave-vaisselle).
- Ouvrir l'alimentation en eau pour vérifier les fuites une fois les connexions effectuées.

Les ouvertures pour les tuyaux de vidange doivent être installées selon les figures 8 et 9 pour éviter toute interférence avec le cadre du lave-vaisselle ou autres composants.

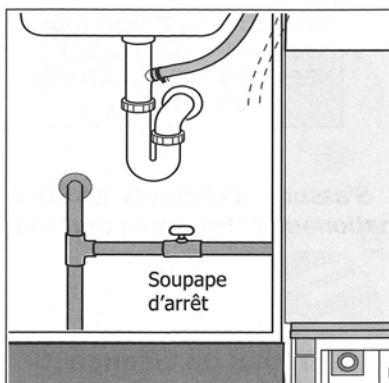


Figure 15



ATTENTION

NE PAS SOUDER À MOINS DE 6 PO (152,4 MM) DE LA SOUPAPE D'ENTRÉE DU LAVE-VAISSELLE. LA TEMPÉRATURE REQUISE POUR SOUDER ENDOMMAGERA LA SOUPAPE !

* Voir figures 15 et 16 pour la soupape d'entrée d'eau et coude 90° (situés du côté droit inférieur à l'avant du lave-vaisselle).

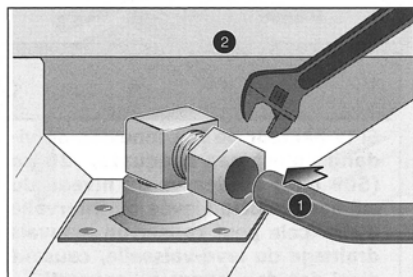


Figure 16

CONNEXIONS ÉLECTRIQUES

CES INSTRUCTIONS D'INSTALLATION SONT DESTINÉES À UN INSTALLATEUR QUALIFIÉ

Connexions électriques

S'assurer d'observer tous les règlements et codes d'électricité locaux et nationaux.

- Installer un réducteur de retenue ou un connecteur sur l'ouverture de la boîte de jonction.
- Dénuder les fils isolés, en faisant attention pour ne pas enlever trop d'isolant.
- Insérer et fixer de façon sécuritaire sur le réducteur de retenue, fil d'alimentation à deux conducteurs avec mise à la terre.
- Visser les connecteurs *fermement* sur les fils, en s'assurant qu'aucun fil dénudé ne soit exposé (des fils isolés).
- Replacer les fils dans la boîte de jonction.
- Fixer le couvercle de la boîte de jonction ou le panneau du bas (selon le modèle) avec les vis fournies avec les pièces.

* *Soupape d'entrée d'eau située sur le devant inférieur gauche du lave-vaisselle. shwasher base.*

Instructions de mise à la terre

Cet appareil doit être branché sur un système de câblage permanent en métal et mis à la terre ; ou un connecteur de mise à la terre doit courir avec les conducteurs de circuit et branché sur la borne de mise à la terre de l'appareil ou le fil de raccord du lave-vaisselle. Le lave-vaisselle doit être mis à la terre avant d'être actionné. S'assurer qu'il soit branché à une mise à la terre adéquate selon le CODE NATIONAL D'ÉLECTRICITÉ, aux États-Unis, ou CODE CANADIEN D'ÉLECTRICITÉ C22.1, dernière édition, au Canada ainsi qu'aux codes locaux, municipaux, provinciaux/des états qui s'appliquent.

AVERTISSEMENT

RISQUE DE CHOC ÉLECTRIQUE

- DÉBRANCHER L'ALIMENTATION ÉLECTRIQUE AU COUPE-CIRCUIT OU FUSIBLE AVANT D'INSTALLER LE LAVE-VAISSELLE.
- LAVE-VAISSELLE MIS À LA TERRE ÉLECTRIQUEMENT.
- UTILISER DES CONDUCTEURS EN CUIVRE SEULEMENT. SI CES INSTRUCTIONS NE SONT PAS SUIVIES À LA LETTRE, IL PEUT EN RÉSULTER DE SÉRIEUSES BLESSURES OU LA MORT.

Bonne connexion à la boîte de jonction

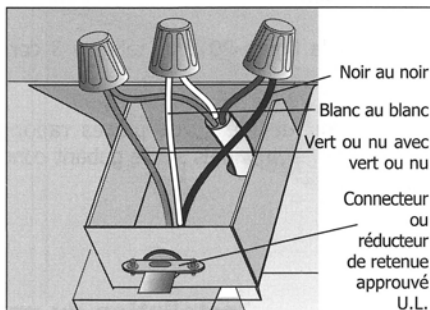


Figure 17

Mauvaise connexion à la boîte de jonction

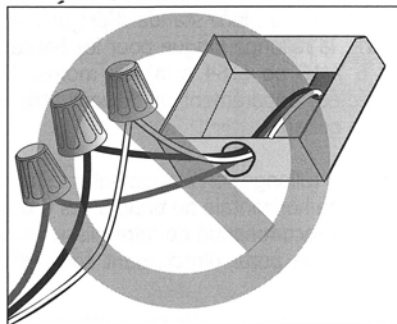


Figure 18

INSTALLATION DU PANNEAU DE PORTE

Installation du panneau accessoire, modèles SHU

S'il s'agit d'un modèle SHU et que l'on a commandé un nécessaire de panneau accessoire, il doit être installé avant d'insérer le lave-vaisselle en place. Les dimensions du panneau à utiliser sont indiquées à la figure 19.

Installation du panneau, modèles SHV

S'il s'agit d'un modèle SHV, entièrement encastré, il y aura des ferrures additionnelles et un feuille gabarit pliée avec les instructions d'installation comprenant des pictogrammes.

Consulter le gabarit pour plus de détails sur la façon de fixer le panneau. Il est à noter qu'un côté du gabarit montre comment fixer un panneau une pièce et l'autre côté montre comment fixer un panneau deux pièces. S'assurer du type d'installation avant de procéder.

Consulter la figure 20 et le tableau 3 concernant les choix d'un panneau de porte sur mesure.

Après avoir décidé si les pièces rallonges seront ou non utilisées, consulter les pictogrammes imprimés sur le gabarit concernant la façon appropriée d'installer la porte sur mesure.

Installation du panneau, modèles SHI

S'il s'agit d'un modèle SHI, encastré, il y aura des ferrures additionnelles et un feuille gabarit pliée avec les instructions d'installation comprenant des pictogrammes. En Amérique du Nord, les modèles acier inoxydable des gammes encastrées (gamme SHI), sont dotés d'un panneau de contrôle de 5 5/16 po (135 mm) de haut. Le modèle en acier inoxydable est doté de deux pièces rallonges, rallonge standard et longue au tableau 2 : la pièce standard est utilisée pour des hauteurs de tiroirs jusqu'à 6 po (152 mm) ; la rallonge longue pour les hauteurs de tiroirs supérieures à 6 po (152 mm), mais de 6 7/16 po (164 mm) ou moins. Ces pièces rallonges en acier inoxydable sont expédiées séparément et doivent être insérées, tel qu'il est illustré au pictogramme 5 sur le gabarit.

La pièce rallonge sert à augmenter la hauteur du panneau de contrôle afin de correspondre à la ligne horizontale du tiroir. Si les tiroirs sont plus hauts que la dimension « C », tableau 2, il est recommandé de faire glisser la rallonge aussi loin que possible ou de l'enlever et d'ajuster la porte directement sous le panneau de contrôle.

INSTALLATION DU PANNEAU DE PORTE

**VOIR LE GABART D'INSTALLATION
DU PANNEAU POUR LES ÉTAPES À
SUIVRE POUR INSTALLER LE(S)
PANNEAU(X) DU LAVE-VAISSELLE.**

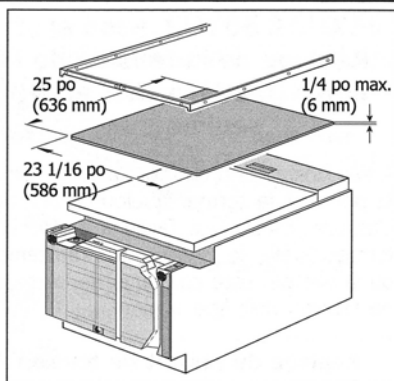
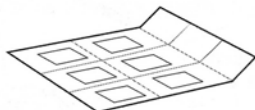


Figure 19

IMPORTANT
NE PAS percer complètement le
panneau de porte sur mesure.

MODEL	EXTENSION "A" MAX.-MIN.		"B"	"C" MAX.-MIN.
	STANDARD	LONG		
SHB6C05UC	11/16 - 5/16" (18-8mm)	1 1/8 - 11/16" (29 - 18mm)	5 5/16 (135 mm)	6 7/16 - 5 5/8 (164 - 143 mm)

Tableau 2

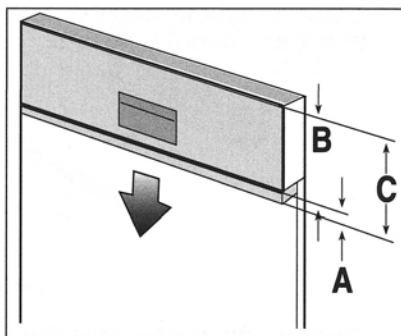


Figure 20

MODELE	D	E*	F
SHV	N/A	27 3/16 po 30 5/16 po (690 770 mm)	23 3/16 23 3/8 po (589 594 mm)
SHI	20 11/16 25 po (526 635 mm)	27 3/16 po 30 5/16 po (690 770 mm)	23 3/16 23 3/8 po (589 594 mm)

Tableau 3

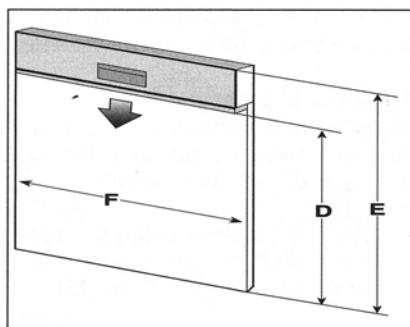


Figure 21

***Remarque :** Ne pas dépasser 30 5/16 po (770 mm) pour la longueur hors tout du panneau avant.

DERNIERS RÉGLAGES

Réglage de la tension de la porte (modèles SHI et SHV seulement)

Après l'installation du lave-vaisselle, ouvrir la porte et la fermer quelques fois pour s'assurer qu'elle est facile à ouvrir et à fermer. Si elle se referme trop rapidement ou si elle ne reste pas ouverte, le ressort de tension doit être réglé.

Réglage du ressort de tension

- Sortir les 2 vis de ressort de tension du sac de pièces SHI/SHV (voir figure 3).
- Insérer les vis dans les côtés droit et gauche et régler le ressort de tension tel qu'il est illustré à la figure 22.

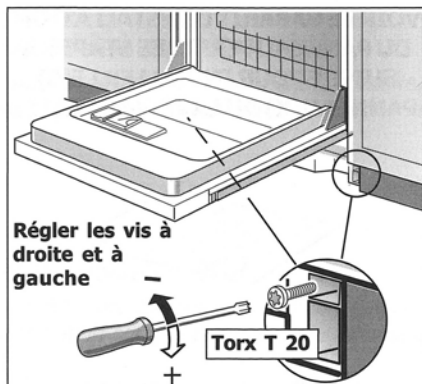


Figure 22

Niveau du lave-vaisselle

Soulever l'arrière

Régler le pied niveleur arrière en tournant la vis centrale à l'avant du lave-vaisselle.

Soulever le devant

Régler les pieds niveleurs avant en tournant les pieds niveleurs sur les côtés avant gauche et droit du lave-vaisselle.

- Utiliser un tournevis et frapper légèrement avec un marteau pour faire tourner les pieds (voir figure 23).

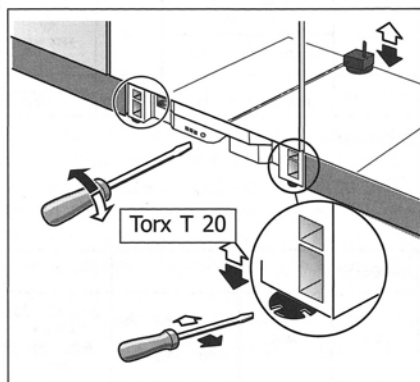


Figure 23

Remarque : Si une hauteur additionnelle est requise, utiliser des cales sous le pied niveleur.

BASE ET PANNEAU DU BAS

Installation du panneau du bas et de la base, SHY66 & SHX56

Pièces pour installation

- Base pour SHY66 & SHX56
- Vis pour base
- Panneau du bas pour SHY66 & SHX56
- Vis pour panneau du bas
- Nécessaire d'installation du SHY66 & SHX56

(Voir « Matériaux fournis »)

Ne pas oublier de bien vérifier la rubrique « Matériaux fournis » pour comparer le sac du nécessaire d'installation SHU6800 et le contenu.

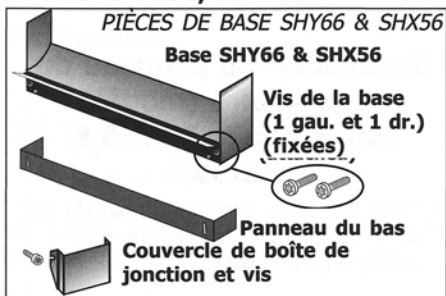


Figure 24

Étapes à suivre

- Enlever le panneau du bas (figure 25).
- Dévisser les vis (sans les enlever) FAIBLE FORCE, UTILISER UN OUTIL À MAIN SEULEMENT.
- Enlever la base en la tirant vers l'extérieur et le bas.

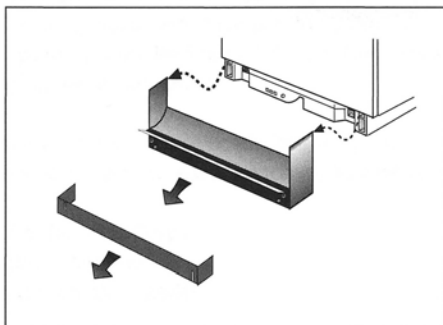


Figure 25

Après l'installation, le branchement de l'eau et de l'électricité, le nivelage de l'appareil, assembler la base (voir ci-dessous).

Étapes d'assemblage

- Replacer le couvercle de la boîte de jonction, insérer et serrer la vis (figure 26).
- Insérer les vis dans les trous de la dièce de base.
- Faire glisser la base en dessous et vers le haut - FAIBLE FORCE, UTILISER UN OUTIL À LA MAIN SEULEMENT.
- Faire glisser la bande isolante en coton sous l'appareil, entre le bas de la base et le plancher.

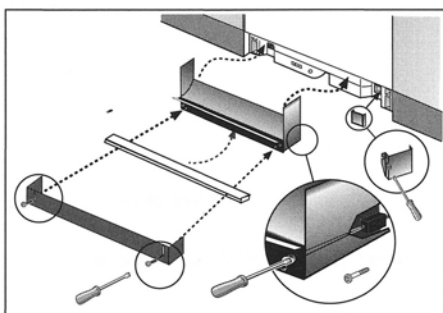


Figure 26

Le couvercle de la boîte de jonction est requis pour toute installation.

PANNEAU DU BAS ET POIGNÉE

Installation du panneau du bas ordinaire (modèles autres que le SHY66 & SHX56)

- Sortir les vis du panneau du bas du sac du nécessaire d'installation du lave-vaisselle (voir figure 3).
- Insérer les vis dans le panneau du bas.
- À l'aide d'un tournevis Torx, serrer les vis du panneau du bas sur la base du lave-vaisselle.

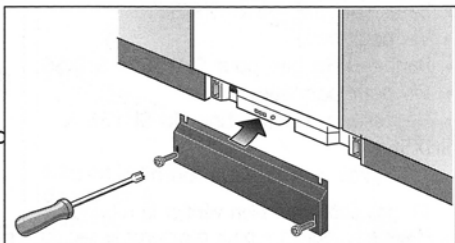


Figure 27

LISTE DE VÉRIFICATION

Liste de vérification

- Vérifier les exigences électriques.
- S'assurer d'avoir l'alimentation électrique et la mise à la terre appropriées.
- Ouvrir la soupape d'arrêt de l'eau chaude et l'alimentation électrique. La température de l'eau entrant devrait être à 120°F-140°F (49°C-60°C).
- Faire fonctionner le lave-vaisselle pendant un cycle et vérifier les fuites.

Si le lave-vaisselle ne fonctionne pas adéquatement, consulter les rubriques : **AIDE**, **SERVICE À LA CLIENTÈLE** et **GARANTIE** dans le guide d'utilisation et d'entretien.

Informations sur le service à la clientèle

Si un service est requis, communiquer avec le marchand ou l'installateur ou un centre de service autorisé. Ne pas réparer soi-même l'appareil. Toute réparation effectuée par une personne non autorisée peut annuler la garantie. Si le problème persiste, suivre les étapes ci-dessous (selon l'ordre de la liste) jusqu'à ce que le problème soit corrigé de façon satisfaisante.

1. Communiquer avec l'installateur ou un centre de service autorisé Bosch dans la région.
2. Envoyer un courriel au service à la clientèle sur notre site web, **www.boschappliances.com**.
3. Écrire à l'adresse indiquée ci-dessous :

BSH Home Appliances, Corp.
5551 McFadden Avenue
Huntington Beach, CA 92649

4. Téléphoner au : **1-800-944-2904**.

S'assurer d'inclure (si par écrit), ou avoir sous la main (si par téléphone), l'information suivante :

- Numéro de modèle
- Numéro de série
- Date d'achat d'origine
- Début du problème (date)
- Explication du problème

De plus, si par écrit, indiquer un numéro de téléphone pendant le jour.

(Les numéros de modèle et de série sont indiqués sur la plaque signalétique située sur le côté intérieur droit de la porte du lave-vaisselle).

**LAISSER LES INSTRUCTIONS D'INSTALLATION ET LE GUIDE
D'UTILISATION ET D'ENTRETIEN AVEC LE PROPRIÉTAIRE.**

BOSCH

ÍNDICE PARA REFERENCIA RÁPIDA

INTRODUCCIÓN	38
HERRAMIENTAS Y MATERIALES NECESARIOS	39
MATERIALES QUE SE PROVEEN	40
SELECCIÓN DE LA UBICACIÓN	41
PREPARACIÓN PARA LA TUBERÍA	42
PREPARACIÓN PARA LA ELÉCTRICIDAD	43
COLOCACIÓN DE LA LAVADORA DE PLATOS	44
CONEXIÓN DE LA MANGUERA DE DRENAJE	45
CONEXIÓN DE LA AGUA CALIENTE	46
CONEXIÓN DEL SUMINISTRO ELÉCTRICO	47
INSTRUCCIONES PARA CONEXIÓN A TIERRA	47
INSTALACIÓN DEL PANEL DE PUERTA	48 & 49
AJUSTES FINALES	50
PANEL DE BASE Y DE PIE	51
PANEL DE PIE Y TIRADOR	52
LISTA DE CONTROL FINAL	53

IMPORTANTE: Antes de iniciar lea estas instrucciones completa y cuidadosamente.
TÉCNICO DE INSTALACIÓN: Por favor deje este manual con el propietario para futuras referencias.
PROPIETARIO: Conserve estas instrucciones de instalación para el uso del inspector eléctrico local y para futuras referencias.

INTRODUCCIÓN

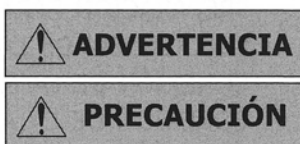
ESTAS INSTRUCCIONES DE INSTALACIÓN ESTÁN HECHAS PARA SER USADAS POR PERSONAS CALIFICADAS PARA ESTE TIPO DE INSTALACIÓN.

Además de seguir estas instrucciones, la lavadora de platos debe ser instalada:

- En los Estados Unidos, de acuerdo con el Código Eléctrico Nacional/Códigos Estatales y Municipales y/o códigos locales.
- En Canadá de acuerdo con la edición más reciente del Código Eléctrico Canadiense C22.1/códigos de la Provincia y del Municipio y/o códigos locales.

Por favor lea las instrucciones de instalación completa y cuidadosamente. Éstas le ahorrarán tiempo y esfuerzo y le ayudarán a asegurar un funcionamiento óptimo de la lavadora de platos.

Asegúrese de tener en cuenta todas las advertencias y precauciones enumeradas. (Fíjese en los triángulos con signos de exclamación en el centro.)



IMPORTANTE

- **NUEVA INSTALACIÓN** - Si la lavadora de platos es una instalación nueva, la mayoría del trabajo debe hacerse **antes de que la lavadora de platos se lleve al lugar de instalación.**
- **REEMPLAZADO** - Si lavadora de platos está reemplazando a otra lavador de platos, las conexiones para el aparato que es reemplazado **deben revisarse para que éstas sean compatibles con la nueva lavadora de platos** y si es necesario, deben ser reemplazadas.



INSPECCIÓN DE LA LAVADORA DE PLATOS

Después de desempacar la lavadora de platos y antes de la instalación, inspeccione muy bien el aparato buscando posibles daños cosméticos o de transporte. Reporte cualquier daño inmediatamente. Los defectos cosméticos deben reportarse a menos de 5 días de haber hecho la instalación.

NOTA: ¡Sírvase **no desechar bolsas o piezas que vengan con el paquete original** hasta después que se haya completado toda la instalación!

HERRAMIENTAS Y MATERIALES NECESARIOS

Herramientas necesarias para la instalación

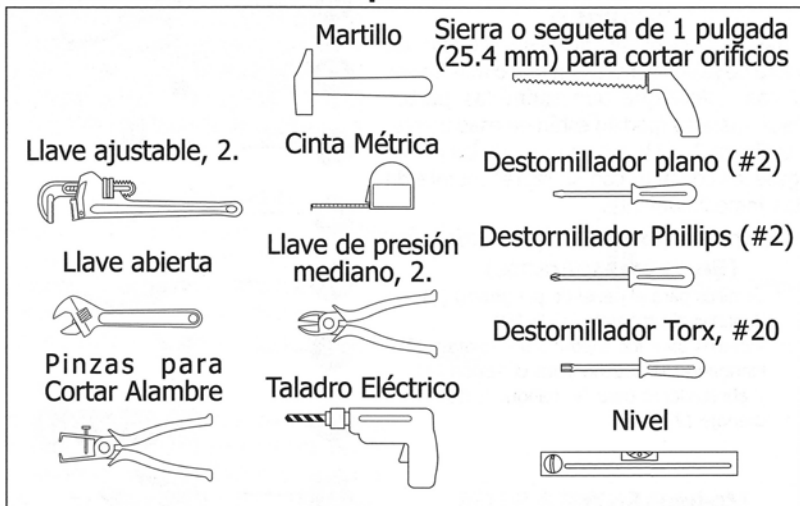


Figura 1

Materiales necesarios

- 1 **Conexión eléctrica** - Cable de suministro eléctrico aislado con 2 cables conductores y 1 de puesta a tierra (30" o de largo suficiente para su instalación).
- 2 **Línea de suministro de agua caliente**- Tubería de cobre o línea de suministro para lavadora de platos con trenza metálica, con un diámetro exterior (O.D.) mínimo de 3/8".
- 3 Válvula de cierre y accesorios para la línea de suministro de agua caliente.
- 4 Codo de 90° con roscas externas de 3/8" N.P.T. en un extremo y con el otro extremo del tamaño apropiado para ajustarse a su línea de suministro de agua.
- 5 Cinta de teflón u otro compuesto para roscar tuberías que ayude a sellar las conexiones de plomería.
- 6 3 conectores de cables para enroscar para cable de 16 AWG.
- 7 Conducto conector o protección contra los tirones "UL listed".

Materiales adicionales deben ser requeridas para que sean compatibles con los códigos locales.

Figura 2

MATERIALS QUE SE PROVEEN

Piezas accesorias que se proveen

Las piezas accesorias para su modelo de lavadora de platos vendrán en una o más bolsas plásticas. Verifique que todas las partes provistas para su modelo estén en esas bolsas. Vea la Figura 3. Si le falta alguna de las piezas póngase en contacto con su representante de ventas inmediatamente.

Lavadora de platos kit de instalación (Bolsa transparente)

- D. Tornillos para el panel de pie (8mm) (2)
- E. Soportes de montaje (1E & 1D)
- F. Tornillos para los soportes de montaje (2)
- G. Manguera de caucho para conexión (1) y abrazaderas para la manguera de drenaje (2)

Modelos SHY66 & SHX56

- Kit de instalación de la lavadora de platos (1) y
- (Bolsa verde) con lo siguiente:
 - L. Cubierta para la caja de empalme (1)
 - M. Tornillo para la caja de empalme (8mm) (1)
 - N. Tornillo para el panel de pie (4x16) (2)

Modelos SHV and SHI

- Kit de instalación de la lavadora de platos (1) y
- Kit de instalación de la puerta exterior (bolsa azul):
 - J. Plantilla de instalación del panel SHI/SHV
 - C. Tapa (2 negras)
 - K. Tornillos para madera (2)
 - I. Soportes de montaje para la puerta (2 plástico) con tornillos (4) y; Soportes de montaje para la puerta (2 metal) con tornillos (4)
 - H. Tornillo de tensión elástica (2)

Bolsa del manual

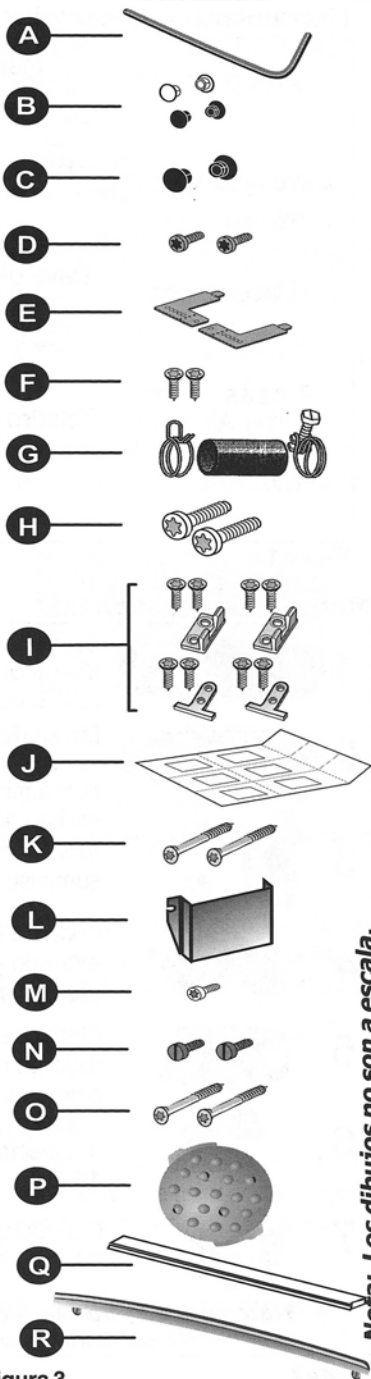
Todas las lavadoras de platos vienen con una bolsa del manual. Todas las bolsas contienen lo siguiente:

- Manual de uso y cuidado
- Instrucciones de instalación
- P. Regador para artículos altos (1)

Los modelos SHY66 & SHX56

tienen una parte adicional:

- Q. Tira de algodón para aislamiento (1)



Nota: Los dibujos no son a escala.

Figura 3

SELECCIÓN DE LA UBICACIÓN

ESTAS INSTRUCCIONES DE INSTALACIÓN ESTÁN HECHAS PARA SER USADAS POR PERSONAS CALIFICADAS PARA ESTE TIPO DE INSTALACIÓN.

Elección de lugar

Seleccione un lugar lo más cercano posible al fregadero para tener un fácil acceso a las tuberías de agua y de desagüe.

La mayoría del trabajo debe hacerse antes de que la lavadora de platos se lleve al lugar de instalación.

Cualquier lavadora de platos empotrada, debe estar completamente rodeada por la parte superior, ambos lados y la parte trasera. Por lo tanto el mejor lugar para colocarla, es en el espacio entre los gabinetes de los muebles de cocina, debajo del mostrador.

Para una operación y apariencia adecuadas de la lavadora de platos, la abertura del espacio deberá ser cuadrada y tener las dimensiones que se indican en la Figure 5.

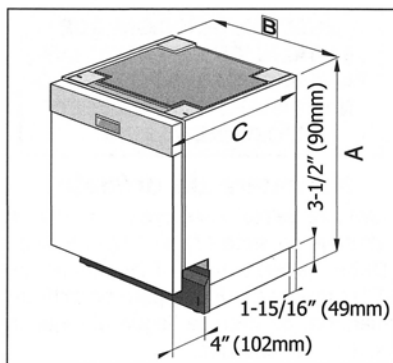


Figura 4

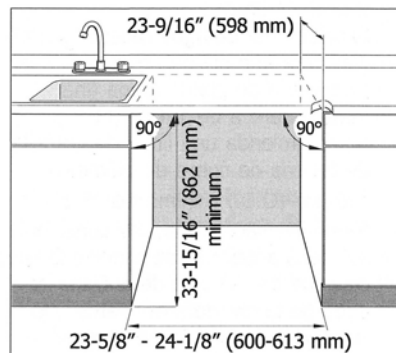


Figura 5

Si la lavadora de platos se instalará en una esquina, antes verifique que se tenga el espacio correcto para que la puerta pueda abrir libremente. Observe la figura 6.

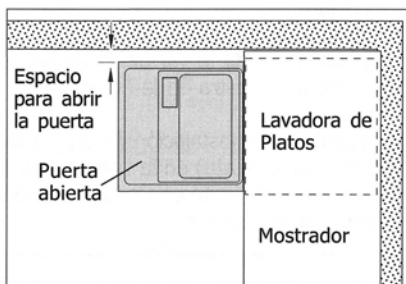


Figura 6

PREPARACIÓN PARA LA TUBERÍA

ESTAS INSTRUCCIONES DE INSTALACIÓN ESTÁN HECHAS PARA SER USADAS POR PERSONAS CALIFICADAS PARA ESTE TIPO DE INSTALACIÓN.

Manguera de drenaje

La lavadora de platos incluye una manguera de drenaje de siete (7) pies (213.5 cm).

- Debe hacerse un orificio de acceso 1.25" pulgadas (3.18 cm) para permitir que la manguera de drenaje llegue al lugar del conexión del desagüe.

Suministro de agua caliente

- La línea de agua caliente que va a la lavadora de platos debe proporcionar una presión de agua entre 5 y 120 psi (0.3-8.27 bars).
- El calentador de agua caliente se debe fijar para que el agua que llega a la lavadora de platos tenga una temperatura a de 140°F (60°C).¹
- Se recomienda una línea de entrada de tubería de cobre de diámetro exterior (O.D.) mínimo de 3/8".
- Se deben hacer todas las conexiones soldadas antes que se conecte la línea de agua a la válvula de entrada de agua de la lavadora de platos. **No suelde a menos de 6 pulgadas (152.4 mm) de la válvula de entrada de agua de la lavadora de platos.**
- Taladre un orificio de acceso de 1" (25.4 mm) de diámetro en el mueble, para la línea de suministro de agua (Figura 9A).
- Pase la línea hasta la ubicación aproximada de la válvula de llenado, como se muestra en la figura 9A.

Se recomienda la instalación de un válvula de cierre (no provista) en la línea de suministro de agua caliente en un lugar de fácil acceso, vea la figura 9.



PRECAUCIÓN

Para proteger contra posibles rupturas de la válvula de llenado, las tuberías de agua que desembocan en la lavadora de platos DEBEN estar protegidas contra congelamiento. Si la válvula o las tuberías de agua se congelan, pueden ocurrir desbordamientos de agua o inundaciones. Dichas rupturas no están cubiertas por la garantía.

IMPORTANTE

Si no se usa un hueco de aire y la tubería de desagüe desemboca en un fregadero o en un aparato triturado para la eliminación de basura, la tubería de desagüe debe ser elevada a un punto más alto que el nivel más alto de agua dentro del fregadero. Lo anterior se hace para evitar que el agua se regrese como en un sifón a la lavadora de platos.

NOTA: Si el código local requiere una conexión a un hueco de aire, equipos de huecos de aire están disponibles en tiendas de plomería locales. Instale los huecos de aire de acuerdo a las instrucciones del fabricante.

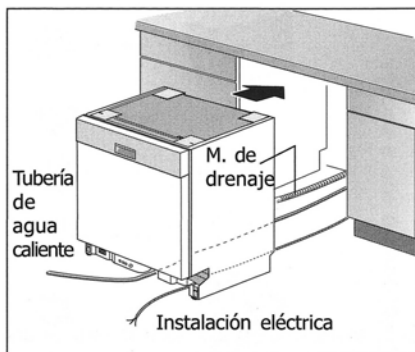


Figura 7

1. Para rebajar el tiempo de funcionar Bosch recomienda una temperatura de 140°F para la entrada de agua. El lavavajillas funciona a la misma calidad con una temperatura de 120° de 120°F, pero el tiempo que funciona será más largo extendido.

PREPARACIÓN PARA LA ELECTRICIDAD



ADVERTENCIA

ESTAS INSTRUCCIONES DE INSTALACIÓN ESTÁN HECHAS PARA SER USADAS POR PERSONAS CALIFICADAS PARA ESTE TIPO DE INSTALACIÓN.

Suministro eléctrico

"Le toca al cliente la responsabilidad de asegurar que la instalación de la lavadora de platos cumpla con todos los códigos y reglamentos eléctricos nacionales y locales. La lavadora de platos se instalará por un electricista cualificado y se conectará a tierra adecuadamente. La lavadora de platos se diseñó para una alimentación eléctrica de 120V, 60 Hz, corriente alterna [AC] conectada a un circuito eléctrico dedicado exclusivamente a la lavadora con un fusible o un cortacircuito capacitado para 15 amperios/amperes. Si se conecta la lavadora con un eliminador/triturador de desechos alimenticios [food disposer] se puede utilizar un fusible o un cortacircuito de 20 amperios/amperes (máximo). No se debe conectar ningún otro aparato o salida de corriente al circuito de alimentación eléctrica de la lavadora. Los cables conductores serán fabricados de cobre con calibre mínimo de No. 16 AWG. Se debe usar conectadores de cables apropiados para el tamaño y la cantidad de cables para conectar la lavadora de platos al circuito de alimentación eléctrica. No utilice conectadores de cables fabricados totalmente de plástico. Desforre (o desnude) los cables de alimentación aproximadamente 1/2 pulgada (1.25 cm). No retuerza el cable antes de sujetarlo con el conector de cables. Después de instalar los conectadores de cables, jale ligeramente los cables para verificar la firmeza de la conexión. Guarde todos los cables y conectadores adentro de la caja de alimentación eléctrica y reinstale la tapadera con el tornillo incluido en el juego de instalación."

- Corte un orificio de 1" (25.4mm) de diámetro en el mueble (en el área de la figura 9 B). Para muebles de madera, lije el orificio hasta que quede liso. Para muebles de metal, cubra el borde con una arandela.
- Pase un cable flexible (según lo permita el código) desde la unión a través del orificio en el mueble. El cable debe tener un largo de 30" (762 mm) desde la pared posterior.

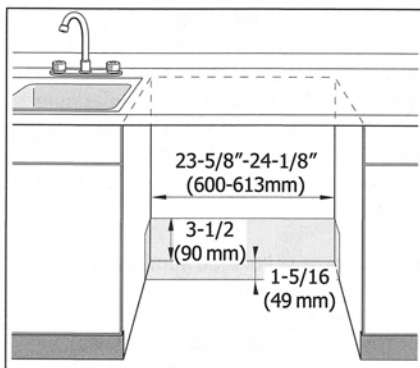


Figura 8

Potencia eléctrica

Voltios	Hertzios	Amperes	Vatios
120	60	15	1,450 (max)

Tabla 1

Para evitar interferencia con el armazón de la lavadora de platos o de otros componentes, la corriente eléctrica debe de ser instalada en el área marcada que se indica en las Figures 8 and 9.

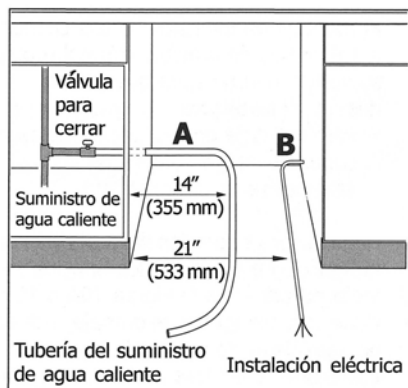


Figura 9

COLOCACIÓN DE LA LAVADORA DE PLATOS

Colocación de la lavadora de platos

Las tiras de contorno en los lados de la lavadora de platos, le permite ajustar el aparato dentro de la abertura en el mueble con un ancho de 23-5/8" (600 mm) to 24-1/8" (613 mm). Antes de deslizar la lavadora de platos dentro de la abertura en el mueble:

- Enderece la línea de suministro de agua caliente y el cable eléctrico (vea la Figura 11).
- Nivele y alinee (ajustes iniciales).
- Guíe la manguera de drenaje cuidadosamente (evitando que la manguera se doble) mientras desliza la lavadora de platos dentro de la abertura del mueble.
- Haga los ajustes de nivelación finales (vea la sección de PASOS FINALES).
- Para mantener la posición y alineamiento de la lavadora de platos, primero determine qué tipo de montaje necesita su lavadora de platos:

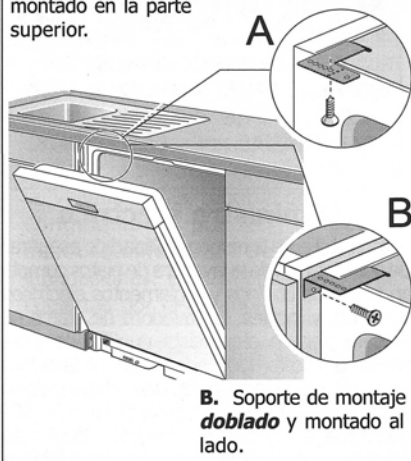
Se usa montaje en la parte superior para todos los tipos de tablero que no se dañan cuando se taladran.

- Para montaje en la parte superior, coloque los soportes planos en cada una de las esquinas superiores de la lavadora de platos como se muestra en la Figura 10A.

El montaje en los lados se usa cuando el tablero es de granito, mármol u otra superficie natural dura que podría dañarse si se taladra.

- Para montaje en los lados, doble los soportes, luego colóquelos según se muestra en la figura 10B.
- Haga pasar los tornillos de montaje (vea la figura 3) a través de los orificios en los soportes. Vea la Figura 10A o 10B.
- Conecte la manguera de drenaje, la línea de suministro de agua caliente y las conexiones eléctricas como se describe en las siguientes secciones.

A. Soporte de montaje montado en la parte superior.



B. Soporte de montaje **doblado** y montado al lado.

Figura 10

IMPORTANTE

Si usted desea cambiar el tablero frontal de la lavadora de platos estos debe hacerse antes de deslizar el aparato dentro de su lugar.

***Nota:** No se puede utilizar los accesorios adicionales de los tableros de puerta con el modelo SHU 9900.

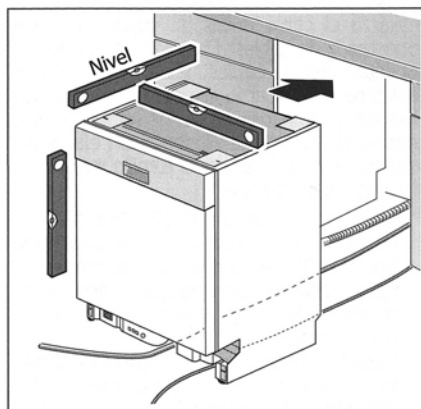


Figura 11

CONEXIÓN DE LA MANGUERA DE DRENAJE

ESTAS INSTRUCCIONES DE INSTALACIÓN ESTÁN HECHAS PARA SER USADAS POR PERSONAS CALIFICADAS PARA ESTE TIPO DE INSTALACIÓN.

Asegúrese de seguir todos los códigos eléctricos de la Provincia y del Municipio y/o códigos locales.

Manguera de drenaje

- Antes de comenzar, cierre el suministro de agua!
- El orificio de acceso para la manguera de drenaje debe tener un diámetro de 1.25" (32 mm).
- Use las abrazaderas de la manguera y la manguera de caucho para conexión (Figura 3) para conectar la manguera de drenaje al lavatorio, triturador o espacio de aire (Figura 14).

Para evitar interferencia con el armazón de la lavadora de platos o de otros componentes, el desagüe debe de ser instalada en el área marcada que se inidca en las Figures 8 and 9.



PRECAUCIÓN

El no proveer la altura adecuada a la conexión de desagüe, 20 pulgadas (508 mm) arriba del nivel del suelo con un doblez elevado o un hueco de aire, relultará en un desagüe inapropiado de la lavadora de platos. Un drenaje inadecuado puede causar daños al aparato.

Manguera de drenaje en fregadero con hueco de aire/sin aparato triturador

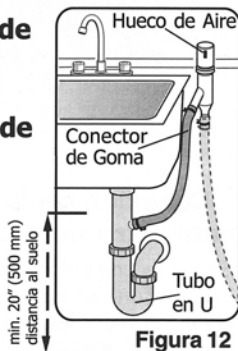


Figura 12

Manguera de drenaje en fregadero con hueco de aire y aparato triturador

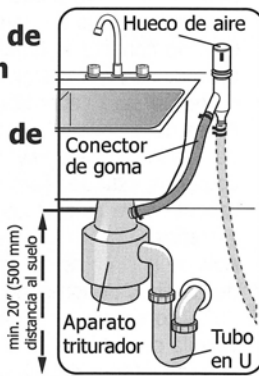


Figura 13

Manguera de drenaje conectado con el fregadero

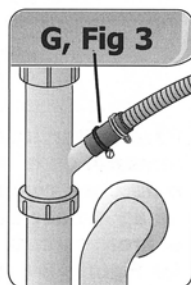


Figura 14

CONEXIÓN DE LA AGUA CALIENTE

ESTAS INSTRUCCIONES DE INSTALACIÓN ESTÁN HECHAS PARA SER USADAS POR PERSONAS CALIFICADAS PARA ESTE TIPO DE INSTALACIÓN.

Conexión de la línea de suministro de agua caliente

- Si se usa una unión soldada en lugar de un accesorio de compresión, asegúrese de hacer todas las conexiones soldadas antes de conectar la línea de agua a la lavadora de platos.
- Asegúrese de que la línea de agua no se doble o se curve porque se podría restringir el flujo de agua.
- Cuando conecte la tubería roscada use compuesto para roscar tuberías o cinta de teflón para sellar la conexión.
- Antes de conectar la línea de suministro de agua caliente de cobre a la lavadora de platos, ésta debe ser lavada con agua caliente para limpiar los materiales extraños.
- Aplique la cinta de teflón u otro sellador de tuberías al accesorio del codo de 90° y conéctelo directamente a la válvula de entrada de agua (ubicada en la parte inferior delantera de la lavadora de platos).
- Después de hacer las conexiones, abra el suministro de agua para verificar que no hayan fugas.

Para evitar interferencia con el armazón de la lavadora de platos o de otros componentes, la toma de agua debe de ser instalada en el área marcada que se inidca en las Figuras 8 and 9.

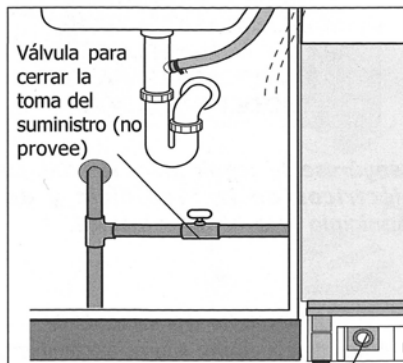


Figura 15

La válvula de entrada de agua



PRECAUTION

NO SUELDE A MENOS DE 6 PULGADAS (152.4 MM) DE LA VÁLVULA DE ENTRADA DE LA LAVADORA DE PLATOS. LAS TEMPERATURAS REQUERIDAS PARA SOLDAR DAÑARÍAN LA VÁLVULA.

* La válvula de entrada esta localizada en frente de la base a la izquierda.

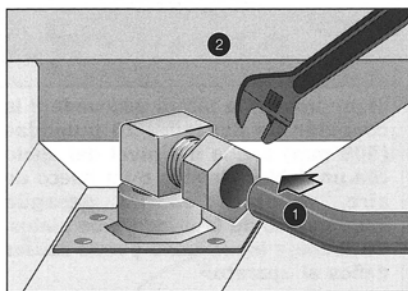


Figura 16

CONEXIÓN DEL SUMINISTRO ELÉCTRICO

ESTAS INSTRUCCIONES DE INSTALACIÓN ESTÁN HECHAS PARA SER USADAS POR PERSONAS CALIFICADAS PARA ESTE TIPO DE INSTALACIÓN.

Conexión del suministro eléctrico

Asegúrese de seguir todos los códigos eléctricos de la Provincia y del Municipio y/o códigos locales.

- Instale la protección contra los tirones o el conducto conector en la abertura de la caja de terminal.
- Pele los cables aislados, teniendo cuidado extremo de no pelar mucho aislamiento.
- Introduzca y ajuste seguramente el cable de suministro de dos cables conductores y uno de puesta a tierra en la protección contra tirones.
- Enrosque los conectores de cables fuertemente en los cables, asegurándose de que no quede cable desnudo expuesto (de los cables aislados).
- Meta los cables de nuevo en la caja de terminal.
- Asegure la cubierta de la caja de terminal o el panel de pie (dependiendo del modelo) con los tornillo(s) que se proveen en el paquete de accesorios.

Instrucciones para la conexión a tierra

Este aparato debe estar conectado a un sistema de alambrado de metal permanente conectado a tierra, o bien un conductor de tierra del aparato debe tenderse junto con los conductores del circuito y ser conectados a la terminal de tierra del aparato o al conductor de la lavadora de platos. La lavadora de platos debe estar conectada a tierra correctamente antes de operar. Verifique que la lavadora de platos esté conectada a tierra correctamente y esta conexión cumpla en los Estados Unidos con el CÓDIGO ELÉCTRICO NACIONAL, o en Canadá con la edición más reciente del CÓDIGO ELÉCTRICO CANADIENSE C22.1, así como también con los códigos de las provincias/del estado o los códigos locales o del municipio que apliquen.



ADVERTENCIA

RIESGO DE CHOQUE ELÉCTRICO

- DESCONECTE LA FUENTE DE PODER ELÉCTRICA EN LA CAJA DE INTERRUPTOR DEL CIRCUITO O EN LA CAJA DE FUSIBLES ANTES DE INSTALAR LA LAVADORA DE PLATOS.
- CONECTE A TIERRA LA LAVADORA DE PLATOS.
- USE CONDUCTORES DE COBRE ÚNICAMENTE. EL NO SEGUIR ESTAS INSTRUCCIONES PUEDE RESULTAR EN UNA LESIÓN SERIA O INCLUSIVE LA MUERTE.

Conexión correcta en la caja terminal

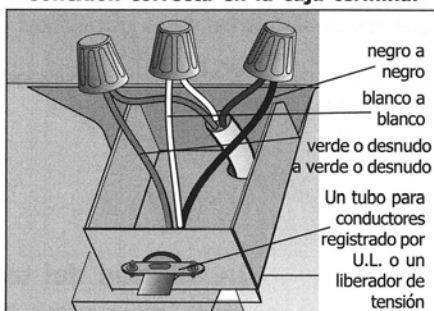


Figura 17

* La caja de terminal esta localizada en frente de la base a la derecha.

Conexión incorrecta en la caja terminal

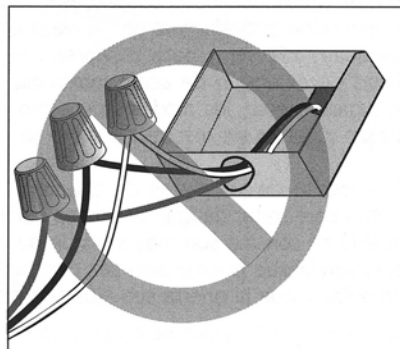


Figura 18

INSTALACIÓN DEL PANEL DE PUERTA

Instalación del tablero accesorio, modelos SHU

Si usted tiene un modelo SHU y ha ordenado un juego de tablero accesorio, éste debe ser instalado antes de deslizar la lavadora de platos en su lugar. En la Figure 19 se muestran las dimensiones del tamaño del tablero que puede usarse.

Instalación del tablero, modelos SHV

Si usted tiene un modelo SHV, un modelo completamente integrado, usted tendrá partes adicionales para el montaje y una hoja de plantilla con instrucciones de instalación comprendidas de gráficas o ilustraciones.

Consulte la hoja de plantilla doblada para más información sobre cuánto montar el tablero. Por favor note que un lado de la plantilla muestra cómo montar un tablero de una pieza y el otro lado de la plantilla muestra cómo montar un tablero de dos piezas. Verifique qué tipo de instalación desea usted antes de iniciarla.

Consulte la Figura 20 y la Table 3, para las direcciones en la selección del montaje a la medida de la puerta del tablero.

Instalación del tablero, modelos SHI

Si usted tiene un modelo SHI, un modelo integrado, usted tendrá partes adicionales para el montaje y una hoja de plantilla con instrucciones de instalación comprendidas de gráficas o ilustraciones.

En Norte América los modelos de acero inoxidable, de las series integradas (series SHI), tienen un tablero de control que mide 5-5/16" pulgadas (135 mm) de alto. El modelo de acero inoxidable tiene dos piezas de extensión, referidas en la Tabla 2 como las piezas de extensión estándar y larga: la pieza estándar se usa para alturas de cajón de hasta 6 pulgadas (152 mm) pero menores que 6-7/16 pulgadas (164 mm) o menos. Estas piezas de extensión de acero inoxidable no vienen instaladas en el tablero de control. En lugar de esto, los modelos de acero inoxidable incluyen las dos piezas de extensión sueltas y deben ser insertadas como se muestra en la gráfica 5 de la hoja de plantilla.

El propósito de las piezas de extensión es permitir aumentar la altura del tablero de control para tratar de igualar la línea horizontal del cajón del gabinete. Si los cajones del mueble de cocina son más altos de que las dimensiones "C" mostradas en la Tabla 2 se recomienda que la extensión sea deslizada hacia adentro lo más que alcance, o que sea removida y que la puerta sea ajustada directamente abajo del tablero de control.

INSTALACIÓN DEL PANEL DE PUERTA

VEA LA PLANTILLA DE INSTALACIÓN DEL PANEL QUE ESTÁ DOBLADA PARA OBTENER INSTRUCCIONES DETALLADAS PARA LA INSTALACIÓN DEL (DE LOS) PANEL(ES).

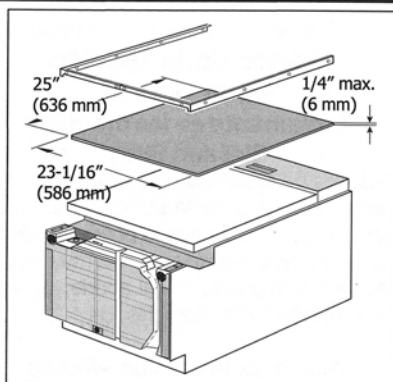
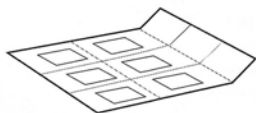


Figura 19

IMPORTANTE
NO TALADRE completamente en la puerta del tablero.

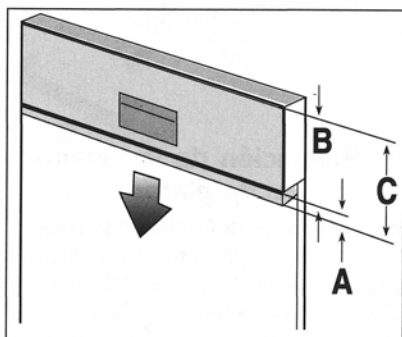


Figura 20

MODELO	EXTENSI N "A" MAX.-MIN.		"B"	"C" MAX.-MIN.
	ESTAND-ARTE	LONG		
SH66C05UC	11/16 - 5/16" (18-8mm)	1 1/8 - 11/16" (29-18-mm)	5 5/16 (135 mm)	6 7/16 - 5 5/8 (164 - 143 mm)

Tabla 2

MODELO	D	E*	F
SHV	N/A	27 3/16" - 30 5/16" (690 - 770 mm)	23 3/16 - 23 3/8 (589 - 594 mm)
SHI	20 11/16 - 25 (526-635 mm)	27 3/16" - 30 5/16" (690 - 770 mm)	23 3/16 - 23 3/8 (589 - 594 mm)

Tabla 3

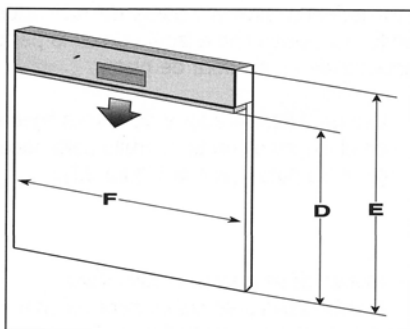


Figura 21

*Nota: El largo del tablero frontal no debe exceder de 30 5/16 pulgadas (770 mm).

AJUSTES FINALES

Ajuste de la tensión en la puerta (solamente en los modelos SHI and SHV)

Después de la instalación de la lavadora de platos, abra y cierre la puerta varias veces para asegurarse de que lo puede hacer con facilidad. Si la puerta se cierra muy rápidamente o si la puerta cae al abrirla, es necesario ajustar la tensión elástica.

Ajuste de la tensión elástica

- Saque los tornillos para tensión elástica (2) de la bolsa de piezas SHI/SHV (vea la Figura 3).
- Introduzca los tornillos en los lados derecho e izquierdo y ajuste la tensión elástica como se muestra (vea la Figura 22).



Figura 22

Nivelación de la lavador de platos

Elevación de la parte posterior

La pata de nivelación trasera se ajusta haciendo girar el tornillo central en la parte anterior de la lavadora de platos.

Elevación de la parte anterior

Las patas de nivelación delanteras se ajustan haciendo girar las patas de nivelación en los lados derecho e izquierdo de la parte anterior de la lavadora de platos.

- Use un destornillador y dé golpes ligeros en el extremo con un martillo para hacer girar las patas (vea la Figura 23).

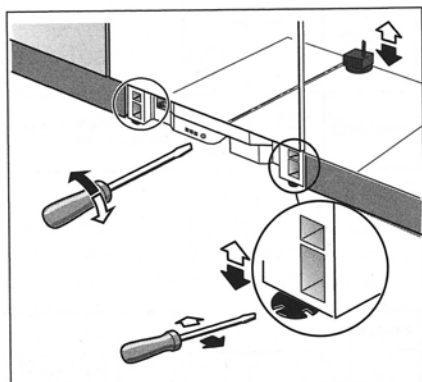


Figura 23

Nota: Si se necesita más altura:
Pueden colocarse cuñas para rellenar debajo del pie nivelador.

PANEL DE BASE Y DE PIE

Pasos para la instalación del panel de base y de pie de la serie SHY66 & SHX56

Piezas de instalación

- Pieza base SHY66 & SHX56
- Tornillos de la pieza base
- Panel de pie SHY66 & SHX56
- Tornillos del panel de pie SHU
- Kit de instalación SHY66 & SHX56
(Consulte la sección "Materiales que se proveen")

Recuerde verificar cuidadosamente la sección "Materiales que se proveen" comparándola con el contenido de la bolsa del kit de instalación SHU6800.

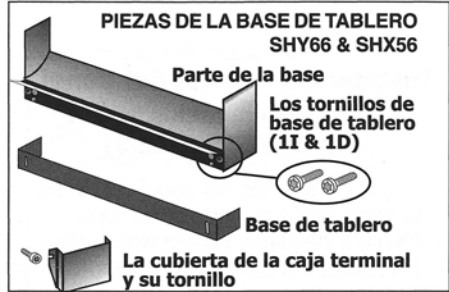


Figura 24

Pasos para desmontarla

- Saque el panel de pie jalándolo (Figura 25).
- Afloje los tornillos (pero no los saque) POCA TORSIÓN, USE HERRAMIENTA MANUAL SOLAMENTE.
- Saque la pieza base jalándola hacia afuera y hacia abajo.

Después de la instalación, se conectan las líneas de agua y eléctrica y se nivela la unidad, monte la pieza base (vea más abajo).

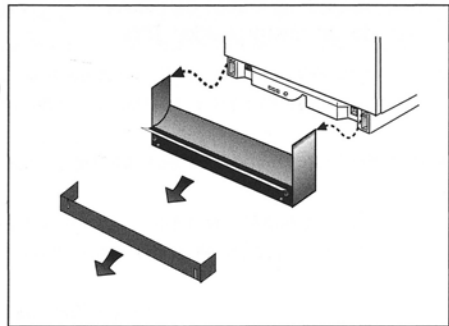


Figura 25

Pasos para el montaje

- Coloque la cubierta de la caja de empalme sobre la caja de empalme, introduzca los tornillos y ajústelos (Figura 26).
- Dejar caer tornillos adentro de los huecos en la base.
- Deslice la pieza base debajo y hacia arriba delante del panel inferior de la lavadora de platos. Ajuste los tornillos de la pieza base - POCA TORSIÓN, USE HERRAMIENTA MANUAL SOLAMENTE.
- Deslice la tira de algodón para aislamiento debajo de la unidad, entre la parte inferior de la pieza base y el piso.
- Coloque el panel de pie sobre la mitad inferior de la pieza base.

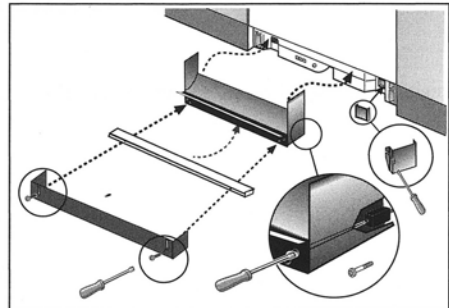


Figura 26

La cubierta de la caja terminal es requerido para cada aplicación de instalación

PANEL DE PIE Y TIRADOR

Instalación normal del panel de pie (para modelos que no sean SHY66 & SHX56)

- Saque los tornillos del panel de pie de la bolsa del kit de instalación de la lavadora de platos (vea la figura 3).
- Introduzca los tornillos a través del panel de pie.
- Ajuste los tornillos y el panel de pie en la base de la lavadora de platos usando un destornillador Torx.

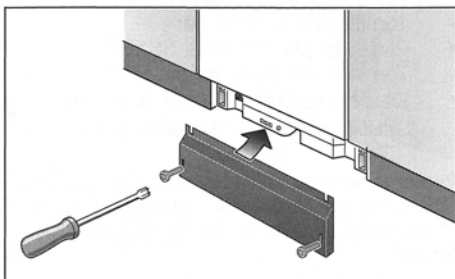


Figura 27

LISTE DE CONTROL FINAL

Lista de control final

- Verifique los requerimientos eléctricos.
- Asegúrese de que tiene el suministro eléctrico correcto y el método de conexión a tierra recomendado.
- Abra la válvula de cierre del agua caliente y el suministro eléctrico. La temperatura del agua ingresa debe ser 120°F-140°F (49°C-60°C).
- Haga funcionar la lavadora de platos un ciclo completo y verifique que no hayan fugas en la plomería.

Si la lavadora de platos no funciona apropiadamente, consulte las secciones de **AUTO AYUDA, SERVICIO AL CLIENTE** y **GARANTÍA** en el Manual de uso y cuidado.

Servicio al cliente

Si es necesario solicitar servicio, contacte al vendedor, al técnico que hizo la instalación o bien, a un centro de servicio autorizado. No intente reparar el aparato usted mismo. Cualquier trabajo realizado por personal no autorizado puede anular a la garantía. Si usted está teniendo problemas con su lavadora de platos BOSCH y no está conforme con el servicio que ha recibido:

1. Primero, contacte al técnico que hizo instalación o al Centro de Servicio Autorizado BOSCH en su área.
2. Si el problema no ha sido resuelto a su entera satisfacción, por favor háganoslo saber escribiéndonos a nuestra dirección de e-mail en nuestra página electrónica, **www.boschappliances.com**.
3. O bien escribanos a la dirección que se indica a continuación:
BSH Home Appliances, Corp.
5551 McFadden Avenue
Huntington Beach, CA 92649
4. O llámanos al: **1-800/944-2904**.

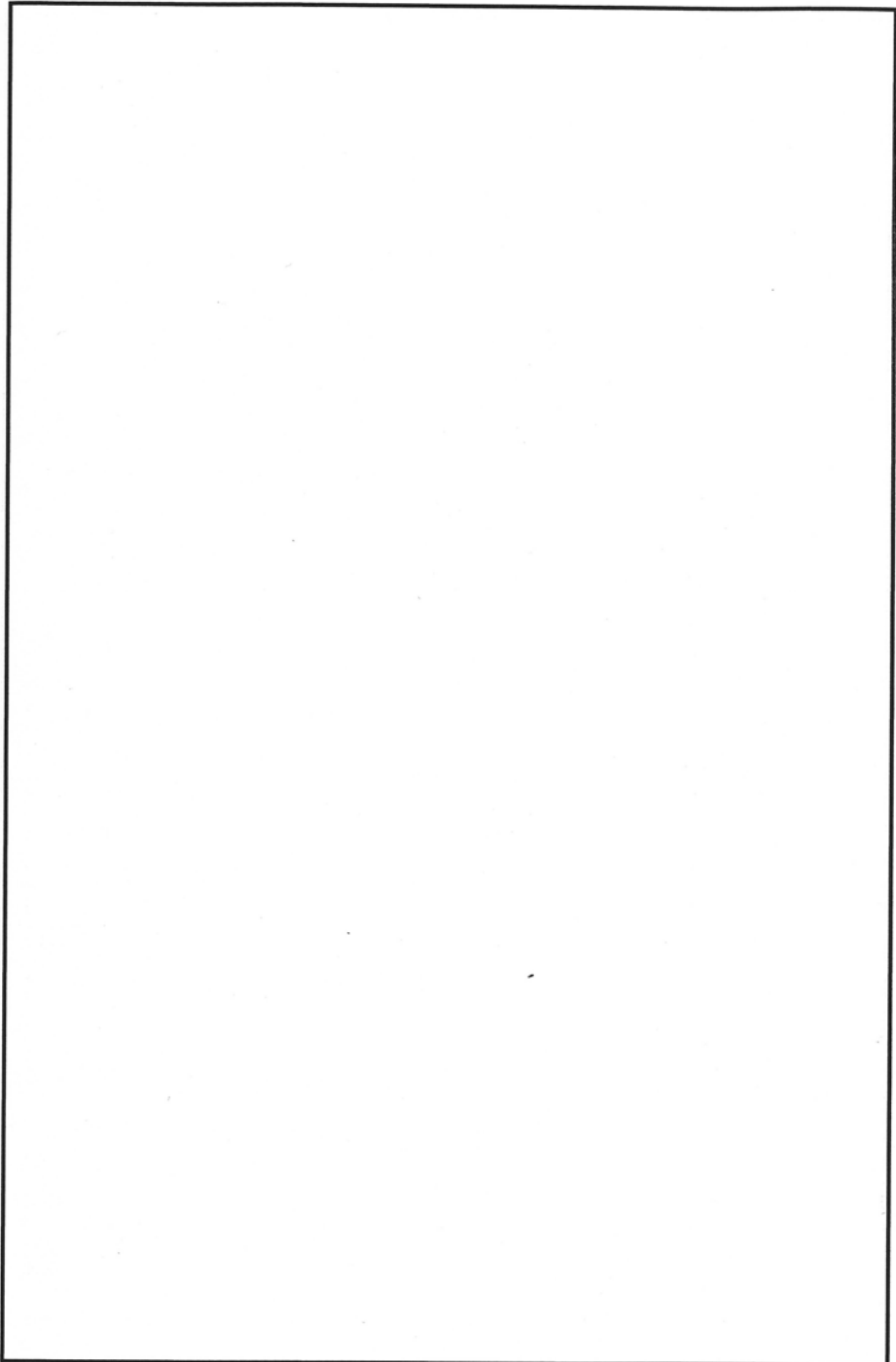
Por favor asegúrese de incluir (si nos escribe) o de tener disponible (si no llama), la siguiente información:

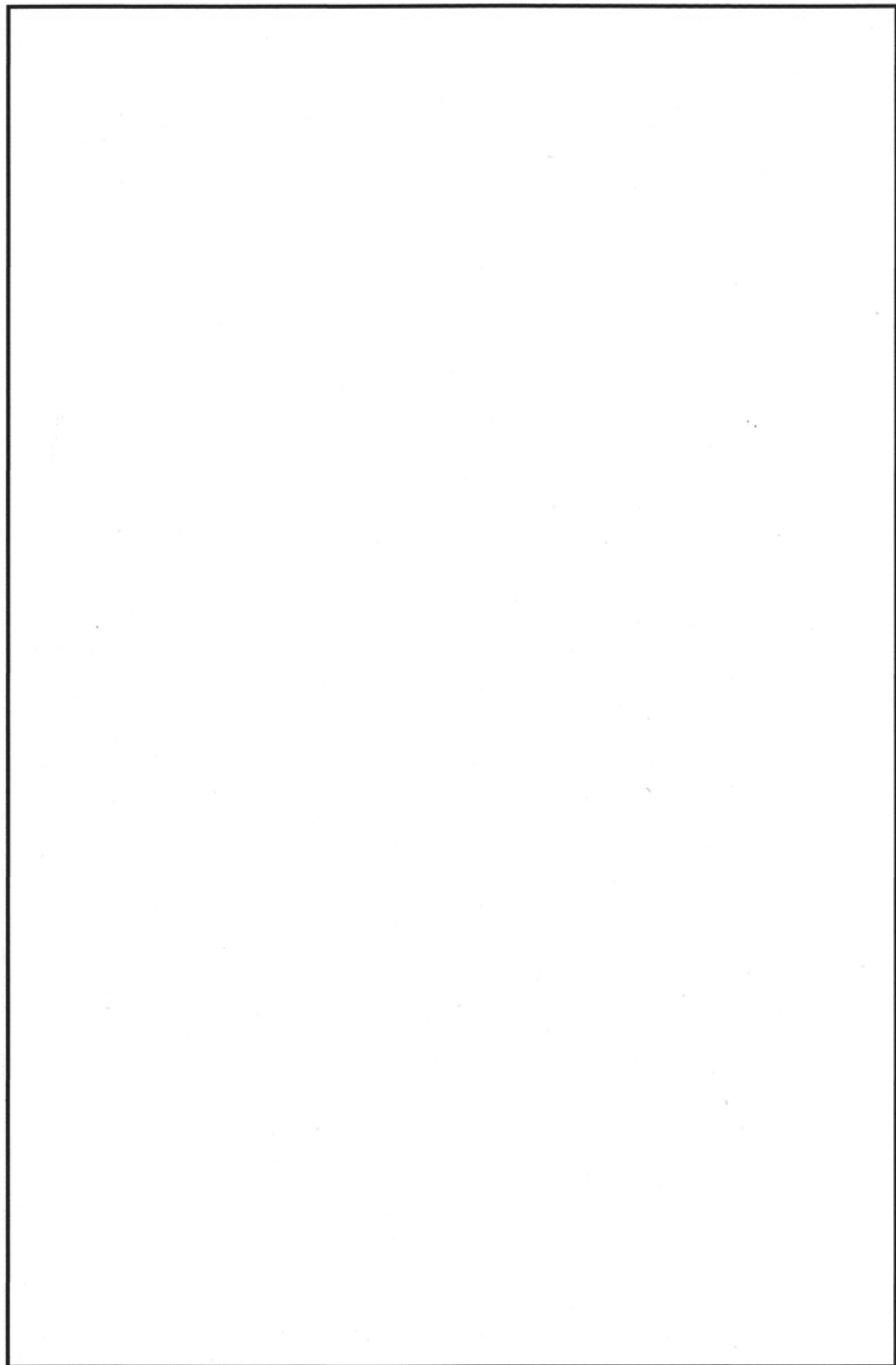
- Número de modelo
- Número de serie
- Fecha original de compra
- Fecha en la que el problema se originó
- Explicación del problema

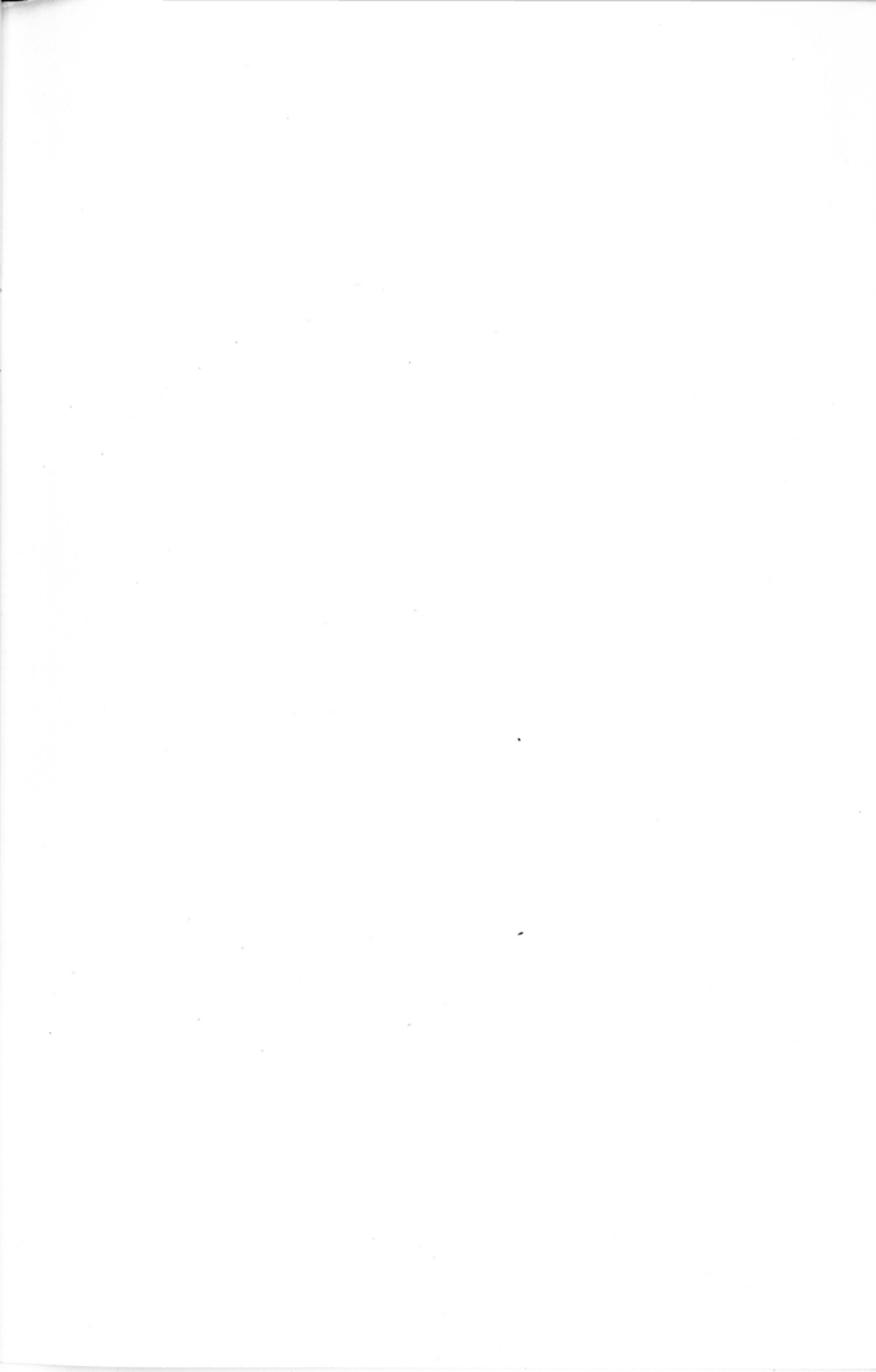
Si escribe por favor también incluya el número de teléfono donde se le puede localizar durante el día.

(Usted puede localizar el número de modelo y el número de serie en la etiqueta que se encuentra en el lado derecho del interior de la puerta de la lavadora de platos.

**DEJE LAS INSTRUCCIONES DE
INSTALACIÓN Y EL MANUAL DE USO Y
CUIDADO CON EL PROPIETARIO.**







BOSCH