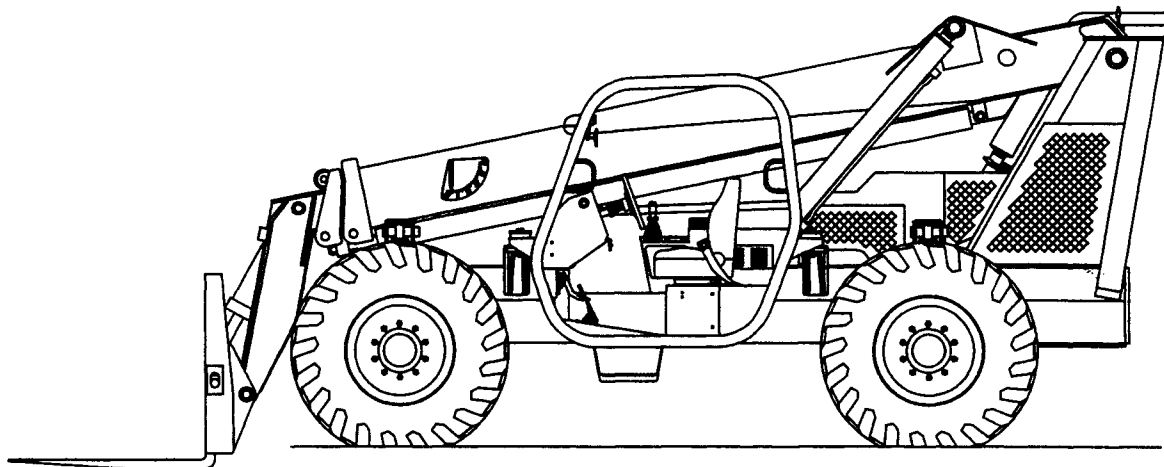


PARTS BOOK TH644C



DATE: 03-03-04

JOHN DEERE TIER II 4045 TURBO ENGINE

DANA 212 AXLES

CLARK T12000 TRANSMISSION

REMOTE MOUNTED SAF-T-CAB II

REXROTH HYDRAULIC PUMP

VOAC MAIN VALVE

VOAC 4-WAY CONTROLLER

Serial Number: _____

TEREX HANDLERS

455 N. Superior Ave., Baraga, MI 49908-0790

PH: (906) 353-6675; FAX: (906) 353-7543

INTERNET: <http://www.terex.com>

INDEX / STANDARD EQUIPMENT

TH644C

PAGE	DESCRIPTION	DRAWING
1	SEAL KITS / TH644C	P1-1851
2	LUBE CHART	P1-1593
3	FILTER GUIDE	P1-1901
4	DECALS	P1-1903
5	GENERAL ASSEMBLY	P1-1734
6	OPERATOR'S COMPARTMENT ASSEMBLY	P1-1922
7	POWER TRAIN ASSY / JD-4045 TIER II	P1-1910
8	ENGINE & PUMP ASSY / JD-4045 TIER II	P1-1911
9	BOOM ASSEMBLY	P4-1951
10	FOOT BRAKE ASSEMBLY	P1-1533
11	ACCELERATOR ASSEMBLY / JD-4045 TIER II	P4-2069
12	ACCELERATOR ASSEMBLY / PEDAL END	P1-1683
13	ENGINE ENCLOSURE ASSEMBLY / JD-4045 TIER II	P1-1893
14	EXHAUST ASSEMBLY / JD-4045 TIER II	P4-1795
15	AIR CLEANER ASSEMBLY / JD-4045 TIER II	P1-1907
16	DRIVESHAFT ASSEMBLY / FRONT	P1-1552
17	DRIVESHAFT ASSEMBLY / REAR	P1-1553
18	TIRE & WHEEL ASSEMBLY	P1-1667
19	ELECTRIC SCHEMATIC	P1-1598
20	WIRING DIAGRAM	P1-1599
21	INSTRUMENT PANEL ASSEMBLY	P1-1921
22	HYDRAULIC SCHEMATIC	P1-1852
23	CIRCUIT / PUMP / OIL RESERVOIR	P1-1853
24	CIRCUIT / LIFT-TILT	P1-1854
25	CIRCUIT / BOOM	P1-1855
26	CIRCUIT / 4-WAY CONTROLLER	P1-1856
27	CIRCUIT / STEERING	P1-1543
28	CIRCUIT / SWAY	P1-1544
29	CIRCUIT / REAR LOCK-UP	P1-1545
30	CIRCUIT / PARKING BRAKE	P4-1962
31	CIRCUIT / PRESSURE CHECKS	P4-1963
32	CIRCUIT / BRAKE	P1-1601
33	CIRCUIT / OIL COOLER / JD-4045 TIER II	P4-2073
34	CIRCUIT / FUEL / JD-4045 TIER II	P4-2074
35	FUEL TANK ASSEMBLY	P4-1967
36	STARTER RELAY / SENDER ASSY / JD-4045 TIER II	P4-2075
37	BATTERY BOX ASSEMBLY	P1-1925
38	LIFT CYLINDER / 7-316-240	P4-2043
39	TILT CYLINDER / 7-316-238	P4-2044
40	BOOM CYLINDER / 7-316-211	P4-2017
41	SWAY-REAR LOCK-UP CYLINDER / 7-182-01	P1-1924
42	MOTION VALVE / BASE TILT CYLINDER	P3-1098
43	MOTION VALVE / HEAD TILT CYLINDER	P3-1097

INDEX / STANDARD EQUIPMENT
TH644C

PAGE	DESCRIPTION	DRAWING
44	MOTION VALVE / BOOM CYLINDER	P3-1096
45	MOTION VALVE / BASE LIFT CYLINDER	P3-1209
46	DUAL PILOT CHECK VALVE / 7-234-04	P3-1100
47	ORBITRAL ASSEMBLY / 7-147-01	P1-1554
48	SELECTOR VALVE / STEERING / 7-359-02	P4-2009
49	RETURN FILTER ASSEMBLY / 7-118-01	P1-1513
50	CONTROL BLOCK ASSEMBLY / 7-234-94	P1-1451
51	4-WAY CONTROLLER ASSEMBLY / 7-200-139	P1-1875
52	MAIN VALVE ASSEMBLY / 7-200-80	P4-1425
53	HYDRAULIC PUMP ASSEMBLY / 7-345-113	P4-2059
54	ELECTRIC VALVE / 4-WAY / 7-367-09	P1-1447
55	ELECTRIC VALVE / 4-WAY / 7-244-31	P3-1140
56	CONTROLLER RELIEF VALVE / 7-367-01	P1-1446
57	VALVE / BOOM ACTIVATED REAR-LOCK / 7-367-13	P1-1456
58	VALVE / DIFFERENTIAL LOCK / (OPTIONAL)	P1-1460

INDEX / OPTIONAL EQUIPMENT
TH644C

59	FULLY ENCLOSED CAB ASSEMBLY	P1-1918
60	FORK FRAME ROTATE ASSEMBLY	P4-1556
61	ROTATE CYLINDER ASSEMBLY	P4-2020
62	DUAL PILOT CHECK VALVE	P3-1141
63	CIRCUIT / FORK ROTATE	P1-1558
64	HOSE ROLLER ASSEMBLY	P1-1568

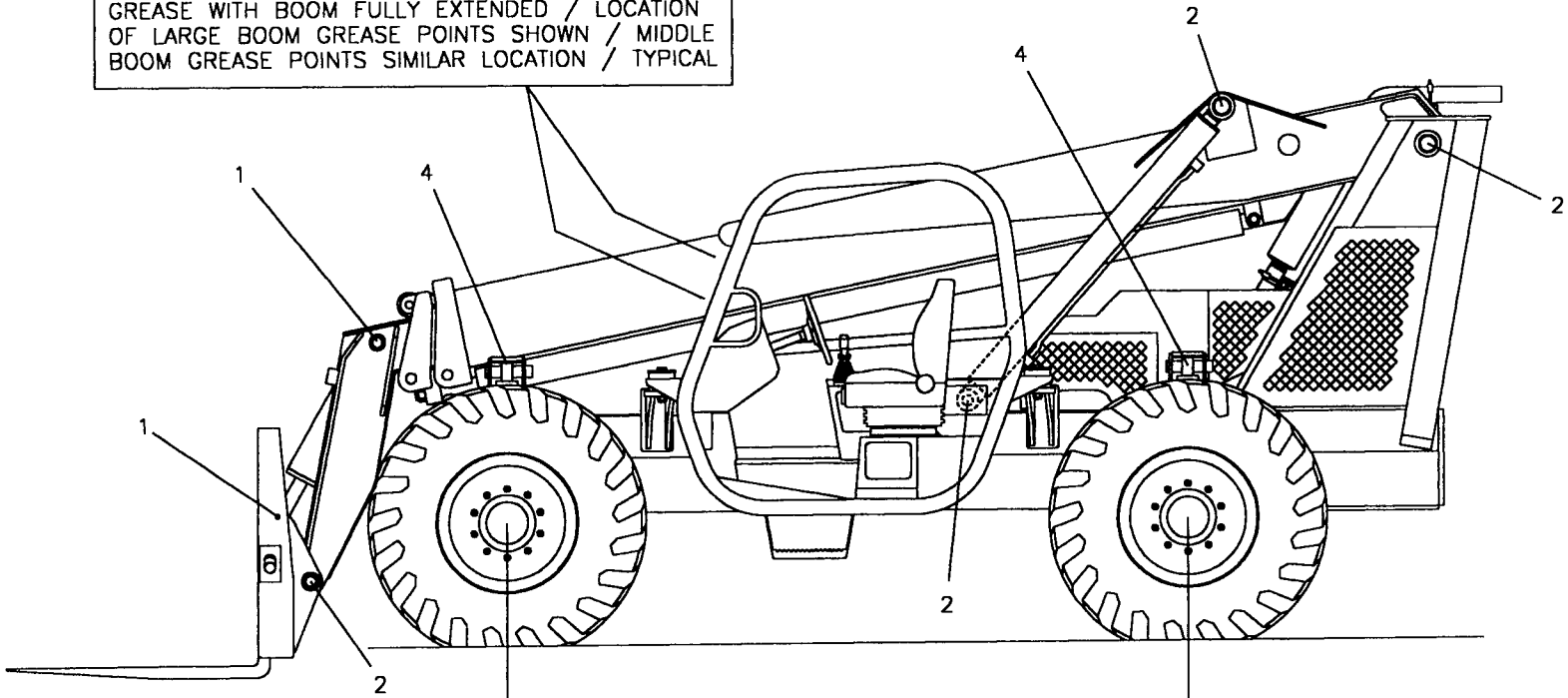
MANUFACTURER

PART NUMBER	NUMBER	DESCRIPTION	SEAL KIT
-------------	--------	-------------	----------

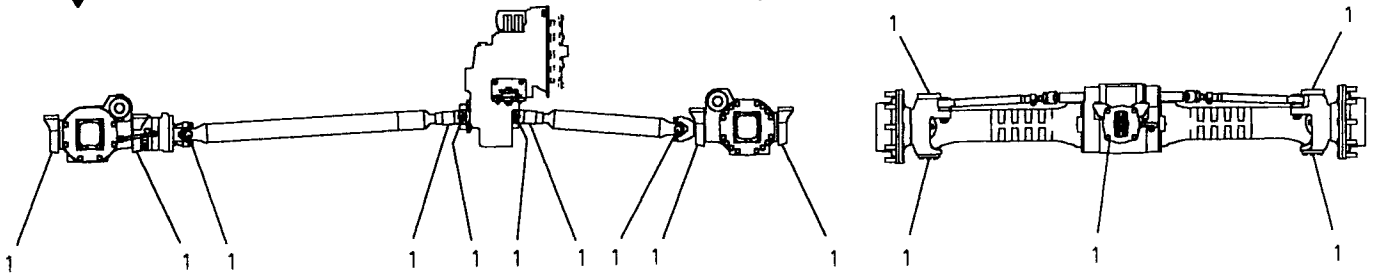
PPDB-LNN.....	7-234-13	CARTRIDGE / REDUCING RELIEVING	7-234-29
CXDA-XAN.....	7-234-16	CARTRIDGE / CHECK	7-234-31
CKCD-XCN.....	7-234-18	CARTRIDGE / PILOT CHECK	7-234-29
CBCA-LHN	7-234-19	CARTRIDGE / COUNTERBALANCE	7-234-29
CBEA-LHN	7-234-22	CARTRIDGE / COUNTERBALANCE	7-234-30
PPDB-LAN.....	7-234-28	CARTRIDGE / REDUCING RELIEVING	7-234-29
NFCC-LDN.....	7-234-37	CARTRIDGE / NEEDLE.....	7-234-31
CAEA-LHN	7-234-53	CARTRIDGE / COUNTERBALANCE	7-234-30
POC1-10-F-0-030.....	7-321-88	CARTRIDGE / PILOT CHECK	7-321-92
PRV2-10-S-0-20.....	7-321-89	CARTRIDGE / REDUCING RELIEVING	7-321-91
DSV2-8-B-0	7-321-90	CARTRIDGE / SHUTTLE.....	7-321-93
CXDA-XCN.....	7-234-80	CARTRIDGE / CHECK.....	7-234-31
PTS1-6872	7-304-07	CARTRIDGE / MODULAR CONTROL	7-304-08
DSV2-080-3-N	7-367-14	CARTRIDGE / NORMALLY CLOSED	7-367-18
DSV2-080-2NOS-N.....	7-367-06	CARTRIDGE / NORMALLY OPEN	7-367-17
DSV2-080-4C0-N	7-367-10	CARTRIDGE / 4-WAY	7-367-19

7-182-01	CYLINDER / SWAY-REAR LOCK / P1-1924.....	7-900-180
7-316-240.....	CYLINDER / LIFT / P4-2043.....	7-900-21
7-316-238.....	CYLINDER / TILT / P4-2044.....	7-900-22
7-316-239.....	CYLINDER / BOOM / P4-2045.....	7-900-23
7-379-01	CYLINDER / ROTATE / P4-2020	7-900-86
7-229-619.....	CYLINDER / STEERING	7-900-88
7-198-48	BRAKE ACTUATOR	7-198-49
7-147-01	ORBITRAL / STEERING	7-147-07

GREASE WITH BOOM FULLY EXTENDED / LOCATION
OF LARGE BOOM GREASE POINTS SHOWN / MIDDLE
BOOM GREASE POINTS SIMILAR LOCATION / TYPICAL



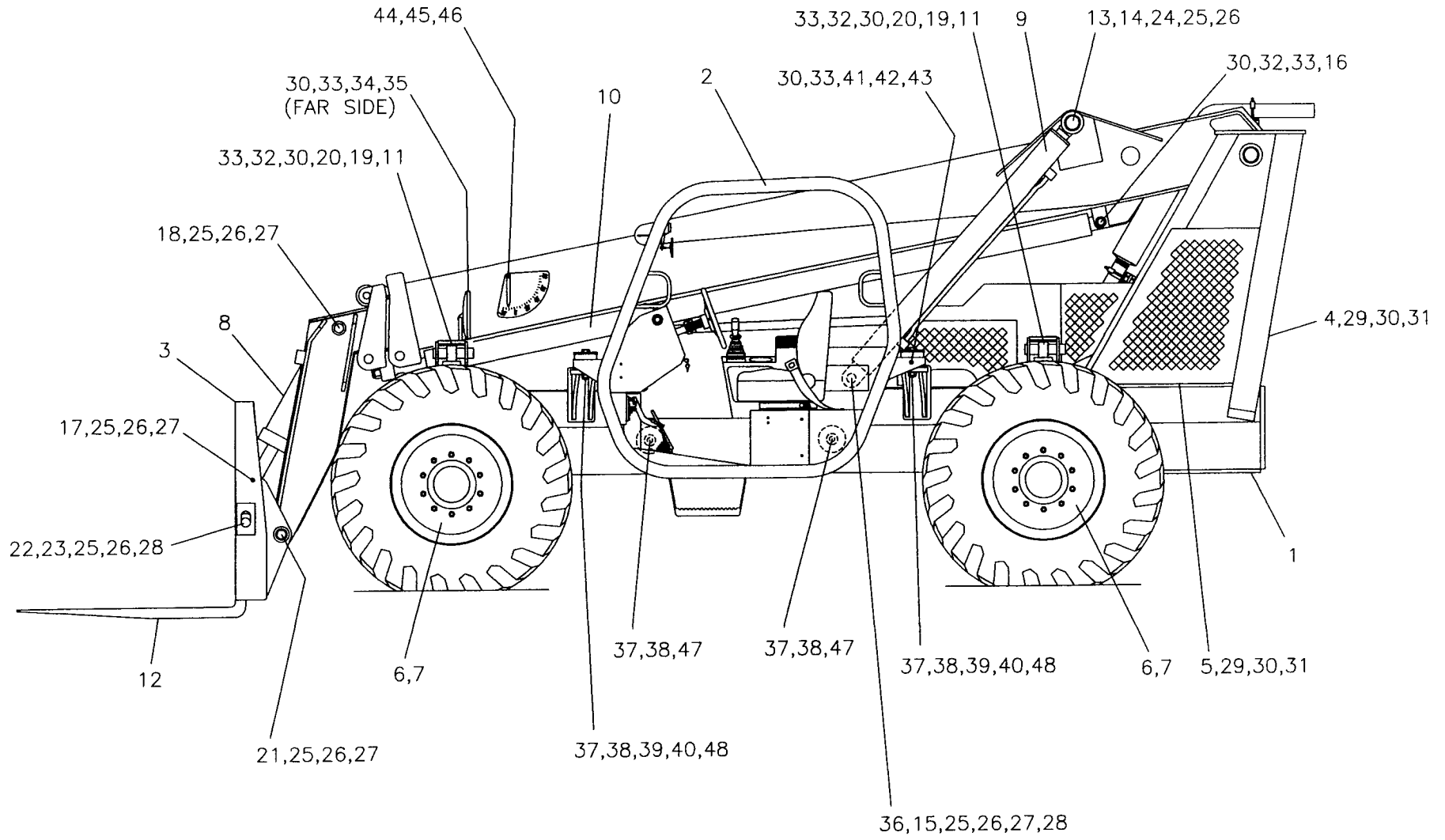
EXPLODED VIEW OF
POWER TRAIN ASSEMBLY



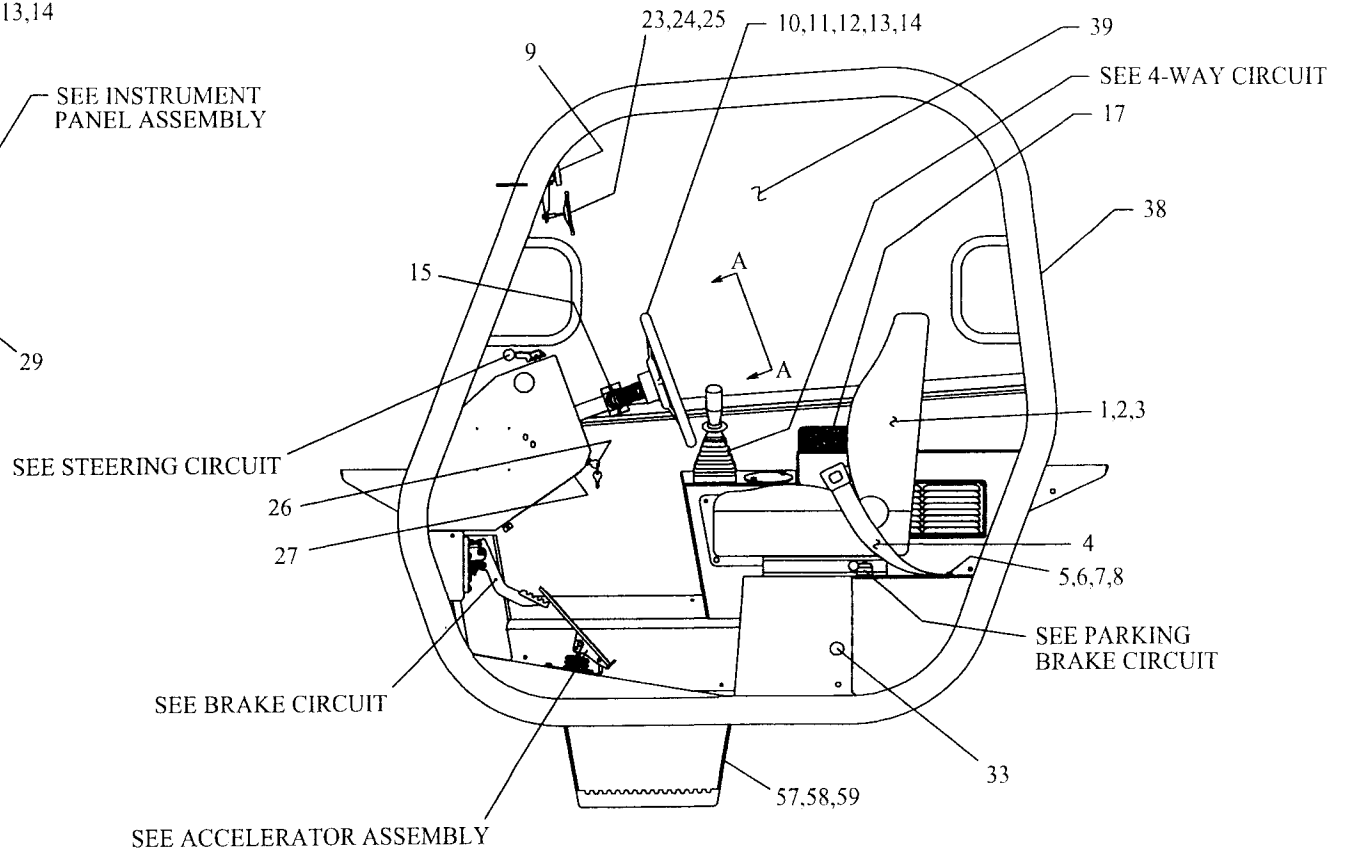
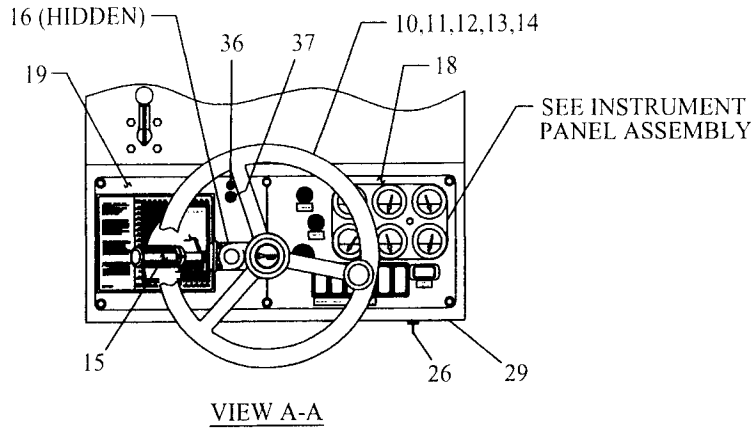
TH644C FILTER GUIDE

DESCRIPTION	PART NO.	APPLICATION
1. HYDRAULIC RETURN FILTER ELEMENT	7-118-02	TH644C
2. ENGINE OIL FILTER / JOHN DEERE	7-183-184	TH644C
3. ENGINE FUEL FILTER / JOHN DEERE	7-183-45	TH644C
4. AIR CLEANER ELEMENT / PRIMARY	7-109-04	TH644C
5. AIR CLEANER ELEMENT / SAFETY	7-109-14	TH644C
6. TRANSMISSION OIL FILTER	7-126-349	TH644C
7. HYDRAULIC RESERVOIR FILLER-BREATHER	7-272-11	TH644C

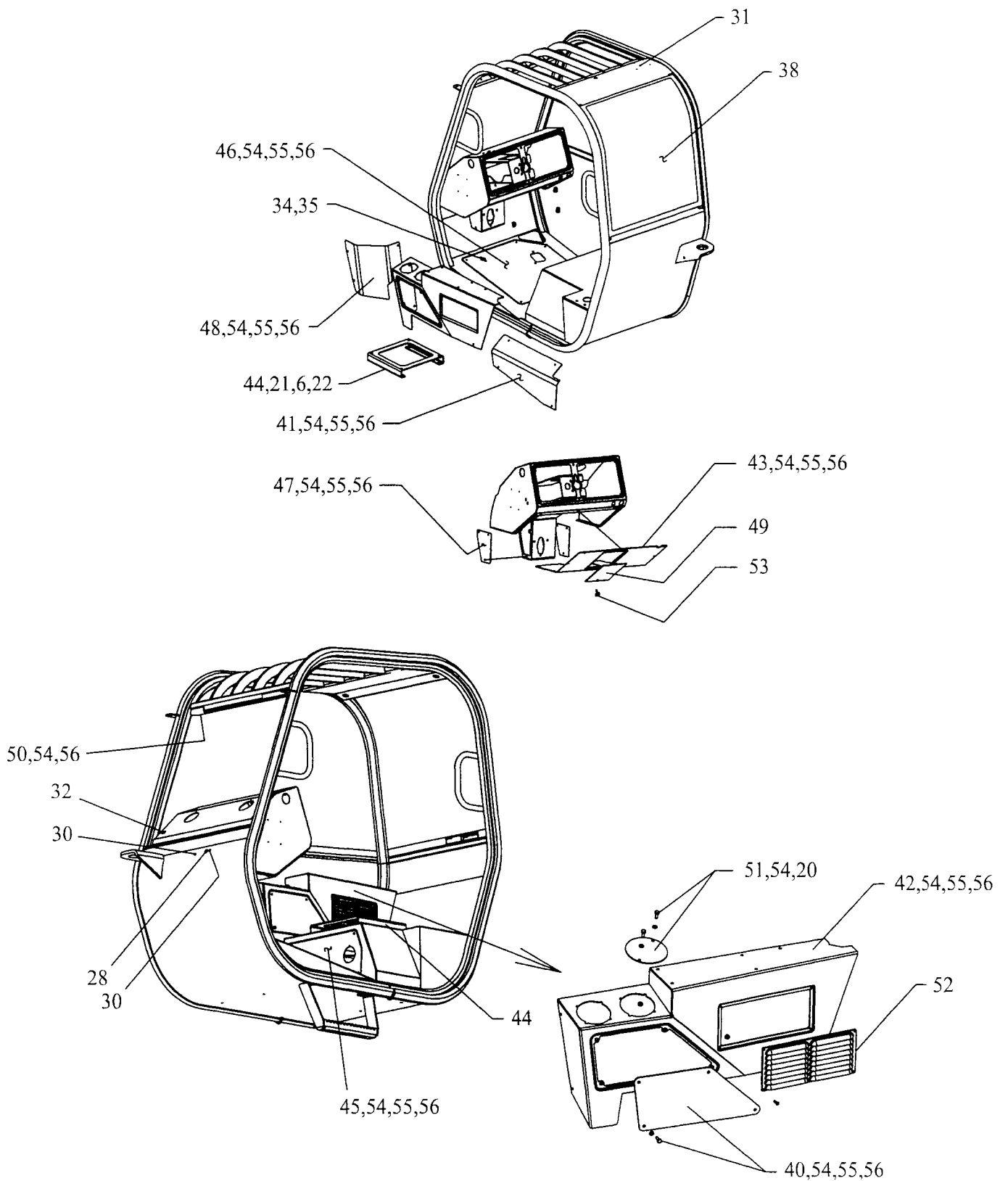
ITEM	NUMBER	DESCRIPTION	REQD
1	2-1274	DECAL / LOAD CHART / TH644C	1
2	4-2282-2	DECAL / TH644C TURBO	2
3	4-1401-1	DECAL / STEERING SELECTOR	1
4	4-1401-2	DECAL / DIESEL FUEL	1
5	4-1401-3	DECAL / HYDRAULIC OIL LEVEL	1
6	2-1279	DECAL / 4-WAY CONTROL	1
7	4-1401-8	DECAL / TRANSMISSION OIL	1
8	4-1401-10	DECAL / TRANSMISSION CONTROL	1
9	4-1105-11	DECAL / A	1
10	4-1105-12	DECAL / B	1
11	4-1105-13	DECAL / C	1
12	4-1105-14	DECAL / D	1
13	4-1105-16	DECAL / MADE IN USA	4
14	4-1105-19	DECAL / REAR AXLE STABILIZERS	1
15	3-1257-1	DECAL / HYDRAULIC OIL ONLY	1
16	2-1290	DECAL / FALLING OBJECT HAZARD	1
17	2-1291	DECAL / ALWAYS USE THE SEAT BELT	1
18	2-1292	DECAL / READ THE OPERATORS MANUAL	1
19	2-1293	DECAL / BURN HAZARD	2
20	2-1294	DECAL / CRUSH HAZARD-PINCH POINT	8
21	2-1295	DECAL / OVERTURNING HAZARD	1
22	2-1296	DECAL / OVERTURNING HAZARD-SWAY	1
23	2-1297	DECAL / OVERTURNING HAZARD-TIRES	4
24	2-1298	DECAL / OVERHEAD CRUSH HAZARD	1
25	2-1299	DECAL / CRUSH HAZARD-PARKING BRAKE	1
26	2-1300	DECAL / CRUSH HAZARD-NO RIDERS	1
27	2-1301	DECAL / ELECTRICAL HAZARD	1
28	2-1302	DECAL / NOT A MAN-LIFT	2
29	2-1303	DECAL / EXPLOSION-BURN HAZARD-FLUIDS	2
30	2-1304	DECAL / EXPLOSION-BURN HAZARD-ACID	1
31	2-1339	DECAL / FILTER GUIDE / JOHN DEERE TIER II	1
32	4-1579-15	DECAL / PARKING BRAKE CAUTION	1
33	7-349-01	DECAL / TEREX CROWN / SMALL	1
34	7-349-02	DECAL / TEREX CROWN / MEDIUM	2
35	7-349-03	DECAL / TEREX CROWN / LARGE	1
36	3-1228-2	DECAL / BRAKE ON	1
37	3-1228-7	DECAL / BRAKE OFF	1
38	4-2111-1	DECAL / TEREX / SMALL	2
39	4-1880-1	DECAL / BOOM ANGLE / WHITE LETTERS	1
40	1-1285	DECAL / CHEVRON TRANSMISSION OIL	1
41	1-1286	DECAL / CHEVRON HYDRAULIC OIL	1
42	1-1287	DECAL / DAILY CHECK LIST	1
43	2-1223-1	DECAL / TECHNICAL SUPPORT	1
44	2-1268-1	DECAL / DASH GANG SWITCHES	1
45	2-1269-1	DECAL / SWAY CONTROL / DASH	1
46	2-1270-1	DECAL / PUMP OFF / DASH	1
47	2-1271-1	DECAL / BRAKE ON / DASH	1
48	7-900-177	DECAL KIT (ITEMS 1 THRU 47)	REF



ITEM	NUMBER	DESCRIPTION	REQD
1	4-2273	MAIN FRAME WELDMENT	1
2	7-132-96	CANOPY ASSEMBLY	1
3	4-1525	FORK FRAME / 48 WIDE	1
4	3-1340	REAR PANEL	1
5	4-1729-2	SIDE PANEL / RH & LH	2
6	7-166-17	TIRE & WHEEL ASSEMBLY / RH	2
7	7-166-18	TIRE & WHEEL ASSEMBLY / LH	2
8	7-316-238	CYLINDER / TILT	1
9	7-316-240	CYLINDER / LIFT	2
10	7-316-211	CYLINDER / BOOM	1
11	7-182-01	CYLINDER / SWAY-REAR LOCK	4
12	3-1391-10	FORK TINE / 48 LG.	2
13	3-1092-3	PIN / HEAD LIFT CYLINDER	1
14	6-2524-10	COLLAR / HEAD LIFT CYLINDER	2
15	3-1054-2	PIN / BASE LIFT CYLINDER	1
16	2-1090	PIN / BASE BOOM CYLINDER	1
17	6-3316-65	PIN / HEAD TILT CYLINDER	1
18	3-1054-1	PIN / BASE TILT CYLINDER	1
19	6-3312-43	PIN / HEAD SWAY CYLINDER	4
20	6-3312-73	PIN / BASE SWAY CYLINDER	4
21	6-3316-168	PIN / FORK FRAME	1
22	2-1067-10	PIN / FORK TINE	1
23	1-1074	COLLAR / FORK TINE PIN	1
24	6-5208-44	CAPSCREW 1/2 NC x 5 1/2 LG.	2
25	6-6201-08	HEX NUT 1/2 NC	8
26	6-6211-08	LOCKWASHER 1/2	8
27	6-5208-30	CAPSCREW 1/2 NC x 3 3/4 LG.	4
28	6-5208-36	CAPSCREW 1/2 NC x 4 1/2 LG.	2
29	6-5206-06	CAPSCREW 3/8 NC x 3/4 LG.	14
30	6-6211-06	LOCKWASHER 3/8	25
31	6-6212-06	FLATWASHER 3/8	14
32	6-5206-22	CAPSCREW 3/8 NC x 2 3/4 LG.	8
33	6-6201-06	HEX NUT 3/8 NC	10
34	7-333-01	MIRROR / CONVEX	1
35	6-5206-24	CAPSCREW 3/8 NC x 3 LG.	1
36	3-1054-3	PIN / BASE LIFT CYL. / CAB SIDE	1
37	7-190-07	RUBBER MOUNT / CAB	4
38	1-1532	WASHER / CAB RUBBER MOUNT	4
39	6-5216-48	CAPSCREW 1 NC x 6 LG.	2
40	6-6205-16	SELF LOCKING NUT 1 NC	2
41	7-319-17	GROUND STRAP / CAB	1
42	6-5206-10	CAPSCREW 3/8 NC x 1 1/4 LG.	1
43	6-5206-04	CAPSCREW 3/8 NC x 1/2 LG.	1
44	1-1217	POINTER / BOOM ANGLE	1
45	6-5204-08	CAPSCREW 1/4 NC x 1 LG.	1
46	6-6201-04	HEX NUT 1/4 NC	1
47	6-5216-44	CAPSCREW / 1 NC x 5 1/2 LG.	2
48	1-1530	SPACER / CAB RUBBER MOUNT	2

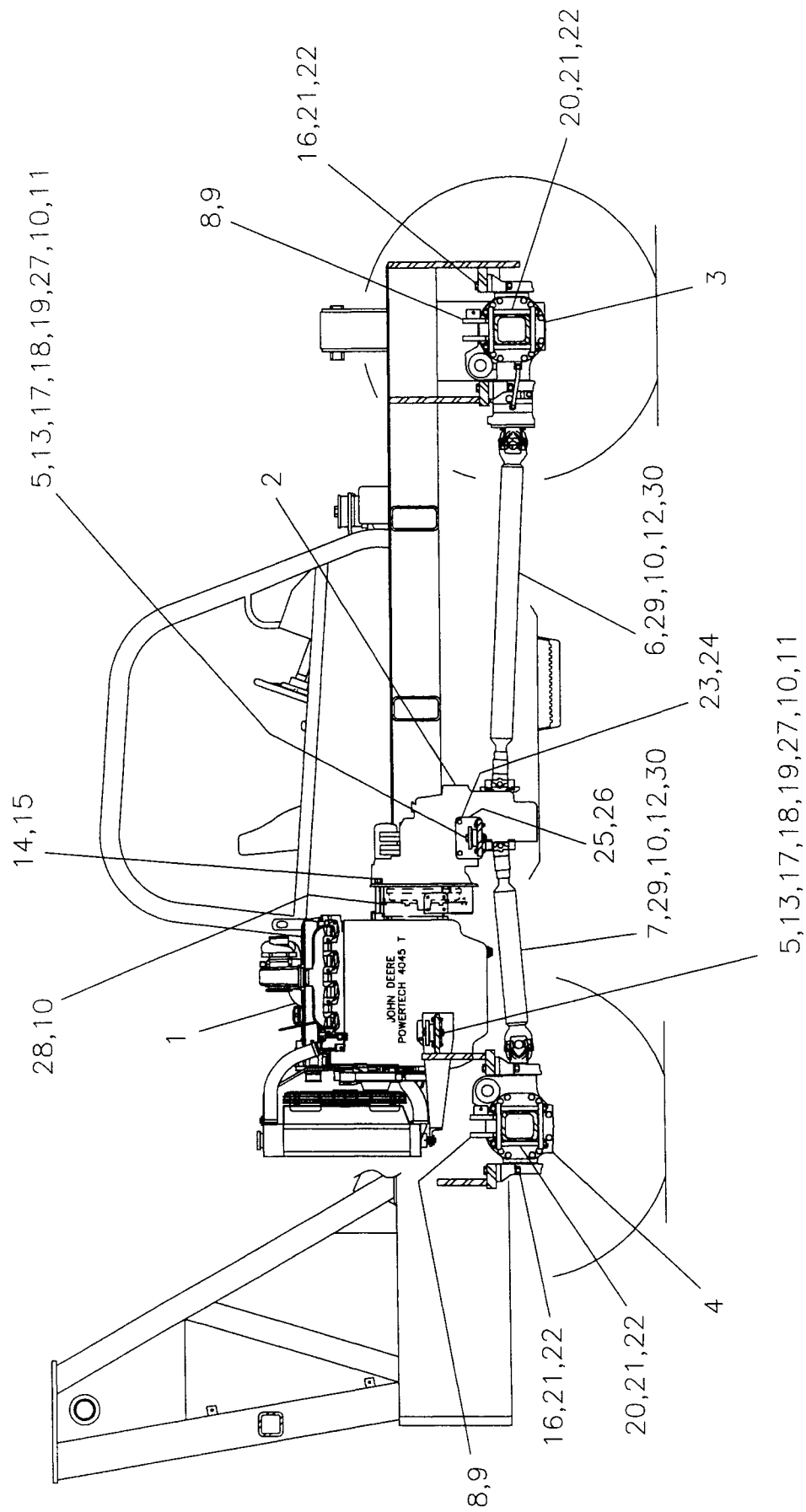


FOR ADDITIONAL CAB INFORMATION SEE OPTIONS SECTION

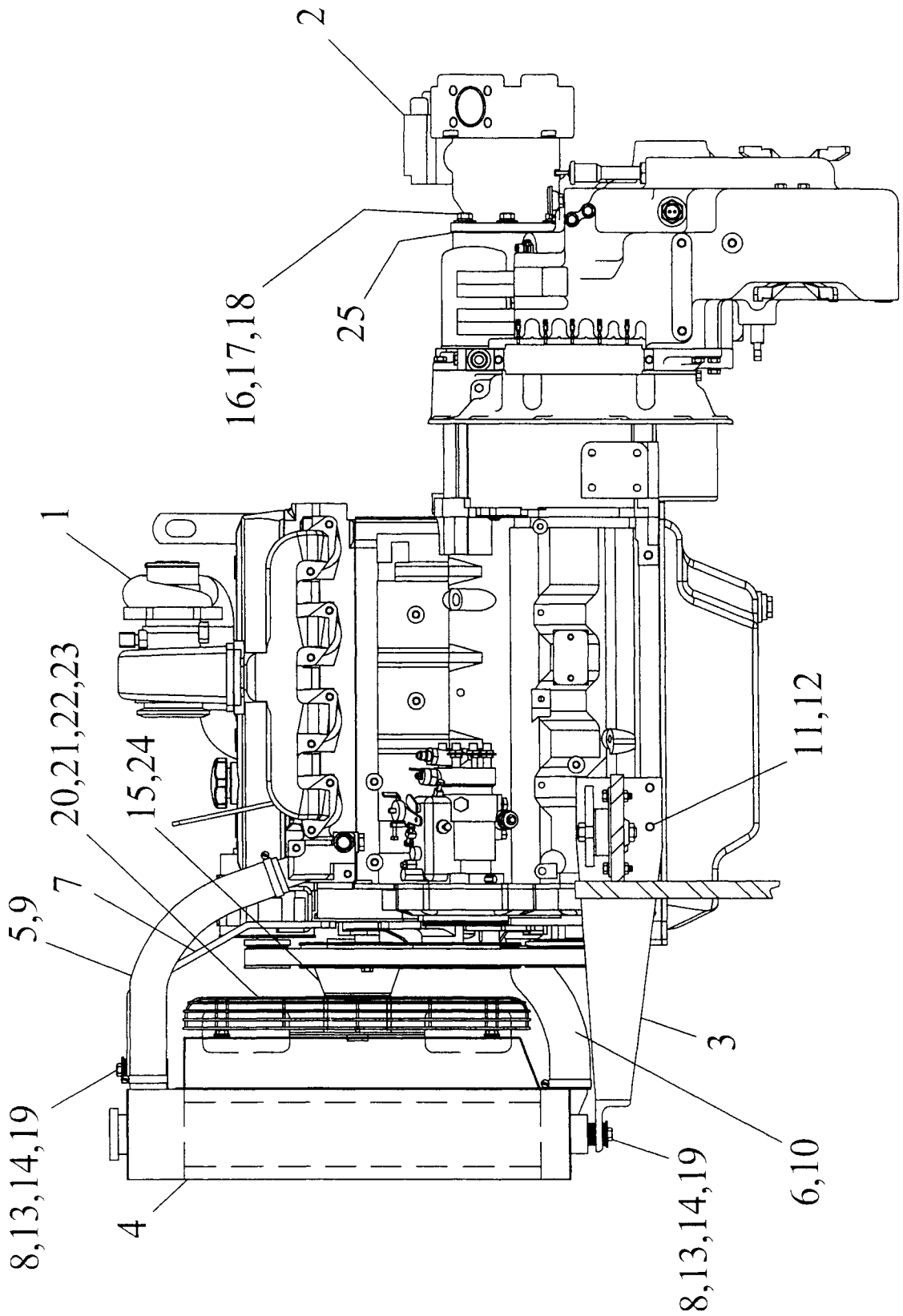


ITEM	NUMBER	DESCRIPTION	REQD
1	7-197-01	SEAT	1
2	6-6211-05	LOCKWASHER 5/16	4
3	6-6201-05	HEX NUT 5/16 NC	4
4	7-337-01	SEAT BELT	1
5	6-5205-08	CAPSCREW 5/16 NC x 1 LG.	2
6	6-6212-05	FLATWASHER 5/16	10
7	6-6211-05	LOCKWASHER 5/16	2
8	6-6201-05	HEX NUT 5/16 NC	2
9	7-104-01	LEVEL GAGE	1
10	7-147-01	STEERING ORBITRAL	REF
11	7-147-40	STEERING WHEEL	1
12	7-147-41	HORN BUTTON KIT	1
13	7-147-04	NUT / STEERING WHEEL (w/ ITEM 14)	REF
14	7-147-05	COLUMN / STEERING	1
15	7-125-05	TRANSMISSION COLUMN SHIFT CONTROL	1
16	7-194-40	GROMMET / TRANS. SHIFTER HARNESS	1
17	7-153-01	ARM REST PAD	1
18	7-132-03	DASH PANEL / RH SIDE	1
19	7-132-04	DASH PANEL / LH SIDE	1
20	6-6205-04	SELF-LOCKING NUT 1/4 NC	2
21	6-5205-06	CAPSCREW 5/16 NC x 3/4 LG.	4
22	6-6205-05	SELF-LOCKING NUT 5/16 NC	4
23	7-154-01	MIRROR / INTERIOR	1
24	6-6284-05	MACHINE SCREW #10-24 x 3/4 LG.	2
25	6-6286-07	LOCKWASHER #10	2
26	7-146-01	SWITCH / IGNITION / KEY	REF
27	7-144-02	HOLE PLUG / 5/8 / ETHER BUTTON	1
28	7-144-03	HOLE PLUG / 3/4 / WIPER SHAFT	1
29	7-144-10	HOLE PLUG / 1 3/16 / 12V ACC. PLUG	1
30	7-144-07	HOLE PLUG / 3/8 / WIPER BOLTS	2
31	7-144-07	HOLE PLUG / 3/8 / STROBE LIGHT WIRES	REF
32	7-144-06	HOLE PLUG / 7/8 / FRONT OF DASH	1
33	7-144-11	HOLE PLUG / 1 3/8 / SIDE OF SEAT BOX	1
34	7-144-09	HOLE PLUG / 1 1/8 / DIFF. LOCK SWITCH	1
35	7-144-08	HOLE PLUG / 5/16 / DIFF. LOCK BOLTS	2
36	7-144-02	HOLE PLUG / 5/8 / BLINK CODE BUTTON	1
37	7-144-03	HOLE PLUG / 3/4 / BLINK CODE LIGHT	1
38	7-132-101	GLASS / REAR WINDOW-TINTED	REF
39	7-132-103	GLASS / RH SOLID-TINTED	REF
40	7-132-116	ACCESS PANEL / JOYSTICK	REF
41	7-132-105	COVER / SIDE HOSE	REF
42	7-132-106	SIDE CONSOLE / BOLT-ON	REF
43	7-132-107	CONSOLE COVER / LOWER FRONT	REF
44	7-132-108	SEAT RISER	REF
45	7-132-109	COVER / SEAT BOX	REF
46	7-132-110	COVER / FOOT PEDAL	REF
47	7-132-111	COVER / BRAKE ACTUATOR ACCESS	REF
48	7-132-112	COVER / FRONT HOSE	REF
49	7-132-113	COVER / FUSE PANEL	REF
50	7-132-114	MOUNT / FAN	REF
51	7-132-115	COVER / JOYSTICK	REF
52	7-132-122	GRILL / HEATER	REF

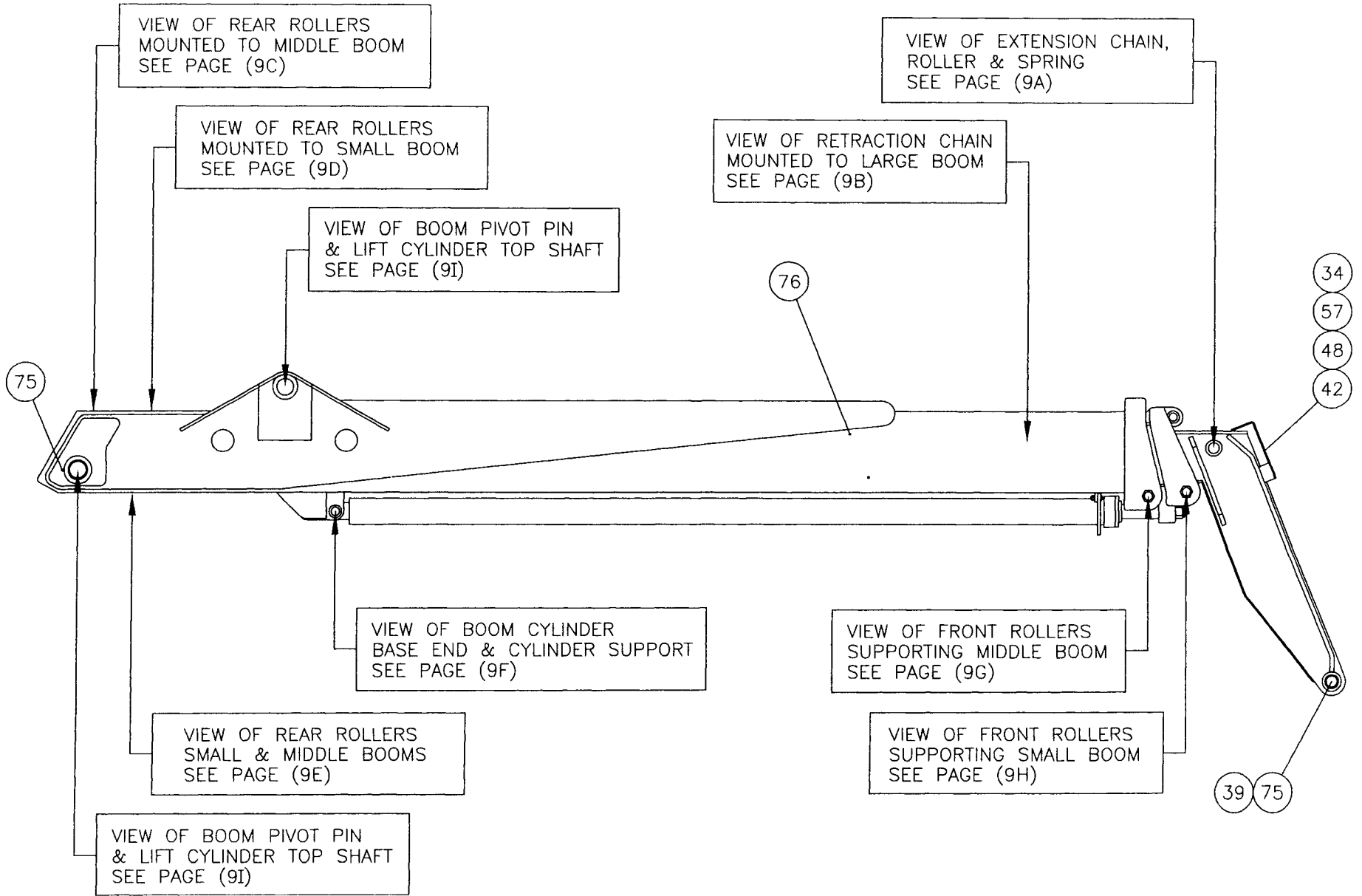
ITEM	NUMBER	DESCRIPTION	REQD
53	7-132-22	BOLT / TRI-WING	REF
54	6-5204-06	CAPSCREW 1/4 NC x 3/4 LG.	44
55	6-6211-04	LOCKWASHER 1/4	42
56	6-6212-04	FLATWASHER 1/4	44
57	7-132-08	STEP / CAB	1
58	6-5208-10	CAPSCREW 1/2 NC x 1 1/4 LG.	2
59	6-6211-08	LOCKWASHER 1/2	2

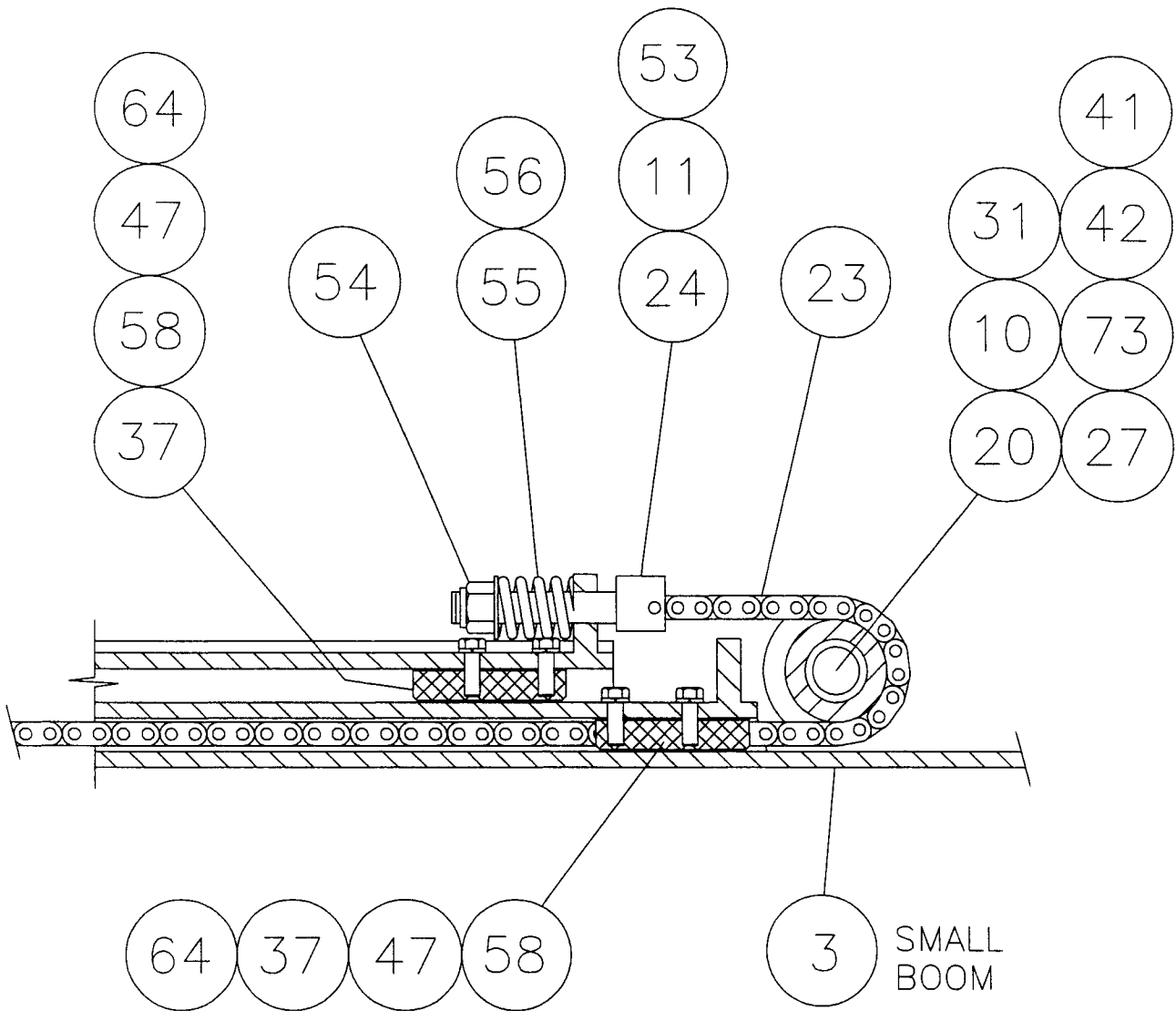


ITEM	NUMBER	DESCRIPTION	REQD
1	P1-1911	ENGINE and PUMP ASSEMBLY	REF
2	7-126-354	TRANSMISSION ASSEMBLY	1
3	7-229-693	AXLE ASSEMBLY / FRONT	1
4	7-229-373	AXLE ASSEMBLY / REAR	1
5	6-6201-06	HEX NUT 3/8 NC	8
6	7-229-889	DRIVESHAFT / FRONT	1
7	7-229-888	DRIVESHAFT / REAR	1
8	1-1239	BASE PLATE / SWAY MOUNT	4
9	3-1401	MOUNT / SWAY / RH & LH	4
10	6-6211-06	LOCKWASHER 3/8	24
11	6-6212-10	FLATWASHER 5/8	4
12	6-5306-14	CAPSCREW 3/8 NF x 1 3/4 LG.	8
13	7-326-01	RUBBER MOUNT / ENGINE	4
14	6-8510-40	CAPSCREW 10mm x 1.5 x 40mm LG.	11
15	6-9111-10	LOCKWASHER 10mm	11
16	6-5312-48	CAPSCREW 3/4 NF x 6 LG.	8
17	6-5310-32	CAPSCREW 5/8 NF x 4 LG.	4
18	6-6211-10	LOCKWASHER 5/8	4
19	6-6202-10	HEX NUT 5/8 NF	4
20	6-5312-68	CAPSCREW 3/4 NF x 8 1/2 LG.	16
21	6-6211-12	LOCKWASHER 3/4	24
22	6-6202-12	HEX NUT 3/4 NF	24
23	6-8112-35	CAPSCREW 12mm x 1.75 x 35mm LG.	5
24	6-9111-12	LOCKWASHER 12mm	5
25	3-1360-1	MOUNT / TRANSMISSION / LH	1
26	3-1360-2	MOUNT / TRANSMISSION / RH	1
27	6-5206-12	CAPSCREW 3/8 NC x 1 1/2 LG.	8
28	6-5306-14	CAPSCREW 3/8 NF x 1 3/4 LG.	8
29	7-229-895	STRAP / DRIVESHAFT U-JOINT	4
30	7-229-896	FLANGE 12-POINT SCREW 3/8 NF x 3/4 LG.	8

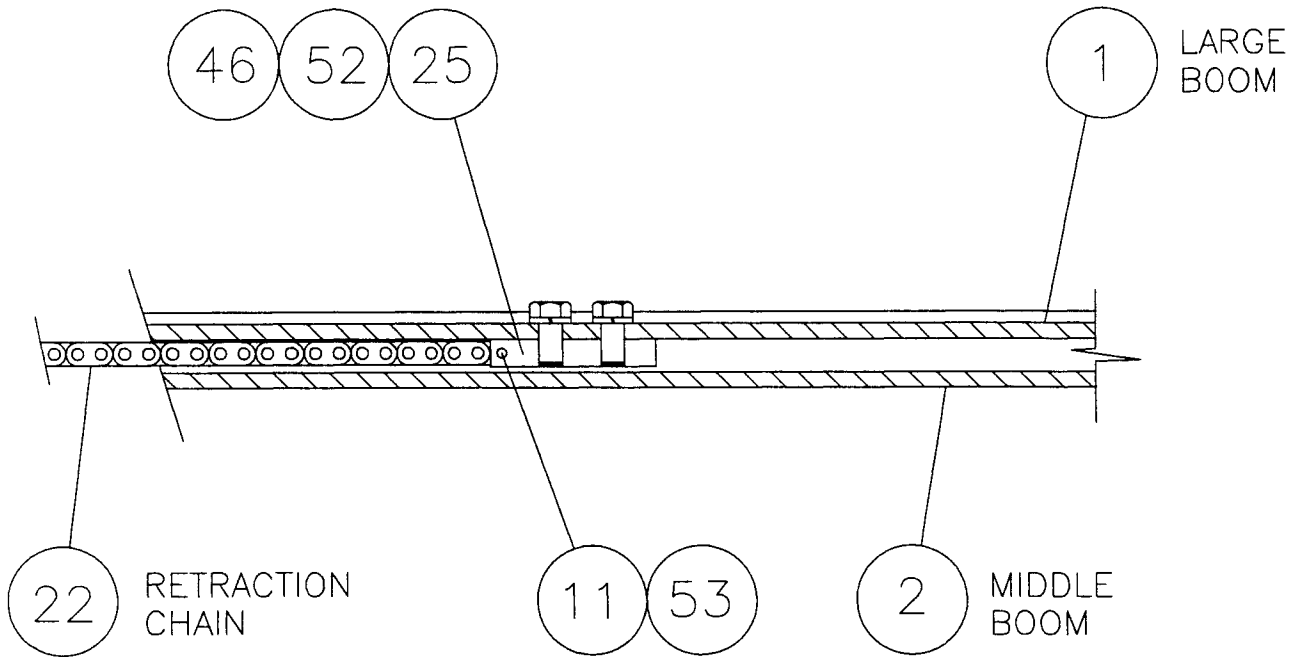


ITEM	NUMBER	DESCRIPTION	REQD
1	7-183-224	ENGINE ASSY / JD-4045TF270	1
2	7-345-113	PUMP / PISTON TYPE / 60cc	1
3	4-2056	MOUNT / ENGINE / FRONT	1
4	7-362-05	RADIATOR	1
5	7-158-72	RADIATOR HOSE / UPPER	1
6	7-158-73	RADIATOR HOSE / LOWER	1
7	4-2065	UPPER RADIATOR MOUNT	1
8	7-190-04	RUBBER MOUNT / CENTER BONDED	3
9	6-6252-07	CLAMP / RADIATOR HOSE	2
10	6-6252-09	CLAMP / RADIATOR HOSE	2
11	6-8112-35	CAPSCREW 12mm x 1.75 x 35mm	6
12	6-9111-12	LOCKWASHER 12mm	6
13	6-5206-16	CAPSCREW 3/8 NC x 2 LG.	3
14	6-6205-06	SELF LOCKING NUT 3/8 NC	3
15	7-183-38	FAN / BLOWER / 18 IN. (w/ ENGINE)	REF
16	6-5208-20	CAPSCREW 1/2 NC x 2 1/2 LG.	4
17	6-6212-08	FLATWASHER 1/2	4
18	6-6211-08	LOCKWASHER 1/2	4
19	7-190-02	WASHER / BONDED RUBBER MOUNT	3
20	4-1685	FAN GUARD / 18 IN. FAN	1
21	6-5205-08	CAPSCREW 5/16 NC x 1 LG.	4
22	6-6211-05	LOCKWASHER 5/16	4
23	6-6212-06	FLATWASHER 3/8	4
24	7-183-96	SPACER / FAN / 2 IN. (w/ ENGINE)	REF
25	7-126-517	GASKET / PUMP DRIVE	1

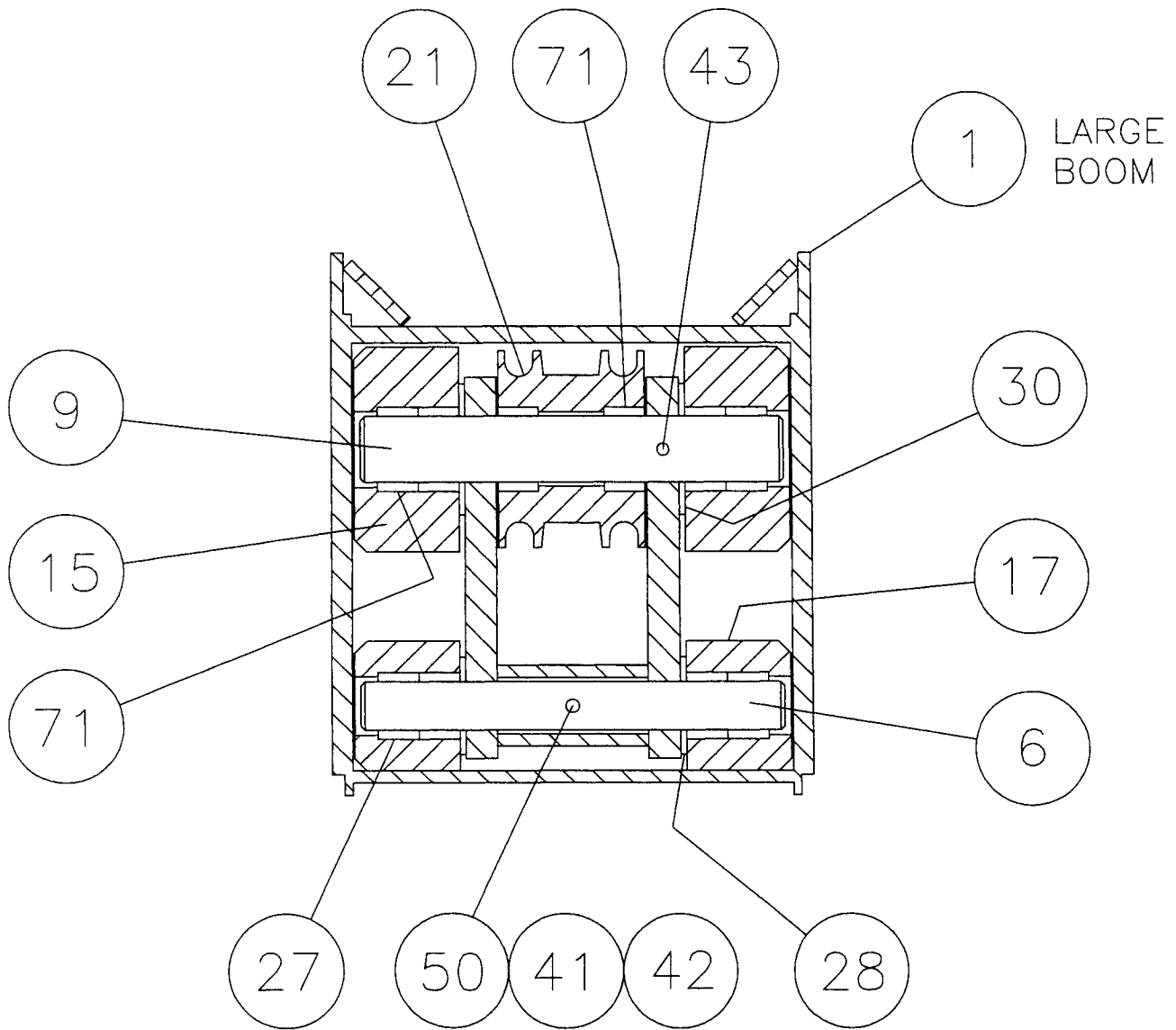




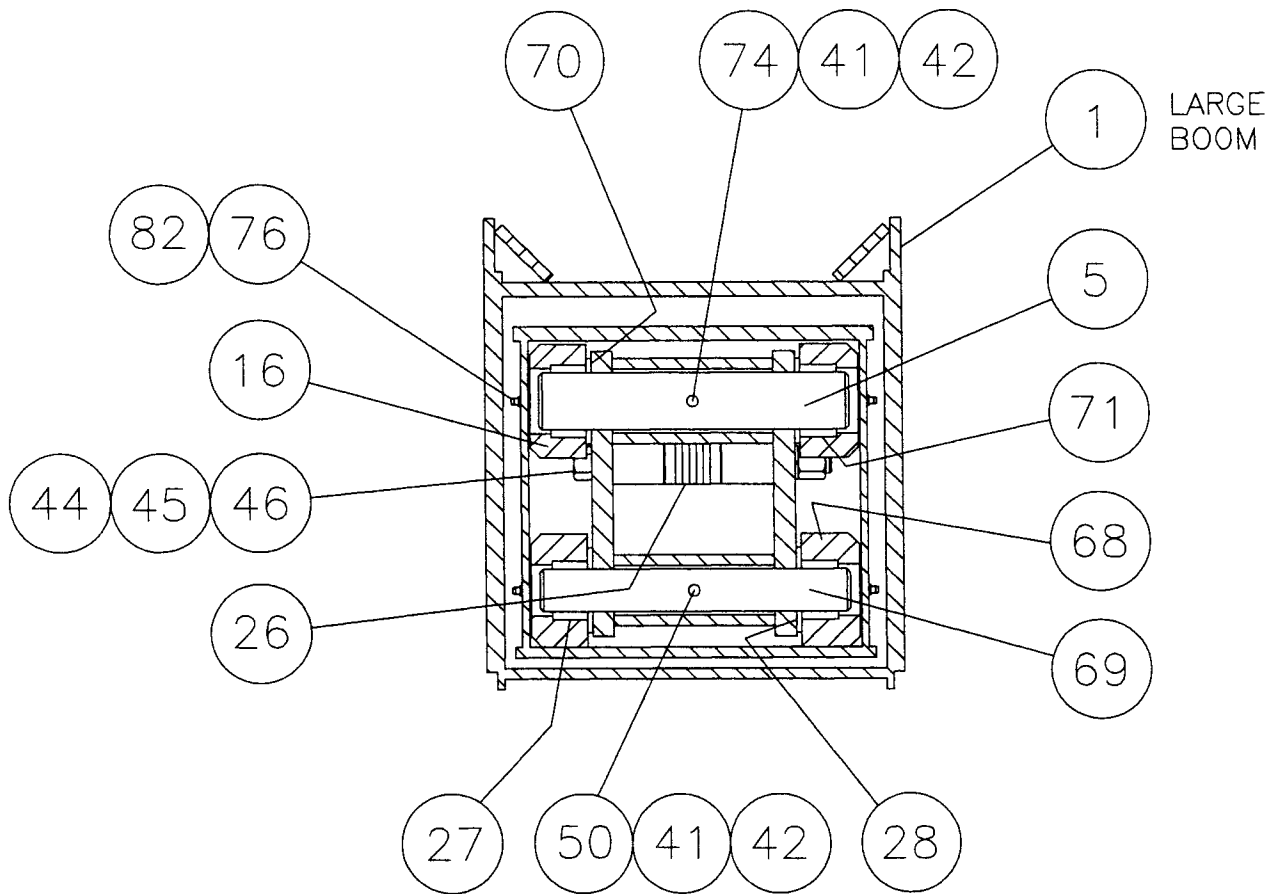
VIEW OF EXTENSION
CHAIN, ROLLER, & SPRING



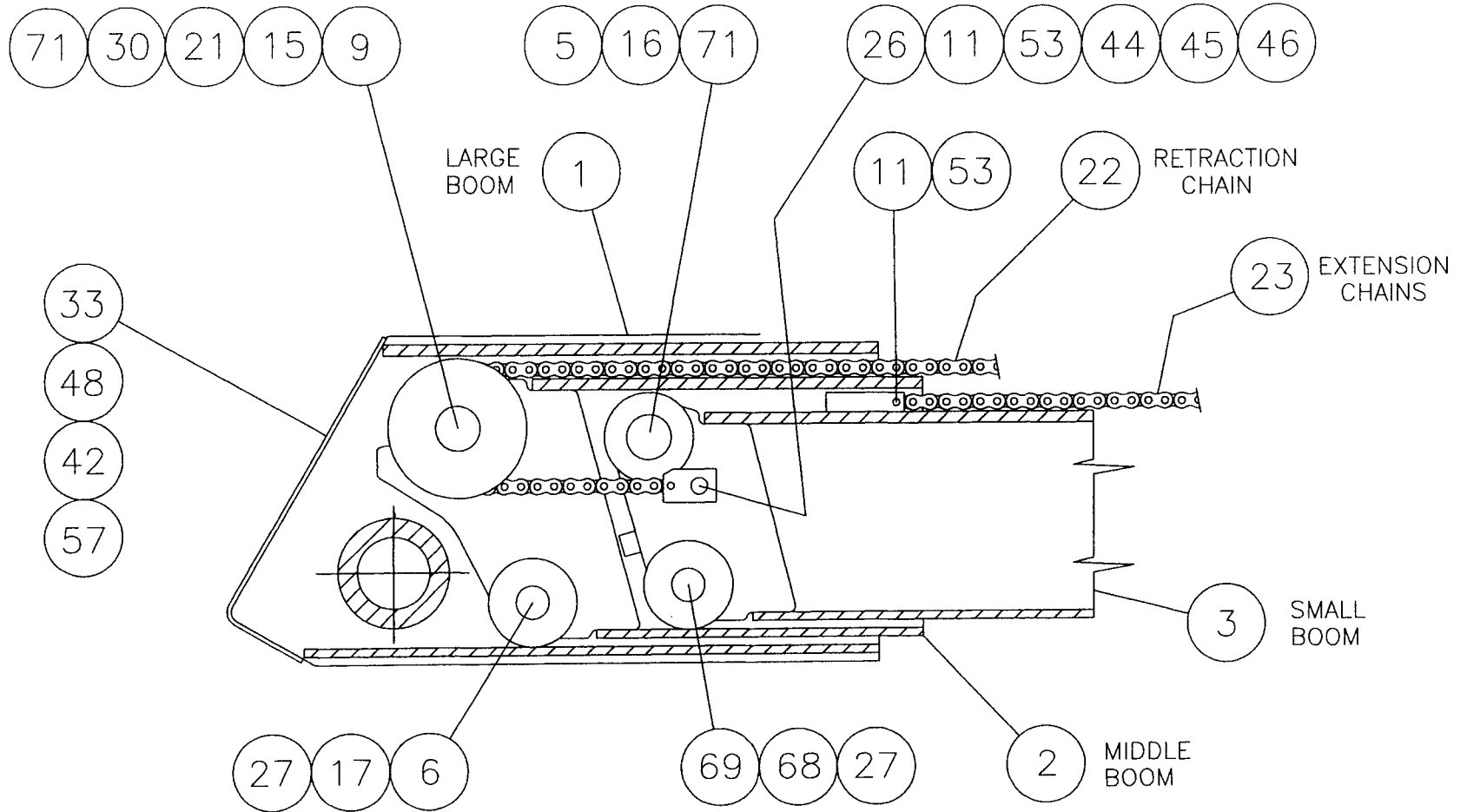
VIEW OF RETRACTION CHAIN MOUNTED TO LARGE BOOM



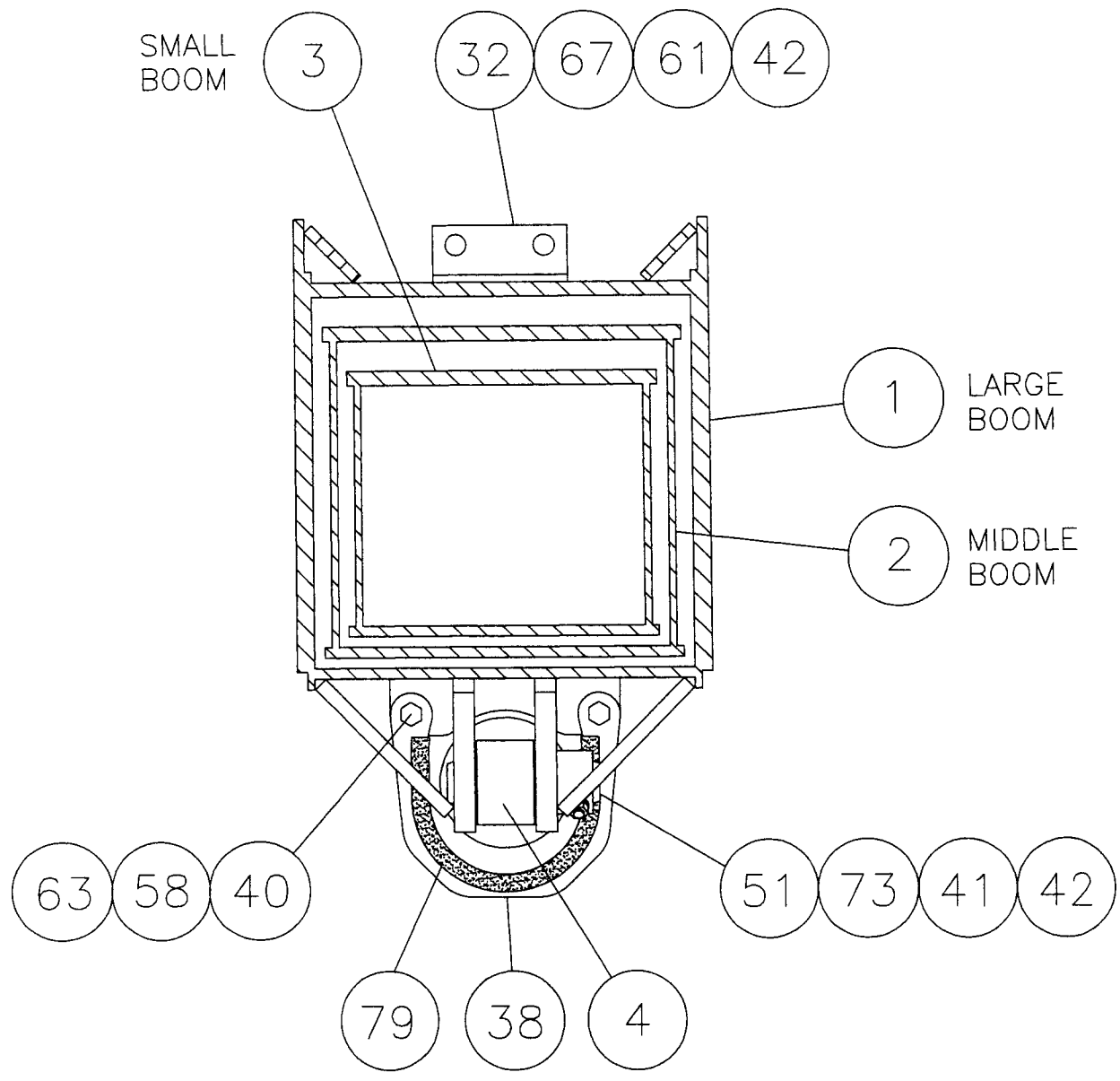
VIEW OF REAR ROLLERS
MOUNTED TO MIDDLE BOOM



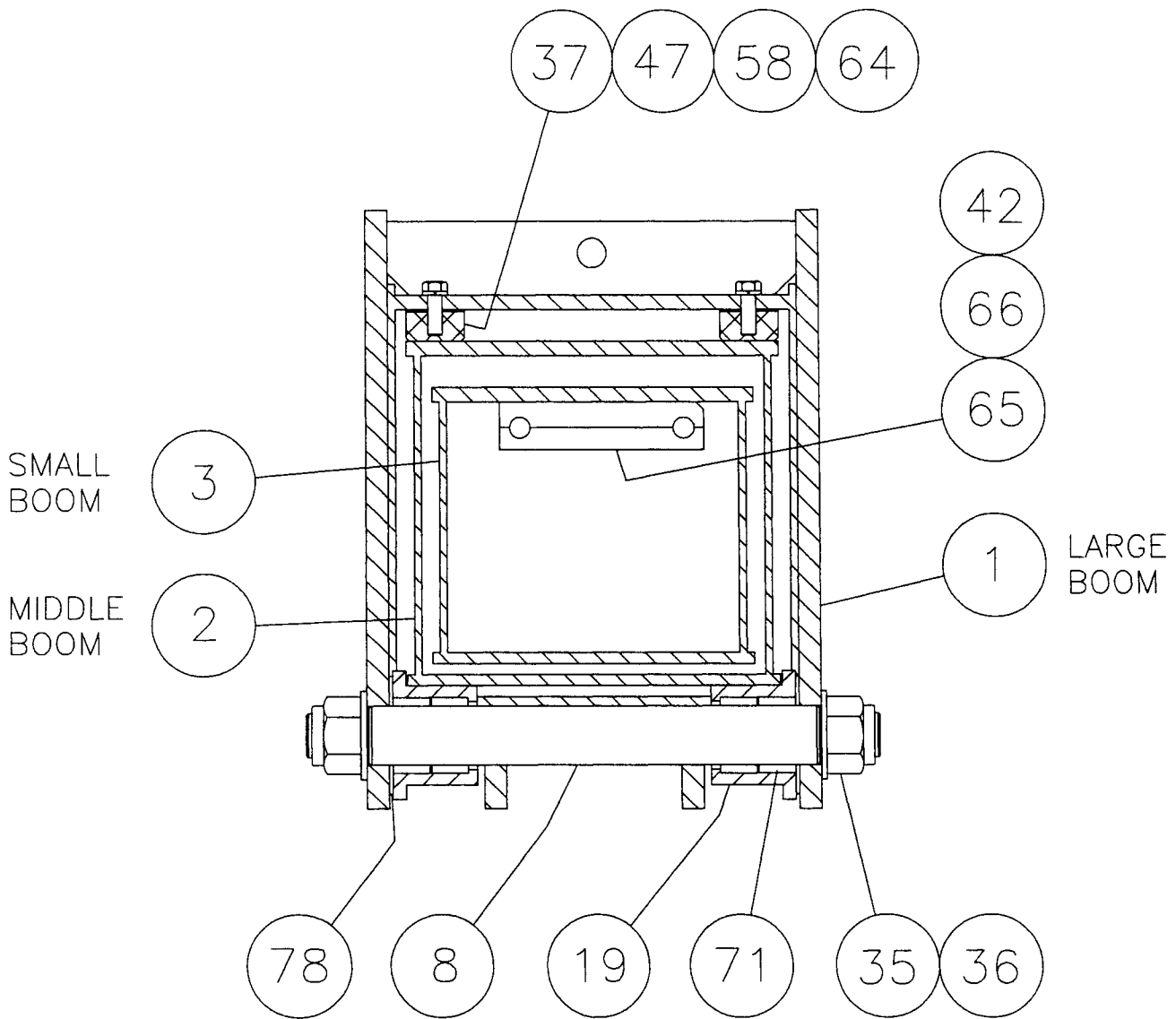
VIEW OF REAR ROLLERS
MOUNTED TO SMALL BOOM



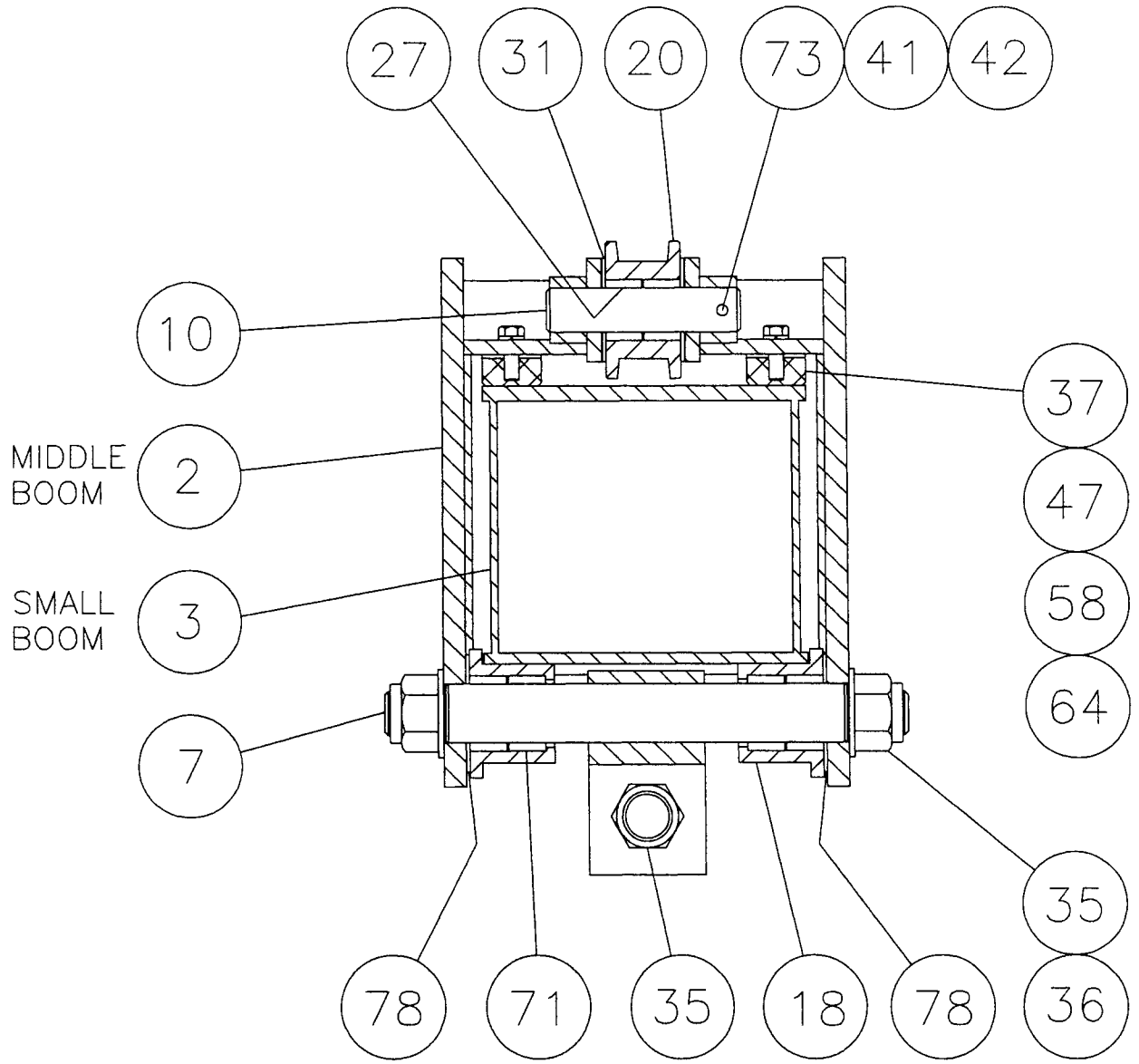
VIEW OF REAR ROLLERS
SMALL & MIDDLE BOOMS



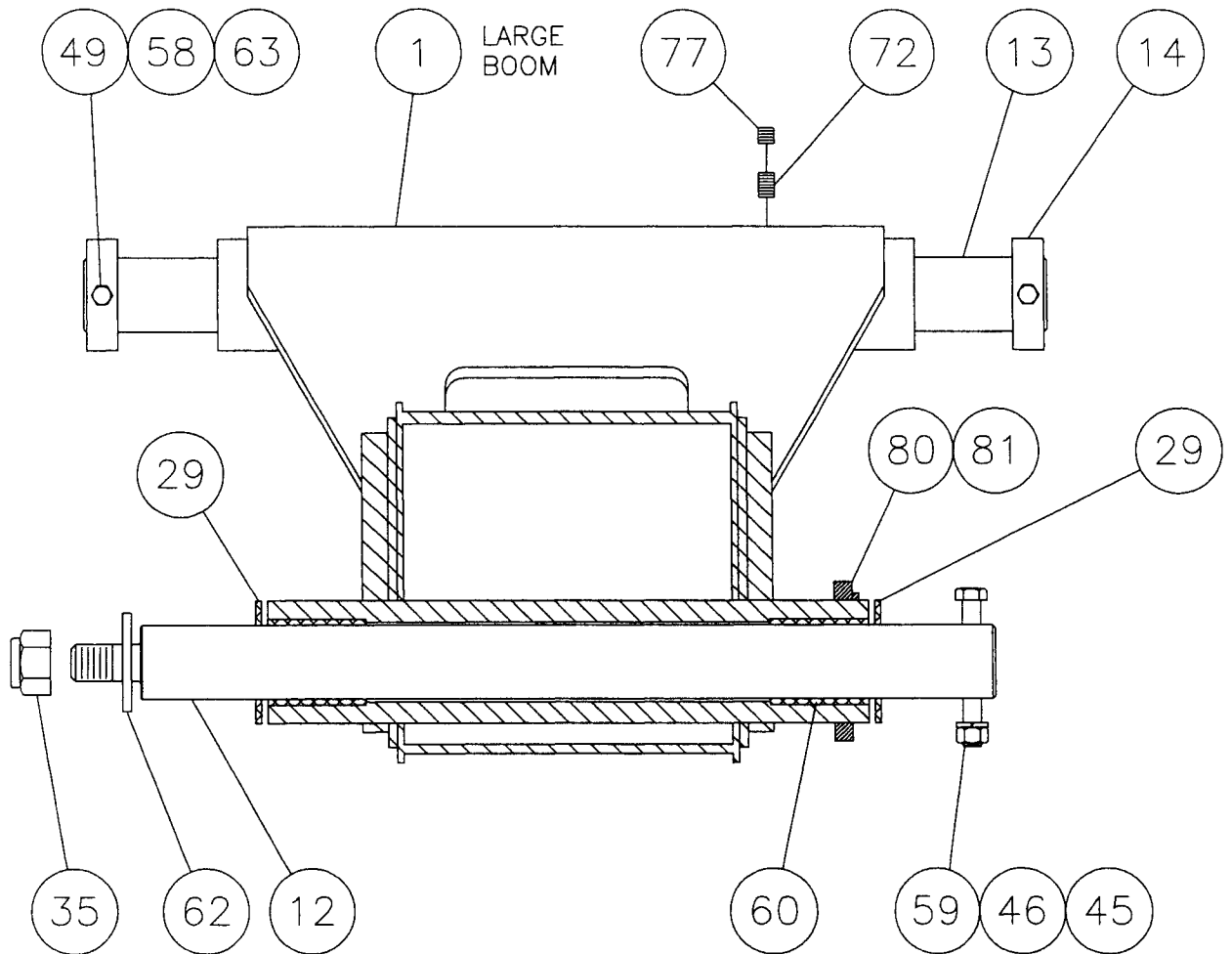
VIEW OF BOOM CYLINDER
BASE END & HEAD SUPPORT



VIEW OF FRONT ROLLERS
SUPPORTING MIDDLE BOOM



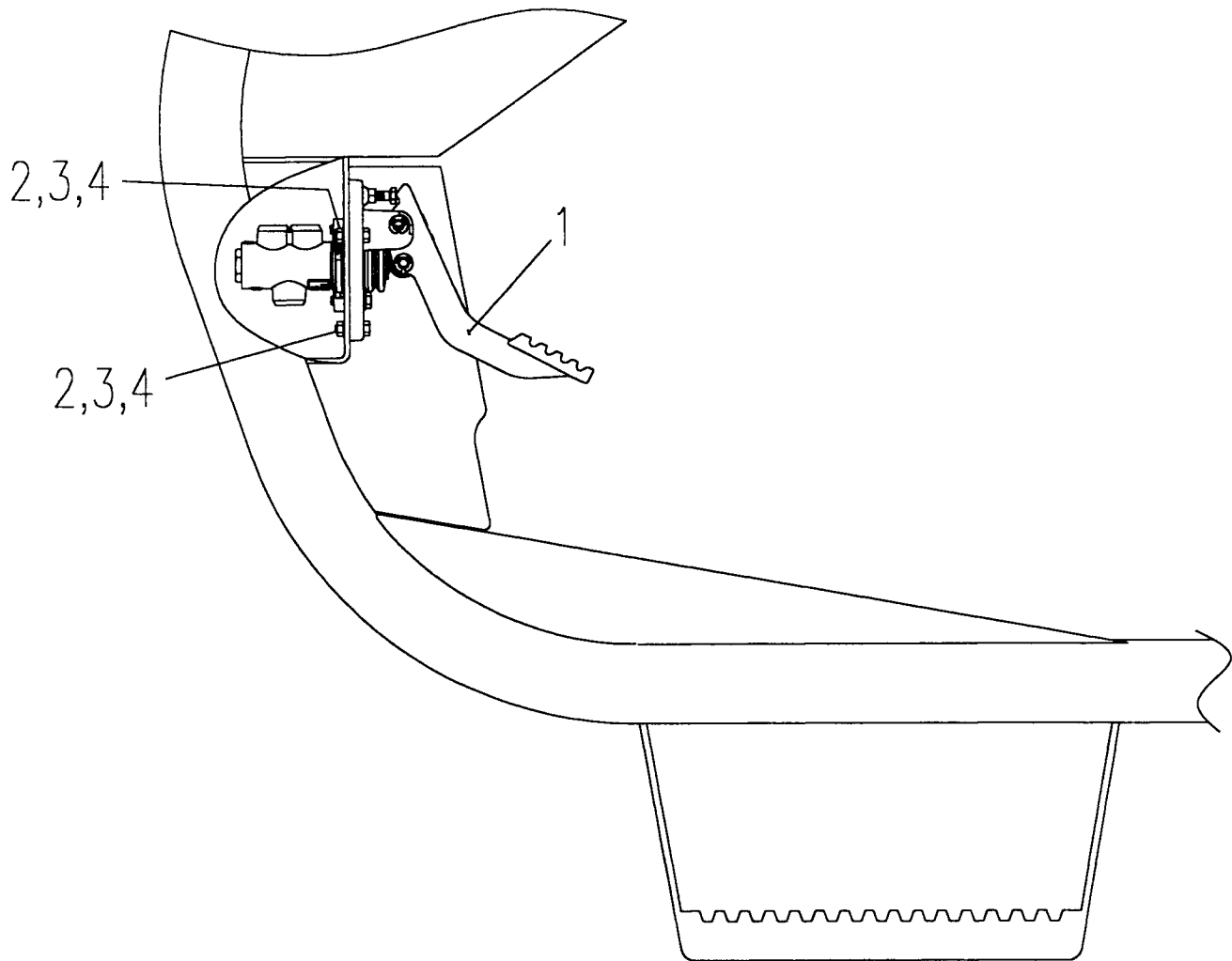
VIEW OF FRONT ROLLERS
SUPPORTING SMALL BOOM



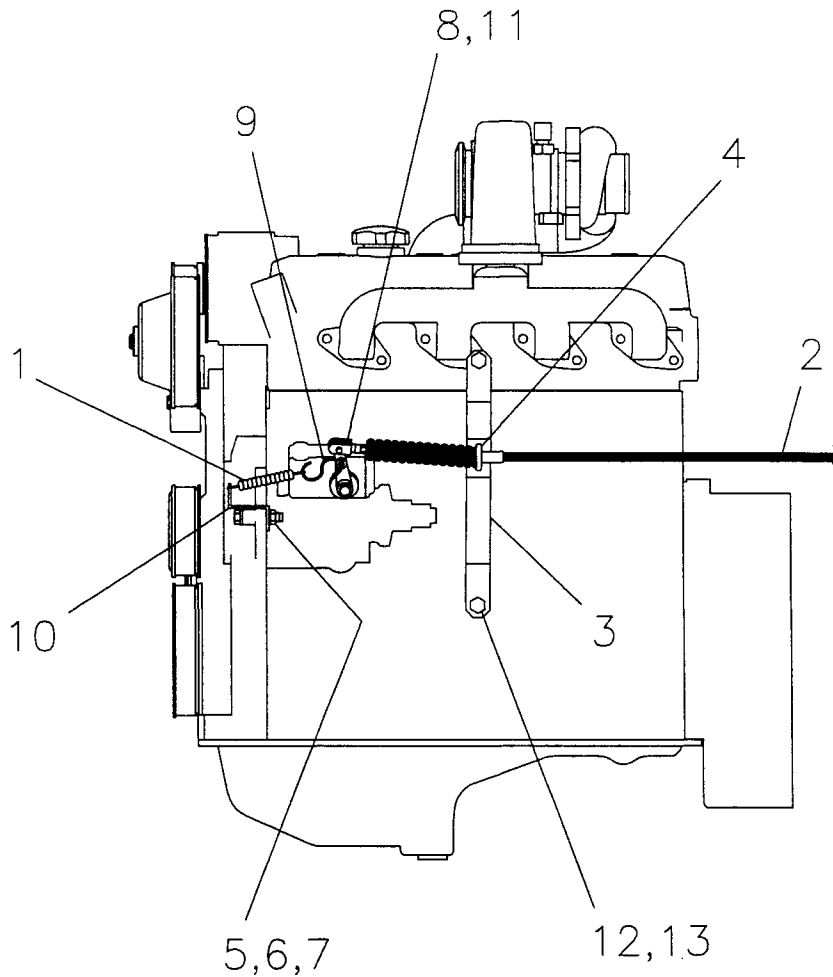
VIEW OF BOOM PIVOT PIN
& LIFT CYLINDER TOP SHAFT

ITEM	NUMBER	DESCRIPTION	REQD
1	4-2212	LARGE BOOM	1
2	4-2213	MIDDLE BOOM	1
3	4-1513	SMALL BOOM	1
4	7-316-211	BOOM CYLINDER	REF
5	4-1449-1	PIN / S-BOOM / REAR-TOP	1
6	4-1073-2	PIN / M-BOOM / REAR-BOT	1
7	4-1449-6	PIN / M-BOOM / FRONT-BOT	1
8	4-1073-6	PIN / L-BOOM / FRONT-BOT	1
9	4-1073-3	PIN / M-BOOM / REAR-TOP	1
10	3-1191-6	PIN / FRONT CHAIN SHEAVE	1
11	2-1052-3	PIN / LEAF CHAIN	4
12	3-1154-5	CROSS SHAFT / MAIN PIVOT	1
13	3-1092-3	CROSS SHAFT / HEAD LIFT CYLINDER	REF
14	6-2524-10	COLLAR	REF
15	4-1074-1B	ROLLER / M-BOOM / REAR-TOP	2
16	4-1475-1B	ROLLER / S-BOOM / REAR-TOP	2
17	4-1074-2B	ROLLER / M-BOOM / REAR-BOT	2
18	4-1475-2B	ROLLER / M-BOOM / FRONT-BOT	2
19	4-1475-2B	ROLLER / L-BOOM / FRONT-BOT	2
20	4-1246-4B	SHEAVE / CHAIN / FRONT	1
21	4-1074-8B	SHEAVE / HOSE	1
22	1-1013-4	LEAF CHAIN / RETRACTION	1
23	1-1013-3	LEAF CHAIN / EXTENSION	1
24	4-1237-1	CHAIN ANCHOR / ADJUSTABLE	1
25	4-1237-2	CHAIN ANCHOR / BOLT-ON	1
26	4-1237-4	CHAIN ANCHOR / PINNED	1
27	7-193-05	NEEDLE BEARING / 1.500 ID	REF
28	6-6600-02	THRUST WASHER 3.00 x 1.50 x .188	4
29	6-6600-14	THRUST WASHER 5.00 x 3.00 x .250	2
30	6-6600-05	THRUST WASHER 4.00 x 2.00 x .188	4
31	6-6600-12	THRUST WASHER 3.50 x 1.50 x .125	2
32	3-1244-1	MANIFOLD BLOCK	1
33	3-1396	COVER / REAR ACCESS	1
34	3-1280	GUARD / TILT VALVE	1
35	6-6206-24	SELF-LOCKING NUT 1 1/2 NF	6
36	6-6215-24	FLATWASHER 1 1/2	4
37	2-1184	WEAR PAD / BOOM	4
38	4-1713-1	SUPPORT / BOOM CYLINDER	1
39	6-4516-24	BRONZE BUSHING / SMALL BOOM	REF
40	6-5208-14	CAPSCREW 1/2 NC x 1 3/4 LG.	2
41	6-6201-06	HEX NUT 3/8 NC	4
42	6-6211-06	LOCKWASHER 3/8	14
43	6-6275-04	SETSCREW 3/8 NC x 3/4 LG.	2
44	6-5312-68	CAPSCREW 3/4 NF x 8 1/2 LG.	1
45	6-6202-12	HEX NUT 3/4 NF	2
46	6-6211-12	LOCKWASHER 3/4	4
47	6-5208-10	CAPSCREW 1/2 NC x 1 1/4 LG.	8
48	6-5206-06	CAPSCREW 3/8 NC x 3/4 LG.	6
49	6-5208-44	CAPSCREW 1/2 NC x 5 1/2 LG.	REF
50	6-5206-24	CAPSCREW 3/8 NC x 3 LG.	2

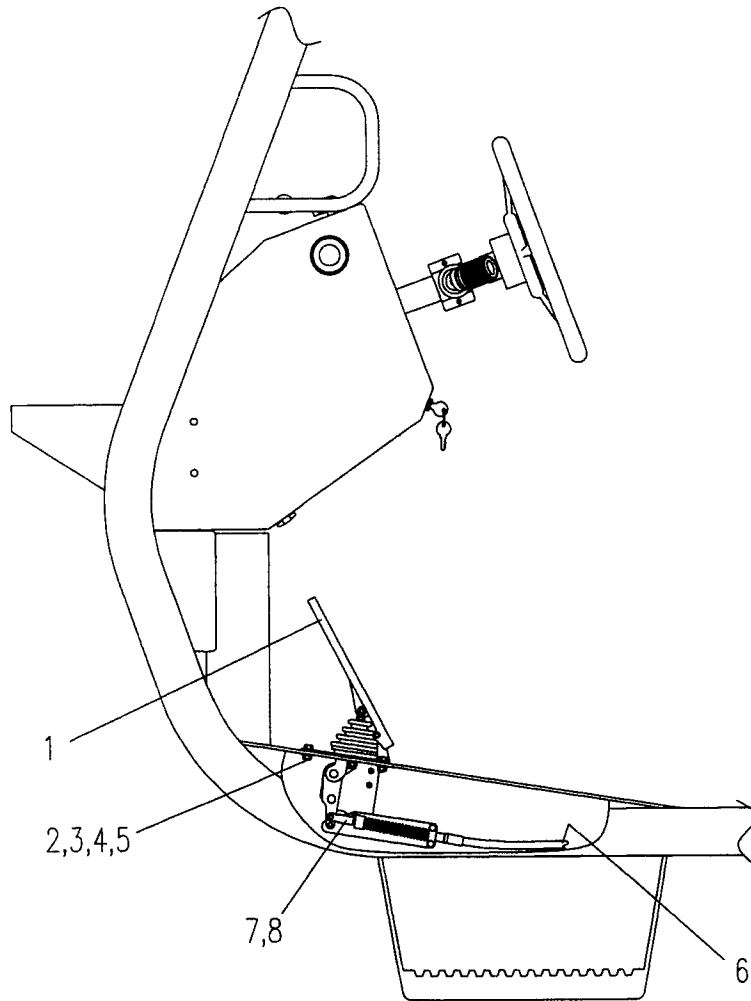
ITEM	NUMBER	DESCRIPTION	REQD
51	2-1090	PIN / BASE BOOM CYLINDER	REF
52	6-5312-12	CAPSCREW 3/4 NF x 1 1/2 LG.	2
53	6-6243-06	COTTER PIN 3/32 x 3/4 LG.	8
54	7-142-01	SELF-LOCKING NUT 1-12 THD.	1
55	7-194-01	SPRING / COMPRESSION	1
56	6-6215-16	FLATWASHER 1.0	1
57	6-6212-06	FLATWASHER 3/8	6
58	6-6211-08	LOCKWASHER 1/2	10
59	6-5312-48	CAPSCREW 3/4 NF x 6 LG.	1
60	6-4524-32	BRONZE BUSHING / LARGE BOOM	REF
61	6-5206-20	CAPSCREW 3/8 NC x 2 1/2 LG.	2
62	1-1306	WASHER / STEEL	1
63	6-6201-08	HEX NUT 1/2 NC	2
64	1-1101-3	SHIM / 3/16	4
65	2-1109	CLAMP / 1/2 HOSE	1
66	6-5206-18	CAPSCREW 3/8 NC x 2 1/4 LG.	2
67	3-1244-2	SPACER / MANIFOLD BLOCK	1
68	4-1074-3B	ROLLER / S-BOOM / REAR-BOT	2
69	4-1073-1	PIN / S-BOOM / REAR-BOT	1
70	6-6600-03	THRUST WASHER 3.00 x 2.00 x .188	2
71	7-193-07	NEEDLE BEARING / 2.000 ID	REF
72	6-6275-05	SETSCREW 5/8 NC x 1 LG.	1
73	6-5206-22	CAPSCREW 3/8 NC x 2 3/4 LG.	1
74	6-5206-28	CAPSCREW 3/8 NC x 3 1/2 LG.	1
75	6-6301	LUBE FITTING 1/8 NPT STR	4
76	6-6306	LUBE FITTING 1/4-28 STR	8
77	6-6275-07	SETSCREW 5/8 NC x 5/8 LG.	1
78	6-6600-06	THRUST WASHER 4.00 x 2.00 x .125	2
79	6-9600-105	EDGING 1/2 x 13 1/8 LG.	1
80	3-1404	SWITCH ACTIVATOR	1
81	6-6275-04	SETSCREW / 3/8 NC x 3/4 LG.	3
82	6-6275-06	SETSCREW / 1/4 NF x 1/4 LG.	4



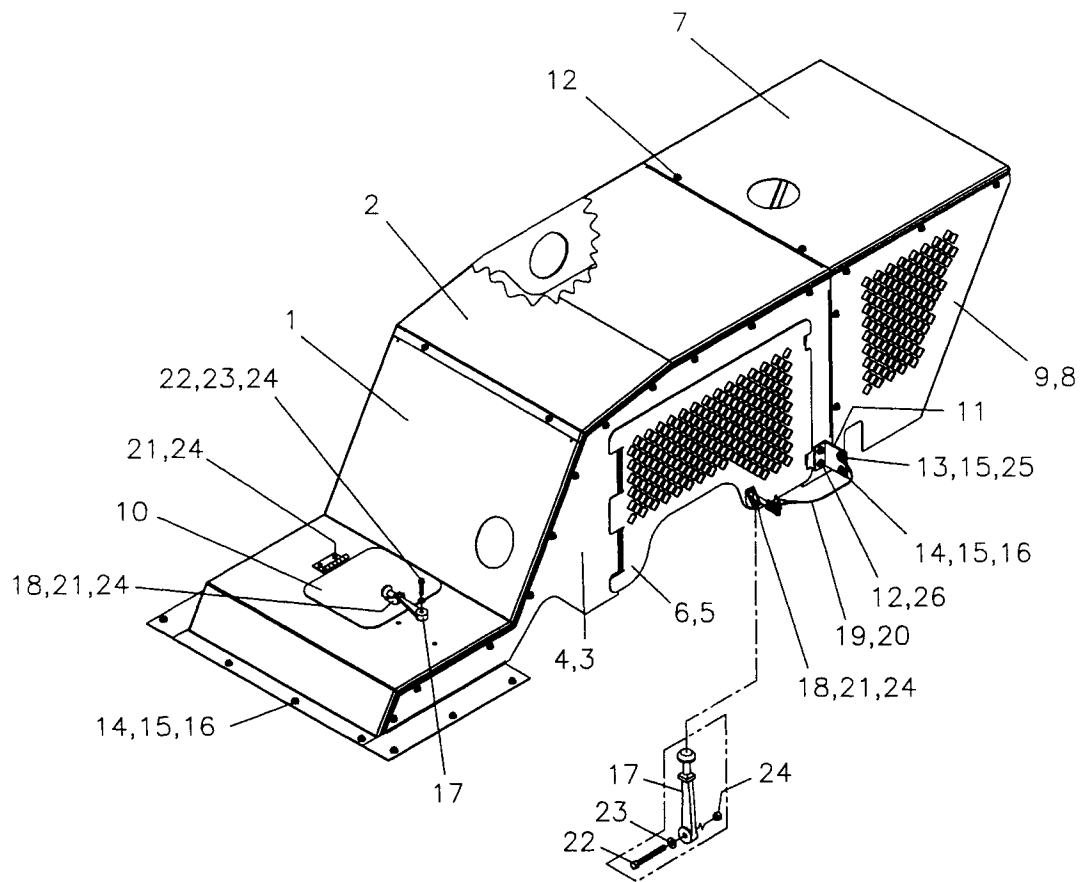
ITEM	NUMBER	DESCRIPTION	REQD
1	7-198-48	BRAKE PEDAL / HANGING	REF
2	6-5206-10	CAPSCREW 3/8 NC x 1 1/4 LG.	3
3	6-6211-06	LOCKWASHER 3/8	3
4	6-6201-06	HEX NUT 3/8 NC	3
5	7-198-49	SEAL KIT (FOR ITEM 1)	REF



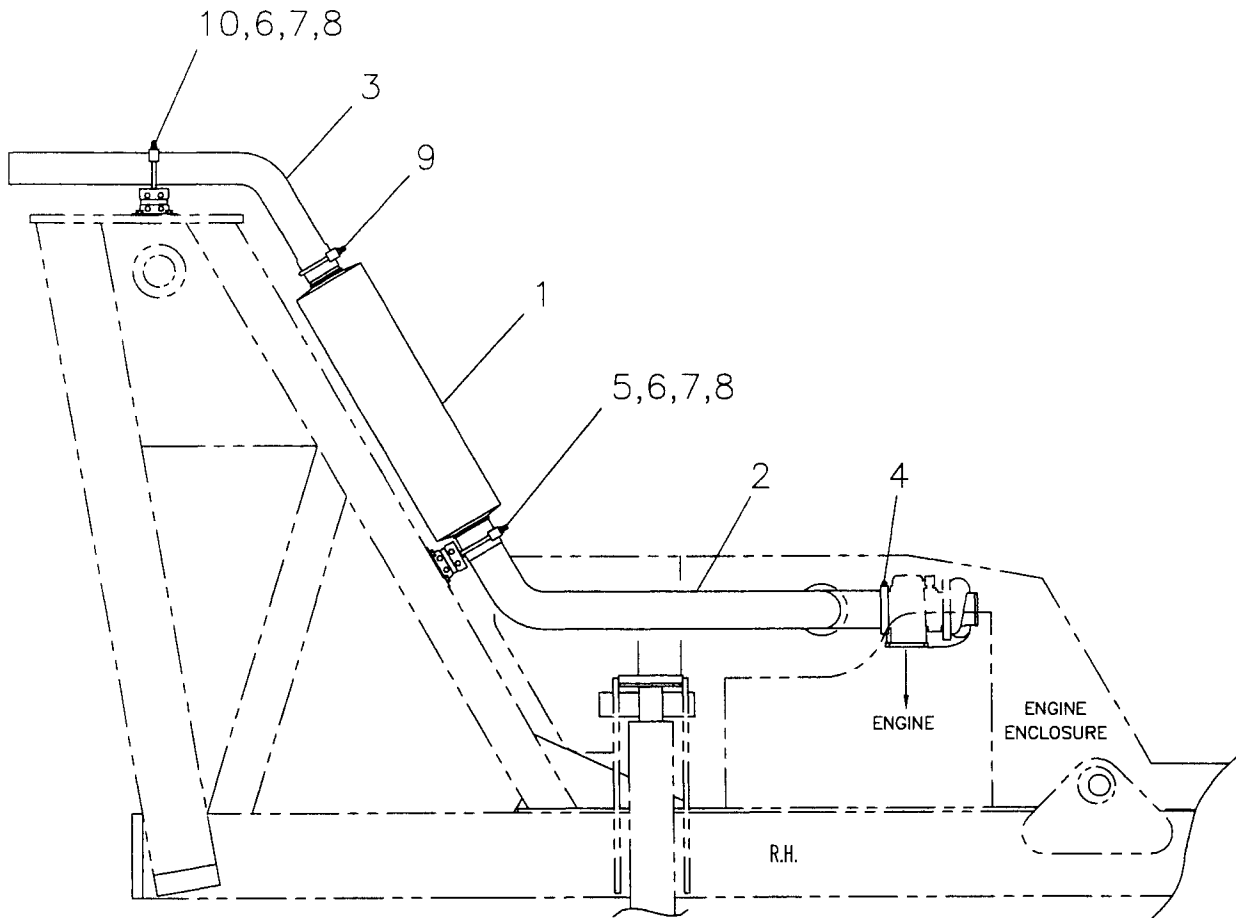
ITEM	NUMBER	DESCRIPTION	REQD
1	7-194-20	SPRING / RETURN	1
2	7-266-02	CABLE / ACCELERATOR	REF
3	3-1213	MOUNT / ACCELERATOR CABLE	1
4	7-194-07	U-BOLT W/ NUTS	1
5	6-8108-55	CAPSCREW 8 mm x 1.25 x 55 mm LG.	1
6	6-9111-08	LOCKWASHER 8 mm	1
7	6-9101-08	HEX NUT 8 mm	1
8	7-194-05	YOKE W/ CLEVIS PIN & COTTER PIN	1
9	7-194-18	S-HOOK	1
10	1-1017	MOUNT / RETURN SPRING	1
11	6-6208-04	JAM NUT 1/4-28 (w/ CABLE)	REF
12	6-8514-25	CAPSCREW 14 mm x 2.0 x 25 mm LG.	REF
13	6-9111-14	LOCKWASHER 14 mm	REF



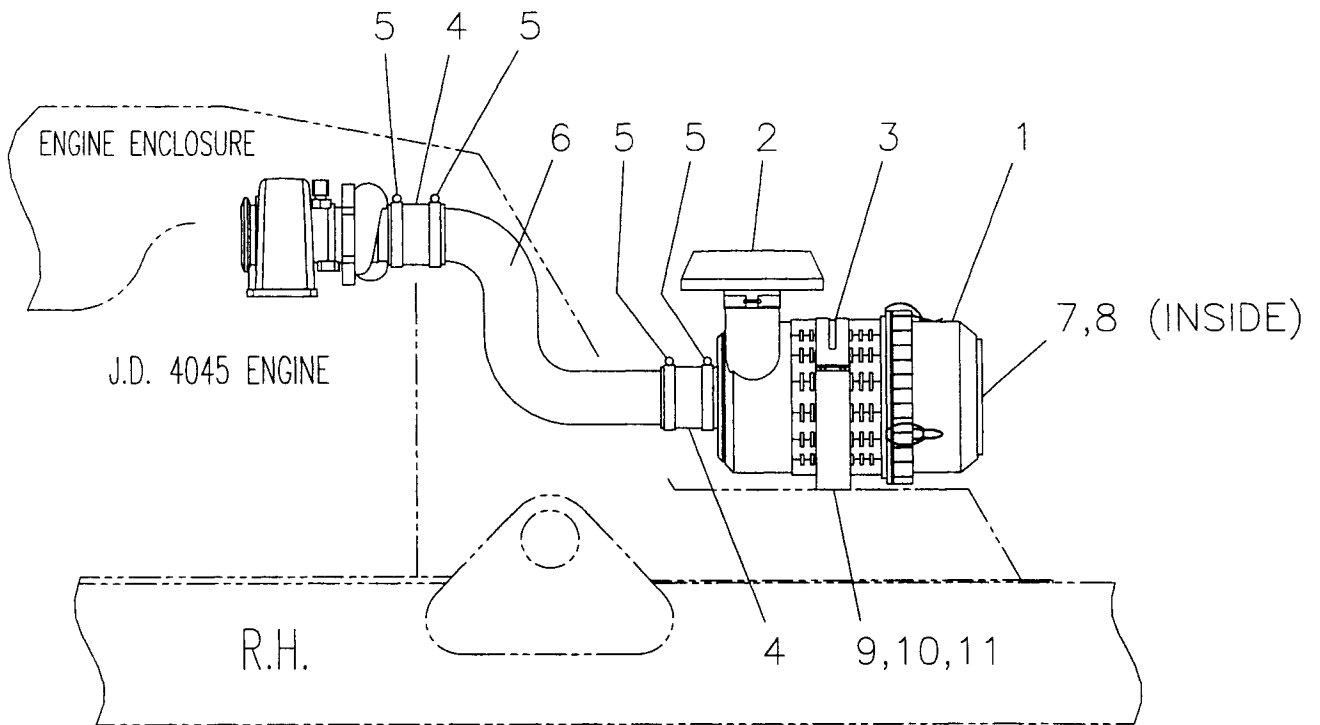
ITEM	NUMBER	DESCRIPTION	REQD
1	7-120-11	PEDAL / ACCELERATOR	1
2	6-5204-06	CAPSCREW 1/4 NC x 3/4 LG.	3
3	6-6212-04	FLATWASHER 1/4	3
4	6-6211-04	LOCKWASHER 1/4	3
5	6-6201-04	HEX NUT 1/4 NC	3
6	7-266-02	CABLE / ACCELERATOR	1
7	7-194-05	YOKE w/ CLEVIS PIN & COTTER PIN	1
8	6-6208-04	JAM NUT 1/4-28 (w/ CABLE)	REF



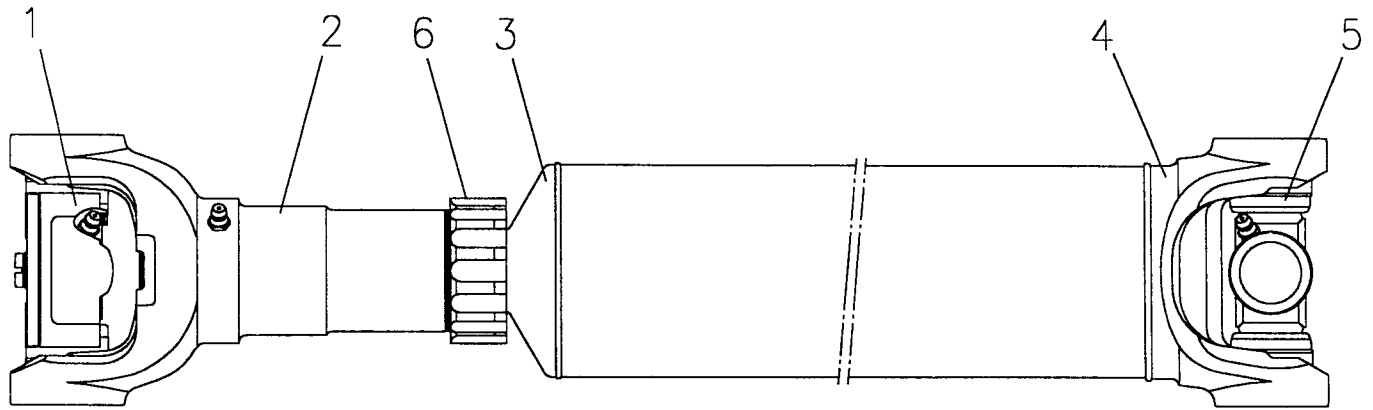
ITEM	NUMBER	DESCRIPTION	REQD
1	4-2346-1	TOP FRONT COVER / FRONT HOUSING	1
2	4-1742-2	TOP REAR COVER / FRONT HOUSING	1
3	4-2346-3	SIDE PLATE / RH / FRONT HOUSING	1
4	4-2346-4	SIDE PLATE / LH / FRONT HOUSING	1
5	4-2346-5	SIDE SCREEN / RH / FRONT HOUSING	1
6	4-2346-6	SIDE SCREEN / LH / FRONT HOUSING	1
7	4-1742-7	TOP COVER / REAR HOUSING	1
8	4-1742-8	SIDE PLATE / RH / REAR HOUSING	1
9	4-1742-9	SIDE PLATE / LH / REAR HOUSING	1
10	4-2346-7	ACCESS COVER / FRONT HOUSING	1
11	4-1728-10	SUPPORT BRACKET / FRONT HOUSING	2
12	7-290-01	BODY BOLT 5/16 NC x 3/4 LG.	40
13	6-5206-08	CAPSCREW 3/8 NC x 1 LG.	2
14	6-5206-06	CAPSCREW 3/8 NC x 3/4 LG.	11
15	6-6211-06	LOCKWASHER 3/8	13
16	6-6212-06	FLATWASHER 3/8	11
17	7-360-02	LATCH / RUBBER	3
18	7-360-01	PLASTIC HOLDER	3
19	7-197-10	CABLE / TETHER	2
20	7-194-81	SPLIT RING	2
21	6-5204-06	CAPSCREW 1/4 NC x 3/4 LG.	8
22	6-5204-08	CAPSCREW 1/4 NC x 1 LG.	3
23	6-6212-04	FLATWASHER 1/4	3
24	6-6205-04	SELF LOCKING NUT 1/4 NC	11
25	7-190-02	FLATWASHER 3/8 LARGE	2
26	6-6212-05	FLATWASHER 5/16	4
27	4-2346	ENGINE ENCLOSURE (ITEMS 1-11)	REF



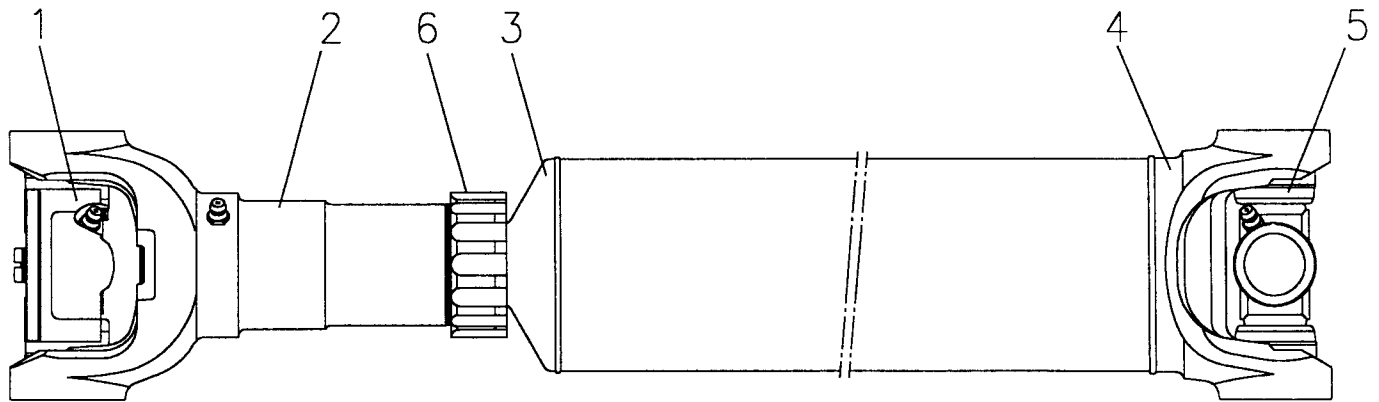
ITEM	NUMBER	DESCRIPTION	REQD
1	7-282-05	MUFFLER	1
2	4-1741	EXHAUST PIPE	1
3	3-1349	TAILPIPE	1
4	7-183-98	CLAMP / V-FLANGE (w/ ENGINE)	REF
5	3-1481	EXHAUST BRACKET ASSY / 3 1/2 IN.	1
6	6-5206-08	CAPSCREW 3/8 NC x 1 LG.	4
7	6-6211-06	LOCKWASHER 3/8	4
8	6-6212-06	FLATWASHER 3/8	4
9	7-319-14	CLAMP / MUFFLER / 3 1/4 IN.	1
10	3-1400	EXHAUST BRACKET ASSEMBLY / 3 IN.	1



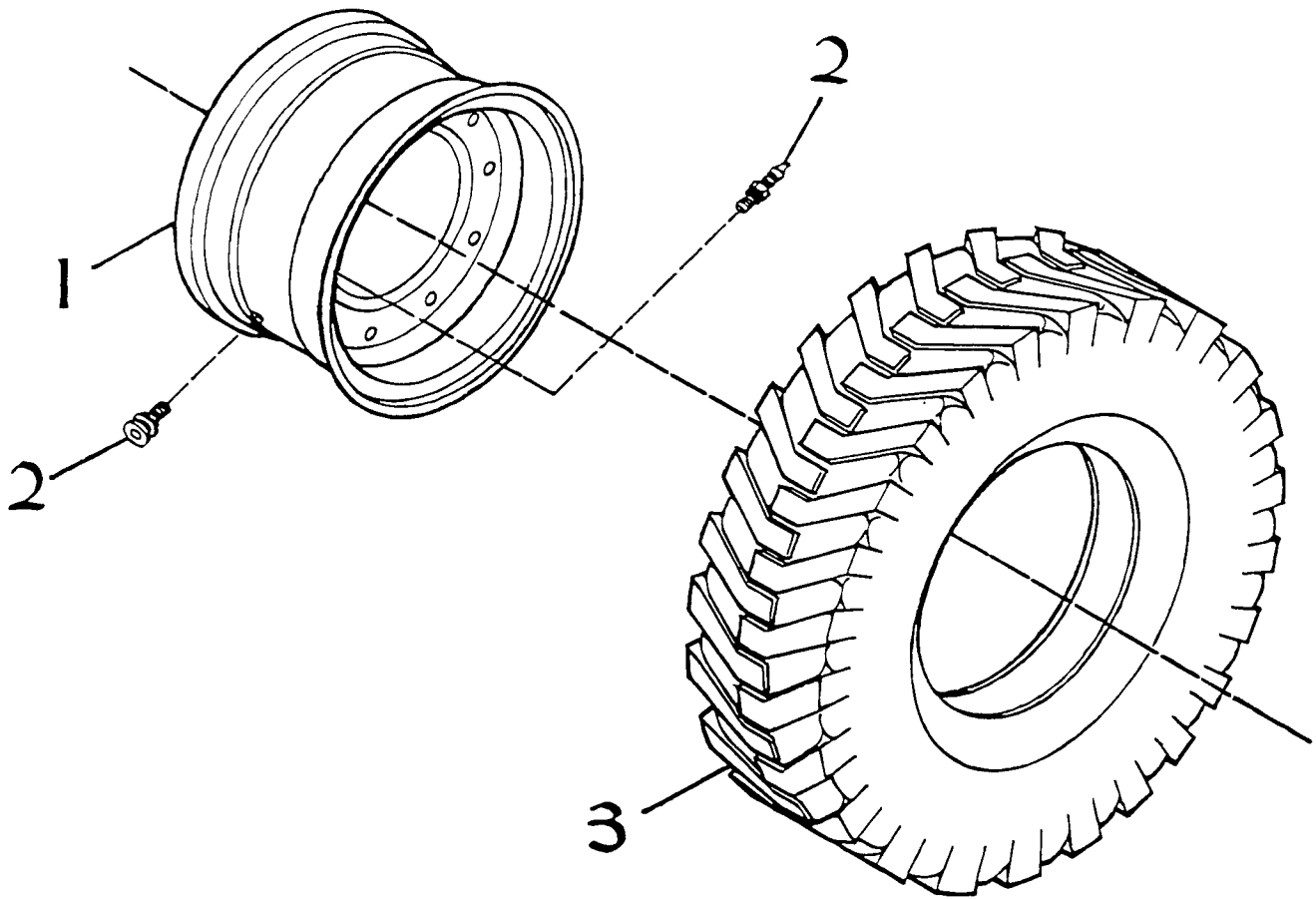
ITEM	NUMBER	DESCRIPTION	REQD
1	7-109-01	AIR CLEANER ASSEMBLY	1
2	7-109-02	HOOD	1
3	7-109-03	MOUNTING BAND	1
4	6-9619-26	RUBBER HOSE 3 I.D. x 3 1/4 LG.	2
5	6-6252-13	CLAMP / WORM / 3 IN.	4
6	3-1454	AIR INLET PIPE	1
7	7-109-04	FILTER / PRIMARY	REF
8	7-109-14	FILTER / SAFETY	1
9	6-5205-10	CAPSCREW 5/16 NC x 1 1/4 LG.	2
10	6-6212-05	FLATWASHER 5/16	2
11	6-6205-05	SELF-LOCKING NUT 5/16 NC	2



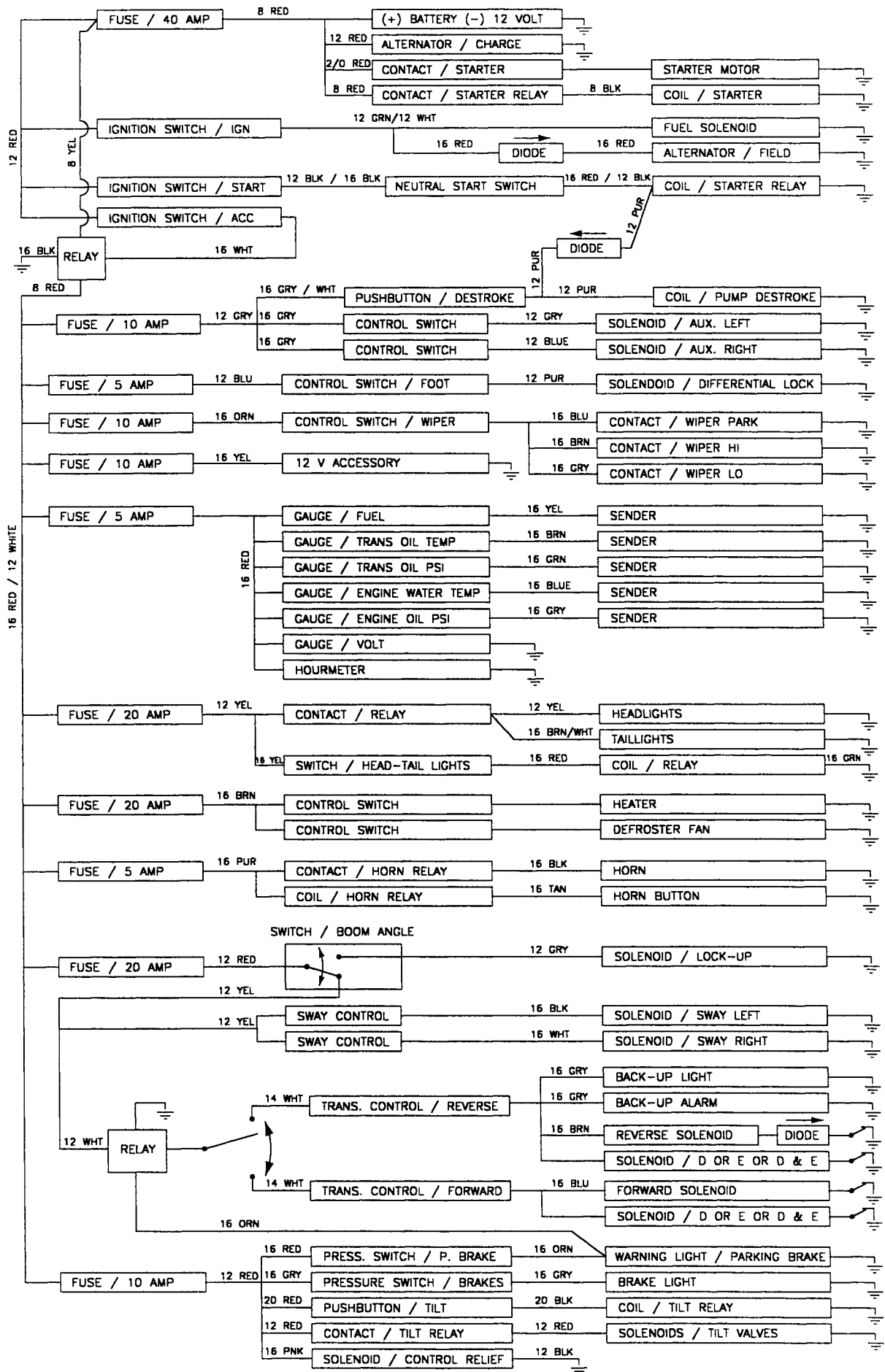
ITEM	NUMBER	DESCRIPTION	REQD
1	7-229-897	CROSS & BEARING ASSEMBLY	1
2	7-229-898	SLIP YOKE	1
3	7-229-899	SLIP STUB	1
4	7-229-900	WELD YOKE	1
5	7-229-901	CROSS & BEARING ASSEMBLY	1
6	7-229-902	DUST CAP & SEAL KIT	1
7	7-229-888	DRIVESHAFT ASSY (INCL. ITEMS 1-6)	REF

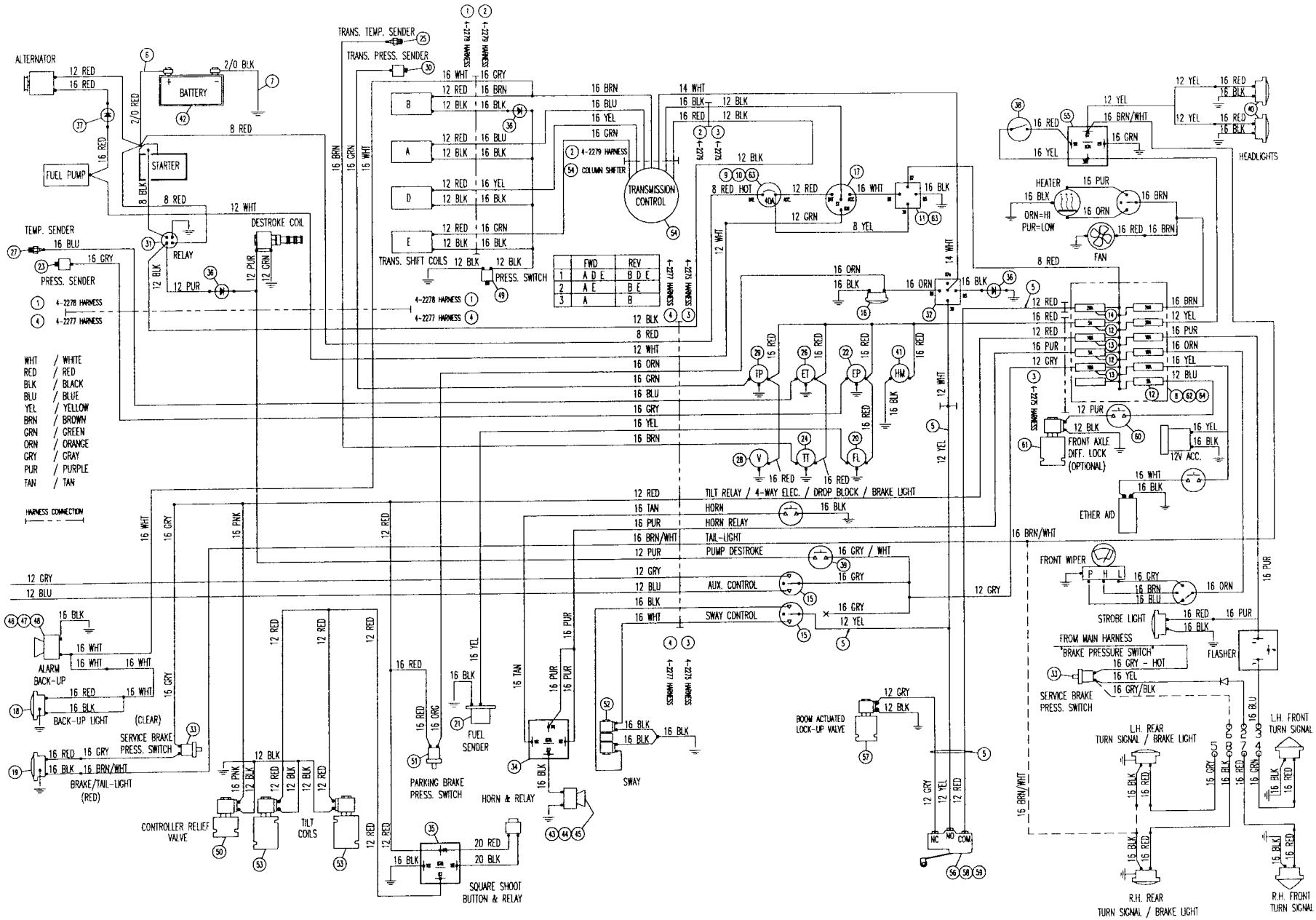


ITEM	NUMBER	DESCRIPTION	REQD
1	7-229-897	CROSS & BEARING ASSEMBLY	1
2	7-229-898	SLIP YOKE	1
3	7-229-899	SLIP STUB	1
4	7-229-900	WELD YOKE	1
5	7-229-901	CROSS & BEARING ASSEMBLY	1
6	7-229-902	DUST CAP & SEAL KIT	1
7	7-229-889	DRIVESHAFT ASSY (INCL. ITEMS 1-6)	REF



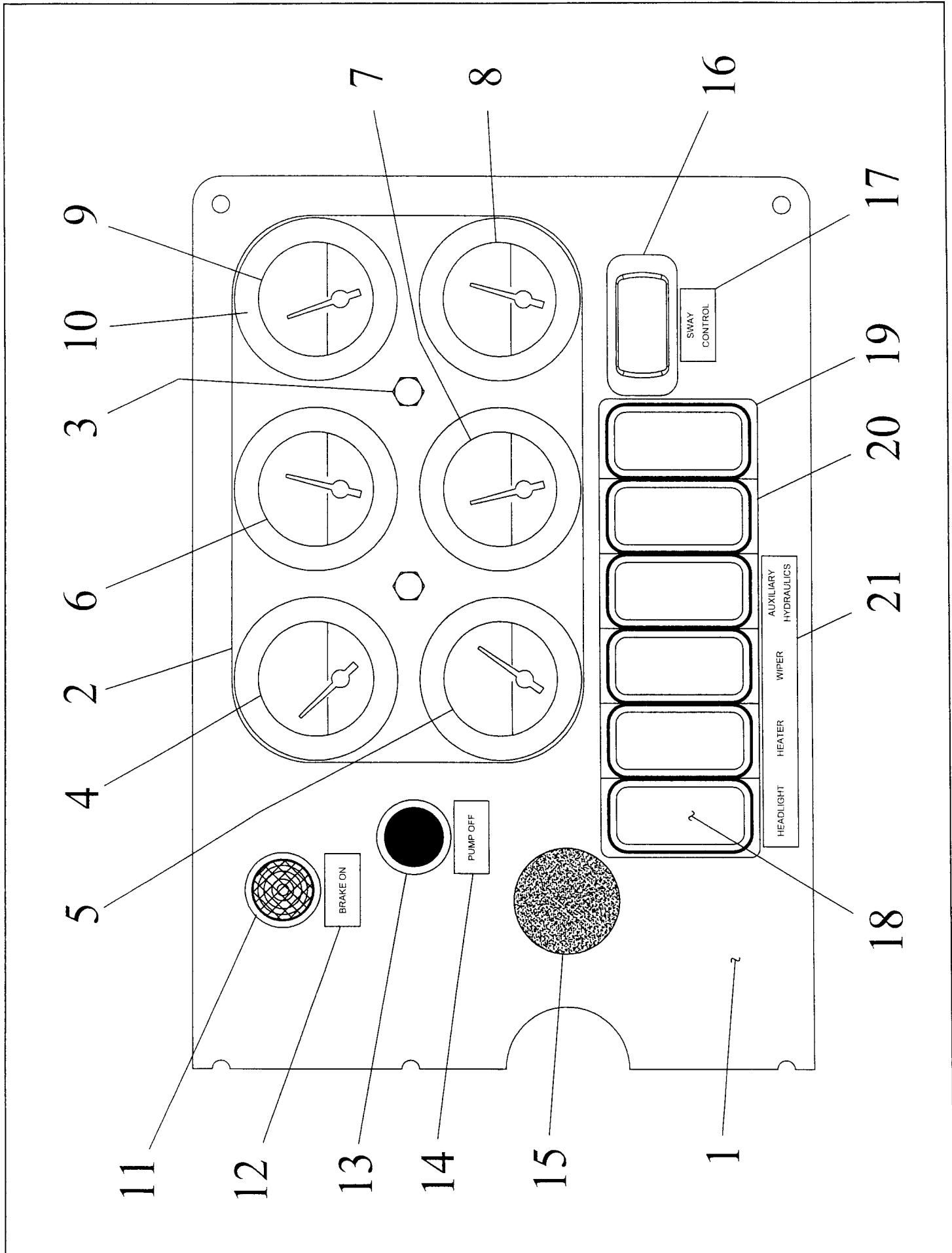
ITEM	NUMBER	DESCRIPTION	REQD
1	7-166-05	WHEEL	1
2	7-286-01	VALVE STEM / AIR-CHLORIDE-FOAM	1
3	7-166-06	TIRE / 13.00 x 24	1
4	7-166-07	TIRE & WHEEL ASSY / RH	REF
5	7-166-08	TIRE & WHEEL ASSY / LH	REF



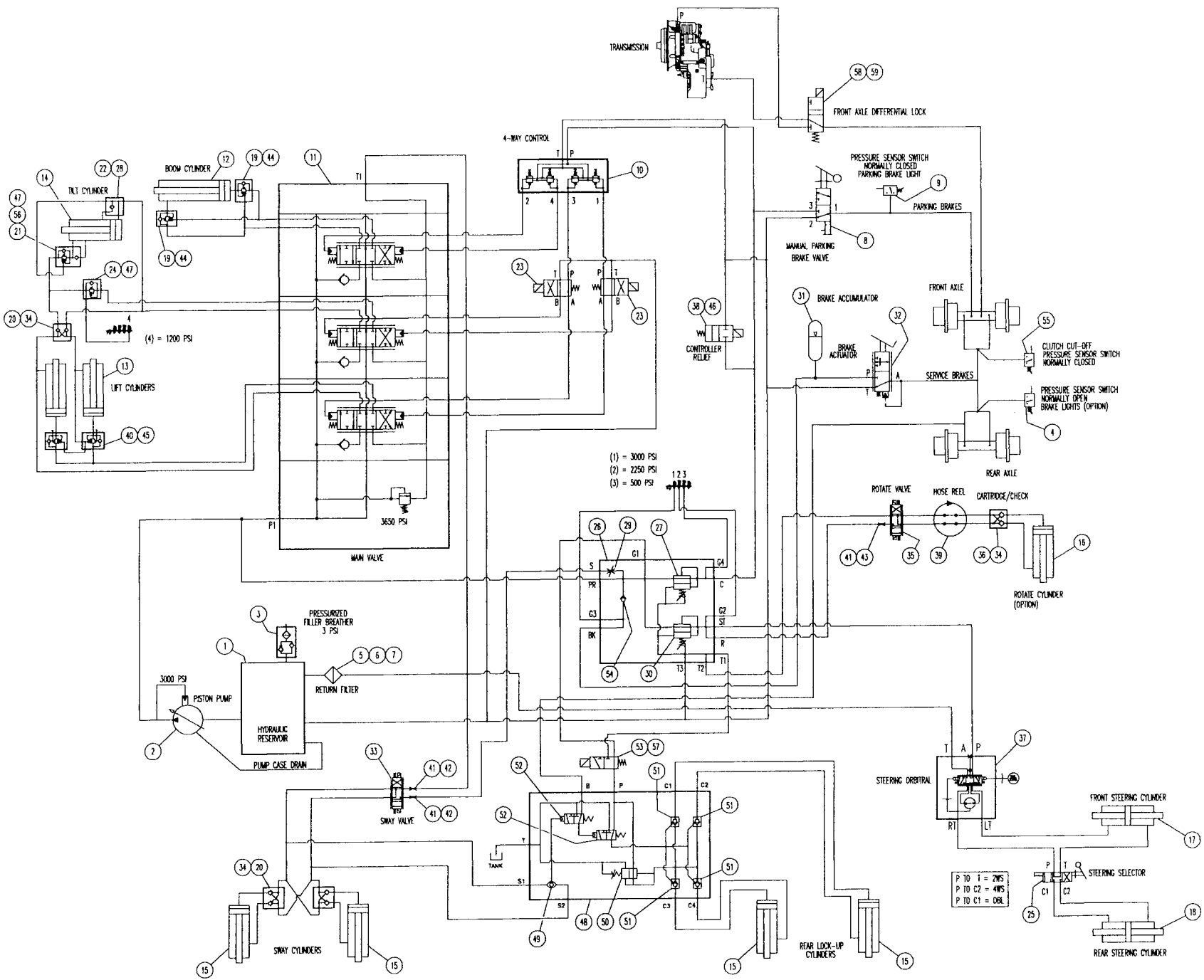


ITEM	NUMBER	DESCRIPTION	REQD
1	4-2278	HARNESS / ENGINE & TRANS.	1
2	4-2279	HARNESS / COLUMN MOUNTED SHIFTER	1
3	4-2275	HARNESS / INSTRUMENT PANEL	1
4	4-2277	HARNESS / MAIN POWER	1
5	3-1487	HARNESS / REAR LOCK-UP	1
6	6-7801-132B	BATTERY CABLE / RED	REF
7	6-7802-88B	BATTERY CABLE / BLACK	REF
8	7-269-135	FUSE BLOCK	1
9	7-269-139	CIRCUIT BREAKER / 40 AMP.	1
10	7-269-140	BOOT / CIRCUIT BREAKER	1
11	7-269-142	RELAY / HIGH CAPACITY	1
12	7-269-129	FUSE / 5 AMP.	3
13	7-269-130	FUSE / 10 AMP.	2
14	7-269-131	FUSE / 20 AMP.	1
15	7-164-04	SWITCH / SWAY	REF
16	7-127-05	LIGHT / WARNING	REF
17	7-146-01	SWITCH / IGNITION / KEY	1
18	7-136-02	LIGHT / BACK-UP	REF
19	7-136-03	LIGHT / TAIL-BRAKE	REF
20	7-172-02	GAGE / FUEL	REF
21	7-172-03	SENDER / FUEL	1
22	7-172-04	GAGE / ENGINE OIL PRESSURE	REF
23	7-172-05	SENDER / ENGINE OIL PRESSURE	REF
24	7-172-06	GAGE / TRANSMISSION OIL TEMP.	REF
25	7-172-17	SENDER / TRANSMISSION OIL TEMP.	REF
26	7-172-08	GAGE / ENGINE WATER TEMP.	REF
27	7-172-09	SENDER / ENGINE WATER TEMP.	REF
28	7-172-10	GAGE / VOLTMETER	REF
29	7-172-11	GAGE / TRANSMISSION OIL PRESSURE	REF
30	7-172-16	SENDER / TRANS. OIL PRESSURE	REF
31	7-183-18	RELAY / STARTER	REF
32	7-338-02	RELAY / PARKING BRAKE	1
33	7-206-03	PRESSURE SWITCH / BRAKE LIGHT	REF
34	7-338-02	RELAY / HORN	1
35	7-338-02	RELAY / TILT	1
36	7-281-01	DIODE / 3A-50V	REF
37	7-281-01	DIODE / ALTERNATOR	REF
38	7-164-02	SWITCH / HEADLIGHTS	REF
39	7-319-03	PUSHBUTTON / PUMP DESTROKE	REF
40	7-338-03	HEADLIGHT	REF
41	7-350-02	HOURMETER	1
42	7-355-01	BATTERY / 12 VOLT	REF
43	7-369-01	HORN	1
44	6-5204-04	CAPSCREW 1/4 NC x 1/2 LG.	1
45	6-6211-04	LOCKWASHER 1/4	1
46	7-375-01	BACK-UP ALARM	1
47	6-5205-04	CAPSCREW 5/16 NC x 1/2 LG.	2
48	6-6211-05	LOCKWASHER 5/16	2
49	7-303-03	PRESSURE SWITCH / CLUTCH CUT-OFF	REF
50	7-367-01	VALVE / CONTROLLER RELIEF	REF
51	7-303-02	PRESSURE SWITCH / PARKING BRAKE	REF
52	7-244-31	VALVE / ELECTRIC 4-WAY / SWAY	REF

ITEM	NUMBER	DESCRIPTION	REQD
53	7-367-09	VALVE / ELECTRIC 4-WAY / TILT	REF
54	7-125-05	TRANSMISSION CONTROL	REF
55	7-338-02	RELAY / HEADLIGHTS	REF
56	7-101-04	SWITCH / REAR LOCK-UP	1
57	7-367-13	VALVE / REAR LOCK-UP	REF
58	6-6284-03	MACHINE SCREW #8-32 x 1 LG.	2
59	6-6286-11	INTERNAL STARWASHER #8	2
60	7-127-09	SWITCH / DIFF. LOCK (OPTIONAL)	REF
61	7-367-02	VALVE / DIFF. LOCK (OPTIONAL)	REF
62	6-6284-06	MACHINE SCREW #10-24 x 1 LG.	2
63	6-6284-17	MACHINE SCREW #10-24 x 5/8 LG.	4
64	6-6286-06	HEX NUT #10-32	1

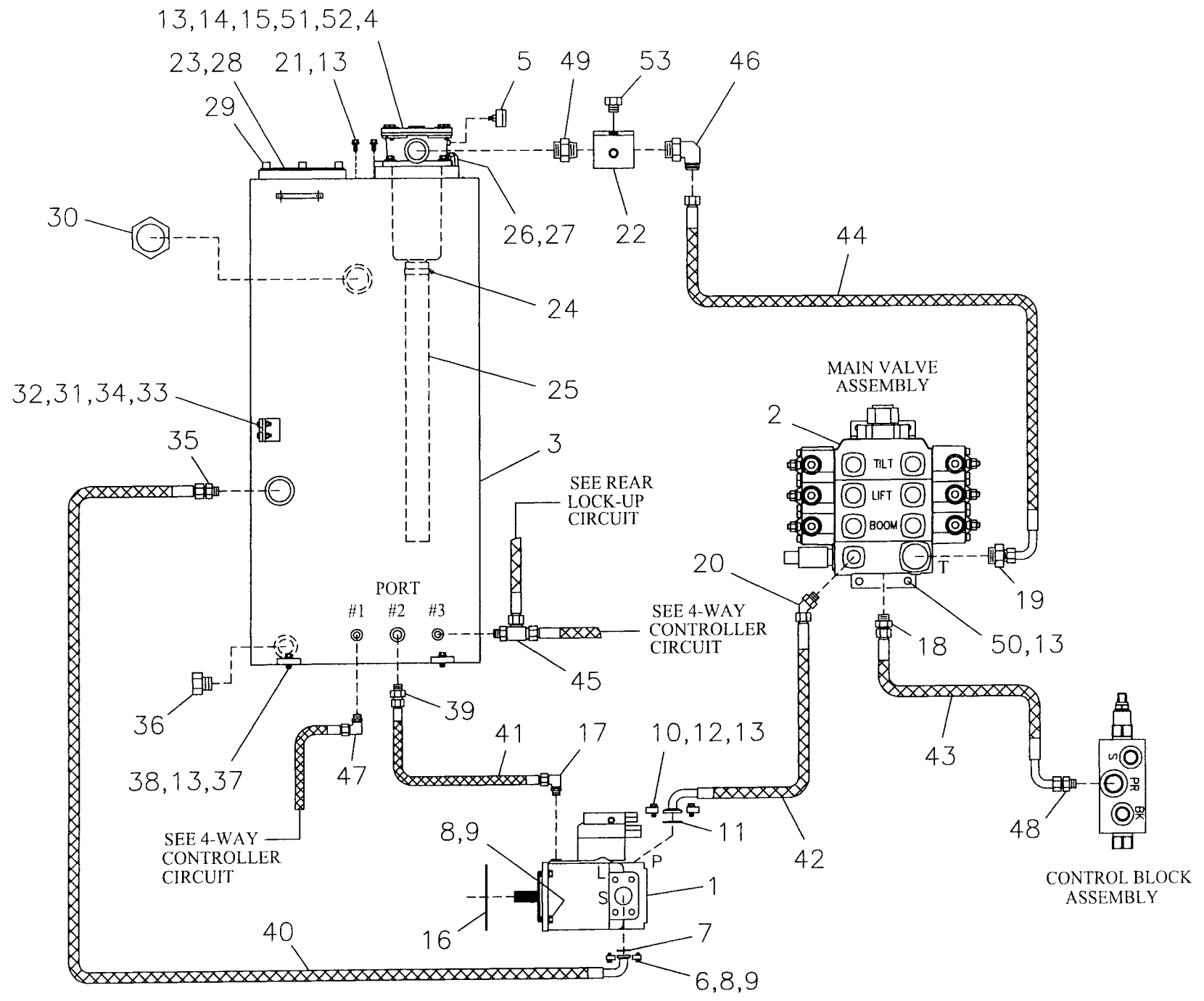


ITEM	NUMBER	DESCRIPTION	REQD
1	7-132-03	DASH PANEL / RH SIDE	REF
2	2-1062	GAGE COVER	1
3	6-5204-06	CAPSCREW 1/4 NC x 3/4 LG.	2
4	7-172-02	GAGE / FUEL	1
5	7-172-04	GAGE / ENGINE OIL PRESSURE	1
6	7-172-06	GAGE / TRANS. OIL TEMP.	1
7	7-172-08	GAGE / ENGINE WATER TEMP.	1
8	7-172-10	GAGE / VOLTMETER	1
9	7-172-11	GAGE / TRANS. OIL PRESSURE	1
10	1-2006	SEAL RING / GAGE	6
11	7-127-05	LIGHT / WARNING	1
12	2-1271-1	DECAL / BRAKE ON	REF
13	7-319-03	SWITCH / PUSHBUTTON	1
14	2-1270-1	DECAL / PUMP OFF	REF
15	7-144-11	HOLE PLUG / 1 3/8 DIA. / TURN SIGNAL	1
16	7-164-04	SWITCH / SWAY	1
17	2-1269-1	DECAL / SWAY CONTROL	REF
18	7-164-05	NGR PANEL PLUG	6
19	7-164-06	END BEZEL	2
20	7-164-07	CENTER BEZEL	4
21	2-1268-1	DECAL / DASH GANG SWITCHES	REF



ITEM	NUMBER	DESCRIPTION	REQD
1	4-2276	OIL RESERVOIR WELDMENT	REF
2	7-345-113	PUMP ASSEMBLY	REF
3	7-272-11	BREATHER	REF
4	7-206-03	PRESSURE SWITCH / BRAKE LIGHT	REF
5	7-118-01	FILTER / RETURN	1
6	7-272-10	GAGE / RETURN FILTER	1
7	7-118-02	ELEMENT / RETURN FILTER	REF
8	7-358-08	VALVE / MANUAL PARKING BRAKE	1
9	7-303-02	PRESSURE SWITCH / PARKING BRAKE	REF
10	7-200-139	CONTROLLER / 4-WAY	1
11	7-200-80	VALVE / 3 SECTION	1
12	7-316-211	CYLINDER / BOOM	REF
13	7-316-240	CYLINDER / LIFT	REF
14	7-316-238	CYLINDER / TILT	REF
15	7-182-01	CYLINDER / SWAY - REAR LOCK	REF
16	7-379-01	CYLINDER / ROTATE	REF
17	7-229-619	CYLINDER / STEERING	REF
18	7-229-619	CYLINDER / STEERING	REF
19	7-234-03	VALVE / MOTION / BOOM	2
20	7-234-04	VALVE / DUAL CHECK	3
21	7-234-01	VALVE / MOTION / HEAD TILT	1
22	7-234-02	VALVE / MOTION / BASE TILT	1
23	7-367-09	VALVE / ELECTRIC 4-WAY	2
24	7-234-50	VALVE / TILT LIMITER	1
25	7-359-02	VALVE / STEERING SELECTOR	1
26	7-234-94	CONTROL BLOCK	1
27	7-234-13	CARTRIDGE / REDUCING-RELIEVING	REF
28	7-234-16	CARTRIDGE / CHECK	REF
29	7-234-37	CARTRIDGE / NEEDLE	REF
30	7-234-28	CARTRIDGE / REDUCING-RELIEVING	REF
31	7-256-85	ACCUMULATOR / BRAKE	1
32	7-198-48	BRAKE ACTUATOR	1
33	7-244-31	VALVE / ELECTRIC 4-WAY / SWAY	1
34	7-234-18	CARTRIDGE / PILOT CHECK	REF
35	7-244-31	VALVE / ELECTRIC 4-WAY / ROTATE	REF
36	7-234-35	VALVE / DUAL CHECK	REF
37	7-147-01	STEERING ORBITRAL	1
38	7-367-01	VALVE / CONTROLLER RELIEF	1
39	7-292-01	HOSE REEL ASSY / RH / ROTATE	REF
40	7-234-54	VALVE / MOTION / LIFT	2
41	1-1219	RESTRICTOR FITTING	REF
42	1-1093-2	RESTRICTOR PLUG (.060)	REF
43	1-1093-1	RESTRICTOR PLUG (.040)	REF
44	7-234-22	CARTRIDGE / COUNTERBALANCE	REF
45	7-234-53	CARTRIDGE / COUNTERBALANCE	REF
46	7-367-06	CARTRIDGE / NORMALLY OPEN	REF
47	7-234-19	CARTRIDGE / COUNTERBALANCE	REF
48	7-168-02	BLOCK ASSEMBLY / REAR LOCK-UP	1
49	7-321-90	CARTRIDGE / SHUTTLE	REF

ITEM	NUMBER	DESCRIPTION	REQD
50	7-321-89	CARTRIDGE / REDUCING-RELIEVING	REF
51	7-321-88	CARTRIDGE / PILOT CHECK	REF
52	7-304-07	CARTRIDGE / MODULAR CONTROL	REF
53	7-367-13	VALVE / BOOM ACTIVATED REAR LOCK	1
54	7-234-80	CARTRIDGE / CHECK	REF
55	7-303-03	PRESSURE SWITCH / CLUTCH CUT-OFF	REF
56	7-234-80	CARTRIDGE / CHECK	REF
57	7-367-14	CARTRIDGE / NORMALLY OPEN	REF
58	7-367-02	VALVE ASSEMBLY / DIFF. LOCK	REF
59	7-367-03	CARTRIDGE / NORMALLY CLOSED	REF



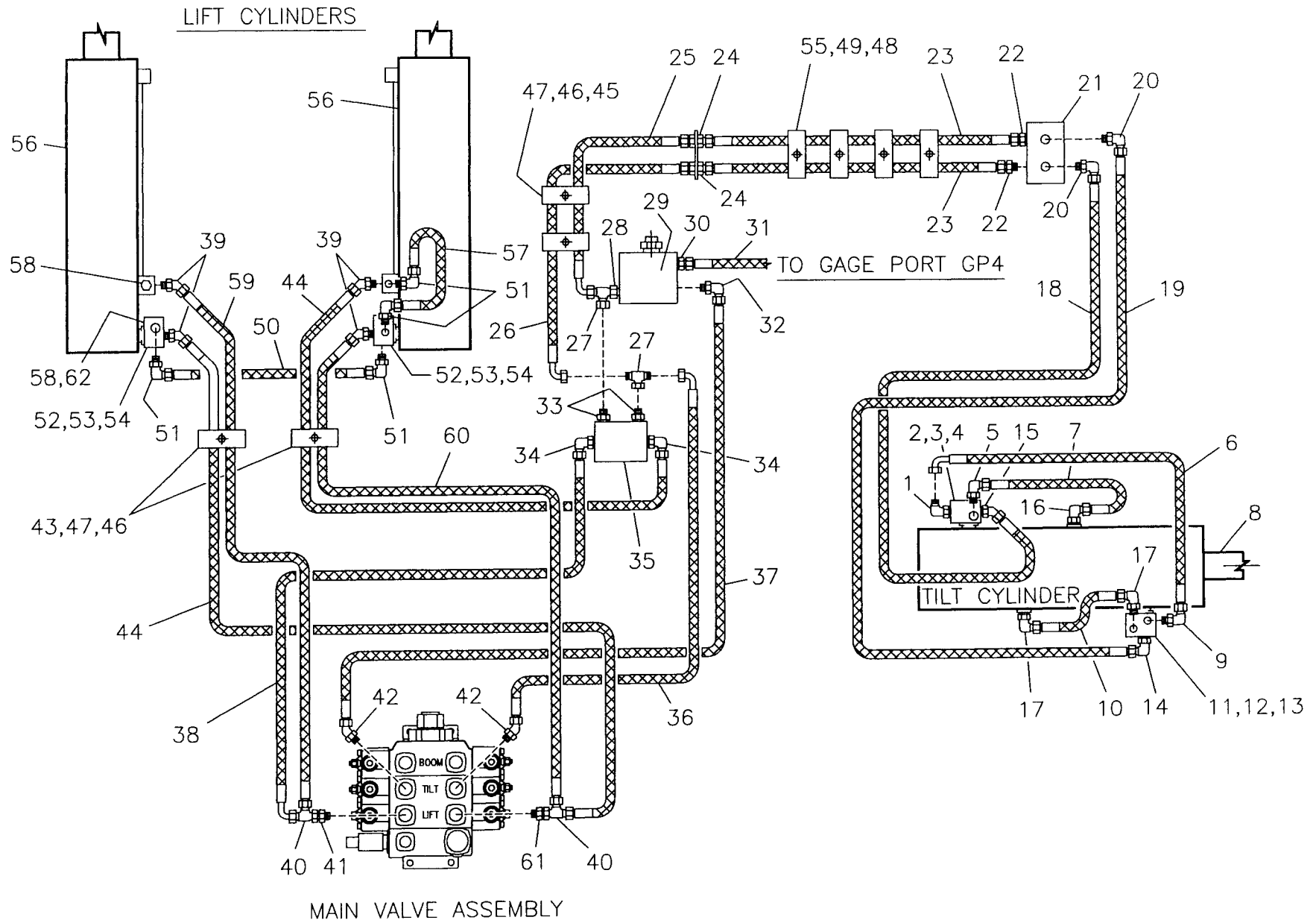
ITEM	NUMBER	DESCRIPTION	REQD
1	7-345-113	PUMP ASSY. / 55cc / SPLINED SHAFT	REF
2	7-200-80	VALVE ASSEMBLY / 3 SECTION	REF
3	4-2276	OIL RESERVOIR	1
4	7-118-01	FILTER / RETURN	REF
5	7-272-10	GAGE / RETURN FILTER	REF
6	7-107-05	SPLIT FLANGE KIT / 2 IN.	1
7	7-209-66	O-RING / 2 IN. S. F. / w/ ITEM 6	REF
8	6-5208-12	CAPSCREW 1/2 NC x 1 1/2 LG.	REF
9	6-6211-08	LOCKWASHER 1/2	REF
10	7-158-36	SPLIT FLANGE / 1 IN. / HALF ONLY	2
11	7-209-67	O-RING / 1 IN. S. F.	1
12	6-5206-10	CAPSCREW 3/8 NC x 1 1/4 LG.	4
13	6-6211-06	LOCKWASHER 3/8	16
14	6-6212-06	FLATWASHER 3/8	4
15	6-5206-08	CAPSCREW 3/8 NC x 1 LG.	4
16	7-126-517	GASKET / PUMP DRIVE	REF
17	6-6453-10	FITTING / 10 OR x 08 JIC 90	1
18	6-6450-17	FITTING / 12 OR x 10 JIC STR.	1
19	6-6450-27	FITTING / 16 OR x 16 JIC STR.	1
20	6-6452-08	FITTING / 12 OR x 12 JIC 45	1
21	6-5206-06	CAPSCREW 3/8 NC x 3/4 LG.	2
22	3-1376	MANIFOLD BLOCK	1
23	7-145-02	O-RING / ACCESS COVER	REF
24	7-272-13	T-HOSE CLAMP	1
25	7-364-12	HOSE / 1 1/2 ID x 24 LG.	1
26	7-272-11	FILLER-BREATHER / 3 PSI	1
27	6-6284-08	MACHINE SCREW #10-32 x 3/4 LG.	6
28	7-145-01	COVER PLATE	REF
29	6-5606-04	CAPSCREW SH 3/8 NC x 1/2 LG.	REF
30	7-161-01	SIGHT GLASS	1
31	2-1179-3	PLATE / PRESSURE CHECK PORTS	REF
32	6-5204-06	CAPSCREW 1/4 NC x 3/4 LG.	2
33	6-6201-04	HEX NUT 1/4 NC	2
34	6-6211-04	LOCKWASHER 1/4	2
35	7-364-22	FITTING / 24 OR x 24 JIC-O STR.	1
36	6-6457-10	FITTING / 16 OR HEX HEAD PLUG	1
37	1-2016	CLAMP / OIL RESERVOIR	2
38	6-5206-12	CAPSCREW 3/8 NC x 1 1/2 LG.	2
39	6-6450-12	FITTING / 08 OR x 08 JIC STR.	1
40	6-7191-206	HOSE / 24 x 32-90 SF x 103 LG.	1
41	6-7004-256	HOSE / 08 x 08 x 128 LG.	1
42	6-7156-218	HOSE / 12 x 16-90 SF x 109 LG.	1
43	6-7025-36	HOSE / 10 x 10-90 x 18 LG.	1
44	6-7088-43	HOSE / 16 x 16-90 x 21 1/2 LG.	1
45	6-6455-05	FITTING / 06 OR x 06 JIC RN-TEE	REF
46	6-6453-25	FITTING / 20 OR x 16 JIC 90	1
47	6-6453-04	FITTING / 06 OR x 04 JIC 90	REF
48	6-6450-15	FITTING / 08 OR x 10 JIC STR.	1
49	6-6436-01	FITTING / 20 OR x 20 NPT STR.	1
50	6-5206--06	CAPSCREW 3/8 NC x 3/4 LG.	4
51	7-118-03	O-RING / RETURN FILTER FACE	REF
52	7-118-02	ELEMENT / RETURN FILTER	REF
53	6-6457-06	FITTING / 08 OR HEX HEAD PLUG	1

DRAWING
NUMBER

P1-1853

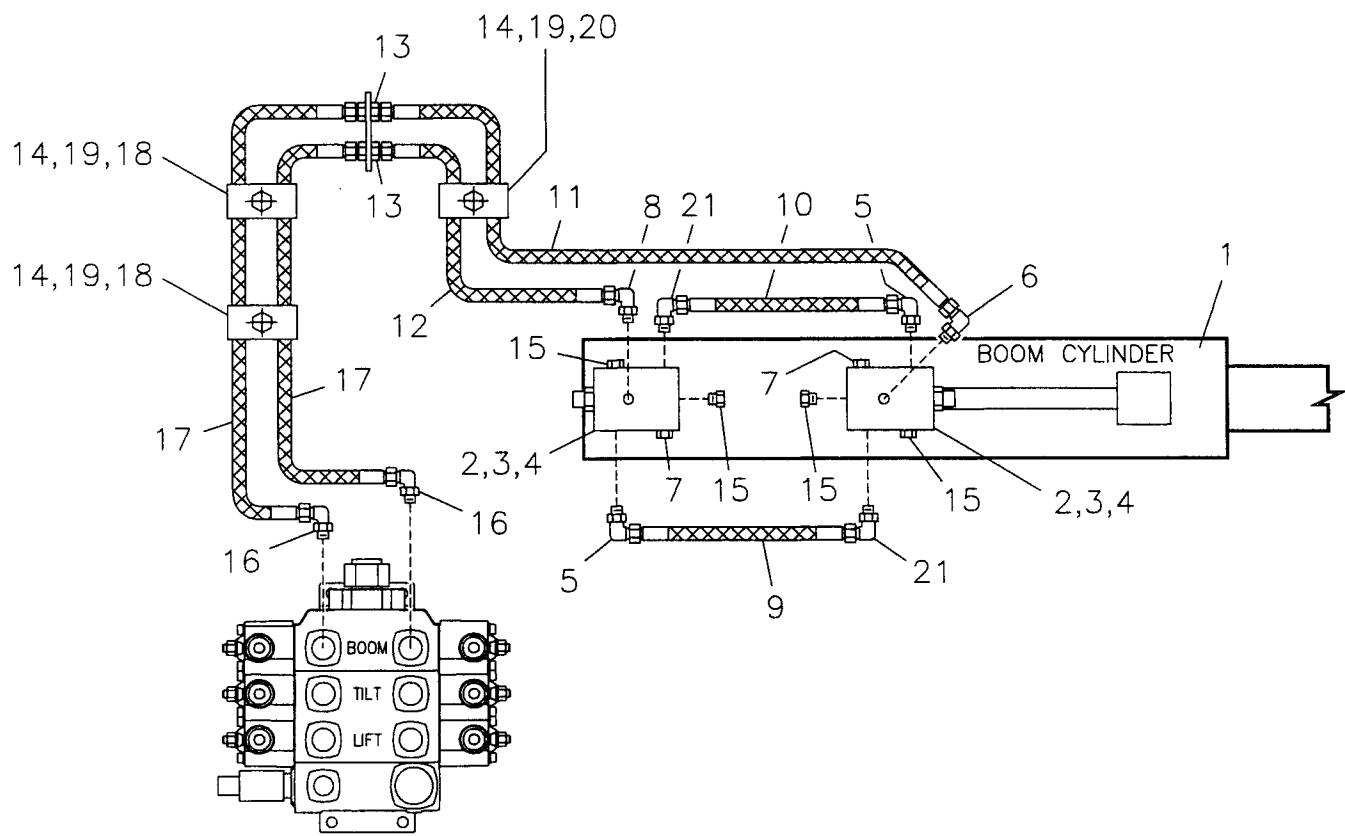
CIRCUIT / PUMP / OIL RESERVOIR
TH644C

PAGE
NUMBER 23A



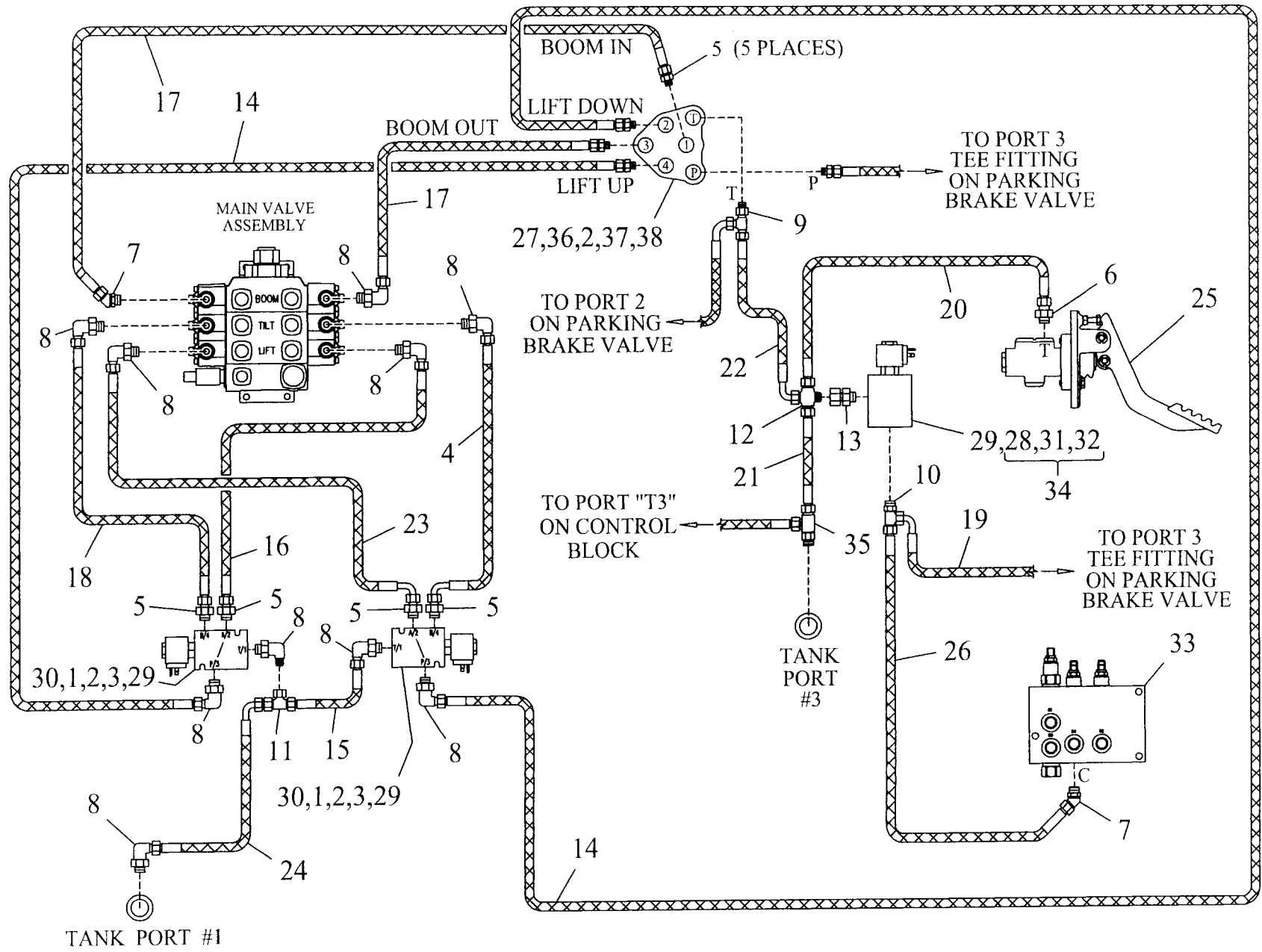
ITEM	NUMBER	DESCRIPTION	REQD
1	6-6453-04	FITTING / 06 OR x 04 JIC 90	1
2	7-234-02	VALVE / MOTION / BASE TILT	REF
3	6-5606-14	CAPSCREW SH 3/8 NC x 1 3/4 LG.	4
4	6-6214-06	LOCKWASHER 3/8 HI-COLLAR	4
5	6-6453-04	FITTING / 06 OR x 04 JIC 90	1
6	6-7022-60	HOSE / 04 x 04-90 x 30 LG.	1
7	6-7002-26	HOSE / 04 x 04 x 13 LG.	1
8	7-316-238	CYLINDER / TILT	REF
9	6-6453-04	FITTING / 06 OR x 04 JIC 90	1
10	6-7003-40	HOSE / 06 x 06 x 20 LG.	1
11	7-234-01	VALVE / MOTION / HEAD TILT	REF
12	6-5606-22	CAPSCREW SH 3/8 NC x 2 3/4 LG.	4
13	6-6214-06	LOCKWASHER 3/8 HI-COLLAR	4
14	6-6453-09	FITTING / 08 OR x 08 JIC 90	1
15	6-6452-04	FITTING / 08 OR x 08 JIC 45	1
16	6-6453-04	FITTING / 06 OR x 04 JIC 90	1
17	6-6453-06	FITTING / 06 OR x 06 JIC 90	2
18	6-7004-751	HOSE / 08 x 08 x 375 1/2 LG.	1
19	6-7004-751	HOSE / 08 x 08 x 375 1/2 LG.	1
20	6-6453-09	FITTING / 08 OR x 08 JIC 90	2
21	3-1244-1	MANIFOLD BLOCK	REF
22	6-6450-12	FITTING / 08 OR x 08 JIC STR	2
23	6-7014-315	HOSE / 08 x 10 x 157 1/2 LG.	2
24	6-6475-07	FITTING / 10 JIC BH-UNION STR	2
25	6-7025-136	HOSE / 10 x 10-90 x 68 LG.	1
26	6-7025-136	HOSE / 10 x 10-90 x 68 LG.	1
27	6-6480-07	FITTING / 10 JIC SW-BR-TEE	2
28	6-6485-03.	FITTING / 10 OR x 10 JIC SW	1
29	7-234-50	VALVE / TILT LIMITER	REF
30	6-6450-05	FITTING / 06 OR x 04 JIC STR	REF
31	6-7022-30	HOSE / 04 x 04-90 x 15 LG.	REF
32	6-6453-12	FITTING / 10 OR x 10 JIC 90	1
33	6-6450-15	FITTING / 08 OR x 10 JIC STR	2
34	6-6453-11	FITTING / 08 OR x 10 JIC 90	2
35	7-234-04	VALVE / DUAL CHECK	REF
36	6-7025-36	HOSE / 10 x 10-90 x 18 LG.	1
37	6-7005-32	HOSE / 10 x 10 x 16 LG.	1
38	6-7025-36	HOSE / 10 x 10-90 x 18 LG.	1
39	6-6452-06	FITTING / 10 OR x 10 JIC 45	4
40	6-6481-07	FITTING / 10 JIC SW-RUN-TEE	2
41	6-6450-17	FITTING / 12 OR x 10 JIC STR	1
42	6-6452-17	FITTING / 12 OR x 10 JIC 45	2
43	6-5205-16	CAPSCREW 5/16 NC x 2 LG.	2
44	6-7005-148	HOSE / 10 x 10 x 74 LG.	2
45	6-5205-30	CAPSCREW 5/16 NC x 3 3/4 LG.	REF
46	7-273-26	COVER PLATE / 5/8 HOSE CLAMP	2
47	7-273-32	CLAMP HALF SET / 5/8 TWIN HOSE	3
48	6-5205-14	CAPSCREW 5/16 NC x 1 3/4 LG.	4
49	7-273-26	COVER PLATE / 1/2 HOSE CLAMP	4
50	6-7002-100	HOSE / 04 x 04 x 50 LG.	1
51	6-6453-04	FITTING / 06 OR x 04 JIC 90	4
52	7-234-54	VALVE / MOTION / LIFT	REF

ITEM	NUMBER	DESCRIPTION	REQD
53	6-5606-22	CAPSCREW SH 3/8 NC x 2 3/4 LG.	8
54	6-6214-06	LOCKWASHER 3/8 HI-COLLAR	8
55	7-273-25	CLAMP HALF SET / 1/2 TWIN HOSE	4
56	7-316-240	CYLINDER / LIFT	REF
57	6-7002-17	HOSE / 04 x 04 x 8.5 LG.	1
58	6-6457-05	FITTING / 06 OR HEX HEAD PLUG	3
59	6-7005-154	HOSE / 10 x 10 x 77 LG.	1
60	6-7005-126	HOSE / 10 x 10 x 63 LG.	1
61	1-1351-1	ORIFICE FITTING / 5/32 DIA.	1
62	6-6460-01	FITTING / 04 OR HOLLOW HEX PLUG	REF



MAIN VALVE ASSEMBLY

ITEM	NUMBER	DESCRIPTION	REQD
1	7-316-211	CYLINDER / BOOM	REF
2	7-234-03	VALVE / MOTION / BOOM	REF
3	6-5606-22	CAPSCREW SH 3/8 NC x 2 3/4 LG.	8
4	6-6214-06	LOCKWASHER 3/8 HI-COLLAR	8
5	6-6453-04	FITTING / 06 OR x 04 JIC 90	2
6	6-6453-12	FITTING / 10 OR x 10 JIC 90	1
7	6-6457-03	FITTING / 04 OR HEX HD PLUG	2
8	6-6453-12	FITTING / 10 OR x 10 JIC 90	1
9	6-7002-30	HOSE / 04 x 04 x 15 LG.	1
10	6-7002-30	HOSE / 04 x 04 x 15 LG.	1
11	6-7005-105	HOSE / 10 x 10 x 52 1/2 LG.	1
12	6-7005-79	HOSE / 10 x 10 x 39 1/2 LG.	1
13	6-6475-07	FITTING / 10 JIC BH UNION	2
14	7-273-32	CLAMP HALF SET / 5/8 TWIN HOSE	3
15	6-6457-05	FITTING / 06 OR HEX HD PLUG	4
16	6-6453-13	FITTING / 12 OR x 10 JIC 90	2
17	6-7005-154	HOSE / 10 x 10 x 77 LG.	2
18	6-5205-30	CAPSCREW 5/16 NC x 3 3/4 LG.	2
19	7-273-26	COVER PLATE / 5/8 HOSE CLAMP	3
20	6-5205-16	CAPSCREW 5/16 NC x 2 LG.	1
21	6-6453-03	FITTING / 04 OR x 04 JIC 90	2

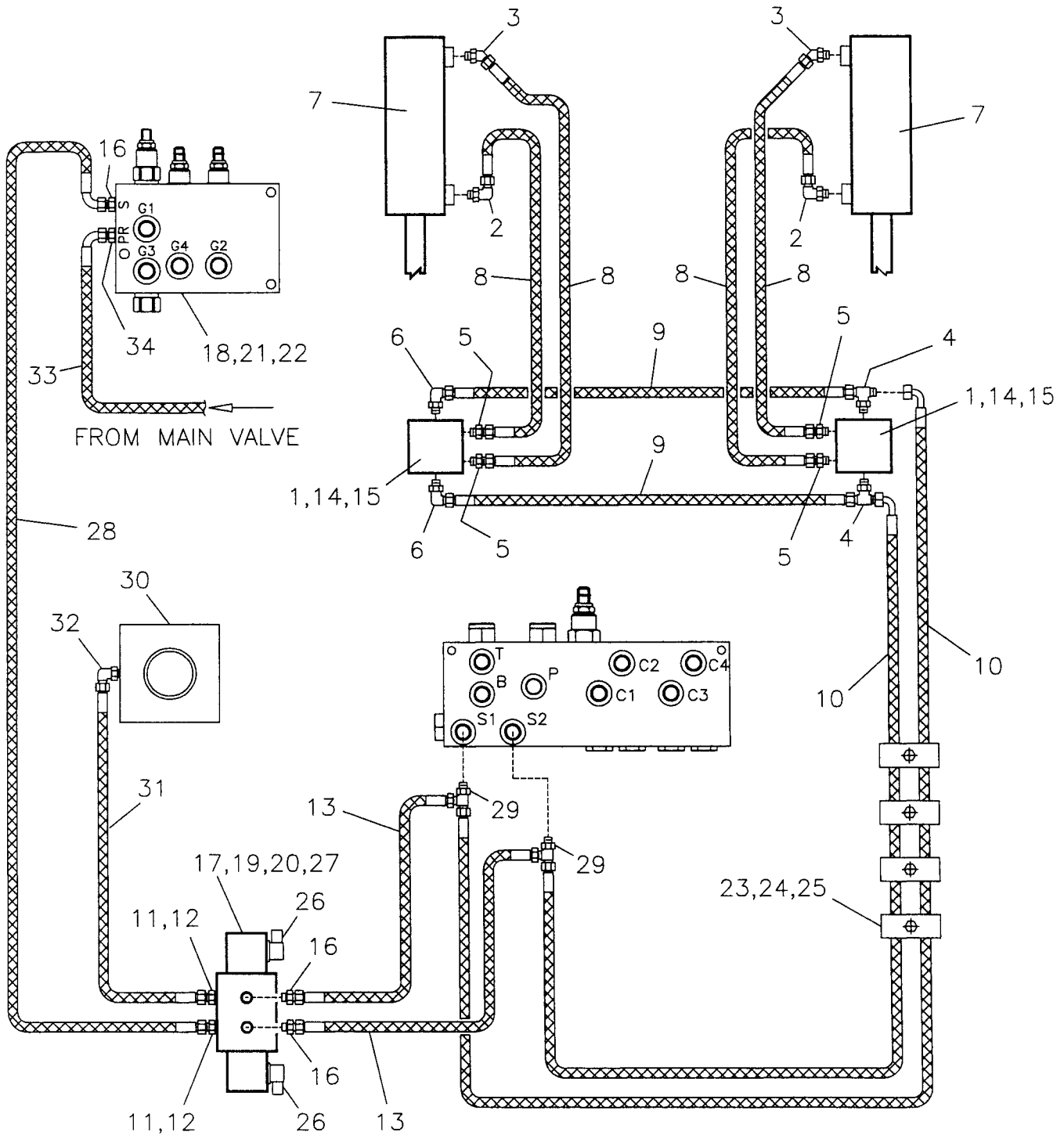


ITEM	NUMBER	DESCRIPTION	REQD
1	6-5204-14	CAPSCREW 1/4 NC x 1 3/4 LG.	4
2	6-6211-04	LOCKWASHER 1/4	4
3	6-6212-04	FLATWASHER 1/4	8
4	6-7022-34	HOSE / 04 x 04-90 x 17 LG.	1
5	6-6450-05	FITTING / 06 OR x 04 JIC STR.	9
6	6-6450-09	FITTING / 08 OR x 06 JIC STR.	1
7	6-6452-19	FITTING / 06 OR x 04 JIC 45	2
8	6-6453-04	FITTING / 06 OR x 04 JIC 90	10
9	6-6455-05	FITTING / 06 OR x 06 JIC RN-TEE	1
10	6-6455-15	FITTING / 06 OR x 04 JIC RN-TEE	1
11	6-6480-03	FITTING / 04 JIC SW-BR-TEE	1
12	6-6483-05	FITTING / 06 JIC CROSS	1
13	6-6485-06	FITTING / 06 OR x 06 JIC SWIVEL	1
14	6-7002-244	HOSE / 04 x 04 x 122 LG.	2
15	6-7002-17	HOSE / 04 x 04 x 8 1/2 LG.	1
16	6-7002-26	HOSE / 04 x 04 x 13 LG.	1
17	6-7002-276	HOSE / 04 x 04 x 138 LG.	2
18	6-7002-34	HOSE / 04 x 04 x 17 LG.	1
19	6-7022-100	HOSE / 04 x 04-90 x 50 LG.	1
20	6-7003-174	HOSE / 06 x 06 x 87 LG.	1
21	6-7003-150	HOSE / 06 x 06 x 75 LG.	1
22	6-7023-80	HOSE / 06 x 06-90 x 40 LG.	1
23	6-7022-44	HOSE / 04 x 04-90 x 22 LG.	1
24	6-7022-28	HOSE / 04 x 04-90 x 14 LG.	1
25	7-198-48	ACTUATOR / HANGING BRAKE PEDAL	REF
26	6-7002-180	HOSE / 04 x 04 x 90 LG.	1
27	7-200-139	CONTROLLER / 4-WAY	REF
28	7-367-06	CARTRIDGE / NORMALLY OPEN	REF
29	7-244-27	DIN CONNECTOR	REF
30	7-367-09	VALVE / ELECTRIC 4-WAY (2)	REF
31	7-367-05	COIL / DIN	REF
32	7-367-07	VALVE BODY / CONTROLLER RELIEF	REF
33	7-234-94	CONTROL BLOCK	REF
34	7-367-01	VALVE ASSY / CONTROLLER RELIEF	REF
35	6-6455-05	FITTING / 06 OR x 06 JIC RN-TEE	1
36	6-5204-06	CAPSCREW 1/4 NC x 3/4 LG.	4
37	6-6211-04	LOCKWASHER 1/4	4
38	6-6201-04	HEX NUT 1/4 NC	4

ITEM	NUMBER	DESCRIPTION	REQD
1	6-5205-06	CAPSCREW 5/16 NC x 3/4 LG.	4
2	6-5206-08	CAPSCREW 3/8 NC x 1 LG.	4
3	6-6211-05	LOCKWASHER 5/16	4
4	6-6453-09	FITTING / 08 OR x 08 JIC 90	1
5	6-6450-09	FITTING / 08 OR x 06 JIC STR.	6
6	6-6450-12	FITTING / 08 OR x 08 JIC STR.	2
7	6-6453-07	FITTING / 08 OR x 06 JIC 90	4
8	6-6452-04	FITTING / 08 OR x 08 JIC 45	1
9	6-7024-370	HOSE / 08 x 08-90 x 185 LG.	1
10	6-7023-194	HOSE / 06 x 06-90 x 97 LG.	1
11	6-7024-328	HOSE / 08 x 08-90 x 164 LG.	1
12	6-7023-244	HOSE / 06 x 06-90 x 122 LG.	1
13	6-7023-272	HOSE / 06 x 06-90 x 136 LG.	1
14	6-7023-40	HOSE / 06 x 06-90 x 20 LG.	1
15	7-147-01	STEERING ORBITRAL	REF
16	7-359-02	VALVE / STEERING SELECTOR	REF
17	6-6211-06	LOCKWASHER 3/8	4
18	6-7023-280	HOSE / 06 x 06-90 x 140 LG.	1

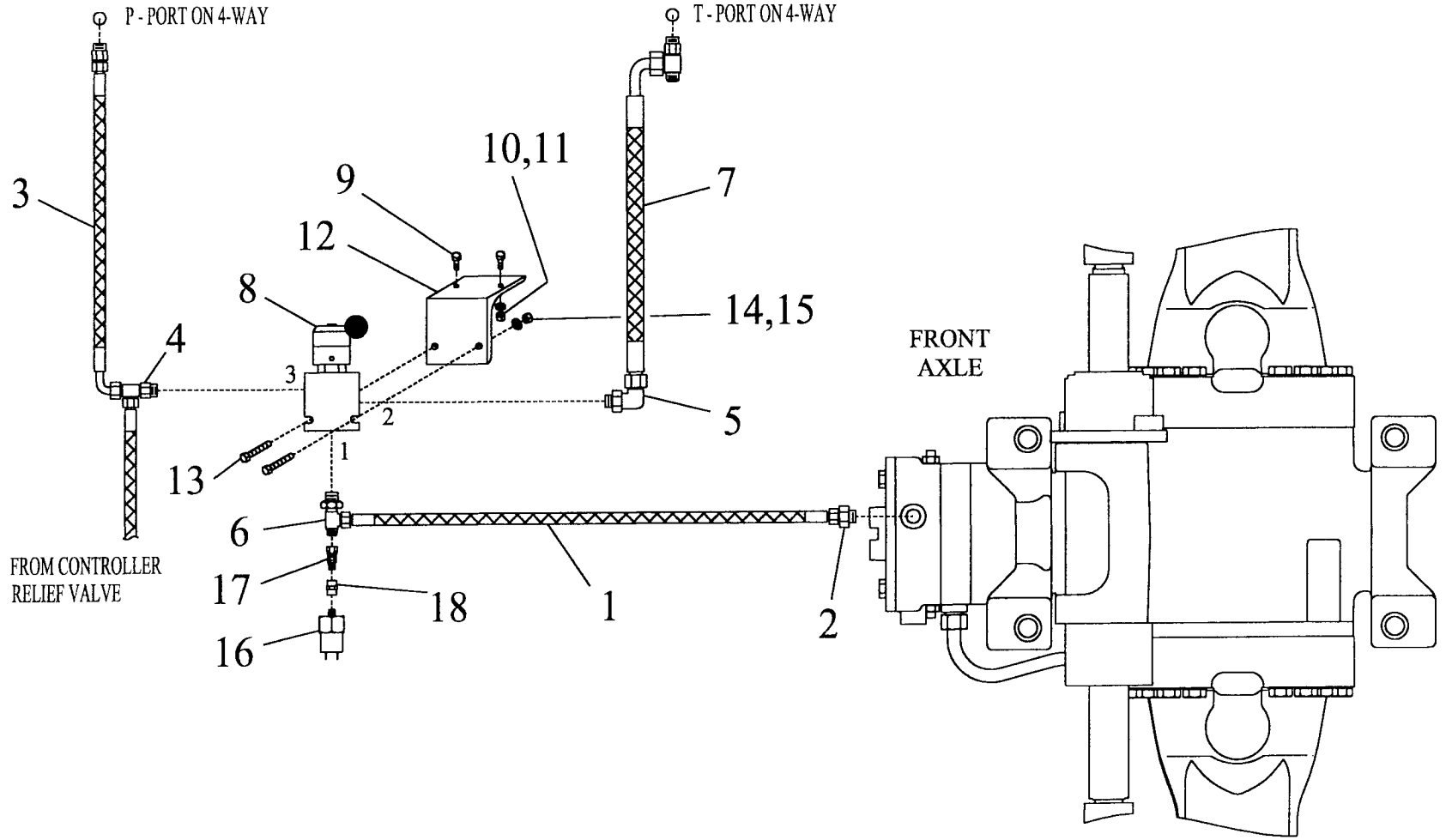
L.H. SWAY CYLINDER

R.H. SWAY CYLINDER



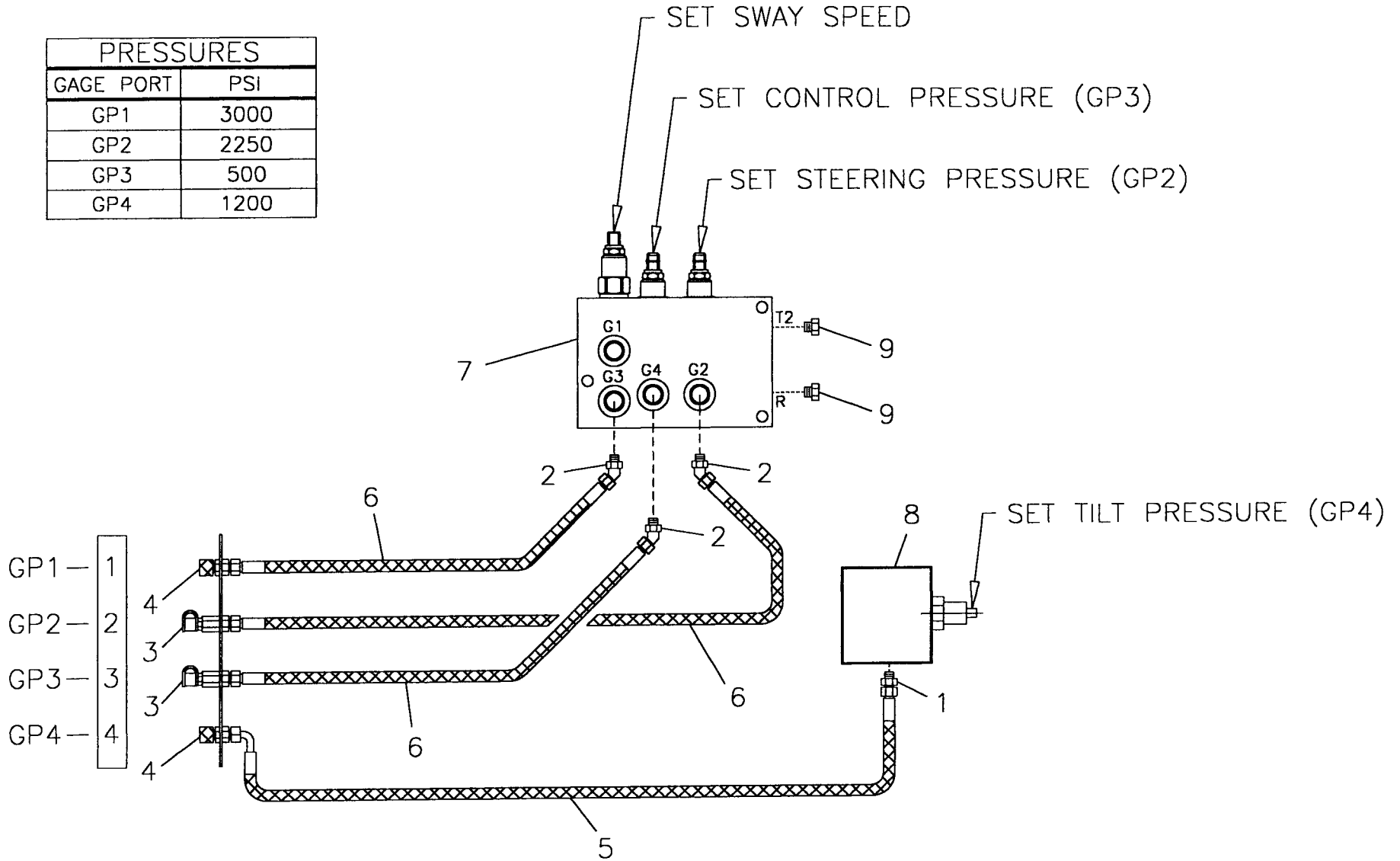
ITEM	NUMBER	DESCRIPTION	REQD
1	7-234-04	VALVE / DUAL CHECK	REF
2	6-6453-04	FITTING / 06 OR x 04 JIC 90	2
3	6-6452-19	FITTING / 06 OR x 04 JIC 45	2
4	6-6454-06	FITTING / 08 OR x 08 JIC BR-TEE	2
5	6-6450-06	FITTING / 08 OR x 04 JIC STR	4
6	6-6453-09	FITTING / 08 OR x 08 JIC 90	2
7	7-182-01	CYLINDER / SWAY	REF
8	6-7002-74	HOSE / 04 x 04 x 37 LG.	4
9	6-7004-44	HOSE / 08 x 08 x 22 LG.	2
10	6-7033-296	HOSE / 06 x 08-90 x 148 LG.	2
11	1-1219	RESTRICTOR FITTING	2
12	1-1093-2	RESTRICTOR PLUG (.060)	2
13	6-7003-40	HOSE / 06 x 06 x 20 LG.	2
14	6-6211-05	LOCKWASHER 5/16	4
15	6-5205-14	CAPSCREW 5/16 NC x 1 3/4 LG.	4
16	6-6450-08	FITTING / 06 OR x 06 JIC STR.	3
17	7-244-31	VALVE / ELECTRIC	REF
18	7-234-94	CONTROL BLOCK	REF
19	6-5204-12	CAPSCREW 1/4 NC x 1 1/2 LG.	2
20	6-6211-04	LOCKWASHER 1/4	2
21	6-5205-20	CAPSCREW 5/16 NC x 2 1/2 LG.	3
22	6-6211-05	LOCKWASHER 5/16	3
23	7-273-27	CLAMP HALF SET / 3/8 HOSE / TWIN	4
24	7-273-23	COVER PLATE / 3/8 HOSE CLAMP	4
25	6-5205-10	CAPSCREW 5/16 NC x 1 1/4 LG.	4
26	7-244-27	DIN CONNECTOR	REF
27	6-6201-04	HEX NUT 1/4 NC	2
28	6-7023-62	HOSE / 06 x 06-90 x 31 LG.	1
29	6-6455-05	FITTING / 06 OR x 06 JIC RN-TEE	2
30	3-1376	MANIFOLD BLOCK	REF
31	6-7003-90	HOSE / 06 x 06 x 45 LG.	1
32	6-6453-07	FITTING / 08 OR x 06 JIC 90	1
33	6-7025-36	HOSE / 10 x 10-90 x 18 LG.	REF
34	6-6450-15	FITTING / 08 OR x 10 JIC STR.	REF

ITEM	NUMBER	DESCRIPTION	REQD
1	7-234-94	CONTROL BLOCK ASSEMBLY	REF
2	7-168-02	BLOCK ASSEMBLY / REAR LOCK-UP	REF
3	7-304-07	CARTRIDGE / MODULAR CONTROL	2
4	6-6452-19	FITTING / 06 OR x 04 JIC 45	2
5	6-6453-04	FITTING / 06 OR x 04 JIC 90	6
6	7-367-13	VALVE / BOOM ACTIVATED REAR LOCK	REF
7	6-6452-03	FITTING / 06 OR x 06 JIC 45	1
8	6-7003-22	HOSE / 06 x 06 x 11 LG.	1
9	6-6211-05	LOCKWASHER 5/16	2
10	7-182-01	CYLINDER / REAR LOCK-UP	REF
11	6-7002-74	HOSE / 04 x 04 x 37 LG.	2
12	6-7003-56	HOSE / 06 x 06 x 28 LG.	1
13	6-7002-62	HOSE / 04 x 04 x 31 LG.	2
14	6-7003-20	HOSE / 06 x 06 x 10 LG.	1
15	6-5205-22	CAPSCREW 5/16 NC x 2 3/4 LG.	2
16	6-6453-06	FITTING / 06 OR x 06 JIC 90	5
17	6-6450-09	FITTING / 08 OR x 06 JIC STR.	1
18	3-1376	MANIFOLD BLOCK	REF
19	6-5204-14	CAPSCREW 1/4 NC x 1 3/4 LG.	2
20	6-6211-04	LOCKWASHER 1/4	2
21	6-6212-04	FLATWASHER 1/4	2
22	6-6450-08	FITTING / 06 OR x 06 JIC STR.	3
23	6-7023-62	HOSE / 06 x 06-90 x 31 LG.	1
24	6-7023-32	HOSE / 06 x 06-90 x 16 LG.	1
25	6-7003-74	HOSE / 06 x 06 x 37 LG.	1
26	6-6455-05	FITTING / 06 OR x 06 JIC RN-TEE	REF
27	6-6450-15	FITTING / 08 OR x 10 JIC STR.	REF
28	6-7025-36	HOSE / 10 x 10-90 x 18 LG.	REF

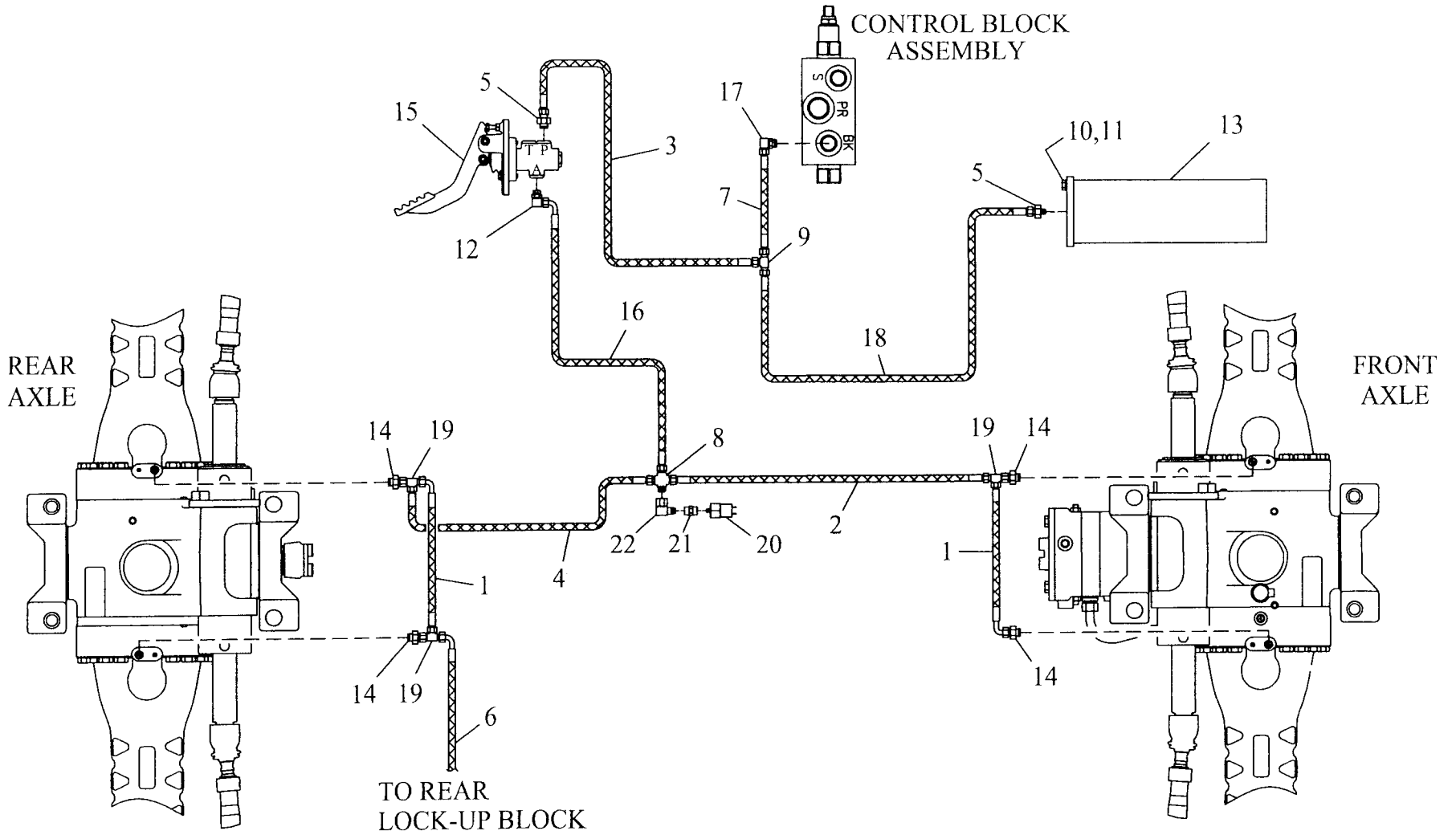


ITEM	NUMBER	DESCRIPTION	REQD
1	6-7012-240	HOSE / 04 x 06 x 120 LG.	1
2	7-371-04	FITTING / 14mm OR x 06 JIC STR.	1
3	6-7022-100	HOSE / 04 x 04-90 x 50 LG.	1
4	6-6455-15	FITTING / 06 OR x 04 JIC RN-TEE	1
5	6-6453-06	FITTING / 06 OR x 06 JIC 90	1
6	6-6455-15	FITTING / 06 OR x 04 JIC RN-TEE	1
7	6-7023-100	HOSE / 06 x 06-90 x 50 LG.	1
8	7-358-08	VALVE / PARKING BRAKE	REF
9	6-5205-08	CAPSCREW 5/16 NC x 1 LG.	2
10	6-6201-05	HEX NUT 5/16 NC	2
11	6-6211-05	LOCKWASHER 5/16	2
12	2-1205	MOUNTING BRACKET / BRAKE VALVE	1
13	6-5204-16	CAPSCREW 1/4 NC x 2 LG.	2
14	6-6201-04	HEX NUT 1/4 NC	2
15	6-6211-04	LOCKWASHER 1/4	2
16	7-303-02	PRESSURE SWITCH / PARKING BRAKE	1
17	6-6486-01	FITTING / 02 NPT M. x 04 JIC SW.	1
18	6-6440-02	FITTING / 02 NPT COUPLER	1

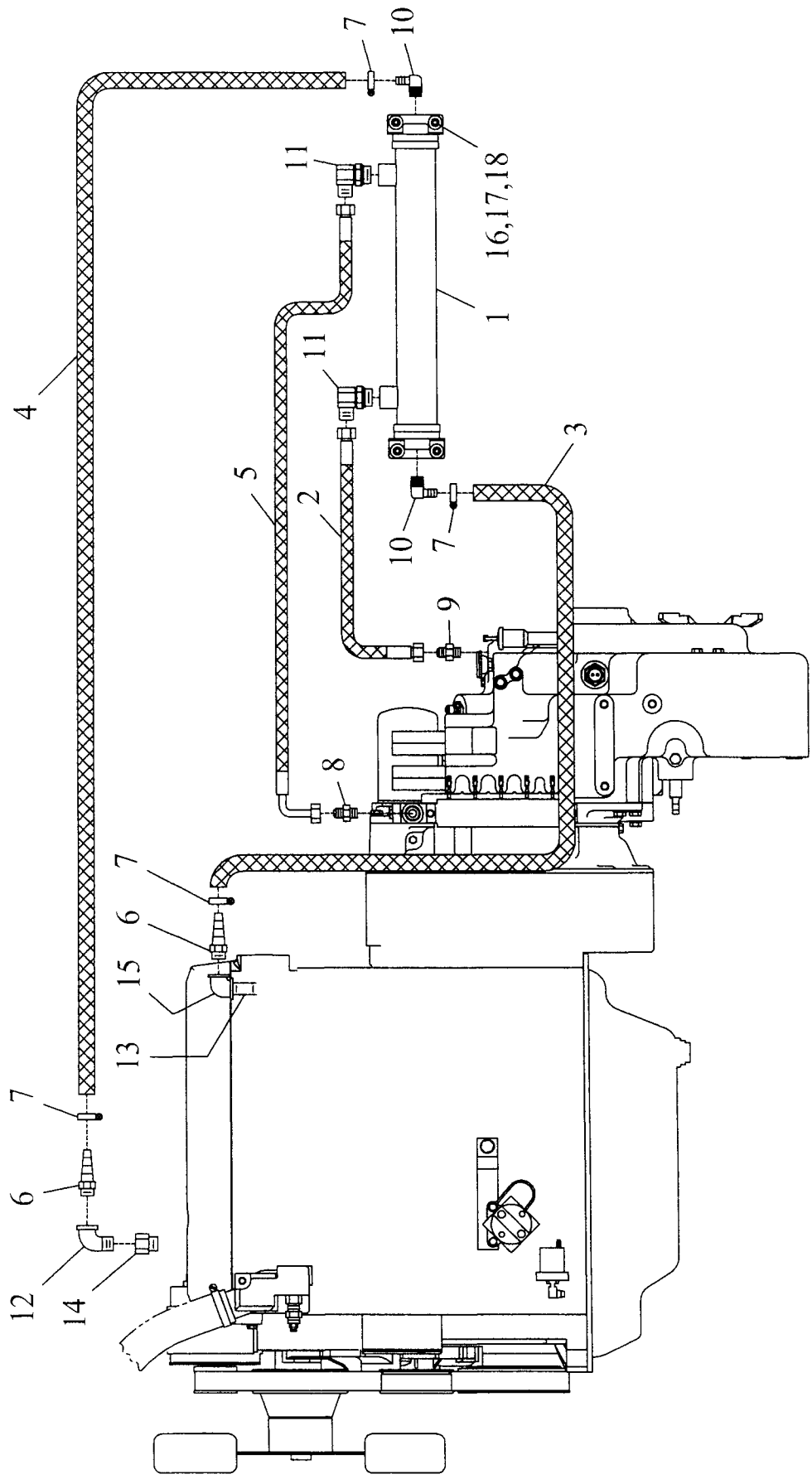
PRESSURES	
GAGE PORT	PSI
GP1	3000
GP2	2250
GP3	500
GP4	1200



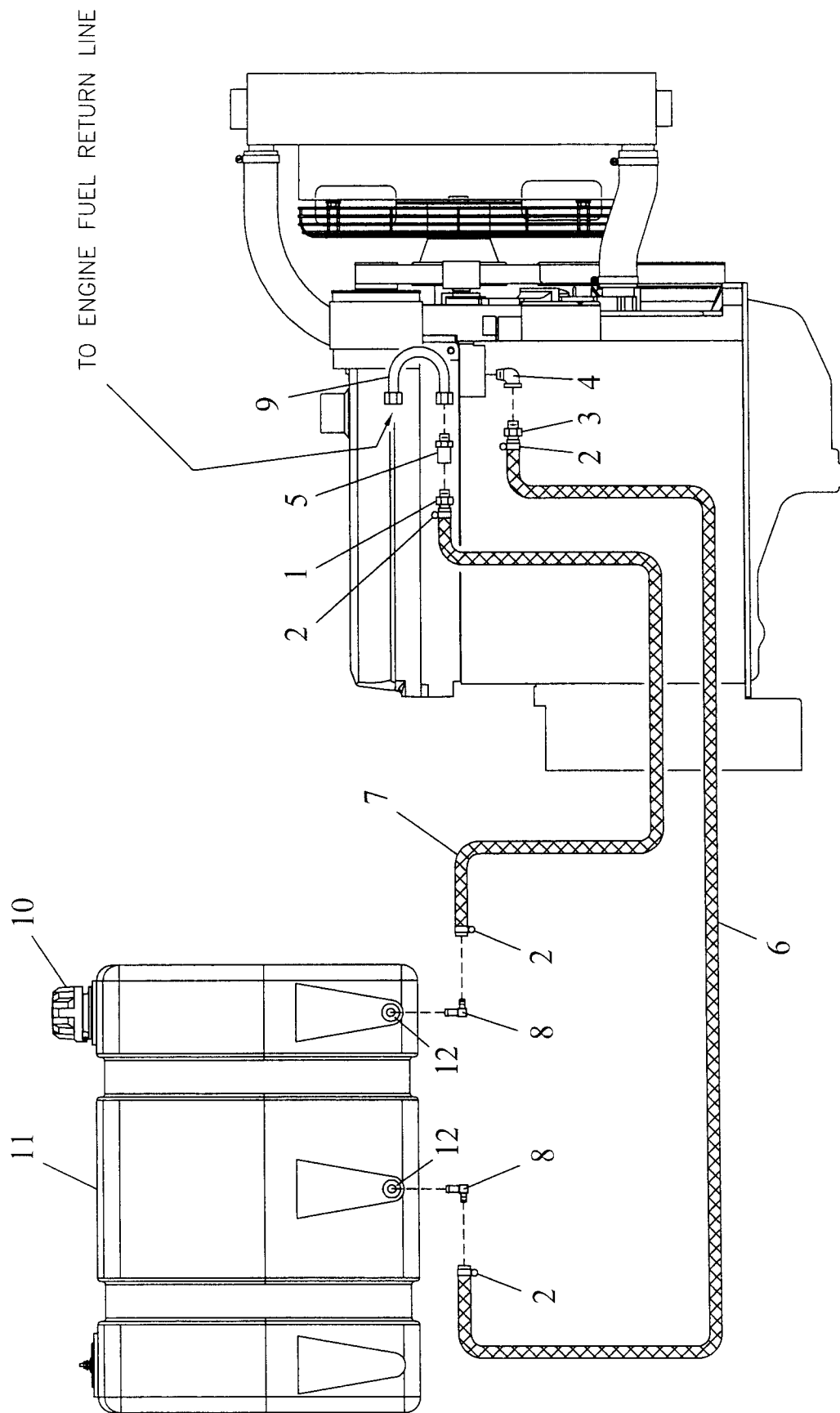
ITEM	NUMBER	DESCRIPTION	REQD
1	6-6450-05	FITTING / 06 OR x 04 JIC STR.	1
2	6-6452-19	FITTING / 06 OR x 04 JIC 45	3
3	7-256-27	PRESSURE CHECK / MALE	2
4	7-302-01	PRESSURE CHECK / MALE	2
5	6-7022-30	HOSE / 04 x 04-90 x 15 LG.	1
6	6-7002-34	HOSE / 04 x 04 x 17 LG.	3
7	7-234-94	CONTROL BLOCK	REF
8	7-234-50	VALVE / TILT LIMITER	REF
9	6-6457-05	FITTING / 06 OR PLUG	2



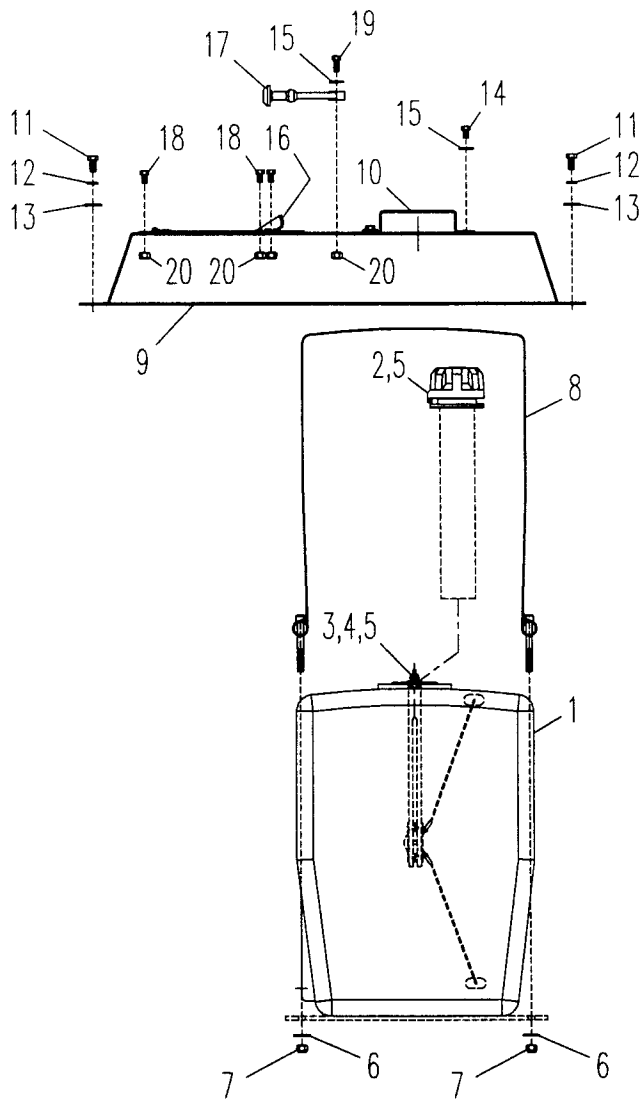
ITEM	NUMBER	DESCRIPTION	REQD
1	6-7023-28	HOSE / 06 x 06-90 x 14 LG.	2
2	6-7003-124	HOSE / 06 x 06 x 62 LG.	1
3	6-7002-86	HOSE / 04 x 04 x 43 LG.	1
4	6-7003-174	HOSE / 06 x 06 x 87 LG.	1
5	6-6450-05	FITTING / 06 OR x 04 JIC STR.	2
6	6-7023-62	HOSE / 06 x 06-90 x 31 LG.	REF
7	6-7002-276	HOSE / 04 x 04 x 138 LG.	1
8	6-6483-05	FITTING / 06 JIC CROSS	1
9	6-6482-03	FITTING / 04 JIC TEE	1
10	6-5308-08	CAPSCREW 1/2 NF x 1 LG.	3
11	6-6211-08	LOCKWASHER 1/2	3
12	6-6453-06	FITTING / 06 OR x 06 JIC 90	1
13	7-256-85	ACCUMULATOR / BRAKE	REF
14	7-371-04	FITTING / 14mm OR x 06 JIC STR.	4
15	7-198-48	ACTUATOR / HANGING BRAKE PEDAL	REF
16	6-7023-100	HOSE / 06 x 06-90 x 50 LG.	1
17	6-6453-04	FITTING / 06 OR x 04 JIC 90	1
18	6-7002-42	HOSE / 04 x 04 x 21 LG.	1
19	6-6481-05	FITTING / 06 JIC SW-RN-TEE	3
20	7-303-03	PRESSURE SWITCH / CLUTCH CUT-OFF	1
21	6-6402-02	FITTING / 02 NPT F. x 04 NPT F.	1
22	6-6435-03	FITTING / 04 NPT M. x 06 JIC 90 SW.	1



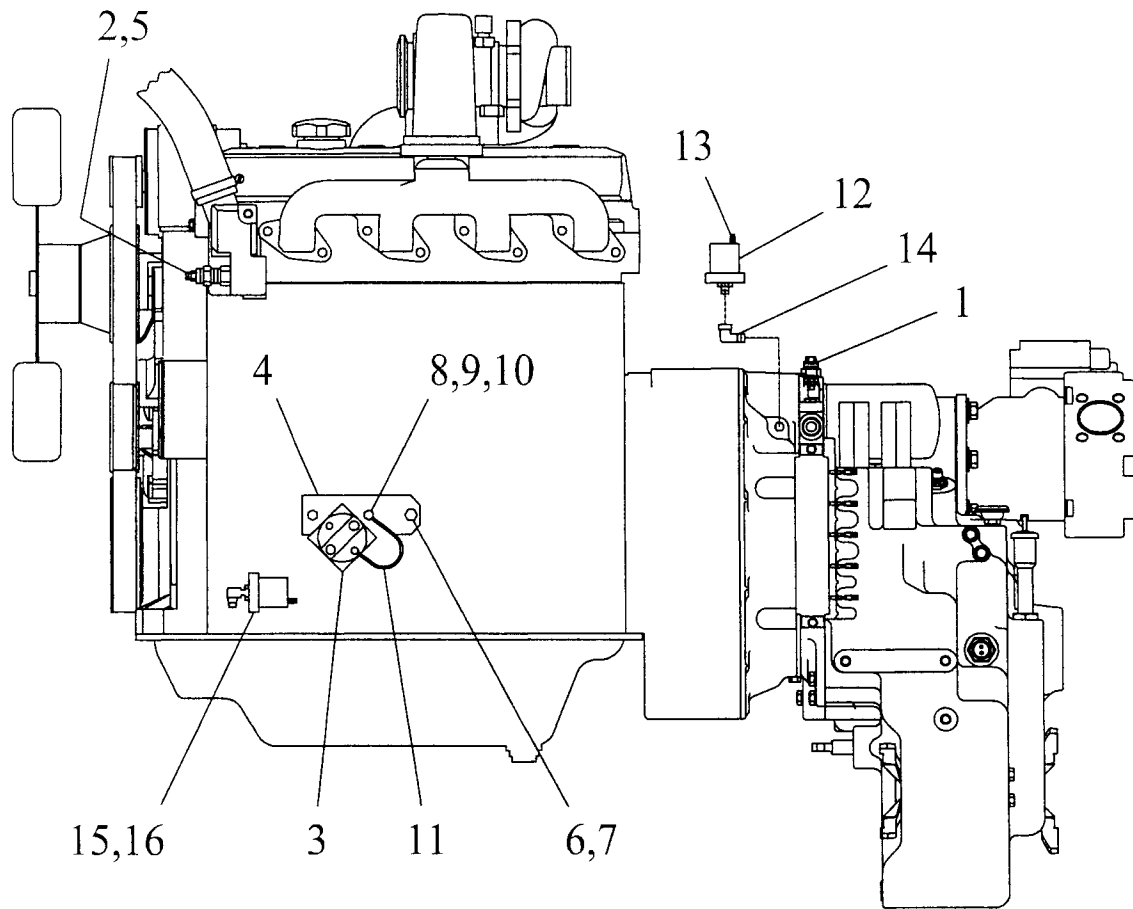
ITEM	NUMBER	DESCRIPTION	REQD
1	7-236-08	OIL COOLER	1
2	6-7006-44	HOSE / 12 x 12 x 22 LG.	1
3	6-9611-320	HOSE-HEATER 3/4 x 40 LG.	1
4	6-9611-464	HOSE-HEATER 3/4 x 58 LG.	1
5	6-7045-56	HOSE / 12 x 10-90 x 28 LG.	1
6	6-6423-18	HOSE END / 12-08 MALE PIPE	2
7	6-6252-04	HOSE CLAMP / NO. 12	4
8	6-6450-16	FITTING / 10 OR x 10 JIC STR.	1
9	6-6450-20	FITTING / 12 OR x 12 JIC STR.	1
10	6-6400-19	FITTING / 3/4 NPT x 3/4 HOSE BARB 90	2
11	6-6453-15	FITTING / 12 OR x 12 JIC 90	2
12	6-6437-04	FITTING / 08 NPT ST ELB BLK-P	1
13	6-6413-03	FITTING / 1/2 PIPE NIPPLE	1
14	6-6459-01	FITTING / 18mm x 08 NPT RED.	1
15	6-6438-04	FITTING / 08 NPT ELBOW BLK-P	1
16	6-5605-06	CAPSCREW SH 5/16 NC x 3/4 LG.	4
17	6-6212-05	FLATWASHER 5/16	4
18	6-6211-05	LOCKWASHER 5/16	4



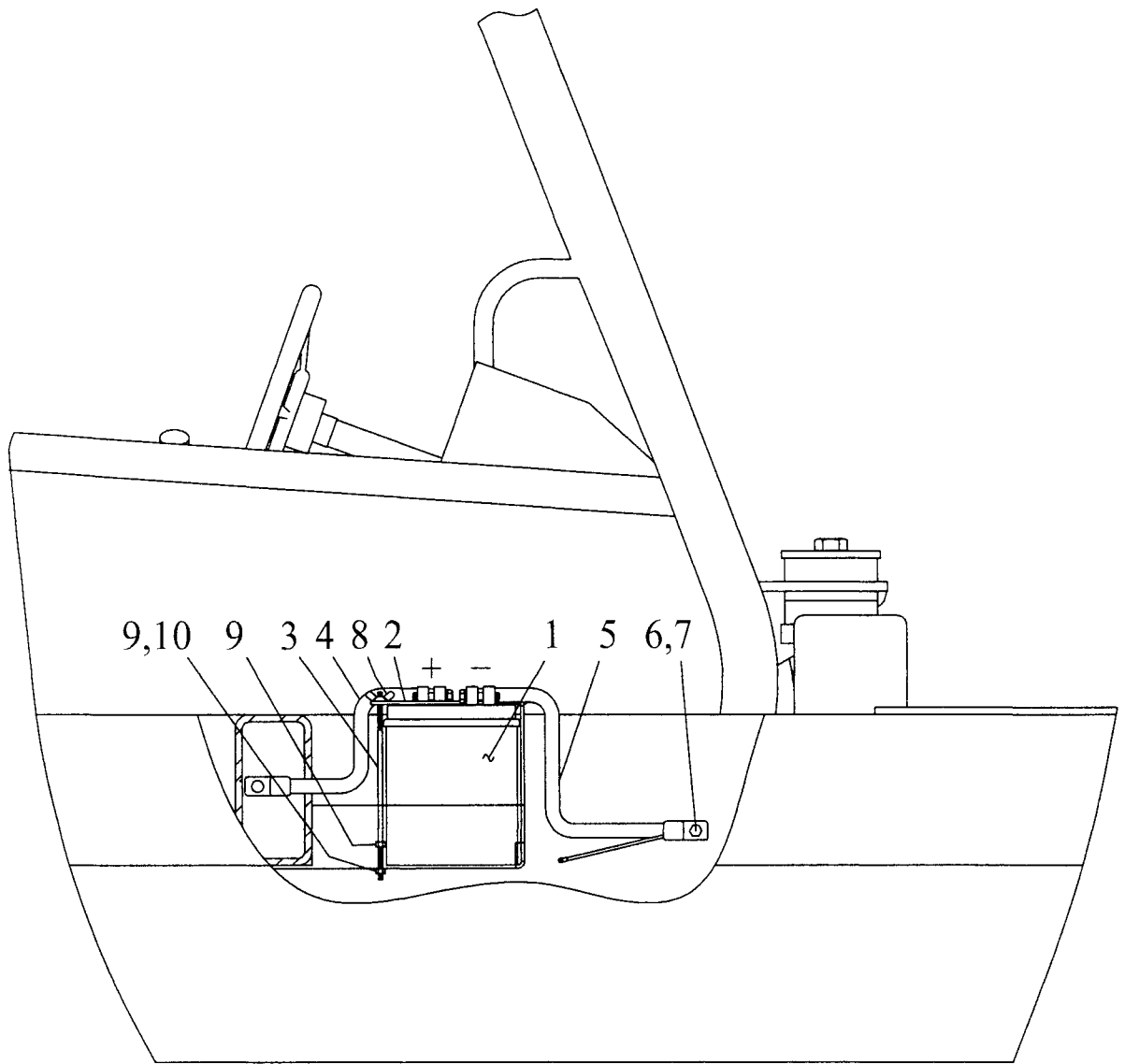
ITEM	NUMBER	DESCRIPTION	REQD
1	6-6423-08	FITTING / 04 x 06 BRASS HOSE END	3
2	6-6252-20	HOSE CLAMP / NO. 2	4
3	6-6423-07	FITTING / 02 x 06 BR. HOSE END	1
4	6-6422-01	FITTING / 02 x 02 NPT BRASS ELBOW	1
5	6-6424-05	FITTING / 04 x 04 BRASS TUBE END	1
6	6-9605-720	HOSE-FUEL 3/8 x 90 LG.	1
7	6-9605-720	HOSE-FUEL 3/8 x 90 LG.	1
8	7-121-02	FITTING / 90 / 3/8 HOSE	2
9	1-1034	TUBE / FUEL LINE	1
10	7-272-09	FILLER CAP / FUEL	REF
11	7-373-01	FUEL TANK	REF
12	7-121-01	RUBBER BUSHING	2



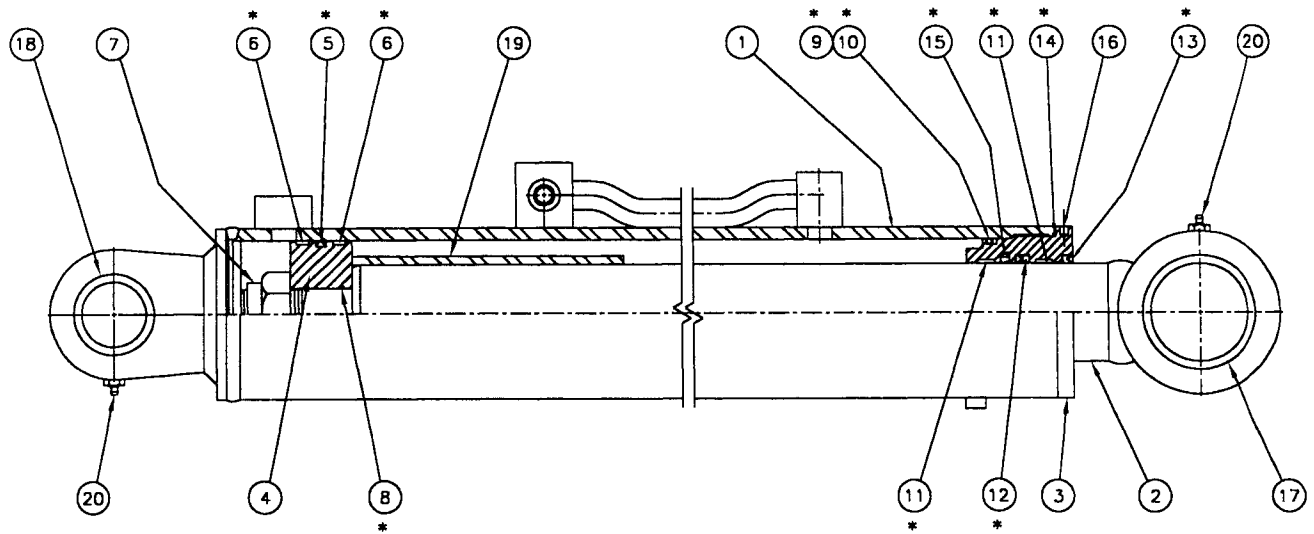
ITEM	NUMBER	DESCRIPTION	REQD
1	7-373-01	FUEL TANK / PLASTIC	1
2	7-272-09	FILLER CAP / FUEL	1
3	7-172-03	SENDER / FUEL GAUGE	REF
4	7-172-15	GASKET / FUEL SENDER	REF
5	6-6284-13	MACHINE SCREW #10-32 x 1/2 LG.	11
6	6-6212-06	FLATWASHER 3/8	4
7	6-6205-06	SELF-LOCKING NUT 3/8 NC	4
8	3-1390	STRAP / FUEL TANK	2
9	4-2154	BATTERY BOX & FUEL TANK COVER	1
10	4-2154-3	FUEL SENDER COVER (w/ ITEM 9)	REF
11	6-5206-06	CAPSCREW 3/8 NC x 3/4 LG.	6
12	6-6211-06	LOCKWASHER 3/8	6
13	6-6212-06	FLATWASHER 3/8	6
14	6-5205-05	CAPSCREW 5/16 NC x 5/8 LG.	2
15	6-6212-04	FLATWASHER 1/4	3
16	7-360-01	PLASTIC HOLDER	1
17	7-360-02	LATCH / RUBBER	1
18	6-5204-08	CAPSCREW 1/4 NC x 1 LG.	6
19	6-5204-10	CAPSCREW 1/4 NC x 1 1/4 LG.	1
20	6-6205-04	SELF-LOCKING NUT 1/4 NC	7



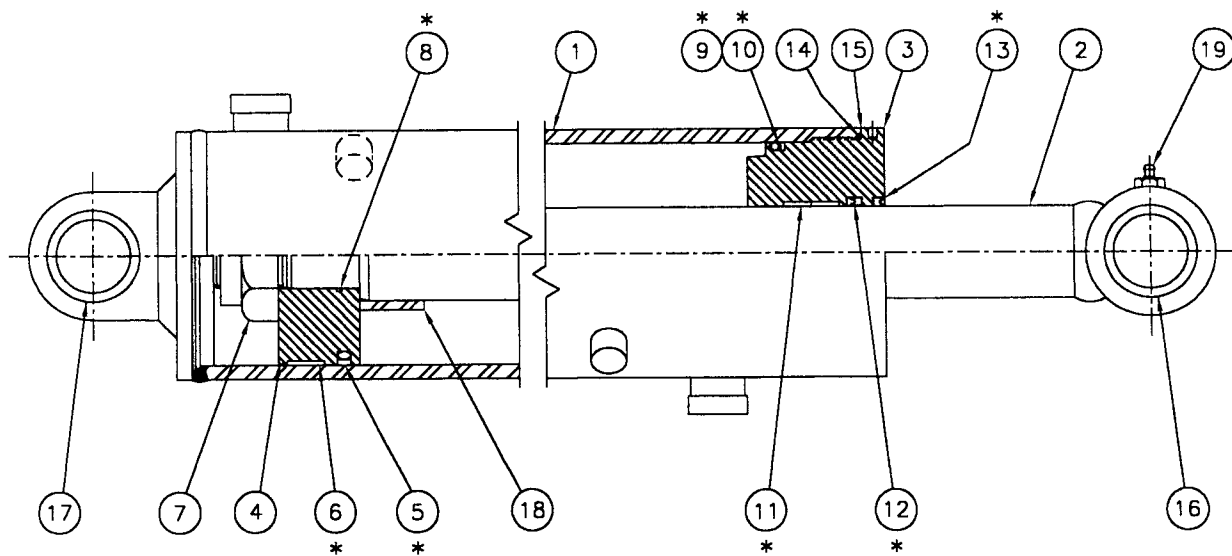
ITEM	NUMBER	DESCRIPTION	REQD
1	7-172-17	SENDER / TRANS. OIL TEMP.	1
2	7-172-09	SENDER / ENGINE WATER TEMP.	1
3	7-183-18	RELAY / STARTER	1
4	1-1024	MOUNT / STARTER RELAY	1
5	6-6406-04	FITTING / NPT RED. 1/2 x 3/8	1
6	6-8514-25	CAPSCREW 14mm x 2.0 x 25mm LG	1
7	6-9111-14	LOCKWASHER 14mm	1
8	6-5204-04	CAPSCREW 1/4 NC x 1/2 LG.	2
9	6-6211-04	LOCKWASHER 1/4	2
10	6-6212-04	FLATWASHER 1/4	2
11	1-1094	GROUND WIRE / STARTER RELAY	1
12	7-172-16	SENDER / TRANS. OIL PRESSURE	1
13	6-6286-06	HEX NUT #10-32	1
14	6-6422-01	FITTING / 02 NPT BRASS ST. ELB.	1
15	7-172-05	SENDER / ENGINE OIL PRESSURE	1
16	6-6422-01	FITTING / 02 NPT 90 BR. ST. ELB.	1



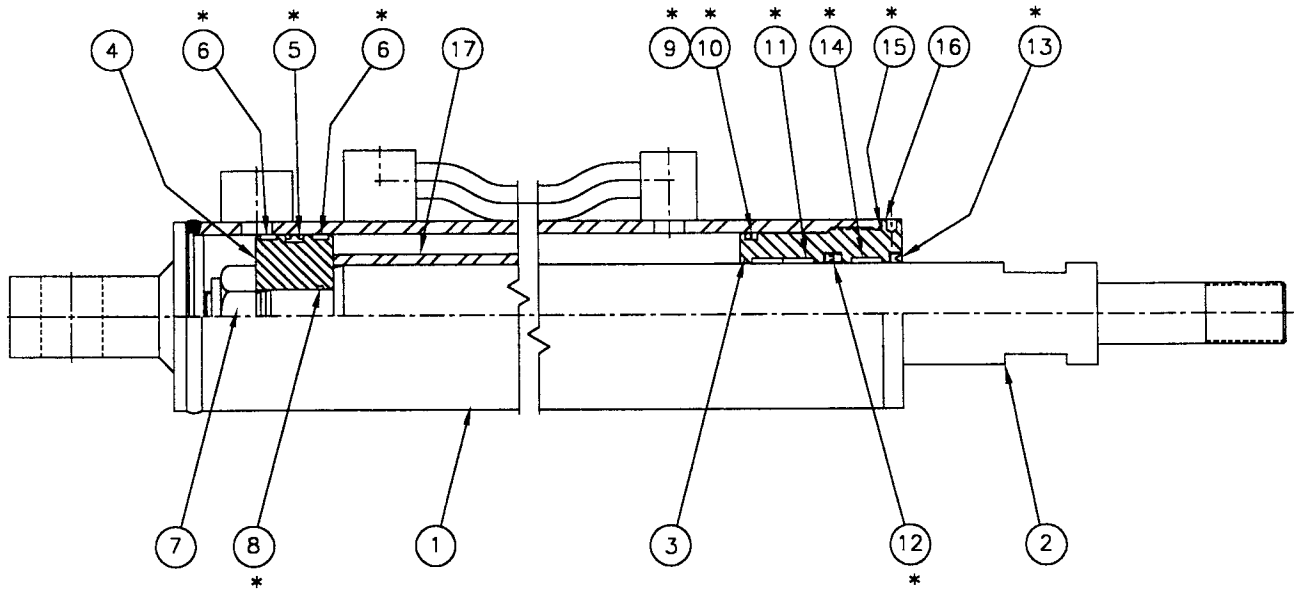
ITEM	NUMBER	DESCRIPTION	REQD
1	7-355-01	BATTERY	1
2	3-1452	BATTERY HOLD DOWN	1
3	2-1251	ROD / BATTERY HOLD DOWN	1
4	6-7801-132B	BATTERY CABLE / RED (POSITIVE)	1
5	6-7802-88B	BATTERY CABLE / BLACK (NEGATIVE)	1
6	6-8512-25	CAPSCREW 12mm x 1.75 x 25mm LG.	1
7	6-9111-12	LOCKWASHER 12mm	1
8	7-194-74	WING NUT / SELF-LOCKING / 1/4 NC	1
9	6-6205-04	SELF-LOCKING NUT 1/4 NC	2
10	6-6212-04	FLATWASHER 1/4	1



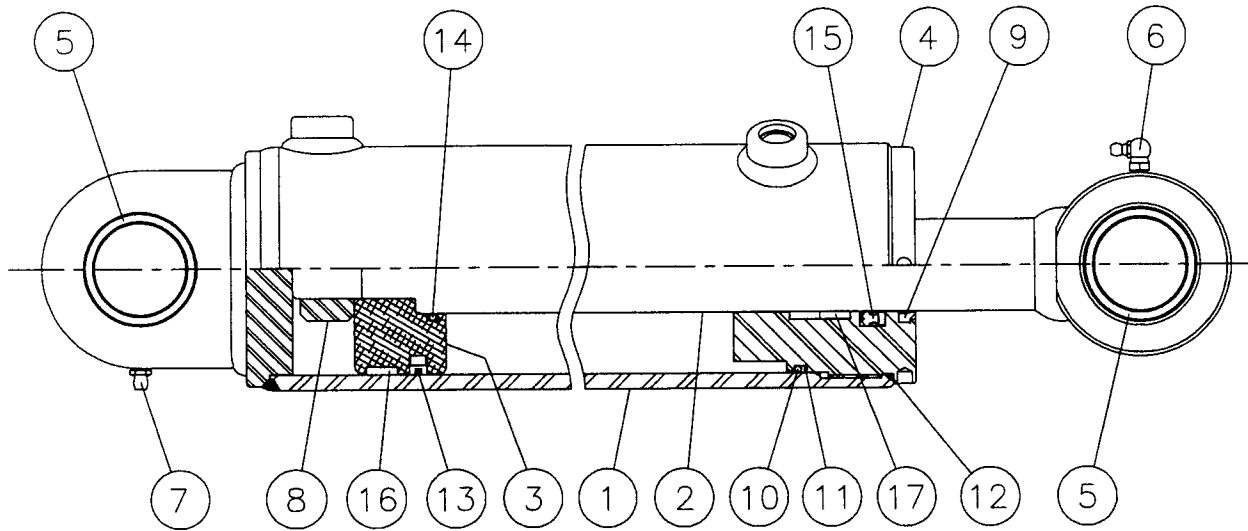
ITEM	NUMBER	DESCRIPTION	REQD
1	7-316-290	BARREL ASSEMBLY	1
2	7-316-257	ROD ASSEMBLY	1
3	7-316-291	HEAD	1
4	7-316-258	PISTON	1
5	7-316-54	SEAL / PISTON	(*) 1
6	7-316-234	WEAR RING / PISTON	(*) 2
7	7-316-73	SELF-LOCKING NUT	1
8	7-316-80	O-RING / STUB SHAFT	(*) 1
9	7-316-81	O-RING / HEAD	(*) 1
10	7-316-82	BACK-UP RING / HEAD	(*) 1
11	7-316-383	WEAR RING / HEAD	(*) 2
12	7-316-30	SEAL / SHAFT	(*) 1
13	7-316-36	WIPER / SHAFT	(*) 1
14	7-316-245	O-RING	(*) 1
15	7-316-382	BUFFER SEAL	(*) 1
16	7-316-247	SELF TAPPING SCREW	1
17	7-316-155	BRONZE BUSHING / Ref 6-4524-32	1
18	7-316-156	BRONZE BUSHING / Ref 6-4516-24	1
19	7-316-260	STROKE LIMITER	1
20	7-316-150	LUBE FITTING	2
21			
22	7-900-21	SEAL KIT / ITEMS MARKED	(*) REF



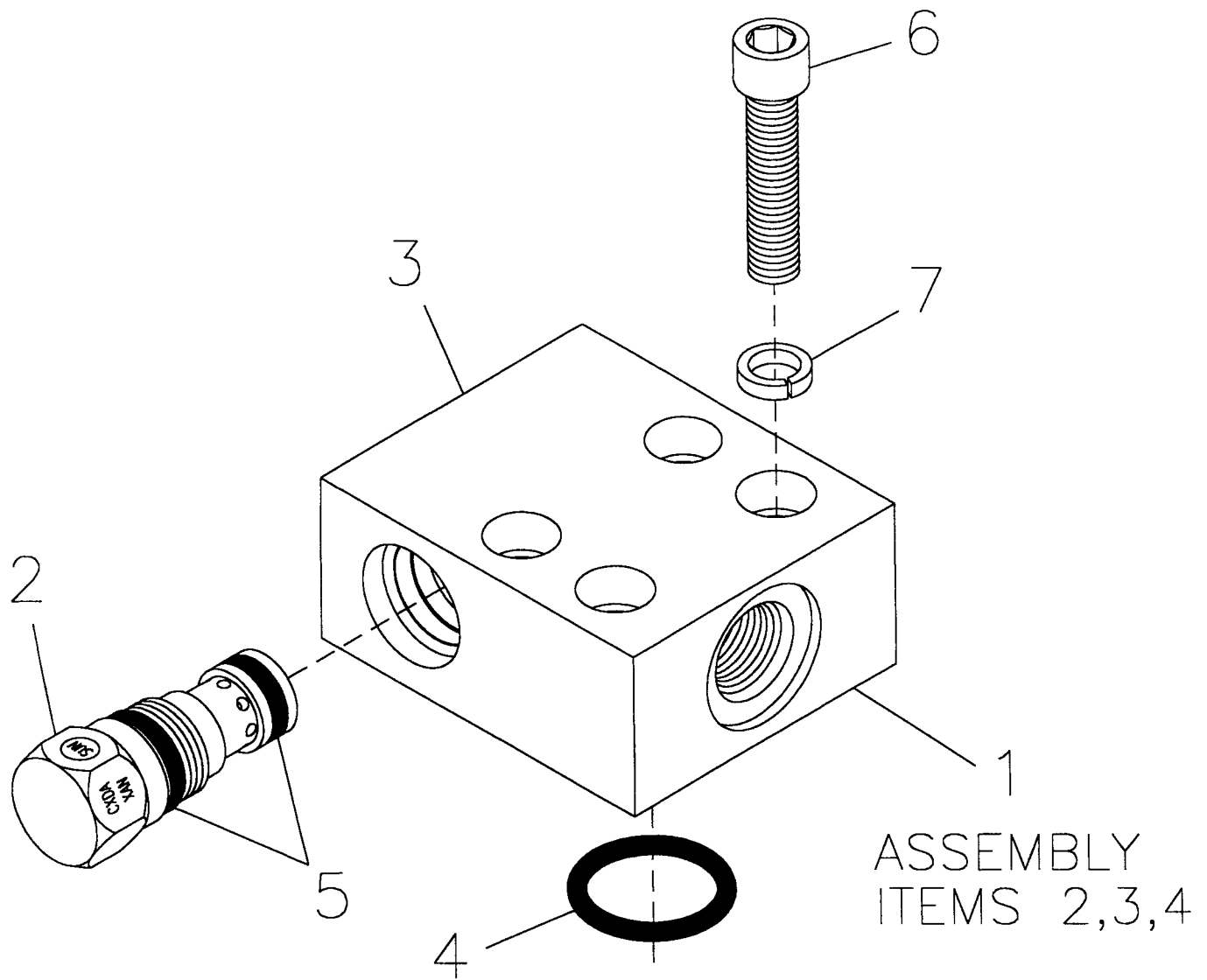
ITEM	NUMBER	DESCRIPTION	REQD
1	7-316-292	BARREL ASSEMBLY	1
2	7-316-250	ROD ASSEMBLY	1
3	7-316-293	HEAD	1
4	7-316-249	PISTON	1
5	7-316-59	SEAL / PISTON	(*) 1
6	7-316-68	WEAR RING / PISTON	(*) 1
7	7-316-246	SELF-LOCKING NUT	1
8	7-316-236	O-RING / STUB SHAFT	(*) 1
9	7-316-83	O-RING / HEAD	(*) 1
10	7-316-84	BACK-UP RING / HEAD	(*) 1
11	7-316-49	WEAR RING / HEAD	(*) 2
12	7-316-29	SEAL / SHAFT	(*) 1
13	7-316-35	WIPER / SHAFT	(*) 1
14	7-316-294	O-RING	(*) 1
15	7-316-247	SELF TAPPING SCREW	1
16	7-316-156	BRONZE BUSHING / Ref 6-4516-24	1
17	7-316-156	BRONZE BUSHING / Ref 6-4516-24	1
18	7-316-189	SPACER	1
19	7-316-150	LUBE FITTING	1
20			
21	7-900-22	SEAL KIT / ITEMS MARKED	(*) REF



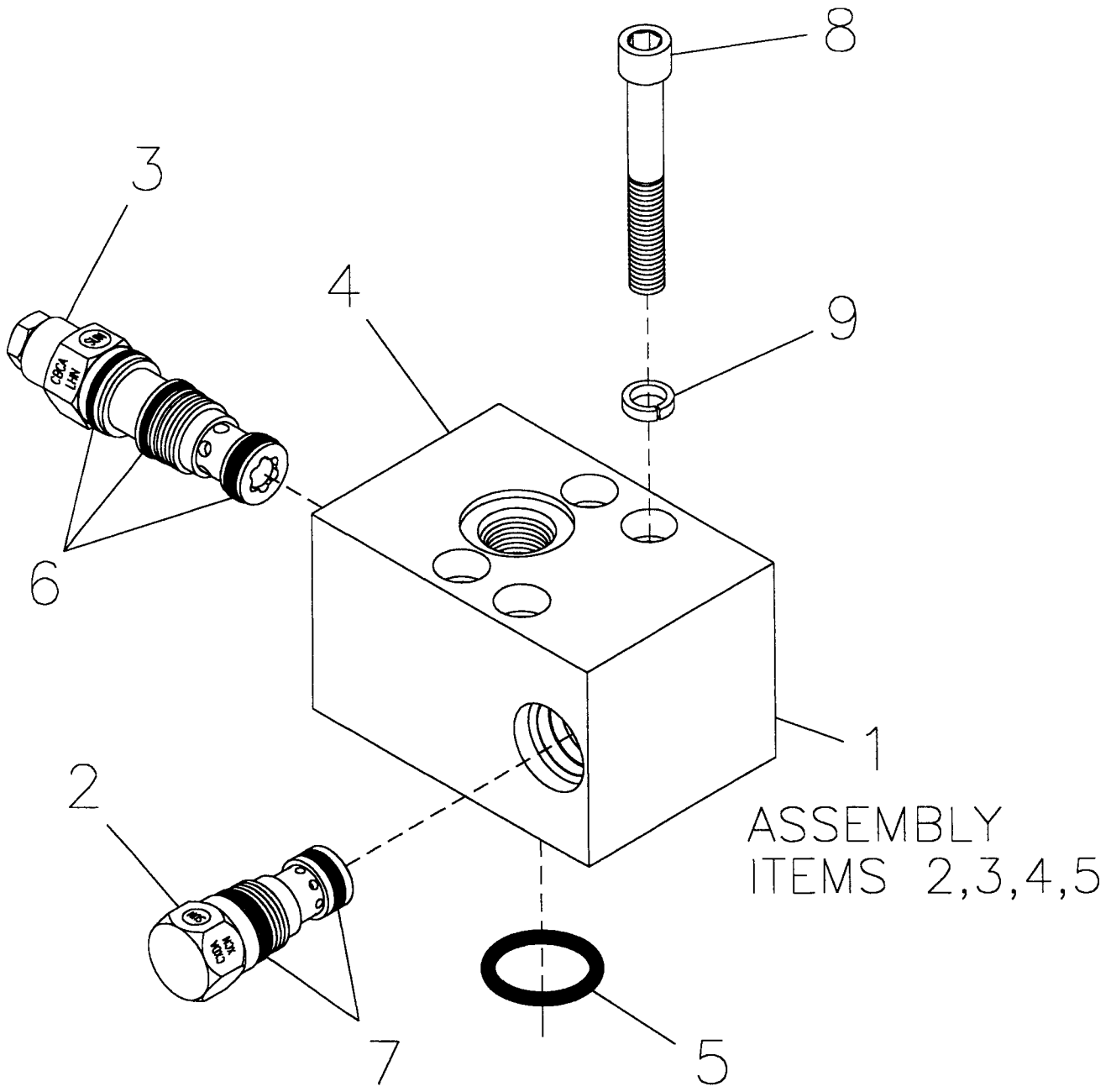
ITEM	NUMBER	DESCRIPTION	REQD
1	7-316-261	BARREL ASSEMBLY	1
2	7-316-262	ROD	1
3	7-316-289	HEAD	1
4	7-316-263	PISTON	1
5	7-316-53	SEAL / PISTON (*)	1
6	7-316-232	WEAR RING / PISTON (*)	2
7	7-316-74	SELF-LOCKING NUT	1
8	7-316-87	O-RING / STUB SHAFT (*)	1
9	7-316-85	O-RING / HEAD (*)	1
10	7-316-86	BACK-UP RING / HEAD (*)	1
11	7-316-49	WEAR RING / HEAD (*)	2
12	7-316-29	SEAL / SHAFT (*)	1
13	7-316-35	WIPER / SHAFT (*)	1
14	7-316-233	WEAR / RING (*)	1
15	7-316-264	O-RING (*)	1
16	7-316-247	SELF TAPPING SCREW	1
17	7-316-265	STROKE LIMITER	1
18			
19	7-900-23	SEAL KIT / ITEMS MARKED (*)	REF



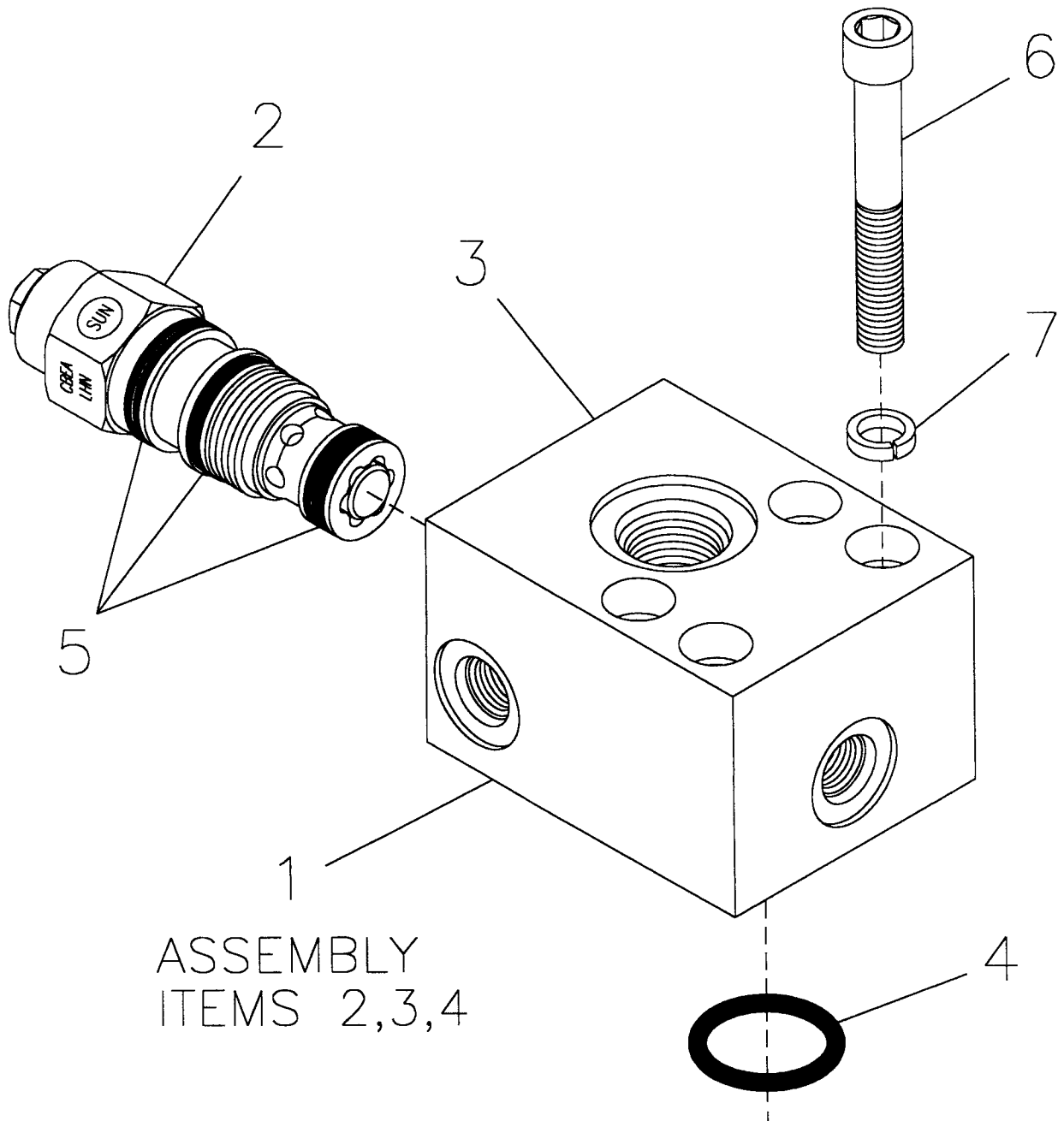
ITEM	NUMBER	DESCRIPTION	REQD
1	7-182-06	TUBE ASSEMBLY	1
2	7-182-07	ROD ASSEMBLY	1
3	7-182-08	PISTON	1
4	7-182-09	HEAD	1
5	7-182-10	BUSHING	2
6	7-182-11	LUBE FITTING / 90°	1
7	7-182-12	LUBE FITTING / STR.	1
8	7-182-13	LOCKNUT	(*) 1
9	7-182-14	WIPER / ROD	(*) 1
10	7-182-15	O-RING / HEAD	(*) 1
11	7-182-16	BACK-UP RING / HEAD	(*) 1
12	7-182-17	O-RING / HEAD	(*) 1
13	7-182-18	SEAL / PISTON	(*) 1
14	7-182-19	O-RING / PISTON	(*) 1
15	7-182-20	SEAL / ROD	(*) 1
16	7-182-21	WEAR RING / PISTON	(*) 1
17	7-182-22	WEAR RING / HEAD	(*) 2
18			
19	7-900-180	SEAL KIT / ITEMS MARKED	(*) REF



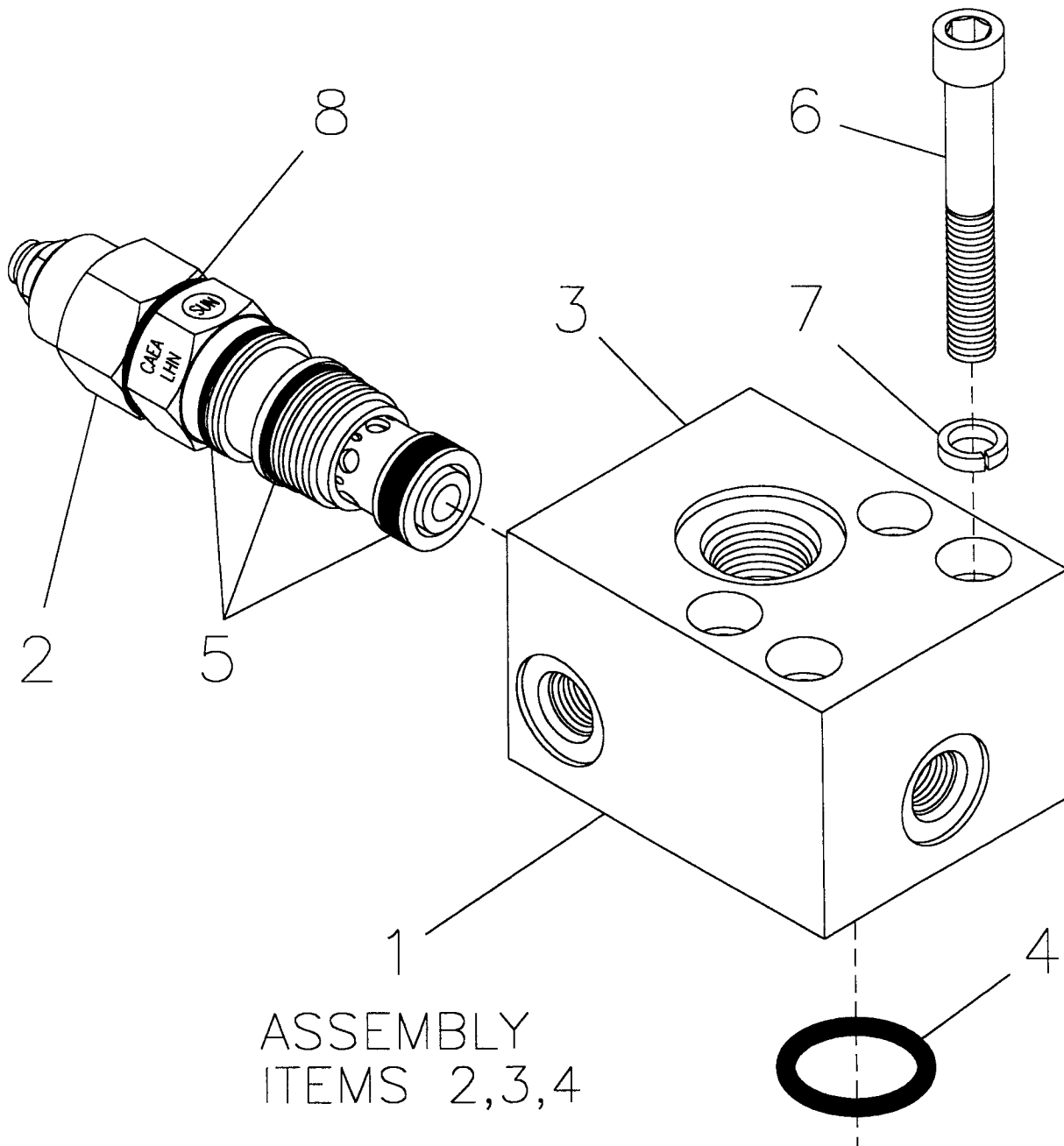
ITEM	NUMBER	DESCRIPTION	REQD
1	7-234-02	MOTION VALVE ASSEMBLY	1
2	7-234-16	CARTRIDGE / CHECK	1
3	7-234-24	BODY	1
4	7-234-32	O-RING	1
5	7-234-31	SEAL KIT	1
6	6-5606-14	CAPSCREW SH 3/8 NC x 1 3/4 LG.	4
7	6-6214-06	LOCKWASHER 3/8 HI-COLLAR	4



ITEM	NUMBER	DESCRIPTION	REQD
1	7-234-01	MOTION VALVE ASSEMBLY	1
2	7-234-80	CARTRIDGE / CHECK	1
3	7-234-19	CARTRIDGE / COUNTERBALANCE	1
4	7-234-25	BODY	1
5	7-234-32	O-RING	1
6	7-234-29	SEAL KIT	1
7	7-234-31	SEAL KIT	1
8	6-5606-22	CAPSCREW SH 3/8 NC x 2 3/4 LG.	4
9	6-6214-06	LOCKWASHER 3/8 HI-COLLAR	4

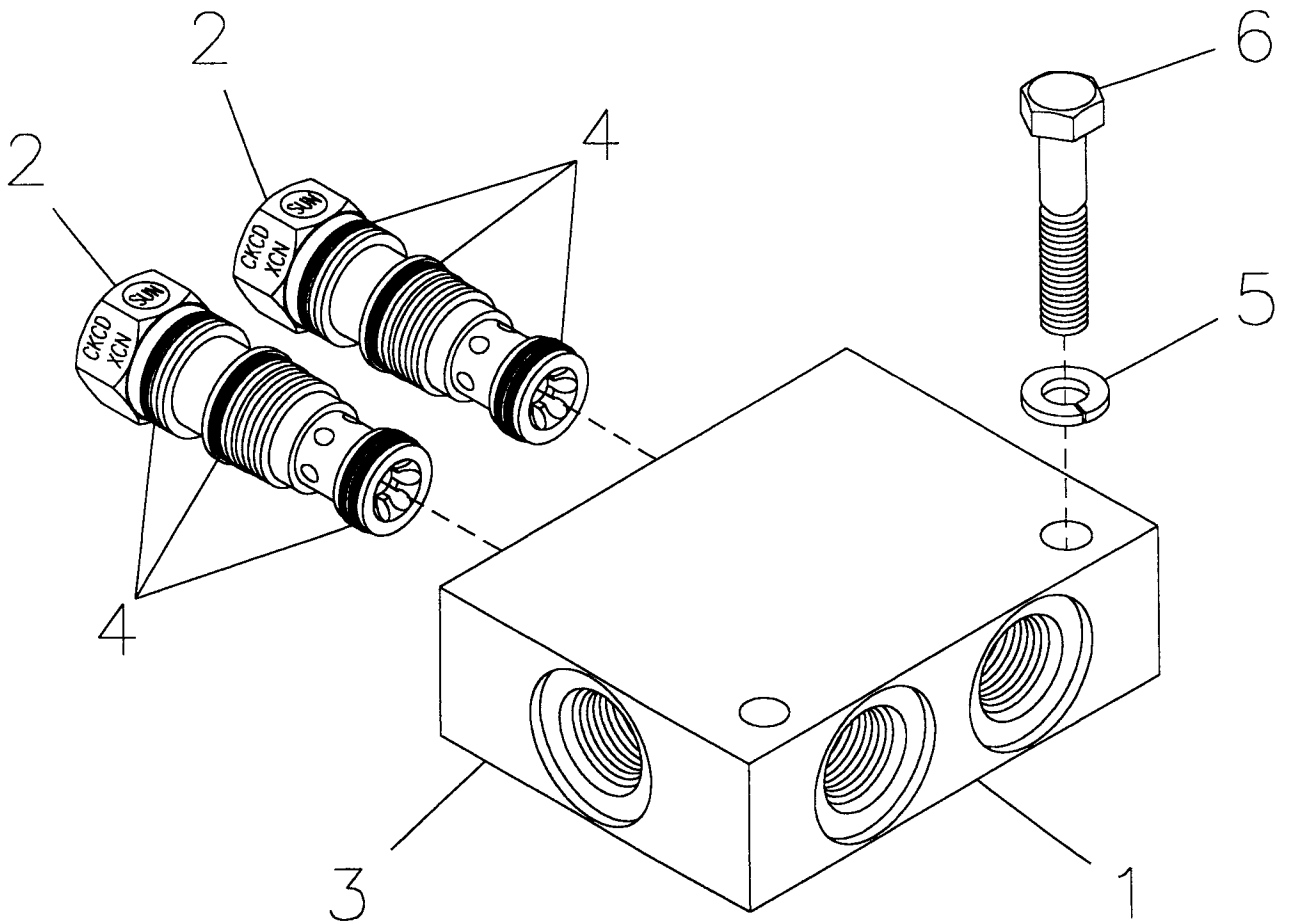


ITEM	NUMBER	DESCRIPTION	REQD
1	7-234-03	MOTION VALVE ASSEMBLY	1
2	7-234-22	CARTRIDGE / COUNTERBALANCE	1
3	7-234-23	BODY	1
4	7-234-32	O-RING	1
5	7-234-30	SEAL KIT	1
6	6-5606-22	CAPSCREW SH 3/8 NC x 2 3/4 LG.	4
7	6-6214-06	LOCKWASHER 3/8 HI-COLLAR	4



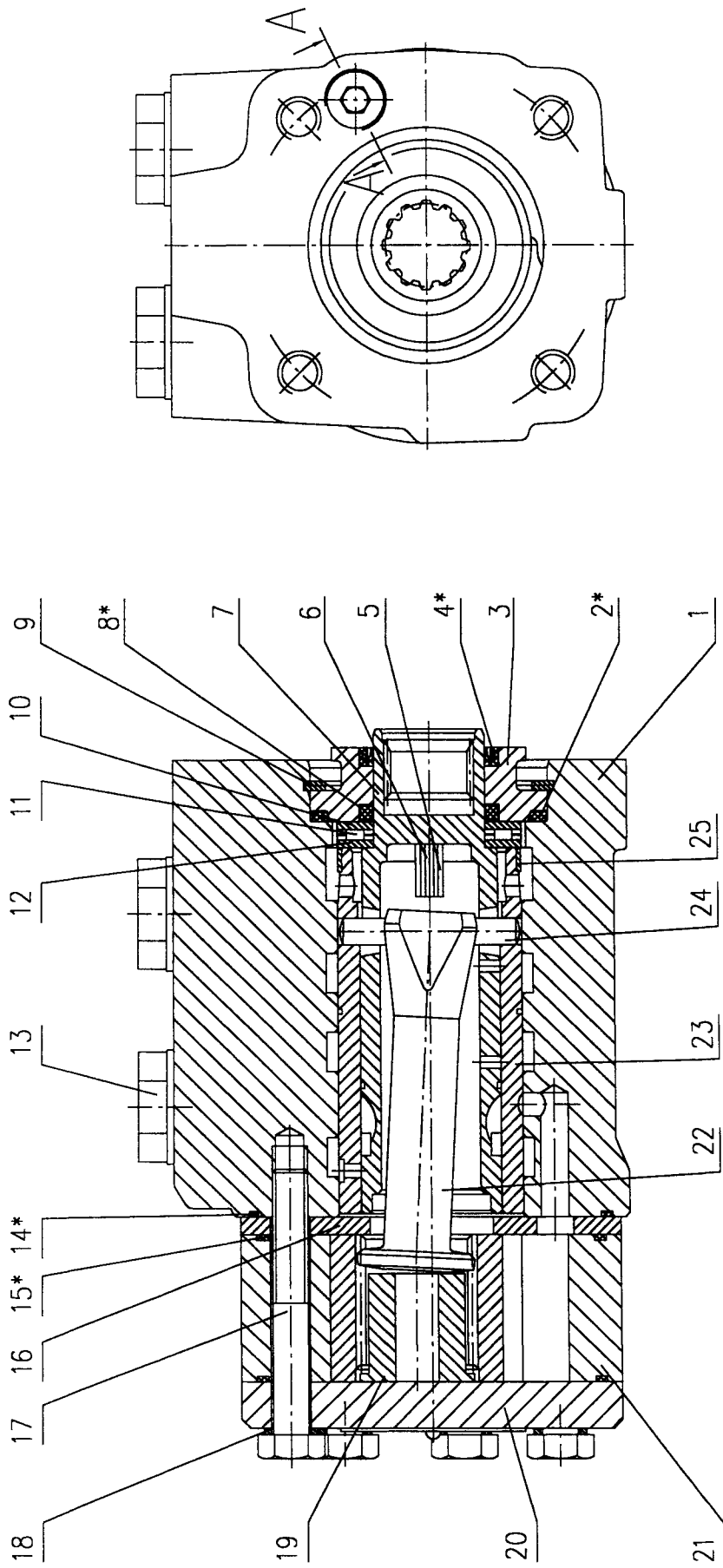
ASSEMBLY
ITEMS 2,3,4

ITEM	NUMBER	DESCRIPTION	REQD
1	7-234-54	MOTION VALVE ASSEMBLY	1
2	7-234-53	CARTRIDGE / COUNTERBALANCE	1
3	7-234-23	BODY	1
4	7-234-32	O-RING	1
5	7-234-30	SEAL KIT	1
6	6-5606-22	CAPSCREW SH 3/8 NC x 2 3/4 LG.	4
7	6-6214-06	LOCKWASHER 3/8 HI-COLLAR	4
8	7-234-60	O-RING	1

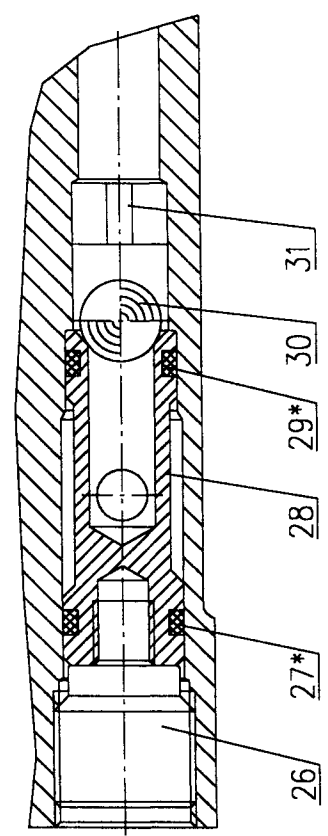


ASSEMBLY
ITEMS 2,3

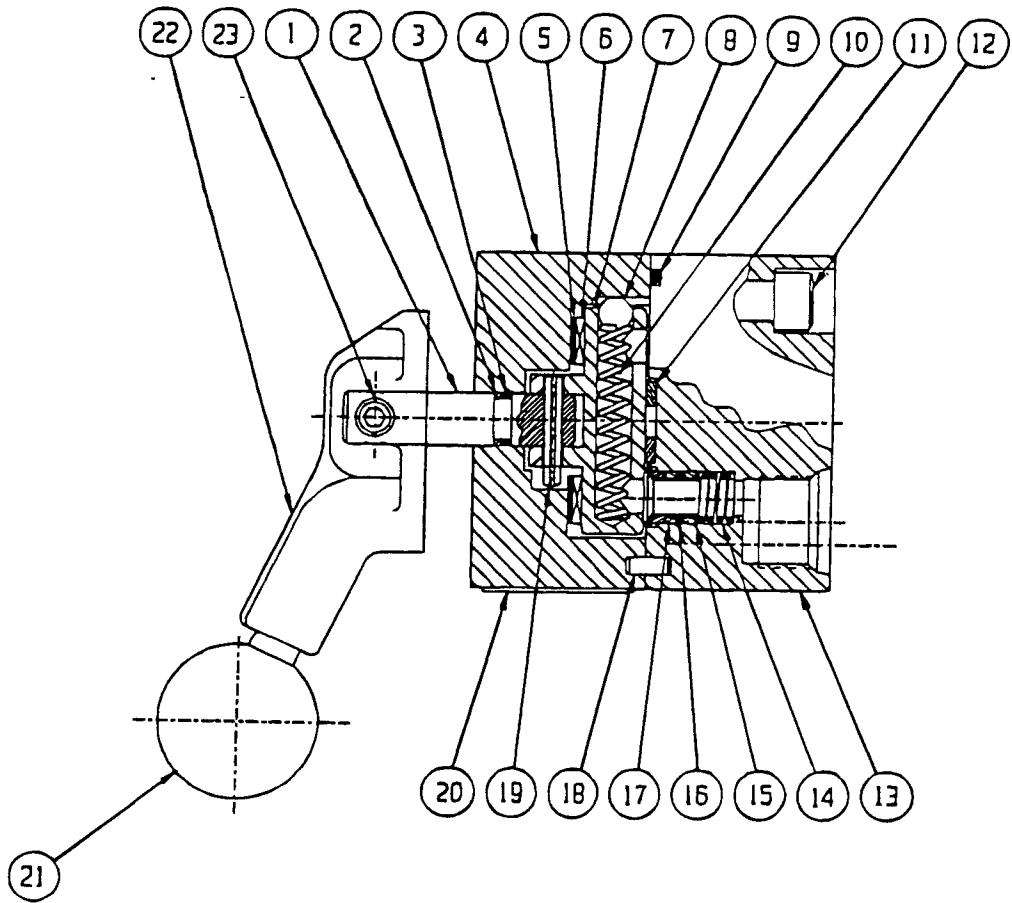
ITEM	NUMBER	DESCRIPTION	REQD
1	7-234-04	DUAL PILOT CHECK VALVE ASSY	1
2	7-234-18	CARTRIDGE / PILOT CHECK	2
3	7-234-21	BODY	1
4	7-234-29	SEAL KIT	2
5	6-6211-05	LOCKWASHER 5/16	2
6	6-5205-14	CAPSCREW 5/16 NC x 1 3/4 LG.	2



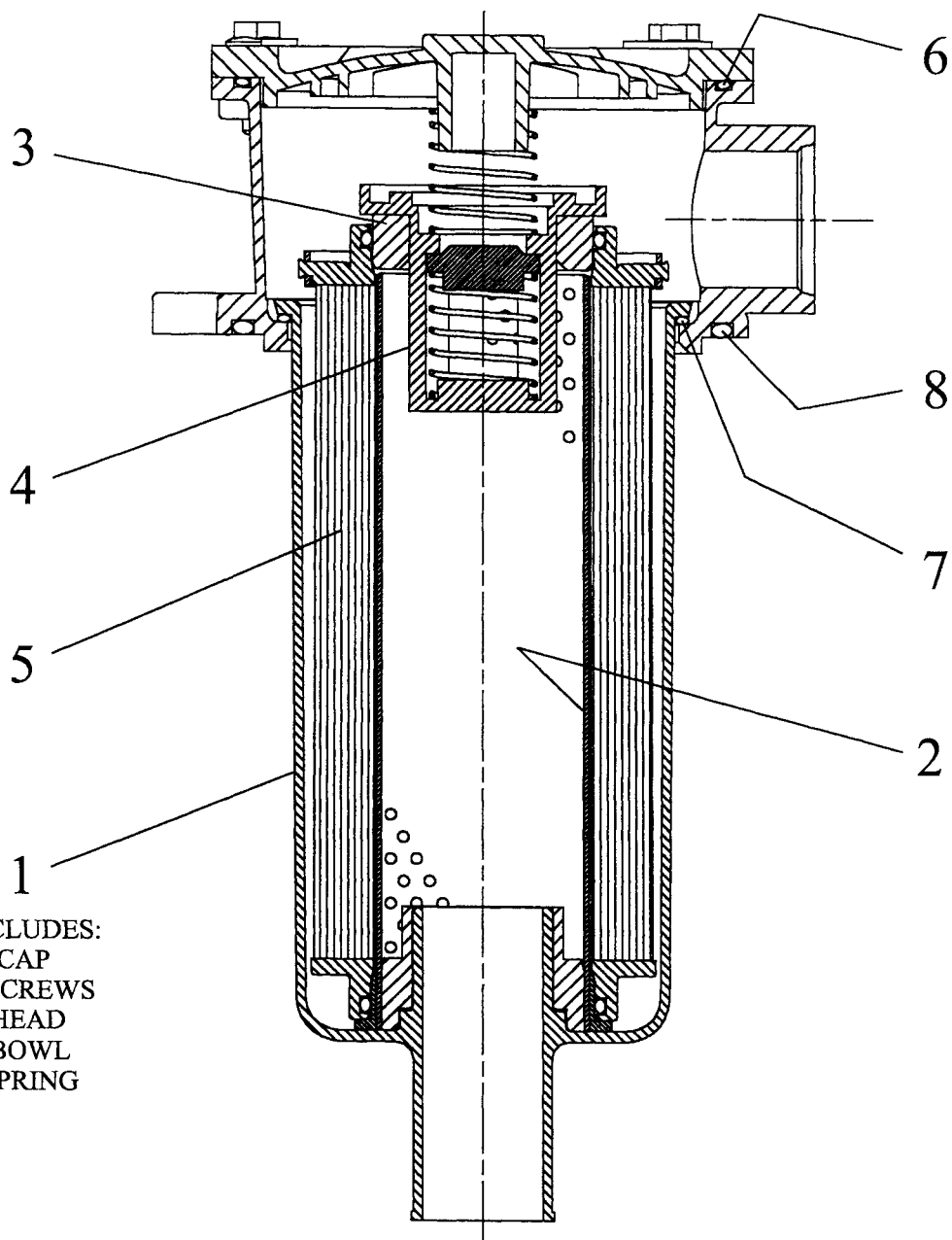
A - A



ITEM	NUMBER	DESCRIPTION	REQD
1	7-147-08	HOUSING	1
2	7-147-09	O-RING*	1
3	7-147-10	FRONT COVER	1
4	7-147-11	DUST SEAL*	1
5	7-147-12	SPRING, FLAT	2
6	7-147-13	SPRING	4
7	7-147-14	CONTROL SPOOL	1
8	7-147-15	X-RING*	1
9	7-147-16	RETAINING RING	1
10	7-147-17	BEARING RACE 1	1
11	7-147-18	THRUST BEARING	1
12	7-147-19	BEARING RACE 2	1
13	7-147-20	SEAL PLUG	4
14	7-147-21	O-RING*	1
15	7-147-22	O-RING*	2
16	7-147-23	DISTRIBUTOR PLATE	1
17	7-147-24	SCREW	7
18	7-147-25	WASHER	7
19	7-147-26	SPACER	1
20	7-147-27	END COVER	1
21	7-147-28	GEAR WHEEL SET	1
22	7-147-29	DRIVE	1
23	7-147-30	CONTROL SLEEVE	1
24	7-147-31	PIN	1
25	7-147-32	RING	1
26	7-147-33	PLUG	1
27	7-147-34	O-RING*	1
28	7-147-35	VALVE SEAT	1
29	7-147-36	O-RING*	1
30	7-147-37	BALL	1
31	7-147-38	CROSS SUPPORT	1
32	7-147-07	SEAL KIT (INCL. ITEMS 2,4,8,14,15,27, & 29)	REF



ITEM	NUMBER	DESCRIPTION	REQD
1		SHAFT	1
2	7-359-06	BACK UP RING - SHAFT	1
3	7-359-07	O-RING - SHAFT	1
4		HOUSING	1
5		THRUST WASHER	1
6	7-359-08	THRUST BEARING	1
7	7-359-09	ROTOR	1
8	7-359-10	BALL - DETENT	1
9	7-359-11	O-RING - HOUSING	1
10	7-359-12	SPRING - DETENT	1
11		WASHER - SPACER	1
12		SCREW - BODY	4
13		BODY	1
14	7-359-13	SPRING - PRESS. SEAL	4
15	7-359-14	PRESSURE SEAL	4
16	7-359-07	O-RING - PRESS. SEAL	4
17	7-359-06	BACK UP RING - PRESS. SEAL	8
18		PIN - LOCATING	1
19		ROLL PIN - ROTOR	1
20		NAMEPLATE	1
21		KNOB - HANDLE	1
22	7-359-03	HANDLE / 5/8 LONG	1
23		SET SCREW	2



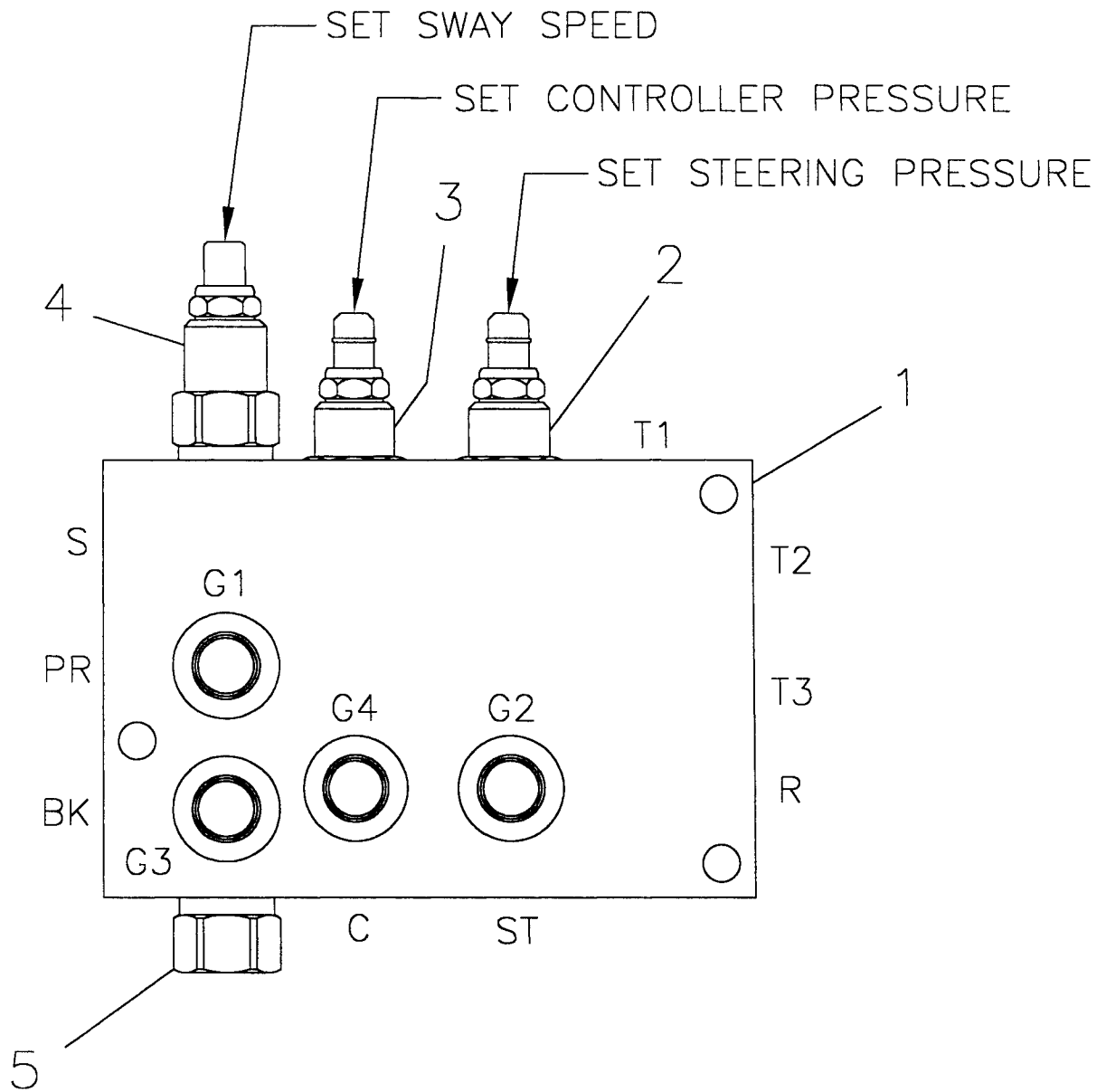
ITEM	NUMBER	DESCRIPTION	REQD
1	7-118-04	HOUSING SUB-ASSEMBLY	1
2	7-118-05	CORE ASSEMBLY	1
3	7-118-06	UPPER NIPPLE	1
4	7-118-07	BYPASS VALVE	1
5	7-118-02	ELEMENT / FILTER	1
6	7-118-03	O-RING	1
7	7-118-08	O-RING	1
8	7-118-09	O-RING	1

DRAWING
NUMBER

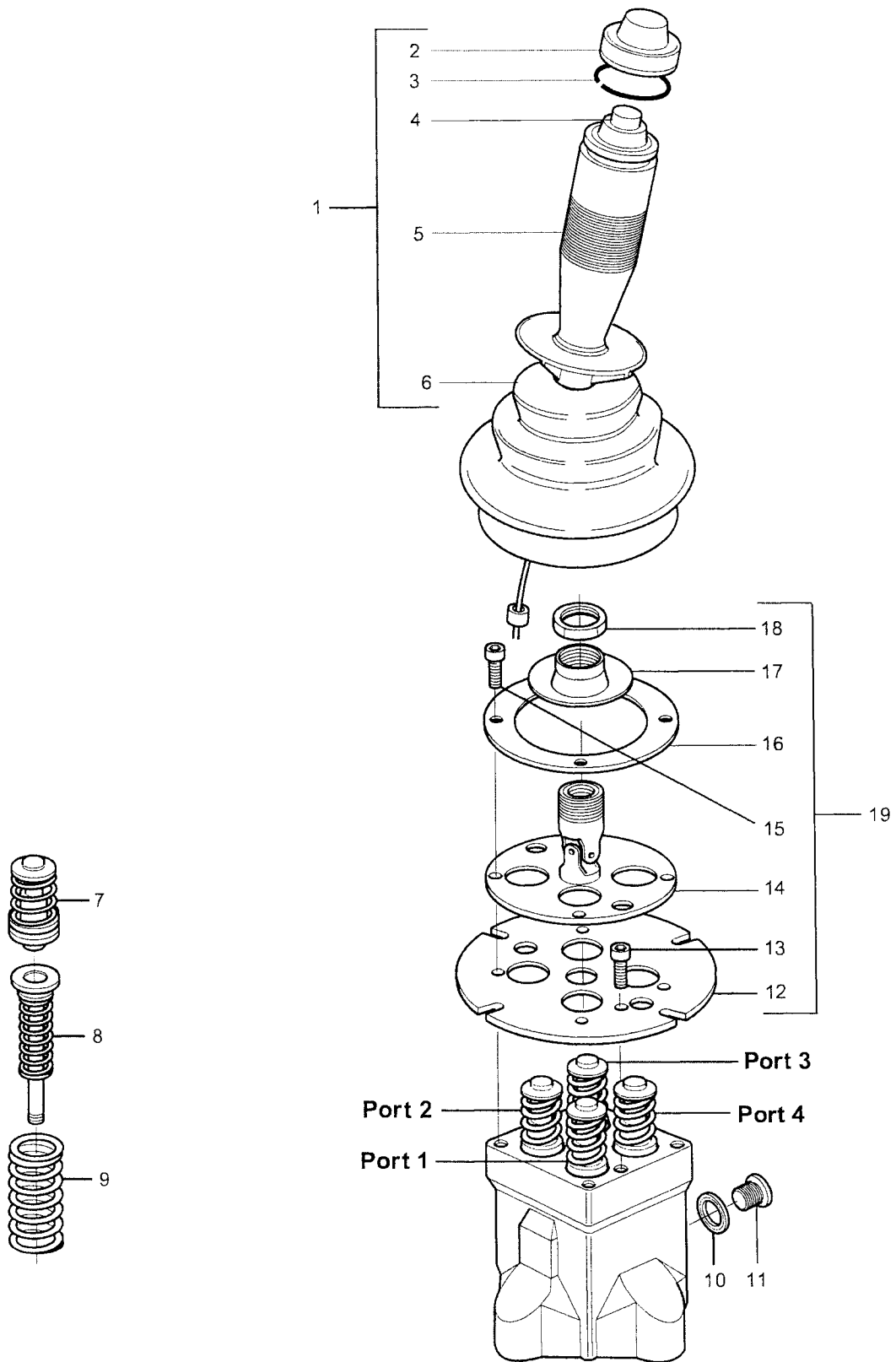
P1-1513

RETURN FILTER ASSEMBLY / 7-118-01
TH644C

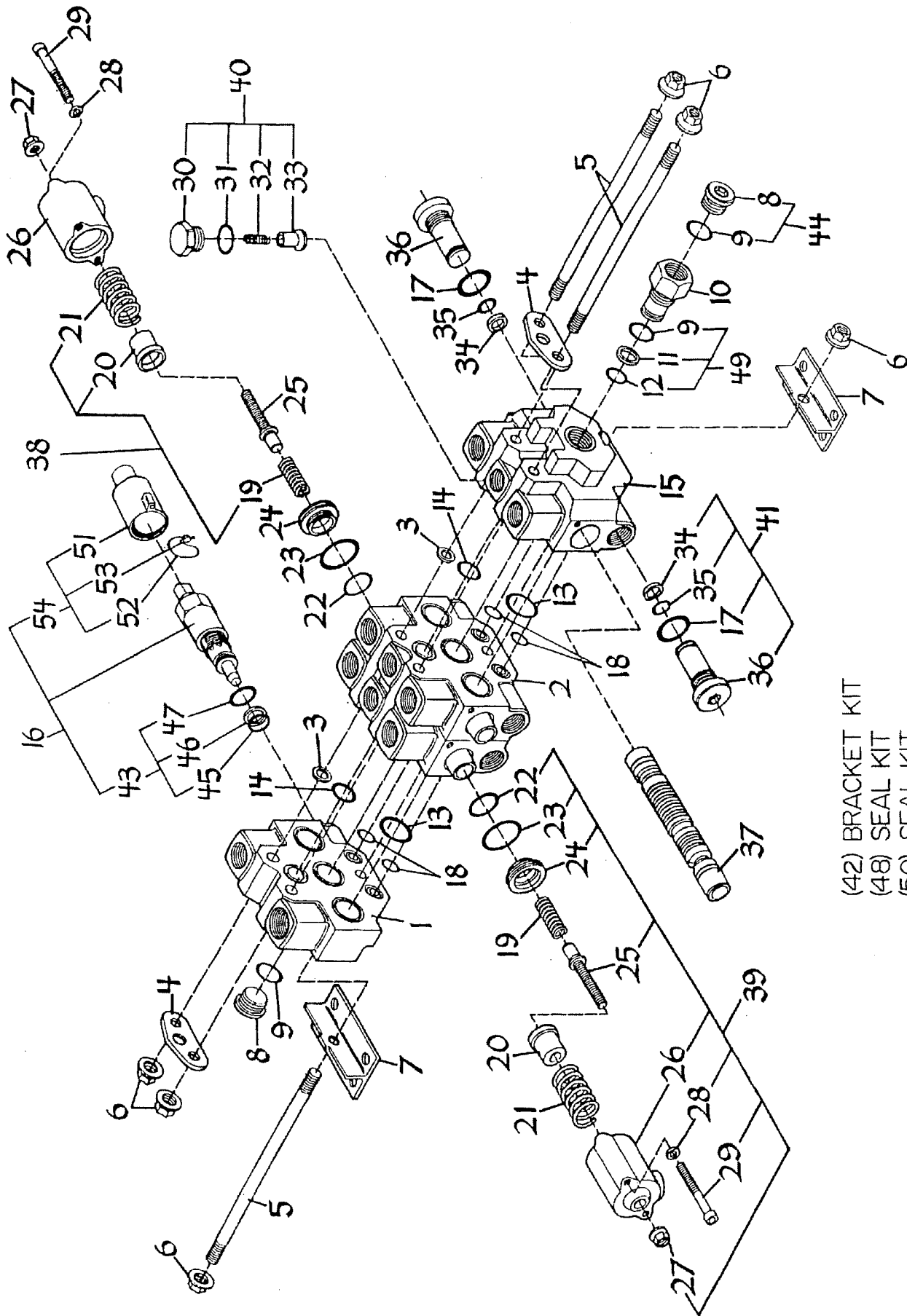
PAGE
NUMBER 49



ITEM	NUMBER	DESCRIPTION	REQD
1	7-234-97	BODY	1
2	7-234-28	CARTRIDGE / REDUC.-RELIEVING	1
3	7-234-13	CARTRIDGE / REDUC.-RELIEVING	1
4	7-234-37	CARTRIDGE / NEEDLE	1
5	7-234-80	CARTRIDGE / CHECK	1
6	7-234-94	CONTROL BLOCK ASSEMBLY (ITEMS 1-5)	1



ITEM	NUMBER	DESCRIPTION	REQD
1	7-200-153	HANDLE ASSEMBLY (ITEMS 2 THRU 6)	REF
2	7-200-09	RUBBER CAP (INCLUDED w/ ITEM 1)	1
3	7-200-10	LOCK RING (INCLUDED w/ ITEM 1)	1
4	7-200-07	SWITCH (INCLUDED w/ ITEM 1)	1
5		HANDLE (INCLUDED w/ ITEM 1)	1
6	7-200-154	BELLOWS (INCLUDED w/ ITEM 1)	1
7	7-200-128	PIN SET (PORT 1 & PORT 3)	2
	7-200-129	PIN SET (PORT 2 & PORT 4)	2
8	7-200-158	SPRING PACK	4
9	7-200-159	RETURN SPRING	4
10	7-200-160	FLAT SEAL	1
11	7-200-161	PLUG	1
12		MOUNTING PLATE (INCLUDED w/ ITEM 19)	1
13	7-200-157	SCREW (INCLUDED w/ ITEM 19)	2
14		SWIVEL PLATE (INCLUDED w/ ITEM 19)	1
15	7-200-156	SCREW (INCLUDED w/ ITEM 19)	4
16		RETAINING RING (INCLUDED w/ ITEM 19)	1
17		THREADED CAP (INCLUDED w/ ITEM 19)	1
18		RETAINER NUT (INCLUDED w/ ITEM 19)	1
19	7-200-155	MOUNTING PLATE ASSEMBLY (ITEMS 12 THRU 18)	REF



(42) BRACKET KIT
 (48) SEAL KIT
 (50) SEAL KIT

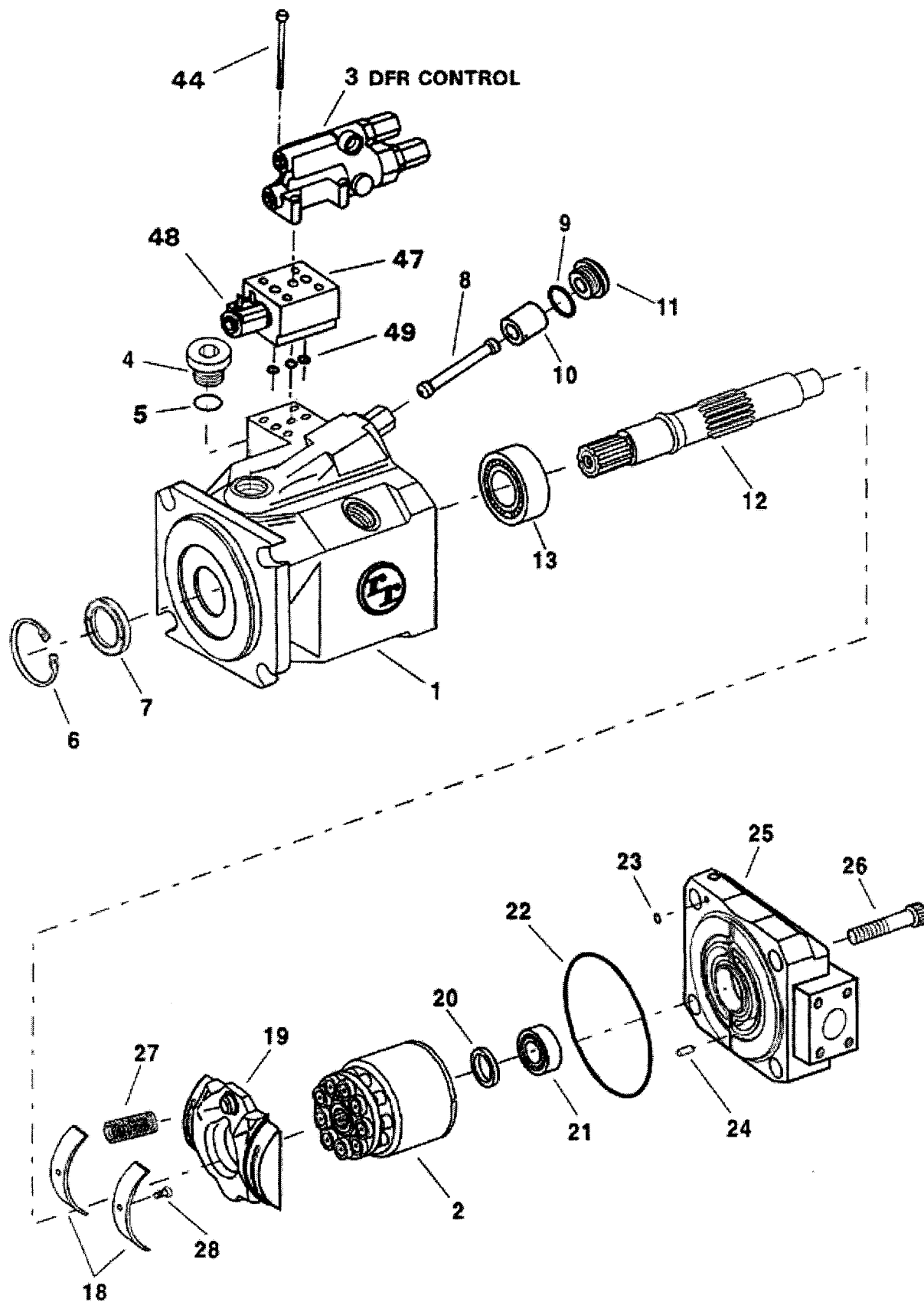
ITEM	NUMBER	DESCRIPTION	REQD
1	7-200-117	INLET SECTION with SPOOL	1
2	7-200-118	CONTROL SECTION with SPOOLS	1
3	7-200-50	SPACER	6
4	7-200-91	LIFTING LUG	2
5	7-200-44	TIE ROD	3
6	7-200-45	FLANGE NUT	6
7	7-200-46	BRACKET	2
8	7-200-39	PLUG	2
9	7-200-92	O-RING	3
10	7-200-38	ADAPTER	1
11	7-200-93	BACK-UP RING	1
12	7-200-94	O-RING	1
13	7-200-95	O-RING	6
14	7-200-96	O-RING	2
15	7-200-119	OUTLET SECTION with SPOOL	1
16	7-200-120	MAIN RELIEF ASSEMBLY	1
17	7-200-52	O-RING	6
18	7-200-97	O-RING	4
19	7-200-98	SPRING	6
20	7-200-99	CASING / SPRING CENTERING	6
21	7-200-100	SPRING / CENTERING	6
22	7-200-101	O-RING	6
23	7-200-102	O-RING	6
24	7-200-103	SUPPORT RING	6
25	7-200-104	ADJUSTING SCREW	6
26	7-200-105	CAP	6
27	7-200-61	FLANGE NUT	6
28	7-200-62	WASHER	12
29	7-200-63	SCREW	12
30	7-200-64	PLUG	3
31	7-200-106	O-RING	3
32	7-200-66	SPRING	3
33	7-200-107	POPPET	3
34	7-200-68	BACK-UP RING	6
35	7-200-69	O-RING	6
36	7-200-70	Y-PLUG	6
37		SPOOL (with items 2 and 15)	3
38	7-200-108	SPRING KIT (ITEMS 19, 20, & 21)	REF
39	7-200-109	CAP ASSY (ITEMS 22 THRU 29)	REF
40	7-200-76	CHECK VALVE ASSY (ITEMS 30 THRU 33)	REF
41	7-200-77	Y-PLUG ASSY (ITEMS 17, 34, 35, & 36)	REF
42	7-200-110	BRACKET KIT (ITEMS 4, 6, & 7)	REF
43	7-200-111	SEAL KIT (ITEMS 45, 46, & 47)	REF
44	7-200-78	PLUG KIT (ITEMS 8 & 9)	REF
45	7-200-112	O-RING	1
46	7-200-113	BACK-UP RING	1
47	7-200-52	O-RING	1
48	7-200-114	SEAL KIT (ITEMS 22, 23, & 27)	REF
49	7-200-115	SEAL KIT (ITEMS 9, 11, & 12)	REF
50	7-200-116	SEAL KIT (ITEMS 3, 13, 14, & 18)	REF
51	7-200-121	SEALING CAP	1
52	7-200-122	SEALING WIRE	1
53	7-200-123	SEALING LEAD	1
54	7-200-124	SEALING CAP KIT (ITEMS 51, 52, & 53)	REF

DRAWING
NUMBER

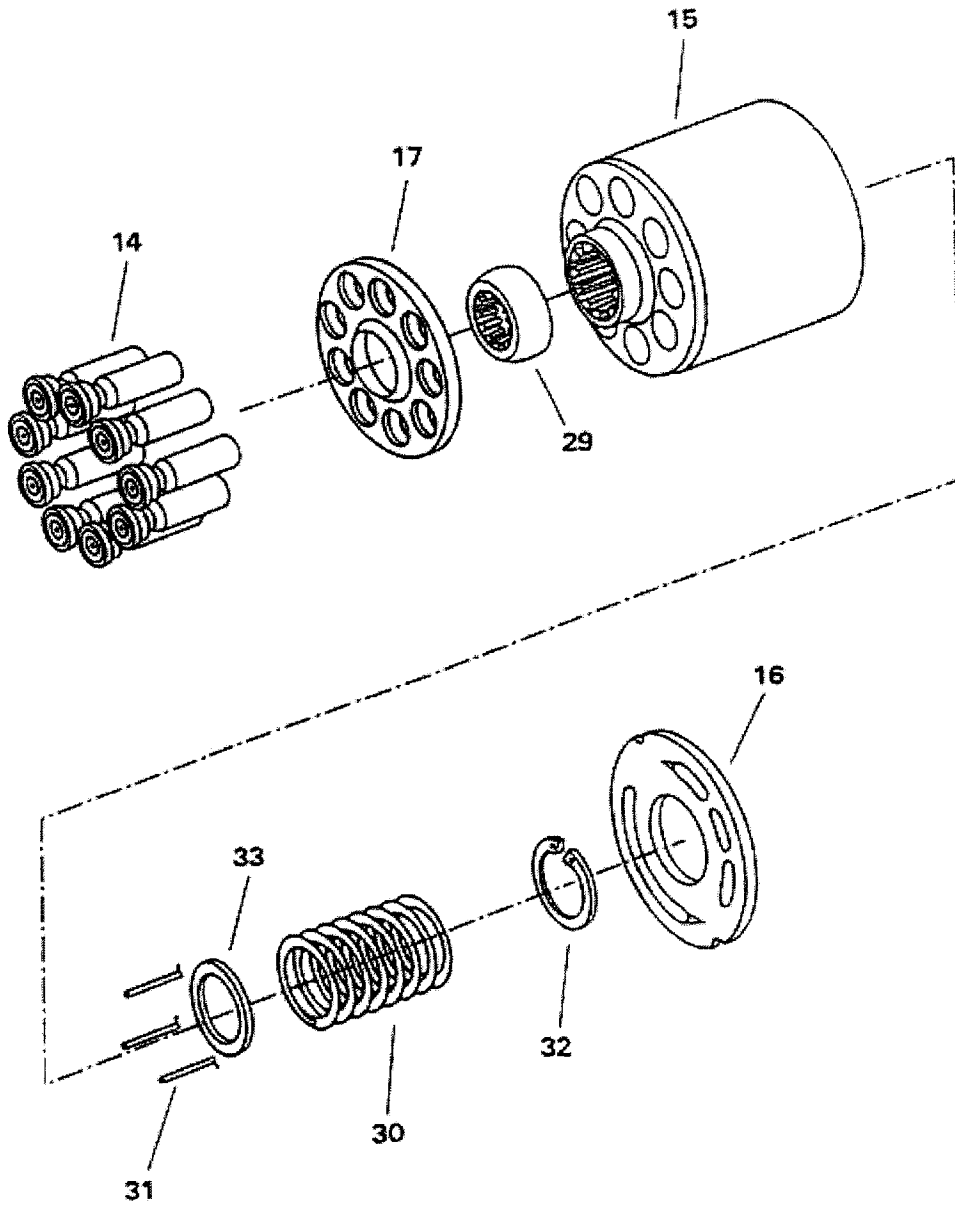
P4-1425

MAIN VALVE ASSEMBLY / 7-200-80
TH644C

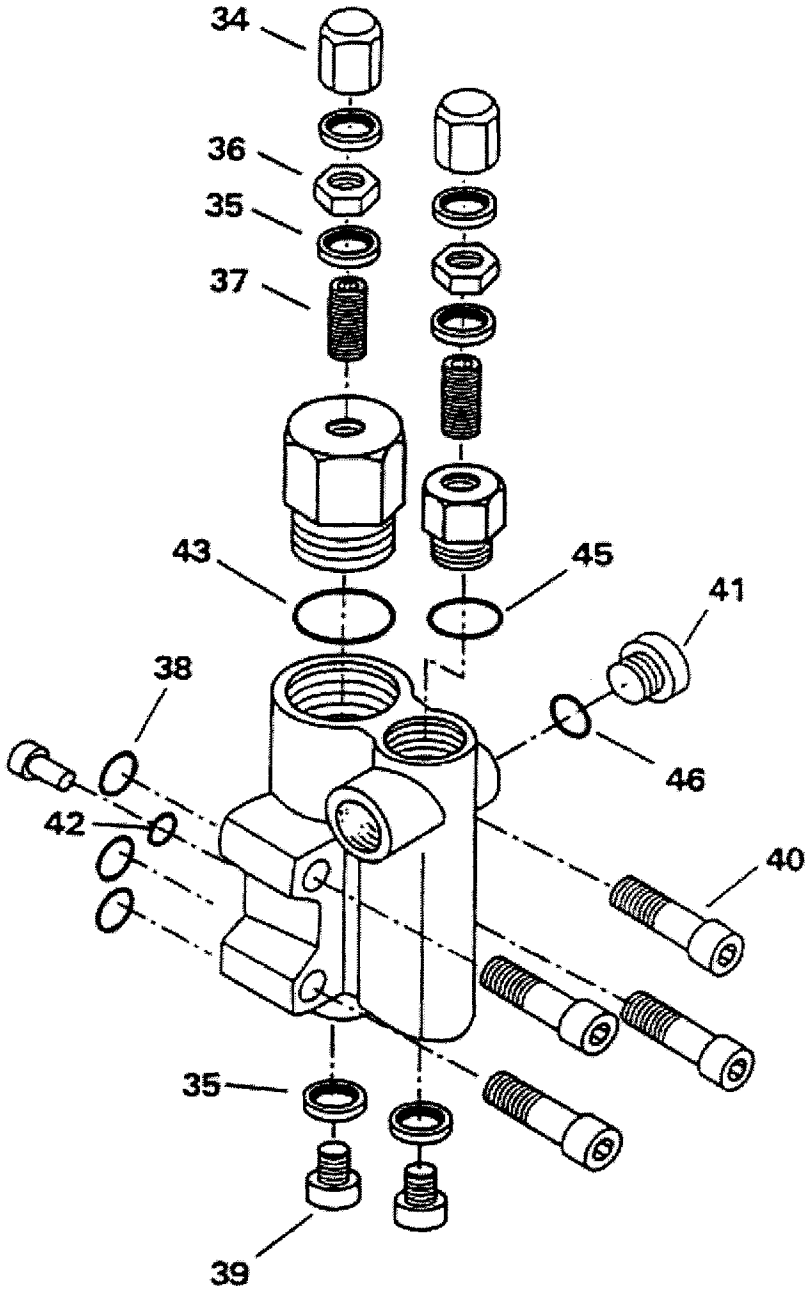
PAGE
NUMBER 52A



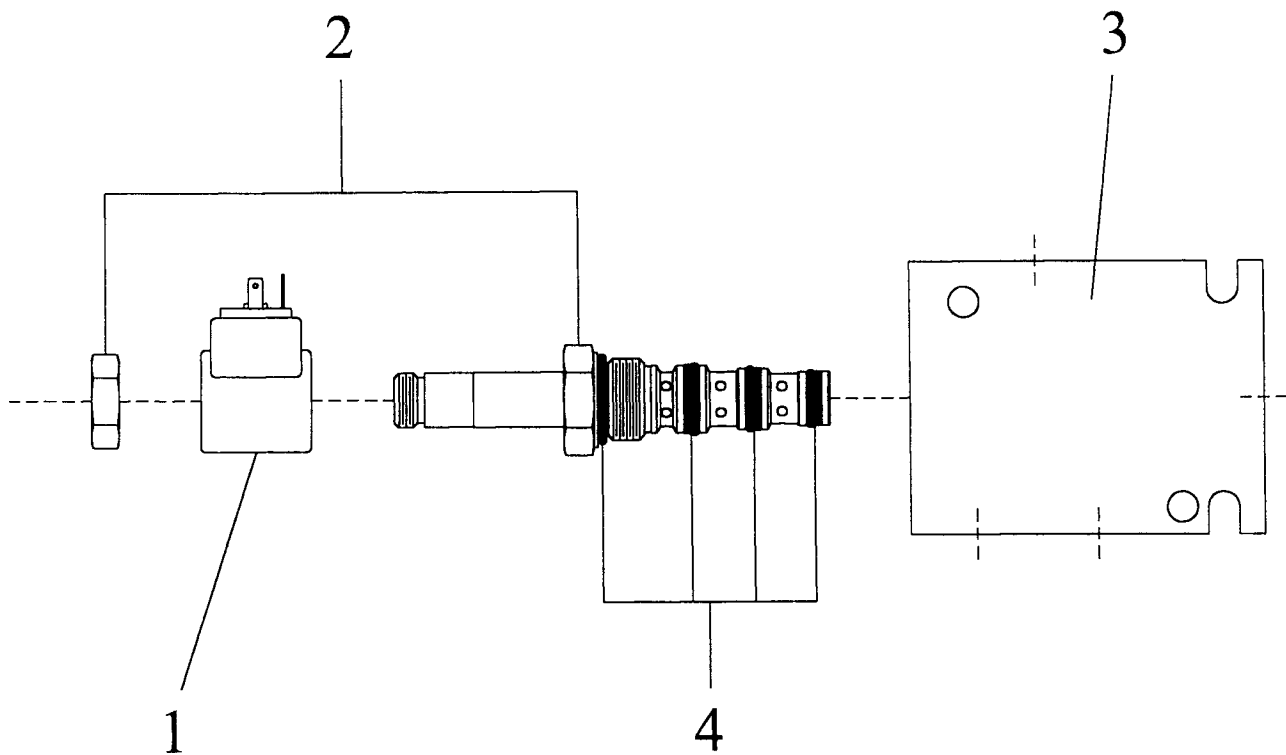
ITEM 2
ROTARY GROUP CW
PARTS BREAKDOWN



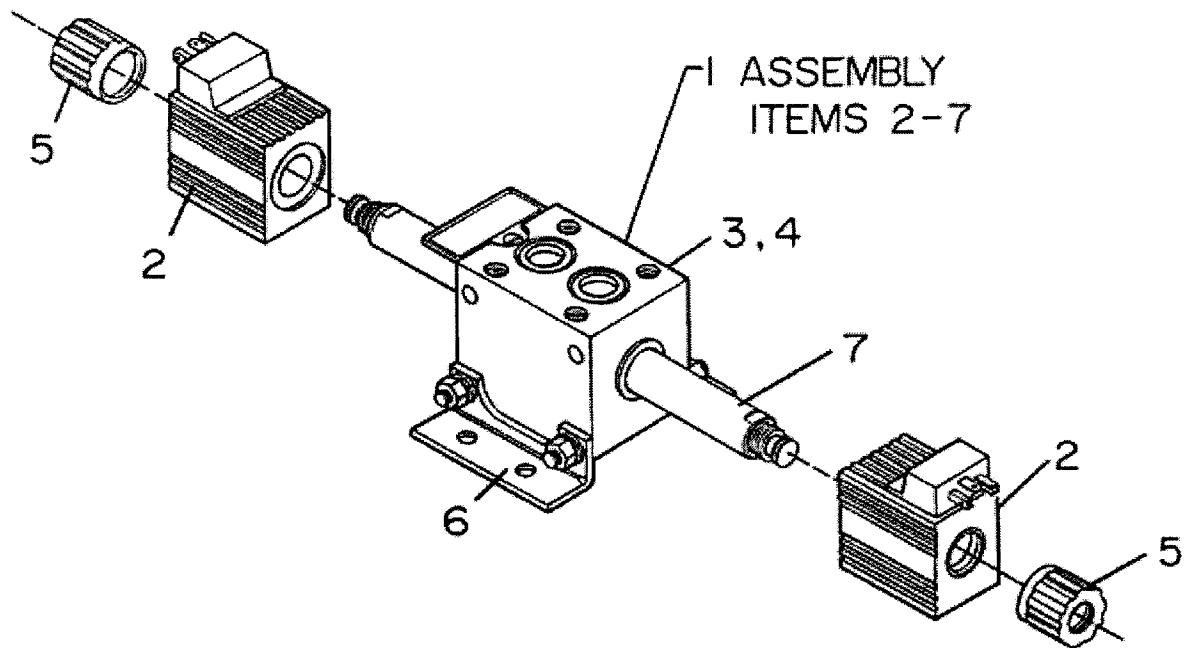
ITEM 3
 DFR CONTROL
 PARTS BREAKDOWN



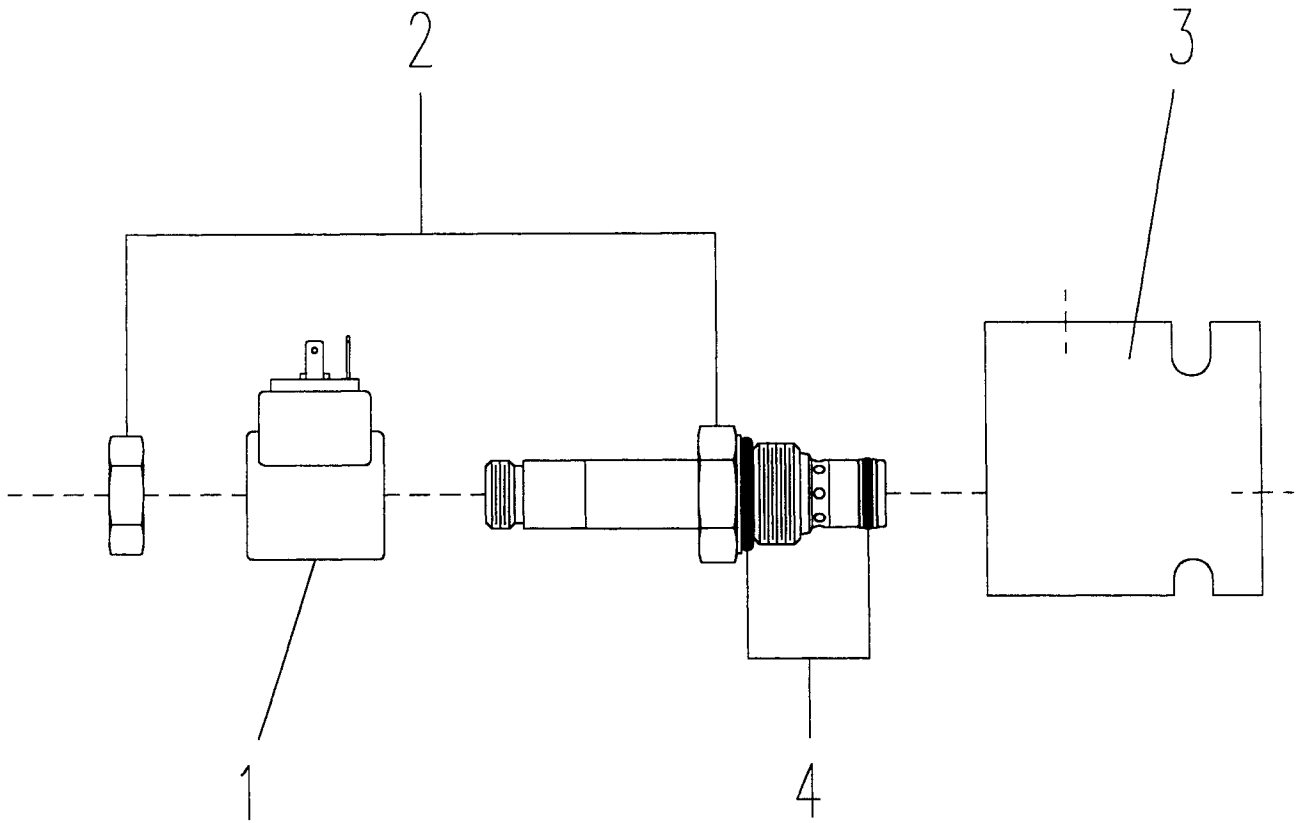
ITEM	NUMBER	DESCRIPTION	REQD
1	7-345-159	HOUSING ASSEMBLY	1
2	7-345-160	ROTARY GROUP CW	1
3	7-345-140	DFR CONTROL	1
4	7-345-05	PLUG	1
5	7-345-06	O-RING (*)	1
6	7-345-08	SNAP RING	1
7	7-345-09	SHAFT SEAL (*)	1
8	7-345-10	ROD	1
9	7-345-11	O-RING (*)	1
10	7-345-12	PISTON	1
11	7-345-161	PLUG	1
12	7-345-162	SHAFT	1
13	7-345-163	TAPERED ROLLER BEARING	1
14	7-345-27	PISTON	9
15	7-345-28	BARREL	1
16	7-345-158	LENS PLATE	1
17	7-345-30	RETAINING PLATE	1
18	7-345-16	SWASH PLATE BEARING	2
19	7-345-164	SWASH PLATE	1
20	7-345-18	PRELOAD SHIM	1
21	7-345-19	TAPERED ROLLER BEARING	1
22	7-345-20	O-RING (*)	1
23	7-345-21	QUAD RING (*)	2
24	7-345-22	DOWEL PIN	1
25	7-345-23	BLOCK PORT ASSEMBLY	1
26	7-345-24	CAPSCREW	4
27	7-345-25	SPRING	1
28	7-345-26	SCREW	2
29	7-345-31	RETAINING BALL	1
30	7-345-32	SPRING	1
31	7-345-157	PRESSURE PIN	3
32	7-345-34	SEEGER V-RING	1
33	7-345-35	DISC-RETAINING CLIP	1
34	7-345-36	ACORN NUT	2
35	7-345-37	USIT RING (*)	6
36	7-345-38	JAM NUT	2
37	7-345-39	ADJUSTING SCREW	2
38	7-345-40	O-RING (*)	3
39	7-345-41	PLUG	2
40	7-345-42	CAPSCREW	4
41	7-345-43	PLUG	1
42	7-345-45	O-RING (*)	1
43	7-345-46	O-RING (*)	1
44	7-345-53	BOLT	4
45	7-345-47	O-RING (*)	1
46	7-345-44	O-RING (*)	1
47	7-345-49	BLOCK	1
48	7-345-50	CARTRIDGE / 3-WAY	1
49	7-345-52	O-RING	3
50	7-345-48	SEAL KIT / ITEMS MARKED (*)	REF
51	7-345-51	SEAL KIT (FOR ITEM #48)	REF



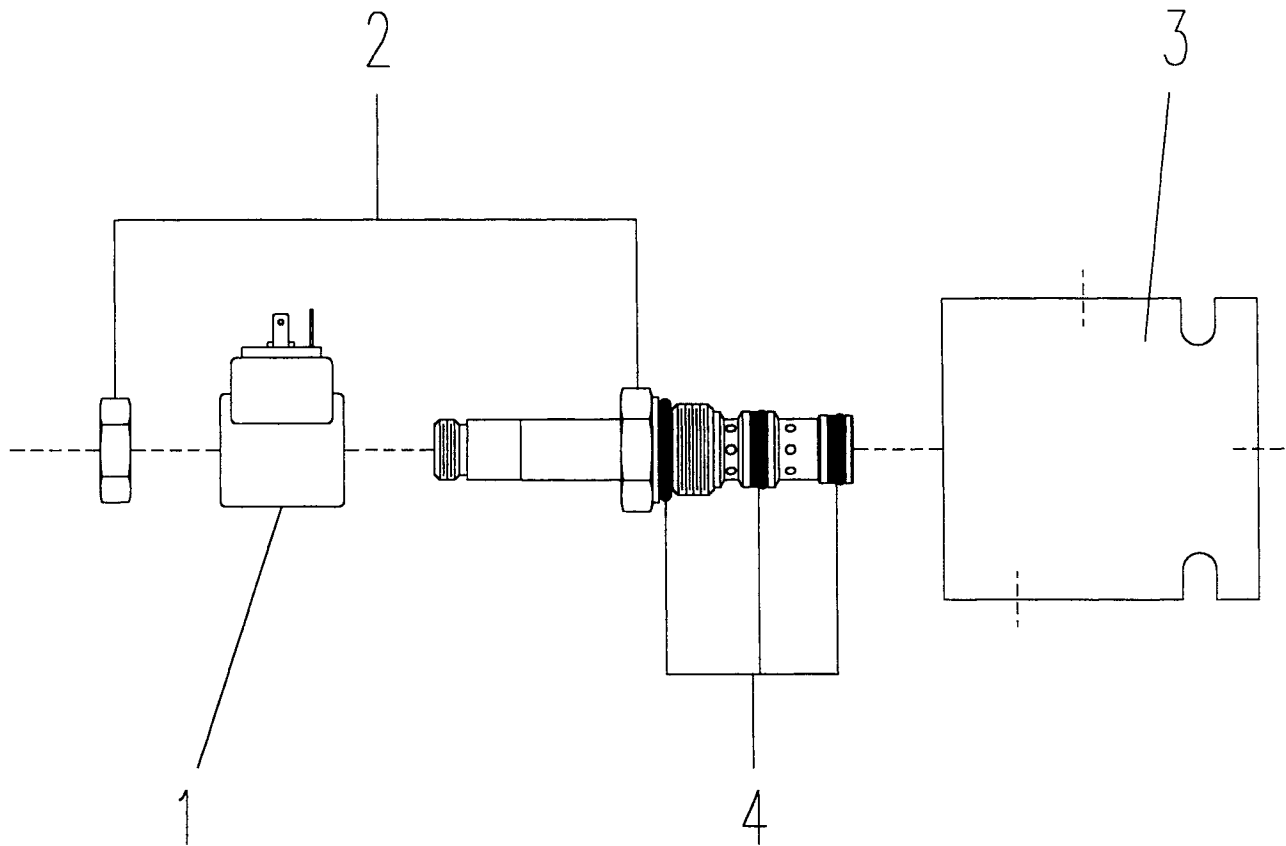
ITEM	NUMBER	DESCRIPTION	REQD
1	7-367-05	COIL / DIN	1
2	7-367-10	CARTRIDGE ASSEMBLY w/ NUT	1
3	7-367-11	BODY	1
4	7-367-19	SEAL KIT	1



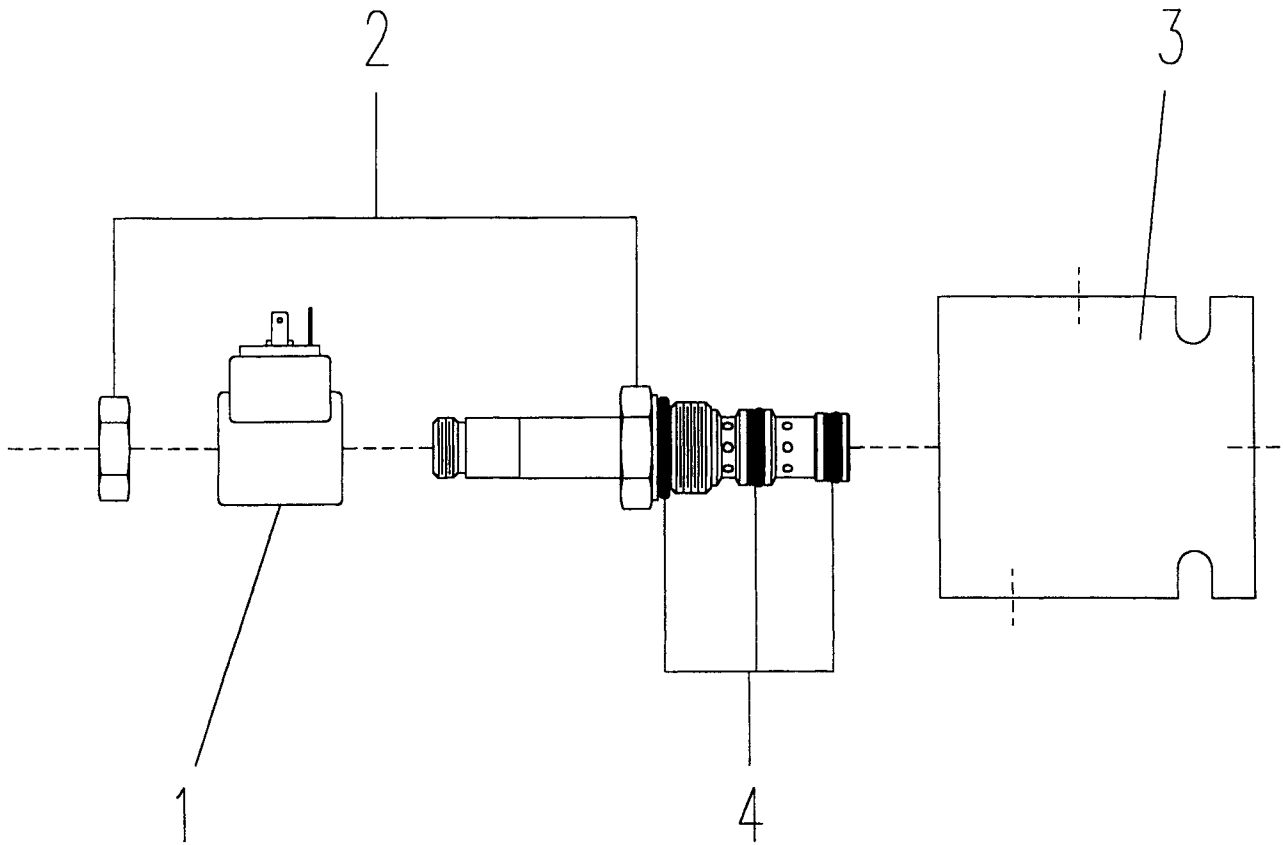
ITEM	NUMBER	DESCRIPTION	REQD
1	7-244-31	ELECTRIC VALVE ASSY / 4-WAY	1
2	7-244-40	COIL / DIN	2
3	7-244-17	SPOOL	1
4	7-244-18	VALVE BODY	1
5	7-244-19	END CAP	2
6	7-244-44	BRACKET ASSEMBLY	1
7	7-244-24	TUBES & PIN / SPOOL ACTUATING	1



ITEM	NUMBER	DESCRIPTION	REQD
1	7-367-05	COIL / DIN	1
2	7-367-06	CARTRIDGE ASSEMBLY w/ NUT	1
3	7-367-07	BODY	1
4	7-367-17	SEAL KIT / CARTRIDGE	REF

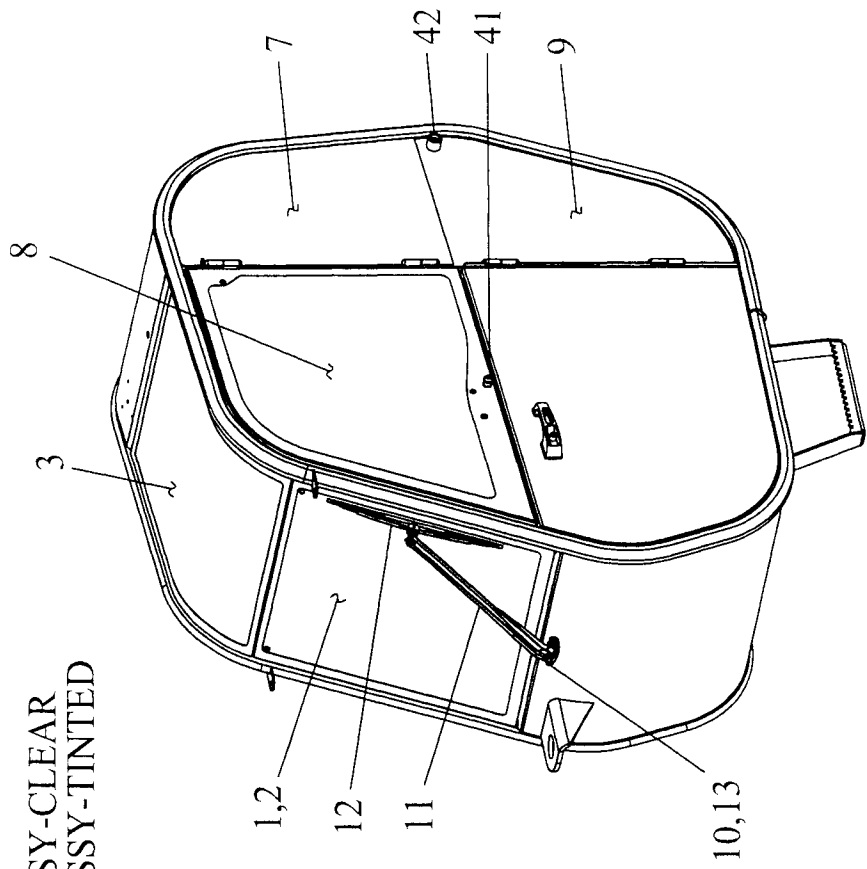


ITEM	NUMBER	DESCRIPTION	REQD
1	7-367-05	COIL / DIN	1
2	7-367-14	CARTRIDGE ASSEMBLY w/ NUT	1
3	7-367-04	BODY	1
4	7-367-18	SEAL KIT / CARTRIDGE	REF

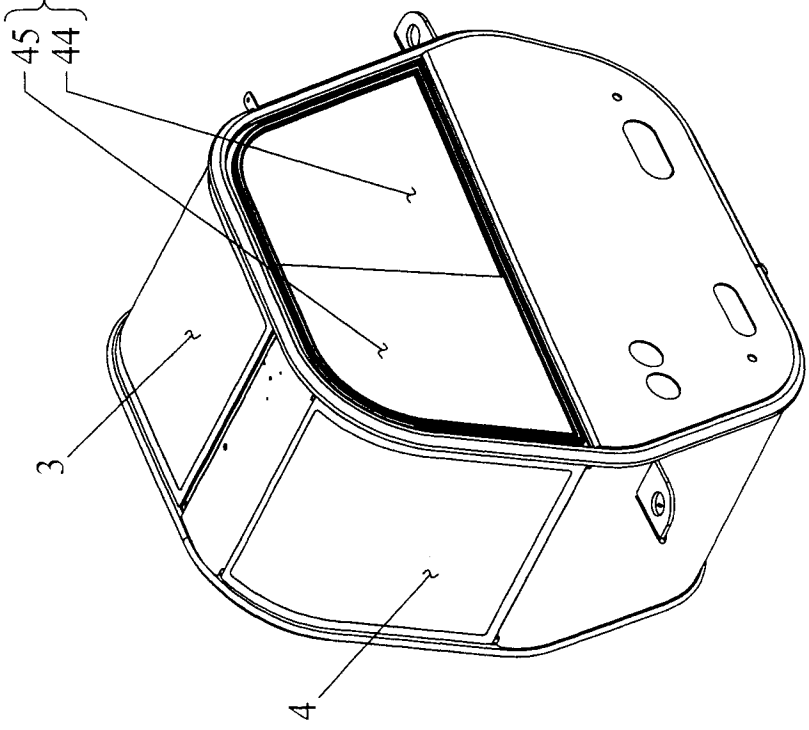


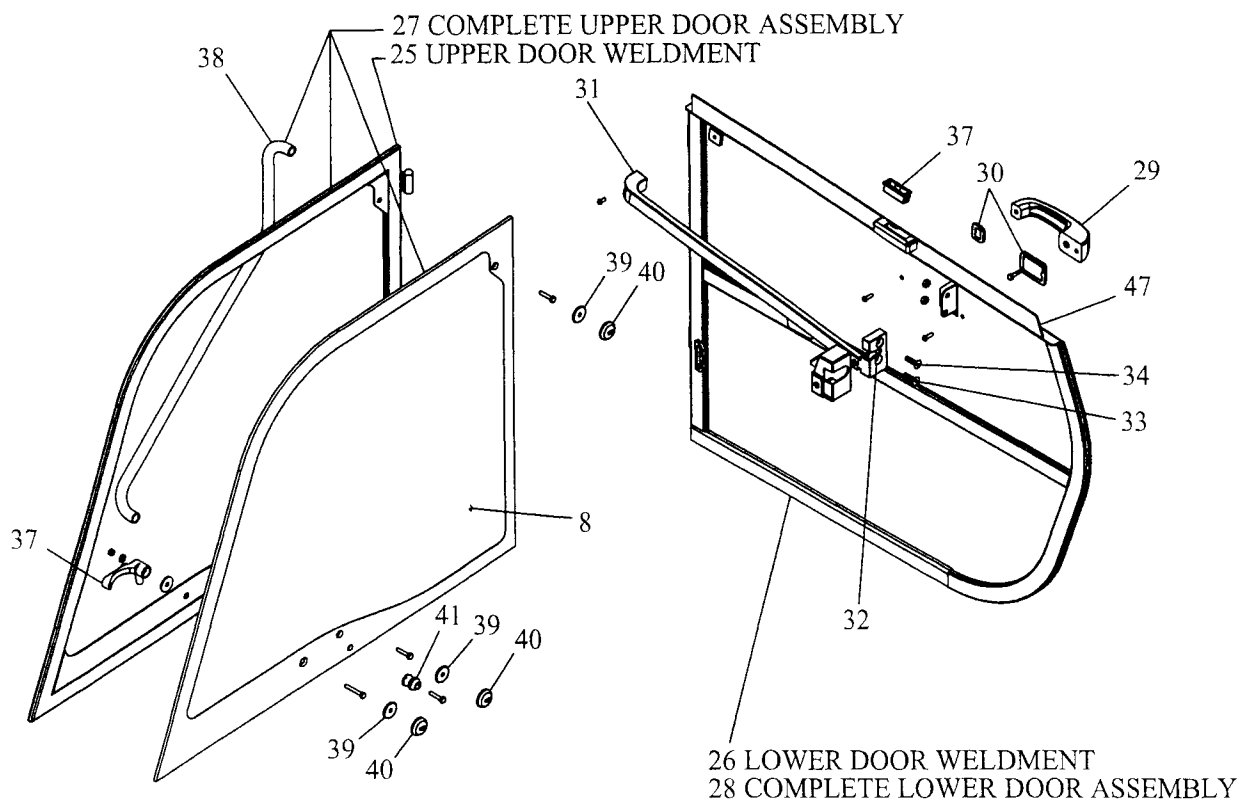
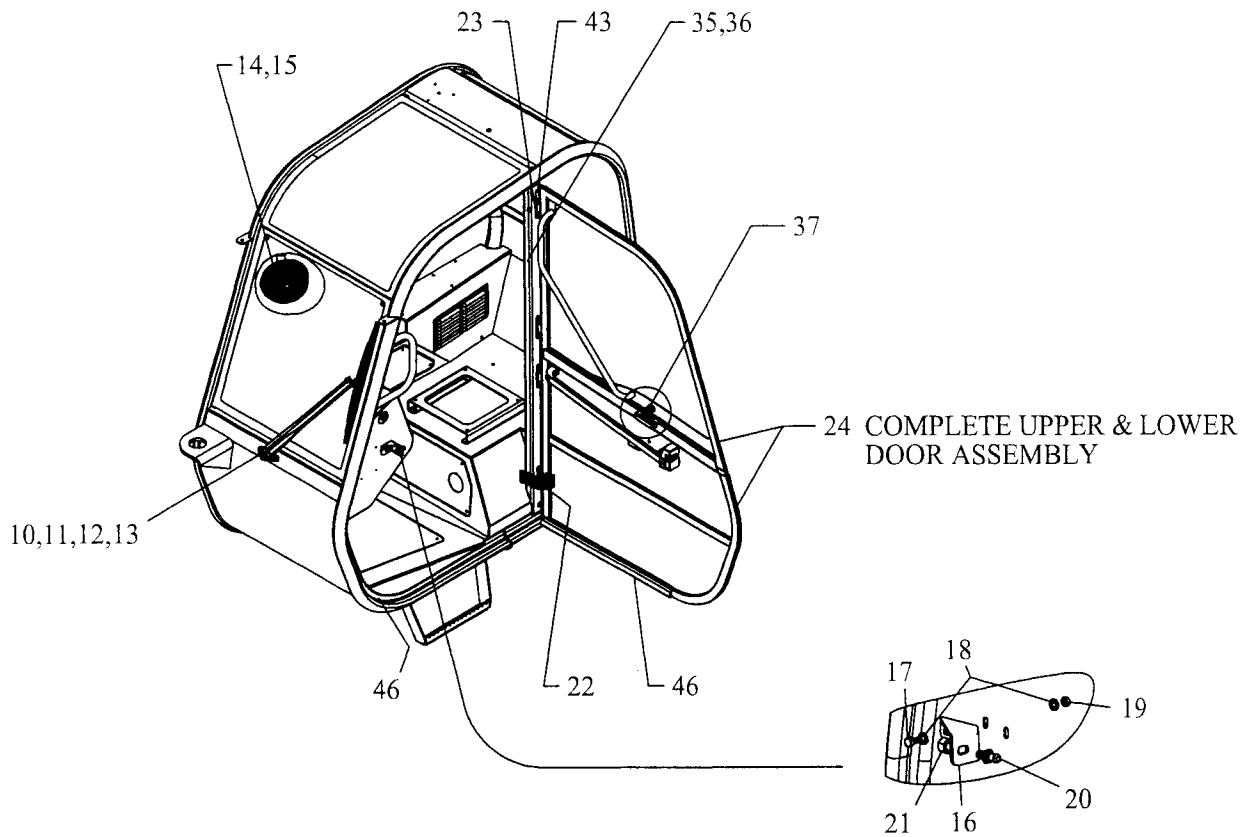
ITEM	NUMBER	DESCRIPTION	REQD
1	7-367-05	COIL / DIN	1
2	7-367-03	CARTRIDGE ASSEMBLY w/ NUT	1
3	7-367-04	BODY	1
4	7-367-18	SEAL KIT / CARTRIDGE	REF

OPTIONAL EQUIPMENT SECTION

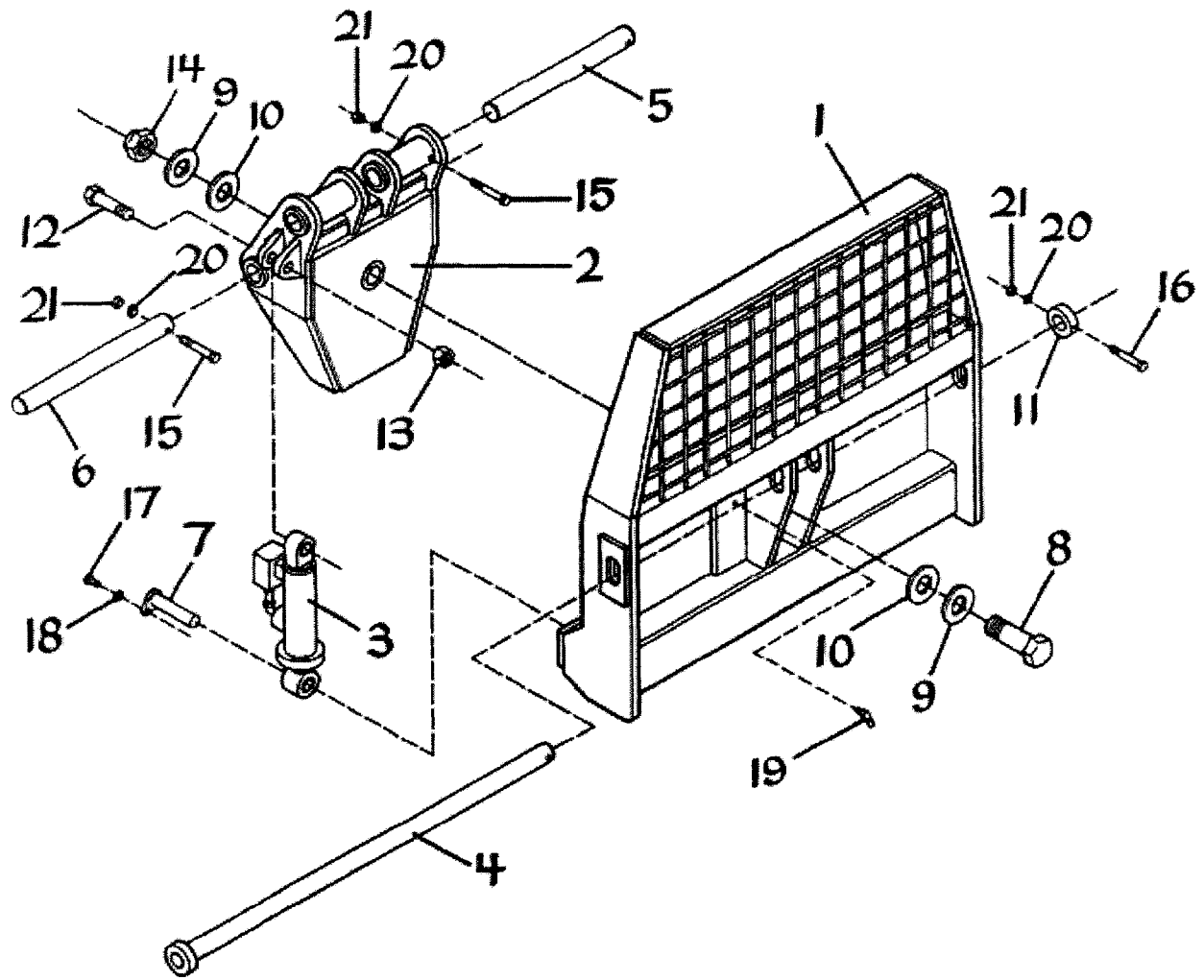


6 SLIDER ASSY-CLEAR
5 SLIDER ASSY-TINTED





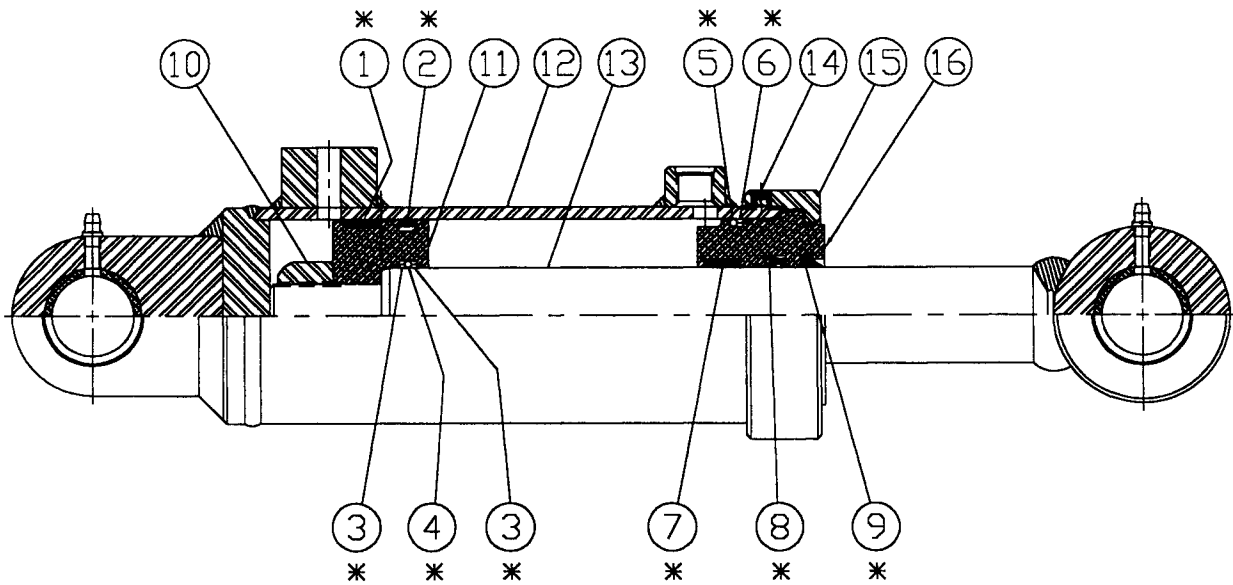
ITEM	NUMBER	DESCRIPTION	REQD
1	7-132-102	GLASS / WINDSHIELD-TINTED	1
2	7-132-30	GLASS / WINDSHIELD-CLEAR	1
3	7-132-101	GLASS / SKYLIGHT-TINTED	1
4	7-132-101	GLASS / REAR WINDOW-TINTED	1
5	7-132-33	GLASS / RH SLIDER ASSY-TINTED	1
6	7-132-23	GLASS / RH SLIDER ASSY-CLEAR	1
7	7-132-117	GLASS / LH REAR-TINTED	1
8	7-132-39	GLASS / UPPER SPLIT DOOR-SOLID-TINTED	1
9	7-132-121	PANEL / LH REAR LOWER	1
10	7-132-124	WIPER MOTOR	1
11	7-132-126	PANTOGRAPH WIPER ARM / 20 IN.	1
12	7-132-125	WIPER BLADE / 20 IN.	1
13	7-132-127	PANTOGRAPH ADAPTER KIT	1
14	7-347-02	DEFROSTER FAN	1
15	6-6284-05	MACHINE SCREW 10-24 x 3/4 LG.	4
16	7-132-133	STRIKER BRACKET	1
17	6-5205-08	CAPSCREW 5/16 NC x 1 LG.	2
18	6-6212-05	FLATWASHER 5/16	4
19	6-6205-05	SELF LOCKING NUT 5/16 NC	2
20	7-132-41	DOOR STRIKER	1
21	7-132-57	NUT / DOOR STRIKER	1
22	7-132-134	DOOR STRAP / 5 1/2"	1
23	7-132-129	DOOR HINGE ASSEMBLY	4
24	7-132-118	FINISHED CAB DOORS ASSY / UPPER & LOWER	1
25	7-132-130	CAB DOOR WELDMENT / UPPER	1
26	7-132-131	CAB DOOR WELDMENT / LOWER	1
27	7-132-104	COMPLETE UPPER DOOR ASSEMBLY	REF
28	7-132-135	COMPLETE LOWER DOOR ASSEMBLY	REF
29	7-132-136	DOOR LATCH-EXTERIOR	1
30	7-132-138	DOOR LATCH GASKETS-EXTERIOR	1
31	7-132-50	INSIDE GRAB HANDLE	1
32	7-132-52	PIVOT ASSEMBLY	1
33	7-132-58	BOLT M8 x 1.25 x 55 mm	1
34	7-132-59	BOLT M8 x 1.25 x 40 mm	1
35	7-132-119	DOOR POST / BOLT-ON	1
36	7-132-63	SPACER / DOOR POST	4
37	7-132-137	UPPER DOOR LATCH KIT	1
38	7-132-132	UPPER DOOR HANDLE	1
39	7-132-84	HARD PLASTIC WASHER	3
40	7-132-74	PLASTIC SNAP CAP	3
41	7-132-128	DOOR HOLDBACK STUB	1
42	7-132-123	DOOR HOLDBACK SOCKET	1
43	7-132-120	DOOR HINGE RETAINER TAB	1
44	7-132-64	GLASS / FRONT SLIDER (INCL. w/ ITEM 5)	1
45	7-132-65	GLASS / REAR FIXED (INCL. w/ ITEM 5)	1
46	7-132-46	SEAL RUBBER-DOOR FRAME-193" REQ'D	REF
47	7-132-139	SEAL FOAM-37 3/4" REQ'D	REF
ITEMS NOT SHOWN			
48	7-132-71	FRONT SCREEN ASSEMBLY	REF
49	7-132-70	SIDE SCREEN ASSEMBLY	REF



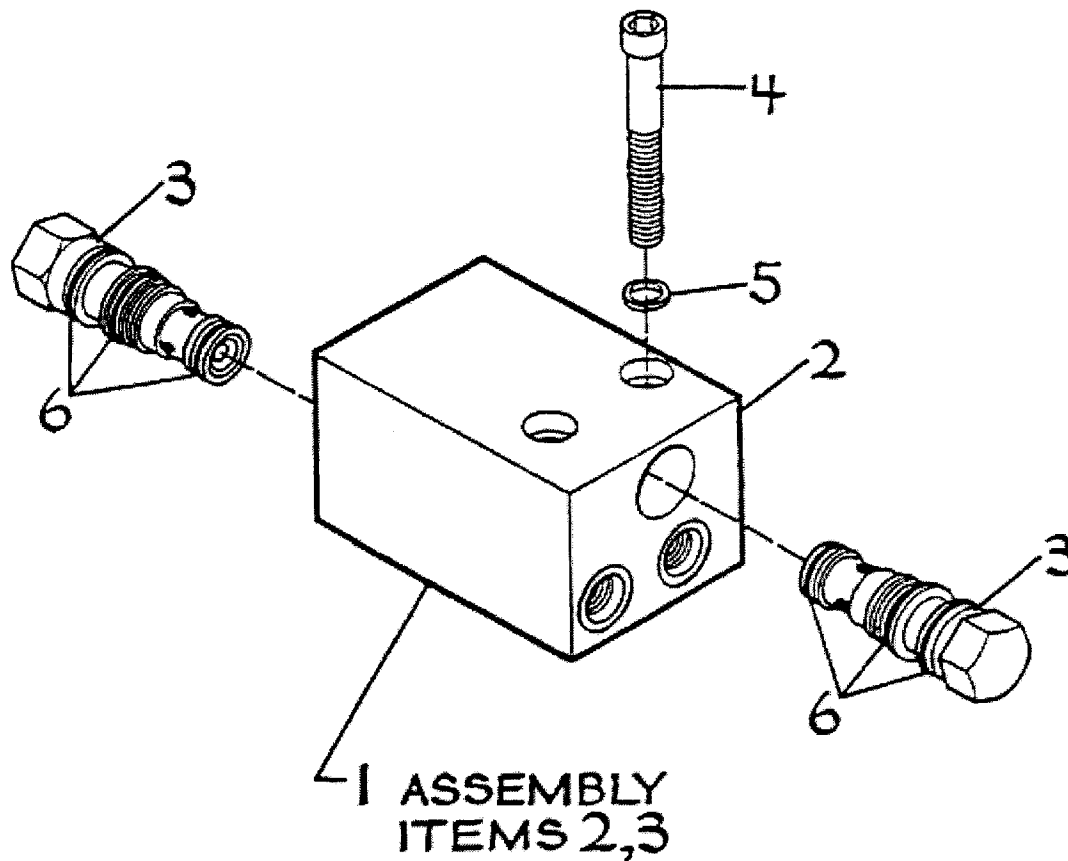
ITEM	NUMBER	DESCRIPTION	REQD
1	SEE TABLE	ROTATING FORK FRAME	REF
2	4-1528	PIVOT FRAME / TH842C	1
3	7-379-01	CYLINDER / ROTATE	1
4	SEE TABLE	PIN / FORK TINE	REF
5	6-3016-01	PIN / HEAD END TILT CYLINDER	1
6	6-3316-168	PIN / PIVOT SMALL BOOM	REF
7	2-1066	PIN / HEAD END ROTATE CYLINDER	1
8	1-1072	BOLT / FORK FRAME ROTATE	1
9	1-1073	WASHER / STEEL	2
10	6-6600-06	WASHER / BRONZE	2
11	1-1074	COLLAR / FORK PIN	REF
12	1-1071	BOLT / BASE END ROTATE CYLINDER	1
13	6-6206-20	NUT / BASE END ROTATE CYLINDER	1
14	7-280-02	NUT / FORK FRAME ROTATE	1
15	6-5208-30	CAPSCREW 1/2 NC x 3 3/4 LG.	REF
16	6-5208-36	CAPSCREW 1/2 NC x 4 1/2 LG.	REF
17	6-5206-08	CAPSCREW 3/8 NC x 1 LG.	1
18	6-6211-06	LOCKWASHER 3/8	1
19	6-6301	LUBE FITTING 1/8 NPT STR.	3
20	6-6211-08	LOCKWASHER 1/2	REF
21	6-6201-08	HEX NUT 1/2 NC	REF
22	4-1118-16	ROTATE STOP (NOT SHOWN)	1

TABLE

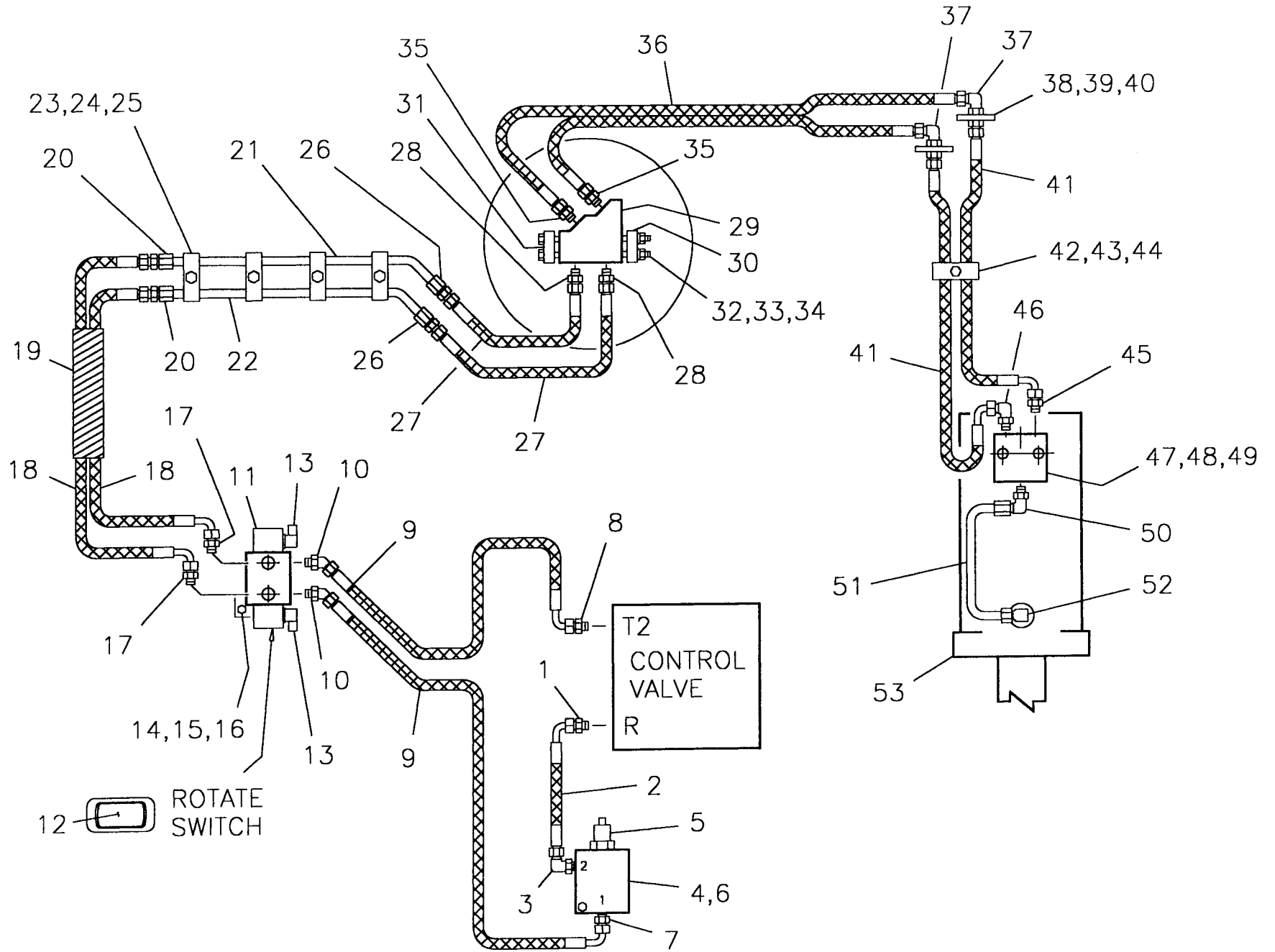
FORK FRAME WIDTH	ROTATING FORK FRAME PART NUMBER	FORK TINE PIN PART NUMBER
48" WIDE	4-1118	2-1067-10
60" WIDE	4-1292	2-1067-12
72" WIDE	4-1170	2-1067-11



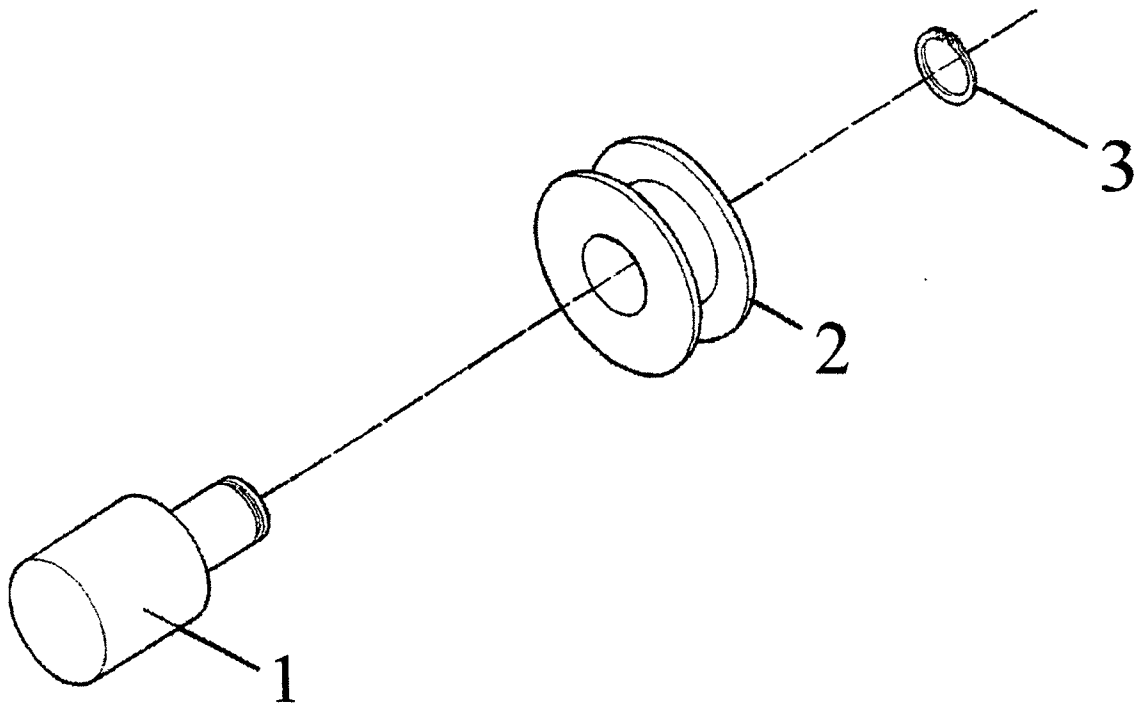
ITEM	NUMBER	DESCRIPTION		REQD
1	7-379-36	WEAR RING	(*)	1
2	7-379-37	PSP SEAL	(*)	1
3	7-379-22	BACK-UP RING	(*)	2
4	7-379-23	O-RING	(*)	1
5	7-379-38	O-RING	(*)	1
6	7-379-39	BACK-UP RING	(*)	1
7	7-379-26	WEAR RING	(*)	1
8	7-379-45	LOADED U-CUP	(*)	1
9	7-379-28	ROD WIPER	(*)	1
10	7-379-29	LOCKNUT		1
11	7-379-40	PISTON		1
12	7-379-41	BARREL ASSEMBLY		1
13	7-379-42	ROD ASSEMBLY		1
14	7-379-33	CUP PT SET SCREW		1
15	7-379-43	THREAD CAP		1
16	7-379-44	THREAD CAP HEAD		1
17				
18	7-900-86	SEAL KIT / ITEMS MARKED	(*)	REF



ITEM	NUMBER	DESCRIPTION	REQD
1	7-234-35	DUAL PILOT CHECK VALVE ASSEMBLY	1
2	7-234-46	BODY	1
3	7-234-18	CARTRIDGE / PILOT CHECK	2
4	6-5605-20	CAPSCREW SH 5/16 NC x 2 1/2 LG.	2
5	6-6214-05	LOCKWASHER 5/16 HI-COLLAR	2
6	7-234-29	SEAL KIT	2



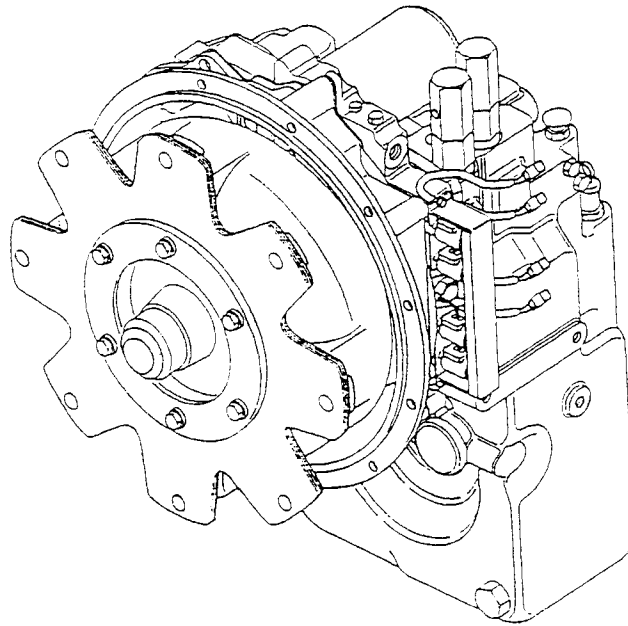
ITEM	NUMBER	DESCRIPTION	REQD
1	6-6450-08	FITTING / 06 OR x 06 JIC STR. (R)	1
2	6-7023-40	HOSE / 06 x 06-90 x 20 LG.	1
3	6-6453-07	FITTING / 08 OR x 06 JIC 90	1
4	7-234-84	BODY / NEEDLE VALVE	1
5	7-234-17	CARTRIDGE / NEEDLE VALVE	1
6	6-5205-30	CAPSCREW 5/16 NC x 3 3/4 LG.	1
7	6-6450-09	FITTING / 08 OR x 06 JIC STR.	1
8	6-6450-08	FITTING / 06 OR x 06 JIC STR. (T2)	1
9	6-7023-62	HOSE / 06 x 06-90 x 31 LG.	2
10	6-6452-03	FITTING / 06 OR x 06 JIC 45	2
11	7-244-31	4-WAY ELECTRIC VALVE	1
12	7-139-04	SWITCH / AUXILLIARY	1
13	7-244-27	DIN CONNECTOR	2
14	6-5204-12	CAPSCREW 1/4 NC x 1 1/2 LG.	2
15	6-6211-04	LOCKWASHER 1/4	2
16	6-6201-04	HEX NUT 1/4 NC	2
17	6-6450-08	FITTING / 06 OR x 06 JIC STR.	2
18	6-7043-184	HOSE / 08 x 06-90 x 92 LG.	2
19	6-9615-560	HOSE ARMOR 1.00 ID x 70 LG.	1
20	6-6490-03	FITTING / 08 JIC x 08 TUBE STR.	2
21	3-1064-5	FORMED TUBE 1/2 OD	1
22	3-1064-6	FORMED TUBE 1/2 OD	1
23	7-273-21	CLAMP HALF SET / 1/2 TWIN TUBE	4
24	7-273-23	TOP PLATE / 1/2 TWIN TUBE CLAMP	4
25	6-5205-10	CAPSCREW 5/16 NC x 1 1/4 LG.	4
26	6-6490-03	FITTING / 08 JIC x 08 TUBE STR.	2
27	6-7013-22	HOSE / 06 x 08 x 11 LG.	2
28	6-6450-08	FITTING / 06 OR x 06 JIC STR.	2
29	7-292-01	HOSE REEL ASSEMBLY	1
30	1-2020	MOUNT / HOSE REEL	REF
31	1-2020	MOUNT / HOSE REEL	REF
32	6-5208-36	CAPSCREW 1/2 NC x 4 1/2 LG.	2
33	6-6211-08	LOCKWASHER 1/2	2
34	6-6201-08	HEX NUT 1/2 NC	2
35	6-6450-08	FITTING / 06 OR x 06 JIC STR.	2
36	7-292-03	BONDED HOSE	1
37	6-6477-05	FITTING / 06 JIC BH-UNION 90	2
38	3-1222-1	BULKHEAD MOUNTING PLATE	1
39	6-5206-06	CAPSCREW 3/8 NC x 3/4 LG.	2
40	6-6211-06	LOCKWASHER 3/8	REF
41	6-7023-128	HOSE / 06 x 06-90 x 64 LG.	2
42	7-273-27	CLAMP HALF SET / 3/8 TWIN HOSE	1
43	7-273-23	TOP PLATE / 3/8 HOSE CLAMP	1
44	6-5205-14	CAPSCREW 5/16 NC x 1 3/4 LG.	1
45	6-6450-08	FITTING / 06 OR x 06 JIC STR.	1
46	6-6453-06	FITTING / 06 OR x 06 JIC 90	1
47	7-234-35	DUAL CHECK VALVE	1
48	6-5605-20	CAPSCREW / SH 5/16 NC x 2 1/2 LG.	2
49	6-6214-05	LOCKWASHER 5/16 HI-COLLAR	2
50	6-6493-02	FITTING / 06 OR x 06 TUBE 90	1
51	1-1065	FORMED TUBE / 3/8 x 6 1/8 LG.	1
52	6-6493-02	FITTING / 06 OR x 06 TUBE 90	1
53	7-379-01	CYLINDER / ROTATE	REF



ITEM	NUMBER	DESCRIPTION	REQD
1	3-1222-2	PIN / HOSE ROLLER	1
2	2-1065P	SHEAVE	1
3	7-239-04	RETAINING RING	1

TRANSMISSION PARTS BOOK

TH528C TH528C TURBO
TH636C TH644C TH842C TH844C



DATE: 3-17-03

CLARK T12000 SERIES
INTERMEDIATE DROP

TEREX HANDLERS

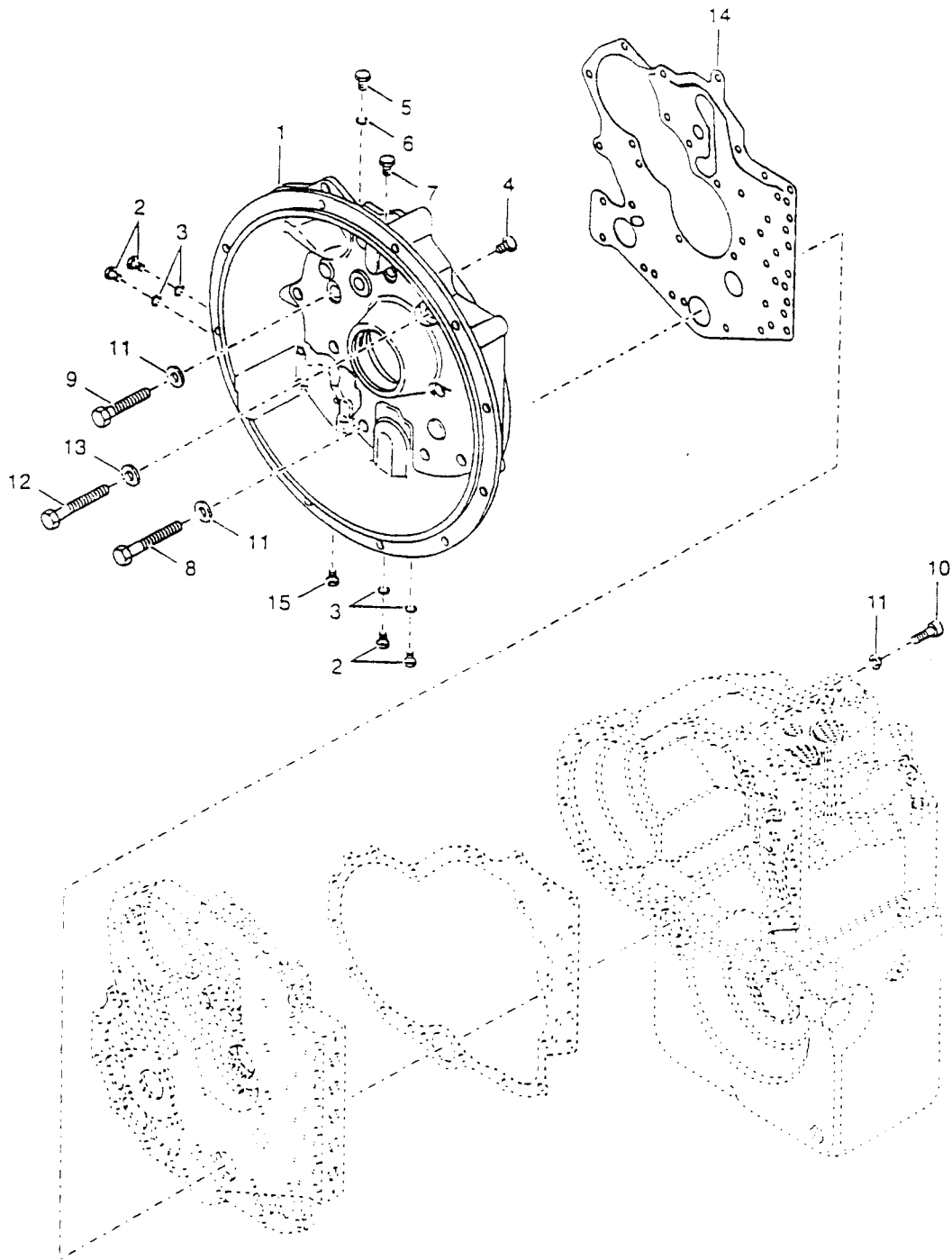
455 N. Superior Ave., Baraga, MI 49908-0790

PH: (906) 353-6675; FAX: (906) 353-7543

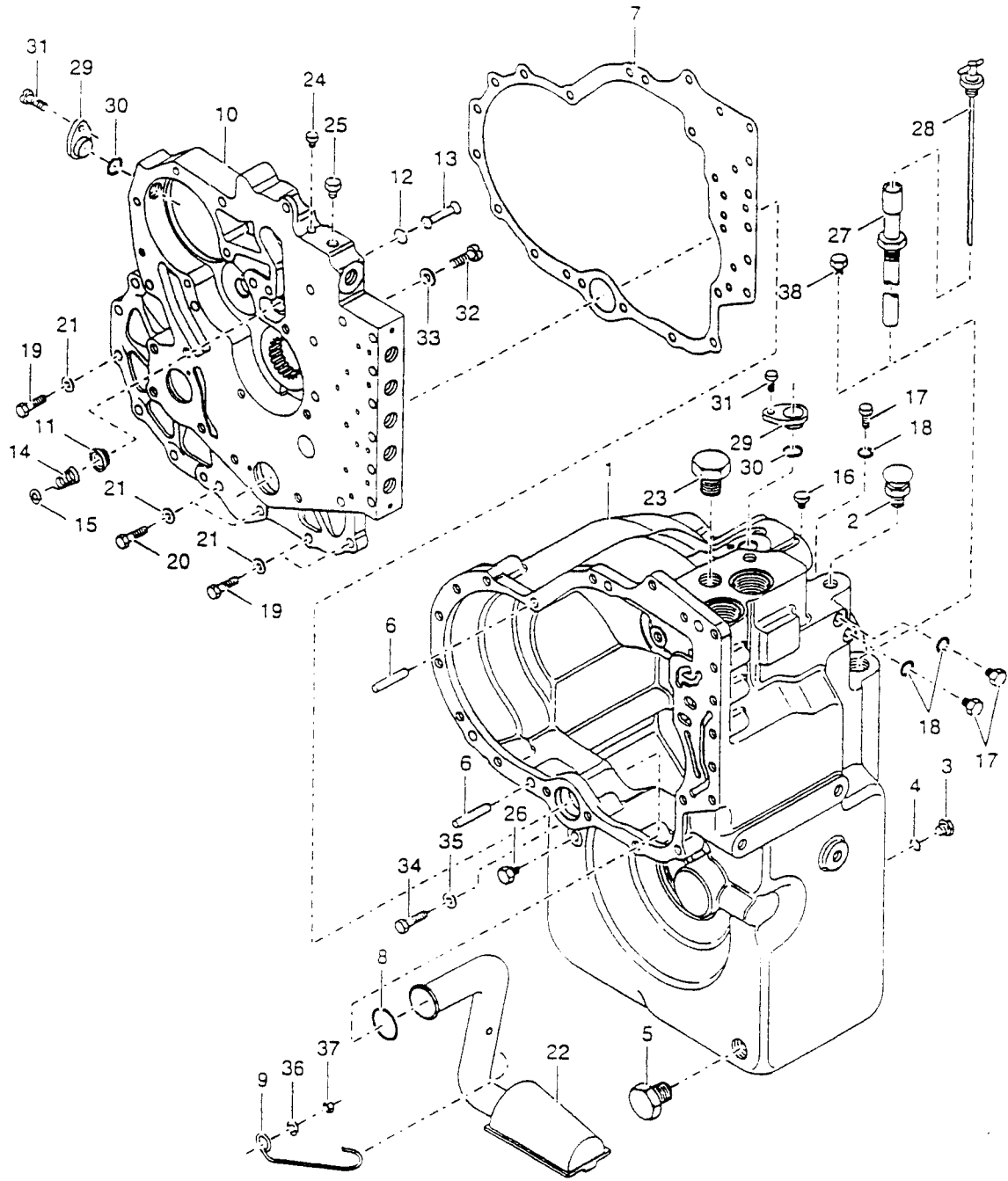
INTERNET: <http://www.sqshooter.com>

INDEX

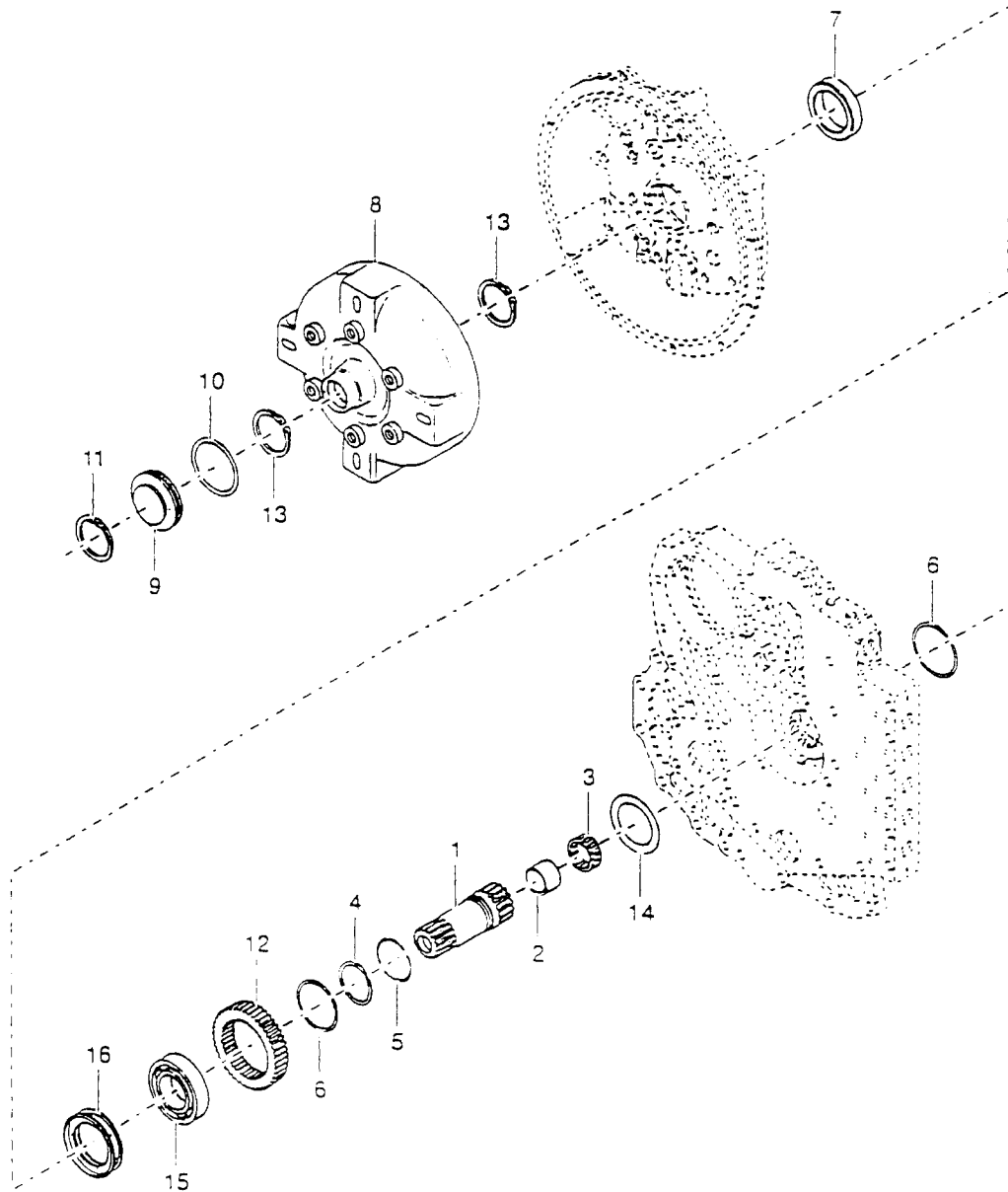
<u>PAGE</u>	<u>DESCRIPTION</u>	<u>DRAWING</u>
1	CONVERTER HOUSING GROUP	P1-1244
2	TRANSMISSION CASE AND PLATE GROUP	P1-1245
3	TORQUE CONVERTER GROUP	P1-1265
4	GEAR GROUP	P1-1247
5	PUMP DRIVE GROUP	P1-1248
6	CHARGING PUMP GROUP	P1-1266
7	REVERSE IDLER GROUP	P1-1250
8	FORWARD AND REVERSE SHAFT GROUP	P1-1251
9	3rd SHAFT GROUP	P1-1252
10	FIRST AND SECOND SHAFT GROUP	P1-1253
11	OUTPUT SHAFT GROUP	P1-1254
12	ELECTRIC CONTROL GROUP	P1-1255
13	DRIVE PLATE GROUP / ALL EXC. TH528C TURBO	P1-1256
14	DRIVE PLATE GROUP / TH528C TURBO ONLY	P1-1791



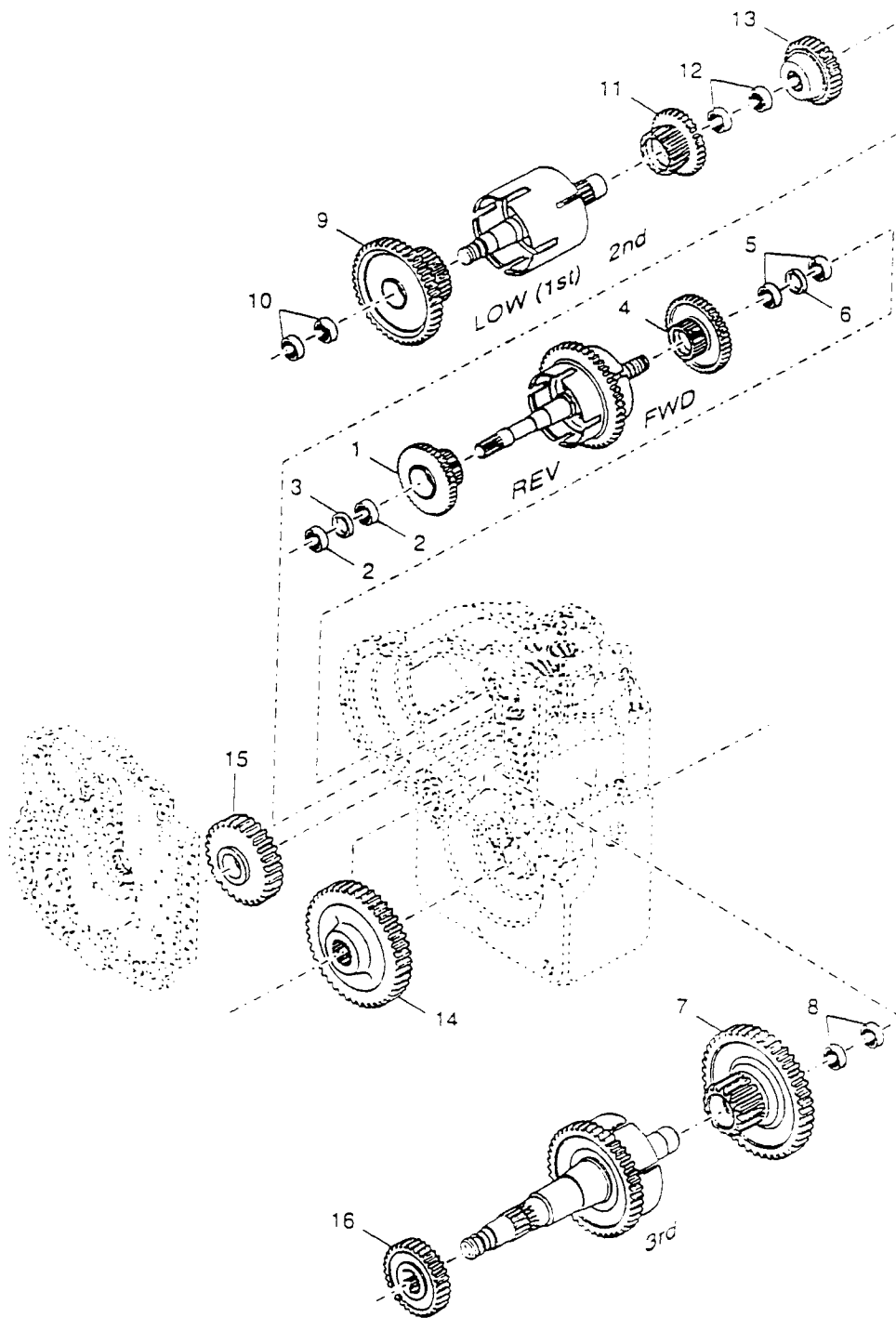
ITEM	NUMBER	DESCRIPTION	REQD
1	7-126-384	CONVERTER HOUSING	1
2	7-126-385	PLUG (INCLUDES ITEM 3)	4
3	7-126-386	O-RING	4
4	7-126-387	PLUG	1
5	7-126-385	PLUG (INCLUDES ITEM 6)	1
6	7-126-386	O-RING	1
7	7-126-04	PLUG	1
8	7-126-388	SCREW	6
9	7-126-389	SCREW	3
10	7-126-390	SCREW	1
11	7-126-391	LOCKWASHER	10
12	7-126-389	SCREW	13
13	7-126-391	LOCKWASHER	13
14	7-126-393	GASKET	1
15	7-126-392	PLUG	1



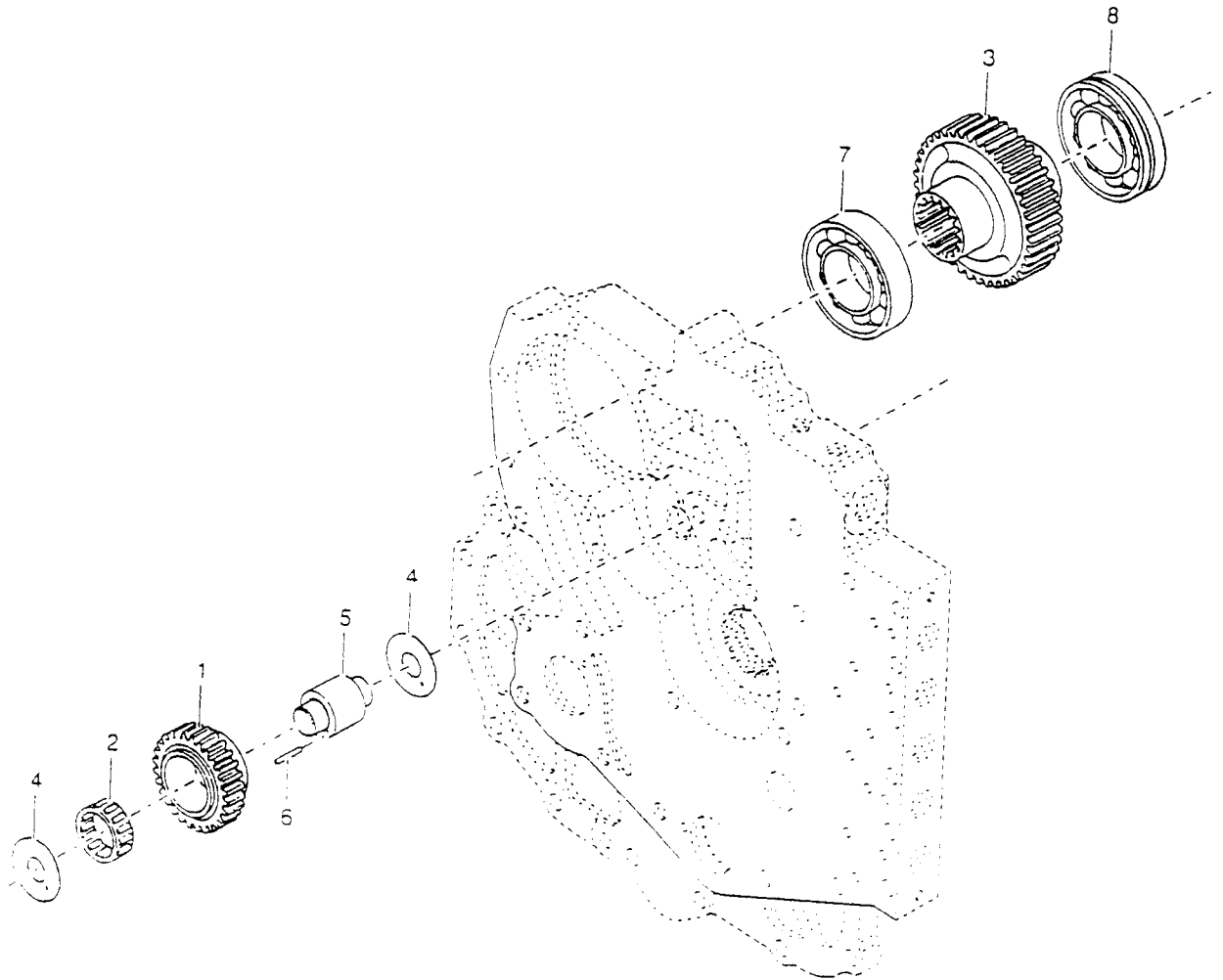
ITEM	NUMBER	DESCRIPTION	REQD
1	7-126-394	TRANSMISSION CASE	1
2	7-126-05	BREATHER	1
3	7-126-395	PLUG (INCLUDES ITEM 4)	2
4	7-126-358	O-RING	2
5	7-126-33	PLUG / MAGNETIC DRAIN	1
6	7-126-396	PIN	2
7	7-126-357	GASKET	1
8	7-126-359	RING	1
9	7-126-397	CLIP	1
10	7-126-398	SPACER	1
11	7-126-399	SEAT	1
12	7-126-400	SNAP RING	1
13	7-126-401	POPPET	1
14	7-126-402	SPRING	1
15	7-126-403	WASHER	1
16	7-126-387	PLUG	1
17	7-126-385	PLUG (INCLUDES ITEM 18)	3
18	7-126-386	O-RING	3
19	7-126-387	SCREW	7
20	7-126-388	SCREW	2
21	7-126-391	LOCKWASHER	9
22	7-126-392	TUBE AND SCREEN ASSEMBLY	1
23	7-126-265	FILLER PLUG	1
24	7-126-387	PLUG	1
25	7-126-04	PLUG	1
26	7-126-393	PLUG	1
27	7-126-270	DIPSTICK TUBE	1
28	7-126-671	DIPSTICK ASSEMBLY	1
29	7-126-404	PLUG	2
30	7-126-356	O-RING	2
31	7-126-405	SCREW	2
32	7-126-406	SCREW	1
33	7-126-407	WASHER	1
34	7-126-408	SCREW	1
35	7-126-407	WASHER	1
36	7-126-409	WASHER	1
37	7-126-410	NUT	1



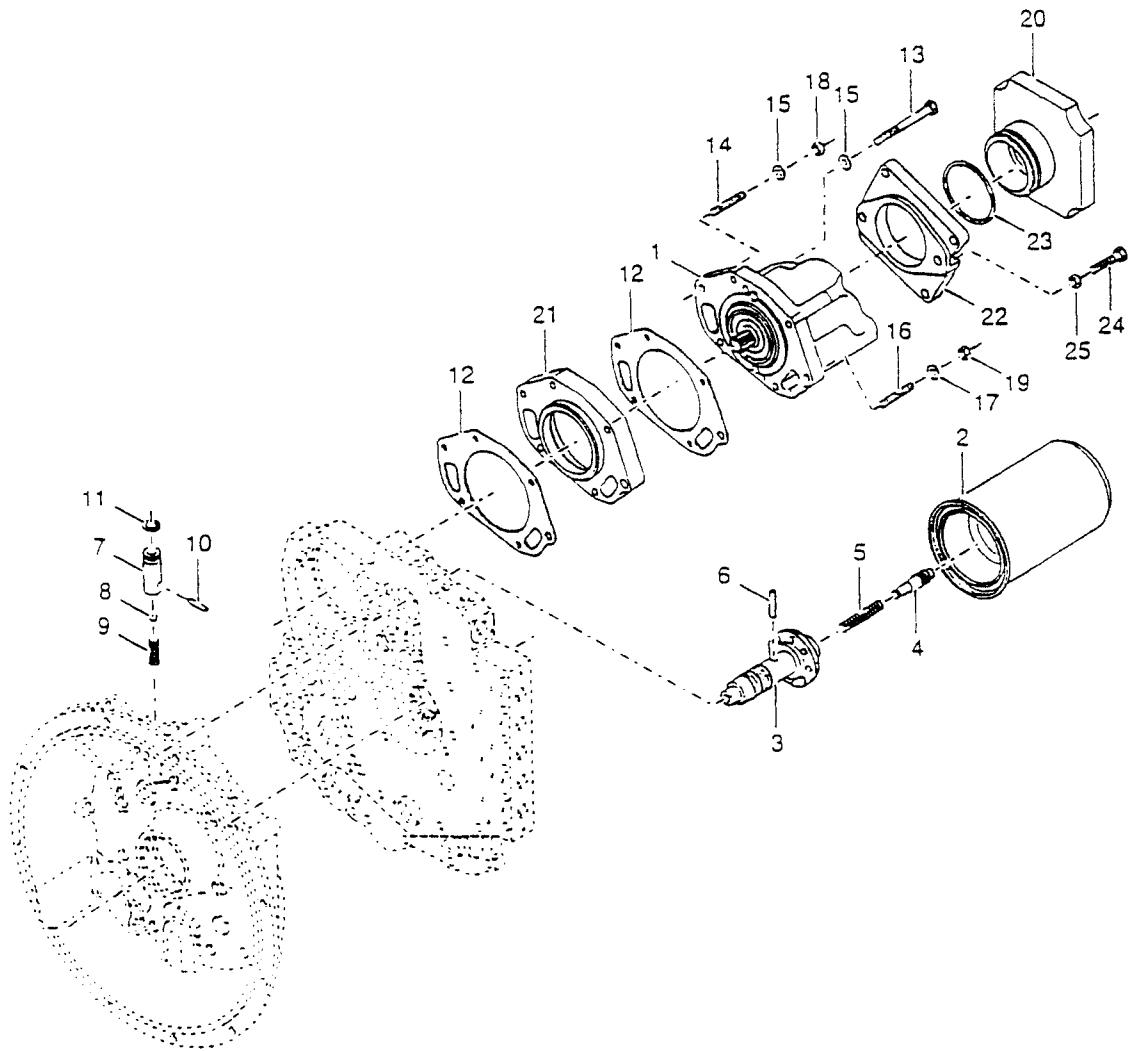
ITEM	NUMBER	DESCRIPTION	REQD
1	7-126-411	STATOR SUPPORT ASSY (INCL. ITEMS 2-3)	1
2	7-126-412	BUSHING	1
3	7-126-413	BEARING	1
4	7-126-414	STATOR SUPPORT PISTON RING	1
5	7-126-415	EXPANDER	1
6	7-126-416	SNAP RING	2
7	7-126-360	SEAL	1
8	7-126-518	TORQUE CONVERTER ASSEMBLY	1
9	7-126-234	TORQUE CONVERTER PLUG	1
10	7-126-233	O-RING	1
11	7-126-277	SNAP RING	1
12	7-126-417	IMPELLER HUB GEAR	1
13	7-126-418	SNAP RING	2
14	7-126-419	WASHER	1
15	7-126-420	BEARING	1
16	7-126-421	OIL DISTRIBUTOR RING	1



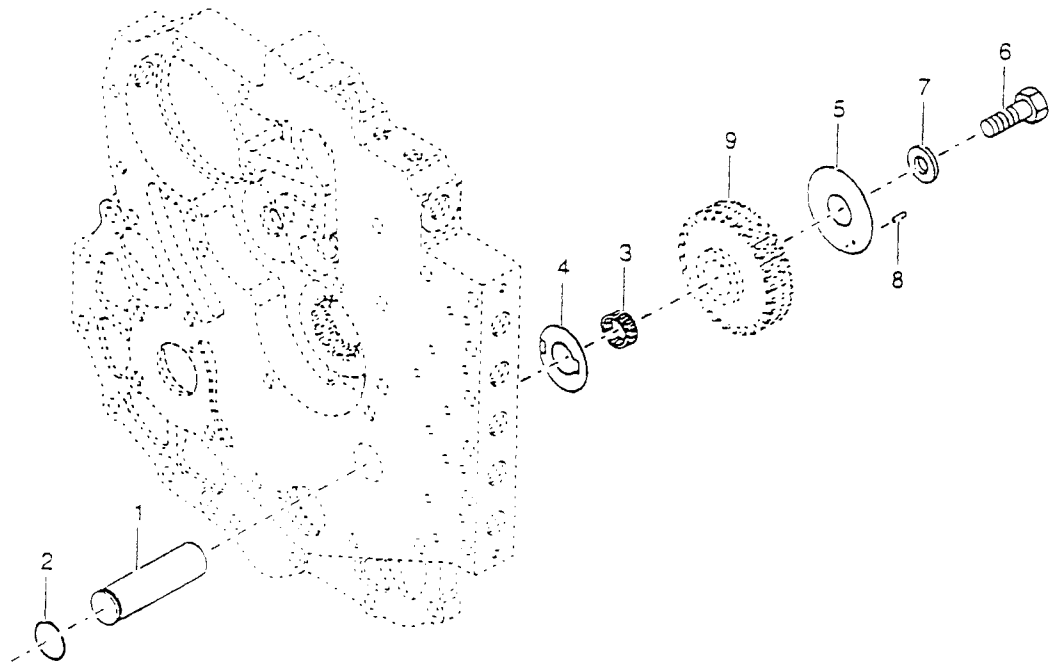
ITEM	NUMBER	DESCRIPTION	REQD
1	7-126-422	REV CL. GEAR & BRNG ASSY (INCL. ITEMS 2-3)	1
2	7-126-423	BEARING	2
3	7-126-424	SPACER	1
4	7-126-425	FWD CL. GEAR & BRNG ASSY (INCL. ITEMS 5-6)	1
5	7-126-423	BEARING	2
6	7-126-424	SPACER	1
7	7-126-428	3rd CL. GEAR & BRNG ASSY (INCL. ITEM 8)	1
8	7-126-429	BEARING	2
9	7-126-430	1st CL. GEAR & BRNG ASSY (INCL. ITEM 10)	1
10	7-126-423	BEARING	2
11	7-126-432	2nd CL. GEAR & BRNG ASSY (INCL. ITEM 12)	1
12	7-126-423	BEARING	2
13	7-126-427	3rd DRIVEN GEAR	1
14	7-126-426	OUTPUT SHAFT GEAR	1
15	7-126-431	REVERSE IDLER GEAR	1
16	7-126-433	FIRST DRIVEN GEAR	1



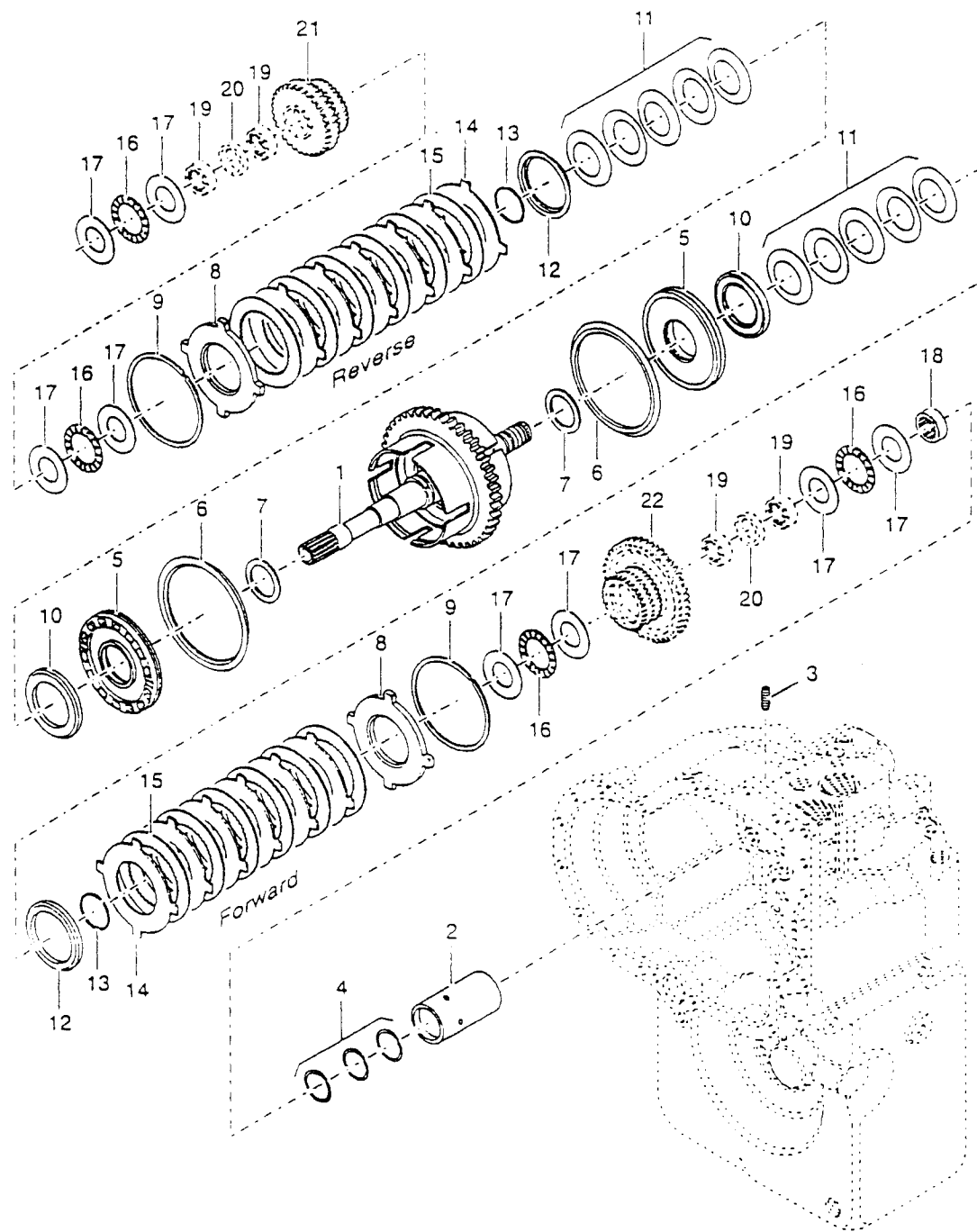
ITEM	NUMBER	DESCRIPTION	REQD
1	7-126-434	PUMP DRIVE IDLER GEAR	1
2	7-126-435	BEARING	1
3	7-126-436	PUMP DRIVE GEAR	1
4	7-126-437	PUMP DRIVE IDLER THRUST WASHER	2
5	7-126-438	PUMP DRIVE SHAFT & PIN ASSY (INCL. ITEM 6)	1
6	7-126-439	ROLL PIN	1
7	7-126-440	PUMP DRIVE GEAR BEARING	1
8	7-126-441	PUMP DRIVE GEAR BEARING	1



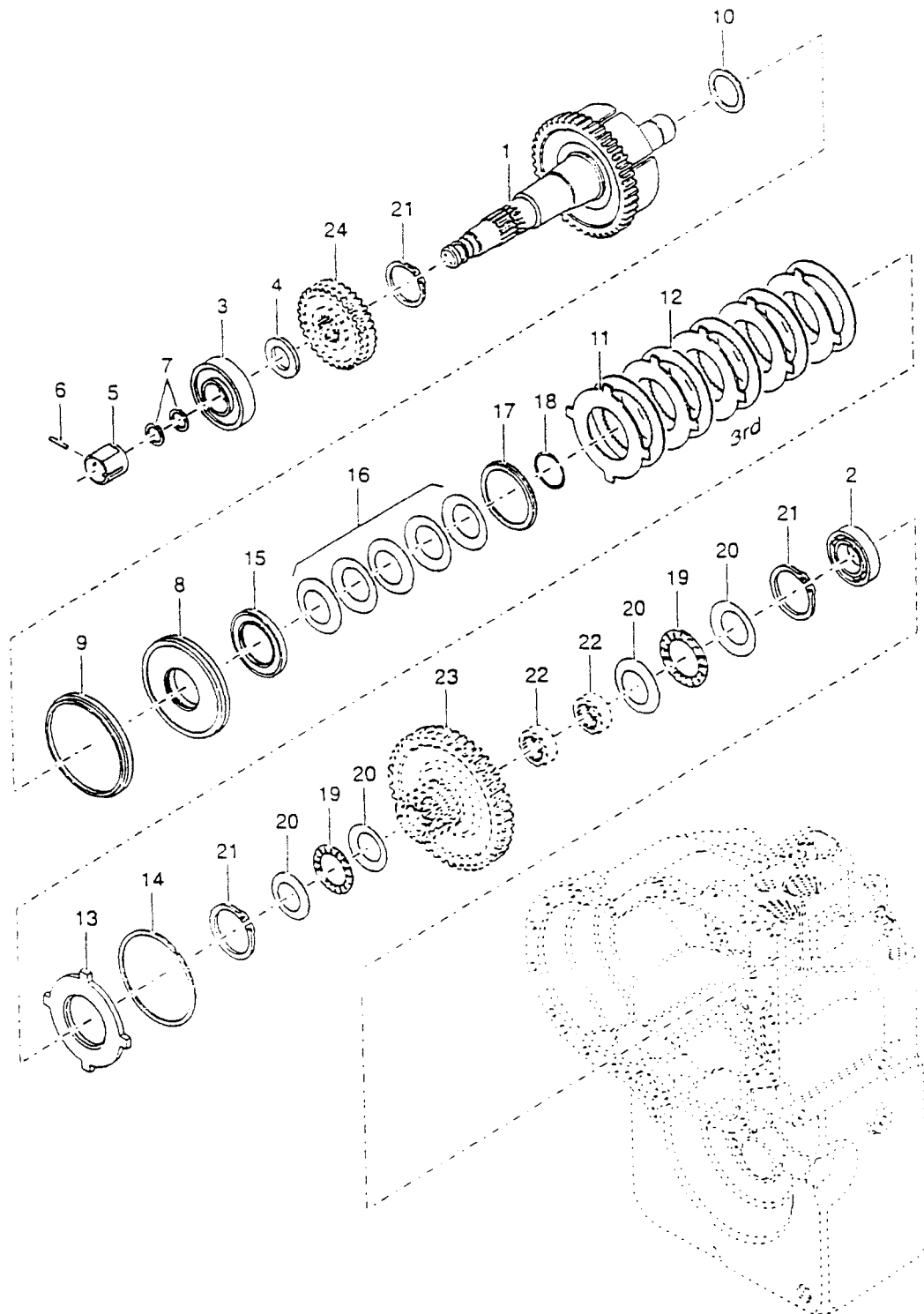
ITEM	NUMBER	DESCRIPTION	REQD
1	7-126-350	CHARGING PUMP ASSEMBLY	1
2	7-126-349	HYDRAULIC SPIN FILTER ASSEMBLY	1
3	7-126-442	REGULATOR VALVE SLEEVE	1
4	7-126-443	REGULATOR VALVE PISTON	1
5	7-126-444	REGULATOR VALVE SPRING	1
6	7-126-445	PIN	1
7	7-126-446	BALL CHECK VALVE ASSY (INCL. ITEMS 7-11)	1
8	7-126-447	BALL	1
9	7-126-448	CHECK VALVE SPRING	1
10	7-126-449	CHECK VALVE PIN	1
11	7-126-361	O-RING	1
12	7-126-362	CHARGING PUMP GASKET	2
13	7-126-450	PUMP MOUNTING SCREW	4
14	7-126-451	PUMP MOUNTING STUD	1
15	7-126-452	LOCKWASHER	5
16	7-126-453	PUMP MOUNTING STUD	1
17	7-126-391	LOCKWASHER	1
18	7-126-454	NUT	1
19	7-126-410	NUT	1
20	7-126-522	PUMP DRIVE ADAPTOR	1
21	7-126-455	PUMP ADAPTOR	1
22	7-126-521	SPACER PLATE	1
23	7-126-520	O-RING	1
24	7-126-519	SCREW	2
25	7-126-215	LOCKWASHER	2
26	7-126-456	REGULATOR VALVE ASSY (INCL. ITEMS 3-6)	1



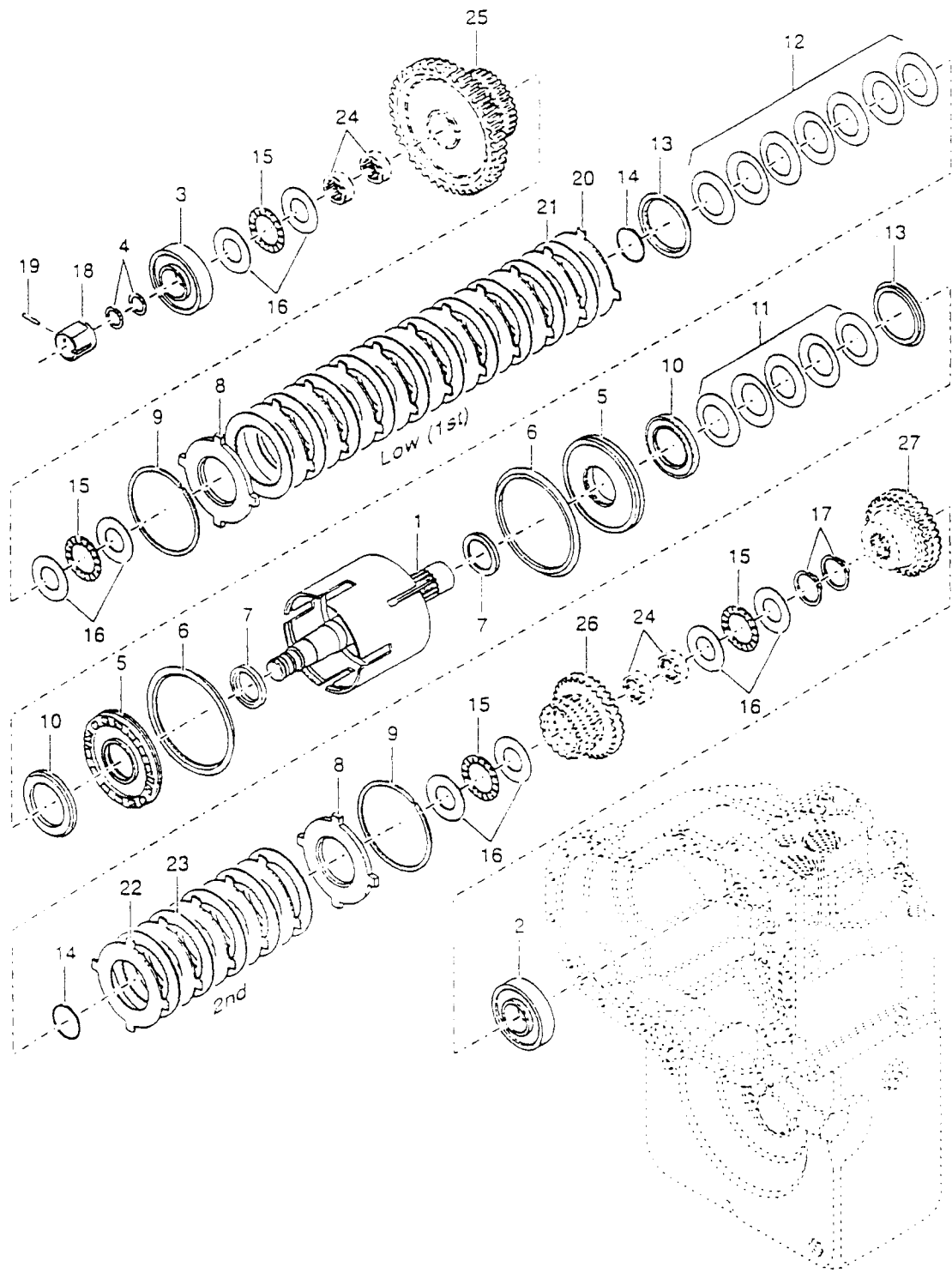
ITEM	NUMBER	DESCRIPTION	REQD
1	7-126-457	IDLER & PILOT SHAFT	1
2	7-126-458	IDLER SHAFT SNAP RING	1
3	7-126-459	REVERSE IDLER GEAR BEARING	1
4	7-126-460	THRUST WASHER	1
5	7-126-461	END PLATE	1
6	7-126-462	CAPSCREW	1
7	7-126-463	WASHER	1
8	7-126-464	ROLL PIN	1
9	7-126-431	REVERSE IDLER GEAR	1



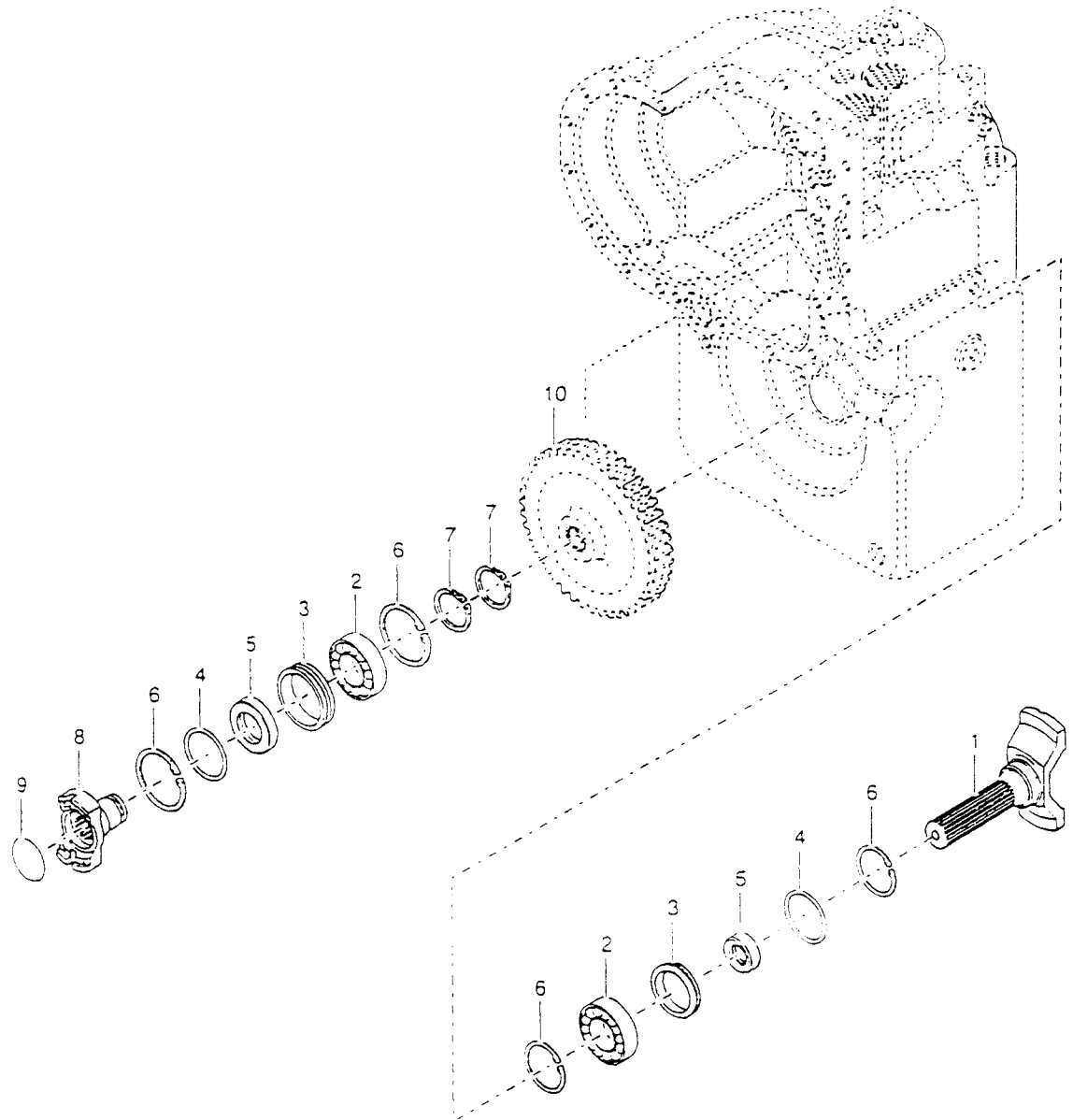
ITEM	NUMBER	DESCRIPTION	REQD
1	7-126-465	TURBINE SHAFT DRUM & PLUG ASSY	1
2	7-126-466	OIL DISTRIBUTOR SLEEVE	1
3	7-126-467	RETAINER SCREW	1
4	7-126-468	PISTON RING	3
5	7-126-469	PISTON & SEALS ASSY (INCL. ITEMS 6-7)	2
6	7-126-470	OUTER CLUTCH PISTON SEAL	2
7	7-126-471	INNER CLUTCH PISTON SEAL	2
8	7-126-472	END PLATE	2
9	7-126-473	SNAP RING	2
10	7-126-474	CLUTCH PISTON WEAR PLATE	2
11	7-126-475	DISC SPRING ASSEMBLY	2
12	7-126-476	SNAP RING RETAINER	2
13	7-126-477	SNAP RING	2
14	7-126-478	OUTER DISC (6 FORWARD / 6 REVERSE)	12
15	7-126-479	INNER DISC (6 FORWARD / 6 REVERSE)	12
16	7-126-480	CLUTCH GEAR THRUST BEARING	4
17	7-126-481	WASHER	8
18	7-126-482	REAR TURBINE SHAFT BEARING	1
19		CL. GEAR BRNG (SEE GEAR GROUP)	4
20		CL. GEAR BRNG SPACER (SEE GEAR GROUP)	2
21		REV CLUTCH GEAR (SEE GEAR GROUP)	1
22		FWD CLUTCH GEAR (SEE GEAR GROUP)	1



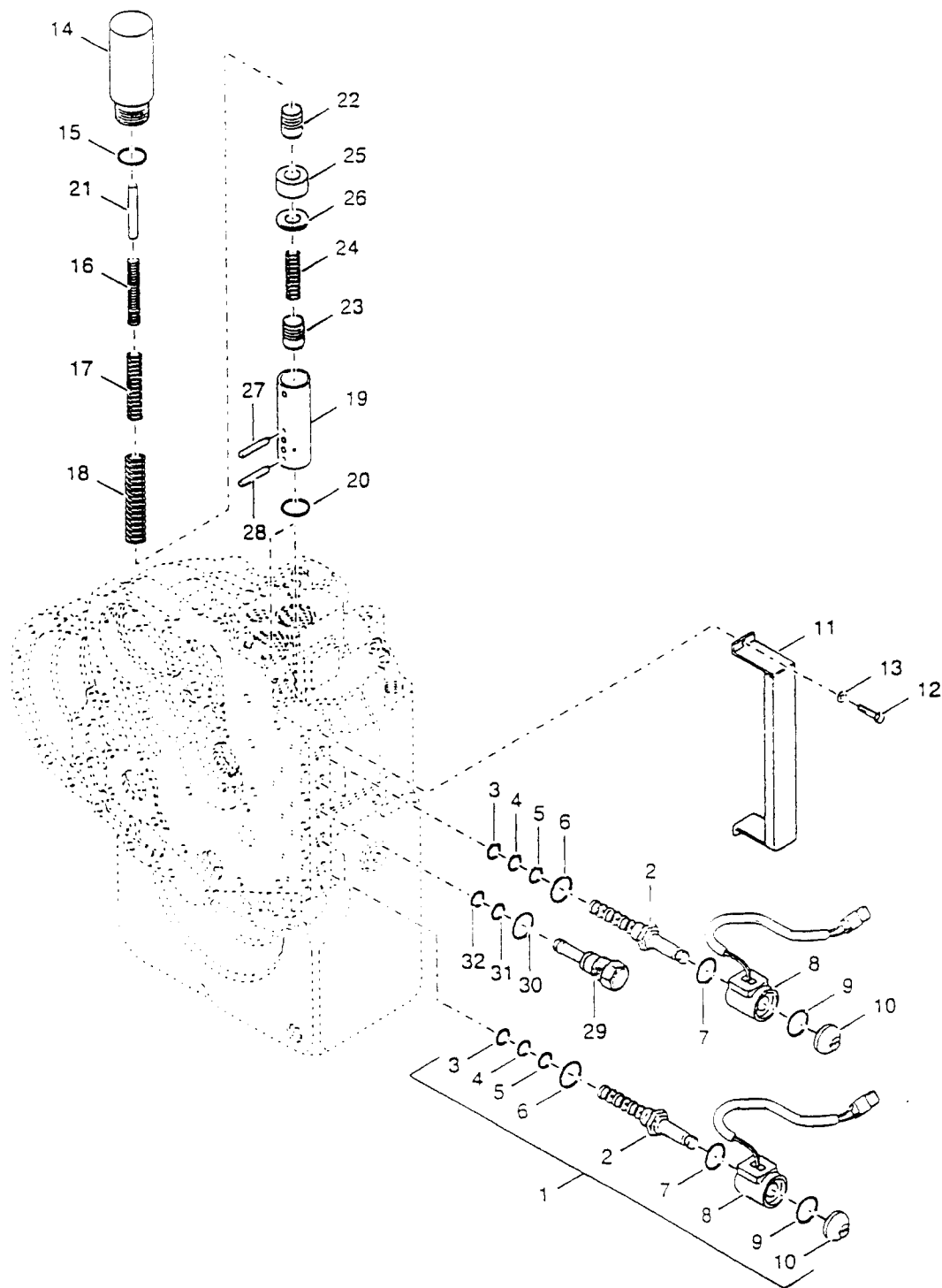
ITEM	NUMBER	DESCRIPTION	REQD
1	7-126-483	3rd SHAFT, DRUM, & PLUG ASSY	1
2	7-126-484	ROLLER BEARING	1
3	7-126-485	BEARING & SEAL ASSY	1
4	7-126-486	BEARING SUPPORT WASHER	1
5	7-126-487	OIL DISTRIBUTOR SLEEVE	1
6	7-126-488	SCREW	1
7	7-126-468	PISTON RING	2
8	7-126-489	PISTON & SEALS ASSY (INCLUDES ITEMS 9-10)	1
9	7-126-470	OUTER CLUTCH PISTON SEAL	1
10	7-126-471	INNER CLUTCH PISTON SEAL	1
11	7-126-478	OUTER DISC	5
12	7-126-479	INNER DISC	5
13	7-126-472	END PLATE	1
14	7-126-473	SNAP RING	1
15	7-126-474	CLUTCH PISTON WEAR PLATE	1
16	7-126-475	DISC SPRING ASSY (INCL. 5 WASHERS)	1
17	7-126-476	SNAP RING RETAINER	1
18	7-126-477	SNAP RING	1
19	7-126-490	NEEDLE ROLLER THRUST BEARING	2
20	7-126-491	THRUST WASHER	4
21	7-126-492	SNAP RING	3
22	7-126-429	3rd CLUTCH GEAR BEARING (SEE GEAR GROUP)	2
23		3rd CLUTCH GEAR (SEE GEAR GROUP)	1
24		FIRST DRIVE GEAR (SEE GEAR GROUP)	1



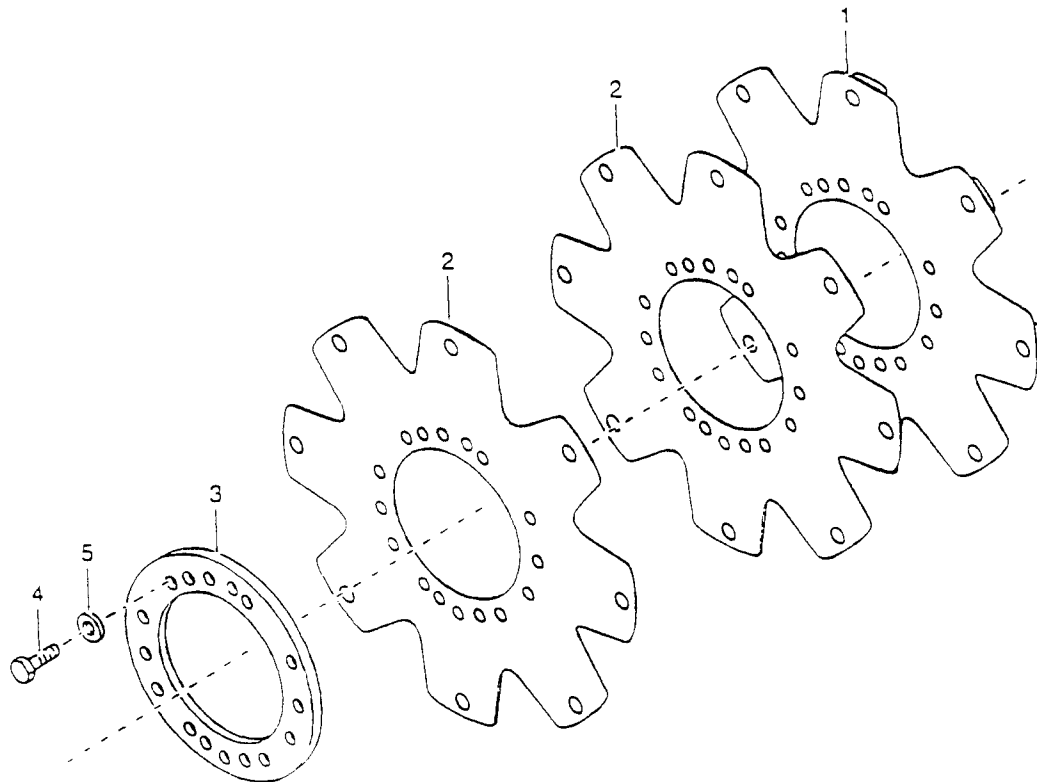
ITEM	NUMBER	DESCRIPTION	REQD
1	7-126-493	1st & 2nd SHAFT, DRUM, PLUG, & SEAT ASSY	1
2	7-126-494	ROLLER BEARING	1
3	7-126-485	BEARING & SEAL ASSY	1
4	7-126-468	PISTON RING	2
5	7-126-495	PISTON & SEALS ASSY (INCL. ITEMS 6 & 7)	2
6	7-126-470	OUTER CLUTCH PISTON SEAL	2
7	7-126-471	INNER CLUTCH PISTON SEAL	2
8	7-126-472	END PLATE	2
9	7-126-473	SNAP RING	2
10	7-126-474	CLUTCH PISTON WEAR PLATE	2
11	7-126-475	2nd DISC SPRING ASSY (INCL. 5 WASHERS)	1
12	7-126-496	1st DISC SPRING ASSY (INCL. 7 WASHERS)	1
13	7-126-476	SNAP RING RETAINER	2
14	7-126-477	SNAP RING	2
15	7-126-480	CLUTCH GEAR THRUST BEARING	4
16	7-126-481	CLUTCH GEAR THRUST WASHER	8
17	7-126-497	SNAP RING	2
18	7-126-498	OIL DISTRIBUTOR SLEEVE	1
19	7-126-499	SLEEVE RETAINING SCREW	1
20	7-126-478	OUTER DISC (1st)	10
21	7-126-479	INNER DISC (1st)	10
22	7-126-478	OUTER DISC (2nd)	5
23	7-126-479	INNER DISC (2nd)	5
24	7-126-423	CLUTCH GEAR BEARING (SEE GEAR GROUP)	4
25		1st CLUTCH GEAR (SEE GEAR GROUP)	1
26		2nd CLUTCH GEAR (SEE GEAR GROUP)	1
27		3rd DRIVEN GEAR (SEE GEAR GROUP)	1



ITEM	NUMBER	DESCRIPTION	REQD
1	7-126-500	OUTPUT SHAFT	1
2	7-126-307	OUTPUT SHAFT BEARING	2
3	7-126-368	OIL SEAL SLEEVE	2
4	7-126-366	O-RING	2
5	7-126-367	OUTPUT SHAFT OIL SEAL	2
6	7-126-365	SNAP RING	4
7	7-126-369	SNAP RING	2
8	7-126-364	OUTPUT FLANGE & PLUG ASSY (INCL. ITEM 9)	1
9	7-126-363	FLANGE PLUG	1
10	7-126-426	OUTPUT SHAFT GEAR (SEE GEAR GROUP)	1

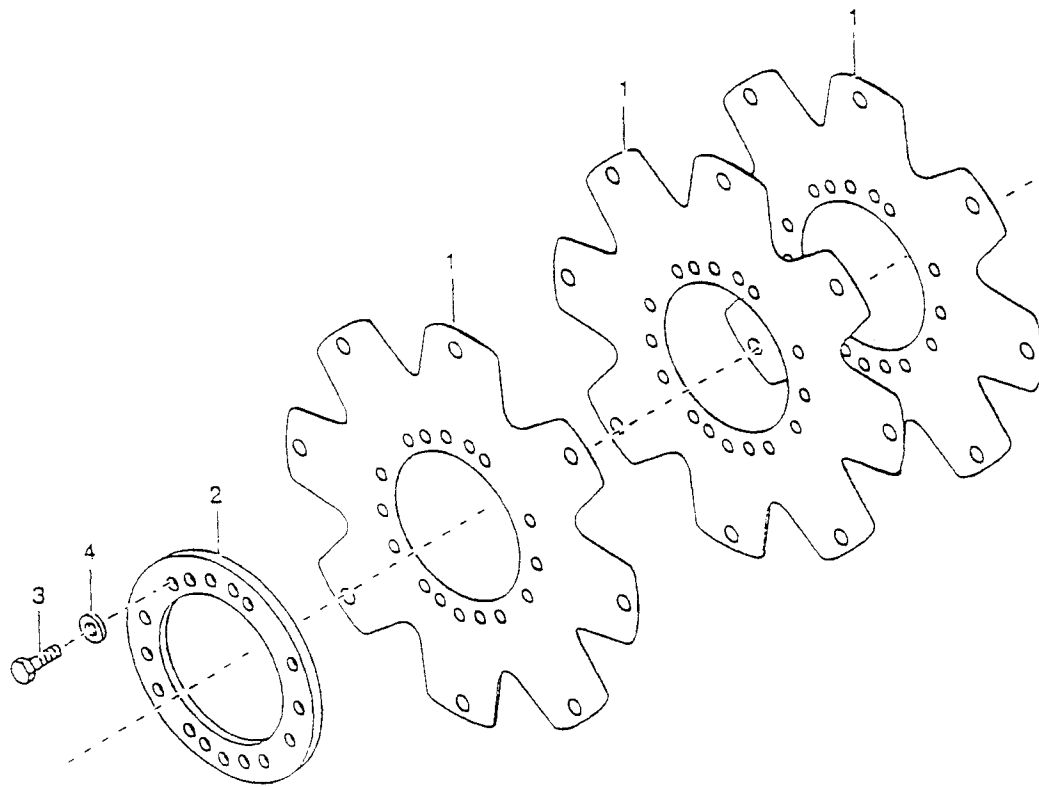


ITEM	NUMBER	DESCRIPTION	REQD
1	7-126-382	SOLENOID ASSEMBLY (INCLUDES ITEMS 2-10)	4
2	7-126-380	4-WAY VALVE CARTRIDGE (INCL. ITEMS 3-6)	4
3	7-126-376	O-RING	4
4	7-126-377	O-RING	4
5	7-126-378	O-RING	4
6	7-126-379	O-RING	4
7	7-126-374	O-RING	4
8	7-126-375	SOLENOID COIL (12V)	4
9	7-126-374	O-RING	4
10	7-126-373	NUT	4
11	7-126-501	PROTECTIVE COVER	1
12	7-126-502	SCREW	2
13	7-126-503	LOCKWASHER	2
14	7-126-504	MODULATOR VALVE HOUSING	2
15	7-126-371	O-RING	2
16	7-126-505	INNER SPRING	2
17	7-126-506	MIDDLE SPRING	2
18	7-126-507	OUTER SPRING	2
19	7-126-508	MODULATION VALVE SLEEVE	2
20	7-126-372	O-RING	2
21	7-126-63	PIN	2
22	7-126-509	ACCUMULATOR SPOOL	2
23	7-126-510	REGULATOR SPOOL	2
24	7-126-511	MODULATOR VALVE SPOOL	2
25	7-126-512	SPRING RETAINER	2
26	7-126-513	SPRING SPACER	2
27	7-126-514	UPPER PIN	2
28	7-126-515	LOWER PIN	2
29	7-126-381	SOLENOID BORE PLUG	1
30	7-126-379	O-RING	1
31	7-126-378	O-RING	1
32	7-126-376	O-RING	1



ITEM	NUMBER	DESCRIPTION	REQD
1	N.S.S.	DRIVE PLATE w/ WELD NUTS	1
2	N.S.S.	DRIVE PLATE	2
3	7-126-60	DRIVE PLATE BACKING RING	1
4	7-126-516	SCREW	6
5	7-126-54	LOCKWASHER	6
6	7-126-383	DRIVE PLATE KIT (INCLUDES ITEMS 1-5)	1

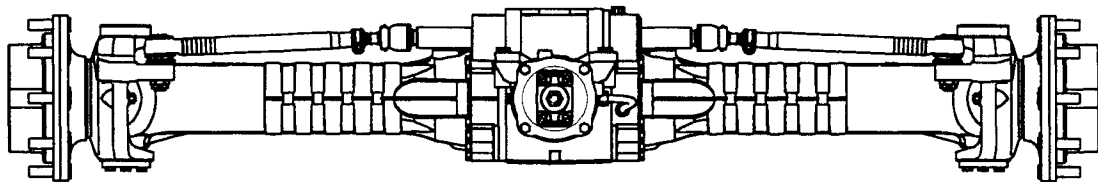
N.S.S. = NOT SOLD SEPARATELY



ITEM	NUMBER	DESCRIPTION	REQD
1	N.S.S.	DRIVE PLATE	3
2	7-126-60	DRIVE PLATE BACKING RING	1
3	7-126-516	SCREW	6
4	7-126-54	LOCKWASHER	6
5	7-126-692	DRIVE PLATE KIT (INCLUDES ITEMS 1-4)	1

N.S.S. = NOT SOLD SEPARATELY

FRONT AXLE
PARTS BOOK
TH636C TH644C TH842C TH844C



DATE: 11-14-00

SPICER CLARK-HURTH 212/239 AXLE
7-229-619 STEERING CYLINDER
DIFFERENTIAL LOCK

TEREX HANDLERS

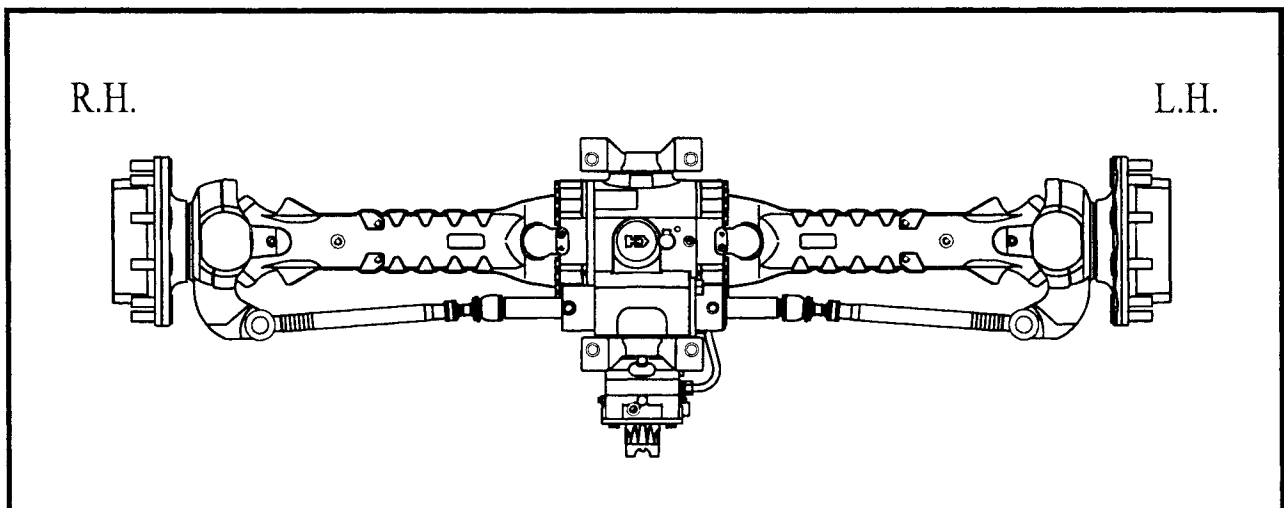
455 N. Superior Ave., Baraga, MI 49908-0248

PH: (906) 353-6675; FAX: (906) 353-7543

INTERNET: <http://www.sqshooter.com>

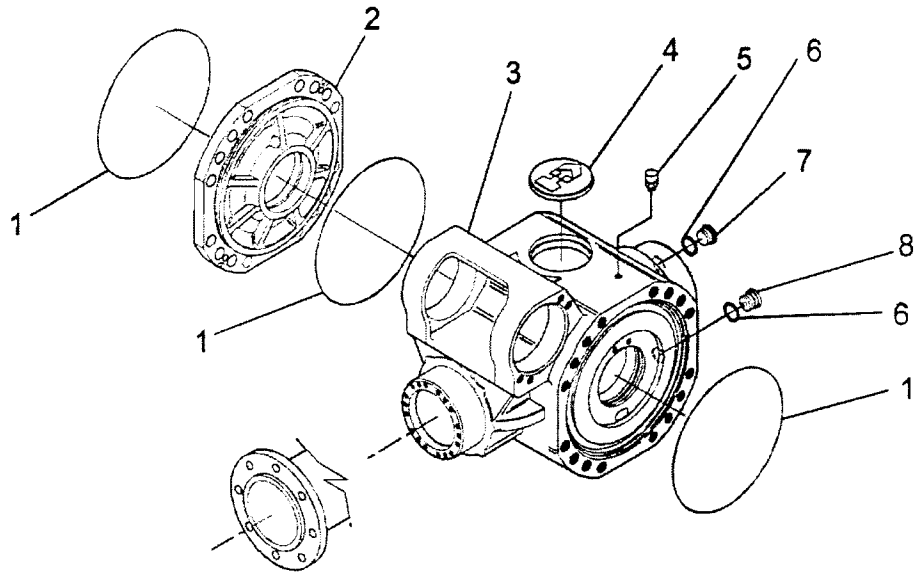
AXLE PARTS ORDERING GUIDE

WHEN ORDERING FROM THIS BOOK USE THE
FIGURE BELOW AS A REFERENCE IN DETERMINING
LEFT OR RIGHT HAND SIDE

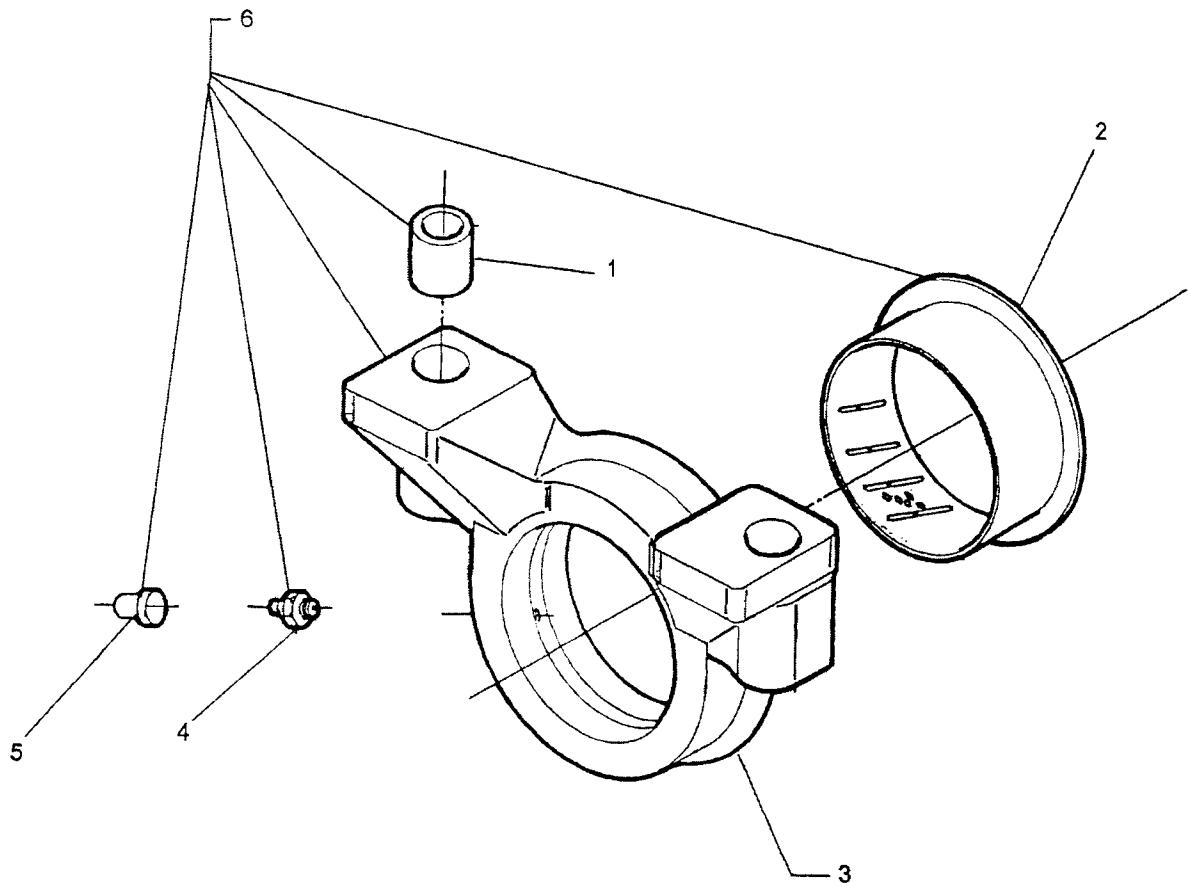


INDEX

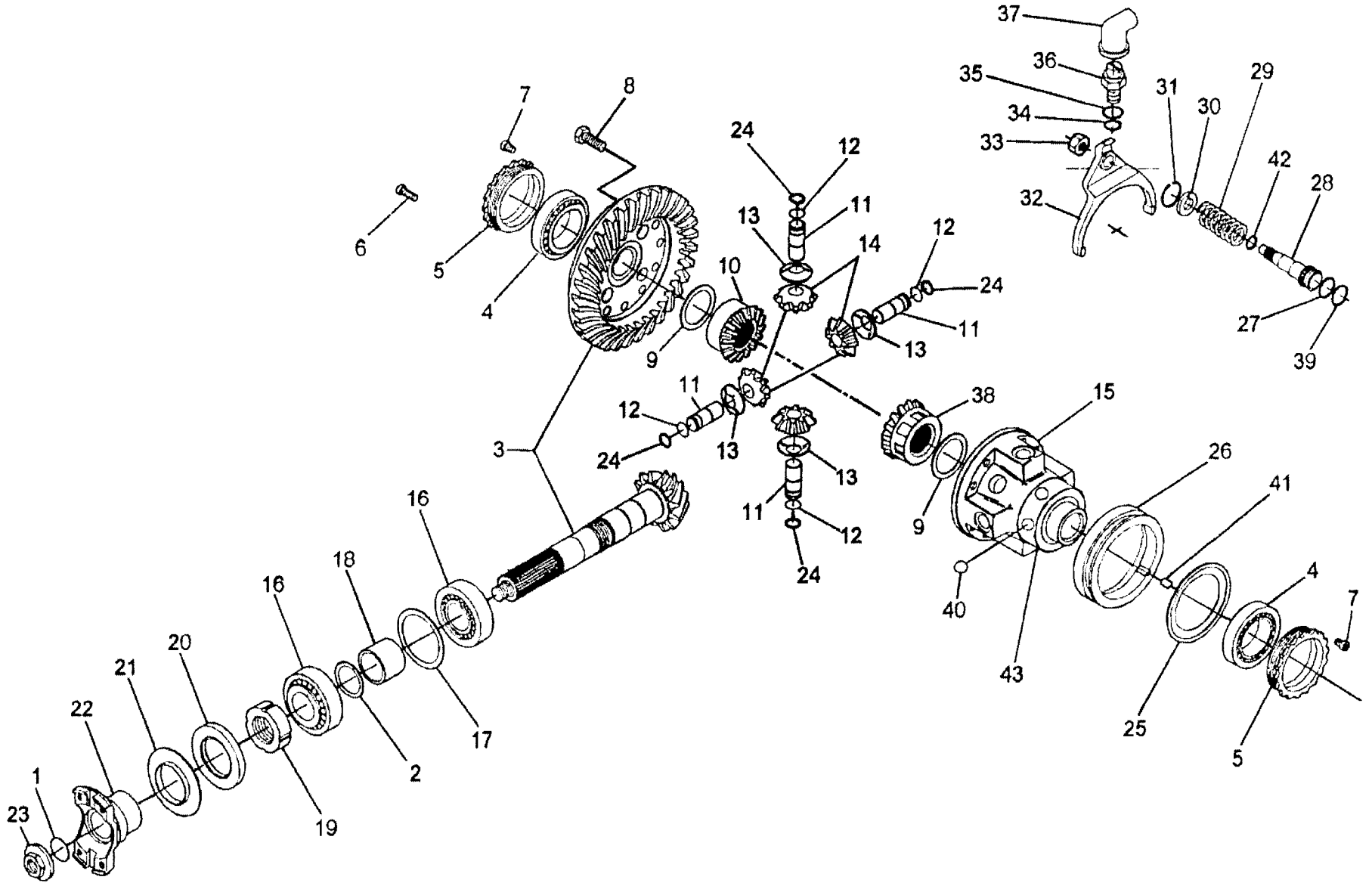
<u>PAGE</u>	<u>DESCRIPTION</u>	<u>DRAWING</u>
1	GEAR BOX & COVERS	P1-1395
2	TRUNNION MOUNT ASSEMBLY	P1-1258
3	DIFFERENTIAL ASSEMBLY	P1-1396
4	STEERING AXLE ASSEMBLY	P1-1297
5	DISC BRAKE ASSEMBLY	P1-1267
6	PARKING BRAKE ASSEMBLY	P1-1298
7	STEERING ARMS ASSEMBLY	P1-1268
8	STEERING CYLINDER ASSEMBLY	P1-1269



ITEM	NUMBER	DESCRIPTION	REQD
1	7-229-520	O-RING	3
2	7-229-521	INTERMEDIATE COVER	1
3	7-229-715	HOUSING	1
4	7-229-523	COVER	1
5	7-229-524	VENT	1
6	7-229-525	SEAL WASHER	2
7	7-229-526	PLUG	1
8	7-229-527	MAGNETIC PLUG	1

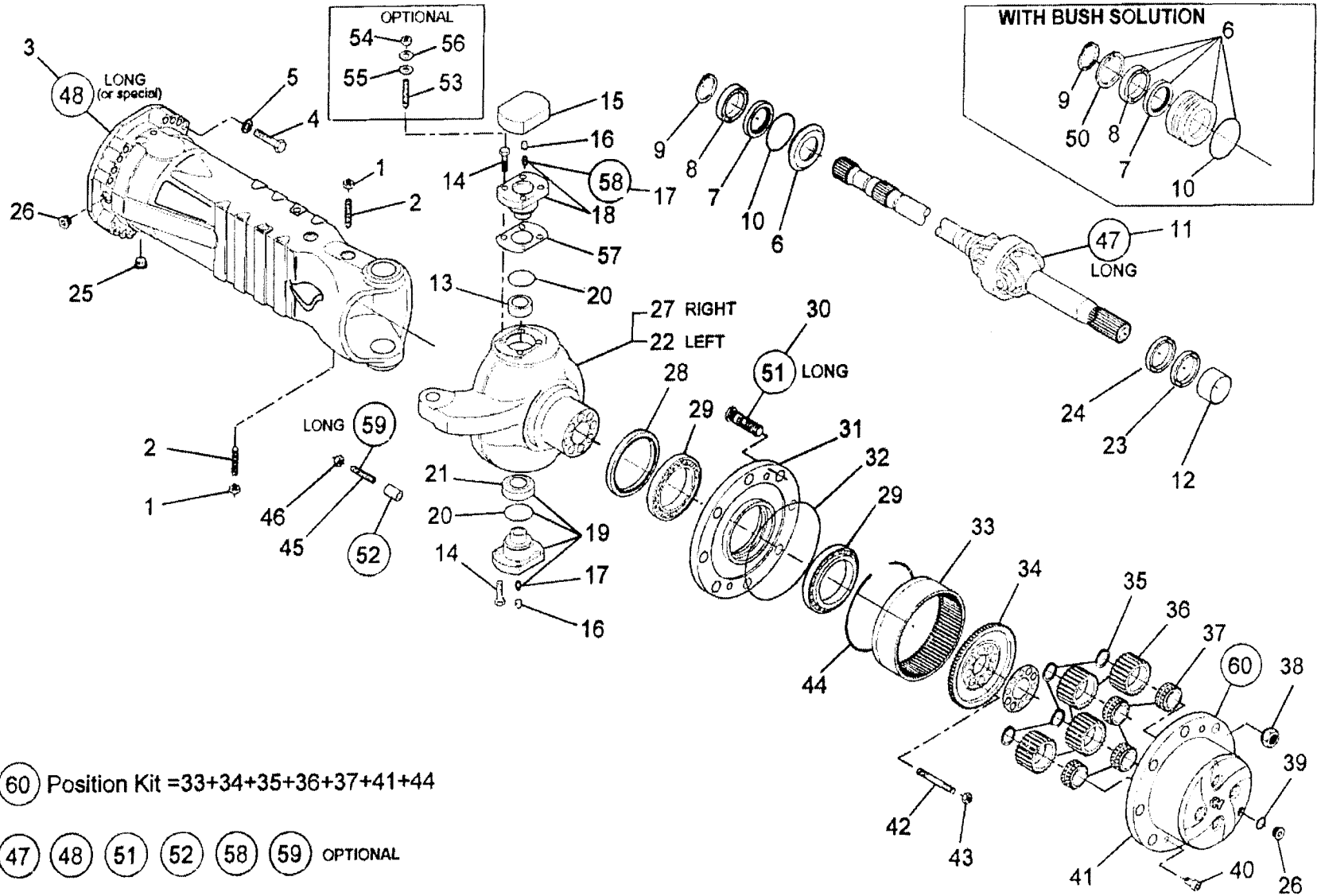


ITEM	NUMBER	DESCRIPTION	REQD
1	7-229-620	REDUCTION BUSHING	4
2	7-229-621	THRUST BUSHING	2
3	7-229-622	SUPPORT	2
4	7-229-572	GREASE FITTING	2
5	7-229-571	PLUG	2
6	7-229-735	SUPPORT ASSEMBLY (INCL. ITEMS 1-5)	2



Position Kit N° 43 = 9+10+11+12+13+14+15+24+38

ITEM	NUMBER	DESCRIPTION	REQD
1	7-229-528	O-RING	1
2		SHIM / SEE ITEMS 44-48 BELOW	
3	7-229-676	BEVEL GEAR SET	1
4	7-229-535	TAPER ROLLER BEARING	2
5	7-229-536	RING NUT	2
6	7-229-537	CYLINDER BOLT	4
7	7-229-538	CYLINDER BOLT	2
8	7-229-691	BOLT	12
9	7-229-540	FRICTION WASHER	2
10	7-229-541	DIFFERENTIAL SIDE GEAR / RH	1
11	7-229-542	PIN	4
12	7-229-543	CIRCLIP	4
13	7-229-544	FRICTION WASHER	4
14	7-229-545	DIFFERENTIAL PINION	4
15	7-229-716	DIFFERENTIAL CARRIER	1
16	7-229-547	TAPER ROLLER BEARING	2
17		SHIM / SEE ITEMS 49-52 BELOW	
18	7-229-549	SPACER	1
19	7-229-550	RING NUT	1
20		NOT USED (see Parking Brake Assembly)	
21		NOT USED (see Parking Brake Assembly)	
22	7-229-553	FLANGE	1
23	7-229-554	NUT	1
24	7-229-555	CIRCLIP	4
25	7-229-717	SHEET	1
26	7-229-718	SELECTOR	1
27	7-229-719	O-RING	1
28	7-229-720	PISTON	1
29	7-229-721	SPRING	1
30	7-229-722	PLUG	1
31	7-229-723	CIRCLIP	1
32	7-229-724	SELECTOR FORK	1
33	7-229-725	NUT	1
34	7-229-726	O-RING	1
35	7-229-727	SEAL WASHER	1
36	7-229-728	SECURITY SWITCH	1
37	7-229-729	BOOT	1
38	7-229-927	DIFFERENTIAL SIDE GEAR / LH	1
39	7-229-730	RING	1
40	7-229-731	DETENT BALL	6
41	7-229-732	KEY	1
42	7-229-733	CIRCLIP	1
43	7-229-734	DIFFERENTIAL ASSY (INCL. ITEMS 9-15,24,38)	1
44	7-229-529	SHIM / 0.10mm	AR
45	7-229-530	SHIM / 0.15mm	AR
46	7-229-531	SHIM / 0.20mm	AR
47	7-229-532	SHIM / 0.40mm	AR
48	7-229-533	SHIM / 0.50mm	AR
49	7-229-548	SHIM / 0.20mm	AR
50	7-229-557	SHIM / 0.30mm	AR
51	7-229-558	SHIM / 0.15mm	AR
52	7-229-559	SHIM / 0.10mm	AR

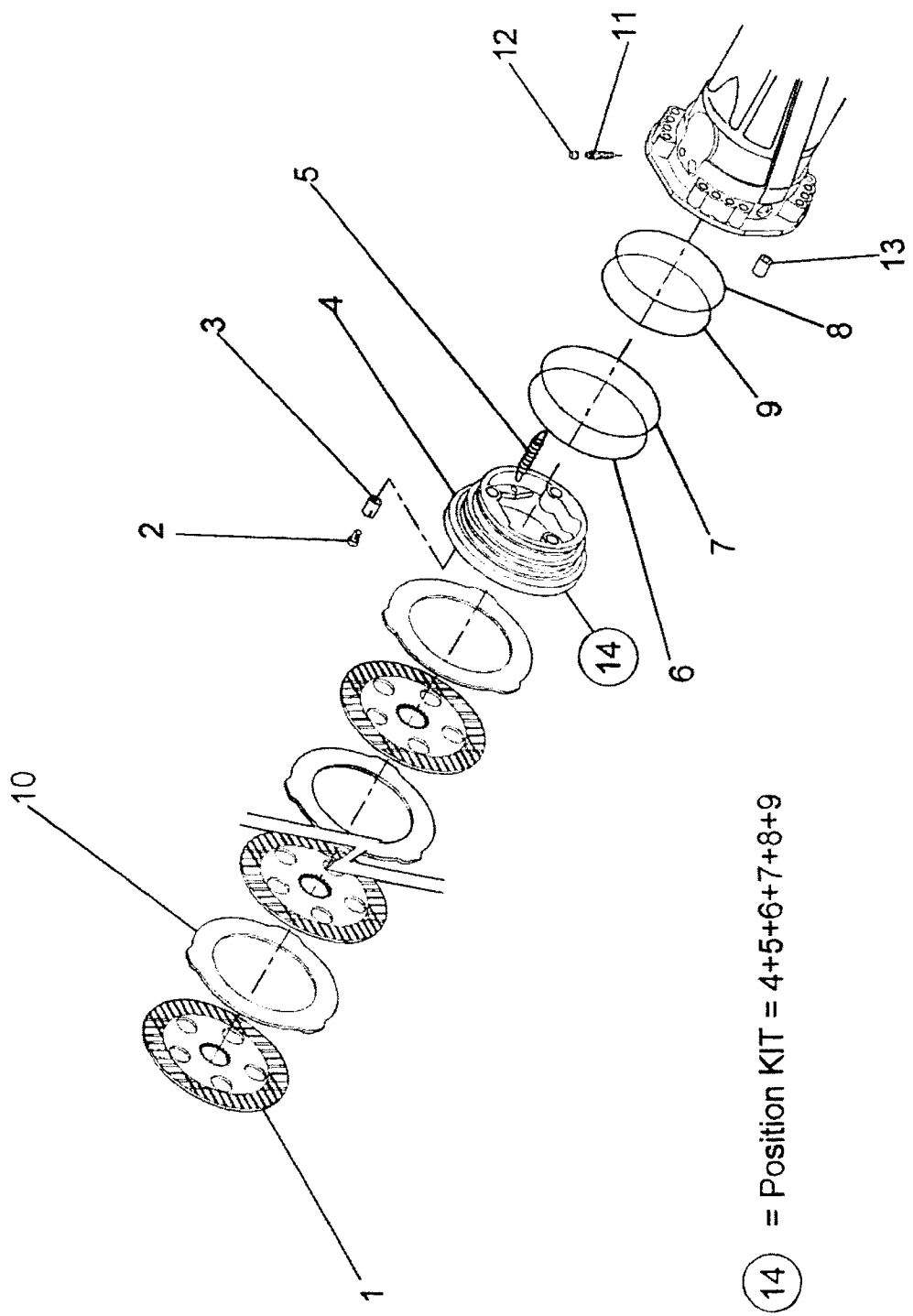


60 Position Kit =33+34+35+36+37+41+44

47 48 51 52 58 59 OPTIONAL

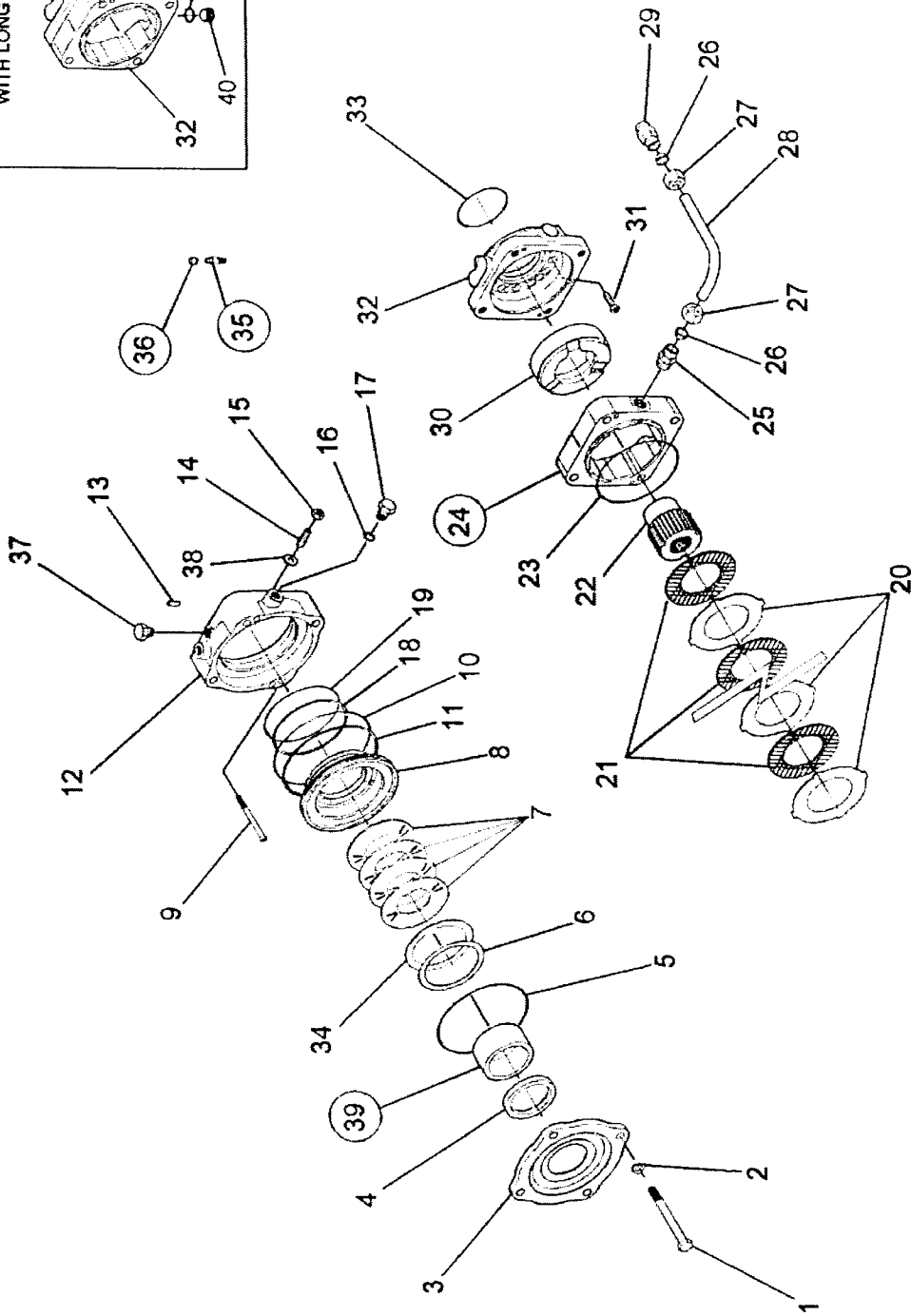
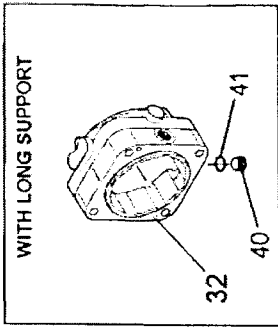
ITEM	NUMBER	DESCRIPTION	REQD
1	7-229-623	NUT	2
2	7-229-624	STEERING ADJUST BOLT	2
3	7-229-677	AXLE CASE	2
4	7-229-560	BOLT	32
5	7-229-561	WASHER	32
6	7-229-562	REDUCTION BUSHING	2
7	7-229-563	SEAL	2
8	7-229-564	BALL BEARING	2
9	7-229-565	CIRCLIP	2
10	7-229-566	O-RING	2
11	7-229-567	UNIVERSAL JOINT	2
12	7-229-568	THRUST BUSHING	2
13	7-229-569	OUTER RACE	2
14	7-229-539	BOLT	20
15	7-229-570	COVER	2
16	7-229-571	PLUG	4
17	7-229-572	GREASE FITTING	2
18	7-229-573	PIVOT PIN	2
19	7-229-574	PIVOT PIN	2
20	7-229-575	SEAL	2
21	7-229-576	ARTICULATION	2
22	7-229-678	STEERING CASE / LH	1
23	7-229-578	SEAL	2
24	7-229-579	DUST EXCLUDER	2
25	7-229-580	MAGNET PLUG	2
26	7-229-526	PLUG	3
27	7-229-679	STEERING CASE / RH	1
28	7-229-582	SEAL	2
29	7-229-583	BEARING	20
30	7-229-692	WHEEL STUD	20
31	7-229-680	WHEEL HUB	2
32	7-229-586	O-RING	2
33	7-229-587	RING GEAR	2
34	7-229-588	RING GEAR SUPPORT	2
35	7-229-589	CIRCLIP	8
36	7-229-590	PLANET GEAR	8
37	7-229-591	BEARING	8
38	7-229-592	WHEEL NUT	20
39	7-229-525	SEAL WASHER	5
40	7-229-681	COUNTERSUNK BOLT	4
41	7-229-682	PLANET GEAR CARRIER	2
42	7-229-595	STUD	16
43	7-229-596	NUT	16
44	7-229-597	CIRCLIP	2
45	7-229-598	ADJUSTING BOLT	2
46	7-229-599	NUT	2
47			
48			
49	7-229-600	LOCKING PLATE	2
50	7-229-601	CIRCLIP	2

ITEM	NUMBER	DESCRIPTION	REQD
51			
52			
53			
54			
55			
56			
57		SHIM / SEE ITEMS 61-63 BELOW	
58			
59			
60	7-229-683	PLANET GEAR CARRIER ASSY (ITEMS 33-37,41,44)	2
61	7-229-602	SHIM / 0.15mm	AR
62	7-229-603	SHIM / 0.20mm	AR
63	7-229-604	SHIM / 0.50mm	AR



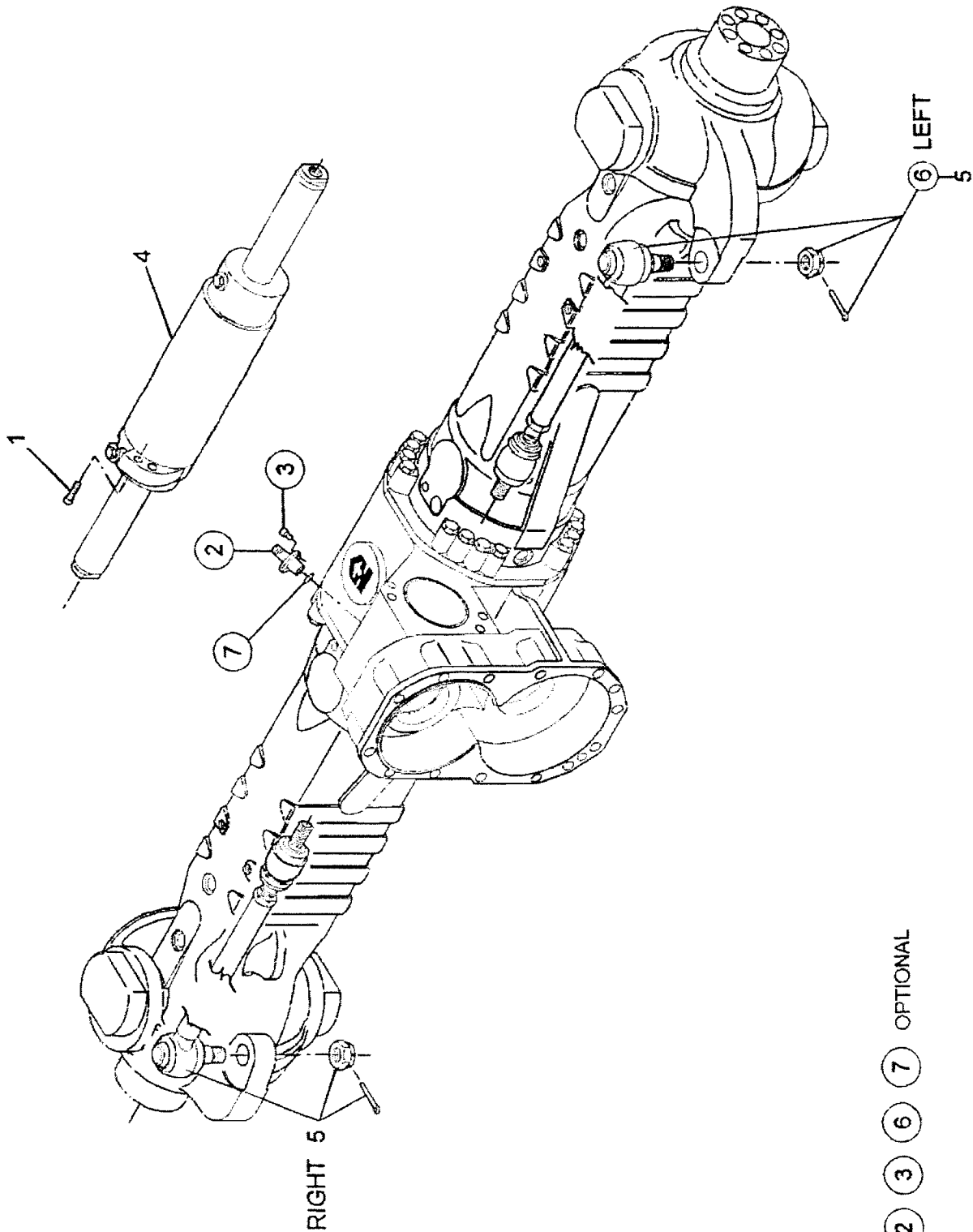
⑭ = Position KIT = 4+5+6+7+8+9

ITEM	NUMBER	DESCRIPTION	REQD
1	7-229-605	BRAKE DISC	6
2	7-229-606	ADJUSTING BOLT	6
3	7-229-607	SPRING	6
4	7-229-608	PISTON	2
5	7-229-609	SPRING	6
6	7-229-610	BACK-UP RING	2
7	7-229-611	O-RING	2
8	7-229-612	BACK-UP RING	2
9	7-229-613	O-RING	2
10	7-229-614	INTERMEDIATE BRAKE DISC	8
11	7-229-615	BLEEDING BOLT	2
12	7-229-571	PLUG	2
13	7-229-616	DOWEL	2
14	7-229-617	PISTON	2



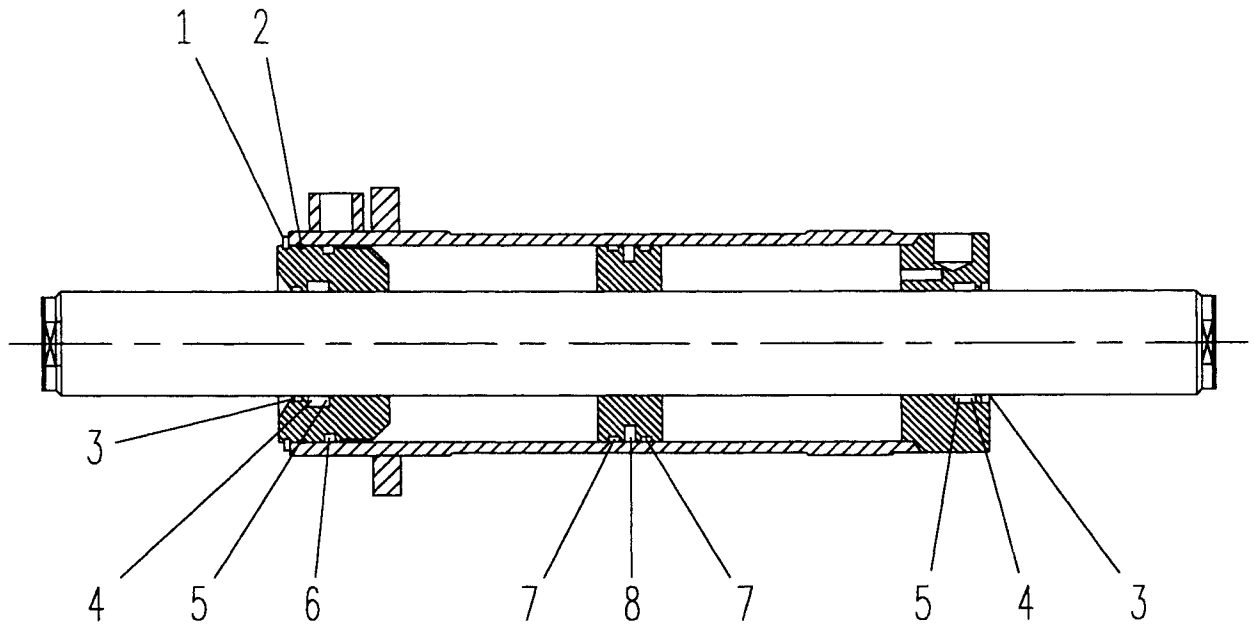
24
35
36
39
 OPTIONAL

ITEM	NUMBER	DESCRIPTION	REQD
1	7-229-684	HEXAGON BOLT	4
2	7-229-630	SPRING WASHER	4
3	7-229-631	COVER	1
4	7-229-632	SEAL	1
5	7-229-633	O-RING	1
6	7-229-634	FRICTION WASHER	1
7	7-229-635	SPRING	4
8	7-229-636	PISTON	1
9			
10	7-229-638	BACK-UP RING	1
11	7-229-639	O-RING	1
12	7-229-640	COVER	1
13	7-229-641	DOWEL	1
14	7-229-642	BOLT	2
15	7-229-643	NUT	2
16	7-229-644	SEAL WASHER	3
17	7-229-645	BOLT	3
18	7-229-646	O-RING	1
19	7-229-647	BACK-UP RING	1
20	7-229-648	INTERMEDIATE BRAKE DISC	12
21	7-229-649	BRAKE DISC	11
22	7-229-685	SELECTOR	1
23	7-229-651	RING	1
24			
25	7-229-653	ADAPTOR	1
26	7-229-654	ADAPTOR	2
27	7-229-655	ADAPTOR	2
28	7-229-686	TUBE	1
29	7-229-657	ADAPTOR	1
30	7-229-687	SPACER	1
31	7-229-688	CYLINDER BOLT	18
32	7-229-689	COVER	1
33	7-229-661	O-RING	1
34		SHIM / SEE ITEMS 42-45 BELOW	
35			
36			
37	7-229-666	PLUG	1
38	7-229-667	WASHER	2
39	7-229-668	SPACER	1
40	7-229-690	PLUG	1
41	7-229-525	SEAL WASHER	1
42	7-229-662	SHIM / 0.10mm	AR
43	7-229-663	SHIM / 0.20mm	AR
44	7-229-664	SHIM / 0.50mm	AR
45	7-229-665	SHIM / 0.15mm	AR



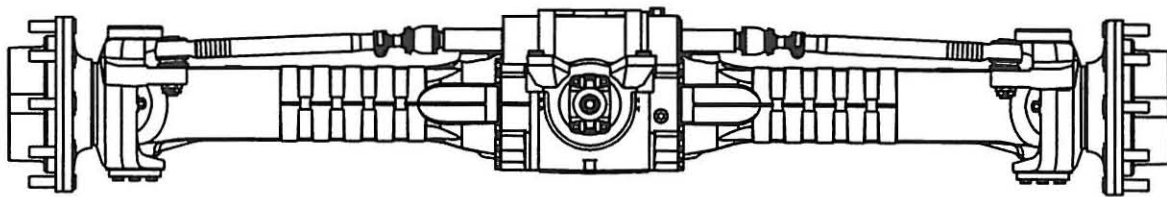
(2) (3) (6) (7) OPTIONAL

ITEM	NUMBER	DESCRIPTION	REQD
1	7-229-618	CYLINDER BOLT	4
2			
3			
4	7-229-619	CYLINDER	1
5	7-229-669	ARTICULATED TIE ROD / LH & RH	2



ITEM	NUMBER	DESCRIPTION	REQD
1	7-229-511	SNAP RING	1
2	7-229-512	STOP RING	2
3	7-229-513	WIPER	2
4	7-229-514	SEAL	2
5	7-229-515	BACK-UP RING	2
6	7-229-516	WEAR RING	1
7	7-229-517	PISTON WEAR RING	2
8	7-229-518	PISTON SEAL	1
9	7-900-88	SEAL KIT (ITEMS 1-8)	1

REAR AXLE
PARTS BOOK
TH636C TH644C TH842C TH844C



DATE: 9-7-99

SPICER CLARK-HURTH 212/184 AXLE

7-229-619 STEERING CYLINDER

TEREX HANDLERS

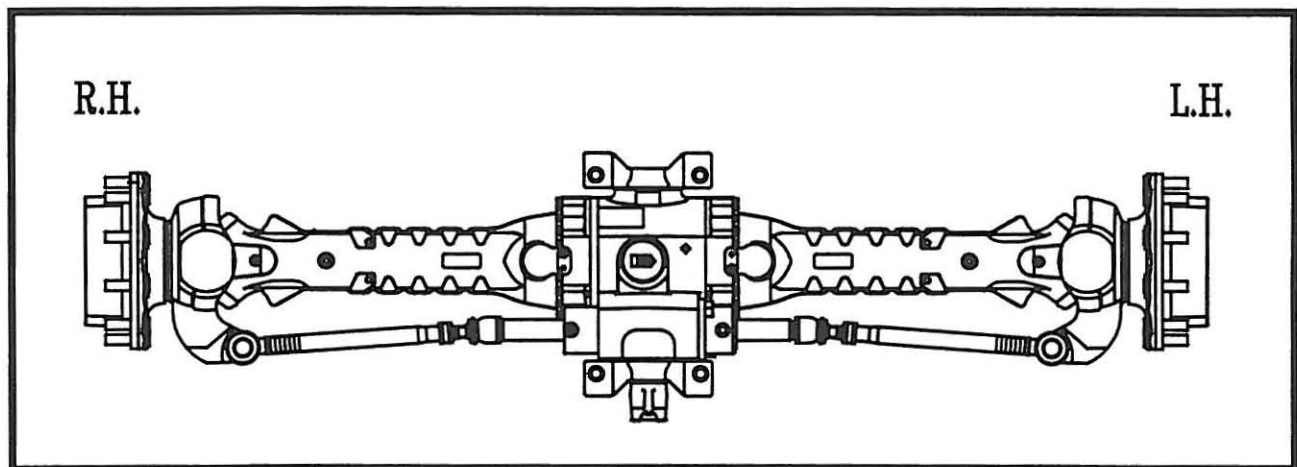
455 N. Superior Ave., Baraga, MI 49908-0248

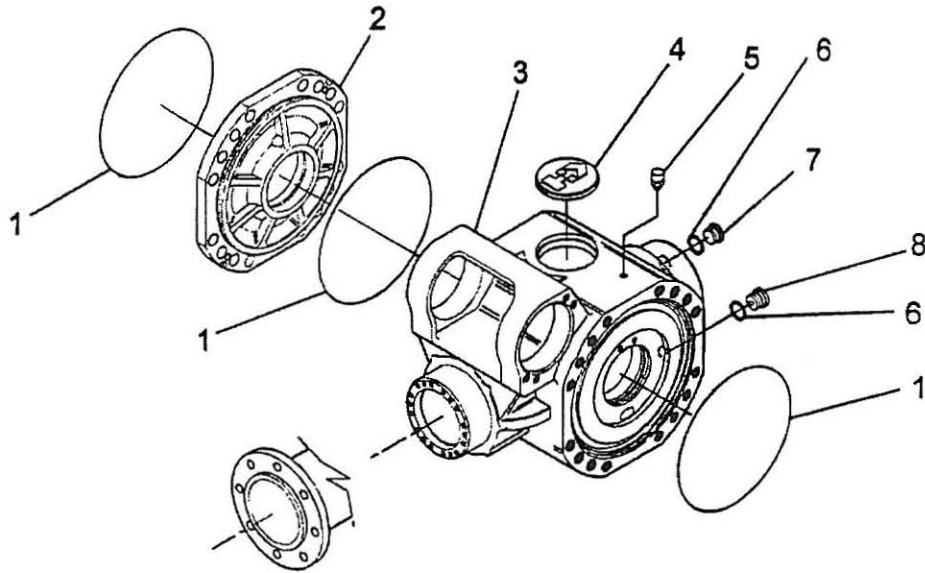
PH: (906) 353-6675; FAX: (906) 353-7543

INTERNET: <http://www.sqshooter.com>

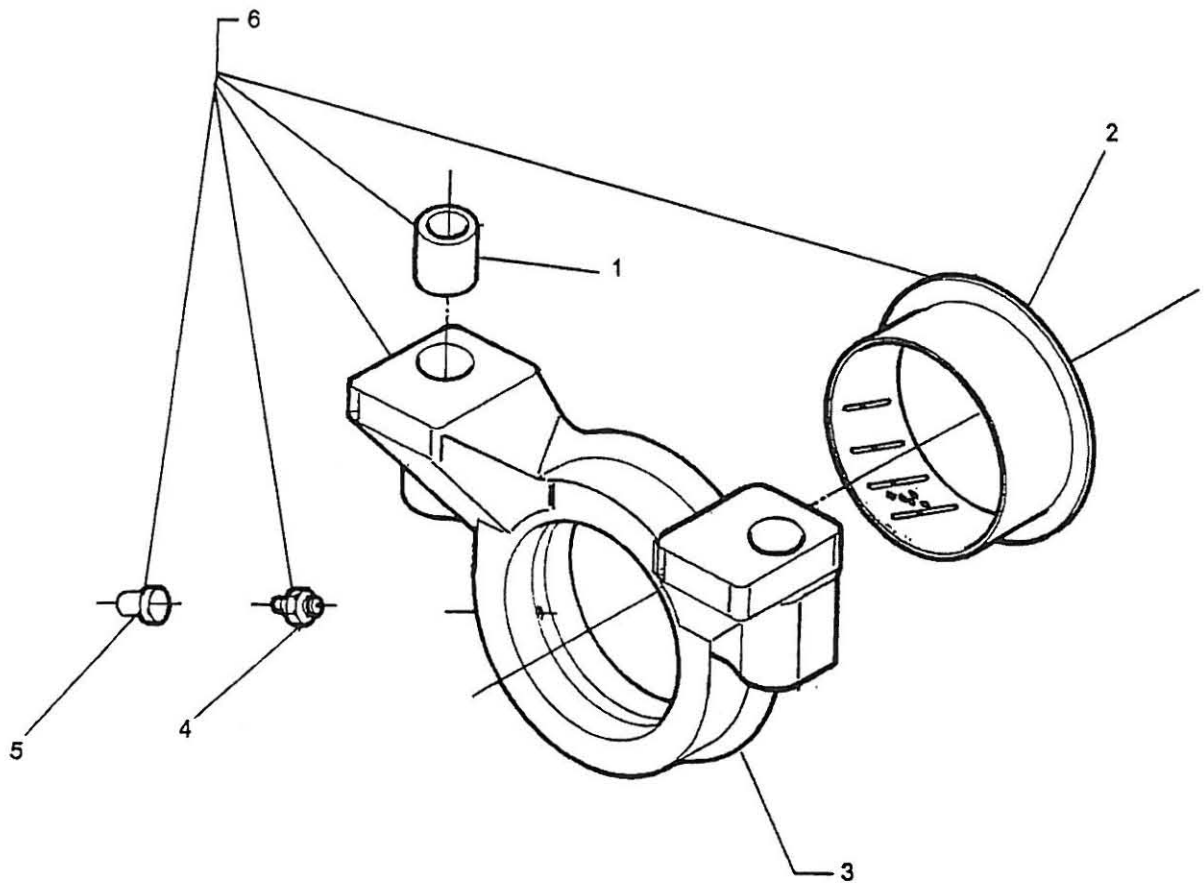
AXLE PARTS ORDERING GUIDE

WHEN ORDERING FROM THIS BOOK USE THE
FIGURE BELOW AS A REFERENCE IN DETERMINING
LEFT OR RIGHT HAND SIDE

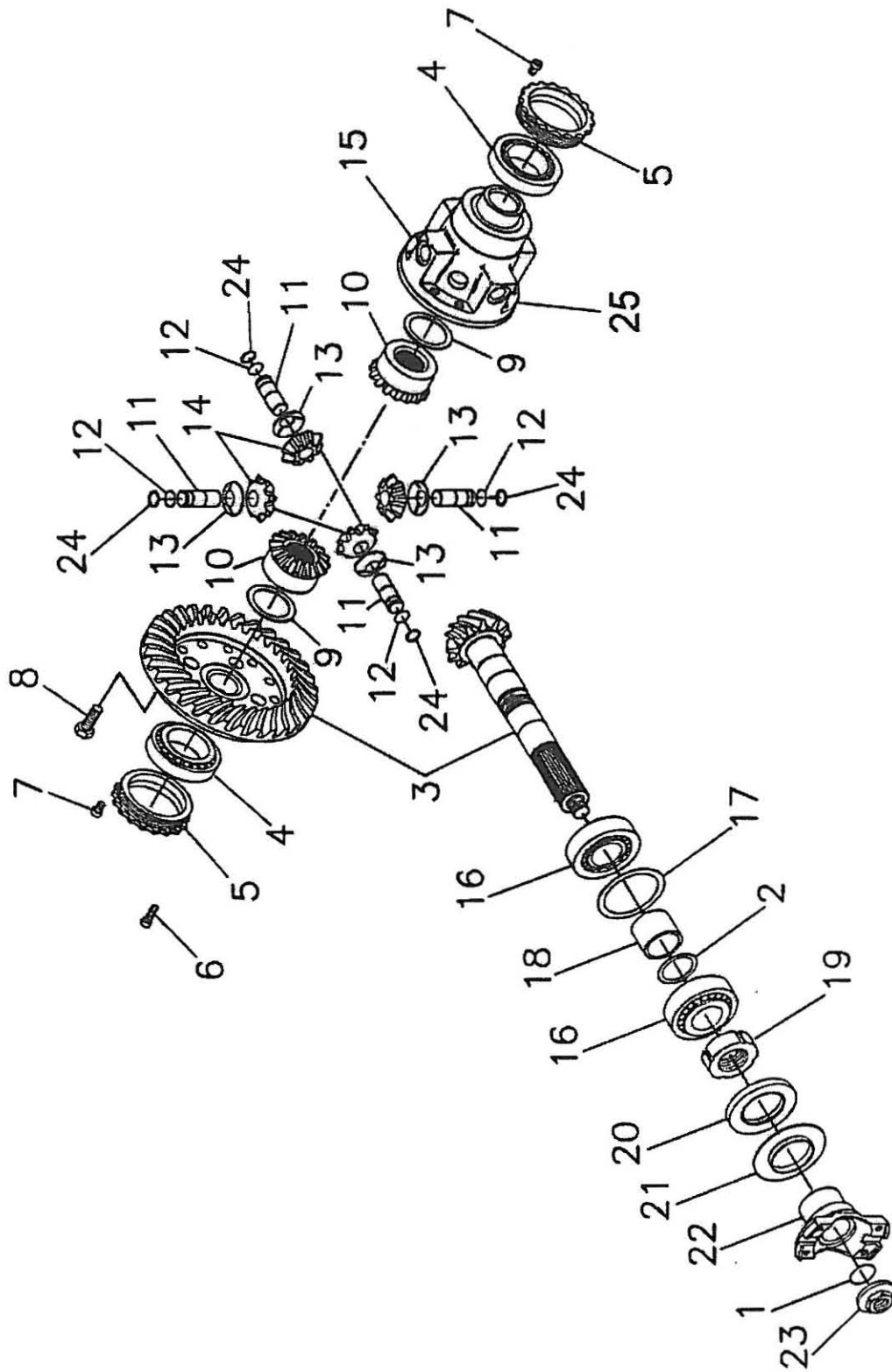




ITEM	NUMBER	DESCRIPTION	REQD
1	7-229-520	O-RING	3
2	7-229-521	INTERMEDIATE COVER	1
3	7-229-522	HOUSING	1
4	7-229-523	PLUG	1
5	7-229-524	VENT	1
6	7-229-525	SEAL WASHER	2
7	7-229-526	PLUG	1
8	7-229-527	MAGNETIC PLUG	1

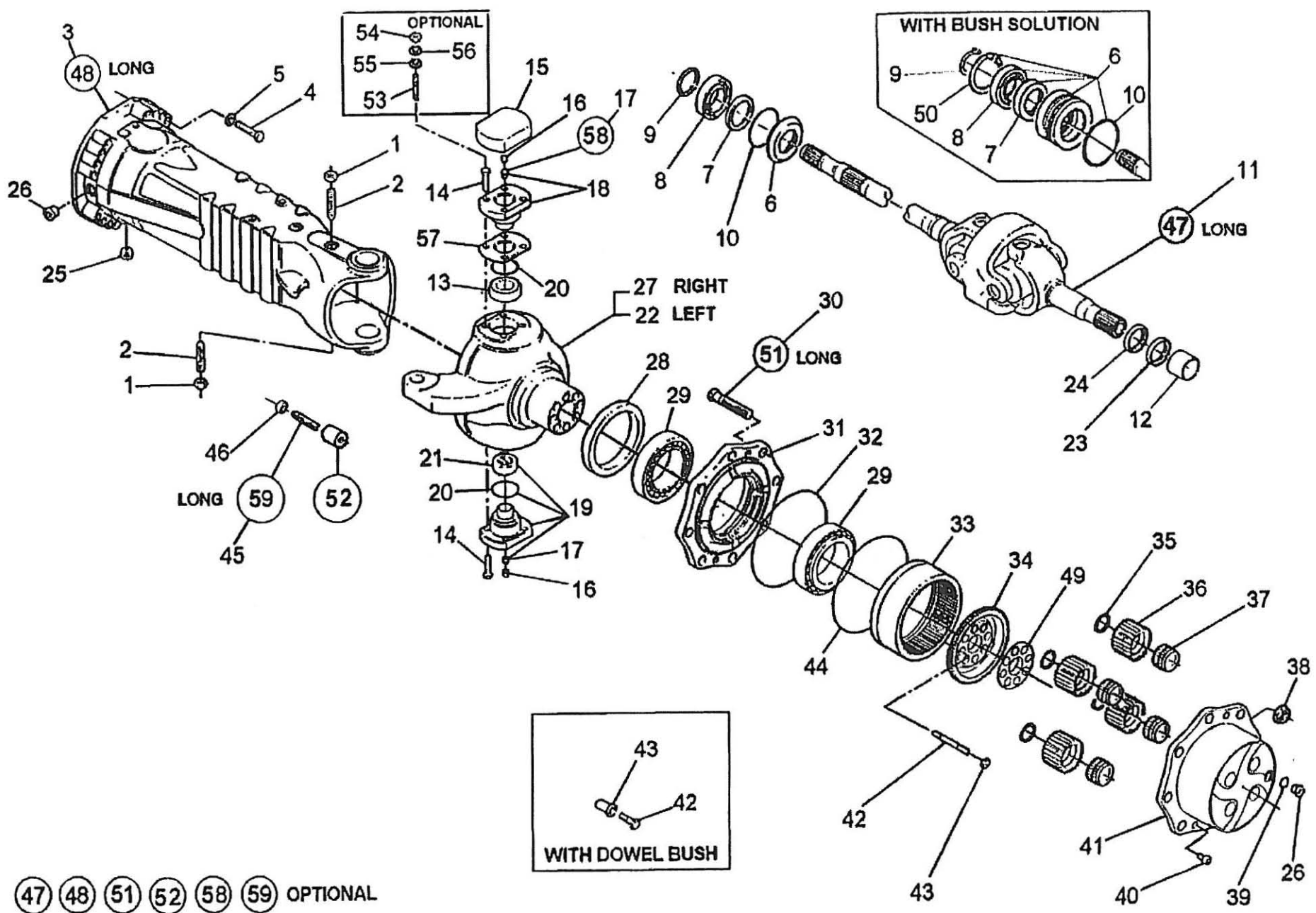


ITEM	NUMBER	DESCRIPTION	REQD
1	7-229-620	REDUCTION BUSHING	4
2	7-229-621	THRUST BUSHING	2
3	7-229-622	SUPPORT	2
4	7-229-572	GREASE FITTING	2
5	7-229-571	PLUG	2
6	7-229-735	SUPPORT ASSEMBLY (INCL. ITEMS 1-5)	2



Position Kit N° 25 = 9+10+11+12+13+14+15+24

ITEM	NUMBER	DESCRIPTION	REQD
1	7-229-528	O-RING	1
2		SHIM / SEE ITEMS 26-30 BELOW	
3	7-229-534	BEVEL GEAR SET	1
4	7-229-535	TAPER ROLLER BEARINGS	2
5	7-229-536	RING NUT	2
6	7-229-537	CYLINDER BOLT	4
7	7-229-538	CYLINDER BOLT	2
8	7-229-539	BOLT	12
9	7-229-540	FRICION WASHER	2
10	7-229-541	DIFFERENTIAL SIDE GEAR	2
11	7-229-542	PIN	4
12	7-229-543	CIRCLIP	4
13	7-229-544	FRICION WASHER	4
14	7-229-545	DIFFERENTIAL PINION	4
15	7-229-546	DIFFERENTIAL CARRIER	1
16	7-229-547	TAPER ROLLER BEARING	2
17		SHIM / SEE ITEMS 31-34 BELOW	
18	7-229-549	SPACER	1
19	7-229-550	RING NUT	1
20	7-229-551	SEAL	1
21	7-229-552	COVERPLATE	1
22	7-229-553	FLANGE	1
23	7-229-554	NUT	1
24	7-229-555	CIRCLIP	4
25	7-229-556	DIFFERENTIAL (ITEMS 9-15,24)	1
26	7-229-529	SHIM / 0.10mm	AR
27	7-229-530	SHIM / 0.15mm	AR
28	7-229-531	SHIM / 0.20mm	AR
29	7-229-532	SHIM / 0.40mm	AR
30	7-229-533	SHIM / 0.50mm	AR
31	7-229-548	SHIM / 0.20mm	AR
32	7-229-557	SHIM / 0.30mm	AR
33	7-229-558	SHIM / 0.15mm	AR
34	7-229-559	SHIM / 0.10mm	AR



(47) (48) (51) (52) (58) (59) OPTIONAL

ITEM	NUMBER	DESCRIPTION	REQD
1	7-229-623	NUT	2
2	7-229-624	STEERING ADJUST BOLT	2
3	7-229-625	AXLE CASE	2
4	7-229-560	BOLT	32
5	7-229-561	WASHER	32
6	7-229-562	REDUCTION BUSING	2
7	7-229-563	SEAL	2
8	7-229-564	BALL BEARING	2
9	7-229-565	CIRCLIP	2
10	7-229-566	O-RING	2
11	7-229-567	UNIVERSAL JOINT	2
12	7-229-568	THRUST BUSHING	2
13	7-229-569	OUTER RACE	2
14	7-229-539	BOLT	20
15	7-229-570	COVER	2
16	7-229-571	PLUG	4
17	7-229-572	GREASE FITTING	2
18	7-229-573	PIVOT PIN	2
19	7-229-574	PIVOT PIN	2
20	7-229-575	SEAL	2
21	7-229-576	ARTICULATION	2
22	7-229-577	STEERING CASE / LH	1
23	7-229-578	SEAL	2
24	7-229-579	DUST EXCLUDER	2
25	7-229-580	MAGNET PLUG	2
26	7-229-526	PLUG	3
27	7-229-581	STEERING CASE / RH	1
28	7-229-582	SEAL	2
29	7-229-583	BEARING	20
30	7-229-584	WHEEL STUD	20
31	7-229-585	WHEEL HUB	2
32	7-229-586	O-RING	2
33	7-229-587	RING GEAR	2
34	7-229-588	RING GEAR SUPPORT	2
35	7-229-589	CIRCLIP	8
36	7-229-590	PLANET GEAR	8
37	7-229-591	BEARING	8
38	7-229-592	WHEEL NUT	20
39	7-229-525	SEAL WASHER	5
40	7-229-593	CYLINDER BOLT	4
41	7-229-594	PLANET GEAR CARRIER	2
42	7-229-595	STUD	16
43	7-229-596	NUT	16
44	7-229-597	CIRCLIP	2
45	7-229-598	ADJUSTING BOLT	2
46	7-229-599	NUT	2
47			
48			
49	7-229-600	LOCKING PLATE	2
50	7-229-601	CIRCLIP	2

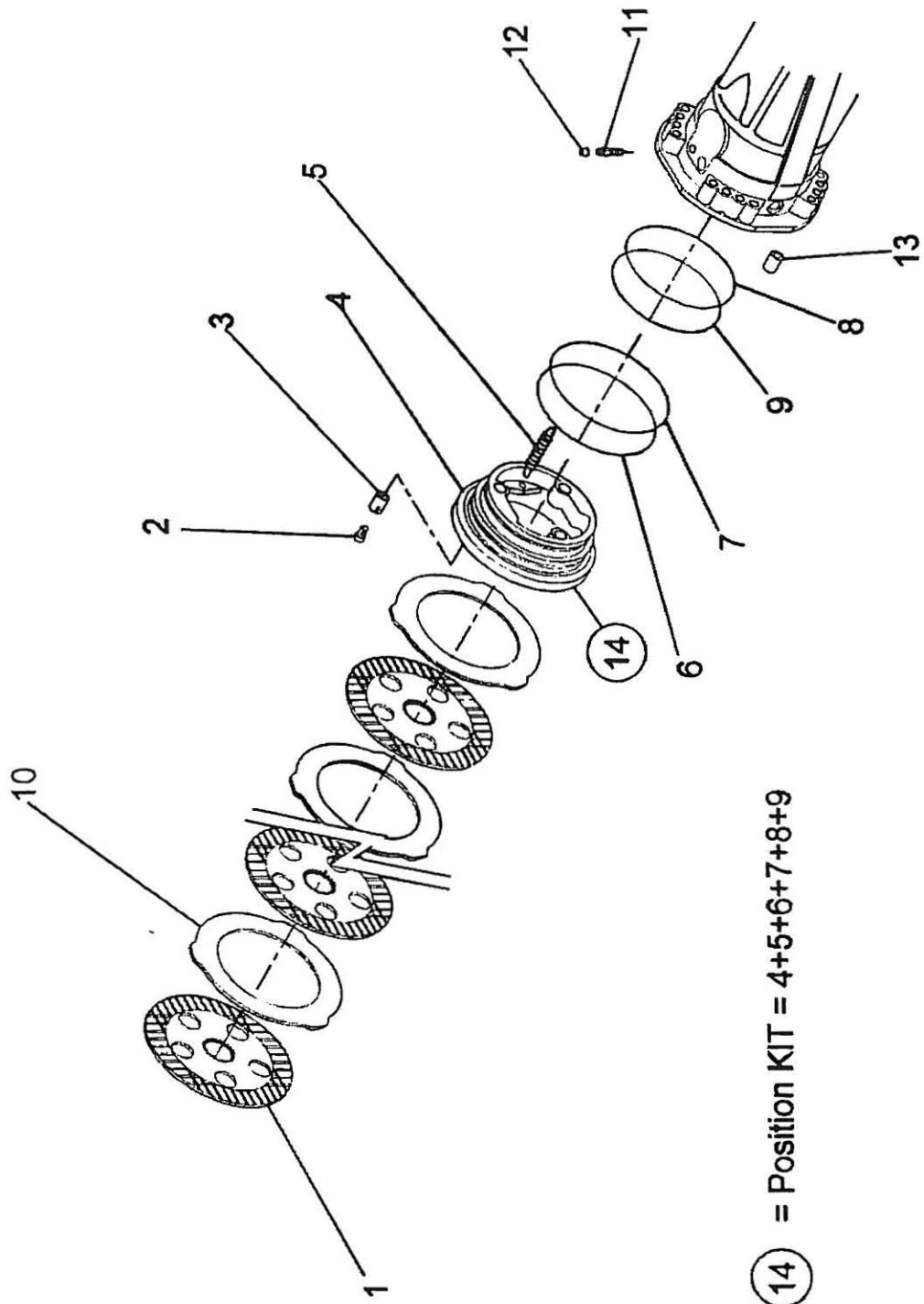
ITEM	NUMBER	DESCRIPTION	REQD
------	--------	-------------	------

51
52
53
54
55
56
57
58
59
60

7-229-602
7-229-603
7-229-604

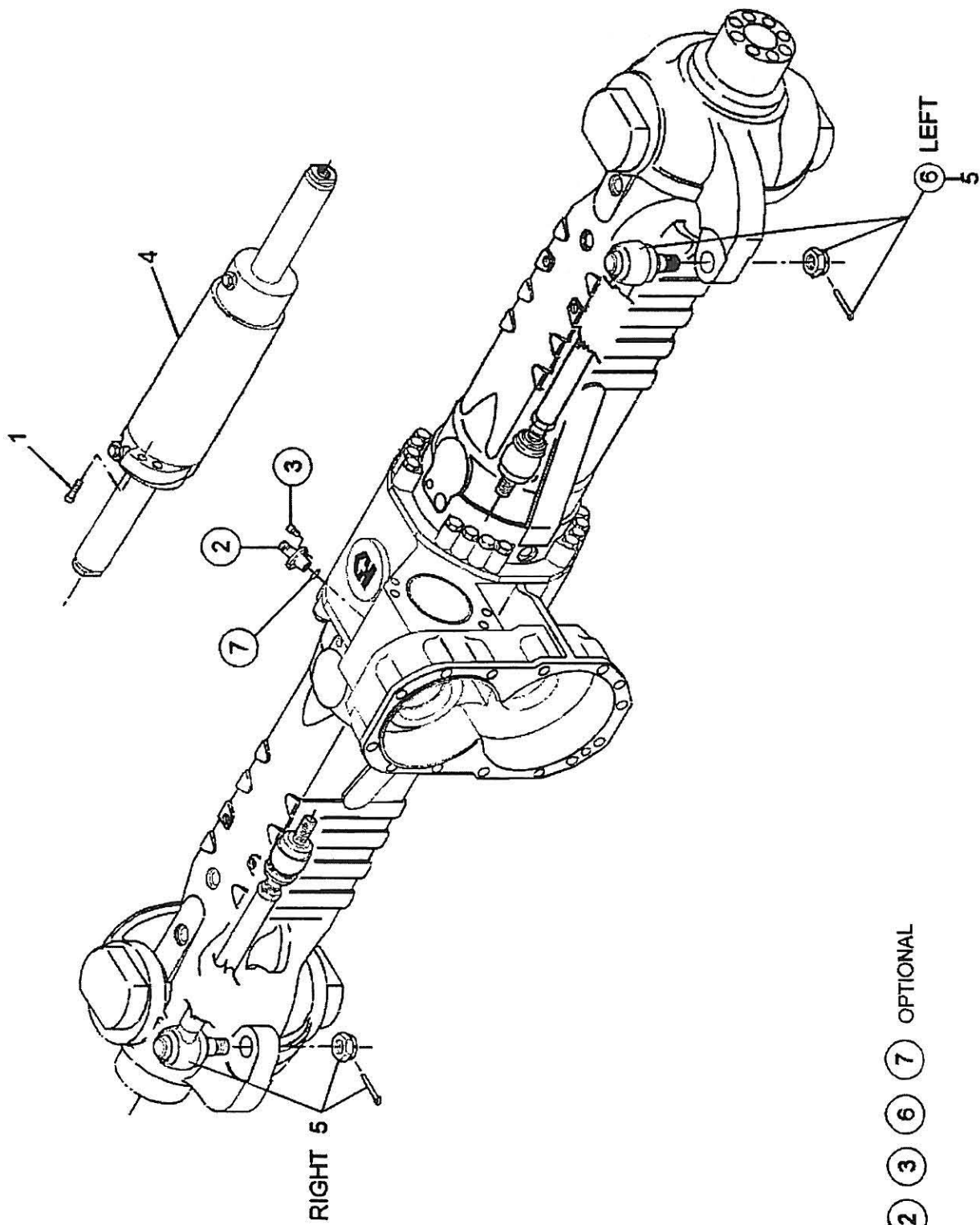
SHIM / SEE ITEMS 58-60 BELOW
SHIM / 0.15mm
SHIM / 0.20mm
SHIM / 0.50mm

AR
AR
AR



⑭ = Position KIT = 4+5+6+7+8+9

ITEM	NUMBER	DESCRIPTION	REQD
1	7-229-605	BRAKE DISC	6
2	7-229-606	ADJUSTING BOLT	6
3	7-229-607	SPRING	6
4	7-229-608	PISTON	2
5	7-229-609	SPRING	6
6	7-229-610	BACK-UP RING	2
7	7-229-611	O-RING	2
8	7-229-612	BACK-UP RING	2
9	7-229-613	O-RING	2
10	7-229-614	INTERMEDIATE BRAKE DISC	8
11	7-229-615	BLEEDING BOLT	2
12	7-229-571	PLUG	2
13	7-229-616	DOWEL	2
14	7-229-617	PISTON	2



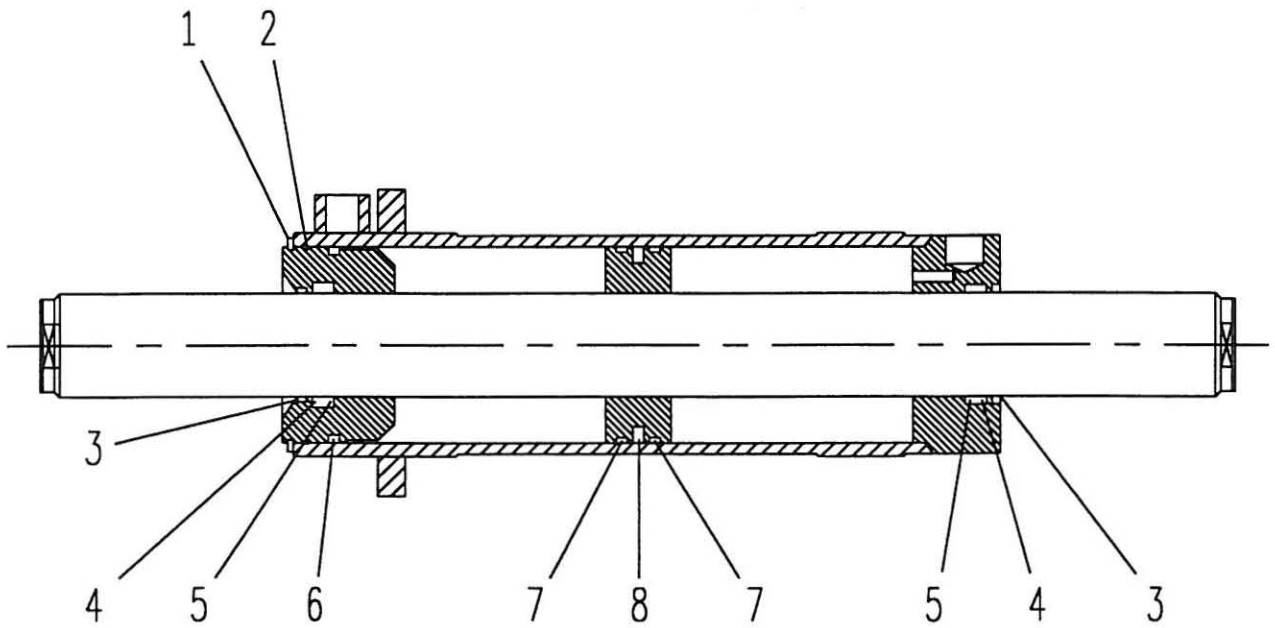
(2) (3) (6) (7) OPTIONAL

ITEM	NUMBER	DESCRIPTION	REQD
1	7-229-618	CYLINDER BOLT	4
2			
3			
4	7-229-619	CYLINDER	1
5	7-229-669	ARTICULATED TIE ROD / LH & RH	2

DRAWING
NUMBER P1-1268

STEERING ARMS ASSEMBLY
SS-636C, SS-644C, & SS-842C REAR AXLE

PAGE
NUMBER 6A



ITEM	NUMBER	DESCRIPTION	REQD
1	7-229-511	SNAP RING	1
2	7-229-512	STOP RING	2
3	7-229-513	WIPER	2
4	7-229-514	SEAL	2
5	7-229-515	BACK-UP RING	2
6	7-229-516	WEAR RING	1
7	7-229-517	PISTON WEAR RING	2
8	7-229-518	PISTON SEAL	1
9	7-900-88	SEAL KIT (ITEMS 1-8)	1

