



Your **definitive** source
for quality pre-owned
equipment.

Artisan Technology Group

(217) 352-9330 | sales@artisanTG.com | artisanTG.com

Full-service, independent repair center
with experienced engineers and technicians on staff.

We buy your excess, underutilized, and idle equipment
along with credit for buybacks and trade-ins.

Custom engineering
so your equipment works exactly as you specify.

- Critical and expedited services
- In stock / Ready-to-ship
- Leasing / Rentals / Demos
- ITAR-certified secure asset solutions

Expert team | Trust guarantee | 100% satisfaction

All trademarks, brand names, and brands appearing herein are the property of their respective owners.

Find the **OMRON / Delta Tau ACC-24E2A** at our website: **Click [HERE](#)**

USER MANUAL

Accessory 24E2A

Axis Expansion Board

4Ax-603398-xUxx

June 7, 2006



DELTA TAU
Data Systems, Inc.

NEW IDEAS IN MOTION ...

Copyright Information

© 2006 Delta Tau Data Systems, Inc. All rights reserved.

This document is furnished for the customers of Delta Tau Data Systems, Inc. Other uses are unauthorized without written permission of Delta Tau Data Systems, Inc. Information contained in this manual may be updated from time-to-time due to product improvements, etc., and may not conform in every respect to former issues.

To report errors or inconsistencies, call or email:

Delta Tau Data Systems, Inc. Technical Support

Phone: (818) 717-5656

Fax: (818) 998-7807

Email: support@deltatau.com

Website: <http://www.deltatau.com>

Operating Conditions

All Delta Tau Data Systems, Inc. motion controller products, accessories, and amplifiers contain static sensitive components that can be damaged by incorrect handling. When installing or handling Delta Tau Data Systems, Inc. products, avoid contact with highly insulated materials. Only qualified personnel should be allowed to handle this equipment.

In the case of industrial applications, we expect our products to be protected from hazardous or conductive materials and/or environments that could cause harm to the controller by damaging components or causing electrical shorts. When our products are used in an industrial environment, install them into an industrial electrical cabinet or industrial PC to protect them from excessive or corrosive moisture, abnormal ambient temperatures, and conductive materials. If Delta Tau Data Systems, Inc. products are directly exposed to hazardous or conductive materials and/or environments, we cannot guarantee their operation.

REVISION HISTORY				
REV.	DESCRIPTION	DATE	CHG	APPVD
1	ADDED CE DECLARATION	06/07/06	CP	S. FIERO

Table of Contents

INTRODUCTION	1
Overview	1
Features	1
Board Configuration.....	2
SPECIFICATIONS	3
Environmental Specifications.....	3
Physical Specifications.....	3
Electrical Specifications	4
EMC and Safety	4
E-POINT JUMPER SETTINGS.....	5
Acc-24E2A Base Board (Channels* 1 and 2).....	5
Acc-24E2A Option 1 Board (Channels 3 and 4).....	6
HARDWARE SETUP	7
Switch Configuration	7
<i>UMAC Address DIP Switch S1</i>	7
<i>MACRO Station Address DIP Switch S1</i>	7
Acc-24E2 Clock Settings	7
Resistor Pack Configuration.....	8
<i>Differential or Single-Ended Encoder Selection</i>	8
<i>Termination Resistors Packs</i>	8
<i>Encoder Loss Resistor Packs</i>	8
<i>Limit/Flag Voltage Level Resistor Packs</i>	9
OPTO-Isolation Considerations	9
Acc-24E2 Limit and Flag Wiring.....	10
<i>Connecting Limits/Flags to the Acc-24E2</i>	10
Amplifier Fault Circuit.....	11
Amplifier Enable Circuit.....	11
Loss of Encoder Circuit	11
<i>Acc-24E2A Encoder Loss Detection with UMAC Turbo CPU</i>	12
<i>Acc-24E2A Encoder Loss Detection with UMAC MACRO CPU</i>	12
Position Compare Port Driver IC	12
CONNECTIONS	13
Acc-24E2A Board Layout -Terminal Block Option	13
Acc-24E2A Board Layout -DB15 Option.....	13
Mating Connectors	14
<i>Terminal Block Connectors</i>	14
<i>DB15 Connector Option</i>	14
Indicators.....	14
Overall Wiring Diagram.....	15
Sample Wiring Diagrams	16
<i>TTL Level Inputs and Outputs</i>	16
<i>Position Limits, Home Flag, and User Flag</i>	16
<i>Acc-24E2A DAC Outputs</i>	17
<i>Acc-24E2A Stepper Motor Outputs (TTL Level)</i>	17
<i>Amplifier Fault Inputs</i>	18
<i>Amplifier Enable Outputs</i>	19
UMAC SOFTWARE SETUP	21
Servo IC Configuration I-Variables	21
<i>Servo IC Numbering</i>	21
<i>Servo Channel Numbering</i>	21
<i>Multi-Channel I-Variables</i>	21
<i>Single-Channel I-Variables</i>	22

Encoder Conversion Table I-Variables	23
Motor Addressing I-Variables	23
UMAC Turbo Example Setups	25
ULTRALITE/MACRO STATION SETUP	27
Hardware Setup for MACRO Station Use	27
Software Setup for MACRO Station Use	27
<i>Node-Specific Gate Array MI-Variables</i>	27
Encoder/Timer n Decode Control (MSn,MI910)	28
Flag Capture Control (MSn,MI911-MI913)	29
Output Mode Select (MSn,MI916)	30
MACRO Station Encoder Conversion Table (MSn,MI120-MI151)	30
MLDT FEEDBACK FOR UMAC-TURBO & UMAC-MACRO	31
MLDT Hardware Setup of the Acc-24E2A	31
MLDT Software Setup of the UMAC Turbo	31
<i>Hardware Setup I-Variables for Servo IC m</i>	31
<i>Conversion Table Processing I-Variables</i>	31
<i>Motor I-Variables</i>	32
<i>Pulse Output Frequency</i>	33
<i>PMAC2/Turbo PMAC2 Conversion Table and Motor I-Variables</i>	34
MLDT Feedback for UMAC-MACRO	35
<i>MLDT Software Setup of the UMAC MACRO</i>	35
<i>Station Hardware Setup I-Variables for Servo IC</i>	35
<i>Station Conversion Table Processing I-Variables</i>	35
<i>Station Motor Node I-Variables</i>	36
<i>Power-On Feedback Address for PMAC2 Ultralite</i>	36
<i>MACRO Parallel Absolute Position Setup</i>	37
ACC-24E2A TERMINAL BLOCK DESCRIPTION	39
Connector TB1 TOP - Encoder 1	39
Connector TB2 Top - Encoder 2	39
Connector TB3 Top – EQU Outputs	39
Connector TB1 Bottom Amp – Out 1	40
Connector TB2 Bottom Amp – Out 2	40
Connector TB3 Bottom – Analog Power	40
Connector TB1 Front- Limits 1	41
Connector TB2 Front- Limits 2	41
ACC-24E2 OPTION 1A TERMINAL BLOCK DESCRIPTION	43
Connector TB1 Top - Encoder 3	43
Connector TB2 Top – Encoder 4	43
Connector TB3 Top – EQU Outputs	43
Connector TB1 Bottom Amp-Out 3	44
Connector TB2 Bottom Amp-Out 4	44
Connector TB3 Bottom-Analog Power	44
Connector TB1 Front - Limits 3	45
Connector TB2 Front - Limits 4	45
ACC-24E2A DB15 CONNECTOR OPTION	47
DB15 Style Connector J1 Top - Encoder 1 / EQU	47
DB15 Style Connector J2 Top - Encoder 2 / EQU	47
DB15 Style Connector J1 Bottom Amp – Out 1/Analog Power	48
DB15 Style Connector J2 Bottom Amp – Out 2/Analog Power	48
Connector TB1 Front-Limits 1	49
Connector TB2 Front-Limits 2	49
UBUS PINOUTS	51
<i>P1 UBUS (96-Pin Header)</i>	51

DECLARATION OF CONFORMITY52
SCHEMATICS54

INTRODUCTION

Overview

The Acc-24E2 Axis Expansion Board provides two or four channels of PMAC2-style servo interface circuitry for UMAC and Ultralite/MACRO Station controllers. The Acc-24E2 is part of the UMAC or MACRO Pack family of expansion cards and these accessory cards are designed to plug into an industrial 3U rack system. The information from these accessories is passed directly to either the UMAC or MACRO Station CPU via the high speed JEXP expansion bus or UBUS. Other axis or feedback UBUS accessories include the following:

Acc-14E	Parallel Feedback Inputs (absolute enc. or interferometers)
Acc-24E2	Digital Amplifier Breakout w/ TTL encoder inputs
Acc-24E2A	Analog Amplifier Breakout w/ TTL encoder inputs
Acc-24E2S	Stepper Amplifier Breakout w/ TTL encoder inputs
Acc-28E	16-bit A/D Converter Inputs (up to four per card)
Acc-51E	4096 times interpolator for 1Vpp sinusoidal encoders
Acc-53E	SSI encoder interface (up to 8 channels)

Note:

Many Acc-24E2A features are common to other accessories of the Acc-24E family; these common features are referred to in this manual as Acc-24E2.

Up to eight Acc-24E2x boards can be connected to one UMAC providing up to 32 additional channels of servo interface circuitry. Because each MACRO Station CPU can service only eight channels of servo data, only two Acc-24E2x boards can be connected to the MACRO-Station. The 16-Axis MACRO CPU can support four Acc-24E2x cards.

The Acc-24E2 board contains no processor; it has one highly integrated 4-channel PMAC2-style Servo IC with the buffering circuitry and connectors around them. The two-axis Acc-24E2 plugs into the backplane and uses one slot in the rack. If two more axes are needed, Acc-24E2 Option 1 can be plugged into the Acc-24E2 connectors. The Acc-24E2 with its Option 1 card takes up a total of two slots.

Some new features added to the family of Acc-24E2 breakout boards include:

- Loss of encoder circuit
- 5V to 24V Flag inputs
- Pulse and direction outputs for stepper systems or MLDTs

Features

The Acc-24E2A board can be used with any UMAC or MACRO Station CPU, interfacing through the expansion port.

The Acc-24E2A supports a wide variety of servo and stepper interfaces:

- Analog +/-10V velocity commands
- Analog +/-10V torque commands
- Sinusoidal analog +/-10V phase current commands
- Pulse-and-direction commands

Board Configuration

An Acc-24E2A comes standard with one Servo IC providing four servo interface channels, which are brought out on terminal blocks (standard) or DB15 connector. Each channel of servo interface circuitry includes the following:

- Two output command signal sets, configurable as either:
 - One pulse-and-direction
 - Two DAC outputs
- 3-channel differential/single-ended encoder input
- Eight input flags, two output flags

Option 1A: If Option 1A is ordered, the circuitry and input/output connectors are provided for the third and fourth channels associated with the Servo IC on the main Acc-24E2A. The command signals for this option are $\pm 10V$.

Option 1D: If Option 1D is ordered, the circuitry and input/output connectors are provided for the third and fourth channels associated with the Servo IC on the main Acc-24E2A. The command signals for this option are digital PWM signals for direct PWM commutation. The option 1D description can be found in the Acc-24E2 manual.

Option DB: If the option DB is ordered the outputs and inputs to the amplifiers and encoders will be serviced from DB15 connectors. See Acc-24E2A DB15 Connector Option section for pin outs.

SPECIFICATIONS

Environmental Specifications

Description	Specification	Notes
Operating Temperature	0°C to 45°C,	
Storage Temperature	-25°C to 70°C	
Humidity	10% to 95 % non-condensing	

Physical Specifications

Description	Specification	Notes
Dimensions w/o Option 1A	Length: 16.256 cm (6.4 in.) Height: 10 cm (3.94 in.) Width: 2.03 cm (0.8 in.)	
Dimensions with Option 1A	Length: 16.256 cm (6.4 in.) Height: 10 cm (3.94 in.) Width: 4.06 cm (1.6 in.)	
Weight w/o Option 1A	192 g	Front Plate included
Weight with Option 1A	370 g	Front Plate included
Terminal Block Connectors	FRONT-MC1, 5/12-ST3, 81 FRONT-MC1, 5/5-ST3, 81 FRONT-MC1, 5/3-ST3, 81	Terminal Blocks from Phoenix Contact. UL-94V0
DB Option Connectors	DB15 Female	UL-94V0
The width is the width of the front plate. The length and height are the dimensions of the PCB.		

Electrical Specifications

Description	Specification	Notes
ACC-24E2A Power Requirements	5V @ 0.55A ($\pm 10\%$) +15V @ 0.16A ($\pm 10\%$) -15V @ 0.07A ($\pm 10\%$)	
ACC-24E2A with Option 1A Power Requirements	5V @ 0.95A ($\pm 10\%$) +15V @ 0.30A ($\pm 10\%$) -15V @ 0.12A ($\pm 10\%$)	

Warning

If more than four ACC-24E2A's with Option 1A are used in a UMAC system, the ACC-E1 or ACC-F1 power supplies will not have enough 15V power. Delta Tau recommends using an external $\pm 15V$ power supply for systems with more than four ACC-24E2A boards. The external power supply should be connected to the unit from the terminal blocks (TB3 bottom) or DB connections (J1 or J2 Bottom) and jumpers E85, E87, and E88 must also be removed.

EMC and Safety

Item	Description
CE Mark	Full Compliance
EMC	EN55011 Class A Group 1 EN61000-3-2 Class A EN61000-3-3 EN61000-4-2 EN61000-4-3 EN61000-4-4 EN61000-4-5 EN61000-4-6 EN61000-4-11
Safety	EN 61010-1
Flammability Class	UL 94V-0

E-POINT JUMPER SETTINGS

Acc-24E2A Base Board (Channels* 1 and 2)

Jumper	Config.	Description	Default
E1A	1-2	No Jumper for TTL Level input for CHU1 flag Jumper 1-2 for DIR1+ output in Stepper Mode	No jumper
E1B	1-2	No Jumper for TTL Level input for CHV1 flag Jumper 1-2 for DIR1- output in Stepper Mode	No jumper
E1C	1-2	No Jumper for TTL Level input for CHW1 flag Jumper 1-2 for PUL1+ output in Stepper Mode	No jumper
E1D	1-2	No Jumper for TTL Level input for CHT1 flag Jumper 1-2 for PUL1- output in Stepper Mode	No jumper
E2A	1-2	No Jumper for TTL Level input for CHU2 flag Jumper 1-2 for DIR2+ output in Stepper Mode	No jumper
E2B	1-2	No Jumper for TTL Level input for CHV2 flag Jumper 1-2 for DIR2- output in Stepper Mode	No jumper
E2C	1-2	No Jumper for TTL Level input for CHW2 flag Jumper 1-2 for PUL2+ output in Stepper Mode	No jumper
E2D	1-2	No Jumper for TTL Level input for CHT2 flag Jumper 1-2 for PUL2- output in Stepper Mode	No jumper
E5	1-2-3	Jump 1-2 for Turbo 3U CPU and MACRO CPU ** Jump 2-3 for legacy MACRO CPU (before 6/00)	Jump 1-2
E13	1-2-3	Jump 1-2 to receive phase and servo clocks Jump 2-3 to transmit phase and servo clocks	Factory set
E85	1-2	Jump 1-2 for Backplane Supplied +15V No Jumper for External Supplied +15V	Jump 1-2
E87	1-2	Jump 1-2 for Backplane Supplied AGND No Jumper for External Supplied AGND	Jump 1-2
E88	1-2	Jump 1-2 for Backplane Supplied -15V No Jumper for External Supplied -15V	Jump 1-2
OPT1	1-2	For factory use only	
OPT2	1-2	For factory use only	
<p>* The channels refer to the Servo IC associated with the Acc-24E2 base board. For example, an eight-axis application would have two Acc-24E2s with option 1. The first Acc-24E2 would have axes 1-4 and the second Acc-24E2 would contain axes 5-8. ** For legacy MACRO Stations (part number 602804-100 thru 602804-104)</p>			

Acc-24E2A Option 1 Board (Channels 3 and 4)

Jumper	Config.	Description	Default
E1A	1-2	No Jumper for TTL Level input for CHU3 flag Jumper 1-2 for DIR3+ output in Stepper Mode	No jumper
E1B	1-2	No Jumper for TTL Level input for CHV3 flag Jumper 1-2 for DIR3- output in Stepper Mode	No jumper
E1C	1-2	No Jumper for TTL Level input for CHW3 flag Jumper 1-2 for PUL3+ output in Stepper Mode	No jumper
E1D	1-2	No Jumper for TTL Level input for CHT3 flag Jumper 1-2 for PUL3- output in Stepper Mode	No jumper
E2A	1-2	No Jumper for TTL Level input for CHU4 flag Jumper 1-2 for DIR4+ output in Stepper Mode	No jumper
E2B	1-2	No Jumper for TTL Level input for CHV4 flag Jumper 1-2 for DIR4- output in Stepper Mode	No jumper
E2C	1-2	No Jumper for TTL Level input for CHW4 flag Jumper 1-2 for PUL4+ output in Stepper Mode	No jumper
E2D	1-2	No Jumper for TTL Level input for CHT4 flag Jumper 1-2 for PUL4- output in Stepper Mode	No jumper
E85	1-2	Jump 1-2 for Backplane Supplied +15V No Jumper for External Supplied +15V	Jump 1-2
E87	1-2	Jump 1-2 for Backplane Supplied AGND No Jumper for External Supplied AGND	Jump 1-2
E88	1-2	Jump 1-2 for Backplane Supplied -15V No Jumper for External Supplied -15V	Jump 1-2

HARDWARE SETUP

Switch Configuration

UMAC Address DIP Switch S1

S1, S1-3, S1-4 are used to address the Acc-24E2A as shown in the table below.

S1-1	S1-3	S1-4	Board No.	IC No.	I-Var. Range	Base Address
ON	ON	ON	1	2	I7200	\$078200
OFF	ON	ON	2	3	I7300	\$078300
ON	OFF	ON	3	4	I7400	\$079200
OFF	OFF	ON	4	5	I7500	\$079300
ON	ON	OFF	5	6	I7600	\$07A200
OFF	ON	OFF	6	7	I7700	\$07A300
ON	OFF	OFF	7	8	I7800	\$07B200
OFF	OFF	OFF	8	9	I7900	\$07B300

S1-2, S1-5, and S1-6 are used to determine whether the Acc-24E2A is communicating to a Turbo 3U PMAC or a MACRO Station CPU.

S1-2	S1-5	S1-6	Function
ON	ON	ON	3U Turbo PMAC Use

MACRO Station Address DIP Switch S1

S1-1, S1-2, S1-3, S1-4 are used to address the Acc-24E2A as shown in the table below.

S1-1	S1-2*	S1-3	S1-4	Board No.	IC No.	Base Address
ON	ON	OFF	OFF	1	2	\$00C040
OFF	OFF	OFF	OFF	2	3	\$00C060

* Always set to OFF for legacy MACRO Stations (part number 602804-100 thru 602804-104)

S1-5 and S1-6 are used to determine whether the Acc-24E2 is communicating to a Turbo 3U PMAC or a MACRO Station CPU.

S1-5	S1-6	Function
OFF	OFF	3U MACRO Station use

Acc-24E2 Clock Settings

The Phase Clock and Servo Clock must be configured on each Acc-24E2A baseboard. Each system can have only one source for the servo and phase clocks and jumpers must be set appropriately to avoid a timing conflict or a watchdog condition.

Starting in UMAC Turbo firmware version 1.937, the firmware will set the clock settings for the Acc-24E2 cards in the UBUS automatically. To enable this feature, set jumper E13 from 2 to 3 for all of the Acc-24E2s plugged into the UMAC system. At re-initialization (either **\$\$\$**** command or power up with E3 jumpered on UMAC), the firmware will know that all of the cards are in the auto configuration setup and will assign the card with the lowest base address setting (usually \$78200) the task of sourcing the clocks by setting variable I19 to the appropriate register. The clocks will be set initially to the factory default servo update cycle and phase clock cycle. For a better understanding of this feature, refer to description of I19 in the Turbo Software Reference Manual.

For UMAC Turbo systems with firmware older than version 1.937, set one of the Acc-24E2s to transmit (E13 set 2-3) the phase and servo clock (usually the card at the lowest base address setting) and set the rest of the Acc-24E2s to receive (E13 set 1-2) the phase and servo clocks.

For MACRO systems, the clock select jumper should be set to receive servo and phase clocks because the MACRO CPU always provides the clocks. For the Acc-24E2A, E13 should be set 1-2.

Resistor Pack Configuration

Differential or Single-Ended Encoder Selection

The differential input signal pairs to the PMAC have user-configurable pull-up/pull-down resistor networks to permit the acceptance of either single-ended or differential signals in one setting, or the detection of lost differential signals in another setting.

- The '+' inputs of each differential pair each have a hard-wired 1 k Ω pull-up resistor to +5V. This cannot be changed.
- The '-' inputs of each differential pair each have a hard-wired 2.2 k Ω resistor to +5V; also each has another 2.2 k Ω resistor as part of a socketed resistor pack that can be configured as a pull-up resistor to +5V, or a pull-down resistor to GND.

If this socketed resistor is configured as a pull-down resistor (the default configuration), the combination of pull-up and pull-down resistors on this line acts as a voltage divider, holding the line at +2.5V in the absence of an external signal. This configuration is required for single-ended inputs using the '+' lines alone; it is desirable for unconnected inputs to prevent the pick-up of spurious noise; it is permissible for differential line-driver inputs.

If this socketed resistor is configured as a pull-up resistor (by reversing the SIP pack in the socket), the two parallel 2.2 k Ω resistors act as a single 1.1 k Ω pull-up resistor, holding the line at +5V in the absence of an external signal. This configuration is required if encoder-loss detection is desired; it is required if complementary open-collector drivers are used; it is permissible for differential line-driver inputs even without encoder loss detection.

If Pin 1 of the resistor pack (marked by a dot on the pack) matches Pin 1 of the socket (marked by a wide white square solder pin on the front side of the board), then the pack is configured as a bank of pull-down resistors. If the pack is reversed in the socket, it is configured as a bank of pull-up resistors.

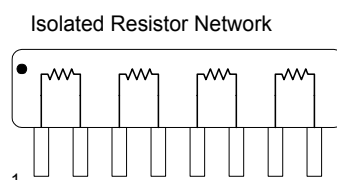
The following table lists the pull-up/pull-down resistor pack for each input device:

Device	Resistor Pack	Pack Size
Encoder 1	RP22	6-pin
Encoder 2	RP24	6-pin
Encoder 3	RP22	6-pin
Encoder 4	RP24	6-pin

Termination Resistors Packs

The Acc-24E2A provides sockets for termination resistors on differential input pairs coming into the board. As shipped, there are no resistor packs in these sockets. If these signals are brought long distances into the Acc-24E2A board and ringing at signal transitions is a problem, SIP resistor packs may be mounted in these sockets to reduce or eliminate the ringing.

All termination resistor packs have independent resistors (no common connection) with each resistor using two adjacent pins as shown below.



Encoder Loss Resistor Packs

The Acc-24E2A also provides an encoder loss circuit to detect if the quadrature signals are valid. To activate this feature, reverse the resistor pack from its default configuration.

Limit/Flag Voltage Level Resistor Packs

The Acc-24E2A limit and flag circuits also give the flexibility to wire in standard 12V to 24V limits and flags or wire in 5V level limits and flags on a channel basis. The default is set for the standard 12V to 24V inputs but if the resistor pack is added to the circuit, the card can read 5V inputs.

Channel Specific Resistor Packs

Channel 1	Channel 2	SIP	Description
RP22	RP24	2.2K Ω	Reverse resistor pack for encoder loss feature (for differential encoders only)
RP23	RP25	220 Ω	Termination resistor to reduce ringing (not installed by default).
RP45	RP46	1K Ω	Install for 5V limits

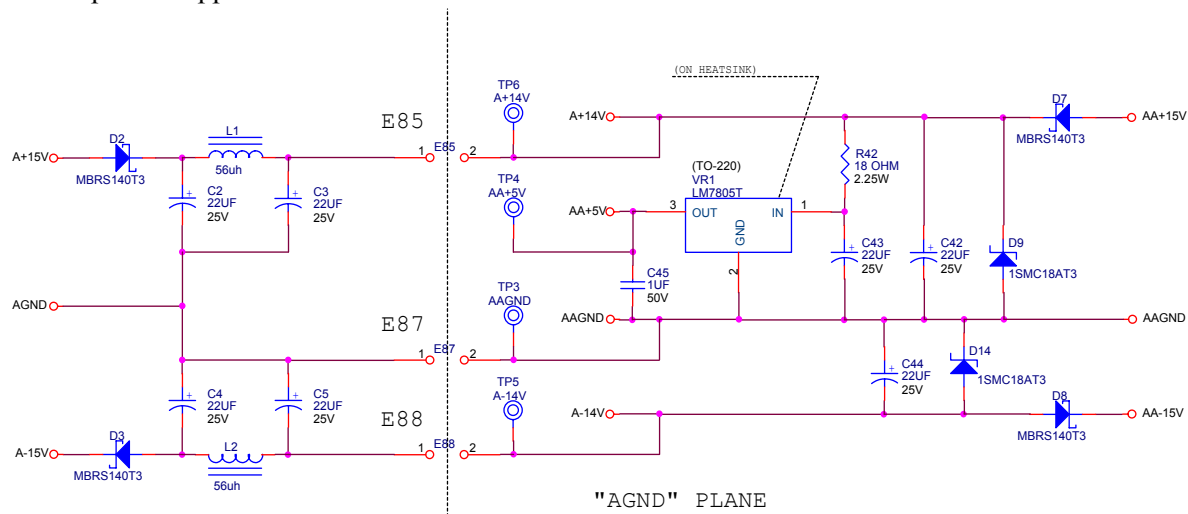
UBUS Specific Resistor Packs

Resistor Pack	SIP	Description
RP5	220 Ω	Terminator (not installed, only used for non-UBUS)
RP6	2.2K Ω	Pull Down for old MACRO CPU Pull Up for UMAC Turbo and MACRO

OPTO-Isolation Considerations

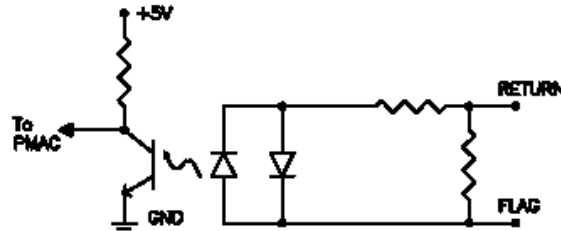
As shipped from the factory, the Acc-24E2A obtains its power from the UMAC Backplane or UBUS. Using this type of setup will defeat opto isolation since the analog ground plane will be tied directly to the digital ground plane.

To optically isolate the analog ground plane from the digital ground plane, connect an external power supply to one of the many AA+15V, AA-15V, and AAGND inputs on the Acc-24E2A terminal blocks or DB connectors. Also, remove the E85, E87, and E88 jumpers to isolate the external power from the UBUS power supplies.

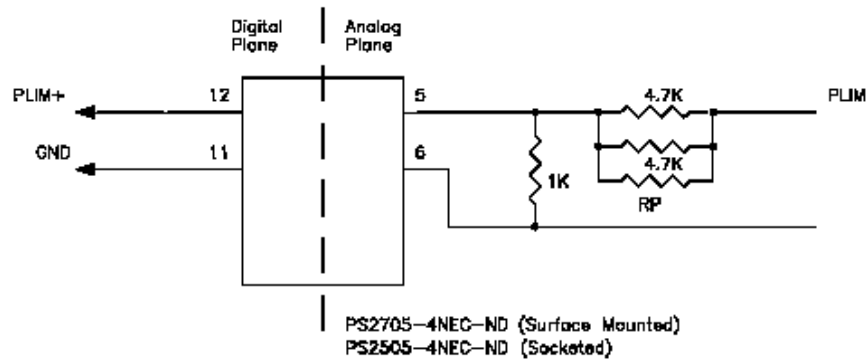


Acc-24E2 Limit and Flag Wiring

The Acc-24E2 allows the use of sinking or sourcing position limits and flags to the controller. The opto-isolator IC used is a PS2705-4NEC-ND quad photo-transistor output type. This IC allows the current to flow from return to flag (sinking) or from flag to return (sourcing).

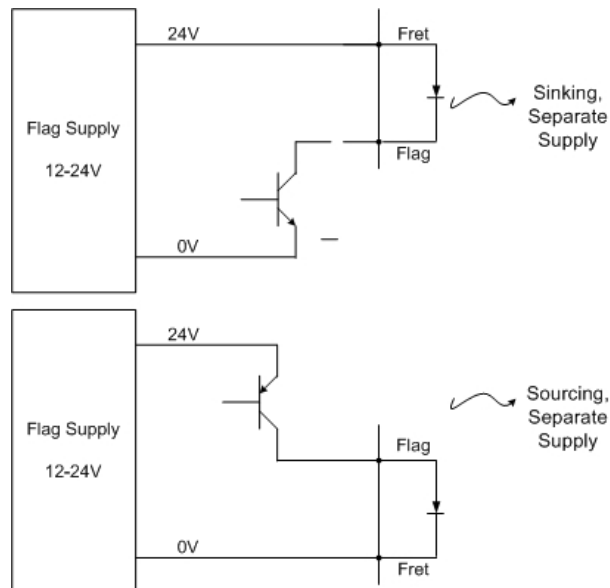


A sample of the positive limit circuit is shown below. The 4.7K resistor packs used will allow 12-24V flag inputs. If 0-5V flags are used, then a 1KΩ resistor pack (RP) can be placed in either RP45 or RP46 (refer to the Resistor Pack Configuration section of this manual). If these resistor packs are not added, all flags (\pm Limits, Home, User, and amplifier fault) will be referenced from 0-5V.



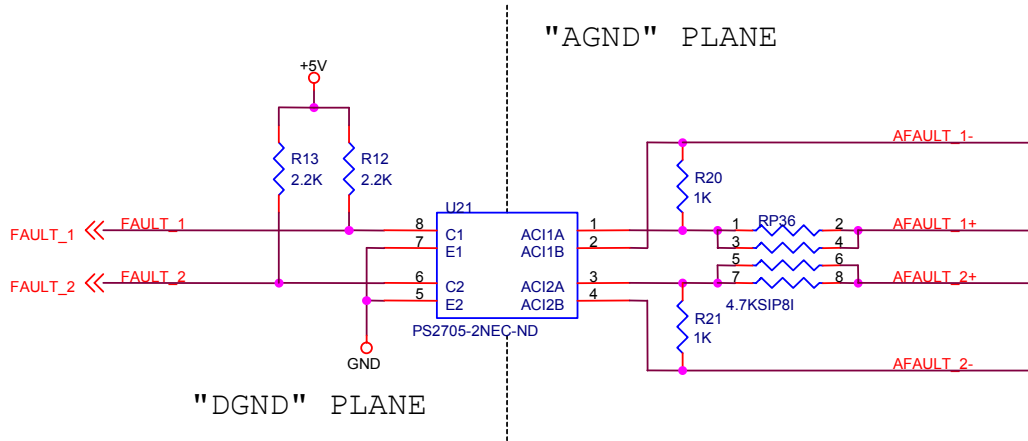
Connecting Limits/Flags to the Acc-24E2

The following diagram illustrates the sinking and sourcing connections to an Acc-24E2. This example uses 12-24V flags.



Amplifier Fault Circuit

The amplifier fault circuit for the Acc-24E2A is functionally the same circuit as the limits and flag circuit.



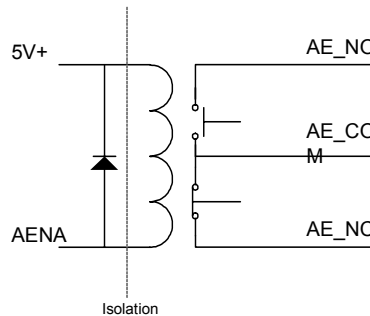
For single-ended amplifier fault inputs, typically the AFAULT+ would be the actual signal input from the amplifier and the AFAULT- can be considered the reference.

Single Ended Amplifier Fault Inputs

AFAULT+	AFAULT-	Input Type
0V	+12V to 24V	Sinking – Low True
12V to 24V	0V	Sourcing – High True

Amplifier Enable Circuit

Most amplifiers have an enable/disable input that permits a complete shutdown of the amplifier regardless of the voltage of the command signal. The Acc-24E2A AENA line is meant for this purpose. The amplifier enable signals of the Acc-24E2A is controlled by a relay with normal opened and normal closed dry contacts as shown in the diagram below:



Loss of Encoder Circuit

The encoder-loss detection circuitry works for differential incremental encoders only. In proper operation, the digital states of the complementary inputs for a channel (e.g. A and A/) always should be opposite: when one is high, the other is low. If for some reason, such as a cable connection coming undone, one or more of the signal lines is no longer driven, pull-up resistors on the input line pull and hold the signal high.

The encoder-loss detection circuitry uses exclusive-or (XOR) gates on each complementary pair to detect whether the signals are in the same or opposite states. These results are combined to produce a single encoder-loss status bit that the processor can read.

This technique requires that both signal lines of the pair have pull-up resistors. Note that this is not the default configuration of a PMAC as it is shipped. The complementary lines (A/ and B/) are pulled to 2.5V in a voltage-divider configuration as shipped to be able to accept both single-ended and normal differential inputs. This must be changed to a pull-up configuration which involves reversing a socketed resistor pack on the Acc-24E2A.

Acc-24E2A Encoder Loss Detection with UMAC Turbo CPU

Channel	Resistor Pack	Status Bit Address (Even-Numbered Servo IC)*	Status Bit Address (Odd-Numbered Servo IC)*	Status Bit Name	Bit Error State
1	RP22	Y:\$07xF08,5	Y:\$07xF0C,5	QL_1-	0
2	RP24	Y:\$07xF09,5	Y:\$07xF0D,5	QL_2-	0
3	RP22**	Y:\$07xF0A,5	Y:\$07xF0E,5	QL_3-	0
4	RP24**	Y:\$07xF0B,5	Y:\$07xF0F,5	QL_4-	0

The x digit in this hex address matches the value (8, 9, A, or B) in the fourth digit from the right in the board's own base address (e.g. \$079200). If alternate addressing of Servo ICs is used (e.g. Servo IC 2), add \$20 to these addresses.

**These resistor packs are on the Option 1A piggyback board (if present) of the module, not on the baseboard.

Acc-24E2A Encoder Loss Detection with UMAC MACRO CPU

Channel	Resistor Pack	Status Bit Address (First-Servo IC)*	Status Bit Address (Second Servo IC)*	Status Bit "Name"	Bit Error State
1	RP22	Y:\$B8C8,5	Y:\$B8EC,5	QL_1-	0
2	RP24	Y:\$B8C9,5	Y:\$B8ED,5	QL_2-	0
3	RP22**	Y:\$B8CA,5	Y:\$B8EE,5	QL_3-	0
4	RP24**	Y:\$B8CB,5	Y:\$B8EF,5	QL_4-	0

*First Servo IC has base address \$C040; second Servo IC has base address \$C060

**These resistor packs are on the Option 1A piggyback board (if present) of the module, not on the baseboard.

Position Compare Port Driver IC

As with the other PMAC controllers, the UMAC has the high-speed position compare outputs allowing the firing of an output based on position. This circuit will fire within 100 nsec of reaching the desired position. The position compare output port on Acc-24E2x has driver IC at component U27.

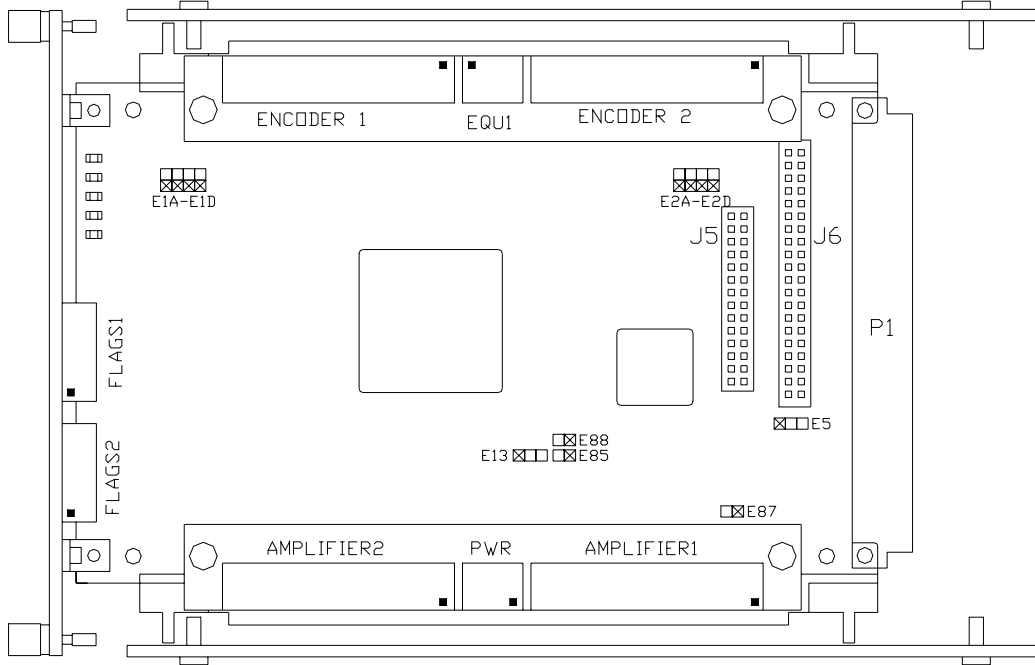
The following table lists the properties of each driver IC:

Part	# of Pins	Max Voltage and Current	Output Type	Max Frequency
DS75451N	8	5V, 10 mA	Totem-Pole	5 MHz

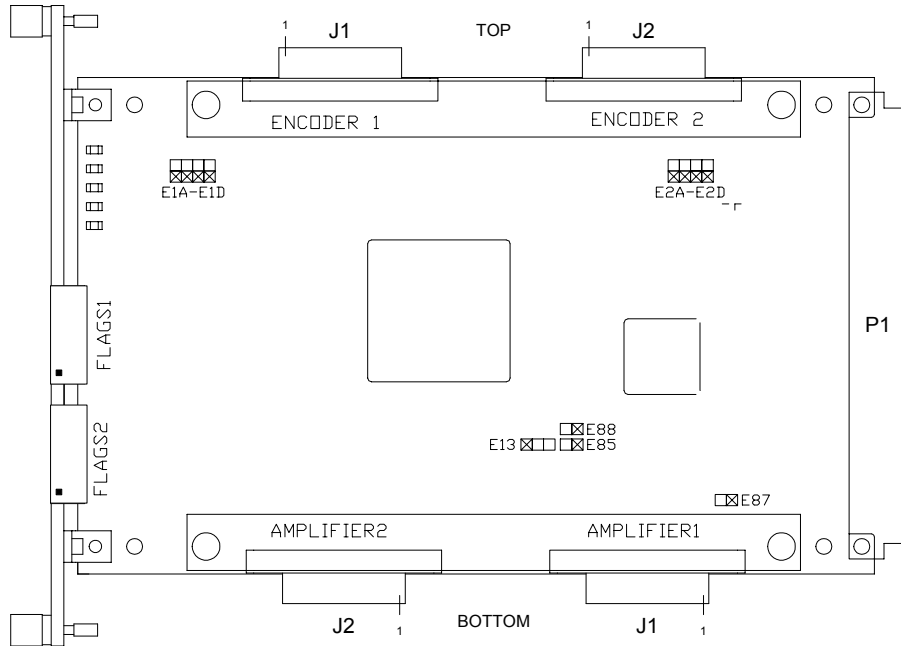
CONNECTIONS

These diagrams show the location of connections and jumpers for both the base Acc-24E2A and its Option 1D piggyback board.

Acc-24E2A Board Layout -Terminal Block Option



Acc-24E2A Board Layout -DB15 Option



Mating Connectors

Terminal Block Connectors

Name	Manufacturer	Pins	Type	Details
TB1- Top	Phoenix Contact	12	FRONT-MC1,5/12-ST3,81	Encoder 1 Inputs
TB2- Top	Phoenix Contact	12	FRONT-MC1,5/12-ST3,81	Encoder 2 Inputs
TB3- Top	Phoenix Contact	3	FRONT-MC1,5/3-ST3,81	Compare Outputs
TB1- Bottom	Phoenix Contact	12	FRONT-MC1,5/12-ST3,81	Amplifier 1 Outputs
TB2- Bottom	Phoenix Contact	12	FRONT-MC1,5/12-ST3,81	Amplifier 2 Outputs
TB3- Bottom	Phoenix Contact	3	FRONT-MC1,5/3-ST3,81	External Power Inputs
TB1- Front	Phoenix Contact	5	FRONT-MC1,5/5-ST3,81	Channel 1 Flags
TB2 Front	Phoenix Contact	5	FRONT-MC1,5/5-ST3,81	Channel 2 Flags

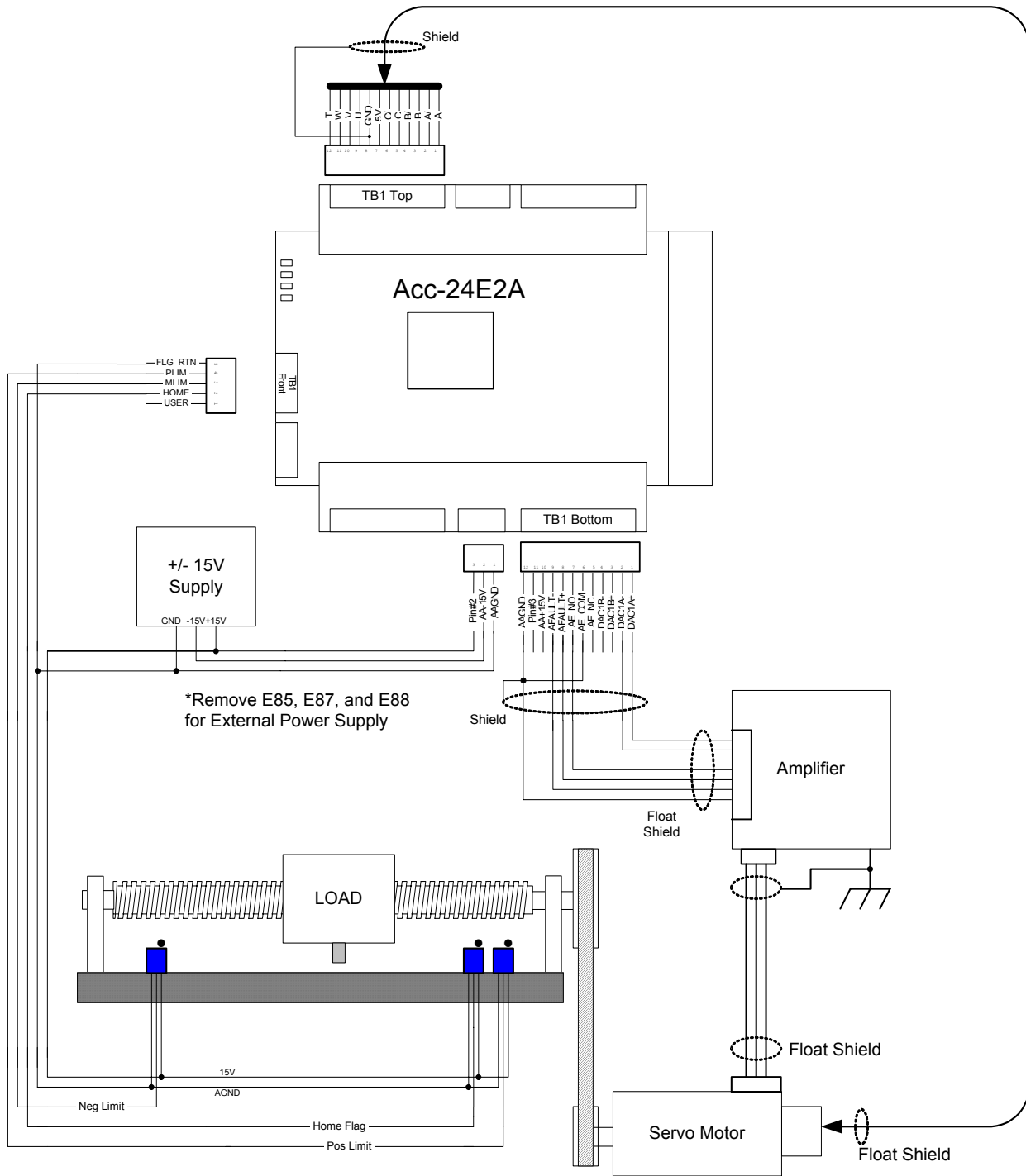
DB15 Connector Option

Name	Manufacturer	Pins	Type	Details
J1- Top	AMP	15	AMP 745072-2	Encoder 1 Inputs and Compare Outputs
J2- Top	AMP	15	AMP 745072-2	Encoder 2 Inputs and Compare Outputs
J1- Bottom	AMP	15	AMP 745072-2	Amplifier 1 Outputs and Analog Power Inputs
J2- Bottom	AMP	15	AMP 745072-2	Amplifier 2 Outputs and Analog Power Inputs

Indicators

LED	Color	Description
D5	Amber	Amplifier 1 Enabled
D6	Amber	Amplifier 2 enabled
D10	Green	Encoder 1 Power OK
D11	Green	Encoder 2 Power OK
D17	Green	Analog Power Good

Overall Wiring Diagram



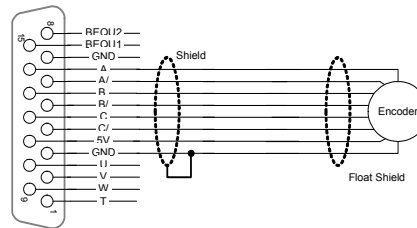
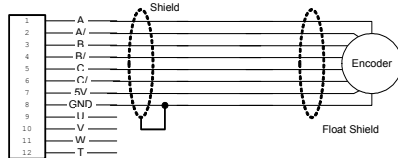
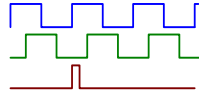
This is a general example of a system with sourcing flags and normally open amplifier enable output from the Acc-24E2A. For opto-isolation an external power supply is used and E85, E87, and E88 have been removed from the Acc-24E2A.

Sample Wiring Diagrams

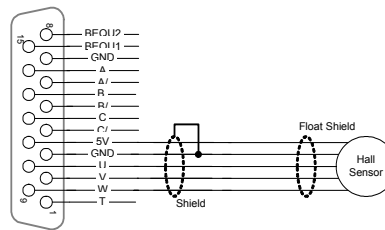
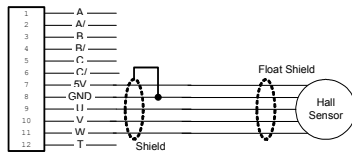
This section has typical wiring diagrams for the TTL level inputs, flags and limits, DAC and PFM outputs, amplifier enable, and amplifier fault.

TTL Level Inputs and Outputs

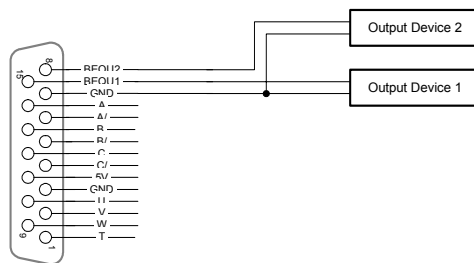
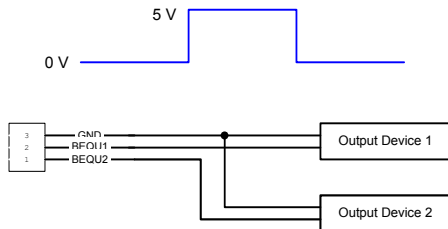
Quadrature Encoders



TTL Hall Effect Sensors

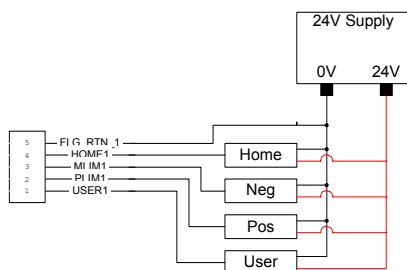


Position Compare Outputs

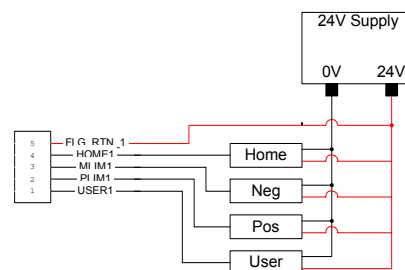


Position Limits, Home Flag, and User Flag

Acc-24E2A Sourcing Flags



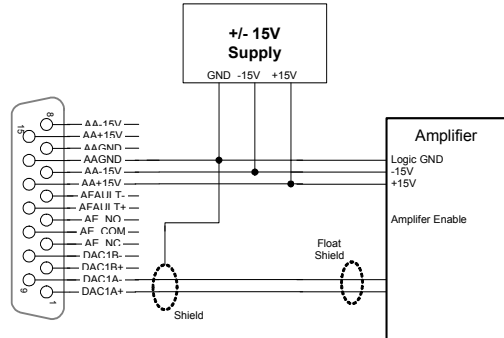
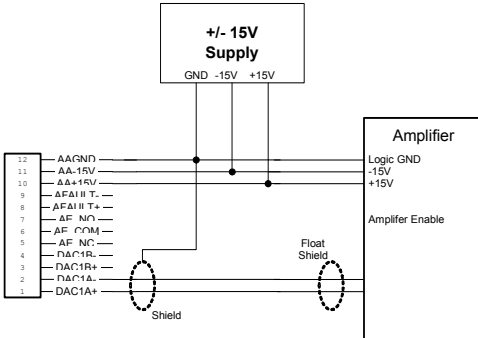
Acc-24E2A Sinking Flags



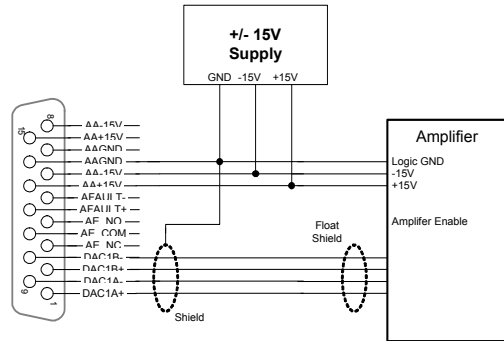
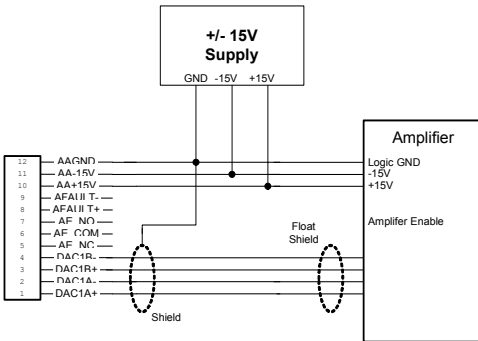
Acc-24E2A DAC Outputs

Sample diagrams shown below utilize a separate $\pm 15V$ power supply for opto-isolation. E85, E87, and E88 are removed from Acc-24E2A.

Acc-24E2A DAC-Torque/Velocity Mode

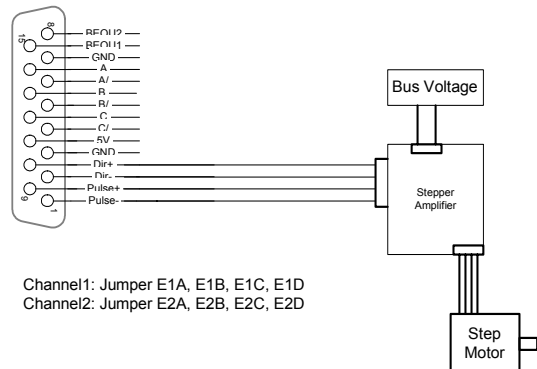
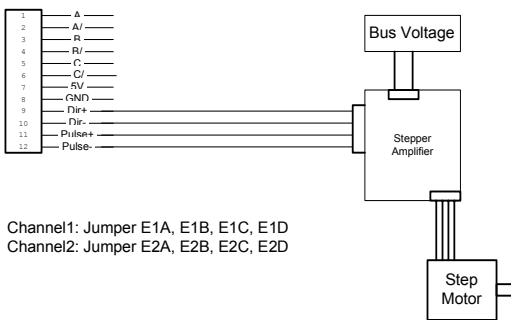


Acc-24E2A DAC - Sinusoidal Commutation Mode



Acc-24E2A Stepper Motor Outputs (TTL Level)

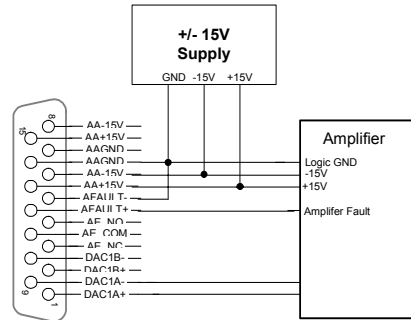
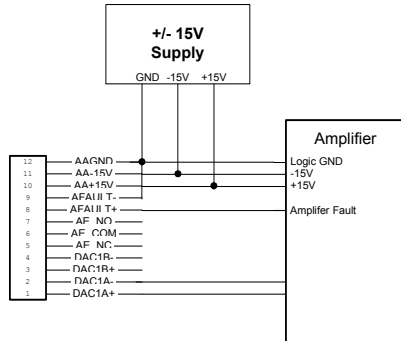
Acc-24E2A PFM-Stepper Output



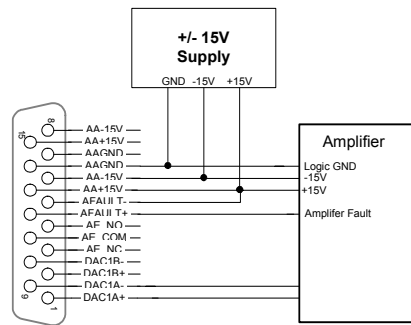
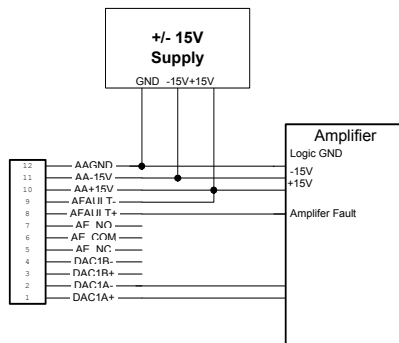
Amplifier Fault Inputs

Sample diagrams shown below utilize a separate $\pm 15V$ power supply for opto-isolation. E85, E87, and E88 are removed from Acc-24E2A.

Acc-24E2A Sinking Amplifier Fault



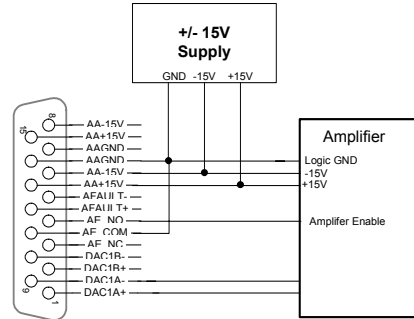
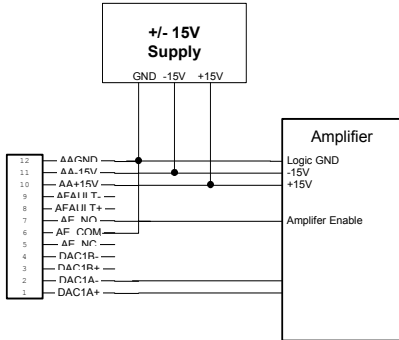
Acc-24E2A Sourcing Amplifier Fault



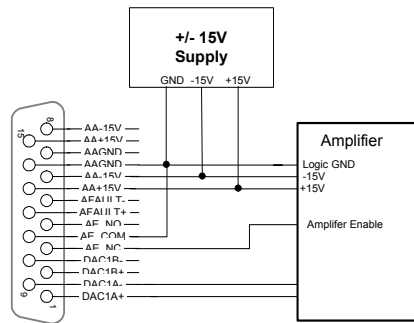
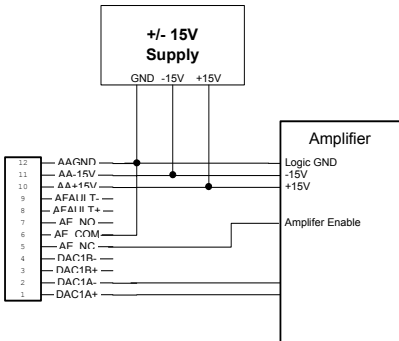
Amplifier Enable Outputs

Sample diagrams shown below utilize a separate $\pm 15V$ power supply for opto-isolation. E85, E87, and E88 are removed from Acc-24E2A.

Acc-24E2A Normally Open Amplifier Enable



Acc-24E2A Normally Closed Amplifier Enable



UMAC SOFTWARE SETUP

Servo IC Configuration I-Variables

Turbo PMAC I-variables in the range I7000 – I7999 control the configuration of the Servo ICs. The hundreds digit represents the number of the Servo IC (0 to 9) in the system. Servo ICs 0 and 1 are (or can be) on board the Turbo PMAC board itself. Servo ICs 2 through 9 are (or can be) on external devices such as the Acc-24E2.

Servo IC Numbering

The number *m* of the Servo IC on the Acc-24E2 board is dependent on the addressing of the board with DIP switches S1-1, S1-3, and S1-4, which place the board as the first through eight external devices:

- First Acc-24E2 with Option 1: Servo IC 2 (channels 1-4)
- Second Acc-24E2 with Option 1: Servo IC 3 (channels 5-8)
- Third Acc-24E2 with Option 1: Servo IC 4 (channels 9-12)
- Fourth Acc-24E2 with Option 1: Servo IC 5 (channels 13-16)
- Fifth Acc-24E2 with Option 1: Servo IC 6 (channels 17-20)
- Sixth Acc-24E2 with Option 1: Servo IC 7 (channels 21-24)
- Seventh Acc-24E2 with Option 1: Servo IC 8 (channels 25-28)
- Eighth Acc-24E2 with Option 1: Servo IC 9 (channels 29-32)

The Standard Servo IC on an Acc-24E2 occupies Channels 1-2 on the board, using connectors associated with channels 1 and 2. The Option 1 on an Acc-24E2 occupies Channels 3-4 on the board, using connectors associated with channels 3 and 4.

Example: The Standard Servo IC on the first Acc-24E2 is Servo IC 2 to Turbo PMAC and is configured by variables I7200 – I7299.

Servo Channel Numbering

Each Servo IC has four channels of servo interface circuitry. The tens digit *n* of the I-variable configuring the IC represents the channel number on the IC (*n* = 1 to 4). For example, Channel 1 of the Standard Servo IC on the first Acc-24E2 is configured by variables I7210 – I7219. These channel-specific I-variables are represented generically as I7*mn*0 – I7*mn*9, where *m* represents the Servo IC number (0-9) and *n* represents the IC channel number (1-4).

The Channels 1 – 4 on the Standard Servo IC of an Acc-24E2 correspond to Channels 1-4, respectively, on the Acc-24E2 board itself.

I-variables in the I7000s for which the tens digit is 0 (Channel 0) affect all four channels of the PMAC2-style Servo IC on the Acc-24E2. These multi-channel I-variables are represented generically as I7*m*00 – I7*m*09.

Multi-Channel I-Variables

Several multi-channel I-variables must be set up for proper operation of the Acc-24E2 in a Turbo PMAC system. The most important are:

I7*m*07: Servo IC *m* Phase/Servo Clock Direction

This variable should be set to 0 on the Acc-24E2A generating the clocks (E13 set 2-3) and set to 3 for the Acc-24C2As to receive the clocks (E13 set 1-2).

I7m00: Servo IC m MaxPhase/PWM Frequency Control

Typically, this will be set to the same value as the variable that controls the system clocks: I7200 on a UMAC Turbo PMAC2, or I6800 on a Turbo PMAC2 Ultralite. If a different PWM frequency is desired then the following constraint should be observed in setting this variable:

$$\frac{2 * PWMFreq(kHz)}{PhaseFreq} = \{ Integer \}$$

I7m01: Servo IC m Phase Clock Frequency Control

Even though the IC is receiving an external phase clock (see I7m07, above), usually it is best to create the same internal phase clock frequency in the Servo IC. This yields the following constraint:

$$I7m00 * (I7m01 + 1) = I7200 * (I7201 + 1) \quad \{UMAC Turbo\}$$

$$I7m00 * (I7m01 + 1) = I6800 * (I6801 + 1) \quad \{Turbo PMAC2 Ultralite\}$$

Solving for I7m01, we get

$$I7m01 = \frac{I7200 * (I7201 + 1)}{I7m00} - 1 \quad \{UMAC Turbo\}$$

$$I7m01 = \frac{I6800 * (I6801 + 1)}{I7m00} - 1 \quad \{Turbo PMAC2 Ultralite\}$$

If I7m00 is the same as I7200 or I6800, I7m01 will be the same as I7201 or I6801.

I7m02: Servo IC m Servo Clock Frequency Control

Even though the IC is receiving an external servo clock (see I7m07, above), usually it is best to create the same internal servo clock frequency in the Servo IC. This means that I7m02 for the IC should be set the same as I7202 on a UMAC Turbo, or the same as I6802 on a Turbo PMAC2 Ultralite.

I7m03: Servo IC m Hardware Clock Frequency Control

The hardware clock frequencies for the Servo IC should be set according to the devices attached to it. There is no reason that these frequencies have to be the same between ICs. There is seldom a reason to change this value from the default.

Single-Channel I-Variables

The single-channel setup I-variables for Channel n of Servo IC m work the same on an Acc-24E2 as they do on a Turbo PMAC2 itself. Each Servo IC has four channels n, numbered 1 to 4. For the first (standard) Servo IC on the Acc-24E2, the channel numbers 1 – 4 on the Servo IC are the same as the channel numbers 1 – 4 on the board. The most important variables are:

I7mn0: Servo IC m Channel n Encoder Decode Control

Typically, I7mn0 is set to 3 or 7 for x4 quadrature decode, depending on which way is up. If the channel is used for open-loop stepper drive, I7mn0 is set to 8 to accept internal pulse-and-direction, or to 0 to accept external pulse-and-direction (e.g. from an Acc-8S). It is set to 12 if the channel is used for MLDT feedback.

I7mn2: Servo IC m Channel n Capture Control

I7mn2 determines whether the encoder index channel, an input flag, or both, are used for the capture of the encoder position.

I7mn3: Servo IC m Channel n Capture Flag Select

I7mn3 determines which input flag is used for encoder capture, if one is used.

I7mn6: Servo IC m Channel n Output Mode Select

I7mn6 determines whether the A and B outputs are DAC or PWM, and whether the C output is PFM (pulse-and-direction) or PWM. Typically, it is set to 0, for 3-phase PWM, or to 3 for DACs and PFM.

Encoder Conversion Table I-Variables

To use feedback or master position data from an Acc-24E2, add entries to the encoder conversion table (ECT) using I-variables I8000 – I8191 to address and process this data. The default conversion table in the Turbo PMAC does not contain these entries; it only contains entries for the eight channels on board the Turbo PMAC.

Usually, the position data obtained through an Acc-24E2 board is an incremental encoder feedback, and occasionally an A/D converter feedback from an Acc-28E board or Acc-36E.

The ECT entries for Acc-24E2 incremental encoder channels are shown in the following table:

Servo IC #	Chan. 1	Chan. 2	Chan. 3	Chan. 4	Notes
2	\$m78200	\$m78208	\$m78210	\$m78218	First Acc-24E2x Channel n Encoder Set
3	\$m78300	\$m78308	\$m78310	\$m78318	Second Acc-24E2x Channel n Encoder Set
4	\$m79200	\$m79208	\$m79210	\$m79218	Third Acc-24E2x Channel n Encoder Set
5	\$m79300	\$m79308	\$m79310	\$m79318	Fourth Acc-24E2x Channel n Encoder Set
6	\$m7A200	\$m7A208	\$m7A210	\$m7A218	Fifth Acc-24E2x Channel n Encoder Set
7	\$m7A300	\$m7A308	\$m7A310	\$m7A318	Sixth Acc-24E2x Channel n Encoder Set
8	\$m7B200	\$m7B208	\$m7B210	\$m7B218	Seventh Acc-24E2x Channel n Encoder Set
9	\$m7B300	\$m7B308	\$m7B310	\$m7B318	Eighth Acc-24E2x Channel n Encoder Set

The first hexadecimal digit in the entry, represented by m in the table, is a 0 for the most common 1/T timer-based extension of digital incremental encoders; it is an 8 for the parallel-data extension of analog incremental encoders; it is a C for no extension of an incremental encoder.

Motor Addressing I-Variables

For a Turbo PMAC motor to use the servo interface circuitry of the Acc-24E2, several of the addressing I-variables for the motor must contain the addresses of registers in the Acc-24E2, or the addresses of encoder conversion table registers containing data processed from the Acc-24E2. These I-variables can include:

Ixx02: Motor xx Command Output Address

Ixx02 tells Turbo PMAC where to write its command outputs for Motor xx. If Acc-24E2 is to create the command signals, Ixx02 must contain the address of the register.

The following table shows the address of the A output register for each channel of each Acc-24E2. These addresses can be used for single analog outputs, double analog outputs, or direct PWM outputs.

Servo IC #	Chan. 1	Chan. 2	Chan. 3	Chan. 4	Notes
2	\$078202	\$07820A	\$078212	\$07821A	First Acc-24E2x Channel n DAC/PWMnA
3	\$078302	\$07830A	\$078312	\$07831A	Second Acc-24E2x Channel n DAC/PWMnA
4	\$079202	\$07920A	\$079212	\$07921A	Third Acc-24E2x Channel n DAC/PWMnA
5	\$079302	\$07930A	\$079312	\$07931A	Fourth Acc-24E2x Channel n DAC/PWMnA
6	\$07A202	\$07A20A	\$07A212	\$07A21A	Fifth Acc-24E2x Channel n DAC/PWMnA
7	\$07A302	\$07A30A	\$07A312	\$07A31A	Sixth Acc-24E2x Channel n DAC/PWMnA
8	\$07B202	\$07B20A	\$07B212	\$07B21A	Seventh Acc-24E2x Channel n DAC/PWMnA
9	\$07B302	\$07B30A	\$07B312	\$07B31A	Eighth Acc-24E2x Channel n DAC/PWMnA

If the C output register for a given Acc-24E2 and channel is used (primarily for pulse and direction output), simply add 2 to the address shown in the above table. For example, on the first Acc-24E2, output register 1C is at address \$078204.

Ixx03: Motor xx Position-Loop Feedback Address

Ixx04: Motor xx Velocity-Loop Feedback Address

Ixx05: Motor xx Master Position Address

Usually, the Ixx03, Ixx04, and Ixx05 variables contain the address of a processed position value in the encoder conversion table, even when the raw data comes from the Acc-24E2. The first line of the encoder conversion table is at address \$003501; the last line is at address \$0035C0.

Ixx10: Motor xx Power-On Position Address

Ixx10 tells the Turbo PMAC where to read absolute power-on position, if any. Typically, the only times Ixx10 will contain the address of an Acc-24E2 register is if the position is obtained from an A/D converter on an Acc-28B connected through the Acc-24E2, or if it is obtained from an MLDT (e.g. Temposonics™) sensor excited directly from an Acc-24E2.

The following table shows the possible values of Ixx10 for MLDT timer registers:

Ixx10 for Acc-24E2 MLDT Timer Registers (Ixx95=\$170000)

Servo IC #	Chan. 1	Chan. 2	Chan. 3	Chan. 4	Notes
2	\$078200	\$078208	\$078210	\$078218	First Acc-24E2x Channel n Timer
3	\$078300	\$078308	\$078310	\$078318	Second Acc-24E2x Channel n Timer
4	\$079200	\$079208	\$079210	\$079218	Third Acc-24E2x Channel n Timer
5	\$079300	\$079308	\$079310	\$079318	Fourth Acc-24E2x Channel n Timer
6	\$07A200	\$07A208	\$07A210	\$07A218	Fifth Acc-24E2x Channel n Timer
7	\$07A300	\$07A308	\$07A310	\$07A318	Sixth Acc-24E2x Channel n Timer
8	\$07B200	\$07B208	\$07B210	\$07B218	Seventh Acc-24E2x Channel n Timer
9	\$07B300	\$07B308	\$07B310	\$07B318	Eighth Acc-24E2x Channel n Timer

Ixx24: Motor xx Flag Mode

Ixx24 defines how to read and use the flags for Motor xx that are in the register specified by Ixx25. Ixx24 is a set of independent control bits. There are two bits that must be set correctly to use a flag set on an Acc-24E2.

Bit 0 of Ixx24 must be set to 1 to tell the Turbo PMAC that this flag set is in a Type 1 PMAC2-style Servo IC. Bit 18 of Ixx24 must be set to 0 to tell the Turbo PMAC that this flag set is not transmitted over a MACRO ring. Other bits of Ixx24 may be set as desired for a particular application.

Ixx25: Motor xx Flag Address

Ixx25 tells Turbo PMAC where to access its flag data for Motor xx. If Acc-24E2 is interfaced to the flags, Ixx25 must contain the address of the flag register in Acc-24E2.

The following table shows the address of the flag register for each channel of each Acc-24E2.

Servo IC #	Chan. 1	Chan. 2	Chan. 3	Chan. 4	Notes
2	\$078200	\$078208	\$078210	\$078218	First Acc-24E2x Channel n Flag Set
3	\$078300	\$078308	\$078310	\$078318	Second Acc-24E2x Channel n Flag Set
4	\$079200	\$079208	\$079210	\$079218	Third Acc-24E2x Channel n Flag Set
5	\$079300	\$079308	\$079310	\$079318	Fourth Acc-24E2x Channel n Flag Set
6	\$07A200	\$07A208	\$07A210	\$07A218	Fifth Acc-24E2x Channel n Flag Set
7	\$07A300	\$07A308	\$07A310	\$07A318	Sixth Acc-24E2x Channel n Flag Set
8	\$07B200	\$07B208	\$07B210	\$07B218	Seventh Acc-24E2x Channel n Flag Set
9	\$07B300	\$07B308	\$07B310	\$07B318	Eighth Acc-24E2x Channel n Flag Set

Ixx81: Motor xx Power-On Phase Position Address

Ixx81 tells Turbo PMAC2 where to read absolute power-on position for motor phase commutation, if any. Typically, it will contain the address of an Acc-24E2 register for only two types of absolute phasing sensors: hall-effect commutation sensors (or their optical equivalents) connected to the U, V, and W input flags on an Acc-24E2 channel, or the encoder counter filled by simulated quadrature from a Yaskawa absolute encoder connected to the Acc-24E2 through an Acc-57E board.

The following table contains the possible settings of Ixx81 to read the encoder counters for Yaskawa absolute encoders:

Turbo PMAC Ixx81 Acc-24E2 Encoder Register Settings (Ix91=\$480000 - \$580000)

Servo IC #	Chan. 1	Chan. 2	Chan. 3	Chan. 4	Notes
2	\$078201	\$078209	\$078211	\$078219	First Acc-24E2x Channel n Encoder Reg.
3	\$078301	\$078309	\$078311	\$078319	Second Acc-24E2x Channel n Encoder Reg.
4	\$079201	\$079209	\$079211	\$079219	Third Acc-24E2x Channel n Encoder Reg.
5	\$079301	\$079309	\$079311	\$079319	Fourth Acc-24E2x Channel n Encoder Reg.
6	\$07A201	\$07A209	\$07A211	\$07A219	Fifth Acc-24E2x Channel n Encoder Reg.
7	\$07A301	\$07A309	\$07A311	\$07A319	Sixth Acc-24E2x Channel n Encoder Reg.
8	\$07B201	\$07B209	\$07B211	\$07B219	Seventh Acc-24E2x Channel n Encoder Reg.
9	\$07B301	\$07B309	\$07B311	\$07B319	Eighth Acc-24E2x Channel n Encoder Reg.

Ixx83: Motor xx Phase Position Address

Ixx83 tells Turbo PMAC where to get its commutation position feedback every phase update cycle. Usually, this contains the address of an encoder phase position register.

The following table shows the possible values of Ixx83 for Acc-24E2 encoder phase position registers:

Turbo PMAC Ixx83 Acc-24E2 Encoder Register Settings

Servo IC #	Chan. 1	Chan. 2	Chan. 3	Chan. 4	Notes
2	\$078201	\$078209	\$078211	\$078219	First Acc-24E2x Channel n Encoder Reg.
3	\$078301	\$078309	\$078311	\$078319	Second Acc-24E2x Channel n Encoder Reg.
4	\$079201	\$079209	\$079211	\$079219	Third Acc-24E2x Channel n Encoder Reg.
5	\$079301	\$079309	\$079311	\$079319	Fourth Acc-24E2x Channel n Encoder Reg.
6	\$07A201	\$07A209	\$07A211	\$07A219	Fifth Acc-24E2x Channel n Encoder Reg.
7	\$07A301	\$07A309	\$07A311	\$07A319	Sixth Acc-24E2x Channel n Encoder Reg.
8	\$07B201	\$07B209	\$07B211	\$07B219	Seventh Acc-24E2x Channel n Encoder Reg.
9	\$07B301	\$07B309	\$07B311	\$07B319	Eighth Acc-24E2x Channel n Encoder Reg.

UMAC Turbo Example Setups

The following section shows how to quickly setup the key variables for a DAC output system and for a combination torque mode (DAC) and stepper motor (PFM) system.

For these examples, the factory defaults for the other variables will allow the command of DAC outputs and FM outputs with a low true Amplifier Fault and ±Limits plugged in. If this is not the case then Ixx24 will have to be modified. The PID gains will also have to be modified for optimum closed loop control.

Example A: 4-axis DAC outputs from base address \$078200 (servo IC2)

For this type of system, make sure I7mn6 is set for DAC output mode. Remember, UMAC Turbo has three outputs per channel (CHnA, CHnB, and CHnC)

- I7216=3 ;CH1A and CH1B outputs will be DAC and CH1C output will be PFM
- I7226=3 ;CH2A and CH2B outputs will be DAC and CH2C output will be PFM
- I7236=3 ;CH3A and CH3B outputs will be DAC and CH3C output will be PFM
- I7246=3 ;CH4A and CH4B outputs will be DAC and CH4C output will be PFM

Example B: 2-axis PFM outputs and 2-axis PFM from base address \$078200 (servo IC2). Assume DAC outputs on channels 1 and 2 and PFM outputs on channels 3 and 4. Jumpers E1A through E2D must be jumpered on Acc-24E2A option 1 only.

For this type of system, make sure I7mn6 is set for DAC and PFM output mode.

I7216=3	;CH1A and CH1B outputs will be DAC and CH1C output will be PFM
I7226=3	;CH2A and CH2B outputs will be DAC and CH2C output will be PFM
I7236=3	;CH3A and CH3B outputs will be DAC and CH3C output will be PFM
I7246=3	;CH4A and CH4B outputs will be DAC and CH4C output will be PFM
I102=\$078202	;Command output to CH1A address (default) for DAC
I202=\$07820A	;Command output to CH2A address (default) for DAC
I302=\$078214	;Command output to CH3C address (default address + 2) for Stepper
I402=\$07821C	;Command output to CH4C address (default address +2) for Stepper

ULTRALITE/MACRO STATION SETUP

The Acc-24E2 family of JEXP accessories also can be used with MACRO Station to breakout the standard amplifier, flag, and encoder signals. The gate arrays on the Acc-24E2 family of accessories are located in the traditional channel 9-16 locations of the PMAC2 memory map.

Note:

In order for the MACRO Station to set up its output and input channels automatically, MACRO Station firmware 1.114 or greater must be used.

Currently there are three types of Acc-24Es to be used with the MACRO Station:

Acc-24E2	Direct PWM commutation outputs
Acc-24E2A	±10V Outputs for torque, velocity and sinusoidal input amplifiers
Acc-24E2S	Dedicated 4-channel stepper interface card

MACRO Station Gate Array Locations for Acc-24E2

Chan #	9	10	11	12	13	14	15	16
Hex	[\$C040]	[\$C048]	[\$C050]	[\$C058]	[\$C060]	[\$C068]	[\$C070]	[\$C078]

Hardware Setup for MACRO Station Use

A few hardware selections must be set in order to use this accessory with the MACRO Station:

E5	Jumper 1-2 for MACRO or Turbo communications (603804-105 and above)
E16	Jumper 1-2 for Clock Settings
SW1	SW1-1 and SW1-2 ON for \$C040, SW1-1 and SW1-2 OFF for \$C060
SW1	SW1-3 through SW1-6 set to OFF

Software Setup for MACRO Station Use

There are several choices when it comes to the software setup for the MACRO Station. At the MACRO Station the ring frequency must be set up with MSn,MI992. The Acc-24E2A will have its MaxPhase Clock Frequency variables (MSn,MI900 and MSn,MI906) set to the same value as MSn,MI992 to ensure synchronous data exchange. The Delta Tau Setup software for either the standard PMAC2 Ultralite or Turbo PMAC2 Ultralite will set up all of these important MI-Variables at the MACRO Station.

The Acc-24E2A uses an 18-bit DAC and the DAC Strobe word (MSn,MI905 and MSn,MI909) must be setup for 18-bits to ensure proper operation of the DACs. The released MACRO Station firmware version 1.14 will set the DAC strobe variables automatically. In pre-release versions of the 1.14 firmware, the DAC strobe word must be set manually to \$7FFFC0 for proper 18-bit DAC operation.

- MS{anynode},MI992 Ring Frequency Control
- MS{anynode},MI900 - Channels 1-4 Frequency Control
- MS{anynode},MI905 - DAC 1-4 Strobe Word
- MS{anynode},MI906 - Channels 5-8 Frequency Control
- MS{anynode},MI909 - DAC 5-8 Strobe Word

Node-Specific Gate Array MI-Variables

MI-variables MI910 through MI919 on the MACRO station control the hardware setup of the hardware interface channel on the station associated with a MACRO node. The matching of hardware interface channels to MACRO nodes is determined by the setting of the SW1 rotary switch on the CPU/Interface Board of the MACRO station.

These variables are accessed using the MS station auxiliary read and write commands. The number immediately after the MS specifies the node number, and therefore the channel number mapped to that node by the SW1 setting.

Encoder/Timer n Decode Control (MSn,MI910)

MI910 controls how the input signal for the encoder mapped to the specified node is decoded into counts. As such, this defines the sign and magnitude of a count. The following settings may be used to decode an input signal:

0:	Pulse and direction CW
1:	x1 quadrature decode CW
2:	x2 quadrature decode CW
3:	x4 quadrature decode CW
4:	Pulse and direction CCW
5:	x1 quadrature decode CCW
6:	x2 quadrature decode CCW
7:	x4 quadrature decode CCW
8:	Internal pulse and direction
9:	Not used
10:	Not used
11:	Not used
12:	MLDT pulse timer control (internal pulse resets timer; external pulse latches timer)
13:	Not used
14:	Not used
15:	Not used

In any of the quadrature decode modes, PMAC is expecting two input waveforms on CHAn and CHBn, each with approximately 50% duty cycle, and approximately one-quarter of a cycle out of phase with each other. Times-one (x1) decode provides one count per cycle; x2 provides two counts per cycle; and x4 provides four counts per cycle. Select x4 decode to get maximum resolution.

The clockwise (CW) and counter clockwise (CCW) options simply control which direction counts up. If it is the wrong direction sense, simply change to the other option (e.g., from 7 to 3 or vice versa).

Warning:

If the direction sense of an encoder with a properly working servo is changed without also changing the direction sense of the output, destabilizing positive feedback to the servo and a dangerous runaway condition will result.

In the pulse-and-direction decode modes, PMAC is expecting the pulse train on CHAn and the direction (sign) signal on CHBn. If the signal is unidirectional, the CHBn line can be allowed to pull up to a high state, or it can be hardwired to a high or low state.

If MI910 is set to 8, the decoder inputs the pulse and direction signal generated by Channel n's pulse frequency modulator (PFM) output circuitry. This permits the Compact MACRO Station to create a phantom closed loop when driving an open-loop stepper system. No jumpers or cables are needed to do this; the connection is entirely within the ASIC. The counter polarity matches the PFM output polarity automatically.

If MI910 is set to 12, the timer circuitry is set up to read magnetostrictive linear displacement transducers (MLDTs) such as Temposonics™. In this mode, the timer is cleared when the PFM circuitry sends out the excitation pulse to the sensor on PULSEn, and it is latched into the memory-mapped register when the excitation pulse is received on CHAn.

Flag Capture Control (MSn,MI911-MI913)

The flag capture registers must also be set up at the MACRO Station for proper homing, encoder capturing, and setting compare outputs.

MI911 determines which encoder input the position compare circuitry for the machine interface channel mapped to the specified node uses.

MSn, MI911=0	Use channel n encoder counter for position compare function
MSn, MI911=1	Use first encoder counter on IC (encoder 1 for channels 1 to 4; encoder 5 for channels 5 to 8) for position compare function

When MI911 is set to 0, the channel's position compare register is tied to the channel's own encoder counter, and the position compare signal appears only on the EQU_n output.

When MI911 is set to 1, the channel's position compare register is tied to the first encoder counter on the ASIC (Encoder 1 for channels 1-4, Encoder 5 for channels 5-8, or Encoder 9 for channels 9-10) and the position compare signal appears both on EQU_n and combined into the EQU output for the first channel on the IC (EQU1 or EQU5); executed as a logical OR.

MI911 for the first channel on an ASIC performs no effective function, so is always 1. It cannot be set to 0.

MI912 determines which signal or combination of signals, and which polarity, triggers a position capture of the counter for the encoder mapped to the specified node. If a flag input (home, limit, or user) is used, MI913 for the node determines which flag. Proper setup of this variable is essential for a successful home search, which depends on the position-capture function. The following settings may be used:

- 0: Capture under software control (armed)
- 1: Capture on Index (CHC_n) high
- 2: Capture on Flag high
- 3: Capture on (Index high AND Flag high)
- 4: Capture under software control (latched)
- 5: Capture on Index (CHC_n) low
- 6: Capture on Flag high
- 7: Capture on (Index low AND Flag high)
- 8: Capture under software control (armed)
- 9: Capture on Index (CHC_n) high
- 10: Capture on Flag low
- 11: Capture on (Index high AND Flag low)
- 12: Capture under software control (latched)
- 13: Capture on Index (CHC_n) low
- 14: Capture on Flag low
- 15: Capture on (Index low AND Flag low)

The trigger is armed when the position capture register is read. After this, as soon as the Compact MACRO Station sees that the specified input lines are in the specified states, the trigger will occur — it is level-trigger, not edge-triggered.

MI913 parameter determines which of the Flag inputs will be used for position capture (if one is used, see MI912):

- 0: HMFL_n (Home Flag n)
- 1: PLIM_n (Positive End Limit Flag n)
- 2: MLIM_n (Negative End Limit Flag n)
- 3: USER_n (User Flag n)

Typically, this parameter is set to 0 or 3, because in actual use the LIM_n flags create other effects that usually interfere with what is trying to be accomplished by the position capture. To capture on the LIM_n

flags, disable their normal functions with Ix25, or use a channel n where none of the flags is used for the normal axis functions.

Output Mode Select (MSn,MI916)

The Acc-24E2 family of boards can be used for multiple mode outputs. At the MACRO Station, the output mode must be set up on MACRO Station variable MSn,MI916. The table below shows the output modes available for each of the Acc-24E2 boards. The output mode select will be set up automatically if using either the P2Setup or the Turbo Setup programs.

Board	Direct PWM Mode	DAC Mode	Pulse and Direction
Acc-24E2	Yes	No	Yes
Acc-24E2A	No	Yes	Yes
Acc-24E2S	No	No	Yes

The PMAC2 Style outputs allow the PMAC to control up to three individual output channels based on the mode. These outputs are described as output A, output B, and output C.

MSn, MI916	Output Description	Typical Use
0	A, B, and C are PWM	Direct PWM Mode Only
1	A and B are DAC C is PWM	±10V Outputs for torque, velocity and sinusoidal input amplifiers
2	A and B are PWM C is PFM	Stepper Systems
3	A and B are DAC C is PFM	±10V Outputs with MLDT Feedback

The default output at the MACRO Station is PWM (MSn,MI916=0).

DAC Output Mode Example for Acc-24E2A at MACRO Station

```
MS0,MI916=3           ;DAC output for Channel 1
MS1,MI916=3           ;DAC output for Channel 2
MS4,MI916=3           ;DAC output for Channel 3
MS5,MI916=3           ;DAC output for Channel 4
MS8,MI916=3           ;DAC output for Channel 5
MS9,MI916=3           ;DAC output for Channel 6
MS12,MI916=3          ;DAC output for Channel 7
MS13,MI916=3          ;DAC output for Channel 8
```

MACRO Station Encoder Conversion Table (MSn,MI120-MI151)

At power-up, the MACRO Station will set up all of the key memory locations and MI-Variables automatically based on the SW1 connector and firmware of the MACRO Station. The key variables set up at power-up are the encoder conversion table, servo output registers, and flag input registers.

Encoder Conversion Table for Acc-24E2 at MACRO Station

```
MS0,MI120=$00C040     ;output at X:$0010 at MACRO Station (encoder 1)
MS0,MI121=$00C048     ;output at X:$0011 at MACRO Station (encoder 2)
MS0,MI122=$00C050     ;output at X:$0012 at MACRO Station (encoder 3)
MS0,MI123=$00C058     ;output at X:$0013 at MACRO Station (encoder 4)
MS0,MI120=$00C060     ;output at X:$0014 at MACRO Station (encoder 5)
MS0,MI121=$00C068     ;output at X:$0015 at MACRO Station (encoder 6)
MS0,MI122=$00C070     ;output at X:$0016 at MACRO Station (encoder 7)
MS0,MI123=$00C078     ;output at X:$0017 at MACRO Station (encoder 8)
```


MLDT FEEDBACK FOR UMAC-TURBO & UMAC-MACRO

The Acc-24E2A can provide direct interface to magnetostrictive linear displacement transducers (MLDTs) through its encoder connectors. This interface is for MLDTs with an external excitation format (often called RS-422 format) because of the signal levels, because the Acc-24E2A provides the excitation pulse, and receives the echo pulse, both with RS-422 signal formats.

This section provides basic information for using MLDTs with the Acc-24E2A. More information can be found in the User Manuals for the Turbo PMAC or the MACRO Station.

MLDT Hardware Setup of the Acc-24E2A

The Acc-24E2A must be set up to output the differential pulse on what is normally the T and W input flags on the encoder connector. This is done by putting jumpers on E-points E1C and E1D for the first channel on the board, or E2C and E2D for the second channel on the board. These jumpers are OFF by default.

The PULSE+ (high during the pulse) and PULSE- (low during the pulse) outputs from the encoder connector are connected to the differential pulse inputs on the MLDT. The echo pulse differential outputs from the MLDT are connected to the CHA+ and CHA- input pins on the same encoder connector.

If the MLDT uses RPM format, in which there is a brief start echo pulse, and a brief stop echo pulse, the “+” output from the MLDT should be connected to the CHA+ input on the Acc-24E2A, and the “-” output should be connected to the CHA- input.

If the MLDT uses DPM format, in which there is a single long echo pulse, with the delay to the trailing edge measuring the position, the “+” output from the MLDT should be connected to the CHA- input on the Acc-24E2A, and the “-” output should be connected to the CHA+ input.

MLDT Software Setup of the UMAC Turbo

When the Acc-24E2A is used for MLDT feedback in a UMAC Turbo system, a few I-variables must be set up properly.

Hardware Setup I-Variables for Servo IC m

I7m03 (PFM Clock Frequency): In almost all cases, the clock frequency driving the pulse-generation circuitry for all channels on Servo IC m can be left at its default value of 9.83 MHz (0.102 μ sec). I7m03 also controls other clock signals, has a default value of 2258 and rarely needs to be changed.

I7m04 (PFM Pulse Width): The pulse width, set by I7m04 in units of PFM clock cycles must be set long enough for the MLDT to see, and long enough to contain the rising edge of the RPM start echo pulse, or the rising edge of the single DPM echo pulse. For example, if this edge can come up to 2 μ sec after the start of the excitation pulse, and the PMAC clock cycle is at its default of about 0.1 μ sec, then I7m04 must be set at least to 20.

I7mn6 (Output Format Select): For Servo IC m Channel n to be used for MLDT feedback, I7mn6 must be set to 1 or 3 for the C sub-channel to be used for PFM-format output. On an Acc-24E2A, I7mn6 must then be set to 3 for the A and B sub-channels to be used for DAC-format output.

I7mn0 (MLDT Feedback Select): For Servo IC m Channel n to be used for MLDT feedback, I7mn0 must be set to 12. In this mode, the pulse timer is cleared on the output pulse, and latched on the echo pulse, counting in between at 117.96 MHz.

Conversion Table Processing I-Variables

The pulse timer for Servo IC m Channel n holds a number proportional to the time and therefore the position. This must be processed in the conversion table before it can be used by the servo loop. It is best to use the filtered parallel data conversion, a 3-line entry in the table (three consecutive I-variables).

Line 1 (Method and Address): This 24-bit value (6 hex digits) should begin with a “3” (filtered parallel data) followed by the address of the timer register. The possible values for this line are shown in the following table:

Encoder Conversion Table Parallel Filtered Data Format First Line for Acc-24E2A Boards with Servo IC m Channel n

Acc-24 #	Servo IC #	Channel 1	Channel 2	Channel 3	Channel 4
1A	2	\$378200	\$378208	\$378210	\$378218
1B	3	\$378300	\$378308	\$378310	\$378318
2A	4	\$379200	\$379208	\$379210	\$379218
2B	5	\$379300	\$379308	\$379310	\$379318
3A	6	\$37A200	\$37A208	\$37A210	\$37A218
3B	7	\$37A300	\$37A308	\$37A310	\$37A318
4A	8	\$37B200	\$37B208	\$37B210	\$37B218
4B	9	\$37B300	\$37B308	\$37B310	\$37B318

Line 2 (Width and Start): This 24-bit value should be set to \$013000 to specify the use of 19 bits (\$013) starting at bit 0.

Line 3 (Max Change): This 24-bit value should be set to a value slightly greater than the maximum true velocity ever expected, expressed in timer LSBs per servo cycle. With a typical MLDT, the 117.96 MHz timer LSB represents 0.024 mm (0.00094 inches); the default servo cycle is 0.442 msec.

The result of this conversion is in the X-register of the third line. Any functions using this value should address this register. For example, if this were the first entry in the table, which starts at \$003501, the result would be in X:\$003503.

Motor I-Variables

Ixx03 (Position Loop Feedback Address): To use the result of the conversion table for position-loop feedback for Motor xx, Ixx03 should contain the address of the result register in the conversion table - \$003503 in the above example.

Ixx04 (Velocity Loop Feedback Address): To use the result of the conversion table for velocity-loop feedback for Motor xx, Ixx04 should contain the address of the result register in the conversion table - \$003503 in the above example.

Ixx05 (Master Position Address): To use the result of the conversion table for the master position for Motor xx, Ixx05 should contain the address of the result register in the conversion table - \$003503 in the above example.

Ixx10 and Ixx95 (Power-On Position Address and Format): To use the MLDT for absolute power-on position for Motor xx, Ixx95 should be set to \$180000 (up to 24 bits of parallel Y-data) and Ixx10 should be set to the address of the timer register used:

Ixx10 for Acc-24E2A MLDT Timer Registers (Ixx95=\$180000)

Acc-24 #	Servo IC #	Channel 1	Channel 2	Channel 3	Channel 4
1	2	\$078200	\$078208	\$078210	\$078218
2	3	\$078300	\$078308	\$078310	\$078318
3	4	\$079200	\$079208	\$079210	\$079218
4	5	\$079300	\$079308	\$079310	\$079318
5	6	\$07A200	\$07A208	\$07A210	\$07A218
6	7	\$07A300	\$07A308	\$07A310	\$07A318
7	8	\$07B200	\$07B208	\$07B210	\$07B218
8	9	\$07B300	\$07B308	\$07B310	\$07B318

Ixx80 (Power-On Mode): Set Ixx80 to 4 to delay the absolute power-on position read until the pulse-output frequency can be set.

Ixx81 and Ixx91 (Power-On Phase Position Address and Format): Occasionally the MLDT is used to establish an absolute phase reference position for Turbo-PMAC-commutated motors. In this case, Ixx81 and Ixx91 are set to the same values as Ixx10 and Ixx95, respectively (see above).

Pulse Output Frequency

The pulse-output frequency is established by assigning an M-variable to the C sub-channel command register, and writing a value to that M-variable after every power-up/reset. The suggested M-variable for the Motor xx using this register is:

Mxx07->Y: {address}, 8, 16, S

where {address} is specified according to the following table:

Mxx07 for Acc-24E2A MLDT Pulse-Output Registers

Acc-24 #	Servo IC #	Channel 1	Channel 2	Channel 3	Channel 4
1	2	\$078204	\$07820C	\$078214	\$07821C
2	3	\$078304	\$07830C	\$078314	\$07831C
3	4	\$079204	\$07920C	\$079214	\$07921C
4	5	\$079304	\$07930C	\$079314	\$07931C
5	6	\$07A204	\$07A20C	\$07A214	\$07A21C
6	7	\$07A304	\$07A30C	\$07A314	\$07A31C
7	8	\$07B204	\$07B20C	\$07B214	\$07B21C
8	9	\$07B304	\$07B30C	\$07B314	\$07B31C

The frequency of the pulse output should produce a period just slightly longer than the longest expected response time for the echo pulse. For MLDTs, the response time is approximately 0.35 µsec/mm (9 µsec/inch). On an MLDT 1500 mm (~60 in) long, the longest response time is approximately 540 µsec; a recommended period between pulse outputs for this device is 600 µsec, for a frequency of 1667 Hz.

To produce the desired pulse output frequency, the following formula can be used (assuming a 16-bit M-variable definition):

$$OutputFreq(kHz) = \frac{Mxx07}{65,536} PFMCLK_Freq(kHz)$$

or:

$$Mxx07 = 65,536 * \frac{OutputFreq(kHz)}{PFMCLK_Freq(kHz)}$$

To produce a pulse output frequency of 1.667 kHz with the default PFMCLK frequency of 9.83 MHz, we calculate:

$$M_{xx07} = 65,536 * \frac{1.667}{9,380} \cong 11$$

To write this value to the register, a power-on PLC routine is suggested; this can also be done with on-line commands from the host computer. Sample PLC code to do this for Channel 1, using the above example value, is:

```
OPEN PLC 1           ; PLC 1 is first program to execute
CLEAR
  M107=11           ; Set pulse frequency
  CMD"$*"           ; Absolute Position Read
DISABLE PLC 1        ; So will not execute again
CLOSE
```

PMAC2/Turbo PMAC2 Conversion Table and Motor I-Variables

Once the MACRO Station has been set up to process the MLDT feedback, the PMAC2 or Turbo PMAC2 can process the ongoing position feedback with its conversion table, Ix03, and Ix04 just as for any other feedback from a MACRO Station.

If the MLDT is used for absolute power-on position for the servo loop, the proper variables must be set on the PMAC2 or Turbo PMAC2:

PMAC2 Ix10 (Power-On Position Address and Format): To get the absolute position in this format for Motor x through MACRO node n (n = 0 to 15 decimal), Ix10 should be set to \$74000n, where n here is the hexadecimal representation of the node number (n = 0 to F hex).

Turbo PMAC2 Ixx10 & Ixx95 (Power-On Position Address and Format): To get the absolute position for Motor xx through MACRO node n (n = 0 to 63 decimal), Ixx10 should be set to n; in hex-format \$0000nn, where nn is the hexadecimal representation of the node number (nn = 00 to 3F hex). If node 0 is used, Ixx10 should be set to \$000100 (256 decimal). Ixx95 should be set to \$740000 to specify parallel data through a MACRO node.

If the MLDT is used for absolute power-on phase position for commutation, the proper variables must be set on the PMAC2 or Turbo PMAC2:

PMAC2 Ix81 (Power-On Phase Position Address and Format): To get the absolute phase position in this format for Motor x through MACRO node n (n = 0 to 15 decimal), Ix81 should be set to \$74000n, where n here is the hexadecimal representation of the node number (n = 0 to F hex).

Turbo PMAC2 Ixx81 & Ixx91 (Power-On Phase Position Address and Format): To get the absolute phase position for Motor xx through MACRO node n (n = 0 to 63 decimal), Ixx81 should be set to n; in hex-format \$0000nn, where nn is the hexadecimal representation of the node number (nn = 00 to 3F hex). If node 0 is used, Ixx81 should be set to \$000100 (256 decimal). Ixx91 should be set to \$740000 to specify parallel data through a MACRO node.

MLDT Feedback for UMAC-MACRO

The data from the MLDT is processed as a parallel word input at the MACRO Station and then transmitted back to the Ultralite using the traditional Servo Node. The encoder conversion table at the MACRO Station must be modified to process this data. From the Ultralite standpoint, nothing needs to be modified to read the position and velocity data.

Since the data is also absolute, the data can also be sent at the Ultralite as absolute data for correct position at power-up. This is accomplished with the proper setup of MSn,MI11x at the MACRO Station, and Ix10 at the Ultralite or Ix10 and Ix95 with the Turbo Ultralite. Regardless of the type of Ultralite, retrieving the power-on-position is the same. The information must be retrieved from MACRO Station variable MSn,MI920 for each node transfer as specified by Ix10 at the Ultralite. MSn,MI920 does not need to be set up because the MACRO Station will place the power-on position the appropriate register at power-up.

MLDT Software Setup of the UMAC MACRO

When the Acc-24E2A is used for MLDT feedback in a UMAC MACRO system, there are a few MI-variables in the MACRO Station, and a few in the PMAC2 or Turbo PMAC2 driving the Station, that must be set up properly.

Station Hardware Setup I-Variables for Servo IC

MS{anynode},MI903/MI907 (PFM Clock Frequency): In almost all cases, the clock frequency driving the pulse-generation circuitry for all channels on the Servo IC can be left at its default value of 9.83 MHz (0.102 μ sec). Few will need to change MI903/MI907, which also controls other clock signals, from its default value of 2258.

MS{anynode},MI904/MI908 (PFM Pulse Width): The pulse width, set by MI904/MI908 in units of PFM clock cycles must be set long enough for the MLDT to see, and long enough to contain the rising edge of the RPM start echo pulse, or the rising edge of the single DPM echo pulse. For example, if this edge can come up to 2 μ sec after the start of the excitation pulse, and the PMAC clock cycle is at its default of about 0.1 μ sec, then I7m04 must be set at least to 20.

MS{node},MI916 (Output Format Select): For the channel associated with this node to be used for MLDT feedback, MI916 must be set to 1 or 3 for the C sub-channel to be used for PFM-format output. On an Acc-24E2A, I7mn6 must then be set to 3 for the A and B sub-channels to be used for DAC-format output.

MS{node},MI910 (MLDT Feedback Select): For the channel associated with this node to be used for MLDT feedback, MI910 must be set to 12. In this mode, the pulse timer is cleared on the output pulse, and latched on the echo pulse, counting in between at 117.96 MHz.

Station Conversion Table Processing I-Variables

The pulse timer for Servo IC m Channel n holds a number proportional to the time and therefore the position. This must be processed in the conversion table before it can be used by the servo loop. It is best to use the filtered parallel data conversion, a 3-line entry in the table (three consecutive MI-variables). The MI-variables for the conversion table start at MI120.

Line 1 (Method and Address): This 24-bit value (6 hex digits) should begin with a 3 (filtered parallel data) followed by the address of the timer register. The possible values for this line are shown in the following table:

Encoder Conversion Table Parallel Filtered Data Format First Line for Acc-24E2A Boards

Acc-24 #	Channel 1	Channel 2	Channel 3	Channel 4
1	\$30C040	\$30C048	\$30C050	\$30C058
2	\$30C060	\$30C068	\$30C070	\$30C078

Line 2 (Bits Used Mask): This 24-bit value should be set to \$07FFFF to specify the use of the low 19 bits of the 24-bit source word.

Line 3 (Max Change): This 24-bit value should be set to a value slightly greater than the maximum true velocity ever expected, expressed in timer LSBs per servo cycle. With a typical MLDT, the 117.96 MHz timer LSB represents 0.024 mm (0.00094 inches); the default servo cycle is 0.442 msec.

The result of this conversion is in the X-register of the third line. Any functions using this value should address this register. For example, if this were the first entry in the table, which starts at \$000010, the result would be in X:\$0012.

Station Motor Node I-Variables

MS{anynode}, MI10x (xth Motor Node Position Loop Feedback Address): To use the result of the conversion table for position-loop feedback for the xth motor node, MI10x should contain the address of the result register in the conversion table - \$0012 in the previous example.

MS{anynode}, MI11x (xth Motor Node Absolute Position Address): To use the MLDT for absolute power-on position for the xth motor node, set MI11x to \$18xxxx (up to 24 bits of parallel Y-data) from Station address xxxx, where xxxx is the address of the timer register.

MS{anynode}, MI11x xth Motor Node Absolute Position

Acc-24 #	Channel 1	Channel 2	Channel 3	Channel 4
1	\$30C042	\$30C04A	\$30C052	\$30C05A
2	\$30C062	\$30C06A	\$30C072	\$30C07A

MS{anynode}, MI16x (xth Motor Node MLDT Frequency Control): This variable establishes the frequency of the excitation pulse sent to the MLDT. Its value is written automatically to the full 24-bit C sub-channel command register for the channel assigned to this node, so the PFM circuit will create a pulse train at this frequency.

To compute the output frequency as a function of MI16x, the following formula can be used:

$$OutputFreq(kHz) = \frac{MI16x}{16,777,216} PFMCLK_Freq(kHz)$$

To compute the required value of MI16x as a function of the desired output frequency, the following formula can be used:

$$MI16x = 16,777,216 * \frac{OutputFreq(kHz)}{PFMCLK_Freq(kHz)}$$

Power-On Feedback Address for PMAC2 Ultralite

Both the Ultralite and the Turbo Ultralite can obtain absolute position at power up or upon request (#n\$*). The Ultralite must have Ix10 setup and the Turbo Ultralite needs both Ixx10 and Ixx95 setup to enable this power on position function. For power on position reads as specified in this document, MACRO firmware version 1.114 or newer is needed, the Turbo Ultralite firmware must be 1.936 or newer, and lastly the standard Ultralite must have firmware version 1.16H or newer.

Ix10 permits an automatic read of an absolute position sensor at power-on/reset. If Ix10 is set to 0, the power-on/reset position for the motor will be considered to be 0, regardless of the type of sensor used. There are specific settings of PMAC's/PMAC2's Ix10 for each type of MACRO interface. If a Turbo

Ultralite is used, Ixx95 must also be set appropriately. The Compact MACRO Station has a corresponding variable I11x for each node that must be set.

Absolute Position for Ultralite

Compact MACRO Station Feedback Type (firmware version 1.16H and above)	Ix10 (Unsigned)	Ix10 (Signed)
Acc-8D Opt 7 Resolver/Digital Converter	\$73000n	\$F3000n
Acc-8D Opt 9 Yaskawa Absolute Encoder Converter	\$72000n	\$F2000n
Acc-8D Opt 10 Sanyo Absolute Encoder Converter	\$74000n	\$F4000n
Acc-28B or Acc-28E Analog/Digital Converter	\$74000n	\$F4000n
MACRO Station Option 1C/Acc-6E A/D Converter	\$74000n	\$F4000n
MACRO Station Parallel Input	\$74000n	\$F4000n
MACRO Station MLDT Input	\$74000n	\$F4000n

n is the MACRO node number used for Motor x: 0, 1, 4, 5, 8, 9, C(12), or D(13).

Absolute Position for Turbo Ultralite (Ixx95=\$720000 - \$740000, \$F20000 - \$F40000) Addresses are MACRO Node Numbers

MACRO Node Number	Ixx10 for MACRO IC 0	Ixx10 for MACRO IC 1	Ixx10 for MACRO IC 2	Ixx10 for MACRO IC 3
0	\$000100	\$000010	\$000020	\$000030
1	\$000001	\$000011	\$000021	\$000031
4	\$000004	\$000014	\$000024	\$000034
5	\$000005	\$000015	\$000025	\$000035
8	\$000008	\$000018	\$000028	\$000038
9	\$000009	\$000019	\$000029	\$000039
12	\$00000C	\$00001C	\$00002C	\$00003C
13	\$00000D	\$00001D	\$00002D	\$00003D

Compact MACRO Station Feedback Type	Ixx95 (Unsigned)	Ixx95 (Signed)
Acc-8D Opt 7 Resolver/Digital Converter	\$730000	\$F30000
Acc-8D Opt 9 Yaskawa Absolute Encoder Converter	\$720000	\$F20000
Acc-8D Opt 10 Sanyo Absolute Encoder Converter	\$740000	\$F40000
Acc-28B Analog/Digital Converter	\$740000	\$F40000
MACRO Station Option 1C/Acc-6E A/D Converter	\$740000	\$F40000
MACRO Station Parallel Input, MLDT, SSI	\$740000	\$F40000

When PMAC or PMAC2 has Ix10 set to get absolute position over MACRO, it executes a station auxiliary read command MS{node},I920 to request the absolute position from the Compact MACRO Station. The station then references its own I11x value to determine the type, format, and address of the data to be read.

MACRO Parallel Absolute Position Setup

MI111 through MI118 (MI11x) specify whether, where, and how absolute position is to be read on the Compact MACRO Station for a motor node (MI11x controls the xth motor node, usually which corresponds to Motor x on PMAC) and sent back to the Ultralite.

If MI11x is set to 0, no power-on reset absolute position value will be returned to PMAC. If MI11x is set to a value greater than 0, then when the PMAC requests the absolute position because its Ix10 and/or Ix81 values are set to obtain absolute position through MACRO (sending an auxiliary **MS{node} ,MI920** command), the Compact MACRO Station will use MI11x to determine how to read the absolute position, and report that position back to PMAC as an auxiliary response.

For an MLDT, take the output from the encoder conversion table (ECT) at the MACRO Station and process it as an absolute position because the information in the ECT is synchronized properly.

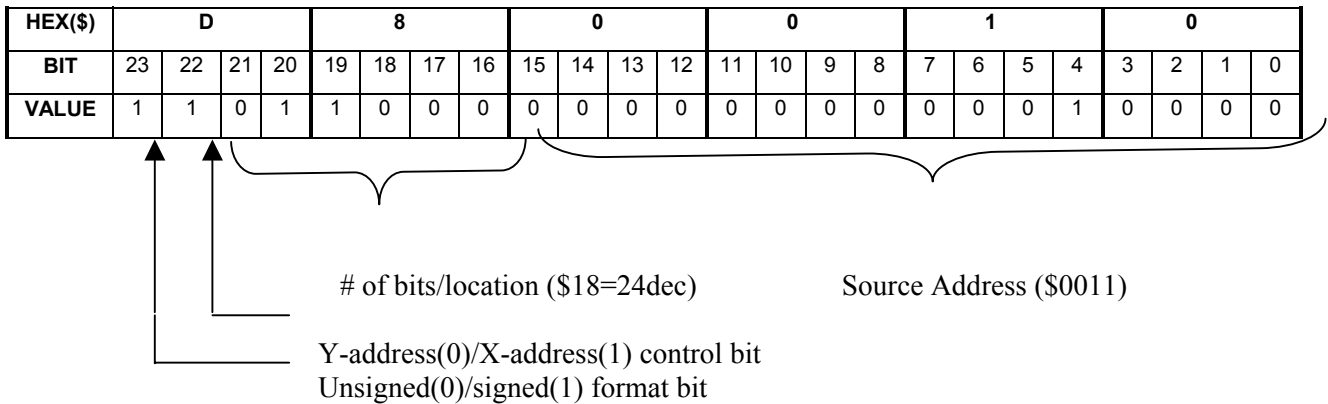
Remember, the output from the encoder conversion table will reside in the X register. For example, with the following entry:

```
MS0,MI120=$30C040      ($10 of ECT)
MS0,MI121=$FFFFFF      ($11 of ECT)
MS0,MI122=32           ($12 of ECT)
```

The output from the ECT will reside in X:\$12 and this will be the register to obtain the absolute data from.

MI11x consists of two parts. The low 16 bits (last four hexadecimal digits) specify the address on the MACRO Station from which the absolute position information is read. The high eight bits (first two hexadecimal digits) tell the Compact MACRO Station how to interpret the data at that address (the method).

MACRO MI11x Parallel Word Example: Signed 24-bit Absolute MLDT \$0010



X/Y Address Bit: If bit 22 of Ix10 is 0, the PMAC looks for the parallel sensor in its Y address space. This is the standard choice, since all I/O ports map into the Y address space. If this bit is 1, PMAC looks for the parallel sensor in its X address space.

Signed/Unsigned Bit: If the most significant bit (MSB -- bit 23) of MI11x is 0, the value read from the absolute sensor is treated as an unsigned quantity. If the MSB is 1, which adds \$80 to the high eight bits of MI11x, the value read from the sensor is treated as a signed, twos-complement quantity.

```
MS0,MI111=$D80010      ;read signed 24-bit absolute power on position
                        ;from X:$0010
```

Example MLDT Setup for UMAC MACRO

Ultralite	Turbo Ultralite	Description
I110=\$740000	I110=\$000100 I195=\$740000	Power on position read from MACRO Node 0 as an unsigned value

```
MS0, i161=3825          ; (15*255)
Ms0, i903=2258          ; default
MS0, I904=25            ; might need to increase from factory default
MS0, I910=12
MS0, I916=3

MS0, i120=$30C040
MS0, I121=$FFFFFF      ; 24-bit
MS0, I122=32           ; output at $12

MS0, i101=$12
Ms0, i111=$D80010      ; grab data from 1st entry of ECT X register
```


ACC-24E2A TERMINAL BLOCK DESCRIPTION

The terminal blocks on the Acc-24E2A are described as TB1 Top, TB2 Top, TB3 Top, TB1 Bottom, TB2 Bottom, TB3 Bottom, TB1 Front and TB2 Front. The top connectors have the Encoder signals, the bottom connectors have the Amplifier signals, and the front connectors contain the Limit and Flag signals.

Connector TB1 TOP - Encoder 1

Pin#	Symbol	Function	Description	Notes
1	CHA1+	Input	Encoder 1 Positive A Channel	
2	CHA1-	Input	Encoder 1 Negative A Channel	
3	CHB1+	Input	Encoder 1 Positive B Channel	
4	CHB1-	Input	Encoder 1 Negative B Channel	
5	CHC1+	Input	Encoder 1 Positive C Channel	Index channel
6	CHC1-	Input	Encoder 1 Negative C Channel	Index channel
7	ENCPWR	Output	Digital Supply	Power for encoder
8	GND	Common	Digital Reference	
9	CHU1+/DIR_1+	I/O	Supplemental Flag U or Direction 1+	Also Direction Output
10	CHV1+/DIR_1-	I/O	Supplemental Flag V or Direction 1-	Also Direction Output
11	CHW1+/PUL_1+	I/O	Supplemental Flag W or Pulse Output 1+	Also Pulse Output
12	CHT1+/PUL_1-	I/O	Supplemental Flag T or Pulse Output 1-	Also Pulse Output

Connector TB2 Top - Encoder 2

Pin#	Symbol	Function	Description	Notes
1	CHA2+	Input	Encoder 2 Positive A Channel	
2	CHA2-	Input	Encoder 2 Negative A Channel	
3	CHB2+	Input	Encoder 2 Positive B Channel	
4	CHB2-	Input	Encoder 2 Negative B Channel	
5	CHC2+	Input	Encoder 2 Positive C Channel	Index channel
6	CHC2-	Input	Encoder 2 Negative C Channel	Index channel
7	ENCPWR	Output	Digital Supply	Power for encoder
8	GND	Common	Digital Reference	
9	CHU1+/DIR_2+	I/O	Supplemental Flag U or Direction 2+	Also Direction Output
10	CHV1+/DIR_2-	I/O	Supplemental Flag V or Direction 2-	Also Direction Output
11	CHW1+/PUL_2+	I/O	Supplemental Flag W or Pulse Output 2+	Also Pulse Output
12	CHT1+/PUL_2-	I/O	Supplemental Flag T or Pulse Output 2-	Also Pulse Output

Connector TB3 Top – EQU Outputs

Pin#	Symbol	Function	Description	Notes
1	GND	Common	Reference Voltage	
2	BEQU1	Output	Compare Output 1	
3	BEQU2	Output	Compare Output 2	

Connector TB1 Bottom Amp – Out 1

Pin#	Symbol	Function	Description	Notes
1	DAC1A+	Output	Phase A Analog Out	+/-10V, ref to AGND
2	DAC1A-	Output	Phase A Analog Out	-/+10V; ref to AGND
3	DAC1B+	Output	Phase B Analog Out	+/-10V, ref to AGND
4	DAC1B-	Output	Phase B Analog Out	-/+10V; ref to AGND
5	AE_NC_1	Output	Amplifier Enable	Normally closed
6	AE_COM_1	Input	Amplifier Enable	
7	AE_NO_1	Output	Amplifier Enable	Normally open
8	AFAULT_1+	Input		
9	AFAULT_1-	Input		
10	AA+15V	Input*	Analog Positive Supply Voltage	Remove jumpers E85, E87, E88 if using external power
11	AA-15V	Input*	Analog Negative Supply Voltage	Remove jumpers E85, E87, E88 if using external power
12	AAGND	Input*	Analog Reference Voltage	Remove jumpers E85, E87, E88 if using external power

*External power supply inputs for opto-isolation from the digital ground plane.

Connector TB2 Bottom Amp – Out 2

Pin#	Symbol	Function	Description	Notes
1	DAC2A+	Output	Phase A Analog Out	+/-10V, ref to AGND
2	DAC2A-	Output	Phase A Analog Out	-/+10V; ref to AGND
3	DAC2B+	Output	Phase B Analog Out	+/-10V, ref to AGND
4	DAC2B-	Output	Phase B Analog Out	-/+10V; ref to AGND
5	AE_NC_2	Output	Amplifier Enable	Normally closed
6	AE_COM_2	Output	Amplifier Enable	
7	AE_NO_2	Output	Amplifier Enable	Normally open
8	AFAULT_2+	Input		
9	AFAULT_2-	Input		
10	AA+15V	Input*	Analog Positive Supply Voltage	Remove jumpers E85, E87, E88 if using external power
11	AA-15V	Input*	Analog Negative Supply Voltage	Remove jumpers E85, E87, E88 if using external power
12	AAGND	Input*	Analog Reference Voltage	Remove jumpers E85, E87, E88 if using external power

* External power supply inputs for opto-isolation from the digital ground plane.

Connector TB3 Bottom – Analog Power

Pin#	Symbol	Function	Description	Notes
1	AAGND	Input*	Analog Reference Voltage	Remove jumpers E85, E87, E88 if using external power
2	AA+15V	Input*	Analog Positive Supply Voltage	Remove jumpers E85, E87, E88 if using external power
3	AA-15V	Input*	Analog Negative Supply Voltage	Remove jumpers E85, E87, E88 if using external power

* External power supply inputs for opto-isolation from the digital ground plane.

Connector TB1 Front- Limits 1

Pin#	Symbol	Function	Description	Notes
1	USER1	Input	General Capture Flag	Sinking or sourcing
2	PLIM1	Input	Positive Limit Flag	Sinking or sourcing
3	MLIM1	Input	Negative Limit Flag	Sinking or sourcing
4	HOME1	Input	Home Flag	Sinking or sourcing
5	FLG_1_RET	Input	Return For All Flags	+V (12 to 24V) or 0V

Connector TB2 Front- Limits 2

Pin#	Symbol	Function	Description	Notes
1	USER2	Input	General Capture Flag	Sinking or sourcing
2	PLIM2	Input	Positive Limit Flag	Sinking or sourcing
3	MLIM2	Input	Negative Limit Flag	Sinking or sourcing
4	HOME2	Input	Home Flag	Sinking or sourcing
5	FLG_2_RET	Input	Return For All Flags	+V (12 to 24V) or 0V

ACC-24E2 OPTION 1A TERMINAL BLOCK DESCRIPTION

The terminal blocks on the Acc-24E2 option 1A are described as TB1 Top, TB2 Top, TB3 Top, TB1 Bottom, TB2 Bottom, TB3 Bottom, TB1 Front and TB2 Front. The top connectors have the Encoder signals, the bottom connectors have the Amplifier signals, and the front connectors contain the Limit and Flag signals.

Connector TB1 Top - Encoder 3

Pin#	Symbol	Function	Description	Notes
1	CHA3+	Input	Encoder 3 Positive A Channel	Also pulse input
2	CHA3-	Input	Encoder 3 Negative A Channel	Also pulse input
3	CHB3+	Input	Encoder 3 Positive B Channel	Also direction input
4	CHB3-	Input	Encoder 3 Negative B Channel	Also direction input
5	CHC3+	Input	Encoder 3 Positive C Channel	Index channel
6	CHC3-	Input	Encoder 3 Negative C Channel	Index channel
7	ENCPWR	Output	Digital Supply	Power for encoder
8	GND	Common	Digital Reference	
9	CHU3+/DIR_3+	I/O	Supplemental Flag U or Direction 3+	Also direction output
10	CHV3+/DIR_3-	I/O	Supplemental Flag V or Direction 3-	Also direction output
11	CHW3+/PUL_3+	I/O	Supplemental Flag W or Pulse Output 3+	Also pulse output
12	CHT3+/PUL_3-	I/O	Supplemental Flag T or Pulse Output 3-	Also pulse output

Connector TB2 Top – Encoder 4

Pin#	Symbol	Function	Description	Notes
1	CHA4+	Input	Encoder 4 Positive A Channel	
2	CHA4-	Input	Encoder 4 Negative A Channel	
3	CHB4+	Input	Encoder 4 Positive B Channel	
4	CHB4-	Input	Encoder 4 Negative B Channel	
5	CHC4+	Input	Encoder 4 Positive C Channel	Index channel
6	CHC4-	Input	Encoder 4 Negative C Channel	Index channel
7	ENCPWR	Output	Digital Supply	Power for encoder
8	GND	Common	Digital Reference	
9	CHU1+/DIR_4+	I/O	Supplemental Flag U or Direction 4+	Also direction output
10	CHV1+/DIR_4-	I/O	Supplemental Flag V or Direction 4-	Also direction output
11	CHW1+/PUL_4+	I/O	Supplemental Flag W or Pulse Output 4+	Also pulse output
12	CHT1+/PUL_4-	I/O	Supplemental Flag T or Pulse Output 4-	Also pulse output

Connector TB3 Top – EQU Outputs

Pin#	Symbol	Function	Description	Notes
1	GND	Common	Reference Voltage	
2	BEQU3	Output	Compare Output 3	
3	BEQU4	Output	Compare Output 4	

Connector TB1 Bottom Amp-Out 3

Pin#	Symbol	Function	Description	Notes
1	DAC3A+	Output	Phase A Analog out	+/-10V, ref to AGND
2	DAC3A-	Output	Phase A Analog out	-/+10V; ref to AGND
3	DAC3B+	Output	Phase B Analog out	+/-10V, ref to AGND
4	DAC3B-	Output	Phase B Analog out	-/+10V; ref to AGND
5	AE_NC_3	Output	Amplifier Enable	Normally closed
6	AE_COM_3	Output	Amplifier Enable	
7	AE_NO_3	Output	Amplifier Enable	Normally open
8	AFAULT_3+	Input		
9	AFAULT_3-	Input		
10	AA+15V	Input*	Analog Positive Supply Voltage	Remove jumpers E85, E87, E88 if using external power
11	AA-15V	Input*	Analog Negative Supply Voltage	Remove jumpers E85, E87, E88 if using external power
12	AGND	Input*	Analog Reference Voltage	Remove jumpers E85, E87, E88 if using external power

* External power supply inputs for opto-isolation from the digital ground plane.

Connector TB2 Bottom Amp-Out 4

Pin#	Symbol	Function	Description	Notes
1	DAC4A+	Output	Phase A Analog out	+/-10V, ref to AGND
2	DAC4A-	Output	Phase A Analog out	-/+10V; ref to AGND
3	DAC4B+	Output	Phase B Analog out	+/-10V, ref to AGND
4	DAC4B-	Output	Phase B Analog out	-/+10V; ref to AGND
5	AE_NC_4	Output	Amplifier Enable	Normally closed
6	AE_COM_4	Output	Amplifier Enable	
7	AE_NO_4	Output	Amplifier Enable	Normally open
8	AFAULT_4+	Input		
9	AFAULT_4-	Input		
10	AA+15V	Input*	Analog Positive Supply Voltage	Remove jumpers E85, E87, E88 if using external power
11	AA-15V	Input*	Analog Negative Supply Voltage	Remove jumpers E85, E87, E88 if using external power
12	AAGND	Input*	Analog Reference Voltage	Remove jumpers E85, E87, E88 if using external power

* External power supply inputs for opto-isolation from the digital ground plane.

Connector TB3 Bottom-Analog Power

Pin#	Symbol	Function	Description	Notes
1	AAGND	Input	Analog Reference Voltage	Remove jumpers E85, E87, E88 if using external power
2	AA+15V	Input	Analog Positive Supply Voltage	Remove jumpers E85, E87, E88 if using external power
3	AA-15V	Input	Analog Negative Supply Voltage	Remove jumpers E85, E87, E88 if using external power

* External power supply inputs for opto-isolation from the digital ground plane.

Connector TB1 Front - Limits 3

Pin#	Symbol	Function	Description	Notes
1	USER3	Input	General Capture Flag	Sinking or sourcing
2	PLIM3	Input	Positive Limit Flag	Sinking or sourcing
3	MLIM3	Input	Negative Limit Flag	Sinking or sourcing
4	HOME3	Input	Home Flag	Sinking or sourcing
5	FLG_3_RET	Input	Return for All Flags	+V (12 to 24V) or 0V

Connector TB2 Front - Limits 4

Pin#	Symbol	Function	Description	Notes
1	USER4	Input	General Capture Flag	Sinking or sourcing
2	PLIM4	Input	Positive Limit Flag	Sinking or sourcing
3	MLIM4	Input	Negative Limit Flag	Sinking or sourcing
4	HOME4	Input	Home Flag	Sinking or sourcing
5	FLG_4_RET	Input	Return for All Flags	+V (12 to 24V) or 0V

ACC-24E2A DB15 CONNECTOR OPTION

DB15 Style Connector J1 Top - Encoder 1 / EQU

Pin#	Symbol	Function	Description	Notes
1	CHT1+/PUL_1-	I/O	Supplemental Flag T or Pulse Output 1-	Also pulse output
2	CHV1+/DIR_1-	I/O	Supplemental Flag V or Direction 1-	Also direction output
3	GND	Common	Digital Reference	
4	CHC1-	Input	Enc 1 Neg. C Chan.	Index channel
5	CHB1-	Input	Enc 1 Neg. B Chan.	
6	CHA1-	Input	Enc 1 Neg. A Chan.	
7	GND	Common	Reference Voltage	
8	BEQU2	Output	Compare Output 2	
9	CHW1+/PUL_1+	I/O	Supplemental Flag W or Pulse Output 1+	Also pulse output
10	CHU1+/DIR_1+	I/O	Supplemental Flag U or Direction 1+	Also direction output
11	ENCPWR	Output	Digital Supply	Power for encoder
12	CHC1+	Input	Enc 1 Pos. C Chan.	Index channel
13	CHB1+	Input	Enc 1 Pos. B Chan.	
14	CHA1+	Input	Enc 1 Pos. A Chan.	
15	BEQU1	Output	Compare Output 1	

DB15 Style Connector J2 Top - Encoder 2 / EQU

Pin#	Symbol	Function	Description	Notes
1	CHT2+/PUL_2-	I/O	Supplemental Flag T or Pulse Output 2-	Also pulse output
2	CHV2+/DIR_2-	I/O	Supplemental Flag V or Direction 2-	Also direction output
3	GND	Common	Digital Reference	
4	CHC2-	Input	Enc 2 Neg. C Chan.	Index channel
5	CHB2-	Input	Enc 2 Neg. B Chan.	
6	CHA2-	Input	Enc 2 Neg. A Chan.	
7	GND	Common	Reference Voltage	
8	BEQU2	Output	Compare Output 2	
9	CHW2+/PUL_2+	I/O	Supplemental Flag W or Pulse Output 2+	Also pulse output
10	CHU2+/DIR_2+	I/O	Supplemental Flag U or Direction 2+	Also direction output
11	ENCPWR	Output	Digital Supply	Power for encoder
12	CHC2+	Input	Enc 2 Pos. C Chan.	Index channel
13	CHB2+	Input	Enc 2 Pos. B Chan.	
14	CHA2+	Input	Enc 2 Pos. A Chan.	
15	BEQU2	Output	Compare Output 2	

DB15 Style Connector J1 Bottom Amp – Out 1/Analog Power

Pin#	Symbol	Function	Description	Notes
1	DAC1A+	Output	Phase A Analog Out	+/-10V, ref to AGND
2	DAC1B+	Output	Phase B Analog Out	+/-10V, ref to AGND
3	AE_NC_1	Output	Amplifier Enable	Normally closed
4	AE_NO_1	Output	Amplifier Enable	Normally open
5	AFAULT_1-	Input		
6	AA-15V	Input*	Analog Negative Supply Voltage	Remove jumpers E85, E87, E88 if using external power
7	AAGND	Input*	Analog Reference Voltage	Remove jumpers E85, E87, E88 if using external power
8	AA-15V	Input*	Analog Negative Supply Voltage	Remove jumpers E85, E87, E88 if using external power
9	DAC1A-	Output	Phase A Analog Out	-/+10V; ref to AGND
10	DAC1B-	Output	Phase B Analog Out	-/+10V; ref to AGND
11	AE_COM_1	Input	Amplifier Enable	
12	AFAULT_1+	Input		
13	AA+15V	Input*	Analog Positive Supply Voltage	Remove jumpers E85, E87, E88 if using external power
14	AAGND	Input*	Analog Reference Voltage	Remove jumpers E85, E87, E88 if using external power
15	AA+15V	Input*	Analog Positive Supply Voltage	Remove jumpers E85, E87, E88 if using external power

*External power supply inputs for opto-isolation from the digital ground plane.

DB15 Style Connector J2 Bottom Amp – Out 2/Analog Power

Pin#	Symbol	Function	Description	Notes
1	DAC2A+	Output	Phase A Analog Out	+/-10V, ref to AGND
2	DAC2B+	Output	Phase B Analog Out	+/-10V, ref to AGND
3	AE_NC_2	Output	Amplifier Enable	Normally closed
4	AE_NO_2	Output	Amplifier Enable	Normally open
5	AFAULT_2-	Input		
6	AA-15V	Input*	Analog Negative Supply Voltage	Remove jumpers E85, E87, E88 if using external power
7	AAGND	Input*	Analog Reference Voltage	Remove jumpers E85, E87, E88 if using external power
8	AA-15V	Input*	Analog Negative Supply Voltage	Remove jumpers E85, E87, E88 if using external power
9	DAC2A-	Output	Phase A Analog Out	-/+10V; ref to AGND
10	DAC2B-	Output	Phase B Analog Out	-/+10V; ref to AGND
11	AE_COM_2	Input	Amplifier Enable	
12	AFAULT_2+	Input		
13	AA+15V	Input*	Analog Positive Supply Voltage	Remove jumpers E85, E87, E88 if using external power
14	AAGND	Input*	Analog Reference Voltage	Remove jumpers E85, E87, E88 if using external power
15	AA+15V	Input*	Analog Positive Supply Voltage	Remove jumpers E85, E87, E88 if using external power

*External power supply inputs for opto-isolation from the digital ground plane.

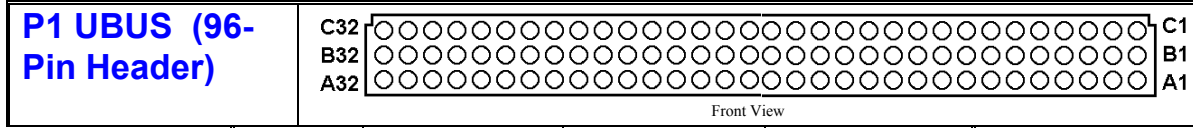
Connector TB1 Front-Limits 1

Pin#	Symbol	Function	Description	Notes
1	USER1	Input	General Capture Flag	Sinking or sourcing
2	PLIM1	Input	Positive Limit Flag	Sinking or sourcing
3	MLIM1	Input	Negative Limit Flag	Sinking or sourcing
4	HOME1	Input	Home Flag	Sinking or sourcing
5	FLG_1_RET	Input	Return For All Flags	+V (12 to 24V) or 0V

Connector TB2 Front-Limits 2

Pin#	Symbol	Function	Description	Notes
1	USER2	Input	General Capture Flag	Sinking or sourcing
2	PLIM2	Input	Positive Limit Flag	Sinking or sourcing
3	MLIM2	Input	Negative Limit Flag	Sinking or sourcing
4	HOME2	Input	Home Flag	Sinking or sourcing
5	FLG_2_RET	Input	Return For All Flags	+V (12 to 24V) or 0V

UBUS PINOUTS



Pin #	Row A	Row B	Row C
1	+5Vdc	+5Vdc	+5Vdc
2	GND	GND	GND
3	BD01	DAT0	BD00
4	BD03	SEL0	BD02
5	BD05	DAT1	BD04
6	BD07	SEL1	BD06
7	BD09	DAT2	BD08
8	BD11	SEL2	BD10
9	BD13	DAT3	BD12
10	BD15	SEL3	BD14
11	BD17	DAT4	BD16
12	BD19	SEL4	BD18
13	BD21	DAT5	BD20
14	BD23	SEL5	BD22
15	BS1	DAT6	BS0
16	BA01	SEL6	BA00
17	BA03	DAT7	BA02
18	BX/Y	SEL7	BA04
19	CS3-	BA06	CS2-
20	BA05	BA07	CS4-
21	CS12-	BA08	CS10-
22	CS16-	BA09	CS14-
23	BA13	BA10	BA12
24	BRD-	BA11	BWR-
25	BS3	MEMCS0-	BS2
26	WAIT-	MEMCS1-	RESET
27	PHASE+	IREQ1-	SERVO+
28	PHASE-	IREQ2-	SERVO-
29	ANALOG	GND IREQ3-	ANALOG GND
30	-15Vdc	PWRGND	+15Vdc
31	GND	GND	GND
32	+5Vdc	+5Vdc	+5Vdc

For more details about the JEXP, see the UBUS Specification Document.

DECLARATION OF CONFORMITY

Application of Council Directive: 89/336/EEC, 72/23/EEC

Manufacturers Name: Delta Tau Data Systems, Inc.

Manufacturers Address: 21314 Lassen Street
Chatsworth, CA 91311
USA

We, Delta Tau Data Systems, Inc. hereby declare that the product

Product Name: Accessory 24E2A

Model Number: 603398

And all of its options conforms to the following standards:

EN61326: 1997	Electrical equipment for measurement, control, and laboratory use- EMC requirements
EN55011: 1998	Limits and methods of measurements of radio disturbance characteristics of information technology equipment
EN61010-1	Electrical equipment for measurement, control, and laboratory use- Safety requirements
EN61000-3-2 :1995 A14:1998	Limits for harmonic current emissions. Criteria A
EN61000-3-3: 1995	Limitation of voltage fluctuations and flicker in low-voltage supply systems for equipment with rated current $\leq 16A$. Criteria B.
EN61000-4-2:1995 A1: 1998	Electro Static Discharge immunity test. Criteria B
EN61000-4-3: 1995 A1: 1998	Radiated, radio-frequency, electromagnetic field immunity test. Criteria A
EN61000-4-4: 1995	Electrical fast transients/burst immunity test. Criteria B
EN61000-4-5: 1995	Surge Test. Criteria B
EN61000-4-6: 1996	Conducted immunity test. Criteria A
EN61000-4-11: 1994	Voltage dips test. Criteria B and C

Date Issued: 11 May 2006

Place Issued: Chatsworth, California USA

Yolande Cano
anager

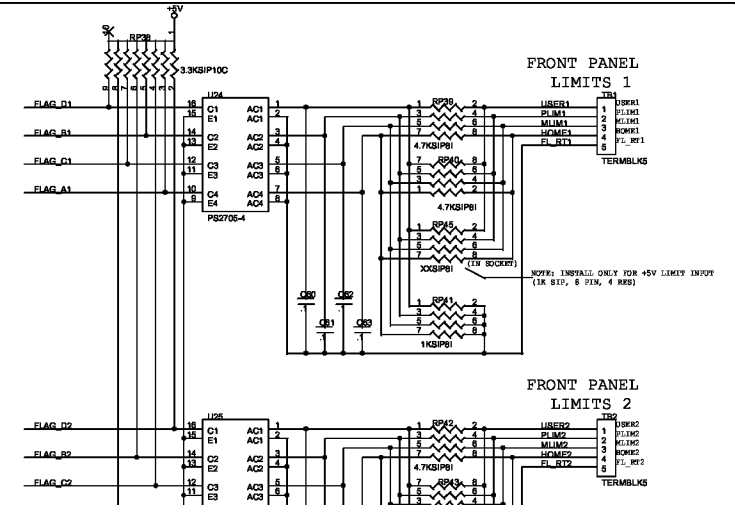
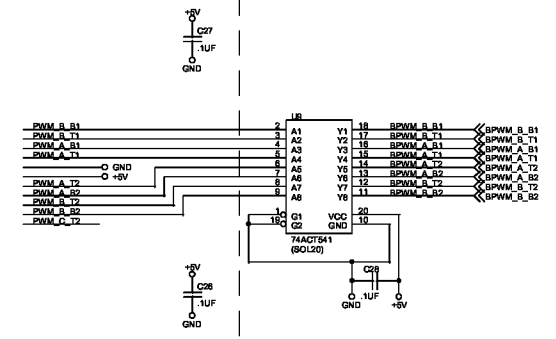
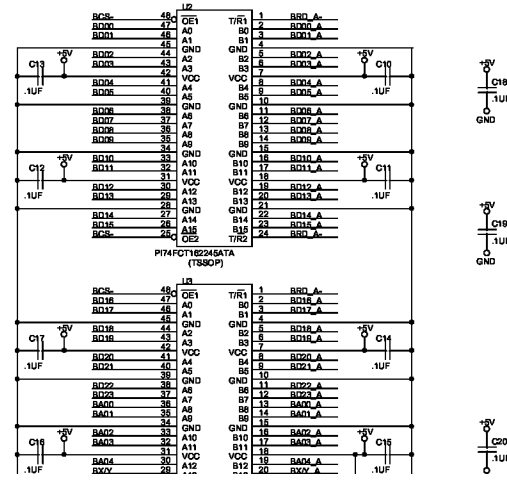
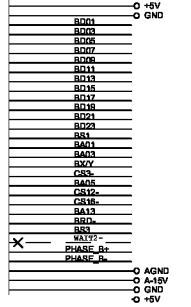
Mark of Compliance

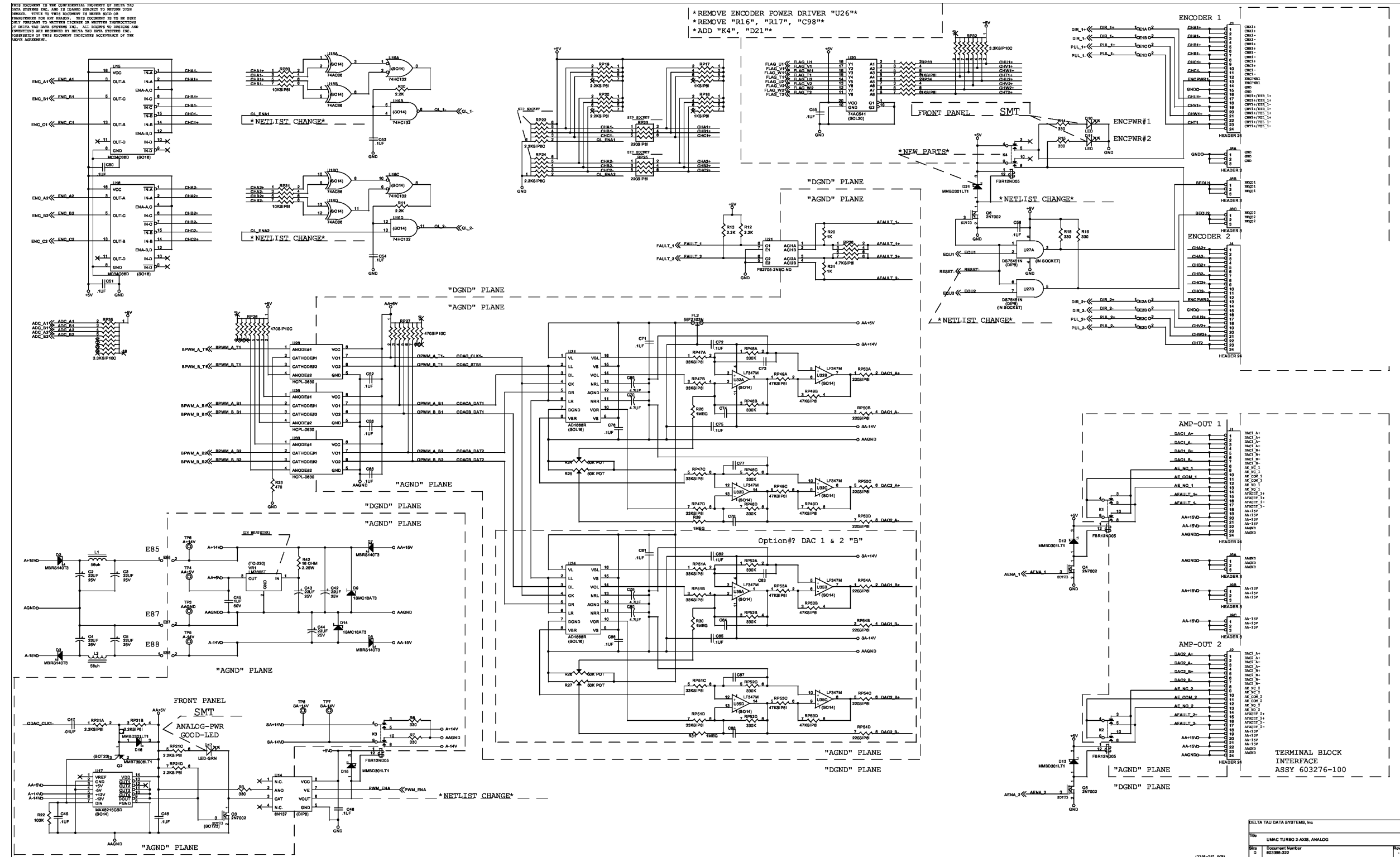


SCHEMATICS

THIS DOCUMENT IS THE CONFIDENTIAL PROPERTY OF DELTA SAG DATA SYSTEMS INC. AND IS LOANED SUBJECT TO RETURN UPON DEMAND. TITLE TO THIS DOCUMENT IS HEREBY SOLD OR TRANSFERRED FOR ANY REASON. THIS DOCUMENT IS TO BE USED ONLY PURSUANT TO WRITTEN LICENSE OR WRITTEN INSTRUCTIONS OF DELTA SAG DATA SYSTEMS INC. ALL RIGHTS TO DESIGN AND INFORMATION ARE RESERVED BY DELTA SAG DATA SYSTEMS INC. PERMISSION OF THIS DOCUMENT INDICATES ACCEPTANCE OF THE ABOVE AGREEMENT.

(JEXP)
P14





Artisan Technology Group is an independent supplier of quality pre-owned equipment

Gold-standard solutions

Extend the life of your critical industrial, commercial, and military systems with our superior service and support.

We buy equipment

Planning to upgrade your current equipment? Have surplus equipment taking up shelf space? We'll give it a new home.

Learn more!

Visit us at artisanng.com for more info on price quotes, drivers, technical specifications, manuals, and documentation.

Artisan Scientific Corporation dba Artisan Technology Group is not an affiliate, representative, or authorized distributor for any manufacturer listed herein.

We're here to make your life easier. How can we help you today?

(217) 352-9330 | sales@artisanng.com | artisanng.com

