

# Sunbeam

## SLEEP PERFECT Machine Washable Electric Blankets User Guide

BLF51 Fitted  
BLA53 Antibacterial  
BLQ54 Quilted  
BLW56 Wool Fleece

*Sunbeam*<sup>®</sup>  
SLEEP PERFECT<sup>®</sup>  
FITTED ELECTRIC BLANKET

**Q**  
QUEEN  
153 CM X 200 CM  
FITTED

9 HEAT SETTINGS | 10 MINUTE HEAT UP

**AUTO OFF**  
75 MINUTE OR 12 HOUR

250g/m<sup>2</sup>  
SOFT & COSY  
FABRIC

REST EASY WITH  
SAFETY OVERHEAT  
PROTECTION

MACHINE WASHABLE

BLF5151

# Contents

Sunbeam's Safety Precautions	1
Safety Precautions for your Electric Blanket	2
Sunbeam's SleepPerfect® Technology	3
Features of your electric blanket	
Sleep Perfect Fitted	4
Sleep Perfect Antibacterial	5
Sleep Perfect Quilted	6
Sleep Perfect Wool Fleece	7
Fitting your electric blanket	8
Using your electric blanket	10
Troubleshooting	12
Care and cleaning	13

## Important instructions – retain for future use.

تأكد من تفهم احتياطات السلامة المذكورة اعلاه

請務必理解上述的安全預防措施。

Assurez-vous que les précautions ci-dessus relatives à la sécurité sont bien comprises

Versichern Sie sich, dass die obenstehenden Sicherheitsmaßnahmen Verstanden werden

Βεβαιώνετε πως οι παραπάνω προφυλάξεις ασφαλείας γίνονται κατανοητές

Pastikan bahwa tindakan-tindakan keselamatan seperti di atas dimengerti anda

Accertatevi che le suddette norme di sicurezza siano comprese a dovere

上記の注意事項をよくお読みになり、安全を御確認ください

Уверете се дека погоре споменатите мерки на претпазливост се добро разбрани

Asegúrese de que las precauciones de seguridad precedentes sean bien comprendidas

کاری بکنید کہ احتیاطهای بالا حتماً درک بشوند

ต้องแน่ใจว่า ข้อควรระวังเรื่องความปลอดภัยข้างต้น เป็นที่เข้าใจกันดี

Yukarda belirtilen güvenlik önlemlerinin anlaşıldığından emin olunuz

Xin kiểm soát rằng những biện pháp làm an toàn kể trên được hiểu rõ

# Sunbeam's Safety Precautions

**Sunbeam is very safety conscious when designing and manufacturing consumer products, but it is essential that the product user also exercise care when using an electrical appliance. Listed below are precautions which are essential for the safe use of an electrical appliance:**

- Read carefully and save all the instructions provided with an appliance.
- Always turn the power off at the power outlet before you insert or remove a plug. Remove by grasping the plug - do not pull on the cord.
- Turn the power off and remove the plug when the appliance is not in use and before cleaning.
- Do not use your appliance with an extension cord unless this cord has been checked and tested by a qualified technician or service person.
- Always use your appliance from a power outlet of the voltage (A.C. only) marked on the appliance.
- This appliance is not intended for use by persons (including children) with reduced physical, sensory or mental capabilities, or lack of experience and knowledge, unless they have been given supervision or instruction concerning use of the appliance by a person responsible for their safety.
- Children should be supervised to ensure that they do not play with the appliance.
- The temperature of accessible surfaces may be high when the appliance is operating.
- Never leave an appliance unattended while in use.
- Do not use an appliance for any purpose other than its intended use.
- Do not place an appliance on or near a hot gas flame, electric element or on a heated oven.
- Do not place on top of any other appliance.
- Do not let the power cord of an appliance hang over the edge of a table or bench top or touch any hot surface.
- Do not operate any electrical appliance with a damaged cord or after the appliance has been damaged in any manner. If damage is suspected, return the appliance to the nearest Sunbeam Appointed Service Centre for examination, repair or adjustment.
- For additional protection, Sunbeam recommend the use of a residual current device (RCD) with a tripping current not exceeding 30mA in the electrical circuit supplying power to your appliances.
- Do not immerse the appliance in water or any other liquid unless recommended.
- Appliances are not intended to be operated by means of an external timer or separate remote control system.
- This appliance is intended to be used in household and similar applications such as: staff kitchen areas in shops, offices and other working environments; farm houses; by clients in hotels, motels and other residential type environments; bed and breakfast type environments.
- It is recommended that a qualified engineer or registered person inspect the heated blanket once it passes warranty period and every 2 years thereafter.
- Do not place heavy items on your bed when the electric blanket is turned on.

If you have any concerns regarding the performance and use of your appliance, please visit [www.sunbeam.com.au](http://www.sunbeam.com.au) or contact the Sunbeam Consumer Service Line. Ensure the above safety precautions are understood.

# Safety Precautions for your Electric Blanket

- Do not use your electric blanket on or under a waterbed.
- Do not use on an adjustable bed or futon.
- Do not switch the blanket on if moist or wet.
- Do not allow the blanket heating wires to lie over the edge of the mattress.
- Do not place your power cord or connector under any stress or strain. Never jam or bend the power cord over a hard surface such as a bed frame. The power cord should always remain free from obstructions.
- Do not use pins, needles, safety pins or other sharp items on your electric blanket.
- Do not dry clean your electric blanket.
- Use only as an underblanket.
- Examine periodically for signs of wear or damage on the blanket cords. If there are such signs, or the blanket has been misused, return it to an authorised service agent for inspection.
- Each day check that the electric blanket is smooth, flat and properly secured on the mattress. Do not use if the blanket is folded, rucked or creased.
- Only use your electric blanket with the controls supplied or marked equivalent.
- Do not use with infants, infirm persons, or persons insensitive to heat.
- Parents or guardians must preset the controls for young children, unless the child has been adequately instructed on how to operate the control safely.
- Children under the age of three are not to use this appliance due to their inability to react to overheating.
- Turn the power off and remove the plug when the appliance is not in use and before cleaning.
- This electric blanket is not intended for use in hospitals.
- Should your appliance suffer a thermal or fuse link rupture (normally identified when the blanket stops heating) please return it to the manufacturer or agent for repair or replacement.
- When storing the appliance, allow it to cool down before folding.
- Do not crease the appliance by placing items on top of it during storage.
- Heat settings 1-3 (for blankets with 9 heat control) and 1-5 (for blankets with 6 heat control) are for continuous or all night use. If this appliance is slept on with the controls set to a higher temperature, the user may suffer skin burns or heat stroke.

## Important instructions – retain for future use.

If you have any concerns regarding the performance and use of your appliance, please visit [www.sunbeam.com.au](http://www.sunbeam.com.au) or contact the Sunbeam Consumer Service Line. Ensure the above safety precautions are understood.

## Care Label Symbols



Attention



Instruction Booklet - Please read the instructions thoroughly before use

# Sunbeam's SleepPerfect® Technology

## Temperature sensitive, fast-heating elements

All Sunbeam Sleep Perfect electric blankets feature our exclusive SleepPerfect® Technology. This technology uses a unique heating element that adjusts the power supplied to your electric blanket to maintain your selected setting. A built-in microprocessor continually senses changes to your body temperature affecting the blankets' temperature and adjusts the power input accordingly, to provide a constant level of comfort.

On double, queen and king size electric blankets each side adjusts independently to maintain individual comfort levels. So you'll always sleep soundly, even on the coldest nights.

This unique element also heats to your selected temperature in just 10 minutes, so there's no need for hours of preheating before bedtime.

## Nine levels of safety protection

A built-in microprocessor senses any rise in temperature and reduces the power supply to prevent overheating.

A second microprocessor acts as a back up should the first fail.

In the unlikely event of a fault, the microprocessor senses the abnormal operation and automatically cuts off power to the blanket.

For additional safety protection, all Sleep Perfect electric blankets contain a thermal back up fuse that is independent of the blanket control. It detects any abnormal temperature variations in the heating element and automatically switches the blanket off to prevent overheating.

# Sleep Perfect Fitted

BLF5121 Single Bed  
BLF5131 King Single Bed  
BLF5141 Double Bed  
BLF5151 Queen Bed  
BLF5171 King Bed

**Your Sleep Perfect Fitted electric blanket has the following features:**

## **SleepPerfect® Technology**

Sunbeam's exclusive SleepPerfect® Technology continually senses and adjusts to changes in your room and body temperature to maintain your selected heat setting. So when the temperature drops outside, you'll stay safe and warm.

## **Cosy feet heating**

The heating wires are concentrated at the base of the blanket to deliver extra heat around your feet, while keeping the rest of your body comfortably warm.

## **Fitted design**

The 50cm fitted skirt and extra strong elastic cord keep the blanket flat and taut on the mattress, and make it easier to fit and remove from the bed.

For instructions on how to fit your Sleep Perfect Fitted electric blanket, see the section titled Fitted Electric Blankets on page 12.

## **Machine washable**

The detachable controls and waterproof element make your electric blanket safe to machine wash and may be tumble dried.

For instructions on how to launder your Sleep Perfect Fitted electric blanket, see the Care and Cleaning section on page 13.

## **9 heat timer control**

A choice of 9 heat settings allows you to select the desired temperature to keep you comfortable all night. The setting dial is illuminated to enable easy adjustment in the dark.

Ideal for preheating the bed, select the desired temperature and in 10 minutes your bed will be ready. You can also use the timer setting at either 75 minutes or 12 hours and the blanket will switch off at these intervals.

## **Detachable controls**

Always remove the controls when laundering your blanket. Store the controls during the summer months while your blanket remains on the bed as a comfortable underblanket. If you choose to leave your blanket on the bed during the summer months, always detach the controls/cords and store until such time as you will again use it as an electric blanket.

## **Dual controls**

Your Double, Queen or King size electric blanket features two controls for individual comfort.

# Sleep Perfect Antibacterial

BLA5321 Single Bed  
BLA5331 King Single Bed  
BLA5341 Double Bed  
BLA5351 Queen Bed  
BLA5371 King Bed

**Your Sleep Perfect Antibacterial electric blanket has the following features:**

## **SleepPerfect® Technology**

Sunbeam's exclusive SleepPerfect® Technology continually senses and adjusts to changes in your room and body temperature to maintain your selected heat setting. So when the temperature drops outside, you'll stay safe and warm.

## **Antibacterial treatment**

Your Sleep Perfect blankets' polyester fibres feature Antibacterial treatment. Ideal for asthma and allergy sufferers, this treatment assists inhibit the growth of mould and bacteria, ensuring a fresher, more hygienic blanket.

## **Cosy feet heating**

The heating wires are concentrated at the base of the blanket to deliver extra heat around your feet, while keeping the rest of your body comfortably warm.

## **Fitted design**

The fitted skirt and extra strong elastic cord keep the blanket flat and taut on the mattress, and make it easier to fit and remove from the bed.

For instructions on how to fit your Sleep Perfect Antibacterial electric blanket, see the section titled Fitted Electric Blankets on page 8.

## **Machine washable**

The detachable controls and waterproof element make your electric blanket safe to machine wash and may be tumble dried. For instructions on how to launder your Sleep Perfect Fitted electric blanket, see the Care and Cleaning section on page 13.

## **9 heat timer control**

A choice of 9 heat settings allows you to select the desired temperature to keep you comfortable all night. The setting dial is illuminated to enable easy adjustment in the dark.

Ideal for preheating the bed, the 75 minute setting automatically switches the blanket off after 75 minutes.

The 12 hour setting automatically switches the blanket off after 12 hours in case you forget.

## **Detachable controls**

Always remove the controls when laundering your blanket. Store the controls during the summer months while your blanket remains on the bed as a comfortable underblanket. If you choose to leave your blanket on the bed during the summer months, always detach the controls/cords and store until such time as you will again use it as an electric blanket.

## **Dual Controls**

Your Double, Queen or King size electric blanket features two controls for individual comfort.

# Sleep Perfect Quilted

BLQ5421 Single Bed  
BLQ5451 Queen Bed  
BLQ5471 King Bed  
BLQ5481 Super King Bed (New Zealand only)

**Your Sleep Perfect Quilted electric blanket has the following features:**

## **SleepPerfect® Technology**

Sunbeam's exclusive SleepPerfect® Technology continually senses and adjusts to changes in your room and body temperature to maintain your selected heat setting. So when the temperature drops outside, you'll stay safe and warm.

## **Quilted fabric**

The quilted electric blanket adds an extra layer of comfort to your bed. It is designed to remain on the bed all year round as a comfortable underblanket, with the added benefit of protecting your mattress. Simply detach the controls when not needed.

## **Cosy feet heating**

The heating wires are concentrated at the base of the blanket to deliver extra heat around your feet, while keeping the rest of your body comfortably warm.

## **Fitted design**

The fitted skirt and extra strong elastic cord keep the blanket flat and taut on the mattress, and make it easier to fit and remove from the bed.

For instructions on how to fit your Sleep Perfect Quilted electric blanket, see the section titled Fitted Electric Blankets on page 8.

## **Machine washable**

The detachable controls and waterproof element make your electric blanket safe to machine wash and may be tumble dried. For instructions on how to launder your Sleep Perfect Fitted electric blanket, see the Care and Cleaning section on page 12.

## **6 heat and digital timer control**

A Sunbeam exclusive feature is express heat up; set to level 6 and you are ready for bed in 5 minutes! Select heat settings from 1 to 5 for all night use.

Choose from 2 timer settings and your blanket will automatically switch off after 1 or 9 hours.

## **Detachable controls**

Always remove the controls when laundering your blanket. Store the controls during the summer months while your blanket remains on the bed as a comfortable underblanket. If you choose to leave your blanket on the bed during the summer months, always detach the controls/cords and store until such time as you will again use it as an electric blanket.

## **Dual controls**

Your Queen, King and Super King size electric blanket features two controls for individual comfort.

# Sleep Perfect Wool Fleece

BLW5651 Queen Bed  
BLW5671 King Bed  
BLW5681 Super King Bed (New Zealand only)

**Your Sleep Perfect Wool Fleece electric blanket has the following features:**

## **SleepPerfect® Technology**

Sunbeam's exclusive SleepPerfect® Technology continually senses and adjusts to changes in your room and body temperature to maintain your selected heat setting. So when the temperature drops outside, you'll stay safe and warm.

## **Australian Wool Fleece**

Featuring 500g/m<sup>2</sup> 28 micron Australian wool fleece top, your Sleep Perfect blanket is the ultimate in warmth and comfort all year round with the added benefit of heating! The 25mm wool pile allows the air to circulate around your body in winter and summer. Simply detach the controls and store when not in use.

## **Cosy feet heating**

The heating wires are concentrated at the base of the blanket to deliver extra heat around your feet, while keeping the rest of your body comfortably warm.

## **Fitted design**

The fitted skirt and extra strong elastic cord keep the blanket flat and taut on the mattress, and make it easier to fit and remove from the bed.

For instructions on how to fit your Sleep Perfect Fleece electric blanket, see page 7.

## **Machine washable**

The detachable controls and waterproof element make your electric blanket safe to machine wash and may be tumble dried. For instructions on how to launder your Sleep Perfect Fitted electric blanket, see the Care and Cleaning section on page 13.

## **6 heat and digital timer control**

A Sunbeam exclusive feature is express heat up; set to level 6 and you're ready for bed in 5 minutes! Select heat settings from 1 to 5 for all night use.

Choose from 2 timer settings and your blanket will automatically switch off after 1 or 9 hours.

## **Detachable controls**

Always remove the controls when laundering your blanket. Store the controls during the summer months while your blanket remains on the bed as a comfortable underblanket. If you choose to leave your blanket on the bed during the summer months, always detach the controls/cords and store until such time as you will again use it as an electric blanket.

## **Dual controls**

Your Queen, King or Super King size electric blanket features two controls for individual comfort.

# Fitting your electric blanket

Follow the instructions below for the type of electric blanket you have purchased. A double/queen size electric blanket can safely be used on a double bed, providing the heating wires do not overhang the edge of the mattress. Do not tuck in.

## Fitted electric blankets

Place the electric blanket on your mattress with the control sockets on the underside of the blanket near the head of the bed (see Figure 3). Ensure the heating wires do not extend under the pillows.

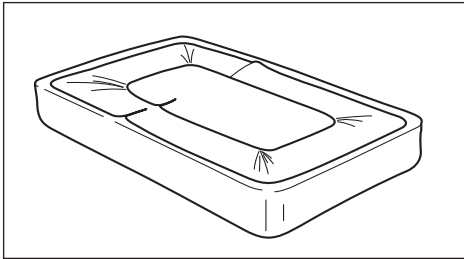


Figure 3.

A single or king single Fitted or Antibacterial electric blanket can be turned over so that the control is on the preferred side of the bed if desired. Please note that this may result in the control facing towards the bed once the bed is made.

Pull the elastic cord inside the fitted skirt over the top corners of the mattress. To fit the foot of the bed, pull from the centre of the blanket to the foot of the bed, and fit one corner at a time while holding the centre (see Figure 4).

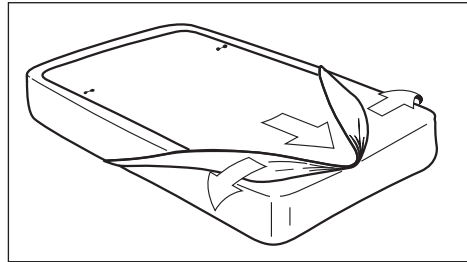


Figure 4.

Ensure the fitted skirt and elastic cord go completely under the mattress. Pull on the edges of the blanket to ensure that it is flat and square on the mattress.

# Fitting your electric blanket

## Connecting the controls

To connect the controls, lift one corner of the blanket near the head of the bed to expose the connector socket. With the control set to the off position, pass the control cord through the triangular hole in the fitted skirt and insert the connector plug into the socket. Ensure it is firmly clicked into position. Repeat on the other side if required. Plug the controls into a 230-240V power outlet and turn the power on.

**Note:** Ensure that the controls are connected to the blanket before inserting the power cord into the power outlet. Connecting the power before attaching the controls to the blanket will replicate a power interruption and activate the safety system, preventing your blanket from heating.

**Caution:** The cord and controls must be kept outside the bed and away from external heating sources such as heaters and lamps. Do not cover the control.

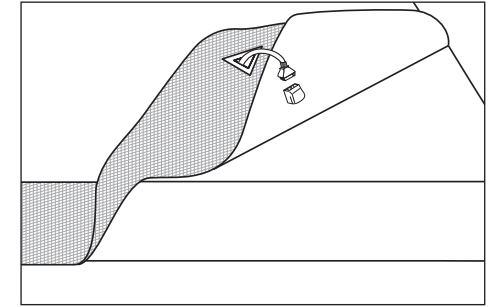


Figure 5.

# Using your electric blanket

## Before first use

Before using your electric blanket for the first time, Sunbeam recommends that you switch the blanket to maximum heat (setting 9) for two to three hours to evaporate any moisture in the mattress. Repeat this process every few months to maintain a dry, healthy bed. Your electric blanket control has nine heat settings, which are recommended for use as follows:

- 1-3 Low, gentle heat for all night use
- 4-6 Medium heat
- 7-9 High heat, for preheating only

Use the high heat settings to preheat your bed only. Do not sleep with your blanket on these settings for more than 30 minutes.

## Using your 9 heat control with timer

Your timer control features a slide switch to select the desired operating mode, plus an easy to use dial to select the temperature setting (see Figure 6). The heat setting dial is illuminated for easy adjustment in the dark.

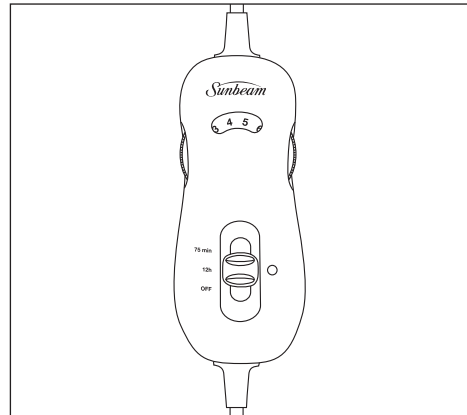


Figure 6.

## 75 minute setting

Use the 75 minute setting to preheat your bed before hopping in. Move the slide switch to the 75min position. The temperature dial will then illuminate enabling you to turn the dial to your desired heat setting. The timer indicator light (positioned next to the slide switch) will go out, indicating that the blanket is on and heating.

Your electric blanket will automatically switch off after 75 minutes. The timer indicator light will illuminate and the light in the temperature dial will go out, indicating that the timer period has elapsed and the blanket is no longer heating.

To restart the timer, move the slide switch to the OFF position and then return it to the desired timer position.

# Using your electric blanket

## 12 hour setting

Ideal for colder nights or those who like warmth all through the night, the 12 hour setting automatically switches your electric blanket off after 12 hours. Move the slide switch to the 12 hour position. The temperature dial will then illuminate enabling you to turn the dial to your desired heat setting. The timer indicator light (positioned next to the slide switch) will go out, indicating that the blanket is on and heating. Sunbeam recommends that you use only settings 1, 2 or 3 for all night use.

Your electric blanket will automatically switch off after 12 hours. At the end of the timer period, the timer indicator light will illuminate and the light in the temperature dial will go out, indicating that the timer period has elapsed and the blanket is no longer heating.

To restart the timer, move the slide switch to the OFF position and then return it to the desired timer position.

## Using your 6 heat digital timer control

Ensure that the control is connected to the blanket properly. Move the slide switch on the rear of the control to the on position (I). The blue standby light (Ⓞ) will illuminate to indicate that the blanket is connected to the power outlet but is not heating.

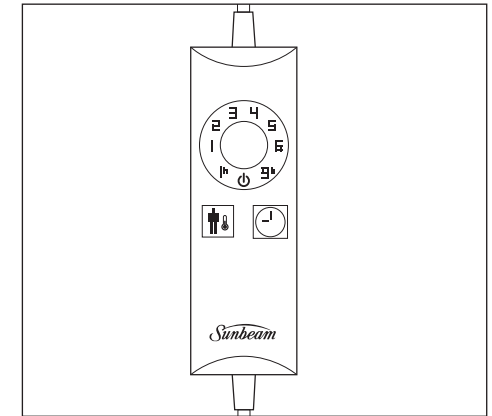


Figure 6.

Press the timer button (Ⓞ) to turn the control on. Heat setting 1 will illuminate. Select the desired temperature using the temperature (Ⓞ) button. The selected temperature setting will illuminate. Pressing the temperature button cycles through the various temperature settings, from 1 through to 6, then back to 1.

Sunbeam recommends that you use only settings 1-5 for all night use. Use setting 6 for fast preheating only.

To change the timer period, press the timer button (Ⓞ). Pressing the timer button will cycle through the two timer options, 1 hour or 9 hours, and standby mode. If the timer setting is changed during the timer period, the timer will restart.

At the end of the selected timer period, the blanket will switch off and the blue standby light will illuminate. To switch the blanket on again, press the timer button to select a timer period. The control will default to the previous temperature setting. You can adjust the temperature at any time during the timer period.

# Troubleshooting

## **Should your electric blanket fail to heat, check the following:**

1. Check that the controls are properly connected to the blanket and clicked securely into position. If you find the control connector plug is not properly fitted to the blanket, switch the power off at the power outlet, securely attach the control connector plug to the blanket, and then switch the power back on. The timer indicator light should not flash once the power is reconnected. If the timer light flashes once the power is reconnected, the control connector plug is not properly fitted.
2. Check that the power cord is connected to the power outlet and the power is switched on.
3. Check that the control slide switch is in either the 75 minute or 12 hour position.

## **Troubleshooting - 6 heat digital timer control**

If the control detects a fault within the blanket, the standby light (⏻) will flash.

If the standby light flashes twice, followed by a long pause, the control may not be connected to the blanket correctly. Turn the control off at the main power switch (located on the rear of the control). Check that the control is properly connected to the blanket and the connector is not damaged. Switch the control on again. If the standby light continues to flash, please contact Sunbeam Customer Service (see the back page for contact details).

If the standby light flashes three times, followed by a long pause, the blanket is too hot or may be damaged. Turn the control off at the main power switch (located on the rear of the control). Switch the control on again. If the standby light continues to flash, please contact Sunbeam Customer Service (see the back page for contact details).

# Care and cleaning

All Sleep Perfect electric blankets feature waterproof heating elements, making them fully immersible and safe to wash by hand or machine.

Before cleaning your electric blanket, ensure that the controls are unplugged from the blanket.

## **Spot cleaning**

Sponge the affected area using a neutral wool detergent or mild soap flakes mixed with lukewarm water. Sponge twice with clean water to remove detergent. Remove excess water by compressing the wet area between two towels.

## **Hand washing**

Wash the blanket in lukewarm water with a neutral wool detergent or mild soap flakes. Soak for five minutes, then gently squeeze the soapy water through the fabric. Rinse thoroughly in clean, lukewarm water then drain excess water from the blanket. Do not wring.

## **Machine washing**

Take your electric blanket to a commercial laundry or wash in a domestic washing machine (size permitting). Wash on WOOL or DELICATES cycle with a neutral wool detergent or mild soap flakes, below 40°C. Do not use high speed or extra spin cycles.

## **Line drying**

Drape the blanket across several lines of your clothesline. Do not use pegs on the wired areas. Do not dry with a hairdryer or heater. Ensure that the blanket and control sockets are completely dry before using again.

## **Machine drying**

Tumble dry your blanket on LOW setting for 15 minutes MAXIMUM. Smooth the blanket by gently pulling any creases out of the fabric. Line dry to ensure the blanket and control sockets are completely dry before use. Do not dry with a hairdryer or heater.

## **Storing your blanket**

Your blanket can remain on the bed all year round as a comfortable underblanket. Simply remove the controls and store until winter. If you wish to remove the blanket from your bed when not in use, roll or fold it loosely and store in a blanket bag or the bag it was supplied in. Avoid pressing sharp creases into the blanket.

Do not place heavy items on top of your electric blanket when storing.

When storing the electric blanket, allow it to cool down before folding.





This Sunbeam product is covered by a **3 year** replacement or repair warranty, which is in addition to your rights under the Australian Consumer Law (if your product was purchased in Australia) or New Zealand Consumer Guarantees Act (if your product was purchased in New Zealand).

Should you experience any difficulties with your product during the warranty period, please contact our customer service line for advice on 1300 881 861 in Australia, or 0800 786 232 in New Zealand.

---

#### Australia

[www.sunbeam.com.au](http://www.sunbeam.com.au)  
1300 881 861  
Suite 1, Level 1,  
13 Lord Street,  
Botany NSW 2019  
Australia

#### New Zealand

[www.sunbeam.co.nz](http://www.sunbeam.co.nz)  
0800 786 232  
Level 6, Building 5,  
Central Park,  
660-670 Great South Road,  
Greenlane, Auckland  
New Zealand

---

Upon receipt of your claim, Sunbeam will seek to resolve your difficulties or, if the product is defective, advise you on how to obtain a replacement or refund.

To assist us in managing warranty claims, we recommend you register your product as soon as practicable after purchase by creating a MySunbeam account on our website and uploading a copy of your original receipt.

In order to make a claim under our warranty, you must have the original proof of purchase documentation for the product and present it when requested (if not already uploaded to our website).

Should your product develop any defect within 3 years of purchase because of faulty materials or workmanship, we will replace or repair it, at our discretion, free of charge. A product presented for repair may be replaced by a refurbished product of the same type rather than being repaired. Refurbished parts may be used to repair the product.

Our replacement or repair warranty only applies where a defect arises as a result of faulty material or workmanship during the warranty period. Your warranty does not cover misuse or negligent handling (including damage caused by failing to use the product in accordance with this instruction booklet), accidental damage, or normal wear and tear.

Your warranty does not:

- cover freight or any other costs incurred in making a claim, consumable items, accessories that by their nature and limited lifespan require periodic renewal (such as filters and seals) or any consequential loss or damage; or

- cover damage caused by:
  - power surges, power dips, voltage supply problems, or use of the product on incorrect voltage;

- servicing or modification of the product other than by Sunbeam or an authorised Sunbeam service centre;
- use of the product with other accessories, attachments, product supplies, parts or devices that do not conform to Sunbeam specifications; or
- exposure of the product to abnormally corrosive conditions; or

- extend beyond 3 months if the product is used in commercial, industrial, educational or rental applications.

**The benefits given to you by our warranty are in addition to other rights and remedies under law in relation to the product.**

**In Australia our goods come with guarantees that cannot be excluded under the Australian Consumer Law. You are entitled to a replacement or refund for a major failure and for compensation for any other foreseeable loss or damage. You are also entitled to have the goods repaired or replaced if the goods fail to be of acceptable quality and the failure does not amount to a major failure.**

**Our goods also come with guarantees that cannot be excluded under the New Zealand Consumer Guarantees Act.**

If your warranty claim is not accepted, we will inform you and if requested to do so by you, repair the product provided you pay the usual charges for such repair. You will also be responsible for all freight and other costs.

Should your product require repair or service after the warranty period, contact your nearest Sunbeam service centre. For a complete list of Sunbeam's service centres, visit our website or call our customer service line for advice on 1300 881 861 in Australia, or 0800 786 232 in New Zealand.

## Need help with your appliance?

Contact our customer service team or visit our website for information and tips on getting the most from your appliance.

Australia | visit [www.sunbeam.com.au](http://www.sunbeam.com.au)  
phone 1300 881 861  
mail Suite 1, Level 1, 13 Lord Street,  
Botany NSW 2019 Australia.

New Zealand | visit [www.sunbeam.co.nz](http://www.sunbeam.co.nz)  
phone 0800 786 232  
mail Level 6, Building 5, Central Park,  
660–670 Great South Road,  
Greenlane, Auckland.

NEWELL AUSTRALIA PTY LTD. ABN 68 075 071 233

Sunbeam Corporation is a division of Newell Brands.

Sunbeam is a registered trade mark.

Sleep Express and Boost Technology are trade marks of Sunbeam Corporation.

Made under license of Australian Patent No. AU2013203697 (B2),  
and New Zealand Patent No. NZ609279 (A)

Made in China to Sunbeam's specification.

Due to minor changes in design or otherwise,  
the product you buy may differ slightly from the one shown here.

Approved by the appropriate electrical regulatory authorities.

©Copyright Sunbeam 2020.

09/20

BLF51\_BLA53\_BLQ54\_BLW56\_20EM1 (ANZ)

GCDS-SUN-JC