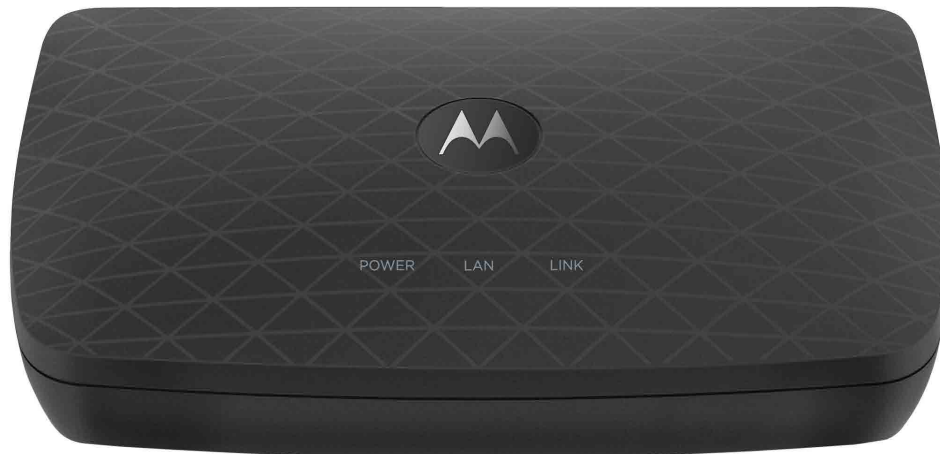


MoCA[®] Adapter

Bonded 2.0 MoCA
for Ethernet over Coax.



Actual size

- Speeds up to 1,000 Mbps!
- Connects your router or modem/router to a remote HDTV, PC, wireless access point, game station, DVD player, TiVo[®] box, or other Ethernet-capable device
- Transmits over the same coax cable as your cable TV or fiber-optic service
- Beats wireless for speed, latency, reliability, and security

Important Features

Provides a high-speed wired connection using existing coax between a router and an HDTV, computer, or other device that has an Ethernet port for Internet access.

Works over the coax cabling in your home*

Works for up to 16 remote devices, each using its own MoCA adapter

Bonded MoCA 2.0 is very fast, supporting actual speeds up to 1 Gigabit per second.** This is typically much faster than unbonded MoCA 2.0, MoCA 1.1, MoCA 1.0, or WiFi.

This MoCA adapter works with all types of MoCA including MoCA 1.0, 1.1, 2.0, and 2.5.

Easy plug-in setup, with no need for configuring the MoCA adapter or re-configuring your router.

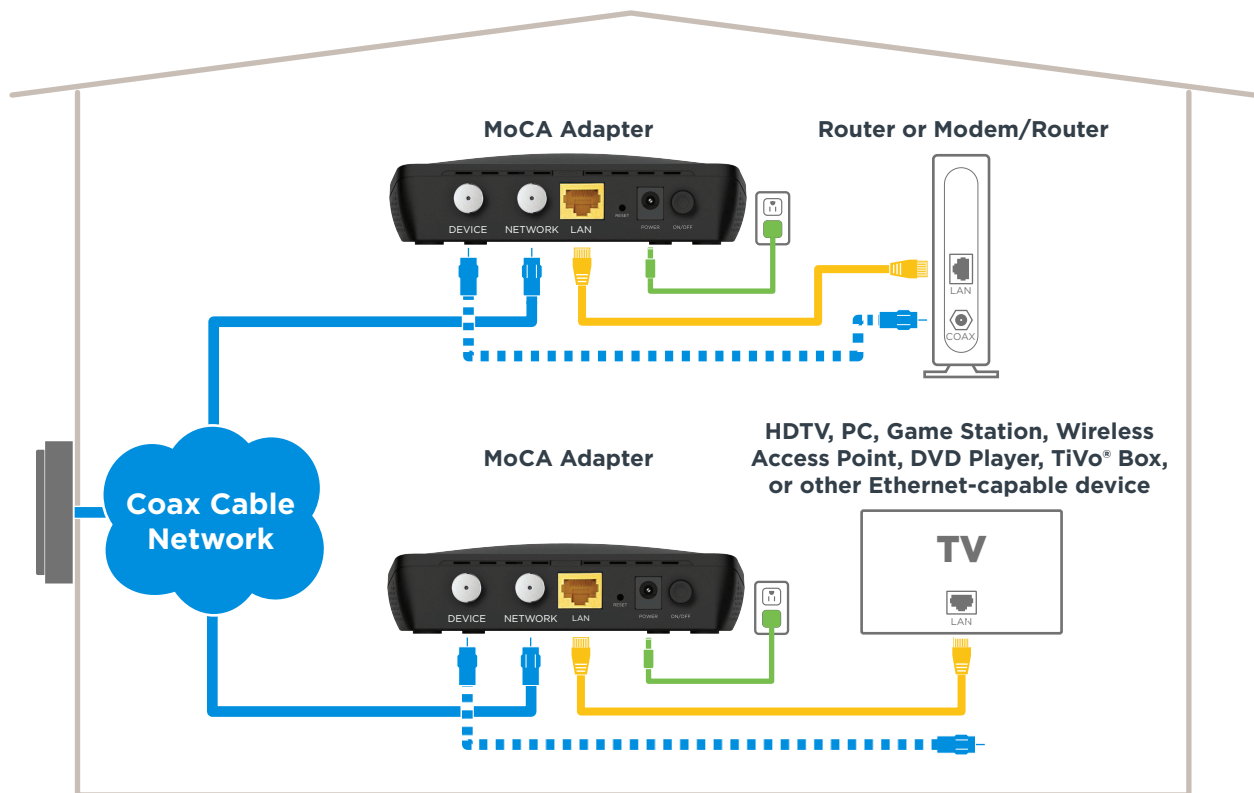
USA customer support and 2-year warranty

Is MoCA right for you? YES, if your home has coaxial cable near your router and near an Ethernet-capable device that you want to connect to the router.*

MoCA uses your home's coaxial cable network to provide a high-speed Ethernet connection between your router and an HDTV, computer, game station, wireless extender, or other device that's remote from your router.

- You need MoCA capability built into your router or provided to the router by a MoCA Adapter. Most FiOS routers have MoCA capability, but most other routers need a MoCA Adapter. (See www.motorolanetwork.com/moca to see whether MoCA capability is built into your router.)
- You need a MoCA Adapter for each device you want to connect to the router using MoCA. You can connect up to 16 devices back to your router.

A MoCA Adapter is easy to install, with no need for configuring the MoCA Adapter or re-configuring your router.



- Coaxial Cable (Carries MoCA signals, and can also carry cable TV and cable Internet)
- - - Optional connection to coax connector of set-top box, cable modem, or other device. Use this if you plugged the device's coax cable into the MoCA Adapter's Network coax connector.
- Ethernet cable
- Power cable

* Your MoCA Adapter works with coax networks for cable TV, cable Internet, and FiOS or another fiber optic network. It does NOT work with DirectTV®, Dish®, and other satellite networks, or with AT&T® Internet or AT&T U-Verse®.

Specifications

MoCA Technology

- Bonded MoCA 2.0
- Interoperable with MoCA 1.0, 1.1, 2.0, and 2.5
- Actual data speeds: Up to 1 Gbps**
- Up to 16 MoCA-enabled devices can be connected to a MoCA-enabled router or modem/router

MoCA Bands

- MoCA Ext Band D operation: 1125 - 1675 MHz

Ethernet Standard

- IEEE 802.3x

Coax Interfaces

- Two (2) MoCA coax connectors: Device and Network
- Both connectors are F-type female 75 Ω

Ethernet Interface

- One (1) RJ45 10/100/1000 Mbps Ethernet port, with auto MDI/MDIX

LEDs

- Power, LAN, Link

Dimensions

- 4 7/8" wide x 3 1/8" deep x 1 1/8" tall (124 mm x 80 mm x 30 mm)

Weight

- 4.23 ounces (120 grams)

Chipset

- Broadcom® BCM6802

Operating Temperature

- 32° to 104° F (0° to 40° C)

Power Adapter

- Energy-efficient 5 Volt, 1 Amp power adapter with superior surge protection and 90-265VAC universal voltage input
- Adapter style provided:
 - US (SKU # MM1000-10): 2-prong UL-listed NEMA 1-15 Type A
 - UK (SKU # MM1000-72): 3-prong CE-certified BS1363 Type G
 - EU (SKU # MM1000-70): 2-prong CE-certified Euro plug Type C

Certifications

- FCC Part 15B, ISED Canada ICES-003, BV US/Canada ITE safety, CE

Warranty

- 2 years

Coax Network Requirements

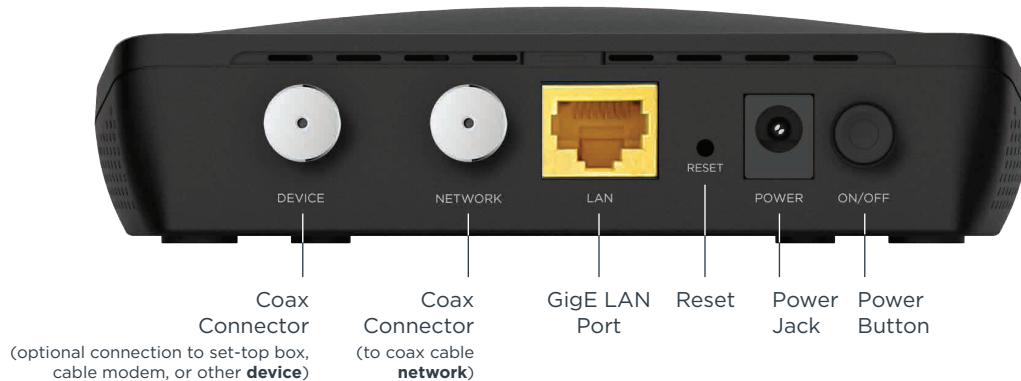
- The MoCA Adapter MM1000 is designed to work with most coax networks including networks associated with cable TV, cable Internet, and FiOS or another fiber optic network.
- The MoCA Adapter is NOT designed to work with DirecTV®, Dish, and other satellite networks, or with AT&T® Internet or AT&T® U-Verse, since these services use frequencies that conflict with the MoCA Adapter.

Package Contents

- MoCA Adapter, power cube, flexible coax cable, Ethernet cable, 2 screws for optional wall mount, Quick Start

MoCA Adapter Back Panel

Actual size



** Actual speeds may be lower than 1,000 Mbps when connecting to slower MoCA Adapters or when using slower Internet services.

MTRLC LLC
 PO BOX 121147 Boston, MA 02112-1147
 E-mail: sales@motorolanetwork.com
 Phone: 1-800-753-0772



© MTRLC LLC 2017. MOTOROLA and the Stylized M Logo are trademarks or registered trademarks of Motorola Trademark Holdings, LLC and are used under license. MoCA is a registered trademark of the Multimedia over Coax Alliance. All other trademarks are the property of their respective owners. All rights reserved.