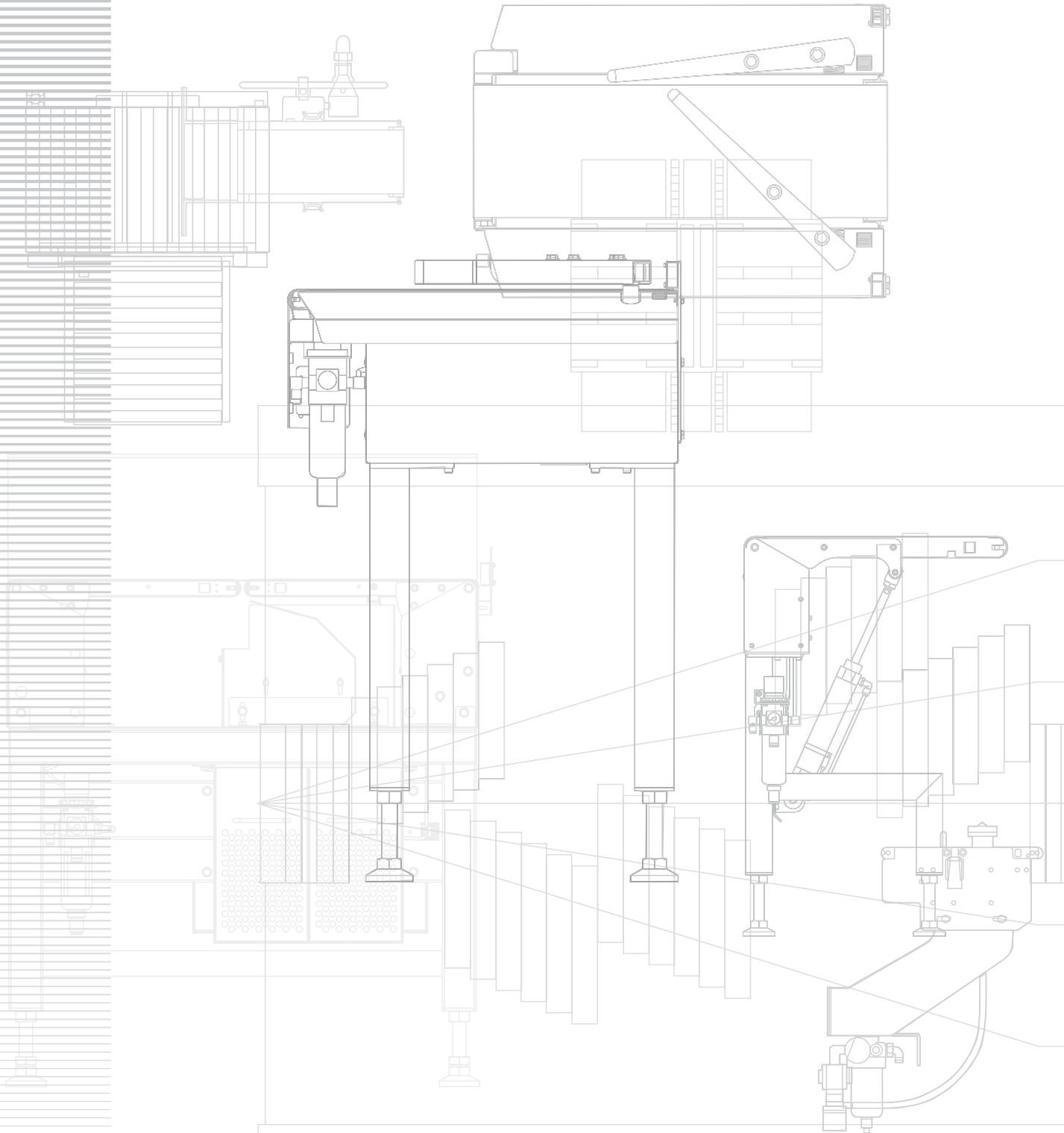


Rejector



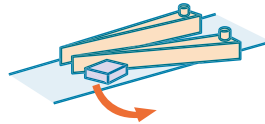
Rejector



Line up

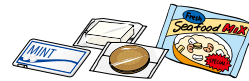
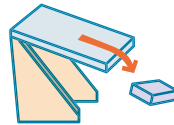
Flipper Type

The most common type of rejector is the flipper. NG products are pushed aside by the rejector gates (arms). It is ideal for products in boxes and thick bags.



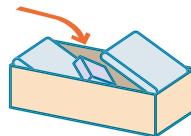
Dropout Type

The rejection conveyor drops down to drop the NG product. It is ideal for products in thin bags.



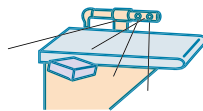
Up and Out Type

The rejection conveyor flips up so that the NG product drops out of the line. It is suitable for products in thin bags.



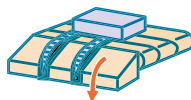
Air Jet Type

NG products are blown sideways off of the line by a powerful air jet. It is ideal for small, lightweight packaged products at high speed.



Trip Type

In this unusual belt method, NG products are carried off either left or right by belts running crosswise to the product flow. It is suitable for rejecting large packaged products.



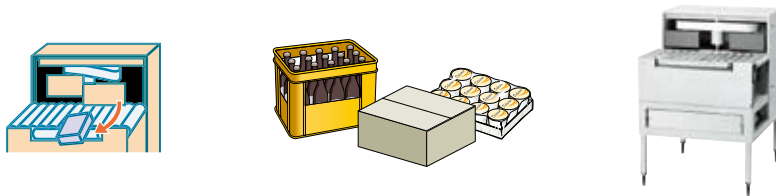
Pusher Type

NG products are pushed off the line sideways by the action of a gate attached to an air cylinder. It is suitable for rejecting products in packages and thick bags.



Turning Type

This method uses a turning gate to reject NG products. It is suitable for rejecting products in large packages and in thick bags at comparatively high speed.



Carrier Type

NG products are sorted horizontally without any shock due to rejection. Since the rejection process doesn't cause any damage, it is ideal for fragile products.



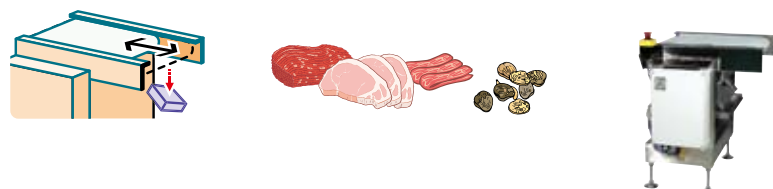
Chute Type

Rejected products fall when the chute is reversed. It is ideal for rejecting relatively light bulk products.



Shuttle Type

The belt on the rejector is expanded/contracted during the rejection to let the rejected products fall. It is ideal for unpackaged animal products and sticky bulk products.



Index

● Flipper Type	
Non-Waterproof	
SV/SSV Series Checkweigher	4
Inspection Systems, Non-SV/SSV Series Checkweigher	10
Waterproof	16
● Dropout Type	
Non-Waterproof	
SV/SSV Series Checkweigher	17
Inspection Systems, Non-SV/SSV Series Checkweigher	20
Waterproof	21
● Up and Out Type	24
● Air Jet Type	
Non-Waterproof	26
Waterproof	28
● Trip Type	29
● Pusher Type	
Non-Waterproof	30
Waterproof	33
● Turning Type	34
● Carrier Type	
Non-Waterproof	35
Waterproof	36
● Rejector for Metal Detector	
Dropout Type	38
Air Jet Type	39
● Rejector for X-ray Inspection System	
Chute Type	40
Shuttle Type	41
● Rejector Combinations	
X-ray Inspection System	42
Metal Detector	46
SV Series Checkweigher	50
SSV Series Checkweigher	54
● Option	58
● Compatible List of Flipper, Dropout, and Up and Out Rejectors	60

Flipper Type

Pneumatic **Three-Way** **SV/SSV Series Checkweigher** **Non-Waterproof** **Self-Standing**

*The speed varies depending on a product to be rejected.

KW4132 type

Model	KW4132A◇B▼	KW4132B◇B▼	KW4132C◇B▼
Width	160 mm	130 mm	100 mm
Length	300 mm	120 mm	
Height	200 mm	60 mm	
Weight	1.2 kg	0.6 kg	

KW4134 type

Model	KW4134A◇B▼	KW4134B◇B▼	KW4134C◇B▼
Width	400 mm	350 mm	320 mm
Length		600 mm	
Height		500 mm	
Weight		10 [6] kg	

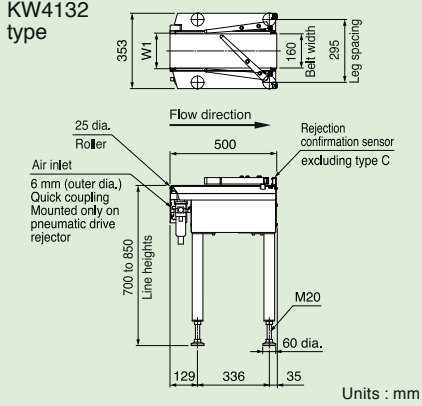


KW4133 type

Model	KW4133A◇B▼	KW4133B◇B▼
Width	250 mm	
Length	300 mm	
Height	200 mm	
Weight	3 kg	

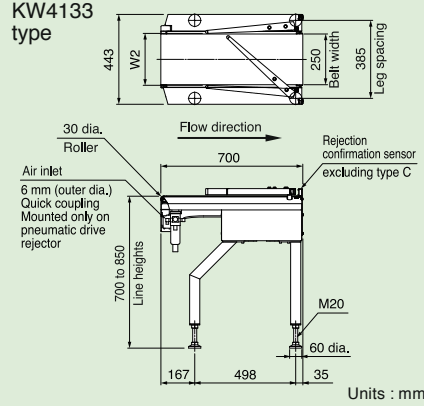
External Dimensions

KW4132 type



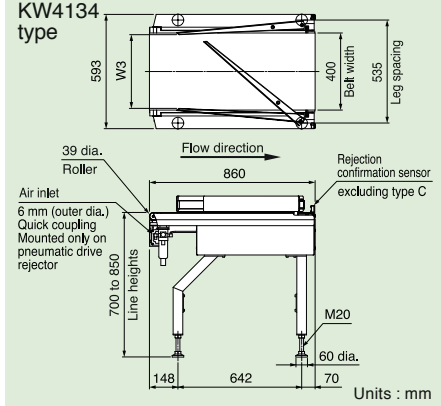
Maximum pass width	Model	W1 (mm)
	KW4132A◇B▼	180
	KW4132B◇B▼	155
	KW4132C◇B▼	120

KW4133 type



Maximum pass width	Model	W2 (mm)
	KW4133A◇B▼	280
	KW4133B◇B▼	265

KW4134 type



Maximum pass width	Model	W3 (mm)
	KW4134A◇B▼	420
	KW4134B◇B▼	380
	KW4134C◇B▼	350



CE Marking FCC compliance (Option)

Specifications

Model	KW4132A◇B▼	KW4132B◇B▼	KW4132C◇B▼	KW4133A◇B▼	KW4133B◇B▼	KW4134A◇B▼	KW4134B◇B▼	KW4134C◇B▼
Gate drive system	Pneumatic drive							
Classification	3							
Maximum product size and weight	Width (mm)	160	130	100	250	400	350	320
	Length (mm)		300	120	300		600	
	Height (mm)		200	60	200		500	
	Weight (kg)		1.2	0.6	3		10 [6] ^{Note 2}	
Maximum speed (products/min)	130	160	250	120	140	40	55 [60] ^{Note 2}	60 [90] ^{Note 2}
Belt speed (m/min)	15 to 120						5 to 49 [5 to 83] ^{Note 2}	
Air requirements ^{Note 1}	0.5 to 0.9 MPa, 0.2 ℓ [A.N.R.]						0.5 to 0.9 MPa, 0.6 ℓ [A.N.R.]	
Air inlet	Tube having outer diameter of 6 mm							
Power requirements	Supplied from SV/SSV series Checkweigher							
Power consumption	90 VA					150 VA		
Mass	30 kg			34 kg		56 kg		
Environmental conditions	0° to 40°C, relative humidity 30% to 85%, non-condensing							
◇ Exterior	F	Painted, IP30 compliance						
	P	Stainless steel (SUS304), IP30 compliance						
▼ Type of SV functions included	A	Rejection Confirmation (pass side), Reject Operation Check, Chute Attachment Check						
	B	Rejection Confirmation (pass side)						
	C	—						
Connectable model	SV/SSV series Checkweigher							

Note 1 : Maximum capacity per rejection operation.
 Note 2 : The value in [] is supported by changing belts.

Flipper Type
 Dropout Type
 Up and Out Type
 Air Jet Type
 Trip Type
 Pusher Type
 Turning Type
 Carrier Type
 Rejector for Metal Detector
 Rejector for X-ray Inspection System

Flipper Type

Electric Three-Way SV/SSV Series Checkweigher Non-Waterproof Self-Standing

*The speed varies depending on a product to be rejected.

KW4132 type

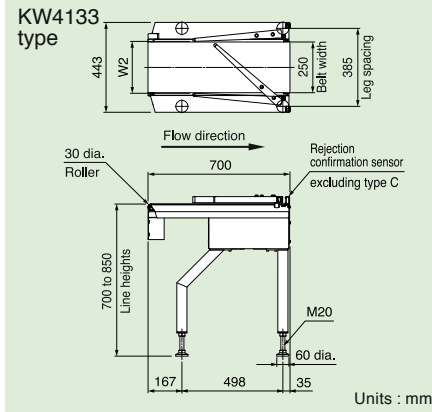
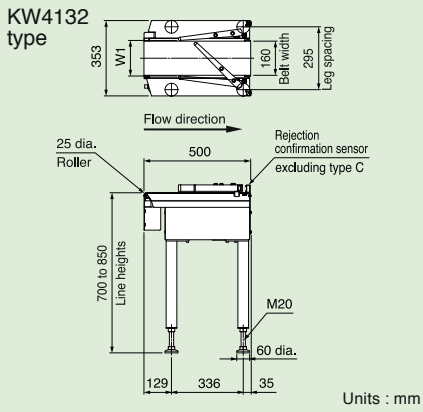
Model	KW4132G◇B▼	KW4132H◇B▼	KW4132J◇B▼
Width	160 mm	130 mm	100 mm
Length	300 mm		120 mm
Height	200 mm		60 mm
Weight	1.2 kg		0.6 kg

KW4133 type

Model	KW4133G◇B▼	KW4133H◇B▼
Width	250 mm	
Length	300 mm	
Height	200 mm	
Weight	1.2 kg	



External Dimensions



Maximum pass width	Model	W1 (mm)
	KW4132G◇B▼	180
	KW4132H◇B▼	155
	KW4132J◇B▼	120

Maximum pass width	Model	W2 (mm)
	KW4133G◇B▼	280
	KW4133H◇B▼	265



Specifications

Model	KW4132G◇B▼	KW4132H◇B▼	KW4132J◇B▼	KW4133G◇B▼	KW4133H◇B▼
Gate drive system	Electric drive				
Classification	3				
Maximum product size and weight	Width (mm)	160	130	100	250
	Length (mm)	300		120	300
	Height (mm)	200		60	200
	Weight (kg)	1.2		0.6	1.2
Maximum speed (products/min)	180	210	250	160	170
Belt speed (m/min)	15 to 120				
Power requirements	Supplied from SV/SSV series Checkweigher				
Power consumption	190 VA				
Mass	36 kg			40 kg	
Environmental conditions	0° to 40°C, relative humidity 30% to 85%, non-condensing				
◇ Exterior	F	Painted, IP30 compliance			
	P	Stainless steel (SUS304), IP30 compliance			
▼ Type of SV functions included	A	Rejection Confirmation (pass side), Reject Operation Check, Chute Attachment Check			
	B	Rejection Confirmation (pass side)			
	C	—			
Connectable model	SV/SSV series Checkweigher				

Flipper Type
 Dropout Type
 Up and Out Type
 Air Jet Type
 Trip Type
 Pusher Type
 Turning Type
 Carrier Type
 Rejector for Metal Detector
 Rejector for X-ray Inspection System

Flipper Type

Pneumatic **Two-Way** **SV/SSV Series Checkweigher** **Non-Waterproof** **Self-Standing**

*The speed varies depending on a product to be rejected.

KW4232 type

	Model	KW4232A◇B▼	KW4232B◇B▼	KW4232C◇B▼
Maximum product size	Width	160 mm	130 mm	100 mm
	Length	300 mm	120 mm	
	Height	200 mm	60 mm	
	Weight	1.2 kg	0.6 kg	

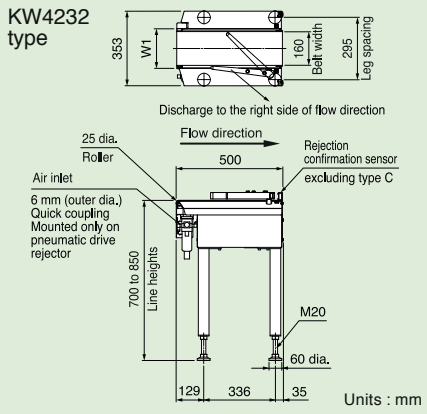
KW4234 type

	Model	KW4234A◇B▼	KW4234B◇B▼	KW4234C◇B▼
Maximum product size	Width	400 mm	350 mm	320 mm
	Length	600 mm		
	Height		500 mm	
	Weight		10 [6] kg	

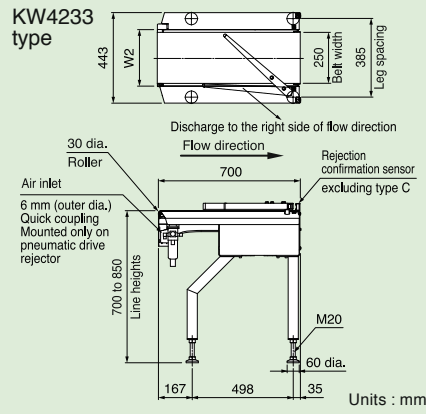
KW4233 type

	Model	KW4233A◇B▼	KW4233B◇B▼
Maximum product size	Width	250 mm	
	Length	300 mm	
	Height	200 mm	
	Weight	3 kg	

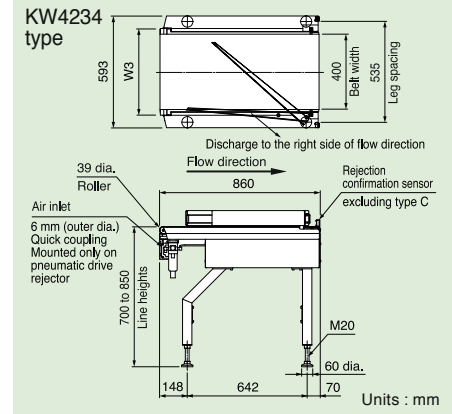
External Dimensions (Discharge to the right side of flow direction)



Maximum pass width	Model	W1 (mm)
	KW4232A◇B▼	180
	KW4232B◇B▼	155
	KW4232C◇B▼	120



Maximum pass width	Model	W2 (mm)
	KW4233A◇B▼	280
	KW4233B◇B▼	265



Maximum pass width	Model	W3 (mm)
	KW4234A◇B▼	420
	KW4234B◇B▼	380
	KW4234C◇B▼	350



CE Marking FCC compliance (Option)

Specifications

Model		KW4232A◇B▼	KW4232B◇B▼	KW4232C◇B▼	KW4233A◇B▼	KW4233B◇B▼	KW4234A◇B▼	KW4234B◇B▼	KW4234C◇B▼
Gate drive system	Pneumatic drive								
Classification	2 (Discharge to the right side of flow direction)								
Maximum product size and weight	Width (mm)	160	130	100	250	400	350	320	
	Length (mm)		300	120	300		600		
	Height (mm)		200	60	200		500		
	Weight (kg)		1.2	0.6	3		10 [6] ^{Note 2}		
Maximum speed (products/min)		130	160	250	120	140	40	55 [60] ^{Note 2}	60 [90] ^{Note 2}
Belt speed (m/min)	15 to 120						5 to 49 [5 to 83] ^{Note 2}		
Air requirements ^{Note 1}	0.5 to 0.9 MPa, 0.1 ℓ [A.N.R.]						0.5 to 0.9 MPa, 0.3 ℓ [A.N.R.]		
Air inlet	Tube having outer diameter of 6 mm								
Power requirements	Supplied from SV/SSV series Checkweigher								
Power consumption	90 VA						150 VA		
Mass	30 kg			34 kg			56 kg		
Environmental conditions	0° to 40°C, relative humidity 30% to 85%, non-condensing								
◇ Exterior	F	Painted, IP30 compliance							
	P	Stainless steel (SUS304), IP30 compliance							
▼ Type of SV functions included	A	Rejection Confirmation (pass side), Reject Operation Check, Chute Attachment Check							
	B	Rejection Confirmation (pass side)							
	C	—							
Connectable model	SV/SSV series Checkweigher								

Note 1 : Maximum capacity per rejection operation.
 Note 2 : The value in [] is supported by changing belts.

Flipper Type

Pneumatic **Two-Way** **SV/SSV Series Checkweigher** **Non-Waterproof** **Self-Standing**

*The speed varies depending on a product to be rejected.

KW4232 type

Model	KW4232D	KW4232E	KW4232F
Width	160 mm	130 mm	100 mm
Length	300 mm	120 mm	
Height	200 mm	60 mm	
Weight	1.2 kg	0.6 kg	

KW4234 type

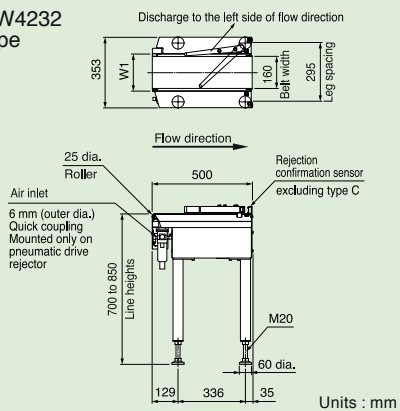
Model	KW4234D	KW4234E	KW4234F
Width	400 mm	350 mm	320 mm
Length		600 mm	
Height		500 mm	
Weight		10 [6] kg	

KW4233 type

Model	KW4233D	KW4233E
Width	250 mm	
Length	300 mm	
Height	200 mm	
Weight	3 kg	

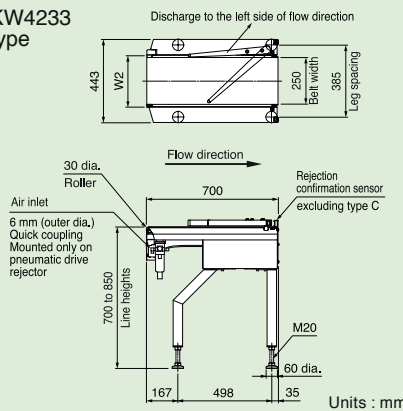
External Dimensions (Discharge to the left side of flow direction)

KW4232 type



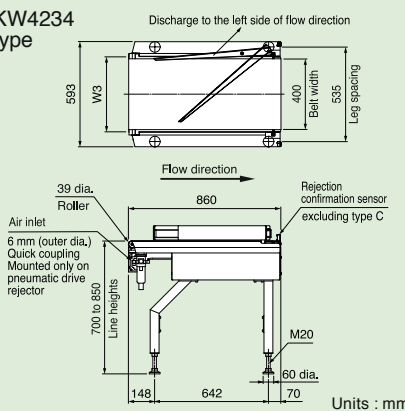
Maximum pass width	Model	W1 (mm)
	KW4232D	180
	KW4232E	155
	KW4232F	120

KW4233 type



Maximum pass width	Model	W2 (mm)
	KW4233D	280
	KW4233E	265

KW4234 type



Maximum pass width	Model	W3 (mm)
	KW4234D	420
	KW4234E	380
	KW4234F	350



CE Marking FCC compliance (Option)

Specifications

Model	KW4232D	KW4232E	KW4232F	KW4233D	KW4233E	KW4234D	KW4234E	KW4234F
Gate drive system	Pneumatic drive							
Classification	2 (Discharge to the left side of flow direction)							
Maximum product size and weight	Width (mm)	160	130	100	250	400	350	320
	Length (mm)		300	120	300		600	
	Height (mm)		200	60	200		500	
	Weight (kg)		1.2	0.6	3		10 [6] ^{Note 2}	
Maximum speed (products/min)	130	160	250	120	140	40	55 [60] ^{Note 2}	60 [90] ^{Note 2}
Belt speed (m/min)	15 to 120					5 to 49 [5 to 83] ^{Note 2}		
Air requirements ^{Note 1}	0.5 to 0.9 MPa, 0.1 ℓ [A.N.R.]					0.5 to 0.9 MPa, 0.3 ℓ [A.N.R.]		
Air inlet	Tube having outer diameter of 6 mm							
Power requirements	Supplied from SV/SSV series Checkweigher							
Power consumption	90 VA					150 VA		
Mass	30 kg			34 kg		56 kg		
Environmental conditions	0° to 40°C, relative humidity 30% to 85%, non-condensing							
◇ Exterior	F	Painted, IP30 compliance						
	P	Stainless steel (SUS304), IP30 compliance						
▼ Type of SV functions included	A	Rejection Confirmation (pass side), Reject Operation Check, Chute Attachment Check						
	B	Rejection Confirmation (pass side)						
	C	—						
Connectable model	SV/SSV series Checkweigher							

Note 1 : Maximum capacity per rejection operation.
 Note 2 : The value in [] is supported by changing belts.

Flipper Type

⚡ Electric ↔ Two-Way SV/SSV Series Checkweigher ⚡ Non-Waterproof 🏠 Self-Standing

*The speed varies depending on a product to be rejected.

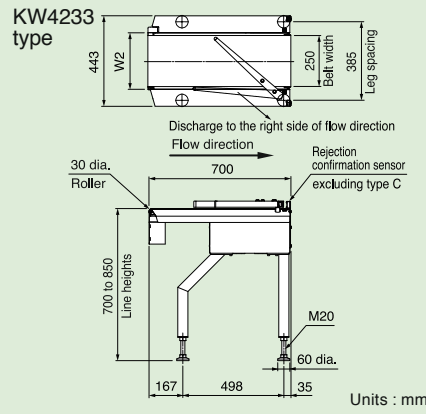
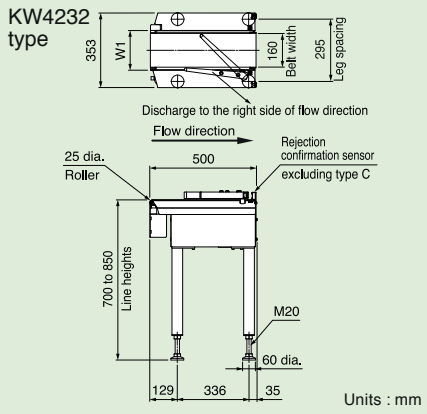
KW4232 type

Model	KW4232G◇B▼	KW4232H◇B▼	KW4232J◇B▼
Width	160 mm	130 mm	100 mm
Length	300 mm		120 mm
Height	200 mm		60 mm
Weight	1.2 kg		0.6 kg

KW4233 type

Model	KW4233G◇B▼	KW4233H◇B▼
Width	250 mm	
Length	300 mm	
Height	200 mm	
Weight	1.2 kg	

External Dimensions (Discharge to the right side of flow direction)



Maximum pass width	Model	W1 (mm)
	KW4232G◇B▼	180
	KW4232H◇B▼	155
KW4232J◇B▼	120	

Maximum pass width	Model	W2 (mm)
	KW4233G◇B▼	280
	KW4233H◇B▼	265



CE Marking (Option) FCC compliance (Option)

Specifications

Model	KW4232G◇B▼	KW4232H◇B▼	KW4232J◇B▼	KW4233G◇B▼	KW4233H◇B▼
Gate drive system	Electric drive				
Classification	2 (Discharge to the right side of flow direction)				
Maximum product size and weight	Width (mm)	160	130	100	250
	Length (mm)	300		120	300
	Height (mm)	200		60	200
	Weight (kg)	1.2		0.6	1.2
Maximum speed (products/min)	180	210	250	160	170
Belt speed (m/min)	15 to 120				
Power requirements	Supplied from SV/SSV series Checkweigher				
Power consumption	90 VA				
Mass	36 kg			40 kg	
Environmental conditions	0° to 40°C, relative humidity 30% to 85%, non-condensing				
◇ Exterior	F	Painted, IP30 compliance			
	P	Stainless steel (SUS304), IP30 compliance			
▼ Type of SV functions included	A	Rejection Confirmation (pass side), Reject Operation Check, Chute Attachment Check			
	B	Rejection Confirmation (pass side)			
	C	—			
Connectable model	SV/SSV series Checkweigher				

Flipper Type
Dropout Type
Up and Out Type
Air-Jet Type
Trip Type
Pusher Type
Turning Type
Carrier Type
Rejector for Metal Detector
Rejector for X-ray Inspection System

Flipper Type

⚡ Electric ↔ Two-Way SV/SSV Series Checkweigher ⚡ Non-Waterproof 🏠 Self-Standing

*The speed varies depending on a product to be rejected.

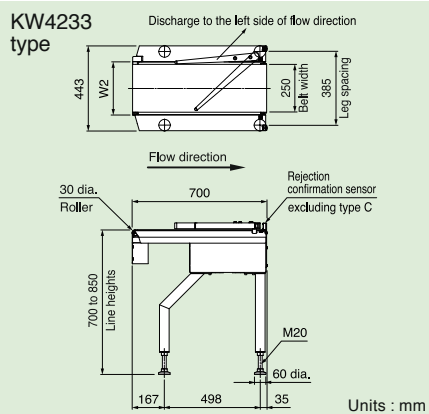
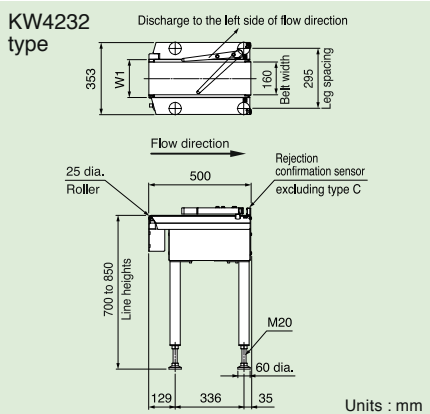
KW4232 type

Model	KW4232K◇B▼	KW4232L◇B▼	KW4232M◇B▼
Width	160 mm	130 mm	100 mm
Length	300 mm		120 mm
Height	200 mm		60 mm
Weight	1.2 kg		0.6 kg

KW4233 type

Model	KW4233K◇B▼	KW4233L◇B▼
Width	250 mm	
Length	300 mm	
Height	200 mm	
Weight	1.2 kg	

External Dimensions (Discharge to the left side of flow direction)



Maximum pass width	Model	W1 (mm)
	KW4232K◇B▼	180
	KW4232L◇B▼	155
	KW4232M◇B▼	120

Maximum pass width	Model	W2 (mm)
	KW4233K◇B▼	280
	KW4233L◇B▼	265



Specifications

Model	KW4232K◇B▼	KW4232L◇B▼	KW4232M◇B▼	KW4233K◇B▼	KW4233L◇B▼
Gate drive system	Electric drive				
Classification	2 (Discharge to the left side of flow direction)				
Maximum product size and weight	Width (mm)	160	130	100	250
	Length (mm)	300		120	300
	Height (mm)	200		60	200
	Weight (kg)	1.2		0.6	1.2
Maximum speed (products/min)	180	210	250	160	170
Belt speed (m/min)	15 to 120				
Power requirements	Supplied from SV/SSV series Checkweigher				
Power consumption	90 VA				
Mass	36 kg			40 kg	
Environmental conditions	0° to 40°C, relative humidity 30% to 85%, non-condensing				
◇ Exterior	F	Painted, IP30 compliance			
	P	Stainless steel (SUS304), IP30 compliance			
▼ Type of SV functions included	A	Rejection Confirmation (pass side), Reject Operation Check, Chute Attachment Check			
	B	Rejection Confirmation (pass side)			
	C	—			
Connectable model	SV/SSV series Checkweigher				

Flipper Type

- Pneumatic
 - Three-Way
 - Non-SV/SSV Series Checkweigher
 - Non-Waterproof
 - Self-Standing
- X-ray Inspection System, Metal Detector

*The speed varies depending on a product to be rejected.

KW4132 type

Model	KW4132A	KW4132B	KW4132C
Width	160 mm	130 mm	100 mm
Length	300 mm	120 mm	120 mm
Height	200 mm	60 mm	60 mm
Weight	1.2 kg		0.6 kg

KW4134 type

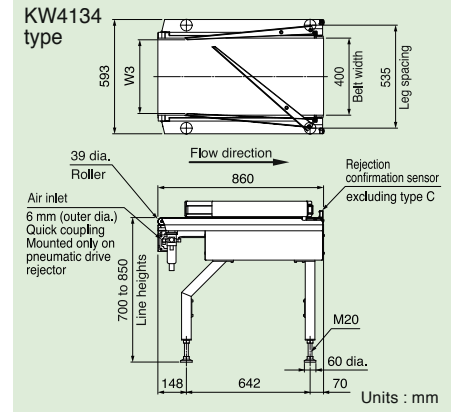
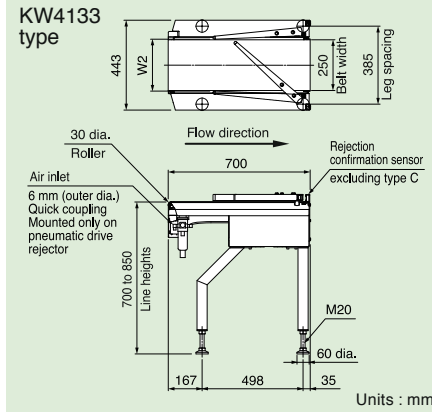
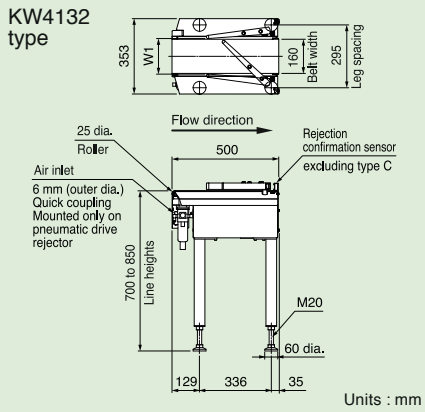
Model	KW4134A	KW4134B	KW4134C
Width	400 mm	350 mm	320 mm
Length	600 mm		
Height	500 mm		
Weight	10 [6] kg		



KW4133 type

Model	KW4133A	KW4133B
Width	250 mm	
Length	300 mm	
Height	200 mm	
Weight	3 kg	

External Dimensions



Maximum pass width	Model	W1 (mm)
	KW4132A	180
	KW4132B	155
	KW4132C	120

Maximum pass width	Model	W2 (mm)
	KW4133A	280
	KW4133B	265

Maximum pass width	Model	W3 (mm)
	KW4134A	420
	KW4134B	380
	KW4134C	350



Specifications

Model	KW4132A	KW4132B	KW4132C	KW4133A	KW4133B	KW4134A	KW4134B	KW4134C	
Gate drive system	Pneumatic drive								
Classification	3								
Maximum product size and weight	Width (mm)	160	130	100	250	400	350	320	
	Length (mm)	300			120	300	600		
	Height (mm)	200			60	200	500		
	Weight (kg)	1.2			0.6	3	10 [6] ^{Note 3}		
Maximum speed (products/min)	130	160	250	120	140	40	55 [60] ^{Note 3}	60 [90] ^{Note 3}	
Belt speed (m/min)	15 to 120						5 to 49 [5 to 83] ^{Note 3}		
Air requirements ^{Note 1}	0.5 to 0.9 MPa, 0.2 ℓ [A.N.R.]						0.5 to 0.9 MPa, 0.6 ℓ [A.N.R.]		
Air inlet	Tube having outer diameter of 6 mm								
Power requirements	100 to 120 Vac +10% -15% or 200 to 240 Vac +10% -15%, single phase, 50/60 Hz								
Power consumption	90 VA						150 VA		
Mass	30 kg				34 kg		56 kg		
Environmental conditions	0° to 40°C, relative humidity 30% to 85%, non-condensing								
◇ Exterior	Painted, IP30 compliance								
	Stainless steel (SUS304), IP30 compliance								
	Rejection Confirmation (pass side), Reject Operation Check, Chute Attachment Check ^{Note 2}								
▼ Type of SV functions included	Rejection Confirmation (pass side) ^{Note 2}								
	-								
	-								
Connectable model	X-ray inspection system, Metal detector, Non-SV/SSV series Checkweigher, devices of other manufacturers ^{Note 4}								

Note 1 : Maximum capacity per rejection operation.
 Note 2 : Note that the function may not perform depending on the model to be connected. Contact us for details.
 Note 3 : The value in [] is supported by changing belts.
 Note 4 : Contact us for connection specifications.

Flipper Type
 Dropout Type
 Up and Out Type
 Air Jet Type
 Trip Type
 Pusher Type
 Turning Type
 Carrier Type
 Rejector for Metal Detector
 Rejector for X-ray Inspection System

Flipper Type

- Electric
 - Three-Way
 - Non-SV/SSV Series Checkweigher
 - Non-Waterproof
 - Self-Standing
- X-ray Inspection System, Metal Detector

*The speed varies depending on a product to be rejected.

KW4132 type

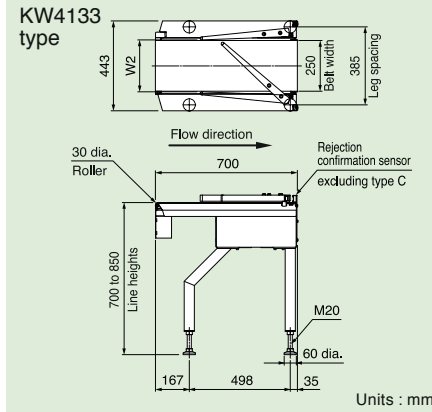
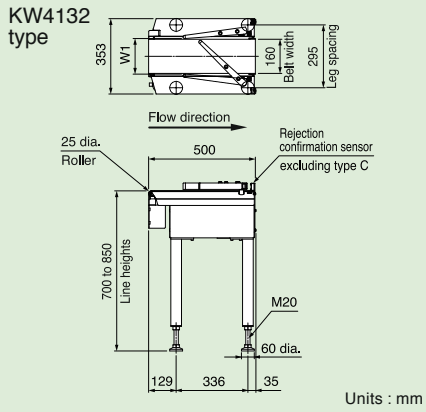
Maximum product size	Model	KW4132G◊A▼	KW4132H◊A▼	KW4132J◊A▼
	Width	160 mm	130 mm	100 mm
	Length	300 mm		120 mm
	Height	200 mm		60 mm
	Weight	1.2 kg		0.6 kg

KW4133 type

Maximum product size	Model	KW4133G◊A▼	KW4133H◊A▼
	Width	250 mm	
	Length	300 mm	
	Height	200 mm	
	Weight	1.2 kg	



External Dimensions



Maximum pass width	Model	W1 (mm)
	KW4132G◊A▼	180
	KW4132H◊A▼	155
	KW4132J◊A▼	120

Maximum pass width	Model	W2 (mm)
	KW4133G◊A▼	280
	KW4133H◊A▼	265



Specifications

Model	KW4132G◊A▼	KW4132H◊A▼	KW4132J◊A▼	KW4133G◊A▼	KW4133H◊A▼
Gate drive system	Electric drive				
Classification	3				
Maximum product size and weight	Width (mm)	160	130	100	250
	Length (mm)	300		120	300
	Height (mm)	200		60	200
	Weight (kg)	1.2		0.6	1.2
Maximum speed (products/min)	180	210	250	160	170
Belt speed (m/min)	15 to 120				
Power requirements	100 to 120 Vac +10% -15% or 200 to 240 Vac +10% -15%, single phase, 50/60 Hz				
Power consumption	190 VA				
Mass	36 kg			40 kg	
Environmental conditions	0° to 40°C, relative humidity 30% to 85%, non-condensing				
◊ Exterior	F	Painted, IP30 compliance			
	P	Stainless steel (SUS304), IP30 compliance			
▼ Type of SV functions included	A	Rejection Confirmation (pass side), Reject Operation Check, Chute Attachment Check ^{Note 1}			
	B	Rejection Confirmation (pass side) ^{Note 1}			
	C	—			
Connectable model	X-ray inspection system, Metal detector, Non-SV/SSV series Checkweigher, devices of other manufacturers ^{Note 2}				

Note 1 : Note that the function may not perform depending on the model to be connected. Contact us for details.
 Note 2 : Contact us for connection specifications.

- Flipper Type
- Dropout Type
- Up and Out Type
- Air Jet Type
- Trip Type
- Pusher Type
- Turning Type
- Carrier Type
- Rejector for Metal Detector
- Rejector for X-ray Inspection System

Flipper Type

- Pneumatic
 - Two-Way
 - Non-SV/SSV Series Checkweigher
 - Non-Waterproof
 - Self-Standing
- X-ray Inspection System, Metal Detector

*The speed varies depending on a product to be rejected.

KW4232 type

Model	KW4232A	KW4232B	KW4232C
Width	160 mm	130 mm	100 mm
Length	300 mm		
Height	200 mm		
Weight	1.2 kg		0.6 kg

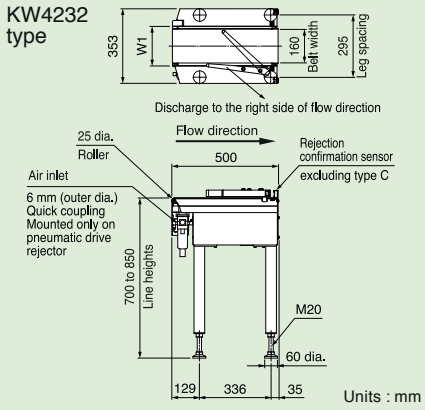
KW4234 type

Model	KW4234A	KW4234B	KW4234C
Width	400 mm	350 mm	320 mm
Length	600 mm		
Height	500 mm		
Weight	10 [6] kg		

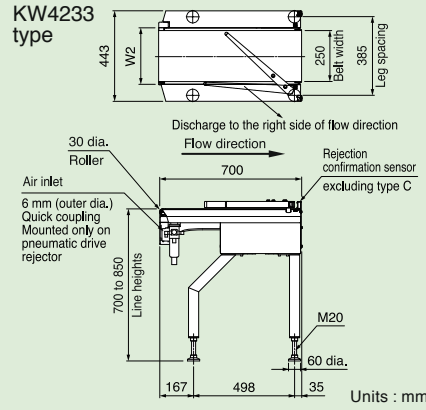
KW4233 type

Model	KW4233A	KW4233B
Width	250 mm	
Length	300 mm	
Height	200 mm	
Weight	3 kg	

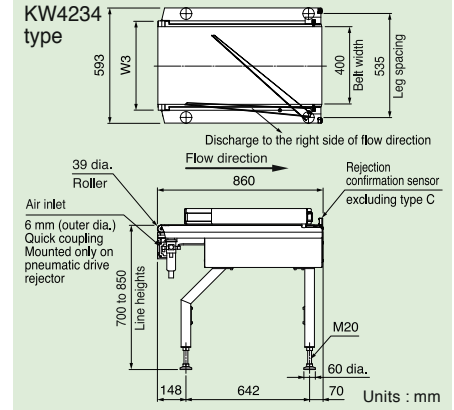
External Dimensions (Discharge to the right side of flow direction)



Maximum pass width	Model	W1 (mm)
	KW4232A	180
	KW4232B	155
	KW4232C	120



Maximum pass width	Model	W2 (mm)
	KW4233A	280
	KW4233B	265



Maximum pass width	Model	W3 (mm)
	KW4234A	420
	KW4234B	380
	KW4234C	350



Specifications

Model	KW4232A	KW4232B	KW4232C	KW4233A	KW4233B	KW4234A	KW4234B	KW4234C
Gate drive system	Pneumatic drive							
Classification	2 (Discharge to the right side of flow direction)							
Maximum product size and weight	Width (mm)	160	130	100	250	400	350	320
	Length (mm)	300			300	600		
	Height (mm)	200			200	500		
	Weight (kg)	1.2		0.6	3		10 [6] ^{Note 3}	
Maximum speed (products/min)	130	160	250	120	140	40	55 [60] ^{Note 3}	60 [90] ^{Note 3}
Belt speed (m/min)	15 to 120					5 to 49 [5 to 83] ^{Note 3}		
Air requirements ^{Note 1}	0.5 to 0.9 MPa, 0.1 ℓ [A.N.R.]					0.5 to 0.9 MPa, 0.3 ℓ [A.N.R.]		
Air inlet	Tube having outer diameter of 6 mm							
Power requirements	100 to 120 Vac +10% -15% or 200 to 240 Vac +10% -15%, single phase, 50/60 Hz							
Power consumption	90 VA					150 VA		
Mass	30 kg			34 kg		56 kg		
Environmental conditions	0° to 40°C, relative humidity 30% to 85%, non-condensing							
◇ Exterior	F	Painted, IP30 compliance						
	P	Stainless steel (SUS304), IP30 compliance						
▼ Type of SV functions included	A	Rejection Confirmation (pass side), Reject Operation Check, Chute Attachment Check ^{Note 2}						
	B	Rejection Confirmation (pass side) ^{Note 2}						
	C	—						
Connectable model	X-ray inspection system, Metal detector, Non-SV/SSV series Checkweigher, devices of other manufacturers ^{Note 4}							

Note 1 : Maximum capacity per rejection operation.
 Note 2 : Note that the function may not perform depending on the model to be connected. Contact us for details.
 Note 3 : The value in [] is supported by changing belts.
 Note 4 : Contact us for connection specifications.

Flipper Type
 Dropout Type
 Up and Out Type
 Air Jet Type
 Trip Type
 Pusher Type
 Turning Type
 Carrier Type
 Rejector for Metal Detector
 Rejector for X-ray Inspection System

Flipper Type

- Pneumatic
 - Two-Way
 - Non-SV/SSV Series Checkweigher
 - Non-Waterproof
 - Self-Standing
- X-ray Inspection System, Metal Detector

*The speed varies depending on a product to be rejected.

KW4232 type

Model	KW4232D	KW4232E	KW4232F
Width	160 mm	130 mm	100 mm
Length	300 mm		
Height	200 mm		
Weight	1.2 kg	0.6 kg	

KW4234 type

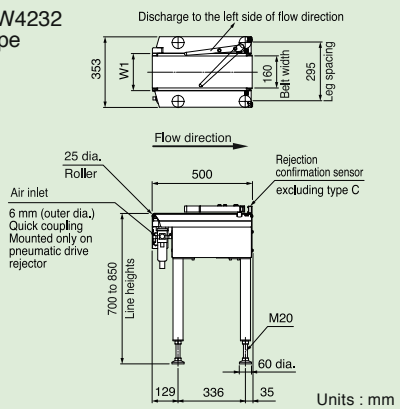
Model	KW4234D	KW4234E	KW4234F
Width	400 mm	350 mm	320 mm
Length	600 mm		
Height	500 mm		
Weight	10 [6] kg		

KW4233 type

Model	KW4233D	KW4233E
Width	250 mm	
Length	300 mm	
Height	200 mm	
Weight	3 kg	

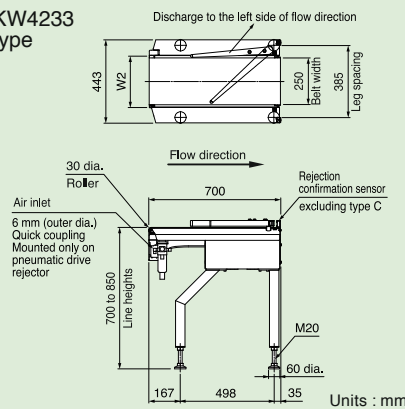
External Dimensions (Discharge to the left side of flow direction)

KW4232 type



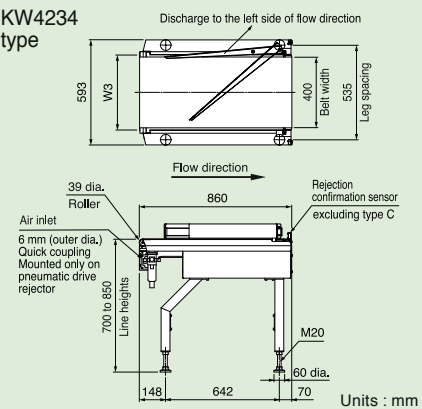
Maximum pass width	Model	W1 (mm)
	KW4232D	180
	KW4232E	155
	KW4232F	120

KW4233 type



Maximum pass width	Model	W2 (mm)
	KW4233D	280
	KW4233E	265

KW4234 type



Maximum pass width	Model	W3 (mm)
	KW4234D	420
	KW4234E	380
	KW4234F	350



CE Marking FCC compliance (Option)

Specifications

Model	KW4232D	KW4232E	KW4232F	KW4233D	KW4233E	KW4234D	KW4234E	KW4234F
Gate drive system	Pneumatic drive							
Classification	2 (Discharge to the left side of flow direction)							
Maximum product size and weight	Width (mm)	160	130	100	250	400	350	320
	Length (mm)	300			300	600		
	Height (mm)	200			200	500		
	Weight (kg)	1.2	0.6		3	10 [6] ^{Note 3}		
Maximum speed (products/min)	130	160	250	120	140	40	55 [60] ^{Note 3}	60 [90] ^{Note 3}
Belt speed (m/min)	15 to 120					5 to 49 [5 to 83] ^{Note 3}		
Air requirements ^{Note 1}	0.5 to 0.9 MPa, 0.1 ℓ [A.N.R.]					0.5 to 0.9 MPa, 0.3 ℓ [A.N.R.]		
Air inlet	Tube having outer diameter of 6 mm							
Power requirements	100 to 120 Vac +10% -15% or 200 to 240 Vac +10% -15%, single phase, 50/60 Hz							
Power consumption	90 VA					150 VA		
Mass	30 kg			34 kg		56 kg		
Environmental conditions	0° to 40°C, relative humidity 30% to 85%, non-condensing							
◇ Exterior	F	Painted, IP30 compliance						
	P	Stainless steel (SUS304), IP30 compliance						
▼ Type of SV functions included	A	Rejection Confirmation (pass side), Reject Operation Check, Chute Attachment Check ^{Note 2}						
	B	Rejection Confirmation (pass side) ^{Note 2}						
	C	—						
Connectable model	X-ray inspection system, Metal detector, Non-SV/SSV series Checkweigher, devices of other manufacturers ^{Note 4}							

Note 1 : Maximum capacity per rejection operation.
 Note 2 : Note that the function may not perform depending on the model to be connected. Contact us for details.
 Note 3 : The value in [] is supported by changing belts.
 Note 4 : Contact us for connection specifications.

Flipper Type

- Electric
 - Two-Way
 - Non-SV/SSV Series Checkweigher
 - Non-Waterproof
 - Self-Standing
- X-ray Inspection System, Metal Detector

*The speed varies depending on a product to be rejected.

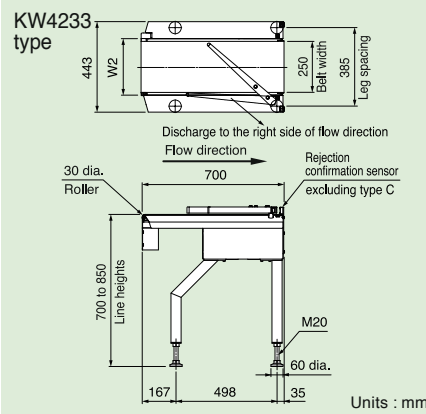
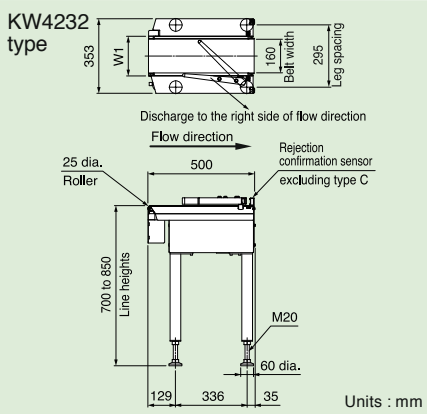
KW4232 type

Model	KW4232G◇A▼	KW4232H◇A▼	KW4232J◇A▼
Width	160 mm	130 mm	100 mm
Length	300 mm	120 mm	120 mm
Height	200 mm	60 mm	60 mm
Weight	1.2 kg	0.6 kg	0.6 kg

KW4233 type

Model	KW4233G◇A▼	KW4233H◇A▼
Width	250 mm	250 mm
Length	300 mm	300 mm
Height	200 mm	200 mm
Weight	1.2 kg	1.2 kg

External Dimensions (Discharge to the right side of flow direction)



Maximum pass width	Model	W1 (mm)
	KW4232G◇A▼	180
	KW4232H◇A▼	155
	KW4232J◇A▼	120

Maximum pass width	Model	W2 (mm)
	KW4233G◇A▼	280
	KW4233H◇A▼	265



CE Marking FCC compliance (Option)

Specifications

Model	KW4232G◇A▼	KW4232H◇A▼	KW4232J◇A▼	KW4233G◇A▼	KW4233H◇A▼
Gate drive system	Electric drive				
Classification	2 (Discharge to the right side of flow direction)				
Maximum product size and weight	Width (mm)	160	130	100	250
	Length (mm)	300	120	120	300
	Height (mm)	200	60	60	200
	Weight (kg)	1.2	0.6	0.6	1.2
Maximum speed (products/min)	180	210	250	160	170
Belt speed (m/min)	15 to 120				
Power requirements	100 to 120 Vac +10% -15% or 200 to 240 Vac +10% -15%, single phase, 50/60 Hz				
Power consumption	190 VA				
Mass	36 kg			40 kg	
Environmental conditions	0° to 40°C, relative humidity 30% to 85%, non-condensing				
◇ Exterior	F	Painted, IP30 compliance			
	P	Stainless steel (SUS304), IP30 compliance			
▼ Type of SV functions included	A	Rejection Confirmation (pass side), Reject Operation Check, Chute Attachment Check ^{Note 1}			
	B	Rejection Confirmation (pass side) ^{Note 1}			
	C	—			
Connectable model	X-ray inspection system, Metal detector, Non-SV/SSV series Checkweigher, devices of other manufacturers ^{Note 2}				

Note 1 : Note that the function may not perform depending on the model to be connected. Contact us for details.
 Note 2 : Contact us for connection specifications.

Flipper Type
 Dropout Type
 Up and Out Type
 Air-Jet Type
 Trip Type
 Pusher Type
 Turning Type
 Carrier Type
 Rejector for Metal Detector
 Rejector for X-ray Inspection System

Flipper Type

- ⚡ Electric
 - ↔ Two-Way
 - Non-SV/SSV Series Checkweigher
 - ☔ Non-Waterproof
 - 🏠 Self-Standing
- X-ray Inspection System, Metal Detector

*The speed varies depending on a product to be rejected.

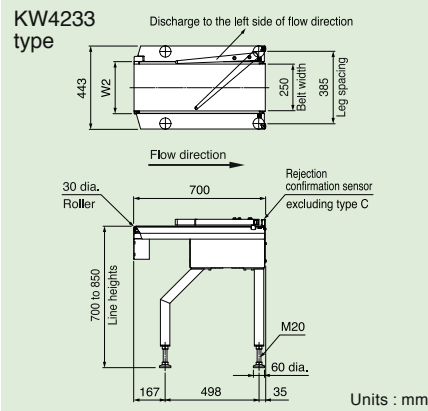
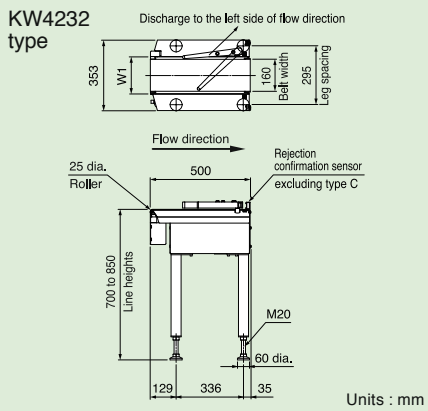
KW4232 type

Maximum product size	Model	KW4232K◇A▼	KW4232L◇A▼	KW4232M◇A▼
	Width	160 mm	130 mm	100 mm
	Length	300 mm	120 mm	
	Height	200 mm	60 mm	
	Weight	1.2 kg	0.6 kg	

KW4233 type

Maximum product size	Model	KW4233K◇A▼	KW4233L◇A▼
	Width	250 mm	
	Length	300 mm	
	Height	200 mm	
	Weight	1.2 kg	

External Dimensions (Discharge to the left side of flow direction)



Maximum pass width	Model	W1 (mm)
	KW4232K◇A▼	180
	KW4232L◇A▼	155
	KW4232M◇A▼	120

Maximum pass width	Model	W2 (mm)
	KW4233K◇A▼	280
	KW4233L◇A▼	265



CE Marking FCC compliance (Option) (Option)

Specifications

Model	KW4232K◇A▼	KW4232L◇A▼	KW4232M◇A▼	KW4233K◇A▼	KW4233L◇A▼
Gate drive system	Electric drive				
Classification	2 (Discharge to the left side of flow direction)				
Maximum product size and weight	Width (mm)	160	130	100	250
	Length (mm)	300		120	300
	Height (mm)	200		60	200
	Weight (kg)	1.2		0.6	1.2
Maximum speed (products/min)	180	210	250	160	170
Belt speed (m/min)	15 to 120				
Power requirements	100 to 120 Vac +10% -15% or 200 to 240 Vac +10% -15%, single phase, 50/60 Hz				
Power consumption	190 VA				
Mass	36 kg			40 kg	
Environmental conditions	0° to 40°C, relative humidity 30% to 85%, non-condensing				
◇ Exterior	F	Painted, IP30 compliance			
	P	Stainless steel (SUS304), IP30 compliance			
▼ Type of SV functions included	A	Rejection Confirmation (pass side), Reject Operation Check, Chute Attachment Check ^{Note 1}			
	B	Rejection Confirmation (pass side) ^{Note 1}			
	C	—			
Connectable model	X-ray inspection system, Metal detector, Non-SV/SSV series Checkweigher, devices of other manufacturers ^{Note 2}				

Note 1 : Note that the function may not perform depending on the model to be connected. Contact us for details.
 Note 2 : Contact us for connection specifications.

Flipper Type
 Dropout Type
 Up and Out Type
 Air Jet Type
 Trip Type
 Pusher Type
 Turning Type
 Carrier Type
 Rejector for Metal Detector
 Rejector for X-ray Inspection System

Flipper Type

- Pneumatic
 - Three-Way
 - Checkweigher
 - Waterproof
 - Self-Standing
- X-ray Inspection System, Metal Detector

*The speed varies depending on a product to be rejected.

KW4103AW

Maximum product size	Width	220 mm
	Length	300 mm
	Height	200 mm
	Weight	2 [3] kg

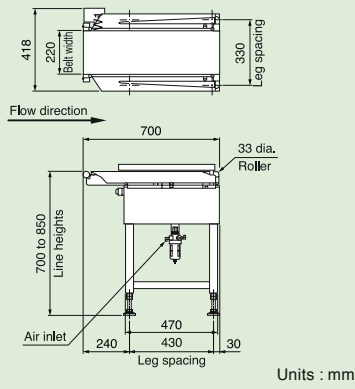
KW4104AW

Maximum product size	Width	350 mm
	Length	600 mm
	Height	500 mm
	Weight	10 [5] kg

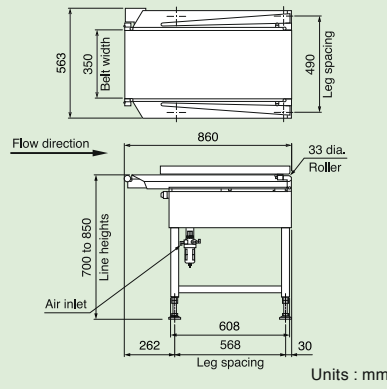


External Dimensions

KW4103AW



KW4104AW



Specifications



Model	KW4103AW	KW4104AW
Gate drive system	Pneumatic drive	
Classification	3	
Maximum product size and weight	Width (mm)	220
	Length (mm)	300
	Height (mm)	200
	Weight (kg)	2 [3] ^{Note 1}
Maximum speed (products/min)	150 [120] ^{Note 1}	45 [70] ^{Note 1}
Belt speed (m/min)	10 to 102 [10 to 77] ^{Note 1}	10 to 49 [10 to 77] ^{Note 1}
Air requirements	0.4 to 0.9 MPa, 4 ℓ /min [A.N.R.]	
Air inlet	Tube having outer diameter of 6 mm	
Power requirements	100 to 120 Vac +10% -15% or 200 to 240 Vac +10% -15%, single phase, 50/60 Hz (Supplied from SV/SSV series, IP series Checkweigher)	
Power consumption	200 VA	
Mass	45 kg	70 kg
Environmental conditions	0° to 40°C, relative humidity 30% to 85%, non-condensing	
Protection class	IP66 compliance	
Exterior	Stainless steel (SUS304) (excluding some parts)	
Connectable model	Checkweigher, X-ray inspection system, Metal detector	

Note 1 : Figures in [] are optional.

Dropout Type

Pneumatic **Two-Way** **SV/SSV Series Checkweigher** **Non-Waterproof** **Self-Standing**

*The speed varies depending on a product to be rejected.

KW4610 type

Maximum product size	Model	KW4610A◇B▼	KW4610B◇B▼
	Width	160 mm	
	Length	240 mm	
	Height	95 mm	30 mm
	Weight	3 kg	

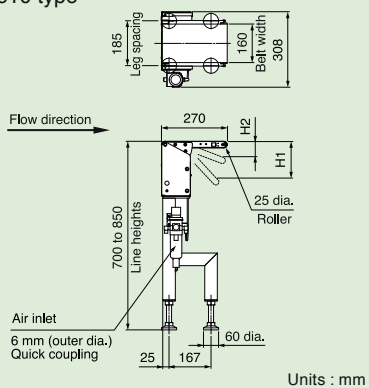
KW4612 type

Maximum product size	Model	KW4612A◇B▼	KW4612B◇B▼
	Width	250 mm	
	Length	300 mm	
	Height	130 mm	45 mm
	Weight	3 kg	



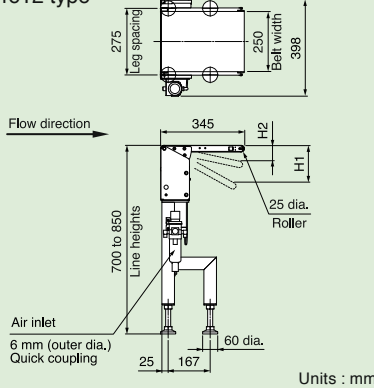
External Dimensions

KW4610 type



Model	H1	H2
KW4610A◇B▼	113	—
KW4610B◇B▼	—	47

KW4612 type



Model	H1	H2
KW4612A◇B▼	147	—
KW4612B◇B▼	—	62



Specifications

Model	KW4610A◇B▼	KW4610B◇B▼	KW4612A◇B▼	KW4612B◇B▼	
Gate stroke	Standard	Stroke 1/2	Standard	Stroke 1/2	
Classification	2				
Maximum product size and weight	Width (mm)	160	250		
	Length (mm)	240	300		
	Height (mm) ^{Note 3}	95	30	130	45
	Weight (kg)	3			
Maximum speed (products/min)	100	250	100	250	
Belt speed (m/min)	15 to 120				
Air requirements ^{Note 1}	0.5 to 0.9 MPa				
	0.2 l [A.N.R.]	0.1 l [A.N.R.]	0.2 l [A.N.R.]	0.1 l [A.N.R.]	
Air inlet	Tube having outer diameter of 6 mm				
Power requirements	Supplied from SV/SSV series Checkweigher				
Power consumption	90 VA				
Mass ^{Note 2}	20 [16] kg		23 [18] kg		
Environmental conditions	0° to 40°C, relative humidity 30% to 85%, non-condensing				
◇ Exterior	F	Painted, IP30 compliance			
	P	Stainless steel (SUS304), IP30 compliance			
▼ Type of SV functions included	A	Rejection Confirmation (pass side), Reject Operation Check, Chute Attachment Check			
	B	Rejection Confirmation (pass side)			
	C	—			
Mounting method	Self-standing				
Connectable model	SV/SSV series Checkweigher				

Note 1 : Maximum capacity per rejection operation.
 Note 2 : The value in [] is for models without the SV function (model ends in C).
 Note 3 : Varies with type of downstream device.

CAD drawings in DXF format are available.

Flipper Type

Dropout Type

Up and Out Type

Air Jet Type

Trip Type

Pusher Type

Turning Type

Carrier Type

Rejector for Metal Detector

Rejector for X-ray Inspection System

Dropout Type

Pneumatic **Two-Way** **SV/SSV Series Checkweigher** **Non-Waterproof** **Self-Standing**

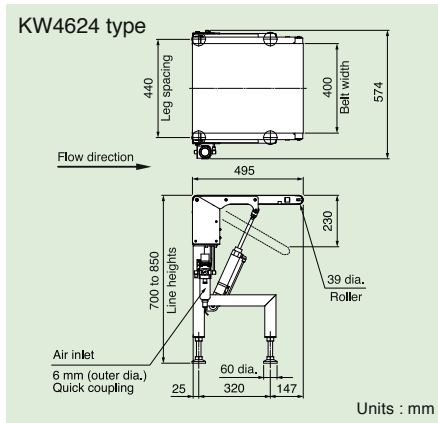
*The speed varies depending on a product to be rejected.

KW4624 type

Maximum product size	Model	KW4624A◇B▼
	Width	400 mm
	Length	450 mm
	Height	200 mm
	Weight	5 kg



External Dimensions



Specifications

Model		KW4624A◇B▼	
Classification		2	
Maximum product size and weight	Width (mm)	400	
	Length (mm)	450	
	Height (mm) ^{Note 3}	200	
	Weight (kg)	5	
Maximum speed (products/min)		50	
Belt speed (m/min)		5 to 82	
Air requirements ^{Note 1}		0.5 to 0.9 MPa 1.3 ℓ [A.N.R.]	
Air inlet		Tube having outer diameter of 6 mm	
Power requirements		Supplied from SV/SSV series Checkweigher	
Power consumption		90 VA	
Mass ^{Note 2}		38 [32] kg	
Environmental conditions		0° to 40°C, relative humidity 30% to 85%, non-condensing	
◇ Exterior	F	Painted, IP30 compliance	
	P	Stainless steel (SUS304), IP30 compliance	
▼ Type of SV functions included	A	Rejection Confirmation (pass side), Reject Operation Check, Chute Attachment Check	
	B	Rejection Confirmation (pass side)	
	C	—	
Mounting method		Self-standing	
Connectable model		SV/SSV series Checkweigher	

Note 1 : Maximum capacity per rejection operation.
 Note 2 : The value in [] is for models without the SV function (model ends in C).
 Note 3 : Varies with type of downstream device.

Dropout Type

Pneumatic **Two-Way** **SV/SSV Series Checkweigher** **Non-Waterproof** **Integrated**

*The speed varies depending on a product to be rejected.

KW4610 type

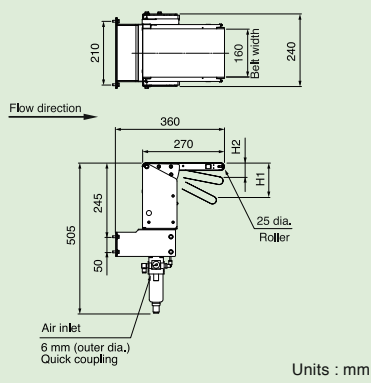
Maximum product size	Model	KW4610A◇C▼	KW4610B◇C▼
	Width	160 mm	
	Length	240 mm	
	Height	95 mm	30 mm
	Weight	3 kg	

KW4612 type

Maximum product size	Model	KW4612A◇C▼	KW4612B◇C▼
	Width	250 mm	
	Length	300 mm	
	Height	130 mm	45 mm
	Weight	3 kg	

External Dimensions

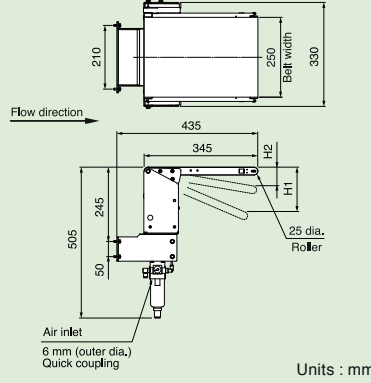
KW4610 type



Units : mm

Model	H1	H2
KW4610A◇C▼	113	—
KW4610B◇C▼	—	47

KW4612 type



Units : mm

Model	H1	H2
KW4612A◇C▼	147	—
KW4612B◇C▼	—	62



CE Marking (Option) FCC compliance (Option)

Specifications

Model	KW4610A◇C▼	KW4610B◇C▼	KW4612A◇C▼	KW4612B◇C▼	
Gate stroke	Standard	Stroke 1/2	Standard	Stroke 1/2	
Classification	2				
Maximum product size and weight	Width (mm)	160	250		
	Length (mm)	240	300		
	Height (mm) ^{Note 4}	95	30	130	45
	Weight (kg)	3			
Maximum speed (products/min)	100	250	100	250	
Belt speed (m/min)	15 to 120				
Air requirements ^{Note 1}	0.5 to 0.9 MPa				
	0.2 l [A.N.R.]	0.1 l [A.N.R.]	0.2 l [A.N.R.]	0.1 l [A.N.R.]	
Air inlet	Tube having outer diameter of 6 mm				
Power requirements	Supplied from SV/SSV series Checkweigher				
Power consumption	90 VA				
Mass ^{Note 2}	14 [10] kg		17 [12] kg		
Environmental conditions	0° to 40°C, relative humidity 30% to 85%, non-condensing				
◇ Exterior	F	Painted, IP30 compliance			
	P	Stainless steel (SUS304), IP30 compliance			
▼ Type of SV functions included	A	Rejection Confirmation (pass side), Reject Operation Check, Chute Attachment Check			
	B	Rejection Confirmation (pass side)			
	C	—			
Mounting method	Mounted on SV/SSV series Checkweigher ^{Note 3}				
Connectable model	SV/SSV series Checkweigher				

Note 1 : Maximum capacity per rejection operation.

Note 2 : The value in [] is for models without the SV function (model ends in C).

Note 3 : Cannot be mounted on checkweigher with metal detector. Cannot be mounted on checkweighers with line height of under 600±50 mm.

Note 4 : Varies with type of downstream device.

CAD drawings in DXF format are available.

Flipper Type

Dropout Type

Up and Out Type

Air Jet Type

Trip Type

Pusher Type

Turning Type

Carrier Type

Rejector for Metal Detector

Rejector for X-ray Inspection System

Dropout Type

- Pneumatic
 - Two-Way
 - Non-SV/SSV Series Checkweigher
 - Non-Waterproof
 - Self-Standing
- X-ray Inspection System, Metal Detector

*The speed varies depending on a product to be rejected.

KW4610 type

Maximum product size	Model	KW4610A◇A▼	KW4610B◇A▼
	Width	160 mm	
	Length	240 mm	
	Height	95 mm	30 mm
	Weight	3 kg	

KW4624 type

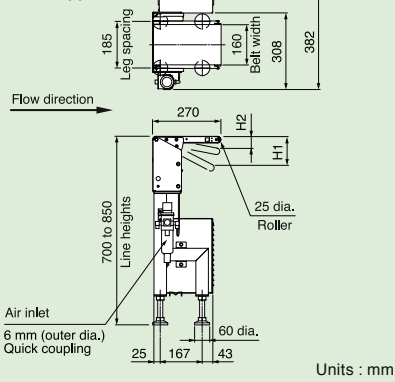
Maximum product size	Model	KW4624A◇A▼	
	Width	400 mm	
	Length	450 mm	
	Height	200 mm	
	Weight	5 kg	

KW4612 type

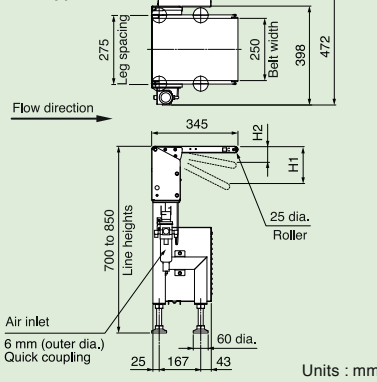
Maximum product size	Model	KW4612A◇A▼	KW4612B◇A▼
	Width	250 mm	
	Length	300 mm	
	Height	130 mm	45 mm
	Weight	3 kg	

External Dimensions

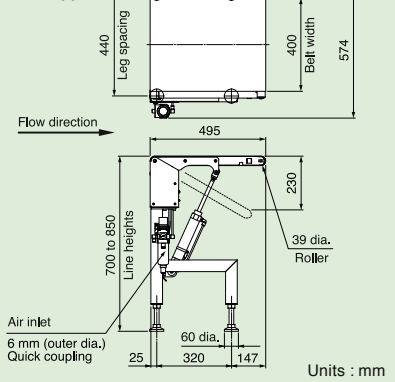
KW4610 type



KW4612 type



KW4624 type



Model	H1	H2
KW4610A◇A▼	113	—
KW4610B◇A▼	—	47

Model	H1	H2
KW4612A◇A▼	147	—
KW4612B◇A▼	—	62



CE Marking FCC compliance (Option)

Specifications

Model	KW4610A◇A▼	KW4610B◇A▼	KW4612A◇A▼	KW4612B◇A▼	KW4624A◇A▼	
Gate stroke	Standard	Stroke 1/2	Standard	Stroke 1/2	Standard	
Classification	2					
Maximum product size and weight	Width (mm)	160	250	400	400	
	Length (mm)	240	300	450	450	
	Height (mm) ^{Note 5}	95	30	130	45	200
	Weight (kg)	3			5	5
Maximum speed (products/min)	100	250	100	250	50	
Belt speed (m/min)	15 to 120				5 to 82	
Air requirements ^{Note 1}	0.5 to 0.9 MPa					
	0.2 l [A.N.R.]	0.1 l [A.N.R.]	0.2 l [A.N.R.]	0.1 l [A.N.R.]	1.3 l [A.N.R.]	
Air inlet	Tube having outer diameter of 6 mm					
Power requirements	100 to 120 Vac +10% -15% or 200 to 240 Vac +10% -15%, single phase, 50/60 Hz					
Power consumption	90 VA					
Mass ^{Note 2}	22 [18] kg		25 [20] kg		40 [34] kg	
Environmental conditions	0° to 40°C, relative humidity 30% to 85%, non-condensing					
◇ Exterior	Painted, IP30 compliance					
	Stainless steel (SUS304), IP30 compliance					
▼ Type of SV functions included	Rejection Confirmation (pass side), Reject Operation Check, Chute Attachment Check ^{Note 3}					
	Rejection Confirmation (pass side) ^{Note 3}					
	—					
Connectable model	X-ray inspection system, Metal detector, Non-SV/SSV series Checkweigher, devices of other manufacturers ^{Note 4}					

Note 1 : Maximum capacity per rejection operation.
 Note 2 : The value in [] is for models without the SV function (model ends in C).
 Note 3 : Note that the function may not perform depending on the model to be connected. Contact us for details.
 Note 4 : Contact us for connection specifications.
 Note 5 : Varies with type of downstream device.

Dropout Type

Pneumatic **Two-Way** **SV/SSV Series Checkweigher** **Waterproof** **Integrated**

*The speed varies depending on a product to be rejected.

KW4671BW

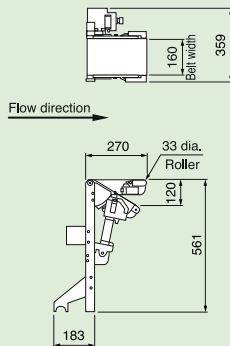
Maximum product size	Width	160 mm
	Length	240 mm
	Height	100 mm
	Weight	1.2 kg

KW4672BW

Maximum product size	Width	230 mm
	Length	300 mm
	Height	130 mm
	Weight	3 kg

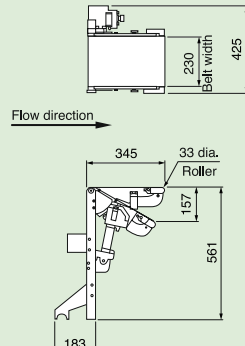
External Dimensions

KW4671BW



Units : mm

KW4672BW



Units : mm



CE Marking FCC compliance (Option) (Option)

Specifications

Model	KW4671BW		KW4672BW	
Classification	2			
Maximum product size and weight	Width (mm)	160	230	
	Length (mm)	240	300	
	Height (mm) ^{Note 2}	100	130	
	Weight (kg)	1.2	3	
Maximum speed (products/min)	80		70	
Belt speed (m/min)	7 to 36			
Air requirements	0.4 to 0.9 MPa, 30 ℓ /min [A.N.R.]			
Air inlet	Tube having outer diameter of 6 mm			
Power requirements	Supplied from SV/SSV series Checkweigher			
Power consumption	200 VA			
Mass	16 kg		18 kg	
Environmental conditions	0° to 40°C, relative humidity 30% to 85%, non-condensing			
Protection class	IP66 compliance			
Exterior	Stainless steel (SUS304) (excluding some parts)			
Mounting method ^{Note 1}	Integrated			
Connectable model	SV/SSV series Checkweigher			

Note 1 : Cannot be mounted on checkweigher with metal detector.
 Note 2 : Varies with type of downstream device.

Flipper Type
 Dropout Type
 Up and Out Type
 Air Jet Type
 Trip Type
 Pusher Type
 Tumbling Type
 Carrier Type
 Rejector for Metal Detector
 Rejector for X-ray Inspection System

Dropout Type

- Pneumatic
- Two-Way
- SV/SSV Series Checkweigher
- Waterproof
- Self-Standing

*The speed varies depending on a product to be rejected.

KW4671CW

Maximum product size	Width	160 mm
	Length	240 mm
	Height	100 mm
	Weight	1.2 kg

KW4676CW

Maximum product size	Width	350 mm
	Length	450 mm
	Height	210 mm
	Weight	3 kg

KW4672CW

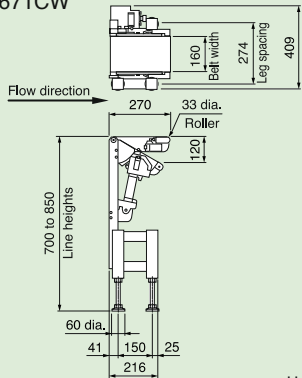
Maximum product size	Width	230 mm
	Length	300 mm
	Height	130 mm
	Weight	3 kg



KW4672CW

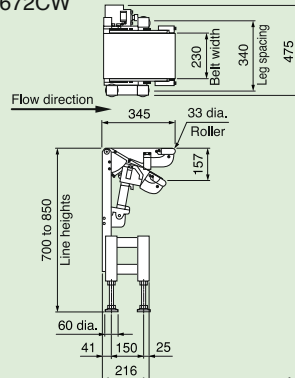
External Dimensions

KW4671CW



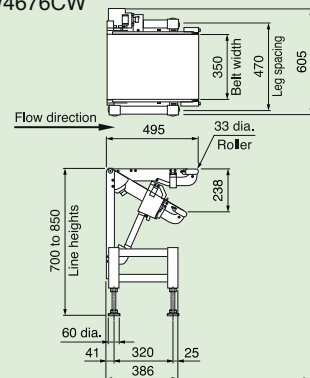
Units : mm

KW4672CW



Units : mm

KW4676CW



Units : mm

Specifications



Model	KW4671CW		KW4672CW		KW4676CW	
Classification			2			
Maximum product size and weight	Width (mm)	160	230	350		
	Length (mm)	240	300	450		
	Height (mm) ^{Note 1}	100	130	210		
	Weight (kg)	1.2		3		
Maximum speed (products/min)	80		70		30	
Belt speed (m/min)			7 to 36		10 to 26	
Air requirements	0.4 to 0.9 MPa, 30 ℓ /min [A.N.R.]					
Air inlet	Tube having outer diameter of 6 mm					
Power requirements	Supplied from SV/SSV series Checkweigher					
Power consumption	200 VA					
Mass	23 kg		25 kg		32 kg	
Environmental conditions	0° to 40°C, relative humidity 30% to 85%, non-condensing					
Protection class	IP66 compliance					
Exterior	Stainless steel (SUS304) (excluding some parts)					
Mounting method	Self-standing					
Connectable model	SV/SSV series Checkweigher					

Note 1 : Varies with type of downstream device.

Flipper Type
 Dropout Type
 Up and Out Type
 Air-Jet Type
 Trip Type
 Pusher Type
 Turning Type
 Carrier Type
 Rejector for Metal Detector
 Rejector for X-ray Inspection System

Dropout Type

- Pneumatic
 - Two-Way
 - Non-SV/SSV Series Checkweigher
 - Waterproof
 - Self-Standing
- X-ray Inspection System, Metal Detector

*The speed varies depending on a product to be rejected.

KW4671DW

Maximum product size	Width	160 mm
	Length	240 mm
	Height	100 mm
	Weight	1.2 kg

KW4676DW

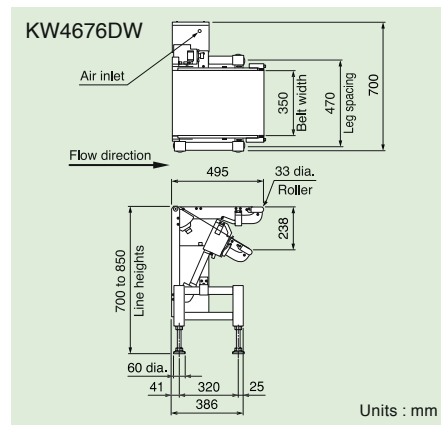
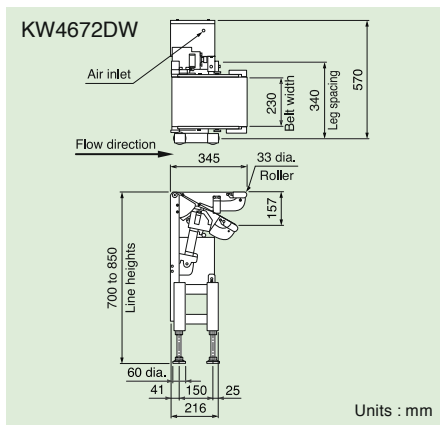
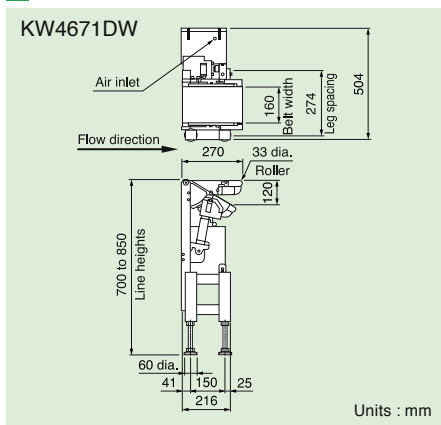
Maximum product size	Width	350 mm
	Length	450 mm
	Height	210 mm
	Weight	3 kg

KW4672DW

Maximum product size	Width	230 mm
	Length	300 mm
	Height	130 mm
	Weight	3 kg



External Dimensions



Specifications



Model	KW4671DW	KW4672DW	KW4676DW
Classification	2		
Maximum product size and weight	Width (mm)	160	230
	Length (mm)	240	300
	Height (mm) ^{Note 2}	100	130
	Weight (kg)	1.2	3
Maximum speed (products/min)	80	70	30
Belt speed (m/min)	7 to 36		10 to 26
Air requirements	0.4 to 0.9 MPa, 30 ℓ /min [A.N.R.]		
Air inlet	Tube having outer diameter of 6 mm		
Power requirements	100 to 120 Vac +10% -15% or 200 to 240 Vac +10% -15%, single phase, 50/60 Hz		
Power consumption	200 VA		
Mass	27 kg	29 kg	37 kg
Environmental conditions	0° to 40°C, relative humidity 30% to 85%, non-condensing		
Protection class	IP66 compliance		
Exterior	Stainless steel (SUS304) (excluding some parts)		
Mounting method	Self-standing		
Connectable model	X-ray inspection system, Metal detector, Non-SV/SSV series Checkweigher, devices of other manufacturers ^{Note 1}		

Note 1 : Contact us for connection specifications.
 Note 2 : Varies with type of downstream device.

Up and Out Type

- Pneumatic
 - Three-Way
 - SV/SSV Series Checkweigher
 - Non-Waterproof
 - Self-Standing
- X-ray Inspection System, Metal Detector

*The speed varies depending on a product to be rejected.

KW4603 type

Model	KW4603M◇A▼
Width	100 mm
Length	80 mm
Height	15 mm
Weight	0.1 kg

KW4612 type

Model	KW4612M◇A▼
Width	250 mm
Length	130 mm
Height	30 mm
Weight	3 kg

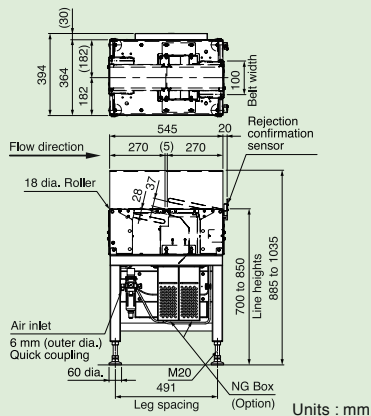
KW4610 type

Model	KW4610M◇A▼
Width	160 mm
Length	80 mm
Height	15 mm
Weight	3 kg

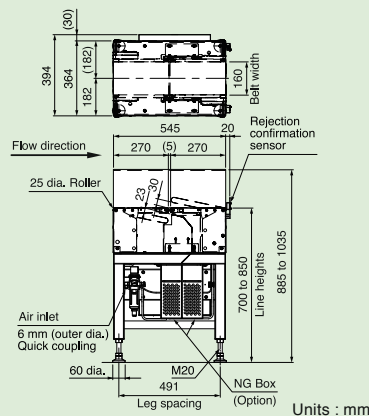


External Dimensions

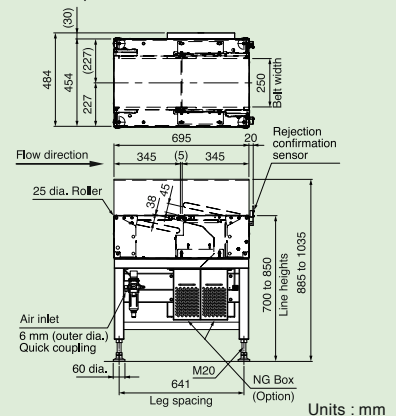
KW4603M◇A▼



KW4610M◇A▼



KW4612M◇A▼



Specifications



Model	KW4603M◇A▼		KW4610M◇A▼		KW4612M◇A▼		
Classification	3						
Maximum product size and weight	Width (mm)	100	160	250			
	Length (mm)	80	80	130			
	Height (mm)	15	15	30			
	Weight (kg)	0.1	3				
Maximum speed (products/min)	400		250		250		
Belt speed (m/min)	15 to 120						
Air requirements ^{Note 1}	0.5 to 0.9 MPa, 0.2 ℓ [A.N.R.]						
Air inlet	Tube having outer diameter of 6 mm						
Power requirements	100 to 120 Vac +10% -15% or 200 to 240 Vac +10% -15%, single phase, 50/60 Hz						
Power consumption	110 VA		160 VA				
Mass	44 kg		48 kg		58 kg		
Environmental conditions	0° to 40°C, relative humidity 30% to 85%, non-condensing						
◇ Exterior	F	Painted, IP30 compliance					
	P	Stainless steel (SUS304), IP30 compliance					
▼ Type of SV functions included	A	Rejection Confirmation (pass side), Reject Operation Check, Chute Attachment Check					
	B	Rejection Confirmation (pass side)					
	C	—					

Note 1 : Maximum capacity per rejection operation.

Up and Out Type

- Pneumatic
 - Two-Way
 - SV/SSV Series Checkweigher
 - Non-Waterproof
 - Self-Standing
- X-ray Inspection System, Metal Detector

KW4610 type

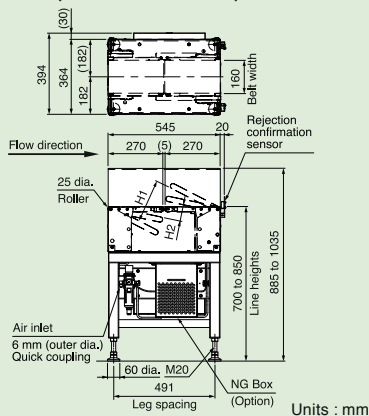
Maximum product size	Model	KW4610J◇A▼	KW4610K◇A▼
	Width	160 mm	
	Length	150 (240) mm	120 (240) mm
	Height	140 mm	60 mm
	Weight	3 kg	

KW4612 type

Maximum product size	Model	KW4612J◇A▼	KW4612K◇A▼
	Width	250 mm	
	Length	220 (300) mm	200 (300) mm
	Height	180 mm	100 mm
	Weight	3 kg	

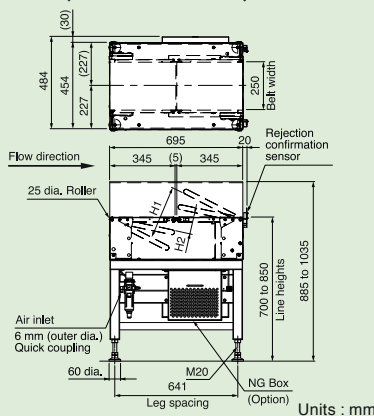
External Dimensions

KW4610J◇A▼ / KW4610K◇A▼



Model	H1	H2
KW4610J◇A▼	210	—
KW4610K◇A▼	—	80

KW4612J◇A▼ / KW4612K◇A▼



Model	H1	H2
KW4612J◇A▼	280	—
KW4612K◇A▼	—	110



Specifications

Model	KW4610J◇A▼	KW4610K◇A▼	KW4612J◇A▼	KW4612K◇A▼
Gate stroke	Standard	Stroke 1/2	Standard	Stroke 1/2
Classification	2			
Maximum product size and weight	Width (mm)	160		250
	Length (mm) ^{Note 2}	150 [240]	120 [240]	220 [300]
	Height (mm)	140	60	180
	Weight (kg)	3		
Maximum speed (products/min)	100	250	100	250
Belt speed (m/min)	15 to 120			
Air requirements ^{Note 1}	0.5 to 0.9 MPa, 0.4 ℓ [A.N.R.]	0.5 to 0.9 MPa, 0.2 ℓ [A.N.R.]	0.5 to 0.9 MPa, 0.4 ℓ [A.N.R.]	0.5 to 0.9 MPa, 0.2 ℓ [A.N.R.]
Air inlet	Tube having outer diameter of 6 mm			
Power requirements	100 to 120 Vac +10% -15% or 200 to 240 Vac +10% -15%, single phase, 50/60 Hz			
Power consumption	160 VA			
Mass	44 kg		52 kg	
Environmental conditions	0° to 40°C, relative humidity 30% to 85%, non-condensing			
◇ Exterior	F	Painted, IP30 compliance		
	P	Stainless steel (SUS304), IP30 compliance		
▼ Type of SV functions included	A	Rejection Confirmation (pass side), Reject Operation Check, Chute Attachment Check		
	B	Rejection Confirmation (pass side)		
	C	—		

Note 1 : Maximum capacity per rejection operation.
 Note 2 : Figures in [] are for string packages.

Flipper Type
 Dropout Type
 Up and Out Type
 Air Jet Type
 Trip Type
 Pusher Type
 Turning Type
 Carrier Type
 Rejector for Metal Detector
 Rejector for X-ray Inspection System

Air Jet Type

Pneumatic **Two-Way** **SV/SSV Series Checkweigher (h,f series)** **Non-Waterproof** **Integrated**

*The speed varies depending on a product to be rejected.

KW4803B type

Maximum product size	Model	KW4803BF	KW4803BP
	Width	100 mm	
	Length	230 mm	
	Height	160 mm	
	Weight	300 g	

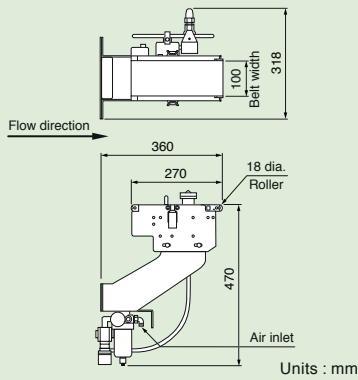
KW4803C type

Maximum product size	Model	KW4803CF	KW4803CP
	Width	50 mm	
	Length	65 mm	
	Height	30 mm	
	Weight	30 g	

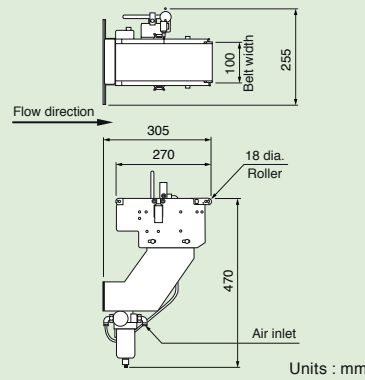


External Dimensions

KW4803BF / KW4803BP



KW4803CF / KW4803CP



Specifications



Model	KW4803BF	KW4803BP	KW4803CF	KW4803CP
Classification	2			
Maximum product size and weight	Width (mm)	100		50
	Length (mm)	230		65
	Height (mm)	160		30
	Weight (g)	300 ^{Note 1}		30
Maximum speed (products/min)	400			600
Belt speed (m/min)	15 to 120			
Air requirements	0.5 to 0.9 MPa, 16 ℓ /min [A.N.R.]			
Air inlet	Tube having outer diameter of 10 mm			
Power requirements	Supplied from SV/SSV series Checkweigher			
Power consumption	130VA			140VA
Mass	8 kg			
Environmental conditions	0° to 40°C, relative humidity 30% to 85%, non-condensing			
Protection class	IP30 compliance			
Exterior	Painted	Stainless steel (SUS304)	Painted	Stainless steel (SUS304)

Note 1 : The maximum product weight at a belt speed of 75 to 120 m/min is 100 g.
 Note : Self-standing type is available as an option.

Flipper Type
Dropout Type
Up and Out Type
Air Jet Type
Trip Type
Pusher Type
Turning Type
Carrier Type
Rejector for Metal Detector
Rejector for X-ray Inspection System

Air Jet Type

Pneumatic **Two-Way** **SV/SSV Series Checkweigher (h,f series)** **Non-Waterproof** **Integrated**

*The speed varies depending on a product to be rejected.

KW4805B type

Maximum product size	Model	KW4805BF	KW4805BP
	Width	160 mm	
	Length	230 mm	
	Height	160 mm	
	Weight	300 g	

KW4812B type

Maximum product size	Model	KW4812BF	KW4812BP
	Width	250 mm	
	Length	320 mm	
	Height	160 mm	
	Weight	300 g	

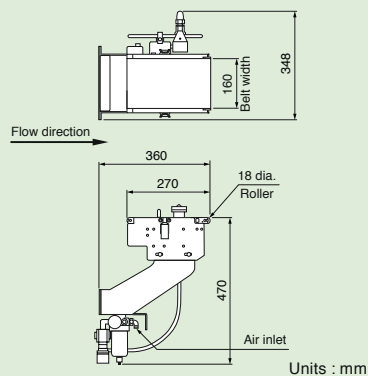
KW4806B type

Maximum product size	Model	KW4806BF	KW4806BP
	Width	160 mm	
	Length	320 mm	
	Height	160 mm	
	Weight	300 g	

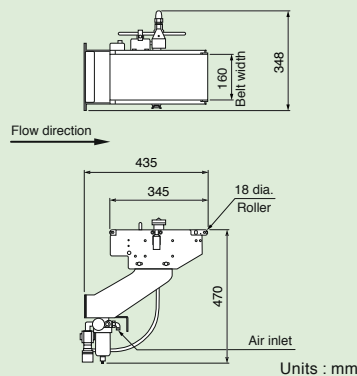


External Dimensions

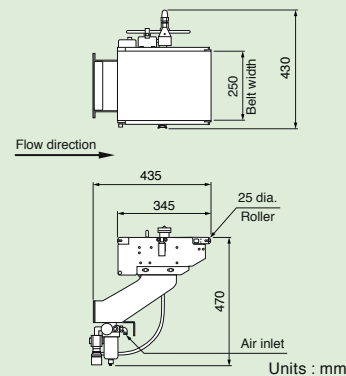
KW4805BF / KW4805BP



KW4806BF / KW4806BP



KW4812BF / KW4812BP



Specifications



Model	KW4805BF	KW4805BP	KW4806BF	KW4806BP	KW4812BF	KW4812BP
Classification ^{Note1}			2 [3]			
Maximum product size and weight	Width (mm)	160	160		250	
	Length (mm)	230		320		320
	Height (mm)	160		160		160
	Weight (g) ^{Note2}		300			
Maximum speed (products/min)	400					
Belt speed (m/min)	15 to 120					
Air requirements	0.5 to 0.9 MPa, 16 ℓ /min [A.N.R.]					
Air inlet	Tube having outer diameter of 10 mm					
Power requirements	Supplied from SV/SSV series Checkweigher					
Power consumption	130 VA					
Mass	9 kg			12 kg		
Environmental conditions	0° to 40°C, relative humidity 30% to 85%, non-condensing					
Protection class	IP30 compliance					
Exterior	Painted	Stainless steel (SUS304)	Painted	Stainless steel (SUS304)	Painted	Stainless steel (SUS304)

Note 1 : Available as an option.
 Note 2 : The maximum product weight at a belt speed of 75 to 120 m/min is 100 g.
 Note : Self-standing type is available as an option.

Flipper Type
 Dropout Type
 Up and Out Type
 Air Jet Type
 Trip Type
 Pusher Type
 Turning Type
 Carrier Type
 Rejector for Metal Detector
 Rejector for X-ray Inspection System

Air Jet Type

Pneumatic

Two-Way

SV/SSV Series Checkweigher (i series)

Waterproof

Integrated

*The speed varies depending on a product to be rejected.

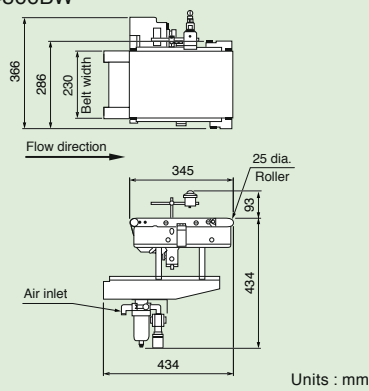
KW4866BW

Maximum product size	Width	230 mm
	Length	300 mm
	Height	160 mm
	Weight	300 g



External Dimensions

KW4866BW



Specifications



Model	KW4866BW	
Classification ^{Note1}	2 [3]	
Maximum product size and weight	Width (mm)	230
	Length (mm)	300
	Height (mm)	160
	Weight (g) ^{Note2}	300
Maximum speed (products/min)	220	
Belt speed (m/min)	9 to 91	
Air requirements	0.5 to 0.9 MPa, 16 ℓ /min [A.N.R.]	
Air inlet	Tube having outer diameter of 10 mm	
Power requirements	Supplied from SV/SSV series Checkweigher	
Power consumption	200 VA	
Mass	16 kg	
Environmental conditions	0° to 40°C, relative humidity 30% to 85%, non-condensing	
Protection class	IP66 compliance	
Exterior	Stainless steel (SUS304)	

Note 1 : Available as an option.

Note 2 : The maximum product weight at a belt speed of 75 to 120 m/min is 100 g.

Note : Connection to x-ray inspection system by modification to self-standing type or changing drive system.

Trip Type

Made to Order

- Electric
 - Three-Way
 - SV/SSV Series Checkweigher
 - Non-Waterproof
 - Self-Standing
- X-ray Inspection System

*The speed varies depending on a product to be rejected.

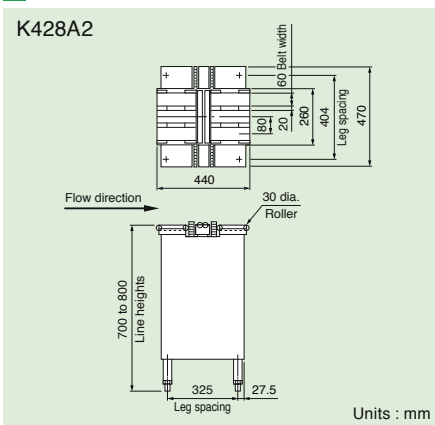
K428A2

Maximum product size	Width	220 mm
	Length	330 mm
	Height	300 mm
	Weight	1.2 kg



K428A2

External Dimensions



Specifications

Model	K428A2	
Classification	3	
Maximum product size and weight	Width (mm) ^{Note 1}	220
	Length (mm)	330
	Height (mm)	300
	Weight (kg)	1.2
Maximum speed (products/min)	120	
Belt speed (m/min) ^{Note 2}	50.4	
Power requirements	100 Vac ±10%, single phase, 50/60 Hz	
Power consumption	120 VA	
Mass	55 kg	
Environmental conditions	0° to 40°C, relative humidity 30% to 85%, non-condensing	
Protection class	IP30 compliance	
Exterior	Painted	

Note 1 : Products 150 mm wide or less cannot be rejected.
 Note 2 : 27 m/min and 37.8 m/min are also available as an option.

- Flipper Type
- Dropout Type
- Up and Out Type
- Air Jet Type
- Trip Type**
- Pusher Type
- Turning Type
- Carrier Type
- Rejector for Metal Detector
- Rejector for X-ray Inspection System

Pusher Type

Pneumatic **Two-Way** **SV/SSV Series Checkweigher (h,f series)** **Non-Waterproof** **Integrated**

*The speed varies depending on a product to be rejected.

KW4503B type

Maximum product size	Model	KW4503BF	KW4503BP
	Width	100 mm	
	Length	230 mm	
	Height	160 mm	
	Weight	0.6 kg	

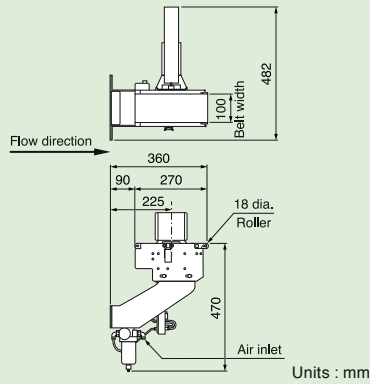
KW4505B type

Maximum product size	Model	KW4505BF	KW4505BP
	Width	160 mm	
	Length	230 mm	
	Height	160 mm	
	Weight	0.6 kg	

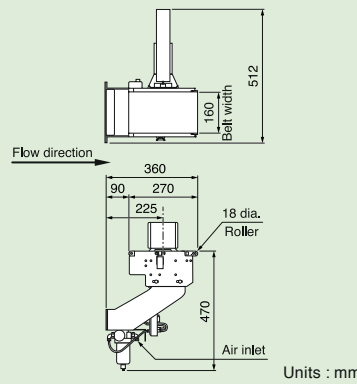


External Dimensions

KW4503BF / KW4503BP



KW4505BF / KW4505BP



Specifications



Model	KW4503BF	KW4503BP	KW4505BF	KW4505BP
Classification	2			
Maximum product size and weight	Width (mm)	100		160
	Length (mm)	230		230
	Height (mm) ^{Note 1}	160		160
	Weight (kg)	0.6		0.6
Maximum speed (products/min)	150			150
Belt speed (m/min)	15 to 120			
Air requirements	0.5 to 0.9 MPa, 10 ℓ /min [A.N.R.]			
Air inlet	Tube having outer diameter of 6 mm			
Power requirements	Supplied from SV/SSV series Checkweigher			
Power consumption	120 VA			
Mass	10 kg			11 kg
Environmental conditions	0° to 40°C, relative humidity 30% to 85%, non-condensing			
Protection class	IP30 compliance			
Exterior	Painted	Stainless steel (SUS304)	Painted	Stainless steel (SUS304)

Note 1 : Products 10 mm high or less cannot be rejected.
 Note : Self-standing type is available as an option.

Flipper Type
 Dropout Type
 Up and Out Type
 Air-Jet Type
 Trip Type
Pusher Type
 Turning Type
 Carrier Type
 Rejector for Metal Detector
 Rejector for X-ray Inspection System

Pusher Type

Pneumatic **Two-Way** **SV/SSV Series Checkweigher (h,f series)** **Non-Waterproof** **Integrated**

*The speed varies depending on a product to be rejected.

KW4506B type

Maximum product size	Model	KW4506BF	KW4506BP
	Width	160 mm	
	Length	320 mm	
	Height	160 mm	
	Weight	0.6 kg	

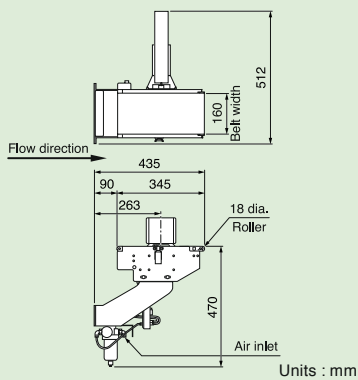
KW4512B type

Maximum product size	Model	KW4512BF	KW4512BP
	Width	250 mm	
	Length	320 mm	
	Height	160 mm	
	Weight	1.2 kg	

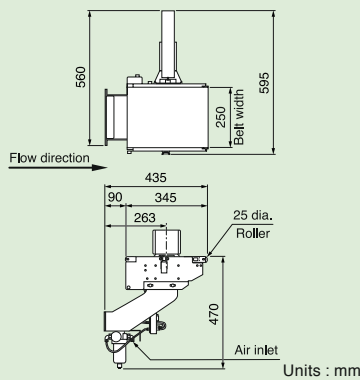


External Dimensions

KW4506BF / KW4506BP



KW4512BF / KW4512BP



Specifications



Model	KW4506BF	KW4506BP	KW4512BF	KW4512BP
Classification	2			
Maximum product size and weight	Width (mm)	160	250 <small>Note 2</small>	
	Length (mm)	320	320	
	Height (mm)	160 <small>Note 1</small>	160 <small>Note 2</small>	
	Weight (kg)	0.6	1.2	
Maximum speed (products/min)	150	80		
Belt speed (m/min)	15 to 120			
Air requirements	0.5 to 0.9 MPa, 10 ℓ /min [A.N.R.]			
Air inlet	Tube having outer diameter of 6 mm			
Power requirements	Supplied from SV/SSV series Checkweigher			
Power consumption	120 VA			
Mass	11 kg		14 kg	
Environmental conditions	0° to 40°C, relative humidity 30% to 85%, non-condensing			
Protection class	IP30 compliance			
Exterior	Painted	Stainless steel (SUS304)	Painted	Stainless steel (SUS304)

Note 1 : Products 10 mm high or less cannot be rejected.
 Note 2 : Products 80 mm width or less/10 mm high or less cannot be rejected.
 Note : Self-standing type is available as an option.

Flipper Type
 Dropout Type
 Up and Out Type
 Air Jet Type
 Trip Type
Pusher Type
 Tumbling Type
 Carrier Type
 Rejector for Metal Detector
 Rejector for X-ray Inspection System

Pusher Type

- Pneumatic
 - Two-Way
 - SV/SSV Series Checkweigher
 - Non-Waterproof
 - Self-Standing
- X-ray Inspection System, Metal Detector

*The speed varies depending on a product to be rejected.

KW451A

Maximum product size	Width	400 mm
	Length	600 mm
	Height	600 mm
	Weight	50 kg

KW4504A

Maximum product size	Width	600 mm
	Length	900 mm
	Height	600 mm
	Weight	60 kg



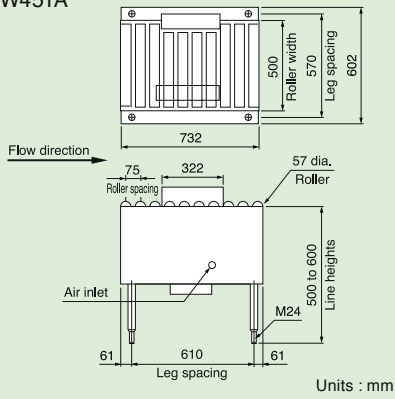
KW451A



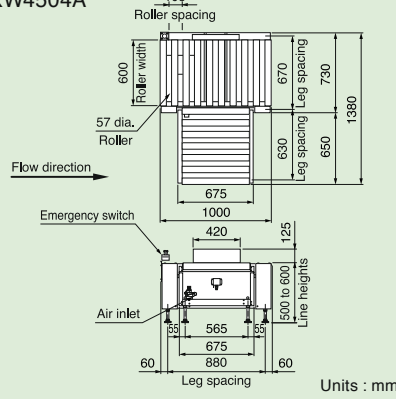
KW4504A

External Dimensions

KW451A



KW4504A



Specifications



Model	KW451A		KW4504A	
Classification	2			
Maximum product size and weight	Width (mm)	400 <small>Note 1</small>	600 <small>Note 2</small>	
	Length (mm)	600 <small>Note 1</small>	900 <small>Note 2</small>	
	Height (mm)	600	600	
	Weight (kg)	50	60	
Maximum speed (products/min)	40		30	
Belt speed (m/min)	33 (50Hz), 39.6 (60Hz) <small>Note 3</small>		15 to 40	
Air requirements <small>Note 4</small>	0.5 to 0.9 MPa, 9 ℓ [A.N.R.]		0.5 to 0.9 MPa, 12 ℓ [A.N.R.]	
Air inlet	Tube having outer diameter of 10 mm			
Power requirements	100 Vac ±10%, single phase, 50/60 Hz		200 to 240 Vac ±10%, single phase, 50/60 Hz	
Power consumption	550 VA		200 VA	
Mass	100 kg		100 kg	
Environmental conditions	0° to 40°C, relative humidity 30% to 85%, non-condensing			
Protection class	IP30 compliance			
Exterior	Painted			

Note 1 : Products 150 mm wide or less / 150 mm long or less cannot be rejected.
 Note 2 : Products 200 mm wide or less / 300 mm long or less cannot be rejected.
 Note 3 : 16.5 m/min, 20 m/min, and 25 m/min (50 Hz), 20 m/min, 24 m/min, and 30 m/min (60 Hz) are also available as an option.
 Note 4 : Maximum capacity per rejection operation.
 Note : Bagged products are not supported.

Flipper Type
 Dropout Type
 Up and Out Type
 Air Jet Type
 Trip Type
Pusher Type
 Turning Type
 Carrier Type
 Rejector for Metal Detector
 Rejector for X-ray Inspection System

Pusher Type

- Pneumatic
 - Two-Way
 - SV/SSV Series Checkweigher
 - Waterproof
 - Self-Standing
- X-ray Inspection System, Metal Detector

*The speed varies depending on a product to be rejected.

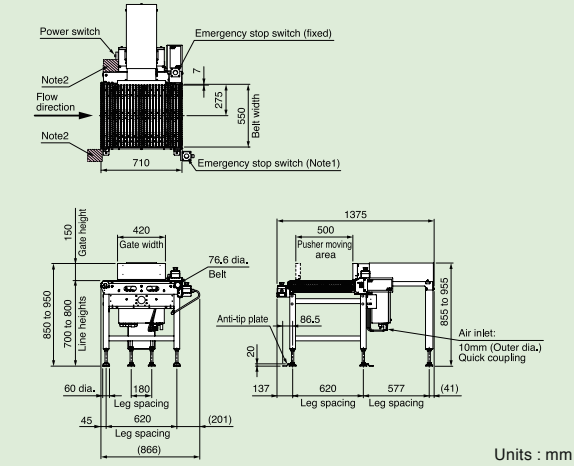
KW4501 type

Maximum product size	Model	KW4501LWAC	KW4501MWAC
	Width	540 mm	540 mm
	Length	600 mm	800 mm
	Height	600 mm	600 mm
	Weight	35 kg	

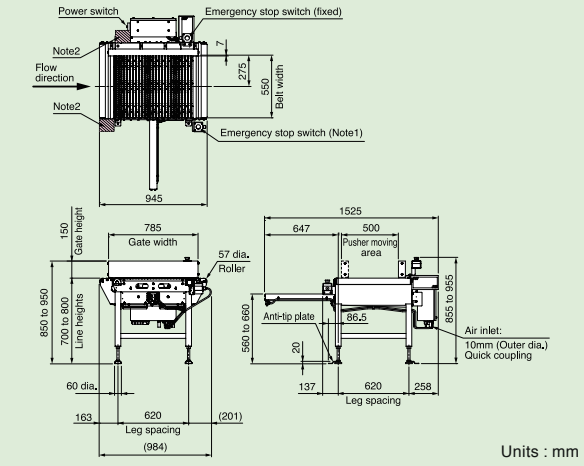


External Dimensions

KW4501LWAC



KW4501MWAC



Note 1 : The mounting positions of the emergency stop switch can be changed.
 Note 2 : Alternative positions of the emergency stop switch.



Specifications

	Rear cylinder type KW4501LWAC	Discharge side cylinder type KW4501MWAC
Model	KW4501LWAC	
Classification	2	
Maximum product size and weight	Width (mm) ^{Note 1}	540
	Length (mm)	600
	Height (mm) ^{Note 1}	600
	Weight (kg)	35
Maximum speed (products/min)	30	
Belt speed and Maximum conveying capacity	10 to 40 m/min, Maximum 50 kg	
	20 to 50 m/min, Maximum 20 kg (option)	
Air requirements ^{Note 2}	0.5 to 0.9 MPa, 12 ℓ [A.N.R.]	
Air inlet	Tube having outer diameter of 10 mm	
Power requirements and consumption ^{Note 3}	200 to 240 Vac ±10%, single phase, 50/60 Hz, 400 VA	
Noise	<79 dB (A)	<78 dB (A)
Mass	100 kg	115 kg
Environmental conditions	0° to 40°C, relative humidity 30% to 85%, non-condensing	
Protection class	IP66 compliance	
Exterior	Stainless steel (SUS304)	

Note 1 : Product less than 150 mm wide or 50 mm high can not be rejected.
 Note 2 : Maximum capacity per rejection operation.
 Note 3 : 100 to 120 Vac ±10% shingle phase 50/60 Hz, 400 VA are also available as an option.
 Note : Since the fast-moving rejector gate is exposed, we recommend to install a safety fence or cover the peripheral area.
 Note : Unpackaged products and bagged products which may become damaged are not supported.

- Flipper Type
- Dropout Type
- Up and Out Type
- Air Jet Type
- Trip Type
- Pusher Type**
- Turning Type
- Carrier Type
- Rejector for Metal Detector
- Rejector for X-ray Inspection System

Turning Type

Made to Order

Electric

Two-Way

SV/SSV Series Checkweigher

Non-Waterproof

Self-Standing

X-ray Inspection System

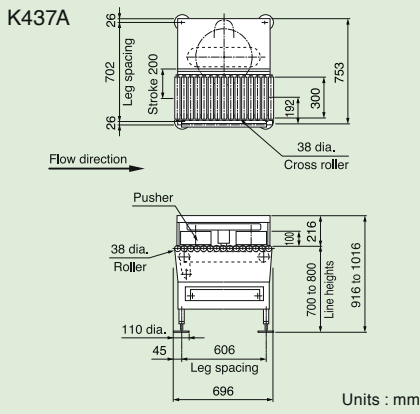
*The speed varies depending on a product to be rejected.

K437A

Maximum product size	Width	450 mm
	Length	600 mm
	Height	600 mm
	Weight	15 kg



External Dimensions



Specifications

Model	K437A	
Classification	2	
Maximum product size and weight	Width (mm) ^{Note 1}	450
	Length (mm)	600
	Height (mm)	600
	Weight (kg)	15
Maximum speed (products/min)	120 (3 kg or less), 100 (6 kg or less), 75 (15 kg or less)	
Belt speed (m/min) ^{Note 2}	50.4	
Power requirements	100 Vac ±10%, single phase, 50/60 Hz	
Power consumption	600 VA	
Mass	80 kg	
Environmental conditions	0° to 40°C, relative humidity 30% to 85%, non-condensing	
Protection class	IP30 compliance	
Exterior	Painted	

Note 1 : Products 300 mm wide or less cannot be rejected.

Note 2 : 24.2 m/min, 33.5 m/min and 40.2 m/min are also available as an option.

Carrier Type

- Electric
- Three-Way
- SV/SSV Series Checkweigher
- Non-Waterproof
- Self-Standing
- Five-Way
- X-ray Inspection System, Metal Detector

*The speed varies depending on a product to be rejected.

K416DB4

Maximum product size	Width	140 mm
	Length	330 mm
	Height	300 mm

K426D

Maximum product size	Width	190 mm
	Length	330 mm
	Height	300 mm

K416C type

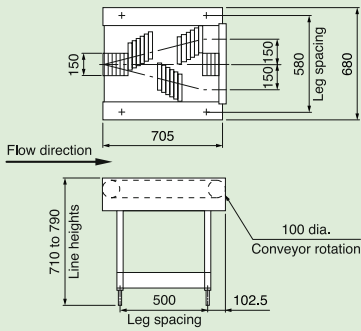
Maximum product size	Model	K416C4	K416CB4
	Width	140 mm	
	Length	330 mm	
	Height	300 mm	



K416DB4

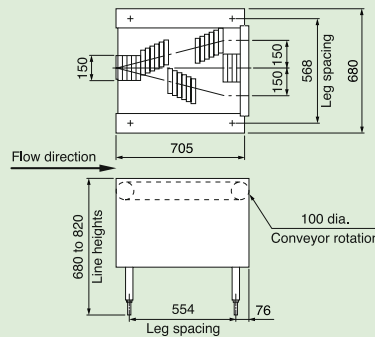
External Dimensions

K416DB4



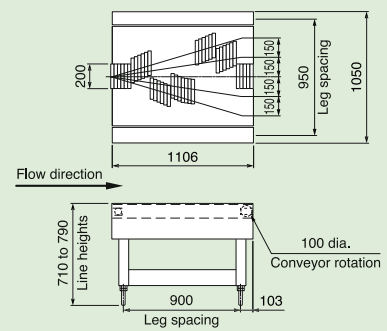
Units : mm

K416C4 / K416CB4



Units : mm

K426D



Units : mm

Specifications



Model	K416DB4	K416C4 ^{Note 1}	K416CB4 ^{Note 1}	K426D
Classification		3		5
Maximum product size	Width (mm)	140		190
	Length (mm)	330		330
	Height (mm)	300		300
Withstand load (g/cm)		70		100
Maximum speed (products/min)	200		300	200
Belt speed (m/min)	40 (50Hz), 48 (60Hz) ^{Note 2}		24 to 57.6	40 (50Hz), 48 (60Hz) ^{Note 2}
Power requirements	100 Vac ±10%, single phase, 50/60 Hz			
Power consumption	200 VA		550 VA	200 VA
Mass	80 kg		100 kg	130 kg
Environmental conditions	0° to 40°C, relative humidity 30% to 85%, non-condensing			
Protection class	IP30 compliance			
Exterior	Painted			

Note 1 : The noise level of K416C4 is 72 dB (A) or less, and that of K416CB4 is 64 dB (A) or less.

Note 2 : 10 m/min, 20 m/min, and 33.3 m/min (50 Hz), 10 m/min, 20 m/min, 33.3 m/min, and 40 m/min (60 Hz) are also available as an option.

Carrier Type

- Electric
- Three-Way
- SV/SSV Series Checkweigher
- Waterproof
- Self-Standing
- Five-Way
- X-ray Inspection System, Metal Detector

*The speed varies depending on a product to be rejected.

K416W type

Maximum product size	Model	K416W4	K416WB4
	Width	140 mm	
	Length	330 mm	
	Height	300 mm	

K426W4

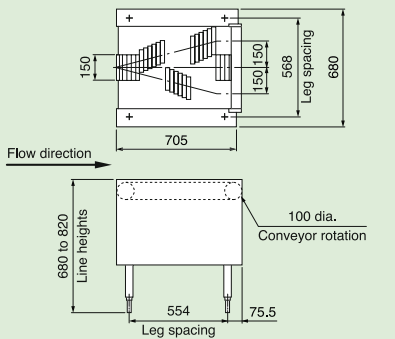
Maximum product size	Width	190 mm
	Length	330 mm
	Height	300 mm



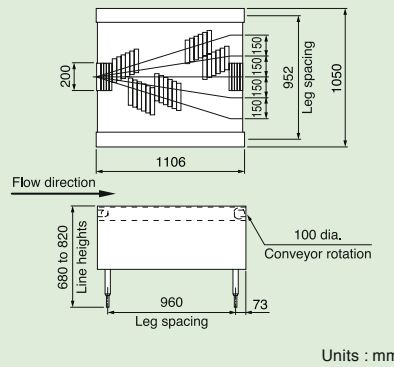
K416W4

External Dimensions

K416W4 / K416WB4



K426W4



Specifications



Model	K416W4 <small>Note 1</small>	K416WB4 <small>Note 1</small>	K426W4
Classification	3		5
Maximum product size	Width (mm)	140	190
	Length (mm)	330	330
	Height (mm)	300	300
Withstand load (g /cm)	70		100
Maximum speed (products/min)	300		200
Belt speed (m/min)	24 to 57.6		
Power requirements	100 Vac ±10%, single phase, 50/60 Hz		
Power consumption	550 VA		
Mass	100 kg		150 kg
Environmental conditions	0° to 40°C, relative humidity 30% to 85%, non-condensing		
Protection class	IP53 compliance		
Exterior	Stainless steel (SUS304)		

Note 1 : The noise level of K416W4 is 72 dB (A) or less, and that of K416WB4 is 63 dB (A) or less.

- Flipper Type
- Dropout Type
- Up and Out Type
- Air-Jet Type
- Trip Type
- Pusher Type
- Turning Type
- Carrier Type
- Rejector for Metal Detector
- Rejector for X-ray Inspection System

Carrier Type

Made to Order

- Pneumatic
- Two-Way
- SV/SSV Series Checkweigher
- Waterproof
- Self-Standing
- X-ray Inspection System

*The speed varies depending on a product to be rejected.

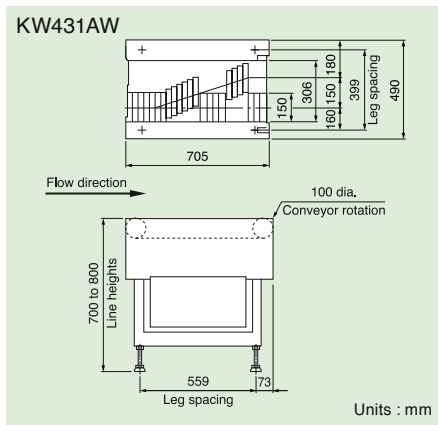
KW431AW

Maximum product size	Width	140 mm
	Length	330 mm
	Height	300 mm



KW431AW

External Dimensions



Specifications

Model	KW431AW	
Classification <small>Note 1</small>	2	
Maximum product size	Width (mm)	140
	Length (mm)	330
	Height (mm)	300
Withstand load (g/cm)	70	
Maximum speed (products/min)	400	
Belt speed (m/min)	30 to 60	
Air requirements	0.1 MPa, 35 ℓ /min [A.N.R.]	
Air inlet	Tube having outer diameter of 6 mm	
Power requirements	100 Vac ±10%, single phase, 50/60 Hz	
Power consumption	250 VA	
Mass	80 kg	
Environmental conditions	0° to 40°C, relative humidity 30% to 85%, non-condensing	
Protection class	IP53 compliance	
Exterior	Stainless steel (SUS304)	

Note 1 : Change of discharge direction is available as an option.

- Flipper Type
- Dropout Type
- Up and Out Type
- Air-Jet Type
- Trip Type
- Pusher Type
- Turning Type
- Carrier Type**
- Rejector for Metal Detector
- Rejector for X-ray Inspection System

Rejector for Metal Detector (Dropout Type)

Pneumatic **Two-Way** **Metal Detector** **Waterproof** **Integrated**

*The speed varies depending on a product to be rejected.

KW465BW/KW466BW

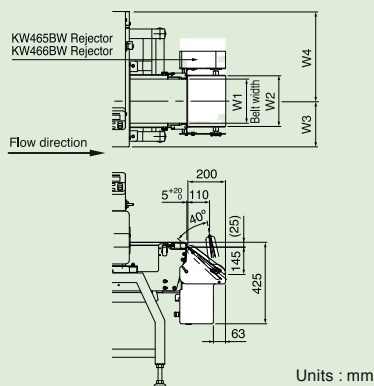
Maximum product size	Model		KW465BW	KW466BW
	Bulk products	Width		220 mm
Length			200 mm	200 mm
Height			30 mm	30 mm
Products with regular interval	Width		220 mm	350 mm
	Length		200 mm	200 mm
	Height		100 mm	100 mm
Weight			500 g	

KW465CW/KW466CW/KW468CW

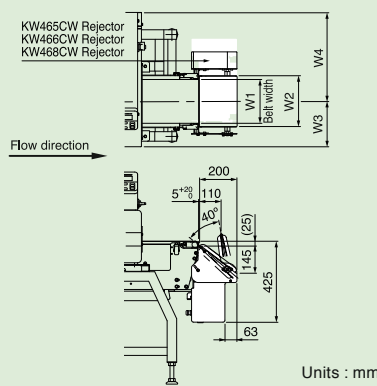
Maximum product size	Model		KW465CW	KW466CW	KW468CW
	Bulk products	Width		250 mm	350 mm
Length			200 mm	200 mm	200 mm
Height			30 mm	30 mm	30 mm
Products with regular interval	Width		250 mm	350 mm	160 mm
	Length		200 mm	200 mm	200 mm
	Height		100 mm	100 mm	100 mm
Weight			500 g		

External Dimensions

KW465BW / KW466BW



KW465CW / KW466CW / KW468CW



Model	KW465BW	KW466BW	KW465CW		KW466CW	KW468CW
Connectable model	KD811XA KD811XAW	KD812XA KD812XAW	KD811XBF	KD811XBW	KD812XBF KD812XBW	KD810XBF KD810XBW
W1	220	350	250	230	350	160
W2	267	417	264	264	414	174
W3	213	288	238	238	313	193
W4	352	427	467	467	542	422



Specifications

Model	KW465BW	KW466BW	KW465CW	KW466CW	KW468CW	
Classification	2					
Maximum product size and weight	Bulk products	Width (mm)	220	350	250	350
		Length (mm)	200	200	200	200
		Height (mm)	30	30	30	30
	Products with regular interval	Weight (g)	500		500	
		Width (mm)	220	350	250	350
		Length (mm)	200	200	200	200
		Height (mm)	100	100	100	100
Weight (g)	500		500			
Maximum speed (products/min)	Bulk products —		Products with regular interval 80		80	
Air requirements	0.39 to 0.9 MPa, 2 ℓ /min [A.N.R.]					
Air inlet	Tube having outer diameter of 10 mm					
Power requirements	Supplied from Metal detector					
Power consumption	3.2 W					
Mass	8 kg	10 kg	8 kg	10 kg	7.5 kg	
Environmental conditions	0° to 40°C, relative humidity 30% to 85%, non-condensing					
Protection class	IP66 compliance					
Exterior	Stainless steel (SUS304)					
Connectable model	KD811XA	KD812XA	KD811XB	KD812XB	KD810XB	

CAD drawings in DXF format are available.

Flipper Type
Dropout Type
Up and Out Type
Air-Jet Type
Trip Type
Pusher Type
Turning Type
Carrier Type
Rejector for Metal Detector
Rejector for X-Ray Inspection System

Rejector for Metal Detector (Air Jet Type)

Pneumatic **Two-Way** **Metal Detector** **Waterproof** **Integrated**

*The speed varies depending on a product to be rejected.

KW483BW

Maximum product size	Width	220 mm
	Length	300 mm
	Height	180 mm
	Weight	300 g

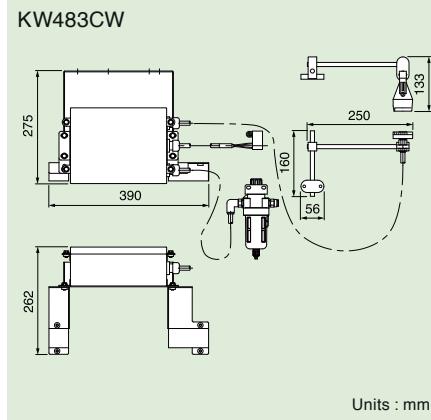
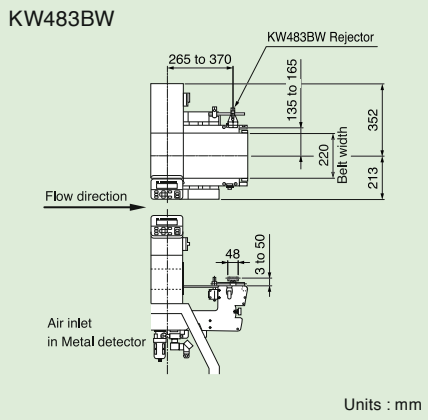
KW483CW

Maximum product size	Width	220 mm
	Length	300 mm
	Height	180 mm
	Weight	300 g



KW483BW

External Dimensions



KW483CW



CE Marking (Option) FCC compliance (Option)

Specifications

Model	KW483BW	KW483CW
Classification	2	
Maximum product size and weight	Width (mm)	220
	Length (mm)	300
	Height (mm)	180
	Weight (g)	300
Maximum speed (products/min)	220	
Air requirements	0.49 MPa, 16 ℓ /min [A.N.R.]	
Air inlet	Tube having outer diameter of 10 mm	
Power requirements	Supplied from Metal detector	
Power consumption	50 VA	
Mass	3 kg	
Environmental conditions	0° to 40°C, relative humidity 30% to 85%, non-condensing	
Protection class	IP66 compliance	
Connectable model	KD811XX, KD812XX	KD8200AW

Note : Connectable to SV/SSV series checkweigher.
 Note that a set of air parts is mounted on the downstream conveyor.

Rejector for X-ray Inspection System (Chute Type)

Made to Order

- Pneumatic
- Two-Way
- X-ray Inspection System
- Waterproof
- Self-Standing

*The speed varies depending on a product to be rejected.

NGS290/NGS440

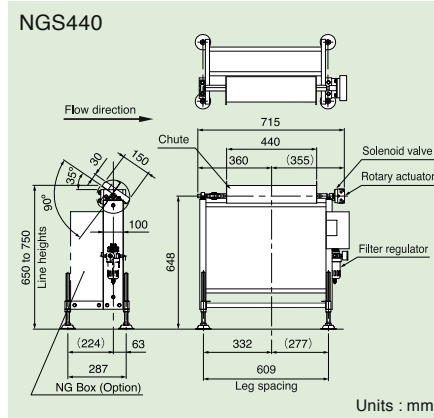
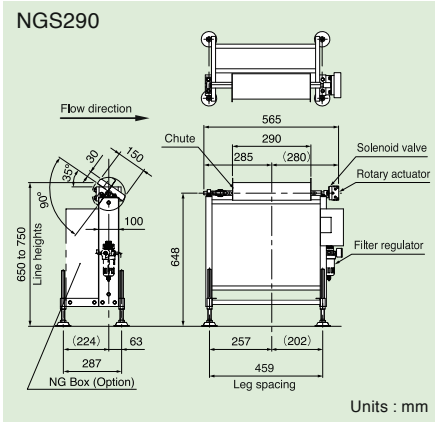
Model	NGS290	NGS440
Maximum product size		
Width	290 mm	440 mm
Height	50 mm	
Weight	500 g	



NGS290

● Fixed chute and NG box are options.

External Dimensions



Specifications

Model	NGS290	NGS440
Classification	2	
Maximum product size and weight ^{Note 1}	Width (mm)	290
	Height (mm)	50
	Weight (g)	500
Maximum speed	Bulk	
Chute revers speed	0.2 to 1 s/90°	
Air requirements	0.5 to 0.8 MPa, 4 ℓ /min [A.N.R.]	
Air inlet	Tube having outer diameter of 6 mm	
Power requirements	Supplied from X-ray inspection system	
Power consumption	24 Vdc	
Mass	13 kg	
Environmental conditions	0° to 40°C, relative humidity 30% to 85%, non-condensing	
Protection class	IP65 compliance	
Exterior	Stainless steel (SUS304)	

Note 1 : Contact us for product length.



Rejector for X-ray Inspection System (Shuttle Type)

Made to Order

- Pneumatic
- Two-Way
- X-ray Inspection System
- Waterproof
- Self-Standing

*The speed varies depending on a product to be rejected.

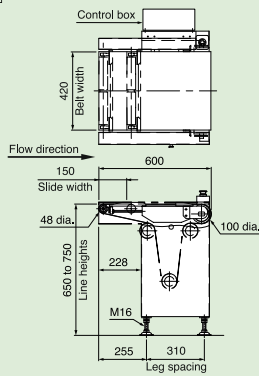
RS3L / RS3R

Model	RS3L <input type="checkbox"/>	RS3R <input type="checkbox"/>
Maximum product size		
Width	400 mm	
Length	280 mm	
Height	150 mm	
Weight	3 kg	

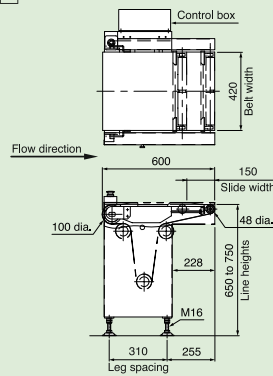


External Dimensions

RS3L



RS3R



Specifications

Model	RS3L <input type="checkbox"/>	RS3R <input type="checkbox"/>
Classification	2	
<input type="checkbox"/> Expandable/ contractible part	A	Downstream side of flow direction
	B	Upstream side of flow direction
Maximum product size and weight	Width (mm)	400
	Length (mm)	280
	Height (mm)	150
	Weight (kg)	3
Maximum speed (products/min)	30	
Belt speed (m/min)	20 to 30	
Air requirements	0.5 to 0.8 MPa, 25 ℓ /min [A.N.R.]	
Air inlet	Tube having outer diameter of 8 mm	
Power requirements	200 Vac ±10%, single phase, 50/60 Hz	
Power consumption	200 VA	
Mass	85 kg	
Environmental conditions	0° to 40°C, relative humidity 30% to 85%, non-condensing	
Protection class	IP65 compliance	
Exterior	Stainless steel (SUS304)	

- Flipper Type
- Dropout Type
- Up and Out Type
- Air Jet Type
- Trip Type
- Pusher Type
- Turning Type
- Carrier Type
- Rejector for Metal Detector
- Rejector for X-ray Inspection System

Rejector Combinations

- ◎ : Optimum combination. (Anritsu's recommendation)
 - : Recommended standard combination.
 - △ : Combination is allowed; however, conveyor width, exterior, and conveyable weight, etc. differ.
 - : Combination is not allowed.
- Leg : Required to modify the rejector to be self-standing type.

20	20	20	20	20	23	23	23	38	38	38	24	25	25	24	25	25	24	Page				
Dropout										Up and Out						Rejection method						
SUS304										Painted						Exterior						
IP30					IP66					IP30						Protection class						
160		250		400	160	230	350	^{20,230} ₂₅₀	350	160	100	160			250			Belt width (mm)				
95	30	130	45	200	100	130	210	Bulk products=30 Products with regular interval=100		15	140	60	15	180	100	30	Maximum product height (mm)					
KW4610AFA (2-way)	KW4610BFA (2-way)	KW4612AFA (2-way)	KW4612BFA (2-way)	KW4624AFA (2-way)	KW4671DW (2-way)	KW4672DW (2-way)	KW4676DW (2-way)	KW465BW/CW (2-way)	KW466BW/CW (2-way)	KW468CW (2-way)	KW4603MFA (3-way)	KW4610JFA (2-way)	KW4610KFA (2-way)	KW4610MFA (3-way)	KW4612JFA (2-way)	KW4612KFA (2-way)	KW4612MFA (3-way)	Rejector Model X-ray Inspection System Model	Machine conditions			
																			Exterior	Protection class	Belt width (mm)	Line heights (mm)
△	△	△	△	△	△	△	○	○	-	-	-	△	△	△	△	△	△	KD7405AWH	SUS304	IP66	270	120
△	△	△	△	△	△	△	○	○	-	-	-	△	△	△	△	△	△	KD7405ADWH				
△	△	△	△	△	△	△	○	○	-	-	-	△	△	△	△	△	△	KD7405BWH				
△	△	△	△	△	△	△	○	○	-	-	-	△	△	△	△	△	△	KD7405BDWH				
△	△	△	△	△	△	△	○	○	-	-	-	△	△	△	△	△	△	KD7405ABWH				
△	△	△	△	△	△	△	○	○	-	-	-	△	△	△	△	△	△	KD7405ACWH				
-	-	△	△	△	-	△	△	-	-	-	-	-	-	△	△	△	△	KD7416AWH				
-	-	△	△	△	-	△	△	-	-	-	-	-	-	△	△	△	△	KD7416ADWH				
-	-	△	△	△	-	△	△	-	-	-	-	-	-	△	△	△	△	KD7416BWH				
-	-	△	△	△	-	△	△	-	-	-	-	-	-	△	△	△	△	KD7416BDWH				
-	-	△	△	△	-	△	△	-	-	-	-	-	-	△	△	△	△	KD7416ABWH				
-	-	△	△	△	-	△	△	-	-	-	-	-	-	△	△	△	△	KD7416ACWH				
-	-	△	△	△	-	△	△	-	-	-	-	-	-	△	△	△	△	KD7417BWH				
△	△	△	△	△	△	△	○	-	-	-	-	△	△	△	△	△	△	KD7405CWT	SUS304	IP66	270	120
△	△	△	△	△	△	△	○	-	-	-	-	△	△	△	△	△	△	KD7405DWT				
△	△	△	△	△	△	△	○	-	-	-	-	△	△	△	△	△	△	KD7405DWH				
-	-	△	△	△	-	△	△	-	-	-	-	-	-	△	△	△	△	KD7416DWH				
-	-	△	△	△	-	△	△	-	-	-	-	-	-	△	△	△	△	KD7417DWH				
△	△	○	△	○	△	○	○	-	-	-	-	△	△	△	○	△	△	KD7405KP	SUS304	IP40	270	120
△	△	○	△	○	△	○	○	-	-	-	-	△	△	△	○	△	△	KD7405KDP				
△	△	○	△	○	△	○	○	-	-	-	-	△	△	△	○	△	△	KD7405KCP				
-	-	-	-	-	-	-	-	-	-	-	-	-	-	-	-	-	-	KD7447DW	SUS304	IP66	620	250
-	-	-	-	-	-	-	-	-	-	-	-	-	-	-	-	-	-	KD7447DWE				
-	-	-	-	-	-	-	-	-	-	-	-	-	-	-	-	-	-	KD7337AW	SUS304	IP52	780	250
-	-	-	-	-	-	-	-	-	-	-	-	-	-	-	-	-	-	KD7337AWH1				
-	-	-	-	-	-	-	-	-	-	-	-	-	-	-	-	-	-	KD7337AWH2				
-	-	-	-	△	-	-	△	-	-	-	-	-	-	-	-	-	-	KD7478AWH	SUS304	IP66	120	350
-	-	-	-	△	-	-	△	-	-	-	-	-	-	-	-	-	-	KD7478BWH				
-	-	-	-	-	-	-	-	-	-	-	-	-	-	-	-	-	-	KD7481AWH	SUS304	IP66	-	-
-	-	-	-	-	-	-	-	-	-	-	-	-	-	-	-	-	-	KD7483AWH				
-	-	-	-	-	-	-	-	-	-	-	-	-	-	-	-	-	-	KD7483AFWH				
-	-	-	-	-	△	△	○	-	-	-	-	-	-	-	-	-	-	KD7416AM	SUS304	IP69K	420	150
-	-	-	-	-	△	△	○	-	-	-	-	-	-	-	-	-	-	KD7416ABM				
-	-	-	-	-	△	△	○	-	-	-	-	-	-	-	-	-	-	KD7416ACM				
-	-	-	-	-	△	△	○	-	-	-	-	-	-	-	-	-	-	KD7416ADM				
-	-	△	△	△	-	△	△	-	-	-	-	-	-	△	△	△	△	KD7416DWZ	SUS304	IP66	420	150
-	-	△	△	△	-	△	△	-	-	-	-	-	-	△	△	△	△	KD7416AWZE				
-	-	△	△	△	-	△	△	-	-	-	-	-	-	△	△	△	△	KD7416ADWZE				
-	-	△	△	△	-	△	△	-	-	-	-	-	-	△	△	△	△	KD7416ACWZE				

X-ray Inspection System and Rejector Combinations

Page				24	25	25	24	25	25	24	26	26	27	27	27	39	28	30	30	31	31				
Rejection method				Up and Out								Air Jet						Pusher							
Machine conditions	Exterior			SUS304								Painted, SUS304						SUS304				Painted, SUS304			
	Protection class			IP30								IP30						IP66				IP30			
	Belt width (mm)			100		160		250		100		160		250		—	230		100		160		250		
	Maximum product height (mm)			15	140	60	15	180	100	30	30	160						180	160	160					
Machine conditions				Rejector Model																					
Exterior	Protection class	Belt width (mm)	Line heights (mm)	X-ray Inspection System Model	Rejector Model																				
					KW4603MPA (3-way)	KW4610JPA (2-way)	KW4610KPA (2-way)	KW4610MPA (3-way)	KW4612JPA (2-way)	KW4612KPA (2-way)	KW4612MPA (3-way)	KW4803CF/CP (2-way)	KW4803BF/BP (2-way)	KW4805BF/BP (2-way) (3-way)	KW4806BF/BP (2-way) (3-way)	KW4812BF/BP (2-way) (3-way)	KW483BW/CW (2-way)	KW4866BW (2-way)	KW4503BF/BP (2-way)	KW4505BF/BP (2-way)	KW4506BF/BP (2-way)	KW4512BF/BP (2-way)			
SUS304	IP66	270	120	KD7405AWH	—	△	△	△	△	△	△	△	—	—	△Leg	△Leg	△Leg	—	○Leg	—	△Leg	△Leg	△Leg		
				KD7405ADWH	—	△	△	△	△	△	△	△	—	—	△Leg	△Leg	△Leg	—	○Leg	—	△Leg	△Leg	△Leg	△Leg	
				KD7405BWH	—	△	△	△	△	△	△	△	—	—	△Leg	△Leg	△Leg	—	○Leg	—	△Leg	△Leg	△Leg	△Leg	
			KD7405BDWH	—	△	△	△	△	△	△	△	—	—	△Leg	△Leg	△Leg	—	○Leg	—	△Leg	△Leg	△Leg	△Leg		
			50	KD7405ABWH	—	△	△	△	△	△	△	△	—	—	△Leg	△Leg	△Leg	—	○Leg	—	△Leg	△Leg	△Leg	△Leg	
			30 to 50	KD7405ACWH	—	△	△	△	△	△	△	△	—	—	△Leg	△Leg	△Leg	—	○Leg	—	△Leg	△Leg	△Leg	△Leg	
		420	150	KD7416AWH	—	—	—	—	△	△	△	—	—	—	—	△Leg	—	△Leg	—	—	—	—	△Leg	—	
				KD7416ADWH	—	—	—	—	△	△	△	—	—	—	—	△Leg	—	△Leg	—	—	—	—	△Leg	—	
				KD7416BWH	—	—	—	—	△	△	△	—	—	—	—	△Leg	—	△Leg	—	—	—	—	△Leg	—	
			50	KD7416BDWH	—	—	—	—	△	△	△	—	—	—	—	△Leg	—	△Leg	—	—	—	—	△Leg	—	
				KD7416ABWH	—	—	—	—	△	△	△	—	—	—	—	△Leg	—	△Leg	—	—	—	—	△Leg	—	
				30 to 50	KD7416ACWH	—	—	—	—	△	△	△	—	—	—	—	△Leg	—	△Leg	—	—	—	—	△Leg	—
220	KD7417BWH	—	—	—	—	△	△	△	—	—	—	—	△Leg	—	△Leg	—	—	—	—	△Leg	—				
SUS304	IP66	270	120	KD7405CWT	—	△	△	△	△	△	△	—	—	△Leg	△Leg	△Leg	—	○Leg	—	△Leg	△Leg	△Leg			
				KD7405DWT	—	△	△	△	△	△	△	—	—	△Leg	△Leg	△Leg	—	○Leg	—	△Leg	△Leg	△Leg	△Leg		
		420	150	KD7405DWH	—	△	△	△	△	△	△	—	—	—	—	△Leg	△Leg	△Leg	—	○Leg	—	△Leg	△Leg		
				KD7416DWH	—	—	—	—	△	△	△	—	—	—	—	△Leg	—	△Leg	—	—	—	—	△Leg	—	
220	150	KD7417DWH	—	—	—	—	△	△	△	—	—	—	—	△Leg	—	△Leg	—	—	—	—	△Leg	—			
		220	120	KD7405KP	—	△	△	△	○	○	△	—	—	△Leg	△Leg	○Leg	—	○Leg	—	△Leg	△Leg	○Leg	—		
30 to 50	270			KD7405KDP	—	△	△	△	○	○	△	—	—	△Leg	△Leg	○Leg	—	○Leg	—	△Leg	△Leg	○Leg	—		
		KD7405KCP	—	△	△	△	○	○	△	—	—	△Leg	△Leg	○Leg	—	○Leg	—	△Leg	△Leg	○Leg	—				
SUS304	IP66	620	250	KD7447DW	—	—	—	—	—	—	—	—	—	—	—	—	—	—	—	—	—	—			
				KD7447DWE	—	—	—	—	—	—	—	—	—	—	—	—	—	—	—	—	—	—	—		
SUS304	IP52	780	250	KD7337AW	—	—	—	—	—	—	—	—	—	—	—	—	—	—	—	—	—	—			
				KD7337AWH1	—	—	—	—	—	—	—	—	—	—	—	—	—	—	—	—	—	—	—		
				KD7337AWH2	—	—	—	—	—	—	—	—	—	—	—	—	—	—	—	—	—	—	—	—	
SUS304	IP66	120	350	KD7478AWH	—	—	—	—	—	—	—	—	—	△Leg	△Leg	△Leg	△Leg	—	○Leg	△Leg	△Leg	△Leg	△Leg		
				KD7478BWH	—	—	—	—	—	—	—	—	—	—	—	△Leg	△Leg	△Leg	△Leg	—	○Leg	△Leg	△Leg	△Leg	△Leg
SUS304	IP66	—	—	KD7481AWH	—	—	—	—	—	—	—	—	—	—	—	—	—	—	—	—	—	—			
				KD7483AWH	—	—	—	—	—	—	—	—	—	—	—	—	—	—	—	—	—	—	—		
				KD7483AFWH	—	—	—	—	—	—	—	—	—	—	—	—	—	—	—	—	—	—	—	—	
SUS304	IP69K	420	150	KD7416AM	—	—	—	—	—	—	—	—	—	—	—	—	—	—	—	—	—	—			
				50	KD7416ABM	—	—	—	—	—	—	—	—	—	—	—	—	—	—	—	—	—	—		
				30 to 50	KD7416ACM	—	—	—	—	—	—	—	—	—	—	—	—	—	—	—	—	—	—	—	
				150	KD7416ADM	—	—	—	—	—	—	—	—	—	—	—	—	—	—	—	—	—	—	—	
SUS304	IP66	420	150	KD7416DWZ	—	—	—	—	△	△	△	—	—	—	△Leg	—	△Leg	—	—	—	—	△Leg	—		
				KD7416AWZE	—	—	—	—	△	△	△	—	—	—	—	△Leg	—	△Leg	—	—	—	—	△Leg	—	
				KD7416ADWZE	—	—	—	—	△	△	△	—	—	—	—	—	△Leg	—	△Leg	—	—	—	—	△Leg	—
				30 to 50	KD7416ACWZE	—	—	—	—	△	△	△	—	—	—	—	△Leg	—	△Leg	—	—	—	—	△Leg	—

Rejector Combinations

◎ : Optimum combination. (Anritsu's recommendation)

○ : Recommended standard combination.

△ : Combination is allowed; however, conveyor width, exterior, and conveyable weight, etc. differ.

- : Combination is not allowed.

Leg : Required to modify the rejector to be self-standing type.

32	32	33	33	35	36	35	36	37	34	29	40	40	41	41	Page								
Pusher				Carrier				Turning	Trip	Chute		Shuttle		Rejection method									
Painted		SUS304		Painted		SUS304		Painted	Painted	SUS304		SUS304		Exterior									
IP30		IP66		IP30		IP53		IP30	IP30	IP65		IP65		Protection class									
500		600		550		150		200		150		300		260		290		440		420 (Machine length: 600)		Belt width (mm)	
600				300				600		300		50		50		150		Maximum product height (mm)					
														Rejector Model	Machine conditions								
															Exterior	Protection class	Belt width (mm)	Line heights (mm)					
KW451A (2-way)	KW4504A (2-way)	KW4501LWAC (2-way)	KW4501MWAC (2-way)	K416C4/CB4/DB4 (3-way)	K416WB4/W4 (3-way)	K426D (5-way)	K426W4 (5-way)	KW431AW (2-way)	K437A (2-way)	K428A2 (3-way)	NGS290 (2-way)	NGS440 (2-way)	RS3L-A/RA (2-way)	RS3L-B/RB (2-way)	X-ray Inspection System Model	Exterior	Protection class	Belt width (mm)	Line heights (mm)				
-	-	-	-	△	△	△	△	△	△	△	△	△	○	△	KD7405AWH	SUS304	IP66	270	120				
-	-	-	-	△	△	△	△	△	△	△	△	△	○	△	KD7405ADWH								
-	-	-	-	△	△	△	△	△	△	△	△	△	○	△	KD7405BWH								
-	-	-	-	△	△	△	△	△	△	△	△	△	○	△	KD7405BDWH								
-	-	-	-	△	△	△	△	△	△	△	△	◎	○	△	KD7405ABWH								
-	-	-	-	△	△	△	△	△	△	△	△	○	△	○	KD7405ACWH								
-	-	-	-	-	-	-	-	-	△	△	△	△	◎	△	KD7416AWH								
-	-	-	-	-	-	-	-	-	△	△	△	△	◎	△	KD7416ADWH								
-	-	-	-	-	-	-	-	-	△	△	△	△	◎	△	KD7416BWH								
-	-	-	-	-	-	-	-	-	△	△	△	△	◎	△	KD7416BDWH								
-	-	-	-	-	-	-	-	-	△	△	△	◎	△	◎	KD7416ABWH								
-	-	-	-	-	-	-	-	-	△	△	△	○	△	◎	KD7416ACWH								
-	-	-	-	-	-	-	-	-	△	△	△	△	◎	△	KD7417BWH								
-	-	-	-	△	△	△	△	△	△	△	△	△	○	△	KD7405CWT								
-	-	-	-	△	△	△	△	△	△	△	△	△	○	△	KD7405DWT								
-	-	-	-	△	△	△	△	△	△	△	△	△	○	△	KD7405DWH								
-	-	-	-	-	-	-	-	-	△	△	△	△	◎	△	KD7416DWH								
-	-	-	-	-	-	-	-	-	△	△	△	△	◎	△	KD7417DWH								
-	-	-	-	△	△	△	△	△	△	△	△	△	○	△	KD7405KP								
-	-	-	-	△	△	△	△	△	△	△	△	△	○	△	KD7405KDP								
-	-	-	-	△	△	△	△	△	△	△	○	△	○	△	KD7405KCP								
△	△	◎	◎	-	-	-	-	-	-	-	-	-	-	-	KD7447DW								
△	△	◎	◎	-	-	-	-	-	-	-	-	-	-	-	KD7447DWE								
△	△	-	-	-	-	-	-	-	-	-	-	-	-	-	KD7337AW								
△	△	-	-	-	-	-	-	-	-	-	-	-	-	-	KD7337AWH1								
△	△	-	-	-	-	-	-	-	-	-	-	-	-	-	KD7337AWH2								
-	-	-	-	-	○	△	○	○	-	-	-	-	-	-	KD7478AWH								
-	-	-	-	-	○	△	○	○	-	-	-	-	-	-	KD7478BWH								
-	-	-	-	-	-	-	-	-	-	-	-	-	-	-	KD7481AWH								
-	-	-	-	-	-	-	-	-	-	-	-	-	-	-	KD7483AWH								
-	-	-	-	-	-	-	-	-	-	-	-	-	-	-	KD7483AFWH								
-	-	-	-	-	-	-	-	-	-	△	△	△	◎	△	KD7416AM								
-	-	-	-	-	-	-	-	-	-	△	△	△	◎	△	KD7416ABM								
-	-	-	-	-	-	-	-	-	-	△	○	○	◎	△	KD7416ACM								
-	-	-	-	-	-	-	-	-	-	△	△	△	◎	△	KD7416ADM								
-	-	-	-	-	-	-	-	-	△	△	△	△	◎	△	KD7416DWZ								
-	-	-	-	-	-	-	-	-	△	△	△	△	◎	△	KD7416AWZE								
-	-	-	-	-	-	-	-	-	△	△	△	△	◎	△	KD7416ADWZE								
-	-	-	-	-	-	-	-	-	△	△	△	△	◎	△	KD7416ACWZE								

SV series Checkweigher and Rejector Combinations

Note 1 : ◇ A, B, G, H=200

Note 3 : □=2, 3, 4, 5, 6

◇ C, J=60

◆=D, E

Note 2 : ◇ A, B, D, E, G, H, K, L=200

◇ C, F, J, M=60

Page				4,5	6 to 9	4,5	6 to 9	4	6,7	17	17	19	19	17	17	19	19	18				
Rejection method				Flipper						Dropout												
Machine conditions				Painted																		
Exterior				IP30																		
Protection class				IP30																		
Belt width (mm)				160		250		400		160		250		400								
Maximum product height (mm)				Note 1	Note 2	200	500	95	30	95	30	130	45	130	45	200						
Machine conditions				Rejector Model																		
Exterior	Protection class	Belt width (mm)	Maximum product height (mm)	Checkweigher Model	KW4132◇FB▼ (3-way)	KW4232◇FB▼ (2-way)	KW4133◇FB▼ (3-way)	KW4233◇FB▼ (2-way)	KW4134◇FB▼ (3-way)	KW4234◇FB▼ (2-way)	KW4610AFB▼ (2-way)	KW4610BFB▼ (2-way)	KW4610AFC▼ (2-way)	KW4610BFC▼ (2-way)	KW4612AFB▼ (2-way)	KW4612BFB▼ (2-way)	KW4612AFC▼ (2-way)	KW4612BFC▼ (2-way)	KW4624AFB▼ (2-way)			
Painted	IP30	100	180	KW7003AF03	○	○	○	○	—	—	○	○	—	—	△	△	—	—	—			
			120	KW6001●F04	○	○	○	○	—	—	○	○	—	—	△	△	—	—	—	—		
		160	180	KW6003●F03	○	○	○	○	—	—	○	○	—	—	△	△	—	—	—	—		
			180	KW6005●F05	○	○	○	○	—	—	○	○	—	—	△	△	—	—	—	—		
Painted	IP30	100	120	KW6201/5201●F04	○	○	○	○	—	—	○	○	△	△	△	△	—	—	—	—		
				KW6203/5203●F03	○	○	○	○	—	—	○	○	○	○	△	△	△	△	—	—	—	
		160		KW6205/5205●F05	○	○	○	○	—	—	○	○	○	○	△	△	△	△	—	—	—	
				KW6206/5206●F06	○	○	○	○	—	—	○	○	○	○	△	△	△	△	—	—	—	
		250	180		KW6411/5411●F11	○	○	○	○	△	△	△	△	△	△	○	○	○	○	—	—	—
					KW6412/5412●F12	○	○	○	○	△	△	△	△	△	△	△	○	○	○	○	—	—
			350		KW6414/5414●F12	○	○	○	○	△	△	△	△	△	△	○	○	○	○	—	—	—
					KW6416/5416●F16	—	—	△	△	○	○	—	—	—	—	○	○	—	—	—	—	○
		KW6417/5417●F17	—	—	△	△	○	○	—	—	—	—	○	○	—	—	—	—	○			
Painted	IP30	400	500	KW5522●F22	—	—	△	△	○	○	—	—	—	—	△	△	—	—	—	○		
				KW5524●F24	—	—	△	△	○	○	—	—	—	—	△	△	—	—	—	—	○	
				KW5526●F24	—	—	△	△	○	○	—	—	—	—	△	△	—	—	—	—	○	
				KW5623●F23	—	—	—	—	○	○	—	—	—	—	△	△	—	—	—	—	○	
		KW5625●F25	—	—	—	—	○	○	—	—	—	—	△	△	—	—	—	—	○			
		KW5627●F25	—	—	—	—	○	○	—	—	—	—	△	△	—	—	—	—	○			
		KW5728●FNN	—	—	—	—	○	○	—	—	—	—	△	△	—	—	—	—	○			
		440	1500		KW5888●FNN	—	—	—	—	—	—	—	—	—	—	—	—	—	—	—	—	
	KW5989●FNN			—	—	—	—	—	—	—	—	—	—	—	—	—	—	—	—	—		
Painted	IP30	100	3D=80, 5D=120, 6D=180	KW7003●F□◆	○	○	○	○	—	—	○	○	—	—	△	△	—	—	—	—		
			3D=80, 5D=120, 6D=180	2E=50, 3E=80, 4E=100	KW6003●F□◆	○	○	○	○	—	—	○	○	—	—	△	△	—	—	—	—	
		160	3D=80, 5D=120, 6D=180	2E=50, 3E=80, 4E=100	KW6005●F□◆	○	○	○	○	—	—	○	○	—	—	△	△	—	—	—	—	
			3D=80, 5D=120, 6D=180	2E=50, 3E=80, 4E=100	KW6006●F□◆	○	○	○	○	—	—	○	○	—	—	△	△	—	—	—	—	
Painted	IP30	100	3D=80, 5D=120, 6D=180	2E=50, 3E=80, 4E=100	KW6203/5203●F□◆	○	○	○	○	—	—	○	○	—	—	△	△	—	—	—		
			3D=80, 5D=120, 6D=180	2E=50, 3E=80, 4E=100	KW6205/5205●F□◆	○	○	○	○	—	—	○	○	—	—	△	△	—	—	—	—	
		160	3D=80, 5D=120, 6D=180	2E=50, 3E=80, 4E=100	KW6206/5206●F□◆	○	○	○	○	—	—	○	○	—	—	△	△	—	—	—	—	
			3D=80, 5D=120, 6D=180	2E=50, 3E=80, 4E=100	KW6411/5411●F□◆	○	○	○	○	△	△	△	△	—	—	○	○	—	—	—	—	
		250	3D=80, 5D=120, 6D=180	2E=50, 3E=80, 4E=100	KW6412/5412●F□◆	○	○	○	○	△	△	△	△	—	—	○	○	—	—	—	—	
			3D=80, 5D=120, 6D=180	2E=50, 3E=80, 4E=100	KW6414/5414●F□◆	○	○	○	○	△	△	△	△	—	—	○	○	—	—	—	—	
		350	4D=100, 5D=130, 6D=180	2E=50, 4E=100, 5E=130	KW6416/5416●F□◆	—	—	○	○	○	○	—	—	—	—	○	○	—	—	—	○	
			4D=100, 5D=130, 6D=180	2E=50, 4E=100, 5E=130	KW6417/5417●F□◆	—	—	○	○	○	○	—	—	—	—	○	○	—	—	—	○	
Painted	IP30	400	4D=100, 5D=130, 6D=180	2E=50, 4E=100, 5E=130	KW5522●F□◆	—	—	△	△	○	○	—	—	—	—	—	—	—	—	○		
			4D=100, 5D=130, 6D=180	2E=50, 4E=100, 5E=130	KW5524●F□◆	—	—	△	△	○	○	—	—	—	—	—	—	—	—	—	○	
Painted	IP30	160	180	KW9105●F05	○	○	○	○	—	—	○	○	○	○	△	△	△	△	—			

SSV series Checkweigher and Rejector Combinations

Note 1 : ◇ A, B, G, H=200

Note 3 : □=2, 3, 4, 5, 6

◇ C, J=60

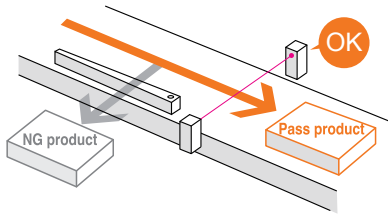
◆ =D, E

Note 2 : ◇ A, B, D, E, G, H, K, L=200

◇ C, F, J, M=60

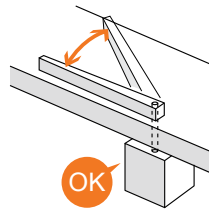
Page					4,5	6 to 9	4,5	6 to 9	4	6,7	17	17	19	19	17	17	19	19	18														
Rejection method					Flipper					Dropout																							
Machine conditions					Painted																												
					IP30																												
Exterior					160					250					400																		
Protection class					160					95					30																		
Belt width (mm)					200					500					95					30													
Maximum product height (mm)					Note 1	Note 2	200			500			95			30			130			45			130			45			200		
Machine conditions					Rejector Model																												
Exterior	Protection class	Belt width (mm)	Maximum product height (mm)	Checkweigher Model	KW4132◇FB▼ (3-way)	KW4232◇FB▼ (2-way)	KW4133◇FB▼ (3-way)	KW4233◇FB▼ (2-way)	KW4134◇FB▼ (3-way)	KW4234◇FB▼ (2-way)	KW4610AFB▼ (2-way)	KW4610BFB▼ (2-way)	KW4610AFC▼ (2-way)	KW4610BFC▼ (2-way)	KW4612AFB▼ (2-way)	KW4612BFB▼ (2-way)	KW4612AFC▼ (2-way)	KW4612BFC▼ (2-way)	KW4624AFB▼ (2-way)	KW4624BFC▼ (2-way)													
Painted	IP30	100	120	KWS6001BF04	○	○	○	○	—	—	○	○	—	—	△	△	—	—	—	—	—												
				KWS6003BF03	○	○	○	○	—	—	○	○	—	—	△	△	—	—	—	—	—	—	—										
		160	180	KWS6005BF05	○	○	○	○	—	—	○	○	—	—	△	△	—	—	—	—	—	—											
				KWS6006BF06	○	○	○	○	—	—	○	○	—	—	△	△	—	—	—	—	—	—	—										
Painted	IP30	100	120	KWS6201/5201BF04	○	○	○	○	—	—	○	○	△	△	△	△	—	—	—	—	—												
				KWS6203/5203BF03	○	○	○	○	—	—	○	○	○	○	△	△	△	△	—	—	—	—	—										
		160	180	KWS6205/5205BF05	○	○	○	○	—	—	○	○	○	○	△	△	△	△	—	—	—	—											
				KWS6206/5206BF06	○	○	○	○	—	—	○	○	○	○	△	△	△	△	—	—	—	—	—										
		250	180	KWS6411/5411BF11	○	○	○	○	△	△	△	△	△	△	△	△	○	○	○	○	—	—											
				KWS6412/5412BF12	○	○	○	○	△	△	△	△	△	△	△	△	○	○	○	○	—	—	—										
				KWS6414/5414BF12	○	○	○	○	△	△	△	△	△	△	△	△	○	○	○	○	—	—	—										
				KWS6416/5416BF16	—	—	△	△	○	○	—	—	—	—	—	—	○	○	—	—	—	—	○										
350	180	KWS6417/5417BF17	—	—	△	△	○	○	—	—	—	—	—	○	○	—	—	—	—	○													
		KWS5522BF22	—	—	△	△	○	○	—	—	—	—	—	—	△	△	—	—	—	—	○												
Painted	IP30	400	500	KWS5524BF24	—	—	△	△	○	○	—	—	—	—	△	△	—	—	—	—	○												
				KWS5526BF24	—	—	△	△	○	○	—	—	—	—	—	△	△	—	—	—	—	○											
				KWS5623BF23	—	—	—	—	○	○	—	—	—	—	—	—	△	△	—	—	—	—	○										
				KWS5625BF25	—	—	—	—	○	○	—	—	—	—	—	—	△	△	—	—	—	—	○										
				KWS5627BF25	—	—	—	—	○	○	—	—	—	—	—	—	△	△	—	—	—	—	○										
				KWS5728BFNN	—	—	—	—	○	○	—	—	—	—	—	—	△	△	—	—	—	—	○										
				Painted	IP30	100	3D=80 5D=120 6D=180	2E=50 3E=80 4E=100	KWS6003BF◆	○	○	○	○	—	—	○	○	—	—	△	△	—	—	—	—								
KWS6005BF◆	○	○	○						○	—	—	○	○	—	—	△	△	—	—	—	—	—	—										
KWS6006BF◆	○	○	○						○	—	—	○	○	—	—	△	△	—	—	—	—	—	—	—									
Painted	IP30	100	3D=80 5D=120 6D=180	2E=50 3E=80 4E=100	KWS6203/5203BF◆	○	○	○	○	—	—	○	○	—	—	△	△	—	—	—	—												
					KWS6205/5205BF◆	○	○	○	○	—	—	○	○	—	—	△	△	—	—	—	—	—	—										
					KWS6206/5206BF◆	○	○	○	○	—	—	○	○	—	—	△	△	—	—	—	—	—	—	—									
		250	3D=80 5D=120 6D=180	2E=50 4E=80 5E=120	KWS6411/5411BF◆	○	○	○	○	△	△	△	△	—	—	○	○	—	—	—	—	—											
					KWS6412/5412BF◆	○	○	○	○	△	△	△	△	—	—	○	○	—	—	—	—	—	—	—									
					KWS6414/5414BF◆	○	○	○	○	△	△	△	△	—	—	○	○	—	—	—	—	—	—	—									
		350	4D=100 5D=130 6D=180	2E=50 4E=100 5E=130	KWS6416/5416BF◆	—	—	○	○	○	○	—	—	—	—	○	○	—	—	—	—	○											
					KWS6417/5417BF◆	—	—	○	○	○	○	—	—	—	—	—	—	○	○	—	—	—	—	○									
Painted	IP30	400	4D=100 5D=130 6D=180	2E=50 4E=100 5E=130	KWS5522BF◆	—	—	△	△	○	○	—	—	—	—	—	—	—	—	—	○												
					KWS5524BF◆	—	—	△	△	○	○	—	—	—	—	—	—	—	—	—	—	—	—	○									

SV functions ensure both safety and system reliability.



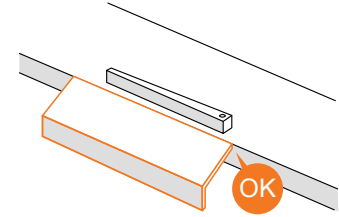
Rejection Confirmation

Ensures rejected products are fully removed from the line. A reject mounted sensor is used to monitor products.



Reject Operation Check

The reject actuator mounted sensor verifies operational status of both the reject gate and conveyor.

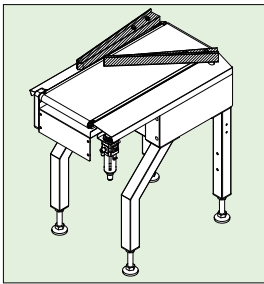


Chute Attachment Check

Removable reject chutes can be monitored to ensure attachment to the system.

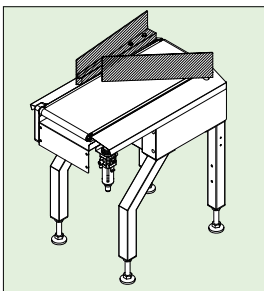
Option

Flipper Type



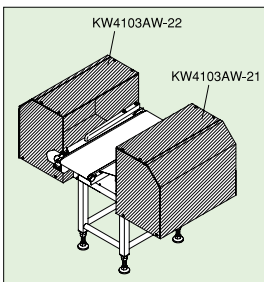
Rejection Gate for Thin Products

The system is designed to properly reject thinner products including small pouches and bagged products. The gap between the reject arm and the conveyor is minimized to prevent product jams.



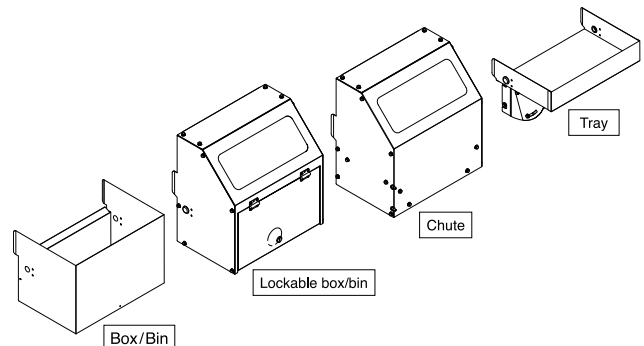
Rejection Gate for Tall Products

The system is designed to properly reject taller products including bottles. This design minimizes products tipping or falling however it may decrease throughput speeds.



NG Product Chute/NG Product Box (Reject Chutes, Bins and Boxes)

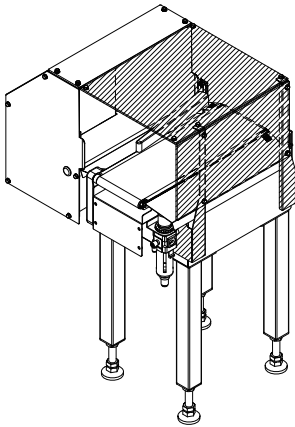
Stainless steel NG product chutes, bins and boxes (both lockable and open) are available for most models. The lockable boxes are recommended to minimize improper removal or feeding of rejected products.



Flipper Type

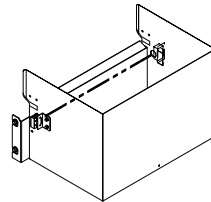
Contamination Prevention Cover (Reject Cover)

The cover ensures operator safety and prevents products being inappropriately fed onto the line. It is used in combination with Anritsu supplied NG product boxes/bins.



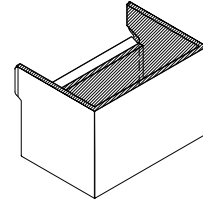
Bin Full Sensor

The sensor triggers an alarm if NG product bins or boxes are nearing capacity. This can prevent product overflows.



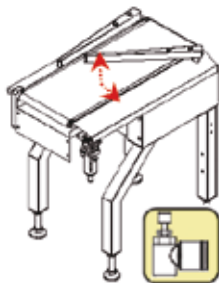
Shock Absorption Sheet

Attached to the inner surface of NG product boxes/bins or trays, the spongy sheet prevents damage to rejected products.



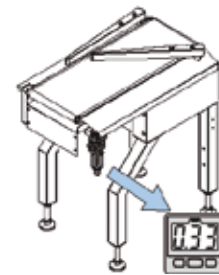
Variable Actuation Speed (reject arm)

Rejection speed can be manually reduced to better handle fragile products.



Air Pressure Detection (Low Air Pressure Alarm) (Flipper & Dropout)

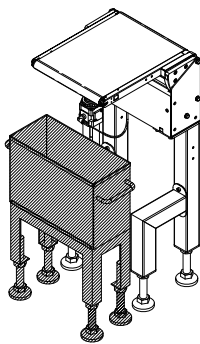
Air supply status is monitored to ensure pneumatically driven rejects are operational.



Dropout Type

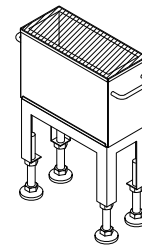
NG Product Box (Reject Box/Bin)

A stainless steel NG box/bin is available.



Shock Absorption Sheet

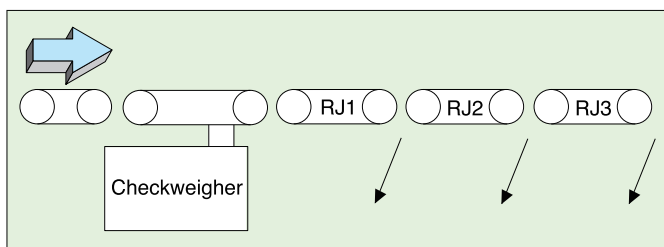
Attached to the inner surface of a NG product box or a tray, this spongy sheet prevents damage to rejected products. It also minimizes the sound of NG products falling into the NG product box/bin.



Additional Rejection Options (Checkweighers)

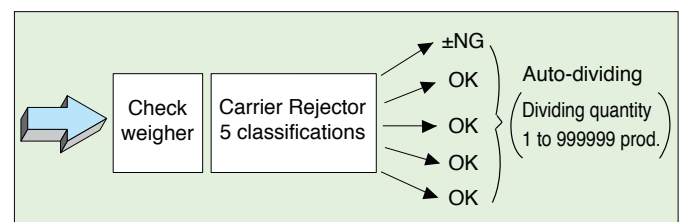
Rejection Shift Function (Multiple Rejection Controls)

Used when multiple rejects are connected in series; allows additional weight classifications to be added and separated.



Dividing Function (Separating Weight Classifications)

Sequentially divides passed products into 2 to 4 directions for each batch of the specified count or weight of products.



Compatible List of Flipper, Dropout, and Up and Out Rejectors

Discontinued model	Type	Drive system	Exterior	Protection class	Recommended model ^{note1}		Remarks
					Model to be connected ^{note2}		
					SV/SSV Series Checkweigher	X-ray Inspection System, Metal Detector Non-SV /SSVseries Checkweigher	
KW412AA	Flipper	Pneumatic	Painted	IP30 Compliance	KW4132AFB▼	KW4132AFA▼	
KW412AAP	Flipper	Pneumatic	SUS	IP30 Compliance	KW4132APB▼	KW4132APA▼	
KW412AE KW412BE	Flipper	Electric	Painted	IP30 Compliance	KW4132GFB▼	KW4132GFA▼	
KW412AEP KW412BEP	Flipper	Electric	SUS	IP30 Compliance	KW4132GPB▼	KW4132GPA▼	
KW412AEL	Flipper	Electric	Painted	IP30 Compliance	KW4132GFB▼ ^{Note 3}	KW4132GFA▼ ^{Note 3}	
					KW4132HFB▼ ^{Note 4}	KW4132HFA▼ ^{Note 4}	
					KW4132JFB▼ ^{Note 5}	KW4132JFA▼ ^{Note 5}	
KW412AELP	Flipper	Electric	SUS	IP30 Compliance	KW4132GPB▼ ^{Note 3}	KW4132GPA▼ ^{Note 3}	
					KW4132HPB▼ ^{Note 4}	KW4132HPA▼ ^{Note 4}	
					KW4132JPB▼ ^{Note 5}	KW4132JPA▼ ^{Note 5}	
KW413AW	Flipper	Pneumatic	SUS	IP65 Compliance	KW4103AW	KW4103AW	KW4103AW:IP66 compliance
KW413BA	Flipper	Pneumatic	Painted	IP30 Compliance	KW4133AFB▼	KW4133AFA▼	The belt width is 250 mm.
					KW4133BFB▼	KW4133BFA▼	The belt width is 250 mm.
KW413BAP	Flipper	Pneumatic	SUS	IP30 Compliance	KW4133APB▼	KW4133APA▼	The belt width is 250 mm.
					KW4133BPB▼	KW4133BPA▼	The belt width is 250 mm.
KW413BE	Flipper	Electric	Painted	IP30 Compliance	KW4133GFB▼	KW4133GFA▼	The belt width is 250 mm.
					KW4133HFB▼	KW4133HFA▼	The belt width is 250 mm.
KW413BEP	Flipper	Electric	SUS	IP30 Compliance	KW4133GPB▼	KW4133GPA▼	The belt width is 250 mm.
					KW4133HPB▼	KW4133HPA▼	The belt width is 250 mm.
KW414A	Flipper	Pneumatic	Painted	IP30 Compliance	KW4134CFB▼	KW4134CFA▼	The belt width is 400 mm.
KW4601A KW4601A1	Dropout	Pneumatic	Painted	IP30 Compliance	KW4610AFC▼ ^{Note 7}	KW4610AFA▼ ^{Note 6}	
					KW4610BFC▼ ^{Note 7}	KW4610BFA▼ ^{Note 6}	
KW4601AH KW4601AH1	Dropout	Pneumatic	Painted	IP30 Compliance	KW4610BFC▼ ^{Note 7}	KW4610BFA▼ ^{Note 6}	
KW4601AW	Dropout	Pneumatic	SUS	IP66 Compliance	KW4671BW ^{Note 7}	KW4671DW ^{Note 6}	
KW4602A KW4602A1	Dropout	Pneumatic	Painted	IP30 Compliance	KW4612AFC▼ ^{Note 7}	KW4612AFA▼ ^{Note 6}	The belt width is 250 mm.
					KW4612BFC▼ ^{Note 7}	KW4612BFA▼ ^{Note 6}	The belt width is 250 mm.
KW4602AH KW4602AH1	Dropout	Pneumatic	Painted	IP30 Compliance	KW4612BFC▼ ^{Note 7}	KW4612BFA▼ ^{Note 6}	The belt width is 250 mm.
KW4602AW	Dropout	Pneumatic	SUS	IP66 Compliance	KW4672BW ^{Note 7}	KW4672DW ^{Note 6}	The belt width is 230 mm.
KW4611A KW4611A1	Dropout	Pneumatic	Painted	IP30 Compliance	KW4610AFB▼	KW4610AFA▼	
					KW4610BFB▼	KW4610BFA▼	
KW4611AH KW4611AH1	Dropout	Pneumatic	Painted	IP30 Compliance	KW4610BFB▼	KW4610BFA▼	
KW4611AW	Dropout	Pneumatic	SUS	IP66 Compliance	KW4671CW	KW4671DW	
KW4612A KW4612A1	Dropout	Pneumatic	Painted	IP30 Compliance	KW4612AFB▼	KW4612AFA▼	The belt width is 250 mm.
					KW4612BFB▼	KW4612BFA▼	The belt width is 250 mm.
KW4612AH KW4612AH1	Dropout	Pneumatic	Painted	IP30 Compliance	KW4612BFB▼	KW4612BFA▼	The belt width is 250 mm.
KW4612AW	Dropout	Pneumatic	SUS	IP66 Compliance	KW4672CW	KW4672DW	The belt width is 230 mm.
KW4613AW	Dropout	Pneumatic	SUS	IP66 Compliance	KW4676CW	KW4676DW	
KW4621AW	Dropout	Pneumatic	SUS	IP66 Compliance	KW4671CW	KW4671DW	
KW4622AW	Dropout	Pneumatic	SUS	IP66 Compliance	KW4672CW	KW4672DW	The belt width is 230 mm.
KW4623AW	Dropout	Pneumatic	SUS	IP66 Compliance	KW4676CW	KW4676DW	
KW4603A	Up and Out	Pneumatic	Painted	IP30 Compliance	KW4610JFA▼ ^{Note 8}	KW4610JFA▼ ^{Note 8}	
KW4603AH	Up and Out	Pneumatic	Painted	IP30 Compliance	KW4610KFA▼ ^{Note 9}	KW4610KFA▼ ^{Note 9}	
KW4604A	Up and Out	Pneumatic	Painted	IP30 Compliance	KW4612JFA▼ ^{Note 10}	KW4612JFA▼ ^{Note 10}	The belt width is 250 mm.
KW4604AH	Up and Out	Pneumatic	Painted	IP30 Compliance	KW4612KFA▼ ^{Note 11}	KW4612KFA▼ ^{Note 11}	The belt width is 250 mm.
KW4605A	Up and Out	Pneumatic	Painted	IP30 Compliance	KW4610MFA▼ ^{Note 12}	KW4610MFA▼ ^{Note 12}	
					KW4612MFA▼ ^{Note 13}	KW4612MFA▼ ^{Note 13}	The belt width is 250 mm.
KW4605AH	Up and Out	Pneumatic	Painted	IP30 Compliance	KW4610MFA▼ ^{Note 12}	KW4610MFA▼ ^{Note 12}	
					KW4612MFA▼ ^{Note 13}	KW4612MFA▼ ^{Note 13}	The belt width is 250 mm.
KW4606A	Up and Out	Pneumatic	Painted	IP30 Compliance	KW4612MFA▼ ^{Note 13}	KW4612MFA▼ ^{Note 13}	The belt width is 250 mm.
KW4606AH	Up and Out	Pneumatic	Painted	IP30 Compliance	KW4612MFA▼ ^{Note 13}	KW4612MFA▼ ^{Note 13}	The belt width is 250 mm.
KW4607A	Up and Out	Pneumatic	Painted	IP30 Compliance	KW4610JFA▼ ^{Note 14}	KW4610JFA▼ ^{Note 14}	
KW4607AH	Up and Out	Pneumatic	Painted	IP30 Compliance	KW4610JFA▼ ^{Note 14}	KW4610JFA▼ ^{Note 14}	
KW4609A	Up and Out	Pneumatic	Painted	IP30 Compliance	KW4612JFA▼ ^{Note 15}	KW4612JFA▼ ^{Note 15}	The belt width is 250 mm.
KW4609AH	Up and Out	Pneumatic	Painted	IP30 Compliance	KW4612JFA▼ ^{Note 15}	KW4612JFA▼ ^{Note 15}	The belt width is 250 mm.

Note 1) Line height needs to be changed (option) when it is not 700 to 850 mm (incl. tolerance part).

▼: An alphabet (A to C) that represents the SV function (diagnostic function) appears. A: With Rejection confirmation (PASS side), Gate operation check etc.

B: With Rejection confirmation (PASS side) only C: Without SV function

2-classification type is also available in the flipper rejectors. See page 6 to 9 and 12 to 15 for details.

Note 2) In the case of connecting with "Metal detector for aluminum foil packaging products" or "Checkweigher combined with metal detector for aluminum foil packaging products", the interval of 300 mm or more is needed.

Note 3) Maximum speed: 180 products/min, Machine length: 500 mm.

Note 4) Maximum product width: 130 mm, Maximum speed: 210 products/min, Machine length: 500 mm.

Note 5) Maximum product width: 100 mm, Maximum product length: 120 mm, Maximum product weight: 600 g, Machine length: 500 mm.

Note 6) Cannot be mounted as integrated type. Available as self-standing type.

Note 7) Cannot be mounted on checkweigher combined with metal detector.

Note 8) Maximum product height: 140 mm, Maximum product width: 150 mm (String packages: 240 mm), Machine length: 545 mm.

Note 9) Maximum product width: 120 mm (String packages: 240 mm), Machine length: 545 mm.

Note 10) Maximum product height: 180 mm, Maximum product width: 220 mm (String packages: 300 mm), Machine length: 695 mm.

Note 11) Maximum product width: 220 mm (String packages: 300 mm), Machine length: 695 mm.

Note 12) Maximum product height: 15 mm, Maximum product width: 80 mm, Machine length: 545 mm.

Note 13) Maximum product height: 30 mm, Maximum product width: 130 mm, Machine length: 695 mm.

Note 14) Machine length: 545 mm.

Note 15) Maximum product width: 220 mm (String packages: 300 mm), Machine length: 695 mm.

Note

A large rounded rectangular box containing 25 horizontal lines for writing notes. The lines are evenly spaced and extend across the width of the box. The box has a thin gray border and rounded corners.



ANRITSU INFIVIS INC. <http://www.detectionperfection.com>

1001 Cambridge Drive Elk Grove Village, IL 60007-2453
Phone (847) 419-XRAY (9729) Fax (847) 537-8266

© ANRITSU INFIVIS CO., LTD. 2013

ISO14001 CERTIFICATE No.JQA-EM0210
ISO 9001 CERTIFICATE No.JQA-0316

-
- Some products shown in this catalog may not be available in your country or region. Contact our sales representatives for details.
 - To ensure proper operation, read the Operation Manual before using the machine.
 - In addition to daily inspection, a full maintenance inspection should be completed annually.

Specifications are subject to change without notice.
No part of this catalog may be reproduced without our permission.