

Fisher™ FIELDVUE™ DVC6000f Digital Valve Controllers (Supported)

Contents

Introduction	1
Safety Instructions	1
Specifications	2
Inspection and Maintenance Schedules	2
Parts Ordering	2
Installation	3
Operation	4
Maintenance	4
Non-Fisher (OEM) Instruments, Switches, and Accessories	6
Latest Published Instruction Manual	7

Introduction

The product covered in this document is no longer in production; it has been a Supported product since October 2013. This document, which includes the latest published version of the instruction manual, is made available to provide updates of newer safety procedures. Be sure to follow the safety procedures in this supplement as well as the specific instructions in the included instruction manual.

Part numbers in the included instruction manual should not be relied on to order replacement parts. For replacement parts, contact your [Emerson sales office](#).

For more than 20 years, Fisher products have been manufactured with asbestos-free components. The included manual might mention asbestos containing parts. Since 1988, any gasket or packing which may have contained some asbestos, has been replaced by a suitable non-asbestos material. Replacement parts in other materials are available from your sales office.

Safety Instructions

Please read these safety warnings, cautions, and instructions carefully before using the product.

These instructions cannot cover every installation and situation. Do not install, operate, or maintain this product without being fully trained and qualified in valve, actuator and accessory installation, operation and maintenance. To avoid personal injury or property damage it is important to carefully read, understand, and follow all of the contents of

this manual, including all safety cautions and warnings. If you have any questions about these instructions, contact your Emerson sales office before proceeding.

Specifications

This product was intended for a specific range of service conditions--pressure, pressure drop, process and ambient temperature, temperature variations, process fluid, and possibly other specifications. Do not expose the product to service conditions or variables other than those for which the product was intended. If you are not sure what these conditions or variables are, contact your [Emerson sales office](#) for assistance. Provide the product serial number and all other pertinent information that you have available.

Inspection and Maintenance Schedules

All products must be inspected periodically and maintained as needed. The schedule for inspection can only be determined based on the severity of your service conditions. Your installation might also be subject to inspection schedules set by applicable governmental codes and regulations, industry standards, company standards, or plant standards.

In order to avoid increasing dust explosion risk, periodically clean dust deposits from all equipment.

When equipment is installed in a hazardous area location (potentially explosive atmosphere), prevent sparks by proper tool selection and avoiding other types of impact energy. Control Valve surface temperature is dependent upon process operating conditions.

⚠ WARNING

Control valve surface temperature is dependent upon process operating conditions. Personal injury or property damage, caused by fire or explosion, can result if the valve body surface temperature exceeds the acceptable temperature for the hazardous area classification. To avoid an increase of instrumentation and/or accessory surface temperature due to process operating conditions, ensure adequate ventilation, shielding, or insulation of control valve components installed in a potentially hazardous or explosive atmosphere.

Parts Ordering

Whenever ordering parts for older products, always specify the serial number of the product and provide all other pertinent information that you can, such as product size, part material, age of the product, and general service conditions. If you have modified the product since it was originally purchased, include that information with your request.

⚠ WARNING

Use only genuine Fisher replacement parts. Components that are not supplied by Emerson Automation Solutions should not, under any circumstances, be used in any Fisher product. Use of components not supplied by Emerson Automation Solutions may void your warranty, might adversely affect the performance of the product and could result in personal injury and property damage.

Installation

⚠ WARNING

Avoid personal injury or property damage from sudden release of process pressure or bursting of parts. Before mounting the product:

- Do not install any system component where service conditions could exceed the limits given in this manual or the limits on the appropriate nameplates. Use pressure-relieving devices as required by government or accepted industry codes and good engineering practices.
- Always wear protective gloves, clothing, and eyewear when performing any installation operations.
- Do not remove the actuator from the valve while the valve is still pressurized.
- Disconnect any operating lines providing air pressure, electric power, or a control signal to the actuator. Be sure the actuator cannot suddenly open or close the valve.
- Use bypass valves or completely shut off the process to isolate the valve from process pressure. Relieve process pressure from both sides of the valve.
- Vent the pneumatic actuator loading pressure and relieve any actuator spring precompression so the actuator is not applying force to the valve stem; this will allow for the safe removal of the stem connector.
- Use lock-out procedures to be sure that the above measures stay in effect while you work on the equipment.
- The valve packing box might contain process fluids that are pressurized, *even when the valve has been removed from the pipeline*. Process fluids might spray out under pressure when removing the packing hardware or packing rings, or when loosening the packing box pipe plug. Cautiously remove parts so that fluid escapes slowly and safely.
- The instrument is capable of supplying full supply pressure to connected equipment. To avoid personal injury and equipment damage, caused by sudden release of process pressure or bursting of parts, make sure the supply pressure never exceeds the maximum safe working pressure of any connected equipment.
- Severe personal injury or property damage may occur from an uncontrolled process if the instrument air supply is not clean, dry and oil-free, or noncorrosive gas. While use and regular maintenance of a filter that removes particles larger than 40 microns will suffice in most applications, check with an Emerson Automation Solutions field office and Industry Instrument air quality standards for use with corrosive gas or if you are unsure about the proper amount or method of air filtration or filter maintenance.
- For corrosive media, make sure the tubing and instrument components that contact the corrosive media are of suitable corrosion-resistant material. The use of unsuitable materials might result in personal injury or property damage due to the uncontrolled release of the corrosive media.
- If natural gas or other flammable or hazardous gas is to be used as the supply pressure medium and preventive measures are not taken, personal injury and property damage could result from fire or explosion of accumulated gas or from contact with hazardous gas. Preventive measures may include, but are not limited to: Remote venting of the unit, re-evaluating the hazardous area classification, ensuring adequate ventilation, and the removal of any ignition sources.
- To avoid personal injury or property damage resulting from the sudden release of process pressure, use a high-pressure regulator system when operating the controller or transmitter from a high-pressure source.

The instrument or instrument/actuator assembly does not form a gas-tight seal, and when the assembly is in an enclosed area, a remote vent line, adequate ventilation, and necessary safety measures should be used. Vent line piping should comply with local and regional codes and should be as short as possible with adequate inside diameter and few bends to reduce case pressure buildup. However, a remote vent pipe alone cannot be relied upon to remove all hazardous gas, and leaks may still occur.

- Personal injury or property damage can result from the discharge of static electricity when flammable or hazardous gases are present. Connect a 14 AWG (2.08 mm²) ground strap between the instrument and earth ground when flammable or hazardous gases are present. Refer to national and local codes and standards for grounding requirements.
- Personal injury or property damage caused by fire or explosion may occur if electrical connections are attempted in an area that contains a potentially explosive atmosphere or has been classified as hazardous. Confirm that area classification and atmosphere conditions permit the safe removal of covers before proceeding.

- For instruments with a hollow liquid level displacer, the displacer might retain process fluid or pressure. Personal injury or property damage due to sudden release of pressure, contact with hazardous fluid, fire, or explosion can be caused by puncturing, heating, or repairing a displacer that is retaining process pressure or fluid. This danger may not be readily apparent when disassembling the sensor or removing the displacer. Before disassembling the sensor or removing the displacer, observe the appropriate warnings provided in the sensor instruction manual.
- Personal injury or property damage, caused by fire or explosion from the leakage of flammable or hazardous gas, can result if a suitable conduit seal is not installed. For explosion-proof applications, install the seal no more than 457 mm (18 inches) from the instrument when required by the nameplate. For ATEX applications use the proper cable gland certified to the required category. Equipment must be installed per local and national electric codes.
- Check with your process or safety engineer for any additional measures that must be taken to protect against process media.
- If installing into an existing application, also refer to the **WARNING** in the Maintenance section.

Special Instructions for Safe Use and Installations in Hazardous Locations

Certain nameplates may carry more than one approval, and each approval may have unique installation requirements and/or conditions of safe use. Special instructions are listed by agency/approval. To get these instructions, contact [Emerson sales office](#). Read and understand these special conditions of use before installing.

⚠ WARNING

Failure to follow conditions of safe use could result in personal injury or property damage from fire or explosion, or area re-classification.

Operation

With instruments, switches, and other accessories that are controlling valves or other final control elements, it is possible to lose control of the final control element when you adjust or calibrate the instrument. If it is necessary to take the instrument out of service for calibration or other adjustments, observe the following warning before proceeding.

⚠ WARNING

Avoid personal injury or equipment damage from uncontrolled process. Provide some temporary means of control for the process before taking the instrument out of service.

Maintenance

⚠ WARNING

Before performing any maintenance operations on an actuator-mounted instrument or accessory:

- To avoid personal injury, always wear protective gloves, clothing, and eyewear.
- Provide some temporary measure of control to the process before taking the instrument out of service.
- Provide a means of containing the process fluid before removing any measurement devices from the process.
- Disconnect any operating lines providing air pressure, electric power, or a control signal to the actuator. Be sure the actuator cannot suddenly open or close the valve.
- Use bypass valves or completely shut off the process to isolate the valve from process pressure. Relieve process pressure from both sides of the valve.
- Vent the pneumatic actuator loading pressure and relieve any actuator spring precompression so the actuator is not applying force to the valve stem; this will allow for the safe removal of the stem connector.
- Personal injury or property damage may result from fire or explosion if natural gas or other flammable or hazardous gas is used as the supply medium and preventive measures are not taken. Preventive measures may include, but are not limited to: Remote venting of the unit, re-evaluating the hazardous area classification, ensuring adequate ventilation, and the removal of any ignition sources. For information on remote venting of this instrument, refer to the Installation section.
- Use lock-out procedures to be sure that the above measures stay in effect while you work on the equipment.
- The valve packing box might contain process fluids that are pressurized, *even when the valve has been removed from the pipeline*. Process fluids might spray out under pressure when removing the packing hardware or packing rings, or when loosening the packing box pipe plug. Cautiously remove parts so that fluid escapes slowly and safely.
- Check with your process or safety engineer for any additional measures that must be taken to protect against process media.
- On an explosion-proof instrument, remove the electrical power before removing the instrument covers in a hazardous area. Personal injury or property damage may result from fire and explosion if power is applied to the instrument with the covers removed.

Instruments Mounted on Tank or Cage

⚠ WARNING

For instruments mounted on a tank or displacer cage, release trapped pressure from the tank and lower the liquid level to a point below the connection. This precaution is necessary to avoid personal injury from contact with the process fluid.

Instruments With a Hollow Displacer or Float

⚠ WARNING

For instruments with a hollow liquid level displacer, the displacer might retain process fluid or pressure. Personal injury and property might result from sudden release of this pressure or fluid. Contact with hazardous fluid, fire, or explosion can be caused by puncturing, heating, or repairing a displacer that is retaining process pressure or fluid. This danger may not be readily apparent when disassembling the sensor or removing the displacer. A displacer that has been penetrated by process pressure or fluid might contain:

- pressure as a result of being in a pressurized vessel
- liquid that becomes pressurized due to a change in temperature
- liquid that is flammable, hazardous or corrosive.

Handle the displacer with care. Consider the characteristics of the specific process liquid in use. Before removing the displacer, observe the appropriate warnings provided in the sensor instruction manual.

Non-Fisher (OEM) Instruments, Switches, and Accessories

Installation, Operation, and Maintenance

Refer to the original manufacturer's documentation for Installation, Operation and Maintenance safety information.

Neither Emerson, Emerson Automation Solutions, nor any of their affiliated entities assumes responsibility for the selection, use or maintenance of any product. Responsibility for proper selection, use, and maintenance of any product remains solely with the purchaser and end user.

Fisher and FIELDVUE are marks owned by one of the companies in the Emerson Automation Solutions business unit of Emerson Electric Co. Emerson Automation Solutions, Emerson, and the Emerson logo are trademarks and service marks of Emerson Electric Co. All other marks are the property of their respective owners.

The contents of this publication are presented for informational purposes only, and while every effort has been made to ensure their accuracy, they are not to be construed as warranties or guarantees, express or implied, regarding the products or services described herein or their use or applicability. All sales are governed by our terms and conditions, which are available upon request. We reserve the right to modify or improve the designs or specifications of such products at any time without notice.

Emerson Automation Solutions
Marshalltown, Iowa 50158 USA
Sorocaba, 18087 Brazil
Cernay, 68700 France
Dubai, United Arab Emirates
Singapore 128461 Singapore

www.Fisher.com



DVC6000f Digital Valve Controllers

Fisher® FIELDVUE™ DVC6000f Digital Valve Controllers

This manual applies to:

Device Type	4602
Device Revision	2
Hardware Revision	1
Firmware Revision	2.0
DD Revision	2 and 3
Instrument Level	FD, PD, AD

Standard Control (SC)

Fieldbus Control (FC)

Fieldbus Logic (FL)

Introduction and Specifications

Installation

Basic Setup

Detailed Setup

Calibration

Viewing Device Variables and Diagnostics

Maintenance and Troubleshooting

Parts

Principle of Operation

Loop Schematics / Nameplates

Using PlantWeb™ Alerts

FOUNDATION™ Fieldbus Communication

Device Description (DD) Installation

Operating with a DeltaV™ System

Glossary

Index

1

2

3

4

5

6

7

8

A

B

C

D

E

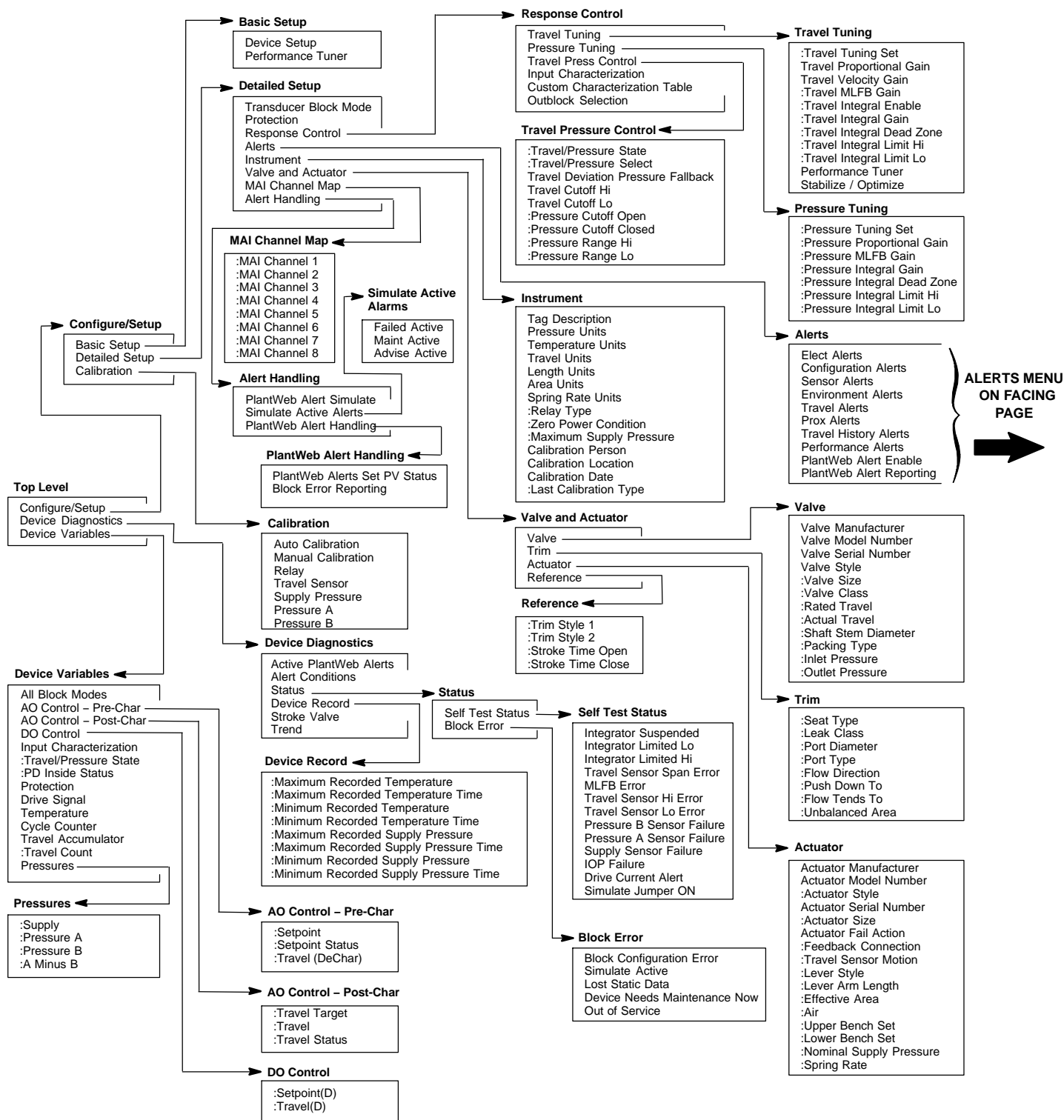
F

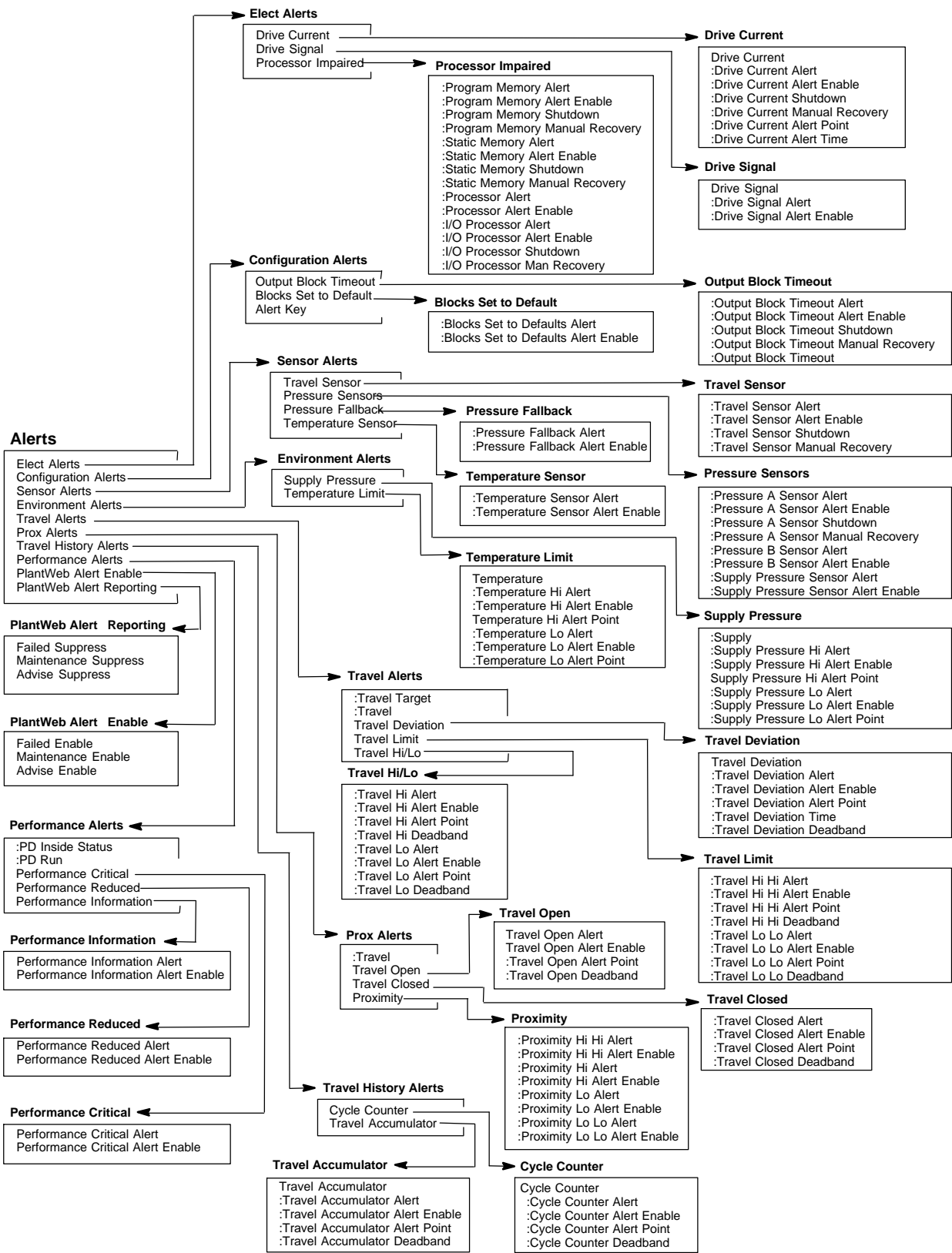
Glossary

Index



TRANSDUCER BLOCK FIELD COMMUNICATOR MENU TREE





Transducer Block (TB) Menu Structure

Parameter Label	Menu Structure
A Minus B	TB > Device Variables > Pressures > A Minus B
Actual Travel	TB > Configure/Setup > Detailed Setup > Valve and Actuator > Valve > Actual Travel
Actuator Fail Action	TB > Configure/Setup > Detailed Setup > Valve and Actuator > Actuator > Actuator Fail Action
Actuator Manufacturer	TB > Configure/Setup > Detailed Setup > Valve and Actuator > Actuator > Actuator Manufacturer
Actuator Model Number	TB > Configure/Setup > Detailed Setup > Valve and Actuator > Actuator > Actuator Model Number
Actuator Serial Number	TB > Configure/Setup > Detailed Setup > Valve and Actuator > Actuator > Actuator Serial Number
Actuator Size	TB > Configure/Setup > Detailed Setup > Valve and Actuator > Actuator > Actuator Size
Actuator Style	TB > Configure/Setup > Detailed Setup > Valve and Actuator > Actuator > Actuator Style
Advise Active	TB > Configure/Setup > Detailed Setup > Alert Handling > Simulate Active Alerts > Advise Active
Advise Enable	TB > Configure/Setup > Detailed Setup > Alerts > PlantWeb Alert Enable > Advise Enable
Advise Suppress	TB > Configure/Setup > Detailed Setup > Alerts > PlantWeb Alert Reporting > Advise Suppress
Air	TB > Configure/Setup > Detailed Setup > Valve and Actuator > Actuator > Air
Alert Conditions	TB > Device Diagnostics > Alert Conditions
Alert Key	TB > Configure/Setup > Detailed Setup > Alerts > Configuration Alerts > Alert Key
Area Units	TB > Configure/Setup > Detailed Setup > Instrument > Area Units
Block Configuration Error	TB > Device Diagnostics > Status > Block Error > Block Configuration Error
Blocks Set to Defaults Alert	TB > Configure/Setup > Detailed Setup > Alerts > Configuration Alerts > Blocks Set to Defaults > Block Set to Defaults Alert
Blocks Set to Defaults Alert Enable	TB > Configure/Setup > Detailed Setup > Alerts > Configuration Alerts > Blocks Set to Defaults > Block Set to Defaults Alert Enable
Calibration Date	TB > Configure/Setup > Detailed Setup > Instrument > Calibration Date
Calibration Location	TB > Configure/Setup > Detailed Setup > Instrument > Calibration Location
Calibration Person	TB > Configure/Setup > Detailed Setup > Instrument > Calibration Person
Custom Characterization Table	TB > Configure/Setup > Detailed Setup > Response Control > Custom Characterization Table
Cycle Counter	TB > Configure/Setup > Detailed Setup > Alerts > Travel History Alerts > Cycle Counter > Cycle Counter
	TB > Device Variables > Cycle Count
Cycle Counter Alert	TB > Configure/Setup > Detailed Setup > Alerts > Travel History Alerts > Cycle Counter > Cycle Counter Alert
Cycle Counter Alert Enable	TB > Configure/Setup > Detailed Setup > Alerts > Travel History Alerts > Cycle Counter > Cycle Counter Alert Enable
Cycle Counter Alert Point	TB > Configure/Setup > Detailed Setup > Alerts > Travel History Alerts > Cycle Counter > Cycle Counter Alert Point
Cycle Counter Deadband	TB > Configure/Setup > Detailed Setup > Alerts > Travel History Alerts > Cycle Counter > Cycle Counter Deadband
Device Needs Maintenance Now	TB > Device Diagnostics > Status > Block Error > Device Needs Maintenance Now
Drive Current	TB > Configure/Setup > Detailed Setup > Alerts > Elect Alerts > Drive Current > Drive Current
	TB > Device Diagnostics > Status > Self Test Status > Drive Current Alert
Drive Current Alert	TB > Configure/Setup > Detailed Setup > Alerts > Elect Alerts > Drive Current > Drive Current Alert
Drive Current Alert Enable	TB > Configure/Setup > Detailed Setup > Alerts > Elect Alerts > Drive Current > Drive Current Alert Enable
Drive Current Alert Point	TB > Configure/Setup > Detailed Setup > Alerts > Elect Alerts > Drive Current > Drive Current Alert Point
Drive Current Alert Time	TB > Configure/Setup > Detailed Setup > Alerts > Elect Alerts > Drive Current > Drive Current Alert Time
Drive Current Manual Recovery	TB > Configure/Setup > Detailed Setup > Alerts > Elect Alerts > Drive Current > Drive Current Manual Recovery
Drive Current Shutdown	TB > Configure/Setup > Detailed Setup > Alerts > Elect Alerts > Drive Current > Drive Current Shutdown
Drive Signal	TB > Configure/Setup > Detailed Setup > Alerts > Elect Alerts > Drive Signal > Drive Signal
	TB > Device Variables > Drive Signal
Drive Signal Alert	TB > Configure/Setup > Detailed Setup > Alerts > Elect Alerts > Drive Signal > Drive Signal Alert
Drive Signal Alert Enable	TB > Configure/Setup > Detailed Setup > Alerts > Elect Alerts > Drive Signal > Drive Signal Alert Enable
Effective Area	TB > Configure/Setup > Detailed Setup > Valve and Actuator > Actuator > Effective Area
Failed Active	TB > Configure/Setup > Detailed Setup > Alert Handling > Simulate Active Alerts > Failed Active
Failed Enable	TB > Configure/Setup > Detailed Setup > Alerts > PlantWeb Alert Enable > Failed Enable
Failed Suppress	TB > Configure/Setup > Detailed Setup > Alerts > PlantWeb Alert Reporting > Failed Suppress
Feedback Connection	TB > Configure/Setup > Detailed Setup > Valve and Actuator > Actuator > Feedback Connection
Flow Direction	TB > Configure/Setup > Detailed Setup > Valve and Actuator > Trim > Flow Direction

-Continued-

Transducer Block (TB) Menu Structure

Parameter Label	Menu Structure
Flow Tends To	TB > Configure/Setup > Detailed Setup > Valve and Actuator > Trim > Flow Tends To
I/O Processor Alert	TB > Configure/Setup > Detailed Setup > Alerts > Elect Alerts > Processor Impaired > I/O Processor Alert
I/O Processor Alert Enable	TB > Configure/Setup > Detailed Setup > Alerts > Elect Alerts > Processor Impaired > I/O Processor Alert Enable
I/O Processor Man Recovery	TB > Configure/Setup > Detailed Setup > Alerts > Elect Alerts > Processor Impaired > I/O Processor Man Recovery
I/O Processor Shutdown	TB > Configure/Setup > Detailed Setup > Alerts > Elect Alerts > Processor Impaired > I/O Processor Shutdown
Inlet Pressure	TB > Configure/Setup > Detailed Setup > Valve and Actuator > Valve > Inlet Pressure
Input Characterization	TB > Configure/Setup > Detailed Setup > Response Control > Input Characterization
	TB > Device Variables > Input Characterization
Integrator Limited Hi	TB > Device Diagnostics > Status > Self Test Status > Integrator Limited Hi
Integrator Limited Lo	TB > Device Diagnostics > Status > Self Test Status > Integrator Limited Lo
Integrator Suspended	TB > Device Diagnostics > Status > Self Test Status > Integrator Suspended
IOP Failure	TB > Device Diagnostics > Status > Self Test Status > IOP Failure
Last Calibration Type	TB > Configure/Setup > Detailed Setup > Instrument > Last Calibration Type
Leak Class	TB > Configure/Setup > Detailed Setup > Valve and Actuator > Trim > Leak Class
Length Units	TB > Configure/Setup > Detailed Setup > Instrument > Length Units
Lever Arm Length	TB > Configure/Setup > Detailed Setup > Valve and Actuator > Actuator > Lever Arm Length
Lever Style	TB > Configure/Setup > Detailed Setup > Valve and Actuator > Actuator > Lever Style
Lost Static Data	TB > Device Diagnostics > Status > Block Error > Lost Static Data
Lower Bench Set	TB > Configure/Setup > Detailed Setup > Valve and Actuator > Actuator > Lower Bench Set
MAI Channel 1	TB > Configure/Setup > Detailed Setup > MAI Channel Map > MAI Channel 1
MAI Channel 2	TB > Configure/Setup > Detailed Setup > MAI Channel Map > MAI Channel 2
MAI Channel 3	TB > Configure/Setup > Detailed Setup > MAI Channel Map > MAI Channel 3
MAI Channel 4	TB > Configure/Setup > Detailed Setup > MAI Channel Map > MAI Channel 4
MAI Channel 5	TB > Configure/Setup > Detailed Setup > MAI Channel Map > MAI Channel 5
MAI Channel 6	TB > Configure/Setup > Detailed Setup > MAI Channel Map > MAI Channel 6
MAI Channel 7	TB > Configure/Setup > Detailed Setup > MAI Channel Map > MAI Channel 7
MAI Channel 8	TB > Configure/Setup > Detailed Setup > MAI Channel Map > MAI Channel 8
Maint Active	TB > Configure/Setup > Detailed Setup > Alert Handling > Simulate Active Alerts > Maint Active
Maintenance Enable	TB > Configure/Setup > Detailed Setup > Alerts > PlantWeb Alert Enable > Maintenance Enable
Maintenance Suppress	TB > Configure/Setup > Detailed Setup > Alerts > PlantWeb Alert Reporting > Maintenance Suppress
Maximum Recorded Supply Pressure	TB > Device Diagnostics > Device Record > Maximum Recorded Supply Pressure
Maximum Recorded Supply Pressure Time	TB > Device Diagnostics > Device Record > Maximum Recorded Supply Pressure Time
Maximum Recorded Temperature	TB > Device Diagnostics > Device Record > Maximum Recorded Temperature
Maximum Recorded Temperature Time	TB > Device Diagnostics > Device Record > Maximum Recorded Temperature Time
Maximum Supply Pressure	TB > Configure/Setup > Detailed Setup > Instrument > Maximum Supply Pressure
Minimum Recorded Supply Pressure	TB > Device Diagnostics > Device Record > Minimum Recorded Supply Pressure
Minimum Recorded Supply Pressure Time	TB > Device Diagnostics > Device Record > Minimum Recorded Supply Pressure Time
Minimum Recorded Temperature	TB > Device Diagnostics > Device Record > Minimum Recorded Temperature
Minimum Recorded Temperature Time	TB > Device Diagnostics > Device Record > Minimum Recorded Temperature Time
MLFB Error	TB > Device Diagnostics > Status > Self Test Status > MLFB Error
Nominal Supply Pressure	TB > Configure/Setup > Detailed Setup > Valve and Actuator > Actuator > Nominal Supply Pressure
Out of Service	TB > Device Diagnostics > Status > Block Error > Out of Service
Outlet Pressure	TB > Configure/Setup > Detailed Setup > Valve and Actuator > Valve > Outlet Pressure
Outblock Selection	TB > Configure/Setup > Detailed Setup > Response Control > Outblock Selection
Output Block Timeout	TB > Configure/Setup > Detailed Setup > Alerts > Configuration Alerts > Output Block Timeout

-Continued-

Transducer Block (TB) Menu Structure

Parameter Label	Menu Structure
Output Block Timeout Alert	TB > Configure/Setup > Detailed Setup > Alerts > Configuration Alerts > Output Block Timeout > Output Block Timeout Alert
Output Block Timeout Alert Enable	TB > Configure/Setup > Detailed Setup > Alerts > Configuration Alerts > Output Block Timeout > Output Block Timeout Alert Enable
Output Block Timeout Manual Recovery	TB > Configure/Setup > Detailed Setup > Alerts > Configuration Alerts > Output Block Timeout > Output Block Timeout Manual Recovery
Output Block Timeout Shutdown	TB > Configure/Setup > Detailed Setup > Alerts > Configuration Alerts > Output Block Timeout > Output Block Timeout Shutdown
Packing Type	TB > Configure/Setup > Detailed Setup > Valve and Actuator > Valve > Packing Type
PD Inside Status	TB > Configure/Setup > Device Variables > PD Inside Status
PD Run	TB > Configure/Setup > Detailed Setup > Alerts > Performance Alerts > PD Run
Performance Critical Alert	TB > Configure/Setup > Detailed Setup > Alerts > Performance Alerts > Performance Critical Alert
Performance Critical Alert Enable	TB > Configure/Setup > Detailed Setup > Alerts > Performance Alerts > Performance Critical Alert Enable
Performance Information Alert	TB > Configure/Setup > Detailed Setup > Alerts > Performance Alerts > Performance Information Alert
Performance Information Alert Enable	TB > Configure/Setup > Detailed Setup > Alerts > Performance Alerts > Performance Information Alert Enable
Performance Reduced Alert	TB > Configure/Setup > Detailed Setup > Alerts > Performance Alerts > Performance Reduced Alert
Performance Reduced Alert Enable	TB > Configure/Setup > Detailed Setup > Alerts > Performance Alerts > Performance Reduced Alert Enable
Performance Tuner	TB > Configure/Setup > Basic Setup > Performance Tuner
	TB > Configure/Setup > Detailed Setup > Response Control > Travel Tuning > Performance Tuner
PlantWeb Alert Simulate	TB > Configure/Setup > Detailed Setup > Alert Handling > PlantWeb Alert Simulate
Port Diameter	TB > Configure/Setup > Detailed Setup > Valve and Actuator > Trim > Port Diameter
Port Type	TB > Configure/Setup > Detailed Setup > Valve and Actuator > Trim > Port Type
Pressure A	TB > Device Variables > Pressures > Pressure A
Pressure A Sensor Alert	TB > Configure/Setup > Detailed Setup > Alerts > Sensor Alerts > Pressure Sensors > Pressure A Sensor Alert
Pressure A Sensor Alert Enable	TB > Configure/Setup > Detailed Setup > Alerts > Sensor Alerts > Pressure Sensors > Pressure A Sensor Alert Enable
Pressure A Sensor Failure	TB > Device Diagnostics > Status > Self Test Status > Pressure A Sensor Error
Pressure A Sensor Manual Recovery	TB > Configure/Setup > Detailed Setup > Alerts > Sensor Alerts > Pressure Sensors > Pressure A Sensor Manual Recovery
Pressure A Sensor Shutdown	TB > Configure/Setup > Detailed Setup > Alerts > Sensor Alerts > Pressure Sensors > Pressure A Sensor Shutdown
Pressure B	TB > Device Variables > Pressures > Pressure B
Pressure B Sensor Alert	TB > Configure/Setup > Detailed Setup > Alerts > Sensor Alerts > Pressure Sensors > Pressure B Sensor Alert
Pressure B Sensor Alert Enable	TB > Configure/Setup > Detailed Setup > Alerts > Sensor Alerts > Pressure Sensors > Pressure B Sensor Alert Enable
Pressure B Sensor Failure	TB > Device Diagnostics > Status > Self Test Status > Self Test Status.Pressure B Sensor Error
Pressure Cutoff Closed	TB > Configure/Setup > Detailed Setup > Response Control > Travel Pressure Control > Pressure Cutoff Closed
Pressure Cutoff Open	TB > Configure/Setup > Detailed Setup > Response Control > Travel Pressure Control > Pressure Cutoff Open
Pressure Fallback Alert	TB > Configure/Setup > Detailed Setup > Alerts > Sensor Alerts > Pressure Fallback > Pressure Fallback Alert
Pressure Fallback Alert Enable	TB > Configure/Setup > Detailed Setup > Alerts > Sensor Alerts > Pressure Fallback > Pressure Fallback Alert Enable
Pressure Integral Dead Zone	TB > Configure/Setup > Detailed Setup > Response Control > Pressure Tuning > Pressure Integral Dead Zone
Pressure Integral Gain	TB > Configure/Setup > Detailed Setup > Response Control > Pressure Tuning > Pressure Integral Gain
Pressure Integral Limit Hi	TB > Configure/Setup > Detailed Setup > Response Control > Pressure Tuning > Pressure Integral Limit Hi
Pressure Integral Limit Lo	TB > Configure/Setup > Detailed Setup > Response Control > Pressure Tuning > Pressure Integral Limit Lo
Pressure MLFB Gain	TB > Configure/Setup > Detailed Setup > Response Control > Pressure Tuning > Pressure MLFB Gain
Pressure Proportional Gain	TB > Configure/Setup > Detailed Setup > Response Control > Pressure Tuning > Pressure Proportional Gain
Pressure Range Hi	TB > Configure/Setup > Detailed Setup > Response Control > Travel Pressure Control > Pressure Range Hi
Pressure Range Lo	TB > Configure/Setup > Detailed Setup > Response Control > Travel Pressure Control > Pressure Range Lo
Pressure Tuning Set	TB > Configure/Setup > Detailed Setup > Response Control > Pressure Tuning > Pressure Tuning Set
Pressure Units	TB > Configure/Setup > Detailed Setup > Instrument > Pressure Units

-Continued-

Transducer Block (TB) Menu Structure

Parameter Label	Menu Structure
Processor Alert	TB > Configure/Setup > Detailed Setup > Alerts > Elect Alerts > Processor Impaired > Processor Alert
Processor Alert Enable	TB > Configure/Setup > Detailed Setup > Alerts > Elect Alerts > Processor Impaired > Processor Alert Enable
Program Memory Alert	TB > Configure/Setup > Detailed Setup > Alerts > Elect Alerts > Processor Impaired > Program Memory Alert
Program Memory Alert Enable	TB > Configure/Setup > Detailed Setup > Alerts > Elect Alerts > Processor Impaired > Program Memory Alert Enable
Program Memory Manual Recovery	TB > Configure/Setup > Detailed Setup > Alerts > Elect Alerts > Processor Impaired > Program Memory Manual Recovery
Program Memory Shutdown	TB > Configure/Setup > Detailed Setup > Alerts > Elect Alerts > Processor Impaired > Program Memory Shutdown
Protection	TB > Device Variables > Protection
Proximity Hi Alert	TB > Configure/Setup > Detailed Setup > Alerts > Prox Alerts > Proximity > Proximity Hi Alert
Proximity Hi Alert Enable	TB > Configure/Setup > Detailed Setup > Alerts > Prox Alerts > Proximity > Proximity Hi Alert Enable
Proximity Hi Hi Alert	TB > Configure/Setup > Detailed Setup > Alerts > Prox Alerts > Proximity > Proximity Hi Hi Alert
Proximity Hi Hi Alert Enable	TB > Configure/Setup > Detailed Setup > Alerts > Prox Alerts > Proximity > Proximity Hi Hi Alert Enable
Proximity Lo Alert	TB > Configure/Setup > Detailed Setup > Alerts > Prox Alerts > Proximity > Proximity Lo Alert
Proximity Lo Alert Enable	TB > Configure/Setup > Detailed Setup > Alerts > Prox Alerts > Proximity > Proximity Lo Alert Enable
Proximity Lo Lo Alert	TB > Configure/Setup > Detailed Setup > Alerts > Prox Alerts > Proximity > Proximity Lo Lo Alert
Proximity Lo Lo Alert Enable	TB > Configure/Setup > Detailed Setup > Alerts > Prox Alerts > Proximity > Proximity Lo Lo Alert Enable
Push Down To	TB > Configure/Setup > Detailed Setup > Valve and Actuator > Trim > Push Down To
Rated Travel	TB > Configure/Setup > Detailed Setup > Valve and Actuator > Valve > Rated Travel
Relay Type	TB > Configure/Setup > Detailed Setup > Instrument > Relay Type
Seat Type	TB > Configure/Setup > Detailed Setup > Valve and Actuator > Trim > Seat Type
Setpoint	TB > Device Variables > AO Control-Pre-Char > Setpoint
Setpoint Status	TB > Device Variables > AO Control-Pre-Char > Setpoint Status
Setpoint(D)	TB > Device Variables > DO Control > Setpoint(D)
Shaft Stem Diameter	TB > Configure/Setup > Detailed Setup > Valve and Actuator > Valve > Shaft Stem Diameter
Simulate Active	TB > Device Diagnostics > Status > Block Error > Block Error.Simulate Active
Simulate Jumper ON	TB > Device Diagnostics > Status > Self Test Status > Simulate Jumper ON
Spring Rate	TB > Configure/Setup > Detailed Setup > Valve and Actuator > Actuator > Spring Rate
Spring Rate Units	TB > Configure/Setup > Detailed Setup > Instrument > Spring Rate Units
Static Memory Alert	TB > Configure/Setup > Detailed Setup > Alerts > Elect Alerts > Processor Impaired > Static Memory Alert
Static Memory Alert Enable	TB > Configure/Setup > Detailed Setup > Alerts > Elect Alerts > Processor Impaired > Static Memory Alert Enable
Static Memory Manual Recovery	TB > Configure/Setup > Detailed Setup > Alerts > Elect Alerts > Processor Impaired > Static Memory Manual Recovery
Static Memory Shutdown	TB > Configure/Setup > Detailed Setup > Alerts > Elect Alerts > Processor Impaired > Static Memory Shutdown
Stroke Time Close	TB > Configure/Setup > Detailed Setup > Valve and Actuator > Reference > Stroke Time Close
Stroke Time Open	TB > Configure/Setup > Detailed Setup > Valve and Actuator > Reference > Stroke Time Open
Supply	TB > Configure/Setup > Detailed Setup > Alerts > Environment Alerts > Supply Pressure > Supply TB > Device Variables > Pressures > Supply
Supply Pressure Hi Alert	TB > Configure/Setup > Detailed Setup > Alerts > Environment Alerts > Supply Pressure > Supply Pressure Hi Alert
Supply Pressure Hi Alert Enable	TB > Configure/Setup > Detailed Setup > Alerts > Environment Alerts > Supply Pressure > Supply Pressure Hi Alert Enable
Supply Pressure Hi Alert Point	TB > Configure/Setup > Detailed Setup > Alerts > Environment Alerts > Supply Pressure > Supply Pressure Hi Alert Point
Supply Pressure Lo Alert	TB > Configure/Setup > Detailed Setup > Alerts > Environment Alerts > Supply Pressure > Supply Pressure Lo Alert
Supply Pressure Lo Alert Enable	TB > Configure/Setup > Detailed Setup > Alerts > Environment Alerts > Supply Pressure > Supply Pressure Lo Alert Enable
Supply Pressure Lo Alert Point	TB > Configure/Setup > Detailed Setup > Alerts > Environment Alerts > Supply Pressure > Supply Pressure Lo Alert Point
Supply Pressure Sensor Alert	TB > Configure/Setup > Detailed Setup > Alerts > Sensor Alerts > Pressure Sensors > Supply Pressure Sensor Alert
Supply Pressure Sensor Alert Enable	TB > Configure/Setup > Detailed Setup > Alerts > Sensor Alerts > Pressure Sensors > Supply Pressure Sensor Alert Enable
Supply Sensor Failure	TB > Device Diagnostics > Status > Self Test Status > Supply Sensor Failure
Tag Description	TB > Configure/Setup > Detailed Setup > Instrument > Tag Description

-Continued-

Transducer Block (TB) Menu Structure

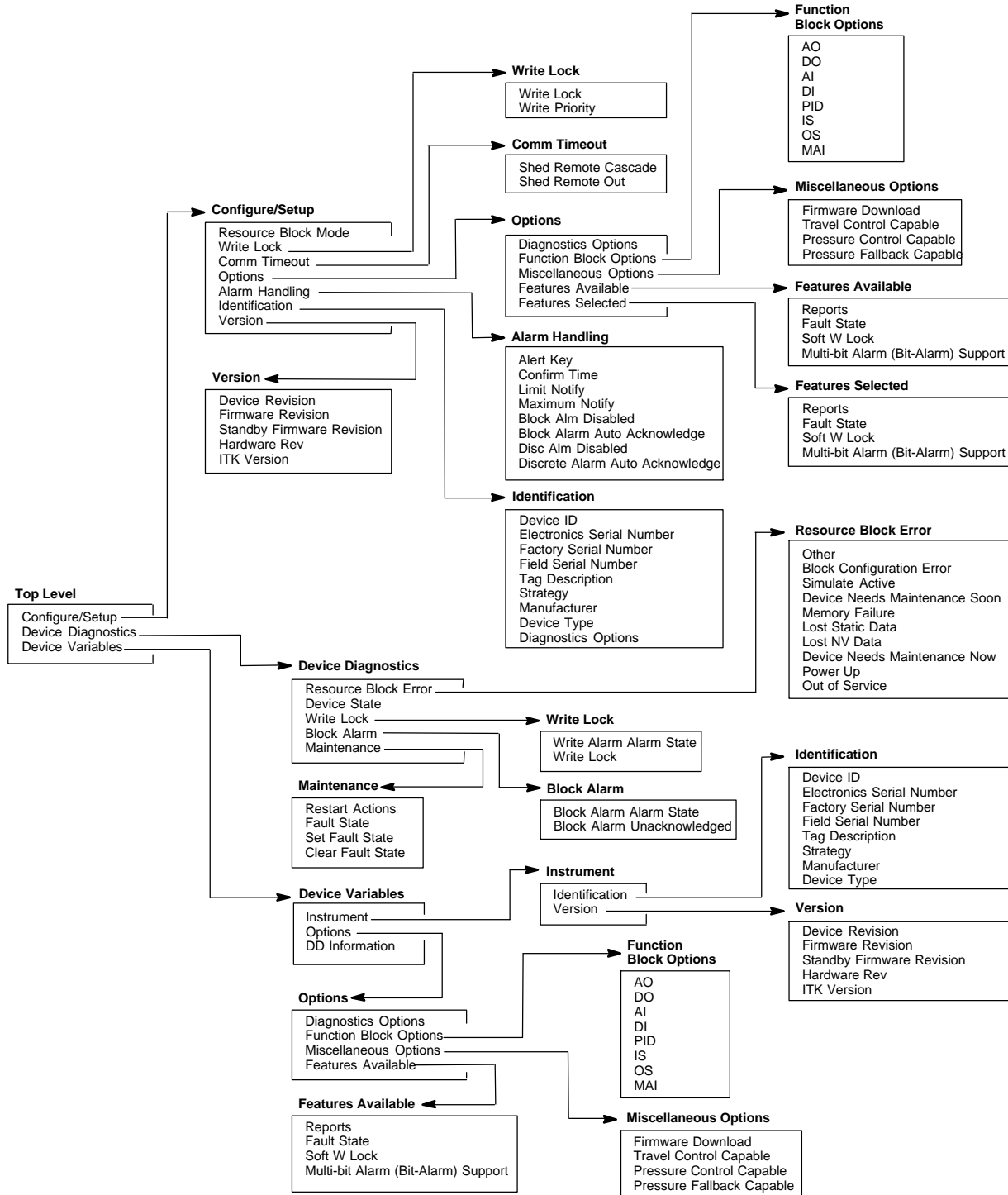
Parameter Label	Menu Structure
Temperature	TB > Configure/Setup > Detailed Setup > Alerts > Environment Alerts > Temperature Limit > Temperature
Temperature Hi Alert	TB > Configure/Setup > Detailed Setup > Alerts > Environment Alerts > Temperature Limit > Temperature Hi Alert
Temperature Hi Alert Enable	TB > Configure/Setup > Detailed Setup > Alerts > Environment Alerts > Temperature Limit > Temperature Hi Alert Enable
Temperature Hi Alert Point	TB > Configure/Setup > Detailed Setup > Alerts > Environment Alerts > Temperature Limit > Temperature Hi Alert Point
Temperature Lo Alert	TB > Configure/Setup > Detailed Setup > Alerts > Environment Alerts > Temperature Limit > Temperature Lo Alert
Temperature Lo Alert Enable	TB > Configure/Setup > Detailed Setup > Alerts > Environment Alerts > Temperature Limit > Temperature Lo Alert Enable
Temperature Lo Alert Point	TB > Configure/Setup > Detailed Setup > Alerts > Environment Alerts > Temperature Limit > Temperature Lo Alert Point
Temperature Sensor Alert	TB > Configure/Setup > Detailed Setup > Alerts > Sensor Alerts > Temperature Sensor > Temperature Sensor Alert
Temperature Sensor Alert Enable	TB > Configure/Setup > Detailed Setup > Alerts > Sensor Alerts > Temperature Sensors > Temperature Sensor Alert Enable
Temperature Units	TB > Configure/Setup > Detailed Setup > Instrument > Temperature Units
Travel	TB > Configure/Setup > Detailed Setup > Alerts > Prox Alerts > Travel
Travel (DeChar)	TB > Device Variables > AO Control-Pre-Char > Travel(DeChar)
Travel Accumulator	TB > Configure/Setup > Detailed Setup > Alerts > Travel History Alerts > Travel Accumulator > Travel Accumulator TB > Device Variables > Travel Accumulator
Travel Accumulator Alert	TB > Configure/Setup > Detailed Setup > Alerts > Travel History Alerts > Travel Accumulator > Travel Accumulator Alert
Travel Accumulator Alert Enable	TB > Configure/Setup > Detailed Setup > Alerts > Travel History Alerts > Travel Accumulator > Travel Accumulator Alert Enable
Travel Accumulator Alert Point	TB > Configure/Setup > Detailed Setup > Alerts > Travel History Alerts > Travel Accumulator > Travel Accumulator Alert Point
Travel Accumulator Deadband	TB > Configure/Setup > Detailed Setup > Alerts > Travel History Alerts > Travel Accumulator > Travel Accumulator Deadband
Travel Closed Alert	TB > Configure/Setup > Detailed Setup > Alerts > Prox Alerts > Travel Closed > Travel Closed Alert
Travel Closed Alert Enable	TB > Configure/Setup > Detailed Setup > Alerts > Prox Alerts > Travel Closed > Travel Closed Alert Enable
Travel Closed Alert Point	TB > Configure/Setup > Detailed Setup > Alerts > Prox Alerts > Travel Closed > Travel Closed Alert Point
Travel Closed Deadband	TB > Configure/Setup > Detailed Setup > Alerts > Prox Alerts > Travel Closed > Travel Closed Deadband
Travel Count	TB > Device Variables > Travel Count
Travel Cutoff Hi	TB > Configure/Setup > Detailed Setup > Response Control > Travel Pressure Control > Travel Cutoff Hi
Travel Cutoff Lo	TB > Configure/Setup > Detailed Setup > Response Control > Travel Pressure Control > Travel Cutoff Lo
Travel Deviation	TB > Configure/Setup > Detailed Setup > Alerts > Travel Alerts > Travel Deviation > Travel Deviation
Travel Deviation Alert	TB > Configure/Setup > Detailed Setup > Alerts > Travel Alerts > Travel Deviation > Travel Deviation Alert
Travel Deviation Alert Enable	TB > Configure/Setup > Detailed Setup > Alerts > Travel Alerts > Travel Deviation > Travel Deviation Alert Enable
Travel Deviation Alert Point	TB > Configure/Setup > Detailed Setup > Alerts > Travel Alerts > Travel Deviation > Travel Deviation Alert Point
Travel Deviation Deadband	TB > Configure/Setup > Detailed Setup > Alerts > Travel Alerts > Travel Deviation > Travel Deviation Deadband
Travel Deviation Pressure Fallback	TB > Configure/Setup > Detailed Setup > Response Control > Travel Pressure Control > Travel Deviation Pressure Fallback
Travel Deviation Time	TB > Configure/Setup > Detailed Setup > Alerts > Travel Alerts > Travel Deviation > Travel Deviation Time
Travel Hi Alert	TB > Configure/Setup > Detailed Setup > Alerts > Travel Alerts > Travel Hi/Lo > Travel Hi Alert
Travel Hi Alert Enable	TB > Configure/Setup > Detailed Setup > Alerts > Travel Alerts > Travel Hi/Lo > Travel Hi Alert Enable
Travel Hi Alert Point	TB > Configure/Setup > Detailed Setup > Alerts > Travel Alerts > Travel Hi/Lo > Travel Hi Alert Point
Travel Hi Deadband	TB > Configure/Setup > Detailed Setup > Alerts > Travel Alerts > Travel Hi/Lo > Travel Hi Deadband
Travel Hi Hi Alert	TB > Configure/Setup > Detailed Setup > Alerts > Travel Alerts > Travel Limit > Travel Hi Hi Alert
Travel Hi Hi Alert Enable	TB > Configure/Setup > Detailed Setup > Alerts > Travel Alerts > Travel Limit > Travel Hi Hi Alert Enable
Travel Hi Hi Alert Point	TB > Configure/Setup > Detailed Setup > Alerts > Travel Alerts > Travel Limit > Travel Hi Hi Alert Point
Travel Hi Hi Deadband	TB > Configure/Setup > Detailed Setup > Alerts > Travel Alerts > Travel Limit > Travel Hi Hi Deadband
Travel Integral Dead Zone	TB > Configure/Setup > Detailed Setup > Response Control > Travel Tuning > Travel Integral Dead Zone
Travel Integral Enable	TB > Configure/Setup > Detailed Setup > Response Control > Travel Tuning > Travel Integral Enable
Travel Integral Gain	TB > Configure/Setup > Detailed Setup > Response Control > Travel Tuning > Travel Integral Gain
Travel Integral Limit Hi	TB > Configure/Setup > Detailed Setup > Response Control > Travel Tuning > Travel Integral Limit Hi
Travel Integral Limit Lo	TB > Configure/Setup > Detailed Setup > Response Control > Travel Tuning > Travel Integral Limit Lo
Travel Lo Alert	TB > Configure/Setup > Detailed Setup > Alerts > Travel Alerts > Travel Hi/Lo > Travel Lo Alert

-Continued-

Transducer Block (TB) Menu Structure

Parameter Label	Menu Structure
Travel Lo Alert Enable	TB > Configure/Setup > Detailed Setup > Alerts > Travel Alerts > Travel Hi/Lo > Travel Lo Alert Enable
Travel Lo Alert Point	TB > Configure/Setup > Detailed Setup > Alerts > Travel Alerts > Travel Hi/Lo > Travel Lo Alert Point
Travel Lo Deadband	TB > Configure/Setup > Detailed Setup > Alerts > Travel Alerts > Travel Hi/Lo > Travel Lo Deadband
Travel Lo Lo Alert	TB > Configure/Setup > Detailed Setup > Alerts > Travel Alerts > Travel Limit > Travel Lo Lo Alert
Travel Lo Lo Alert Enable	TB > Configure/Setup > Detailed Setup > Alerts > Travel Alerts > Travel Limit > Travel Lo Lo Alert Enable
Travel Lo Lo Alert Point	TB > Configure/Setup > Detailed Setup > Alerts > Travel Alerts > Travel Limit > Travel Lo Lo Alert Point
Travel Lo Lo Deadband	TB > Configure/Setup > Detailed Setup > Alerts > Travel Alerts > Travel Limit > Travel Lo Lo Deadband
Travel MLFB Gain	TB > Configure/Setup > Detailed Setup > Response Control > Travel Tuning > Travel MLFB Gain
Travel Open Alert	TB > Configure/Setup > Detailed Setup > Alerts > Prox Alerts > Travel Open > Travel Open Alert
Travel Open Alert Enable	TB > Configure/Setup > Detailed Setup > Alerts > Prox Alerts > Travel Open > Travel Open Alert Enable
Travel Open Alert Point	TB > Configure/Setup > Detailed Setup > Alerts > Prox Alerts > Travel Open > Travel Open Alert Point
Travel Open Deadband	TB > Configure/Setup > Detailed Setup > Alerts > Prox Alerts > Travel Open > Travel Open Deadband
Travel Proportional Gain	TB > Configure/Setup > Detailed Setup > Response Control > Travel Tuning > Travel Proportional Gain
Travel Sensor Alert	TB > Configure/Setup > Detailed Setup > Alerts > Sensor Alerts > Travel Sensor > Travel Sensor Alert
Travel Sensor Alert Enable	TB > Configure/Setup > Detailed Setup > Alerts > Sensor Alerts > Travel Sensor > Travel Sensor Alert Enable
Travel Sensor Hi Error	TB > Device Diagnostics > Status > Self Test Status > Travel Sensor Hi Error
Travel Sensor Lo Error	TB > Device Diagnostics > Status > Self Test Status > Travel Sensor Lo Error
Travel Sensor Manual Recovery	TB > Configure/Setup > Detailed Setup > Alerts > Sensor Alerts > Travel Sensor > Travel Sensor Manual Recovery
Travel Sensor Motion	TB > Configure/Setup > Detailed Setup > Valve and Actuator > Actuator > Travel Sensor Motion
Travel Sensor Shutdown	TB > Configure/Setup > Detailed Setup > Alerts > Sensor Alerts > Travel Sensor > Travel Sensor Shutdown
Travel Sensor Span Error	TB > Device Diagnostics > Status > Self Test Status > Travel Sensor Span Error
Travel Status	TB > Device Variables > AO Control-Post-Char > Travel Status
Travel Tuning Set	TB > Configure/Setup > Detailed Setup > Response Control > Travel Tuning > Travel Tuning Set
Travel Units	TB > Configure/Setup > Detailed Setup > Instrument > Travel Units
Travel Velocity Gain	TB > Configure/Setup > Detailed Setup > Response Control > Travel Tuning > Travel Velocity Gain
Travel(D)	TB > Device Variables > DO Control > Travel(D)
Travel/Pressure Select	TB > Configure/Setup > Detailed Setup > Response Control > Travel Pressure Control > Travel/Pressure Select
Travel/Pressure State	TB > Configure/Setup > Detailed Setup > Response Control > Travel Pressure Control > Travel/Pressure State
	TB > Device Variables > Travel/Pressure State
Trend	TB > Device Diagnostics > Trend
Trim Style 1	TB > Configure/Setup > Detailed Setup > Valve and Actuator > Reference > Trim Style 1
Trim Style 2	TB > Configure/Setup > Detailed Setup > Valve and Actuator > Reference > Trim Style 2
Unbalanced Area	TB > Configure/Setup > Detailed Setup > Valve and Actuator > Trim > Unbalanced Area
Upper Bench Set	TB > Configure/Setup > Detailed Setup > Valve and Actuator > Actuator > Upper Bench Set
Valve Class	TB > Configure/Setup > Detailed Setup > Valve and Actuator > Valve > Valve Class
Valve Manufacturer	TB > Configure/Setup > Detailed Setup > Valve and Actuator > Valve > Valve Manufacturer
Valve Model Number	TB > Configure/Setup > Detailed Setup > Valve and Actuator > Valve > Valve Model Number
Valve Serial Number	TB > Configure/Setup > Detailed Setup > Valve and Actuator > Valve > Valve Serial Number
Valve Size	TB > Configure/Setup > Detailed Setup > Valve and Actuator > Valve > Valve Size
Valve Style	TB > Configure/Setup > Detailed Setup > Valve and Actuator > Valve > Valve Style
Zero Power Condition	TB > Configure/Setup > Detailed Setup > Instrument > Zero Power Condition

RESOURCE BLOCK FIELD COMMUNICATOR MENU TREE



Resource Block (RB) Menu Structure

Parameter Label	Menu Structure
Alert Key	RB > Configure/Setup > Alarm Handling > Alert Key
Block Alarm: Alarm State	RB > Device Diagnostics > Block Alarm > Alarm State
Block Alarm: Unacknowledged	RB > Device Diagnostics > Block Alarm > Unacknowledge
Block Alarm Disabled	RB > Configure/Setup > Alarm Handling > Block Alarm Disabled
Block Alarm Automatically Acknowledge	RB > Configure/Setup > Alarm Handling > Block Alarm Automatically Acknowledge
Confirm Time	RB > Configure/Setup > Alarm Handling > Confirm Time
DD Information	RB > Device Variables > DD information
Device ID	RB > Configure/Setup > Identification > Device ID <u>or</u> RB > Device Variables > Instrument > Identification > Device ID
Device Revision	RB > Configure/Setup > Version > Device Revision <u>or</u> RB > Device Variables > Instrument > Version > Device Revision
Device State	RB > Device Diagnostics > Device State
Device Type	RB > Configure/Setup > Identification > Device Type <u>or</u> RB > Device Variables > Instrument > Identification > Device Type
Diagnostics Options	RB > Configure/Setup > Options > Diagnostics Options
Discrete Alarm Disabled	RB > Configure/Setup > Alarm Handling > Discrete Alarm Disabled
Discrete Alarm Automatically Acknowledge	RB > Configure/Setup > Alarm Handling > Discrete Alarm Automatically Acknowledge
Electronics Serial Number	RB > Configure/Setup > Identification > Elect S/N <u>or</u> RB > Device Variables > Instrument > Identification > Electronics Serial Number
Factory Serial Number	RB > Configure/Setup > Identification > Factory S/N <u>or</u> RB > Device Variables > Instrument > Identification > Factory Serial Number
Fault State	RB > Device Diagnostics > Maintenance > Fault State
Features Available	RB > Configure/Setup > Options > Features Available <u>or</u> RB > Device Variables > Options > Features Available
Features Selected	RB > Configure/Setup > Options > Features Selected
Field Serial Number	RB > Configure/Setup > Identification > Field S/N <u>or</u> RB > Device Variables > Instrument > Identification > Field Serial Number
Firmware Revision	RB > Configure/Setup > Version > Firmware Revision <u>or</u> RB > Device Variables > Instrument > Version > Firmware Revision
Function Block Options	RB > Configure/Setup > Options > Function Block Options <u>or</u> RB > Device Variables > Options > Function Block Options
Hardware Revision	RB > Configure/Setup > Version > Hardware Revision <u>or</u> RB > Device Variables > Instrument > Version > Hardware Revision
ITK Version	RB > Configure/Setup > Version > ITK Version <u>or</u> RB > Device Variables > Instrument > Version > ITK Version
Limit Notify	RB > Configure/Setup > Alarm Handling > Limit Notify
Manufacturer	RB > Configure/Setup > Identification > Manufacturer <u>or</u> RB > Device Variables > Instrument > Identification > Manufacturer
Maximum Notify	RB > Configure/Setup > Alarm Handling > Maximum Notify
Miscellaneous Options	RB > Configure/Setup > Options > Miscellaneous Options <u>or</u> RB > Device Variables > Options > Miscellaneous Options
Resource Block Error	RB > Device Diagnostics > Resource Block Error
Shed Remote Cascade	RB > Configure/Setup > Communication Time Out > Shed Remote Cascade
Shed Remote Out	RB > Configure/Setup > Communication Time Out > Shed Remote Out
Standby Firmware Revision	RB > Configure/Setup > Version > Standby Firmware Revision <u>or</u> RB > Device Variables > Instrument > Version > Standby Firmware Revision
Strategy	RB > Configure/Setup > Identification > Strategy <u>or</u> RB > Device Variables > Instrument > Identification > Strategy
Tag Description	RB > Configure/Setup > Identification > Tag Description <u>or</u> RB > Device Variables > Instrument > Identification > Tag Description
Write Alarm: Alarm State	RB > Device Diagnostics > Write Lock > Alarm State
Write Lock	RB > Configure/Setup > Write Lock > Write Lock <u>or</u> RB > Device Diagnostics > Write Lock > Write Lock
Write Priority	RB > Configure/Setup > Write Lock > Write Priority



THE FIELDVUE DVC6000f DIGITAL VALVE CONTROLLER IS A CORE COMPONENT OF THE PLANTWEB DIGITAL PLANT ARCHITECTURE. THE DIGITAL VALVE CONTROLLER POWERS PLANTWEB BY CAPTURING AND DELIVERING VALVE DIAGNOSTIC DATA. COUPLED WITH VALVELINK™ SOFTWARE, THE DVC6000f PROVIDES USERS WITH AN ACCURATE PICTURE OF VALVE PERFORMANCE, INCLUDING ACTUAL STEM POSITION, INSTRUMENT INPUT SIGNAL AND PNEUMATIC PRESSURE TO THE ACTUATOR. USING THIS INFORMATION, THE DIGITAL VALVE CONTROLLER DIAGNOSES NOT ONLY ITSELF, BUT ALSO THE VALVE AND ACTUATOR TO WHICH IT IS MOUNTED.

FIELDVUE DVC6000f Digital Valve Controller

Section 1 Introduction and Specifications

1

Scope of Manual	1-2
Instrument Description	1-2
Using this Manual	1-4
Specifications	1-4
Related Information	1-4
Fieldbus Installation and Wiring Guidelines	1-4
Related Documents	1-4
Educational Services	1-4

DVC6000f Digital Valve Controllers

Scope of Manual

This instruction manual includes specifications, installation, operating, and maintenance information for FIELDVUE DVC6000f digital valve controllers.

1

This manual describes device setup using the 475 or 375 Field Communicator. For information on using Fisher ValveLink software with the instrument, refer to the appropriate user guide or help.

Do not install, operate, or maintain a DVC6000f digital valve controller without being fully trained and qualified in valve, actuator, and accessory installation, operation, and maintenance. **To avoid personal injury or property damage, it is important to carefully read, understand, and follow all of the contents of this manual, including all safety cautions and warnings.** If you have any questions about these instructions, contact your Emerson Process Management sales office before proceeding.

Instrument Description

DVC6000f digital valve controllers for FOUNDATION fieldbus are interoperable, communicating, microprocessor-based, digital-to-pneumatic instruments. In addition to the primary function of converting a digital input signal to a pneumatic output, the DVC6000f, using FOUNDATION fieldbus communications protocol, gives easy access to information critical to process operation as well as process control. This can be done using a DeltaV console, another FOUNDATION fieldbus system console, or with ValveLink software.

DVC6000f digital valve controllers can be mounted on single or double-acting sliding-stem actuators, as shown in figure 1-1, or on rotary actuators, as shown in figure 1-2. The DVC6000f mounts on most Fisher and other manufacturers' rotary and sliding-stem actuators.

DVC6000f digital valve controllers are available with several selections of control and diagnostic capability. Control selections include:



Figure 1-1. FIELDVUE DVC6010f Digital Valve Controller Mounted on Fisher 585C Piston Actuator

- **Standard Control (SC)**— Digital valve controllers with Standard Control have the AO, PID, ISEL, OS, AI, MAI, DO, and four DI function blocks in addition to the resource and transducer blocks.
- **Fieldbus Control (FC)**—Digital valve controllers with Fieldbus Control have the AO function block in addition to the resource and transducer blocks.
- **Fieldbus Logic (FL)**—Digital valve controllers with Fieldbus Logic have the DO, and four DI function blocks, in addition to the resource and transducer block.

The diagnostic capabilities include:

- Performance Diagnostics (PD)
- Advanced Diagnostics (AD)
- Fieldbus Diagnostics (FD)

Performance and Advanced Diagnostics are available with ValveLink software. They provide visibility to instrument alerts. Fieldbus Diagnostics can be viewed with any host system.



W8115-FF

Figure 1-2. Fisher Rotary Control Valve with FIELDVUE DVC6020f Digital Valve Controller

Instrument Blocks

The digital valve controller is a block-based device. For detailed information on the blocks within the digital valve controller, see the Detailed Setup section of this manual.

All DVC6000f digital valve controllers include the resource and transducer block:

- **Resource Block**—The resource block contains the hardware specific characteristics associated with a device; it has no input or output parameters. The resource block monitors and controls the general operation of other blocks within the device. For example, when the mode of the resource block is Out of Service, it impacts all function blocks.

- **Transducer Block**—The transducer block connects the analog output function block to the I/P converter, relay, and travel sensor hardware within the digital valve controller.

Function Blocks

In addition to the resource and transducer block, the digital valve controller may contain the following function blocks. For additional information on function blocks, refer to Appendix D, FOUNDATION fieldbus Communication.

- **Analog Output (AO) Function Block**—The analog output function block accepts the output from another function block (such as a PID block) and transfers it as an actuator control signal to the transducer block. If the DO block is selected, the AO block is not functional.

- **Proportional-Integral-Derivative (PID) Function Block**—The PID function block performs proportional-plus-integral-plus-derivative control.

- **Input Selector (ISEL) Function block**—The input selector function block selects from up to four inputs and may provide the selected signal as input to the PID block. The input selection can be configured to select the first good input signal; a maximum, minimum or average value; or a hot spare.

- **Output Splitter (OS) Function Block**—The output splitter function block accepts the output from another function block (such as a PID block) and creates two outputs that are scaled or split, according to the user configuration. This block is typically used for split ranging of two control valves.

- **Analog Input (AI) Function Block**—The analog input function block monitors the signal from a DVC6000f sensor or internal measurement and provides it to another block.

- **Multiple Analog Input (MAI) Function Block**—The Multiple Analog Input (MAI) function block has the ability to process up to eight DVC6000f measurements and make them available to other function blocks.

- **Discrete Output (DO) Function Block**—The discrete output function block processes a discrete set point and sends it to a specified output channel, which can be transferred to the transducer block for actuator control. In the digital valve controller, the discrete output block provides both normal open/closed control and the ability to position the valve in 5% increments for course throttling applications. If the AO block is selected, the DO block is not functional.

- **Discrete Input (DI) Function Block**—The discrete input function block processes a single discrete input from a DVC6000f and makes it available to other function blocks. In the digital valve controller, the discrete input function block can provide limit switch functionality and valve position proximity detection.

DVC6000f Digital Valve Controllers

Using This Manual



1 Procedures that require the use of the Field Communicator have the Field Communicator symbol in the heading.

Also included is the path required to accomplish various tasks; the sequence of steps through the Field Communicator menus. For example, the path to Resource Block Mode is RB > Configure/Setup > Setup > Resource Block Mode.

An overview of the Field Communicator resource block and transducer block menu structures are shown at the beginning of this manual. Menu structures for the function blocks are included with each function block section in Detailed Setup / Blocks.

Throughout this document, parameters are typically referred to by their common name or label, followed by the parameter name and index number; for example, Write Priority (WRITE_PRI [39]). However, not all interface systems support the use of the parameter label and instead use only the Parameter Name, followed by the index number, when referring to the block parameters.

Specifications

Specifications for DVC6000f digital valve controllers are shown in table 1-1.

Related Information

Fieldbus Installation and Wiring Guidelines

This manual describes how to connect the fieldbus to the digital valve controller. For a technical description, planning, and installation information for a FOUNDATION fieldbus, refer to the FOUNDATION fieldbus Technical Overview available from the Fieldbus Foundation and Fieldbus Installations in a DeltaV System available from your Emerson Process Management sales office.

Related Documents

Other documents containing information related to DVC6000f digital valve controllers include:

- Bulletin 62.1:DVC6000f—Fisher FIELDVUE DVC6000f Digital Valve Controllers (D103199X012)
- Bulletin 62.1:DVC6000(S1)—Fisher FIELDVUE DVC6000 Digital Valve Controller Dimensions (D103308X012)
- Fisher FIELDVUE DVC6000f Digital Valve Controller Quick Start Guide (D103202X012)
- ValveLink Software Help or Documentation
- Field Communicator User's Manual
- DeltaV Online Help or documentation

All documents are available from your Emerson Process Management sales office. Also visit our website at www.FIELDVUE.com.

Educational Services

For information on available courses for DVC6000f digital valve controllers, as well as a variety of other products, contact:

Emerson Process Management
Educational Services, Registration
P.O. Box 190; 301 S. 1st Ave.
Marshalltown, IA 50158-2823
Phone: 800-338-8158 or
Phone: 641-754-3771
FAX: 641-754-3431
e-mail: education@emerson.com

Introduction and Specifications

Table 1-1. Specifications

<p>Available Configurations</p> <p>DVC6010f: Sliding-stem applications DVC6020f: Rotary and long-stroke sliding-stem applications [over 102 mm (4 inch) travel] DVC6030f: Quarter-turn rotary applications</p> <p>Remote-Mounted Instrument⁽¹⁾</p> <p>DVC6005f: Base unit for 2 inch pipestand or wall mounting DVC6015: Feedback unit for sliding-stem applications DVC6025: Feedback unit for rotary or long-stroke sliding-stem applications DVC6035: Feedback unit for quarter-turn rotary applications</p> <p>DVC6000f digital valve controllers can be mounted on Fisher and other manufacturers rotary and sliding-stem actuators.</p> <p>Function Block Suites</p> <ul style="list-style-type: none"> ■ Standard Control (throttling control) Includes AO, PID, ISEL, OS, AI, MAI, DO, and four DI function blocks ■ Fieldbus Control (throttling control) Contains the AO function block ■ Fieldbus Logic [discrete on/off] Includes DO, and four DI function blocks <p>Block Execution Times</p> <table style="width: 100%; border: none;"> <tr> <td style="width: 50%;">AO Block: 15 ms</td> <td style="width: 50%;">AI Block: 15 ms</td> </tr> <tr> <td>PID Block: 20 ms</td> <td>MAI BLock: 35 ms</td> </tr> <tr> <td>ISEL Block: 20 ms</td> <td>DO Block: 15 ms</td> </tr> <tr> <td>OS Block: 20 ms</td> <td>DI Block: 15 ms</td> </tr> </table> <p>Electrical Input</p> <p>Voltage Level: 9 to 32 volts Maximum Current: 19 mA Reverse Polarity Protection: Unit is not polarity sensitive Termination: Bus must be properly terminated per ISA SP50 guidelines</p> <p>Digital Communication Protocol</p> <p>FOUNDATION fieldbus registered device</p> <p>Physical Layer Type(s):</p> <p>121—Low-power signaling, bus-powered, Entity Model I.S.</p> <p>511—Low-power signaling, bus-powered, FISCO I.S.</p>	AO Block: 15 ms	AI Block: 15 ms	PID Block: 20 ms	MAI BLock: 35 ms	ISEL Block: 20 ms	DO Block: 15 ms	OS Block: 20 ms	DI Block: 15 ms	<p>Fieldbus Device Capabilities</p> <p>Backup Link Master capable</p> <p>Device Description Compatibility</p> <table border="1" style="width: 100%;"> <thead> <tr> <th>Firmware Revision</th> <th>DD Compatibility</th> </tr> </thead> <tbody> <tr> <td>2.0</td> <td>2 and 3</td> </tr> </tbody> </table> <p>Output Signal</p> <p>Pneumatic signal as required by the actuator, up to full supply pressure. Minimum Span: 0.4 bar (6 psig) Maximum Span: 9.5 bar (140 psig) Action: Double, Single direct, and Single reverse</p> <p>Supply Pressure⁽²⁾</p> <p>Recommended: 0.3 bar (5 psi) higher than maximum actuator requirements, up to maximum supply pressure Maximum: 10 bar (145 psig) or maximum pressure rating of the actuator, whichever is lower Medium: Air or Natural Gas</p> <p><i>Air:</i> Supply pressure must be clean, dry air that meets the requirements of ISA Standard 7.0.01.</p> <p><i>Natural Gas:</i> Natural gas must be clean, dry, oil-free, and noncorrosive. H₂S content should not exceed 20 ppm.</p> <p>A maximum 40 micrometer particle size in the air system is acceptable. Further filtration down to 5 micrometer particle size is recommended. Lubricant content is not to exceed 1 ppm weight (w/w) or volume (v/v) basis. Condensation in the air supply should be minimized</p> <p>Steady-State Air Consumption^(3,4)</p> <p>Standard Relay: At 1.4 bar (20 psig) supply pressure: Less than 0.38 normal m³/hr (14 scfh) At 5.5 bar (80 psig) supply pressure: Less than 1.3 normal m³/hr (49 scfh)</p> <p>Low Bleed Relay: At 1.4 bar (20 psig) supply pressure: Average value 0.056 normal m³/hr (2.1 scfh) At 5.5 bar (80 psig) supply pressure: Average value 0.184 normal m³/hr (6.9 scfh)</p> <p>Maximum Output Capacity^(3,4)</p> <p>At 1.4 bar (20 psig) supply pressure: 10.0 normal m³/hr (375 scfh) At 5.5 bar (80 psig) supply pressure: 29.5 normal m³/hr (1100 scfh)</p>	Firmware Revision	DD Compatibility	2.0	2 and 3
AO Block: 15 ms	AI Block: 15 ms												
PID Block: 20 ms	MAI BLock: 35 ms												
ISEL Block: 20 ms	DO Block: 15 ms												
OS Block: 20 ms	DI Block: 15 ms												
Firmware Revision	DD Compatibility												
2.0	2 and 3												

1

–continued–

DVC6000f Digital Valve Controllers

Table 1-1. Specifications (continued)

Independent Linearity⁽⁵⁾

±0.5% of output span

Electromagnetic Compatibility

Meets EN 61326-1 (First Edition)

Immunity—Industrial locations per Table 2 of the EN 61326-1 standard. Performance is shown in table 1-2 below

Emissions—Class A

ISM equipment rating: Group 1, Class A

Lightning and Surge Protection—The degree of immunity to lightning is specified as Surge immunity in table 1-2. For additional surge protection commercially available transient protection devices can be used.

Vibration Testing Method

Tested per ANSI/ISA-75.13.01 Section 5.3.5. A resonant frequency search is performed on all three axes. The instrument is subjected to the ISA specified 1/2 hour endurance test at each major resonance, plus an additional two million cycles.

Operating Ambient Temperature Limits^(2,6)

–40 to 85°C (–40 to 185°F) for most approved valve-mounted instruments.

–60 to 125°C (–76 to 257°F) for remote-mounted feedback unit.

–52 to 85°C (–62 to 185°F) for valve-mounted instruments utilizing the Extreme Temperature option (fluorosilicone elastomers)

Electrical Classification

CSA—Intrinsically Safe, FISCO, Explosion-proof, Division 2, Dust Ignition-proof

FM—Intrinsically Safe, FISCO, Explosion-proof, Non-incendive, Dust Ignition-proof

ATEX—Intrinsically Safe, FISCO, Flameproof, Type n

IECEX—Intrinsically Safe, FISCO, Flameproof, Type n

Refer to tables 1-3, 1-4, 1-5, and 1-6, Hazardous Area Classifications and Special Instructions for “Safe Use” and Installation in Hazardous Locations in section 2, and Appendix B for specific approval information.

Electrical Housing:

CSA—Type 4X, IP66

FM—Type 4X, IP66

ATEX—IP66

IECEX—IP66

Other Classifications/Certifications

Gas Certified, Single Seal Device—CSA, FM, ATEX, and IECEX

FSETAN—Federal Service of Technological, Ecological and Nuclear Inspectorate (Russia)

GOST-R—Russian GOST-R

INMETRO—National Institute of Metrology, Quality and Technology (Brazil)

KGS—Korea Gas Safety Corporation (South Korea)

KISCO—Korea Industrial Safety Corporation (South Korea)

NEPSI—National Supervision and Inspection Centre for Explosion Protection and Safety of Instrumentation (China)

PESO CCOE—Petroleum and Explosives Safety Organisation – Chief Controller of Explosives (India)

TIIS—Technology Institution of Industrial Safety (Japan)

Contact your Emerson Process Management sales office for classification/certification specific information

Connections

Supply Pressure: 1/4 NPT internal and integral pad for mounting 67CFR regulator

Output Pressure: 1/4 NPT internal

Tubing: 3/8-inch, recommended

Vent: 3/8 NPT internal

Stem/Shaft Travel

Linear Actuators with rated travel between 6.35 mm (0.25 inch) and 606 mm (23.875 inches)

Rotary Actuators with rated travel between 50 degrees and 180 degrees

Mounting⁽⁷⁾

Designed for direct actuator mounting or remote pipestand or wall mounting. Mounting the instrument vertically, with the vent at the bottom of the assembly, or horizontally, with the vent pointing down, is recommended to allow drainage of moisture that may be introduced via the instrument air supply.

–continued–

Introduction and Specifications

Table 1-1. Specifications (continued)

<p>Weight</p> <p>Valve-Mounted Instruments Aluminum: 3.5 Kg (7.7 lbs) Stainless Steel: 7.7 Kg (17 lbs)</p> <p>Remote-Mounted Instruments <i>DVC6005f Base Unit:</i> 4.1 Kg (9 lbs) <i>DVC6015 Feedback Unit:</i> 1.3 Kg (2.9 lbs) <i>DVC6025 Feedback Unit:</i> 1.4 Kg (3.1 lbs) <i>DVC6035 Feedback Unit:</i> 0.9 Kg (2.0 lbs)</p> <p>Construction Materials</p> <p>Housing, module base and terminal box: A03600 low copper aluminum alloy Cover: Thermoplastic polyester Elastomers: Nitrile (standard)</p>	<p>Options</p> <ul style="list-style-type: none"> ■ Supply and output pressure gauges or ■ Tire valves, ■ Integral mounted filter regulator, ■ Stainless steel housing, module base and terminal box ■ Low bleed relay, ■ Inline 10 micron air filter ■ Natural Gas Certified, Single Seal Device ■ Feedback Assembly PTFE Sleeve Protective Kit for aluminum units in saltwater or particulate environments <p>Declaration of SEP</p> <p>Fisher Controls International LLC declares this product to be in compliance with Article 3 paragraph 3 of the Pressure Equipment Directive (PED) 97 / 23 / EC. It was designed and manufactured in accordance with Sound Engineering Practice (SEP) and cannot bear the CE marking related to PED compliance.</p> <p>However, the product <i>may</i> bear the CE marking to indicate compliance with <i>other</i> applicable European Community Directives.</p>
--	--

1

NOTE: Specialized instrument terms are defined in ANSI/ISA Standard 51.1 – Process Instrument Terminology.

1. 3-conductor shielded cable, 22 AWG minimum wire size, is required for connection between base unit and feedback unit. Pneumatic tubing between base unit output connection and actuator has been tested to 91 meters (300 feet). At 15 meters (50 feet) there was no performance degradation. At 91 meters there was minimal pneumatic lag.

2. The pressure/temperature limits in this manual and any applicable code or standard should not be exceeded.

3. Normal m³/hour – Normal cubic meters per hour at 0°C and 1.01325 bar, absolute. Scfh – Standard cubic feet per hour at 60°F and 14.7 psia.

4. Values at 1.4 bar (20 psig) based on a single-acting direct relay; values at 5.5 bar (80 psig) based on double-acting relay.

5. Typical value. Not applicable for travels less than 19 mm (0.75 inch) or for shaft rotation less than 60 degrees. Also, not applicable to DVC6020f digital valve controllers in long-stroke applications.

6. Temperature limits vary base on hazardous area approval.

7. Do not use the DVC6010fS or DVC6020fS in high vibration service where the mounting bracket uses standoffs (spacers) to mount to the actuator. Due to NAMUR mounting limitations, do not use the DVC6030fS in high vibration service.

Table 1-2. EMC Summary Results—Immunity

Port	Phenomenon	Basic Standard	Test Level	Performance Criteria ⁽¹⁾
Enclosure	Electrostatic discharge (ESD)	IEC 61000-4-2	4 kV contact 8 kV air	A
	Radiated EM field	IEC 61000-4-3	80 to 1000 MHz @ 10V/m with 1 kHz AM at 80% 1400 to 2000 MHz @ 3V/m with 1 kHz AM at 80% 2000 to 2700 MHz @ 1V/m with 1 kHz AM at 80%	A
	Rated power frequency magnetic field	IEC 61000-4-8	30 A/m at 50/60 Hz	A
I/O signal/control	Burst	IEC 61000-4-4	1 kV	A
	Surge	IEC 61000-4-5	1 kV	B
	Conducted RF	IEC 61000-4-6	150 kHz to 80 MHz at 3 Vrms	A

Performance criteria is +/- 1% effect.
 1. A = No degradation during testing. B = Temporary degradation during testing, but is self-recovering.

DVC6000f Digital Valve Controllers

Table 1-3. Hazardous Area Classifications—CSA (Canada)

Certification Body	Type	Certification Obtained	Entity Rating	Temperature Code	Enclosure Rating	
CSA	DVC60x0F DVC60x0FS (x = 1,2,3)	Ex ia Intrinsically Safe & FISCO Class I,II,III Division 1 GP A,B,C, D,E,F,G per drawing GE42818 Natural Gas Approved	FIELDBUS	T4(Tamb ≤ 80°C) T5(Tamb ≤ 77°C) T6(Tamb ≤ 62°C)	Type 4X, IP66 Single Seal Device	
			Vmax = 24 VDC Imax = 380 mA Ci = 5 nF Li = 0 mH Pi = 1.4 W			
			FISCO			
		Vmax = 17.5 VDC Imax = 380 mA Ci = 5 nF Li = 0 mH Pi = 5.32 W				
		Explosion-proof Class I Division 1 GP B,C,D Natural Gas Approved	---	T5(Tamb ≤ 80°C) T6(Tamb ≤ 75°C)		Type 4X, IP66 Single Seal Device
		Class I Division 2 GP A,B,C,D Class II Division 1 GP E,F,G, Class II Division 2 GP F,G Class III Natural Gas Approved	---	T5(Tamb ≤ 80°C) T6(Tamb ≤ 75°C)		Type 4X, IP66 Single Seal Device
	DVC6005F	Ex ia Intrinsically Safe & FISCO Class I,II,III Division 1 GP A,B,C, D,E,F,G per drawing GE42818 Natural Gas Approved	FIELDBUS	T4(Tamb ≤ 80°C) T5(Tamb ≤ 77°C) T6(Tamb ≤ 62°C)	Type 4X, IP66 Single Seal Device	
			Vmax = 24 VDC Imax = 380 mA Ci = 5 nF Li = 0 mH Pi = 1.4 W			Voc = 24 VDC Isc = 17.5 mA Ca = 121 nF La = 100 mH Po = 105 mW
			FISCO			
		Vmax = 17.5 VDC Imax = 380 mA Ci = 5 nF Li = 0 mH Pi = 5.32 W	Voc = 17.5 VDC Isc = 17.5 mA Ca = 121 nF La = 100 mH Pi = 105 mW			
		Explosion-proof Class I Division 1 GP B,C,D Natural Gas Approved	---	T5(Tamb ≤ 80°C) T6(Tamb ≤ 75°C)		Type 4X, IP66 Single Seal Device
		Class I Division 2 GP A,B,C,D Class II Division 1 GP E,F,G Class II Division 2 GP F,G Class III Natural Gas Approved	---	T5(Tamb ≤ 80°C) T6(Tamb ≤ 75°C)		Type 4X, IP66 Single Seal Device
DVC60x5 (x = 1,2,3)	Ex ia Intrinsically Safe Class I,II,III Division 1 GP A,B,C, D,E,F,G per drawing GE42818	Vmax = 30 VDC Imax = 100 mA Ci = 0 nF Li = 0 mH Pmax = 160 mW	T4(Tamb ≤ 125°C) T5(Tamb ≤ 95°C) T6(Tamb ≤ 80°C)	Type 4X, IP66		
	Explosion-proof Class I Division 1 GP B,C,D	---	T4(Tamb ≤ 125°C) T5(Tamb ≤ 95°C) T6(Tamb ≤ 80°C)	Type 4X, IP66		
	Class I Division 2 GP A,B,C,D Class II Division 1 GP E,F,G Class II Division 2 GP F,G Class III	---	T4(Tamb ≤ 125°C) T5(Tamb ≤ 95°C) T6(Tamb ≤ 80°C)	Type 4X, IP66		

Introduction and Specifications

Table 1-4. Hazardous Area Classifications—FM (United States)

Certification Body	Type	Certification Obtained	Entity Rating	Temperature Code	Enclosure Rating	
FM	DVC60x0F DVC60x0FS (x = 1,2,3)	IS Intrinsically Safe & FISCO Class I,II,III Division 1 GP ABCD EFG per drawing GE42819 Natural Gas Approved	FIELDBUS	T4(Tamb ≤ 80°C) T5(Tamb ≤ 77°C) T6(Tamb ≤ 62°C)	Type 4X, IP66 Single Seal Device	
			Vmax = 24 VDC Imax = 380 mA Ci = 5 nF Li = 0 mH Pi = 1.4 W			
			FISCO			
			XP Explosion-proof Class I, Division 1 GP BCD DIP Dust Ignition-proof Class II,III Division 1 GP EFG NI Non-Incendive Class I Division 2 GP ABCD S Suitable for Use Class II, III Division 2 GP FG Natural Gas Approved	---	T5(Tamb ≤ 80°C) T6(Tamb ≤ 75°C)	Type 4X, IP66 Single Seal Device
	DVC6005F	IS Intrinsically Safe & FISCO Class I,II,III Division 1 GP ABC DEFG per drawing GE42819 Natural Gas Approved	FIELDBUS	T4(Tamb ≤ 80°C) T5(Tamb ≤ 77°C) T6(Tamb ≤ 62°C)	Type 4X, IP66 Single Seal Device	
			Vmax = 24 VDC Imax = 380 mA Ci = 5 nF Li = 0 mH Pi = 1.4 W			Voc = 24 VDC Isc = 17.5 mA Ca = 121 nF La = 100 mH Po = 105 mW
			FISCO			
			XP Explosion-proof Class I, Division 1 GP BCD DIP Dust Ignition-proof Class II,III Division 1 GP EFG NI Non-Incendive Class I Division 2 GP ABCD S Suitable for Use Class II, III Division 2 GP FG Natural Gas Approved	---	T5(Tamb ≤ 80°C) T6(Tamb ≤ 75°C)	Type 4X, IP66 Single Seal Device
	DVC60x5 (x = 1,2,3)	IS Intrinsically Safe Class I,II,III Division 1 GP ABCD EFG per drawing GE42819	Vmax = 30 VDC Imax = 100 mA Ci = 0 uF Li = 0 mH Pi = 160 mW	T4(Tamb ≤ 125°C) T5(Tamb ≤ 95°C) T6(Tamb ≤ 80°C)	Type 4X, IP66	
				---	T4(Tamb ≤ 125°C) T5(Tamb ≤ 95°C) T6(Tamb ≤ 80°C)	Type 4X, IP66

1

DVC6000f Digital Valve Controllers

Table 1-5. Hazardous Area Classifications—ATEX

Certificate	Type	Certification Obtained	Entity Rating	Temperature Code	Enclosure Rating	
ATEX	DVC60x0F DVC60x0FS (x = 1,2,3)	Intrinsically Safe Ⓔ II 1 G D Gas Ex ia IIC T4/T5/T6 Ga Dust Ex ia IIIC T85°C (Ta ≤ +62°C) T100°C (Ta ≤ +77°C), T103°C (Tamb ≤ +80°C) Da Per drawing GE60771 Natural Gas Approved	FIELDBUS Ui = 24 VDC Ii = 380 mA Ci = 5 nF Li = 0 mH Pi = 1.4 W	T4(Tamb ≤ 80°C) T5(Tamb ≤ 77°C) T6(Tamb ≤ 62°C)	IP66 Single Seal Device	
			FISCO Ui = 17.5 VDC Ii = 380 mA Ci = 5 nF Li = 0 mH Pi = 5.32 W			

	DVC6005F	Flameproof Ⓔ II 2 G Gas Ex d IIC T5/T6 Gb Natural Gas Approved	---	T5(Tamb ≤ 85°C) T6(Tamb ≤ 80°C)	IP66 Single Seal Device	
			Type n Ⓔ II 3 G Gas Ex nC IIC T5/T6 Gc Natural Gas Approved	---	T5(Tamb ≤ 80°C) T6(Tamb ≤ 75°C)	IP66 Single Seal Device
				Intrinsically Safe Ⓔ II 1 G D Gas Ex ia IIC T4/T5/T6 Ga Dust Ex ia IIIC T85°C (Ta ≤ +62°C) T100°C (Ta ≤ +77°C), T103°C (Tamb ≤ +80°C) Da Per drawing GE60771 Natural Gas Approved	FIELDBUS Ui = 24 VDC Ii = 380 mA Ci = 5 nF Li = 0 mH Pi = 1.4 W	Uo = 24 VDC Io = 17.5 mA Co = 121 nF Lo = 100 mH Po = 105 mW
FISCO Ui = 17.5 VDC Ii = 380 mA Ci = 5 nF Li = 0 mH Pi = 5.32 W	Uo = 17.5 VDC Io = 17.5 mA Co = 121 nF Lo = 100 mH Po = 105 mW					
ATEX	DVC60x5 (x = 1,2,3)	Intrinsically Safe Ⓔ II 1 G D Gas Ex ia IIC T4/T5/T6 Ga Dust Ex ia IIIC T85°C (Tamb ≤ +64°C) T100°C (Tamb ≤ +79°C), T135°C (Tamb ≤ +114°C) T146°C (Tamb ≤ +125°C) Da Per drawing GE60771	Ui = 30 VDC Ii = 100 mA Ci = 0 uF Li = 0 mH Pi = 160 mW	T4(Tamb ≤ 125°C) T5(Tamb ≤ 95°C) T6(Tamb ≤ 80°C)	IP66	
			Ⓔ II 2 G Flameproof Gas Ex d IIC T4/T5/T6 Gb	---	T4(Tamb ≤ 125°C) T5(Tamb ≤ 95°C) T6(Tamb ≤ 80°C)	IP66
				Ⓔ II 3 G Type n Gas Ex nA IIC T4/T5/T6 Gc	---	T4(Tamb ≤ 125°C) T5(Tamb ≤ 95°C) T6(Tamb ≤ 80°C)

1

Introduction and Specifications

Table 1-6. Hazardous Area Classifications—IECEX

Certificate	Type	Certification Obtained	Entity Rating	Temperature Code	Enclosure Rating		
IECEX	DVC60x0F DVC60x0FS (x = 1,2,3)	Intrinsically Safe Gas Ex ia IIC T4/T5/T6 per drawing GE42990 Natural Gas Approved	FIELDBUS	T4(Tamb ≤ 80°C) T5(Tamb ≤ 77°C) T6(Tamb ≤ 62°C)	IP66 Single Seal Device		
			Ui = 24 VDC li = 380 mA Ci = 5 nF Li = 0 mH Pi = 1.4 W				
			FISCO				
		Ui = 17.5 VDC li = 380 mA Ci = 5 nF Li = 0 mH Pi = 5.32 W					
		Flameproof Gas Ex d IIC T5/T6 Natural Gas Approved	---			T5(Tamb ≤ 80°C) T6(Tamb ≤ 75°C)	IP66 Single Seal Device
		Type n Gas Ex nC IIC T5/T6 Natural Gas Approved	---			T5(Tamb ≤ 80°C) T6(Tamb ≤ 75°C)	IP66 Single Seal Device
	DVC6005F	Intrinsically Safe Gas Ex ia IIC T4/T5/T6 per drawing GE42990 Natural Gas Approved	FIELDBUS	T4(Tamb ≤ 80°C) T5(Tamb ≤ 77°C) T6(Tamb ≤ 62°C)	IP66 Single Seal Device		
			Ui = 24 VDC li = 380 mA Ci = 5 nF Li = 0 mH Pi = 1.4 W			Uo = 24 VDC lo = 17.5 mA Co = 121 nF Lo = 100 mH Po = 105 mW	
			FISCO				
		Ui = 17.5 VDC Imax = 380 mA Ci = 5 nF Li = 0 mH Pi = 5.32 W	Uo = 17.5 VDC lo = 17.5 mA Co = 121 nF Lo = 100 mH Po = 105 mW				
		Flameproof Gas Ex d IIC T5/T6 Natural Gas Approved	---			T5(Tamb ≤ 80°C) T6(Tamb ≤ 75°C)	IP66 Single Seal Device
		Type n Gas Ex nC IIC T5/T6 Natural Gas Approved	---			T5(Tamb ≤ 80°C) T6(Tamb ≤ 75°C)	IP66 Single Seal Device
DVC60x5 (x = 1,2,3)	Intrinsically Safe Gas Ex ia IIC T4/T5/T6 per drawing GE42990	Ui = 30 VDC li = 100 mA Ci = 0 μF Li = 0 mH Pi = 160 mW	T4(Tamb ≤ 125°C) T5(Tamb ≤ 95°C) T6(Tamb ≤ 80°C)	IP66			
		Flameproof Gas Ex d IIC T4/T5/T6	---	T4(Tamb ≤ 125°C) T5(Tamb ≤ 95°C) T6(Tamb ≤ 80°C)	IP66		
		Type n Gas Ex nA IIC T4/T5/T6	---	T4(Tamb ≤ 125°C) T5(Tamb ≤ 95°C) T6(Tamb ≤ 80°C)	IP66		

1

DVC6000f Digital Valve Controllers

1

Section 2 Installation

Hazardous Area Classifications and Special Instructions for “Safe Use” and Installation in Hazardous Locations

CSA	2-4
FM	2-4
ATEX	2-4
IECEX	2-5

Mounting Guidelines

DVC6010f on Sliding-Stem Actuators (up to 4 inches travel)	2-6
DVC6020f on Long-Stroke Sliding-Stem Actuators (4 to 24 inches travel) and Rotary Actuators	2-8
DVC6030f on Quarter-Turn Actuators	2-10
DVC6005f Base Unit	2-13
Wall Mounting	2-13
Pipestand Mounting	2-13
DVC6015 on Sliding-Stem Actuators (up to 4 inches travel)	2-13
DVC6025 on Long-Stroke Sliding-Stem Actuators (4 to 24 inches travel) and Rotary Actuators	2-14
DVC6035 on Quarter-Turn Actuators	2-15
Pressure Control	2-17
Actuator Mounting	2-17
67CFR Filter Regulator	
Integral-Mounted Regulator	2-17
Yoke-Mounted Regulator	2-17
Casing-Mounted Regulator	2-18

Pressure Connections

Supply Connections	2-18
Output Connections	2-20
Single-Acting Actuators	2-20
Double-Acting Actuators	2-20
Special Construction to Support Solenoid Valve Testing	2-21
Vent Connections	2-22

DVC6000f Digital Valve Controllers

2

Electrical Connections	2-23
Connecting Fieldbus Wiring	2-23
Twisted-Shielded Pair	2-23
Quick Connect Cable Entry	2-24
Feedback Unit Connections for Remote Mounting	2-26
Communication Connections	2-29
Simulate Enable Jumper	2-30
Commissioning Tag	2-30

Installation

The DVC6000f can be used with either air or natural gas as the supply medium. If using natural gas as the pneumatic supply medium, natural gas will be used in the pneumatic output connections of the DVC6000f to any connected equipment. In normal operation the unit will vent the supply medium into the surrounding atmosphere unless it is remotely vented. When using natural gas as the supply medium, in a non-hazardous location in a confined area, remote venting of the unit is required. Failure to do so could result in personal injury, property damage, and area re-classification. For hazardous locations remote venting of the unit may be required, depending upon the area classification, and as specified by the requirements of local, regional, and national codes, rules and regulations. Failure to do so when necessary could result in personal injury, property damage, and area re-classification.

WARNING

Avoid personal injury or property damage from sudden release of process pressure or bursting of parts. Before proceeding with any Installation procedures:

- Always wear protective clothing, gloves, and eyewear to prevent personal injury and property damage.
- Personal injury or property damage may result from fire or explosion if natural gas is used as the supply medium and appropriate preventive measures are not taken. Preventive measures may include, but are not limited, to one or more of the following: Remote venting of the unit, re-evaluating the hazardous area classification, ensuring adequate ventilation, and the removal of any ignition sources. For information on remote venting of this controller, refer to page 2-22.
- If installing this into an existing application, also refer to the **WARNING** at the beginning of the Maintenance section of this instruction manual.
- Check with your process or safety engineer for any additional measures that must be taken to protect against process media.

WARNING

To avoid static discharge from the plastic cover when flammable gases or dust are present, do not rub or clean the cover with solvents. To do so could result in a spark that may cause the flammable gases or dust to explode, resulting in personal injury or property damage. Clean with a mild detergent and water only.

2

WARNING

This unit vents the supply medium into the surrounding atmosphere. When installing this unit in a non-hazardous (non-classified) location in a confined area, with natural gas as the supply medium, you must remotely vent this unit to a safe location. Failure to do so could result in personal injury or property damage from fire or explosion, and area re-classification.

When installing this unit in a hazardous (classified) location remote venting of the unit may be required, depending upon the area classification, and as specified by the requirements of local, regional, and national codes, rules and regulations. Failure to do so when necessary could result in personal injury or property damage from fire or explosion, and area re-classification.

Vent line piping should comply with local and regional codes and should be as short as possible with adequate inside diameter and few bends to reduce case pressure buildup.

DVC6000f Digital Valve Controllers

In addition to remote venting of the unit, ensure that all caps and covers are correctly installed. Failure to do so could result in personal injury or property damage from fire or explosion, and area re-classification.

2

Hazardous Area Classifications and Special Instructions for “Safe Use” and Installation in Hazardous Locations

Certain nameplates may carry more than one approval, and each approval may have unique installation/wiring requirements and/or conditions of “safe use”. These special instructions for “safe use” are in addition to, and may override, the standard installation procedures. Special instructions are listed by approval.



Note

This information supplements the nameplate markings affixed to the product.

Always refer to the nameplate itself to identify the appropriate certification. Contact your Emerson Process Management sales office for approval/certification information not listed here.

Approval information is for both aluminum and stainless steel constructions.



WARNING

Failure to follow these conditions of safe use could result in personal injury or property damage from fire or explosion, and area re-classification.

CSA

Intrinsically Safe, FISCO, Explosion-proof, Division 2, Dust Ignition-proof

No special conditions for safe use.

Refer to table 1-3 for approval information, figures B-1 and B-2 for CSA loop schematics, and figures B-4 and B-5 for typical CSA nameplates.

FM

Special Conditions of Safe Use

Intrinsically Safe, FISCO, Explosion-proof, Non-incendive, Dust Ignition-proof

1. When product is used with natural gas as the pneumatic medium, the maximum working pressure of the natural gas supply shall be limited to 145psi.
2. When product is used with natural gas as the pneumatic medium the product shall not be permitted in a Class I, Division 2, Group A, B, C, D location without the proper venting installation as per the manufacturer's instruction manual.
3. The apparatus enclosure contains aluminum and is considered to constitute a potential risk of ignition by impact or friction. Care must be taken into account during installation and use to prevent impact or friction.
4. Parts of the enclosure are constructed from plastic. To prevent risk of electrostatic sparking, the plastic surface should only be cleaned with a damp cloth.

Refer to table 1-4 for approval information, figures B-6 and B-7 for FM loop schematics, and figures B-4 and B-9 for typical FM nameplates.

ATEX

Special Conditions for Safe Use

Intrinsically Safe, FISCO

1. This apparatus can only be connected to an intrinsically safe certified equipment and this combination must be compatible as regards the intrinsically safe rules.
2. The FISCO electrical parameters of this equipment must not exceed any following values:
 $U_0 \leq 17.5 \text{ V}$; $I_0 \leq 380 \text{ mA}$; $P_0 \leq 5.32 \text{ W}$
3. Operating ambient temperature: -52°C or -40°C to $+80^\circ\text{C}$
4. For the model with aluminum body: the apparatus must not be submitted to frictions or mechanical impacts.
5. Covered by standards EN 60079-0 (2009), EN 60079-11 (2012), EN 60079-26 (2007).

6. Install per drawing GE60771.

Refer to table 1-5 for additional approval information, figure B-10, B-11, B-13, and B-12 for the ATEX loop schematics, and figure B-14 for typical ATEX Intrinsic Safety nameplates.

Flameproof

Operating ambient temperature: -52°C or -40°C to $+85^{\circ}\text{C}$ or as indicated on the nameplate.

Refer to table 1-5 for additional approval information, and figure B-15 for typical ATEX Flameproof nameplates.

Type n

Operating ambient temperature: -52°C or -40°C to $+80^{\circ}\text{C}$ or as indicated on the nameplate.

Refer to table 1-5 for additional approval information, and figure B-16 for typical ATEX Type n nameplates.

IECEX

Conditions of Certification

Intrinsically Safe, FISCO, Flameproof, Type n

Ex ia / Ex nC / Ex nA / Ex d

1. **Warning:** Electrostatic charge hazard. Do not rub or clean with solvents. To do so could result in an explosion.

Ex nC / Ex nA / Ex d

2. Do not open while energized.

Refer to table 1-6 for additional approval information, figures B-17 and B-18 for IECEx loop schematics and figures B-20 and B-21 for typical IECEx nameplates.

DVC6000f Digital Valve Controllers

2

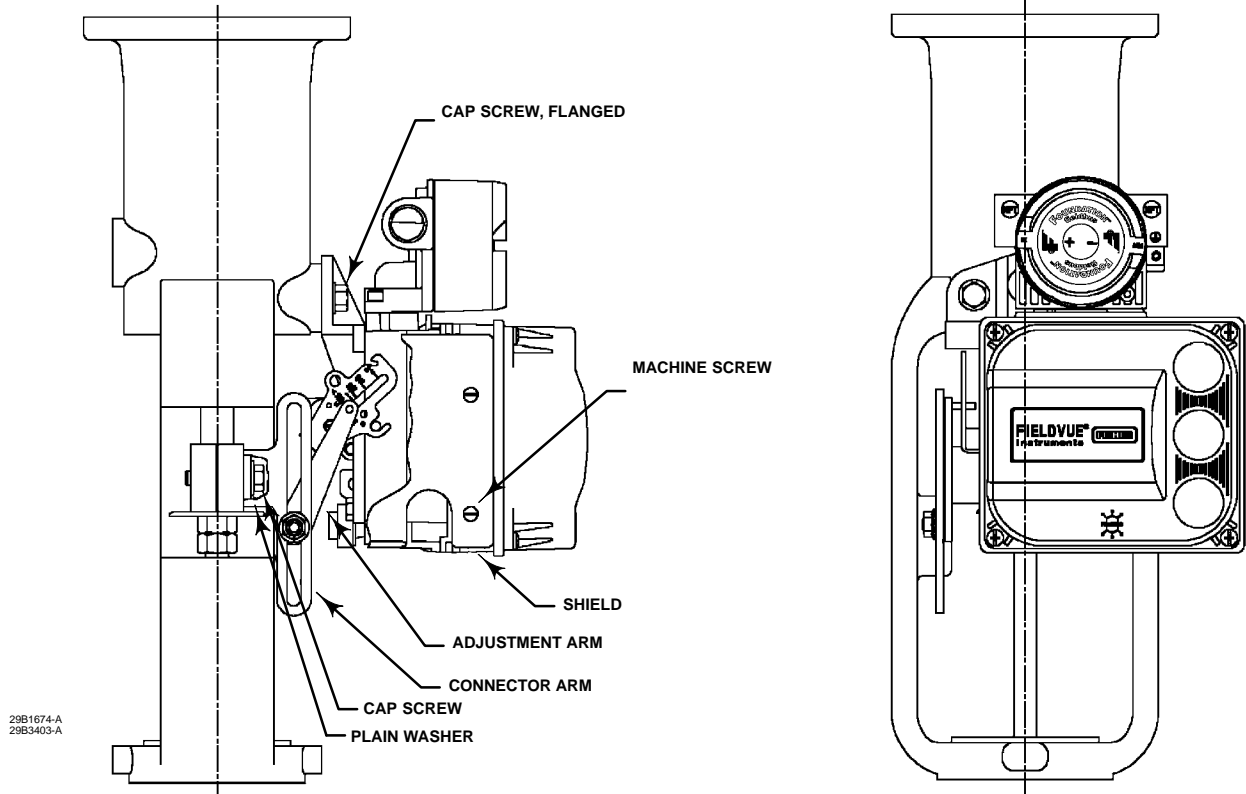


Figure 2-1. FIELDVUE DVC6010f Digital Valve Controller Mounted on Sliding-Stem Actuators with up to 2 Inches Travel

Mounting Guidelines

DVC6010f on Sliding-Stem Actuators Up to 102 mm (4 Inches) of Travel

If ordered as part of a control valve assembly, the factory mounts the digital valve controller on the actuator, makes pneumatic connections to the actuator, sets up, and calibrates the instrument. If you purchased the digital valve controller separately, you will need a mounting kit to mount the digital valve controller on the actuator. See the instructions that come with the mounting kit for detailed information on mounting the digital valve controller to a specific actuator model.

The DVC6010f digital valve controller mounts on sliding-stem actuators with up to 102 mm (4 inch) travel. Figure 2-1 shows a typical mounting on an actuator with up to 51 mm (2 inch) travel. Figure 2-2 shows a typical mounting on actuators with 51 to 102 mm (2 to 4 inch) travel. For actuators with greater than 102 mm (4 inch) travel, see the guidelines for mounting a DVC6020f digital valve controller.



Note

Do not use the stainless steel DVC6010fS in high vibration service where the mounting bracket uses standoffs (spacers) to mount to the actuator.

Refer to the following guidelines when mounting on sliding-stem actuators with up to 4 inches of travel. Where a key number is referenced, refer to figure 8-2.

1. Isolate the control valve from the process line pressure and release pressure from both sides of the valve body. Shut off all pressure lines to the actuator, releasing all pressure from the actuator. Use lock-out procedures to be sure that the above measures stay in effect while you work on the equipment.
2. Attach the connector arm to the valve stem connector.
3. Attach the mounting bracket to the digital valve controller housing.

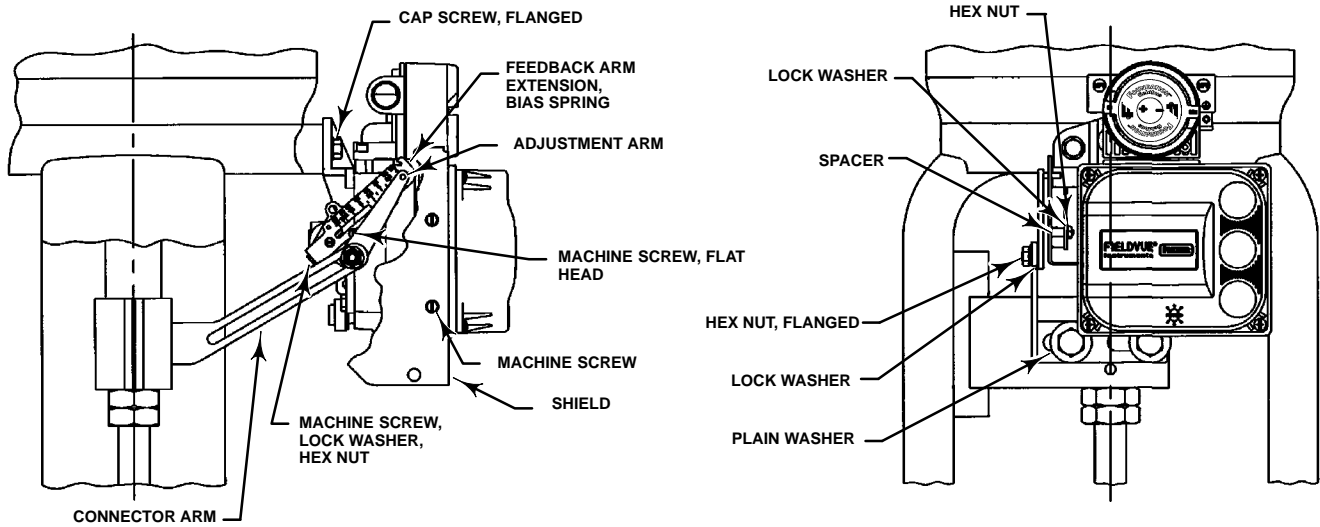


Figure 2-2. FIELDVUE DVC6010f Digital Valve Controller Mounted on Sliding-Stem Actuators with 2 to 4 Inches Travel

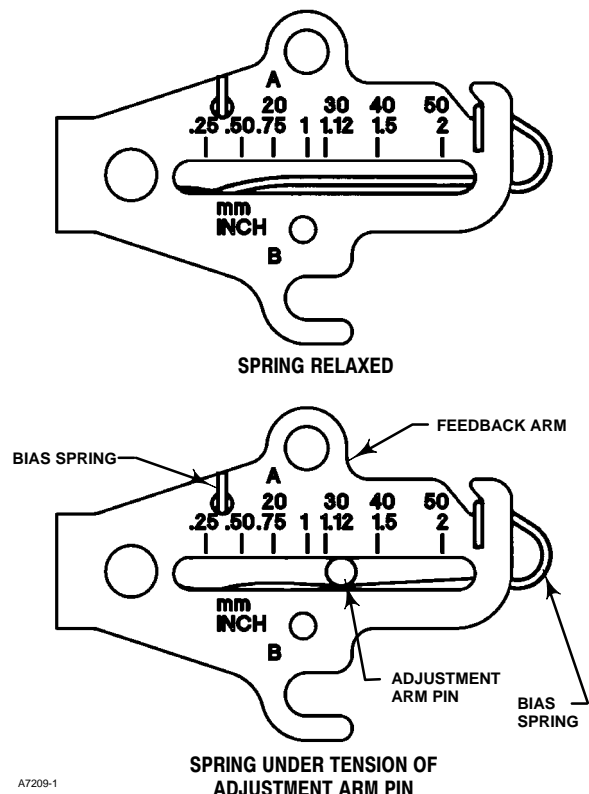
4. If valve travel exceeds 2 inches, a feedback arm extension is attached to the existing 2-inch feedback arm. Remove the existing bias spring (key 78) from the 2-inch feedback arm (key 79). Attach the feedback arm extension to the feedback arm (key 79) as shown in figure 2-3.

5. Mount the digital valve controller on the actuator as described in the mounting kit instructions.

6. Set the position of the feedback arm (key 79) on the digital valve controller to the zero drive position (zero pressure from Port A with Relay A) by inserting the alignment pin (key 46) through the hole on the feedback arm as follows:

- **For air-to-open actuators** (i.e., the actuator stem retracts into the actuator casing or cylinder as air pressure to the casing or lower cylinder increases), insert the alignment pin into the hole marked "A". For this style actuator, the feedback arm rotates counterclockwise, from A to B, as air pressure to the casing or lower cylinder increases.

- **For air-to-close actuators** (i.e., the actuator stem extends from the actuator casing or cylinder as air pressure to the casing or upper cylinder increases), insert the alignment pin into the hole marked "B". For this style actuator, the feedback arm rotates clockwise, from B to A, as air pressure to the casing or upper cylinder increases.



A7209-1

Figure 2-3. Locating Adjustment Arm Pin in Feedback Arm

DVC6000f Digital Valve Controllers

2

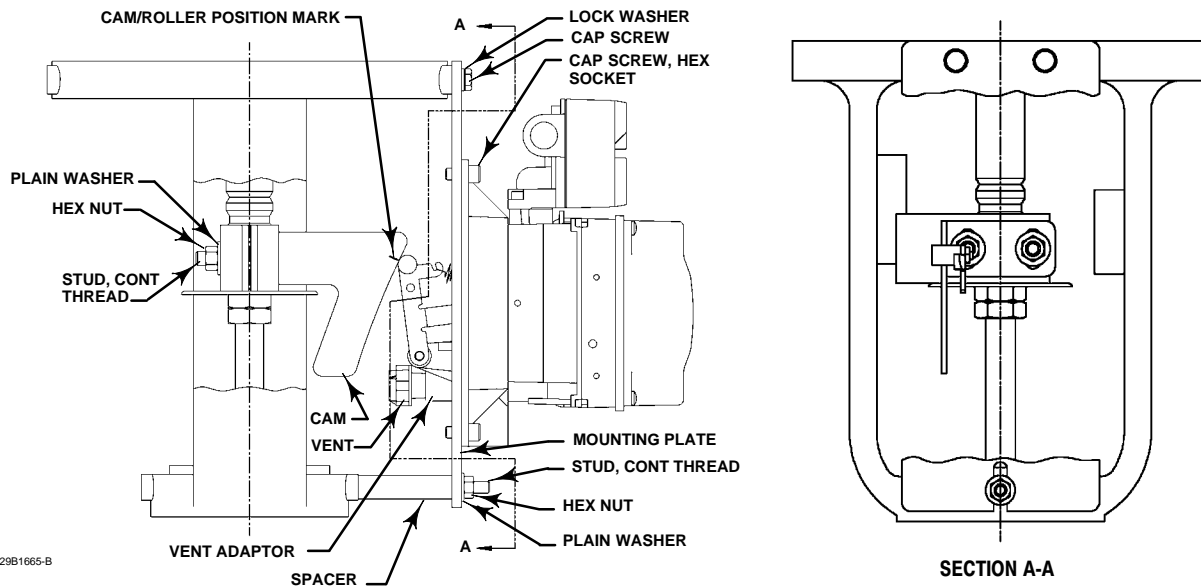


Figure 2-4. FIELDVUE DVC6020f Digital Valve Controller Mounted on Long-Stroke Sliding-Stem Actuator.



Note

When performing the following steps, ensure there is enough clearance between the adjustment arm and the feedback arm to prevent interference with the bias spring.

7. Apply anti-seize (key 64) to the pin of the adjustment arm. As shown in figure 2-3, place the pin into the slot of the feedback arm or feedback arm extension so that the bias spring loads the pin against the side of the arm with the valve travel markings.
8. Install the external lock washer on the adjustment arm. Position the adjustment arm in the slot of the connector arm and loosely install the flanged hex nut.
9. Slide the adjustment arm pin in the slot of the connector arm until the pin is in line with the desired valve travel marking. Tighten the flanged hex nut.
10. Remove the alignment pin (key 46) and store it in the module base next to the I/P assembly.
11. After calibrating the instrument, attach the shield with two machine screws.

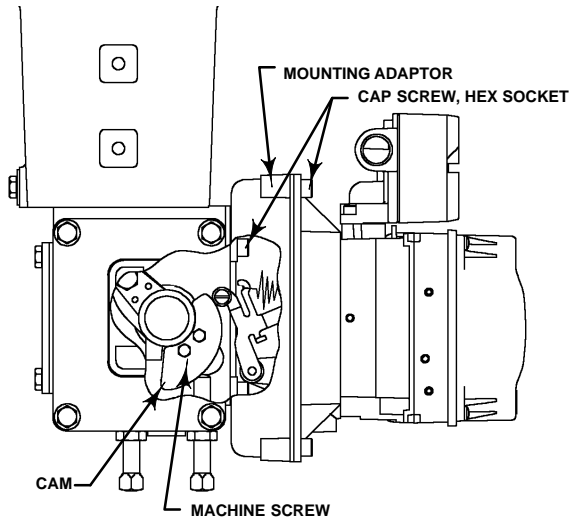
DVC6020f on Long-Stroke (4 to 24 Inch Travel) Sliding-Stem Actuators and Rotary Actuators

If ordered as part of a control valve assembly, the factory mounts the digital valve controller on the actuator, makes pneumatic connections to the actuator, sets up, and calibrates the instrument. If you purchased the digital valve controller separately, you will need a mounting kit to mount the digital valve controller on the actuator. See the instructions that come with the mounting kit for detailed information on mounting the digital valve controller to a specific actuator model.



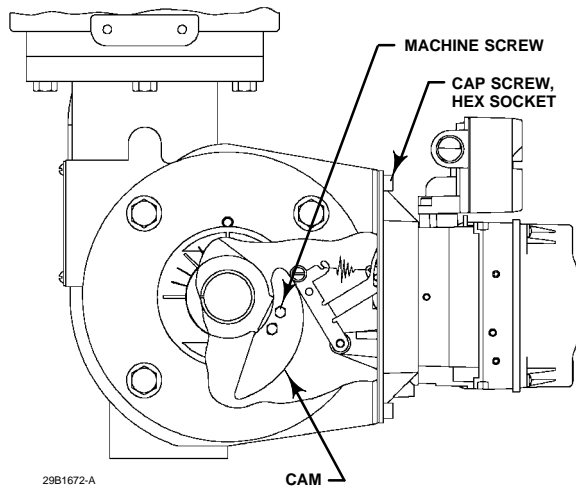
Note

All cams supplied with FIELDVUE mounting kits are characterized to provide a linear response.



29B2094-A

**TYPICAL MOUNTING WITH SHORT FEEDBACK ARM
(FISHER 1052 SIZE 33 ACTUATOR SHOWN)**



29B1672-A

**TYPICAL MOUNTING WITH LONG FEEDBACK ARM
(FISHER 1061 SIZE 30-68 ACTUATOR SHOWN)**

Figure 2-5. FIELDVUE DVC6020f Digital Valve Controller Mounted on Rotary Actuator

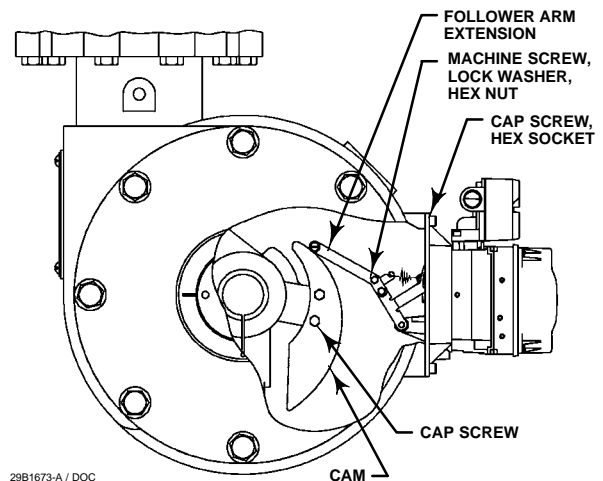


Note

Do not use the stainless steel DVC6020fS in high vibration service where the mounting bracket uses standoffs (spacers) to mount to the actuator.

The DVC6020f digital valve controller uses a cam (designed for linear response) and roller as the feedback mechanism. Figure 2-4 shows an example of mounting on sliding-stem actuators with travels from 4 inches to 24 inches. Some long-stroke applications will require an actuator with a tapped lower yoke boss. Figures 2-5 and 2-6 show the DVC6020f mounted on rotary actuators.

As shown in figure 2-5, two feedback arms are available for the digital valve controller. Most long-stroke sliding-stem and rotary actuator installations use the long feedback arm [62 mm (2.45 inches) from roller to pivot point]. Installations on 1051 size 33 and 1052 size 20 and 33 actuators use the short feedback arm [54 mm (2.13 inches) from roller to pivot point]. Verify that the correct feedback arm is



29B1673-A / DOC

Figure 2-6. FIELDVUE DVC6020f Digital Valve Controller with Long Feedback Arm and Follower Arm Extension Mounted on a Rotary Actuator

installed on the digital valve controller before beginning the mounting procedure.

Refer to figures 2-4, 2-5, and 2-6 for parts locations. Refer to the following guidelines when mounting on sliding-stem actuators with 4 to 24 inches of travel or on rotary actuators:

1. Isolate the control valve from the process line pressure and release pressure from both sides of the valve body. Shut off all pressure lines to the

DVC6000f Digital Valve Controllers

2

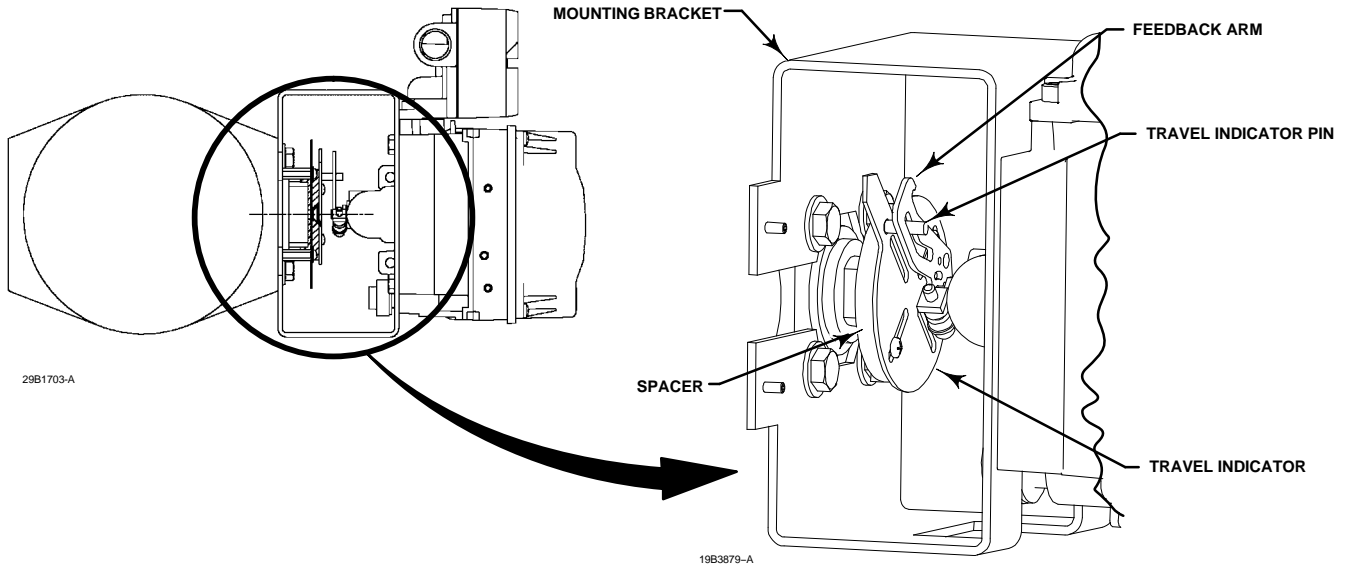


Figure 2-7. Mounting a FIELDVUE DVC6030f Digital Valve Controller on a Rotary Actuator (Fisher 1032 Size 425A Shown)

pneumatic actuator, releasing all pressure from the actuator. Use lock-out procedures to be sure that the above measures stay in effect while working on the equipment.

2. If a cam is not already installed on the actuator, install the cam as described in the instructions included with the mounting kit. For sliding-stem actuators, the cam is installed on the stem connector.
3. If a mounting plate is required, fasten the mounting plate to the actuator.
4. For applications that require remote venting, a pipe-away bracket kit is available. Follow the instructions included with the kit to replace the existing mounting bracket on the digital valve controller with the pipe-away bracket and to transfer the feedback parts from the existing mounting bracket to the pipe-away bracket.
5. Larger size actuators may require a follower arm extension, as shown in figure 2-6. If required, the follower arm extension is included in the mounting kit. Follow the instructions included with the mounting kit to install the follower arm extension.
6. Apply anti-seize (key 64) to the arm assembly pin as shown in figure 2-8.
7. Mount the DVC6020f on the actuator as follows:
 - If required, a mounting adaptor is included in the mounting kit. Attach the adaptor to the actuator as shown in figure 2-5. Then attach the digital valve controller assembly to the adaptor. The roller on the digital valve controller feedback arm will contact the actuator cam as it is being attached.

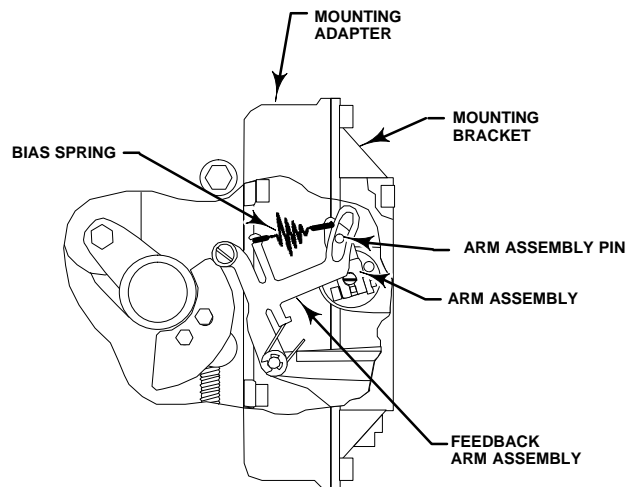


Figure 2-8. Locating Adjustment Arm Pin in Feedback Arm of a FIELDVUE DVC6020f Digital Valve Controller

- If no mounting adaptor is required, attach the digital valve controller assembly to the actuator or mounting plate. The roller on the digital valve controller feedback arm will contact the actuator cam as it is being attached.
8. For long-stroke sliding-stem actuators, after the mounting is complete, check to be sure the roller aligns with the position mark on the cam (see figure 2-4). If necessary, reposition the cam to attain alignment.

DVC6030f on Quarter-Turn Actuators

If ordered as part of a control valve assembly, the factory mounts the digital valve controller on the

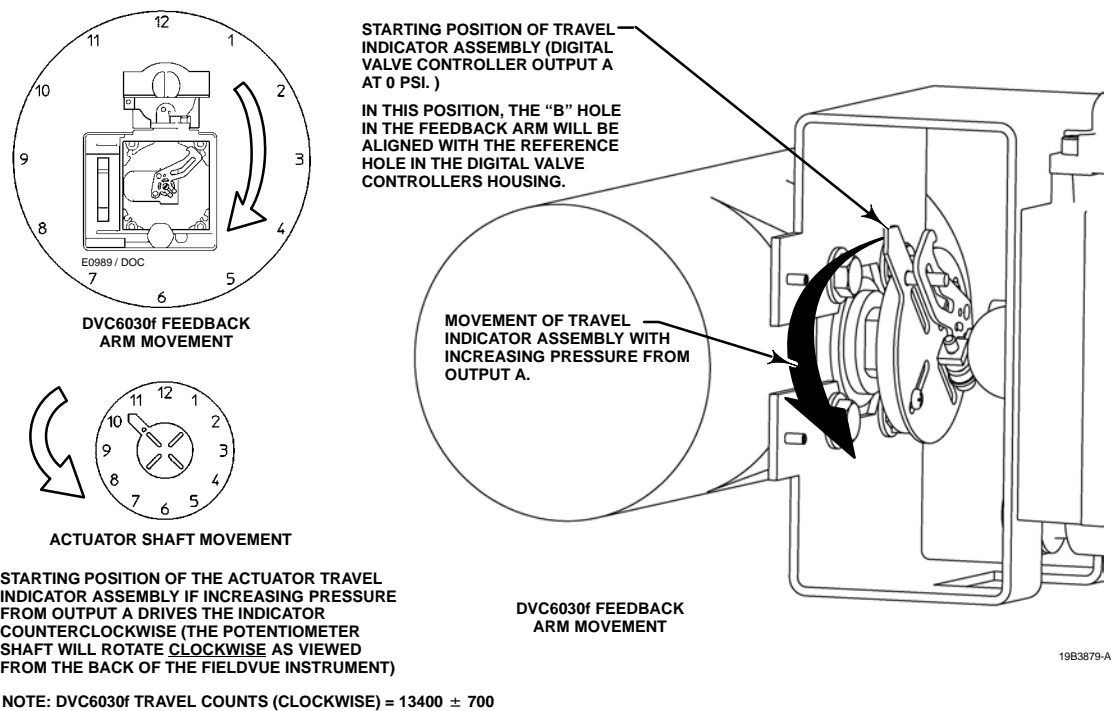


Figure 2-9. Explanation of FIELDVUE DVC6030f Travel Indicator Starting Position and Movement, if **Clockwise** Orientation is Selected for "Travel Sensor Motion" in ValveLink Software or the Field Communicator

actuator, makes pneumatic connections to the actuator, sets up, and calibrates the instrument. If you purchased the digital valve controller separately, you will need a mounting kit to mount the digital valve controller on the actuator. See the instructions that come with the mounting kit for detailed information on mounting the digital valve controller to a specific actuator model.

Figure 2-7 shows the DVC6030f digital valve controller mounted on a quarter-turn actuator. Refer to figure 2-7 for parts locations. Refer to the following guidelines when mounting on quarter-turn actuators:

measures stay in effect while working on the equipment.

2. If necessary, remove the existing hub from the actuator shaft.
3. If a positioner plate is required, attach the positioner plate to the actuator as described in the mounting kit instructions.
4. If required, attach the spacer to the actuator shaft.

Refer to figures 2-9 and 2-10. The travel indicator assembly can have a starting position of 7:30 or 10:30. Determine the desired starting position then proceed with the next step. Considering the top of the digital valve controller as the 12 o'clock position, in the next step attach the travel indicator, so that the pin is positioned as follows:



Note

Due to NAMUR mounting limitations, do not use the stainless steel DVC6030f in high vibration service.

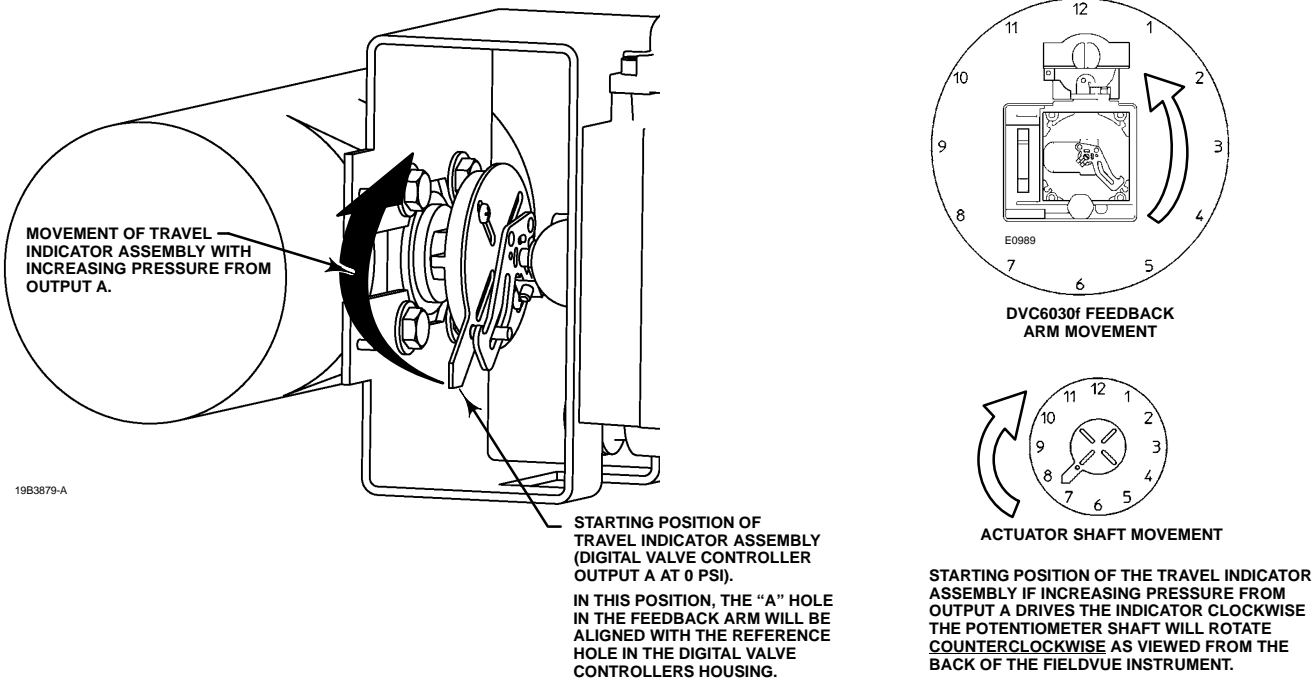
- If increasing pressure from the digital valve controller output A rotates the potentiometer shaft **clockwise (as viewed from the back of the instrument)**, mount the travel indicator assembly such that the arrow is in the 10:30 position, as shown in figure 2-9.

- If increasing pressure from the digital valve controller output A rotates the potentiometer shaft **counterclockwise (as viewed from the back of the instrument)**, mount the travel indicator assembly such that the arrow is in the 7:30 position, as shown in figure 2-10.

1. Isolate the control valve from the process line pressure and release pressure from both sides of the valve body. Shut off all pressure lines to the pneumatic actuator, releasing all pressure from the actuator. Use lock-out procedures to be sure that the above

DVC6000f Digital Valve Controllers

2



NOTE: DVC6030f TRAVEL COUNTS (COUNTERCLOCKWISE) = 3100 ± 700

Figure 2-10. Explanation of FIELDVUE DVC6030f Travel Indicator Starting Position and Movement if **Counterclockwise** Orientation is Selected for "Travel Sensor Motion" in ValveLink Software or the Field Communicator

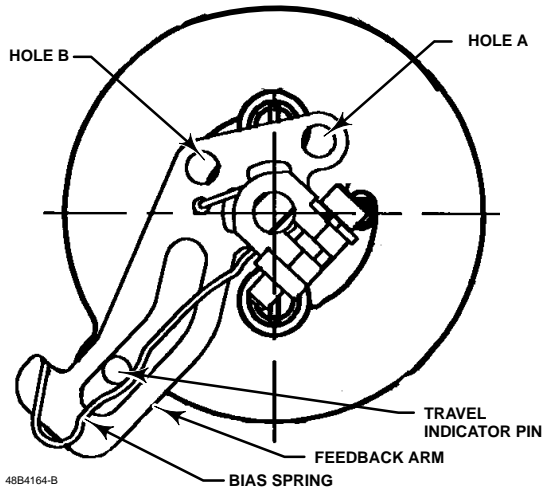


Figure 2-11. Positioning Travel Indicator Pin in the Feedback Arm (Viewed as if Looking from the FIELDVUE DVC6030f toward the Actuator)



Note

ValveLink software and the Field Communicator use the convention of clockwise (figure 2-9) and counterclockwise (figure 2-10) when viewing the potentiometer shaft from the back of the FIELDVUE instrument.

5. Attach the travel indicator to the shaft connector or spacer as described in the mounting kit instructions.
6. Attach the mounting bracket to the digital valve controller.
7. Position the digital valve controller so that the pin on the travel indicator engages the slot in the feedback arm and that the bias spring loads the pin as shown in figure 2-11. Attach the digital valve controller to the actuator or positioner plate.
8. If a travel indicator scale is included in the mounting kit attach the scale as described in the mounting kit instructions.

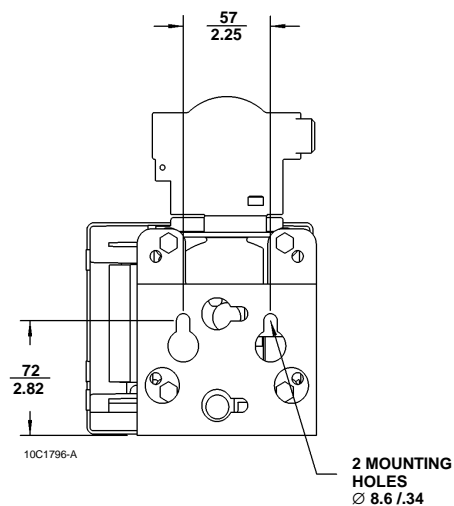


Figure 2-12. FIELDVUE DVC6005f Digital Valve Controller with Mounting Bracket (Rear View)

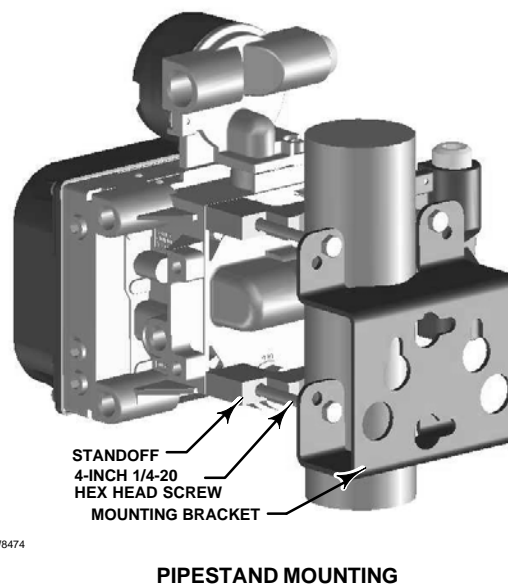
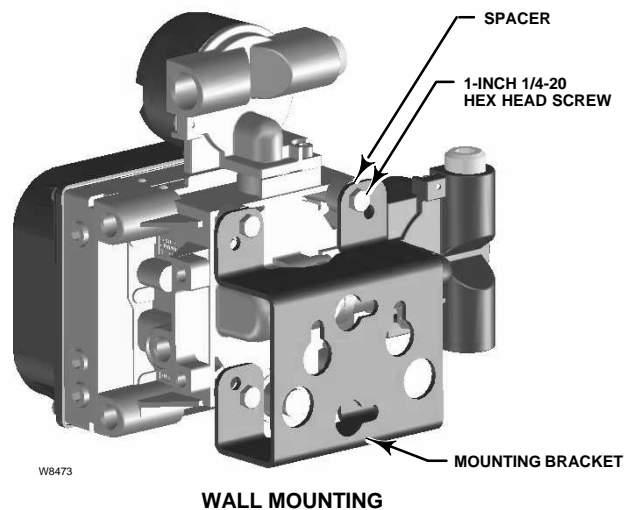


Figure 2-13. FIELDVUE DVC6005f Base Unit Mounting

DVC6005f Base Unit

For remote-mounted digital valve controllers, the DVC6005f base unit ships separately from the control valve and does not include tubing, fittings or wiring. See the instructions that come with the mounting kit for detailed information on mounting the digital valve controller to a specific actuator model.

For remote-mounted instruments, mount the DVC6005f base unit on a 50.8 mm (2 inch) pipestand or wall. The included bracket is used for either mounting method.

Wall Mounting

Refer to figures 2-12 and 2-13. Drill two holes in the wall using the dimensions shown in figure 2-12. Attach the mounting bracket to the base unit using four spacers and 25.4 mm (1-inch) 1/4-20 hex head screws. Attach the base unit to the wall using suitable screws or bolts.

Pipestand Mounting

Refer to figure 2-13. Position a standoff on the back of the base unit. Using two 101.6 mm (4-inch) 1/4-20 hex head screws loosely attach the base unit to the pipestand with the mounting bracket. Position the second standoff, then using the remaining 101.6 mm (4-inch) hex head screws, securely fasten the base unit to the pipe stand.

DVC6015 on Sliding-Stem Actuators Up to 102 mm (4 Inches) of Travel

If ordered as part of a control valve assembly, the factory mounts the remote feedback unit on the actuator, makes pneumatic connections to the actuator, sets up, and calibrates the instrument. If you purchased the remote feedback unit separately, you will need a mounting kit to mount the remote feedback unit on the actuator. See the instructions that come with the mounting kit for detailed information on

DVC6000f Digital Valve Controllers

mounting the remote feedback unit to a specific actuator model.



Note

Refer to the DVC6005f Base Unit mounting instructions for off-actuator mounting instructions.

2

The DVC6015 remote feedback unit mounts on sliding-stem actuators with up to 102 mm (4 inch) travel. Figure 2-1 shows a typical mounting on an actuator with up to 51 mm (2 inch) travel. Figure 2-2 shows a typical mounting on actuators with 51 to 102 mm (2 to 4 inch) travel. For actuators with greater than 102 mm (4 inch) travel, see the guidelines for mounting a DVC6025 remote feedback unit.



Note

While the housing differs on the DVC6015 and the DVC6010f, feedback parts are the same.

Refer to the following guidelines when mounting on sliding-stem actuators with up to 4 inches of travel. Where a key number is referenced, refer to figure 8-7.

1. Isolate the control valve from the process line pressure and release pressure from both sides of the valve body. Shut off all pressure lines to the actuator, releasing all pressure from the actuator. Use lock-out procedures to be sure that the above measures stay in effect while you work on the equipment.
2. Attach the connector arm to the valve stem connector.
3. Attach the mounting bracket to the remote feedback unit housing.
4. If valve travel exceeds 2 inches, a feedback arm extension is attached to the existing 2-inch feedback arm. Remove the existing bias spring (key 78) from the 2-inch feedback arm (key 79). Attach the feedback arm extension to the feedback arm (key 79) as shown in figure 2-2.
5. Mount the remote feedback unit on the actuator as described in the mounting kit instructions.
6. Set the position of the feedback arm (key 79) on the remote feedback unit to the zero drive position

(zero pressure from Port A with Relay A) by inserting the alignment pin (key 46) through the hole on the feedback arm as follows:

- **For air-to-open actuators** (i.e., the actuator stem retracts into the actuator casing or cylinder as air pressure to the casing or lower cylinder increases), insert the alignment pin into the hole marked “A”. For this style actuator, the feedback arm rotates counterclockwise, from A to B, as air pressure to the casing or lower cylinder increases.

- **For air-to-close actuators** (i.e., the actuator stem extends from the actuator casing or cylinder as air pressure to the casing or upper cylinder increases), insert the alignment pin into the hole marked “B”. For this style actuator, the feedback arm rotates clockwise, from B to A, as air pressure to the casing or upper cylinder increases.



Note

When performing the following steps, ensure there is enough clearance between the adjustment arm and the feedback arm to prevent interference with the bias spring.

7. Apply lubricant to the pin of the adjustment arm. As shown in figure 2-3, place the pin into the slot of the feedback arm or feedback arm extension so that the bias spring loads the pin against the side of the arm with the valve travel markings.
8. Install the external lock washer on the adjustment arm. Position the adjustment arm in the slot of the connector arm and loosely install the flanged hex nut.
9. Slide the adjustment arm pin in the slot of the connector arm until the pin is in line with the desired valve travel marking. Tighten the flanged hex nut.
10. Remove the alignment pin (key 46) and store it in the module base next to the I/P assembly.
11. After calibrating the instrument, attach the shield with two machine screws.

DVC6025 on Long-Stroke (4 to 24 Inch Travel) Sliding-Stem Actuators and Rotary Actuators

If ordered as part of a control valve assembly, the factory mounts the remote feedback unit on the actuator, makes pneumatic connections to the actuator, sets up, and calibrates the instrument. If you

purchased the remote feedback unit separately, you will need a mounting kit to mount the remote feedback unit on the actuator. See the instructions that come with the mounting kit for detailed information on mounting the remote feedback unit to a specific actuator model.



Note

Refer to the DVC6005f Base Unit mounting instructions for off-actuator mounting instructions.

DVC6025 remote feedback units use a cam and roller as the feedback mechanism. Figure 2-4 shows an example of mounting on sliding-stem actuators with travels from 4 inches to 24 inches. Some long-stroke applications will require an actuator with a tapped lower yoke boss. Figures 2-5 and 2-6 show an example of mounting on rotary actuators.



Note

While the housing differs on the DVC6025 and the DVC6020f, feedback parts are the same.

As shown in figure 2-5, two feedback arms are available for the remote feedback unit. Most long-stroke sliding-stem and rotary actuator installations use the long feedback arm [62 mm (2.45 inches) from roller to pivot point]. Installations on Fisher 1051 size 33 and 1052 size 20 and 33 actuators use the short feedback arm [54 mm (2.13 inches) from roller to pivot point]. Make sure the correct feedback arm is installed on the remote feedback unit before beginning the mounting procedure.

Refer to figures 2-4, 2-5, and 2-6 for parts locations. Also, where a key number is referenced, refer to figure 8-8. Refer to the following guidelines when mounting on sliding-stem actuators with 4 to 24 inches of travel or on rotary actuators:

1. Isolate the control valve from the process line pressure and release pressure from both sides of the valve body. Shut off all pressure lines to the pneumatic actuator, releasing all pressure from the actuator. Use lock-out procedures to be sure that the

above measures stay in effect while working on the equipment.

2. If a cam is not already installed on the actuator, install the cam as described in the instructions included with the mounting kit. For sliding-stem actuators, the cam is installed on the stem connector.

3. If a mounting plate is required, fasten the mounting plate to the actuator.

4. For applications that require remote venting, a pipe-away bracket kit is available. Follow the instructions included with the kit to replace the existing mounting bracket on the remote feedback unit with the pipe-away bracket and to transfer the feedback parts from the existing mounting bracket to the pipe-away bracket.

5. Larger size actuators may require a follower arm extension, as shown in figure 2-6. If required, the follower arm extension is included in the mounting kit. Follow the instructions included with the mounting kit to install the follower arm extension.

6. Apply anti-seize (key 64) to the arm assembly pin as shown in figure 2-8.

7. Mount the DVC6025 on the actuator as follows:

- If required, a mounting adaptor is included in the mounting kit. Attach the adaptor to the actuator as shown in figure 2-5. Then attach the remote feedback unit assembly to the adaptor. The roller on the remote feedback unit feedback arm will contact the actuator cam as it is being attached.

- If no mounting adaptor is required, attach the remote feedback unit assembly to the actuator or mounting plate. The roller on the remote feedback unit feedback arm will contact the actuator cam as it is being attached.

8. For long-stroke sliding-stem actuators, after the mounting is complete, check to be sure the roller aligns with the position mark on the cam (see figure 2-4). If necessary, reposition the cam to attain alignment.

DVC6035 on Quarter-Turn Actuators

If ordered as part of a control valve assembly, the factory mounts the remote feedback unit on the actuator, makes pneumatic connections to the actuator, sets up, and calibrates the instrument. If you purchased the remote feedback unit separately, you will need a mounting kit to mount the remote feedback unit on the actuator. See the instructions that come with the mounting kit for detailed information on mounting the remote feedback unit to a specific actuator model.

DVC6000f Digital Valve Controllers

2

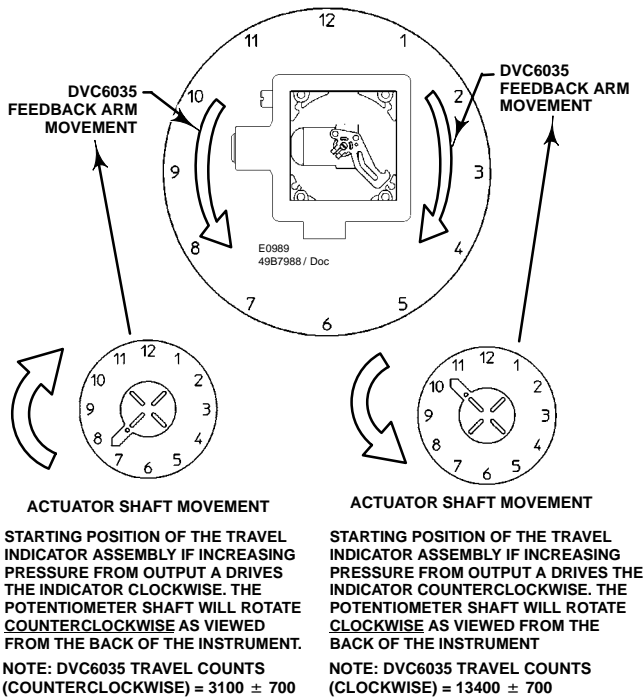


Figure 2-14. FIELDVUE DVC6035 Travel Indicator Installation



Note

Refer to the DVC6005f Base Unit mounting instructions for off-actuator mounting instructions.

Figure 2-7 shows an example of mounting on on a quarter-turn actuator. Refer to figure 2-7 for parts locations. Also, where a key number is referenced, refer to figure 8-9. Refer to the following guidelines when mounting on quarter-turn actuators:



Note

While the housing differs on the DVC6035 and the DVC6030f, feedback parts are the same.

1. Isolate the control valve from the process line pressure and release pressure from both sides of the valve body. Shut off all pressure lines to the pneumatic actuator, releasing all pressure from the actuator. Use lock-out procedures to be sure that the above

measures stay in effect while working on the equipment.

2. If necessary, remove the existing hub from the actuator shaft.

3. If a positioner plate is required, attach the positioner plate to the actuator as described in the mounting kit instructions.

4. If required, attach the spacer to the actuator shaft.

Refer to figure 2-14. The travel indicator assembly can have a starting position of 7:30 or 10:30. Determine the desired starting position then proceed with the next step. Considering the top of the remote travel sensor as the 12 o'clock position, in the next step attach the travel indicator, so that the pin is positioned as follows:

- If increasing pressure from the base unit output A rotates the remote feedback units potentiometer shaft counterclockwise (as viewed from the back of the instrument), mount the travel indicator assembly such that the arrow is in the 7:30 position, as shown in figures 2-10 and 2-14.

- If increasing pressure from the base unit output A rotates the remote feedback units potentiometer shaft clockwise (as viewed from the back of the instrument), mount the travel indicator assembly such that the arrow is in the 10:30 position, as shown in figures 2-9 and 2-14.



Note

ValveLink software and the Field Communicator use the convention of clockwise (figure 2-9) and counterclockwise (figure 2-10) when viewing the potentiometer shaft from the back of the FIELDVUE instrument.

5. Attach the travel indicator, to the shaft connector or spacer as described in the mounting kit instructions.

6. Attach the mounting bracket to the remote feedback unit.

7. Position the remote feedback unit so that the pin on the travel indicator, engages the slot in the feedback arm and that the bias spring loads the pin as shown in figure 2-11. Attach the remote feedback unit to the actuator or positioner plate.

8. If a travel indicator scale is included in the mounting kit, attach the scale as described in the mounting kit instructions.

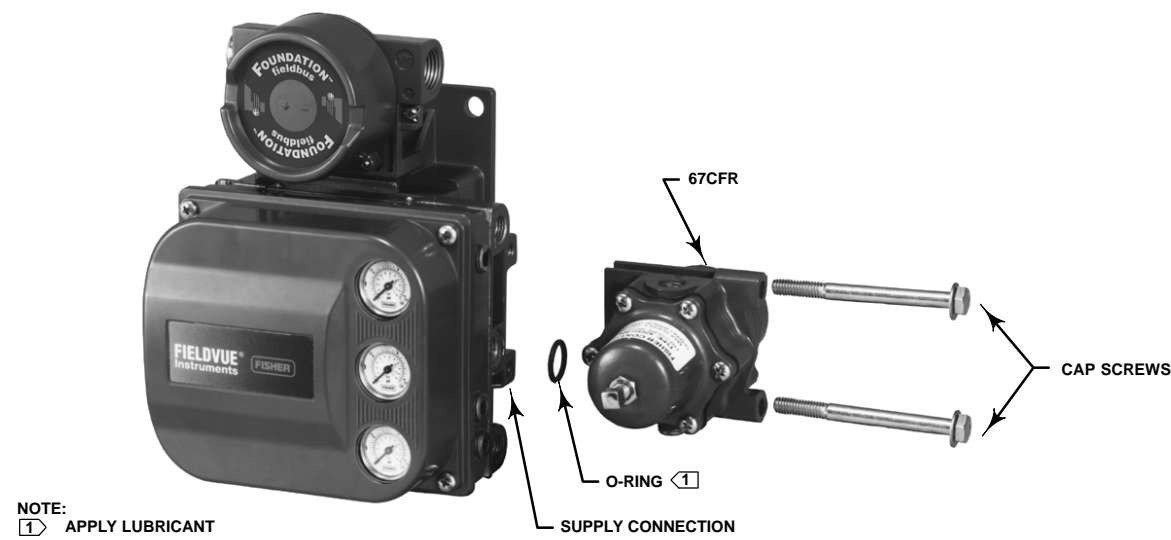


Figure 2-15. Mounting the Fisher 67CFR Regulator on a FIELDVUE DVC6000f Digital Valve Controller

Table 2-1. Feedback Arm Locking Requirements

Digital Valve Controller	Feedback Arm Alignment Hole
DVC6010f	B
DVC6020f	Not Applicable
DVC6030f	A

Pressure Control

Mounting the digital valve controller for pressure control does not require connecting the feedback linkage. However, if the feedback linkage is not connected, the feedback arm should be locked in place. Insert the special stainless steel alignment pin into either hole A or hole B of the feedback arm as shown in table 2-1. To lock the feedback arm, insert the alignment pin through hole A or B then screw the alignment pin into the threaded hole in the side of the housing.

The digital valve controller can be yoke-mounted or casing-mounted on an actuator. DVC6000f digital valve controllers set up for pressure control also can be wall or pipestand mounted.

Actuator Mounting

1. Isolate the control valve from the process line pressure and release pressure from both sides of the valve body. Shut off all pressure lines to the pneumatic actuator, releasing all pressure from the actuator. Use lock-out procedures to be sure that the above measures stay in effect while working on the equipment.
2. For yoke-mounting on rotary actuators only:

- a. If a mounting plate is required, fasten the mounting plate to the actuator.
 - b. If required, a mounting adaptor is included in the mounting kit. Attach the adaptor to the actuator as shown in figure 2-5.
 - c. For applications that require remote venting, a pipe-away bracket kit is available. Follow the instructions included with the kit to replace the existing mounting bracket on the digital valve controller with the pipe-away bracket.
3. Mount the digital valve controller on the actuator as described in the mounting kit instructions.

67CFR Filter Regulator

A 67CFR filter regulator, when used with the DVC6000f digital valve controller, can be mounted three ways.

Integral-Mounted Regulator

Refer to figure 2-15. Lubricate an O-ring and insert it in the recess around the SUPPLY connection on the digital valve controller. Attach the 67CFR filter regulator to the side of the digital valve controller. Thread a 1/4-inch socket-head pipe plug into the unused outlet on the filter regulator. This is the standard method of mounting the filter regulator.

Yoke-Mounted Regulator

Mount the filter regulator with 2 cap screws to the pre-drilled and tapped holes in the actuator yoke. Thread a 1/4-inch socket-head pipe plug into the unused outlet on the filter regulator. The O-ring is not required.

DVC6000f Digital Valve Controllers

Casing-Mounted Regulator

Use the separate 67CFR filter regulator casing mounting bracket provided with the filter regulator. Attach the mounting bracket to the 67CFR and then attach this assembly to the actuator casing. Thread a 1/4-inch socket-head pipe plug into the unused outlet on the filter regulator. The O-ring is not required.

2

Pressure Connections

Pressure connections are shown in figure 2-16. All pressure connections on the digital valve controller are 1/4 NPT internal connections. Use at least 10 mm (3/8-inch) tubing for all pneumatic connections. If remote venting is required, refer to the vent subsection.

Supply Connections

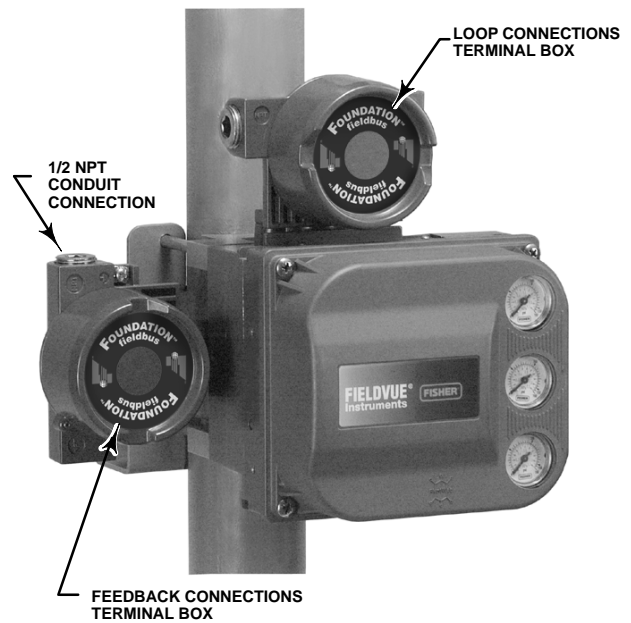
WARNING

To avoid personal injury and property damage resulting from bursting of parts, do not exceed maximum supply pressure.

Personal injury or property damage may result from fire or explosion if natural gas is used as the supply medium and appropriate preventive measures are not taken. Preventive measures may include, but are not limited to, one or more of the following: Remote venting of the unit, re-evaluating the hazardous area classification, ensuring adequate ventilation, and the removal of any ignition sources. For information on remote venting of this controller, refer to page 2-22.

Severe personal injury or property damage may occur from an uncontrolled process if the instrument supply medium is not clean, dry, oil-free, and noncorrosive.

While use and regular maintenance of a filter that removes particles larger than 40 micrometers in diameter will suffice in most applications, check with an Emerson Process Management field office and industry instrument air quality standards for use with corrosive air or if you are unsure about



W8371-1-FF

DVC6005f BASE UNIT



W7963-1FF

VALVE-MOUNTED INSTRUMENT

NOTE:
PNEUMATIC CONNECTIONS APPLICABLE TO BOTH VALVE-MOUNTED INSTRUMENTS AND DVC6005f BASE UNIT.

Figure 2-16. Pressure Connections

the amount of air filtration or filter maintenance.

WARNING

When using natural gas as the supply medium, or for explosion proof applications, the following warnings also apply:

- Remove electrical power before removing the housing cap. Personal injury or property damage from fire or explosion may result if power is not disconnected before removing the cap.
- When disconnecting any of the pneumatic connections or any pressure retaining part, natural gas will seep from the unit and any connected equipment into the surrounding atmosphere. Personal injury or property damage may result from fire or explosion if natural gas is used as the supply medium and appropriate preventive measures are not taken. Preventive measures may include, but are not limited to, one or more of the following: Remote venting of the unit, re-evaluating the hazardous area classification, ensuring adequate ventilation, and the removal of any ignition sources. For information on remote venting of this controller, refer to page 2-22.
- Ensure that all caps and covers are correctly installed before putting this unit back into service. Failure to do so could result in personal injury or property damage from fire or explosion.

The DVC6000f can be used with air or natural gas as the supply medium. If using natural gas as the pneumatic supply medium, natural gas will be used in the pneumatic output connections of the DVC6000f to any connected equipment. In normal operation the unit will vent the supply medium into the surrounding atmosphere unless it is remotely vented.

Natural Gas Certified, Single Seal instruments can be identified by the natural gas approval label shown in figure 2-17. The Natural Gas Certified, Single Seal device option simplifies conduit sealing requirements. Read and follow all local, regional, and federal wiring

requirements for natural gas installations. Contact your Emerson Process Management sales office for information on obtaining a Natural Gas Certified, Single Seal DVC6000f digital valve controller.

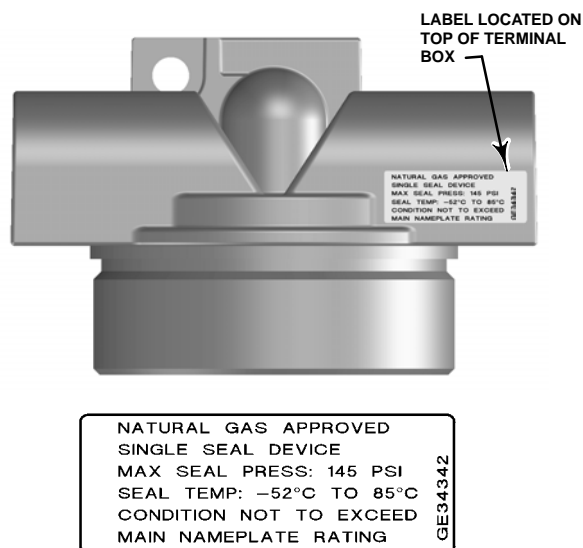


Figure 2-17. Gas Certified Label

Supply pressure must be clean, dry air that meets the requirements of ISA Standard 7.0.01.

Alternatively, natural gas must be clean, dry, oil-free, and noncorrosive. H₂S content should not exceed 20 ppm.

A maximum 40 micrometer particle size in the air system is acceptable. Further filtration down to 5 micrometer particle size is recommended. Lubricant content is not to exceed 1 ppm weight (w/w) or volume (v/v) basis. Condensation in the air supply should be minimized.

A 67CFR filter regulator with 5 micrometer filter, or equivalent, may be used to filter and regulate supply air. A filter regulator can be integrally mounted onto the side of the digital valve controller, casing mounted separate from the digital valve controller, or mounted on the actuator mounting boss. Supply and output pressure gauges may be supplied on the digital valve controller. The output pressure gauges can be used as an aid for calibration.

Connect the nearest suitable supply source to the 1/4 NPT IN connection on the filter regulator (if furnished) or to the 1/4 NPT SUPPLY connection on the digital valve controller housing (if a 67CFR filter regulator is not attached).

DVC6000f Digital Valve Controllers

Output Connections

A factory mounted digital valve controller has its output piped to the pneumatic input connection on the actuator. If mounting the digital valve controller in the field, or installing the remote-mounted DVC6005f base unit, connect the 1/4 NPT digital valve controller output connections to the pneumatic actuator input connections.

2

Single-Acting Actuators

When using a single-acting direct digital valve controller (relay A or C) on a single-acting actuator connect OUTPUT A to the actuator pneumatic input.

When using a single-acting reverse digital valve controller (relay B) on a single-acting actuator connect OUTPUT B to the actuator diaphragm casing.

Double-Acting Actuators

DVC6000f digital valve controllers on double-acting actuators always use relay A. With no instrument Fieldbus power (Zero Power Condition), OUTPUT A is at 0 pressure and OUTPUT B is at full supply pressure when the relay is properly adjusted.

To have the actuator stem retract into the cylinder with Zero Power Condition, connect OUTPUT A to the upper actuator cylinder connection. Connect OUTPUT B to the lower cylinder connection. Figure 2-18 shows the digital valve controller connected to a double-acting piston actuator.



Figure 2-18. FIELDVUE DVC6010f Digital Valve Controller Mounted on Fisher 585C Piston Actuator

To have the actuator stem extend from the cylinder with Zero Power Condition, connect OUTPUT A to the lower actuator cylinder connection. Connect OUTPUT B to the upper cylinder connection.

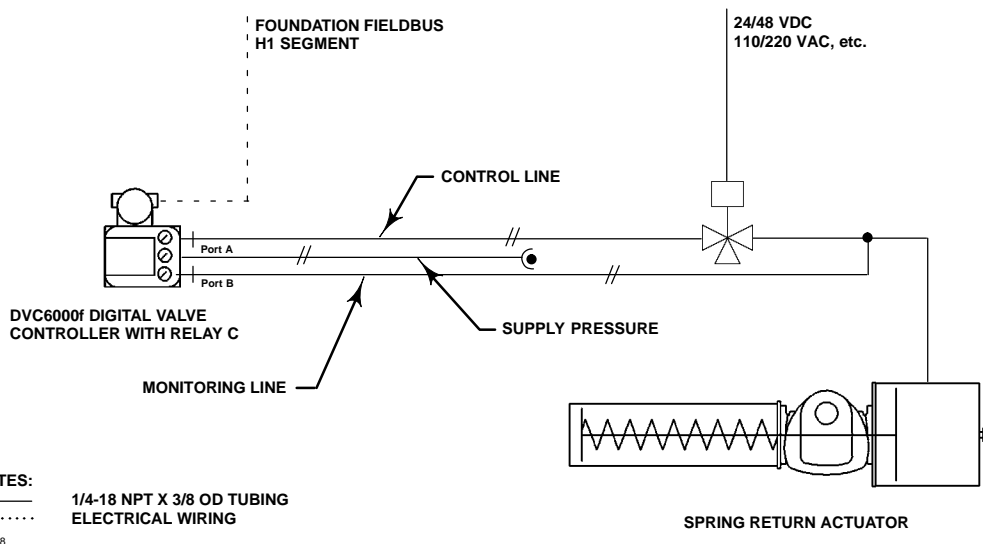


Figure 2-19. Pneumatic Hookup for Solenoid Testing

Special Construction to Support Logic Solver Initiated Solenoid Valve Health Monitoring

In single-acting actuator applications with a solenoid valve installed, the DVC6000f can be configured to monitor the health of the solenoid valve test, which is initiated by the Logic Solver. This is accomplished by connecting the unused output port B from the DVC6000f to the pneumatic monitoring line between the solenoid valve and the actuator, as shown in figure 2-19. When single-acting, direct relay C is installed, the “unused” output port is port B. When single-acting, reverse relay B is used, the unused port is port A.



Note

Solenoid valve testing is only available for instrument level PD.



Note

This application is called “special application” in the Device Setup relay selection.

This configuration is not possible with a double-acting actuator or when using relay A in single-acting mode.

DVC6000f Digital Valve Controllers

Vent Connection

WARNING

This unit vents the supply medium into the surrounding atmosphere. When installing this unit in a non-hazardous (non-classified) location in a confined area, with natural gas as the supply medium, you must remotely vent this unit to a safe location. Failure to do so could result in personal injury or property damage from fire or explosion, and area re-classification.

When installing this unit in a hazardous (classified) location remote venting of the unit may be required, depending upon the area classification, and as specified by the requirements of local, regional, and national codes, rules, and regulations. Failure to do so when necessary could result in personal injury or property damage from fire or explosion, and area re-classification.

Vent line piping should comply with local and regional codes and should be as short as possible with adequate insider diameter and few bends to reduce case pressure buildup.

In addition to remote venting of the unit, ensure that all caps and covers are correctly installed. Failure to do so could result in personal injury or property damage from fire or explosion, and area re-classification.

The relay output constantly bleeds supply medium into the area under the cover. The vent opening at the back of the housing should be left open to prevent pressure buildup under the cover. If a remote vent is required, the vent line must be as short as possible with a minimum number of bends and elbows.

To connect a remote vent to DVC6010f and DVC6030f digital valve controllers—remove the plastic vent (key 52, figures 8-2 and 8-4). The vent connection is 3/8 NPT internal. Typically, 12.7 mm (0.5 inch) tubing is used to provide a remote vent.

To connect a remote vent to a DVC6020f digital valve controller—replace the standard mounting bracket (key 74, figure 8-3) with the vent-away bracket (key 74). Install a pipe plug in the vent-away mounting bracket (key 74). Mount the digital valve controller on the actuator as described in the Installation section of this manual. The vent connection is 3/8 NPT internal. Typically, 12.7 mm (0.5 inch) tubing is used to provide a remote vent.

Use 10 mm (0.275 inch) outside diameter tubing to connect the 1/4 NPT digital valve controller output connection to the pneumatic actuator input connection.

If a volume tank is used to attenuate flow instabilities, the volume needs to be at least 1.64 liters (100 cubic inch) but not greater than 4.1 liters (250 cubic inch). To tune the digital valve controller for an assembly equipped with a volume tank, select a tuning set for an actuator with roughly the same volume. Do not use tuning set B when a volume tank is present.

Alternatively, flow fluctuations may be attenuated by placing a 0.9 mm (0.035 inch) fixed restriction between the regulator and the output. A list of fixed restriction orifice specifications is presented in table 2-2.

WARNING

Personal injury or property damage can occur from cover failure due to overpressure. Ensure that the housing vent opening is open and free of debris to prevent pressure buildup under the cover.

Table 2-2. Fixed Orifice Restrictions

Manufacturer	Part Number	Material	Description
Fisher	1D4835X0012	316 SST	No. 74 drilled orifice bleed adapter with 1/4 NPT connections. Enlarge orifice using No. 65 drill and cross out the "74" stamp.
O'Keefe Controls Co.	G-35-SS	303 SST	0.035 inch orifice bleed with 1/4 NPT connections

Electrical Connections

The following describes how to make fieldbus connections to the digital valve controller. For information on making other connections, such as connecting a personal computer with ValveLink software or connecting a simulate jumper, see the Installation section.

WARNING

Refer to the Installation WARNING at the beginning of this section.

WARNING

To avoid personal injury resulting from electrical shock, do not exceed the maximum input voltage specified in table 1-1 of this instruction manual, or on the product nameplate. If the input voltage specified differs, do not exceed the lowest specified maximum input voltage.

WARNING

Personal injury or property damage caused by fire or explosion may occur if this connection is attempted in a potentially explosive atmosphere or in an area that has been classified as hazardous. Confirm that area classification and atmosphere conditions permit the safe removal of the terminal box cover before proceeding

Connecting Fieldbus Wiring

The digital valve controller is normally powered over the bus from a fieldbus 9 to 32 volt power supply and can be connected to the segment using a twisted shielded pair or with the quick connect cable entry option. Refer to the site preparation guide for proper wire types, termination, length, etc. for a fieldbus segment.

2



Note

As shipped from the factory, DVC6000f digital valve controllers will not move the valve when power is applied to the instrument. To avoid the valve going to an unknown position when power is applied, the unit is shipped from the factory with the transducer block mode Out of Service. See the Basic Setup section for information on setup and calibration and placing the instrument in service. The initial value for all blocks are shown in the parameter list for each block in the Detailed Setup section.

Twisted Shielded Pair

Refer to figures 8-2, 8-3, 8-4, and 8-5 for identification of parts.

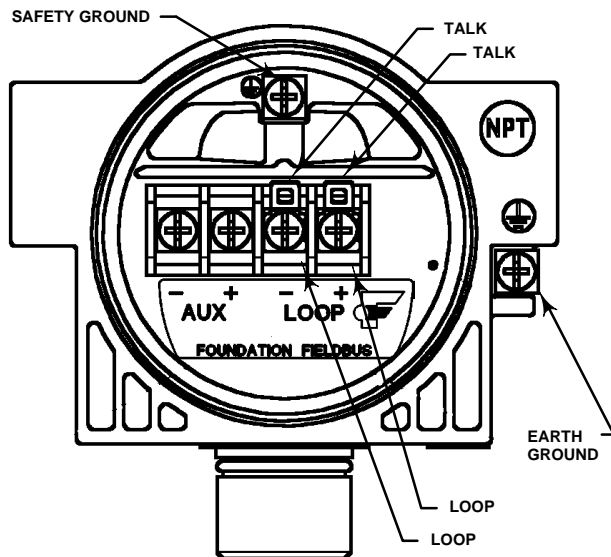
WARNING

Personal injury or property damage, caused by fire or explosion, can result from the discharge of static electricity. Connect a 14 AWG (2.08 mm²) ground strap between the digital valve controller and earth ground when flammable or hazardous gases are present. Refer to national and local codes and standards for grounding requirements.

To avoid static discharge from the plastic cover, do not rub or clean the cover with solvents. Clean with a mild detergent and water only.

DVC6000f Digital Valve Controllers

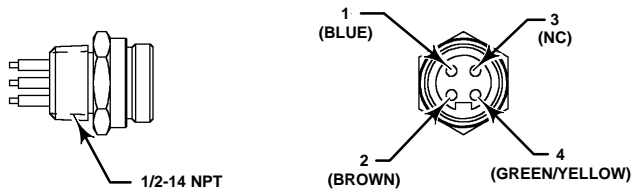
2



38B6470-B
E0030-1 / IL

Figure 2-20. Terminal Box

1. Remove the terminal box cap (key 4) from the terminal box (key 3).
2. Bring the field wiring into the terminal box. When applicable, install conduit using local and national electrical codes which apply to the application.
3. The instrument is not polarity sensitive. Connect one wire from the control system output card to one of the LOOP screw terminals on the pwb/terminal strip assembly in the terminal box shown in figure 2-20. Connect the other wire from the control system output card to the other LOOP screw terminal in the terminal box.
4. As shown in figure 2-20, two ground terminals are available for connecting a safety ground, earth ground, or drain wire. The safety ground terminal is electrically identical to the earth ground. Make connections to these terminals following national and local codes and plant standards.
5. Replace and hand tighten the terminal box cap on the terminal box.



NOTES:
1. COLORS ARE WIRE COLORS.
2. NC=NO CONNECTION.
18B9424-A

Figure 2-21. Quick Connect Connector

Quick Connect Cable Entry

The DVC6000f is offered with a quick connect cable entry option, shown in figure 2-21, for the FOUNDATION fieldbus signal. The quick connect cable entry provides an easier and more reliable interface to fieldbus devices and support modules by providing a standard connection.

Refer to figures 8-2, 8-3, 8-4, and 8-5 for identification of parts.

WARNING

Personal injury or property damage, caused by fire or explosion, can result from the discharge of static electricity. Connect a 14 AWG (2.08 mm²) ground strap between the digital valve controller and earth ground when flammable or hazardous gases are present. Refer to national and local codes and standards for grounding requirements.

To avoid static discharge from the plastic cover when flammable gases or dust are present, do not rub or clean the cover with solvents. To do so could result in a spark that may cause the flammable gases or dust to explode, resulting in personal injury or property damage. Clean with a mild detergent and water only.

To avoid personal injury or property damage, do not use the Quick Connect option on instruments in explosion-proof installations.

1. The quick connect cable entry should be installed on the digital valve controller at the factory. If it is, proceed to step 3. If not continue with step 2.

2. To install the Quick Connect:
 - a. Remove the terminal box cap (key 4) from the terminal box (key 3).
 - b. Apply sealant to the threads of the quick connector.
 - c. Insert the wire pigtail into the desired conduit opening on the terminal box. Tighten the quick connector in the conduit opening.
 - d. Cut and trim the wire ends.
 - e. The instrument is not polarity sensitive. Refer to figure 2-20. Connect the blue wire to one of the LOOP terminals in the terminal box. Connect the brown wire to the other LOOP terminal. Cut the green/yellow wire off inside of the DVC6000, and

ensure that the shield is totally isolated at the instrument end.



Note

The green/yellow wire is cut off inside the DVC6000f to help prevent ground loop issues. The only wires that should be installed and left on the connector are the two signal wires.

2

- f. Replace the terminal box cap on the terminal box.
3. Connect the field wiring connector to the installed quick connector.

DVC6000f Digital Valve Controllers

2

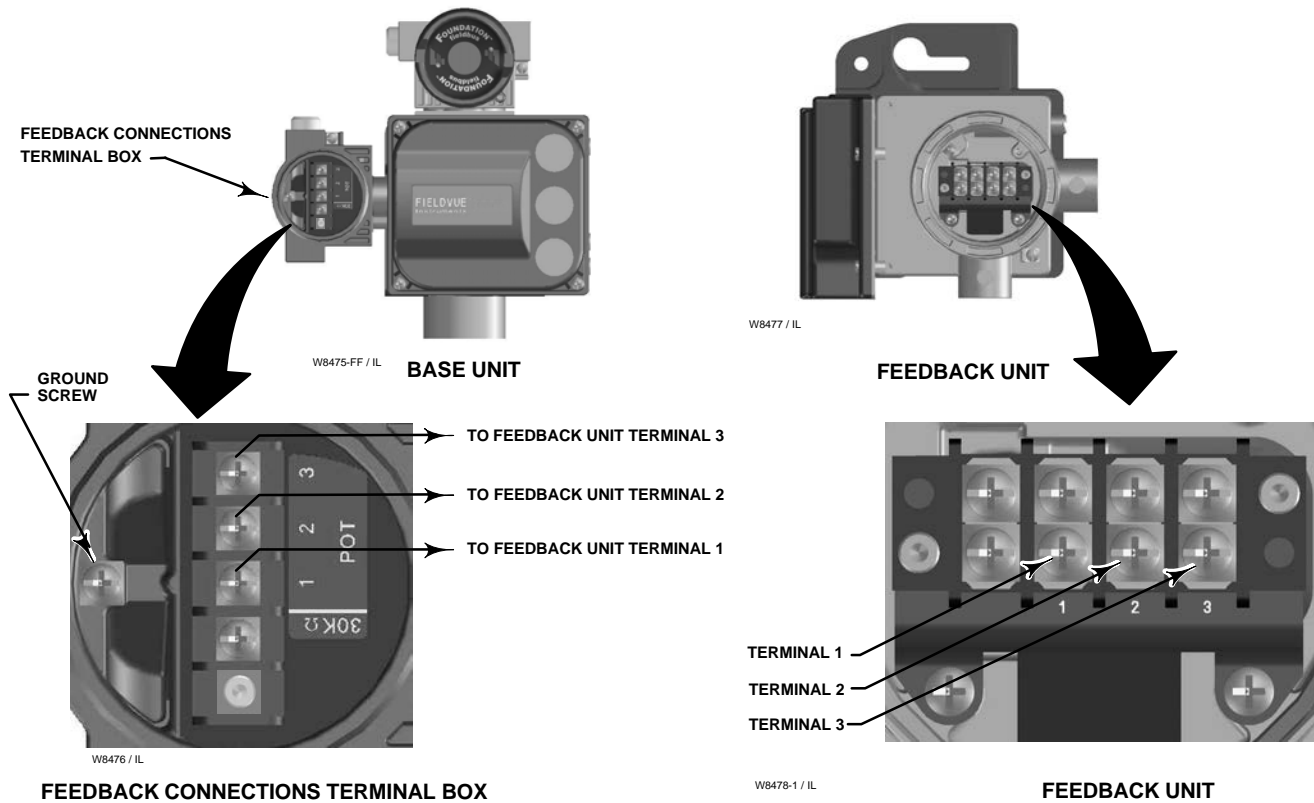


Figure 2-22. Terminal Details for Connecting Base Unit and Feedback Units of Remote-Mounted Digital Valve Controllers

Feedback Unit Connections for Remote Mounting

The DVC6005f base unit is designed to receive travel information via a remote sensor. The remote can be any of the following:

- Emerson Process Management supplied DVC6015, DVC6025 or DVC6035 feedback unit
- An under-traveled 10 kOhm potentiometer used in conjunction with onboard 30 kOhm resistor (potentiometer travel is greater than actuator travel)
- A potentiometer used in conjunction with two fixed resistors (potentiometer travel is the same as actuator travel)

WARNING

Personal injury or property damage, caused by wiring failure, can result if the feedback wiring connecting the base unit with the remote feedback unit shares a conduit with any other power or signal wiring.

Do not place feedback wiring in the same conduit as other power or signal wiring.

Using the DVC6015, DVC6025 & DVC6035 Feedback Unit as a Remote Travel Sensor

The feedback unit mounts on the actuator and is connected to the base unit, mounted on a pipestand or wall, with a 3-conductor shielded cable.

Connect the feedback unit to the base unit as follows, refer to figure 2-22:

1. On the feedback unit, remove the housing cap.
2. On the base unit, remove the feedback connections terminal box cap (see figure 2-16).
3. If necessary, install conduit between the feedback unit and the base unit following applicable local and national electrical codes. Route the 3-conductor shielded cable between the two units.
4. Connect one wire of the 3-conductor shielded cable between terminal 1 on the feedback unit and terminal 1 on the base unit.
5. Connect the second wire of the 3-conductor shielded cable between terminal 2 on the feedback unit and terminal 2 on the base unit.
6. Connect the third wire of the 3-conductor shielded cable between terminal 3 on the feedback unit and terminal 3 on the base unit.
7. Connect the cable shield or drain wire to the ground screw in the feedback connections terminal box of the base unit.

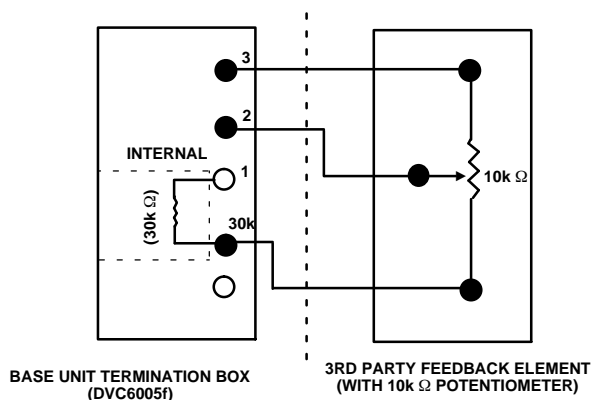


Figure 2-23. Terminal Details for Connecting a FIELDVUE DVC6005f Base Unit and a 10 kOhm External Potentiometer

Using an External 10 kOhm Potentiometer as a Remote Travel Sensor



Note

Potentiometer travel must be between 1.3 and 1.6 times greater than the actuator travel. For example: if an actuator has a travel of 9 inches, then a linear potentiometer must be selected with a rated travel between 11.7 and 14.4 inches. The resistive element must be tapered from 0 kOhm to 10 kOhm over rated travel of the potentiometer. The actuator will only use 63 to 76% of the potentiometer's rated travel.



Note

The digital valve controller must be configured using the SStem/Roller selection on the menu of the appropriate setup device.



Note

Do not connect the shield or drain wire to any terminal on the feedback unit or to the earth ground or any other alternative grounds.

8. Replace and hand tighten all covers.

The base unit (DVC6005f) was designed to work with a 40 kOhm potentiometer for travel feedback. However, there are linear potentiometers that are readily available with a rated resistance of 10 kOhm. Therefore, the feedback connections terminal box on the DVC6005f contains an additional 30 kOhm fixed resistor that may be added to the circuit. This brings the total resistance up to the required 40 kOhm.

DVC6000f Digital Valve Controllers

2

1. Stroke the actuator with the 10 kOhm potentiometer to the mid-travel position, which corresponds to the potentiometer value of 5 kOhm. This will leave an equal amount of unused resistive element on both ends of the travel, which is required by the digital valve controller to function properly.
2. On the base unit, remove the feedback connections terminal box cap (refer to figure 2-16).
3. If necessary, install conduit between the potentiometer and the base unit following applicable local and national electrical codes. Route the 3-conductor shielded cable between the two units (refer to figure 2-23).
4. Connect one wire of the 3-conductor shielded cable between the Terminal labeled “30k Ω” on the base unit and one end lead of the potentiometer.
5. Connect the second wire of the 3-conductor shielded cable between the middle lead (wiper) of the 10 kOhm potentiometer and Terminal 2 on the base unit.
6. Connect the third wire of the 3-conductor shielded cable between Terminal 3 on the base unit and the other end-lead of the 10 kOhm potentiometer.
7. Connect the cable shield or drain wire to the ground screw in the feedback connections terminal box of the base unit. Do not connect the shield or drain wire to the external potentiometer.
8. Replace and tighten the base unit cover.

Using a Potentiometer with Two Fixed Resistors as a Remote Travel Sensor

Perform the following procedures if a potentiometer is used with the same, or slightly longer travel than the actuator’s travel.



Note

The potentiometer must be capable of resistance close to 0 Ohms.

CAUTION

To prevent damage to the potentiometer, ensure that it is free to travel the entire length of the actuators travel.

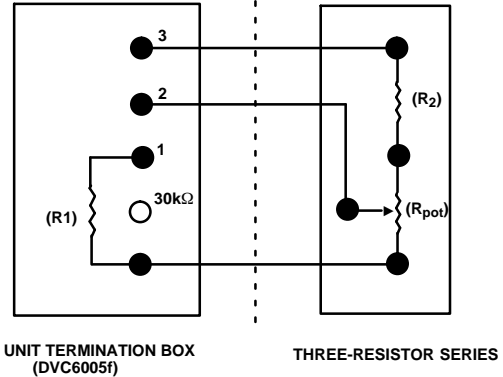


Figure 2-24. Terminal Details for Connecting a FIELDVUE DVC6005f Base Unit and a Three-Resistor Series



Note

The digital valve controller must be configured using the SStem/Roller selection on the menu of the appropriate setup device.

This procedure uses three resistors connected in series; two fixed resistors and one potentiometer. Three conditions must be met for the resistor combination to correctly operate the digital valve controller (refer to figure 2-24):

- The maximum resistance of the potentiometer ($R_{pot(max)}$) must be between 3.9 kOhm and 10 kOhm.
- The resistance of R_1 is 4.25 times greater than $R_{pot(max)}$.
- The resistance of R_2 is 4 times less than $R_{pot(max)}$.



WARNING

To avoid personal injury or property damage from an uncontrolled process ensure that the R1 resistor is properly insulated before installing it in the terminal box.

1. On the base unit, remove the feedback connections terminal box cap (see figure 2-16).
2. If necessary, install conduit between the base unit and the remote travel sensor following applicable local and national electrical codes. Route the 3-conductor shielded cable between the two units (refer to figure 2-24).
3. Install the fixed resistor (R₁) across the unlabeled bottom Terminal and Terminal #1. The bottom terminal does not have a screw. The screw on the 30 kOhm terminal can be used. R₁ must be properly insulated when installed in the terminal box to prevent personal injury or property damage.
4. Connect one wire of the 3-conductor shielded cable between the unlabeled bottom Terminal on the base unit and an end-lead on the external potentiometer (R_{pot}).
5. Connect the second wire of the 3-conductor shielded cable between the middle lead (wiper) of the external potentiometer (R_{pot}) and Terminal #2 on the base unit.
6. Connect the third wire of the 3-conductor shielded cable between a lead on fixed resistor (R₂) and Terminal #3 of the base unit.
7. Connect the available end-lead on the potentiometer (R_{pot}) with the available lead on fixed resistor (R₂).
8. Connect the cable shield or drain wire to the ground screw in the feedback connections terminal box of the base unit. Do not connect the shield or drain wire to any lead on the three-resistor series.

9. Replace and tighten the base unit cover.

Example: Using a linear potentiometer rated at 400 Ohms/inch on an actuator with 16" of travel.

- $R_{\text{pot(max)}} \text{ is } 400 \text{ Ohms/in} \times 16" = 6.4 \text{ kOhm}$
- $R_1 = 6.4 \text{ kOhm} \times 4.25 = 27.2 \text{ kOhm}$
- $R_2 = 6.4 \text{ kOhm} / 4 = 1.6 \text{ kOhm}$

2

Communication Connections

WARNING

Personal injury or property damage caused by fire or explosion may occur if this connection is attempted in a potentially explosive atmosphere or in an area that has been classified as hazardous. Confirm that area classification and atmosphere conditions permit the safe removal of the terminal box cap before proceeding.

A FOUNDATION fieldbus communicating device, such as a Field Communicator or a personal computer running ValveLink software, interfaces with the DVC6000f digital valve controller from any wiring termination point in the segment. If you choose to connect the fieldbus communicating device directly to the instrument, attach the device to the LOCAL connections inside the terminal box to provide local communications with the instrument.

DVC6000f Digital Valve Controllers

Simulate Enable Jumper

WARNING

Personal injury or property damage caused by fire or explosion may occur if this connection is attempted in a potentially explosive atmosphere or in an area that has been classified as hazardous. Confirm that area classification and atmosphere conditions permit the safe removal of the terminal box cap before proceeding.

2

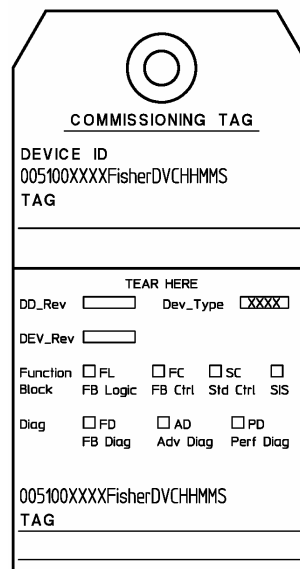
Install a jumper across the SIMULATE ENABLE terminals to enable the instrument to accept a simulate command. (These terminals are marked AUX on the terminal board, see figure 2-20). With the jumper in place and the simulate parameter in the AO or DO block set to enabled, the transducer block ignores the output of the AO or DO block. The simulate value and status become the readback value and status to the AO or DO block and the transducer block is ignored. For more information on running simulations, see the Detailed Setup / Blocks section of this manual, the FOUNDATION fieldbus specifications, and the host documentation.

WARNING

Removing the jumper will disable the simulate, which may cause the valve to move. To avoid personal injury and property damage caused by the release of pressure or process fluid, provide some temporary means of control for the process.

Commissioning Tag

The DVC6000f digital valve controller is supplied with a removable paper commissioning tag, shown in figure 2-25. This tag contains both the device ID and a space to record the device's tag number. The device ID is a unique code that identifies a particular device in the absence of a device tag. The device tag is used as an



The image shows a paper commissioning tag with a circular logo at the top. Below the logo, it says "COMMISSIONING TAG". Underneath, it lists "DEVICE ID" as "005100XXXXFisherDVCHHMS" and "TAG" as a blank space. A horizontal line separates this from the bottom section. The bottom section is titled "TEAR HERE" and contains several fields: "DD_Rev" with a blank box, "Dev_Type" with a box containing "XXXX", "DEV_Rev" with a blank box, "Function Block" with checkboxes for FL, FC, SC, and SIS, "FB Logic" with checkboxes for FB Ctrl and Std Ctrl, "Diag" with checkboxes for FB Diag, Adv Diag, and Perf Diag, and "PD" with a checkbox. At the bottom, it repeats the "DEVICE ID" and "TAG" information.

XXXX = Device Type HH = Hardware Rev MM = MSP rev S= SERIAL NUMBER

18B9406-G

Figure 2-25. Paper Commissioning Tag

operational identification for the device and is usually defined by the piping and instrumentation diagram (P&ID).

When commissioning more than one device on a fieldbus segment, identifying which device is at a particular location can be tedious without tags. The removable tag provided with the digital valve controller can be used to link the device ID and the physical installation location. The installer should note the physical location in both places on the removable commissioning tag and tear off the bottom portion. This should be done for each device on the segment. The bottom portion of the tags can be used for commissioning the segment in the control system.

Prior to commissioning, the device ID is displayed by the host system if no device tag is configured in the digital valve controller electronics. Typically the placeholder displays the device tag. The information on the paper tag enables the engineer to match the device ID to the correct placeholder.

As an ordering option, the factory can enter a device tag into the digital valve controller electronics during the manufacturing process. If this option is specified, the device tag is displayed at the host system prior to commissioning rather than the device ID. **This makes the job of commissioning the device easier.**

Section 3 Basic Setup



Basic Setup

Transducer Block Mode	3-2
Protection	3-2
Device Setup	3-2
Performance Tuner	3-6

DVC6000f Digital Valve Controllers

Basic Setup



WARNING

Changes to the instrument setup may cause changes in the output pressure or valve travel. Depending on the application, these changes may upset process control, which may result in personal injury or property damage.

3

When the DVC6000f digital valve controller is ordered as part of a control valve assembly, the factory mounts the digital valve controller and sets up the instrument as specified on the order. When mounting to a valve in the field, the instrument needs to be setup to match the instrument to the valve and actuator.

Before beginning basic setup, be sure the instrument is correctly mounted as described in the Installation section.

Basic Setup includes the following procedures:

- Device Setup
- Auto Travel Calibrate
- Performance Tuner (Optional)



Note

The DVC6000f may keep the **Transducer Block Mode Out-of-Service** if the instrument is not properly mounted.

To setup and calibrate the instrument, the **Transducer Block Mode** must be **Manual**, and the **Protection** must be **None**.

When using DD methods the method will request that you change the mode, but make changes in **Protection** automatically.

Table 3-1. Factory Default Settings

Setup Parameter	Default Setting
Travel Cutoff Hi	99.5%
Travel Cutoff Lo	0.5%
Travel Integral Gain	9.4 repeats/min
Travel Calibration Trigger	No
Travel Integral Enable	On
Travel Integral Limit Hi	30%
Travel Integral Limit Lo	-30%
Travel Integral Deadzone	0.25%
Pressure Cutoff Hi	99.5%
Pressure Cutoff Lo	0.5%
Pressure Integral Deadzone	0.25%
Pressure Integral Hi Limit	50.0%
Pressure Integral Lo Limit	-50.0%
Input Characterization	Linear
Shutdown Trigger	All Off
Shutdown Recovery	All Auto Recovery
Output Block Timeout	
Timeout Alert Point	600 sec

If you have a host system that overrides transducer block parameters ensure that the **Protection** setting is **not** left as **None**. Doing so will result in transducer block parameters being overwritten.

Transducer Block Mode

(TB > Configure/Setup > Detailed Setup > Transducer Block Mode)

To setup and calibrate the instrument, the transducer block mode must be in **Manual**. For more information about transducer block mode, refer to page 4-21.

Protection

(TB > Configure/Setup > Detailed Setup > Protection)

To setup and calibrate the instrument, the protection must be set to **None** with the Field Communicator. For more information about configuration protection refer to page 4-21.

Device Setup

(TB > Configure/Setup > Basic Setup > Device Setup)

To have the Field Communicator automatically setup the instrument using specified actuator information, from the Menu select *Transducer Block*, *Configure/Setup*, *Basic Setup*, and *Device Setup*. Follow the prompts on the Field Communicator display to setup the instrument. Table 3-2 provides the actuator information required to setup and calibrate the instrument.

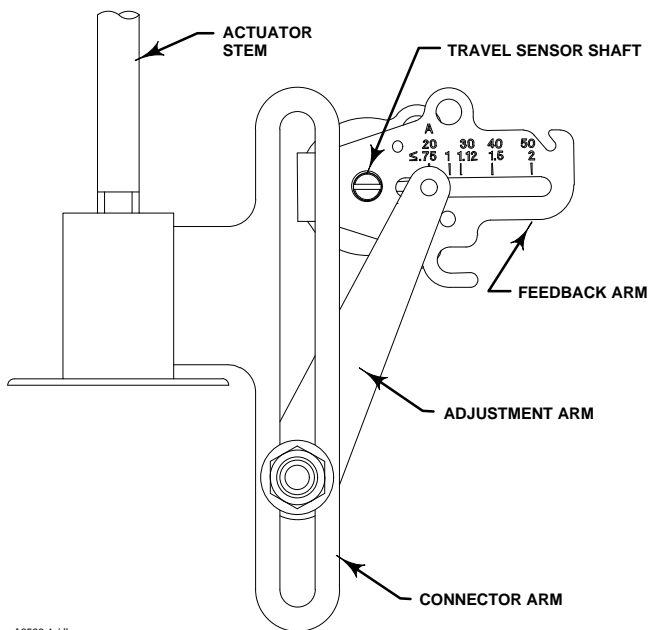


Figure 3-1. Feedback Connection for Typical Sliding-Stem Actuator (Up to 4 inch Travel)

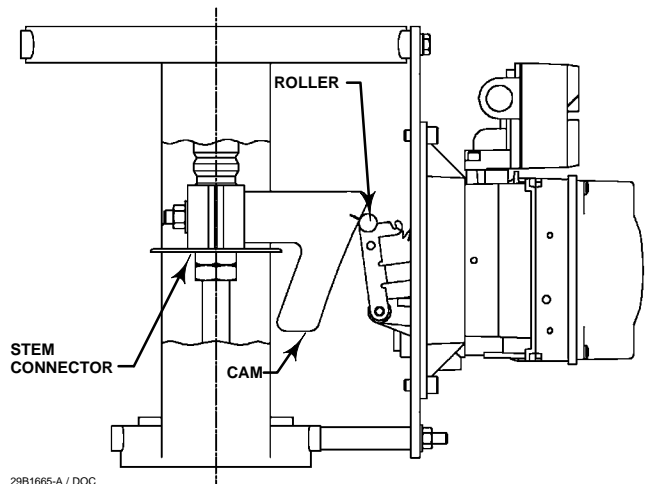


Figure 3-2. Feedback Connection for Typical Long-Stroke Sliding-Stem Actuator (4 to 24 Inches Travel)

3

A6536-1 / IL

7. Indicate whether a Volume Booster is being used.

8. Specify if factory defaults should be used for basic setup. If you select YES for factory default, the Field Communicator sets the setup parameters to the values listed in table 3-1. If you select NO for the factory defaults, the setup parameters listed in the table remain at their previous settings.

Typically Device Setup determines the required setup information based upon the actuator manufacturer and model specified. However, if you enter other for the actuator manufacturer or the actuator model, then you will be prompted for setup parameters such as:

- *Actuator Style*—Select spring & diaphragm, piston double-acting without spring, piston single-acting with spring, piston double-acting with spring.

- *Valve Style*—Select the valve style, rotary or sliding-stem.

- *Zero Power Condition*—Identifies whether the valve is fully open or fully closed when the instrument is outputting the smallest signal to the I/P module. Typically, this setting matches the valve position when the instrument is not powered. For instruments with relay A or C, if increasing air pressure at output A causes the valve to open, the Zero Power Condition is Closed. If the valve closes under these conditions, the Zero Power Condition is Open. For instruments with relay B, if decreasing air pressure at output B causes the valve to open, the Zero Power Condition is Closed. If the valve closes under these conditions, the Zero Power Condition is Open.



Note

If reverse acting relay B is used, you must manually set the Relay Type (BASIC_SETUP.RELAY_TYPE [42.5]) to B. This will not be set during Device Setup.

1. Select whether Travel, Travel with Pressure fallback (auto recovery or manual recovery) or Pressure Control is desired. Refer to page 4-25 for additional information.
2. Enter the pressure units:kPa, bar, psi, inHg, inH₂O, or kg/cm².
3. Enter the maximum instrument supply pressure and output pressure range (if required).
4. Enter the manufacturer of the actuator on which the instrument is mounted. If the actuator manufacturer is not listed, select Other.
5. Enter the actuator model or type. If the actuator model is not listed, select Other.
6. Enter the actuator size.

DVC6000f Digital Valve Controllers

Table 3-2. Actuator Information for Basic Setup

Actuator Manufacturer	Actuator Model	Actuator Size	Actuator Style	Starting Tuning Set	Feedback Connection	Travel Sensor Motion (Relay A or C) ⁽¹⁾	
Fisher	585C & 585CR	25 50 60 68, 80 100, 130	Piston Dbl w/ or w/o Spring. See actuator instruction manual and nameplate.	E I J L M	SStem Pot for travels up to 4 inches. SStem Roller Pot for longer travels	Depends upon pneumatic connections. See description for Travel Sensor Motion	
	657	30 34, 40 45, 50 46, 60, 70, 76, & 80-100	Spring & Diaphragm	H K L M	SStem Pot	Clockwise	
	667	30 34, 40 45, 50 46, 60, 70, 76, & 80-100	Spring & Diaphragm	H K L M	SStem Pot	Counterclockwise	
	1051 & 1052	20, 30 33 40 60, 70	Spring & Diaphragm	H I K M	RShaft Pot	Clockwise	
	1061	30 40 60 68, 80, 100, 130	Piston Dbl w/o Spring	J K L M	RShaft Pot	Depends upon pneumatic connections. See description for Travel Sensor Motion	
	1066SR	20 27, 75	Piston Sgl w/Spring	G L	RShaft Pot	Mounting Style	Travel Sensor Motion
						A	Clockwise
						B	Counterclockwise
						C	Counterclockwise
	D	Clockwise					
2052	1 2 3	Spring & Diaphragm	H K M	RShaft Pot	Clockwise		
3024C	30, 30E 34, 34E, 40, 40E 45, 45E	Spring & Diaphragm	E H K	SStem Pot	For P _O operating mode (air opens), Counterclockwise For P _S operating mode (air closes), Clockwise		
GX	225	Spring & Diaphragm	X ⁽²⁾	SStem Pot	Air to		
	750		K		Open	Close	
	1200		M		Counterclockwise	Clockwise	
Baumann™	Air to Extend	16 32 70	Spring & Diaphragm	C E K	SStem Pot	Clockwise	
	Air to Retract	16 32 70	Spring & Diaphragm	C E H	SStem Pot	Counterclockwise	
	Rotary	10 25 54		E H J	RShaft Pot	Specify	

1. Values shown are for relay A and C. Reverse for relay B.
2. X = Expert tuning. Proportional Gain = 4.2; Velocity Gain = 3.0; Minor Loop Feedback Gain = 18.0

Table 3-3. Gain Values for Preselected Tuning Sets

Tuning Set	Travel			Pressure		
	Proportional Gain	Velocity Gain	Minor Loop Feedback Gain	Proportional Gain	Integrator Gain	Minor Loop Feedback Gain
B	–	–	–	0.5	0.3	35
C	4.4	3.0	35	2.2	0.1	35
D	4.8	3.0	35	2.4	0.1	35
E	5.5	3.0	35	2.8	0.1	35
F	6.2	3.1	35	3.1	0.1	35
G	7.2	3.6	34	3.6	0.1	34
H	8.4	4.2	31	4.2	0.1	31
I	9.7	4.8	27	4.8	0.1	27
J	11.3	5.6	23	5.6	0.1	23
K	13.1	6.0	18	6.6	0.1	18
L	15.5	6.0	12	7.8	0.1	12
M	18.0	6.0	12	9.0	0.1	12
X (Expert)	User Adjusted	User Adjusted	User Adjusted	User Adjusted	User Adjusted	User Adjusted

- **Feedback Connection**—Select RShaft Pot, SStem Roller Pot, or SStem Pot. For rotary valves, enter RShaft Pot. For sliding-stem valves, if the feedback linkage consists of a connector arm, adjustment arm, and feedback arm, similar to the linkage shown in figure 3-1, enter SStem Pot. If the feedback linkage consists of a roller that follows a cam, similar to the linkage shown in figure 3-2, enter SStem Roller Pot.

- **Travel Sensor Motion**—Select Clockwise or Counterclockwise. Travel Sensor Motion establishes the proper valve travel sensor (feedback) rotation.

Determine the rotation by viewing the end of the travel sensor shaft.

For instruments with relay B If decreasing air pressure at output B causes the shaft to turn clockwise, enter Clockwise. If it causes the shaft to turn counterclockwise, enter Counterclockwise.

Table 3-2 lists the required Travel Sensor Motion selections for Fisher and Baumann actuators.

- **Tuning Set**—There are twelve tuning sets to choose from. Each tuning set provides a preselected value for the digital valve controller gain settings. Tuning set C typically provides the slowest response and M provides the fastest response. For smaller actuators, use lower tuning sets (such as C or D). For larger actuators, use higher tuning sets (such as F or G). Table 3-3 lists the values for preselected tuning sets.

 **WARNING**

If you answer YES to the prompt for permission to move the valve when setting the Travel Sensor Motion, the instrument will move the valve through its full travel range. To avoid personal injury and property damage caused by the release of pressure or process fluid, provide some temporary means of control for the process.

For instruments with relay A or C If increasing air pressure at output A causes the shaft to turn clockwise, enter Clockwise. If it causes the shaft to turn counterclockwise, enter Counterclockwise.



Note

Tuning Set B is only available in Pressure Control Mode.

In addition, you can select Expert, which allows you to modify tuning of the digital valve controller by specifying the gain values.

Table 3-2 provides tuning set selection guidelines for Fisher and Baumann actuators. These tuning sets are only recommended starting points. After you finish setting up and calibrating the instrument, use the performance tuner to adjust the tuning set to get the desired response.

DVC6000f Digital Valve Controllers



Note

When selecting a tuning set for a DVC6015, DVC6025 or DVC6035 remote mount unit, it may be necessary to reduce the tuning set, due to the effects of the long tubing between the digital valve controller and the actuator.



Note

Single-acting relay B and C are not user-adjustable. However, it is recommended that you check the relay adjustment for double-acting relay A in new installations before proceeding with travel calibration. Refer to page 5-4 for relay adjustment instructions.

3

For an actuator not listed in the table, you can estimate a starting tuning set by calculating the casing or cylinder volume. Then, in the table, find an actuator with the closest equivalent volume and use the tuning set suggested for that actuator.



WARNING

Changes to the tuning set may cause the valve/actuator assembly to stroke. To avoid personal injury or property damage caused by moving parts, keep hands, tools, and other objects away from the valve/actuator assembly.

When Device Setup is complete you are asked if you wish to run Auto Calibration now. Select yes to automatically calibrate instrument travel at this time. Follow the prompts on the Field Communicator display. The calibration procedure uses the valve and actuator stops as the 0% and 100% calibration points. For additional information, refer to Auto Calibration in the Calibration section.

If after completing auto setup and auto calibration the valve seems slightly unstable or unresponsive, you can improve operation by selecting *Performance Tuner* from the *Basic Setup* menu.


Performance Tuner

Performance Tuner is used to optimize digital valve controller tuning. It will move the valve slightly and monitor the effects of small tuning changes until an optimum control response is achieved. Because the Performance Tuner can detect internal instabilities before they become apparent in the travel response, it can generally optimize tuning more effectively than manual tuning. Access Performance Tuner by selecting *Performance Tuner* from the *Basic Setup* menu.

Section 4 Detailed Setup



- Resource Block 4-3
- Transducer Block 4-20
- AO (Analog Output) Function Block 4-68
- PID (Proportional/Integral/Derivative) Function Block 4-82
- IS (Input Selector) Function Block 4-102
- OS (Output Splitter) Function Block 4-116
- AI (Analog Input) Function Block 4-128
- MAI (Multiple Analog Input) Function Block 4-141
- DO (Discrete Output) Function Block 4-149
- DI (Discrete Input) Function Block 4-161
- All Blocks 4-173
 - Block Parameter Index 4-174
 - Block Channel Index 4-187

Resource Block Overview	4-4
Configure/Setup 	4-4
Setup	4-4
Resource Block Mode	4-4
Write Lock	4-4
Communication Time Out	4-4
Options	4-5
Diagnostic Options	
Function Block Options	
Miscellaneous Options	
Features Available	
Feature Selected	
Alarm Handling	4-6
Identification	4-6
Version	4-7
Restart Options	6-4
Block Errors	4-7
Parameter List	4-12
View Lists	4-18

Resource Block Overview

The resource block contains the hardware specific characteristics associated with a device; it has no input or output parameters. The resource block monitors and controls the general operation of other blocks within the device. Most of the resource block parameters are operational parameters that provide information about the instrument such as identification, hardware information, available options, etc. and are read only. Configuration of the resource block involves selecting features from those that are available, setting the mode, setting write lock, and setting up alert reporting details.

4 The following procedures address only the key resource block parameters; however, all resource block parameters are listed in table 4-3.

Configure/Setup

Setup

Resource Block Mode

(RB > Configure/Setup > Setup > Resource Block Mode)

Modes

The resource block can be in one of two modes (MODE_BLK [5]):

- **Automatic (Auto)**—This is the operational mode for this block. When the resource block is in the Auto mode, all other function blocks are allowed to function normally.
- **Out of Service (OOS)**—Placing the resource block in Out of Service mode stops all function block execution, by setting their modes to Out of Service as well. The actual mode of the function blocks is changed to Out of Service, but the function block target modes are retained. Placing the resource block in the Out of Service mode does not affect the mode of the transducer block.

Write Lock

(RB > Configure/Setup > Write Lock)

- **Write Lock**

Write Lock (WRITE_LOCK [34]) determines if writes are permissible to other device parameters. The Firmware Write Lock feature must be selected to be able to use Write Lock (see Features). When Write Lock is set to Locked, no writes are permitted to any parameters within the device except to set Write Lock to Not Locked. When locked, the device functions normally, updating inputs and outputs and executing algorithms. When Write Lock is set to Not Locked, the Write Alarm (WRITE_ALM [40]) alert is active.

- **Write Priority**

Write Priority (WRITE_PRI [39]) sets the priority for Write Alarm. The lowest priority is 0. The highest is 15.

Communication Time Out

(RB > Configure/Setup > Communication Time Out)

- **Shed Remote Cascade**



Note

Typically this parameter does not need to be changed. The unit will be operational using the default values assigned by the factory. Perform this procedure only if a remote computer is sending setpoints from your “advanced” control.

Default value for RCas Timeout is 20 seconds.

Shed Remote Cascade (SHED_RCAS [26]) determines how long function blocks in the DVC6000f should wait before giving up on remote computer writes to RCas parameters. When the timeout is exceeded, the block sheds to the next mode as defined by the block shed options. If Shed Remote Cascade is set to 0, the block will not shed from RCas. Enter a positive value in the Shed Remote Cascade field. Time duration is in 1/32 milliseconds (640000 = 20 secs).

- **Shed Remote Out**



Note

Typically this parameter does not need to be changed. The unit will be operational using the default values assigned by the factory. Perform this procedure only if a remote computer is sending setpoints from your “advanced” control.

Default value for Shed Remote Out is 20 seconds.

Shed Remote Out (SHED_ROUT [27]) determine how long function blocks in the DVC6000f should wait before giving up on computer writes to ROut parameters. When the timeout is exceeded, the block sheds to the next mode as defined by the block shed options. If Shed Remote Out is set to 0, the block will not shed from ROut. Enter a positive value in the Shed Remote Out field. Time duration is in 1/32 milliseconds (640000 = 20 secs).

Options

(RB > Configure/Setup > Options)

- **Diagnostic Options**

Diagnostic Options (DIAG_OPTIONS [45]) shows the diagnostic options available in the instrument.

- **Function Block Options**

Function Block Options (FB_OPTIONS [44]) shows which function blocks are available in the instrument.

- **Miscellaneous Options**

Miscellaneous Options (MISC_OPTIONS [46]) indicates which miscellaneous licensing options are enabled.

- **Features Available**

Features Available (FEATURES [17]) indicates which Resource Block Options features are available.

- **Reports**—Reports enables alert and event reporting. Reporting of specific alerts may be suppressed. See Alerts on page 4-26.
- **Fault State**—Fault state enables the ability of the output block to react to various abnormal conditions by shedding mode. See parameter

descriptions for Set Fault State (SET_FSTATE [29]) and Clear Fault State (CLR_FSTATE [30]) in table 4-3 and “Action on Fault Detection”.

- **Soft Write Lock**—Soft Write lock permits using Write Lock (WRITE_LOCK [34]) to prevent any external change to parameter values. Block connections and calculation results will proceed normally, but the configuration is locked. Also see Write Lock, on page 4-4.

- **Multi-bit Alarm (Bit-Alarm) Support**— Multi-bit Alarm (Bit-Alarm) Support permits the instrument to treat each PlantWeb alert separately when broadcast to the Host. Without Multi-Bit Alarm Support, an individual PlantWeb alert must be acknowledged before another PlantWeb alert can be broadcast to the Host

- **Features Selected**



Note

Typically this parameter does not need to be changed. The unit will be operational using the default values assigned by the factory.

Fault State, Software Write Lock, and Output Readback are set by default.

Features Selected (FEATURE_SEL [18]) indicates which Resource Block Options features have been selected and is used to select the desired features.

- **Reports**—Selecting reports enables alert and event reporting. Reporting of specific alerts may be suppressed. See Alerts on page 4-26.
- **Fault State**—Selecting fault state enables the ability of the output block to react to various abnormal conditions by shedding mode. See parameter descriptions for Set Fault State (SET_FSTATE [29]) and Clear Fault State (CLR_FSTATE [30]) in table 4-3 and “Action on Fault Detection”.
- **Soft Write Lock**—When selected, permits using Write Lock (WRITE_LOCK [34]) to prevent any external change to parameter values. Block connections and calculation results will proceed normally, but the configuration is locked. Also see Write Lock, on page 4-4.
- **Multi-bit Alarm (Bit-Alarm) Support**— When selected, the instrument will allow the instrument to treat each PlantWeb alert separately when broadcast to the Host.

DVC6000f Digital Valve Controllers

Alarm Handling

(RB > Configure/Setup > Alarm Handling)

- **Alert Key**

Alert Key (ALERT_KEY [4]) is a number that permits grouping alerts. This number may be used to indicate to the operator the source of the alert, such as the instrument, plant unit, etc. Enter a value between 1 and 255.

- **Confirm Time**

Confirm Time (CONFIRM_TIME [33]) determines the time, in 1/32 of a millisecond, the instrument waits for confirmation of receipt of a report before trying again. If Confirm Time is 0, the instrument does not retry to send the report. Enter 0 or a value between 320000 (10 secs) and 640000 (20 secs).

- **Limit Notify**

Limit Notify (LIM_NOTIFY [32]) is the number of alert reports that the device can send without getting a confirmation up to the maximum permitted in Maximum Notify (MAX_NOTIFY [31]). If Limit Notify is set to zero, no alerts are reported. Enter a value between 0 and 3.

To have the instrument report alerts without having the host poll the alerts parameters, select the Reports feature (see Feature Select).

- **Maximum Notify**

Maximum Notify (MAX_NOTIFY [31]) indicates the maximum number of alert reports that the device can send without getting a confirmation. This limit is determined by the amount of memory available for alert messages. The number can be set lower, to control alert flooding, by adjusting Maximum Alerts Allowed (LIM_NOTIFY [32]).

- **Block Alarm Disabled**

The Block Alarm (BLOCK_ALM [36]) is used for all configuration, hardware, connection failure or system problems in the block. Alarm Summary (ALARM_SUM [37]) determines if the Write Alarm (WRITE_ALM [40]) and Block Alarm [BLOCK_ALM [36]) are disabled.

- **Block Alarm Auto Acknowledge**

Acknowledge Option (ACK_OPTION [38]) determines if the block alarm will be automatically acknowledged.

- **Discrete Alarm Disabled**

The Write Alarm (WRITE_ALM [40]) is used to alert when parameters are writeable to the device. Alarm Summary (ALARM_SUM [37]) determines if the Discrete Alarm is disabled.

- **Discrete Alarm Auto Acknowledge**

Acknowledge Option (ACK_OPTION [38]) determines if the Write Alarm associated with the block will be automatically acknowledged.

Identification

(RB > Configure/Setup > Identification)

- **Device ID**

The 32 character Device ID (DEVICE_ID [54]).

- **Electronics Serial Number**

The Electronics Serial Number (ELECTRONICS_SN [49]) set at the factory.

- **Factory Serial Number**

The Factory Serial Number (FACTORY_SN [50]) is the instrument serial number set at the factory.

- **Field Serial Number**

The Field Serial Number (FIELD_SN [51]) is the serial number of instrument assigned in field.

- **Tag Description**

The Tag Description (TAG_DESC [2]) is used to assign a unique 32 character description to each block within the digital valve controller to describe the intended application for the block.

- **Strategy**

Strategy (STRATEGY [3]) permits strategic grouping of blocks so the operator can identify where the block is located. The blocks may be grouped by plant area, plant equipment, etc. Enter a value between 0 and 65535 in the Strategy field.

- **Manufacturer**

Manufacturer Identification (MANUFAC_ID [10]) identifies the manufacturer of the instrument. It is used by the host system to locate the DD file for the device. For Fisher the Manufacturer ID is 0x5100.

- **Device Type**

Device Type (DEV_TYPE [11]) identifies the type of device. It is used by the host system to locate the DD file for the device. For a DVC6000f digital valve controller the device type is 0x4602.

- **Diagnostics Options**

Diagnostic Options (DIAG_OPTIONS [45]) shows the diagnostic options available in the instrument.

Version

(RB > Configure/Setup > Setup > Version)

- **Device Revision**

The Device Revision (DEV_REV [12]) is the manufacturer's revision number associated with the resource, used by an interface device to locate the DD file for the resource.

- **Firmware Revision**

Firmware Revision (FIRMWARE_REVISION [47]) identifies the revision of the firmware that is currently in use.

- **Standby Firmware Revision**

Standby Firmware Revision (STBY_FIRMWARE_REVISION [55]) identifies the revision of the alternative firmware.

- **Hardware Revision**

Hardware Revision (HARDWARE_REV [48]) identifies the revision of the electronic hardware.

- **ITK Version**

ITK Version (ITK_VER [41]) identifies the major version of the Interoperability Tester used by the Fieldbus Foundation in certifying the device as interoperable. This device revision meets the requirements of version 5.

Block Errors

Table 4-1 lists conditions reported in the BLOCK_ERR [6] parameter. Conditions in *italics* are not applicable for the Resource block and are provided only for your reference.

Table 4-1. Resource Block BLOCK_ERR Conditions

Condition Number	Condition Name and Description
0	Other - Set if a device initialization error occurred.
1	Block Configuration Error - Set if FEATURE_SEL, CYCLE_SEL, or CYCLE_TYPE is set incorrectly.
2	<i>Link Configuration Error - N/A</i>
3	Simulate Active - Indicates that the simulation jumper is in place on the aux terminals. This is not an indication that the I/O blocks are using simulation data. See AO block parameter SIMULATE [10] and DO block parameter SIMULATE_D [10].
4	<i>Local Override - N/A</i>
5	Device Fault State - Indicates the device is in Fault State.
6	Device Needs Maintenance Soon - Indicates a Maintenance or Advisory PlantWeb Alert condition is active.
7	<i>Input failure/process variable had Bad status - N/A</i>
8	<i>Output failure - N/A</i>
9	Memory failure - Indicates a pending Flash or NVM failure.
10	Lost Static Data - Indicates failure of the memory containing static parameters.
11	Lost NV Data - Indicates failure of the memory containing non-volatile parameters.
12	<i>Readback Check Failed - NA</i>
13	Device Needs Maintenance Now - Indicates a Failed PlantWeb Alert condition is active.
14	Power Up - Indicates the device has been powered up and the Resource Block is <u>not</u> running normally.
15	Out of Service (MSB) - The resource block actual mode is Out of Service.

DVC6000f Digital Valve Controllers

Table 4-2. Parameters Affected by Restart with Defaults

Index Number	Parameter Name	Initial Value
Resource Block		
1	ST_REV	0
2	TAG_DESC	spaces
3	STRATEGY	0
4	ALERT_KEY	0
5	MODE_BLK TARGET PERMITTED NORMALE	Auto Auto or Out of Service Auto
14	GRANT_DENY	All bits: 0
18	FEATURE_SEL	Set by mfgr.
20	CYCLE_SEL	0:0
26	SHED_RCAS	640000
27	SHED_ROUT	640000
28	FAULT_STATE	1=Clear
32	LIM_NOTIFY	MAX_NOTIFY
33	CONFIRM_TIME	640000
34	WRITE_LOCK	1=Unlocked
37	ALARM_SUM DISABLED	All bits: 0
38	ACK_OPTION	Disabled
39	WRITE_PRI	0
AO Block		
1	ST_REV	0
2	TAG_DESC	spaces
3	STRATEGY	0
4	ALERT_KEY	0
5	MODE_BLK TARGET PERMITTED NORMAL	Out of Service OOS+MAN+AUTO+CAS+RCAS Auto
8	SP	Dynamic
9	OUT	Dynamic
11	PV_SCALE EU 100% EU 0% Engineering Units Decimal Places	100 0 % 2
12	XD_SCALE EU 100% EU 0% Engineering Units Decimal Places	100 0 % 2
14	IO_OPTS	All off
15	STATUS_OPTS	All off
17	CAS_IN	BAD: NC: const 0
18	SP_RATE_DN	+INF
19	SP_RATE_UP	+INF
20	SP_HI_LIM	100
21	SP_LO_LIM	0
22	CHANNEL	1=analog valve input

-Continued-

Table 4-2. Parameters Affected by Restart with Defaults
(Continued)

Index Number	Parameter Name	Initial Value
AO Block (continued)		
23	FSTATE_TIME	0
24	FSTATE_VAL	0
26	RCAS_IN Status	BAD: NoComm: NoVal: const 0 Trk All off
27	Value SHED_OPT	
PID Block Parameters		
1	ST_REV	0
2	TAG_DESC	spaces
3	STRATEGY	0
4	ALERT_KEY	0
5	MODE_BLK TARGET PERMITTED	Out of Service OOS+MAN+AUTO+CAS+ RCAS+ROUT
8	NORMAL SP	Auto Dynamic
9	OUT	Dynamic
10	PV_SCALE EU 100% EU 0% Engineering Units Decimal Places	100 0 % 2
11	OUT_SCALE EU 100% EU 0% Engineering Units Decimal Places	100 0 % 2
13	CONTROL_OPTS	0: Bypass enable
14	STATUS_OPTS	All off
15	IN Status	BAD: NC: const 0
16	Value PV_FTIME	0 0
17	BYPASS	0
18	CAS_IN Status	BAD: NC: const 0
19	Value SP_RATE_DN	+INF
20	SP_RATE_UP	+INF
21	SP_HI_LIM	100
22	SP_LO_LIM	0
23	GAIN	1
24	RESET	+INF
25	BAL_TIME	0
26	RATE	0
27	BKCAL_IN Status	BAD: NC: const 0
	Value	0

-Continued-

Table 4-2. Parameters Affected by Restart with Defaults
(Continued)

Index Number	Parameter Name	Initial Value
PID Block (continued)		
28	OUT_HI_LIM	100
29	OUT_LO_LIM	0
30	BKCAL_HYS	0.5%
32	RCAS_IN Status	BAD: NoCom: NoVal: const 0 Trk
33	Value ROUT_IN Status Value	BAD: NoCom: NoVal: const 0 Trk
34	SHED_OPT	0
37	TRK_SCALE EU 100% EU 0% Engineering Units Decimal places	100 0 % 2
38	TRK_IN_D Status	BAD: NC: const 0
39	Value TRK_VAL Status	BAD: NC: const 0
40	Value FF_VAL Status Value	BAD: NC: const 0
41	FF_SCALE EU 100% EU 0% Engineering Units Decimal Places	100 0 % 2
42	FF_GAIN	0
45	ALARM_SUM DISABLED	0
46	ACK_OPTION	Disabled
47	ALARM_HYS	0.5%
48	HI_HI_PRI	0
49	HI_HI_LIM	+INF
50	HI_PRI	0
51	HI_LIM	+INF
52	LO_PRI	0
53	LO_LIM	-INF
54	LO_LO_PRI	0
55	LO_LO_LIM	-INF
56	DV_HI_PRI	0
57	DV_HI_LIM	+INF
58	DV_LO_PRI	0
59	DV_LO_LIM	-INF

-Continued-

Table 4-2. Parameters Affected by Restart with Defaults
(Continued)

Index Number	Parameter Name	Initial Value
PID Block (continued)		
66	BIAS	
69	SP_FTME	0
70	MATHFORM	0
71	STRUCTURECONFIG	0
72	GAMMA	
73	BETA	
74	IDEABAND	0
ISEL Block		
1	ST_REV	0
2	TAG_DESC	spaces
3	STRATEGY	0
4	ALERT_KEY	0
5	MODE_BLK TARGET PERMITTED NORMAL	Out of Service OOS+MAN+AUTO Auto
7	OUT	
8	OUT_RANGE EU 100% EU 0% Engineering Units Decimal Places	100 0 % 2
10	STATUS_OPTS	All off
11	IN_1 Status	BAD NC cons 0
12	Value IN_2 Status Value	BAD NC cons 0
13	IN_3 Status	BAD NC cons 0
14	Value IN_4 Status Value	BAD NC cons 0
15	DISABLE_1 Status	BAD NC cons 0
16	Value DISABLE_2 Status Value	BAD NC cons 0

-Continued-

DVC6000f Digital Valve Controllers

Table 4-2. Parameters Affected by Restart with Defaults
(Continued)

Index Number	Parameter Name	Initial Value
ISEL Block (continued)		
17	DISABLE_3 Status	BAD NC cons 0
18	Value DISABLE_4 Status	BAD NC cons 0
19	Value	0
20	SELECT_TYPE	All off
22	MIN_GOOD OP_SELECT Status	0 BAD NC constant 0
25	Value IN_5 Status	BAD NC cons 0
26	IN_6 Status	BAD NC cons 0
27	Value IN_7 Status	BAD NC cons 0
28	IN_8 Status	BAD NC cons 0
29	Value DISABLE_5 Status	BAD NC cons 0
30	DISABLE_6 Status	BAD NC cons 0
31	Value DISABLE_7 Status	BAD NC cons 0
32	DISABLE_8 Status	BAD NC cons 0
33	Value DISABLE_8 Status	BAD NC cons 0
34	Value	0
35	AVG_USE	0
36	ALARM_SUM DISABLED	0
37	ACK_OPTION	0
	ALARM_HYS	0.5%
	HI_HI_PRI	0

-Continued-

Table 4-2. Parameters Affected by Restart with Defaults
(Continued)

Index Number	Parameter Name	Initial Value
ISEL Block (continued)		
38	HI_HI_LIM	0
39	HI_PRI	0
40	HI_LIM	0
41	LO_PRI	0
42	LO_LIM	0
43	LO_LO_PRI	0
44	LO_LO_LIM	0
49	OUT_D	0
50	ALM_SEL	All bits: 0
DI Block		
1	ST_REV	0
2	TAG_DESC	spaces
3	STRATEGY	0
4	ALERT_KEY	0
5	MODE_BLK TARGET PERMITTED NORMAL	Out of Service OOS+MAN+AUTO Auto
8	OUT_D	0
10	XD_STATE	0
11	OUT_STATE	0
13	IO_OPTS	All off
14	STATUS_OPTS	All off
15	CHANNEL	0
16	PV_FTIME	0
20	ALARM_SUM DISABLED	0
21	ACK_OPTION	All off
22	DISC_PRI	0
23	DISC_LIM	0
OS Block		
1	ST_REV	0
2	TAG_DESC	spaces
3	STRATEGY	0
4	ALERT_KEY	0
5	MODE_BLK TARGET PERMITTED NORMAL	Out of Service OOS+MAN+AUTO AUTO+CAS
7	SP	0
8	OUT_1	0
9	OUT_2	0
10	OUT_1_RANGE EU 100% EU 0% Engineering Units Decimal Places	100 0 % 2
11	OUT_2_RANGE EU 100% EU 0% Engineering Units Decimal Places	100 0 % 2
13	STATUS_OPTS	disabled
14	CAS_IN Status	BAD NC const 0
	Value	0
19	BKCAL_1_IN Status	BAD NC const 0
	Value	0

-Continued-

Table 4-2. Parameters Affected by Restart with Defaults
(Continued)

Index Number	Parameter Name	Initial Value
OS Block (continued)		
20	BKCAL_2_IN Status	BAD NC const
21	Value BAL_TIME	0 0
AI Block		
1	ST_REV	0
2	TAG_DESC	spaces
3	STRATEGY	0
4	ALERT_KEY	0
5	MODE_BLK TARGET PERMITTED NORMAL	Out of Service OOS, MAN, AUTO Auto
8	OUT	
10	XD_SCALE EU at 100% EU 0% Units Index Decimal point	100 0 % 2
11	OUT_SCALE EU 100% EU 0% Units Index Decimal point	100 0 Trk s/b% 2
13	I/O OPTS	disabled
14	STATUS OPTS	disabled
15	CHANNEL	0
16	L_TYPE	0
17	LOW_CUT	0
18	PV_FTIME	0
22	ALARM_SUM DISABLED	0
23	ACK_OPTION	Disabled
24	ALARM_HYS	0.5%
25	HI_HI_PRI	0
26	HI_HI_LIM	0
27	HI_PRI	0
28	HI_LIM	0
29	LO_PRI	0
30	LO_LIM	0
31	LO_LO_PRI	0
32	LO_LO_LIM	0
37	OUT_D	
38	ALM_SEL	unselected
MAI Block		
1	ST_REV	0
2	TAG_DESC	spaces
3	STRATEGY	0
4	ALERT_KEY	0
5	MODE_BLK TARGET PERMITTED NORMAL	Out of Service OOS, MAN, AUTO Auto
7	CHANNEL	
8	OUT_1	TB.FINAL_VALUE
9	OUT_2	TB.TRAVEL_TARGET
10	OUT_3	TB.FINAL_POSITION_VALUE
11	OUT_4	TB.TRAVEL
12	OUT_5	TB.SUPPLY_PRESS
13	OUT_6	TB.ACT_PRESS_A
14	OUT_7	TB.ACT_PRESS_B
15	OUT_8	TB.ACT_PRESS_DIFF

–Continued–

Table 4-2. Parameters Affected by Restart with Defaults
(Continued)

Index Number	Parameter Name	Initial Value
DO Block		
1	ST_REV	0
2	TAG_DESC	spaces
3	STRATEGY	0
4	ALERT_KEY	0
5	MODE_BLK TARGET PERMITTED NORMAL	Out of Service OOS+MAN+AUTO+CAS+ RCAS AUTO+CAS
8	SP_D	
9	OUT_D	
11	PV_STATE	0
12	XD_STATE	0
14	IO_OPTS	All off
15	STATUS_OPTS	All off
17	CAS_IN_D Status	BAD NC const
	Value	0
18	CHANNEL	22
19	FSTATE_TIME	0
20	FSTATE_VAL_D	0
22	RCAS_IN_D Status	BAD NoComm NoVal const
	Value	0
23	SHED_OPT	All off
27	SP_RATE_UP	0
28	SP_RATE_DN	0
Transducer Block		
1	ST_REV	N/A
2	TAG_DESC	NULL
3	STRATEGY	0
4	ALERT_KEY	1
5	MODE_BLK TARGET PERMITTED NORMAL	Out of Service AUTO, MAN, OOS Auto
87	PROTECTION	None

DVC6000f Digital Valve Controllers

Resource Block Parameter List

- Read/Write Capability: RO – Read Only, RW – Read Write
- Mode: The block mode(s) required to write to the parameter
- Double indentation and shaded Index Number indicates sub-parameter.

Table 4-3. Resource Block Parameter Definitions

Label PARAMETER_NAME	Index Number	RO / RW	Mode	Range	Initial Value	Description
Static Revision ST_REV	1	RO	NA	0 to 65535	0	Data Type: Unsigned16 The revision level of the static data. Increments by one each time a static parameter changes. The value is reset to 0 whenever a Restart with Defaults is performed. See Restarting the Instrument.
Tag Description TAG_DESC	2	RW	NA	7 bit ASCII	Spaces	Data Type: Octet String The user description of the intended application of the block. Null characters are not allowed in this data type.
Strategy STRATEGY	3	RW	ALL	0 to 65535	0	Data Type: Unsigned16 Used to identify groupings of blocks. The data is not checked or processed by the block.
Alert Key ALERT_KEY	4	RW	ALL	1 to 255	0	Data Type: Unsigned8 The identification number of the plant unit. Devices in a loop or plant section can be assigned with a common alert key to aid the operator in determining location of alerts.
Block Mode MODE_BLK	5					
TARGET_MODE	5.1	RW	ALL	3: Auto 7: OOS	3: Auto	Data Type: DS-69 The actual, target, permitted, and normal modes. Target: The requested block mode Actual: The current mode of the block Permitted: Allowed modes for Target Normal: Most common mode for Target
ACTUAL_MODE	5.2	RO	NA	3: Auto 6: IMAN (only during initialization) 7: OOS	N/A	
PERMITTED_MODE	5.3	RW	ALL	3: Auto 7: OOS	3: Auto 7: OOS	
NORMAL_MODE	5.4	RW	ALL	3: Auto	3: Auto	
Block Error BLOCK_ERR	6	RO	N/A	0: Other 1: Block Configuration Error 3: Simulate Active 6: Device needs Maintenance Soon 9: Memory Failure 10: Lost Static Data 11: Lost Non-Volatile Memory 13: Device needs Maintenance Now 14: Power-up 15: Out-of-Service (MSB)	Dynamic	Data Type: Bit String 0 = Inactive 1 = Active Error status associated with hardware or software for the resource block. When an error is shown it may be broadcast to the host through BLOCK_ALM.
Device State RS_STATE	7	RO	N/A	2: Initialization, Actual mode=IMAN 4: On-line, Actual Mode=Auto 5: Standby, Actual Mode=OOS 6: Failure, Actual Mode=OOS	5: Standby	Data Type: Unsigned8 State of the function block application state machine.
Test Read Write TEST_RW	8		ALL		0	This parameter may be used in interoperability testing to read and write all standard data types supported by the Fieldbus Foundation.
DD Resource DD_RESOURCE	9	RO	N/A		Spaces	Data Type: Visible String String identifying the VFD tag of the resource that contains the Device Description for this resource.

–Continued–

Table 4-3. Resource Block Parameter Definitions (Continued)

Label PARAMETER_NAME	Index Number	RO / RW	Mode	Range	Initial Value	Description
Manufacturer Id MANUFAC_ID	10	RO	N/A		0x5100	Data Type: Unsigned32 Manufacturer identification number, used by an interface device or host to locate the DD file for the resource. All manufacturer identification numbers are maintained by the Fieldbus Foundation. A host usually will have a base directory for DD files. In this directory is a subdirectory for each manufacturer id. In each manufacturer id subdirectory is a directory for each device type made by that manufacturer. The device type directories contain files named by combining the device revision for the particular device type with the revision of the device description. The manufacturer id for Fisher is 0x005100.
Device Type DEV_TYPE	11	RO	N/A		4602	Data Type: Unsigned16 Manufacturer's model number associated with the resource, used by an interface device to locate the DD file for the resource.
Device Revision DEV_REV	12	RO	N/A		Varies with release	Data Type: Unsigned8 Manufacturer's revision number associated with the resource, used by an interface device to locate the DD file for the resource.
DD Revision DD_REV	13	RO	N/A		Varies with release	Data Type: Unsigned8 The minimum revision of the device description (DD) than can be used with the device revision of the instrument. Used by the interface device to prevent the use of DDs that are incompatible with the firmware in the instrument.
Grant Deny GRANT_DENY	14					
GRANT	14.1	RW	ALL	Valid Bits: 0: Program 1: Tune 2: Alarm 3: Local	All bits: 0	Data Type: DS-70 Options for controlling access of a host computer and to block parameters. Parameter contains two attributes Grant and Deny each with program, tune, alarm and local permissions. Clearing a grant permission sets the corresponding deny permission, 0 = N/A, 1 = granted. Deny permissions may be cleared through the Deny attribute but not set, 0 = N/A, 1 = denied.
DENY	14.2	RW	ALL		All bits: 0	
Hard Types HARD_TYPES	15	RO	N/A	0: Scalar Input 1: Scalar Output 2: Discrete Input 3: Discrete Output	0: 1 1: 1 2: 1 3: 1	Data Type: Bit String 0 = Inactive 1 = Active The types of hardware available as channel numbers in this resource.
Restart RESTART	16	RW	ALL	1=Run 2=Restart resource 3=Restart with defaults 4=Restart processor	1=Run	Data Type: Unsigned8 Allows a manual restart to be initiated. For details see Restarting the Instrument in this section.
Features FEATURES	17	RO	ALL	1: Reports supported 2: Fault State supported 3: Software Write lock supported 10: Reannunciation supported	1: 1 2: 1 3: 1 10: 1	Data Type: Bit String 0 = Inactive 1 = Active Shows the supported resource block options. Options are turned on and off via FEATURE_SELECT.
Features Selected FEATURE_SEL	18	RW	ALL	1: Reports Supported 2: Fault State supported 3: Software Write lock supported 10:Reannunciation supported	1:0 2:1 3:1 10:0	Data Type: Bit String 0 = Inactive 1 = Active Shows the selected resource block options. For details see Device Features in this section.

-Continued-

DVC6000f Digital Valve Controllers

Table 4-3. Resource Block Parameter Definitions (Continued)

Label PARAMETER_NAME	Index Number	RO / RW	Mode	Range	Initial Value	Description
Cycle Type CYCLE_TYPE	19	RO	NA	0: Scheduled	0: 1	Data Type: Bit String 0 = Inactive 1 = Active Identifies the block execution methods available for this resource, may be scheduled, completion of block execution
Cycle Selection CYCLE_SEL	20		ALL	0: Scheduled	0: 0	Data Type: Bit String 0 = Inactive 1 = Active Identifies the block execution method selected for this resource.
Minimum Cycle Time MIN_CYCLE_T	21	RO	NA	3200	3200	Data Type: Unsigned32 Time duration of the shortest cycle interval (in 1/32 millisecond) of which the resource is capable. In the digital valve controller this value is fixed at 3200 (100 milliseconds).
Memory Size MEMORY_SIZE	22	RO	NA	45	45	Date Type: Unsigned16 Memory, in kilobytes, available for additional function blocks. Because no additional function blocks may be added to DVC6000f instruments, this parameter value is fixed at 45.
Nonvolatile Cycle Time NV_CYCLE_T	23	RO	NA	Positive	576,000	Date Type: Unsigned32 This parameter identifies the minimum time interval (in 1/32 milliseconds) between copies of NV class data to NV memory. NV memory is updated only if there has been a change in the dynamic value. The last value saved in NV memory will be available for the restart procedure or a power cycle. A non-zero value regulates the frequency of writes, thus protecting the life span of the device. If the value is zero, data will never be automatically copied. Changes made by other than publishing to NV parameters will be copied to non-volatile memory immediately. For DVC6000f instruments, this parameter value is fixed at 576,000 (18 seconds).
Free Space FREE_SPACE	24	RO	NA	0 to 100%	0	Data Type: Float Percent of memory available for additional function blocks (see also MEMORY_SIZE). Because no additional function blocks may be added to DVC6000f instruments, this parameter value is fixed at 0.
Free Time FREE_TIME	25	RO	NA	0 to 100%	0	Data Type: Float Percent of block processing time that is free to process additional blocks. Because no additional function blocks may be added to DVC6000f instruments, this parameter value is fixed at 0.
RCAS Timeout SHED_RCAS	26	RW	ALL	Positive	640000	Date Type: Unsigned32 Time duration (in 1/32 millisecond) at which to give up on computer writes to function block RCAS parameters. If this time is exceeded then the function block will change to a mode other than RCAS based on the SHED_OPT parameter setting. Shed from RCAS mode never happens when SHED_RCAS is set to zero.
ROUT Timeout SHED_ROUT	27	RW	ALL	Positive	640000	Date Type: Unsigned32 Time duration (in 1/32 millisecond) at which to give up on computer writes to function block ROUT parameters. If this time is exceeded then the function block will change to a mode other than ROUT based on the SHED_OPT parameter setting. Shed from ROUT mode never happens when SHED_ROUT is set to zero.

-Continued-

Table 4-3. Resource Block Parameter Definitions (Continued)

Label PARAMETER_NAME	Index Number	RO / RW	Mode	Range	Initial Value	Description
Fault State FAULT_STATE	28	RO	N/A	1=Clear 2=Active	1=Clear	Data Type: Unsigned8 Forces output function blocks that are not Out of Service to the fault state condition. While this parameter is active the output function blocks will go to an actual mode of Local Override (LO) and will perform their fault state actions (see Action On Fault Detection for the output blocks on pages 4-72 and 4-153 of this section). This parameter is used to test the fault state behavior that normally occurs when there is a communication problem between devices. This parameter is changed by the SET_FSTATE and CLR_FSTATE parameters so long as the feature Fault State is selected (see Feature Selection [index number 18] in this table).
Set Fault State SET_FSTATE	29	RW	ALL	1=Off 2=Set	1=Off	Data Type: Unsigned8 Selecting Set changes the parameter FAULT_STATE to Active. This is essentially a "write only" parameter as it will always read OFF because it is defined as momentary. Writing a value of OFF has no affect. To use this parameter the feature Fault State must be selected (see Features Selected on page 4-5).
Clear Fault State CLR_FSTATE	30	RW	ALL	1=Off 2= Clear	1=Off	Data Type: Unsigned8 Selecting Clear changes the parameter FAULT_STATE to Clear and clears the output function blocks of the FAULT_STATE if the field condition, if any, has cleared. This is essentially a "write only" parameter as it will always read OFF because it is defined as momentary. Writing a value of OFF has no affect. To use this parameter the feature Fault State must be selected (see Features Selected on page 4-5).
Maximum Notify MAX_NOTIFY	31	RO	N/A	3	3	Data Type: Unsigned8 The maximum number of alert reports that this device can send without getting a confirmation. To control alert flooding, the number can be set lower by adjusting the LIM_NOTIFY parameter value. For DVC6000f instruments, this value is fixed at 3.
Maximum Alerts Allow LIM_NOTIFY	32	RW	ALL	0 to MAX_NOTIFY	MAX_NOTIFY	Data Type: Unsigned8 The number of alert reports that this device can send without getting a confirmation up to the maximum permitted in the parameter MAX_NOTIFY. If set to zero, then no alerts are reported.
Confirm Time CONFIRM_TIME	33	RW	ALL	> 0 Set by FCS	640000	Data Type: Unsigned32 The time (in 1/32 millisecond) the device waits for confirmation of receipt of an alert report before trying again.
Write Lock WRITE_LOCK	34	RW	ALL	0=Undefined 1=Unlocked 2=Locked	1=Unlocked	Data Type: Unsigned8 If set to Locked, no writes from anywhere are allowed except to clear WRITE_LOCK by entering Unlocked. Block inputs will continue to be updated if they are subscribers. The feature Soft Write Lock must be selected to enable writing to this parameter (see Device Features in this section).

-Continued-

DVC6000f Digital Valve Controllers

Table 4-3. Resource Block Parameter Definitions (Continued)

Label PARAMETER_NAME	Index Number	RO / RW	Mode	Range	Initial Value	Description
Update Event UPDATE_EVT	35					
UNACKNOWLEDGED	35.1	RW	ALL	0=Undefined 1=Acknowledged 2=Unacknowledged	0=Undefined	Data Type: DS-73 This alert is generated by any change to the static data. To support tracking changes in static parameter values, the blocks static revision parameter will be incremented each time a static parameter value is changed. Also, the blocks static revision parameter may be incremented if a static parameter is written but the value is not changed. If the Actual Mode is not Out of Service and Reports is selected in the Feature Select parameter, then this parameter will be sent to the host system providing the host has set up alert communications. Changes to static data while the block is Out of Service will be reported when the block transitions to another mode.
UPDATE_STATE	35.2	RO	NA	0=Undefined 1=Update reported 2=Update not reported	0=Undefined	
TIME_STAMP	35.3	RO	NA		0	
STATIC_REVISION	35.4	RO	NA		0	
RELATIVE_INDEX	35.5	RO	NA		0	
Block Alarm BLOCK_ALM	36					
UNACKNOWLEDGED	36.1	RW	ALL	0=Undefined 1=Acknowledged 2=Unacknowledged	0=Undefined	Data Type: DS-72 This alarm is generated by a nonzero value in the Block Error. parameter. This alarm has a fixed priority of 2. For a BLOCK_ALM to be broadcast to the host the following conditions must be met: The feature Reports must be selected Alert communication with the host must be setup In the ALARM_SUM parameter, the disable bit for Block Alarm must be clear.
ALARM_STATE	36.2	RO	NA	0=Undefined 1=Clear reported 2=Clear not reported 3=Active reported 4=Active not reported	0=Undefined	
TIME_STAMP	36.3	RO	NA		0	
SUBCODE	36.4	RO	NA		0	
VALUE	36.5	RO	NA		0	
Alarm Summary ALARM_SUM	37					
CURRENT	37.1	RO	NA	0: Discrete alarm 7: Block Alarm	All bits: 0	Data Type: DS-74 0=clear, acknowledged, reported, enabled Current alert status, unacknowledged states, unreported states, and disabled states of the alarms associated with the function block. The Resource block only has two alarms: Write Alarm and Block Alarm.
UNACKNOWLEDGED	37.2	RO	NA	0: Discrete alarm 7: Block Alarm	All bits: 0	
UNREPORTED	37.3	RO	NA	0: Discrete alarm 7: Block Alarm	All bits: 0	
DISABLED	37.4	RW	ALL	0: Discrete alarm 7: Block Alarm	All bits: 0	
Acknowledge Option ACK_OPTION	38	RW	ALL	0: Discrete Alarm (Write Lock off) 7: Block Alarm	0: 0 7: 0	Data Type: Bit String 0=Disable 1=Enable Selection of whether alarms associated with the block will be automatically acknowledged.
Write Priority WRITE_PRI	39	RW	ALL	0 to 15	0	Data Type: Unsigned8 Priority of the alarm generated by setting WRITE_LOCK to Unlocked.
Write Alarm WRITE_ALM	40					
UNACKNOWLEDGED	40.1	RW	ALL	0=Undefined 1=Acknowledged 2=Unacknowledged	0=Undefined	Data Type: DS-72 This alarm is generated when Unlocked in the WRITE_LOCK parameter is set. This alarm has a priority of WRITE_PRI. For a WRITE_ALM to be broadcast to the host the following conditions must be met: The feature Reports must be selected Alert communication with the host must be setup In the ALARM_SUM parameter, the disable bit for Write Alarm must be clear. WRITE_PRI must be greater than 1.
ALARM_STATE	40.2	RO	NA	0=Undefined 1=Clear reported 2=Clear not reported 3=Active reported 4=Active not reported	0=Undefined	
TIME_STAMP	40.3	RO	NA		0	
SUBCODE	40.4	RO	NA		0	
VALUE	40.5	RO	NA		0	

-Continued-

Table 4-3. Resource Block Parameter Definitions (Continued)

Label PARAMETER_NAME	Index Number	RO / RW	Mode	Range	Initial Value	Description
ITK Version ITK_VER	41	RO	N/A		*	Data Type: Unsigned16 Major version of ITK test this device has been tested to. *Initial value depends on the revision of the DVC6000f.
Extended Parameters						
Private Label Distributor DISTRIBUTOR	42	RO	NA		0x5100	Data Type: Unsigned32 Private label distributor
Device String Array DEV_STRING	43					Unused extended parameter.
Function Block Options FB_OPTIONS	44	RO		Bits 0: AO 1: DO 2: AI 3: DI 4: PID 5: ISEL 6: OS 7: MAI	All options enabled	Data Type: Bit String 0=disabled 1=enabled Indicates which function block licensing options are enabled. One bit for each block type that is supported. Unlicensed blocks cannot be scheduled and the Actual block mode will remain OOS.
Diagnostic Options DIAG_OPTIONS	45	RO	NA	1=FD Fieldbus Diagnostics 2=AD Advanced Diagnostics 3=PD Performance Diagnostics	*	Data Type: Enum Indicates which diagnostics licensing options are enabled. *Initial value depends on the licensed DVC6000f options.
Miscellaneous Options MISC_OPTIONS	46	RO	NA	0: Software Download 10: Travel Control Capable 11: Pressure Control Capable 12: Fallback Capable	0: 1 10: 1	Data Type: Bit String 0=Disable 1=Enable Indicates which miscellaneous licensing options are enabled.
Firmware Revision FIRMWARE_REVISION	47					
FIRMWARE_REV_MAJOR	47.1	RO	NA	0–255	*	Data Type: UInt8 Describes software revision information. This is the revision of the firmware that is currently in use. *Initial value depends on revision of DVC6000f.
FIRMWARE_REV_MINOR	47.2	RO	NA	0–255	*	
FIRMWARE_REV_BUILD	47.3	RO	NA	0–255	*	
IO_FIRMWARE_REV	47.4	RO	NA	0–255	*	
DIAG_CAL_REV	47.5	RO	NA	0–255	*	
FIRMWARE_REV_ALL	47.6	RO	NA	XX.XX.XX	*	Data Type: Visible String Describes software revision information. The range of this parameter consists of 47.1 through 47.5 values, converted to text, and linked together. *Initial value depends on revision of DVC6000f
Hardware Revision HARDWARE_REV	48	RO	NA	Hardware revision number	Factory Set	Data Type: UInt8 Describe electronic hardware revision information.
Electronics Serial Number ELECTRONICS_SN	49	RO	NA	NA	Factory Set	Data Type: Visible String Electronics serial number set by manufacturing.
Factory Serial Number FACTORY_SN	50	RO	NA	NA	spaces	Data Type: Visible String Instrument serial number set by manufacturing.
Field Serial Number FIELD_SN	51	RW	NA	Any String	spaces	Data Type: Visible String Instrument serial number set in the field.
Detailed Status DETAILED_STATUS	52	RO	NA	NA	0	Data Type: UInt32 Not used
Time Since Reset TIME_SINCE_RESET	53	RO	NA	NA	0	Number of seconds since the last time DVC6000f was restarted. Restart due to power up or restart command.
Device ID DEVICE ID	54	RO	NA	NA	Device ID	Data Type: Visible String Unique 32 character ID used to identify the device.

–Continued–

DVC6000f Digital Valve Controllers

Table 4-3. Resource Block Parameter Definitions (Continued)

Label PARAMETER_NAME	Index Number	RO / RW	Mode	Range	Initial Value	Description
STBY_FIRMWARE_REV	55					
STBY_FIRMWARE_REV_MAJOR	55.1	RO	NA	0-255	*	Data Type: UInt8 Describes firmware revision information. This is the revision of the alternative firmware. *Initial value depends on revision of firmware in standby.
STBY_FIRMWARE_REV_MINOR	55.2	RO	NA	0-255	*	
STBY_FIRMWARE_REV_BUILD	55.3	RO	NA	0-255	*	
STBY_IO_FIRMWARE_REV	55.4	RO	NA	0-255	*	
STBY_DIAG_CAL_REV	55.5	RO	NA	0-255	*	
STBY_FIRMWARE_REV_ALL	55.6	RO	NA	XX.XX.XX	NA	Data Type: Visible String Describes firmware revision information. *Initial value depends on revision of firmware in standby. The range of this parameter consists of 55.1 through 55.5 values, converted to text, and linked together.

4

View Lists

View lists allow the values of a set of parameters to be accessed at the same time. Views 1 and 2 contain operating parameters and are defined by the Fieldbus Foundation. View 3 contains dynamic parameters and View 4 contains static parameters with configuration and maintenance information. Views 3 and 4 are defined by the manufacturer.

Table 4-4. Resource Block, View 1

Index Number	Parameter
1	ST_REV
5.1	MODE_BLK.TARGET_MODE
5.2	MODE_BLK.ACTUAL_MODE
5.3	MODE_BLK.PERMITTED_MODE
5.4	MODE_BLK.NORMAL_MODE
6	BLOCK_ERR
7	RS_STATE
25	FREE_TIME
28	FAULT_STATE
37.1	ALARM_SUM.CURRENT
37.2	ALARM_SUM.UNACKNOWLEDGED
37.3	ALARM_SUM.UNREPORTED
37.4	ALARM_SUM.DISABLED

Table 4-5. Resource Block, View 2


Index Number	Parameter
1	ST_REV
14.1	GRANT_DENY.GRANT
14.2	GRANT_DENY.DENY
18	FEATURE_SEL
20	CYCLE_SEL
23	NV_CYCLE_T
24	FREE_SPACE
26	SHED_RCAS
27	SHED_ROUT
32	LIM_NOTIFY
33	CONFIRM_TIME
34	WRITE_LOCK

Table 4-6. Resource Block, View 3

Index Number	Parameter
1	ST_REV
5.1	MODE_BLK.TARGET_MODE
5.2	MODE_BLK.ACTUAL_MODE
5.3	MODE_BLK.PERMITTED_MODE
5.4	MODE_BLK.NORMAL_MODE
6	BLOCK_ERR
7	RS_STATE
25	FREE_TIME
28	FAULT_STATE
37.1	ALARM_SUM.CURRENT
37.2	ALARM_SUM.UNACKNOWLEDGED
37.3	ALARM_SUM.UNREPORTED
37.4	ALARM_SUM.DISABLED
44	FB_OPTIONS
52	DETAILED_STATUS
53	TIME_SINCE_RESET
54	DEVICE_ID

Table 4-7. Resource Block, View 4

Index Number	Parameter
1	ST_REV
3	STRATEGY
4	ALERT_KEY
10	MANUFAC_ID
11	DEV_TYPE
12	DEV_REV
13	DD_REV
15	HARD_TYPES
17	FEATURES
19	CYCLE_TYPE
21	MIN_CYCLE_T
22	MEMORY_SIZE
31	MAX_NOTIFY
38	ACK_OPTION
39	WRITE_PRI
41	ITK_VER
42	DISTRIBUTOR
43	DEV_STRING
45	DIAG_OPTIONS
46	MISC_OPTIONS
47.1	FIRMWARE_REVISION.FIRMWARE_REV_MAJOR
47.2	FIRMWARE_REVISION.FIRMWARE_REV_MINOR
47.3	FIRMWARE_REVISION.FIRMWARE_REV_BUILD
47.4	FIRMWARE_REVISION.IO_FIRMWARE_REV
47.5	FIRMWARE_REVISION.DIAG_CAL_REV
47.6	FIRMWARE_REVISION.FIRMWARE_REV_ALL
48	HARDWARE_REV
49	ELECTRONICS_SN
50	FACTORY_SN
51	FIELD_SN
55.1	STBY_FIRMWARE_REV.STBY_FIRMWARE_REV_MAJOR
55.2	STBY_FIRMWARE_REV.STBY_FIRMWARE_REV_MINOR
55.3	STBY_FIRMWARE_REV.STBY_FIRMWARE_REV_BUILD
55.4	STBY_FIRMWARE_REV.STBY_IO_FIRMWARE_REV
55.5	STBY_FIRMWARE_REV.STBY_DIAG_CAL_REV
55.6	STBY_FIRMWARE_REV.STBY_FIRMWARE_REV_ALL

Transducer Block Overview	4-21
 Detailed Setup	4-21
Transducer Block Mode	4-21
Protection	4-21
Response Control	4-22
Travel Tuning	4-22
Pressure Tuning	4-24
Travel / Pressure Control	4-25
Input Characterization	4-26
Custom Characterization Table	4-26
Outblock Selection	4-26
Alerts	4-26
Instrument Alert Conditions	4-26
PlantWeb Alerts	4-27
Electronics Alerts	4-27
Configuration Alerts	4-29
Sensors Alerts	4-29
Environment Alerts	4-30
Travel Alerts	4-31
Proximity Alerts	4-33
Travel History Alerts	4-33
Performance Alerts	4-34
PlantWeb Alert Enable	4-35
PlantWeb Alert Reporting	4-35
Instrument	4-35
Valve and Actuator	4-36
Valve	4-36
Trim	4-37
Actuator	4-37
Reference	4-39
MAI Channel Map	4-39
Alert Handling	4-40
PWA Simulate	
Simulate Active Alert	
PlantWeb Alert handling	
Block Errors	4-41
Parameter List	4-42
View Lists	4-64

Transducer Block Overview

The transducer block accepts a signal from an output block as a set point to position a valve using a pneumatic actuator. Input to the transducer block is in percent. Closed is 0%, and open is 100%. The transducer block contains setup and calibration information and can be tuned to closely match the actuator. Input characterization permits modifying the overall characteristic of the instrument-actuator-valve combination in order to modify the installed gain characteristic of the loop. The transducer block can also be used to perform instrument and valve diagnostics and trigger performance alerts.

The following procedures address only the key transducer block parameters; however, all transducer block parameters are listed in table 4-13.



Detailed Setup



Note

To setup and calibrate the instrument, the transducer block Mode must be Manual and the Protection must be None.

Transducer Block Mode

(TB > Configure/Setup > Detailed Setup > Transducer Block Mode)

Modes

The transducer block can be in one of three modes (MODE_BLK [5]):

- **Automatic (Auto)**— This is the normal mode for this block. When the transducer block is in the auto mode, it accepts the output from the AO or DO block as a set point and outputs a drive signal to the I/P converter based upon this set point.

- **Out of Service (OOS)**— Placing the transducer block in Out of Service mode changes the output to the zero power (no I/P drive) condition.

- **Manual (MAN)**— Placing the transducer block in Manual will hold the value at the current setpoint (FINAL_VALUE [13]). The transducer block will not accept changes from the AO or DO blocks. This mode is required to change some parameters and to run some diagnostics.

Protection

(TB > Configure/Setup > Detailed Setup > Protection)

To configure any parameters in the digital valve controller Write Lock (WRITE_LOCK [34]), in the resource block, must be set to Unlocked (refer to page 4-4). In addition, protection is provided for various transducer block parameters, as indicated in the Protect Category column of table 4-13, to prevent inadvertently overwriting key data by the host system or user.

- **All**— will protect all transducer block Parameters.
- **Setup and Calibration**— will protect only Setup and Calibration transducer block parameters.
- **Calibration**— will protect only Calibration transducer block parameters.
- **None**— will not protect any transducer block parameters.



Note

The Device Setup Auto Travel and Manual Travel methods automatically change transducer block protection for the user.

See table 4-13 for individual parameter details.

DVC6000f Digital Valve Controllers

Response Control

Travel Tuning

(TB > Configure/Setup > Detailed Setup > Response Control > Travel Tuning)

WARNING

Changes to the tuning set may cause the valve/actuator assembly to stroke. To avoid personal injury or property damage caused by moving parts, keep hands, tools, and other objects away from the valve/actuator assembly.

4

- Travel Tuning Set

There are eleven Travel Tuning Sets (TVL_TUNING_SET [42.10]) to choose from. Each tuning set provides a preselected value for the digital valve controller gain settings.

Tuning set C provides the slowest response and M provides the fastest response. Table 4-8 lists the proportional gain, velocity gain and minor loop feedback gain values for preselected tuning sets.



Note

When selecting a tuning set for a DVC6015, DVC6025 or DVC6035 remote mount unit, it may be necessary to reduce the tuning set, due to the effects of the long tubing between the digital valve controller and the actuator.

In addition, you can specify Expert tuning and individually set the proportional gain, velocity gain, and minor loop feedback gain. Individually setting or changing any tuning parameter will automatically change the tuning set to X (expert).

Table 4-8. Gain Values for Preselected Travel Tuning Sets

Tuning Set	Travel Proportional Gain	Travel Velocity Gain	Travel Minor Loop Feedback Gain
C	4.4	3.0	35
D	4.8	3.0	35
E	5.5	3.0	35
F	6.2	3.1	35
G	7.2	3.6	34
H	8.4	4.2	31
I	9.7	4.8	27
J	11.3	5.6	23
K	13.1	6.0	18
L	15.5	6.0	12
M	18.0	6.0	12
X (Expert)	User Adjusted	User Adjusted	User Adjusted



Note

Use Expert tuning if standard tuning has not achieved the desired results.

Stabilize/Optimize may be used to achieve the desired results more rapidly than Expert tuning.

Table 3-2 provides tuning set selection guidelines for Fisher and Baumann actuators. These tuning sets are recommended starting points. After you finish setting up and calibrating the instrument, you may have to select either a higher or lower tuning set to get the desired response.

For an actuator not listed in table 3-2, you can estimate a starting tuning set by calculating the casing or cylinder volume. Then, find an actuator in table 3-2 with the closest equivalent volume and use the tuning set suggested for that actuator.

- Travel Proportional Gain

Travel Proportional Gain (SERVO_GAIN [18]) is the proportional gain for the travel control tuning set. Changing this parameter will also change the tuning set to Expert.

- Travel Velocity Gain

Travel Velocity Gain (SERVO_RATE [20]) is the velocity gain for the travel control tuning set. Changing this parameter will also change the tuning set to Expert.

- Travel MLFB Gain

Travel MLFB Gain (TVL_MLFB_GAIN [44.5]) is the minor loop feedback gain for the travel control tuning set. Changing this parameter will also change the tuning set to Expert.

- **Travel Integral Enable**

Travel Integral Enable (TVL_INTEG_ENABLE [44.1]) is used to enable the integral setting to improve static performance by correcting for error that exists between the travel target and actual travel.

- **Travel Integral Gain**

Travel Integral Gain (SERVO_RESET [19]) (also called reset) is the ratio of the change in output to the change in input, based on the control action in which the output is proportional to the time integral of the input.

- **Travel Integral Dead Zone**

Travel Integral Dead Zone (TVL_INTEG_DEADZ [44.4]) is a window around the Primary Setpoint in which the integral action is disabled. The dead band is configurable from 0 to 2%.

- **Travel Integral Limit Hi**

Travel Integral Limit Hi (TVL_INTEG_LIM_HI [44.2]) provides an upper limit to the integrator output. The high limit is configurable from 0 to 100% of the I/P drive signal.

- **Travel Integral Limit Lo**

The Travel Integral Limit Lo (TVL_INTEG_LIM_LO [44.3]) provides a lower limit to the integrator output. The low limit is configurable from -100 to 0% of the I/P drive signal.

- **Performance Tuner**



WARNING

During the performance tuning the valve may move. To avoid personal injury and property damage caused by the release of pressure or process fluid, provide some temporary means of control for the process.

Performance Tuner is used to optimize digital valve controller tuning. It will move the valve slightly and monitor the effects of small tuning changes until an optimum control response is achieved. Because the

Performance Tuner can detect internal instabilities before they become apparent in the travel response, it can generally optimize tuning more effectively than manual tuning.

- **Stabilize/Optimize**



WARNING

During Stabilize/Optimize the valve may move. To avoid personal injury and property damage caused by the release of pressure or process fluid, provide some temporary means of control for the process.

4

If after completing initial setup and calibration the valve cycles or overshoots, or is sluggish, you can improve operation running Stabilize/Optimize.

Stabilize/Optimize is included with the device description (DD) firmware. Stabilize/Optimize is accessible from the transducer block and permits changing the transducer block set point a small amount to see if the valve is unstable or unresponsive. If valve response is unsatisfactory, the method permits adjusting the digital valve controller tuning to improve response.

If the valve is unstable, select *Decrease Response* to stabilize valve operation. This selects the next lower tuning set (e.g., F to E). If the valve response is sluggish, select *Increase Response* to make the valve more responsive. This selects the next higher tuning set (e.g., F to G).

If after selecting *Decrease Response* or *Increase Response* the valve travel overshoot is excessive, *Increase Damping* or *Decrease Damping* can be used to select a damping value not represented in a predefined tuning set. Select *Decrease Damping* to select a damping value that allows more overshoot. Select *Increase Damping* to select a damping value that will decrease the overshoot.

When valve operation is satisfactory, select Exit. Before exiting, you are asked if you want to return the transducer block mode to Auto. Select Yes to change the transducer block mode to Auto. Select No to leave the transducer block in its current mode.

DVC6000f Digital Valve Controllers

Pressure Tuning

(TB > Configure/Setup > Detailed Setup > Response Control > Pressure Tuning)



WARNING

Changes to the tuning set may cause the valve/actuator assembly to stroke. To avoid personal injury or property damage caused by moving parts, keep hands, tools, and other objects away from the valve/actuator assembly.

4

- Pressure Tuning Set

There are twelve Pressure Tuning Sets (PRESS_TUNING_SET [42.11]) to choose from. Each tuning set provides a preselected value for the digital valve controller gain settings.

Tuning set B provides the slowest response and M provides the fastest response. Tuning set B is appropriate for controlling a pneumatic positioner. Table 4-9 lists the proportional gain, pressure integrator gain and minor loop feedback gain values for preselected tuning sets.



Note

When selecting a tuning set for a DVC6015, DVC6025 or DVC6035 remote mount unit, it may be necessary to reduce the tuning set, due to the effects of the long tubing between the digital valve controller and the actuator.

In addition, you can specify Expert tuning and individually set the pressure proportional gain, pressure integrator gain, and pressure minor loop feedback gain. Individually setting or changing any tuning parameter will automatically change the tuning set to X (expert).

Table 4-9. Gain Values for Preselected Pressure Tuning Sets

Tuning Set	Pressure Proportional Gain	Pressure Integrator Gain	Pressure Minor Loop Feedback Gain
B	0.5	0.3	35
C	2.2	0.1	35
D	2.4	0.1	35
E	2.8	0.1	35
F	3.1	0.1	35
G	3.6	0.1	34
H	4.2	0.1	31
I	4.8	0.1	27
J	5.6	0.1	23
K	6.6	0.1	18
L	7.8	0.1	12
M	9.0	0.1	12
X (Expert)	User Adjusted	User Adjusted	User Adjusted



Note

Use Expert tuning only if standard tuning has not achieved the desired results.

Stabilize/Optimize may be used to achieve the desired results more rapidly than Expert tuning.

- Pressure Proportional Gain

Pressure Proportional Gain (PRESS_PROP_GAIN [47.3]) is the proportional gain for the pressure control tuning set. Changing this parameter will also change the tuning set to Expert.

- Pressure MLFB Gain

Pressure MLFB Gain (PRESS_MLFB_GAIN [47.11]) is the minor loop feedback gain for the pressure control tuning set. Changing this parameter will also change the tuning set to Expert.

- Pressure Integral Gain

Pressure Integral Gain (PRESS_INTEG_GAIN [47.4]) (also called reset) is the ratio of the change in output to the change in input, based on the control action in which the output is proportional to the time integral of the input. Changing this parameter will also change the tuning set to Expert.

- Pressure Integral Dead Zone

Pressure Integral Dead Zone (PRESS_INTEG_DEADZ [47.6]) is a window around the Primary Setpoint in which the integral action is disabled. The dead band is configurable from 0 to 2%.

- **Pressure Integral Limit Hi**

Pressure Integral Limit Hi (PRESS_INTEG_HI_LIM [47.7]) provides an upper limit to the integrator output. The high limit is configurable from 0 to 100% of the I/P drive signal.

- **Pressure Integral Limit Lo**

Pressure Integral Limit Lo (PRESS_INTEG_LO_LIM [47.8]) provides a lower limit to the integrator output. The low limit is configurable from -100 to 0% of the I/P drive signal.

Travel Pressure Control

(TB > Configure/Setup > Detailed Setup > Response Control > Travel Pressure Control)

- **Travel/Pressure State**

Travel/Pressure State (TVL_PRESS.STATE [41.2]) indicates if the instrument is being used for travel control (position control) or as an I/P (pressure control)

- **Travel/Pressure Select**

- **Travel Deviation Pressure Fallback**

Travel Deviation Pressure Fallback occurs when the instrument detects that the travel sensor is outside of its normal range of operation or that a gross deviation exists between set point and actual travel. It switches to Pressure Control and no longer uses the travel sensor to position the valve.

- **Travel Cutoff Hi**

Travel Cutoff Hi (FINAL_VALUE_CUTOFF_HI [15]) defines the high cutoff point for the travel in percent (%) of pre-characterized setpoint. Above this cutoff, the travel target is set to 123.0% of the ranged travel. Travel Cutoff Hi is deactivated by setting it to 125.0%.

- **Travel Cutoff Lo**

Travel Cutoff Lo (FINAL_VALUE_CUTOFF_LO [16]) defines the low cutoff point for the travel in percent (%) of pre-characterized setpoint. Below this cutoff, the travel target is set to -23%. A Travel Cutoff Lo of 0.5% is recommended to help ensure maximum shutoff seat loading. Travel Cutoff Lo is deactivated by setting it to -25.0%

- **Pressure Cutoff Open**

Pressure Cutoff Open (PRESS_CUTOFF_HI [47.1]) defines the high cutoff point for the pressure in percent (%) of pre-characterized setpoint. Above this cutoff, the pressure target is set to 123.0%. A Pressure Cutoff Open of 99.5% is recommended to ensure valve goes fully open. Pressure Cutoff Hi is deactivated by setting it 125%.

- **Pressure Cutoff Closed**

Pressure Cutoff Closed (PRESS_CUTOFF_LO [47.2]) defines the low cutoff point for the pressure in percent (%) of pre-characterized setpoint. Below this cutoff, the pressure target is set to -23%. A Pressure Cutoff Closed of 0.5% is recommended to help ensure maximum shutoff seat loading. Pressure Cutoff Closed is deactivated by setting it to -25.0%

- **Pressure Range Hi**

Pressure Range Hi (PRESS_RANGE_HI [42.7]) is the high end of output pressure range. Enter the pressure that corresponds with 100% valve travel when Zero Power Condition is closed, or 0% valve travel when Zero Power Condition is open. This pressure *must be greater* than the Pressure Range Lo.

- **Pressure Range Lo**

Pressure Range Lo (PRESS_RANGE_LO [42.8]) is the low end of the output pressure range. Enter the pressure that corresponds to 0% valve travel when Zero Power Condition is closed, or 100% valve travel when Zero Power Condition is open. The pressure *must be less* than the Pressure Range Hi.

CAUTION

When using Pressure Fallback Manual Recovery or Pressure Fallback Auto Recovery, the valve travel has the potential of moving rapidly causing potential process instability when returning to Travel Control.



Note

Travel / Pressure Select must be set to Travel for double acting actuators.

Travel / Pressure Select (TVL_PRESS_SELECT [41.1]) determines if the instrument is setup for position or pressure control. Select Travel, Pressure, Travel with Pressure Fallback/Auto recovery or Travel with Pressure Fallback/Manual Recovery. If the travel sensor fails, and Travel with Pressure Fallback/Auto Recovery is selected, it will return to travel control when the travel sensor starts working again. Travel with Pressure Fallback/Manual recovery will stay in pressure control until Travel Pressure Select is changed to Travel or Travel with Pressure Fallback/Auto recovery. It is not necessary to enable the Travel Sensor Alert for Pressure Fallback to occur.

DVC6000f Digital Valve Controllers

Input Characterization

(TB > Configure/Setup > Detailed Setup > Response Control > Input Characterization)

Input Characterization (INPUT_CHAR [50]) defines the relationship between the travel target and the setpoint received from the output block. Travel target is the output from the characterization function.

Custom Characterization Table

(TB > Configure/Setup > Detailed Setup > Response Control > Custom Characterization Table)

4

You can select from the three fixed input characteristics shown in figure 4-1 or you can select a custom characteristic. Figure 4-1 shows the relationship between the travel target and travel set point for the fixed input characteristics.

You can specify 21 points on a custom characteristic curve. Each point defines a travel target, in % of ranged travel, for a corresponding set point, in % of ranged set point. Set point values range from -25.0% to 125%. Before modification, the custom characteristic is linear. You cannot modify the custom points if the Input Characterization (INPUT_CHAR [50]) is set to custom.

Outblock Selection

(TB > Configure/Setup > Detailed Setup > Response Control > Outblock Selection)

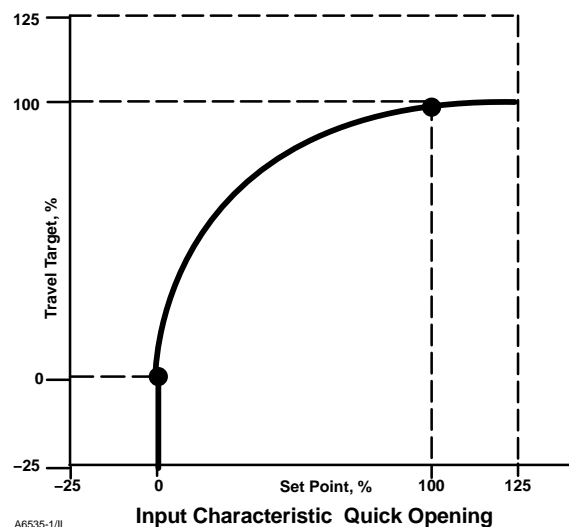
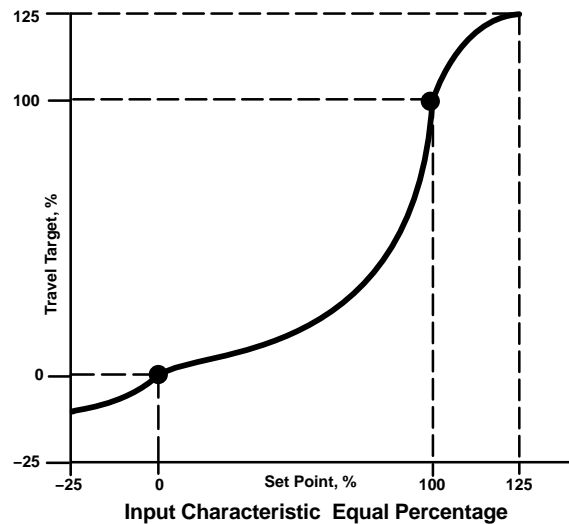
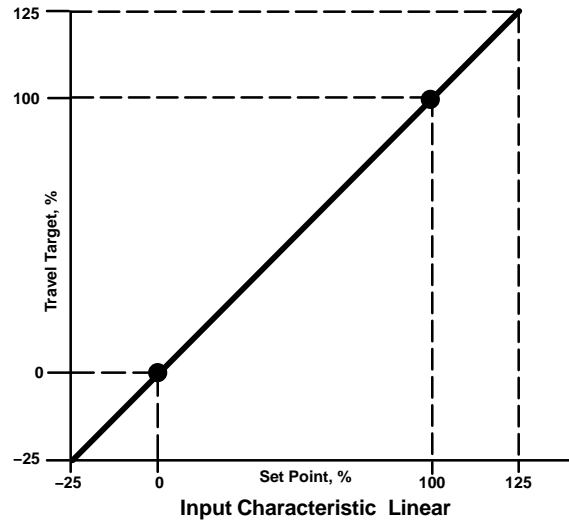
Outblock Selection (OUTBLOCK_SEL [96]) defines which output function block will control the setpoint of the valve. The output block that is not selected will shed its mode to reflect that it does not have control of the valve.

Alerts

The DVC6000f provides two levels of alerts; Instrument alerts and PlantWeb alerts.

Instrument Alert Conditions

Instrument Alert Conditions, when enabled, detect many operational and performance issues that may be of interest. To view these alerts, the user must open the appropriate status screen on a host such as DeltaV, ValveLink software or a Field Communicator.



A6535-1/IL

Figure 4-1. Travel Target Versus Ranged Set Point, for Various Input Characteristics (Zero Power Condition = Closed)

PlantWeb Alerts

Some instrument alert conditions can also be used to trigger PlantWeb alerts that will be reported in Failed, Maintenance or Advisory categories, as configured by the user. PlantWeb alerts, when enabled, can participate in the DeltaV alarm interface tools such as the alarm banner, alarm list and alarm summary.

When a PlantWeb alert occurs, the DVC6000f sends an event notification and waits a specified period of time for an acknowledgment to be received. This occurs even if the condition that caused the alert no longer exists. If the acknowledgment is not received within the pre-specified time-out period, the event notification is retransmitted. This reduces the possibility of alert messages getting lost.

PlantWeb alerts are mode-based. Refer to table C-1 for details.



Note

Additional details on setting up and using PlantWeb Alerts can be found in Appendix C of this manual.

Electronics Alerts

(TB > Configure/Setup > Detailed Setup > Alerts > Elect Alerts)

Drive Current

- **Drive Current**

Drive Current (DRIVE_CURRENT [54]) displays the measured Drive Current actually flowing through the I/P converter in percent of maximum drive.

- **Drive Current Alert**

This alert is active when the difference between the expected Drive Current and the actual Drive Current has exceeded the Drive Current Alert Time.

- **Drive Current Alert Enable**

When enabled Drive Current Alert Enable activates the Drive Current Alert.

- **Drive Current Shutdown**

The Shutdown Trigger (SHUTDOWN_TRIGGER [76.1]) permits enabling or disabling Self Test Shutdown for the Drive Current alert. When enabled, and the alert condition is present, the transducer Actual mode is placed Out of Service. The instrument will attempt to drive the valve to the Zero Power Condition and will no longer execute transducer control function.

- **Drive Current Manual Recovery**

Shutdown Recovery (SHUTDOWN_RECOVERY [76.2]) permits enabling or disabling Automatic recovery from Self Test Shutdown. When enabled, the transducer block will return to Target mode when Drive Current Shutdown clears. If not enabled, the transducer block will remain Out of Service until power is removed and restored or the user changes the transducer block target mode to Manual or Auto. In any case, the target mode will remain Out of Service, if the condition that caused the shutdown remains or until the shutdown trigger is disabled.

- **Drive Current Alert Point**

The Drive Current Alert Point (DRIVE_CURRENT_ALRT_PT [76.4]) is when the absolute difference between the Drive Current and Drive Signal exceeds the set threshold for greater than the Drive Current Alert Time.

- **Drive Current Alert Time**

The Drive Current Alert Time (DRIVE_CURRENT_TIME [76.5]) is the maximum time that the Drive Current Alert Point can be exceeded before the Drive Current Alert is active.

Drive Signal

- **Drive Signal**

The Drive Signal (DRIVE_SIGNAL [53]) displays the commanded Drive Signal being sent to the I/P converter as a percentage of the maximum drive.

DVC6000f Digital Valve Controllers

• Drive Signal Alert

The Drive Signal Alert is active if one of the following conditions exist:

Where Zero Power Condition is defined as closed:

Drive Signal < 10% and Calibrated Travel > 3%

Drive Signal > 90% and Calibrated Travel < 97%

Where Zero Power Condition is defined as open:

Drive Signal < 10% and Calibrated Travel < 97%

Drive Signal > 90% and Calibrated Travel > 3%

• Drive Signal Alert Enable

When enabled Drive Signal Alert Enable activates the Drive Signal Alert.

Processor Impaired

• Program Memory Alert

This alert is active if a pending Flash or NVM failure is present.

• Program Memory Alert Enable

When enabled Program Memory Alert Enable activates the Program Memory Alert.

• Program Memory Shutdown

The Shutdown Trigger (SHUTDOWN_TRIGGER [76.1]) permits enabling or disabling Self Test Shutdown. When enabled, and the Program Memory Alert is active, the transducer Actual mode is placed out of service. The instrument will attempt to drive the valve to the zero power condition and will no longer execute transducer control function.

• Program Memory Manual Recovery

Shutdown Recovery (SHUTDOWN_RECOVERY [76.2]) permits enabling or disabling Automatic recovery from Self Test Shutdown. When enabled, the transducer block will return to Target mode when the condition that caused Program Memory Shutdown clears. If not enabled, the transducer block will remain Out of Service until power is removed and restored or the user changes the transducer block target mode to Manual or Auto. In any case, the target mode will remain Out of Service, if the condition that caused the shutdown remains or until the shutdown trigger is disabled.

• Static Memory Alert

This alert is active if a failure occurs in the FRAM memory where the static parameters are stored.

• Static Memory Alert Enable

When enabled Static Memory Alert Enable activates the Static Memory Alert.

• Static Memory Shutdown

The Shutdown Trigger (SHUTDOWN_TRIGGER [76.1]) permits enabling or disabling Self Test Shutdown. When enabled, and the Static Memory Alert is active, the transducer Actual mode is placed out of service. The instrument will attempt to drive the valve to the zero power condition and will no longer execute transducer control function.

• Static Memory Manual Recovery

Shutdown Recovery (SHUTDOWN_RECOVERY [76.2]) permits enabling or disabling Automatic recovery from Self Test Shutdown. When enabled, the transducer block will return to Target mode when the condition that caused Static Memory Shutdown clears. If not enabled, the transducer block will remain Out of Service until power is removed and restored or the user changes the transducer block target mode to Manual or Auto. In any case, the target mode will remain Out of Service, if the condition that caused the shutdown remains or until the shutdown trigger is disabled.

• Processor Alert

This alert is active if a failure occurs in the main processor.

• Processor Alert Enable

When enabled Processor Alert Enable activates the Processor Alert.

• I/O Processor Alert

This alert is active if a failure occurs in the I/O processor.

• I/O Processor Shutdown

The Shutdown Trigger (SHUTDOWN_TRIGGER [76.1]) permits enabling or disabling Self Test Shutdown. When enabled, and the I/O Processor Alert is active, the transducer Actual mode is placed out of service. The instrument will attempt to drive the valve to the zero power condition and will no longer execute transducer control function.

• I/O Processor Man Recovery

Shutdown Recovery (SHUTDOWN_RECOVERY [76.2]) permits enabling or disabling Automatic recovery from Self Test Shutdown. When enabled, the transducer block will return to Target mode when the condition that caused I/O Processor Shutdown clears. If not enabled, the transducer block will remain Out of

Service until power is removed and restored or the user changes the transducer block target mode to Manual or Auto. In any case, the target mode will remain Out of Service, if the condition that caused the shutdown remains or until the shutdown trigger is disabled.

Configuration Alerts

(TB > Configure/Setup > Detailed Setup > Alerts > Configuration Alerts)

Output Block Timeout

- **Output Block Timeout Alert**

This alert is active if the analog or discrete output block has not executed for longer than the configured timeout.

- **Output Block Timeout Alert Enable**

When enabled Output Block Timeout Alert Enable activates the Output Block Timeout Alert.

- **Output Block Timeout Shutdown**

The Shutdown Trigger (SHUTDOWN_TRIGGER [76.1]) permits enabling or disabling Self Test Shutdown. When enabled, and the Output Block Timeout Alert is active, the transducer Actual mode is placed out of service. The instrument will attempt to drive the valve to the zero power condition and will no longer execute transducer control function.

- **Output Block Timeout Manual Recovery**

Shutdown Recovery (SHUTDOWN_RECOVERY [76.2]) permits enabling or disabling Manual recovery from Self Test Shutdown. When enabled, the transducer block will return to Target mode when the condition that caused Output Block Timeout Shutdown clears. If not enabled, the transducer block will remain Out of Service until power is removed and restored or the user changes the transducer block target mode to Manual or Auto. In any case, the target mode will remain Out of Service if the condition that caused the shutdown remains or until the shutdown trigger is disabled.

- **Output Block Timeout**

The Output Block Timeout (OUTPUT_BLK_TIMEOUT [76.3]) is the maximum time between updates from the AO or DO block to the transducer block setpoint.

Blocks Set to Default

- **Blocks Set to Defaults Alert**

This alert is active if the resource block has undergone Restart with Defaults. This will stay active until the transducer block is changed from Out of Service.

- **Blocks Set to Defaults Alert Enable**

When enabled Blocks Set to Defaults Alert Enable activates the Blocks Set to Default Alert.

Alert Key

The Alert Key (ALERT_KEY [4]) is the identification number of the plant unit. Devices in a loop or plant section can be assigned with a common alert key to aid the operator in determining location of alerts.

Sensor Alerts

(TB > Configure/Setup > Detailed Setup > Alerts > Sensor Alerts)

Travel Sensor

- **Travel Sensor Alert**

This alert is active if the Travel Sensor reading is outside the functional range.

- **Travel Sensor Alert Enable**

When enabled Travel Sensor Alert Enable activates the Travel Sensor Alert.

- **Travel Sensor Shutdown**

The Shutdown Trigger (SHUTDOWN_TRIGGER [76.1]) permits enabling or disabling Self Test Shutdown. When enabled, and the Travel Sensor alert is active, the transducer Actual mode is placed out of service. The instrument will attempt to drive the valve to the zero power condition and will no longer execute transducer control function.

- **Travel Sensor Manual Recovery**

Shutdown Recovery (SHUTDOWN_RECOVERY [76.2]) permits enabling or disabling Manual recovery from Self Test Shutdown. When not enabled, the transducer block will return to Target mode when Travel Sensor Shutdown clears. If enabled, the transducer block will remain Out of Service until power is removed and restored or the user changes the transducer block target mode to Manual or Auto. In any case, the target mode will remain Out of Service,

DVC6000f Digital Valve Controllers

if the condition that caused the shutdown remains or until the shutdown trigger is disabled.

Pressure Sensors

- **Pressure A Sensor Alert**

This alert is active if the Port A Pressure Sensor reading is outside the functional range.

- **Pressure A Sensor Alert Enable**

When enabled Pressure A Sensor Alert Enable activates the Pressure A Sensor Alert.

- **Pressure A Sensor Shutdown**

The Shutdown Trigger (SHUTDOWN_TRIGGER [76.1]) permits enabling or disabling Self Test Shutdown. When enabled, and the Port A Pressure Sensor Alert is active, the transducer Actual mode is placed out of service. The instrument will attempt to drive the valve to the zero power condition and will no longer execute transducer control function.

- **Pressure A Sensor Manual Recovery**

Shutdown Recovery (SHUTDOWN_RECOVERY [76.2]) permits enabling or disabling Manual recovery from Self Test Shutdown. When not enabled, the transducer block will return to Target mode when Pressure A Sensor Shutdown clears. If enabled, the transducer block will remain Out of Service until power is removed and restored or the user changes the transducer block target mode to Manual or Auto. In any case, the target mode will remain Out of Service, if the condition that caused the shutdown remains or until the shutdown trigger is disabled.

- **Pressure B Sensor Alert**

This alert is active if the Port B Pressure Sensor reading is outside the functional range.

- **Pressure B Sensor Alert Enable**

When enabled Pressure B Sensor Alert Enable activates Pressure B Sensor Alert.

- **Supply Pressure Sensor Alert**

This alert is active if the Supply Pressure Sensor reading is outside the functional range.

- **Supply Pressure Sensor Alert Enable**

When enabled Supply Pressure Sensor Alert Enable activates the Supply Pressure Sensor Alert.

Pressure Fallback

- **Pressure Fallback Alert**

This alert is active if a travel sensor failure or a gross travel deviation has resulted in fallback to pressure control.

- **Pressure Fallback Alert Enable**

When enabled Pressure Fallback Alert Enable activates the Pressure Fallback Alert.

Temperature Sensor

- **Temperature Sensor Alert**

This alert is active if the Temperature Sensor reading is outside the functional range.

- **Temperature Sensor Alert Enable**

When enabled Temperature Sensor Alert Enable activates the Temperature Sensor Alert.

Environment Alerts

(TB > Configure/Setup > Detailed Setup > Alerts > Environment Alerts)

Supply Pressure

- **Supply**

Supply (SUPPLY_PRESSURE.VALUE [35.2]) displays the instrument supply pressure in kPa, bar, or psi.

- **Supply Pressure Hi Alert**

This alert is active when the supply pressure exceeds the Supply Pressure Hi Alert Point.

- **Supply Pressure Hi Alert Enable**

When enabled Supply Pressure Hi Alert Enable activates Supply Pressure Hi Alert.

- **Supply Pressure Hi Alert Point**

The Supply Pressure Hi Alert is active when supply pressure exceeds the Supply Pressure Hi Alert Point (SUP_PRES_HI_ALERT_PT [76.8]).

- **Supply Pressure Lo Alert**

This alert is active when the supply pressure is lower than the Supply Pressure Lo Alert Point.

- **Supply Pressure Lo Alert Enable**

When enabled Supply Pressure Lo Alert Enable activates Supply Pressure Lo Alert.

- **Supply Pressure Lo Alert Point**

Supply Pressure Lo Alert Point (SUP_PRES_LO_ALRT_PT [76.9]). When the supply pressure falls below the supply pressure alert point, the supply pressure alert is active. To disable the supply pressure alert, set Supply Pressure Alert Point to zero.

Temperature Limit

- **Temperature**

Degrees Fahrenheit or Celsius. The temperature (TEMPERATURE [48]) is measured from a sensor mounted on the digital valve controller's printed wiring board.

- **Temperature Hi Alert**

This alert is active if the temperature is greater than the Temperature Hi Alert Point.

- **Temperature Hi Alert Enable**

When enabled Temperature Hi Alert Enable activates the Temperature Hi Alert.

- **Temperature Hi Alert Point**

The Temperature Hi Alert is active when the instrument temperature exceeds the Temperature Hi Alert Point (TEMP_HI_ALRT_PT [76.6]).

- **Temperature Lo Alert**

This alert is active if the temperature is lower than the Temperature Lo Alert Point.

- **Temperature Lo Alert Enable**

When enabled Temperature Lo Alert Enable activates the Temperature Lo Alert.

- **Temperature Lo Alert Point**

The Temperature Lo Alert is active when the instrument temperature is lower than the Temperature Lo Alert Point (TEMP_LO_ALRT_PT [76.7]).

Travel Alerts

(TB > Configure/Setup > Detailed Setup > Alerts > Travel Alerts)



Note

The alerts contained in this section are valid for both travel and pressure control.

Travel Target

Travel target is the output from the characterization function.

Travel

Travel (TRAVEL.VALUE [34.2]) displays the actual position of the valve in percent (%) of calibrated travel.

Travel Deviation

- **Travel Deviation**

Travel Deviation (TRAVEL_DEVIATION [52]) displays the absolute difference in percent between Travel Target and Actual Travel.

- **Travel Deviation Alert**

This alert is active if the Travel deviation exceeds the Travel Deviation Alert Point by more than the Travel Deviation Time.

- **Travel Deviation Alert Enable**

When enabled Travel Deviation Alert Enable activates the Travel Deviation Alert.

- **Travel Deviation Alert Point**

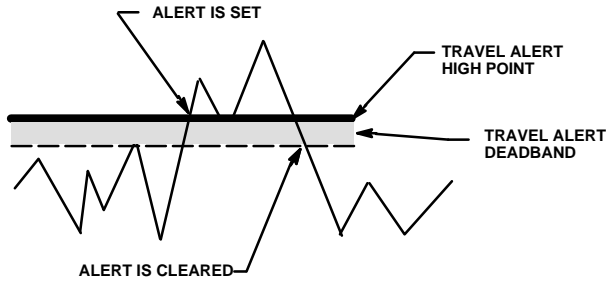
The Travel Deviation Alert Point (TVL_DEV_ALRT_PT [77.1]) is the alert point for the difference, expressed in percent (%), between the travel target and the actual travel. When the difference exceeds the alert point for more than the Travel Deviation Time, the Travel Deviation Alert is set.

- **Travel Deviation Time**

Travel Deviation Time (TVL_DEV_TIME [77.2]) is the time, in seconds, that the travel deviation must exceed the Travel Deviation Alert Point before the alert is set.

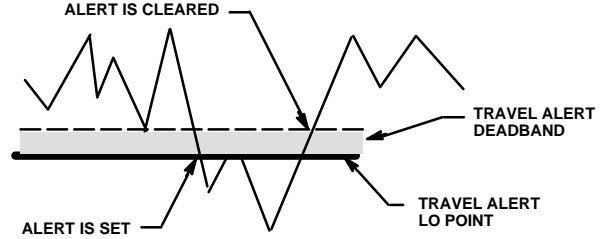
- **Travel Deviation Deadband**

Travel Deviation Deadband (TVL_DEV_DB [77.3]) is the travel in percent threshold (%) of ranged travel required to clear a Travel Deviation alert, once it has been set. See figure 4-2.



A6532/JL

Figure 4-2. Travel Hi Alert Deadband



A6532-1/JL

Figure 4-3. Travel Lo Alert Deadband

4

Travel Limit

- **Travel Hi Hi Alert**

This alert is active if the Travel exceeds the Travel Hi Hi Alert point.

- **Travel Hi Hi Alert Enable**

When enabled Travel Hi Hi Alert Enable activates the Travel Hi Hi Alert.

- **Travel Hi Hi Alert Point**

Travel Hi Hi Alert Point (TVL_HI_HI_ALRT_PT [77.18]) is the value of the travel, in percent (%) of ranged travel, which, when exceeded, sets the Travel Alert Hi Hi alert.

- **Travel Hi Hi Deadband**

Travel Hi Hi Deadband (TVL_HI_HI_DB [77.19]) is the travel, in percent (%) of ranged travel, required to clear a Travel Hi Hi alert, once it has been set. See figure 4-2.

- **Travel Lo Lo Alert**

This alert is active if the Travel is lower than the Travel Lo Lo Alert point.

- **Travel Lo Lo Alert Enable**

When enabled Travel Lo Lo Alert Enable activates the Travel Lo Lo Alert.

- **Travel Lo Lo Alert Point**

The Travel Lo Lo alert is set when the value of the travel, in percent (%) of ranged travel, goes below the Travel Lo Lo Alert Point (TVL_LO_LO_ALRT_PT [77.12]).

- **Travel Lo Lo Deadband**

Travel Lo Lo Deadband (TVL_LO_LO_DB [77.13]) is the travel, in percent (%) of ranged travel, required to clear a Travel Lo Lo alert once it has been set. See figure 4-3.

Travel Hi/Lo

- **Travel Hi Alert**

This alert is active if the Travel exceeds the Travel Hi Alert point.

- **Travel Hi Alert Enable**

When enabled Travel Hi Alert Enable activates the Travel Hi Alert.

- **Travel Hi Alert Point**

Travel Hi Alert is set if the ranged travel rises above the Travel Hi Alert Point (TVL_HI_ALRT_PT [77.16]). Once the alert is set, the ranged travel must fall below the alert high point set by the Travel Hi Deadband before the alert is cleared. See figure 4-2.

- **Travel Hi Deadband**

Travel Hi Deadband (TVL_HI_DB [77.17]) is the travel, in percent (%) of ranged travel, required to clear a Travel Hi Alert, once it has been set. See figure 4-2.

- **Travel Lo Alert**

This alert is active if the Travel is lower than the Travel Lo Alert point.

- **Travel Lo Alert Enable**

When enabled Travel Lo Alert Enable activates the Travel Lo alert.

- **Travel Lo Alert Point**

The Travel Alert Lo alert is set when the value of the travel, in percent (%) of ranged travel, goes below the Travel Lo Alert Point (TVL_LO_ALRT_PT [77.14]).

- **Travel Lo Deadband**

Travel Lo Deadband (TVL_LO_DB [77.15]) is the travel, in percent (%) of ranged travel, required to clear a travel lo alert, once it has been set. See figure 4-3.

Proximity Alerts

(TB > Configure/Setup > Detailed Setup > Alerts > Prox Alerts)



Note

See page 4-164 for additional details on using Proximity detection.

Travel

Travel displays the actual position of the valve in percent (%) of calibrated travel.

Travel Open

- **Travel Open Alert**

This alert is active if the Travel is greater than the Travel Open Alert Point.

- **Travel Open Alert Enable**

When enabled Travel Open Alert Enable activates the Travel Open Alert.

- **Travel Open Alert Point**

Travel Open Alert Point (TVL_OPEN_ALRT_PT [77.8]) is the value of the travel in percent (%) or ranged travel, which, when exceeded, sets the Travel Open Alert.

- **Travel Open Deadband**

Travel Open Deadband (TVL_OPEN_DB [77.9]) is the travel in percent (%) of ranged travel required to clear a Travel Open alert, once it has been set.

Travel Closed

This alert is active if the Travel is lower than the Travel Closed Alert Point.

- **Travel Closed Alert**

This alert is active is the Travel goes below the Travel Closed Alert Point.

- **Travel Closed Alert Enable**

When enabled Travel Closed Alert Enable activates the Travel Closed Alert.

- **Travel Closed Alert Point**

The Travel Closed Alert is set when the value of the travel, in percent (%) of ranged travel, goes below the Travel Closed Alert Point (TVL_CLOSED_ALRT_PT [77.10]).

- **Travel Closed Deadband**

Travel Closed Deadband (TVL_CLOSED_DB [77.11]) is the travel in percent (%) of ranged travel required to clear a Travel Closed alert, once it has been set.

Proximity

- **Proximity Hi Hi Alert**

This alert is active if the Travel is within the detection band set by the Travel Hi Hi Alert Point and the Travel Hi Hi Deadband.

- **Proximity Hi Hi Alert Enable**

When enabled Proximity Hi Hi Alert Enable activates the Proximity Hi Hi Alert.

- **Proximity Hi Alert**

This alert is active if the Travel is within the detection band set by the Travel Hi Alert Point and the Travel Hi Deadband.

- **Proximity Hi Alert Enable**

When enabled Proximity Hi Alert Enable activates the Proximity Hi Alert.

- **Proximity Lo Alert**

This alert is active if the Travel is within the detection band set by the Travel Lo Alert Point and the Travel Lo Deadband.

- **Proximity Lo Alert Enable**

When enabled Proximity Lo Alert Enable activates the Proximity Lo Alert.

- **Proximity Lo Lo Alert**

This alert is active if the Travel is within the detection band set by the Travel Lo Lo Alert Point and the Travel Lo Lo Deadband.

- **Proximity Lo Lo Alert Enable**

When enabled Proximity Lo Lo Alert Enable activates the Proximity Lo Lo Alert.

Travel History Alerts

(TB > Configure/Setup > Detailed Setup > Alerts > Travel History Alerts)

Cycle Counter

- **Cycle Counter**

The Cycle Counter (CYCLE_COUNT [73]) records the number of times the travel changes direction. The change in direction must occur after the deadband has been exceeded before it can be counted as a cycle.

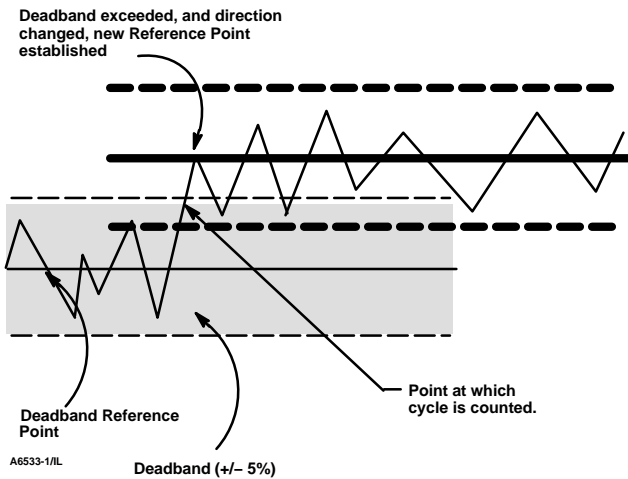


Figure 4-4. Cycle Counter Deadband (set at 10%)

See figure 4-4. You can reset the Cycle Counter by configuring it as zero.

- **Cycle Counter Alert**

This alert is active if the Cycle Counter exceeds the Cycle Counter Alert Point. It is cleared after you reset the Cycle Counter to a value less than the alert point.

- **Cycle Counter Alert Enable**

When enabled Cycle Counter Alert Enable activates checking of the difference between the Cycle Counter and the Cycle Counter Alert point.

- **Cycle Counter Alert Point**

Cycle Counter Alert Point (CYCLE_COUNT_ALRT_PT [77.6]) is the value of the Cycle Counter, in cycles, which, when exceeded, sets the Cycle Counter Alert.

- **Cycle Counter Deadband**

Cycle Counter Deadband (CYCLE_COUNT_DB [77.7]) is the area around the travel reference point, in percent (%) of ranged travel, that was established at the last increment of the Cycle Counter. This area must be exceeded before a change in travel direction can be counted as a cycle. See figure 4-4.

Travel Accumulator

- **Travel Accumulator**

Travel Accumulator (TRAVEL_ACCUM [72]) records the total change in travel, in percent (%) of ranged travel, since the accumulator was last cleared. The value of the Travel Accumulator increments when the magnitude of the change exceeds the Travel

Accumulator Dead-band. See figure 4-5. You can reset the Travel Accumulator by configuring it to zero.

- **Travel Accumulator Alert**

This alert is active if the Travel Accumulator exceeds the Travel Accumulator Alert Point. The Travel Accumulator Alert is set when the Travel Accumulator value exceeds the Travel Accumulator Alert Point. It is cleared after you reset the Travel Accumulation to a value less than the alert point.

- **Travel Accumulator Alert Enable**

When enabled Travel Accumulator Alert Enable activates checking of the difference between the Travel Accumulator value and the Travel Accumulator Alert Point.

- **Travel Accumulator Alert Point**

Travel Accumulator Alert Point (TVL_ACCUM_ALRT_PT [77.4]) is the value of the Travel Accumulator, in percent (%) of ranged travel, which, when exceeded, sets the Travel Accumulator Alert.

- **Travel Accumulator Deadband**

Travel Accumulator Deadband (TVL_ACCUM_DB [77.5]) is the area around the travel reference point, in percent (%) of ranged travel, that was established at the last increment of the accumulator. This area must be exceeded before a change in travel can be accumulated. See figure 4-5.

Performance Alerts

(TB > Configure/Setup > Detailed Setup > Alerts > Performance Alerts)



Note

Performance Alerts are only available with a PD tier instrument. Additionally, for the PD alerts to function properly:

- The transducer block mode must not be out of service.
- The travel/pressure control state must be in travel control mode, and
- Bench Set Hi, Bench Set Lo, and Nominal Supply Pressure must be set in the Spec Sheets, then enable the Performance Information instrument alert (PERF_ENABLE [75.7]).

PD Inside Status

PD Inside Status shows the status of Performance Diagnostics.

PD Run

PD Run enables or disables Performance Diagnostics in the instrument (PD Inside). Selecting PD Off disables PD Inside. Selecting PD On enables PD Inside.

Performance Critical

- **Performance Critical Alert**

This alert is active if the instrument is no longer able to control the valve or performance has been dramatically reduced.

- **Performance Critical Alert Enable**

When enabled Performance Critical Alert Enable activates the Performance Critical Alert.

Performance Reduced

- **Performance Reduced Alert**

This alert is active if the instrument has detected a reduction in performance.

- **Performance Reduced Alert Enable**

When enabled Performance Reduced Alert Enable activates the Performance Reduced Alert.

Performance Information

- **Performance Information Alert**

This alert is active if the instrument has detected a condition that may pertain to control performance.

- **Performance Information Alert Enable**

When enabled Performance Information Alert Enable activates the Performance Information Alert.

PlantWeb Alert Enable

(TB > Configure/Setup > Detailed Setup > Alerts > PlantWeb Alert Enable)

- **Failed Enable**

Failed Enable (FAILED_ENABLE [62]) enables or disables conditions that can cause a failed alert. A failed alert indicates a failure within the device that will make the device or some part of the device non-operational. Table C-2 lists the available PlantWeb alerts.

- **Maintenance Enable**

Maintenance Enable (MAINT_ENABLE [63]) enables or disables conditions that can cause a maintenance alert. A maintenance alert indicates the device or some part of the device needs maintenance soon. Table C-2 lists the available PlantWeb alerts.

- **Advise Enable**

Advise Enable (ADVISE_ENABLE [64]) enables or disables conditions that can cause an advisory alert. An advisory alert indicates informative conditions that do not have a direct impact on the device's primary functions. Table C-2 lists the available PlantWeb alerts.

PlantWeb Alert Reporting

(TB > Configure/Setup > Detailed Setup > Alerts > PlantWeb Alert Reporting)

- **Failed Suppress**

Failed Suppress (FAILED_MASK [65]) determines which of the failed alert conditions are suppressed so that they are not reported. Even if reporting is suppressed, the bit in Failed Active (FAILED_ACTIVE [59]) is still set.

- **Maintenance Suppress**

Maintenance Suppress (MAINT_MASK [66]) determines which of the maintenance alert conditions are suppressed so that they are not reported. Even if reporting is suppressed, the bit in Maintenance Active (MAINT_ACTIVE [60]) is still set.

- **Advise Suppress**

Advise Suppress (ADVISE_MASK [67]) determines which of the advise alert conditions are suppressed so that they are not reported. Even if reporting is suppressed, the bit in Advise Active (ADVISE_ACTIVE [61]) is still set.

Instrument

(TB > Configure/Setup > Detailed Setup > Instrument)

- **Tag Description**

The Tag Description (TAG_DESC [2]) is a 32 character description used to assign a unique description to each block within the digital valve controller to describe the intended application for the block.

- **Pressure Units**

Define the output and supply pressure units (PRESSURE_UNITS [90]) in either psi, bar, or kPa.

DVC6000f Digital Valve Controllers

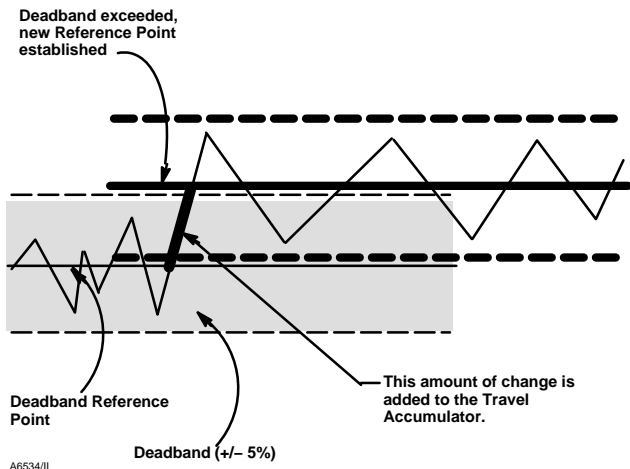


Figure 4-5. Travel Accumulator Deadband (set at 10%)

• Temperature Units

Enter the temperature units (TEMPERATURE_UNITS [89]) in degrees Fahrenheit or Celsius. The temperature is measured from a sensor mounted on the digital valve controller's printed wiring board.

• Travel Units

Define the units for valve travel (TVL_UNITS [91]) in inches, centimeters, millimeters or degrees.

• Length Units

Define the units for valve dimensions (LENGTH_UNITS [92]) in inches, centimeters, or millimeters.

• Area Units

Define the units for actuator area (AREA_UNITS [93]) in inches², centimeter² or millimeter².

• Spring Rate Units

Define the units for actuator spring rate (SPRING_RATE_UNITS [94]) in lbs/in² or N/M.

• Relay Type

Enter the Relay Type (RELAY_TYPE [42.5]). There are three categories of relays that result in combinations from which to select.

Relay Type: The relay type is printed on the label affixed to the relay body:

A = double-acting or single acting

B = single-acting, reverse

C = single-acting, direct

Special App: This is used in single-acting applications where the "unused" output port is configured to read the pressure downstream of a solenoid valve. See page 2-21 for additional

information.

Lo Bleed: The label affixed to the relay body indicates it is a low bleed version.

• Zero Power Condition

Zero Power Condition (ZERO_PWR_COND [42.2]) identifies whether the valve is open or closed when instrument power is lost. If you are unsure how to set this parameter, disconnect the segment loop power to the instrument. The resulting valve travel is the Zero Power Condition.

• Maximum Supply Pressure

Enter the maximum supply pressure (MAX_SUPP_PRESS [42.6]) in psi, bar, or kPa, depending on what was selected for pressure units.

• Calibration Person

Name of the person performing last calibration (XD_CAL_WHO [31]).

• Calibration Location

Indicates the location of the last instrument calibration (XD_CAL_LOC [29]).

• Calibration Date

Enter a date with the format MM/DD/YY. Date is a user-defined variable that provides a place to save the date of the last calibration (XD_CAL_DATE [30]).

• Last Calibration Type

Indicates the type of the last calibration performed on the instrument. Possible values are: Not Calibrated, Single Point Calibration, Auto Calibration, Manual Calibration.

Valve and Actuator

(TB > Configure/Setup > Detailed Setup > Valve and Actuator)

Valve

• Valve Manufacturer

Enter the identification number of the manufacturer of the valve (VALVE_MAN_ID [25]) on which the instrument is mounted. Select from the drop-down list or enter the manufacturer's identification number as defined by the Fieldbus Foundation. For Fisher, the manufacturer ID hex value is 005100.

• Valve Model Number

Enter the valve model number (VALVE_MODEL_NUM [26]), (design letter or type number) for the valve on which the instrument is mounted.

- **Valve Serial Number**

Enter the serial number of the valve (VALVE_SN [27]) on which the instrument is mounted.

- **Valve Style**

Enter the type of valve (VALVE_TYPE [28]), sliding-stem or rotary, on which the instrument is mounted.

- **Valve Size**

Enter the size of the valve (VALVE_SIZE [83.1]) on which the instrument is mounted.

- **Valve Class**

Enter the valve pressure class rating (VALVE_CLASS [83.2]).

- **Rated Travel**

Enter the valve rated travel (RATEDTRAVEL [83.3]) in inches or mm for sliding stem valves, or in degrees of rotation for rotary valves.

- **Actual Travel**

Enter the actual travel (ACTUAL_TRAVEL [83.4]) in inches or mm for sliding stem valves, or in degrees of rotation for rotary valves.

- **Shaft Stem Diameter**

Enter the valve stem diameter (SHAFT_STEM_DIA [83.5]) in inches or millimeters.

- **Packing Type**

Enter the valve packing construction (PACKING_TYPE [83.6]).

- **Inlet Pressure**

Enter the valve inlet pressure (INLET_PRESSURE [83.7]).

- **Outlet Pressure**

Enter the valve outlet pressure (OUTLET_PRESSURE [83.8]) in psig, kPa, Bar, inHg, inH₂O, or kg/cm².

Trim

- **Seat Type**

Enter the valve seat type (SEAT_TYPE [84.1]).

- **Leak Class**

Enter the valve leak class (LEAK_CLASS [84.2]).

- **Port Diameter**

Enter the valve port diameter (PORT_DIAMETER [84.3]) in inches or mm.

- **Port Type**

Enter the valve port type (PORT_TYPE [84.4]).

- **Flow Direction**

Enter the flow direction (FLOWDIRECTION [84.5]) through the valve.

- **Push Down To**

Enter the effect on valve movement when the stem is moved down (PUSH_DOWN_TO [84.6]).

- **Flow Tends To**

Enter the effect on valve travel with increasing flow (FLOW_TENDS_TO [84.7]).

- **Unbalanced Area**

Enter the valve unbalanced area (UNBALANCED_AREA [84.8]) in in² or mm².

Actuator

- **Actuator Manufacturer**

Enter the manufacturer's identification number (ACT_MAN_ID [22]) of the actuator on which the instrument is mounted. Select from the drop-down list or enter the manufacturer's identification number as defined by the Fieldbus Foundation. For Fisher, the manufacturer ID hex value is 005100.

DVC6000f Digital Valve Controllers

4

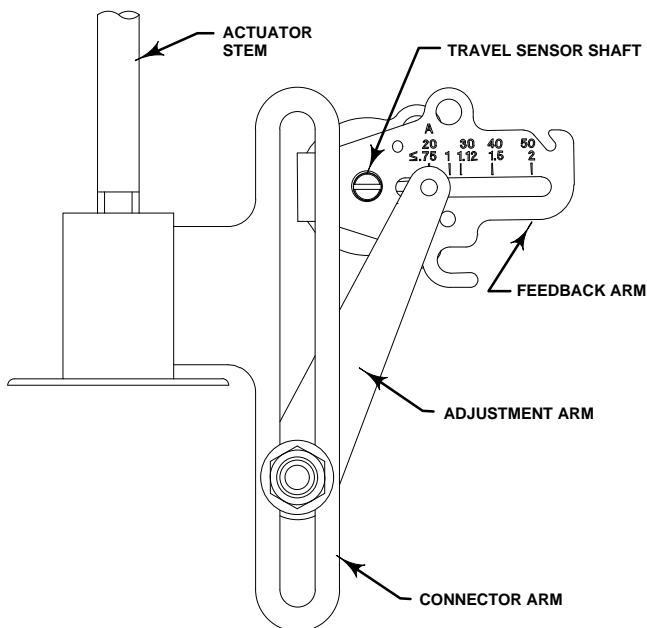


Figure 4-6. Feedback Connection for Typical Sliding-Stem Actuator (Up to 4 inch Travel)

- **Actuator Model Number**

Enter the type number for the actuator (ACT_MODEL_NUM [23]) on which the instrument is mounted.

- **Actuator Style**

Select the Actuator Style (ACTUATOR_STYLE [42.1]), spring & diaphragm, piston double-acting without spring, piston single-acting with spring, or piston double-acting with spring.

- **Actuator Serial Number**

Enter the serial number (ACT_SN [24]) for the actuator on which the instrument is mounted.

- **Actuator Size**

Enter the size of the actuator (ACTUATOR_SIZE [85.1]) on which the instrument is mounted.

- **Actuator Fail Action**

Sets actuator action to be performed upon loss of actuator air pressure (ACT_FAIL_ACTION [21]).

- **Feedback Connection**

Select the Feedback Connection (FEEDBACK_CONN [42.4]), RShaft Pot, SStem Roller Pot, or SStem Pot. For rotary valves, enter RShaft Pot. For sliding-stem valves, if the feedback linkage consists of a connector arm, adjustment arm, and feedback arm, similar to the

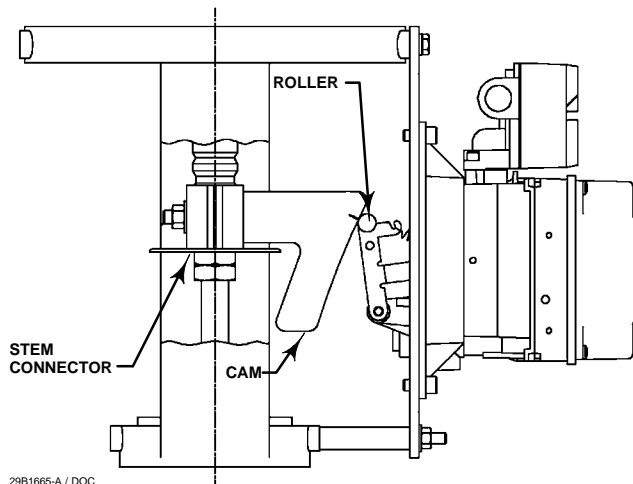


Figure 4-7. Feedback Connection for Typical Long-Stroke Sliding-Stem Actuator (4 to 24 Inches Travel)

linkage shown in figure 4-6, enter SStem Pot. If the feedback linkage consists of a roller that follows a cam, similar to the linkage shown in figure 4-7, enter SStem Roller Pot.

- **Travel Sensor Motion**



Note

The Travel Sensor Motion is set automatically by Device Setup, or during the Auto Calibration procedure.

Select Clockwise or Counterclockwise. Travel Sensor Motion (TRAVEL_SEN_MOTION [42.3]) establishes the proper valve travel sensor (feedback) rotation.

WARNING

If you answer YES to the prompt for permission to move the valve when setting the Travel Sensor Motion, the instrument will move the valve through its full travel range. To avoid personal injury and property damage caused by the release of pressure or process fluid, provide some temporary means of control for the process.

Determine the rotation by viewing the end of the travel sensor shaft.

For instruments with relay A or C If increasing air pressure at output A causes the shaft to turn clockwise, enter Clockwise. If it causes the shaft to turn counterclockwise, enter Counterclockwise.

For instruments with relay B If decreasing air pressure at output B causes the shaft to turn clockwise, enter Clockwise. If it causes the shaft to turn counterclockwise, enter Counterclockwise.

- **Lever Style**

Enter the lever style (LEVER_STYLE [85.10]) for rotary actuators as either Pivot Point or Rack and Pinion.

- **Lever Arm Length**

Defines the lever arm length (MOMENT_ARM [85.11]) for rotary actuators.

- **Effective Area**

Enter the actuator effective area (EFFECTIVE_AREA [85.2]) in in², cm², or mm².

- **Air**

Select Opens or Closes, indicating the effect of increasing air pressure (AIR [85.3]) on the valve travel.

- **Upper Bench Set**

Enter the upper actuator operating pressure (UPPER_BENCH_SET [85.5]).

- **Lower Bench Set**

Enter the lower actuator operating pressure (LOWER_BENCH SET [85.4]).

- **Nominal Supply Pressure**

Enter the nominal instrument supply pressure (NOMINAL_SUPPLY PRESSURE [85.6]).

- **Spring Rate**

Enter the actuator spring rate (SPRING_RATE [85.7]) in lbs•in or N•m.

Reference

- **Trim Style 1**

Enter the valve trim style (TRIM_STYLE_1 [84.9]).

- **Trim Style 2**

Enter the valve trim style (TRIM_STYLE_2 [84.10]).

- **Stroking Time Open**

Enter the time required to stroke the valve from closed to open (STROKING_TIME_OPEN [85.8]).

- **Stroking Time Close**

Enter the time required to stroke the valve from open to close (STROKING_TIME_CLOSE [85.9]).

4

MAI Channel Map

(TB > Configure/Setup > Detailed Setup > MAI Channel Map)

Allows the user to specify which transducer block parameter is available through each of the MAI Block channels (MAI_CHANNEL_1 through MAI_CHANNEL_8 [95.1 through 95.8]). Transducer block parameters available to each channel:

- 1 = FINAL_VALUE
- 2 = TRAVEL_TARGET
- 3 = FINAL_POSITION_VALUE
- 4 = TRAVEL
- 5 = SUPPLY_PRESS
- 6 = ACT_PRESS_A
- 7 = ACT_PRESS_B
- 8 = ACT_PRESS_DIFF
- 9 = DRIVE_SIGNAL
- 10 = TRAVEL_DEVIATION
- 11 = TEMPERATURE
- 12 = CYCLE_COUNT
- 13 = TRAVEL_ACCUM

DVC6000f Digital Valve Controllers

Table 4-10. Output Block PV Status

FEATURE_SEL PW Alarms Set PV Status	Transducer Mode, Actual	Active PlantWeb Alarms	AO / DO PV Status ⁽²⁾	AO / DO PV Substatus	AO/DO PV Limit Substatus ⁽¹⁾
Enabled	OOS	X	Bad	Device Failure	Constant
	Man	X	Bad	Non-specific	Constant
	Auto	Fail	Uncertain	Subnormal	See table 4-11
	Auto	Maintenance, no Fail	Uncertain	Non-specific	See table 4-11
	Auto	Advisory, no Fail, no Maintenance	Good	Advisory	See table 4-11
	Auto	None	Good	Non-Specific	See table 4-11
Not Enabled	OOS	X	Bad	Device Failure	Constant
	Man	X	Bad	Non-Specific	Constant
	Auto	Fail	Good	Non-Specific	See table 4-11
	Auto	Maintenance, no Fail	Good	Non-Specific	See table 4-11
	Auto	Advisory, no Fail, no Maintenance	Good	Non-Specific	See table 4-11
	Auto	None	Good	Non-Specific	See table 4-11

NOTES:
X = No Effect
1. PV limit substatus reflects only READBACK limit substatus. SP limit substatus reflects only out block rate limits.
2. Firmware Revision 1.1 and earlier will set AO/DO PV Status to Bad if Feedback Sensor has failed, ie; Travel Sensor Fail. However, if the Travel Sensor fails, and the instrument falls back to pressure, PV Status will remain good.

4

Table 4-11. Limit Sub Status

Out Block	Transducer Mode	In Cutoff Region	Rate Limited	Limit Sub-Status
AO, DO	OOS	X	X	Constant
AO, DO	MAN	X	X	Constant
AO	AUTO	High	X	High Limited
AO	AUTO	Low	X	Low Limited
AO	AUTO	X	High	High Limited
AO	AUTO	X	Low	Low Limited
AO	AUTO	None	None	Not Limited
DO	AUTO	X	High	High Limited
DO	AUTO	X	Low	Low Limited
DO	AUTO	X	None	Not Limited

NOTE: X = No Effect

Alert Handling

(TB > Configure/Setup > Detailed Setup > Alert Handling)

PlantWeb Alert Simulate

When enabled, PlantWeb Alert Simulate (PWA_SIMULATE [39]) allows the user to write to the following PlantWeb and Instrument alert parameters; Failed Active, Maintenance Active, Advise Active, Environment Active, Travel Active, Proximity Active, Travel History Active, Performance Active, PD Event Active, PD Detail 1 Active, PD Detail 2 Active, PD Detail 3 Active, PD Detail 4 Active, PD Detail 5 Active, PD Detail 6 Active. This provides a way to simulate these alerts for testing. In order to enable PWA Simulate, the Aux Terminal must be jumpered.

PlantWeb Alert Simulate is cleared on a power cycle. It can also be cleared manually, or by removing the Aux terminal jumper.

Simulate Active Alerts

- **Failed Active**

Permits simulating an active Failed alarm (FAILED_ACTIVE [59]).

- **Maintenance Active**

Permits simulating an active Maintenance alarm (MAINT_ACTIVE [60]).

- **Advise Active**

Permits simulating an active Advisory alarm (ADVISE_ACTIVE [61]).

PlantWeb Alert Handling

- **PlantWeb Alerts Set PV Status**

When selected, PlantWeb alerts will set the PV status according to table 4-10.

- **Block Error Reporting**

When enabled, the AO or DO BLOCK_ERR [6] parameter will report PlantWeb Alerts. the same as Block Error in the resource block.

Block Error bit 6 (Device Needs Maintenance Soon) will report any active PlantWeb Maintenance Alert.

Block Error bit 13 (Device Needs Maintenance Now) will report any active PlantWeb Failed Alert.

Block Errors

Table 4-12 lists conditions reported in the BLOCK_ERR [6] and XD_ERR [11] parameters. Conditions in *italics* are not applicable for the transducer block and are provided only for your reference.

Table 4-12. Transducer Block BLOCK_ERR and XD_ERROR Conditions

Condition Number	Condition Name and Description
0	<i>Other - (N/A)</i>
1	Block Configuration Error - Indicates that one of the following parameters have been configured out of the proper range: 15, 16, 47.1, 47.2, 46.3, 46.5, 42.7, 42.8.
2	<i>Link Configuration Error - (N/A)</i>
3	Simulate Active - Indicates that the simulation jumper is in place on the aux terminals. This is not an indication that the I/O blocks are using simulation data. See AO block parameter SIMULATE [10] and DO block parameter SIMULATE_D [10].
4	<i>Local Override - (N/A)</i>
5	<i>Device Fault State - (NA)</i>
6	<i>Maintenance Needed Soon - (N/A)</i>
7	<i>Input failure/process variable has Bad status - (N/A)</i>
8	<i>Output failure - (N/A)</i>
9	<i>Memory failure - (N/A)</i>
10	Lost Static Data - Indicates that manufacturing functional or thermal tests were incomplete
11	<i>Lost NV Data - (N/A)</i>
12	<i>Readback Check Failed - (N/A)</i>
13	Device Needs Maintenance Now - Indicates that manufacturing functional or thermal tests were incomplete
14	<i>Power Up - (N/A)</i>
15	Out of Service - Indicates Out of Service Mode.

DVC6000f Digital Valve Controllers

Transducer Block Parameter List

- Read/Write Capability: RO – Read Only, RW – Read Write
- Mode: The block mode(s) required to write to the parameter
- Protection Category: Indicates whether or not the parameter is writable while the PROTECTION parameter is set to a particular level.
 - N/A indicates a read-only parameter that is never writable, regardless of the value of the PROTECTION parameter
 - NONE indicates a read-only parameter that is always writable, regardless of the value of the PROTECTION parameter
 - CAL indicates a parameter that is only writable while the value of the PROTECTION parameter is “NONE”.
 - SETUP indicates a parameter that is only writable while the value of the PROTECTION parameter is “NONE” or “CAL”.
 - ALL indicates a parameter that is writable while the value of the PROTECTION parameter is “NONE”, “CAL”, or “SETUP & CAL”.
- Double indentation and shaded Index Number indicates sub-parameter

4

Table 4-13. Transducer Block Parameter Definitions

Label PARAMETER_NAME	Index Number	RO / RW	Mode	Range	Initial Value	Protect Category	Description
Static Revision ST_REV	1	RO	N/A	0 to 65535	N/A	N/A	Data Type: Uint16 The revision level of the static data. Increments by one each time a static parameter is written. The value is reset to 0 whenever a Restart with Defaults is performed. See Restarting the Instrument.
Tag Description TAG_DESC	2	RW	ALL		NULL	SETUP	Data Type: String The description of the block.
Strategy STRATEGY	3	RW	ALL	0 to 65535	0	SETUP	Data Type: Uint16 Used to help group blocks.
Alert Key ALERT_KEY	4	RW	ALL	1 to 255	1	SETUP	Data Type: Uint8 The identification number of the plant unit. Devices in a loop or plant section can be assigned with a common alert key to aid the operator in determining location of alerts.
Block Mode MODE_BLK	5						Data Type: DS-69 The actual, target, permitted, and normal modes. Target: The requested block mode Actual: The current mode of the block Permitted: Allowed modes for Target Normal: Most common mode for Target
TARGET	5.1	RW	ALL	3: AUTO 4: MANUAL 7: OOS	7: OOS	NONE	
ACTUAL	5.2	RO	N/A		N/A	N/A	
PERMITTED	5.3	RW	ALL		3:AUTO 4:MANUAL 7: OOS	NONE	
NORMAL	5.4	RW	ALL		3:AUTO	NONE	
Block Error BLOCK_ERR	6	RO	N/A	3: Simulate Active 10: Static Memory Failed (Functional or thermal data missing) 13: Maintenance Needed Now (Functional or thermal data missing) 15: Out-of-Service	N/A	N/A	Data Type: Bit String (2 byte) Error status associated with hardware or firmware for the transducer block.
Update Event UPDATE_EVT	7						
UNACKNOWLEDGED	7.1	RW	ALL	0=Undefined 1=Acknowledged 2=Unacknowledged	0	NONE	Data Type: DS-73 Alert generated by change to static data.
UPDATE_STATE	7.2	RO	N/A	0=Undefined 1=Updated reported 2=Update Not reported	0	N/A	
TIME_STAMP	7.3	RO	N/A		0	N/A	
STATIC_REVISION	7.4	RO	N/A		0	N/A	
RELATIVE_INDEX	7.5	RO	N/A		0	N/A	

–Continued–

Transducer Block

Table 4-13. Transducer Block Parameter Definitions (Continued)

Label PARAMETER_NAME	Index Number	RO/ RW	Mode	Range	Initial Value	Protect Category	Description
Block Alarm BLOCK_ALM	8						
UNACKNOWLEDGED	8.1	RW	ALL	0=Undefined 1=Acknowledged 2=Unacknowledged	0	NONE	Data Type: DS-72 Used to report the BLOCK_ERR alarm to the host system
ALARM_STATE	8.2	RO	N/A	0=Undefined 1=Clear-reported 2=Clear-not reported 3=Active-reported 4=Active-not reported	0	N/A	
TIME_STAMP	8.3	RO	N/A		0	N/A	
SUBCODE	8.4	RO	N/A	Subcode: Bit Number in BLOCK_ERR	0	N/A	
VALUE	8.5	RO	N/A	Value of parameter at alarm time for a single alarm, 0 for multiple alarms	0	N/A	
Transducer Directory TRANSDUCER_DIRECTORY	9	RO	N/A	1,1	1,1	N/A	Data Type: Array [2] of Unit16 Not used
Transducer Type TRANSDUCER_TYPE	10	RO		106	106	N/A	Data Type: Uint16 Identifies the type of the transducer.
Transducer Error XD_ERROR or TDC_ERROR	11	RO		Valid Numbers: 0 = No Error	0	N/A	Data Type: Uint8 Error code for the transducer block.
Collection Directory COLLECTION_DIRECTORY	12	RO		1,1,1,1,1	1,1,1,1,1	N/A	Data Type: Array [5] of Unit32 Not used
FINAL_VALUE	13						
Setpoint Status STATUS	13.1	RW	MAN OOS		N/A	NONE	Data Type: DS-65 In Travel Control: Setpoint for valve travel in %, prior to characterization. In Pressure Control: Setpoint for implied valve travel as % or pressure range, prior to characterization. FINAL_VALUE is not updated unless the AO block is selected in FEATURE_SELECT. For example, FINAL_VALUE still has last value written by AO channel 1 when DO is in control.
Setpoint VALUE	13.2	RW	MAN OOS	-25 to 125	N/A	NONE	
Setpoint Range FINAL_VALUE_RANGE	14						Data Type: DS-68 High and Low range limit values, engineering units code, and number of digits to the right of the decimal place to be used to display the Final Value.
EU_100	14.1	RO	N/A	100	100	N/A	
EU_0	14.2	RO	N/A	0	0	N/A	
UNITS_INDEX	14.3	RO	N/A	PERCENT	1342	N/A	
DECIMAL	14.4	RO	N/A	2	2	N/A	
Travel Cutoff Hi FINAL_VALUE_CUTOFF_HI	15	RW	MAN OOS	-25 to 125	99.5	SETUP	Data Type: Float When the servo goes above this % of span, the stem position goes to the upper limit. Cutoffs are OFF when Low is at -25% and high is at +125%. Must be > low cutoff + .625%.
Travel Cutoff Lo FINAL_VALUE_CUTOFF_LO	16	RW	MAN OOS	-25 to 125	0.5	SETUP	Data Type: Float When the servo goes below this % of span, the stem position goes to the lower limit. Cutoffs are OFF when Low is at -25% and high is at +125%. Must be < hi cutoff - .625%.

-Continued-

DVC6000f Digital Valve Controllers

Table 4-13. Transducer Block Parameter Definitions (Continued)

Label PARAMETER_NAME	Index Number	RO / RW	Mode	Range	Initial Value	Protect Category	Description
FINAL_POSITION_VALUE	17						Data Type: DS-65 In Travel Control: Valve travel in %, decharacterized to correlate with Setpoint (FINAL_VALUE [13]). In Pressure Control: Implied valve travel as a % of pressure range, decharacterized to correlate with Setpoint (FINAL_VALUE [13]). Controls AI channel 3.
Travel Status (Decharacterized) STATUS	17.1	RO	N/A		N/A	N/A	
Travel (Decharacterized) VALUE	17.2	RO	N/A	-25 to 125%		N/A	
Travel Proportional Gain SERVO_GAIN	18	RW	MAN OOS	> = 0	4.4	SETUP	Data Type: Float Travel Control Only. Gain of servo.
Travel Integral Gain SERVO_RESET	19	RW	MAN OOS	> = 0 , = 0 causes wind down	9.4	SETUP	Data Type: Float Travel Control Only. If set to 0, will cause integrator to wind down.
Travel Velocity Gain SERVO_RATE	20	RW	MAN OOS	> = 0	3.0	SETUP	Data Type: Float Travel Control Only. Rate of servo.
Actuator Fail Action ACT_FAIL_ACTION	21	RW	MAN OOS	0=Uninitialized 1=Self Closing 2=Self Opening	1= Self Closing	SETUP	Data Type: Enum (Uint8) Action performed by actuator in the event of air pressure.
Actuator Manufacturer ACT_MAN_ID	22	RW	ALL		0x5100	SETUP	Data Type: Uint32 The actuator manufacturer identification number.
Actuator Model Number ACT_MODEL_NUM	23	RW	ALL		Null	SETUP	Data Type: Visible String Model number of actuator.
Actuator Serial Number ACT_SN	24	RW	ALL		Null	SETUP	Data Type: Visible String Serial number of actuator.
Valve Manufacturer VALVE_MAN_ID	25	RW	ALL		0x5100	SETUP	Data Type: Uint32 The valve manufacturer identification number.
Valve Model Number VALVE_MODEL_NUM	26	RW	ALL		Null	SETUP	Data Type: Visible String The valve model number.
Valve Serial Number VALVE_SN	27	RW	ALL		Null	SETUP	Data Type: Visible String The valve serial number.
Valve Style VALVE_TYPE	28	RW	ALL	1=Sliding Stem 2=Rotary	1=Sliding Stem	SETUP	Data Type: Enum (Uint8) Selects Rotary or Sliding Stem.
Calibration Location XD_CAL_LOC	29	RW	ALL		Null	CAL	Data Type: Visible String Where device was last calibrated.
Calibration Date XD_CAL_DATE	30	RW	ALL		Uninitialized	CAL	Data Type: Date Date of last calibration.
Calibration Person XD_CAL_WHO	31	RW	ALL		Null	CAL	Data Type: Visible String Name of person performing last calibration.
SETPOINT_D	32						Data Type: DS_66 SETPOINT_D is not updated unless the DO block is selected in FEATURE_SEL.
Setpoint(D) Status STATUS	32.1	RW	MAN OOS			NONE	STATUS indicates the validity of value, set by the DO block OUT.STATUS
Setpoint(D) VALUE	32.2	RW	MAN OOS	0 = closed 1 = open 5,10,15.. = %		NONE	VALUE is the discrete value of setpoint. Only values of 0, 1, or increments of 5 up to 95 are allowed. Written by DO channel 22.
TRAVEL_D	33						Data Type: DS_66 STATUS indicates the validity of VALUE.
Travel(D) Status STATUS	33.1	RO	N/A			N/A	VALUE: 0=closed , 1=open 5,10,15.. = % . Controls DI Channel 23
Travel (D) VALUE	33.2	RO	N/A	0 = closed 1 = open 5,10,15.. = %		N/A	

-Continued-

Transducer Block

Table 4-13. Transducer Block Parameter Definitions (Continued)

Label PARAMETER_NAME	Index Number	RO/ RW	Mode	Range	Initial Value	Protect Category	Description
TRAVEL	34						Data Type: DS-65 In Travel Control: Actual valve travel in % of calibrated travel range. In Pressure Control: Implied valve travel in % of pressure range. Controls AI channel 4.
Travel Status STATUS	34.1	RO	N/A			N/A	
Travel VALUE	34.2	RO	N/A			N/A	
SUPPLY_PRESSURE	35						Data Type: DS-65 STATUS indicates the validity of VALUE. VALUE is pressure of air supply, controls AI channel 5.
Supply Pressure Status STATUS	35.1	RO	N/A			N/A	
Supply Pressure VALUE	35.2	RO	N/A			N/A	
PRESSURE_A	36						Data Type: DS-65 STATUS Indicates the validity of VALUE. Pressure of primary air output, controls AI channel 6.
Pressure A Status STATUS	36.1	RO	N/A			N/A	
Pressure A VALUE	36.2	RO	N/A			N/A	
PRESSURE_B	37						Data Type: DS-65 STATUS indicates the validity of VALUE. VALUE is the Pressure on secondary output, controls AI channel 7.
Pressure B Status STATUS	37.1	RO	N/A			N/A	
Pressure B VALUE	37.2	RO	N/A			N/A	
PRESSURE_DIFF	38						Data Type: DS-65 STATUS indicates the validity of VALUE. VALUE is the difference between PRESSURE_A and PRESSURE_B, controls AI channel 8.
Pressure Differential Status STATUS	38.1	RO	N/A			N/A	
Pressure Differential VALUE	38.2	RO	N/A			N/A	
PWA Simulate PWA_SIMULATE	39	RO or RW*	ALL	1=Simulate Off 2=Simulate Enabled	1=Simulate Off	ALL	Data Type: Enum (Uint8) When this is set to 2 all the alert ACTIVE parameters can be written, except for INST_ALERTS_ACTIVE. SHUTDOWN_ALERT_ACTIVE. This allows alerts to be simulated for testing with hosts. NOTE: only ACTIVE parameters are affected by this. * PWA Simulate is RW only if a jumper is installed across the Aux Terminal. If no jumpered is installed across the Aux Terminal, PWA Simulate is RO.
Grant Deny GRANT_DENY	40						
GRANT	40.1	RW	ALL	0: Program 1: Tune 2: Alarm 3: Local	all bits cleared	NONE	Data Type: DS-50 Options for controlling access of host computer and local control panels to operating, tuning, and alarm parameters of the block. Has no effect on the DVC6000f. GRANT: 0=N/A, 1= granted DENY: 0=N/A, 1= denied
DENY	40.2	RW	ALL		all bits cleared	NONE	
Travel Pressure Control TVL_PRESS_CONTROL	41						
Travel/Pressure Select TVL_PRESS_SELECT	41.1	RW	ALL	1=Travel 2=Pressure 3=TVL/PRESS Auto Recv 4=TVL/PRESS Man Recv	1=Travel	SETUP	Data Type: Enum (Uint8) Selects whether travel sensor or port A pressure is used for feedback.
Travel/Pressure State TVL_PRESS_STATE	41.2	RO	N/A	1=Travel 2=Pressure		N/A	Data Type: Enum (Uint8) Indicates which sensor is used for feedback

-Continued-

4

DVC6000f Digital Valve Controllers

Table 4-13. Transducer Block Parameter Definitions (Continued)

Label PARAMETER_NAME	Index Number	RO/ RW	Mode	Range	Initial Value	Protect Category	Description
Basic Setup BASIC_SETUP	42						
Actuator Style ACTUATOR_STYLE	42.1	RW	MAN OOS	1=Spring & Diaphragm 2=Piston-DbI w/o Spring 3=Piston-DbI w/Spring 4=Piston Sgl w/Spring	1=Spring & Diaphragm	SETUP	Data Type: Enum (Uint8)
Zero Power Condition ZERO_PWR_COND	42.2	RW	MAN OOS	1=Valve Closed 2=Valve Open	1=Valve Closed	SETUP	Data Type: (Uint8) Enum Identifies whether the valve is open or closed when instrument power is lost.
Travel Sensor Motion TRAVEL_SEN_MOTION	42.3	RW	MAN OOS	1=Counter Clockwise 2=Clockwise	1=Counter Clockwise	SETUP	Data Type: Enum (Uint8)
Feedback Connection FEEDBACK_CONN	42.4	RW	MAN OOS	1=RShaft Pot 2=SSstem Roller Pot 3=SSstem Pot	3=SSstem Pot	SETUP	Data Type: Enum (Uint8)
Relay Type RELAY_TYPE	42.5	RW	MAN OOS	1=Relay A or C--Double or Single Direct 2=Relay B--Single Reverse 5=Relay C-Special App. --Single Direct 6=Relay B-Special App. --Single Reverse 9=Lo-Bleed Relay A or C--Double or Single Direct 10=Lo-Bleed Relay B-- Single Reverse 13=Lo-Bleed Relay C-Special App.--Single Direct 10=Lo-Bleed Relay B-Special App.--Single Reverse	=Relay A or C--Double or Single Direct	SETUP	Data Type: Enum (Uint8)
Maximum Supply Pressure MAX_SUPP_PRESS	42.6	RW	MAN OOS	> 0, <= 150	35 psig	SETUP	Data Type: Float
Pressure Range Hi PRESS_RANGE_HI	42.7	RW	MAN OOS	> 0, <= 150	15.0 psig	SETUP	Data Type: Float Defines pressure corresponding to max pressure in pressure control mode.
Pressure Range Lo PRESS_RANGE_LO	42.8	RW	MAN OOS	> = 0, <= 150	3.0 psig	SETUP	Data Type: Float Defines pressure corresponding to minimum pressure in pressure control mode.
Travel Calibration Trigger TVL_CAL_TRIGGER	42.9	RW	MAN OOS	1 = Aux Term ignored	1	SETUP	Not available in the DVC6000f
Travel Tuning Set TVL_TUNING_SET	42.10	RW	MAN OOS	1=B, 2= C, ...12=M 23=X	2=C	SETUP	Data Type: Enum (Uint8) Letter (B through M or X)
Pressure Tuning Set PRESS_TUNING_SET	42.11	RW	MAN OOS	1=B, 2=C, ...12= M 23=X	2=C	SETUP	Data Type: Enum (Uint8) Letter (B through M or X)

-Continued-

Transducer Block

Table 4-13. Transducer Block Parameter Definitions (Continued)

Label PARAMETER_NAME	Index Number	RO / RW	Mode	Range	Initial Value	Protect Category	Description
TRAVEL_CAL	43						
Travel Count TVL_COUNT	43.1	RO	N/A				Data Type: Uint16 Raw feedback from Travel Sensor
Travel Hi Calibration TVL_HI_CAL	43.2	RW	MAN OOS	<TVL_FAC_HI >TVL_LO_CAL		CAL	Data Type: Uint16 Maximum drive calibration point
Travel Lo Calibration TVL_LO_CAL	43.3	RW	MAN OOS	>TVL_FAC_LO <TVL_HI_CAL		CAL	Data Type: Uint16 Minimum drive calibration point
Travel Crossover TVL_CROSSOVER	43.4	RW	MAN OOS	>0% <= 100%	50%	CAL	Data Type: Float
Travel Fac Hi TVL_FAC_HI	43.5	RO	N/A		Set by Factory	N/A	Data Type: Uint16 Maximum value of travel sensor counts. Set at factory.
Travel Fac Lo TVL_FAC_LO	43.6	RO	N/A		Set by Factory	N/A	Data Type: Uint16 Minimum value of travel sensor counts. Set at factory.
Travel IP Bias TVL_IP_BIAS	43.7	RW	MAN OOS	0% - 100%	70%	CAL	Data Type: Float
Travel MLFB Bias TVL_MLFB_BIAS	43.8	RW	MAN OOS	0 - 100%	50%	CAL	Data Type: Float
Last Calibration Type TVL_CAL_TYPE	43.9	RW	MAN OOS	0: Not Calibrated 1: Single Point Calibration 2: Auto Calibration 3: Manual Calibration	2: Auto Calibration	CAL	Data Type: Enum (Uint8)
TRAVEL_TUNE	44						
Travel Integral Enable TVL_INTEG_ENABLE	44.1	RW	MAN OOS	1=Off 2=On	2=On	SETUP	Data Type: Enum (Uint8)
Travel Integral Limit Hi TVL_INTEG_LIM_HI	44.2	RW	MAN OOS	0% - 100%	30%	SETUP	Data Type: Float
Travel Integral Limit Lo TVL_INTEG_LIM_LO	44.3	RW	MAN OOS	-100% - 0%	-30%	SETUP	Data Type: Float
Travel Integral Dead Zone TVL_INTEG_DEADZ	44.4	RW	MAN OOS	0% - 2%	0.25%	SETUP	Data Type: Float
Travel MLFB Gain TVL_MLFB_GAIN	44.5	RW	MAN OOS	>= 0	35	SETUP	Data Type: Float

-Continued-

DVC6000f Digital Valve Controllers

Table 4-13. Transducer Block Parameter Definitions (Continued)

Label PARAMETER_NAME	Index Number	RO/ RW	Mode	Range	Initial Value	Protect Category	Description
TRAVEL_CAL_RUN	45						
Travel Calibration Command TVL_CAL_CMD	45.1	RW	MAN	1: Operating 2: Autocalibrate 3: Mark Crossover 4: Mark Full Open 5: Mark Full Closed 6: Manual Calibrate Final 7: Abort 8: Clear Cal Status 9: Manual Calibrate Init 10: Manual Calibrate Restore 11: Reset Travel Sensor Error 12: Reserved 13: Execute Performance Tuner 14: Execute Performance Tuner (Graphite Packing) 16: Execute Performance Tuner (Booster) 17: Execute Performance Tuner (Graphite Packing and Booster) 19: Autocalibration, Set Filter 20: Autocalibrate Extended, Set Filter	1=Operating	CAL	Data Type: Enum (Uin8) Resets to 1 after a write
Travel Calibration Prog TVL_CAL_PROG	45.2	RO	N/A		0%	N/A	Data Type: Uint8
Travel Calibration Status TVL_CAL_STATUS	45.3	RO	N/A	0: auto cal complete 1: calibration complete 2: auto cal in progress 3: manual cal in progress 4: crossover marked 5: upper position marked 6: lower position marked 7: calibration error 8: Performance Tuner active 9: Performance Tuner Success 10: Performance Tuner Error (No movement) 11: Performance Tuner Error (Accessories unstable) 12: Performance Tuner Error (Other)	no bits set	N/A	Data Type: Bit String (2 bytes) All bits set to 0 when mode changes from OOS. 0 = FALSE, 1 = TRUE
Reserved TVL_CAL_RESERVED	45.4						Reserved

-Continued-

Transducer Block

Table 4-13. Transducer Block Parameter Definitions (Continued)

Label PARAMETER_NAME	Index Number	RO/ RW	Mode	Range	Initial Value	Protect Category	Description
PRESS_CAL	46						
Supply Pressure Scale SUPP_PRESS_SCALE	46.1	RW	MAN OOS	> 0		CAL	Data Type: Float
Supply Pressure Offset SUPP_PRESS_OFFSET	46.2	RW	MAN OOS	0 to 16383		CAL	Data Type: Uint16
Pressure A Scale PRESS_A_SCALE	46.3	RW	MAN OOS	> 0		CAL	Data Type: Float
Pressure A Offset PRESS_A_OFFSET	46.4	RW	MAN OOS	0 to 16383		CAL	Data Type: Uint16
Pressure B Scale PRESS_B_SCALE	46.5	RW	MAN OOS	> 0		CAL	Data Type: Float
Pressure B Offset PRESS_B_OFFSET	46.6	RW	MAN OOS	0 to 16383		CAL	Data Type: Uint16
Pressure IP Bias PRESS_IP_BIAS	46.7	RW	MAN OOS	0-100%	70%	CAL	Data Type: Float
Pressure MLFB Bias PRESS_MLFB_BIAS	46.8	RW	MAN OOS	0-100%	50%	CAL	Data Type: Float
PRESS_TUNE	47						
Pressure Cutoff Hi PRESS_CUTOFF_HI	47.1	RW	MAN OOS	-25 -125%, > CUTOFF_LO	99.50%	SETUP	Data Type: Float
Pressure Cutoff Lo PRESS_CUTOFF_LO	47.2	RW	MAN OOS	-25 -125% < CUTOFF_HI	0.50%	SETUP	Data Type: Float
Pressure Proportional Gain PRESS_PROP_GAIN	47.3	RW	MAN OOS	> = 0, < 32	2.2	SETUP	Data Type: Float Proportional gain
Pressure Integral Gain PRESS_INTEG_GAIN	47.4	RW	MAN OOS	> = 0, < 32	0.1	SETUP	Data Type: Float Integral resets per second
Pressure Rate Gain PRESS_RATE_GAIN	47.5	RW	MAN OOS	> = 0, < = 512	0	SETUP	Data Type: Float Derivative gain
Pressure Integral Dead Zone PRESS_INTEG_DEADZ	47.6	RW	MAN OOS	= 0%, < = 2.0%	0.25%	SETUP	Data Type: Float Integrator Deadzone, 1/2 width
Pressure Integral Limit Hi PRESS_INTEG_HI_LIM	47.7	RW	MAN OOS	> = 0%, < = 100%, >INTEG_LO	20%	SETUP	Data Type: Float Integrator limits
Pressure Integral Limit LO PRESS_INTEG_LO_LIM	47.8	RW	MAN OOS	< = 0%, > = -100%, <INTEG_HI	-20%	SETUP	Data Type: Float Integrator limits
Pressure Integral IC Hi PRESS_INTEG_IC_HI	47.9	RW	MAN OOS	>= -100%, < = 100%	12%		Not used by the DVC6000f
Pressure Integral IC Lo PRESS_INTEG_IC_LO	47.10	RW	MAN OOS	>= -100%, < = 100%	-12%		Not used by the DVC6000f
Pressure MLFB Gain PRESS_MLFB_GAIN	47.11	RW	MAN OOS	> 0, < = 100	35	SETUP	Data Type: Float
Temperature TEMPERATURE	48	RO	N/A		N/A	N/A	Data Type: Float Electronics temperature – Controls AI channel 11
Target Travel TRAVEL_TARGET	49	RO					
Status STATUS	49.1	RO	MAN OOS			N/A	Data Type: DS-65 In Travel Control: Setpoint for valve travel in %, post characterization.
Value VALUE	49.2	RO	MAN OOS			N/A	In Pressure Control: Setpoint for implied valve travel as a % or pressure range, post characterization.
Input Characterization INPUT_CHAR	50	RW	MAN OOS	1=Linear 2=Equal % 3=Quick Opening 4=Reserved 5=Custom	1=Linear	SETUP	Data Type: Enum (Uint8)

-Continued-

DVC6000f Digital Valve Controllers

Table 4-13. Transducer Block Parameter Definitions (Continued)

Label PARAMETER_NAME	Index Number	RO/ RW	Mode	Range	Initial Value	Protect Category	Description
Custom Points CUSTOM_POINTS	51	RW	MAN OOS		Linear, Y=X	SETUP	Data Type: Unit16 Array[43] Each item – 2500 to 12500 First integrator is number of valid points. Followed by up to 21 X values and then 21 Y values. X values must be increasing. Y values must be increasing or same. A value of 2050 represent 20.50% Custom Points can be written only if Input Characterization (INPUT_CHAR [50]) is not custom.
Travel Deviation TRAVEL_DEVIATION	52	RO	N/A	0 to 100%		N/A	Data Type: Float Absolute value of (TRAVEL_TARGET [49] – TRAVEL [34]), Controls AI channel 10
Drive Signal DRIVE_SIGNAL	53	RO	N/A	0 to 100%		N/A	Data Type: Float Controls AI channel 9
Drive Current DRIVE_CURRENT	54	RO	N/A	0 to 100%		N/A	Data Type: Float
MLFB MLFB	55	RO	N/A	-100% to 100%		N/A	Data Type: Float
Failed Alarm FAILED_ALM	56						Data Type: DS-71 Used to report alerts to host system.
UNACKNOWLEDGED	56.1	RW	ALL	0=Undefined 1=Acknowledged 2=Unacknowledged	0=Undefined	NONE	
ALARM_STATE	56.2	RO	N/A	0=Undefined 1=Clear–reported 2=Clear–not reported 3=Active–reported 4=Active–not reported	0=Undefined	N/A	
TIME_STAMP	56.3	RO	N/A		0	N/A	
SUBCODE	56.4	RO	N/A		0	N/A	
VALUE	56.5	RO	N/A		0	N/A	Data Type: Float Value of parameter at alarm time for single alarm, 0 for multiple alarms
Maintenance Alarm MAINT_ALM	57						Data Type: DS-71 Used to report alerts to host system.
UNACKNOWLEDGED	57.1	RW	N/A	0=Undefined 1=Acknowledged 2=Unacknowledged	0=Undefined	NONE	
ALARM_STATE	57.2	RO	N/A	0=Undefined 1=Clear–reported 2=Clear–not reported 3=Active–reported 4=Active–not reported	0=Undefined	N/A	
TIME_STAMP	57.3	RO	N/A		0	N/A	
SUBCODE	57.4	RO	N/A		0	N/A	
VALUE	57.5	RO	N/A		0	N/A	Data Type: Float Value of parameter at alarm time for single alarm, 0 for multiple alarms

–Continued–

Transducer Block

Table 4-13. Transducer Block Parameter Definitions (Continued)

Label PARAMETER_NAME	Index Number	RO / RW	Mode	Range	Initial Value	Protect Category	Description
Advise Alarm ADVISE_ALM	58						Data Type: DS-71 Used to report alerts to host system
UNACKNOWLEDGED	58.1	RW	N/A	0=Undefined 1=Acknowledged 2=Unacknowledged	0=Undefined	NONE	
ALARM_STATE	58.2	RO	N/A	0: Undefined 1: Clear–reported 2: Clear–not reported 3: Active–reported 4: Active–not reported	0=Undefined	N/A	
TIME_STAMP	58.3	RO	N/A		0	N/A	
SUBCODE	58.4	RO	N/A		0	N/A	
VALUE	58.5	RO	N/A		0	N/A	Data Type: Float Value of parameter at alarm time for single alarm, 0 for multiple alarms
Failed Active FAILED_ACTIVE	59	RO ⁽¹⁾	N/A	0: Drive Current 1: Drive Signal 2: Processor Impaired 3: Output Block Timeout 4: Blocks Set to Defaults 5: Travel Sensor 6: Outlet Pressure Sensor 7: Supply Pressure Sensor 8: Temperature Sensor 9: Supply Pressure 10: Temperature Limit 11: Travel Deviation 12: Travel Limit 13: Travel Accumulator 14: Cycle Counter 15: Performance Critical 16: Performance Reduced 17: Performance Information 18: Shutdown Alert	All bits: 0	N/A	Data Type: Bit String (4 byte) 0=inactive 1=active Failed Alert Status
Maintenance Active MAINT_ACTIVE	60	RO ⁽¹⁾	N/A	0: Drive Current 1: Drive Signal 2: Processor Impaired 3: Output Block Timeout 4: Blocks Set to Defaults 5: Travel Sensor 6: Outlet Pressure Sensor 7: Supply Pressure Sensor 8: Temperature Sensor 9: Supply Pressure 10: Temperature Limit 11: Travel Deviation 12: Travel Limit 13: Travel Accumulator 14: Cycle Counter 15: Performance Critical 16: Performance Reduced 17: Performance Information 18: Shutdown Alert	All bits: 0	N/A	Data Type: Bit String (4 byte) 0=inactive 1=active Maintenance Alert Status

4

1. These parameters can be written when PWA_SIMULATE is active and Protect Category is not ALL.

–Continued–

DVC6000f Digital Valve Controllers

Table 4-13. Transducer Block Parameter Definitions (Continued)

Label PARAMETER_NAME	Index Number	RO/ RW	Mode	Range	Initial Value	Protect Category	Description
Advise Active ADVISE_ACTIVE	61	RO ⁽¹⁾	N/A	0: Drive Current 1: Drive Signal 2: Processor Impaired 3: Output Block Timeout 4: Blocks Set to Defaults 5: Travel Sensor 6: Outlet Pressure Sensor 7: Supply Pressure Sensor 8: Temperature Sensor 9: Supply Pressure 10: Temperature Limit 11: Travel Deviation 12: Travel Limit 13: Travel Accumulator 14: Cycle Counter 15: Performance Critical 16: Performance Reduced 17: Performance Information 18: Shutdown Alert	All bits: 0	N/A	Data Type: Bit String (4 byte) 0=inactive 1=active Advise Alert Status
Failed Enable FAILED_ENABLE	62	RW	ALL	Same as for FAILED_ACTIVE above	Enabled Bits: 0: Drive Current 2: Processor Impaired 4: Blocks Set to Default 5: Travel Sensor 15: Performance Critical 18: Shutdown Alert	ALL	Data Type: Bit String (4 byte) 0=disable 1=enable Failed alert enable. Enable allows detection of alert. All alerts can be disabled.
Maintenance Enable MAINT_ENABLE	63	RW	ALL	Same as for MAINT_ACTIVE above	Enabled Bits: 1: Drive Signal 3: Output Block Timeout 6: Outlet Pressure Sensor 9: Supply Pressure 11: Travel Deviation 13: Travel Accumulator 14: Cycle Counter 16: Performance Reduced	ALL	Data Type: Bit String (4 byte) 0=disable 1=enable Maintenance alert enable. Enable allows detection of alert. All alerts can be disabled.
Advise Enable ADVISE_ENABLE	64	RW	ALL	Same as for ADVISE_ENABLE above	Enabled Bits: 8: Temperature Sensor 9: Supply Pressure Sensor 10: Temperature Limit 12: Travel Limit	ALL	Data Type: Bit String (4 byte) 0=disable 1=enable Advise alert enable. Enable allows detection of alert. All alerts can be disabled.
Failed Suppress FAILED_MASK	65	RW	ALL	Same as for FAILED_ACTIVE above	All bits: 0	ALL	Data Type: Bit String (4 byte) 0=disable 1=enable Failed alert mask. MASK controls whether an alert is reported. If alert is enabled the alert condition is evaluated and the ACTIVE parameter is updated to reflect if alert is active or not. If the bit is set reporting is suppressed. Default is all bits cleared.
1. These parameters can be written when PWA_SIMULATE is active and Protect Category is <u>not</u> ALL.							

-Continued-

Transducer Block

Table 4-13. Transducer Block Parameter Definitions (Continued)

Label PARAMETER_NAME	Index Number	RO / RW	Mode	Range	Initial Value	Protect Category	Description
Maintenance Suppress MAINT_MASK	66	RW	ALL	Same as for MAINT_ACTIVE above	All bits: 0	ALL	Data Type: Bit String (4 byte) 0=disable 1=enable Maintenance alert mask. MASK controls whether an alert is reported. If alert is enabled the alert condition is evaluated and the ACTIVE parameter is updated to reflect if alert is active or not. If the bit is set reporting is suppressed. Default is all bits cleared.
Advise Suppress ADVISE_MASK	67	RW	ALL	Same as for ADVISE_ENABLE above	All bits: 0	ALL	Data Type: Bit String (4 byte) 0=disable 1=enable Advise alert mask. MASK controls whether an alert is reported. If alert is enabled the alert condition is evaluated and the ACTIVE parameter is updated to reflect if alert is active or not. If the bit is set reporting is suppressed. Default is all bits cleared.
Failed Priority FAILED_PRI	68	RW	ALL	0 to 15	2	SETUP	Data Type: Uint8 Failed alert priority
Maintenance Priority MAINT_PRI	69	RW	ALL	0 to 15	2	SETUP	Data Type: Uint8 Maintenance alert priority
Advise Priority ADVISE_PRI	70	RW	ALL	0 to 15	2	SETUP	Data Type: Uint8 Advise alert priority
Recommended Action RECOMMENDED_ACTION	71	RO	N/A	0 to 65535	0	N/A	Data Type: Uint16 Fix for most serious condition
Travel Accumulator TRAVEL_ACCUM	72	RW	ALL	Write: Anything Read: Actual		CAL	Data Type: Uint32 Total travel expressed in integer % terms. Controls AI channel 13.
Cycle Count CYCLE_COUNT	73	RW	ALL	Write: Anything Read: Actual		CAL	Data Type: Uint32 Number of cycle transitions above a certain threshold of movement. Controls AI channel 12.

-Continued-

DVC6000f Digital Valve Controllers

Table 4-13. Transducer Block Parameter Definitions (Continued)

Label PARAMETER_NAME	Index Number	RO/ RW	Mode	Range	Initial Value	Protect Category	Description
INST_ALERTS_ACTIVE	74						
Electronics Active ELECT_ACTIVE	74.1	RO ⁽¹⁾	ALL	0: Drive Current 1: Drive Signal 2: Memory Failure – Pending 3: Static Memory 4: Processor 5: I/O Processor 6: Output Block Timeout 7: Block Set to Defaults	All bits: 0	N/A	Data Type: Bit String (4 byte) 0=inactive 1=active Electronics Alert status
Sensor Active SENSOR_ACTIVE	74.2	RO ⁽¹⁾	ALL	0: Travel Sensor 1: Port A Pressure Sensor 2: Port B Pressure Sensor 3: Supply Pressure Sensor 4: Temperature Sensor 5: Pressure Fallback	All bits: 0	N/A	Data Type: Bit String (4 byte) 0=inactive 1=active Sensor Alert status
Environment Active ENVIRO_ACTIVE	74.3	RO ⁽¹⁾	ALL	0: Supply Pressure High 1: Supply Pressure Low 2: Temperature High 3: Temperature Low	All bits: 0	N/A	Data Type: Bit String (4 byte) 0=inactive 1=active Environment Alert status
Travel Active TRAVEL_ACTIVE	74.4	RO ⁽¹⁾	ALL	0: Travel Deviation 1: Travel High High 2: Travel Low Low 3: Travel High 4: Travel Low	All bits: 0	N/A	Data Type: Bit String (4 byte) 0=inactive 1=active Travel Alert status
Proximity Active PROX_ACTIVE	74.5	RO ⁽¹⁾	N/A	0: Travel Open 1: Travel Closed 2: Proximity High High 3: Proximity High 4: Proximity Low 5: Proximity Low Low	All bits: 0	N/A	Data Type: Bit String (4 byte) 0=inactive 1=active Proximity Alert status.
Travel History Active TVL_HISTORY_ACTIVE	74.6	RO ⁽¹⁾	ALL	0: Cycle Counter 1: Travel Accumulator	All bits: 0	N/A	Data Type: Bit String (4 byte) 0=inactive 1=active Travel History Alert status
Performance Active PERF_ACTIVE	74.7	RO ⁽¹⁾	ALL	0: Performance Critical 1: Performance Reduced 2: Performance Information	All bits: 0	N/A	Data Type: Bit String (4 byte) 0=inactive 1=active Performance Diagnostic Alert status
PD Event Active PD_EVENT_ACTIVE	74.8	RO ⁽¹⁾	ALL	0: High I/P Drive Signal 1: Low I/P Drive Signal 2: High Air Mass Flow 3: Large Travel Deviation 4: Low Supply Pressure 5: High Supply Pressure 6: High Crossover Pressure 7: Low Crossover Pressure 8: No Air Mass Flow Estimate	All bits: 0	N/A	Data Type: Bit String (4 byte) 0=inactive 1=active Performance Diagnostic event status.

-Continued-

Transducer Block

Table 4-13. Transducer Block Parameter Definitions (Continued)

Label PARAMETER_NAME	Index Number	RO/ RW	Mode	Range	Initial Value	Protect Category	Description
PD Detail 1 Active PD_DETAIL1_ACTIVE	74.9	RO ⁽¹⁾	ALL	0: I/P Primary Plugged 1: I/P Nozzle Plugged 2: I/P Latched 3: Reserved 4: Relay Jammed 5: Relay Cross Misadj 6: Relay Bias Diaph Leak 7: Relay Port A Diaph Leak 8: Relay Port B Diaph Leak 9: Reserved 10: Valve Stuck Low or Sensor Arm Damage 11: Valve Stuck High or Sensor Arm Damage 12: Piston Ring Leak 13: Reserved 14: Low Supply Pressure 15: External Leak 16: SOV Trip 17: Air Line Blocked 18: Reserved 19: Reserved 20: Unknown	All bits:0	N/A	Data Type: Bit String (4 byte) 0=inactive 1=active Performance Diagnostic Critical possible cause.
PD Detail 2 Active PD_DETAIL2_ACTIVE	74.10	RO ⁽¹⁾	ALL	Reserved	All bits: 0	N/A	Data Type: Bit String (4 byte) 0=inactive 1=active Performance Diagnostic Detail status.
PD Detail 3 Active PD_DETAIL3_ACTIVE	74.11	RO ⁽¹⁾	ALL	0: I/P Primary Plugging 1: I/P Nozzle Plugging 2: I/P Calibration Shift 3: Reserved 4: Relay Cross Misadj 5: Relay Port A Diaph Leak 6: Relay Port B Diaph Leak 7: Reserved 8: Piston Ring Leak 9: Reserved 10: Reserved 11: Low Supply Pressure 12: Reserved 13: External Leak 14: Reserved 15: Travel Calibration Shift 16: Unknown 17: Reserved 18: Reserved	All bits: 0	N/A	Data Type: Bit String (4 byte) 0=inactive 1=active Performance Diagnostic Reduce possible cause.
PD Detail 4 Active PD_DETAIL4_ACTIVE	74.12	RO ⁽¹⁾	ALL	Reserved	All bits: 0	N/A	Data Type: Bit String (4 byte) 0=inactive 1=active Performance Diagnostic Detail status

-Continued-

DVC6000f Digital Valve Controllers

Table 4-13. Transducer Block Parameter Definitions (Continued)

Label PARAMETER_NAME	Index Number	RO/ RW	Mode	Range	Initial Value	Protect Category	Description
PD Detail 5 Active PD_DETAIL5_ACTIVE	74.13	RO ⁽¹⁾	ALL	0: Relay Disengaged 1: Insufficient Pressure Differential 2: Travel Calibration Error 3: Reserved 4: High Supply Pressure* 5: Reserved 6: Near a Travel Cutoff Or Stop 7:Reserved 8: Spec Sheet Fields Incomplete* 9: Sensor Failure* 10: Pressure Control Active 11: Transducer Block Mode OOS 12: Not Authorized for PD 13: PD Run Disabled* 14: Trigger Data Available*	All bits: 0	N/A	Data Type: Bit String (4 byte) 0=inactive 1=active Performance Diagnostic Detail status *Bits which, when set, will trigger PERF_ACTIVE bit 2.
PD Detail 6 Active PD_DETAIL6_ACTIVE	74.14	RO ⁽¹⁾	ALL	Reserved	All bits: 0	N/A	Data Type: Bit String (4 byte) 0=inactive 1=active Performance Diagnostic Detail status
Shutdown Alerts SHUTDOWN_ALERTS_ACTIVE	74.15	RO	N/A	0: Drive Current 1: Program Memory 2: Static Memory 3: Processor or I/O Processor 4: Travel Sensor 5: Port A Pressure Sensor 6: Output Block Timeout 7-31: (Reserved)	All bits: 0	N/A	Data Type: Bit String (4 byte) 0=inactive 1=active Indicates what caused an Instrument Shutdown. Bit remains set even if condition has passed if Shutdown Recovery is Manual. All bits are cleared when MODE_BLK.TARGET is written. Always enabled whenever the corresponding SHUTDOWN_TRIGGER is enabled.

1. These parameters can be written when PWA_SIMULATE is active and Protect Category is not ALL.

-Continued-

Transducer Block

Table 4-13. Transducer Block Parameter Definitions (Continued)

Label PARAMETER_NAME	Index Number	RO/ RW	Mode	Range	Initial Value	Protect Category	Description
INST_ALERTS_ENABLE	75						
Electronics Enable ELECT_ENABLE	75.1	RW	ALL	0: Drive Current 1: Drive Signal 2: Program Memory 3: Static Memory 4: Processor 5: I/O Processor 6: Output Block Timeout 7: Blocks Set to Defaults	Enabled Bits: 0: Drive Current 1: Drive Signal 2: Program Memory 3: Static Memory 4: Processor 5: I/O Processor 7: Block Set to Default	SETUP	Data Type: Bit String (4 byte) 0=disable 1=enable Electronic Alerts Enable
Sensor Enable SENSOR_ENABLE	75.2	RW	ALL	0: Travel Sensor 1: Port A Pressure Sensor 2: Port B Pressure Sensor 3: Supply Pressure Sensor 4: Temperature Sensor	Enabled Bits: 0: Travel Sensor 1: Port A Pressure Sensor 2: Port B Pressure Sensor 3: Supply Pressure Sensor 4: Temperature Sensor	SETUP	Data Type: Bit String (4 byte) 0=disable 1=enable Sensor Alerts Enable
Environment Enable ENVIRO_ENABLE	75.3	RW	ALL	0: Supply Pressure High 1: Supply Pressure Low 2: Temperature High 3: Temperature Low	Enabled Bits: 0: Supply Pressure High 2: Temperature High 3: Temperature Low	SETUP	Data Type: Bit String (4 byte) 0=disable 1=enable Environment Alerts Enable
Travel Enable TRAVEL_ENABLE	75.4	RW	ALL	0: Travel Deviation 1: Travel High High 2: Travel Low Low 3: Travel High 4: Travel Low	Enabled Bits: 0: Travel Deviation	SETUP	Data Type: Bit String (4 byte) 0=disable 1=enable Travel Alerts Enable
Proximity Enable PROX_ENABLE	75.5	RW	ALL	0: Travel Open 1: Travel Closed 2: Proximity High High 3: Proximity High 4: Proximity Low 5: Proximity Low Low	All bits: 0	SETUP	Data Type: Bit String (4 byte) 0=disable 1=enable Proximity Alerts Enable
Travel History Enable TVL_HISTORY_ENABLE	75.6	RW	ALL	0: Cycle Counter 1: Travel Accumulator	All bits: 0	SETUP	Data Type: Bit String (4 byte) 0=disable 1=enable Travel History Alerts Enable
Performance Enable PERF_ENABLE	75.7	RW	ALL	0: Performance Critical 1: Performance Reduced 2: Performance Information	Enabled Bits: 0: Performance Critical 1: Performance Reduced	SETUP	Data Type: Bit String (4 byte) 0=disable 1=enable Performance Alerts Enable

-Continued-

DVC6000f Digital Valve Controllers

Table 4-13. Transducer Block Parameter Definitions (Continued)

Label PARAMETER_NAME	Index Number	RO/ RW	Mode	Range	Initial Value	Protect Category	Description
INST_ALERTS_CONFIG	76						
Shutdown Trigger SHUTDOWN_TRIGGER	76.1	RW	ALL	0: Drive Current 1: Program Memory 2: Static Memory 3: Processor or I/O Processor 4: Travel Sensor 5: Port A Pressure Sensor 6: Output Block Timeout 7-31: (Reserved)	All bits: 0	SETUP	Data Type: Bit String (4 byte) 0=attempt control, 1=fail to zero drive e.g. OOS mode Action on specific instrument alerts:
Shutdown Recovery SHUTDOWN_RECOVERY	76.2	RW	ALL	0: (reserved) 1: Program Memory 2: Static Memory 3: Processor or I/O Processor 4: Travel Sensor 5: Port A Pressure Sensor 6: Output Block Timeout 7-31: (Reserved)	All bits: 0	SETUP	Data Type: Bit String (4 byte) 0=Auto 1=Manual Recovery action after a shutdown trigger "fail to zero drive" above,
Output Blk Timeout OUTPUT_BLK_TIMEOUT	76.3	RW	ALL	Time >= 0, <= 800 seconds	600 sec	SETUP	Data Type: Float The maximum time between updates from the AO or DO block to the transducer block setpoint.
Drive Current Alert Point DRIVE_CURRENT_ALRT_PT	76.4	RW	ALL	>= 5, <= 100	25%	SETUP	Data Type: Float (percent different) drive signal not reaching I/P accurately.
Drive Current Alert Time DRIVE_CURRENT_TIME	76.5	RW	ALL	= 0.25, <= 120 seconds	5 sec	SETUP	Data Type: Float (percent different) drive signal not reaching I/P accurately.
Temperature Hi Alert Point TEMP_HI_ALRT_PT	76.6	RW	ALL	> -76 F, < 257 F	186 deg F	SETUP	Data Type: Float Temperature HI Limits
Temperature Lo Alert Point TEMP_LO_ALRT_PT	76.7	RW	ALL	> -76 F, < 257 F	-63 deg F	SETUP	Data Type: Float Temperature LO Limits
Supply Pressure Hi Alert Point SUP_PRES_HI_ALRT_PT	76.8	RW	ALL	>= 0, <= 150	145 psig	SETUP	Data Type: Float Maximum supply pressure
Supply Pressure Lo Alert Point SUP_PRES_LO_ALRT_PT	76.9	RW	ALL	>= 0, <= 150	15 psig	SETUP	Data Type: Float Minimum supply pressure

-Continued-

Transducer Block

Table 4-13. Transducer Block Parameter Definitions (Continued)

Label PARAMETER_NAME	Index Number	RO/ RW	Mode	Range	Initial Value	Protect Category	Description
INST_ALERTS_CONFIG2	77						
Travel Deviation Alert Point TVL_DEV_ALRT_PT	77.1	RW	ALL	> 0%, <= 125%	5%	SETUP	Data Type: Float Alerts when difference between sp and pv is too large for too long.
Travel Deviation Time TVL_DEV_TIME	77.2	RW	ALL	> = 0, < = 120 seconds	10 sec	SETUP	Data Type: Float
Travel Deviation Deadband TVL_DEV_DB	77.3	RW	ALL	> = 0%, < = 100%	2%	SETUP	Data Type: Float
Travel Accumulator Alert Point TVL_ACCUM_ALRT_PT	77.4	RW	ALL	> = 0	1,000,000	SETUP	Data Type: Uint32 Alerts when accumulated travel is too much
Travel Accumulator Deadband TVL_ACCUM_DB	77.5	RW	ALL	0 – 100%	1%	SETUP	Data Type: Float Deadband
Cycle Count Alert Point CYCLE_COUNT_ALRT_PT	77.6	RW	ALL	> = 0	1,000,000	SETUP	Alerts when number of cycles is too large.
Cycle Count Deadband CYCLE_COUNT_DB	77.7	RW	ALL	0 – 100%	1%	SETUP	Data Type: Float Deadband
Travel Open Alert Point TVL_OPEN_ALRT_PT	77.8	RW	ALL	-25% to 125%	99.5%	SETUP	Data Type: Float Alert when valve is open. Control DI channel 24 regardless of alert enable state.
Travel Open Deadband TVL_OPEN_DB	77.9	RW	ALL	> = 0%, < = 100%	1%	SETUP	Data Type: Float Deadband
Travel Closed Alert Point TVL_CLOSED_ALRT_PT	77.10	RW	ALL	-25% to 125%	0.5%	SETUP	Data Type: Float Alerts when valve closed. Controls DI channel 25 regardless of alert enable state.
Travel Closed Deadband TVL_CLOSED_DB	77.11	RW	ALL	> = 0%, < = 100%	1%	SETUP	Data Type: Float Deadband
Travel Lo Lo Alert Point TVL_LO_LO_ALRT_PT	77.12	RW	ALL	-25% to 125%	-25%	SETUP	Data Type: Float Alert when valve position is less than alert point. Controls DI channels 26 & 30 regardless of alert enable state.
Travel Lo Lo Deadband TVL_LO_LO_DB	77.13	RW	ALL	> = 0%, < = 100%	5%	SETUP	Data Type: Float Deadband
Travel Lo Alert Point TVL_LO_ALRT_PT	77.14	RW	ALL	-25% to 125%	-25%	SETUP	Data Type: Float Alert when valve position is less than alert point. Controls DI channels 27 & 31 regardless of alert enable state.
Travel Lo Deadband TVL_LO_DB	77.15	RW	ALL	> = 0%, < = 100%	5%	SETUP	Data Type: Float Deadband
Travel Hi Alert Point TVL_HI_ALRT_PT	77.16	RW	ALL	-25% to 125%	125%	SETUP	Data Type: Float Alert when valve position is less than alert point. Controls DI channels 28 & 32 regardless of alert enable state.
Travel Hi Deadband TVL_HI_DB	77.17	RW	ALL	> = 0%, < = 100%	5%	SETUP	Data Type: Float Deadband
Travel Hi Hi Alert Point TVL_HI_HI_ALRT_PT	77.18	RW	ALL	-25% to 125%	125%	SETUP	Data Type: Float Alert when valve position is less than alert point. Controls DI channels 29 & 33 regardless of alert enable state.
Travel Hi Hi Deadband TVL_HI_HI_DB	77.19	RW	ALL	> = 0%, < = 100%	5%	SETUP	Data Type: Float Deadband

-Continued-

DVC6000f Digital Valve Controllers

Table 4-13. Transducer Block Parameter Definitions (Continued)

Label PARAMETER_NAME	Index Number	RO / RW	Mode	Range	Initial Value	Protect Category	Description
Self Test Status SELFTEST_STATUS	78	RO	N/A	0: 2: Integrator Limited Low 3: Integrator Limited High 4: Travel Sensor Span Error 5: MLFB Error 7: Travel Sensor High Error 8: Travel Sensor Low Error 9: Pressure Sensor B 10: Pressure Sensor A 11: Supply Pressure Sensor 13: IOP Failure 14: Drive Current 15: Simulate Jumper ON	All bits: 0		Data Type: Bit String (2 byte) 0=inactive 1=active Indicates the status of the instrument self test. Integrator Limited Low: Indicates the integrator reached its limit and cannot move the valve any further. High valve friction may cause this situation. Integrator Limited High: Indicates the integrator reached its limit and cannot move the valve any further. High valve friction may cause this situation. Travel Sensor Span Error: Indicates that span between the endpoints of travel are not far enough apart. This error is reported during automatic calibration. MLFB Error: Indicates that the Minor Loop Feedback sensor gave a non-valid value during automatic calibration. Travel Sensor High Error: Indicates the travel sensor has reported a travel position that is significantly above the normal operating range, and has failed. Travel Sensor Low Error: Indicates the travel sensor has reported a travel position that is significantly below the normal operating range, and has failed. Pressure B Sensor Failure: Indicates the pressure sensor is reporting a pressure that is significantly outside of the normal operating pressure, and has failed. Pressure A Sensor Failure: Indicates the pressure sensor is reporting a pressure that is significantly outside of the normal operating pressure, and has failed. Supply Sensor Failure: Indicates the pressure sensor is reporting a pressure that is significantly outside of the normal operating pressure, and has failed. IOP Failure: Indicates the I/O processor has failed. Drive Current: Indicates that the Drive Current has exceeded the Drive Current Alert Point for more than the Drive Current Alert Time. Simulate Jumper ON: Indicates the simulate jumper is connected to the DVC6000f between the two AUX terminals.
Health Index HEALTH_INDEX	79	RO	N/A	0 – 100	100	N/A	Data Type: Uint8 Represents overall health of device. 100 is perfect, 0 is completely bad. Settings for DVC6000f will range from 10 to 100.
Reserved A RESERVED_A	80	RW	ALL		N/A	SETUP	Data Type: Array, 118 x Unit8 Reserved
Reserved AI RESERVED_AI	81	RW	ALL		0	SETUP	Data Type: Uint16 Reserved

-Continued-

Transducer Block

Table 4-13. Transducer Block Parameter Definitions (Continued)

Label PARAMETER_NAME	Index Number	RO/ RW	Mode	Range	Initial Value	Protect Category	Description
Upgrade Progress UPGRADE_PROGRESS	82	RO	N/A		1	N/A	Data Type: Enum (Uint8) Not used by the DVC6000f
SPEC_SHEET_VALVE	83						
Valve Size VALVE_SIZE	83.1	RW	ALL		NULL	ALL	Data Type: Visible String
Valve Class VALVE_CLASS	83.2	RW	ALL		NULL	ALL	Data Type: Visible String
Rated Travel RATEDTRAVEL	83.3	RW	ALL		0.00	ALL	Data Type: Float
Actual Travel ACTUAL_TRAVEL	83.4	RW	ALL		0.00	ALL	Data Type: Float
Shaft Stem Diameter SHAFT_STEM_DIA	83.5	RW	ALL		0.00	ALL	Data Type: Float
Packing Type PACKING_TYPE	83.6	RW	ALL		NULL	ALL	Data Type: Visible String
Inlet Pressure INLET_PRESSURE	83.7	RW	ALL		0.00	ALL	Data Type: Float
Outlet Pressure OUTLET_PRESSURE	83.8	RW	ALL		0.00	ALL	Data Type: Float
SPEC_SHEET_TRIM	84						
Seat Type SEAT_TYPE	84.1	RW	ALL		NULL	ALL	Data Type: Visible String
Leak Class LEAK_CLASS	84.2	RW	ALL	ANSI Seat Leakage Classification 1: I 2: II 3: III 4: IV 5: V 6: VI 7: BFW 8: STD AIR 9: BFW II 10: BFW III 11: BFW IV 12: BFW V 13: BFW VI 14: 1/10th of IV 15: Bubble Tight	1= I	ALL	Data Type: Enum (Uint8)
Port Diameter PORT_DIAMETER	84.3	RW	ALL		0.00	ALL	Data Type: Float
Port Type PORT_TYPE	84.4	RW	ALL	1=balanced 2=unbalanced	0	ALL	Data Type: Enum (Uint8)
Flow Direction FLOWDIRECTION	84.5	RW	ALL	1=up 2=down	0	ALL	Data Type: Enum (Uint8)
Push Down To PUSH_DOWN_TO	84.6	RW	ALL	1=open 2=close	0	ALL	Data Type: Enum (Uint8)
Flow Tends To FLOW_TENDS_TO	84.7	RW	ALL	1=open 2=close	0	ALL	Data Type: Enum (Uint8)
Unbalanced Area UNBALANCED_AREA	84.8	RW	ALL		0.00	ALL	Data Type: Float
Trim Style 1 TRIM_STYLE_1	84.9	RW	ALL		NULL	ALL	Data Type: Visible String
Trim Style 2 TRIM_STYLE_2	84.10	RW	ALL		NULL	ALL	Data Type: Visible String

-Continued-

4

DVC6000f Digital Valve Controllers

Table 4-13. Transducer Block Parameter Definitions (Continued)

Label PARAMETER_NAME	Index Number	RO/ RW	Mode	Range	Initial Value	Protect Category	Description
SPEC_SHEET_ACT	85						
Actuator Size ACTUATOR_SIZE	85.1	RW	ALL		NULL	ALL	Data Type: Visible String
Effective Area EFFECTIVE_AREA	85.2	RW	ALL		0.00	ALL	Data Type: Float
Air AIR	85.3	RW	ALL	1=open 2=close	0	ALL	Data Type: Enum (Uint8)
Lower Bench Set LOWER_BENCH_SET	85.4	RW	ALL		0.00	ALL	Data Type: Float
Upper Bench Set UPPER_BENCH_SET	85.5	RW	ALL		0.00	ALL	Data Type: Float
Nominal Supply Pressure NOMINAL_SUPPLY_PRESSURE	85.6	RW	ALL		0.00	ALL	Data Type: Float
Spring Rate SPRING_RATE	85.7	RW	ALL		0.00	ALL	Data Type: Float
Stroking Time Open STROKING_TIME_OPEN	85.8	RW	ALL		0.00	ALL	Data Type: Float Seconds
Stroking Time Close STROKING_TIME_CLOSE	85.9	RW	ALL		0.00	ALL	Data Type: Float Seconds
Lever Style LEVER_STYLE	85.10	RW	ALL	1=Pivot Point 2=Rack & Pinion	0	ALL	Data Type: Enum (Uint8)
Lever Arm Length MOMENT_ARM	85.11	RW	ALL		0.00	ALL	Data Type: Float
DEVICE_RECORD	86						These parameters can only reset through VL/DD.
Temperature Maximum TEMP_MAX	86.1	RO	N/A		-9999.99	N/A	Data Type: Float Highest temperature recorded
Temperature Maximum Time TEMP_MAX_TIME	86.2	RO	N/A		Zero time	N/A	Data Type: Time Value
Temperature Minimum TEMP_MIN	86.3	RO	N/A		9999.99	N/A	Data Type: Float Lowest temperature recorded
Temperature Minimum Time TEMP_MIN_TIME	86.4	RO	N/A		Zero time	N/A	Data Type: Time Value
Supply Pressure Maximum SUPP_PRESS_MAX	86.5	RO	N/A		0.0	N/A	Data Type: Float Highest supply pressure recorded
Supply Pressure Maximum Time SUPP_PRESS_MAX_TIME	86.6	RO	N/A		Zero time	N/A	Data Type: Time Value
Supply Pressure Minimum SUPP_PRESS_MIN	86.7	RO	N/A		9999.99	N/A	Data Type: Float Lowest supply pressure recorded
Supply Pressure Minimum Time SUPP_PRESS_MIN_TIME	86.8	RO	N/A		Zero time	N/A	Data Type: Time Value
Comm Error Count COMM_ERROR_COUNT	86.9	RW	N/A		0	SETUP	Not used by the DVC6000f
Protection PROTECTION	87	RW	ALL	1=None 2=Calibration 3=Setup & Calibration 4=All	2=Calibration	NONE	Data Type: Enum Write lock enable/disable. If setting is at or above a parameters protection level then that parameter is read-only.
PERF_DIAG	88						
PD Run PD_COMMAND	88.1	RW	AUTO MAN	1=PD On 2=PD Off	1=PD On	NONE	Data Type: Enum Controls whether PD will run or not.
PD Status PD_STATUS	88.2	RO	ALL	1=Not Running 2=Running		NONE	Data Type: Enum Status of performance diagnostics.
PD Configuration PD_CONFIG	88.3	RW	ALL	0		NONE	Data Type: Bit String Bit string for configuring PD setup and options.
PD Extra PD_EXTRA	88.4	RW	ALL		0	NONE	Data Type: Uint32 Extra 32 bit integer for sending values to PD.

-Continued-

Transducer Block

Table 4-13. Transducer Block Parameter Definitions (Continued)

Label PARAMETER_NAME	Index Number	RO/ RW	Mode	Range	Initial Value	Protect Category	Description
Temperature Units TEMPERATURE_UNITS	89	RW	ALL	C=1001 F=1002	C	SETUP	Data Type: Enum (Uint8)
Pressure Units PRESSURE_UNITS	90	RW	ALL	kPa=1133 bar=1137 psig=1143 inHg=1155 inH2O=1146 Kg/cm ² =1145	kPa	SETUP	Data Type: Enum (Uint8)
Travel Units TVL_UNITS	91	RW	ALL	cm=1012 mm=1013 in=1019 deg=1005	mm	SETUP	Data Type: Enum (Uint8) Travel units for spec sheet ACTUAL_TRAVEL and RATEDTRAVEL only.
Length Units LENGTH_UNITS	92	RW	ALL	cm=1012 mm=1013 in=1019	mm	SETUP	Data Type: Enum (Uint8) Not used for spec sheet ACTUAL_TRAVEL OR RATEDTRAVEL
Area Units AREA_UNITS	93	RW	ALL	cm ² =1025 mm ² =1027 in ² =1030	cm ²	SETUP	Data Type: Enum (Uint8)
Spring Rate Units SPRING_RATE_UNITS	94	RW	ALL	N/m=1165 lb/in=1596	N/m	SETUP	Data Type: Enum (Uint8)
MAI_CHANNEL_MAP	95						Data Type: Uint16 This defines which transducer block channels will be sent to each of the 8 MAI channels. No scaling or other conversion will be done. Values will be sent in the currently defined units. If set to 0, then no output to MAI (status will be set to BAD). 1=FINAL_VALUE 2=TRAVEL_TARGET 3=FINAL_POSITION_VALUE 4=TRAVEL 5=SUPPLY_PRESS 6=ACT_PRESS_A 7=ACT_PRESS_B 8=ACT_PRESS_DIFF 9=DRIVE_SIGNAL 10=TRAVEL_DEVIATION 11=TEMPERATURE 12=CYCLE_COUNT 13=TRAVEL_ACCUM
MAI Channel 1 MAI_CHANNEL_1	95.1	RW	MAN, OOS	1 through 13	1	SETUP	
MAI Channel 2 MAI_CHANNEL_2	95.2	RW	MAN, OOS	1 through 13	2	SETUP	
MAI Channel 3 MAI_CHANNEL_3	95.3	RW	MAN, OOS	1 through 13	3	SETUP	
MAI Channel 4 MAI_CHANNEL_4	95.4	RW	MAN, OOS	1 through 13	4	SETUP	
MAI Channel 5 MAI_CHANNEL_5	95.5	RW	MAN, OOS	1 through 13	5	SETUP	
MAI Channel 6 MAI_CHANNEL_6	95.6	RW	MAN, OOS	1 through 13	6	SETUP	
MAI Channel 7 MAI_CHANNEL_7	95.7	RW	MAN, OOS	1 through 13	7	SETUP	
MAI Channel 8 MAI_CHANNEL_8	95.8	RW	MAN, OOS	1 through 13	8	SETUP	
Output Block Selection OUTBLOCK_SEL	96	RW	MAN, OOS	1: AO Block 2: DO Block	1: AO Block	SETUP	Data Type: Enum (Uint8) Controls which output block (AO or DO) the transducer block will respond to.
PlantWeb Alerts Set PV Status PWA_SET_STATUS	97	RW	MAN, OOS	1: No 2: Yes	1: No	SETUP	Data Type: Enum (Uint8) Controls whether the status of the PV fed back to the output block from the transducer block will be affected by an active PlantWeb alert.
Block Information BLOCK_INFO	98	RO		0: Travel feedback sensor detected 1: Output Block Scheduled 2: Trigger Capturing 3: Output Block in Normal Mode 4: Write Lock is on 5: Resource Block in Auto Mode			Data Type: Bit String (2 bytes)
Reserved B RESERVED_B	99	RW					Data Type: Bit String (4 bytes)
Travel Always TRAVEL_ALWAYS	100	RO					Data Type: DS-65

DVC6000f Digital Valve Controllers

View Lists

View lists allow the values of a set of parameters to be accessed at the same time. Views 1 and 2 contain operating parameters and are defined by the Fieldbus Foundation. View 3 contains dynamic parameters and View 4 contains static parameters with configuration and maintenance information. Views 3 and 4 are defined by the manufacturer.



Note

Because individual views are limited in size, View Lists 3 and 4 have multiple parts.

Table 4-14. Transducer Block, View 1

Index Number	Parameter
1	ST_REV
5.1	MODE_BLK.TARGET
5.2	MODE_BLK.ACTUAL
5.3	MODE_BLK.PERMITTED
5.4	MODE_BLK.NORMAL
6	BLOCK_ERR
10	TRANSDUCER_TYPE
11	XD_ERROR
13.1	FINAL_VALUE.STATUS
13.2	FINAL_VALUE.VALUE
17.1	FINAL_POSITION_VALUE.STATUS
17.2	FINAL_POSITION_VALUE.VALUE
32.1	SETPOINT_D.STATUS
32.2	SETPOINT_D.VALUE

Table 4-15. Transducer Block, View 2

Index Number	Parameter
1	ST_REV
10	TRANSDUCER_TYPE
14.1	FINAL_VALUE_RANGE.EU_100
14.2	FINAL_VALUE_RANGE.EU_0
14.3	FINAL_VALUE_RANGE.UNITS_INDEX
14.4	FINAL_VALUE_RANGE.DECIMAL
15	FINAL_VALUE_CUTOFF_HI
16	FINAL_VALUE_CUTOFF_LO
18	SERVO_GAIN
19	SERVO_RESET
20	SERVO_RATE
21	ACT_FAIL_ACTION
40.1	GRANT_DENY.GRANT
40.2	GRANT_DENY.DENY
50	INPUT_CHAR

Table 4-16. Transducer Block, View 3.1

Index Number	Parameter
1	ST_REV
5.1	MODE_BLOCK.TARGET
5.2	MODE_BLOCK.ACTUAL
5.3	MODE_BLOCK.PERMITTED
5.4	MODE_BLOCK.NORMAL
6	BLOCK_ERR
10	TRANSDUCER_TYPE
11	XD_ERROR
13.1	FINAL_VALUE.STATUS
13.2	FINAL_VALUE.VALUE
17.1	FINAL_POSITION_VALUE.STATUS
17.2	FINAL_POSITION_VALUE.VALUE
32.1	SETPOINT_D.STATUS
32.2	SETPOINT_D.VALUE
35.1	SUPPLY_PRESSURE.STATUS
35.2	SUPPLY_PRESSURE.VALUE
36.1	PRESSURE_A.STATUS
36.2	PRESSURE_A.VALUE
37.1	PRESSURE_B.STATUS
37.2	PRESSURE_B.VALUE
38.1	PRESSURE_DIFF.STATUS
38.2	PRESSURE_DIFF.VALUE
48	TEMPERATURE
49	TRAVEL_TARGET
52	TRAVEL_DEVIATION
53	DRIVE_SIGNAL
54	DRIVE_CURRENT
55	MLFB
59	FAILED_ACTIVE
60	MAINT_ACTIVE
61	ADVISE_ACTIVE
71	RECOMMEND_ACTION
72	TRAVEL_ACCUM
73	CYCLE_COUNT
75.1	INST_ALERTS_ENABLE.ELECT_ENABLE
75.2	INST_ALERTS_ENABLE.SENSOR_ENABLE
75.3	INST_ALERTS_ENABLE.ENVIRO_ENABLE
75.4	INST_ALERTS_ENABLE.TRAVEL_ENABLE
75.5	INST_ALERTS_ENABLE.PROX_ENABLE
75.6	INST_ALERTS_ENABLE.TVL_HISTORY_ENABLE
75.7	INST_ALERTS_ENABLE.PERF_ENABLE

Table 4-17. Transducer Block, View 3.2

Index Number	Parameter
1	ST_REV
74.1	INST_ALERTS_ACTIVE.ELECT_ACTIVE
74.2	INST_ALERTS_ACTIVE.SENSOR_ACTIVE
74.3	INST_ALERTS_ACTIVE.ENVIRO_ACTIVE
74.4	INST_ALERTS_ACTIVE.TRAVEL_ACTIVE
74.5	INST_ALERTS_ACTIVE.PROX_ACTIVE
74.6	INST_ALERTS_ACTIVE.TVL_HISTORY_ACTIVE
74.7	INST_ALERTS_ACTIVE.PERF_ACTIVE
74.8	INST_ALERTS_ACTIVE.PD_EVENT_ACTIVE
74.9	INST_ALERTS_ACTIVE.PD_DETAIL1_ACTIVE
74.10	INST_ALERTS_ACTIVE.PD_DETAIL2_ACTIVE
74.11	INST_ALERTS_ACTIVE.PD_DETAIL3_ACTIVE
74.12	INST_ALERTS_ACTIVE.PD_DETAIL4_ACTIVE
74.13	INST_ALERTS_ACTIVE.PD_DETAIL5_ACTIVE
78	SELFTTEST_STATUS
79	HEALTH_INDEX
86.1	DEVICE_RECORD.TEMP_MAX
86.2	DEVICE_RECORD.TEMP_MAX_TIME
86.3	DEVICE_RECORD.TEMP_MIN
86.4	DEVICE_RECORD.TEMP_MIN_TIME
86.5	DEVICE_RECORD.SUPP_PRESS_MAX
86.6	DEVICE_RECORD.SUPP_PRESS_MAX_TIME
86.7	DEVICE_RECORD.SUPP_PRESS_MIN
86.8	DEVICE_RECORD.SUPP_PRESS_MIN_TIME

Table 4-18. Transducer Block, View 4.1

Index Number	Parameter
1	ST_REV
3	STRATEGY
4	ALERT_KEY
10	TRANSDUCER_TYPE
22	ACT_MAN_ID
23	ACT_MODEL_NUM
24	ACT_SN
25	VALVE_MAN_ID
26	VALVE_MODEL_NUM

Table 4-19. Transducer Block, View 4.2

Index Number	Parameter
1	ST_REV
27	VALVE_SN
28	VALVE_TYPE
29	XD_CAL_LOC
30	XD_CAL_DATE
31	XD_CAL_WHO
89	TEMPERATURE_UNITS
90	PRESSURE_UNITS
91	TVL_UNITS
92	LENGTH_UNITS
93	AREA_UNITS
94	SPRING_RATE_UNITS

Table 4-20. Transducer Block, View 4.3

Index Number	Parameter
1	ST_REV
39	PWA_SIMULATE
41.1	TVL_PRESS_CONTROL.TVL_PRESS_SELECT
41.2	TVL_PRESS_CONTROL.TVL_PRESS_STATE
42.1	BASIC_SETUP.ACTUATOR_STYLE
42.2	BASIC_SETUP.ZERO_PWR_COND
42.3	BASIC_SETUP.TRAVEL_SEN_MOTION
42.4	BASIC_SETUP.FEEDBACK_CONN
42.5	BASIC_SETUP.RELAY_TYPE
42.6	BASIC_SETUP.MAX_SUPP_PRESS
42.7	BASIC_SETUP.PRESS_RANGE_HI
42.8	BASIC_SETUP.PRESS_RANGE_LO
42.9	BASIC_SETUP.TVL_CAL_TRIGGER
42.10	BASIC_SETUP.TVL_TUNING_SET
42.11	BASIC_SETUP.PRESS_TUNING_SET
44.1	TRAVEL_TUNE.TVL_INTEG_ENABLE
44.2	TRAVEL_TUNE.TVL_INTEG_LIM_HI
44.3	TRAVEL_TUNE.TVL_INTEG_LIM_LO
44.4	TRAVEL_TUNE.TVL_INTEG_DEADZ
44.5	TRAVEL_TUNE.TVL_MLFB_GAIN
47.1	PRESS_TUNE.PRESS_CUTOFF_HI
47.2	PRESS_TUNE.PRESS_CUTOFF_LO
47.3	PRESS_TUNE.PRESS_PROP_GAIN
47.4	PRESS_TUNE.PRESS_INTEG_GAIN
47.5	PRESS_TUNE.PRESS_RATE_GAIN
47.6	PRESS_TUNE.PRESS_INTEG_DEADZ
47.7	PRESS_TUNE.PRESS_INTEG_HI_LIM
47.8	PRESS_TUNE.PRESS_INTEG_LO_LIM
47.9	PRESS_TUNE.PRESS_INTEG_IC_HI
47.10	PRESS_TUNE.PRESS_INTEG_IC_LO
47.11	PRESS_TUNE.PRESS_MLFB_GAIN
62	FAILED_ENABLE
63	MAINT_ENABLE
64	ADVISE_ENABLE
65	FAILED_MASK
66	MAINT_MASK
67	ADVISE_MASK
68	FAILED_PRI
69	MAINT_PRI
70	ADVISE_PRI

DVC6000f Digital Valve Controllers

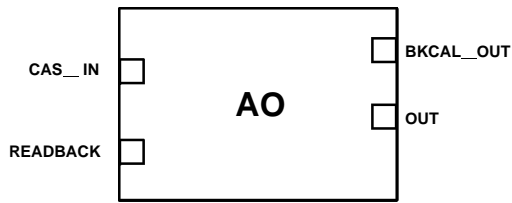
Table 4-21. Transducer Block, View 4.4

Index Number	Parameter
1	ST_REV
76.1	INST_ALERTS_CONFIG.SHUTDOWN_TRIGGER
76.2	INST_ALERTS_CONFIG.SHUTDOWN_RECOVERY
76.3	INST_ALERTS_CONFIG.OUTPUT_BLK_TIMEOUT
76.4	INST_ALERTS_CONFIG.DRIVE_CURRENT_ALRT_PT
76.5	INST_ALERTS_CONFIG.DRIVE_CURRENT_TIME
76.6	INST_ALERTS_CONFIG.TEMP_HI_ALRT_PT
76.7	INST_ALERTS_CONFIG.TEMP_LO_ALRT_PT
76.8	INST_ALERTS_CONFIG.SUP_PRES_HI_ALRT_PT
76.9	INST_ALERTS_CONFIG.SUP_PRES_LO_ALRT_PT
77.1	INST_ALERTS_CONFIG2.TVL_DEV_ALRT_PT
77.2	INST_ALERTS_CONFIG2.TVL_DEV_TIME
77.3	INST_ALERTS_CONFIG2.TVL_DEV_DB
77.4	INST_ALERTS_CONFIG2.TVL_ACCUM_ALRT_PT
77.5	INST_ALERTS_CONFIG2.TVL_ACCUM_DB
77.6	INST_ALERTS_CONFIG2.CYCLE_COUNT_ALRT_PT
77.7	INST_ALERTS_CONFIG2.CYCLE_COUNT_DB
77.8	INST_ALERTS_CONFIG2.TVL_OPEN_ALRT_PT
77.9	INST_ALERTS_CONFIG2.TVL_OPEN_DB
77.10	INST_ALERTS_CONFIG2.TVL_CLOSED_ALRT_PT
77.11	INST_ALERTS_CONFIG2.TVL_CLOSED_DB
77.12	INST_ALERTS_CONFIG2.TVL_LO_LO_ALRT_PT
77.13	INST_ALERTS_CONFIG2.TVL_LO_LO_DB
77.14	INST_ALERTS_CONFIG2.TVL_LO_ALRT_PT
77.15	INST_ALERTS_CONFIG2.TVL_LO_DB
77.16	INST_ALERTS_CONFIG2.TVL_HI_ALRT_PT
77.17	INST_ALERTS_CONFIG2.TVL_HI_DB
77.18	INST_ALERTS_CONFIG2.TVL_HI_HI_ALRT_PT
77.19	INST_ALERTS_CONFIG2.TVL_HI_HI_DB
82	UPGRADE_PROGRESS
87	PROTECTION

Table 4-22. Transducer Block View, 4.5

Index Number	Parameter
1	ST_REV
95.1	MAI_CHANNEL_1
95.2	MAI_CHANNEL_2
95.3	MAI_CHANNEL_3
95.4	MAI_CHANNEL_4
95.5	MAI_CHANNEL_5
95.6	MAI_CHANNEL_6
95.7	MAI_CHANNEL_7
95.8	MAI_CHANNEL_8
96	OUTBLOCK_SEL
97	PWA_SET_STATUS

Analog Output (AO) Function Block Overview	4-69
Modes	4-70
Mode Handling	4-70
Shed Options	4-70
Shed with Return Options	4-71
Shed with No Return Options	4-70
Status Handling	4-71
Setting the Output	4-71
Output Block PV Status	4-72
Set Point Selection and Limiting	4-72
Action On Fault Detection	4-72
I/O Options	4-73
Simulation	4-73
Application Information	4-74
Block Errors	4-74
Parameter List	4-75
View Lists	4-79
Field Communicator Menu Structure	4-80



CAS_IN = The remote setpoint value from another function block.
BKCAL_OUT = The value and status required by the BKCAL_IN input of another block to prevent reset windup and to provide bumpless transfer to closed loop control.
OUT = The block output and status.
READBACK = Actual valve position.

B2716-1 / IL

Figure 4-8. Analog Output (AO) Function Block

Analog Output (AO) Function Block Overview

The Analog Output (AO) function block assigns an output value to a field device through a specified I/O channel. The block supports mode control, signal status calculation, and simulation. Figure 4-9 illustrates the internal components of the AO function block, and table 4-24 lists the definitions of the block parameters. The digital valve controller measures and uses actual valve position for READBACK [16].



Note

The AO block actual mode will not move to Auto unless:

- Resource Block actual mode is Auto, and
- AO SHED_OPT [27] is set to a non-zero value.



Note

Actual Block Mode (MODE_BLK.ACTUAL [5.2]) will remain out of service and the block cannot be scheduled if the block has not been licensed. Contact your Emerson Process Management sales office to upgrade product licensing.



Note

Actual Block Mode (MODE_BLK.ACTUAL [5.2]) will remain in IMAN and the block Readback status will be Bad – Not Connected if the Output Block Selection is set incorrectly. From the transducer block method Outblock Selection, select the desired output block, see page 4-26.

4

Modes

The Analog Output function block supports the following modes:

- **Manual (Man)**—You can manually set the output to the I/O channel through the OUT [9] attribute. This mode is used primarily for maintenance, calibration and diagnostics.
- **Automatic (Auto)**—The block output (OUT [9]) reflects the target operating point specified by the setpoint (SP [8]) attribute. Typically the setpoint is set by the user.
- **Cascade (Cas)**—The SP [8] attribute is set by another function block through a connection to CAS_IN [17]. The SP [8] value is used to set the OUT [9] attribute automatically. This is the most frequently used mode in the digital valve controller.



Note

The transducer block must be in Auto for the mode to go to AUTO, CAS, MAN, or RCAS.

DVC6000f Digital Valve Controllers

- **RemoteCascade (RCas)**—The SP [8] is set by a host computer by writing to the RCAS_IN [28] parameter. The SP [8] value is used to set the OUT [9] attribute automatically.

- **Out of Service (OOS)**—The block is not processed. The output channel is maintained at the last value and the status of OUT [9] is set to Bad: Out of Service. The BLOCK_ERR [6] attribute shows Out of Service.

- **Initialization Manual (lman)**—The path to the output hardware is broken and the AO block output will remain at the last position. This means the transducer block mode is Out of Service or Manual or configured to respond to the DO block.

- **Local Override (LO)**—The output of the block is not responding to inputs because the fault state action is active. OUT [9] freezes or goes to value per IO_OPTS [14].

The target mode of the block may be restricted to one or more of the following modes: Man, Auto, Cas, RCas, or OOS.

Mode Handling

Shed Options—RCAS Mode Only

Automatically changing through the permitted modes when starting from a remote mode, fall from (or shed) or climb to a remote mode is determined by the parameter SHED_OPT [27]. A block climbs and sheds through the same path. For example, if SHED_OPT [27] specifies that a block should shed to Auto, then, if the block target mode is set to RCas, the block goes through Auto on the way to RCas.

When the block is in Cas mode and the CAS_IN [17] input goes bad, the block sheds mode to the next lower permitted mode.

You can configure the shed option as follows:

Shed With Return Options

Remote cascade connection failure shifts actual mode but keeps trying to restore remote cascade (in other words, the remote cascade target mode stays in effect).



Note

During Shed with Return Options, the actual mode is changed, while the target mode stays the same.

Normal—On failure of a remote cascade connection the block attempts to attain the highest permitted non-remote mode until remote cascade is restored. Cas is the highest permitted non-remote mode and Auto is the next permitted non-remote mode. If Cas or Auto are not available, the block will shed by default to Man.

Retained Target—The retained target mode is the previous target mode before it was changed to RCAS or ROUT. On failure of a remote cascade connection the block attempts to attain the retained target mode.

Auto—On failure of a remote cascade connection the block attempts to attain Auto, if permitted, until remote cascade is restored.

Man—On failure of a remote cascade connection the block sheds to Man until a remote cascade connection is restored.

Shed With No Return Options



Note

During Shed with No Return Options, the target mode is changed, while the actual mode stays the same.

For any shed with no return option, the target mode changes as determined by the option. Therefore, there is no attempt to restore the connection following failure. The behavior on change to the remote cascade target mode is identical to that for Shed With Return Options.

Normal—On failure of a remote cascade connection the block sets the target mode to the highest permitted non-remote mode. Cas is the highest permitted non-remote mode and Auto is the next highest permitted non-remote mode. If Cas or Auto are not available, the block will shed by default to Man.

Retained Target—The retained target mode is the previous target mode before it was changed to RCAS or ROUT. On failure of a remote cascade connection the block sets the target mode to the retained target mode.

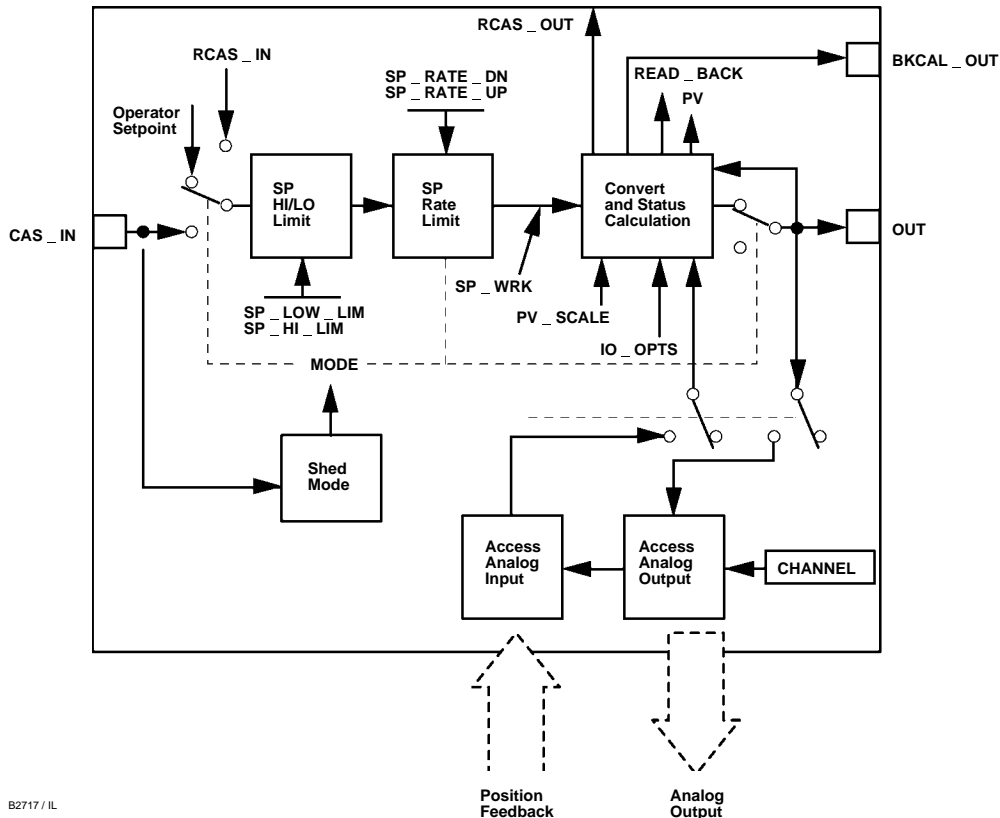


Figure 4-9. Analog Output Function Block Schematic

Auto—On failure of a remote cascade connection, the block sets the target mode to Auto, if permitted.

Man—On failure of remote cascade connection, the block sets the target mode to Man, if permitted.

The user may configure SHED_OPT [27] so that it calls for a target mode that is not permitted. When doing this, the mode logic uses the following rules as applied by the remote logic:

- Shed logic never results in a non-permitted target mode.
- Shed logic never attempts to attain an actual mode of Auto or Cas if that mode is not permitted.

Status Handling

Output or readback fault detection is reflected in the status of PV [7], OUT [9], and BKCAL_OUT [25]. A limited SP [8] condition is reflected in the BKCAL_OUT [25] status. When simulation is enabled through the SIMULATE [10] attribute, you can set the value and status for PV [7] and READBACK [16].

When the block is in Cas mode and the CAS_IN [17] input goes bad, the block sheds mode to the next permitted mode.

Setting the Output

To set the output for the AO block, you must first set the mode to define the manner in which the block determines its setpoint. In Manual mode the value of the output attribute (OUT [9]) must be set manually by the user, and is independent of the setpoint. In Automatic mode, OUT [9] is set automatically based on the value specified by the setpoint (SP [8]) in engineering units and the I/O Options attribute. In addition, you can limit the SP [8] value and the rate at which a change in the SP [8] is passed to OUT [9].

In Cascade mode, the cascade input connection (CAS_IN [17]) is used to update the SP [8]. The back calculation output (BKCAL_OUT [25]) is wired to the back calculation input (BKCAL_IN [27]) of the upstream block that provides CAS_IN [17]. This provides bumpless transfer on mode changes and windup protection in the upstream block.



Note

You must wire BKCAL_OUT [25] to BKCAL_IN [27] of the upstream block that provides CAS_IN [17]. Otherwise, the AO will not initialize properly, and the setpoint at CAS_IN [17] will not be passed to OUT [9].

4

An analog readback value, such as valve position, is shown by the process value (PV [7]) attribute in engineering units.

To support testing, you can enable simulation, which allows you to manually set the channel feedback. There is no alarm detection in the AO function block.

To select the manner of processing the SP and the channel output value configure the setpoint limiting options, the tracking options, and the conversion and status calculations.

Output Block PV Status

The Output Block PV Status is determined by the value of the PlantWeb Alerts Set PV Status parameter in the transducer block (PWA_SET_STATUS [97]), the Transducer Block mode, and enabled Active PlantWeb alarms. Refer to table 4-10.

Set Point Selection and Limiting

To select the source of the SP [8] value use the MODE [5] attribute. In Automatic (Auto) mode, the local, manually-entered SP [8] is used. In Cascade (Cas) mode, the SP [8] comes from another block through the CAS_IN [17] input connector. In RemoteCascade (RCas) mode, the SP [8] comes from a host computer that writes to RCAS_IN [28]. The range and units of the SP [8] are defined by the PV_SCALE [11] attribute.

In Manual (Man) mode the SP [8] automatically tracks the PV [7] value when you select the SP-PV Track in Man I/O option in IO_OPTS [14]. This option can be used to minimize valve movement when the AO block is transitioned from Manual mode to Auto. You can disable this option in OOS mode only.

The SP [8] value is limited to the range defined by the setpoint high limit attribute (SP_HI_LIM [20]) and the setpoint low limit attribute (SP_LO_LIM [21]).

In Auto mode, the rate at which a change in the SP [8] is passed to OUT [9] is limited by the values of the setpoint upward rate limit attribute (SP_RATE_UP

[19]) and the setpoint downward rate limit attribute (SP_RATE_DN [18]). A limit of zero disables rate limiting.

As shown in figure 4-10, the block executes a percentage of the set point change each macrocycle. For example, if the set point rate is set at 10% per second and the macrocycle is 500 milliseconds (0.5 seconds or 50% of 1 second), then during the first macrocycle the set point will change 5% (50% of the 10% per second rate). If the macrocycle is 750 milliseconds (0.75 seconds or 75% of 1 second), then during the first macrocycle the setpoint will change 7.5% (75% of 10).

When the transducer block receives the setpoint change from an AO block with rate limits, it will smoothly move the valve to the requested setpoint at the rate limit configured in the AO block.

In Auto mode, the converted SP [8] value is stored in the OUT [9] attribute. In Man mode, the OUT [9] attribute is set manually, and is used to set the analog output defined by the CHANNEL [22] parameter.

You can access the actuator position associated with the output channel through the READBACK [16] parameter (in OUT units) and in the PV [7] attribute (in engineering units). The digital valve controller supports position feedback and therefore provides the actual valve position in PV [7] and READBACK [16] directly.

Action On Fault Detection

To define the action you wish the valve to take when the block is in CAS mode, and the CAS_IN [17] input detects a communication failure, or is commanded to go to fault state by the upstream block or the resource block, configure the following parameters:

IO_OPTS [14]: Determines the action OUT [9] will take upon a fault state. If the IO_OPTS [14] "Fault State to Value" is not selected, then OUT [9] holds its last position when Fault State is set. If "Fault State to Value" is selected, OUT [9] goes to the FSTATE_VAL [24] value when Fault State is set.

FSTATE_TIME [23]: The length of time, in seconds, that the AO block will wait to set Fault State. When Fault State is set, the OUT [9] value goes to either the FSTATE_VAL [24] value or holds its last position, depending on IO_OPTS [14]. When the block has a target mode of CAS, a fault condition will be detected if the CAS_IN [17] has a BAD status or an Initiate Fault State substatus is received from the upstream block.

FSTATE_VAL [24]: Determines the OUT [9] value if IO_OPTS "Fault State to Value" is selected. The OUT [9] value transitions to FSTATE_VAL [24] after FSTATE_TIME [23] elapses and the fault condition has not cleared.

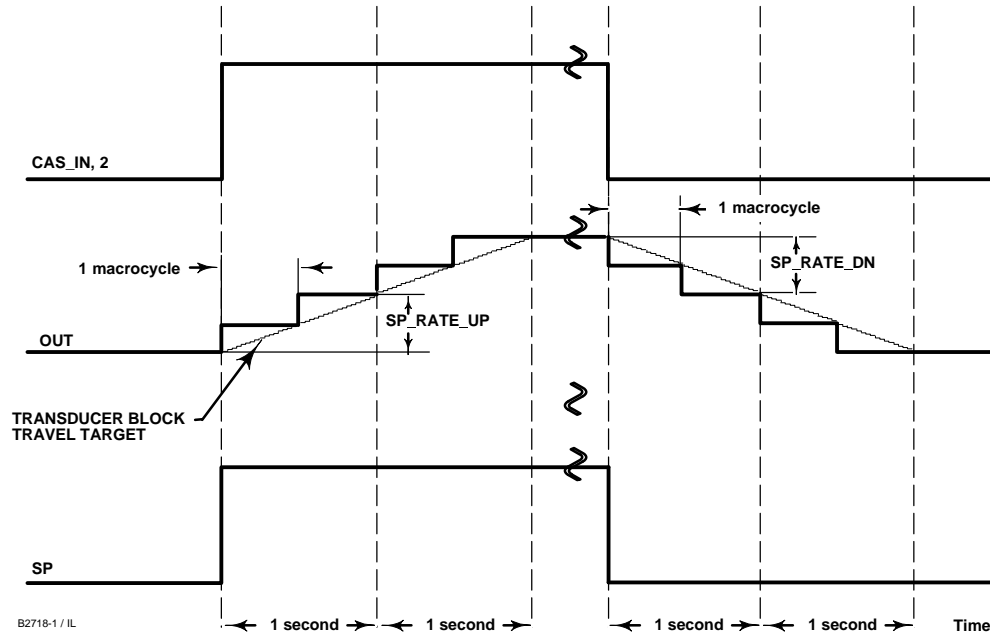


Figure 4-10. Analog Output Function Block Timing Diagram

I/O Options

The I/O options parameter (IO_OPTS [14]) allows you to select how the I/O signals are processed. You can set I/O options in Out of Service mode only. The following I/O options are available in the AO block:

Use PV for BKCAL_OUT—Changes the BKCAL_OUT [25] value to the PV [7] value. When the Use PV for BKCAL_OUT option is not enabled (False), the BKCAL_OUT [25] value is the working setpoint value.

Target to Man if Fault State Activated—Set the target mode to Man, thus losing the original target, if Fault State is activated. This latches an output block into the manual mode.

Use Fault State value on Restart—Use the value of FSTATE_VAL [24] for SP [8] when power is restored or if the device is restarted, otherwise use the last value saved in non-volatile memory. This does not act like Fault State, it only uses the value of FSTATE_VAL [24].

Fault State to Value—The output action to take when a fault occurs (if not selected, use hold last value; if selected, use FSTATE_VAL [24]).

Increase to Close—If the Increase to Close bit is set the value to the transducer is inverted, e.g. 20% becomes 80%.

SP-PV Track in Man—Permits the setpoint to track the process variable when the target mode of the block is MAN.

SP-PV Track in LO or IMan—Permits the setpoint to track the process variable when the actual mode of the block is LO or IMan.

SP Track retained Target—Permits the setpoint to track the RCas or Cas parameter based on the retained target mode when the actual mode of the block is LO or Man. When SP-PV track options are enabled, the SP Track retained target will have precedence in the selection of the value to track when the actual mode is Man and LO.

Simulation

When simulate is active, the transducer sub-parameters show the actual transducer block status and value as normally passed back to the AO block. The Simulate sub-parameters are writable and replace actual transducer values.



Note

When **simulate** is active, the output block no longer writes values to the transducer block. If the **Output Blk Timeout** period is exceeded, the transducer block may move the valve to the **Zero Power Condition** depending on the configuration of the **Output Block Timeout Alert**.

Block Errors

Table 4-23 lists conditions reported in the **BLOCK_ERR** [6] parameter. Conditions in *italics* are not applicable for the AO block and are provided only for your reference.

Table 4-23. *BLOCK_ERR* Conditions

Condition Number	Condition Name and Description
0	<i>Other (N/A)</i>
1	Block Configuration Error - CHANNEL and SHED_OPT set to 0
2	<i>Link Configuration Error (N/A)</i>
3	Simulate active - Simulation is enabled and the block is using a simulated value in its execution.
4	Local Override - Device in fault state. Actual mode LO.
5	Device Fault State Set - AO block in fault state after FSTATE_TIME because of Bad status or IFS substatus on CAS_IN or Resource block commanded fault state.
6	Device Needs Maintenance Soon - Indicates a Maintenance PlantWeb Alert condition is active if Block Error Reporting is enabled. See page 4-40.
7	<i>Input failure/process variable has Bad status (N/A)</i>
8	Output failure - PV has bad status.
9	<i>Memory Failure (N/A)</i>
10	<i>Lost Static Data (N/A)</i>
11	<i>Lost NV Data (N/A)</i>
12	<i>Readback Check Failed (N/A)</i>
13	Device Needs Maintenance Now - Indicates Failed PlantWeb Alert condition is active if Block Error Reporting is enabled. See page 4-40.
14	Power Up - This condition exists after power up until actual mode is not Out of Service.
15	Out of Service - The block is in Out of Service (OOS) mode.

4 Application Information

The configuration of an AO function block and its associated output channels depends on the specific application. A typical configuration for the Analog Output involves the following attributes:

- PV_SCALE** Set the range and engineering units to values that correspond to the operation range. For the digital valve controller, **PV_SCALE** [11] is typically set between 0 and 100%.
- BKCAL_OUT** If you are using the **CAS_IN** [17] connector wired from another block, wire the **BKCAL_OUT** [25] attribute to the other block's **BKCAL_IN** [27] attribute.
- IO_OPTS** Set the type of tracking and action upon fault state.
- SHED_OPT** Set the action to be taken when the set point or output are not updated in a remote mode.

AO Block Parameter List

- Read/Write Capability: RO – Read Only, RW – Read Write
- Mode: The block mode(s) required to write to the parameter
- Double indentation and shaded Index Number indicates sub-parameter

Table 4-24. Analog Output Function Block Parameter Definitions

Label PARAMETER_NAME	Index Number	RO / RW	Block Mode	Range	Initial Value	Description
Static Revision ST_REV	1	RO	N/A	0 to 65535	0	Data Type: Unsigned16 The revision level of the static data associated with the function block. The revision value will be incremented each time a static parameter value in the block is changed.
Tag Description TAG_DESC	2	RW	ALL	7 bit ASCII	Spaces	Data Type: Octet String The user description of the intended application of the block.
Strategy STRATEGY	3	RW	ALL	0 to 65535	0	Data Type: Unsigned16 The strategy field can be used to identify grouping of blocks. This data is not checked or processed by the block.
Alert Key ALERT_KEY	4	RW	ALL	1 to 255	0	Data Type: Unsigned8 The identification number of the plant unit. This information may be used in the host for sorting alarms, etc.
Block Mode MODE_BLK	5					
TARGET	5.1	RW	ALL	OOS MAN AUTO AUTO-CAS AUTO-RCAS	OOS until block is configured, then last valid target	Data Type: DS-69 Valid Bits: 7: OOS, 6: IMAN, 5: LO, 4: MAN, 3: AUTO, 2: CAS, 1: RCAS The actual, target, permitted, and normal modes of the block. Target: The requested block mode Actual: The current mode of the block (Note: Bit 6 (IMAN) is valid for ACTUAL only) Permitted: Allowed modes for Target Normal: Most common mode for Target
ACTUAL	5.2	RO	ALL		OOS	
PERMITTED	5.3	RW	ALL	OOS+MAN+AUTO+ CAS+RCAS	OOS+MAN+ AUTO+ CAS+RCAS	
NORMAL	5.4	RW	ALL		AUTO	
Block Error BLOCK_ERR	6	RO	N/A	1: Block Configuration Error 3: Simulate Active 4: Local Override 5: Device Fault State Set 8: Output Failure 14: Power-up 15: Out-of-Service	Dynamic	Data Type: Bit String (2 byte) 0=inactive 1=active This parameter reflects the error status associated with the hardware or software components associated with a block. It is a bit string, so that multiple errors may be shown. See table 4-23.
Process Variable PV	7	RO	N/A	PV Status set equal to READBACK status	Dynamic	Data Type: DS-65 The process variable used in block execution. This value is converted from READBACK to show the actuator position in the same units as the setpoint value.
Set Point SP	8		OOS MAN AUTO	PV_SCALE +/- 10%	Dynamic	Data Type: DS-65 The SP of the analog block. Can be derived from CAS_IN, RCAS_IN in normal modes, or can track PV in MAN, IMan or LO modes. IO_OPTS is used to determine value of SP in MAN, IMan or LO. If no IO_OPTS for SP tracking are set, SP will freeze when mode changes from CAS or RCAS.
Output OUT	9		MAN OOS	OUT_SCALE +/- 10%	Dynamic	Data Type: DS-65 The primary value and status calculated by the block in Auto mode. OUT may be set manually in Man mode.

–Continued–

DVC6000f Digital Valve Controllers

Table 4-24. Analog Output Function Block Parameter Definitions (Continued)

Label PARAMETER_NAME	Index Number	RO / RW	Block Mode	Range	Initial Value	Description
Simulate SIMULATE	10					Data Type: DS-82 Allows the analog input to be manually supplied when simulate is enabled. When simulation is disabled, the simulate value and status track actual value & status.
SIMULATE_STATUS	10.1	RW	ALL		0	
SIMULATE_VALUE	10.2	RW	ALL		0	
TRANSDUCER_STATUS	10.3	RO	ALL		0	
TRANSDUCER_VALUE	10.4	RO	ALL		0	
ENABLE/DISABLE	10.5	RW	ALL	0: Not Initialized 1: Simulation Disable 2: Simulation Active	1: Simulation Disabled	
Process Value Scale PV_SCALE	11	RW	OOS	EU at 100% EU at 0% Units index Decimal Point	100 0 % 2	Data Type: DS-68 The high and low scale values, engineering units code, and number of decimal places to be used in displaying the PV parameter and parameters which have the same scaling as PV.
Transducer Scale XD_SCALE	12	RO	OOS	EU at 100% EU at 0% Units index Decimal Point	100 only 0 only % only 2	Data Type: DS-68 The high and low scale values and engineering units code are read only. This parameter determines the number of digits to the right of the decimal point used with the value obtained from the transducer for a specified channel.
Grant Deny GRANT_DENY	13					Data Type: DS-70 Options for controlling access of host computers and local control panels to operating, tuning, and alarm parameters of the block. GRANT: 1 = granted, 0 = N/A DENY: 1 = denied, 0 = N/A
	13.1	RW	ALL	0: Program 1: Tune 2: Alarm 3: Local	All bits: 0	
	13.2	RW	ALL		All bits: 0	
I/O Options IO_OPTS	14		OOS	1: SP tracks PV in Man 3: SP tracks PV in LO or lman 4: SP Track retained target in Man or LO 5: Increase to Close 6: Fault State to value 0=freeze 1=go to Fault State value 7: Use Fault State value on restart 8: Target to Man if Fault State activated 9: Use PV for BKCAL_OUT 0=SP 1=PV	All bits: 0	Data Type: Bit String (2 byte) 0=disable 1=enable Allows you to select the type of tracking and the output value when a fault condition occurs.
Status Options STATUS_OPTS	15		OOS	4: Propagate Failure Backward	All bits: 0	Data Type: Bit String 0=disable 1=enable Options the user may select for the block processing of status.
Readback READBACK	16	RO	N/A	Status		Data Type: DS-65 Readback is the de-characterized valve position as reported by the transducer block parameter FINAL_POSITION_VALUE [17]. This correlates with the AO block parameter OUT [9], which is the setpoint to the transducer. READBACK is the simulated input if SIMULATE is enabled or the transducer block feedback if SIMULATE is disabled.
				Value	Dynamic	
Cascade Input CAS_IN	17		ALL	Status	BAD: NC: const	Data Type: DS-65 The setpoint value from another function block.
				Value	0	

-Continued-

AO Function Block

Table 4-24. Analog Output Function Block Parameter Definitions (Continued)

Label PARAMETER_NAME	Index Number	RO / RW	Block Mode	Range	Initial Value	Description
Setpoint Rate Down SP_RATE_DN	18		ALL	Positive, 0 disables rate limiting PV units	+INF	Data Type: Float Ramp rate for downward set point changes. When the ramp rate is set to zero, the set point is used immediately.
Setpoint Rate Up SP_RATE_UP	19		ALL	Positive, 0 disables rate limiting PV units	+INF	Data Type: Float Ramp rate for upward set point changes. When the ramp rate is set to zero, the setpoint is used immediately.
Setpoint High Limit SP_HI_LIM	20		ALL	PV Scale +/- 10%	100	Data Type: Float The highest set point value allowed. SP_HI_LIM must be greater than SP_LO_LIM.
Setpoint Low Limit SP_LO_LIM	21		ALL	PV Scale +/- 10%	0	Data Type: Float The lowest set point value allowed. SP_LO_LIM must be less than SP_HI_LIM.
AO Channel CHANNEL	22		OOS	1=Setpoint	1=Setpoint	Data Type: Unsigned16 Defines which transducer parameter receives the AO output. Select Setpoint to control valve position.
Fault State Time FSTATE_TIME	23		ALL	Positive, seconds	0	Data Type: Float Time from failure detection to reaction if failure still exists.
Fault State Value FSTATE_VAL	24		ALL	PV Scale +/- 10%	0	Data Type: Float Preset value to use if I/O_OPTS Fault State to Value or Use Fault State Value on Restart is set.
Back Calculation Output BKCAL_OUT	25	RO	N/A	Status Limits	Dynamic	Data Type: DS-65 The value and status required by the BKCAL_IN input of another block to prevent reset windup and to provide bumpless transfer to closed loop control.
				Value		
Remote Cascade Input RCAS_IN	26		ALL	Status	BAD: NoCom: NoVal: const	Data Type: DS-65 Target SP and status by supervisory host
				Value	0 Trk	
Shed Options SHED_OPT	27		ALL	Defined by FF spec 0=Invalid 1=Normal Shed, Normal Return 2=Normal Shed, No Return 3=Shed to Auto, normal return 4=Shed to Auto, no return. Target mode changes to Auto on detection of a shed condition 5=Shed to Manual, normal return 6=Shed to Manual, No return. Target mode changes to MAN on detection of a shed condition. 7=Shed to retained target, normal return 8=Shed to retained target, no return. (Change target to retained target)	0	Data Type: Unsigned8 Defines the action to be taken when the set point is not updated in a remote mode.
Remote Cascade Output RCAS_OUT	28	RO	N/A	Status	Dynamic	Data Type: DS-65 Block set point and status after ramping
				Value		

-Continued-

4

DVC6000f Digital Valve Controllers

Table 4-24. Analog Output Function Block Parameter Definitions (Continued)

Label PARAMETER_NAME	Index Number	RO / RW	Block Mode	Range	Initial Value	Description
Update Event UPDATE_EVT	29					Data Type: DS-73 This alert is generated by any changes to static data.
UNACKNOWLEDGED	29.1	RW	N/A	0:Undefined 1:Acknowledged 2:Unacknowledged	0: Undefined	
UPDATE_STATUS	29.2	RO	N/A	0:Undefined 1:Update reported 2:Update not reported	0: Undefined	
TIME_STAMP	29.3	RO	N/A		0	
STATIC_REVISION	29.4	RO	N/A		0	
RELATIVE_INDEX	29.5	RO	N/A		0	
Block Alarm BLOCK_ALM	30					Data Type: DS-72 The block alarm is used for all configuration, hardware, connection failure, or system problems in the block.
UNACKNOWLEDGED	30.1	RW	N/A	0:Undefined 1:Acknowledged 2:Unacknowledged	0: Undefined	
ALARM_STATE	30.2	RO	N/A	0:Undefined 1:Clear reported 2:Clear not reported 3:Active reported 4:Active not reported	0: Undefined	
TIME_STAMP	30.3	RO	N/A		0	
SUBCODE	30.4	RO	N/A		0	
VALUE	30.5	RO	N/A		0	
Extended Parameters						
StdDev STDDEV	31	RO	N/A	positive float	Dynamic	Data Type: Float Standard Deviation. To support DeltaV Variability measurement.
Cap StdDev CAP_STDDEV	32	RO	N/A	positive float	Dynamic	Data Type: Float Capability Standard Deviation. To support DeltaV Variability measurement.

4

View Lists

View lists allow the values of a set of parameters to be accessed at the same time. Views 1 and 2 contain operating parameters and are defined by the Fieldbus Foundation. View 3 contains dynamic parameters and View 4 contains static parameters with configuration and maintenance information. Views 3 and 4 are defined by the manufacturer.

Table 4-25. AO Function Block, View 1

Index Number	Parameter
1	ST_REV
5.1	MODE_BLK.TARGET_MODE
5.2	MODE_BLK.ACTUAL_MODE
5.3	MODE_BLK.PERMITTED_MODE
5.4	MODE_BLK.NORMAL_MODE
6	BLOCK_ERR
7	PV
8	SP
9	OUT
16	READBACK
17	CAS_IN

Table 4-26. AO Function Block, View 2

Index Number	Parameter
1	ST_REV
11	PV_SCALE
12	XD_SCALE
13.1	GRANT_DENY.GRANT
13.2	GRANT_DENY.DENY
20	SP_HI_LIM
21	SP_LO_LIM

Table 4-27. AO Function Block, View 3

Index Number	Parameter
1	ST_REV
5.1	MODE_BLK.TARGET_MODE
5.2	MODE_BLK.ACTUAL_MODE
5.3	MODE_BLK.PERMITTED_MODE
5.4	MODE_BLK.NORMAL_MODE
6	BLOCK_ERR
7	PV
8	SP
9	OUT
16	READBACK
17	CAS_IN
25	BKCAL_OUT
26	RCAS_IN
28	RCAS_OUT
31	STDDEV
32	CAP_STDDEV

4

Table 4-28. AO Function Block, View 4

Index Number	Parameter
1	ST_REV
3	STRATEGY
4	ALERT_KEY
14	IO_OPTS
15	STATUS_OPTS
18	SP_RATE_DN
19	SP_RATE_UP
22	CHANNEL
23	FSTATE_TIME
24	FSTATE_VAL
27	SHED_OPT

DVC6000f Digital Valve Controllers

Field Communicator Menu Structure

ANALOG OUTPUT FUNCTION BLOCK

Quick Config

Alert Key
Process Value Scale: EU at 100%
Process Value Scale: EU at 0%
Process Value Scale: Units Index
Process Value Scale: Decimal
Simulate: Simulate Status
Simulate: Simulate Value
Simulate: Transducer Status
Simulate: Transducer Value
Simulate: Simulate En/Disable
Setpoint: Status
Setpoint: Value
Setpoint High Limit
Setpoint Low Limit

Common Config

Alert Key
I/O Options
Block Mode: Target
Block Mode: Actual
Block Mode: Permitted
Block Mode: Normal
Process Value Scale: EU at 100%
Process Value Scale: EU at 0%
Process Value Scale: Units Index
Process Value Scale: Decimal
Setpoint: Status
Setpoint: Value
Setpoint High Limit
Setpoint Low Limit

Advanced Config

Fault State Time
Fault State Value
Shed Options
Simulate: Simulate Status
Simulate: Simulate Value
Simulate: Transducer Status
Simulate: Transducer Value
Simulate: Simulate En/Disable
Setpoint Rate Down
Setpoint Rate Up
Static Revision
Status Options
Strategy
Transducer Scale: EU at 100%
Transducer Scale: EU at 0%
Transducer Scale: Units Index
Transducer Scale: Decimal

I/O Reference

AO Channel

Connectors

Back Calculation Output: Status
Back Calculation Output: Value
Cascade Input: Status
Cascade Input: Value
Output: Status
Output: Value

Online

Back Calculation Output: Status
Back Calculation Output: Value
Block Error
Cascade Input: Status
Cascade Input: Value
Block Mode: Target
Block Mode: Actual
Block Mode: Permitted
Block Mode: Normal
Output: Status
Output: Value
Process Value: Status
Process Value: Value
Remote Cascade Input: Status
Remote Cascade Input: Value
Remote Cascade Output: Status
Remote Cascade Output: Value
Readback: Status
Readback: Value
Setpoint: Status
Setpoint: Value

Status

Block Error

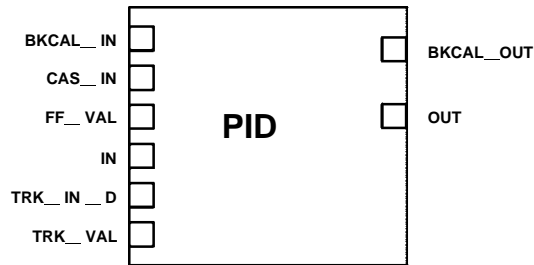
Other

Tag Description
Grant Deny: Grant
Grant Deny: Deny
Update Event: Unacknowledged
Update Event: Update State
Update Event: Time Stamp
Update Event: Static Rev
Update Event: Relative Index
Block Alarm: Unacknowledged
Block Alarm: Alarm State
Block Alarm: Time Stamp
Block Alarm: Subcode
Block Alarm: Value
StdDev
Cap StdDev

All

Characteristics
Static Revision
Tag Description
Strategy
Alert Key
Block Mode: Target
Block Mode: Actual
Block Mode: Permitted
Block Mode: Normal
Block Error
Process Value: Status
Process Value: Value
Setpoint: Status
Setpoint: Value
Output: Status
Output: Value
Simulate: Simulate Status
Simulate: Simulate Value
Simulate: Transducer Status
Simulate: Transducer Value
Simulate: Simulate En/Disable
Process Value Scale: EU at 100%
Process Value Scale: EU at 0%
Process Value Scale: Units Index
Process Value Scale: Decimal
Transducer Scale: EU at 100%
Transducer Scale: EU at 0%
Transducer Scale: Units Index
Transducer Scale: Decimal
Grant Deny: Grant
Grant Deny: Deny
I/O Options
Status Options
Readback: Status
Readback: Value
Cascade Input: Status
Cascade Input: Value
Setpoint Rate Down
Setpoint Rate Up
Setpoint High Limit
Setpoint Low Limit
AO Channel
Fault State Time
Fault State Value
Back Calculation Output: Status
Back Calculation Output: Value
Remote Cascade Input: Status
Remote Cascade Input: Value
Shed Options
Remote Cascade Output: Status
Remote Cascade Output: Value
Update Event: Unacknowledged
Update Event: Update State
Update Event: Time Stamp
Update Event: Static Rev
Update Event: Relative Index
Block Alarm: Unacknowledged
Block Alarm: Alarm State
Block Alarm: Time Stamp
Block Alarm: Subcode
Block Alarm: Value
StdDev
Cap StdDev

PID Function Block Overview	4-83
Modes	4-83
Mode Handling	4-84
Shed Options	4-84
Shed with Return Options	4-84
Shed with No Return Options	4-85
Status Handling	4-85
Set Point Selection and Limiting	4-85
Filtering	4-85
Feedforward Calculation	4-86
Output Tracking	4-86
Output Selection and Limiting	4-85
Set Point Tracking	4-86
PID Equation Structures	4-86
Reverse and Direct Action	4-87
Alarm Detection	4-87
Application Information	4-87
Block Errors	4-88
Parameter List	4-89
View Lists	4-98
Field Communicator Menu Structure	4-100



- BKCAL_IN** = THE ANALOG INPUT VALUE AND STATUS FROM ANOTHER BLOCK'S BKCAL_OUT OUTPUT THAT IS USED FOR BACKWARD OUTPUT TRACKING FOR BUMPLESS TRANSFER AND TO PASS LIMIT STATUS.
- CAS_IN** = THE REMOTE SETPOINT VALUE FROM ANOTHER FUNCTION BLOCK.
- FF_VAL** = THE FEEDFORWARD CONTROL INPUT VALUE AND STATUS.
- IN** = THE CONNECTION FOR THE PROCESS VARIABLE FROM ANOTHER FUNCTION BLOCK.
- TRK_IN_D** = INITIATES THE EXTERNAL TRACKING FUNCTION.
- TRK_VAL** = THE VALUE AFTER SCALING APPLIED TO OUT IN LOCAL OVERRIDE MODE.
- BKCAL_OUT** = THE VALUE AND STATUS REQUIRED BY THE BKCAL_IN INPUT OF ANOTHER FUNCTION BLOCK TO PREVENT RESET WINDUP AND TO PROVIDE BUMPLESS TRANSFER TO CLOSED LOOP CONTROL.
- OUT** = THE BLOCK OUTPUT AND STATUS.

B2720 / IL

Figure 4-11. Proportional+Integral+Derivative (PID) Function Block

PID Function Block Overview

The PID function block combines all of the necessary logic to perform proportional/integral/derivative (PID) control. The block supports mode control, signal scaling and limiting, feedforward control, override tracking, alarm limit detection, and signal status propagation.

The block supports two forms of the PID equation: Standard and Series. You can choose the appropriate equation using the MATHFORM [70] parameter. The Standard ISA PID equation is the default selection.

$$\text{Standard Out} = \text{GAIN} \times \text{ex} \times \left(1 + \frac{1}{\tau_i s + 1} + \frac{\tau_d s}{\alpha \times \tau_d s + 1} \right) + F$$

$$\text{Series Out} = \text{GAIN} \times \text{ex} \times \left[\left(1 + \frac{1}{\tau_i s} \right) + \left(\frac{\tau_d s + 1}{\alpha \times \tau_d s + 1} \right) \right] + F$$

where

- GAIN:** proportional gain value
- τ_i : integral action time constant (RESET parameter) in seconds
- s:** laplace operator
- τ_d : derivative action time constant (RATE parameter)
- α : fixed smoothing factor of 0.1 applied to RATE
- F:** feedforward control contribution from the feedforward input (FF_VAL)
- E:** error between setpoint and process variable

To further customize the block for use in your application, you can configure filtering, feedforward inputs, tracking inputs, setpoint and output limiting, PID equation structures, and block output action. Table 4-31 lists the PID block parameters and their descriptions, units of measure, and index numbers, and figure 4-12 illustrates the internal components of the PID function block.

4

Modes

The PID function block supports the following modes:

- **Manual (Man)**—The block output (OUT [9]) may be set manually.
- **Automatic (Auto)**—The SP [8] may be set manually and the block algorithm calculates OUT [9].
- **Cascade (Cas)**—The SP [8] is calculated in another block and is provided to the PID block through the CAS_IN [18] connection.
- **RemoteCascade (RCas)**—The SP [8] is provided by a host computer that writes to the RCAS_IN [32] parameter.
- **RemoteOutput (ROut)**—The OUT [9] is provided by a host computer that writes to the ROUT_IN [33] parameter.
- **Local Override (LO)**—The track function is active. OUT [9] is set by TRK_VAL [39]. The BLOCK_ERR [6] parameter shows Local override.
- **Initialization Manual (IMan)**—The output path is not complete (for example, the cascade-to-slave path might not be open). In IMan mode, OUT [9] tracks BKCAL_IN [27].
- **Out of Service (OOS)**—The block is not processed. The OUT [9] status is set to Bad: Out of

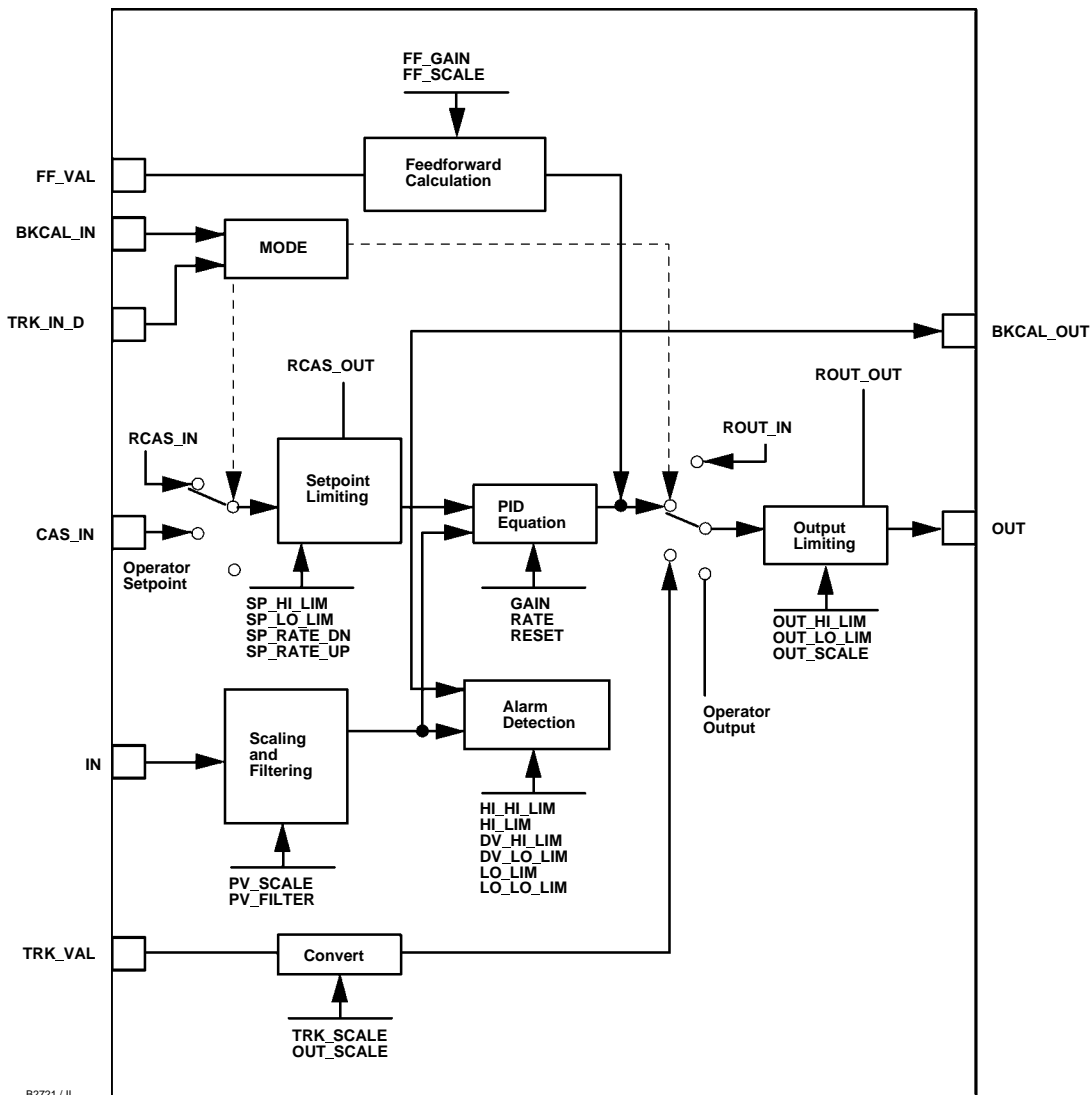


Figure 4-12. PID Function Block Schematic

Service. The BLOCK_ERR [6] parameter shows Out of service.

You can configure the Man, Auto, Cas, and OOS modes as permitted modes for operator entry.

Mode Handling

Shed Options—RCAS Mode Only

Shed from or climb to a remote mode is determined by the parameter SHED_OPT [34]. A block climbs and

sheds through the same path. For example, if SHED_OPT [34] specifies that a block should be shed to Auto, then, if the block target mode is set to RCas, the block goes through Auto on the way to RCas. You can configure the shed option as follows:

Shed With Return Options

Remote cascade or remote output connection failure shifts actual mode but keeps trying to restore remote cascade or remote output (in other words, the remote cascade or remote output target mode stays in effect).

Normal—On failure of a remote connection, the block attempts to attain the highest permitted non-remote mode until the remote connection is restored. Cas is the highest permitted non-remote mode and Auto is is

the next highest permitted non-remote mode. If Cas or Auto are not available, the block will shed by default to Man.

Retained Target—The retained target mode is the mode the block was in before changing to one of the remote target modes. On failure of a remote connection, the block attempts to attain the retained target mode.

Auto—On failure of a remote connection, the block attempts to attain Auto, if permitted, until the remote connection is restored.

Man—On failure of a remote connection, the block sheds to Man until a remote connection is restored.

Shed With No Return Options

For any shed with no return option, the target mode changes as determined by the option. Therefore, there is no attempt to restore the connection following failure. The behavior on change to a remote target mode is identical to that for Shed With Return Options.

Normal—On failure of a remote connection, the block sets the target mode to the highest permitted non-remote mode. Cas is the highest permitted non-remote mode and Auto is the next permitted non-remote mode. If Cas or Auto are not available, the block will shed by default to Man.

Retained Target—The retained target mode is the mode the block was in before changing to one of the remote target modes. On failure of a remote connection, the block sets the target mode to the retained target mode.

Auto—On failure of a remote connection, the block sets the target mode to Auto, if permitted.

Man—On failure of a remote connection, the block sets the target mode to Man, if permitted.

The user may configure SHED_OPTS [34] so that it calls for a target mode that is not permitted. When doing this, the mode logic uses the following rules as applied by the remote logic:

- Shed logic never results in a non-permitted target mode.
- Shed logic never attempts to attain an actual mode of Auto or Cas if that mode is not permitted.

Status Handling

If the input status on the PID block is Bad, the mode of the block reverts to Manual. In addition, you can select the Target to Manual if Bad IN status option to direct

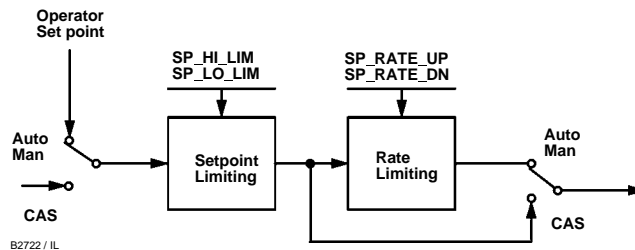


Figure 4-13. PID Function Block Set Point Selection

the target mode to revert to manual. You can set the status option in Manual or Out of Service mode only.

Set Point Selection and Limiting

The set point of the PID block is only valid when the block is in Auto, Cas, or RCas. Figure 4-13 illustrates the method for set point selection. You can configure the SP_HI_LIM [21] and SP_LO_LIM [22] parameters to limit the set point. In Cascade or Remote Cascade mode, the set point is adjusted by another function block or by a host computer, and the output is computed based on the set point.

In Automatic mode, the set point is entered manually by the operator, and the output is computed based on the set point. In Auto mode, you can also adjust the set point limit and the set point rate of change using the SP_RATE_UP [20] and SP_RATE_DN [19] parameters.

In Manual mode the output is entered manually by the operator. In Remote Output mode, the output is entered by a host computer.

Output Selection and Limiting

Output selection is determined by the mode and the set point. In Automatic, Cascade, or Remote Cascade mode, the output is computed by the PID control equation. In Manual and Remote Output mode, the output may be entered manually (see also Set Point Selection and Limiting). You can limit the output by configuring the OUT_HI_LIM [28] and OUT_LO_LIM [29] parameters.

Filtering

The filtering feature changes the response time of the device to smooth variations in output readings caused by rapid changes in input. You can adjust the filter time constant (in seconds) using the PV_FTIME [16] or SP_FTIME [69] parameters. Set the filter time constant to zero to disable the filter feature.

DVC6000f Digital Valve Controllers

Feedforward Calculation

The feedforward value (FF_VAL [40]) is scaled (FF_SCALE [41]) to a common range for compatibility with the output scale (OUT_SCALE [11]). A gain value (FF_GAIN [42]) is applied to achieve the total feedforward contribution.

Output Tracking

Output tracking is enabled through the control options. You can set control options in Manual or Out of Service mode only.

The Track Enable control option must be set to True for the track function to operate. When the Track in Manual control option is set to True, the operator cannot override the tracking function in Manual mode. When Track in Manual is False, the operator can override the tracking function when the block is in Manual mode. Activating the track function causes the block's actual mode to revert to Local Override.

The TRK_VAL [38] parameter specifies the value to be converted and tracked into the output when the track function is operating. The TRK_SCALE [37] parameter specifies the range of TRK_VAL [38].

When the TRK_IN_D [38] parameter is True and the Track Enable control option is True, the TRK_VAL [38] input is converted to the appropriate value and output in units of OUT_SCALE [11].

Set Point Tracking

You can configure the method for tracking the set point by configuring the following control options (CONTROL_OPTS [12]):

- **SP-PV Track in Man**—Permits the SP [8] to track the PV [7] when the actual mode of the block is Man.
- **SP-PV Track in LO or IMan**—Permits the SP [8] to track the PV [7] when the actual mode of the block is Local Override (LO) or Initialization Manual (IMan).
- **SP-PV Track in ROUT**—Permits the SP [8] to track the PV [7] when the actual mode of the block is RemoteOut (ROUT).
- **SP Track retained Target**—Causes the set point to track the RCAS or CAS parameter based on the

retained target mode when the actual mode is MAN or LO.

- **Act On IR**—If this option is true, then when IR (Initialization Requested) is received on BKCAL_IN [27], the SP [8] will be adjusted within setpoint limits to provide bumpless transfer when the cascade is closed. If the setpoint required to provide bumpless transfer is outside the setpoint limits, then any difference added to provide bumpless transfer will be removed in the BAL_TIME [25].

When one of these options is set, the SP[8] value is set to the PV [7] value while in the specified mode.

You can select the value that a master controller uses for tracking by configuring the Use PV for BKCAL_OUT control option. The BKCAL_OUT [31] value tracks the PV value. BKCAL_IN [27] on a master controller connected to BKCAL_OUT [31] on the PID block in an open cascade strategy forces its OUT [9] to match BKCAL_IN [27], thus tracking the PV from the slave PID block into its cascade input connection (CAS_IN [18]). If the Use PV for BKCAL_OUT option is not selected, the working set point (SP_WRK [68]) is used for BKCAL_OUT [31].

You can set control options in Manual or Out of Service mode only. When the mode is set to Auto, the SP [8] will remain at the last value (it will no longer follow the PV [7]).

PID Equation Structures for Enhanced PID Block



Note

Extended parameters are not available at this time for all host systems. Refer to your host system documentation, or contact your Emerson Process Management sales office for additional information.

Configure the STRUCTURECONFIG [71] parameter to select the PID equation structure. You can select one of the following choices:

- Proportional, integral, and derivative on error (PID)

- Proportional and integral on error, derivative on PV (PI_D)
- Integral on error, proportional and derivative on PV (I_PD)
- Proportional on error, derivative on error (PD)
- Integral on error, derivative on error (ID)
- Integral on error, derivative on PV (I_D)
- Two degrees of Freedom (2DOF)

Reverse and Direct Action

To configure the block output action, set the Direct Acting control option. This option defines the relationship between a change in PV [7] and the corresponding change in output. With Direct Acting enabled (True), an increase in PV results in an increase in the output.

You can set control options in Manual or Out of Service mode only.

Alarm Detection

A block alarm will be generated whenever the BLOCK_ERR [6] has an error bit set. The types of block error for the PID block are defined above.

Process alarm detection is based on the PV [7] value. You can configure the alarm limits of the following standard alarms:

- High (HI_LIM [51])
- High high (HI_HI_LIM [49])
- Low (LO_LIM [53])
- Low low (LO_LO_LIM [55])

Additional process alarm detection is based on the difference between SP [8] and PV [7] values and can be configured via the following parameters:

- Deviation high (DV_HI_LIM [57])
- Deviation low (DV_LO_LIM [59])

Table 4-29. PID Function Block Alarm Priorities

Priority Number	Priority Description ⁽¹⁾
0	The alarm is disabled
1	An alarm condition with a priority of 1 can be recognized by the system. The device monitors the alarm but does not report it until requested by the host system.
2	An alarm condition with a priority of 2 is reported to the operator, but generally does not require operator attention (such as diagnostics and system alerts).
3-7	Alarm conditions of priority 3 to 7 are advisory alarms of increasing priority.
8-15	Alarm conditions of priority 8 to 15 are critical alarms of increasing priority.
1. The priority classes "advise" and "critical" have no relationship to Plant Web Alerts.	

In order to avoid alarm chattering when the variable is oscillating around the alarm limit, an alarm hysteresis in percent of the PV span can be set using the ALARM_HYS [47] parameter. The priority of each alarm is set in the following parameters:

- HI_PRI [50]
- HI_HI_PRI [48]
- LO_PRI [52]
- LO_LO_PRI [54]
- DV_HI_PRI [56]
- DV_LO_PRI [58]

Alarms are grouped into five levels of priority, as shown in table 4-29.

Application Information

The PID function block is a powerful, flexible control algorithm that is designed to work in a variety of control strategies. The PID block is configured differently for different applications.

DeltaV Tune

DeltaV Tune quickly and automatically determines optimal tuning parameters for PID control loops. For more information on DeltaV Tune, refer to DeltaV Books Online or DeltaV documentation.

DVC6000f Digital Valve Controllers

Block Errors

Table 4-30 lists conditions reported in the BLOCK_ERR [6] parameter. Conditions in *italics* are not applicable for the PID block and are provided only for your reference.

Table 4-30. BLOCK_ERR Conditions

Condition Number	Condition Name and Description
0	<i>Other (N/A)</i>
1	Block Configuration Error —SHED_OPT or BYPASS set to 0
2	<i>Link Configuration Error (N/A)</i>
3	<i>Simulate Active (N/A)</i>
4	Local Override —The actual mode is LO and Track Enable is set.
5	<i>Device Fault State Set (N/A)</i>
6	<i>Device Needs Maintenance Soon (N/A)</i>
7	Input failure/process variable has Bad status —The parameter linked to IN is indicating a Bad status.
8	<i>Output Failure (N/A)</i>
9	<i>Memory Failure (N/A)</i>
10	<i>Lost Static Data (N/A)</i>
11	<i>Lost NV Data (N/A)</i>
12	<i>Readback Check Failed (N/A)</i>
13	<i>Device Needs Maintenance Now (N/A)</i>
14	Power Up —Set if devices was powered up with this block in Out of Service (OOS) mode. Cleared on first change of mode to other than OOS.
15	Out of Service —The actual mode is Out of Service (OOS).

PID Block Parameter List

- Read/Write Capability: RO – Read Only, RW – Read Write
- Mode: The block mode(s) required to write to the parameter
- Double indentation and shaded Index Number indicates sub-parameter

Table 4-31. PID Function Block System Parameters Definitions

Label PARAMETER_NAME	Index Number	RO / RW	Block Mode	Range	Initial Value	Description
Static Revision ST_REV	1	RO	N/A	0 to 65535	0	Data Type: Unsigned16 The revision level of the static data associated with the function block. The revision value will be incremented each time a static parameter value in the block is changed.
Tag Description TAG_DESC	2	RW	ALL	7 bit ASCII	Spaces	Data Type: Octet String The user description of the intended application of the block.
Strategy STRATEGY	3	RW	ALL	0 to 65535	0	Data Type: Unsigned16 The strategy field can be used to identify grouping of blocks. This data is not checked or processed by the block.
Alert Key ALERT_KEY	4	RW	ALL	0 to 255	0	Data Type: Unsigned8 The identification number of the plant unit. This information may be used in the host for sorting alarms, etc.
Block Mode MODE_BLK	5					
TARGET	5.1	RW	ALL	OOS, MAN, AUTO CAS, RCAS, ROUT	OOS until block is configured, then last valid target	Data Type: DS-69 Valid Bits: 7: OOS, 6: IMAN, 5: LO, 4: MAN, 3: AUTO, 2: CAS, 1: RCAS, 0: ROUT The actual, target, permitted, and normal modes of the block. Target: The requested block mode Actual: The current mode of the block Permitted: Allowed modes for Target Normal: Most common mode for Target
ACTUAL	5.2	RO	ALL		OOS	
PERMITTED	5.3	RW	ALL	OOS+MAN+AUTO+ CAS+RCAS+ROUT	OOS MAN, AUTO CAS, RCAS ROUT	
NORMAL	5.4	RW	ALL		AUTO	
Block Error BLOCK_ERR	6	RO	N/A	Defined Bits 1: Block Configuration Error 4: Local Override 7: Input Failure/ Bad PV status 14: Power-up 15: Out-of-Service	Dynamic	Data Type: Bit String 0 = inactive 1 = active This parameter reflects the error status associated with the hardware or software components associated with a block. It is a bit string so that multiple errors may be shown.
Process Value PV	7	RO	N/A		Dynamic	Data Type: DS-65 The process variable used in block execution.
Setpoint SP	8		OOS MAN AUTO	PV_SCALE +/- 10%	Dynamic	Data Type: DS-65 The target block setpoint value. It is the result of setpoint limiting and setpoint rate of change limiting.
Output OUT	9		MAN OOS	Status OUT_SCALE +/- 10%	Dynamic	DS-65 The block output value and status.
				Value		
Process Value Scale PV_SCALE	10		OOS	EU at 100% EU at 0% Units index Decimal Point	100 0 % 2	Data Type: DS-68 The high and low scale values, engineering units code, and number of digits to the right of the decimal point associated with PV.

-Continued-

DVC6000f Digital Valve Controllers

Table 4-31. PID Function Block System Parameters Definitions (Continued)

Label PARAMETER_NAME	Index Number	RO / RW	Block Mode	Range	Initial Value	Description
Output Scale OUT_SCALE	11		OOS	EU at 100% EU at 0%t Units index Decimal Point	100 0 % 2	Data Type: DS-68 The high and low scale values, engineering units code, and number of digits to the right of the decimal point associated with OUT.
Grant Deny GRANT_DENY	12					Data Type: DS-70 Options for controlling access of host computers and local control panels to operating, tuning, and alarm parameters of the block. Not used by the device. GRANT: 0=N/A, 1=granted DENY: 0 = N/A, 1= denied
GRANT	12.1		ALL	0: Program 1: Tune 2: Alarm 3: Local	All bits: 0	
DENY	12.2		ALL	0: Program 1: Tune 2: Alarm 3: Local	All bits: 0	
Control Options CONTROL_OPTS	13		OOS	0: Bypass Enable 1: SP tracks PV in MAN 2: SP tracks PV in ROUT 3: SP tracks PV in LO or MAN 4: SP tracks RCAS or CAS in IMAN, LO, MAN or ROUT 5: Direct Acting 7: Track Enable 8: Track in Manual 9: Use PV for BKCAL_OUT 10: Act on IR 12: Restrict SP to limits in Cas and RCas 13: No output limits in MAN	All bits: 0	Data Type: Bit String 0=disable 1=enable Allows you to specify control strategy options.
Status Options STATUS_OPTS	14		OOS	0: IFS (Initiate Fault State) if BAD IN 1: IFS if BAD CAS_IN 2: Use Uncertain as Good 5: Target to MAN if BAD IN	All bits: 0	Data Type: Bit String 0=disable 1=enable Allows you to select options for status handling and processing.
Input IN	15		ALL	Status Value	BAD: NC: const 0	Data Type: DS-65 The primary input value of the block.
Process Value Filter Time PV_FTIME	16		ALL	Positive	0	Data Type: Float The time constant of the first-order PV filter. It is the time, in seconds, required for a 63 percent change in the IN value.
Bypass BYPASS	17		MAN OOS	1=Off 2=On	0=undefined	Data Type: Enum Used to override the calculation of the block. When enabled, the SP is sent directly to the output.
Cascade Input CAS_IN	18		ALL	Status Value	BAD NC: const 0	Data Type: DS-65 The setpoint value from another block.
Setpoint Rate Down SP_RATE_DN	19		ALL	Positive	+ INF	Data Type: Float Ramp rate for downward SP changes. When the ramp rate is set to zero, the SP is used immediately. PV per second
Setpoint Rate UP SP_RATE_UP	20		ALL	Positive	+ INF	Data Type: Float Ramp rate for upward SP changes. When the ramp rate is set to zero, the SP is used immediately. PV per second
Setpoint High Limit SP_HI_LIM	21		ALL	PV Scale +/- 10%, must be greater than SP_LO_LIM	100	Data Type: Float The highest SP value allowed.
Setpoint Low Limit SP_LO_LIM	22		ALL	PV Scale +/- 10%, must be less than SP_HI_LIM	0	Data Type: Float The lowest SP value allowed.

-Continued-

PID Function Block

Table 4-31. PID Function Block System Parameters Definitions (Continued)

Label PARAMETER_NAME	Index Number	RO / RW	Block Mode	Range	Initial Value	Description
Gain GAIN	23		ALL	greater than 0	1	Data Type: Float The proportional gain value.
Reset RESET	24		ALL	Positive	+ INF	Data Type: Float The integral action time constant. Seconds per repeat
Balance Time BAL_TIME	25		ALL	Positive	0	Data Type: Float The specified time, in seconds, for the internal working value of bias to return to the operator set bias. Also used to specify the time constant at which the integral term will move to obtain balance when the output is limited and the mode is AUTO, CAS, or RCAS.
Rate RATE	26		ALL	Positive	0	Data Type: Float The derivative action time constant, in seconds.
Back Calculation Input BKCAL_IN	27		ALL	Status	BAD: NC: const	Data Type: DS-65 The analog input value and status from another block's BKCAL_OUT output that is used for backward output tracking for bumpless transfer and to pass limit status.
				Value	0	
Output High Limit OUT_HI_LIM	28		ALL	OUT_SCALE +/- 10%	100	Data Type: Float Limits the maximum output value for modes other than manual.
Output Low Limit OUT_LO_LIM	29		ALL	OUT_SCALE +/- 10%	0	Data Type: Float Limits the minimum output value for modes other than manual.
Back Calculation Hysteresis BKCAL_HYS	30		ALL	0 to 50%	0.50%	Data Type: Float The amount the output value must change away from the its output limit before limit status is turned off.
Back Calculation Output BKCAL_OUT	31	RO	N/A		Dynamic	Data Type: DS-65 The value and status required by the BKCAL_IN input of another block to prevent reset windup and to provide bumpless transfer of closed loop control.
Remote Cascade Input RCAS_IN	32		ALL	Status	BAD: NoCom: NoVal: const	Data Type: DS-65 Target setpoint and status that is provided by a supervisory host. Used when mode is RCAS.
				Value	0 Trk	
Remote Out Input ROUT_IN	33		ALL	Status	BAD: NoCom: NoVal: const	Data Type: DS-65 Target output and status that is provided by a supervisory host. Used when mode is ROUT.
				Value	0 Trk	

-Continued-

DVC6000f Digital Valve Controllers

Table 4-31. PID Function Block System Parameters Definitions (Continued)

Label PARAMETER_NAME	Index Number	RO / RW	Block Mode	Range	Initial Value	Description
Shed Options SHED_OPT	34		ALL	0=Invalid 1=Normal Shed, Normal Return 2=Normal Shed, No Return 3=Shed to Auto, normal return 4=Shed to Auto, no return. Target mode changes to Auto on detection of a shed condition 5=Shed to Manual, normal return 6=Shed to Manual, No return. Target mode changes to MAN on detection of a shed condition. 7=Shed to retained target, normal return 8=Shed to retained target, no return. (Change target to retained target)	0=Invalid	Data Type: Uint8 Defines action to be taken on remote control device timeout. Normal Return – actual mode changes to the next lowest priority non-remote mode permitted but returns to the target remote mode when the remote computer completes the initialization handshake. No Return – Target mode changes to the next lowest priority non-remote mode permitted. The target remote mode is lost, so no return occurs.
Remote Cascade Output RCAS_OUT	35	RO	N/A		Dynamic	Data Type: DS-65 Block setpoint and status after ramping, filtering, and limiting that is provided to a supervisory host for back calculation to allow action to be taken under limiting conditions or mode change. Used when mode is RCAS.
Remote Out Output ROUT_OUT	36	RO	N/A		Dynamic	Data Type: DS-65 Block output that is provided to a supervisory host for a back calculation to allow action to be taken under limiting conditions or mode change. Used when mode is RCAS.
Tracking Scale TRK_SCALE	37		MAN OOS		100 0 % 2	Data Type: DS-68 The high and low scale values, engineering units code, and number of digits to the right of the decimal point associated with the external tracking value (TRK_VAL).
Tracking Input Discrete TRK_IN_D	38		ALL	Status	BAD: NC: const	Data Type: DS-66 Discrete input that initiates external tracking of the block output to the value specified by TRK_VAL.
				Value	0	
Tracking Value TRK_VAL	39		ALL	Status	BAD: NC: const	Data Type: DS-65 The value (after scaling from TRK_SCALE to OUT_SCALE) applied to OUT in LO mode when external tracking is enabled by TRK_IN_D.
				Value	0	
Feed Forward Value FF_VAL	40		ALL	Status	BAD: NC: const	Data Type: DS-65 The feedforward control input value and status.
				Value	0	
Feed Forward Scale FF_SCALE	41		MAN OOS		100 0 % 2	Data Type: DS-68 The high and low scale values, engineering units code, and number of digits to the right of the decimal point associated with the feedforward value (FF_VAL).
Feed Forward Gain FF_GAIN	42		MAN OOS		0	Data Type: Float The feedforward gain value. FF_VAL is multiplied by FF_GAIN before it is added to the calculated control output. A value of 0 disables feedforward.

-Continued-

PID Function Block

Table 4-31. PID Function Block System Parameters Definitions (Continued)

Label PARAMETER_NAME	Index Number	RO / RW	Block Mode	Range	Initial Value	Description
Update Event UPDATE_EVT	43					Data Type: DS-73 This alert is generated by any changes to the static data.
UNACKNOWLEDGED	43.1	RW	N/A	0=Undefined 1=Acknowledged 2=Unacknowledged	0	
UPDATE_STATE	43.2	RO	N/A	0=Undefined 1=Update reported 2=Update not reported	0	
TIME_STAMP	43.3	RO	N/A		0	
STATIC_REVISION	43.4	RO	N/A		0	
RELATIVE_INDEX	43.5	RO	N/A		0	
Block Alarm BLOCK_ALM	44					Data Type: DS-72 The block alarm is used for all configuration, hardware, connection failure, or system problems in the block. The cause of the alarm will be set in the subcode. VALUE Data Type: Unsigned8
UNACKNOWLEDGED	44.1	RW	N/A	0=Undefined 1=Acknowledged 2=Unacknowledged	0	
ALARM_STATE	44.2	RO	N/A	0=Undefined 1=Clear-reported 2=Clear-not reported 3=Active reported 4=Active not reported	0	
TIME_STAMP	44.3	RO	N/A		0	
SUBCODE	44.4	RO	N/A		0	
VALUE	44.5	RO	N/A		0	
Alarm Summary ALARM_SUM	45					Data Type: DS-74 Current alert status, unacknowledged states, unreported states, and disabled states of the alarms associated with the function block.
CURRENT	45.1	RO	ALL	1: High High Alarm 2: High Alarm	Dynamic	
UNACKNOWLEDGED	45.2	RO	ALL	3: Low Low Alarm 4: Low Alarm		
UNREPORTED	45.3	RO	ALL	5: Deviation High Alarm 6: Deviation Low Alarm		
DISABLED	45.4	RW	ALL	7: Block Alarm		
Acknowledge Option ACK_OPTION	46		N/A	1: High High Alarm 2: High Alarm 3: Low Low Alarm 4: Low Alarm 5: Deviation High Alarm 6: Deviation Low Alarm 7: Block Alarm	All bits: 0	Data Type: Bit String 0=Disable 1=Enable Used to set auto acknowledgment of alarms.
Alarm Hysteresis ALARM_HYS	47		ALL	0 to 50%	0.50%	Data Type: Float The amount the alarm value must return to within the alarm limit before the associated active alarm condition clears.
High High Priority HI_HI_PRI	48		ALL	0 to 15	0	Data Type: Unsigned8 The priority of the HI HI Alarm.
High High Limit HI_HI_LIM	49		ALL	PV_SCALE, or +INF	+INF	Data Type: Float The setting for the alarm limit used to detect the HI HI alarm condition.
High Priority HI_PRI	50		ALL	0 to 15	0	Data Type: Unsigned8 The priority of the HI alarm.
High Limit HI_LIM	51		ALL	PV_SCALE, or +INF	+INF	Data Type: Float The setting for the alarm limit used to detect the HI alarm condition.
Low Priority LO_PRI	52		ALL	0 to 15	0	Data Type: Unsigned8 The priority of the LO alarm.
Low Limit LO_LIM	53		ALL	PV_SCALE, or -INF	-INF	Data Type: Float The setting for the alarm limit used to detect the LO alarm condition.
Low Low Priority LO_LO_PRI	54		ALL	0 to 15	0	Data Type: Unsigned8 The priority of the LO LO alarm.
Low Low Limit LO_LO_LIM	55		ALL	PV_SCALE, or -INF	-INF	Data Type: Float The setting for the alarm limit used to detect the LO LO alarm condition.

-Continued-

DVC6000f Digital Valve Controllers

Table 4-31. PID Function Block System Parameters Definitions (Continued)

Label PARAMETER_NAME	Index Number	RO / RW	Block Mode	Range	Initial Value	Description
Deviation High Priority DV_HI_PRI	56		ALL	0 to 15	0	Data Type: Unsigned8 The priority of the deviation high alarm.
Deviation High Limit DV_HI_LIM	57		ALL	PV_SCALE, or +INF	+INF	Data Type: Float The setting for the alarm limit used to detect the deviation high alarm condition.
Deviation Low Priority DV_LO_PRI	58		ALL	0 to 15	0	Data Type: Unsigned8 The priority of the deviation low alarm.
Deviation Low Limit DV_LO_LIM	59		ALL	-INF, or -PV span to 0	-INF	Data Type: Float The setting for the alarm limit use to detect the deviation low alarm condition.
High High Alarm HI_HI_ALM	60					
UNACKNOWLEDGED	60.1	RW	N/A	0=Undefined 1=Acknowledged 2=Unacknowledged	0=undefined	Data Type: DS-71 The HI HI alarm data, which includes a value of the alarm, a timestamp of occurrence, and the state of the alarm. VALUE Data Type: Float
ALARM_STATE	60.2	RO	N/A	0=Undefined 1=Clear reported 2=Clear not reported 3=Active reported 4=Active not reported	0=undefined	
TIME_STAMP	60.3	RO	N/A		0	
SUBCODE	60.4	RO	N/A		0	
VALUE	60.5	RO	N/A		0	
High Alarm HI_ALM	61					
UNACKNOWLEDGED	61.1	RW	N/A	0=Undefined 1=Acknowledged 2=Unacknowledged	0=undefined	Data Type: DS-71 The HI alarm data, which includes a value of the alarm, a timestamp of occurrence, and the state of the alarm. VALUE Data Type: Float
ALARM_STATE	61.2	RO	N/A	0=Undefined 1=Clear reported 2=Clear not reported 3=Active reported 4=Active not reported	0=undefined	
TIME_STAMP	61.3	RO	N/A		0	
SUBCODE	61.4	RO	N/A		0	
VALUE	61.5	RO	N/A		0	
Low Alarm LO_ALM	62					
UNACKNOWLEDGED	62.1	RW	N/A	0=Undefined 1=Acknowledged 2=Unacknowledged	0=undefined	Data Type: DS-71 The LO alarm data, which includes a value of the alarm, a timestamp of occurrence, and the state of the alarm. VALUE Data Type: Float
ALARM_STATE	62.2	RO	N/A	0=Undefined 1=Clear reported 2=Clear not reported 3=Active reported 4=Active not reported	0=undefined	
TIME_STAMP	62.3	RO	N/A		0	
SUBCODE	62.4	RO	N/A		0	
VALUE	62.5	RO	N/A		0	
Low Low Alarm LO_LO_ALM	63					
UNACKNOWLEDGED	63.1	RW	N/A	0=Undefined 1=Acknowledged 2=Unacknowledged	0=undefined	Data Type: DS-71 The LO LO alarm data, which includes a value of the alarm, a timestamp of occurrence, and the state of the alarm. VALUE Data Type: Float
ALARM_STATE	63.2	RO	N/A	0=Undefined 1=Clear reported 2=Clear not reported 3=Active reported 4=Active not reported	0=undefined	
TIME_STAMP	63.3	RO	N/A		0	
SUBCODE	63.4	RO	N/A		0	
VALUE	63.5	RO	N/A		0	

-Continued-

PID Function Block

Table 4-31. PID Function Block System Parameters Definitions (Continued)

Label PARAMETER_NAME	Index Number	RO / RW	Block Mode	Range	Initial Value	Description
Deviation High Alarm DV_HI_ALM	64					
UNACKNOWLEDGED	64.1	RW	N/A	0=Undefined 1=Acknowledged 2=Unacknowledged	0=undefined	Data Type: DS-71 The DV HI alarm data, which includes a value of the alarm, a timestamp of occurrence, and the state of the alarm. VALUE Data Type: Float
ALARM_STATE	64.2	RO	N/A	0=Undefined 1=Clear reported 2=Clear not reported 3=Active reported 4=Active not reported	0=undefined	
TIME_STAMP	64.3	RO	N/A		0	
SUBCODE	64.4	RO	N/A		0	
VALUE	64.5	RO	N/A		0	
Deviation Low Alarm DV_LO_ALM	65					
UNACKNOWLEDGED	65.1	RW	N/A	0=Undefined 1=Acknowledged 2=Unacknowledged	0=undefined	Data Type: DS-71 The DV LO alarm data, which includes a value of the alarm, a timestamp of occurrence, and the state of the alarm. VALUE Data Type: Float
ALARM_STATE	65.2	RO	N/A	0=Undefined 1=Clear reported 2=Clear not reported 3=Active reported 4=Active not reported	0=undefined	
TIME_STAMP	65.3	RO	N/A		0	
SUBCODE	65.4	RO	N/A		0	
VALUE	65.5	RO	N/A		0	
Extended Parameters						
Bias BIAS	66		ALL	OUT_SCALE +/- 10%	0	Data Type: Float The bias value used to calculate output for a PD structure.
Error ERROR	67	RO	N/A		Dynamic	Data Type: Float The error (SP-PV) used to determine the control action.
SP Work SP_WRK	68	RO	N/A		Dynamic	Data Type: Float The working set point of the block after limiting and filtering is applied. EU of PV_SCALE
SP FTime SP_FTIME	69		ALL	Positive	0	Data Type: Float The time constant of the first-order SP filter. It is the time, in seconds, required for a 63 percent change in the IN value. Applied after SP rate limiting.
Math Form MATHFORM	70		OOS	0=Standard 1=Series	0=Standard	Data Type: Unsigned8 Selects equation form (series or standard)
Structureconfig STRUCTURECONFIG	71		OOS	0=PID terms on error 1=PI terms on error, D term on PV 2=I terms on error, PD term on PV 3=PD terms on error 4= P term on error, D term on PV 5=ID terms on error 6=I term on error, D term on PV 7=2 Deg. of Freedom PID	0=PID terms on error	Data Type: Unsigned8 Defines PID equation structure to apply controller action.
UGamma GAMMA (ugamma)	72		OOS	> = 0, < = 1	1.0	Data Type: Float Fraction of derivative action taken on error versus PV. For a value of 0.6, then 60% of the derivative action will be based on error and 40% on PV. The value of GAMMA may be changed over a range of 0-1 if STRUCTURE is set to Two Degrees of Freedom Control. Otherwise, it is automatically set to a value of 1 or 0 based on the Structure selection.

4

-Continued-

DVC6000f Digital Valve Controllers

Table 4-31. PID Function Block System Parameters Definitions (Continued)

Label PARAMETER_NAME	Index Number	RO / RW	Block Mode	Range	Initial Value	Description
UBeta BETA (ubeta)	73		OOS	> = 0, < = 1	1.0	Data Type: Float Fraction of proportional action taken on error versus PV. For a value of 0.6, then 60% of the proportional action will be based on error and 40% on PV. The value of BETA may be changed over a range of 0–1 if STRUCTURE is set to Two Degrees of Freedom Control. Otherwise, it is automatically set to a value of 1 or 0 based on the Structure selection.
IDeadBand IDEADBAND	74		OOS	Positive	0	Data Type: Float Integral action stops when ERROR is within IDEADBAND, proportional and derivative action continue. EU of PV_SCALE
StdDev STDDEV	75	RO	N/A		Dynamic	Data Type: Float Standard deviation of PV.
Cap StdDev CAP_STDDEV	76	RO	N/A		Dynamic	Data Type: Float Standard deviation of PV changes.
T Request T_REQUEST	77	RO	ALL	0=Request Tuning 1=Force Tuning 2=Reset Tuner	0	Data Type: Bit String Operator request to initiate/control autotuning.
T State T_STATE	78	RO	NONE		0	Data Type: Unsigned8 Current autotuner state.
T Status T_STATUS	79	RO	N/A	0=Scan Rate Too Low Warning 1=Insufficient Process Response (obsolete) 2=Scan Rate Too High Warning 3=Inverse Direct Acting Error 4=PV Deviation Too Large 5=Initial PV Deviation Too Large 6=PV Limited or Constant 7=PV Bad 8=Invalid Mode for Tuning 9=BKCAL_IN Non Good or Limited 10=Out Limited 11=Bypass Active 12=Mode Changed 13=Tracking Active 14=Disconnected 15=SP Changed	0	Data Type: Bit String Autotuner status.
T Ipgain T_IPGAIN	80	RO	N/A		0.0	Data Type: Float Integrated process gain.
T Ugain T_UGAIN	81	RO	N/A		0.0	Data Type: Float Ultimate gain.
T Uperiod T_UPERIOD	82	RO	N/A		0.0	Data Type: Float Ultimate period.
T Psgain T_PSGAIN	83	RO	N/A		0.0	Data Type: Float Process static gain.
T Ptimec T_PTMEC	84	RO	N/A		0.0	Data Type: Float Process time constant.
T Pdtme T_PDTIME	85	RO	N/A		0.0	Data Type: Float Process dead time.
T Targetop T_TARGETOP	86		ALL		2	Data Type: Unsigned8 Target oscillation periods.
T Hyster T_HYSTER	87		ALL	> = 0.0	0.0	Data Type: Float Hysteresis
T Relayss T_RELAYSS	88		ALL	> = 0.0	3.0	Data Type: Float Relay step size.
T Gain Magnifier T_GAIN_MAGNIFIER	89		ALL	> 0.1, < 100	1.0	Data Type: Float Scales amount of gain.

–Continued–

PID Function Block

Table 4-31. PID Function Block System Parameters Definitions (Continued)

Label PARAMETER_NAME	Index Number	RO / RW	Block Mode	Range	Initial Value	Description
T Auto Extra DT T_AUTO_EXTRA_DT	90		ALL		0	Data Type: Unsigned8 Allow additional cycle with extra deadtime.
T Auto Hysteresis T_AUTO_HYSTERESIS	91		ALL		0	Data Type: Unsigned8 Allows calculation of hysteresis based on CAP_STDDEV
T Aoperiods T_AOPERIODS	92	RO	N/A		0	Data Type: Unsigned8 Actual oscillation periods.

DVC6000f Digital Valve Controllers

View Lists

View lists allow the values of a set of parameters to be accessed at the same time. Views 1 and 2 contain operating parameters and are defined by the Fieldbus Foundation. View 3 contains dynamic parameters and View 4 contains static parameters with configuration and maintenance information. Views 3 and 4 are defined by the manufacturer.

Table 4-32. PID Function Block, View 1

Index Number	Parameter
1	ST_REV
5.1	MODE_BLK.TARGET_MODE
5.2	MODE_BLK.ACTUAL_MODE
5.3	MODE_BLK.PERMITTED_MODE
5.4	MODE_BLK.NORMAL_MODE
6	BLOCK_ERR
7	PV
8	SP
9	OUT
18	CAS_IN
38	TRK_IN_D
39	TRK_VAL
45.1	ALARM_SUM.CURRENT
45.2	ALARM_SUM.UNACKNOWLEDGED
45.3	ALARM_SUM.UNREPORTED
45.4	ALARM_SUM.DISABLED

Table 4-33. PID Function Block, View 2

Index Number	Parameter
1	ST_REV
10	PV_SCALE
11	OUT_SCALE
12.1	GRANT_DENY.GRANT
12.2	GRANT_DENY.DENY
17	BYPASS
21	SP_HI_LIM
22	SP_LO_LIM
28	OUT_HI_LIM
29	OUT_LO_LIM

Table 4-34. PID Function Block, View 3

Index Number	Parameter
1	ST_REV
5.1	MODE_BLK.TARGET_MODE
5.2	MODE_BLK.ACTUAL_MODE
5.3	MODE_BLK.PERMITTED_MODE
5.4	MODE_BLK.NORMAL_MODE
6	BLOCK_ERR
7	PV
8	SP
9	OUT
15	IN
18	CAS_IN
27	BKCAL_IN
31	BKCAL_OUT
32	RCAS_IN
33	ROUT_IN
35	RCAS_OUT
36	ROUT_OUT
38	TRK_IN_D
39	TRK_VAL
40	FF_VAL
45.1	ALARM_SUM.CURRENT
45.2	ALARM_SUM.UNACKNOWLEDGED
45.3	ALARM_SUM.UNREPORTED
45.4	ALARM_SUM.DISABLED
67	ERROR
68	SP_WORK
71	STRUCTURECONFIG
75	STDDEV
76	CAP_STDDEV



Note

Because individual views are limited in size, View List 4 has two parts.

Table 4-35. PID Function Block, View 4.1

Index Number	Parameter
1	ST_REV
3	STRATEGY
4	ALERT_KEY
13	CONTROL_OPTS
14	STATUS_OPTS
16	PV_FTIME
19	SP_RATE_DN
20	SP_RATE_UP
23	GAIN
24	RESET
25	BAL_TIME
26	RATE
30	BKCAL_HYS
34	SHED_OPT
37	TRK_SCALE
41	FF_SCALE
42	FF_GAIN
46	ACK_OPTION
47	ALARM_HYS
48	HI_HI_PRI
49	HI_HI_LIM
50	HI_PRI
51	HI_LIM
52	LO_PRI
53	LO_LIM
54	LO_LO_PRI
55	LO_LO_LIM
56	DV_HI_PRI
57	DV_HI_LIM
58	DV_LO_PRI
59	DV_LO_LIM

Table 4-36. PID Function Block, View 4.2

Index Number	Parameter
1	ST_REV
66	BIAS
69	SP_FTIME
70	MATHFORM
71	STRUCTURECONFIG
72	GAMMA (ugamma)
73	BETA
74	IDEADBAND

DVC6000f Digital Valve Controllers

Field Communicator Menu Structure

PID FUNCTION BLOCK

Quick Config

Alert Key
Control Options
Deviation High Limit
Deviation Low Limit
Gain
High High Limit
High Limit
Low Limit
Low Low Limit
Output Scale: EU at 100%
Output Scale: EU at 0%
Output Scale: Units Index
Output Scale: Decimal
Process Value Scale: EU at 100%
Process Value Scale: EU at 0%
Process Value Scale: Units Index
Process Value Scale: Decimal
Reset
Setpoint: Status
Setpoint: Value
Setpoint High Limit
Setpoint Low Limit

Common Config

Alarm Hysteresis
Alert Key
Control Options
Deviation High Limit
Deviation Low Limit
Gain
High High Limit
High Limit
Low Limit
Low Low Limit
Block Mode: Target
Block Mode: Actual
Block Mode: Permitted
Block Mode: Normal
Output High Limit
Output Low Limit
Output Scale: EU at 100%
Output Scale: EU at 0%
Output Scale: Units Index
Output Scale: Decimal
Process Value Filter Time
Process Value Scale: EU at 100%
Process Value Scale: EU at 0%
Process Value Scale: Units Index
Process Value Scale: Decimal
Rate
Reset
Setpoint: Status
Setpoint: Value
Setpoint High Limit
Setpoint Low Limit

Advanced Config

Back Calculation Hysteresis
Feed Forward Gain
Feed Forward Scale: EU at 100%
Feed Forward Scale: EU at 0%
Feed Forward Scale: Units Index
Feed Forward Scale: Decimal
Shed Options
Setpoint Rate Down
Setpoint Rate Up
Static Revision
Status Options
Strategy
Tracking Scale: EU at 100%
Tracking Scale: EU at 0%
Tracking Scale: Units Index
Tracking Scale: Decimal
Tracking Value: Status
Tracking Value: Value

Connectors

Back Calculation Input: Status
Back Calculation Input: Value
Back Calculation Output: Status
Back Calculation Output: Value
Cascade Input: Status
Cascade Input: Value
Feed Forward Value: Status
Feed Forward Value: Value
Input: Status
Input: Value
Output: Status
Output: Value
Tracking Input Discrete: Status
Tracking Input Discrete: Value
Tracking Value: Status
Tracking Value: Value

Online

Back Calculation Input: Status
Back Calculation Input: Value
Back Calculation Output: Status
Back Calculation Output: Value
Block Error
Bypass
Cascade Input: Status
Cascade Input: Value
Feed Forward Value: Status
Feed Forward Value: Value
Gain
Input: Status
Input: Value
Block Mode: Target
Block Mode: Actual
Block Mode: Permitted
Block Mode: Normal
Output: Status
Output: Value
Process Value: Status
Process Value: Value
Remote Cascade Input: Status
Remote Cascade Input: Value
Remote Cascade Output: Status
Remote Cascade Output: Value
Remote Out Input: Status
Remote Out Input: Value
Remote Out Output: Status
Remote Out Output: Value
Setpoint: Status
Setpoint: Value
Tracking Input Discrete: Status
Tracking Input Discrete: Value
Tracking Value: Status
Tracking Value: Value

Status

Block Error

(menu continued on next page)

PID FUNCTION BLOCK cont.

Other

Tag Description
 Grant Deny: Grant
 Grant Deny: Deny
 Balance Time
 Update Event: Unacknowledged
 Update Event: Update State
 Update Event: Time Stamp
 Update Event: Static Rev
 Update Event: Relative Index
 Block Alarm: Unacknowledged
 Block Alarm: Alarm State
 Block Alarm: Time Stamp
 Block Alarm: Subcode
 Block Alarm: Value
 Alarm Summary: Current
 Alarm Summary: Unacknowledged
 Alarm Summary: Unreported
 Alarm Summary: Disabled
 Acknowledge Option
 High High Alarm: Unacknowledged
 High High Alarm: Alarm State
 High High Alarm: Time Stamp
 High High Alarm: Subcode
 High High Alarm: Float Value
 High Alarm: Unacknowledged
 High Alarm: Alarm State
 High Alarm: Time Stamp
 High Alarm: Subcode
 High Alarm: Float Value
 Low Alarm: Unacknowledged
 Low Alarm: Alarm State
 Low Alarm: Time Stamp
 Low Alarm: Subcode
 Low Alarm: Float Value
 Low Low Alarm: Unacknowledged
 Low Low Alarm: Alarm State
 Low Low Alarm: Time Stamp
 Low Low Alarm: Subcode
 Low Low Alarm: Float Value
 Deviation High Alarm: Unacknowledged
 Deviation High Alarm: Alarm State
 Deviation High Alarm: Time Stamp
 Deviation High Alarm: Subcode
 Deviation High Alarm: Float Value
 Deviation Low Alarm: Unacknowledged
 Deviation Low Alarm: Alarm State
 Deviation Low Alarm: Time Stamp
 Deviation Low Alarm: Subcode
 Deviation Low Alarm: Float Value
 Bias

Other (continued)

Error
 SP Work
 SP FTime
 mathform
 structureconfig
 Ugamma
 UBeta
 IDeadBand
 StdDv
 Cap StdDev
 T Request
 T State
 T Status
 T Ipgain
 T Ugain
 T Uperiod
 T Psgain
 T Ptimec
 T Pdtme
 T Targetop
 T Hyster
 T Relayss
 T Gain Magnifier
 T Auto Extra DT
 T Auto Hysteresis
 T Aoperiods

All

Characteristics: Block Tag
 Static Revision
 Tag Description
 Strategy
 Alert Key
 Block Mode: Target
 Block Mode: Actual
 Block Mode: Permitted
 Block Mode: Normal
 Block Error
 Process Value: Status
 Process Value: Value
 Setpoint: Status
 Setpoint: Value
 Output: Status
 Output: Value
 Process Value Scale: EU at 100%
 Process Value Scale: EU at 0%
 Process Value Scale: Units Index
 Process Value Scale: Decimal
 Output Scale: EU at 100%
 Output Scale: EU at 0%
 Output Scale: Units Index
 Output Scale: Decimal
 Grant Deny: Grant
 Grant Deny: Deny
 Control Options
 Status Options
 Input: Status
 Input: Value
 Process Value Filter Time
 Bypass
 Cascade Input: Status
 Cascade Input: Value
 Setpoint Rate Down
 Setpoint Rate Up
 Setpoint High Limit
 Setpoint Low Limit
 Gain
 Reset
 Balance Time
 Rate
 Back Calculation Input: Status
 Back Calculation Input: Value
 Output High Limit
 Output Low Limit
 Back Calculation Hysteresis
 Back Calculation Output: Status
 Back Calculation Output: Value
 Remote Cascade Input: Status
 Remote Cascade Input: Value
 Remote Out Input: Status
 Remote Out Input: Value
 Shed Options
 Remote Cascade Output: Status
 Remote Cascade Output: Value
 Remote Out Output: Status
 Remote Out Output: Value
 Tracking Scale: EU at 100%
 Tracking Scale: EU at 0%
 Tracking Scale: Units Index
 Tracking Scale: Decimal
 Tracking Input Discrete: Status
 Tracking Input Discrete: Value
 Tracking Value: Status
 Tracking Value: Value
 Feed Forward Value: Status
 Feed Forward Value: Value
 Feed Forward Scale: EU at 100%
 Feed Forward Scale: EU at 0%
 Feed Forward Scale: Units Index
 Feed Forward Scale: Decimal
 Feed Forward Gain

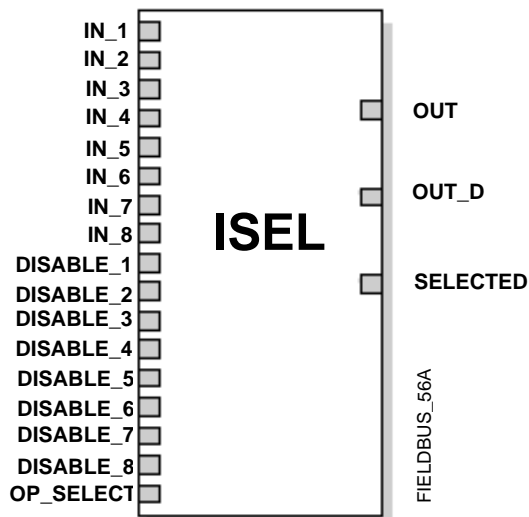
All (continued)

Updated Event: Unacknowledged
 Update Event: Update State
 Update Event: Time Stamp
 Update Event: Static Rev
 Update Event: Relative Index
 Block Alarm: Unacknowledged
 Block Alarm: Alarm State
 Block Alarm: Time Stamp
 Block Alarm: Subcode
 Block Alarm: Value
 Alarm Summary: Current
 Alarm Summary: Unacknowledged
 Alarm Summary: Unreported
 Alarm Summary: Disabled
 Acknowledge Option
 Alarm Hysteresis
 High High Priority
 High High Limit
 High Priority
 High Limit
 Low Priority
 Low Limit
 Low Low Priority
 Low Low Limit
 Deviation High Priority
 Deviation High Limit
 Deviation Low Priority
 Deviation Low Limit
 High High Alarm: Unacknowledged
 High High Alarm: Alarm State
 High High Alarm: Time Stamp
 High High Alarm: Subcode
 High High Alarm: Float Value
 High Alarm: Unacknowledged
 High Alarm: Alarm State
 High Alarm: Time Stamp
 High Alarm: Subcode
 High Alarm: Float Value
 Low Alarm: Unacknowledged
 Low Alarm: Alarm State
 Low Alarm: Time Stamp
 Low Alarm: Subcode
 Low Alarm: Float Value
 Low Low Alarm: Unacknowledged
 Low Low Alarm: Alarm State
 Low Low Alarm: Time Stamp
 Low Low Alarm: Subcode
 Low Low Alarm: Float Value
 Deviation High Alarm: Unacknowledged
 Deviation High Alarm: Alarm State
 Deviation High Alarm: Time Stamp
 Deviation High Alarm: Subcode
 Deviation High Alarm: Float Value
 Deviation Low Alarm: Unacknowledged
 Deviation Low Alarm: Alarm State
 Deviation Low Alarm: Time Stamp
 Deviation Low Alarm: Subcode
 Deviation Low Alarm: Float Value
 Bias
 Error
 SP Work
 SP FTime
 mathform
 structureconfig
 Ugamma
 UBeta
 IDeadBand
 StdDev

All (continued)

Cap StdDev
 T Request
 T State
 T Status
 T Ipgain
 T Ugain
 T Uperiod
 T Psgain
 T Ptimec
 T Pdtme
 T Targetop
 T Hyster
 T Relayss
 T Gain Magnifier
 T Auto Extra DT
 T Auto Hysteresis
 T Aoperiods

Input Selector Function Block Overview	4-103
Modes	4-103
Status Handling	4-103
Quality Use and Propagation	4-103
Limit Propagation	4-104
Substatus Propagation	4-104
STATUS_OPTS Supported	4-107
Input Selection	4-107
Disabling Inputs	4-107
Direct Selection of Inputs	4-107
Identification of Selected Inputs	4-108
Alarm Detection	4-108
Block Errors	4-108
Parameter List	4-109
View Lists	4-114
Field Communicator Menu Structure	4-115



- IN (1-8) = Input used in the selection algorithm.
- DISABLE (1-8) = Discrete input used to enable or disable the associated input channel.
- OP_SELECT = Input used to override algorithm.
- SELECTED = The selected channel number.
- OUT = The block output and status.
- OUT_D = Discrete output that signals a selected alarm condition.

Input Selector (ISEL) Function Block Overview

The Input Selector (ISEL) function block can be used to select the first good, maximum, minimum, average, or hot backup from as many as eight input values and place it at the output. The block supports signal status propagation. There is no process alarm detection in the Input Selector function block. Figure 4-14 illustrates the internal components of the ISEL function block. Table 4-39 lists the ISEL block parameters, their index numbers, and descriptions.

Modes

The ISEL function block supports three modes of operation as defined by the MODE_BLK [5] parameter:

- **Manual (Man)**—The block output (OUT [7]) may be entered manually.
- **Automatic (Auto)**—OUT [7] reflects the selected input value.
- **Out of Service (OOS)**—The block is not processed. The BLOCK_ERR [6] parameter shows Out of Service. In this mode, you can make changes to all configurable parameters. The target mode of a

block may be restricted to one or more of the supported modes.

The Input Selector block Actual mode will be Out of Service if any of the following are true:

- The Actual mode of the resource block is not Auto
- The Input Selector block Target mode is Out of Service
- The Input Selector block Target mode is Auto, OP_SELECT [22] is not being used, and SELECT_TYPE [19] is 0. In this case, the BLOCK_ERR [6] parameter shows a Block Configuration Error.

The Input Selector block Actual mode will be Manual if all of the above is not true and the Target mode is Manual.

Status Handling

Quality Use and Propagation

In Auto mode, OUT [7] reflects the value and status of the selected input based on the following criteria:

- A bad or disabled input is never used by any of the selection algorithms

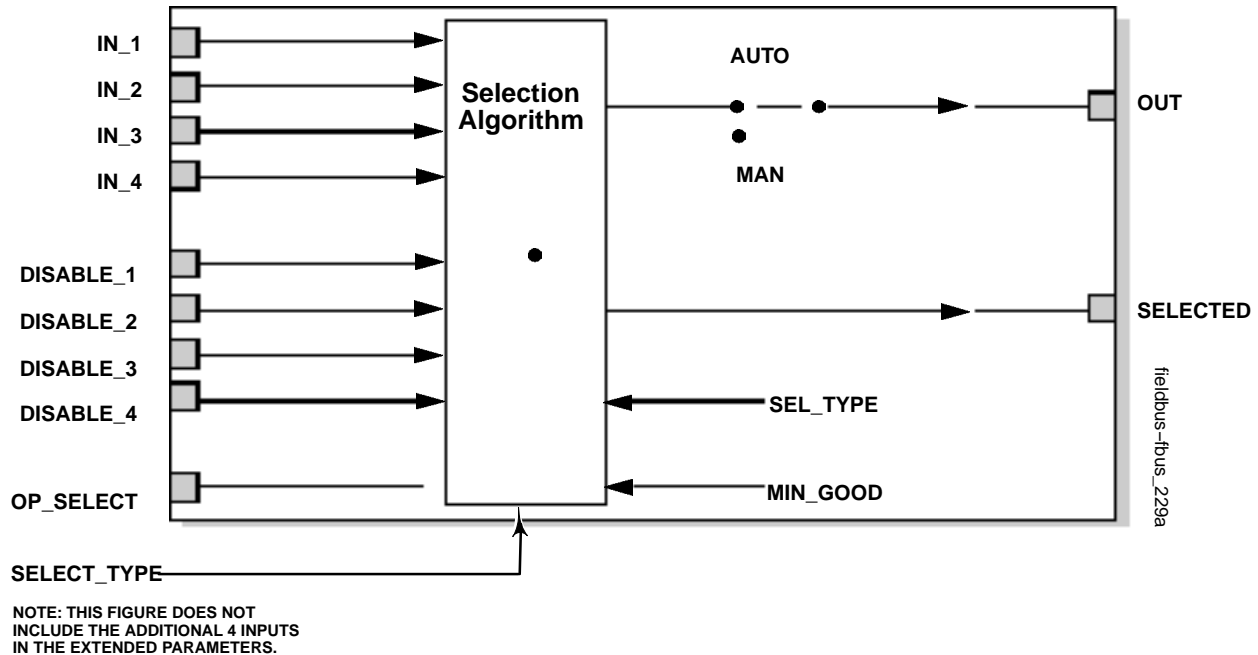


Figure 4-14. Input Selector Function Block Schematic

- For a selection algorithm to use an input with status of Uncertain, the STATUS_OPTS [10] parameter must have “Use Uncertain as Good.”
- STATUS_OPTS [10] is applied before selection.
- If the number of good inputs is less than MIN_GOOD [20], or if the number of inputs evaluated is 0, the status of OUT [7] and SELECTED [21] will be Bad.
- If an input is disabled or its status is Bad and is selected via OP_SELECT [22], then the status of OUT [7] and SELECTED [21] will be Bad. If the quality of the input is Uncertain, and the selection for the STATUS_OPTS [10] parameter is “Use Uncertain as Good,” then the status of OUT [7] and SELECTED [21] will be Uncertain. Otherwise the status of OUT [7] and SELECTED [21] will be Good Noncascade.

When the block is in the Manual mode the status and substatus of OUT [7] and SELECTED [21] will be as follows:

- Substatus will be non-specific and the limit will be constant.
- Quality of OUT [7] and SELECTED [21] will be Uncertain if STATUS_OPTS [10] is “Uncertain in Manual mode.” Otherwise, the quality of OUT [7] and SELECTED [21] will be Good Noncascade.

Limit Propagation

Refer to figure 4-15. When SELECT_TYPE [19] is Average, Not Limited is propagated unless all inputs have the same limit status. If all inputs have the same limit status, the limit status of the inputs is propagated.

If SELECT_TYPE [19] is Middle and the number of inputs used by the algorithm is greater than one: Not Limited is propagated unless all selected inputs have the same limit status, in which case the limit status of the inputs is propagated.

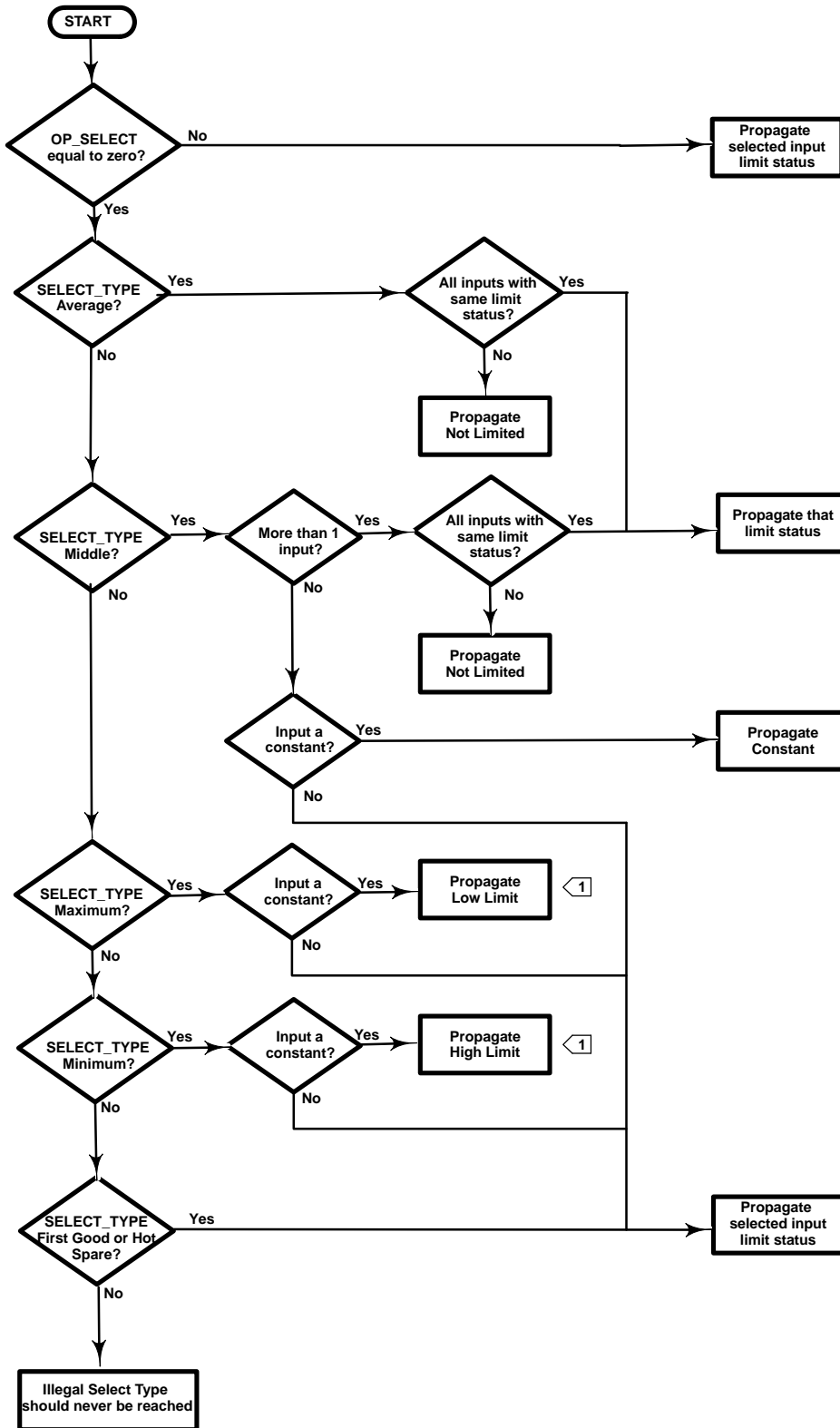
If SELECT_TYPE [19] is Middle and a single input, or if Maximum or Minimum then: If the selected input is a constant and Middle, Constant is propagated. Otherwise, if the selected input is a constant and Maximum or Minimum, propagate low if Maximum, propagate high if Minimum. If the selected input is not a constant, propagate selected input limit as is.

When SELECT_TYPE [19] is First Good or Hot Spare or if OP_SELECT [22] is non-zero, propagate selected input limit as is.

Substatus Propagation

Refer to figure 4-16. For SELECT_TYPE [19] of Maximum, Minimum, First Good, Hot Spare, and Middle with only one input, simply propagate substatus as is.

For SELECT_TYPE [19] of Maximum and Minimum with more than one input with the same value, propagate substatus if all inputs are the same.



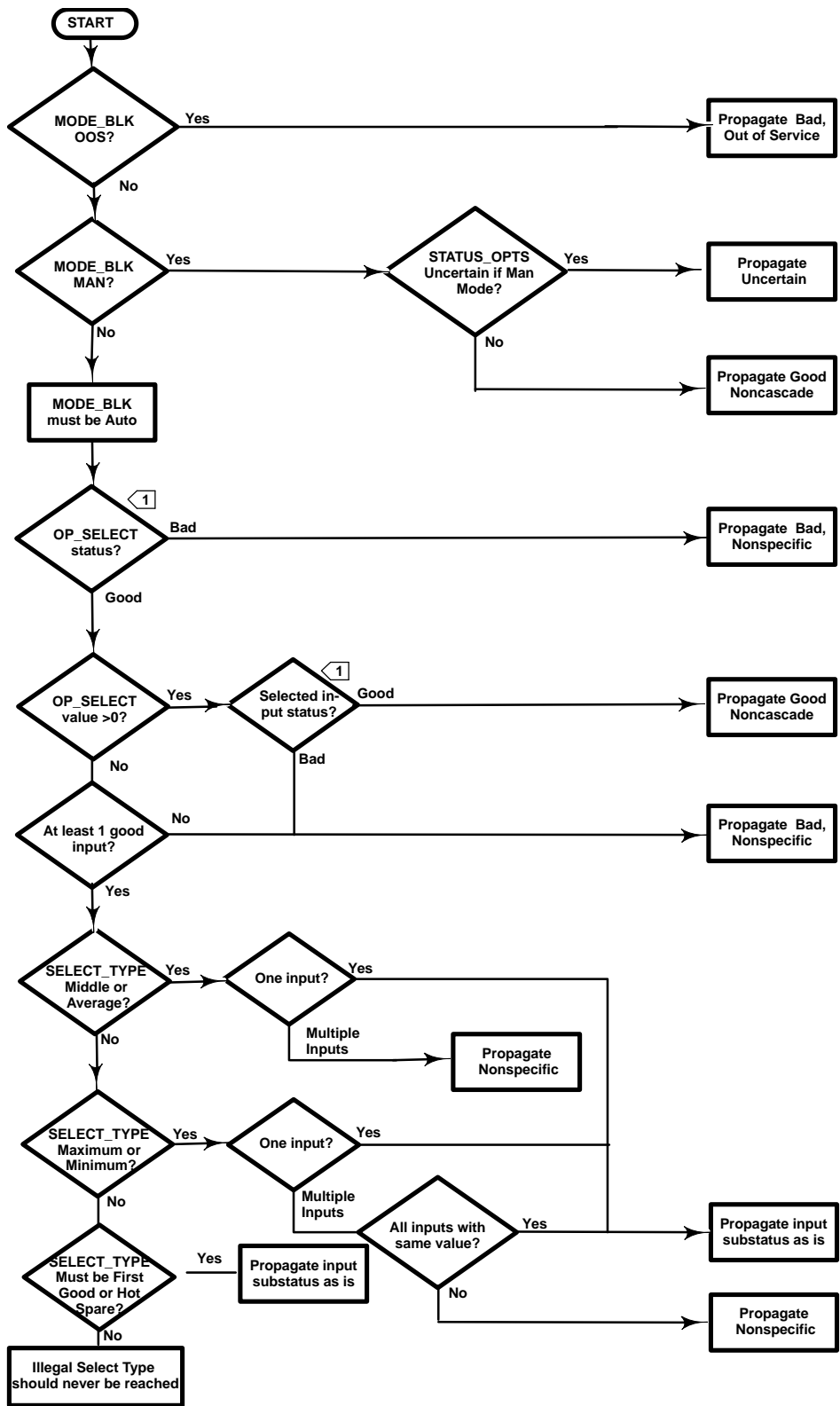
NOTES:

① LIMIT MANIPULATION FOR A CONSTANT INPUT FOR MAXIMUM AND MINIMUM IS BASED UPON THE FOUNDATION FIELDBUS SPECIFICATION. THE REASONING IS BASED ON HIGH SELECT PROVIDING A LOW LIMIT STATUS AND LOW SELECT PROVIDING A HIGH LIMIT STATUS.

Figure 4-15. Input Selector Block Limit Propagation

DVC6000f Digital Valve Controllers

4



NOTES:

1 AN INPUT STATUS MAY BE BAD, GOOD, OR UNCERTAIN. IF BAD, THE INPUT IS NOT USED AND THE STATUS IS PROPAGATED AS BAD WITH SUBSTATUS NON-SPECIFIC. IF GOOD IT IS USED AND THE STATUS IS PROPAGATED AS GOOD (NON-CASCADE). IF UNCERTAIN, AND STATUS_OPTS IS "USE UNCERTAIN AS GOOD" THEN THE INPUT IS USED AND THE STATUS IS PROPAGATED AS GOOD (NON-CASCADE), OTHERWISE IT IS NOT USED AND THE STATUS IS PROPAGATED AS BAD WITH SUBSTATUS NON-SPECIFIC.

Figure 4-16. Input Selector Block Substatus Propagation
For SELECT_TYPE [19] of Average or Middle with

more than one input, propagate NonSpecific.

If the status of OUT [7] is Bad, then the substatus will be as follows:

- Out of Service if the Target mode is Out of Service.
- Configuration Error with a BLOCK_ERR [6] of Configuration Error if the Actual mode is Out of Service.
- Otherwise a substatus of Non-Specific.

STATUS_OPTS Supported

In the STATUS_OPTS [10] parameter, you can select from the following options to control the status handling:

- **Use Uncertain as Good**—sets the OUT [7] status to Good when the selected input status is Uncertain.
- **Uncertain if in Manual mode**: sets the OUT [7] status to Uncertain when the mode is Manual.



Note

The block mode must be Out of Service to set STATUS_OPTS [10].

Input Selection

The ISEL function block reads the values and statuses of as many as eight inputs (IN_1 [11], IN_2 [12], IN_3 [13], IN_4 [14], IN_5 [25], IN_6 [26], IN_7 [27], IN_8 [28]). To use any of the six selection algorithms to select the output, OP_SELECT [22] must be 0. To specify which algorithm to use, configure the selector type parameter (SELECT_TYPE [19]) as follows:

- **Maximum**—selects the input with the highest value from the inputs that are not bad and not disabled.
- **Minimum**—selects the input with the lowest value from the inputs that are not bad and not disabled.
- **Average**—calculates the average value of the inputs that are not bad and not disabled and provides it as the output. For example, if the number used to

average (AVG_USE [33]) is 4 and the number of connected inputs is 6, then the highest and lowest values would be dropped prior to calculating the average. If AVG_USE [33] is 2 and the number of connected inputs is 7, then the two highest and lowest values would be dropped prior to calculating the average and the average would be based on the middle three inputs.

- **Middle**—If the number of good usable inputs is odd, then it selects the middle value. If the number of good usable inputs is even, then it averages the middle two values and selects status as worst of two. If both inputs' limit status are not the same then it sets limit status of Not Limited.

- **First Good**—selects the first input that is not bad and not disabled, starting with IN_1 [11].

- **Hot Spare**—initially uses the input selected as first good. If the selected input goes bad, the first good selection is repeated. If the selected input remains good, it stays selected. If the originally selected input returns to good status the selection does not change. Selection changes only if the currently selected input goes bad.

Disabling Inputs

Use the parameters DISABLE_1 [15], DISABLE_2 [16], DISABLE_3 [17], DISABLE_4 [18], DISABLE_5 [29], DISABLE_6 [30], DISABLE_7 [31] and DISABLE_8 [32] to disable the corresponding inputs. An input that is disabled will not be used by any of the selection algorithms.

The status of the disable parameter must be “Good,” “Good_Cascade,” or “Uncertain” with a STATUS_OPTS [10] of “Use Uncertain as Good” in order to be evaluated. If the status of the disable parameter is Bad, its last usable value is maintained and acted upon. If the device restarts, losing the last usable value, the last usable value is set to disabled. IN_1 through IN_8 and DISABLE_1 through DISABLE_8 are non-volatile type parameters so if they are Linked they will automatically have Bad status until connections are re-established. If they are not Linked, they will be restored with the previous value from NVM across device restarts.

Direct Selection of Inputs

The parameter OP_SELECT [22] can be used to select a particular input. If OP_SELECT [22] is non-zero, the selection algorithm is bypassed and the value of OP_SELECT [22] is interpreted as the input number to select. If the OP_SELECT [22] value is greater than the number of inputs, then the highest

DVC6000f Digital Valve Controllers

input is selected. The status of OP_SELECT [22] must be “Good,” “Good_Cascade,” or “Uncertain” with a STATUS_OPTS [10] of “Use Uncertain as Good” in order to be evaluated. If the status of OP_SELECT [22] is Bad, then the OUT [7] status is Bad.

Identification of Selected Inputs

For a SELECT_TYPE [19] of Maximum, Minimum, Middle, First Good, and Hot Spare, SELECTED [21] indicates the number of the selected input. When Middle is computed from more than one input, SELECTED [21] is set to 0.

4 For a SELECT_TYPE [19] of Average, SELECTED [21] indicates the number of inputs used in the average calculation.

When the block mode is Manual, SELECTED [21] is set to 0.

Alarm Detection

A block alarm will be generated whenever the BLOCK_ERR [6] has an error bit set. The types of block error for the PID block are defined above.

Process alarm detection is based on OUT [7] value. You can configure the alarm limits of the following standard alarms:

- High (HI_LIM [40])
- High high (HI_HI_LIM [38])
- Low (LO_LIM [42])
- Low low (LO_LO_LIM [44])

In order to avoid alarm chattering when the variable is oscillating around the alarm limit, an alarm hysteresis in percent of the PV span can be set using the ALARM_HYS [36] parameter. The priority of each alarm is set in the following parameters:

- HI_PRI [39]
- HI_HI_PRI [37]
- LO_PRI [41]
- LO_LO_PRI [43]

ACK_OPTION [35] is used to set automatic acknowledgement of alarms.

ALARM_SUM [34] indicates the current alert status, unacknowledged states, and disabled states of the alarms associated with the function block.

Alarms are grouped into five levels of priority, as shown in table 4-37.

Table 4-37. ISEL Function Block Alarm Priorities

Priority Number	Priority Description ⁽¹⁾
0	The priority of an alarm condition changes to 0 after the condition that caused the alarm is corrected.
1	An alarm condition with a priority of 1 can be recognized by the system. The device monitors the alarm but does not report it until requested by the host system.
2	An alarm condition with a priority of 2 is reported to the operator, but generally does not require operator attention (such as diagnostics and system alerts).
3–7	Alarm conditions of priority 3 to 7 are advisory alarms of increasing priority.
8–15	Alarm conditions of priority 8 to 15 are critical alarms of increasing priority.
1. The priority classes “advise” and “critical” have no relationship to Plant Web Alerts.	

Block Errors

Table 4-38 lists conditions reported in the BLOCK_ERR [6] parameter. Conditions in *italics* are not applicable for the ISEL block and are provided only for your reference.

Table 4-38. BLOCK_ERR Conditions

Condition Number	Condition Name and Description
0	<i>Other (N/A)</i>
1	Block Configuration Error - If OP_SELECT is not being used, and SELECT_TYPE = 0. This implies OP_SELECT status is good and actual mode is AUTO.
2	<i>Link Configuration Error (N/A)</i>
3	<i>Simulate Active (N/A)</i>
4	<i>Local Override (N/A)</i>
5	<i>Device Fault State Set (N/A)</i>
6	<i>Device Needs Maintenance Soon (N/A)</i>
7	Input failure/process variable has Bad status - Set if any IN or any DISABLE or OP_SELECT is bad and connected. This means that a status of BAD NC would not cause an input failure but a status of BAD LUV or BAD no LUV would cause and input failure.
8	Output failure - Set if OUT quality is bad and the Actual mode is not Out of Service.
9	<i>Memory Failure (N/A)</i>
10	<i>Lost Static Data (N/A)</i>
11	<i>Lost NV Data (N/A)</i>
12	<i>Readback Check Failed (N/A)</i>
13	<i>Device Needs Maintenance Now (N/A)</i>
14	Power Up - Set if the Target mode is Out of Service when powered up until the mode is changed.
15	Out of Service - The block is in Out of Service (OOS) mode

Input Selector Block Parameter List

- Read/Write Capability: RO – Read Only, RW – Read Write
- Mode: The block mode(s) required to write to the parameter
- Double indentations and shaded Index Numbers indicate sub-parameters

Table 4-39. Input Selector Function Block Parameter Definitions

Label PARAMETER_NAME	Index Number	RO / RW	Block Mode	Range	Initial Value	Description
Static Revision ST_REV	1	RO	N/A	0 to 65535	0	Data Type: Unsigned16 The revision level of the static data associated with the function block. The revision value will be incremented each time a static parameter value in the block is changed.
Tag Description TAG_DESC	2	RW	ALL	7 bit ASCII	spaces	Data Type: Octet String The user description of the intended application of the block.
Strategy STRATEGY	3	RW	ALL	0 to 65535	0	Data Type: Unsigned16 The strategy field can be used to identify grouping of blocks. This data is not checked or processed by the block.
Alert Key ALERT_KEY	4	RW	ALL	1 to 255	0	Data Type: Unsigned8 The identification number of the plant unit. This information may be used in the host for sorting alarms, etc.
Block Mode MODE_BLK	5					
TARGET	5.1	RW	ALL	OOS, MAN, AUTO	OOS until block is configured, then last valid target	Data Type: DS-69 Valid Bits: 7: OOS, 4: MAN, 3: AUTO The actual, target, permitted, and normal modes of the block. Target: The requested block mode Actual: The current mode of the block Permitted: Allowed modes for Target Normal: Most common mode for Target
ACTUAL	5.2	RO	ALL			
PERMITTED	5.3	RW	ALL	OOS+MAN+AUTO	OOS+MAN+AUTO	
NORMAL	5.4	RW	ALL		AUTO	
Block Error BLOCK_ERR	6	RO	N/A	1: Block Configuration Error 7: Input Failure / Bad PV status 8: Output Failure 14: Power Up 15: Out-of-Service	Dynamic	Data Type: Bit String 0=Inactive 1=Active This parameter reflects the error status associated with the hardware or software components associated with a block. It is a bit string, so that multiple errors may be shown.
Output OUT	7		MAN OOS	Status OUT_RANGE Value	Dynamic	Data Type: DS-65 The block output value and status.
Output Range OUT_RANGE	8		ALL	EU at 100% EU at 0% Units Index Decimal Point	100 0 % 2	Data Type: DS-67 High and low scale values, engineering units code, and number of digits to the right of the decimal point associated with OUT.
Grant Deny GRANT_DENY	9					
GRANT	9.1		ALL	0: Program 1: Tune	All bits: 0	
DENY	9.2		ALL	2: Alarm 3: Local	All bits: 0	Data Type: DS-70 Options for controlling access of host computers and local control panels to operating, tuning, and alarm parameters of the block. Not used by device. GRANT: 0=N/A, 1=granted DENY: 0=N/A, 1=denied
Status Options STATUS_OPTS	10		OOS	2: Use Uncertain as GOOD 8: Uncertain if MAN	All bits: 0	Data Type: Bit String Allows you to select options for status handling and processing. The supported status option for the input selector block is: "Use Uncertain as Good", "Uncertain if Man mode."
Input 1 IN_1	11		ALL	Status Value	BAD NC constant 0	Data Type: DS-65 The block input value and status.

–Continued–

DVC6000f Digital Valve Controllers

Table 4-39. Input Selector Function Block Parameter Definitions (Continued)

Label PARAMETER_NAME	Index Number	RO / RW	Block Mode	Range	Initial Value	Description
Input 2 IN_2	12		ALL	Status	BAD NC constant	Data Type: DS-65 The block input value and status.
				Value	0	
Input 3 IN_3	13		ALL	Status	BAD NC constant	Data Type: DS-65 The block input value and status.
				Value	0	
Input 4 IN_4	14		ALL	Status	BAD NC constant	Data Type: DS-65 The block input value and status.
				Value	0	
Disable Analog Input 1 DISABLE_1	15		ALL	Status	BAD NC constant	Data Type: DS-66 Enable/Disable for Input_1, If parameter is TRUE then input is disabled. If parameter status is BAD it is not evaluated.
				Value 0=Use 1=Disable	0	
Disable Analog Input 2 DISABLE_2	16		ALL	Status	BAD NC constant	Data Type: DS-66 Enable/Disable for Input_2, If parameter is TRUE then input is disabled. If parameter status is BAD it is not evaluated.
				Value 0=Use 1=Disable	0	
Disable Analog Input 3 DISABLE_3	17		ALL	Status	BAD NC constant	Data Type: DS-66 Enable/Disable for Input_3, If parameter is TRUE then input is disabled. If parameter status is BAD it is not evaluated.
				Value 0=Use 1=Disable	0	
Disable Analog Input 4 DISABLE_4	18		ALL	Status	BAD NC constant	Data Type: DS-66 Enable/Disable for Input_4, If parameter is TRUE then input is disabled. If parameter status is BAD it is not evaluated.
				Value 0=Use 1=Disable	0	
Select Type SELECT_TYPE	19		ALL	1=First Good 2=Minimum 3=Maximum 4=Middle 5=Average 6=Hot Spare	0	Data Type: Unsigned8 Determines the selector action
Min Good MIN_GOOD	20		ALL	1 – 4 0 initial value only	0	Data Type: Unsigned8 The minimum number of inputs which are “good” is less than the value of MIN_GOOD then set the OUT status to “bad”.
Selected SELECTED	21	RO	N/A	Status		Data Type: DS-66 The integer indicating the selected input number.
				Value 0 – 8	Dynamic	
Operator Select OP_SELECT	22		ALL	Status	BAD NC constant	Data Type: DS-66 An operator settable parameter to force a given input to be used.
				Value 0 – 8	0	

–Continued–

Table 4-39. Input Selector Function Block Parameter Definitions (Continued)

Label PARAMETER_NAME	Index Number	RO / RW	Block Mode	Range	Initial Value	Description
Update Event UPDATE_EVT	23					Data Type: DS-73 This alert is generated by any change to the static data.
UNACKNOWLEDGED	23.1	RW	N/A	0=Undefined 1=Acknowledged 2=Unacknowledged	0	
UPDATE_STATE	23.2	RO	N/A	0=Undefined 1=Update Reported 2=Updated not reported	0	
TIME_STAMP	23.3	RO	N/A		0	
STATIC_REVISION	23.4	RO	N/A		0	
RELATIVE_INDEX	23.5	RO	N/A		0	
Block Alarm BLOCK_ALM	24					Data Type: DS-72 The block alarm is used for all configuration, hardware, connection failure, or system problems in the block. The cause of the alert is entered in the subcode field. The first alert to become active will set the active status in BLOCK_ERR. As soon as the Unreported status is cleared by the alert reporting task, another block alert may be reported without clearing the Active status, if the subcode has changed.
UNACKNOWLEDGED	24.1	RW	N/A	0=Undefined 1=Acknowledged 2=Unacknowledged	0	
ALARM_STATE	24.2	RO	N/A	0=Undefined 1=Clear reported 2=Clear not reported 3=Active reported 4=Active not reported	0	
TIME_STAMP	24.3	RO	N/A		0	
SUBCODE	24.4	RO	N/A		0	
VALUE	24.5	RO	N/A		0	
Extended Parameters						
In 5 IN_5	25		ALL	Status	BAD NC constant	Data Type: DS-65 Input value and status.
				Value	0	
In 6 IN_6	26		ALL	Status	BAD NC constant	Data Type: DS-65 Input value and status.
				Value	0	
In 7 IN_7	27		ALL	Status	BAD NC constant	Data Type: DS-65 Input value and status.
				Value		
In 8 IN_8	28		ALL	Status	BAD NC constant	Data Type: DS-65 Input value and status.
				Value	0	
Disable Analog Input 5 DISABLE_5	29		ALL	Status	BAD NC constant	Data Type: DS-66 Enable/Disable for Input_5, If parameter is TRUE then input is disabled. If parameter status is BAD it is not evaluated.
				Value 0=Use 1=Disable	0	
Disable Analog Input 6 DISABLE_6	30		ALL	Status	BAD NC constant 0	Data Type: DS-66 Enable/Disable for Input_6, If parameter is TRUE then input is disabled. If parameter status is BAD it is not evaluated.
				Value 0=Use 1=Disable	0	
Disable Analog Input 7 DISABLE_7	31		ALL	Value	BAD NC constant	Data Type: DS-66 Enable/Disable for Input_7, If parameter is TRUE then input is disabled. If parameter status is BAD it is not evaluated.
				Status 0=Use 1=Disable	0	

-Continued-

DVC6000f Digital Valve Controllers

Table 4-39. Input Selector Function Block Parameter Definitions (Continued)

Label PARAMETER_NAME	Index Number	RO / RW	Block Mode	Range	Initial Value	Description
Disable Analog Input 8 DISABLE_8	32		ALL	Value	BAD NC constant	Data Type: DS-66 Enable/Disable for Input_8, If parameter is TRUE then input is disabled. If parameter status is BAD it is not evaluated.
				Status 0=Use 1=Disable	0	
Number used to average AVG_USE	33			1 to 8	0	Data Type: Unsigned8 Number used to average the output. The number of min and max dropped is the number of inputs minus AVG_USE.
Alarm Summary ALARM_SUM	34					Data Type: DS-74 Current alert status, unacknowledged states, unreported states, and disabled states of the alarms associated with the function block.
CURRENT	34.1	RO	NA	1: Hi Hi		
UNACKNOWLEDGED	34.2	RO	NA	2: Hi		
UNREPORTED	34.3	RO	NA	3: Lo Lo		
DISABLED	34.4	RW	ALL	4: Lo		
Acknowledge Option ACK_OPTION	35		ALL	1: Hi Hi 2: Hi 3: Lo Lo 4: Lo	0	Data Type: Bit String Selection of whether alarms associated with the block will be automatically acknowledged. 0=Disable 1=Enable
Alarm Hysteresis ALARM_HYS	36		ALL	0 to 50%	0.50%	Data Type: Float Hysteresis on alarms
High High Priority HI_HI_PRI	37		ALL	0 TO 15	0	Data Type: Unsigned8 Priority of the alarm
High High Limit HI_HI_LIM	38		ALL		0	Data Type: Float Value of analog input which will generate an alarm
High Priority HI_PRI	39		ALL	0 TO 15	0	Data Type: Unsigned8 Priority of the alarm
High Limit HI_LIM	40		ALL		0	Data Type: Float Value of analog input which will generate an alarm
Low Priority LO_PRI	41		ALL	0 TO 15	0	Data Type: Unsigned8 Priority of the alarm
Low Limit LO_LIM	42		ALL		0	Data Type: Float Value of analog input which will generate an alarm
Low Low Priority LO_LO_PRI	43		ALL	0 TO 15	0	Data Type: Unsigned8 Priority of the alarm
Low Low Limit LO_LO_LIM	44		ALL		0	Data Type: Float Value of analog input which will generate an alarm
High High Alarm HI_HI_ALM	45					Data Type: DS-71 The high high alarm data, which includes a value of the alarm, a timestamp of occurrence, and the state of the alarm.
UNACKNOWLEDGED	45.1	RW	N/A	0=Undefined 1=Acknowledged 2=Unacknowledged	0	
ALARM_STATE	45.2	RO	N/A	0=Undefined 1=Clear reported 2=Clear not reported 3=Active reported 4=Active not reported	0	
TIME_STAMP	45.3	RO	N/A		0	
SUBCODE	45.4	RO	N/A		0	
VALUE	45.5	RO	N/A		0	

-Continued-

Table 4-39. Input Selector Function Block Parameter Definitions (Continued)

Label PARAMETER_NAME	Index Number	RO / RW	Block Mode	Range	Initial Value	Description
High Alarm HI_ALM	46					
UNACKNOWLEDGED	46.1	RW	N/A	0=Undefined 1=Acknowledged 2=Unacknowledged	0	Data Type: DS-71 The high alarm data, which includes a value of the alarm, a timestamp of occurrence, and the state of the alarm.
ALARM_STATE	46.2	RO	N/A	0=Undefined 1=Clear reported 2=Clear not reported 3=Active reported 4=Active not reported	0	
TIME_STAMP	46.3	RO	N/A		0	
SUBCODE	46.4	RO	N/A		0	
VALUE	46.5	RO	N/A		0	
Low Alarm LO_ALM	47					
UNACKNOWLEDGED	47.1	RW	N/A	0=Undefined 1=Acknowledged 2=Unacknowledged	0	Data Type: DS-71 The low alarm data, which includes a value of the alarm, a timestamp of occurrence, and the state of the alarm.
ALARM_STATE	47.2	RO	N/A	0=Undefined 1=Clear reported 2=Clear not reported 3=Active reported 4=Active not reported	0	
TIME_STAMP	47.3	RO	N/A		0	
SUBCODE	47.4	RO	N/A		0	
VALUE	47.5	RO	N/A		0	
Low Low Alarm LO_LO_ALM	48					
UNACKNOWLEDGED	48.1	RW	N/A	0=Undefined 1=Acknowledged 2=Unacknowledged	0	Data Type: DS-71 The low low alarm data, which includes a value of the alarm, a timestamp of occurrence, and the state of the alarm.
ALARM_STATE	48.2	RO	N/A	0=Undefined 1=Clear reported 2=Clear not reported 3=Active reported 4=Active not reported	0	
TIME_STAMP	48.3	RO	N/A		0	
SUBCODE	48.4	RO	N/A		0	
VALUE	48.5	RO	N/A		0	
Output Discrete OUT_D	49		MAN OOS	Status Value 0, 1		Data Type: DS-66 Discrete output to indicate a selected alarm value
Alarm Select ALM_SEL	50		ALL	Status 1: Hi Hi 2: Hi 3: Lo Lo 4: Lo	All bits:0	Data Type: Bit String Used to select the process alarm conditions that will cause the OUT_D parameter to be set.

DVC6000f Digital Valve Controllers

View Lists

View lists allow the values of a set of parameters to be accessed at the same time. Views 1 and 2 contain operating parameters and are defined by the Fieldbus Foundation. View 3 contains dynamic parameters and View 4 contains static parameters with configuration and maintenance information. Views 3 and 4 are defined by the manufacturer.

Table 4-40. ISEL Function Block, View 1

Index Number	Parameter
1	ST_REV
5.1	MODE_BLK.TARGET_MODE
5.2	MODE_BLK.ACTUAL_MODE
5.3	MODE_BLK.PERMITTED_MODE
5.4	MODE_BLK.NORMAL_MODE
6	BLOCK_ERR
7	OUT
11	IN_1
12	IN_2
13	IN_3
14	IN_4
15	DISABLE_1
16	DISABLE_2
17	DISABLE_3
18	DISABLE_4
21	SELECTED
22	OP_SELECT
25	IN_5
26	IN_6
27	IN_7
28	IN_8
29	DISABLE_5
30	DISABLE_6
31	DISABLE_7
32	DISABLE_8
34.1	ALARM_SUM.CURRENT
34.2	ALARM_SUM.UNACKNOWLEDGED
34.3	ALARM_SUM.UNREPORTED
34.4	ALARM_SUM.DISABLED

Table 4-41. ISEL Function Block, View 2

Index Number	Parameter
1	ST_REV
8	OUT_RANGE
9.1	GRANT_DENY.GRANT
9.2	GRANT_DENY.DENY

Table 4-42. ISEL Function Block, View 3

Index Number	Parameter
1	ST_REV
5.1	MODE_BLK.TARGET_MODE
5.2	MODE_BLK.ACTUAL_MODE
5.3	MODE_BLK.PERMITTED_MODE
5.4	MODE_BLK.NORMAL_MODE
6	BLOCK_ERR
7	OUT
11	IN_1
12	IN_2
13	IN_3
14	IN_4
15	DISABLE_1
16	DISABLE_2
17	DISABLE_3
18	DISABLE_4
21	SELECTED
22	OP_SELECT
25	IN_5
26	IN_6
27	IN_7
28	IN_8
29	DISABLE_5
30	DISABLE_6
31	DISABLE_7
32	DISABLE_8
34.1	ALARM_SUM.CURRENT
34.2	ALARM_SUM.UNACKNOWLEDGED
34.3	ALARM_SUM.UNREPORTED
34.4	ALARM_SUM.DISABLED
49	OUT_D

Table 4-43. ISEL Function Block, View 4

Index Number	Parameter
1	ST_REV
3	STRATEGY
4	ALERT_KEY
10	STATUS_OPTS
19	SELECT_TYPE
20	MIN_GOOD
33	AVG_USE
35	ACK_OPTION
36	ALARM_HYS
37	HI_HI_PRI
38	HI_HI_LIM
39	HI_PRI
40	HI_LIM
41	LO_PRI
42	LO_LIM
43	LO_LO_PRI
44	LO_LO_LIM
50	ALM_SEL

Field Communicator Menu Structure

INPUT SELECTOR FUNCTION BLOCK

Quick Config

Alert Key
 Min Good
 Output Range: EU at 100%
 Output Range: EU at 0%
 Output Range: Units Index
 Output Range: Decimal
 Select Type

Common Config

Min Good
 Block Mode: Target
 Block Mode: Actual
 Block Mode: Permitted
 Block Mode: Normal
 Output Range: EU at 100%
 Output Range: EU at 0%
 Output Range: Units Index
 Output Range: Decimal
 Select Type

Advanced Config

Alert Key
 Static Revision
 Status Options
 Strategy

Connectors

Disable Analog Input 1: Status
 Disable Analog Input 1: Value
 Disable Analog Input 2: Status
 Disable Analog Input 2: Value
 Disable Analog Input 3: Status
 Disable Analog Input 3: Value
 Disable Analog Input 4: Status
 Disable Analog Input 4 : Value
 Input 1: Status
 Input 1: Value
 Input 2: Status
 Input 2: Value
 Input 3: Status
 Input 3: Value
 Input 4: Status
 Input 4: Value
 Operator Select: Status
 Operator Select: Value
 Output: Status
 Output: Value
 Selected: Status
 Selected: Value

Online

Block Error
 Disable Analog Input 1: Status
 Disable Analog Input 1: Value
 Disable Analog Input 2: Status
 Disable Analog Input 2: Value
 Disable Analog Input 3: Status
 Disable Analog Input 3: Value
 Disable Analog Input 4: Status
 Disable Analog Input 4: Value
 Input 1: Status
 Input 1: Value
 Input 2: Status
 Input 2: Value
 Input 3: Status
 Input 3: Value
 Input 4: Status
 Input 4: Value
 Block Mode: Target
 Block Mode: Actual
 Block Mode: Permitted
 Block Mode: Normal
 Operator Selected: Status
 Operator Selected: Value
 Output: Status
 Output: Value
 Selected: Status
 Selected: Value

Status

Block Error

All

Characteristics
 Static Revision
 Tag Description
 Strategy
 Alert Key
 Block Mode: Target
 Block Mode: Actual
 Block Mode: Permitted
 Block Mode: Normal
 Block Error
 Output: Status
 Output: Value
 Output Range: EU at 100%
 Output Range: EU at 0%
 Output Range: Units Index
 Output Range: Decimal
 Grant Deny: Grant
 Grant Deny: Deny
 Status Options
 Input 1: Status
 Input 1: Value
 Input 2: Status
 Input 2: Value
 Input 3: Status
 Input 3: Value
 Input 4: Status
 Input 4: Value
 Disable Analog Input 1: Status
 Disable Analog Input 1: Value
 Disable Analog Input 2: Status
 Disable Analog Input 2: Value
 Disable Analog Input 3: Status
 Disable Analog Input 3: Value
 Disable Analog Input 4: Status
 Disable Analog Input 4: Value
 Select Type
 Min Good
 Selected: Status
 Selected: Value
 Operator Select: Status
 Operator Select: Value
 Update Event: Unacknowledged
 Update Event: Update State
 Update Event: Time Stamp
 Update Event: Static Rev
 Update Event: Relative Index
 Block Alarm: Unacknowledged
 Block Alarm: Alarm State
 Block Alarm: Time Stamp
 Block Alarm: Subcode
 Block Alarm: Value
 Analog Input 5: Status
 Analog Input 5: Value
 Analog Input 6: Status
 Analog Input 6: Value
 Analog Input 7: Status
 Analog Input 7: Value
 Analog Input 8: Status
 Analog Input 8: Value
 Disable Analog Input 5: Status
 Disable Analog Input 5: Value
 Disable Analog Input 6: Status
 Disable Analog Input 6: Value
 Disable Analog Input 7: Status
 Disable Analog Input 7: Value
 Disable Analog Input 8: Status
 Disable Analog Input 8: Value
 Number Used to average

All continued

Alarm Summary: Current
 Alarm Summary: Unacknowledged
 Alarm Summary: Unreported
 Alarm Summary: Disabled
 Acknowledge Option
 Alarm Hysteresis
 High High Priority
 High High Limit
 High Priority
 High Limit
 Low Priority
 Low Limit
 Low Low Priority
 Low Low Limit
 High High Alarm: Unacknowledged
 High High Alarm: Alarm State
 High High Alarm: Time Stamp
 High High Alarm: Subcode
 High High Alarm: Float Value
 High Alarm: Unacknowledged
 High Alarm: Alarm State
 High High Alarm: Time Stamp
 High Alarm: Subcode
 High Alarm: Float Value
 Low Alarm: Unacknowledged
 Low Alarm: Alarm State
 Low Alarm: Time Stamp
 Low Alarm: Subcode
 Low Alarm: Float Value
 Low Low Alarm: Unacknowledged
 Low Low Alarm: Alarm State
 Low Low Alarm: Time Stamp
 Low Low Alarm: Subcode
 Low Low Alarm: Float Value
 Alarm Output: Status
 Alarm Output: Value
 Alarm Select

Output Splitter Function Block Overview	4-117
Modes	4-117
Status Handling	4-117
Limit Handling	4-119
Input to Output Mapping	4-119
Initialization and Back Calculation Requirements	4-120
Parameter List	4-123
View Lists	4-126
Field Communicator Menu Structure	4-127

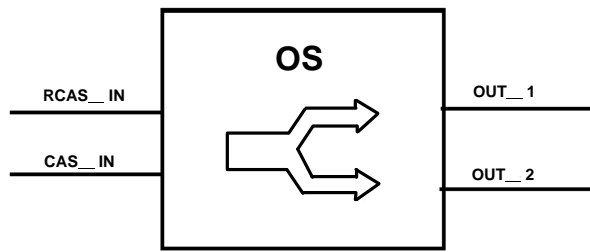


Figure 4-17. Output Splitter (OS) Function Block

Output Splitter (OS) Function Block Overview

The Output Splitter block provides the capability to drive two control outputs from a single input. Each output is a linear function of some portion of the input. Back calculation support is provided using the same linear function in reverse. Cascade initialization is supported by a decision table for combinations of input and output conditions.

This block is normally used in split ranging or sequencing of multiple valve applications. A typical split range application has both valves closed when the splitter input is 50%. One valve opens fully as the input drops to 0%. The other valve opens as the input rises above 50%.

A typical sequencing application has both valves closed at 0% input. One valve fully opens as the input rises to 50% and the other stays shut. The second valve opens as the input rises above 50%, and the first valve may remain open or shut off quickly.

Because this block is in the control path, it is able to pass limit and cascade initialization information back to the upstream block. Table 4-47 lists the OS block parameters and their descriptions, units of measure, and index numbers. Figures 4-18 and 4-19 illustrate the internal components of the OS function block.

Modes

The Output Splitter function block supports the following actual modes:

- **Out of Service (OOS)**—The block is not processed. FIELD_VAL and PV are not updated and the OUT status is set to Bad: Out of Service. The BLOCK_ERR parameter shows Out of Service. In this

mode, you can make changes to all configured parameters.

By using permitted mode the target mode of a block may be restricted to one or more of the following modes: Cas, Auto or OOS.



Note

The output splitter function block must be in Auto for the mode to go to CAS.

- **Initialization Manual (IMan)**—The output path is not complete (for example, the cascade-to-slave path might not be open). In IMan mode, OUT tracks BKCAL_IN, which allows for bumpless transfer of control.

- **Automatic (Auto)**—The block outputs (OUT_1 and OUT_2) reflect the target operating point specified by the setpoint (SP) parameter.

- **Cascade (Cas)**—The SP parameter is set by another function block through a connection to CAS_IN. The SP value is used to set the OUT parameters automatically. This is the most frequently used mode in this block.

The block's normal mode is Cascade (Cas). You can isolate the block for testing by using Automatic (Auto) mode and adjusting the setpoint.

When a block attached to an output requests initialization, one of the following actions might occur:

- When the other output is not in Cas mode, the block attached to the input is initialized.

- When the other output is in Cas mode, this output returns to the value calculated from its slope in a specified time period.

Status Handling

Sub-status value received at CAS_IN [14] is passed to both outputs, except for those used in the cascade handshake. An IFS goes to both outputs. The status option IFS if Bad CAS_IN is available.

If the Status Option to Propagate failure is set, the block propagates device failure only if both BKCAL_IN show failed status. Otherwise the upstream cascade would be broken by a failure at either output.

The statuses of OUT_1 [8] and OUT_2 [9] are determined by the statuses of BKCAL_IN_1 and BKCAL_IN_2 and the actual mode of the block.

DVC6000f Digital Valve Controllers

4

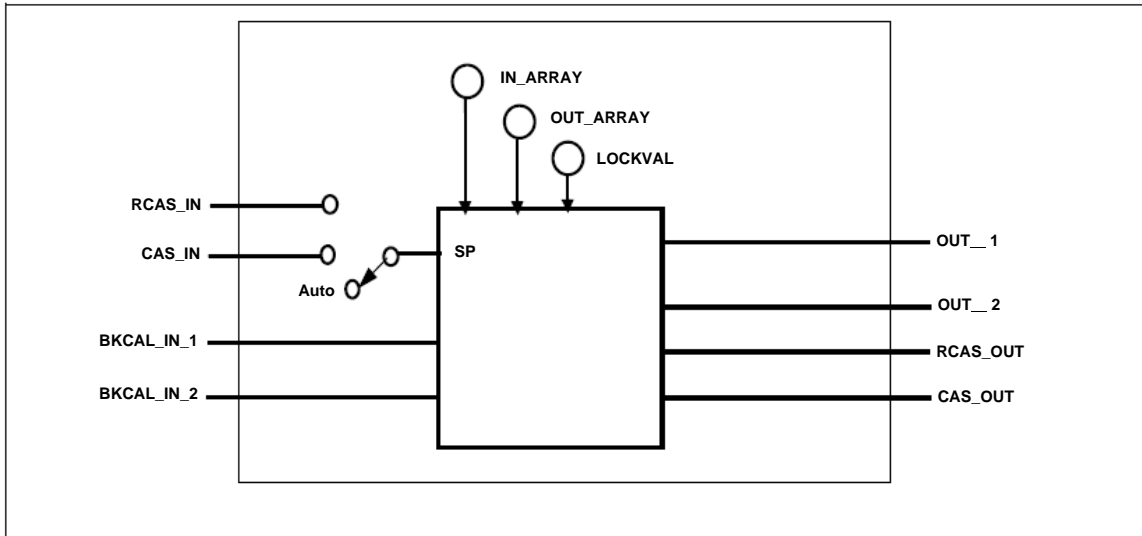


Figure 4-18. Output Splitter Function Block Schematic

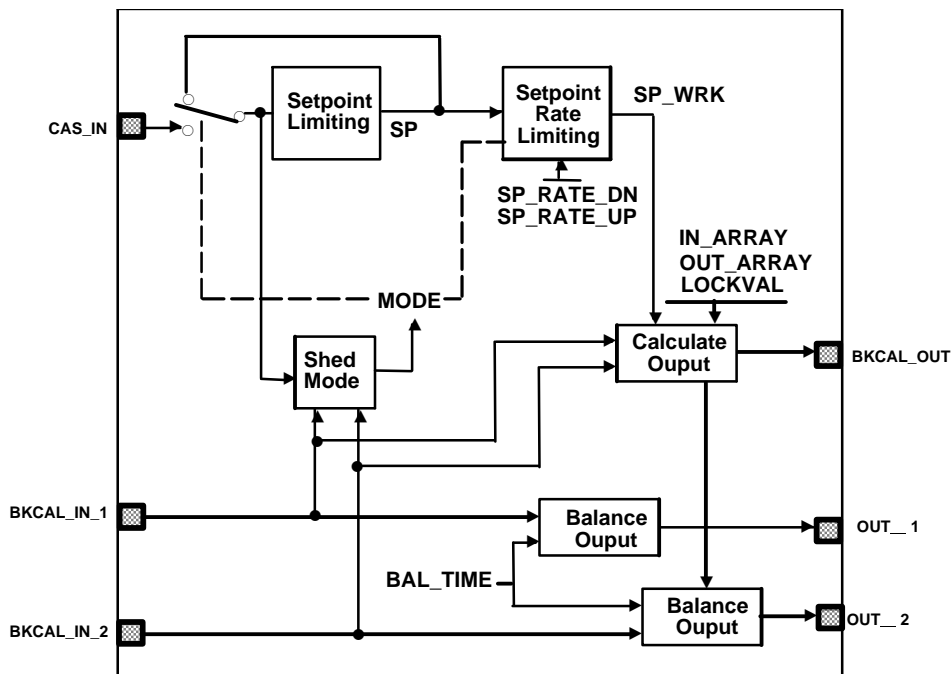


Figure 4-19. Output Splitter Function Block Schematic Diagram

When a BKCAL_IN input sees that its downstream block is not in Cas mode, the Splitter function block sets the corresponding OUT value to the BKCAL_IN value. However, this may not be the same value that is calculated by the splitter algorithm. When the mode of the downstream block is changed to Cas, the difference between the calculated output and the back-calculation input is computed and the difference is added to the calculated output. Next, the difference

is reduced to zero over the time defined by the BAL_TIME parameter.

When both BKCAL_IN_1 and BKCAL_IN_2 indicate that the downstream blocks are not in Cas mode or have Bad status, the first downstream block that goes to Cas mode causes the upstream block to initialize so that there is no difference between the calculated

output and the back-calculation input. This provides bumpless transfer for the first downstream block.

Limit Handling

The splitter function block is designed to combine the limit information from the two downstream blocks into limits for the upstream block. The general principle is to allow the upstream block to continue control for as long as possible.

The upstream block is high-limited (BKCAL_OUT of the Splitter block has high-limited status) when:

- Both downstream blocks are high-limited (both BKCAL_INS of the Splitter block have high-limited status)

or

- One downstream block is high-limited, the associated output slope is positive, and the other block has Bad status or is not in Cas mode

or

- One downstream block is low-limited, the associated output slope is negative, and the other block has Bad status or is not in Cas mode

or

- SP is greater than or equal to X22

The upstream block is low-limited when:

- Both downstream blocks are low-limited

or

- One downstream block is low-limited, the associated output slope is positive, and the other block has Bad status or is not in Cas mode

or

- One downstream block is high-limited, the associated output slope is negative, and the other block has Bad status or is not in Cas mode

or

- SP is less than or equal to X11

Input to Output Mapping

The relationship of each output to the input may be defined by a line. Each line may be defined by its endpoints. Examples of graphical representations of OUT_1 and OUT_2 vs. SP are shown in figure 4-20 for a split range and a sequencing application.

Table 4-44. IN_ARRAY Coordinates

Index	Coordinate
0	X ₁₁ – Start value of SP for the OUT_1 line. (X ₁₁ < X ₁₂)
1	X ₁₂ – End value of SP for the OUT_1 line. (X ₁₁ < X ₁₂)
2	X ₂₁ – Start value of SP for the OUT_2 line. (X ₂₁ < X ₂₂)
3	X ₂₂ – End value of SP for the OUT_2 line. (X ₂₁ < X ₂₂)

Table 4-45. OUT_ARRAY Coordinates

Index	Coordinate
0	Y ₁₁ – Value of OUT_1 at X ₁₁
1	Y ₁₂ – Value of OUT_1 at X ₁₂
2	Y ₂₁ – Value of OUT_2 at X ₂₁
3	Y ₂₂ – Value of OUT_2 at X ₂₂

The block has the same SP structure as the PID block, except that there is no limiting applied to the SP. The SP may be used in Auto mode for testing. The operator would use the output of the PID to accomplish the same purpose. Each downstream block can be taken out of cascade if it becomes necessary to gain control of them.

The examples shown in figure 4-20 do not show the full range of possibilities. The lines could overlap like an X, or both start from the origin but have different slopes. The endpoints do not have to lie within 0–100%. Limits in the external blocks may effect the useful range of a line. Units of percent are used in the examples because the common application of this block is to valves, but any units may be used to suit the application.

The following parameters as paired coordinates are used to specify the output splitter operation:

X₁₁, Y₁₁, X₁₂, Y₁₂

X₂₁, Y₂₁, X₂₂, Y₂₂

Where X_{nJ} is the value of SP associated with OUT_n and X_{n1} and X_{n2} refer to the 1st and 2nd coordinates of the nth curve respectively. Y_{nJ} is the value of OUT_n and Y_{n1} and Y_{n2} refer to the 1st and 2nd coordinates of the nth curve respectively.

By specifying the coordinates as shown in tables 4-44 and 4-45, the endpoints of the lines are defined. The contents of the respective X's are held in the IN_ARRAY parameter and the contents of the respective Y's are held in the OUT_ARRAY

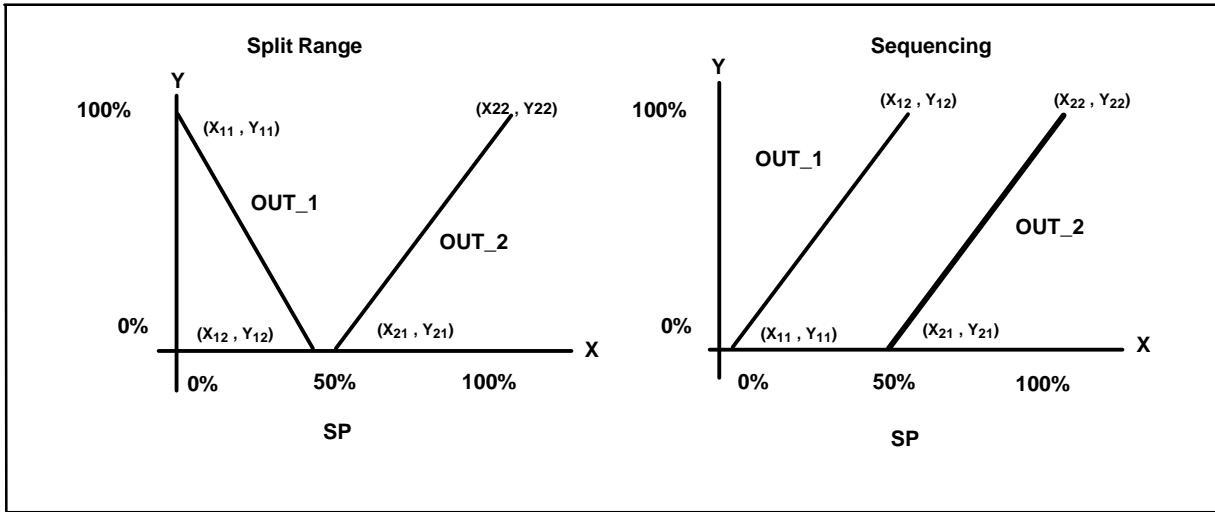


Figure 4-20. Split Range and Sequence Operation

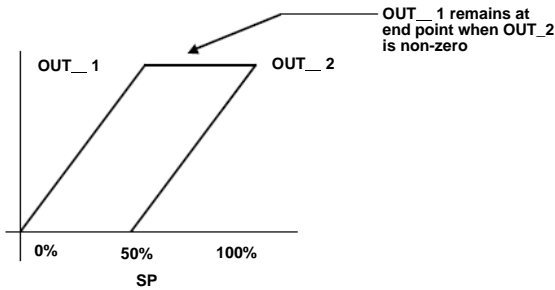


Figure 4-21. OUT with LOCKVAL True

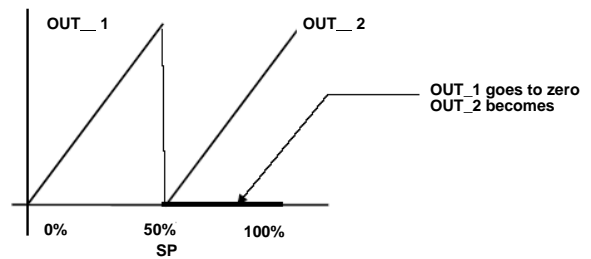


Figure 4-22. OUT with LOCKVAL False

parameter. If a set of points are specified such that a region of the input range is not specified, then the corresponding OUT_n will be set to the closest endpoint of the input value, either high or low, when the specified region is exceeded.

A configuration error is set in BLOCK_ERR and the actual mode of the block goes to Out of Service if the X values have any of the following conditions: $X_{21} < X_{11}$, $X_{12} <= X_{11}$, $X_{22} <= X_{21}$.

Refer to figure 4-21 for an example of LOCKVAL = true, and figure 4-22 for an example of LOCKVAL = false. The parameter LOCKVAL provides an option to specify whether OUT_1 remains at its ending level when control is switched to OUT_2, or goes to Y₁₁. If LOCKVAL is true, OUT_1 remains at its ending value when X is greater than X₁₂. If LOCKVAL is false, then OUT_1 goes to Y₁₁ when X is greater than X₁₂.

Some hysteresis in the switching point may be required because the output may change by a full

stroke of the valve. HYSTVAL [12] contains the amount of hysteresis. If $X <= X_{12} - \text{HYSTVAL}$, OUT_1 may be determined by the calculated y value. If $X_{12} - \text{HYSTVAL} < X < X_{12}$ and X has not reached X₁₂ since it was less than X₁₂ - HYSTVAL, OUT_1 may be determined by the calculated y value. If $X_{12} - \text{HYSTVAL} < X < X_{12}$ and X has reached X₁₂ since it was less than X₁₂ - HYSTVAL, OUT_1 may be determined by the LOCKVAL setting. If $X_{12} < X$, OUT_1 may be determined by the LOCKVAL setting.

Initialization and Back Calculation Requirements

Refer to figure 4-23, Output Splitter Configuration, where:

- PID1 = Upstream driving controller or function block.
- Splitter = Split range function block being described.

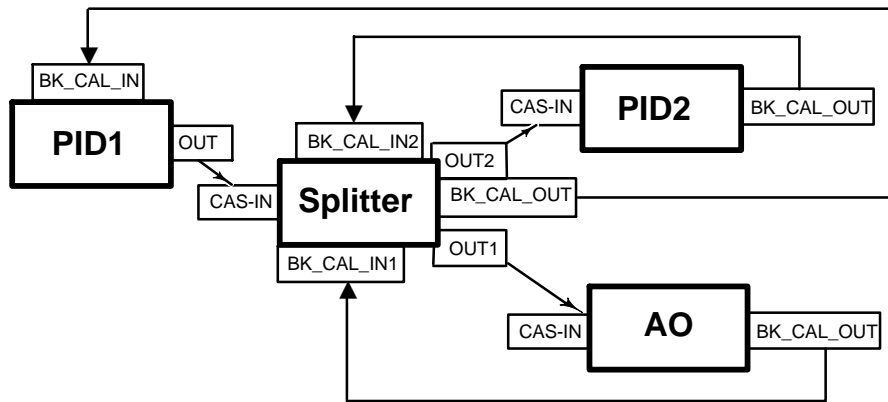


Figure 4-23. Output Splitter Configuration

AO = Receiver of OUT_1 for 0–50% range of SP

PID2 = Receiver of OUT_2 for 50–100% range of SP

CAS_IN of the Splitter receives the OUT of PID1. BKCAL_IN of PID1 receives BKCAL_OUT of the Splitter. CAS_IN of the AO receives OUT_1 of the Splitter and PID2 receives OUT_2 of the Splitter. BKCAL_IN_1 of the Splitter receives BKCAL_OUT of the AO and BKCAL_IN_2 of the Splitter receives BKCAL_OUT of PID2.

The discussion in this section defines the behavior which is used to handle the initial value calculation and status which can in turn be sent to PID1. This behavior is defined in such a way that no “bumps” are generated by changing modes, and that PID1 does not wind up.

The splitter utilizes special handling for cascade initialization because it has two independent outputs. When a downstream block indicates to the splitter that it wants to initialize, by asserting IR (initialization request) on its BKCAL_OUT, one of two things happens. Under some circumstances, it is possible to pass an initialization request from a downstream block back up to the block upstream of the splitter, so that all three blocks balance for bumpless transfer to cascade mode. Otherwise, the requested splitter output goes to the requested value by placing an internal offset between that output and the output of the curve, and then ramping that offset to zero in BAL_TIME seconds after the cascade is made up.

The splitter normally runs with both outputs connected to blocks in cascade mode. If one or both of the blocks is not in cascade mode, special limiting action is taken. Specifically, if one block indicates that it is not in cascade by NI (not invited) status on its BKCAL_OUT, then the BKCAL_OUT of the splitter asserts limits at the range extremes of the block that is still in cascade

Table 4-46. OUT_ARRAY Coordinates

BKCAL_IN_1	BKCAL_IN_2	BKCAL_OUT	Action
NI	NI	NI	Not Specified
NI	OK	OK	BKCAL_OUT limited to X21 low and X22 high
OK	NI	OK	BKCAL_OUT limited to X11 and X12 high
IR	NI	IR	Initialize cascade to value given by curve X1 vs Y1
IR	OK	OK	Initialize OUT_1 using internal offset from Y1
NI	IR	IR	Initialize cascade to value given by curve X2 vs Y2
OK	IR	OK	Initialize OUT_2 using internal offset from Y2

Note 1: OK means the cascade is closed.
 Note 2: Recommend using the average of BKCAL_IN_1 and BKCAL_IN_2, or just SP.

mode. Even if the upstream controller does not want to operate in that range, there will be no reset windup when it can move into the range. If both downstream blocks show NI, then the splitter can only wait until one of them requests cascade initialization. BKCAL_OUT of the splitter can hold the upstream block at the value of the SP. The actual mode is IMan.

When cascade initialization is requested, by IR substatus on a BKCAL_IN, it is first necessary to determine if the other BKCAL_IN has NI substatus. If so, the value at the BKCAL_IN asserting IR is taken as the Y value for its curve, and the resulting X value is sent on BKCAL_OUT to PID1. If the other substatus is OK, then the internal offset and BAL_TIME is used. If both blocks have IR substatus, then one output is processed until its cascade is closed. The choice is based on the presence of limit status in BKCAL_IN. If BKCAL_IN_1 is limited, then if BKCAL_IN_2 is not limited then OUT_2 is processed first, else OUT_1 is processed first.

DVC6000f Digital Valve Controllers

Cascade initialization is also required when the block transitions from Auto to Cas mode. This action is identical to that described for the PID block.

The required actions are summarized in table 4-46.

The BKCAL_OUT status shows limited high if an increase in SP cannot be effectively passed on to either output because the BKCAL_IN_n of both outputs indicates that a move in the needed direction is limited. Similarly, limited low is set if a decrease in SP cannot be effectively passed on to either output. The slope of the limited line(s) affects the limit

direction. BKCAL_OUT also shows limit status at the X extremes X11 and X22.

Initialization is not automatic under all circumstance because some situations have conflicting needs. In general, when a control region is in trouble, the upstream controller is limited so it will not drive further into that region. When you want to move to the other active region, you can put the upstream controller into Man mode and move it, or you can drop the good downstream block out of Cas mode for one evaluation cycle and then restore Cas mode. This initializes the upstream controller to the remaining good region of control.

Output Splitter Function Block Parameter List

- Read/Write Capability: RO – Read Only, RW – Read Write
- Mode: The block mode(s) required to write to the parameter
- Double indentation and shaded Index Number indicates sub-parameter

Table 4-47. Output Splitter Function Block Parameter Definitions

Label PARAMETER_NAME	Index Number	RO / RW	Block Mode	Range	Initial Value	Description
Static Revision ST_REV	1	RO	N/A	0 to 65535	0	Data Type: Unsigned16 The revision level of the static data associated with the function block. The revision value will be incremented each time a static parameter value in the block is changed.
Tag Description TAG_DESC	2	RW	ALL	7 bit ASCII	Spaces	Data Type: Octet String The user description of the intended application of the block.
Strategy STRATEGY	3	RW	ALL	0 to 65535	0	Data Type: Unsigned 16: The strategy field can be used to identify grouping of blocks. This data is not checked or processed by the block.
Alert Key ALERT_KEY	4	RW	ALL	1 to 255	0	Data Type: Unsigned8 The identification number of the plant unit. This information may be used in the host for sorting alarms, etc.
Block Mode MODE_BLK	5					Data Type: DS-69 The actual, target, permitted, and normal modes of the block. Target: The requested block mode Actual: The current mode of the block Permitted: Allowed modes for Target Normal: Most common mode for Target
TARGET	5.1	RW		7:OOS 3:AUTO 2:CAS	OOS until block configured, then last valid target	
ACTUAL	5.2	RO			OOS	
PERMITTED	5.3	RW		OOS+AUTO+CAS	OOS AUTO CAS	
NORMAL	5.4	RW			AUTO+CAS	
Block Error BLOCK_ERR	6	RO	N/A	1: Block Configuration Error 7: Input Failure/Bad PV Status 8: Output Failure 14: Power-up 15: Out-of-Service	Dynamic	Data Type: Bit String 0=Inactive 1=Active This parameter reflects the error status associated with the hardware or software components associated with a block. It is a bit string, so that multiple errors may be shown.
Setpoint SP	7			PV_SCALE +/- 10%		Data Type: DS-65 Analog setpoint of the block
Output 1 OUT_1	8		MAN OOS	OUT_SCALE +/- 10%		Data Type: DS-65 The primary analog output value calculated as a result of executing the function (the first output value and status).
Output 2 OUT_2	9		MAN OOS	OUT_SCALE +/- 10%		Data Type: DS-65 The primary analog output value calculated as a result of executing the function (the second output value and status).
Output 1 Range OUT_1_RANGE	10	RO		EU at 100% EU at 0 % Unit Index Decimal Point	100 0 % 2	Data Type: DS-68 The high and low scale values, engineering units code, and number of decimal places to be used in displaying the OUT value, this parameter has no effect on this block.

-Continued-

DVC6000f Digital Valve Controllers

Table 4-47. Output Splitter Function Block Parameter Definitions (Continued)

Label PARAMETER_NAME	Index Number	RO / RW	Block Mode	Range	Initial Value	Description
Output 2 Range OUT_2_RANGE	11	RO		EU at 100% EU at 0 % Unit Index Decimal Point	100 0 % 2	Data Type: DS-68 The high and low scale values, engineering units code, and number of decimal places to be used in displaying the OUT value, this parameter has not effect on this block.
Grant Deny GRANT_DENY	12					Data Type: DS-70 Options for controlling access of host computers and local control panels to operating, tuning, and alarm parameters of the block. GRANT:0=N/A, 1=granted DENY: 0=N/A, 1= denied
GRANT	12.1		N/A	0: Program 1: Tune	All bits: 0	
DENY	12.2		N/A	2: Alarm 3: Local	All bits: 0	
Status Options STATUS_OPTS	13		OOS	1: IFS if BAD CAS_IN	All bits: 0	Data Type: Bit String 0=Disabled 1=Enabled User option for status
Cascade Input CAS_IN	14			Status	BAD: NC: const	Data Type: DS-65 The remote setpoint from another block.
				Value	0	
Back Calculation Output BKCAL_OUT	15	RO		Status Limits		Data Type: DS-65 Output value to another block for backwards output tracking.
Input Array IN_ARRAY	16				All: 0	Data Type: Float Used with OUT_ARRAY to map input to output. See Input to Output Mapping, page 4-119.
Output Array OUT_ARRAY	17				All: 0	Data Type: Float Used with IN_ARRAY to map input to output. See Input to Output Mapping, page 4-119.
Lockval LOCKVAL	18			0=Undfined 1=no lock 2=lock	0= Undefined	Data Type: Enum Used with OUT_ARRAY to map input to output. See Input to Output Mapping, page 4-119.
Back Calculation Input 1 BKCAL_1_IN	19			Status	BAD: NC: const	Data Type: DS-65 The value and status reflecting the BKCAL_OUT of the lower block associated with OUT_1. It is used for initialization and to prevent windup in upstream blocks.
				Value	0	
Back Calculation Input 2 BKCAL_2_IN	20			Status	BAD: NC: const	Data Type: DS-65 The value and status reflecting the BKCAL_OUT of the lower block associated with OUT_2. It is used for initialization and to prevent windup in upstream blocks.
				Value	0	
Balance Time BAL_TIME	21			Positive	0	Data Type: Float Specifies the time for the internal working value of bias or ratio to return to the operator set bias or ratio, in seconds.
Hystval HYSTVAL	22					
Update Event UPDATE_EVT	23	RO	N/A			
UNACKNOWLEDGED	23.1	RW	N/A	0=Undefined 1=Acknowledged 2=Unacknowledged	0= Undefined	
UPDATE STATE	23.2	RO	N/A	0=Undefined 1=Update Reported 2=Updated not reported	0= Undefined	Data Type: DS-73 This alert is generated by any change to the static data.
TIME_STAMP	23.3	RO	N/A		0	
STATIC_REVISION	23.4	RO	N/A		0	
RELATIVE_INDEX	23.5	RO	N/A		0	

-Continued-

Table 4-47. Output Splitter Function Block Parameter Definitions (Continued)

Label PARAMETER_NAME	Index Number	RO / RW	Block Mode	Range	Initial Value	Description
Block Alarm BLOCK_ALM	24					Data Type: DS-72 The block alarm is used for all configuration, hardware, connection failure, or system problems in the block. The cause of the alert is entered in the subcode field.
UNACKNOWLEDGED	24.1	RW	N/A	0: Undefined 1: Acknowledged 2: Unacknowledged		
ALARM_STATE	24.2	RO	N/A	0: Undefined 1: Clear reported 2: Clear not reported 3: Active reported 4: Active not reported		
TIME_STAMP	24.3	RO	N/A			
SUBCODE	24.4	RO	N/A			
VALUE	24.5	RO	N/A			

DVC6000f Digital Valve Controllers

View Lists

View lists allow the values of a set of parameters to be accessed at the same time. Views 1 and 2 contain operating parameters and are defined by the Fieldbus Foundation. View 3 contains dynamic parameters and View 4 contains static parameters with configuration and maintenance information. Views 3 and 4 are defined by the manufacturer.

Table 4-48. OS Function Block, View 1

Index Number	Parameter
1	ST_REV
5.1	MODE_BLK.TARGET_MODE
5.2	MODE_BLK.ACTUAL_MODE
5.3	MODE_BLK.PERMITTED_MODE
5.4	MODE_BLK.NORMAL_MODE
6	BLOCK_ERR
7	SP
8	OUT_1
9	OUT_2
14	CAS_IN

Table 4-49. OS Function Block, View 2

Index Number	Parameter
1	ST_REV
10	OUT_1_RANGE
11	OUT_2_RANGE
12.1	GRANT_DENY.GRANT
12.2	GRANT_DENY.DENY

Table 4-50. OS Function Block, View 3

Index Number	Parameter
1	ST_REV
5.1	MODE_BLK.TARGET_MODE
5.2	MODE_BLK.ACTUAL_MODE
5.3	MODE_BLK.PERMITTED_MODE
5.4	MODE_BLK.NORMAL_MODE
6	BLOCK_ERR
7	SP
8	OUT_1
9	OUT_2
14	CAS_IN
15	BKCAL_OUT
19	BKCAL_1_IN
20	BKCAL_2_IN

Table 4-51. OS Function Block, View 4

Index Number	Parameter
1	ST_REV
3	STRATEGY
4	ALERT_KEY
13	STATUS_OPTS
16	IN_ARRAY
17	OUT_ARRAY
18	LOCKVAL
21	BAL_TIME

Field Communicator Menu Structure

OUTPUT SPLITTER FUNCTION BLOCK

All

Characteristics
Static Revision
Tag Description
Strategy
Alert Key
Block Mode: Target
Block Mode: Actual
Block Mode: Permitted
Block Mode: Normal
Block Error
Setpoint: Status
Setpoint: Value
Output 1: Status
Output 1: Value
Output 2: Status
Output 2: Value
Output 1 Range: EU at 100%
Output 1 Range: EU at 0%
Output 1 Range: Units Index
Output 1 Range: Decimal
Output 2 Range: EU at 100%
Output 2 Range: EU at 0%
Output 2 Range: Units Index
Output 2 Range: Decimal
Grant Deny: Grant
Grant Deny: Deny
Status Options
Cascade Input: Status
Cascade Input: Value
Back Calculation Output: Status
Back Calculation Output: Value
Input Array[1]
Input Array[2]
Input Array[3]
Input Array[4]
Output Array[1]
Output Array[2]
Output Array[3]
Output Array[4]
Lockval
Back Calculation Input 1: Status
Back Calculation Input 1: Value
Back Calculation Input 2: Status
Back Calculation Input 2: Value
Balance Time
Hystval
Update Event: Unacknowledged
Update Event: Update State
Update Event: Time Stamp
Update Event: Static Rev
Update Event: Relative Index
Block Alarm: Unacknowledged
Block Alarm: Alarm State
Block Alarm: Time Stamp
Block Alarm: Subcode
Block Alarm: Value

Analog Input (AI) Function Block Overview	4-129
Modes	4-129
Alarm Detection	4-129
Status Handling	4-130
Filtering	4-131
Signal Conversion	4-131
Direct	4-131
Indirect	4-131
Indirect Square Root	4-132
Advanced Features	4-133
Simulation	4-133
Block Errors	4-133
Troubleshooting	4-134
Parameter List	4-135
View Lists	4-139
Field Communicator Menu Structure	4-140

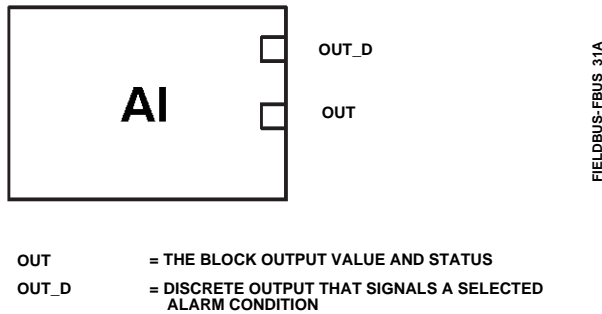


Figure 4-24. Analog Input (AI) Function Block

Analog Input (AI) Function Block Overview

The Analog Input (AI) function block processes field device measurements and makes them available to other function blocks. The output value from the AI block is in engineering units and contains a status indicating the quality of the measurement. The measuring device may have several measurements or derived values available in different channels. Use the channel number to define the variable that the AI block processes.

The AI block supports alarming, signal scaling, signal filtering, signal status calculation, mode control, and simulation. In Automatic mode, the block's output parameter (OUT [8]) reflects the process variable (PV [7]) value and status. In Manual mode, OUT [8] may be set manually. The Manual mode is reflected on the output status. A discrete output (OUT_D [37]) is provided to indicate whether a selected alarm condition is active. Alarm detection is based on the OUT [8] value and user specified alarm limits. Figure 4-26 illustrates the internal components of the AI function block, and table 4-56 lists the AI block parameters and their units of measure, descriptions, and index numbers.

Analog Input Block Modes

The AI function block supports three modes of operation as defined by the MODE_BLK [5] parameter:

- **Manual (Man)** The block output (OUT [8]) may be set manually.
- **Automatic (Auto)** OUT reflects the analog input measurement or the simulated value when simulation is enabled.
- **Out of Service (OOS)** The block is not processed. FIELD_VAL [19] and PV [7] are not updated and the OUT [8] status is set to Bad: Out of Service. The BLOCK_ERR [6] parameter shows Out of Service. In this mode, you can make changes to all configured parameters. The target mode of a block may be restricted to one or more of the supported modes.

Alarm Detection

A block alarm will be generated whenever the BLOCK_ERR [6] has an error bit set. The types of block errors for the AI block are defined in table 4-54.

Process Alarm detection is based on the OUT [8] value. You can configure the alarm limits of the following standard alarms:

- High (HI_LIM [28])
- High high (HI_HI_LIM [26])
- Low (LO_LIM [30])
- Low low (LO_LO_LIM [32])

In order to avoid alarm chattering when the variable is oscillating around the alarm limit, an alarm hysteresis in percent of the PV [7] span can be set using the ALARM_HYS [24] parameter. The priority of each alarm is set in the following parameters:

- HI_PRI [27]
- HI_HI_PRI [25]
- LO_PRI [29]
- LO_LO_PRI [31]

Alarms are grouped into five levels of priority, as shown in table 4-52.

DVC6000f Digital Valve Controllers

Table 4-52. AI Function Block Alarm Priorities

Priority Number	Priority Description ⁽¹⁾
0	The priority of an alarm condition changes to 0 after the condition that caused the alarm is corrected.
1	An alarm condition with a priority of 1 is recognized by the system, but is not reported to the operator.
2	An alarm condition with a priority of 2 is reported to the operator, but generally does not require operator attention (such as diagnostics and system alerts).
3-7	Alarm conditions of priority 3 to 7 are advisory alarms of increasing priority.
8-15	Alarm conditions of priority 8 to 15 are critical alarms of increasing priority.

1. The priority classes "advise" and "critical" have no relationship to Plant Web Alerts.

4

Table 4-53. Channel Selections for the Analog Input Function Block

Channel	Parameter ⁽¹⁾	Block	Index Number	XD_SCALE Units
2	TRAVEL_TARGET	TB	49	% (1342)
3	FINAL_POSITION_VALUE	TB	17	% (1342)
4	TRAVEL	TB	34	% (1342)
5	SUPPLY_PRESS	TB	35	psig (1143), bar (1137), kPa (1133), inHg (1155), inH2O (1146), kg/cm2 (1145)
6	PRESSURE_A	TB	36	psig (1143), bar (1137), kPa (1133), inHg (1155), inH2O (1146), kg/cm2 (1145)
7	PRESSURE_B	TB	37	psig (1143), bar (1137), kPa (1133), inHg (1155), inH2O (1146), kg/cm2 (1145)
8	PRESSURE_DIFF	TB	38	psig (1143), bar (1137), kPa (1133), inHg (1155), inH2O (1146), kg/cm2 (1145)
9	DRIVE_SIGNAL	TB	53	% (1342)
10	TRAVEL_DEVIATION	TB	52	% (1342)
11	TEMPERATURE	TB	48	°C (1001), °F (1002)
12	CYCLE_COUNT	TB	73	no units (1588)
13	TRAVEL_ACCUMULATION	TB	72	% (1342)

1. Refer to table 4-13 for transducer block parameter descriptions and table 4-24 for AO parameter descriptions.

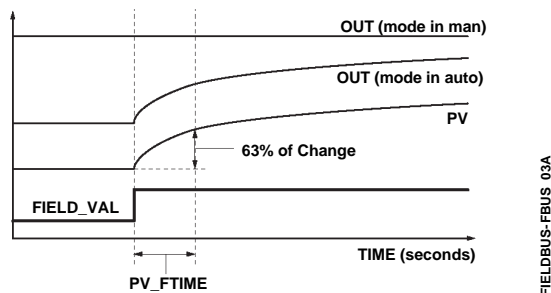


Figure 4-25. Analog Input Function Block Timing Diagram

Status Handling

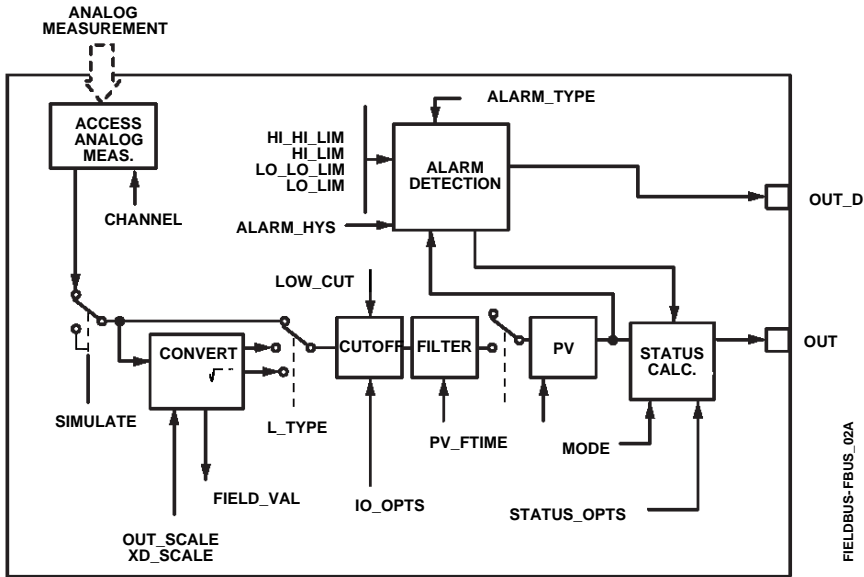
The AI block only gets Good Non-Specified Unlimited or Bad Device Failure for status from the transducer. This is reflected in FIELD_VAL.STATUS [19.1]. PV.STATUS [7.1] is the same as FIELD_VAL.STATUS [19.1]. OUT.STATUS [8.1] can also reflect Bad, Out of Service in addition to PV.STATUS [7.1] values.

In the STATUS_OPTS [14] parameter, you can select from the following options to control the status handling:



Note

1. The instrument must be in Out of Service mode to set the status option.
2. The AI block only supports the Uncertain if in Manual and Propagate failure. Unsupported options are not grayed out; they appear on the screen in the same manner as supported options.



NOTES:
 OUT = BLOCK OUTPUT VALUE AND STATUS
 OUT_D = DISCRETE OUTPUT THAT SIGNALS A SELECTED ALARM CONDITION.

Figure 4-26. Analog Input Function Block Schematic

Channels

You can choose from direct, indirect, or indirect square root signal conversion with the L_TYPE [16] parameter.

Filtering

The filtering feature changes the response time of the device to smooth variations in output readings caused by rapid changes in input. You can adjust the filter time constant (in seconds) using the PV_FTIME [18] parameter. Set the filter time constant to zero to disable the filter feature.

Direct

Direct signal conversion allows the signal to pass through the accessed channel input value (or the simulated value when simulation is enabled).

PV = Channel Value

Indirect

Indirect signal conversion converts the signal linearly to the accessed channel input value (or the simulated value when simulation is enabled) from its specified range (XD_SCALE [10]) to the range and units of the PV [7] and OUT [8] parameters (OUT_SCALE [11]).

Signal Conversion

You can set the signal conversion type with the Linearization Type (L_TYPE [16]) parameter. You can view the converted signal (in percent of XD_SCALE [10]) through the FIELD_VAL [19] parameter.

$$FIELD_VAL = \frac{100 \times (\text{Channel Value}) - EU^{**}@0\%}{(EU^{**}@100\% - EU^{**}@0\%)}$$

$$\left(\frac{FIELD_VAL}{100} \right) \times (EU^{**}@100\% - EU^{**}@0\%) + EU^{**}@0\%$$

*XD_SCALE values

**OUT_SCALE values

DVC6000f Digital Valve Controllers

Indirect Square Root

Indirect Square Root signal conversion takes the square root of the value computed with the indirect signal conversion and scales it to the range and units of the PV [7] and OUT [8] parameters.

$$\sqrt{\left(\frac{\text{FIELD_VAL}}{100}\right)} \times (\text{EU}^{**}@100\% - \text{EU}^{**}@0\%) + \text{EU}^{**}@0\%$$

**OUT_SCALE values

4

When the converted input value is below the limit specified by the LOW_CUT [17] parameter, a value of

zero is used for the converted value (PV [7]). This option is useful to eliminate false readings when the differential pressure measurement is close to zero.



Note

Invert is the only I/O option supported by the AI block. You can set the I/O option in Out of Service mode only.

Advanced Features

The AI function block provided with the DVC6000f provides added capability through the addition of the following parameters:

ALARM_SEL—Allows one or more of the process alarm conditions detected by the AI function block to be used in setting its OUT_D [37] parameter.

OUT_D—Discrete output of the AI function block based on the detection of process alarm condition(s). This parameter may be linked to other function blocks that require a discrete input based on the detected alarm condition.

STDDEV and CAP_STDDEV— are diagnostic parameters that can be used to determine the variability of the process.

Simulation

To support testing, you can either change the mode of the block to manual and adjust the output value, or you can enable simulation through the configuration tool and manually enter a value for the measurement value and its status. To enable simulation, you must first install the Simulate Enable jumper across the instrument AUX terminals (see page 2-30). Next you must use the configuration tool to enable the parameter SIMULATE [9].

With simulation enabled, the actual measurement value has no impact on the OUT [8] value or the status.

Block Errors

Table 4-54 lists conditions reported in the BLOCK_ERR [6] parameter. Conditions in *italics* are inactive for the AI block and are given here only for your reference.

Table 4-54. BLOCK_ERR Conditions

Condition Number	Condition Name and Description
0	<i>Other</i>
1	Block Configuration Error - the selected channel carries a measurement that is incompatible with the engineering units selected in XD_SCALE, the L_TYPE parameter is not configured, or CHANNEL = zero.
2	<i>Link Configuration Error</i>
3	Simulate Active - Simulation is enabled and the block is using a simulated value in its execution.
4	<i>Local Override</i>
5	<i>Device Fault State</i>
6	<i>Device Needs Maintenance Soon</i>
7	Input failure/process variable had Bad status - The hardware is bad, or a bad status is being simulated
8	<i>Output failure</i>
9	<i>Memory failure</i>
10	<i>Lost Static Data</i>
11	<i>Lost NV Data</i>
12	<i>Readback Check Failed</i>
13	<i>Device Needs Maintenance Now</i>
14	Power Up - This condition exists until the AI function block executes for the first time.
15	Out of Service - The actual mode is Out of Service.

DVC6000f Digital Valve Controllers

Troubleshooting

Refer to table 4-55 to troubleshoot any problem that you encounter.

Table 4-55. Troubleshooting

Symptom	Possible Causes	Corrective Action
Mode will not leave OOS	Target mode is not set	Set target mode to something other than OOS
	Configuration error	BLOCK_ERR [6] will show the configuration error bit set. The following are parameters that must be set before the block is allowed out of OOS: <ul style="list-style-type: none"> CHANNEL [15] must be set to a valid value and cannot be left at initial value of 0. XD_SCALE [10]. UNITS_INDEX must match the units in the transducer block channel value. L_TYPE [16] must be set to Direct, Indirect, or Indirect Square Root and cannot be left at an initial value of 0.
	Resource block	The actual mode of the Resource block is OOS. See Resource Block Diagnostics for corrective action.
	Schedule	Block is not scheduled and therefore cannot execute to go to Target Mode. Schedule the block to execute.
Process and/or block alarms will not work	Features	FEATURES_SEL [18] in the resource block does not have Alerts enabled. Enable the Reports Supported bit.
	Notification	LIM_NOTIFY [32] in the resource block is not high enough. Set equal to MAX_NOTIFY [31], also in the resource block.
	Status Options	STATUS_OPTS [14] has Propagate Fault Forward bit set. This should be cleared to cause an alarm to occur.
Value of output does not make sense	Linearization Type	L_TYPE [16] must be set to Direct, Indirect, or Indirect Square Root and cannot be left at an initial value of 0.
	Scaling	Scaling parameters are set incorrectly: <ul style="list-style-type: none"> XD_SCALE.EU0 and EU100 should match that of the transducer block channel value. OUT_SCALE.EU0 and EU100 are not set properly.
Cannot set HI_LIMIT [28], HI_HI_LIMIT [26], LO_LIMIT [30], or LO_LO_LIMIT [32] VALUES	Scaling	Limit values are outside the OUT_SCALE.EU0 and OUT_SCALE.EU100 values. Change OUT_SCALE [11] or set values within range.

AI Block Parameter List

- Read/Write Capability: RO – Read Only, RW – Read Write
- Mode: The block mode(s) required to write to the parameter
- Double indentation and shaded Index Number indicates sub-parameter

Table 4-56. Analog Input Block Parameter Definitions

Label PARAMETER_NAME	Index Number	RO / RW	Write Block Mode	Range	Initial Value	Description
Static Revision ST_REV	1	RO	N/A	0 to 65535	0	Data Type: Unsigned16 The revision level of the static data associated with the function block. The revision value will be incremented each time a static parameter value in the block is changed
Tag Description TAG_DESC	2		ALL	7 bit ASCII	spaces	Data Type: Octet String The user description of the intended application of the block.
Strategy STRATEGY	3		ALL	0 to 65535	0	Data Type: Unsigned16 The strategy field can be used to identify grouping of blocks. This data is not checked or processed by the block.
Alert Key ALERT_KEY	4		ALL	1 to 255	0	Data Type: Unsigned8 The identification number of the plant unit. This information may be used in the host for sorting alarms, etc.
Block Mode MODE_BLK	5					Data Type: DS-69 Valid Bits: 7: OOS, 4: MAN, 3: AUTO The actual, target, permitted, and normal modes of the block. Target: The requested block mode Actual: The current mode of the block Permitted: Allowed modes for Target Normal: Most common mode for Target
TARGET	5.1	RW	ALL	OOS MAN AUTO	OOS until block is configured, then last valid target	
ACTUAL	5.2	RO	ALL		OOS	
PERMITTED	5.3	RW	ALL	OOS+MAN+AUTO	OOS, MAN, AUTO	
NORMAL	5.4	RW	ALL		AUTO	
Block Error BLOCK_ERR	6	RO		1: Block Configuration Error 3: Simulate Active 7: Input Failure/ Bad PV Status 14: Power-up 15: Out-of-Service		Data Type: Bit String 0=Inactive 1=Active Error status associated with the hardware or software for the AI block.
Process Value PV	7	RO		PV Status set equal to FIELDV_VAL Status		Data Type: DS-65 Reflects the scaled value from the configured channel. Units set by OUT_SCALE and L_TYPE.
Primary Output OUT	8		OOS, MAN	OUT_STATE		Data Type: DS-68 The block output value and status.
Simulate SIMULATE	9					Data Type: DS-82 A group of data that contains the current transducer value and status, the simulated transducer value and status, and the enable/disable bit.
SIMULATE_STATUS	9.1		ALL		0	
SIMULATE_VALUE	9.2		ALL		0	
TRANSDUCER_STATUS	9.3	RO			0	
TRANSDUCER_VALUE	9.4	RO			0	
ENABLE/DISABLE	9.5		ALL	0=Not Initialized 1=Simulation Disabled 2=Simulation Active	1=simulate disabled	
Transducer Scale XD_SCALE	10		OOS	EU at 100% EU at 10% Units Index Decimal Point	100 0 % 2	Data Type: DS-68 Transducer scaling (XD_SCALE) is applied to the value from the channel to produce the FIELD_VAL in percent. The XD_SCALE units code must match the channel units code (if one exists), or the block will remain in OOS mode after being configured.

-Continued-

DVC6000f Digital Valve Controllers

Table 4-56. Analog Input Block Parameter Definitions

Label PARAMETER_NAME	Index Number	RO / RW	Write Block Mode	Range	Initial Value	Description
Output Scale OUT_SCALE	11		OOS	EU at 100% EU at 10% Units Index Decimal Point	100 0 % 2	Data Type: DS-68 The high and low scale values, engineering units code, and number of decimal places to be used in displaying the OUT parameter and parameters which have the same scaling as OUT.
Grant Deny GRANT_DENY	12					Data Type: DS-70 Options for controlling access of host computer and local control panels to operating, tuning, and alarm parameters of the block. GRANT: 0=N/A, 1=granted DENY: 0=N/A, 1=denied
GRANT	12.1		ALL	Valid Bits 0: Program 1: Tune	All bits: 0	
DENY	12.2		ALL	2: Alarm 3: Local	All bits: 0	
I/O Options IO_OPTS	13		OOS	10: Low cutoff	All bits: 0	Data Type: Bit String 0=Disable 1=Enable User options for Output Control.
Status Options STATUS_OPTS	14		OOS	3: Propagate Failure forward 6: Uncertain if Limited 7: Bad if Limited 8: Uncertain in Man Mode	All bits: 0	Data Type: Bit String 0=Disable 1=Enable User options for Status
AI Channel CHANNEL	15		OOS	See table 4-53	0: Undefined	Data Type: Unsigned16 Used to select the type of threshold that is used to set the output.
Linearization Type L_TYPE	16		OOS, MAN	0: Undefined 1: Direct 2: Indirect 3: Ind. Sqr. Root	0: Undefined	Data Type: Enum Linearization type. Determines whether the field value is used directly (Direct), is converted linearly (Indirect), or is converted with the square root (Indirect Square Root). The OUT_SCALE is normally the same as the transducer, but if L_TYPE is set to Indirect or Ind Sqr Root, OUT_SCALE determines the conversion from FIELD_VAL to the output.
Low Cutoff LOW_CUT	17		ALL	Positive	0	Data Type: Float If calculated output is below this value the output is 0.
Process Value Filter Time PV_FTIME	18		ALL	Positive	0	Data Type: Float Time constant of first order filter on PV, in seconds.
Field Value FIELD_VAL	19	RO			0	Data Type: DS-65 Value of the field device analog input, with a status reflecting the Transducer condition.
Updated Event UPDATE_EVT	20					
UNACKNOWLEDGED	20.1	RW	N/A	0=Undefined 1=Acknowledged 2=Unacknowledged	0=Undefined	
UPDATE_STATE	20.2	RO	N/A	0=Undefined 1=Update reported 2=Update not reported	0=Undefined	Data Type: DS-73 This alarm is generated whenever a static parameter is changed.
TIME_STAMP	20.3	RO	N/A		0	
STATIC_REVISION	20.4	RO	N/A		0	
RELATIVE_INDEX	20.5	RO	N/A		0	

-Continued-

Table 4-56. Analog Input Block Parameter Definitions

Label PARAMETER_NAME	Index Number	RO / RW	Write Block Mode	Range	Initial Value	Description
Block Alarm BLOCK_ALM	21					Data Type: DS-72 The block alarm is used for all configuration, hardware, connection failure or system problems in the block. The cause of the alert is entered in the subcode field.
UNACKNOWLEDGED	21.1	RW		0=Undefined 1=Acknowledged 2=Unacknowledged		
ALARM_STATE	21.2	RO		0=Undefined 1=Clear-reported 2=Clear-not reported 3=Active-reported 4=Active-not reported		
TIME_STAMP	21.3	RO				
SUBCODE	21.4	RO				
VALUE	21.5	RO				
Alarm Summary ALARM_SUM	22					Data Type: DS-74 Current alert status, unacknowledged states, unreported states, and disabled states of the alarms associated with the function block. 0=clear 0=acknowledged 0=reported 0=enabled
CURRENT	22.1	RO	ALL	0: Discrete alarm 1: Hi Hi alarm		
UNACKNOWLEDGED	22.2	RO	ALL	2: Hi Alarm		
UNREPORTED	22.3	RO	ALL	3: Lo Lo Alarm 4: Lo Alarm		
DISABLED	22.4	RW	ALL	7: Block alarm	All bits: 0	
Acknowledge Option ACK_OPTION	23		ALL	0: Discrete alarm 1: Hi Hi alarm 2: Hi Alarm 3: Lo Lo Alarm 4: Lo Alarm 7: Block alarm	All bits: 0	Data Type: Bit String 0=Disable 1=Enable Selection of whether alarms associated with the block will be automatically acknowledged.
Alarm Hysteresis ALARM_HYS	24		ALL	0 – 50%	0.50%	Data Type: Float Hysteresis on alarms.
High High Priority HI_HI_PRI	25		ALL	0 to 15	0	Data Type: Unsigned8 The priority of the hi hi alarm.
High High Limit HI_HI_LIM	26		ALL	OUT_SCALE	0	Data Type: Float Value of analog input which will generate an alarm.
High Priority HI_PRI	27		ALL	0 to 15	0	Data Type: Unsigned8 The priority of the high alarm.
Hi Limit HI_LIM	28		ALL	OUT_SCALE	0	Data Type: Float Value of analog input which will generate an alarm.
Low Priority LO_PRI	29		ALL	0 to 15	0	Data Type: Unsigned8 The priority of the low alarm.
Low Limit LO_LIM	30		ALL	OUT_SCALE	0	Data Type: Float Value of analog input which will generate an alarm.
Low Low Priority LO_LO_PRI	31		ALL	0 to 15	0	Data Type: Unsigned8 The priority of the low low alarm.
Low Low Limit LO_LO_LIM	32		ALL	OUT_SCALE	0	Data Type: Float Value of analog input which will generate an alarm.
High High Alarm HI_HI_ALM	33					Data Type: DS-71 The status of the hi hi alarm and its associated time stamp.
UNACKNOWLEDGED	33.1	RW	N/A		0	
ALARM_STATE	33.2	RO		0		
TIME_STAMP	33.3	RO		0		
SUBCODE	33.4	RO		0		
VALUE	33.5	RO		0		
High Alarm HI_ALM	34					
UNACKNOWLEDGED	34.1	RW	N/A		0	
ALARM_STATE	34.2	RO		0		
TIME_STAMP	34.3	RO		0		
SUBCODE	34.4	RO		0		
VALUE	34.5	RO		0		

–Continued–

DVC6000f Digital Valve Controllers

Table 4-56. Analog Input Block Parameter Definitions

Label PARAMETER_NAME	Index Number	RO / RW	Write Block Mode	Range	Initial Value	Description
Low Alarm LO_ALM	35					Data Type: DS-71 The status of the lo alarm and its associated time stamp.
UNACKNOWLEDGED	35.1	RW	N/A		0	
ALARM_STATE	35.2	RO			0	
TIME_STAMP	35.3	RO			0	
SUBCODE	35.4	RO			0	
VALUE	35.5	RO			0	
Low Low Alarm LO_LO_ALM	36					Data Type: DS-71 The status of the lo lo alarm and its associated time stamp.
UNACKNOWLEDGED	36.1	RW	N/A		0	
ALARM_STATE	36.2	RO			0	
TIME_STAMP	36.3	RO			0	
SUBCODE	36.4	RO			0	
VALUE	36.5	RO			0	
Extended Parameter						
Output Discrete OUT_D	37		OOS, MAN	OUT_STATE		Data Type: DS-66 Discrete Output this is true (1) if any of the alarms selected in ALM_SEL are active.
Alarm Select ALM_SEL	38		ALL	1: Hi Hi alarm 2: Hi Alarm 3: Lo Lo Alarm 4: Lo Alarm	All bits: 0	Data Type: Bitstring 0=unselected 1=selected Selected alarms that activate the alarm output.
StdDev STDDEV	39	RO	N/A	Positive float		Data Type: Float Standard deviation of the measurement.
Cap StdDev CAP_STDDEV	40	RO	N/A	Positive float		Data Type: Float Capability standard deviation, the best deviation that can be achieved.

4

View Lists

View lists allow the values of a set of parameters to be accessed at the same time. Views 1 and 2 contain operating parameters and are defined by the Fieldbus Foundation. View 3 contains dynamic parameters and View 4 contains static parameters with configuration and maintenance information. Views 3 and 4 are defined by the manufacturer.

Table 4-57. AI Function Block, View 1

Index Number	Parameter
1	ST_REV
5.1	MODE_BLK.TARGET_MODE
5.2	MODE_BLK.ACTUAL_MODE
5.3	MODE_BLK.PERMITTED_MODE
5.4	MODE_BLK.NORMAL_MODE
6	BLOCK_ERR
7	PV
8	OUT
19	FIELD_VAL
22.1	ALARM_SUM.CURRENT
22.2	ALARM_SUM.UNACKNOWLEDGED
22.3	ALARM_SUM.UNREPORTED
22.4	ALARM_SUM.DISABLED

Table 4-58. AI Function Block, View 2

Index Number	Parameter
1	ST_REV
10	XD_SCALE
11	OUT_SCALE
12.1	GRANT_DENY.GRANT
12.2	GRANT_DENY.DENY

Table 4-59. AI Function Block, View 3

Index Number	Parameter
1	ST_REV
5.1	MODE_BLK.TARGET_MODE
5.2	MODE_BLK.ACTUAL_MODE
5.3	MODE_BLK.PERMITTED_MODE
5.4	MODE_BLK.NORMAL_MODE
6	BLOCK_ERR
7	PV
8	OUT
19	FIELD_VAL
22.1	ALARM_SUM.CURRENT
22.2	ALARM_SUM.UNACKNOWLEDGED
22.3	ALARM_SUM.UNREPORTED
22.4	ALARM_SUM.DISABLED
37	OUT_D
38	ALM_SEL
39	STDDEV
40	CAP_STDDEV

4

Table 4-60. AI Function Block, View 4

Index Number	Parameter
1	ST_REV
3	STRATEGY
4	ALERT_KEY
13	IO_OPTS
14	STATUS_OPTS
15	CHANNEL
16	L_TYPE
17	LOW_CUT
18	PV_FTIME
23	ACK_OPTION
24	ALARM_HYS
25	HI_HI_PRI
26	HI_HI_LIM
27	HI_PRI
28	HI_LIM
29	LO_PRI
30	LO_LIM
31	LO_LO_PRI
32	LO_LO_LIM

DVC6000f Digital Valve Controllers

Field Communicator Menu Structure

ANALOG INPUT FUNCTION BLOCK

Quick Config

AI Channel
Linearization Type
Transducer Scale: EU at 100%
Transducer Scale: EU at 0%
Transducer Scale: Units Index
Transducer Scale: Decimal
Output Scale: EU at 100%
Output Scale: EU at 0%
Output Scale: Units Index
Output Scale: Decimal

Common Config

Acknowledge Option
Alarm Hysteresis
Alert Key
High High Limit
High High Priority
High Limit
High Priority
I/O Options
Linearization Type
Low Low Limit
Low Low Priority
Low Limit
Low Priority
Block Mode: Target
Block Mode: Actual
Block Mode: Permitted
Block Mode: Normal
Output Scale: EU at 100%
Output Scale: EU at 0%
Output Scale: Units Index
Output Scale: Decimal
Process Value Filter Time

Advanced Config

Low Cutoff
Simulate: Simulate Status
Simulate: Simulate Value
Simulate: Transducer Status
Simulate: Transducer Value
Simulate: Simulate En/Disable
Static Revision
Status Options
Strategy
Transducer Scale: EU at 100%
Transducer Scale: EU at 0%
Transducer Scale: Units Index
Transducer Scale: Decimal

I/O Reference

AI Channel

Connectors

Output: Status
Output: Value

Online

Block Error
Field Value: Status
Field Value: Value
Cascade Input: Status
Cascade Input: Value
Block Mode: Target
Block Mode: Actual
Block Mode: Permitted
Block Mode: Normal
Output: Status
Output: Value
Process Value: Status
Process Value: Value

Status

Block Error

Other

Tag Description
Grant Deny: Grant
Grant Deny: Deny
Update Event: Unacknowledged
Update Event: Update State
Update Event: Time Stamp
Update Event: Static Rev
Update Event: Relative Index
Block Alarm: Unacknowledged
Block Alarm: Alarm State
Block Alarm: Time Stamp
Block Alarm: Subcode
Block Alarm: Value
Alarm Summary: Current
Alarm Summary: Unacknowledged
Alarm Summary: Unreported
Alarm Summary: Disabled
High Alarm: Unacknowledged
High Alarm: Alarm State
High Alarm: Time Stamp
High Alarm: Subcode
High Alarm: Float Value
High High Alarm: Unacknowledged
High High Alarm: Alarm State
High High Alarm: Time Stamp
High High Alarm: Subcode
High High Alarm: Float Value
Low Alarm: Unacknowledged
Low Alarm: Alarm State
Low Alarm: Time Stamp
Low Alarm: Subcode
Low Alarm: Float Value
Low Low Alarm: Unacknowledged
Low Low Alarm: Alarm State
Low Low Alarm: Time Stamp
Low Low Alarm: Subcode
Low Low Alarm: Float Value
Alarm output: Status
Alarm output: Value
Alarm Select
StdDev
Cap StdDev

All

Characteristics
Static Revision
Tag Description
Strategy
Alert Key
Block Mode: Target
Block Mode: Actual
Block Mode: Permitted
Block Mode: Normal
Block Error
Process Value: Status
Process Value: Value
Output: Status
Output: Value
Simulate: Simulate Status
Simulate: Simulate Value
Simulate: Transducer Status
Simulate: Transducer Value
Simulate: Simulate En/Disable
Transducer Scale: EU at 100%
Transducer Scale: EU at 0%
Transducer Scale: Units Index
Transducer Scale: Decimal
Output Scale: EU at 100%
Output Scale: EU at 0%
Output Scale: Units Index
Output Scale: Decimal
Grant Deny: Grant
Grant Deny: Deny
I/O Options
Status Options
AI Channel
Linearization Type
Low Cutoff
Process Value Filter Time
Field Value: Status
Field Value: Value
Update Event: Unacknowledged
Update Event: Update State
Update Event: Time Stamp
Update Event: Static Rev
Update Event: Relative Index
Block Alarm: Unacknowledged
Block Alarm: Alarm State
Block Alarm: Time Stamp
Block Alarm: Subcode
Block Alarm: Value
Alarm Summary: Current
Alarm Summary: Unacknowledged
Alarm Summary: Unreported
Alarm Summary: Disabled
Acknowledge Option

All (continued)

Alarm Hysteresis
High High Priority
High High Limit
High Priority
High Limit
Low Priority
Low Limit
Low Low Priority
Low Low Limit
High High Alarm: Unacknowledged
High High Alarm: Alarm State
High High Alarm: Time Stamp
High High Alarm: Subcode
High High Alarm: Float Value
High Alarm: Unacknowledged
High Alarm: Alarm State
High Alarm: Time Stamp
High Alarm: Subcode
High Alarm: Float Value
Low Alarm: Unacknowledged
Low Alarm: Alarm State
Low Alarm: Time Stamp
Low Alarm: Subcode
Low Alarm: Float Value
Low Low Alarm: Unacknowledged
Low Low Alarm: Alarm State
Low Low Alarm: Time Stamp
Low Low Alarm: Subcode
Low Low Alarm: Float Value
Alarm output: Status
Alarm output: Value
Alarm select
StdDev
Cap StdDev

Multiple Analog Input (MAI) Function Block Overview	4-142
Modes	4-142
Status Handling	4-142
Application Information	4-142
Troubleshooting	4-143
Block Errors	4-143
Parameter List	4-144
View Lists	4-146
Field Communicator Menu Structure	4-147

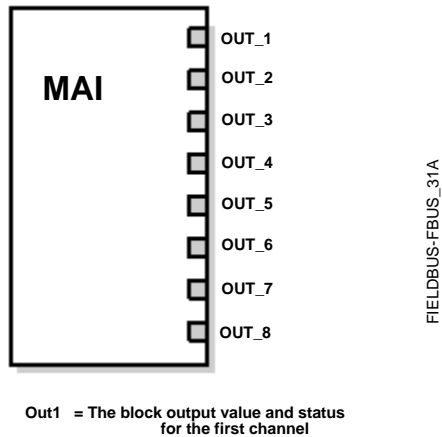


Figure 4-27. Multiple Analog Input (MAI) Function Block

Multiple Analog Input (MAI) Function Block Overview

The Multiple Analog Input (MAI) function block has the ability to process up to eight field device measurements and make them available to other function blocks. The output values from the MAI block are in engineering units and contain a status indicating the quality of the measurement. The measuring device may have several measurements or derived values available in different channels. Use the channel numbers to define the variables that the MAI block processes.

The MAI block supports mode control. In Automatic mode, the block's output parameters (OUT_1 to OUT_8 [8 through 15]) reflects the process variable (PV) values and status. In Manual mode, OUT may be set manually. The Manual mode is reflected in the output status. Table 4-63 lists the MAI block parameters, and their units of measure, description and index numbers.

Modes

The MAI Function Block supports three modes of operation as defined by the MODE_BLK [5] parameter:

- **Manual (Man)**—The block output (OUT_1 to OUT_8 [8 through 15]) may be set manually.

- **Automatic (Auto)**—OUT_1 to OUT_8 [8 through 15] reflects the analog input measurement or the simulated value when the simulation is enabled.

- **Out of Service (OOS)**—The block is not processed. PV is not updated and the OUT status is set to Bad: Out of Service. The BLOCK_ERR [6] parameter shows Out of Service. In this mode, you can make changes to all configurable parameters. The target mode of a block may be restricted to one or more of the supported modes.

Status Handling

In Man mode, the OUT status constant limit is set to indicate that the value is a constant and the OUT status is *Good*.

OUT_X status will be Bad if the transducer detects a problem with sensor associated with the channel.

Application Information

The intended use is for applications where it is necessary to convey DVC6000f measurements from a function.

The configuration of the MAI function block and its associated output channels depends on the specific application.

- **CHANNEL [7]:** Channel must always be set to 21.

The output parameters (OUT_1 to OUT_8 [8 through 15]) are set through the transducer block Instrument menu. Each output has a channel assigned to it in MAI Channel Map (TB.MAI_CHANNEL_MAP [95]) in the transducer block. For additional information, refer to table 4-63.

Block Errors

Table 4-61 lists conditions reported in the BLOCK_ERR [6] parameter. Conditions in *italics* are inactive for the MAI block and are given here only for your reference.

Table 4-61. BLOCK_ERR Conditions

Condition Number	Condition Name and Description
0	<i>Other</i>
1	Block Configuration Error: the selected channel carries a measurement that is incompatible with the engineering units selected in XD_SCALE, the L_TYPE parameter is not configured, or WRITE_CHECK = 0.
2	<i>Link Configuration Error</i>
3	<i>Simulate Active</i>
4	<i>Local Override</i>
5	<i>Device Fault State</i>
6	<i>Device Needs Maintenance Soon</i>
7	Input failure/process variable had Bad status - The hardware is bad, or a bad status is being simulated
8	<i>Output failure</i>
9	<i>Memory failure</i>
10	<i>Lost Static Data</i>
11	<i>Lost NV Data</i>
12	<i>Readback Check Failed</i>
13	<i>Device Needs Maintenance Now</i>
14	Power Up – This condition exists after power up until the MAI function executes for the first time.
15	Out of Service - The actual mode is Out of Service.

Troubleshooting

Refer to table 4-62 to troubleshoot any problem that you encounter.

Table 4-62. Troubleshooting

Symptom	Possible Causes	Corrective Action
Mode will not leave OOS	Target mode is not set	Set target mode to something other than OOS
	Resource block	The actual mode of the Resource block is OOS. See Resource Block Diagnostics for corrective action.
	Schedule	Block is not scheduled and therefore cannot execute to go to Target Mode. Typically, BLOCK_ERR [6] will show "Power-Up" for all blocks that are not scheduled. Schedule the block to execute.
Block alarms will not work	Features	FEATURES_SEL [18] in the resource block does not have Alerts enabled. Enable the Alerts bit.
	Notification	LIM_NOTIFY [32] in the resource block is not high enough. Set equal to MAX_NOTIFY [31], also in the resource block.

DVC6000f Digital Valve Controllers

MAI Function Block Parameter List

- Read/Write Capability: RO – Read Only, RW – Read Write
- Mode: The block mode(s) required to write to the parameter
- Double indentation and shaded Index Number indicates sub-parameter

Table 4-63. MAI Function Block Parameter Definitions

Label Parameter Name	Index Number	RO / RW	Mode	Range	Initial Value	Description
Static Revision ST_REV	1	RO	N/A	0 to 65535	0	Data Type: Unsigned16 The revision level of the static data associated with the input selector block. The revision value will be incremented each time a static parameter value in the block is changed.
Tag Description TAG_DESC	2			7 bit ASCII	spaces	Data Type: Octet String The user description of the intended application of the block.
Strategy STRATEGY	3			0 to 65535	0	Data Type: Unsigned16 The strategy field can be used to identify grouping of blocks. This data is not checked or processed by the block.
Alert Key ALERT_KEY	4			1 to 255	0	Data Type: Unsigned8 The identification number of the plant unit. This information may be used in the host for sorting alarms, etc.
Block Mode MODE_BLK	5					Data Type: DS-69 The actual, target, permitted, and normal modes of the block.
TARGET	5.1	RW	ALL	OOS, MAN, AUTO	OOS	Target: The requested block mode
ACTUAL	5.2	RO	ALL		OOS	Actual: The current mode of the block
PERMITTED	5.3	RW	ALL	OOS+MAN+AUTO	OOS, MAN, AUTO	Permitted: Allowed modes for Target
NORMAL	5.4	RW	ALL	AUTO	AUTO	Normal: Most common mode for Target
Block Error BLOCK_ERR	6	RO		1: Block Configuration Error 7: Input Failure/ Bad PV Status 14: Power-up 15: Out-of-Service		Data Type: Bit String 0 = Inactive 1 = Active This parameter reflects the error status associated with the hardware or software components associated with a block. It is a bit string, so that multiple errors may be shown.
MAI Channel CHANNEL	7			21 only	0 = undefined	This variable must be set to 21. Channel assignments to the 8 outputs is done through MAI_CHANNEL_MAP parameter in transducer block. 1=FINAL_VALUE 2=TRAVEL_TARGET 3=FINAL_POSITION_VALUE 4=TRAVEL 5=SUPPLY_PRESS 6=ACT_PRESS_A 7=ACT_PRESS_B 8=ACT_PRESS_DIFF 9=DRIVE_SIGNAL 10=TRAVEL_DEVIATION 11=TEMPERATURE 12=CYCLE_COUNT 13=TRAVEL_ACCUM
Output 1 OUT_1	8		OOS MAN	Channel assigned by TB.MAI_CHANNEL_MAP	TB.FINAL_VALUE	Data Type: DS-65 The block output value and status.
Output 2 OUT_2	9		OOS MAN	Channel assigned by TB.MAI_CHANNEL_MAP	TB.TRAVEL_TARGET	Data Type: DS-65 The block output value and status.
Output 3 OUT_3	10		OOS MAN	Channel assigned by TB.MAI_CHANNEL_MAP	TB.FINAL_POSITION_ VALUE	Data Type: DS-65 The block output value and status.

-Continued-

MAI Function Block

Table 4-63. MAI Function Block Parameter Definitions

Label Parameter Name	Index Number	RO / RW	Mode	Range	Initial Value	Description
Output 4 OUT_4	11		OOS MAN	Channel assigned by TB.MAI_CHANNEL_MAP	TB.TRAVEL	Data Type: DS-65 The block output value and status.
Output 5 OUT_5	12		OOS MAN	Channel assigned by TB.MAI_CHANNEL_MAP	TB.SUPPLY_PRESS	Data Type: DS-65 The block output value and status.
Output 6 OUT_6	13		OOS MAN	Channel assigned by TB.MAI_CHANNEL_MAP	TB.ACT_PRESS_A	Data Type: DS-65 The block output value and status.
Output 7 OUT_7	14		OOS MAN	Channel assigned by TB.MAI_CHANNEL_MAP	TB.ACT_PRESS_B	Data Type: DS-65 The block output value and status.
Output 8 OUT_8	15		OOS MAN	Channel assigned by TB.MAI_CHANNEL_MAP	TB.ACT_PRESS_DIFF	Data Type: DS-65 The block output value and status.
Update Event UPDATE_EVT	16					Data Type: DS-73 This alarm is generated whenever a static parameter is changed.
UNACKNOWLEDGED	16.1	RW	N/A	0=Undefined 1=Acknowledged 2=Unacknowledged	0=Undefined	
UPDATE_STATE	16.2	RO	N/A	0=Undefined 1=Update reported 2=Updated not reported	0=Undefined	
TIME_STAMP	16.3	RO	N/A		0	
STATIC_REVISION	16.4	RO	N/A		0	
RELATIVE_INDEX	16.5	RO	N/A		0	
Block Alarm BLOCK_ALM	17					Data Type: DS-72 The block alarm is used for all configuration , hardware, connection failure or system problems in the block. The cause of the alert is entered in the subcode field.
UNACKNOWLEDGED	17.1	RW		0=Undefined 1=Acknowledged 2=Unacknowledged		
ALARM_STATE	17.2	RO		0=Undefined 1=Clear reported 2=Clear not reported 3=Active reported 4=Active not reported		
TIME_STAMP	17.3	RO				
SUBCODE	17.4	RO				
VALUE	17.5	RO				

DVC6000f Digital Valve Controllers

View Lists

View lists allow the values of a set of parameters to be accessed at the same time. Views 1 and 2 contain operating parameters and are defined by the Fieldbus Foundation. View 3 contains dynamic parameters and View 4 contains static parameters with configuration and maintenance information. Views 3 and 4 are defined by the manufacturer.

Table 4-64. MAI Function Block, View 1

Index Number	Parameter
1	ST_REV
5.1	MODE_BLK.TARGET_MODE
5.2	MODE_BLK.ACTUAL_MODE
5.3	MODE_BLK.PERMITTED_MODE
5.4	MODE_BLK.NORMAL_MODE
6	BLOCK_ERR
8	OUT_1
9	OUT_2
10	OUT_3
11	OUT_4
12	OUT_5
13	OUT_6
14	OUT_7
15	OUT_8

Table 4-65. MAI Function Block, View 2

Index Number	Parameter
1	ST_REV

Table 4-66. MAI Function Block, View 3

Index Number	Parameter
1	ST_REV
5.1	MODE_BLK.TARGET_MODE
5.2	MODE_BLK.ACTUAL_MODE
5.3	MODE_BLK.PERMITTED_MODE
5.4	MODE_BLK.NORMAL_MODE
6	BLOCK_ERR
8	OUT_1
9	OUT_2
10	OUT_3
11	OUT_4
12	OUT_5
13	OUT_6
14	OUT_7
15	OUT_8

Table 4-67. MAI Function Block, View 4

Index Number	Parameter
1	ST_REV
3	STRATEGY
4	ALERT_KEY
7	CHANNEL

Field Communicator Menu Structure

MULTIPLE ANALOG INPUT FUNCTION BLOCK

Quick Config

MAI Channel

Common Config

Alert Key
Block Mode: Target
Block Mode: Actual
Block Mode: Permitted
Block Mode: Normal

Advanced Config

Static Revision
Strategy

I/O Reference

MAI Channel

Connectors

Output 1: Status
Output 1: Value
Output 2: Status
Output 2: Value
Output 3: Status
Output 3: Value
Output 4: Status
Output 4: Value
Output 5: Status
Output 5: Value
Output 6: Status
Output 6: Value
Output 7: Status
Output 7: Value
Output 8: Status
Output 8: Value

Online

Block Error
Block Mode: Target
Block Mode: Actual
Block Mode: Permitted
Block Mode: Normal
Output 1: Status
Output 1: Value
Output 2: Status
Output 2: Value
Output 3: Status
Output 3: Value
Output 4: Status
Output 4: Value
Output 5: Status
Output 5: Value
Output 6: Status
Output 6: Value
Output 7: Status
Output 7: Value
Output 8: Status
Output 8: Value

Status

Block Error

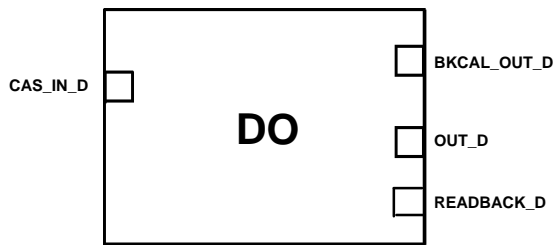
Other

Tag Description
Update Event: Unacknowledged
Update Event: Update State
Update Event: Time Stamp
Update Event: Static Rev
Update Event: Relative Index
Block Alarm: Unacknowledged
Block Alarm: Alarm State
Block Alarm: Time Stamp
Block Alarm: Subcode
Block Alarm: Value

All

Characteristics
Static Revision
Tag Description
Strategy
Alert Key
Block Mode: Target
Block Mode: Actual
Block Mode: Permitted
Block Mode: Normal
Block Error
MAI Channel
Output 1: Status
Output 1: Value
Output 2: Status
Output 2: Value
Output 3: Status
Output 3: Value
Output 4: Status
Output 4: Value
Output 5: Status
Output 5: Value
Output 6: Status
Output 6: Value
Output 7: Status
Output 7: Value
Output 8: Status
Output 8: Value
Update Event: Unacknowledged
Update Event: Update State
Update Event: Time Stamp
Update Event: Static Rev
Update Event: Relative Index
Block Alarm: Unacknowledged
Block Alarm: Alarm State
Block Alarm: Time Stamp
Block Alarm: Subcode
Block Alarm: Value

Discrete Output (DO) Function Block Overview	4-150
Modes	4-150
Mode Handling	4-151
Shed Options	4-151
Shed with Return Options	4-151
Shed with No Return Options	4-151
Block Initialization	4-151
Status Handling	4-151
I/O Selection	4-152
Setting the Output	4-152
Output Block PV Status	4-153
Block Errors	4-153
Action On Fault Detection	4-153
Simulation	4-154
Parameter List	4-155
View Lists	4-158
Field Communicator Menu Structure	4-159



CAS_IN_D = The remote set point value from another function block.
 BKCAL_OUT_D = The value and status required by the BKCAL_IN_D input of another block for output tracking.
 OUT_D = The block output and status.
 READBACK_D = Actual valve position

Figure 4-28. Discrete Output (DO) Function Block

4

Discrete Output (DO) Function Block Overview

The Discrete Output (DO) function block processes a discrete set point and outputs it to the specified I/O channel to produce an output signal. The DVC6000f digital valve controller discrete output block provides both normal open/closed control and the ability to position the valve in 5% increments for coarse throttling applications. The digital valve controller measures and uses actual valve position for READBACK_D [16].

The DO block supports mode control and simulation. In operation, the DO function block determines its set point and sets the output. The transducer block provides a readback signal of actual position from the instrument. Figure 4-28 illustrates the primary inputs and outputs of the DO function block, figure 4-29 illustrates the internal components of the DO function block. Table 4-71 lists definitions for the function block parameters.

When setting up the DO block, CHANNEL [18] must be set to 22, and SHED_OPT [23] must be non-zero.



Note

Actual Block Mode (MODE_BLK.ACTUAL [5.2]) will remain out of service and the block cannot be scheduled if the block has not been licensed. Contact your Emerson Process Management sales office to upgrade product licensing.



Note

Actual Block Mode (MODE_BLK.ACTUAL [5.2]) will remain in IMAN and the block Readback status will be Bad – Not Connected if the Output Block Selection is set incorrectly. From the transducer block method Outblock Selection, select the desired output block, see page 4-26.

Modes

The DO block supports the following modes:

- **Manual (Man)**—The block output OUT_D [9] value may be entered manually.
- **Automatic (Auto)**—The block algorithm uses the local set point SP_D [8] value to determine OUT_D [9].
- **Cascade (Cas)**—The block uses a set point supplied by another function block.



Note

The transducer block must be in Auto for the mode to go to AUTO, CAS or MAN.

- **RemoteCascade (RCas)**—The block uses a set point supplied by a host computer.
- **Out of Service (OOS)**—The block is not processed and the output is not transferred to I/O. The BLOCK_ERR [6] attribute shows Out of service.

Mode Handling

Shed Options — RCAS Mode Only

Shed from or climb to a remote mode is determined by the parameter SHED_OPT [23]. A block climbs and sheds through the same path. For example, if SHED_OPT [23] specifies that a block should shed to Auto, then, if the block target mode is set to RCas, the block goes through Auto on the way to RCas. You can configure the shed option as follows:

Shed With Return Options

Remote cascade connection failure shifts actual mode but keeps trying to restore remote cascade (in other words, the remote cascade target mode stays in effect).

Normal—On failure of a remote cascade connection, the block attempts to attain the highest permitted non-remote mode until remote cascade is restored. Cas is the highest permitted non-remote mode and Auto is the next permitted non-remote mode. If Cas or Auto are not available, the block will shed by default to Man.

Retained Target—The retained target mode is the target mode for the block before changing the target mode to a remote mode. On failure of a remote cascade connection, the block attempts to attain the retained target mode.

Auto—On failure of a remote cascade connection, the block attempts to attain Auto, if permitted, until remote cascade is restored.

Man—On failure of a remote cascade connection, the block sheds to Man until a remote cascade connection is restored.

Shed With No Return Options

For any shed with no return option, the target mode changes as determined by the option. Therefore, there is no attempt to restore the connection following failure. The behavior on change to the remote cascade target mode is identical to that for Shed With Return Options.

Normal—On failure of a remote cascade connection, the block sets the target mode to the highest permitted non-remote mode. Cas is the highest permitted non-remote mode and Auto is the next highest permitted non-remote mode. If Cas or Auto are not available, the block will shed by default to Man.

Retained Target—The retained target mode is the target mode for the block before changing the target mode to a remote mode. On failure of a remote cascade connection, the block sets the target mode to the retained target mode.

Auto—On failure of a remote cascade connection, the block sets the target mode to Auto, if permitted.

Man—On failure of remote cascade connection, the block sets the target mode to Man, if permitted.

The user may configure SHED_OPT [23] so that it calls for a target mode that is not permitted. When doing this, the mode logic uses the following rules as applied by the remote logic:

- Shed logic never results in a non-permitted target mode.
- Shed logic never attempts to attain an actual mode of Auto or Cas if that mode is not permitted.

4

Block Initialization

The Fieldbus Foundation specification requires that certain parameters have initial values of uninitialized in function blocks. In addition to setting the Resource block mode to AUTO, the control system or the user must change those parameters from their uninitialized value to a valid value in order for the function block to move from the Out of Service mode. For the DO function block, the parameters that must be initialized are:

SHED_OPT [23] (see page 4-151 for valid values)

CHANNEL [18]

Status Handling

Under normal operating conditions, the status of OUT_D [9] is Good Non-Cascade, and the status of BKCAL_OUT_D [21] is Good:Cascade. If the output hardware fails, the status of BKCAL_OUT_D [21] is set to Bad:Device Fail, and the BLOCK_ERR [6] shows Output Failure. If the hardware used for output feedback fails, the status of READBACK_D [16] and PV_D [7] is set to Bad:DeviceFail, and the BLOCK_ERR [6] shows Process Variable has Bad Status. If the transducer block mode is Out of Service, the status of READBACK_D [16] and PV_D [7] is set to Bad:Out of Service.

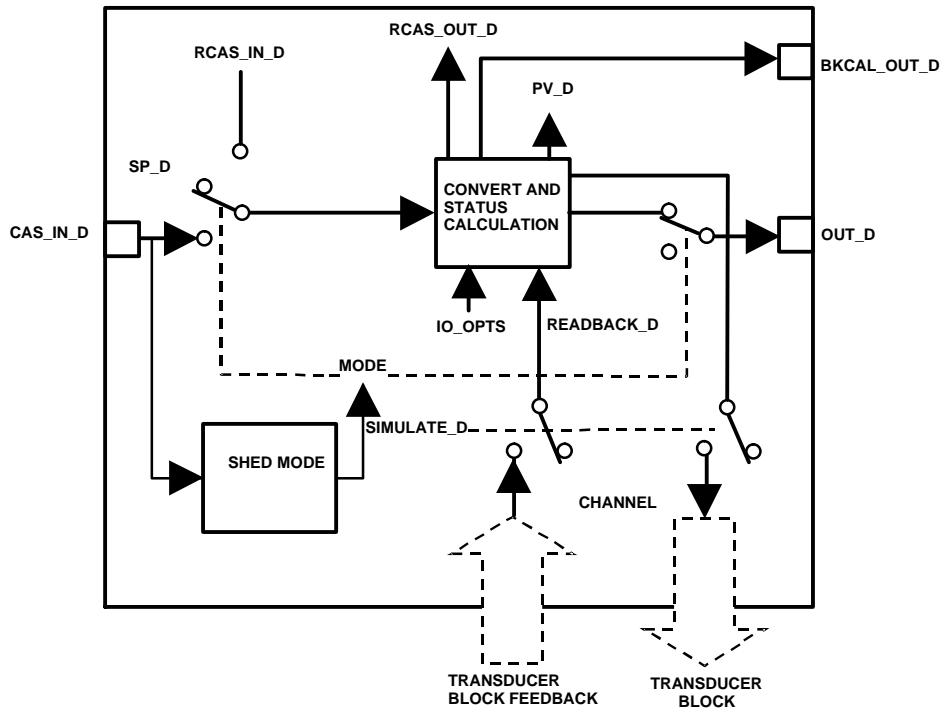


Figure 4-29. Discrete Output Function Block Schematic

I/O Selection

To select the I/O associated with the discrete output, configure the value of the CHANNEL [18] parameter. Table 4-68 lists the valid Channel selections for the DO block.

Table 4-68. Channel Selections for the Discrete Output Function Block

Selection	Transducer Block Parameter	Transducer block Index	Description
22	SETPOINT_D	32	Discrete Valve Control
0	-	-	Uninitialized

Setting the Output

To set the output for the DO block, you must first set the mode to define the manner in which the block determines its set point and output. In Cascade mode, the set point equals the input value at the CAS_IN_D [17] parameter. In Automatic or Manual mode, the set point must be entered manually by the user. For Automatic, the value must be written to the SP_D [8] parameter and for Manual, the value must be written to OUT_D [9]. In Remote Cascade mode, the set point is determined by a host computer that is writing to the RCAS_IN_D [22] parameter. Table 4-69 lists discrete states used by the digital valve controller for the set point.

To further customize the output, configure the following supported I/O options: SP tracks PV in Man,

SP Track retained target in Man or LO, Fault State to Value, Use Fault State value on restart, Target to Man if Fault State activated, and US PV for BKCAL_OUT.



Note

You can configure the supported I/O options in Out of Service mode only.

The SP_PV Track in Man option permits the set point to track the process variable when the block is in Manual mode. With this option enabled, the set point (SP_D [8]) becomes a copy of the process variable

Table 4-69. Valve Set Point for Discrete State

Discrete State	Valve Set Point with IO_OPTS Invert = 0	Valve Set Point with IO_OPTS Invert = 1
0	Closed	Open
1	Open	Closed
5	5%	Closed
10	10%	Closed
15	15%	Closed
20	20%	Closed
25	25%	Closed
30	30%	Closed
35	35%	Closed
40	40%	Closed
45	45%	Closed
50	50%	Closed
55	55%	Closed
60	60%	Closed
65	65%	Closed
70	70%	Closed
75	75%	Closed
80	80%	Closed
85	85%	Closed
90	90%	Closed
95	95%	Closed
100	Open	Closed

(PV_D [7]), and a manually-entered SP_D [8] value is overwritten on the block's next execution cycle. This option can prevent a state change when transitioning from Manual to Automatic mode. You can disable this option in Manual or Out of Service mode only.

The Invert option inverts the set point at SP_D [8] before it is stored in OUT_D [9]. With this option enabled, OUT_D [9] becomes an inverted copy of SP_D [8] where non-zero values of SP_D [8] are considered a logic 1. With this option disabled, OUT_D [9] is a direct copy of SP_D [8]. The readback value is processed through the Invert option to become PV_D [7]. The Use PV for BKCAL_OUT option specifies that BKCAL_OUT equal the value of the process variable (PV_D [7]) instead of the set point (SP_D [8]). If you do not enable this option, BKCAL_OUT will equal SP_D [8].

Output Block PV Status

The Output Block PV Status is determined by the value of the PlantWeb Alerts Set PV Status parameter in the transducer block (PWA_SET_STATUS [97]), the Transducer Block mode, and enabled Active PlantWeb alarms. Refer to table 4-10.

Table 4-70. BLOCK_ERR Conditions

Condition Number	Condition Name and Description
0	<i>Other (N/A)</i>
1	Block Configuration Error - SHED_OPT or CHANNEL set to 0 (uninitialized)
2	<i>Link Configuration Error (N/A)</i>
3	Simulate active - Simulation is enabled and the block is using a simulated value in its execution.
4	Local Override - Device in fault state. Actual mode LO.
5	Device Fault State Set - DO block in fault state after FSTATE_TIME because of Bad status or IFS substatus on CAS_IN_D or Resource block commanded fault state.
6	Device Needs Maintenance Soon - Indicates a Maintenance PlantWeb Alert condition is active if Block Error Reporting is enabled. See page 4-40.
7	Input failure/process variable has Bad status - PV has bad status and Feature Select in the Resource block has the Out Readback bit set or the transducer block mode is Out of Service.
8	Output failure - PV has bad status or the transducer block mode is Out of Service.
9	<i>Memory Failure (N/A)</i>
10	<i>Lost Static Data (N/A)</i>
11	<i>Lost NV Data (N/A)</i>
12	<i>Readback Check Failed (N/A)</i>
13	Device Needs Maintenance Now - Indicates Failed PlantWeb Alert condition is active if Block Error Reporting is enabled. See page 4-40.
14	Power Up - This condition exists after power up until actual mode is not Out of Service.
15	Out of Service - The block is in Out of Service (OOS) mode.

4

Block Errors

Table 4-70 lists conditions reported in the BLOCK_ERR [6] parameter. Conditions in *italics* are not applicable for the DO block and are provided only for your reference.

Action on Fault Detection

Fault State is caused by one of three sources: A status pertaining to CAS, A status pertaining to RCAS, or SET_FSTATE [29] in the resource block. To implement Fault State, configure the following parameters:

IO_OPTS [14]: Determines the action OUT_D [9] will take upon a fault state. If the IO_OPTS [14] "Fault State to Value" is not selected, then OUT_D [9] holds its last position when Fault State is set. If "Fault State to Value" is selected, OUT_D [9] goes to the FSTATE_VAL_D [20] value when Fault State is set.

FSTATE_TIME [19]: The length of time, in seconds, that the DO block will wait to set Fault State. When

DVC6000f Digital Valve Controllers

Fault State is set, the OUT_D [9] value goes to either the FSTATE_VAL_D [20] value or holds its last position, depending on I/O_OPTS [14]. When the block has a target mode of CAS, a fault condition will be detected if the CAS_IN_D [17] has a BAD status or an Initiate Fault State substatus is received from the upstream block.

FSTATE_VAL_D [20]: Determines the OUT_D [9] value if IO_OPTS [14] "Fault State to Value" is selected. The OUT_D [9] value transitions to FSTATE_VAL_D [20] after FSTATE_TIME [19] elapses and the fault condition has not cleared.

4

Simulation

To support testing of the control strategy, you can enable the SIMULATE_D [17] parameter. Normally, the valve position value and status used for READBACK_D [16] in the DO block reflect actual process values to the nearest 5%, as provided by the transducer block. When the SIMULATE_D [17] parameter is enabled, value and status used for READBACK_D [16] is supplied by the user manually. To enable simulation in the DO function block, the simulate jumper must be installed. For information on the installation of this jumper, see the page 2-30 Installation section.



Note

When simulate is active, the output block no longer writes values to the transducer block. If the Output Blk Timeout period is exceeded, the transducer block may move the valve to the Zero Power Condition depending on the configuration of the Output Block Timeout Alert.

The SIMULATE_D [10] parameter has three components:

- Simulate Enable_Disable determines whether the function block will use the actual valve position value and status, or Simulate Value and Simulate Status.
- Transducer Value and Status reflect the process values provided by the transducer block.
- Simulate Value and Status may be entered by the user when Simulate Enable_Disable is set to Enabled.

To use simulate, first install the simulate jumper in the terminal box, then set Simulate Enable_Disable to Enabled, then enter the desired values for Simulate Value and Status.

When SIMULATE_D [10] is Enabled, the Simulate Active bit of the BLOCK_ERR [6] parameter is set (refer to the Block Errors description). When the simulate jumper is installed, the Simulate Jumper bit of the transducer block parameter SELFTEST_STATUS [78] is set.

Discrete Output Function Block Parameter List

- Read/Write Capability: RO – Read Only, RW – Read Write
- Mode: The block mode(s) required to write to the parameter
- Double indentation and shaded Index Number indicates sub-parameter

Table 4-71. Discrete Output Function Block Parameter Definitions

Label PARAMETER_NAME	Index Number	RO / RW	Mode	Range	Initial Value	Description
Static Revision ST_REV	1	RO	N/A	0 to 65535	0	Data Type: Unsigned16 The revision level of the static data associated with the function block. The revision value will be incremented each time a static parameter value in the block is changed.
Tag Description TAG_DESC	2	RW	ALL	7 bit ASCII	Spaces	Data Type: Octet String The user description of the intended application of the block.
Strategy STRATEGY	3	RW	ALL	0 to 65535	0	Data Type: Unsigned16 The strategy field can be used to identify grouping of blocks. This data is not checked or processed by the block.
Alert Key ALERT_KEY	4	RW	ALL	1 to 255	0	Data Type: Unsigned8 The identification number of the plant unit. This information may be used in the host for sorting alarms, etc.
Block Mode MODE_BLK	5					
TARGET	5.1	RW	ALL	OOS MAN AUTO AUTO-CAS, AUTO-RCAS	OOS until block is configured, then last valid target	Data Type: DS-69 Valid Bits: 7: OOS, 5: LO, 4: MAN, 3: AUTO 2: CAS, 1: RCAS The actual, target, permitted, and normal modes of the block.
ACTUAL	5.2	RO	ALL		OOS	Target: The requested block mode Actual: The current mode of the block
PERMITTED	5.3	RW	ALL	OOS+MAN+AUTO+ CAS+RCAS	OOS+MAN+ AUTO+CAS +RCAS	Permitted: Allowed modes for Target Normal: Most common mode for Target
NORMAL	5.4	RW	ALL		AUTO+CAS	
Block Error BLOCK_ERR	6	RO	N/A	1: Block Configuration Error 3: Simulate Active 4: Local Override 5: Device Fault State Set 7: Input Failure / Bad PV Status 8: Output Failure 14: Power-up 15: Out-of-Service	Dynamic	Data Type: Bit String 0=Inactive 1=Active This parameter reflects the error status associated with the hardware or software components associated with a block. It is a bit string, so that multiple errors may be shown.
Process Value Discrete PV_D	7	RO	N/A	PV_D Status set equal to Readback_D Status	Dynamic	Data Type: DS-66 The discrete process variable calculated from READBACK_D.
Setpoint Discrete SP_D	8		OOS MAN AUTO	PV_STATE		Data Type: DS-66 The discrete target block output value (set point).
Output Discrete OUT_D	9		MAN	OUT_STATE		Data Type: DS-66 Position target of valve. 0=closed, 1=open, 2-100 position the value in 5% steps.
Simulate Discrete SIMULATE_D	10					
SIMULATE_STATUS	10.1		ALL		0	
SIMULATE_VALUE	10.2		ALL		0	
TRANSDUCER_STATUS	10.3	RO			0	
TRANSDUCER_VALUE	10.4	RO			0	
ENABLE/DISABLE	10.5		ALL	0=Not initialized 1=Simulation Disabled 2=Simulation Active	1	Data Type: DS-83 Allows the transducer discrete input or output to the block to be manually supplied when simulate is enabled. When simulation is disabled, the simulate value and status track the actual value and status.

-Continued-

DVC6000f Digital Valve Controllers

Table 4-71. Discrete Output Function Block Parameter Definitions (Continued)

Label PARAMETER_NAME	Index Number	RO / RW	Mode	Range	Initial Value	Description
Process Value State PV_STATE	11		ALL		0	Data Type: Uint16 Index to the text describing the states of a discrete output.
Transducer State XD_STATE	12		ALL		0	Data Type: Uint16 Index to the text describing the states of a discrete for the value obtained from the transducer.
Grant Deny GRANT_DENY	13					Data Type: DS-70 Options for controlling access of host computers and local control panels to operating, tuning, and alarm parameters of the block. GRANT: 0=N/A, 1=granted DENY: 0=N/A, 1=denied
GRANT	13.1		N/A	0: Program 1: Tune 2: Alarm 3: Local	All bits: 0	
DENY	13.2		N/A		All bits: 0	
I/O Options IO_OPTS	14		OOS	Valid Bits 0: Invert 1: SP tracks PV in Man 3: SP tracks PV in LO 4: SP Track retained target in Man or LO 6: Fault State to value 0: freeze 1: go to Fault State value 7: Use Fault State value on restart 8: Target to Man if Fault State activated 9: Use PV for BKCAL_OUT 0: SP 1: PV	All bits: 0	Data Type: Bit String 0=Disable 1=Enable Allows you to select the type of tracking and the output value when a fault condition occurs. Supported I/O options for the DO function block are SP Tracks PV in Man, SP Tracks PV in LO, SP Tracks Retained Target in Man or LO, Fault State to Value, Use Fault state on Restart, Target to Man if Fault State Activated, and Use PV for BKCAL_OUT.
Status Options STATUS_OPTS	15		OOS	4: Propagate Failure Backward	All bits: 0	Data Type: Bit String 0=Disable 1=Enable Options the user may select for the block processing of status.
Readback Discrete READBACK_D	16	RO	N/A		Dynamic	Data Type: DS-66 0=closed, 1=open, 5, 10, 15, 30...etc. are position in 5% increments.
Cascade Input Discrete CAS_IN_D	17		ALL	Status Value	BAD: NC: const 0	Data Type: DS-66 The remote set point value from another block.
DO Channel CHANNEL	18		OOS	0=undefined 22=Setpoint (D)	22= Setpoint (D)	Data Type: Unsigned16 Defines which transducer parameter receives the DO output. Select Setpoint (D) to control valve position.
Fault State Time FSTATE_TIME	19		ALL	Positive	0	Data Type: Float Time from detection of a fault in the remote set point to the Fault State output action.
Fault State Value Discrete FSTATE_VAL_D	20		ALL		0	Date Type: Unsigned8 Preset discrete SP_D value to use if I/O_OPTS Fault State to Value is set.
Back Calculation Output Discrete BKCAL_OUT_D	21	RO	N/A		Dynamic	Data Type: DS-66 The value and status required by the BKCAL_IN_D input of another block for output tracking
Remote Cascade Input Discrete RCAS_IN_D	22		ALL	Status Value	BAD: NoCom: NoVal: const 0	Date Type: DS-66 Target set point and status provided by a supervisory host to a discrete control or output block.

-Continued-

Table 4-71. Discrete Output Function Block Parameter Definitions (Continued)

Label PARAMETER_NAME	Index Number	RO / RW	Mode	Range	Initial Value	Description
Shed Options SHED_OPT	23		ALL	0=Uninitialized 1=Normal Shed, Normal Return 2=Normal Shed, No Return 3=Shed to Auto, normal return 4=Shed to Auto, no return. Target mode changes to Auto on detection of a shed condition 5=Shed to Manual, normal return 6=Shed to Manual, No return. Target mode changes to MAN on detection of a shed condition. 7=Shed to retained target, normal return 8=Shed to retained target, no return. (Change target to retained target)	0	Data Type: Unsigned8 Defines action to be taken on remote control device timeout. Normal Return – actual mode changes to the next lowest priority non-remote mode permitted but returns to the target remote mode when the remote computer completes the initialization handshake. No Return – Target mode changes to the next lowest priority non-remote mode permitted. The target remote mode is lost, so no return occurs.
Remote Cascade Output Discrete RCAS_OUT_D	24	RO	N/A		Dynamic	Data Type: DS-66 Block set point and status after ramping, provided to a supervisory host for back calculation and to allow action to be taken under limiting conditions or mode change.
Update Event UPDATE_EVT	25					Data Type: DS-73 This alert is generated by any change to the static data.
UNACKNOWLEDGED	25.1	RW	N/A	0=Undefined 1=Acknowledged 2=Unacknowledged	0=Undefined	
UPDATE_STATE	25.2	RO	N/A	0=Undefined 1=Update reported 2=Update not reported	0=Undefined	
TIME_STAMP	25.3	RO	N/A		0	
STATIC_REVISION	25.4	RO	N/A		0	
RELATIVE_INDEX	25.5	RO	N/A		0	
Block Alarm BLOCK_ALM	26					Data Type: DS-72 The block alarm is used for all configuration, hardware, connection failure, or system problems in the block. The cause of the alert is entered in the subcode field. The first alert to become active will set the active status in the status parameter. As soon as the Unreported status is cleared by the alert reporting procedure, and other block alert may be reported without clearing the Active status, if the subcode has changed.
UNACKNOWLEDGED	26.1	RW	N/A	0=Undefined 1=Acknowledged 2=Unacknowledged	0	
ALARM_STATE	26.2	RO	N/A	0=Undefined 1=Clear reported 2=Clear not reported 3=Active reported 4=Active not reported	0	
TIME_STAMP	26.3	RO	N/A		0	
SUBCODE	26.4	RO	N/A		0	
VALUE	26.5	RO	N/A		0	
Extended Blocks						
Setpoint Rate Up SP_RATE_UP	27			> = 0	0	Data Type: Float The ramp rate for SP up in AUTO, CAS, and RCAS modes. Measured in PV units/sec.
Setpoint Rate Down SP_RATE_DN	28			> = 0	0	Data Type: Float The ramp rate for SP down in AUTO, CAS, and RCAS modes. Measured in PV units/sec.

DVC6000f Digital Valve Controllers

View Lists

View lists allow the values of a set of parameters to be accessed at the same time. Views 1 and 2 contain operating parameters and are defined by the Fieldbus Foundation. View 3 contains dynamic parameters and View 4 contains static parameters with configuration and maintenance information. Views 3 and 4 are defined by the manufacturer.

Table 4-72. DO Function Block, View 1

Index Number	Parameter
1	ST_REV
5.1	MODE_BLK.TARGET_MODE
5.2	MODE_BLK.ACTUAL_MODE
5.3	MODE_BLK.PERMITTED_MODE
5.4	MODE_BLK.NORMAL_MODE
6	BLOCK_ERR
7	PV_D
8	SP_D
9	OUT_D
16	READBACK_D
17	CAS_IN_D

Table 4-73. DO Function Block, View 2

Index Number	Parameter
1	ST_REV
11	PV_STATE
12	XD_STATE
13.1	GRANT_DENY.GRANT
13.2	GRANT_DENY.DENY

Table 4-74. DO Function Block, View 3

Index Number	Parameter
1	ST_REV
5.1	MODE_BLK.TARGET_MODE
5.2	MODE_BLK.ACTUAL_MODE
5.3	MODE_BLK.PERMITTED_MODE
5.4	MODE_BLK.NORMAL_MODE
6	BLOCK_ERR
7	PV_D
8	SP_D
9	OUT_D
16	READBACK_D
17	CAS_IN
21	BKCAL_OUT_D
22	RCAS_IN_D
24	RCAS_OUT_D

Table 4-75. DO Function Block, View 4

Index Number	Parameter
1	ST_REV
3	STRATEGY
4	ALERT_KEY
14	IO_OPTS
15	STATUS_OPTS
18	CHANNEL
19	FSTATE_TIME
20	FSTATE_VAL_D
24	SHED_OPT
27	SP_RATE_UP
28	SP_RATE_DN

Field Communicator Menu Structure

DISCRETE OUTPUT FUNCTION BLOCK

Quick Config

Alert Key
 Process Value Discrete: Status
 Process Value Discrete: Value
 Setpoint Discrete: Status
 Setpoint Discrete: Value

Common Config

Alert Key
 I/O Options
 Block Mode: Target
 Block Mode: Actual
 Block Mode: Permitted
 Block Mode: Normal
 Setpoint Discrete: Status
 Setpoint Discrete: Value

Advanced Config

Fault State Time
 Fault State Value Discrete
 Process Value State
 Shed Options
 Simulate Discrete: Simulate Status
 Simulate Discrete: Simulate Value
 Simulate Discrete: Transducer Status
 Simulate Discrete: Transducer Value
 Simulate Discrete: Simulate En/Disable
 Static Revision
 Status Options
 Strategy
 Transducer State

I/O Reference

DO Channel

Connectors

Back Calculation Output Discrete: Status
 Back Calculation Output Discrete: Value
 Cascade Input Discrete: Status
 Cascade Input Discrete: Value
 Output Discrete: Status
 Output Discrete: Value

Online

Back Calculation Output Discrete: Status
 Back Calculation Output Discrete: Value
 Block Error
 Cascade Input Discrete: Status
 Cascade Input Discrete: Value
 Block Mode: Target
 Block Mode: Actual
 Block Mode: Permitted
 Block Mode: Normal
 Output Discrete: Status
 Output Discrete: Value
 Process Value Discrete: Status
 Process Value Discrete: Value
 Remote Cascade Input Discrete: Status
 Remote Cascade Input Discrete: Value
 Remote Cascade Output Discrete: Status
 Remote Cascade Output Discrete: Value
 Readback Discrete: Status
 Readback Discrete: Value
 Setpoint Discrete: Status
 Setpoint Discrete: Value

Status

Block Error

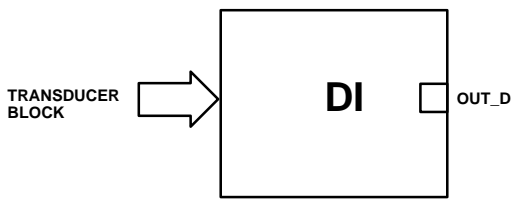
Other

Tag Description
 Grant Deny: Grant
 Grant Deny: Deny
 Update Event: Unacknowledged
 Update Event: Update State
 Update Event: Time Stamp
 Update Event: Static Rev
 Update Event: Relative Index
 Block Alarm: Unacknowledged
 Block Alarm: Alarm State
 Block Alarm: Time Stamp
 Block Alarm: Subcode
 Block Alarm: Value
 Setpoint Rate Up
 Setpoint Rate Down

All

Characteristics
 Static Revision
 Tag Description
 Strategy
 Alert Key
 Block Mode: Target
 Block Mode: Actual
 Block Mode: Permitted
 Block Mode: Normal
 Block Error
 Process Value Discrete: Status
 Process Value Discrete: Value
 Setpoint Discrete: Status
 Setpoint Discrete: Value
 Output Discrete: Status
 Output Discrete: Value
 Simulate Discrete: Simulate Status
 Simulate Discrete: Simulate Value
 Simulate Discrete: Transducer Status
 Simulate Discrete: Transducer Value
 Simulate Discrete: Simulate En/Disable
 Process Value State
 Transducer State
 Grant Deny: Grant
 Grant Deny: Deny
 I/O Options
 Status Options
 Readback Discrete: Status
 Readback Discrete: Value
 Cascade Input Discrete: Status
 Cascade Input Discrete: Value
 DO Channel
 Fault State Time
 Fault State Value
 Back Calculation Output Discrete: Status
 Back Calculation Output Discrete: Value
 Remote Cascade Input Discrete: Status
 Remote Cascade Input Discrete: Value
 Shed Options
 Remote Cascade Output Discrete: Status
 Remote Cascade Output Discrete: Value
 Update Event: Unacknowledged
 Update Event: Update State
 Update Event: Time Stamp
 Update Event: Static Rev
 Update Event: Relative Index
 Block Alarm: Unacknowledged
 Block Alarm: Alarm State
 Block Alarm: Time Stamp
 Block Alarm: Subcode
 Block Alarm: Value
 Setpoint Rate Up
 Setpoint Rate Down

Discrete Input (DI) Function Block Overview	4-162
Modes	4-162
Block Initialization	4-162
Status Handling	4-162
I/O Selection	4-162
Valve Travel	4-163
Open/Closed Limit Switch	4-163
Variable Limit Switch	4-163
Valve Position Proximity Detection	4-164
Field Value Processing	4-164
Alarm Detection	4-164
Block Errors	4-165
Action On Failure	4-165
Simulation	4-165
Application Information	4-166
Parameter List	4-167
View Lists	4-170
Field Communicator Menu Structure	4-171



OUT_D = The block output and status

Figure 4-30. Discrete Input (DI) Function Block

4

Discrete Input (DI) Function Block Overview

The Discrete Input (DI) function block processes a single discrete input from a field device and makes it available to other function blocks. You can configure inversion and alarm detection on the input value. In the DVC6000f digital valve controller, the discrete input function block can provide limit switch functionality and valve position proximity detection. The DI function block supports mode control, signal status propagation, and simulation.

Normally, the block is used in Automatic mode so that the process variable (PV_D [7]) is copied to the output (OUT_D [8]). You can change the mode to Manual to disconnect the field signal and substitute a manually-entered value for the output. In this case, PV_D [7] continues to show the value that will become the OUT_D [8] when the mode is changed to Automatic.

To support testing, you can enable simulation, which allows the measurement value to be supplied manually through the SIMULATE_D [9] parameter. Figure 4-31 illustrates the internal components of the DI function block, and table 4-80 lists the definitions of the block parameters.

Modes

The Discrete Input function block supports the following modes:

- **Manual (Man)**—The block output (OUT_D [8]) is disconnected from the field and set manually.
- **Automatic (Auto)**—The block algorithm determines output.
- **Out of Service (OOS)**—The block is not processed. The OUT_D [8] status is set to Bad: Out of Service. The BLOCK_ERR [6] parameter shows Out of Service.

Block Initialization

The Fieldbus Foundation specification requires that certain parameters in the function blocks have initial values of uninitialized. In addition to setting the Resource block mode to AUTO, the control system or the user must change those parameters from their uninitialized value to a valid value in order for the function block to move from the Out of Service mode. For the DI function block, the CHANNEL [15] parameter must be initialized.

Status Handling

Under normal conditions, a Good: Non-Cascade status is passed through to OUT_D [8]. The block also supports the Status Action On Failure and BLOCK_ERR [6] indications.

When SIMULATE_D [9] is enabled, FIELD_VAL_D [7], PV_D [7], and OUT_D [8] change to the simulated status. When the block is set to Manual mode, OUT_D [7] is set to Good: Non-cascade, Constant status.

I/O Selection

To select the I/O associated with the discrete measurement, configure the value of the CHANNEL [15] parameter.

In the digital valve controller, the four classes of channels are

- Valve travel
- Open/Closed limit switch
- Variable limit switch based on transducer block travel alarm settings.
- Proximity position detection based on transducer block travel alarm settings.

The CHANNEL [15] parameter for each of the four DI blocks available in the digital valve controller may be set independently to achieve the desired position detection. The DI block CHANNEL [15] definitions are listed in table 4-76. Refer to the following descriptions for details of the operation of these channels.

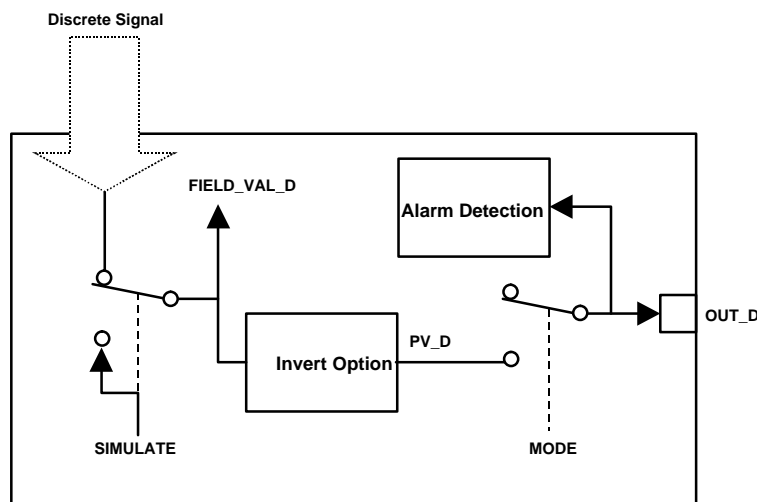


Figure 4-31. Discrete Input Function Block Schematic

Table 4-76. Channel Selection for the Discrete Input Function Block

Selection	Transducer Block Parameter ⁽¹⁾	Transducer Block Index Number	Bit Number ⁽²⁾
23	TRAVEL_D	33	N/A
24	INST_ALERTS_ACTIVE:PROX_ACTIVE	74.5	0: Travel Open
25	INST_ALERTS_ACTIVE:PROX_ACTIVE	74.5	1: Travel Closed
26	INST_ALERTS_ACTIVE:TRAVEL_ACTIVE	74.4	2: Travel Limit Lo Lo
27	INST_ALERTS_ACTIVE:TRAVEL_ACTIVE	74.4	4: Travel Limit Lo
28	INST_ALERTS_ACTIVE:TRAVEL_ACTIVE	74.4	3: Travel Limit Hi
29	INST_ALERTS_ACTIVE:TRAVEL_ACTIVE	74.4	1: Travel Limit Hi Hi
30	INST_ALERTS_ACTIVE:PROX_ACTIVE	74.5	5: Proximity Lo Lo
31	INST_ALERTS_ACTIVE:PROX_ACTIVE	74.5	4: Proximity Lo
32	INST_ALERTS_ACTIVE:PROX_ACTIVE	74.5	3: Proximity Hi
33	INST_ALERTS_ACTIVE:PROX_ACTIVE	74.5	2: Proximity Hi Hi

1. Refer to table 4-13 for parameter descriptions.
 2. See pages 4-31 and 4-33, Travel Alerts and Prox Alerts, for information on accessing these alerts. Refer to Appendix F for information on accessing these alerts through DeltaV.

Valve Travel

Channel 23 provides valve travel.

0 = Closed, 1 = 100% open, 5 = 5% open, 10 = 10% open, 15 = 15% open, etc.

Open/Closed Limit Switch

Channels 24 and 25 provide valve open and closed limit switch functionality for the DI block. These channels will detect if the valve position is more than the Travel Open Alert Point for open detection or less than the Travel Closed Alert Point for closed detection. These channels provide an adjustable deadband to clear the detected position.

0= Not Active, 1= Active

Variable Limit Switch

Channels 26 through 29 provide variable limit switch functionality for the DI block. Trip points for this limit switch functionality are based on the Travel Alert settings in the transducer Block. The DI function block provides the same type of position detection as the travel alerts in the transducer block. Table 4-77 lists the transducer block parameters used with DI block channels 26 through 29. Refer to Travel and Prox, on page 4-31 for more information on the transducer block travel alerts.

0= Not Active, 1= Active

DVC6000f Digital Valve Controllers

4

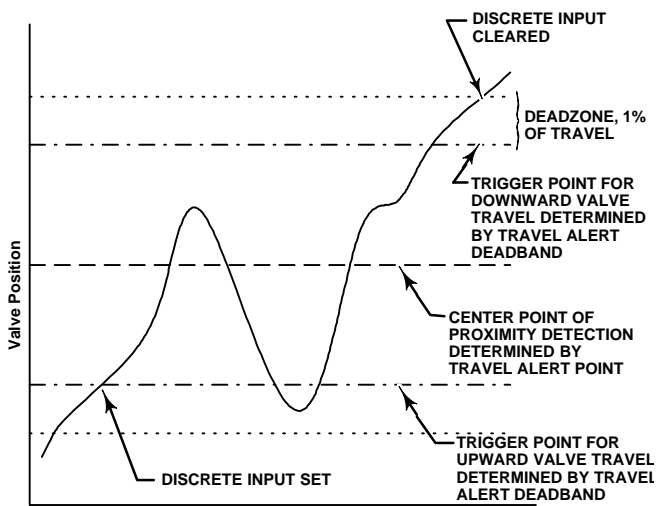


Figure 4-32. Discrete Input Proximity Detection Function

Valve Position Proximity Detection

Channels 30 through 33 provide valve position proximity detection for the DI block. The transducer block Travel Alert Point and Travel Alert Deadband parameters are also used with the valve position proximity, but they provide a different function. The Travel Alert Point for the selected channel determines the center point for the position to be detected. The Travel Alert Deadband for the selected channel sets the upper and lower trigger points, or the width of the proximity detection band. A 1% deadzone exists above and below this band that the travel must exceed to clear the detected position. Figure 4-32 illustrates the operation of the proximity detection function. Travel Alert Point refers to Travel Lo Alert Point, Travel Hi Alert Point, Travel Lo Lo Alert Point, and Travel Hi Hi Alert Point in table 4-78. Travel Alert Deadband refers to Travel Lo Alert Deadband, Travel Hi Alert Deadband, Travel Lo Lo Alert Deadband, and Travel Hi Hi Alert Deadband in table 4-78.

0= Not Active, 1= Active

Table 4-78 lists the transducer block parameters used for proximity detection with DI block channels 30 through 33.

Field Value Processing

The Invert bit of the IO_OPTS [13] parameter may be used to logically invert the value of FIELD_VAL_D [17] before it is stored as PV_D [7]. PV_FTIME [16] may

Table 4-77. Transducer Block Parameters Used with Discrete Input Function Block Channels 26 through 29 (Variable Limit Switch)

Transducer Block Parameter	Parameter Function
Travel Lo Lo Alert Point	Lo Lo Limit Switch Trip Point
Travel Lo Lo Alert Deadband	Lo Lo Limit Switch Deadband
Travel Lo Alert Point	Lo Limit Switch Trip Point
Travel Lo Alert Deadband	Lo Limit Switch Deadband
Travel Hi Alert Point	Hi Limit Switch Trip Point
Travel Hi Alert Deadband	Hi Limit Switch Deadband
Travel Hi Hi Alert Point	Hi Hi Limit Switch Trip Point
Travel Hi Hi Alert Deadband	Hi Hi Limit Switch Deadband

Table 4-78. Transducer Block Parameters Used with Discrete Input Function Block Channels 30 through 33

Transducer Block Parameter	Parameter Function
Travel Lo Lo Alert Point	Lo Lo Proximity Detection Center Point
Travel Lo Lo Alert Deadband	Lo Lo Proximity Detection Width
Travel Lo Alert Point	Lo Proximity Detection Center Point
Travel Lo Alert Deadband	Lo Proximity Detection Width
Travel Hi Alert Point	Hi Proximity Detection Center Point
Travel Hi Alert Deadband	Hi Proximity Detection Width
Travel Hi Hi Alert Point	Hi Hi Proximity Detection Center Point
Travel Hi Hi Alert Deadband	Hi Hi Proximity Detection Width

be used to set the length of time that FIELD_VAL_D [17] must be in a new state before that new state is reflected in PV_D. The PV_D [7] value goes to the mode switch where it becomes OUT_D [8] when the actual mode is AUTO. OUT_D [8] is also tested for an alarm state.



Note

Invert is the only I/O option that the DI block supports. You can set the I/O option only when the block mode is Out of Service.

Alarm Detection

To select the state that initiates an input alarm, and to set discrete alarm substatus in the output, configure the DISC_LIM [23] parameter. You can enter any value between 0 and 255. A value of 255 disables the alarm. When OUT_D [8] matches the DISC_LIM [23] state, the discrete value of an alarm is set.

Table 4-79. BLOCK_ERR Conditions

Condition Number	Condition Name and Description
0	<i>Other (N/A)</i>
1	Block Configuration Error —CHANNEL set to 0 through 10 (uninitialized)
2	<i>Link Configuration Error (N/A)</i>
3	Simulate Active —Simulate is enabled. Output does not reflect process conditions
4	<i>Local Override (N/A)</i>
5	<i>Device Fault State Set (N/A)</i>
6	<i>Device Needs Maintenance Soon (N/A)</i>
7	Input failure/process variable has Bad status —The hardware is bad or the transducer block mode is Out of Service
8	<i>Output Failure (N/A)</i>
9	<i>Memory Failure (N/A)</i>
10	<i>Lost Static Data (N/A)</i>
11	<i>Lost NV Data (N/A)</i>
12	<i>Readback Check Failed (N/A)</i>
13	<i>Device Needs Maintenance Now (N/A)</i>
14	Power Up —Set after power-up until actual mode is not Out of Service
15	Out of Service —The actual mode is Out of Service (OOS). The block is not being processed.

Block Errors

Table 4-79 lists conditions reported in the BLOCK_ERR [6] parameter. Conditions in *italics* are not applicable for the DI block and are provided only for your reference.

Action on Failure

In case of hardware failure, FIELD_VAL_D [17], PV_D [7], and OUT_D [8] change to a Bad status and the BLOCK_ERR [6] parameter shows Process Variable has Bad Status. If the transducer block mode is Out of Service, the status of FIELD_VAL_D [17], PV_D [7], and OUT_D [8] is set to Bad:Out of Service.

Simulation

To support testing of the control strategy, you can enable the SIMULATE_D [9] parameter. Normally the measurement value and status used for FIELD_VAL_D [17] in the DI block reflect actual process values as provided by the transducer block. When the SIMULATE_D [9] parameter is enabled, value and status used for FIELD_VAL_D [17] is supplied by the user manually. To enable simulation in the DI function block, the simulate jumper must be

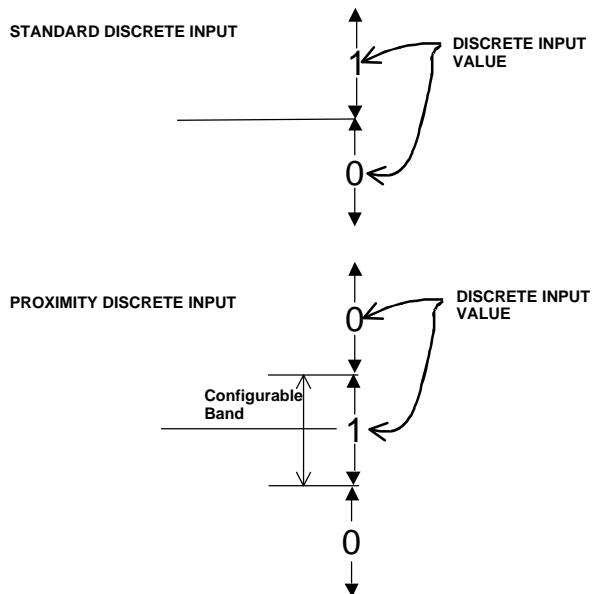


Figure 4-33. Proximity Discrete Input Compared to a Standard Discrete Input

4

installed. For information on the installation of this jumper, see the Installation section.

The SIMULATE_D [9] parameter has three components:

- Simulate_D enable/disable determines whether the function block will use the actual process value and status, or Simulate Value and Simulate Status.
- Transducer Value and Status reflect the process values provided by the transducer block.
- Simulate Value and Status may be entered by the user when enable/disable is set to enabled.

To use simulate, first install the simulate jumper in the terminal box, then set Simulate_D enable/disable to enabled, then enter the desired values for Simulate Value and Status.

DVC6000f Digital Valve Controllers

When SIMULATE_D [9] is enabled, the Simulate Active bit of the BLOCK_ERR [6] parameter is set (refer to the Block Errors description). When the simulate jumper is installed, the Simulate Jumper bit of the transducer block parameter SELFTEST_STATUS [78] is set.

Application Information

Figure 4-33 compares the operation of a standard discrete input to a proximity discrete input. With the

standard discrete input, the discrete input changes state when the valve position passes a configurable trip point. This can be used to indicate if the valve position is above or below the trip point.

With the proximity discrete input a configurable band can be established about a central point. Whenever the valve position enters this configurable band, the discrete input changes state. A proximity discrete input is useful for applications which require knowing the location of the valve when the valve is not near 0% or 100%.

Discrete Input Function Block Parameter List

- Read/Write Capability: RO – Read Only, RW – Read Write
- Mode: The block mode(s) required to write to the parameter
- Double indentation and shaded Index Number indicates sub-parameter

Table 4-80. Discrete Input Function Block Parameter Definitions

Label PARAMETER_NAME	Index Number	RO / RW	Block Mode	Range	Initial Value	Description
Static Revision ST_REV	1	RO	N/A	0 to 65535	0	Data Type: Unsigned16 The revision level of the static data associated with the function block. The revision value will be incremented each time a static parameter value in the block is changed.
Tag Description TAG_DESC	2	RW	ALL	7 bit ASCII	Spaces	Data Type: Octet String The user description of the intended application of the block.
Strategy STRATEGY	3	RW	ALL	0 to 65535	0	Data Type: Unsigned16 The strategy field can be used to identify grouping of blocks. This data is not checked or processed by the block.
Alert Key ALERT_KEY	4	RW	ALL	1 to 255	0	Data Type: Unsigned8 The identification number of the plant unit. This information may be used in the host for sorting alarms, etc.
Block Mode MODE_BLK	5					
TARGET	5.1	RW	ALL	OOS MAN AUTO	OOS until block is configured, then last valid target	Data Type: DS-69 Valid Bits: 7:OOS, 4:MAN, 3:AUTO The actual, target, permitted, and normal modes of the block. Target: The requested block mode Actual: The current mode of the block Permitted: Allowed modes for Target Normal: Most common mode for Target
ACTUAL	5.2	RO	ALL		OOS	
PERMITTED	5.3	RW	ALL	OOS+MAN+AUTO	OOS+MAN+AUTO	
NORMAL	5.4	RO	ALL		AUTO	
Block Error BLOCK_ERR	6	RO	N/A	Defined Bits 1: Block Configuration Error 3: Simulate Active 7: Input Failure / Bad PV Status 14: Power-up 15: Out-of-Service	Dynamic	Data Type: Bit String 0=Inactive 1=Active This parameter reflects the error status associated with the hardware or software components associated with a block. Multiple errors may be shown, see table 4-79.
Process Value Discrete PV_D	7	RO	N/A	PV_D Status set equal to Field_Val_D Status	Dynamic	Data Type: DS-66 The process variable used in block execution. Value is converted from Readback to show the actuator position in the same units as the set point value.
Output Discrete OUT_D	8		OOS MAN	OUT_STATE		Data Type: DS-66 The primary discrete value calculated as a result of executing the function.
Simulate Discrete SIMULATE_D	9					
SIMULATE_STATUS	9.1		ALL		0	Data Type: DS-83
SIMULATE_VALUE	9.2		ALL		0	Allows the transducer discrete input or output to the block to be manually supplied when simulate is enabled. When simulation is disabled, the simulate value and status track the actual value and status.
TRANSDUCER_STATUS	9.3	RO	ALL		0	
TRANSDUCER_VALUE	9.4	RO	ALL		0	
ENABLE/DISABLE	9.5			0=Not initialized 1=Simulation Disabled 2=Simulation Active	1=Simulation Disabled	

-Continued-

DVC6000f Digital Valve Controllers

Table 4-80. Discrete Input Function Block Parameter Definitions (Continued)

Label PARAMETER_NAME	Index Number	RO / RW	Block Mode	Range	Initial Value	Description
Transducer State XD_STATE	10		ALL		0	Data Type: Uint16 Index to the text describing the states of a discrete for the value obtained from the transducer.
Output State OUT_STATE	11		ALL		0	Data Type: Unsigned16 Index to the text describing the states of a discrete output.
Grant Deny GRANT_DENY	12					Data Type: DS-70 Options for controlling access of host computers and local control panels to operating, tuning, and alarm parameters of the block. GRANT: 0=NA, 1=granted DENY: 0=NA, 1=denied
GRANT	12.1		ALL	0: Program 1: Tune	All bits:0	
DENY	12.2		ALL	2: Alarm 3: Local	All bits: 0	
I/O Options IO_OPTS	13		OOS	0: Invert	All bits:0	Data Type: Bit String 0=Disable 1=Enable Allows you to select how the I/O signals are processed.
Status Options STATUS_OPTS	14		OOS	3=Propagate Failure Forward 8=Uncertain in MAN mode	All bits:0	Data Type: Bit String 0=Disable 1=Enable Options the user may select for the block processing of status.
DI Channel CHANNEL	15		OOS	0=undefined 23=Valve Position or Pressure (Discrete) 24= PV > 97% 25= PV < 3% 26=PV Below LO LO limit 27=PV Below LO limit 28=PV Above HI limit 29=PV Above HI HI limit 30=PV Within Proximity of LO LO 31=PV Within Proximity of LO 32=PV within Proximity of HI 33=PV within Proximity of HI HI	0=Undefined	Data Type: Unsigned16 Defines the functionality of the discrete input. See I/O Selection for details. Refer to table 4-76.
Process Value Filter Time PV_FTIME	16		ALL	Positive	0	Data Type: Float Time that FIELD_VAL_D must be in a new state, before the change is reflected to PV_D and OUT_D.
Field Value Discrete FIELD_VAL_D	17	RO			0	Data Type: DS-66 Raw value of the field device discrete input, with a status reflecting the transducer condition.
Update Event UPDATE_EVT	18					
UNACKNOWLEDGED	18.1	RW	N/A	0=Undefined 1=Acknowledged 2=Unacknowledged	0=Undefined	
UPDATE_STATE	18.2	RO	N/A	0=Undefined 1=Update Reported 2=Updated not reported	0=Undefined	Data Type: DS-73 This alert is generated by any change to the static data.
TIME_STAMP	18.3	RO	N/A		0	
STATIC_REVISION	18.4	RO	N/A		0	
RELATIVE_INDEX	18.5	RO	N/A		0	

-Continued-

Table 4-80. Discrete Input Function Block Parameter Definitions (Continued)

Label PARAMETER_NAME	Index Number	RO / RW	Block Mode	Range	Initial Value	Description
Block Alarm BLOCK_ALM	19				Dynamic	Data Type: DS-72 The block alarm is used for all configuration, hardware, connection failure, or system problems in the block. The cause of the alert is entered in the subcode field. The first alert to become active will set the active status in the status parameter. As soon as the unreported status is cleared by the alert reporting procedure, and other block alert may be reported without clearing the active status, if the subcode has changed.
UNACKNOWLEDGED	19.1	RW	N/A	0=Undefined 1=Acknowledged 2=Unacknowledged		
ALARM_STATE	19.2	RO	N/A	0=Undefined 1=Clear reported 2=Clear not reported 3=Active reported 4=Active not reported		
TIME_STAMP	19.3	RO	N/A			
SUBCODE	19.4	RO	N/A			
VALUE	19.5	RO				
Alarm Summary ALARM_SUM	20			0: Discrete alarm 7: Block Alarm		Data Type: DS-74 The current alert status, unacknowledged states, unreported states, and disabled states of the alarms associated with the function block. 0=clear reported 0=acknowledged 0=reported 0=enabled
CURRENT	20.1	RO			All bits: 0	
UNACKNOWLEDGED	20.2	RO			All bits: 0	
UNREPORTED	20.3	RO			All bits: 0	
DISABLED	20.4	RW			All bits: 0	
Acknowledge Option ACK_OPTION	21		ALL	0: Discrete 1: Block Alarm	All bits: 0	Data Type: Bit String 0=Disable 1=Enable Used to set auto acknowledgement of alarms
Discrete Priority DISC_PRI	22		ALL	0 to 15	0	Data Type: Unsigned8 Priority of the discrete alarm.
Discrete Limit DISC_LIM	23		ALL	PV_STATE	0	Data Type: Unsigned8 State of discrete input which will generate an alarm.
Discrete Alarm DISC_ALM	24					Data Type: DS-72 The discrete alarm is used for indication of a state change in selected discrete channel.
UNACKNOWLEDGED	24.1	RW	N/A	0=Undefined 1=Acknowledged 2=Unacknowledged		
ALARM_STATE	24.2	RO	N/A	0=Undefined 1=Clear reported 2=Clear not reported 3=Active reported 4=Active not reported		
TIME_STAMP	24.3	RO	N/A			
SUBCODE	24.4	RO	N/A			
VALUE	24.5	RO	N/A			

DVC6000f Digital Valve Controllers

View Lists

View lists allow the values of a set of parameters to be accessed at the same time. Views 1 and 2 contain operating parameters and are defined by the Fieldbus Foundation. View 3 contains dynamic parameters and View 4 contains static parameters with configuration and maintenance information. Views 3 and 4 are defined by the manufacturer.

Table 4-81. DI Function Block, View 1

Index Number	Parameter
1	ST_REV
5.1	MODE_BLK.TARGET_MODE
5.2	MODE_BLK.ACTUAL_MODE
5.3	MODE_BLK.PERMITTED_MODE
5.4	MODE_BLK.NORMAL_MODE
6	BLOCK_ERR
7	PV_D
8	OUT_D
17	FIELD_VAL_D
20.1	ALARM_SUM.CURRENT
20.2	ALARM_SUM.UNACKNOWLEDGED
20.3	ALARM_SUM.UNREPORTED
20.4	ALARM_SUM.DISABLED

Table 4-82. DI Function Block, View 2

Index Number	Parameter
1	ST_REV
10	XD_STATE
11	OUT_STATE
12.1	GRANT_DENY.GRANT
12.2	GRANT_DENY.DENY

Table 4-83. DI Function Block, View 3

Index Number	Parameter
1	ST_REV
5.1	MODE_BLK.TARGET_MODE
5.2	MODE_BLK.ACTUAL_MODE
5.3	MODE_BLK.PERMITTED_MODE
5.4	MODE_BLK.NORMAL_MODE
6	BLOCK_ERR
7	PV_D
8	OUT_D
17	FIELD_VAL_D
20.1	ALARM_SUM.CURRENT
20.2	ALARM_SUM.UNACKNOWLEDGED
20.3	ALARM_SUM.UNREPORTED
20.4	ALARM_SUM.DISABLED

Table 4-84. DI Function Block, View 4

Index Number	Parameter
1	ST_REV
3	STRATEGY
4	ALERT_KEY
13	IO_OPTS
14	STATUS_OPTS
15	CHANNEL
16	PV_FTIME
21	ACK_OPTION
22	DISC_PRI
23	DISC_LIM

Field Communicator Menu Structure

DISCRETE INPUT FUNCTION BLOCK

Quick Config

Alert Key
Process Value Discrete: Status
Process Value Discrete: Value

Common Config

Alert Key
Discrete Limit
I/O Options
Block Mode: Target
Block Mode: Actual
Block Mode: Permitted
Block Mode: Normal
Process Value Filter Time

Advanced Config

DI Channel
Output State
Simulate Discrete: Simulate Status
Simulate Discrete: Simulate Value
Simulate Discrete: Transducer Status
Simulate Discrete: Transducer Value
Simulate Discrete: Simulate En/Disable
Static Revision
Status Options
Transducer State

Connectors

Output Discrete: Status
Output Discrete: Value
Strategy

Online

Block Error
Field Value Discrete: Status
Field Value Discrete: Value
Block Mode: Target
Block Mode: Actual
Block Mode: Permitted
Block Mode: Normal
Output Discrete: Status
Output Discrete: Value
Process Value Discrete: Status
Process Value Discrete: Value

Status

Block Error

Other

Tag Description
Grant Deny: Grant
Grant Deny: Deny
Update Event: Unacknowledged
Update Event: Update State
Update Event: Time Stamp
Update Event: Static Rev
Update Event: Relative Index
Block Alarm: Unacknowledged
Block Alarm: Alarm State
Block Alarm: Time Stamp
Block Alarm: Subcode
Block Alarm: Value
Alarm Summary: Current
Alarm Summary: Unacknowledged
Alarm Summary: Unreported
Alarm Summary: Disabled
Acknowledge Option
Discrete Alarm: Unacknowledged
Discrete Alarm: Alarm State
Discrete Alarm: Time Stamp
Discrete Alarm: Subcode
Discrete Alarm: Discrete Value

All

Characteristics
Static Revision
Tag Description
Strategy
Alert Key
Block Mode: Target
Block Mode: Actual
Block Mode: Permitted
Block Mode: Normal
Block Error
Process Value Discrete: Status
Process Value Discrete: Value
Output Discrete: Status
Output Discrete: Value
Simulate Discrete: Simulate Status
Simulate Discrete: Simulate Value
Simulate Discrete: Transducer Status
Simulate Discrete: Transducer Value
Simulate Discrete: Simulate En/Disable
Transducer State
Output State
Grant Deny: Grant
Grant Deny: Deny
I/O Options
Status Options
DI Channel
Process Value Filter Time
Field Value Discrete: Status
Field Value Discrete: Value
Update Event: Unacknowledged
Update Event: Update State
Update Event: Time Stamp
Update Event: Static Rev
Update Event: Relative Index
Block Alarm: Unacknowledged
Block Alarm: Alarm State
Block Alarm: Time Stamp
Block Alarm: Subcode
Block Alarm: Value
Alarm Summary: Current
Alarm Summary: Unacknowledged
Alarm Summary: Unreported
Alarm Summary: Disabled
Acknowledge Option
Discrete Priority
Discrete Limit
Discrete Alarm: Unacknowledged
Discrete Alarm: Alarm State
Discrete Alarm: Time Stamp
Discrete Alarm: Subcode
Discrete Alarm: Discrete Value

Block Parameter Index	4-174
Block Channel Index	4-187

DVC6000f Digital Valve Controllers

Table 4-85. Block Parameter Index

Label	Parameter Name	Block	Index Number	Page Numbers
Acknowledge Option	ACK_OPTION	AI	23	4-137
		DI	21	4-169
		ISEL	35	4-108, 4-112
		PID	46	4-93
		Resource	38	4-6, 4-16
Actual Travel	ACTUAL_TRAVEL	Transducer	83.4	4-37, 4-61
Actuator Fail Action	ACT_FAIL_ACTION	Transducer	21	4-38, 4-44
Actuator Manufacturer	ACT_MAN_ID	Transducer	22	4-37, 4-44
Actuator Model Number	ACT_MODEL_NUM	Transducer	23	4-38, 4-44
Actuator Serial Number	ACT_SN	Transducer	24	4-38, 4-44
Actuator Size	ACTUATOR_SIZE	Transducer	85.1	4-38, 4-62
Actuator Style	ACTUATOR_STYLE	Transducer	42.1	4-38, 4-46
Advise Active	ADVISE_ACTIVE	Transducer	61	4-40, 4-52
Advise Alarm	ADVISE_ALM	Transducer	58	4-51
Advise Enable	ADVISE_ENABLE	Transducer	64	4-35, 4-52
Advise Priority	ADVISE_PRI	Transducer	70	4-53, C-3
Advise Suppress	ADVISE_MASK	Transducer	67	4-35, 4-53, C-3
Air	AIR	Transducer	85.3	4-39, 4-62
Alarm Hysteresis	ALARM_HYS	AI	24	4-129, 4-137
		ISEL	36	4-112
		PID	47	4-87, 4-93
Alarm Select	ALM_SEL	AI	38	4-133, 4-138
		ISEL	50	4-113
Alarm Summary	ALARM_SUM	AI	22	4-137
		DI	20	4-169
		ISEL	34	4-108, 4-112
		PID	45	4-93
		Resource	37	4-6, 4-16
Alert Key	ALERT_KEY	AI	4	4-135
		AO	4	4-75
		DI	4	4-167
		DO	4	4-155
		ISEL	4	4-109
		MAI	4	4-144
		OS	4	4-123
		PID	4	4-89
		Resource	4	4-6, 4-12
Transducer	4	4-29, 4-42		
Area Units	AREA_UNITS	Transducer	93	4-36, 4-63
Back Calculation Hysteresis	BKCAL_HYS	PID	30	4-91
Back Calculation Input	BKCAL_IN	PID	27	4-83, 4-86, 4-91
Back Calculation Input 1	BKCAL_1_IN	OS	19	4-124
Back Calculation Input 2	BKCAL_2_IN	OS	20	4-124
Back Calculation Output	BKCAL_OUT	AO	25	4-71, 4-71, 4-73, 4-77
		OS	15	4-124
		PID	31	4-86, 4-91
Back Calculation Output Discrete	BKCAL_OUT_D	DO	21	4-151, 4-156
Balance Time	BAL_TIME	OS	21	4-124
		PID	25	4-91
Bias	BIAS	PID	66	4-95

-Continued-

Table 4-85. Block Parameter Index (Continued)

Label	Parameter Name	Block	Index Number	Page Numbers
Block Alarm	BLOCK_ALM	AI	21	4-137
		AO	30	4-78
		DI	19	4-169
		DO	26	4-157
		ISEL	24	4-111
		MAI	17	4-145
		OS	24	4-125
		PID	44	4-93
		Resource	36	4-6, 4-16, 6-4
		Transducer	8	4-43
Block Error	BLOCK_ERR	AI	6	4-129, 4-135
		AO	6	4-74, 4-75
		DI	6	4-165, 4-166, 4-167
		DO	6	4-153, 4-155
		ISEL	6	4-103, 4-108, 4-109
		MAI	6	4-144
		OS	6	4-123
		PID	6	4-84, 4-87, 4-88, 4-89
		Resource	6	4-7, 4-12, 6-3
		Transducer	6	4-41, 4-42, 6-3
Block Information	BLOCK_INFO	Transducer	98	4-63
Block Mode	MODE_BLK	AI	5	4-129, 4-135
		AO	5	4-75
		DI	5	4-167
		DO	5	4-155
		ISEL	5	4-109
		MAI	5	4-144
		OS	5	4-123
		PID	5	4-89
		Resource	5	4-4, 4-12
		Transducer	5	4-21, 4-42, 6-10
Bypass	BYPASS	PID	17	4-90
Calibration Date	XD_CAL_DATE	Transducer	30	4-36, 4-44
Calibration Location	XD_CAL_LOC	Transducer	31	4-36, 4-44
Calibration Person	XD_CAL_WHO	Transducer	29	4-36, 4-44
Cap StdDev	CAP_STDDEV	AI	40	4-133, 4-138
		AO	32	4-78
		PID	76	4-96
Cascade Input	CAS_IN	AO	17	4-69, 4-70, 4-72, 4-72, 4-74, 4-74, 4-76
		OS	14	4-124
		PID	18	4-83, 4-86, 4-90
Cascade Input Discrete	CAS_IN_D	DO	17	4-152, 4-153, 4-156
Channel	CHANNEL	AI	15	4-136
		AO	22	4-77
		DI	15	4-162, 4-168
		DO	18	4-152, 4-156
		MAI	7	4-144
Clear Fault State	CLR_FSTATE	Resource	30	4-5, 4-15
Collection Directory	COLLECTION_DIRECTORY	Transducer	12	4-43
Communication Error Count	COMM_ERROR_COUNT	Transducer	86.9	4-62
Confirm Time	CONFIRM_TIME	Resource	33	4-6, 4-15

-Continued-

DVC6000f Digital Valve Controllers

Table 4-85. Block Parameter Index (Continued)

Label	Parameter Name	Block	Index Number	Page Numbers
Control Options	CONTROL_OPTS	PID	12	4-86, 4-90
Custom Points	CUSTOM_POINTS	Transducer	51	4-50
Cycle Counter	CYCLE_COUNT	Transducer	73	4-33, 4-53, 6-11
Cycle Counter Alert Point	CYCLE_COUNT_ALRT_PT	Transducer	77.6	4-34, 4-59
Cycle Counter Deadband	CYCLE_COUNT_DB	Transducer	77.7	4-34, 4-59
Cycle Selection	CYCLE_SEL	Resource	20	4-14
Cycle Type	CYCLE_TYPE	Resource	19	4-14
DD Resource	DD_RESOURCE	Resource	9	4-12
DD Revision	DD_REV	Resource	13	4-13
Detailed Status	DETAILED_STATUS	Resource	52	4-17
Deviation High Alarm	DV_HI_ALM	PID	64	4-95
Deviation High Limit	DV_HI_LIM	PID	57	4-87, 4-94
Deviation High Priority	DV_HI_PRI	PID	56	4-87, 4-94
Deviation Low Alarm	DV_LO_ALM	PID	65	4-95
Deviation Low Limit	DV_LO_LIM	PID	59	4-87, 4-94
Deviation Low Priority	DV_LO_PRI	PID	58	4-87, 4-94
Device ID	DEVICE_ID	Resource	54	4-6, 4-17, 6-5
Device Record	DEVICE_RECORD	Transducer	86	4-62
Device Revision	DEV_REV	Resource	12	4-7, 4-13, 6-5
Device State	RS_STATE	Resource	7	4-12, 6-3
Device String Array	DEV_STRING	Resource	43	4-17
Device Type	DEV_TYPE	Resource	11	4-6, 4-13, 6-5
Diagnostic Options	DIAG_OPTIONS	Resource	45	4-5, 4-17, 6-6
Disable Analog Input 1	DISABLE_1	ISEL	15	4-107, 4-110
Disable Analog Input 2	DISABLE_2	ISEL	16	4-107, 4-110
Disable Analog Input 3	DISABLE_3	ISEL	17	4-107, 4-110
Disable Analog Input 4	DISABLE_4	ISEL	18	4-107, 4-110
Disable Analog Input 5	DISABLE_5	ISEL	29	4-107, 4-111
Disable Analog Input 6	DISABLE_6	ISEL	30	4-107, 4-111
Disable Analog Input 7	DISABLE_7	ISEL	31	4-107, 4-111
Disable Analog Input 8	DISABLE_8	ISEL	32	4-107, 4-112
Discrete Alarm	DISC_ALM	DI	24	4-169
Discrete Limit	DISC_LIM	DI	23	4-164, 4-169
Discrete Priority	DISC_PRI	DI	22	4-169
Drive Current	DRIVE_CURRENT	Transducer	54	4-27, 4-50
Drive Current Alert Point	DRIVE_CURRENT_ALRT_PT	Transducer	76.4	4-27, 4-58
Drive Current Alert Time	DRIVE_CURRENT_TIME	Transducer	76.5	4-27, 4-58
Drive Signal	DRIVE_SIGNAL	Transducer	53	4-27, 4-50, 6-11
Effective Area	EFFECTIVE_AREA	Transducer	85.2	4-39, 4-62
Elect Active	ELECT_ACTIVE	Transducer	74.1	4-54
Elect Enable	ELECT_ENABLE	Transducer	75.1	4-57
Electronics Serial Number	ELECTRONICS_SN	Resource	49	4-6, 4-17, 6-5
Environment Active	ENVIRO_ACTIVE	Transducer	74.3	4-54
Environment Enable	ENVIRO_ENABLE	Transducer	75.3	4-57
Error	ERROR	PID	67	4-95
Factory Serial Number	FACTORY_SN	Resource	50	4-6, 4-17, 6-5
Failed Active	FAILED_ACTIVE	Transducer	59	4-40, 4-51
Failed Alarm	FAILED_ALM	Transducer	56	4-50
Failed Enable	FAILED_ENABLE	Transducer	62	4-35, 4-52
Failed Priority	FAILED_PRI	Transducer	68	4-53, C-3

-Continued-

Table 4-85. Block Parameter Index (Continued)

Label	Parameter Name	Block	Index Number	Page Numbers
Failed Suppress	FAILED_MASK	Transducer	65	4-35, 4-52, C-3
Fault State	FAULT_STATE	Resource	28	4-5, 4-15
Fault State Time	FSTATE_TIME	AO	23	4-72, 4-77
		DO	19	4-153, 4-156
Fault State Value	FSTATE_VAL	AO	24	4-72, 4-77
Fault State Value Discrete	FSTATE_VAL_D	DO	20	4-153, 4-156
Features Available	FEATURES	Resource	17	4-5, 4-13, 6-6
Feature Selected	FEATURE_SEL	Resource	18	4-5, 4-13
Feedback Connection	FEEDBACK_CONN	Transducer	42.4	4-38, 4-46
Feed Forward Gain	FF_GAIN	PID	42	4-86, 4-92
Feed Forward Scale	FF_SCALE	PID	41	4-86, 4-92
Feed Forward Value	FF_VAL	PID	40	4-86, 4-92
Field Serial Number	FIELD_SN	Resource	51	4-6, 4-17, 6-5
Field Value	FIELD_VAL	AI	19	4-129, 4-130, 4-136
Field Value Discrete	FIELD_VAL_D	DI	17	4-164, 4-165, 4-168
Flow Direction	FLOWDIRECTION	Transducer	84.5	4-37, 4-61
Flow Tends To	FLOW_TENDS_TO	Transducer	84.7	4-37, 4-61
Free Space	FREE_SPACE	Resource	24	4-14
Free Time	FREE_TIME	Resource	25	4-14
Function Block Options	FB_OPTIONS	Resource	44	4-5, 4-17, 6-6
Gain	GAIN	PID	23	4-83, 4-91
Grant Deny	GRANT_DENY	AI	12	4-136
		AO	13	4-76
		DI	12	4-168
		DO	13	4-156
		ISEL	9	4-109
		OS	12	4-124
		PID	12	4-90
		Resource	14	4-13
		Transducer	40	4-45
Hard Types	HARD_TYPES	Resource	15	4-13
Hardware Revision	HARDWARE_REV	Resource	48	4-7, 4-17
Health Index	HEALTH_INDEX	Transducer	79	4-60
High Alarm	HI_ALM	AI	34	4-137
		ISEL	46	4-113
		PID	61	4-94
High High Alarm	HI_HI_ALM	AI	33	4-137
		ISEL	45	4-112
		PID	60	4-94
High High Limit	HI_HI_LIM	AI	26	4-129, 4-137
		ISEL	38	4-108, 4-112
		PID	49	4-87, 4-93
High High Priority	HI_HI_PRI	AI	25	4-129, 4-137
		ISEL	37	4-108, 4-112
		PID	48	4-87, 4-93
High Limit	HI_LIM	AI	28	4-129, 4-137
		ISEL	40	4-108, 4-112
		PID	51	4-87, 4-93
High Priority	HI_PRI	AI	27	4-129, 4-137
		ISEL	39	4-108, 4-112
		PID	50	4-87, 4-93

-Continued-

DVC6000f Digital Valve Controllers

Table 4-85. Block Parameter Index (Continued)

Label	Parameter Name	Block	Index Number	Page Numbers
Hystval	HYSTVAL	OS	22	4-124
IDeadBand	IDEADBAND	PID	74	4-96
Inlet Pressure	INLET_PRESSURE	Transducer	83.7	4-37, 4-61
Input	IN	PID	15	4-90
Input 1	IN_1	ISEL	11	4-107, 4-109
Input 2	IN_2	ISEL	12	4-107, 4-110
Input 3	IN_3	ISEL	13	4-107, 4-110
Input 4	IN_4	ISEL	14	4-107, 4-110
Input 5	IN_5	ISEL	25	4-107, 4-111
Input 6	IN_6	ISEL	26	4-107, 4-111
Input 7	IN_7	ISEL	27	4-107, 4-111
Input 8	IN_8	ISEL	28	4-107, 4-111
Input Array	IN_ARRAY	OS	16	4-124
Input Characterization	INPUT_CHAR	Transducer	50	4-26, 4-49, 6-11
I/O Options	IO_OPTS	AI	13	4-136
		AO	14	4-72, 4-74, 4-76
		DI	13	4-164, 4-168
		DO	14	4-153, 4-156
ITK Version	ITK_VER	Resource	41	4-7, 4-17, 6-6
Leak Class	LEAK_CLASS	Transducer	84.2	4-37, 4-61
Length Units	LENGTH_UNITS	Transducer	92	4-36, 4-63
Limit Notify	LIM_NOTIFY	Resource	32	4-6, 4-15
Linearization Type	L_TYPE	AI	16	4-131, 4-136
Lockval	LOCKVAL	OS	18	4-124
Low Alarm	LO_ALM	AI	35	4-138
		ISEL	47	4-113
		PID	62	4-94
Low Cutoff	LOW_CUT	AI	17	4-132, 4-136
Lower Bench Set	LOWER_BENCH_SET	Transducer	85.4	4-39, 4-62
Low Limit	LO_LIM	AI	30	4-129, 4-137
		ISEL	42	4-108, 4-112
		PID	53	4-87, 4-93
Low Low Alarm	LO_LO_ALM	AI	36	4-138
		ISEL	48	4-113
		PID	63	4-94
Low Low Limit	LO_LO_LIM	AI	32	4-129, 4-137
		ISEL	44	4-108, 4-112
		PID	55	4-87, 4-93
Low Low Priority	LO_LO_PRI	AI	31	4-129, 4-137
		ISEL	43	4-108, 4-112
		PID	54	4-87, 4-93
Low Priority	LO_PRI	AI	29	4-129, 4-137
		ISEL	41	4-108, 4-112
		PID	52	4-87, 4-93
MAI Channel 1	MAI_CHANNEL_1	Transducer	95.1	4-63
MAI Channel 2	MAI_CHANNEL_2	Transducer	95.2	4-63
MAI Channel 3	MAI_CHANNEL_3	Transducer	95.3	4-63
MAI Channel 4	MAI_CHANNEL_4	Transducer	95.4	4-63
MAI Channel 5	MAI_CHANNEL_5	Transducer	95.5	4-63
MAI Channel 6	MAI_CHANNEL_6	Transducer	95.6	4-63
MAI Channel 7	MAI_CHANNEL_7	Transducer	95.7	4-63

-Continued-

Table 4-85. Block Parameter Index (Continued)

Label	Parameter Name	Block	Index Number	Page Numbers
MAI Channel 8	MAI_CHANNEL_8	Transducer	95.8	4-63
MAI Channel Map	MAI_CHANNEL_MAP	Transducer	95	4-63
Maintenance Active	MAINT_ACTIVE	Transducer	60	4-40, 4-51
Maintenance Alarm	MAINT_ALM	Transducer	57	4-50
Maintenance Enable	MAINT_ENABLE	Transducer	63	4-35, 4-52
Maintenance Priority	MAINT_PRI	Transducer	69	4-53, C-3
Maintenance Suppress	MAINT_MASK	Transducer	66	4-35, 4-53, C-3
Manufacturer ID	MANUFAC_ID	Resource	10	4-13, 6-5
Math Form	MATHFORM	PID	70	4-83, 4-95
Maximum Notify	MAX_NOTIFY	Resource	31	4-6, 4-15
Maximum Recorded Supply Pressure	SUPP_PRESS_MAX	Transducer	86.5	4-62, 6-9
Maximum Recorded Supply Pressure Time	SUPP_PRESS_MAX_TIME	Transducer	86.6	4-62, 6-9
Maximum Recorded Temperature	TEMP_MAX	Transducer	86.1	4-62, 6-9
Maximum Recorded Temperature Time	TEMP_MAX_TIME	Transducer	86.2	4-62, 6-9
Maximum Supp Press	MAX_SUPP_PRESS	Transducer	42.6	4-36, 4-46
Memory Size	MEMORY_SIZE	Resource	22	4-14
Minimum Good	MIN_GOOD	ISEL	20	4-110
Minimum Cycle Time	MIN_CYCLE_T	Resource	21	4-14
Minimum Recorded Supply Pressure	SUPP_PRESS_MIN	Transducer	86.7	4-62, 6-9
Minimum Recorded Supply Pressure Time	SUPP_PRESS_MIN_TIME	Transducer	86.8	4-62, 6-9
Minimum Recorded Temperature	TEMP_MIN	Transducer	86.3	4-62, 6-9
Minimum Recorded Temperature Time	TEMP_MIN_TIME	Transducer	86.4	4-62, 6-9
Miscellaneous Options	MISC_OPTIONS	Resource	46	4-5, 4-17, 6-6
MLFB	MLFB	Transducer	55	4-50
Moment Arm Length	MOMENT_ARM	Transducer	85.11	4-39, 4-62
Moment Arm Style	LEVER_STYLE	Transducer	85.10	4-39, 4-62
Nominal Supply Pressure	NOMINAL_SUPPLY_PRESSURE	Transducer	85.6	4-39, 4-62
Nonvolatile Cycle Time	NV_CYCLE_T	Resource	23	4-14
Number used to average	AVG_USE	ISEL	33	4-112
Operator Selected	OP_SELECT	ISEL	22	4-107, 4-110
Outlet Pressure	OUTLET_PRESSURE	Transducer	83.8	4-37, 4-61
Output	OUT	AI	8	4-129, 4-135
		AO	9	4-69, 4-71, 4-71, 4-72, 4-75
		ISEL	7	4-109
		PID	9	4-86, 4-89
Output 1	OUT_1	MAI	8	4-144
		OS	8	4-123
Output 1 Range	OUT_1_RANGE	OS	10	4-123
Output 2	OUT_2	MAI	9	4-144
		OS	9	4-123
Output 2 Range	OUT_2_RANGE	OS	11	4-124
Output 3	OUT_3	MAI	10	4-144
Output 4	OUT_4	MAI	11	4-145
Output 5	OUT_5	MAI	12	4-145
Output 6	OUT_6	MAI	13	4-145
Output 7	OUT_7	MAI	14	4-145
Output 8	OUT_8	MAI	15	4-145
Output Array	OUT_ARRAY	OS	17	4-124
Output Block Timeout	OUTPUT_BLK_TIMEOUT	Transducer	76.3	4-29, 4-58
Output Block Selection	OUTBLOCK_SEL	Transducer	96	4-63

-Continued-

DVC6000f Digital Valve Controllers

Table 4-85. Block Parameter Index (Continued)

Label	Parameter Name	Block	Index Number	Page Numbers
Output Discrete	OUT_D	AI	37	4-129, 4-133, 4-138
		DI	8	4-162, 4-164, 4-167
		DO	9	4-152, 4-153, 4-154, 4-155
		ISEL	49	4-113
Output High Limit	OUT_HI_LIM	PID	28	4-85, 4-91
Output Low Limit	OUT_LO_LIM	PID	29	4-85, 4-91
Output Range	OUT_RANGE	ISEL	8	4-109
Output Scale	OUT_SCALE	AI	11	4-136
		PID	11	4-86, 4-90
Output State	OUT_STATE	DI	11	4-168
Packing Type	PACKING_TYPE	Transducer	83.6	4-37, 4-61
PD Configuration	PD_CONFIG	Transducer	88.3	4-62
PD Detail 1 Active	PD_DETAIL1_ACTIVE	Transducer	74.9	4-55
PD Detail 2 Active	PD_DETAIL2_ACTIVE	Transducer	74.10	4-55
PD Detail 3 Active	PD_DETAIL3_ACTIVE	Transducer	74.11	4-55
PD Detail 4 Active	PD_DETAIL4_ACTIVE	Transducer	74.12	4-55
PD Detail 5 Active	PD_DETAIL5_ACTIVE	Transducer	74.13	4-56
PD Detail 6 Active	PD_DETAIL6_ACTIVE	Transducer	74.14	4-56
PD Event Active	PD_EVENT_ACTIVE	Transducer	74.8	4-54
PD Extra	PD_EXTRA	Transducer	88.4	4-62
PD Run	PD_COMMAND	Transducer	88.1	4-62
PD Status	PD_STATUS	Transducer	88.2	4-62
Performance	PERF_DIAG	Transducer	88	4-62
Performance Active	PERF_ACTIVE	Transducer	74.7	4-54
Performance Enable	PERF_ENABLE	Transducer	75.7	4-57
PlantWeb Alerts Set PV Status	PWA_SET_STATUS	Transducer	97	4-63
Port Diameter	PORT_DIAMETER	Transducer	84.3	4-37, 4-61
Port Type	PORT_TYPE	Transducer	84.4	4-37, 4-61
Pressure A Offset	PRESS_A_OFFSET	Transducer	46.4	4-49
Pressure A Scale	PRESS_A_SCALE	Transducer	46.3	4-49
Pressure B Offset	PRESS_B_OFFSET	Transducer	46.6	4-49
Pressure B Scale	PRESS_B_SCALE	Transducer	46.5	4-49
Pressure Cutoff Hi	PRESS_CUTOFF_HI	Transducer	47.1	4-25, 4-49
Pressure Cutoff Lo	PRESS_CUTOFF_LO	Transducer	47.2	4-25, 4-49
Pressure Integral Deadzone	PRESS_INTEG_DEADZ	Transducer	47.6	4-24, 4-49
Pressure Integral Gain	PRESS_INTEG_GAIN	Transducer	47.4	4-24, 4-49
Pressure Integral Hi Limit	PRESS_INTEG_HI_LIM	Transducer	47.7	4-25, 4-49
Pressure Integral Lo Limit	PRESS_INTEG_LO_LIM	Transducer	47.8	4-25, 4-49
Pressure IP Bias	PRESS_IP_BIAS	Transducer	46.7	4-49
Pressure MLFB Bias	PRESS_MLFB_BIAS	Transducer	46.8	4-49
Pressure MLFB Gain	PRESS_MLFB_GAIN	Transducer	47.11	4-24, 4-49
Pressure Proportional Gain	PRESS_PROP_GAIN	Transducer	47.3	4-24, 4-49
Pressure Range Hi	PRESS_RANGE_HI	Transducer	42.7	4-25, 4-46
Pressure Range Lo	PRESS_RANGE_LO	Transducer	42.8	4-25, 4-46
Pressure Rate Gain	PRESS_RATE_GAIN	Transducer	47.5	4-49
Pressure Tuning Set	PRESS_TUNING_SET	Transducer	42.11	4-24, 4-46
Pressure A Status Pressure A	PRESSURE_A STATUS VALUE	Transducer	36	4-45, 6-10, 6-12
			36.1	
			36.2	
Pressure B Status Pressure B	PRESSURE_B STATUS VALUE	Transducer	37	4-45, 6-12
			37.1	
			37.2	

-Continued-

Table 4-85. Block Parameter Index (Continued)

Label	Parameter Name	Block	Index Number	Page Numbers
Pressure Diff Status Pressure Diff	PRESSURE_DIFF STATUS VALUE	Transducer	38	4-45, 6-12
			38.1	
			38.2	
Pressure Units	PRESSURE_UNITS	Transducer	90	4-35, 4-63
Private Label Distributor	DISTRIBUTOR	Resource	42	4-17
Process Value	PV	AI	7	4-129, 4-135
		AO	7	4-71, 4-72, 4-72, 4-75
		PID	7	4-86, 4-87, 4-89
Protection	PROTECTION	Transducer	87	4-62
Process Value Discrete	PV_D	DI	7	4-162, 4-164, 4-167
		DO	7	4-151, 4-153, 4-153, 4-155
Process Value Filter Time	PV_FTIME	AI	18	4-131, 4-136
		DI	16	4-164, 4-168
		PID	16	4-85, 4-90
Process Value Scale	PV_SCALE	AO	11	4-72, 4-74, 4-76
		PID	10	4-89
Process Value State	PV_STATE	DO	11	4-156
Proximity Active	PROX_ACTIVE	Transducer	74.5	4-54
Proximity Enable	PROX_ENABLE	Transducer	75.5	4-57
Push Down To	PUSH_DOWN_TO	Transducer	84.6	4-37, 4-61
PlantWeb Alert Simulate	PWA_SIMULATE	Transducer	39	4-40, 4-45
Rate	RATE	PID	26	4-83, 4-91
Rated Travel	RATEDTRAVEL	Transducer	83.3	4-37, 4-61
RCAS Timeout	SHED_RCAS	Resource	26	4-4, 4-14
Readback	READBACK	AO	16	4-69, 4-76
Readback Discrete	READBACK_D	DO	16	4-150, 4-151, 4-154, 4-156
Recommended Action	RECOMMENDED_ACTION	Transducer	71	4-53
Relay Type	RELAY_TYPE	Transducer	42.5	4-36, 4-36, 4-46
Remote Cascade Input	RCAS_IN	AO	28	4-70, 4-72, 4-77
		PID	32	4-83, 4-91
Remote Cascade Input Discrete	RCAS_IN_D	DO	22	4-152, 4-156
Remote Cascade Output	RCAS_OUT	AO	28	4-77
		PID	35	4-92
Remote Cascade Output Discrete	RCAS_OUT_D	DO	24	4-157
Remote Out Input	ROUT_IN	PID	33	4-83, 4-91
Remote Out Output	ROUT_OUT	PID	36	4-92
Reserved	TVL_CAL_RESERVED	Transducer	45.4	4-48
Reserved A	RESERVED_A	Transducer	80	4-60
Reserved AI	RESERVED_AI	Transducer	81	4-60
Reserved B	RESERVED_B	Transducer	99	4-63
Reset	RESET	PID	24	4-83, 4-91
Restart	RESTART	Resource	16	4-13
ROUT Timeout	SHED_ROUT	Resource	27	4-5, 4-14
Seat Type	SEAT_TYPE	Transducer	84.1	4-37, 4-61
Selected	SELECTED	ISEL	21	4-108, 4-110
Select Type	SELECT_TYPE	ISEL	19	4-104, 4-107, 4-108, 4-110
Self Test Status	SELFTEST_STATUS	Transducer	78	4-60, 4-154, 4-166
Sensor Active	SENSOR_ACTIVE	Transducer	74.2	4-54
Sensor Enable	SENSOR_ENABLE	Transducer	75.2	4-57
Set Fault State	SET_FSTATE	Resource	29	4-5, 4-15

-Continued-

DVC6000f Digital Valve Controllers

Table 4-85. Block Parameter Index (Continued)

Label	Parameter Name	Block	Index Number	Page Numbers
Setpoint	SP	AO	8	4-69, 4-71, 4-72, 4-72, 4-75
		OS	7	4-123
		PID	8	4-83, 4-86, 4-87, 4-89
Setpoint Discrete	SP_D	DO	8	4-152, 4-153, 4-155
Setpoint(D) Status Setpoint(D)	SETPOINT_D STATUS VALUE	Transducer	32 32.1 32.2	4-44, 6-11
Setpoint High Limit	SP_HI_LIM	AO	20	4-72, 4-77
		PID	21	4-85, 4-90
Setpoint Low Limit	SP_LO_LIM	AO	21	4-72, 4-77
		PID	22	4-85, 4-90
Setpoint Range	FINAL_VALUE_RANGE	Transducer	14	4-43
Setpoint Rate Down	SP_RATE_DN	AO	18	4-72, 4-77
		DO	28	4-157
		PID	19	4-85, 4-90
Setpoint Rate UP	SP_RATE_UP	AO	19	4-72, 4-77
		DO	27	4-157
		PID	20	4-85, 4-90
Setpoint Status Setpoint	FINAL_VALUE STATUS VALUE	Transducer	13	4-43, 6-10
Shaft Stem Diameter	SHAFT_STEM_DIA	Transducer	83.5	4-37, 4-61
Shed Options	SHED_OPT	AO	27	4-70, 4-71, 4-74, 4-77
		DO	23	4-151, 4-157
		PID	34	4-84, 4-85, 4-92
Shutdown Alerts	SHUTDOWN_ALERTS_ACTIVE	Transducer	74.15	4-56
Shutdown Recovery	SHUTDOWN_RECOVERY	Transducer	76.2	4-28, 4-58
Shutdown Trigger	SHUTDOWN_TRIGGER	Transducer	76.1	4-28, 4-58
Simulate	SIMULATE	AI	9	4-133, 4-135
		AO	10	4-76
Simulate Discrete	SIMULATE_D	DI	9	4-162, 4-165, 4-167
		DO	10	4-154, 4-155
Firmware Revision	SOFTWARE_REVISION	Resource	47	4-7, 4-17
SP FTime	SP_FTIME	PID	69	4-85, 4-95
SP Work	SP_WRK	PID	68	4-86, 4-95
Spring Rate	SPRING_RATE	Transducer	85.7	4-39, 4-62
Spring Rate Units	SPRING_RATE_UNITS	Transducer	94	4-36, 4-63
Static Revision	ST_REV	AI	1	4-135
		AO	1	4-75
		DI	1	4-167
		DO	1	4-155
		ISEL	1	4-109
		MAI	1	4-144
		OS	1	4-123
		PID	1	4-89
		Resource	1	4-12
Transducer	1	4-42		

-Continued-

Table 4-85. Block Parameter Index (Continued)

Label	Parameter Name	Block	Index Number	Page Numbers
Status Options	STATUS_OPTS	AI	14	4-130, 4-136
		AO	15	4-76
		DI	14	4-168
		DO	15	4-156
		ISEL	10	4-104, 4-107, 4-109
		OS	13	4-124
		PID	14	4-90
Standby Firmware Revision	STBY_FIRMWARE_REV	Resource	55	4-7, 4-18, 6-6
StdDev	STDDEV	AI	39	4-133, 4-138
		AO	31	4-78
		PID	75	4-96
Strategy	STRATEGY	AI	3	4-135
		AO	3	4-75
		DI	3	4-167
		DO	3	4-155
		ISEL	3	4-109
		MAI	3	4-144
		OS	3	4-123
		PID	3	4-89
		Resource	3	4-6, 4-12, 6-5
Transducer	3	4-42		
Stroking Time Close	STROKING_TIME_CLOSE	Transducer	85.9	4-39, 4-62
Stroking Time Open	STROKING_TIME_OPEN	Transducer	85.8	4-39, 4-62
Structureconfig	STRUCTURECONFIG	PID	71	4-86, 4-95
Supply Pressure Hi Alert Point	SUP_PRES_HI_ALRT_PT	Transducer	76.8	4-30, 4-58
Supply Pressure Lo Alert Point	SUP_PRES_LO_ALRT_PT	Transducer	76.9	4-31, 4-58
Supply Pressure Offset	SUPP_PRESS_OFFSET	Transducer	46.2	4-49
Supply Pressure Scale	SUPP_PRESS_SCALE	Transducer	46.1	4-49
Supply Pressure Status Supply Pressure	SUPPLY_PRESSURE STATUS VALUE	Transducer	35 35.1 35.2	4-30, 4-45, 6-12
T Aoperiods	T_AOPERIODS	PID	92	4-97
T Auto Extra DT	T_AUTO_EXTRA_DT	PID	90	4-97
T Auto Hysteresis	T_AUTO_HYSTERESIS	PID	91	4-97
T Gain Magnifier	T_GAIN_MAGNIFIER	PID	89	4-96
T Hyster	T_HYSTER	PID	87	4-96
T Ipgain	T_IPGAIN	PID	80	4-96
T Pdtype	T_PDTIME	PID	85	4-96
T Psgain	T_PSGAIN	PID	83	4-96
T Ptimec	T_PTIMEC	PID	84	4-96
T Relayss	T_RELAYSS	PID	88	4-96
T Request	T_REQUEST	PID	77	4-96
T State	T_STATE	PID	78	4-96
T Status	T_STATUS	PID	79	4-96
T Targetop	T_TARGETOP	PID	86	4-96
T Ugain	T_UGAIN	PID	81	4-96
T Uperiod	T_UPERIOD	PID	82	4-96

-Continued-

DVC6000f Digital Valve Controllers

Table 4-85. Block Parameter Index (Continued)

Label	Parameter Name	Block	Index Number	Page Numbers	
Tag Description	TAG_DESC	AI	2	4-135	
		AO	2	4-75	
		DI	2	4-167	
		DO	2	4-155	
		ISEL	2	4-109	
		MAI	2	4-144	
		OS	2	4-123	
		PID	2	4-89	
		Resource	2	4-6, 4-12, 6-5	
		Transducer	2	4-35, 4-42	
Target Travel Status	TRAVEL_TARGET STATUS	Transducer	49	4-49	
Target Travel	VALUE		49.1		
Temperature	TEMPERATURE		49.2		
Temperature	TEMPERATURE	Transducer	48	4-31, 4-49, 6-11	
Temperature Units	TEMPERATURE_UNITS	Transducer	89	4-36, 4-63	
Temperature Hi Alert Point	TEMP_HI_ALRT_PT	Transducer	76.6	4-31, 4-58	
Temperature Lo Alert Point	TEMP_LO_ALRT_PT	Transducer	76.7	4-31, 4-58	
Test Read Write	TEST_RW	Resource	8	4-12	
Time Since Reset	TIME_SINCE_RESET	Resource	53	4-17	
Tracking Input Discrete	TRK_IN_D	PID	38	4-86, 4-92	
Tracking Scale	TRK_SCALE	PID	37	4-86, 4-92	
Tracking Value	TRK_VAL	PID	39	4-83, 4-86, 4-92	
Transducer Directory	TRANSDUCER_DIRECTORY	Transducer	9	4-43	
Transducer Error	XD_ERROR	Transducer	11	4-43	
Transducer Scale	XD_SCALE	AI	10	4-131, 4-135	
		AO	12	4-76	
Transducer State	XD_STATE	DI	10	4-168	
		DO	12	4-156	
Transducer Type	TRANSDUCER_TYPE	Transducer	10	4-43	
Travel Accumulator	TRAVEL_ACCUM	Transducer	72	4-34, 4-53, 6-11	
Travel Always	TRAVEL_ALWAYS	Transducer	100	4-63	
Travel (D) Status	TRAVEL_D STATUS	Transducer	33	4-44, 6-11	
			Travel (D)		33.1
	VALUE		33.2		
Travel Enable	TRAVEL_ENABLE	Transducer	75.4	4-57	
Travel Status	TRAVEL STATUS	Transducer	34	4-45, 6-11	
			Travel		34.1
			Travel		34.2
Travel Status (DeCharacterization)	FINAL_POSITION_VALUE STATUS	Transducer	17	4-44, 6-11	
			Travel (DeCharacterization)		17.1
	VALUE		17.2		
Trim Style 1	TRIM_STYLE_1	Transducer	84.9	4-39, 4-61	
Trim Style 2	TRIM_STYLE_2	Transducer	84.10	4-39, 4-61	
Travel Accumulator Alert Pt	TVL_ACCUM_ALRT_PT	Transducer	77.4	4-34, 4-59	
Travel Accumulator DB	TVL_ACCUM_DB	Transducer	77.5	4-34, 4-59	
Travel Active	TRAVEL_ACTIVE	Transducer	74.4	4-54	
Travel Calibration Command	TVL_CAL_CMD	Transducer	45.1	4-48	
Travel Calibration Program	TVL_CAL_PROG	Transducer	45.2	4-48	
Travel Calibration Status	TVL_CAL_STATUS	Transducer	45.3	4-48	
Travel Calibration Trigger	TVL_CAL_TRIGGER	Transducer	42.9	4-46	
Travel Closed Alert Point	TVL_CLOSED_ALRT_PT	Transducer	77.10	4-33, 4-59	
Travel Closed Deadband	TVL_CLOSED_DB	Transducer	77.11	4-33, 4-59	
Travel Count	TVL_COUNT	Transducer	43.1	4-47, 6-11	

-Continued-

Table 4-85. Block Parameter Index (Continued)

Label	Parameter Name	Block	Index Number	Page Numbers
Travel Crossover	TVL_CROSSOVER	Transducer	43.4	4-47
Travel Cutoff Hi	FINAL_VALUE_CUTOFF_HI	Transducer	15	4-25, 4-43
Travel Cutoff Lo	FINAL_VALUE_CUTOFF_LO	Transducer	16	4-25, 4-43
Travel Deviation Alert Point	TVL_DEV_ALRT_PT	Transducer	77.1	4-31, 4-59
Travel Deviation Deadband	TVL_DEV_DB	Transducer	77.3	4-31, 4-59
Travel Deviation	TRAVEL_DEVIATION	Transducer	52	4-31, 4-50
Travel Deviation Time	TVL_DEV_TIME	Transducer	77.2	4-31, 4-59
Travel Factory Hi	TVL_FAC_HI	Transducer	43.5	4-47
Travel Factory Lo	TVL_FAC_LO	Transducer	43.6	4-47
Travel Hi Alert Point	TVL_HI_ALRT_PT	Transducer	77.16	4-32, 4-59
Travel Hi Calibration	TVL_HI_CAL	Transducer	43.2	4-47
Travel Hi Deadband	TVL_HI_DB	Transducer	77.17	4-32, 4-59
Travel Hi Hi Alert Point	TVL_HI_HI_ALRT_PT	Transducer	77.18	4-32, 4-59
Travel Hi Hi Deadband	TVL_HI_HI_DB	Transducer	77.19	4-32, 4-59
Travel History Active	TVL_HISTORY_ACTIVE	Transducer	74.6	4-54
Travel History Enable	TVL_HISTORY_ENABLE	Transducer	75.6	4-57
Travel Integral Deadzone	TVL_INTEG_DEADZ	Transducer	44.4	4-23, 4-47
Travel Integral Enable	TVL_INTEG_ENABLE	Transducer	44.1	4-23, 4-47
Travel Integral Limit Hi	TVL_INTEG_LIM_HI	Transducer	44.2	4-23, 4-47
Travel Integral Limit Lo	TVL_INTEG_LIM_LO	Transducer	44.3	4-23, 4-47
Travel Integral Gain	SERVO_RESET	Transducer	19	4-23, 4-44
Travel IP Bias	TVL_IP_BIAS	Transducer	43.7	4-47
Travel Lo Alert Point	TVL_LO_ALRT_PT	Transducer	77.14	4-32, 4-59
Travel Lo Calibration	TVL_LO_CAL	Transducer	43.3	4-47
Travel Lo Deadband	TVL_LO_DB	Transducer	77.15	4-32, 4-59
Travel Lo Lo Alert Point	TVL_LO_LO_ALRT_PT	Transducer	77.12	4-32, 4-59
Travel Lo Lo Deadband	TVL_LO_LO_DB	Transducer	77.13	4-32, 4-59
Travel MLFB Bias	TVL_MLFB_BIAS	Transducer	43.8	4-47
Travel MLFB Gain	TVL_MLFB_GAIN	Transducer	44.5	4-22, 4-47
Travel Open Alert Point	TVL_OPEN_ALRT_PT	Transducer	77.8	4-33, 4-59
Travel Open Deadband	TVL_OPEN_DB	Transducer	77.9	4-33, 4-59
Travel/Pressure Select	TVL_PRESS_SELECT	Transducer	41.1	4-25, 4-45
Travel/Pressure State	TVL_PRESS_STATE	Transducer	41.2	4-45, 6-11
Travel Proportional Gain	SERVO_GAIN	Transducer	18	4-22, 4-44
Travel Sensor Motion	TRAVEL_SEN_MOTION	Transducer	42.3	4-38, 4-46
Travel Tuning Set	TVL_TUNING_SET	Transducer	42.10	4-22, 4-46
Travel Units	TVL_UNITS	Transducer	91	4-36, 4-63
Travel Velocity Gain	SERVO_RATE	Transducer	20	4-22, 4-44
UBeta	BETA (ubeta)	PID	73	4-96
UGamma	GAMMA (ugamma)	PID	72	4-95
Unbalanced Area	UNBALANCED_AREA	Transducer	84.8	4-37, 4-61
Update Event	UPDATE_EVT	AI	20	4-136
		AO	29	4-78
		DI	18	4-168
		DO	25	4-157
		ISEL	23	4-111
		MAI	16	4-145
		OS	23	4-124
		PID	43	4-93
		Resource	35	4-16
		Transducer	7	4-42

-Continued-

DVC6000f Digital Valve Controllers

Table 4-85. Block Parameter Index (Continued)

Label	Parameter Name	Block	Index Number	Page Numbers
Upgrade Progress	UPGRADE_PROGRESS	Transducer	82	4-61
Upper Bench Set	UPPER_BENCH_SET	Transducer	85.5	4-39, 4-62
Valve Class	VALVE_CLASS	Transducer	83.2	4-37, 4-61
Valve Manufacturer ID	VALVE_MAN_ID	Transducer	25	4-36, 4-44
Valve Model Number	VALVE_MODEL_NUM	Transducer	26	4-36, 4-44
Valve Size	VALVE_SIZE	Transducer	83.1	4-61
Valve Serial Number	VALVE_SN	Transducer	27	4-37, 4-44
Valve Style	VALVE_TYPE	Transducer	28	4-37, 4-44
Write Alarm	WRITE_ALM	Resource	40	4-4, 4-16
Write Lock	WRITE_LOCK	Resource	34	4-4, 4-5, 4-15, 4-21, 6-4
Write Priority	WRITE_PRI	Resource	39	4-4, 4-16
Zero Power Condition	ZERO_PWR_COND	Transducer	42.2	4-36, 4-46
	INST_ALERTS_ACTIVE	Transducer	74	4-54
	INST_ALERTS_CONFIG	Transducer	76	4-58
	INST_ALERTS_CONFIG2	Transducer	77	4-59
	INST_ALERTS_ENABLE	Transducer	75	4-57
	PRESS_CAL	Transducer	46	4-49
	PRESS_TUNE	Transducer	47	4-49
	SPEC_SHEET_ACT	Transducer	85	4-62
	SPEC_SHEET_TRIM	Transducer	84	4-61
	SPEC_SHEET_VALVE	Transducer	83	4-61
	TRAVEL_CAL	Transducer	43	4-47
	TRAVEL_CAL_RUN	Transducer	45	4-48
	TRAVEL_TUNE	Transducer	44	4-47
	TVL_PRESS_CONTROL	Transducer	41	4-45

Table 4-86. Block Channel Index

Channel	Transducer Block Parameter	Index Number	Bit Number (if applicable)	Block Where Used	XD_SCALE Units
1	FINAL_VALUE	13		AO.OUT	
3	FINAL_POSITION_VALUE	17		AO.READBACK	
2	TRAVEL_TARGET	49		AI	% (1342)
3	FINAL_POSITION_VALUE	17		AI	% (1342)
4	TRAVEL	34		AI	% (1342)
5	SUPPLY_PRESS	35		AI	psig (1143), bar (1137), kPa (1133), inHg (1155), inH2O (1146), kg/cm2 (1145)
6	PRESSURE_A	36		AI	psig (1143), bar (1137), kPa (1133), inHg (1155), inH2O (1146), kg/cm2 (1145)
7	PRESSURE_B	37		AI	psig (1143), bar (1137), kPa (1133), inHg (1155), inH2O (1146), kg/cm2 (1145)
8	PRESSURE_DIFF	38		AI	psig (1143), bar (1137), kPa (1133), inHg (1155), inH2O (1146), kg/cm2 (1145)
9	DRIVE_SIGNAL	53		AI	% (1342)
10	TRAVEL_DEVIATION	52		AI	% (1342)
11	TEMPERATURE	48		AI	°C (1001), °F (1002)
12	CYCLE_COUNT	73		AI	no units (1588)
13	TRAVEL_ACCUMULATION	72		AI	% (1342)
14					
15					
16					
17					
18					
19					
20					
21	MAI_CHANNEL_MAP	95		MAI	
22	SETPOINT_D	32		DO.OUT_D	
23	TRAVEL_D	33		DO.READBACK_D	
23	TRAVEL_D	33		DI	
24	INST_ALERTS_ACTIVE:PROX_ACTIVE	74.5	0: Travel Open	DI	
25	INST_ALERTS_ACTIVE:PROX_ACTIVE	74.5	1: Travel Closed	DI	
26	INST_ALERTS_ACTIVE:TRAVEL_ACTIVE	74.4	2: Travel Limit Lo Lo	DI	
27	INST_ALERTS_ACTIVE:TRAVEL_ACTIVE	74.4	4: Travel Limit Lo	DI	
28	INST_ALERTS_ACTIVE:TRAVEL_ACTIVE	74.4	3: Travel Limit Hi	DI	
29	INST_ALERTS_ACTIVE:TRAVEL_ACTIVE	74.4	1: Travel Limit Hi Hi	DI	
30	INST_ALERTS_ACTIVE:PROX_ACTIVE	74.5	5: Proximity Lo Lo	DI	
31	INST_ALERTS_ACTIVE:PROX_ACTIVE	74.5	4: Proximity Lo	DI	
32	INST_ALERTS_ACTIVE:PROX_ACTIVE	74.5	3: Proximity Hi	DI	
33	INST_ALERTS_ACTIVE:PROX_ACTIVE	74.5	2: Proximity Hi Hi	DI	

4

Section 5 Calibration



- Calibration** 5-2
- Travel Calibration** 5-2
 - Auto Calibration 5-3
 - Manual Calibration 5-4
- Relay** 5-4
 - Double-Acting Relay 5-4
 - Single-Acting Relays 5-5
 - Single-Acting Direct Relay 5-5
 - Single-Acting Reverse Relay 5-5
- Travel Sensor** 5-5
 - DVC6010f, DVC6015, DVC6030f and DVC6035 Digital Valve Controllers .. 5-5
 - DVC6020f and DVC6025 Digital Valve Controllers 5-6
- Pressure Sensor Calibration** 5-7
 - Supply Pressure 5-7
 - Pressure A 5-8
 - Pressure B 1-3

DVC6000f Digital Valve Controllers

Calibration

When a DVC6000f digital valve controller is ordered as part of a control valve assembly, the factory mounts the digital valve controller on the actuator and connects the necessary tubing, then sets up and calibrates the instrument. For remote-mounted digital valve controllers, the DVC6005f base unit ships separately from the control valve and does not include tubing, fittings or wiring.

For digital valve controllers that are ordered separately, recalibration of the pressure sensors generally is unnecessary. However, after mounting on an actuator, perform the initial setup, (either auto or manual) then calibrate travel by selecting *Auto Calibration* or *Manual Calibration*. For more detailed calibration information, refer to the following calibration procedures, available from the *Calibration* menu:

5

- **Auto Calibration**—This procedure automatically calibrates the travel. The calibration procedure uses the valve and actuator stops as the 0% and 100% calibration points.
- **Manual Calibration**—This calibration procedure allows you to manually determine the 0% and 100% calibration points on the valve.
- **Relay**—This procedure permits adjustment of the pneumatic relay when switching from single-acting to double-acting or back.
- **Travel Sensor**—This procedure permits calibrating the travel sensor. Normally the travel sensor is calibrated at the factory. Calibrating the travel sensor should only be necessary if the travel sensor is replaced.
- **Supply Pressure**—This procedure permits calibrating the supply pressure sensor. Normally this sensor is calibrated at the factory and should not need calibration.
- **Pressure A**—This procedure permits calibrating the Output A Sensor. Normally this sensor is calibrated at the factory, and should not need calibration.
- **Pressure B**—This procedure permits calibrating the Output B sensor. Normally this sensor is calibrated at the factory, and should not need calibration.



Note

The Transducer Block Mode must be set to Manual and the Protection set to None before the instrument can be calibrated.

Travel Calibration

There are two procedures available for calibrating travel:

- Auto Calibration
- Manual Calibration



Note

Prior to Calibration, several parameters need to be set up. Travel mode needs to be selected in TVL_PRESS_CNTL [41], and in Basic Setup (BASIC_SETUP [42]) the following parameters must be configured: Actuator Style (ACTUATOR_STYLE [42.1]), Zero Power Condition (ZERO_PWR_COND [42.2]), Feedback Connection (FEEDBACK_CONN [42.4]), Relay Type (RELAY_TYPE [42.5]), and Travel Tuning Set (TVL_TUNING_SET [42.10]).

Autocal will automatically set Travel Sensor Motion (TRAVEL_SEN_MOTION [42.3]), however, this will need to be selected prior to Manual Calibration.

These parameter are set automatically by Device Setup, with the exception of Relay Type (RELAY_TYPE [42.5]). Relay Type needs to be changed only if relay B is used.

Auto Calibration

(TB > Configure/Setup > Calibration > Auto Calibration)

WARNING

During calibration the valve will move full stroke. To avoid personal injury and property damage caused by the release of process fluid or pressure, isolate the valve from the process and equalize pressure on both sides of the valve or bleed off the process fluid.

There are two auto travel calibration options available; autocalibrate-standard or autocalibrate- extended. Autocalibrate-extended is used for large actuators or actuators with accessories.

Auto Calibration requires user interaction only when the Feedback Connection is SStem Pot. If the Feedback Connection is SStem Roller Pot, no user interaction is required. For valves with the SStem Pot Feedback Connection, interaction provides a more accurate crossover adjustment.

1. Select the method of crossover adjustment: manual, last value, or default. Manual adjustment is recommended.

If you select Last Value, the crossover setting currently stored in the instrument is used and there are no further user interactions with the auto-calibration routine (go to step 3). If you select Default, an approximate value for the crossover is sent to the instrument and there are no further user interactions with the auto-calibration routine (go to step 3). If you select Manual, the Field Communicator prompts you to adjust the arm until the feedback arm is 90° to the actuator stem, as shown in figure 5-1. After you have made the adjustment (step 2), press OK and go to step 3.

2. The Field Communicator displays a menu to allow you to adjust the crossover.

Select the direction and size of change required to set the feedback arm so it is 90° to the actuator stem, as shown in figure 5-1.

If another adjustment is required, repeat step 2. Otherwise, select Done, and then Next and go to step 3.

3. The remainder of the auto-calibration procedure is automatic.

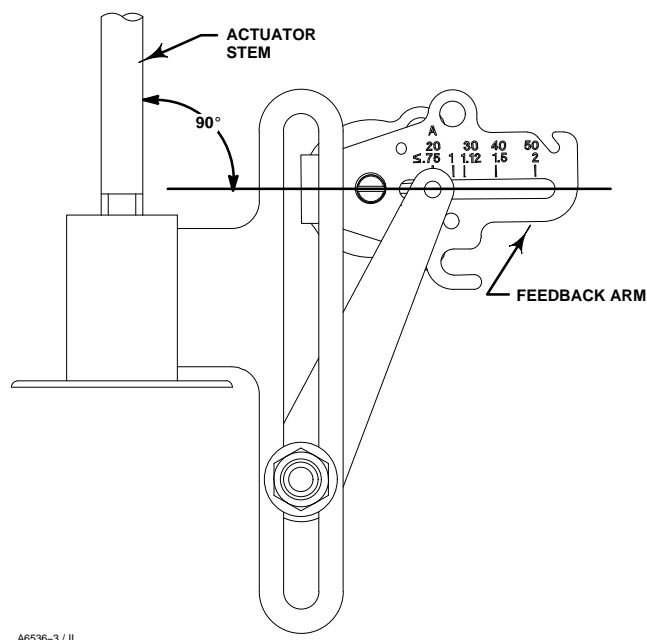


Figure 5-1. Crossover Point



Note

If the instrument is in the travel control state (Travel, Travel with Pressure Fallback Auto Recovery, or Travel with Pressure Fallback Manual Recovery) you will be prompted to calibrate the pressure range. If you select “yes” the valve is moved from 1% to 99%, and Pressure Range Lo (PRESS_RANGE_LO [42.8]) and Pressure Range Hi (PRESS_RANGE_HI [42.7]) are set.

4. When the calibration procedure has finished, you will be prompted to enter the name of the person performing the calibration procedure.

5. Enter the location of the calibration procedure, if desired.

6. Enter the date of the calibration procedure, if desired.

7. Place the Transducer Block Mode in Auto and verify that the travel properly tracks the setpoint changes.

DVC6000f Digital Valve Controllers

Manual Calibration

(TB > Configure/Setup > Calibration > Manual Calibration)

WARNING

During calibration the valve will move full stroke. To avoid personal injury and property damage caused by the release of process fluid or pressure, isolate the valve from the process and equalize pressure on both sides of the valve or bleed off the process fluid.

5



Note

**0% Travel = Valve Closed
100% Travel = Valve Open**

1. From the adjustment menu, select the direction and size of change required to adjust the output until the valve is near mid-travel (50%). Selecting large, medium, and small adjustments causes changes of approximately 10.0°, 1.0°, and 0.1°, respectively, to the feedback arm rotation. Selecting Next will implement the adjustment.

If another adjustment is required, repeat step 1. Otherwise, select Done and go to step 2.

2. If the feedback connection is SStem Roller Pot, go to step 4.

If the feedback connection is SStem Pot, adjust the feedback arm to the crossover point by pressing OK to get to the adjustment menu. Continue on with step 3.

3. From the adjustment menu, select the method of crossover; manual, last value or default. Manual adjustment is recommended.

If you select Last Value, the crossover setting currently stored in the instrument is used and there are no further user interactions with the auto-calibration routine (go to step 4). If you select Default, an approximate value for the crossover is sent to the instrument and there are no further user interactions with the calibration routine (go to step 4). If you select Manual, the Field Communicator prompts you to adjust the arm until the feedback arm is 90° to the actuator stem, as shown in figure 5-1.

If another adjustment is required, repeat step 3. Otherwise, select Done and go to step 4.

4. From the adjustment menu, select the direction and size of change required to set the travel to 0% (move the valve to close).

If another adjustment is required, repeat step 4. Otherwise, select Done and go to step 5.

5. From the adjustment menu, select the direction and size of change required to set the travel to 100% (move the valve to open).

If another adjustment is required, repeat step 5. Otherwise, select Done and go to step 6.

6. Enter the name of the person performing the calibration procedure.

7. Enter the location of the calibration procedure.

8. Enter the date of the calibration procedure.

9. Place the Transducer Block Mode in Manual and verify that the travel properly tracks the setpoint changes.

Relay

(TB > Configure/Setup > Calibration > Relay)



Note

Relay B and C are not user-adjustable.

For relay A it is recommended that you check the relay adjustment for double-acting installations before proceeding with travel calibration.

Double-Acting Relay

The double-acting relay is designated by "Relay A" on a label affixed to the relay itself. For double-acting actuators, the valve must be near mid-travel to properly adjust the relay. The Field Communicator will automatically position the valve when *Relay Adjust* is selected.

Rotate the adjustment disc, shown in figure 5-2, until the output pressure displayed on the Field Communicator is between 50 and 70% of supply pressure. This adjustment is very sensitive. Be sure to allow the pressure reading to stabilize before making another adjustment (stabilization may take up to 30 seconds or more for large actuators).

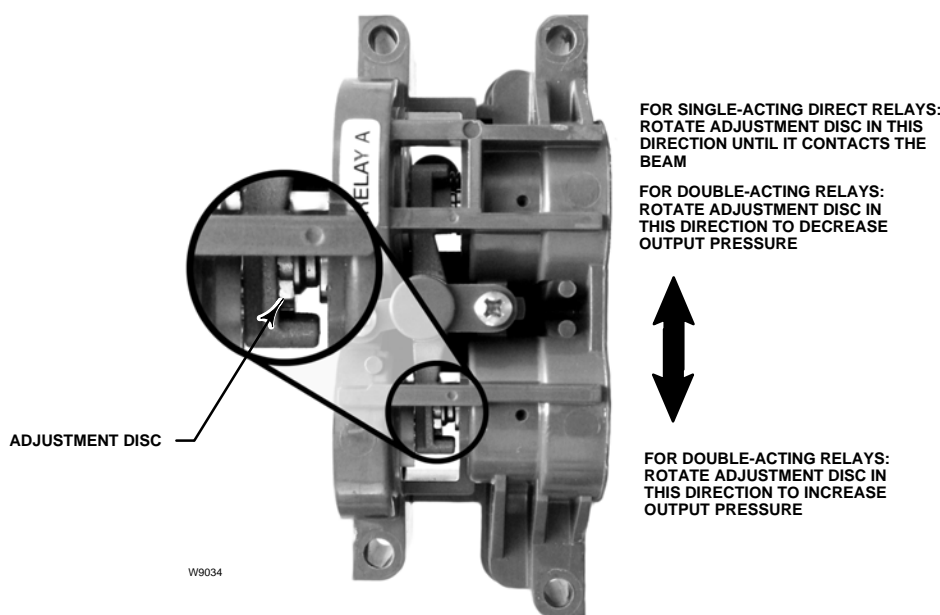


Figure 5-2. Relay A Adjustment (Shroud Removed for Clarity)

With the the low bleed relay option, stabilization may take up to two minutes longer than the standard relay.

Relay A may also be adjusted for use in single-acting-direct applications. Rotate the adjustment disc as shown in figure 5-2 for single-acting direct operation.

Single-Acting Relays

WARNING

If the unused port is monitoring pressure, ensure that the pressure source conforms to ISA Standard 7.0.01 and does not exceed the pressure supplied to the instrument.

Failure to do so could result in personal injury or property damage caused by loss of process control.

Single-Acting Direct Relay

The single-acting direct relay is designated by “Relay C” on a label affixed to the relay itself. Relay C requires no adjustment.

Single-Acting Reverse Relay

The single-acting reverse relay is designated by “Relay B” on a label affixed to the relay itself. Relay B

is calibrated at the factory and requires no further adjustment.

Travel Sensor

(TB > Configure/Setup > Calibration > Travel Sensor)

The travel sensor is normally adjusted at the factory and should not require adjustment. However, if the travel sensor has been replaced, adjust the travel sensor by performing the appropriate procedure. See the Maintenance section for Travel Sensor Replacement procedures.

WARNING

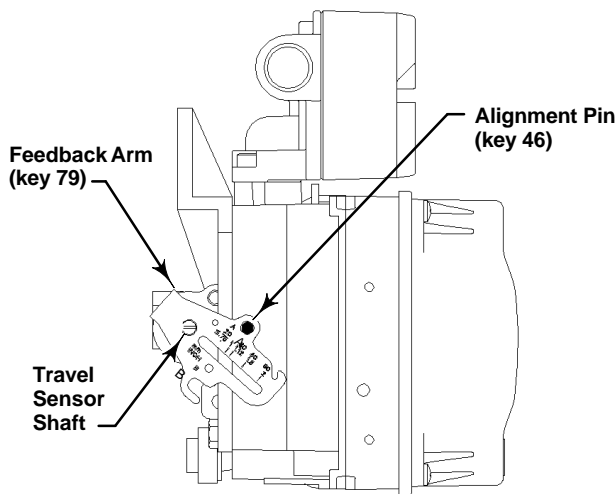
During a travel sensor adjustment, the valve may move. To avoid personal injury and property damage caused by the release of process fluid or pressure, isolate the valve from the process and equalize pressure on both sides of the valve or bleed off the process fluid.

DVC6010f, DVC6015, DVC6030f and DVC6035 Digital Valve Controllers

1. Remove supply air and remove the instrument from the actuator.

DVC6000f Digital Valve Controllers

5



A7023 / IL

Figure 5-3. FIELDVUE DVC6010f Digital Valve Controller Showing Feedback Arm in Position for Travel Sensor Adjustment

WARNING

Failure to remove air pressure may cause personal injury or property damage from bursting parts.

- As shown in figure 5-3, align the feedback arm (key 79) with the housing by inserting the alignment pin (key 46) through the hole marked "A" on the feedback arm. Fully engage the alignment pin into the tapped hole in the housing.



Note

The alignment pin (key 46) is stored inside the digital valve controller housing.

- Loosen the screw that secures the feedback arm to the travel sensor shaft. Position the feedback arm so that the surface of the feedback arm is flush with the end of the travel sensor shaft.
- Connect a Fieldbus power source and the Field Communicator to the instrument LOOP – and LOOP + terminals.

Table 5-1. Travel Sensor Counts

Digital Valve Controller	Travel Sensor Counts
DVC6010f / DVC6015	3300 ± 700 counts
DVC6020f / DVC6025	8600 ± 700 counts
DVC6030f ⁽¹⁾ / DVC6035 ⁽²⁾ Counterclockwise shaft rotation	3100 ± 700 counts
DVC6030f ⁽³⁾ / DVC6035 ⁽²⁾ Clockwise shaft rotation	13 400 ± 700 counts
1. Refer to figure 2-9 to determine the desired starting position for the DVC6030f based on counterclockwise potentiometer shaft rotation. 2. Refer to figure 2-14 to determine the desired starting position for the DVC6035 based on potentiometer shaft; counterclockwise or clockwise. 3. Refer to figure 2-10 to determine the desired starting position for the DVC6030 based on clockwise potentiometer shaft rotation.	

- Before beginning the travel sensor adjustment, set the Transducer Block Mode to Manual and the protection to None.
- From the *Calibrate* menu, select *Travel Sensor Adjust*. Follow the prompts on the Field Communicator display to adjust the travel sensor counts to the value listed in table 5-1.



Note

In the next step, be sure the feedback arm surface remains flush with the end of the travel sensor shaft.

- While observing the travel sensor counts, tighten the screw that secures the feedback arm to the travel sensor shaft. Be sure the travel sensor counts remain within the tolerances listed in table 5-1. Paint the screw to discourage tampering with the connection.
- Disconnect the Field Communicator and Fieldbus power source from the instrument.
- Remove the alignment pin and store it in the instrument housing.
- Install the digital valve controller on the actuator.

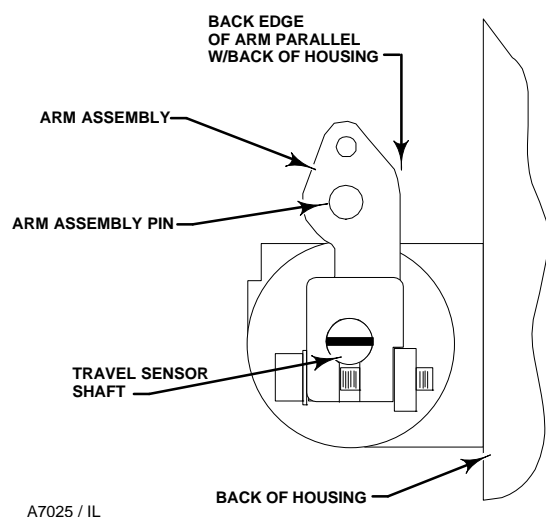
DVC6020f and DVC6025 Digital Valve Controllers

- Remove supply air and remove the instrument from the actuator.

WARNING

Failure to remove air pressure may cause personal injury or property damage from bursting parts.

- See figure 5-5 for parts identification. Disconnect the bias spring (key 82) from the feedback arm



A7025 / IL

Figure 5-4. FIELDVUE DVC6020f Travel Sensor Arm/Housing Back Plane Alignment

assembly (key 84) and the arm assembly (key 91). Remove the mounting bracket (key 74) from the back of the digital controller. Hold the arm assembly (key 91) so that the arm assembly points toward the terminal box and the arm is parallel to the back of the housing, as shown in figure 5-4.

3. Loosen the screw that secures the arm assembly to the travel sensor shaft. Position the arm assembly so that the outer surface is flush with the end of the travel sensor shaft.
4. Connect a fieldbus power source and the Field Communicator to the instrument LOOP- and LOOP+ terminals.
5. Before beginning the travel sensor adjustment, set the Transducer Block Mode to Manual and the protection to None.
6. From the *Calibrate* menu, select *Travel Sensor Adjust*. Follow the prompts on the Field Communicator display to adjust the travel sensor counts to the value listed in table 5-1.



Note

In the next step, be sure the arm assembly outer surface remains flush with the end of the travel sensor shaft.

7. While observing the travel sensor counts, tighten the screw that secures the arm assembly to the travel sensor shaft. Be sure the travel sensor counts remain

within the tolerances listed in table 5-1. Paint the screw to discourage tampering with the connection.

8. Disconnect the Field Communicator and Fieldbus power source from the instrument.
9. Apply anti-seize (key 64) to the pin portion of the arm assembly (key 91).
10. Replace the mounting bracket on the back of the instrument and reconnect the bias spring between the feedback arm assembly and the arm assembly on the travel sensor shaft.
11. Install the digital valve controller on the actuator.

Pressure Sensor Calibration

There are three pressure sensors: Supply, Output A, and Output B. Select the appropriate menu depending upon which pressure sensor you are calibrating.



Note

The pressure sensors are calibrated at the factory and should not require calibration.

Supply Pressure Calibration

(TB > Configure/Setup > Calibration > Supply Press)

For a Zero Only calibration, select Zero Only and follow the prompts on the Field Communicator.

To calibrate for Zero and Span, connect an external reference gauge to the output side of the supply regulator. The gauge should be capable of measuring maximum instrument supply pressure. Select Zero and Span and follow the prompts on the Field communicator.

When finished place the Transducer Block Mode in Auto. Verify that the displayed pressure matches the measured output pressure.

DVC6000f Digital Valve Controllers

5

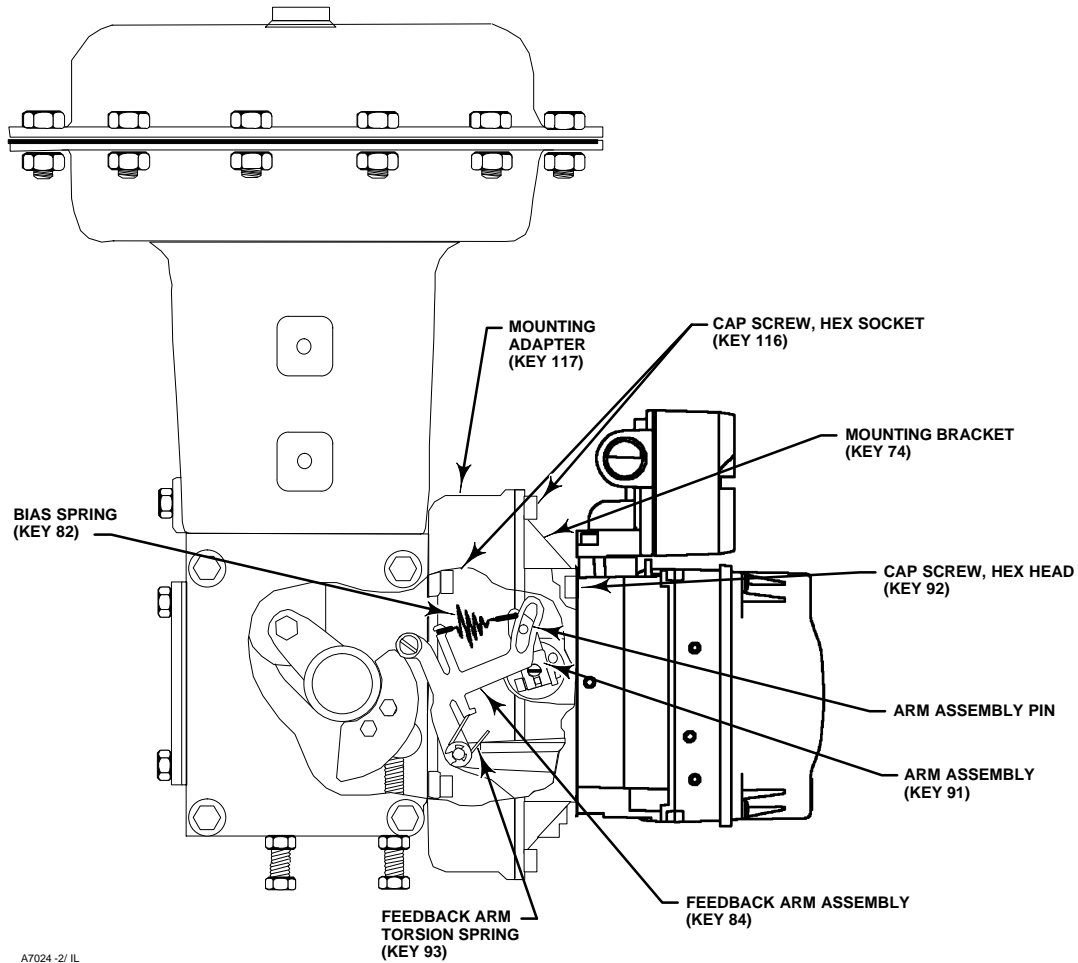


Figure 5-5. FIELDVUE DVC6020f Digital Valve Controller Mounted on Fisher 1052, Size 33 Actuator

Pressure A Calibration

(TB > Configure/Setup > Calibration > Press A)

For a Zero Only calibration, select Zero only and follow the prompts on the Field Communicator.

To do a Zero and Span calibration on the pressure A sensor, connect an external reference gauge to pressure A. The gauge should be capable of measuring maximum instrument supply pressure. Select Zero and Span and follow the prompts on the Field Communicator.

When finished place the Transducer Block Mode in Auto. Verify that the displayed pressure matches the measured output pressure.

Pressure B Calibration

(TB > Configure/Setup > Calibration > Press B)

For a Zero Only calibration, select Zero only and follow the prompts on the Field Communicator.

To do a Zero and Span calibration on pressure sensor B, connect an external reference gauge pressure sensor B. The gauge should be capable of measuring maximum instrument supply pressure. Select Zero and Span and follow the prompts on the Field Communicator.

When finished place the Transducer Block Mode in Auto. Verify that the displayed pressure matches the measured output pressure.

Section 6 Viewing Device Variables and Diagnostics

View Lists	6-3
Resource Block	6-3
Device Diagnostics	6-3
Resource Block Error	
Device State	
Fault State	
Write Lock	
Block Alarm	
Maintenance	
Device Variables	6-5
Instrument	6-5
Identification	
Version	
Options	6-6
Diagnostic Options	
Function Block Options	
Miscellaneous Options	
Features Available	
DD Information	6-6
Transducer Block	6-7
Device Diagnostics	6-7
Active PlantWeb Alerts	6-7
Alert Conditions	6-7
Status	6-8
Self Test Status	
Block Error	
Device Record	6-9
Stroke Valve	6-10
Trend	6-10
Device Variables	6-10
All Block Modes	6-10
AO Control – Pre-Characterization	6-10
AO Control – Post-Characterization	6-11
DO Control	6-11
Input Char	6-11
Travel/Pressure State	6-11
PD Inside Status	6-11

DVC6000f Digital Valve Controllers

Protection	6-11
Drive Signal	6-11
Temperature	6-11
Cycle Count	6-11
Travel Accumulator	6-11
Travel Count	6-11
Pressures	6-12

Viewing Device Variables and Diagnostics

View Lists

View Lists allow the values of a set of parameters to be accessed at the same time. View lists are available for the resource and transducer blocks, and the function blocks.

Resource Block—tables 4-4 through 4-7

Transducer Block—tables 4-14 through 4-20

AO Function Block—tables 4-25 through 4-28

PID Function Block—tables 4-32 through 4-35

IS Function Block—tables 4-40 through 4-43

OS Function Block—tables 4-48 through 4-51

AI Function Block—tables 4-57 through 4-60

MAI Function Block—tables 4-64 through 4-67

DO Function Block—tables 4-72 through 4-75

DI Function Block—tables 4-81 through 4-84

Table 6-1. Resource Block BLOCK_ERR Conditions

Condition Number	Condition Name and Description
0	Other - Set if a device initialization error occurred.
1	Block Configuration Error - Set if FEATURE_SEL, CYCLE_SEL, or CYCLE_TYPE is set incorrectly.
2	<i>Link Configuration Error - N/A</i>
3	Simulate Active - Indicates that the simulation jumper is in place on the aux terminals. This is not an indication that the I/O blocks are using simulation data. See AO block parameter SIMULATE [10] and DO block parameter SIMULATE_D [10].
4	<i>Local Override - N/A</i>
5	<i>Device Fault State - N/A</i>
6	Device Needs Maintenance Soon - Indicates a Maintenance PlantWeb Alert condition is active.
7	<i>Input failure/process variable had Bad status - N/A</i>
8	<i>Output failure - N/A</i>
9	Memory failure - Indicates a pending Flash or NVM failure.
10	Lost Static Data - Indicates failure of the memory containing static parameters
11	Lost NV Data - Indicates failure of the memory containing non-volatile parameters.
12	<i>Readback Check Failed - NA</i>
13	Device Needs Maintenance Now - Indicates a Failed PlantWeb Alert condition is active.
14	Power Up - Indicates the device has been powered up and the Resource Block is <u>not</u> running normally.
15	Out of Service (MSB) - The resource block actual mode is Out of Service.

6



Note

Views Lists are used by hosts for efficient monitoring of multiple parameters. Normally you will not be aware of view list usage, as they are hidden by the host software.



Device Diagnostics

Resource Block Error

(RB > Device Diagnostics > Resource Block Error)

Block Error (BLOCK_ERR [6]) indicates an error status associated with hardware or software for the resource block.

Table 6-1 lists conditions reported in the BLOCK_ERR [6] parameter. Conditions in *italics* are not applicable for the resource block and are provided only for your reference.

Device State

(RB > Device Diagnostics > Device State)

Device State (RS_STATE [7]) indicates the state of the function blocks. Four states are possible:

- **Initialization**—The instrument enters this state upon restart or failure. The function blocks are in

Resource Block

This section contains information on the DVC6000f digital valve controller resource block. The resource block defines the physical resources of the device. The resource block also handles functionality that is common across multiple blocks. The block has no linkable inputs or outputs.

DVC6000f Digital Valve Controllers

the IMan mode. During the initialization state, all unreported function block alarms are automatically confirmed and acknowledged. Once the instrument is considered operational, block execution is scheduled and the instrument state moves to Online.

- **Online**—The instrument will be in this state if it is operational. The function blocks are initially in the Auto mode, but can be changed to a higher level mode.
- **Standby**—The instrument enters this state if the resource block mode is Out of Service (OOS). In this state all function block modes are forced to Out of Service. The transducer block mode is not affected. When the resource block mode is changed to Auto, the instrument state moves to Online.
- **Failure**— The instrument moves to this state whenever a hardware or memory failure is detected which would prevent reliable operation. All function blocks and the transducer block modes are Out of Service.

6

Write Lock

(RB > Device Diagnostics > Write Lock)

- Write Alarm: Alarm State
- Write Lock

Write Lock (WRITE_LOCK [34]) determines if writes are permissible to other device parameters. The Soft Write Lock feature must be selected to be able to use Write Lock (see Selecting Features). When Write Lock is set to Locked, no writes are permitted to any parameters within the device except to set Write Lock to Not Locked. When locked, the block functions normally, updating inputs and outputs and executing algorithms. When Write Lock is set to Not Locked, the Write Alarm alert is active.

Block Alarm

(RB > Device Diagnostics > Block Alarm)

The Block Alarm (BLOCK_ALM [36]) is used for all configuration, hardware, connection failure or system problems in the block.

- Block Alarm: Alarm State

Block Alarm: Alarm State (BLOCK_ALM.ALARM_STATE [36.2]) indicates the state of the Block Alarm. Five states are possible:

- Undefined
- Clear reported

- Clear not reported
- Active reported
- Active not reported

- Block Alarm: Unacknowledged

Block Alarm: Unacknowledged (BLOCK_ALARM.UNACKNOWLEDGED [36.1])

- 1 = Undefined
- 2 = Acknowledged
- 3 = Unacknowledged

Maintenance

(RB > Device Diagnostics > Maintenance)

- Restart Actions

WARNING

Restarting the instrument may cause loss of process control. To avoid personal injury and property damage caused by the release of pressure of process fluid, provide some temporary means of control for the process.

You can restart the instrument to reset parameters, links, etc. within the instrument. However, due to the effect that a restart can have on the instrument, and therefore the control loop, restarting the instrument should be used cautiously and only as a last measure. The following procedure describes how to use Restart Options to restart the instrument with a Field Communicator. You can also restart the instrument using ValveLink software or from a host system using the Restart method included with the device description (DD) software.

You can restart the instrument any time it is connected to an active segment.

To restart the instrument, select *Resource Block, Configure/Setup, and Restart Options* on the Field Communicator.

1. Restart informs you about what can happen when an instrument restart is performed. Select *Yes* to continue, or *No* to abort without restarting.
2. Select the desired restart action or select *EXIT* to exit Restart. Select *Help* (not the Help button) to get information on restart actions.

There are two different restarts: Restart Processor, and Restart with Defaults:

When selecting either of these options, Restart informs you of the consequences of this action and

Viewing Device Variables and Diagnostics

asks if you want to continue. Select *Yes* to perform the restart action, select *No* to select another action or exit. Restart informs you when the restart is completed. You must acknowledge the message to continue.

Restart Processor—Performing a Restart Processor has the same effect as removing power from the instrument and re-applying power. Configuration and calibration do not change.

Restart with Defaults—Performing a Restart with Defaults should be done with care. This restart resets most of the static and non-volatile parameters for all of the blocks in the instrument to their initial value, as listed in table 4-2. After a Restart with Defaults, you should place the instrument in service (the transducer block mode to auto) and run Device Setup and download the instrument configuration from the control system to properly setup the instrument. You also may need to re-establish communication links and trends.

- **Fault State**

Fault State (FAULT_STATE [28]), when active, indicates that the resource block is currently forcing the output block to perform its FSTATE [28] action. Selecting Fault State enables the ability to manually set and clear the fault state.

- **Set Fault State**

Selecting Set Fault State (SET_FSTATE [29]) changes the Fault State (FAULT_STATE [28]) to Active. Setting Set FState (SET_FSTATE [29]) to SET manually places the instrument in the fault state.

- **Clear Fault State**

Setting Clear FState (CLR_FSTATE [30]) to CLEAR clears the device fault state, if no faults are currently active. You can test the actions the output blocks will perform by manually setting fault state active.



Device Variables

Instrument

(RB > Device Variables > Instrument)

The following parameters are contained in the the Instrument menu of the resource block.

Identification

- **Device ID**

The 32 character Device ID (DEVICE_ID [54]).

- **Electronics Serial Number**

The Electronics Serial Number (ELECTRONICS_SN [49]) set at the factory.

- **Factory Serial Number**

The Factory Serial Number (FACTORY_SN [50]) is the instrument serial number set at the factory.

- **Field Serial Number**

The Field Serial Number (FIELD_SN [51]) is the serial number of the valve and actuator on which the instrument is mounted.

- **Tag Description**

The Tag Description (TAG_DESC [2]) is unique description of each block within the digital valve controller, used to describe the intended application for the block. Follow the prompts on the Field Communicator to enter an up to 32 character description for the block in the Tag Description field. (This parameter is read/write.)

- **Strategy**

Strategy (STRATEGY [3]) permits strategic grouping of blocks so the operator can identify where the block is located. The blocks may be grouped by plant area, plant equipment, etc. Enter a value between 0 and 65535 in the Strategy field.

- **Manufacturer**

Manufacturer Identification (MANUFAC_ID [10]) identifies the manufacturer of the instrument. It is used by the host system to locate the DD file for the device. For Fisher the Manufacturer ID is 0x5100.

- **Device Type**

Device Type (DEV_TYPE [11]) identifies the type of device. It is used by the host system to locate the DD file for the device. For a DVC6000f digital valve controller with Standard Control the device type is 0x4602.

Version

- **Device Revision**

Device Revision (DEV_REV [12]) identifies the device revision number. It is used by the host system to locate the DD file for the device.

- **Firmware Revision**

Firmware Revision (FIRMWARE_REV_ALL [47.6]) shows all device firmware revisions currently in operation.

DVC6000f Digital Valve Controllers

- **Standby Firmware Revision**

Standby Firmware Revision (STBY_FIRMWARE_REV_ALL [55.6]) shows all device firmware revisions currently in standby.

- **Hardware Revision**

Hardware Revision(HARDWARE_REV[48]) identifies the electronic hardware revision.

- **ITK Version**

ITK Version (ITK_VER [41]) identifies the major version of the Interoperability Tester used by the Fieldbus Foundation in certifying the device as interoperable. This device revision meets the requirements of version 5.

Options

(RB > Device Variables > Options)

The following parameters are contained in the the Options menu of the resource block.

- **Diagnostic Options**

Diagnostic Options (DIAG_OPTIONS [45]) shows the diagnostic options available in the instrument.

- **Function Block Options**

Function Block Options (FB_OPTIONS [44]) shows which function blocks are licenced and enabled in the instrument.

- **Miscellaneous Options**

Miscellaneous Options (MISC_OPTIONS [46]) indicates which miscellaneous licensing options are enabled.

- **Features Available**

Features (FEATURES [17]) shows the supported resource block options.

DD Information

(RB > Device Variables > DD Information)

DD Information contains information about the Device Description (DD).

Transducer Block

This section contains information on the DVC6000f digital valve controller transducer block. Descriptions of all transducer block parameters are included. The transducer block decouples function blocks from the local output functions required to command output hardware. The transducer block typically contains setup and calibration information.



Device Diagnostics

Active PlantWeb Alerts

(TB > Device Diagnostic > Active PlantWeb Alerts)

To view the active PlantWeb alerts select Active PlantWeb Alerts.

Alert Conditions

(TB > Device Diagnostics > Alert Conditions)

Instrument Alert Conditions, when enabled, detect many operational and performance issues that may be of interest. The alert conditions for each group of alerts are listed below. If there are no alerts active for a particular group the group will not be displayed on the Field Communicator.

- **Electronics**—if an electronics alert is active it will appear under ELECT ALERTS

Drive Current

Drive Current Alert—This alert is active when the difference between the expected Drive Current and the actual Drive Current has exceeded the Drive Current Alert Time.

Drive Signal

Drive Signal Alert—The Drive Signal Alert is active if one of the following conditions exist:

Where Zero Power Condition is defined as closed:

Drive Signal < 10% and Calibrated Travel > 3%

Drive Signal > 90% and Calibrated Travel < 97%

Where Zero Power Condition is defined as open:

Drive Signal < 10% and Calibrated Travel < 97%

Drive Signal > 90% and Calibrated Travel > 3%

Processor Impaired

Program Memory Alert—This alert is active if a pending flash or NVM failure is present.

Static Memory Alert—This alert is active when there is a failure of the FRAM memory where static parameters are stored.

Processor Alert—This alert is active when there is a failure of the main processor.

I/O Processor Alert—This alert is active when there is a failure of the I/O processor.

- **Configuration**—If a configuration alert is active it will appear under CONFIG ALERTS

Output Block Timeout

Output Block Timeout Alert—This alert is active if the output block has not executed for a period of time longer than the configured timeout.

Blocks Set to Default

Blocks Set to Default Alert—This alert is active if the resource block has undergone Restart with Defaults. This will stay active until the transducer block is changed from Out of Service.

- **Sensor**—If a configuration alert is active it will appear under SENSOR ALERTS

Travel Sensor

Travel Sensor—This alert is active if the Travel Sensor reading is outside the functional range.

Pressure Sensors

Pressure A Sensor Alert—This alert is active if the Port A Pressure Sensor reading is outside the functional range.

Pressure B Sensor Alert—This alert is active if the Port B Pressure Sensor reading is outside the functional range.

Supply Pressure Sensor Alert—This alert is active if the Pressure Sensor reading is outside the functional range.

Pressure Fallback

Pressure Fallback Alert—This alert is active if a travel sensor failure or a gross travel deviation has resulted in fallback to pressure control.

Temperature Sensor

Temperature Sensor Alert—This alert is active if the temperature sensor reading is outside the functional range of the sensor.

- **Environment**—If an environment alert is active it will appear under ENVIRO ALERTS

Supply Pressure

Supply Pressure Hi Alert—This alert is active if the supply pressure exceeds the Supply Pressure Hi Alert.

Supply Pressure Lo Alert—This alert is active if the supply pressure exceeds the Supply Pressure Lo Alert.

DVC6000f Digital Valve Controllers

Temperature Limit

Temperature Hi Alert—This alert is active if the temperature is greater than the Temperature Hi Alert Point.

Temperature Lo Alert—This alert is active if the temperature is greater than the Temperature Lo Alert Point.

- **Travel**—If a travel alert is active it will appear under TRAVEL ALERTS

Travel Deviation

Travel Deviation Alert—This alert is active if the Travel deviation exceeds the Travel Deviation Alert Point by more than the Travel Deviation Time.

Travel Limit

Travel Limit Hi Hi Alert—This alert is active if Travel exceeds the Travel Limit Hi Hi Alert point.

Travel Limit Lo Lo Alert—This alert is active if Travel is lower than the Travel Limit Lo Lo Alert point.

Travel Hi/Lo

Travel Limit Hi Alert—This alert is active if Travel exceeds the Travel Limit Hi Alert point.

Travel Limit Lo Alert—This alert is active if Travel is lower than the Travel Limit Lo Alert point.

- **Proximity**—If a proximity alert is active it will appear under PROX ALERTS

Travel Open

Travel Open Alert—This alert is active if the travel is greater than the travel open alert point.

Travel Closed

Travel Closed Alert—This alert is active if the travel is greater than the travel closed alert point.

Proximity

Proximity Hi Hi Alert—This alert is active if the Travel is within the detection band set by the Travel Hi Hi Alert Point and the Travel Hi Hi Deadband.

Proximity Hi Alert—This alert is active if the Travel is within the detection band set by the Travel Hi Alert Point and the Travel Hi Deadband.

Proximity Lo Alert—This alert is active if the Travel is within the detection band set by the Travel Lo Alert Point and the Travel Lo Deadband.

Proximity Lo Lo Alert—This alert is active if the Travel is within the detection band set by the Travel Lo Lo Alert Point and the Travel Lo Lo Deadband.

- **Travel History Alerts**—If a travel history alert is active it will appear under TVL HIST ALERTS

Cycle Counter

Cycle Counter Alert—This alert is active if the Cycle Counter exceeds the Cycle Count Alert Point.

Travel Accumulator

Travel Accumulator Alert—This alert is active if the Travel Accumulator exceeds the Travel Accumulator Alert Point.

- **Performance Alerts**—if a performance alert is active it will appear under PERF ALERTS

Performance Critical

Performance Critical Alert—This alert is active if the instrument is no longer able to control the valve or performance has been dramatically reduced.

Performance Reduced Alert—This alert is active if the instrument has detected a reduction in performance.

Performance Information Alert—This alert is active if the instrument has detected a condition that may pertain to control performance.

Status

(TB > Device Diagnostics > Status)

Self Test Status

Integrator Suspended—The integrator function is temporarily suspended. The integrator is suspended if any of the following conditions are met:

- The setpoint and actual travel are greater than 98% or less than 2%.
- The set point is in cutoff
- The Transducer block is Out of Service (OOS)

Integrator Limited Lo—Indicates the integrator reached its limit and cannot move the valve any further. High valve friction may cause this situation.

Integrator Limited Hi—Indicates the integrator reached its limit and cannot move the valve any further. High valve friction may cause this situation.

Travel Sensor Span Error—Indicates that span between the endpoints of travel are not far enough apart. This error is reported during automatic calibration.

MLFB Error—Indicates that the Minor Loop Feedback sensor gave a non-valid value during automatic calibration.

Travel Sensor Hi Error—Indicates the travel sensor has reported a travel position that is significantly above the normal operating range, and has failed.

Travel Sensor Lo Error—Indicates the travel sensor has reported a travel position that is significantly below the normal operating range, and has failed.

Pressure B Sensor Failure—Indicates the pressure sensor is reporting a pressure that is significantly

Viewing Device Variables and Diagnostics

outside of the normal operating pressure, and has failed.

Pressure A Sensor Failure—Indicates the pressure sensor is reporting a pressure that is significantly outside of the normal operating pressure, and has failed.

Supply Sensor Failure—Indicates the pressure sensor is reporting a pressure that is significantly outside of the normal operating pressure, and has failed.

IOP Failure—Indicates the I/O processor has failed.

Drive Current Alert—Indicates that the Drive Current has exceeded the Drive Current Alert Point for more than the Drive Current Alert Time.

Simulate Jumper ON—Indicates the simulate jumper is connected to the DVC6000f between the two AUX terminals.

Block Error

Table 6-2 lists conditions reported in the BLOCK_ERR [6] and XD_ERROR [11] parameters. Conditions in *italics* are not applicable for the transducer block and are provided only for your reference.

Table 6-2. Transducer Block BLOCK_ERR and XD_ERROR Conditions

Condition Number	Condition Name and Description
0	<i>Other - (N/A)</i>
1	Block Configuration Error - Indicates that one of the following parameters have been configured out of the proper range: 15, 16, 47.1, 47.2, 46.3, 46.5, 42.7, 42.8.
2	<i>Link Configuration Error - (N/A)</i>
3	Simulate Active - Indicates that alerts are being simulated. This is not an indication that the I/O blocks are using simulation data. See AO block parameter SIMULATE [10] and DO block parameter SIMULATE_D [10].
4	<i>Local Override - (N/A)</i>
5	<i>Device Fault State - (NA)</i>
6	<i>Maintenance Needed Soon - (N/A)</i>
7	<i>Input failure/process variable has Bad status - (N/A)</i>
8	<i>Output failure - (N/A)</i>
9	<i>Memory failure - (N/A)</i>
10	Lost Static Data - Indicates that manufacturing functional or thermal tests were incomplete
11	<i>Lost NV Data - (N/A)</i>
12	<i>Readback Check Failed - (N/A)</i>
13	Device Needs Maintenance Now - Indicates that manufacturing functional or thermal tests were incomplete
14	<i>Power Up - (N/A)</i>
15	Out of Service - Indicates Out of Service Mode.

Device Record

(TB > Device Diagnostics > Device Record)

The following parameters are contained in the Device Record menu of the transducer block.

- **Maximum Recorded Temperature**

Maximum Recorded Temperature (TEMP_MAX [86.1]) shows the maximum temperature the instrument has experienced since installation.

- **Maximum Recorded Temperature Time**

Maximum Recorded Temperature Time (TEMP_MAX_TIME [86.2]) shows the date and time when the Temperature Maximum occurred.

- **Minimum Recorded Temperature**

Minimum Recorded Temperature (TEMP_MIN [86.3]) shows the minimum temperature the instrument has experienced since installation.

- **Minimum Recorded Temperature Time**

Minimum Recorded Temperature Time (TEMP_MIN_TIME [86.4]) shows the date and time when the Temperature Minimum occurred.

- **Maximum Recorded Supply Pressure**

Maximum Recorded Supply Pressure (SUPPLY_PRESS_MAX [86.5]) shows the maximum supply pressure the instrument has experienced since installation.

- **Maximum Recorded Supply Pressure Time**

Maximum Recorded Supply Pressure Time (SUPP_PRESS_MAX_TIME [86.6]) shows the date and time when the Supply Pressure Maximum occurred.

- **Minimum Recorded Supply Pressure**

Minimum Recorded Supply Pressure (SUPP_PRESS_MIN [86.7]) shows the minimum supply pressure the instrument has experienced since installation.

- **Minimum Recorded Supply Pressure Time**

Minimum Recorded Supply Pressure Time (SUPP_PRESS_MIN_TIME [86.8]) shows the date and time when the Supply Pressure Minimum occurred.

DVC6000f Digital Valve Controllers

Stroking the Digital Valve Controller Output

(TB > Device Diagnostics > Stroke Valve)

Stroke Valve is used to confirm proper valve operation. From the *Transducer Block* menu, select *Stroke Valve*. Follow the prompts on the Field Communicator display to select from the following: *Done*, *Ramp Open*, *Ramp Closed*, *Ramp to Target*, *Step to Target*, and *Stop*.

- *Done*—Select this if you are done. All ramping is stopped when DONE is selected.
- *Ramp Open*—ramps the travel toward open at the rate of 1.0% per second of the ranged travel.
- *Ramp Closed*—ramps the travel toward closed at the rate of 1.0% per second of the ranged travel.
- *Ramp to Target*—ramps the travel to the specified target at the rate of 1.0% per second of the ranged travel.
- *Step to Target*—steps the travel to the specified target.
- *Stop*—stops the command.

Trend

(TB > Device Variables > Trend)

Trend chart of Setpoint (FINAL_VALUE.VALUE [13.2]), Travel (TRAVEL.VALUE [34.2]), and Pressure A (PRESSURE_A.VALUE [36.2]).

Device Variables



All Block Modes

(TB > Device Variables > All Block Modes)

Block Mode: Target

The Target (TARGET [5.1]) mode is the mode requested by the user or host system. Generally, only one mode is allowed to be set, and it must be a permitted mode as defined by the permitted attribute of the mode parameter. Additionally, all cascade targets (Cas, Rcas) must have AUTO set.

Block Mode: Actual

This is the current mode of the block. The actual (ACTUAL [5.2]) mode may differ from the target mode due to operating conditions of the block.



Note

Block Mode:Actual drops the AUTO bit for the cascade targets. For example, target mode might have Cas and Auto set, but actual mode will only have Cas set.

Block Mode: Permitted

The permitted (PERMITTED [5.3]) mode defines the modes allowed for the block. This is set by the user or host system but is restricted by the instrument to modes supported by the instrument for the particular block. Any change request to the Target or Normal attribute is checked against the permitted attribute to ensure the requested mode is permitted. When setting the Permitted mode, there is no check against any of the other attributes (Normal or Target modes). Therefore, the normal or target mode attributes may have a value that is not permitted because the permitted attribute was modified after the Normal or Target mode was set. This will have no effect on the instrument until the user attempts to modify the Target or Normal mode. At this time these attributes are tested against the Permitted modes, thus the user cannot change the Normal or Target modes to what was formerly permitted.

Block Mode: Normal

The normal (NORMAL [5.4]) mode is the mode the block should be in during normal operating conditions. The normal mode is set by the user or host system and can only be set to a permitted mode (see permitted mode). The user or host system can compare the actual mode to the normal mode and, based on the results, determine if the block is operating normally.

AO Control – Pre-Characterization

(TB > Device Variables > AO Control – Pre-Char)

• Setpoint

Setpoint (FINAL_VALUE.VALUE [13.2]) shows the value of the setpoint in % (percent) of ranged travel or pressure. Setpoint is used for both travel and pressure control. This parameter will be written directly if the transducer block is in MAN mode, or will be written automatically by the AO block if the transducer block is in AUTO mode.

Viewing Device Variables and Diagnostics

- **Setpoint Status**

Shows the Foundation Fieldbus status of Setpoint Value (FINAL_VALUE.STATUS [13.2]); Good, Uncertain, or Bad.

- **Travel (DeChar)**

Travel (FINAL_POSITION_VALUE.VALUE [17.2]) shows the value of the travel in % (percent) of ranged travel. Travel always represents how far the valve is open.

AO Control-Post Characterization

(TB > Device Variables > AO Control-Post Char)

- **Travel Target**

Travel target is the output from the characterization function.

- **Travel**

Travel (TRAVEL.VALUE [34.2]) displays the actual position of the valve in percent (%) of calibrated travel.

- **Travel Status**

Shows the Foundation Fieldbus status of Travel Value (TRAVEL.STATUS [34.1]); Good, Uncertain, or Bad.

DO Control

(TB > Device Variables > DO Control)

- **Setpoint(D)**

Discrete Setpoint (SETPOINT_D.VALUE [32.2]) shows the value of the setpoint in discrete values. 0 = closed, 1 = open, 5, 10, 15... = setpoint in 5% units. This parameter will be written directly if the transducer block is in MAN mode, or will be written automatically by the DO block if the transducer block is in AUTO mode.

- **Travel(D)**

Travel (TRAVEL_D.VALUE [33.2]) shows the value of the setpoint in discrete values. 0 = closed, 1 = open, 5, 10, 15... = setpoint in 5% units.

Input Characterization

(TB > Device Variables > Input Characterization)

Input Characterization (INPUT_CHAR [50]) defines the relationship between the setpoint specified by the output function block and the desired valve position.

Travel/Pressure State

(TB > Device Variables > Travel/Pressure State)

Travel/Pressure State (TVL_PRESS.STATE [41.2]) indicates if the instrument is being used for travel control (position control) or as an I/P (pressure control)

PD Inside Status

(TB > Device Variables > PD Inside Status)

PD Inside Status shows the status of Performance Diagnostics.

Protection

(TB > Device Variables > Protection)

Indicates the status of Protection.

Drive Signal

(TB > Device Variables > Drive Signal)

Drive Signal (DRIVE_SIGNAL [53]) indicates the drive signal, as a percentage of the maximum drive available, going to the I/P converter from the printed wiring board. In most applications, the drive signal ranges between 50% and 75% of the maximum drive signal.

Temperature

(TB > Device Variables > Temperature)

Temperature (TEMPERATURE [48]) displays the internal temperature of the instrument in either degrees Fahrenheit or Celsius.

Cycle Counter

(TB > Device Variables > Cycle Counter)

Cycle Counter (CYCLE_COUNT [73]) records the number of times the travel changes direction. The change in direction must occur after the deadband has been exceeded before it can be counted as a cycle.

Travel Accumulator

(TB > Device Variables > Travel Accumulator)

Travel Accumulator (TRAVEL_ACCUM [72]) indicates the total change in travel, in percent of ranged travel. The accumulator only increments when travel exceeds the deadband. Then the greatest amount of change in one direction from the original reference point (after the deadband has been exceeded) will be added to the Travel Accumulator.

Travel Count

(TB > Device Variables > Travel Count)

Travel Count (TVL_COUNT [43.1]) is the Travel Sensor readback displayed in A/D counts.

DVC6000f Digital Valve Controllers

Pressures

(TB > Device Variables > Pressures)

- **Supply**

Supply (SUPPLY_PRESSURE_VALUE [35.2]) shows the value of the supply pressure in psi, bar, kPa, inHg, inH₂O, or kg/cm².

- **Pressure A**

Pressure A (PRESSURE_A.VALUE [36.2]) shows the value of Output Pressure A in psi, bar, kPa, inHg, inH₂O, or kg/cm².

- **Pressure B**

Pressure B (PRESSURE_B.VALUE [37.2]) shows the value of Output Pressure B in psi, bar, kPa, inHg, inH₂O, or kg/cm².

- **A Minus B**

A Minus B (PRESSURE_DIFF.VALUE [38.2]) shows the value of the output pressure differential in psi, bar, kPa, inHg, inH₂O, or kg/cm².

Section 7 Maintenance and Troubleshooting

Module Base Maintenance

Removing the Module Base	7-4
Replacing the Module Base	7-5

SubModule Maintenance

I/P Converter	
Replacing the I/P Filter	7-6
Removing the I/P Converter	7-7
Replacing the I/P Converter	7-7
Printed Wiring Board (PWB) Assembly	
Removing the Printed Wiring Board Assembly	7-8
Replacing the Printed Wiring Board Assembly	7-8
Setting the Printed Wiring Board Switch	7-8
Pneumatic Relay	
Removing the Pneumatic Relay	7-8
Replacing the Pneumatic Relay	7-8
Gauges, Pipe Plugs or Tire Valves	7-8

Terminal Box

Removing the Terminal Box	7-9
Replacing the Terminal Box	7-9

Travel Sensor

Disassembly	
DVC6010f Digital Valve Controller and DVC6015 Remote Feedback Unit (Sliding-Stem)	7-10
DVC6020f Digital Valve Controller and DVC6025 Remote Feedback Unit (Rotary)	7-10
DVC6030f Digital Valve Controller and DVC6035 Remote Feedback Unit (Rotary)	7-10
Assembly	
DVC6010f Digital Valve Controller and DVC6015 Remote Feedback Unit (Sliding-Stem)	7-11
DVC6020f Digital Valve Controller and DVC6025 Remote Feedback Unit (Rotary)	7-12
DVC6030f Digital Valve Controller and DVC6035 Remote Feedback Unit (Rotary)	7-14



DVC6000f Digital Valve Controllers

Stroking the Digital Valve Controller Output	7-15
Troubleshooting	7-15
Instrument Troubleshooting	7-15

Maintenance

The DVC6000f digital valve controller enclosure is rated NEMA 4X and IP66, therefore periodic cleaning of internal components is not required. If the DVC6000f is installed in an area where the exterior surfaces tend to get heavily coated or layered with industrial or atmospheric contaminants, however, it is recommended that the vent (key 52) be periodically inspected to ensure it is fully open. If the vent appears to be clogged, the vent can be removed, cleaned and replaced. Lightly brush the exterior of the vent to remove contaminant and run a mild water/detergent solution through the vent to ensure it is fully open.



WARNING

Personal injury or property damage can occur from cover failure due to overpressure. Ensure that the housing vent opening is open and free of debris to prevent pressure buildup under the cover.



WARNING

To avoid static discharge from the plastic cover when flammable gases or dust are present, do not rub or clean the cover with solvents. To do so could result in a spark that may cause the flammable gasses or dust to explode, resulting in personal injury or property damage. Clean with a mild detergent and water only.



WARNING

Avoid personal injury or property damage from sudden release of process pressure or bursting of parts. Before performing any maintenance procedures on the DVC6000f digital valve controller:

- Always wear protective clothing, gloves, and eyewear to prevent personal injury.
- Do not removed the actuator from the valve while the valve is still pressurized.

- Disconnect any operating lines providing air pressure, electric power, or a control signal to the actuator. Be sure the actuator cannot suddenly open or close the valve.

- Use bypass valves or completely shut off the process to isolate the valve from process pressure. Relieve process pressure from both sides of the valve.

- Use lock-out procedures to be sure that the above measures stay in effect while you work on the equipment.

- Check with your process or safety engineer for any additional measures that must be taken to protect against process media.

- Vent the pneumatic actuator loading pressure and relieve any actuator spring precompression so the actuator is not applying force to the valve stem; this will allow for the safe removal of the stem connector.



WARNING

When using natural gas as the supply medium, or for explosion proof applications, the following warnings also apply:

- Remove electrical power before removing the housing cap. Personal injury or property damage from fire or explosion may result if power is not disconnected before removing the cap.

- Remove electrical power before disconnecting any of the pneumatic connections.

- When disconnecting any of the pneumatic connections or any pressure retaining part, natural gas will seep from the unit and any connected equipment into the surrounding atmosphere. Personal injury or property damage may result from fire or explosion if natural gas is used as the supply medium and appropriate preventive measures are not taken. Preventive measures may include, but are not limited to, one or more of the following: Remote venting of the unit, re-evaluating the hazardous area classification, ensuring adequate

DVC6000f Digital Valve Controllers

ventilation, and the removal of any ignition sources. For information on remote venting of this controller, refer to page 2-22.

- Ensure that all caps and covers are correctly installed before putting this unit back into service. Failure to do so could result in personal injury or property damage from fire or explosion.

CAUTION

When replacing components, use only components specified by the factory. Always use proper component replacement techniques, as presented in this manual. Improper techniques or component selection may invalidate the approvals and the product specification, as indicated in table 1-1. It may also impair operations and the intended function of the device.



Note

If the feedback arm or feedback arm assembly is removed from the digital valve controller, the travel sensor must be re-calibrated.

Because of the diagnostic capability of the DVC6000f digital valve controller, predictive maintenance is available through the use of ValveLink software. Using the digital valve controller, valve and instrument maintenance can be enhanced, thus avoiding unnecessary maintenance. For information on using ValveLink software, refer to the software help.

Module Base Maintenance

WARNING

To avoid personal injury or property damage caused by fire or explosion, remove power to the instrument before replacing the module base in an area which contains a potentially explosive atmosphere or has been classified as hazardous.

The digital valve controller contains a module base consisting of the I/P converter, printed wiring board assembly, and pneumatic relay. The module base may be easily replaced in the field without disconnecting field wiring or tubing.

Tools Required

Table 7-1 lists the tools required for maintaining the DVC6000f digital valve controller.

Removing the Module Base

WARNING

Refer to the Maintenance WARNING at the beginning of this section.

To remove the module base for DVC6010f, DVC6020f and DVC6030f digital valve controllers, perform the following steps. Refer to figures 8-2, 8-3, and 8-4, respectively, for key number locations.

WARNING

To avoid personal injury or equipment damage from bursting of parts, turn off the supply pressure to the digital valve controller and bleed off any excess supply pressure before attempting to remove the module base assembly from the housing.

1. For sliding-stem applications only, a protective shield for the feedback linkage is attached to the side of the module base assembly (see figures 2-1 and 2-2). Remove this shield and keep for reuse on the replacement module. The replacement module will not have this protective shield.

Table 7-1. Tools Required

Tool	Size	Use
Phillips Screwdriver		Relay, printed wiring board assembly, and cover screws
Hex key	5 mm	Terminal box screw
Hex key	1.5 mm	Terminal box cover screw
Hex key	2.5 mm	I/P converter screws
Hex key	5 mm	Travel sensor screws
Hex key	6 mm	Module base screws
Open-end wrench	1/2-inch	Connector Arm screw (DVC6010f)
Hex key	9/64-inch	Feedback arm screw
Open-end wrench	7/16-inch	DVC6010f mounting bolts
Hex key	3/16-inch	DVC6020f mounting bolts

2. Unscrew the four captive screws in the cover (key 43) and remove the cover from the module base (key 2).

3. Using a 6 mm hex socket wrench, loosen the three-socket head screws (key 38). These screws are captive in the module base by retaining rings (key 154).

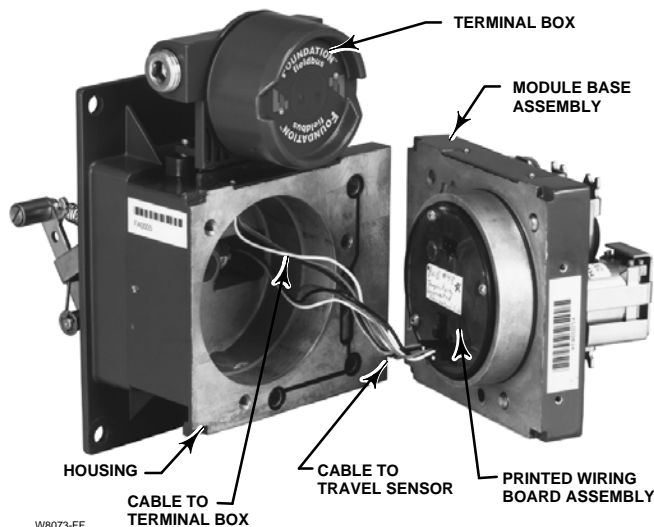


Figure 7-1. Printed Wiring Board Cable Connections

these cable assemblies from the printed wiring board assembly on the back of the module base.



Note

The module base is linked to the housing by two cable assemblies. Disconnect these cable assemblies after you pull the module base out of the housing.

CAUTION

To avoid affecting performance of the instrument, take care not to damage the module base seal or guide surface. Do not bump or damage the bare connector pins on the PWB assembly. Damaging either the module base or guide surface may result in material damage, which could compromise the instruments ability to maintain a pressure seal.

4. Pull the module base straight out of the housing (key 1). Once clear of the housing, swing the module base to the side of the housing to gain access to the cable assemblies.

5. The digital valve controller has two cable assemblies, shown in figure 7-1, which connect the module base, via the printed wiring board assembly, to the travel sensor and the terminal box. Disconnect



Note

Inspect the guide surface on the module and the corresponding seating area in the housing before installing the module base assembly. To avoid affecting performance of the instrument, these surfaces must be free of dust, dirt, scratches, and contamination.

Ensure the module base seal is in good condition. Do not reuse a damaged or worn seal.

1. Ensure the module base seal (key 237) is properly installed in the housing (key 1). Ensure the O-ring (key 12) is in place on the module base assembly.

2. Connect the terminal box connector to the PWB assembly (key 50). Orientation of the connector is required.

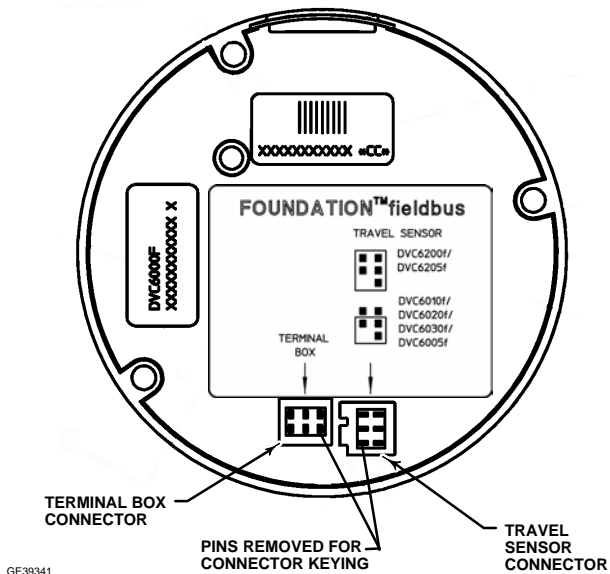


Figure 7-2. Back View of PWB Assembly Sub-Module

7

3. Connect the travel sensor connector to the PWB assembly (key 50). The connector is keyed, so proper orientation is required.
4. Insert the module base (key 2) into the housing (key 1).
5. Install three socket head screws (key 38) in the module base into the housing. If not already installed, press three retaining rings (key 154) into the module base. Evenly tighten the screws in a crisscross pattern to a final torque of 16 N•m (138 lbf•in).

WARNING

Personal injury, property damage, or disruption of process control can result if the cable assemblies/wiring are damaged when attaching the cover to the module base assembly.

Ensure that the cable assemblies/wiring are positioned in the cavity of the module base so they do not get compressed or damaged when attaching the cover to the module base assembly in step 6.

6. Attach the cover (key 43) to the module base assembly.
7. For sliding-stem applications only, install the protective shield onto the side of the replacement module base assembly (see figures 2-1 and 2-2).

Submodule Maintenance

WARNING

To avoid personal injury or property damage caused by fire or explosion, remove power to the instrument before replacing a submodule in an area which contains a potentially explosive atmosphere or has been classified as hazardous.

The digital valve controller's module base contains the following submodules: I/P converter, PWB assembly, and pneumatic relay. If problems occur, these submodules may be removed from the module base and replaced with new submodules. After replacing a submodule, the module base is replaced in the instrument and calibrated prior to returning to service.

CAUTION

Exercise care when performing maintenance on the module base. Reinstall the cover to protect the I/P converter and gauges when servicing other submodules.

In order to maintain accuracy specifications, do not strike or drop the I/P converter during submodule maintenance.

I/P Converter

Refer to figures 8-2 through 8-6 for key number locations. The I/P converter (key 41) is located on the front of the module base.



Note

After I/P converter submodule replacement, calibrate the digital valve controller to maintain accuracy specifications.

Replacing the I/P Filter

A screen in the supply port beneath the I/P converter serves as a secondary filter for the supply medium. To replace this filter, perform the following procedure:

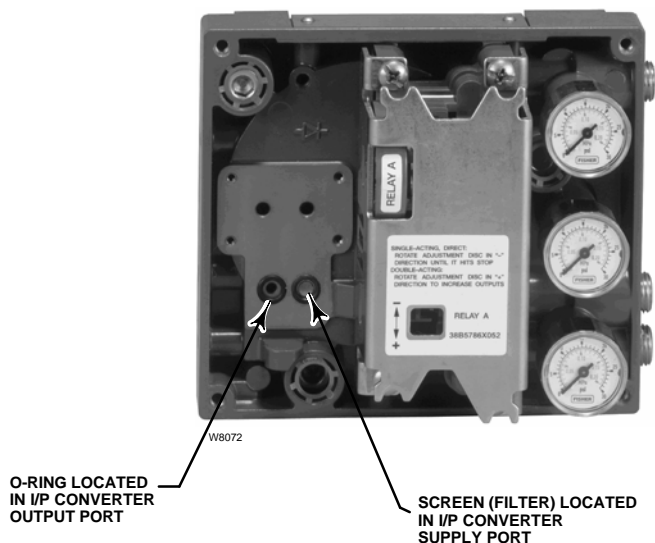


Figure 7-3. I/P Filter Location

1. Remove the I/P converter (key 41) and shroud (key 169) as described in the Removing the I/P Converter procedure.
2. Remove the screen (key 231) from the supply port.
3. Install a new screen in the supply port as shown in figure 7-3.
4. Inspect the O-ring (key 39) in the I/P output port. If necessary, replace it.
5. Reinstall the I/P converter (key 41) and shroud (key 169) as described in the Replacing the I/P Converter procedure.

Removing the I/P Converter

1. Remove the front cover (key 43), if not already removed.
2. Refer to figure 7-4. Using a 2.5 mm hex socket wrench, remove the four socket-head screws (key 23) that attach the shroud (key 169) and I/P converter (key 41) to the module base (key 2).
3. Remove the shroud (key 169); then pull the I/P converter (key 41) straight out of the module base (key 2). Be careful not to damage the two electrical leads that come out of the base of the I/P converter.
4. Ensure that the O-ring (key 39) and screen (key 231) stay in the module base and do not come out with the I/P converter (key 41).

Replacing the I/P Converter

1. Refer to figure 7-3. Inspect the condition of the O-ring (key 39) and screen (key 231) in the module

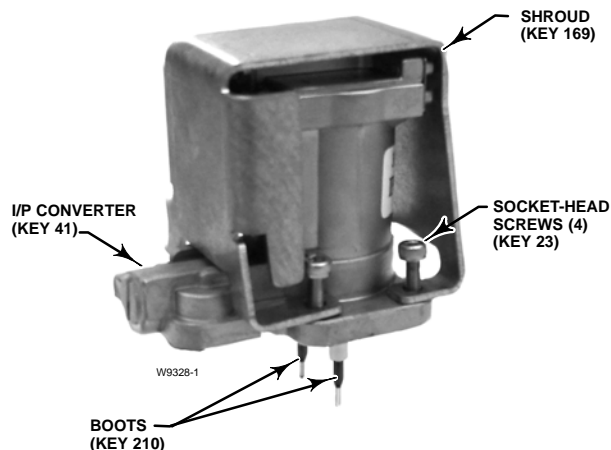


Figure 7-4. I/P Converter

base (key 2). Replace them, if necessary. Apply silicone lubricant to the O-rings.

2. Ensure the two boots (key 210) shown in figure 7-4 are properly installed on the electrical leads.
3. Install the I/P converter (key 41) straight into the module base (key 2), taking care that the two electrical leads feed into the guides in the module base. These guides route the leads to the printed wiring board assembly submodule.
4. Install the shroud (key 169) over the I/P converter (key 41).
5. Install the four socket-head screws (key 23) and evenly tighten them in a crisscross pattern to a final torque of 1.6 N•m (14 lbf•in).
6. After replacing the I/P converter, calibrate travel to maintain accuracy specifications.

PWB (Printed Wiring Board) Assembly

Refer to figures 8-2 through 8-6 for key number locations. The PWB assembly (key 50) is located on the back of the module base assembly (key 2).



Note

If the PWB assembly submodule is replaced, configure and calibrate the digital valve controller to maintain accuracy specifications.

DVC6000f Digital Valve Controllers

Removing the Printed Wiring Board Assembly

1. Separate the module base from the housing by performing the Removing the Module Base procedure.
2. Remove three screws (key 33).
3. Lift the PWB assembly (key 50) straight out of the module base (key 2).
4. Ensure that the O-rings (key 40) remain in the pressure sensor bosses on the module base assembly (key 2) after the PWB assembly (key 50) has been removed.

Replacing the PWB Assembly

1. Apply silicone lubricant to the pressure sensor O-rings (key 40) and install them on the pressure sensor bosses in the module base assembly.
2. Properly orient the PWB assembly (key 50) as you install it into the module base. The two electrical leads from the I/P converter (key 41) must guide into their receptacles in the PWB assembly and the pressure sensor bosses on the module base must fit into their receptacles in the PWB assembly.
3. Push the PWB assembly (key 50) into its cavity in the module base.
4. Install and tighten three screws (key 33) to a torque of 1 N•m (10.1 lbf•in).
5. Reassemble the module base to the housing by performing the Replacing the Module Base procedure.
6. Setup and calibrate the digital valve controller.

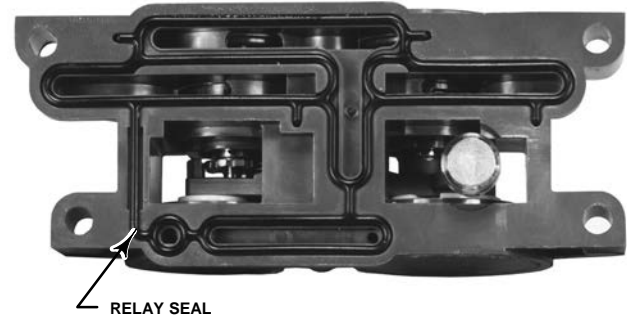


Figure 7-5. Pneumatic Relay Assembly



Note

After relay submodule replacement, calibrate the digital valve controller to maintain accuracy specifications.

Removing the Pneumatic Relay

1. Loosen the four screws that attach the relay (key 24) to the module base. These screws are captive in the relay.
2. Remove the relay.

Replacing the Pneumatic Relay

1. Visually inspect the holes in the module base to ensure they are clean and free of obstructions. If cleaning is necessary, do not enlarge the holes.
2. Apply silicone lubricant to the relay seal and position it in the grooves on the bottom of the relay as shown in figure 7-5. Press small seal retaining tabs into retaining slots to hold relay seal in place.
3. Position the relay (with shroud) on the module base. Tighten the four screws, in a crisscross pattern, to a final torque of 2 N•m (20.7 lbf•in).
4. Using the Field Communicator, verify that the value for the relay type parameter matches the relay type installed.
5. After replacing the relay and verifying the relay type, calibrate travel to maintain accuracy specifications.



Note

Calibration is required for either Travel or Pressure Control after PWB Assembly replacement.

Note that only one calibration is needed, depending on control selection.

Pneumatic Relay

Refer to figures 8-2 through 8-6 for key number locations. The pneumatic relay (key 24) is located on the front of the module base.

Gauges, Pipe Plugs, or Tire Valves

Depending on the options ordered, the DVC6000f digital valve controller will be equipped with either gauges (key 47), pipe plugs (key 66), or tire valves

Maintenance and Troubleshooting

(key 67). Single-acting direct instruments will also have a screen (key 236, figure 8-6) These are located on the top of the module base next to the relay.

Perform the following procedure to replace the gauges, tire valves, or pipe plugs. Refer to figures 8-2 through 8-6 for key number locations.

1. Remove the front cover (key 43).
2. Remove the gauge, pipe plug, or tire valve as follows:

For gauges (key 47), the flats are on the gauge case. Use a wrench on the flats of the gauge to remove the gauge from the module base. To remove the supply gauge, remove one of the output gauges.

For pipe plugs (key 66) and tire valves (key 67), use a wrench to remove these from the module base.

3. Apply sealant (key 64) to the threads of the replacement gauges, pipe plugs, or tire valves.
4. Using a wrench, screw the gauges, pipe plugs, or tire valves into the module base.

Terminal Box



WARNING

Refer to the Maintenance WARNING at the beginning of this section.

Refer to figures 8-2 through 8-6 for key number locations.

The terminal box is located on the housing and contains the terminal strip assembly for field wiring connections.



Note

This procedure also applies to the DVC6005f remote terminal box.

Removing the Terminal Box



WARNING

To avoid personal injury or property damage caused by fire or explosion, remove power to the instrument before removing the terminal box cover in an area which contains a potentially explosive atmosphere or has been classified as hazardous.

1. Loosen the set screw (key 58) in the cap (key 4) so that the cap can be unscrewed from the terminal box.
2. After removing the cap (key 4), note the location of field wiring connections and disconnect the field wiring from the terminal box.
3. Separate the module base from the housing by performing the Removing the Module Base procedure.
4. Remove the screw (key 72). Pull the terminal box assembly straight out of the housing.
5. Remove two wire retainers (key 44), internal and external to the terminal box.

Replacing the Terminal Box



Note

Inspect all O-rings for wear and replace as necessary.

1. Install two wire retainers (key 44), internal and external to the terminal box.
2. Apply silicone lubricant to the O-ring (key 35) and install the O-ring over the stem of the terminal box.
3. Insert the terminal box assembly stem into the housing until it bottoms out. Position the terminal box assembly so that the hole for the screw (key 72) in the terminal box aligns with the threaded hole in the housing. Install the screw (key 72).
4. Connect the terminal box connector to the PWB assembly (key 50). Orientation of the connector is required.
5. Reassemble the module base to the housing by performing the Replacing the Module Base procedure.
6. Reconnect the field wiring as noted in step 2 in the Removing the Terminal Box procedure.

DVC6000f Digital Valve Controllers

7. Apply silicone lubricant to the O-ring (key 36) and install the O-ring over the 2-5/8 inch threads of the terminal box. Use of a tool is recommended to prevent cutting the O-ring while installing it over the threads.

8. Apply lubricant (key 63) to the 2-5/8 inch threads on the terminal box to prevent seizing or galling when the cap is installed.

9. Screw the cap (key 4) onto the terminal box.

10. Install a set screw (key 58) into the cap (key 4). Loosen the cap (not more than 1 turn) to align the set screw over one of the recesses in the terminal box. Tighten the set screw (key 58).

11. Apply sealant (key 64) to the conduit entrance plug (key 62) and install it into the unused conduit entry of the terminal box.

3. Remove the instrument from the actuator.

4. Loosen the screw (key 80) that secures the feedback arm (key 79) to the travel sensor shaft.

5. Remove the feedback arm (key 79) from the travel sensor shaft.

If disassembling a DVC6010f digital valve controller, use step 6a. If disassembling a DVC6015 remote feedback unit, use step 6b.

6. a. Separate the module base from the housing by performing the Removing the Module Base procedure.

b. Disconnect the three potentiometer assembly wires from the terminals.

7. Remove the screw (key 72) that fastens the travel sensor assembly to the housing.

8. Pull the travel sensor assembly (key 223) straight out of the housing.

DVC6020f Digital Valve Controller and DVC6025 Remote Feedback Unit

Refer to figure 8-3 for DVC6020f and 8-8 for DVC6025 key number locations.

1. Remove piping and fittings from the instrument.

2. Remove the digital valve controller from the actuator.

3. Disconnect the bias spring (key 82) from the feedback arm assembly (key 84) and the arm assembly (key 91). Remove the mounting bracket (key 74) from the back of the digital controller. If the torsion spring (key 93) needs to be replaced, ensure that the shaft on which it is installed is smooth and free of rough spots. Replace the entire feedback arm assembly if necessary.

4. Loosen the screw (key 80) that secures the arm assembly to the travel sensor shaft.

5. Remove the arm assembly (key 91) from the travel sensor assembly (key 77) shaft.

If disassembling a DVC6020f digital valve controller, use step 6a. If disassembling a DVC6025 remote feedback unit use step 6b.

6. a. Separate the module base from the housing by performing the Removing the Module Base procedure.

b. Disconnect the three potentiometer assembly wires from the terminals.

7. Remove the screw (key 72) that fastens the travel sensor assembly to the housing.

8. Pull the travel sensor assembly (key 223) straight out of the housing.

DVC6030f Digital Valve Controller and DVC6035 Remote Feedback Unit

Refer to figure 8-4 for DVC6030f and 8-9 for DVC6035 key number locations.

Travel Sensor

7



WARNING

Refer to the Maintenance **WARNING** at the beginning of this section.

Replacing the travel sensor requires removing the digital valve controller from the actuator.



WARNING

To avoid personal injury or property damage caused by fire or explosion, remove power to the instrument before replacing the travel sensor in an area which contains a potentially explosive atmosphere or has been classified as hazardous.

Disassembly

DVC6010f Digital Valve Controller and DVC6015 Remote Feedback Unit

Refer to figure 8-2 for DVC6010f and 8-7 for DVC6015 key number locations.

1. Remove piping and fittings from the instrument.

2. Disconnect the adjustment arm from the connector arm and the feedback arm (see figures 2-1 and 2-2).

Maintenance and Troubleshooting

1. Remove piping and fittings from the instrument.
2. Remove the digital valve controller from the actuator. Loosen the screw (key 80) that secures the feedback arm (key 79) to the travel sensor shaft. Remove the feedback arm from the travel sensor shaft.

If disassembling a DVC6030f digital valve controller use step 3a. If disassembling a DVC6035 remote feedback unit use step 3b.
3. a. Separate the module base from the housing by performing the Removing the Module Base procedure.
b. Disconnect the three potentiometer assembly wires from the terminals.
4. From within the housing, unscrew the travel sensor assembly (key 223) from the housing.

Assembly

DVC6010f Digital Valve Controller and DVC6015 Remote Feedback Unit

Refer to figure 8-2 for DVC6010f and 8-7 for DVC6015 key number locations.

1. Insert the travel sensor assembly (key 223) into the housing (key 1). Secure the travel sensor assembly with screw (key 72).

If assembling a DVC6010f digital valve controller, use step 2a. If assembling a DVC6015 remote feedback unit, use step 2b.

2. a. Connect the travel sensor connector to the PWB as described in the Replacing the Module Base procedure.
b. Connect the three travel sensor wires to the terminals.



Note

For the DVC6015 feedback unit, connect the potentiometer assembly (key 223) wires to the terminals as follows:

- red** → terminal 1
- white** → terminal 2
- black** → terminal 3.

3. Loosely assemble the bias spring (key 78), screw (key 80), plain washer (key 163), and nut (key 81) to the feedback arm (key 79), if not already installed.

4. Attach the feedback arm (key 79) to the travel sensor shaft.

Two methods are available for adjusting the travel sensor. You can use a multimeter to measure the potentiometer resistance, or if you have a Field Communicator, you can use the procedure in the Calibration section. To use the multimeter, perform steps 5 through 13. To use the Field Communicator, skip to step 14.

Travel Sensor Adjustment with a Multimeter

5. Align the feedback arm (key 79) to the housing (key 1) by inserting the alignment pin (key 46) through the hole marked "A" on the feedback arm. Fully engage the alignment pin into the tapped hole in the side of the housing. Position the feedback arm so that the surface is flush with the end of the travel sensor shaft.
6. Connect a multimeter set to a resistance range of 50,000 ohms. Measure the resistance between pins 1 and 3 of the travel sensor connector. Refer to figure 7-6 for pin location. The resistance should be between 40,000 and 50,000 ohms.
7. Multiply the result in step 6 by 0.046 to get a calculated resistance. The calculated resistance should be in the range of 1840 to 2300 ohms.
8. Re-range the multimeter to a resistance of 3000 ohms between pins 2 and 3 of the travel sensor connector. Refer to figure 7-6 for pin location.
9. Adjust the travel sensor shaft to obtain the calculated resistance determined in step 7, ± 100 ohms.



Note

In the next step, be sure the feedback arm surface remains flush with the end of the travel sensor shaft.

10. While observing the resistance, tighten the screw (key 80) to secure the feedback arm to the travel sensor shaft. Be sure the resistance reading remains at the calculated resistance determined in step 7, ± 100 ohms. Paint the screw to discourage tampering with the connection.
11. Disconnect the multimeter from the travel sensor connector.
12. For the DVC6010f, connect the travel sensor connector to the PWB as described in Replacing the Module Base.
13. Travel sensor replacement is complete. Install the digital valve controller on the actuator.

DVC6000f Digital Valve Controllers

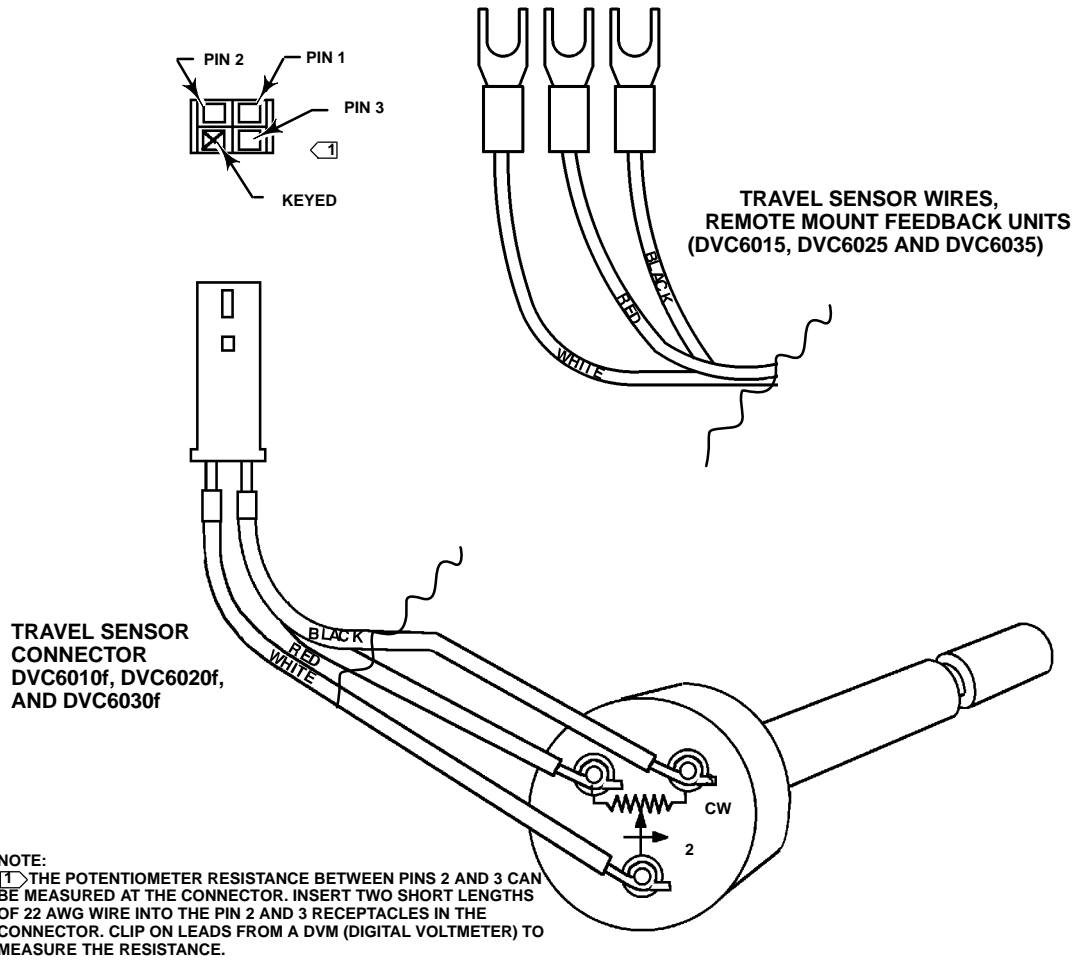


Figure 7-6. Potentiometer Resistance Measurement

Travel Sensor Adjustment with the Field Communicator

The next two steps do not apply if you used a multimeter to adjust the travel sensor. Perform these steps only if you elected to adjust the travel sensor using the Field Communicator.

14. For the DVC6010f, connect the travel sensor connector to the PWB as described in Replacing the Module Base.

15. For both the DVC6010f and the DVC6015, perform the appropriate Travel Sensor Adjust procedure in the Calibration section.

DVC6020f Digital Valve Controller and DVC6025 Remote Feedback Unit

Refer to figure 8-3 for DVC6020f and 8-8 for DVC6025 key number locations.

1. Insert the travel sensor assembly (key 223) into the housing. Secure the travel sensor assembly with screw (key 72).

If assembling a DVC6020f digital valve controller, use step 2a. If assembling a DVC6025 remote feedback unit, use step 2b.

2. a. Connect the travel sensor connector to the PWB as described in Replacing the Module Base.

b. Connect the three travel sensor wires to the terminals.



Note

For the DVC6025 feedback unit, connect the potentiometer assembly (key 223) wires to the terminals as follows:

- red → terminal 1
- white → terminal 2
- black → terminal 3.

3. Loosely assemble the screw (key 80), plain washer (key 163), and nut (key 81) to the arm assembly (key 91), if not already installed.

4. Attach the arm assembly (key 91) to the travel sensor assembly (key 223) shaft.

Two methods are available for adjusting the travel sensor. You can use a multimeter to measure the potentiometer resistance, or if you have a Field Communicator, you can use the procedure in the Calibration section. To use the multimeter, perform steps 5 through 17. To use the Field Communicator, skip to step 18.

Travel Sensor Adjustment with a Multimeter

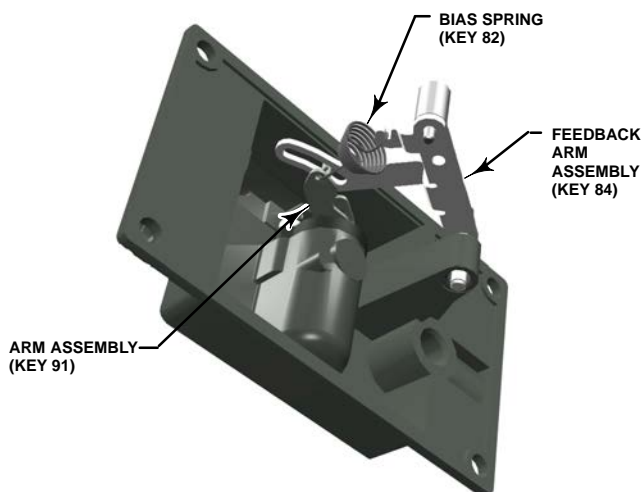
5. Connect a multimeter set to a resistance range of 50,000 ohms. Measure the resistance between pins 1 and 3 of the travel sensor connector. Refer to figure 7-6 for pin location. The resistance should be between 40,000 and 50,000 ohms.

6. Multiply the result in step 5 by 0.142 to get a calculated resistance. The calculated resistance should be in the range of 5680 to 7100 ohms.

7. Re-range the multimeter to a resistance of 7000 ohms between pins 2 and 3 of the travel sensor connector. Refer to figure 7-6 for pin location.

8. Hold the arm assembly (key 91) in a fixed position so that the arm is parallel to the housing back plane and pointing toward the terminal box. Position the arm assembly so that the outer surface is flush with the end of the travel sensor shaft.

9. Adjust the travel sensor shaft to obtain the calculated resistance determined in step 6, ± 100 ohms.



NOTE:
INSTALL BIAS SPRING WITH SMALLER DIAMETER HOOK CONNECTED TO ARM ASSEMBLY (KEY 91) AND WITH BOTH HOOK OPENINGS TOWARD CENTER OF BRACKET.

Figure 7-7. FIELDVUE DVC6020f Digital Valve Controller, Bias Spring (key 82) Installation



Note

In the next step, be sure the arm assembly outer surface remains flush with the end of the travel sensor shaft.

10. While observing the resistance, tighten the screw (key 80) to secure the feedback arm to the travel sensor shaft. Be sure the resistance reading remains at the calculated resistance determined in step 6, ± 100 ohms. Paint the screw to discourage tampering with the connection.

11. Disconnect the multimeter from the travel sensor connector.

12. Apply anti-seize (key 64 or equivalent) to the pin portion of the arm assembly (key 91).

13. Position the mounting bracket over the back of the digital valve controller. Push the feedback arm assembly (key 84) toward the housing and engage the pin of the arm assembly into the slot in the feedback arm.

14. Install the mounting bracket (key 74).

15. Install the bias spring (key 82) as shown in figure 7-7.

16. For the DVC6020f only, connect the travel sensor connector to the PWB as described in Replacing the Module Base.

17. Travel sensor replacement is complete. Install the digital valve controller on the actuator.

DVC6000f Digital Valve Controllers

Travel Sensor Adjustment with the Field Communicator

The next two steps do not apply if you used a multimeter to adjust the travel sensor. Perform these steps only if you elected to adjust the travel sensor using the Field Communicator.

18. For the DVC6020f only, connect the travel sensor connector to the PWB as described in Replacing the Module Base.

19. For both the DVC6020f and the DVC6025, perform the appropriate Travel Sensor Adjust procedure in the Calibration section.

DVC6030f Digital Valve Controller and DVC6035 Remote Feedback Unit

Refer to figure 8-4 for DVC6030f and 8-9 for DVC6035 key number locations.

1. Apply lubricant (key 63) to the travel sensor assembly threads.
2. Screw the travel sensor assembly (key 223) into the housing until it is tight.

If assembling a DVC6030f digital valve controller, use step 3a. If assembling a DVC6035 remote feedback unit, use step 3b.

3. a. Connect the travel sensor connector to the PWB as described in the Replacing the Module Base procedure.
b. Connect the three travel sensor wires to the terminals.



Note

For the DVC6035 feedback unit, connect the potentiometer assembly (key 223) wires to the terminals as follows:

- red → terminal 1
- white → terminal 2
- black → terminal 3.

4. Loosely assemble the bias spring (key 78), screw (key 80), plain washer (key 163), and nut (key 81) to the feedback arm (key 79), if not already installed.

5. Attach the feedback arm (key 79) to the travel sensor shaft.

Two methods are available for adjusting the travel sensor. You can use a multimeter to measure the potentiometer resistance, or if you have a Field

Communicator, you can use the procedure in the Calibration section. To use the multimeter, perform steps 6 through 14. To use the Field Communicator, skip to step 15.

Travel Sensor Adjustment with a Multimeter

6. Align the feedback arm (key 79) to the housing (key 1) by inserting the alignment pin (key 46) through the hole marked "A" on the feedback arm. Fully engage the alignment pin into the tapped hole in the housing. Position the feedback arm so that the outer surface is flush with the end of the travel sensor shaft.

7. Connect a multimeter set to a resistance range of 50,000 ohms. Measure the resistance between pins 1 and 3 of the travel sensor connector. Refer to figure 7-6 for pin location. The resistance should be between 40,000 and 50,000 ohms.

8. Multiply the result in step 7 by 0.042 to get a calculated resistance. The calculated resistance should be in the range of 1680 to 2100 ohms.

9. Re-range the multimeter to a resistance of 3000 ohms between pins 2 and 3 of the travel sensor connector. Refer to figure 7-6 for pin location.

10. Adjust the travel sensor shaft to obtain the calculated resistance determined in step 8, ± 100 ohms.



Note

In the next step, be sure the feedback arm outer surface remains flush with the end of the travel sensor shaft.

11. While observing the resistance, tighten the screw (key 80) to secure the feedback arm to the travel sensor shaft. Be sure the resistance reading remains at the calculated resistance determined in step 8, ± 100 ohms. Paint the screw to discourage tampering with the connection.

12. Disconnect the multimeter from the travel sensor connector.

13. For the DVC6030f only, connect the travel sensor connector to the PWB as described in Replacing the Module Base.

14. Travel sensor replacement is complete. Install the digital valve controller on the actuator as described in the Installation section.

Travel Sensor Adjustment with the Field Communicator

The next two steps do not apply if you used a multimeter to adjust the travel sensor. Perform these

Maintenance and Troubleshooting

steps only if you elected to adjust the travel sensor using the Field Communicator.

15. For the DVC6030f only, connect the travel sensor connector to the PWB as described in Replacing the Module Base.

16. For both the DVC6030f and the DVC6035, perform the appropriate Travel Sensor Adjust procedure in the Calibration section.

Stroking the Digital Valve Controller Output

After completing maintenance procedures, confirm proper valve operation by stroking the digital valve controller output. Refer to page 6-10 of the transducer block section of Viewing Device Variables and Diagnostics.

Instrument Troubleshooting

What to Do First

When a problem occurs, check the following first:

Mounting

- Is the feedback linkage connected correctly? See the beginning of this section.

Utility Connections

- Are pneumatic connections correct? Are there any air leaks? See the Installation section.

- Is the air supply pressure sufficient to drive the valve?

- Is the digital valve controller correctly connected to the fieldbus? See the Installation section.

- Is there power to the device? Is the terminal voltage between 9 and 32 volts? See the Installation section.

- Is the segment terminated correctly? See host system documentation.

- Is the host system connected to the segment? See host system documentation.

If communication or output difficulties are experienced with the instrument, refer to the troubleshooting information provided in table 7-2.

Also see the Troubleshooting Checklist found on page 7-20.

Table 7-2. Instrument Troubleshooting

Symptom	Possible Cause	Action
1. Instrument will not communicate.	1.a No power to device	1.a1 Ensure device is connected to the segment (see host system documentation).
		1.a2 Measure the terminal voltage. Terminal voltage should be between 9 and 32 VDC.
		1.a3 Check to be sure device is drawing current. There should be approximately 19 mA.
	1.b Internal device wiring problems.	1.b1 Verify connectors are plugged into the printed wiring board correctly (see Printed Wiring Board Assembly on page 7-7).
1.b2 Check continuity of cable between terminal box and printed wiring board. If necessary, replace the terminal box assembly (see Replacing the Terminal Box on page 7-9).		
1.b3 Check for damaged printed wiring board lands and terminals. If necessary, replace the terminal box assembly (see Replacing the Terminal Box on page 7-9).		
1.c Incompatible network settings	1.c Change host parameters. Refer to host documentation for procedure.	
1.d Defective printed wiring board (PWB) assembly.	1.d Replace printed wiring board (see Replacing the PWB Assembly on page 7-8).	

-Continued-

DVC6000f Digital Valve Controllers

Table 7-2. Instrument Troubleshooting (Continued)

Symptom	Possible Cause	Action
	1.e Defective terminal box.	1.e Check continuity from each screw terminal to the corresponding PWB connector pin. If necessary, replace the terminal box assembly (see Replacing the Terminal Box on page 7-9).
	1.f Defective Field Communicator or ValveLink modem cable.	1.f If necessary, repair or replace cable.
	1.g Fieldbus card defective or not compatible with PC.	1.g Replace Fieldbus card.
2. Device does not stay on segment.	2.a Incorrect signal level.	2.a1 Check that segment is properly terminated (see host system documentation).
		2.a2 Wrong cable type or segment length too long. See Site Planning Guide.
		2.a3 Bad power supply or conditioner.
	2.b Excess noise on segment.	2.b1 Check integrity of wiring connections. Make sure cable shield is grounded only at the control system.
		2.b2 Check for corrosion or moisture on terminals in terminal box (refer to page 7-9 for terminal box information).
		2.b3 Check for bad power supply.
2.c Electronics failing.	2.c. Replace printed wiring board assembly (see Replacing the PWB Assembly on page 7-8).	
3. A value cannot be written to a parameter.	3.a Resource block parameter Write Lock may be set to Locked.	3.a Change Write Lock to Not Locked (refer to page 4-4 of Detailed Setup / Blocks).
	3.b If a transducer block parameter, the mode may be incorrect or the parameter may be protected.	3.b1 Check table 4-85. If necessary change the transducer block target mode to Manual.
		3.b2 Check table 4-85. If necessary change data protection.
	3.c You have attempted to write a value that is outside the valid range.	3.c Check the range values listed for the parameter (refer to Detailed Setup / Blocks, Section 4).
3.d Function block or in/out block mode may be incorrect.	3.d. Confirm that block is in correct mode for writing to any given parameter.	
4. Function block actual mode does not change with target mode.	4.a Resource block actual mode is Out of Service.	4.a Change Resource block target mode to Auto (see page 4-4, Resource Block Mode, or host system documentation).
	4.b Transducer block actual mode is not Auto.	4.b Change transducer block target mode to Auto (see page 4-21, Transducer Block Mode or host system documentation).
	4.c Schedules that define when function blocks execute are not set correctly.	4.c Set the schedules using host system or configuration tool. All function blocks must be in a schedule that is downloaded to the device.
	4.d Configuration error	4.d Look for configuration error bit in BLOCK_ERR. By default, all enumerature type parameters are initialized to 0 (undefined). They must be configured before the block can be put into service.
5. Input or Output Block does not go to mode target	5.a Resource block actual mode is Out of Service	5.a Change Resource block target mode to Auto (see page 4-4, Resource Block Mode, or host system documentation).
	5.b Transducer block actual mode is not Auto.	5.b Change transducer block target mode to Auto (see page 4-21, Transducer Block Mode or host system documentation).
	5.c Transducer has detected a hardware failure.	5.c A bad status is passed to the block's READBACK or FIELD_VAL parameter. See transducer section of Detailed Setup for repair information.
	5.d Wrong output block is active.	5.d Use Outblock Selection to select the desired output block. The deselected block will have a bad status for READBACK. This will keep it in IMAN mode when target is other than OOS.
	5.e Output block is not licensed.	5.e The Actual Block Mode (MODE_BLK.ACTUAL [5.2]) will remain out of service and the block cannot be scheduled if the block has not been licensed. Contact your Emerson Process Management sales office to upgrade product licensing.

-Continued-

Maintenance and Troubleshooting

Table 7-2. Instrument Troubleshooting (Continued)

Symptom	Possible Cause	Action
	5.f Schedules that define when function blocks execute are not set correctly.	5.f Set the schedules using host system or configuration tool. All function blocks must be in a schedule that is downloaded to the device.
	5.g Configuration error.	5.g Look for configuration error bit in BLOCK_ERR. By default, all enumerature type parameters are initialized to 0 (undefined). They must be configured before the block can be put into service.
6. Block dynamic parameters do not update	6.a Block actual mode is Out of Service	6.a Change the block target mode to an operational mode (see FOUNDATION fieldbus Communication, Appendix D and host system documentation).
7. Transducer block Setpoint (FINAL_VALUE [13]) is not being automatically updated from the AO block.	7.a Transducer block mode in not Auto.	7.a Change transducer block mode to Auto.
	7.b AO block is not active.	7.b Change Outblock Selection to AO Control.
8. Transducer block setpoint Setpoint(D) (SETPOINT_D [32]) is not being automatically updated from the DO block.	8.a Transducer block mode is not Auto.	8.a Change transducer block mode to Auto.
	8.b DO block is not active.	8.b Change Outblock Selection to DO Control.
9. Valve does not move when the set point is changed	9.a A function block actual mode is Out of Service or Transducer Block Actual mode is Out of Service or Manual.	9.a1 Change the target mode to an operational mode (see FOUNDATION fieldbus Communication, Appendix D and host system documentation). 9.a2 Verify that the correct block (AO or DO) is configured in Feature Select in the resource block. Only the selected out block is able to set the transducer setpoint and move the valve.
	9.b Pneumatic connections are incorrect or supply pressure is incorrect	9.b Check pneumatic connections and supply pressure. Be sure supply pressure regulator is set correctly (see Pressure Connections on page 2-18 of the Installation Section).
	9.c Instrument is in fault state.	9.c Set Clear FState to Clear (Refer to Fault State on page 4-5 of the Detailed Setup / Blocks Section, or host system documentation).
	9.d The valve has failed.	9.d Apply a pneumatic pressure to the valve actuator and check valve action.
	9.e The I/P converter or relay has failed.	9.e Replace the I/P converter or relay (see Replacing the I/P Converter on page 7-7).
	10. Valve does not stroke from 0 to 100% with set point change	10.a Insufficient supply pressure or leak in pneumatic connections.
10.b Setpoint may be limited.		10.b Check the AO Block values of SP_HI_LIMIT and SP_LO_LIMIT (see page 4-77 of the Detailed Setup / Blocks Section or host system documentation).
11. Deviation between set point and actual valve position remains.	11.a Digital valve controller output is in cutoff.	11.a Check values for Travel Cutoff High and Travel Cutoff Low (see page 4-25 of the Detailed Setup / Blocks Section or host system documentation).
	11.b Digital valve controller is not calibrated correctly	11.b Perform Auto or Manual Travel Calibration (Travel Calibration on page 5-2.)
	11.c Incorrect turning. Tuning that is too conservative will result in excess error.	11.c Perform Stabilizing/Optimize Valve Response procedure to adjust tuning and stabilize/optimize valve response (see Stabilize/Optimize on page 4-23).
12. The valve cycles, does not stay on set point.	12.a Large amount of packing friction.	12.a1 Perform Stabilizing/Optimize Valve Response procedure to adjust tuning and stabilize/optimize valve response (see Stabilize/Optimize on page 4-23).
		12.a2 Use a larger size actuator.
13. Valve responds too slowly.	13.a Insufficient instrument gain.	13.a Perform Stabilize/Optimize Valve Response procedure to adjust tuning and stabilize valve response (see Stabilize/Optimize on page 4-23).
	13.b I/P converter input filter clogged or air blockage in I/P ass'y nozzle block.	13.b1 Replace I/P converter filter (see Replacing the I/P Filter on page 7-6).

7

-Continued-

DVC6000f Digital Valve Controllers

Table 7-2. Instrument Troubleshooting (Continued)

Symptom	Possible Cause	Action
		13.b2 Replace I/P converter (see Replacing the I/P Converter on page 7-7).
	13.c O-ring(s) between I/P converter missing or hard and flattened losing seal.	13.c Replace O-ring(s) (refer to the I/P Converter section on page 7-6).
13. Valve responds too slowly.	13.d I/P ass'y out of spec.	13.d I/P ass'y nozzle may have been adjusted. Verify drive signal (55% to 80%) (refer to Elect and Config on page 4-27 of Detailed Setup / Blocks or host system documentation). Replace I/P ass'y if drive signal is continuously high or low (see Replacing the I/P Converter on page 7-7).
	13.e Defective gasket.	13.e Check gasket for closed holes, excessive deformation due to overtightening or "oozing". If necessary, replace gasket (see the beginning of this section).
	13.f Defective relay.	13.f Remove relay, inspect for missing Belleville washer, missing valve spring, missing valve plug. Inspect "lip" under top O-ring for breakage due to relay removal. Inspect O-rings and replace if hard or damaged. Replace parts or relay if I/P ass'y good and air passages not blocked (see Replacing the Pneumatic Relay on page 7-8).
	13.g If responds slowly only upon air demand, there may be a restriction in the air line, the supply run may be excessively long, or the supply regulator may be defective or capacity not large enough.	13.g1 Check supply line to ensure it is not clogged or damaged. Replace if necessary. 13.g2 If supply run is excessively long, a volume tank may need to be installed on the the supply side of the pressure regulator 13.g3 Replace supply regulator
14. Instrument will not calibrate, has sluggish performance or oscillates.	14.a Travel sensor seized, will not turn.	14.a Rotate feedback arm to ensure it moves freely. If not, replace the pot/bushing ass'y.
	14.b Broken travel sensor wire(s).	14.b Inspect wires for broken solder joint at pot or broken wire. Replace pot/bushing ass'y.
	14.c Travel sensor misadjusted.	14.c Perform Travel Sensor Adjust procedure on page 5-5 of the Calibration section.
	14.d Open travel sensor.	14.d Check for continuity in electrical travel range. If necessary, replace pot/bushing ass'y.
	14.e Cables not plugged into PWB correctly.	14.e Inspect connections and correct.
	14.f Feedback arm loose on pot.	14.f Perform Travel Sensor Adjust procedure on page 5-5 of the Calibration section.
	14.g Feedback arm bent/damaged or bias spring missing/damaged.	14.g Replace feedback arm and bias spring.
	14.h Configuration errors.	14.h Verify configuration. Use Device Setup on page 3-2.
	14.j Restricted pneumatic passages in I/P converter	14.j Check screen in I/P converter supply port of the module base. Replace if necessary. If passages in I/P converter restricted, replace I/P converter (see Replacing the I/P Converter on page 7-7).
	14.k O-ring(s) between I/P converter ass'y missing or hard and flattened losing seal.	14.k Replace O-ring(s) (refer to the I/P Converter section on page 7-6).
	14.l I/P converter ass'y damaged/corroded/clogged.	14.l Check for bent flapper, open coil (continuity), contamination, staining, or dirty air supply. Coil resistance should be between 1680 - 1860 ohms. Replace I/P ass'y if damaged, corroded, clogged, or open coil (see Replacing the I/P Converter on page 7-7).
14.m I/P converter ass'y out of spec.	14.m I/P converter ass'y nozzle may have been adjusted. Verify drive signal (55 to 80% for double-acting; 60 to 85% for single-acting) with the valve off the stops. Replace I/P converter ass'y if drive signal is continuously high or low (see Replacing the I/P Converter on page 7-7).	

-Continued-

Maintenance and Troubleshooting

Table 7-2. Instrument Troubleshooting (Continued)

Symptom	Possible Cause	Action
	14.n Defective module base seal.	14.n Check module base seal for condition and position. If necessary, replace seal. Refer to Module Base Maintenance on page 7-4.
14. Instrument will not calibrate, has sluggish performance or oscillates.	14.p Defective relay.	14.p Depress relay beam at adjustment location in shroud, look for increase in output pressure. Remove relay, inspect relay seal. Replace relay seal or relay if I/P converter ass'y good and air passages not blocked (refer to Replacing the Pneumatic Relay on page 7-8). Check relay adjustment (refer to page 5-4 of the Calibration Section).
	14.q Defective 67CFR regulator, supply pressure gauge jumps around.	14.q Replace 67CFR regulator.
15. Instrument will not calibrate.	15.a Configuration errors.	15.a Verify configuration.
	15.b Feedback arm bent/damaged or bias spring missing/damaged.	15.b Replace feedback arm and bias spring (see the Maintenance section). Perform Device Setup (see page 3-2 of the Basic Setup Section).
	15.c Feedback arm loose on travel sensor.	15.c Perform Travel Sensor Calibration procedure (refer to the Travel Sensor section on page 7-10).
	15.d Travel sensor mis-adjusted.	15.d Perform Travel Sensor calibration procedure (refer to the Travel Sensor section on page 7-10).
	15.e Cables not plugged into PWB correctly.	15.e Inspect connections and correct.
	15.f Broken travel sensor wire(s).	15.f Inspect wires for broken solder joint at pot or broken wire. Replace travel sensor (refer to the Travel Sensor section on page 7-10).
	15.g Open travel sensor.	15.g Check for continuity in electrical travel range. If necessary, replace travel sensor (refer to the Travel Sensor section on page 7-10).
	15.h Travel sensor "frozen", will not turn.	15.h Rotate feedback arm to ensure it moves freely. If not, replace the travel sensor (refer to the Travel Sensor section on page 7-10).
16. ValveLink diagnostic tests provide erroneous results.	16.a Defective pressure sensor(s).	16.a Replace PWB (see Replacing the PWB Assembly on page 7-8).
	16.b Pressure sensor O-ring(s) missing.	16.b Replace O-ring(s).
17. Cannot perform advanced diagnostics.	17.a Instrument does not have proper tiering.	17.a Upgrade tiering.
18. A PlantWeb alert is active, but not reported (broadcast) automatically.	18.a PlantWeb alerts in firmware 1.5 and higher are mode-based. Transducer block mode may be in MAN or OOS.	18.a Check transducer block mode. Change to AUTO if appropriate.
19. Field Communicator does not turn on.	19.a Battery pack not charged.	19.a Charge battery pack. Note: Battery pack can be charged while attached to the Field communicator or separately. The 475 Field Communicator is fully operable while the battery pack is charging. Do not attempt to charge the battery pack in a hazardous area.

DVC6000f Digital Valve Controllers

DVC6000f Troubleshooting Checklist

Reference

1. Instrument serial number as read from nameplate _____
2. What is the firmware version of the DVC6000f? _____
3. What is the hardware version of the DVC6000f? _____
4. What is the Diagnostic Tier of the DVC6000f? FD___ AD___ PD___
5. What is the Control Tier of the DVC6000f? SC___ FL___ FC___
6. What is the address of the DVC6000f? _____

Mode and Status

7. What are the DVC6000f Block Modes?
Actual Modes: Resource Block _____ Transducer Block _____ Analog Output Block _____
Target Modes: Resource Block _____ Transducer Block _____ Analog Output Block _____
Permitted Modes: Resource Block _____ Transducer Block _____ Analog Output Block _____
8. What is the status of the individual function blocks?

Operational

9. Does the digital valve controller respond to the control signal? Yes _____ No _____
If No, describe _____
10. Is it on Travel or Pressure control?
11. What are the following parameter readings?
Setpoint _____ Drive Signal _____ %
Supply Pressure _____ Pressure A _____ Pressure B _____
Travel Target _____ % Travel _____ % Pressure B _____
12. What is the safe position of the valve? Fail Closed _____ Fail Open _____

Interface and Diagnostic Tools

13. What interface and diagnostic tools are available? _____
14. Provide any available supporting documentation, such as Status Monitor, Detailed Setup, any alert readings.

Mounting

Reference

1. Actuator application: Sliding Stem? _____ Rotary? _____
2. Which digital valve controller do you have? DVC6010f _____ DVC6020f _____ DVC6030f _____ or,
Remote mount digital valve controller? DVC6005f with DVC6010f _____ DVC6020f _____ DVC6030f _____
3. What Make, Brand, Style, Size, etc. actuator is the DVC6000f mounted on? _____

Operational

4. What is the full travel of the valve? _____
5. What is the Mounting Kit part number? _____

Other

6. If mounting kits are made by LBP/Custom, please provide pictures of installation.
7. For a DVC6010f or a DVC6030f: During full travel of the actuator, does the DVC6000f feedback arm move below the "A" or above the "B" alignment positions? (It should not) Yes _____ No _____

Section 8 Parts

Parts Ordering	8-2
Parts Kits	8-2
Parts List	8-4
Housing	8-4
Common Parts	8-4
Module Base	8-4
I/P Converter Assembly	8-4
Relay	8-4
Terminal Box	8-5
Feedback Connections Terminal Box	8-5
PWB Assembly	8-6
Pressure Gauges, Pipe Plugs, or Tire Valve Assemblies	8-5
Feedback / Remote Travel Sensor Parts	8-5

DVC6000f Digital Valve Controllers

Parts Ordering

Whenever corresponding with your Emerson Process Management sales office about this equipment, always mention the controller serial number. When ordering replacement parts, refer to the 11-character part number of each required part as found in the following parts list. Parts which do not show part numbers are not orderable.

WARNING

Use only genuine Fisher replacement parts. Components that are not supplied by Emerson Process Management should not, under any circumstances, be used in any Fisher instrument. Use of components not supplied by Emerson Process Management may void your warranty, might adversely affect the performance of the valve, and could cause personal injury and property damage.

8



Note

All part numbers are for both aluminum and stainless steel constructions, unless otherwise indicated.

Parts Kits

Conversion kit 3 listed below provides the parts required to convert a DVC6010f to a DVC6020f. Conversion kit 4 provides the parts required to convert a DVC6020f to a DVC6010f.

Kit	Description	Part Number
1*	Elastomer Spare Parts Kit (kit contains parts to service one digital valve controller)	
	Standard	19B5402X012
	Extreme Temperature Option (fluorosilicone elastomers)	19B5402X022
2*	Small Hardware Spare Parts Kit (kit contains parts to service one digital valve controller)	19B5403X012

Kit	Description	Part Number
3	Conversion Kit (DVC6010f to DVC6020f or DVC6015 to DVC6025) Also see note below	19B5405X012
Note		
For pipe-away construction, also order pipe-away bracket kit, item 6.		
4	Conversion Kit (DVC6020f to DVC6010f or DVC6025 to DVC6015)	14B5072X112
5	Feedback Arm Kit (contains feedback arm assembly, qty. 5, to convert a 2052 size 2 and 3 DVC6020 to a 2051 size 1 DVC6020)	GE44419X012
6	Alignment Pin Kit [kit contains 15 alignment pins (key 46)]	14B5072X092
7	Pipe-Away Bracket Kit (DVC6020f) [kit contains mounting bracket (key 74) and O-ring (key 75)]	19B5404X012
	Extreme Temperature option (fluorosilicone elastomers)	19B5404X022
8*	Seal Screen Kit [kit contains 25 seal screens (key 231) and 25 O-rings (key 39)]	
	Standard	14B5072X152
	Extreme Temperature option (fluorosilicone elastomers)	14B5072X182
9	Terminal Box Kit	
	Aluminum	
	Extreme Temperature option (fluorosilicone elastomers)	19B5401X272
	Stainless Steel	
	Extreme Temperature option (fluorosilicone elastomers)	19B5401X302
	Aluminum Natural Gas Approved	
	Extreme Temperature option (fluorosilicone elastomers)	19B5401X292
	Stainless Steel Natural Gas Approved	
	Extreme Temperature option (fluorosilicone elastomers)	19B5401X322

* Recommended spare

Kit	Description	Part Number	Kit	Description	Part Number
10	I/P Converter Kit Standard For Extreme Temperature option (fluorosilicone elastomers)	38B6041X152 38B6041X132	20	Remote Mount Retrofit Kit	
Note					
This kit converts an existing DVC6000 to the remote mounted version. Note that the DVC6030f cannot be converted to the DVC6035.					
11	Adjustment Arm Kit (includes washer, nut and adjustment arm)	14B5072X132		DVC6010f to DVC6005f/DVC6015 DVC6010f to DVC6005f/DVC6035 DVC6020f to DVC6005f/DVC6025 (short arm) DVC6020f to DVC6005f/DVC6025 (long arm)	DVC6015RMTR DVC6035RMTR DVC6025RMSA DVC6025RMLA
12	PTFE Sleeve Kit [For pot bushing assembly (kit includes 10 sleeves and lubricant)] DVC6010f and DVC6020f DVC6030f	GE08726X012 GE08727X012	21	Feedback Unit Termination Strip Kit	GE00419X012
13	Spare Module Base Assembly Kit [kit contains module base assy (key 2); drive screws, qty 2, (key 11); shield/label (key 19); hex socket cap screw, qty 3, (key 38); self tapping screw, qty 2 (key 49); pipe plug, qty 3 (key 61); retaining ring, qty 3 (key 154); screen (key 236); and flame arrestors, qty 3 (key 243)] Aluminum Stainless Steel	GE18654X012 GE18654X112	22	Pipestand/Wall Mounting Kit	GE00420X012
Severe Service Linkage Kits					
Note					
All metallic parts (except coil springs) in the corrosion kit and parts that experience rubbing or wear in the wear kit are coated with a proprietary tungsten carbon coating.					
14	Spare Housing Assembly Kit [kit contains housing (key 1); drive screw, qty 2 (key 11); shield (key 20); and screen (key 71)] Aluminum DVC6010f/DVC6020f DVC6030f Stainless Steel DVC6010f/DVC6020f DVC6030f	GE18652X012 GE18653X012 GE56639X012 GE18653X022	23	Corrosion Kit DVC6010f, 0.25 to 2 inch travel DVC6010f, 2 to 4 inch travel DVC6020f, short arm DVC6020f, long arm DVC6030f, rotary DVC6030f, linear	GE22667X012 GE22668X012 GE22670X012 GE22671X012 GE22672X012 GE22673X012
15	DVC6020f Cam Adjustment Tool	GE12742X012	24	Wear Kit DVC6010f, 0.25 to 2 inch travel DVC6010f, 2 to 4 inch travel DVC6020f, short arm DVC6020f, long arm DVC6030f, rotary DVC6030f, linear	GE22674X012 GE22675X012 GE22676X012 GE22677X012 GE22678X012 GE22679X012
16*	Spare Shroud Kit [kit contains shroud (key 169) and hex socket cap crew, qty 4 (key 23)]	GE29183X012	25	Kit, Spring DVC6010f, 0.25 to 2 inch travel [kit contains 10 bias springs with tungsten carbon coating] DVC6010f, 2 to 4 inch travel [kit contains 10 bias springs with tungsten carbon coating]	GE37413X012 GE37414X012
17	Travel Sensor with Feedback Arm Assembly and PTFE Sleeve Kit DVC6010f DVC6015 DVC6020f DVC6025	GG09947X012 GG09948X012 GG09949X012 GG09950X012			
Remote Mount Kits					
18	Remote Terminal Box Kit Standard	GE00418X012			
19	Feedback Unit DVC6015 DVC6025 long arm DVC6025 Short Arm DVC6035 DVC6035 (for GX actuator)	49B7986X012 49B7987X012 49B7987X022 49B7988X012 49B7988X022			

* Recommended spare



DVC6000f Digital Valve Controllers

Parts List

Parts which do not show part numbers are not orderable as individual parts. In most cases, they are available in one of the parts kits listed under Parts Kits.



Note

Parts with footnote numbers shown are available in parts kits. Also see footnote information at the bottom of the page.

Key	Description	Part Number
-----	-------------	-------------

Housing

DVC6010f, DVC6020f, DVC6030f, DVC6005f
(see figures 8-2, 8-3, 8-4, and 8-5)

1	Housing ⁽¹⁴⁾	
11	Drive Screw ⁽¹⁴⁾ (2 req'd)	
20	Shield ⁽¹⁴⁾	
52	Vent, plastic ⁽²⁾ DVC6010f, DVC6030f, and DVC6005f only	
74	Mounting Bracket DVC6020f Std ⁽³⁾ or pipe-away ⁽⁷⁾ , and DVC6005f ⁽²²⁾	
75*	O-Ring ⁽⁷⁾ , DVC6020f only	
245	Pipe Plug, pl stl ⁽⁷⁾ , DVC6020f Vent-away only	
248	Screw, hex head ⁽²²⁾ (4 req'd), (DVC6005f only)	
249	Screw, hex head ⁽²²⁾ (4 req'd), (DVC6005f only)	
250	Spacer ⁽²²⁾ (4 req'd), (DVC6005f only)	
267	Standoff ⁽²²⁾ (2 req'd), (DVC6005f only)	
271	Screen ⁽¹⁴⁾	

Common Parts

16*	O-ring ⁽¹⁾ (3 req'd)	
23	Cap Screw, hex socket, SST ⁽²⁾ (4 req'd)	
29	Warning label, for use only with LCIE hazardous area classifications	
33	Mach Screw, pan hd, SST ⁽²⁾ (3 req'd)	
38	Cap Screw, hex socket, SST ^(2,13) (3 req'd)	
43*	Cover Assembly (includes cover screws)	
	Standard	38B9580X022
	Extreme temperature option (fluorosilicone elastomers)	
	Aluminum Construction	38B9580X032
	Stainless Steel Construction	38B9580X042
48	Nameplate	
49	Screw, self tapping (2 req'd) ⁽¹³⁾	
63	Lithium grease (not furnished with the instrument)	
64	Anti-seize compound (not furnished with the instrument)	
65	Lubricant, silicone sealant (not furnished with the instrument)	
154	Retaining Ring ⁽²⁾ (3 req'd)	
237	Module Base Seal ⁽¹⁾	

Key	Description	Part Number
-----	-------------	-------------

Module Base

DVC6010f, DVC6020f, DVC6030f, DVC6005f
(see figures 8-2, 8-3, 8-4, 8-5, and 8-6)

2	Module Base ⁽¹³⁾	
11	Drive Screw ⁽¹³⁾ (2 req'd)	
12	O-ring ⁽¹⁾	
19	Label, Shield Assembly ⁽¹³⁾	
61	Pipe Plug, hex socket ⁽¹³⁾ (3 req'd)	
236	Screen, for single-acting direct units only ⁽¹³⁾	
243	Flame Arrestor Assy ⁽¹³⁾ (3 req'd)	

I/P Converter Assembly

DVC6010f, DVC6020f, DVC6030f, DVC6005f
(see figures 8-2, 8-3, 8-4, and 8-5)

23	Cap Screw, hex socket, SST ^(2,16) (4 req'd)	
39*	O-ring ^(1,10)	
41	I/P Converter ⁽¹⁰⁾	
169	Shroud ^(10,16)	
210*	Boot, nitrile ^(1,10) (2 req'd) (also see figure 7-4)	
231*	Seal Screen ^(1,8,10)	

Relay

DVC6010f, DVC6020f, DVC6030f, DVC6005f
(see figures 8-2, 8-3, 8-4, and 8-5)

24*	Relay Assembly, (includes shroud, relay seal, mounting screws)	
	Standard	
	Single-acting direct (relay C)	38B5786X132
	Double-acting (relay A)	38B5786X052
	Single-acting reverse (relay B)	38B5786X092
	Low Bleed	
	Single-acting direct (relay C)	38B5786X152
	Double-acting (relay A)	38B5786X072
	Single-acting reverse (relay B)	38B5786X112
	Extreme Temperature option (fluorosilicone elastomers)	
	Standard Bleed	
	Single-acting direct (relay C)	38B5786X142
	Double-acting (relay A)	38B5786X032
	Single-acting reverse (relay B)	38B5786X102
	Low Bleed	
	Single-acting direct (relay C)	38B5786X162
	Double-acting (relay A)	38B5786X082
	Single-acting reverse (relay B)	38B5786X122

*Recommended spare

- Available in the Elastomer Spare Parts Kit
- Available in the Small Hardware Spare Parts Kit
- Available in the DVC6010f to DVC6020f Conversion Kit
- Available in the Pipe-Away Bracket Kit
- Available in the Seal Screen Kit
- Available in the I/P Converter Kit
- Available in the Spare Module Base Assembly Kit
- Available in the Spare Housing Assembly Kit
- Available in the Spare Shroud Kit
- Available in the Pipestand/Wall Mounting Kit

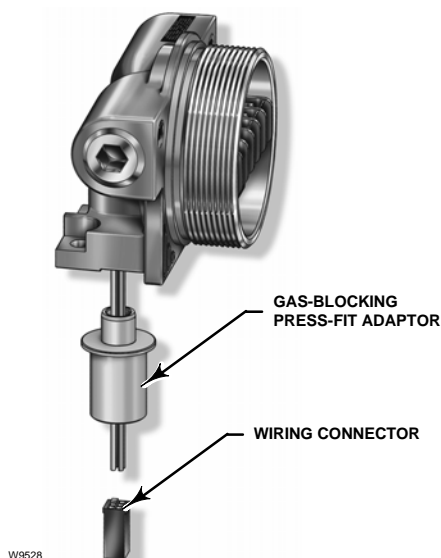


Figure 8-1. Terminal Box of Natural Gas Certified FIELDVUE DVC6000f Digital Valve Controller

Key	Description	Part Number
-----	-------------	-------------

Terminal Box

DVC6010f, DVC6020f, DVC6030f, DVC6005f
(see figures 8-1, 8-2, 8-3, 8-4, and 8-5)

- | | | |
|-----|--|--|
| 4 | Terminal Box Cap ⁽¹⁸⁾ | |
| 34* | O-ring ^(1,9,18) | |
| 36* | O-ring ^(1,9,18) | |
| 44 | Wire Retainer, pl stl ⁽²⁾ (6 req'd) (not shown) | |
| 58 | Set Screw, hex socket, SST ^(2,18) | |
| 72 | Cap Screw, hex socket, SST ^(2,18) | |
| 164 | Terminal Box Assembly ⁽⁹⁾ | |

Feedback Connections Terminal Box

DVC6005f (see figure 8-5)

- | | | |
|------|---|-------------|
| 4 | Terminal Box Cap ⁽¹⁸⁾ | |
| 34* | O-ring ^(1,9,18) | |
| 36* | O-ring ^(1,9,18) | |
| 44 | Wire Retainer, pl stl ^(2,19) (5 req'd) (not shown) | |
| 58 | Set Screw, hex socket, SST ^(2,18) | |
| 62 | Pipe Plug, hex hd, SST ⁽¹⁸⁾ | |
| 72 | Cap Screw, hex socket, SST ^(2,18) (3 req'd) | |
| 262 | Adapter ⁽¹⁸⁾ | |
| 263* | O-ring ⁽¹⁸⁾ | |
| | Standard | 1F463606992 |
| | Extreme temperature option, (fluorosilicone) | 10B9207X012 |
| 264 | Terminal Box Assembly, remote ⁽¹⁸⁾ | |

Key	Description	Part Number
-----	-------------	-------------

Pressure Gauges, Pipe Plugs, or Tire Valve Assemblies (see figure 8-6)

- | | | |
|-----|---|--|
| 47* | Pressure Gauge, nickel-plated brass case, brass connection
Double-acting (3 req'd); Single-acting (2 req'd)
PSI/MPA Gauge Scale
To 60 PSI, 0.4 MPa
To 160 PSI, 1.1 MPa
PSI/bar Gauge Scale
To 60 PSI, 4 bar
To 160 PSI, 11 bar
PSI/KG/CM ² Gauge Scale
To 60 PSI, 4 KG/CM ²
To 160 PSI, 11 KG/CM ² | 18B7713X042
18B7713X022
18B7713X032
18B7713X012
18B7713X072
18B7713X082 |
| 66 | Pipe Plug, hex hd
For double-acting and single acting direct w/gauges (none req'd)
For Single-acting reverse w/gauges (1 req'd)
For all units w/o gauges (3 req'd) | |
| 67 | Tire Valve Assembly (3 req'd)
Stainless Steel Construction
DVC6010f (oversized) (4 req'd)
Not for mounting on 1250 and 1250R actuators. | |

Feedback / Remote Travel Sensor Parts

Common Feedback Parts

DVC6010f, DVC6020f, DVC6030f, DVC6015, DVC6025, and DVC6035 (see figures 8-2, 8-3, 8-4, 8-7, 8-8, and 8-9)

- | | | |
|----|--|--|
| 46 | Alignment Pin ^(6,19)
for DVC6010f, DVC6030f, DVC6015 and DVC6035 | |
| 64 | Anti-seize compound (not furnished with the instrument) | |
| 65 | Lubricant, silicone sealant (not furnished with the instrument) | |

*Recommended spare

1. Available in the Elastomer Spare Parts Kit
2. Available in the Small Hardware Spare Parts Kit
6. Available in Alignment Pin Kit
9. Available in the Terminal Box Kit
18. Available in the Remote Terminal Box Kit
19. Available in Feedback Unit Kit

DVC6000f Digital Valve Controllers

Key	Description	Part Number	Key	Description	Part Number
-----	-------------	-------------	-----	-------------	-------------

PWB Assembly



Note

Contact your Emerson Process Management sales office for PWB Assembly FS Numbers.

223*	Potentiometer/Bushing Assy Standard Elastomers			
	DVC6010f, DVC6020f		GE31447X012	
	DVC6030f		GE31448X012	
	Extreme Temperature option (fluorosilicone elastomers)			
	DVC6010f and DVC6020f		GE31450X012	
	DVC6030f		GE31451X012	
	DVC6015 and DVC6025 ⁽¹⁹⁾		GE31453X012	
	DVC6035 ⁽¹⁹⁾		GE31454X012	

Key	Description	Part Number
50*	PWB Assembly Standard Control Fieldbus Diagnostics Advanced Diagnostics Performance Diagnostic Fieldbus Control Fieldbus Diagnostics Advanced Diagnostics Performance Diagnostics Fieldbus Logic Fieldbus Diagnostics Advanced Diagnostics Performance Diagnostics	
72	Cap Screw, hex socket ^(2,19) (2 req'd) for DVC6010f, DVC6020f, DVC6015, and DVC6025	
78	Bias Spring, SST ^(2,19) for DVC6010f, DVC6030f, DVC6015 and DVC6035	
79	Feedback Arm for DVC6010f, DVC6015, DVC6030f and DVC6035	
80	Cap Screw, hex socket, SST ^(2,19)	
81	Square Nut, SST ^(2,19)	
104	Cap Screw, hex hd ⁽¹⁹⁾ (4 req'd) Aluminum Construction DVC6010f and DVC6015 Not for mounting on 1250 and 1250R actuators. Mounting parts for 1250 and 1250R actuators are included in the mounting kit for these actuators.	
107	Mounting Bracket ^(4,19) , DVC6010f and DVC6015 only Not for mounting on 1250 and 1250R actuators. Mounting parts for 1250 and 1250R actuators are included in the mounting kit for these actuators.	
- - -	Feedback Linkage Shield, see figures 2-1 and 2-2 Up to 50.4 mm (2 inch) travel	
	All sliding-stem actuators except 585C size 60 50.4 mm (2 inch) to 104mm (4 inch) travel	39B2268X012
	All sliding-stem actuators except 585C size 60 585C size 60, 19 mm (0.75 inch) to 104mm (4 inch) travel	49B2267X012 49B3844X012
163	Plain Washer, SST ^(2,19)	

DVC6020f and DVC6025 (see figures 8-3 and 8-8)

74	Mounting Bracket, DVC6025 only (also in Housing parts for DVC6020f)
82	Bias Spring, SST ⁽³⁾
83	Bearing Flange, PTFE-based ⁽³⁾ (2 req'd)
84	Feedback Arm Assy, SST ⁽³⁾
85	E-ring, pl stl ⁽³⁾ (2 req'd)
86	Plain Washer, pl stl ⁽³⁾ (2 req'd)
87	Follower Post, SST ⁽³⁾
88	Roller, SST/PTFE ⁽³⁾
89	Spring Lock Washer, pl stl ⁽³⁾
90	Hex Nut, pl stl ⁽³⁾
91	Arm Assy, SST
92	Cap Screw, hex socket ⁽³⁾ (4 req'd)
93	Torsion Spring, Feedback Arm ⁽³⁾

DVC6015, DVC6025, and DVC6035 (see figures 8-7, 8-8, and 8-9)

23	Cap Screw, hex socket ^(19,21) (2 req'd)
44	Wire Retainer, pl stl ^(19,21) (9 req'd)
49	Screw, self tapping (2 req'd)
58	Set Screw, hex socket ⁽¹⁹⁾
62	Pipe Plug, hex hd, SST ⁽¹⁹⁾
131	Retainer Wire
251	Feedback housing ⁽¹⁹⁾
252	Assembly Plate Shield ⁽¹⁹⁾ (DVC6015 only)
253	Terminal bracket ^(19,21)
254	Terminal Strip ^(19,21)
255	Terminal Cap ⁽¹⁹⁾
256	O-ring, fluorosilicone ⁽¹⁹⁾
257	Machine Screw, pan head ⁽¹⁹⁾ (2 req'd) (DVC6015 only)
258	Label, cover ⁽¹⁹⁾
260	Hex Nut, SST (2 req'd)
261	Nameplate
265	Plug ⁽¹⁹⁾ (DVC6015 and DVC6035 only)

*Recommended spare

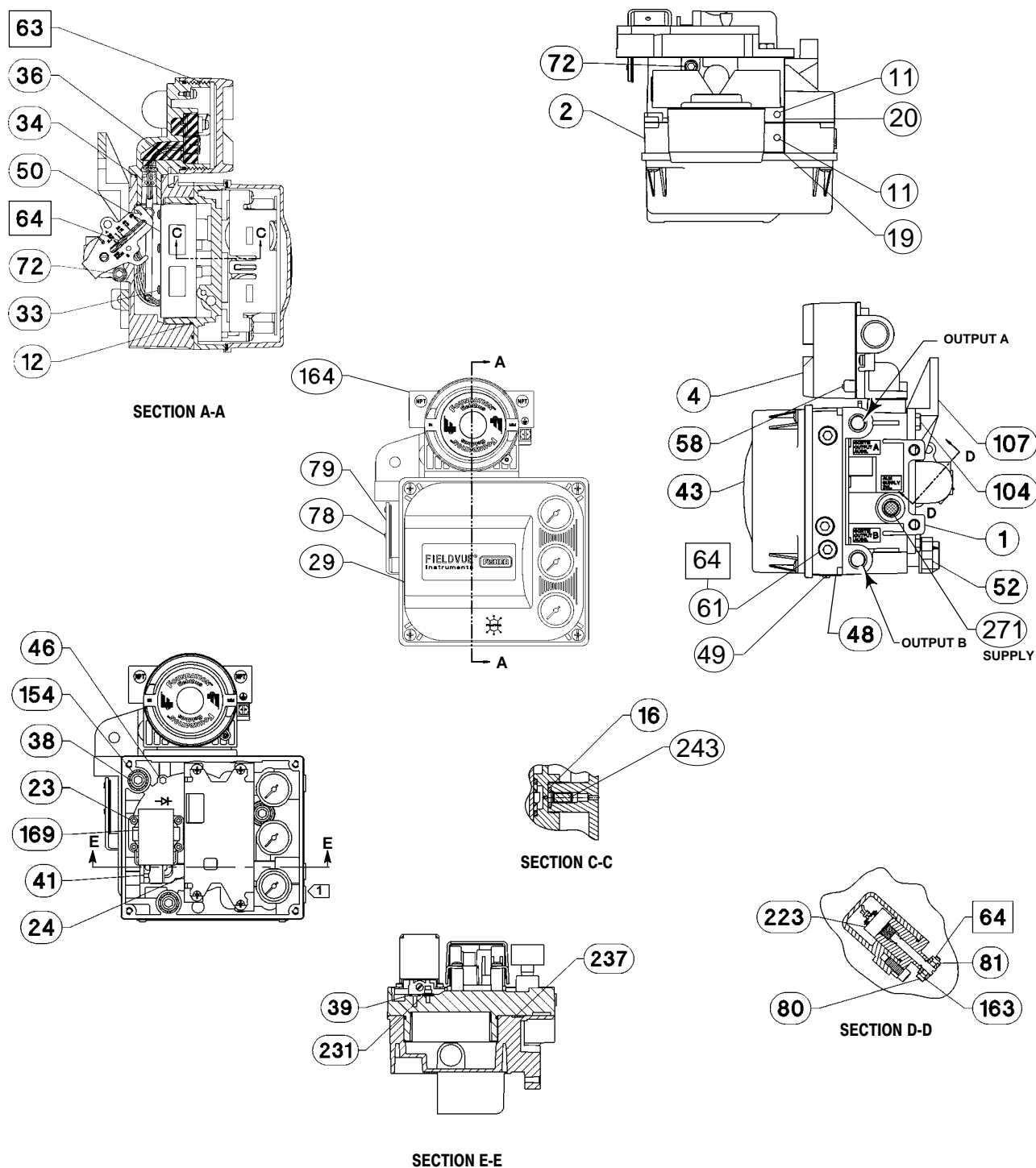
2. Available in the Small Hardware Spare Parts Kit

3. Available in the DVC6010f to DVC6020f Conversion Kit

4. Available in the DVC6020f to DVC6010f Conversion Kit

19. Available in Feedback Unit Kit

21. Available in Feedback Unit Termination Strip Kit

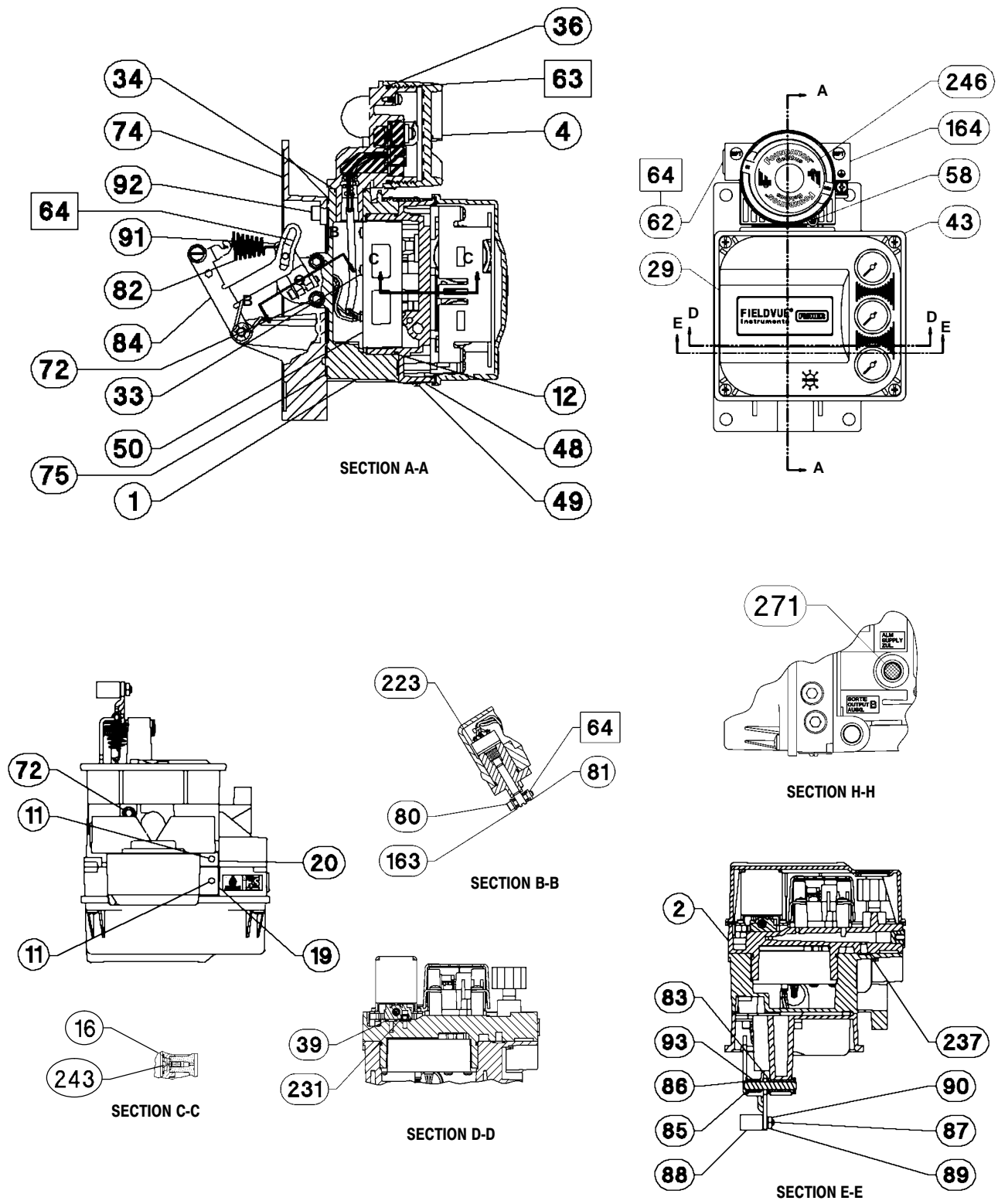


- APPLY LUB, SEALANT
 NOTES:
 1 SEE FIGURE 8-6 FOR GAUGE CONFIGURATIONS
 2. APPLY LUBRICANT KEY 65 TO ALL O-RINGS UNLESS OTHERWISE SPECIFIED
- 48B7710-K SHT 1 & 2 / DOC
 29B3403-A

Figure 8-2. FIELDVUE DVC6010f Digital Valve Controller Assembly

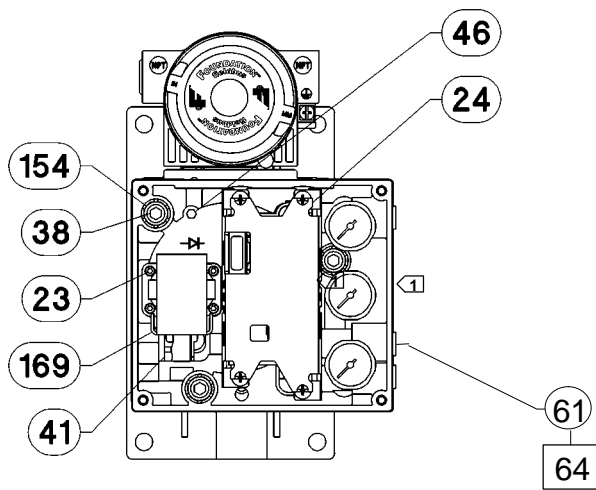
DVC6000f Digital Valve Controllers

8



□ APPLY LUB, SEALANT
 48B9596-K/ IL SHT 1 & 2 / DOC
 29B3403-A

Figure 8-3. FIELDVUE DVC6020f Digital Valve Controller Assembly



□ APPLY LUB, SEALANT

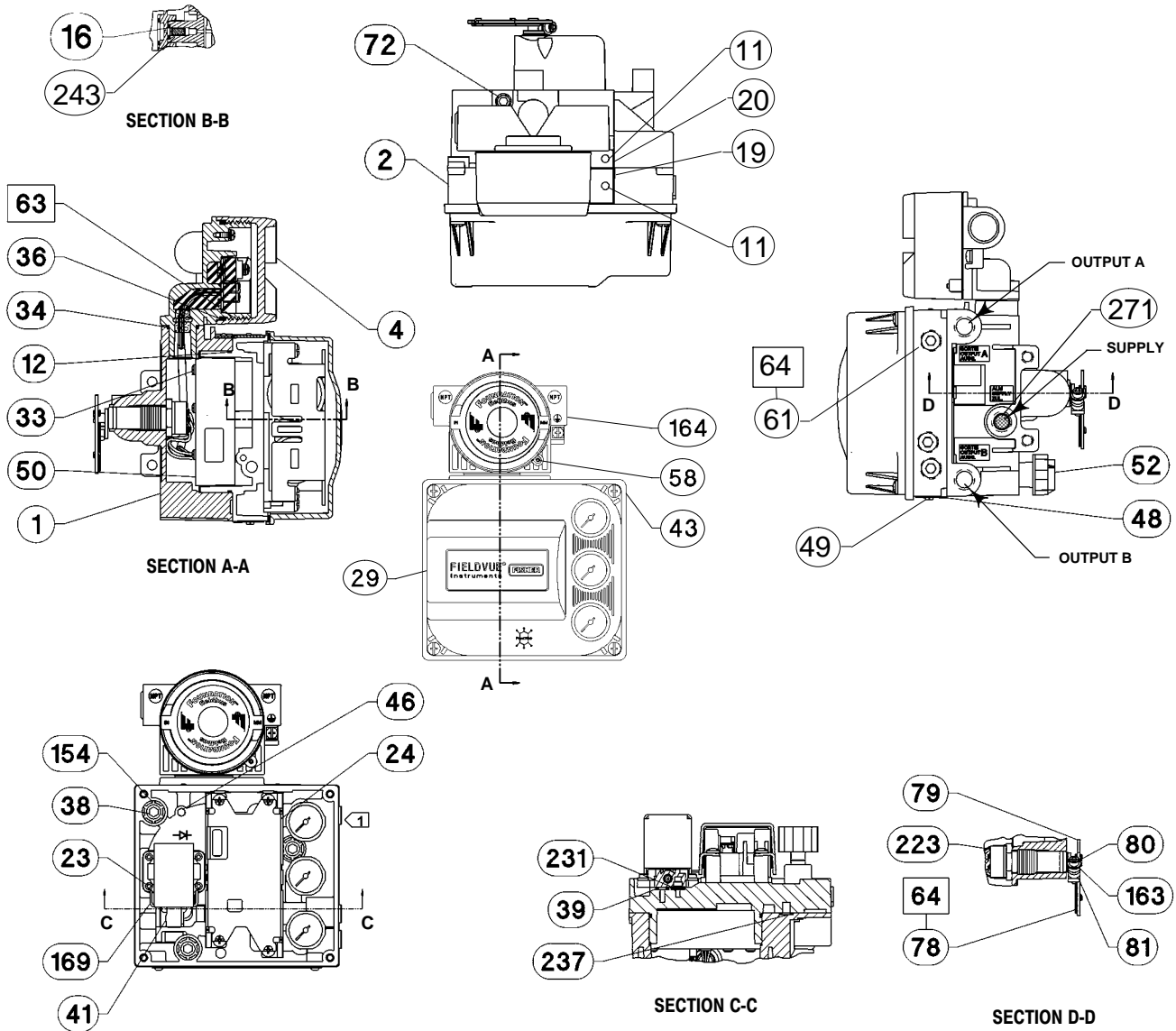
NOTES:

- 1 SEE FIGURE 8-6 FOR GAUGE CONFIGURATIONS
- 2. APPLY LUBRICANT KEY 65 TO ALL O-RINGS UNLESS OTHERWISE SPECIFIED

48B9596-E SHT 3 / DOC

Figure 8-3. FIELDVUE DVC6020f Digital Valve Controller Assembly (continued)

DVC6000f Digital Valve Controllers



8

□ APPLY LUB, SEALANT, THREAD LOCK

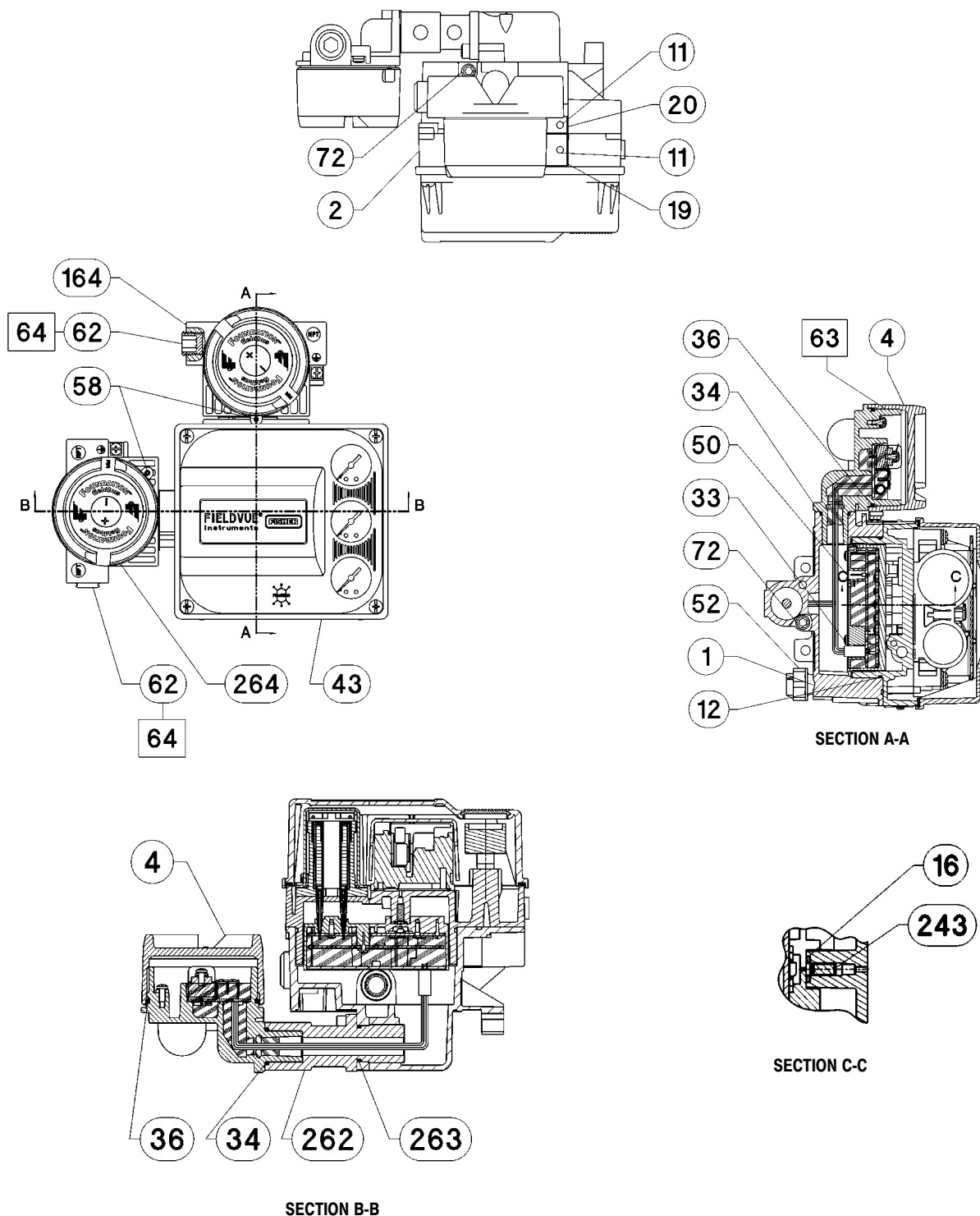
NOTES:

1 SEE FIGURE 8-6 FOR GAUGE CONFIGURATIONS

2. APPLY LUBRICANT KEY 65 TO ALL O-RINGS UNLESS OTHERWISE SPECIFIED

48B9597-K SHT 1 & 2 / DOC
29B3403-A

Figure 8-4. FIELDVUE DVC6030f Digital Valve Controller Assembly



8

□ APPLY LUB, SEALANT

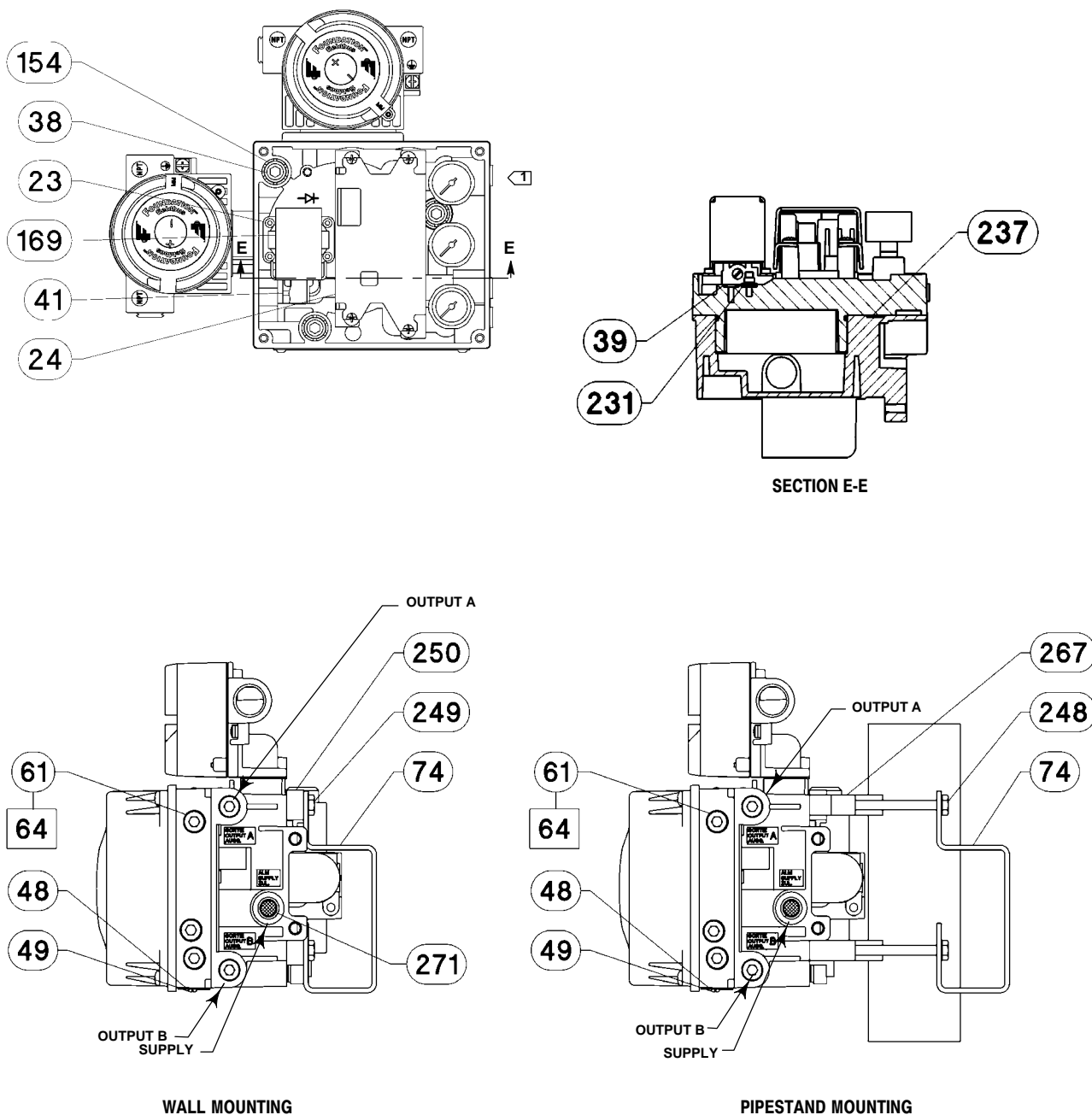
NOTES:

1. APPLY LUBRICANT KEY 65 TO ALL O-RINGS UNLESS OTHERWISE SPECIFIED

49B3261-C SHT 1, 2 & 3
29B3403-A

Figure 8-5. FIELDVUE DVC6005f Base Unit

DVC6000f Digital Valve Controllers

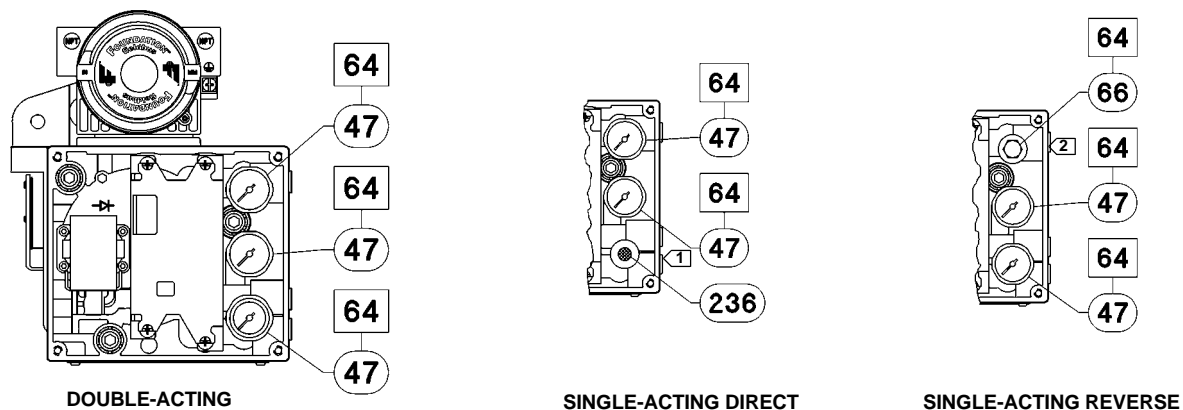


8

- APPLY LUB, SEALANT
- NOTES:
- 1 SEE FIGURE 8-6 FOR GAUGE CONFIGURATIONS
- 2. APPLY LUBRICANT KEY 65 TO ALL O-RINGS UNLESS OTHERWISE SPECIFIED

49B3261-C SHT 2 & 3 / DOC

Figure 8-5. FIELDVUE DVC6005f Base Unit (continued)



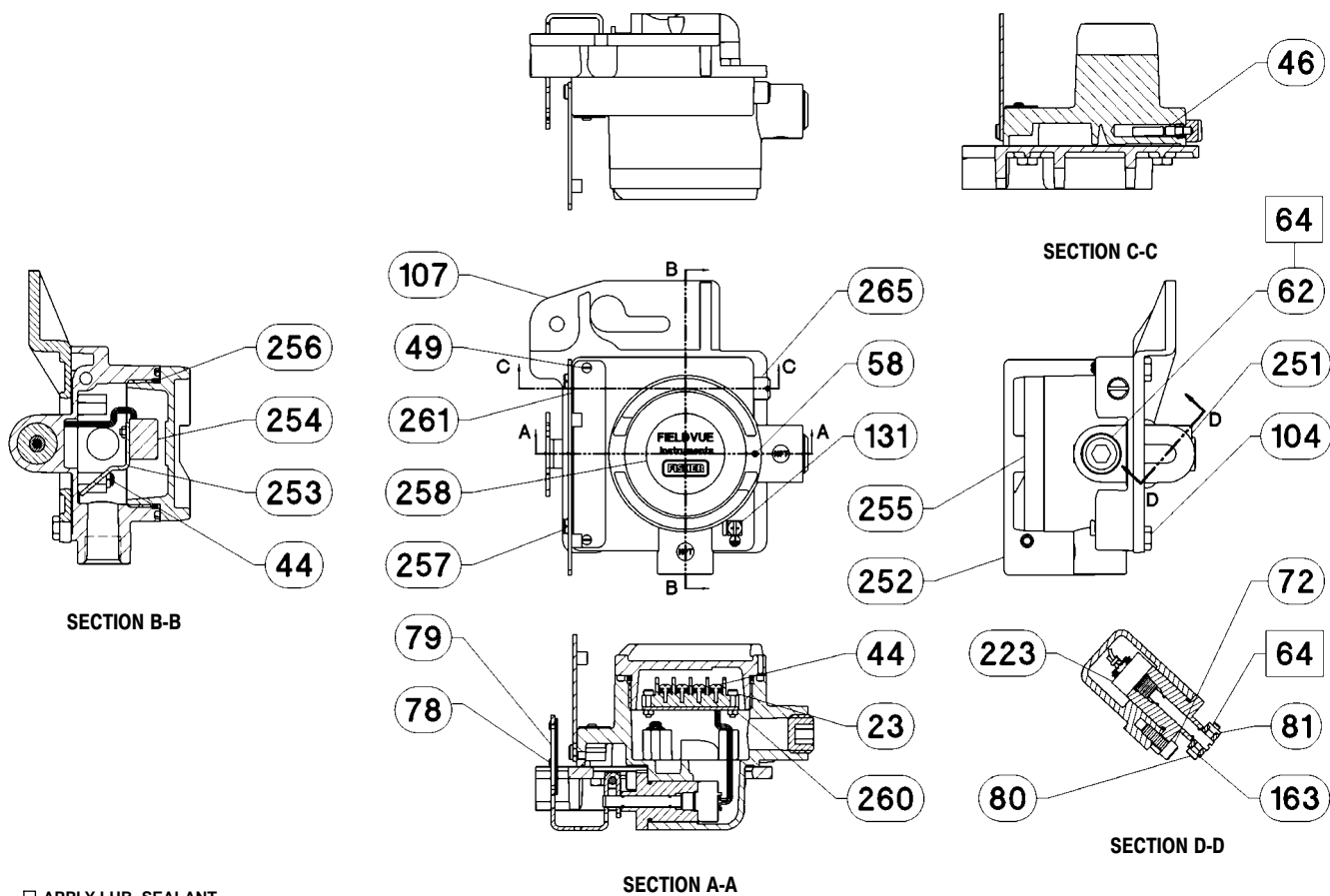
□ APPLY LUB, SEALANT

NOTE:

- 1 ▷ FOR SINGLE-ACTING DIRECT, OUTPUT B IS PLUGGED.
- 2 ▷ FOR SINGLE-ACTING REVERSE, OUTPUT A IS PLUGGED.

48B7710-K SHT 2 / DOC

Figure 8-6. Typical FIELDVUE DVC6000f Digital Valve Controller Gauge Configuration



□ APPLY LUB, SEALANT

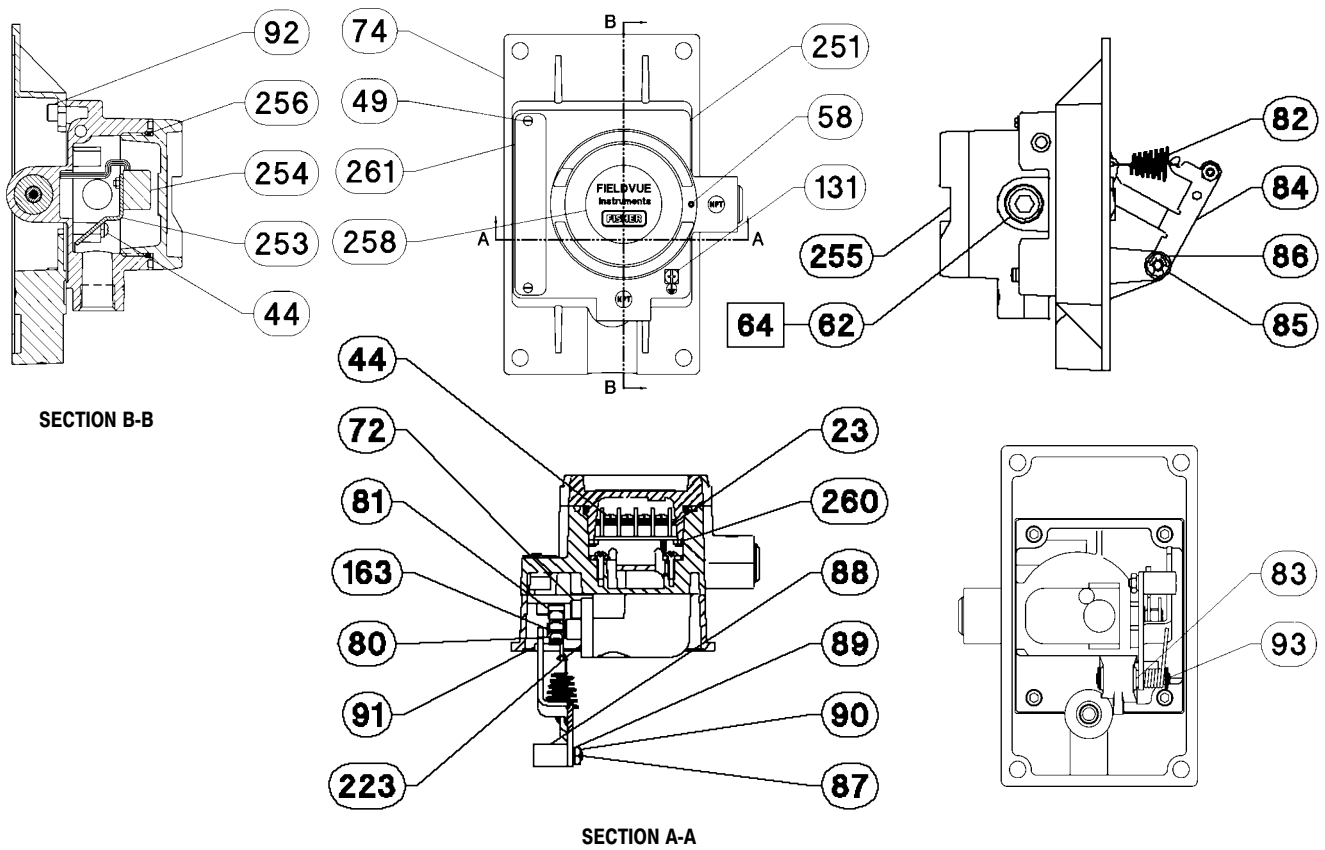
NOTE:

- 1. APPLY LUBRICANT KEY 65 TO ALL O-RINGS UNLESS OTHERWISE SPECIFIED

48B7986-A

Figure 8-7. FIELDVUE DVC6015 Digital Valve Controller Assembly

DVC6000f Digital Valve Controllers



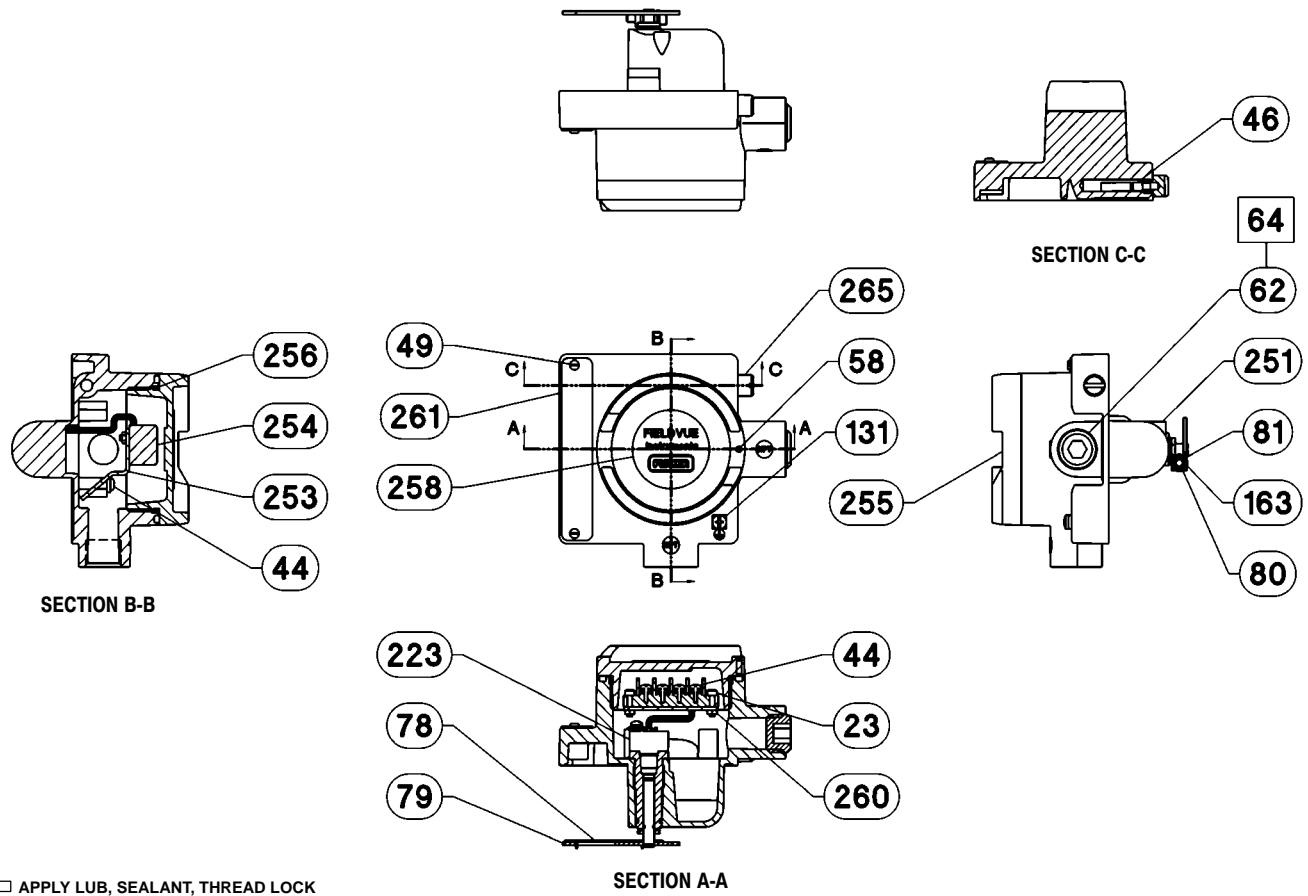
□ APPLY LUB, SEALANT, THREAD LOCK

NOTE:

1. APPLY LUBRICANT KEY 65 TO ALL O-RINGS UNLESS OTHERWISE SPECIFIED

49B7987-A / IL

Figure 8-8. FIELDVUE DVC6025 Digital Valve Controller Assembly



□ APPLY LUB, SEALANT, THREAD LOCK

NOTE:

1. APPLY LUBRICANT KEY 65 TO ALL O-RINGS UNLESS OTHERWISE SPECIFIED

48B7988-A

Figure 8-9. FIELDVUE DVC6035 Digital Valve Controller Assembly

Appendix A Principle of Operation

Digital Valve Controller Operation A-2



DVC6000f Digital Valve Controllers

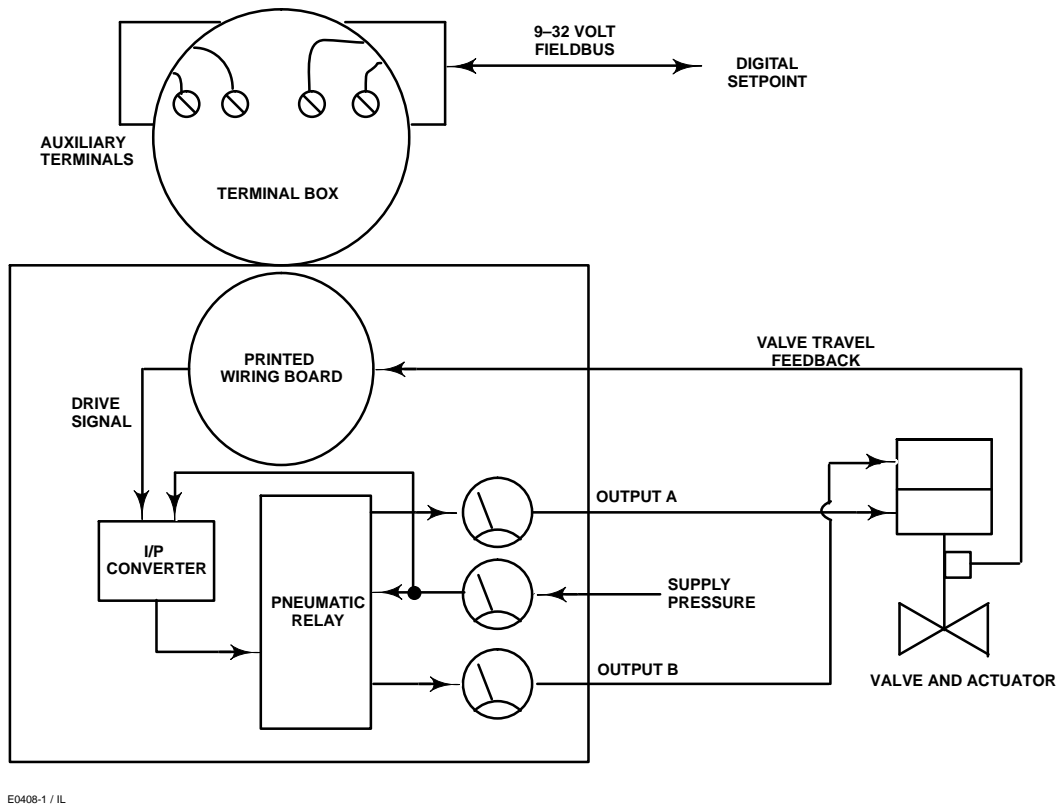


Figure A-1. FIELDVUE DVC6000f Digital Valve Controller Block Diagram

A

Digital Valve Controller Operation

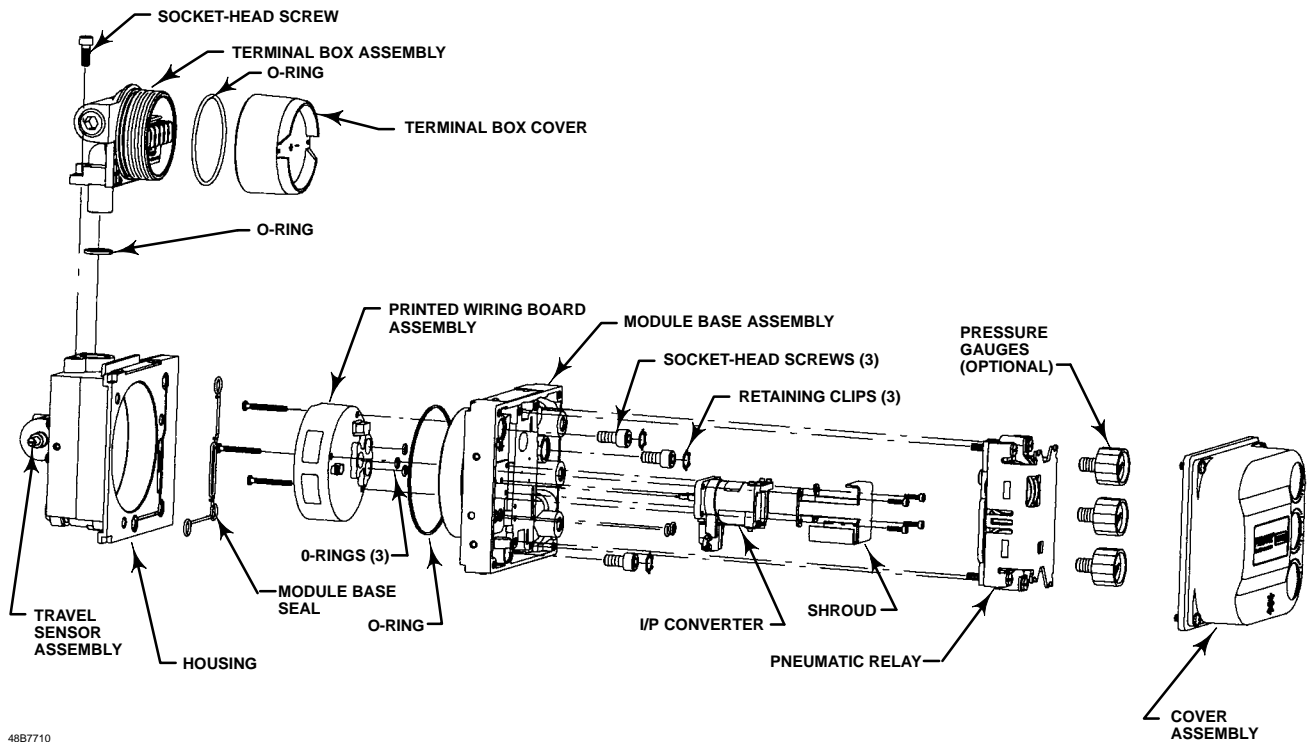
DVC6000f digital valve controllers have a single module base that may be easily replaced in the field without disconnecting field wiring or tubing. The master module contains the following submodules: current-to-pneumatic (I/P) converter, printed wiring board assembly, and pneumatic relay. The relay position is detected by sensing the magnet on the relay beam via a detector on the printed wiring board. This sensor is used for the minor loop feedback (MLFB) reading. The master module can be rebuilt by replacing the submodules. See figures A-1 and A-2. DVC6000f digital valve controllers are bus-powered instruments that provide a control valve position in response to a digital setpoint from the control room. The following describes a direct acting DVC6010f digital valve controller mounted on a sliding stem piston actuator, where the valve is closed with zero power to the instrument.

The setpoint is routed into the terminal box through a single pair of wires and then to the printed wiring

board assembly submodule where it is read by the microprocessor, processed by a digital algorithm, and converted into an analog I/P drive signal.

As the setpoint increases, the drive signal to the I/P converter increases, increasing the I/P output pressure. The I/P output pressure is routed to the pneumatic relay submodule. The relay is also connected to supply pressure and amplifies the small pneumatic signal from the I/P converter. The relay accepts the amplified pneumatic signal and provides two output pressures. With relay A, an increasing setpoint will produce increasing pressure at output A and decreasing pressure at output B. With relay B an increasing setpoint will produce decreasing pressure at output B (output A is not available). With relay C an increasing setpoint will produce an increasing pressure on output A (output B is not available). The output A pressure is used for double-acting and single-acting direct applications. The output B pressure is used for double-acting and single-acting reverse applications.

Principle of Operation



48B7710
E0515 / IL

Figure A-2. FIELDVUE DVC6000f Digital Valve Controller Assembly

As shown in figure A-1, the increased output A pressure causes the actuator stem to move upward. Stem position is sensed through the feedback linkage by the travel sensor which is electrically connected to the printed wiring board assembly submodule. The stem continues to move upward until the correct stem position is attained. At this point the printed wiring board assembly stabilizes the I/P drive signal. This prevents any further increase in the pneumatic signal from the I/P converter.

As the digital setpoint decreases, the drive signal to the I/P converter submodule decreases, decreasing the I/P output pressure. The pneumatic relay decreases the output A pressure and increases the output B pressure. The stem moves downward until the correct position is attained. At this point the printed wiring board assembly stabilizes the I/P drive signal. This prevents any decrease in the pneumatic signal from the I/P converter.

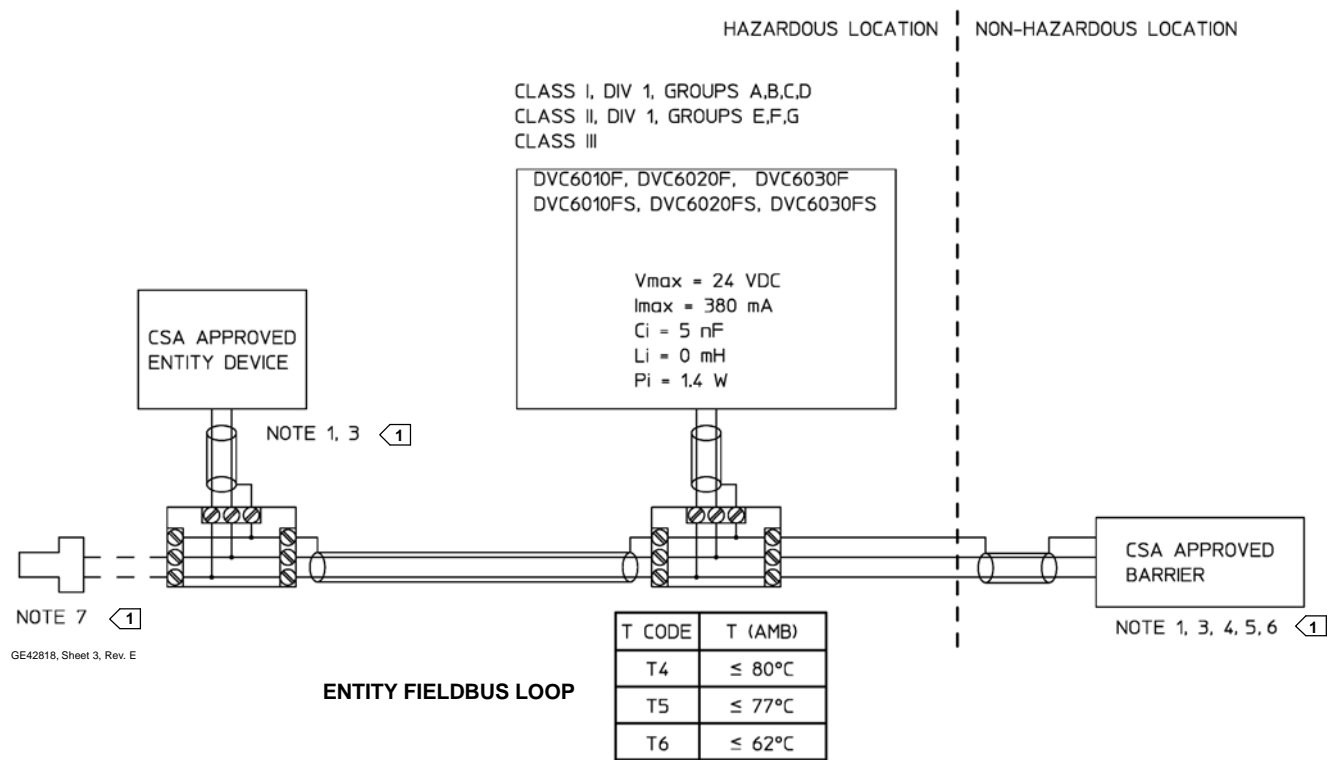
A

Appendix B Loop Schematics/Nameplates

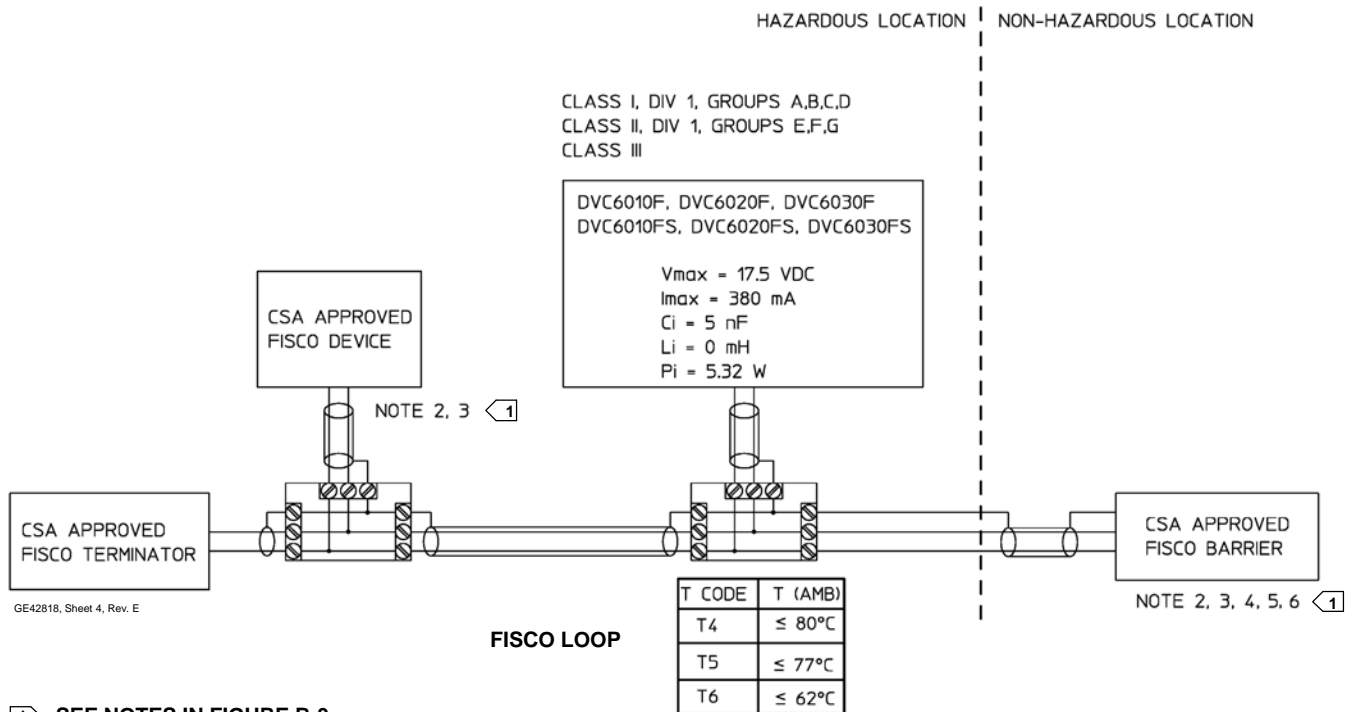
B

DVC6000f Digital Valve Controllers

This section includes loop schematics required for wiring of intrinsically safe installations. It also includes the approvals nameplates. If you have any questions, contact your Emerson Process Management sales office.



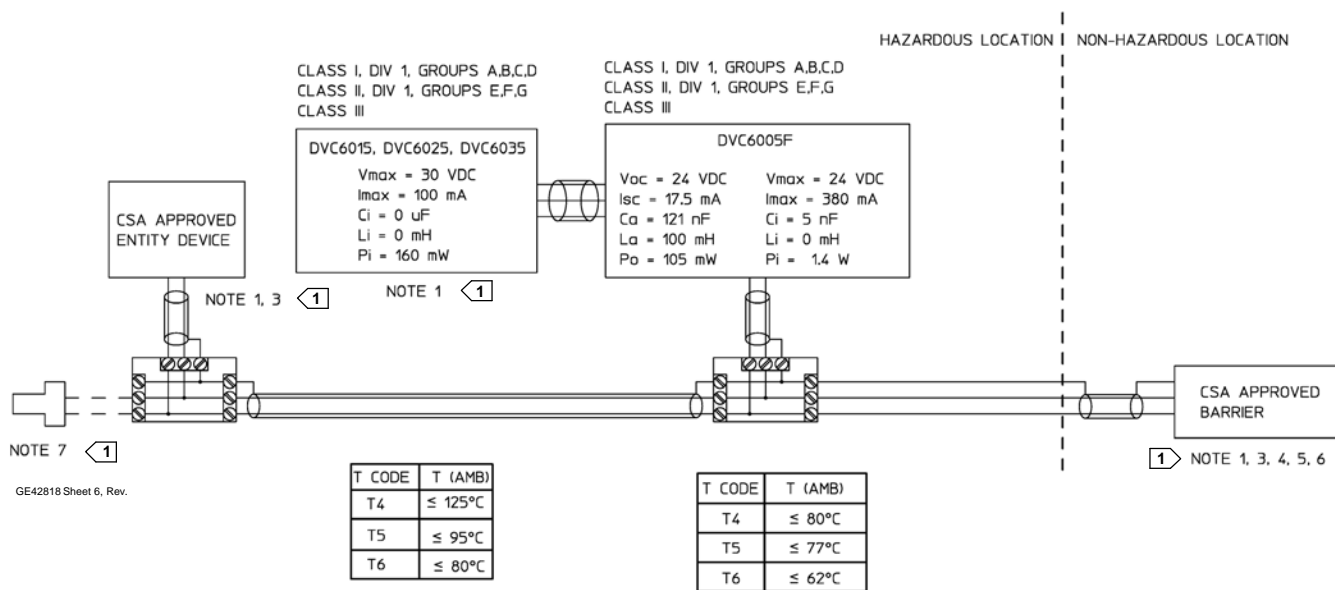
B



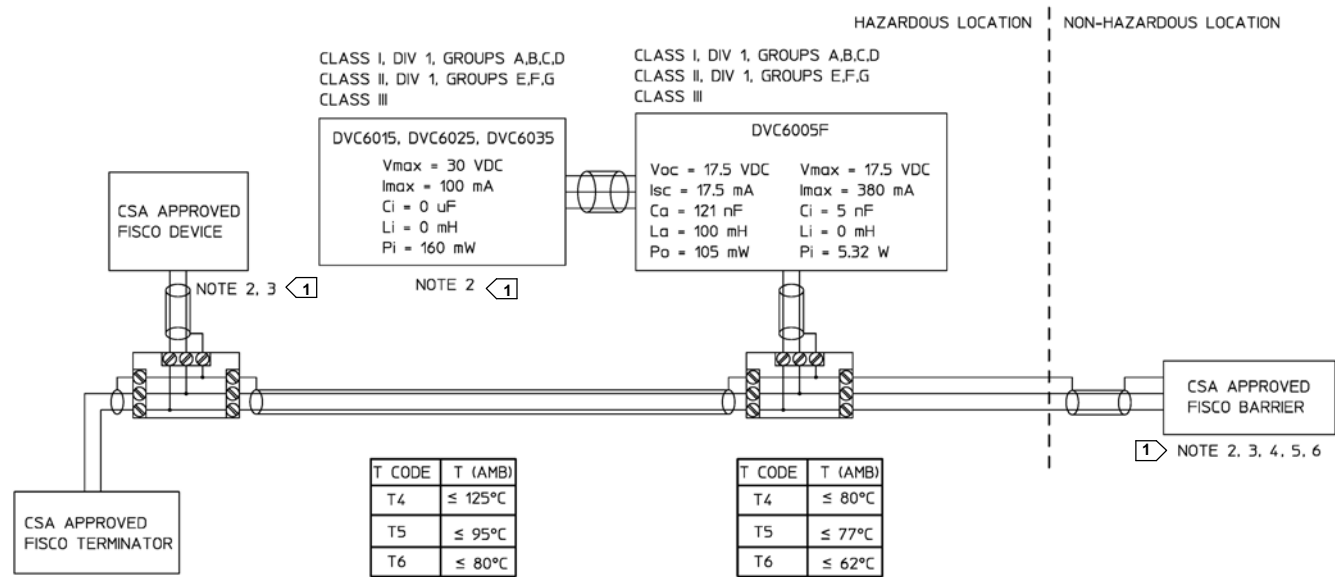
1 SEE NOTES IN FIGURE B-3

Figure B-1. CSA Loop Schematics for FIELDVUE DVC6010f, DVC6020f, and DVC6030f

Loop Schematics/Nameplates



ENTITY FIELDBUS LOOP



FISCO LOOP

SEE NOTES IN FIGURE B-3

Figure B-2. CSA Loop Schematics for FIELDVUE DVC6005f with DVC6015, DVC6025, and DVC6035

DVC6000f Digital Valve Controllers

NOTES

1 THE ENTITY CONCEPT ALLOWS INTERCONNECTION OF INTRINSICALLY SAFE APPARATUS TO ASSOCIATED APPARATUS NOT SPECIFICALLY EXAMINED IN SUCH COMBINATION. THE CRITERIA FOR INTERCONNECTION IS THAT THE VOLTAGE (V_{max} or U_i), THE CURRENT (I_{max} or I_i), AND THE POWER (P_{max} or P_i) OF THE INTRINSICALLY SAFE APPARATUS MUST BE EQUAL TO OR GREATER THAN THE VOLTAGE (V_{oc} or U_o), AND THE CURRENT (I_{sc} or I_o), AND THE POWER (P_o) DEFINED BY THE ASSOCIATED APPARATUS. IN ADDITION, THE SUM OF THE MAX UNPROTECTED CAPACITANCE (C_o) AND MAX UNPROTECTED INDUCTANCE (L_i), INCLUDING THE INTERCONNECTING CABLING CAPACITANCE (C_{cable}) AND CABLING INDUCTANCE (L_{cable}), MUST BE LESS THAN THE ALLOWABLE CAPACITANCE (C_a) AND INDUCTANCE (L_a) DEFINED BY THE ASSOCIATED APPARATUS. IF THE ABOVE CRITERIA IS MET, THEN THE COMBINATION MAY BE CONNECTED.

$$V_{max} \text{ or } U_i \geq V_{oc} \text{ or } U_o \quad I_{max} \text{ or } I_i \geq I_{sc} \text{ or } I_o \quad P_{max} \text{ or } P_i \geq P_o \quad C_i + C_{cable} \leq C_a \quad L_i + L_{cable} \leq L_a$$

2 THE FISCO CONCEPT ALLOWS INTERCONNECTION OF INTRINSICALLY SAFE APPARATUS TO ASSOCIATED APPARATUS NOT SPECIFICALLY EXAMINED IN SUCH COMBINATION. THE CRITERIA FOR THE INTERCONNECTION IS THAT THE VOLTAGE (V_{max} or U_i), CURRENT (I_{max} or I_i), AND POWER (P_{max} or P_i), WHICH AN INTRINSICALLY SAFE APPARATUS CAN RECEIVE AND REMAIN INTRINSICALLY SAFE, CONSIDERING FAULTS, MUST BE EQUAL TO OR GREATER THAN THE VOLTAGE (V_{oc} or U_o), CURRENT (I_{sc} or I_o), AND POWER (P_o) LEVELS WHICH CAN BE DELIVERED BY THE ASSOCIATED APPARATUS, CONSIDERING FAULTS AND APPLICABLE FACTORS. IN ADDITION THE MAXIMUM UNPROTECTED CAPACITANCE (C_i) AND INDUCTANCE (L_i) OF EACH APPARATUS (OTHER THAN THE TERMINATION) CONNECTED TO THE FIELDBUS MUST BE LESS THAN OR EQUAL TO 5 nF AND 10 μ H RESPECTIVELY.

IN EACH SEGMENT ONLY ONE ACTIVE DEVICE, NORMALLY THE ASSOCIATED APPARATUS, IS ALLOWED TO PROVIDE THE NECESSARY ENERGY FOR THE FIELDBUS SYSTEM. THE VOLTAGE (U_o OR V_{oc} OR V_i) OF THE ASSOCIATED APPARATUS HAS TO BE LIMITED TO THE RANGE OF 9 TO 17.5 VDC. ALL OTHER EQUIPMENT CONNECTED TO THE BUS CABLE HAS TO BE PASSIVE, MEANING THAT THEY ARE NOT ALLOWED TO PROVIDE ENERGY TO THE SYSTEM, EXCEPT FOR A LEAKAGE CURRENT OF 50 μ A FOR EACH CONNECTED DEVICE. SEPARATELY POWERED EQUIPMENT NEEDS A GALVANIC ISOLATION TO ASSURE THAT THE INTRINSICALLY SAFE FIELDBUS CIRCUIT REMAINS PASSIVE.

THE CABLE USED TO INTERCONNECT THE DEVICES NEEDS TO HAVE THE PARAMETERS IN THE FOLLOWING RANGE:

LOOP RESISTANCE R:	15 TO 150 ohms/km
INDUCTANCE PER UNIT LENGTH L:	0.4 TO 1 mH/km
CAPACITANCE PER UNIT LENGTH C:	80 TO 200 nF/km
C' = C' LINE/LINE + 0.5' LINE/SCREEN, IF BOTH LINES ARE FLOATING OR	
C' = C' LINE/LINE + C' LINE/SCREEN, IF THE SCREEN IS CONNECTED TO ONE LINE.	
LENGTH OF SPLICE:	<1 m (T-BOX MUST ONLY CONTAIN TERMINAL CONNECTIONS WITH NO ENERGY STORAGE CAPABILITY)
LENGTH OF SPUR CABLE:	<30 m
LENGTH OF TRUNK CABLE:	<1 km

AT EACH END OF THE TRUNK CABLE AN APPROVED INFALLIBLE TERMINATION WITH THE FOLLOWING PARAMETERS IS SUITABLE: R= 90 TO 100 ohms AND C = 0 TO 2.2 μ F
NOTE, A BUILT-IN TERMINATOR IS INCLUDED ON THE FIELD SIDE AND A SELECTABLE TERMINATOR IS AVAILABLE ON THE HOST SIDE.

THE NUMBER OF PASSIVE DEVICES CONNECTED TO THE BUS SEGMENT IS NOT LIMITED IN THE FISCO CONCEPT FOR INTRINSICALLY SAFE REASONS. IF THE ABOVE RULES ARE RESPECTED, UP TO A TOTAL LENGTH OF 1000 m (SUM OF THE LENGTH OF THE TRUNK CABLE AND ALL SPUR CABLES), THE INDUCTANCE AND CAPACITANCE OF THE CABLE WILL NOT IMPAIR THE INTRINSIC SAFETY OF THE INSTALLATION.

3 INSTALLATION MUST BE IN ACCORDANCE WITH THE CANADIAN ELECTRICAL CODE (CEC) PART 1 AND ANSI/ISA RP12.6

4 MAXIMUM SAFE AREA VOLTAGE SHOULD NOT EXCEED 250 V_{rms}

5 RESISTANCE BETWEEN INTRINSICALLY SAFE GROUND AND EARTH GROUND MUST BE LESS THE ONE OHM

6 LOOPS MUST BE CONNECTED ACCORDING TO THE BARRIER MANUFACTURER'S INSTRUCTIONS

7 IF HAND-HELD COMMUNICATOR OR MULTIPLEXER IS USED IT MUST BE CSA APPROVED WITH ENTITY PARAMETERS AND INSTALLED PER THE MANUFACTURER'S CONTROL DRAWING

GE42818, Sheet 8, Rev. E

Figure B-3. Notes for CSA Loop Schematics

B

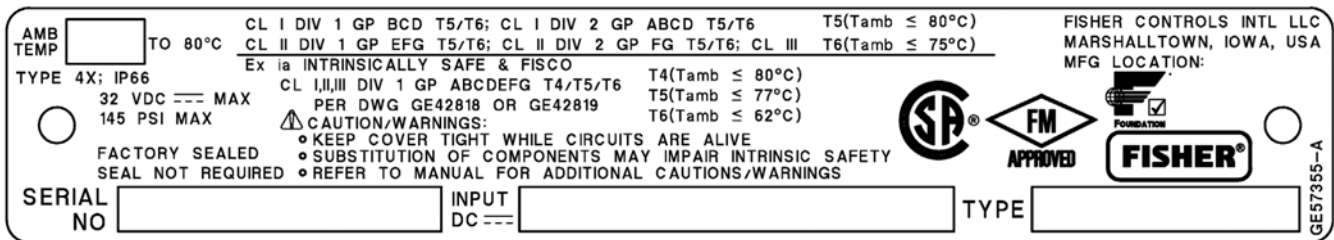


Figure B-4. Typical CSA/FM Nameplate for FIELDVUE DVC6010f, DVC6020f, DVC6030f, and DVC6005f

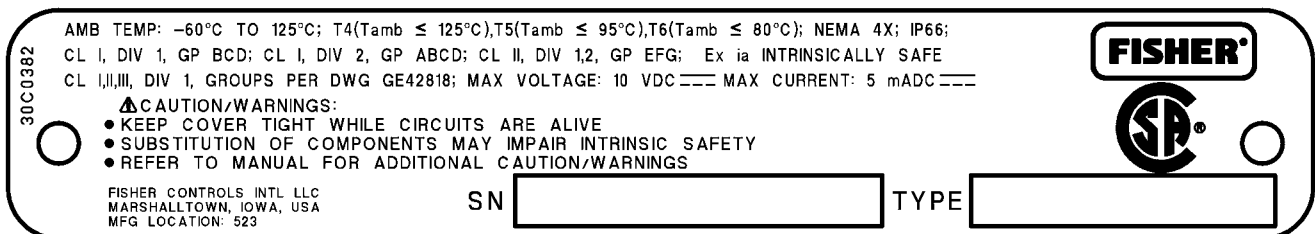
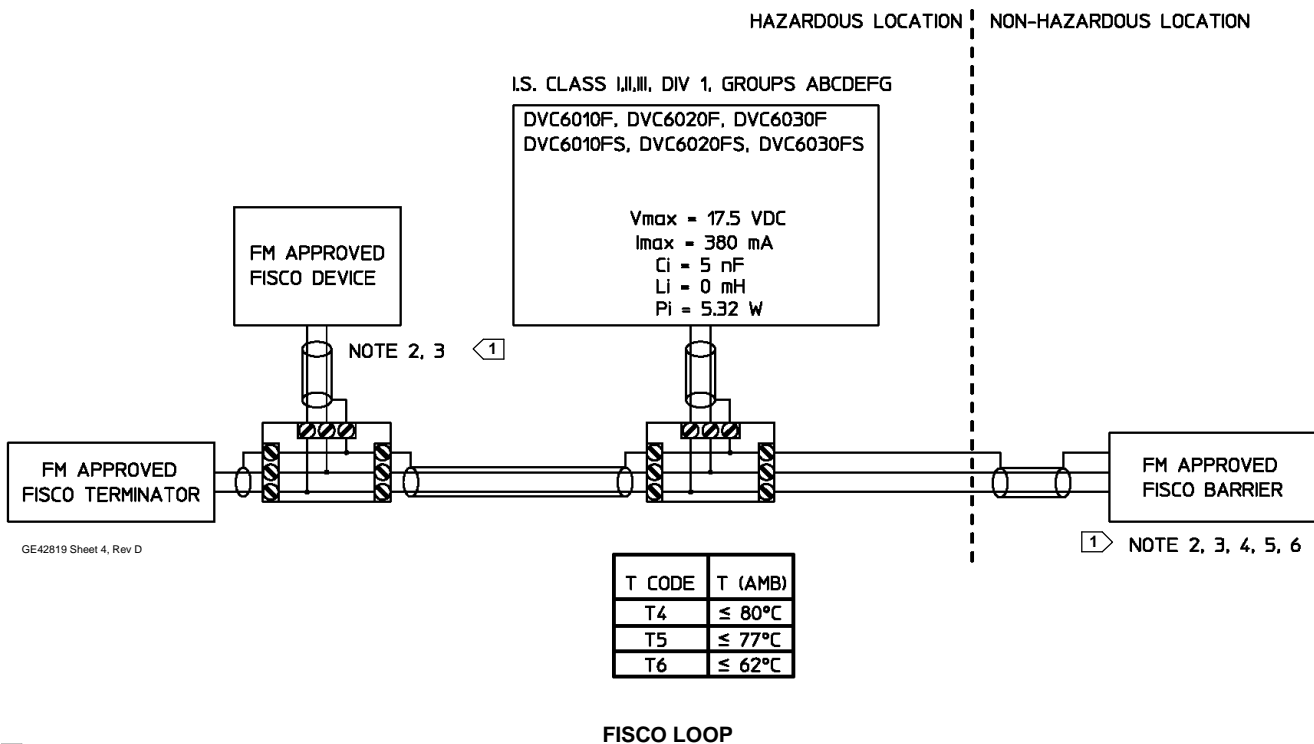
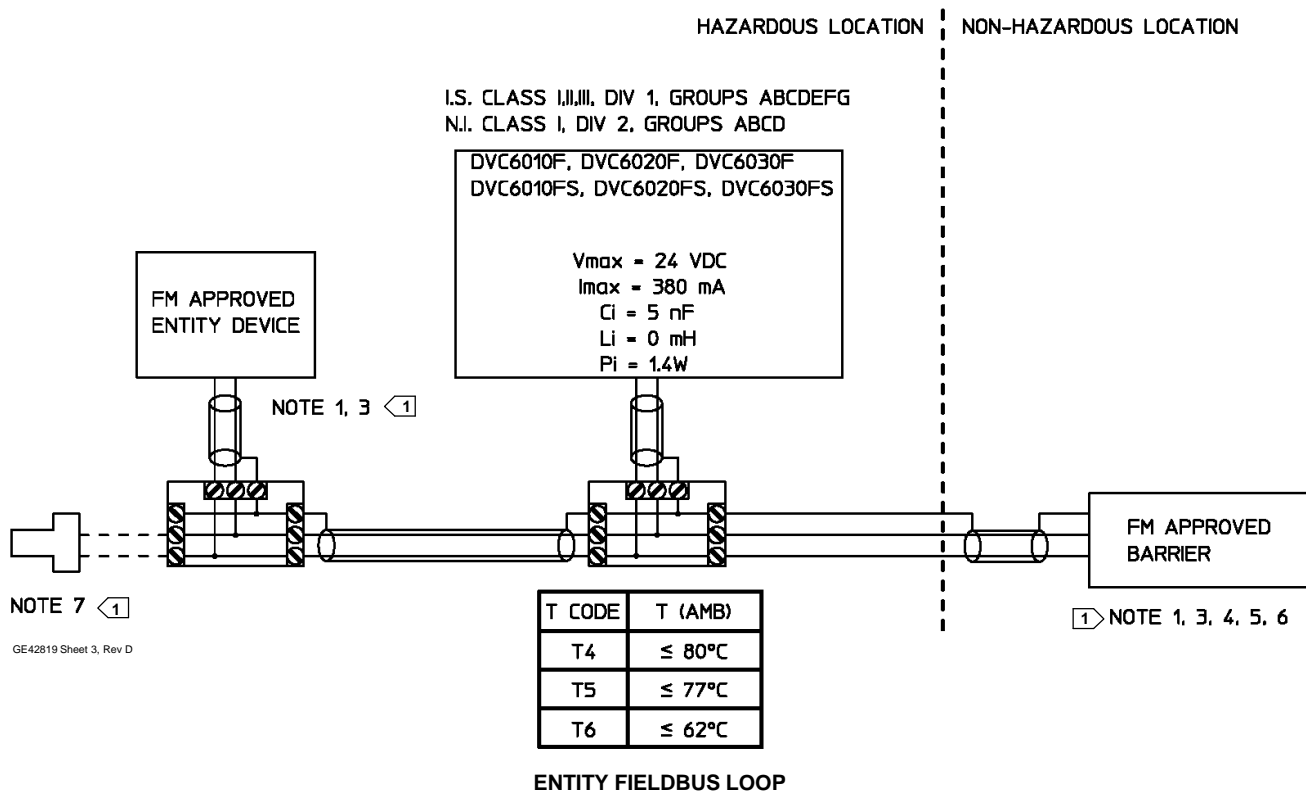


Figure B-5. Typical CSA Nameplate for FIELDVUE DVC6015, DVC6025, and DVC6035

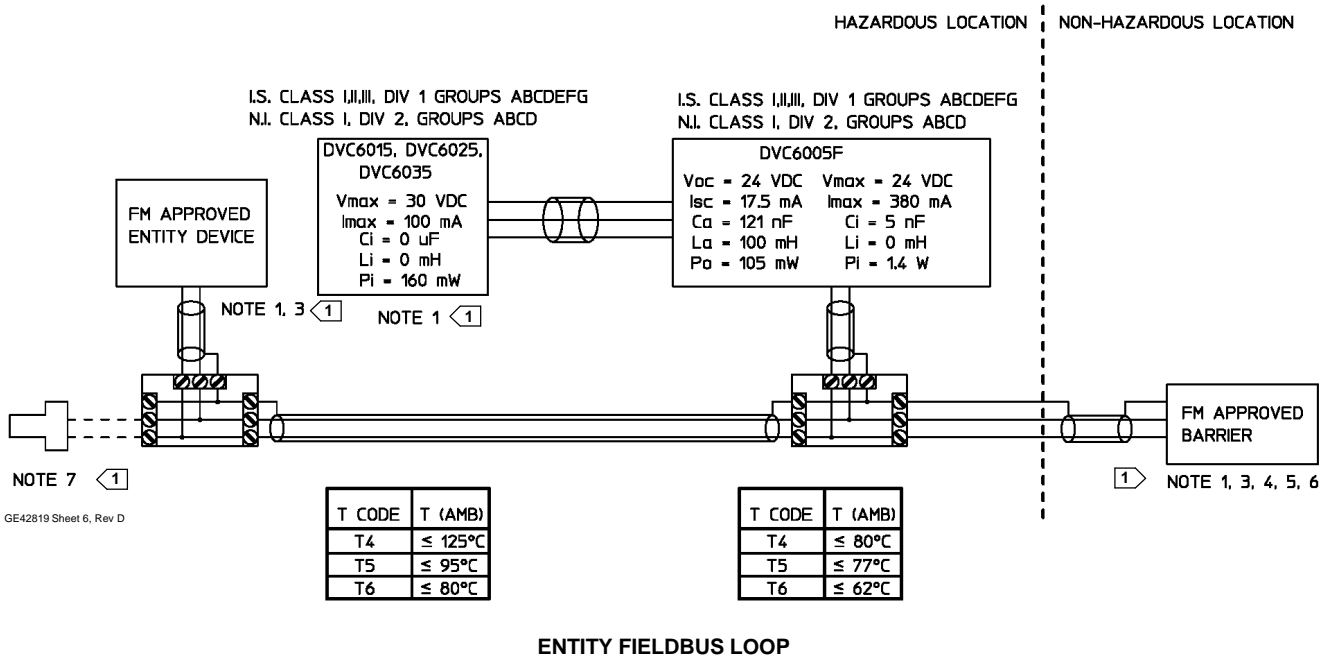
Loop Schematics/Nameplates



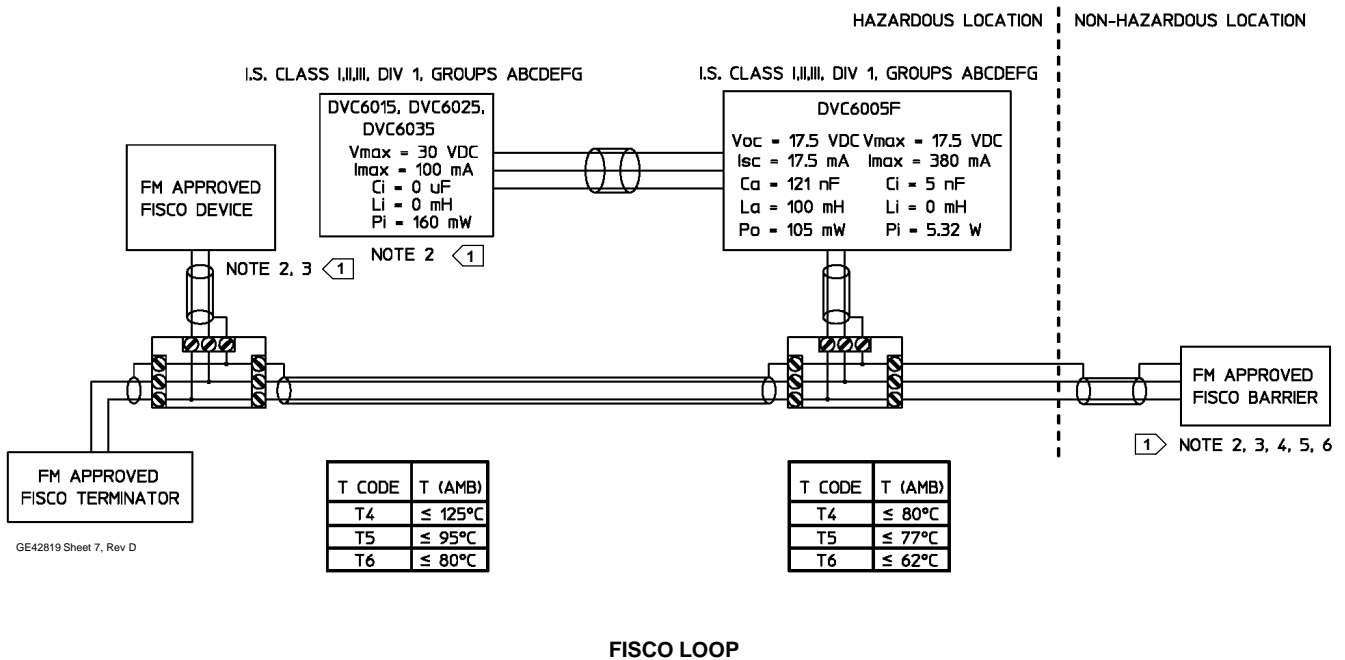
1 SEE NOTES IN FIGURE B-8

Figure B-6. FM Loop Schematics for DVC6010f, DVC6020f, and DVC6030f

DVC6000f Digital Valve Controllers



B



\triangleright 1 SEE NOTES IN FIGURE B-8

Figure B-7. FM Loop Schematics for DVC6005f with DVC6015, DVC6025, and DVC6035

Loop Schematics/Nameplates

1 THE ENTITY CONCEPT ALLOWS INTERCONNECTION OF INTRINSICALLY SAFE APPARATUS TO ASSOCIATED APPARATUS NOT SPECIFICALLY EXAMINED IN SUCH COMBINATION. THE CRITERIA FOR INTERCONNECTION IS THAT THE VOLTAGE (V_{max} or U_0), THE CURRENT (I_{max} or I_0), AND THE POWER (P_{max} or P_0) OF THE INTRINSICALLY SAFE APPARATUS MUST BE EQUAL TO OR GREATER THAN THE VOLTAGE (V_{oc} or U_0), AND THE CURRENT (I_{sc} or I_0), AND THE POWER (P_0) DEFINED BY THE ASSOCIATED APPARATUS. IN ADDITION, THE SUM OF THE MAX UNPROTECTED CAPACITANCE (C_0) AND MAX UNPROTECTED INDUCTANCE (L_0), INCLUDING THE INTERCONNECTING CABLING CAPACITANCE (C_{cable}) AND CABLING INDUCTANCE (L_{cable}), MUST BE LESS THAN THE ALLOWABLE CAPACITANCE (C_a) AND INDUCTANCE (L_a) DEFINED BY THE ASSOCIATED APPARATUS. IF THE ABOVE CRITERIA IS MET, THEN THE COMBINATION MAY BE CONNECTED.

$$V_{max} \text{ or } U_0 \geq V_{oc} \text{ or } U_0 \quad I_{max} \text{ or } I_0 \geq I_{sc} \text{ or } I_0 \quad P_{max} \text{ or } P_0 \geq P_0 \quad C_0 + C_{cable} \leq C_a \quad L_0 + L_{cable} \leq L_a$$

2 THE FISCO CONCEPT ALLOWS INTERCONNECTION OF INTRINSICALLY SAFE APPARATUS TO ASSOCIATED APPARATUS NOT SPECIFICALLY EXAMINED IN SUCH COMBINATION. THE CRITERIA FOR THE INTERCONNECTION IS THAT THE VOLTAGE (V_{max} or U_0), CURRENT (I_{max} or I_0), AND POWER (P_{max} or P_0), WHICH AN INTRINSICALLY SAFE APPARATUS CAN RECEIVE AND REMAIN INTRINSICALLY SAFE, CONSIDERING FAULTS, MUST BE EQUAL TO OR GREATER THAN THE VOLTAGE (V_{oc} or U_0), CURRENT (I_{sc} or I_0), AND POWER (P_0) LEVELS WHICH CAN BE DELIVERED BY THE ASSOCIATED APPARATUS, CONSIDERING FAULTS AND APPLICABLE FACTORS. IN ADDITION THE MAXIMUM UNPROTECTED CAPACITANCE (C_0) AND INDUCTANCE (L_0) OF EACH APPARATUS (OTHER THAN THE TERMINATION) CONNECTED TO THE FIELDBUS MUST BE LESS THAN OR EQUAL TO 5 nF AND 10 uH RESPECTIVELY.

IN EACH SEGMENT ONLY ONE ACTIVE DEVICE, NORMALLY THE ASSOCIATED APPARATUS, IS ALLOWED TO PROVIDE THE NECESSARY ENERGY FOR THE FIELDBUS SYSTEM. THE VOLTAGE (U_0 OR V_{oc} OR V_0) OF THE ASSOCIATED APPARATUS HAS TO BE LIMITED TO THE RANGE OF 9 V TO 17.5 VDC. ALL OTHER EQUIPMENT CONNECTED TO THE BUS CABLE HAS TO BE PASSIVE, MEANING THAT THEY ARE NOT ALLOWED TO PROVIDE ENERGY TO THE SYSTEM, EXCEPT FOR A LEAKAGE CURRENT OF 50 uA FOR EACH CONNECTED DEVICE. SEPARATELY POWERED EQUIPMENT NEEDS A GALVANIC ISOLATION TO ASSURE THAT THE INTRINSICALLY SAFE FIELDBUS CIRCUIT REMAINS PASSIVE.

THE CABLE USED TO INTERCONNECT THE DEVICES NEEDS TO HAVE THE PARAMETERS IN THE FOLLOWING RANGE:

LOOP RESISTANCE R:	15 TO 150 ohms/km
INDUCTANCE PER UNIT LENGTH L:	0.4 TO 1 mH/km
CAPACITANCE PER UNIT LENGTH C:	80 TO 200 nF/km
C' = C' LINE/LINE + 0.5' LINE/SCREEN, IF BOTH LINES ARE FLOATING OR	
C' = C' LINE/LINE + C' LINE/SCREEN, IF THE SCREEN IS CONNECTED TO ONE LINE.	
LENGTH OF SPLICE:	<1 m (T-BOX MUST ONLY CONTAIN TERMINAL CONNECTIONS WITH NO ENERGY STORAGE CAPABILITY)
LENGTH OF SPUR CABLE:	<30 m
LENGTH OF TRUNK CABLE:	<1 km

AT EACH END OF THE TRUNK CABLE AN APPROVED INFALLIBLE TERMINATION WITH THE FOLLOWING PARAMETERS IS SUITABLE: $R = 90$ TO 100 ohms AND $C = 0$ TO 2.2 uF
NOTE, A BUILT-IN TERMINATOR IS INCLUDED ON THE FIELD SIDE AND A SELECTABLE TERMINATOR IS AVAILABLE ON THE HOST SIDE.

THE NUMBER OF PASSIVE DEVICES CONNECTED TO THE BUS SEGMENT IS NOT LIMITED IN THE FISCO CONCEPT FOR INTRINSICALLY SAFE REASONS. IF THE ABOVE RULES ARE RESPECTED, UP TO A TOTAL LENGTH OF 1000 m (SUM OF THE LENGTH OF THE TRUNK CABLE AND ALL SPUR CABLES), THE INDUCTANCE AND CAPACITANCE OF THE CABLE WILL NOT IMPAIR THE INTRINSIC SAFETY OF THE INSTALLATION.

3 INSTALLATION MUST BE IN ACCORDANCE WITH THE NATIONAL ELECTRICAL CODE (NEC) NFPA70 AND ANSI/ISA RP12.06.01

4 MAXIMUM SAFE AREA VOLTAGE SHOULD NOT EXCEED 250 Vrms

5 RESISTANCE BETWEEN INTRINSICALLY SAFE GROUND AND EARTH GROUND MUST BE LESS THE ONE OHM

6 LOOPS MUST BE CONNECTED ACCORDING TO THE BARRIER MANUFACTURER'S INSTRUCTIONS

7 IF HAND-HELD COMMUNICATOR OR MULTIPLEXER IS USED IT MUST BE FM APPROVED WITH ENTITY PARAMETERS AND INSTALLED PER THE MANUFACTURER'S CONTROL DRAWING

CAUTION/WARNING:
The apparatus enclosure contains aluminum and is considered to constitute a potential risk of ignition by impact or friction. Avoid impact and friction during installation and use to prevent risk of ignition.

GE42819 Sheet 8, Rev. E

Figure B-8. Notes for FM Loop Schematics

B

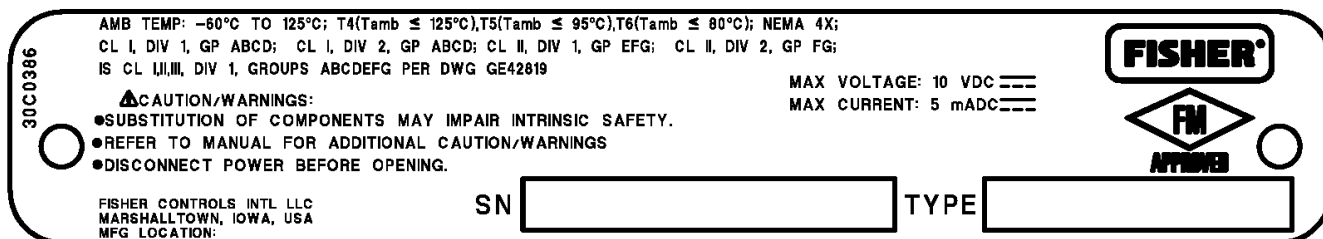
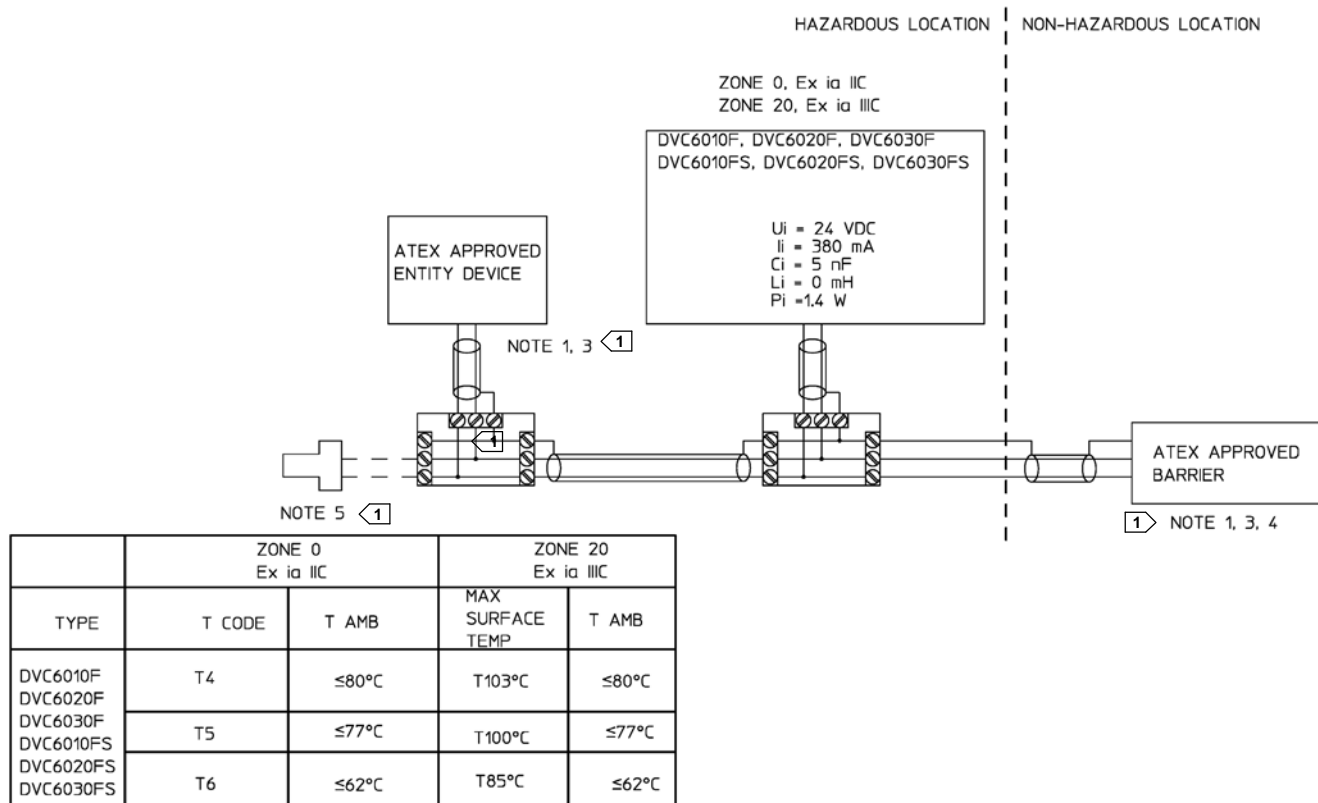


Figure B-9. Typical FM Nameplate for FIELDVUE DVC6015, DVC6025, and DVC6035

DVC6000f Digital Valve Controllers



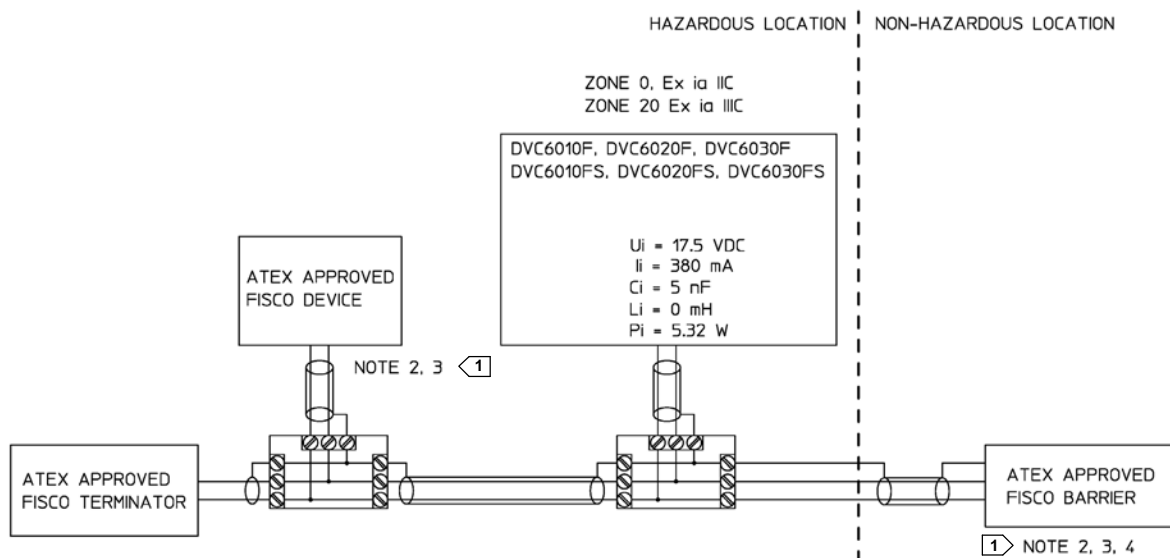
GE60771 Sheet 4, Rev. B

1 SEE NOTES IN FIGURE B-13

Figure B-10. ATEX Loop Schematics for DVC6010f, DVC6020f, and DVC6030f, Entity Device

B

Loop Schematics/Nameplates



TYPE	ZONE 0 EX ia IIC		ZONE 20 EX ia IIIC	
	T CODE	T AMB	MAX SURFACE TEMP	T AMB
DVC6010F DVC6020F DVC6030F	T4	≤80°C	T103°C	≤80°C
DVC6010FS DVC6020FS DVC6030FS	T5	≤77°C	T100°C	≤77°C
	T6	≤62°C	T85°C	≤62°C

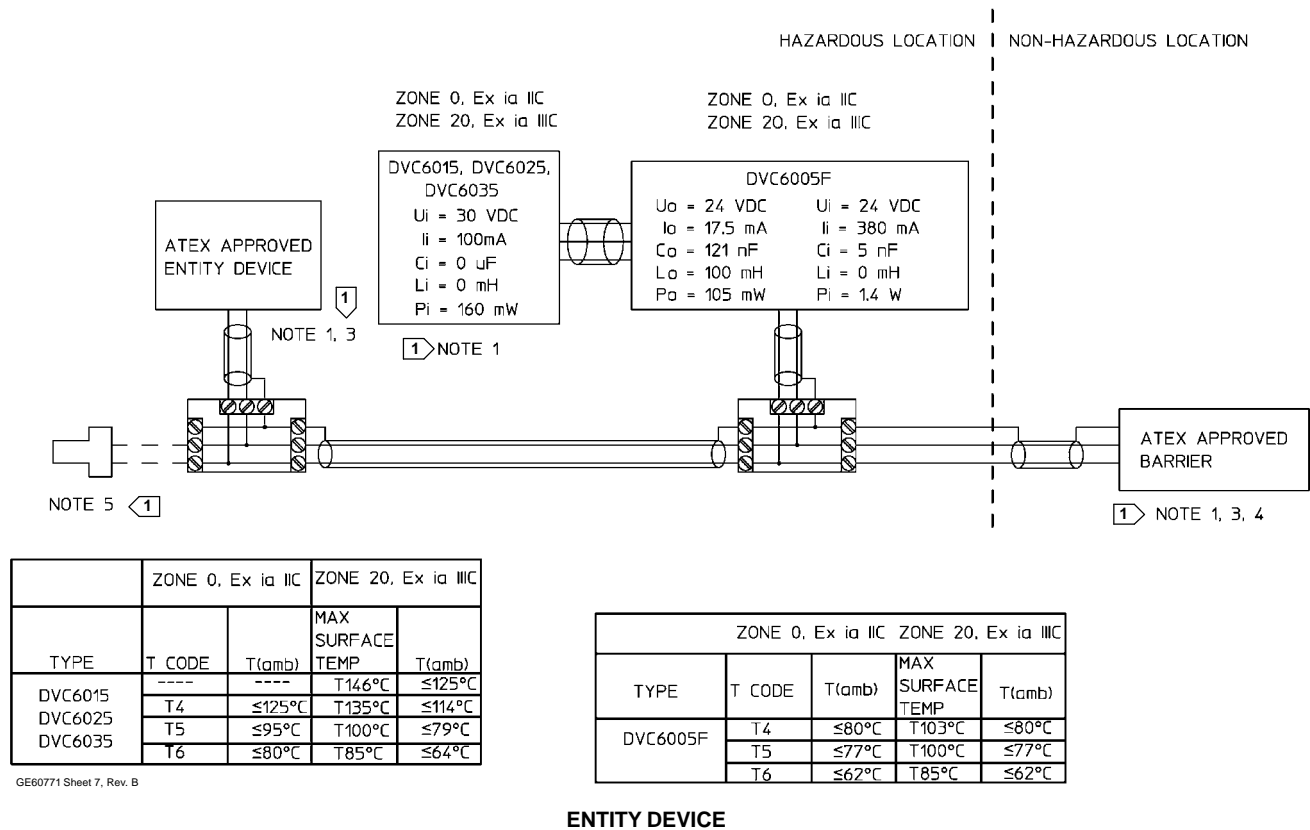
GE60771 Sheet 5, Rev. B

1 SEE NOTES IN FIGURE B-13

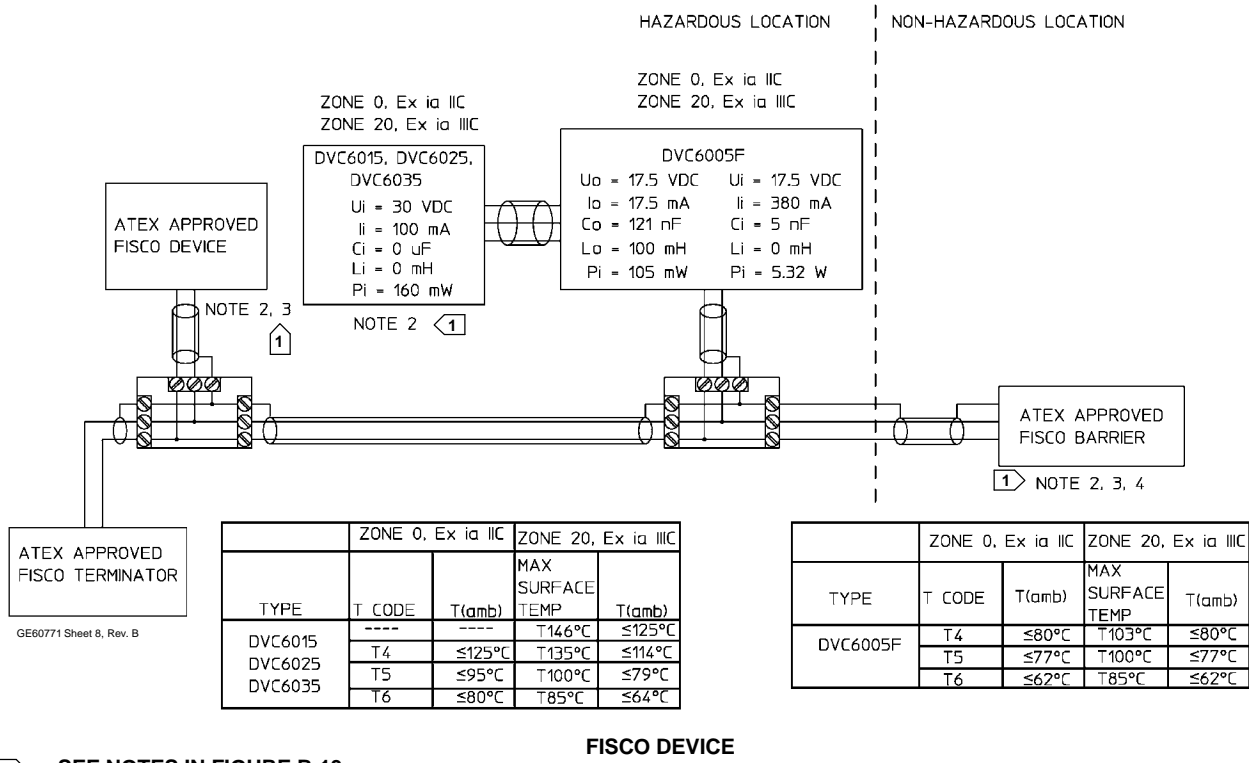
B

Figure B-11. ATEX Loop Schematics for DVC6010f, DVC6020f, and DVC6030f, FISCO Device

DVC6000f Digital Valve Controllers



B



SEE NOTES IN FIGURE B-13

Figure B-12. ATEX Loop Schematics for DVC6005f with DVC6015, DVC6025, and DVC6035

Loop Schematics/Nameplates

1 THE ENTITY CONCEPT ALLOWS INTERCONNECTION OF INTRINSICALLY SAFE APPARATUS TO ASSOCIATED APPARATUS NOT SPECIFICALLY EXAMINED IN SUCH COMBINATION. THE CRITERIA FOR INTERCONNECTION IS THAT THE VOLTAGE (V_{max} OR U_i), THE CURRENT (I_{max} OR I_i), AND THE POWER (P_{max} OR P_i) OF THE INTRINSICALLY SAFE APPARATUS MUST BE EQUAL TO OR GREATER THAN THE VOLTAGE (V_{oc} OR U_o), AND THE CURRENT (I_{sc} OR I_o), AND THE POWER (P_o) DEFINED BY THE ASSOCIATED APPARATUS. IN ADDITION, THE SUM OF THE MAX UNPROTECTED CAPACITANCE (C_i) AND MAX UNPROTECTED INDUCTANCE (L_i), INCLUDING THE INTERCONNECTING CABLING CAPACITANCE (C_{cable}) AND CABLING INDUCTANCE (L_{cable}), MUST BE LESS THAN THE ALLOWABLE CAPACITANCE (C_o) AND INDUCTANCE (L_o) DEFINED BY THE ASSOCIATED APPARATUS. IF THE ABOVE CRITERIA IS MET, THEN THE COMBINATION MAY BE CONNECTED.

$$V_{max} \text{ OR } U_i \geq V_{oc} \text{ OR } U_o \quad I_{max} \text{ OR } I_i \geq I_{sc} \text{ OR } I_o \quad P_{max} \text{ OR } P_i \geq P_o \quad C_i + C_{cable} \leq C_o \quad L_i + L_{cable} \leq L_o$$

2 THE FISCO CONCEPT ALLOWS INTERCONNECTION OF INTRINSICALLY SAFE APPARATUS TO ASSOCIATED APPARATUS NOT SPECIFICALLY EXAMINED IN SUCH COMBINATION. THE CRITERIA FOR THE INTERCONNECTION IS THAT THE VOLTAGE (V_{max} OR U_i), CURRENT (I_{max} OR I_i), AND POWER (P_{max} OR P_i), WHICH AN INTRINSICALLY SAFE APPARATUS CAN RECEIVE AND REMAIN INTRINSICALLY SAFE, CONSIDERING FAULTS, MUST BE EQUAL TO OR GREATER THAN THE VOLTAGE (V_{oc} OR U_o), CURRENT (I_{sc} OR I_o), AND POWER (P_o) LEVELS WHICH CAN BE DELIVERED BY THE ASSOCIATED APPARATUS, CONSIDERING FAULTS AND APPLICABLE FACTORS. IN ADDITION THE MAXIMUM UNPROTECTED CAPACITANCE (C_i) AND INDUCTANCE (L_i) OF EACH APPARATUS (OTHER THAN THE TERMINATION) CONNECTED TO THE FIELDBUS MUST BE LESS THAN OR EQUAL TO 5 nF AND 10 μ H RESPECTIVELY.

IN EACH SEGMENT ONLY ONE ACTIVE DEVICE, NORMALLY THE ASSOCIATED APPARATUS, IS ALLOWED TO PROVIDE THE NECESSARY ENERGY FOR THE FIELDBUS SYSTEM. THE VOLTAGE (U_o OR V_{oc} OR V_i) OF THE ASSOCIATED APPARATUS HAS TO BE LIMITED TO THE RANGE OF 9 V TO 17.5 VDC. ALL OTHER EQUIPMENT CONNECTED TO THE BUS CABLE HAS TO BE PASSIVE, MEANING THAT THEY ARE NOT ALLOWED TO PROVIDE ENERGY TO THE SYSTEM, EXCEPT FOR A LEAKAGE CURRENT OF 50 μ A FOR EACH CONNECTED DEVICE. SEPARATELY POWERED EQUIPMENT NEEDS A GALVANIC ISOLATION TO ASSURE THAT THE INTRINSICALLY SAFE FIELDBUS CIRCUIT REMAINS PASSIVE.

THE CABLE USED TO INTERCONNECT THE DEVICES NEEDS TO HAVE THE PARAMETERS IN THE FOLLOWING RANGE:

LOOP RESISTANCE R: 15 TO 150 ohms/km
 INDUCTANCE PER UNIT LENGTH L: 0.4 TO 1 mH/km
 CAPACITANCE PER UNIT LENGTH C: 80 TO 200 nF/km
 C = C' LINE/LINE + 0.5' LINE/SCREEN, IF BOTH LINES ARE FLOATING OR
 C = C' LINE/LINE + C' LINE/SCREEN, IF THE SCREEN IS CONNECTED TO ONE LINE.
 LENGTH OF SPLICE: <1 m (T-BOX MUST ONLY CONTAIN TERMINAL CONNECTIONS WITH NO ENERGY STORAGE CAPABILITY)
 LENGTH OF SPUR CABLE: <30 m
 LENGTH OF TRUNK CABLE: <1 km

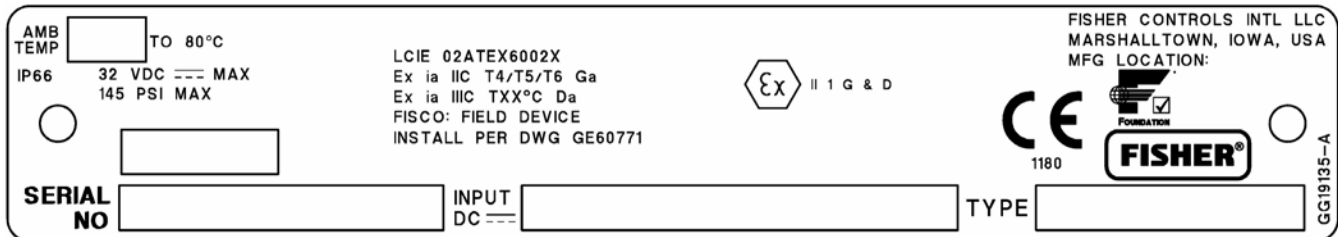
AT EACH END OF THE TRUNK CABLE AN APPROVED INFALLIBLE TERMINATION WITH THE FOLLOWING PARAMETERS IS SUITABLE: R= 90 TO 100 ohms AND C = 0 TO 2.2 μ F
 NOTE, A BUILT-IN TERMINATOR IS INCLUDED ON THE FIELD SIDE AND A SELECTABLE TERMINATOR IS AVAILABLE ON THE HOST SIDE.

THE NUMBER OF PASSIVE DEVICES CONNECTED TO THE BUS SEGMENT IS NOT LIMITED IN THE FISCO CONCEPT FOR INTRINSICALLY SAFE REASONS. IF THE ABOVE RULES ARE RESPECTED, UP TO A TOTAL LENGTH OF 1000 m (SUM OF THE LENGTH OF THE TRUNK CABLE AND ALL SPUR CABLES), THE INDUCTANCE AND CAPACITANCE OF THE CABLE WILL NOT IMPAIR THE INTRINSIC SAFETY OF THE INSTALLATION.

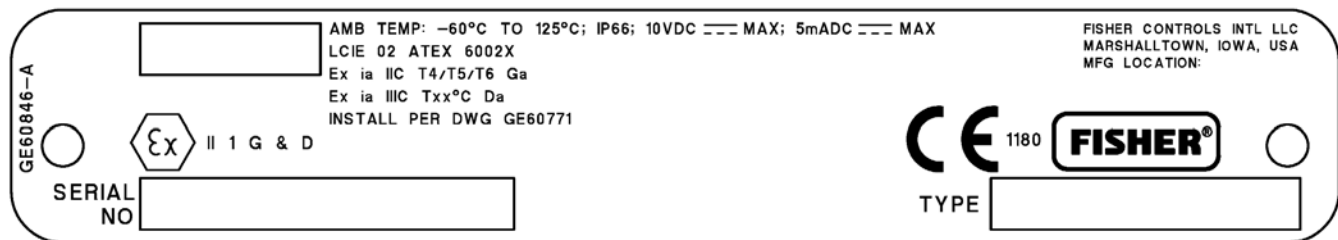
- 3 INSTALLATION MUST BE IN ACCORDANCE WITH THE NATIONAL WIRING PRACTICES OF THE COUNTRY IN USE
- 4 LOOPS MUST BE CONNECTED ACCORDING TO THE BARRIER MANUFACTURER'S INSTRUCTIONS
- 5 IF HAND-HELD COMMUNICATOR OR MULTIPLEXER IS USED IT MUST BE IECEx APPROVED WITH ENTITY PARAMETERS AND INSTALLED PER THE MANUFACTURER CONTROL DRAWING

GE60771 Sheet 2, Rev. B

Figure B-13. Notes for ATEX Loop Schematics



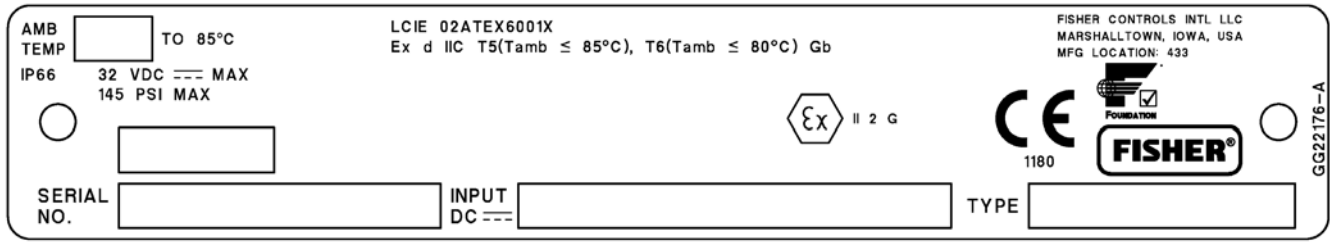
DVC6010f, DVC6020f, DVC6030f, DVC6005f



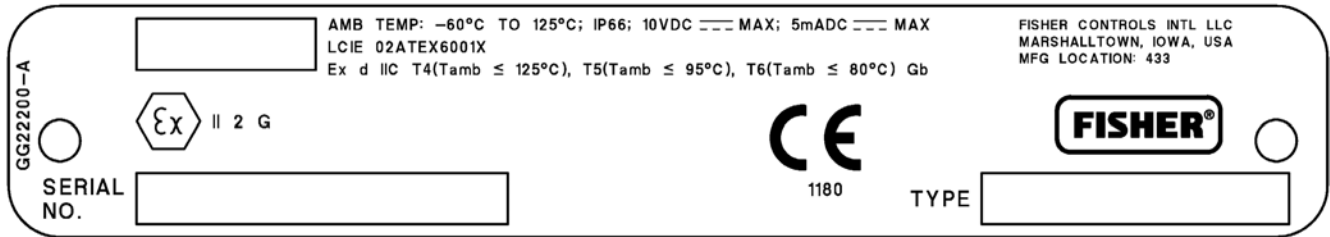
DVC6015, DVC6025, DVC6035

Figure B-14. Typical ATEX Nameplates; Intrinsically Safe

DVC6000f Digital Valve Controllers



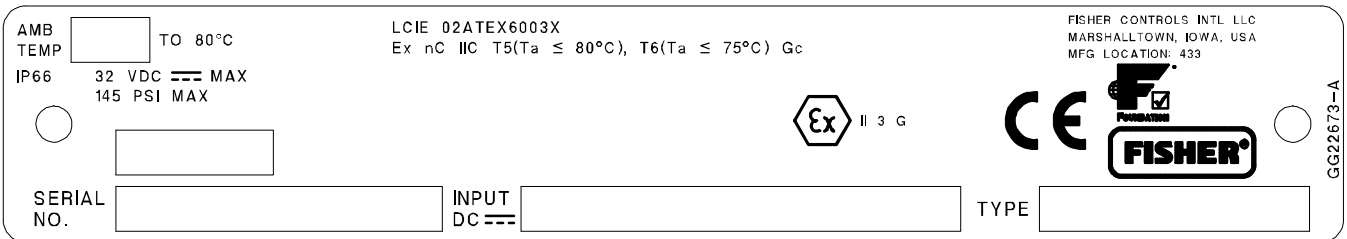
DVC6010f, DVC6020f, DVC6030f, DVC6005f



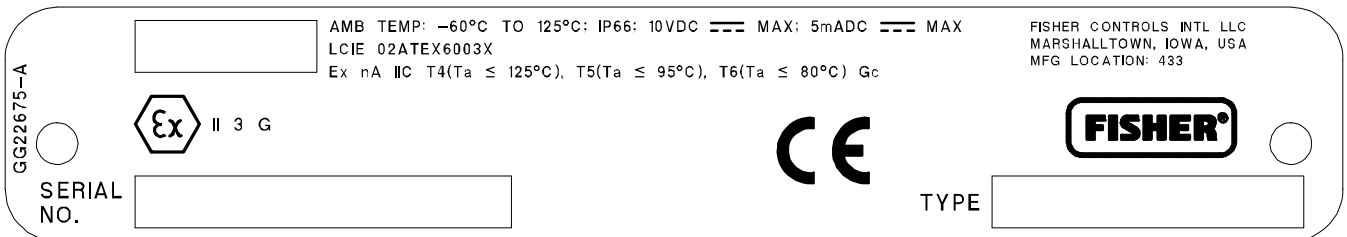
DVC6015, DVC6025, DVC6035

Figure B-15. Typical ATEX Nameplates; Flameproof

B



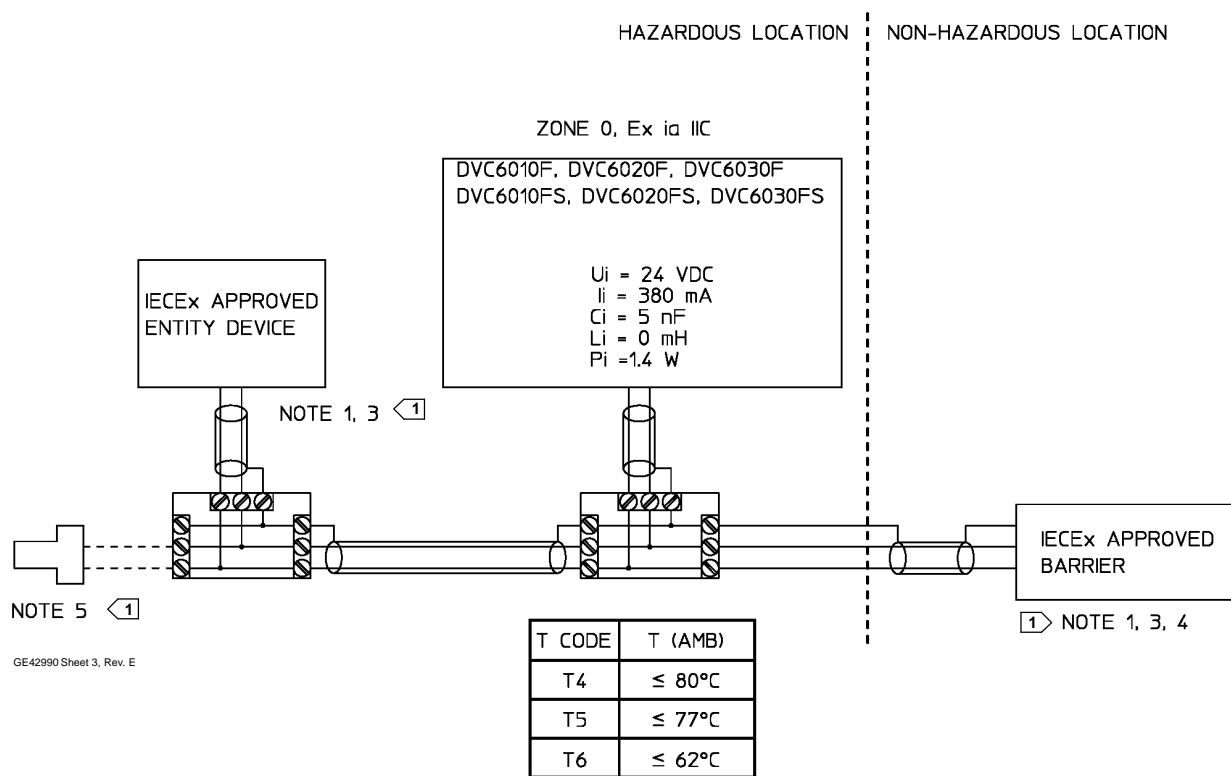
DVC6010f, DVC6020f, DVC6030f, DVC6005f



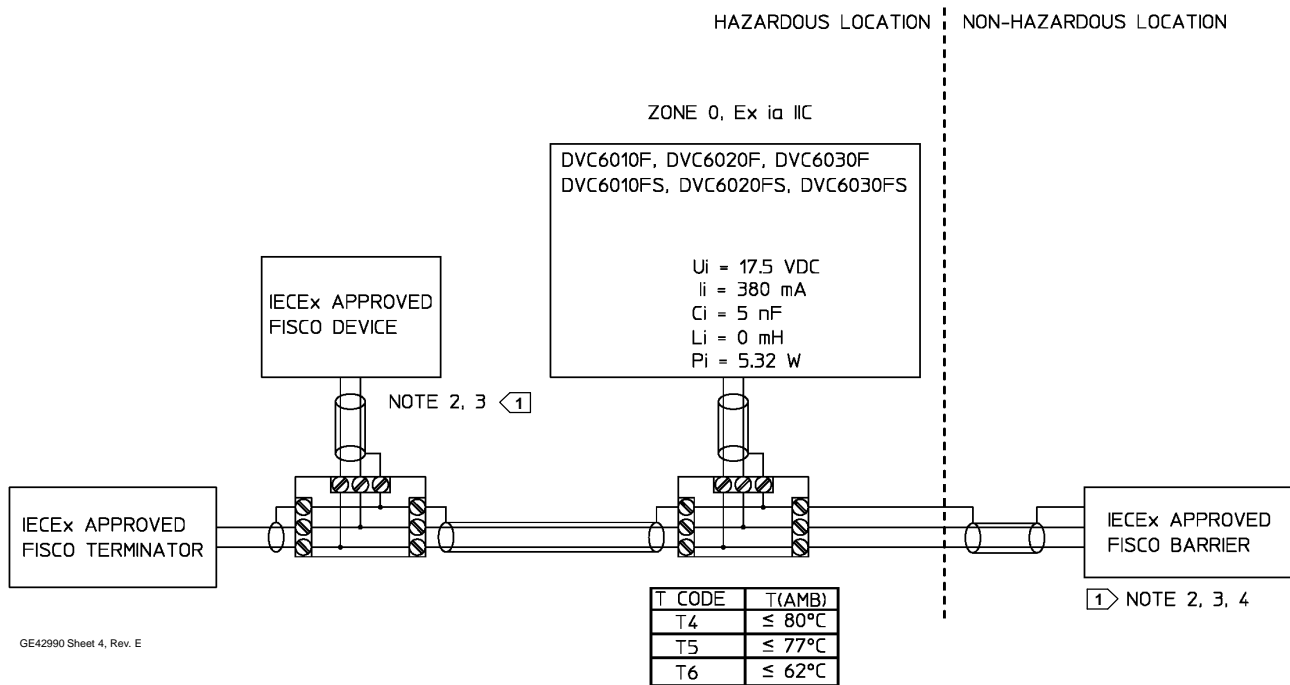
DVC6015, DVC6025, DVC6035

Figure B-16. Typical ATEX Nameplates; Type n

Loop Schematics/Nameplates



ENTITY DEVICE



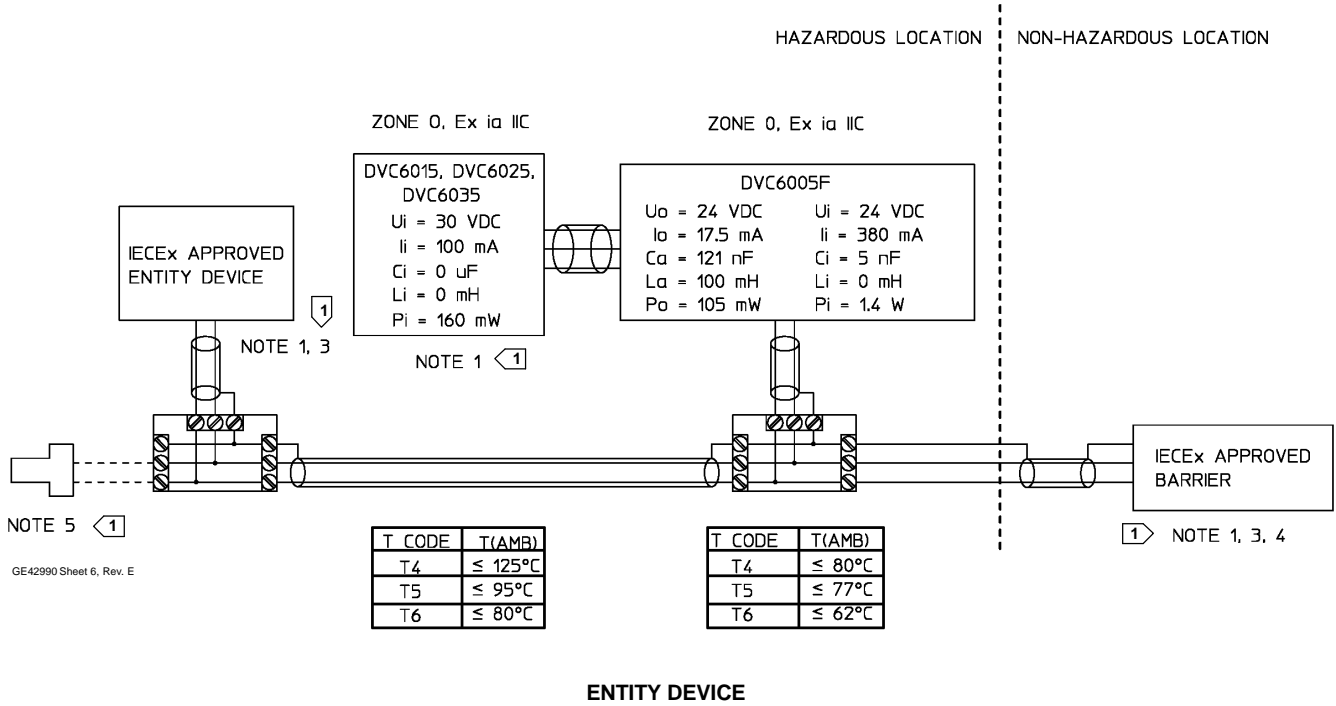
B

1 SEE NOTES IN FIGURE B-19

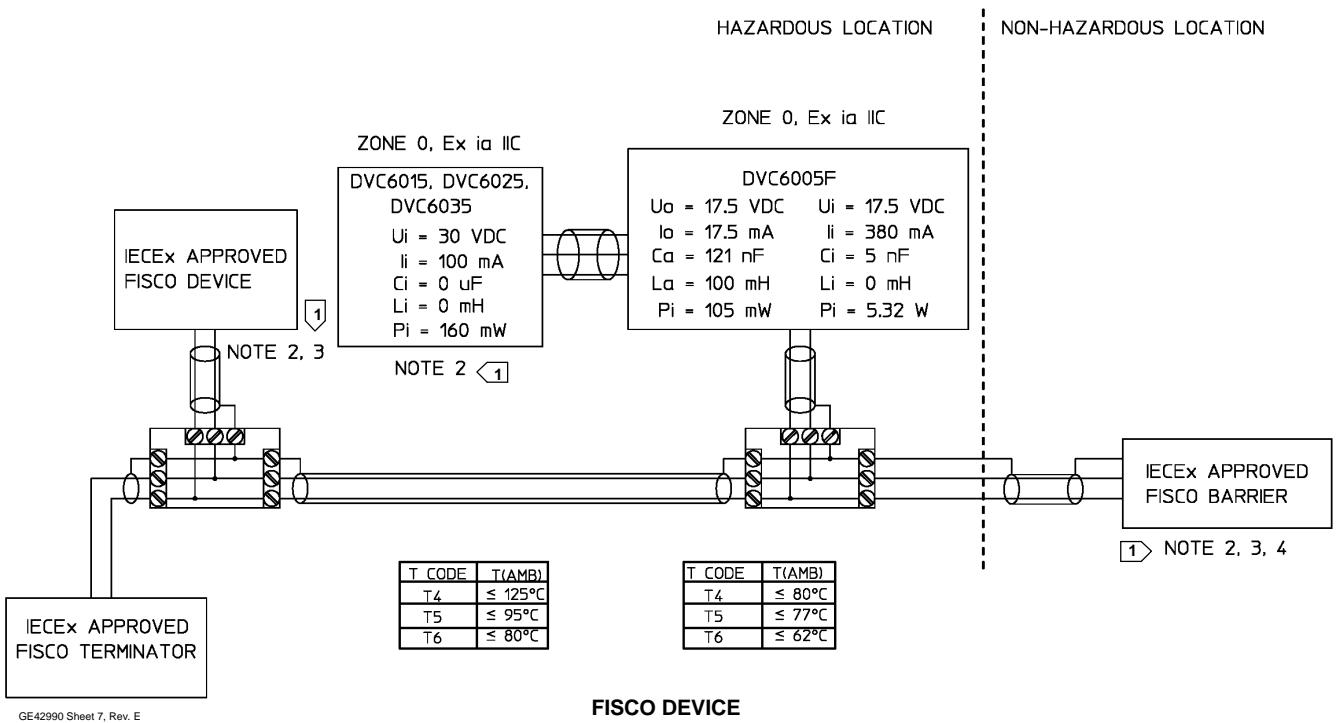
FISCO DEVICE

Figure B-17. IECEX Loop Schematics for DVC6010f, DVC6020f, and DVC6030f

DVC6000f Digital Valve Controllers



B



GE42990 Sheet 7, Rev. E

1 SEE NOTES IN FIGURE B-19

Figure B-18. IECEX Loop Schematics for DVC6005f with DVC6015, DVC6025, and DVC6035

Loop Schematics/Nameplates

- 1 THE ENTITY CONCEPT ALLOWS INTERCONNECTION OF INTRINSICALLY SAFE APPARATUS TO ASSOCIATED APPARATUS NOT SPECIFICALLY EXAMINED IN SUCH COMBINATION. THE CRITERIA FOR INTERCONNECTION IS THAT THE VOLTAGE (V_{max} or U_0), THE CURRENT (I_{max} or I_0), AND THE POWER (P_{max} or P_0) OF THE INTRINSICALLY SAFE APPARATUS MUST BE EQUAL TO OR GREATER THAN THE VOLTAGE (V_{oc} or U_0), AND THE CURRENT (I_{sc} or I_0), AND THE POWER (P_0) DEFINED BY THE ASSOCIATED APPARATUS. IN ADDITION, THE SUM OF THE MAX UNPROTECTED CAPACITANCE (C_0) AND MAX UNPROTECTED INDUCTANCE (L_0), INCLUDING THE INTERCONNECTING CABLING CAPACITANCE (C_{cable}) AND CABLING INDUCTANCE (L_{cable}), MUST BE LESS THAN THE ALLOWABLE CAPACITANCE (C_0) AND INDUCTANCE (L_0) DEFINED BY THE ASSOCIATED APPARATUS. IF THE ABOVE CRITERIA IS MET, THEN THE COMBINATION MAY BE CONNECTED.

$$V_{max} \text{ or } U_0 \geq V_{oc} \text{ or } U_0 \quad I_{max} \text{ or } I_0 \geq I_{sc} \text{ or } I_0 \quad P_{max} \text{ or } P_0 \geq P_0 \quad C_0 + C_{cable} \leq C_0 \quad L_0 + L_{cable} \leq L_0$$

- 2 THE FISCO CONCEPT ALLOWS INTERCONNECTION OF INTRINSICALLY SAFE APPARATUS TO ASSOCIATED APPARATUS NOT SPECIFICALLY EXAMINED IN SUCH COMBINATION. THE CRITERIA FOR THE INTERCONNECTION IS THAT THE VOLTAGE (V_{max} or U_0), CURRENT (I_{max} or I_0), AND POWER (P_{max} or P_0), WHICH AN INTRINSICALLY SAFE APPARATUS CAN RECEIVE AND REMAIN INTRINSICALLY SAFE, CONSIDERING FAULTS, MUST BE EQUAL TO OR GREATER THAN THE VOLTAGE (V_{oc} or U_0), CURRENT (I_{sc} or I_0), AND POWER (P_0) LEVELS WHICH CAN BE DELIVERED BY THE ASSOCIATED APPARATUS, CONSIDERING FAULTS AND APPLICABLE FACTORS. IN ADDITION THE MAXIMUM UNPROTECTED CAPACITANCE (C_0) AND INDUCTANCE (L_0) OF EACH APPARATUS (OTHER THAN THE TERMINATION) CONNECTED TO THE FIELDBUS MUST BE LESS THAN OR EQUAL TO 5 nF AND 10 μ H RESPECTIVELY.

IN EACH SEGMENT ONLY ONE ACTIVE DEVICE, NORMALLY THE ASSOCIATED APPARATUS, IS ALLOWED TO PROVIDE THE NECESSARY ENERGY FOR THE FIELDBUS SYSTEM. THE VOLTAGE (U_0 OR V_{oc} OR V_0) OF THE ASSOCIATED APPARATUS HAS TO BE LIMITED TO THE RANGE OF 9 TO 17.5 VDC. ALL OTHER EQUIPMENT CONNECTED TO THE BUS CABLE HAS TO BE PASSIVE, MEANING THAT THEY ARE NOT ALLOWED TO PROVIDE ENERGY TO THE SYSTEM, EXCEPT FOR A LEAKAGE CURRENT OF 50 μ A FOR EACH CONNECTED DEVICE. SEPARATELY POWERED EQUIPMENT NEEDS A GALVANIC ISOLATION TO ASSURE THAT THE INTRINSICALLY SAFE FIELDBUS CIRCUIT REMAINS PASSIVE.

THE CABLE USED TO INTERCONNECT THE DEVICES NEEDS TO HAVE THE PARAMETERS IN THE FOLLOWING RANGE:

LOOP RESISTANCE R:	15 TO 150 ohms/km
INDUCTANCE PER UNIT LENGTH L:	0.4 TO 1 mH/km
CAPACITANCE PER UNIT LENGTH C:	80 TO 200 nF/km
C' = C' LINE/LINE + 0.5' LINE/SCREEN, IF BOTH LINES ARE FLOATING OR	
C' = C' LINE/LINE + C' LINE/SCREEN, IF THE SCREEN IS CONNECTED TO ONE LINE.	
LENGTH OF SPLICE:	<1 m (T-BOX MUST ONLY CONTAIN TERMINAL CONNECTIONS WITH NO ENERGY STORAGE CAPABILITY)
LENGTH OF SPUR CABLE:	<30 m
LENGTH OF TRUNK CABLE:	<1 km

AT EACH END OF THE TRUNK CABLE AN APPROVED INFALLIBLE TERMINATION WITH THE FOLLOWING PARAMETERS IS SUITABLE: R- 90 TO 100 ohms AND C - 0 TO 2.2 μ F
NOTE, A BUILT-IN TERMINATOR IS INCLUDED ON THE FIELD SIDE AND A SELECTABLE TERMINATOR IS AVAILABLE ON THE HOST SIDE.

THE NUMBER OF PASSIVE DEVICES CONNECTED TO THE BUS SEGMENT IS NOT LIMITED IN THE FISCO CONCEPT FOR INTRINSICALLY SAFE REASONS. IF THE ABOVE RULES ARE RESPECTED, UP TO A TOTAL LENGTH OF 1000 m (SUM OF THE LENGTH OF THE TRUNK CABLE AND ALL SPUR CABLES), THE INDUCTANCE AND CAPACITANCE OF THE CABLE WILL NOT IMPAIR THE INTRINSIC SAFETY OF THE INSTALLATION.

- 3 INSTALLATION MUST BE IN ACCORDANCE WITH THE NATIONAL WIRING PRACTICES OF THE COUNTRY IN USE
- 4 LOOPS MUST BE CONNECTED ACCORDING TO THE BARRIER MANUFACTURER'S INSTRUCTIONS
- 5 IF HAND-HELD COMMUNICATOR OR MULTIPLEXER IS USED IT MUST BE IECEX APPROVED WITH ENTITY PARAMETERS AND INSTALLED PER THE MANUFACTURER CONTROL DRAWING

GE42990 Sheet 8, Rev. E

Figure B-19. IECEX Loop Schematic Notes


AMB TEMP <input type="text"/> TO 80°C IP66 32 VDC --- MAX 145 PSI MAX	CERT NO. IECEX CSA 04.0004X Ex ia IIC T4/T5/T6 Ga PER DWG GE42990 Ex d IIC T5(Ta ≤ 80°C), T6(Ta ≤ 75°C) Gb Ex nC IIC T5(Ta ≤ 80°C), T6(Ta ≤ 75°C) Gc	FISHER CONTROLS INTL LLC MARSHALLTOWN, IOWA, USA MFG LOCATION:  FISHER® GE60060-A
SERIAL NO <input style="width: 100%;" type="text"/>	INPUT DC --- <input style="width: 100%;" type="text"/>	TYPE <input style="width: 100%;" type="text"/>

Figure B-20. Typical IECEX Nameplate for FIELDVUE DVC6010f, DVC6020f, DVC6030f, and DVC6005f


GE09806-E AMB TEMP: -60°C TO 125°C TYPE 4X, IP66 MAX VOLTAGE: 10VDC --- MAX CURRENT: 5 mADC --- FISHER CONTROLS INTL LLC MARSHALLTOWN, IOWA, USA MFG LOCATION 088	CERT NO. IECEX CSA 04.0004X Ex ia IIC T4(Ta ≤ 125°C), T5(Ta ≤ 95°C), T6(Ta ≤ 80°C) Ga U _i =30VDC, I _i =100mA, P _i =160mW, C _i =0 μ F, L _i =0mH Ex d IIC T4(Ta ≤ 125°C), T5(Ta ≤ 95°C), T6(Ta ≤ 80°C) Gb <input style="width: 100%;" type="text"/> Ex nA IIC T4(Ta ≤ 125°C), T5(Ta ≤ 95°C), T6(Ta ≤ 80°C) Gc <input style="width: 100%;" type="text"/>	 FISHER®
SN <input style="width: 100%;" type="text"/>	TYPE <input style="width: 100%;" type="text"/>	

Figure B-21. Typical IECEX Nameplates for FIELDVUE DVC6015, DVC6025, and DVC6035

Appendix C PlantWeb Alerts

- Alert Conditions** C-2
- PlantWeb Alerts** C-2
 - Alert Handling C-3
 - Alert Reporting C-3
 - PlantWeb Alerts Set Block Status C-3
- Setting PlantWeb Alerts** C-3
- Using PlantWeb Alerts** C-3



DVC6000f Digital Valve Controllers

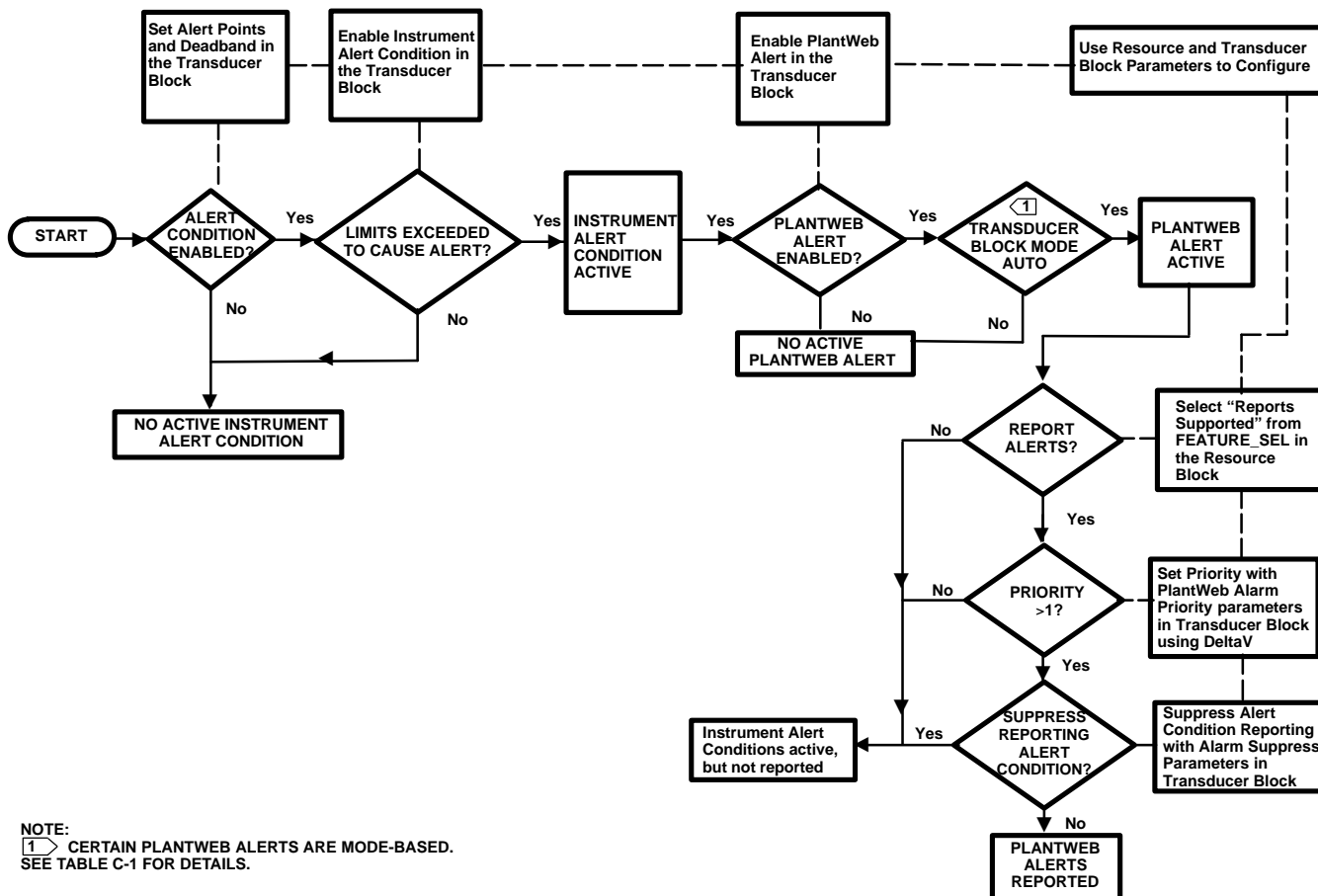


Figure C-1. Alert Handling

C

Instrument Alert Conditions

Instrument Alert Conditions, when enabled, detect many operational and performance issues that may be of interest. To view these alerts, the user must open the appropriate status screen on a host such as a DeltaV system, ValveLink Software or a Field Communicator.

PlantWeb Alerts

Some instrument alert conditions can also be used to trigger PlantWeb alerts that will be reported in Failed, Maintenance or Advisory categories, as configured by the user. PlantWeb alerts, when enabled, can participate in the DeltaV alarm interface tools such as the alarm banner, alarm list and alarm summary. For specific information on setting up PlantWeb Alerts in a DeltaV system, refer to the PlantWeb Alerts section in Appendix F.

When a PlantWeb alert occurs, the DVC6000f sends an event notification and waits a specified period of time for an acknowledgment to be received. This occurs even if the condition that caused the alert no longer exists. If the acknowledgment is not received within the pre-specified time-out period, the event notification is retransmitted. This reduces the possibility of alert messages getting lost.

Mode-Based PlantWeb Alerts

Some PlantWeb alerts are not active unless the transducer block (actual) mode is Auto.

1. Alerts which can be triggered by the activities of the service technician are reported only when the transducer block mode is AUTO.
2. Alerts which are unrelated to service technician activities are reported in all transducer block modes.

Exceptions are as follows:

- Alerts can be simulated regardless of transducer block mode but must be enabled to be reported.

- When a shutdown condition exists (either currently active or latched on through the shutdown recovery parameter) in the transducer block, alerts are reported even though the mode of the transducer block is OOS.

Refer to table C-1 for reporting of PlantWeb Alerts.

Alert Handling

Alert handling is diagrammed in figure C-1. There are two ways of seeing PlantWeb alerts. One way is to see if the instrument alert condition causing a PlantWeb alert is detected. The second is to view alerts reported to the system operator console. For a PlantWeb alert to be active, it has to pass four tests. The first is to check if the Instrument alert condition is enabled. If a condition is not enabled, the instrument does not check for the alert condition.

Second, the condition that will cause an alert must exist. For example, the current travel is above the Travel Limit Hi Alert Point.

Third, the corresponding PlantWeb alert must be enabled in one or more of the three categories: Failed, Maintenance or Advise.

Fourth, the transducer block mode must be correct. See table C-1

Table C-1. PlantWeb Alerts Reporting Requirements

PlantWeb Alert	Transducer Block Mode (Actual)
Drive Current	AUTO
Drive Signal	AUTO
Processor Impaired	Any Mode
Output Block Timeout	Any Mode
Block Set to Defaults	Any Mode
Travel Sensor	AUTO
Output Pressure Sensor	Any Mode
Supply Pressure Sensor	Any Mode
Temperature Sensor	Any Mode
Supply Pressure	AUTO
Temperature Limit	AUTO
Travel Deviation	AUTO
Travel Limit	AUTO
Cycle Counter	AUTO
Travel Accumulator	AUTO
Performance Critical	AUTO
Performance Reduced	AUTO
Performance Information	AUTO
Pressure Fallback	AUTO

Feature Select in the Resource block determines if reporting by the instrument is supported. Refer to page 4-5 for additional information on Feature Select.

Failed Priority (FAILED_PRI [68]), Maintenance Priority (MAINT_PRI [69]), and Advise Priority (ADVISE_PRI [70]) determine the PlantWeb alert priorities. Although 16 priorities are available only three are actually meaningful for PlantWeb alerts. If the priority is 0, no reporting occurs. If the priority is 1, reporting is simulated within the instrument, but the alert is not actually reported over the bus. The alert condition is reported for priorities 2 through 15, with the higher priorities taking precedence over the lower priorities.

Failed Suppress (FAILED_MASK [65]), Maintenance Suppress (MAINT_MASK [66]), and Advise Suppress (ADVISE_MASK [67]) determine which of the alert conditions are suppressed so that they are not reported.

PlantWeb Alerts Set Block Status

If a PlantWeb Alert is active, the AO or DO Block Readback parameter status may change. This behavior is controlled with the PlantWeb Alerts Set PV Status (PWA_SET_STATUS [97]) parameter in the transducer block

Setting PlantWeb Alerts

Refer to table C-2 for information on setting PlantWeb alerts. When selected, PlantWeb alarms will set the PV status according to table C-4.

Using PlantWeb Alerts

Refer to table C-3 for information on using PlantWeb alerts.



Note

Additional details on setting up and using Instrument Alerts can be found on page 4-26 of this manual.

Alert Reporting

For PlantWeb alerts to be reported to the operator console, they must pass four tests:

- Alerts must be active
- Reports must be selected in Feature Select
- Alert priority must be greater than 1
- Reporting must not be suppressed for those conditions that caused active alerts.

DVC6000f Digital Valve Controllers

Table C-2. Setting PlantWeb Alerts

PlantWeb Alert (Group) (Default Alert Category)	Alert Condition and (Default)	What the Alert is Detecting	Related Parameters and (Default)	Guidelines for Setting
Drive Current (Electronics) (Failed)	Drive Current (Enabled)	The difference between the expected Drive Current and the actual Drive Current has exceeded the Drive Current Alert Time.	Self Test Shutdown (No) Shutdown Recovery (Auto) Alert Point (50%) Alert Time (5 sec)	Use default settings
Drive Signal (Electronics) (Maintenance)	Drive Signal (Enabled)	If one of the following conditions exist: Where Zero Power Condition is defined as closed: •Drive Signal < 10% and Calibrated Travel > 3% •Drive Signal > 90% and Calibrated Travel < 97% Where Zero Power Condition is defined as open: •Drive Signal < 10% and Calibrated Travel < 97% •Drive Signal > 90% and Calibrated Travel > 3%		Use default setting
Processor Impaired (Electronics) (Maintenance)	Program Memory (Enabled)	A pending Flash or NVM failure is present.	Self Test Shutdown (No) Shutdown Recovery (Auto)	Use default settings
	Static Memory (Enabled)	A failure of the FRAM memory where static parameters are stored.	Self Test Shutdown (No) Shutdown Recovery (Auto)	Use default settings
	Processor (Enabled)	A failure of the main Processor.	Self Test Shutdown (No) Shutdown Recovery (Auto)	Use default settings
	I/O Processor (Enabled)	A failure of the I/O Processor.	Self Test Shutdown (No) Shutdown Recovery (Auto)	Use default settings
Output Block Timeout (Configuration) (Maintenance)	Output Block Timeout (Disabled)	If the analog or discrete output block has not executed for longer than the configured timeout.	Timeout Alert Point (600 s) Self Test Shutdown (No) Shutdown Recovery (Auto)	Enable this alert for loops where the execution is critical. If the AO or DO block is not scheduled, or scheduled incorrectly, it will trigger an alert after the Timeout Alert Point has been exceeded. Set the Timeout Alert Point to a value between a. 30 seconds and b. the maximum time before a user should be notified. The minimum number depends on the time it takes for a host to download a configuration to the device. Shutdown can be enabled if it is desired to move the valve to the Zero Power Condition at the same time that the alert is generated.
Blocks Set to Default (Configuration) (Maintenance)	Blocks Set to Default (Enabled)	If the resource block has undergone Restart with Defaults	None	Use default settings
Shutdown Alert (Configuration) (Maintenance)	N/A	A user configured Self Test Shutdown condition has taken the instrument to OOS.	None	Use default settings

-Continued-

Using PlantWeb Alerts

Table C-2. Setting PlantWeb Alerts (Continued)

PlantWeb Alert (Group) (Default Alert Category)	Alert Condition and (Default)	What the Alert is Detecting	Related Parameters and (Default)	Guidelines for Setting
Travel Sensor (Sensors) (Failed)	Travel Sensor (Enabled)	The travel feedback is within acceptable limits.	Self Test Shutdown (No) Shutdown Recovery (Auto)	<p>Double Acting Actuators— Enable the alert and configure it to report in the Failed Alert Category. <u>Self Test Shutdown is generally not enabled.</u></p> <p>Single Acting Actuators— If Travel / Pressure Control is configured as Travel with Pressure Fallback: <u>enable the alert</u> and configure it to report in the Maintenance Alert Category. <u>Do not enable Self Test Shutdown.</u></p> <p>If Travel / Pressure Control is configured as Travel: <u>Enable the alert</u> and configure it to report in the Failed Alert Category. <u>Self Test Shutdown is generally not enabled.</u></p>
Output Press Sensor (Sensors) (Maintenance)	Port A Pressure Sensor (Enabled)	The pressure sensor reading is outside the functional range of the sensor.	Self Test Shutdown (No) Shutdown Recovery (Auto)	<p>If Travel / Pressure Control is configured as Pressure: <u>enable the alert</u> and configure it to report in the Failed Alert Category. Enable the Self Test Shutdown.</p> <p>For all other Travel / Pressure Control selections, <u>enable the alert</u> to report in the Maintenance Alert Category and <u>do not enable the Self Test Shutdown.</u></p>
	Port B Pressure Sensor (Enabled)		None	Use default settings
Supply Press Sensor (Sensors) (Advisory)	Supply Press Sensor (Enabled)	The pressure sensor reading is outside the functional range of the sensor.	None	Use default settings
Temperature Sensor (Sensors) (Advisory)	Temperature Sensor (Enabled)	The temperature sensor reading is outside the functional range of the sensor.	None	Use default settings
Pressure Fallback (Sensors) (Maintenance)	Pressure Fallback (Enabled)	A travel sensor failure or large travel deviation has resulted in fallback to pressure control.	None	Use default settings
Supply Pressure (Environment) (Maintenance)	Supply Press High (Enabled)	The supply pressure has exceeded the Supply Pressure Hi Alert Point.	Alert Point (145 psig)	<p>Enable the alert in the Maintenance Alert Category. Set the Alert Point to <u>which ever is lower</u> of</p> <ul style="list-style-type: none"> a. the maximum instrument pressure of 145 psig or b. the maximum actuator casing pressure.
	Supply Press Low (Enabled)	The supply pressure is lower than the Supply Pressure Lo Alert Point.	Alert Point (19 psig)	<p>Enable the alert in the Maintenance Alert Category.</p> <p>Double Acting Actuators— Set the Alert Point above the minimum required for valve shutoff and no greater than <u>1 psig below</u> the supply regulator setting</p> <p>Single Acting Actuators— Set the Alert Point above the minimum required for valve shutoff and no greater than <u>1 psig below</u> the supply regulator setting. This is generally about 3 psig above the actuator upper bench set (stroking) pressure.</p>

–Continued–



DVC6000f Digital Valve Controllers

Table C-2. Setting PlantWeb Alerts (Continued)

PlantWeb Alert (Group) (Default Alert Category)	Alert Condition and (Default)	What the Alert is Detecting	Related Parameters and (Default)	Guidelines for Setting
Temperature Limit (Environment) (Advisory)	Temperature High (Enabled)	The temperature is greater than the Temperature Hi Alert Point.	Alert Point (186°F)	Use default settings Other alert points may be chosen to indicate changes in the instrument environment.
	Temperature Low (Enabled)	The temperature is lower than the Temperature Lo Alert Point.	Alert Point (-63°F)	Enable the alert in the Maintenance Alert Category. Set the Alert Point at -40°F if the instrument uses Nitrile elastomers and -63°F if it uses Fluorosilicone elastomers. Other alert points may be chosen to indicate changes in the instrument environment.
Travel Deviation (Travel) (Maintenance)	Travel Deviation (Enabled)	The Travel Deviation has exceeded the Travel Deviation Alert Point by more than the Travel Deviation Time.	Alert Point (5%) Alert Time (10 sec) Deadband (2%)	Enable the alert in the Maintenance Alert Category. Use the default settings with valves that are 4 inch and smaller with PTFE packing systems. With other valves, the user can refine the settings with ValveLink software Dynamic Error Band and Step Response Tests. Set the related parameters as follows: Tvl Dev Alert Point—set equal times 2 the Maximum Dynamic Error, minimum 3% Tvl Dev DB—set equal to the Dynamic Error Band, minimum 2% Tvl Dev Time—set equal to the T98 time for a Step Test from 0 to 100% Travel, minimum 10 seconds.
Travel Limit (Travel) (Advisory)	Travel Limit Hi Hi (Disabled)	The Travel has exceeded the Travel Limit Hi Hi Alert Point	Alert Point (125%) Deadband (5%)	Enable this alert for critical loops, where it is important to alert an operator if the valve is approaching the wide open position. A typical setting might be 95%.
	Travel Limit Lo Lo (Disabled)	The Travel is lower than the Travel Limit Lo Lo Alert Point.	Alert Point (-25%) Deadband (5%)	Enable this alert for critical loops, where it is important to alert an operator if the valve is approaching the closed position. A typical setting might be 5%.
N/A (Travel) (N/A)	Travel Limit Hi (Disabled)	The Travel has exceeded the Travel Limit Hi Alert Point.	Alert Point (125%) Deadband (5%)	Use the Alert Points and Deadband to configure the Proximity Alerts below.
	Travel Limit Lo (Disabled)	The Travel is lower than the Travel Limit Lo Alert Point.	Alert Point (-25%) Deadband (5%)	Use the Alert Points and Deadband to configure the Proximity Alerts below.
N/A (Proximity) (N/A)	Travel Open (Disabled)	The Travel is greater than the Open Alert Point	Alert Point (99.5%) Deadband (5%)	Enable and set to report Travel with DI Block
	Travel Closed (Disabled)	The Travel is greater than the Closed Alert Point	Alert Point (0.5%) Deadband (5%)	Enable and set to report Travel with DI Block
	Proximity Hi Hi (Disabled)	The Travel is within the configured band of the configured center point.	Alert Point (125%) Deadband (5%)	Enable and set to report Travel with DI Block
	Proximity Hi (Disabled)		Alert Point (125%) Deadband (5%)	Enable and set to report Travel with DI Block
	Proximity Lo (Disabled)		Alert Point (-25%) Deadband (5%)	Enable and set to report Travel with DI Block
	Proximity Lo Lo (Disabled)		Alert Point (-25%) Deadband (5%)	Enable and set to report Travel with DI Block
Cycle Counter (Travel History) (Maintenance)	Cycle Counter (Disabled)	The number of travel reversals has exceeded the configured limit.	Alert Point (1,000,000) Deadband (1%)	Bellows Seal Bonnets— enable the alert in the Maintenance Alert Category. Use the bellows manufacturer's cycle life data to set cycle limits.

-Continued-

Using PlantWeb Alerts

Table C-2. Setting PlantWeb Alerts (Continued)

PlantWeb Alert (Group) (Default Alert Category)	Alert Condition and (Default)	What the Alert is Detecting	Related Parameters and (Default)	Guidelines for Setting
Travel Accumulator (Travel History) (Maintenance)	Travel Accumulator (Disabled)	The accumulated travel has exceeded the configured limit.	Alert Point (1,000,000) Deadband (1%)	Packing Bonnets— enable the alert in the Maintenance Alert Category. When packing leaks are discovered, set the Travel Accumulator alert to 90% of the current Travel Accumulator Value, triggering an alert prior to anticipated leak.
Performance Critical (Performance) (Failed)	Performance Critical (Enabled)	Critical performance issues based on continuous PD tests internal to the instrument.	None	Use default setting
Performance Reduced (Performance) (Maintenance)	Performance Reduced (Enabled)	Reduced performance issues based on continuous PD tests internal to the instrument.	None	Use default setting
Performance Information (Performance) (Advisory)	Performance Information (Enabled)	Performance Information based on continuous PD tests internal to the instrument.	None	Use default setting

Table C-3. Using PlantWeb Alerts

PlantWeb Alert (Group) (Default Alert Category)	Alert Condition and (Default)	What the Alert is Detecting	Effect on Valve / Instrument	Recommended Action	Help
Drive Current (Electronics) (Failed)	Drive Current (Enabled)	The difference between the expected Drive Current and the actual Drive Current has exceeded the Drive Current Alert Time.	If configured for Self Test Shutdown, then the transducer Actual mode is placed Out of Service until the problem is fixed. Out of Service results in the instrument output pressure(s) and actuator position being at the Zero Power Condition.	Check I/P module	The instrument has detected that the difference between the expected Drive Current and the actual Drive Current is greater than the configured limit 1) Replace the I/P module 2) Calibrate the device. If the problem persists, replace the printed wiring board (PWB) assembly.
Drive Signal (Electronics) (Maintenance)	Drive Signal (Enabled)	If one of the following conditions exist: Where Zero Power Condition is defined as closed: Drive Signal < 10% and Calibrated Travel > 3% Drive Signal > 90% and Calibrated Travel < 97% Where Zero Power Condition is defined as open: Drive Signal < 10% and Calibrated Travel < 97% Drive Signal > 90% and Calibrated Travel > 3%	None – Indicates reduced performance.	Check instrument pneumatics	The instrument I/P drive signal necessary to generate the pressure output from the instrument is not within the expected range. Potential causes include I/P filter plugged, instrument pneumatic relay failure, low supply pressure, air leaks, or valve sticking. Test the control valve assembly for proper operation. ValveLink diagnostics can be used for this purpose.

–Continued–



DVC6000f Digital Valve Controllers

Table C-3. Using PlantWeb Alerts (Continued)

PlantWeb Alert (Group) (Default Alert Category)	Alert Condition and (Default)	What the Alert is Detecting	Effect on Valve / Instrument	Recommended Action	Help
Processor Impaired (Electronics) (Maintenance)	Program Memory (Enabled)	A pending Flash or NVM failure is present.	If configured for Self Test Shutdown, then the transducer Actual mode is placed Out of Service until the problem is fixed. Out of Service results in the instrument output pressure(s) and actuator position being at the Zero Power Condition.	Replace PWB assembly	An error has been detected in the printed wiring board (PWB) assembly. Replace the PWB assembly.
	Static Memory (Enabled)	A failure of the FRAM memory where static parameters are stored.			
	Processor (Enabled)	A failure of the main Processor.			
	I/O Processor (Enabled)	A failure of the I/O Processor.			
Output Block Timeout (Configuration) (Maintenance)	Output Block Timeout (Disabled)	If the AO or DO block has not executed for longer than the configured timeout, this alert is detected.	If configured for Self Test Shutdown, then the transducer Actual mode is placed Out of Service until the problem is fixed. Out of Service results in the instrument output pressure(s) and actuator position being at the Zero Power Condition.	Check Output Block	<p>The function block providing the setpoint for the valve position (AO or DO function block) has not executed within the user configured time limit. If configured for Self Test Shutdown, the transducer Actual mode is set to Out of Service.</p> <p>1) Download the control schedule from the host configuration device. 2) Make sure the Time Out Alert Point is greater than the block execution schedule.</p> <p>This alert should only be utilized in very critical loops where execution time is critical.</p>
Blocks Set to Default (Configuration) (Failed)	Blocks Set to Default (Enabled)	If the resource block has undergone Restart with Defaults.	The transducer "Actual" mode is placed Out of Service when the defaults are applied. Out of service results in the actuator being at the Zero Power Condition.	Download device configuration	<p>When restoring power to the device, the configuration parameters could not be recalled from non-volatile memory. When the instrument detects this condition, the transducer Actual mode is set to Out of Service.</p> <p>To correct this situation, download the configuration to the device and set the Target Mode of the Resource block.</p>
Shutdown Alert (Configuration) (Failed)	N/A	A user configured Self Test Shutdown condition has taken the instrument to OOS.	None – Indicates why the instrument remains OOS.	Same as the configured Self Test Shutdown.	The instrument Actual mode remains OOS due to a configured Self Test Shutdown, where Manual Recovery was specified, even though the condition may have cleared. Check Recommended Action for the indicated condition.

–Continued–

Using PlantWeb Alerts

Table C-3. Using PlantWeb Alerts (Continued)

PlantWeb Alert (Group) (Default Alert Category)	Alert Condition and (Default)	What the Alert is Detecting	Effect on Valve / Instrument	Recommended Action	Help
Travel Sensor (Sensors) (Failed)	Travel Sensor (Enabled)	The travel feedback is within acceptable limits.	If configured for Self Test Shutdown, then the transducer "Actual" mode is placed Out of Service until the problem is fixed. Out of service results in the actuator being at the Zero Power Condition.	Check mounting and linkage	Travel feedback value is outside expected limits. If this problem occurs during instrument set-up, the most likely cause is faulty mounting or improper adjustment of the travel sensor. If this problem occurs during normal operation, the most likely cause is a failure of the travel sensor or damaged linkage. To correct, 1) Insure proper mounting and linkage adjustment. 2) Inspect and test travel sensor 3) Toggle the transducer target mode. If the problem persists, replace the printed wiring board (PWB) assembly.
Output Press Sensor (Sensors) (Maintenance)	Port A Pressure Sensor (Enabled)	The pressure sensor reading is outside the functional range of the sensor.	If configured for Self Test Shutdown, then the transducer "Actual" mode is placed Out of Service until the problem is fixed. Out of service results in the actuator being at the "No Power" condition.	Confirm proper air supply	The pressure sensor on-board the device has failed. This may be due to excessive supply pressure or contaminated air. If it is verified that the air supply is ok, replace the printed wiring board (PWB) assembly.
	Port B Pressure Sensor (Enabled)		None – Indicates a possible hardware problem that would degrade diagnostic capability.		
Supply Press Sensor (Sensors) (Advisory)	Supply Press Sensor (Enabled)	The pressure sensor reading is outside the functional range of the sensor.	None – Indicates a possible hardware problem that would degrade diagnostic capability.	Confirm proper air supply	The pressure sensor on-board the device has failed. This may be due to excessive supply pressure or contaminated air. If it is verified that the air supply is ok, replace the printed wiring board (PWB) assembly.
Temperature Sensor (Sensors) (Advisory)	Temperature Sensor (Enabled)	The temperature sensor reading is outside the functional range of the sensor.	None – Indicates a possible hardware problem that would degrade instrument calibration and diagnostic capability.	Replace PWB assembly.	The temperature sensor on-board the device has failed or the unit has been exposed to an temperature extreme beyond the recommended limits.

–Continued–

C

DVC6000f Digital Valve Controllers

Table C-3. Using PlantWeb Alerts (Continued)

PlantWeb Alert (Group) (Default Alert Category)	Alert Condition and (Default)	What the Alert is Detecting	Effect on Valve / Instrument	Recommended Action	Help
Pressure Fallback (Sensors) (Maintenance)	Pressure Fallback (Enabled)	A travel sensor failure or large travel deviation has resulted in fallback to pressure control.	None – Indicates a reduced performance condition.	Check instrument feedback linkage and travel sensor.	The instrument has detected that the travel sensor is outside its normal range of operation or that a gross deviation exists between set point and actual travel. It has switched to Pressure Control and is no longer using the travel sensor to position the valve.
Supply Pressure (Environment) (Maintenance)	Supply Press High (Enabled)	The supply pressure has exceeded the Supply Pressure Hi Alert Point.	None – Indicates a condition that could cause damage to the instrument or actuator.	Confirm proper air supply.	The Supply Pressure sensor on-board has detected an abnormally high supply pressure. Verify the proper supply pressure and that the alert is properly set.
	Supply Press Low (Enabled)	The supply pressure is lower than the Supply Pressure Lo Alert Point.	None – Indicates a condition that could reduce performance or prevent the valve from shutting tightly.		The Supply Pressure sensor on-board has detected an abnormally low supply pressure. Verify the proper supply pressure and that the alert is properly set.
Temperature Limit (Environment) (Advisory)	Temperature High (Enabled)	The temperature is greater than the Temperature Hi Alert Point.	None – Indicates a condition that could shorten service life or lead to reduced performance.	Check instrument environment.	The instrument temperature has exceeded the user configured high temperature limit. Operation of the instrument above the rated temperature may degrade instrument components. This may affect instrument performance and/or reduce the life of the instrument.
	Temperature Low (Enabled)	The temperature is lower than the Temperature Lo Alert Point.			The instrument temperature has dropped below the user configured low temperature limit. Operation of the instrument below the rated temperature may degrade instrument components. This may affect instrument performance and/or reduce the life of the instrument.

–Continued–

C

Using PlantWeb Alerts

Table C-3. Using PlantWeb Alerts (Continued)

PlantWeb Alert (Group) (Default Alert Category)	Alert Condition and (Default)	What the Alert is Detecting	Effect on Valve / Instrument	Recommended Action	Help
Travel Deviation (Travel) (Maintenance)	Travel Deviation (Enabled)	The Travel Deviation has exceeded the Travel Deviation Alert Point by more than the Travel Deviation Time.	None – Indicates a reduced performance condition.	Check valve friction, supply air, instrument tuning	The valve travel is not following setpoint. Check operation of the valve and instrument. Possible items include; sticking valve, low supply pressure, broken feedback linkage, instrument pneumatic components, actuator, instrument tubing, poor instrument tuning, etc. Test the control valve assembly for proper operation. ValveLink software diagnostics can be used for this purpose.
Travel Limit (Travel) (Advisory)	Travel Limit Hi Hi (Disabled)	The Travel has exceeded the Travel Limit Hi Hi Alert Point.	None	Check process loop	The actual valve position has exceeded the configurable travel limit (in %).
	Travel Limit Lo Lo (Disabled)	The Travel is lower than the Travel Limit Lo Lo Alert Point.	None	Check process loop	
N/A (Travel) (N/A)	Travel Limit Hi (Disabled)	The Travel has exceeded the Travel Limit Hi Alert Point.	None	Check process loop	The actual valve position has exceeded the configurable travel limit (in %).
	Travel Limit Lo (Disabled)	The Travel is lower than the Travel Limit Lo Alert Point.	None	Check process loop	The actual valve position has exceeded the configurable travel limit (in %).
N/A (Proximity) (N/A)	Travel Open (Disabled)	The Travel is greater than the Open Alert Point	None	Check process loop	The actual valve position is near the full open position.
	Travel Closed (Disabled)	The Travel is greater than the Closed Alert Point	None	Check process loop	The actual valve position is near the full closed position.
	Proximity Hi Hi (Disabled)	The Travel is within the configured band of the configured center point.	None	Check process loop	The actual valve position is near the configured center point.
	Proximity Hi (Disabled)		None		
	Proximity Lo (Disabled)		None		
Proximity Lo Lo (Disabled)	None				
Cycle Counter (Travel History) (Maintenance)	Cycle Counter (Disabled)	The number of travel reversals has exceeded the configured limit.	None	Perform periodic maintenance	The cycle count limit has been exceeded. Perform periodic maintenance. Check packing, linkages, diaphragms, seals, etc.
Travel Accumulator (Travel History) (Maintenance)	Travel Accumulator (Disabled)	The accumulated travel has exceeded the configured limit.	None	Perform periodic maintenance	The travel accumulator limit has been exceeded. Perform periodic maintenance. Check packing, linkages, diaphragms, seals, etc.

–Continued–



DVC6000f Digital Valve Controllers

Table C-3. Using PlantWeb Alerts (Continued)

PlantWeb Alert (Group) (Default Alert Category)	Alert Condition and (Default)	What the Alert is Detecting	Effect on Valve / Instrument	Recommended Action	Help
Performance Critical (Performance) (Failed)	Performance Critical (Enabled)	Critical performance issues based on continuous PD tests internal to the instrument.	None – Indicates control has been lost or severely reduced.	Check I/P, Relay, Valve, Actuator or Ext. Tubing as indicated.	On-board diagnostics have detected a critical performance issue that may result in loss of control or severe reduction in control performance. Check or replace the component indicated in the possible cause detail.
Performance Reduced (Performance) (Maintenance)	Performance Reduced (Enabled)	Reduced performance issues based on continuous PD tests internal to the instrument.	None – Indicates reduced performance.	Check I/P, Relay, Valve, Actuator or Ext. Tubing as indicated.	On-board diagnostics have detected a performance issue that has reduced control performance. Check or replace the component indicated in the possible cause detail.
Performance Information (Performance) (Advisory)	Performance Information (Enabled)	Performance Information based on continuous PD tests internal to the instrument.	None – Indicates information that may pertain to control performance.	No action required.	On-board diagnostics have detected an abnormal performance condition. No immediate action required.

Table C-4. Output Block PV Status

FEATURE_SEL PW Alarms Set PV Status	Transducer Mode, Actual	Active PlantWeb Alarms	AO / DO PV Status	AO / DO PV Substatus	AO/DO PV Limit Substatus ⁽¹⁾
Enabled	OOS	X	Bad	Device Failure	Constant
	Man	X	Bad	Non-specific	Constant
	Auto	Fail	Uncertain	Subnormal	See table C-5
	Auto	Maint, no Fail	Uncertain	Non-specific	See table C-5
	Auto	Advisory, no Fail, no Maint	Good	Advisory	See table C-5
	Auto	None	Good	Non-Specific	See table C-5
Not Enabled	OOS	X	Bad	Device Failure	Constant
	Man	X	Bad	Non-Specific	Constant
	Auto	Fail	Good	Non-Specific	See table C-5
	Auto	Maint, no Fail	Good	Non-Specific	See table C-5
	Auto	Advisory, no Fail, no Maint	Good	Non-Specific	See table C-5
	Auto	None	Good	Non-Specific	See table C-5

NOTES:
X = No Effect
1. PV limit substatus reflects only READBACK limit substatus. SP limit substatus reflects only out block rate limits.

Table C-5. Limit Sub Status

Out Block	Transducer Mode	In Cutoff Region	Rate Limited	Limit Sub-Status
AO, DO	OOS	X	X	Constant
AO, DO	MAN	X	X	Constant
AO	AUTO	High	X	High Limited
AO	AUTO	Low	X	Low Limited
AO	AUTO	X	High	High Limited
AO	AUTO	X	Low	Low Limited
AO	AUTO	None	None	Not Limited
DO	AUTO	X	High	High Limited
DO	AUTO	X	Low	Low Limited
DO	AUTO	X	None	Not Limited

NOTE: X = No Effect

Appendix D FOUNDATION fieldbus Communication

FOUNDATION Fieldbus Communication	D-2
Function Block Overview	D-2
Function Blocks	D-2
Instrument Specific Blocks	D-2
Resource Blocks	D-2
Transducer Blocks	D-3
Block Modes	D-3
Explanation of Modes	D-4
Examples of Modes for Various Operation Statuses	D-5
Device Descriptions	D-5
Transducer Block Status and Limit Propagation	D-5
Status Propagation	D-6
Limit Propagation	D-6
Network Communication	D-7
Device Addressing	D-7
Link Active Scheduler	D-7
Device Communications	D-8
Scheduled Transfers	D-8
Unscheduled Transfers	D-8
Function Block Scheduling	D-9
Network Management	D-9

DVC6000f Digital Valve Controllers

FOUNDATION Fieldbus Communication

DVC6000f digital valve controllers use the FOUNDATION fieldbus to communicate with other fieldbus instruments and the control system. Fieldbus is an all digital, serial, two-way communication system which interconnects “field” equipment such as transmitters, digital valve controllers, and process controllers. Fieldbus is a local-area network (LAN) for instruments used in both process and manufacturing automation with built-in capability to distribute the control application across the network.

Function Block Overview

A fieldbus system is a distributed system composed of field devices and control and monitoring equipment integrated into the physical environment of a plant or factory. Fieldbus devices work together to provide I/O and control for automated processes and operations. The Fieldbus Foundation provides a framework for describing these systems as a collection of physical devices interconnected by a fieldbus network. One of the ways that the physical devices are used is to perform their portion of the total system operation by implementing one or more function blocks.

Function Blocks

Function blocks within the fieldbus device perform the various functions required for process control. Because each system is different, the mix and configuration of functions are different. Therefore, the Fieldbus Foundation has designed a range of function blocks, each addressing a different need: Analog Input Block (AI), Multiple Analog Input (MAI), Discrete Input Block (DI), Manual Loader Block (ML), Bias/Gain Station Block (BG), Control Selector Block (CS), P, PD Controller Block (PD), PID, PI, I Controller Block (PID), Ratio Station Block (RA), Analog Output Block (AO) and Discrete Output Block (DO).

Function blocks perform process control functions, such as analog input (AI) and analog output (AO) functions as well as proportional-integral-derivative (PID) functions. The standard function blocks provide a common structure for defining function block inputs, outputs, control parameters, events, alarms, and modes, and combining them into a process that can be implemented within a single device or over the fieldbus network. This simplifies the identification of characteristics that are common to function blocks.

The Fieldbus Foundation has established the function blocks by defining a set of parameters used in all function blocks called universal parameters. The

Fieldbus Foundation has also defined a standard set of function block classes, such as input, output, control, and calculation blocks. Each of these classes have a set of parameters established for it. Additionally, they have published definitions for transducer blocks commonly used with standard function blocks. Examples include temperature, pressure, level, and flow transducer blocks.

Fieldbus Foundation specifications and definitions allow vendors to add their own, extended parameters, as well as their own algorithms. This approach permits extending function block definitions as new requirements are discovered and as technology advances.

Each block has a tag name. Service personnel need only know the tag name of the block to access or change the appropriate block parameters.

Input events may affect the operation of the algorithm. An execution control function regulates the receipt of input events and the generation of output events during execution of the algorithm. Upon completion of the algorithm, the data internal to the block is saved for use in the next execution, and the output data is snapped, releasing it for use by other function blocks.

Once the inputs are snapped, the algorithm operates on them, generating outputs as it progresses. Algorithm executions are controlled through the setting of internal parameters. Internal parameters do not appear as normal input and output parameters. However, they may be accessed and modified remotely, as specified by the function block.

Figure D-1 illustrates the internal structure of a function block. When execution begins, input parameter values from other blocks are snapped-in by the block. The input snap process ensures that these values do not change during the block execution. New values received for these parameters do not affect the snapped values and will not be used by the function block during the current execution.

Function blocks are also capable of performing short-term data collection and storage for reviewing their behavior.

Instrument-Specific Blocks

In addition to function blocks, fieldbus devices contain two other block types to support the function blocks. These are the resource block and the transducer block. The resource block contains the hardware specific characteristics associated with a device. Transducer blocks couple the function blocks to local input/output functions.

Resource Blocks

The resource block contains hardware specific characteristics associated with the device; it has no

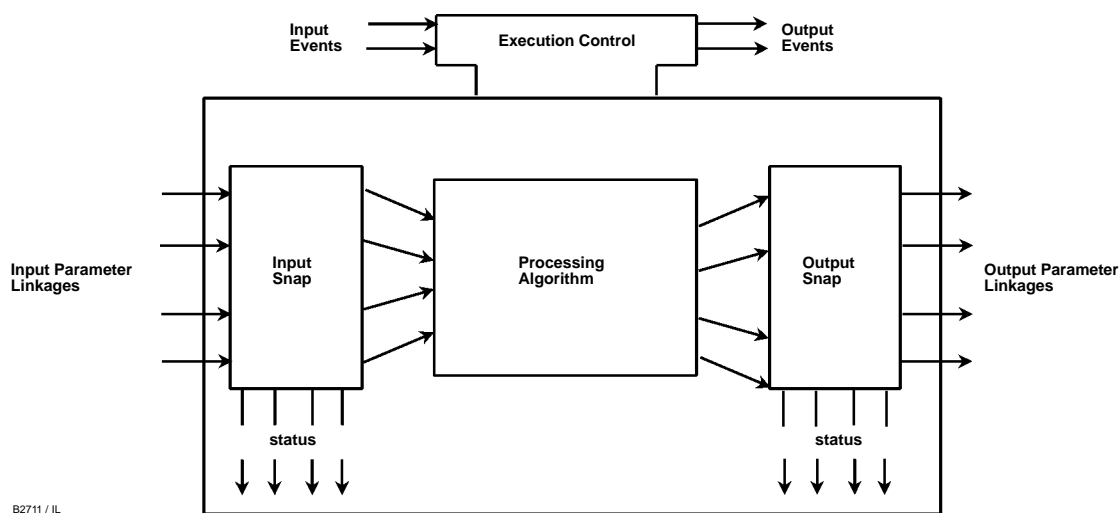


Figure D-1. Function Block Internal Structure

input or output parameters. The algorithm within a resource block monitors and controls the general operation of the physical device hardware. The execution of this algorithm is dependent on the characteristics of the physical device, as defined by the manufacturer. As a result of this activity, the algorithm may cause the generation of events. There is only one resource block defined for a device. For example, placing the resource block in Out of Service mode stops all function block execution, by setting their modes to Out of Service as well. The actual mode of the function blocks is changed to Out of Service, but the function block target modes will not change. Placing the resource block in the Out of Service mode does not affect the mode of the transducer block.

Transducer Blocks

Transducer blocks connect function blocks to local input/output functions. They read sensor hardware and write to effector (actuator) hardware. This permits the transducer block to execute as frequently as necessary to obtain good data from sensors and ensure proper writes to the actuator without burdening the function blocks that use the data. The transducer block also isolates the function block from the specific characteristics of the physical I/O.

Block Modes

All blocks have modes. The mode determines the source of the set point, the destination of the output, how the block executes, and the relationship between setpoint and output. The block mode is determined by the Block Mode parameter. It is a structured parameter composed of the attributes actual, target, permitted, and normal. The following defines each of the attributes.

- **Target mode**—The Target mode is the mode requested by the user or host system. Only one mode is allowed to be set and it must be a permitted mode as defined by the permitted attribute of the mode parameter.

- **Actual mode**—This is the current mode of the block. The actual mode may differ from the target mode due to operating conditions of the block.

- **Permitted mode**—The permitted mode defines the modes allowed for the block. This is set by the user or host system but is restricted by the instrument to modes supported by the instrument for the particular block. Any change request to the Target or Normal attribute is checked against the permitted attribute to ensure the requested mode is permitted.

When setting the Permitted mode, there is no check against any of the other attributes (Normal or Target modes). Therefore, the normal or target mode

DVC6000f Digital Valve Controllers

attributes may have a value that is not permitted because the permitted attribute was modified after the Normal or Target mode was set. This will have no effect on the instrument until the user attempts to

Table D-1. DVC6000f Block Modes

Block	Supported Mode Values
Resource	Auto and OOS
Transducer	Auto, Manual, and OOS
AO	RCas, Cas, Auto, Man, LO ⁽¹⁾ , IMan ⁽¹⁾ , and OOS
PID	ROut, RCas, Cas, Auto, Man, LO ⁽¹⁾ , IMan ⁽¹⁾ , and OOS
ISEL	Auto, Man and OOS
OS	IMan ⁽¹⁾ , Auto, Cas and OOS
AI	Man, Auto, and OOS
MAI	Man, Auto, and OOS
DO	RCas, Cas, Auto, Man, LO ⁽¹⁾ , IMan ⁽¹⁾ , and OOS
DI	Auto, Man, and OOS

1. This mode cannot be specified as a target mode.

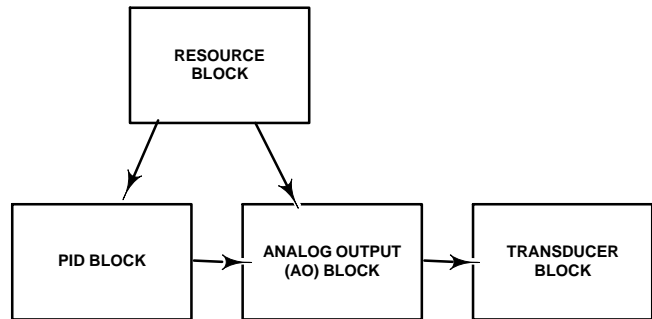
modify the Target or Normal mode. At this time these attributes are tested against the Permitted modes, thus the user cannot change the Normal or Target modes to what was formerly permitted.

- Normal mode**—The normal mode is the mode the block should be in during normal operating conditions. The normal mode is set by the user or host system and can only be set to a permitted mode (see permitted mode). The user or host system can compare the actual mode to the normal mode and, based on the results, determine if the block is operating normally.

Table D-1 lists the modes supported by each block contained in the digital valve controller.

D

Changing the block mode requires accessing the Block Mode parameter. For information on using the host system to change the block mode via this parameter, see the appropriate host documentation.



NOTES:

1. CHANGING THE RESOURCE BLOCK TO OUT OF SERVICE CHANGES ALL FUNCTION BLOCKS TO OUT OF SERVICE, BUT DOES NOT AFFECT THE TRANSDUCER BLOCK.
2. CHANGING A DOWNSTREAM BLOCK TO OUT OF SERVICE AFFECTS THE UPSTREAM BLOCK. FOR EXAMPLE: WHEN THE TRANSDUCER BLOCK IS OUT OF SERVICE, THE AO BLOCK MODE WILL CHANGE TO IMan (INITIALIZE MANUAL).

Figure D-2. Digital Valve Controller Block Hierarchy Example



Note

There is no mode associated with the FOUNDATION fieldbus Loop. Mode is dependent on the blocks within the Loop.

Explanation of Modes

Out of Service (OOS)—The functions performed by the block are not executed. If the block has any outputs, these typically do not update and the status of any values passed to downstream blocks will be “BAD”. To make changes to some of the parameters in a block requires that the block be Out of Service.

Initialization Manual (IMan)—Only the AO, DO, OS and PID blocks support this mode. When one of these blocks detects a loss of a correct path to the downstream block (such as when the downstream block is in the OOS, Man, or LO mode), it enters the IMan mode. For example, when the transducer block enters the OOS mode, the AO block enters the IMan mode.

Local Override (LO)—Only the AO, DO, and PID blocks support this mode. If the PID block enters the LO mode, the block output follows the tracking value (TRK_VAL), if external tracking is enabled by TRK_IN_D. In the AO and DO block, the block enters LO mode when the block detects that fault state is active. In this case, the output is determined by the selection for I/O_OPTS.

Manual (Man)—If the data status of a function block’s input is bad or its target mode is Man, the block enters



Note

A downstream block changing to Out of Service impacts the mode of the upstream block. Refer to the block hierarchy in figure D-2.

the manual mode. In this mode, the function block does not update its OUT value. If the target is Man, the user may write a desired value to the output.

Automatic (Auto)—The block performs the specified calculations based on the local set point and outputs the result, independently without interfacing with another block. The user can write to the set point of a block in this mode. Any block outputs continue to update.

Cascade (Cas)—The block performs the specified calculations based on the set point from another block via the cascade input parameter and outputs the result. Any block outputs continue to update.

Remote Output (ROut)—The block outputs are set to the value of the remote output parameter that is written by a host computer or others. To prevent a sudden change in output, the block's calculations are initialized when a change in mode occurs.

Remote Cascade (RCas)—The block performs the specified calculations based on a set point from a host computer or others via the remote cascade input and outputs the result. If the block has any outputs, these continue to update.

Examples of Modes for Various Operational Statuses

Table D-2 shows examples of block mode combinations in a digital valve controller (however it does not show all combinations). When a block changes mode or the data status signal changes for some reason, the other blocks connected to that block identify the change by detecting the change in status of an input signal, and change their modes too. For example, when the data status of BKCAL_IN in a PID block changes to bad, the PID block automatically changes its mode to Iman to initialize the control of its downstream block.

The respective modes to which each block should enter upon occurrence of a communication error and at a restart, and the handling of signals in each mode may be defined in the block's option parameters such as IO_OPTS and STATUS_OPTS. For details, see the detailed descriptions of each function block.

Table D-2. Examples of Block Mode Combinations and Operational statuses for an Instrument with Standard Control

Operational Status	Blocks		
	PID	AO	TB ⁽¹⁾
Initial Setup and calibration	---	OOS	OOS
Modification of some transducer block parameters	---	IMan	Manual
Constant valve position control	---	Auto	Auto
PID Single-loop control	Auto	Cas	Auto
PID Cascade-loop control	Primary PID, Auto Secondary PID, Cas	Cas	Auto

1. TB=Transducer Block

Device Descriptions

Device Descriptions are specified definitions that are associated with blocks. Device descriptions provide for the definition and description of blocks and their parameters.

Device descriptions may also include a set of processing routines called Methods. Methods provide a procedure for accessing and manipulating a series of parameters within a device, such as for setup and calibration. Methods are used for a variety of functions including automatic calibration, setting protection and setting up the instrument. These Methods are a predetermined sequence of steps for information required to setup, calibrate, and perform other functions on the instrument.

Transducer Block Status and Limit Propagation

Every FOUNDATION fieldbus parameter has a value and a status. The status attribute is divided into three components: Quality, Quality substatus, and a Limit. The Quality can be Good (Cascade), Good (Non-Cascade), Uncertain, and Bad. Each quality can have a substatus as shown in table D-3. Each status attribute also has four possible limit states: Not limited, Low limited, High limited, and Constant. Refer to the Fieldbus Foundation specifications for a more detailed description. The following describes how the transducer block passes status information to the AO block. For information on status handling by the function blocks within the digital valve controller, refer to the Detailed Setup section.



DVC6000f Digital Valve Controllers

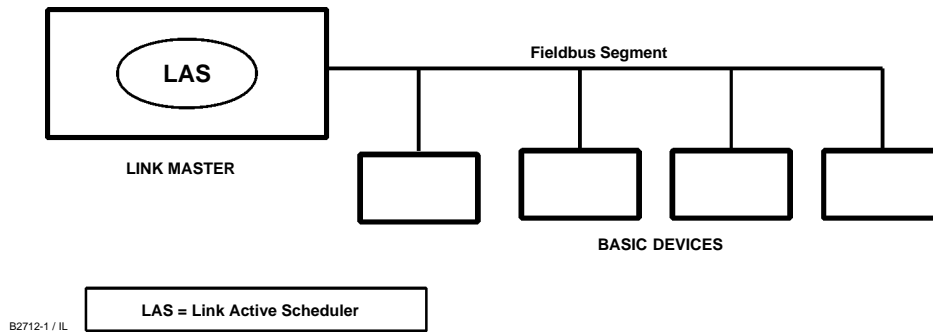


Figure D-3. Simple Single-Link Fieldbus Network

Table D-3. Status Attribute Quality and Substatus Components

Quality	Substatus
Good (NC)	Non-specific
Good (NC)	Active Block Alarm
Good (NC)	Active Advisory Alarm
Good (NC)	Active Critical Alarm
Good (NC)	Unack Block Alarm
Good (NC)	Unack Advisory Alarm
Good (NC)	Unack Critical Alarm
Uncertain	Non-specific
Uncertain	Last Usable Value
Uncertain	Substitute/Manual Entry
Uncertain	Initial Value
Uncertain	Sensor Conversion not Accurate
Uncertain	Engineering Unit Range Violation
Uncertain	Sub-normal
Good (C)	Non-specific
Good (C)	Initialization Acknowledge
Good (C)	Initialization Request
Good (C)	Not Invited
Good (C)	Not Selected
Good (C)	Local Override
Good (C)	Fault State Active
Good (C)	Initiate Fault State
Bad	Non-specific
Bad	Configuration Error
Bad	Not Connected
Bad	Device Failure
Bad	Sensor Failure
Bad	No Comm, with LUV
Bad	No Comm, no LUV
Bad	Out of Service

(NC)=(Non-cascade) (C)= (Cascade)

Status Propagation

The transducer block accepts the output from the AO block or DO block if the output parameter status is Good (Non-cascade) or Good (Cascade). When the

AO or DO block is Out of Service the output parameter status is Bad. In this case, the transducer block holds the last value.

If the transducer block actual mode is Out of Service, the AO block READBACK parameter status is Bad-Out of Service. This could be caused by a Failed Alert. If a Failed Alert is active, the block error parameter (parameter name BLOCK_ERR) for the Resource block will indicate Device Needs Maintenance Now. For more information on the Resource and Transducer block error indications, refer to the Viewing Device Information section of this manual.

If the transducer block is functioning correctly the AO block READBACK parameter status is Good (Non-cascade)-Non-specific. If a Maintenance or Advisory alert is active the substatus will reflect a Unacknowledged or Active advisory alert. When a Maintenance or Advisory alert is active, the block error for the resource block indicates Device Needs Maintenance Soon.

Limit Propagation

The following describes limit propagation:

AO Block

- If the valve position is below the low cutoff value, the AO block READBACK status limit is LOW_LIMITED.
- If the valve position is above the high cutoff value, the AO block READBACK status limit is HIGH_LIMITED.
- If the transducer block actual mode is Auto and the above conditions are not true, the AO block READBACK status limit is NOT_LIMITED.
- If the transducer block actual mode is Out of Service, the AO block READBACK status limit is CONSTANT.

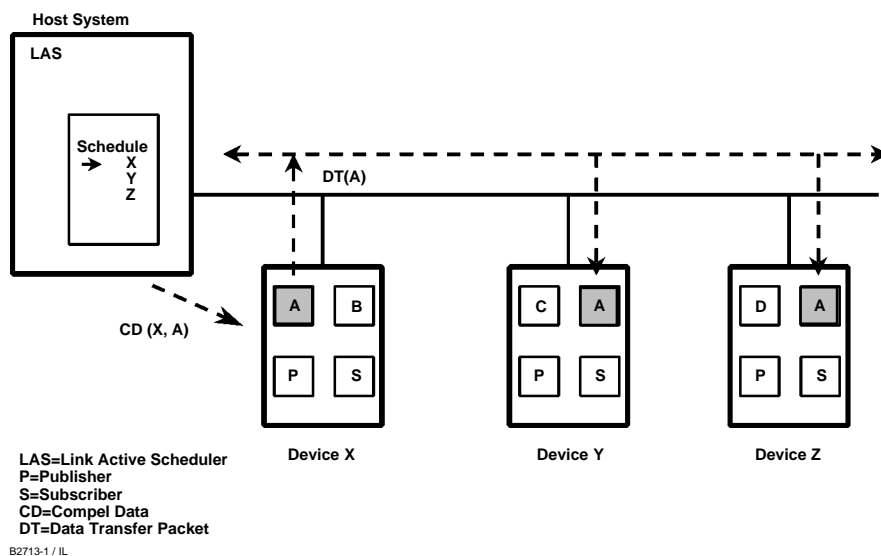


Figure D-4. Scheduled Data Transfer

DO Block

- If the transducer block actual mode is Auto, the DO block READBACK_D status is NOT_LIMITED.

- If the transducer block actual mode is Out of Service, the DO block READBACK_D status is CONSTANT.

The control strategy should be configured to monitor the Analog Output block status and take action where appropriate when the status is no longer Good.

Network Communication

Figure D-3 illustrates a simple fieldbus network consisting of a single segment.

Device Addressing

Fieldbus uses addresses between 0 and 255. Addresses 0 through 15 are typically reserved for group addressing and for use by the data link layer. If there are two or more devices with the same address, the first device to start will use its programmed address. Each of the other devices will be given one of four temporary addresses between 248 and 251. If a temporary address is not available, the device will be unavailable until a temporary address becomes available. Commission devices use addresses 20–35, and standby devices use addresses 232-247.

Link Active Scheduler (LAS)

There is only one active Link Active Scheduler (LAS) for the entire fieldbus control system. The digital valve controller includes an LAS. The Link Active Scheduler operates as the bus arbiter for the link, and

- recognizes and adds new devices to the link.
- removes non-responsive devices from the link.
- distributes Data Link (DL) and Link Scheduling (LS) time on the link. Data Link Time is a network-wide time periodically distributed by the LAS to synchronize all device clocks on the bus. Link Scheduling time is a link-specific time represented as an offset from Data Link Time. It is used to indicate when the LAS on each link begins and repeats its schedule. It is used by system management to synchronize function block execution with the data transfers scheduled by the LAS.
- polls devices for process loop data at scheduled transmission times.
- distributes a priority-driven token to devices between scheduled transmissions.

The DVC6000f can be designated to act as the backup Link Active Scheduler (LAS) in the event that the LAS is disconnected from the segment. As the backup LAS, the DVC6000f will take over the management of communications until the host is restored. The host system may provide a configuration tool specifically designed to designate a particular device as a backup LAS. Otherwise, this can be configured manually as follows:

D

DVC6000f Digital Valve Controllers

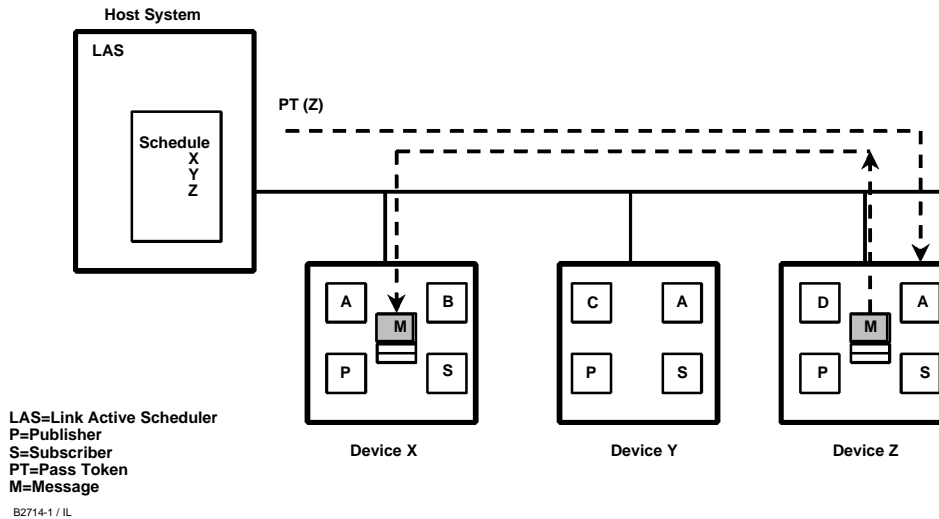


Figure D-5. Unscheduled Data Transfer

1. Access the Management Information Base (MIB) for the DVC6000f.
2. To activate the LAS capability, write 0x02 to the BOOT_OPERAT_FUNCTIONAL_CLASS object (Index 605). To deactivate, write 0x01.

Restart the processor.

Only one device can communicate at a time. Permission to communicate on the bus is controlled by a centralized token passed between devices by the LAS. Only the device with the token can communicate. The LAS maintains a list of all devices on the bus. This list is called the "Live List".

Two types of tokens are used by the LAS. A time-critical token, compel data (CD), is sent by the LAS according to a schedule. A non-time critical token, pass token (PT), is sent by the LAS to each device in numerical order according to address.

D

Device Communication

Scheduled Transfers

Information is transferred between devices over the fieldbus using three different types of communication:

- **Publisher/Subscriber:** This type of communication is used to transfer critical process loop data, such as the process variable. The data producers (publishers) post the data in a buffer that is transmitted to the subscriber (S), when the publisher is issued the Compel Data (CD) message from the LAS. The buffer contains only one copy of the data. New data completely overwrites previous data. Updates to published data are transferred simultaneously to all

subscribers in a single broadcast. Transfers of this type are scheduled on a precisely periodic basis.

Figure D-4 diagrams the method of scheduled data transfer. Scheduled data transfers are typically used for the regular cyclic transfer of process loop data between devices on the fieldbus. Scheduled transfers use publisher/subscriber type of reporting for data transfer. The Link Active Scheduler maintains a list of transmit times for all publishers in all devices that need to be cyclically transmitted. When it is time for a device to publish data, the LAS issues a Compel Data (CD) message to the device. Upon receipt of the CD, the device broadcasts or "publishes" the data to all devices on the fieldbus. Any device that is configured to receive the data is called a "subscriber".

Unscheduled Transfers

Figure D-5 diagrams an unscheduled transfer. Unscheduled transfers are used for things like user-initiated changes, including set point changes, mode changes, tuning changes, and upload/download. Unscheduled transfers use either report distribution or client/server type of reporting for transferring data.

All of the devices on the fieldbus are given a chance to send unscheduled messages between transmissions of scheduled data. The LAS grants permission to a device to use the fieldbus by issuing a pass token (PT) message to the device. When the device receives the PT, it is allowed to send messages until it has finished or until the "maximum token hold time" has expired, whichever is the shorter time. The message may be sent to a single destination or to multiple destinations.

- **Report Distribution:** This type of communication is used to broadcast and multicast event and trend reports.

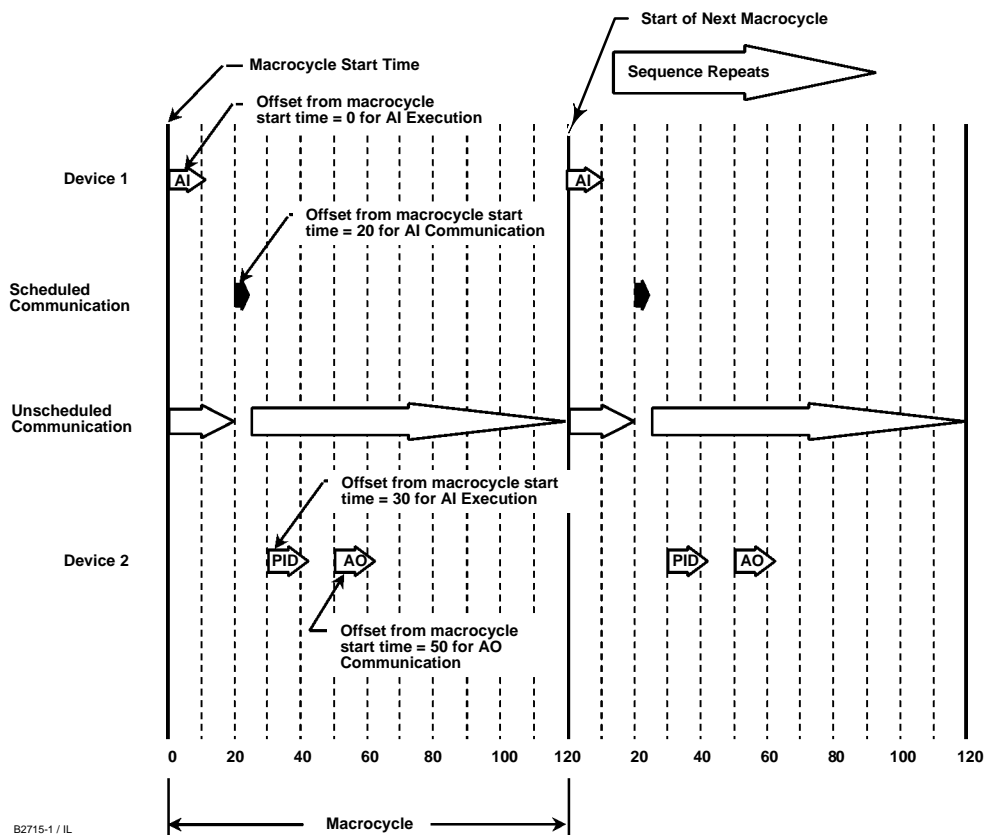


Figure D-6. Example Link Schedule Showing Scheduled and Unscheduled Communication

- Client/Server:** This type of communication is used for request/ response exchanges between pairs of devices, such as a set point change. Like Report Distribution reporting, the transfers are queued, unscheduled, and prioritized. Queued means the messages are sent and received in the order submitted for transmission, according to their priority, without overwriting previous messages.

time for each function block is represented as an offset from the beginning of the macrocycle start time.

To support synchronization of schedules, periodically Link Scheduling (LS) time is distributed. The beginning of the macrocycle represents a common starting time for all Function Block schedules on a link and for the LAS link-wide schedule. This permits function block executions and their corresponding data transfers to be synchronized in time.

D

Function Block Scheduling

Figure D-6 shows an example of a link schedule. A single iteration of the link-wide schedule is called the macrocycle. When the system is configured and the function blocks are linked, a master link-wide schedule is created for the LAS. Each device maintains its portion of the link-wide schedule, known as the Function Block Schedule. The Function Block Schedule indicates when the function blocks for the device are to be executed. The scheduled execution

Network Management

Information for setting up network communications, including Virtual Communication Relationships (VCRs), host timer recommendations, and other network parameters, can be found in the capabilities file (.cff) available from the website www.FIELDVUE.com or from the Fieldbus Foundation website.

Appendix E Device Description Installation

Overview	E-2
Device Descriptions and Methods	E-3
Installing DDs on a DeltaV ProfessionalPLUS Workstation	E-3
Installing DDs on Other Fieldbus Host Systems	E-4
Displaying the Device Description Revision	E-5



DVC6000f Digital Valve Controllers

Overview

Several support files are required for the DVC6000f digital valve controller. They are:

- **Device Description (DD) files**—These files define the data interface to the digital valve controller (file extensions .sym and .ffo).

- **Capabilities File**—These files allow a host to configure the control system off-line (e.g., without having a device physically attached to the host) (file extension .cff).

- **DeltaV Registry File**—This file is used by DeltaV to define the device interface (file extension .reg)

- **DeltaV fhx File**—This file is used by DeltaV to define the device and the data interface to the device (file extension .fhx).

- **DeltaV Windows Resource File**—These files define the user interface for the device for DeltaV and include the definitions for the transducer block interface and the resource block interface (file extension .dll).

The directory structure defined by the Fieldbus Foundation for device descriptions is as follows:

```
....\xxxxxx\yyyy\rrddcc.eee
```

where:

....\ is the path to the DD structure as implemented by the host system. This is typically defined as the base path to the DD since access to the specific device DD is predefined from the base folder. For a DeltaV system, the DDs are included with the support files and are located in a folder named "amsdevices." For other hosts, the Fieldbus Foundation defines a folder named "release" that is included with the CD-ROM, however, you do not need to retain this folder name.

xxxxxx is the 6-digit hexadecimal equivalent of the manufacturer's identification number as defined by the Fieldbus Foundation. Fisher Controls' ID number is 5100 (or in the folder format 005100). This number is also stored in the instrument Resource Block in the parameter Mfg ID (parameter name MANUFAC_ID).

yyyy is the 4-digit hexadecimal equivalent of the device type, as defined by the manufacturer. For example, the device type for the DVC6000f digital valve controller is 4602. This

number is stored in the instrument Resource Block in the parameter Device Type (parameter name DEV_TYPE).

- rr is the 2-digit hexadecimal equivalent of the device revision, as defined by the manufacturer. It is stored in the instrument Resource Block in the parameter Device Revision (parameter name DEV_REV).
- dd is the 2-digit hexadecimal equivalent of the device description (DD) revision that applies to the device, as defined by the manufacturer. The host will always use the latest version of the DD that it finds for a particular device revision. When part of the name of a capabilities file, this value is always the same as the value of the DD_REV parameter stored in the Resource Block of the instrument. The value of the DD_REV parameter represents the earliest version of the DD that is compatible with the device revision of the instrument.
- cc is a 2-digit hexadecimal equivalent for the capabilities files (.cff) revision, as defined by the manufacturer. The latest revision of the capabilities files, for a particular device revision, is the file with the largest value for this number.
- eee is the file extension. At this time, five extensions exist for files, they are:
 - .sym—This extension denotes a device description (DD) symbol file as defined by the Fieldbus Foundation.
 - .ffo—This extension denotes a complete, tokenized, device description for the instrument as defined by the Fieldbus Foundation.
 - .cff—This extension denotes a capabilities file for the instrument as defined by the FOUNDATION Fieldbus Common File Format specification.
 - .fhx—This extension denotes a DeltaV device definition file.
 - .dll—This extension denotes a windows resource file used by DeltaV.
 - .reg—This extension denotes a DeltaV registry file.
 - .alm—This extension denotes a DeltaV alarm file (DeltaV version 6 only).

Device Description and Methods

FOUNDATION fieldbus technology uses Device Descriptions (DD) and function blocks to achieve interoperability between instruments and control systems or hosts from various manufacturers. The DD provides information to describe the data interface to the device.

The following table describes the compatibility between the DVC6000f firmware revisions and DD revisions.

Device Description Compatibility	
Firmware Revision	DD Compatibility
2.0	2 and 3

For fieldbus devices, in addition to providing parameter definitions and other information required by the control system to communicate with the fieldbus device, the DD may also include methods. Methods can be used for a variety of functions including automatic calibration, setting protection, setting up the instrument, etc. These methods are a predetermined sequence of steps for information required to setup, calibrate, and perform other functions on the instrument. How the method prompts the user, and how messages appear is determined by the host system. For information on using methods on the host system see the appropriate host system documentation.

Table E-1 contains the methods available in the DVC6000f, the block it is found in, and the page number where it is described.

Installing DDs on a DeltaV ProfessionalPLUS Workstation

The following is general information that may apply when installing the DD on a DeltaV system during the Add Device Definition procedure. This procedure is accessed from the DeltaV/Library, as shown in figure E-1. For complete information, refer to the DeltaV documentation.

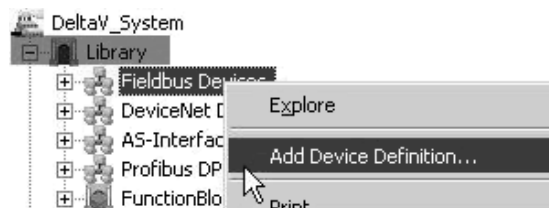


Figure E-1. Add Device Definition

Table E-1. Methods

Method	Block	Description Location
Auto Travel Calibration	Transducer	page 5-3
Block Error Reporting	Transducer	page 4-40
Block Mode	Transducer	page 3-2
	Resource	page 4-4
Display DD Version	Resource	page E-5
Instrument Alerts	Transducer	page 4-26
Manual Travel Calibration	Transducer	page 5-4
Output A Sensor Calibration	Transducer	page 5-8
Output B Sensor Calibration	Transducer	page 5-8
PlantWeb Alerts	Transducer	page 4-27
Relay Adjust	Transducer	page 5-4
Reset Options	Resource	page 6-4
Device Setup	Transducer	page 3-2
Stabilize/Optimize	Transducer	page 4-23
Stroke Valve	Transducer	page 6-10
Supply Sensor Calibration	Transducer	page 5-7
Travel Sensor Adjust	Transducer	page 5-5
Define Custom Characteristic	Transducer	page 4-26
Travel Deviation Fallback	Transducer	page 4-25
Outblock Selection	Transducer	page 4-26
PlantWeb Alerts Set PV Status	Transducer	page 4-40
Performance Tuner	Transducer	page 3-6, 4-23



Note

Before beginning the Add Device Definition procedure, it is recommended that the Add Device Utility be installed on DeltaV. This may help prevent installation errors from occurring.



Note

Be sure to select the correct DD for the correct revision of DeltaV. The resource files are different for each revision of DeltaV.

- Device descriptions furnished by Fisher contain only those files applicable to Fisher. All the files are located in the manufacturer ID Folder (005100 for xxxxxx in directory structure above). A readme file is included at the top level. Read this file for any additional information regarding DD installation.

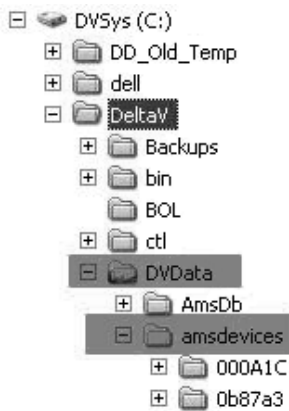


Figure E-2. amsdevices folder

- Device descriptions furnished by the Fieldbus Foundation (on CD-ROM or diskette) contain the files for each registered manufacturer and their associated device(s). It is placed on the media starting with the release folder, which then contains a folder (xxxxxx) for each manufacturer as defined above. For Fisher this folder is 005100. A readme file may be included at the top level. Read this file for any additional information regarding the DD.

- **For the DVC6000f**—The device type parameter for this unit is 4602. This device includes the AO, PID, ISEL, OS, AI, MAI, DO and DI function blocks. From DeltaV Explorer, select the amsdevices\005100\4602 folder (refer to figure E-2).

- The most recent device description for Fisher devices can be downloaded from the internet at www.FIELDVUE.com. If you are downloading from the internet, the file on the website will be compressed (zipped) and must be decompressed (unzipped) before proceeding. Refer to the website download and installation procedures for setting up the DD on your system. Note the folder where the decompressed files are placed. This information will be required later in the installation procedure.

E



Note

Record any warning/error messages from the message window in DeltaV Explorer so that it can be communicated to the DeltaV Technical Support Group.

Installing DDs on Other Fieldbus Host Systems

The following is a generic procedure for installing the device descriptions on a host system. Refer to your host system documentation for specific information. In general the following may apply:

- Device descriptions furnished by Fisher contain only those files applicable to Fisher. All the files are located in the manufacturer ID Folder (005100 for xxxxxx in directory structure above). A readme file is included at the top level. Read this file for any additional information regarding DD installation.
- Device descriptions furnished by the Fieldbus Foundation (on CD-ROM or diskette) contain the files for each registered manufacturer and their associated device(s). It is placed on the media starting with the release folder, which then contains a folder (xxxxxx) for each manufacturer as defined above. For Fisher this folder is 005100. A readme file may be included at the top level. Read this file for any additional information regarding the DD.

- **For the DVC6000f Digital Valve Controller**—The device type parameter for this unit is 4602. This device includes the AO, PID, ISEL, OS, AI, MAI, DO and DI function blocks. From Windows Explorer, select the release\005100\4602 folder.

- The most recent device description for Fisher devices can be downloaded from the internet at www.fisher.com. If you are downloading from the internet, the file on the website will be compressed (zipped) and must be decompressed (unzipped) before proceeding. Refer to the website download and installation procedures for setting up the DD on your system. Note the folder where the decompressed files are placed. This information will be required later in the installation procedure.



Note

This procedure will install the necessary Device Description files (*.ffo and *.sym), and Capabilities file (*.cff) for the device.

1. Locate or create the folder on the host system to contain all the DD and capabilities files.

If you are creating a folder, you can name this new folder whatever you would like and it can have any path you define. For this installation procedure, this folder will be referred to as the base folder.

Device Description Installation

2. On the CD-ROM or in the website download files, locate the folder with the new support files. This folder is called \RELEASE.

3. Open this folder and select the folder named 005100.

4. Copy the 005100 folder (and all its subfolders) from the CD-ROM or website download location to the base folder.

If this is an update (the folders already exist), the system informs you that the folders already exist and asks if they should be replaced. Answer Yes or OK so the folders are properly updated.

5. The new support files are now installed. You may have to restart applications and drivers in order for the new files to become active.

DD installation is complete. Consult the system documentation for commissioning new devices or updating existing devices.

Displaying the Device Description Version

You can use the DD In Use method to display version information for the device descriptions installed on the system. The DD in Use method is included with the device description (DD) software. For information on using methods, see the host system documentation.

DD in Use displays the version number displayed in the format: device type.device revision.DD revision. The Min Compatible DD revision displayed is the latest device description revision that is compatible with the displayed device revision.

This method is available via the resource block.

E

Appendix F Operating with a DeltaV System

Getting Started	F-2
Transducer Block Parameter – Configuration Index	F-3
Resource Block Parameter – Configuration Index	F-8
Introduction	F-9
Software Functionality/System Requirements	F-9
Accessing Status Page	F-9
Methods	F-10
Transducer Block	F-10
Resource Block	F-10
Accessing Parameters	F-11
Transducer Block	F-11
Resource Block	F-12
Bringing the Device On-Line	F-12
PlantWeb Alerts	F-13
Setting up PlantWeb Alerts	F-13
DeltaV Hardware and Software Requirements	F-13
Initial Device Setup	F-13
Area Assignment	F-14
Reporting Alarms and Events to a Workstation	F-15
Setting up WHO Sees Device Alarms	F-15
Setting DeltaV Operate Device Alarm Annunciation Defaults	F-15
Deciding Device Alarm Priorities	F-17



DVC6000f Digital Valve Controllers

Process Systems DeltaV System

Getting Started with DeltaV Host Systems

- Appropriate Device Descriptions (DDs) installed. See the Device Description Compatibility table on page E-3. For DD installation information see Appendix E.
- Digital valve controller correctly mounted on actuator. For mounting information see the Installation section of this manual and the instructions included with the mounting kit.
- Utilities connected. For information on making pneumatic and electrical connections, see the Installation section of this manual. For information on applying power to the segment, see DeltaV books online.
- Instrument in standby. For information on placing the instrument in standby, see DeltaV books online.
- Perform the initial setup. See the Basic Setup section of this manual. If the valve is shipped from the factory mounted on an actuator, perform basic setup only to verify setup is correct and valve operation is satisfactory.
- Device Commissioned. For information on commissioning a device, see DeltaV books online.
- Additional configuration required, such as setting alarms, cutoffs, and other resource block and transducer block parameters. See the Detailed Setup section of this manual.
- Control strategy defined. For information on defining a control strategy, see DeltaV books online.
- Associate I/O with device. See DeltaV books online.
- Download device. See DeltaV books online.

Operating with a DeltaV System

Table F-1. Transducer Block (TB) Parameter – Configuration Index

PARAMETER LABEL	PATH TO PARAMETER
Actual Travel	TB > Configure/Setup > Detailed Setup > Valve and Actuator > Valve > Actual Travel
Actuator Fail Action	TB > Configure/Setup > Detailed Setup > Valve and Actuator > Actuator > Actuator Fail Action
Actuator Manufacturer ID	TB > Configure/Setup > Detailed Setup > Valve and Actuator > Actuator > Actuator Manufacturer ID
Actuator Model Number	TB > Configure/Setup > Detailed Setup > Valve and Actuator > Actuator > Actuator Model Number
Actuator Serial Number	TB > Configure/Setup > Detailed Setup > Valve and Actuator > Actuator > Actuator Serial Number
Actuator Size	TB > Configure/Setup > Detailed Setup > Valve and Actuator > Actuator > Actuator Size
Actuator Style	TB > Configure/Setup > Detailed Setup > Valve and Actuator > Actuator > Actuator Style
Air	TB > Configure/Setup > Detailed Setup > Valve and Actuator > Actuator > Air
Alert Conditions	TB > Device Diagnostics > Alert Conditions
Alert Key	TB > Configure/Setup > Detailed Setup > Alerts > Configuration > Alert Key
Area Units	TB > Configure/Setup > Detailed Setup > Instrument > Units: Area Units
Block Configuration Error	TB > Device Diagnostics > Status > Transducer Block Error: Block Configuration Error
Blocks Set to Default Alert	TB > Configure/Setup > Detailed Setup > Alerts > Configuration > Blocks Set to Default: Block Set to Default Alert
Blocks Set to Default Alert Enable	TB > Configure/Setup > Detailed Setup > Alerts > Configuration > Blocks Set to Default: Block Set to Default Alert Enable
Calibration Date	TB > Configure/Setup > Detailed Setup > Instrument > Calibration: Calibration Date
Calibration Location	TB > Configure/Setup > Detailed Setup > Instrument > Calibration: Calibration Location
Calibration Person	TB > Configure/Setup > Detailed Setup > Instrument > Calibration: Calibration Person
Cycle Count	TB > Configure/Setup > Detailed Setup > Alerts > Travel History > Cycle Counter: Cycle Count TB > Device Variables > Overview > Cycle Count
Cycle Count Alert	TB > Configure/Setup > Detailed Setup > Alerts > Travel History > Cycle Counter: Cycle Count Alert
Cycle Count Alert Enable	TB > Configure/Setup > Detailed Setup > Alerts > Travel History > Cycle Counter: Cycle Count Alert Enable
Cycle Count Alert Point	TB > Configure/Setup > Detailed Setup > Alerts > Travel History > Cycle Counter: Cycle Count Alert Point
Cycle Count Deadband	TB > Configure/Setup > Detailed Setup > Alerts > Travel History > Cycle Counter: Cycle Count Deadband
Device Needs Maintenance Now	TB > Device Diagnostics > Status > Transducer Block Error: Device Needs Maintenance Now
Drive Current	TB > Configure/Setup > Detailed Setup > Alerts > Electronic > Drive Current: Drive Current
Drive Current Alert	TB > Device Diagnostics > Status > Self Test Status: Drive Current Alert TB > Configure/Setup > Detailed Setup > Alerts > Electronic > Drive Current: Drive Current Alert
Drive Current Alert Enable	TB > Configure/Setup > Detailed Setup > Alerts > Electronic > Drive Current: Drive Current Alert Enable
Drive Current Alert Point	TB > Configure/Setup > Detailed Setup > Alerts > Electronic > Drive Current: Drive Current Alert Point
Drive Current Alert Time	TB > Configure/Setup > Detailed Setup > Alerts > Electronic > Drive Current: Drive Current Alert Time
Drive Current Manual Recovery	TB > Configure/Setup > Detailed Setup > Alerts > Electronic > Drive Current: Drive Current Manual Recovery
Drive Current Shutdown	TB > Configure/Setup > Detailed Setup > Alerts > Electronic > Drive Current: Drive Current Shutdown
Drive Signal	TB > Configure/Setup > Detailed Setup > Alerts > Electronic > Drive Signal: Drive Signal TB > Device Variables > Overview > Drive Signal
Drive Signal Alert	TB > Configure/Setup > Detailed Setup > Alerts > Electronic > Drive Signal: Drive Signal Alert
Drive Signal Alert Enable	TB > Configure/Setup > Detailed Setup > Alerts > Electronic > Drive Signal: Drive Signal Alert Enable
Effective Area	TB > Configure/Setup > Detailed Setup > Valve and Actuator > Actuator > Effective Area
Feedback Connection	TB > Configure/Setup > Detailed Setup > Valve and Actuator > Actuator > Feedback Connection
Flow Direction	TB > Configure/Setup > Detailed Setup > Valve and Actuator > Trim > Flow Direction
Flow Tends To	TB > Configure/Setup > Detailed Setup > Valve and Actuator > Trim > Flow Tends To
I/O Processor Alert	TB > Configure/Setup > Detailed Setup > Alerts > Electronic > Processor Impaired: I/O Processor Alert
I/O Processor Alert Enable	TB > Configure/Setup > Detailed Setup > Alerts > Electronic > Processor Impaired: I/O Processor Alert Enable
I/O Processor Manual Recovery	TB > Configure/Setup > Detailed Setup > Alerts > Electronic > Processor Impaired: I/O Processor Man Recovery
I/O Processor Shutdown	TB > Configure/Setup > Detailed Setup > Alerts > Electronic > Processor Impaired: I/O Processor Shutdown
Inlet Pressure	TB > Configure/Setup > Detailed Setup > Valve and Actuator > Valve > Inlet Pressure
Input Characterization	TB > Configure/Setup > Detailed Setup > Response Control > Input Characterization > Input Characterization TB > Device Variables > Overview > Input Characterization
Integrator Limited Hi	TB > Device Diagnostics > Status > Self Test Status: Integrator Limited Hi
Integrator Limited Lo	TB > Device Diagnostics > Status > Self Test Status: Integrator Limited Lo
Integrator Suspended	TB > Device Diagnostics > Status > Self Test Status: Integrator Suspended
IOP Failure	TB > Device Diagnostics > Status > Self Test Status: IOP Failure
Last Valid Point	TB > Configure/Setup > Detailed Setup > Response Control > Input Characterization > Last Valid Point
Leak Class	TB > Configure/Setup > Detailed Setup > Valve and Actuator > Trim > Leak Class
Length Units	TB > Configure/Setup > Detailed Setup > Instrument > Units: Length Units
Lever Style	TB > Configure/Setup > Detailed Setup > Valve and Actuator > Actuator > Lever Style
Lost Static Data	TB > Device Diagnostics > Status > Transducer Block Error: Lost Static Data

–Continued–



DVC6000f Digital Valve Controllers

Table F-1. Transducer Block (TB) Parameter – Configuration Index

PARAMETER LABEL	PATH TO PARAMETER
Lower Bench Set	TB > Configure/Setup > Detailed Setup > Valve and Actuator > Actuator > Lower Bench Set
MAI Channel 1	TB > Configure/Setup > Detailed Setup > MAI Channel Map > MAI Channel 1
MAI Channel 2	TB > Configure/Setup > Detailed Setup > MAI Channel Map > MAI Channel 2
MAI Channel 3	TB > Configure/Setup > Detailed Setup > MAI Channel Map > MAI Channel 3
MAI Channel 4	TB > Configure/Setup > Detailed Setup > MAI Channel Map > MAI Channel 4
MAI Channel 5	TB > Configure/Setup > Detailed Setup > MAI Channel Map > MAI Channel 5
MAI Channel 6	TB > Configure/Setup > Detailed Setup > MAI Channel Map > MAI Channel 6
MAI Channel 7	TB > Configure/Setup > Detailed Setup > MAI Channel Map > MAI Channel 7
MAI Channel 8	TB > Configure/Setup > Detailed Setup > MAI Channel Map > MAI Channel 8
Maximum Supp Pressure	TB > Configure/Setup > Detailed Setup > Instrument > Application: Max Supp Pressure
MLFB Error	TB > Device Diagnostics > Status > Self Test Status: MLFB Error
Moment Arm Length	TB > Configure/Setup > Detailed Setup > Valve and Actuator > Actuator > Moment Arm
Nominal Supply Pressure	TB > Configure/Setup > Detailed Setup > Valve and Actuator > Actuator > Nominal Supply Pressure
Out of Service	TB > Device Diagnostics > Status > Transducer Block Error: Out of Service
Outlet Pressure	TB > Configure/Setup > Detailed Setup > Valve and Actuator > Valve > Outlet Pressure
Output Block Timeout	TB > Configure/Setup > Detailed Setup > Alerts > Configuration > Output Block Timeout: Output Blk Timeout
Output Block Timeout Alert	TB > Configure/Setup > Detailed Setup > Alerts > Configuration > Output Block Timeout: Output Block Timeout Alert
Output Block Timeout Alert Enable	TB > Configure/Setup > Detailed Setup > Alerts > Configuration > Output Block Timeout: Output Block Timeout Alert Enable
Output Block Timeout Manual Recovery	TB > Configure/Setup > Detailed Setup > Alerts > Configuration > Output Block Timeout: Output Block Timeout Manual Recovery
Output Block Timeout Shutdown	TB > Configure/Setup > Detailed Setup > Alerts > Configuration > Output Block Timeout: Output Block Timeout Shutdown
Packing Type	TB > Configure/Setup > Detailed Setup > Valve and Actuator > Valve > Packing Type
PD Inside Status	TB > Configure/Setup > Detailed Setup > Alerts > Performance > PD Inside Status
PD Inside Status	TB > Device Variables > Overview > PD Inside Status
PD Run	TB > Configure/Setup > Detailed Setup > Alerts > Performance > PD Run
Performance Critical Alert	TB > Configure/Setup > Detailed Setup > Alerts > Performance > Performance Critical: Performance Critical Alert
Performance Critical Alert Enable	TB > Configure/Setup > Detailed Setup > Alerts > Performance > Performance Critical: Performance Critical Alert Enable
Performance Information Alert	TB > Configure/Setup > Detailed Setup > Alerts > Performance > Performance Information: Performance Information Alert
Performance Information Alert Enable	TB > Configure/Setup > Detailed Setup > Alerts > Performance > Performance Information: Performance Information Alert Enable
Performance Reduced Alert	TB > Configure/Setup > Detailed Setup > Alerts > Performance > Performance Reduced: Performance Reduced Alert
Performance Reduced Alert Enable	TB > Configure/Setup > Detailed Setup > Alerts > Performance > Performance Reduced: Performance Reduced Alert Enable
Performance Tuner ⁽¹⁾	TB > Configure/Setup > Basic Setup > Performance Tuner
Port Diameter	TB > Configure/Setup > Detailed Setup > Valve and Actuator > Trim > Port Diameter
Port Type	TB > Configure/Setup > Detailed Setup > Valve and Actuator > Trim > Port Type
Pressure A Sensor Alert	TB > Configure/Setup > Detailed Setup > Alerts > Sensor > Pressure Sensors: Pressure A Sensor Alert
Pressure A Sensor Alert Enable	TB > Configure/Setup > Detailed Setup > Alerts > Sensor > Pressure Sensors: Pressure A Sensor Alert Enable
Pressure A Sensor Manual Recovery	TB > Configure/Setup > Detailed Setup > Alerts > Sensor > Pressure Sensors: Pressure A Sensor Manual Recovery
Pressure A Sensor Shutdown	TB > Configure/Setup > Detailed Setup > Alerts > Sensor > Pressure Sensors: Pressure A Sensor Shutdown
Pressure B Sensor Alert	TB > Configure/Setup > Detailed Setup > Alerts > Sensor > Pressure Sensors: Pressure B Sensor Alert
Pressure B Sensor Alert Enable	TB > Configure/Setup > Detailed Setup > Alerts > Sensor > Pressure Sensors: Pressure B Sensor Alert Enable
Pressure Cutoff Close	TB > Configure/Setup > Detailed Setup > Response Control > Travel / Pressure Control > Pressure Control: Pressure Cutoff Close
Pressure Cutoff Open	TB > Configure/Setup > Detailed Setup > Response Control > Travel / Pressure Control > Pressure Control: Pressure Cutoff Open
Pressure Integral Deadzone	TB > Configure/Setup > Detailed Setup > Response Control > Pressure Tuning: Pressure Integral Deadzone
Pressure Integral Gain	TB > Configure/Setup > Detailed Setup > Response Control > Pressure Tuning: Pressure Integral Gain
Pressure Integral Limit Hi	TB > Configure/Setup > Detailed Setup > Response Control > Pressure Tuning: Pressure Integral Limit Hi
Pressure Integral Limit Lo	TB > Configure/Setup > Detailed Setup > Response Control > Pressure Tuning: Pressure Integral Limit Lo
Pressure MLFB Gain	TB > Configure/Setup > Detailed Setup > Response Control > Pressure Tuning: Pressure MLFB Gain
Pressure Proportional Gain	TB > Configure/Setup > Detailed Setup > Response Control > Pressure Tuning: Pressure Prop Gain
Pressure Range Hi	TB > Configure/Setup > Detailed Setup > Response Control > Travel / Pressure Control > Pressure Control: Pressure Range Hi
Pressure Range Lo	TB > Configure/Setup > Detailed Setup > Response Control > Travel / Pressure Control > Pressure Control: Pressure Range Lo

–Continued–

Operating with a DeltaV System

Table F-1. Transducer Block (TB) Parameter – Configuration Index

PARAMETER LABEL	PATH TO PARAMETER
Pressure Tuning Set	TB > Configure/Setup > Detailed Setup > Response Control > Pressure Tuning: Pressure Tuning Set
Pressure A	TB > Device Variables > Overview > Pressures: Pressure A
Pressure A Sensor Failure	TB > Device Diagnostics > Status > Self Test Status: Pressure A Sensor Failure
Pressure B	TB > Device Variables > Overview > Pressures: Pressure B
Pressure B Sensor Failure	TB > Device Diagnostics > Status > Self Test Status: Pressure B Sensor Failure
Pressure Differential	TB > Device Variables > Overview > Pressures: Pressure Diff
Pressure Fallback Alert	TB > Configure/Setup > Detailed Setup > Alerts > Sensor > Pressure Fallback: Pressure Fallback Alert
Pressure Fallback Alert Enable	TB > Configure/Setup > Detailed Setup > Alerts > Sensor > Pressure Fallback: Pressure Fallback Alert Enable
Pressure Units	TB > Configure/Setup > Detailed Setup > Instrument > Units: Pressure Units
Processor Alert	TB > Configure/Setup > Detailed Setup > Alerts > Electronic > Processor Impaired: Processor Alert
Processor Alert Enable	TB > Configure/Setup > Detailed Setup > Alerts > Electronic > Processor Impaired: Processor Alert Enable
Program Memory Alert Enable	TB > Configure/Setup > Detailed Setup > Alerts > Electronic > Processor Impaired: Program Memory Alert Enable
Program Memory Manual Recovery	TB > Configure/Setup > Detailed Setup > Alerts > Electronic > Processor Impaired: Program Memory Manual Recovery
Program Memory Shutdown	TB > Configure/Setup > Detailed Setup > Alerts > Electronic > Processor Impaired: Program Memory Shutdown
Program Memory Alert	TB > Configure/Setup > Detailed Setup > Alerts > Electronic > Processor Impaired: Program Memory Alert
Protection	TB > Device Variables > Overview > Protection
Proximity Hi Alert	TB > Configure/Setup > Detailed Setup > Alerts > Proximity > Proximity: Proximity Hi Alert
Proximity Hi Alert Enable	TB > Configure/Setup > Detailed Setup > Alerts > Proximity > Proximity: Proximity Hi Alert Enable
Proximity Hi Hi Alert	TB > Configure/Setup > Detailed Setup > Alerts > Proximity > Proximity: Proximity Hi Hi Alert
Proximity Hi Hi Alert Enable	TB > Configure/Setup > Detailed Setup > Alerts > Proximity > Proximity: Proximity Hi Hi Alert Enable
Proximity Lo Alert	TB > Configure/Setup > Detailed Setup > Alerts > Proximity > Proximity: Proximity Lo Alert
Proximity Lo Alert Enable	TB > Configure/Setup > Detailed Setup > Alerts > Proximity > Proximity: Proximity Lo Alert Enable
Proximity Lo Lo Alert	TB > Configure/Setup > Detailed Setup > Alerts > Proximity > Proximity: Proximity Lo Lo Alert
Proximity Lo Lo Alert Enable	TB > Configure/Setup > Detailed Setup > Alerts > Proximity > Proximity: Proximity Lo Lo Alert Enable
Push Down To	TB > Configure/Setup > Detailed Setup > Valve and Actuator > Trim > Push Down To
Simulate PlantWeb Alerts	TB > Configure/Setup > Detailed Setup > Alert Handling > Simulate PlantWeb Alerts
Rated Travel	TB > Configure/Setup > Detailed Setup > Valve and Actuator > Valve > Rated Travel
Relay Type	TB > Configure/Setup > Detailed Setup > Instrument > Application: Relay Type
Seat Type	TB > Configure/Setup > Detailed Setup > Valve and Actuator > Trim > Seat Type
Setpoint	TB > Device Variables > Overview > AO Control-Pre-Characterization: Setpoint
Setpoint Status	TB > Device Variables > Overview > AO Control-Pre-Characterization: Setpoint Status
Setpoint(D)	TB > Device Variables > Overview > DO Control: Setpoint(D)
Shaft Stem Diameter	TB > Configure/Setup > Detailed Setup > Valve and Actuator > Valve > Shaft Stem Dia
Simulate Active	TB > Device Diagnostics > Status > Transducer Block Error: Simulate Active
Simulate Jumper ON	TB > Device Diagnostics > Status > Self Test Status: Simulate Jumper ON
Spring Rate	TB > Configure/Setup > Detailed Setup > Valve and Actuator > Actuator > Spring Rate
Spring Rate Units	TB > Configure/Setup > Detailed Setup > Instrument > Units: Spring Rate Units
Static Memory Alert	TB > Configure/Setup > Detailed Setup > Alerts > Electronic > Processor Impaired: Static Memory Alert
Static Memory Alert Enable	TB > Configure/Setup > Detailed Setup > Alerts > Electronic > Processor Impaired: Static Memory Alert Enable
Static Memory Manual Recovery	TB > Configure/Setup > Detailed Setup > Alerts > Electronic > Processor Impaired: Static Memory Manual Recovery
Static Memory Shutdown	TB > Configure/Setup > Detailed Setup > Alerts > Electronic > Processor Impaired: Static Memory Shutdown
Stroke Time Close	TB > Configure/Setup > Detailed Setup > Valve and Actuator > Reference > Stroke Time Close
Stroke Time Open	TB > Configure/Setup > Detailed Setup > Valve and Actuator > Reference > Stroke Time Open
Supply Pressure Maximum	TB > Device Diagnostics > Device Record > Supp Pressure Max
Supply Pressure Maximum Time	TB > Device Diagnostics > Device Record > Supp Pressure Maximum Time
Supp Pressure Minimum	TB > Device Diagnostics > Device Record > Supp Pressure Minimum
Supp Pressure Minimum Time	TB > Device Diagnostics > Device Record > Supp Pressure Minimum Time
Supply Pressure	TB > Configure/Setup > Detailed Setup > Alerts > Environment > Supply Pressure: Supply Pressure
Supply Pressure	TB > Device Variables > Overview > Pressures: Supply Pressure
Supply Pressure Hi Alert	TB > Configure/Setup > Detailed Setup > Alerts > Environment > Supply Pressure: Supply Pressure Hi Alert
Supply Pressure Hi Alert Enable	TB > Configure/Setup > Detailed Setup > Alerts > Environment > Supply Pressure: Pressure Hi Alert Enable
Supply Pressure Hi Alert Point	TB > Configure/Setup > Detailed Setup > Alerts > Environment > Supply Pressure: Supply Pressure Hi Alert Point
Supply Pressure Lo Alert	TB > Configure/Setup > Detailed Setup > Alerts > Environment > Supply Pressure: Supply Pressure Lo Alert
Supply Pressure Lo Alert Enable	TB > Configure/Setup > Detailed Setup > Alerts > Environment > Supply Pressure: Supply Pressure Lo Alert Enable
Supply Pressure Lo Alert Point	TB > Configure/Setup > Detailed Setup > Alerts > Environment > Supply Pressure: Supply Pressure Lo Alert Point

-Continued-



DVC6000f Digital Valve Controllers

Table F-1. Transducer Block (TB) Parameter – Configuration Index

PARAMETER LABEL	PATH TO PARAMETER
Supply Pressure Sensor Alert	TB > Configure/Setup > Detailed Setup > Alerts > Sensor > Pressure Sensors: Supply Pressure Sensor Alert
Supply Pressure Sensor Alert Enable	TB > Configure/Setup > Detailed Setup > Alerts > Sensor > Pressure Sensors: Supply Pressure Sensor Alert Enable
Supply Sensor Failure	TB > Device Diagnostics > Status > Self Test Status: Supply Sensor Failure
Tag Description	TB > Configure/Setup > Detailed Setup > Instrument > Tag Description
Temperature Hi Alert Point	TB > Configure/Setup > Detailed Setup > Alerts > Environment > Temperature Limit: Temperature Hi Alert Point
Temperature Lo Alert Point	TB > Configure/Setup > Detailed Setup > Alerts > Environment > Temperature Limit: Temperature Lo Alert Point
Temperature Maximum	TB > Device Diagnostics > Device Record > Temperature Maximum
Temperature Maximum Time	TB > Device Diagnostics > Device Record > Temperature Maximum Time
Temperature Minimum	TB > Device Diagnostics > Device Record > Temperature Minimum
Temperature Minimum Time	TB > Device Diagnostics > Device Record > Temperature Minimum Time
Temperature	TB > Configure/Setup > Detailed Setup > Alerts > Environment > Temperature Limit: Temperature
	TB > Device Variables > Overview > Temperature
Temperature Hi Alert	TB > Configure/Setup > Detailed Setup > Alerts > Environment > Temperature Limit: Temperature Hi Alert
Temperature Hi Alert Enable	TB > Configure/Setup > Detailed Setup > Alerts > Environment > Temperature Limit: Temperature Hi Alert Enable
Temperature Lo Alert	TB > Configure/Setup > Detailed Setup > Alerts > Environment > Temperature Limit: Temperature Lo Alert
Temperature Lo Alert Enable	TB > Configure/Setup > Detailed Setup > Alerts > Environment > Temperature Limit: Temperature Lo Alert Enable
Temperature Lo Alert Point	TB > Configure/Setup > Detailed Setup > Alerts > Environment > Temperature Limit: Temperature Lo Alert Point
Temperature Sensor Alert	TB > Configure/Setup > Detailed Setup > Alerts > Sensor > Temperature Sensor: Temperature Sensor Alert
Temperature Sensor Alert Enable	TB > Configure/Setup > Detailed Setup > Alerts > Sensor > Temperature Sensor: Temperature Sensor Alert Enable
Temperature Units	TB > Configure/Setup > Detailed Setup > Instrument > Units: Temperature Units
Travel	TB > Configure/Setup > Detailed Setup > Alerts > Proximity > Travel
	TB > Configure/Setup > Detailed Setup > Alerts > Travel > Travel
	TB > Device Variables > Overview > AO Control - Post-Characterization: Travel
Travel(D)	TB > Device Variables > Overview > DO Control: Travel(D)
Travel(DeChar)	TB > Device Variables > Overview > AO Control - Pre-Characterization: Travel(DeChar)
Travel Status	TB > Device Variables > Overview > AO Control - Post-Characterization: Travel Status
Trend	TB > Device Diagnostics > Trend
Trim Style 1	TB > Configure/Setup > Detailed Setup > Valve and Actuator > Reference > Trim Style 1
Trim Style 2	TB > Configure/Setup > Detailed Setup > Valve and Actuator > Reference > Trim Style 2
Travel Accumulator	TB > Configure/Setup > Detailed Setup > Alerts > Travel History > Travel Accumulator: Travel Accumulator
	TB > Device Variables > Overview > Travel Accumulator
Travel Accumulator Alert	TB > Configure/Setup > Detailed Setup > Alerts > Travel History > Travel Accumulator: Travel Accumulator Alert
Travel Accumulator Alert Enable	TB > Configure/Setup > Detailed Setup > Alerts > Travel History > Travel Accumulator: Travel Accumulator Alert Enable
Travel Accumulator Alert Point	TB > Configure/Setup > Detailed Setup > Alerts > Travel History > Travel Accumulator: Travel Accumulator Alert Point
Travel Accumulator Deadband	TB > Configure/Setup > Detailed Setup > Alerts > Travel History > Travel Accumulator: Travel Accumulator Deadband
Travel Closed Alert	TB > Configure/Setup > Detailed Setup > Alerts > Proximity > Travel Closed: Travel Closed Alert
Travel Closed Alert Enable	TB > Configure/Setup > Detailed Setup > Alerts > Proximity > Travel Closed: Travel Closed Alert Enable
Travel Closed Alert Point	TB > Configure/Setup > Detailed Setup > Alerts > Proximity > Travel Closed: Travel Closed Alert Point
Travel Closed Deadband	TB > Configure/Setup > Detailed Setup > Alerts > Proximity > Travel Closed: Travel Closed Deadband
Travel Count	TB > Device Variables > Overview > Travel Count
Travel Cutoff Hi	TB > Configure/Setup > Detailed Setup > Response Control > Travel / Pressure Control > Travel Control: Travel Cutoff Hi
Travel Cutoff Lo	TB > Configure/Setup > Detailed Setup > Response Control > Travel / Pressure Control > Travel Control: Travel Cutoff Lo
Travel Deviation Alert Point	TB > Configure/Setup > Detailed Setup > Alerts > Travel > Travel Deviation: Travel Deviation Alert Point
Travel Deviation Deadband	TB > Configure/Setup > Detailed Setup > Alerts > Travel: Travel Deviation Deadband
Travel Deviation Time	TB > Configure/Setup > Detailed Setup > Alerts > Travel: Travel Deviation Time
Travel Deviation Alert	TB > Configure/Setup > Detailed Setup > Alerts > Travel > Travel Deviation: Travel Deviation Alert
Travel Deviation Alert Enable	TB > Configure/Setup > Detailed Setup > Alerts > Travel > Travel Deviation: Travel Deviation Alert Enable
Travel Integral Deadzone	TB > Configure/Setup > Detailed Setup > Response Control > Travel Tuning: Travel Integral Deadzone
Travel Integral Enable	TB > Configure/Setup > Detailed Setup > Response Control > Travel Tuning: Travel Integral Enable
Travel Integral Limit Hi	TB > Configure/Setup > Detailed Setup > Response Control > Travel Tuning: Travel Integral Limit Hi
Travel Integral Limit Lo	TB > Configure/Setup > Detailed Setup > Response Control > Travel Tuning: Travel Integral Limit Lo
Travel Integral Gain	TB > Configure/Setup > Detailed Setup > Response Control > Travel Tuning: Travel Integral Gain
Travel Limit Hi Alert	TB > Configure/Setup > Detailed Setup > Alerts > Travel > Travel Limit Hi/Lo: Travel Limit Hi Alert
Travel Limit Hi Alert Enable	TB > Configure/Setup > Detailed Setup > Alerts > Travel > Travel Limit Hi/Lo: Travel Limit Hi Alert Enable
Travel Hi Alert Point	TB > Configure/Setup > Detailed Setup > Alerts > Travel > Travel Limit Hi/Lo: Travel Hi Alert Point

–Continued–

Operating with a DeltaV System

Table F-1. Transducer Block (TB) Parameter – Configuration Index

PARAMETER LABEL	PATH TO PARAMETER
Travel Hi Deadband	TB > Configure/Setup > Detailed Setup > Alerts > Travel > Travel Limit Hi/Lo: Travel Hi Deadband
Travel Limit Hi Hi Alert	TB > Configure/Setup > Detailed Setup > Alerts > Travel > Travel Limit: Travel Limit Hi Hi Alert
Travel Limit Hi Hi Alert Enable	TB > Configure/Setup > Detailed Setup > Alerts > Travel > Travel Limit: Travel Limit Hi Hi Alert Enable
Travel Limit Hi Hi Alert Point	TB > Configure/Setup > Detailed Setup > Alerts > Travel > Travel Limit: Travel Hi Hi Alert Point
Travel Limit Hi Hi Deadband	TB > Configure/Setup > Detailed Setup > Alerts > Travel > Travel Limit: Travel Hi Hi Deadband
Travel Limit Lo Alert	TB > Configure/Setup > Detailed Setup > Alerts > Travel > Travel Limit Hi/Lo: Travel Limit Lo Alert
Travel Limit Lo Alert Enable	TB > Configure/Setup > Detailed Setup > Alerts > Travel > Travel Limit Hi/Lo: Travel Limit Lo Alert Enable
Travel Limit Lo Alert Point	TB > Configure/Setup > Detailed Setup > Alerts > Travel > Travel Limit Hi/Lo: Travel Lo Alert Point
Travel Limit Lo Deadband	TB > Configure/Setup > Detailed Setup > Alerts > Travel > Travel Limit Hi/Lo: Travel Lo Deadband
Travel Limit Lo Lo Alert	TB > Configure/Setup > Detailed Setup > Alerts > Travel > Travel Limit: Travel Limit Lo Lo Alert
Travel Limit Lo Lo Alert Enable	TB > Configure/Setup > Detailed Setup > Alerts > Travel > Travel Limit: Travel Limit Lo Lo Alert Enable
Travel Limit Lo Lo Alert Point	TB > Configure/Setup > Detailed Setup > Alerts > Travel > Travel Limit: Travel Lo Lo Alert Point
Travel Limit Lo Lo Deadband	TB > Configure/Setup > Detailed Setup > Alerts > Travel > Travel Limit: Travel Lo Lo Deadband
Travel MLFB Gain	TB > Configure/Setup > Detailed Setup > Response Control > Travel Tuning: Travel MLFB Gain
Travel Open Alert	TB > Configure/Setup > Detailed Setup > Alerts > Proximity > Travel Open: Travel Open Alert
Travel Open Alert Enable	TB > Configure/Setup > Detailed Setup > Alerts > Proximity > Travel Open: Travel Open Alert Enable
Travel Open Alert Point	TB > Configure/Setup > Detailed Setup > Alerts > Proximity > Travel Open: Travel Open Alert Point
Travel Open Deadband	TB > Configure/Setup > Detailed Setup > Alerts > Proximity > Travel Open: Travel Open Deadband
Travel Proportional Gain	TB > Configure/Setup > Detailed Setup > Response Control > Travel Tuning: Travel Proportional Gain
Travel Sensor Motion	TB > Configure/Setup > Detailed Setup > Valve and Actuator > Actuator > Travel Sensor Motion
Travel Sensor Alert	TB > Configure/Setup > Detailed Setup > Alerts > Sensor > Travel Sensor: Travel Sensor Alert
Travel Sensor Alert Enable	TB > Configure/Setup > Detailed Setup > Alerts > Sensor > Travel Sensor: Travel Sensor Alert Enable
Travel Sensor Hi Error	TB > Device Diagnostics > Status > Self Test Status: Travel Sensor Hi Error
Travel Sensor Lo Error	TB > Device Diagnostics > Status > Self Test Status: Travel Sensor Lo Error
Travel Sensor Manual Recovery	TB > Configure/Setup > Detailed Setup > Alerts > Sensor > Travel Sensor: Travel Sensor Manual Recovery
Travel Sensor Shutdown	TB > Configure/Setup > Detailed Setup > Alerts > Sensor > Travel Sensor: Travel Sensor Shutdown
Travel Sensor Span Error	TB > Device Diagnostics > Status > Self Test Status: Travel Sensor Span Error
Travel Target	TB > Configure/Setup > Detailed Setup > Alerts > Travel > Travel Target
Travel Target	TB > Device Variables > Overview > AO Control - Post-Characterization: Travel Target
Travel Tuning Set	TB > Configure/Setup > Detailed Setup > Response Control > Travel Tuning: Travel Tuning Set
Travel Units	TB > Configure/Setup > Detailed Setup > Instrument > Units > Travel Units
Travel Velocity Gain	TB > Configure/Setup > Detailed Setup > Response Control > Travel Tuning: Travel Velocity Gain
Travel/Pressure Select	TB > Configure/Setup > Detailed Setup > Response Control > Travel / Pressure Control > Travel/Pressure Select
Travel/Pressure State	TB > Configure/Setup > Detailed Setup > Response Control > Travel / Pressure Control > Travel/Pressure State TB > Device Variables > Overview > Travel/Pressure State
Unbalanced Area	TB > Configure/Setup > Detailed Setup > Valve and Actuator > Trim > Unbalanced Area
Upper Bench Set	TB > Configure/Setup > Detailed Setup > Valve and Actuator > Actuator > Upper Bench Set
Valve Class	TB > Configure/Setup > Detailed Setup > Valve and Actuator > Valve > Valve Class
Valve Manufacturer ID	TB > Configure/Setup > Detailed Setup > Valve and Actuator > Valve > Valve Manufacturer ID
Valve Model Number	TB > Configure/Setup > Detailed Setup > Valve and Actuator > Valve > Valve Model Number
Valve Serial Number	TB > Configure/Setup > Detailed Setup > Valve and Actuator > Valve > Valve Serial Number
Valve Size	TB > Configure/Setup > Detailed Setup > Valve and Actuator > Valve > Valve Size TB > Configure/Setup > Detailed Setup > Valve and Actuator > Valve > Valve Style
Zero Power Condition	TB > Configure/Setup > Detailed Setup > Instrument > Application: Zero Power Condition

F

DVC6000f Digital Valve Controllers

Table F-2. Resource Block (RB) Parameter – Configuration Index

PARAMETER LABEL	PATH TO PARAMETER
Alert Key	RB > Configure/Setup > Setup > Alarm Handling > Alert Key
Block Alarm: Alarm State	RB > Device Diagnostics > Status > Block Alarm: Alarm State
Block Alarm Disabled	RB > Configure/Setup > Setup > Alarm Handling > Block Alarm: Block Alarm Disabled
Block Alarm Auto Acknowledge	RB > Configure/Setup > Setup > Alarm Handling > Block Alarm: Block Alarm Auto Acknowledge
Discrete Alarm Auto Acknowledge	RB > Configure/Setup > Setup > Alarm Handling > Write Alarm: Discrete Alarm Auto Acknowledge
Confirm Time	RB > Configure/Setup > Setup > Alarm Handling > All Alarms: Confirm Time
Device ID	RB > Configure/Setup > Setup > Identification > Identification: Device ID
	RB > Device Variables > Instrument > Identification: Device ID
Device Revision	RB > Configure/Setup > Setup > Version > Version Information: Device Revision
	RB > Device Variables > Instrument > Version Information: Device Revision
Device State	RB > Device Diagnostics > Status > Device State
Device Type	RB > Configure/Setup > Setup > Identification > Identification: Device Type
	RB > Device Variables > Identification: Device Type
DD Revision	RB > Configure/Setup > Setup > Version > Version Information: DD Revision
	RB > Device Variables > Identification: DD Revision
Diagnostic Options	RB > Configure/Setup > Setup > Options > Diagnostic Options
	RB > Device Variables > Options > Diagnostics Options
Electronics S/N	RB > Configure/Setup > Setup > Identification > Identification: Electronics S/N
	RB > Device Variables > Identification: Electronics S/N
Factory S/N	RB > Configure/Setup > Setup > Identification > Identification: Factory S/N
	RB > Device Variables > Identification: Factory S/N
Fault State	RB > Device Diagnostics > Status > Fault State
Function Block Options	RB > Configure/Setup > Setup > Options > Function Block Options
	RB > Device Variables > Options > Function Block Options
Features Available	RB > Configure/Setup > Setup > Options > Features Available
	RB > Device Variables > Options > Features Available
Features Selected	RB > Configure/Setup > Setup > Options > Features Selected
Field S/N	RB > Configure/Setup > Setup > Identification > Identification: Field S/N
Field S/N	RB > Device Variables > Identification: Field S/N
Hardware Revision	RB > Configure/Setup > Setup > Version > Version Information: Hardware Revision
ITK Version	RB > Configure/Setup > Setup > Version > Version Information: ITK Version
Manufacturer	RB > Configure/Setup > Setup > Identification > Identification: Manufacturer
Manufacturer	RB > Device Variables > Identification: Manufacturer
Maximum Alerts Allow	RB > Configure/Setup > Setup > Alarm Handling > All Alarms: Maximum Alerts Allow
Maximum Alert Possible	RB > Configure/Setup > Setup > Alarm Handling > All Alarms: Maximum Alerts Possible
Miscellaneous Options	RB > Configure/Setup > Setup > Options > Miscellaneous Options
	RB > Device Variables > Options > Miscellaneous Options
Resource Block Error	RB > Device Diagnostics > Status > Resource Block Error
RCas Timeout	RB > Configure/Setup > Setup > Comm Timeout > RCas Timeout
ROut Timeout	RB > Configure/Setup > Setup > Comm Timeout > ROut Timeout
Firmware Revision	RB > Configure/Setup > Setup > Version > Version Information: Firmware Revision
Status	RB > Device Diagnostics > Status
Standby Firmware Revision	RB > Configure/Setup > Setup > Version > Version Information: Standby Firmware Revision
Strategy	RB > Configure/Setup > Setup > Identification > Identification: Strategy
	RB > Device Variables > Identification: Strategy
Tag Description	RB > Configure/Setup > Setup > Identification > Identification: Tag Description
	RB > Device Variables > Identification: Tag Description
Write Alarm: Alarm State	RB > Device Diagnostics > Status > Write Alarm: Alarm State
Write Alarm Disabled	RB > Configure/Setup > Setup > Alarm Handling > Write Alarm: Write Alarm Disabled
Write Lock	RB > Configure/Setup > Setup > Write Lock > Write Lock
	RB > Device Diagnostics > Status > Write Lock
Write Priority	RB > Configure/Setup > Setup > Write Lock > Write Priority

Introduction

Note

This appendix does not necessarily provide the latest information on the DeltaV system. For the latest information on using the DeltaV system, refer to the on-line help or documentation supplied with the system.

This appendix provides specific instructions for performing basic setup operations on the DeltaV host system. It is not a comprehensive resource, rather a starting point. For more information, refer to the following sources:

Section 3: Basic Setup and Tuning for detailed information regarding initial setup, and stabilizing and optimizing valve response.

Section 4: Detailed Setup for detailed information on configuring all of the blocks in the instrument, and an overview of the function blocks.

Section 5: Calibration for complete calibration information.

Appendix A: Principle of Operation for information on how digital valve controller operation.

Appendix D: FOUNDATION fieldbus Communication for an overview of function block and block modes, as well as additional information pertaining to fieldbus communication.

Appendix E: DD Installation for information on installing the device description (DD) software on your host system.

DeltaV On-Line Help or Documentation for complete and current information about navigating in the DeltaV system.

Software Functionality/System Requirements

DVC6000f digital valve controllers are designed to permit remote setup, calibration, and testing using Process Systems DeltaV system as the host system.

To use the methods, accessed as described in this appendix, requires that the device description (DD) for the DVC6000f digital valve controller be installed on the host system. For information on installing the device description, refer to DD Installation (Appendix E) and the host system documentation.

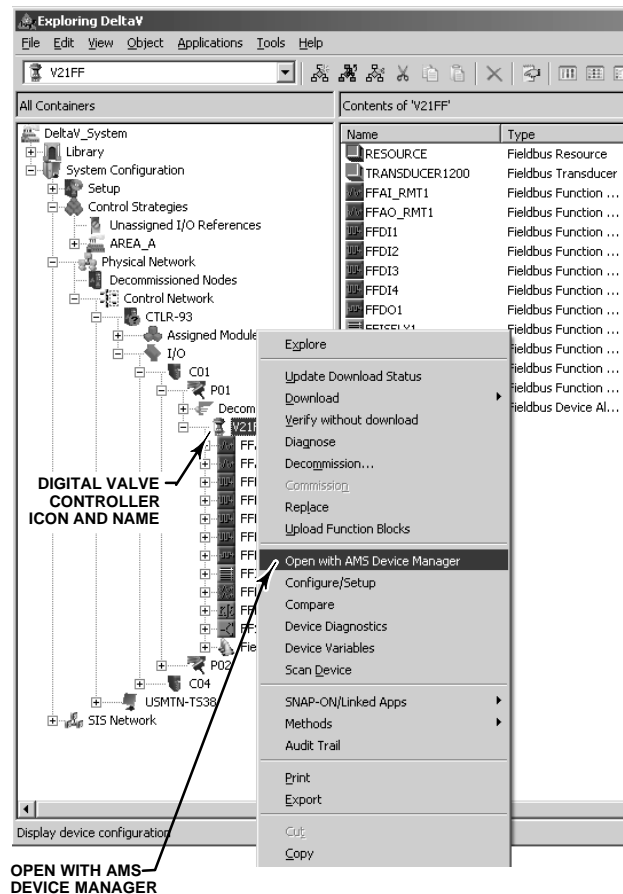


Figure F-1. Navigating to AMS Device Manager

Using AMS Device Manager

Refer to figures F-1 and F-2 to access the digital valve controller using AMS Suite: Intelligent Device Manager.

1. Start DeltaV Explorer by selecting DeltaV Explorer from the Start menu.
2. Locate the the digital valve controller icon in the All Containers pane (the left panel) and right-click once on the digital valve controller icon or name.
3. Locate Open with AMS Device Manager in the context menu and left-click to bring up the Device Connection View.
4. Navigate to the digital valve controller icon or name as shown in figure F-2 and left-click.

DVC6000f Digital Valve Controllers

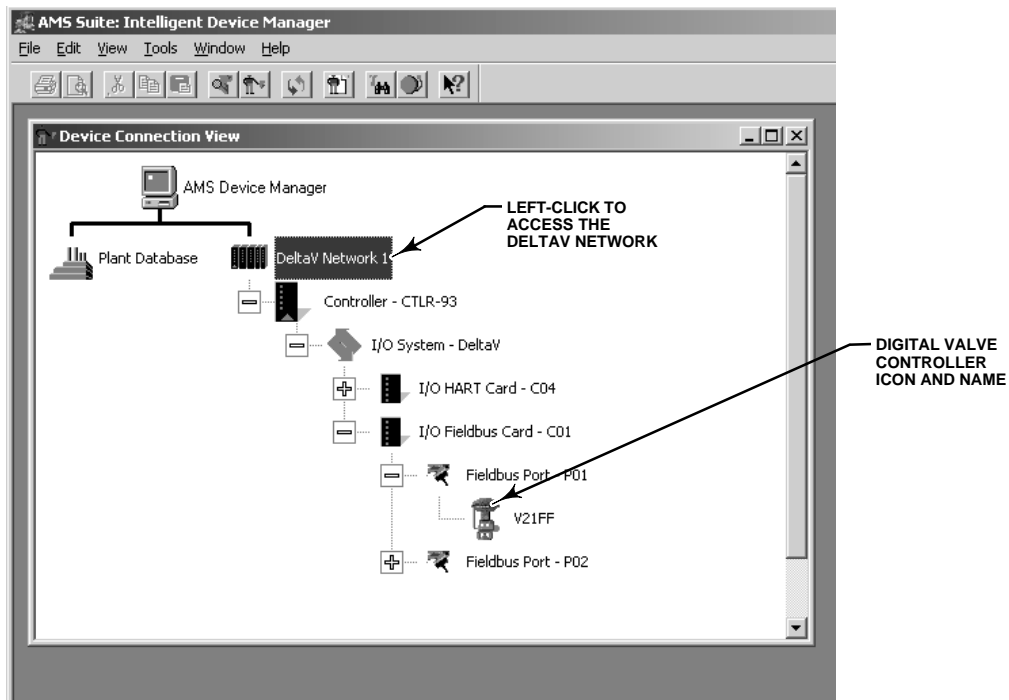


Figure F-2. Accessing the Digital Valve Controller Through AMS Device Manager

Methods

Transducer Block

The following methods are accessed via the transducer block: Device Setup, Auto Travel Calibration, Manual Travel Calibration, Supply Sensor Calibration, Output A Sensor Calibration, Output B Sensor Calibration, Travel Sensor Adjust, Stroke Valve, Performance Tuner, Stabilize/Optimize, and Relay Adjust.

Refer to figures F-1, F-2, and F-3 and the following steps to access these methods.

1. Start DeltaV Explorer by selecting DeltaV Explorer from the Start menu.
2. Locate the the digital valve controller icon in the All Containers pane (the left panel) and right-click once on the digital valve controller icon or name.
3. Locate Open with AMS Device Manager in the context menu and left-click to bring up the Device Connection View.
4. Navigate to the digital valve controller icon or name as shown in figure F-2 and left-click.

5. Locate Methods in the Actions menu, as shown in figure F-3 and right-click once.

6. Select the desired method from the the Actions menu and left-click to start the method.

Resource Block

The Restart Options method and the DD Information method are available via the resource block. Refer to figure F-3 and the following steps to access these methods.

1. Start DeltaV Explorer by selecting DeltaV Explorer from the Start menu.
2. Locate the digital valve controller icon in the All Containers pane (the left panel) and right-click once on the digital valve controller icon or name.
3. Locate Open with AMS Device Manager in the context menu and left-click to bring up the Device Connection View.
4. Navigate to the digital valve controller icon or name as shown in figure F-2 and left-click.
5. Locate Methods in the Actions menu, as shown in figure F-3 and right-click once.
6. Select the desired method from the the Actions menu and left-click to start the method.

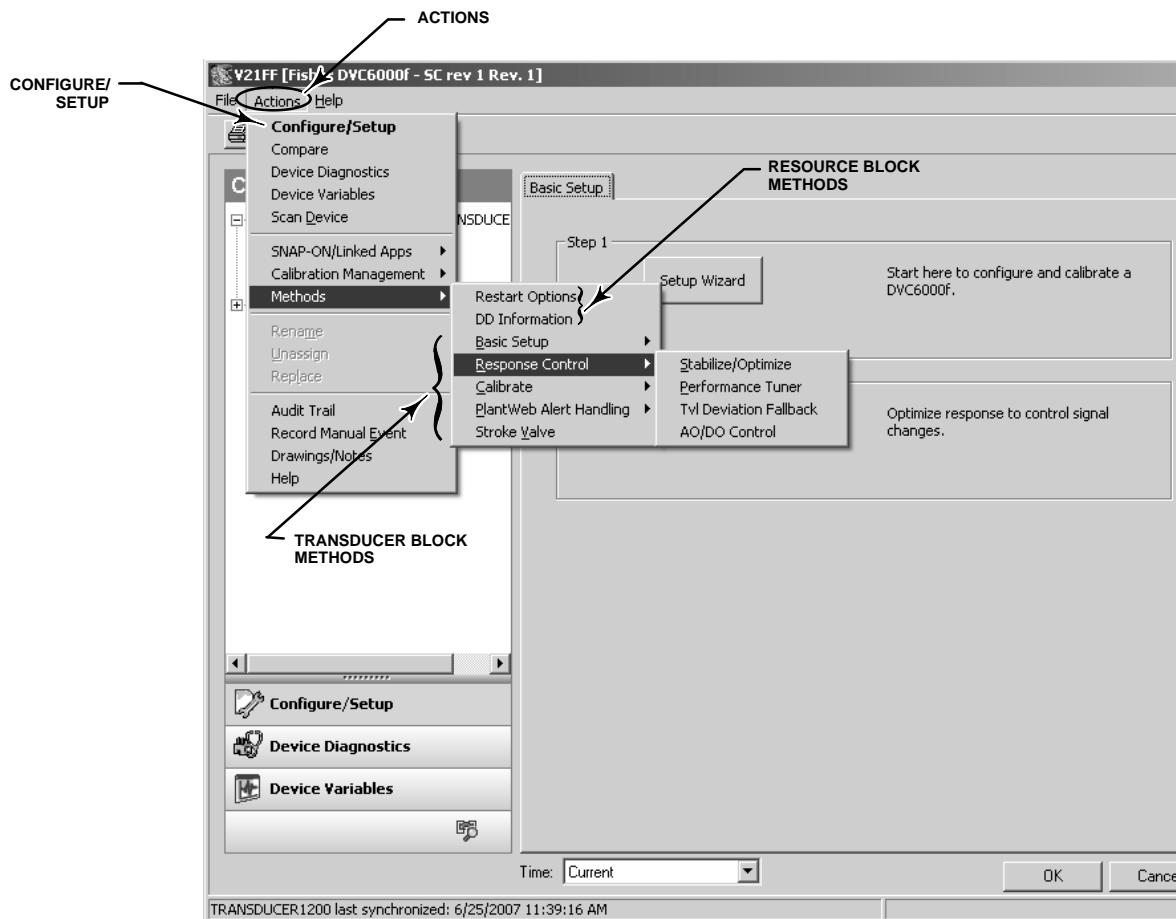


Figure F-3. Actions Menu

Accessing Parameters

Transducer Block

For detailed information on the parameters that are changed via the transducer block, refer to the Detailed Setup section of this manual. Refer to figures F-2, F-3, and F-4 for information on accessing transducer block parameters.

1. Start DeltaV Explorer by selecting DeltaV Explorer from the Start menu.
2. Locate the digital valve controller icon in the All Containers pane and right-click once on the digital valve controller icon or name.

3. Locate Open with AMS Device Manager in the context menu and left-click to bring up the Device Connection View.

4. Navigate to the digital valve controller icon or name as shown in figure F-2 and left-click.

5. Locate Configure/Setup in the Actions menu (see figure F-3) and left-click to access Configuration and Setup parameters.

6. Left-click on Digital Valve Controller (TRANSDUCER) to access the transducer block parameters. Refer to table F-1 for the transducer block configuration menu.

DVC6000f Digital Valve Controllers

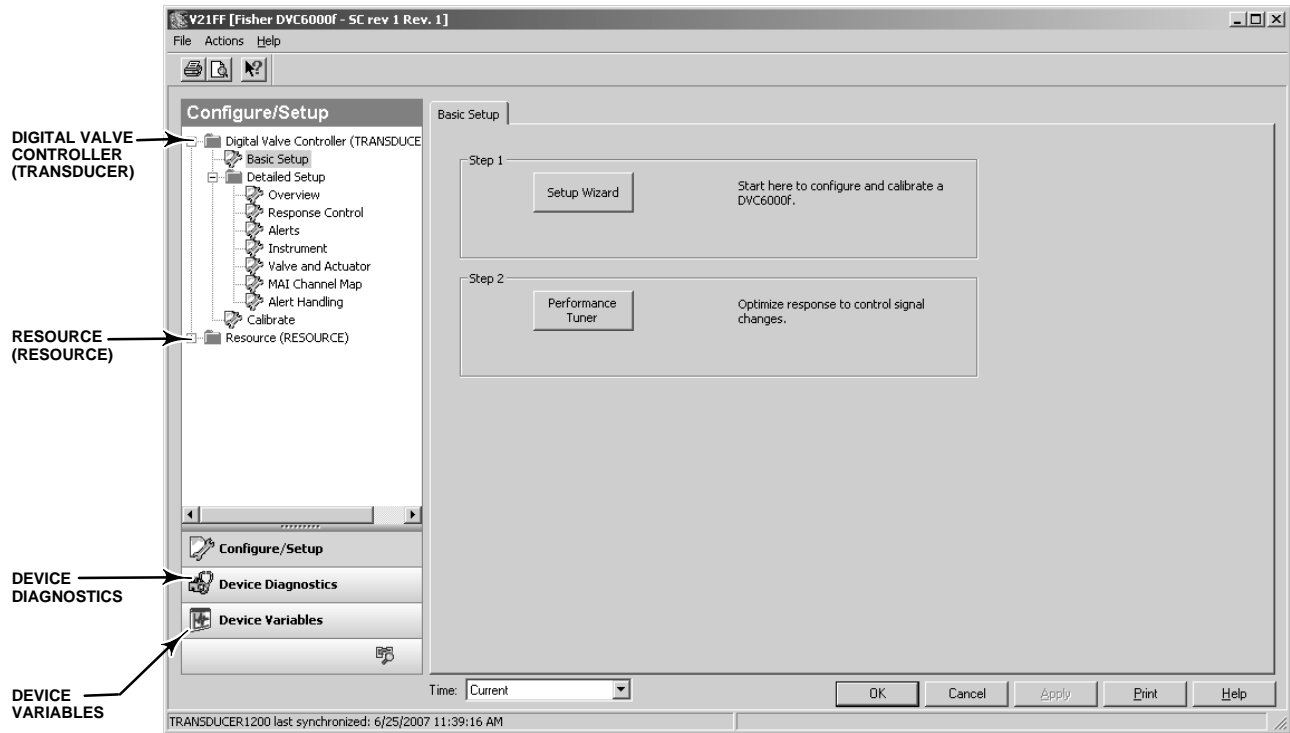


Figure F-4. Accessing Configure/Setup, Device Diagnostics, and Device Variables



Note

To access diagnostic parameters left-click on Device Diagnostics, and then on Digital Valve Controller (TRANSDUCER). See figure F-4.

To access device variables left-click on Device Variables, and then on Digital Valve Controller (TRANSDUCER). See figure F-4.



Note

To access diagnostic parameters left-click on Device Diagnostics, and then on Resource (RESOURCE). See figure F-4.

To access device variables left-click on Device Variables, and then on Resource (RESOURCE). See figure F-4.

F

Resource Block

For detailed information on the parameters that are changed via the resource block, refer to the Detailed Setup section of this manual. Refer to figures F-2, F-3, and F-4 for information on accessing resource block parameters.

1. Start DeltaV Explorer by selecting DeltaV Explorer from the Start menu.
2. Locate the digital valve controller icon in the All Containers pane and right-click once on the block icon or name.
3. Locate Open with AMS Device Manager in the context menu and left-click to bring up the Device Connection View.

F-12 Navigate to the digital valve controller icon or name as shown in figure F-2 and left-click.

5. Locate Configure/Setup in the Actions menu (see figure F-3) and left-click to access Configuration and

Bringing the Device On-Line

To completely configure the digital valve controller for use in a fieldbus loop, the following conditions must be met. Refer to DeltaV On-Line-Help or documentation for detailed information on accomplishing these steps.

1. A place holder must be created – a place holder is an electronic representation of the digital valve controller that exists in the DeltaV database with no associated physical device.

September 2013

3. Any additional configuration that is required, such as setting alarms, cutoffs, and other resource block and transducer block parameters. See the Detailed Setup section of this manual.
4. Define the control strategy
5. Associate I/O to the digital valve controller.
6. The device is now ready to be downloaded.

PlantWeb Alerts

Fieldbus devices detect and report their device alarms to a DeltaV system (or other host system). This includes detecting whether an alert condition is active, reporting the alarm to DeltaV and later clearing the alarm when the condition is no longer active. Whether a particular alert condition can be suppressed, disabled or configured off-line are all determined by the device.

For Fieldbus, the DeltaV system is responsible for knowing which devices have alarms, ensuring that alarms are properly represented (such as after controller switchovers) and reporting to operators, Event Chronicle, AMS, OPC Alarms and Events server, etc. So the only alarms DeltaV shows for a Fieldbus device are those the device has defined as alarms and has reported to DeltaV.

All device alarms are configured and processed in the DeltaV system identically to process alarms. This means that how the alarms are communicated within the system, what workstations are notified, alarm annunciation, graphical representations, event recording, acknowledgement, etc. are identical for process and device alarms. This ensures that device alarms and process alarms are available to all users and applications in a consistent fashion.

Setting up PlantWeb Alerts

This section walks you through the steps and considerations to implement PlantWeb alerts.

DeltaV Hardware and Software Requirements

The first step to implement PlantWeb alerts is to have the correct hardware and software:

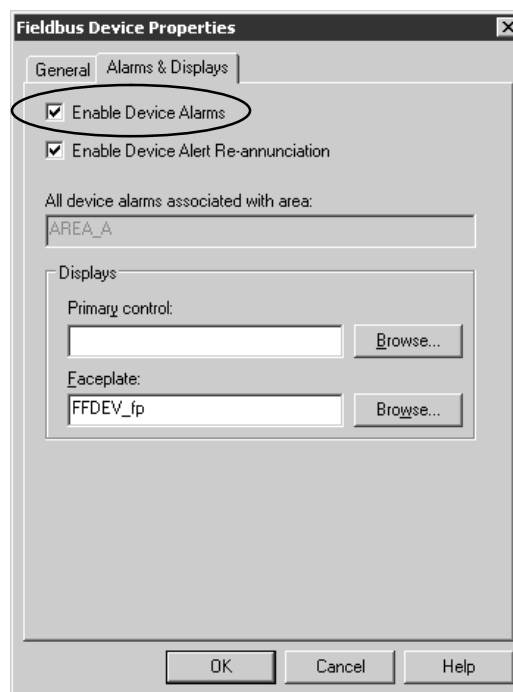


Figure F-5. Alarms & Display Tab

- DeltaV v6.3 or later
- DeltaV Operate
- MD Controllers
 - Fieldbus devices – While device alerts are supported on all fieldbus devices, devices that offer PlantWeb alerts provide significantly more useful information.
- Series 2 H1 cards

Initial Device Setup

When new FF devices are commissioned on the DeltaV system, device alarms are automatically enabled and default priorities are assigned to the alarms. Select **properties** on the device, then the **Alarms and Displays** tab, as shown in figure F-5 to view whether device alarms are enabled on a particular device.

The Enable Device Alarms configuration option modifies the device configuration. Thus changing this setting requires a download to the device. Devices that

DVC6000f Digital Valve Controllers

are migrated from older DeltaV systems will have their device alarms disabled.

module is reporting information, all device information that may also be relevant is also reported.



Note

1. Use the default setting of device alarms enabled. If the user does not want notification of device alarms, this can be configured on each individual alarm. Later on, you can modify the alarm configurations without downloading the device. Disabling device alarms disables all of the alarms, including the device communication failure alarm.
2. Use the same control display for the device as for the control module.
3. If you suspect a rogue device is generating extra H1 bus traffic from device alarms, disabling device alarms stops the device from sending the alarms.
4. If the Alarms and Displays tab is not shown, then you either do not have an MD controller or the device is on a Series 1 H1 card.

Area Assignment

Controllers use this area assignment to report node status (e.g. not communicating). Devices and control modules use this area assignment to determine where to send their alarms.

Area A is the default area assignment for all controllers and workstations (see figures F-6 and F-7). Also, by default Area A is assigned to all workstations Alarms and Events subsystem. This means that all controller status problems are sent to **all** workstations by default.

A fieldbus device will change its area association once the device is configured to a control module. In addition, the device is assigned to the same place in the logical hierarchy as this control module. So if the control module is under a unit, the device is also considered under this same unit.

The device is automatically associated with the same area as the control module that uses the **lowest index number function block** in the device. This block is usually the primary input or output function block of the device. This ensures that wherever the control

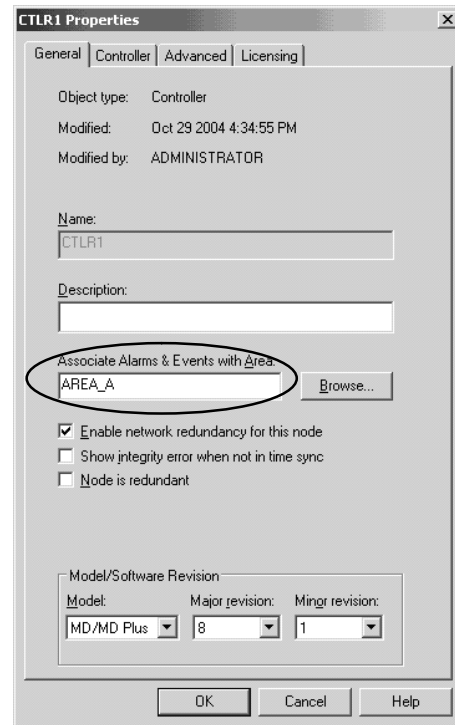
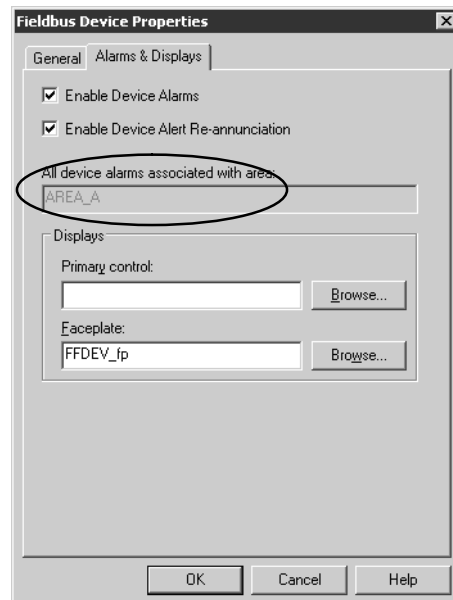


Figure F-6. Controller Properties



THE CONTROLLER IS ASSIGNED TO AREA A. A DEVICE THAT IS NOT YET ASSOCIATED WITH A CONTROL MODULE WILL DEFAULT TO THE SAME AREA AS THE CONTROLLER.

Figure F-7. Device Properties



Note

1. For devices with multiple inputs or outputs (such as the 848), you need to decide which area is best for device alarm reporting and be sure to assign the correct control module to the lowest index number function block. If there is no module assigned to this function block, then the device will always be assigned to the same area as the controller.

2. With controller area default of AREA A, and the default of AREA A being assigned to all workstations, you need to evaluate the alarm settings when commissioning a new fieldbus device with device alarms enabled. If the device detects a FAILED or COM FAIL alarm prior to being assigned to a control module, this device alarm will be reported and annunciated to all workstations. This is because all workstations have Area A assigned. Consider lowering the priority of these alarms to ADVISORY until the end of the commissioning process.

Reporting Alarms and Events to a Workstation

Device alarm and event reporting is no different than control module reporting. Alarm and event reporting to workstations is determined by assigning areas to workstations. The workstation area assignment is all you need to do to ensure that you have all of the information (device and process) for that area.

This is important so that ALL of the information about an area – both the process and device information – is available at any workstation that is responsible for that area. That way the Event Chronicle has a complete record for that area, and any user can drill into a graphic or tag and access all of the information.

This DOES NOT determine WHO views the device alarms. Who views the alarms is determined by filtering at each workstation.

Now that all of the device (and process) information is assigned to a workstation, the next step is to decide what priority of device and process alarms cause alarm annunciation to the users on that workstation.

Setting up WHO Sees Device Alarms

The priority of the alarms, and the settings at that workstation determine what alarms are annunciated on a particular workstation. Annunciated means sound the horn and shown in the alarm banner, Alarm List display, etc.

There are two different approaches that can be used to adjust the device alarm filtering for a particular workstation:

- Adjust the default DeltaV Operate alarm settings in the UserRef/UserSettings file
- Adjust the individual device alarm priorities

By default, DeltaV Operator Stations have all process alarms are annunciated, and show up on the Alarm Banner, Alarm List, graphical displays, etc. on all operator workstations. Also by default, the device alarms with priority settings below WARNING (8) are NOT annunciated or shown in the alarm banner. The low priority device alarms can be shown in graphics and on summaries defined to not be limited by the alarm settings.

The DeltaV Maintenance Station uses the same DeltaV Operate alarm setting for device alarm annunciation. This license only shows device alarms on Maintenance Station graphics. NO process alarms are shown in the alarm banner or ANY alarm summary.

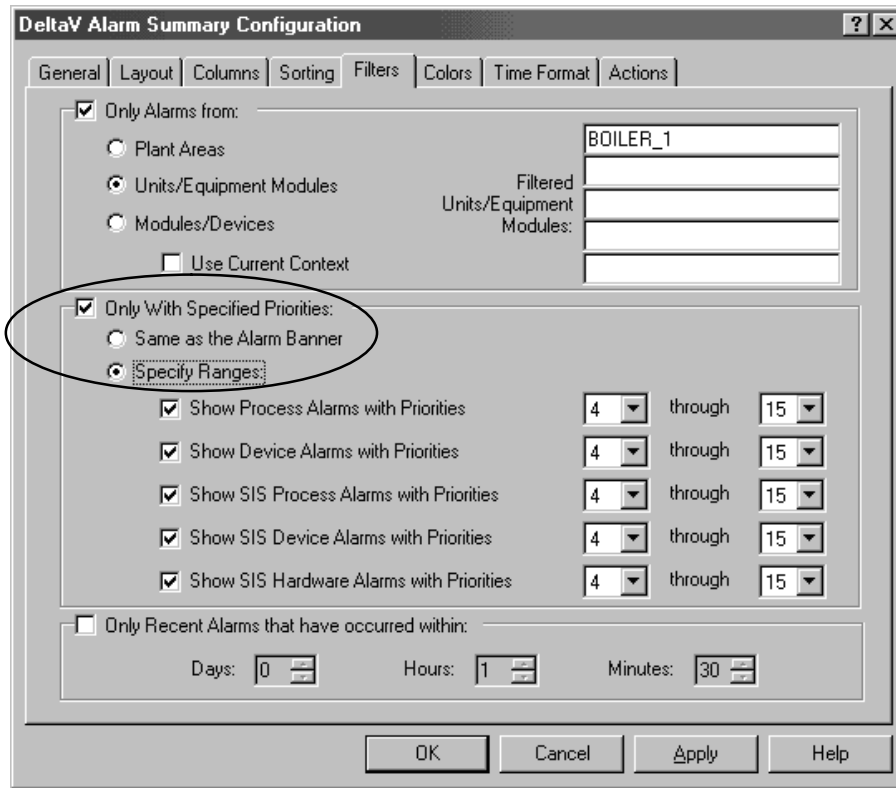
Thus, device alarms and process alarms can be either combined and/or separated for specific user installations, based on their operating philosophy.

Setting DeltaV Operate Device Alarm Annunciation Defaults

DeltaV Operate has default settings in the UserRef.grf file for what priority of device alarms will annunciate and show in the alarm banner. The default DeltaV Operate alarm settings annunciate device alarms that are of the priority WARNING (8) or higher. Device alarms below this priority will not sound the horn or show up in the alarm banner.

Operator Station displays can be configured to show any alarms reporting to that workstation. Along with typical display configuration, alarm summaries can be configured to display alarms that match the alarm banner settings, or user specified ranges. The standard AlarmSum display is configured to show all alarms reporting to that workstation (see figure F-8).

DVC6000f Digital Valve Controllers



EACH DISPLAY ALARM SUMMARY CAN BE CONFIGURED TO MATCH THE ALARM BANNER OR BE UNIQUELY DEFINED.

Figure F-8. DeltaV Alarm Summary Configuration



Note

If you think you should be seeing a device alarm in the alarm banner and it is not there, verify that the device is shown on the AlarmSum display. This display shows ALL of the alarms reporting to that workstation, regardless of the device alarm annunciation settings. If the device is not shown in this display, then it is not reporting to this workstation (or the logged on user does not have responsibility for that area).

F





The default for device alarm annunciation (sounds the horn and shown in the alarm banner) can be modified for all operator/maintenance stations. Or unique settings can be defined for specific workstations. Use the workstation name to adjust settings for specific workstations in UserSettings.grf.

For example, if an installation has a Maintenance Station named 'MAINT', then the UserRef.grf (then renamed to UserSettings.grf) would contain alarm settings for the MAINT workstation as appropriate for maintenance (e.g. all device alarms in the alarm banner).



Note

To easily find the device alarm configuration in UserRef or UserSettings, open the display in the Standard directory, right click and select EDIT SCRIPT, then select Edit, Find and type in DEVICE. This will take you to the location in the file with the device alarm settings.

Contents of 'Fieldbus Device Alarms'		
Name	Enabled	Priority
 ADVISE_ALM	Yes	ADVISORY
 COMM_ALM	Yes	WARNING
 FAILED_ALM	Yes	WARNING
 MAINT_ALM	Yes	ADVISORY

THE PRIORITY OF A DEVICE ALARM DEFINES WHETHER THE ALARM IS ANNUNCIATED ON A PARTICULAR WORKSTATION, IN ADDITION TO THE COLOR OF THE ALARM AND THE HORN SOUND.

Figure F-9. Default PlantWeb Alert Priorities

Deciding Device Alarm Priorities

Each device alarm, just like every process alarm, has a priority assigned to it. When a device is created, the device alarms are assigned default alarm priorities as shown in figure F-9.

The DeltaV workstation default is to annunciate device alarms above the ADVISORY (7) priority.

Therefore, by default both the FAILED and COMM PlantWeb alerts annunciate to the operator.

The priority of each alarm needs to be considered. The priority of a device alarm is determined by how important that device problem is and the consequences to the process.

The priority is not based solely on the type of device. This means that while some DVC6000's may be

critical to operation, other DVC6000's may not. In this example, the DVC6000's would have different default alarm priorities.



Note

1. If your installation has the Fieldbus devices, but is not ready to use PlantWeb alerts, then you can disable the individual alarms at the device – or through the System Alarm Management application. Later on, individual alarms can be enabled without having to download the device.
2. When you first begin to use device alarms, be sure that your alarm priority settings for the workstations or the individual device alarm priorities are such that they don't cause undue operator burden. This could mean only having a few device alarms set at WARNING or above, or changing the DeltaV Operate default such that only CRITICAL device alarms (or even perhaps NO device alarms annunciate to the operator).
3. DO NOT enable ALL of the PlantWeb alerts in a device. Only enable the alerts that are needed.

Glossary

Algorithm

A set of logical steps to solve a problem or accomplish a task. A computer program contains one or more algorithms.

Alphanumeric

Consisting of letters and numbers.

ANSI (acronym)

The acronym ANSI stands for the American National Standards Institute

ANSI Class

Valve pressure/temperature rating.

Bench Set

Pressure, supplied to an actuator, required to drive the actuator through rated valve travel. Expressed in pounds per square inch.

Byte

A unit of binary digits (bits). A byte consists of eight bits.

Configuration

Stored instructions and operating parameters for a FIELDVUE Instrument.

Control Loop

An arrangement of physical and electronic components for process control. The electronic components of the loop continuously measure one or more aspects of the process, then alter those aspects as necessary to achieve a desired process condition. A simple control loop measures only one variable. More sophisticated control loops measure many variables and maintain specified relationships among those variables.

Controller

A device that operates automatically to regulate a controlled variable.

Crossover Point

The mid-point of the stroking range of a sliding-stem actuator. A visual indication of the crossover point is found when the slot in the instrument feedback arm forms a 90-degree angle with the valve stem.

Deadband

Region around a reference point that must be exceeded before a new event occurs.

Deviation

Usually, the difference between set point and process variable. More generally, any departure from a desired or expected value or pattern.

Device ID

Unique identifier embedded in the instrument at the factory.

Drive Signal

The signal to the I/P converter from the printed wiring board. It is the percentage of the total microprocessor effort needed to drive the valve fully open. In most applications, drive signal ranges from 55% to 75%.

DVC6000f Digital Valve Controllers

Feedback Arm

The mechanical connection between the valve stem linkage and the FIELDVUE Instrument travel sensor.

Feedback Signal

Indicates to the instrument the actual position of the valve. The travel sensor provides the feedback signal to the instrument printed wiring board assembly. A mechanical linkage connects the travel sensor to the valve stem or shaft.

Firmware

The combination of a hardware device and computer instructions and data that reside as read-only software on that device.



Note

1. This term (firmware) is sometimes used to refer only to the hardware device or only to the computer instructions or data, but these meanings are deprecated.
2. The confusion surrounding this term has led some to suggest that it be avoided altogether. The term is included here because of its use in older documentation and culture.

Gain

The ratio of output change to input change.

Hardware Revision

Revision number of the Fisher instrument hardware. The physical components of the instrument are defined as the hardware.

HART® (acronym)

The acronym HART stands for Highway Addressable Remote Transducer.

Instrument Level

Determines the functions available for the instrument.

Leak Class

Defines the allowable leakage by a valve when it is closed. Leak class numbers are listed in two standards: ANSI/FCI 70-2 and IEC 534-4.

Linearity, dynamic

Linearity (independent) is the maximum deviation from a straight line best fit to the opening and closing curves and a line representing the average value of those curves.

Memory

A type of semiconductor used for storing programs or data. FIELDVUE instruments use three types of memory: Random Access Memory (RAM), Read Only Memory (ROM), and Non-Volatile Memory (NVM).

Non-Volatile Memory (NVM)

A type of semiconductor memory that retains its contents even though power is disconnected. NVM contents can be changed during configuration unlike ROM which can be changed only at time of instrument manufacture. NVM stores configuration restart data.

Octet

See byte

Parallel

Simultaneous: said of data transmission on two or more channels at the same time.

Pressure Sensor

A FIELDVUE instrument internal device that senses the output pressure from the pneumatic relay.

Random Access Memory (RAM)

A type of semiconductor memory that is normally used by the microprocessor during normal operation that permits rapid retrieval and storage of programs and data. See also Read Only Memory (ROM) and Non-Volatile Memory (NVM).

Rate

Amount of change in output proportional to the rate of change in input.

Read-Only Memory (ROM)

A memory in which information is stored at the time of instrument manufacture. You can examine but not change ROM contents.

Seat Load

Force exerted on the valve seat, typically expressed in pounds force per lineal inch of port circumference. Seat load is determined by shutoff requirements.

Software

Computer programs, procedures, and possibly associated documentation and data pertaining to the operation of a computer system.

Temperature Sensor

A device within the FIELDVUE instrument that measures the instrument's internal temperature.

Travel

Movement of the valve stem or shaft which changes the amount the valve is open or closed.

Travel Sensor

A device within the FIELDVUE instrument that senses valve stem or shaft movement. The travel sensor is mechanically connected to the valve stem or shaft.

Tuning

The adjustment of control terms or parameter values to produce a desired control effect.

Tuning Set

Preset values that identify gain and rate settings for a FIELDVUE instrument. The tuning set and supply pressure together determine an instrument's response to input signal changes.

Watch Dog Timer

A timer that the microprocessor must pulse periodically. If the microprocessor is unable to pulse the timer, the instrument shuts down.

Zero Power Condition

The position of the valve (open or closed) when the electrical segment power to the instrument is removed. Zero Power Condition (ZPC) is determined by relay and actuator action where: for Relay A and C, Port A will be at atmosphere pressure, and if double-acting, Port B will be at supply pressure. For Relay B, Port B will be at supply pressure.

Index

A

- Actual Travel, 4-37
- Actuator Fail Action, 4-38
- Actuator Manufacturer ID, 4-37
- Actuator Model Number, 4-38
- Actuator Serial Number, 4-38
- Actuator Size, 4-38
- Actuator Style, 4-38
- Addressing, D-7
- Advise Enable, 4-35
- Advise Suppress, 4-35
 - Advisory Active, 4-40
- Air, 4-39
- Alarm Detection
 - AI Block, 4-129
 - DI Block, 4-163
 - ISEL Block, 4-108
 - PID Block, 4-87
- Alarms, Setting Priority, C-3
- Alert Conditions, C-2
- Alert Handling, 4-40
- Alerts, Enabling, Travel Alerts, High and Low, 4-32
- Analog Input (AI) Block
 - Advanced Features, 4-132
 - Alarm Priorities, 4-129
 - Block Errors, 4-132
 - Block Modes, 4-129
 - Channel Selections, 4-130
 - Field Communicator Menu Structure, 4-139
 - Filtering, 4-130
 - Parameters, 4-134
 - Signal Conversion, 4-130
 - Direct, 4-131
 - Indirect, 4-131
 - Indirect Square Root, 4-131

- Simulation, 4-132
- Status Handling, 4-130
- Troubleshooting, 4-133
- View lists, 4-138
- Analog Output (AO) Block, 4-69
 - Action on Fault Detection, 4-72
 - Modes, 4-69, 4-117
 - Diagram, 4-69
 - Field Communicator Menu Structure, 4-80
 - I/O Options, 4-73
 - Mode Handling, 4-70
 - Output Block PV Status, 4-72
 - Parameters, 4-75
 - Set Point Selection and Limiting, 4-72
 - Setting the Output, 4-71
 - Shed Options, 4-70
 - Simulation, 4-73
 - Status Handling, 4-71
 - View lists, 4-79
- Application Information
 - AO Block, 4-74
 - DI Block, 4-165
 - PID Block, 4-87
- Area Units, 4-36
- ATEX, 1-6
 - Loop Schematics, B-8, B-9, B-10
 - Nameplates, B-11, B-12
- Auto Calibrate Travel, 5-3

B

- Basic Setup, 3-2
 - Stabilize/Optimize, 4-23
- Initial Setup
 - Factory Default Settings, 3-3
 - Stabilize/Optimize, 4-23
- Block Error Reporting, 4-40
- Block Errors
 - AI Block, 4-132
 - AO Block, 4-74
 - DI Block, 4-164

DVC6000f Digital Valve Controllers

- DO Block, 4-152
- ISEL Block, 4-108
- MAI Function Block, 4-142
- PID Block, 4-88
- Resource Block, 4-7
- Transducer Block, 4-41
- Block Errors
 - Resource Block, 6-3
 - Transducer Block, 6-9
- Block Execution Times, 1-5
- Block Initialization, DO Block, 4-150
- Block Mode, D-3
 - Actual, D-3
 - Target, D-3
 - Automatic (Auto), D-5
 - Cascade (Cas), D-5
 - Initialization Manual (IMan), D-4
 - Local Override (LO), D-4
 - Manual (Man), D-5
 - Normal, D-4
 - Out of Service (O/S), D-4
 - Permitted, D-3
 - Remote Cascade (RCas), D-5
 - Remote Output (ROut), D-5
- Block Parameter Index, 4-173
- Blocks Set to Default, 4-29
- Bumpless Transfer, 4-86

C

- Calib Date, 4-36
- Calibration, 5-2
 - Auto Calibrate Travel, 5-3
 - Manual Travel Calibration, 5-4
 - Output A Pressure, 5-8
 - Output B Pressure, 5-8
 - Pressure Sensor, 5-8
 - Supply Pressure Sensor, 5-7
 - Travel Sensor, 5-5
- Calibration Location, 4-36
- Calibration Person, 4-36
- Channels, Index, 4-185
- Classifications/Certifications, 1-6
- Comm Time Out, 4-4
- Commissioning Tag, 2-30
- Compel Data (CD), D-8

- Configuration Alerts, 4-29
 - Blocks Set to Default, 4-29
 - Output Block Timeout, 4-29
 - Pressure Sensors, 4-30
- Connections
 - Communication, 2-29
 - Electrical, 2-23
 - Pneumatic
 - Output, 2-20
 - Pressure, 2-18
 - Supply, 2-18
 - Vent, 2-22
- Construction Materials, 1-7
- CSA, 1-6
 - Loop Schematics, B-2
 - Nameplates, B-4
 - Typical, B-4
- Custom Characterization Table, 4-26
- Cycle Counter, 4-33, 6-11
 - Resetting, 4-34

D

- DeltaV Host System
 - Accessing Parameters
 - Resource Block, F-12
 - Transducer Block, F-11
 - Bringing the Device On-Line, F-12
 - Getting Started, F-2
 - Software Functionality/System Requirements, F-9
 - Starting Methods
 - Resource Block, F-10
 - Transducer Block, F-10
- DeltaV Tune, 4-87
- Detailed Setup, Transducer Block, 4-21
- Device Communication
 - Scheduled Transfers, D-8
 - Client/Server, D-9
 - Publisher/Subscriber, D-8
 - Report Distribution, D-8
 - Unscheduled Transfers, D-8
- Device Description (DD)
 - Description, D-5, E-3
 - Installation, E-2
 - On a DeltaV ProfessionalPlus Workstation, E-3
 - Other Fieldbus Host Systems, E-4
- Device Diagnostics, Transducer Block, 6-7
- Device Record , 6-9

Device Setup, 3-2

Device Variables
 Resource Block, 6-5
 Transducer Block, AO Control - Pre-Char, 6-10

Direct Action, 4-87

Discrete Input (DI) Block, 4-161
 Action on Failure, 4-164
 Alarm Detection, 4-163
 Block Initialization, 4-161
 Channel 23, 4-162
 Diagram, 4-161
 Field Communicator Menu Structure, 4-170
 Field Value Processing, 4-163
 I/O Selection, 4-161
 Modes, 4-161
 Open/Closed Limit Switch, 4-162
 Parameter , 4-166
 Simulation, 4-164
 Status Handling, 4-161
 Valve Position Proximity Detection, 4-163
 Valve Travel , 4-162
 Variable Limit Switch, 4-162
 View lists, 4-169

Discrete Output (DO) Block, 4-149
 Action on Fault Detection, 4-152
 Block Errors, 4-152
 Block Initialization, 4-150
 Diagram, 4-149
 Field Communicator Menu Structure, 4-158
 I/O Selection, 4-151
 Modes, 4-149
 Output Block PV Status, 4-152
 Parameters, 4-154
 Setting the Output, 4-151
 Shed Options, 4-150
 Simulation, 4-153
 Status Handling, 4-150
 View lists, 4-157

Drive Current, 4-27

Drive Signal, 4-27

DVC6000f Series, Description, 1-2

E

Educational Services, 1-4

Effective Area, 4-39

Electrical Housing, 1-6

Electronics Alerts, 4-27

Drive Current, 4-27
 Drive Signal, 4-27
 Processor Impaired, 4-28

Environment Alerts, 4-30
 Supply Pressure, 4-30
 Temperature Limit, 4-31

F

Failed Active, 4-40

Failed Enable, 4-35

Failed Suppress, 4-35

Feedback Connection, 4-38

Feedforward, Calculation, 4-86

Field Communicator Menu Structure
 Analog Input Function Block, 4-139
 Analog Output Function Block, 4-80
 Discrete Input Function Block, 4-170
 Discrete Output Function Block, 4-158
 Input Selector Function Block, 4-115
 Multiple Analog Input Function Block, 4-146
 Output Splitter Function Block, 4-127
 PID Function Block, 4-100

Field Value Processing, DI Block, 4-163

Fieldbus Control, 1-2

Fieldbus Logic, 1-2

Fieldbus Wiring
 Connecting, 2-23
 Quick Connect Cable Entry, 2-24
 Twisted Shielded Pair, 2-23

Flow Direction, 4-37

Flow Tends To, 4-37

FM, 1-6
 Loop Schematics, B-5, B-6
 Nameplates, B-7
 Typical, B-4

FOUNDATION Fieldbus Communication,
 Principle of Operation, D-2

FSETAN—Russian - Federal Service of
 Technological, Ecological and Nuclear
 Inspectorate, 1-6

Function Block Overview, D-2

Function Blocks
 Operation, D-2
 Scheduling, D-9

G

Gas Certified, Single Seal Device, 1-6

DVC6000f Digital Valve Controllers

Gauges, Tire Valves, & Pipe Plugs
Parts List, 8-5
Replacing, 7-8
GOST-R—Russian GOST-R, 1-6

H

Hot Spare, 4-107

I

I/O Options, AO Block, 4-73
I/O Selection
DI Block, 4-161
DO Block, 4-151
I/P Converter
Parts List, 8-4
Removing, 7-7
Replacing, 7-7
Replacing Filter, 7-6
IECEX, 1-6
Loop Schematics, B-13, B-14
Nameplates, B-15
IMan, D-4
Inlet Pressure, 4-37
INMETRO— National Institute of Metrology,
Quality and Technology (Brazil), 1-6
Input Characterization, 4-26
Input Selector (ISEL) block, 4-103
Alarm Detection, 4-108
Block Errors, 4-108
BLOCK_ERR Conditions, 4-108
Direct Selection of Inputs, 4-107
Disabling Inputs, 4-107
Field Communicator Menu Structure, 4-115
Identification of Selected Inputs, 4-108
Input Selection, 4-107
Modes, 4-103
Parameter List, 4-109
Status Handling
Limit Propagation, 4-104
Quality Use and Propagation, 4-103
Substatus Propagation, 4-104
STATUS_OPTS Supported, 4-107
View lists, 4-114
Installation, 2-3
Instrument, Detailed Setup, 4-35

Instrument Alert Conditions, 4-26
Integrator Frozen, 4-60, 6-8
Integrator Limited High, 4-60, 6-8
Integrator Limited Low, 4-60, 6-8
IOP Failure, 4-60, 6-9

K

KGS—Korea Gas Safety Corporation, 1-6
KISCO—Korea Industrial Safety Corporation,
1-6

L

Last Calibration Type, 4-36
Leak Class, 4-37
Length Units, 4-36
Lever Style, 4-39
Limiting
Output
ISEL Block, 4-103
PID Block, 4-85
Set Point
AO Block, 4-72
PID Block, 4-85
Link Active Scheduler, D-7
Live List, Definition, D-8
Loop Schematics
ATEX, B-8, B-9, B-10
CSA, B-2, B-3
FM, B-5, B-6
IECEX, B-13, B-14
Lower Bench Set, 4-39

M

Macrocycle, D-9
MAI Channel Map, Transducer Block, 4-39
Maintenance Active, 4-40
Maintenance Enable, 4-35
Maintenance Suppress, 4-35
Manual Travel Calibration, 5-4
Maximum Supply Pressure, 4-36
Methods, E-3

- Auto Travel Calibration, 5-3
 - Device Setup, 3-2
 - Manual Travel Calibration, 5-4
 - Output A Pressure Sensor Calibration, 5-8
 - Output B Pressure Sensor Calibration, 5-8
 - PlantWeb Alerts, 4-26, C-2
 - Relay Adjust, 5-4
 - Resource Block Mode, 4-4
 - Restart, 6-4
 - Stabilize/Optimize, 4-23
 - Stroke Valve, 6-10
 - Supply Sensor Calibration, 5-7
 - Transducer Block Mode, 3-2
 - Travel Sensor Adjust, 5-5
 - Methods Description
 - DD Version, E-5
 - Stabilize/Optimize, 4-23
 - MLFB Error, 4-60, 6-8
 - Modes
 - AO Block, 4-69, 4-117
 - DI Block, 4-161
 - DO Block, 4-149
 - ISEL Block, 4-103
 - MAI Block, 4-141
 - PID Function Block, 4-83
 - Resource Block, 4-4
 - Transducer Block, 4-21
 - Module Base
 - Removal, 7-4
 - Replacing, 7-5
 - Module Base, Parts List, 8-4
 - Moment Arm, 4-39
 - Mounting, 2-6
 - 67CFR, 2-17
 - DVC6005f base unit, 2-13
 - DVC6010f, 2-6
 - DVC6015, 2-13
 - DVC6020f, 2-8
 - DVC6025, 2-14
 - DVC6030f, 2-10
 - DVC6035, 2-15
 - for Pressure Control, 2-17
 - Pipestand, 2-13
 - Wall, 2-13
 - Multiple Analog Input (MAI) Block
 - Application Information, 4-141
 - Block error, 4-142
 - Field Communicator Menu Structure, 4-146
 - Modes, 4-141
 - Parameters, 4-143
 - Status Handling, 4-141
 - Troubleshooting, 4-142
- ## N
- Nameplates
 - ATEX, B-11, B-12
 - CSA, B-4
 - Typical, B-4
 - FM, B-7
 - Typical, B-4
 - IECEX, B-15
 - Natural Gas, as supply medium, 1-5
 - Natural Gas Certified, Single Seal device, 2-19
 - NEPSI— National Supervision and Inspection Centre for Explosion Protection and Safety of Instrumentation (China), 1-6
 - Network Management, D-9
 - Nominal Supply Pressure, 4-39
 - Non-Remote Modes, Highest Permitted, 4-150
- ## O
- Open/Closed Limit Switch, using the DI block as, 4-162
 - Outblock Selection, 4-26
 - Outlet Pressure, 4-37
 - Output A Pressure Sensor Calibration, 5-8
 - Output B Pressure Sensor Calibration, 5-8
 - Output Block PV Status
 - AO Block, 4-72
 - DO Block, 4-152
 - Output Block Timeout, 4-29
 - Output Splitter (OS) Block
 - Parameters, 4-123
 - View lists, 4-126
 - Output Splitter Function Block, Field Communicator Menu Structure, 4-127
- ## P
- Packing Type, 4-37
 - Parameters, Index, 4-173
 - Parameter List
 - AI Block, 4-134
 - AO Block, 4-75

DVC6000f Digital Valve Controllers

- DO Block, 4-154
- ISEL Block, 4-109
- MAI Block, 4-143
- OS Block, 4-123
- PID Block, 4-89
- Resource Block, 4-12
- Transducer Block, 4-42
- Parts
 - Common Parts, 8-4
 - Feedback Parts, 8-5
 - Gauges, Tire Valves, & Pipe Plugs, 8-5
 - I/P Converter Assembly, 8-4
 - Kits, 8-2
 - Module Base, 8-4
 - Ordering, 8-2
 - Printed Wiring Board Assembly, 8-6
 - Relay, 8-4
 - Terminal Box, 8-5
- Pass Token (PT), D-8
- PD Inside Status, 4-35
- PD Run, 4-35
- Performance Alerts, 4-34
 - PD Inside Status, 4-35
 - PD Run, 4-35
 - Performance Critical, 4-35
 - Performance Information, 4-35
 - Performance Reduced, 4-35
- Performance Critical, 4-35
- Performance Information, 4-35
- Performance Reduced, 4-35
- Performance Tuner, 3-6
- PESO CCOE— Petroleum and Explosives Safety Organisation - Chief Controller of Explosives (India), 1-6
- PID Block, 4-83
 - Alarm Detection, 4-87
 - Block Errors, 4-88
 - Diagram, 4-83
 - Equation Structures, 4-86
 - Field Communicator Menu Structure, 4-100
 - Filtering, 4-85
 - Modes, 4-83
 - Output Selection and Limiting, 4-85
 - Parameter List, 4-89
 - Set Point Selection and Limiting, 4-85
 - Shed Options, 4-84
 - Status Handling, 4-85
 - Tracking, 4-86
 - View lists, 4-98
- PlantWeb Alarms, Simulate, 4-40
- PlantWeb Alert Enable , 4-35
 - Advise Enable, 4-35
 - Failed Enable, 4-35
 - Maintenance Enable, 4-35
- PlantWeb Alert Reporting, 4-35
 - Advise Suppress, 4-35
 - Failed Suppress, 4-35
 - Maint Suppress, 4-35
- PlantWeb Alerts, 4-26, C-2
 - Alert Handling, C-3
 - Alert Reporting, C-3
 - Detecting Through Other Blocks, C-3
 - Setting, C-4
 - Using, C-7
- Pneumatic Relay
 - Adjusting, 5-4
 - Parts List, 8-4
 - Removing, 7-8
 - Replacing, 7-8
- Port Diameter, 4-37
- Port Type, 4-37
- Press Fallback, Sensor Alerts, 4-30
- Pressure A Sensor Failure, 4-60, 6-9
- Pressure B Sensor Failure, 4-60, 6-9
- Pressure Sensor Calibration, 5-8
- Pressure Sensors, Sensor Alerts, 4-30
- Pressure Tuning, 4-24
 - Press Tuning Set, 4-24
 - Pressure Integral Dead Zone, 4-24
 - Pressure Integral Gain, 4-24
 - Pressure Integral Limit Hi, 4-25
 - Pressure Integral Limit Lo, 4-25
 - Pressure MLFB Gain, 4-24
 - Pressure Proportional Gain, 4-24
- Pressure Units, 4-35
- Principle of Operation, A-2
- Printed Wiring Board Assembly
 - Parts List, 8-6
 - Removing, 7-8
 - Replacing, 7-8
- Processor Impaired, 4-28
- Protection, 3-2
 - Transducer Block, 4-21
- Proximity, 4-33
- Proximity Alerts, 4-33
 - Proximity, 4-33
 - Travel, 4-33

- Travel Closed, 4-33
- Travel open, 4-33
- Proximity Detection, using the DI block for, 4-163
- Publisher (P), D-8
- Push Down To, 4-37
- PWA Simulate, 4-40

R

- Rated Travel, 4-37
- Related Documents, 1-4
- Relay Adjust, 5-4
- Relay Type, 4-36
- Remote Cascade, Setting, 4-4
- Remote Output Timeouts, Setting, 4-5
- Remote Travel Sensor Connections, 2-26
 - Using a 10 kOhm External Potentiometer as, 2-27
 - Using a Two-Resistor Series as, 2-28
 - Using the DVC6015, DVC6025 and DVC6035 Feedback unit as, 2-26
- Resource Block
 - Alarm Handling, 4-6
 - Acknowledge Option, 4-6
 - Alert Key, 4-6
 - Confirm Time, 4-6
 - Limit Notify, 4-6
 - Block Errors, 4-7
 - BLOCK_ERR Conditions, 6-3
 - Definition, D-2
 - Display, 6-3, 6-10
 - Instrument
 - Field Serial Number, 4-6
 - Strategy, 4-6
 - Tag Description, 4-6
 - Modes, 4-4
 - Options, Feature Selection, 4-5
 - Fault State, 4-5
 - Multi-bit Alarm (Bit-Alarm) Support, 4-5
 - PW Alarms set PV Status, 4-40
 - Reports, 4-5
 - Soft Write Lock, 4-5
 - Overview, 4-4
 - Parameter List, 4-12
 - Setup, 4-4
 - Setup Options, 4-5
 - View lists, 4-18, 4-145

- Viewing Device Information, 6-3
- Setup, Resource Block, 4-4
- Resource Block Mode, 4-4
- Response Control, 4-22
 - Travel Integral Dead Zone, 4-23
 - Travel Integral Enable, 4-23
 - Travel Integral Gain, 4-23
 - Travel Integral Limit Hi, 4-23
 - Travel Integral Limit Lo, 4-23
 - Travel MLFB Gain, 4-22
 - Travel Tuning, 4-22
 - Travel Tuning Set, 4-22
 - Travel Velocity Gain, 4-22
 - Tvl Prop Gain, 4-22
- Restart method, 6-4
- Restarting the Instrument
 - Restart Processor, 6-5
 - Restart with Defaults, 6-5
 - Parameter Affected By, 6-5
- Reverse Acting Relay, 5-5
- Reverse Action, 4-87

S

- Seat Type, 4-37
- Segment, Definition, D-7
- Self Test Status, 4-60
- Sensor Alerts, 4-29
 - Press Fallback, 4-30
 - Temperature Sensor, 4-30
 - Travel Sensor, 4-29
- Set Point Selection and Limiting
 - AO Block, 4-72
 - PID Block, 4-85
- Setting PlantWeb Alerts, C-3
- Setting the Output
 - AO Block, 4-71
 - DO Block, 4-151
- Shaft Stem Diameter, 4-37
- Shed Options
 - AO Block, 4-70
 - DO Block, 4-150
 - PID Block, 4-84
- Simulate Active Alerts, 4-40
- Simulate Jumper, 2-30
- Simulate Jumper ON, 4-60, 6-9



DVC6000f Digital Valve Controllers

Simulation

- AI Block, 4-132
- AO Block, 4-73
- DI Block, 4-164
- DO Block, 4-153

Solenoid Valve, Health Monitoring, 2-21

special application, 2-21

Special Instructions for Safe Use and Installation in Hazardous Locations, 2-4

- ATEX, 2-4
- CSA, 2-4
- FM, 2-4
- IECEX, 2-5

Specifications, 1-4

Spring Rate, 4-39

Spring Rate Units, 4-36

Stabilize/Optimize, 4-23

Standard Control, 1-2

Status Handling

- AI Block, 4-130
- AO Block, 4-71
- DI Block, 4-161
- DO Block, 4-150
- MAI Block, 4-141
- PID Block, 4-85

Stroking the Digital Valve Controller Output, 7-15

Stroking the Output, with Field Communicator, 6-10

Stroking Time Close, 4-39

Stroking Time Open, 4-39

Subscriber (S), D-8

Supply Pressure, Environment Alerts, 4-30

Supply Pressure Sensor Calibration, 5-7

Supply Sensor Failure, 4-60, 6-9

System Management, D-7

T

Tag Description, 4-35

Temperature Limit, Environment Alerts, 4-31

Temperature Sensor, Sensor Alerts, 4-30

Temperature Units, 4-31, 4-36

Terminal Box

- Parts List, 8-5
- Removing, 7-9
- Replacing, 7-9

TIIS— Technology Institution of Industrial Safety (Japan), 1-6

Tracking, 4-86

Transducer Block

- Block Errors, 4-41, 6-9
- Definition, D-3
- Initial Setup, Zero Power Condition, 4-36
- Limit Propagation
 - AO Block, D-6
 - DO Block, D-7
- MAI Channel Map, 4-39
- Modes, 4-21
- Overview, 4-21
- Parameter List, 4-42
- Status Propagation, D-6
- Detailed Setup, 4-21
- View Lists, 4-64

Transducer Block Mode, 3-2

Travel, 4-31

Travel Accumulator, 4-34

Travel Alerts, 4-31

- High and Low, 4-32
- Travel, 4-31
- Travel Hi/Lo, 4-32
- Travel Limit, 4-32
- Travel Target, 4-31
- Tvl Deviation, 4-31

Travel Calibration, 5-2

Travel Closed, 4-33

Travel Cutoffs, 4-25

Travel Deviation, 4-31

Travel Hi/Lo, 4-32

Travel History Alerts, 4-33

- Cycle Counter, 4-33
- Travel Accumulator, 4-34

Travel Integral Dead Zone, 4-23

Travel Integral Enable, 4-23

Travel Integral Gain, 4-23

Travel Integral Limit Lo, 4-23

Travel Limit, 4-32

Travel MLFB Gain, 4-22

Travel Open, 4-33

Travel Press Control , Travel Cutoff Hi, 4-25

- Travel Pressure Control, 4-25
 - Press Cutoff Closed, 4-25
 - Pressure Cutoff Open , 4-25
 - Pressure Range Hi, 4-25
 - Pressure Range Lo, 4-25
 - Travel Cutoff Lo, 4-25
 - Travel/Presssure Select, 4-25
- Travel Sensor, 4-29
 - Adjusting
 - DVC6010f, 5-5
 - DVC6015, 5-5
 - DVC6020f, 5-6
 - DVC6025, 5-5, 5-6
 - DVC6030f, 5-5
 - Parts List, 8-5
 - Removing
 - DVC6010f, 7-10
 - DVC6015, 7-10
 - DVC6020f, 7-10
 - DVC6025, 7-10
 - DVC6030f, 7-10
 - DVC6035, 7-10
 - Replacing
 - DVC6010f, 7-11
 - DVC6015, 7-11
 - DVC6020f, 7-12
 - DVC6025, 7-12
 - DVC6030f, 7-14
 - DVC6035, 7-14
- Travel Sensor Adjust, 5-5
- Travel Sensor High Error, 4-60, 6-8
- Travel Sensor Low Error, 4-60, 6-8
- Travel Sensor Motion, 4-38, 4-39
- Travel Sensor Span Error, 4-60, 6-8
- Travel target, 4-31, 6-11
- Travel Tuning Set, 4-22
- travel units, 4-36
- Travel Velocity Gain, 4-22
- Trim Style 1, 4-39
- Trim Style 2, 4-39
- Troubleshooting, 7-15
- Tuning, 3-6
- Tuning Set, 4-22, 4-24
- Tvl Integ DeadZ, 4-23
- Tvl Integ Lim Hi, 4-23
- Tvl Prop Gain, 4-22

U

- Unbalanced Area, 4-37
- Upper Bench Set, 4-39
- Using PlantWeb Alerts, C-3

V

- Valve and Actuator
 - Actuator, 4-37
 - Detailed Setup, 4-36
 - Reference, 4-39
 - Trim, 4-37
 - Valve, 4-36
- Valve Class, 4-37
- Valve Manufacturer ID, 4-36
- Valve Model Number, 4-36
- Valve Serial Number, 4-37
- Valve Size, 4-37
- Valve Style, 4-37
- Variable Limit Switch, using the DI block as, 4-162
- Vibration Testing, 1-6
- View Lists, 6-3
 - AI Function Block, 4-138
 - AO Block, 4-79
 - DI Function Block, 4-169
 - DO Function Block, 4-157
 - ISEL Function Block, 4-114
 - MAI Function Block, 4-145
 - OS Function Block, 4-126
 - PID Function Block, 4-98
 - Resource Block, 4-18
 - Transducer Block, 4-64

W

- Write Lock, Setting, 4-4
- Write Priority, Setting, 4-4

Z

- Zero Power Condition, 4-36

DVC6000f Digital Valve Controllers



Neither Emerson, Emerson Process Management, nor any of their affiliated entities assumes responsibility for the selection, use or maintenance of any product. Responsibility for proper selection, use, and maintenance of any product remains solely with the purchaser and end user.

Fisher, FIELDVUE, ValveLink, PlantWeb, DeltaV, and Baumann are marks owned by one of the companies in the Emerson Process Management business unit of Emerson Electric Co. Emerson Process Management, Emerson, and the Emerson logo are trademarks and service marks of Emerson Electric Co. HART is a mark owned by the HART Communication Foundation. FOUNDATION fieldbus is a mark owned by the Fieldbus Foundation. All other marks are the property of their respective owners.

The contents of this publication are presented for informational purposes only, and while every effort has been made to ensure their accuracy, they are not to be construed as warranties or guarantees, express or implied, regarding the products or services described herein or their use or applicability. All sales are governed by our terms and conditions, which are available upon request. We reserve the right to modify or improve the designs or specifications of such products at any time without notice.

Emerson Process Management

Marshalltown, Iowa 50158 USA
Sorocaba, 18087 Brazil
Chatham, Kent ME4 4QZ UK
Dubai, United Arab Emirates
Singapore 128461 Singapore
www.Fisher.com

