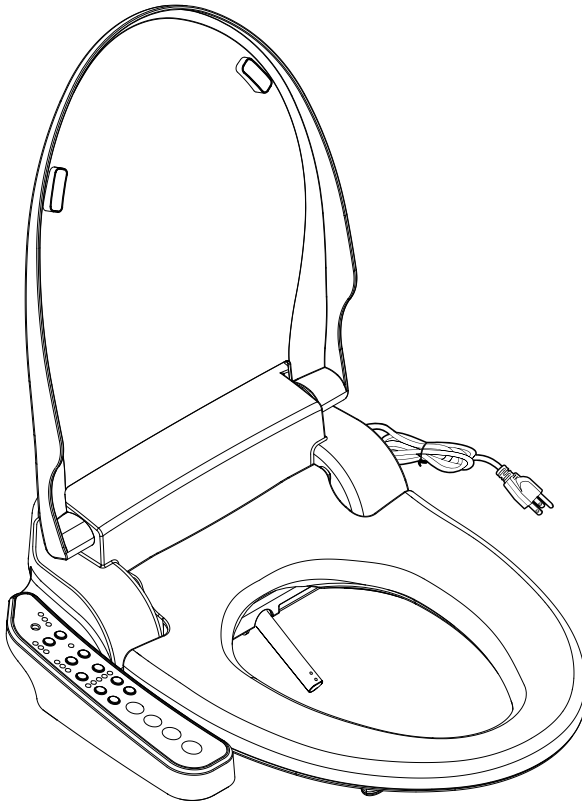


## OWNER'S MANUAL

### Swash SE400 Advanced Bidet Toilet Seats

SE400-EW  
SE400-RW



## **Attach Proof of Purchase to This Page**

Adjunte prueba de compra a esta página

Joindre une preuve d'achat à cette page

# CONTENTS

This manual contains important safety information. Before operating the bidet, please read this manual thoroughly, and retain it for future reference.

## GENERAL INFO

- 02 SAFETY INFORMATION
- 06 PRODUCT INFORMATION
- 06 Product Features
- 07 Product Dimensions
- 08 Product Parts

## PRODUCT INSTALLATION

- 09 PRODUCT INSTALLATION
- 09 Installation Parts
- 10 Before Installation
- 11 Swash Installation
- 13 External Bidet Filter Installation

## PRODUCT OPERATION

- 14 OPERATING THE SWASH
- 14 SE400 Control Panel
- 16 Using the SE400
- 18 Special Mode Operations

## TECHNICAL INFO

- 19 PRODUCT SPECIFICATIONS
- 20 MAINTENANCE
- 20 Seat Cleaning & Removal
- 20 Nozzle Cleaning
- 21 Cleaning the Mesh Filter
- 21 Product Storage & Use
- 22 TROUBLESHOOTING
- 25 WARRANTY
- 26 CONTACT




## TRANSLATIONS

- 1 ENGLISH
- 27 SPANISH
- 54 FRENCH

# SAFETY INFORMATION (IMPORTANT SAFEGUARDS)

## READ ALL INSTRUCTIONS BEFORE USING

BE CAREFUL TO KEEP THIS SAFETY INFORMATION. PLEASE READ THIS INFORMATION TO PREVENT PROPERTY LOSS AND ENSURE SAFETY.

-  **DANGER:** If not observed, serious injury or even death may occur as a result.
-  **WARNING:** If not observed, serious physical injury or property damage may occur as a result.
-  **CAUTION:** If not observed, minor physical injury or property damage may occur as a result.



### **DANGER**

Failure to observe the following warnings may result in electric shock, fire, personal injury, property damage or product damage.

Failure to observe the following warnings may result in electric shock, fire, personal injury, property damage or product damage:

- Do not use a damaged power plug or plug into a loose electric outlet.
- Do not move the product by pulling the power cord.
- Do not handle the product or power plug with wet hands.
- Do not forcefully bend the power cord or place heavy objects on it to prevent it from being damaged or deformed.
- Do not connect and pull out the power plug or cord repeatedly.
- Unplug the product before cleaning, repairing, inspecting, or replacing parts.
- Remove any dust or water from the power plug prior to plugging in.
- Do not plug the product into an electrical outlet or power strip that is being used by too many other products. Use an electrical outlet adequate for the wattage of the product rated for a minimum of 15 amps.
- If the power cord is damaged, do not attempt to repair, modify, or replace the cord yourself. Contact the Brondell Service Center toll free at **888-542-3355** or email us through our website.
- If the product produces a strange noise, a burning smell, or emits smoke, unplug it immediately from the electrical outlet and contact Brondell. Failure to do so may result in electric shock or fire.
- Do not insert any wires or sharp objects into any product gaps. This may result in electric shock, fire, or product damage.
- Do not place an electronic or gas heater near the product or dispose of any burning materials such as a lit cigarette in the toilet. This may result in fire or product deformation. Do not place any containers filled with water or other liquids, food, metallic objects, or any flammable material on top of the product. If foreign material enters the product, this may result in electric shock or fire.

# SAFETY INFORMATION (IMPORTANT SAFEGUARDS)



## DANGER

Failure to observe the following warnings may result in electric shock, fire, personal injury, property damage or product damage.

- Do not use the product in locations exposed to excessive moisture and do not splash water onto the product.
- While cleaning the bathroom, pull the power plug out of the electrical outlet and exercise caution to ensure that water or cleaning supplies do not splash onto the bidet. Failure to do so may result in electric shock or fire.
- If foreign material enters the product, pull the power plug out of the electrical outlet, turn off the main water valve, and call the Brondell Service Center.
- Do not disassemble, repair, or modify the product yourself.
- Do not use the product while wet from bathing or showering.
- Do not place or store the product where it can fall or be pulled into a tub or sink.
- Do not place in or drop the product into water or any other liquid.
- Do not reach for the product if it has fallen into water. Unplug the product immediately and call the Brondell Service Center.
- Do not use the product if it is not working properly. Please unplug the product immediately, close the main water supply valve, and call the Brondell Service Center at **888-542-3355**. Failure to do so may result in electric shock, fire, or flooding.



## WARNING

Failure to observe the following warnings may result in electric shock, fire, personal injury, property damage or product damage.

- Do not plug in, operate, or store the unit in locations where flammable or combustible materials are used or kept.
- Do not use industrial water, or gray water for the supply, as this may cause skin damage or disease.
- Turn off the main water supply valve when cleaning.
- For children and seniors who may have difficulties with adjusting temperatures or those with sensitive skin or impaired heat sensitivity, set the temperature of the wash spray and seat to “low” or “off” to prevent burning.
- Close supervision is necessary when this product is used by children, seniors, or persons requiring general assistance.
- Do not press the buttons using excessive force.
- Do not stand on top of or place any heavy objects onto the seat cover.
- Use this product for its intended use only, as described in this manual. Do not use any attachments that are not recommended by Brondell.

# SAFETY INFORMATION (IMPORTANT SAFEGUARDS)



## WARNING

Failure to observe the following warnings may result in electric shock, fire, personal injury, property damage or product damage.

- Never operate this product if it has a damaged cord or plug, if it is not working properly, if it has been dropped or damaged, or dropped into water. Contact the Brondell Service Center for examination and repair.
- Keep the cord away from heated surfaces and heating vents.
- Never block the air openings of the product or place it on a soft surface, such as a bed or couch, where the air openings may be blocked. Keep the air openings free of lint, hair, etc.
- Never drop or insert any object into any opening or hose.
- Do not use the product outdoors or operate where aerosol (spray) products are being used or a room where it could be exposed to oxygen.
- Connect this product to a properly grounded outlet only. Refer to the Grounding Instructions in the next pages of the manual.



## CAUTION

Failure to observe the following warnings may result in electric shock, fire, personal injury, property damage or product damage.

- Do not connect the main water supply to the hot water pipe or supply (only connect to the cold water supply).
- After the installation, make sure to check all water supply connections for leaks. Rubber washers should be in place for the water connection hoses & T-Valve.
- Do not open/close the seat or seat cover with excessive force.
- Exercise caution that urine does not come into contact with the product - failure to do so may result in bad odors or malfunction.
- If the product will not be used for a long period of time, unplug the power cord, close the main water supply valve, and drain any water in the water tank.
- Do not pull out the bidet hose using excessive force.
- Do not use thinner, benzene, acidic chemicals, chloride, or hydrochloric acid detergent on or near the product. This may result in corrosion to the metal parts or discoloration or scratches to the bidet body.
- This appliance is not intended for use by persons (including children and seniors) with reduced physical, sensory, or mental capabilities, or lack of experience and knowledge, unless they have been given supervision or instruction concerning the use of the appliance by a person responsible for their safety.
- Children should be supervised to ensure that they do not play with the appliance.

# SAFETY INFORMATION (IMPORTANT SAFEGUARDS)



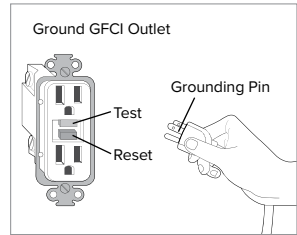
## ATTENTION

For those with certain medical or mobility issues in the bathroom, we recommend our Swash 1400 or Swash 1000 bidet seats, as their mounting systems are engineered for the most secure transitions from wheelchairs or walkers.

## GROUNDING AND GFI OUTLET INSTRUCTIONS

This product should only be used with a grounded GFCI (Ground Fault Circuit Interrupter) outlet and a grounded three-prong electrical cord as shown to the right. In the event of an electrical short circuit, using a grounded GFCI outlet reduces the risk of electric shock.

This product is equipped with a grounded cord and is for use on a nominal 120V circuit only (minimum 15 amps) and must be plugged into an outlet that is properly grounded with a GFCI breaker as shown. Replace or repair a damaged cord immediately.



## IMPROPER USE OF THE GROUNDING PLUG CAN RESULT IN A RISK OF ELECTRIC SHOCK.

- If repair or replacement of the cord or plug is necessary, do not connect the grounding wire to either flat blade terminal. The wire with green insulation (either with or without a yellow stripe) is the grounding wire.
- Check with a qualified electrician if the grounding instructions are not completely understood, or if there is doubt if the product is properly grounded.

# Product Features

## **Stainless-Steel Nozzle System**

Stainless steel resists soiling and bacterial contamination for enhanced hygiene.

## **Posterior and Feminine Warm Water Wash**

Experience the ultimate in clean with adjustable temperature, position, pressure, massage, and oscillation settings.

## **Positionable Nozzle**

The nozzle has five different positions to ensure the most comfortable and complete wash.

## **Adjustable Water Temperature and Pressure**

Each wash mode (Front and Rear) has four available water temperature settings, and five water pressure settings.

## **Massage**

When activated, the water pressure automatically increases and decreases to provide a pulsating, cleaning spray.

## **Warm Air Dryer**

Includes adjustable temperature with five levels for a hands-free experience and toilet paper reduction – even elimination.

## **Nozzle Oscillation**

The Move function provides a massaging, oscillating cleanse during the wash cycle ensuring a thorough and comfortable wash.

## **Auto Function**

Activates a preset for a rear wash cycle followed by a drying cycle.

## **Ergonomic Heated Seat**

With four temperature settings (High/Med/Low/Off).

## **Illuminating Nightlight**

The cool blue hue of the nightlight means no more blinding lights during midnight trips to the bathroom.

## **Gentle-Closing Seat and Lid**

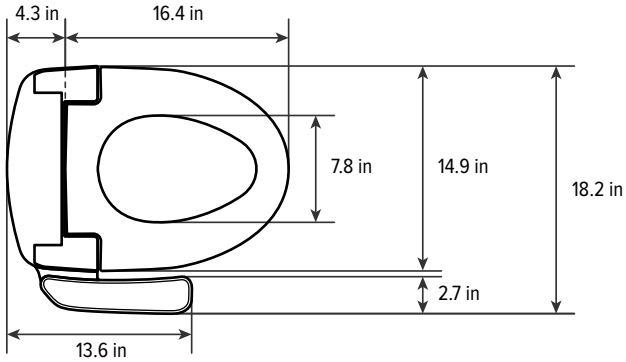
“Slam free” gentle closing seat and lid are user friendly.

## **Eco Mode**

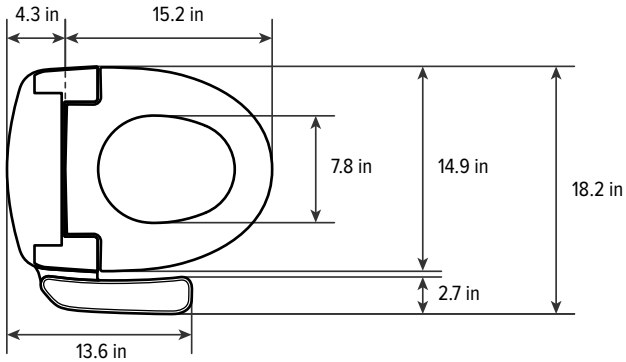
When activated, this function automatically lowers the water and seat temperature.

# Product Dimensions

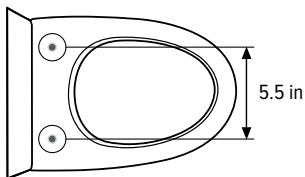
## Elongated Top View



## Round Top View

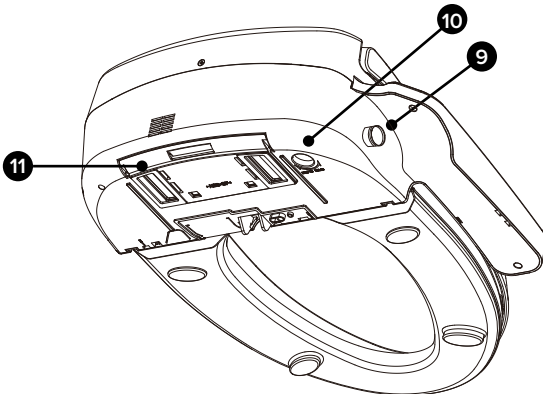
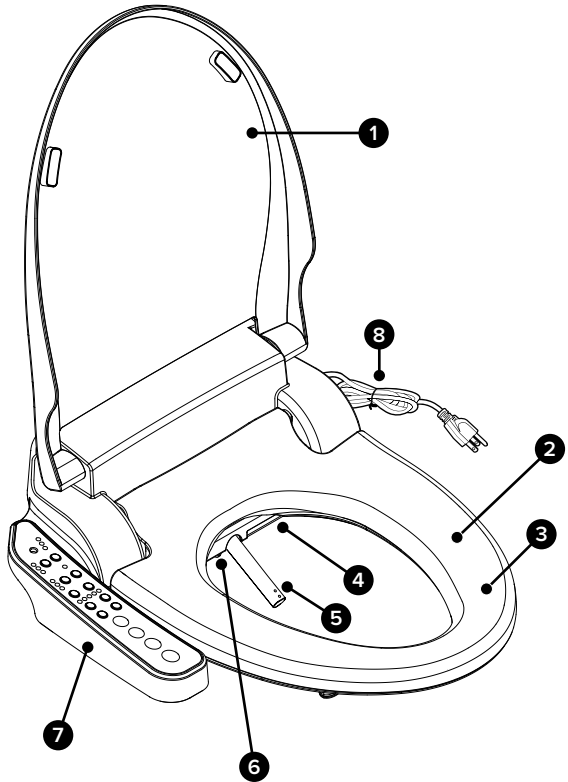


## Required Distance Between Mounting Holes



# Product Parts

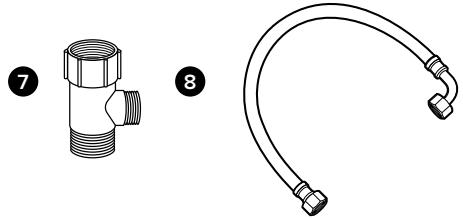
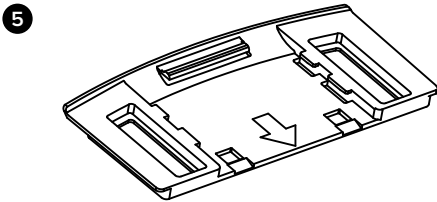
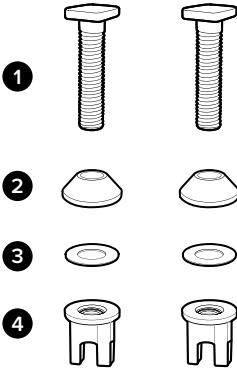
1. Lid
2. Seat Sensor
3. Warm Seat
4. Warm Air Dryer
5. Nozzle Assembly
6. LED Nightlight
7. Control Panel
8. Power Plug
9. Water Inlet with Mesh Filter
10. Drain Plug
11. Mounting Plate



## PRODUCT INSTALLATION

# Installation Parts

1. Mounting Bolt (2)
2. Rubber Cone Washer (2)
3. Flat Washer (2)
4. Nuts (2)
5. Mounting Plate
6. Top-Mount Brackets (2)
7. T-Valve Connector with Rubber Washer
8. Bidet Hose



## Before Installation



**DO NOT PLUG THE PRODUCT IN WHILE THE UNIT IS UPSIDE DOWN**

This may cause damage to the internal components.

### WATCH OUR INSTALLATION VIDEO

Installation for all Swash products can be found online at [brondell.com](http://brondell.com)

### CHECK BOLT SPREAD

This bidet seat can only be installed on toilets with a bolt hole spread of 14 cm / 5.5 in. (see Product Dimensions on page 7 for more information).

### CHECK FOR TOP MOUNT INSTALLATION

If your fixture only has top-side access to the mounting bolts that hold the seat to the toilet, use the Top-Mount Brackets included in the hardware pack (see page 12).

### CHECK FOR A CONCEALED TOILET FILL VALVE

Many modern toilets have sleek designs intended to cover and camouflage plumbing connections, which makes a standard Swash installation difficult or impossible. For this, we recommend using our Alternate Swash Bidet Seat T-Valve, found on [brondell.com](http://brondell.com).

### CHECK WATER SUPPLY LINE

Check the line that connects the toilet tank to the water shut off valve. If it is a rigid pipe, you may need to purchase a flexible hose to replace it before installing the Swash. The length of the hose and the size of the connectors will vary.

### RESIDUAL MOISTURE IS NORMAL

Every product is tested with pure water during production to ensure the highest quality and performance. It is normal to find a small amount of residual moisture on the product and in the reservoir and filter.

### TOOLS

A Phillips head or standard screwdriver may be needed to remove the existing toilet seat and a standard wrench may be needed for tight water supply connections. Teflon tape can be helpful in creating a water-tight seat between plumbing connections.

## PRODUCT INSTALLATION

# Swash Installation

Please read these instructions carefully before installing the Swash. Failure to do so could result in flooding, leaking or damage to the product.

**NOTE:** Steps may vary by type of seat and toilet

### 1. Existing Toilet Seat Removal

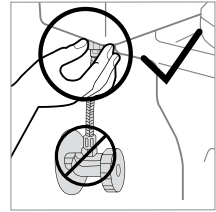
- Lift hinge covers and use a screwdriver to remove the mounting bolts.
- Remove the toilet seat. Keep for future use.

### 2. Turn Off Water Supply Valve and Flush Toilet

- Turn water valve off to stop the flow of water.
- Flush toilet and hold down handle to completely empty tank.
- Disconnect water supply hose from toilet tank. Do not disconnect from the water supply valve.

#### NOTES

- You may wish to place a container under the tank to catch excess water.
- Do not continue without completing the above steps
- Failure to do so could result in flooding, leaking or damage to the Swash.

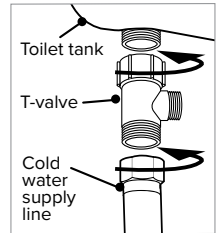


Step 2c

### 3. Connect the top of the T-Valve to the incoming water connection on the bottom of your toilet tank.

#### NOTES

- The T-Valve connects to the fill valve directly under your toilet tank - it does not connect at the wall.
- Only connect to the cold toilet water supply line.
- If your water supply line is rigid you may need to replace the water supply line before continuing.



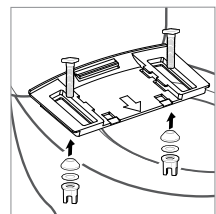
Steps 3-4

### 4. Connect the water supply line coming from the wall to the bottom of the T-Valve

### 5. Install Mounting Plate for Standard Installation

(see Page 12, Step 6 for instructions on using the Top-Mount Brackets)

- Place adjustable mounting plate over mounting holes on toilet, rubber side facing down, arrow pointing to the toilet bowl.
- Insert the mounting bolts through the mounting plate and mounting holes of the toilet. Be sure that the square mounting bolt head is even with the sides of the mounting plate.



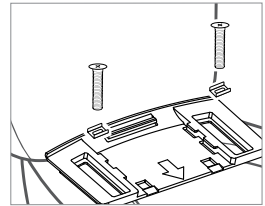
Steps 5b & 5c

# Swash Installation

- c. Slide rubber cone washer, flat washer, and then nut onto mounting bolts under the toilet bowl and tighten to keep mounting plate in place.

6. Install Mounting Plate for top-mounted toilet seats (see Page 11, Step 5 for instructions on Standard Installation). This method will use a combination of the included Top-Mount Brackets and the original toilet seat mounting bolts.

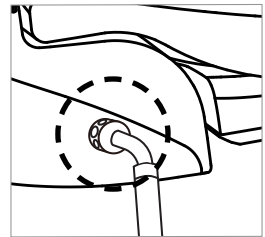
- a. Place adjustable mounting plate over mounting holes on toilet, rubber side facing down, arrow pointing to the toilet bowl.
- b. Place the provided Top-Mount Brackets flat side down into the slots of the Mounting Bracket, over the bolt holes.
- c. Insert the original toilet seat mounting bolts through the Top-Mount Brackets and into the threaded bolt holes of the toilet, using a screwdriver to tighten.



Steps 6b & 6c

7. Connect the Bidet Hose to the Seat

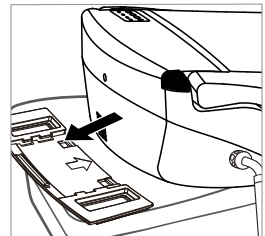
- a. Connect the elbow side of the bidet hose to the water inlet. Hand-tighten to secure. Take care not to twist the bidet hose, excessively bend it, or strip the plastic screw threads when screwing the hose onto the bidet seat.



Step 7a

8. Attach the Swash to the Mounting Plate

- a. Set the Swash flat on the toilet bowl in front of the mounting plate, and slide seat onto plate until it is secure.
- b. If the seat appears too short or too long for the toilet, adjust the mounting plate accordingly. To adjust the mounting plate, loosen the nuts underneath the toilet and slide seat forward or backwards as needed. Once the seat is lined up properly, tighten the nuts to hold in place.



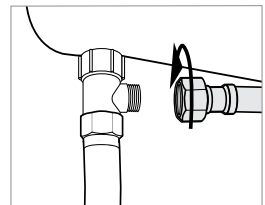
Step 8b

**NOTES:** For those with mobility issues, we recommend our Swash 1400 or Swash 1000 bidet seats, as their mounting systems are engineered for the most secure transitions from wheelchairs or walkers.

9. Connect the open end of the Bidet Hose to the T-Valve.

10. Turn On Water Supply

- a. Open the main water supply valve slowly and check for leaks.
- b. Wait 5 minutes, check again and if there are no leaks continue.



Step 9

## PRODUCT INSTALLATION

# Swash Installation, External Bidet Filter Installation

11. Plug the Power Cord into an Electrical Outlet
  - a. If the Power Indicator is not illuminated press any button on the control panel.

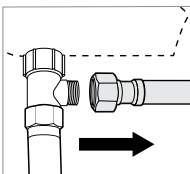
**NOTE:** Make sure to only use a grounded GFCI (ground fault circuit interrupter) electrical outlet. In the case of a short circuit, a grounded GFCI outlet may help prevent electric shock or injury.

12. Press the "REAR WASH" button on the control arm to fill the water tank. The bidet will beep continuously while it fills and then issue one long beep when the water tank is full. Wait 3-5 minutes for the water to heat, and then the Swash will be ready to use.
13. Follow instructions on Page 16 for using the Swash.

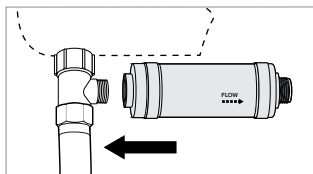
### External Bidet Filter Installation

**NOTE:** Customers with hard water, well water, and softened water can extend the life of their bidet seat by purchasing and installing an external inline water filter to be used with the Swash. The bidet filter should be changed every six months, and can be purchased online at [brondell.com](http://brondell.com).

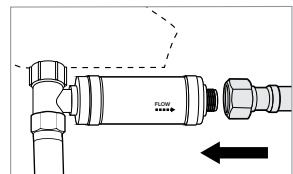
1. Turn Off Water Supply Valve and Flush Toilet.
  - a. Turn water valve off to stop the flow of water.
  - b. Flush toilet and hold down handle to completely empty tank.
2. Disconnect the Bidet Hose from the T-Valve
3. Connect the female end of the Swash Filter to the open T-Valve connection.
4. Connect the Bidet Hose to the male end of the Swash Filter.
5. Turn the toilet water supply valve back on.



Step 2

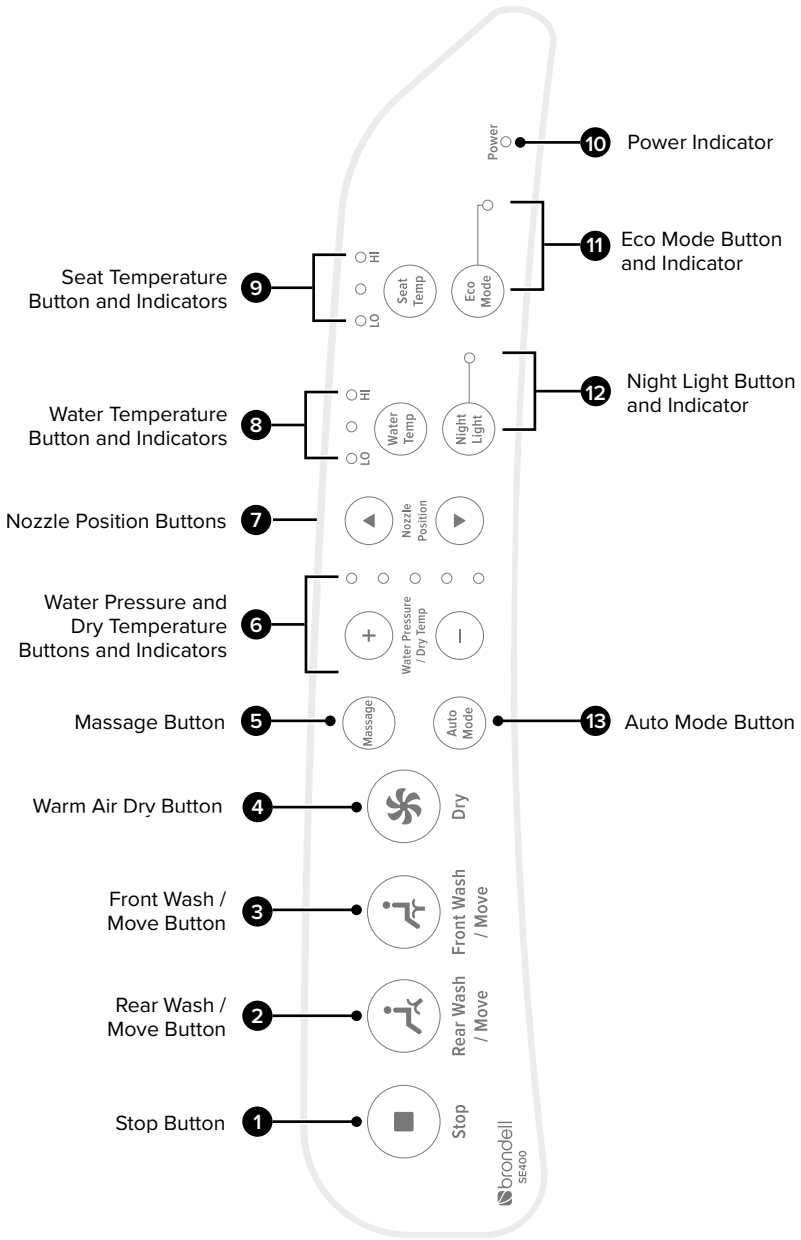


Step 3



Step 4

# SE400 Control Panel



# SE400 Control Panel

## 1. Stop Button

Stops all wash and dry functions currently operating. Press and hold this button for four seconds to power off the bidet.

## 2. Rear Wash / Move Button

Press once to initiate a rear wash. Press again to initiate nozzle oscillation (repetitive forward and backward nozzle movement).

## 3. Front Wash / Move Button

Press once to initiate a front wash. Press again to initiate nozzle oscillation (repetitive forward and backward nozzle movement).

## 4. Dry Button

Press once to initiate a two minute Warm Air Dryer cycle.

## 5. Massage Button

Pressing this button while a wash is running enables the water to repeatedly increase and decrease in pressure in a pulsating pattern. Press again to stop the massage.

## 6. Water Pressure and Dry Temperature Buttons and Indicators

Press the “+” and “-” buttons to increase and decrease the outgoing water pressure to one of five settings. Pressing these buttons while the Warm Air Dryer is operating will adjust the Drying temperature. Settings will be saved for the next use.

## 7. Nozzle Position Buttons

Press the arrow up and arrow down buttons to adjust the nozzle position forward and backward during a wash cycle. Between uses the nozzles will revert back to the middle position.

## 8. Water Temperature Button and Indicators

Press and release the “Water Temp” button to adjust the outgoing water temperature to one of four settings (LO: 93.2° F, MED: 98.6° F, HI: 104° F, and OFF). Settings will be saved for the next use.

## 9. Seat Temperature Button and Indicators

Press and release the “Seat Temp” button to adjust the seat temperature to one of four settings (LO: 95° F, MED: 100.4° F, HI: 104° F, and OFF). Settings will be saved for the next use.

## 10. Power Indicator

This indicator will light up when the bidet is powered on, and will be off when the bidet is powered off. To turn off the bidet press and hold the “STOP” button for at least four seconds.

## 11. Eco Mode Button and Indicator

Press and release the “Eco Mode” button to select or turn off Eco Mode. The indicator will light up when the Eco Mode has been selected. See Page 17 for more information.

## 12. Night Light Button and Indicator

Press the “Night Light” button to enable the Night Light (the indicator light will be illuminated). Press again to disable the Night Light and indicator.

## 13. Auto Mode Button

Press this button once to initiate a one minute rear wash cycle followed by a one minute dry cycle. See Page 17 for more information.

# Using the SE400

**NOTE:** The wash functions will not work unless the sensor in the seat detects someone sitting down (with the built-in skin conductivity sensor). To override the Seat Sensor, please see the instructions on Page 18.

## Prepare for Wash

Sit on the seat to ensure skin-to-seat contact on the Seat Sensor. Once contact is made the seat will automatically perform many functions:

1. The seat will give an audible beep letting you know the Seat Sensor has been engaged.
2. The water pressure indicator lights will come on displaying the current setting.
3. If the bidet was set to Eco Mode, the seat and water temperature will rise to the set temperature settings.

## Warm Water Wash

When ready to wash, press the "Rear Wash" or "Front Wash" button on the control panel one time to initiate a wash. The nozzle will self-clean, extend into the toilet bowl, spray for two minutes, turn off automatically, retract, and self-clean once again.

1. Pressing the "Rear" or "Front" button a second time while the wash is running will cause the nozzle to oscillate forward and backward, providing a wider range of wash spray. Press again to cancel the move function.
2. While washing, users can adjust the water temperature, pressure, and nozzle position settings, as well as initiate the massage feature by following the notes on Page 15.
3. If you would like to stop the wash before the two minute cycle ends, press the "Stop" button to discontinue water flow.
4. After extended use the water may decrease in temperature if a LOW, MEDIUM, or HIGH water temperature setting is selected. To regain warmer water, stop all wash functions for three minutes to allow the bidet to reheat the water.

## Using the SE400

### Warm Air Dryer Function

Press the “Dry” button to activate the warm air dryer. The dryer will run for two minutes and turn off automatically.

1. While the air dryer is operating, users can adjust the dryer temperature to a comfortable level using the Dry “+” and “-” buttons. The dry temperature will be reflected on the five indicator LEDs.
2. If you would like to stop the dryer before the two minutes has elapsed, press Stop.

### Auto Mode

Pressing the “Auto Mode” button will initiate a one-minute Rear Wash with the following parameters preset:

- Seat Temperature set to Medium
- Nozzle Oscillation (Move) on
- Water Pressure set to Level 3
- Water Temperature set to Medium

After the wash cycle is over, Auto Mode will initiate a one-minute Warm Air Dry cycle on Level 2.

**NOTE:** All wash and dry settings are adjustable, while the Auto Mode wash cycle is running, to suit your preferences

### Eco Mode

In this mode the water in the tank and the seat temperature will be heated to 86°F when the bidet is not in use. Once a person sits on the bidet the Swash will revert to the last seat and water temperature settings used. To select this option press and release the “Eco Mode” button to illuminate its indicator.

## Special Mode Operations

**NOTE:** Do not sit on the seat when in Special Mode Operations. The process will not work while the seat is occupied.

### Seat Sensor Override

The Seat Sensor is activated at the factory by default. Completing the following steps will bypass the body sensor located in the seat and allows the wash functions and dry functions to operate without the sensor being engaged. Use caution in this mode.

1. Unplug the Swash bidet seat.
2. Press the two Water Pressure/Dry Temp buttons (+ and –) and plug the seat in while holding the two buttons down.
3. Keep holding the two Water Pressure/Dry Temp buttons (+ and –) down for five seconds. A beep will sound, indicating that the Seat Sensor has been overridden. To test that the procedure worked, press the Dry button. If the Warm Air Dryer comes on without anyone sitting on the seat, you have successfully overridden the Seat Sensor.
4. You can resume using the seat as normal.
5. To reactivate the Seat Sensor, repeat Steps 1-3.

### Activating/Deactivating Silent Mode

By default, the Swash will beep to confirm commands from the control panel. Follow the steps below to silence the beeping sounds.

1. Press and hold down the Rear Wash/Move button and the “–” Water Pressure/Dry Temp button at the same time for four seconds.
2. A beep will sound, indicating that the Silent Mode has been activated.
3. To deactivate Silent Mode, repeat Steps 1-2.

# Product Specifications

## BRONDELL SWASH ADVANCED BIDET SEAT

<b>Model</b>	SE400-EW, SE400-RW
<b>Power Voltage</b>	120 V, 60 Hz
<b>Power Consumption</b>	660 W
<b>Supply Water Pressure</b>	14.2 psi – 106.6 psi
<b>Dimensions</b>	Elongated: 18.5 in x 20.87 in x 6.10 in Round: 18.5 in x 19.5 in x 6.10 in
<b>Weight</b>	Elongated: 9.7 lbs / Round: 9.5 lbs
<b>Seat / Lid Weight Limit</b>	275 lbs. / 178 lbs.
<b>Operating Temperature</b>	37.4° F – 104° F
<b>Mesh Filter</b>	0.43 in x 0.6 in diameter

## WARM WATER WASHING DEVICE


<b>Rear Wash</b>	Maximum .95 L/min., automatic nozzle self-cleaning
<b>Front Wash</b>	Maximum .95 L/min., automatic nozzle self-cleaning
<b>Standard Time</b>	Rear Wash: 2 minutes / Front Wash: 2 minutes
<b>Water Pressure Control</b>	5 Levels
<b>Water Temperature Control</b>	4 Levels: Off - incoming water temperature, Low – 93.2° F, Medium – 98.6° F, High - 104° F
<b>Heater Power Consumption</b>	600W
<b>Safety Devices</b>	Thermal Fuse, Thermostat, Water Level Sensor

## HEATED SEAT

<b>Seat Temperature Control</b>	4 Levels: Off - room temperature Low - 95° F, Medium – 100.4° F, High - 104° F
<b>Heater Power Consumption</b>	55 W
<b>Safety Devices</b>	Thermostat

**NOTE:** The specifications listed above are subject to change without prior notice for reasons of improving the product performance.

# Seat Cleaning & Removal, Nozzle Cleaning

 Unplug the Swash from the power source before cleaning or removing the seat.

## Seat Cleaning & Removal

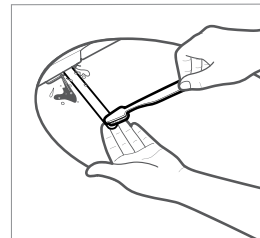
Use a soft, damp cloth and mild cleanser (such as dish soap, Simple Green or Windex) to wipe down the seat. DO NOT scrub or use harsh, abrasive products to clean the Swash. DO NOT use thinner, benzene, acidic chemicals, chloride, or hydrochloric acid detergent. This may result in corrosion to the metal parts or discoloration or scratches to the bidet body.

For a more thorough cleaning, you may remove the Swash. To remove the bidet, forcefully pull the bidet away from the toilet tank off of the mounting plate.

**NOTE:** Be cautious of leaving home and beauty products in contact with the bidet seat, the result of which can be irreversible discoloration. Most stains can be removed using a 1:1 mix of rubbing alcohol and water and a soft cloth or towel. However, some permanent stains are the result of substances left on the seat while the seat heater was activated. Be cautious of home and beauty products (including but not limited to various hair and air freshener sprays, lotions, body wash, skin tanners, body butters, and oils) that come in contact with the seat. Wash off any substances that come in contact with the seat as soon as possible. If necessary, replacement seat parts can be purchased through Brondell customer support.

## Nozzle Cleaning

1. Press and release the “Rear Wash” and “Front Wash” buttons simultaneously on the control panel. The nozzle will extend into the toilet bowl.
2. Gently clean the nozzle manually with a soft cloth or toothbrush.
3. To retract the nozzle press the “Stop” button.



Step 1

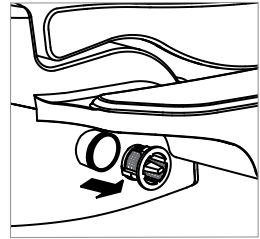
**NOTE:** The Nozzle Cleaning function will not work if the seat is occupied, or if the Seat Sensor has been overridden.

# Cleaning the Mesh Filter & Product Storage

## Cleaning the Mesh Filter

Cleaning intervals will differ depending on use and water quality. It is recommended to check the filter at least once a year.

1. Turn off the water supply and hold the toilet's flush lever down until all of the water has drained from the tank.
2. Unplug the Swash, remove the bidet from the toilet, and disconnect the bidet hose. You may want to use a bucket to catch any dripping water from the bidet hose.
3. Remove the Mesh Filter from the water inlet with a pair of tweezers or needle-nosed pliers.
4. Clean the filter with a toothbrush while running under tap water to effectively remove any foreign substances or build-up.
5. Replace the Mesh Filter and carefully check that it is installed correctly. If improperly installed, it could result in the product leaking water.
6. Reconnect the bidet hose and place the seat back on the toilet. Plug the cord back in, and turn the water supply back on.



Step 3

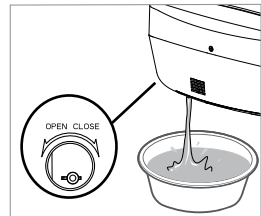
## Product Storage

### Short Term Non-Use

If the product will not be used for more than a few weeks, you can simply unplug it. You may also consider shutting the water supply off at the wall for extra precaution.

### Long Term Non-Use

If the product will not be used for an extended time (longer than four months), you should unplug the unit, shut the water supply off at the wall, remove the Swash from the toilet by forcefully pulling the Swash away from the tank off of the mounting plate. Remove the bidet hose. To drain the Hot Water Heater, unscrew the drain plug by turning it counterclockwise by 90 degrees towards "OPEN," allowing any residual water to drain out.



# Troubleshooting

If the bidet appears to be operating abnormally, please review the troubleshooting tips before calling the Brondell Service Center as most issues are easily resolved with a few simple steps. If you are unable to resolve the issue after checking the following items, please call the Service Center at 888-542-3355, Mon–Fri, 9am–5pm PST, or email us at support@brondell.com.

**Check before continuing:**

- Make sure the Swash is connected to power and that the outlet is working properly.
- Make sure you check & test the reset button on the GFCI outlet (Standard 120V GFCI outlet).
- Make sure main water supply valve is open.
- Make sure the seat is not in Eco Mode.
- Confirm there are no leaks from hoses or water supply.
- Make sure Mesh Filter is clean and free of build up or debris (see maintenance section).

After checking items above, refer to the following troubleshooting chart for additional solutions

Problem	Possible Cause(s)	Solution(s)
The bidet seat is not working	1. Bidet not plugged in	1. Make sure the bidet is plugged in.
	2. No power to Swash	2. Check and reset GFCI outlet.
	3. The incoming water is too hot	3. Ensure that the bidet seat is connected to the cold water supply.
	4. Not activating Seat Sensor	4a. Adjust sitting position to fully cover the Seat Sensor. 4b. Override the Seat Sensor.
Product shuts off during use	1. Washing time exceeded the cycle time	1. The wash cycles run for two minutes. Press the wash button after the wash has finished to continue the wash cycle.
	2. Power failure	2. Check and reset GFCI outlet.
	3. Water supply too hot	3. Ensure that the Swash is connected to the cold water supply only.
Low water flow or spray pressure	1. Clogged filter	1. Remove, clean, and reinstall mesh filter (see maintenance section).
	2. Water supply valve not opened fully	2. Check that the water supply valve at wall is fully open.
	3. Nozzles dirty	3. Clean nozzles (see maintenance section).
	4. External bidet filter	4. If you have an external bidet filter, check and replace if necessary.
	5. Pressure settings	5. Increase the water pressure settings.

# Troubleshooting

Problem	Possible Cause(s)	Solution(s)
Nozzles do not function properly	<ol style="list-style-type: none"> <li>1. Nozzles are dirty</li> <li>2. Clogged filter</li> <li>3. Water pressure is too low</li> <li>4. External bidet filter</li> </ol>	<ol style="list-style-type: none"> <li>1. Clean nozzles (see Page 20).</li> <li>2. Remove, clean, and reinstall mesh filter (see Page 21).</li> <li>3. Check water supply valve at wall is fully open.</li> <li>4. If you have an external bidet filter, check and replace if necessary.</li> </ol>
Water Temperature is low	<ol style="list-style-type: none"> <li>1. Water comes out cold</li> <li>2. Water comes out lukewarm</li> <li>3. Water starts out hot but decreased in temperature</li> </ol>	<ol style="list-style-type: none"> <li>1. The Water temperature level is turned off or set to "LO". Adjust temperature on control panel.</li> <li>2. Turn off Eco Mode.</li> <li>3. Warm water can be used for about 40 seconds at the "MED" setting. Stop all wash functions to allow the heater to warm the water.</li> </ol>
Seat is not heated	<ol style="list-style-type: none"> <li>1. Seat temperature set to off</li> </ol>	<ol style="list-style-type: none"> <li>1. Make sure that the Seat temperature setting is on.</li> </ol>
Bidet wash feature does not work or fails to spray	<ol style="list-style-type: none"> <li>1. Body sensor does not detect that you are sitting on the Swash</li> </ol>	<ol style="list-style-type: none"> <li>1a. Adjust sitting position to fully cover the Body Sensor (see Page 8).</li> <li>1b. Override the body sensor – refer to Special Mode Operation section on Page 18 to unlock the body Seat Sensor.</li> </ol>
Water (wash spray) not heated	<ol style="list-style-type: none"> <li>1. Water temperature set to off</li> <li>2. Resettable fuse blown</li> </ol>	<ol style="list-style-type: none"> <li>1. Make sure that the Water temperature setting is on.</li> <li>2. The bimetal resettable fuse may blow if the temperature exceeds over the normal level. The bidet will not work and show an error message until the bidet cools down.</li> </ol>
Water flows before or after use	<ol style="list-style-type: none"> <li>1. Water coming from nozzles</li> </ol>	<ol style="list-style-type: none"> <li>1a. The water that comes out between the nozzles before or after a wash cycle is the self-clean cycle and is not a malfunction.</li> <li>1b. Residual water may drip into the bowl for several seconds after a wash cycle or self-clean cycle, and is not a malfunction.</li> </ol>

# Troubleshooting

Problem	Possible Cause(s)	Solution(s)
Water leaks from areas other than the nozzles	1. Water leaking from the T-valve	1. Make sure that the rubber gasket is inserted correctly into the T-valve (flat side down with lip pointing up towards the toilet tank connection) and firmly tighten the connector.
	2. Water leaking from the bidet hose connection	2. Make sure that the bidet hose is correctly connected and tight. Check any rubber washers and do not over tighten.
	3. Water leaking from under the seat	3. Check if there is anything between the mesh filter and bidet. Remove, clean, and reinstall mesh filter. Check if the filter is damaged (see maintenance section).
	4. Water leaking from behind the seat	4. Check the water tank plug in the back of the seat (see maintenance section under product storage and use).

---

# Warranty

Brondell products are backed by some of the most comprehensive warranties in the industry. Brondell warrants that all products (excluding consumable items) shall be free from defects in material and workmanship under normal use and service.

## **SE400 Residential One-Year Limited Warranty**

100% Coverage of all parts and labor for the entire product (excluding consumable filters) for the first year from original date of purchase

## **SE400 Commercial Warranty**

Warranty period one year from original purchase date for all Brondell products. Warranties may not apply to products that are used for heavy commercial, hospital, or other high use non-residential applications.

## **Exclusions and Limitations**

1. BRONDELL warrants its products to be free from manufacturing defects under normal use and service. This warranty is extended only to the ORIGINAL PURCHASER.
2. BRONDELL's obligations under this warranty are limited to repairs or replacement, at BRONDELL's option, of products or parts found to be defective, provided that such products were properly installed and used in accordance with instructions. BRONDELL reserves the right to make such inspections as may be necessary in order to determine the cause of the defect. BRONDELL will not charge for labor or parts in connection with warranty repairs for the first year from date of purchase on all products except those that may be subject to commercial use limitations.
3. BRONDELL is not responsible for the cost of removal, return (shipping) and/or re-installation of products. This warranty does NOT apply to:
  - Damage or loss which occurs during shipment.
  - Damage or loss sustained through any natural or man-made causes beyond the control of BRONDELL, including but not limited to fire, earthquake, floods, etc.
  - Damage or loss resulting from sediments or foreign matter contained in a water system.
  - Damage or loss resulting from negligent or improper installation including installation of a unit in a harsh or hazardous environment.
  - Damage or loss resulting from removal, improper repair, modification of the product, or improper maintenance including damage caused by chlorine or chlorine related products
  - Damage or loss resulting from electrical surges, electrical outages, lightning strikes, or other acts which are not the fault of Brondell or which the Product is not specified to tolerate.
4. This warranty gives you specific legal rights. You may have other rights which vary from state to state. THIS WRITTEN WARRANTY IS THE ONLY WARRANTY MADE BY BRONDELL. REPAIR OR REPLACEMENT AS PROVIDED UNDER THIS WARRANTY SHALL BE THE EXCLUSIVE REMEDY AVAILABLE TO THE PURCHASER. BRONDELL SHALL NOT BE RESPONSIBLE FOR LOSS OF USE OF THE PRODUCT OR FOR OTHER INCIDENTAL, SPECIAL, FOR CONSEQUENTIAL DAMAGES OR EXPENSES INCURRED BY THE PURCHASER OR FOR LABOR OR OTHER COSTS DUE TO INSTALLATION OR REMOVAL OR COSTS OF REPAIRS BY OTHERS, OR FOR ANY OTHER EXPENSE NOT SPECIFICALLY STATED ABOVE. EXCEPT TO THE EXTENT PROHIBITED BY APPLICABLE LAW, ANY IMPLIED WARRANTIES, INCLUDING THAT OF MERCHANTABILITY, ARE EXPRESSLY LIMITED TO THE DURATION OF THIS WARRANTY. SOME STATES DO NOT ALLOW LIMITATIONS, SO THE ABOVE LIMITATION AND EXCLUSION MAY NOT APPLY TO YOU.

## **How to Obtain Service**

To obtain repair service under this warranty, you must contact an authorized BRONDELL Service Center to obtain an RMA (Return Merchandise Authorization) number. Proof of purchase in the form of a copy of the original receipt must accompany the returned unit for the warranty to be valid. Take or ship the unit pre-paid to the closest Brondell authorized service center along with the RMA number and proof of purchase.

To obtain the RMA number and locate the BRONDELL Service Center location nearest you, please call 1-888-542-3355, Mon–Fri, 9am–5pm PST.

# brondell®

a healthy home experience

**CONTACT:**

Brondell, Inc.  
PO Box 470085  
San Francisco, CA 94147-0085  
Phone: 1-888-542-3355  
Email: [support@brondell.com](mailto:support@brondell.com)  
Web: [www.brondell.com](http://www.brondell.com)

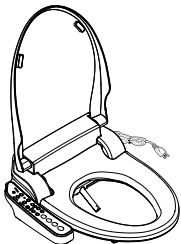
For questions, contact Brondell  
Customer Service:  
1-888-542-3355, Monday – Friday,  
9am – 5pm PST

**MANUFACTURED BY:**

Brondell, Inc.  
PO Box 470085  
San Francisco, CA 94147-0085

**Made in Korea**

**Please retain receipt records for any  
warranty claims.**



# MANUAL DEL USUARIO

## Asientos para inodoro con bidé de lujo Swash SE400

SE400-EW  
SE400-RW

## CONTENIDO

Este manual contiene importante información de seguridad. Antes de utilizar su unidad, por favor lea este manual por completo y consérvelo para consulta en el futuro.

### INFORMACIÓN GENERAL

- 28 INFORMACIÓN DE SEGURIDAD
- 32 INFORMACIÓN DEL PRODUCTO
- 32 Características del Producto
- 33 Dimensiones del Producto
- 34 Partes del Producto

### INSTALACIÓN DEL PRODUCTO

- 35 INSTALACIÓN DEL PRODUCTO
- 35 Partes de la Instalación
- 36 Antes de la Instalación
- 37 Instalación del Asiento Swash
- 40 Instalación del Filtro de Bidé Externo

### OPERACIÓN DEL PRODUCTO

- 41 USO DEL ASIENTO SWASH
- 41 Panel de Control del SE400
- 43 Uso del Asiento SE400
- 45 Operaciones en Modo Especial

### INFORMACIÓN TÉCNICA

- 46 ESPECIFICACIONES DEL PRODUCTO
- 47 Mantenimiento
- 47 Limpieza y Extracción del Asiento
- 47 Limpieza de Boquillas
- 48 Limpieza del Filtro de Malla
- 48 Almacenamiento y Uso del Producto
- 49 SOLUCIÓN DE PROBLEMAS
- 52 GARANTÍA
- 53 CONTACTAR


### TRADUCCIONES


- 01 INGLÉS
- 27 ESPAÑOL
- 54 FRANCÉS


# INFORMACIÓN DE SEGURIDAD (SALVAGUARDIAS IMPORTANTES)

## LEA TODAS LAS INSTRUCCIONES ANTES DE USAR

ASEGÚRESE DE GUARDAR ESTA INFORMACIÓN DE SEGURIDAD. POR FAVOR, LEA ESTA INFORMACIÓN PARA EVITAR DAÑOS MATERIALES Y GARANTIZAR LA SEGURIDAD.

 **PELIGRO:** Si no se siguen estas indicaciones, pueden ocurrir lesiones graves o incluso la muerte.

 **ADVERTENCIA:** Si no se siguen estas indicaciones, pueden ocurrir lesiones físicas o daños materiales graves.

 **PRECAUCIÓN:** Si no se siguen estas indicaciones, pueden ocurrir lesiones físicas o daños materiales menores.



### PELIGRO

No acatar las siguientes advertencias puede provocar descarga eléctrica, incendio, lesiones personales, daños materiales o daños al producto.

- No utilice una clavija dañada ni la inserte en un tomacorriente flojo.
- No mueva el producto jalando del cable de corriente.
- No maneje el producto o la clavija con las manos mojadas.
- Para evitar que se dañe o deforme el producto, no coloque objetos pesados sobre él ni doble a la fuerza el cable de corriente.
- No conecte y desconecte repetidamente el cable de corriente.
- Desconecte el producto antes de limpiar, reparar, inspeccionar o reemplazar cualquiera de sus partes.
- Retire restos de polvo o agua de la clavija antes de conectarla.
- No conecte el producto a un tomacorriente que esté siendo utilizado por demasiados productos. Use un tomacorriente adecuado para el consumo eléctrico del producto, clasificado para un mínimo de 15 amperios.
- Si el cable de corriente está dañado, no intente repararlo, modificarlo o reemplazarlo usted mismo. Comuníquese con el Centro de Servicio Brondell sin costo marcando el **888-542-3355** o envíenos un correo electrónico a través de nuestro sitio web.
- Si el producto emite un ruido extraño, despiden un olor a quemado o produce humo, desconéctelo inmediatamente del tomacorriente y llame al Centro de Servicio Brondell. No hacerlo puede provocar descarga eléctrica o fuego.
- No inserte cables ni objetos afilados en las aberturas del producto. Esto puede provocar descarga eléctrica, incendio o daños al producto.

# INFORMACIÓN DE SEGURIDAD (SALVAGUARDIAS IMPORTANTES)



## PELIGRO

No acatar las siguientes advertencias puede provocar descarga eléctrica, incendio, lesiones personales, daños materiales o daños al producto.

- No coloque un calentador electrónico o de gas cerca del producto ni deseche en el inodoro materiales encendidos, tales como cigarrillos. Esto puede provocar fuego o deformaciones en el producto. No coloque sobre el producto ningún recipiente con agua u otros líquidos, comida, objetos metálicos ni materiales inflamables. Si algún material extraño se introduce al producto, esto puede provocar una descarga eléctrica o un incendio.
- No utilice el producto en lugares expuestos a humedad excesiva y no salpique agua sobre el producto.
- Mientras limpia el cuarto de baño, retire la clavija del tomacorriente y tenga precaución para asegurar que ni agua ni productos de limpieza salpiquen en el bidé. No hacerlo puede provocar descarga eléctrica o fuego.
- Si algún material extraño entra en el producto, retire la clavija del tomacorriente, cierre la válvula principal de agua y llame al Centro de Servicio Brondell.
- No desarme, repare ni modifique el producto usted mismo.
- No utilice el producto mientras usted esté mojado tras haber tomado un baño o una ducha.
- No coloque ni guarde el producto donde pueda caer o ser jalado al interior de una tina o lavabo.
- No coloque ni deje caer el producto en agua o algún otro líquido.
- No intente agarrar el producto si ha caído al agua. Desconecte el producto inmediatamente y llame al Centro de Servicio Brondell.
- No utilice el producto si no está funcionando apropiadamente. Desconéctelo inmediatamente, cierre la válvula principal de suministro de agua y llame al Centro de Servicio Brondell marcando **888-542-3355**. No hacerlo puede provocar descarga eléctrica, fuego o inundación.



## ADVERTENCIA

No acatar las siguientes advertencias puede provocar descarga eléctrica, incendio, lesiones personales, daños materiales o daños al producto.

- No conecte, ni utilice, ni guarde la unidad en lugares donde se usen o se guarden materiales inflamables o combustibles.
- No utilice aguas industriales ni residuales para el suministro, ya que esto puede causar daños en la piel o enfermedades.
- Cierre la válvula principal de suministro de agua al realizar la limpieza.
- En el caso de niños y personas mayores que pudieran tener dificultades para ajustar temperaturas o quienes tienen piel sensible o alteración en la sensibilidad térmica, ajuste la temperatura del rociado de lavado y del asiento a un nivel “bajo” o “apagado” para evitar quemaduras.
- Es necesaria una estrecha supervisión cuando este producto sea usado por niños, personas mayores o personas que requieran asistencia general.
- No oprima los botones con fuerza excesiva.

# INFORMACIÓN DE SEGURIDAD (SALVAGUARDIAS IMPORTANTES)



## ADVERTENCIA

No acatar las siguientes advertencias puede provocar descarga eléctrica, incendio, lesiones personales, daños materiales o daños al producto.

- No se pare ni coloque algún objeto pesado sobre la tapa del asiento.
- Use este producto solo para el fin que está diseñado, según se describe en este manual. No utilice accesorios que no sean recomendados por Brondell.
- Nunca utilice este producto si se ha dañado el cable o la clavija, si no está funcionando apropiadamente, si se ha caído o dañado, o si ha caído al agua. Comuníquese al Centro de Servicio Brondell para solicitar una revisión y reparación.
- Mantenga el cable alejado de superficies calientes y de rejillas de calefacción.
- Nunca bloquee las aberturas de ventilación del producto ni lo coloque sobre una superficie blanda, tal como una cama o un sillón, donde las aberturas de ventilación pudieran quedar bloqueadas. Mantenga las aberturas de ventilación libres de pelusa, cabello, etc.
- Nunca deje caer ni inserte objeto alguno en alguna abertura o manguera.
- No utilice el producto en exteriores ni donde se estén usando productos en aerosol (rociadores) o donde pueda estar expuesto a oxígeno.
- Conecte este producto solo a un tomacorriente con conexión apropiada a tierra. Consulte las instrucciones de conexión a tierra en las siguientes páginas del manual.
- Conecte este producto sólo a un tomacorriente con conexión apropiada a tierra. Consulte las Instrucciones de Conexión a Tierra.



## PRECAUCIÓN

No acatar las siguientes advertencias puede provocar descarga eléctrica, incendio, lesiones personales, daños materiales o daños al producto.

- No conecte el suministro principal de agua al tubo o suministro de agua caliente (solo conéctelo al suministro de agua fría).
- Después de la instalación, asegúrese de revisar todas las conexiones de suministro de agua para ver si presentan fugas. Las arandelas de goma se deberán colocar donde corresponde para las mangueras de conexión de agua y la válvula en T.
- No abra ni cierre el asiento o la tapa del asiento con fuerza excesiva.
- Tenga cuidado de que la orina no entre en contacto con el producto. No hacerlo así puede provocar malos olores o mal funcionamiento.
- Si el producto no se usará por un período de tiempo prolongado, desconecte el cable de corriente, cierre la válvula principal de suministro de agua y drene el agua restante del depósito de agua.
- No retire la manguera del bidé con fuerza excesiva.
- No use adelgazador, benceno, compuestos químicos ácidos, cloro o detergente con ácido clorhídrico en el producto o cerca del mismo. Esto puede provocar corrosión a las partes metálicas o decoloración/rayaduras en el cuerpo del bidé.

# INFORMACIÓN DE SEGURIDAD (SALVAGUARDIAS IMPORTANTES)



## PRECAUCIÓN

No acatar las siguientes advertencias puede provocar descarga eléctrica, incendio, lesiones personales, daños materiales o daños al producto.

- Este aparato no está diseñado para ser usado por personas (incluidos niños y personas mayores) con discapacidades físicas, sensoriales o mentales, o carentes de experiencia y conocimiento, a menos que se les haya brindado supervisión o entrenamiento con respecto al uso del aparato por parte de una persona responsable de su seguridad.
- Lo niños deberán ser supervisados para asegurar que no jueguen con el aparato.



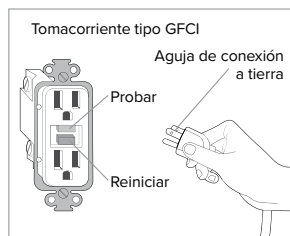
## ATENCIÓN

Para aquellos con ciertos problemas médicos o de movilidad en el baño, recomendamos nuestros asientos de bidé Swash 1400 o Swash 1000, ya que sus sistemas de montaje están diseñados para las transiciones más seguras de sillas de ruedas o andadores.

## INSTRUCCIONES DE CONEXIÓN A TIERRA Y TOMACORRIENTE TIPO GFI

Este producto solo se debe usar con un tomacorriente tipo GFCI (interruptor de falla a tierra) con conexión a tierra y con un cable eléctrico con clavija de tres agujas como se muestra a la derecha. En caso de un cortocircuito eléctrico, el uso de un tomacorriente tipo GFCI con conexión a tierra reduce el riesgo de descarga eléctrica.

Este producto está equipado con un cable con conexión a tierra; se debe usar solamente en un circuito nominal de 120 V (mínimo de 15 amperios) y se debe conectar a un tomacorriente que tenga conexión apropiada a tierra con un cortacircuitos GFCI como se muestra. Reemplace o repare inmediatamente un cable dañado.



## EL USO INAPROPIADO DE LA CLAVIJA CON CONEXIÓN A TIERRA PUEDE PROVOCAR RIESGO DE DESCARGA ELÉCTRICA.

- Si se requiere la reparación o el reemplazo del cable o la clavija, no conecte el cable de conexión a tierra a ninguna de las terminales de aguja plana. El cable con aislante verde (ya sea con o sin franja amarilla) es el cable de conexión a tierra.
- Consulte a un electricista calificado si no comprende por completo las instrucciones de conexión a tierra o si tiene duda de si el aparato está conectado a tierra apropiadamente.

## Características del Producto SE400

### Lavado de Agua Caliente Posterior y Femenino

Experimente lo último en limpieza con configuración ajustable de temperatura, posición, presión, masaje, y oscilación.

### Boquillas posicionables

Cada boquilla cuenta con cinco posiciones diferentes para asegurar la mayor comodidad y un lavado completo.

### Presión y Temperatura de Agua Ajustables

Cada modo de lavado (Frontal y Posterior) cuenta con cuatro niveles de temperatura de agua y cinco niveles de presión de agua disponibles.

### Masaje

Cuando se activa, la presión del agua aumenta y disminuye automáticamente para proporcionar un aerosol de limpieza pulsante.

### Secador con Aire Caliente

Incluye temperatura ajustable con tres niveles para una experiencia de limpieza sin usar las manos y una reducción en el uso e incluso eliminación de papel higiénico.

### Oscilación de las Boquillas

La función de movimiento brinda una limpieza con masaje oscilatorio durante el ciclo de lavado que asegura una limpieza completa y cómoda.

### Función Auto

Activa un ajuste preestablecido para un lavado posterior, seguido por un ciclo de secado.

### Asiento ergonómico con calor

Con cuatro niveles de temperatura (Alta/Media/Baja/Apagado).

### Luz Nocturna

La incorporación de una luz nocturna iluminadora significa que ya no se sentirá deslumbrado las veces que se levante y vaya al baño durante la noche.

### Asiento y Tapa de Cerrado Suave

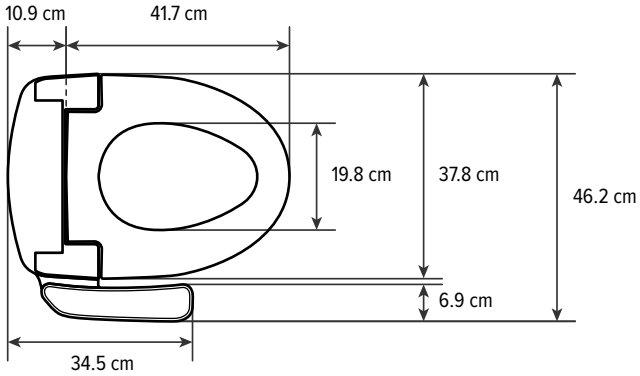
El asiento y la tapa con cerrado suave "anti-golpes" permiten un uso amable.

### Modo Eco

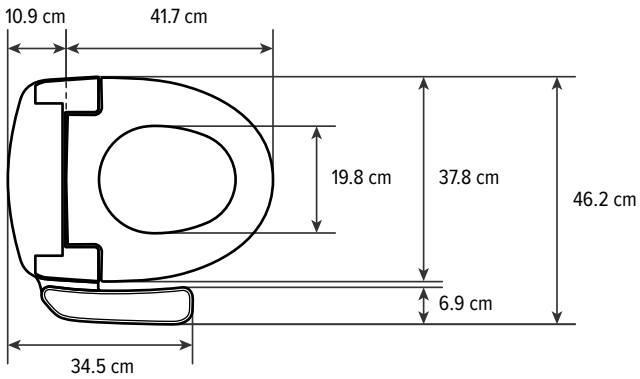
Cuando se activa, esta función reduce automáticamente el agua y la temperatura del asiento.

# Dimensiones del Producto

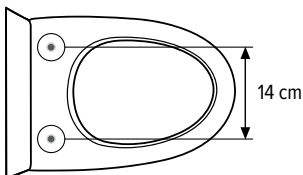
## Vista Superior Alargada



## Vista Superior Redonda

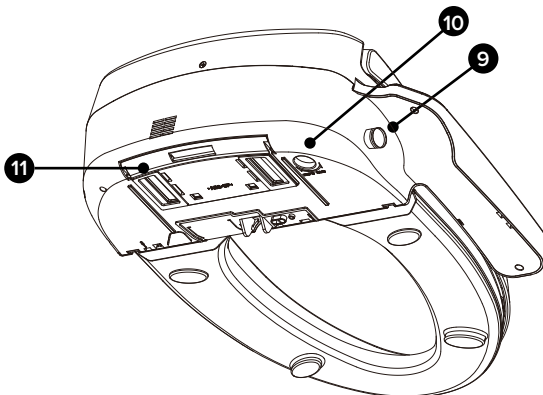
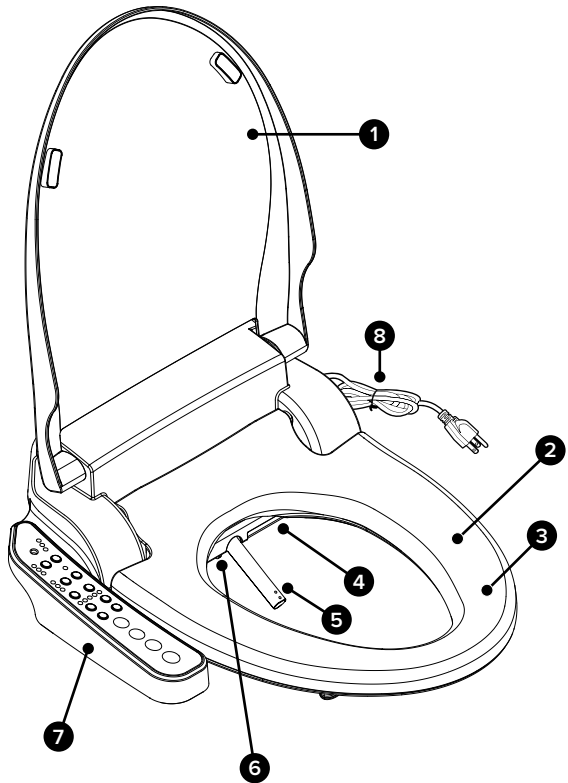


## Distancia Entre los Orificios de Montaje



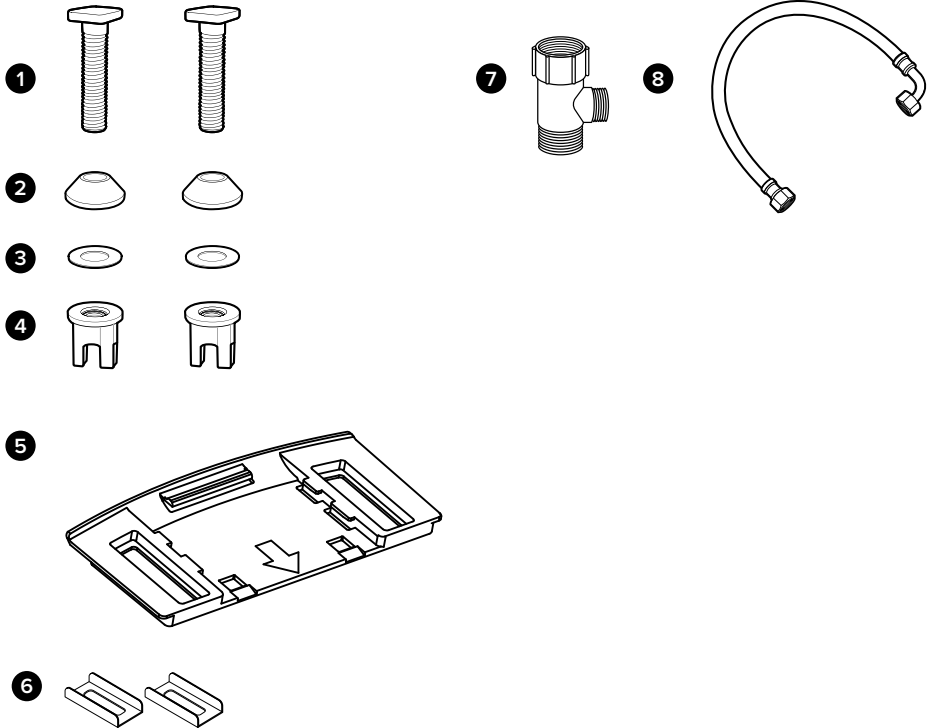
# Partes del Producto

1. Tapa
2. Sensor del Asiento
3. Asiento Caliente
4. Secador con Aire Caliente
5. Ensamblaje de las Boquillas
6. Luz LED Nocturna
7. Panel de Control
8. Cable de Corriente
9. Entrada de Agua y Filtro de Malla
10. Tapón de Drenaje
11. Placa de Montaje



# Partes de la Instalación

1. Pernos de Montaje (2)
2. Arandela Cónica de Goma (2)
3. Arandela Plana (2)
4. Tuercas (2)
5. Placa de Montaje
6. Soportes de Montaje Superior (2)
7. Conector de Válvula en T con Arandela de Goma
8. Manguera del Bidé



# Antes de la Instalación



### **NO ENCHUFE EL PRODUCTO MIENTRAS ESTÉ AL REVÉS**

Esto puede dañar los componentes internos.

### **VEA NUESTRO VIDEO DE INSTALACIÓN**

Las instrucciones de instalación para todos los productos Swash se pueden encontrar en línea en [brondell.com](http://brondell.com).

### **REVISE LA DISTANCIA ENTRE LOS PERNOS**

Este bidé solo puede instalarse en baños con una extensión del agujero del perno de 14 cm / 5.5 in. (véase Dimensiones del Producto en la Página 36 para más información).

### **REVISE SI LA INSTALACIÓN ES DE MONTAJE SUPERIOR**

Si su instalación solo tiene acceso superior a los pernos de montaje que sujetan el asiento al inodoro, utilice los soportes de montaje superior incluidos en el paquete de hardware (consulte la Página 38).

### **REVISE SI HAY UNA VÁLVULA DE LLENADO OCULTA EN EL INODORO**

Muchos inodoros modernos tienen diseños estilizados cuyo fin es cubrir y disimular las conexiones de mangueras, lo cual dificulta o impide la instalación estándar de la unidad Swash. En tal caso, recomendamos usar nuestra válvula en T alternativa para asiento con bidé Swash, que puede encontrar en [brondell.com](http://brondell.com).

### **REVISE EL TUBO DE SUMINISTRO DE AGUA**

Revise el tubo que conecta el depósito del inodoro a la válvula de corte de agua. Si es tubo rígido, podría necesitar comprar una manguera flexible para reemplazarlo antes de instalar el asiento Swash. La extensión de la manguera y la medida de los conectores varían.

### **LOS RESTOS DE HUMEDAD SON NORMALES**

Cada producto es probado con agua pura durante la producción para asegurar la mayor calidad y el más alto desempeño. Es normal encontrar una pequeña cantidad de restos de humedad en el producto, el depósito y el filtro.

### **HERRAMIENTAS**

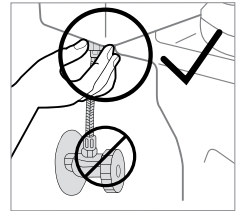
Se podría requerir un destornillador Phillips (cabeza de estrella) o estándar para retirar el asiento del inodoro existente y se podría requerir una llave inglesa estándar para las conexiones de suministro de agua que estén muy apretadas. La cinta de Teflón puede ser útil para crear un sello hermético entre las conexiones de las mangueras.

# Instalación del Asiento Swash

Lea estas instrucciones con cuidado antes de instalar el asiento Swash. No hacerlo podría provocar derrames, fugas o daños al producto.

**NOTA:** Los pasos pueden variar según el tipo de asiento e inodoro.

1. Extracción del asiento existente del inodoro
  - a. Levante las tapas de la bisagra y con un destornillador retire los pernos de montaje.
  - b. Retire el asiento del inodoro. Conserve para su uso posterior.
2. Cierre la válvula de suministro de agua y descargue el inodoro.
  - a. Cierre la válvula del agua para detener el flujo.
  - b. Descargue el inodoro y sostenga la manija para vaciar el depósito por completo.
  - c. Desconecte la manguera de suministro de agua del depósito del inodoro. No la desconecte de la válvula de suministro de agua.



Paso 2c

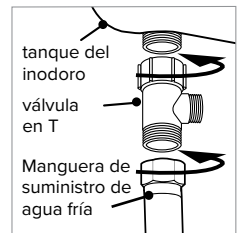
**NOTAS:**

- Quizás desee colocar un contenedor debajo del depósito para captar el agua excedente.
- No continúe sin haber completado los pasos anteriores.
- No hacerlo podría provocar derrames, fugas o daños al asiento Swash.

3. Conecte la parte superior de la válvula T a la conexión de agua entrante en la parte inferior del tanque del inodoro.

**NOTAS:**

- La válvula en T se conecta a la válvula de llenado directamente debajo del depósito del inodoro. No se conecta en la pared.
- Solo conecte al tubo de suministro de agua fría del inodoro.
- Si el tubo de suministro de agua es rígido, podría necesitar reemplazarlo antes de continuar.

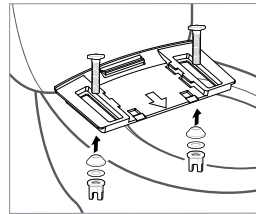


Pasos 3-4

4. Conecte el tubo de suministro de agua que viene de la pared a la parte inferior de la válvula en T.
5. Instale la placa de montaje para instalación estándar (consulte paso 6 para obtener instrucciones sobre el uso de los soportes de montaje superior)
  - a. Coloque la placa de montaje ajustable sobre los agujeros de montaje en el inodoro, con el lado de goma hacia abajo y la flecha apuntando hacia la taza del inodoro.

# Instalación del Asiento Swash

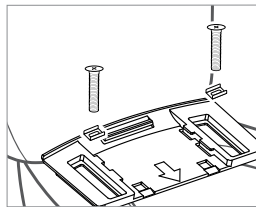
- b. Inserte los pernos de montaje a través de la placa de montaje y los agujeros de montaje del inodoro. Asegúrese de que la cabeza cuadrada del perno de montaje esté a nivel con los lados de la placa de montaje.
- c. Deslice la arandela cónica de goma, la arandela plana y luego la tuerca en los pernos de montaje debajo de la taza del inodoro y apriete la tuerca para mantener fija la placa de montaje.



Pasos 5b & 5c

6. Instale la placa de montaje para los asientos de inodoro montados en la parte superior (consulte paso 5 para obtener instrucciones sobre la instalación estándar). Este método utilizará una combinación de los soportes de montaje superior incluidos y los pernos de montaje del asiento del inodoro original.

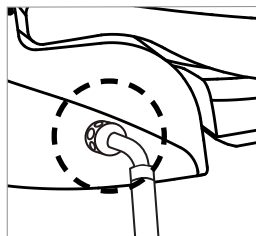
- a. Coloque la placa de montaje ajustable sobre los agujeros de montaje en el inodoro, con el lado de goma hacia abajo y la flecha apuntando hacia la taza del inodoro.
- b. Coloque los soportes de montaje superior suministrados con el lado plano hacia abajo en las ranuras del soporte de montaje, sobre los orificios de los pernos.
- c. Inserte los pernos de montaje del asiento del inodoro original a través de los soportes de montaje superior y en los orificios roscados del perno del inodoro, usando un destornillador para apretar.



Pasos 6b & 6c

7. Conecte la manguera del bidé al asiento

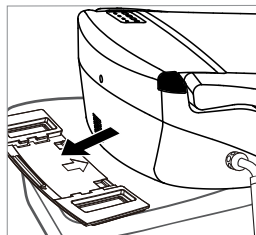
- a. Conecte el lado en codo de la manguera del bidé a la entrada de agua. Apriete con la mano para asegurarla. Tenga cuidado de no torcer la manguera del bidé, no doblarla excesivamente, ni barrer la rosca de plástico al conectar la manguera en el asiento del bidé.



Paso 7a

8. Fije el asiento Swash a la placa de montaje

- a. Coloque el asiento Swash sobre la taza del inodoro enfrente de la placa de montaje y deslice el asiento en la placa hasta que esté asegurado.
- b. Si el asiento queda demasiado corto o demasiado largo para el inodoro, ajuste la placa de montaje según corresponda. Para ajustar la placa de montaje, afloje las tuercas debajo del inodoro y deslice el asiento hacia delante o hacia atrás según se requiera. Una vez que el asiento esté alineado apropiadamente, apriete las tuercas para fijarlo en su lugar.

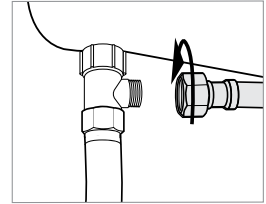


Paso 8b

## Instalación del Asiento Swash

**NOTA:** Para aquellos con problemas de movilidad, recomendamos nuestros asientos de bidé Swash 1400 o Swash 1000, ya que sus sistemas de montaje están diseñados para las transiciones más seguras de sillas de ruedas o andadores.

9. Conecte el extremo abierto de la Manguera del Bidé a la válvula en T.
10. Abra el suministro de agua
  - a. Abra la válvula principal de suministro de agua lentamente y revise si hay fugas.
  - b. Espere 5 minutos, revise de nuevo y si no hay fugas, continúe.
11. Inserte el cable de corriente en el tomacorriente.
  - a. Si el indicador de Encendido no está iluminado, oprima cualquier botón en el panel de control.



Paso 9

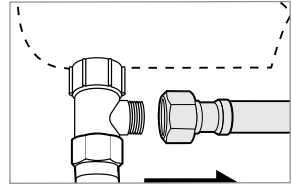
**NOTA:** Asegúrese de usar solamente un tomacorriente tipo GFCI (interruptor de falla a tierra) con conexión a tierra. En caso de cortocircuito, un tomacorriente tipo GFCI con conexión a tierra podría ayudar a evitar una descarga eléctrica o lesiones.

12. Oprima el botón "REAR WASH" en el brazo de control para llenar el tanque de agua. El bidet emitirá un pitido continuo mientras se llena y emitirá un pitido largo cuando el tanque de agua esté lleno. Espere 3-5 minutos para que el agua caliente, y entonces el Swash estará listo para usar.
13. Siga las instrucciones de uso del asiento Swash en la página 43.

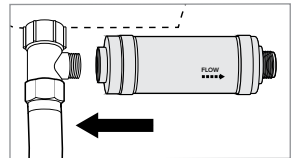
# Instalación del Filtro de Bidé Externo

**NOTA:** Los clientes cuyo suministro es de agua dura, agua de pozo y agua blanda pueden extender la duración de su asiento con bidé con la compra e instalación de un filtro de agua en línea externo que se utilice con el asiento Swash. El filtro del bidé se deberá cambiar cada seis meses.

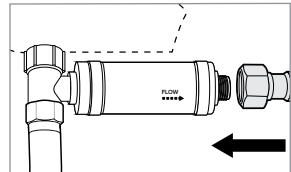
1. Cierre la válvula de suministro de agua y descargue el inodoro.
  - a. Cierre la válvula del agua para detener el flujo.
  - b. Descargue el inodoro y sostenga la manija para vaciar el depósito por completo.
2. Desconecte la manguera del bidé de la válvula en T.
3. Conecte el extremo hembra del filtro del asiento Swash a la conexión abierta de la válvula en T.
4. Conecte la manguera del bidé al extremo macho del filtro del asiento Swash.
5. Vuelva a abrir la válvula de suministro de agua del inodoro.



Paso 2

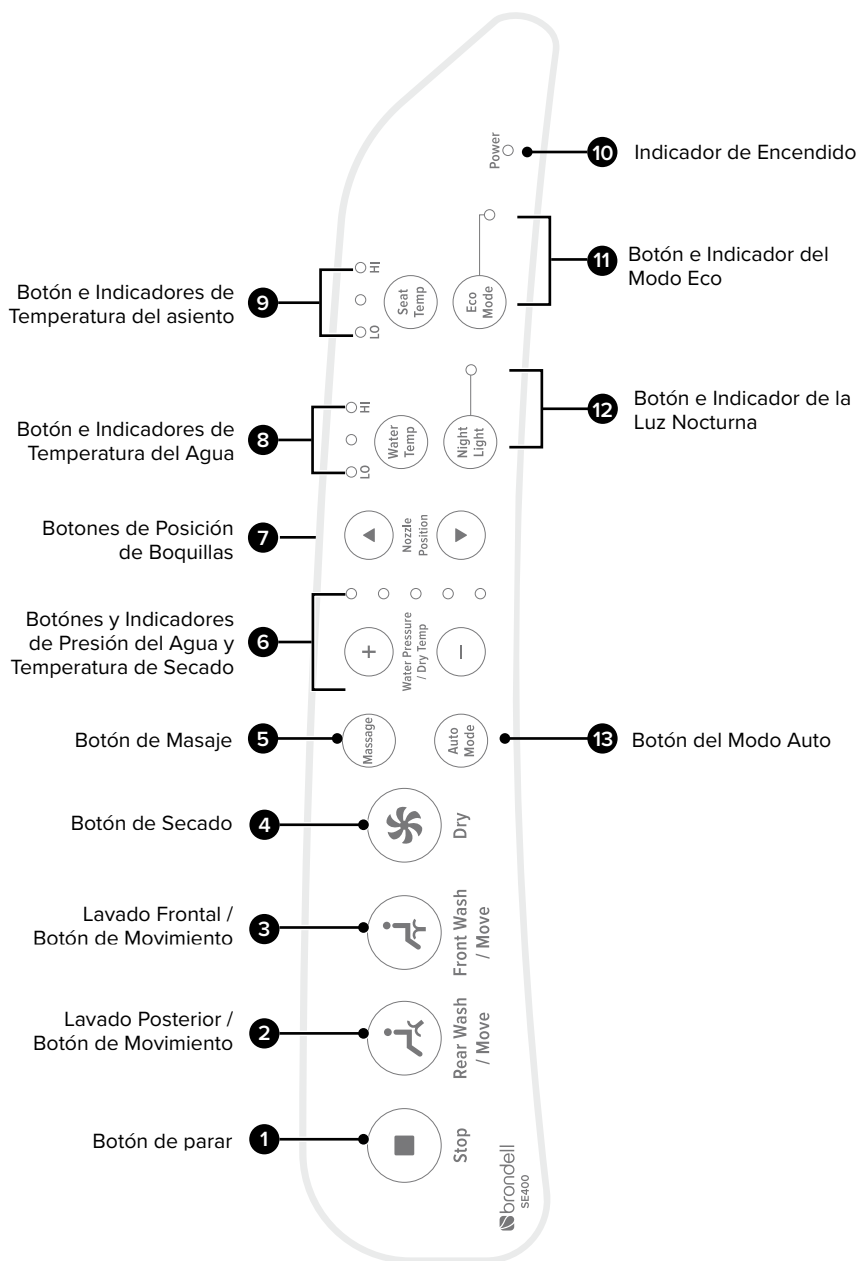


Paso 3



Paso 4

# Panel de Control del SE400



## Panel de Control del SE400

### 1. Botón de Parar

Detiene todas las funciones de lavado y secado que actualmente se estén ejecutando. Oprima y sostenga este botón durante cuatro segundos para apagar el bidé.

### 2. Lavado Posterior / Botón de Movimiento

Oprima una vez para iniciar el lavado posterior. Oprima una vez más para iniciar la oscilación de la boquilla (movimiento repetitivo de boquilla hacia delante y hacia atrás).

### 3. Lavado Frontal / Botón de Movimiento

Oprima una vez para iniciar el lavado frontal. Oprima una vez más para iniciar la oscilación de la boquilla (movimiento repetitivo de boquilla hacia delante y hacia atrás).

### 4. Botón de Secado

Oprima una vez para iniciar un ciclo de dos minutos de Secado con Aire Caliente.

### 5. Botón de Masaje

Presionando este botón mientras se está ejecutando el ciclo de lavado permite al agua aumentar y disminuir repetidamente la presión en un patrón de pulsaciones. Oprima una vez más para detener el masaje.

### 6. Botones e Indicadores de Presión del Agua y Temperatura de Secado

Oprima los botones “+” y “-” para aumentar y disminuir la presión del flujo de agua en uno de los cinco ajustes. Presionando estos botones mientras está operando el Secado de Aire Caliente ajustará la temperatura de Secado. Los ajustes se guardarán para el siguiente uso.

### 7. Botones de Posición de Boquillas

Oprima los botones de flecha arriba y flecha abajo para ajustar la posición de las boquillas hacia delante y hacia atrás durante el ciclo de lavado. Entre cada uso, las boquillas volverán a la posición media.

### 8. Botón e Indicadores de Temperatura del Agua

Oprima y sostenga el botón “Water Temp” para configurar la temperatura del flujo de agua en uno de los cuatro ajustes (Baja / LO – 34 °C (93,2 F), Media / Med – 37 °C (98,6 F), Alta / HI – 40 °C (104 F) y APAGADO). Los ajustes se guardarán para el siguiente uso.

### 9. Botón e Indicadores de Temperatura del Asiento

Oprima y sostenga el botón “Seat Temp” para ajustar la temperatura del asiento en uno de cuatro ajustes (Baja / LO – 35 °C (95 F), Media / Med – 38 °C (100,4 F), Alta / HI – 40 °C (104 F) y APAGADO). Los ajustes se guardarán para el siguiente uso.

### 10. Indicador de Encendido

Este indicador se encenderá cuando el bidé esté encendido y se apagará cuando el bidé esté apagado. Para apagar el bidé oprima y sostenga el botón “STOP” durante al menos cuatro segundos.

### 11. Botón e Indicador del Modo Eco

Oprima y suelte el botón “Eco Mode” para seleccionar o apagar el Modo Eco. El indicador se encenderá cuando se haya seleccionado el Modo Eco. Consulte la página 44 para más información.

### 12. Botón e Indicador de Luz Nocturna

Oprima el botón “Luz nocturna” para activar la luz nocturna (el indicador luminoso se iluminará). Oprima nuevamente para desactivar el indicador luminoso nocturno.

### 13. Botón Modo Auto

Oprima este botón una vez para iniciar un ciclo de lavado posterior de un minuto, seguido de un ciclo de secado de un minuto. Consulte la página 44 para más información.

# Uso del Asiento SE400

**NOTA:** Las funciones de lavado no funcionarán a menos que el sensor en el asiento detecte a alguien sentado (Sensor de conductividad de la piel). Para anular el sensor del asiento, consulte las instrucciones de la página 45.

## Preparación para el Lavado

Sentarse en el asiento para asegurar el contacto de la piel con el Sensor del Asiento. Una vez que se hace contacto, el asiento realizará varias funciones de forma automática.

1. El asiento emitirá una señal auditiva para hacerle saber que el sensor del asiento se ha activado.
2. Las luces del indicador de presión de agua se encenderán, mostrando la configuración actual.
3. Si el bidé se ajustó al modo Eco, la temperatura del asiento y del agua aumentará a los ajustes de temperatura establecidos.

## Lavado con agua caliente

Cuando esté listo para lavar, oprima una vez el botón de lavado posterior (“Rear”) o frontal (“Front”) en el panel de control para iniciar el lavado. La boquilla se autolimpiará, se extenderá dentro de la taza del inodoro, rociará durante dos minutos, se apagará automáticamente, se retraerá y se autolimpiará una vez más.

1. Si se oprime el botón “Rear” o “Front” una segunda vez mientras está funcionando el ciclo de lavado, la boquilla oscilará hacia delante y hacia atrás, proporcionando un rango más amplio de lavado. Oprima una vez más para cancelar la función de movimiento.
2. Durante el lavado, los usuarios pueden ajustar la temperatura y presión del agua y la posición de la boquilla, así como iniciar la función de masaje siguiendo las instrucciones en la página 42.
3. Si desea detener el lavado antes de que termine el ciclo de dos minutos, oprima el botón “Stop” para interrumpir el flujo de agua.
4. Después de un uso prolongado la temperatura del agua puede disminuir si tenemos seleccionada la configuración de temperatura BAJA, MEDIA, o ALTA. Para volver a tener agua más caliente, detenga las funciones de lavado durante tres minutos para que el bidé pueda recalentar el agua.

## Uso del Asiento SE400

### **Función de Secador con Aire Caliente**

Oprima el botón "Dry" para activar el secador de aire caliente. El secador operará por dos minutos y se apagará automáticamente.

1. Mientras el secador está en funcionamiento, los usuarios pueden ajustar la temperatura del mismo a un nivel cómodo usando los botones de secado "+" y "-". La temperatura de secado se verá reflejada en los cinco indicadores LED.
2. Si desea detener el secador antes de que pasen los tres minutos, oprima Parar.

### **Modo Autolimpieza**

Al presionar el botón "Modo automático" se iniciará un lavado trasero de un minuto con los siguientes parámetros preestablecidos:

- Temperatura del asiento ajustada a media
- La oscilación de la boquilla está activada
- Presión de agua ajustada al nivel 3
- Temperatura del agua a medio

Una vez finalizado el ciclo de lavado, el modo automático iniciará un ciclo de secado con aire caliente de un minuto en el nivel 2.

**NOTA:** Todos los ajustes de lavado y secado son ajustables mientras se está ejecutando el ciclo de lavado automático, según sus preferencias.

### **Modo Eco**

En este modo la temperatura del asiento y el agua en el depósito se calentará a 30°C (86°F) cuando el bidé no esté en uso. Una vez que una persona se sienta en el bidé, el Swash regresará a la última configuración de temperatura de asiento y agua. Para seleccionar esta opción oprima y suelte el botón "Eco Mode" para iluminar el indicador.

# Operaciones en Modo Especial

**NOTA:** No se siente en el asiento cuando esté en Operaciones en Modo Especial. El proceso no funcionará mientras el asiento está ocupado.

## **Anulación del Sensor de Asiento**

El sensor del asiento se activa de fábrica de forma predeterminada. Completar los siguientes pasos evitará el sensor del cuerpo situado en el asiento y permitirá que las funciones de lavado y las funciones secas funcionen sin que el sensor se active. Tenga cuidado en este modo.

1. Desenchufe el asiento de bidet Swash.
2. Oprima los dos botones de presión de agua / seco (+ y -) y enchufe el asiento mientras sostiene los dos botones hacia abajo.
3. Mantenga presionados los dos botones de presión de agua / temperatura seca durante cinco segundos. Se escuchará un pitido que indicará que se ha anulado el sensor del asiento. Para probar que el procedimiento funcionó, presione el botón Seco. Si la secadora de aire caliente se enciende, sin que nadie se sienta en el asiento, ha anulado exitosamente el sensor de asiento.
4. Puede volver a usar el asiento como si fuera normal.
5. Para reactivar el sensor de asiento, repita los pasos 1-3.

## **Activar/Desactivar el Modo Silencioso**

De forma predeterminada, el Swash emitirá un pitido para confirmar los comandos del panel de control. Siga los pasos a continuación para silenciar los sonidos de los pitidos.

1. Oprima y mantenga presionado el botón de lavado / movimiento trasero y el botón “-” de presión de agua / seco al mismo tiempo durante cuatro segundos.
2. Se escuchará un pitido que indicará que se ha activado el modo silencioso.
3. Para desactivar el modo silencioso, repita los pasos 1-2.

## Especificaciones del Producto

### ASIENTO SWASH BRONDELL CON BIDÉ AVANZADO

Modelo	SE400-EW, SE400-RW
Voltaje eléctrico	120 V, 60 Hz
Consumo eléctrico	660 W
Presión de suministro de agua	14.2 psi – 106.6 psi
Dimensiones	Alargado: 47 cm x 53 cm x 15.5 cm / Redondo: 47 cm x 50 cm x 15.5 cm
Peso	Alargado: 4.4 kg / Redondo: 4.3 kg
Límite de peso asiento/tapa	125kg / 81kg
Temperatura de funcionamiento	3° C – 40° C
Filtro de malla	11mm x 15mm diámetro

### DISPOSITIVO DE LAVADO CON AGUA CALIENTE

Lavado posterior	Máximo 0,95L por minuto, autolimpieza de boquillas automática
Lavado frontal	Máximo 0,95L por minuto, autolimpieza de boquillas automática
Tiempo estándar	Lavado posterior: 2 minutos / Lavado frontal: 2 minutos
Control de presión del agua	5 niveles
Control de temperatura del agua	4 niveles: Apagado - temperatura de agua entrante, Baja - 34 °C, Media – 37 °C, Alta – 40 °C
Consumo eléctrico del calentador	600W
Dispositivos de seguridad	Fusible térmico, termostato, sensor de nivel de agua

### ASIENTO CALIENTE

Control de temperatura del asiento	4 niveles: Apagado - temperatura ambiente Baja - 35 °C, Media - 38 °C, Alta - 40 °C
Consumo eléctrico del calentador	55 W
Dispositivos de seguridad	Termostato

**NOTA:** Las especificaciones indicadas anteriormente están sujetas a cambio sin previo aviso con el fin de mejorar el desempeño del producto.

# Limpeza y Extracción de Asientos, Limpeza de Boquillas



Desconecte el Swash de la fuente de corriente antes de la limpieza o extracción del asiento.

### Limpeza Y Extracción del Asiento

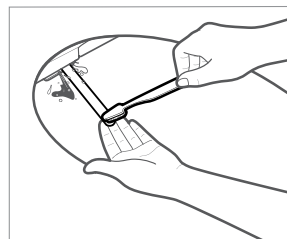
Use un trapo suave húmedo y un limpiador suave (tal como jabón para platos, Simple Green o Windex) para limpiar el asiento. NO talle ni utilice productos ásperos abrasivos para limpiar el asiento Swash. NO use adelgazador, benceno, compuestos químicos ácidos, cloro o detergente con ácido clorhídrico. Esto puede provocar corrosión a las partes metálicas o decoloración/ rayaduras en el cuerpo del bidé.

Para una limpieza más completa, puede retirar el asiento Swash. Para quitar el bidé, tire con fuerza el bidé, alejándolo del depósito del inodoro y sacándolo de la placa de montaje.

**NOTA:** Tenga cuidado de no dejar productos del hogar y de belleza en contacto con el asiento del bidé, lo cual podría provocar decoloración irreversible. La mayoría de las manchas se pueden eliminar con una mezcla 1:1 de alcohol y agua en un trapo suave o toalla. Sin embargo, algunas manchas permanentes resultan de dejar sustancias en el asiento mientras el calentador está activado. Tenga precaución con productos del hogar y de belleza (incluidos entre otros diversos productos para el cabello y aromatizantes en aerosol, lociones, jabón líquido para el cuerpo, bronceadores, cremas corporales y aceites) que entren en contacto con el asiento. Lave cualquier sustancia que entre en contacto con el asiento tan pronto como sea posible. Si es necesario, se pueden comprar partes de repuesto del asiento a través del Servicio al Cliente de Brondell.

### Limpeza de Boquillas

1. Oprima y suelte simultáneamente los botones de lavado posterior y frontal en el panel de control. La boquilla se extenderá en la taza del inodoro.
2. Limpie con cuidado la boquilla con un trapo suave o un cepillo de dientes.
3. Para retraer la boquilla oprima el botón "Parar".



Paso 1

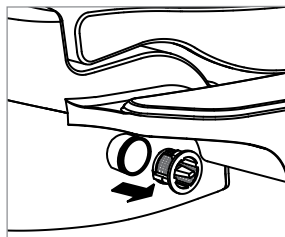
**NOTA:** La función de limpieza de la boquilla no funcionará si el asiento está ocupado o si el sensor del asiento ha sido anulado.

# Limpieza del Filtro de Malla y Almacenamiento del Producto

### Limpieza del Filtro de Malla

Los intervalos de limpieza variarán dependiendo del uso y la calidad del agua. Se recomienda revisar el filtro al menos una vez al año.

1. Cierre el suministro de agua y sostenga la palanca de descarga del inodoro hasta que se elimine todo el agua del depósito.
2. Desconecte el Swash, retire el bidé del inodoro y desconecte la manguera del bidé. Quizás desee usar una tina para captar el agua que escurre de la manguera del bidé.
3. Retire el filtro de malla de la entrada de agua con unas pinzas o unos alicantes con punta de aguja.
4. Limpie el filtro con un cepillo de dientes bajo un chorro de agua para retirar efectivamente cualquier sustancia o acumulación extraña.
5. Vuelva a colocar el filtro de malla y verifique con cuidado que esté instalado correctamente. Si no está instalado apropiadamente, podría provocar que el producto presente fugas de agua.
6. Reconecte la manguera del bidé y vuelva a colocar el asiento en el inodoro. Conecte el cable de nuevo y restaure el suministro de agua.



Paso 3

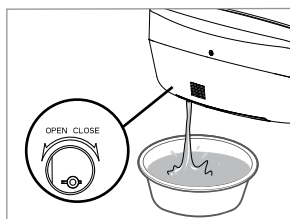
### Almacenamiento y Uso del Producto

#### Desuso por corto plazo

Si no se usará el producto por varias semanas, puede simplemente desconectarlo. También puede considerar cortar el suministro de agua en la pared para mayor precaución.

#### Desuso por largo tiempo

Si no se usará el producto por un período de tiempo largo (más de cuatro meses), deberá desconectar la unidad, cortar el suministro de agua en la pared, retirar el Swash del inodoro tirando con fuerza del Swash alojándolo del depósito del inodoro y sacándolo de la placa de montaje. Retire la manguera del bidé y drene el calentador de agua. Para drenar el calentador de agua, retire el tapón de drenaje y la parte posterior del asiento del bidé girándolo en sentido contrario a las agujas del reloj en 90 grados hacia "ABIERTO" y luego tire de él hacia fuera de modo que el agua residual se drene.



# Solución de Problemas

Si el bidé parece estar funcionando de forma anormal, por favor revise los consejos para solución de problemas antes de llamar al Centro de Servicio Brondell ya que la mayoría de los problemas se resuelven fácilmente con algunos pasos simples. Si no puede resolver el problema después de revisar los siguientes puntos, llame al Centro de Servicio marcando 888-542-3355, de lunes a viernes, de 9:00 a 17:00 PST (Hora Normal del Pacífico) o envíenos un correo electrónico a support@brondell.com.

**Verifique antes de continuar:**

- Asegúrese de que el asiento Swash esté conectado a la corriente eléctrica y que el tomacorriente funcione apropiadamente.
- Asegúrese de revisar y probar el botón de reinicio en el tomacorriente tipo GFCI (tomacorriente GFCI estándar de 120 V).
- Asegúrese de que la válvula principal de agua esté abierta.
- Asegúrese de que el asiento no esté en el Modo Eco.
- Confirme que no hay fugas en las mangueras o el suministro de agua.
- Asegúrese de que el filtro de malla esté limpio y no tenga acumulaciones o suciedad (vea la sección de mantenimiento).

Después de revisar los puntos anteriores, consulte la siguiente tabla de solución de problemas para tratar de encontrar soluciones adicionales.

Problema	Causa(s) posible(s)	Solución(es)
El asiento con bidé no funciona	1. El bidé no está conectado	1. Asegúrese de que el bidé esté conectado.
	2. No hay corriente eléctrica hacia el asiento Swash	2. Revise y reinicie el tomacorriente tipo GFCI.
	3. El agua entrante está demasiado caliente	3. Asegúrese de que el asiento del bidé esté conectado al suministro de agua fría.
	4. No se activa el sensor del asiento	4a. Ajuste su posición en el asiento para que cubra totalmente el sensor del asiento.  4b. Anular el sensor de asiento.
La unidad se apaga durante el uso	1. El tiempo de lavado excedió el tiempo del ciclo	1. Los ciclos de lavado funcionan durante dos minutos.
	2. Corte de corriente	2. Revise y reinicie el tomacorriente GFCI.
	3. El suministro de agua está demasiado caliente	3. Asegúrese de que el asiento Swash esté conectado solamente al suministro de agua fría.

# Solución de Problemas

Problema	Causa(s) posible(s)	Solución(es)
Flujo de agua bajo o presión de rociado baja	1. El filtro está obstruido	1. Retire, limpie y vuelva a instalar el filtro de malla (vea la sección de mantenimiento).
	2. La válvula de suministro de agua no está abierta por completo	2. Verifique que la válvula de suministro de agua en la pared esté completamente abierta.
	3. Las boquillas están sucias	3. Limpie las boquillas (vea la sección de mantenimiento).
	4. Filtro de bidé externo	4. Si cuenta con un filtro de bidé externo, revíselo y reemplácelo de ser necesario.
	5. Niveles de presión y amplitud de rociado	5. Ajuste los niveles de presión de agua en el control remoto para aumentarla y ajuste también los niveles de amplitud de rociado en el control remoto.
Las boquillas no funcionan apropiadamente	1. Las boquillas están sucias	1. Limpie las boquillas (vea la sección de mantenimiento).
	2. El filtro está obstruido	2. Retire, limpie y vuelva a instalar el filtro de malla (vea la sección de mantenimiento).
	3. La presión del agua es demasiado baja	3. Revise que la válvula de suministro de agua en la pared esté completamente abierta.
	4. Filtro de bidé externo	4. Si cuenta con un filtro de bidé externo, revíselo y reemplácelo de ser necesario.
El asiento no está caliente	1. El control de temperatura del asiento está apagado	1. Asegúrese de que el control de temperatura del asiento esté encendido.
La función de lavado de bidé no funciona o no rocía	1. El sensor del cuerpo no detecta que usted está sentado en la unidad Swash	1a. Ajuste su posición en el asiento para que cubra totalmente el sensor del cuerpo (vea la página 34).
		1b. Anule el sensor del cuerpo – consulte la sección de operación en modo especial en la página 45 para desbloquear el sensor del cuerpo en el asiento.
El agua (de rociado) no está caliente	1. El control de temperatura del agua está apagado	1. Asegúrese de que el control de temperatura del agua esté encendido (Baja- luz azul, Media- luz rosa, Alta - luz roja, Apagado - sin luz).
	2. Se quemó el fusible reiniciable	2. El fusible bimetálico reiniciable se puede quemar si la temperatura excede el nivel normal. El bidé no funcionará y mostrará un mensaje de error hasta que el bidé se enfríe.

# Solución de Problemas

Problema	Causa(s) posible(s)	Solución(es)
Fluye agua antes o después del uso	1. Sale agua de las boquillas	1a. El agua que sale por entre las boquillas antes o después del ciclo de lavado es del ciclo de autolimpieza. No se debe a un funcionamiento defectuoso.  1b. Es posible que restos de agua se escurran en el inodoro por varios segundos después de un ciclo de lavado o un ciclo de autolimpieza. Esto no se debe a un funcionamiento defectuoso.
Hay fugas de agua de otras áreas además de las boquillas	1. Hay fugas de agua de la válvula en T  2. Hay fugas de agua de la conexión de la manguera del bidé  3. Hay fugas de agua de debajo del asiento  4. Hay fugas de agua de detrás del asiento	1. Asegúrese de que el empaque de goma esté insertado correctamente en la válvula en T (el lado plano hacia abajo con el reborde hacia arriba hacia la conexión del depósito del inodoro) y apriete firmemente el conector.  2. Asegúrese de que la manguera del bidé esté conectada correctamente y apretada. Revise las arandelas de goma y no las apriete en exceso.  3. Revise si hay algo entre el filtro de malla y el bidé. Retire, limpie y vuelva a instalar el filtro de malla. Revise si el filtro está dañado (vea la sección de mantenimiento).  4. Revise el tapón del depósito de agua en la parte posterior del asiento (vea la sección de mantenimiento bajo almacenamiento y uso del producto).
La temperatura del agua es baja	1. El agua sale fría  2. El agua sale tibia  3. El agua comienza a salir caliente pero disminuye su temperatura	1. El nivel de temperatura del agua está apagado o configurado en "LO". Ajuste la temperatura en el panel de control.  2. Apagar el Modo Eco.  3. Puede utilizar agua caliente durante unos 40 segundos en la configuración "MED". Detenga todas las funciones de lavado para permitir que calentador pueda calentar el agua.

# Garantía

Los productos Brondell están respaldados por algunas de las garantías más completas en la industria. Brondell garantiza que todos los productos (con excepción de los consumibles) estarán libres de defectos en materiales y mano de obra bajo uso y servicio normales.

## **SE400 Garantía residencial limitada por 1 año**

100% de cobertura en todas las partes y mano de obra para todo el producto durante el primer año a partir de la fecha original de compra.

## **SE400 Garantía comercial**

Período de garantía de 1 año desde la fecha de compra original para todos los productos de Brondell. Las garantías pueden no ser aplicables a los productos que se utilizan para fines comerciales pesados, hospital u otras aplicaciones no residenciales de alto uso.

## **Exclusiones y limitaciones**

1. BRONDELL garantiza que sus productos están libres de cualquier tipo de defectos de fabricación, en condiciones de uso y servicio normales. Esta garantía se extiende solo al COMPRADOR ORIGINAL.
2. Las obligaciones de BRONDELL, según esta garantía, se limitan a reparaciones o reemplazos, a criterio de BRONDELL, de productos o partes que se encuentren defectuosas, en tanto tales productos hayan sido instalados adecuadamente y utilizados de acuerdo con las instrucciones. BRONDELL se reserva el derecho de realizar tales inspecciones según lo considere necesario, para determinar la causa del defecto. BRONDELL no cobrará por la reparación o reemplazo de partes en relación con reparaciones de garantía durante el primer año, a partir de la fecha de compra de todos los productos, a excepción de aquellos que puedan estar sujetos a limitaciones de uso comercial.
3. BRONDELL no se responsabiliza por los costos de renovación, devolución (envío) o reinstalación de productos. Esta garantía NO se aplica en los siguientes casos:
  - Daño o extravío durante el envío.
  - Daño o extravío producido por causas naturales o humanas, que exceden a los controles de BRONDELL, incluidos incendios, sismos, inundaciones, etc.
  - Daño o extravío como resultado de sedimentos o material extraño contenido en el sistema de agua.
  - Daño o extravío como resultado de negligencia o instalación inadecuada, incluida la instalación de una unidad en un medioambiente hostil o peligroso.
  - Daño o extravío como resultado de la renovación, reparación inadecuada o modificación del producto, o el mantenimiento inadecuado, incluido el daño causado por el cloro o productos derivados del cloro
  - Daño o extravío como resultado de actos que no son responsabilidad de Brondell para los cuales el producto no está específicamente preparado.
4. Esta garantía le otorga derechos legales específicos. Usted puede ejercer otros derechos, según el estado donde se encuentre.

ESTA GARANTÍA ESCRITA ES LA ÚNICA EMITIDA POR BRONDELL. LA REPARACIÓN O EL REEMPLAZO, SEGÚN LOS TÉRMINOS ESTABLECIDOS POR ESTA GARANTÍA, CONSTITUYEN LA ÚNICA SOLUCIÓN DISPONIBLE PARA EL COMPRADOR. BRONDELL NO SE RESPONSABILIZA POR EL EXTRAVÍO DE USO DEL PRODUCTO U OTROS DAÑOS INCIDENTALES, ESPECIALES, RESULTANTES O POR LOS GASTOS INCURRIDOS POR EL COMPRADOR, GASTOS DE TRABAJO, OTROS COSTOS DERIVADOS DE LA INSTALACIÓN O EXTRACCIÓN DEL PRODUCTO, COSTOS DE REPARACIÓN POR PARTE DE TERCEROS O CUALQUIER OTRO TIPO DE GASTOS NO ESPECIFICADOS ANTERIORMENTE. A EXCEPCIÓN DEL ALCANCE APLICABLE DE LA LEY, CUALQUIER TIPO DE GARANTÍA IMPLÍCITA, INCLUSO LA DE COMERCIABILIDAD, QUEDA EXPRESAMENTE LIMITADA A LA DURACIÓN DE ESTA GARANTÍA. ALGUNOS ESTADOS NO PERMITEN LIMITACIONES, POR LO QUE ES POSIBLE QUE LAS LIMITACIONES Y EXCLUSIONES ANTERIORES NO SE APLIQUEN A SU CASO.

## **Cómo Obtener Servicio**

Para obtener servicio de reparación bajo esta garantía, debe comunicarse con un Centro de Servicios BRONDELL autorizado para obtener un número de RMA (Autorización de devolución de mercadería). La unidad devuelta debe estar acompañada de una copia del comprobante de compra original para que la garantía sea válida. Lleve o envíe la unidad prepaga al Centro de Servicios BRONDELL autorizado más cercano, junto con su número de RMA y el comprobante de compra. Para obtener su número de RMA y para localizar el Centro de Servicios BRONDELL más cercano, llame al 1-888-542-3355, Lunes – Viernes, 9am-5pm, PST.

# brondell®

a healthy home experience

**CONTACTAR:**

Brondell, Inc.

PO Box 470085

San Francisco, CA 94147-0085

Phone: 1-888-542-3355

Email: [support@brondell.com](mailto:support@brondell.com)

Web: [www.brondell.com](http://www.brondell.com)

Si tiene preguntas, póngase en contacto  
con Brondell Servicio al Cliente:

1-888-542-3355

(Lunes – Viernes, 9am-5pm, PST)

**FABRICADO POR:**

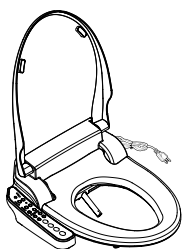
Brondell, Inc.

PO Box 470085

San Francisco, CA 94147-0085

**Hecho en Corea**

**Por favor, guarde los registros de recibos  
de las reclamaciones de garantía.**



# MANUEL DE L'UTILISATEUR

Sièges de toilette à bidet

innovants Swash SE400

SE400-EW

SE400-RW

## CONTENU

Le présent manuel contient d'importantes consignes de sécurité. Avant d'utiliser le bidet, veuillez lire attentivement ce manuel et le conserver pour référence ultérieure.

### INFORMATIONS GÉNÉRALES

- 55 CONSIGNES DE SÉCURITÉ
- 59 CARACTÉRISTIQUES DU PRODUIT
- 59 Caractéristiques du Produit
- 60 Dimensions du Produit
- 61 Pièces du Produit

### INSTALLATION DU PRODUIT

- 62 INSTALLATION DU PRODUIT
- 62 Pièces d'Installation
- 63 Avant L'installation
- 63 Installation du Swash
- 67 Installation du Filtre de Bidet Externe

### FONCTIONNEMENT DU PRODUIT

- 68 UTILISER LE SWASH
- 68 Panneau de Commande du SE400
- 70 Utiliser le SE400
- 72 Fonctionnement en Mode Spécial

### INFORMATIONS TECHNIQUES

- 73 SPÉCIFICATIONS DU PRODUIT
- 74 ENTRETIEN
- 74 Nettoyage et Retrait du Siège
- 74 Nettoyage de la Buse
- 75 Nettoyage du Filtre à Tamis
- 75 Entreposage et Utilisation du Produit
- 76 RÉOLUTION DE PROBLÈMES
- 79 GARANTIE
- 80 COORDONNÉES


### TRADUCTIONS


- 01 ANGLAIS
- 27 ESPAGNOL
- 54 FRANÇAIS


# CONSIGNES DE SÉCURITÉ (MESURES DE PROTECTION IMPORTANTES)

## LISEZ TOUTES LES INSTRUCTIONS AVANT L'UTILISATION

VEUILLEZ À CONSERVER CES CONSIGNES DE SÉCURITÉ. VEUILLEZ LIRE CES CONSIGNES AFIN D'ÉVITER TOUTE PERTE MATÉRIELLE ET D'ASSURER LA SÉCURITÉ.

 **DANGER** : Le non-respect de ces consignes peut entraîner des blessures graves et même la mort.

 **AVERTISSEMENT** : Le non-respect de ces consignes peut entraîner de graves blessures physiques ou des dégâts matériels.

 **MISE EN GARDE** : Le non-respect de ces consignes peut entraîner des blessures physiques mineures ou des dégâts matériels.



### **DANGER**

Tout manquement aux avertissements suivants peut entraîner une électrocution, un incendie, des dommages corporels ou endommager le produit.

- N'utilisez pas de câble d'alimentation endommagé et ne branchez pas le produit sur une prise de courant instable.
- Ne déplacez pas le produit en tirant sur le cordon d'alimentation.
- Ne manipulez pas le produit ou la fiche d'alimentation avec des mains mouillées.
- Ne pliez pas brutalement le cordon d'alimentation et ne placez pas d'objets lourds sur celui-ci pour éviter de l'endommager ou de le déformer.
- Évitez de brancher la fiche d'alimentation, puis de la retirer, à plusieurs reprises.
- Débranchez le produit avant de le nettoyer, de le réparer, de l'inspecter ou d'en remplacer des pièces.
- Enlevez la poussière et l'eau du câble d'alimentation avant de le brancher.
- Ne branchez pas le produit sur une prise de courant ou une barre multiprise utilisée par de nombreux autres produits. Utilisez une prise de courant qui convient à la puissance du produit, soit un minimum de 15 A.
- Si le cordon d'alimentation est endommagé, n'essayez pas de le réparer, de le modifier ou de le remplacer vous-même. Communiquez avec le centre de service Brondell sans frais au 888 542-3355 ou envoyez-nous un courriel en passant par notre site Web.
- Si le produit émet un bruit étrange, une odeur de brûlé ou de la fumée, débranchez-le immédiatement de la prise de courant et communiquez avec Brondell. Tout manquement pourrait entraîner une décharge électrique ou un incendie.
- N'insérez pas de fils ou d'objets pointus dans les espaces vides du produit. Cela peut entraîner une décharge électrique, un incendie ou des dommages matériels.

# CONSIGNES DE SÉCURITÉ (MESURES DE PROTECTION IMPORTANTES)



## DANGER

Tout manquement aux avertissements suivants peut entraîner une électrocution, un incendie, des dommages corporels ou endommager le produit.

- Ne placez pas d'appareil de chauffage électronique ou au gaz près du produit et ne jetez pas de matériaux en combustion, comme une cigarette allumée, dans la toilette. Cela peut entraîner un incendie ou déformer le produit. Ne placez pas de contenants remplis d'eau ou d'autres liquides, d'aliments, d'objets métalliques ou de matériaux inflammables sur le produit. Si un corps étranger pénètre dans le produit, il peut entraîner une décharge électrique ou un incendie.
- N'utilisez pas le produit dans des endroits exposés à une humidité excessive et ne l'éclaboussez pas avec de l'eau.
- Lorsque vous nettoyez la salle de bain, débranchez le câble d'alimentation de la prise électrique et veillez à ce que l'eau ou les produits de nettoyage n'éclaboussent pas le bidet. Tout manquement pourrait entraîner une décharge électrique ou un incendie.
- Si un corps étranger pénètre dans le produit, retirez le câble d'alimentation de la prise électrique, coupez l'alimentation principale en eau et appelez le centre de service Brondell.
- Ne démontez pas, ne réparez pas et ne modifiez pas le produit vous-même.
- N'utilisez pas le produit juste après être sorti du bain ou de la douche.
- Ne placez pas ou n'entrez pas le produit dans un endroit où il peut tomber ou se retrouver dans une baignoire ou un lavabo.
- Ne placez pas ou ne laissez pas tomber le produit dans l'eau ou tout autre liquide.
- Ne tentez pas de toucher le produit s'il est tombé dans l'eau. Débranchez-le immédiatement et appelez le centre de service Brondell.
- N'utilisez pas le produit s'il ne fonctionne pas correctement. Débranchez-le immédiatement, coupez l'alimentation principale en eau et appelez le centre de service Brondell au 888 542-3355. Tout manquement pourrait entraîner une décharge électrique, un incendie ou une inondation.



## AVERTISSEMENT

Tout manquement aux avertissements suivants peut entraîner une électrocution, un incendie, des dommages corporels, des dommages matériels ou endommager le produit.

- Ne branchez pas, n'utilisez pas et n'entrez pas l'appareil dans des endroits où des matériaux inflammables ou combustibles sont utilisés ou entreposés.
- N'utilisez pas une alimentation en eau industrielle ou grise, ce qui pourrait entraîner des dommages à la peau ou une maladie.
- Coupez l'alimentation principale en eau lors du nettoyage.
- Pour les enfants et les personnes âgées qui ont des difficultés à régler la température ou pour ceux qui ont la peau sensible ou des troubles de sensibilité à la chaleur, réglez la température du jet de lavage et du siège à « faible » ou à « arrêt » pour éviter les brûlures.

# CONSIGNES DE SÉCURITÉ (MESURES DE PROTECTION IMPORTANTES)



## AVERTISSEMENT

Tout manquement aux avertissements suivants peut entraîner une électrocution, un incendie, des dommages corporels, des dommages matériels ou endommager le produit.

- Une étroite surveillance est nécessaire lorsque le produit est utilisé par des enfants, des personnes âgées ou des personnes nécessitant une aide générale.
- N'appuyez pas sur les boutons en utilisant une force excessive.
- Ne vous tenez pas debout sur le revêtement du siège et ne placez pas d'objets lourds sur celui-ci.
- Utilisez ce produit uniquement aux fins auxquelles il est destiné, décrites dans le présent manuel. N'utilisez pas d'accessoires qui ne sont pas recommandés par Brondell.
- Ne manipulez jamais ce produit si son câble ou sa fiche d'alimentation sont endommagés, s'il ne fonctionne pas correctement, si vous l'avez laissé tomber, s'il a été endommagé ou s'il est tombé dans l'eau. Communiquez avec le centre de service Brondell pour le faire examiner ou réparer.
- Tenez le câble éloigné des surfaces chaudes et des événements de chauffage.
- Ne bloquez jamais les ouvertures d'aération du produit et ne le placez jamais sur une surface molle comme un lit ou un canapé, qui pourrait bloquer les ouvertures d'aération. Assurez-vous qu'il n'y ait aucune peluche ni aucun poil, etc. près des ouvertures d'aération.
- N'échappez ou n'insérez jamais d'objet dans les ouvertures ou les tuyaux.
- N'utilisez pas le produit à l'extérieur et ne le faites pas fonctionner là où des produits en aérosol (avec atomiseur) sont utilisés, ou dans une pièce où il pourrait être exposé à de l'oxygène.
- Branchez ce produit uniquement sur une prise correctement mise à la terre. Consultez les instructions de mise à la terre dans les prochaines pages du présent manuel.



## ATTENTION

Tout manquement aux avertissements suivants peut entraîner une électrocution, un incendie, des dommages corporels, des dommages matériels ou endommager le produit.

- Ne raccordez pas l'alimentation principale en eau à la conduite d'eau chaude (raccordez-la uniquement à la conduite d'eau froide).
- Après l'installation, n'oubliez pas de vérifier la présence de fuites dans tous les raccords d'alimentation en eau. Des rondelles de caoutchouc doivent être posées à chaque raccordement des tuyaux et autour de la valve en T.
- N'abaissez pas et ne relevez pas le siège ou le couvercle du siège en utilisant une force excessive.
- Veillez à ce que l'urine n'entre pas en contact avec le produit. Tout manquement pourrait entraîner de mauvaises odeurs ou une défaillance.
- Lorsque le produit ne sera pas utilisé pendant une longue période, débranchez le câble d'alimentation, coupez l'alimentation principale en eau et videz l'eau du réservoir.
- Ne tirez pas sur le tuyau du bidet en utilisant une force excessive.
- N'utilisez pas de diluant, de benzène, de produits chimiques acides, de chlorure ou de détergent à l'acide chlorhydrique sur le produit ou à proximité de celui-ci. Cela peut entraîner la corrosion des pièces métalliques, ou encore des égratignures ou une décoloration du bidet.

# CONSIGNES DE SÉCURITÉ (MESURES DE PROTECTION IMPORTANTES)



## ATTENTION

Tout manquement aux avertissements suivants peut entraîner une électrocution, un incendie, des dommages corporels, des dommages matériels ou endommager le produit.

- Cet appareil n'est pas conçu pour être utilisé par des personnes (notamment des enfants et des personnes âgées) présentant des capacités physiques, sensorielles ou mentales réduites, ou un manque d'expérience et de connaissances, sauf si elles sont supervisées ou informées sur l'utilisation de l'appareil par une personne responsable de leur sécurité.
- Les enfants doivent être surveillés pour s'assurer qu'ils ne jouent pas avec l'appareil.



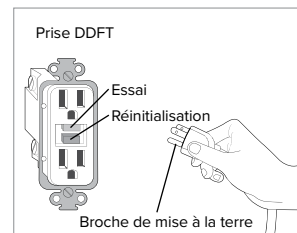
## ATTENTION

Pour ceux qui ont des problèmes médicaux ou de mobilité dans la salle de bain, nous recommandons nos sièges de bidet Swash 1400 ou Swash 1000, car leurs systèmes de montage sont conçus pour les transitions les plus sûres entre fauteuils roulants et marcheurs.

## INSTRUCTIONS DE MISE À LA TERRE ET DDFT

Ce produit doit uniquement être utilisé avec une prise de courant DDFT reliée à la terre (disjoncteur différentiel de fuite à la terre) et un câble d'alimentation triphasée mis à la terre comme indiqué à droite. En cas de court-circuit électrique, l'utilisation d'une prise DDFT mise à la terre réduit le risque d'électrocution.

Ce produit est équipé d'un câble mis à la terre et est uniquement destiné à une utilisation sur un circuit nominal 120V (minimum de 15 ampères) et doit être branché dans une prise qui est correctement mise à la terre à l'aide d'un disjoncteur DDFT tel qu'indiqué. Remplacez ou réparez immédiatement un câble endommagé.



## UNE MAUVAISE UTILISATION DE LA FICHE DE MISE À LA TERRE PEUT ENTRAÎNER UN RISQUE DE DÉCHARGE ÉLECTRIQUE.

- S'il est nécessaire de réparer ou de remplacer le câble ou la fiche, ne raccordez pas le fil de mise à la terre à une des bornes à lame plate. Le fil avec l'isolant vert (avec ou sans rayure jaune) correspond au fil de mise à la terre.
- Demandez conseil à un électricien qualifié si vous ne comprenez pas entièrement les instructions de mise à la terre ou si vous avez des doutes quant à la mise à la terre adéquate du produit.

## Caractéristiques du Produit

### **Système de Buse en Acier Inoxydable**

L'acier inoxydable résiste aux salissures et à la contamination bactérienne pour une meilleure hygiène.

### **Jet d'eau Tiède Postérieur et pour Toilette Intime Féminine**

Découvrez la propreté ultime avec des réglages pour la température, la position, la pression, le massage et l'oscillation.

### **Buse Orientable**

La buse offre cinq positions différentes afin de garantir le lavage le plus confortable et le plus complet.

### **Température et Pression d'eau Réglables**

Chaque mode de lavage (Avant et Arrière) possède quatre réglages de température ainsi que cinq réglages de pression de l'eau.

### **Massage**

Lorsque ce mode est activé, la pression de l'eau augmente et diminue automatiquement pour offrir un jet de lavage à pulsations.

### **Séchage à Air Chaud**

Comprend cinq réglages de température pour une expérience mains libres et une réduction, voire une élimination du papier toilette.

### **Oscillation de la Buse**

La fonctionnalité de déplacement permet un jet massant et oscillant pendant le cycle de lavage et assure un nettoyage minutieux et confortable.

### **Fonction Automatique**

Active une préconfiguration pour un cycle de lavage arrière suivi d'un cycle de séchage.

### **Siège Chauffant Ergonomique**

Avec quatre réglages de température (Élevée/Moyenne/Faible/Désactivée).

### **Veilleuse**

Grâce au bleu froid de la veilleuse, finies les lumières aveuglantes lors de vos allées et venues nocturnes à la salle de bain.

### **Siège et Couvercle à Rabat en Douceur**

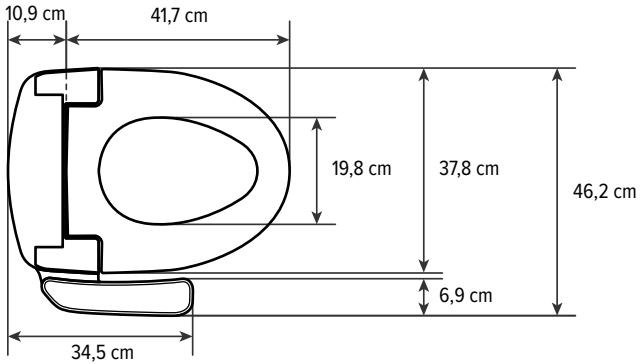
Le siège et le couvercle se rabattent sans bruit et offrent une utilisation conviviale.

### **Mode Économie**

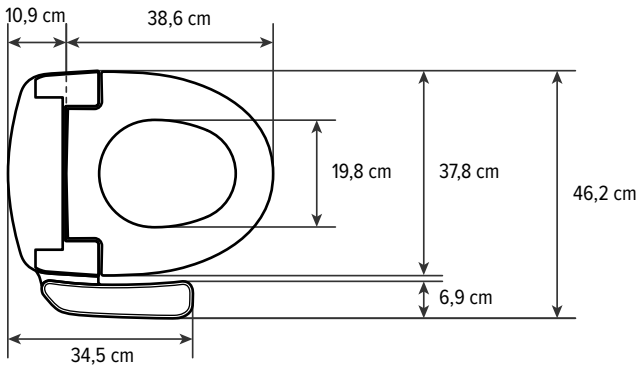
Lorsqu'activée, cette fonction réduit automatiquement la température de l'eau et du siège.

## Dimensions du Produit

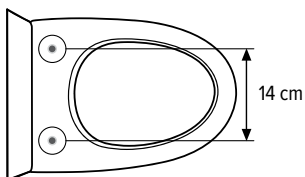
### Vue de haut, allongée



### Vue de haut, arrondie

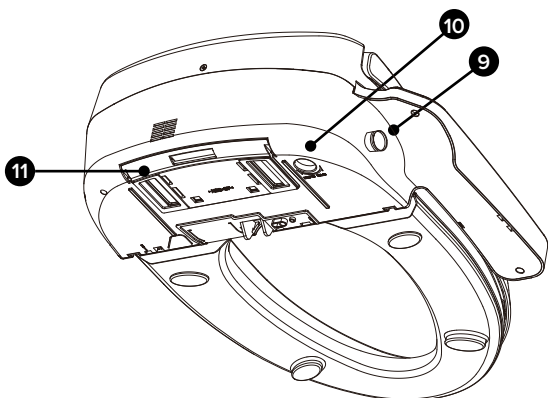
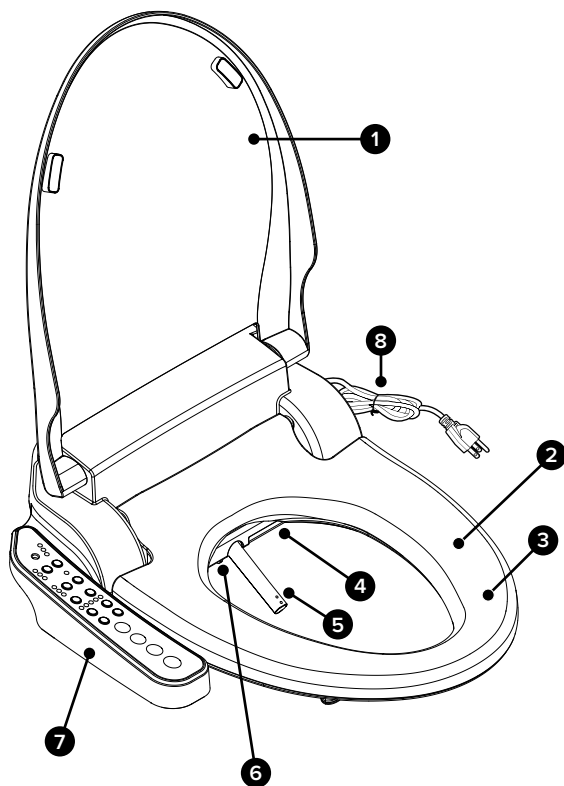


### Distance requise entre Trous de fixation



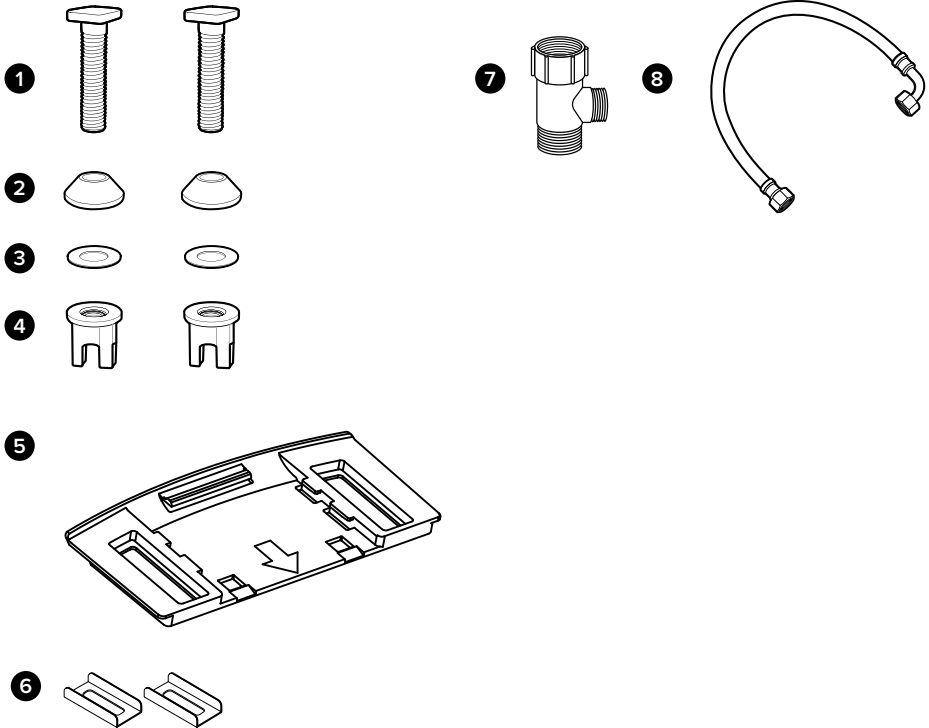
## Pièces du Produit

1. Couvercle
2. Capteur du Siège
3. Siège Chauffant
4. Séchoir à Air Chaud
5. Ensemble de la Buse
6. Veilleuse à DEL
7. Panneau de Contrôle
8. Fiche d'Alimentation
9. Entrée d'eau Avec Filtre à Tamis
10. Bouchon de Vidange
11. Plaque de Montage



# Pièces d'installation

1. Boulons de Fixation (2)
2. Rondelles Coniques de Caoutchouc (2)
3. Rondelles Plates (2)
4. Écrous (2)
5. Plaque de Montage
6. Supports Supérieurs (2)
7. Raccord de valve en T Avec Rondelle de Caoutchouc
8. Tuyau du bidet



# Avant L'installation



### **NE PAS BRANCHER LE PRODUIT ALORS QU'IL EST À L'ENVERS**

Cela peut endommager les composants internes.

### **VISIONNEZ NOTRE VIDÉO D'INSTALLATION**

Les directives d'installation de tous les produits Swash se trouvent en ligne à [brondell.com](http://brondell.com).

### **VÉRIFIEZ L'ESPACEMENT DES BOULONS**

Ce bidet peut uniquement être installé sur des toilettes dont l'espacement entre les trous pour boulons est de 14 cm / 5,5 in. (consultez les dimensions du produit à la Page 60 pour en savoir plus).

### **VÉRIFIEZ L'INSTALLATION DES SUPPORTS SUPÉRIEURS**

Si les boulons de fixation qui attachent le siège à votre toilette ne sont accessibles que par le dessus, installez les supports supérieurs compris dans la trousse de quincaillerie (consultez la Page 65).

### **VÉRIFIEZ LA PRÉSENCE D'UN ROBINET DE REMPLISSAGE DE TOILETTE CACHÉ**

De nombreuses toilettes modernes ont des conceptions élégantes destinées à couvrir et à camoufler les raccords de plomberie, ce qui rend l'installation d'un Swash standard difficile, voire impossible. Pour cela, nous vous recommandons d'utiliser notre autre valve en T pour siège de bidet Swash, vendue sur le site [brondell.com](http://brondell.com).

### **VÉRIFIEZ LA CONDUITE D'EAU**

Vérifiez la conduite qui lie le réservoir de la toilette au robinet d'arrêt d'eau. S'il s'agit d'une conduite rigide, vous devrez peut-être acheter un tuyau flexible pour la remplacer avant d'installer le Swash. La longueur du tuyau et la taille des raccords varieront.

### **LA PRÉSENCE D'HUMIDITÉ RÉSIDUELLE EST NORMALE**

Tous les produits sont mis à l'essai avec de l'eau pure au cours de la production afin de garantir une qualité et une performance optimales. Il est normal de trouver une petite quantité d'humidité résiduelle sur le produit ainsi que dans le réservoir et le filtre.

### **OUTILS**

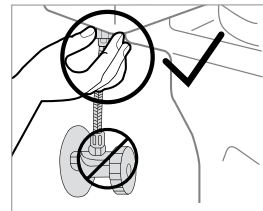
Un tournevis cruciforme ou standard peut être nécessaire pour retirer le siège de toilette existant et une clé standard peut être nécessaire si les raccords de la conduite d'eau sont serrés. Du ruban de Téflon peut être pratique afin d'assurer l'étanchéité entre les raccords de plomberie.

# Installation du Swash

Veillez lire attentivement ces instructions avant d'installer le Swash. Tout manquement pourrait entraîner des inondations ou des fuites, ou endommager le produit.

**REMARQUE :** Les étapes peuvent être différentes selon le type de siège et de toilette.

1. Retrait du siège de toilette existant
  - a. Soulevez les couvercles de charnières et utilisez un tournevis pour enlever les boulons de fixation.
  - b. Retirez le siège de toilette. Conservez-le pour une utilisation future.
2. Coupez l'alimentation en eau et tirez la chasse.
  - a. Coupez l'alimentation en eau pour arrêter le débit d'eau.
  - b. Tirez la chasse et maintenez la poignée enfoncée pour vider complètement le réservoir.
  - c. Déconnectez le tuyau d'alimentation en eau du réservoir de la toilette. Ne le déconnectez pas de l'alimentation en eau.



Étape 2c

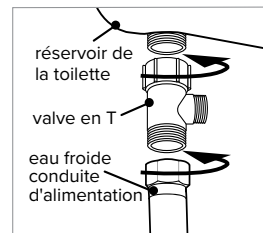
**REMARQUES :**

- Si vous le désirez, vous pouvez placer un récipient sous le réservoir pour recueillir l'excès d'eau.
- Ne continuez pas avant d'avoir suivi les étapes susmentionnées.
- Tout manquement pourrait entraîner des inondations ou des fuites, ou endommager le Swash.

3. Raccordez le côté supérieur de la valve en T au raccord d'eau entrant sous le réservoir de votre toilette.

**REMARQUES :**

- La valve en T se raccorde directement au robinet de remplissage sous le réservoir de la toilette; elle ne se raccorde pas au mur.
- Raccordez-la uniquement à la conduite d'eau froide de la toilette.
- Si votre conduite d'eau est rigide, il se peut que vous deviez la remplacer avant de continuer.

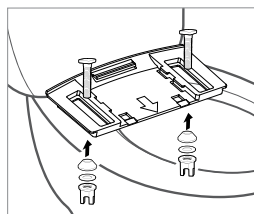


Étapes 3 et 4

4. Raccordez la conduite d'eau provenant du mur au bas de la valve en T.
5. Installez la plaque de montage pour une installation standard (consultez l'étape 6 à la page 65 pour savoir comment utiliser les supports supérieurs).
  - a. Posez la plaque de montage réglable sur les trous de fixation de la toilette, avec le caoutchouc vers le bas et la flèche vers la cuvette.

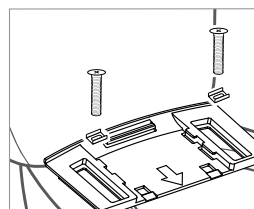
## Installation du Swash

- b. Insérez les boulons de fixation à travers la plaque de montage et les trous de fixation de la toilette.  
Assurez-vous que la tête carrée du boulon de fixation est au même niveau que les côtés de la plaque de montage.
- c. Faites glisser le cône de caoutchouc, la rondelle plate, puis l'écrou sur les boulons de fixation sous la cuvette et serrez-les pour fixer la plaque de montage.



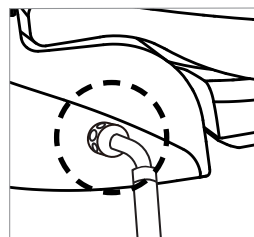
Étapes 5b et 5c

6. Installez la plaque de montage destinée aux sièges fixés par le dessus (consultez l'étape 5 à la page 64 pour obtenir les instructions d'installation standard). Cette méthode fait appel à une combinaison des supports supérieurs fournis et des boulons de fixation du siège de toilette d'origine.
  - a. Posez la plaque de montage réglable sur les trous de fixation de la toilette, avec le caoutchouc vers le bas et la flèche vers la cuvette.
  - b. Placez les supports supérieurs fournis, côté plat vers le bas, dans les fentes du support de fixation, par-dessus les trous de boulons.
  - c. Insérez les boulons de fixation du siège de toilette d'origine à travers les supports supérieurs et dans les trous de boulons filetés de la toilette, puis serrez-les à l'aide d'un tournevis.



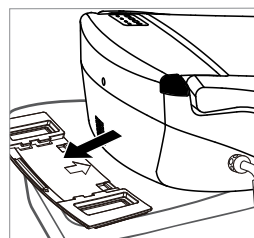
Étapes 6b et 6c

7. Raccordez le tuyau du bidet au siège.
  - a. Raccordez l'extrémité coudée du tuyau du bidet à l'entrée d'eau. Fixez-le en serrant à la main. Faites attention à ne pas tordre le tuyau du bidet, à ne pas le plier de façon excessive et à ne pas endommager les filets de vis en plastique lorsque vous vissez le tuyau au siège du bidet.



Étape 7a

8. Fixez le Swash à la plaque de montage.
  - a. Posez le Swash à plat sur la cuvette en face de la plaque de montage et faites glisser le siège sur la plaque jusqu'à ce qu'il soit fixé.
  - b. Si le siège semble trop court ou trop long pour la toilette, ajustez la plaque de montage en conséquence. Pour ajuster la plaque de montage, desserrez les écrous sous la toilette et faites glisser le siège vers l'avant ou vers l'arrière selon les besoins. Une fois que le siège est correctement aligné, serrez les écrous pour le maintenir en place.

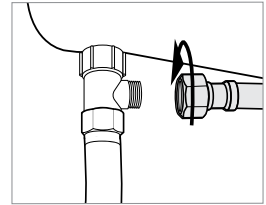


Étape 8b

**REMARQUES :** Pour ceux qui ont des problèmes de mobilité, nous recommandons nos sièges de bidet Swash 1400 ou Swash 1000, car leurs systèmes de montage sont conçus pour les transitions les plus sûres entre fauteuils roulants et marcheurs.

## Installation du Swash

9. Raccordez l'extrémité libre du tuyau du bidet à la valve en T.
10. Rétablissez l'alimentation en eau.
  - a. Ouvrez doucement l'alimentation principale en eau et vérifiez la présence de fuites.
  - b. Patientez 5 minutes, vérifiez à nouveau et poursuivez s'il n'y a aucune fuite.
11. Branchez le câble d'alimentation sur une prise de courant.
  - a. Si l'indicateur d'alimentation ne s'allume pas, appuyez sur n'importe quel bouton du panneau de commande.



Étape 9

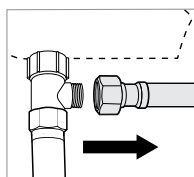
**REMARQUES :** Assurez-vous d'utiliser uniquement une prise de courant DDFT (disjoncteur différentiel de fuite de terre) mise à la terre. En cas de court-circuit, une prise DDFT mise à la terre contribue à éviter une décharge électrique ou des blessures.

12. Appuyez sur le bouton « REAR WASH » (« LAVAGE ARRIÈRE ») du bras de commande pour remplir le réservoir d'eau. Le bidet émettra de courts signaux sonores tout au long du remplissage, puis un long signal sonore lorsque le réservoir sera plein. Patientez entre 3 et 5 minutes pendant que l'eau chauffe; le Swash sera ensuite prêt à être utilisé.
13. Suivez les instructions d'utilisation du Swash à la page 70.

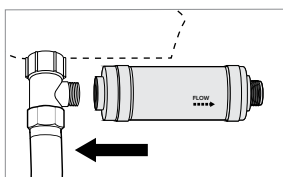
## Installation du Filtre de Bidet Externe

**REMARQUE :** Les clients avec de l'eau dure, de l'eau de puits et de l'eau adoucie peuvent prolonger la durée de vie de leur siège de bidet en achetant et en installant un filtre de raccord externe pour utiliser avec le Swash. Le filtre du bidet doit être changé tous les six mois et se vend en ligne à [brondell.com](http://brondell.com).

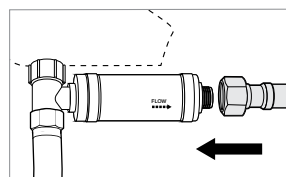
1. Coupez l'alimentation en eau et tirez la chasse.
  - a. Coupez l'alimentation en eau pour arrêter le débit d'eau.
  - b. Tirez la chasse et maintenez la poignée enfoncée pour vider complètement le réservoir.
2. Séparez le tuyau du bidet de la valve en T.
3. Raccordez l'extrémité femelle du filtre Swash à la valve en T ouverte.
4. Raccordez le tuyau du bidet à l'extrémité mâle du filtre Swash.
5. Rétablissez l'alimentation en eau vers la toilette.



Étape 2

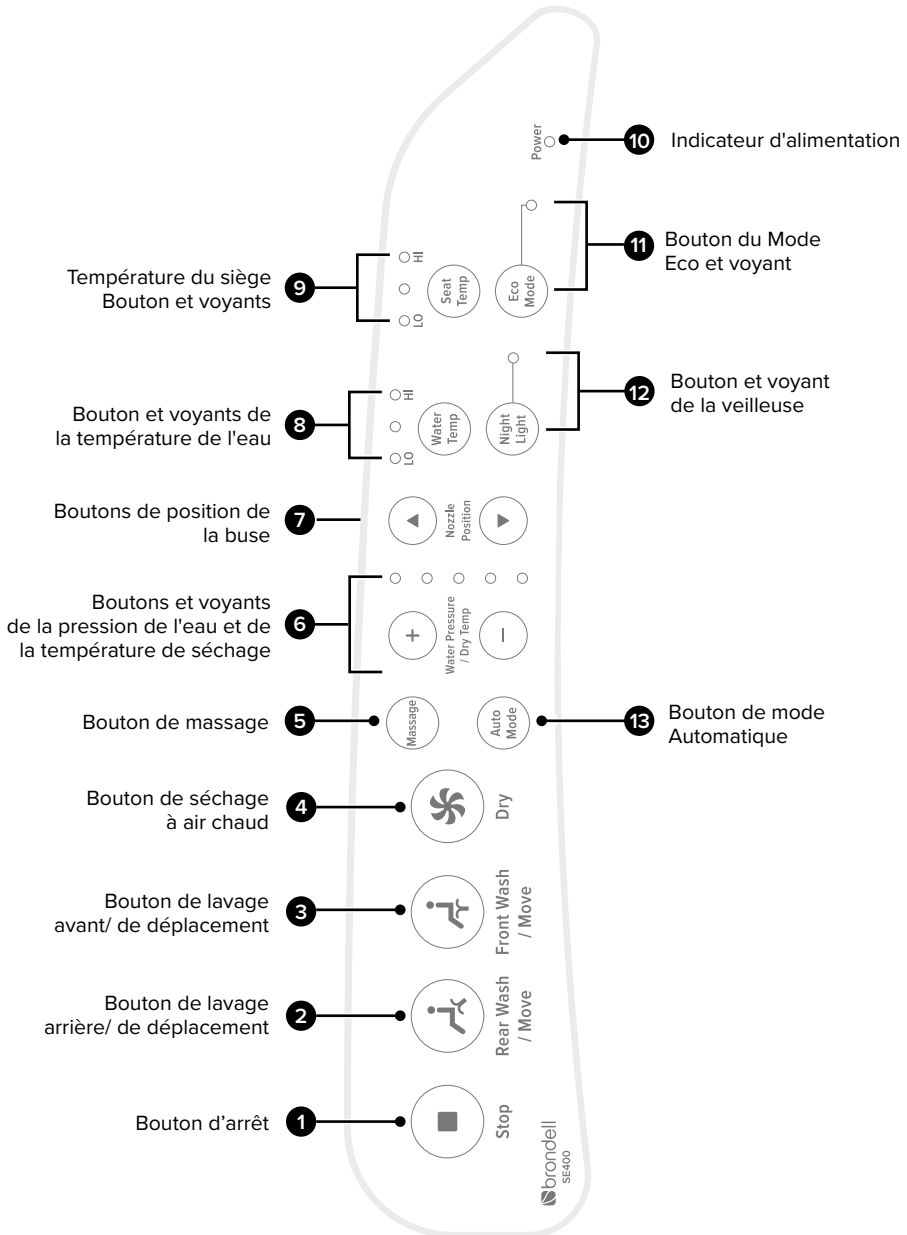


Étape 3



Étape 4

# SE400 Panneau de Commande



# SE400 Panneau de Commande

## 1. Bouton d'Arrêt

Cesse toute fonction de lavage et de séchage en cours d'utilisation. Maintenez ce bouton enfoncé pendant quatre secondes pour éteindre le bidet.

## 2. Bouton de Lavage Arrière/de Déplacement

Appuyez une fois pour commencer le lavage arrière. Appuyez à nouveau pour déclencher l'oscillation de la buse (mouvement répétitif de la buse d'avant en arrière).

## 3. Bouton de Lavage Avant/de Déplacement

Appuyez une fois pour commencer le lavage avant. Appuyez à nouveau pour déclencher l'oscillation de la buse (mouvement répétitif de la buse d'avant en arrière).

## 4. Bouton de Séchage

Appuyez une fois pour lancer un cycle de deux minutes du séchoir à air chaud.

## 5. Bouton de Massage

Appuyer sur ce bouton au cours d'un lavage fait augmenter et diminuer la pression de l'eau à plusieurs reprises, par impulsions. Appuyez à nouveau pour cesser le massage.

## 6. Boutons et Voyants de la Pression de l'eau et de la Température de Séchage

Appuyez sur les boutons « + » et « - » pour faire augmenter et diminuer la pression de l'eau sortante selon l'un des cinq réglages. Appuyer sur ces boutons alors que le séchoir à air chaud fonctionne permet de régler la température de séchage. Les réglages seront enregistrés pour la prochaine utilisation.

## 7. Boutons de Position de la Buse

Appuyez sur les boutons avec flèches haut/bas pour régler la position de la buse vers l'avant et vers l'arrière au cours d'un cycle de lavage. Entre les utilisations, la buse revient au centre.

## 8. Bouton et Voyants de la Température de l'eau

Appuyez brièvement sur le bouton « Water Temp » (Température de l'eau) pour régler la température de l'eau sortante selon l'un des quatre réglages (FAIBLE : 34 °C [93,2 °F], MOYENNE : 37 °C [98,6 °F], ÉLEVÉE : 40 °C [104 °F], et ARRÊT). Les réglages seront enregistrés pour la prochaine utilisation.

## 9. Bouton et Voyants de la Température du Siège

Appuyez brièvement sur le bouton « Seat Temp » (Température du siège) pour régler la température de l'eau sortante selon l'un des quatre réglages (FAIBLE : 35 °C [95 °F], MOYENNE : 38 °C [100,4 °F], ÉLEVÉE : 40 °C [104 °F], et ARRÊT). Les réglages seront enregistrés pour la prochaine utilisation.

## 10. Voyant d'Alimentation

Ce voyant s'allume lorsque le bidet est sous tension et s'éteint lorsque le bidet est hors tension. Pour mettre le bidet hors tension, maintenez enfoncé le bouton « STOP » (Arrêt) pendant au moins quatre secondes.

## 11. Bouton et Voyant du Mode Eco

Appuyez brièvement sur le bouton « Eco Mode » (Mode éco) pour sélectionner ou éteindre le mode éco. Le voyant s'allume lorsque le mode éco est sélectionné. Consultez la page 71 pour plus d'information.

## 12. Bouton et Voyant de la Veilleuse

Appuyez sur le bouton « Night Light » (Veilleuse) pour activer la veilleuse (le voyant s'allumera). Appuyez de nouveau pour désactiver la veilleuse et le voyant.

## 13. Bouton de Mode Automatique

Appuyez une fois sur ce bouton pour lancer un cycle de lavage arrière d'une minute suivi d'un cycle de séchage d'une minute. Consultez la page 71 pour plus d'information.

## Utiliser le SE400

**REMARQUES :** Les fonctions de lavage ne fonctionnent que si le capteur du siège détecte la présence d'une personne assise (au moyen du capteur de conductivité de la peau intégré). Pour désactiver le capteur du siège, veuillez consulter les instructions de la page 72.

### Préparation au lavage

Asseyez-vous sur le siège afin d'assurer le contact de la peau avec le capteur du siège. Une fois le contact établi, le siège exécute automatiquement diverses fonctions :

1. Le siège émet un bip qui vous prévient que le capteur du siège est enclenché.
2. Les voyants de la pression de l'eau s'allument et affichent le réglage actuel.
3. Si le bidet a été réglé au mode éco, la température du siège et de l'eau augmentent pour atteindre la température fixée dans les réglages.

### Lavage à l'eau chaude

Lorsque vous êtes prêt pour le lavage, appuyez une fois sur le bouton « Rear Wash » (Lavage arrière) ou « Front Wash » (Lavage avant) du panneau de commande pour lancer un lavage. La buse procède alors à un nettoyage automatique, s'allonge dans la cuvette, procède au lavage pendant deux minutes, s'éteint automatiquement, se rétracte, puis procède à nouveau à un nettoyage automatique.

1. Appuyer une seconde fois sur le bouton « Rear » (Arrière) ou « Front » (Avant) alors que le lavage est en cours provoque l'oscillation de la buse d'avant en arrière, ce qui permet au jet de nettoyage de couvrir une grande surface. Si vous voulez annuler la fonction de déplacement, appuyez de nouveau.
2. Pendant le lavage, les utilisateurs peuvent régler la température de l'eau, la pression et la position de la buse, en plus de pouvoir lancer la fonction de massage en suivant les instructions de la page 68.
3. Si vous souhaitez arrêter le lavage avant la fin du cycle de deux minutes, appuyez sur le bouton « Stop » (Arrêt) pour faire cesser le jet d'eau.
4. Après une utilisation prolongée, la température de l'eau peut diminuer si un réglage de température (FAIBLE, MOYENNE ou ÉLEVÉE) est sélectionné. Pour rétablir l'eau chaude, cessez toute fonction de lavage pendant trois minutes pour permettre au bidet de réchauffer l'eau.

## Utiliser le SE400

### Fonction du séchoir à air chaud

Appuyez sur le bouton « Dry » (Sécher) pour activer le séchoir à air chaud. Le séchage dure deux minutes et s'arrête automatiquement.

1. Pendant le séchage, les utilisateurs peuvent régler la température du séchoir à un niveau agréable en utilisant les boutons de séchage « + » et « - ». La température de séchage s'affiche sur les cinq voyants DEL.
2. Si vous souhaitez arrêter le séchoir avant la fin du cycle de deux minutes, appuyez sur « Stop » (Arrêt).

### Mode Automatique

Appuyer sur le bouton « Auto Mode » (Mode automatique) lance un lavage arrière d'une minute dont les paramètres prédéfinis sont les suivants :

- Température du siège réglée à « Moyenne »
- Oscillation de la buse (déplacement) activée
- Pression de l'eau réglée au niveau 3
- Température de l'eau réglée à « Moyenne »

Une fois le cycle de lavage terminé, le mode automatique lance un cycle de séchage à air chaud d'une minute réglé au niveau 2.

**REMARQUE :** Tous les réglages de lavage et de séchage sont ajustables selon vos préférences durant le cycle de lavage en mode automatique.

### Mode Éco

En mode éco, lorsque le bidet n'est pas en cours d'utilisation, l'eau du réservoir ainsi que la température du siège sont chauffées à 30 °C (86 °F). Une fois qu'une personne s'assied sur le bidet, le Swash revient aux derniers réglages utilisés pour la température de l'eau et du siège. Pour sélectionner cette option, appuyez brièvement sur le bouton « Eco Mode » (Mode éco) pour que le voyant s'allume.

# Fonctionnement en Mode Spécial

**REMARQUE :** Ne vous asseyez pas sur le siège lorsque le fonctionnement est en mode spécial. Le processus ne peut pas fonctionner si le siège est occupé.

## Désactiver le capteur du siège

Le capteur du siège est activé par défaut en usine. Réaliser les étapes suivantes vous permet de passer outre le capteur corporel situé dans le siège et permet aux fonctions de lavage et de séchage de fonctionner sans enclenchement du capteur. Utilisez ce mode avec prudence.

1. Débranchez le siège du bidet Swash.
2. Appuyez simultanément sur les boutons de pression de l'eau et de température de séchage (+ et -) et branchez le siège en les maintenant enfoncés.
3. Maintenez enfoncés les boutons de pression de l'eau et de température de séchage (+ et -) pendant cinq secondes. Lorsqu'un bip retentit, le capteur du siège est désactivé. Pour vérifier que le processus a fonctionné, appuyez sur le bouton de séchage. Si le séchoir à air chaud démarre sans que personne ne soit assis sur le siège, vous avez réussi à désactiver le capteur du siège.
4. Vous pouvez reprendre l'utilisation du siège comme à l'habitude.
5. Pour réactiver le capteur du siège, répétez les étapes 1 à 3.

## Activation/désactivation du mode silencieux

Par défaut, le Swash émet un bip pour confirmer les commandes provenant du panneau de commande. Suivez les étapes suivantes pour désactiver le bip.

1. Appuyez simultanément sur le bouton de lavage arrière/de déplacement et sur le « - » du bouton de la pression de l'eau et de la température de séchage, et maintenez-les enfoncés pendant quatre secondes.
2. Un bip vous indique ensuite que le mode silencieux est activé.
3. Pour désactiver le mode silencieux, répétez les étapes 1 et 2.

# Spécifications du Produit

## SIÈGE DE TOILETTE À BIDET INNOVANT SWASH DE BRONDELL

<b>Modèle</b>	SE400-EW, SE400-RW
<b>Tension d'alimentation</b>	120 V, 60 Hz
<b>Consommation énergétique</b>	660 W
<b>Pression de l'alimentation en eau</b>	14,2 psi – 106,6 psi
<b>Dimensions</b>	Allongé : 47 cm (18,5 po) x 53 cm (20,87 po) x 15,5 cm (6,10 po) Rond : 47 cm (18,5 po) x 49,5 cm (19,5 po) x 15,5 cm (6,10 po)
<b>Poids</b>	Allongé : 4,4 kg (9,7 lb)/Rond : 4,3 kg (9,5 lb)
<b>Limite de poids du siège/ du couvercle</b>	124,74 kg (275 lb) /80,74 kg (178 lb)
<b>Température de fonctionnement</b>	3 °C (37,4 °F) – 40 °C (104 °F)
<b>Filtre à tamis</b>	Diamètre de 1,09 cm (0,43 po) x 1,52 cm (0,6 po)

## APPAREIL DE LAVAGE À L'EAU CHAUDE

<b>Lavage arrière</b>	Maximum de 0,95 l/min, nettoyage automatique de la buse
<b>Lavage avant</b>	Maximum de 0,95 l/min, nettoyage automatique de la buse
<b>Durée standard</b>	Lavage arrière : 2 minutes/Lavage avant : 2 minutes
<b>Commande de la pression de l'eau</b>	5 niveaux
<b>Commande de la température de l'eau</b>	4 niveaux : Arrêt – température de l'eau entrante, Faible – 34 °C (93,2 °F), Moyenne – 37 °C (98,6 °F), Élevée – 40 °C (104 °F)
<b>Consommation d'énergie du dispositif de chauffage</b>	600 W
<b>Dispositifs de sécurité</b>	Fusible thermique, thermostat, capteur de niveau d'eau

## SIÈGE CHAUFFANT

<b>Température du siège</b>	4 niveaux : Arrêt – température ambiante
<b>Commande</b>	Faible – 35 °C (95 °F), Moyenne – 38 °C (100,4 °F), Élevée – 40 °C (104 °F)
<b>Consommation d'énergie du dispositif de chauffage</b>	55 W
<b>Dispositifs de sécurité</b>	Thermostat

**REMARQUE** : Les spécifications mentionnées ci-dessus sont sujettes à modifications sans préavis pour des raisons d'amélioration du rendement du produit.

# Nettoyage et Retrait du Siège, Nettoyage de la Buse



Débranchez le Swash de la source d'alimentation avant de nettoyer ou de retirer le siège.

## Nettoyage et Retrait du Siège

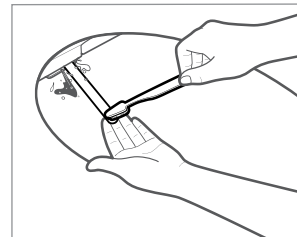
Utilisez un chiffon doux et humide ainsi qu'un nettoyeur doux (savon à vaisselle, Simple Green, Windex, etc.) pour nettoyer le siège. **NE PAS** frotter ni utiliser de nettoyeurs forts et abrasifs pour nettoyer le Swash. **NE PAS** utiliser de diluant, de benzène, de produits chimiques acides, de chlore ou de détergent à l'acide chlorhydrique. Cela peut entraîner la corrosion des pièces métalliques, ou encore des égratignures ou une décoloration du bidet.

Pour un nettoyage en profondeur, vous pouvez retirer le Swash. Pour retirer le bidet, dégagez-le vigoureusement du réservoir de la toilette et de la plaque de montage.

**REMARQUE :** Veillez à ne pas laisser de cosmétiques et de produits ménagers en contact avec le siège du bidet, car cela pourrait entraîner une décoloration irréversible. La plupart des taches peuvent être éliminées en utilisant un mélange 1:1 d'alcool à friction et d'eau ainsi qu'un chiffon doux ou une serviette. Cependant, certaines taches permanentes sont causées par des substances laissées sur le siège alors que le siège chauffant était activé. Méfiez-vous des cosmétiques et des produits ménagers qui entrent en contact avec le siège (tels que divers fixatifs, assainisseurs d'air, lotions, nettoyeurs pour le corps, autobronzants, beurres corporels et huiles). Lavez toute substance qui entre en contact avec le siège dès que possible. Vous pouvez acheter des pièces de rechange pour le siège auprès du service à la clientèle de Brondell, au besoin.

## Nettoyage de la Buse

1. Appuyez brièvement et simultanément sur les boutons « Rear Wash » (Lavage arrière) et « Front Wash » (Lavage avant) du panneau de commande. La buse se déploie alors dans la cuvette.
2. Nettoyez délicatement la buse à la main à l'aide d'un linge doux ou d'une brosse à dents.
3. Pour que la buse se rétracte, appuyez sur le bouton « Stop » (Arrêt).



Étape 1

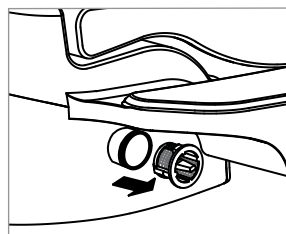
**REMARQUE :** La fonction de nettoyage de la buse ne peut pas fonctionner si le siège est occupé ou si le capteur du siège a été désactivé.

# Nettoyage du Filtre à Tamis, Entreposage et Utilisation du Produit

### Nettoyage du Filtre à Tamis

Les intervalles de nettoyage diffèrent selon l'utilisation et la qualité de l'eau. Il est recommandé de vérifier le filtre au moins une fois par année.

1. Coupez l'alimentation en eau et maintenez le levier de chasse enfoncé jusqu'à ce que toute l'eau soit vidée du réservoir.
2. Débranchez le Swash, retirez le bidet de la toilette, puis déconnectez le tuyau du bidet. Vous pouvez utiliser un seau pour récupérer l'eau qui coule du tuyau du bidet.
3. Retirez le filtre à tamis de l'entrée d'eau à l'aide d'une pince à épiler ou d'une pince à becs fins.
4. Nettoyez le filtre à l'aide d'une brosse à dents sous l'eau du robinet pour éliminer toute substance étrangère ou accumulation.
5. Remplacez le filtre à tamis et assurez-vous qu'il est bien installé. Une installation incorrecte peut entraîner des fuites d'eau.
6. Reconnectez le tuyau du bidet et remplacez le siège sur la toilette. Rebranchez le câble et rétablissez l'alimentation en eau.



Étape 3

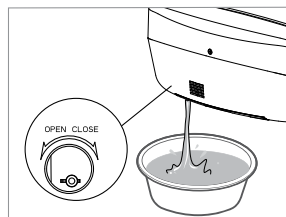
### Entreposage et Utilisation du Produit

#### Non-utilisation à court terme

Si vous prévoyez ne pas utiliser le produit pendant plus de quelques semaines, vous pouvez simplement le débrancher. Vous pouvez également couper l'alimentation en eau au mur comme précaution supplémentaire.

#### Non-utilisation à long terme

Si le produit est inutilisé pendant une période prolongée (plus de quatre mois), vous devez débrancher l'appareil, couper l'alimentation en eau au mur et retirer le Swash de la toilette en le dégageant vigoureusement du réservoir de la toilette et de la plaque de montage. Retirez également le tuyau du bidet et vidangez le chauffe-eau. Pour vidanger le chauffe-eau, retirez le bouchon de vidange et l'arrière du siège du bidet en tournant ce dernier de 90 degrés dans le sens contraire des aiguilles d'une montre vers la position « OPEN » (OUVERT), puis en le retirant pour que l'eau résiduelle s'écoule.



## Résolution de Problèmes

Si le bidet semble fonctionner de façon anormale, veuillez consulter les conseils de dépannage avant d'appeler le centre de services de Brondell, puisque la plupart des problèmes sont facilement résolus à l'aide de quelques simples étapes. Si vous ne parvenez pas à résoudre le problème après avoir passé en revue les éléments suivants, veuillez appeler le centre de services au 888 542-3355, du lundi au vendredi, entre 9 h et 17 h HNP, ou envoyer un courriel à [support@brondell.com](mailto:support@brondell.com).

Avant de continuer, vérifiez les éléments suivants :

- Assurez-vous que le Swash est connecté à une source d'alimentation et que la prise fonctionne correctement.
- Assurez-vous de vérifier et de tester le bouton de réinitialisation de la prise DDFT (prise DDFT standard de 120 V).
- Assurez-vous que la valve d'alimentation en eau principale est ouverte.
- Assurez-vous que le siège n'est pas en mode éco.
- Veuillez la présence de fuites provenant des tuyaux ou de l'alimentation en eau.
- Assurez-vous que le filtre à tamis est propre et exempt d'accumulation ou de débris (voir la section Entretien).

Après avoir vérifié les éléments ci-dessus, consultez le tableau de dépannage suivant pour obtenir des solutions supplémentaires.

Problème	Causes possibles	Solutions
Le siège du bidet ne fonctionne pas	1. Le bidet n'est pas branché	1. Assurez-vous que le bidet est branché.
	2. Le Swash n'est pas connecté à une source d'alimentation	2. Vérifiez et réinitialisez la prise DDFT.
	3. L'eau entrante est trop chaude	3. Assurez-vous que le siège du bidet est connecté à l'alimentation en eau froide.
	4. Le capteur du siège ne s'active pas	4a. Adaptez votre position assise pour couvrir entièrement le capteur du siège. 4b. Désactivez le capteur du siège.
Le produit s'éteint pendant l'utilisation	1. La durée de lavage est supérieure à celle du cycle	1. Les cycles de lavage fonctionnent pendant deux minutes. Une fois le lavage terminé, appuyez sur le bouton de lavage pour poursuivre le cycle.
	2. Il y a une panne de courant	2. Vérifiez et réinitialisez la prise DDFT.
	3. L'alimentation en eau est trop chaude	3. Assurez-vous que le Swash est raccordé à l'alimentation en eau froide uniquement.

# Résolution de Problèmes

Problème	Causes possibles	Solutions
Le débit d'eau ou la pression du jet est trop faible	<ol style="list-style-type: none"> <li>1. Le filtre est obstrué</li> <li>2. La valve de l'alimentation en eau n'est pas entièrement ouverte</li> <li>3. Les buses sont sales</li> <li>4. Un filtre de bidet externe est mal placé</li> <li>5. Un réglage de pression faible est en place</li> </ol>	<ol style="list-style-type: none"> <li>1. Retirez, nettoyez et réinstallez le filtre à tamis (voir la section Entretien).</li> <li>2. Assurez-vous que l'alimentation en eau au mur est entièrement ouverte.</li> <li>3. Nettoyez les buses (voir la section Entretien).</li> <li>4. Si vous possédez un filtre externe pour le bidet, vérifiez ce filtre et remettez-le en place, au besoin.</li> <li>5. Augmentez les réglages de pression de l'eau.</li> </ol>
Les buses ne fonctionnent pas correctement	<ol style="list-style-type: none"> <li>1. Les buses sont sales</li> <li>2. Le filtre est obstrué</li> <li>3. La pression de l'eau est trop faible</li> <li>4. Un filtre de bidet externe est mal placé</li> </ol>	<ol style="list-style-type: none"> <li>1. Nettoyez les buses (voir la page 74).</li> <li>2. Retirez, nettoyez et réinstallez le filtre à tamis (voir la page 75).</li> <li>3. Assurez-vous que la valve d'alimentation en eau au mur est entièrement ouverte.</li> <li>4. Si vous possédez un filtre externe pour le bidet, vérifiez ce filtre et remettez-le en place, au besoin.</li> </ol>
La température de l'eau est faible	<ol style="list-style-type: none"> <li>1. L'eau du jet est froide</li> <li>2. L'eau du jet est tiède</li> <li>3. L'eau est chaude au début, puis refroidit</li> </ol>	<ol style="list-style-type: none"> <li>1. La température de l'eau est réglée à « ARRÊT » ou à « FAIBLE ». Réglez la température sur le panneau de commande.</li> <li>2. Éteignez le mode éco.</li> <li>3. L'eau chaude peut être utilisée pendant près de 40 secondes sur le réglage « MOYENNE ». Cessez toute fonction de lavage pour permettre au chauffe-eau de réchauffer l'eau.</li> </ol>
Le siège n'est pas chauffé	<ol style="list-style-type: none"> <li>1. La température du siège est réglée à « Arrêt »</li> </ol>	<ol style="list-style-type: none"> <li>1. Assurez-vous que le réglage de la température du siège est activé.</li> </ol>
La fonction de lavage du bidet ou la vaporisation ne fonctionnent pas	<ol style="list-style-type: none"> <li>1. Le capteur corporel ne détecte pas que vous êtes assis sur le Swash</li> </ol>	<ol style="list-style-type: none"> <li>1a. Adaptez votre position assise pour couvrir entièrement le capteur corporel (voir page 61).</li> <li>1b. Désactivez le capteur corporel – consultez la section Fonctionnement en mode spécial à la page 72 pour déverrouiller le capteur corporel du siège.</li> </ol>

# Résolution de Problèmes

Problème	Causes possibles	Solutions
L'eau (jet de lavage) n'est pas chauffée	<ol style="list-style-type: none"> <li>1. La température de l'eau est réglée à « Arrêt »</li> <li>2. Le fusible réarmable a sauté</li> </ol>	<ol style="list-style-type: none"> <li>1. Assurez-vous que le réglage de la température de l'eau est activé.</li> <li>2. Le fusible réarmable bimétallique peut sauter si la température est supérieure au niveau normal. Le bidet ne fonctionnera pas et affichera un message d'erreur jusqu'à ce qu'il se refroidisse.</li> </ol>
L'eau coule avant ou après l'utilisation	<ol style="list-style-type: none"> <li>1. L'eau provient des buses</li> </ol>	<ol style="list-style-type: none"> <li>1a. L'eau qui coule des buses avant ou après un cycle de lavage provient du cycle de nettoyage automatique et ne constitue pas un dysfonctionnement.</li> <li>1b. De l'eau résiduelle peut couler dans la cuvette pour plusieurs raisons à la suite d'un cycle de lavage ou de nettoyage automatique. Cela ne constitue pas un dysfonctionnement.</li> </ol>
Des fuites d'eau proviennent de zones autres que les buses	<ol style="list-style-type: none"> <li>1. L'eau fuit par le raccord en T</li> <li>2. Les fuites d'eau proviennent du raccord du tuyau du bidet</li> <li>3. L'eau fuit sous le siège</li> <li>4. L'eau fuit à l'arrière du siège</li> </ol>	<ol style="list-style-type: none"> <li>1. Assurez-vous que le joint en caoutchouc est inséré correctement dans le raccord en T (le côté plat vers le bas avec le rebord orienté vers le haut, face au raccord du réservoir de la toilette) et serrez fermement le raccord.</li> <li>2. Assurez-vous que le tuyau du bidet est correctement raccordé et serré. Vérifiez toutes les rondelles de caoutchouc et ne serrez pas trop.</li> <li>3. Vérifiez s'il y a quelque chose entre le filtre à tamis et le bidet. Retirez, nettoyez et réinstallez le filtre à tamis. Vérifiez si le filtre est endommagé (voir la section Entretien).</li> <li>4. Vérifiez le bouchon du réservoir d'eau à l'arrière du siège (voir la section Entretien, sous Entreposage et utilisation du produit).</li> </ol>

# Garantie

Les produits Brondell sont protégés par certaines des garanties les plus détaillées sur le marché. Brondell garantit que tous ses produits (mis à part les produits consommables) doivent être exempts de défaut de matière ou de fabrication selon un usage normal.

### **SE400 Garantie résidentielle limitée de un an**

La garantie couvre à 100 % toutes les pièces et la main-d'œuvre pour l'ensemble du produit (à l'exception des filtres consommables) pendant la première année suivant la date d'achat initiale.

### **SE400 Garantie commerciale**

La garantie est d'une durée de un an suivant la date d'achat initiale pour tous les produits Brondell. Les garanties peuvent ne pas s'appliquer aux produits à utilisation intensive en milieu commercial ou hospitalier ainsi qu'à toute autre utilisation soutenue non résidentielle.

### **Exclusions et restrictions**

- BRONDELL garantit que ses produits sont exempts de défauts de fabrication dans des conditions normales d'utilisation et d'entretien. Cette garantie est offerte à L'ACHETEUR INITIAL uniquement.
- Sous cette garantie, les obligations de BRONDELL se limitent à la réparation ou au remplacement, au choix de BRONDELL, de produits ou de pièces jugés défectueux, dans la mesure où ceux-ci ont été installés et utilisés conformément aux instructions. BRONDELL se réserve le droit de procéder à des inspections, le cas échéant, en vue de déterminer la cause de la défectuosité. BRONDELL n'impose aucuns frais pour la main-d'œuvre ou les pièces liées aux réparations sous garantie pour une année suivant la date d'achat initiale, et ce, pour tous les produits, à l'exception de ceux soumis aux restrictions d'utilisation commerciale.
- BRONDELL n'est pas responsable des frais encourus pour le retrait, le retour (expédition) et la réinstallation de produits. Cette garantie ne s'applique PAS aux éléments suivants :
  - Dommages ou perte causés par l'expédition.
  - Dommage ou perte découlant de causes naturelles ou humaines hors du contrôle de BRONDELL, notamment les feux, les tremblements de terre, les inondations, etc.
  - Dommage ou perte découlant de sédiments ou de matières étrangères contenus dans un réseau d'eau.
  - Dommages ou perte causés par la négligence ou une mauvaise installation, incluant l'installation de l'appareil dans un environnement hostile ou dangereux.
  - Dommage ou perte découlant du retrait, d'une réparation inadéquate, d'une modification ou d'un mauvais entretien du produit, y compris les dommages causés par le chlore ou les produits associés au chlore.
  - Dommage ou perte découlant de surtensions, de pannes d'électricité, de foudroiements ou d'autres situations qui ne tiennent pas de la responsabilité de Brondell ou que le produit n'est pas conçu pour tolérer.
- Cette garantie vous confère des droits légaux particuliers. Il est possible que d'autres droits s'appliquent, selon la province où vous vous trouvez.

LA PRÉSENTE GARANTIE ÉCRITE CONSTITUE L'UNIQUE GARANTIE OFFERTE PAR BRONDELL. LE REMPLACEMENT ET LA RÉPARATION PRÉVUS PAR LA PRÉSENTE GARANTIE REPRÉSENTENT L'UNIQUE RECOURS DE L'ACHETEUR. BRONDELL NE PEUT ÊTRE TENU RESPONSABLE D'AUCUNE PERTE DE JOUISSANCE LIÉE AU PRODUIT OU DE TOUTS DOMMAGES ACCIDENTELS, PARTICULIERS OU INDIRECTS, DE FRAIS ENGAGÉS PAR L'ACHETEUR OU POUR DE LA MAIN-D'ŒUVRE, DE FRAIS LIÉS À L'INSTALLATION, AU RETRAIT OU À UNE RÉPARATION DU PRODUIT EFFECTUÉS PAR UN TIERS, OU DE TOUTS AUTRES FRAIS QUI NE SONT PAS EXPRESSÉMENT MENTIONNÉS PRÉCÉDEMMENT. SAUF SI CELA EST INTERDIT PAR LA LOI EN VIGUEUR, TOUTES GARANTIES IMPLICITES, Y COMPRIS LA GARANTIE MARCHANDE, SONT EXPRESSÉMENT LIMITÉES À LA DURÉE DE CETTE GARANTIE. CERTAINES PROVINCES NE PERMETTENT AUCUNE RESTRICTION; C'EST POURQUOI LES RESTRICTIONS ET EXCLUSIONS MENTIONNÉES CI-DESSUS PEUVENT NE PAS ÊTRE APPLICABLES À VOUS.

### **COMMENT OBTENIR UN SERVICE**

Pour bénéficier d'un service de réparation couvert par la présente garantie, communiquez avec un centre de services autorisé BRONDELL afin d'obtenir un numéro d'autorisation de retour de marchandise (ARM). Afin que la garantie soit valide, une copie de la facture originale doit accompagner l'unité retournée à titre de preuve d'achat. Apportez ou expédiez l'unité affranchie au centre de services autorisé BRONDELL le plus près de chez vous avec le numéro d'ARM ainsi que la preuve d'achat.

Pour obtenir le numéro d'ARM et localiser le centre de services BRONDELL le plus près de chez vous, veuillez appeler le 1 888 542-3355, du lundi au vendredi, entre 9 h et 17 h HNP.

# brondell®

a healthy home experience

**COORDONNÉES :**

Brondell, Inc.

Case postale : 470085

San Francisco, CA 94147-0085 USA

Téléphone: 1-888-542-3355

Adresse électronique : support@brondell.com

Site Web : www.brondell.com

Pour toutes questions, communiquez avec le service à la clientèle de Brondell :

1 888 542-3355, du lundi au vendredi,  
entre 9 h et 17 h HNP.

**FABRIQUÉ PAR :**

Brondell, Inc.

Case postale : 470085

San Francisco, CA 94147-0085 USA

**Fabriqué en Corée**

**Il est important de conserver les factures  
pour des réclamations sur la garantie.**

## **NOTES / NOTAS / REMARQUES**



**brondell**<sup>®</sup>  
a healthy home experience

[brondell.com](https://brondell.com)