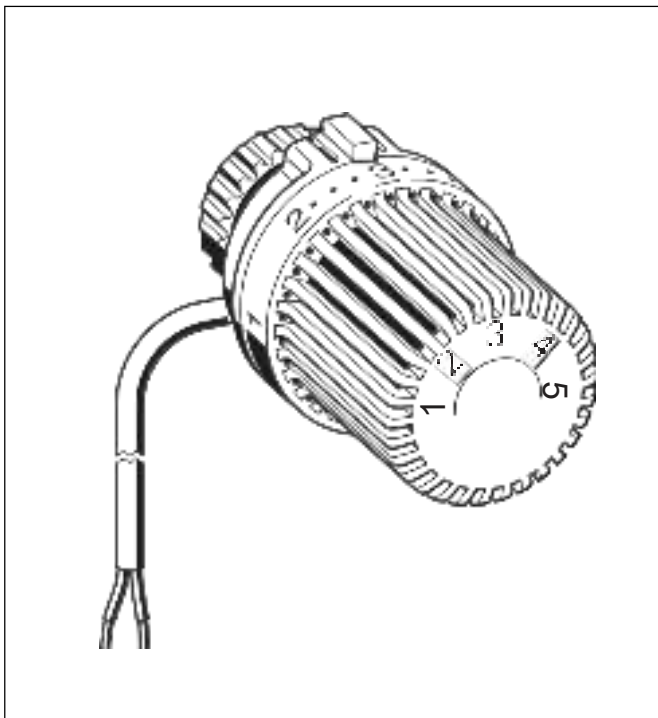




T850 Thera-EL

RADIATOR THERMOSTAT WITH INTEGRATED HEAT ELEMENT

PRODUCT DATA



Application

The temperature of different rooms is controlled individually and energy is saved.

Thermostats of this type are temperature-controlled proportional action regulator. Thermostats of this type offer a considerable economical effect in two ways: depending on usage, rooms in a flat can be tempered differently. Furthermore thermostats of this type detect appearing external heat, for example solar heat, heat emission from persons, devices, illumination, etc., and closes the thermostatic valve adequately. In addition the set temperature can be electrically reduced remotely by 5...13K.

Thermostats of this type with M30 x 1.5 connection are suitable for all Honeywell Home TRV bodies and radiator inserts, all Honeywell Home valve series M, as well as other TRV bodies and radiator inserts with M30 x 1.5 connection and 11.5 mm closing dimension.

Features

- Remote reduction of set temperature by applying a voltage of 12...24 V for a reduction of 5...13K
- Contains a wax-filled sensing element with an excellent control characteristic
- Large-area temperature receptivity
- Blocking, limiting and narrowing of setting range possible

Specifications

Thermostat connection	M30 x 1.5
Setpoint range	* - 1..5
Temperature range	6... 28°C (43...82°F)
Closing dimension	11.5 mm
Capacity	25 mW/K
Temperature reduction	13 K at 24 V AC/DC
Cable connection	0.14.. 0.5 mm ²

Design

The radiator thermostat consists of:

- Housing with base
- M30 x 1.5 connection and 11.5 mm closing dimension
- Sensor with support cage
- Wax-filled sensing element
- Spindle assembly
- Connection nut
- Heat element with connection cable

Materials

- Housing and socket made of plastic, white to RAL9010
- Support cage and spindle construction made of plastic
- Sensor filled with wax
- Connection nut made of nickel-plated brass
- Connection cable LIYY, 2 x 0.14-13

Dimensions and Ordering Information

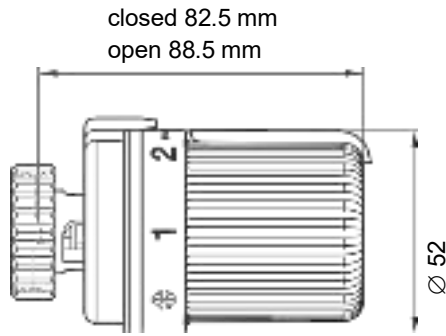


Fig. 1. Dimensions

Table 1. Available versions and OS-Nos (OS=Ordering Specification)

Type	OS-No.
Thera-EL, wax-filled element, without zero-position	T850V24

Setpoint

Table 2. Thermostats of this type with zero-position('0')

Setpoint	0	*	1	2	3	4	5
°C		6	12	16	20	24	28
°F		43	54	61	68	75	82

NOTE: All °C- and °F-values specified at ideal incidentflow. This can differ from stated values depending on installation position and air flow.

Accessories

Theft-protection ring, white (RAL9016)



TA6900A001

Torx-Screwdriver for theft-protection ring



TA6900B001

Decorring for connection nut



white (RAL9016)	TA1000A001
10 pair, 20 pieces	
white (RAL9016)	TA1000A011
1 pair, 2 pieces	
chrome	TA1000A002
10 pair, 20 pieces	
chrome	TA1000A022
1 pair, 2 pieces	

Adapter



DA-Adapter from Danfoss snap connection RA to M30 x 1.5 TA1010DA01

Adapter



HZ-Adapter from M28 x 1.5 with 9.5 mm closing dimension to M30 x 1.5 with 11.5 mm closing dimension TA1010HZ01

Special tool for assembly of thermostat



VA8210A001

Function

Thermostats of this type control the TRV body. The medium passing around the sensor of the thermostat causes the sensor to expand when the temperature rises. The sensor acts onto the valve spindle and this causes the TRV to close. When the temperature falls the sensor contracts and the spring-loaded valve spindle is opened. The TRV opens in proportion to the temperature of the sensor. Only the amount of water required to maintain the temperature set on the thermostat can flow through the valve.

Temperature reduction

- 5 K at 12 V AC/DC
- 8 K at 16 V AC/DC
- 11 K at 20 V AC/DC
- 13 K at 24 V AC/DC

Please Note:

- To avoid stone deposit and corrosion the composition of the medium should conform with VDI-Guideline 2035
- Additives have to be suitable for EPDM sealings
- System has to be flushed thoroughly before initial operation with all valves fully open
- Any complaints or costs resulting from non-compliance with above rules will not be accepted by Honeywell Home
- Please contact us if you should have any special requirements or needs