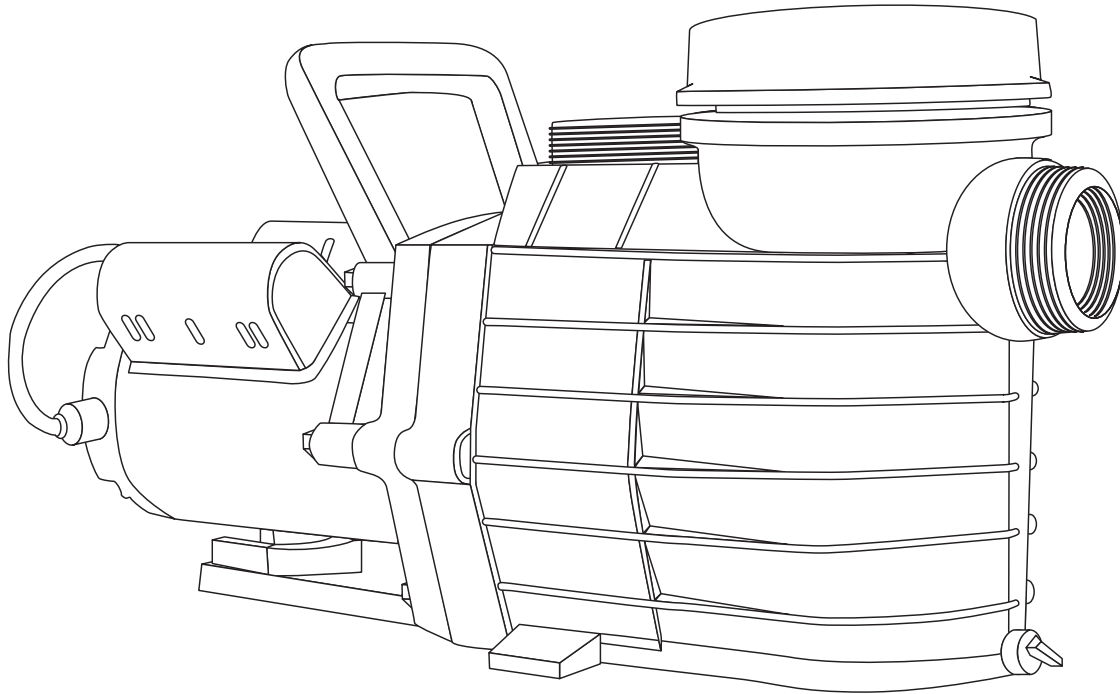




POOL PUMP

148014 1HP, 025191 1.65HP - SINGLE SPEED
DUAL VOLTAGE (115/230)

Español p. 17



ATTACH YOUR RECEIPT HERE

Serial Number _____ Purchase Date _____

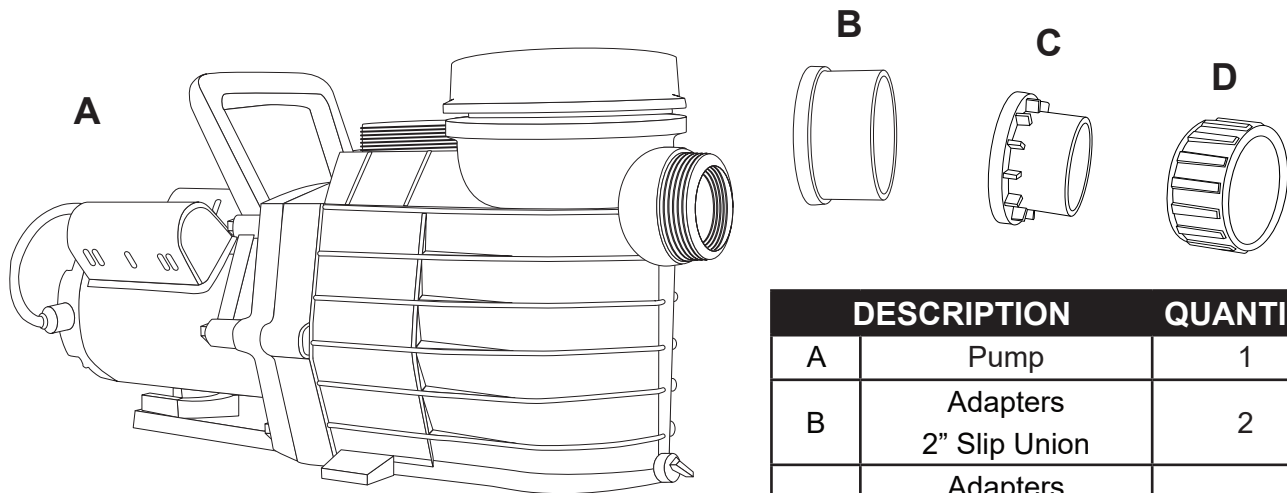


Questions, problems, missing parts? Before returning to your retailer, call our customer service department at 1-800-742-5044, 7:30 a.m. - 5:00 p.m., EST, Monday - Friday.

SW1369 B




PACKAGE CONTENTS



	DESCRIPTION	QUANTITY
A	Pump	1
B	Adapters 2" Slip Union	2
C	Adapters 1.5" Slip Union	2
D	Couplings	2

IMPORTANT SAFETY INSTRUCTIONS

Basic safety precautions should always be followed, including the following. Failure to follow instructions can cause severe injury and/or death.

 This is the safety-alert symbol. When you see this symbol on your equipment or in this manual, look for one of the following signal words and be alert to the potential for personal injury.

WARNING Warns about hazards that could cause serious personal injury, death or major property damage and if ignored presents a potential hazard.

CAUTION Warns about hazards that will or can cause minor or moderate personal injury and/or property damage and if ignored presents a potential hazard. It can also make consumers aware of actions that are unpredictable and unsafe.

The NOTICE label indicates special instructions that are important but not related to hazards.

WARNING **READ AND FOLLOW ALL INSTRUCTIONS** in this owner's manual and on the equipment. Failure to follow instructions can cause severe injury and/or death.

WARNING **SUCTION ENTRAPMENT HAZARD.** Suction inlets and outlets and/or suction outlet covers which are damaged, broken, cracked, missing, or unsecured can cause severe injury and/or death due to the following entrapment hazards:

- **Hair Entrapment-** Hair can become entangled in suction outlet cover.
- **Limb Entrapment-** A limb inserted into an opening of a suction outlet sump or suction outlet cover that is damaged, broken, cracked, missing, or not securely attached can result in a mechanical bind or swelling of the limb.
- **Body Suction Entrapment-** A negative pressure applied to a large portion of the body or limbs can result in an entrapment.
- **Evisceration/ Disembowelment** - A negative pressure applied directly to the intestines through an unprotected suction outlet sump or suction outlet cover which is, damaged, broken, cracked, missing, or unsecured can result in evisceration/ disembowelment.
- **Mechanical Entrapment-** There is potential for jewelry, swimsuit, hair decorations, finger, toe or knuckle to be caught in an opening of a suction outlet cover resulting in mechanical entrapment.

▲ WARNING To Reduce the risk of Entrapment Hazards:

- When outlets are small enough to be blocked by a person, a minimum of two functioning suction outlets per pump must be installed. Suction outlets in the same plane (i.e. floor or wall), must be installed a minimum of three feet (3') [1 meter] apart, as measured from near point to near point.
- Dual suction fittings shall be placed in such locations and distances to avoid “dual blockage” by a user.
- Dual suction fittings shall not be located on seating areas or on the backrest for such seating areas.
- The maximum system flow rate shall not exceed the flow rating as listed on Table 1.
- Never use pool or spa if any suction outlet component is damaged, broken, cracked, missing, or not securely attached.
- Replace damaged, broken, cracked, missing, or not securely attached suction outlet components immediately.
- Install two or more suction outlets per pump in accordance with latest ASME, APSP Standards and CPSC guidelines. Follow all applicable National, State, and Local codes.
- Installation of a vacuum release or vent system, which relieves entrapping suction, is recommended.

▲ WARNING Failure to remove pressure test plugs and/or plugs used in winterization of the pool/spa from the suction outlets can result in an increase potential for suction entrapment as described above.

▲ WARNING Failure to keep suction outlet components clear of debris, such as leaves, dirt, hair, paper and other material can result in an increased potential for suction entrapment as described above.

▲ WARNING Suction outlet components have a finite life. The cover/grate should be inspected frequently and replaced at least every ten years or if found to be damaged, broken, cracked, missing, or not securely attached.

▲ CAUTION Components such as the filtration system, pumps and heater must be positioned so as to prevent their being used as means of access to the pool by young children.

▲ WARNING Never operate or test the circulation system at more than 50 PSI.

▲ WARNING Never change the filter control valve position while the pump is running.

▲ WARNING To reduce risk of injury, do not permit children to use or climb on this product. Closely supervise children at all times.

▲ WARNING **Hazardous Pressure.** Pool and spa water circulation systems operate under hazardous pressure during start up, normal operation, and after pump shut off. Stand clear of circulation system equipment during pump start up. Failure to follow safety and operation instructions could result in violent separation of the pump housing and cover, and/or filter housing and clamp due to pressure in the system, which could cause property damage, severe personal injury, or death. Before servicing pool and spa water circulation system, all system and pump controls must be in off position and filter manual air relief valve must be in open position. Before starting system pump, all system valves must be set in a position to allow system water to return back to the pool. Do not change filter control valve position while system pump is running. Before starting system pump, fully open filter manual air relief valve. Do not close filter manual air relief valve until a steady stream of water (not air or air and water) is discharged.

▲ WARNING **Separation Hazard.** Failure to follow safety and operation instructions could result in violent separation of pump and/or filter components. Strainer cover must be properly secured to pump housing with strainer cover lock ring. Before servicing pool and spa circulation system, filter manual air relief valve must be in open position. Do not operate pool and spa circulation system if a system component is not assembled properly, damaged, or missing. Do not operate pool and spa circulation system unless filter manual air relief valve body is in locked position in filter upper body.

⚠ WARNING **Risk of Electric Shock.** All electrical wiring MUST be in conformance with applicable local codes, regulations, and the National Electric Code (NEC). Hazardous voltage can shock, burn, and cause death or serious property damage. To reduce the risk of electric shock, do NOT use an extension cord to connect unit to electric supply. Provide a properly located electrical receptacle. Before working on any electrical equipment, turn off power supply to the equipment.

⚠ WARNING To reduce the risk of electric shock replace damaged wiring immediately. Locate conduit to prevent contact from lawn mowers, hedge trimmers and other equipment.

⚠ WARNING Ground all electrical equipment before connecting to electrical power supply. Failure to ground all electrical equipment can cause serious or fatal electrical shock hazard.

⚠ WARNING Do NOT ground to a gas supply line.

⚠ WARNING To avoid dangerous or fatal electrical shock, turn OFF power to all electrical equipment before working on electrical connections.

⚠ WARNING Failure to bond all electrical equipment to pool structure will increase risk for electrocution and could result in injury or death. To reduce the risk of electric shock, see installation instructions and consult a professional electrician on how to bond all electrical equipment. Also, contact a licensed electrician for information on local electrical codes for bonding requirements.

Notes to electrician: Use a solid copper conductor, size 8 or larger. Run a continuous wire from external bonding lug to reinforcing rod or mesh. Connect a No. 8 AWG (8.4 mm²) [No. 6 AWG (13.3 mm²) for Canada] solid copper bonding wire to the pressure wire connector provided on the electrical equipment and to all metal parts of swimming pool, spa, or hot tub, and metal piping (except gas piping), and conduit within 5 ft. (1.5 m) of inside walls of swimming pool, spa, or hot tub.

⚠ CAUTION Reference NEC codes for all wiring standards including, but not limited to, grounding, bonding and other general wiring procedures.

⚠ WARNING **Risk of Electric Shock.** Connect only to a branch circuit protected by a ground-fault circuit-interrupter (GFCI). Contact a qualified electrician if you cannot verify that the circuit is protected by a GFCI.

⚠ WARNING **Risk of Electric Shock.** The electrical equipment must be connected only to a supply circuit that is protected by a ground-fault circuit-interrupter (GFCI). Such a GFCI should be provided by the installer and should be tested on a routine basis. To test the GFCI, push the test button. The GFCI should interrupt power. Push reset button. Power should be restored. If the GFCI fails to operate in this manner, the GFCI is defective. If the GFCI interrupts power to the electrical equipment without the test button being pushed, a ground current is flowing, indicating the possibility of an electrical shock. Do not use this electrical equipment. Disconnect the electrical equipment and have the problem corrected by a qualified service representative before using.

⚠ CAUTION This pump is intended for use with permanently-installed pools and may be used with hot tubs and spas if so marked. Do not use with storable pools. A permanently-installed pool is constructed in or on the ground or in a building such that it cannot be readily disassembled for storage. A storable pool is constructed so that it is capable of being readily disassembled for storage and reassembled to its original integrity.

⚠ SAVE THESE INSTRUCTIONS.

MATERIALS NEEDED:

PVC Glue	Tape Measure
Hack Saw	Phillips Screwdriver
Flathead Screwdriver	PTFE Pipe Thread Sealant Tape
Tongue and Groove Pliers	Pipe Wrench
Round File or Sand Paper	2 in. Threaded Connections (2 in. Slip Union & 1 1/2 in. Slip Union Included)
Shut Off Valve	On/Off Timer

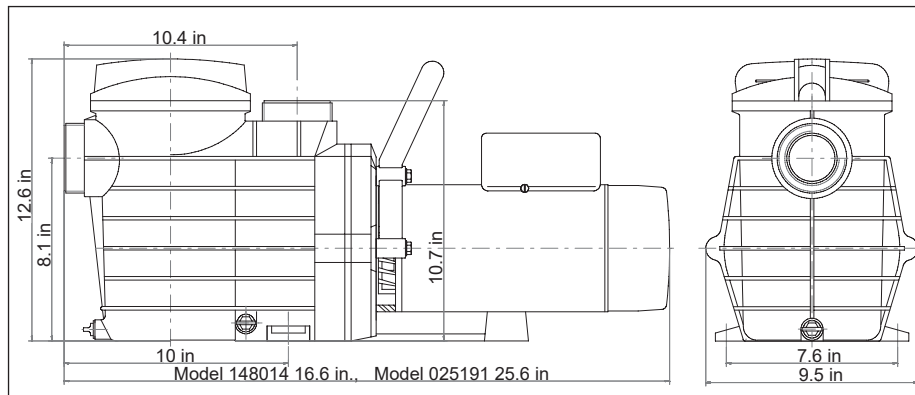
INTRODUCTION

This manual contains information for the proper installation and operation of the pool pump. The instructions in this manual **MUST** be followed precisely. Failure to install according to defined instructions will void warranty.

PRODUCT BENEFITS

- See-through strainer cover lets you see when the basket needs cleaning.
- Heavy-duty, high performance motor for quieter, cooler operation.
- Service-ease design gives simple access to all internal parts.
- Handle for easy carrying and moving.

PRODUCT SPECIFICATIONS



This product should be installed and serviced only by a qualified professional.

▲ WARNING

PUMP LOCATION

Locate pump as close to pool as practical and run suction lines as direct as possible to reduce friction loss. Suction line diameter must equal or be larger than the discharge line diameter. Suction lines should have continuous slope upward from lowest point in line. Joints must be tight (but not over-tightened).

Though the pump is designed for outdoor use, it is strongly advised to protect the electrical components from the weather. Select a well-drained area, one that will not flood when it rains. **Do NOT install pump in a damp or non-ventilated location.** Keep motor clean. Pump motors require free circulation of air for cooling.

PUMP MOUNTING

Install pump on a firm, level base or pad to meet all local and national codes. Fasten pump to base or pad with screws or bolts to further reduce vibration and stress on pipe or hose joints. The base **MUST** be solid, level, rigid, and vibration free.

PUMP MOUNT MUST:

- Allow pump inlet height to be as close to water level as possible.
- Allow use of short, direct suction pipe (to reduce friction losses).
- Allow for gate valves in suction and discharge piping.
- Be protected from excess moisture and flooding.
- Allow adequate access for servicing pump and piping.
- Incorporate a straight portion of pipe prior to pump inlet no less than (5) pipe diameters in length.

▲ WARNING

Hazardous Pressure. Pumps, filters, and other equipment/components of a swimming pool filtration system operate under pressure. Incorrectly installed and/or improperly tested filtration equipment and/or components may fail resulting in injury and/or property damage.

PERFORMANCE

1. Find Your Pool Size

Use the formulas below to find the capacity of your pool.

- Rectangular Pools: Length (ft.) x Width (ft.) x Average Depth (ft.) x 7.5 = Total pool capacity in gallons
- Circular Pools: Diameter (ft.) x Diameter (ft.) x Average Depth (ft.) x 5.9 = Total pool capacity in gallons
- Oval Pools: Length (ft.) x Width (ft.) x Average Depth (ft.) x 6.7 = Total pool capacity in gallons

Example for Rectangular Pool: 40 ft. L x 20 ft. W x 6 ft. average depth x 7.5 = 36,000 gallon capacity pool

2. Calculate Flow Rate, Gallons Per Minute (GPM) and Turnover

Pools should typically turn water over once every 8 hours. Use this flow rate formula along with your pool capacity from step 1 to find the Gallons Per Minute (GPM) you need for your system:

Pool Volume in Gallons ÷ Turnover Rate in Minutes = Flow Rate

Example: If you have a 30,000-gallon pool and you want the water to turn over once every eight hours:

$30,000 \div 480$ (60 minutes x 8 hours) = 62.5 GPM

Your 30,000-gallon pool needs 62.5 gallons per minute to circulate the water once every eight hours.

3. Calculate Maximum Flow Rate

This number helps you match the pump with your pool filter. Your pool filter has a maximum flow rate, which is measured in GPM. The GPM rating of the pump should be less than the GPM rating of the pool filter. If the pump is rated higher than the filter, the filter is undersized and will not work properly.

The size of your pool pipes determines the maximum flow rate for your system.

Count the number of intake lines for your pool and reference the pipe sizes below:

- For each 1.5-inch intake line, the maximum flow rate is 42 GPM.
- For each 2-inch intake line, the maximum flow rate is 73 GPM.

Example: Two 1.5-inch intake lines = 84. The maximum flow rate is 84 GPM.

4. Calculate Resistance

Every piece of equipment in the pump system creates resistance to water flow. Pipe length and size, type of filter, heaters and pool cleaners all add to this resistance.

The easiest way to find resistance is to use a pressure meter and these formulas:

- Check the pressure of water flowing into the filter tank and multiply that number by 2.31.
- Check the vacuum reading on the pump suction line and multiply that by 1.13.
- Add the two numbers together to find is the resistance, or total dynamic head.

Example: If the water flowing into the filter tank is 15 PSI, and the vacuum reading on the pump suction line is 6 PSI:

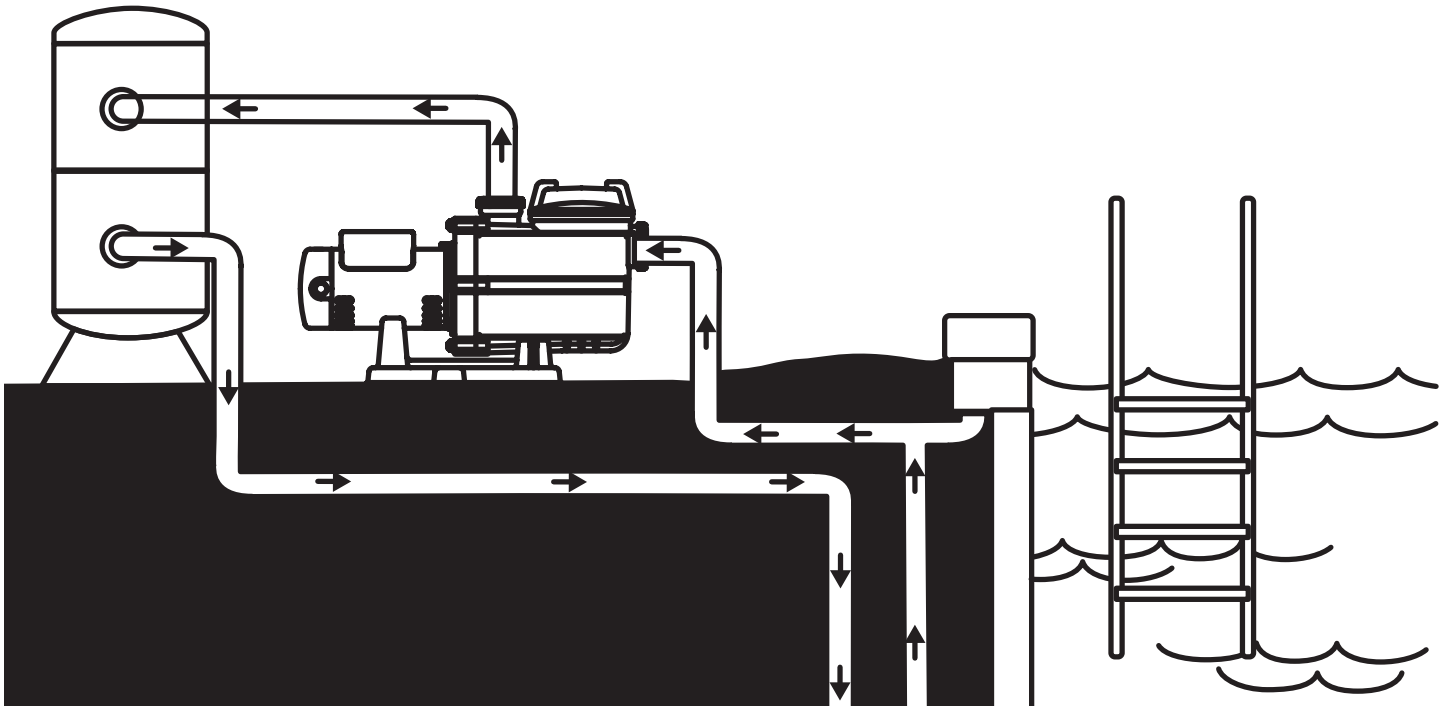
Water flow into filter tank: $15 \text{ PSI} \times 2.31 = 34.65$

Vacuum reading on pump suction line: $6 \text{ PSI} \times 1.13 = 6.78$

Total = 41.43 ft. of resistance or TDH

Use the chart below to determine expected gallons per minute for your installation.

SPECIFICATIONS							
MODEL	HP	PERFORMANCE IN GALLONS PER MINUTE					
		20' TDH	30' TDH	40' TDH	50' TDH	60' TDH	70' TDH
148014	1	90	80	64	43	16	-
025191	1.65	110	100	90	79	62	47



MAXIMUM RECOMMENDED SYSTEM FLOW RATE BY PIPE SIZE - TABLE 1

PIPE SIZE		FLOW RATE		WATER VELOCITY		PIPE SIZE		FLOW RATE		WATER VELOCITY	
Inches	MM	GPM	Liter/Min	Ft/sec	Meters/sec	Inches	MM	GPM	Liter/Min	Ft/sec	Meters/sec
1-1/2	50	50.76	192	6	2.44	2.5"	75	119.40	452	8	2.44
2"	63	83.65	317	8	2.44	3"	90	184.32	698	8	2.44

NOTE – No system should allow any higher than 8-ft/sec (2.44 meters/sec) water velocity. It is recommended that a minimum length of piping, equivalent to 10 pipe diameters, be used between the pump suction inlet and any plumbing fittings.

PLUMBING

Use **Teflon tape** to seal threaded connections on molded plastic components. All plastic fittings must be new or thoroughly cleaned before use. **NOTE - Do NOT use Plumber's Pipe Dope as it may cause cracking of the plastic components.** When applying **Teflon tape** to plastic threads, wrap the entire threaded portion of the male fitting with one to two layers of tape. Wind the tape clockwise as you face the open end of the fitting, beginning at the end of the fitting. The pump suction and outlet ports have molded-in thread stops. **Do NOT attempt to force hose connector fitting past this stop.** It is only necessary to tighten fittings enough to prevent leakage. Tighten fitting by hand and then use a tool to engage fitting an additional 1-1/2 turns. Use care when using Teflon tape as friction is reduced considerably; **do NOT over-tighten fitting or you may cause damage.** If leaks occur, remove connector, clean off old Teflon tape, re-wrap with one to two additional layers of Teflon tape, and re-install connector.

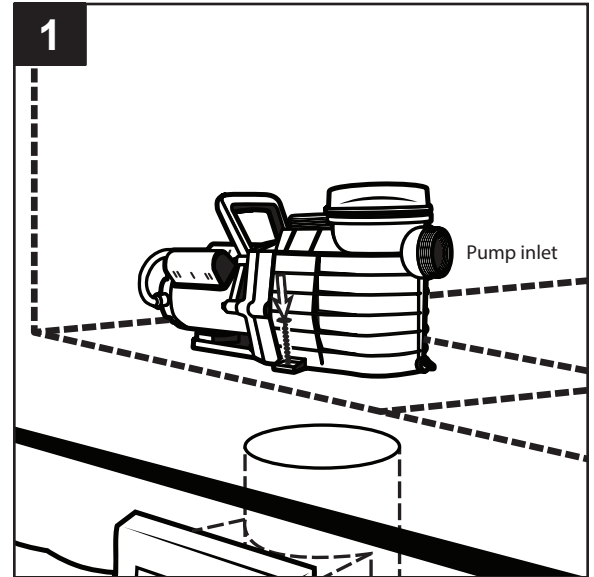
FITTINGS

Fittings restrict flow. For better efficiency, use the fewest possible fittings (but at least two suction outlets). Avoid fittings that could cause an air trap. Pool and spa fittings **MUST** conform to the International Association of Plumbing and Mechanical Officials (IAPMO) standards. Use a non-entrapping suction fitting in pool (multiple drains) or double suction (skimmer and main drain).

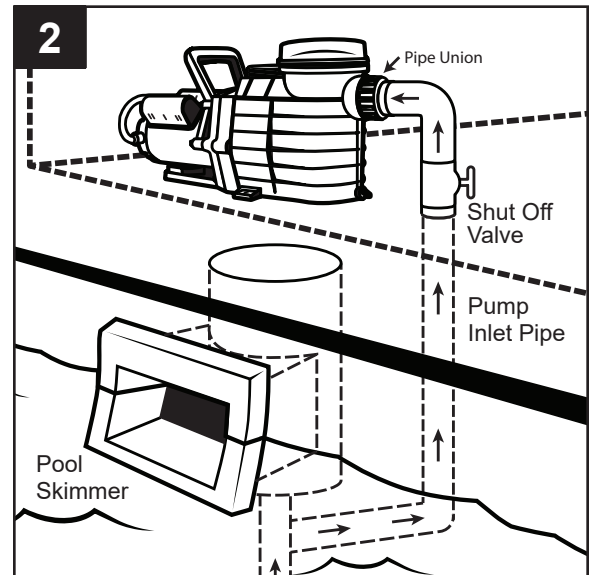
INSTALLATION:

NOTE: Before installing the pump check your voltage requirements. The pump is preset to 230V. If your power source is 115V see page 10 and follow instructions to change wiring according to the diagrams.

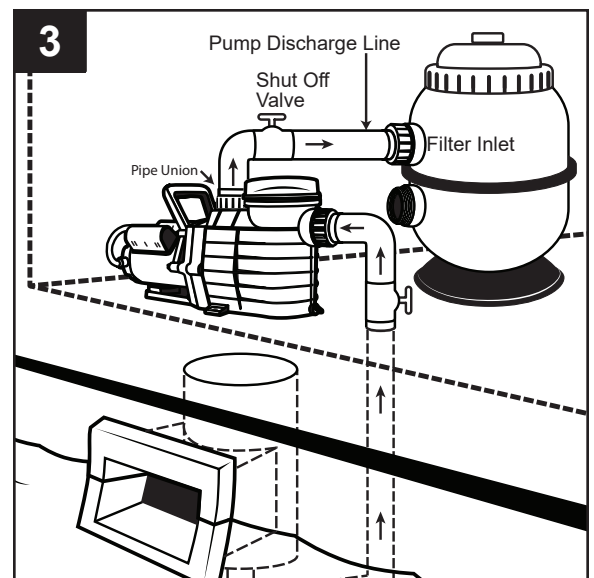
1. Install pump on a firm, level base or pad with screws or bolts. The base **MUST** be solid, level, rigid, vibration free and protected from both weather and pool splash. Make sure pump inlet height is as close to the water level as possible.



2. Attach discharge line from pump to filter inlet using a pipe union and attach shut-off valve. Use a short and direct suction pipe. Be sure to incorporate a straight portion of pipe that is at least 5 times longer than the diameter of the pump inlet pipe.

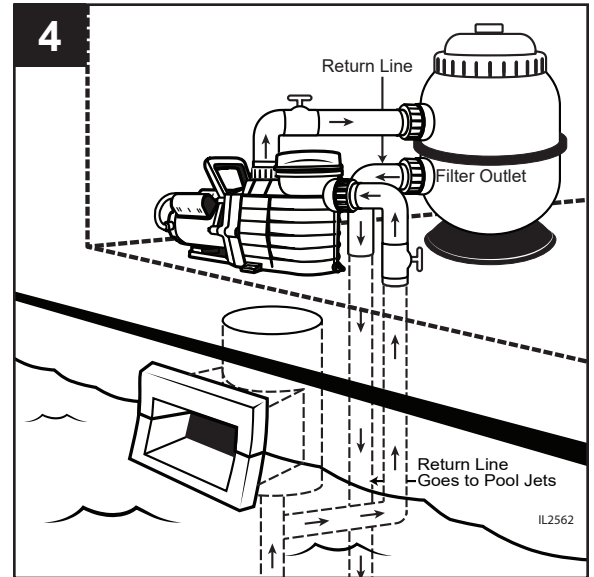


3. Use a pipe union to attach discharge line from pump to filter inlet and attach shut-off valve. Suction line pipe must be the same diameter or larger than the discharge line.



INSTALLATION:

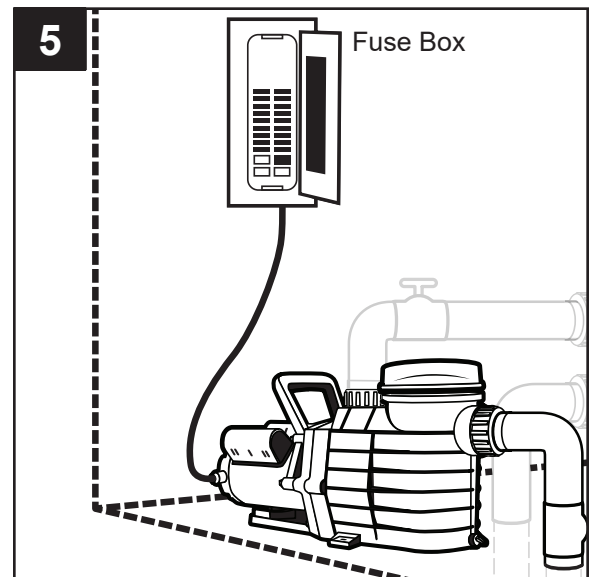
4. Connect return line from filter to swimming pool return inlet.



5. Make sure power is off and attach wiring.

⚠ WARNING

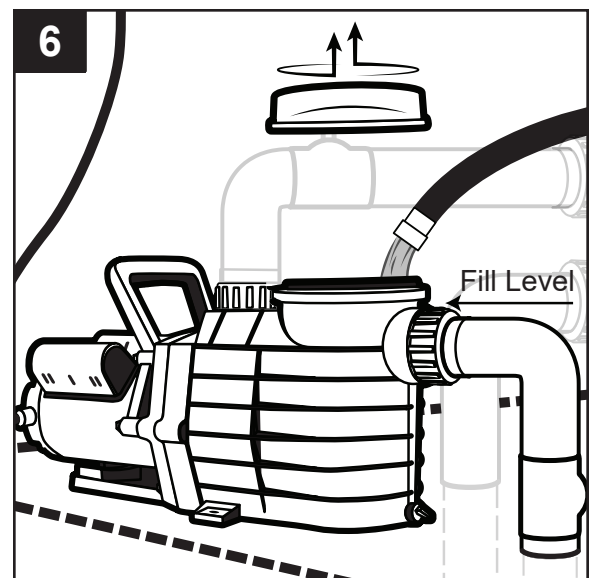
Always disconnect pump from electricity before performing any work on the motor. Refer to instructions for wiring connections.




6. Fill pump and trap with water, replace trap lid and check system for leaks. If no leaks, proceed with pump startup.

NOTE: DO NOT START PUMP if any leaks are present in the system.

After startup check again for leaks again at each connection.



⚠ WARNING	Hazardous voltage. Can shock, burn, or cause death.
	BEFORE WORKING ON PUMP OR MOTOR: <i>Unplug pump motor.</i>

ELECTRICAL

⚠ WARNING All wiring must be done by a licensed electrician and must conform to all local and national codes and regulations.

⚠ WARNING Ground and bond motor before connecting to electrical power supply. Failure to ground and bond pump motor can cause serious or fatal electrical shock hazard.

⚠ WARNING Do NOT ground to a gas supply line.

⚠ WARNING To avoid dangerous or fatal electrical shock, turn OFF power to motor before working on electrical connections.

⚠ WARNING Ground Fault Circuit Interrupter (GFCI) tripping indicates electrical problem. If GFCI trips and won't reset, consult electrician to inspect and repair electrical system.

⚠ WARNING Fire Hazard. Match supply voltage to motor nameplate voltage.

*Ensure that the electrical supply available agrees with the motor's voltage, phase, and cycle, and that the wire size is adequate for the HP (kW) rating and distance from the power source. **NOTE - All electrical wiring MUST be performed by a licensed electrician, and MUST conform to local codes and NEC regulations. Use copper conductors only.***

ELECTRICAL GUIDE - 60 CYCLE - SINGLE PHASE					
MOTOR		VOLTS	CIRCUIT BREAKER RATINGS-AMPS	BRANCH FUSE/ TRON RATINGS-AMPS	RECOMMENDED WIRE SIZE 0-50'
KW	HP				
.37	1/2	115	15	15	No. 14
.55	3/4	115 230	15 10	15 6.25	No. 14
.75	1	115 230	20 10	20 9	No. 12 No. 14
1.1	1 1/2	115 230	30 15	30 15	No. 10 No. 14
1.55	2	115 230	30 15	30 12	No. 10 No. 14
1.88	2 1/2	230	20	20	No. 12

VOLTAGE

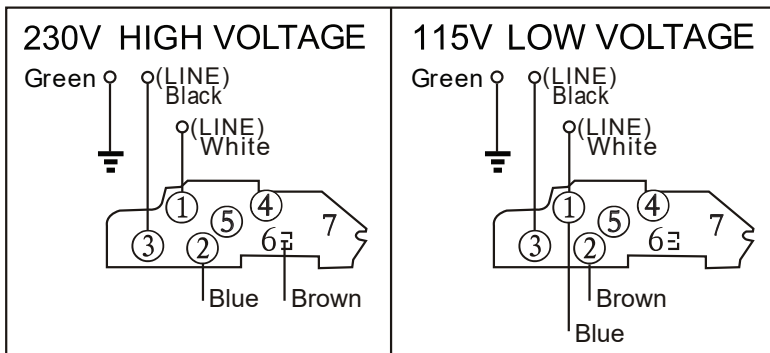
Voltage at motor MUST NOT be more than 10% above or below motor name plate rated voltage, or motor may overheat, causing overload tripping and reduced component life. If voltage is less than 90% or more than 110% of rated voltage when motor is running at full load, consult power company.

GROUNDING AND BONDING

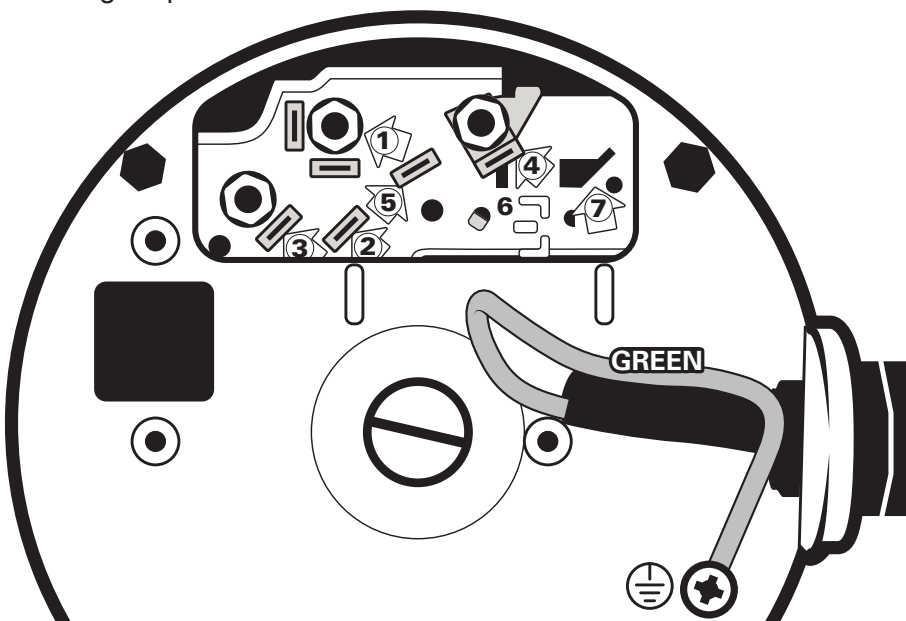
- Install, ground, bond, and wire motor in accordance with local or national electrical code requirements.
- Permanently ground motor. Use green ground terminal provided under motor canopy or access plate; use size and type wire required by code. Connect motor ground terminal to electrical service ground.
- Bond motor to pool structure. Bonding will connect all metal parts within and around the pool with a continuous wire. Bonding reduces the risk of a current passing between bonded metal objects, which could potentially cause electrical shock if grounded or shorted. **Reference NEC codes for all wiring standards including, but not limited to, grounding, bonding and general wiring procedures.**
- Use a solid copper conductor, per code. Run wire from external bonding lug to reinforcing rod or mesh. Connect per code solid copper bonding wire to the pressure wire connector provided on the motor housing and to all metal parts of swimming pool, spa, or hot tub, and to all electrical equipment, metal piping (except gas piping), and conduit within 5 ft. (1.5 m) of inside walls of swimming pool, spa, or hot tub.

CHANGING THE VOLTAGE

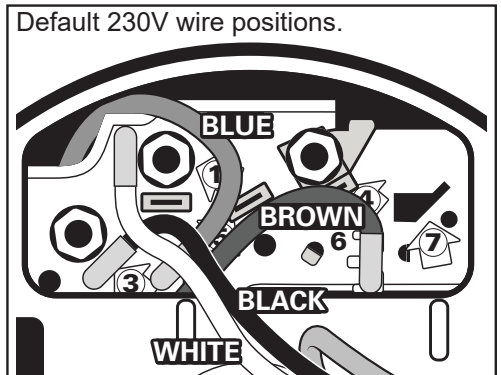
- Pump is preset to 230V. If your power source is 115V, open the back of the motor housing. Use pliers to switch plugs following the steps to the right in order to match the 115V diagram below.
- While set for 230V the brown wire may still have current. It must stay grounded in position 6 to avoid touching other contacts.



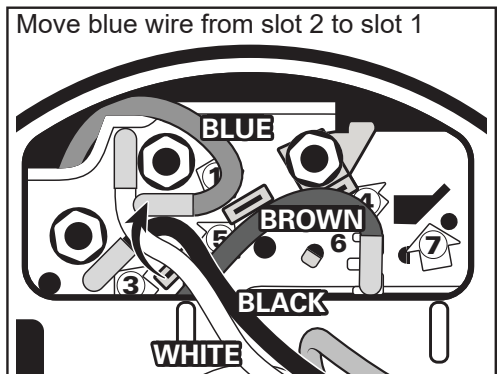
Single Speed



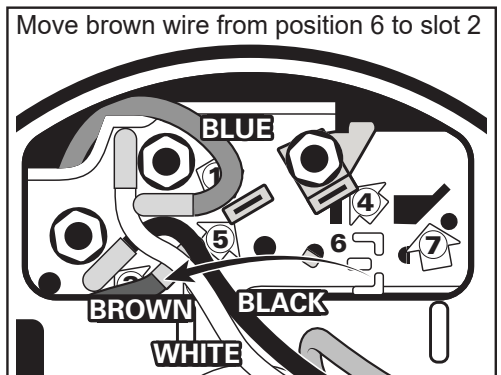
STEP 1



STEP 2



STEP 3



WIRING

⚠ WARNING A licensed electrician must do all wiring.

Pump **MUST** be permanently connected to circuit. If other lights or appliances are also on the same circuit, be sure to add their amp loads before calculating wire and circuit breaker sizes. Use the load circuit breaker as the Master On-Off switch.

Install a Ground Fault Circuit Interrupter (GFCI) in circuit; it will sense a short-circuit to ground and disconnect power before it becomes dangerous to pool users. For size of GFCI required and test procedures for GFCI, see manufacturer's instructions. Pump **MUST** be permanently connected to GFCI. In case of a power outage, check GFCI for tripping, which will prevent normal pump operation. Reset if necessary.

⚠ WARNING All suction and discharge valves **MUST** be **OPEN**, as well as filter air relief valve (if available) on filter, when starting the circulating pump system. Failure to do so could result in severe personal injury.

STARTING/PRIMING THE PUMP:

Pumps with single speed motors are self priming to 10 ft. and pumps with 2 speed motors are self priming to 10 ft. on high speed only. Fill strainer housing with water to suction pipe level. If water leakage occurs from anywhere on the pump or filter, **DO NOT** start the pump. If no leakage occurs, stand at least 10 feet from pump and/or filter and proceed with starting the pump.

⚠ WARNING Return to filter to close filter manual air relief valve when a steady stream of water (not air or air and water) is discharged from valve. Failure to do so could result in severe personal injury.

⚠ CAUTION **NEVER OPERATE THE PUMP WITHOUT WATER.** Water acts as a coolant and lubricant for the mechanical shaft seal. **NEVER** run pump dry. Running pump dry may damage seals, causing leakage, flooding, and voids warranty. Fill strainer housing with water before starting motor.

⚠ CAUTION Do **NOT** add chemicals to pool/spa system directly in front of pump suction. Adding undiluted chemicals may damage pump and voids warranty.

⚠ CAUTION **Before removing strainer cover:**

1. **STOP PUMP** before proceeding.
2. **CLOSE VALVES** in suction and outlet pipes.
3. **RELEASE ALL PRESSURE** from pump and piping system using filter manual air relief valve. **See filter owner's manual for more details.**
4. If water source is higher than the pump, pump will prime itself when suction and outlet valves are opened. If water source is lower than the pump, unscrew and remove strainer cover; fill strainer housing with water.
5. Clean and lubricate strainer cover O-ring with silicone lubricant each time it is removed. Inspect O-ring and re-install on strainer cover.
6. Replace strainer cover on strainer housing; turn strainer cover clockwise to tighten cover.

Before re-starting pump, see "**Starting/Priming the Pump**" instructions.

⚠ CAUTION Wait five (5) seconds before re-starting pump. Failure to do so may cause reverse rotation of motor and consequent serious pump damage.

Turn on power and wait for pump to prime, which may take up to five (5) minutes. Priming time will depend on vertical length of suction lift and horizontal length of suction pipe. If pump does **NOT** prime within five minutes, stop motor and determine cause. Be sure all suction and discharge valves are open when pump is running. See Troubleshooting Guide.

MAINTENANCE

- Clean strainer basket regularly. Do NOT strike basket to clean. Inspect strainer cover gasket regularly and replace as necessary.
- Pump has self-lubricating motor bearings and shaft seals. No lubrication is necessary.
- Keep motor clean. Ensure air vents are free from obstruction to avoid damage. Do NOT use water to hose off motor.
- Occasionally, shaft seals must be replaced, due to wear or damage.

▲ WARNING **Separation Hazard.** Do not purge the system with compressed air. Purging the system with compressed air can cause components to explode, with risk of severe injury or death to anyone nearby. Use only a low pressure (below 5 PSI), high volume blower when air purging the pump, filter, or piping.

▲ CAUTION Allowing the pump to freeze will void the warranty.

▲ CAUTION Use **ONLY** propylene glycol as antifreeze in your pool/spa system. Propylene glycol is non-toxic and will not damage plastic system components. Other anti-freezes are highly toxic and may damage plastic components in the system.

Drain all water from pump and piping when expecting freezing temperatures or when storing pump for a long time (see instructions below).

Keep motor dry and covered during storage. To avoid condensation/corrosion problems, do NOT cover or wrap pump with plastic film or bags.

STORING PUMP FOR WINTERIZATION



▲ WARNING To avoid dangerous or fatal electrical shock hazard, turn OFF power to motor before draining pump. Failure to disconnect power may result in serious personal injury or death.

1. Drain water level below all inlets to the pool.
2. Remove drain plugs from bottom of strainer body, and remove strainer cover from strainer housing.
3. Disconnect pump from mounting pad, wiring system (after power has been turned OFF), and piping system.
4. Once the water is emptied from the pump, re-install the strainer cover and drain plugs. Store pump in a dry area.

TROUBLESHOOTING

PROBLEM	CHECK FOR:	SOLUTION
A. Motor Will NOT Start	Improper or loose wiring connections; open switches or relays; tripped circuit breakers, GFCI's, or blown fuses.	Check all connections, circuit breakers, and fuses. Reset tripped breakers or replace blown fuses
	Check rotation of motor shaft	Remove any obstructions.
	Properly working timer.	Bypass timer if necessary.
B. Motor Shuts OFF	Low voltage at motor or power drop (frequently caused by undersized wiring or extension cord use.)	Contact qualified professional to check that the wiring gauge is heavy enough.

****NOTE:** Your motor is equipped with an “automatic thermal overload protector.” The motor will automatically shut off if power supply drops before heat damage can build up causing windings to burn out. The “thermal overload protector” will allow the motor to automatically restart once the motor has cooled. It will continue to cut On/Off until the problem is corrected. Be sure to correct cause of overheating.

C. Motor Hums, But Does NOT Start	Impeller jammed with debris.	Have a qualified repair professional open the pump and remove the debris.
D. Pump Won't Prime	Empty pump/strainer housing.	Make sure pump/strainer housing is filled with water and cover O-Ring is clean. Ensure O-Ring is properly seated in the cover O-Ring groove. Ensure O-Ring is lubricated and that strainer cover is locked firmly in position.
	Loose connections on suction side.	Tighten pipe/union connections.
	Leaking O-Ring or packing glands on valves. Strainer basket or skimmer loaded with debris.	Remove strainer housing cover or skimmer cover, clean basket, and refill strainer housing with water. Tighten cover.
	Suction side clogged.	Contact a qualified repair professional.

Block off to determine if pump will develop a vacuum. You should have 5”-6” of vacuum at the strainer cover **(Only your pool dealer can confirm this with a vacuum gauge)**. You may be able to check by removing the skimmer basket and holding your hand over the bottom port with skimmer full and pump running. If no suction is felt, check for line blockage.

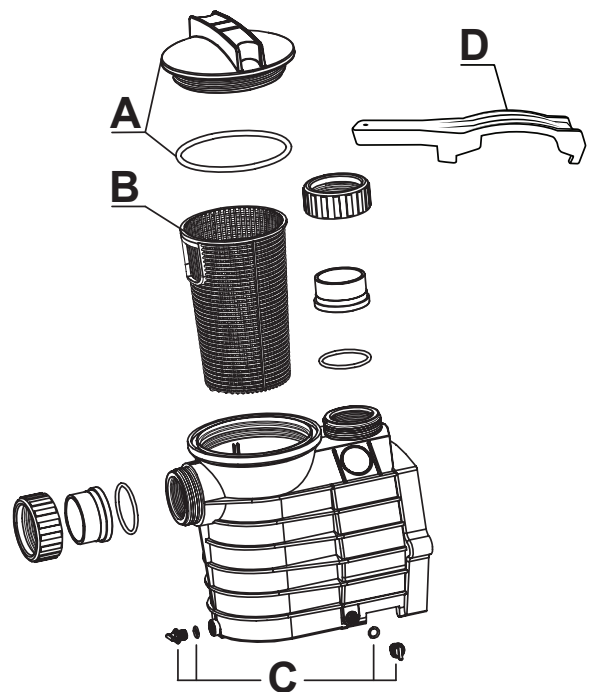
- a. If pump develops a vacuum, check for blocked suction line or dirty strainer basket. An air leak in the suction piping may be the cause.
- b. If pump does not develop a vacuum and pump has sufficient “priming water”:
 - i. Re-check strainer housing cover and all threaded connections for suction leaks. Check if all system hose clamps are tight.
 - ii. Check voltage to ensure that the motor is rotating at full RPM's.
 - iii. Open housing cover and check for clogging or obstruction in suction. Check impeller for debris.
 - iv. Remove and replace shaft seal only if it is leaking.

TROUBLESHOOTING

PROBLEM	CHECK FOR:	SOLUTION
E. Low Flow	Clogged or restricted strainer or suction line.	Contact a qualified repair professional.
	Undersized pool piping.	Correct piping size.
	Plugged or restricted discharge line of filter, valve partially closed (high gauge reading).	Sand filters - backwash as per manufacturer's instructions; D.E. filters - backwash as per manufacturer's instructions; Cartridge filters - Clean or replace cartridge.
	Air leak in suction (bubbles issuing from return fittings).	Re-tighten using Teflon tape.
	Plugged, restricted, or damaged impeller.	Replace, including new seal assembly.
F. Noisy Pump	1. Air leak in suction piping, cavitations caused by restricted or undersized suction line or leak at any joint, low water level in pool, and unrestricted discharge return lines.	1. Correct suction condition or throttle return lines, if practical. Holding hand over fitting will sometimes prove this point or putting in a smaller eyeball fitting.
	2. Vibration due to improper mounting, etc.	2. Replace mounting.
	3. Foreign matter in pump housing. Loose stones/debris hitting impeller could be cause.	3. Clean the pump housing.
	4. Motor bearings noisy from normal wear, rust, overheating, or concentration of chemicals causing seal damage which will allow chlorinated water to seep into bearings wiping out the grease causing bearing to whine.	4. All seal leaks should be replaced at once.

REPAIR PARTS

ITEM	P/N	DESCRIPTION
A	025467	Cover with O-Ring
B	025466	Filter/Strainer Basket
C	025465	Drainage Plug with O-ring
D	025468	Spanner - Tool for Opening the Transparent Cover



WARRANTY

This product is warranted for one year from the date of purchase. Subject to the conditions hereinafter set forth, the manufacturer will repair or replace to the original consumer, any portion of the product which proves defective due to defective materials or workmanship. This warranty does not cover replacement parts for failure due to normal wear and tear. To obtain warranty service, contact the dealer from whom the product was purchased. The manufacturer retains the sole right and option to determine whether to repair or replace defective equipment, parts or components. Damage due to conditions beyond the control of the manufacturer is not covered by this warranty.

THIS WARRANTY WILL NOT APPLY:

- (a) To defects or malfunctions resulting from failure to properly install, operate or maintain the unit in accordance with printed instructions provided;
- (b) to failures resulting from abuse, accident or negligence or use of inappropriate chemicals or additives in the water;
- (c) to normal maintenance services and the parts used in connection with such service;
- (d) to units which are not installed in accordance with normal applicable local codes, ordinances and good trade practices; and
- (e) if the unit is used for purposes other than for what it was designed and manufactured.

RETURN OF WARRANTED COMPONENTS: Any item to be repaired or replaced under this warranty must be returned to the manufacturer at Kendallville, Indiana or such other place as the manufacturer may designate, freight prepaid.

THE WARRANTY PROVIDED HEREIN IS IN LIEU OF ALL OTHER EXPRESS WARRANTIES, AND MAY NOT BE EXTENDED OR MODIFIED BY ANYONE. ANY IMPLIED WARRANTIES SHALL BE LIMITED TO THE PERIOD OF THE LIMITED WARRANTY AND THEREAFTER ALL SUCH IMPLIED WARRANTIES ARE DISCLAIMED AND EXCLUDED. THE MANUFACTURER SHALL NOT, UNDER ANY CIRCUMSTANCES, BE LIABLE FOR INCIDENTAL, CONSEQUENTIAL OR SPECIAL DAMAGES, SUCH AS, BUT NOT LIMITED TO DAMAGE TO, OR LOSS OF, OTHER PROPERTY OR EQUIPMENT, LOSS OF PROFITS, INCONVENIENCE, OR OTHER INCIDENTAL OR CONSEQUENTIAL DAMAGES OF ANY TYPE OR NATURE. THE LIABILITY OF THE MANUFACTURER SHALL NOT EXCEED THE PRICE OF THE PRODUCT UPON WHICH SUCH LIABILITY IS BASED.

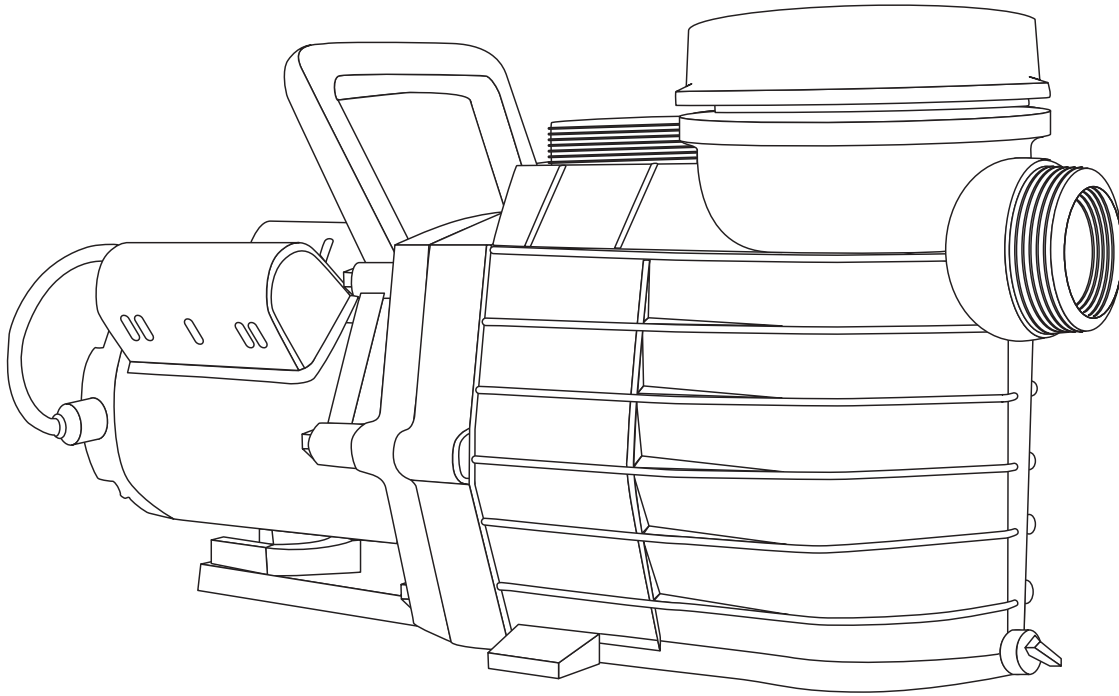
This warranty gives you specific legal rights, and you may have other rights which vary from state to state. Some states do not allow limitations on duration of implied warranties or exclusion of incidental or consequential damages, so the above limitations may not apply to you.

In those instances where damages are incurred as a result of an alleged pump failure, the Homeowner must retain possession of the pump for investigation purposes.



BOMBA PARA PISCINAS

148014 1HP, 025191 1.65HP - DE UNA SOLA VELOCIDAD Y DOBLE VOLTAJE (115/230)



IL2306

ADJUNTE SU RECIBO AQUÍ

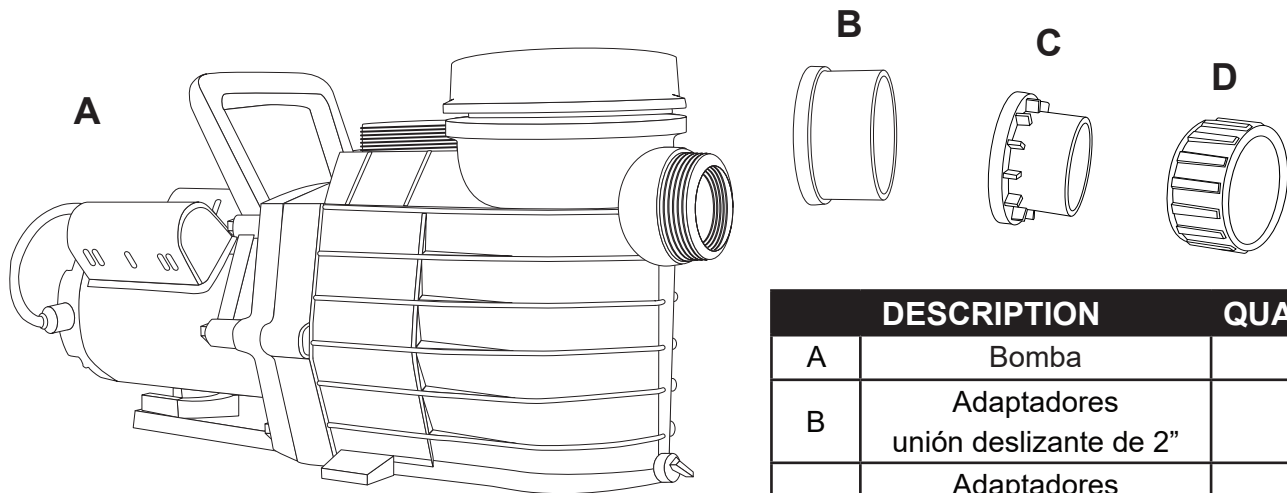
Número de serie _____ Fecha de compra _____



¿Preguntas, problemas, piezas faltantes? Antes de volver a la tienda, llame a nuestro Departamento de Servicio al Cliente al 1-800-742-5044, de lunes a viernes de 7:30 a.m. a 5:00 p.m., hora estándar del Este.

SW1369 B

CONTENIDO DEL PAQUETE



	DESCRIPTION	QUANTITY
A	Bomba	1
B	Adaptadores unión deslizante de 2"	2
C	Adaptadores unión deslizante de 1.5"	2
D	Acoplamientos	2

⚠ INSTRUCCIONES DE SEGURIDAD IMPORTANTES

Siempre se deben seguir las precauciones básicas de seguridad, incluidas las siguientes. No seguir las instrucciones puede causar lesiones graves y/o la muerte.

⚠ Este es el símbolo de alerta de seguridad. Al ver este símbolo en su equipo o en este manual, busque una de las siguientes palabras de advertencia y póngase sobre aviso de posibles lesiones personales.

⚠ ADVERTENCIA Advierte de peligros que podrían ocasionar graves lesiones personales, muerte o daños materiales importantes, e ignorarlo implica un peligro potencial.

⚠ PRECAUCIÓN Advierte de peligros que ocasionarán o pueden ocasionar lesiones personales menores o moderadas y/o daños materiales, e ignorarlo implica un peligro potencial. También puede hacer que los consumidores estén atentos a acciones que son impredecibles e inseguras.

La etiqueta NOTICE (AVISO) contiene instrucciones especiales que son importantes pero que no están relacionadas con peligros.

⚠ ADVERTENCIA **LEA Y CUMPLA TODAS LAS INSTRUCCIONES en este manual del propietario y en el equipo. No seguir las instrucciones puede causar lesiones graves y/o la muerte.**

⚠ ADVERTENCIA **PELIGRO DE ATRAPAMIENTO POR SUCCIÓN.** Las entradas y salidas de succión y/o las tapas de las salidas de succión que están dañadas, rotas, agrietadas, faltantes o no aseguradas pueden provocar lesiones graves y/o muerte debido a los siguientes peligros de atrapamiento:

- **Atrapamiento de cabello:** el cabello se puede enredar en la tapa de la salida de succión.
- **Atrapamiento de extremidades:** una extremidad atrapada en la salida de succión de un sumidero o en la tapa de salida de succión que está dañada, rota, agrietada, faltante o no asegurada puede resultar en un atrapamiento mecánico o hinchazón de la extremidad.
- **Atrapamiento por succión del cuerpo:** una presión negativa aplicada a una gran parte del cuerpo o de las extremidades puede resultar en un atrapamiento.
- **Evisceración/destripamiento:** una presión negativa aplicada directamente en la zona de los intestinos a través de la salida de succión de un sumidero o de la tapa de salida de succión que está dañada, rota, agrietada, faltante o no asegurada puede resultar en evisceración/destripamiento.
- **Atrapamiento mecánico:** existe un riesgo potencial debido a joyas, trajes de baño, accesorios de cabello, dedos de las manos, dedos de los pies o nudillos que puedan quedar atrapados en la abertura de una tapa de salida de succión, lo que resultaría en un atrapamiento mecánico.

⚠ ADVERTENCIA Para reducir el riesgo de peligros de atrapamiento:

- Cuando las salidas sean lo suficientemente pequeñas como para ser bloqueadas por una persona, se debe instalar un mínimo de dos salidas de succión funcionales por cada bomba. Las salidas de succión en el mismo plano (es decir, en el piso o en la pared), se deben instalar a un mínimo de 1 m (3') de distancia entre sí, medido de un punto cercano al otro.
- Los conectores de doble succión se deben colocar en lugares y distancias tales para evitar el “doble bloqueo” por parte de un usuario.
- Los conectores de doble succión no se deben colocar en áreas de asiento o en el respaldo de dichas áreas de asiento.
- La velocidad de flujo máxima del sistema no debe exceder la clasificación nominal de flujo que figura en el Cuadro 1.
- No utilice nunca una piscina o un spa si el componente de la salida de succión está dañado, roto, agrietado, faltante o no está bien asegurado.
- Reemplace los componentes de la salida de succión que están dañados, rotos, agrietados, faltantes o no están bien asegurados de inmediato.
- Instale dos o más salidas de succión por bomba de acuerdo a las últimas normas ASME y APSP y a las pautas de CPSC. Siga todos los códigos estatales, locales y nacionales aplicables.
- Se recomienda la instalación de un sistema de liberación de vacío o de ventilación, que alivie la succión de atrapamiento.

⚠ ADVERTENCIA No quitar los tapones de prueba de presión y/o los tapones utilizados para la hibernación de la piscina/spa de las salidas de succión puede aumentar el potencial de atrapamiento por succión como se describe anteriormente.

⚠ ADVERTENCIA No mantener los componentes de la salida de succión libres de desechos, como hojas, suciedad, pelos, papel y otros materiales puede aumentar el potencial de atrapamiento por succión como se describe anteriormente.

⚠ ADVERTENCIA Los componentes de la salida de succión tienen una vida limitada. La tapa/rejilla se debe inspeccionar con frecuencia y reemplazar al menos cada diez años o si se encuentra dañada, rota, agrietada, faltante o mal asegurada.

⚠ PRECAUCIÓN Los componentes como el sistema de filtración, las bombas y el calentador deben colocarse de manera tal que evite que los niños pequeños los utilicen como medio de acceso a la piscina.

⚠ ADVERTENCIA Nunca opere o pruebe el sistema de circulación a más de 345 kPa (50 PSI).

⚠ ADVERTENCIA Nunca cambie la posición de la válvula de control del filtro mientras la bomba está en funcionamiento.

⚠ ADVERTENCIA Para reducir el riesgo de lesión, no permita que los niños utilicen o se suban a este producto. Supervise a los niños de cerca en todo momento.

⚠ ADVERTENCIA **Presión peligrosa.** Los sistemas de circulación de agua de las piscinas y spas operan bajo presiones peligrosas durante el arranque, el funcionamiento normal y luego de apagar la bomba. Manténgase alejado del equipo del sistema de circulación durante el arranque de la bomba. No

seguir las instrucciones de seguridad y operación puede provocar la separación violenta de la carcasa y la tapa de la bomba, y/o la carcasa del filtro y la abrazadera debido a la presión en el sistema, lo que podría provocar daños materiales, lesiones personales graves o muerte. Antes de realizar el mantenimiento al sistema de circulación de agua de la piscina y spa, todos los controles del sistema y de la bomba deben estar en posición de apagado, y la válvula de descarga de aire manual del filtro debe estar en posición abierta. Antes de poner en marcha el sistema de bomba, todas las válvulas del sistema deben estar en una posición que permita que el agua del sistema regrese a la piscina. No cambie la posición de la válvula de control del filtro mientras el sistema de bomba está en funcionamiento. Antes de poner en marcha el sistema de bomba, abra por completo la válvula de descarga de aire manual del filtro. No cierre la válvula de descarga de aire manual del filtro hasta que se descargue un chorro de agua constante (no de aire o de aire y agua).

⚠ ADVERTENCIA **Riesgo de separación.** No seguir las instrucciones de seguridad y operación puede provocar una separación violenta de los componentes de la bomba y/o del filtro. La tapa del filtro debe estar asegurada como es debido a la carcasa de la bomba con el anillo de bloqueo de la tapa del filtro.

Antes de realizar el mantenimiento al sistema de circulación de la piscina y spa, la válvula de descarga de aire manual del filtro debe estar en posición abierta. No opere el sistema de circulación de la piscina y spa si un componente del sistema no está ensamblado correctamente, está dañado o faltante. No opere el sistema de circulación de la piscina y spa a menos que el cuerpo de la válvula de descarga de aire manual del filtro esté en posición de bloqueo en la parte superior del cuerpo del filtro.

ADVERTENCIA **Riesgo de descarga eléctrica.** Todo el cableado eléctrico DEBE hacerse de conformidad con los códigos y regulaciones nacionales aplicables, y el Código Eléctrico Nacional (NEC). El voltaje peligroso puede provocar descargas, quemaduras, la muerte o daños materiales graves. Para reducir el riesgo de descarga eléctrica, NO utilice un cable de extensión para conectar la unidad al suministro eléctrico. Utilice un receptáculo eléctrico bien ubicado. Antes de trabajar con cualquier equipo eléctrico, apague la fuente de alimentación del equipo.

ADVERTENCIA Para reducir el riesgo de descarga eléctrica, reemplace los cables dañados de inmediato. Ubique el conducto para evitar el contacto con cortadoras de césped, cortadoras de setos y otros equipos.

ADVERTENCIA Conecte todos los equipos a tierra antes de conectarlos a una fuente de alimentación eléctrica. No conectar todos los equipos a tierra puede causar una descarga eléctrica grave o mortal.

ADVERTENCIA No conecte a tierra en una línea de suministro de gas.

ADVERTENCIA Para evitar descargas eléctricas peligrosas o mortales, APAGUE todos los equipos eléctricos antes de trabajar en conexiones eléctricas.

ADVERTENCIA No empalmar todos los equipos eléctricos a la estructura de la piscina aumentará el riesgo de electrocución y podría resultar en lesiones o muerte. Para reducir el riesgo de descarga eléctrica, mire las instrucciones de instalación y consulte a un electricista profesional para saber cómo empalmar todos los equipos eléctricos. Además, contacte a un electricista certificado para obtener información sobre los códigos eléctricos locales y ver los requisitos de empalmes. Notas para el electricista: Use un conductor de cobre sólido, tamaño 8 o más grande. Instale un cable continuo desde el terminal conector externo hasta la varilla o malla de refuerzo. Conecte un cable de empalme de cobre sólido N.º 8 AWG (8.4 mm²) [N.º 6 AWG (13.3 mm²) para Canadá] al conector del cable de presión provisto en el equipo eléctrico y a todas las partes metálicas de la piscina, spa o jacuzzi, y a las tuberías metálicas (excepto las tuberías de gas), y a los conductos que se encuentran a menos de 1.5 m (5') de las paredes interiores de la piscina, spa o jacuzzi.

PRECAUCIÓN Consulte los códigos NEC para ver todas las normas de cableado incluyendo, entre otros, procedimientos de puesta a tierra, empalmes y otros procedimientos generales de cableado.

ADVERTENCIA **Riesgo de descarga eléctrica.** Conecte solamente un circuito protegido por un interruptor de circuito con protección de falla a tierra (GFCI). Contacte a un electricista calificado si no puede verificar que el circuito esté protegido por un GFCI.

ADVERTENCIA **Riesgo de descarga eléctrica.** El equipo eléctrico debe estar conectado solamente a un circuito de alimentación que esté protegido por un interruptor de circuito con protección de falla a tierra (GFCI). El instalador debe proporcionar ese GFCI y se debe probar de manera rutinaria. Para probar el GFCI, presione el botón de prueba. El GFCI debería interrumpir la energía. Presione el botón de reinicio. La energía debe ser restaurada. Si el GFCI no funciona de esta manera, está defectuoso. Si el GFCI corta la energía del equipo eléctrico sin que se presione el botón de prueba, es porque hay una corriente de tierra, lo que indica la posibilidad de una descarga eléctrica. No utilice este equipo eléctrico. Desconecte el equipo eléctrico y haga que un representante de servicio técnico calificado corrija el problema antes de utilizarlo.

PRECAUCIÓN Esta bomba está diseñada para uso con piscinas de instalación permanente y se puede utilizar con jacuzzis y spas, si así se indica. No usar con piscinas almacenables. Una piscina de instalación permanente está construida sobre o dentro del piso o en un edificio de manera tal que no se puede desarmar para guardarla. Una piscina almacenable está construida de manera tal que se puede desarmar para guardar y se puede volver a armar en forma original.

! GUARDE ESTAS INSTRUCCIONES.

MATERIALES GENERALES NECESARIOS:

Pegamento de PVC	Cinta métrica
Sierra de mano	Destornillador Phillips
Destornillador de cabeza plana	Cinta selladora de roscas de tuberías PTFE
Alicate machihembrado	Llave para tuberías
Lima redonda o papel de lija	Conexiones roscadas de 2" (unión deslizante de 2" y unión deslizante de 1½" incluidas)
Válvula de cierre	Temporizador de encendido/apagado

INTRODUCCIÓN

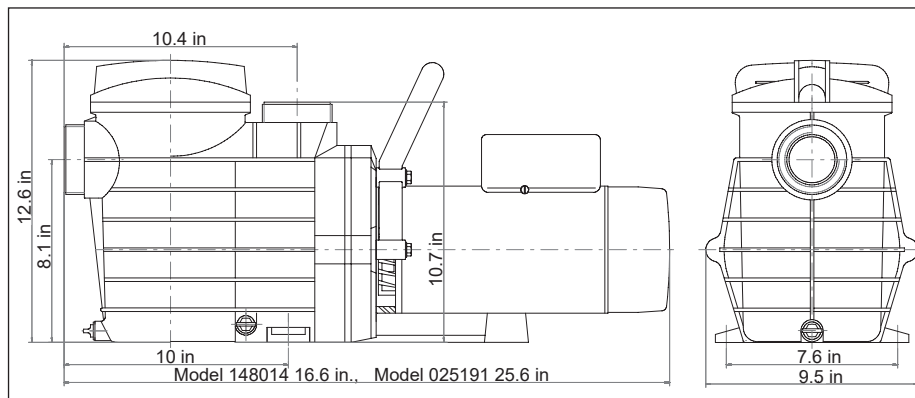
Este manual contiene información para la correcta instalación y funcionamiento de la bomba para piscina. Las instrucciones de este manual se DEBEN seguir con precisión. No realizar la instalación de acuerdo a las instrucciones definidas anulará la garantía.

BENEFICIOS DEL PRODUCTO

- La tapa transparente del filtro permite ver cuándo es necesario limpiar la cesta.
- Motor resistente de alto rendimiento para un funcionamiento más silencioso y a baja temperatura.
- Diseño práctico que ofrece un acceso simple a todas las piezas internas para su mantenimiento.
- Manija para facilitar el transporte y el movimiento.

ESPECIFICACIONES DEL PRODUCTO

INSTRUCCIONES DE INSTALACIÓN



Este producto debe ser instalado y reparado solo por un profesional calificado.

⚠ ADVERTENCIA UBICACIÓN DE LA BOMBA

Coloque la bomba tan cerca de la piscina como sea práctico y coloque las líneas de succión tan directas como sea posible para reducir la pérdida por fricción. El diámetro de la línea de succión debe ser igual o más grande que el diámetro de la línea de descarga. Las líneas de succión deben tener una pendiente continua hacia arriba desde el punto más bajo en la línea. Las uniones deben estar apretadas (pero no demasiado). Aunque la bomba está diseñada para usar en exteriores, se recomienda proteger los componentes eléctricos de las inclemencias del clima. Seleccione un lugar con buen drenaje, uno que no se inunde cuando llueva. **NO instale la bomba en un área húmeda o en un lugar sin ventilación.** Mantenga el motor limpio. Los motores de las bombas necesitan circulación de aire libre para enfriarse.

MONTAJE DE LA BOMBA

Instale la bomba en una base o plataforma nivelada y firme para cumplir con todos los códigos locales y nacionales. Sujete la bomba a la base o plataforma con tornillos o pernos para reducir aún más la vibración y la tensión en las uniones de los tubos o las mangueras. La base DEBE ser sólida, rígida, nivelada y sin vibraciones.

EL MONTAJE DE LA BOMBA DEBE:

- Permitir que la altura de la entrada de la bomba esté tan cerca del nivel del agua como sea posible.
- Permitir el uso de tuberías de succión cortas y directas (para reducir las pérdidas por fricción).
- Permitir válvulas de paso en tuberías de succión y de descarga.
- Estar protegido contra el exceso de humedad e inundaciones.
- Permitir un acceso adecuado para reparar la bomba y las tuberías.
- Incorporar una porción recta de tubería antes de la entrada de la bomba no menor que (5) diámetros de tubería de largo.

⚠ ADVERTENCIA **Presión peligrosa.** Las bombas, los filtros y otros equipos/componentes del sistema de filtración de una piscina operan bajo presión. Un equipo de filtración y/o componentes instalados y/o probados incorrectamente pueden fallar, lo que podría resultar en lesiones y/o daños materiales.

RENDIMIENTO

1. Encuentra el tamaño de tu alberca

Usa la fórmula para encontrar el tamaño de tu alberca.

- Albercas rectangulares: Longitud (pies) X Ancho (pies) X Profundidad promedio (pies) X 7.5 = Capacidad total de la alberca en galones
- Alberca circulares: Diámetro (pies) X Diámetro (pies) X Profundidad promedio (pies) X 5.9 = Capacidad total de la alberca en galones
- Alberca ovaladas: Longitud (pies) X Ancho (pies) X Profundidad promedio (pies) X 6.7 = Capacidad total de la alberca en galones

Ejemplo para albercas rectangulares: 40 pies L x 20 ft. A x 6 pies profundidad media x 7.5 = 36,000 galones de capacidad de la alberca

2. Calcular la tasa de flujo, galones por minuto (GPM) y la rotación.

Las albercas normalmente deben volcar el agua una vez cada 8 horas. Use esta fórmula de caudal junto con la capacidad de su alberca desde el paso 1 para encontrar los galones por minuto (GPM) que necesita para su sistema:

Volumen de la alberca en galones Tasa de rotación en minutos = Tasa de flujo

Ejemplo: si tiene una alberca de 30,000 galones y desea que el agua gire una vez cada ocho horas:

$30,000 \div 480$ (60 minutos x 8 horas) = 62.5 GPM Su alberca de 30,000 galones necesita 62.5 galones por minuto para hacer circular el agua una vez cada ocho horas.

3. Calcular la tasa de flujo máxima

Este número le ayuda emparejar la bomba con el filtro de su alberca. El filtro de su alberca tiene un flujo máximo, que se mide en GPM. La clasificación de GPM de la bomba debe ser inferior a la clasificación de GPM del filtro de la alberca. Si la bomba tiene una clasificación más alta que el filtro, el filtro es de tamaño insuficiente y no funcionará correctamente.

El tamaño de las tuberías de su alberca determina el flujo máximo para su sistema.

CCuente el número de líneas de admisión para su alberca y haga referencia a los tamaños de tubería a continuación:

- Para cada línea de admisión de 1.5 pulgadas, el caudal máximo es de 42 GPM.
- Para cada línea de admisión de 2 pulgadas, el caudal máximo es de 73 GPM.

Ejemplo: Dos líneas de admisión de 1.5 pulgadas = 84. El caudal máximo es de 84 GPM.

4. Calcular la resistencia

Cada pieza del equipo en el sistema de bomba crea resistencia al flujo de agua. La longitud y el tamaño de la tubería, el tipo de filtro, los calentadores y los limpiadores de alberca aumentan esta resistencia.

La forma más fácil de encontrar resistencia es usar un medidor de presión y estas fórmulas:

- Verifique la presión del agua que fluye hacia el tanque del filtro y multiplique ese número por 2.31.
- Verifique la lectura de vacío en la línea de succión de la bomba y multiplíquelo por 1.13.
- Sumar los dos números para encontrar es la resistencia, o cabeza dinámica total.

Ejemplo: Si el agua que fluye hacia el tanque del filtro es de 15 PSI, y la lectura de vacío en la línea de succión de la bomba es de 6 PSI:

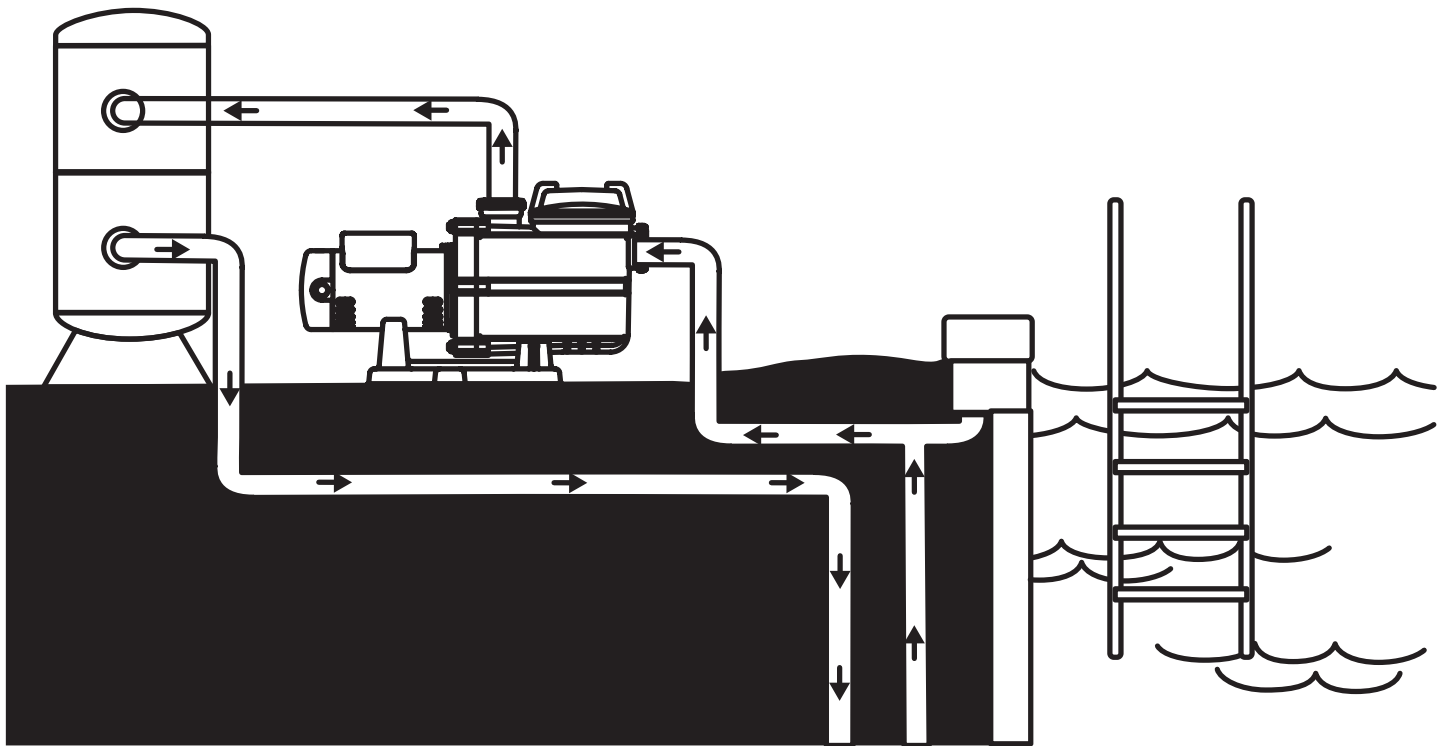
Caudal de agua en el tanque del filtro: $15 \text{ PSI} \times 2.31 = 34.65$

Lectura de vacío en la línea de succión de la bomba: $6 \text{ PSI} \times 1.13 = 6.78$

Total = 41.43 pies de resistencia o TDH

Utilice la siguiente tabla para determinar los galones por minuto esperados para su instalación.

ESPECIFICACIONES							
MODELO	HP	RENDIMIENTO EN LITROS POR MINUTO					
		20' TDH	30' TDH	40' TDH	50' TDH	60' TDH	70' TDH
148014	1	341	303	242	163	61	-
025191	1.65	416	379	341	299	235	178



VELOCIDAD DE FLUJO MÁXIMA RECOMENDADA POR TAMAÑO DE TUBERÍA - TABLA 1

TAMAÑO DE TUBERÍA		VELOCIDAD DE FLUJO		VELOCIDAD DEL AGUA		TAMAÑO DE TUBERÍA		VELOCIDAD DE FLUJO		VELOCIDAD DEL AGUA	
Pulg	MM	GPM	Litro/Minuto	Pies/segundo	Metro/segundo	Inches	MM	GPM	Litro/Minuto	Pies/segundo	Metro/segundo
1-1/2"	50	50.76	192	6	2.44	2.5"	75	119.40	452	8	2.44
2"	63	83.65	317	8	2.44	3"	90	184.32	698	8	2.44

NOTA: Ningún sistema debe permitir una velocidad de agua superior a 2.44 m/s (8 pies/s). Se recomienda utilizar una longitud mínima de tubería, equivalente a 10 diámetros de tubería, entre la entrada de succión de la bomba y cualquier conector de plomería.

PLOMERÍA

Utilice **cinta de teflón** para sellar las conexiones roscadas en los componentes de plástico moldeado. Todos los conectores de plástico deben ser nuevos o estar perfectamente limpios antes del uso. **NOTA: NO utilice grasa para roscas de cañerías ya que podría agrietar los componentes de plástico.** Al colocar **cinta de teflón** en roscas de plástico, envuelva toda la porción roscada del conector macho con una o dos capas de cinta. Enrolle la cinta en el sentido de las agujas del reloj mirando el extremo abierto del conector, empezando por el final del conector. Los puertos de succión y de salida de la bomba tienen topes de rosca moldeados. **NO intente forzar el conector de la manguera más allá de este tope.** Solo es necesario ajustar los conectores lo suficiente como para evitar fugas. Ajuste el conector a mano y luego utilice una herramienta para darle 1 vuelta y media más. Tenga cuidado al utilizar cinta de teflón ya que la fricción se reduce considerablemente; **NO ajuste de más el conector o podría causar daños.** Si hay fugas, quite el conector, quite la cinta de teflón vieja, vuelva a envolver con una o dos capas adicionales de cinta de teflón y reinstale el conector.

CONECTORES

Los conectores restringen el flujo. Para mayor eficiencia, utilice la menor cantidad posible de conectores (pero al menos dos salidas de succión). Evite los conectores que podrían dejar aire atrapado. Los conectores de la piscina y spa **DEBEN** cumplir con las normas de la Asociación Internacional de Funcionarios de Fontanería y Mecánica (IAPMO). Utilice un conector de succión antiatrapamiento en la piscina (drenajes múltiples) o una doble succión (succionador y drenaje principal).

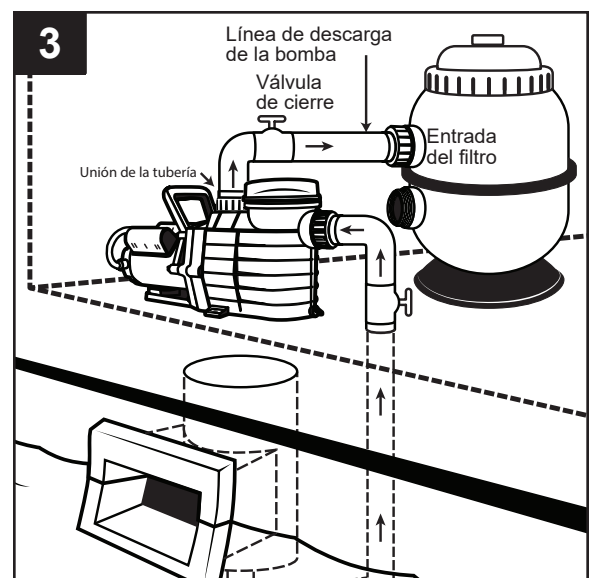
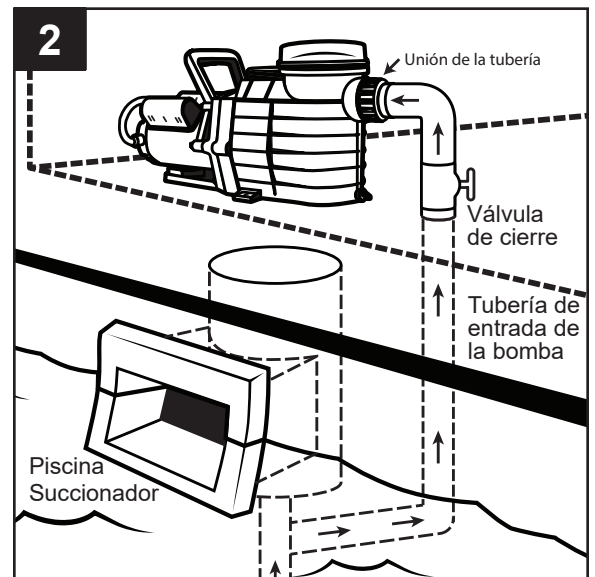
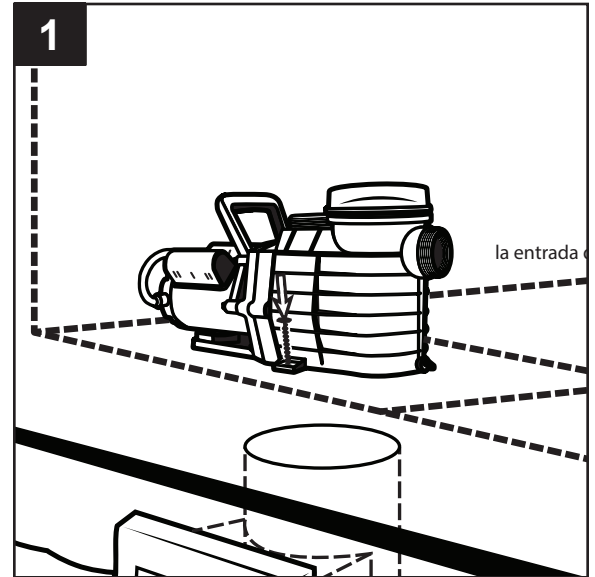
INSTALACIÓN:

NOTA: Antes de instalar la bomba, verifique los requisitos de voltaje. La bomba está preconfigurada a 230 V. Si su fuente de alimentación es de 115 V, consulte la página 10 y siga las instrucciones para cambiar el cableado según los diagramas.

1. Instale la bomba en una base o plataforma nivelada y firme para cumplir con tornillos y pernos. La base DEBE ser sólida, rígida, nivelada y sin vibraciones y protegido tanto del clima como de las salpicaduras de la piscina. Comprobar que la altura de la entrada de la bomba esté tan cerca al nivel del agua como sea posible.

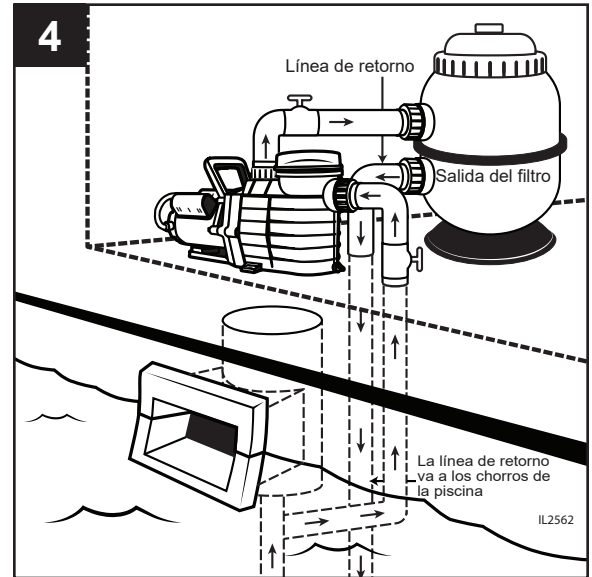
2. Conecte la línea de descarga de la bomba a la entrada del filtro utilizando una unión de tubería y coloque la válvula de cierre. Utilice una tubería de succión corta y directa. Asegúrese de incorporar una porción recta de tubería que sea al menos 5 veces más larga que el diámetro de la tubería de entrada de la bomba.

3. Utilice una unión de tubería para conectar la línea de descarga de la bomba a la entrada del filtro y coloque la válvula de cierre. La tubería de la línea de succión debe tener el mismo diámetro o más grande que la línea de descarga.



INSTALACIÓN:

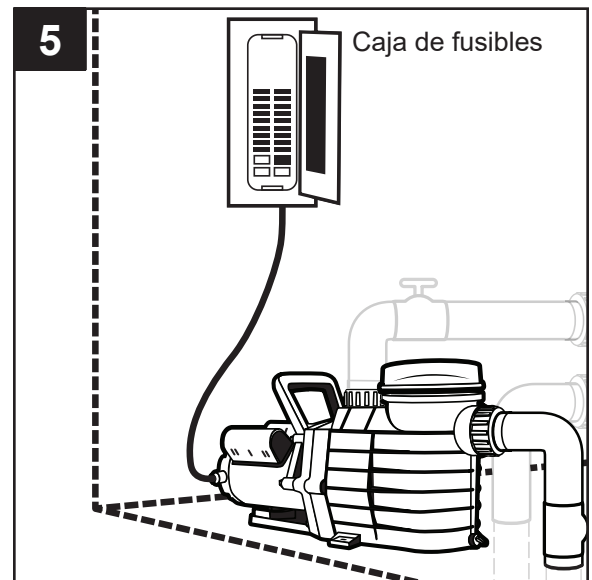
4. Conecte la línea de retorno del filtro a la entrada de retorno de la piscina.



5. Asegúrese de que la fuente de alimentación está apagada y conecte el cableado.



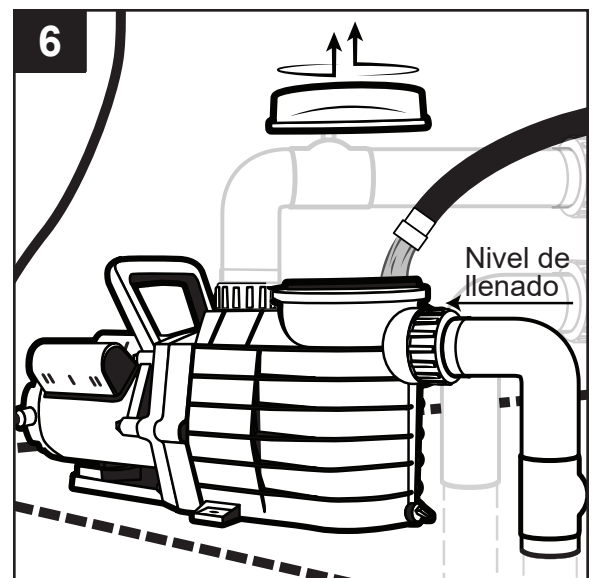
ADVERTENCIA Siempre desconecte la bomba de la fuente de energía antes de llevar a cabo cualquier trabajo en el motor. Refiérase a las instrucciones del alambrado.



6. Llene la bomba y la trampa con agua, vuelva a colocar la tapa de la trampa y compruebe que no haya fugas en el sistema. Si no hay fugas, proceda con el arranque de la bomba.

NOTA: NO ARRANQUE LA BOMBA si hay fugas en el sistema.

Luego del arranque, verifique otra vez todas las conexiones para ver si hay fugas.



 ADVERTENCIA	Voltaje peligroso. Puede provocar descargas, quemaduras o la muerte.
	ANTES DE TRABAJAR EN LA BOMBA O EL MOTOR: <i>Desenchufe el motor de la bomba.</i>

ELECTRICIDAD

ADVERTENCIA Todo el cableado lo debe realizar un electricista certificado y debe cumplir con todos los códigos y regulaciones locales y nacionales.

ADVERTENCIA Conecte a tierra y empalme el motor antes de conectarlo a una fuente de alimentación eléctrica. No conectar a tierra y empalmar el motor de la bomba puede causar una descarga eléctrica grave o mortal.

ADVERTENCIA No conecte a tierra en una línea de suministro de gas.

ADVERTENCIA Para evitar descargas eléctricas peligrosas o mortales, apague el motor antes de trabajar en conexiones eléctricas.

ADVERTENCIA Si se dispara el interruptor de circuito con protección de falla a tierra (GFCI) significa que hay un problema eléctrico. Si el GFCI se dispara y no se restablece, pídale a un electricista que inspeccione y repare el sistema eléctrico.

ADVERTENCIA Peligro de incendio. Iguale el voltaje de alimentación con el voltaje en la placa de identificación del motor.

Asegúrese de que el suministro eléctrico disponible coincida con el voltaje, fase y ciclos del motor, y que el tamaño de los cables sea adecuado para la clasificación de kW (HP) y distancia desde la fuente de energía.

NOTA: Todo el cableado lo DEBE realizar un electricista certificado y DEBE cumplir con todos los códigos y regulaciones locales y nacionales. Utilice solo conductores de cobre.

GUÍA DE ELETRICIDAD - 60 CICLOS - UNA SOLA VELOCIDAD					
MOTOR		VOLTIOS	CLASIFICACIONES DE DISYUNTOR - AMP	CLASIFICACIONES DE RAMAL FUSETRON - AMP	TAMAÑO DE CABLE RECOMENDADO 0-50'
KW	HP				
.37	1/2	115	15	15	No. 14
.55	3/4	115 230	15 10	15 6.25	No. 14
.75	1	115 230	20 10	20 9	No. 12 No. 14
1.1	1 1/2	115 230	30 15	30 15	No. 10 No. 14
1.55	2	115 230	30 15	30 12	No. 10 No. 14
1.88	2 1/2	230	20	20	No. 12

VOLTAJE

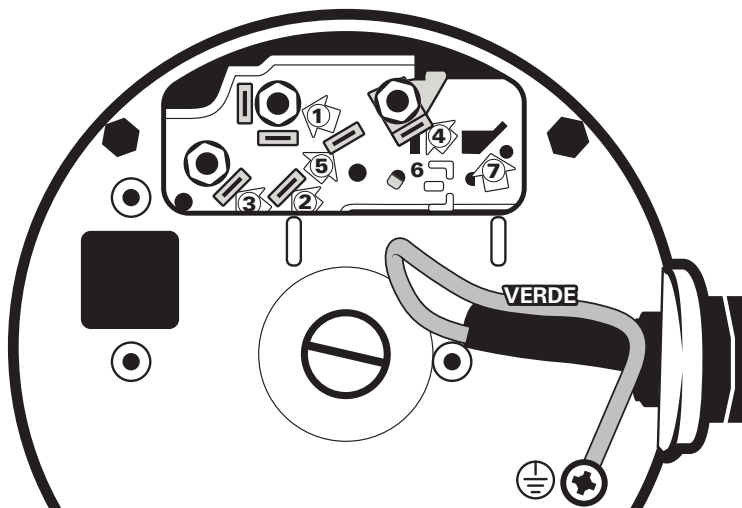
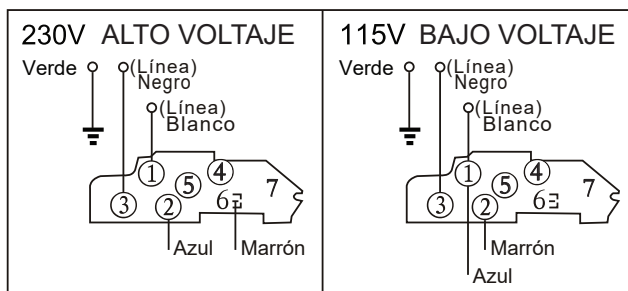
El voltaje del motor NO debe ser más del 10% por encima o por debajo del voltaje nominal de la placa de identificación del motor, o el motor puede sobrecalentarse y provocar un disparo por sobrecarga y una reducción en la vida útil de los componentes. Si el voltaje es menor que el 90% o mayor que el 110% del voltaje nominal cuando el motor funciona a plena carga, consulte a la compañía eléctrica.

PUESTA A TIERRA Y EMPALMES

- Instale, conecte a tierra, empalme y realice el cableado del motor de conformidad con los requisitos de los códigos eléctricos locales o nacionales.
- Conecte el motor a tierra de manera permanente. Utilice el terminal verde de tierra provisto bajo la cubierta del motor o lugar de acceso; utilice el tamaño y tipo de cable requerido por el código. Conecte el terminal de tierra del motor a la tierra del servicio eléctrico.
- Empalme el motor a la estructura de la piscina. El empalme conectará todas las piezas de metal dentro y alrededor de la piscina con un cable continuo. Empalmar reduce el riesgo de que pase corriente entre objetos de metal empalmados, lo que puede provocar una descarga eléctrica si se conecta a tierra o hay un cortocircuito. **Consulte los códigos NEC para ver todas las normas de cableado incluyendo, entre otros, procedimientos de puesta a tierra, empalmes y cableado general.**
- Use un conductor de cobre sólido, según el código. Instale un cable desde el terminal conector externo hasta la varilla o malla de refuerzo. Conecte según el código un cable de conexión de cobre al conector del cable de presión provisto en la carcasa del motor y a todas las partes metálicas de la piscina, spa o jacuzzi, y a todo el equipo eléctrico, tuberías metálicas (excepto las tuberías de gas), y a los conductos que se encuentran a menos de 1.5 m (5') de las paredes interiores de la piscina, spa o jacuzzi.

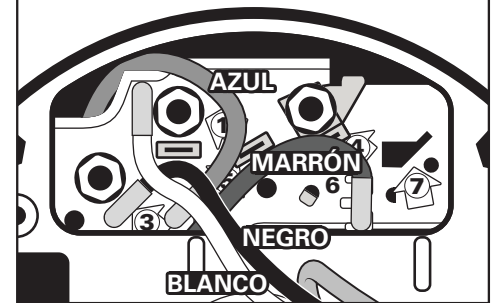
CAMBIAR EL VOLTAJE

- La bomba está preconfigurada a 230 V. Si su fuente de alimentación es de 115 V, abra la parte posterior de la carcasa del motor. Utilice unos alicates para cambiar los enchufes siguiendo los pasos a la derecha a fin de que coincidan con el diagrama de 115 V a continuación.
- Aunque esté configurado a 230 V, el cable marrón puede tener corriente. Debe permanecer conectado a tierra en la posición 6 para evitar tocar otros contactos.



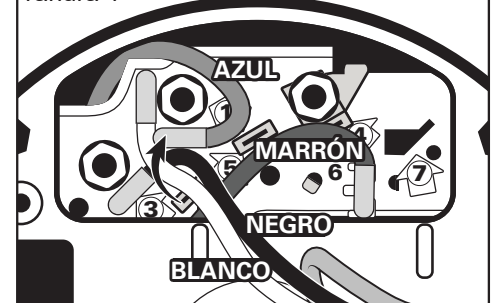
PASO 1

Posiciones predeterminadas de los cables de 230 V.



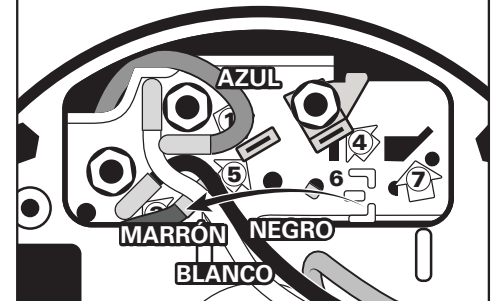
PASO 2

Mueva el cable azul de la ranura 2 a la ranura 1



PASO 3

Mueva el cable marrón de la posición 6 a la ranura 2



CABLEADO

⚠️ ADVERTENCIA Un electricista certificado debe realizar todo el cableado.

La bomba DEBE estar conectada permanentemente al circuito. Si hay otras luces o electrodomésticos en el mismo circuito, asegúrese de sumar sus cargas de amperios antes de calcular los tamaños de los cables y disyuntores. Utilice el disyuntor de carga como interruptor de encendido/apagado maestro.

Instale un interruptor de circuito con protección de falla a tierra (GFCI) en el circuito, este detectará un cortocircuito a tierra y desconectará la energía antes de que sea peligroso para los usuarios de la piscina. Para ver el tamaño requerido y los procedimientos de prueba para el GFCI, consulte las instrucciones del fabricante. La bomba DEBE estar conectada al GFCI permanentemente. En caso de un corte de energía, verifique si se disparó el GFCI, lo que impedirá el funcionamiento normal de la bomba. Restablezca si es necesario.

⚠️ ADVERTENCIA Todas las válvulas de succión y descarga **DEBEN** estar **ABIERTAS**, así como la válvula de descarga de aire del filtro (si está disponible) en el filtro, cuando se pone en funcionamiento el sistema de circulación de la bomba. No hacerlo podría resultar en lesiones personales graves.

PONER EN MARCHA/CEBAR LA BOMBA:

Las bombas con motores de una velocidad se ceban automáticamente a 3 m (10') y las bombas con motores de 2 velocidades se ceban automáticamente a 3 m (10') solo en alta velocidad. Llene la carcasa del filtro con agua hasta el nivel de la tubería de succión. Si hay fugas de agua en cualquier parte de la bomba o del filtro, **NO** ponga en marcha la bomba. Si no hay fugas, párese a una distancia de al menos 3 m (10') de la bomba y/o del filtro y proceda a poner en marcha la bomba.

⚠️ ADVERTENCIA Regrese al filtro para cerrar la válvula de descarga de aire manual del filtro cuando la válvula descargue un chorro de agua constante (no de aire o de aire y agua). No hacerlo podría resultar en lesiones personales graves.

⚠️ PRECAUCIÓN **NUNCA OPERE LA BOMBA SIN AGUA.** El agua actúa como refrigerante y lubricante para el sello del eje mecánico. **NUNCA** ponga en marcha la bomba en seco. Poner en marcha la bomba en seco puede dañar los sellos, provocando fugas, inundaciones y anulando la garantía. Llene la carcasa del filtro con agua antes de arrancar el motor.

⚠️ PRECAUCIÓN **NO** agregue químicos al sistema de la piscina/spa directamente delante de la succión de la bomba. Agregar químicos no diluidos puede dañar la bomba y anular la garantía.

⚠️ PRECAUCIÓN **Antes de quitar la tapa del filtro:**

1. **PARE LA BOMBA** antes de proceder.
1. **CIERRE LAS VÁLVULAS** en las tuberías de succión y de salida.
2. **LIBERE TODA LA PRESIÓN** de la bomba y del sistema de tuberías utilizando la válvula de descarga de aire manual del filtro. **Consulte el manual del propietario del filtro para obtener más detalles.**
3. Si la fuente de agua está a un nivel más alto que la bomba, la bomba se cebará automáticamente cuando se abran las válvulas de succión y de salida. Si la fuente de agua está a un nivel más bajo que la bomba, desenrosque y quite la tapa del filtro y llene la carcasa del filtro con agua.
4. Limpie y lubrique la junta tórica de la tapa del filtro con lubricante de silicona cada vez que la saque. Inspeccione la junta tórica y vuelva a colocarla en la tapa del filtro.
5. Coloque la tapa del filtro en la carcasa del filtro y gírela en el sentido de las agujas del reloj para ajustarla.

Antes de poner en marcha la bomba, consulte las instrucciones de **“Poner en marcha/cebar la bomba”**.

⚠️ PRECAUCIÓN Espere cinco (5) segundos antes de volver a poner en marcha la bomba. No hacerlo podría provocar una rotación inversa del motor y los consiguientes daños graves en la bomba. Encienda la unidad y espere que la bomba se cebe, que suele tardar hasta cinco (5) minutos. El tiempo de cebado dependerá de la longitud vertical de la extracción de agua y la longitud horizontal de la tubería de succión. Si la bomba **NO** se ceba en cinco minutos, detenga el motor y determine la causa. Asegúrese de que todas las válvulas de succión y de descarga están abiertas cuando la bomba está en marcha. Consulte la guía de solución de problemas.

MANTENIMIENTO

- Limpie la cesta filtrante con regularidad. NO golpee la cesta para limpiarla. Inspeccione la junta de la tapa del filtro con regularidad y reemplácela si es necesario.
- Las bombas tienen rodamientos del motor y sellos del eje autolubrificantes. No se necesita ninguna lubricación.
- Mantenga el motor limpio. Asegúrese de que las ventilaciones de aire no tienen obstrucciones para evitar daños. NO utilice agua para limpiar el motor.
- Ocasionalmente, se deben reemplazar los sellos del eje, debido a desgaste o daños.

⚠ ADVERTENCIA **Riesgo de separación.** No purgue el sistema con aire comprimido. Purgar el sistema con aire comprimido puede provocar que algunos componentes exploten, con riesgo de lesiones graves o muerte para cualquier persona que esté cerca. Utilice solo un soplador de baja presión (por debajo de 34 kPa [5 PSI]) y alto volumen cuando purgue con aire la bomba, el filtro o las tuberías.

⚠ PRECAUCIÓN Dejar que la bomba se congele anulará la garantía.

⚠ PRECAUCIÓN Utilice SOLO propilenglicol como anticongelante en su sistema de piscina/spa. El propilenglicol no es tóxico y no dañará los componentes de plástico del sistema. Otros anticongelantes son altamente tóxicos y pueden dañar los componentes de plástico del sistema.

Drene toda el agua de la bomba y la tubería cuando se esperen temperaturas bajo cero o cuando se guarde la bomba por un tiempo largo (consulte las instrucciones a continuación).

Mantenga el motor seco y cubierto durante el almacenamiento. Para evitar problemas de condensación/corrosión, NO cubra o envuelva la bomba con película plástica o bolsas.

GUARDAR LA BOMBA PARA HIBERNACIÓN

⚠ ADVERTENCIA **⚠ ADVERTENCIA** Para evitar descargas eléctricas peligrosas o mortales, apague el motor antes de drenar la bomba. No desconectar la alimentación puede resultar en lesiones personales graves o muerte.



1. Drene el nivel de agua por debajo de todas las entradas de la piscina.
2. Quite los tapones de vaciado de la parte inferior del cuerpo del filtro y retire la tapa del filtro de la carcasa.
3. Desconecte la bomba de la plataforma de montaje, del sistema de cableado (luego de apagarla) y del sistema de tuberías.
4. Una vez que se vacíe el agua de la bomba, vuelva a colocar la tapa del filtro y los tapones de vaciado. Guarde la bomba en un lugar seco.

SOLUCIÓN DE PROBLEMAS

PROBLEMA	VERIFICAR:	SOLUCIÓN
A. El motor NO arranca	Conexiones de cableado inadecuadas o sueltas; interruptores o relés abiertos; disyuntores disparados, GFCI o fusibles quemados.	Verifique todas las conexiones, los disyuntores y los fusibles. Restablezca los disyuntores disparados o reemplace los fusibles quemados.
	Verifique la rotación del eje del motor	Quite cualquier obstrucción.
	Temporizador funcionando adecuadamente.	Derive el temporizador si es necesario.
B. El motor se APAGA	Bajo voltaje en el motor o pérdida de potencia (frecuentemente causado por uso de cables de menor tamaño o de un cable de extensión).	Contacte a un profesional calificado para verificar que el calibre del cableado sea lo suficientemente grueso.
<p>NOTA: Su motor de bomba está equipado con un “protector automático de sobrecarga térmica”. El motor se apagará automáticamente si hay una pérdida de potencia de alimentación antes de que se acumule daño por calor provocando que los devanados se quemen. El “protector automático de sobrecarga térmica” permitirá que el motor se reinicie automáticamente una vez que se haya enfriado. Seguirá cortando el encendido/apagado hasta que se corrija el problema. Asegúrese de corregir la causa del sobrecalentamiento..</p>		
C. El motor suena, pero NO arranca	Impulsor atascado con suciedad.	Haga que un profesional de reparación calificado abra la bomba y elimine la suciedad.
D. La bomba no ceba.	Vacíe la carcasa de la bomba/filtro.	Asegúrese de que la carcasa de la bomba/filtro esté llena de agua y que la junta tórica de la tapa esté limpia. Asegúrese de que la junta tórica se encuentre correctamente en la ranura de la junta tórica de la tapa. Asegúrese de que la junta tórica esté lubricada y que la tapa del filtro esté bien sujeta en su posición.
	Conexiones flojas del lado de la succión.	Apriete las conexiones de la tubería/unión.
	Junta tórica o pasamuros con fugas en las válvulas. Cesta del filtro o succionador llenos de suciedad.	Quite la tapa de la carcasa del filtro o del succionador, limpie la cesta y vuelva a llenar la carcasa del filtro con agua. Ajuste la tapa.
	Lado de succión obstruido.	Contacte a un profesional de reparación certificado.

Bloquee para determinar si la bomba desarrollará un vacío. Debe tener 127-152 mm (5"-6") de vacío en la tapa del filtro (solo su distribuidor de piscinas puede confirmar esto con un vacuómetro). Es posible que pueda verificarlo si quita la cesta del succionador y sostiene su mano por encima del puerto inferior con el succionador lleno y la bomba en marcha. Si no se siente succión, verifique que no haya bloqueos en la línea.

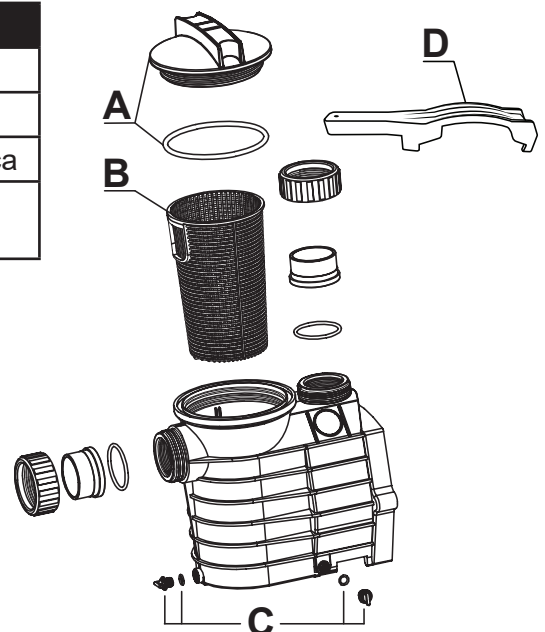
- a. Si la bomba desarrolla un vacío, verifique que no haya bloqueos en la línea de succión o que la cesta del filtro no esté sucia. Una fuga de aire en la tubería de succión puede ser la causa.
- b. Si la bomba no desarrolla un vacío y tiene suficiente “agua de cebado”:
 - i. Vuelva a revisar la tapa de la carcasa del filtro y todas las conexiones roscadas en busca de fugas de succión. Verifique que todas las abrazaderas de manguera del sistema estén bien apretadas.
 - ii. Revise el voltaje para asegurarse de que el motor está girando a RPM totales.
 - iii. Abra la tapa de la carcasa y verifique que no haya obstrucciones en la succión. Revise si hay suciedad en el impulsor.
 - iv. Quite y reemplace el sello del eje solo si tiene fugas.

SOLUCIÓN DE PROBLEMAS

PROBLEMA	VERIFICAR:	SOLUCIÓN
E. Flujo bajo	Filtro o línea de succión obstruido o restringido.	Contacte a un profesional de reparación certificado.
	Tubería de piscina de menor tamaño.	Corrija el tamaño de la tubería.
	Línea de descarga del filtro obstruida o restringida, válvula parcialmente cerrada (lectura alta del manómetro).	Filtros de arena: realice un retrolavado según las instrucciones del fabricante, filtros D.E.: realice un retrolavado según las instrucciones del fabricante, filtros de cartucho: limpie o reemplace el cartucho.
	Fuga de aire en la succión (burbujas que salen de los conectores de retorno).	Reajuste utilizando cinta de teflón.
	Impulsor dañado, obstruido o restringido.	Reemplácelo, incluyendo un nuevo conjunto de sello.
F. Bomba ruidosa	1. Fuga de aire en la tubería de succión, cavitaciones provocadas por línea de succión restringida o de menor tamaño o fuga en alguna junta, nivel bajo de agua en la piscina y líneas de retorno de descarga sin restricciones.	1. Corrija la condición de succión o regule las líneas de retorno, si es posible. Mantener la mano sobre el conector a veces probará este punto o colocar una boquilla de retorno más pequeña.
	2. Vibraciones debido a un montaje inadecuado, etc.	2. Reemplace el montaje.
	3. Materias extrañas en la carcasa de la bomba. La causa podrían ser piedras sueltas/suciedad golpeando el impulsor.	3. Limpie la carcasa de la bomba.
	4. Rodamientos del motor ruidosos por desgaste normal, oxidación, sobrecalentamiento o concentración de químicos que provocan daño en los sellos, lo que permite que se filtre agua tratada con cloro en los rodamientos, quitando la grasa y haciendo que hagan ruido.	4. Se deben reemplazar todos los sellos con fugas de una vez.

PIEZAS DE REPUESTO

ARTÍCULO	P/N	DESCRIPCIÓN
A	025467	Tapa con junta tórica
B	025466	Cesta filtrante/filtro
C	025465	Tapón de drenaje con junta tórica
D	025468	Llave de gancho para abrir la cubierta transparente



GARANTÍA

Este producto se garantiza al usuario por un período de un año a partir de la fecha de compra. Sujeto a las condiciones establecidas en el presente, el fabricante reparará o reemplazará, para el consumidor original, cualquier parte del producto que se compruebe que está defectuosa debido a defectos en los materiales o la mano de obra. Esta garantía no cubre las piezas de repuesto por falla debido a desgaste normal. Para obtener los servicios de garantía, póngase en contacto con el distribuidor donde adquirió el producto. El fabricante se reserva el derecho y la opción exclusivos de determinar la reparación o el reemplazo de equipos, piezas o componentes defectuosos. Los daños causados por condiciones que escapen del control del fabricante no están cubiertos por esta garantía.

ESTA GARANTÍA NO SE APLICARÁ:

- (a) a defectos o mal funcionamiento como resultado de una falla en la instalación, operación o mantenimiento de la unidad según lo indicado en las instrucciones impresas provistas;
- (b) a los fallos resultantes del abuso, accidentes o negligencia o uso inapropiado de productos químicos o aditivos en el agua,
- (c) a los servicios de mantenimiento normativos y las piezas utilizadas en conexión con dichos servicios;
- (d) a unidades que no se instalaron según los códigos normativos locales, las ordenanzas o las buenas prácticas comerciales aplicables; y
- (e) si la unidad se utiliza para fines para los cuales no está destinada ni fabricada.

DEVOLUCIÓN DE COMPONENTES EN GARANTÍA: Cualquier elemento a ser reparado o reemplazado bajo esta garantía debe ser devuelto al fabricante en Kendallville, Indiana o a cualquier otro lugar que el fabricante pueda designar, con flete prepagado.

LA GARANTÍA QUE SE PROPORCIONA EN EL PRESENTE REEMPLAZA A TODAS LAS DEMÁS GARANTÍAS EXPLÍCITAS Y NO PUEDE SER EXTENDIDA NI MODIFICADA POR NADIE. CUALQUIER GARANTÍA IMPLÍCITA ESTARÁ LIMITADA AL PERÍODO DE LA GARANTÍA LIMITADA Y, POR CONSIGUIENTE, SE RECHAZAN Y SE EXCLUYEN TODAS DICHAS GARANTÍAS IMPLÍCITAS. BAJO NINGUNA CIRCUNSTANCIA, EL FABRICANTE SERÁ RESPONSABLE DE DAÑOS ACCIDENTALES, RESULTANTES O ESPECIALES, INCLUIDOS, ENTRE OTROS, LOS DAÑOS A LA PROPIEDAD O AL EQUIPO, O LA PÉRDIDA DE ESTOS, LA PÉRDIDA DE GANANCIAS, INCONVENIENTES U OTROS DAÑOS ACCIDENTALES O RESULTANTES DE CUALQUIER TIPO O NATURALEZA. LA RESPONSABILIDAD DEL FABRICANTE NO SUPERARÁ EL PRECIO DEL PRODUCTO SOBRE EL CUAL SE BASA DICHA RESPONSABILIDAD.

Esta garantía le otorga derechos legales específicos, pero usted podría tener otros derechos que varían según el estado. Algunos estados no permiten las limitaciones sobre la duración de las garantías implícitas, o la exclusión de los daños accidentales o resultantes, de modo que las limitaciones mencionadas anteriormente podrían no aplicarse en su caso.

En aquellas instancias en que haya daños causados por una presunta falla de la bomba, el propietario deberá conservar la bomba a fin de investigar dicha falla.