

CLARKE

Installation Instructions and Operation Manual Effective July 30, 2014

Installer: This booklet must be given to the product owner.

Please note important information below:

Distributor Name: _____
Model Number: _____
Manufacture Date: _____
Chopped By: _____

READ INSTRUCTIONS THOROUGHLY PRIOR TO INSTALLING PRODUCT:

IF YOU HAVE ANY QUESTIONS CALL 1-800-426-8964.

FAILURE TO FOLLOW MANUFACTURERS INSTRUCTIONS WILL RESULT IN YOUR ASSUMPTION OF PRODUCT LIABILITY AND CAN RESULT IN PRODUCT DAMAGE AND/OR PERSONAL INJURY.

THIS PRODUCT MEETS NATIONALLY RECOGNIZED STANDARDS INCLUDING ANSI Z124.1- 9, ASME A112, IAPMO AND UL 1795. INSTALLER IS RESPONSIBLE FOR COMPLYING WITH LOCAL CODES THAT MAY APPLY.

LICENSED PLUMBERS AND ELECTRICIANS SHOULD BE EMPLOYED TO INSURE PROPER INSTALLATION. INSTALLERS ASSUME ALL LIABILITY FOR FOLLOWING THE CORRECT INSTALLATION PROCEDURES.

Important Safety Instructions

WARNING: When using this product, basic precautions should be followed as noted below:

This manual contains information and instructions for proper operation and maintenance of your Clarke bathtub. Failure to follow these instructions could result in personal injury or electric shock.

Read and Follow All Instructions

Instructions Regarding Risk of Fire, Shock, or Personal Injury

- ▶ Do not permit children to use this unit unless they are closely supervised by an adult at all times. Supervision should also be provided when the bath is used by an elderly or handicapped individual.
- ▶ Use this unit only for its intended use as described in this manual. Do not use attachments not authorized by the manufacturer.
- ▶ Do not use hydro massage bathtubs if suction guards are not installed in place. These guards are designed to prevent body and hair entrapment.
- ▶ The water in an acrylic bath should never exceed 38°C (100°F). Water temperatures up to 38°C (100°F) are considered to be safe for a healthy adult. Use time at these higher temperatures should be limited to approximately 15 minutes. Lower water temperatures are recommended for extended use (exceeding 15 minutes) and for young children. Longer exposures may result in hyperthermia, which can be fatal; the symptoms of this condition are nausea, dizziness, and fainting.

Effects of hypothermia include:

- 1) Unawareness of impending hazard
 - 2) Failure to perceive amount of heat
 - 3) Failure to recognize the need to exit the bathtub
 - 4) Physical inability to exit the bathtub
 - 5) Fetal damage in pregnant women
 - 6) Unconsciousness and danger of drowning
- ▶ Since excessive water temperatures have a high potential for causing fetal damage during the early months of pregnancy, pregnant or possibly pregnant should consult a physician before using a bathtub equipped at higher temperatures.
 - ▶ The use of drugs or alcoholic beverages before or during bath use may lead to unconsciousness with the possibility of drowning. Never use the bath while under the influence of alcohol, anticoagulants, stimulants, antihistamines, vasoconstrictors, vasodilators, hypnotics, narcotics or tranquilizers.
 - ▶ Persons using medication should consult a physician before using a bath since medication may induce drowsiness while other medication may affect heart rate, blood pressure, and circulation.

DANGER: To reduce the risk of injury, enter and exit the bath slowly.

WARNING: Never operate electrically connected devices in or within 5' of the bath. Never drop or insert any object into any opening within the hydrotherapy bath.

CAUTION: Test the ground fault circuit interrupter protecting this appliance periodically in accordance with the manufacturer's instructions.

- ▶ To avoid the possibility of personal injury and discoloration of the acrylic surface, the inlet water temperature should not exceed 60°C (140°C).

INSTALLER/OWNER BEARS ALL RESPONSIBILITY TO COMPLY WITH ALL STATE AND LOCAL CODES WHEN INSTALLING THIS PRODUCT

IMPORTANT! WHEN REQUIRED BY LOCAL CODES, INSTALL A RPZ (REDUCED PRESSURE ZONE) BACKFLOW PREVENTION DEVICE TO EACH FAUCET SUPPLY LINE.

CAUTION: Do not use harsh abrasives or solvents for cleaning this unit.

- ▶ This product and its components are IAPMO approved.
- ▶ This product is intended for residential indoor use only. Tubs are only warranted for indoor installation in a climate controlled environment.
- ▶ Do not store tub at temperatures below 32 degrees Fahrenheit.

SAVE THESE INSTRUCTIONS

Table of Contents

Unpacking the Unit	3
Electrical Requirements	4
Rough-In Measurements	5
Installation Planning & Preparation	6
Installation Instructions	6
Cleaning Instructions	8
Operating Instructions	9
Repair & Trouble-shooting	10
Warranty	11
Tub Cut-out Measurements & Templates	12

ATTENTION INSTALLER

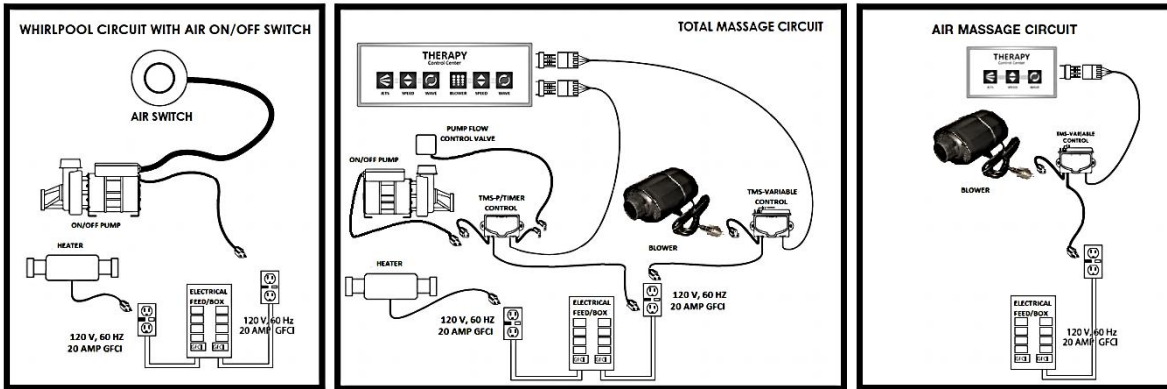
Access should be provided to the whirlpool pump & blower connections and should have a minimum size of 16" x 14" for installation and future servicing of the bathtub.

Clarke Products may not authorize any service unless clear access is available. Access from a crawlspace or incomplete access to all equipment may result in warranty claims being denied.

Unpacking the Unit

1. Inspect the carton.
2. If you note carton damage, take a picture and contact the carrier immediately. Do not install a damaged tub. Clarke Products is not responsible for damage during transit.
3. Immediately inspect the unit for damage even if there is no visible carton damage and immediately report any damage to the distributor/manufacturer. Once the unit is installed and there is surface damage visible, we will assume it was caused by the installer. Installers are responsible for damage that occurs once the unit is set in place.
4. Inspect the plumbing for any loose fittings.
5. On whirlpool units the unions on the suction and discharge sides of the pump have been color marked to indicate the alignment that was present at the factory water test. If these are not aligned, retighten and test for water tightness.
6. Remove all packaging material except for the protective plastic. The protective plastic was put on the tub to help eliminate abrasions due to handling and should not be removed until you are ready to inspect the tub just prior to installation.

Electrical Requirements

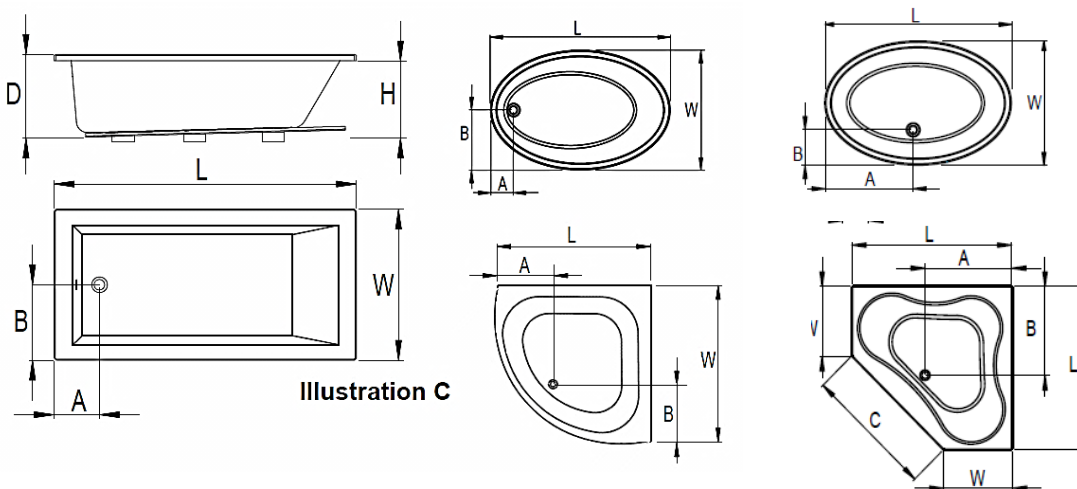


ALL CONNECTIONS MUST BE GFCI (Ground Fault Circuit Interrupted) PROTECTED

1. Whirlpool and Total Massage units require dedicated 20 Amp, 120V service.
2. You must provide a receptacle with a 20-amp configuration.
3. See local codes for proper wire size. If not specified, use #12 Copper only wire.
4. Optional Factory Installed Heater requires its own dedicated 20 amp service.

- ▶ The unit must be connected to a circuit interrupter (GFCI) provided by the installer. The (GFCI) breaker should be tested on a routine basis. To test the (GFCI) breaker, push the test button. The GFCI should interrupt power. To restore power, push the RESET button. If the GFCI fails to operate in this manner there is ground current flowing, indicating the possibility of an electrical shock. Do not use the unit. Disconnect the unit and have the problem corrected by a qualified service representative before using.
- ▶ **DANGER: RISK OF ELECTRICAL SHOCK.** All pumps and blowers must be connected to a ground fault circuit interrupter (GFCI) protected outlets. Standard Line Total Massage units can be operated on a single service. All heaters must be connected to a ground fault circuit interrupter (GFCI) protected outlets, separate from the pump and/or blower.

Use **Illustration C** as a guide for rough-in measurements given on page following



Rough-In Measurements

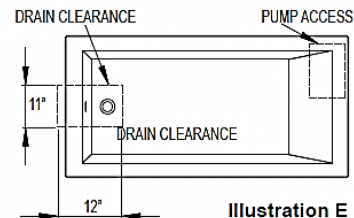
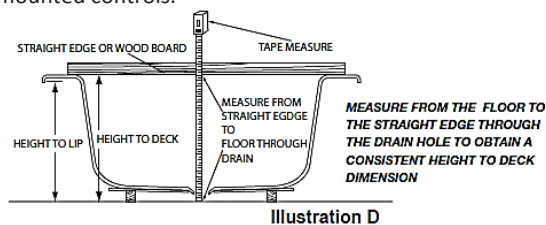
(refer to **Illustration C** on previous page)

Clarke Name	Prefix				Item number	L	W	D	H	A	B
	T	W	A	WA		LENGTH	WIDTH	HEIGHT TO DECK	HEIGHT TO LIP	DRAIN LOCATION	DRAIN LOCATION
Alexandria	T	W	A	WA	3672N	71 3/4"	36"	19 1/2"	18"	10 1/2"	18"
Concentra I	T	W	A	WA	3858C	58"	38"	20 1/2"	19"	7 3/8"	19"
Concentra II	T	W	A	WA	4070C	70"	40"	20 1/2"	19"	7 3/8"	20"
Dara	T	W	A	WA	4872D	72"	48"	23"	21 1/2"	32 1/2"	9 1/2"
Dara II	T	W	A	WA	4260T	60"	32"	21"	19 1/2"	30"	14 1/4"
Elisa	T	W	A	WA	4272	72"	42"	20"	18 1/2"	10 1/2"	21"
Elizabeth	T	W	A	WA	3769	69"	40"	23"	22"	34 1/2"	9 1/8"
Eureka II 6060	T	W	A	WA	C6060TP	60"	60"	21"	19 1/2"	10 1/2"	35 1/2"
Hallmark	T	W	A	WA	3260N	60"	32"	19 1/2"	18"	10 1/4"	16"
Heirloom I (RH)	T	W	A	WA	4260HL	60"	42"	23"	21 1/2"	30"	10 3/4"
Heirloom II	T	W	A	WA	4272HL	72"	42"	23"	21 1/2"	36"	10 3/4"
Odyssey	T	W	A	WA	RC6060	60"	60"	21"	19 1/2"	36"	10 1/2"
Original	T	W	A	WA	4260	60"	42"	19 1/2"	18"	9 3/8"	21"
Oval 5	T	W	A	WA	3858	58"	38"	23 1/2"	21 1/2"	7 3/8"	19"
Oval 6	T	W	A	WA	4071	71"	40"	22"	19"	35 1/2"	13"
Sculptura III	T	W	A	WA	3660	60"	36"	19 3/8"	17 7/8"	10 1/4"	18"
Sparta	T	W	A		3260SP	59 3/4"	32"	19 1/4"	17 3/4"	7 3/4"	16"
Sparta	T	W	A		3266SP	66"	32"	19 1/2"	18"	7 3/4"	16"
Sparta	T	W	A		3272SP	72"	32"	19 1/2"	18"	7 3/4"	16"
Sparta	T	W	A	WA	3660SP	59 3/4"	36"	22 1/4"	20 3/4"	9 1/4"	18"
Sparta	T	W	A	WA	3666SP	66"	36"	22 1/4"	20 3/4"	11"	18"
Sparta	T	W	A	WA	3672SP	72"	36"	23 3/4"	22 1/4"	8 1/4"	18"
Sparta Skirted	T	W	A		3060P(R/L)	59 3/4"	30"	19 1/4" *	N/A	7 1/2"	15"
Sparta Skirted	T	W	A		3260P(R/L)	59 3/4"	32"	19 1/16" *	N/A	8 3/4"	15 3/4"
Stellar	T	W	A	WA	4472ST	72"	44"	23 1/4"	21 3/4"	36"	10 3/4"
Urban Skirted	T				306014	59 3/4"	30"	15 13/16" *	15 1/2"	8 1/2"	15"
Victoria	T	W	A	WA	4272O	72"	42"	22"	20"	35 3/4"	10"
Victoria II	T	W	A	WA	4066O	66"	40"	22"	20"	33"	10"
Vida	T	W	A	WA	3858N	58"	38"	20 1/2"	19"	7 3/8"	19"
Vida II	T	W	A	WA	4070N	70"	40"	20 1/2"	19"	7 3/8"	20"
Vision Skirted	T		A		3060(R/L)	59 3/4"	30"	16 3/4" *	N/A	9 1/2"	15"
Vision Skirted +	T	W	A	WA	3260SK(R/L)	59 3/4"	32"	18 3/4" *	N/A	9 1/2"	16"
Vision Skirted +	T	W	A	WA	3660SK(R/L)	59 3/4"	36"	18 1/4" *	N/A	9 1/2"	18"
Vision Skirted +	T	W	A	WA	3666SK(R/L)	66"	36"	18 3/4" *	N/A	9 1/2"	18"
Vision Skirted +	T	W	A	WA	3672SK(R/L)	72"	36"	18 3/4" *	N/A	9 1/2"	18"
Vision Skirted +	T	W	A	WA	4260SK(R/L)	60"	42"	19" *	N/A	9 1/2"	21"
Vision Skirted +	T	W	A	WA	4272SK(R/L)	72"	42"	18 3/4" *	N/A	11 1/2"	21"
Vision Skirted(LH)	T	W	A	WA	C6060SK	60"	25 1/4"	19 3/4" *	N/A	35 1/2"	35 1/2"
Waterfall	T	W	A		3060W(R/L)	59 3/4"	30"	18 1/4" *	N/A	8 3/4"	15"

+ Center panel is cut out on units with blower &/or pump only; it is not cut out on soakers

* On skirted tubs, this is height of front apron to deck of tub

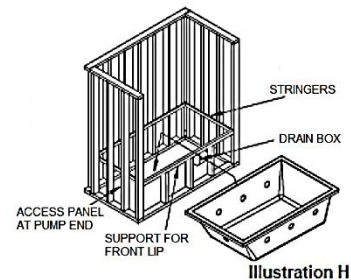
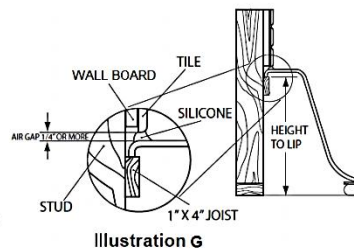
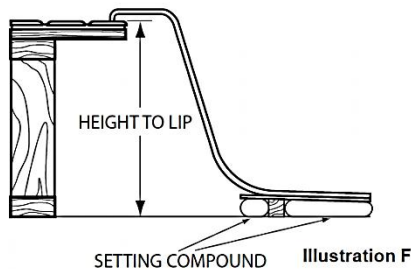
Deck-to-floor dimensions are measured through the drain hole to give a more consistent measurement. The dimensions were achieved by laying a straight edge across the deck; the distance was then measured from the floor at the drain opening to the bottom of the straight edge. (See illustration D). The lip height is then subtracted to give a more consistent floor to lip height. There may be height dimension variations of plus minus 1/4" from the stated dimension in the table, which is a standard production tolerance. Leave adequate clearance with framing for side mounted controls.



Installation Planning and Preparation

1. **BATH TUBS MUST BE SET IN SETTING COMPOUND.** An uneven floor can impede installation.
2. **NEVER LIFT THE TUB BY THE PLUMBING.** Doing so can result in leaks.
3. Check if the floor is level and of good quality. An uneven floor may impede proper installation of the product. The floor structure must be capable of supporting a minimum of 80 pounds per square foot. Clean the area of any debris or trash. Use a 5 or 6-foot level to determine if the floor is level. If not, calculate the amount of mortar required to level the tub.
4. Insure that the drain rough is placed at the proper location. (See Illustration E) Check if the proper electrical service has been installed near the pump location. See electrical requirements on page 4 for specifications.
5. If this is a deck installation, measure from the floor to the bottom of the rim to ensure that the tub is not suspended by its rim.

The entire tub floor must be fully supported.



Installation Instructions:

- ▶ Installation must comply with local and national codes.
 - ▶ Installation must provide access for servicing pump/motor.
 - ▶ Refer to page 4 for electrical diagram & requirements.
1. Install tub waste/ overflow fitting according to instructions provided.
 2. Construct support framing on all sides of the tub, allowing for a **16" X 14"** access opening for servicing the pump/motor on whirlpool models.
 3. **DECK / PENINSULAR INSTALLATION** - Deck surface can be any width. Allow for the thickness of the wallboard and tile or other surface material between the deck (see "Height to Lip" illustration F & G) and underside of the tub lip.
 4. **ALCOVE / CORNER INSTALLATION** - Wooden 1" X 4" guide stringers **must** be attached to surrounding walls at the recommended height. Additional framing for front of tub is required, when installing a drop-in tub in an alcove setting (see Illustration H*). When finishing a Corner/Alcove installation, allow for an expansion gap between the wallboard and tub deck as well as between tile or other material and the tub deck (See Illustration G).
*(*Optional Skirts for drop-in tubs that are converted to Alcove installation can be purchased through local supplier instead of front support lip. Please refer to Skirt installation instructions, for further details on installing a rectangular tub with skirt.)*
 5. **CORNER ROUND FRONT INSTALLATION** - On the Odyssey corner tub, the skirt is shipped attached to the tub, & the tub should be slid into place with the skirt attached. Do not remove skirt before installing tub, unless it is necessary to provide future access.
- ▶ **WARNING:** Never support the tub by its deck-lip or stringers, as this could result in product failure and void the Warranty. Level and fill the tub with water and test it for proper operation and drainage or possible water leaks due to transit-handling damage. Remove the tub from its framing, if it leaks.
6. **The tub MUST be supported from the tub bottom and not the tub lip.** The lip should only rest on the finished deck surface or support stringers. A setting compound such as cement or mortar must support the tub bottom. A sheet of plastic film, both under and on the top of the compound is recommended as a barrier. The tub should be set in place (do not handle the whirlpool by the piping) while the compound is still soft so that the compound will conform to the tub bottom. The tub should be worked down into the compound until the lip of the tub just barely makes contact with the finished deck surface or support stringers. It may be necessary to partially fill the tub with water to

aid in properly setting the tub.

7. Verify that the product is level by checking the tub deck surface in all directions.

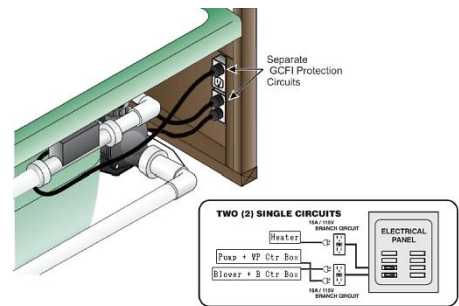
8. Options A: (**Whirlpools with Air on/off Switches only**) Plug the pump cord into the dedicated 120V/20A GFCI outlet to supply electrical power to the system. The cord is attached to the pump & is shipped with the system.

Options B: (**Air Massage with 3 button control only**) Plug the blower cord into blower control box. The male end from the blower control box plugs into the dedicated 120V/20A GFCI outlet to supply electrical power to the system. The cord is attached to the blower & is shipped with the system.

Option C: (**Total massages with 6 button control only**) Plug the pump cord into the whirlpool control box (female end with the letter P). The male end from the whirlpool control box plugs into the dedicated 120V/20A GFCI outlet to supply electrical power to the system.



This wrapping helps protect the cords to the control boxes. They do not ship connected to help protect them, please refer to wiring diagram on page 4.



Plug the lighted blower cord into the blower control box (female end with the letter B). The male end from the blower control box plugs into the dedicated 120V/20A GFCI outlet to supply electrical power to the system. The cords and the plugs are shipped with the system.

For Option A & C: (**OPTIONAL – Factory Installed Heater**) Plug the lighted heater cord into *its own separate dedicated* 120V/20A GFCI outlet to supply electrical power for the heater. The heater and whirlpool pump must be grounded with a size 8 wire. This wire does come with the heater.

For Option A, B & C: (**OPTIONAL – Factory Installed Mood light or Chromotherapy Light Kit**) Plug the male end of the black control box into 120V/15A GFCI outlet to supply electrical power for the light kit.

9. Connect the waste overflow to the drain, per overflow & drain instructions provided by the drain manufacturer.
- **ATTENTION INSTALLER:** This tub must be tested for leaks at the rough installation stage. Failure to do so will void the warranty. This tub was tested at the factory and found to be fully operational and leak-free prior to shipping. Shipping, handling, and job site exposure may have deteriorated the tub's condition. It is the responsibility of the installer to thoroughly test the tub prior to completing installation. Prior to drilling tub for faucets, fill tub with water. Allow tub to stand for at least 5 minutes for a static test. Then turn on the whirlpool for a water pressure test for at least 20 minutes. Check for leaks. If any leaks are discovered, do not complete installation until the issue is resolved. Clarke Products will not be responsible for leaks after the tub is installed, or any cost involved with removing or reinstalling the tub or the cost of any surrounding materials or labor.
10. Place the fill spout and supply lines at the desired location. If you are installing the spout and supply lines on the deck of the tub, mark the location first and drill pilot holes from the acrylic side of the product. Use a properly sized hole saw, and drill the spout and supply line holes from the acrylic side of product
11. Connect the water supply lines
12. After plumbing and electrical connections have been made the tub should be cleaned of dirt and debris. Follow "Cleaning and Maintenance" instructions on next page.

Installing an Oval Tub with a Template Diagram

Refer to page 13. The back section of this manual contains oval cut out instructions. Use pencil and tape measure to plot the coordinates and draw the cut out. Take special care that you do not to drop the tub in the platform cutout, since the tub may break and the ensuing warranty limitations would become effective. For additional questions on installing the tub read "installation procedures" above.

Installing an Sparta drop-in Tub with a Template Diagram

Refer to page 14. The back section of this manual contains Sparta cut out instructions for drop-in & under-mount installations. Use pencil and tape measure to plot the coordinates and draw the cut out. Take special care that you do not to drop the tub in the platform cutout, since the tub may break and the ensuing warranty limitations would become effective. For additional questions on installing the tub read "installation procedures" above.

Cleaning and Maintenance

Total Massages and Air Baths are equipped with an **Automatic Cleaning and Purge Cycle** for the **air blower only**. The air blower has a pre-programmed cleaning and purge cycle built in to expel the remaining water in the air channels. It activates within 20 minutes after the Air Bath is turned off and then blows for about 2 to 3 minutes. After the cycle is completed it will shut off automatically. There is nothing to be alarmed about if you hear a blowing noise coming from the tub after the tub has been turned off. The noise you hear is the cleaning cycle in operation.

For both hydro massages jetted tubs & total massages, the whirlpool pump and hose circulation system should be flushed before first use and on a monthly basis when product is under normal use. Below are the recommended procedures for cleaning:

DO NOT RUN WHIRLPOOL DRY. Fill the tub with hot water 2-3 inches above the jets and add 2-3 tablespoons of Lysol™, Pine sol™ or similar detergents.

- Switch on whirlpool and run for 10 minutes.
- Drain tub completely.
- Fill tub with cold water above jets.
- Switch on whirlpool and run for 5 minutes.
- Drain tub completely.

DO NOT USE ABRASIVE CLEANERS as they will scratch and dull the surface of the acrylic.

Plaster can be removed using a sharpened wooden stick. **DO NOT USE METAL SCRAPERS, WIRE BRUSHES OR OTHER HARSH ABRASIVE TOOLS.** Usually a mild detergent will remove construction debris. More stubborn debris may be removed with denatured alcohol, or Clorox Soft Scrub® cleaner. Light scratches and dulled areas may be restored to original luster by rubbing with an automotive type cleaning compound such as DuPont White Polishing Compound®.

Repair Procedures

Most minor scratches (up to 1/64" deep) and cigarette burns can be removed by sanding the area with #180 or #240 wet or dry sand paper and progressing down to #600 or #1200 grit. Finally, apply light buffing compound and buff area with a clean stitched cotton buffing pad or equivalent. Use an extra application of fine buffing compound if necessary.

For Cracks and Major surface damage, call our service line (800) 426-8964.

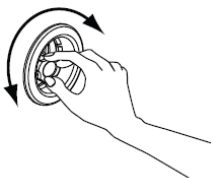
Operating Instructions

1. Fill the bath at least to 3 inches above the jets before activating the pump.
2. The air bath blower and/or whirlpool pump is activated by depressing the control panel buttons. Do not repeatedly depress the switch in rapid order if you do not see the whirlpool function right away, as it may take a few seconds before you can see it fully operating. Please see air bath control or Total Massage Control instructions below for operation and features.
3. If any factory-installed fittings are removed; do not operate the unit. A safety hazard may occur.
4. Do not use bubble bath when you operate the whirlpool pump. This might cause excessive foaming.
5. Bath oils should not be used when you operate the whirlpool pump. If used while soaking, please drain & clean the tub thoroughly prior to activating the whirlpool system.
6. **The use of bath salts is not recommended & doing so will void the consumer's warranty.**
7. Both air and whirlpool systems are plumbed in a way that water will drain from the plumbing easily.
8. The air system on a total massage unit is designed to purge 20 minutes after use, see cleaning on previous page for details.
9. There are no user serviceable parts located under the tub.

► THIS PRODUCT IS DESIGNED FOR RESIDENTIAL USE BY HEALTHY INDIVIDUALS

Children should not be allowed to use these products without adult supervision. Pregnant women and those with heart conditions or other conditions that limit normal physical activity should consult a doctor before use.

Jet Operation and Adjustment



The jets are easily adjusted by pointing the jet-nozzle in the desired direction. The strength of the water flow and air induction can be regulated through twisting the jet-nozzle. Turning the nozzle clockwise will decrease the water flow of that particular jet. If the nozzle is turned counter clockwise then the water flow will increase up to its maximum flow. Only a 1/4 turn or 90° turn is required from the OFF position to the fully OPEN position.



On/Off Air Switch

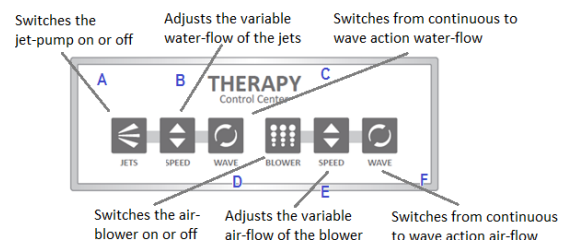
Hydromassage tubs that feature whirlpool function only, are equipped with an on-off air switch. Each depression of the switch will actuate the pump. If off, one depression will turn the pump on, if on, the next depression will turn it off.

Six Button Control Pad

This control is only found on the Total Massage (combination air & hydro massage) systems.

The whirlpool is controlled by the left three-button controls

1. The jets button (A) switches the pump on or off. Must push this first to operate.
2. The speed button (B) sets the power level of the pump. Holding the button depressed will cycle the pump power from low to high in a continuous cycle. When the desired level is reached, remove your finger to maintain setting.
3. The wave button (C) is a three-step wave action button:
 - a. Position #1 operates the pump at a steady flow.
 - b. Position #2 operates the pump at a quick wave action.
 - c. Position #3 operates the pump with a slower wave action.



The air bath is controlled by the right three-button controls. **(Air Massage only, has a 3 button control – same functions as below)**

1. The blower button (D) switches the blower on or off. The other features will not operate unless the blower is turned on.
4. The speed button (E) sets the power level of the blower. Holding the button depressed will cycle the blower power from low to high in a continuous cycle. When the desired level is reached, remove your finger to maintain setting.
2. The wave button (F) is a three-step wave action button. Once activated, the air holes expel air in a slow pulsating flow called wave action. There are 3 steps or positions for wave strength.
 - a. Position #1 operates the blower at a steady flow.
 - b. Position #2 operates the blower at a quick wave action.
 - c. Position #3 operates the blower at a slower wave action.

Whirlpool Troubleshooting

MOTOR WILL NOT START

Troubleshooting Pump or Blower – initial check

1. Check circuit breaker at electric box –make sure that it has not tripped. Make sure that it is a size 20 amp circuit breaker, with nothing else tied to this circuit.
2. Check to make sure the heater on its own 20 amp circuit breaker & GFIC plug.
3. Check GFIC outlet – make sure that it has not tripped. Reset if necessary.
4. Check for incorrect or loose wire connections, has the pump and heater been properly grounded with size 8 wire? (reference picture 2)
5. Make sure that the jets are fully opened and water is flowing.



Picture 2

For Whirlpool Air Switch On/Off Units

- a) Is the pump plugged into the GFIC outlet directly?
- b) Is the clear air tub firmly connected to both the back of the airswitch and the side of the pump?
(reference pictures 3-5)



Picture 3



Picture 4



Picture 5

To test to see if the pump is working properly: take off the tube from the switch side. Firmly blow a short burst of air into the tube. If the pump is wired correctly & is functioning normally, then it will start. Another blow into the tube should turn the pump back off. If the pump works fine, it may be the switch that is defective. Try reattaching the tube to the air tube & taking off the tube from the pump

side, & blowing on the opposite end of the tube. This will force the bellows back up. Once the bellows is back in place, then everything can be reassembled.

For 6 button Total Massage tubs, follow steps # 1-5 and step # 6-7 below

6. Are both grey cords from control boxes firmly connected to the back of the 6 or 3 button control panel? Please re-secure carefully, without bending the prongs on the back of the switch. (reference picture 6)
7. Neither the pump nor the blower plug into the electrical outlet directly for normal operations. However, if either pump or blower is plugged in directly, does said item come on? (Yes – pump or blower is fine; No – check to see if pump or blower would work at different outlet (with extension cord, if yes, check 1-5 above)
 - a. If pump is operating correctly, then it should be connected to the black whirlpool control box, into the female cord that says “P” on it. The whirlpool control box plugs into the outlet directly.
 - b. If blower is operating correctly, then it should be connected to the black & silver blower control box, into the female cord that says “B” on it. The blower control box plugs into the outlet directly.



Picture 6

For 3 button Air Massage tubs, follow steps #1-4 and 8-9 below

8. Is the blower properly ventilated? These blowers are thermally protected with a built in fuse. If the blower overheats, the fuse will blow for consumer safety. This cannot be reset. To prevent this from happening, please be sure that the area under the tub is properly ventilated. Also, please make sure there is no insulation or construction debris in front of the vent on the blower. (reference picture 7)
9. The blower does not plug into the electrical outlet directly for normal operations. However, if the blower is plugged in directly, does said item come on? (Yes – the blower is fine; No – check to see if blower would work at different outlet (with extension cord, if yes, check 1-4 above)
If blower is operating correctly, then it should be connected to the black & silver blower control box, into the female cord that says “B” on it. The blower control box plugs into the outlet directly.



Picture 7

For Wiring Diagram, please refer to page 4 of the installation guide.

WATER LEAKS

1. Check compression fittings (union connectors) making sure they are properly aligned and secured. **HAND TIGHTEN ONLY. DO NOT USE ANY TOOLS.**
2. Make sure the O-ring is properly seated and not damaged.

SAVE THESE INSTRUCTIONS

This product and its components are ETL listed and IAPMO approved

CLARKE

TWO YEAR LIMITED WARRANTY

All Clarke Products Whirlpools and Bathing Systems are warranted in accordance with the following Limited Warranty:

Clarke Products Whirlpools and Bathing Systems are warranted against defects in material and workmanship for a period of two (2) years from the date of the first consumer purchase.

This Warranty shall apply to defective acrylic surfaces which crack, fade or blister, and any defect in whirlpool and bathing system components.

The Warranty extends to the first consumer purchaser and not to subsequent owners, transferees or users other than the first purchaser. This warranty does not extend to products previously utilized as display models.

This Warranty shall apply to products installed and used only for personal, family or household purposes and which are installed and maintained in accordance with Clarke Products Whirlpool and Bathing Systems' recommended installation and maintenance procedures. This Warranty does not extend to defects or damage caused, in whole or in part, by any unauthorized or unreasonable use.

No liability shall exist for incidental or consequential damages caused in whole or part by any defects in Clarke Products Whirlpools and Bathing Systems. No warranty, expressed or implied, including any warranty of merchantability or fitness for a particular purpose, shall apply after the warranty period described above. Some states do not allow the exclusion or limitation of incidental or consequential damages or limitations on how long an implied warranty lasts. The above limitation may not apply to you.

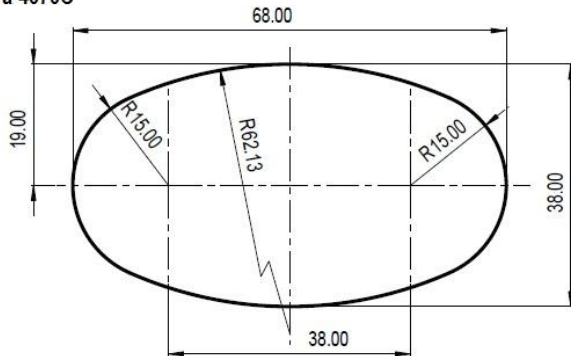
In the event of a defect in material or workmanship of a Clarke Products Whirlpool or Bathing System during the Warranty period, defective products will be repaired or replaced as Clarke Products, at its sole and absolute discretion, determines. However, Clarke Products shall not be liable for the expense for removing defective products or installing replacement products. In certain circumstances, some states do not allow the limitation of liability for removal, transportation and reinstallation expenses. The above limitation may not apply to you.

Only Clarke Products is authorized to perform its warranty obligation. If you wish to obtain performance of the Clarke Products warranty obligation you should contact Clarke Products, telephone number 1-800-426-8964. Other information about performance of the Clarke Products Whirlpool and Bathing Systems' warranty obligation may be obtained at the same address and telephone number.

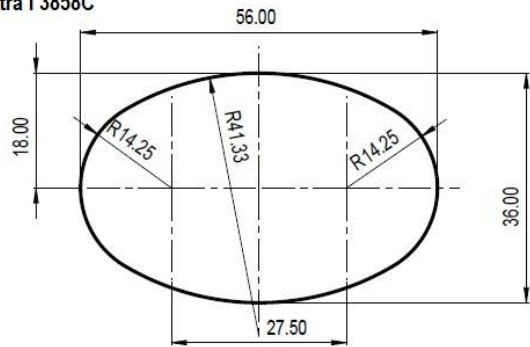
This Warranty gives you specific legal rights and you may also have other rights, which vary from state to state.

Tub Cut-Out Templates

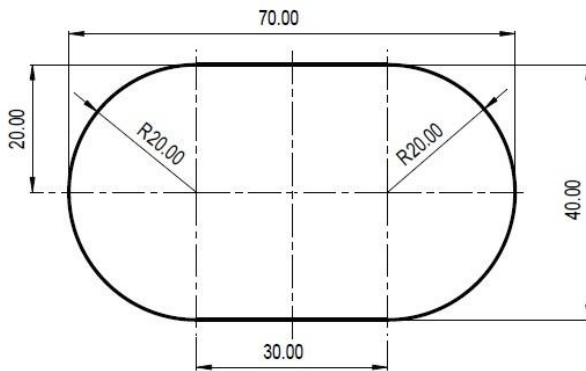
Use for Item #'s:
Concentra 4070C



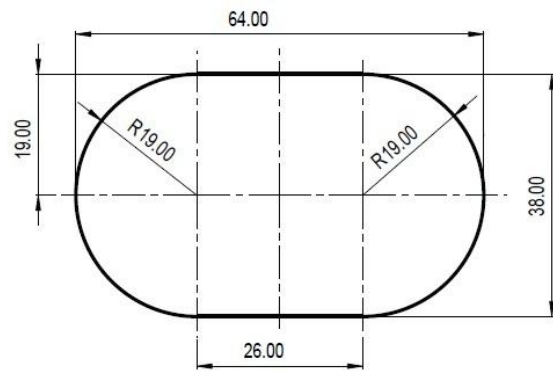
Use for Item #'s:
Concentra I 3858C



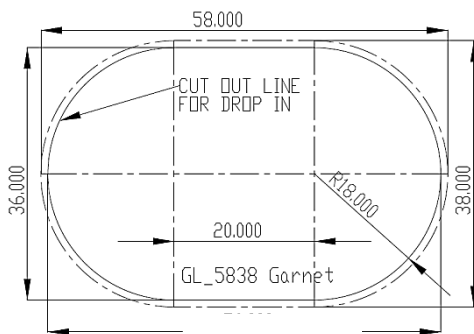
Use for Item #'s:
Victoria 42720



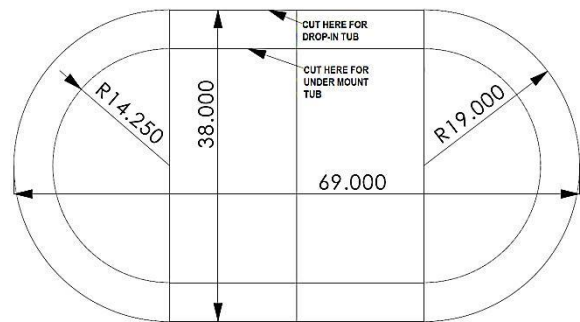
Use for Item #'s:
Victoria II 40660



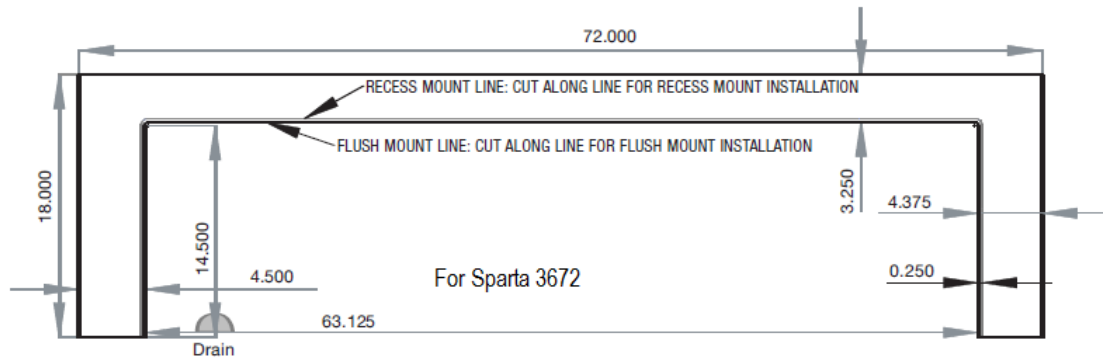
Use for Item #'s:
Oval 5 3858



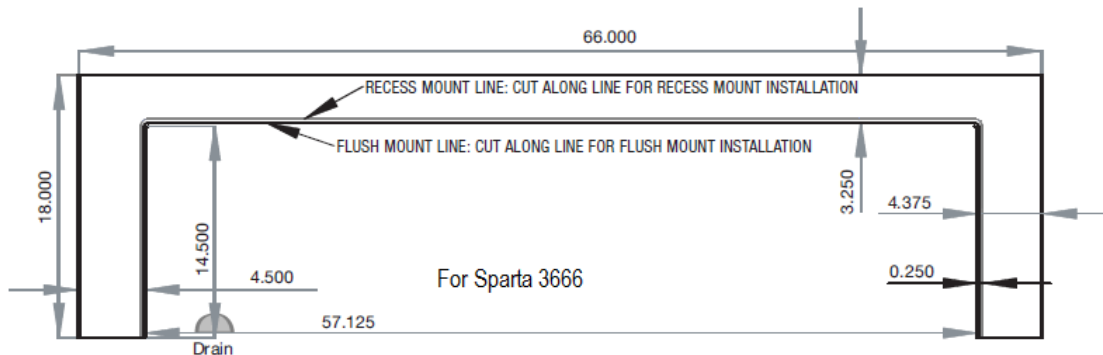
Use for Item #'s:
Oval 6 4071 (this tub can be under-mounted or drop-in installed)



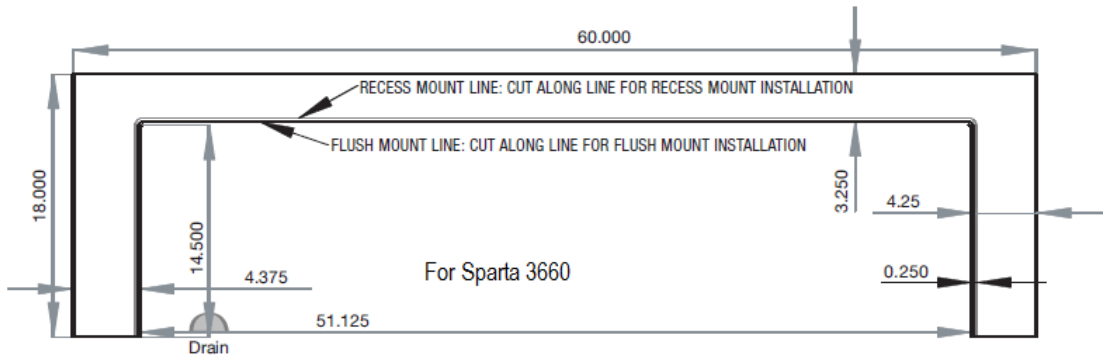
Under-mount or flush mount dimensions on Sparta Drop in Units only:



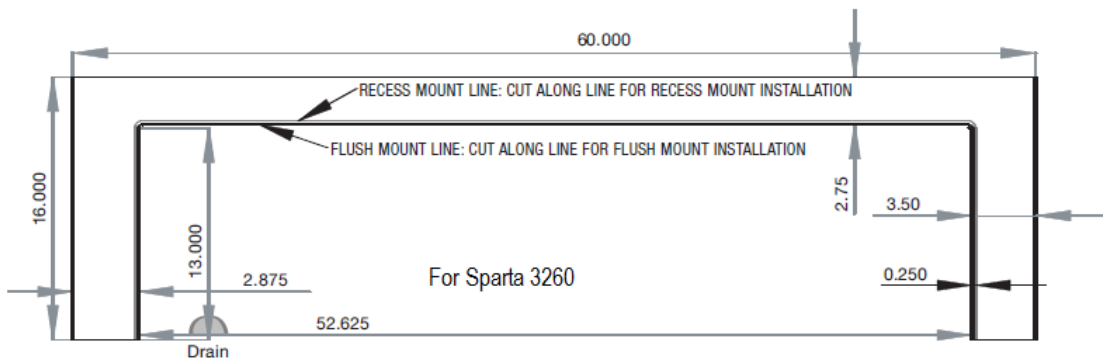
For Drop-in installation on Sparta 3672: cut out size is 70" long x 34" wide, 1/4" radius corners.



For Drop-in installation on Sparta 3666: cut out size is 64" long x 34" wide, 1/4" radius corners.



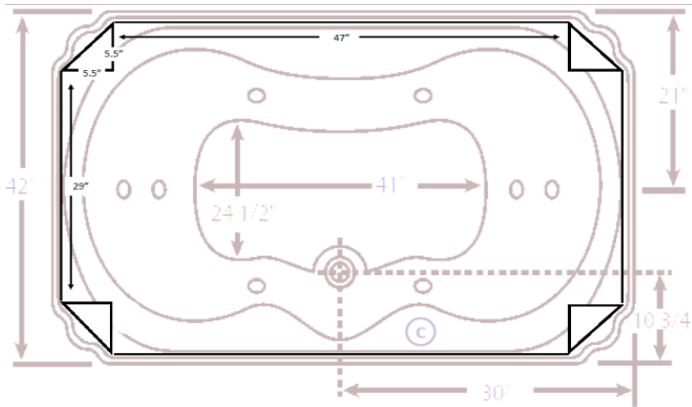
For Drop-in installation on Sparta 3660: cut out size is 58" long x 34" wide, 1/4" radius corners.



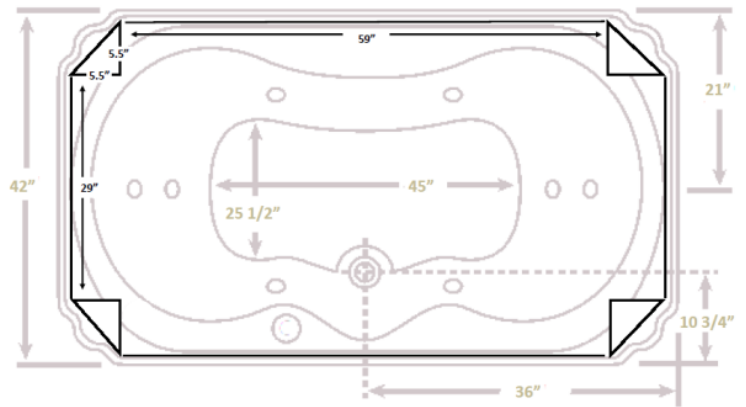
For Drop-in installation on Sparta 3260: cut out size is 58" long x 30" wide, 1/4" radius corners.

Tube Cut-Out Templates – cont.

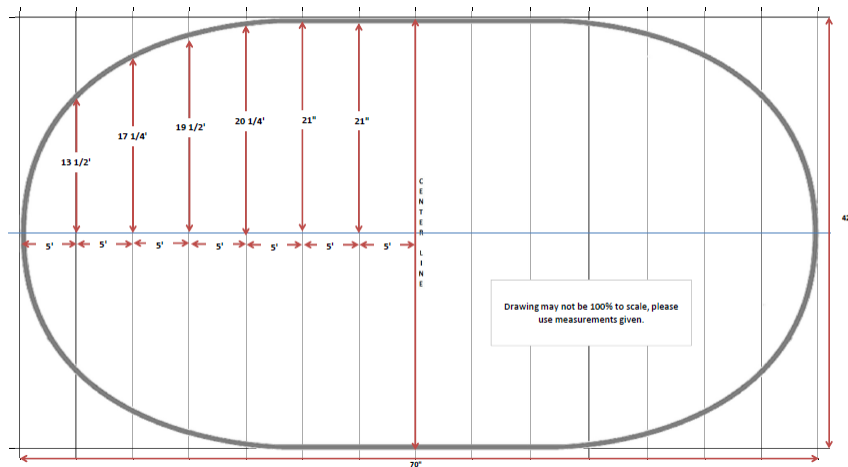
Use for Item #'s:
Heirloom 4260HL



Use for Item #'s:
Heirloom 4272HL



Use for Item #'s:
Stellar 4472ST

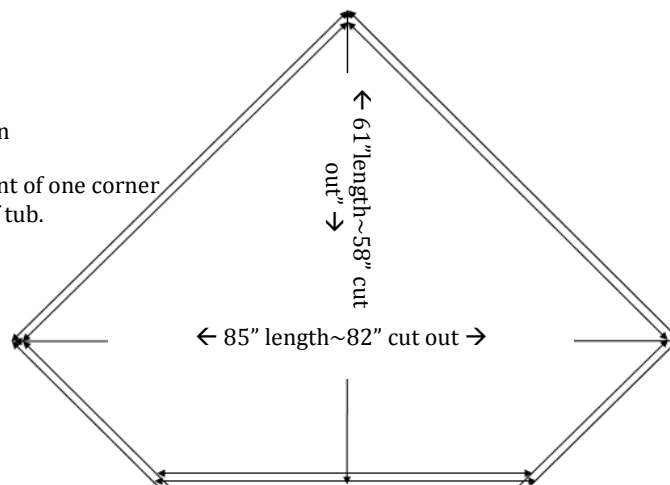


Please note: Odyssey RC6060SK comes standard with attached skirt.
It is not designed to be drop-in.

Use for Item #'s:
Eureka II C6060

For corner template: drop-in

Measure a 60" square – come out from point of one corner & measure 61" – that is front of tub.



The front deck is 48 5/8" in width. Center this measurement, then draw two front sides.

Once diamond shape of the tub has been laid out, measure in 1" inward on all sides.