



Failure Modes, Effects and Diagnostic Analysis

Project:

Emerson's Rosemount®
3051 Pressure Transmitter with 4-20mA HART
Device Label SW 1.0.0-1.4.x

Company:

Rosemount Inc.
Shakopee, MN
USA

Contract No.: Q15/10-010

Report No.: ROS 13/01-010 R001

Version V2, Revision R3, October 14, 2016

Ted Stewart

The document was prepared using best effort. The authors make no warranty of any kind and shall not be liable in any event for incidental or consequential damages in connection with the application of the document.

© All rights reserved.

Management Summary

This report summarizes the results of the Failure Modes, Effects, and Diagnostic Analysis (FMEDA) of the Emerson's Rosemount 3051 Pressure Transmitter with 4-20mA HART, Device Label SW 1.0.0-1.4.x. A Failure Modes, Effects, and Diagnostic Analysis is one of the steps to be taken to achieve functional safety certification per IEC 61508 of a device. From the FMEDA, failure rates and Safe Failure Fraction are determined. The FMEDA that is described in this report concerns only the hardware of the Rosemount 3051, electronic and mechanical. For full functional safety certification purposes all requirements of IEC 61508 must be considered.

The Rosemount 3051 is a two-wire 4 – 20 mA smart device. It contains self-diagnostics and is programmed to send its output to a specified failure state, either high or low upon internal detection of a failure. For safety instrumented systems usage, it is assumed that the 4 – 20 mA output is used as the primary safety variable.

Table 1 lists the versions of the Rosemount 3051 that have been considered for the hardware assessment.

Table 1 Version Overview

Option 1	Emerson's Rosemount 3051 Pressure Transmitter with 4-20mA HART: Coplanar Differential & Coplanar Gage
Option 2	Emerson's Rosemount 3051 Pressure Transmitter with 4-20mA HART: Coplanar Absolute, In-Line Gage & Absolute

The Rosemount 3051 is classified as a Type B¹ device according to IEC 61508, having a hardware fault tolerance of 0.

The failure rates for the Emerson's Rosemount 3051 Pressure Transmitter with 4-20mA HART are listed in Table 2.

Table 2 Failure rates for Emerson's Rosemount 3051 Pressure Transmitter with 4-20mA HART

Failure Category	Failure Rate (FIT)	
	Coplanar Differential & Coplanar Gage	Coplanar Absolute, In-Line Gage & Absolute
Fail Safe Undetected	84	94
Fail Dangerous Detected	258	279
Fail Detected (detected by internal diagnostics)	207	222
Fail High (detected by logic solver)	24	29
Fail Low (detected by logic solver)	27	28
Fail Dangerous Undetected	32	41
No Effect	79	88
Annunciation Undetected	12	14
External Leak	23	23

¹ Type B element: "Complex" element (using micro controllers or programmable logic); for details see 7.4.4.1.3 of IEC 61508-2, ed2, 2010.

These failure rates are valid for the useful lifetime of the product, see Appendix A.

The failure rates listed in this report do not include failures due to wear-out of any components. They reflect random failures and include failures due to external events, such as unexpected use, see section 4.2.2.

The analysis shows that the reviewed Rosemount 3051 has a Safe Failure Fraction $\geq 90\%$ (assuming that the logic solver is programmed to detect over-scale and under-scale currents) and therefore meets Route 1_H hardware architectural constraints for up to SIL 2 as a single device.

The failure rate data used for this analysis meets the *exida* criteria for Route 2_H and the diagnostic coverage is $\geq 60\%$. Route 2_H has over 25 billion supporting operating hours. Therefore, the reviewed 3051 models meet the hardware architectural constraints for up to SIL 2 as a single device when the listed failure rates are used.

Table 3 lists the failure rates for the Rosemount 3051 according to IEC 61508, ed2, 2010.

Table 3 Failure rates according to IEC 61508 in FIT

Device	λ_{SD}	λ_{SU}^2	λ_{DD}	λ_{DU}	SFF ³
Emerson's Rosemount 3051 Pressure Transmitter with 4-20mA HART: Coplanar Differential & Coplanar Gage	0	84	258	32	91%
Emerson's Rosemount 3051 Pressure Transmitter with 4-20mA HART: Coplanar Absolute, In-Line Gage & Absolute	0	94	279	41	90%

A user of the Emerson's Rosemount 3051 Pressure Transmitter with 4-20mA HART can utilize these failure rates in a probabilistic model of a safety instrumented function (SIF) to determine suitability in part for safety instrumented system (SIS) usage in a particular safety integrity level (SIL). A full table of failure rates is presented in section 4.4 along with all assumptions.

² It is important to realize that the No Effect failures are no longer included in the Safe Undetected failure category according to IEC 61508, ed2, 2010.

³ Safe Failure Fraction is calculated for the entire element when following Route 1_H, or is not required when following Route 2_H architectural constraints, for details see 7.4.4 of IEC 61508, ed2, 2010

Table of Contents

Management Summary	2
1 Purpose and Scope	6
2 Project Management.....	7
2.1 <i>exida</i>	7
2.2 Roles of the parties involved	7
2.3 Standards / Literature used	7
2.4 <i>exida</i> Tools Used.....	8
2.5 Reference Documents.....	8
2.5.1 Documentation provided by Rosemount Inc.	8
2.5.2 Documentation generated by <i>exida</i>	8
3 Product Description	9
3.1 Emerson’s Rosemount 3051 Pressure Transmitter with 4-20mA HART	9
4 Failure Modes, Effects, and Diagnostics Analysis	10
4.1 Failure categories description.....	10
4.2 Methodology – FMEDA, failure rates.....	11
4.2.1 FMEDA.....	11
4.2.2 Failure rates	11
4.3 Assumptions	12
4.4 Results.....	13
5 Using the FMEDA results	15
5.1 Impulse line clogging.....	15
5.2 PFD _{AVG} Calculation – Emerson’s Rosemount 3051 Pressure Transmitter with 4-20mA HART	15
5.3 <i>exida</i> Route 2 _H Criteria	15
6 Terms and Definitions.....	17
7 Status of the Document	18
7.1 Liability.....	18
7.2 Releases.....	18
7.3 Future Enhancements.....	18
7.4 Release Signatures.....	19
Appendix A Lifetime of Critical Components.....	20
Appendix B Proof tests to reveal dangerous undetected faults	21
B.1 Suggested Partial Proof Test.....	21
B.2 Suggested Comprehensive Proof Test.....	22
B.3 Proof Test Coverage	22

Appendix C *exida* Environmental Profiles 23
Appendix D Determining Safety Integrity Level..... 24

1 Purpose and Scope

This document shall describe the results of the hardware assessment in the form of a Failure Modes, Effects, and Diagnostic Analysis (FMEDA) carried out on the Emerson's Rosemount 3051 Pressure Transmitter with 4-20mA HART. From this, failure rates and example PFD_{AVG} values may be calculated.

The information in this report can be used to evaluate whether an element meets the average Probability of Failure on Demand (PFD_{AVG}) requirements and if applicable, the architectural constraints / minimum hardware fault tolerance requirements per IEC 61508 / IEC 61511.

An FMEDA is part of effort needed to achieve full certification per IEC 61508 or other relevant functional safety standard.

2 Project Management

2.1 *exida*

exida is one of the world's leading accredited Certification Bodies and knowledge companies specializing in automation system safety and availability with over 300 years of cumulative experience in functional safety. Founded by several of the world's top reliability and safety experts from assessment organizations and manufacturers, *exida* is a global company with offices around the world. *exida* offers training, coaching, project oriented system consulting services, safety lifecycle engineering tools, detailed product assurance, cyber-security and functional safety certification, and a collection of on-line safety and reliability resources. *exida* maintains the largest process equipment database of failure rates and failure modes with over 100 billion unit operating hours.

2.2 Roles of the parties involved

Rosemount Inc. Manufacturer of the Rosemount 3051

exida Performed the hardware assessment

Rosemount Inc. originally contracted *exida* in July 2011 with the hardware assessment of the above-mentioned device.

2.3 Standards / Literature used

The services delivered by *exida* were performed based on the following standards / literature.

[N1]	IEC 61508-2: ed2, 2010	Functional Safety of Electrical/Electronic/Programmable Electronic Safety-Related Systems
[N2]	Electrical Component Reliability Handbook, 3rd Edition, 2012	<i>exida</i> LLC, Electrical Component Reliability Handbook, Third Edition, 2012, ISBN 978-1-934977-04-0
[N3]	Mechanical Component Reliability Handbook, 3rd Edition, 2012	<i>exida</i> LLC, Electrical & Mechanical Component Reliability Handbook, Third Edition, 2012, ISBN 978-1-934977-05-7
[N4]	Safety Equipment Reliability Handbook, 3rd Edition, 2007	<i>exida</i> LLC, Safety Equipment Reliability Handbook, Third Edition, 2007, ISBN 978-0-9727234-9-7
[N5]	Goble, W.M. 2010	Control Systems Safety Evaluation and Reliability, 3 rd edition, ISA, ISBN 97B-1-934394-80-9. Reference on FMEDA methods
[N6]	IEC 60654-1:1993-02, second edition	Industrial-process measurement and control equipment – Operating conditions – Part 1: Climatic condition
[N7]	O'Brien, C. & Bredemeyer, L., 2009	<i>exida</i> LLC., Final Elements & the IEC 61508 and IEC Functional Safety Standards, 2009, ISBN 978-1-9934977-01-9
[N8]	Scaling the Three Barriers, Recorded Web Seminar, June 2013,	Scaling the Three Barriers, Recorded Web Seminar, June 2013, http://www.exida.com/Webinars/Recordings/SIF-Verification-Scaling-the-Three-Barriers

[N9]	Meeting Architecture Constraints in SIF Design, Recorded Web Seminar, March 2013	http://www.exida.com/Webinars/Recordings/Meeting-Architecture-Constraints-in-SIF-Design
------	--	---

2.4 *exida* Tools Used

[T1]	Tool Version 7.1.17	FMEDA Tool
[T2]	Tool Version 3.0.8.758	exSILentia

2.5 Reference Documents

2.5.1 Documentation provided by Rosemount Inc.

(Reference documents list hidden due to their proprietary nature.)

2.5.2 Documentation generated by *exida*

[R1]	MicroBoard_25Oct2013.emf	Failure Modes, Effects, and Diagnostic Analysis – Rosemount 3051 Microboard
[R2]	Terminal Board2_27Nov2013.emf	Failure Modes, Effects, and Diagnostic Analysis – Rosemount 3051 Transient Protected Terminal Board
[R3]	TAC Sensor (T)_ 25Oct2013 .emf	Failure Modes, Effects, and Diagnostic Analysis – Rosemount 3051 Sensor T Board
[R4]	Sensor IV (C)_ 25Oct2013 .emf	Failure Modes, Effects, and Diagnostic Analysis – Rosemount 3051
[R5]	Sensor V (C)_ 25Oct2013 .emf	Failure Modes, Effects, and Diagnostic Analysis – Rosemount 3051
[R6]	3051 FMEDA Summary 2013-12-13.xls, Dec 13, 2013	Failure Modes, Effects, and Diagnostic Analysis - Summary – Rosemount 3051

3 Product Description

3.1 Emerson’s Rosemount 3051 Pressure Transmitter with 4-20mA HART

The Emerson’s Rosemount 3051 Pressure Transmitter with 4-20mA HART is a two-wire 4 – 20 mA smart device used in multiple industries for both control and safety applications. The transmitter consists of a standard well proven Rosemount Sensor Board in combination with a Microboard that performs advanced process diagnostics. It is programmed to send its output to a specified failure state, either high or low, upon internal detection of a failure.

For safety instrumented systems usage, it is assumed that the 4 – 20 mA output is used as the primary safety variable. No other output variants are covered by this report.

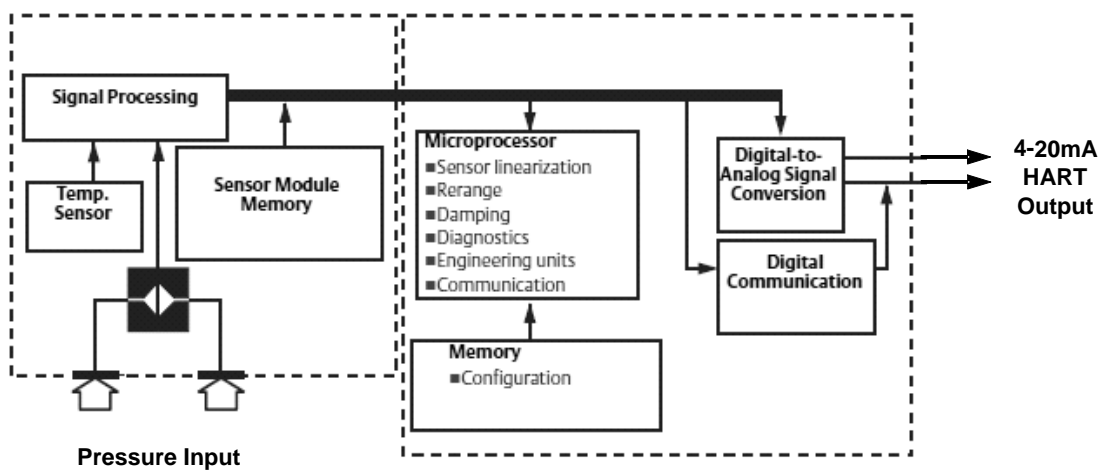


Figure 1 Parts included in the Rosemount 3051 Transmitter FMEDA

The versions of the Emerson’s Rosemount 3051 Pressure Transmitter with 4-20mA HART that have been considered in this hardware assessment are listed in Table 4.

Table 4 Version Overview

Option 1	Rosemount 3051 4-20mA HART Pressure Transmitter: Coplanar Differential & Coplanar Gage
Option 2	Rosemount 3051 4-20mA HART Pressure Transmitter: Coplanar Absolute, In-Line Gage & Absolute

Devices used in safety applications with ambient temperatures below -40F (-40C) but does not exceed -76F(-60C) requires options BR5 (-50C) or BR6 (-60C) and QT.

The Coplanar Differential & Coplanar Gage devices measure differential and gage pressure up to 2000 psi.

The Coplanar Absolute devices measure pressure up to 4000 psia.

The In-Line Gage & Absolute transmitters can measure pressures up to 20000 psi.

The Rosemount 3051 Series is classified as a Type B⁴ device according to IEC61508, having a hardware fault tolerance of 0.

4 Failure Modes, Effects, and Diagnostics Analysis

The Failure Modes, Effects, and Diagnostic Analysis was performed based on documentation obtained from Rosemount Inc. and is documented in 2.5.1.

When the effect of a certain failure mode could not be analyzed theoretically, the failure modes were introduced on component level and the effects of these failure modes were examined on system level. This resulted in failures that can be classified according to the following failure categories.

4.1 Failure categories description

In order to judge the failure behavior of the Rosemount 3051, the following definitions for the failure of the product were considered.

Fail-Safe State	Failure that deviates the process signal or the actual output by more than 2% of span, drifts toward the user defined threshold (Trip Point) and that leaves the output within active scale.
Fail Safe	Failure that causes the device to go to the defined fail-safe state without a demand from the process.
Fail Dangerous	Failure that deviates the process signal or the actual output by more than 2% of span, drifts away from the user defined threshold (Trip Point) and that leaves the output within active scale.
Fail Dangerous Undetected	Failure that is dangerous and that is not being diagnosed by automatic diagnostics.
Fail Dangerous Detected	Failure that is dangerous but is detected by automatic diagnostics.
Fail High	Failure that causes the output signal to go to the over-range or high alarm output current
Fail Low	Failure that causes the output signal to go to the under-range or low alarm output current
No Effect	Failure of a component that is part of the safety function but that has no effect on the safety function.
Annunciation Undetected	Failure that does not directly impact safety but does impact the ability to detect a future fault (such as a fault in a diagnostic circuit) and that is not detected by internal diagnostics.
External Leak	Failure that causes process fluids to leak inside the instrument or to the environment. External leakage is not considered part of the safety function and therefore this failure is not included in the Safe Failure Fraction calculation.

⁴ Type B element: "Complex" element (using micro controllers or programmable logic); for details see 7.4.4.1.3 of IEC 61508-2, ed2, 2010.

The failure categories listed above expand on the categories listed in IEC 61508 which are only safe and dangerous, both detected and undetected. In IEC 61508, Edition 2010, the No Effect failures cannot contribute to the failure rate of the safety function. Therefore, they are not used for the Safe Failure Fraction calculation needed when Route 2_H failure data is not available.

Depending on the application, a Fail High or a Fail Low failure can either be safe or dangerous and may be detected or undetected depending on the programming of the logic solver. Consequently, during a Safety Integrity Level (SIL) verification assessment the Fail High and Fail Low failure categories need to be classified as safe or dangerous, detected or undetected.

The Annunciation failures are provided for those who wish to do reliability modeling more detailed than required by IEC61508. It is assumed that the probability model will correctly account for the Annunciation failures. Otherwise the Annunciation Undetected failures have to be classified as Dangerous Undetected failures according to IEC 61508 (worst-case assumption).

External leakage failure rates do not directly contribute to the reliability of a component but should be reviewed for secondary safety and environmental issues.

4.2 Methodology – FMEDA, failure rates

4.2.1 FMEDA

A Failure Modes and Effects Analysis (FMEA) is a systematic way to identify and evaluate the effects of different component failure modes, to determine what could eliminate or reduce the chance of failure, and to document the system in consideration.

An FMEDA (Failure Mode Effect and Diagnostic Analysis) is an FMEA extension. It combines standard FMEA techniques with extension to identify online diagnostics techniques and the failure modes relevant to safety instrumented system design. It is a technique recommended to generate failure rates for each important category (safe detected, safe undetected, dangerous detected, dangerous undetected, fail high, fail low) in the safety models. The format for the FMEDA is an extension of the standard FMEA format from MIL STD 1629A, Failure Modes and Effects Analysis.

4.2.2 Failure rates

The failure rate data used by *exida* in this FMEDA is from the Electrical and Mechanical Component Reliability Handbook [N2] and [N3] which was derived using over 100 billion unit operational hours of field failure data from multiple sources and failure data from various databases. The rates were chosen in a way that is appropriate for safety integrity level verification calculations. The rates were chosen to match *exida* Profile 2, see Appendix C. The *exida* profile chosen was judged to be the best fit for the product and application information submitted by Rosemount Inc.. It is expected that the actual number of field failures due to random events will be less than the number predicted by these failure rates.

For hardware assessment according to IEC 61508 only random equipment failures are of interest. It is assumed that the equipment has been properly selected for the application and is adequately commissioned such that early life failures (infant mortality) may be excluded from the analysis.

Failures caused by external events however should be considered as random failures. Examples of such failures are loss of power, physical abuse, or problems due to intermittent instrument air quality.

The assumption is also made that the equipment is maintained per the requirements of IEC 61508 or IEC 61511 and therefore a preventative maintenance program is in place to replace equipment before the end of its “useful life”. Corrosion, erosion, coil burnout etc. are considered age related wearout failures, provided that materials and technologies applied are indeed suitable for the application, in all modes of operation.

The user of these numbers is responsible for determining their applicability to any particular environment. *exida* Environmental Profiles listing expected stress levels can be found in Appendix C. Some industrial plant sites have high levels of stress. Under those conditions the failure rate data is adjusted to a higher value to account for the specific conditions of the plant.

Accurate plant specific data may be used for this purpose. If a user has data collected from a good proof test reporting system such as *exida* SILStat™ that indicates higher failure rates, the higher numbers shall be used.

4.3 Assumptions

The following assumptions have been made during the Failure Modes, Effects, and Diagnostic Analysis of the Rosemount 3051.

- Only a single component failure will fail the entire product
- Failure rates are constant, wear out mechanisms are not included.
- Propagation of failures is not relevant.
- All components that are not part of the safety function and cannot influence the safety function (feedback immune) are excluded.
- The stress levels are average for an industrial environment and can be compared to the *exida* Profile 2 with temperature limits within the manufacturer’s rating. *exida* Profile 6 was used for the process wetted components. Other environmental characteristics are assumed to be within manufacturer’s rating.
- The HART protocol is only used for setup, calibration, and diagnostics purposes, not for safety critical operation.
- The application program in the logic solver is constructed in such a way that Fail High and Fail Low failures are detected regardless of the effect, safe or dangerous, on the safety function.
- Materials are compatible with process conditions.
- The device is installed per manufacturer’s instructions.
- The Transmitter is generally applied in relatively clean gas or liquid; therefore, no severe service has been considered in the analysis of the base Transmitter. Refer to the separate Remote Seals analysis for Severe Service applications.
- Breakage or plugging of any inlet lines has not been included in the analysis.
- External power supply failure rates are not included.
- Worst-case internal fault detection is less than one hour.

4.4 Results

Using reliability data extracted from the *exida* component reliability database the following failure rates resulted from the Rosemount 3051 FMEDA.

Table 5 lists the failure rates for the Rosemount 3051 according to IEC 61508, ed2, 2010.

Table 5 Failure rates for Emerson’s Rosemount 3051 Pressure Transmitter with 4-20mA HART

Failure Category	Failure Rate (FIT)	
	Coplanar Differential & Coplanar Gage	Coplanar Absolute, In-Line Gage & Absolute
Fail Safe Undetected	84	94
Fail Dangerous Detected	258	279
Fail Detected (detected by internal diagnostics)	207	222
Fail High (detected by logic solver)	24	29
Fail Low (detected by logic solver)	27	27
Fail Dangerous Undetected	32	41
No Effect	79	88
Annunciation Undetected	12	14
External Leak	23	23

External leakage failure rates do not directly contribute to the reliability of the device but should be reviewed for secondary safety and environmental issues.

These failure rates are valid for the useful lifetime of the product, see Appendix A.

Table 6 lists the failure rates for the Rosemount 3051 according to IEC 61508, ed2, 2010.

Table 6 Failure rates according to IEC 61508 in FIT

Device	λ_{SD}	λ_{SU}^5	λ_{DD}	λ_{DU}	SFF ⁶
Emerson's Rosemount 3051 4-20mA HART Pressure Transmitter: Coplanar Differential & Coplanar Gage	0	84	258	32	91%
Emerson's Rosemount 3051 4-20mA HART Pressure Transmitter: Coplanar Absolute, In-Line Gage & Absolute	0	94	279	41	90%

According to IEC 61508 the architectural constraints of an element must be determined. This can be done by following the 1_H approach according to 7.4.4.2 of IEC 61508 or the 2_H approach according to 7.4.4.3 of IEC 61508 (See Section 5.3).

The 1_H approach involves calculating the Safe Failure Fraction for the entire element.

The 2_H approach involves assessment of the reliability data for the entire element according to 7.4.4.3.3 of IEC 61508.

The analysis shows that the reviewed Rosemount 3051 has a Safe Failure Fraction > 90% (assuming that the logic solver is programmed to detect over-scale and under-scale currents) and therefore meets Route 1_H hardware architectural constraints for up to SIL 2 as a single device.

The failure rate data used for this analysis meets the *exida* criteria for Route 2_H and the diagnostic coverage is ≥60%. Route 2_H has over 25 billion supporting operating hours. Therefore, the reviewed Rosemount 3051 meets the hardware architectural constraints for up to SIL 2 as a single device when the listed failure rates are used.

The Hardware Random Capability for the Rosemount 3051 for both the Route 1_H and Route 2_H approach is SIL 2 @HFT=0 and SIL 3 @HFT=1.

The architectural constraint type for the Emerson's Rosemount 3051 Pressure Transmitter with 4-20mA HART is a Type B Element. The required SIL determines the level of hardware fault tolerance that is required per requirements of IEC 61508 [N1] or IEC 61511. The SIS designer is responsible for meeting other requirements of applicable standards for any given SIL as well.

⁵ It is important to realize that the No Effect failures are no longer included in the Safe Undetected failure category according to IEC 61508, ed2, 2010.

⁶ Safe Failure Fraction is calculated for the entire element when following Route 1_H or not required when following Route 2_H architectural constraints, for details see 7.4.4 of IEC 61508, ed2, 2010

5 Using the FMEDA results

The following section(s) describe how to apply the results of the FMEDA.

5.1 Impulse line clogging

The transmitter can be connected to the process using impulse lines; depending on the application, the analysis needs to account for clogging of the impulse lines. The Emerson's Rosemount 3051 Pressure Transmitter with 4-20mA HART failure rates displayed in section 4.4 are failure rates that reflect the situation where the transmitter is used in clean service. Clean service indicates that failure rates due to clogging of the impulse line are not counted. For applications other than clean service, the user must estimate the failure rate for the clogged impulse line and add this failure rate to the Emerson's Rosemount 3051 Pressure Transmitter with 4-20mA HART failure rates.

5.2 PFD_{AVG} Calculation – Emerson's Rosemount 3051 Pressure Transmitter with 4-20mA HART

Using the failure rate data displayed in section 4.4, and the failure rate data for the associated element devices, an average the Probability of Failure on Demand (PFD_{avg}) calculation can be performed for the element.

Probability of Failure on Demand (PFD_{avg}) calculation uses several parameters, many of which are determined by the particular application and the operational policies of each site. Some parameters are product specific and the responsibility of the manufacturer. Those manufacturer specific parameters are given in this third party report.

Probability of Failure on Demand (PFD_{avg}) calculation is the responsibility of the owner/operator of a process and is often delegated to the SIF designer. Product manufacturers can only provide a PFD_{avg} by making many assumptions about the application and operational policies of a site. Therefore, use of these numbers requires complete knowledge of the assumptions and a match with the actual application and site.

Probability of Failure on Demand (PFD_{avg}) calculation is best accomplished with *exida's* exSILentia tool. See Appendix D for a complete description of how to determine the Safety Integrity Level for an element. The mission time used for the calculation depends on the PFD_{avg} target and the useful life of the product. The failure rates and the proof test coverage for the element are required to perform the PFD_{avg} calculation. The proof test coverage for the suggested proof test and the dangerous failure rate after proof test for the Emerson's Rosemount 3051 Pressure Transmitter with 4-20mA HART are listed in Table 10.

5.3 *exida* Route 2_H Criteria

IEC 61508, ed2, 2010 describes the Route 2_H alternative to Route 1_H architectural constraints. The standard states:

"based on data collected in accordance with published standards (e.g., IEC 60300-3-2: or ISO 14224); and, be evaluated according to

- the amount of field feedback; and
- the exercise of **expert judgment**; and when needed
- the undertake of specific tests,

in order to estimate the average and the uncertainty level (e.g., the 90% confidence interval or the probability distribution) of each reliability parameter (e.g., failure rate) used in the calculations."

exida has interpreted this to mean not just a simple 90% confidence level in the uncertainty analysis, but a high confidence level in the entire data collection process. As IEC 61508, ed2, 2010 does not give detailed criteria for Route 2_H, *exida* has established the following:

1. field unit operational hours of 100,000,000 per each component; and
2. a device and all of its components have been installed in the field for one year or more; and
3. operational hours are counted only when the data collection process has been audited for correctness and completeness; and
4. failure definitions, especially "random" vs. "systematic" are checked by *exida*; and
5. every component used in an FMEDA meets the above criteria.

This set of requirements is chosen to assure high integrity failure data suitable for safety integrity verification.

6 Terms and Definitions

Automatic diagnostics	Tests performed on line internally by the device or, if specified, externally by another device without manual intervention.
<i>exida</i> criteria	A conservative approach to arriving at failure rates suitable for use in hardware evaluations utilizing the 2 _H Route in IEC 61508-2.
FIT	Failure In Time (1×10^{-9} failures per hour)
FMEDA	Failure Mode Effect and Diagnostic Analysis
HFT	Hardware Fault Tolerance
Low demand mode	Mode, where the demand interval for operation made on a safety-related system is greater than twice the proof test interval.
PFD _{AVG}	Average Probability of Failure on Demand
Random Capability	The SIL limit imposed by the Architectural Constraints for each element.
Severe service	Condition that exists when the process media has abrasive particles, as opposed to Clean Service where these particles are absent.
SFF	Safe Failure Fraction, summarizes the fraction of failures which lead to a safe state plus the fraction of failures which will be detected by automatic diagnostic measures and lead to a defined safety action.
SIF	Safety Instrumented Function
SIL	Safety Integrity Level
SIS	Safety Instrumented System – Implementation of one or more Safety Instrumented Functions. A SIS is composed of any combination of sensor(s), logic solver(s), and final element(s).
Type B element	“Complex” element (using complex components such as micro controllers or programmable logic); for details see 7.4.4.1.3 of IEC 61508-2

7 Status of the Document

7.1 Liability

exida prepares FMEDA reports based on methods advocated in International standards. Failure rates are obtained from a collection of industrial databases. *exida* accepts no liability whatsoever for the use of these numbers or for the correctness of the standards on which the general calculation methods are based.

Due to future potential changes in the standards, best available information and best practices, the current FMEDA results presented in this report may not be fully consistent with results that would be presented for the identical product at some future time. As a leader in the functional safety market place, *exida* is actively involved in evolving best practices prior to official release of updated standards so that our reports effectively anticipate any known changes. In addition, most changes are anticipated to be incremental in nature and results reported within the previous three-year period should be sufficient for current usage without significant question.

Most products also tend to undergo incremental changes over time. If an *exida* FMEDA has not been updated within the last three years and the exact results are critical to the SIL verification you may wish to contact the product vendor to verify the current validity of the results.

7.2 Releases

Version: V2

Revision: R3

Version History: V2, R3: included cold temperature; updated template; recertification; TES 10/14/16
V2, R2: Updated per Rosemount requests; TES May 2015
V2, R1: Updated for recertification; added appendix D; TES April 2015
V1, R2: Updated Proof Test Coverage; TES and WGF, December 13, 2013
V1, R1: Updated ROS 11/07-062 V1 R7 to current template; T-001 V8R1,; incorporated 2_H capability; TES and GPS, March 13, 2013

Author: Griff Francis - Gregory Sauk

Current Author: Ted Stewart

Review: V2, R3: William M. Goble (*exida*)

Release Status: RELEASED to Rosemount Inc.

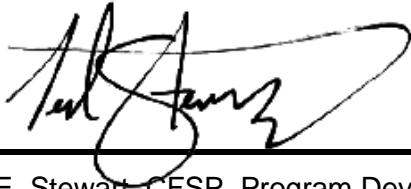
7.3 Future Enhancements

At request of client.

7.4 Release Signatures



Dr. William M. Goble, CFSE, Principal Partner



Ted E. Stewart, CFSP, Program Development & Compliance Manager

Appendix A Lifetime of Critical Components

According to section 7.4.9.5 of IEC 61508-2, a useful lifetime, based on experience, should be assumed.

Although a constant failure rate is assumed by the probabilistic estimation method (see section 4.2.2) this only applies provided that the useful lifetime⁷ of components is not exceeded. Beyond their useful lifetime the result of the probabilistic calculation method is therefore meaningless, as the probability of failure significantly increases with time. The useful lifetime is highly dependent on the subsystem itself and its operating conditions.

This assumption of a constant failure rate is based on the bathtub curve. Therefore, it is obvious that the PFD_{AVG} calculation is only valid for components that have this constant domain and that the validity of the calculation is limited to the useful lifetime of each component.

Table 7 shows which components are contributing to the dangerous undetected failure rate and therefore to the PFD_{AVG} calculation and what their estimated useful lifetime is.

Table 7 Useful lifetime of components contributing to dangerous undetected failure rate

Component	Useful Life
Capacitor (electrolytic) - Tantalum electrolytic, solid electrolyte	Approx. 500,000 hours

It is the responsibility of the end user to maintain and operate the Rosemount 3051 per manufacturer's instructions. Furthermore, regular inspection should show that all components are clean and free from damage.

As there are no aluminum electrolytic capacitors used, the tantalum electrolytic capacitors are the limiting factors with regard to the useful lifetime of the system. The tantalum electrolytic capacitors that are used in the Rosemount 3051 have an estimated useful lifetime of about 50 years.

⁷ Useful lifetime is a reliability engineering term that describes the operational time interval where the failure rate of a device is relatively constant. It is not a term which covers product obsolescence, warranty, or other commercial issues.

Appendix B Proof tests to reveal dangerous undetected faults

According to section 7.4.5.2 f) of IEC 61508-2 proof tests shall be undertaken to reveal dangerous faults which are undetected by diagnostic tests. This means that it is necessary to specify how dangerous undetected faults which have been noted during the Failure Modes, Effects, and Diagnostic Analysis can be detected during proof testing.

B.1 Suggested Partial Proof Test

The suggested proof test described in Table 8 will detect 51% of possible DU failures in the Rosemount 3051 Coplanar Differential & Coplanar Gage and 41% of possible DU failures in the Rosemount 3051 Coplanar Absolute, In-Line Gage & Absolute.

Table 8 Steps for Partial Proof Test

Step	Action
1.	Bypass the safety function and take appropriate action to avoid a false trip
2.	Use HART communications to retrieve any diagnostics and take appropriate action.
3.	Send a HART command to the transmitter to go to the high alarm current output and verify that the analog current reaches that value ⁸ .
4.	Send a HART command to the transmitter to go to the low alarm current output and verify that the analog current reaches that value ⁹ .
5.	Inspect the Transmitter for any leaks, visible damage or contamination.
6.	Remove the bypass and otherwise restore normal operation

⁸ This tests for compliance voltage problems such as a low loop power supply voltage or increased wiring resistance. This also tests for other possible failures.

⁹ This tests for possible quiescent current related failures.

B.2 Suggested Comprehensive Proof Test

The suggested proof test described in will detect 90% of possible DU failures in both the Rosemount 3051 Coplanar Differential & Coplanar Gage and the Rosemount 3051 Coplanar Absolute, In-Line Gage & Absolute.

Table 9 Steps for Comprehensive Proof Test

Step	Action
1.	Bypass the safety function and take appropriate action to avoid a false trip
2.	Use HART communications to retrieve any diagnostics and take appropriate action.
3.	Send a HART command to the transmitter to go to the high alarm current output and verify that the analog current reaches that value ¹⁰ .
4.	Send a HART command to the transmitter to go to the low alarm current output and verify that the analog current reaches that value ¹¹ .
5.	Inspect the Transmitter for any leaks, visible damage or contamination.
6.	Perform a two-point calibration of the transmitter over the full working range.
7.	Remove the bypass and otherwise restore normal operation

B.3 Proof Test Coverage

The Proof Test Coverage for the various product configurations is given in Table 10.

Table 10 Proof Test Coverage – Rosemount 3051

Device	Coplanar Differential & Coplanar Gage	Coplanar Absolute, In-Line Gage & Absolute
Rosemount 3051 - Partial	51%	41%
Rosemount 3051 - Comprehensive	90%	90%

¹⁰ This tests for compliance voltage problems such as a low loop power supply voltage or increased wiring resistance. This also tests for other possible failures.

¹¹ This tests for possible quiescent current related failures.

Appendix C *exida* Environmental Profiles

Table 11 *exida* Environmental Profiles

<i>exida</i> Profile	1	2	3	4	5	6
Description (Electrical)	Cabinet mounted/ Climate Controlled	Low Power Field Mounted no self-heating	General Field Mounted self-heating	Subsea	Offshore	N/A
Description (Mechanical)	Cabinet mounted/ Climate Controlled	General Field Mounted	General Field Mounted	Subsea	Offshore	Process Wetted
IEC 60654-1 Profile	B2	C3 also applicable for D1	C3 also applicable for D1	N/A	C3 also applicable for D1	N/A
Average Ambient Temperature	30 C	25 C	25 C	5 C	25 C	25 C
Average Internal Temperature	60 C	30 C	45 C	5 C	45 C	Process Fluid Temp.
Daily Temperature Excursion (pk-pk)	5 C	25 C	25 C	0 C	25 C	N/A
Seasonal Temperature Excursion (winter average vs. summer average)	5 C	40 C	40 C	2 C	40 C	N/A
Exposed to Elements / Weather Conditions	No	Yes	Yes	Yes	Yes	Yes
Humidity¹²	0-95% Non-Condensing	0-100% Condensing	0-100% Condensing	0-100% Condensing	0-100% Condensing	N/A
Shock¹³	10 g	15 g	15 g	15 g	15 g	N/A
Vibration¹⁴	2 g	3 g	3 g	3 g	3 g	N/A
Chemical Corrosion¹⁵	G2	G3	G3	G3	G3	Compatible Material
Surge¹⁶						N/A
Line-Line	0.5 kV	0.5 kV	0.5 kV	0.5 kV	0.5 kV	
Line-Ground	1 kV	1 kV	1 kV	1 kV	1 kV	
EMI Susceptibility¹⁷						N/A
80 MHz to 1.4 GHz	10 V/m	10 V/m	10 V/m	10 V/m	10 V/m	
1.4 GHz to 2.0 GHz	3 V/m	3 V/m	3 V/m	3 V/m	3 V/m	
2.0GHz to 2.7 GHz	1 V/m	1 V/m	1 V/m	1 V/m	1 V/m	
ESD (Air)¹⁸	6 kV	6 kV	6 kV	6 kV	6 kV	N/A

¹² Humidity rating per IEC 60068-2-3

¹³ Shock rating per IEC 60068-2-6

¹⁴ Vibration rating per IEC 60770-1

¹⁵ Chemical Corrosion rating per ISA 71.04

¹⁶ Surge rating per IEC 61000-4-5

¹⁷ EMI Susceptibility rating per IEC 6100-4-3

¹⁸ ESD (Air) rating per IEC 61000-4-2

Appendix D Determining Safety Integrity Level

The information in this appendix is intended to provide the method of determining the Safety Integrity Level (SIL) of a Safety Instrumented Function (SIF). **The numbers used in the examples are not for the product described in this report.**

Three things must be checked when verifying that a given Safety Instrumented Function (SIF) design meets a Safety Integrity Level (SIL) [N4] and [N7].

These are:

- A. Systematic Capability or Prior Use Justification for each device meets the SIL level of the SIF;
- B. Architecture Constraints (minimum redundancy requirements) are met; and
- C. a PFD_{avg} calculation result is within the range of numbers given for the SIL level.

A. Systematic Capability (SC) is defined in IEC61508:2010. The SC rating is a measure of design quality based upon the methods and techniques used to design and development a product. All devices in a SIF must have a SC rating equal or greater than the SIL level of the SIF. For example, a SIF is designed to meet SIL 3 with three pressure transmitters in a 2oo3 voting scheme. The transmitters have an SC2 rating. The design does not meet SIL 3. Alternatively, IEC 61511 allows the end user to perform a "Prior Use" justification. The end user evaluates the equipment to a given SIL level, documents the evaluation and takes responsibility for the justification.

B. Architecture constraints require certain minimum levels of redundancy. Different tables show different levels of redundancy for each SIL level. A table is chosen and redundancy is incorporated into the design [N8].

C. Probability of Failure on Demand (PFD_{avg}) calculation uses several parameters, many of which are determined by the particular application and the operational policies of each site. Some parameters are product specific and the responsibility of the manufacturer. Those manufacturer specific parameters are given in this third party report.

A Probability of Failure on Demand (PFD_{avg}) must be done based on a number of variables including:

1. Failure rates of each product in the design including failure modes and any diagnostic coverage from automatic diagnostics (an attribute of the product given by this FMEDA report);
2. Redundancy of devices including common cause failures (an attribute of the SIF design);
3. Proof Test Intervals (assignable by end user practices);
4. Mean Time to Restore (an attribute of end user practices);
5. Proof Test Effectiveness; (an attribute of the proof test method used by the end user with an example given by this report);
6. Mission Time (an attribute of end user practices);
7. Proof Testing with process online or shutdown (an attribute of end user practices);
8. Proof Test Duration (an attribute of end user practices); and
9. Operational/Maintenance Capability (an attribute of end user practices).

The product manufacturer is responsible for the first variable. Most manufacturers use the *exida* FMEDA technique which is based on over 100 billion hours of field failure data in the process industries to predict these failure rates as seen in this report. A system designer chooses the second variable. All other variables are the responsibility of the end user site. The *exSILentia*® SILVer™ software considers all these variables and provides an effective means to calculate PFD_{avg} for any given set of variables.

Simplified equations often account for only for first three variables. The equations published in IEC 61508-6, Annex B.3.2 [N1] cover only the first four variables. IEC61508-6 is only an informative portion of the standard and as such gives only concepts, examples and guidance based on the idealistic assumptions stated. These assumptions often result in optimistic PFD_{avg} calculations and have indicated SIL levels higher than reality. Therefore, idealistic equations should not be used for actual SIF design verification.

All the variables listed above are important. As an example consider a high level protection SIF. The proposed design has a single SIL 3 certified level transmitter, a SIL 3 certified safety logic solver, and a single remote actuated valve consisting of a certified solenoid valve, certified scotch yoke actuator and a certified ball valve. Note that the numbers chosen are only an example and not the product described in this report.

Using exSILentia with the following variables selected to represent results from simplified equations:

- Mission Time = 5 years
- Proof Test Interval = 1 year for the sensor and final element, 5 years for the logic solver
- Proof Test Coverage = 100% (ideal and unrealistic but commonly assumed)
- Proof Test done with process offline

This results in a PFD_{avg} of 6.82E-03 which meets SIL 2 with a risk reduction factor of 147. The subsystem PFD_{avg} contributions are Sensor PFD_{avg} = 5.55E-04, Logic Solver PFD_{avg} = 9.55E-06, and Final Element PFD_{avg} = 6.26E-03 (Figure 2).

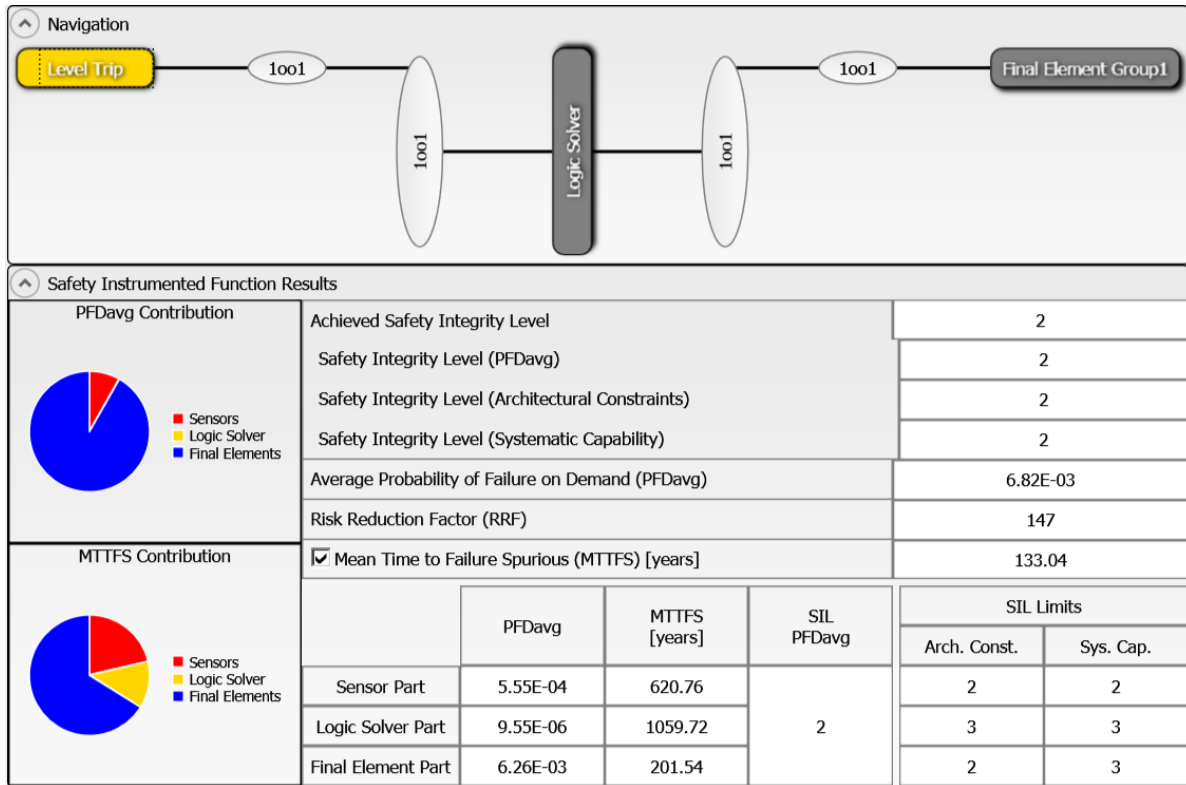


Figure 2: exSILentia results for idealistic variables.

If the Proof Test Interval for the sensor and final element is increased in one year increments, the results are shown in Figure 3.

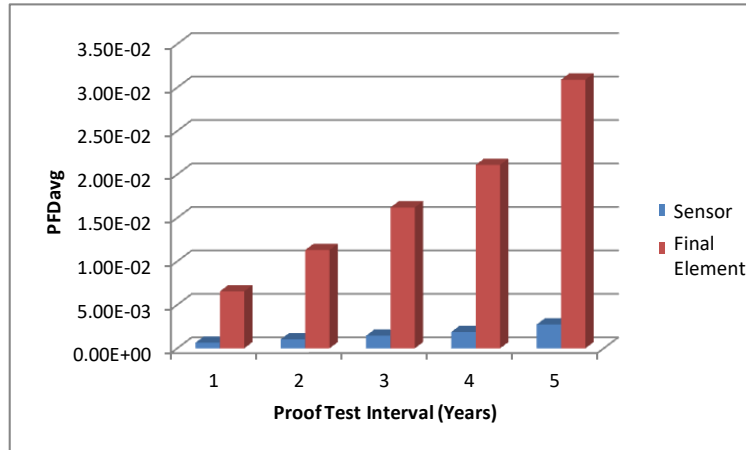


Figure 3: PFD_{avg} versus Proof Test Interval

If a set of realistic variables for the same SIF are entered into the exSILentia software including:

- Mission Time = 25 years
- Proof Test Interval = 1 year for the sensor and final element, 5 years for the logic solver
- Proof Test Coverage = 90% for the sensor and 70% for the final element
- Proof Test Duration = 2 hours with process online.
- MTTR = 48 hours
- Maintenance Capability = Medium for sensor and final element, Good for logic solver

with all other variables remaining the same, the PFD_{avg} for the SIF equals 5.76E-02 which barely meets SIL 1 with a risk reduction factor of 17. The subsystem PFD_{avg} contributions are Sensor PFD_{avg} = 2.77E-03, Logic Solver PFD_{avg} = 1.14E-05, and Final Element PFD_{avg} = 5.49E-02 (Figure 4).

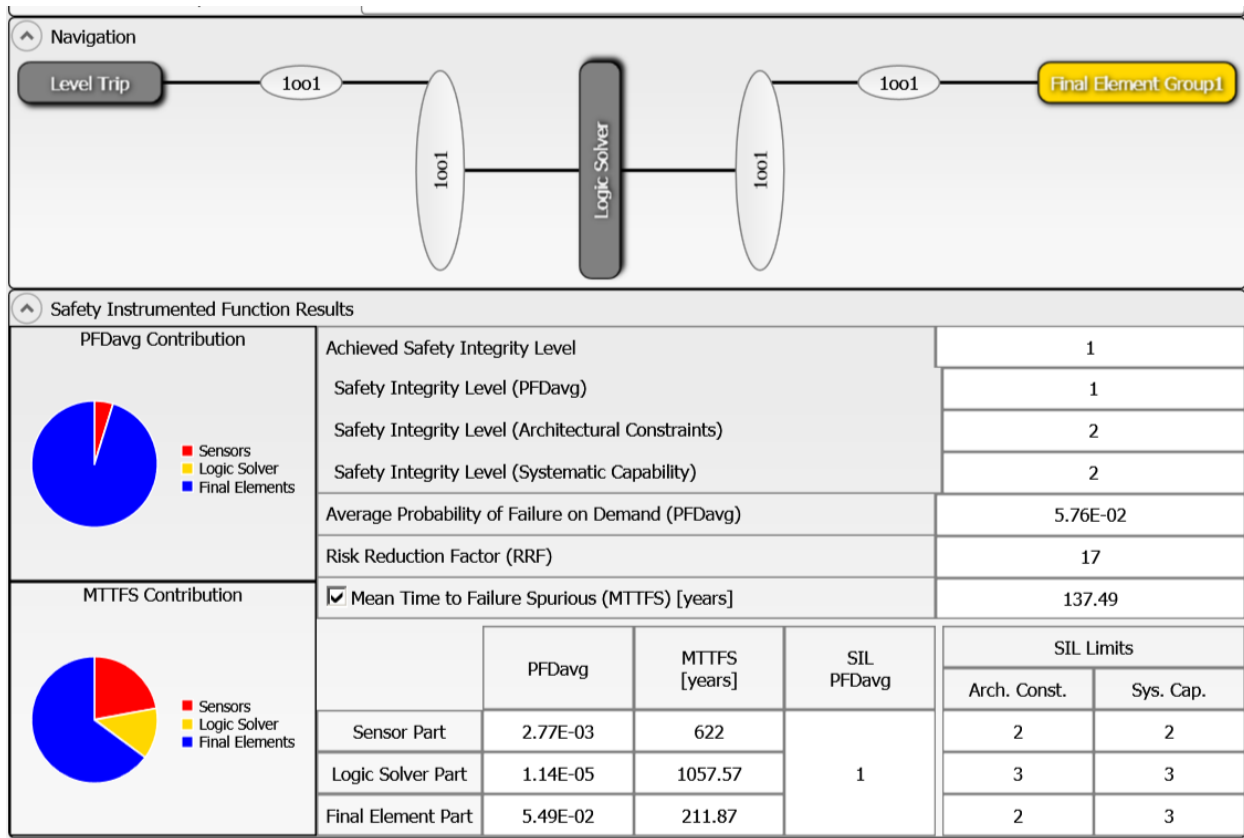


Figure 4: exSILentia results with realistic variables

It is clear that PFD_{avg} results can change an entire SIL level or more when all critical variables are not used.