
LwIP TCP/IP stack demonstration for STM32F4x7 microcontrollers

Introduction

STM32F4x7 microcontrollers feature a high-quality 10/100 Mbit/s Ethernet peripheral that supports both Media Independent Interface (MII) and Reduced Media Independent Interface (RMII) to interface with the Physical Layer (PHY).

When working with an Ethernet communication interface, a TCP/IP stack is mostly used to communicate over a local or a wide area network.

This application note presents a demonstration package built on top of the LwIP (Lightweight IP) TCP/IP stack which is an open source stack intended for embedded devices.

This demonstration package contains nine applications running on top of the LwIP stack:

- Applications running in standalone mode (without an RTOS):
 - A Web server
 - A TFTP server
 - A TCP echo client application
 - A TCP echo server application
 - A UDP echo client application
 - A UDP echo server application
- Applications running with the FreeRTOS operating system:
 - A Web server based on netconn API
 - A Web server based on socket API
 - A TCP/UDP echo server application based on netconn API

Note: In this document STM32F4x7 refers to STM32F407xx, STM32F417xx, STM32F427xx and STM32F437xx devices.

Table 1. Applicable products

Type	Product series
Microcontroller	STM32F407xx, STM32F417xx, STM32F427xx, STM32F437xx

Contents

- 1 LwIP stack overview 6**
 - 1.1 Stack features 6
 - 1.2 Folder organization of the LwIP stack 7
 - 1.3 LwIP API overview 7
 - 1.3.1 Raw API 7
 - 1.3.2 Netconn API 9
 - 1.3.3 Socket API 9
 - 1.4 LwIP buffer management 10
 - 1.4.1 Packet buffer structure 10
 - 1.4.2 API for managing pbufs 11
 - 1.5 Interfacing LwIP to STM32F4x7 Ethernet network interface 12

- 2 STM32F4x7 low level driver overview 13**
 - 2.1 Global Ethernet MAC/DMA functions 13
 - 2.1.1 Ethernet MAC/DMA configuration parameters 14
 - 2.2 DMA descriptor handling 17
 - 2.2.1 DMA descriptors 17
 - 2.2.2 DMA descriptor handling functions 19
 - 2.3 PHY control functions 20
 - 2.4 Hardware checksum 21

- 3 Developing applications with LwIP stack 22**
 - 3.1 Developing in standalone mode using the Raw API 22
 - 3.1.1 Model of operation 22
 - 3.1.2 Example of the TCP echo server demo 23
 - 3.2 Developing with an RTOS using Netconn or Socket API 26
 - 3.2.1 Model of operation 26
 - 3.2.2 Example of a TCP echoserver demo using the Netconn API 27
 - 3.3 LwIP memory configuration options 29

- 4 Description of the demonstration package 31**
 - 4.1 Package directories 31
 - 4.2 Demonstration settings 32

4.2.1	PHY interface configuration	32
4.2.2	MAC and IP address settings	32
4.2.3	STM324xx-EVAL settings	32
5	Using the demos	33
5.1	Standalone demos	33
5.1.1	Httpserver demo	33
5.1.2	TCP echo client demo	35
5.1.3	TCP echo server demo	37
5.1.4	UDP echo client demo	39
5.1.5	UDP echo server demo	40
5.1.6	TFTP server demo	41
5.2	FreeRTOS demos	42
5.2.1	HTTP server netconn demo	42
5.2.2	HTTP server socket demo	43
5.2.3	UDP TCP echo server netconn demo	43
6	Footprint information	44
6.1	HTTP server demo	44
6.2	HTTP server netconn demo	44
7	Conclusion	46
8	Revision history	47

List of tables

Table 1.	Applicable products	1
Table 2.	TCP Raw API functions	8
Table 3.	UDP Raw API functions	8
Table 4.	Netconn API functions	9
Table 5.	Socket API functions	9
Table 6.	Pbuf API functions	11
Table 7.	ethernet_if.c functions description	12
Table 8.	Global Ethernet MAC/DMA functions	13
Table 9.	MAC configuration parameters of an ETH_InitTypeDef structure.	14
Table 10.	DMA configuration parameters of an ETH_InitTypeDef structure.	16
Table 11.	DMA descriptor functions	19
Table 12.	PHY control functions	20
Table 13.	LwIP memory configuration options	29
Table 14.	STM324xx-EVAL jumper configurations	32
Table 15.	HTTP server demo footprint	44
Table 16.	Httpserver netconn demo footprint	45
Table 17.	Document revision history	47

List of figures

Figure 1.	LwIP folder organization	7
Figure 2.	Pbuf structure	10
Figure 3.	Ethernet DMA descriptor	17
Figure 4.	Ethernet DMA descriptor chaining	17
Figure 5.	STM32F4x7 Ethernet driver buffers and descriptors	18
Figure 6.	Tracking DMA Rx/Tx descriptors to Get/Set.	20
Figure 7.	Standalone operation model.	22
Figure 8.	LwIP operation model with RTOS	26
Figure 9.	Demonstration package structure.	31
Figure 10.	Home page of the HTTP server demo	34
Figure 11.	SSI use in HTTP server demo application	35
Figure 12.	TCP echo client demo	36
Figure 13.	TCP echo server demo.	38
Figure 14.	UDP echo client demo	39
Figure 15.	UDP echo server demon	41
Figure 16.	TFTP tool (ftpd32)	42

1 LwIP stack overview

1.1 Stack features

LwIP is a free TCP/IP stack developed by Adam Dunkels at the Swedish Institute of Computer Science (SICS) and licensed under a modified BSD license.

The focus of the LwIP TCP/IP implementation is to reduce the RAM use while still having a full scale TCP/IP stack. This makes LwIP suitable for use in embedded systems.

LwIP comes with the following protocols:

- IPv4 and IPv6 (Internet Protocol v4 and v6)
- ICMP (Internet Control Message Protocol) for network maintenance and debugging
- IGMP (Internet Group Management Protocol) for multicast traffic management
- UDP (User Datagram Protocol)
- TCP (Transmission Control Protocol)
- DNS (Domain Name Server)
- SNMP (Simple Network Management Protocol)
- DHCP (Dynamic Host Configuration Protocol)
- PPP (Point to Point Protocol)
- ARP (Address Resolution Protocol)

LwIP has three application programming interface (API) sets:

- **Raw API** is the native API of LwIP. It enables the development of applications using event callbacks. This API provides the best performance and code size, but adds some complexity for application development.
- **Netconn API** is a high-level sequential API that requires the services of a real-time operating system (RTOS). The Netconn API enables multi-threaded operations.
- **BSD Socket API**: Berkeley-like Socket API (developed on top of the Netconn API)

The source code for the LwIP stack can be downloaded at the following link:

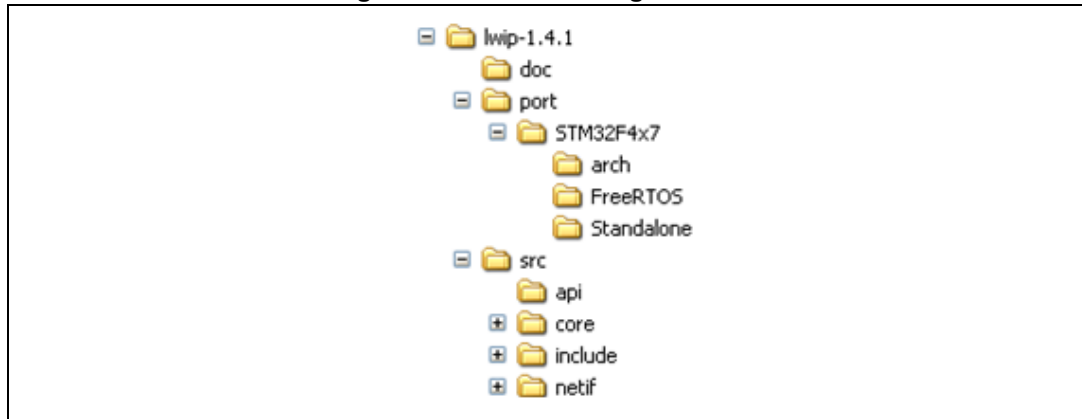
<http://savannah.nongnu.org/projects/LwIP>

Note: This application note is based on LwIP v1.4.1

1.2 Folder organization of the LwIP stack

When unzipped, the LwIP stack files can be found under “\Utilities\Third_Party\LwIP-1.4.1” as shown in [Figure 1](#).

Figure 1. LwIP folder organization



- doc: documentation text files
- port/STM32F4x7: files implementing the LwIP port to STM32F4x7
 - arch: STM32 architecture port files (used data types,...)
 - FreeRTOS: LwIP port to STM32F4x7 using FreeRTOS
 - Standalone: LwIP port to STM32F4x7 in Standalone mode
- src: source files of the LwIP stack
 - api: Netconn and Socket API files
 - core: LwIP core files
 - include: LwIP include files
 - netif: Network interface files

1.3 LwIP API overview

As mentioned above, three types of APIs are offered by LwIP stack:

- Raw API
- Netconn API
- Socket API

1.3.1 Raw API

The Raw API is based on the native API of LwIP. It is used to develop callback-based applications.

When initializing the application, the user needs to register callback functions to different core events (such as TCP_Sent, TCP_error,...) . The callback functions will be called from the LwIP core layer when the corresponding event occurs.

Table 2 provides a summary of the Raw API functions for TCP applications.

Table 2. TCP Raw API functions

	API function	Description
TCP connection setup	tcp_new	Creates a new TCP PCB (protocol control block).
	tcp_bind	Binds a TCP PCB to a local IP address and port.
	tcp_listen	Starts the listening process on the TCP PCB.
	tcp_accept	Assigns a callback function that will be called when a new TCP connection arrives.
	tcp_accepted	Informs the LwIP stack that an incoming TCP connection has been accepted.
	tcp_connect	Connects to a remote TCP host.
Sending TCP data	tcp_write	Queues up data to be sent.
	tcp_sent	Assigns a callback function that will be called when sent data is acknowledged by the remote host.
	tcp_output	Forces queued data to be sent.
Receiving TCP data	tcp_recv	Sets the callback function that will be called when new data arrives.
	tcp_recved	Must be called when the application has processed the incoming data packet (for TCP window management).
Application polling	tcp_poll	Assigns a callback functions that will be called periodically. It can be used by the application to check if there is remaining application data that needs to be sent or if there are connections that need to be closed.
Closing and aborting connections	tcp_close	Closes a TCP connection with a remote host.
	tcp_err	Assigns a callback function for handling connections aborted by the LwIP due to errors (such as memory shortage errors).
	tcp_abort	Aborts a TCP connection.

Table 3 provides a summary of the Raw API functions for UDP applications.

Table 3. UDP Raw API functions

API function	Description
udp_new	Creates a new UDP PCB.
udp_remove	Removes and de-allocates a UDP PCB.
udp_bind	Binds a UDP PCB with a local IP address and port.
udp_connect	Sets up a UDP PCB remote IP address and port.
udp_disconnect	Removes a UDP PCB remote IP and port.
udp_send	Sends UDP data.
udp_recv	Specifies a callback function which is called when a datagram is received.

1.3.2 Netconn API

The Netconn API is a high-level sequential API which has a model of execution based on the blocking open-read-write-close paradigm.

To function correctly, this API must run in a multi-threaded operation mode where there is a separate thread for the LwIP TCP/IP stack and one or multiple threads for the application.

[Table 4](#) provides a summary of the Netconn API functions.

Table 4. Netconn API functions

API function	Description
netconn_new	Creates a new connection.
netconn_delete	Deletes an existing connection.
netconn_bind	Binds a connection to a local IP address and port.
netconn_connect	Connects to a remote IP address and port.
netconn_send	Sends data to the currently connected remote IP/port (not applicable for TCP connections).
netconn_recv	Receives data from a netconn.
netconn_listen	Sets a TCP connection into a listening mode.
netconn_accept	Accepts an incoming connection on a listening TCP connection.
netconn_write	Sends data on a connected TCP netconn.
netconn_close	Closes a TCP connection without deleting it.

1.3.3 Socket API

LWIP offers the standard BSD socket API. This is a sequential API which is internally built on top of the netconn.

[Table 4](#) provides a summary of the main socket API functions.

Table 5. Socket API functions

API function	Description
socket	Creates a new socket.
bind	Binds a socket to an IP address and port.
listen	Listens for socket connections.
connect	Connects a socket to a remote host IP address and port.
accept	Accepts a new connection on a socket.
read	Reads data from a socket.
write	Writes data on a socket.
close	Closes a socket (socket is deleted).

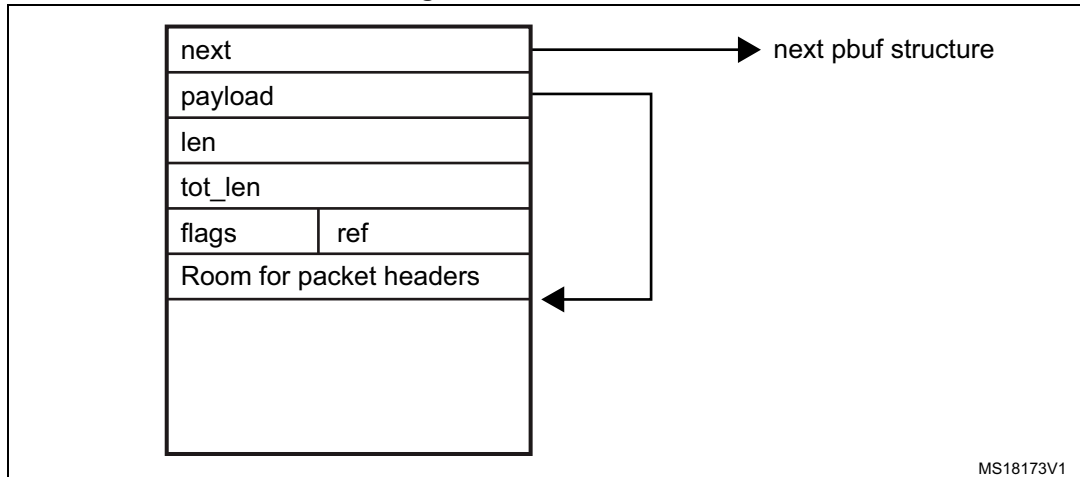
1.4 LwIP buffer management

1.4.1 Packet buffer structure

LwIP manages packet buffers using a data structure called pbuf. The pbuf structure enables the allocation of a dynamic memory to hold a packet content and lets packets reside in the static memory.

Pbufs can be linked together in a chain. This enables packets to span over several pbufs.

Figure 2. Pbuf structure



MS18173V1

- **next:** pointer to next pbuf in a pbuf chain
- **payload:** pointer to packet data payload
- **len:** length of the data content of the pbuf
- **tot_len:** sum of pbuf len plus all the len fields of the next pbufs in the chain
- **ref:** (on 4 bits) reference count that indicates the number of pointers that reference the pbuf. A pbuf can be released from memory only when its reference count is zero.
- **flags:** (on 4 bits) indicate the type of pbuf.

LwIP defines three types of pbufs, depending on the allocation type:

- **PBUF_POOL:** pbuf allocation is performed from a pool of statically pre-allocated pbufs that have a predefined size. Depending on the data size that needs to be allocated, one or multiple chained pbufs are allocated.
- **PBUF_RAM:** pbuf is dynamically allocated in memory (one contiguous chunk of memory for the full pbuf)
- **PBUF_ROM:** there is no allocation for memory space for user payload, the pbuf payload pointer points to data in the ROM memory (it can be used only for sending constant data).

For packet reception, the suitable pbuf type is PBUF_POOL; it allows to rapidly allocate memory for the received packet from the pool of pbufs. Depending on the size of the received packet, one or multiple chained pbufs are allocated. The PBUF_RAM is not suitable for packet reception because dynamic allocation takes some delay. It may also lead to memory fragmentation.

For packet transmission, depending on the data to be transmitted, the user can choose the most suitable pbuf type.

1.4.2 API for managing pbufs

LwIP has a specific API for working with pbufs. This API is implemented in the *pbuf.c* core file.

Table 6. Pbuf API functions

API function	Description
<code>pbuf_alloc</code>	Allocates a new pbuf.
<code>pbuf_realloc</code>	Resizes a pbuf (shrink size only).
<code>pbuf_ref</code>	Increments the reference count field of a pbuf.
<code>pbuf_free</code>	Decrements the pbuf reference count. If it reaches zero, the pbuf is de-allocated.
<code>pbuf_clen</code>	Returns the count number of pbufs in a pbuf chain.
<code>pbuf_cat</code>	Chains two pbufs together (but does not change the reference count of the tail pbuf chain).
<code>pbuf_chain</code>	Chains two pbufs together (tail chain reference count is incremented).
<code>pbuf_dechain</code>	Unchains the first pbuf from its succeeding pbufs in the chain.
<code>pbuf_copy_partial</code>	Copies (part of) the contents of a packet buffer to an application supplied buffer.
<code>pbuf_take</code>	Copies application supplied data into a pbuf.
<code>pbuf_coalesce</code>	Creates a single pbuf out of a queue of pbufs.

- Note:*
- 1 *"pbuf" can be a single pbuf or a chain of pbufs.*
 - 2 *When working with the Netconn API, netbufs (network buffers) are used for sending/receiving data.*
 - 3 *A netbuf is simply a wrapper for a pbuf structure. It can accommodate both allocated and referenced data.*
 - 4 *A dedicated API (implemented in file netbuf.c) is provided for managing netbufs (allocating, freeing, chaining, extracting data,...).*

1.5 Interfacing LwIP to STM32F4x7 Ethernet network interface

The port of LwIP stack to STM32F4x7 is located in folder “/port/STM32F4x7”.

This demonstration package provides two implementations:

- Implementation without RTOS (standalone)
- Implementation with an RTOS using FreeRTOS (<http://www.freertos.org>)

For both implementations, the *ethernet_if.c* file is used to link the LwIP stack to the STM32F4x7 Ethernet network interface.

[Table 7](#) provides a summary of the *ethernet_if.c* functions.

Table 7. ethernet_if.c functions description

Function	Description
low_level_init	Calls the Ethernet driver functions to initialize the STM32F4x7 Ethernet peripheral.
low_level_output	Calls the Ethernet driver functions to send an Ethernet packet.
low_level_input	Calls the Ethernet driver functions to receive an Ethernet packet.
ethernetif_init	Calls low_level_init to initialize the Ethernet peripheral and network interface structure (netif).
ethernet_input	Calls low_level_input to receive a packet and provide it to the LwIP stack.

In case of an RTOS implementation, an additional file is used (*sys_arch.c*). This file implements an emulation layer for the RTOS services (message passing through RTOS mailbox, semaphores, etc.). This file should be tailored according to the current RTOS, which is FreeRTOS in this package.

2 STM32F4x7 low level driver overview

The STM32F4x7 Ethernet low level driver is located in the `\Libraries\STM32F4x7_ETH_Driver\` folder.

The set of functions provided in the driver can be divided into the following categories:

- Global Ethernet MAC/DMA configuration/control functions
- DMA descriptors handling functions
- DMA configuration/control functions
- PHY control functions
- Power Management (PMT) functions
- MAC Management Counters (MMC) functions

2.1 Global Ethernet MAC/DMA functions

[Table 16](#) provides a summary of the Global Ethernet MAC/DMA functions used for the configuration of the media access control (MAC) and direct memory access (DMA) features.

Table 8. Global Ethernet MAC/DMA functions

Function	Description
ETH_DeInit	Resets the Ethernet peripheral.
ETH_StructInit	Fills a configuration structure for an Ethernet peripheral with the default config (see below).
ETH_Init	Initializes the Ethernet peripheral (MAC/DMA) registers with the required configuration.
ETH_Start	Starts the Ethernet MAC/DMA operation.
ETH_Stop	Stops the Ethernet MAC/DMA operation.
ETH_MACTransmissionCmd	Enables or disables MAC transmission.
ETH_MACReceptionCmd	Enables or disables MAC reception.
ETH_GetFlowControlBusyStatus	Checks flow control Busy flag.
ETH_InitiatePauseControlFrame	Initiates a Pause frame (full-duplex only).
ETH_BackPressureActivationCmd	Enables or disables Back pressure mechanism (half duplex mode).
ETH_GetMACFlagStatus	Gets MAC flags status.
ETH_GetMACITStatus	Gets MAC interrupts status.
ETH_MACITConfig	Configures MAC interrupts.
ETH_MACAddressConfig	Configures a MAC address.
ETH_GetMACAddress	Gets configured MAC address.
ETH_MACAddressPerfectFilterCmd	Enables or disables MAC perfect filtering for a selected MAC address.

Table 8. Global Ethernet MAC/DMA functions (continued)

Function	Description
ETH_MACAddressFilterConfig	Configures the MAC address filtering mode.
ETH_MACAddressMaskBytesFilterConfig	Selects MAC address bytes on which filtering will be performed.

2.1.1 Ethernet MAC/DMA configuration parameters

The configuration structure for an Ethernet MAC/DMA is `ETH_InitTypeDef`. This structure is composed of the following MAC and DMA configuration parameters.

Table 9. MAC configuration parameters of an `ETH_InitTypeDef` structure

Parameter	Description	Default value ⁽¹⁾
ETH_AutoNegotiation	Enables PHY Auto-Negotiation.	ETH_AutoNegotiation_Enable
ETH_Watchdog	Enables or disables Watchdog timer during frame reception. – When enabled, the MAC allows no more than 2048 bytes to be received. – When disabled, the MAC can receive up to 16384 bytes.	ETH_Watchdog_Enable
ETH_Jabber	– When enabled, the MAC allows no more than 2048 bytes to be sent. – When disabled, the MAC can send up to 16384 bytes.	ETH_Jabber_Enable
ETH_InterFrameGap	Selects the minimum IFG between frames during transmission.	ETH_InterFrameGap_96Bit
ETH_CarrierSense	Enables the Carrier Sense.	ETH_CarrierSense_Enable
ETH_Speed	Sets the Ethernet speed: 10/100 Mbps	ETH_Speed_100M
ETH_ReceiveOwn	Enables the ReceiveOwn. ReceiveOwn enables the reception of frames when the TX_EN signal is asserted in Half-Duplex mode.	ETH_ReceiveOwn_Enable
ETH_LoopbackMode	Enables the internal MAC MII Loopback mode.	ETH_LoopbackMode_Disable
ETH_Mode	Selects the MAC duplex mode: Half-Duplex or Full-Duplex mode	ETH_Mode_FullDuplex
ETH_ChecksumOffload	Enables the IPv4 checksum checking for received frame payloads for TCP/UDP/ICMP packets.	ETH_ChecksumOffload_Disable
ETH_RetryTransmission	Enables the MAC attempt retries transmission when a collision occurs (Half-Duplex mode).	ETH_RetryTransmission_Enable
ETH_AutomaticPadCRCStrip	Enables the Automatic MAC Pad/CRC Stripping.	ETH_AutomaticPadCRCStrip_Disable
ETH_BackOffLimit	Selects the BackOff limit value.	ETH_BackOffLimit_10

Table 9. MAC configuration parameters of an ETH_InitTypeDef structure (continued)

Parameter	Description	Default value ⁽¹⁾
ETH_DeferralCheck	Enables the deferral check function (Half-Duplex mode).	ETH_DeferralCheck_Disable
ETH_ReceiveAll	Enables the reception of all frames by the MAC (No filtering).	ETH_ReceiveAll_Disable
ETH_SourceAddrFilter	Enables Source Address Filter mode.	ETH_SourceAddrFilter_Disable
ETH_PassControlFrames	Sets the forwarding mode of the control frames (including unicast and multicast Pause frames).	ETH_PassControlFrames_BlockAll
ETH_BroadcastFramesReception	Enables the reception of Broadcast frames.	ETH_BroadcastFramesReception_Disable
ETH_DestinationAddrFilter	Sets the destination filter mode for both unicast and multicast frames.	ETH_DestinationAddrFilter_Normal
ETH_PromiscuousMode	Enables Promiscuous filtering mode.	ETH_PromiscuousMode_Disable
ETH_MulticastFramesFilter	Selects the Multicast frames filter mode: None/HashTableFilter/PerfectFilter/PerfectHashTableFilter.	ETH_MulticastFramesFilter_Perfect
ETH_UnicastFramesFilter	Selects the Unicast frames filter mode: HashTableFilter/PerfectFilter/PerfectHashTableFilter	ETH_UnicastFramesFilter_Perfect
ETH_HashTableHigh	This field holds the higher 32 bits of Hash table.	0x0
ETH_HashTableLow	This field holds the lower 32 bits of Hash table.	0x0
ETH_PauseTime	This field holds the value to be used in the Pause Time field in the transmit of a control frame.	0x0
ETH_ZeroQuantaPause	Enables the automatic generation of Zero-Quanta Pause control frames.	ETH_ZeroQuantaPause_Disable
ETH_PauseLowThreshold	Configures the threshold of the Pause to be checked for automatic retransmission of Pause frame.	ETH_PauseLowThreshold_Minus4
ETH_UnicastPauseFrameDetect	Enables the MAC detection of the Pause frames (with MAC Address0 unicast address and unique multicast address).	ETH_UnicastPauseFrameDetect_Disable
ETH_ReceiveFlowControl	Enables the MAC to decode the received Pause frame and disables its transmitter for a specified time (Pause Time).	ETH_ReceiveFlowControl_Disable
ETH_TransmitFlowControl	Enables the MAC to transmit Pause frames (Full-Duplex mode) or the MAC back-pressure operation (Half-Duplex mode).	ETH_TransmitFlowControl_Disable
ETH_VLANTagComparison	Selects the 12-bit VLAN identifier or the complete 16-bit VLAN tag for comparison and filtering.	ETH_VLANTagComparison_16Bit
ETH_VLANTagIdentifier	Holds the VLAN tag identifier for receive frames.	0x0

1. The Default Value is the value configured by calling the ETH_StructInit function.

Table 10. DMA configuration parameters of an ETH_InitTypeDef structure

Parameter	Description	Default value
ETH_DropTCPIPChecksumErrorFrame	Enables the dropping of TCP/IP Checksum Error Frames.	ETH_DropTCPIPChecksumErrorFrame_Disable
ETH_ReceiveStoreForward	Enables the Receive store and forward mode.	ETH_ReceiveStoreForward_Enable
ETH_FlushReceivedFrame	Enables the flushing of received frames.	ETH_FlushReceivedFrame_Enable
ETH_TransmitStoreForward	Enables Transmit store and forward mode.	ETH_TransmitStoreForward_Enable
ETH_TransmitThresholdControl	Selects of the threshold level of the Transmit FIFO.	ETH_TransmitThresholdControl_64Bytes
ETH_ForwardErrorFrames	Enables the forward to the DMA of erroneous frames.	ETH_ForwardErrorFrames_Disable
ETH_ForwardUndersizedGoodFrames	Enables the Rx FIFO to forward Undersized frames (frames with no Error and length less than 64 bytes) including pad-bytes and CRC).	ETH_ForwardUndersizedGoodFrames_Disable
ETH_ReceiveThresholdControl	Selects the threshold level of the Receive FIFO.	ETH_ReceiveThresholdControl_64Bytes
ETH_SecondFrameOperate	Enables the Operate on second frame mode, which enables the DMA to process a second frame of Transmit data even before obtaining the status for the first frame.	ETH_SecondFrameOperate_Disable
ETH_AddressAlignedBeats	Enables address-aligned beats.	ETH_AddressAlignedBeats_Enable
ETH_FixedBurst	Enables AHB Master interface fixed burst transfers.	ETH_FixedBurst_Enable
ETH_RxDMA BurstLength	Indicates the number of beats in an Rx DMA burst transfer.	ETH_RxDMA BurstLength_32 Beat
ETH_TxDMA BurstLength	Indicates the number of beats in a Tx DMA burst transfer.	ETH_TxDMA BurstLength_32 Beat
ETH_DescriptorSkipLength	Specifies the number of words to skip between two unchained descriptors (Ring mode).	0x0
ETH_DMA Arbitration	Selects the DMA Tx/Rx arbitration.	ETH_DMA Arbitration_RoundRobin_RxTx_1_1

2.2 DMA descriptor handling

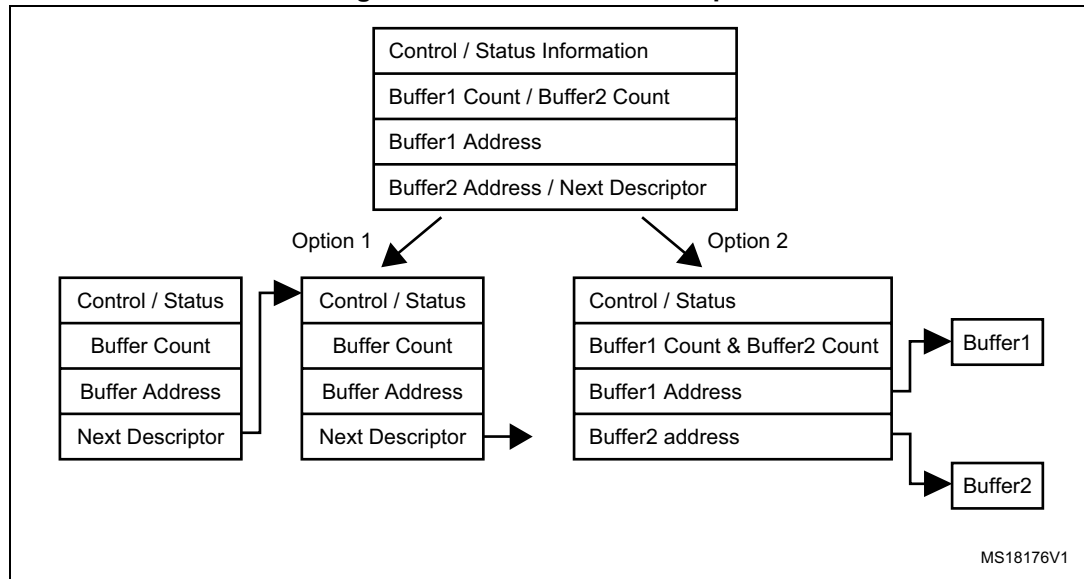
2.2.1 DMA descriptors

The transfer of Ethernet packets between Transmit/Receive FIFOs and memory is performed by direct memory access (DMA) using transfer descriptors.

Figure 3 illustrates the format of an Ethernet DMA descriptor.

Note: The following description does not apply to enhanced DMA descriptors.

Figure 3. Ethernet DMA descriptor

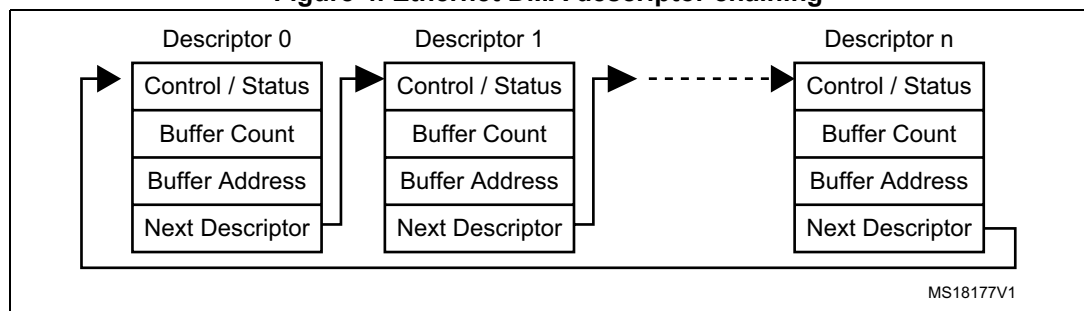


As shown in *Figure 3*, the DMA descriptor can have two formats:

- The descriptor points to one data buffer only and the Next Descriptor field points on next DMA descriptor for allowing descriptors chaining mechanism
- The descriptor can point to two data buffers, Buffer1 and Buffer2

In the STM32F4x7 Ethernet driver, the selected DMA descriptor format is the one allowing descriptor chaining as shown in *Figure 4*.

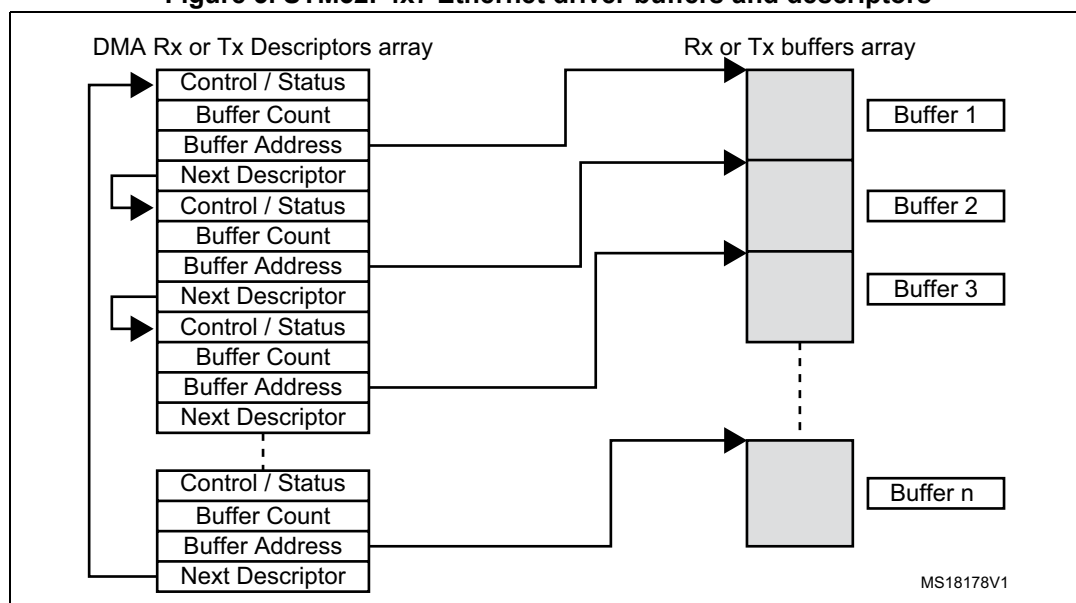
Figure 4. Ethernet DMA descriptor chaining



- Note:*
- 1 An Ethernet packet can span over one or multiple DMA descriptors.
 - 2 One DMA descriptor can be used for one Ethernet packet only.
 - 3 The last descriptor in the chain points to the first descriptor for forming a ring of descriptors.

Figure 5 illustrates the buffer and descriptor allocation model in memory for the STM32F4x7 Ethernet driver.

Figure 5. STM32F4x7 Ethernet driver buffers and descriptors



As shown in Figure 5, the following arrays are statically allocated in the STM32F4x7 Ethernet driver:

- Two arrays for the DMA descriptors, one for DMA Rx and another for DMA Tx:


```
ETH_DMADESCTypeDef  DMARxDscrTab[ETH_RXBUFNB] ,
DMATxDscrTab[ETH_TXBUFNB] ;
```
- Two arrays of driver buffers, one array for receive buffers and another array for transmit buffers:

```
uint8_t Rx_Buff[ETH_RXBUFNB][ETH_RX_BUF_SIZE] ;
uint8_t Tx_Buff[ETH_TXBUFNB][ETH_TX_BUF_SIZE] ;
```

where:

- ETH_RXBUFNB: number of driver receive buffers
- ETH_TXBUFNB: number of driver transmit buffers
- ETH_RX_BUF_SIZE: size in bytes of a receive buffer
- ETH_TX_BUF_SIZE: size in bytes of a transmit buffer

The default values for these parameters as defined in file *stm32f4x7_eth.h* are:

- ETH_RXBUFNB = 4
- ETH_TXBUFNB = 2
- ETH_RX_BUF_SIZE = 1524 (max size of Ethernet packet (1522) + 2 bytes for 32-bit alignment)
- ETH_TX_BUF_SIZE = 1524 (max size of Ethernet packet (1522) + 2 bytes for 32-bit alignment)

The above parameter values can be changed depending on user specific application needs. This can be done by enabling `CUSTOM_DRIVER_BUFFERS_CONFIG` and writing custom values in the *stm32f4x7_eth_conf.h* configuration file.

Note: *The Ethernet driver allows to have a buffer size (`ETH_RX_BUF_SIZE` or `ETH_TX_BUF_SIZE`) that does not exceed the maximum Ethernet packet size (1522 bytes). Ethernet packets (received or to be transmitted) exceeding the configured buffer size will span over multiple buffers (or descriptors).*

2.2.2 DMA descriptor handling functions

Table 11 provides a summary of the main driver functions used for handling DMA descriptors.

Table 11. DMA descriptor functions

Function	Description
<code>ETH_DMARxDescChainInit</code>	Initializes DMA Rx Descriptor chain (as shown in Figure 5).
<code>ETH_DMATxDescChainInit</code>	Initializes DMA Tx Descriptor chain (as shown in Figure 5).
<code>ETH_CheckFrameReceived</code>	Checks if the frame is received (polling method on OWN bit and other flags of DMA RX descriptor).
<code>ETH_Get_Received_Frame</code>	Gets received frame (when using a polling method).
<code>ETH_Get_Received_Frame_interrupt</code>	Gets received frame (when using an interrupt method for detecting received packets).
<code>ETH_Prepare_Transmit_Descriptors</code>	Prepares DMA TX descriptors for transmitting a packet (data should already be copied in driver buffers).
<code>ETH_GetRxPktSize</code>	Gets the size of a received packet.
<code>ETH_GetDMATxDescFlagStatus</code>	Gets flag status of a DMA TX descriptor.
<code>ETH_GetDMARxDescFlagStatus</code>	Gets flag status of a DMA RX descriptor.
<code>ETH_DMATxDescTransmitITConfig</code>	Configures Interrupts for a DMA TX descriptor.
<code>ETH_DMARxDescReceiveITConfig</code>	Configures Interrupts for a DMA RX descriptor.
<code>ETH_EnhancedDescriptorCmd</code> ⁽¹⁾	Enables or disables the Enhanced descriptor structure.
<code>ETH_DMATxDescChecksumInsertionConfig</code>	Enables or disables TCP/UDP/ICMP checksum insertion for transmitted packets.
<code>ETH_DMATxDescCRCCmd</code>	Enables or disables CRC generation for transmitted packets.
<code>ETH_DMATxDescShortFramePaddingCmd</code>	Enables or disables adding padding to short frame to be transmitted.

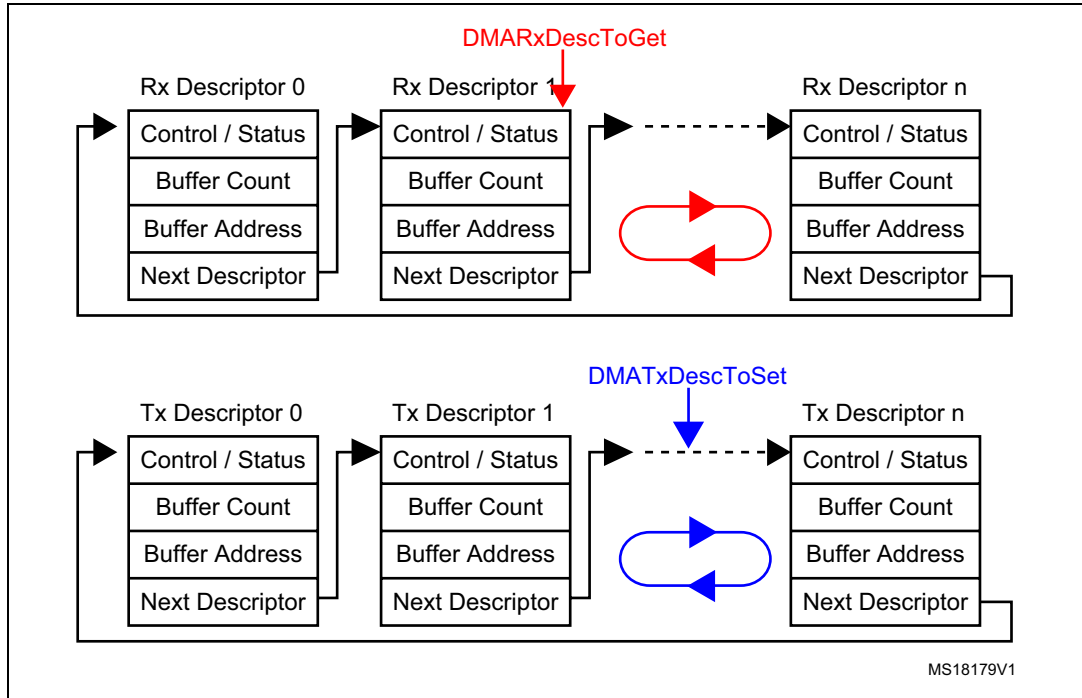
1. Enhanced descriptors must be used if IPv4 checksum offload is activated. The enhanced descriptor format is enabled either by: uncommenting `USE_ENHANCED_DMA_DESCRIPTOR` in `stm32f4x7_eth_conf.h` file, or, by calling the `ETH_EnhancedDescriptorCmd()` function.

Note: The Ethernet driver maintains two global pointers for Rx/Tx DMA descriptor tracking, for the next packet to be received or to be transmitted:

```

__IO ETH_DMADESCTypeDef *DMATxDescToSet;
__IO ETH_DMADESCTypeDef *DMARxDescToGet;
    
```

Figure 6. Tracking DMA Rx/Tx descriptors to Get/Set



2.3 PHY control functions

Table 12 provides a summary of the functions implemented for PHY control by the STM32F4x7 Ethernet driver.

Note: The PHY configuration options (Reset delay, Configuration delay, Status register Speed and Duplex mask values) are defined in the stm32f4x7_eth_conf.h configuration file. These values change from a PHY to another, so the user has to update this value depending on the external PHY used.

Table 12. PHY control functions

Function	Description
ETH_ReadPHYRegister	Reads a PHY register.
ETH_WritePHYRegister	Writes a data into a PHY register.
ETH_PHYLoopBackCmd	Enables or disables the PHY loopback mode.

The PHY is mainly accessed during the initialization time (by *ETH_Init* driver function) to:

- Reset the PHY.
- Enable the PHY auto-negotiation mode or manually select the mode of operation (Full-speed/Low-speed, Half-duplex/Full-duplex).
- If the PHY auto-negotiation mode is selected, the application needs to poll the PHY or use a PHY interrupt in order to obtain the result of auto-negotiation (speed, duplex mode).

2.4 Hardware checksum

The STM32F4x7 Ethernet controller has an embedded hardware checksum accelerator to off-load the CPU from generating, inserting and verifying the checksums of the IP, UDP, TCP and ICMP protocols.

The checksum for TCP, UDP or ICMP is calculated over a complete frame, and then inserted into its corresponding header field. Due to this requirement, this function is enabled only when the Transmit FIFO is configured for Store-and-Forward mode.

Note: *By default, the hardware checksum is enabled. To disable this feature, “comment” the specific CHECKSUM_BY_HARDWARE defined in the LwIPopts.h file under the \inc project folder.*

3 Developing applications with LwIP stack

3.1 Developing in standalone mode using the Raw API

3.1.1 Model of operation

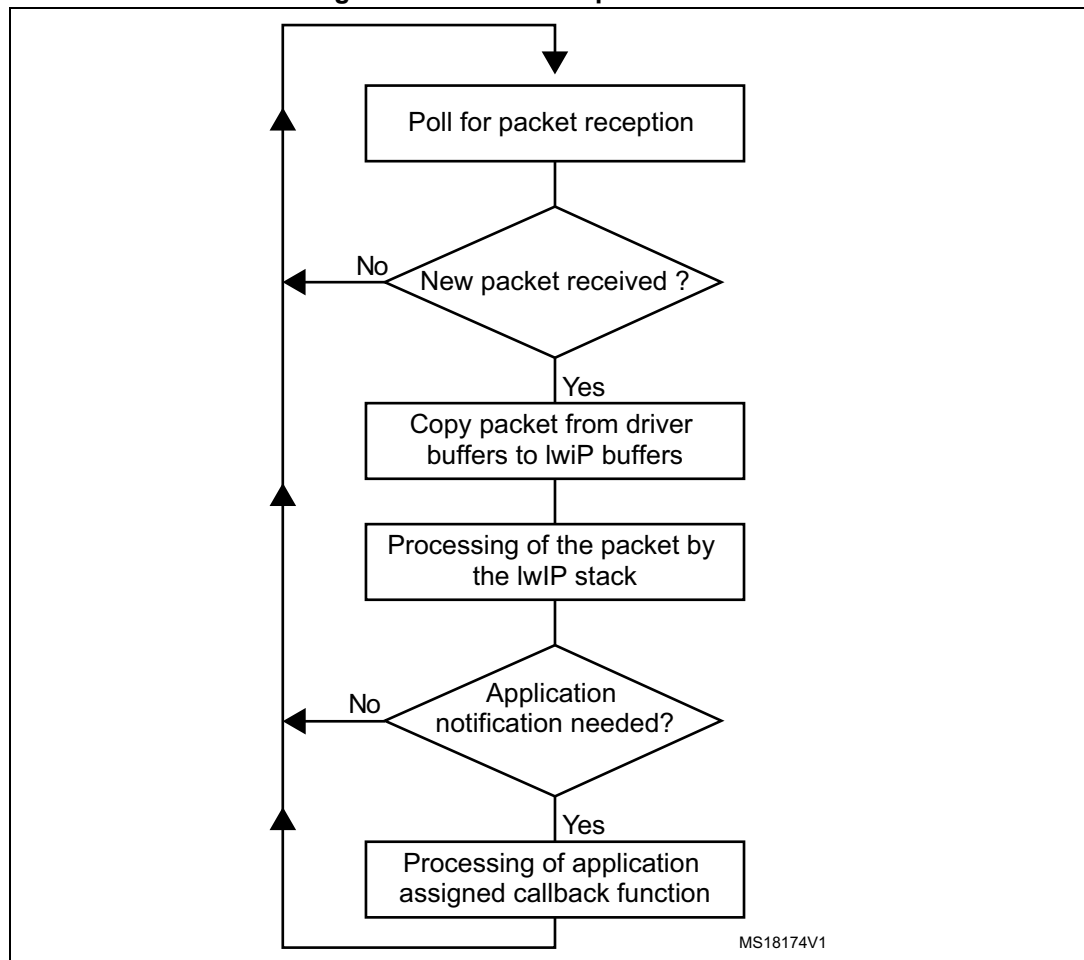
In standalone mode, the model of operation is based on continuous software polling to check if a packet is received.

When a packet is received, it is first copied from the Ethernet driver buffers into the LwIP buffers. In order to copy the packet as fast as possible, the LwIP buffers (pbufs) should be allocated from the pool of buffers (PBUF_POOL).

When a packet has been copied, it is handed to the LwIP stack for processing. Depending on the received packet, the stack may or may not notify the application layer.

LwIP communicates with the application layer using event callback functions. These functions should be assigned before starting the communication process.

Figure 7. Standalone operation model



For TCP applications, the following common callback functions must be assigned:

- callback for incoming TCP connection event, assigned by *TCP_accept* API call
- callback for incoming TCP data packet event, assigned by *TCP_recev* API call
- callback for signalling successful data transmission, assigned by *TCP_sent* API call
- callback for signalling TCP error (after a TCP abort event), assigned by *TCP_err* API call
- Periodic callback (every 1 or 2 s) for polling the application, assigned by *TCP_poll* API call

3.1.2 Example of the TCP echo server demo

The TCP echo server example provided in the `\Project\Standalone\tcp_echo_server` folder is a simple application that implements a TCP server which echoes any received TCP data packets coming from a remote client.

To test the demo, use *echoool.exe* PC client utility. This utility is located in the `\Utilities\Third_Party\PC_Software` folder. (Refer to [Section 5.1.3: TCP echo server demo](#) for more details about testing the demo).

The following example provides a description about the firmware structure. It is an extract from the *main.c* file.

```
int main(void)
{
    ...

    /* configure Ethernet (GPIOs, clocks, MAC, DMA) */
    ETH_BSP_Config();

    /* Initilaize the LwIP stack */
    LwIP_Init();

    /* tcp echo server Init */
    tcp_echoserver_init();

    /* Infinite loop */
    while (1)
    {
        /* check if any packet received */
        if (ETH_CheckFrameReceived())
        {
            /* process received Ethernet packet */
            LwIP_Pkt_Handle();
        }
        /* handle periodic timers for LwIP */
        LwIP_Periodic_Handle(LocalTime);
    }
}
```

Example description:

- *ETH_BSP_Config* function is called to initialize the Ethernet peripheral (GPIOs, Clocks, MAC and DMA options).
- *LwIP_Init* function is called to initialize the LwIP stack internal structures and for starting stack operations.
- *tcp_echo_server_init* function is called to initialize the TCP echo server application (see below).
- In the infinite *while* loop, software polls for packet reception using Ethernet driver *ETH_CheckFrameReceived* function. When a packet is received, it should be handled by the LwIP stack using function *LwIP_Pkt_Handle*.
- *LwIP_Periodic_Handle* function is called in order to handle certain LwIP internal periodic tasks (protocol timers, retransmission of TCP packets,...).

Function *tcp_echo_server_init* has the following code:

```
void tcp_echo_server_init(void)
{
    /* create new tcp pcb */
    tcp_echo_server_pcb = tcp_new();

    if (tcp_echo_server_pcb != NULL)
    {
        err_t err;

        /* bind echo_pcb to port 7 (ECHO protocol) */
        err = tcp_bind(tcp_echo_server_pcb, IP_ADDR_ANY, 7);

        if (err == ERR_OK)
        {
            /* start tcp listening for echo_pcb */
            tcp_echo_server_pcb = tcp_listen(tcp_echo_server_pcb);

            /* initialize LwIP tcp_accept callback function */
            tcp_accept(tcp_echo_server_pcb, tcp_echo_server_accept);
        }
        else
        {
            printf("Can not bind pcb\n");
        }
    }
    else
    {
        printf("Can not create new pcb\n");
    }
}
```


Example description:

- LwIP API calls *tcp_new* to allocate a new TCP protocol control block (PCB) (*tcp_echo_server_pcb*).
- The allocated TCP PCB is bound to a local IP address and port using *tcp_bind* function.
- After binding the TCP PCB, *tcp_listen* function is called in order to start the TCP listening process on the TCP PCB.
- Finally a *tcp_echo_server_accept* callback function should be assigned to handle incoming TCP connections on the TCP PCB. This is done using *tcp_accept* LwIP API function.
- Starting from this point, the TCP server is ready to accept any incoming connection from remote clients.

The following example shows how incoming TCP connections are handled by *tcp_echo_server_accept* user callback function. This is an extract from this function.

```
static err_t tcp_echo_server_accept(void *arg, struct tcp_pcb
*newpcb, err_t err)
{
    ...

    /* allocate structure es to maintain tcp connection infos */
    es = (struct tcp_echo_server_struct *)mem_malloc(sizeof(struct
tcp_echo_server_struct));
    if (es != NULL)
    {
        es->state = ES_ACCEPTED;
        es->pcb = newpcb;
        es->p = NULL;

        /* pass newly allocated es structure as argument to newpcb */
        tcp_arg(newpcb, es);

        /* initialize LwIP tcp_recv callback function for newpcb */
        tcp_recv(newpcb, tcp_echo_server_recv);

        /* initialize LwIP tcp_err callback function for newpcb */
        tcp_err(newpcb, tcp_echo_server_error);

        /* initialize LwIP tcp_poll callback function for newpcb */
        tcp_poll(newpcb, tcp_echo_server_poll, 1);

        ret_err = ERR_OK;
        ...
    }
}
```

Example description:

- The new TCP connection is passed to *tcp_echo_server_accept* callback function through *newpcb* parameter.
- An *es* structure is used to maintain the application status. It is passed as an argument to the TCP PCB “newpcb” connection by calling *tcp_arg* LwIP API.
- A TCP receive callback function, *tcp_echo_server_recv*, is assigned by calling LwIP API *tcp_recv*. This callback will handle all the data traffic with the remote client.
- A TCP error callback function, *tcp_echo_server_error*, is assigned by calling LwIP API *tcp_err*. This callback will handle TCP errors.
- A TCP poll callback function, *tcp_echo_server_poll*, is assigned by calling LwIP API *tcp_poll* to handle periodic application tasks (such as checking if the application data remains to be transmitted).

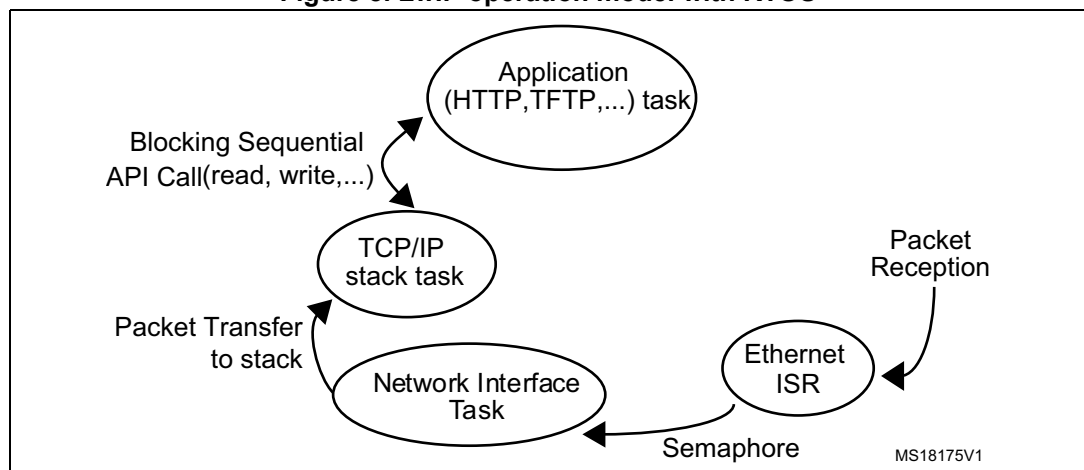
3.2 Developing with an RTOS using Netconn or Socket API

3.2.1 Model of operation

The model of operation when working with an RTOS has the following characteristics:

- The TCP/IP stack and the application run in separate tasks.
- The application communicates with the stack through sequential API calls that use the RTOS mailbox mechanism for inter-process communication. The API calls are blocking calls. This means that the application task will be blocked until a response is received from the stack.
- An additional task which is “the network interface task” is used to get any received packets from driver buffers and provide them to the TCP/IP stack using the RTOS mailbox. This task is informed of a packet reception using the Ethernet receive interrupt service routine.

Figure 8. LwIP operation model with RTOS



3.2.2 Example of a TCP echoserver demo using the Netconn API

From the application point of view, the Netconn API offers a simpler way for developing TCP/IP applications other than the raw API. This is because it has a more intuitive sequential API.

The following example shows a TCP echoserver demo developed with the Netconn API. This is an extract of the *main.c* file.

```
void Main_task(void * pvParameters)
{
    ...
    /* configure ethernet (GPIOs, clocks, MAC, DMA) */
    ETH_BSP_Config();
    /* Initialize the LwIP stack */
    LwIP_Init();
    /* Initialize tcp echo server */
    tcpecho_init();
    ...

    for( ;; )
    {
        ...
    }
}
```

Example description:

- *LwIP_Init* function initializes the LwIP stack. This includes the creation of the LwIP TCP/IP stack task.
- *tcpecho_thread* TCP echo server task is created in *tcpecho_init* function.

```
void tcpecho_init(void)
{
    sys_thread_new("tcpecho_thread", tcpecho_thread, NULL, \
DEFAULT_THREAD_STACKSIZE, TCPECHO_THREAD_PRIO);
}
```

The TCP echo server thread has the following code:

```
static void tcpecho_thread(void *arg)
{
    struct netconn *conn, *newconn;
    err_t err, accept_err;
    struct netbuf *buf;
    void *data;
    u16_t len;
    err_t recv_err;

    LWIP_UNUSED_ARG(arg);

    /* Create a new connection identifier. */
    conn = netconn_new(NETCONN_TCP);
```

```
if (conn!=NULL)
{
    /* Bind connection to well known port number 7. */
    err = netconn_bind(conn, NULL, 7);

    if (err == ERR_OK)
    {
        /* Tell connection to go into listening mode. */
        netconn_listen(conn);

        while (1)
        {
            /* Grab new connection. */
            accept_err = netconn_accept(conn, &newconn);

            /* Process the new connection. */
            if (accept_err == ERR_OK)
            {
                while (( recv_err = netconn_recv(newconn, &buf)) == ERR_OK)
                {
                    do
                    {
                        netbuf_data(buf, &data, &len);
                        netconn_write(newconn, data, len, NETCONN_COPY);

                    }
                    while (netbuf_next(buf) >= 0);

                    netbuf_delete(buf);
                }

                /* Close connection and discard connection identifier. */
                netconn_close(newconn);
                netconn_delete(newconn);
            }
        }
    }
    else
    {
        netconn_delete(newconn);
        printf(" can not bind TCP netconn");
    }
}
else
{
    printf("can not create TCP netconn");
}
}
```

Example description:

- *Netconn_new* API function called with `NETCONN_TCP` parameter will create a new TCP connection.
- The newly created connection is then bound to port 7 (echo protocol) by calling *Netconn_bind* API function.
- After binding the connection, the application starts the listening process on the connection by calling *Netconn_listen* API function.
- In the infinite *while(1)* loop, the application waits for a new connection by calling the API function *Netconn_accept*. This API call will block the application task when there is no incoming connection.
- When there is an incoming connection, the application can start receiving data by calling *netconn_recv* API function. Incoming data is received in a netbuf.
- The application can get the received data by calling *netbuf_data* netbuf API function.
- The received data is sent back (echoed) to the remote TCP client by calling *Netconn_write* API function.
- *Netconn_close* and *Netconn_delete* are used to respectively close and delete the Netconn connection.

3.3 LwIP memory configuration options

LwIP has several memory configurations options. These options allow the user to tune the allocated RAM memory usage depending on performance needs and on application memory constraints.

The user options for LwIP are changed in file *LwIPopt.h*

[Table 13](#) provides a summary of the main options for RAM memory use.

Table 13. LwIP memory configuration options

LwIP memory option	Definition
MEM_SIZE	LwIP heap memory size: used for all LwIP dynamic memory allocations.
MEMP_NUM_PBUF	Total number of MEM_REF and MEM_ROM pbufs.
MEMP_NUM_UDP_PCB	Total number of UDP PCB structures.
MEMP_NUM_TCP_PCB	Total number of TCP PCB structures.
MEMP_NUM_TCP_PCB_LISTEN	Total number of listening TCP PCBs.
MEMP_NUM_TCP_SEG	Maximum number of simultaneously queued TCP segments.
PBUF_POOL_SIZE	Total number of PBUF_POOL type pbufs.
PBUF_POOL_BUFSIZE	Size of a PBUF_POOL type pbufs.
TCP_MSS	TCP maximum segment size.
TCP_SND_BUF	TCP send buffer space for a connection.
TCP_SND_QUEUELEN	Maximum number of pbufs in the TCP send queue.
TCP_WND	Advertised TCP receive window size.

As shown in [Table 13](#), LwIP memory has two main types:

- Heap memory for all dynamic allocations defined by `MEM_SIZE`.
- Pool memory for static pool structures defined by `MEMP_NUM_XX` and `PBUF_POOL_XX`.

The allocation from these two types of memory will define the total size of memory allocated to LwIP. Below are some recommendations when setting these options:

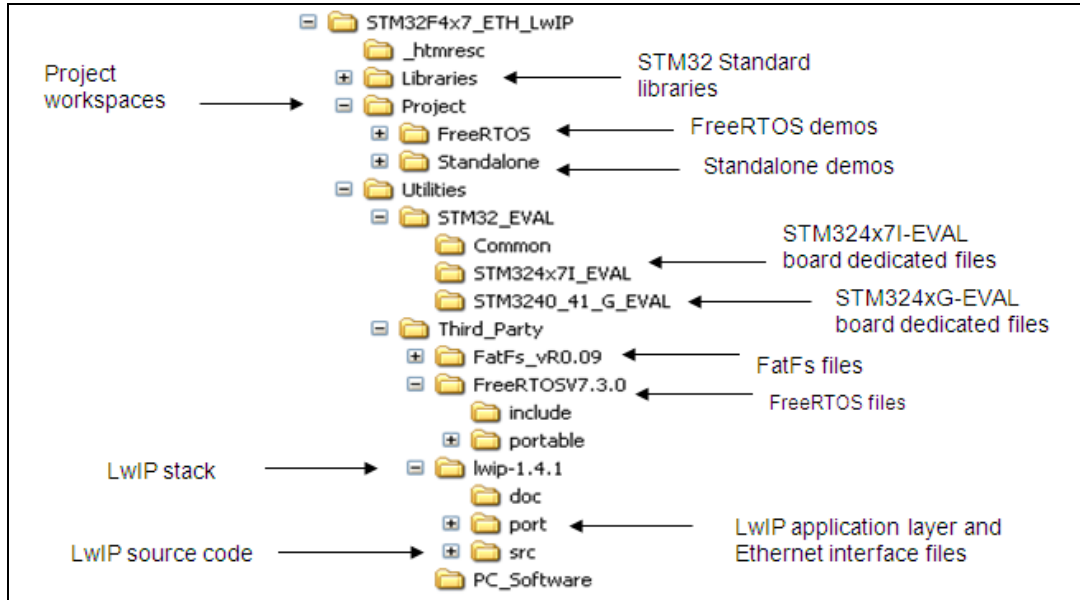
- `MEM_SIZE` should be set high when the application needs to send a lot of data to be copied from application buffers to the LwIP send buffer.
- `PBUF_POOL_BUFSIZE` should be set according to the average size of packets to be received.
- `PBUF_POOL_SIZE` should be tuned as high as possible in order to achieve the best receive data rate.
- `TCP_SND_BUF` limits the sender buffer space (data queued to be transmitted). For optimal performance, this parameter should be equal to the TCP window size of the remote host. Keep in mind that every active connection might buffer this amount of data, so make sure there is enough RAM (defined by `MEM_SIZE`) or limit the number of concurrently active connections.
- `TCP_WND` is the advertised receive window and should be tuned as high as possible in order to achieve the best performance.

4 Description of the demonstration package

4.1 Package directories

When unzipped, the package has the structure shown in [Figure 9](#).

Figure 9. Demonstration package structure



The demonstration package contains nine applications running on top of the LwIP stack.

- Standalone demos:
 - A Web server
 - A TFTP server
 - A TCP echo client application
 - A TCP echo server application
 - A UDP echo client application
 - A UDP echo server application
- FreeRTOS demos:
 - A Web server based on the netconn API
 - A Web server based on the socket API
 - A TCP/UDP echo server application based on the netconn API

4.2 Demonstration settings

4.2.1 PHY interface configuration

The demonstration firmware is used to interface the PHY with both MII and RMII modes. To select the required PHY interface mode, open the *main.h* file and choose one of the two “defines”:

- `#define MII_MODE`
- `#define RMII_MODE`

In the MII mode, the PHY clock can be taken from the external crystal or provided by the STM32 via the MCO pin if both `MII_MODE` and `PHY_CLOCK_MCO` are defined in the *main.h* file.

Note: In the RMII mode, you have to provide the 50 MHz clock by soldering a 50 MHz oscillator (ref SM7745HEV-50.0M or equivalent) on the U3 footprint located under CN3 and also by removing the jumper from JP5. This oscillator is not provided with the board. For more details, please refer to UM1461 STM3240G-EVAL evaluation board user manual.

4.2.2 MAC and IP address settings

The default MAC address is set to: 00:00:00:00:00:02. To change this address, modify the six bytes defined in the *main.h* file.

The IP address can be set either as a static address, equal to 192.168.0.10, or as a dynamic address, assigned by a DHCP server.

The IP address configuration mode is selected in the *main.h* file:

- Uncomment `#define USE_DHCP` to configure the IP address by DHCP
- Comment `#define USE_DHCP` to use the static address (192.168.0.10)

Note: If you choose to configure the IP address by DHCP and the application does not find a DHCP server on the network to which it is already connected, the IP address is then automatically set to the static address (192.168.0.10).

4.2.3 STM324xx-EVAL settings

In order to run the software, configure the STM324xx-EVAL board as shown in [Table 14](#).

Note: Throughout this document, the STM324xx_EVAL board refers to STM324xG_EVAL evaluation board, which includes an embedded STM32F407xx and STM32F417xx microcontrollers and STM324x7I_EVAL evaluation board, which includes an embedded STM32F427xx and STM32F437xx microcontrollers.

Table 14. STM324xx-EVAL jumper configurations

Jumper	MII mode configuration	RMII mode configuration
JP5	1-2: provide 25MHz clock by external crystal 2-3: provide 25MHz clock by MCO at PA8	Not fitted
JP6	2-3: MII interface mode is enabled.	1-2: RMII interface mode is enabled.
JP8	Open: MII interface mode is selected.	Closed: RMII interface mode is selected.

5 Using the demos

The STM32F4x7 LwIP package comes with several demos that use the different API sets.

The examples come in two folders:

- Standalone: single-threaded application examples using the Raw API
- FreeRTOS: multi-threaded application using FreeRTOS with the Netconn or Socket API

5.1 Standalone demos

5.1.1 Httpserver demo

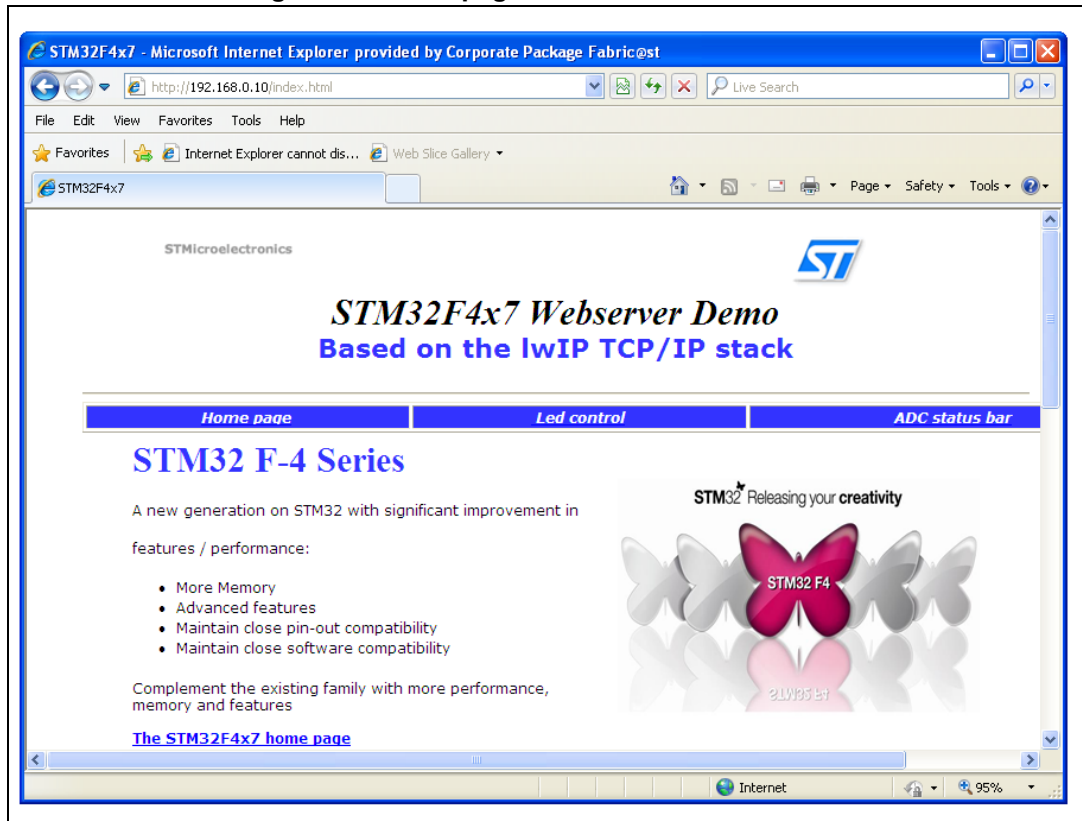
The HTTP server demo shows an implementation of a web server with the following features:

- URL parsing
- support of CGI (Common Gateway Interface)
- support of SSI (Server Side Includes)
- dynamic Header generation
- support of HTTP Post request

In order to test the HTTP server demo, follow these steps:

1. Be sure of the correct jumper settings in the STM324xx-EVAL board.
2. In the *main.h* file, uncomment "USE_DHCP" option to enable the DHCP client. Depending on your needs, you can uncomment/comment other options such as "SERIAL_DEBUG" or "USE_LCD". The "SERIAL_DEBUG" option is used to retarget the printf function to serial port (COM1) for debug purposes.
3. Build and program the demo code into the STM32F4x7 Flash memory.
4. If "USE_DHCP" and "USE_LCD" are defined, a message is displayed on the LCD screen indicating the success or failure of the DHCP IP address allocation.
5. After an IP address assignment (either a static or a dynamic address), the user can start the demo.
6. On the remote PC, open a web client (Mozilla Firefox or Internet Explorer) and type the board's IP address in a web browser. By default, the following static IP address is used: 192.168.0.10

Figure 10. Home page of the HTTP server demo



Server Side Includes (SSI)

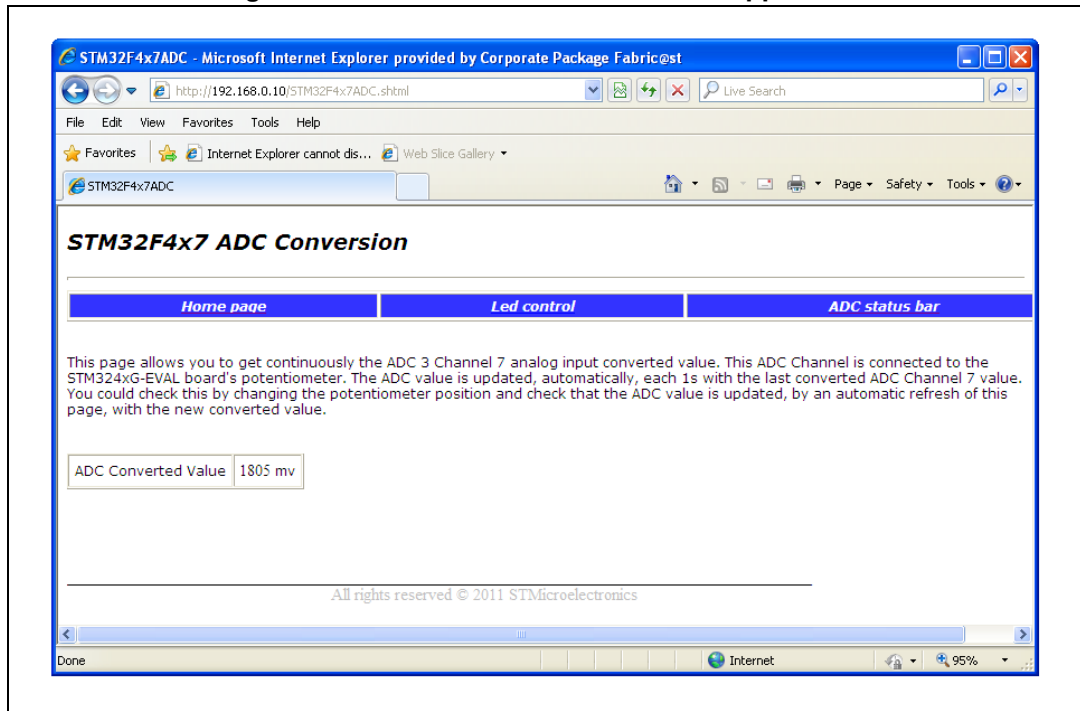
SSI is a method used to dynamically include dynamic data in HTML code.

This is done by placing a specific tag inside the HTML code of the web page. The tag should have the following format: `<!--#tag-->`

For the ADC conversion page, the following tag is used inside the HTML code: `<!--#t-->`

When there is a request for the ADC webpage (which has a ".shtml" extension), the server will parse the webpage and when the tag is found, it will be replaced by the ADC conversion value.

Figure 11. SSI use in HTTP server demo application



Common Gateway Interface (CGI)

The CGI is a standard web technique used to execute a request coming from a client on the server side and then to return a response to the client.

In LwIP, the CGI offered works only with GET method requests and can handle up to 16 parameters encoded in the URI. The CGI handler function executed on the server side returns a HTML file that the HTTP server sends to the client.

In the HTTP server demo, this method is used to control the four LEDs: LED1, LED2, LED3 and LED4 on the STM32F4x7 evaluation board.

5.1.2 TCP echo client demo

This demo is used to test a basic TCP connection. In this demo, the STM32 acts as a TCP client that connects to the TCP server. The client sends a string and the server echoes back the same string to the client.

In order to test the TCP echo client demo, follow these steps:

1. Be sure of the correct jumper settings in the STM324xx-EVAL board.
2. In the *main.h* file, uncomment "USE_DHCP" option to enable the DHCP client. Also, depending on your needs, you can uncomment/comment other options such as

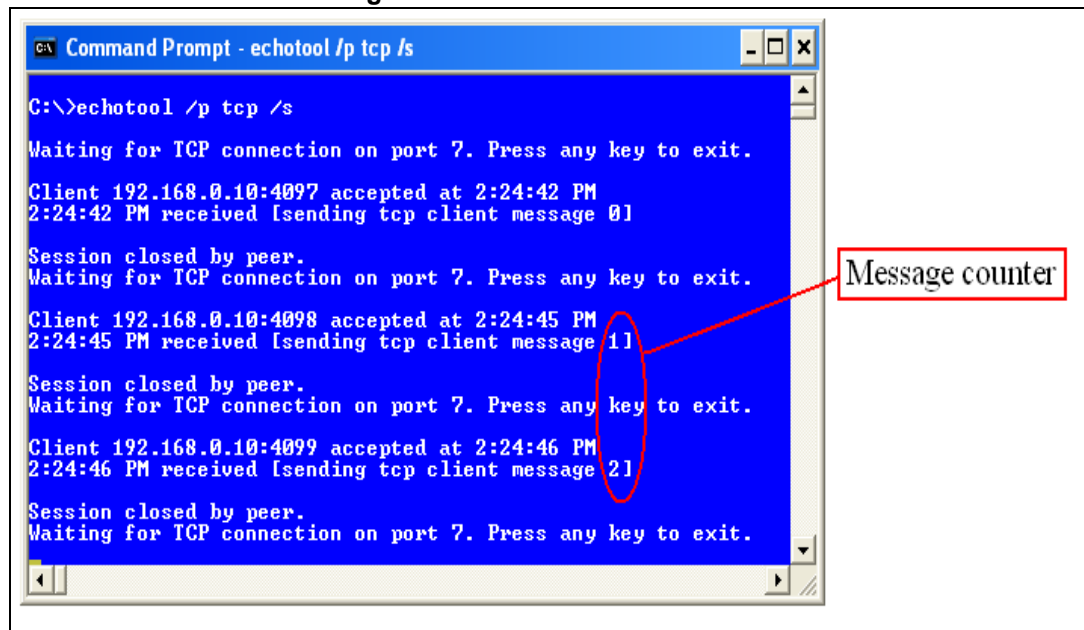
- “SERIAL_DEBUG” or “USE_LCD”. The “SERIAL_DEBUG” option enables you to retarget the printf function to serial port (COM1) for debug purposes.
- Build and program the demo code into the STM32F4x7 Flash memory.
 - If “USE_DHCP” and “USE_LCD” are defined, a message is displayed on the LCD screen indicating the success or failure of the DHCP IP address allocation.
 - After the IP address assignment (either a static or a dynamic address), the user can start the demo.
 - On the remote PC, open a command prompt window. (In Windows, select **Start > All Programs > Accessories > Command Prompt.**)
 - At the command prompt, enter:

```
C:\>echotool /p tcp /s
```

where:
 - /p tcp is the TCP protocol (TCP protocol)
 - /s is the actual mode of connection (Server mode)
 - When you press the Key button on the STM324xx-EVAL board, the client sends a string and the server echoes back the same string to the client.

Figure 12 shows an example of this command string and the module’s response.

Figure 12. TCP echo client demo



Note: Please ensure that the remote PC IP address is the same IP address as the one defined in the main.h file (192.168.0.11).

5.1.3 TCP echo server demo

This demo is used to test a basic TCP connection. In this demo, the STM32 acts as a TCP server that waits for client requests. It simply echoes back whatever is sent.

In order to test the TCP echo server demo, follow these steps:

1. Be sure of the correct jumper settings in the STM324xx-EVAL board.
2. In the *main.h* file, uncomment "USE_DHCP" option to enable the DHCP client. Also depending on your needs, you can uncomment/comment other options such as "SERIAL_DEBUG" or "USE_LCD". The "SERIAL_DEBUG" option is used to retarget the printf function to serial port (COM1) for debug purposes.
3. Build and program the demo code into the STM32F4x7 Flash memory.
4. If "USE_DHCP" and "USE_LCD" are defined, a message is displayed on the LCD screen indicating the success or failure of the DHCP IP address allocation.
5. After an IP address assignment (either a static or a dynamic address), the user can start the demo.
6. On the remote PC, open a command prompt window. (In Windows, select **Start > All Programs > Accessories > Command Prompt.**)
7. At the command prompt, enter:

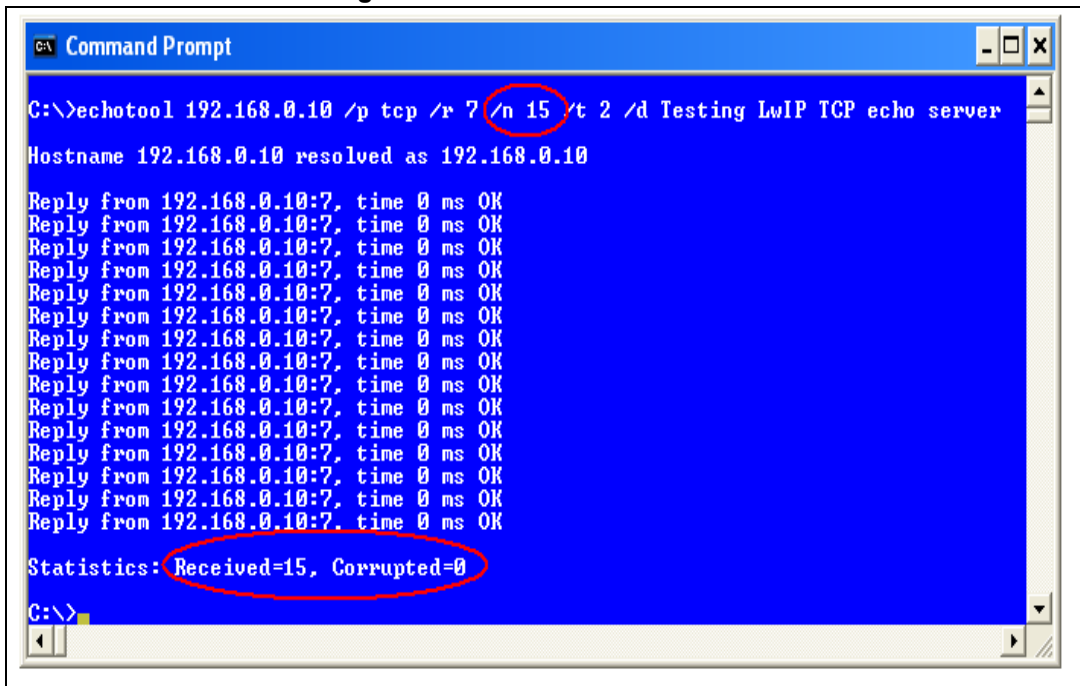
```
C:\>echotool IP_address /p tcp /r 7 /n 15 /t 2 /d Testing
LwIP TCP echo server
```

where:

- *IP_address* is the actual board's IP address. By default, the following static IP address is used: 192.168.0.10
- */p tcp* is the protocol (TCP protocol)
- */r* is the actual remote port on the echo server (echo port)
- */n* is the number of echo requests (for example, 15)
- */t* is the connection timeout in seconds (for example, 2)
- */d* is the message to be sent for echo (for example, "Testing LwIP TCP echo server")

Figure 13 shows an example of this command string and the module's response.

Figure 13. TCP echo server demo



Note: Statistics providing the number of received and corrupted packets are given at the end of the test.

5.1.4 UDP echo client demo

This demo is used to test a basic UDP echo connection. In this demo, the STM32 acts as a UDP client that connects to a UDP server.

In order to test the UDP echo client demo, follow these steps:

1. Be sure of the correct jumper settings in the STM324xx-EVAL board.
2. In the *main.h* file, uncomment “USE_DHCP” option to enable the DHCP client. Also, depending on your needs, you can uncomment/comment other options such as “SERIAL_DEBUG” or “USE_LCD”. The “SERIAL_DEBUG” option is used to retarget the printf function to serial port (COM1) for debug purposes.
3. Build and program the demo code into the STM32F4x7 Flash memory.
4. If “USE_DHCP” and “USE_LCD” are defined, a message is displayed on the LCD screen indicating the success or failure of the DHCP IP address allocation.
5. After the IP address assignment (either a static or a dynamic address), the user can start the demo.
6. On the remote PC, open a command prompt window. (In Windows, select **Start > All Programs > Accessories > Command Prompt.**)
7. At the command prompt, enter:

```
C:\>echotool /p udp /s
```

where;

- /p udp is the protocol (UDP protocol)
- /s is the actual mode of connection (Server mode)

8. When you press the Key button on the STM324xx-EVAL board, the client sends a string and the server echoes back the same string to the client.

Figure 14 shows an example of this command string and the module’s response.

Figure 14. UDP echo client demo

```

C:\>echotool /p udp /s

Waiting for UDP connection on port 7. Press any key to exit.
2:46:10 PM from 192.168.0.10:4096 received [sending udp client message 0]
2:46:11 PM from 192.168.0.10:4096 received [sending udp client message 1]
2:46:11 PM from 192.168.0.10:4096 received [sending udp client message 2]
2:46:12 PM from 192.168.0.10:4096 received [sending udp client message 3]
2:46:12 PM from 192.168.0.10:4096 received [sending udp client message 4]
2:46:13 PM from 192.168.0.10:4096 received [sending udp client message 5]
2:46:13 PM from 192.168.0.10:4096 received [sending udp client message 6]
2:46:13 PM from 192.168.0.10:4096 received [sending udp client message 7]
2:46:13 PM from 192.168.0.10:4096 received [sending udp client message 8]
2:46:14 PM from 192.168.0.10:4096 received [sending udp client message 9]
2:46:14 PM from 192.168.0.10:4096 received [sending udp client message 10]
2:46:15 PM from 192.168.0.10:4096 received [sending udp client message 11]
2:46:19 PM from 192.168.0.10:4096 received [sending udp client message 12]
2:46:19 PM from 192.168.0.10:4096 received [sending udp client message 13]
2:46:19 PM from 192.168.0.10:4096 received [sending udp client message 14]
2:46:20 PM from 192.168.0.10:4096 received [sending udp client message 15]

```

Note: Please ensure that the remote PC IP address is the same IP address as the one defined in the *main.h* file (192.168.0.11).

5.1.5 UDP echo server demo

This demo is used to test a basic UDP connection. In this demo, the STM32 acts as a UDP server that waits for client requests.

In order to test the UDP echo server demo, follow these steps:

1. Be sure of the correct jumper settings in the STM324xx-EVAL board.
2. In the *main.h* file, uncomment "USE_DHCP" option to enable the DHCP client. Also, depending on your needs, you can uncomment/comment other options such as "SERIAL_DEBUG" or "USE_LCD". The "SERIAL_DEBUG" option is used to retarget the printf function to serial port (COM1) for debug purposes.
3. Build and program the demo code into the STM32F4x7 Flash memory.
4. If "USE_DHCP" and "USE_LCD" are defined, a message is displayed on the LCD screen indicating the success or failure of the DHCP IP address allocation.
5. After the IP address assignment (either a static or a dynamic address), the user can start the demo.
6. On the remote PC, open a command prompt window. (In Windows, select **Start > All Programs > Accessories > Command Prompt.**)
7. At the command prompt, enter:

```
C:\>echotool IP_address /p udp /r 7 l/ 7 /n 15 /t 2 /d
Testing LwIP UDP echo server
```

where:

- IP_address is the actual board's IP address. By default, the following static IP address is used: 192.168.0.10
- /p udp is the protocol (UDP protocol)
- /r is the actual remote port on the echo server (echo port)
- /l is the actual local port for the client (echo port)
- /n is the number of echo requests (for example, 15)
- /t is the connection timeout in seconds (for example, 2)
- /d is the message to be sent for echo (for example, "Testing LwIP UDP echo server")

Figure 15 shows an example of this command string and the module's response.

Figure 15. UDP echo server demon

```

C:\>echotool 192.168.0.10 /p udp /r 7 /l 7 /n 15 /t 2 /d Testing LwIP UDP echo server
Hostname 192.168.0.10 resolved as 192.168.0.10
Reply from 192.168.0.10:7, time 0 ms OK
Reply from 192.168.0.10:7, time 0 ms OK
Reply from 192.168.0.10:7, time 0 ms OK
Reply from 192.168.0.10:7, time 0 ms OK
Reply from 192.168.0.10:7, time 0 ms OK
Reply from 192.168.0.10:7, time 0 ms OK
Reply from 192.168.0.10:7, time 0 ms OK
Reply from 192.168.0.10:7, time 0 ms OK
Reply from 192.168.0.10:7, time 0 ms OK
Reply from 192.168.0.10:7, time 0 ms OK
Reply from 192.168.0.10:7, time 0 ms OK
Reply from 192.168.0.10:7, time 0 ms OK
Reply from 192.168.0.10:7, time 0 ms OK
Reply from 192.168.0.10:7, time 0 ms OK
Reply from 192.168.0.10:7, time 0 ms OK
Statistics: Received=15, Corrupted=0, Lost=0
C:\>

```

Note: Statistics providing the number of received and corrupted packets are given at the end of the test.

5.1.6 TFTP server demo

The TFTP server is a file transfer application that needs a remote TFTP client. The files are transferred to and from the microSD card located on the STM324xx-EVAL board.

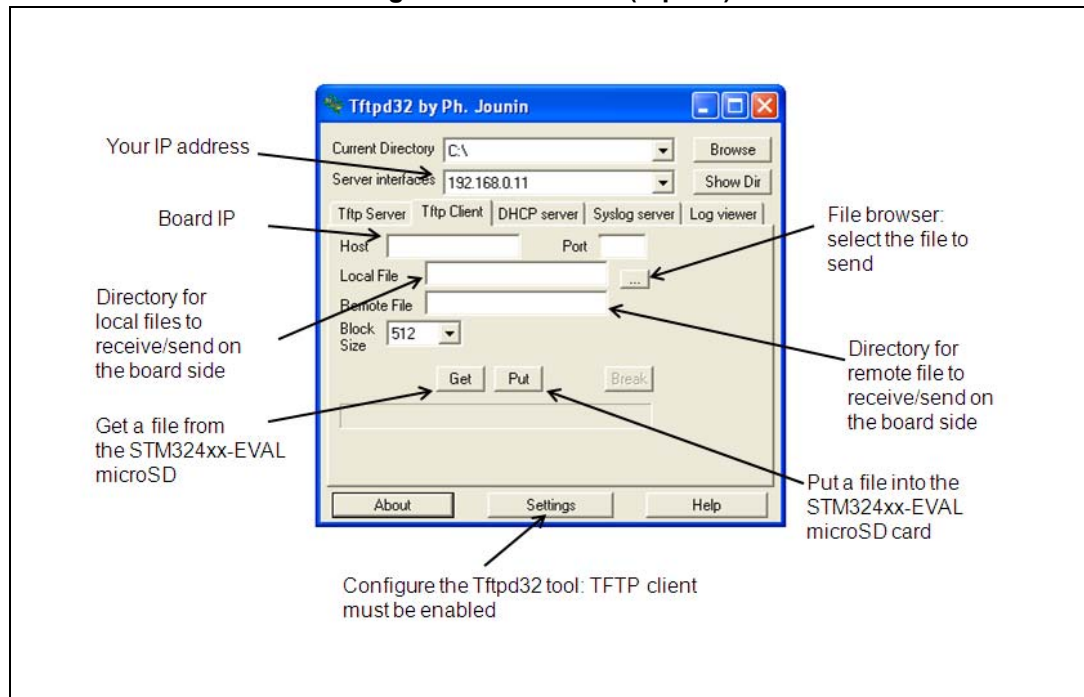
The TFTP server waits for a request from a remote TFTP client. The STM324xx-EVAL board must be connected through a remote PC to download or upload a file. To do this, a TFTP client must be installed on the remote PC. This can be done by using the tftpd32 tool, which can be found at <http://tftpd32.jounin.net>

In order to test the tftpserver demo, follow these steps:

1. Be sure of the correct jumper settings in the STM324xx-EVAL board.
2. In the main.h file, uncomment "USE_DHCP" option to enable the DHCP client. Also, depending on your needs, you can uncomment/comment other options such as "SERIAL_DEBUG" or "USE_LCD". The "SERIAL_DEBUG" option is used to retarget the printf function to serial port (COM1) for debug purposes.
3. Build and program the demo code into the STM32F4x7 Flash memory.
4. If "USE_DHCP" and "USE_LCD" are defined, a message is displayed on the LCD screen indicating the success or failure of the DHCP IP address allocation.
5. After the IP address assignment (either a static or a dynamic address), the user can start the demo.
6. On the remote PC, open the TFTP client (for example, TFTP32), and configure the TFTP server address (host address in TFTP32).
7. Start transferring files to and from the microSD card located on the STM324xx-EVAL board.

Figure 16 gives an overview of the tftpd32 tool.

Figure 16. TFTP tool (tftpd32)



Note: Make sure that the microSD™ card is plugged into the dedicated connector (CN6) prior to downloading/uploading a file from/to the STM324xx-EVAL board.

5.2 FreeRTOS demos

5.2.1 HTTP server netconn demo

The HTTP server netconn demo shows an implementation of a web server application based on the netconn API. This demo is used to connect to the STM324xx-EVAL board from the web browser and to load HTML pages.

This demo has two HTML pages. The first one contains general information about STM32F4x7 microcontrollers, the demonstration package and the LwIP stack. The second one contains the list of running tasks and their status. This page is automatically updated every second.

In order to test the HTTP server netconn demo, follow these steps:

1. Be sure of the correct jumper settings in the STM324xx-EVAL board.
2. In the *main.h* file, uncomment "USE_DHCP" option to enable the DHCP client. Also, depending on your needs, you can uncomment/comment other options such as

“SERIAL_DEBUG” or “USE_LCD”. The “SERIAL_DEBUG” option is used to retarget the printf function to serial port (COM1) for debug purposes.

3. Build and program the demo code into the STM32F4x7 Flash memory.
4. If “USE_DHCP” and “USE_LCD” are defined, a message is displayed on the LCD screen indicating the success or failure of the DHCP IP address allocation.
5. After the IP address assignment (either a static or a dynamic address), the user can start the demo.
6. On the remote PC, open a web client (Mozilla Firefox or Internet Explorer) and type the board’s IP address in a web browser. By default, the following static IP address is used:
192.168.0.10.

5.2.2 HTTP server socket demo

The HTTP server socket demo shows an implementation of a web server application based on the socket API. To test this demo, refer to [Section 5.2.1: HTTP server netconn demo](#).

5.2.3 UDP TCP echo server netconn demo

This demo provides the echo service application on both TCP and UDP protocols:

- To test the UDP TCP echo server netconn demo in TCP server mode, refer to [Section 5.1.3: TCP echo server demo](#).
- To test the UDP TCP echo server netconn demo in UDP server mode, refer to [Section 5.1.5: UDP echo server demo](#).

6 Footprint information

6.1 HTTP server demo

[Table 15](#) provides the HTTP server demonstration footprint, calculated with the following configuration:

- 12 buffers of 512 bytes constitute the LwIP pool of buffers. These parameters are defined in the *LwIPOpts.h* file by `PBUF_POOL_SIZE` and `PBUF_POOL_BUFSIZE`.
- 10 Kbytes dedicated to the LwIP's heap and defined in the *LwIPOpts.h* file by `MEM_SIZE`.
- 6 buffers of 1520 bytes dedicated to the Ethernet driver and defined in the *STM32F4x7_eth_conf.h* file.

Note: These values are provided for demonstration purposes only. When porting the current package for use with your application, these parameters should be adjusted to your needs.

Table 15. HTTP server demo footprint

Modules	Flash memory (bytes)		SRAM (bytes)
	Ro code	Ro data	Rw data
Ethernet driver and interface	2828	0	9360
LwIP memory management and IP modules	18634	20	19978
Application modules: Main and system initialization	6988	52385	1581
STM32F4xx Standard Peripheral Library Drivers	1270	5	16
STM324xx-EVAL board	2450	4568	32
Others (stack, heap, etc.)	8456	113	1803
Total	40626	57 091	32 770

Note: The software is compiled using IAR EWARM v6.50.1, with a high speed code optimization.

6.2 HTTP server netconn demo

[Table 16](#) provides the HTTP server demonstration footprint, calculated with the following configuration:

- 12 buffers of 512 bytes constitute the LwIP pool of buffers. These parameters are defined in the *LwIPOpts.h* file by `PBUF_POOL_SIZE` and `PBUF_POOL_BUFSIZE`.
- 5 Kbytes dedicated to the LwIP's heap and defined in the *LwIPOpts.h* file by `MEM_SIZE`.
- 8 buffers of 1520 bytes dedicated to the Ethernet driver and defined in the *STM32F4x7_eth_conf.h* file.

Note: These values are provided for demonstration purposes only. When porting the current package for use with your application, these parameters should be adjusted to your needs.

Table 16. Httpserver netconn demo footprint

Modules	Flash memory (bytes)		SRAM (bytes)
	Ro code	Ro data	Rw data
Ethernet driver and interface	3616	0	12486
LwIP memory management and IP modules	23416	19	16486
FreeRTOS	5070	86	15792
Application modules: Main and system initialization	6204	43368	516
STM32F4xx Standard Peripheral Library Drivers	958	3	16
STM324xx-EVAL board	2434	4568	32
Others (stack, heap, etc.)	10234	160	2325
Total	51932	48204	47653

Note: The software is compiled using IAR EWARM v6.50.1, with a high speed code optimization.

7 Conclusion

The aim of this application note is to show the use of the LwIP TCP/IP stack with the STM32F4x7 family. This open source stack offers the services of a full-scale TCP/IP stack while keeping relatively low RAM/ROM usage.

The application note also shows two approaches for developing TCP/IP applications, either in a Standalone mode, or using a real-time operating system (RTOS) for multi-threaded operations.

8 Revision history

Table 17. Document revision history

Date	Revision	Changes
02-Nov-2011	1	Initial release.
04-Jul-2013	2	<p>Added support of STM32F427xx and STM32F437xx devices. Updated Title. Added note and Table 1: Applicable products on cover page. Replaced 'LwIP v1.3.2' by 'LwIP v1.4.1' in Section 1: LwIP stack overview. Updated Figure 1: LwIP folder organization. Added 'ETH_Stop' to Figure 8: Global Ethernet MAC/DMA functions. Updated Section 3.2: Developing with an RTOS using Netconn or Socket API. Updated Figure 9: Demonstration package structure. Replaced 'STM324xG-EVAL' by 'STM324xx-EVAL' in Section 4.2.3: STM324xx-EVAL settings and Section 5: Using the demos. Updated Figure 16: TFTP tool (tftpd32). Updated Table 15: HTTP server demo footprint and Table 16: Httpserver netconn demo footprint. Updated part numbers in Section 7: Conclusion.</p>

Please Read Carefully:

Information in this document is provided solely in connection with ST products. STMicroelectronics NV and its subsidiaries ("ST") reserve the right to make changes, corrections, modifications or improvements, to this document, and the products and services described herein at any time, without notice.

All ST products are sold pursuant to ST's terms and conditions of sale.

Purchasers are solely responsible for the choice, selection and use of the ST products and services described herein, and ST assumes no liability whatsoever relating to the choice, selection or use of the ST products and services described herein.

No license, express or implied, by estoppel or otherwise, to any intellectual property rights is granted under this document. If any part of this document refers to any third party products or services it shall not be deemed a license grant by ST for the use of such third party products or services, or any intellectual property contained therein or considered as a warranty covering the use in any manner whatsoever of such third party products or services or any intellectual property contained therein.

UNLESS OTHERWISE SET FORTH IN ST'S TERMS AND CONDITIONS OF SALE ST DISCLAIMS ANY EXPRESS OR IMPLIED WARRANTY WITH RESPECT TO THE USE AND/OR SALE OF ST PRODUCTS INCLUDING WITHOUT LIMITATION IMPLIED WARRANTIES OF MERCHANTABILITY, FITNESS FOR A PARTICULAR PURPOSE (AND THEIR EQUIVALENTS UNDER THE LAWS OF ANY JURISDICTION), OR INFRINGEMENT OF ANY PATENT, COPYRIGHT OR OTHER INTELLECTUAL PROPERTY RIGHT.

ST PRODUCTS ARE NOT AUTHORIZED FOR USE IN WEAPONS. NOR ARE ST PRODUCTS DESIGNED OR AUTHORIZED FOR USE IN: (A) SAFETY CRITICAL APPLICATIONS SUCH AS LIFE SUPPORTING, ACTIVE IMPLANTED DEVICES OR SYSTEMS WITH PRODUCT FUNCTIONAL SAFETY REQUIREMENTS; (B) AERONAUTIC APPLICATIONS; (C) AUTOMOTIVE APPLICATIONS OR ENVIRONMENTS, AND/OR (D) AEROSPACE APPLICATIONS OR ENVIRONMENTS. WHERE ST PRODUCTS ARE NOT DESIGNED FOR SUCH USE, THE PURCHASER SHALL USE PRODUCTS AT PURCHASER'S SOLE RISK, EVEN IF ST HAS BEEN INFORMED IN WRITING OF SUCH USAGE, UNLESS A PRODUCT IS EXPRESSLY DESIGNATED BY ST AS BEING INTENDED FOR "AUTOMOTIVE, AUTOMOTIVE SAFETY OR MEDICAL" INDUSTRY DOMAINS ACCORDING TO ST PRODUCT DESIGN SPECIFICATIONS. PRODUCTS FORMALLY ESCC, QML OR JAN QUALIFIED ARE DEEMED SUITABLE FOR USE IN AEROSPACE BY THE CORRESPONDING GOVERNMENTAL AGENCY.

Resale of ST products with provisions different from the statements and/or technical features set forth in this document shall immediately void any warranty granted by ST for the ST product or service described herein and shall not create or extend in any manner whatsoever, any liability of ST.

ST and the ST logo are trademarks or registered trademarks of ST in various countries.

Information in this document supersedes and replaces all information previously supplied.

The ST logo is a registered trademark of STMicroelectronics. All other names are the property of their respective owners.

© 2013 STMicroelectronics - All rights reserved

STMicroelectronics group of companies

Australia - Belgium - Brazil - Canada - China - Czech Republic - Finland - France - Germany - Hong Kong - India - Israel - Italy - Japan - Malaysia - Malta - Morocco - Philippines - Singapore - Spain - Sweden - Switzerland - United Kingdom - United States of America

www.st.com