



PHOTOVOLTAIC BATTERIES

FLOODED - MONOBLOC

DEKA SOLAR FLOODED MONOBLOC BATTERIES

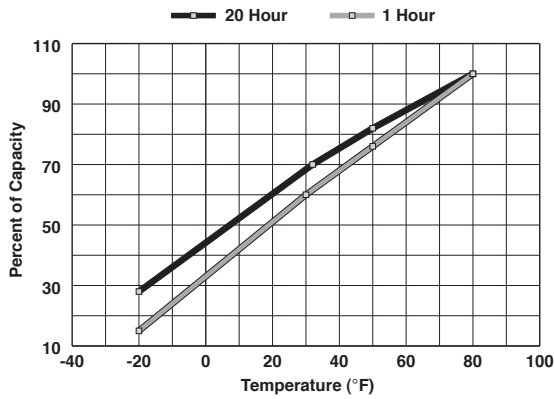
are designed to offer reliable, low-maintenance power for renewable energy applications where frequent deep cycles are required and minimum maintenance is desirable.

The **DEKA SOLAR FLOODED MONOBLOC** include 3 cell (6 volt) and 6 cell (12 volt) photovoltaic batteries.

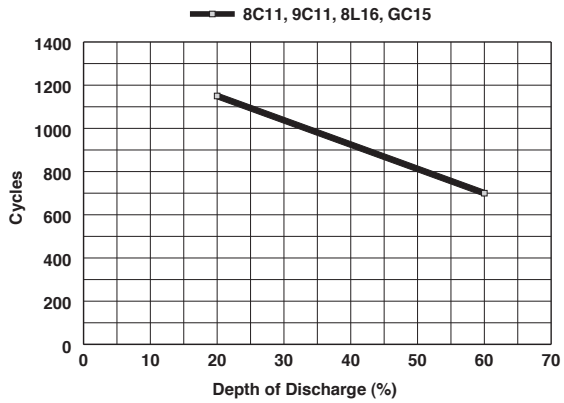


FEATURES & BENEFITS	
Case and Cover	Heat sealed, lightweight, crack resistant, molded high impact polypropylene.
Separators	Microporous polyethylene envelopes/separators
Retainers	20 mil glass mat (DC27- 10 mil).
Positive and Negative Plate	Antimony flat plate
Specific Gravity (fully charged)	1.275 @ 25°C (77°F).
Cell Connections	TP welded (through partition)
Vents	Individual quarter - turn bayonet vent cap (DC27 - removable pod vents, 3 cells per vent)
Self discharge	1% per week
Cycle life for 8C11, 9C11, 8L16, GC15	700 cycles @ 60% DOD, 1150 cycles @ 20% DOD (Number of cycles based on 75 amp discharge to 1.75 vpc @ 32°C (90°F))
Cycle life for DC27	200 cycles @ 80% DOD, 900 cycles @ 20% DOD (Number of cycles based on 25 amp discharge to 1.75 vpc @ 29°C (85°F))

Capacity vs. Temperature



Depth of Discharge vs. Cycles



TYPE NO.		FOOTNOTES	PERFORMANCE		QUARTS (LITERS) OF ACID	APPROXIMATE WEIGHT lbs. (kgs.)		MAXIMUM OVERALL DIMENSIONS inches (mm)		
WET	DRY		20 AMP HR. RATE	6 AMP HR. RATE		WET	DRY	L	W	H
6-VOLT SOLAR FLOODED MONOBLOC										
8C11	8C11D	4,11,17,19,25,30,34,V	235	190	8 (7.6)	66.5 (30.2)	48 (21.8)	11½ (298)	7 (178)	11½ (292)
9C11	9C11D	4,11,17,19,25,30,34,V	250	210	7½ (7.1)	73 (33.1)	52½ (23.8)	11½ (298)	7 (178)	11½ (292)
8L16	8L16D	4,11,17,19,25,30,34,W	370	295	11½ (10.9)	113 (51.3)	83 (37.6)	11½ (298)	7 (178)	16½ (419)
GC15	GC15D	4,11,30,34,U	215	178	—	63 (28.6)	44 (20)	10½ (260)	7½ (181)	10½ (276)
12-VOLT SOLAR FLOODED MONOBLOC										
DC27	—	11,17,35,U	90	—	—	53 (24.0)	—	12½ (318)	6¾ (171)	9¾ (238)

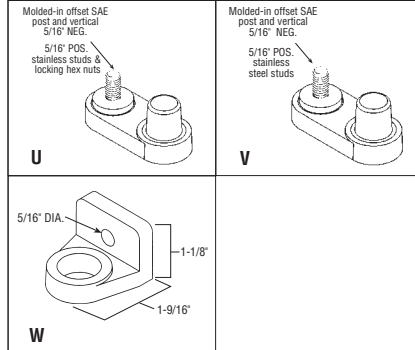
FOOTNOTES:

- 4 - Gray Cover / Gray Case
- 11 - Low maintenance-low antimony grids
- 17 - Includes Handle
- 19 - Includes lifting ledges
- 25 - With individual vent caps
- 30 - Available dry-add "D" suffix to part number
- 34 - Ratings after 15 cycles
- 35 - Deduct 15% from CCA and CA rating shown
- U - Molded-in offset SAE post and vertical 5/16" NEG., 5/16" POS. stainless studs & locking hex nuts
- V - Molded-in offset SAE post and vertical 5/16" NEG., 5/16" POS. stainless steel
- W - "L" type terminal w/ 5/16" diameter hole (T882)

All batteries manufactured with polypropylene cases except where noted.

† - **IMPORTANT CHARGING INSTRUCTIONS: WARRANTY VOID IF OPENED OR IMPROPERLY CHARGED.** Do not install in a sealed container. Constant under or overcharging will damage any battery and shorten its life! Use a good constant potential, voltage-regulated charger. **For 6-volt batteries, charge to at least 6.9 volts but no more than 7.05 volts at 68°F (20°C).** The open circuit voltage of a fully charged 6-volt battery is 6.4V at 68°F (20°C). However, as the battery charges, the building internal pressure (voltage) causes resistance to the charge. Therefore, the on-charge voltage must be higher (at least 6.9V) to overcome this internal pressure (voltage) during charging.

TERMINAL SELECTION



QUALITY SYSTEM
CERTIFIED TO
ISO 9001
ISO/TS 16949
ISO 14001



"POWERED FOR PERFORMANCE"®
EAST PENN manufacturing co., inc.

Lyon Station, PA 19536-0147 • Fax: 610-682-4781
Domestic & International Inquiries Call: 610-682-3263
www.eastpennunigy.com • e-mail: sales@eastpennunigy.com

E.P.M. Form No. 0919B 6/08
©2008 by EPM Printed in U.S.A.



Domestic Inquiries Call: 1-800-372-9253
www.mkbattery.com • e-mail: sales@mkbattery.com

All data subject to change without notice. No part of this document may be copied or reproduced, electronically or mechanically, without written permission from the company.