

# WALKER

## Illustrated Parts Manual

Side Discharge Deck, Rear Discharge Deck, and Carrier Frame Assemblies

DS36

DS42

DS48

DS52

DR52

DS56

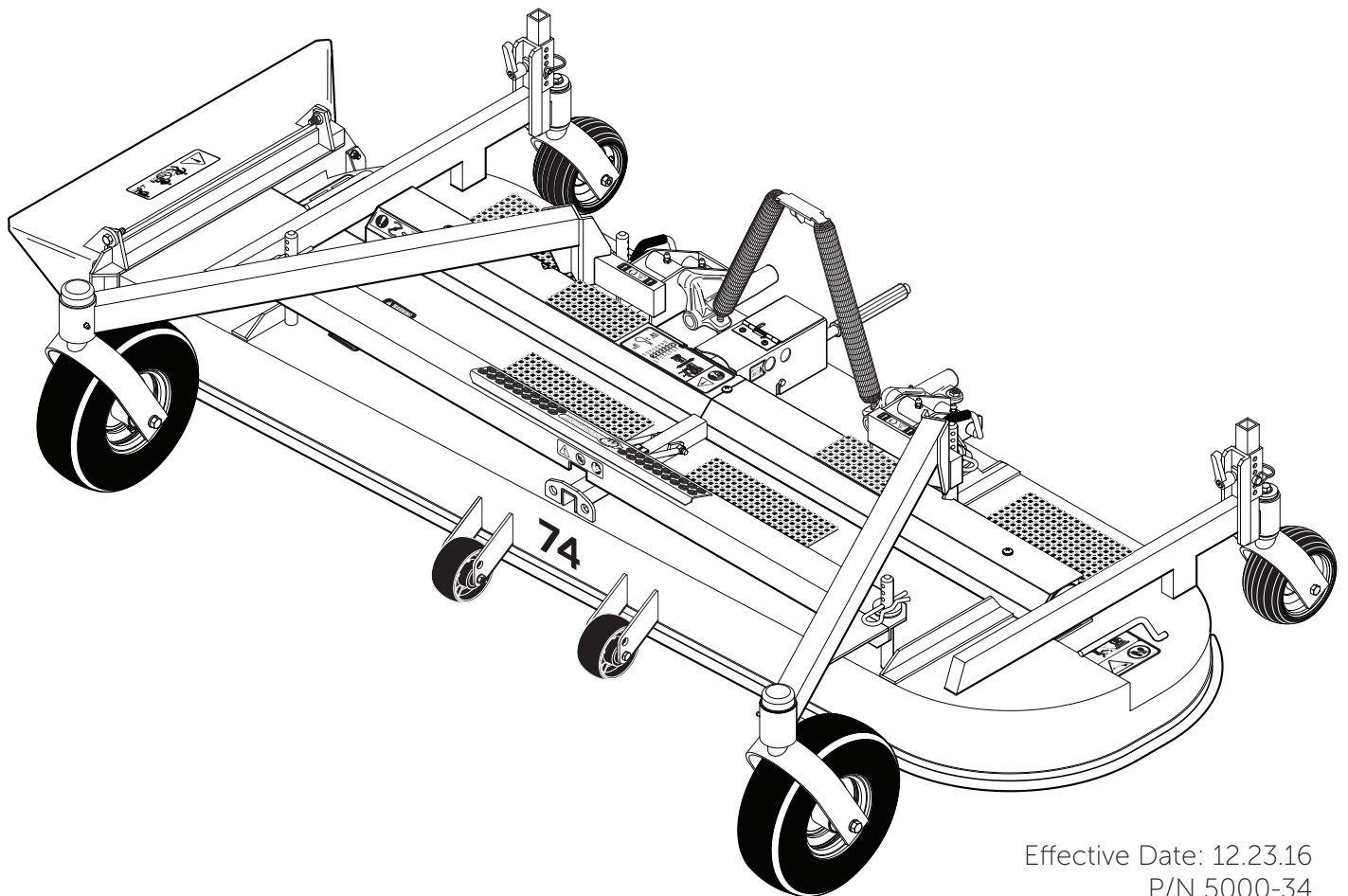
DS60

DS62

DR64

DS42 Belt Drive

DS74



Effective Date: 12.23.16  
P/N 5000-34

# KEY TO ABBREVIATIONS USED IN THIS MANUAL

<i>Abbreviation</i>	<i>What it Represents</i>
° (Dimension)	Degrees (Angle)
" (Dimension)	inches
(-)	Negative (Polarity)
(+)	Positive (Polarity)
AT	All-Terrain
CCW	Counter-clockwise
Conn	Connector
CW	Clockwise
D	Diameter
DC	Deck, Collection (number refers to size in inches)
DM	Deck, Mulching (number refers to size in inches)
DR	Deck, Rear Discharge (number refers to size in inches)
DS	Deck, Side Discharge (number refers to size in inches)
DU	Garlock (Bearing)
ESNA (Fastener)	Nylon Insert Locknut
FSC	Forward Speed Control
GA	Gauge
gal	gallon
GHS	Grass Handling System
GR (Fastener)	Grade
HD	Heavy Duty
HP	Horse Power
ID	Identification or Inside Diameter
L	Length
LH	Left Hand (orientated with operator on seat)
LP	Low Profile
mm (Dimension)	millimeters
MS (Fastener)	Machine Screw
NS (as part number)	Item is not sold by Walker Manufacturing
OD	Outside Diameter
oz	ounce
PFH (Fastener)	Phillips Flat Head
P/N	Part Number
PPH (Fastener)	Phillips Pan Head
PTH (Fastener)	Phillips Truss Head
PTO	Power Take-Off
QKS	Quick Slide
qt	quart
RH	Right Hand (orientated with operator on seat)
SAE (Fastener)	Society of Automotive Engineers
SBH (Fastener)	Socket Button Head (Bolt)
SD	Side Discharge
SFH (Fastener)	Slotted Flat Head
SHC (Fastener)	Socket Head Cap
SHL (Fastener)	Shoulder (Bolt)
SM (Fastener)	Sheet Metal (Screw)
S/N	Serial Number
Spg	Spring
SQH (Fastener)	Square Head
SS (Fastener)	Stainless Steel
ST (Fastener)	Self-Tapping (Screw)
Term	Terminal
V	Volts

NOTE: In some instances, combinations of abbreviations may be used (e.g. PPHMS - Phillips Pan Head Machine Screw).

# ILLUSTRATED PARTS LIST

<i>Section of Deck Covered</i>	<i>Page</i>	<i>Section of Deck Covered</i>	<i>Page</i>
<b>Decals &amp; Paint</b>		<b>Maintenance</b>	
36", 42", 42 Belt Drive, 48", 52" & 56" Deck Decals...2		Optional Break-Away Blades .....56	
DR52, DS60 & DR64 Deck Decals.....4		Blade Usage Chart.....57	
62" & 74" Deck Decals / Touch-Up Paint .....6		Lubrication Points .....58	
		Fastener Loctite® Application & Torque Instructions .....62	
<b>Deck and Carrier Frame Assemblies</b>		Maintenance And Service Record Sheet.....64	
36 Inch Complete Carrier Frame Assembly.....8		Deck / Tractor Compatibility Chart.....64	
DS36 Deck Assembly .....10			
42 Inch Complete Carrier Frame Assembly.....12		<b>Warranty</b>	
DS42 Deck Assembly .....14		Limited Warranty.....65	
42 Inch Belt Drive Complete Carrier Frame Assembly .....16			
DS42 Belt Drive Deck Assembly .....18			
48 Inch Complete Carrier Frame Assembly.....20			
DS48 Deck Assembly .....22			
DS52 Inch Complete Carrier Frame Assembly.....24			
DS52 Deck Assembly .....26			
DS52 Mulching Kit .....28			
DR52, DS60 & DR64 Inch Carrier Frame Footrest Components .....30			
DR52 Inch Complete Carrier Frame Assembly .....32			
DR52 Deck Assembly .....34			
56 Inch Complete Carrier Frame Assembly.....36			
DS56 Deck Assembly .....38			
DS60 & DR64 Inch Complete Carrier Frame Assembly .....40			
DS60 Deck Assembly .....42			
DS60 Mulching Kit .....44			
62 Inch Complete Carrier Frame Assembly.....46			
DS62 Deck Assembly .....48			
DR64 Deck Assembly .....50			
74 Inch Complete Carrier Frame Assembly.....52			
DS74 Deck Assembly .....54			

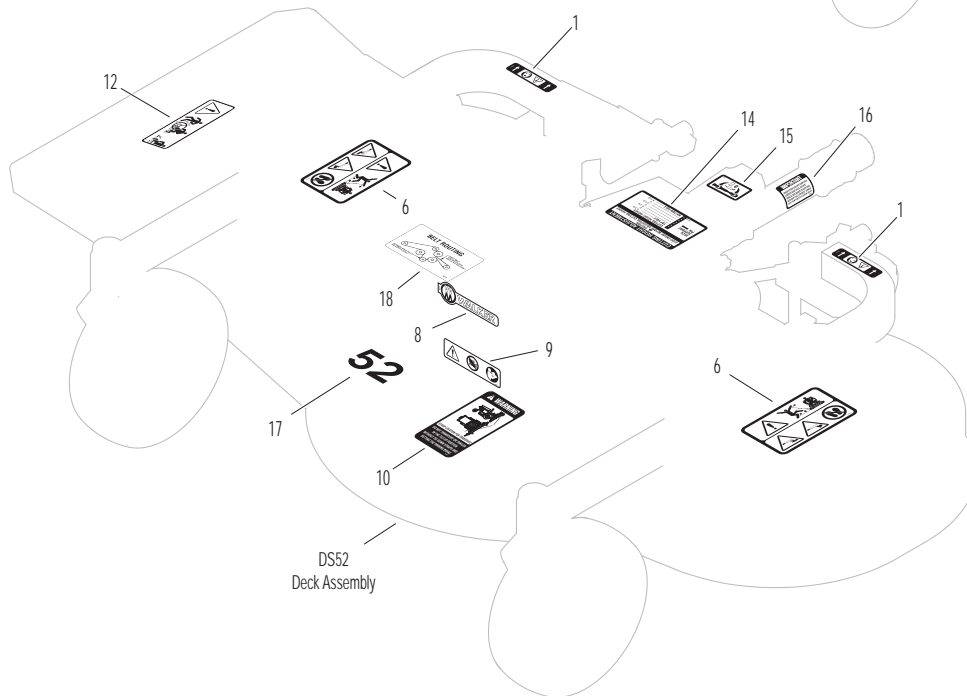
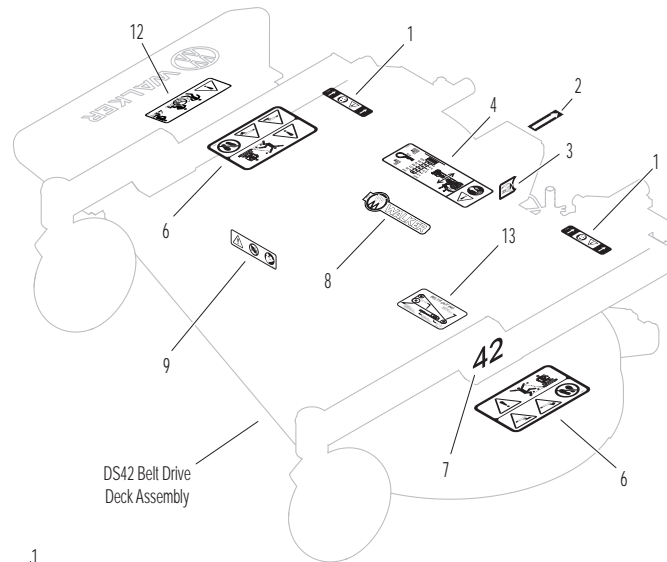
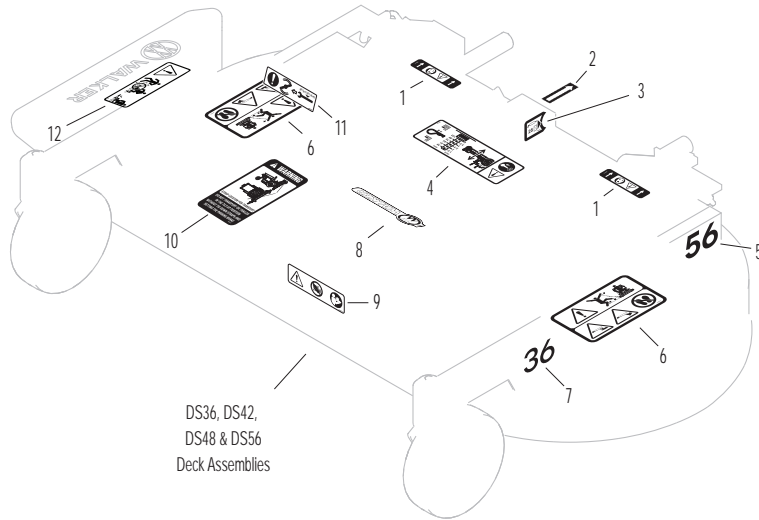
## 36", 42", 42 BELT DRIVE, 48", 52" & 56" DECK DECALS

ITEM NO.	PART NO.	DESCRIPTION	LOCATION	NO. REQ'D
<b>DS36, DS42, DS48 &amp; DS56 Deck Decals</b>				
1	8600-15	Caution, Pivot Joint	Carrier Frame	2
2	6875	PTO Alignment Arrow	Universal Joint Shaft Assembly	1
3	5846-1	Grease Fitting	PTO Shaft Guard	1
4	8600-39	Cutting Height Adjustment	Gearbox Cover	1
5	6789	Decal (56")	Carrier Frame	1
6	8600-28	Danger, Rotating Blades	Deck Housing (one on each end)	2
7	8821-14	Decal (36")	Carrier Frame	1
	8821-15	Decal (42")	Carrier Frame	1
	8821-16	Decal (48")	Carrier Frame	1
8	5809-2	Decal, Walker	Carrier Frame	1
9	8600-14	Danger, Tilt-Up	Carrier Frame, Front	1
10	8653-1	Transport Warning, DS56	Deck Housing	1
11	8600-9	Blade Mounting Torque	Gearbox Cover	1
12	5848-3	Danger, Side Discharge Shield	Side Discharge Shield	1
<b>DS42 Belt Drive Deck Decals</b>				
1	8600-15	Caution, Pivot Joint	Carrier Frame	2
2	6875	PTO Alignment Arrow	Universal Joint Shaft Assembly	1
3	5846-1	Grease Fitting	PTO Shaft Guard	1
4	8600-39	Cutting Height Adjustment	Footrest	1
6	8600-28	Danger, Rotating Blades	Deck Housing (one on each end)	2
7	8821-15	Decal (42")	Carrier Frame	1
8	5809-2	Decal, Walker	Footrest	1
9	8600-14	Danger, Tilt-Up	Carrier Frame, Front	1
12	5848-3	Danger, Side Discharge Shield	Side Discharge Shield	1
13	8749-1	Belt Routing	Deck Housing	1
<b>DS52 Deck Decals</b>				
1	8600-15	Caution, Pivot Joint	Carrier Frame	2
6	8600-28	Danger, Rotating Blades	Cover Plate (one on each end)	2
8	5809-2	Decal, Walker	Carrier Frame, Front	1
9	8600-14	Danger, Tilt-Up	Deck Housing, Front	1
10	8653-1	Transport Warning	Deck Housing	1
12	5848-3	Danger, Side Discharge Shield	Side Discharge Shield	1
14	8748	Cutting Height Adjustment	Footrest Pulley Guard	1
15	8746-2	Universal Joint Lube	PTO Cover Plate	1
16	8746-1	Decal, Tele PTO Shaft	Universal Joint Shaft Assembly	1
17	8732	Decal (52")	Deck Housing	1
18	8734	Drive Belt Routing	Underneath Deck Cover Plate	1

**NOTE:** All parts requiring decals are shipped with decals applied.



# 36", 42", 42 BELT DRIVE, 48", 52" & 56" DECK DECALS



## DR52, DS60 & DR64 DECK DECALS

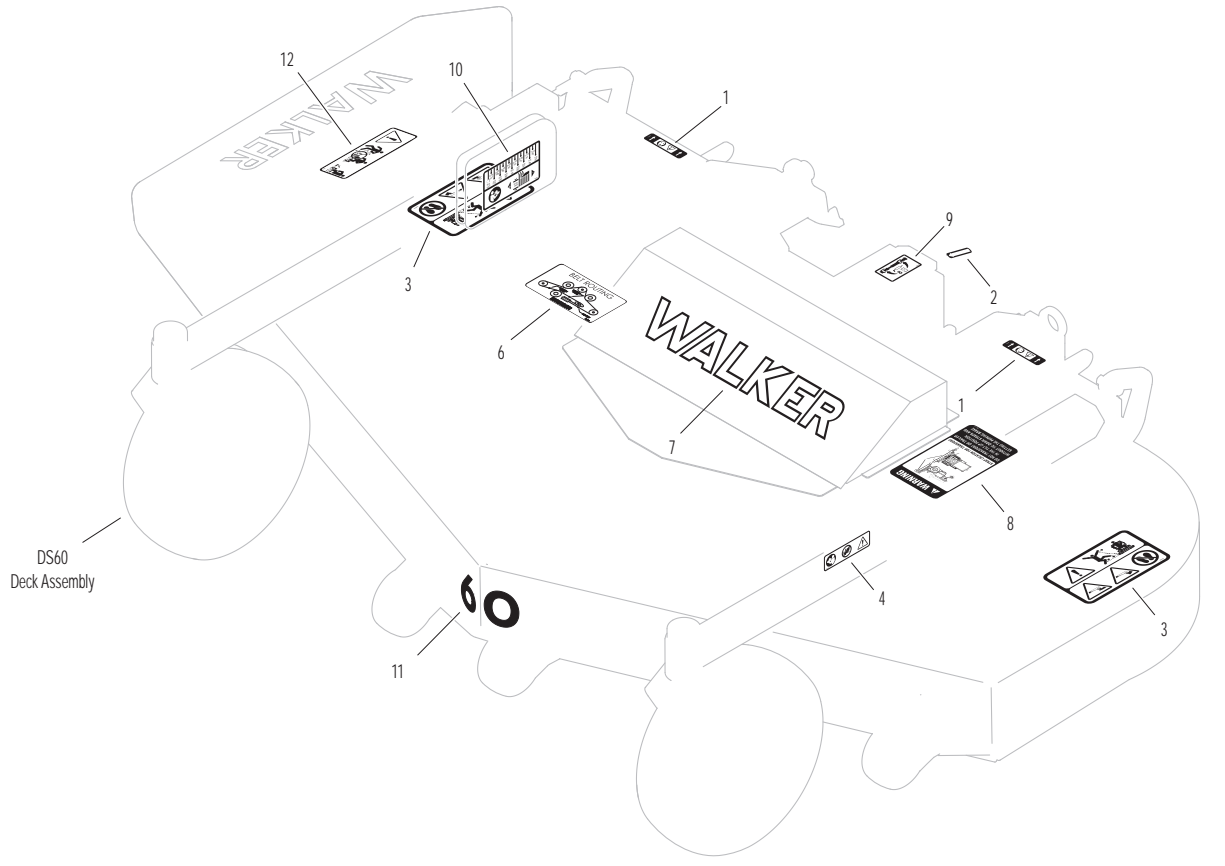
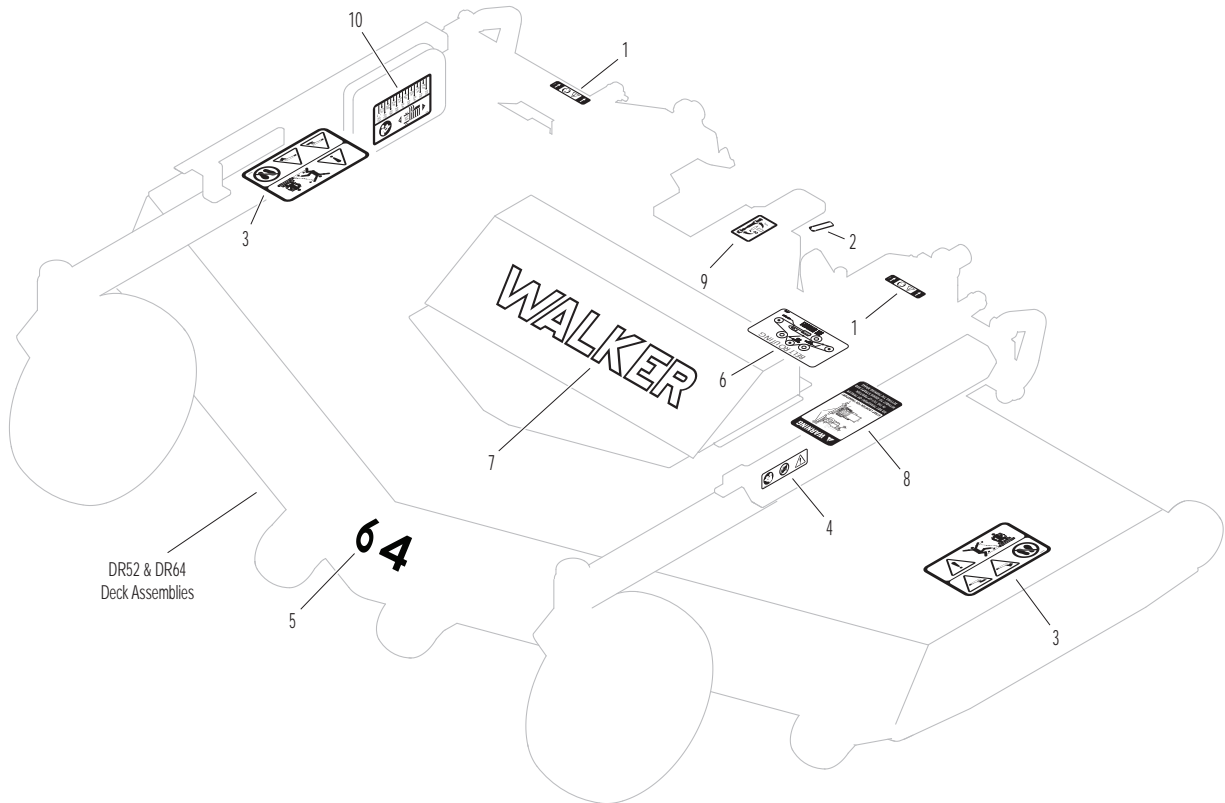
ITEM NO.	PART NO.	DESCRIPTION	LOCATION	NO. REQ'D
<b>DR52 &amp; DR64 Deck Decals</b>				
1	8600-15	Caution, Pivot Joint	Carrier Frame	2
2	6875	PTO Alignment Arrow	Universal Joint Tube Assembly	1
3	8600-28	Danger, Rotating Blades	Deck Housing (one on each end)	2
4	8600-14	Danger, Tilt-Up	Carrier Frame	1
5	2732-1	Decal (64")	Deck Housing, Front	1
	8732	Decal (52")	Deck Housing, Front	1
6	2749-4	Decal, Drive Belt Routing	Deck Housing	1
7	5800-8	Decal, Walker 14"	Belt Cover	1
8	8653-1	Transport Warning	Spindle Cover	1
9	8746-2	Universal Joint Lube	PTO Guard Cover	1
10	2748-1	Cutting Height Adjustment	Carrier Frame	1

### DS60 Deck Decals

1	8600-15	Caution, Pivot Joint	Carrier Frame	2
2	6875	PTO Alignment Arrow	Universal Joint Tube Assembly	1
3	8600-28	Danger, Rotating Blades	Deck Housing (one on each end)	2
4	8600-14	Danger, Tilt-Up	Carrier Frame	1
6	2749-3	Decal, Drive Belt Routing	Deck Housing	1
7	5800-8	Decal, Walker 14"	Belt Cover	1
8	8653-1	Transport Warning	Spindle Cover	1
9	8746-2	Universal Joint Lube	PTO Guard Cover	1
10	2748-1	Cutting Height Adjustment	Carrier Frame	1
11	2732	Decal (60")	Deck Housing, Front	1
12	5848-3	Danger, Side Discharge Shield	Side Discharge Shield	1

**NOTE:** All parts requiring decals are shipped with decals applied.

# DR52, DS60 & DR64 DECK DECALS



## 62" & 74" DECK DECALS / TOUCH-UP PAINT

ITEM NO.	PART NO.	DESCRIPTION	LOCATION	NO. REQ'D
<b>DS62 Deck Decals</b>				
1	8600-15	Caution, Pivot Joint	Carrier Frame	2
2	8746-2	Universal Joint Lube	PTO Cover Plate	1
3	8653-1	Transport Warning	Deck Housing	1
4	8600-28	Danger, Rotating Blades	Cover Plate (one on each end)	2
5	8600-14	Danger, Tilt-Up	Carrier Frame, Front	1
6	5848-3	Danger, Side Discharge Shield	Side Discharge Shield	1
7	8748	Cutting Height Adjustment	Footrest Pulley Guard	1
8	8746-1	Decal, Tele PTO Shaft	Universal Joint Shaft Assembly	1
9	5809-2	Decal, Walker	Carrier Frame, Front	1
10	8749	Drive Belt Routing	Underneath Deck Cover Plate	1
11	8750	Decal (62")	Deck Housing	1

### DS74 Deck Decals

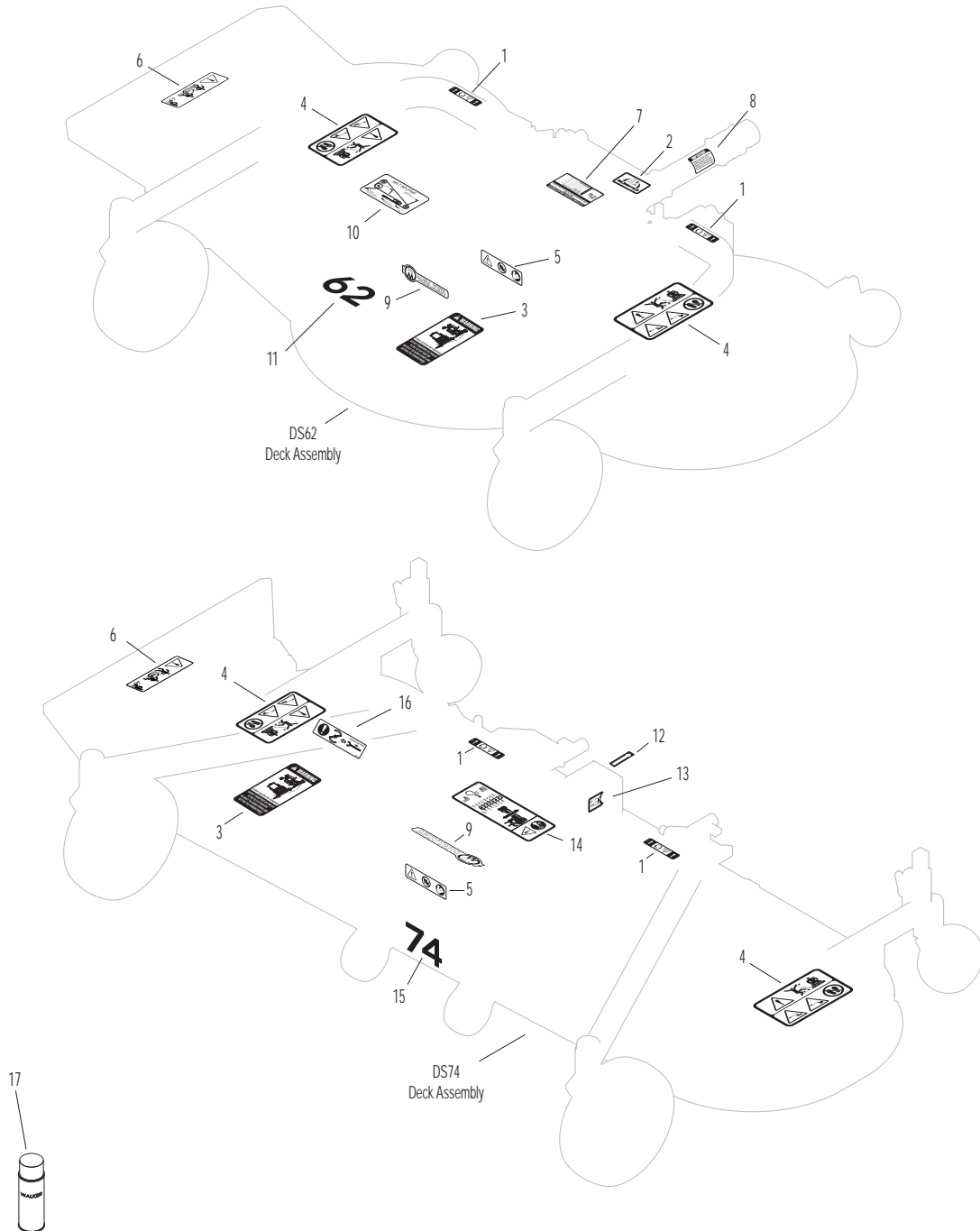
1	8600-15	Caution, Pivot Joint	Carrier Frame	2
3	8653-1	Transport Warning	Deck Housing	1
4	8600-28	Danger, Rotating Blades	Deck Housing (one on each end)	2
5	8600-14	Danger, Tilt-Up	Carrier Frame, Front	1
6	5848-3	Danger, Side Discharge Shield	Side Discharge Shield	1
9	5809-2	Decal, Walker	Carrier Frame	1
12	6875	PTO Alignment Arrow	Universal Joint Shaft Assembly	1
13	5846-1	Grease Fitting	PTO Shaft Guard	1
14	8600-7	Cutting Height Adjustment	Gearbox Cover, RH	1
15	7689	Decal (74")	Deck Housing, Front	1
16	8600-9	Blade Mounting Torque	Gearbox Cover, RH	1

### Touch-Up Paint

17	5866	Touch-Up Paint, Yellow (12 oz. Aerosol)		
----	------	---	--	--

**NOTE:** All parts requiring decals are shipped with decals applied.

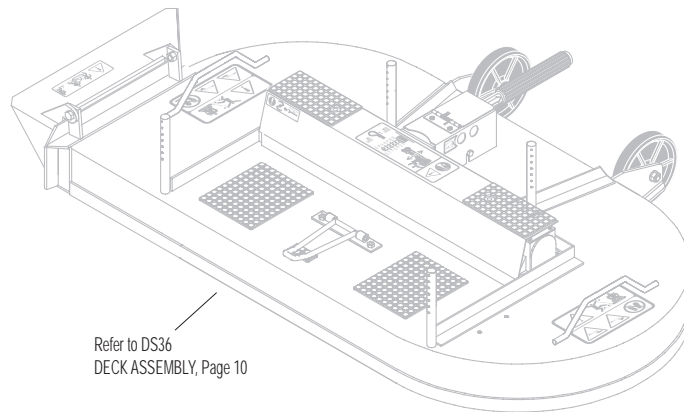
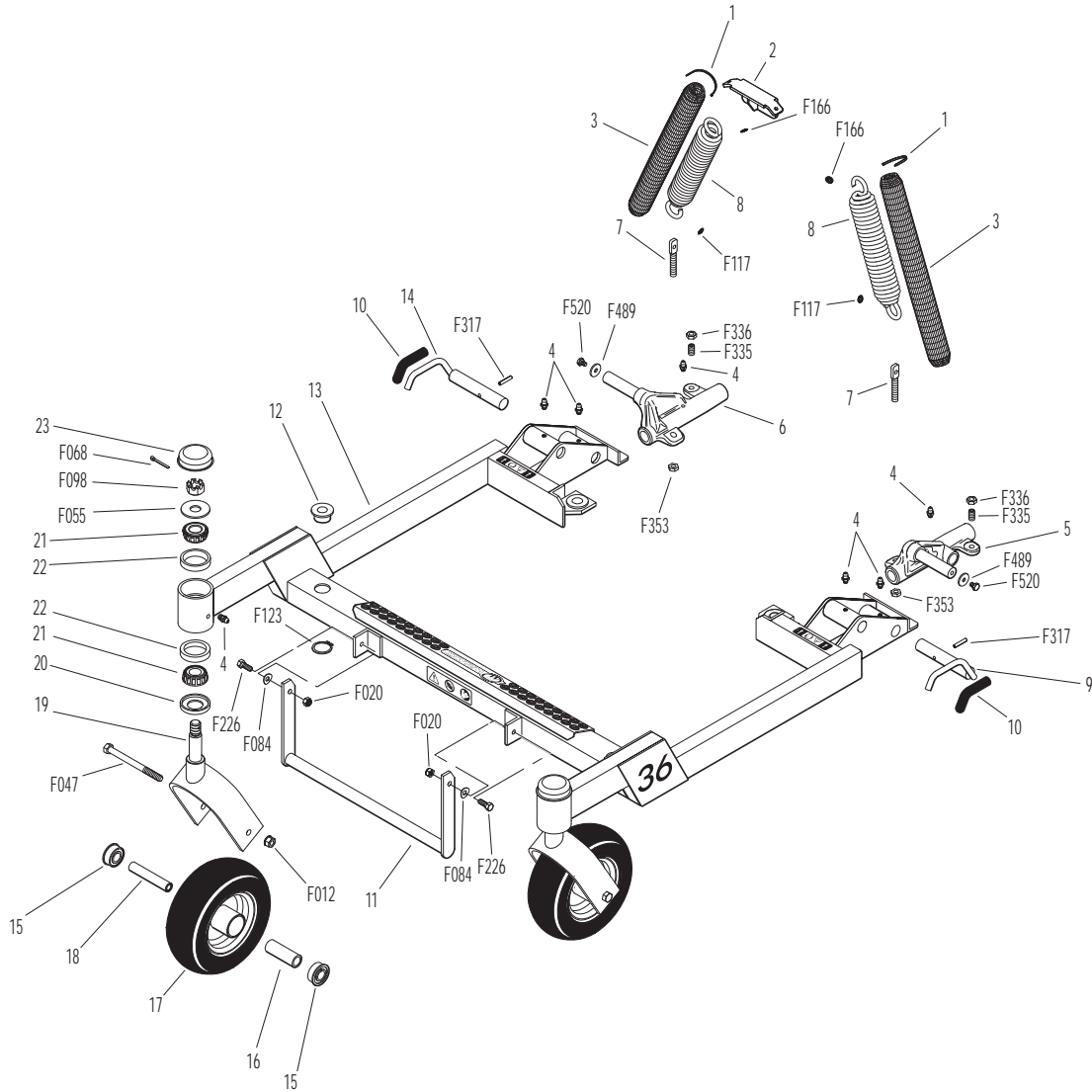
# 62" & 74" DECK DECALS / TOUCH-UP PAINT



# 36 INCH COMPLETE CARRIER FRAME ASSEMBLY

ITEM NO.	PART NO.	DESCRIPTION	NO. REQ'D	ITEM NO.	PART NO.	DESCRIPTION	NO. REQ'D
<b>Spring and Pivot Mount Components</b>				<b>Fasteners</b>			
1	5975-3	Cable Tie (50# x 7")	4	F012		3/8-16 Keps Nut	2
2	5744-1	Spring Clip Bracket	1	F020		5/16-18 ESNA Nut	2
3	5743-1	Spring Cover	2	F047		3/8-16 x 4-1/2 Hex Bolt	2
4	5830	Grease Fitting	8	F055		5/8 SAE Washer	2
5	8667-3	Pivot Mount Assembly, LH/Adj. (Includes Items # 4, F353, F489 & F520)	*	F068		1/8 x 1 Cotter Pin	2
6	8667-4	Pivot Mount Assembly, RH/Adj. (Includes Items # 4, F353, F489 & F520)	*	F084		5/16 Wave Spring Washer	2
7	5743-4	Eyebolt (3/8-16 x 2-3/4)	2	F098		5/8-18 Slotted Hex Nut	2
8	5743-8	Extension Spring (1-1/2 x 7-3/4) (Includes Items # 1, F117 & F166)	2	F117		Retainer Ring	2
<b>Carrier Frame Components</b>				F123		1" External Snap Ring	4
9	8674-11	Lever, Deck Lock, LH	1	F166		Retainer Ring	2
10	7406-1	Handle Grip (Red)	2	F226		5/16-18 x 7/8 Hex Bolt	2
11	8669	Lift Handle	1	F317		3/16 x 1 Split Spring Pin	2
12	5740-2	Deck Pin Bushing (5/8)	4	F335		3/8-16 x 7/8 Set Screw, SS	2
13	5708-6	36" Carrier Frame (Less Pivots)	1	F336		3/8-16 Jam Nut	2
	5708-1	36" Carrier Frame W/Forks (Less Pivots) (Includes Items # 19-21, 23, F055, F068 & F098)	*	F353		3/8-16 ESNA LP Nut	2
14	8674-10	Lever, Deck Lock, RH	1	F489		Washer 1/4 x 7/8 x .090	2
<b>Caster Wheel Components</b>				F520		1/4-28 x 3/8 Hex Bolt	2
15	5714-8	Bearing, Caster Wheel	4	* Service Part Only			
16	5714-9	Spacer Tube	2	** May be ordered as a kit for dealer installation. Contact your Walker dealer.			
17	5715-14	Caster Wheel & Tire/No-Flat (8 x 3.00-4) (Includes Items # 15 & 16)	2	<b>NOTE:</b> When installing Item # 8 on decks prior to S/N DX-62875, the swivel hook end should be attached to the deck carrier frame.			
	5715-16	Tire, Caster Wheel/No-Flat (8 x 3.00-4)	*				
	5715-13	Caster Wheel, Pneumatic (8 x 3.00-4) (Includes Items # 15 & 16)	**				
	5715-15	Caster Wheel Tire, Pneumatic (8 x 3.00-4)	**				
	5715-9	Tire Tube, Pneumatic (2.80/2.50-4)	**				
18	5714-6	Axle Spacer Tube	2				
19	5770-1	Caster Wheel Fork	2				
20	8768-1	Seal (1-3/4 x 1-1/8)	2				
21	8037	Bearing Cone (3/4 ID)	4				
22	8769-1	Bearing Cup (1-3/4 x 1-7/16)	4				
23	8769-9	Dust Cap, Deck Caster	2				

# 36 INCH COMPLETE CARRIER FRAME ASSEMBLY



Refer to DS36  
DECK ASSEMBLY, Page 10

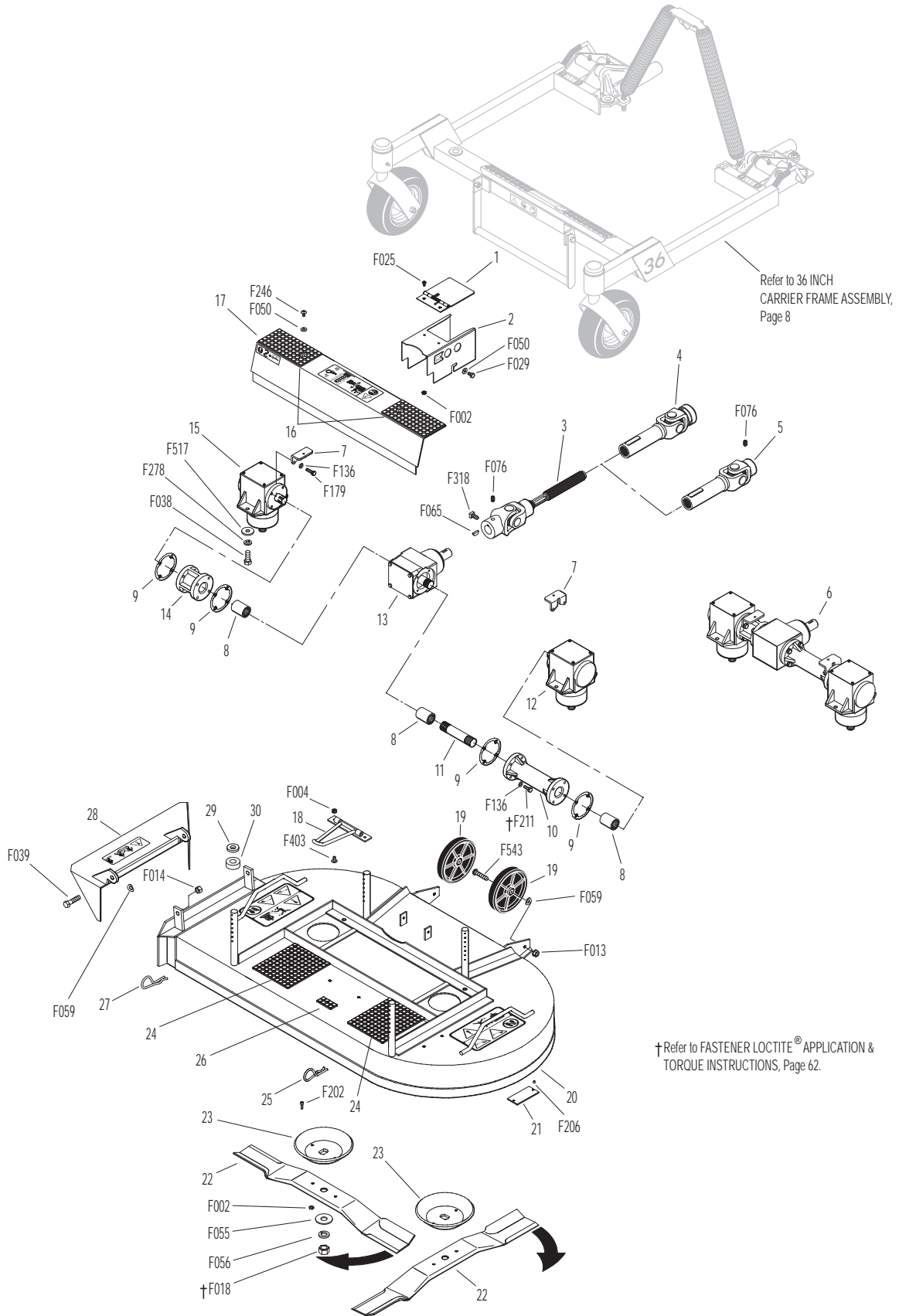
Refer to LUBRICATION POINTS, Page 58.

# DS36 DECK ASSEMBLY

ITEM NO.	PART NO.	DESCRIPTION	NO. REQ'D	ITEM NO.	PART NO.	DESCRIPTION	NO. REQ'D
<b>Gearbox and Drive Components</b>				23	5706	Blade Hub & Trash Guard	2
1	8618-1	Cover, PTO Shaft Guard	1	24	8735-10	Rubber Mat (5 x 6)	2
2	8619-2	PTO Shaft Guard	1	25	7775-1	Hitch Pin, LH (Silver) #6	2
	8618-3	PTO Shaft Guard Assembly (Includes Items # 1, 2, F002 & F025)	*	26	8788-1	Rubber Mat (1 x 2)	1
3	5285-5	U-Joint Shaft Assembly (90 Degree) Spline, Keyed (Includes Items # F065, F076 & F318)	1	27	7775-2	Hitch Pin, RH (Gold) #6	2
4	7275-16	U-Joint Tube Assembly (10" OAL), Spline	1	28	5709-2	36/42 SD Discharge Shield	1
5	5275-15	U-Joint Tube Assembly (9.5" OAL), Spline (Includes Item # F076)	1	29	5727-1	Washer Shim (5/8 ID)	4
6	6711-18	HD Gearbox and Tube Assembly (Includes Items # 7-15, F136, F179 & F211) (Prior to S/N 169357)	1	30	7434-1	Washer 1-3/8 x 5/8-1/2 Thick	4
	6711-3	HD Gearbox and Tube Assembly (Includes Items # 7-15, F136, F179 & F211) (Beginning S/N 169357)	1	<b>Fasteners</b>			
7	5704-1	Gearbox Cover Support	2	F002	10-24 Keps Nut		6
8	6054	Spline Coupling	3	F004	1/4-20 Keps Nut		2
9	P007	Gasket, Cap (Peerless #788030)	4	F013	3/8-16 Whiz Locknut		2
10	5061	Gearbox Connector Tube (6-11/16) (Prior to S/N 169357)	1	F014	3/8-16 ESNA Nut		2
	5065	Gearbox Connector Tube (7-11/16) (Beginning S/N 169357)	1	F018	5/8-18 Hex Nut		2
11	6733-2	Connecting Shaft (4-1/8) (Prior to S/N 169357)	1	F025	10-24 x 3/8 PPHMS		2
	6733-4	Connecting Shaft (5-5/16) (Beginning S/N 169357)	1	F029	1/4-20 x 1/2 Hex Bolt		2
12	5052-9	HD Gearbox (1:1.2) CCW-CCW	1	F038	3/8-16 x 1 Hex Bolt		4
13	5051-5	HD Tee Gearbox (1:1) CW-CW & CCW	1	F039	3/8-16 x 1-1/4 Hex Bolt		2
14	5060	Gearbox Connector Tube (2-5/16)	1	F050	1/4 SAE Washer		4
15	5053-7	HD Gearbox (1:1.2) CW-CCW	1	F055	5/8 SAE Washer		2
16	5747-11	Rubber Mat (3 x 6)	2	F056	5/8 Split Lock Washer		2
17	5746-4	36" Gearbox Cover (Includes Item # 16)	1	F059	3/8 Wave Spring Washer		4
<b>Deck Housing Components</b>				F065	3/16 x 3/4 Woodruff Key (#606)		1
18	8670	Tilt-Up Hook	1	F076	3/8-16 x 5/8 SQH Set Screw		2
19	5162-12	Roller Wheel (5" Poly) (Includes Items # F013, F059 & F543)	2	F136	AN960C416L Washer		16
20	5710-17	36 SD Deck Housing (Includes Items # 19, 24, 26 & F543)	1	F179	1/4-20 x 1 Hex Bolt		4
21	NS	Deck Serial Number Plate	1	F202	10-24 x 5/8 SHC Screw, GR5 SS		4
22	5705-1	Blade, 20" (RH Rotation)	2	F206	#2 x 3/16 Drive Pin		2
	5705-5	36 SD Blade Set W/Hubs (Includes Items # 22, 23, F002 & F202)	*	F211	1/4-20 x 7/8 Hex Bolt		12
				F246	1/4-20 x 1/2 PTHMS		2
				F278	3/8 Split Lock Washer		4
				F318	3/8-16 x 3/4 SQH Set Screw		1
				F403	1/4-20 x 1/2 PTHMS, SS		2
				F517	Washer 3/8 x 1-1/8 x 1/8		4
				F543	3/8-16 x 1-1/2 BH Cap Screw		2
				* Service Part Only			
				<b>NOTE:</b> Order Item # 4 to use the splined deck PTO shaft with Model T23, T25i, T30i, D21d, C19, C19i, B19, B23i and B25p.			
				<b>NOTE:</b> Order Item # 5 to use the splined deck PTO shaft with Model S14 and B18.			



# DS36 DECK ASSEMBLY



Refer to 36 INCH CARRIER FRAME ASSEMBLY, Page 8

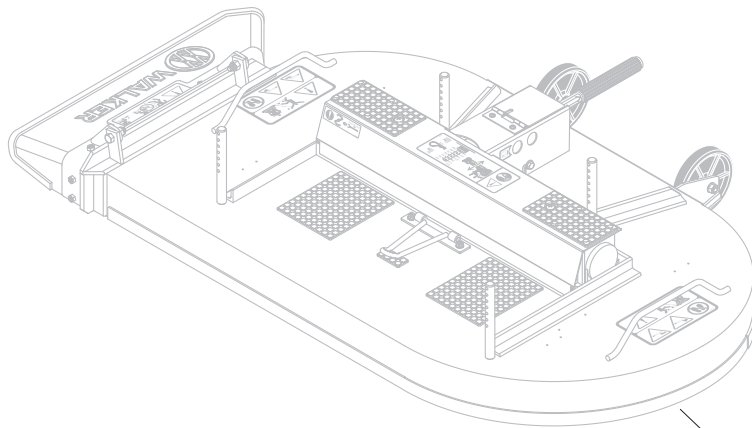
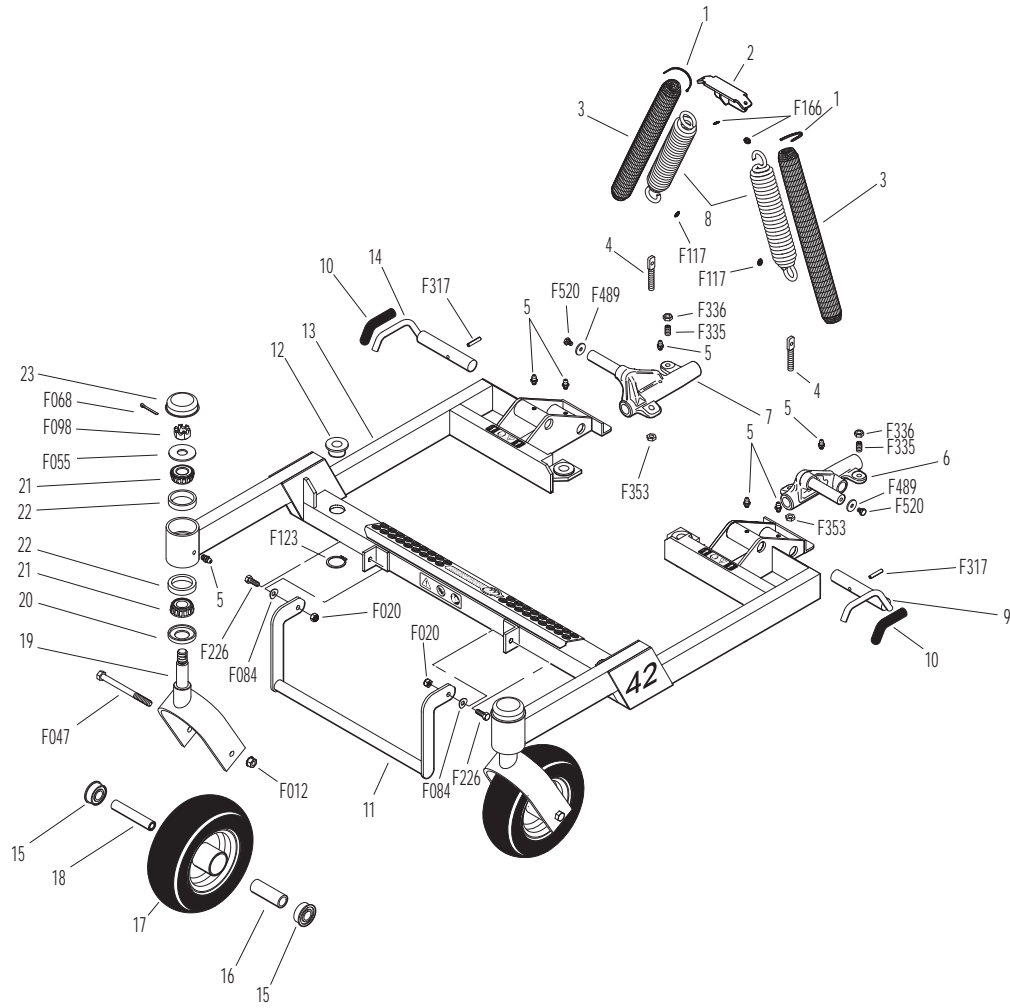
† Refer to FASTENER LOCTITE® APPLICATION & TORQUE INSTRUCTIONS, Page 62.

Refer to LUBRICATION POINTS, Page 58.

# 42 INCH COMPLETE CARRIER FRAME ASSEMBLY

ITEM NO.	PART NO.	DESCRIPTION	NO. REQ'D	ITEM NO.	PART NO.	DESCRIPTION	NO. REQ'D
<b>Spring and Pivot Mount Components</b>				<b>Fasteners</b>			
1	5975-3	Cable Tie (50# x 7")	4	F012		3/8-16 Keps Nut	2
2	5744-1	Spring Clip Bracket	1	F020		5/16-18 ESNA Nut	2
3	5743-1	Spring Cover	2	F047		3/8-16 x 4-1/2 Hex Bolt	2
4	5743-4	Eyebolt (3/8-16 x 2-3/4)	2	F055		5/8 SAE Washer	2
5	5830	Grease Fitting	8	F068		1/8 x 1 Cotter Pin	2
6	8667-3	Pivot Mount Assembly, LH/Adj. (Includes Items # 5, F353, F489 & F520)	*	F084		5/16 Wave Spring Washer	2
7	8667-4	Pivot Mount Assembly, RH/Adj. (Includes Items # 5, F353, F489 & F520)	*	F098		5/8-18 Slotted Hex Nut	2
8	5743-8	Extension Spring (1-1/2 x 7-3/4) (Includes Items # 1, F117 & F166)	2	F117		Retainer Ring	2
				F123		1" External Snap Ring	4
				F166		Retainer Ring	2
				F226		5/16-18 x 7/8 Hex Bolt	2
				F317		3/16 x 1 Split Spring Pin	2
				F335		3/8-16 x 7/8 Set Screw, SS	2
				F336		3/8-16 Jam Nut	2
				F353		3/8-16 ESNA LP Nut	2
				F489		Washer 1/4 x 7/8 x .090	2
				F520		1/4-28 x 3/8 Hex Bolt	2
<b>Carrier Frame Components</b>				* Service Part Only			
9	8674-11	Lever, Deck Lock, LH	1	** May be ordered as a kit for dealer installation. Contact your Walker dealer.			
10	7406-1	Handle Grip (Red)	2				
11	8669-3	Lift Handle	1				
12	5740-2	Deck Pin Bushing (5/8)	4				
13	8660-16	42" Carrier Frame W/Forks (Includes Items # 19-21, 23, F055, F068 & F098)	1				
	8660-15	42" Carrier Frame	*				
14	8674-10	Lever, Deck Lock, RH	1				
<b>Caster Wheel Components</b>				<b>NOTE:</b> When installing Item # 8 on decks prior to S/N DX-62875, the swivel hook end should be attached to the deck carrier frame.			
15	5714-8	Bearing, Caster Wheel	4				
16	5714-9	Spacer Tube	2				
17	5715-14	Caster Wheel & Tire/No-Flat (8 x 3.00-4) (Includes Items # 15 & 16)	2				
	5715-16	Tire, Caster Wheel/No-Flat (8 x 3.00-4)	*				
	5715-13	Caster Wheel, Pneumatic (8 x 3.00-4) (Includes Items # 15 & 16)	**				
	5715-15	Caster Wheel Tire, Pneumatic (8 x 3.00-4)	**				
	5715-9	Tire Tube, Pneumatic (2.80/2.50-4)	**				
18	5714-6	Axle Spacer Tube	2				
19	5770-1	Caster Wheel Fork	2				
20	8768-1	Seal (1-3/4 x 1-1/8)	2				
21	8037	Bearing Cone (3/4 ID)	4				
22	8769-1	Bearing Cup (1-3/4 x 1-7/16)	4				
23	8769-9	Dust Cap, Deck Caster	2				

# 42 INCH COMPLETE CARRIER FRAME ASSEMBLY



Refer to DS42  
DECK ASSEMBLY, Page 14

Refer to LUBRICATION POINTS, Page 58.

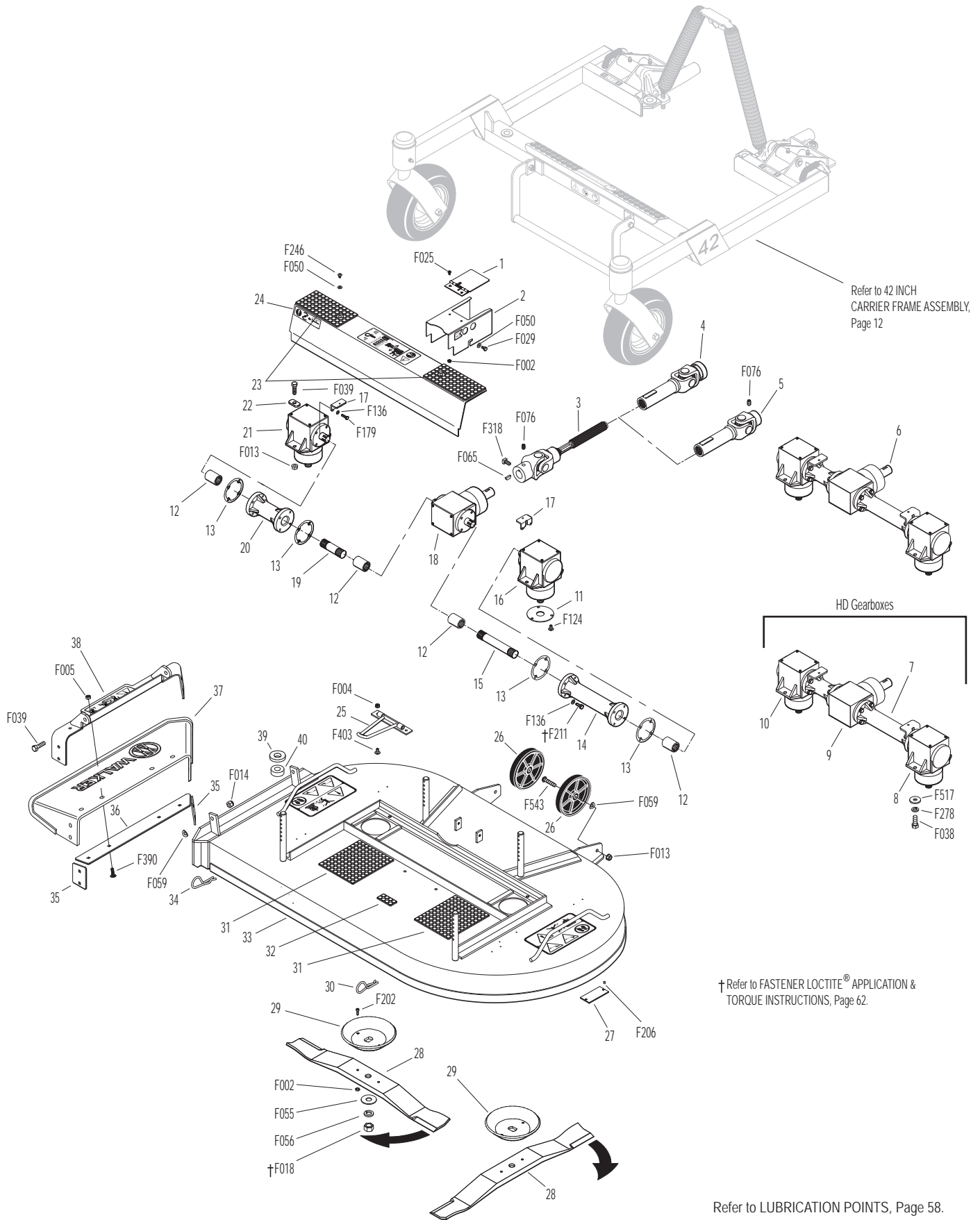
# DS42 DECK ASSEMBLY

## INCL. OPTIONAL HD GEARBOXES

ITEM NO.	PART NO.	DESCRIPTION	NO. REQ'D	ITEM NO.	PART NO.	DESCRIPTION	NO. REQ'D
<b>Gearbox and Drive Components</b>				35	5709-17	End Backup Plate	2
1	8618-1	Cover, PTO Shaft Guard	1	36	5709-16	Center Backup Plate	1
2	8619	PTO Shaft Guard	1	37	5709-15	DS42 Discharge Shield, Rubber	1
	8618	PTO Shaft Guard Assembly (Includes Items # 1, 2, F002 & F025)	*	38	5709-1	DS42 Rubber Shield Frame	1
3	5285-5	U-Joint Shaft Assembly (90 Degree) Spline, Keyed (Includes Items # F065, F076 & F318)	1	39	5727-1	Washer Shim (5/8 ID)	4
4	7275-16	U-Joint Tube Assembly (10" OAL), Spline	1	40	7434-1	Washer 1-3/8 x 5/8-1/2 Thick	4
5	5275-15	U-Joint Tube Assembly (9.5" OAL), Spline (Includes Item # F076)	1	<b>Fasteners</b>			
6	6704-16	Gearbox and Tube Assembly (Includes Items # 11-21, F124, F136, F179 & F211)	1	F002	10-24 Keps Nut		6
7	6711-7	HD Gearbox and Tube Assembly (Includes Items # 8-10, 12-15, 17, 19, 20, F136, F179 & F211)	**	F004	1/4-20 Keps Nut		2
8	5052-13	HD Gearbox (1:1) CCW/CCW	**	F005	1/4-20 ESNA Nut		9
9	5051-5	HD Tee Gearbox (1:1) CW-CW & CCW	**	F013	3/8-16 Whiz Locknut		6
10	5053-3	HD Gearbox (1:1) CW-CCW	**	F014	3/8-16 ESNA Nut		2
11	5706-4	Seal Protector Plate	2 <sup>Δ</sup>	F018	5/8-18 Hex Nut		2
12	6054	Spline Coupling	4	F025	10-24 x 3/8 PPHMS		2
13	P007	Gasket, Cap (Peerless #788030)	4	F029	1/4-20 x 1/2 Hex Bolt		2
14	5063	Gearbox Connector Tube (8-5/8)	1	F038	3/8-16 x 1 Hex Bolt		4***
15	6733-3	Connecting Shaft (6-1/4)	1	F039	3/8-16 x 1-1/4 Hex Bolt		6
16	5052-1	Gearbox (LH Rotation)	1	F050	1/4 SAE Washer		4
17	5704-1	Gearbox Cover Support	2	F055	5/8 SAE Washer		2
18	5051-2	Tee Gearbox, Keyed (7/8" Dia. Shaft)	1	F056	5/8 Split Lock Washer		2
19	6733-1	Connecting Shaft (2")	1	F059	3/8 Wave Spring Washer		4
20	5062	Gearbox Connector Tube (4-3/8)	1	F065	3/16 x 3/4 Woodruff Key (#606)		1
21	5053-1	Gearbox (RH Rotation)	1	F076	3/8-16 x 5/8 SQH Set Screw		2
22	5052-3	1.375 x .750 x .187 Washer	4 <sup>Δ</sup>	F124	10-32 x 3/8 Taptite Machine Screw		6
23	5747-11	Rubber Mat (3 x 6)	2	F136	AN960C416L Washer		16
24	5785-5	42" Gearbox Cover (Includes Item # 23)	1	F179	1/4-20 x 1 Hex Bolt		4
<b>Deck Housing Components</b>				F202	10-24 x 5/8 SHC Screw, GR5 SS		4
25	8670	Tilt-Up Hook	1	F206	#2 x 3/16 Drive Pin		2
26	5162-12	Roller Wheel (5" Poly) (Includes Item # F013, F059 & F543)	2	F211	1/4-20 x 7/8 Hex Bolt		12
27	NS	Deck Serial Number Plate	1	F246	1/4-20 x 1/2 PTHMS		2
28	5705-3	Blade, 22" (RH Rotation)	2	F278	3/8 Split Lock Washer		4***
	5705-7	42 SD Blade Set With Hubs (Includes Items # 28, 29, F002 & F202)	*	F318	3/8-16 x 3/4 SQH Set Screw		1
29	5706	Blade Hub & Trash Guard	2	F390	1/4-20 x 7/8 Carriage Bolt		8
30	7775-1	Hitch Pin, LH (Silver) #6	2	F403	1/4-20 x 1/2 PTHMS, SS		2
31	8735-10	Rubber Mat (5 x 6)	2	F517	Washer 3/8 x 1-1/8 x 1/8		4***
32	8788-1	Rubber Mat (1 x 2)	1	F543	3/8-16 x 1-1/2 BH Cap Screw		2
33	5703-15	42 SD Deck Housing (Includes Items # 31 & 32)	1	* Service Part Only			
34	7775-2	Hitch Pin, RH (Gold) #6	2	** Item(s) used on the HD version of standard gearboxes. The HD cast iron gearboxes are interchangeable with Standard aluminum gearboxes.			
				*** Hardware used on HD gearbox configuration.			
				Δ Used on standard aluminum gearbox configuration.			
				<b>NOTE:</b> Order Item # 4 to use the splined deck PTO shaft with Model T23, T25i, T30i, D21d, C19, C19i, B19, B23i and B25p.			
				<b>NOTE:</b> Order Item # 5 to use the splined deck PTO shaft with Model S14 and B18.			

# DS42 DECK ASSEMBLY

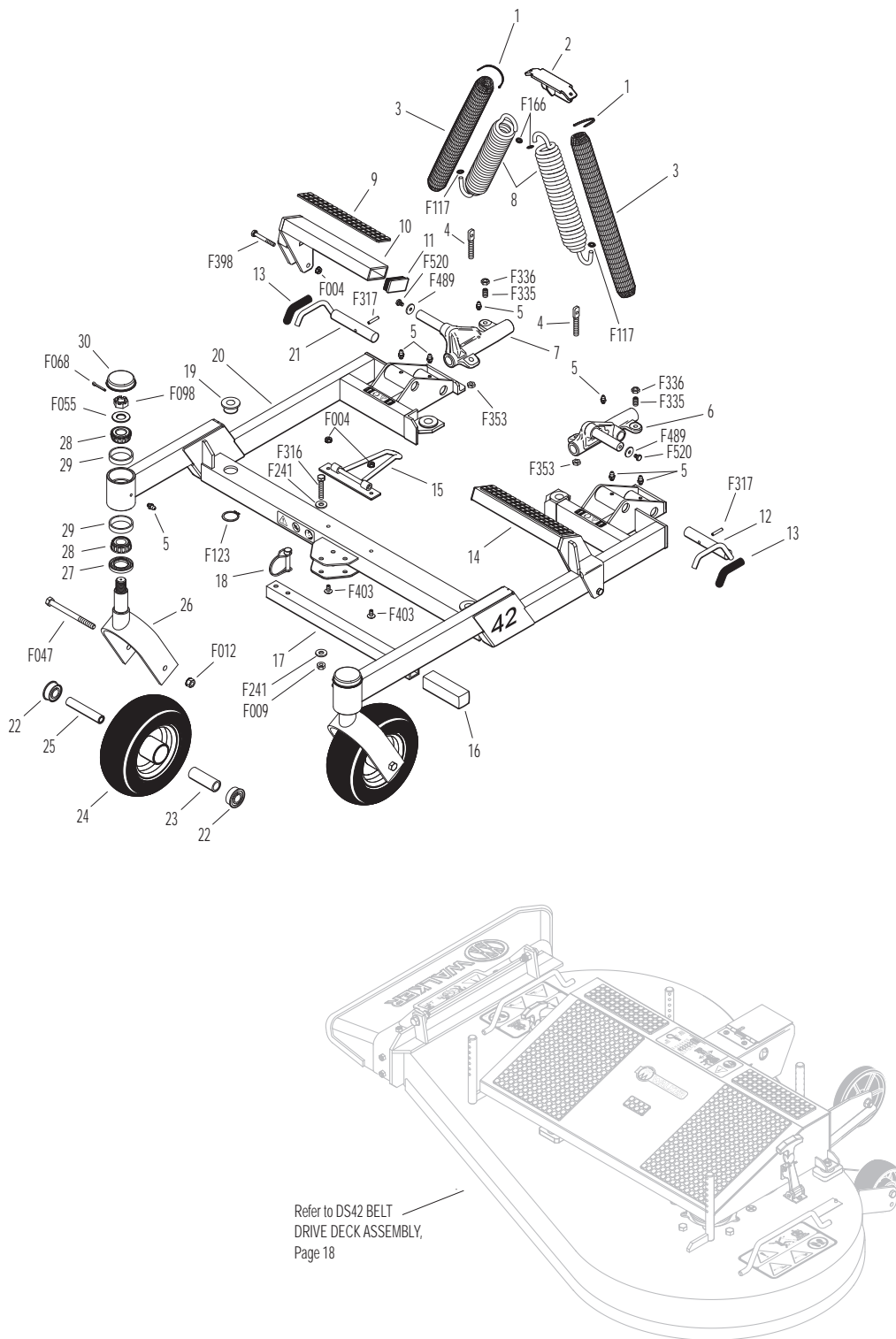
## INCL. OPTIONAL HD GEARBOXES



# 42 INCH BELT DRIVE COMPLETE CARRIER FRAME ASSEMBLY

ITEM NO.	PART NO.	DESCRIPTION	NO. REQ'D	ITEM NO.	PART NO.	DESCRIPTION	NO. REQ'D
<b>Spring and Pivot Mount Components</b>				<b>Fasteners</b>			
1	5975-3	Cable Tie (50# x 7")	4	F004		1/4-20 Keps Nut	4
2	5744-1	Spring Clip Bracket	1	F009		5/16-18 Whiz Locknut	1
3	5743-1	Spring Cover	2	F012		3/8-16 Keps Nut	2
4	5743-4	Eyebolt (3/8-16 x 2-3/4)	2	F047		3/8-16 x 4-1/2 Hex Bolt	2
5	5830	Grease Fitting	8	F055		5/8 SAE Washer	2
6	8667-3	Pivot Mount Assembly, LH/Adj. (Includes Items # 5, F353, F489 & F520)	*	F068		1/8 x 1 Cotter Pin	2
7	8667-4	Pivot Mount Assembly, RH/Adj. (Includes Items # 5, F353, F489 & F520)	*	F098		5/8-18 Slotted Hex Nut	2
8	5743-8	Extension Spring (1-1/2 x 7-3/4) (Includes Items # 1, F117 & F166)	2	F117		Retainer Ring	2
<b>Carrier Frame Components</b>				F123		1" External Snap Ring	4
9	5747-9	Rubber Mat (1.5 x 8.5)	2	F166		Retainer Ring	2
10	8662-2	Footrest, RH (Includes Items # 9 & 11)	1	F241		.375 x .875 x .10 Washer	2
11	8662-4	Rectangular Plug (1 x 2)	2	F316		5/16-18 x 1-3/4 Hex Bolt	1
12	8674-11	Lever, Deck Lock, LH	1	F317		3/16 x 1 Split Spring Pin	2
13	7406-1	Handle Grip (Red)	2	F335		3/8-16 x 7/8 Set Screw, SS	2
14	8662-3	Footrest, LH (Includes Items # 9 & 11)	1	F336		3/8-16 Jam Nut	2
15	8670	Tilt-Up Hook	1	F353		3/8-16 ESNA LP Nut	2
16	5850-5	Handle Grip (1 x 1 x 3-3/4)	1	F398		1/4-20 x 2 Hex Bolt	2
17	6811-2	Tilt Bar With Grip (14-1/2") (Includes Item # 16)	1	F403		1/4-20 x 1/2 PTHMS, SS	2
18	7775-5	Lock Pin (5/16 x 1-5/8)	1	F489		Washer 1/4 x 7/8 x .090	2
19	5740-2	Deck Pin Bushing (5/8)	4	F520		1/4-28 x 3/8 Hex Bolt	2
20	5700-13	42BD Carrier Frame (Tapered Bearings)	1	* Service Part Only			
	5700-14	42BD Carrier Frame W/Forks (Tapered Bearings)	*				
21	8674-10	Lever, Deck Lock, RH	1	** May be ordered as a kit for dealer installation. Contact your Walker dealer.			
<b>Caster Wheel Components</b>							
22	5714-8	Bearing, Caster Wheel	4				
23	5714-9	Spacer Tube	2				
24	5715-14	Caster Wheel & Tire/No-Flat (8 x 3.00-4) (Includes Items # 22 & 23)	2				
	5715-16	Tire, Caster Wheel/No-Flat (8 x 3.00-4)	*				
	5715-13	Caster Wheel, Pneumatic (8 x 3.00-4) (Includes Items # 22 & 23)	**				
	5715-15	Caster Wheel Tire, Pneumatic (8 x 3.00-4)	**				
	5715-9	Tire Tube, Pneumatic (2.80/2.50-4)	**				
25	5714-6	Axle Spacer Tube	2				
26	5770-1	Caster Wheel Fork	2				
27	8768-1	Seal (1-3/4 x 1-1/8)	2				
28	8037	Bearing Cone (3/4 ID)	4				
29	8769-1	Bearing Cup (1-3/4 x 1-7/16)	4				
30	8769-9	Dust Cap, Deck Caster	2				

# 42 INCH BELT DRIVE COMPLETE CARRIER FRAME ASSEMBLY



Refer to LUBRICATION POINTS, Page 58.

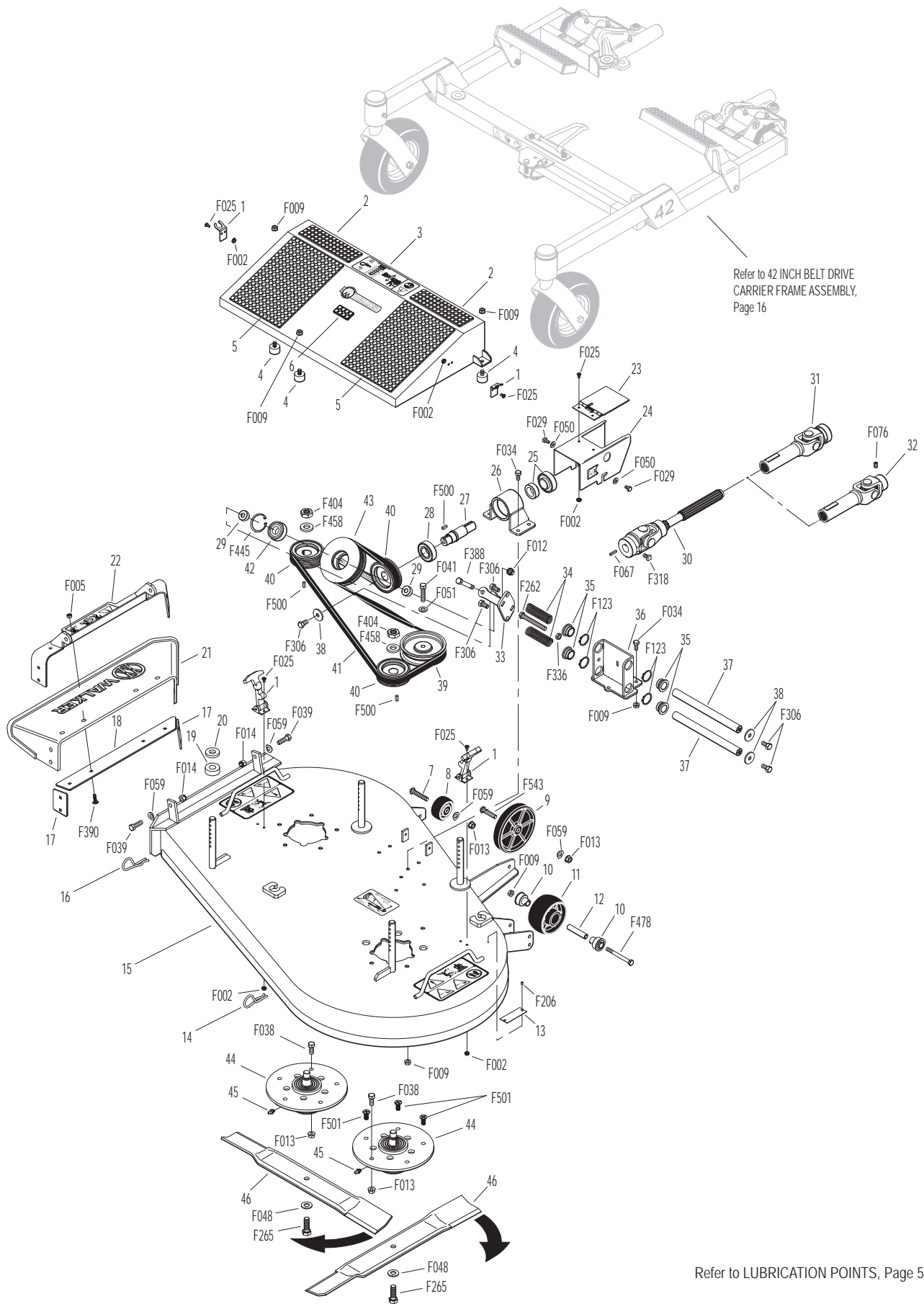


# DS42 BELT DRIVE DECK ASSEMBLY

ITEM NO.	PART NO.	DESCRIPTION	NO. REQ'D	ITEM NO.	PART NO.	DESCRIPTION	NO. REQ'D
<b>Deck Housing Components</b>				<b>Blade Spindle Components</b>			
1	2110	Hood Latch Assembly	2	44	8052-4	Blade Spindle	2
2	2786-3	Rubber Mat (2 x 7)	2	45	5830	Grease Fitting	2
3	8662-6	Footrest / 42BD (Includes Items # 2, 5 & 6)	1	46	7705-22	Blade, 21.750 (RH Rotation)	2
4	4845	Rubber Bumper (1.0 x .625)	3	<b>Fasteners</b>			
5	2786-2	Rubber Mat (7 x 9-1/2)	2	F002	10-24 Keps Nut		10
6	8788-1	Rubber Mat (1 x 2)	1	F005	1/4-20 ESNA Nut		9
7	8490-1	Roller Wheel Axle Bolt	1	F009	5/16-18 Whiz Locknut		11
8	9772	Roller Wheel Assembly (2-1/2) (Includes Item # F059)	1	F012	3/8-16 Keps Nut		1
9	5162-12	Roller Wheel (5") (Includes Items # F013, F059 & F543)	1	F013	3/8-16 Whiz Locknut		12
10	6715-3	Roller Wheel Bearing	2	F014	3/8-16 ESNA Nut		2
11	6715-2	Roller Wheel	1	F025	10-24 x 3/8 PPHMS		10
12	6715-4	Axle Spacer Tube	1	F029	1/4-20 x 1/2 Hex Bolt		2
13	NS	Deck Serial Number Plate	1	F034	5/16-18 x 3/4 Hex Bolt		7
14	7775-1	Hitch Pin/LH Silver (#6)	2	F038	3/8-16 x 1 Hex Bolt		7
15	5707-4	42BD Deck Assembly	1	F039	3/8-16 x 1-1/4 Hex Bolt		2
16	7775-2	Hitch Pin/RH Gold (#6)	2	F041	3/8-16 x 1-3/4 Hex Bolt		1
17	5709-17	End Backup Plate	2	F048	1/2 SAE Washer		2
18	5709-16	Center Backup Plate	1	F050	1/4 SAE Washer		2
19	7434-1	Washer 1-3/8 x 5/8-1/2 Thick	4	F051	3/8 SAE Washer		1
20	5727-1	Washer Shim (5/8 ID)	4	F059	3/8 Wave Spring Washer		4
21	5709-15	DS42 Discharge Shield, Rubber	1	F067	3/16 x 3/16 x 1 Key		1
22	5709-1	DS42 Rubber Shield Frame	1	F076	3/8-16 x 5/8 SQH Set Screw		*
<b>Blade Drive Components</b>				F123	1" External Snap Ring		4
23	8618-1	Cover, PTO Shaft Guard	1	F206	#2 x 3/16 Drive Pin		2
24	8619-5	PTO Shaft Guard, 42BD	1	F262	3/8-16 x 4 Hex Bolt All Thread		1
25	5270	Bearing W/Collar (1")	1	F265	1/2-20 x 1-1/2 Hex Bolt		2
26	8726-1	PTO Bearing Housing	1	F306	3/8-16 x 3/4 Hex Bolt		5
27	8726-2	PTO Drive Shaft	1	F318	3/8-16 x 3/4 SQH Set Screw		2
28	5270-1	Pivot Bearing	1	F336	3/8-16 Jam Nut		1
29	2245-6	Idler Pulley Shaft	2	F388	3/8-16 x 2-1/2 Hex Bolt		1
30	5285-4	U-Joint Shaft Assembly (13-3/8) (Includes Item # F318)	1	F390	1/4-20 x 7/8 Carriage Bolt		8
31	7275-16	U-Joint Tube Assembly (10" OAL), Spline	1	F404	5/8-18 Jam Nut		2
32	5275-15	U-Joint Tube Assembly (9.5" OAL), Spline (Includes Item # F076)	1	F445	1-7/8 Internal Snap Ring		1
33	8724-14	Idler Mount Weldment	1	F458	Washer 1-1/4 x 5/8 x 3/16		2
34	5195-2	Compression Spring (1 x 6-3/8) (Black)	2	F478	5/16-18 x 3-1/4 Hex Bolt		1
35	2724-17	Guide Rod Bushing	4	F500	3/16 x 3/16 x 9/16 Key		3
36	8724-15	Mount Base	1	F501	3/8-16 x 1 FHA Screw, SS		3
37	2724-16	Guide Rod (9") Yellow Zinc	2	F543	3/8-16 x 1-1/2 BH Cap Screw		1
38	5841	Retainer Washer (3/8 x 1-1/4)	3	* Service Part Only			
39	7245-2	Idler Pulley	1	<b>NOTE:</b> Order Item # 31 to use the splined deck PTO shaft with Model T23, T25i, T30i, D21d, C19, C19i, B19, B23i and B25p.			
40	6240-4	Drive Pulley, Micro V (3")	3	<b>NOTE:</b> Order Item # 32 to use the splined deck PTO shaft with Model S14 and B18.			
41	8731-1	Blade Drive Belt (780L4-K)	1				
42	2265	Bearing (20mm)	1				
43	2245-2	Idler Pulley	1				



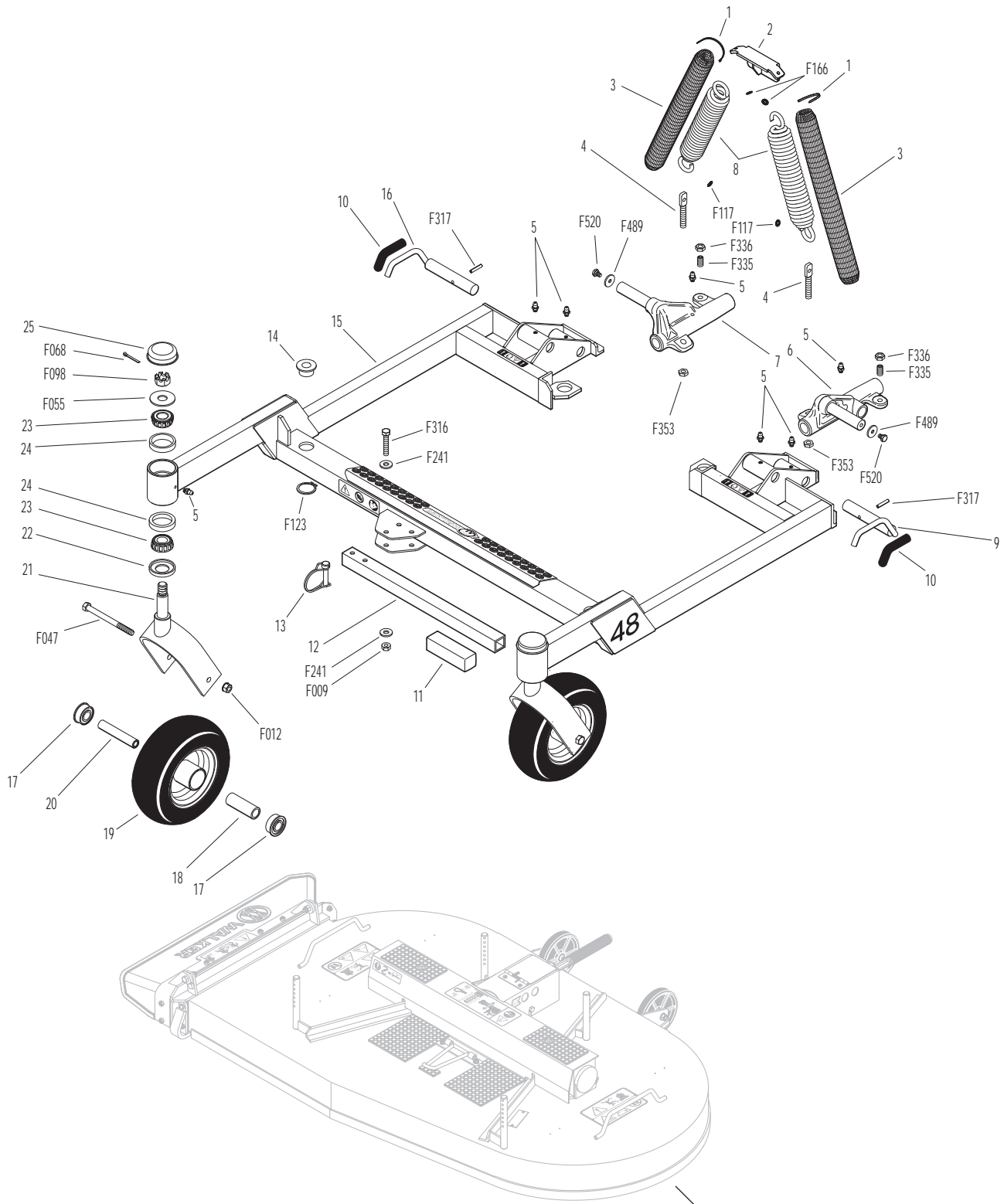
# DS42 BELT DRIVE DECK ASSEMBLY



# 48 INCH COMPLETE CARRIER FRAME ASSEMBLY

ITEM NO.	PART NO.	DESCRIPTION	NO. REQ'D	ITEM NO.	PART NO.	DESCRIPTION	NO. REQ'D
<b>Spring and Pivot Mount Components</b>				<b>Fasteners</b>			
1	5975-3	Cable Tie (50# x 7")	4	F009		5/16-18 Whiz Locknut	1
2	5744-1	Spring Clip Bracket	1	F012		3/8-16 Keps Nut	2
3	5743-1	Spring Cover	2	F047		3/8-16 x 4-1/2 Hex Bolt	2
4	5743-4	Eyebolt (3/8-16 x 2-3/4)	2	F055		5/8 SAE Washer	2
5	5830	Grease Fitting	8	F068		1/8 x 1 Cotter Pin	2
6	8667-3	Pivot Mount Assembly, LH/Adj. (Includes Items # 5, F353, F489 & F520)	*	F098		5/8-18 Slotted Hex Nut	2
7	8667-4	Pivot Mount Assembly, RH/Adj. (Includes Items # 5, F353, F489 & F520)	*	F117		Retainer Ring	2
8	5743-6	Extension Spring (1-1/2 x 7-3/4) (Includes Items # 1, F117 & F166)	2	F123		1" External Snap Ring	4
<b>Carrier Frame Components</b>				F166		Retainer Ring	2
9	8674-11	Lever, Deck Lock, LH	1	F241		.375 x .875 x .10 Washer	2
10	7406-1	Handle Grip (Red)	2	F316		5/16-18 x 1-3/4 Hex Bolt	1
11	5850-5	Handle Grip (1 x 1 x 3-3/4)	1	F317		3/16 x 1 Split Spring Pin	2
12	6811-2	Tilt-Bar With Grip (14-1/2") (Includes Item # 11)	1	F335		3/8-16 x 7/8 Set Screw, SS	2
13	7775-5	Lock Pin (5/16 x 1-5/8)	1	F336		3/8-16 Jam Nut	2
14	5740-2	Deck Pin Bushing (5/8)	4	F353		3/8-16 ESNA LP Nut	2
15	8661-12	48" Carrier Frame (Less Pivots)	1	F489		Washer 1/4 x 7/8 x .090	2
	8661-11	48" Carrier Frame W/Forks (Less Pivots) (Includes Items # 21-23, 25, F055, F068 & F098)	*	F520		1/4-28 x 3/8 Hex Bolt	2
16	8674-10	Lever, Deck Lock, RH	1	* Service Part Only			
<b>Caster Wheel Components</b>				** May be ordered as a kit for dealer installation. Contact your Walker dealer.			
17	5714-8	Bearing, Caster Wheel	4				
18	5714-9	Spacer Tube	2				
19	5715-14	Caster Wheel & Tire/No-Flat (8 x 3.00-4) (Includes Items # 17 & 18)	2				
	5715-16	Tire, Caster Wheel/No-Flat (8 x 3.00-4)	*				
	5715-13	Caster Wheel, Pneumatic (8 x 3.00-4) (Includes Items # 17 & 18)	**				
	5715-15	Caster Wheel Tire, Pneumatic (8 x 3.00-4)	**				
	5715-9	Tire Tube, Pneumatic (2.80/2.50-4)	**				
20	5714-6	Axle Spacer Tube	2				
21	5770-1	Caster Wheel Fork	2				
22	8768-1	Seal (1-3/4 x 1-1/8)	2				
23	8037	Bearing Cone (3/4 ID)	4				
24	8769-1	Bearing Cup (1-3/4 x 1-7/16)	4				
25	8769-9	Dust Cap, Deck Caster	2				

# 48 INCH COMPLETE CARRIER FRAME ASSEMBLY



Refer to DS48  
DECK ASSEMBLY, Page 22

Refer to LUBRICATION POINTS, Page 58.

# DS48 DECK ASSEMBLY

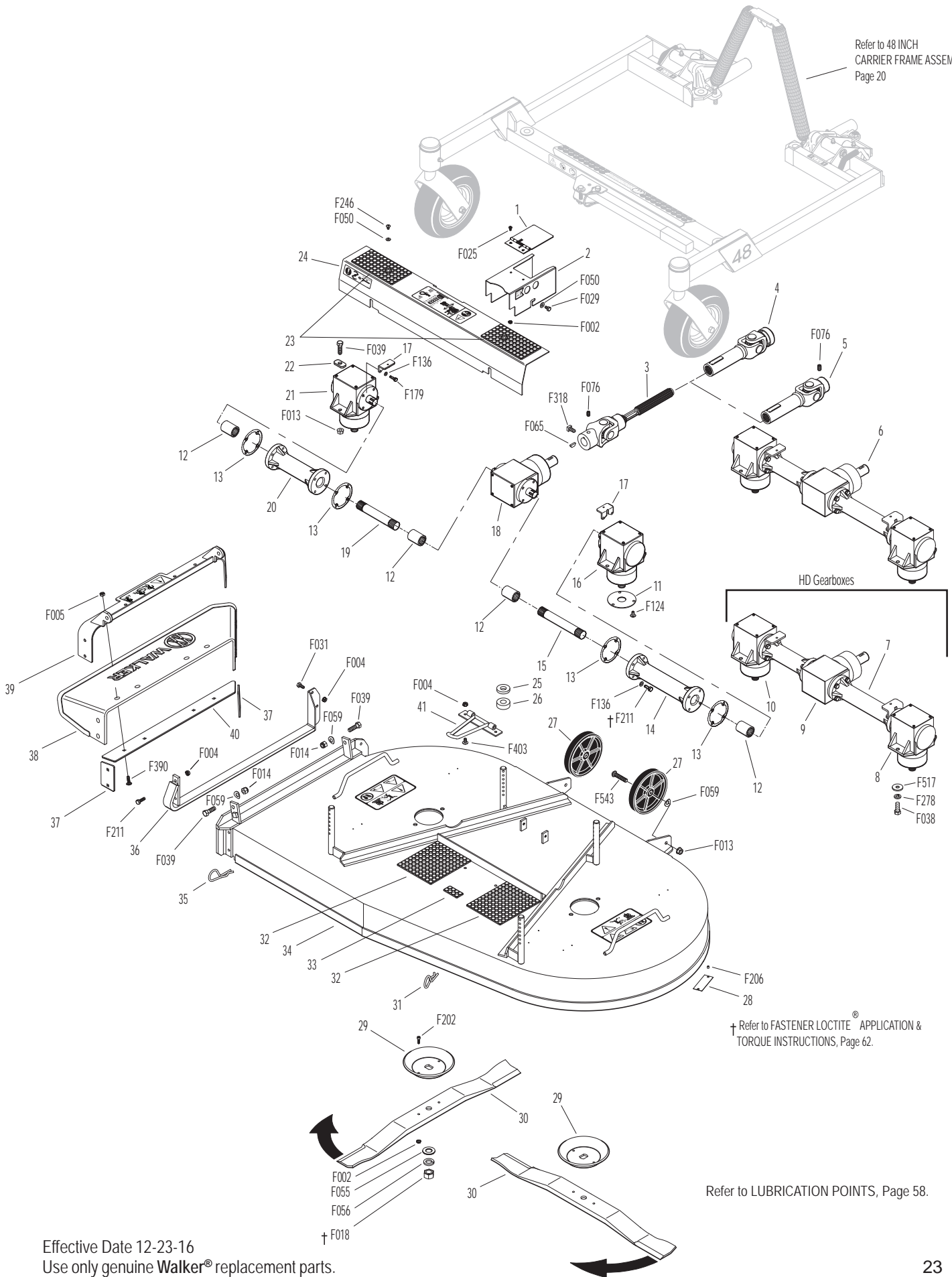
## INCL. OPTIONAL HD GEARBOXES

ITEM NO.	PART NO.	DESCRIPTION	NO. REQ'D	ITEM NO.	PART NO.	DESCRIPTION	NO. REQ'D
<b>Gearbox and Drive Components</b>				35	7775-2	Hitch Pin, RH (Gold) #6	2
1	8618-1	Cover, PTO Shaft Guard	1	36	7707-10	48 SD Skid Bar	1
2	8619	PTO Shaft Guard	1	37	6709-7	End Backup Plate (48")	2
	8618	PTO Shaft Guard Assembly (Includes Items # 1, 2, F002 & F025)	*	38	6709-9	DS48 Discharge Shield, Rubber	1
3	7285-5	U-Joint Shaft Assembly, Spline (Keyed) (Includes Items # F065, F076 & F318)	1	39	6709-4	DS48 Rubber Shield Frame	1
4	7275-16	U-Joint Tube Assy, Spline	1	40	6709-6	Center Backup Plate (48")	1
5	5275-15	U-Joint Tube (9.5" OAL), Spline (Includes Item # F076)	1	41	8670	Tilt-Up Hook	1
6	6704-9	Gearbox and Tube Assembly (Includes Items # 11-21, F124, F136, F179 & F211)	1	<b>Fasteners</b>			
7	6711-12	HD Gearbox and Tube Assembly (Includes Items # 8-10, 12-15, 17, 19, 20, F136, F179 & F211)	**	F002	10-24 Keps Nut		6
8	5052-13	HD Gearbox (1:1) CCW-CCW	**	F004	1/4-20 Keps Nut		6
9	5051-5	HD Tee Gearbox (1:1) CW-CW & CCW	**	F005	1/4-20 ESNA Nut		8
10	5053-3	HD Gearbox (1:1) CW-CCW	**	F013	3/8-16 Whiz Locknut		6
11	5706-4	Seal Protector Plate	2 <sup>Δ</sup>	F014	3/8-16 ESNA Nut		2
12	6054	Spline Coupling	4	F018	5/8-18 Hex Nut		2
13	P007	Gasket, Cap (Peerless #788030)	4	F025	10-24 x 3/8 PPHMS		2
14	5066	Gearbox Connector Tube (9-5/16)	1	F029	1/4-20 x 1/2 Hex Bolt		2
15	6733-6	Connecting Shaft (7")	1	F031	1/4-20 x 5/8 Hex Bolt		2
16	5052-1	Gearbox (LH Rotation)	1	F038	3/8-16 x 1 Hex Bolt		4***
17	5704-1	Gearbox Cover Support	2	F039	3/8-16 x 1-1/4 Hex Bolt		6
18	5051-2	Tee Gearbox, Keyed (7/8" Dia. Shaft)	1	F050	1/4 SAE Washer		4
19	6733-2	Connecting Shaft (4-1/8)	1	F055	5/8 SAE Washer		2
20	5061	Gearbox Connector Tube (6-11/16)	1	F056	5/8 Split Lock Washer		2
21	5053-1	Gearbox (RH Rotation)	1	F059	3/8 Wave Spring Washer		4
22	5052-3	1.375 x .750 x .187 Washer	4 <sup>Δ</sup>	F065	3/16 x 3/4 Woodruff Key (#606)		1
23	5747-12	Rubber Mat (3 x 6)	2	F076	3/8-16 x 5/8 SQH Set Screw		2
24	7785-3	48" Gearbox Cover (Includes Item # 23)	1	F124	10-32 x 3/8 Taptite Machine Screw		6
<b>Deck Housing Components</b>				F136	AN960C416L Washer		16
25	5727-1	Washer Shim (5/8 ID)	4	F179	1/4-20 x 1 Hex Bolt		4
26	7434-1	Washer 1-3/8 x 5/8-1/2 Thick	4	F202	10-24 x 5/8 SHC Screw, GR5 SS		4
27	5162-12	Roller Wheel (5" Poly) (Includes Items # F013, F059 & F543)	2	F206	#2 x 3/16 Drive Pin		2
28	NS	Deck Serial Number Plate	1	F211	1/4-20 x 7/8 Hex Bolt		16
29	5706	Blade Hub & Trash Guard	2	F246	1/4-20 x 1/2 PTHMS		2
30	7705-1	Blade, 25" (RH Rotation)	2	F278	3/8 Split Lock Washer		4***
	7705-5	48 SD Blade Set With Hubs (Includes Items # 29, 30, F002 & F202)	*	F318	3/8-16 x 3/4 SQH Set Screw		1
31	7775-1	Hitch Pin, LH (Silver) #6	2	F390	1/4-20 x 7/8 Carriage Bolt		8
32	8735-10	Rubber Mat (5 x 6)	2	F403	1/4-20 x 1/2 PTHMS, SS		2
33	8788-1	Rubber Mat (1 x 2)	1	F517	Washer 3/8 x 1-1/8 x 1/8		4***
34	7702-16	48 SD Deck Housing (Includes Items # 32 & 33)	1	F543	3/8-16 x 1-1/2 BH Cap Screw		2
				*	Service Part Only		
				**	Item(s) used on the HD version of standard gearboxes. The HD cast iron gearboxes are interchangeable with Standard aluminum gearboxes.		
				***	Used on HD gearbox configuration.		
				Δ	Used on standard aluminum gearbox configuration.		
				<b>NOTE:</b> Order Item # 4 to use the splined deck PTO shaft with Model T23, T25i, T30i, D21d, C19, C19i, B19, B23i and B25p.			
				<b>NOTE:</b> Order Item # 5 to use the splined deck PTO shaft with Model B18.			

# DS48 DECK ASSEMBLY

## INCL. OPTIONAL HD GEARBOXES

Refer to 48 INCH  
CARRIER FRAME ASSEMBLY,  
Page 20



† Refer to FASTENER LOCTITE® APPLICATION & TORQUE INSTRUCTIONS, Page 62.

Refer to LUBRICATION POINTS, Page 58.

Effective Date 12-23-16  
Use only genuine Walker® replacement parts.

# DS52 INCH COMPLETE CARRIER FRAME ASSEMBLY

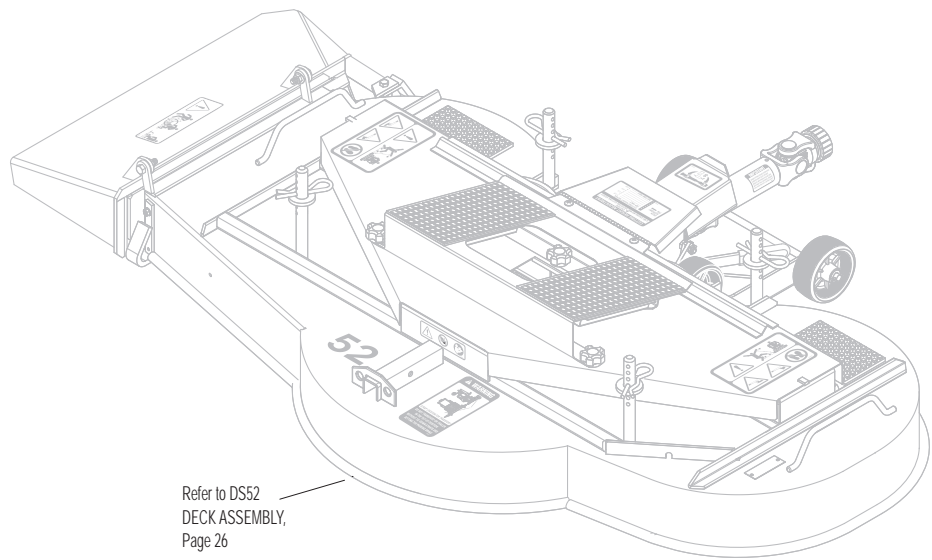
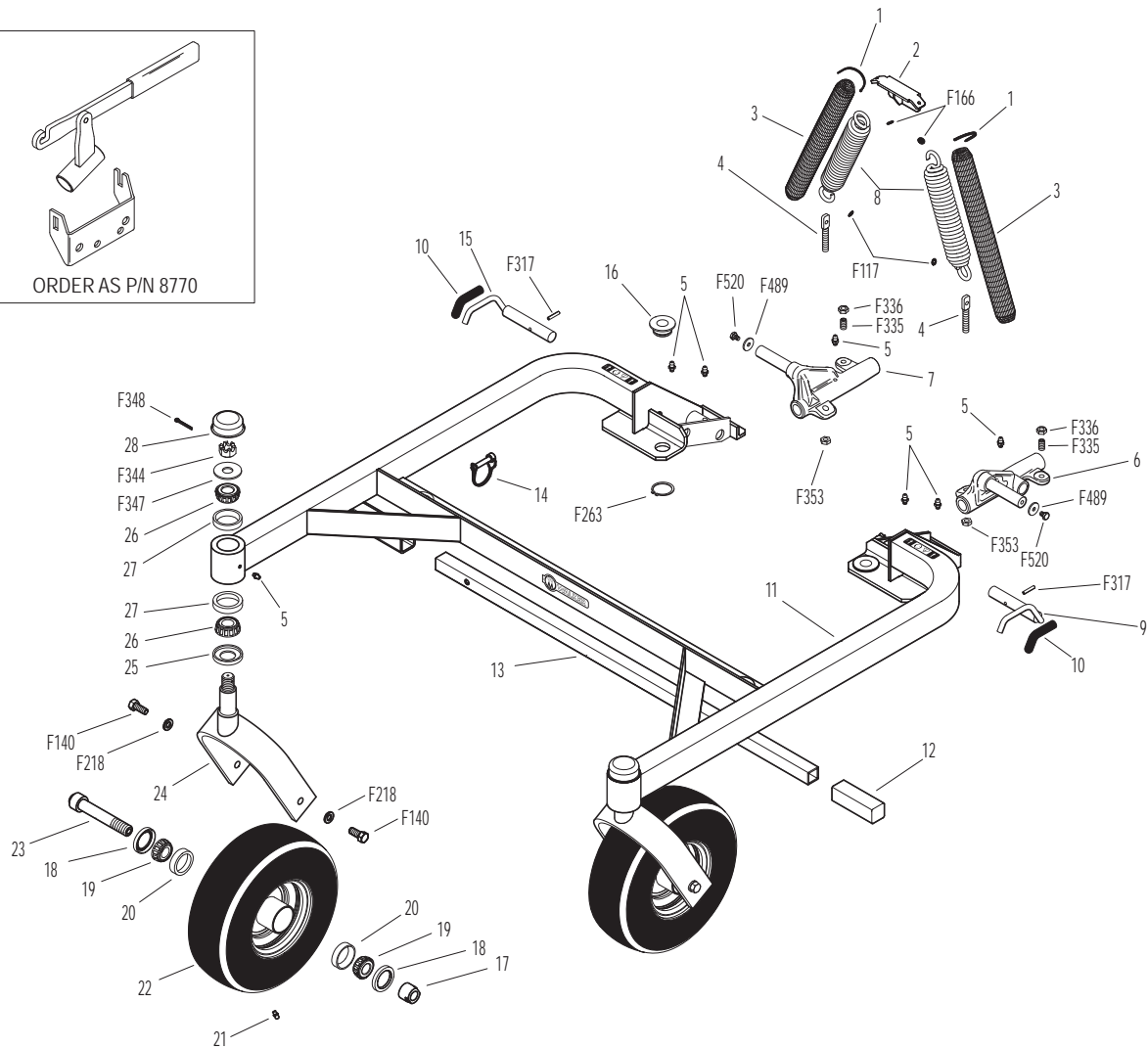
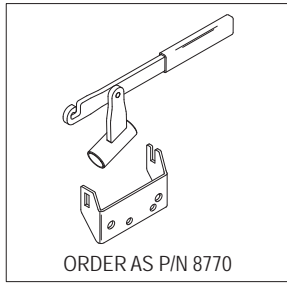
ITEM NO.	PART NO.	DESCRIPTION	NO. REQ'D	ITEM NO.	PART NO.	DESCRIPTION	NO. REQ'D
<b>Spring and Pivot Mount Components</b>				<b>Caster Wheel Components</b>			
1	5975-3	Cable Tie (50# x 7")	4	17	8766	Axle Nut (3/4-16)	2
2	5744-1	Spring Clip Bracket	1	18	8768-2	Seal, Reverse Lip	4
3	5743-1	Spring Cover	2	19	8037	Bearing Cone (3/4 ID)	4
4	5743-4	Eyebolt (3/8-16 x 2-3/4)	2	20	8037-2	Bearing Race	4
5	5830	Grease Fitting	8	21	5830-3	Grease Fitting (45 Degree)	2
6	8667-3	Pivot Mount Assembly, LH/Adj. (Includes Items # 5, F353, F489 & F520)	*	22	8768	Caster Wheel, Pneumatic (11 x 4.00-5) (Includes Items # 20 & 21)	2
7	8667-4	Pivot Mount Assembly, RH/Adj. (Includes Items # 5, F353, F489 & F520)	*		8768-3	Tire, Pneumatic (11 x 4.00-5)	*
8	5743-6	Extension Spring (1-1/2 x 7-3/4) (Includes Items # 1, F117 & F166)	2		8768-5	Caster Wheel (5 x 3)	*
<b>Carrier Frame Components</b>				23	8767	Axle, Caster Wheel (5-1/8)	2
9	8674-11	Lever, Deck Lock, LH	1	24	8765-11	Caster Wheel Fork	2
10	7406-1	Handle Grip (Red)	2	25	8769-7	Seal	2
11	8811-12	52 SD Carrier Frame	1	26	8769-6	Bearing Cone (1" ID)	4
	8811-10	52 SD Carrier Frame, With Pivots (Includes Items # 9, 10, 15, F317, F335 & F336)	*	27	8769-5	Bearing Cup (2 x 1-5/8)	4
12	5850-5	Handle Grip (1 x 1 x 3-3/4)	1	28	8769-8	Dust Cap, Deck Caster	2
13	8811-25	Tilt Bar, With Grip (35") (Includes Item # 12)	1	<b>Fasteners</b>			
14	7775-5	Lock Pin (5/16 x 1-5/8)	1		F117	Retainer Ring	2
15	8674-10	Lever, Deck Lock, RH	1		F140	7/16-14 x 1 Hex Bolt	4
16	8740	Deck Pin Bushing (3/4 ID)	4		F166	Retainer Ring	2
					F218	7/16 Split Lock Washer	4
					F263	1-1/4 External Snap Ring	4
					F317	3/16 x 1 Split Spring Pin	2
					F335	3/8-16 x 7/8 Set Screw, SS	2
					F336	3/8-16 Jam Nut	2
					F344	3/4-16 Slotted Hex Nut	2
					F347	3/4 SAE Washer	2
					F348	1/8 x 1-1/2 Cotter Pin	2
					F353	3/8-16 ESNA LP Nut	2
					F489	Washer 1/4 x 7/8 x .090	2
					F520	1/4-28 x 3/8 Hex Bolt	2

\* Service Part Only

**NOTE:** The E-Z Pin Puller P/N 8770 can be ordered to assist removing and installing height adjustment hitch pins on larger decks. This item stows on tractor when not in use.



# DS52 INCH COMPLETE CARRIER FRAME ASSEMBLY



Refer to DS52  
DECK ASSEMBLY,  
Page 26

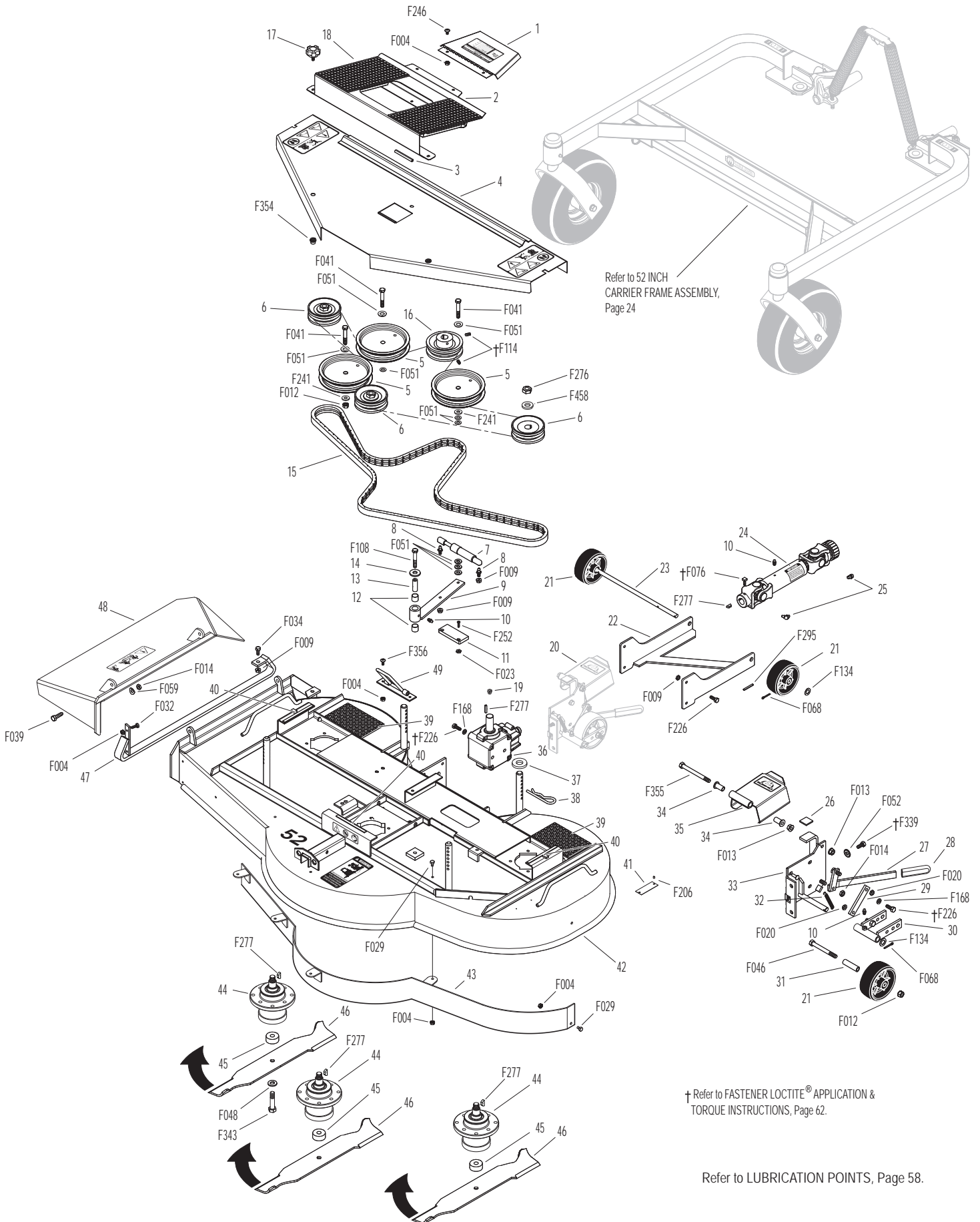
Refer to LUBRICATION POINTS, Page 58.

# DS52 DECK ASSEMBLY

ITEM NO.	PART NO.	DESCRIPTION	NO. REQ'D	ITEM NO.	PART NO.	DESCRIPTION	NO. REQ'D	
<b>Blade Drive Components</b>				40	8790	Rubber Cushion Strip	3	
1	8789-5	Pulley Guard	1	41	NS	Deck Serial Number Plate	1	
2	8786-15	Footrest Assembly (Includes Item # 18)	1	42	8810-10	52 SD Deck Housing (Includes Items # 39 & 40)	1	
3	8754-3	Edge Molding	2	43	8692-10	Baffle, DSD52	1	
4	8754-5	52 SD Cover Plate (Includes Items # 3 & F354)	1	44	8052-2	Blade Spindle	3	
5	8245	Idler Pulley (6")	3	45	5705-25	Blade Spacer	3	
6	8755	Blade Drive Pulley (3-7/8)	3	46	5705-14	Blade, 18-1/2	3	
7	8762	Dampening Spring (Gas)	1		8738-7	52 SD Blade Set	*	
8	5146	10mm Ball Stud	2	47	8707	52/62 SD Skid Bar	1	
9	8373-3	Idler Arm (2-Hole)	1	48	8709	52/62 SD Discharge Shield	1	
10	5830	Grease Fitting	3	49	8670-10	Tilt-Up Hook	1	
11	8374-1	Idler Arm Guide	1	<b>Fasteners</b>				
12	7201-3	Fiberglide Bearing	2		F004	1/4-20 Keps Nut	11	
13	7201-4	Inner Race (1-1/2)	1		F009	5/16-18 Whiz Locknut	7	
14	5841	Retainer Washer (3/8 x 1-1/4)	1		F012	3/8-16 Keps Nut	4	
15	8736	Blade Drive Belt (R3VX1000-2)	1		F013	3/8-16 Whiz Locknut	2	
16	6240-2	Drive Pulley (4-1/2 / 3V) (Includes Items # F114 & F277)	1		F014	3/8-16 ESNA Nut	3	
17	8787	Deck Cover Knob	3		F020	5/16-18 ESNA Nut	2	
18	8786-10	Rubber Mat (6 x 10-1/2)	2		F023	10-24 ESNA Nut	2	
<b>Gearbox and Dolly Wheel Components</b>						F029	1/4-20 x 1/2 Hex Bolt	5
19	6206-1	Air Vent Valve	1		F032	1/4-20 x 3/4 Hex Bolt	2	
20	8745-25	Dolly Wheel/PTO Guard Assembly (Includes Items # 21, 26, 28, 31, 34, 35, F012, F013, F046, F052, F168, F226, F339 & F355)	*		F034	5/16-18 x 3/4 Hex Bolt	1	
21	6715	Roller Wheel (3-7/8)	3		F039	3/8-16 x 1-1/4 Hex Bolt	2	
22	8810-30	Tilt Dolly Mount Frame	1		F041	3/8-16 x 1-3/4 Hex Bolt	3	
23	8810-34	Axle, Dolly Mount	1		F046	3/8-16 x 3-1/2 Hex Bolt	1	
24	8285-2	U-Joint Shaft Assy, T-Scope (Includes Items # 25, F076 & F277)	1		F048	1/2 SAE Washer	3	
25	5830-3	Grease Fitting (45 Degree)	2		F051	3/8 SAE Washer	9	
26	8788	Rubber Bumper (Self-Adhesive Mount)	1		F052	5/16 External Star Lock Washer	2	
27	8745-14	Retract Lever	1		F059	3/8 Wave Spring Washer	2	
28	5850-3	Handle Grip, Foam (3-1/4)	1		F068	1/8 x 1 Cotter Pin	2	
29	8745-12	Actuator Link	1		F076	3/8-16 x 5/8 SQH Set Screw	*	
30	8745-13	Dolly Wheel Mount (Includes Item # 10)	1		F108	3/8-16 x 2 Hex Bolt	1	
31	8745-15	Axle Spacer Tube	1		F114	5/16-18 x 5/8 SQH Set Screw	2	
32	5229	Extension Spring (1/2 x 2-1/4)	1		F134	AN960816L Washer	3	
33	8745-20	Mount Bracket (Includes Items # 26, F052, F068 & F339)	1		F168	5/16 Split Lock Washer	8	
34	5103-4	Pivot Bushing (3/8 ID)	2		F206	#2 x 3/16 Drive Pin	2	
35	8745-40	PTO Cover Plate	1		F226	5/16-18 x 7/8 Hex Bolt	12	
36	8051-11	Right Angle Gearbox (Includes Item # 19)	1		F241	.375 x .875 x .10 Washer	2	
<b>Deck Housing Components</b>						F246	1/4-20 x 1/2 PTHMS	2
37	8727	Washer Shim (13/16 x 1/4)	4		F252	10-24 x 3/4 PFHMS	2	
38	8775	Hitch Pin (#219)	4		F276	5/8-11 Jam Nut	3	
39	8735-10	Rubber Mat (5 x 6)	2		F277	3/16 x 5/8 Woodruff Key (#605)	5	
					F295	3/16 x 1-1/2 Split Spring Pin	2	
					F339	5/16-18 x 3/4 Self-Tapping Bolt	2	
					F343	1/2-20 x 2 Hex Bolt	3	
					F354	5/16 Knurled Thread Insert	2	
					F355	3/8-16 x 4 Hex Bolt	1	
					F356	1/4-20 x 5/8 PTHMS, SS	2	
					F458	Washer 1-1/4 x 5/8 x 3/16	3	
				*	Service Part Only			



# DS52 DECK ASSEMBLY



Effective Date 12-23-16  
Use only genuine Walker® replacement parts.

# DS52 MULCHING KIT

ITEM NO.	PART NO.	DESCRIPTION	NO. REQ'D
----------	----------	-------------	-----------

**Kit 8691 Mulching Kit (For DS52 Deck Assembly)**  
 Includes Items # 1-7, fasteners listed and instructions. May be ordered as a factory-installed option or as a kit for dealer installation. Contact your Walker dealer. Refer also to **DS52 DECK ASSEMBLY**, page 26.

1	8691-4	Baffle, RH	1
2	8691-3	Baffle, Center	1
3	8691-2	Baffle, LH	1
4	8052-9	Mulch Blade Spacer	3
5	5705-15	Blade, 18-3/8" Upper Mulch	3
	8738-8	52 SD Mulching Blade Set	*
6	8691-10	Blade Saddle	3
7	5705-14	Blade, 18-1/2 (RH Rotation)	3

ITEM NO.	PART NO.	DESCRIPTION	NO. REQ'D
----------	----------	-------------	-----------

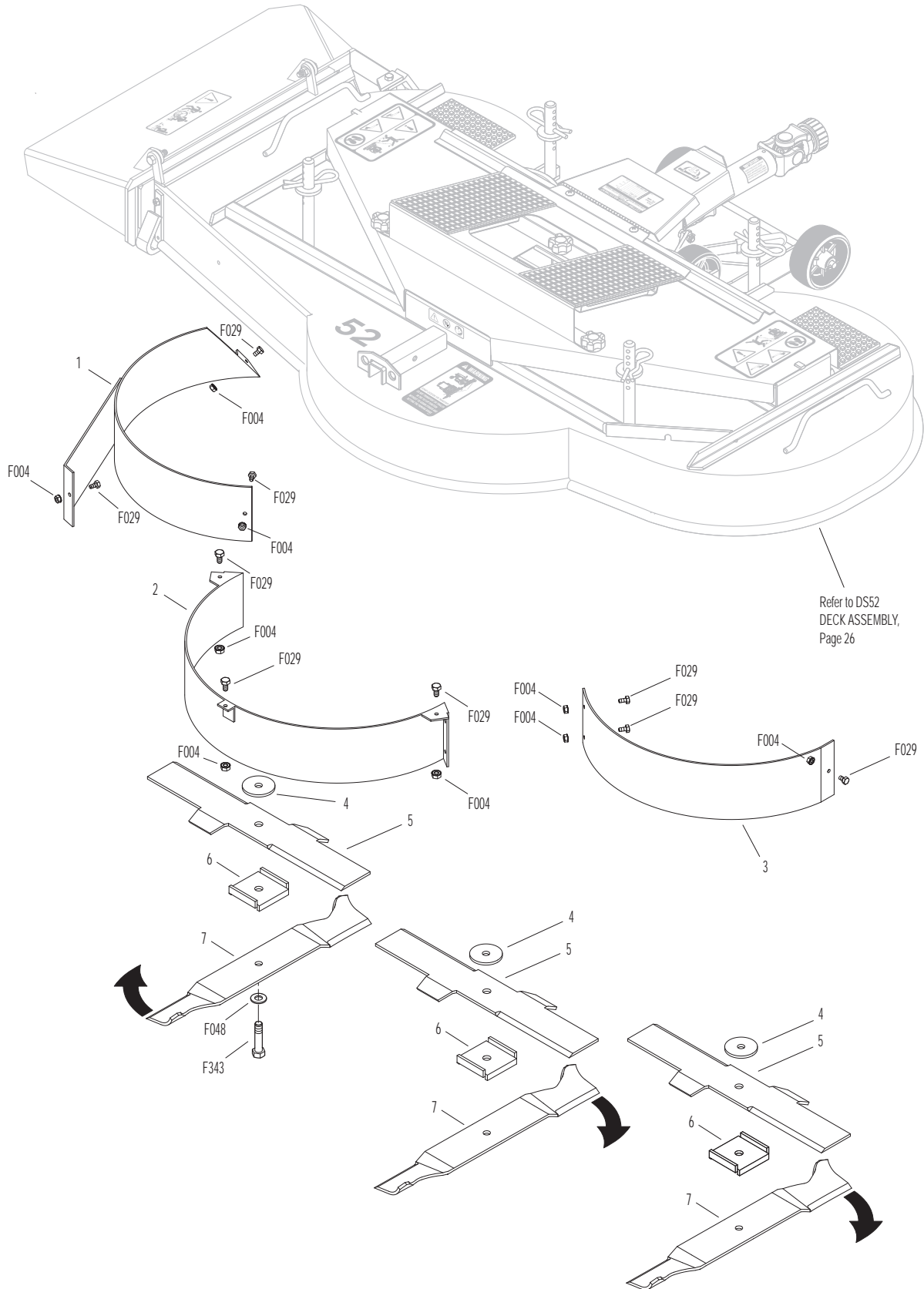
## Fasteners

F004		1/4-20 Keps Nut	9
F029		1/4-20 x 1/2 Hex Bolt	9
F048		1/2 SAE Washer	3
F343		1/2-20 x 2 Hex Bolt	3

\* Service Part Only. Includes 5705-15 Blades (3 Pieces).

**NOTE:** Reuse Item # 7 from **DS52 DECK ASSEMBLY**. Refer to **DS52 DECK ASSEMBLY**, page 26.

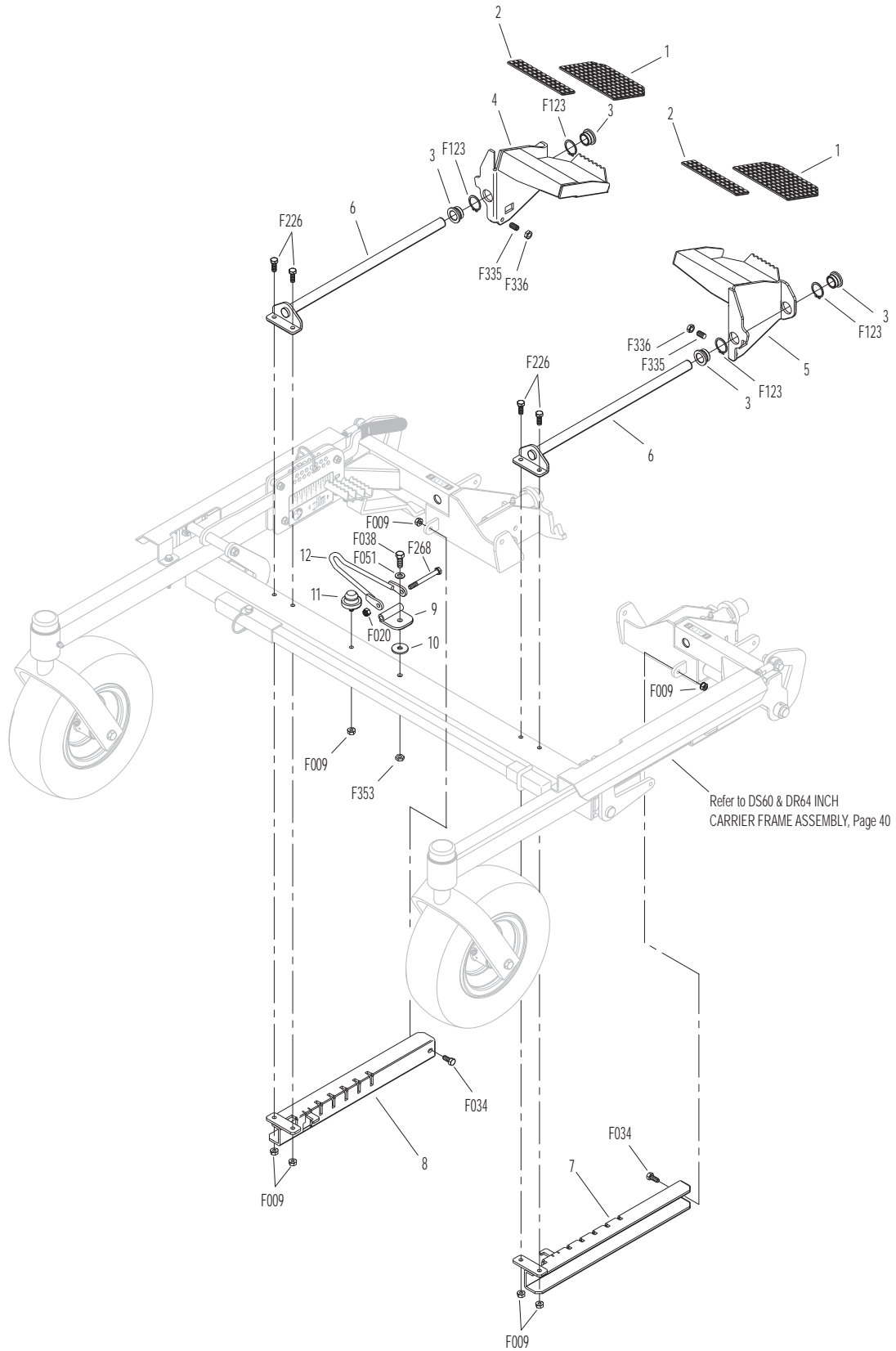
# DS52 MULCHING KIT



# DR52, DS60 & DR64 INCH CARRIER FRAME FOOTREST COMPONENTS

ITEM NO.	PART NO.	DESCRIPTION	NO. REQ'D	ITEM NO.	PART NO.	DESCRIPTION	NO. REQ'D
<b>Footrest Components</b>				<b>Fasteners</b>			
1	8735-9	Rubber Mat (4-1/2 x 6)	2	F009		5/16-18 Whiz Locknut	7
2	5748-10	Rubber Mat (1-1/2 x 6)	2	F020		5/16-18 ESNA Nut	1
3	2724-17	Guide Rod Bushing	4	F034		5/16-18 x 3/4 Hex Bolt	2
4	2786-12	Footrest, RH (Includes Items # 1 & 2)	1	F038		3/8-16 x 1 Hex Bolt	1
5	2786-11	Footrest, LH (Includes Items # 1 & 2)	1	F051		3/8 SAE Washer	1
6	2786-10	Adjustable Footrest Rod	2	F123		1" External Snap Ring	4
7	2786-15	Adjustable Footrest Mount, LH	1	F226		5/16-18 x 7/8 Hex Bolt	4
8	2786-14	Adjustable Footrest Mount, RH	1	F268		5/16-18 x 3 Hex Bolt	1
<b>Tilt-Up Hook Components</b>				F335		3/8-16 x 7/8 Set Screw, SS	2
9	8670-14	Tilt-Up Hook Base	1	F336		3/8-16 Jam Nut	2
10	5841	Retainer Washer (3/8 x 1-1/4)	1	F353		3/8-16 ESNA LP Nut	1
11	5845-1	Rubber Latch	1				
12	8670-13	Tilt-Up Hook	1				

# DR52, DS60 & DR64 INCH CARRIER FRAME FOOTREST COMPONENTS



Refer to LUBRICATION POINTS, Page 58.

# DR52 INCH COMPLETE CARRIER FRAME ASSEMBLY

ITEM NO.	PART NO.	DESCRIPTION	NO. REQ'D	ITEM NO.	PART NO.	DESCRIPTION	NO. REQ'D
<b>Spring and Pivot Mount Components</b>				36	2722-4	Pivot Shaft	2
1	2744-1	Spring Clip Bracket	1	37	2655	Lift Chain	4
2	5975-3	Cable Tie (50# x 7")	4	38	4407-4	Bow Tie Cotter Pin	2
3	5743-12	Spring Cover	2	39	2215-4	Height Adjustment Rod	2
4	5743-13	Extension Spring (Includes Items # 2, F545 & F548)	2	40	5146-1	10mm Ball Stud x 5/8	2
5	2723-10	Counter Weight Spring Mount	2	41	5146	10mm Ball Stud	2
6	2723-5	Locking Arm, LH (Includes Item # F432)	1	42	2215	Gas Spring Assembly	2
7	5830	Grease Fitting	10	43	2721-3	Lifting Arm (Includes Item # 7)	1
8	2667-1	Pivot Mount, LH (Includes Item # 7)	1	44	2721-2	Lifting Cross Tube	1
9	2723-4	Pivot Shaft	2	45	2723-7	Height Adjustment Arm (Includes Item # 46)	1
10	2667-2	Pivot Mount, RH (Includes Item # 7)	1	46	5850-3	Handle Grip, Foam (3-1/4)	1
11	2723-6	Locking Arm, RH (Includes Item # F432)	1	47	2722-7	Foot Pedal Pad	1
				48	2722-6	Deck Height Adjustment Trigger (Includes Item # 7)	1
<b>Carrier Frame Components</b>				<b>Fasteners</b>			
12	2215-2	Gas Spring Cover, RH	1	F004	1/4-20 Keps Nut		6
13	2723-2	Outer Height Adjustment Plate	1	F009	5/16-18 Whiz Locknut		13
14	7775-9	Wire Lock Pin (5/16 x 1-3/8)	1	F013	3/8-16 Whiz Locknut		14
15	2720-3	Height Adjustment Spacer	4	F035	5/16-18 x 1-1/4 Hex Bolt		2
16	2723-1	Inner Height Adjustment Plate	1	F038	3/8-16 x 1 Hex Bolt		2
17	2215-3	Gas Spring Cover, LH	1	F039	3/8-16 x 1-1/4 Hex Bolt		2
18	8740	Deck Pin Bushing (3/4 ID)	4	F040	3/8-16 x 1-1/2 Hex Bolt		5
19	2911-8	DR52 Carrier Frame	1	F048	1/2 SAE Washer		2
20	7775-5	Lock Pin (5/16 x 1-5/8)	1	F050	1/4 SAE Washer		6
21	8811-25	Tilt Bar W/Grip (35") (Includes Item # 22)	1	F071	3/4 External Snap Ring		2
22	5850-5	Handle Grip (1 x 1 x 3-3/4)	1	F090	1/4-20 x 2-1/2 Hex Bolt		4
<b>Caster Wheel Components</b>				F132	1/4-20 x 2-3/4 Hex Bolt		2
23	8769-8	Dust Cap, Deck Caster	2	F205	5/16-18 x 1/4 Set Screw (Knurl Point)		2
24	8769-6	Bearing Cone (1" ID)	4	F215	3/8-16 x 1/2 x 1/2 S Bolt		2
25	8769-5	Bearing Cup (2 x 1-5/8)	4	F218	7/16 Split Lock Washer		4
26	8769-7	Seal	2	F219	7/16-14 x 1-1/4 Hex Bolt		4
27	2770	Caster Wheel Fork	2	F226	5/16-18 x 7/8 Hex Bolt		5
28	7038	Tail Wheel Axle (3/4 x 5-9/16)	2	F241	.375 x .875 x .10 Washer		18
29	8768-2	Seal, Reverse Lip	4	F263	1-1/4 External Snap Ring		6
30	8037	Bearing Cone (3/4 ID)	4	F268	5/16-18 x 3 Hex Bolt		1
31	8035	Tail Wheel & Tire (13 x 5.00-6) (W/Bearing Race)	2	F298	3/8-24 Jam Nut		4
32	8038-1	Spacer, Tail Wheel Axle (.750 ID x 1.125 OD)	2	F344	3/4-16 Slotted Hex Nut		2
33	8039	Nut, Tail Wheel Axle	2	F347	3/4 SAE Washer		2
<b>Deck Lift Components</b>				F348	1/8 x 1-1/2 Cotter Pin		2
34	2722-5	Deck Height Adjustment, LH (Includes Item # 7)	1	F378	3/8-16 x 6 Hex Bolt		1
35	2214-10	Rod End, Female (3/8-24)	4	F432	3/16 x 1/2 Split Spring Pin		2
				F436	3/16 x 1-1/8 Roll Pin		4
				F437	Clevis Pin (1/4 x 1)		2
				F438	5/16-18 x 2-3/4 Hex Bolt		1
				F545	Retention Washer (.250 Wire)		2
				F548	Retention Ring (.235 Wire)		2



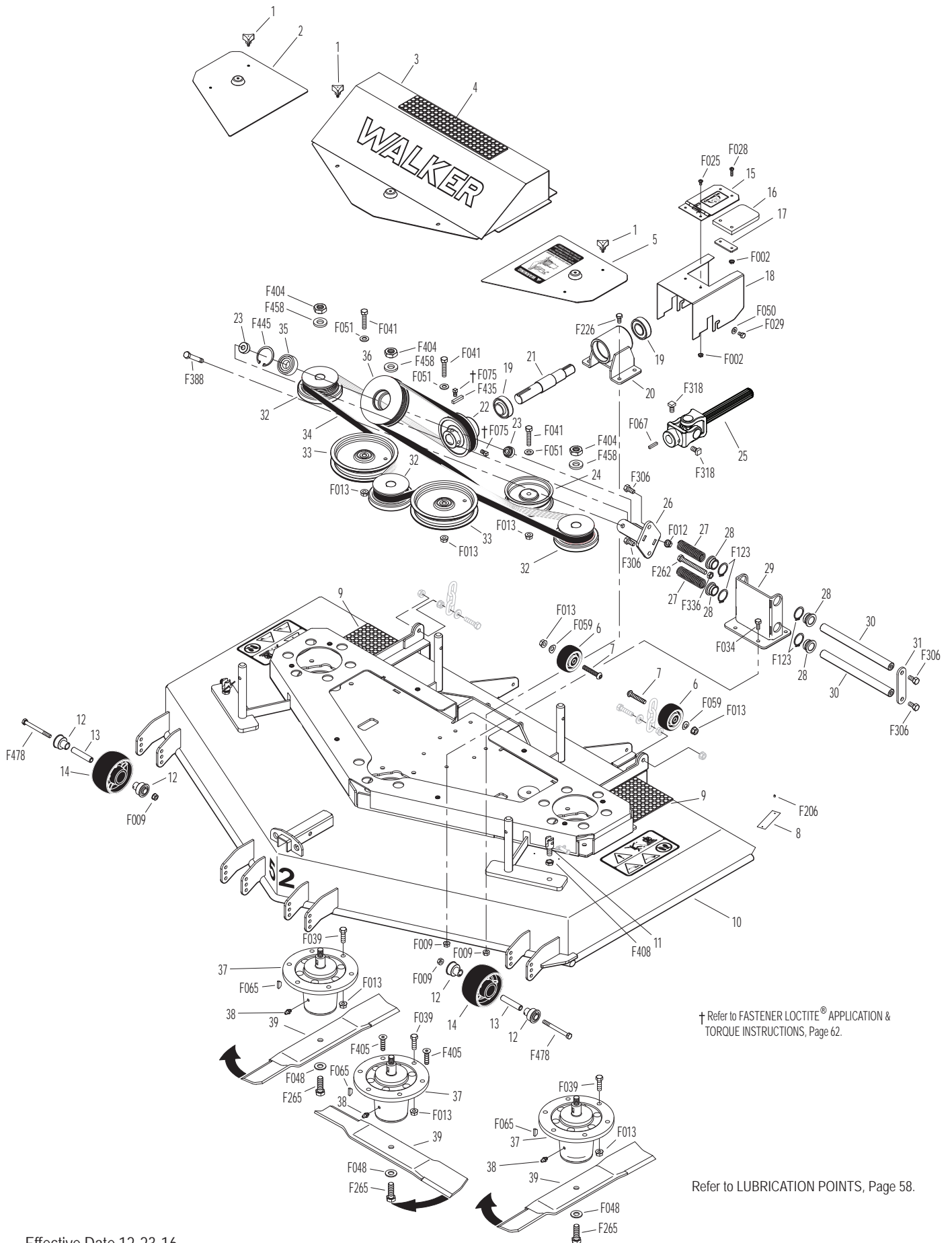


# DR52 DECK ASSEMBLY

ITEM NO.	PART NO.	DESCRIPTION	NO. REQ'D	ITEM NO.	PART NO.	DESCRIPTION	NO. REQ'D
<b>Deck Housing Components</b>				<b>Blade Spindle Components</b>			
1	2703-5	Knob, 10-24 x 1/2	8	37	2052-1	Blade Spindle	3
2	2723-12	Spindle Cover, RH	1	38	5830	Grease Fitting	3
3	2786-17	DR52 Belt Cover (Includes Item # 4)	1	39	7705-14	Blade (18.333)	3
4	8735-8	Rubber Mat (2-1/2 x 12)	1	<b>Fasteners</b>			
5	2723-13	Spindle Cover, LH	1	F002	10-24 Keps Nut		8
6	9772	Roller Wheel Assembly (2-1/2) (Includes Item # F059)	2	F009	5/16-18 Whiz Locknut		12
7	8490-1	Roller Wheel Axle Bolt	2	F012	3/8-16 Keps Nut		1
8	NS	Deck Serial Number Plate	1	F013	3/8-16 Whiz Locknut		23
9	8735-10	Rubber Mat (5 x 6)	2	F025	10-24 x 3/8 PPHMS		2
10	2910-9	DR52 Deck Housing (Includes Item # 9)	1	F028	10-24 x 3/4 PPHMS		2
11	2720-5	Deck Height Adjustment Clevis	2	F029	1/4-20 x 1/2 Hex Bolt		2
12	6715-3	Roller Wheel Bearing	8	F034	5/16-18 x 3/4 Hex Bolt		2
13	6715-4	Axle Spacer Tube	4	F039	3/8-16 x 1-1/4 Hex Bolt		16
14	6715-2	Roller Wheel	4	F041	3/8-16 x 1-3/4 Hex Bolt		3
<b>Blade Drive Components</b>				F048	1/2 SAE Washer		3
15	2618-1	Cover, PTO Shaft Guard	1	F050	1/4 SAE Washer		2
16	2620-3	Rubber Flap	1	F051	3/8 SAE Washer		3
17	2620-2	Backing Plate	1	F059	3/8 Wave Spring Washer		2
18	2619-4	PTO Shaft Guard	1	F065	3/16 x 3/4 Woodruff Key (#606)		3
19	5270	Bearing W/Collar (1")	2	F067	3/16 x 3/16 x 1 Key		1
20	2726	PTO Bearing Housing	1	F075	5/16-18 x 1/2 SQH Set Screw		2
21	2726-1	PTO Drive Shaft	1	F123	1" External Snap Ring		4
22	2240-10	Drive Pulley (Includes Items # F075 & F435)	1	F206	#2 x 3/16 Drive Pin		2
23	2245-6	Idler Pulley Shaft	2	F226	5/16-18 x 7/8 Hex Bolt		4
24	4245-1	Idler Pulley (4/Flat)	1	F262	3/8-16 x 4 Hex Bolt All Thread		1
25	8285-4	U-Joint Shaft Assembly, Spline (Includes Item # F318)	1	F265	1/2-20 x 1-1/2 Hex Bolt		3
26	2724-14	Idler Mount Weldment	1	F306	3/8-16 x 3/4 Hex Bolt		4
27	5195-2	Compression Spring (1 x 6-3/8) (Black)	2	F318	3/8-16 x 3/4 SQH Set Screw		2
28	2724-17	Guide Rod Bushing	4	F336	3/8-16 Jam Nut		1
29	2724-18	Mount Base	1	F388	3/8-16 x 2-1/2 Hex Bolt		1
30	2723-16	Guide Rods (8-5/8) Clear Zinc	2	F404	5/8-18 Jam Nut		3
31	2724-19	Guide Rod Stop	1	F405	3/8-16 x 1-1/2 FHA Screw, SS		2
32	2240-6	Blade Drive Pulley (3-1/8) W/Shield	3	F408	7/16-20 Jam Nut		2
33	8245	Idler Pulley (6")	2	F435	1/4 x 1/4 x 1-1/4 Key		1
34	2731-2	Blade Drive Belt (1150L4-K)	1	F445	1-7/8 Internal Snap Ring		1
35	2265	Bearing (20mm)	1	F458	Washer 1-1/4 x 5/8 x 3/16		3
36	2245-2	Idler Pulley	1	F478	5/16-18 x 3-1/4 Hex Bolt		4
				* Service Part Only			



# DR52 DECK ASSEMBLY



† Refer to FASTENER LOCTITE® APPLICATION & TORQUE INSTRUCTIONS, Page 62.

Refer to LUBRICATION POINTS, Page 58.

# 56 INCH COMPLETE CARRIER FRAME ASSEMBLY

ITEM NO.	PART NO.	DESCRIPTION	NO. REQ'D
----------	----------	-------------	-----------

## Spring and Pivot Mount Components

1	5975-3	Cable Tie (50# x 7")	4
2	5744-1	Spring Clip Bracket	1
3	5743-1	Spring Cover	2
4	5743-3	Eyebolt (3/8-16 x 2)	2
5	5830	Grease Fitting	8
6	8667-3	Pivot Mount Assembly, LH/Adj. (Includes Items # 5, F014, F489 & F520)	*
7	8667-4	Pivot Mount Assembly, RH/Adj. (Includes Items # 5, F014, F489 & F520)	*
8	5743-6	Extension Spring (1-1/2 x 7-3/4) (Includes Items # 1, F117 & F166)	2

## Carrier Frame Components

9	8674-11	Lever, Deck Lock, LH	1
10	7406-1	Handle Grip, Red	2
11	6720-1	56 SD Carrier Frame	1
12	5740-2	Deck Pin Bushing (5/8)	4
13	8674-10	Lever, Deck Lock, RH	1
14	5850-5	Handle Grip (1 x 1 x 3-3/4)	1
15	6811-25	Tilt Bar With Grip (30") (Includes Item # 14)	1
16	7775-5	Lock Pin (5/16 x 1-5/8)	1

ITEM NO.	PART NO.	DESCRIPTION	NO. REQ'D
----------	----------	-------------	-----------

## Caster Wheel Components

17	5714-8	Bearing, Caster Wheel	4
18	5714-9	Spacer Tube	2
19	5715-14	Caster Wheel & Tire/No-Flat (8 x 3.00-4) (Includes Items # 17 & 18)	2
	5715-16	Tire, Caster Wheel/No-Flat (8 x 3.00-4)	*
	5715-13	Caster Wheel, Pneumatic (8 x 3.00-4) (Includes Items # 17 & 18)	**
	5715-15	Caster Wheel Tire, Pneumatic (8 x 3.00-4)	**
	5715-9	Tire Tube, Pneumatic (2.80/2.50-4)	**
20	5714-6	Axle Spacer Tube	2
21	5770-1	Caster Wheel Fork	2
22	8768-1	Seal (1-3/4 x 1-1/8)	2
23	8037	Bearing Cone (3/4 ID)	4
24	8769-1	Bearing Cup (1-3/4 x 1-7/16)	4
25	8769-9	Dust Cap, Deck Caster	2

## Fasteners

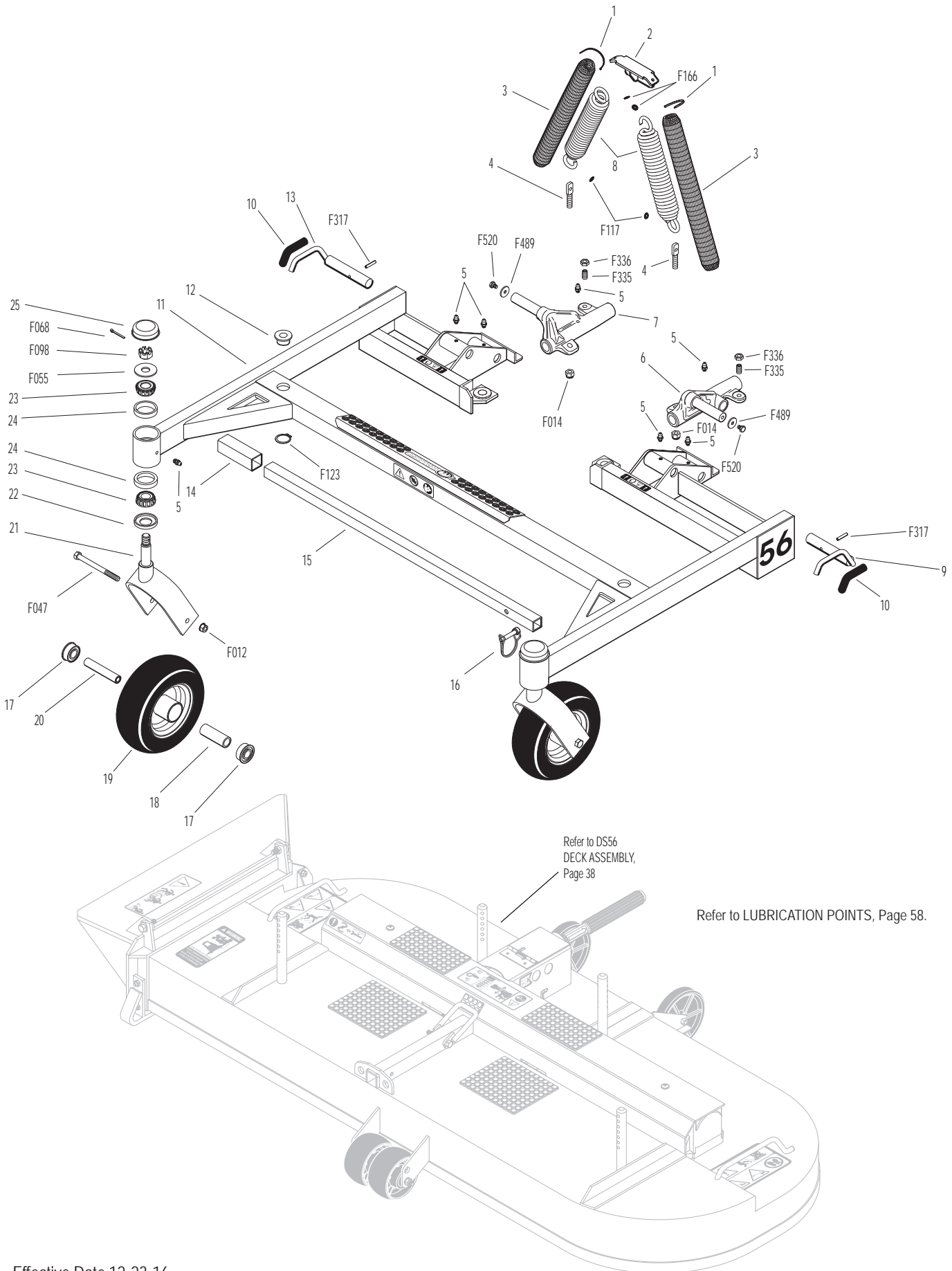
F012	3/8-16 Keps Nut	2
F014	3/8-16 ESNA Nut	2
F047	3/8-16 x 4-1/2 Hex Bolt	2
F055	5/8 SAE Washer	2
F068	1/8 x 1 Cotter Pin	2
F098	5/8-18 Slotted Hex Nut	2
F117	Retainer Ring	2
F123	1" External Snap Ring	4
F166	Retainer Ring	2
F317	3/16 x 1 Split Spring Pin	2
F335	3/8-16 x 7/8 Set Screw, SS	2
F336	3/8-16 Jam Nut	2
F489	Washer 1/4 x 7/8 x .090	2
F520	1/4-28 x 3/8 Hex Bolt	2

\* Service Part Only

\*\* May be ordered as a kit for dealer installation. Contact your Walker Dealer.

**NOTE:** When installing Item # 8 on decks prior to S/N DX-62875, the swivel hook end should be attached to the deck carrier frame.

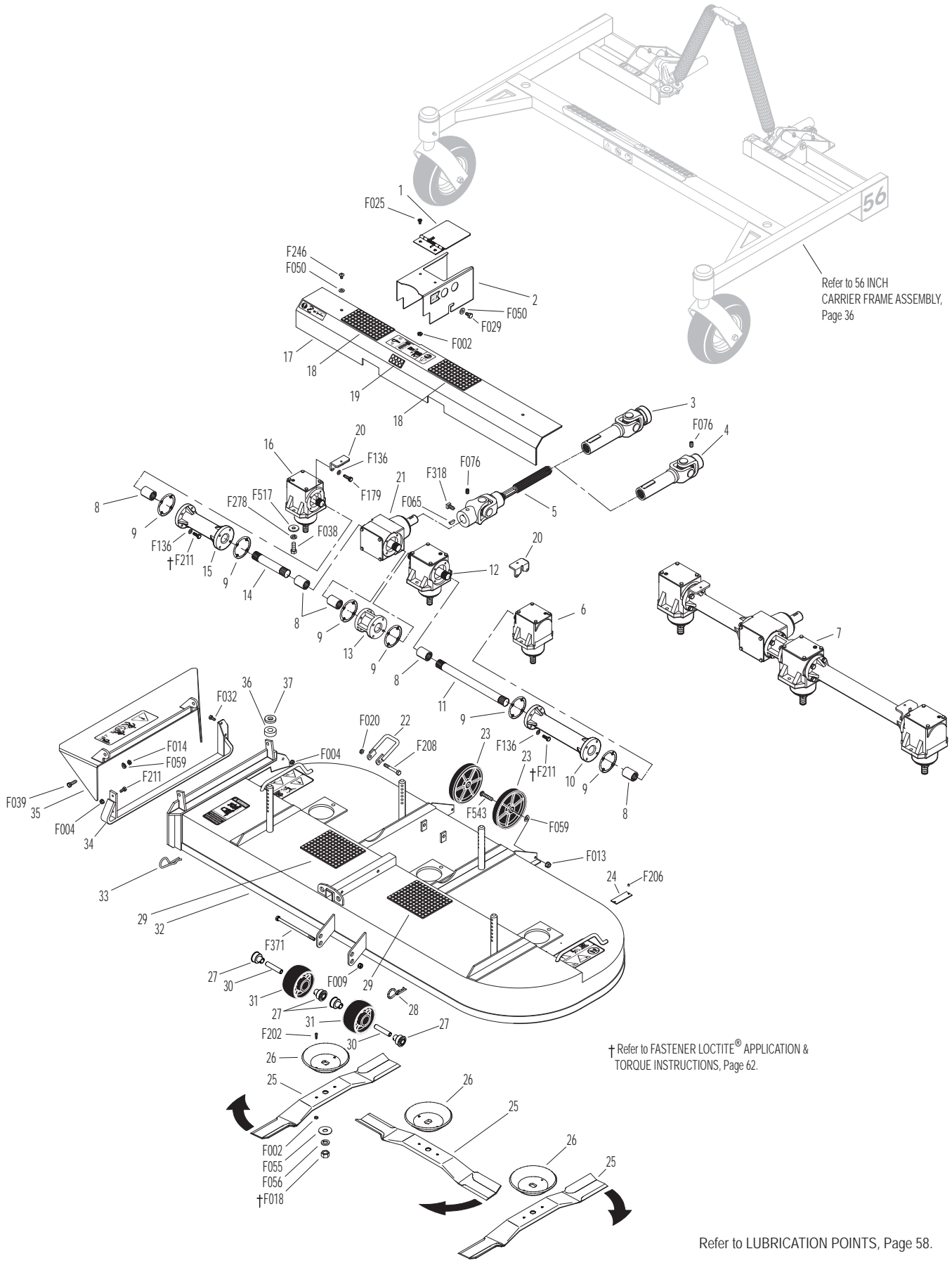
# 56 INCH COMPLETE CARRIER FRAME ASSEMBLY



# DS56 DECK ASSEMBLY

ITEM NO.	PART NO.	DESCRIPTION	NO. REQ'D	ITEM NO.	PART NO.	DESCRIPTION	NO. REQ'D
<b>Gearbox and Drive Components</b>				32	6720-10	56 SD Deck Housing (Includes Items # 19 & 29)	1
1	8618-1	Cover, PTO Shaft Guard	1	33	7775-2	Hitch Pin, RH (Gold) #6	2
2	8619-2	PTO Shaft Guard	1	34	6707-6	56 SD Skid Bar	1
	8618-3	PTO Shaft Guard Assembly (Includes Items # 1, 2, F002 & F025)	*	35	6705-8	56 SD Discharge Shield	1
3	7275-16	U-Joint Tube Assembly (10" OAL), Spline	1	36	7434-1	Washer 1-3/8 x 5/8-1/2 Thick	4
4	5275-15	U-Joint Tube Assembly (9.5" OAL), Spline (Includes Item # F076)	1	37	5727-1	Washer Shim (5/8 ID)	4
5	7285-4	U-Joint Shaft, Splined (Keyed) (Includes Items # F065, F076 & F318)	1	<b>Fasteners</b>			
6	5052-9	HD Gearbox (1:1.2) CCW-CCW	1	F002	10-24 Keps Nut		8
7	6711-15	56 SD Gearbox and Tube Assembly, HD (Includes Items # 6, 8-16, 20, 21, F136, F179 & F211)	1	F004	1/4-20 Keps Nut		4
8	6054	Spline Coupling	5	F009	5/16-18 Whiz Locknut		1
9	P007	Gasket, Cap (Peerless #788030)	6	F013	3/8-16 Whiz Locknut		2
10	5069	Gearbox Connector Tube (14-1/2)	1	F014	3/8-16 ESNA Nut		2
11	6733-9	Connecting Shaft (12-1/8)	1	F018	5/8-18 Hex Nut		3
12	5058-3	HD Tee Gearbox (1:1.2 Ratio)	1	F020	5/16-18 ESNA Nut		1
13	5060	Gearbox Connector Tube (2-5/16)	1	F025	10-24 x 3/8 PPHMS		2
14	6733-3	Connecting Shaft (6-1/4)	1	F029	1/4-20 x 1/2 Hex Bolt		2
15	5063	Gearbox Connector Tube (8-5/8)	1	F032	1/4-20 x 3/4 Hex Bolt		2
16	5053-7	HD Gearbox (1:1.2) CW-CCW	1	F038	3/8-16 x 1 Hex Bolt		6
17	6786	56 SD Gearbox Cover (Includes Items # 18 & 19)	1	F039	3/8-16 x 1-1/4 Hex Bolt		2
18	5747-10	Rubber Mat, No-Hole (3 x 6)	2	F050	1/4 SAE Washer		4
19	8788-1	Rubber Mat (1 x 2)	1	F055	5/8 SAE Washer		3
20	5704-1	Gearbox Cover Support	2	F056	5/8 Split Lock Washer		3
21	5051-5	HD Tee Gearbox (1:1) CW-CW & CCW	1	F059	3/8 Wave Spring Washer		4
<b>Deck Housing Components</b>				F065	3/16 x 3/4 Woodruff Key (#606)		1
22	8670-8	Tilt-Up Hook	1	F076	3/8-16 x 5/8 SQH Set Screw		2
23	5162-12	Roller Wheel (5" Poly) (Includes Items # F013, F059 & F543)	2	F136	AN960C416L Washer		24
24	NS	Deck Serial Number Plate	1	F179	1/4-20 x 1 Hex Bolt		4
25	5705-0	Blade, 20" (RH Rotation)	3	F202	10-24 x 5/8 SHC Screw, GR5 SS		6
	5705-9	56 SD Blade Set With Hubs (Includes Items # 25, 26, F002 & F202)	*	F206	#2 x 3/16 Drive Pin		2
26	5706	Blade Hub & Trash Guard	3	F208	5/16-18 x 2-1/4 Hex Bolt		1
27	6715-3	Roller Wheel Bearing	4	F211	1/4-20 x 7/8 Hex Bolt		22
28	7775-1	Hitch Pin, LH (Silver) #6	2	F246	1/4-20 x 1/2 PTHMS		2
29	8735-10	Rubber Mat (5 x 6)	2	F278	3/8 Split Lock Washer		6
30	6715-4	Axle Spacer Tube	2	F318	3/8-16 x 3/4 SQH Set Screw		1
31	6715-2	Roller Wheel	2	F371	5/16-18 x 6 Hex Bolt		1
				F517	Washer 3/8 x 1-1/8 x 1/8		6
				F543	3/8-16 x 1-1/2 BH Cap Screw		2
				* Service Part Only			
				<b>NOTE:</b> Order Item # 3 to use the splined deck PTO shaft with Model T23, T25i, T30i, D21d, C19, C19i, B19, B23i and B25p.			
				<b>NOTE:</b> Order Item # 4 to use the splined deck PTO shaft with Model B18.			

# DS56 DECK ASSEMBLY



# DS60 & DR64 INCH COMPLETE CARRIER FRAME ASSEMBLY

ITEM NO.	PART NO.	DESCRIPTION	NO. REQ'D	ITEM NO.	PART NO.	DESCRIPTION	NO. REQ'D
<b>Spring and Pivot Mount Components</b>				36	2722-3	Pivot Shaft	2
1	2744-1	Spring Clip Bracket	1	37	2655	Lift Chain	4
2	5975-7	Cable Tie (50# x 11")	4	38	4407-4	Bow Tie Cotter Pin	2
3	5743-12	Spring Cover	2	39	2215-4	Height Adjustment Rod	2
4	5743-13	Extension Spring (Includes Items # 3, F545 & F548)	2	40	5146-1	10mm Ball Stud x 5/8	2
5	2723-10	Counter Weight Spring Mount	2	41	5146	10mm Ball Stud	2
6	2723-5	Locking Arm, LH (Includes Item # F432)	1	42	2215	Gas Spring Assembly	2
7	5830	Grease Fitting	10	43	2721	Lifting Arm (Includes Item # 7)	1
8	2667-1	Pivot Mount, LH (Includes Item # 7)	1	44	2721-2	Lifting Cross Tube	1
9	2723-4	Pivot Shaft	2	45	2723-3	Height Adjustment Arm (Includes Item # 46)	1
10	2667-2	Pivot Mount, RH (Includes Item # 7)	1	46	5850-3	Handle Grip, Foam (3-1/4)	1
11	2723-6	Locking Arm, RH (Includes Item # F432)	1	47	2722-7	Foot Pedal Pad	1
				48	2722-2	Deck Height Adjustment Trigger (Includes Item # 7)	1
<b>Carrier Frame Components</b>				<b>Fasteners</b>			
12	2215-2	Gas Spring Cover, RH	1	F004	1/4-20 Keps Nut		6
13	2723-2	Outer Height Adjustment Plate	1	F009	5/16-18 Whiz Locknut		13
14	7775-9	Wire Lock Pin (5/16 x 1-3/8)	1	F013	3/8-16 Whiz Locknut		14
15	2720-3	Height Adjustment Spacer	4	F035	5/16-18 x 1-1/4 Hex Bolt		2
16	2723-1	Inner Height Adjustment Plate	1	F038	3/8-16 x 1 Hex Bolt		2
17	2215-3	Gas Spring Cover, LH	1	F039	3/8-16 x 1-1/4 Hex Bolt		2
18	8740	Deck Pin Bushing (3/4 ID)	4	F040	3/8-16 x 1-1/2 Hex Bolt		5
19	2911-6	DS60 & DR64 Carrier Frame	1	F048	1/2 SAE Washer		2
20	7775-5	Lock Pin (5/16 x 1-5/8)	1	F050	1/4 SAE Washer		6
21	8811-25	Tilt Bar W/Grip (35") (Includes Item # 22)	1	F071	3/4 External Snap Ring		2
22	5850-5	Handle Grip (1 x 1 x 3-3/4)	1	F090	1/4-20 x 2-1/2 Hex Bolt		4
<b>Caster Wheel Components</b>				F132	1/4-20 x 2-3/4 Hex Bolt		2
23	8769-8	Dust Cap, Deck Caster	2	F205	5/16-18 x 1/4 Set Screw (Knurl Point)		2
24	8769-6	Bearing Cone (1" ID)	4	F215	3/8-16 x 1/2 x 1/2 S Bolt		2
25	8769-5	Bearing Cup (2 x 1-5/8)	4	F218	7/16 Split Lock Washer		4
26	8769-7	Seal	2	F219	7/16-14 x 1-1/4 Hex Bolt		4
27	2770	Caster Wheel Fork	2	F226	5/16-18 x 7/8 Hex Bolt		5
28	7038	Tail Wheel Axle (3/4 x 5-9/16)	2	F241	.375 x .875 x .10 Washer		18
29	8768-2	Seal, Reverse Lip	4	F263	1-1/4 External Snap Ring		6
30	8037	Bearing Cone (3/4 ID)	4	F268	5/16-18 x 3 Hex Bolt		1
31	8035	Tail Wheel & Tire (13 x 5.00-6) (W/Bearing Race)	2	F298	3/8-24 Jam Nut		4
32	8038-1	Spacer, Tail Wheel Axle (.750 ID x 1.125 OD)	2	F344	3/4-16 Slotted Hex Nut		2
33	8039	Nut, Tail Wheel Axle	2	F347	3/4 SAE Washer		2
<b>Deck Lift Components</b>				F348	1/8 x 1-1/2 Cotter Pin		2
34	2722-1	Deck Height Adjustment, LH (Includes Item # 7)	1	F378	3/8-16 x 6 Hex Bolt		1
35	2214-10	Rod End, Female (3/8-24)	4	F432	3/16 x 1/2 Split Spring Pin		2
				F436	3/16 x 1-1/8 Roll Pin		4
				F437	Clevis Pin (1/4 x 1)		2
				F438	5/16-18 x 2-3/4 Hex Bolt		1
				F545	Retention Washer (.250 Wire)		2
				F548	Retention Ring (.235 Wire)		2



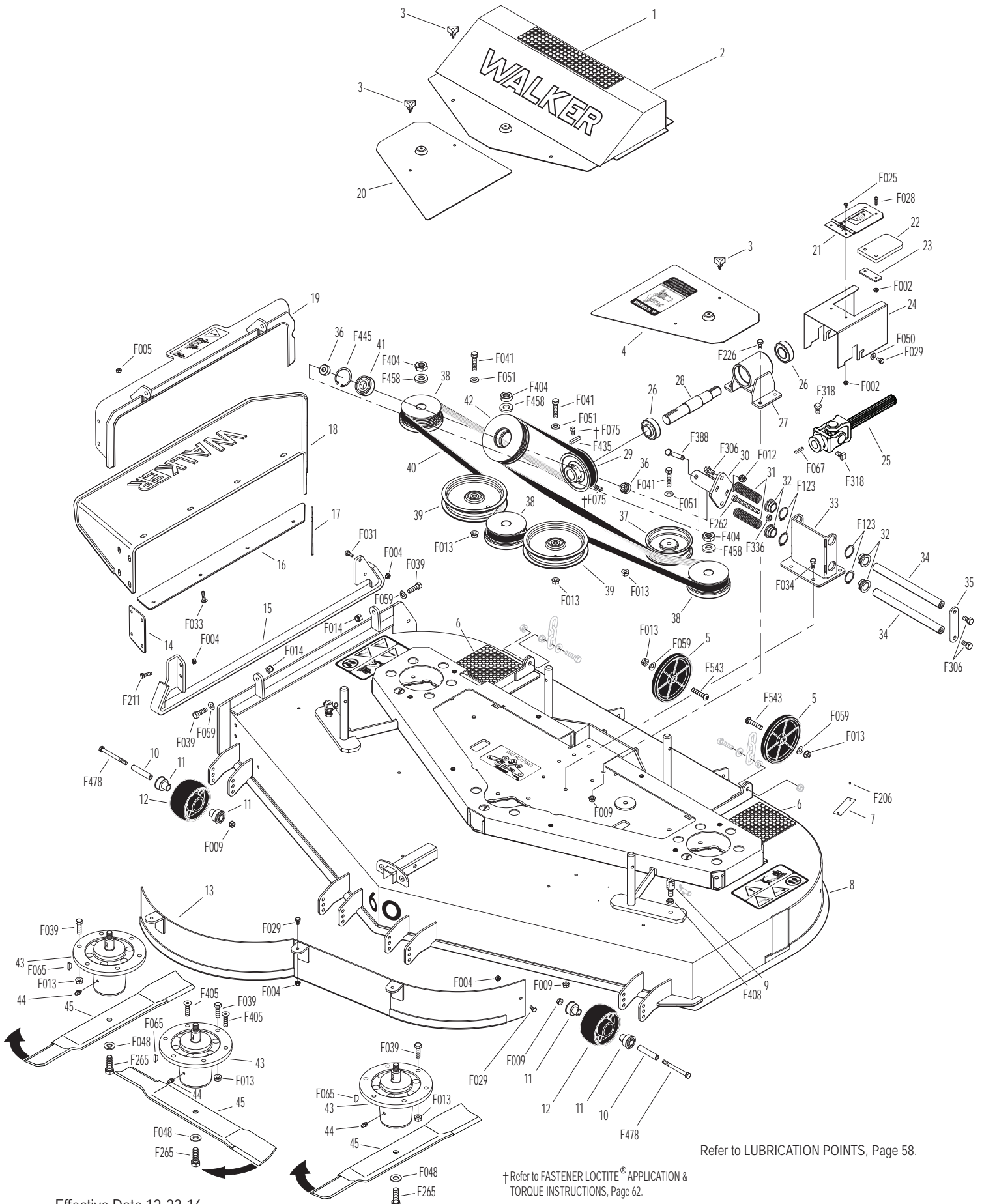


# DS60 DECK ASSEMBLY

ITEM NO.	PART NO.	DESCRIPTION	NO. REQ'D	ITEM NO.	PART NO.	DESCRIPTION	NO. REQ'D
<b>Deck Housing Components</b>				<b>Blade Spindle Components</b>			
1	8735-8	Rubber Mat (2-1/2 x 12)	1	43	2052-1	Blade Spindle	3
2	2786-18	DS60 Belt Cover (Includes Item # 1)	1	44	5830	Grease Fitting	3
3	2703-5	Knob, 10-24 x 1/2	8	45	7705-15	Hi-Lift Blade 21" (RH Rotation)	3
4	2723-11	Spindle Cover, LH	1	<b>Fasteners</b>			
5	5162-11	Roller Wheel (5") (Includes Item # F059)	2	F002	10-24 Keps Nut		4
6	8735-10	Rubber Mat (5 x 6)	2	F004	1/4-20 Keps Nut		8
7	NS	Deck Serial Number Plate	1	F005	1/4-20 ESNA Nut		12
8	2910-10	60SD Deck Housing (Includes Item # 6)	1	F009	5/16-18 Whiz Locknut		10
9	2720-5	Deck Height Adjustment Clevis	2	F012	3/8-16 Keps Nut		1
10	6715-4	Axle Spacer Tube	4	F013	3/8-16 Whiz Locknut		23
11	6715-3	Roller Wheel Bearing	8	F014	3/8-16 ESNA Nut		2
12	6715-2	Roller Wheel	4	F025	10-24 x 3/8 PPHMS		2
13	2720-7	<b>DSD60 Baffle</b>	1	F028	10-24 x 3/4 PPHMS		2
14	2705-8	Front Backup Plate	1	F029	1/4-20 x 1/2 Hex Bolt		7
15	2707-1	60SD Skid Bar	1	F031	1/4-20 x 5/8 Hex Bolt		2
16	2705-7	Center Backup Plate	1	F033	1/4-20 x 1 PTH Bolt		12
17	2705-9	Rear Backup Plate	1	F034	5/16-18 x 3/4 Hex Bolt		4
18	2809-2	Rubber Shield	1	F039	3/8-16 x 1-1/4 Hex Bolt		18
19	2705-10	Chute Frame / Outer	1	F041	3/8-16 x 1-3/4 Hex Bolt		3
20	2723-14	Spindle Cover, RH	1	F048	1/2 SAE Washer		3
<b>Blade Drive Components</b>				F050	1/4 SAE Washer		2
21	2618-1	Cover, PTO Shaft Guard	1	F051	3/8 SAE Washer		3
22	2620-3	Rubber Flap	1	F059	3/8 Wave Spring Washer		4
23	2620-2	Backing Plate	1	F065	3/16 x 3/4 Woodruff Key (#606)		3
24	2619-3	PTO Shaft Guard	1	F067	3/16 x 3/16 x 1 Key		1
	2618-4	PTO Shaft Guard Assembly (Includes Items # 21-24, F002, F025 & F028)	*	F075	5/16-18 x 1/2 SQH Set Screw		2
25	8285-3	U-Joint Shaft Assembly, Spline (Includes Item # F318)	1	F123	1" External Snap Ring		4
26	5270	Bearing W/Collar (1")	2	F206	#2 x 3/16 Drive Pin		2
27	2726	PTO Bearing Housing	1	F211	1/4-20 x 7/8 Hex Bolt		2
28	2726-1	PTO Drive Shaft	1	F226	5/16-18 x 7/8 Hex Bolt		4
29	2240-10	Drive Pulley (Includes Items # F075 & F435)	1	F262	3/8-16 x 4 Hex Bolt All Thread		1
30	2724-14	Idler Mount Weldment	1	F265	1/2-20 x 1-1/2 Hex Bolt		3
31	5195-2	Compression Spring (1 x 6-3/8) (Black)	2	F306	3/8-16 x 3/4 Hex Bolt		4
32	2724-17	Guide Rod Bushing	4	F318	3/8-16 x 3/4 SQH Set Screw		2
33	2724-18	Mount Base	1	F336	3/8-16 Jam Nut		1
34	2723-16	Guide Rods (8-5/8) Clear Zinc	2	F388	3/8-16 x 2-1/2 Hex Bolt		1
35	2724-19	Guide Rod Stop	1	F404	5/8-18 Jam Nut		3
36	2245-6	Idler Pulley Shaft	2	F405	3/8-16 x 1-1/2 FHA Screw, SS		2
37	4245-1	Idler Pulley (4/Flat)	1	F408	7/16-20 Jam Nut		2
38	2240-7	Blade Drive Pulley (3.6) W/Shield	3	F435	1/4 x 1/4 x 1-1/4 Key		1
39	8245	Idler Pulley (6")	2	F445	1-7/8 Internal Snap Ring		1
40	2731-3	Blade Drive Belt (1250L4-K)	1	F458	Washer 1-1/4 x 5/8 x 3/16		3
41	2265	Bearing (20mm)	1	F478	5/16-18 x 3-1/4 Hex Bolt		4
42	2245-2	Idler Pulley	1	F543	3/8-16 x 1-1/2 BH Cap Screw		2
				* Service Part Only			



# DS60 DECK ASSEMBLY



Refer to LUBRICATION POINTS, Page 58.

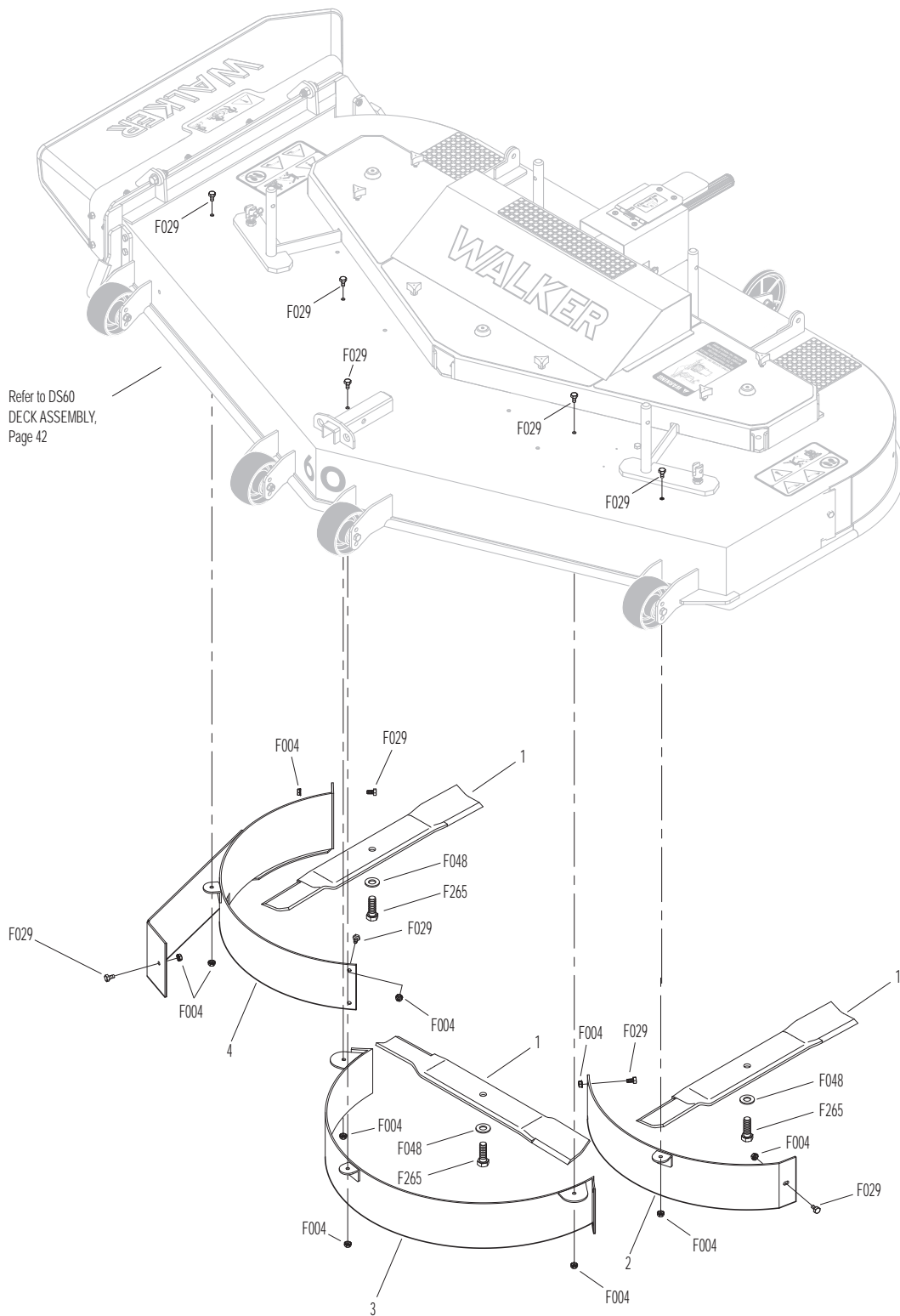
† Refer to FASTENER LOCTITE® APPLICATION & TORQUE INSTRUCTIONS, Page 62.

Effective Date 12-23-16  
Use only genuine Walker® replacement parts.

## DS60 MULCHING KIT

ITEM NO.	PART NO.	DESCRIPTION	NO. REQ'D	ITEM NO.	PART NO.	DESCRIPTION	NO. REQ'D
<b>Kit 2691-10 Mulching Kit (For DS60 Deck Assembly)</b> Includes Items # 1-4, fasteners listed and instructions. May be ordered as a factory-installed option or as a kit for dealer installation. Contact your Walker dealer. Refer also to <b>DS60 DECK ASSEMBLY</b> , page 42.				<b>Fasteners</b>			
1	7705-16	Blade, 21" Low Lift	3	F004		1/4-20 Keps Nut	13
2	2691-7	Left Hand Baffle	1	F029		1/4-20 x 1/2 Hex Bolt	13
3	2691-6	Center Baffle	1	F048		1/2 SAE Washer	3
4	2691-8	Right Hand Baffle	1	F265		1/2-20 x 1-1/2 Hex Bolt	3

# DS60 MULCHING KIT



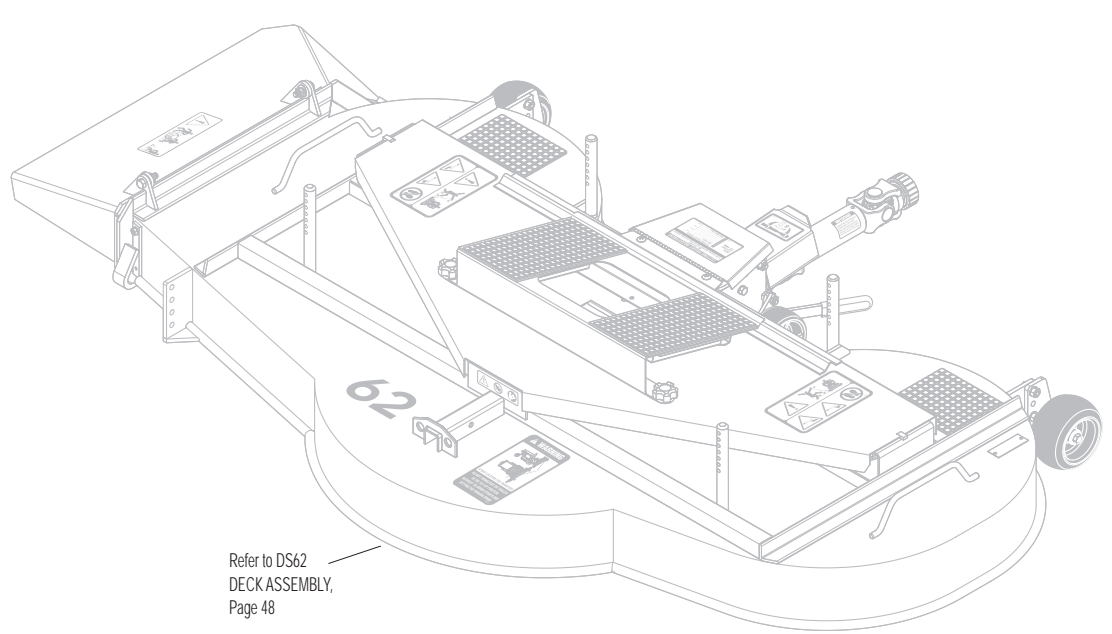
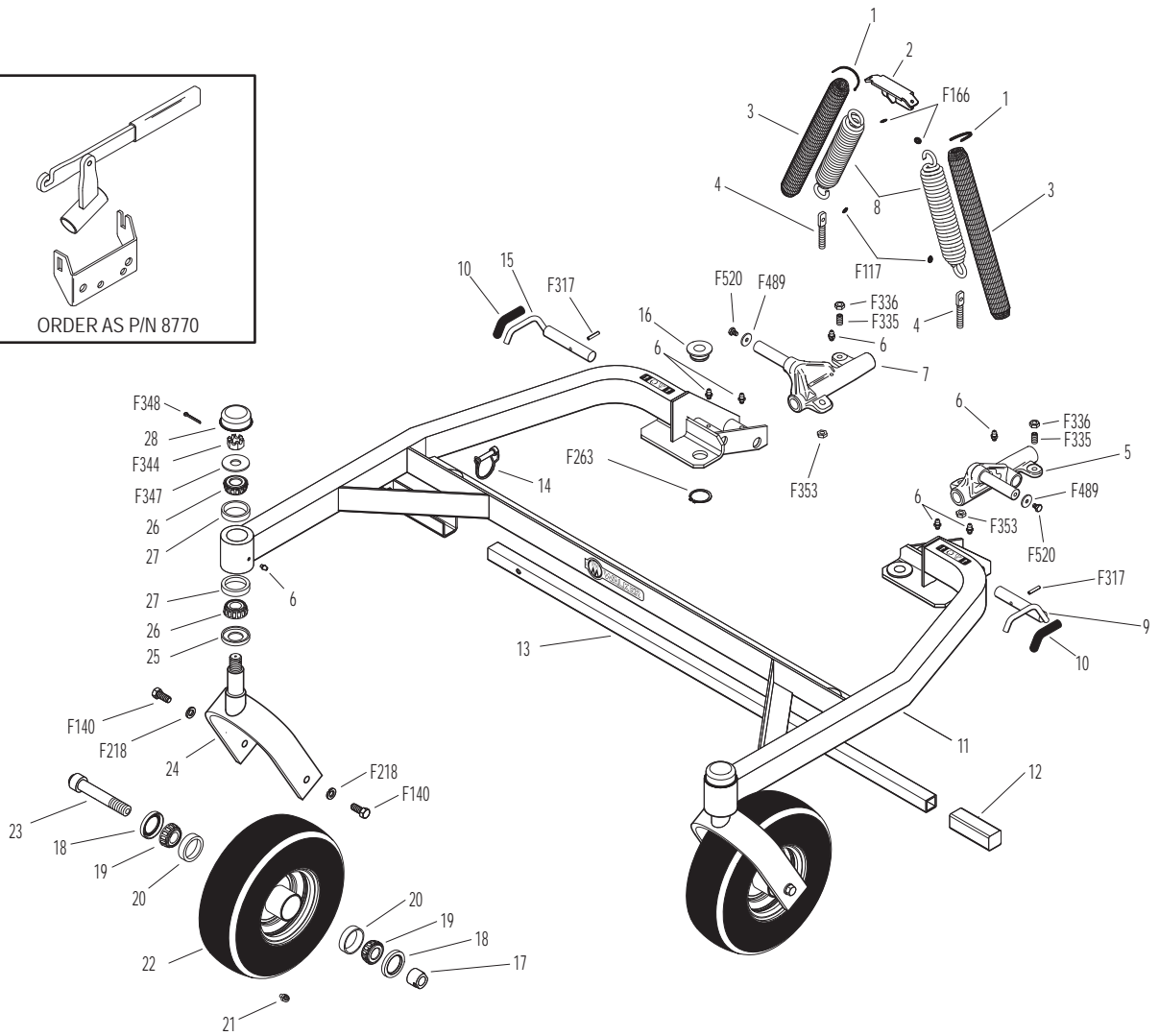
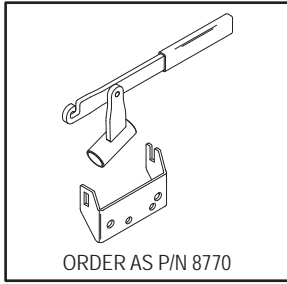
# 62 INCH COMPLETE CARRIER FRAME ASSEMBLY

ITEM NO.	PART NO.	DESCRIPTION	NO. REQ'D	ITEM NO.	PART NO.	DESCRIPTION	NO. REQ'D
<b>Spring and Pivot Mount Components</b>				<b>Caster Wheel Components</b>			
1	5975-3	Cable Tie (50# x 7")	4	17	8766	Axle Nut (3/4-16)	2
2	5744-1	Spring Clip Bracket	1	18	8768-2	Seal, Reverse Lip	4
3	5743-1	Spring Cover	2	19	8037	Bearing Cone (3/4 ID)	4
4	5743-4	Eyebolt (3/8-16 x 2-3/4)	2	20	8037-2	Bearing Race	4
5	8667-3	Pivot Mount Assembly, LH/Adj. (Includes Items # 6, F353, F489 & F520)	*	21	5830-3	Grease Fitting (45 Degree)	2
6	5830	Grease Fitting	8	22	8768	Caster Wheel, Pneumatic (11 x 4.00-5) (Includes Items # 20 & 21)	2
7	8667-4	Pivot Mount Assembly, RH/Adj. (Includes Items # 6, F353, F489 & F520)	*		8768-3	Tire, Pneumatic (11 x 4.00-5)	*
8	5743-6	Extension Spring (1-1/2 x 7-3/4) (Includes Items # 1, F117 & F166)	2		8768-5	Caster Wheel (5 x 3)	*
<b>Carrier Frame Components</b>				23	8767	Axle, Caster Wheel (5-1/8)	2
9	8674-11	Lever, Deck Lock, LH	1	24	8765-11	Caster Wheel Fork	2
10	7406-1	Handle Grip (Red)	2	25	8769-7	Seal	2
11	8911-12	62 SD Carrier Frame	1	26	8769-6	Bearing Cone (1" ID)	4
	8911-10	62 SD Carrier Frame, With Pivots (Includes Items # 5, 7, 9, 10, 15, F317, F335 & F336)	*	27	8769-5	Bearing Cup, (2 x 1-5/8)	4
12	5850-5	Handle Grip (1 x 1 x 3-3/4)	1	28	8769-8	Dust Cap, Deck Caster	2
13	8911-25	Tilt Bar With Grip (42-1/2) (Includes Item # 12)	1	<b>Fasteners</b>			
14	7775-5	Lock Pin (5/16 x 1-5/8)	1	F117	Retainer Ring		2
15	8674-10	Lever, Deck Lock, RH	1	F140	7/16-14 x 1 Hex Bolt		4
16	8740	Deck Pin Bushing (3/4 ID)	4	F166	Retainer Ring		2
				F218	7/16 Split Lock Washer		4
				F263	1-1/4 External Snap Ring		4
				F317	3/16 x 1 Split Spring Pin		2
				F335	3/8-16 x 7/8 Set Screw, SS		2
				F336	3/8-16 Jam Nut		2
				F344	3/4-16 Slotted Hex Nut		2
				F347	3/4 SAE Washer		2
				F348	1/8 x 1-1/2 Cotter Pin		2
				F353	3/8-16 ESNA LP Nut		2
				F489	Washer 1/4 x 7/8 x .090		2
				F520	1/4-28 x 3/8 Hex Bolt		2

\* Service Part Only

**NOTE:** The E-Z Pin Puller P/N 8770 can be ordered to assist removing and installing height adjustment hitch pins on larger decks. This item stows on tractor when not in use.

# 62 INCH COMPLETE CARRIER FRAME ASSEMBLY



Refer to DS62  
DECK ASSEMBLY,  
Page 48

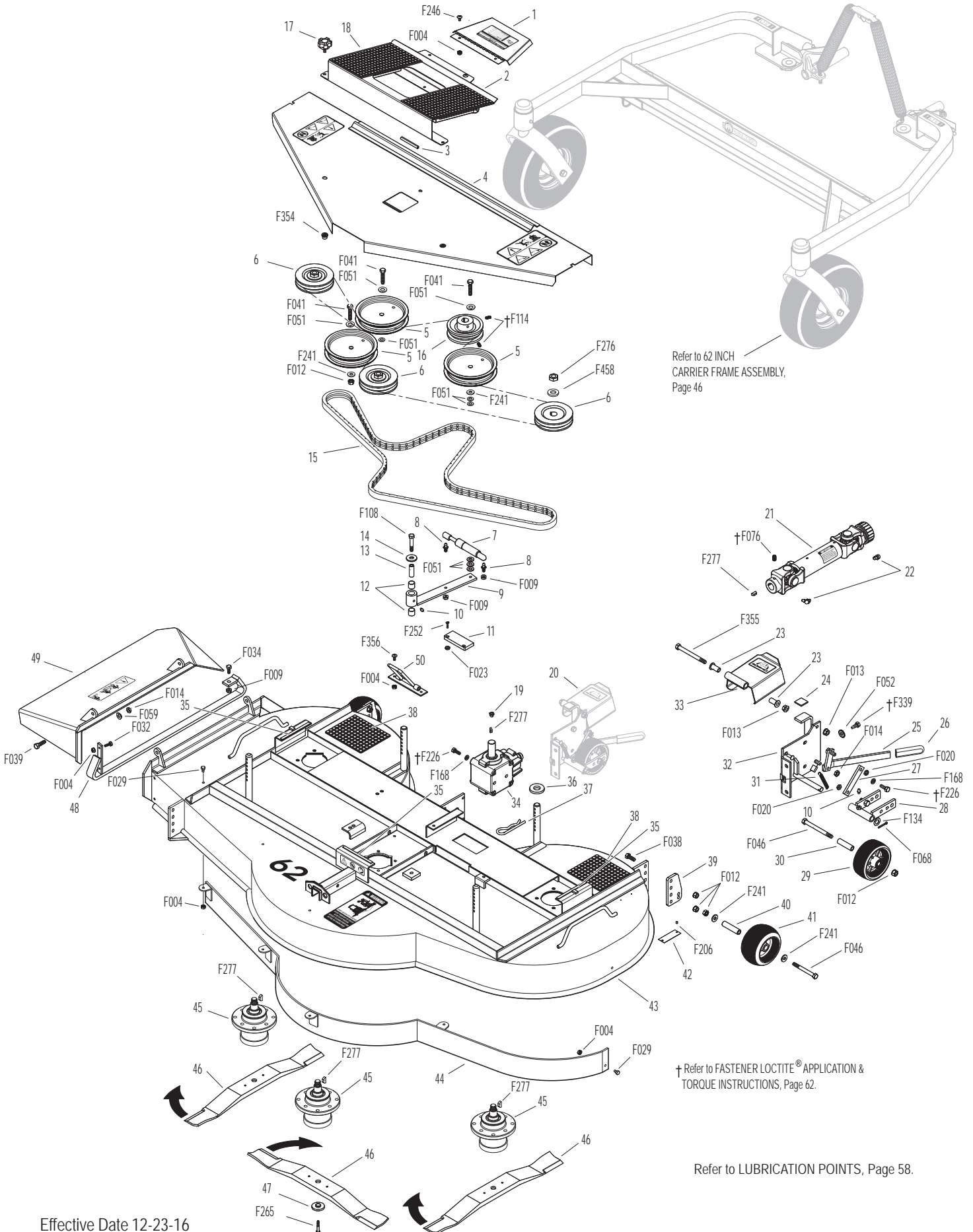
Refer to LUBRICATION POINTS, Page 58.

# DS62 DECK ASSEMBLY

ITEM NO.	PART NO.	DESCRIPTION	NO. REQ'D	ITEM NO.	PART NO.	DESCRIPTION	NO. REQ'D	
<b>Blade Drive Components</b>				43	8910-10	62 SD Deck Housing (Includes Items # 35 & 38)	1	
1	8789-5	Pulley Guard	1	44	8792-10	Baffle, DSD62	1	
2	8786-15	Footrest Assembly (Includes Item # 18)	1	45	8052-2	Blade Spindle	3	
3	8754-3	Edge Molding	2	46	5705-3	Blade, 22" (RH Rotation)	3	
4	8785-5	62 SD Cover Plate (Includes Items # 3 & F354)	1		5705-13	62 SD Blade Set	*	
5	8245	Idler Pulley (6")	3	47	8728	Machine Bushing (1/2 x 1-1/2)	3	
6	8240	Blade Drive Pulley (4-1/2)	3	48	8707	52/62 SD Skid Bar	1	
7	8762	Dampening Spring (Gas)	1	49	8709	52/62 SD Discharge Shield	1	
8	5146	10mm Ball Stud	2	50	8670-10	Tilt-Up Hook	1	
9	8373-3	Idler Arm (2-Hole)	1	<b>Fasteners</b>				
10	5830	Grease Fitting	2		F004	1/4-20 Keps Nut	11	
11	8374-1	Idler Arm Guide	1		F009	5/16-18 Whiz Locknut	3	
12	7201-3	Fiberglide Bearing	2		F012	3/8-16 Keps Nut	11	
13	7201-4	Inner Race (1-1/2)	1		F013	3/8-16 Whiz Locknut	2	
14	5841	Retainer Washer (3/8 x 1-1/4)	1		F014	3/8-16 ESNA Nut	3	
15	8731	Blade Drive Belt, (23VX1180)	1		F020	5/16-18 ESNA Nut	2	
16	6240-2	Drive Pulley (4-1/2 / 3V) (Includes Items # F114 & F277)	1		F023	10-24 ESNA Nut	2	
17	8787	Deck Cover Knob	3		F029	1/4-20 x 1/2 Hex Bolt	5	
18	8786-10	Rubber Mat (6 x 10-1/2)	2		F032	1/4-20 x 3/4 Hex Bolt	2	
<b>Gearbox and Dolly Wheel Components</b>						F034	5/16-18 x 3/4 Hex Bolt	1
19	6206-1	Air Vent Valve	1		F038	3/8-16 x 1 Hex Bolt	6	
20	8745-25	Dolly Wheel / PTO Guard Assembly (Includes Items # 23, 24, 26, 29, 30, 33, F012, F013, F046, F052, F168, F226, F339 & F355)	*		F039	3/8-16 x 1-1/4 Hex Bolt	2	
21	8285-2	U-Joint Shaft Assy, T-Scope (Includes Items # 22, F076 & F277)	1		F041	3/8-16 x 1-3/4 Hex Bolt	3	
22	5830-3	Grease Fitting (45 Degree)	2		F046	3/8-16 x 3-1/2 Hex Bolt	4	
23	5103-4	Pivot Bushing (3/8 ID)	2		F051	3/8 SAE Washer	9	
24	8788	Rubber Bumper (Self-Adhesive Mount)	1		F052	5/16 External Star Lock Washer	2	
25	8745-14	Retract Lever	1		F059	3/8 Wave Spring Washer	2	
26	5850-3	Handle Grip, Foam (3-1/4)	1		F068	1/8 x 1 Cotter Pin	1	
27	8745-12	Actuator Link	1		F076	3/8-16 x 5/8 SQH Set Screw	*	
28	8745-13	Dolly Wheel Mount (Includes Item # 10)	1		F108	3/8-16 x 2 Hex Bolt	1	
29	6715	Roller Wheel (3-7/8)	1		F114	5/16-18 x 5/8 SQH Set Screw	2	
30	8745-15	Axle Spacer Tube	1		F134	AN960816L Washer	1	
31	5229	Extension Spring (1/2 x 2-1/4)	1		F168	5/16 Split Lock Washer	8	
32	8745-20	Mount Bracket (Includes Items # 24, F052, F068 & F339)	1		F206	#2 x 3/16 Drive Pin	2	
33	8745-40	PTO Cover Plate	1		F226	5/16-18 x 7/8 Hex Bolt	8	
34	8051-11	Right Angle Gearbox (Includes Item # 19)	1		F241	.375 x .875 x .10 Washer	8	
<b>Deck Housing Components</b>						F246	1/4-20 x 1/2 PTHMS	2
35	8790	Rubber Cushion Strip	3		F252	10-24 x 3/4 PFHMS	2	
36	8727	Washer Shim (13/16 x 1/4)	4		F265	1/2-20 x 1-1/2 Hex Bolt	3	
37	8775	Hitch Pin (#219)	4		F276	5/8-11 Jam Nut	3	
38	8735-10	Rubber Mat (5 x 6)	2		F277	3/16 x 5/8 Woodruff Key (#605)	5	
39	8720-30	Anti-Scalp Wheel Mount	3		F339	5/16-18 x 3/4 Self-Tapping Bolt	2	
40	8745-30	Axle Spacer Tube	3		F354	5/16 Knurled Thread Insert	2	
41	6715-1	Roller Wheel (5")	3		F355	3/8-16 x 4 Hex Bolt	1	
42	NS	Deck Serial Number Plate	1		F356	1/4-20 x 5/8 PTHMS, SS	2	
					F458	Washer 1-1/4 x 5/8 x 3/16	3	
				*	Service Part Only			



# DS62 DECK ASSEMBLY



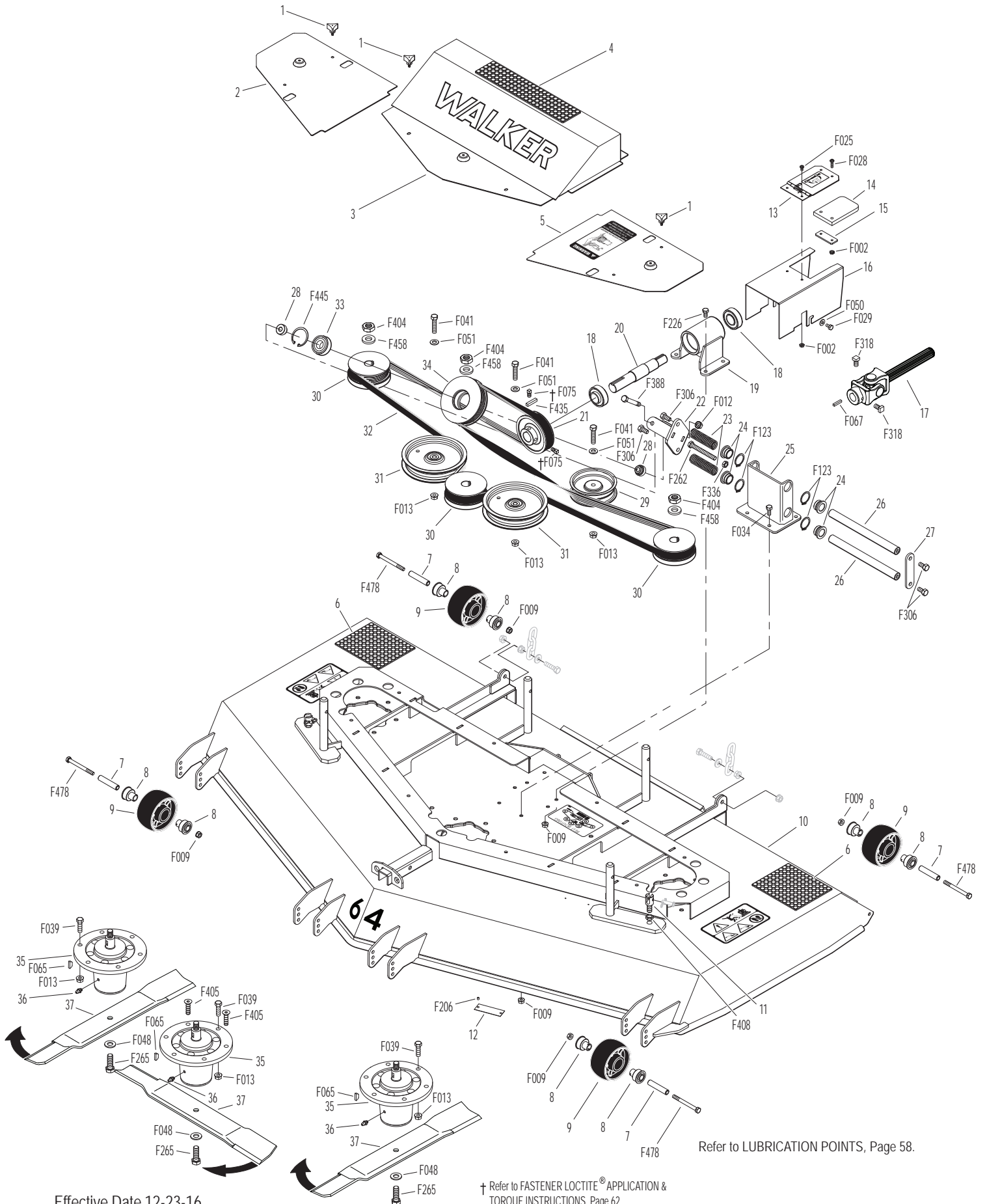
Effective Date 12-23-16  
 Use only genuine Walker® replacement parts.

# DR64 DECK ASSEMBLY

ITEM NO.	PART NO.	DESCRIPTION	NO. REQ'D	ITEM NO.	PART NO.	DESCRIPTION	NO. REQ'D
<b>Deck Housing Components</b>				<b>Blade Spindle Components</b>			
1	2703-5	Knob, 10-24 x 1/2	8	35	2052-1	Blade Spindle	3
2	2723-18	Spindle Cover, RH	1	36	5830	Grease Fitting	3
3	2786-13	Belt Cover (Includes Item # 4)	1	37	7705-28	Blade 22.166"	3
4	8735-8	Rubber Mat (2-1/2 x 12)	1	<b>Fasteners</b>			
5	2723-17	Spindle Cover, LH	1	F002	10-24 Keps Nut		4
6	8735-10	Rubber Mat (5 x 6)	2	F009	5/16-18 Whiz Locknut		14
7	6715-4	Axle Spacer Tube	6	F012	3/8-16 Keps Nut		1
8	6715-3	Roller Wheel Bearing	12	F013	3/8-16 Whiz Locknut		21
9	6715-2	Roller Wheel	6	F025	10-24 x 3/8 PPHMS		2
10	2910-8	DR64 Deck Housing (Includes Item # 6)	1	F028	10-24 x 3/4 PPHMS		2
11	2720-5	Deck Height Adjustment Clevis	2	F029	1/4-20 x 1/2 Hex Bolt		2
12	NS	Deck Serial Number Plate	1	F034	5/16-18 x 3/4 Hex Bolt		4
<b>Blade Drive Components</b>				F039	3/8-16 x 1-1/4 Hex Bolt		14
13	2618-1	Cover, PTO Shaft Guard	1	F041	3/8-16 x 1-3/4 Hex Bolt		3
14	2620-3	Rubber Flap	1	F048	1/2 SAE Washer		3
15	2620-2	Backing Plate	1	F050	1/4 SAE Washer		2
16	2619-3	PTO Shaft Guard	1	F051	3/8 SAE Washer		3
	2618-4	PTO Shaft Guard Assembly (Includes Items # 13-16, F002, F025 & F028)	*	F065	3/16 x 3/4 Woodruff Key (#606)		3
17	8285-4	U-Joint Shaft Assembly, Spline (Includes Item # F318)	1	F067	3/16 x 3/16 x 1 Key		1
18	5270	Bearing W/Collar (1")	2	F075	5/16-18 x 1/2 SQH Set Screw		2
19	2726-2	PTO Bearing Housing	1	F123	1" External Snap Ring		4
20	2726-3	PTO Shaft	1	F206	#2 x 3/16 Drive Pin		2
21	2240-10	Drive Pulley (Includes Items # F075 & F435)	1	F226	5/16-18 x 7/8 Hex Bolt		4
22	2724-14	Idler Mount Weldment	1	F262	3/8-16 x 4 Hex Bolt All Thread		1
23	5195-2	Compression Spring (1 x 6-3/8) (Black)	2	F265	1/2-20 x 1-1/2 Hex Bolt		3
24	2724-17	Guide Rod Bushing	4	F306	3/8-16 x 3/4 Hex Bolt		4
25	2724-18	Mount Base	1	F318	3/8-16 x 3/4 SQH Set Screw		2
26	2723-16	Guide Rod (8-5/8) Clear Zinc	2	F336	3/8-16 Jam Nut		1
27	2724-19	Guide Rod Stop	1	F388	3/8-16 x 2-1/2 Hex Bolt		1
28	2245-6	Idler Pulley Shaft	2	F404	5/8-18 Jam Nut		3
29	4245-1	Idler Pulley (4/Flat)	1	F405	3/8-16 x 1-1/2 FHA Screw, SS		2
30	2240-9	Blade Drive Pulley (3.8) W/Shield	3	F408	7/16-20 Jam Nut		2
31	8245	Idler Pulley (6")	2	F435	1/4 x 1/4 x 1-1/4 Key		1
32	2731-4	Blade Drive Belt (1310 L4-K)	1	F445	1-7/8 Internal Snap Ring		1
33	2265	Bearing (20mm)	1	F458	Washer 1-1/4 x 5/8 x 3/16		3
34	2245-2	Idler Pulley	1	F478	5/16-18 x 3-1/4 Hex Bolt		6
				* Service Part Only			



# DR64 DECK ASSEMBLY



Effective Date 12-23-16  
Use only genuine Walker® replacement parts.

† Refer to FASTENER LOCTITE® APPLICATION & TORQUE INSTRUCTIONS, Page 62.

Refer to LUBRICATION POINTS, Page 58.

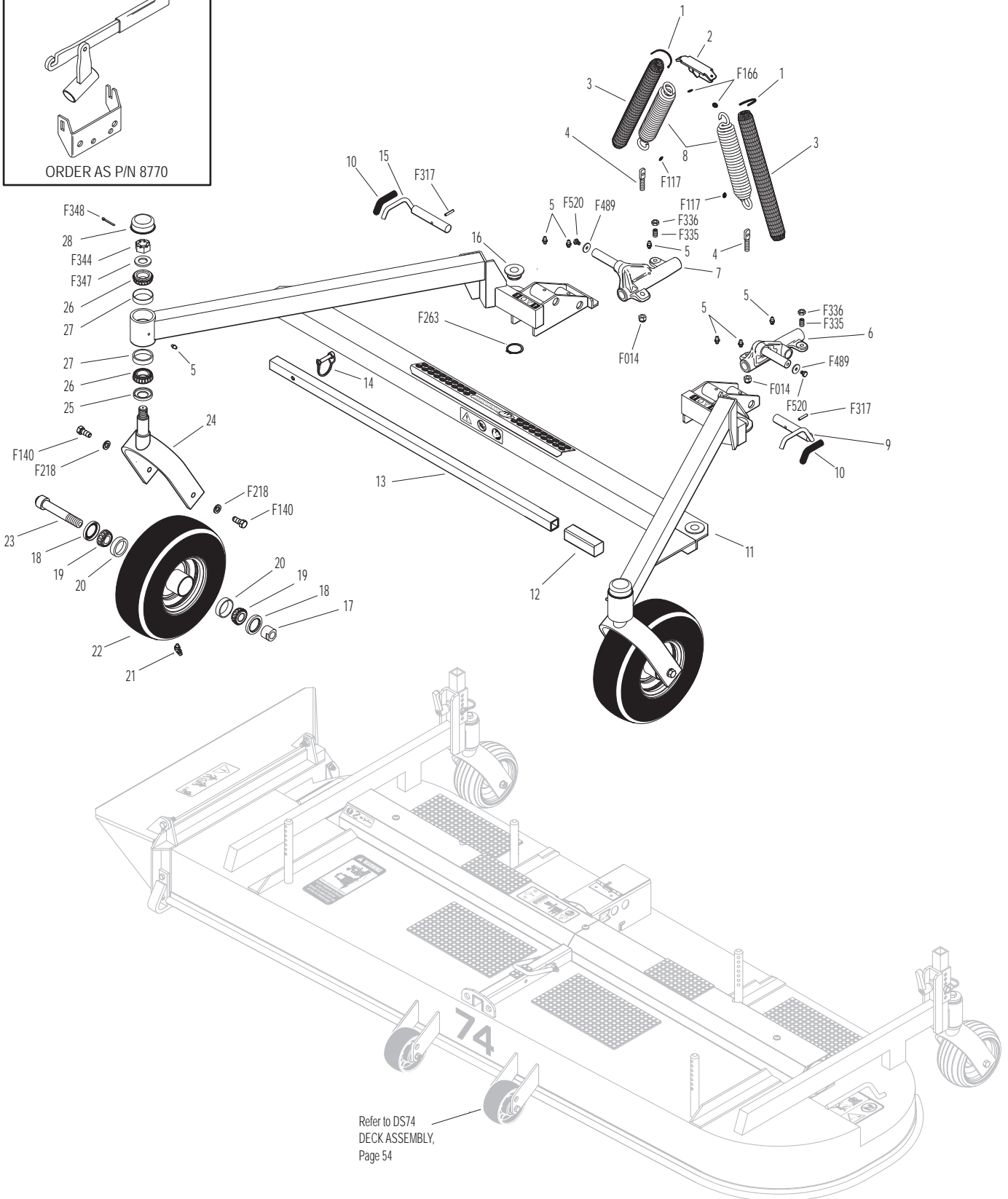
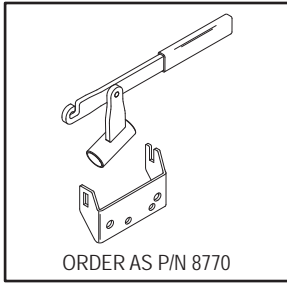
# 74 INCH COMPLETE CARRIER FRAME ASSEMBLY

ITEM NO.	PART NO.	DESCRIPTION	NO. REQ'D	ITEM NO.	PART NO.	DESCRIPTION	NO. REQ'D
<b>Spring and Pivot Mount Components</b>				<b>Caster Wheel Components</b>			
1	5975-3	Cable Tie (50# x 7")	4	17	8766	Axle Nut (3/4-16)	2
2	5744-1	Spring Clip Bracket	1	18	8768-2	Seal, Reverse Lip	4
3	5743-1	Spring Cover	2	19	8037	Bearing Cone (3/4 ID)	4
4	5743-3	Eyebolt (3/8-16 x 2)	2	20	8037-2	Bearing Race	4
5	5830	Grease Fitting	8	21	5830-3	Grease Fitting (45 Degree)	2
6	8667-3	Pivot Mount Assembly, LH/Adj. (Includes Items # 5, F014, F489 & F520)	*	22	8768	Caster Wheel, Pneumatic (11 x 4.00-5) (Includes Items # 20 & 21)	2
7	8667-4	Pivot Mount Assembly, RH/Adj. (Includes Items # 5, F014, F489 & F520)	*		8768-3	Tire, Pneumatic (11 x 4.00-5)	*
8	5743-6	Extension Spring (1-1/2 x 7-3/4) (Includes Items # 1, F117 & F166)	2		8768-5	Caster Wheel (5 x 3)	*
<b>Carrier Frame Components</b>				23	8767	Axle, Caster Wheel (5-1/8)	2
9	8674-11	Lever, Deck Lock, LH	1	24	8765-11	Caster Wheel Fork	2
10	7406-1	Handle Grip (Red)	2	25	8769-7	Seal	2
11	7803-1	74 SD Carrier Frame	1	26	8769-6	Bearing Cone (1" ID)	4
12	5850-5	Handle Grip (1 x 1 x 3-3/4)	1	27	8769-5	Bearing Cup (2 x 1-5/8)	4
13	8811-25	Tilt Bar With Grip (35") (Includes Item # 12)	1	28	8769-8	Dust Cap, Deck Caster	2
14	7775-5	Lock Pin (5/16 x 1-5/8)	1	<b>Fasteners</b>			
15	8674-10	Lever, Deck Lock, RH	1		F014	3/8-16 ESNA Nut	2
16	8740	Deck Pin Bushing (3/4 ID)	4		F117	Retainer Ring	2
					F140	7/16-14 x 1 Hex Bolt	4
					F166	Retainer Ring	2
					F218	7/16 Split Lock Washer	4
					F263	1-1/4 External Snap Ring	4
					F317	3/16 x 1 Split Spring Pin	2
					F335	3/8-16 x 7/8 Set Screw, SS	2
					F336	3/8-16 Jam Nut	2
					F344	3/4-16 Slotted Hex Nut	2
					F347	3/4 SAE Washer	2
					F348	1/8 x 1-1/2 Cotter Pin	2
					F489	Washer 1/4 x 7/8 x .090	2
					F520	1/4-28 x 3/8 Hex Bolt	2

\* Service Part Only

**NOTE:** The E-Z Pin Puller P/N 8770 can be ordered to assist removing and installing height adjustment hitch pins on larger decks. This item stows on tractor when not in use.

# 74 INCH COMPLETE CARRIER FRAME ASSEMBLY

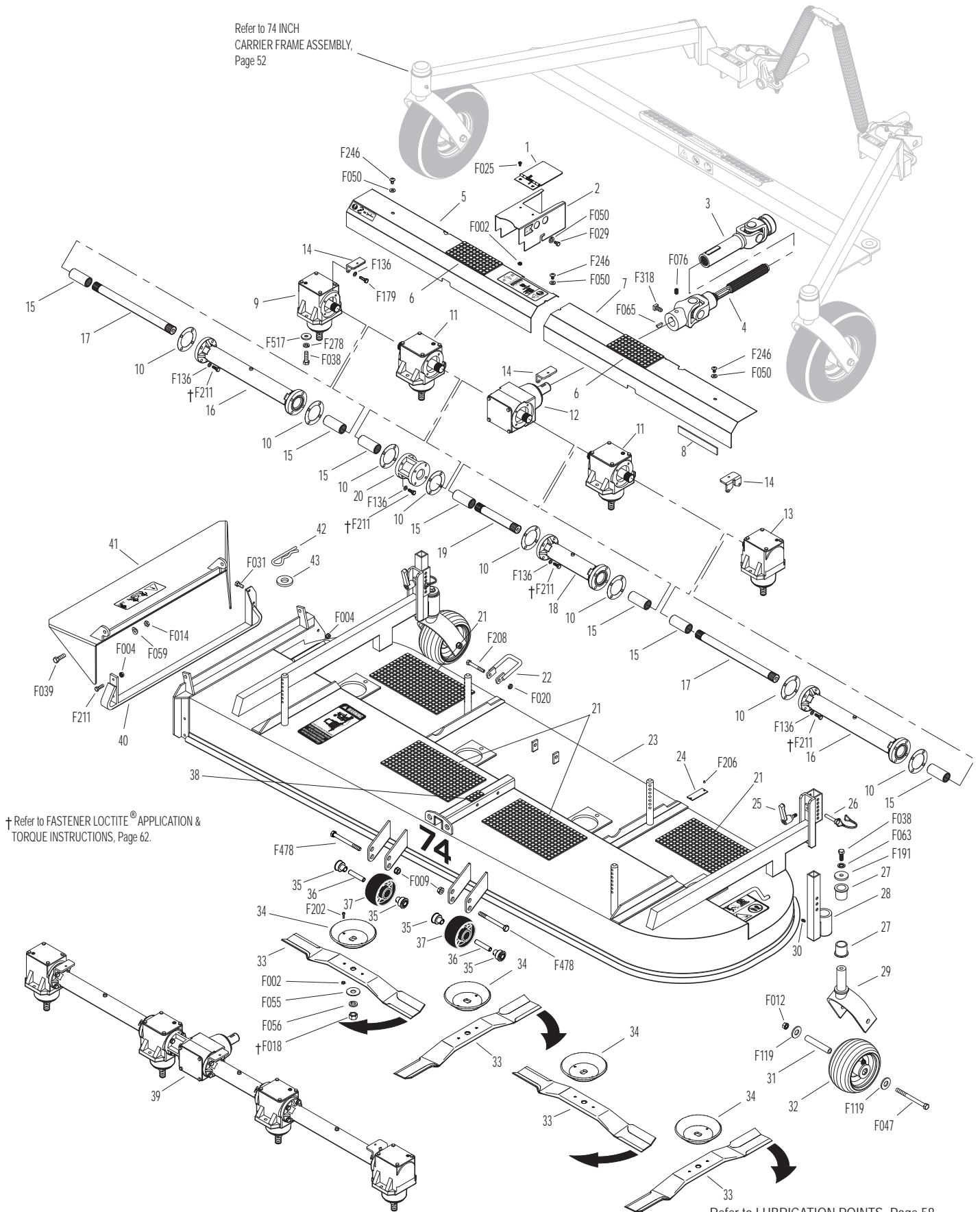


# DS74 DECK ASSEMBLY

ITEM NO.	PART NO.	DESCRIPTION	NO. REQ'D	ITEM NO.	PART NO.	DESCRIPTION	NO. REQ'D
<b>Gearbox and Drive Components</b>				34	5706	Blade Hub & Trash Guard	4
1	8618-1	Cover, PTO Shaft Guard	1	35	6715-3	Roller Wheel Bearing	4
2	8619	PTO Shaft Guard	1	36	6715-4	Axle Spacer Tube	2
	8618	PTO Shaft Guard Assembly (Includes Items # 1, 2, F002 & F025)	*	37	6715-2	Roller Wheel	2
3	7275-16	U-Joint Tube Assembly, (10" OAL) Spline	1	38	8788-1	Rubber Mat (1 x 2)	1
4	5285-5	U-Joint Shaft Assembly, Spline (Keyed) (Includes Items # F065, F076 & F318)	1	39	6711-16	74 Gearbox and Tube Assembly, HD (Includes Items # 5-8 & 9-20)	1
5	7865-6	74 SD Gearbox Cover, RH (Includes Items # 6 & 8)	1	40	7807-1	74 SD Skid Bar	1
6	5747-10	Rubber Mat, No-Hole (3 x 6)	2	41	7809-1	74 SD Discharge Shield	1
7	7865-5	74 SD Gearbox Cover, LH (Includes Items # 6 & 8)	1	42	8775	Hitch Pin (#219)	4
8	8790	Rubber Cushion Strip	2	43	8727	Washer Shim (13/16 x 1/4)	4
<b>HD Drive Components</b>				<b>Fasteners</b>			
9	5053-7	HD Gearbox (1:1.2) CW-CCW	1	F002	10-24 Keps Nut		10
10	P007	Gasket, Cap (P#788030)	8	F004	1/4-20 Keps Nut		4
11	5058-3	HD Tee Gearbox (1:1.2)	2	F009	5/16-18 Whiz Locknut		2
12	5051-5	HD Tee Gearbox (1:1) CW-CW & CCW	1	F012	3/8-16 Keps Nut		2
13	5052-9	HD Gearbox (1:1.2) CCW-CCW	1	F014	3/8-16 ESNA Nut		2
14	5704-1	Gearbox Cover Support	3	F018	5/8-18 Hex Nut		4
15	6054	Spline Coupling	7	F020	5/16-18 ESNA Nut		1
16	5069	Connector Tube (14-1/2)	2	F025	10-24 x 3/8 PPHMS		2
17	6733-9	Connecting Shaft (12-1/8)	2	F029	1/4-20 x 1/2 Hex Bolt		2
18	5063	Connector Tube (8-5/8)	1	F031	1/4-20 x 5/8 Hex Bolt		2
19	6733-3	Connecting Shaft (6-1/4)	1	F038	3/8-16 x 1 Hex Bolt		10
20	5060	Connector Tube (2-5/16)	1	F039	3/8-16 x 1-1/4 Hex Bolt		2
<b>Deck Housing Components</b>				F047	3/8-16 x 4-1/2 Hex Bolt		2
21	8786-10	Rubber Mat (6 x 10-1/2)	4	F050	1/4 SAE Washer		5
22	8670-8	Tilt-Up Hook	1	F055	5/8 SAE Washer		4
23	7803-3	74 SD Deck Housing (Includes Items # 21 & 38)	1	F056	5/8 Split Lock Washer		4
24	NS	Deck Serial Number Plate	1	F059	3/8 Wave Spring Washer		2
25	7866-1	Lock Lever, Rear Caster	2	F063	3/8 Int. Star Lock Washer		2
26	7775-5	Lock Pin (5/16 x 1-5/8)	2	F065	3/16 x 3/4 Woodruff Key (#606)		1
27	5683	Pivot Bearing	4	F076	3/8-16 x 5/8 SQH Set Screw		1
28	7866	74 SD Rear Fork Mount (Includes Items # 27 & 30)	2	F119	Rear Caster Spacer		4
29	7870	74 SD Rear Fork	2	F136	AN960C416L Washer		32
30	5830	Grease Fitting	2	F179	1/4-20 x 1 Hex Bolt		6
31	5714-3	Axle Spacer Tube	2	F191	3/8 x 1-1/2 x 3/16 Washer		2
32	7868	74 SD Caster Wheel / Rear	2	F202	10-24 x 5/8 SHC Screw, GR5 SS		8
33	5705-0	Blade 20" (RH Rotation)	4	F206	#2 x 3/16 Drive Pin		2
	5705-16	74 SD Blade Set With Hubs (Includes Items # 33, 34, F002 & F202)	*	F208	5/16-18 x 2-1/4 Hex Bolt		1
				F211	1/4-20 x 7/8 Hex Bolt		28
				F246	1/4-20 x 1/2 PTHMS		3
				F278	3/8 Split Lock Washer		8
				F318	3/8-16 x 3/4 SQH Set Screw		1
				F478	5/16-18 x 3-1/4 Hex Bolt		2
				F517	Washer 3/8 x 1-1/8 x 1/8		8
				* Service Part Only			

# DS74 DECK ASSEMBLY

Refer to 74 INCH  
CARRIER FRAME ASSEMBLY,  
Page 52

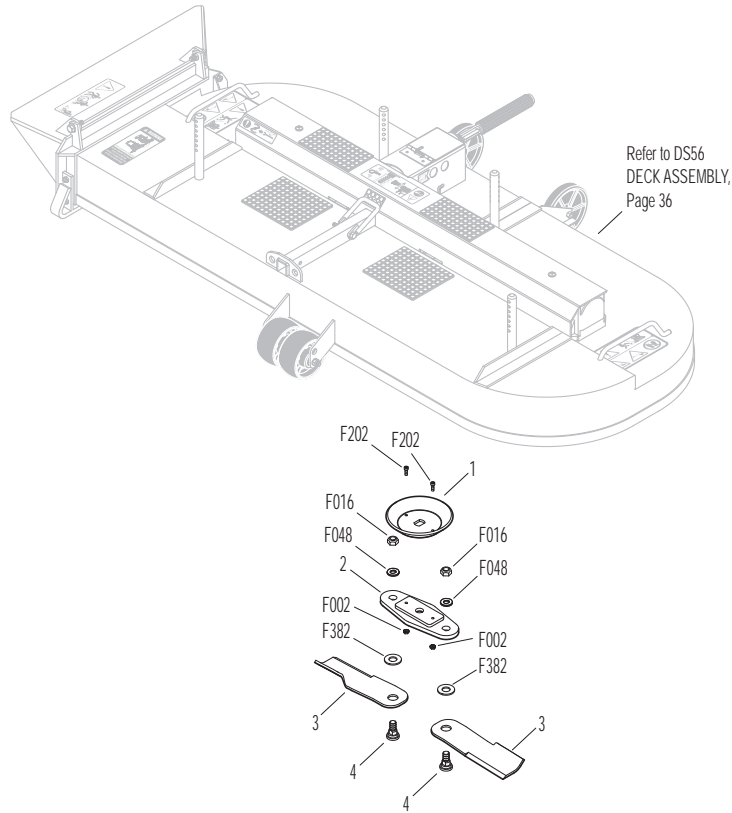


† Refer to FASTENER LOCTITE® APPLICATION & TORQUE INSTRUCTIONS, Page 62.

Refer to LUBRICATION POINTS, Page 58.

# OPTIONAL BREAK-AWAY BLADES

ITEM NO.	PART NO.	DESCRIPTION	NO. REQ'D	ITEM NO.	PART NO.	DESCRIPTION	NO. REQ'D
----------	----------	-------------	-----------	----------	----------	-------------	-----------



### DS 42" Break-Away Blade Kit (5705-33)

1	5706	Blade Hub & Trash Guard	
2	5706-27	Blade Hub, 42"	
3	5705-30	Break Away Blade	
4	5705-17	Special Bolt (1/2-13 x 1-7/16)	

### DS 74" Break-Away Blade Kit (5705-34)

2	1	5706		
2	2	5706-26		4
4	3	5705-30		8
4	4	5705-17		8

### DS 48" Break-Away Blade Kit (7705-8)

1	5706	Blade Hub & Trash Guard	
2	5706-25	Blade Hub, 48"	
3	5705-30	Break Away Blade	
4	5705-17	Special Bolt (1/2-13 x 1-7/16)	

### Fasteners

	F002	10-24 Keps Nut		*
	F016	1/2-13 Self-Locking Nut		*
	F048	1/2 SAE Washer		*
	F202	10-24 x 5/8 SHC Screw, GR5 SS		*
	F382	Belleville Washer (.650 x 1.36)		*

### DS 56" Break-Away Blade Kit (5705-32)

1	5706	Blade Hub & Trash Guard	
2	5706-26	Blade Hub, 36, 56 & 74	
3	5705-30	Break Away Blade	
4	5705-17	Special Bolt (1/2-13 x 1-7/16)	

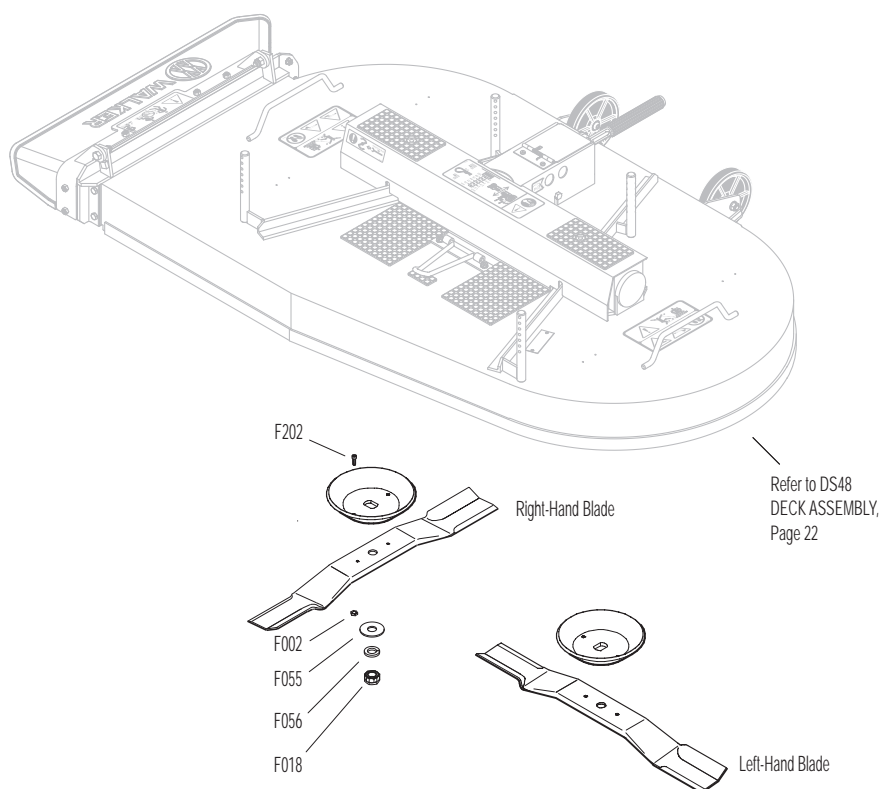
\* Quantities vary

**NOTE:** Optional blade kit featuring blades mounted on a break-away hub, for use in mowing applications with lots of ground and debris contact, to minimize impact and shock loading.

**NOTE:** Break-Away blades are designed for use on Side Discharge decks only.



# BLADE USAGE CHART



TWO BLADE DECKS	RH BLADE	LH BLADE	BLADE SET
DS36	5705-1	5705-1	5705-5
DS42	5705-3	5705-3	5705-7
DS42 BELT DRIVE	7705-22	7705-22	
DS48	7705-1	7705-1	7705-5

THREE & FOUR BLADE DECKS	SINGLE BLADE	BLADE SET
DS52	5705-14	8738-7*
DS52 MULCHING UPPER BLADE	5705-15	8738-8*
DS52 MULCHING LOWER BLADE	5705-14	8738-7*
DR52	7705-14	
DS56	5705-0	5705-9*
DS60	7705-15	
DS60 MULCHING KIT	7705-16	
DS62	5705-3	5705-13*
DR64	7705-28	
DS74	5705-0	5705-16

Right hand and left hand orientated with operator on seat.

All blade sets include 5706 (Blade Hub & Trash Guard), F002 & F202 unless otherwise specified.

\* Blade set consists of three (3) blades

Effective Date 12-23-16

Use only genuine Walker® replacement parts.



# LUBRICATION POINTS

ITEM NO.	LOCATION	LUBRICATION TYPE	NO. PLACES
----------	----------	------------------	------------

## 36", DS42, 48" & 56" Assemblies

1	Deck Caster Wheel Fork Pivot	Grease	2
2	Blade Drive Gearbox	Oil*	2
3	Tee Gearbox, Deck	Oil*	1
4	Universal Joint Shaft Assembly	Grease**	1
5	Pivot Assembly, Tilt-Up Deck	Grease	4
6	Deck Support Arm Socket	Grease	2

## DS52 & DS62 Assemblies

1	Deck Caster Wheel Fork Pivot	Grease	2
4	Universal Joint Shaft Assembly	Grease**	2
5	Pivot Assembly, Tilt-Up Deck	Grease	4
6	Deck Support Arm Socket	Grease	2
7	Deck Caster Wheel Bearing	Grease	2
8	Idler Arm, 2-Hole	Grease	1
9	Blade Spindle	Grease	3
10	Right Angle Gearbox	Oil***	1
11	Dolly Wheel Retract Lever and Linkage	Oil	1
12	Dolly Wheel Pivot	Grease	1

ITEM NO.	LOCATION	LUBRICATION TYPE	NO. PLACES
----------	----------	------------------	------------

## DS74 Assembly

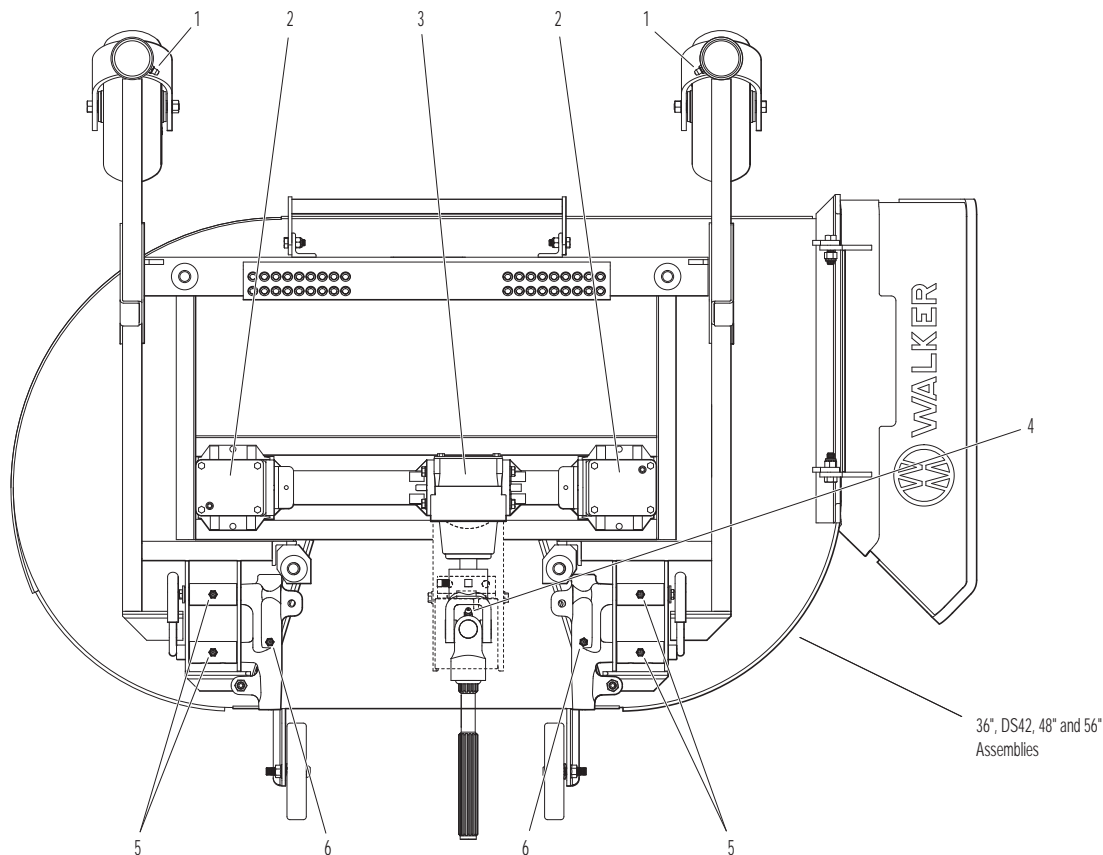
1	Deck Caster Wheel Fork Pivot	Grease	2
2	Blade Drive Gearbox	Oil*	4
3	Tee Gearbox, Deck	Oil*	1
4	Universal Joint Shaft Assembly	Grease**	1
5	Pivot Assembly, Tilt-Up Deck	Grease	4
6	Deck Support Arm Socket	Grease	2
7	Deck Caster Wheel Bearing	Grease	2
13	Rear Deck Caster Wheel Axle	Grease	2

\* Gearboxes are permanently lubricated and sealed requiring no scheduled lubrication. Oil level should be checked only when an oil leak is noted.

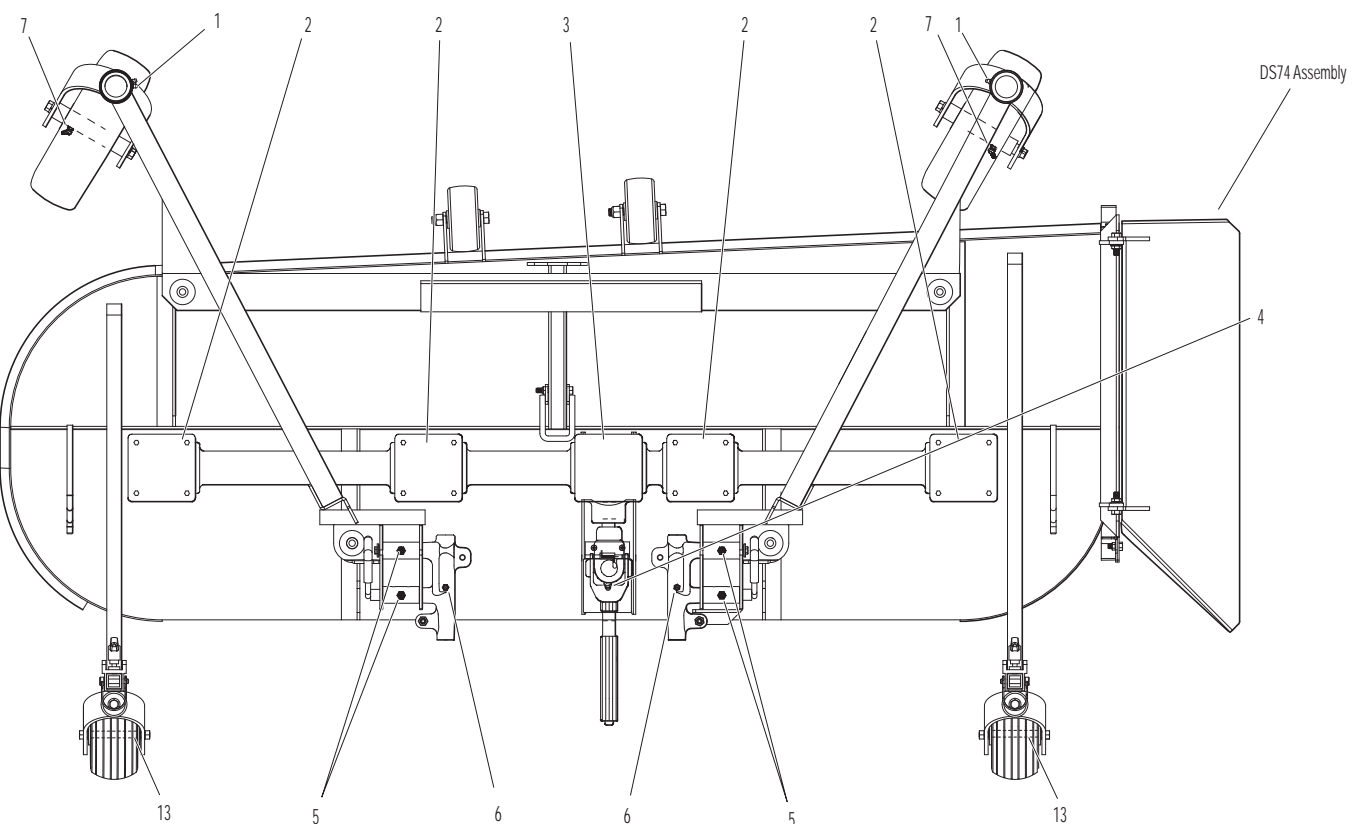
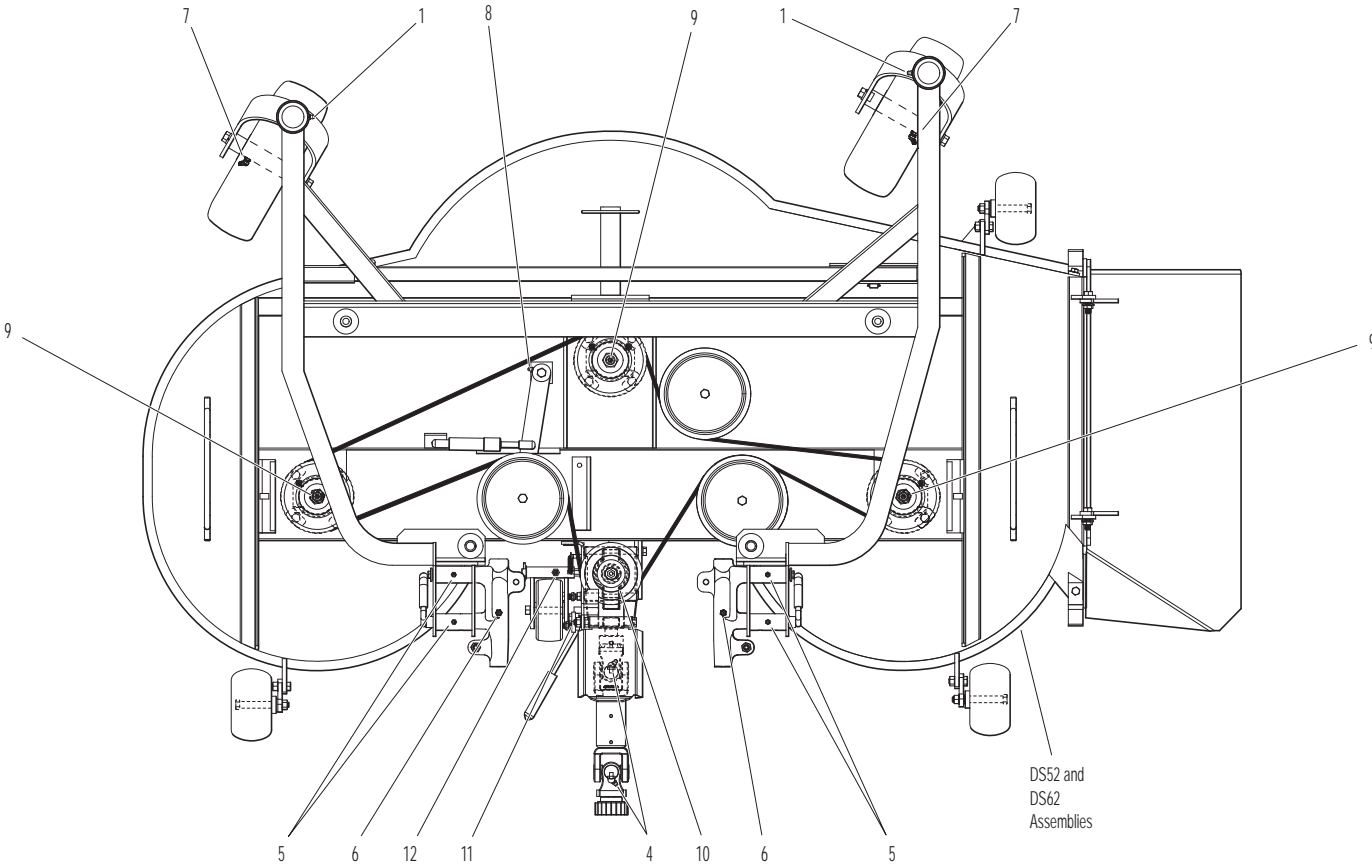
\*\* Grease every 25 hours.

\*\*\* Check oil level every 100 hours. Refer to **OPERATOR'S MANUAL** for Lubrication Instructions.

**NOTE:** Exact location of some Lubrication Points may vary slightly from those shown in the illustration. Decks shown in the illustration are for reference only; for further information on location of parts not shown here, refer to the parts listings for individual Carrier Frames and Deck Assemblies.



# LUBRICATION POINTS



Effective Date 12-23-16  
 Use only genuine Walker® replacement parts.

# LUBRICATION POINTS

ITEM NO.	LOCATION	LUBRICATION TYPE	NO. PLACES
----------	----------	------------------	------------

## DS42 Belt Drive Assembly

1	Deck Caster Wheel Fork Pivot	Grease	2
2	Blade Spindle	Grease	2
3	Pivot Assembly, Tilt-Up Deck	Grease	4
4	Deck Support Arm Socket	Grease	2
5	Universal Joint Shaft Assembly	Grease*	1

## DR52 & DR64 Assemblies

1	Deck Caster Wheel Fork Pivot	Grease	2
2	Blade Spindle	Grease	3
3	Pivot Assembly, Tilt-Up Deck	Grease	2
4	Deck Support Arm Socket	Grease	2
5	Universal Joint Shaft Assembly	Grease*	1
6	Deck Caster Wheel Bearing	Grease	2
7	Front Deck Lift Pivot	Grease	2
8	Rear Deck Lift Pivot	Grease	2

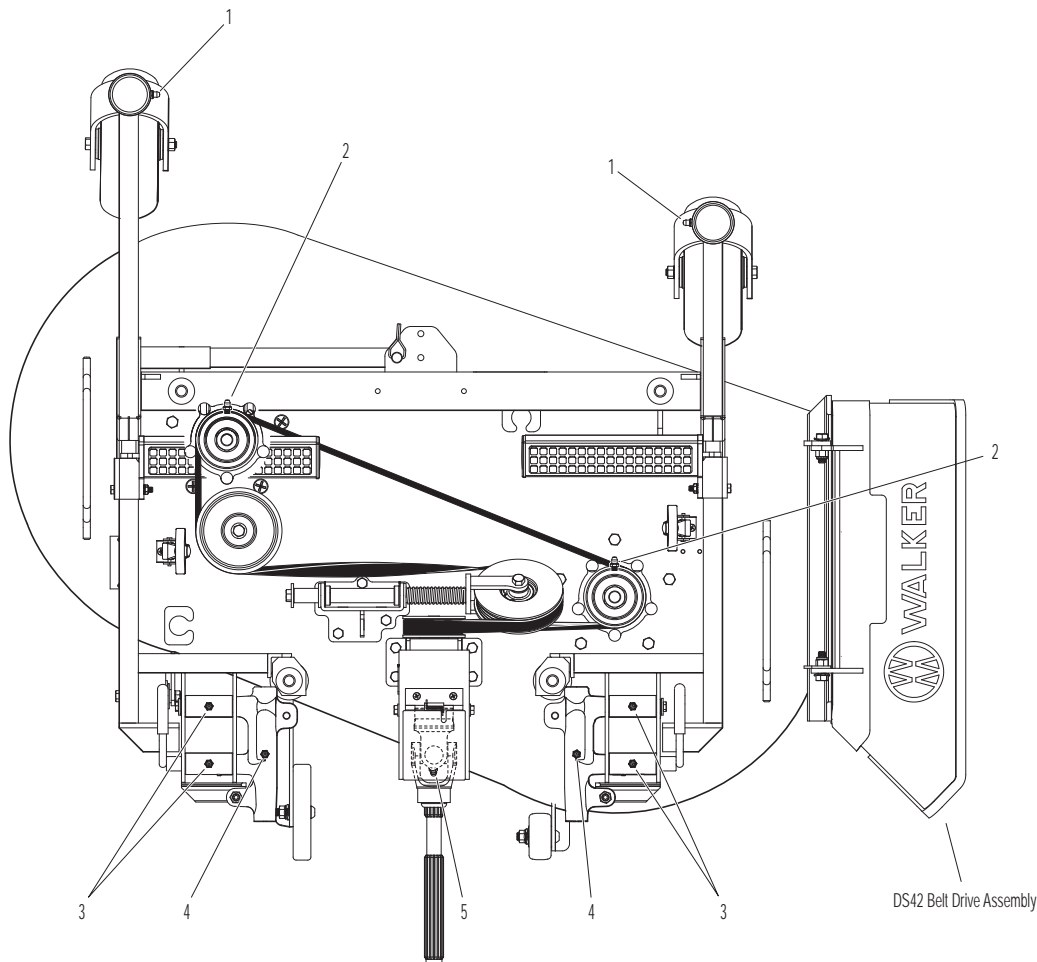
ITEM NO.	LOCATION	LUBRICATION TYPE	NO. PLACES
----------	----------	------------------	------------

## DS60 Assembly

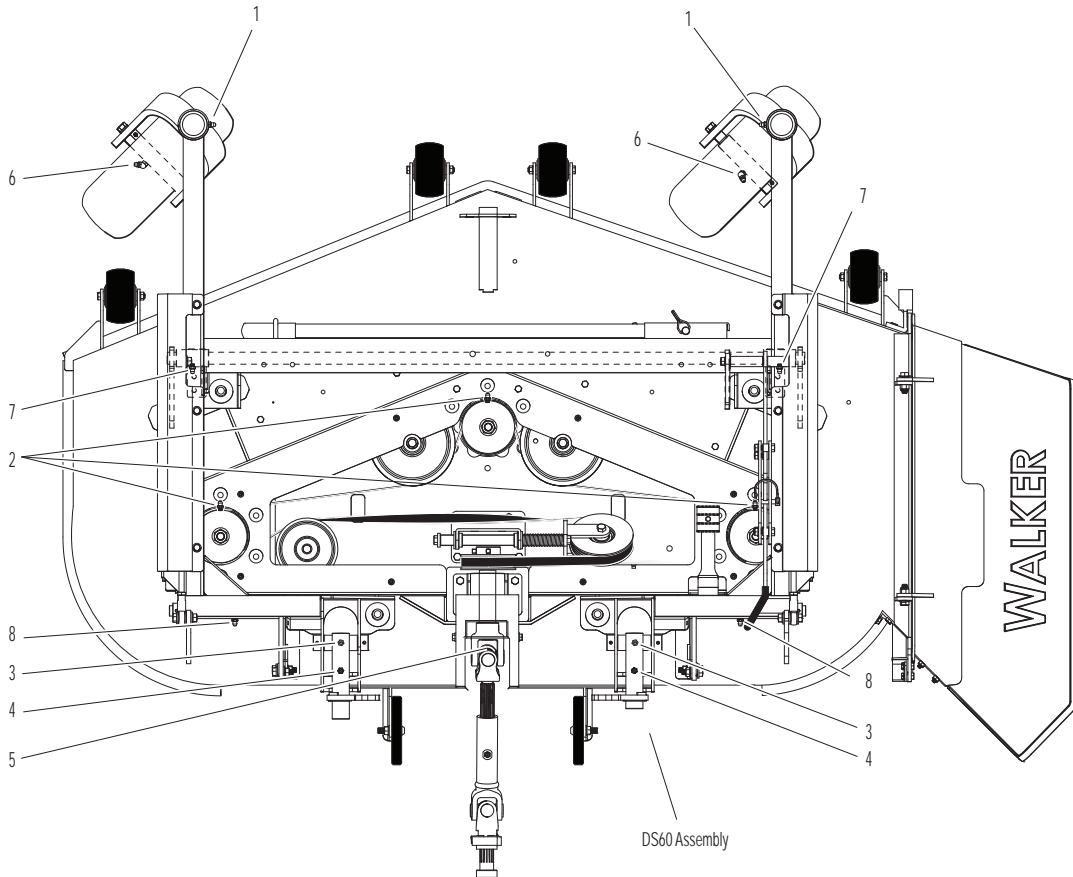
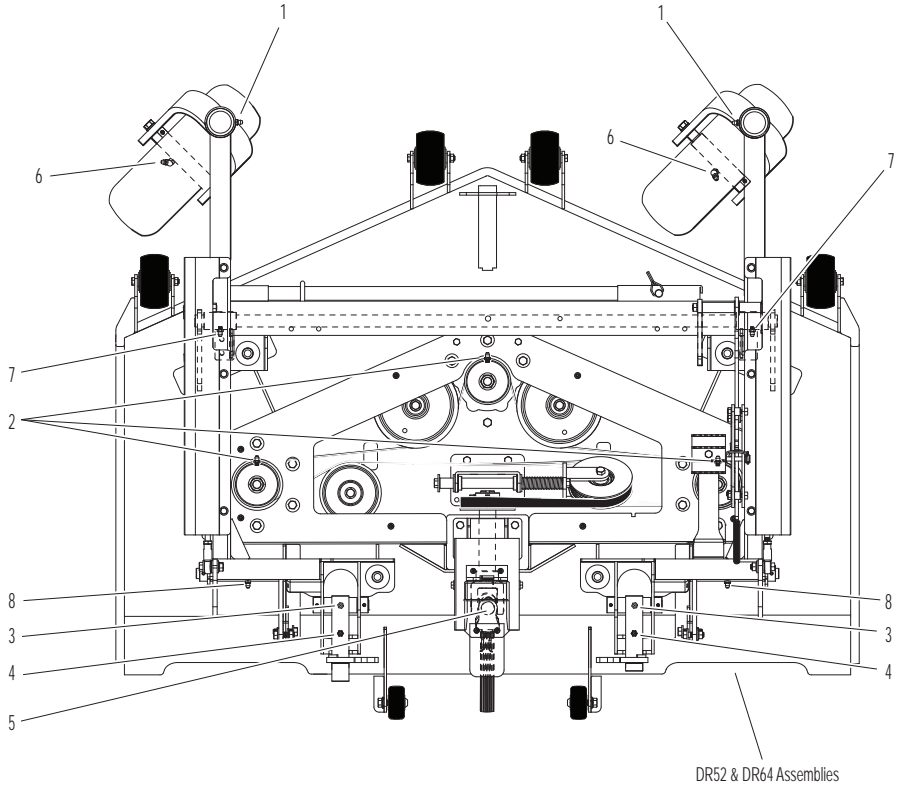
1	Deck Caster Wheel Fork Pivot	Grease	2
2	Blade Spindle	Grease	3
3	Pivot Assembly, Tilt-Up Deck	Grease	2
4	Deck Support Arm Socket	Grease	2
5	Universal Joint Shaft Assembly	Grease*	1
6	Deck Caster Wheel Bearing	Grease	2
7	Front Deck Lift Pivot	Grease	2
8	Rear Deck Lift Pivot	Grease	2

\* Grease every 25 hours.

**NOTE:** Exact location of some Lubrication Points may vary slightly from those shown in the illustration. Decks shown in the illustration are for reference only; for further information on location of parts not shown here, refer to the parts listings for individual Carrier Frames and Deck Assemblies.



# LUBRICATION POINTS



Effective Date 12-23-16  
Use only genuine Walker® replacement parts.

# FASTENER LOCTITE® APPLICATION & TORQUE INSTRUCTIONS

ITEM NO.	DESCRIPTION
----------	-------------

## DS HD Gear Drive Assemblies

Item # 1 applies to all HD deck models EXCEPT DS42 Belt Drive, DS52 and DS62.

- 1 Apply Loctite® Threadlocker # 242 (Blue) to Item # 1 used on HD Gearbox Connector Tubes. Torque to 115 lb-in. (13.0 N·m).

## DS Deck Assemblies

Items # 2 & 3 apply to all deck models EXCEPT DS42 Belt Drive, DS52 and DS62.

- 2 Apply Loctite® Threadlocker # 242 (Blue) to P/N F211 (1/4-20 x 7/8 Hex Bolt, used on Gearbox Connector Tubes) prior to assembly. Torque to 90 lb-in. (10.2 N·m).
- 3 Torque P/N F018 (5/8-18 Hex Nut) used on underside of blades) to 60 lb-ft (81.4 N·m). **DO NOT** apply Loctite®.

## DR52, DS60 & DR64 Deck Assemblies

- 4 Apply Loctite® Threadlocker # 242 (Blue) to P/N F075 (5/16-18 x 1/2 SQH Set Screw, used on Drive Pulley) prior to assembly. Torque to 190 lb-in. (21.5 N·m).

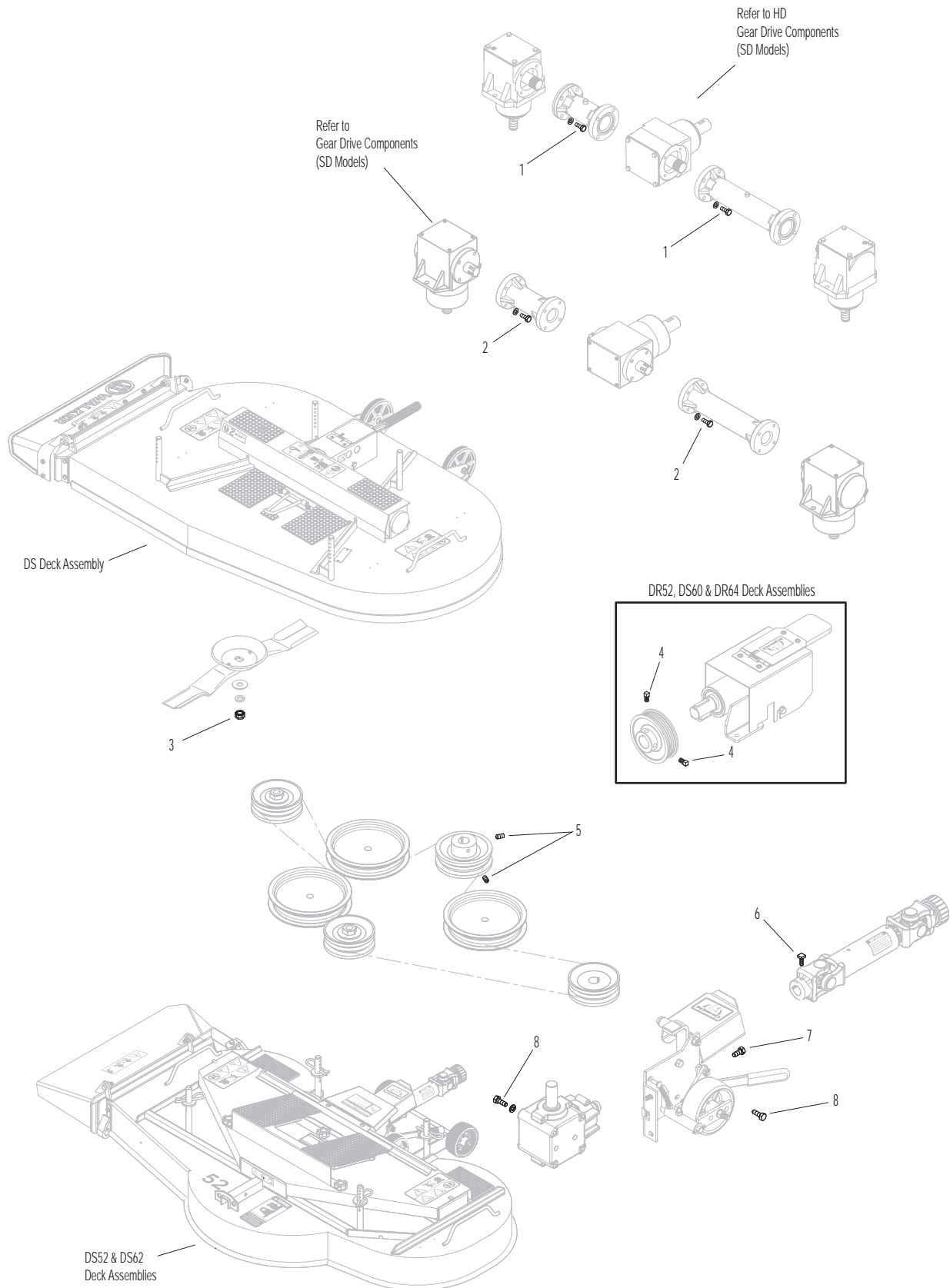
ITEM NO.	DESCRIPTION
----------	-------------

## DS52 & DS62 Deck Assemblies

- 5 Apply Loctite® Threadlocker # 242 (Blue) to P/N F114 (5/16-18 x 5/8 SQH Set Screw, used on Drive Pulley) prior to assembly. Torque to 190 lb-in. (21.5 N·m).
- 6 Apply Loctite® Threadlocker # 242 (Blue) to P/N F076 (3/8-16 x 5/8 SQH Set Screw, used on U-Joint Shaft Assy, T-Scope) prior to assembly. Torque to 400 lb-in. (45.2 N·m).
- 7 Torque P/N F339 (5/16-18 x 3/4 Self-Tapping Bolt, used on Mount Bracket & PTO Guard) to 200 lb-in. (22.6 N·m). **DO NOT** apply Loctite®.
- 8 Apply Loctite® Threadlocker # 242 (Blue) to P/N F226 (5/16-18 x 7/8 Hex Bolt, used on Right Angle Gearbox) prior to assembly. Torque to 18 lb-ft (24.4 N·m).

**NOTE:** Models DS48 and DS52 are shown here. Refer to individual deck assemblies for exact locations and quantities of items listed above.

# FASTENER LOCTITE® APPLICATION & TORQUE INSTRUCTIONS



# MAINTENANCE AND SERVICE RECORD SHEET

DATE	SERVICE ITEM	ENGINE HOURS

## DECK / TRACTOR COMPATIBILITY CHART

	DS36	DS42	DS42 Belt Drive	DS48	DS52	DR52	DS56	DS60	DS62	DR64	DS74
B18	X	X	X	X			X				
B19	X	X	X	X	X		X				
B23i	X	X	X	X	X	*	X		X		X
B25p	X	X	X	X	X		X	*	X		X
S14 GHS	*	*	*								
C19 GHS	*	*	*	*	*		*		*		
C19i	*	*	*	*	*		*		*		
T23 SD	X	X	X	X	X		X		X		**
T23 GHS	*	*	*	*	*		*		*		* **
T25i SD	X	X	X	X	X		X		X		X
T25i GHS	*	*	*	*	*		*		*		X
T30i SD	X	X	X	X	X		X		X		X
T30i GHS	*	*	*	*	*		*		*		X
D21d SD	X	X	X	X	X		X		X		X
D21d GHS	*	*	*	*	*		*		*		*
H24d				***	***	X	***	X	***	X	***
H25				***	***	X	***	X	***	X	***
H27i				***	***	X	***	X	***	X	***
H38i				***	***	X	***	X	***	X	***

- X Deck and tractor are fully compatible.  
 \* When using this deck on GHS tractors, installation of P/N 7541 (Blower Lockout Kit) is recommended. Contact your Walker dealer.  
 \*\* Using the DS74 Deck with Model T23 is not recommended in all conditions. In certain conditions (tall, wet grass), the performance of the deck may be marginal due to a limit of horsepower with the 23-hp engine.  
 \*\*\* DS Decks that are compatible with Models H24d, H25, H27i and H38i using Kit # 2430-10 (Deck Arm Adapter Kit).



## **LIMITED WARRANTY FOR WALKER COMMERCIAL RIDER MOWER**

**1. WHAT THIS WARRANTY COVERS, AND FOR HOW LONG:**

Walker Manufacturing company will, at its option, repair or replace, without charge, any part covered by this warranty which is found to be defective in material and/or workmanship within one (1) year after date of sale to the original retail purchaser unless the product is used for rental purposes, in which case this warranty is limited to ninety (90) days. At Walker's request, customer will make the defective part available for inspection by Walker and/or return the defective part to Walker, transportation charges prepaid. All parts and components of the Walker Mower are covered by this warranty.

**2. WHAT THIS WARRANTY DOES NOT COVER:**

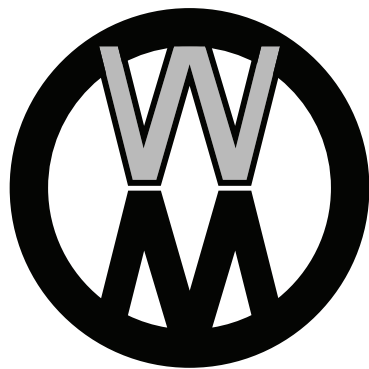
- A. This warranty does not cover defects caused by depreciation or damage caused by normal wear, accidents, improper maintenance, improper use or abuse of the product, alterations, or failure to follow the instructions contained in the Operator's Manual for operation and maintenance.
- B. The customer shall pay any charges for making service calls and/or for transporting the mower to and from the place where the inspection and/or warranty work is performed.

**3. HOW TO OBTAIN SERVICE UNDER THIS WARRANTY:**

Warranty service can be arranged by contacting the dealer where you purchased the mower or by contacting Walker Manufacturing Company, 5925 East Harmony Road, Ft. Collins, CO 80528. Proof of the date of purchase may be required to verify warranty coverage.

**4. WARRANTY LIMITATION:**

- A. **THERE IS NO OTHER EXPRESS WARRANTY. ANY WARRANTY THAT MAY BE IMPLIED FROM THIS PURCHASE INCLUDING MERCHANTABILITY AND FITNESS FOR A PARTICULAR PURPOSE IS HEREBY LIMITED TO THE DURATION OF THIS WARRANTY AND TO THE EXTENT PERMITTED BY LAW ANY AND ALL IMPLIED WARRANTIES ARE EXCLUDED.** Some states do not allow limitations on how long an implied warranty lasts, so the above limitations may not apply to you.
- B. **WALKER WILL NOT BE LIABLE FOR ANY INCIDENTAL, CONSEQUENTIAL, OR SPECIAL DAMAGES AND/OR EXPENSES IN CONNECTION WITH THE PURCHASE OR USE OF THE MOWER.** Some states do not allow the exclusion or limitation of incidental or consequential damages, so the above limitation(s) or exclusion(s) may not apply to you.
- C. Only the warranty expressed in this limited warranty shall apply and no dealer, distributor, or individual is authorized to amend, modify, or extend this warranty in any way. Accordingly, additional statements such as dealer advertising or presentations, whether oral or written, do not constitute warranties by Walker, and should not be relied upon.
- D. This warranty gives you specific legal rights, and you may also have other rights which vary from state to state.



**WALKER**

**WALKER MFG. CO. • 5925 E. HARMONY ROAD, FORT COLLINS, CO 80528 • (970) 221-5614**  
**FORM NO. 053017      PRINTED IN USA      [www.walkermowers.com](http://www.walkermowers.com)      ©2017 WALKER MFG. CO**