



**STANLEY**<sup>®</sup>  
Security Solutions

STANLEY  
MECHANICAL  
SOLUTIONS

CONDENSED SERVICE  
AND PRODUCT GUIDE





## How to use this guide

The objective of this guide is to introduce our company, Stanley Security Solutions, to our valued customers and partners. Consequently, this guide provides a condensed view of our organization, value proposition, and vast array of services and products. Should you desire or need more detailed information such as brochures, catalogs, templates and installation instructions by product line, you may contact us using the phone numbers provided on the back cover or visit our web site at [www.stanleysecuritysolutions.com](http://www.stanleysecuritysolutions.com).



## Table of Contents

<b>Stanley Security Solutions</b> .....	2
<b>Stanley Mechanical Solutions</b> .....	4
<b>Condensed Service and Product Guides</b>	
<b>SpecCentre Services</b> .....	6
<b>Stanley Security Solutions Mechanical Services</b> ...	7
<b>Stanley Commercial Hardware</b> .....	8
<b>BEST Keying Systems and Locks</b> .....	9
<b>Stanley Wi-Q Wireless Technology</b> .....	12
<b>PHI Exit Devices</b> .....	13
<b>Stanley Closers</b> .....	14
<b>Sargent &amp; Greenleaf Safe and Vault Locks</b> .....	15





Stanley Security Solutions is a vital part of The Stanley Works, an S&P 500 company and worldwide supplier of tools, hardware, and security solutions operating in more than 130 locations worldwide, employing nearly 15,000 associates, and manufacturing close to 50,000 products.

The Stanley Works was founded in 1843 by Frederick Trent Stanley in a little shop in New Britain, Connecticut, to manufacture door bolts and other hardware from wrought iron. Today, the company stills bears the universally recognized Stanley name, spirit, and passion that drove Frederick Stanley to succeed where others failed. Mr. Stanley so eloquently stated in 1877, "The secret of this company's success is an open one - all who will may avail themselves of it, and all who do so will succeed - one word tells it all and that one word is - **Excellence.**"



**Frederick Trent Stanley**

Stanley Security Solutions is an industry powerhouse with a global footprint that continues to build on Stanley's pioneering design of the first automatic door. Today, Stanley Security Solutions offers a complete portfolio of automatic entrances, mechanical and electromechanical architectural hardware, electronic security systems, and healthcare solutions that provide wall-to-wall security.

Stanley Security Solutions is more than just a supplier of industry-leading security products and cutting-edge technologies. Our integrated team of over 7,500 employees, 225 divisional offices, and 1,000 mobile technicians provides an unmatched level of system support and customer service by responding to your security related needs 24 hours a day, 7 days a week. Backed by a name that is synonymous with quality and reliability, Stanley Security Solutions offers total security and total access from a single source.



Stanley Mechanical Solutions, a division of Stanley Security Solutions, is a leading manufacturer of commercial grade architectural hardware and safe/vault locks, as well as a forerunner provider of specification, installation, maintenance, and support services.

With its unique combination of products and services, and an extensive network of field offices and highly qualified service technicians, Stanley Mechanical Solutions can deliver on the promise to provide truly complete security solutions customized to our customers' distinctive needs. The result is complete sense of satisfaction and peace of mind.

Stanley Mechanical Solutions' comprehensive portfolio of UL Listed and ANSI/BHMA certified products includes five premium brands: BEST, Wi-Q Technology, PHI, Stanley, and Sargent & Greenleaf. These brands are preferred by architects, hardware specifiers, locksmiths, loss prevention professionals, security managers, and end users. In fact, Stanley Mechanical Solutions offers total enterprise security solutions to end users in education, government, healthcare, hospitality, office, retail, financial, public use, manufacturing, warehousing, communication, and transportation sectors.

## ONE COMPANY...



## ...MULTIPLE BRANDS WITH A PROUD HERITAGE



Adding to its portfolio of premier brands, Stanley offers a variety of support services including comprehensive education programs for all aspects of facility safety and security, technical product support, and customer service.

From the design of master key systems to the installation, operation, and maintenance of electronic control systems, our state-of-the-art Learning and Innovation Center is equipped with all the tools necessary to provide advanced training. Our veteran, industry-certified instructors deliver an education curriculum specifically tailored to provide interactive learning activities based on real-life experiences.



Our application engineers in Technical Product Support are available to assist you real time with your product and application inquiries. To answer your questions as efficiently as possible, each inquiry is routed based on the specific product line.

Likewise, our customer service representatives have the necessary tools to provide immediate assistance regarding product availability, pricing, order tracking, delivery status, and any other order-related questions. The net result is fast, efficient support with a personal touch. Customers may also send electronic files for a faster delivery and electronic acknowledgements. This non-traditional process is part of our goal to provide continuous improvement from order entry to final delivery.

Stanley Mechanical Solutions is here to meet your most demanding security, safety, and access requirements.

## Vertical market application example: healthcare facility





The Stanley's SpecCentre® Services is an independent organization established specifically to support architects, engineers, and owners around the world with preparation of construction documents for both new construction and retrofit projects.

Our staff of Architectural Hardware Consultants (AHC), application engineers, and security experts specialize in specification writing, owner specification manual drafting, section coordination, shop drawing and submittal review, and continuing education (American Institute of Architects – Continuing Education Systems). From design through construction administration, we are equipped to provide the support to accurately and effectively assist you with the management of your architectural hardware, automatic entrance, and security projects.



### **Our expertise covers many Specification Sections including the following:**

- 08 42 29 Automatic Entrances
- 08 42 33 Revolving Door Entrances
- 08 42 36 Balanced Door Entrances
- 08 42 43 ICU/CCU Entrances
- 08 71 00 Door Hardware
- 08 71 13 Automatic Door Operators
- 08 74 00 Access Control Hardware
- 27 52 13 Patient Monitoring and Telemetry Systems
- 27 52 23 Nurse Call / Code Blue Systems
- 28 13 00 Access Control
- 28 16 00 Intrusion Detection
- 28 23 00 Video Surveillance
- 28 46 00 Electronic Detention Monitoring and Control Systems

Architectural firms, engineering companies, and building owners have come to rely on the SpecCentre's industry professionals to navigate the various codes and security challenges found on new construction and retrofit projects. Experience, integrity, accountability, and speed are the virtues that have made the SpecCentre the clear choice for architectural project requirements.



Stanley Security Solutions Mechanical Services is an independent organization exclusively established to resolve any size security solution issue that a commercial customer may have. With just one call, we are on the way...24 hours a day, 7 days a week.

Stanley Security Solutions Mechanical Services was founded in 1939 under the name Safemasters as a safe and vault company in Washington, D.C. By the late 1990s, the company had grown to 12 locations in 8 states, and was providing a wide variety of physical security products and services. Today, Stanley Security Solutions Mechanical Services combines the flexibility and fast response of a mobile service fleet with the convenience of many retail walk-in offices throughout the USA and Canada.



Our services include, but are not limited to, product installation, preventive maintenance, emergency repair, on-site surveys and analysis, security consultation, and national service programs.

While we are the only manufacturer in the industry with a nationwide service presence, our service technicians and security experts have at their disposal products from all other manufacturers to ensure the job can be done to your exact needs and specifications. Our service technicians are employed, trained, and managed within our own corporation; so you can rest assured you are in the hands of knowledgeable professionals with one goal in mind: your complete satisfaction.

Hardware is the foundation of The Stanley Works. In 1843, Frederick Stanley opened a shop to produce hardware using a single cylinder steam engine in a one-story wooden building in New Britain, CT. The building once served as an armory during the war of 1812.

Throughout the years Stanley has been recognized for many achievements. As early as 1889, The Stanley Works was awarded the first patent for a hinge with ball bearings. Mr. Stanley also had a good marketing approach, which set him apart from the competition. In those days, when components normally were sold separately, Stanley packaged fasteners with the hardware, eliminating guess work and transforming the industry.

Today, Stanley Commercial Hardware retains its distinctive strength. We provide the highest quality products, made with the same innovative spirit that Frederick Stanley practiced. Our latest offering, the 18 AWG electrified hinge is a great example of this continuing commitment.



We keep in stock many of our products. We also build custom designed products to suit unique and difficult applications. All are fabricated with care.

Stanley Commercial Hardware products conform to ANSI/BHMA and other applicable industry standards. More importantly, our hardware conforms to the standards that you have come to expect from Stanley, the world leader in quality hardware products.

## Stanley Commercial Hardware's wide range of product offerings includes:

### Concealed Bearing Hinges

The premium and complete line of hinges with Stanley's revolutionary concept in LifeSpan® bearing systems, covered by the LifeSpan® limited lifetime warranty.



### Ball Bearing Hinges

A complete line of hinges with fully hardened bearing assemblies, quality design, and build that is second to none.



### Spring Hinges

Meets NFPA-80 standard for 3-hour doors. Adjustment is made easy with an internal ratchet mechanism. All spring hinges are covered by the LifeSpan limited lifetime warranty. UL and ULC listed.



### Detention Hardware

Detention hinges conform to the ASTM F1758 Standard. The line also includes heavy-duty pulls and stops.



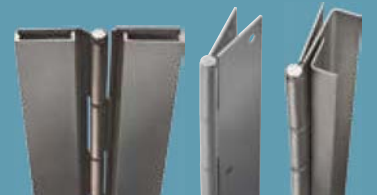
### Continuous Hinges - Gear Type

Applauded by architects, uniquely shaped "form follows function" design is covered by the LifeSpan limited lifetime warranty. UL listed.



### Continuous Hinges - Barrel Type

Furnished with tough Nylatron bearings, which contain solid lubricants that contribute to a low dynamic and static coefficient of friction. The superior bearing design also inhibits dirt collection. The line is covered by the LifeSpan limited lifetime warranty. UL and ULC listed.



### Emergency Rescue Hardware

Consists of a double-acting pivot, emergency door stop, and double lipped strikes. All designed and built to the highest standards.



### Sliding and Folding Door Hardware

Features the innovative, easy to install snap-in hangers.





The BEST® brand carries a strong legacy of ingenuity and excellence that started when Frank E. Best invented the small format interchangeable core in 1921. Today, the BEST mechanical product portfolio consists of reliable keying systems, key and core control software, cylindrical locks, mortise locks, mortise deadlocks, tubular deadbolts, padlocks, cabinet locks, mortise and rim cylinders, utility cylinder locks, push locks, sliding panel locks, semi-trailer king pin locks, and key retaining devices. To stay in tune with technological advances, BEST has also introduced a complete suite of pioneering electromechanical locks and electronic access control systems.

## Keying Systems

With BEST keying systems you do not have to sacrifice security for the sake of convenience. BEST keying systems provide highly controlled access with its customized masterkey plan and key control program, and convenient access with the interchangeable core. This system allows you to replace a core in seconds by simply using a special control key.

BEST patented keying systems incorporate all four elements required to truly make a keying system high security:

- **Physical strength:** provide endurance, attack resistance, and harsh environmental resistance.
- **Keying capability:** enable design flexibility, large scale expansion, and a high number of secure codes.
- **Patented key control:** prevent illegal manufacturing and distribution of key blanks.
- **Code control:** prevent cross-keying or the condition where two or more operating, master, and/or grand master keys operate an individual core resulting in unauthorized key operation.

Because Stanley Mechanical Solutions is the only company that does not allow third parties to generate masterkey systems for its customers, it is the only manufacturer that can guarantee complete code control and elimination of cross-keying. In an era of “one size fits all,” BEST gives you the opportunity to customize and personalize your masterkey system so that the system fits your needs and not the other way around.



## Interchangeable Cores

### BEST Standard and Premium Keying Systems

The original interchangeable core systems for basic security needs where a patented keying system is not required. Picking and drilling resistance options available.

*Certifications: ANSI/BHMA A156.5 Grade 1*



### BEST Preferred Patented Keying System

The upgrade path for BEST Peaks systems – Preferred key sections are backward compatible with Peaks keyways. Uses a patented “peaks” pin to operate a second shear line to offer extra security, and is legally protected against unauthorized distribution. Also available in competitive interchangeable core and conventional key-in-knob, key-in-lever cylinder formats. Picking and drilling resistance options available.

*Certifications: ANSI/BHMA A156.5 Grade 1*



### BEST MX8 Patented Keying System

The premier keying system with two independent locking mechanisms and maximum security through several levels of geographical exclusivity legally protected against unauthorized distribution. Some key sections are backward compatible with Standard core keyways to enable phase-in upgrades. Keyways organized in families of four keyways each with two multi-milled key levels for easier masterkeying. Picking and drilling resistance options available.

*Certifications: ANSI/BHMA A156.5 Grade 1*



## Mechanical Locks



### 5K Tubular Lever Lockset

Light to medium duty commercial applications. Offered in 6 functions and 4 finishes. Allows for quick rekeying with BEST interchangeable cores. Universal latch easily adjusts to 2 3/4" and 2 3/8" backset. Reversible for either hand without removing keyed lever. 3" diameter rose with no exposed mounting screws.

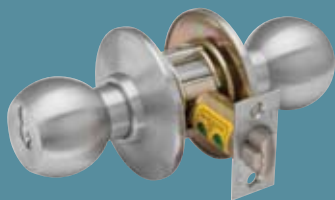
*Certifications: ANSI/BHMA A156.2 Series 4000 Grade 2, UL Listed, Meets ADA Title III*



### 7KC Cylindrical Lever Lockset

Medium-duty commercial applications. Offered in 7 functions and 6 finishes. Allows for quick rekeying with BEST interchangeable cores. Standard and drive-in latches available. Through-bolt mounting studs increase torque resistance. Reversible for either hand without removing keyed lever. Keyed lever is removable only after removal of core. No exposed mounting screws.

*Certifications: ANSI/BHMA A156.2 Series 4000 Grade 2, UL Listed, Meets ADA Title III.*



### 8K Cylindrical Knob Lockset

Heavy-duty commercial applications. Offered in 33 functions and 8 finishes. Allows for quick rekeying with BEST interchangeable cores.

### 6K Cylindrical Knob Lockset

Medium-duty commercial applications. Offered in 10 functions and 7 finishes. Allows for quick rekeying with BEST interchangeable cores.

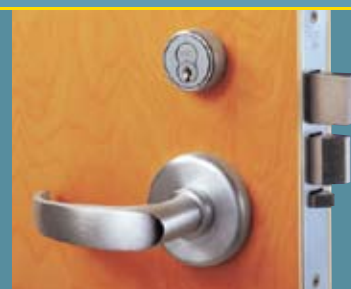
*Certifications: ANSI/BHMA A156.2 Series 4000 Grade 1 (8K) Grade 2 (6K), UL Listed*



### 9K Cylindrical Lever Lockset

Premium lockset for heavy-duty commercial applications. Offered in 30 functions and 11 finishes. Allows for quick rekeying with BEST interchangeable cores. Multiple features provide great torque and attack resistance. Design minimizes lever sag and offers smooth operation. No exposed keeper hole in exterior lever and optional lost motion feature for higher security. 2 3/4", 3 3/4", and 5" backsets; and 1 3/8" to 2 1/4" door thicknesses.

*Certifications: ANSI/BHMA A156.2 Series 4000 Grade 1 (Operational, Security, and Strength), UL Listed, Meets ADA Title III, Miami-Dade County product control approved*



### 45H/47H Mortise Lockset

Premium lockset for heavy-duty commercial applications. Offered in 28 functions and 13 finishes. Escutcheon and sectional trims available including vandal resistant. Allows for quick rekeying with BEST interchangeable cores. Simple function reconfiguration with universal function case and quick re-handing without opening the case. Multiple features provide above-class strength and durability.

*Certifications: ANSI/BHMA 156.13 Series 1000 Grade 1 (Operational and Security), Meets ADA Title III (Lever only), Miami-Dade County product control approved (AB function only), UL Listed (47H only)*



### 8T Tubular Deadbolt

Heavy-duty commercial applications. Offered in 5 functions and 8 finishes. Allows for quick rekeying with BEST interchangeable cores. Solid extruded brass or bronze cylinder. Full 1" throw, stainless steel deadbolt. 2 3/8" and 2 3/4" backsets.

### 7T Tubular Deadbolt

Medium-duty commercial applications. Offered in 4 functions and 2 finishes. Allows for quick rekeying with BEST interchangeable cores. Solid cast zinc with stamped brass or bronze shell. Full 1" throw, stainless steel deadbolt. 2 3/8" and 2 3/4" backsets.

*Certifications: UL Listed*



### B Padlock

Allows for quick rekeying with BEST interchangeable cores. Case machined from solid brass (1B series) or aluminum (2B series). Bronze and stainless steel shackles with 1/4", 5/16" and 3/16" diameters; and 3/4", 1 1/2", 2", and 4" heights. Shackle locks at heel and toe. Options available include cut resistant shackle and six lockout/tagout colors.

*Meets different ASTM F883 Grades with stainless steel shackles.*

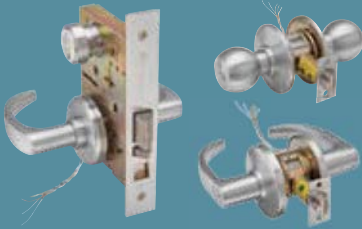




### Other Mechanical Locks

Wide selection of locks allowing simple integration to BEST masterkeyed systems and quick rekeying with BEST interchangeable cores such as 3L rim cabinet deadbolts, 5L rim/mortise cabinet deadbolts/latchbolts, 8L mailbox locks, 1E slabbed cabinet mortise cylinders, 5E utility cylinders (non interchangeable core), 2P push locks for file cabinets, 2S push locks for sliding doors, and 3S sliding panel locks.

## Electromechanical Locks



### 8KW/9KW/45HW Electrified Locksets

Cylindrical and mortise locks that allow locking or unlocking from any access control system or locally via an individual switch, switch lock, relay, or other automatic control system. Offered in fail-safe and fail-secure operation modes. Optional request to exit and door position switch available. Mortise operates in 12V or 24V, and cylindrical on 24VDC. Allows for quick rekeying with BEST interchangeable cores.

*Certifications: UL Listed*



### 9KZ/45HZ/EXZ Keypad EZ Locksets

Cylindrical, mortise, and exit device keypad locks providing entry level electronic access control. Up to 50 users including 1 administrator and 5 supervisors. PINs from 3 to 6 digits. All programming occurs through the keypad. Battery operated and optional extended battery life pack available. Remote unlock ability standard. Operates with BEST interchangeable cores as mechanical override.

*Certifications: UL Listed*



### 8KM/9KM/40HM IDH Max Locksets

Cylindrical and mortise locks that simplify installation by providing the electric lock device, reader, request-to-exit, and door and latch position monitoring in a self-contained unit. Drastically reduces the number of wire runs to one four-conductor wire run. Magnetic stripe and proximity card readers available. Integrates with many electronic access control systems. Operates with BEST interchangeable cores as mechanical override.

*Certifications: UL Listed*

## Offline Security Management Systems



### NT500 Access Control System

Designed to handle various levels of complexity in security, ID badging, and access control management. Combines management of both online (via online network) and offline (via PDA or laptop) door control providing the flexibility required for a variety of applications. Supports magnetic stripe, proximity, and dual validation readers.

*Certifications: UL Listed*



### 9KG/45HG/EXG B.A.S.I.S. G Locksets

A highly efficient stand-alone, offline, battery-operated lock system specifically designed for residence halls. The system integrates with virtually any existing database, and allows unsurpassed capabilities in storing and retrieving access activity data. B.A.S.I.S.® G involves no costly wiring, is easy to manage, and offers a broad range of integrated features. Supports magnetic stripe and dual validation readers. Operates with BEST interchangeable cores as mechanical override.

*Certifications: UL Listed*



### 9KBV/45HBV/EXBV B.A.S.I.S. V Locksets

A highly efficient stand-alone, offline, battery-operated lock system for large size sites that utilizes card reader technology and is integrated into B.A.S.I.S.® software. Specifically designed for access control on common doors such as classrooms, laboratories, offices, and conference rooms. Supports magnetic stripe, proximity, and dual validation readers. Operates with BEST interchangeable cores as mechanical override.

*Certifications: UL Listed*



The Stanley® Wi-Q™ Wireless Technology is a smart, fast, efficient wireless access control solution. Multiple redundancy of the access control data at the reader, gateway, and host computer gives you a system making the access control decision at the door when the card is presented even if communication is temporarily interrupted for any reason. And with no need for wiring, the Wi-Q system can be installed in existing facilities with virtually no operational disruption and at a significantly lower cost.

Wi-Q uses the proven heavy-duty BEST electromechanical locksets including our 9KQ, 45HQ, and EXQ products. Wi-Q is also built into the existing line of access control solutions, so one application can now control the BEST offline, online, wireless access control doors, CCTV, and ID badging. But we didn't stop there. Wi-Q features a Wireless Access Controller (WAC) module that provides wireless control for parking gates, turnstiles, electromagnetic locks, electric strikes, as well as many other electronic devices. And we included online features such as door position switch, request-to-exit control, latch switch sensor, and even key override sensor as standard in our mortise lineup.

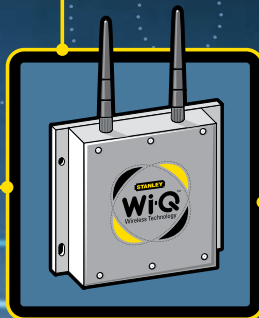
Combine those benefits with the system's ultra-smart power consumption and 128-bit AES security encryption, 802.15.4 protocol that uses far less crowded Wi-Fi frequencies to deliver unsurpassed online benefits. On top of everything, a flexible reader with dynamic memory for up to 65,000 users, an 85,000-event audit trail, and 144 multiple time zone intervals/holiday periods is unmatched.

The Stanley Wi-Q Wireless Access Control Solution brings intelligent power to your access control needs. Its overall design gives you upgrade ability and scalability to go from very small secure solutions to extremely large solutions. If you have been waiting for uncompromising wireless intelligence to show up at your door, Stanley Wi-Q Wireless Technology has arrived.

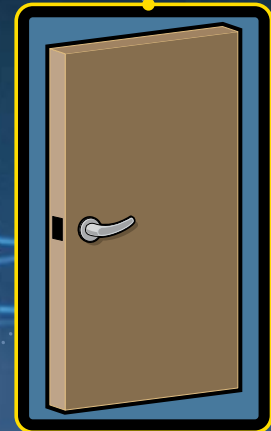
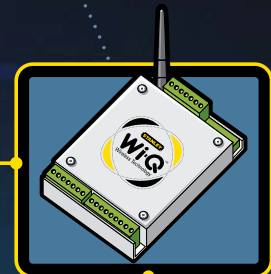
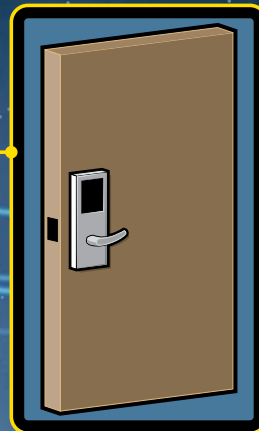
*Wireless Access Controller provides wireless capability for hard to wire applications, retrofit capability for existing hard wired applications, and an easy path to control ADA auto-operated doors with a reader.*



*Wi-Q™ Access Management Software allows management of access control application.*



*Portal Gateway enables bidirectional communication between wireless readers and host computer.*



*Wireless Access Door Reader available for all magnetic strip, proximity, and dual validation formats.*





Precision Hardware offers a comprehensive line of UL Listed and ANSI/BHMA Grade 1 exit devices for a variety of egress applications. Precision Hardware exit devices have a solid reputation for strength and reliability. Used on many of the nation's largest schools, universities, hospitals, and retail facilities, the Apex and Olympian Series exit devices are manufactured with investment cast steel for strength and security. All working mechanisms are encased in a heavy-duty solid brass, bronze, aluminum or stainless steel housing incorporating true architectural finishes.

The Precision Hardware product portfolio offers significant value to the various facility mechanical and/or electrical application requirements. When specifying hardware for new and existing facilities Architects are faced with many obstacles. Balancing security with the respective opening size, door thickness, height, finish, function and aesthetic appeal is not easy.

Since 1946, Precision Hardware exit devices have been meeting these demands. With a proven product offering that accommodates an estimated 13,000 mechanical and electrical application requirements, we're confident "Precision is the right decision"

The Precision Hardware exit device design incorporates very few moving components. As a result, the product is easy to assemble making delivery times and user dependability prominent features for our customers.

## Available Product Families

### Arm-A-Dor – Security Exit Device

#### APEX 2000 Series – Premium Touchpad

- 2100 Rim
- 2200 Surface Vertical Rod
- 2300 Mortise
- 2400 Narrow Stile Rim
- 2600 Narrow Stile Concealed Vertical Rod
- 2700 Wood Door Concealed Vertical Rod
- 2800 Concealed Vertical Rod

#### OLYMPIAN Series – Traditional Crossbar

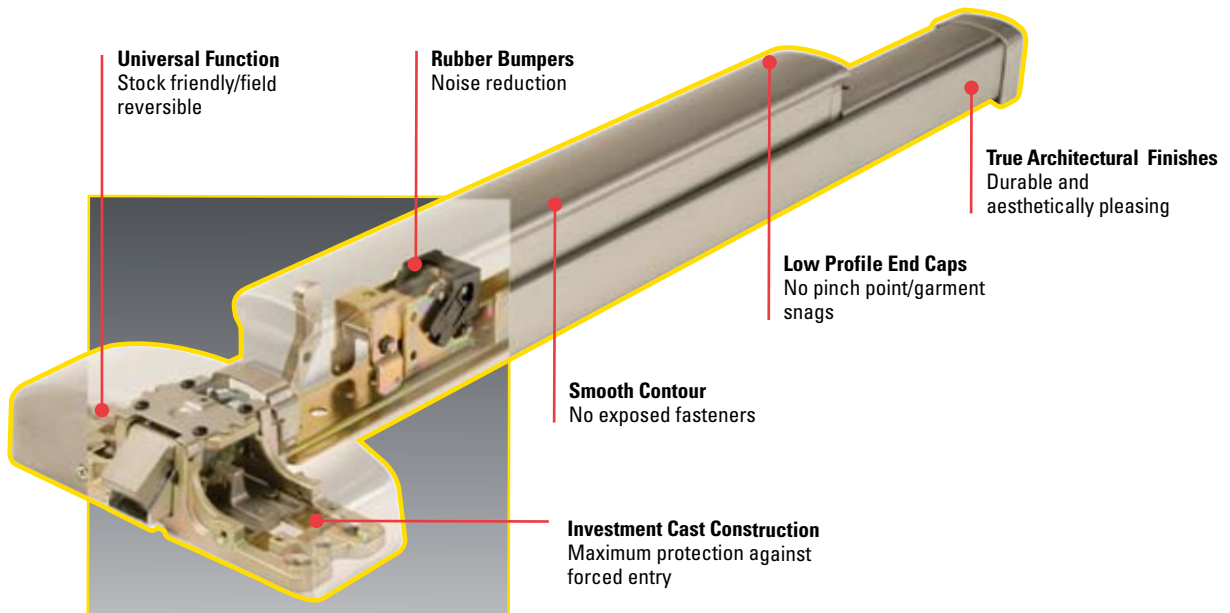
- 100 Rim
- 200 Surface Vertical Rod
- 300 Mortise

#### RELIANT 5000 Series – Economy Touchbar

- 5100 Rim
- 5200 Surface Vertical Rod

#### Electromechanical Features

- ELR – Electric Latch Retraction
- DE – Delayed Egress
- E – Electric Lock/Unlock Lever Trim
- TS – Touchbar Switch
- LS – Latchbolt Monitoring
- DS – Door Position Switch
- ALK – Alarm Kit
- WALW – Weatherized Alarm
- EXQ – Battery Powered Wireless Lever Trim
- EXZ – Keypad EZ Trim
- EXG & EXBV – B.A.S.I.S. G and V Trims



Stanley Door Closers provide a safe and reliable door control solution for a variety of facility applications. Manufactured using a specially formulated R-14 silicon aluminum alloy, the cylinder body maintains reliable functions during extreme internal hydraulic pressures. The closers have been certified to the ANSI/BHMA 156.4 Grade 1 requirements. Universal handing, multi-sized spring power, tri-pack arms and multi-valve point hydraulic control valves provide a stock-friendly product offering.



## Available Product Families

- D-1650 – Aluminum Store Front
- D-3550 – Mid-Range
- D-4550 – Heavy Duty
- CO-50 – Concealed Closer
- CO-30 – Concealed Closer



D-4990 Low Energy Operator (Non-handed)

## D-4550 Cylinder Body



Non-handed

Non-handed

**Piston Body**  
Cold forged steel construction (1 1/2" dia.)

**Pinion Shaft**  
Cold forged construction (5/8" teeth)

### Internal Springs

Wide range spring power adjustment.  
Side 2 - 6 with 50% spring power adjustment over 6.  
Meets ADA 5lb opening force requirements on all application except pull-side regular arm mount.





Stanley's Sargent and Greenleaf (S&G) is a global leader in high security locks and locking systems for safes and vaults. Since 1857, S&G has been synonymous with innovative, high quality locking solutions for the financial, retail, ATM, consumer gun safe and government markets. S&G offers one of the broadest assortments of locking solutions.

S&G locks are listed by UL®, VdS, CEN, CNPP, DNV, CCC and other listing agencies to assure the utmost in security. S&G products are sold globally through a network of authorized distributors and OEMs.

## Mechanical Combination Locks

S&G offers a wide variety of three and four wheel mechanical combination locks. Whether for commercial, gun safe or government security applications, S&G mechanical locks are known worldwide for delivering superior durability, security and quality.



Model 6730



Model 2937



## Electronic Locks

S&G's line of electronic safe locks includes a full compliment of commercial grade locks. From simple push button locks to advanced audit locks and biometric locks, the S&G electronic lock family is designed to maximize security and commercial performance.



6120 Series  
Deadlocking  
Square Bolt



6126 Series  
Audit Lock



D-Drive  
Safe Lock

## Other Locks

S&G offers a host of other locks for specific applications. These include vault and time locks for banks, safe deposit locks, key locks, and specialty padlocks. For example, our 951 padlock is specially designed to meet the high security needs of the government. Our Environmental Padlock helps railroads nationwide protect assets regardless of the environment.



Time Lock



Model 8077AD  
Combination  
Padlock



951 High  
Security  
Padlock

## Advanced Safe Locking Systems

S&G continues to lead the industry in innovative locking solutions that offer superior ways to solve real world security problems. For example, our IP Series™ is a networked locking system that enables customers to remotely control safe access. Our ASERIES™ ATM Access Management System uses advanced one-time-use code technology to control ATM access. If the code is not used within a specified time/date range then it becomes invalid; preventing access to the ATM safe. Our Trak\*IT™ System combines RFID technology and real-time information management to help cash intensive businesses track deposits and prevent cash losses.



TRAK\*IT System



IP Series  
Keypad



ASERIES  
ATM Lock



SpecCentre Services	<b>1-888-351-8840</b>
Learning and Innovation Center	<b>1-317-806-3735</b>
Customer Service - Canada	<b>1-877-780-2378</b>
Customer Service - Commercial Hardware	<b>1-800-337-4393</b>
Customer Service - Sargent & Greenleaf	<b>1-800-826-7652 / 1-859-885-9411</b>
Customer Service - All other products in the USA	<b>1-800-392-5209</b>
Stanley Security Solutions Mechanical Services - Canada	<b>1-888-624-4238</b>
Stanley Security Solutions Mechanical Services - USA	<b>1-877-333-9270</b>
Technical Product Support - Canada	<b>1-877-780-2378</b>
Technical Product Support - Commercial Hardware	<b>1-800-337-4393</b>
Technical Product Support - Sargent & Greenleaf	<b>1-800-826-7652 / 1-859-885-9411</b>
Technical Product Support - All other products in the USA	<b>1-800-392-5209</b>

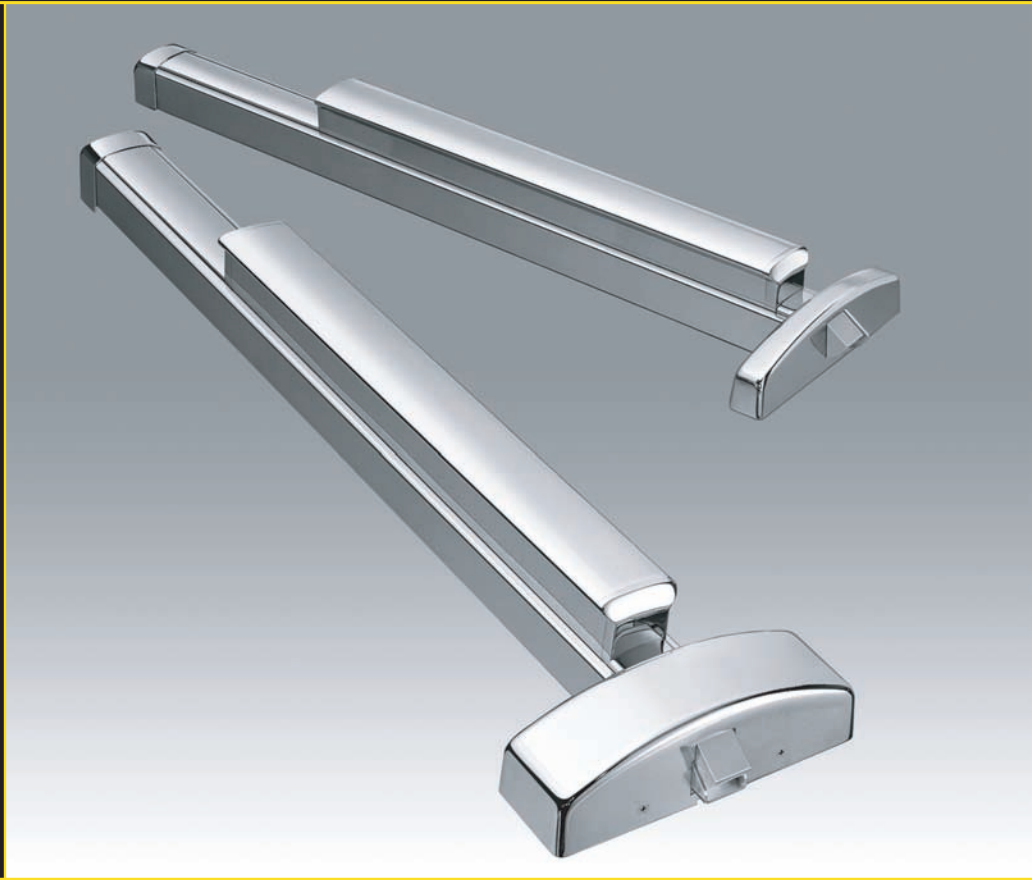
**STANLEY**<sup>®</sup>  
**Security Solutions**

6161 East 75th Street | Indianapolis, IN 46250  
[www.stanleysecuritysolutions.com](http://www.stanleysecuritysolutions.com)



**STANLEY**<sup>®</sup>

Security Solutions



# EXIT DEVICES

PRODUCT INTRODUCTION

STANLEY

phi<sup>™</sup>

INTRODUCTION

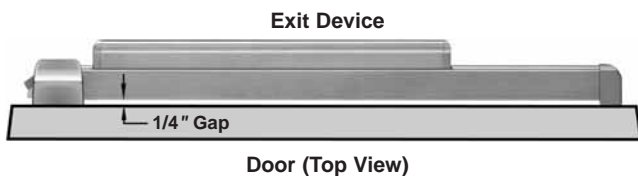


Originally located in southeastern Michigan, Precision Hardware has been manufacturing panic and fire exit hardware for over a half century. Acquired by the Stanley Works in 2005, Precision Hardware relocated to Indianapolis, Indiana in 2006. Now as a part of the Stanley Security Solutions family, Precision will be enabled to expand its product offering and provide better turn around times and service for its valued customers.

Today Precision Hardware offers a complete line of exit devices for a variety of security solutions. The Apex and Olympian Series Exit Devices are manufactured with investment cast steel for strength and security. All working mechanisms are encased in a heavy duty solid brass, bronze, aluminum or stainless steel housing incorporating true ANSI/BHMA architectural finishes. Precision offers touchbar and crossbar type devices for hollow metal, wood, aluminum stile and rail doors. A variety of electronic and security features are also available. With the addition of Precision Hardware, Stanley Security Solutions, Inc. can now offer a complete comprehensive architectural product offering from a single source location.

**Touchbar Clearance**

The Apex Wide Stile and Reliant Series Exit Devices accommodate doors with vision lites or glass windows where the vision lites frames or moldings project up to 1/4" beyond the face of the door. The Active Case and End Cap Mounting Bracket are mounted on the face of the door without shims or without cutting the glass molding. These devices have a 1/4" gap between the face of the door and the Touchbar Assembly. This gap allows proper functioning of the devices even on doors which are not perfectly flat. Since the Active Case is mounted directly on the face of the door, it accommodates standard lengths of through bolting screws, thumbpieces, knob & lever yoke fingers, and cylinder tail pieces.



**Finishes**

BHMA	US	Description
600	USP	Primed for Paint
605	US3	Polished Brass, Clear Coated
606	US4	Satin Brass, Clear Coated
612	US10	Satin Bronze, Clear Coated
613	US10B	Dark Oxidized Satin Bronze
625	US26	Polished Chromium Plated
628	US28	Satin Aluminum, Clear Anodized
630	US32D	Satin Stainless Steel
689		Aluminum, Powder Coated
695		Dark Bronze, Powder Coated



# APEX – NARROW STILE TOUCHBAR DEVICES & TRIMS



The narrow streamline case cover design compliments the wide stile Apex Series Exit Devices. A clean and compact profile integrates with 1-3/4" narrow stile and rail door applications. The narrow design encases rugged components which are assembled in a heavy duty investment cast chassis for durable operation. The active case through bolts to the trim for proper alignment. Trims are designed to match wide stile Apex Series lever styles.

**Finishes** - 605, 606, 612, 613, 625, 628, 630.  
For Finish description see page 2.

**UL Listed** - Panic and Fire Exit Hardware. Conforms to UL10C and UBC 7-2.

**ANSI/BHMA** - Devices are BHMA certified for ANSI 156.3, Grade 1 Standard.

**Less Bottom Rod** - (LBR) is available for Concealed Vertical Rod Exit Devices.

**Options:**

**Cylinder Dogging** - (CD) provides the ability to lock down the touch bar with a key cylinder so the door can be used in the push/pull mode.

**Touchbar Monitoring** - (TS) is available for all Narrow Stile Apex Series Devices. The Touchbar Monitoring Switch is an internally mounted switch that is used to signal electromagnetic locks, horns, monitoring stations or other electronic components.

**Weatherized Touchbar Monitoring** - (WTS) similar to the standard Touchbar Monitoring but designed for use on a variety of exit device applications where contact with the elements may occur.

**Device Series**

<b>Rim</b>	<b>2400 Series - Non Handed</b> <b>FL2400 Fire Exit Series - Non Handed</b>
<b>Concealed Vertical Rod</b>	<b>2600 Series - Non Handed</b> <b>FL2600 Fire Exit Series - Non Handed</b>

**Exit Alarm** - (ALK: Battery Operated, ALW: Remote Power) provides a simple way to audibly monitor the use of an exit device. The unit contains a Piezo Alarm which is activated when the touchbar is depressed. Alarm sounds at 80db at 10 feet. It is also equipped with an LED indicator. The LED flashes GREEN for 20 seconds when the unit is arming and flashes RED every 20 seconds when the alarm is armed.

**Weatherized Exit Alarm** - (WALW) similar to the standard Exit Alarm but designed for use on a variety of applications where contact with elements may occur.

**Electric Latch Retraction** - (ELR) device provides remote Latch Retraction for controlling entry. Continuous duty solenoids retract Latchbolts for momentary unlatching or continuously for dogging. The ELR device can be interfaced with automatic door operators, card readers, push buttons, toggle/key switches, and/or fire alarm systems.

**Delayed Egress** - (DE) device provides a controlled egress for openings which require Panic or Fire Exit Hardware for safe egress. It is a self contained exit device which when armed will deny exit to unauthorized personnel for 15 or 30 seconds while simultaneously sounding a local and remote audible alarm. The Remote Monitoring feature will alert the security personnel that an attempt is being made to exit the opening. After the 15 or 30 second Time Delay period the device will function as a standard exit device for safe egress. Available for all narrow stile Apex Series Exit Devices. The Delayed Egress Devices are manufactured and tested to exceed ANSI 156.3 and 156.24 Standards. Devices are UL Listed for category FWAX - Special Locking Arrangements and meet all requirements of NFPA 101.



1. Trims are BHMA certified for ANSI 156.3, Grade 1 Standard.
2. Trims are through bolted.
3. Cylinder - not furnished standard - Rim Type for "03" function. Mortise Type for "08" function. Use 1-1/4 long standard mortise cylinder. Specify when required.
4. Specify Lever Design (A,B,C,D) and Handing ("A" Lever RHRB furnished standard).
5. All escutcheons and levers are castings or forgings. All levers return to the face of the door with a 1/2" or less gap, except for the "B" Lever.

**Trims / ANSI Function**

Devices Series	01	02	03	08	14
	Exit Only (cover plate)	Dummy Trim	Key Retracts Latchbolt	Key Locks/Unlocks Lever	No Cylinder Lever Always Active
Rim 2400, FL2400 CVR 2600, FL2600	2901	2902A	2903a	2908A	2914A

• When specifying Exit Device replace the last two digits of device series with the proper function number(e.g. 2408 for a Rim Device with "08" function).

## APEX – WIDE STILE TOUCHBAR DEVICES



Contemporary touchbar made for today's demanding architectural requirements. Finely machined parts insure the smooth and easy operation of the touchbar. The clean, streamline design of the touchbar and case cover are formed around heavy duty rugged components necessary to withstand heavy traffic and abuse. Apex Devices meet the most stringent needs of the owner and architect.

**Finishes** - 605, 606, 612, 613, 625, 628, 630.

For Finish description see page 2.

**UL Listed** - Panic and Fire Exit Hardware. Conforms to UL10C and UBC 7-2.

**ANSI/BHMA** - Devices are BHMA certified for ANSI 156.3, Grade 1 Standard.

**Less Bottom Rod** - (LBR) is available for Vertical Rod Exit Devices, Surface or Concealed.

### Options:

**Cylinder Dogging** - (CD) provides the ability to lock down the touch bar with a key cylinder so the door can be used in the push/pull mode.

**Exit Alarm** - (ALK: Battery Operated, ALW: Remote Power) provides a simple way to audibly monitor the use of an exit device. The unit contains a Piezo Alarm which is activated when the touchbar is depressed. Alarm sounds at 80db at 10 feet. It is also equipped with an LED indicator. The LED flashes GREEN for 20 seconds when the unit is arming and flashes RED every 20 seconds when the alarm is armed.

**Weatherized Exit Alarm** - (WALW) identical operation to the standard Exit Alarm but Weatherized design for use on a variety of applications where contact with elements may occur.

**Electric Latch Retraction** - (ELR) device provides remote Latch Retraction for controlling entry. Continuous duty solenoids retract Latchbolts for momentary unlatching or continuously for dogging. The ELR device can be interfaced with automatic door operators, card readers, push buttons, toggle/key switches, and/or fire alarm systems.

**Electric Device** - (E), Rim or Mortise, controls entry by remote locking or unlocking of the outside trim. In addition to a 24 VDC solenoid, the device is also equipped with a SPDT - single pole double throw switch. The switch monitors the outside trim (locked or unlocked).

### Device Series

<b>Rim</b>	<b>2100 Series - Reversible</b> <b>FL2100 Fire Exit Series - Reversible</b>
<b>Surface Vertical Rod</b>	<b>2200 Series - Reversible</b> <b>FL2200 Fire Exit Series - Reversible</b>
<b>Mortise</b>	<b>2300 Series - Handed</b> <b>FL2300 Fire Exit Series - Handed</b>
<b>Wood Door Concealed Vertical Rod</b>	<b>2700 Series - Reversible</b> <b>FL2700 Fire Exit Series - Reversible</b>
<b>Metal Door Concealed Vertical Rod</b>	<b>2800 Series - Reversible</b> <b>FL2800 Fire Exit Series - Reversible</b>

**Delayed Egress** - (DE) device provides a controlled egress for openings which require Panic or Fire Exit Hardware for safe egress. It is a self contained exit device which when armed will deny exit to unauthorized personnel for 15 or 30 seconds while simultaneously sounding a local and remote audible alarm. The Remote Monitoring feature will alert the security personnel that an attempt is being made to exit the opening. After the 15 or 30 second Time Delay period the device will function as a standard exit device for safe egress. Available for all wide stile Apex Series Exit Devices except Surface Vertical Rod Device. The Delayed Egress Devices are manufactured and tested to exceed ANSI 156.3 and 156.24 Standard. Devices are UL Listed for category FWAX Special Locking Arrangements and meet all requirements of NFPA 101.

**Latchbolt Monitoring** - (LS) is available for Rim, Mortise and Vertical Rod Devices. The Latchbolt Monitoring Switch is an internally mounted switch that monitors the position of the latchbolt. The switch can be used to signal a monitoring station or an alarm such as a Precision ALK/ALW Exit Alarm. For the security of the opening a Door Position Switch is recommended.

**Touchbar Monitoring** - (TS) is available for all Wide Stile Apex Series Exit Devices. The Touchbar Monitoring Switch is an internally mounted switch that is used to signal electromagnetic locks, horns, monitoring stations or other electronic components.

**Weatherized Touchbar Monitoring** - (WTS) similar to the standard Touchbar Monitoring but designed for use on a variety of exit device applications where contact with the elements may occur.

**Double Cylinder** - (10 Function) is available for the Rim and Mortise Exit Devices. The inside key cylinder locks or unlocks the outside trim and the outside key cylinder retracts the latch bolt.

**Inside Cylinder Lock/Unlock** - (10 Function less outside cylinder) is available for the Rim and Mortise Exit Devices. The Inside Key cylinder locks or unlocks the outside Trim. The outside Trim has no cylinder.



**APEX – WIDE STILE TRIMS**

**1700A**  
“A” Grip



**1700B**  
“B” Grip



**1700C**  
“C” Grip



**2000C**  
“C” Grip



**C03**  
Cast Plate  
“Pull by others”



The CVR 2803 with “Pull by Others” must be specified with No. C03 Cylinder Attachment Trim to secure the Rim Cylinder. Specify finish.

1. All Trims are furnished with wrought plates, extruded or cast solid grips.
2. Specify Grip Design (A,B,C) (“A” Grip furnished standard for 1700 Series Trim, “C” Grip furnished standard for 2000 Series Trim)

**Retrofit Applications**

The 1700 Series Trim is designed to retrofit into other manufacturers’ installations when used with the wide stile Apex Series Devices. Consult factory for details.

**4900A**  
“A” Lever



**4900B**  
“B” Lever



**4900C**  
“C” Lever



**4900D**  
“D” Lever



**4900K**  
“K” Knob



**V4908A**  
Vandal Resistant Trim

A heavy duty lever trim designed to with stand abuse and vandalism. Composed of extra strength shock-absorbing “overload” springs and heavy duty investment cast stainless steel internal components. Lever returns to the “home” position eliminating the need to reset the lever.

**Retrofit Applications**

The 4900 Series Trim is designed to retrofit into other manufacturers’ installations when used with the wide stile Apex Series Devices. Consult factory for details.

1. All escutcheons and levers are castings or forgings. All levers return to the face of the door with a 1/2” or less gap, except for the “B” Lever.
2. Specify Lever or Knob Design (A,B,C,D,K) and Handing (“A” Lever RHRB furnished standard.)

**Trims / ANSI Function**

Device Series		01	02	03	05	08	10	14	15
		Exit Only (cover plate)	Dummy Trim	Key Retracts Latchbolt	Key Locks/Unlocks Thumbpiece	Key Locks/Unlocks Lever/Knob	Double Cylinder Inside Key Locks/Unlocks Lever/Knob	No Cylinder Lever/Knob Always Active	No Cylinder Thumbpiece Always Active
Rim	2100, FL2100	1701	1702A	1703A	1705A	4908A	4908A	4914A	1715A
SVR	2200, FL2200	2001	2002C	2003C	2005C	V4908A	V4908A		2015C
WDC	2700, FL2700	4901	4902A	4903A					
Mortise	2300, FL2300	1701	1702A	1703A	M1705A	M4908A	4908A	4914A	1715A
		2001	2002C	2003C	M2005C	VM4908A	VM4908A		M2015C
		4901	4902A	M4903A					
CVR	2800, FL2800	1701	C1702A	C03	C1705A	4908A		4914A	C1715A
		4901	4902A	C1703AA 4903A		V4908A			

- When specifying Exit Device replace the last two digits of device series with the proper function number (e.g. 2108 for a Rim Device with “08” Function).
- Trims are BHMA certified for ANSI 156.3, Grade 1 Standard.
- Trims are through bolted and will cover 161 and 86 cutouts (except for 2000C Trim).
- Cylinder, not furnished standard. Specify when required.

**RELIANT – ECONOMY TOUCHBAR DEVICES & TRIMS**



The 5000 Series Exit Devices are the choice when an economical and reliable exit device is required. The touchbar and latch mechanism are constructed of solid steel components to achieve consistent and dependable performance for use in various applications. The devices are available as Rim, Surface Vertical Rod and Surface Vertical “Less Bottom Rod”. Available with a variety of trim options which allow access from the secure side of an opening. The devices are offered in durable powder coated finishes.

**Finishes** - 689 Powder Coated Aluminum  
 - 695 Powder Coated Dark Bronze.

**UL Listed** - Panic and Fire Exit Hardware. Conforms to UL10C and UBC 7-2.

**ANSI/BHMA** - Devices are BHMA certified for ANSI 156.3, Grade 1 Standard.

**Less Bottom Rod** - (LBR) is available for Surface Vertical Rod Exit Devices.

**Device Series**

**Rim** 5100 Series - Non Handed  
 FL5100 Fire Exit Series - Non Handed

**Surface Vertical Rod** 5200 Series - Reversible  
 FL5200 Fire Exit Series - Reversible

**Options:**

**Cylinder Dogging** - (CD) provides the ability to lock down the touchbar with a key cylinder so the door can be used in the push/pull mode.

**Exit Alarm** - (ALK: Battery Operated, ALW: Remote Power) provides a simple way to audibly monitor the use of an exit device. The unit contains a Piezo Alarm which is activated when the touchbar is depressed. Alarm sounds at 80db at 10 feet. It is also equipped with an LED indicator. The LED flashes GREEN for 20 seconds when the unit is arming and flashes RED every 20 seconds when the alarm is armed.

**Weatherized Exit Alarm** - (WALW) similar to the standard Exit Alarm but designed for use on a variety of applications where contact with elements may occur.

**501**  
Wrought Plate



**602**  
Wrought Plate



**603**  
Wrought Plate



**702A**  
Wrought Plate Extruded Grip



**703A**  
Wrought Plate Extruded Grip



**802A**  
Cast Escutcheon and Lever



**814A**  
Cast Escutcheon and Lever



1. Trims are BHMA certified for ANSI 156.3, Grade 1 Standard.
2. Trims are through bolted and will cover 161 cutouts.
3. Cylinder, not furnished standard. Specify when required.

**Trims / ANSI Function**

Device Series	01 Exit Only (cover plate)	02 Dummy Trim	03 Key Retracts Latchbolt	08 Key Locks/Unlocks Lever/Knob	14 No Cylinder Lever/Knob Always Active
Rim	5100, FL5100	501	602A	603A	808A
SVR	5200, FL5200				814A

- When specifying Exit Device replace the last two digits of device series with the proper function number (e.g. 2108 for a Rim Device with “08” Function).

# OLYMPIAN – CROSSBAR DEVICES & TRIMS



The Olympian series demonstrates proven durability in a traditional crossbar style device. Cold drawn active case covers conceal rugged components machined to fine tolerances. Consistent reliability and security are assured. Simple installation, minimal maintenance and classic lines are the hallmarks of these traditional devices.

**Finishes** - 605, 606, 612, 613, 625, 628, 630. For Finish description see page 2.

## Device Series

<b>Rim</b>	<b>100</b>	<b>Series - Handed</b>
	<b>R100</b>	<b>Series - Reversible</b>
	<b>FL100</b>	<b>Fire Exit Series - Handed</b>
	<b>FLR100</b>	<b>Fire Exit Series - Reversible</b>
<b>Surface Vertical Rod</b>	<b>200</b>	<b>Series - Non Handed</b>
	<b>FL200</b>	<b>Fire Exit Series - Non Handed</b>
<b>Mortise</b>	<b>300</b>	<b>Series - Handed</b>
	<b>FL300</b>	<b>Fire Exit Series - Handed</b>

**UL Listed** - Panic and Fire Exit Hardware. Conforms to UL10C and UBC 7-2.

**ANSI/BHMA** - Devices are BHMA certified for ANSI 156.3, Grade 1 Standard.

**Less Bottom Rod** - (LBR) is available for Surface Vertical Rod Exit Devices.



### V4908A Vandal Resistant Trim

The V4908A is a heavy duty lever trim designed to withstand abuse and vandalism. It is composed of extra strength shock-absorbing “overload” springs and heavy duty investment cast stainless steel internal components. The lever returns to the “home” position eliminating the need to reset the trim.

1. All Trims are furnished with wrought plates, extruded or cast solid grips.
2. Specify Grip Design (A,B,C) (“A” Grip furnished standard for 1700 Series Trim, “C” Grip furnished standard for 2000 Series Trim)

1. All escutcheons and levers are castings or forgings. All levers return to the face of the door with a 1/2” or less gap, except for the “B” Lever.
2. Specify Lever or Knob Design (A,B,C,D,K) and Handing (“A” Lever RHRB furnished standard).

### Trims / ANSI Function

Device Series	01 Exit Only (cover plate)		02 Dummy Trim		03 Key Retracts Latchbolt		05 Key Locks/Unlocks Thumbpiece		08 Key Locks/Unlocks Lever/Knob		14 No Cylinder Lever/Knob Always Active		15 No Cylinder Thumbpiece Always Active	
	Rim	100, FL100	1701	1702A	1703A	Y1705A	Y4908A	Y4914A	Y1715A					
	R100, FLR100	2001	2002C	2003C	Y2005C	VY4908A		Y2015C						
SVR	200, FL200	4901	4902A	4903A										
Mortise	300, FL300	1701	1702A	1703A	M1705A	M4908A	4914A	1715A						
		2001	2002C	2003C	M2005C	VM4908A		M2015C						
		4901	4902A	M4903A										

- When specifying Exit Device replace the last two digits of device series with the proper function number (e.g. 2108 for a Rim Device with “08” Function).
- Trims are BHMA certified for ANSI 156.3, Grade 1 Standard.
- Trims are through bolted and will cover 161 and 86 cutouts (except for 2000C Trim).
- Cylinder, not furnished standard. Specify when required.
- Trim No.s with prefix “Y” are for Olympian Rim and Surface Vertical Rod Devices only.



## ARM-A-DOR® RIM EXIT DEVICES

### Features

#### Three Products in One

- Locking Bar Security
- Panic Exit Device with UL listing U.S. and Canada
- Loss Prevention Alarm (when alarm equipped)



#### Drop Bar Security

- Provides resistance to forced entry attacks per UL1034 standard
- Locking members extend 1 1/2" over frame on each side

#### Code Conformance

- UL1034 Forced Entry
- UL 305 Panic Device Rating
- UL 10B, Fire Exit Hardware, 3 hrs. at 2000° F
- Dade County (Florida) Product Control Approved (Hurricane)
- NFPA 101 Life Safety Code
- UBC/BOCA
- ANSI 156.3
- City of New York, Dept. of Buildings, MEA 292-96-E

#### Works with ANY Security System

- Alarm operated by standard or interchangeable core mortise cylinder
- Optional remote switch operates timed delay egress systems, cameras or other alarms

#### Alarmed Models

- Battery operated – approx. 1-yr. life; two 9-Volt batteries included
- Low battery audible warning signal
- Loud alarm, 1 horn; 95 db @ 10 ft.
- Tamper Alarm
- Nuisance Alarm
- Re-arm reminder feature
- Optional AC adapter or hardwire kits
- Optional delay arming feature

#### Flexible Installation

- Quick Install models with pre-assembled 36" and 48" units
- Easy to follow six-step installation instructions
- Retrofit or new construction work
- Non-handed
- Fits doors 36" to 48" wide
- Double-door applications work on fixed or removable center mullions or without mullion
- No special door preparation
- Works on any door or frame
- Shipped with required hardware for standard single door applications

#### Relocking Choices

- Automatic or manual models

#### Mechanical Efficiency and Durability

- Roller design deadbolt means reduced friction and wear
- Touch-bar operates with straight push-through motion
- Weather and water resistant

## COMPLETE PRODUCT ASSEMBLIES

Product Number	Description	*Alarm	Fits Door Widths	Fits Jambes Up To	Finish
A101-001	Automatic Re-Lock	No	3' to 4'	6 3/4"	US28/628
A101-002	Automatic Re-Lock	Yes	3' to 4'	6 3/4"	US28/628
A101-F01	Automatic-Fire Rated	No	3' to 4'	6 3/4"	US28/628
A101-F02	Automatic-Fire Rated	Yes	3' to 4'	6 3/4"	US28/628
A101-012	36" Automatic Re-Lock	No	3' ONLY	5 3/4" ONLY	US28/628
A101-013	36" Automatic Re-Lock	Yes	3' ONLY	5 3/4" ONLY	US28/628
A101-014	48" Automatic Re-Lock	No	4' ONLY	5 3/4" ONLY	US28/628
A101-015	48" Automatic Re-Lock	Yes	4' ONLY	5 3/4" ONLY	US28/628
A102-001	Manual Re-Lock	No	3' to 4'	6 3/4"	US28/628
A102-002	Manual Re-Lock	Yes	3' to 4'	6 3/4"	US28/628

#### Optional Kits

A103-003	Alarm Sub-Assembly
A103-002	RX Switch (For wiring to existing systems – one individual kit)
A104-001	Low Profile Installation Kit (For door jambes greater than 6 3/4" up to 12 3/4")
A106-001	Standard Double Door Kit (For door jambes up to 6 3/4")
A106-002	Low Profile Double Door Kit (For door jambes greater than 6 3/4")
A107-001	A/C Adapter Kit (For plug in with battery backup)
A107-002	A/C Adapter Hardwire Kit (For wiring to electrical system with battery backup)

#### Deadbolts

1881-003	Sliding Deadbolt with Padlock Locking Hasp & Strike
1883-003	Sliding Deadbolt Keylocking with Strike

\* Alarm Models A101-002, A101-013, A101-015, A102-002 and A101-F02 require two 9-volt batteries (included) and a standard 1-1/8" mortise cylinder with straight cam (not included).

Stanley Security Solutions, Inc.

6161 E. 75th Street Indianapolis, Indiana 46250

www.stanleysecuritysolutions.com

© 2007 Stanley Security Solutions, Inc. and Stanley Logistics

10M 1107

PHI011

**STANLEY**<sup>®</sup>  
Security Solutions



# EXIT DEVICES

APEX 2000 SERIES

**STANLEY**

**phi**<sup>™</sup>

PRECISION HARDWARE

TABLE OF CONTENTS			
<b>WIDE STILE EXIT DEVICES &amp; TRIMS</b>	<b>Page</b>	<b>ACCESSORIES</b>	<b>Page</b>
Rim Devices .....	4, 5	<b>ALK</b> Exit Alarm Kit .....	27
Surface Vertical Rod Devices .....	6, 7	<b>CDK</b> Cylinder Dogging Kit .....	19
Mortise Devices .....	8, 9	<b>E</b> Electric Lock/Unlock Kit.....	28
Wood Door Concealed Vertical Rod Devices.....	14, 15	<b>ELR</b> Conversion Kit .....	21
Concealed Vertical Rod Devices .....	16, 17	<b>ELR150</b> Power Supply and Modules.....	21,22
<b>NARROW STILE EXIT DEVICES &amp; TRIMS</b>		<b>LSK</b> Latchbolt Monitoring Conversion Kit.....	29
Rim Devices .....	10, 11	<b>PS160-6</b> Power Supply.....	25
Concealed Vertical Rod Devices .....	12, 13	<b>TSK</b> Touchbar Monitoring Conversion Kit.....	29
<b>MULLIONS</b>		Cylinders .....	19
Removable Mullion .....	18	Double Cylinders Conversion Kit .....	19
Fire Labeled Removable Mullion .....	18	Sex Nuts & Bolts.....	3
Key Removable Mullion .....	18	Strikes .....	34
<b>EXIT DEVICE OPTIONS</b>		<b>MISCELLANEOUS COMPONENTS</b>	
<b>ALK</b> Exit Alarm (Battery Operated) .....	27	Braille Touchbar .....	35
<b>ALW</b> Exit Alarm (Remote Power) .....	27	Dummy Touchbar .....	35
<b>BRL</b> Braille Touchbar .....	35	End Cap & Mounting Bracket .....	35
<b>CD</b> Cylinder Dogging .....	19	Dogging Key & Rod Guide .....	35
<b>DE</b> Delayed Egress .....	24, 25	Fire Bolt Assembly .....	35
<b>DS</b> Door Position Switch.....	29	Power Transfers .....	35
<b>E</b> Electric Rim & Mortise Devices .....	28	Security Screws .....	35
<b>ELR</b> Electric Latch Retraction .....	21, 22, 23	Shim Kit.....	35
<b>HC</b> Windstorm and Hurricane Code Devices .....	20	Top Rod & Bottom Rod lengths .....	35
<b>LD</b> Less Dogging .....	19	<b>ADDITION INFORMATION</b>	
<b>LS</b> Latchbolt Monitoring .....	29	Introduction .....	2
<b>LDS</b> Latchbolt Monitoring Double Switch .....	29	Base Material and Finishes .....	3
<b>Q</b> Wireless Access Management System .....	30-32	DE Application Charts .....	26
<b>TS</b> Touchbar Monitoring .....	29	Device Dimensions .....	37
<b>TDS</b> Touchbar Monitoring Double Switch.....	29	Device Minimum Stile Width.....	36, 37
<b>WALW</b> Weatherized Exit Alarm (Remote Power).....	27	ELR application Charts .....	23
<b>WTS</b> Weatherized Touchbar Monitoring .....	29	Fasteners .....	3
<b>WTDS</b> Weatherized Touchbar Mon. Double Switch .....	29	Fire Label Rating Chart.....	33
Double Cylinder .....	9	Quiet Operation.....	2
Electric Mortise Lock.....	28	Touchbar Clearance .....	2
		Trim Dimensions .....	38

## Introduction

The Apex 2000 Series Touchbar Style Exit Device is highly regarded by architects and end-users alike. Many of the nation's largest healthcare and educational facilities prefer the Apex for its aesthetic design and efficient engineering. All Apex 2000 Series Exit Devices are UL listed for panic and fire hardware and are certified to ANSI A156.3 Grade 1. Several models are also certified for hurricane resistant applications.

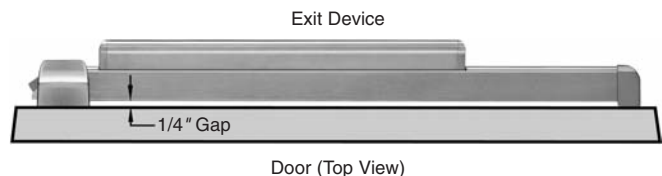
A complete offering of mechanical and electrical options provide a wide range of exit device security solutions. However, the traditional core strengths of the product can't be overstated. Simple operation with few moving parts, manufactured with true ANSI/BHMA architectural finishes. The chassis is constructed from investment cast steel and the universal mounting holes provide an easier retrofit installation.

## Quiet Operation

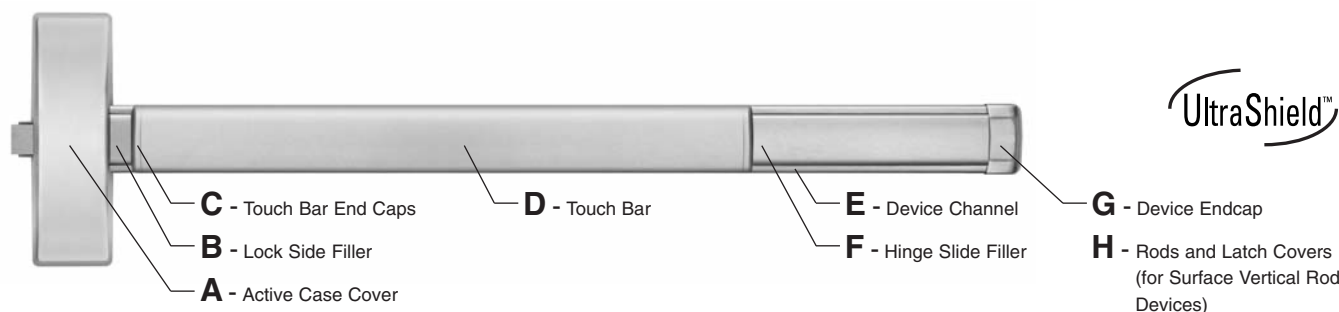
Sound Dampeners reduce the noise associated with Exit Device operation on the depression and return stroke of the Touchpad.

## Touchbar Clearance

The Apex Wide Stile Series Exit Devices accommodate doors with vision lites or glass windows where the vision lite frames or moldings project up to 1/4" beyond the face of the door. The Active Case and End Cap Mounting Bracket are mounted on the face of the door without shims or without cutting the glass molding. These devices have a 1/4" gap between the face of the door and the Touchbar Assembly. This gap allows proper functioning of the devices even on doors which are not perfectly flat. Since the Active Case is mounted directly on the face of the door, it accommodates standard lengths of through bolting screws, thumbpieces, knob & lever Trim fingers, and cylinder tail pieces.







**Base Materials**

Finishes	ANSI/BHMA	US	Aluminum	Brass	Bronze	Stainless Steel
Polished Brass, Clear Coated	605	US3	—	A,B,C,D,E,F,G,H	—	—
Satin Brass, Clear Coated	606	US4	—	A,B,C,D,E,F,G,H	—	—
Satin Bronze, Clear Coated	612	US10	—	—	A,B,C,D,E,F,G,H	—
Dark Oxidized Satin Bronze	613	US10B	—	—	A,B,C,D,E,F,G,H	—
Satin Aluminum, Clear Anodized	628	US28	A,E,F	—	—	B,C,D,G,H
Satin Stainless Steel	630	US32D	—	—	—	A,B,C,D,E,F,G,H

**Finishes**

ANSI/BHMA	US	Description
605	US3	Polished Brass, Clear Coated
606	US4	Satin Brass, Clear Coated
612	US10	Satin Bronze, Clear Coated
613	US10B	Dark Oxidized Satin Bronze
625	US26	Polished Chromium Plated
628	US28	Satin Aluminum, Clear Anodized
630	US32D	Satin Stainless Steel

**Antimicrobial finishes**

626AM	Satin Chrome Plated with UltraShield™ Antimicrobial coating
630AM	Satin Stainless Steel with UltraShield™ Antimicrobial coating

**Mullion finishes**

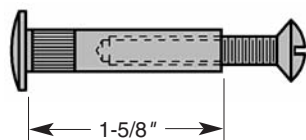
600	USP	Primed for Paint
689		Aluminum Paint
695		Dark Bronze Paint

**Fasteners**

Furnished standard with machine screws and full thread wood/sheet metal screws. Specify Sex Nuts and Bolts (SNB) where recommended or required by the door manufacturer.

**Sex Nuts & Bolts** (not furnished std.)

Sex Nuts & Bolts are furnished with No. 10-24 x 1" OHMS (1-1/2" long screws required for guides).



**Security Screws**

All exposed screws will be a Torx pin in tamper resistant type, machine screws only. Specify (SEC) Security Screws. Cover Screws use a T20 driver, End Cap Screws use a T25 driver.



**Door Sizes**

Stock sizes for door widths and heights are listed below. If required, cut to size in the field.

Door Widths	Stock Sizes
2'-0" to 2'-6"	2'-6"*
2'-7" to 3'-0"	3'-0"
3'-1" to 4'-0"	4'-0"

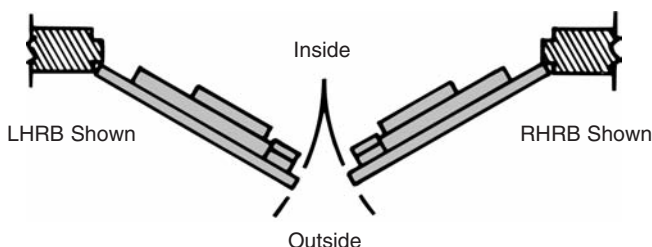
\* Not available for Narrow Stile Devices.

**Vertical Rod Devices**

Device	Door Heights	Stock Sizes
Surface Vertical	up to 7'-0"	7'-0"
Rod Device*	7'-1" to 8'-0"	8'-0"
	8'-1" to 10'-0"	10'-0"
Concealed Vertical	6'-8" to 8'-0"	8'-0"
Rod Device	8'-1" to 10'-0"	10'-0"

\* Surface Vertical Rods are furnished of the same material as the device. Stainless steel rods are furnished for 625, 628 and 630 devices.

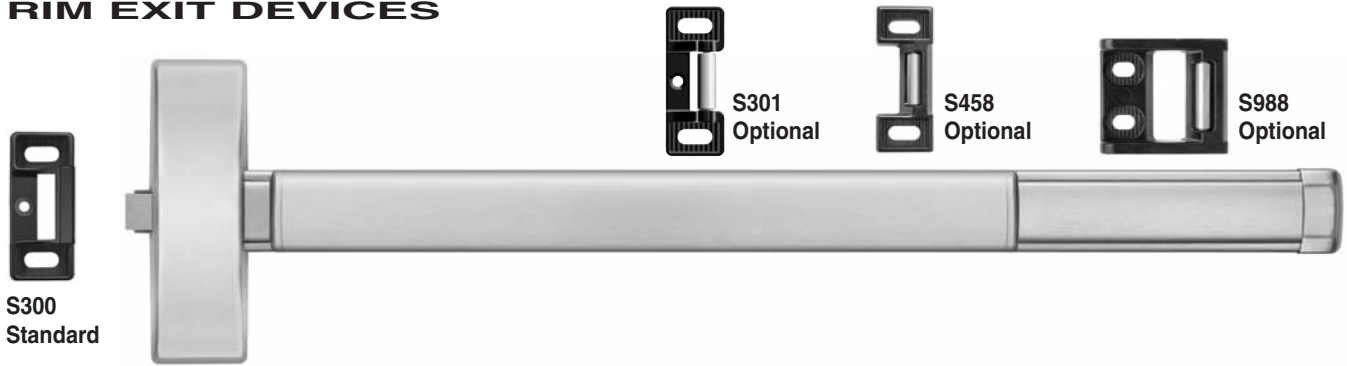
**Hand of Doors**



STANLEY

phi

**RIM EXIT DEVICES**



**Apex 2100 Series - Reversible**  
**Apex FL2100 Fire Exit Series - Reversible**

**DOORS** - For all types of single and double doors with a mullion. For mullions, see page 18. Available for 1-3/4" to 2-1/4" thick, up to 4'-0" wide opening. For thicker doors, consult factory. Furnished standard for 1-3/4" thick, 3'-0" wide opening.

**DEVICE** - Covers ANSI A115.2 (Type 161), A115.18 cylinder lock and A115.1 (Type 86) Mortise Lock preparation.

**FUNCTIONS** - Functions are field selectable except for the Double Cylinder option. The device is furnished for a desired function if specified. If not specified the "03" function is furnished standard.

**DOUBLE CYLINDER** - Handed, "10" Function available. Requires two rim type cylinders, not furnished standard. See page 5 and 19.

**BASE MATERIAL** - The Cover, Touchbar, Device Channel, Lock/Hinge Side Filler and End Cap are furnished of heavy wrought Brass, Bronze or Stainless Steel. 628 Devices are furnished with Aluminum, Brass, Bronze and Stainless Steel components. See "Finish & Base Material" chart page 3.

**CHASSIS** - Investment Cast Steel, Zinc Dichromated.

**LATCHBOLT** - Stainless Steel, Deadlocking, 3/4" throw.

**STRIKES** - No. S300, Investment Cast Stainless Steel, Black Powder Coated furnished standard. No. S988, optional strike for use on Aluminum Door applications, please specify when ordering. No. S458, optional strike for use on Mullion applications, please specify when ordering. For optional strike information see page 34.

**DOGGING** - 1/4" turn hex key dogging standard. NOT available on Fire Exit Hardware.

**TOUCHBAR HEIGHT** - 39-15/16" from floor standard. May be varied as situation dictates.

**REVERSIBLE** - Reversible for all functions and Trims. Standard packaging RHRB.

**UL LISTED** - Panic and Fire Exit Hardware. For FIRE EXIT HARDWARE Ratings see page 33. Conforms to UL10C and UBC 7-2.

**ANSI/BHMA** - Devices are BHMA certified for ANSI 156.3, Grade 1.

**FINISHES** - 605, 606, 612, 613, 625, 628, 630. For Finish description see page 3.

**CYLINDERS** - Rim Type, not furnished standard. Specify when required. For cylinder details see page 19.

**STILE WIDTH** - See Stile Information on page 36.

**RETROFIT APPLICATIONS** - The 2100 and FL2100 Series Devices are designed to retrofit into other manufacturers' mounting hole locations. 1700 Series Pull Trim and 4900 Series Lever Trim may also be factory set for these applications by specifying prefix "R" (e.g. 2108 R4908A). Consult factory for details.

**Apex 21 Series - Nonhanded**

The 21 Series Device is designed to be compatible with many manufacturers' Access Control exterior trim. The device incorporates a center driven cam to receive the tailpiece of the access control product. The tailpiece rotation required to retract the latch is a minimum of 50 degrees.

**Consult factory for details.**

**DEVICE OPTIONS**

Prefix	Description	Page
DE	Delayed Egress .....	24
E	Electric Device .....	28
ELR	Electric Latch Retraction .....	21
FL	Fire Exit Hardware .....	4
HC	Windstorm and Hurricane Code Device .....	20
LDS	Latchbolt Monitoring Double Switch .....	29
LS	Latchbolt Monitoring Switch .....	29
Q	Wireless Access Management System.....	30-32
TDS	Touchbar Monitoring Double Switch.....	29
TS	Touchbar Monitoring Switch .....	29
WTDS	Weatherized Touchbar Mon. Dbl. Switch .....	29
WTS	Weatherized Touchbar Monitoring Switch .....	29

To specify add Prefix to Device No. (e.g. TS2103)

Suffix	Description	Page
ALK	Exit Alarm: battery operated.....	27
ALW	Exit Alarm: remote power.....	27
BRL	Braille Touchbar .....	35
CD	Cylinder Dogging .....	19
DS	Door Position Monitoring Switch .....	29
LD	Less Dogging .....	19
SEC	Security Screws .....	3
SNB	Sex Nut and Bolt .....	3
WALW	Weatherized Exit Alarm: remote power .....	27

To specify add Suffix to Device No. (e.g. 2103CD)

**1700A**

“A” Grip



**1700B**

“B” Grip



**1700C**

“C” Grip



**2000C**

“C” Grip



1. All Trims are furnished with wrought plates and extruded or cast solid grips.
2. Specify Grip Design (A,B,C) (“A” Grip furnished standard for 1700 Series Trim, “C” Grip furnished standard for 2000 Series Trim)
3. 630 Trim is furnished for 628 Devices.

**Retrofit Applications**

The R1700 Series Trim is designed to retrofit into other manufacturers’ installations when used with the wide stile Apex Series Devices.

**Consult factory for details.**

**4900A**

“A” Lever



**4900B**

“B” Lever



**4900C**

“C” Lever



**4900D**

“D” Lever



**4900K**

“K” Knob



**V4908A**

**Vandal Resistant Trim**

A heavy duty lever trim designed to with stand abuse and vandalism. Composed of extra strength shock-absorbing “overload” springs and heavy duty investment cast stainless steel internal components. Lever returns to the “home” position eliminating the need to reset the lever.

**Retrofit Applications**

The R4900 Series Trim is designed to retrofit into other manufacturers’ installations when used with the wide stile Apex Series

**Devices. Consult factory for details.**

1. All the escutcheons and levers are castings or forgings.
2. Specify Lever or Knob Design (A,B,C,D,K) and Handing (“A” Lever x RHRB furnished standard)
3. 626 Trim furnished for 628 and 630 Devices.
  - For Trim dimensions see page 38.
  - Trims are BHMA certified for ANSI 156.3, Grade 1.
  - Trims are through bolted and will cover 161 and 86 cutouts (except for 2000C Trim).
  - Cylinder, Rim Type, not furnished standard. For cylinder details see page 19.

ANSI Function	01	02	03	05	08	10*	14	15
	Exit Only (cover plate)	Dummy Trim	Key Retracts Latchbolt	Key Locks/Unlocks Thumbpiece	Key Locks/Unlocks Lever/Knob	Double Cylinder Inside Key Locks/Unlocks Lever/Knob	No Cylinder Lever/Knob Always Active	No Cylinder Thumbpiece Always Active
<b>Device Nos.</b>	2101 FL2101	2102	2103** FL2103**	2105 FL2105	2108 FL2108	2110 FL2110	2114 FL2114	2115 FL2115
<b>Trim Nos.</b>	1701 R1701	1702A R1702A	1703A R1703A	1705A R1705A	4908A V4908A	4908A V4908A	4914A R4914A	1715A R1715A
	2101 4901 R4901	2102C 4902A R4902A	2103C 4903A R4903A	2105C	R4908A RV4908A	R4908A RV4908A		2015C

**Device with Trim:**

Device No. \_\_\_\_\_

Add **Prefix** for options, see page 4.

Add **Suffix**: for options, see page 4.

Add **Prefix**: “V” Vandal Resistant Lever Trim  
“R” Retrofit Trim

Add **Suffix**: Lever or Knob Design (A,B,C,D, K)  
Grip Design (A,B,C)

Add **Suffix**: “KNR” Knurled Lever or Grip (*Abrasive Strip*)

**TS2108CD x V4908AKNR x RHRB x 630 x S300 x 3'-0" x 7'-0" x 1-3/4"**

Device w/options

Trim No.

Hand

Finish

Strike

Door Size

**Device Only:** Device no., hand, finish, strike, and door size including thickness:  
(e.g. TS2108CD x RHRB x 630 x S300 x 3'-0" x 7'-0" x 1-3/4")

**Trim Only:** Trim no., hand, finish, strike, and door size including thickness: (e.g. V4908A x RHRB x 626 x 1-3/4")

\* “10” Function is handed

\*\* 2103 & FL2103 x Cylinder Only Application includes Cylinder Attachment Kit “CA-03”





**SURFACE VERTICAL ROD EXIT DEVICES**



**Apex 2200 Series - Reversible**

**Apex FL2200 Fire Exit Series - Reversible**

S300

**DOORS** - For all types of single and double door applications. Available for 1-3/4" to 2-1/4" thick, up to 4'-0" wide by 10'-0" high openings. For thicker doors, consult factory. Furnished standard for 1-3/4" thick, 3'-0" wide by 7'-0" high openings.

**DEVICE** - Covers ANSI A115.2 (Type 161), A115.18 cylinder lock and A115.1 (Type 86) Mortise Lock preparation.

**FUNCTIONS** - Functions are field selectable. The device is furnished for a desired function if specified. If not specified the "03" function is furnished standard.

**BASE MATERIAL** - The Covers, Touchbar, Device Channel, Lock/Hinge Side Filler, Vertical Rods and End Cap are furnished of heavy wrought Brass, Bronze or Stainless Steel. US28 Devices are furnished with Aluminum, Brass, Bronze and Stainless Steel components. See "Finish & Base Material" chart on page 3.

**CHASSIS** - Investment Cast Steel, Zinc Dichromated.

**TOP LATCHBOLT** - Stainless Steel, Deadlocking, 3/4" throw.

**Note:** All vertical rod lengths are based on 39 15/16" exit device horizontal centerline.

**REVERSIBLE** - Reversible for all functions and trims. Standard packing RHRB.

**UL LISTED** - Panic and Fire Exit Hardware. For FIRE EXIT HARDWARE Ratings see page 33. Conforms to UL10C and UBC 7-2.

**ANSI/BHMA** - Devices are BHMA certified ANSI 156.3, Grade 1.

**FINISHES** - 605, 606, 612, 613, 625, 628, 630. For finish description see page 3.

**CYLINDERS** - Rim type, not furnished standard. Specify when required. For cylinder details see page 19.

**STILE WIDTH** - See Stile Information on page 36.

**LESS BOTTOM ROD (LBR) OPTION** - Specify suffix "LBR" (e.g. 2208LBR). See UL FIRE LABEL RATING chart on page 39. Fire Rated Devices include FB277 Fire Bolt Assembly. For Fire Bolt Assembly image see page 35.

**RETROFIT APPLICATIONS** - The 2200 and FL2200 Series Devices are designed to retrofit into other manufacturers' mounting hole locations. 1700 Series Pull Trim and 4900 Series Lever Trim may also be factory set for these applications by specifying prefix "R" (e.g. 2208 R4908A).



**BOTTOM BOLT** - Steel plated, independent action 5/8" throw, with adjustment range to suit 3/4" door undercut.

**TOP STRIKE** - No. S300 Surface applied, Investment Cast Stainless Steel, Black Powder Coated furnished standard. For optional strikes see page 34.

**BOTTOM STRIKE** - No. S460, Flush mounted, Steel, Black Powder Coated.

**DOGGING** - 1/4" turn hex key dogging standard. NOT available on Fire Exit Hardware.

**TOUCHBAR HEIGHT** - 39-15/16" from floor standard. Specify required height if other than standard.

**Apex 22 Series - Reversible**

The 22 Series Device is designed to be compatible with many manufacturers' Access Control exterior trim. The device incorporates a center driven cam to receive the tailpiece of the access control product. The tailpiece rotation required to retract the latch is a minimum of 50 degrees.

**Consult factory for details.**

**DEVICE OPTIONS**

Prefix	Description	Page
DE*	Delayed Egress	24
E	Electric Device	28
ELR	Electric Latch Retraction	21
FL	Fire Exit Hardware	6
HC	Windstorm and Hurricane Code Device	20
LS	Latchbolt Monitoring Switch	29
Q	Wireless Access Management System	30-32
TDS	Touchbar Monitoring Double Switch	29
TS	Touchbar Monitoring Switch	29
WTDS	Weatherized Touchbar Mon. Dbl Switch	29
WTS	Weatherized Touchbar Mon. Switch	29

Suffix	Description	Page
ALK	Exit Alarm: battery operated	27
ALW	Exit Alarm: remote power	27
BRL	Braille Touchbar	35
CD	Cylinder Dogging	19
DS	Door Position Monitoring Switch	29
LBR	Less Bottom Rod	6
LD	Less Dogging	19
SEC	Security Screws	3
SNB	Sex Nut and Bolt	3
TMB	Transom Bracket	35
WALW	Weatherized Exit Alarm: remote power	27

To specify add Prefix to Device No. (e.g. TS2203)

To specify add Prefix to Device No. (e.g. TS2203)

\*Rod protector required - supplied by other manufacturers.

S460



**1700A**

“A” Grip



**1700B**

“B” Grip



**1700C**

“C” Grip



**2000C**

“C” Grip



1. All Trims are furnished with wrought plates and extruded or cast solid grips.
2. Specify Grip Design (A,B,C) (“A” Grip furnished standard for 1700 Series Trim, “C” Grip furnished standard for 2000 Series Trim)
3. 630 Trim is furnished for 628 Devices.

**Retrofit Applications**

The R1700 Series Trim is designed to retrofit into other manufacturers’ installations when used with the wide stile Apex Series Devices.

**Consult factory for details.**

**4900A**

“A” Lever



**4900B**

“B” Lever



**4900C**

“C” Lever



**4900D**

“D” Lever



**4900K**

“K” Knob



**V4908A**

**Vandal Resistant Trim**

A heavy duty lever trim designed to with stand abuse and vandalism. Composed of extra strength shock-absorbing “overload” springs and heavy duty investment cast stainless steel internal components. Lever returns to the “home” position eliminating the need to reset the lever.

**Retrofit Applications**

The R4900 Series Trim is designed to retrofit into other manufacturers’ installations when used with the wide stile Apex Series

**Devices. Consult factory for details.**

1. All the escutcheons and levers are castings or forgings.
2. Specify Lever or Knob Design (A,B,C,D,K) and Handing (“A” Lever x RHRB furnished standard)
3. 626 Trim furnished for 628 and 630 Devices.

- For Trim dimensions see page 38.
- Trims are BHMA certified for ANSI 156.3, Grade 1.
- Trims are through bolted and will cover 161 and 86 cutouts (except for 2000C Trim).
- Cylinder, Rim Type, not furnished standard. For cylinder details see page 19.

ANSI Function	01 Exit Only (cover plate)	02 Dummy Trim	03 Key Retracts Latchbolt	05 Key Locks/Unlocks Thumbpiece	08 Key Locks/Unlocks Lever/Knob	14 No Cylinder Lever/Knob Always Active	15 No Cylinder Thumbpiece Always Active
<b>Device Nos.</b>	2201 FL2201	2202	2203** FL2203**	2205 FL2205	2208 FL2208	2214 FL2214	2215 FL2215
<b>Trim Nos.</b>	1701 R1701 2101 4901 R4901	1702A R1702A 2102C 4902A R4902A	1703A R1703A 2103C 4903A R4903A	1705A R1705A 2105C	4908A V4908A R4908A RV4908A	4914A R4914A	1715A R1715A 2015C

**Device with Trim:**

Device No. \_\_\_\_\_

Add **Prefix** for options, see page 6.

Add **Suffix**: for options, see page 6.

Add **Prefix**: “V” Vandal Resistant Lever Trim  
“R” Retrofit Trim

Add **Suffix**: Lever or Knob Design (A,B,C,D,K)  
Grip Design (A,B,C)

Add **Suffix**: “KNR” Knurled Lever or Grip (*Abrasive Strip*)

**TS2208CD x V4908AKNR x RHRB x 630 x 3'-0" x 7'-0" x 1-3/4"**

Device w/options

Trim No.

Hand

Finish

Door Size

**Device Only:** Device no., hand, finish, strike, and door size including thickness:

(e.g. TS2208CD x RHRB x 630 x 3'-0" x 7'-0" x 1-3/4")

**Trim Only:** Trim no., hand, finish, strike, and door size including thickness: (e.g. V4908A x RHRB x 626 x 1-3/4")

\* 2203 & FL2203 x Cylinder Only Application includes Cylinder Attachment Kit “CA-03”

## MORTISE EXIT DEVICES



**Apex 2300 Series - Handed**  
**Apex FL2300 Fire Exit Series - Handed**

**DOORS** - For all types of single and double door applications. Available for 1-3/4" to 2-1/4" thick, up to 4-0" wide opening. For thicker door, consult factory. Furnished standard for 1-3/4" thick, 3'-0" wide opening.

**DEVICE** - Covers ANSI A115.1 (Type 86) Mortise Lock preparation.

**DOUBLE CYLINDER** - Handed, "10" Function available. Requires one rim type cylinder and one 1-1/4" long mortise type cylinder, not furnished standard. See page 9 and 19.

**BASE MATERIAL** - The Cover, Touchbar, Device Channel, Lock/Hinge Side Filler and End Cap are furnished of heavy wrought Brass, Bronze or Stainless Steel. US28 Devices are furnished with Aluminum, Brass, Bronze and Stainless Steel components. See "Finish & Base Material" chart on page 3.

**CHASSIS** - Investment Cast Steel, Zinc Dichromated.

**DOGGING** - 1/4" turn hex key dogging standard. NOT available on Fire Exit Hardware.

**TOUCHBAR HEIGHT** - 39-15/16" from floor standard.

**HANDED** - Specify hand when ordering as RHRB or LHRB. Touchbar Assembly, Mortise Lock and Trim may be reversed in the field. For reversibility of complete device, mortise strike is required for the other hand.

**UL LISTED** - Panic and Fire Exit Hardware. For FIRE EXIT HARDWARE Ratings see page 33. Conforms to UL10C and UBC 7-2.

**ANSI/BHMA** - Devices are BHMA certified for ANSI 156.3, Grade 1.

**FINISHES** - 605, 606, 612, 613, 625, 628, 630. For finish description see page 3.

**STILE WIDTH** - See Stile Information on page 36.

**CYLINDERS** - Mortise type, not furnished standard. For cylinder details see page 19.

**RETROFIT APPLICATIONS** - The 2300 and FL2300 Series Devices are designed to retrofit into other manufacturers' mounting hole locations. 1700 Series Pull Trim and 4900 Series Lever Trim may also be factory set for these applications by specifying prefix "R" (e.g. 2308 R4908A).

**Consult factory for details.**

**Exit Series - Handed**

Fits doors machined per ANSI A115.1 (Type 86) Mortise Lock preparation.

**BACKSET** - 2-3/4".

**CASE** - Wrought Steel, Zinc Dichromate finish.

**LOCK FRONT PLATE** - 8" x 1-1/4" Bronze, Brass or Stainless Steel, pivots for beveled or square edged doors.

**LATCHBOLT** - Stainless Steel, Deadlocking, 3/4" throw, anti-friction.

**GUARDBOLT** - Stainless Steel, sliding type.

**FINISHES - LOCK FRONT PLATE and STRIKE**

605, 606, 612, 613, 625, 630. 630 furnished for 626 and 628 locks. For finish description see page 3.

**STRIKES** - No. S982, handed curved lip strike furnished standard. For optional strikes see page 34.

**LOCK NO.**

- M303: 01, 02 & 03 functions.
- M308: 05, 08, 14 & 15 functions.
- M310: 10 function.

**NOTE** - For Mortise Lock dimensions see page 28. For Mortise Lock with Electrical options see page 28.

**DEVICE OPTIONS**

Prefix	Description	Page
DE	Delayed Egress .....	24
E	Electric Lock/Unlock.....	28
ELR	Electric Latch Retraction .....	21
FL	Fire Exit Hardware .....	8
HC	Windstorm and Hurricane Code Device .....	20
LS	Latchbolt Monitoring, "03" Function .....	28, 29
LS	Latchbolt and Trim locked or unlocked monitoring, "08" Function.....	28, 29
TDS	Touchbar Monitoring Double Switch .....	29
TS	Touchbar Monitoring Switch.....	29

To specify add Prefix to Device No. (e.g. TS2303)

Prefix	Description	Page
WTDS	Weatherized Touchbar Mon. Dbl. Switch .....	29
WTS	Weatherized Touchbar Monitoring Switch .....	29
Suffix	Description	Page
ALK	Exit Alarm: battery operated.....	27
ALW	Exit Alarm: remote power .....	27
BRL	Braille Touchbar .....	35
CD	Cylinder Dogging .....	19
DS	Door Position Monitoring Switch .....	29
LD	Less Dogging .....	19
SEC	Security Screws .....	3
SNB	Sex Nut and Bolt .....	3
WALW	Weatherized Exit Alarm: remote power .....	27

To specify add Suffix to Device No. (e.g. 2303CD)





**1700A**

"A" Grip



**1700B**

"B" Grip



**1700C**

"C" Grip



**2000C**

"C" Grip



1. All Trims are furnished with wrought plates and extruded or cast solid grips.
2. Specify Grip Design (A,B,C) ("A" Grip furnished standard for 1700 Series Trim, "C" Grip furnished standard for 2000 Series Trim)
3. 630 Trim is furnished for 628 Devices.

**NOTE:** B & C grip pull handles are not available in the 05 and 15 functions.

**Retrofit Applications**

The R1700 Series Trim is designed to retrofit into other manufacturers' installations when used with the wide stile Apex Series Devices.

**Consult factory for details.**

**4900A**

"A" Lever



**4900B**

"B" Lever



**4900C**

"C" Lever



**4900D**

"D" Lever



**4900K**

"K" Knob



**V4908A**

**Vandal Resistant Trim**

A heavy duty lever trim designed to withstand abuse and vandalism. Composed of extra strength shock-absorbing "overload" springs and heavy duty investment cast stainless steel internal components. Lever returns to the "home" position eliminating the need to reset the lever.

**Retrofit Applications**

The R4900 Series Trim is designed to retrofit into other manufacturers' installations when used with the wide stile Apex Series

**Devices. Consult factory for details.**

1. All the escutcheons and levers are castings or forgings.
2. Specify Lever or Knob Design (A,B,C,D,K) and Handing ("A" Lever x RHRB furnished standard)
3. 626 Trim furnished for 628 and 630 Devices.
4. All Lever Trims, M4908K and M4914K are Handed, Specify Hand.
  - For Trim dimensions see page 38.
  - Trims are BHMA certified for ANSI 156.3, Grade 1.
  - Trims are through bolted and will cover 161 and 86 cutouts (except for 2000C Trim).
  - Cylinder 1-1/4" long Mortise Type, not furnished standard. For cylinder details see page 19.

ANSI Function	01 Exit Only (cover plate)	02 Dummy Trim	03 Key Retracts Latchbolt	05 Key Locks/Unlocks Thumbpiece	08 Key Locks/Unlocks Lever/Knob	10* Double Cylinder Inside Key Locks/Unlocks Lever/Knob	14 No Cylinder Lever/Knob Always Active	15 No Cylinder Thumbpiece Always Active
<b>Device Nos.</b>	2301 FL2301	2302	2303** FL2303**	2305 FL2305	2308 FL2308	2310 FL2310	2314 FL2314	2315 FL2315
<b>Trim Nos.</b>	1701 R1701	1702A R1702A	1703A R1703A	M1705A RM1705A	M4908A VM4908A	M4908A VM4908A	M4914A RM4914A	M1715A RM1715A
	2001 4901 R4901	2002C 4902A R4902A	2003C 4903A R4903A		RM4908A VRM4908A	RM4908A VRM4908A		

**Device with Trim:**

Device No.

Add Prefix for options, see page 8.

Add Suffix: for options, see page 8.

Add Prefix: "V" Vandal Resistant Lever Trim

"M" Mortise Trim (per specific function, see above)

"R" Retrofit Trim

Add Suffix: Lever or Knob Design (A,B,C,D,K)  
Grip Design (A,B,C)

Add Suffix: "KNR" Knurled Lever or Grip (Abrasive Strip)

**TS2308CD x V4908AKNR x RHRB x 630 x S982 x 3'-0" x 7'-0" x 1-3/4"**

Device w/options

Trim No.

Hand

Finish

Strike

Door Size

**Device Only:** Device no., hand, finish, strike, and door size including thickness:

(e.g. TS2108CD x RHRB x 630 x S982 x 3'-0" x 7'-0" x 1-3/4")

**Trim Only:** Trim no., hand, finish, strike, and door size including thickness: (e.g. VM4908A x RHRB x 626 x 1-3/4")



**RIM EXIT DEVICES**



**S988**  
For (single) aluminum door applications.



**S458**  
For (paired) mullion applications.

**Apex 2400 Series - Non Handed**

**Apex FL2400 Fire Exit Series - Non Handed**

**DOORS** - For all types of single and double doors with a mullion. For mullions, see page 18. Available for 1-3/4" to 2-1/4" thick, up to 4'-0" wide opening. For thicker door, consult factory. Furnished standard for 1-3/4" thick, 3'-0" wide opening.

**FUNCTIONS** - A universal exit device. Add trim for desired function.

**BASE MATERIAL** - The Cover, Touchbar, Device Channel, Lock/Hinge Side Filler and End Cap are furnished of heavy wrought brass, bronze or stainless steel. US28 devices are furnished with aluminum, brass, bronze and stainless steel components. See "Finish & Base Material" chart on page 3.

**CHASSIS** - Investment cast steel, zinc dichromated.

**LATCHBOLT** - Stainless steel, deadlocking, 3/4" throw.

**STRIKES** -

No. **S988**, for (single) aluminum door applications, Black Powder Coated Stainless Steel Roller Strike.

No. **S458**, for (paired) mullion applications, please specify when ordering.

For optional strike information see page 34.

**DOGGING** - 1/4" turn hex key dogging standard. NOT available on Fire Exit Hardware.

**TOUCHBAR HEIGHT** - 39-15/16" from floor standard. May be varied as situation dictates.

**UL LISTED** - Panic and Fire Exit Hardware. For FIRE EXIT HARDWARE Ratings see page 33. Conforms to UL10C and UBC 7-2.

**ANSI/BHMA** - Devices are BHMA certified for ANSI 156.3, Grade 1.

**FINISHES** - 605, 606, 612, 613, 625, 628, 630. For finish description see page 3.

**CYLINDERS** - Rim type for "03" function, Mortise type for "08" function. Use 1-1/4" long standard mortise cylinder. Cylinders are not furnished standard. Specify when required. For cylinder details see page 19.

**STILE WIDTH** - See Stile Information on page 37.

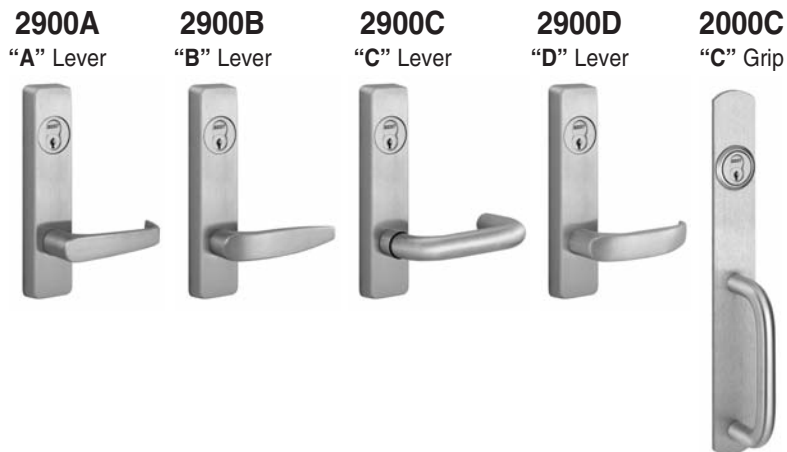
**DEVICE OPTIONS**

Prefix	Description	Page
<b>DE</b>	Delayed Egress .....	24
<b>ELR</b>	Electric Latch Retraction .....	21
<b>FL</b>	Fire Exit Hardware .....	10
<b>TDS</b>	Touchbar Monitoring Double Switch.....	29
<b>TS</b>	Touchbar Monitoring Switch .....	29
<b>WTDS</b>	Weatherized Touchbar Mon. Dbl. Switch .....	29
<b>WTS</b>	Weatherized Touchbar Monitoring Switch .....	29

To specify add Prefix to Device No. (e.g. TS2403)

Suffix	Description	Page
<b>ALK</b>	Exit Alarm: battery operated.....	27
<b>ALW</b>	Exit Alarm: remote power .....	27
<b>BRL</b>	Braille Touchbar .....	35
<b>CD</b>	Cylinder Dogging .....	19
<b>DS</b>	Door Position Monitoring Switch .....	29
<b>LD</b>	Less Dogging .....	19
<b>SEC</b>	Security Screws .....	3
<b>SNB</b>	Sex Nut and Bolt .....	3
<b>WALW</b>	Weatherized Exit Alarm: remote power .....	27

To specify add Suffix to Device No. (e.g. 2403CD)

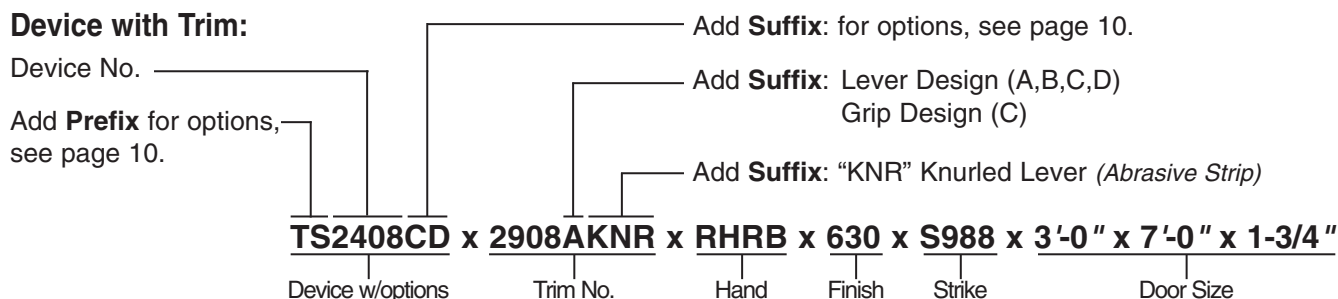


1. All the escutcheons and levers are castings or forgings.
2. For Lever Trim specify Lever Design (A, B, C, D) and Handing ("A" Lever RHRB furnished standard).
3. For 2900 Series Trim, 626 finish is furnished for 628 and 630 Devices.
4. 2000 Series Trim is furnished with a wrought plate and extruded solid "C" Grip.

- For Trim dimensions see page 38.
- Trims are BHMA certified for ANSI 156.3, Grade 1.
- Trims are through bolted.
- Cylinder, not furnished standard – Rim type for "03" function, 1-1/4" long mortise type for "08" function. For cylinder details see page 19.

ANSI Function	01 Exit Only (cover plate)	02 Dummy Trim	03 Key Retracts Latchbolt	08 Key Locks/Unlocks Lever	14 No Cylinder Lever Always Active
Device Nos.	2401 FL2401	2402	2403* FL2403*	2408 FL2408	2414 FL2414
Trim Nos.	2901 2001	2902A 2002C	2903A 2003C	2908A	2914A

**Device with Trim:**



**Device Only:** Device no., hand, finish, strike, and door size including thickness:  
(e.g. TS2408CD x RHRB x 630 x S988 x 3'-0" x 7'-0" x 1-3/4")

**Trim Only:** Trim no., hand, finish, strike, and door size including thickness: (e.g. 2908A x RHRB x 626 x 1-3/4")

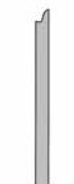
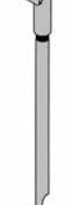
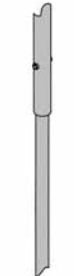
\* 2403 & FL2403 x Cylinder Only Application includes Cylinder Attachment Kit "NCA-03"



# NARROW CONCEALED VERTICAL ROD EXIT DEVICES

(Not recommended for Wood Door Applications)

S519



S460

## Apex 2600 Series - Reversible

## Apex FL2600 Fire Exit Series - Reversible

**DOORS** - For all types of metal single and double door applications. Available for 1-3/4" to 2-1/4" thick, up to 4'-0" wide by 10'-0" high openings. For thicker doors, consult factory. Furnished standard for 1-3/4" thick, 3'-0" wide by 6'-8" to 8'-0" high openings.

**FUNCTIONS** - A Universal Exit Device. Add Trim for desired function.

**BASE MATERIAL** - Side Filler and End Cap are furnished of heavy wrought Brass, Bronze or Stainless Steel. 628 Devices are furnished with Aluminum, Brass, Bronze and Stainless Steel components. See "Finish & Base Material" chart on page 3.

**CHASSIS** - Lock Stile Assembly - Investment Cast Steel, Zinc Dich-romated.

**TOP LATCHBOLT** - Stainless Steel, Deadlocking, 3/4" throw.

**Note:** All vertical rod lengths are based on 39 15/16" exit device horizontal centerline.

**TOP STRIKE** - No. S519 Surface applied, Investment Cast Stainless Steel, Black Powder Coated.

**BOTTOM STRIKE** - No. S460, Flush mounted, Steel, Black Powder Coated.

**DOGGING** - 1/4" turn hex key dogging standard. NOT available on Fire Exit Hardware.

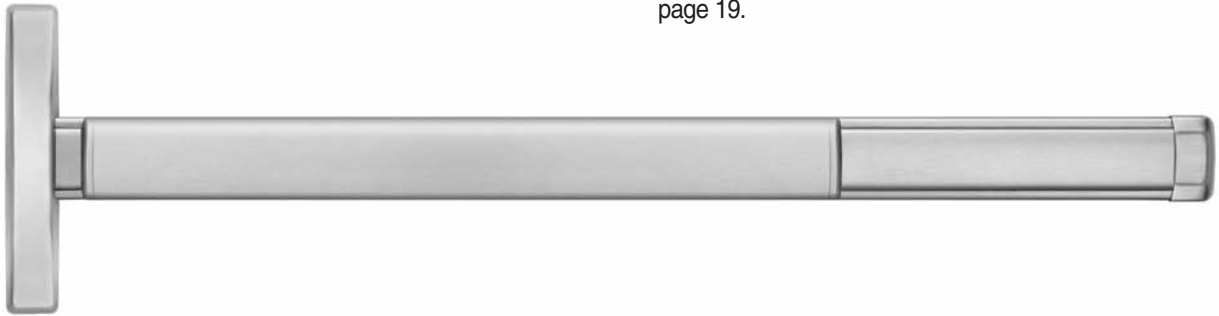
**TOUCHBAR HEIGHT** - 39-15/16" from floor standard. Specify required height if other than standard.

**UL LISTED** - Panic and Fire Exit Hardware. For FIRE EXIT HARDWARE Ratings see page 33. Conforms to UL10C and UBC 7-2.

**ANSI/BHMA** - Devices are BHMA certified for ANSI 156.3, Grade 1.

**FINISHES** - 605, 626, 612, 613, 625, 628, 630. For finish description see page 3.

**CYLINDERS** - Rim Type for "03" function, 1-1/4" Long Mortise Type for "08" function. Cylinders are not furnished standard. Specify when required. For cylinder details see page 19.



**BOTTOM BOLT** - Steel plated, independent action 5/8" throw, with adjustment range to suit 3/4" door undercut.

**CENTER CHASSIS** - Steel plated, heavy wrought Steel Assembly with lock in place Top and Bottom Latch Adjustors. Adjustment is accessible through the door after installation.

**STILE WIDTH** - See Stile Information on page 37.

**LESS BOTTOM ROD (LBR) OPTION** - Specify suffix "LBR" (e.g. 2603LBR). See UL FIRE LABEL RATING Chart on page 33. Fire Rated Devices include FB277 Fire Bolt Assembly. For Fire Bolt Assembly image see page 35.

### DEVICE OPTIONS

Prefix	Description	Page
DE	Delayed Egress .....	24
ELR	Electric Latch Retraction .....	21
FL	Fire Exit Hardware.....	12
TDS	Touchbar Monitoring Double Switch .....	29
TS	Touchbar Monitoring Switch .....	29
WTDS	Weatherized Touchbar Mon. Dbl. Switch .....	29
WTS	Weatherized Touchbar Mon. Switch .....	29

To specify add Prefix to Device No. (e.g. TS2603)

Suffix	Description	Page
ALK	Exit Alarm: battery operated .....	27
ALW	Exit Alarm: remote power .....	27
BRL	Braille Touchbar .....	35
CD	Cylinder Dogging.....	19
DS	Door Position Monitoring Switch .....	29
LBR	Less Bottom Rod.....	12
LD	Less Dogging.....	19
SEC	Security Screws.....	3
SNB	Sex Nut and Bolt .....	3
WALW	Weatherized Exit Alarm: remote power .....	27

To specify add Prefix to Device No. (e.g. TS2603)

STANLEY



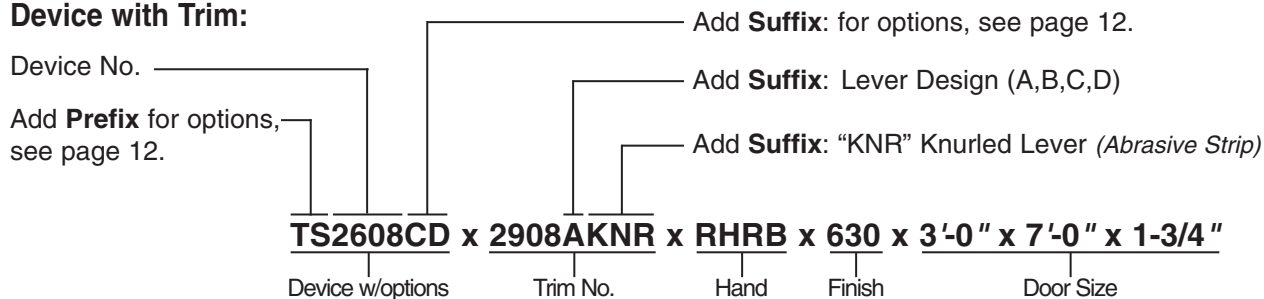


1. All the escutcheons and levers are castings or forgings.
2. Specify Lever Design (A, B, C, D) and Handing ("A" Lever RHRB furnished standard).
3. 626 finish is furnished for 628 and 630 Devices.

- For Trim dimensions see page 38.
- Trims are BHMA certified for ANSI 156.3, Grade 1.
- Trims are through bolted.
- Cylinder, not furnished standard – Rim type for "03" function, 1-1/4" long mortise type for "08" function. For cylinder details see page 19.

ANSI Function	01 Exit Only (cover plate)	02 Dummy Trim	03 Key Retracts Latchbolt	08 Key Locks/Unlocks Lever	14 No Cylinder Lever Always Active
Device Nos.	2601 FL2601	2602	2603* FL2603*	2608 FL2608	2614 FL2614
Trim Nos.	2901	2902A	2903A	2908A	2914A

**Device with Trim:**



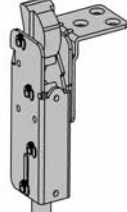
**Device Only:** Device no., hand, finish, strike, and door size including thickness:  
(e.g. TS2608CD x RHRB x 630 x 3'-0" x 7'-0" x 1-3/4")

**Trim Only:** Trim no., hand, finish, strike, and door size including thickness: (e.g. 2908A x RHRB x 626 x 1-3/4")

\* 2603 & FL2603 x Cylinder Only Application includes Cylinder Attachment Kit "NCA-03"

**WOOD DOOR CONCEALED VERTICAL ROD EXIT DEVICES**

S519



S460

**Apex 2700 Series - Reversible**  
**Apex FL2700 Fire Exit Series - Reversible**

**DOORS** - For all types of single and double door applications. Available for 1-3/4" to 2-1/4" thick, up to 4'-0" wide by 10'-0" high openings. For thicker doors, consult factory. Furnished standard for 1-3/4" thick, 3'-0" wide by 6'-8" to 8'-0" high openings.

**FUNCTIONS** - A Universal Exit Device. Add Trim for desired function.

**BASE MATERIAL** - Side Filler and End Cap are furnished of heavy wrought Brass, Bronze or Stainless Steel. 628 Devices are furnished with Aluminum, Brass, Bronze and Stainless Steel components. See "Finish & Base Material" chart on page 3.

**CHASSIS** - Lock Stile Assembly - Investment Cast Steel, Zinc Dich-romated.

**VERTICAL RODS** - Steel, plated. Top Rod is adjustable from 6'-8" to 8'-0" or from 8'-1" to 10'-0". Additional adjustments are available through the lock front filler.

**Note:** All vertical rod lengths are based on 39 15/16" exit device horizontal centerline.

**BOTTOM STRIKE** - No. S460 Flush mounted, Steel, Black Powder Coated.

**DOGGING** - 1/4 turn hex key dogging standard. NOT available on Fire Exit Hardware.

**TOUCHBAR HEIGHT** - 39-15/16 from floor standard. Specify required height if other than standard.

**REVERSIBLE** - Reversible for all functions and trims. Standard packaging RHRB.

**UL LISTED** - Panic and Fire Exit Hardware. For FIRE EXIT HARDWARE Ratings see page 33. Conforms to UL10C and UBC 7-2.

**ANSI/BHMA** - Devices are BHMA certified for ANSI 156.3, Grade 1.

**FINISHES** - 605, 606, 612, 613, 625, 628, 630. For finish description see page 3.

**CYLINDERS** - Rim Type, not furnished standard. Specify when required. For cylinder details see page 19.



**TOP LATCHBOLT** - Stainless Steel, Deadlocking, 3/4" throw.

**BOTTOM BOLT** - Steel plated, independent action 5/8" throw, with adjustment range to suit 3/4 door undercut.

**TOP STRIKE** - No. S519 Surface applied, Investment Cast Stainless Steel, Black Powder Coated.

**STILE WIDTH** - See Stile Information on page 36.

**LESS BOTTOM ROD (LBR) OPTION** - Specify suffix "LBR" (e.g. 2703LBR). See UL FIRE LABEL RATING Chart on page 33. Fire Rated Devices include FB277 Fire Bolt Assembly. For Fire Bolt Assembly image see page 35.

**DEVICE OPTIONS**

Prefix	Description	Page
DE	Delayed Egress.....	24
E	Electric Device.....	28
ELR	Electric Latch Retraction.....	21
FL	Fire Exit Hardware .....	14
LS	Latchbolt Monitoring Switch .....	29
Q	Wireless Access Management System ..	30-32
TDS	Touchbar Monitoring Double Switch .....	29
TS	Touchbar Monitoring Switch.....	29
WTDS	Weatherized Touchbar Mon. Dbl. Switch .....	29
WTS	Weatherized Touchbar Mon. Switch .....	29

To specify add Prefix to Device No. (e.g. TS2703)

Suffix	Description	Page
ALK	Exit Alarm: battery operated .....	27
ALW	Exit Alarm: remote power .....	27
BRL	Braille Touchbar .....	35
CD	Cylinder Dogging .....	19
DS	Door Position Monitoring Switch .....	29
LBR	Less Bottom Rod.....	14
LD	Less Dogging .....	19
SEC	Security Screws .....	3
SNB	Sex Nut and Bolt .....	3
WALW	Weatherized Exit Alarm: remote power .....	27

To specify add Prefix to Device No. (e.g. TS2703)

STANLEY





1700A

"A" Grip



1700B

"B" Grip



1700C

"C" Grip



2000C

"C" Grip



1. All Trims are furnished with wrought plates and extruded or cast solid grips.
2. Specify Grip Design (A,B,C) ("A" Grip furnished standard for 1700 Series Trim, "C" Grip furnished standard for 2000 Series Trim)
3. 630 Trim is furnished for 628 Devices.

4900A

"A" Lever



4900B

"B" Lever



4900C

"C" Lever



4900D

"D" Lever



4900K

"K" Knob



V4908A

Vandal Resistant Trim

A heavy duty lever trim designed to withstand abuse and vandalism. Composed of extra strength shock-absorbing "overload" springs and heavy duty investment cast stainless steel internal components. Lever returns to the "home" position eliminating the need to reset the lever.

1. All the escutcheons and levers are castings or forgings.
2. Specify Lever or Knob Design (A,B,C,D,K) and Handing ("A" Lever x RHRB furnished standard)
3. 626 Trim furnished for 628 and 630 Devices.

- For Trim dimensions see page 38.
- Trims are BHMA certified for ANSI 156.3, Grade 1.
- Trims are through bolted and will cover 161 and 86 cutouts (except for 2000C Trim).
- Cylinder, Rim Type, not furnished standard. For cylinder details see page 19.

ANSI Function	01 Exit Only (cover plate)	02 Dummy Trim	03 Key Retracts Latchbolt	05 Key Locks/Unlocks Thumbpiece	08 Key Locks/Unlocks Lever/Knob	14 No Cylinder Lever/Knob Always Active	15 No Cylinder Thumbpiece Always Active
Device Nos.	2701 FL2701	2702	2703** FL2703**	2705 FL2705	2708 FL2708	2714 FL2714	2715 FL2715
Trim Nos.	1701 2001 4901	1702A 2002C 4902A	1703A 203C 4903A	1705A 2005C	4908A V4908A	4914A	1715A 2015C

Device with Trim:

Device No. \_\_\_\_\_

Add Prefix for options, see page 14.

Add Suffix: for options, see page 14.

Add Prefix: "V" Vandal Resistant Lever Trim

Add Suffix: Lever or Knob Design (A,B,C,D,K)  
Grip Design (A,B,C)

Add Suffix: "KNR" Knurled Lever or Grip (Abrasive Strip)

**TS2708CD x V4908AKNR x RHRB x 630 x 3'-0" x 7'-0" x 1-3/4"**

Device w/options

Trim No.

Hand

Finish

Door Size

**Device Only:** Device no., hand, finish, strike, and door size including thickness:  
(e.g. TS2708CD x RHRB x 630 x 3'-0" x 7'-0" x 1-3/4")

**Trim Only:** Trim no., hand, finish, strike, and door size including thickness: (e.g. V4908A x RHRB x 626 x 1-3/4")

\* 2703 & FL2703 X Cylinder Only Application includes Cylinder Attachment Kit "CA-03".

## CONCEALED VERTICAL ROD EXIT DEVICES

(Not recommended for Wood Door Applications)

S519

### Apex 2800 Series - Reversible

### Apex FL2800 Fire Exit Series - Reversible

**DOORS** - For all types of metal single and double door applications. Available for 1-3/4" to 2-1/4" thick, up to 4'-0" wide by 10'-0" high openings. For thicker doors, consult factory. Furnished standard for 1-3/4" thick, 3'-0" wide by 6'-8" to 8'-0" high openings.

**FUNCTIONS** - Functions are field selectable. The device is furnished for a desired function if specified. If not specified the "03" function is furnished standard.

**BASE MATERIAL** - The Cover, Touchbar, Device Channel, Lock/Hinge Side Filler and End Cap are furnished of heavy wrought Brass, Bronze or Stainless Steel. US28 Devices are furnished with Aluminum, Brass, Bronze and Stainless Steel components. See "Base Material and Finish Chart" on page 3.

**CHASSIS** - Lock Stile Assembly - Investment Cast Steel, Zinc Dichromated.

**VERTICAL RODS** - Steel, plated. Top Rod is adjustable from 6'-8" to 8'-0" or from 8'-1" to 10'-0".

**Note:** All vertical rod lengths are based on 39 15/16" exit device horizontal centerline.

**TOP LATCHBOLT** - Stainless Steel, Deadlocking, 3/4" throw.



**BOTTOM BOLT** - Steel plated, independent action 5/8" throw, with adjustment range to suit 3/4" door undercut.

**CENTER CHASSIS** - Steel plated, heavy wrought Steel Assembly with lock in place Top and Bottom Latch Adjustors. Adjustment accessible through the door after installation.

**TOP STRIKE** - No. S519 Surface applied, Investment Cast Stainless Steel, Black Powder Coated.

**BOTTOM STRIKE** - No. S460 Flush mounted, Steel, Black Powder Coated.

**DOGGING** - 1/4" turn hex key dogging standard. NOT available on Fire Exit Hardware.

**TOUCHBAR HEIGHT** - 39-15/16" from floor standard. Specify required height if other than standard.

**REVERSIBLE** - Reversible for all functions and trims. Standard packaging RHRB.

**UL LISTED** - Panic and Fire Exit Hardware. For FIRE EXIT HARDWARE Ratings see page 33. Conforms to UL10C and UBC 7-2.

**ANSI/BHMA** - Devices are BHMA certified for ANSI 156.3, Grade 1.

**FINISHES** - 605, 606, 612, 613, 625, 628, 630. For Finish description see page 3.

**CYLINDERS** - Rim Type, not furnished standard. Specify when required. For cylinder details see page 19.



**STILE WIDTH** - See Stile Information on page 36.

**LESS BOTTOM ROD (LBR) OPTION** - Specify suffix "LBR" (e.g. 2808LBR). See UL FIRE LABEL RATING chart on page 33. Fire Rated Devices include FB277 Fire Bolt Assembly. For Fire Bolt Assembly image see page 35.

### DEVICE OPTIONS

Prefix	Description	Page	Suffix	Description	Page
DE	Delayed Egress .....	24	ALK	Exit Alarm: battery operated .....	27
E	Electric Device.....	28	ALW	Exit Alarm: remote power .....	27
ELR	Electric Latch Retraction.....	21	BRL	Braille Touchbar .....	35
FL	Fire Exit Hardware .....	16	CD	Cylinder Dogging .....	9
HC	Windstorm and Hurricane Code Device .....	20	DS	Door Position Monitoring Switch .....	29
LS	Latchbolt Monitoring Switch .....	29	LBR	Less Bottom Rod.....	16
Q	Wireless Access Management System .....	30-32	LD	Less Dogging .....	19
TDS	Touchbar Monitoring Double Switch .....	29	SEC	Security Screws .....	3
TS	Touchbar Monitoring Switch.....	29	SNB	Sex Nut and Bolt .....	3
WTDS	Weatherized Touchbar Mon. Dbl. Switch .....	29	WALW	Weatherized Exit Alarm: remote power .....	27
WTS	Weatherized Touchbar Mon. Switch .....	29			

To specify add Prefix to Device No. (e.g. TS2803)

To specify add Prefix to Device No. (e.g. TS2803)



S460

STANLEY

phi

APEX 2000 SE

**1700A**

"A" Grip



**1700B**

"B" Grip



**1700C**

"C" Grip



**C03**

Cast Plate  
"Pull by others"



The CVR2803 with "Pull by Other" must be specified with No. C03 Cylinder Attachment Trim to secure the Rim Cylinder. Specify finish.

1. All Trims are furnished with wrought plates and extruded or cast solid grips.
2. Specify Grip Design (A,B,C) ("A" Grip furnished standard for C1700 Series Trim)
3. 630 Trim is furnished for 628 Devices.

**4900A**

"A" Lever



**4900B**

"B" Lever



**4900C**

"C" Lever



**4900D**

"D" Lever



**4900K**

"K" Knob



**V4908A**

**Vandal Resistant Trim**

A heavy duty lever trim designed to withstand abuse and vandalism. Composed of extra strength shock-absorbing "overload" springs and heavy duty investment cast stainless steel internal components. Lever returns to the "home" position eliminating the need to reset the lever.

1. All the escutcheons and levers are castings or forgings.
2. Specify Lever or Knob Design (A,B,C,D,K) and Handing ("A" Lever x RHRB furnished standard)
3. 626 Trim furnished for 628 and 630 Devices.
  - For Trim dimensions see page 38.
  - Trims are BHMA certified for ANSI 156.3, Grade 1.
  - Trims are through bolted and will cover 161 and 86 cutouts (except for 2000C Trim).
  - Cylinder, Rim Type, not furnished standard. For cylinder details see page 19.

ANSI Function	01 Exit Only (cover plate)	02 Dummy Trim	03 Key Retracts Latchbolt	05 Key Locks/Unlocks Thumbpiece	08 Key Locks/Unlocks Lever/Knob	14 No Cylinder Lever/Knob Always Active	15 No Cylinder Thumbpiece Always Active
<b>Device Nos.</b>	2801 FL2801	2802	2803** FL2803**	2805 FL2805	2808 FL2808	2814 FL2814	2815 FL2815
<b>Trim Nos.</b>	C1701 4901	C1702A 4902A	C03 C1703A 4903A	1705A	4908A V4908A	4914A	C1715A

**Device with Trim:**

Device No. \_\_\_\_\_

Add **Prefix** for options, see page 16.

Add **Suffix**: for options, see page 16.

Add **Prefix**: "V" Vandal Resistant Lever Trim  
"C" Concealed Vertical Rod – Pull Trim  
"R" Retrofit Trim

Add **Suffix**: Lever or Knob Design (A,B,C,D,K)  
Grip Design (A,B,C)

Add **Suffix**: "KNR" Knurled Lever or Grip (*Abrasive Strip*)

**TS2808CD x V4908AKNR x RHRB x 630 x 3'-0" x 7'-0" x 1-3/4"**

Device w/options

Trim No.

Hand

Finish

Door Size

**Device Only:** Device no., hand, finish, strike, and door size including thickness:

(e.g. TS2808CD x RHRB x 630 x 3'-0" x 7'-0" x 1-3/4")

**Trim Only:** Trim no., hand, finish, strike, and door size including thickness: (e.g. V4908A x RHRB x 626 x 1-3/4")



**MULLIONS**



**Mullion Cap**  
MC822

**Hurricane Mullion Tube Adapter -**  
05299-57

**Mullion Base**  
MB822

**Mullion Cap**  
MC811

**Mullion Base**  
MB811



**Key Removable Mullion Cap**  
KMC822  
(Rim Cylinder required)



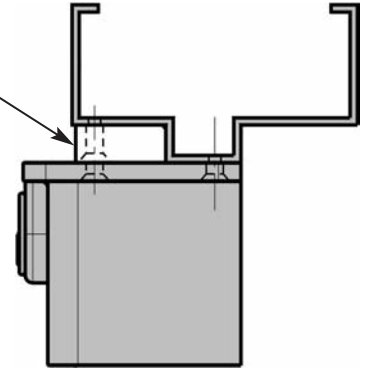
**Interlock**  
S1447



**Mullion Cap Spacer**  
MCS822



**Stabilizer** (2 stabilizers furnished standard)  
ST989



**Removable Mullions**

The Mullion is used to adapt a double door opening to two single door openings with Rim Exit Devices. When the full width of an opening is required, the mullion may be removed.

**KEY REMOVABLE MULLION (KR)** - Provides a secure yet quick & easy means of removing the 822 or FL822 Mullion. The mullion can be reinstalled and locked without the need of the key.

**STOCK SIZE** - For openings 8'-0" high. For openings less than 8'-0" high the mullion can be cut down. For openings greater than 8'-0" high using the 822, KR822 or 811 mullions, consult factory.

**FINISHES** - 600, 689, 695. For finish description see page 3.

**822, FL822, KR822, FLKR822 Mullion**

**U.L. LISTED** - FL822 and FLKR822 listed for Fire Exit Hardware. For FIRE LABEL RATING CHART see pg 33.

**MULLION TUBE** - 94" L x 2" W x 3" D x 1/8" Thick Steel.

**MULLION BASE** - Investment Cast Steel, 2" wide 3-1/2" deep. Furnished with steel anchors for concrete floors.

**INTERLOCK** - Black Powder Coated Investment Cast Stainless Steel. Furnished standard for FL822 and FLKR822 Mullions. It interlocks the mullion to the Rim Active Case and S300 or S301 strike.

**STABILIZERS** - Black Powder Coated Steel. Two Stabilizers are furnished standard for FL822 and FLKR822 Mullions.

**MULLION CAP SPACER** - Minimum width 3-1/2". For 2-1/4" frame spacer specify part No. MCS822. For use with 822 series mullion only (e.g. 822, FL822, HC822, HCKR822, KR822, FLKR822). MCS822 Kit or 822 mullion suffix option. See "To Order" example below.

**822, FL822 MULLION CAP** - MC822 Investment Cast Steel, 4" wide 3-5/8" deep.

**KR822, FLKR822 KEY REMOVABLE MULLION CAP ASSEMBLY** - Investment Cast Steel - can be ordered to convert existing 822 or FL822 mullions to Keyed Removable Mullions. Retrofits to the hole pattern of an MC822 Mullion Cap. **To order specify:** KMC822 or KMC822F. For wire run information, please consult factory.

**CYLINDER** - not furnished standard - Rim Type required. See page 19 for cylinder details.

**HC822, HCKR822 Mullion**

**MULLION TUBE** - 89.5" L x 2" W x 3" D x 5/16" Thick Steel.

MC822 or KMC822 Mullion Cap and MB822 Mullion Base Assemblies are used to secure the HC Mullion in the door opening. The S1447 Interlock must be used to Interlock the Active Case with the strike and is furnished standard with the HC822 Mullion.

**Note:** Hurricane Mullion Tube Adapter - 05299-57 (2) each Furnished with HC Mullion.

**To Order:** Specify Mullion No. Height Finish (e.g. MCS822 x 8'-0" x 600)

**811 Mullion**

**MULLION** - 2" x 2" Steel Mullion.

**MULLION CAP** - Cast 4-1/2" wide x 2-5/16", furnished with machine screws for metal frames.

**MULLION BASE** - Cast 2" wide x 2-3/4", furnished with sheet metal screws and plastic anchors.

**To Order:** Specify Mullion No. Height Finish (e.g. 822 x 8'-0" x 600)



**CYLINDER FUNCTIONS**

**Cylinder Dogging Kit**



**Cylinder Dogging**

Available for all Apex Series Devices except Fire Exit Hardware and Delayed Egress Devices.

Cylinder Dogging provides the ability to lock down the touch bar with a key cylinder so the door can be used in the push/pull mode. To order, specify suffix "CD" (e.g. 2103CD). Requires the use of a 1-1/4" mortise cylinder, not furnished standard. Specify when required.

**Less Dogging**

Available for all Apex Series Devices except Fire Exit

To convert from hex key dogging to cylinder dogging in the field, a cylinder dogging kit is available. The kit consists of a channel filler, blocking ring, cylinder locator and lock nut. Requires the use of a 1-1/4" mortise cylinder, not furnished standard. Specify when required.



Note: The channel fillers are different lengths for narrow and wide stile devices. "NCDK" - Narrow Cylinder Dogging Kit.

**To Order:** specify CDK-3, NCDK-3 for up to 3-0 and CDK4, NCDK-4 for devices up to 4-0.



**2110 Rim Device - Handed**



**2310 Mortise Device - Handed**

**Double Cylinder - Handed**

("10" Function)

The Double Cylinder option is available on the Wide Stile Rim and Mortise Exit Devices. The inside key cylinder locks or unlocks the outside Trim and the outside key cylinder retracts the latchbolt. Specify Outside Trim with "08" function.

When only the inside key cylinder is required to lock or unlock the outside trim and no outside cylinder operation is necessary, specify outside trim with "14" function.

**Cylinders - Not furnished standard.**

Rim Devices - Two rim type required.

Mortise Devices - One rim type and one 1-1/4" long mortise type required.

Type	Device No.		Trim No.
Rim	2110, FL2110	x	4908A, V4908A, 4914A
Mortise	2310, FL2310	x	M4908A, VM4908A, M4914A

**To Order:** Specify Hand and Finish

(e.g. 2110 4908A RHRB 630)

**Double Cylinder Kits - Handed**

The kit is available to convert 2103, FL2103, 2303 and FL2303 devices to 2110, FL2110, 2310 and FL2310 in the field.

**Rim Kit No. RDC10** - Includes locking assembly, cylinder assembly, cylinder collar and active case cover. Two rim type cylinders are required, not furnished standard.

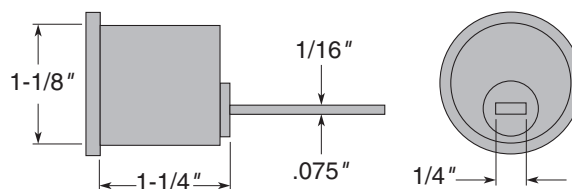
**Mortise Kit No. MDC10** - Includes M310 Mortise Lock, extension assembly, cylinder bracket, cylinder collar and active case cover. One rim type and one 1-1/4" long mortise type cylinder required, not furnished standard.

**To Order:** Specify Hand and Finish

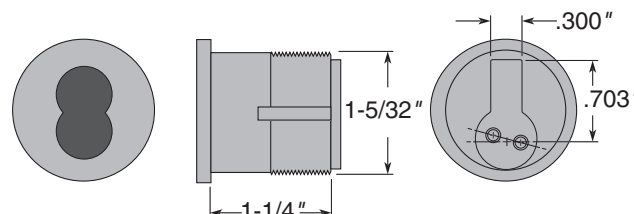
(e.g. RDC10 RHRB 630)

**Cylinders**

Cylinders or interchangeable cores are not furnished with the device or trim. A BEST® cylinder housing and 7-pin core can be ordered separately. Specify type and finish when ordering. (e.g. 1E74 x 630)



**Rim Cylinder - 1E72 x Finish**



**Mortise Cylinder - 1E74-C4 x Finish**



## WINDSTORM AND HURRICANE CODE DEVICES



### HC2100, HC2200, HC2300, HC2800 Series Devices HC822, KRHC822 Mullions

The Hurricane Devices have passed the structural tests as per South Florida Building Code Protocol. These tests are designed to provide sufficient resistance to high wind forces and wind-borne debris. The devices provide a high level of security for door openings even if hurricane rated door components are not required. A brief description of the test is provided below.

**Static Air Pressure Test** - Simulates wind loading by evenly distributing air pressure to the face of the door assembly in positive and negative directions. The door assembly must not have excessive deflection or deformation and must remain secure in the chamber.

**Missile Impact Test** - Simulates impacts created by wind driven debris by impacting the exterior face of the doors with a 2 x 4 board at 50 feet per second. The board must not pass through the doors and the doors must remain secure in the chamber.

**Cyclic Wind Pressure Test** - Simulates wind gusts by repeating cycles of positive and negative air pressure to determine that the integrity of the door assembly is not compromised with the Missile Impact Test. The door assembly must not have excessive deflection or deformation and must remain secure in the chamber.

**Component Approval** - These devices are approved as components to be used with any 16 gage Single or a Pair of Hollow Metal Doors and Frames holding a current Notice of Acceptance (NOA). The lowest Design Pressure Rating of the doors or components shall apply.

SINGLE DOOR	Door Opening	Device Series	Design Pressure
Rim Device	4'-0" W 8'-0" H	HC2100	80 PSF
Surface Vertical Rod Device	4'-0" W 8'-0" H	HC2200	80 PSF
Mortise Device	4'-0" W 8'-0" H	HC2300	60 PSF
Concealed Vertical Rod Device	4'-0" W 8'-0" H	HC2800	80 PSF

#### PAIR OF DOORS

Two Rim Devices with Mullion	8'-0" W 8'-0" H	HC2100 x HC822, KRHC822	80 PSF
Two Surface Vertical Rod Device	8'-0" W 8'-0" H	HC2200 x HC2200	80 PSF
Mortise Device x Concealed Vertical Rod Device	8'-0" W 8'-0" H	HC2300 x HC2800	60 PSF
Two Concealed Vertical Rod Device	8'-0" W 8'-0" H	HC2800 x HC2800	80 PSF

**Hurricane Mullion Tube Adapter** - 05299-57 (2) ea.  
Furnished with HC Mullion.

Compliance - HC2100, HC2200, HC2300, HC2800 Series Devices and HC822, KRHC822 Mullions comply with the Florida Building Code including the High Velocity Hurricane Zone. The Miami-Dade County Product Control Division has approved these devices to be used in Miami-Dade County and other areas where allowed by the Authority Having Jurisdiction (AHJ). Product Control **NOA No. 11-0207.11** is issued for these devices which expires on **September 30, 2014**.

To see the NOA documentation online: [http://www.miamidade.gov/buildingcode/pc-search\\_app.asp](http://www.miamidade.gov/buildingcode/pc-search_app.asp) and type in the NOA number: 05-1102.12 under the Product Search Application link.

ANSI Function	Device No.	Trim No.
01 Exit Only (cover plate)	HC2101, FLHC2101	1701
	HC2201, FLHC2201	2001
	HC2301, FLHC2301	4901
	HC2801, FLHC2801	
02 Dummy Trim	HC2102	1702A
	HC2202	2002C
	HC2302	4902A
	HC2802	
03 Key Retracts Latchbolt	HC2103, FLHC2103	C03
	HC2203, FLHC2203	1703
	HC2303, FLHC2303	2003
	HC2803, FLHC2803	4903 M4903A
05 Key Locks / Unlocks Thumbpiece	HC2105, FLHC2105	1705A
	HC2205, FLHC2205	2005A
	HC2305, FLHC2305	M1705A
	HC2805, FLHC2805	M2005A
08 Key Locks / Unlocks Lever / Knob	HC2108, FLHC2108	4908A
	HC2208, FLHC2208	V4908A
	HC2308, FLHC2308	M4908A
	HC2808, FLHC2808	VM4908A
10 Double Cylinder Inside Key Locks / Unlocks Lever / Knob	HC2110, FLHC2110	4910A
	HC2310, FLHC2310	V4910A
		M4910A VM4910A
14 No Cylinder Lever / Knob Always Active	HC2114, FLHC2114	4914A
	HC2214, FLHC2214	M4914A
	HC2314, FLHC2314	
	HC2814, FLHC2814	
15 No Cylinder Thumbpiece Always Active	HC2115, FLHC2115	1715A
	HC2215, FLHC2215	2015C
	HC2315, FLHC2315	M1715A
	HC2815, FLHC2815	M2015C

- Trims with the Prefix "M" are for 2300 Series Devices only.
- 2000 Series Trim not available with 2800 Series Device.
- "10" Function is handed.

#### Device Specifications and Options

	page
Rim Exit Devices and Trims	4,5
Surface Vertical Rod Devices and Trims	6,7
Mortise Devices and Trims	8,9
Concealed Vertical Rod Devices and Trims	16,17
HC822 & HCKR822 Mullions	18

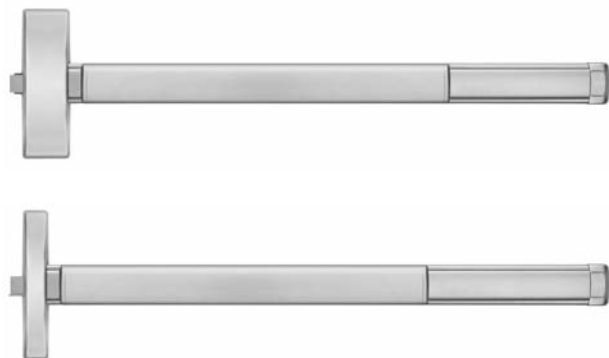
STANLEY

phi

APEX 2000 SE



## ELECTRIC LATCH RETRACTION



### Available for all Series Devices

The ELR option provides remote Latch Retraction of exit devices. Continuous duty solenoids retract the Latchbolt(s) for momentary unlatching or continuously for dogging. The ELR feature can be interfaced with automatic door operators, card readers, push buttons, toggle/key switches, and fire alarm systems.

- ELR option **REQUIRES** ELR150 Series Power Supply.
- UL Listed for Panic and Fire for Class II Circuitry
- ELR can be used in combination with all Apex options including Hex Key or Cylinder Dogging. ELR option is not available for (DE) Delayed Egress Devices.

**Door Widths** – 3 Device - 2-7 to 3-0 Door  
 4 Device - 3-1 to 4-0 Door

The Power Supply model number is determined based on the number of devices requiring electrical power. See To Order ELR150 Power Supply below.

**To order:** specify prefix “ELR” (e.g. ELR2108)

### ELR Conversion Kit

A standard device can be retrofit to the Electric Latch Retraction option by ordering the kits listed below. A ELR Conversion Kit **REQUIRES** a ELR150 Series Power Supply.

#### To Order:

Wide Stile Devices

- 3-0 ELRK-3, ELRKF-3
- 4-0 ELRK-4, ELRKF-4

Narrow Stile Devices

- 3-0 NELRK-3, NELRKF-3
- 4-0 NELRK-4, NELRKF-4

Note: Power may be supplied through a 4-wire continuous circuit hinge (furnished by others).

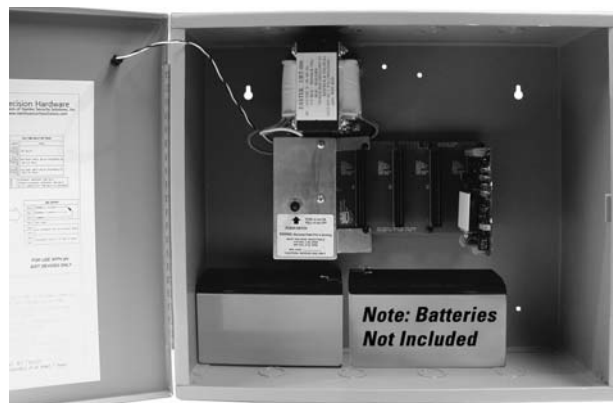
#### Solenoid Specifications

- Current Pulse (2 seconds max.) ..... 4.75 Amp.
- Continuous ..... 3.6 VDC / 0.8 Amp.

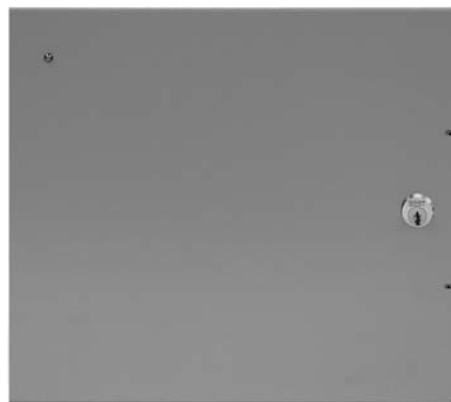
**To Order: ELR150 Power Supply** – The model number is determined based on the number of devices requiring electrical power.

- ELR150 - Power Supply, no control modules
- ELR151 - Power Supply including (1) control module to control (1) exit device
- ELR152 - Power Supply including (2) control modules to control (2) exit devices
- ELR153 - Power Supply including (3) control modules to control (3) exit devices
- ELR154 - Power Supply including (4) control modules to control (4) exit devices

To order power supply with Battery Backup specify suffix BT (e.g. ELR151BT)



ELR150 Power supply door opened



ELR150 Power supply door closed

### ELR150 Series Power Supply

The ELR150 Series is a power supply **REQUIRED** to control ELR Devices. The power supply contains a Motherboard that will accept up to four plug-in Control Modules. Each Control Module (part #CM150-08, see page 22) controls one ELR Device and includes a Time Delay Feature. The Time Delay provides a variable (0 - 4 minutes) Latch Retraction period in response to a momentary input.

#### Specifications

- UL Listed for Class II Output.
- UL 294 - Conforms to U.L. 294 Standards incorporating enhanced Access Control communication capabilities.
- Circuit breakers provide protection for Motherboard
- 115 or 230 Volt user selectable switch.
- A.C. Input = 115 Volts at 1 Amp.
- Battery Back-up / Power Tap available (see page 22).
- LED Indicator - Provides clear indication that power is available to the supply.
- Keyed Cabinet - To maintain safety and security, each Power Supply is equipped with a preinstalled key-cylinder.
- Includes lockable box with key lock.
- Dimensions: 16" W x 14" H x 6" D.
- Weight: 15 lbs.

## ELR POWER SUPPLY ACCESSORIES

### Control Module

The CM150-08 Control Module is a card that is installed in the ELR150 Series Power Supply and controls one ELR device and includes a Time Delay Feature. The Time Delay provides a variable Latch Retraction period in response to a momentary input.

#### Specifications

##### Input

###### Switch Input

- Normally open

###### Voltage Input

- Input Voltage: 5-24VDC or VAC
- Input Current: approx. 0.005 Amp.
- Minimum pulse width: 0.25 seconds

##### Output

- Current Pulse: 4.75 Amp. (2 seconds max.)
- Continuous: 3.6 VDC / 0.8 Amp.

##### Time Delay

- User selectable: 0-4 minutes delay after input is removed

##### Fire Alarm Terminal

- Red LED (D3) blinks when Fire Alarm interrupts circuit
- Provides immediate termination of output

##### Switch Input:

- Accepts normally closed contacts or 5-24 Volts from a listed fire detecting device.

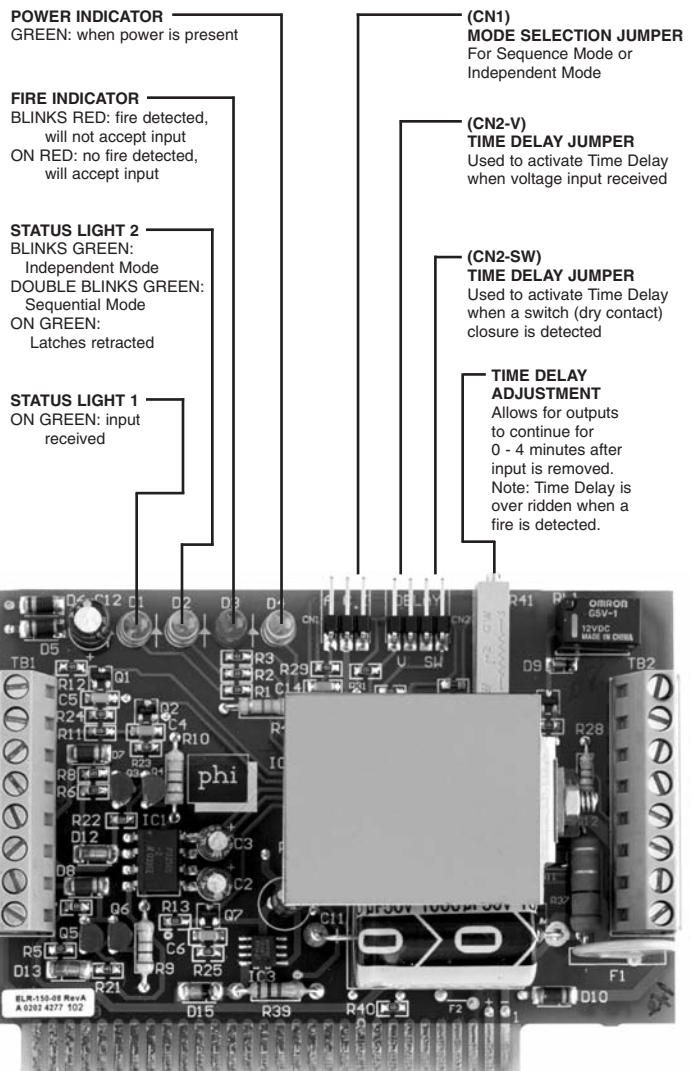
##### Voltage Input:

- Input Current: 0.005 Amp.
- Minimum pulse width: 0.25 seconds

##### Auxiliary Contacts

- Relay isolated contacts provided for remote signaling (e.g. door operator)
- Normally open or normally closed contacts are rated at 0.5 Amp., 24VDC or VAC
- Contact operation follows successful operation of the ELR device.

**To Order:** specify CM150-08

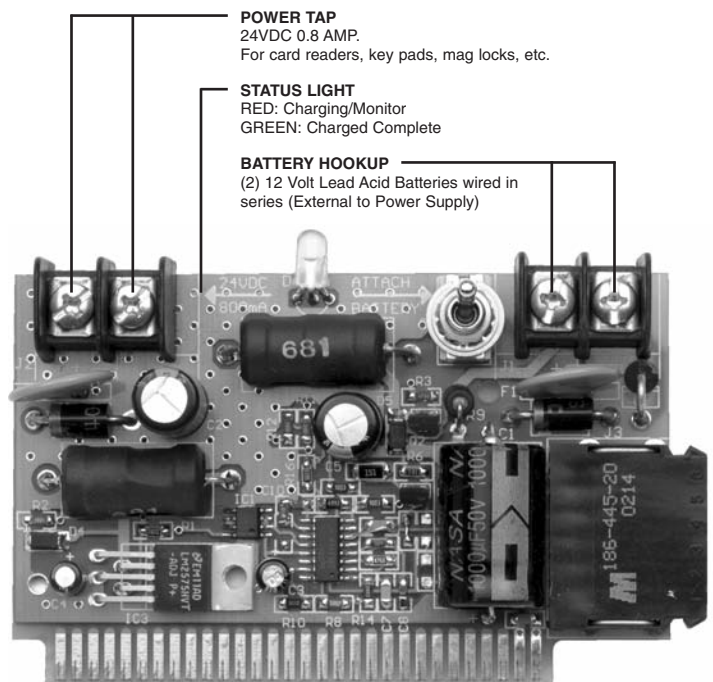


### Battery Backup Power Tap

The BT150-07 Battery Backup is an optional card that can be installed in the ELR150 Series Power Supply to provide temporary power to ELR Devices in case of power shortage or outages. Uses (2) 12VDC Lead Acid batteries (furnished by others). One Amp hour set of batteries provides approximately 15 minutes of backup to four exit devices. 24V Power tap is also included to provide power to Card Readers, etc.

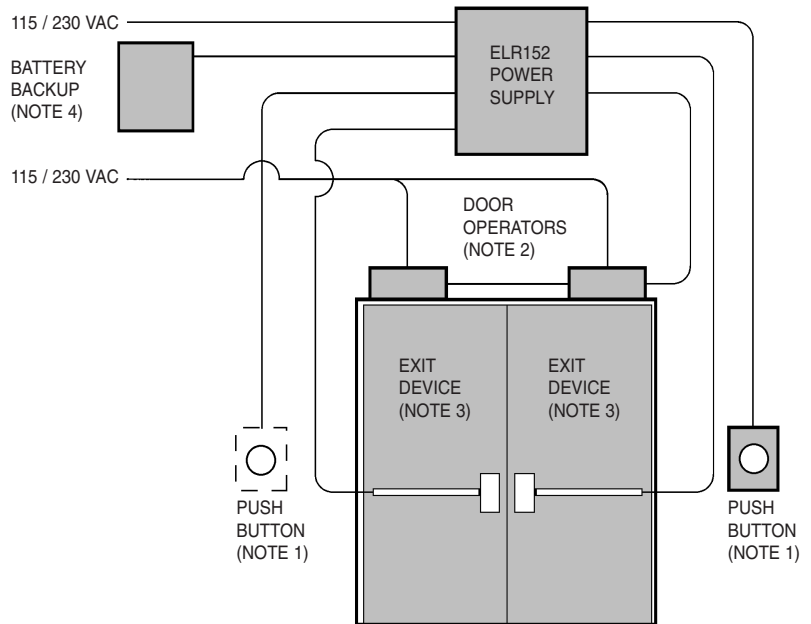
**Electrical Ratings** – 24 VDC, 0.8 Amp. - Power Tap

**To Order:** specify BT150-07



**Simultaneous Pair of Doors**

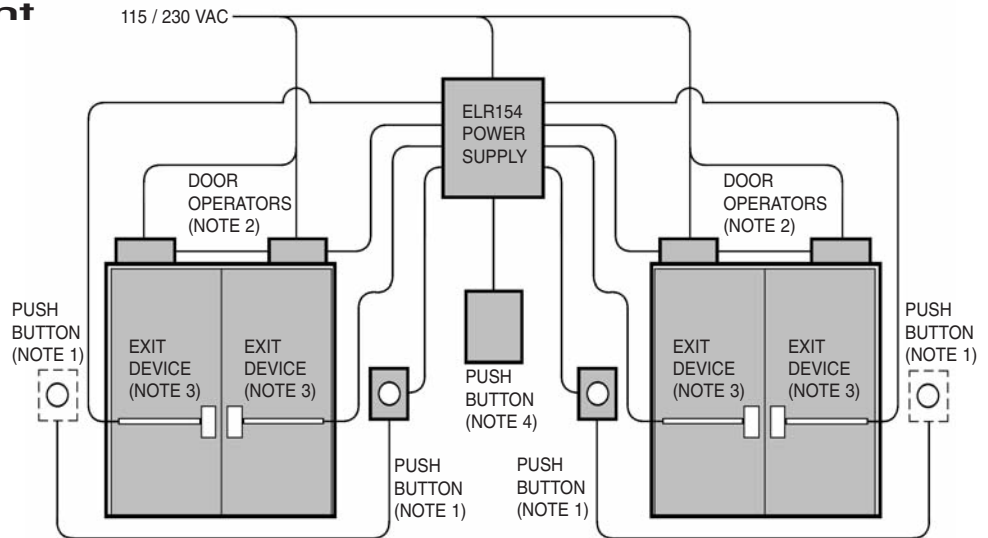
Pressing the push button retracts the latches on each exit device. When both exit devices have retracted latches, the control modules in the power supply signals the door operators to open the doors. The doors will remain open until released by the Time Delay feature on the Control Module.



4 CONDUCTOR (28 GAGE MIN.) POWER TRANSFER REQUIRED. EPT-5 CONCEALED POWER TRANSFER (see page 29), DOOR CORD OR HINGE (FURNISHED BY OTHERS)

**Two Independent Pairs of Doors**

Each pair of doors are operated by pressing a push button which retracts latch(es) on each exit device. When both exit devices have retracted latches the control modules in the power supply signal the door operators (such as the Precision D-4990 Low Energy Operator) to open the doors. The doors will remain open until released by the Time Delay feature on the Control Module.



4 CONDUCTOR (28 GAGE MIN.) POWER TRANSFER REQUIRED. EPT-5 CONCEALED POWER TRANSFER (see page 29), DOOR CORD OR HINGE (FURNISHED BY OTHERS)

**Notes:**

1. Push Button may be replaced with Card Reader, keypad, etc., providing normally open contacts and/or voltage inputs. See hookup instructions in the ELR150 Installation Instructions.
2. Activation for Door Operators are provided by dry contact on the Control Module. (2) wires must be run from the Power Supply to each operator requiring control.
3. Each exit device requires (4) wires to operate. See chart to the right for proper gage and wire run.
4. When Battery Backup is used, (2) 12 gage wires, less than 3 feet long, connect batteries to Backup. Batteries must be mounted outside the power supply enclosure. Battery Backup has a Power Tap feature that can provide power to a Card Reader, keypad system, etc. See page 22 for details.

Wire Gage	Maximum Wire Run for 22 Gage Power Transfer	Maximum Wire Run for 28 Gage Power Transfer
16	75'-0"	55'-0"
14	125'-0"	75'-0"
12	200'-0"	---



## DELAYED EGRESS



### Delayed Egress

The Delayed Egress (DE) Exit Device provides a controlled egress for openings which require Panic or Fire Exit Hardware for safe egress. It is a self contained exit device, which when armed will deny exit to unauthorized personnel for 15 or 30 seconds, while simultaneously sounding a local or remote audible alarm. The Remote Monitoring feature will alert the security personnel that an attempt is being made to exit the opening. After the 15 (or 30) second delay of egress period the device will function as a standard exit device for safe egress.

**OPERATION** – The device secures the door in the locked mode with the Red LED indicating locked status. Depressing the Touchbar by accident or for less than the Nuisance Delay Time will sound the alarm without initiating the alarm sequence. Depressing the Touchbar with less than 15 pounds pressure, for longer than the Nuisance Delay Time will initiate an irreversible local audible beeping tone and a visual Red indicator until the device releases. After the delay egress time the lock releases and the alarm changes to a steady tone which continues to alarm until Reset. The remote monitoring contact output can be used to alert security personnel. The person depressing the Touchbar is denied egress (for 15 or 30 seconds) and security personnel are alerted for quick response.

**TRIM** – All standard device trims and functions are available, including “03” function, Trim Lock/Unlock will function normally even when the delayed egress feature is armed. The Device will only be affected when the Touchbar is depressed from the inside. All (DE) Rim and Mortise Devices are also available with Electric Lock/Unlock for the outside Trim. For details see page 28.

Available for all Apex Series Exit Devices.

The Delayed Egress Devices are manufactured and tested to exceed ANSI 156.3 and 156.24. Devices are UL Listed as a Controlled Exit Device (FULA) and Special Locking Arrangements (FWAX) category. Meets all requirements of NFPA 101.

Delayed Egress continued on page 25

### FEATURES

**FIRE ALARM CONTACTS** – Fire Alarm input at any time will cut power to the delayed egress function and provide immediate egress.

**ARMED-MOMENTARY EGRESS** – Turning the key clockwise allows authorized personnel to exit without alarming. At the end of the field selectable time period (10, 20 or 30 seconds), the device will relock and rearm.

**DE-DEVICE NETWORKING FEATURE** – This feature allows a Delayed Egress device to arm, alarm, reset and disarm all devices on the same circuit. Each device will continue to operate independently for Momentary Egress.

**30 SECOND DELAY** – A 30 second delay option is available. A written approval from the authority having jurisdiction is required. Note: A “30 Second” decal is provided when the 30 Second Delay option is specified.

**NUISANCE DELAY TIME** – A Nuisance Delay Time helps avoid inadvertent activation. The alarm will sound when the touchbar is pressed, but the alarm sequence will not start unless the touchbar is held in for more than the Nuisance Delay Time. Delay Time is field selectable for 0, 1, 2 or 3 seconds.

### INTEGRAL KEY SWITCH

Arm – The Key switch provides the means to locally arm the (DE) device.

Momentary Egress – The Key switch will provide temporary disarming to allow for momentary egress (10, 20 or 30 seconds) when the device is in the armed state. The Key switch will Disarm the device and it will function as a standard exit device.

Reset – During alarm sequence the device can be rearmed by the Key Switch.

Requires the use of a 1-1/4 mortise cylinder, not furnished standard. Specify when required.

**LED STATUS INDICATOR** (in the device) - A color coded LED indicates Arm, Disarm and Alarm status.

- Flashing Green – Arming
- Flashing Red – Armed
- Green – Unarmed
- Red – Alarmed
- Off – No Power to Device (Normal Exit)

**INTERNAL ALARM** – The device has a 85 db horn which will sound until the device is reset.

**EXTERNAL ALARM** – A set of relay contacts rated at (1 amp, 24VDC) are provided for activating external local or remote audible/visual signaling devices.

### EXTERNAL INHIBIT

Arm/Rearm – Accepts a contact to Arm/Rearm the device.

Momentary Egress – Accepts a contact to provide temporary disarming to allow for momentary egress when the device is in the armed state. The Momentary Egress will be engaged as long as the switch closure is maintained.

Reset – Accepts a contact to reset the device during alarm.

**DELAYED EGRESS (continued)**

**DELAYED EGRESS FEATURES: (Continued)**

**DOOR POSITION SWITCH** – used in conjunction with the Delayed Egress Exit Device, the following security features are added: The Exit Device Alarm will sound if the door is not closed when the device is armed. The Alarm will sound if the door is forced open when the device is armed. While the device is in the arming stage you may exit the opening. When the door closes the arm/rearm time is cut short and the device is armed preventing unauthorized tailgating through the opening.

The (DE) devices are furnished with a decal which states:

**Push until alarm sounds.  
Door can be opened in 15 seconds.**

**Note:** A “30 Second” decal is provided when the 30 Second Delay option is specified.

**DE ELECTRICAL SPECIFICATIONS**

**Voltage:** 24VDC

**Current Disarmed:** 100 mAmps

**Current Armed:** 3.2 Amps for 200 ms, 200 mAmps steady state

**DOOR WIDTHS** Available for 3'-0" and 4'-0" openings. For openings 3'-1" and greater, please specify door width requirements.

**Note:** Not available for openings less than 3'-0"

**To Order:** specify prefix “DE” (e.g. DEFL2108)

**PS160-6 Power Supply  
Required for Delayed Egress Devices**

The PS160-6 Power Supply is designed as a power source for a variety of applications including Electric Locking, Exit Alarm and Delayed Egress Exit Devices.

The Power Supply uses a standard 115 VAC at 2.5 ampere input fuse rated @ 3.5 ampere, 250 volts. The power supply can control up to (3) Delayed Egress Exit Devices. **Note:** Adding additional loads to the PS160-6 Power Supply i.e., Card readers, Horns, etc...will reduce the quantity of Delay Egress Exit Devices that may be energized by the power-source. The filtered and regulated out put power is field selectable for 12 or 24 VDC at 6 amp.

**SPECIFICATIONS**

- Fire alarm release that accepts normally closed contact
- Battery Backup with charger (27 VDC, 150mA)
- AC input is protected via a manually reset circuit breaker
- DC output is protected via an auto-reset fuse (PTC)
- LED indicators for AC input, DC output and Battery Backup status
- Includes lockable box with key lock
- Dimensions: 13 W x 13.5 H x 3.25 D (18 gage steel)
- Weight: 11 lbs.

**To Order:** specify PS160-6 power supply



**PS160-6 Power Supply**

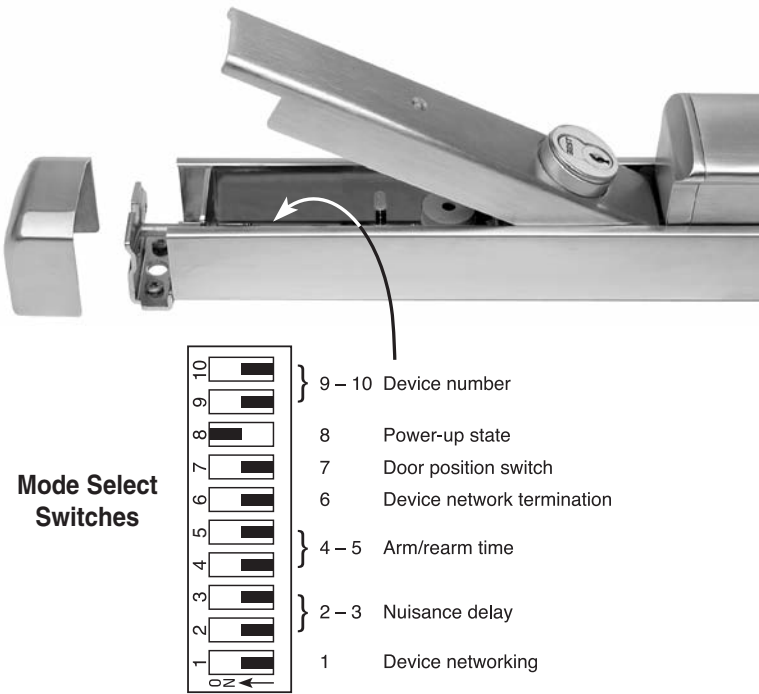
**WIRE CHART AND OHMS LAW**

**Minimum Wire Gauge for 24 volts AC or DC**

AMPS	DISTANCE IN FEET FROM POWER SOURCE TO FARTHEST LOCKING DEVICE				
	25	50	75	100	150
6.00	18	16	16	14	12



## DELAYED EGRESS APPLICATION CHARTS



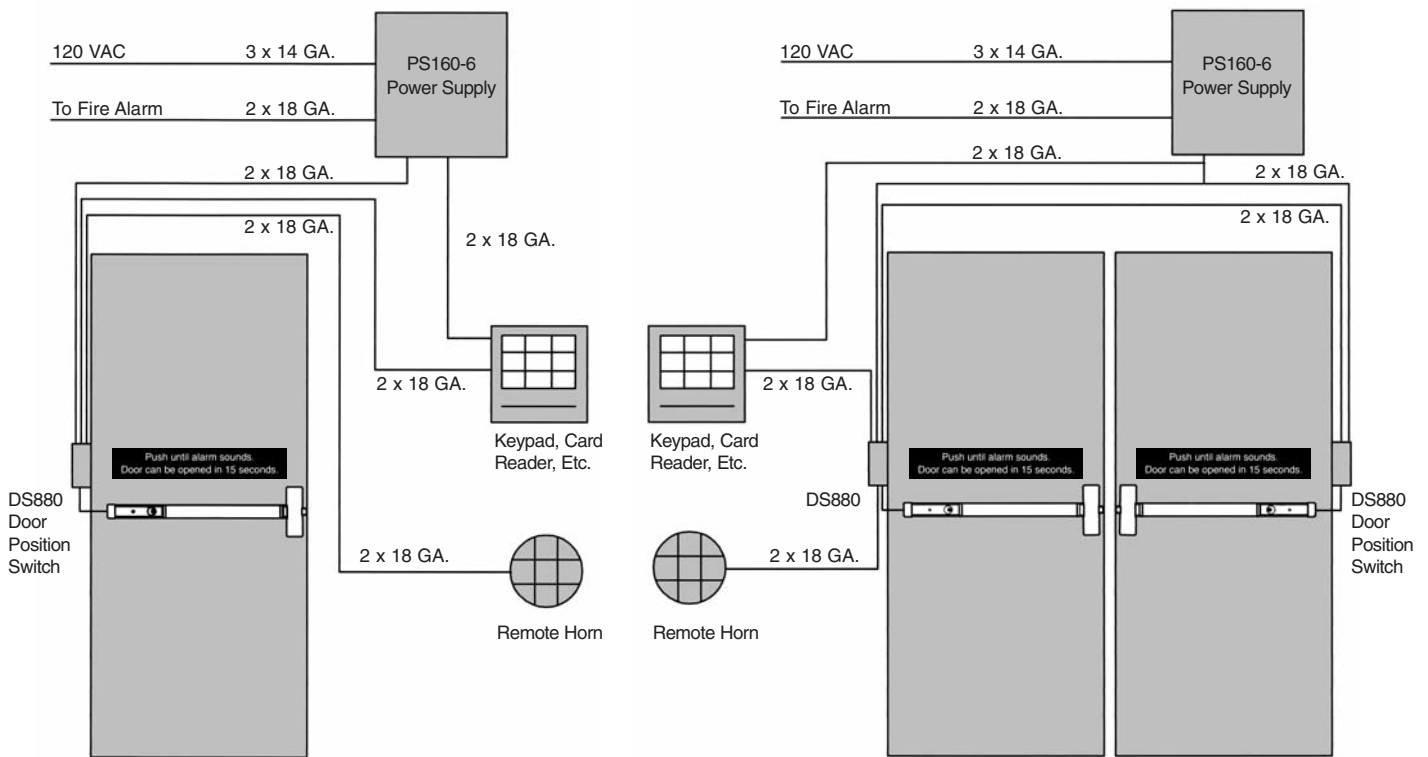
### ACCESS COVER FEATURE -

The Mode Select Switch panel can be accessed through a hinge stile cover for ease of installation and maintenance without removing the device or Endcap Mounting Bracket. The access cover is secured in place by the device Endcap, which is attached with Security Screws.

### MODE SELECT SWITCHES -

The following Mode Select Switch panel (see left) provides field selectable settings to suit the various Delayed Egress applications.

## DELAYED EGRESS APPLICATION CHARTS



**SINGLE DOOR** - This application allows for remote Arm/Disarm and remote monitoring of the Delayed Egress. The Exit device will delay egress when armed and will be a normal exit device when disarmed. The DS880 (DS) Door Position Switch (page 29) prohibits the door from being held or forced open while the device is armed. The 24 VDC, remote switch, remote horn and the DS are routed through the power transfer and the fire alarm is wired to the power supply.

**DOUBLE DOOR** - This application allows for remote Arm/Disarm and remote monitoring of the Delayed Egress. The Exit device will delay egress when armed and will be a normal exit device when disarmed. The DS880 (DS) Door Position Switch (page 29) prohibits the door from being held or forced open while the device is armed. When one device is alarmed the other device will also go into alarm. The 24 VDC, remote switch, remote horn and the DS are routed through the power transfer and the fire alarm is wired to the power supply.



**EXIT ALARM****Weatherized Exit Alarm****Exit Alarm**

Available for all Apex Series Devices

**ALK** - Battery Operated, provided with a 9 Volt battery and has a audible low battery indicator. Specify WH495 Wire Harness for Remote Arm/Disarm or alternate Input Activation options.

**ALW** - Remote Powered 12 to 24 VDC at 0.25 Amp., a (2) wire power transfer is required, not furnished standard. Specify WH495 Wire Harness for External Wire features:

- External Arm/Disarm (On/Off)
- External Activation (to sound Alarm)

The Exit Alarm provides a simple way to audibly monitor the use of an exit device. The unit contains a Piezo Alarm which will sound when the touchbar is depressed. Alarm sounds at 80db at 10 feet.

It is also equipped with an LED indicator. The LED flashes GREEN for 20 seconds when the unit is arming and flashes RED every 20 seconds when the alarm is armed.

Note: Latch Bolt Monitoring (LS) or Door Position Switch (DS) is recommended when using Alarm option with 2200 Series Surface Vertical Rod devices.

**CYLINDER**

The Exit Alarm requires a standard 1-1/4 Mortise Cylinder (for cylinder details see page 19) which is used as a key switch to perform the following functions:

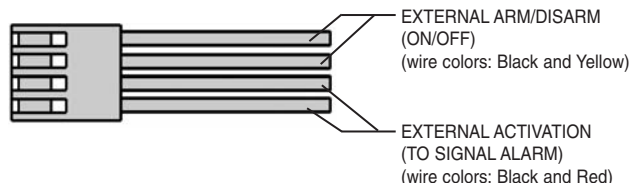
- To turn on (Arm) - it will allow 20 seconds to exit before alarm sounds.
- Silence and reset the alarm after unauthorized egress.
- To turn off (Disarm) the alarm for continuous unmonitored egress.
- Engage mechanical Dogging for Non-Fire Rated Devices.

**WIRING HARNESS - WH495**

Can be wired for one or both of the options listed below.

- Exit Alarm can be turned on (Armed) with alternate inputs. For other than our DS880 or NDS986 Door Position Switch a (2) wire power transfer hinge is required (furnished by others).
- Exit alarm can be turned on (Armed) or off (Disarmed) from a remote location. A Cylinder or Dummy Cylinder (by others) is required. Cylinders are not furnished standard. Specify when required (for cylinder details see page 19). A (2) wire power transfer is required, not furnished standard.

**To Order:** specify WH495



Note: The Exit Alarm is NOT required when ordering the (DE) Delayed Egress option.

Available for all Apex Series Devices. The Weatherized Exit Alarm is identical in operation to the standard Exit Alarm but incorporates a weatherized design for use on a variety of applications where contact with the elements may occur.

**WALW - Remote Powered** 12 to 24 VDC at 0.25 Amp., a (2) wire power transfer is required, not furnished standard. Specify WH495 Wire Harness for Remote Arm/Disarm or alternate Input Activation options.

Weather resistant loss prevention hardware designed for use in outdoor or wet environments

- Meets the requirements of MIL-STD 810F, Method 506.4, Driving Rain Test (simulating 4 in./hr. rain with 40 mph wind)
- Meets the requirements of MIL-STD 810F, Method 509.4, Salt Fog test (simulating effects of corrosive environments similar to atmospheric conditions found in coastal regions)

**To Order:**

Device with Weatherized Exit Alarm - add suffix "WALW" to Device No. (e.g. 2108WALW)

**Exit Alarm Kit**

Available for all Apex Devices from 3-0 to 4-0 wide doors. Furnished with Touchbar decal which states:

**!! EMERGENCY EXIT ONLY !!**  
PUSH TO OPEN      ALARM WILL SOUND

The Exit Alarm is available in Kits for Retrofit on existing devices. The channel fillers are different lengths for Narrow and Wide Stile devices. "N" denotes Narrow Stile devices.

**To Order:**

**Device with Alarm** - add suffix "ALK", "ALW" (e.g. 2108ALK)

**Alarm Kits**

Wide Stile Devices

2-6 & 3-0 ALK-3, ALW-3  
4-0 ALK-4, ALW-4

Narrow Stile Devices

3-0 NALK-3, NALW-3  
4-0 NALK-4, NALW-4

- WH495 Wiring Harness - Required for External Arming/Disarming the Alarm and External Activation to sound the Alarm.
- Kits are available in finishes 605, 606, 612, 613, 625, 628, 630. For finish description see page 3.
- To order specify Kit No. and finish (e.g. ALK-3 626).

Note: For Battery operated kits a 9 Volt battery is included.

STANLEY

phi

## ELECTRIC DEVICES


**E2103, E2203, E2703 and E2803 Electric Device**

Available for 2100, 2200, 2700 and 2800 Series Devices. The Electric Device controls entry by remote locking or unlocking of the outside trim. In addition to a 24 VDC solenoid, the exit device is also equipped with a SPDT - single pole double throw switch. The switch monitors the outside trim (locked or unlocked).

The device is furnished standard as Fail Secure (FSE). When power is off the trim is locked. Power is applied to unlock the trim. May be field converted to the Fail Safe (FS) mode. (FS) - power is applied to lock the trim. Specify (FS) or (FSE) mode when ordering. Specify outside Trim with "08" function. The outside key cylinder retracts the latchbolt for mechanical override. If outside cylinder (mechanical override) is not required, specify outside trim with "14" function.

**E2103K Electric Rim Device Kit**

To convert 2103, FL2103 devices to E2103, FLE2103 devices in the field. The Kit includes Trim locking assembly and Electric "E" locking assembly.

**Note:** The exit device can be used as a conduit for wiring to the hinge side of the door.

**Electrical Ratings**

Switch rated to 2 Amps at 24VDC SPDT  
Solenoid current draw: 0.3 Amps.

**To Order:**

Device: specify prefix "E" (e.g. E2103 FSE 4908A)  
Rim Device Kit: specify Kit No. (e.g. E2103K FSE)

**Note:** "E" locked/unlocked requires "08" or "14" function for outside lever trim.


**E2303 Electric Mortise Device**

The Electric Mortise Device controls entry by remote locking or unlocking of the outside trim. In addition to a 24 VDC solenoid, the mortise lock is also equipped with a SPDT - single pole double throw switch. The switch monitors the outside trim (locked or unlocked).

The device is furnished standard as Fail Secure (FSE). When power is off the trim is locked. Power is applied to unlock the trim. May be field converted to the Fail Safe (FS) mode. (FS) - power is applied to lock the trim. Specify (FS) or (FSE) mode when ordering. Specify outside Trim with "08" function. The outside key cylinder retracts the latchbolt for mechanical override. If outside cylinder (mechanical override) is not required, specify outside trim with "14" function.

**Field Conversion**

To convert 2303, FL2303 devices to E2303, FLE2303 devices in the field a Electric Mortise Lock is required. Specify EM303, EM303F, LSEM303 or LSEM303F (see below for Electric Mortise Locks).

**Electrical Ratings**

Switch rated to 2 Amps at 24VDC SPDT  
Solenoid current draw: 0.2 Amps.

**To Order:**

Device: specify prefix "E" (e.g. E2303 FSE M4908A)

**Note:** "E" locked/unlocked requires "08" or "14" function for outside lever trim.

**Electric Mortise Lock - Handed**

The Mortise lock is available with the following electrical options:

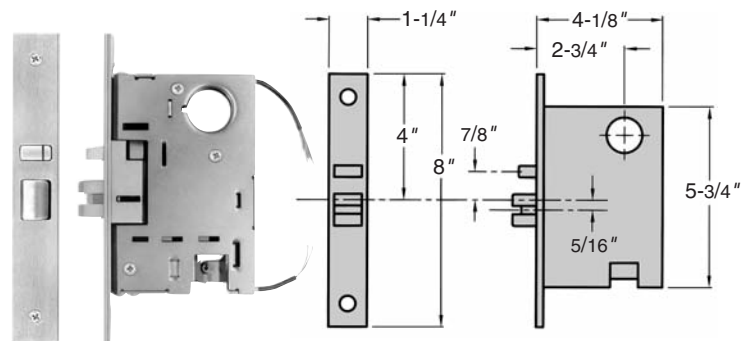
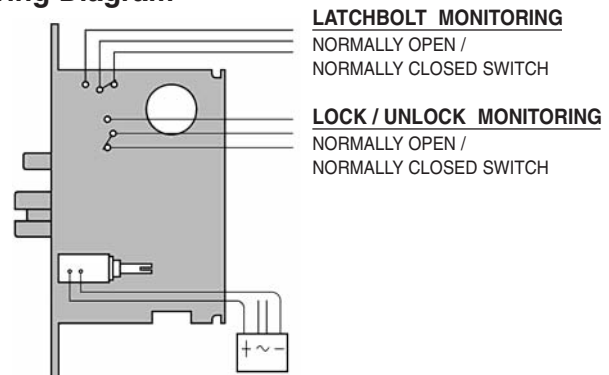
MODEL NO.	DESCRIPTION
• LSM303, LSM303F	- latchbolt monitoring, "03" Function
• LSM308, LSM308F	- latchbolt and trim locked or unlocked monitoring, "08" Function
• EM303, EM303F	- electric lock/unlock with switch to monitor the outside trim (locked or unlocked)
• LSEM303, LSEM303F	- electric lock/unlock with switches to monitor the outside trim (locked or unlocked) and to monitor the latchbolt.

**Electrical Ratings**

Switch rated to 2 Amps at 24VDC SPDT  
Solenoid current draw: 0.2 Amps.

Mortise Lock is furnished standard as Fail Secure (FSE). When power is off the trim is locked. Power is applied to unlock the trim. May be field converted to the Fail Safe (FS) mode. (FS) - power is applied to lock the trim.

**To Order:** Specify EM303 x (FSE) or (FS) x handing x finish (e.g. EM303 FSE RHRB 630).


**Wiring Diagram**


## Touchbar Monitoring

Available for all Apex Series Devices. The Touchbar Monitoring Switch is an internally mounted switch that is used to signal electromagnetic locks, horns, monitoring stations or other electronic components.

- UL Listed for Panic and Fire for Class II Circuitry.
- TS and TDS can be used in combination with all Apex options including ELR Devices.

**TS** (SPDT - Single Pole, Double Throw) version allows for interface with one external component. A (2) wire power transfer is required, not furnished standard.

**TDS** (DPDT - Double Pole, Double Throw) version allows for interface with two external components. A (4) wire power transfer is required, not furnished standard.

**To Order:** specify prefix TS or TDS (e.g. TS2108)

### Touchbar Monitoring Conversion Kit

TS and TDS options are available as kits, specify TSK309 for Single Switch Monitoring or TDSK310 for Double Switch Monitoring.

### Electrical Ratings

TS: Switch rated to 2 Amps at 24VDC SPDT

TDS: Switch rated to 2 Amps at 24VDC DPDT

## Weatherized Touchbar Monitoring

Available for all Apex Series Devices. Weatherized Touchbar Switch WTS/WTDS is designed for use on a variety of exit device applications where contact with the elements may occur. Provided with the same specifications as the standard Touchbar monitoring.

- Meets the requirements of MIL-STD 810F, Method 506.4, Driving Rain Test (simulating 4 in./hr. rain with 40 mph wind)
- Meets the requirements of MIL-STD 810F, Method 509.4, Salt Fog test (simulating effects of corrosive environments similar to atmospheric conditions found in coastal regions)

**To Order:** specify prefix WTS or WTDS (e.g. WTS2108)



## Door Position Monitoring Switch

A Magnetic Reed type switch used to monitor the position of a door from a remote location. It is mounted in the Touchbar Endcap and Door Frame.

**Electrical Ratings** 1.5 Amps at 24VDC SPDT

**To Order:** Wide Stile: specify DS880 and finish.  
Narrow Stile: specify NDS986 and finish.

## MONITORING SWITCHES

## Latchbolt Monitoring

Available for Wide Stile Rim, Mortise and Vertical Rod Devices. The Latchbolt Monitoring Switch is an internally mounted switch that monitors the position of the latchbolt. The switch can be used to signal a monitoring station or an alarm such as a Precision ALK/ALW Exit Alarm. For the security of the opening a Door Position Monitoring Switch is recommended.

- UL Listed for Panic and Fire for Class II Circuitry.
- LS and LDS can be used in combination with all Apex options including ELR Devices.

**LS** (SPDT - Single Pole, Double Throw) version allows for interface with one external component. A (2) wire power transfer is required, not furnished standard.

**LDS** (DPDT - Double Pole, Double Throw) version allows for interface with two external components. A (4) wire power transfer is required, not furnished standard.

**To Order:** specify prefix LS or LDS (e.g. LS2108)

### Latchbolt Monitoring Conversion Kit

LS or LDS option is available as a kit for Wide Stile Devices, specify LSRK298 or LDSRK299 for Rim Devices or LSVK910 for Vertical Rod Devices. For Mortise Devices see Electric Mortise Lock, page 28.

### Electrical Ratings

LS: Switch rated to 2 Amps at 24VDC SPDT

LDS: Switch rated to 2 Amps at 24VDC DPDT

## Power Transfer

EPT-5 Power Transfer with steel housing and flexible tube. Secure and inconspicuous channel to bring power from the frame to the door. Narrow, shallow channel easily mortises into frame edges. Accepts up to 5/16" diameter wire bundle. Accommodates doors that swing open 120 degrees. Unit is concealed when the door is closed. Suitable for wood, aluminum or steel applications.

**Finish** Bright Chrome. Will hold up to (10) 22 gauge Teflon coated wires.

**To Order:** specify EPT-5.



**EPT-2** Armored flex conduit. Accepts up to 1/4 diameter wire bundle. Eighteen inches long.

**To Order:** specify EPT-2.

STANLEY

phi



## WIRELESS ACCESS MANAGEMENT SYSTEM

### Wireless Activation

The EXQ trim is part of the Stanley® Wi-Q™ Technology Wireless Access Management System.

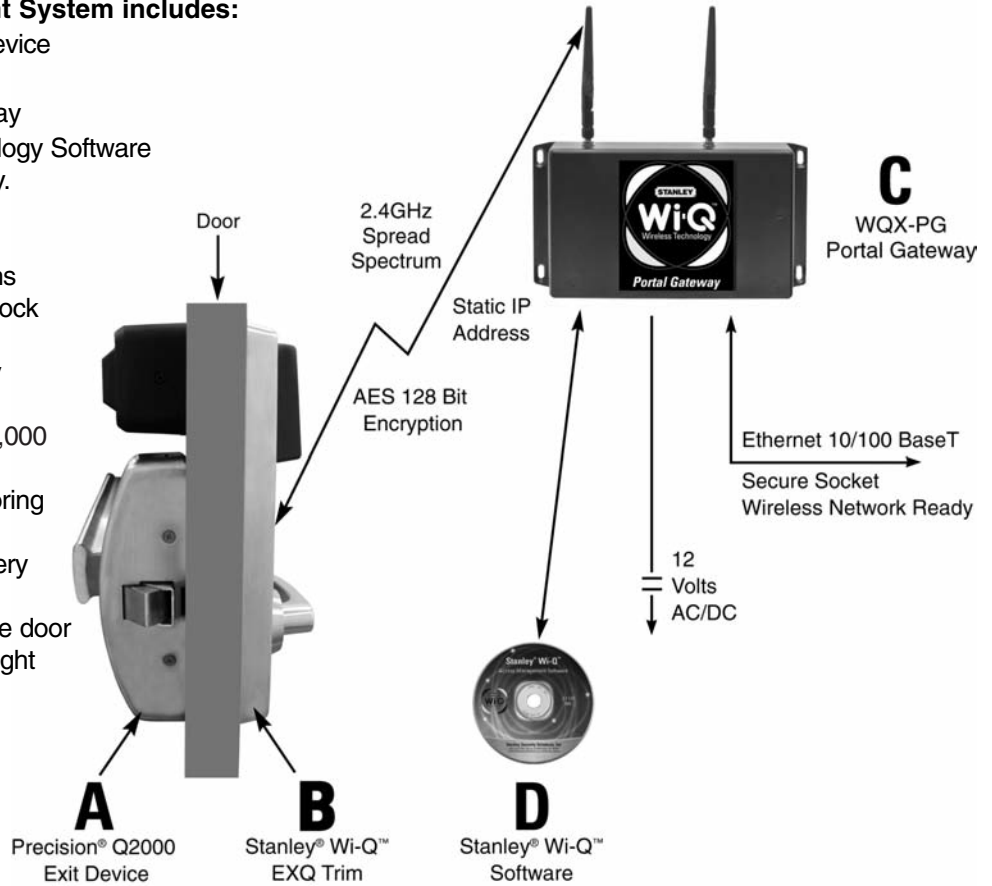
#### Wireless Access Management System includes:

- A)** – Precision Q2000 exit device
- B)** – BEST® EXQ trim
- C)** – WQX-PG portal gateway
- D)** – Stanley® Wi-Q™ Technology Software

**Note:** Items ordered separately.

#### System Features

- Programmable time selections for desired wireless Lock/Unlock activation
- 65,000 user storage capacity
- Visual LED Indicators
- Redundant storage, up to 99,000 events
- Provides online alarm monitoring capabilities
- Battery powered by 'AA' battery pack
- Access decisions made at the door
- Remote reader diagnostics right from the PC



**Stanley® Wi-Q™ Wireless Technology Architecture**

#### A) Precision Q2000 Exit Device

The Precision Q2000 exit device is equipped with the Touchbar Monitor Switch and Latchbolt Monitor Switch features. The integrated Q2000 exit device monitoring switches provide immediate feedback through connectivity with the EXQ trim software to facility security. The Q-option is available for use with Apex wide style, Rim and Vertical Rod exit devices.

**Note:** Wires routed through active case for EXQ Trim connection.

**Note:** Q option not available for 2300 series.

#### Q-Option Retrofit Kits

For existing Apex 2000 Series wide style rim and vertical rod exit devices without the Q-option, retrofit kits are available.

#### Q-Retrofit Kit includes:

Switch Assemblies, Mounting Hardware and Installation Instructions.

**Electrical Ratings** – Q-switches rated to 2 Amps at 24VDC SPDT.

#### To Order:

**Q-Option** – Specify prefix Q (ex.Q2103)

#### Q-Retrofit kit

**QSRK5267** – 2103 Rim

**QSVK5268** – 2203, 2703, 2803 Vertical Rod



**A) Precision™ Q2103 Exit Device**

Wireless Access Management System continued on pages 31 and 32.

## WIRELESS ACCESS MANAGEMENT SYSTEM (continued)

### B) BEST® EXQ Trim

The BEST® EXQ Trim provides battery powered online lock/unlock capability for applications utilizing exit device hardware. Used in conjunction with the Stanley® WQX-PG Portal Gateway and Software, the EXQ trim can receive a wireless command for Lock/Unlock activation. In doing so, the respective facility has immediate efficient pull-side access control for openings that utilize exit device hardware. The EXQ comes standard with a (DS) Door Position Switch. In addition, the trim is equipped with lead wires to integrate the Q2000 Touchbar and Latchbolt Monitoring switches.

The BEST EXQ trim is offered with four different activation styles to choose from. These four types are listed below.

1. **MS** – Magnetic Stripe
2. **DV** – Dual Validation (Magnetic Stripe + Keypad)
3. **PH** – HID Proximity
4. **PM** – Indala Proximity

#### EXQ Trim Features

- Handing (Field reversible)

#### EXQ Trim Specifications

**Materials** – Internal parts are brass, zinc, or corrosion treated steel.

**Escutcheons** – 11.7" H x 3.4" W x 1.2" D.

**Door thickness** – Standard lock configuration designed for doors 1 3/4" (44mm) – 2 1/4" (57mm) thick.

**Lever handle** – Brass, bronze, or stainless steel base material. Lever styles 14 and 15 return to a minimum of 1/2" (12mm) of door surface.

**Finishes** – **606** – satin brass, clear coated,

**613\*** – oxidized satin bronze, oil rubbed,

**626** – satin chromium plated (brass base material),

**690\*\*** – dark bronze coated (brass base material)

\* 613 finish is designed to wear over time, providing an "antique" appearance.

\*\* 690 finish will continue as a dark brown appearance over time.



**A) Precision™  
Q2103 Exit Device**

**B) BEST®  
EXQ Trim**

#### EXQ Trim Exit Device Compatibility

**Apex 2000 Series Wide Style Exit Devices:**

- Rim device – 2103
- Surface vertical rod – 2203
- Concealed vertical rod – 2703, 2803

**Note:** includes key-override



#### EXQ Trim Reader Styles



**Magnetic Stripe  
Reader**

**Proximity  
Reader**

**Dual Validation  
Reader**

With key override	EXQ – Function
	<p><b>Latchbolt operated by:</b></p> <ul style="list-style-type: none"> <li>• Outside key</li> <li>• Outside lever-unless locked by internal motor drive mechanism</li> <li>• Touchbar</li> </ul> <p><b>Outside lever locked by:</b></p> <ul style="list-style-type: none"> <li>• Internal motor drive mechanism operated by time-activated signal</li> </ul> <p><b>Outside lever unlocked by:</b></p> <ul style="list-style-type: none"> <li>• Internal motor drive mechanism operated by time-activated electronic signal or by valid card/PIN</li> </ul> <p><b>Inside hardware is always unlocked</b></p>

For more information on other trims or trim readers refer to: BEST® EZ series, NT500, B.A.S.I.S. G, B.A.S.I.S. V, and Wireless Access Management catalogs.

Wireless Access Management System continued on pages 30 and 32

**WIRELESS ACCESS MANAGEMENT SYSTEM (continued)****C) WQX-PG portal gateway**

The portal gateway provides a remote integrated solution to Stanley's® Wi-Q™ Wireless Access Management System. In doing so, all of the crucial components are linked in a secure wireless format providing efficient communication. The following is a list of the Portal Gateway features. For information on how to order, please refer to Stanley Wireless Access Management catalog.



**C) WQX-PG  
Portal Gateway**

**Wireless Portal Gateway Features**

- Communicates at 2.4GHz spread spectrum to wireless readers or wireless access controllers
- Uses 802.15.4 protocol with clear channels above 802.11 to allow Wi-Fi inter-operability
- 10/100 Base-T bit Ethernet
- Provides redundant communication (locks attach to the strongest signal)
- Non-dedicated portal can communicate with 1 to 128 readers (Does not imply that 128 readers/locks will be within distance of RF range to connect. Total number of portal gateways required is based on individual system survey and requirements.)
- Ceiling mounted omnidirectional antenna included standard when WQX-PG-C is ordered
- Does not require typical controller hardwiring. Simply plug the Portal Gateway into an existing TCP/IP network and provide local power

**D) Stanley® Wi-Q™ Technology Software**

The wireless access management software incorporates the functional intelligence for the entire application solution. The net result is a coordinated system with software intelligence found at the control station and remotely as well. Facility personnel can benefit from utilizing the advantages of an integrated software solution found in all aspects of the security and monitoring hardware. For more information or how to order, please refer to Stanley's Wireless Access Management catalog.



**D) Stanley® Wi-Q™  
Technology Software**

Wireless Access Management System continued on pages 30 & 31



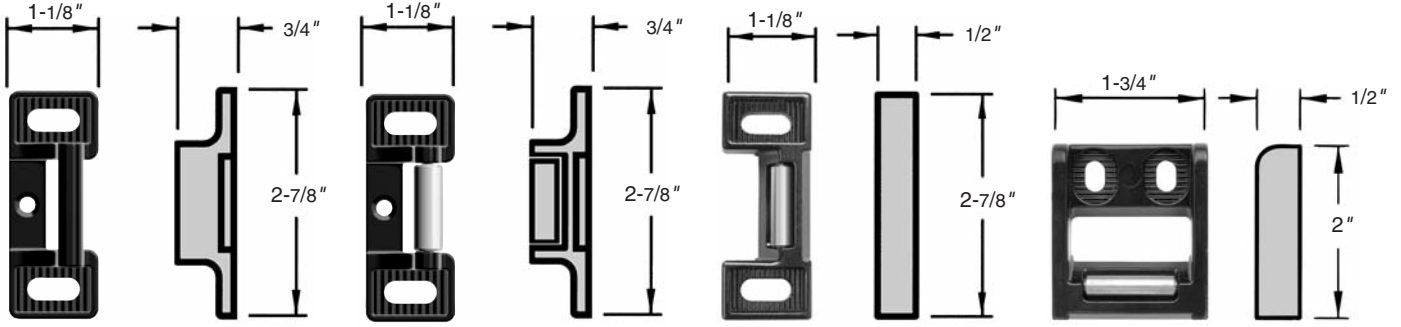
Type and Application	Door Opening	Exit Device Series	FIRE LABEL RATING					
			(A) 3 Hour	(B) 1-1/2 Hour	(C) 3/4 Hour	(D) 1-1/2 Hour	(E) 3/4 Hour	20 min. Door
<b>SINGLE DOOR</b>								
Rim Device	4'-0" W x 10'-0" H	FL2100, FL21	•	•	•	•	•	•
Narrow Rim Devices	4'-0" W x 10'-0" H	FL2400	•	•	•	•	•	•
Mortise Device	4'-0" W x 10'-0" H	FL2300	•	•	•	•	•	•
<b>PAIR OF DOORS</b>								
Two Rim Devices with Mullion	8'-0" W x 8'-0" H	FL2100, FL21 x FL822, FLKR822	•	•	•	•	•	•
Two Narrow Rim Devices with Mullion	8'-0" W x 8'-0" H	FL2400 x FL822, FLKR822	•	•	•	•	•	•
Two Surface Vertical Rod Devices Swinging in the Same or Opposite Direction	8'-0" W x 10'-0" H	FL2200, FL2200LBR, FL22, FL22LBR	•	•	•	•	•	•
Mortise Lock Device x Surface Vertical Rod Device	8'-0" W x 10'-0" H	FL2300 x FL2200, FL2200LBR, FL22, FL22LBR	•	•	•	•	•	•
Mortise Lock Device x Concealed Vertical Rod Device	8'-0" W x 10'-0" H	FL2300 x FL2800, FL2800LBR	•	•	•	•	•	•
Two Narrow Concealed Vertical Rod Devices Swinging in the Same or Opposite Direction	8'-0" W x 10'-0" H	FL2600, FL2600LBR	•	•	•	•	•	•
Two Concealed Vertical Rod Devices Swinging in the Same or Opposite Direction	8'-0" W x 10'-0" H	FL2800, FL2800LBR	•	•	•	•	•	•
<b>Wood Doors Swinging in the Same Direction</b>								
Mortise Lock Device Wood Door Concealed Vertical Rod Device	8'-0" W x 8'-0" H	FL2300 x FL2700	•	•	•	•	•	•
Mortise Lock Device Wood Door Concealed Vertical Less Bottom Rod Device	8'-0" W x 8'-0" H	FL2300 x FL2700LBR	•	•	•	•	•	•
<b>Wood Doors Swinging in the Same or Opposite Direction</b>								
Two Wood Door Concealed Vertical Rod Devices	8'-0" W x 8'-0" H	FL2700	•	•	•	•	•	•
Two Wood Door Concealed Vertical Less Bottom Rod Devices	8'-0" W x 8'-0" H	FL2700LBR	•	•	•	•	•	•

All Fire Exit Hardware conforms to UL10C and UBC 7-2.  
Consult with Door Manufacturer for specific limitations on Fire Door Assemblies.

**STRIKES**

**Rim Exit Devices**

For Minimum Stile Widths see pages 36 and 37.



**S300 Standard**

For Rim and Top Strike for SVR Devices. Specify for FL2400 Devices on Pair of Doors with Mullion. Black Powder Coated Investment Cast Stainless Steel.

**S301 Optional**

For Rim and Top Strike for SVR Devices. Black Powder Coated Investment Cast, Stainless Steel Base and Roller.

**S458 For (paired) mullion applications**

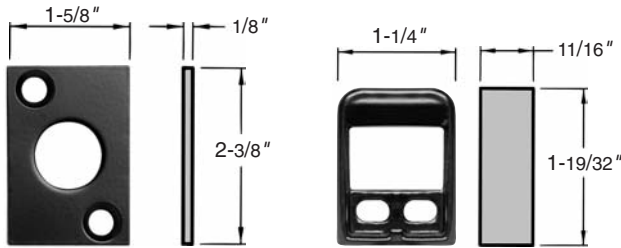
For Rim Devices. Black Powder Coated Investment Cast, Stainless Steel Base and Roller.

**S988 For (single) aluminum door applications**

For Narrow Stile Rim Devices. Black Powder Coated Investment Cast, Stainless Steel Base and Roller. Includes Rub Strip.

**Vertical Rod Exit Devices**

Top Strike - For Surface Vertical Rod Devices, S300 standard and S301 optional, see above.



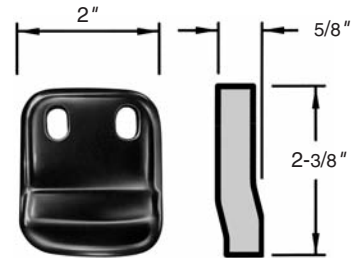
**S460 Bottom Strike**

For Vertical Rod Devices, Surface or Concealed. Black Powder Coated Steel.

**S519 Top Strike**

For Concealed Vertical Rod Devices. Black Powder Coated Investment Cast Stainless Steel.

**2100 Rim x Vertical Rod Exit Device**

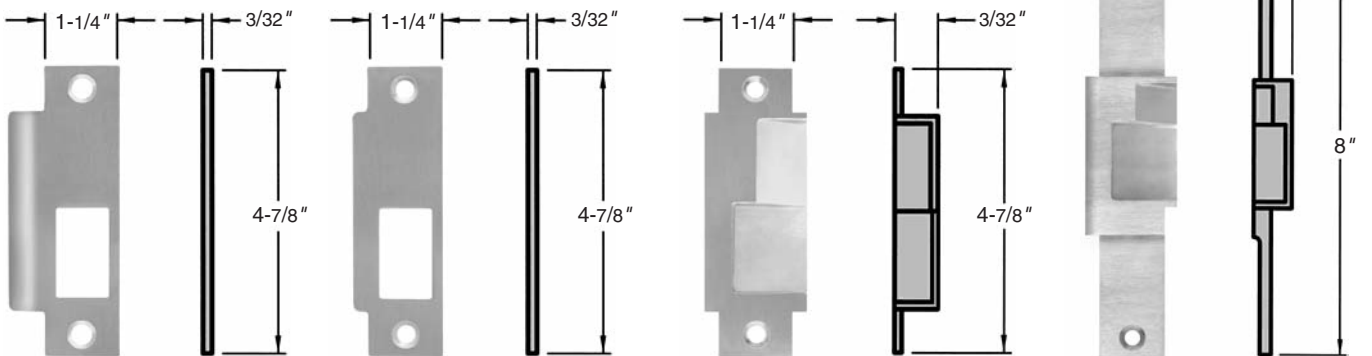


**S459 Optional Rim Strike**

For Non Fire Rated 2100 Rim x Vertical Rod Device on a Pair of Doors without a Mullion. Black Powder Coated Investment Cast Stainless Steel.

**Mortise Exit Devices**

Open Back Strikes allow a pair of doors to open and close independently. Strikes are handed. Specify Hand same as Mortise Lock (e.g. RHRB).



**S982 Standard**

Curved lip.

**S983 Optional**

7/8" Flat Lip to center. For overlapping astragal.

**S984 Optional**

Open Back Strike For 4-7/8" x 1-1/4" door edge cutout.

**S985 Optional**

Open Back Strike For 8" x 1-1/4" door edge cutout.

**Dummy Touchbar**



**Rigid Dummy Touchbar** - Touchbar is rigid. For push/pull operation specify Dummy Trim (02 function), see page 5 for Wide Stile and page 11 for Narrow Stile Trims.

	<b>3-0 Door</b>	<b>4-0 Door</b>
Wide Stile:	671DR-3	671DR-4
Narrow Stile:	N673DR-3	N673DR-4

**Active Dummy Touchbar with Microswitch** - Has an internally mounted switch that is used to signal electromagnetic locks, horns, monitoring stations or other electronic components. For push/pull operation specify Dummy Trim (02 function), see page 5 for Wide Stile and page 11 for Narrow Stile Trims. Available with CD, ALK, ALW, TDS, DS and NDS options.

	<b>3-0 Door</b>	<b>4-0 Door</b>
Wide Stile:	TS672DA-3	TS672DA-4
Narrow Stile:	TSN674DA-3	TSN674DA-4

**To Order:** specify Device No. x finish (e.g. 672DA-3 x 630)

**Shim Kit - for Narrow Stile Devices**



**NSMK995** used to accommodate doors with raised glass moldings. The kit consists of one 1/8" thick shim for the Chassis and one 1/8" thick shim for the End Cap Bracket Assembly.

**To Order:** Specify NSMK995 (e.g. 2400 NSMK995)

**Wide Stile Devices** are designed with a 1/4" gap (see page 2) between the back of the touchbar and the door and do not require shims. If more than 1/4" space is needed behind the device specify Shim Kit SMK994.

**Braille Touchbar**



Embossed Touchbar with the message "CAUTION STAIRWELL" in raised letters and Braille provides assistance to persons with impaired vision. Letters are 5/8" high and Braille is Grade 2, ADA compliant.

**To Order:** specify suffix "BRL" (e.g. 2103BRL)

**Miscellaneous**



**Dogging Key**  
DK220 - 7/32 standard hex.



**Rod Guide**  
RG124 - For Surface Vertical Rod Devices. Specify finish.



**End Cap**  
EC992 - Wide Stile  
NEC993 - Narrow Stile  
For Hinge Stile end of all devices. Specify finish.



**Mounting Bracket**  
MB305 - Wide Stile  
NMB591 - Narrow Stile  
To mount the device to the door on the Hinge Stile side.



**Top Rod** - 2200 and FL2200 Series.  
Three stock lengths available for 7'-0", 8'-0", and 10'-0" high doors.

- TR1854** - For 7'-0" doors, rod is 36" long.
  - TR1855** - For 8'-0" doors, rod is 48" long.
  - TR1857** - For 10'-0" doors, rod is 72" long.
  - TR5197** - For 12'-0" doors, rod is 96" long.
- Note:** 12'-0" top rod is Not available in "FL" fire rated option.

For doors of lesser height rods must be field cut. Specify finish (see page 3 for Finish Descriptions).



**Bottom Rod** - 2200 and FL2200 Series.  
**Extended Bottom Rods** - For exit device mounting heights greater than 39 15/16 extended bottom rods are available.  
**To Order:** B5247-09 x finish.

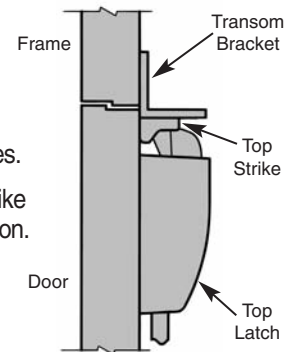
**BR1859** - For Touchbar location at 39-15/16" from finished floor, rod is 32-5/16" long. Specify finish (see page 3 for finish Descriptions).

**FB277** - Fire bolt assembly. (See below)



Strike Plug

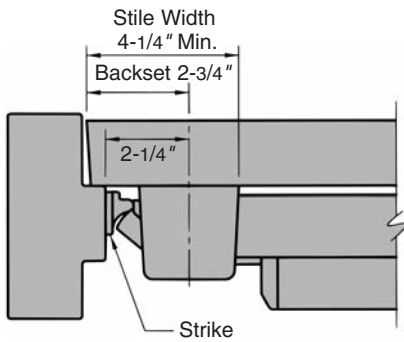
FB277- Fire Bolt Assembly



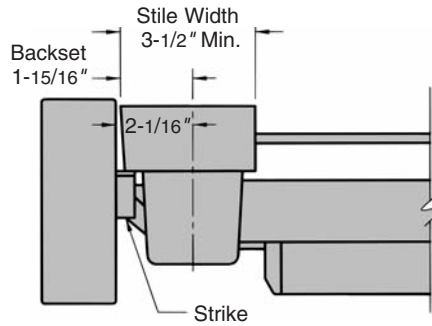
**Transom Bracket** - 2200 Series.  
**TMB453** - To mount the top strike in the flush transom application. Prepped for S300 Strike.

## MINIMUM STILE WIDTH

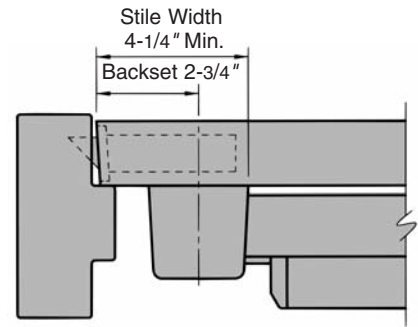
### Single Doors



**Rim Device with S300 or S301 Strikes**

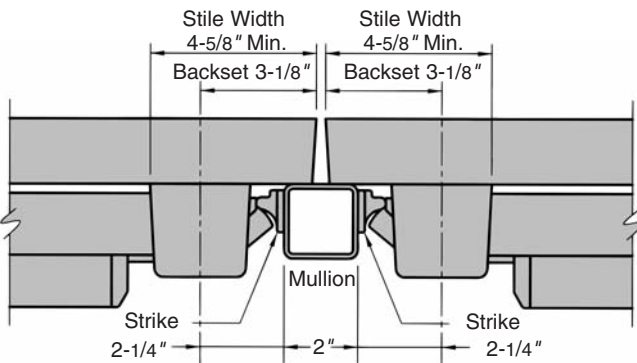


**Rim Device with S988 Strikes**  
For 3-1/2" medium stile Aluminum doors and frames. Consult factory.

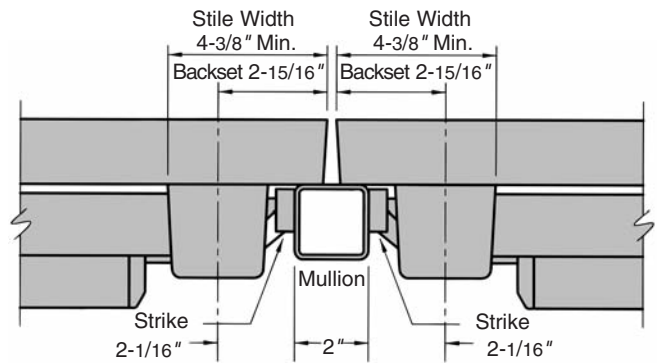


**Mortise Device**

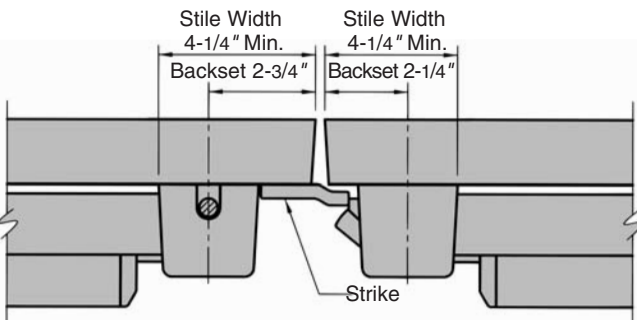
### Pair of Doors



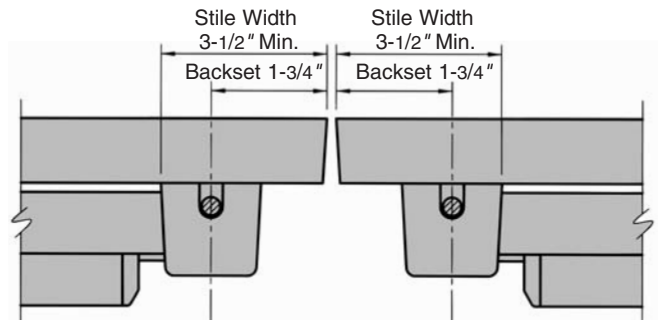
**Rim Devices with S300 or S301 Strikes and Mullion**



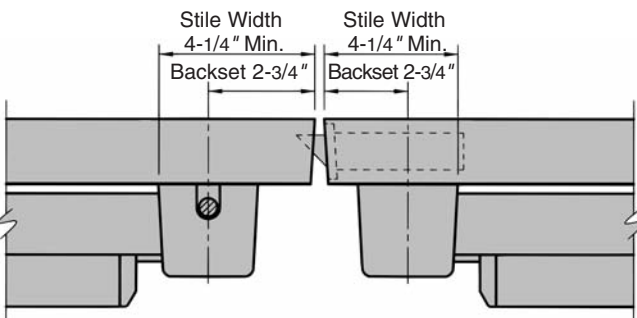
**Rim Devices with S458 Strikes and Mullion**



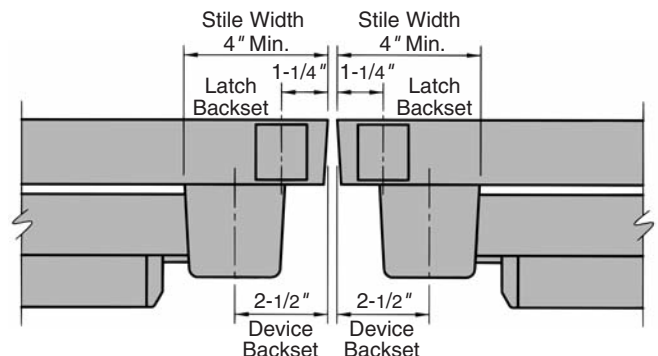
**Rim Device and Vertical Rod Device with S459 Strike**



**Two Vertical Rod Devices Surface or Concealed**  
For 3-1/2" medium stile doors consult factory.



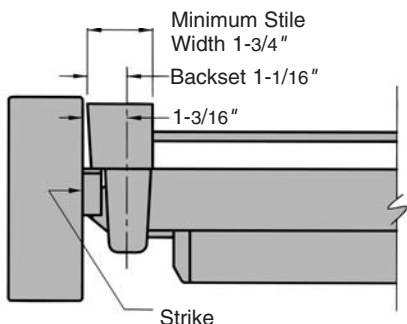
**Mortise and Vertical Rod Device Surface or Concealed**



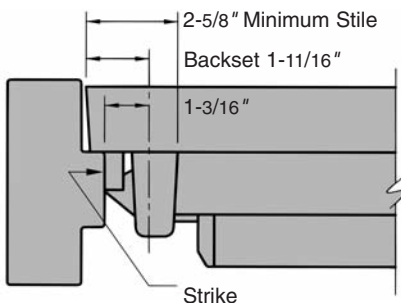
**Wood Door Concealed Vertical Rod Devices**



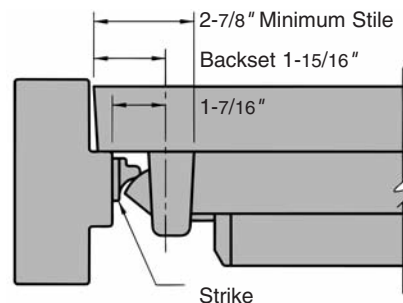
## MINIMUM STILE WIDTH Single Doors – Rim Devices



Rim Device with S988 Strike For (single) aluminum door applications

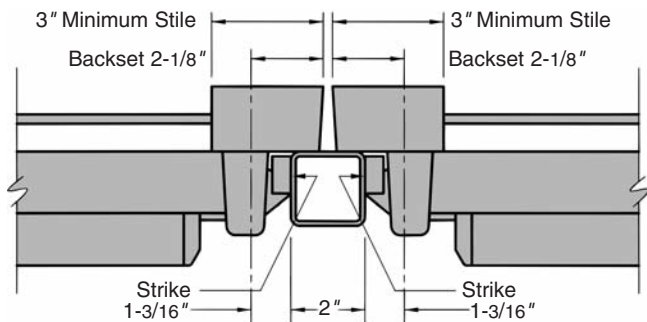


Rim Device with S458 Strike

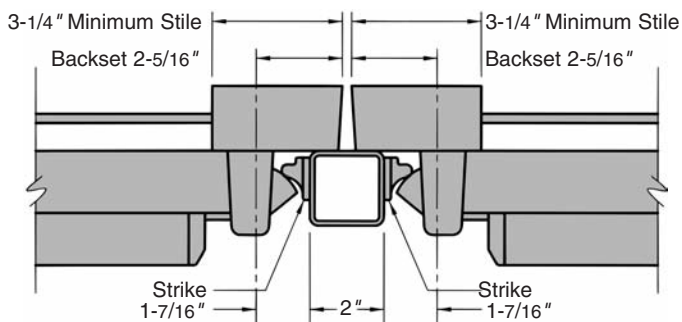


Rim Device with S300 or S301 Strikes

## Pair of Doors, Rim Devices



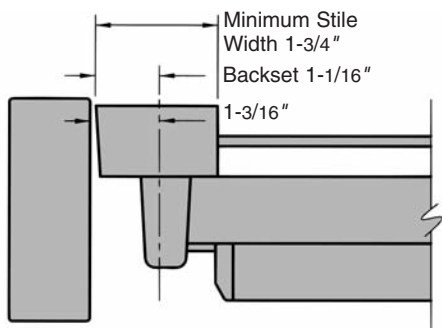
Rim Devices with S458 Strikes and Mullion



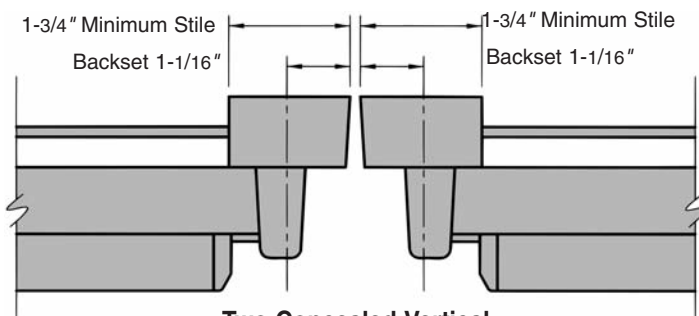
Rim Devices with S300 or S301 Strikes and Mullion

## Concealed Vertical Rod Devices

### Single Door



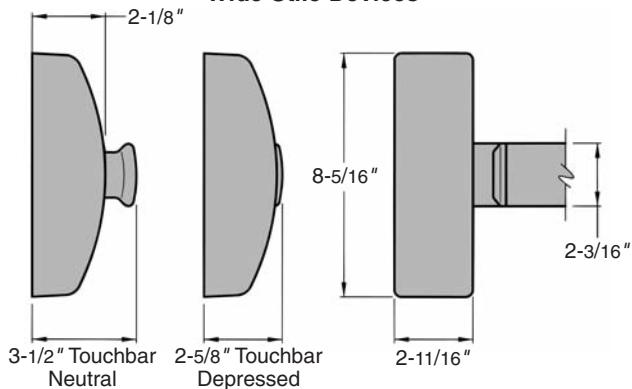
### Pair of Doors



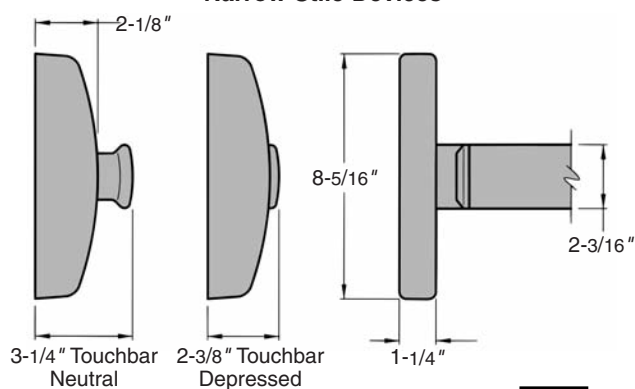
Two Concealed Vertical Rod Devices

## Device Dimensions

### Wide Stile Devices



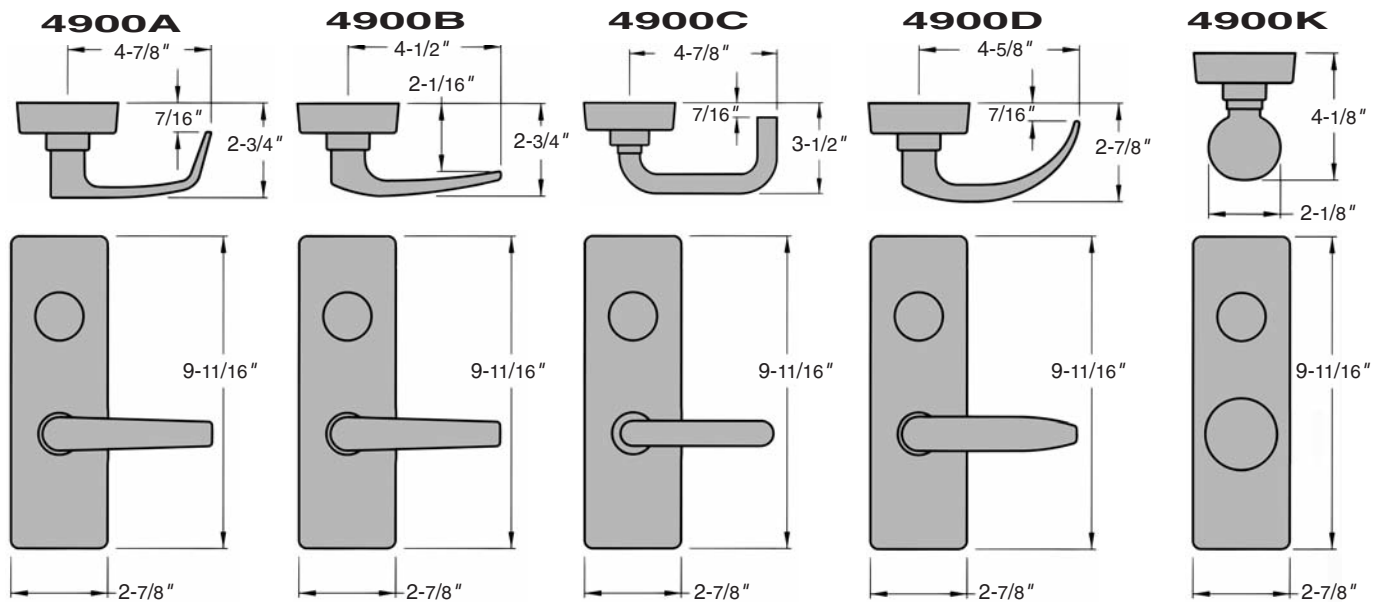
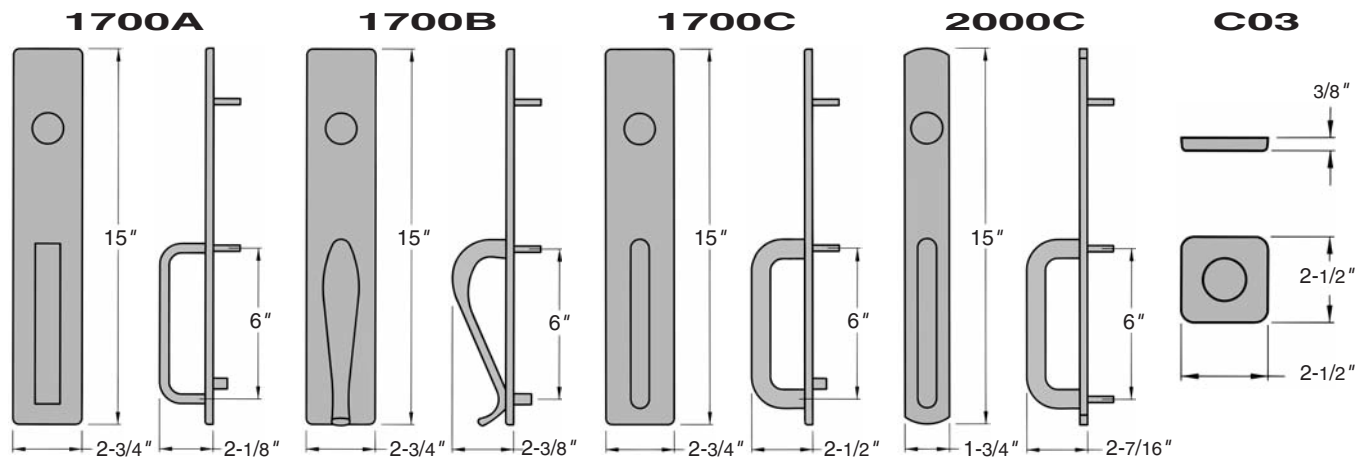
### Narrow Stile Devices



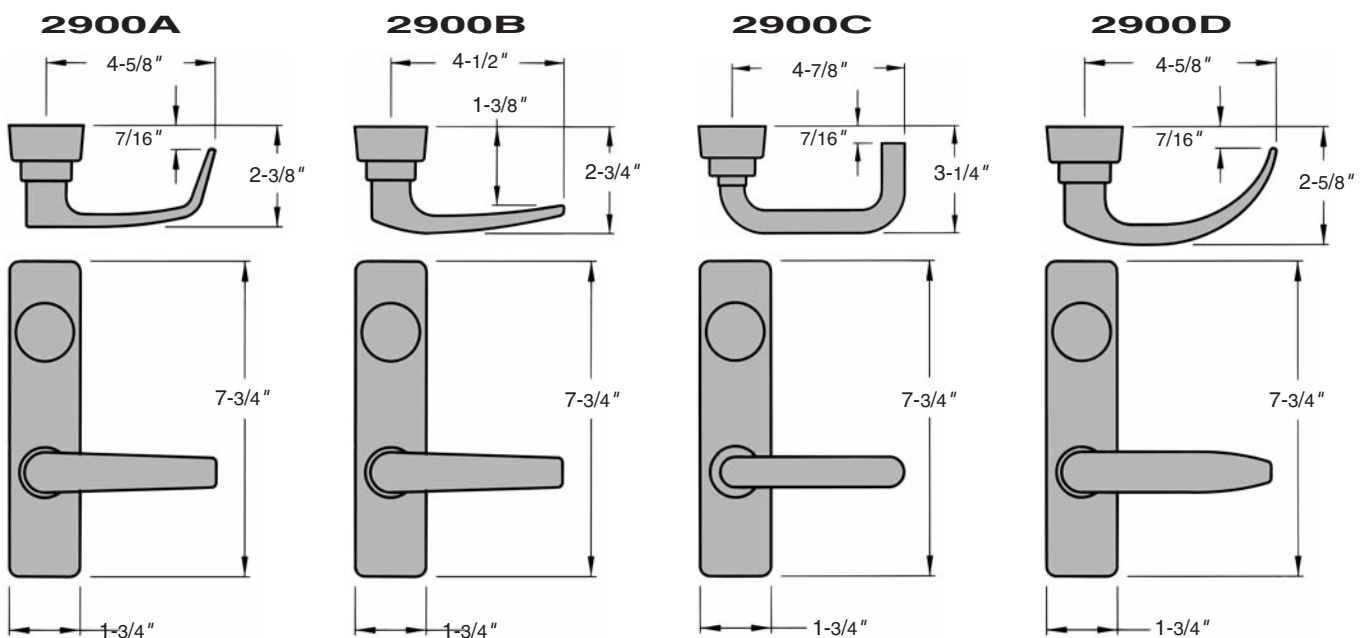
STANLEY

phi

**TRIM DIMENSIONS**

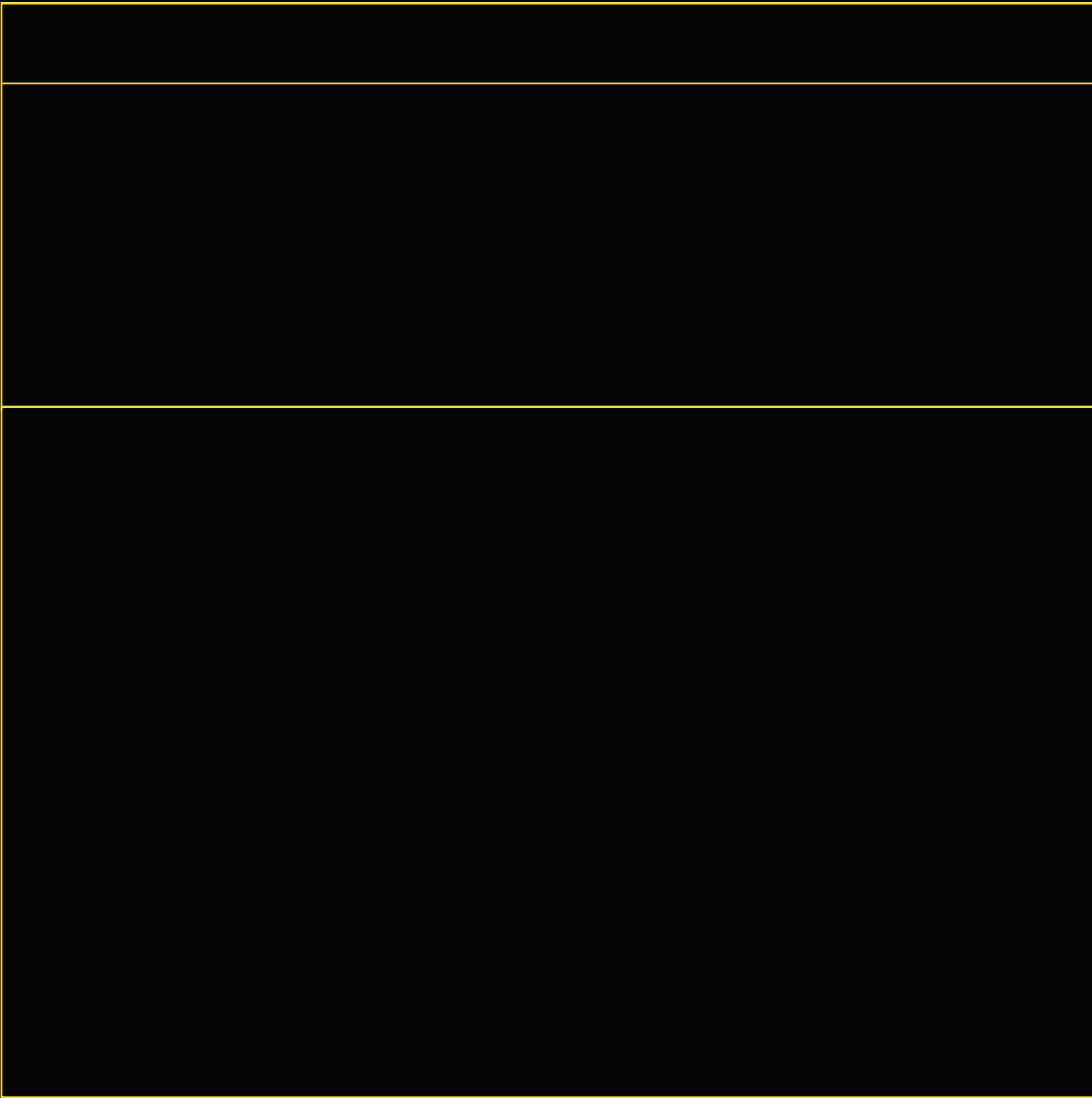


Lever Centerline 38-3/16" from Finish Floor when Device Centerline is 39-15/16".



Lever Centerline 38-3/16" from Finish Floor when Device Centerline is 39-15/16".





For more information on Stanley Security Solutions' products, services, and office locations visit our web site at [www.stanleysecuritysolutions.com](http://www.stanleysecuritysolutions.com)

Product information contained in this catalog has been compiled and presented with as much care and completeness as is reasonably possible. Errors or mistakes may be present, and in many cases, reliance has been placed on information supplied by other manufacturers which may be in error or which may be subject to changes or modifications by the manufacturer without notice and without obligation. Therefore, no guarantee can be made or should be assumed or implied with regards to product information contained in this catalog.



**Stanley Security Solutions, Inc.**

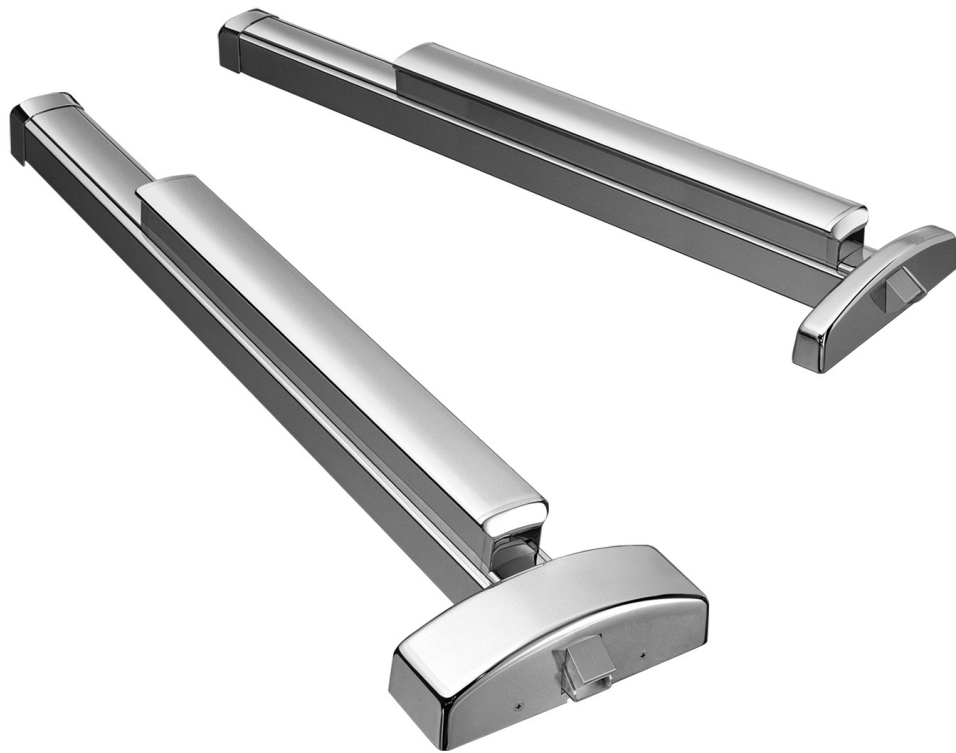
6161 E. 75th Street Indianapolis, Indiana 46250

© 2011 Stanley Security Solutions, Inc. • [www.stanleysecuritysolutions.com](http://www.stanleysecuritysolutions.com)

10M R411  
PHI005



**STANLEY**<sup>®</sup>  
Security Solutions



# PRECISION APEX 2000 EXIT DEVICE & TRIM

ILLUSTRATED PARTS CATALOG

**STANLEY**<sup>®</sup>  
**phi**<sup>™</sup>

## CREDITS/COPYRIGHT

Copyright © 2010 Stanley Security Solutions, Inc. All rights reserved. Printed in the United States of America.

Information in this document is subject to change without notice and does not represent a commitment on the part of Stanley Security Solutions, Inc. The software described in this document are furnished under a license agreement or nondisclosure agreement.

This publication is intended to be an accurate description and set of instructions pertaining to its subject matter. However, as with any publication of this complexity, errors or omissions are possible. Please call Stanley Security Solutions, Inc. at (317) 849-2250 if you see any errors or have any questions. No part of this manual and/or databases may be reproduced or transmitted in any form or by any means, electronic or mechanical, including photocopying, recording, or information storage and retrieval systems, for any purpose, without the express written permission of Stanley Security Solutions, Inc.

This document is distributed as is, without warranty of any kind, either express or implied, respecting the contents of this book, including but not limited to implied warranties for the publication's quality, performance, merchantability, or fitness for any particular purpose. Neither Stanley Security Solutions, Inc., nor its dealers or distributors shall be liable to the user or any other person or entity with respect to any liability, loss, or damage caused or alleged to be caused directly or indirectly by this publication.

TORX is a registered trademark of the Camcar Division of Textron.

T83703 Rev A – March 2010

---

---

# CONTENTS

## **CONTENTS 1–III**

## **FIGURES 1–VII**

## **GETTING STARTED 1–1**

- Introduction 1–1
- Overview 1–2
  - Before looking up the part 1–2
  - Models 1–2
  - Functions 1–2
  - Style 1–2
  - Finishes 1–3
  - Other options 1–3
  - Web Addresses 1–3

## **EXIT DEVICE OVERVIEW 2–1**

- 2100 Apex Rim Series 2–2
  - 2100 Series parts guide 2–2
- 2200 Apex Surface Vertical Rod Series 2–3
  - 2200 Series parts guide 2–3
- 2300 Apex Mortise Series 2–4
  - 2300 Series parts guide 2–4
- Mortise cases for the 2300 Apex 2–5
- 2400 Apex Rim, Narrow Stile Series 2–6
  - 2400 Series parts guide 2–6
- 2600 Apex Concealed Vertical Rod, Narrow Stile Series 2–7
  - 2600 Series parts guide 2–7

2700 Apex Wood Door Concealed Vertical Rod Series	2-8
2700 Series parts guide	2-8
2800 Apex Concealed Vertical Rod Series	2-9
2800 Series parts guide	2-9

**TRIM 3-1**

Trim Components	3-1
Basic Styles	3-2
Cylinder Accessories	3-2
4900 Escutcheons	3-3
4900 Levers	3-4
4900 Yokes and Springs	3-5
2000 Trim	3-6
2900 Escutcheons	3-7
2900 Levers	3-8
1700 Trim	3-10

**FINISHED PARTS 4-1**

Finished Parts	4-1
Common Finished Parts	4-2
Endcaps	4-3
Endcaps, Channels, and Touchpads	4-4
Hinge Fillers	4-5
Alarm Hinge Fillers	4-6
Active Case Covers	4-7

**TOUCHBAR COMPONENTS 5-1**

Spring Touchbar Components	5-2
Solenoid (ELR) Touchbar Components	5-4
Sub-Bracket Assembly	5-6

**ACTIVE CASE ASSEMBLIES 6-1**

Complete Active Case Assemblies	6-2
2100 Active Case Sub-assembly	6-4
2110 Auxiliary Parts	6-5
2200 Active Case Sub-assembly	6-6
2300 Active Case Sub-assembly	6-8
2310 Auxiliary Parts	6-10
2400 Full Chassis	6-11
2600 Full Chassis	6-12
2700 Active Case Sub-assembly	6-13



2800 Active Case Sub-assembly 6-14  
 Backplate Assemblies 6-15

**STRIKES AND VERTICAL ROD COMPONENTS 7-1**

Strikes, Non-mortise 7-2  
 Strikes, Mortise 7-3  
 2200 SVR Bottom Latch 7-4  
 2200 SVR Top Latch 7-5  
 CVR Bottom Latches 7-6  
 CVR Top Latches 7-7  
 Center Case Assembly 7-8

**OTHER COMPONENTS 8-1**

Power Supplies 8-2  
     Power Supply Units 8-2  
     Power Transfer 8-2  
 Electrical Conversion Kits 8-2  
     Touchbar Mechanisms 8-2  
     Monitoring Switches 8-3  
     Q Wireless Option Retrofit Kits 8-3  
     Electric Rim Device 8-3  
     Endcap Door Status Switch 8-3  
     Electric Mortise Locks 8-4  
 Exit Alarm Kits 8-4  
 Shims and Brackets 8-5  
 Fire Bolt 8-5  
 Screw Packs 8-5

**GLOSSARY 9-1**

**INDICES I-1**

Index by Part Number I-1  
 Index by Part Type I-7  
 Index by Part Description I-12



---

---

# FIGURES

## EXIT DEVICE OVERVIEW

- 2100 Apex Rim Exit Device 2-2
- 2200 Apex Surface Vertical Rod (SVR) Exit Device 2-3
- 2300 Apex Mortise Exit Device 2-4
- 2-6
- 2400 Apex Rim Narrow Stile Exit Device 2-6
- 2600 Apex Concealed Vertical Rod (CVR), Narrow Stile Exit Device 2-7
- 2700 Apex Wood Door Concealed Vertical Rod (CVR) Exit Device 2-8
- 2800 Apex Concealed Vertical Rod (CVR) Exit Device 2-9

## TRIM

- 4900 Series Escutcheons 3-3
- 4900 Series Levers 3-4
- 4900 Yoke and Springs (Operational Yoke left, Vandal Yoke right) 3-5
- 2000 Escutcheon and Grip 3-6
- 2900 Series Escutcheons 3-7
- 2900 Series Levers 3-8
- 1700 Escutcheon and Grip 3-10

## FINISHED PARTS

- Overview of common finished parts 4-2
- Endcaps, channels, and touchpads 4-4
- Basic hinge filler styles 4-5
- Alarm hinge filler parts 4-6
- Apex Active Case covers – includes mounting hardware. 4-7

**TOUCHBAR COMPONENTS**

- Spring type mechanism 5-2
- ELR Touchbar Mechanism 5-4
- Sub-bracket assembly for hex and cylinder dogging units only. 5-6

**ACTIVE CASE ASSEMBLIES**

- Basic 2100 Active Case – RHRB shown 6-4
- Auxiliary parts for 2110 Mortise 6-5
- Basic Active Case for a wide surface vertical rod model - RHRB shown 6-6
- Basic Active Case for a wide concealed vertical rod model - RHRB shown 6-8
- 2310 Auxiliary parts for mortise applications. 6-10
- 2400 Full Chassis 6-11
- 2600 Full Chassis 6-12
- 2700 wood concealed vertical rod model - RHRB shown 6-13
- 2800 concealed vertical rod model - RHRB shown 6-14
- Backplate assembly 6-15

**STRIKES AND VERTICAL ROD COMPONENTS**

- Strikes used with all models except the 2300 model Exit Device. 7-2
- Strikes used with the 2300 model Exit Devices 7-3
- 2200 SVR bottom latch 7-4
- 2200 SVR top latch 7-5
- 2600, 2700 2800 CVR bottom latch 7-6
- 2600, 2700, 2800 CVR top latches 7-7
- Apex 2000 center cases 7-8



# 1

---

---

## GETTING STARTED

### INTRODUCTION

The *PHI Precision Apex 2000 Series Touchbar Style Exit Device* is highly regarded by architects and end-users alike. Many of the nation's largest health care and educational facilities prefer the Apex for its aesthetic design and efficient engineering. All Apex 2000 Series Exit Devices are UL listed for panic and fire hardware and are certified to ANSI A156.3 Grade 1. Several models are also certified for hurricane resistant applications. A complete offering of mechanical and electrical options provide a wide range of exit device security solutions. However, the traditional core strengths of the product can't be overstated — simple operation with few moving parts, manufactured with true ANSI/BHMA architectural finishes. The Active Case is constructed from investment cast steel and the universal mounting holes provide an easier retrofit installation.



## OVERVIEW

### Before looking up the part

Before looking up the part, know the **model** of the exit device, the **function** it performs, which **style** lever, knob, or grip you presently have, and what type of **finish** is on it. All these parameters are important to ordering the proper parts for your device.

Please read any footnotes, as they may contain important information concerning options for your unit or your parts.

### Models

2100 Rim Devices

2200 Surface Vertical Rod Exit Devices

2300 Mortise Exit Devices

2400 Narrow Stile Rim Exit Devices

2600 Narrow Stile Concealed Vertical Rod Exit Devices

2700 Wood Door Concealed Vertical Rod Exit Devices

2800 Concealed Vertical Rod Exit Devices

### Functions

Rim and Vertical Rod Exit Devices incorporate universal function.

<b>ANSI Function</b>	<b>Description</b>
01	Exit only (cover plate)
02	Dummy trim
03	Key retracts latchbolt
05	Key locks/unlocks thumbpiece
08	Key locks/unlocks lever/knob
10	Double cylinder - inside key locks/unlocks lever/knob
14	No cylinder - lever/knob always active
15	No cylinder - thumbpiece always active

### Style

- Know which of the many styles of trim and levers your unit requires.
- Know which options your unit has.
- Know if your unit has a special rating such as Fire, Hurricane Compliance, or Delayed Egress that would require special ordering of the parts.

## Finishes

ANSI/BHMA	US	Description
605	US3	Polished Brass, Clear Coated
606	US4	Satin Brass, Clear Coated
612	US10	Satin Bronze, Clear Coated
613	US10B	Dark Oxidized Satin Bronze
625	US26	Polished Chromium Plated
626	US26D	Satin Chrome Plated
628	US28	Satin Aluminum, Clear Anodized
630	US32D	Satin Stainless Steel

## Other options

Abbreviation	Description
DE	Delayed Egress
E	Electric Lock/Unlock Device
ELR	Electric Latch Retraction
FL	Fire Exit Hardware
HC	Windstorm and Hurricane Code Device
LDS	Latchbolt Monitoring Double Switch
LS	Latchbolt Monitoring Switch
Q	Wireless Access Management System.
TDS	Touchbar Monitoring Double Switch
TS	Touchbar Monitoring Switch
WTDS	Weatherized Touchbar Monitoring Double Switch
WTS	Weatherized Touchbar Monitoring Switch
ALK	Exit Alarm: battery operated
ALW	Exit Alarm: remote power
BRL	Braille Touchbar
CD	Cylinder Dogging
DS	Door Position Monitoring Switch
LD	Less Dogging
SEC	Security Screws
SNB	Sex Nut and Bolt

If you are unsure of which part you need, please contact your Stanley Security Solution dealer or call direct to 1-800-392-5209.

## Web Addresses

Precision Hardware – [www.precisionhardware.com](http://www.precisionhardware.com).

Stanley Security Solutions – [www.stanleysecuritysolutions.com](http://www.stanleysecuritysolutions.com).





# 2

---

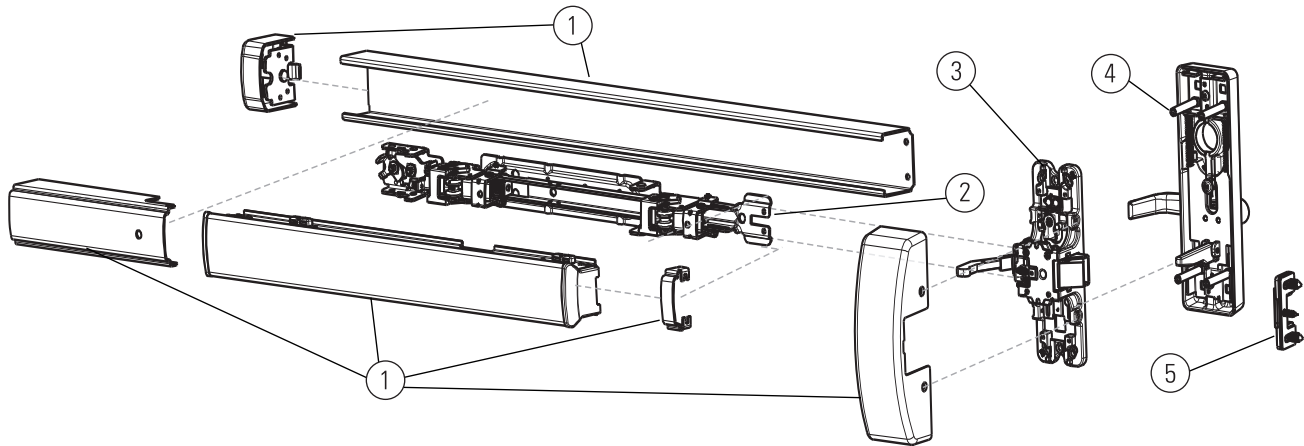
---

## EXIT DEVICE OVERVIEW

This chapter provides top level diagrams for various Apex 2000 models of Exit Devices. It gives direction as to where in this manual more detailed information on the separate components of that model may be found.

The diagrams show a basic model. Details of usage and options are listed in the component chapters. If you do not find the optional or specialized part, see Chapter 8, *Other Components*.

## 2100 APEX RIM SERIES



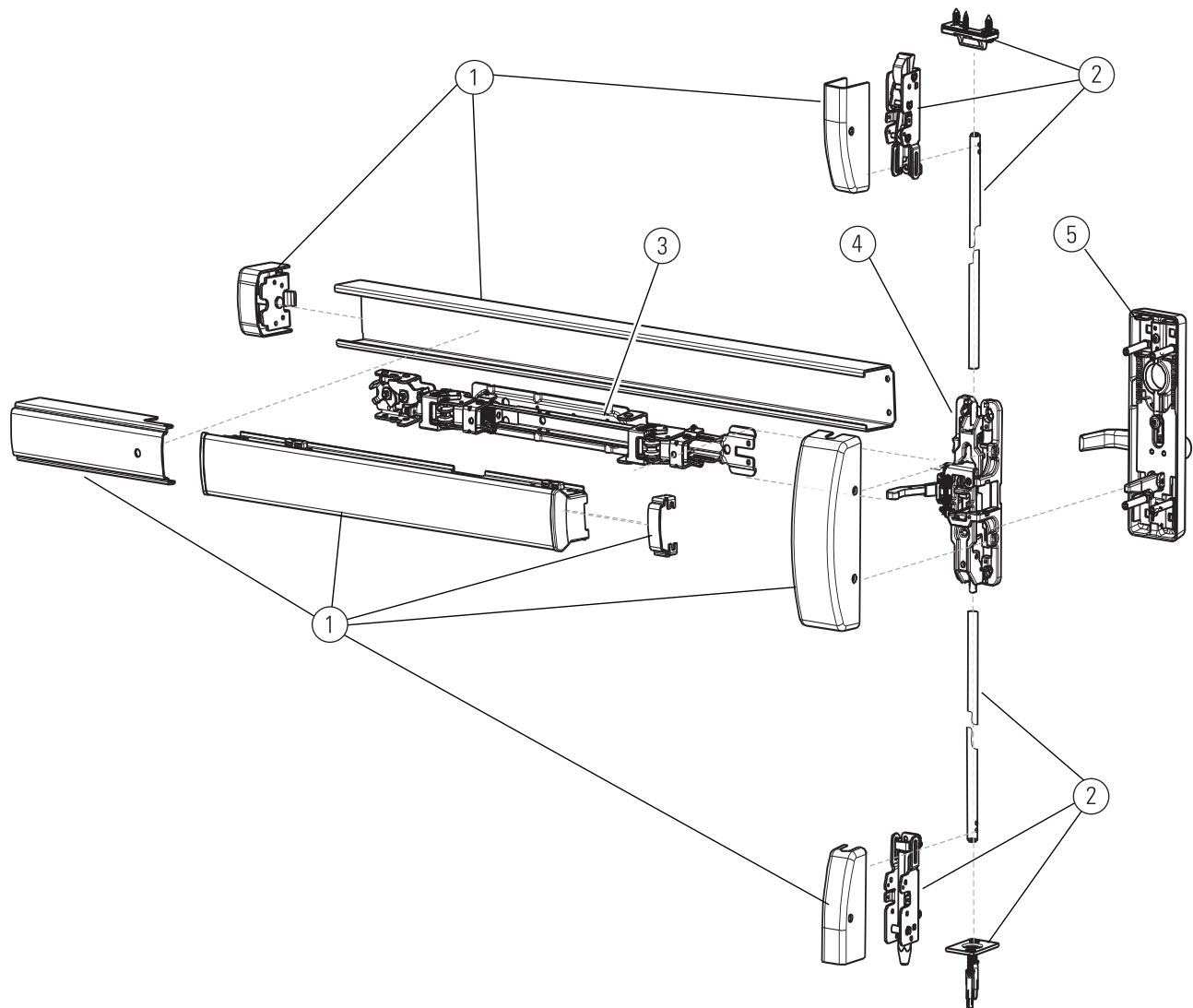
**Figure 2.1** 2100 Apex Rim Exit Device

**2100 Series parts guide**

Refer to [Figure 2.1](#) and the table below to find the basic chapter you need.

Item	Description	Chapter
1	Finished Parts	See Chapter 4
2	Touchbar Mechanisms	See Chapter 5
3	Active Case Assembly	See Chapter 6
4	Trim	See Chapter 3
5	Strike/Latch/Rods	See Chapter 7

## 2200 APEX SURFACE VERTICAL ROD SERIES



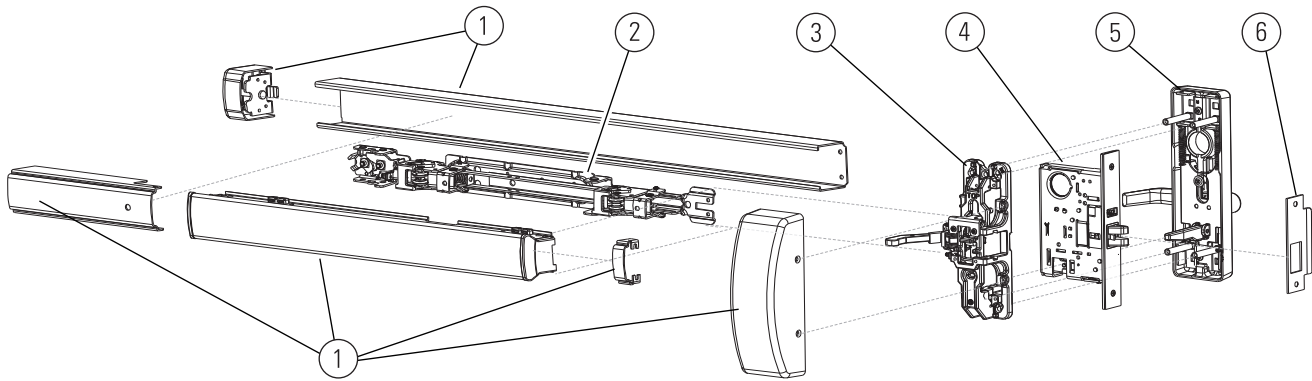
**Figure 2.2** 2200 Apex Surface Vertical Rod (SVR) Exit Device

### 2200 Series parts guide

Refer to [Figure 2.2](#) and the table below to find the chapter you need.

Item	Description	Chapter
1	Finished Parts	See Chapter 4
2	Strike/Latch/Rods	See Chapter 7
3	Touchbar Mechanisms	See Chapter 5
4	Active Case Assembly	See Chapter 6
5	Trim	See Chapter 3

## 2300 APEX MORTISE SERIES



**Figure 2.3** 2300 Apex Mortise Exit Device

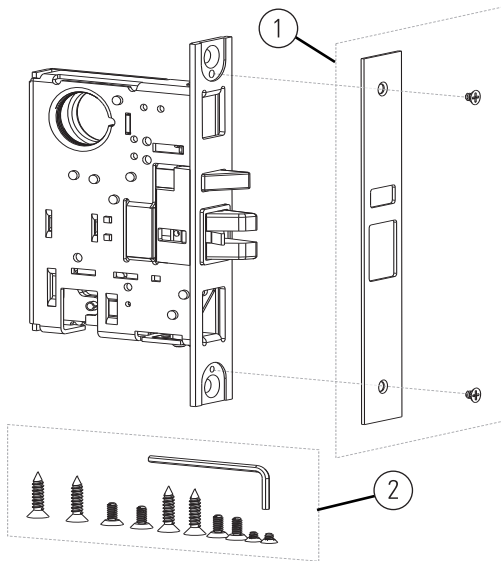
**2300 Series parts guide**

Refer to [Figure 2.3](#) and the table below to find the chapter you need.

Item	Description	Chapter
1	Finished Parts	See Chapter 4
2	Touchbar Mechanisms	See Chapter 5
3	Active Case Assembly	See Chapter 6
4	Mortise Case	See page 2-5.
5	Trim	See Chapter 3
6	Strike/Latch/Rods	See Chapter 7



# MORTISE CASES FOR THE 2300 APEX

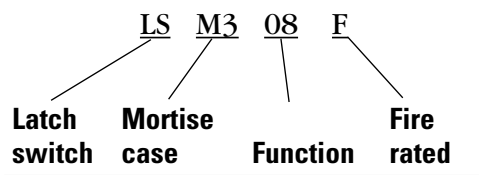


**Figure 2.4** Complete mortise case does not include a cylinder. Order the cylinder separately. See the BEST Cylinder Product Catalog.

Abbrev.	Description
E	Electric Lock/Unlock
LS	Latch Switch
M3	Mortise
F	Fire Rated

Example:

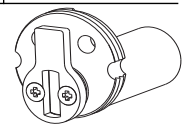
LSM308F + Hand + Finish



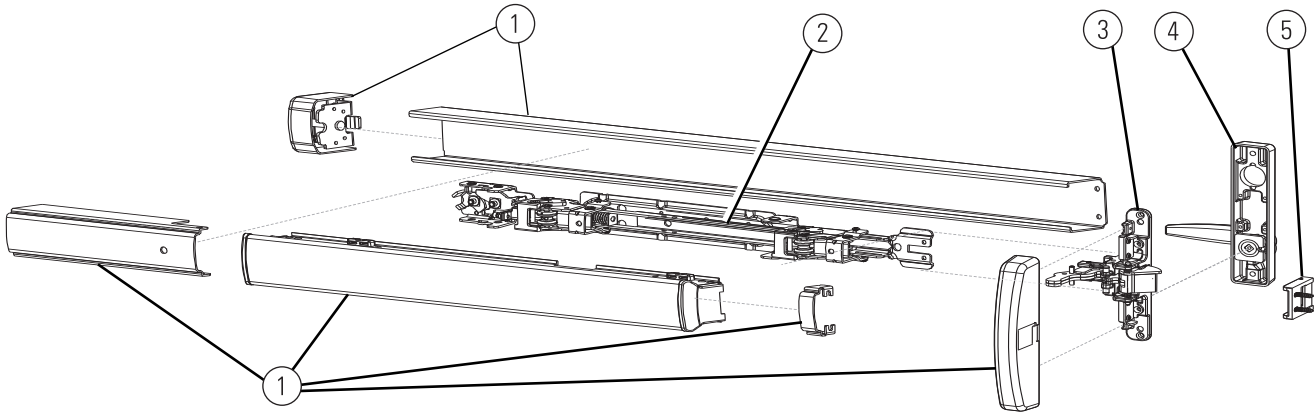
Item	Part Number	Description	Qty	Hand	
				RHRB	LHRB
	02555-05 *	EM303 — Complete	1	■	
	02821-05 *	EM303 — Complete	1		■
	02556-05 *	EM303F — Complete	1	■	
	02822-05 *	EM303F — Complete	1		■
	02557-05 *	LSEM303 — Complete	1	■	
	02823-05 *	LSEM303 — Complete	1		■
	02558-05 *	LSEM303F — Complete	1	■	
	02824-05 *	LSEM303F — Complete	1		■
	02553-05 *	LSM303 — Complete	1	■	
	02819-05 *	LSM303 — Complete	1		■
	02554-05 *	LSM303F — Complete	1	■	
	02820-05 *	LSM303F — Complete	1		■
	02551-05 *	LSM308 — Complete	1	■	
	02817-05 *	LSM308 — Complete	1		■
	02552-05 *	LSM308F — Complete	1	■	
	02818-05 *	LSM308F — Complete	1		■
	02543-05 *	M303 — Complete	1	■	
	02813-05 *	M303 — Complete	1		■
	02544-05 *	M303F — Complete	1	■	
	02814-05 *	M303F — Complete	1		■
	02545-05 *	M308 — Complete	1	■	
	02815-05 *	M308 — Complete	1		■
	02816-05 *	M308F — Complete	1		■
	02549-05 *	M310 — Complete <sup>a</sup>	1	■	
	02547-05 *	M310 — Complete <sup>a</sup>	1		■
	02550-05 *	M310F — Complete <sup>a</sup>	1	■	
	02548-05 *	M310F — Complete <sup>a</sup>	1		■
1	01064-05	Mortise Scalp Pack	1	■	■
2	02118-09	Screw Pack, Mortise Lock	1	■	■

a. Also includes Cylinder Extension 01134-05

\* Specify finish when ordering these parts.



## 2400 APEX RIM, NARROW STILE SERIES



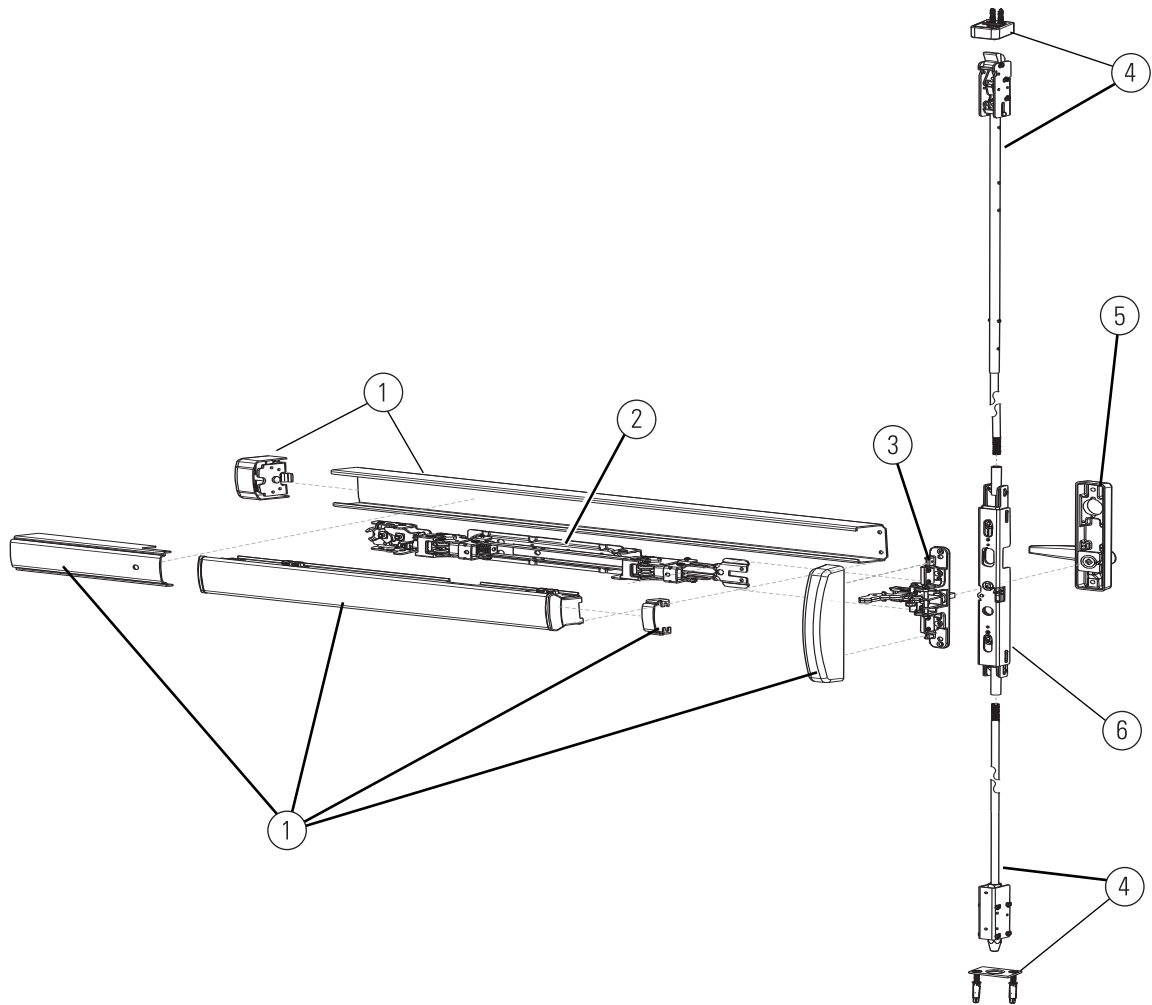
**Figure 2.5** 2400 Apex Rim Narrow Stile Exit Device

**2400 Series  
parts guide**

Refer to [Figure 2.5](#) and the table below to find the chapter you need.

Item	Description	Chapter
1	Finished Parts	See Chapter 4
2	Touchbar Mechanisms	See Chapter 5
3	Active Case Assembly	See Chapter 6
4	Trim	See Chapter 3
5	Strike/Latch/Rods	See Chapter 7

## 2600 APEX CONCEALED VERTICAL ROD, NARROW STILE SERIES



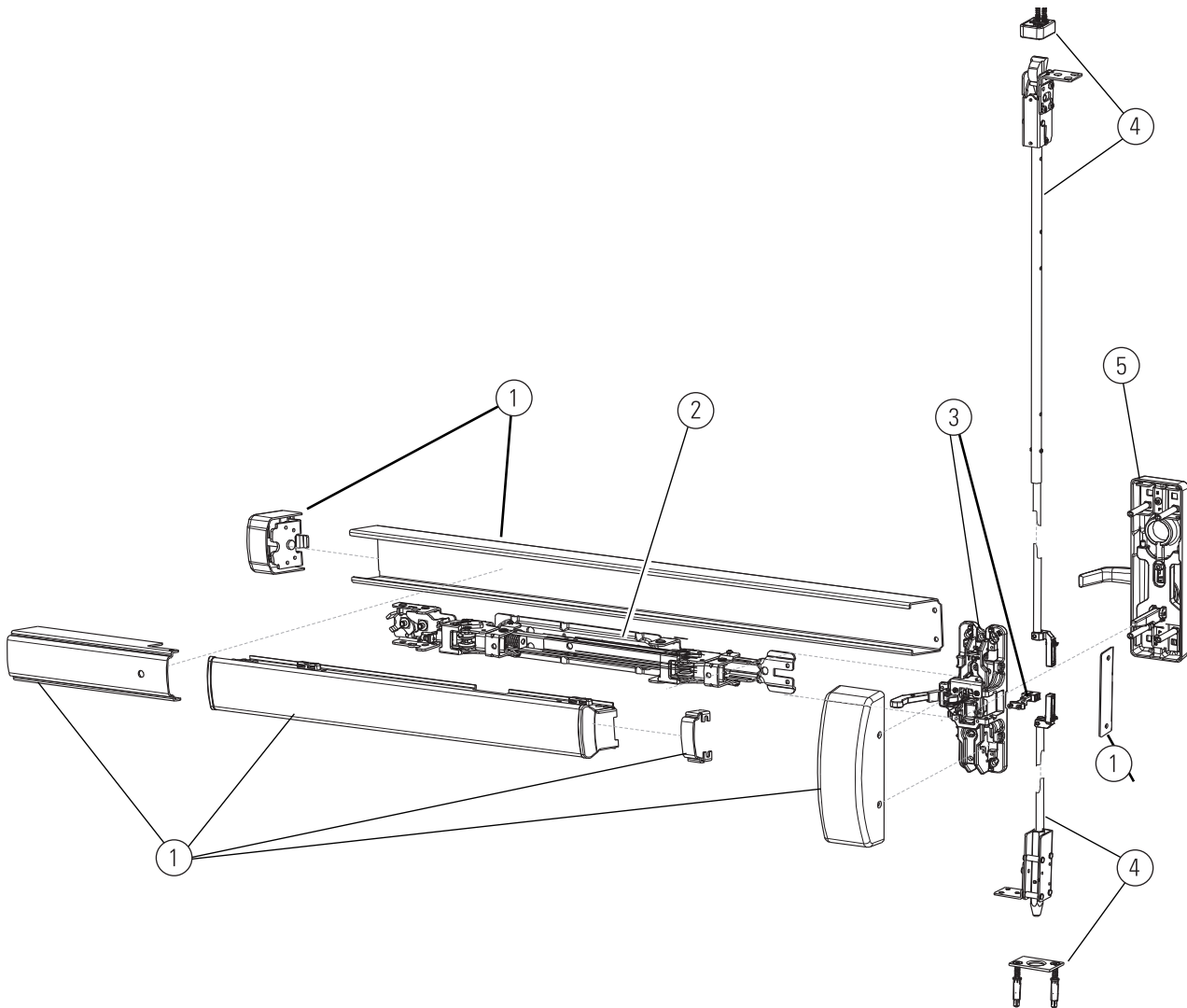
**Figure 2.6** 2600 Apex Concealed Vertical Rod (CVR), Narrow Stile Exit Device

### 2600 Series parts guide

Refer to [Figure 2.6](#) and the table below to find the chapter you need.

Item	Description	Chapter
1	Finished Parts	See Chapter 4
2	Touchbar Mechanisms	See Chapter 5
3	Active Case Assembly	See Chapter 6
4	Strike/Latch/Rods	See Chapter 7
5	Trim	See Chapter 3
6	Center Case	See Chapter 7

## 2700 APEX WOOD DOOR CONCEALED VERTICAL ROD SERIES



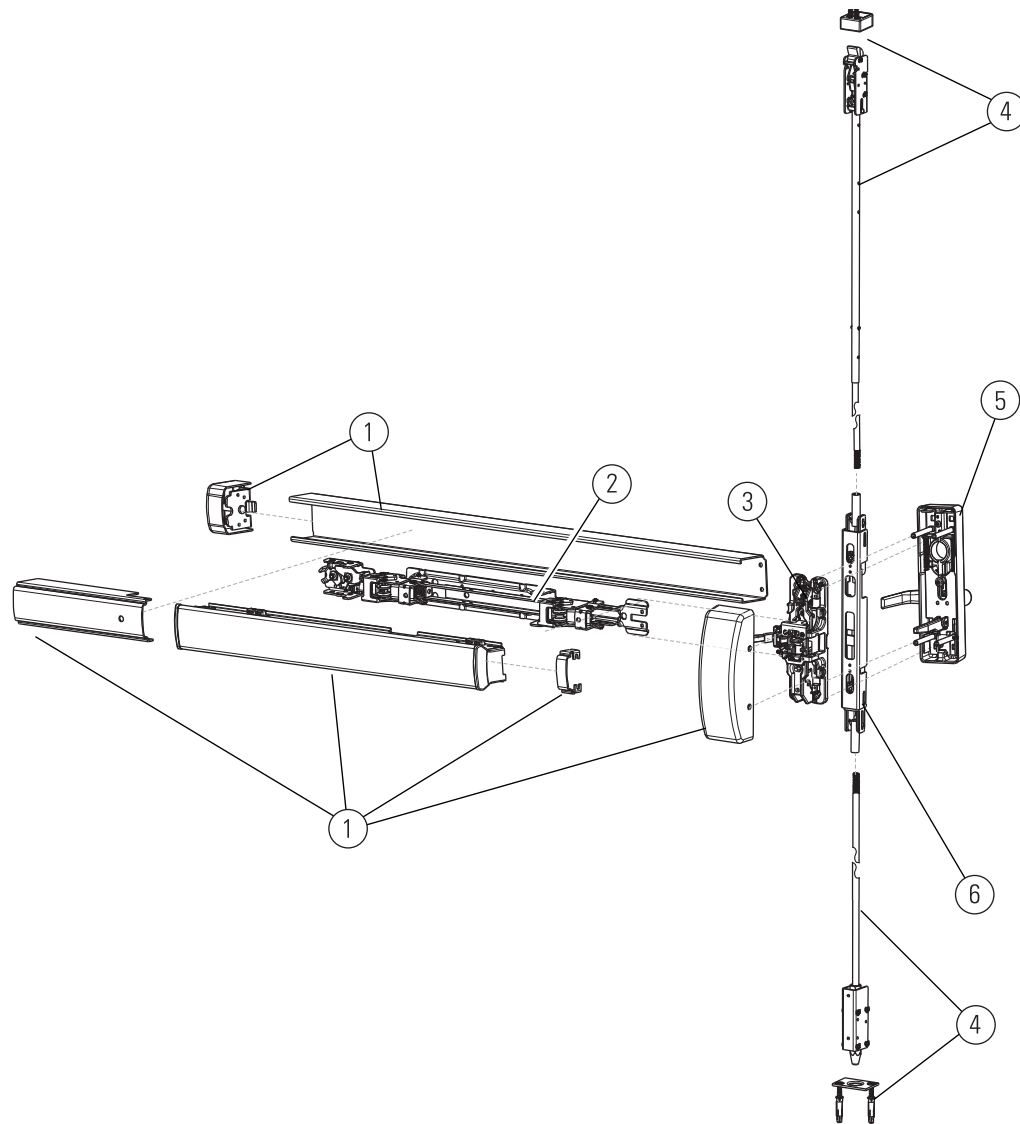
**Figure 2.7** 2700 Apex Wood Door Concealed Vertical Rod (CVR) Exit Device

**2700 Series parts guide**

Refer to [Figure 2.7](#) and the table below to find the chapter you need.

Item	Description	Chapter
1	Finished Parts	See Chapter 4
2	Touchbar Mechanisms	See Chapter 5
3	Active Case Assembly	See Chapter 6
4	Strike/Latch/Rods	See Chapter 7
5	Trim	See Chapter 3

## 2800 APEX CONCEALED VERTICAL ROD SERIES



**Figure 2.8** 2800 Apex Concealed Vertical Rod (CVR) Exit Device

### 2800 Series parts guide

Refer to [Figure 2.8](#) and the table below to find the chapter you need.

Item	Description	Chapter
1	Finished Parts	See Chapter 4
2	Touchbar Mechanisms	See Chapter 5
3	Active Case Assembly	See Chapter 6
4	Strike/Latch/Rods	See Chapter 7
5	Trim	See Chapter 3
6	Center Case	See Chapter 7





# 3

---

---

## TRIM

### Trim Components

To order replacement trim components, please note which function your exit device performs, which style lever, knob, or grip you presently have, and what type of finish is on it.

All trim is field reversible. See installation instructions for further details.

<b>ANSI Function</b>	<b>Description</b>
01	Exit only (cover plate)
02	Dummy trim
03	Key retracts latchbolt
05	Key locks/unlocks thumbpiece
08	Key locks/unlocks lever/knob
10	Double cylinder - inside key locks/unlocks lever/knob
14	No cylinder - lever/knob always active
15	No cylinder - thumbpiece always active

<b>ANSI/BHMA</b>	<b>US</b>	<b>Description</b>
605	US3	Polished Brass, Clear Coated
606	US4	Satin Brass, Clear Coated
612	US10	Satin Bronze, Clear Coated
613	US10B	Dark Oxidized Satin Bronze
625	US26	Polished Chromium Plated
626	US26D	Satin Chrome Plated
628	US28	Satin Aluminum, Clear Anodized
630	US32D	Satin Stainless Steel

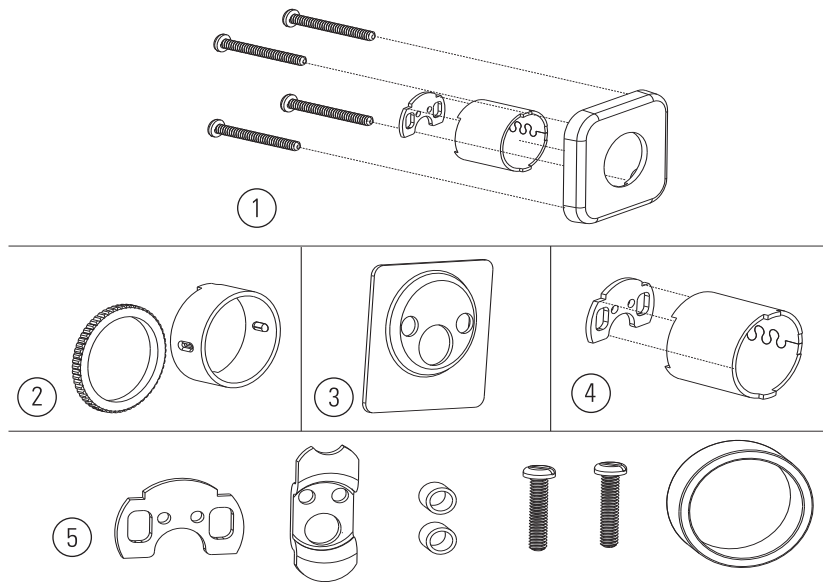
## BASIC STYLES

Wide trim is used with the 2100, 2200, 2300, 2700 and 2800 models of the PHI Apex 2000 Exit Device.

The narrow trim is used with the 2400 and 2600 models of the PHI Apex 2000 Exit Device.

Trim	Wide	Narrow	Lever	Grip
4900	■		■	
2900		■	■	
1700	■			■
2000		■		■
C03	■		Required on 2803 only	

## CYLINDER ACCESSORIES

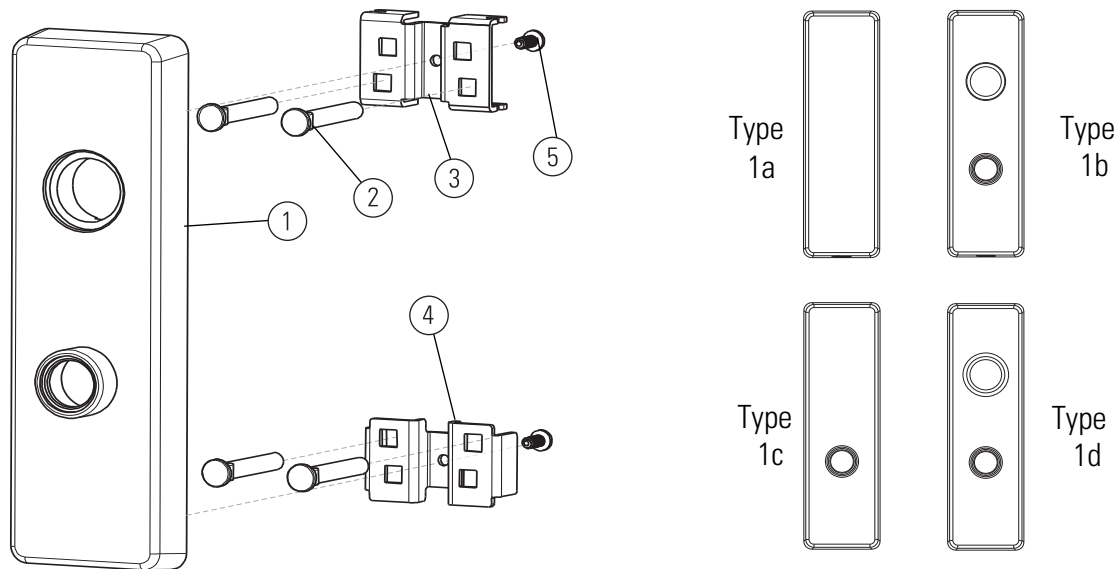


**Figure 3.1** Cylinder Accessories

Item	Part Number	Description	Qty	Model
1	02317-04 *	Cast Plate C03	1	2803 Device
2	02124-09	2908 Cylinder Attachment CA2809	1	2908 Trim
3	01657-54	Cylinder Backplate Wide CA-03	1	2103, 2203, 2703 Devices
4	02122-09	Rim Cylinder Attachment CA-03T	1	4903, 4908, 1703, 1705, 2003, 2005, 2903, C03 Trims
5	02111-09	2403/2603 No Trim Pack	1	2403, 2603 Devices

\* Specify finish when ordering these parts.

## 4900 ESCUTCHEONS



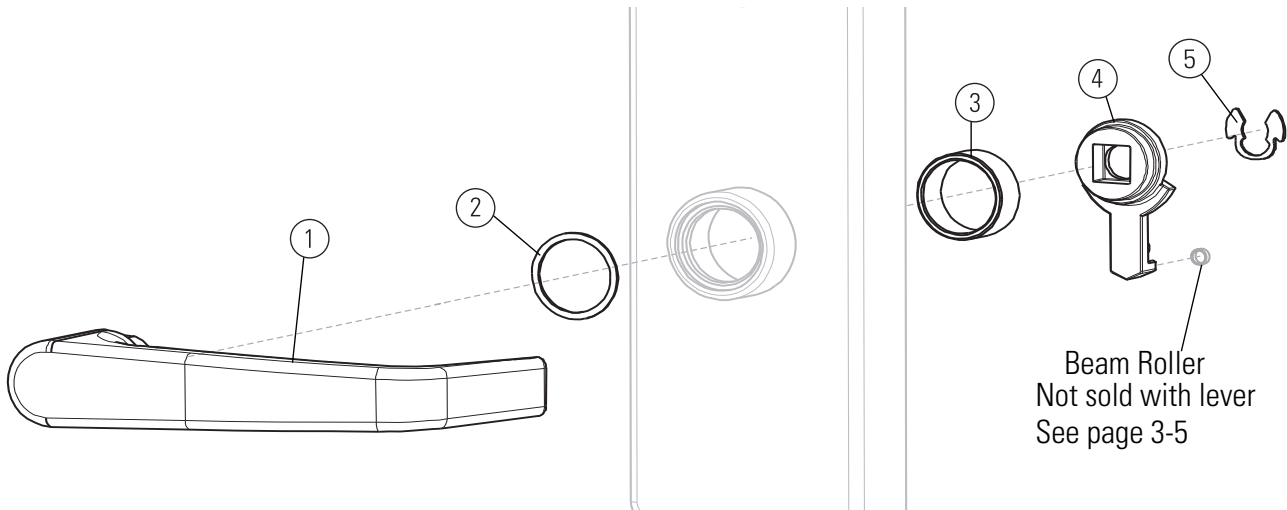
**Figure 3.2** 4900 Series Escutcheons

Item	Part Number	Description	Qty	Type	Trim Model
	02717-04 *	Complete Escutcheon Kit			4901, R4901
	02718-04 *				4903, R4903, 4908, R4908, V4908, RV4908
	02719-04 *				4902, R4902, 4914, R4914
	02720-04 *				M4903, RM4903, M4908, RM4908, VM4908, RVM4908
1	02095-49 *	Escutcheon	1	1a	4901
	02133-04 *		1	1b	4903, 4908, V4908
	02134-04 *		1	1c	4902, 4914
	02135-04 *		1	1d	M4903, M4908, VM4908
2	01960-91	Trim Stud, 4900 Trim	4		All 4900 models
3	01958-49	Top Bracket, 4900	1		All 4900 models
4	01959-49	Bracket, Bottom, 4900 Trim	1		All 4900 models
5	00509-91	Screw, #10-24 X 1/2 PPHMS	2		All 4900 models

\* Specify finish when ordering these parts.

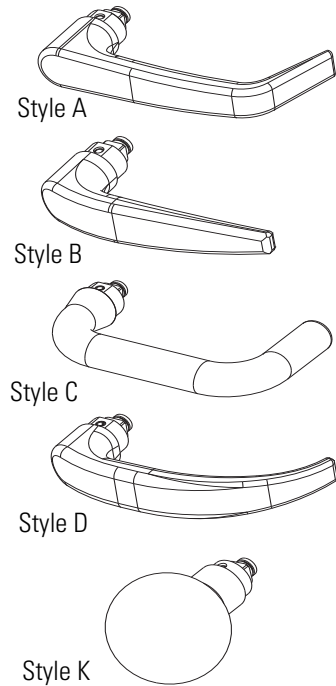
4900 Series Trim is used on all 2100, 2200, 2300, 2700 and 2800 models of PHI Apex Exit Devices.

# 4900 LEVERS



**Figure 3.3** 4900 Series Levers

Item	Part Number	Description	Qty	Lever Style
	02721-04 *	Complete Lever Kit		A -RHRB
	02722-04 *			A-LHRB
	02723-04 *			B-RHRB
	02724-04 *			B-LHRB
	02725-04 *			C-RHRB
	02726-04 *			C-LHRB
	02727-04 *			D-RHRB
	02728-04 *			D-LHRB
	02729-04 *			K
1	00646-04 *	Lever	1	A
	00647-04 *		1	B
	00648-04 *		1	C
	00649-04 *		1	D
	00650-04 *		1	K
2	01727-39	Lever Washer	1	All
3	01696-39	Trim Sleeve Bushing	1	All
4	01455-39	Beam	1	All
5	00617-91	Retaining Ring	1	All

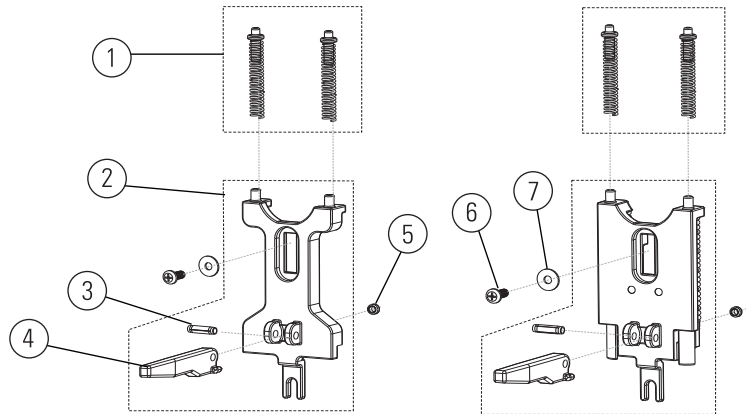


\* Specify finish when ordering these parts.

All trim is field reversible. See installation instructions for further details.



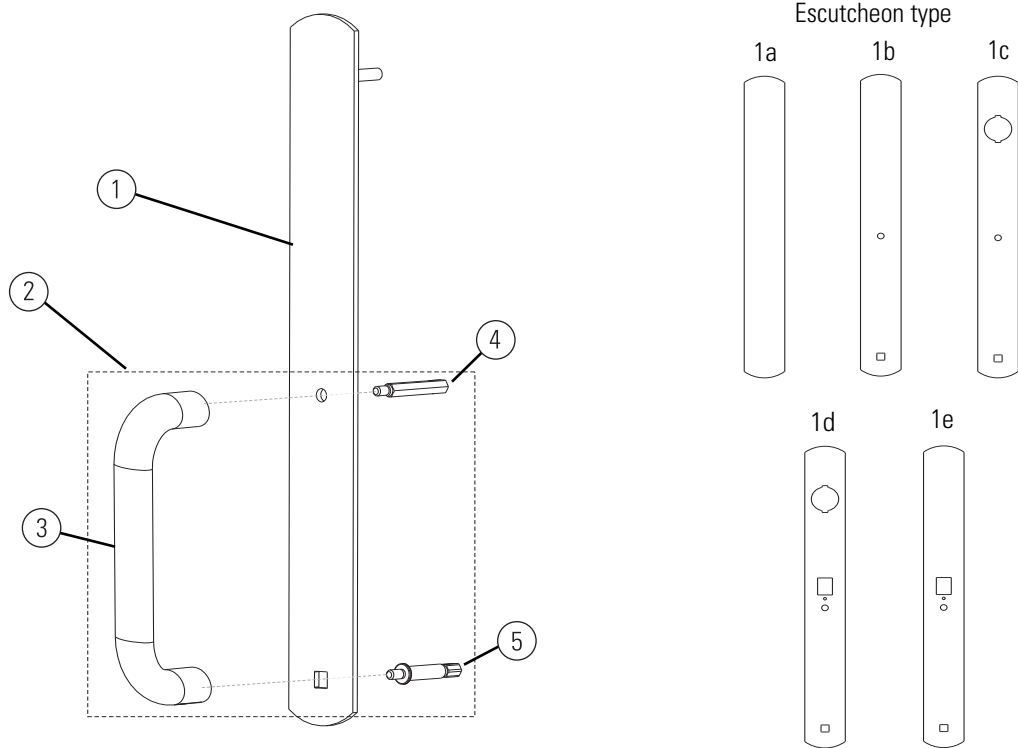
## 4900 YOKES AND SPRINGS



**Figure 3.4** 4900 Yoke and Springs (Operational Yoke left, Vandal Yoke right)

Item	Part Number	Description	Qty	Trim Model	Hand		Door thickness	
					RHRB	LHRB	1¾ to 2¼	2½ to 4
	02730-04	Complete Yoke Kit	1	4908, 4914			■	
	02731-04		1	V4908			■	
	02734-04		1	M4908	■		■	
	02735-04		1	M4908		■	■	
	02736-04		1	MV4908	■		■	
	02737-04		1	MV4908		■	■	
	02744-04		1	4908 Extension				■
	02745-04		1	V4908 Extension				■
1	02738-04	Complete Lever Spring Kit	1	All 4900 yokes				
2	01971-04	Yoke Assembly	1	4908, 4914			■	
	02181-04		1	V4908			■	
	01973-04		1	M4908	■		■	
	02740-04		1	M4908		■	■	
	02183-04		1	MV4908	■		■	
	02741-04		1	MV4908		■	■	
	02742-04		1	4908 Extension				■
	02743-04		1	V4908 Extension				■
3	00671-90	Groove Pin, .188 X.75	1	All 4900 yokes				
4	01075-39	Trim Finger	1	4908, V4908, 4914				
	01977-04		1	Extension yokes				■
	00414-39		1	M4908, MV4908				
5	01456-39	Beam Roller	1	All 4900 yokes				
6	00509-91	Screw, #10-24 X 1/2 PPHMS	1	All 4900 yokes				
7	01520-91	Washer, #10 Flat	1	All 4900 yokes				

# 2000 TRIM



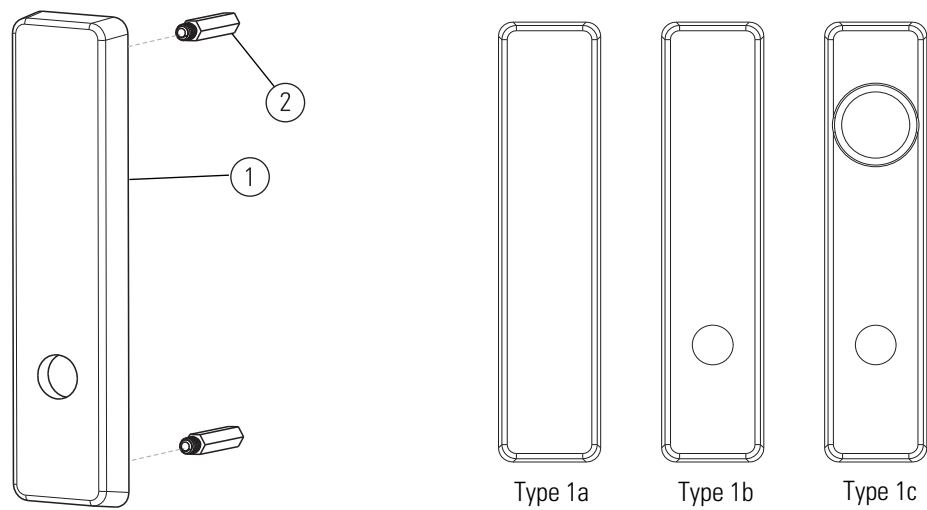
**Figure 3.5** 2000 Escutcheon and Grip

Item	Part Number	Description	Qty	Trim Model	Escutcheon Type
1	00568-04 *	2000 Escutcheon	1	2001	1a
	00567-04 *		1	2002	1b
	00569-04 *		1	2003	1c
	00571-04 *		1	2005	1d
	00573-04 *		1	2015	1e
2	01362-04 *	Grip C Kit (includes items 3, 4, and 5)	1	2000	
3	00324-54 *	C Grip	1		
4	00233-50	Stud, Hex	1		
5	00222-50	Stud, Trim	1		

\* Specify finish when ordering these parts.

The 2000 Trim is used standard on all 2400 models of Apex Exit Devices with pull trim, and optional on the 2100, 2200, 2300 and 2700.

## 2900 ESCUTCHEONS



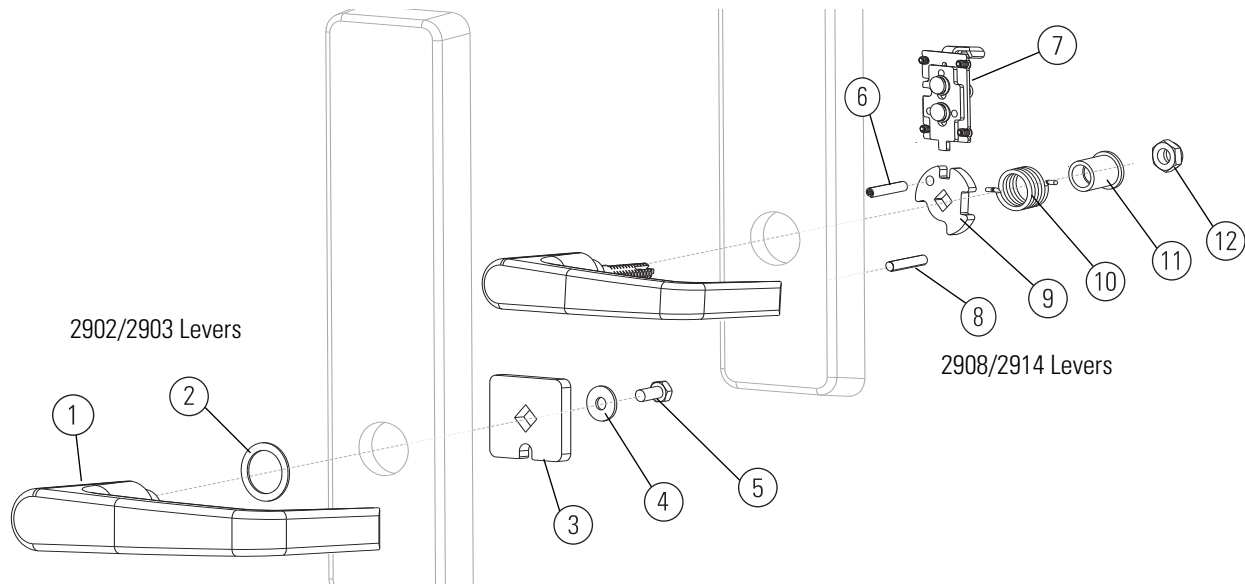
**Figure 3.6** 2900 Series Escutcheons

Item	Part Number	Description	Qty	Type	Trim Model
	02751-04 *	Complete Escutcheon Kit			2901
	02752-04 *				2902, 2914
	02753-04 *				2903, 2908
1	01630-29 *	Escutcheon	1	1a	2901
	01631-29 *		1	1b	2902, 2914
	01562-29 *		1	1c	2903, 2908
2	02086-29	Hex Stud 2900 Trim	2		All 2900 models

\* Specify finish when ordering these parts.

The 2900 Trim is used standard on all 2400 and 2600 models of Apex Exit Devices specified with lever trim.

# 2900 LEVERS



**Figure 3.7** 2900 Series Levers

Item	Part		Qty	Trim Model	Lever Style	Hand		
	Number	Description				RHRB	LHRB	
	02826-04 *	Complete Lever Kit		2902, 2903	A	■		
	02827-04 *			2902, 2903	A		■	
	02828-04 *			2902, 2903	B	■		
	02829-04 *			2902, 2903	B		■	
	02830-04 *			2902, 2903	C	■		Style A
	02831-04 *			2902, 2903	C		■	
	02832-04 *			2902, 2903	D	■		Style B
	02833-04 *			2902, 2903	D		■	
	02834-04 *			2908, 2914	A	■		Style C
	02835-04 *			2908, 2914	A		■	
	02836-04 *			2908, 2914	B	■		Style D
	02837-04 *			2908, 2914	B		■	
	02838-04 *			2908, 2914	C	■		
	02839-04 *			2908, 2914	C		■	
	02840-04 *			2908, 2914	D	■		
	02841-04 *			2908, 2914	D		■	

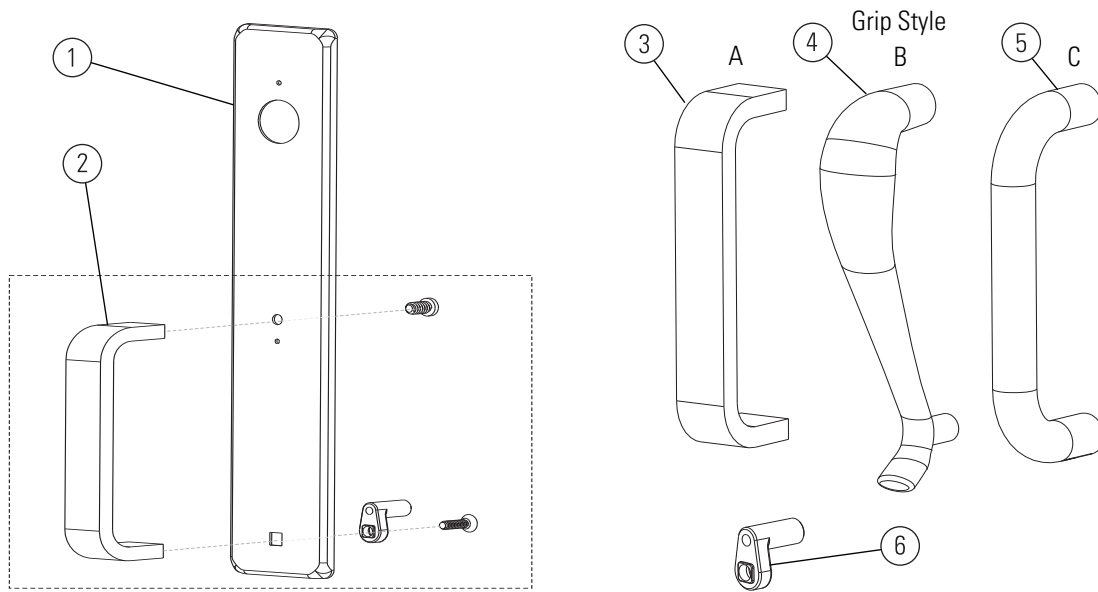
Item	Part			Trim Model	Lever Style	Hand	
	Number	Description	Qty			RHRB	LHRB
1	01599-04 *	Lever Assembly		2902, 2903	A		
	01600-04 *			2902, 2903	B		
	01601-04 *			2902, 2903	C		
	01602-04 *			2902, 2903	D		
	01595-04 *			2908, 2914	A		
	01593-04 *			2908, 2914	B		
	01594-04 *			2908, 2914	C		
	01596-04 *			2908, 2914	D		
2	01567-91	Washer, Delrin .695 ID X 1.00 OD	1	2902, 2903	All		
3	01568-29	Lever Lock	1	2902, 2903	All		
4	01520-91	Washer, #10 Flat	1	2902, 2903	All		
5	01608-91	Screw, #10-24 X 3/8 Hex Head Machine	1	2902, 2903	All		
6	01627-90	Spiral Pin, 3/16 X 3/4	1	2908, 2914	All		
7	01578-04	2908 Mechanism	1	2908 only			
8	00382-90	Roll Pin, 1/8 X 7/8	1	2908, 2914	All		
9	01565-29	Lock Out Ring, 2900 Trim	1	2908, 2914	All		
10	01575-89	Spring, Torsion, 2900 Trim	1	2908, 2914	A, B, D		
	01586-89		1	2908, 2914	C		
11	01587-29	Mandrel	1	2908, 2914	All		
12	01625-91	Nut, Hex 3/8-24 W/nylon	1	2908, 2914	All		

\* Specify finish when ordering these parts.

All trim is field reversible. See installation instructions for details.



# 1700 TRIM



**Figure 3.8** 1700 Escutcheon and Grip

Item	Part Number	Description	Qty	Trim Model	Grip Style		
					A	B	C
1	05510-04 *	1700 Trim Plate	1	1701			
	05511-04 *		1	R1701			
	05512-04 *		1	C1700			
	055130-04 *		1	1702, C1702	■		■
	05514-04 *		1	R1702	■		■
	05515-04 *		1	1702, C1702		■	
	05516-04 *		1	R1702		■	
	05517-04 *		1	1703	■		■
	05518-04 *		1	C1703		■	
	05527-04 *		1	R1703	■		■
	05528-04 *		1	R1703		■	
	05519-04 *		1	1705, M1705, C1705	■		■
	05520-04 *		1	R1705	■		■
	05521-04 *		1	1705, M1705, C1705		■	
	05522-04 *		1	R1705		■	
	05523-04 *		1	1715, M1715, C1715	■		■
	05524-04 *		1	R1715	■		■
	05524-04 *		1	1715, M1715, C1715		■	
	05526-04 *		1	R1715		■	

Item	Part Number	Description	Qty	Trim Model	Grip Style		
					A	B	C
2	01351-04 *	Grip Kit (includes hardware)	1	1700	■		
	01352-04 *		1	1700			■
	01353-04 *		1	M1700	■		
	01354-04 *		1	M1700			■
	01355-04 *		1	R1700	■		
	01356-04 *		1	R1700			■
	01357-04 *		1	1700		■	
	01358-04 *		1	M1700		■	
	01359-04 *		1	C1700		■	
	02756-04 *		1	C1700 - RHRB	■		
	02757-04 *		1	C1700 - LHRB	■		
	02758-04 *		1	C1700 - RHRB			■
	02759-04 *		1	C1700 - LHRB			■
	3	00323-54 *	A Grip	1		■	
4	00322-54 *	B Grip	1			■	
5	00324-54 *	C Grip	1				■
6	00954-54	Trim Stud	1		■		■

\*Specify finish when ordering these parts.

1700 Series Trim is used on all 2100, 2200, 2300, 2700 and 2800 models of PHI Apex Exit Devices.



# 4

---

---

## FINISHED PARTS

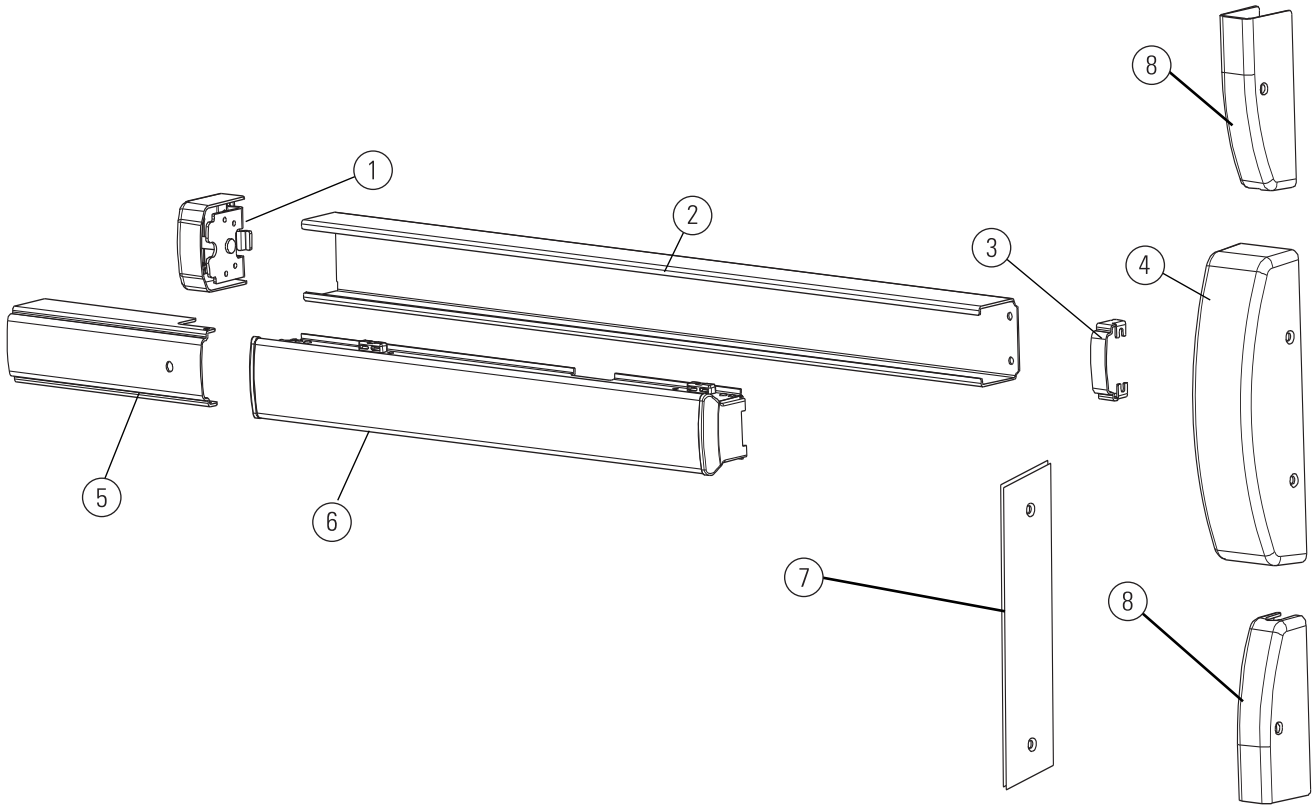
**Finished Parts** To order replacement trim components, please note which function your exit device performs, and what type of finish is on it.

<b>ANSI Function</b>	<b>Description</b>
01	Exit only (cover plate)
02	Dummy trim
03	Key retracts latchbolt
05	Key locks/unlocks thumb piece
08	Key locks/unlocks lever/knob
10	Double cylinder - inside key locks/unlocks lever
14	No cylinder - lever/knob always active
15	No cylinder - thumbpiece always active

<b>ANSI/BHMA</b>	<b>US</b>	<b>Description</b>
605	US3	Polished Brass, Clear Coated
606	US4	Satin Brass, Clear Coated
612	US10	Satin Bronze, Clear Coated
613	US10B	Dark Oxidized Satin Bronze
625	US26	Polished Chromium Plated
626	US26D	Satin Chrome Plated
628	US28	Satin Aluminum, Clear Anodized
630	US32D	Satin Stainless Steel

If you need replacements for units rated for fire (FL), hurricane compliance (HC), or delayed egress (DE), contact your Stanley Security Solution dealer or call direct to 1-800-392-5209.

## COMMON FINISHED PARTS



**Figure 4.1** Overview of common finished parts

Item	Part Number	Description	Qty
1	See page 4-4.	Endcap Device	1
2	See page 4-4.	Device Channel	1
3	02306-01 *	Lock Side Filler Kit (includes hardware)	1
4	See page 4-7.	Active Case Cover	1
5	See page 4-5.	Hinge Filler	1
6	See page 4-4.	Touchpad Sub-Assembly	1
7	03244-09 *	Lock Front Filler Kit 2700 (includes hardware)	1
8	01011-03 *	Latch Cover Kit (includes hardware)	2

\*Specify finish when ordering these parts.

If you need replacements for units rated for fire (FL), hurricane compliance (HC), or delayed egress (DE), contact your Stanley Security Solution dealer or call direct to 1-800-392-5209.



# ENDCAPS

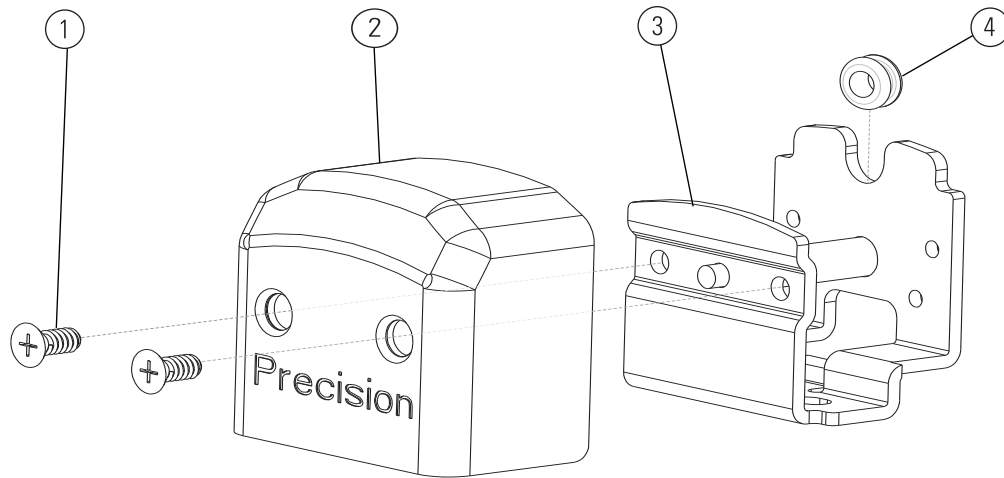


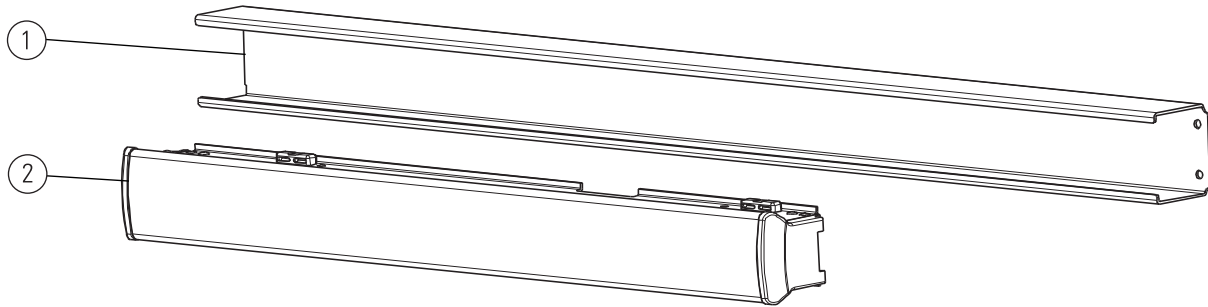
Figure 4.2

Item	Part Number	Description	Qty	Used on		
				Wide	Narrow	Electric
	00775-02 *	Endcap Device (includes cover, bracket and hardware)	1	■		
	00777-02 *		1		■	
	03304-02 *		1	■		■
	03305-02 *		1		■	■
1	02104-09 *	Screw Pack, Endcap Screws (2 screws)	1	■	■	■
2	00270-52 *	Endcap Cover	1	■		
	00149-52 *		1		■	
3	00305-02	Endcap Mounting Bracket	1	■		
	00591-02		1		■	
4	01723-56	Grommet (Electric <i>only</i> )	1	■	■	■

\*Specify finish when ordering these parts.

If you need replacements for units rated for fire (FL), hurricane compliance (HC), or delayed egress (DE), contact your Stanley Security Solution dealer or call direct to 1-800-392-5209.

## ENDCAPS, CHANNELS, AND TOUCHPADS

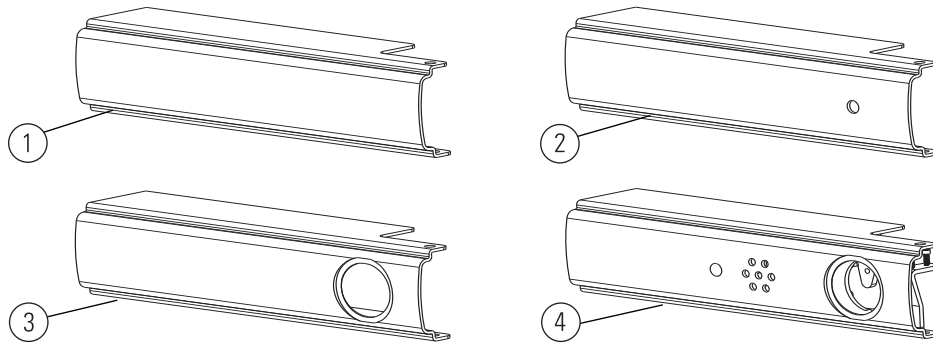


**Figure 4.3** Endcaps, channels, and touchpads

Item	Part Number	Description	Qty	Wide	Narrow	2 ft 6 in	3 ft	4 ft
1	00120-52	Device Channel	1	■			■	
	00121-52		1	■		■		
	00122-52		1	■				■
	00128-52		1		■		■	
	00130-52		1		■			■
2	00157-02	Touchpad Sub-assembly	1	■	■		■	
	00158-02		1	■		■		
	00159-02		1	■	■			■

Specify finish when ordering these parts.

# HINGE FILLERS



**Figure 4.4** Basic hinge filler styles

Item	Part Number	Description	Qty	Wide	Narrow	2 ft 6 in	3 ft	4 ft
1	00236-52 *	Plain Hinge Filler	1	■		■	■	
	00237-52 *		1	■				■
	00238-52 *		1		■		■	
	00239-52 *		1		■			■
2	00240-52 *	Hex Hinge Filler	1	■		■	■	
	00241-52 *		1	■				■
	00242-52 *		1		■		■	
	00243-52 *		1		■			■
3	00489-02 *	CD Hinge Filler (includes hardware)	1	■		■	■	
	00490-02 *		1	■				■
	00929-02 *		1		■		■	
	00930-02 *		1		■			■
4	00491-06 *	Alarm- ALK Filler (includes alarm and hardware)	1	■		■	■	
	00492-06 *		1	■				■
	00586-06 *		1		■		■	
	00587-06 *		1		■			■
	00493-06 *	Alarm - ALW Filler (includes alarm and hardware)	1	■		■	■	
	00494-06 *		1	■				■
	00588-06 *		1		■		■	
	00589-06 *		1		■			■
Not shown	00220-93	Dogging Key (optional)	1	■	■	■	■	■
	02105-09	Cylinder Dogging Attachment Kit (includes collar, cylinder locating washer, and lock nut)	1	■	■	■	■	■

\* Specify finish when ordering these parts.

# ALARM HINGE FILLERS

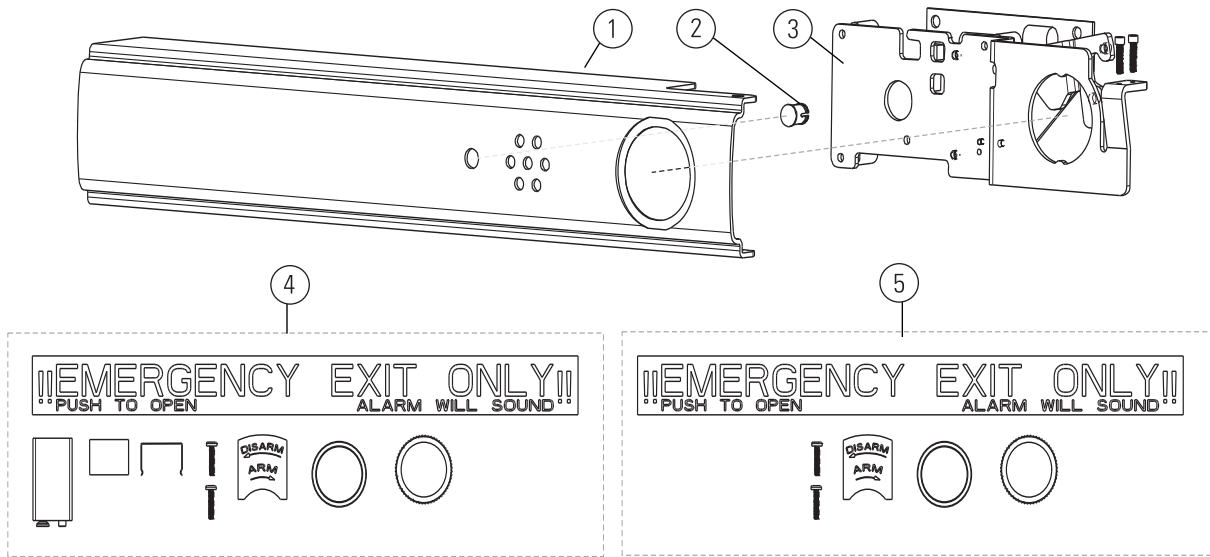


Figure 4.5 Alarm hinge filler parts

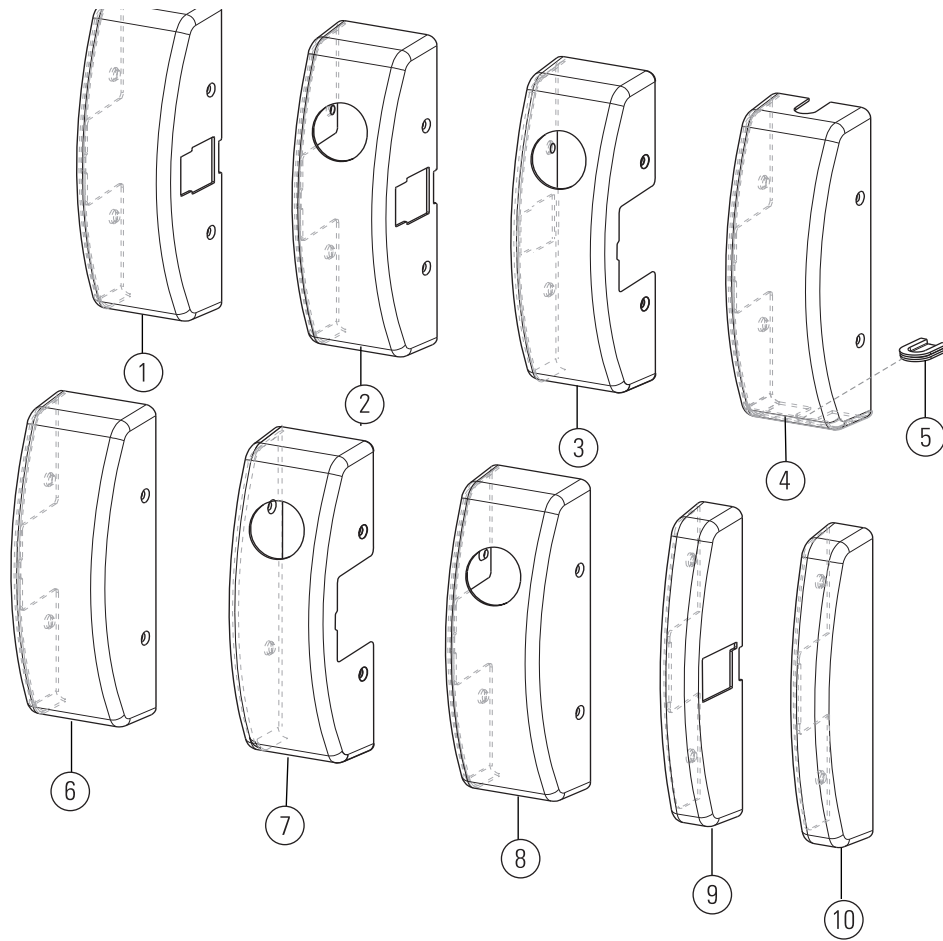
Item	Part Number	Description	Qty	ALK	ALW
1	00248-52 *	Hinge Filler for 00491-06	1	■	
	00249-52 *	Hinge Filler for 00492-06	1	■	
	00250-52 *	Hinge Filler for 00586-06	1	■	
	00251-52 *	Hinge Filler for 00587-06	1	■	
	00249-52 *	Hinge Filler for 00494-06	1		■
	00248-52 *	Hinge Filler for 00493-06	1		■
	00250-52 *	Hinge Filler for 00588-06	1		■
	00251-52 *	Hinge Filler for 00589-06	1		■
2	01460-56	Lens, LED	1	■	■
	3	00699-06	Alarm Chassis Assembly	1	■
00899-06		Alarm Chassis Assembly	1		■
4	02310-09 *	Hardware Pack	1	■	
5	02309-09 *	Hardware Pack	1		■

\* Specify finish when ordering these parts.



Item	Part Number	Description	Qty
1	00872-92	“Emergency Exit Only” Label	1
2	00672-92	“Arm/Disarm” Label	1

## ACTIVE CASE COVERS



**Figure 4.6** Apex Active Case covers -- includes mounting hardware.

Item	Part Number	Description	Qty
1	02281-01	2100 Cover Kit	1
2	02285-01	2110 LHRB Cover Kit	1
3	02283-01	2110 RHRB Cover Kit	1
4	02287-01	2200 Cover Kit	1
5	05124-51	LBR Cover Plug	1
6	02464-01	2300/2700/2800 Cover Kit	1
7	02468-01	2310 LHRB Cover Kit	1
8	02466-01	2310 RHRB Cover Kit	1
9	02470-01	2400 Cover Kit	1
10	02472-01	2600 Cover Kit	1

Specify finish when ordering these parts.

If you need replacements for units rated for fire (FL), hurricane compliance (HC), or delayed egress (DE), contact your Stanley Security Solution dealer or call direct to 1-800-392-5209.





# 5

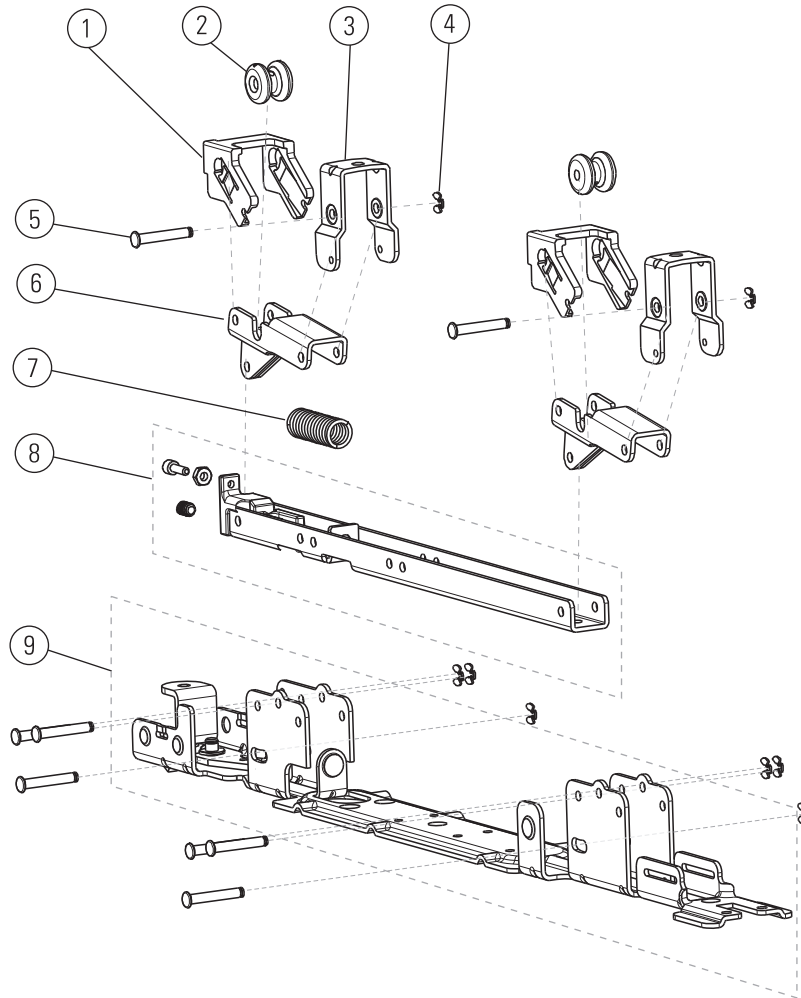
---

---

## TOUCHBAR COMPONENTS

This chapter provides diagrams and part numbers for the components of various touchbar mechanisms associated with Apex 2000 Exit Devices. Please read through all the options to ensure you select the proper part for your unit.

# SPRING TOUCHBAR COMPONENTS



**Figure 5.1** Spring type mechanism

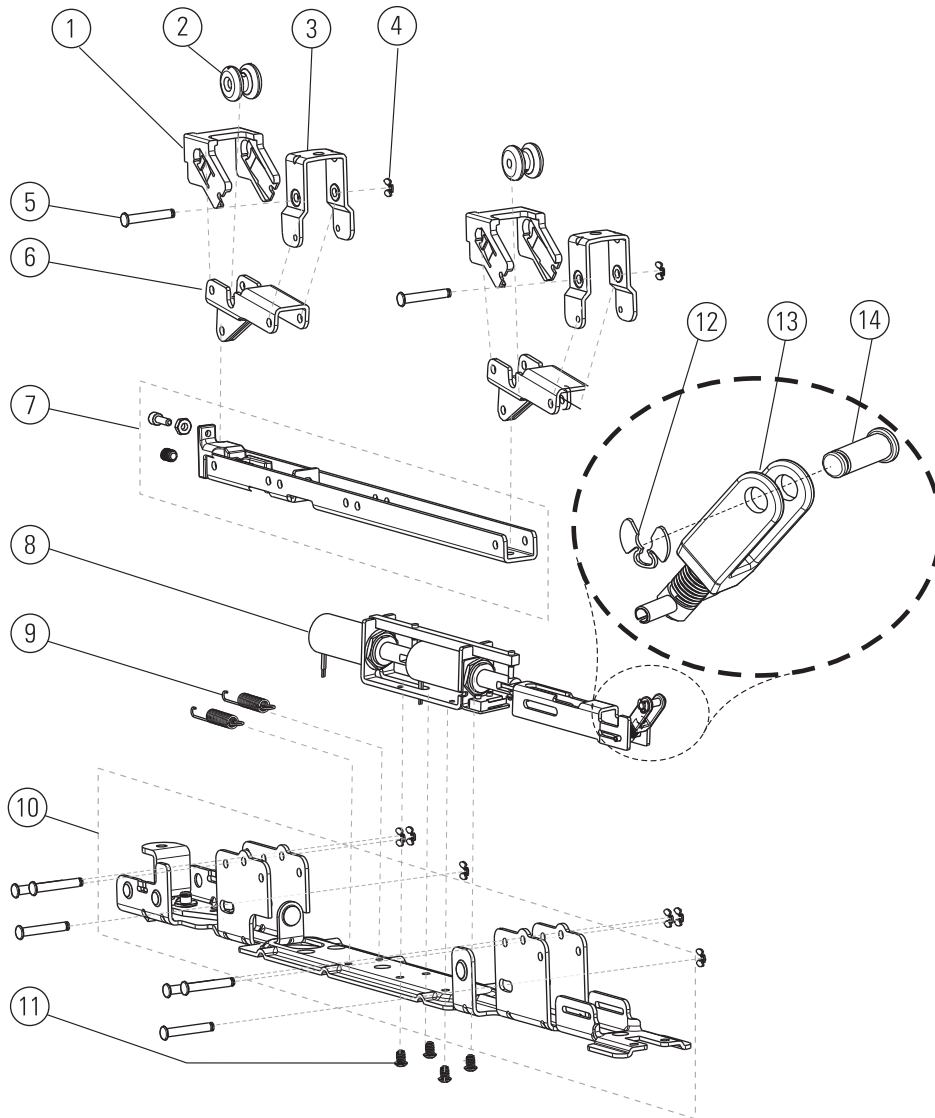
Item	Part Number	Description	Qty	Door Width			Dogging Type		
				2 ft 6 in	3 ft	4 ft	Hex	CD	FL
	00163-02	Complete Touchbar Mechanism			■		■		
	00164-02				■				■
	00165-02				■			■	
	00166-02			■			■		
	00167-02			■					■
	00168-02			■				■	
	00169-02					■	■		
	00170-02					■			■
	00171-02					■		■	

Item	Part Number	Description	Qty	Door Width			Dogging Type			
				2 ft 6 in	3 ft	4 ft	Hex	CD	FL	
1	02130-52	Touchbar Guide	2	■	■	■	■	■	■	
2	00110-52	Bumper	2	■	■	■	■	■	■	
3	00108-52	Bracket, Touchbar	2	■	■	■	■	■	■	
4	00228-91	Retaining Ring	8	■	■	■	■	■	■	
5	00449-90	Pin, Pivot	8	■	■	■	■	■	■	
6	00111-52	Beam	2	■	■	■	■	■	■	
7	00131-89	Spring, Touchbar	1	■	■	■	■	■	■	
8	00703-02	Dogging Channel Assembly	1	■			■	■	■	
	00702-02		1		■		■	■	■	
	00701-02		1			■	■	■	■	
9	05301-02	Sub-Bracket Assembly	1		■		■			
	05302-02		1		■			■		
	05303-02		1	■			■			
	05304-02		1	■				■		
	05305-02		1			■	■			
	05306-02		1			■		■		
	05290-52		(Bracket only)	1	■					■
	05291-52			1		■				■
	05292-52			1			■			■

NOTE: Fire rated equipment may never be mechanically dogged.

If you need replacements for units rated for hurricane compliance (HC) or delayed egress (DE), contact your Stanley Security Solution dealer or call direct to 1-800-392-5209.

# SOLENOID (ELR) TOUCHBAR COMPONENTS



**Figure 5.2** ELR Touchbar Mechanism

Item	Part Number	Description	Qty	Stile		Door Width		Dogging Type		
				Wide	Nar.	3 ft	4 ft	Hex	CD	FL
	00172-02	ELR Complete Touchbar Mechanism		■		■		■		
	00173-02			■		■				■
	00174-02			■		■			■	
	00175-02			■			■	■		
	00176-02			■			■			■
	00177-02			■			■		■	
	00892-02				■	■		■		
	00893-02				■	■				■

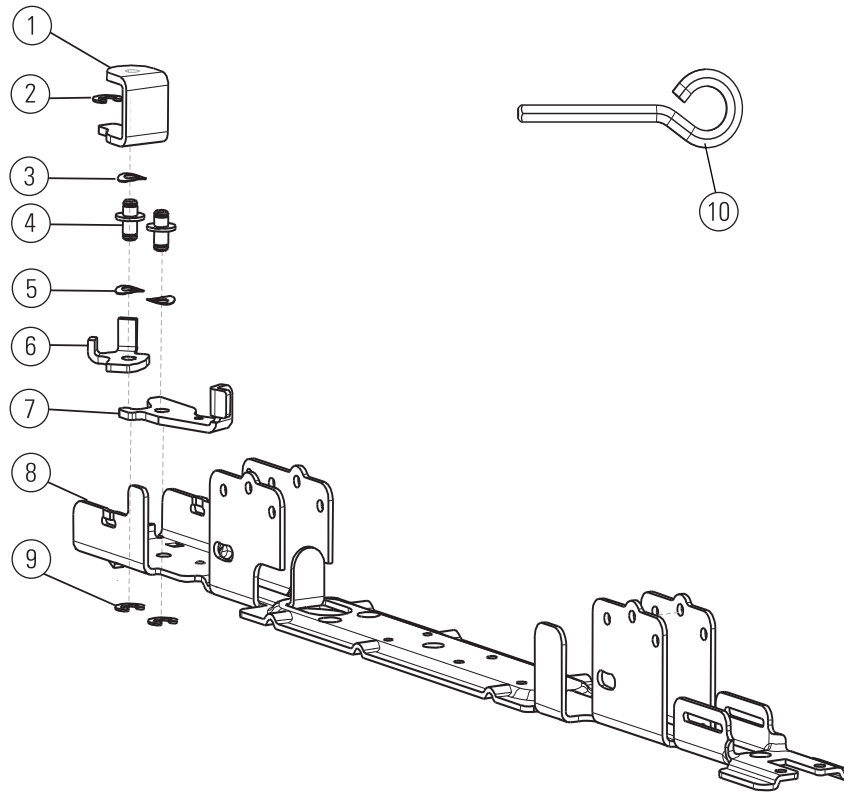
Item	Part Number	Description	Qty	Stile		Door Width		Dogging Type		
				Wide	Nar.	3 ft	4 ft	Hex	CD	FL
	00894-02				■	■			■	
	00895-02				■		■		■	
	00896-02				■		■			■
	00897-02				■		■		■	
1	02130-52	Touchbar Guide	2	■	■	■	■	■	■	■
2	00110-52	Bumper	2	■	■	■	■	■	■	■
3	00108-52	Bracket, Touchbar	2	■	■	■	■	■	■	■
4	00228-91	Retaining Ring	8	■	■	■	■	■	■	■
5	00449-90	Pin, Pivot	8	■	■	■	■	■	■	■
6	00111-52	Beam	2	■	■	■	■	■	■	■
7	00915-06	Dogging Channel Assembly	1	■	■	■		■	■	■
	00916-06		1	■	■		■	■	■	■
8	00525-06	Solenoid/Linkage Assembly	1	■		■	■	■	■	■
	00639-06		1		■	■	■	■	■	■
9	00844-89	Spring, ELR Touchbar	2	■	■	■		■	■	■
	00131-89		1	■	■		■	■	■	■
10	05305-02	Hex/cyl Sub-bracket Assembly	1	■	■		■	■		
	05306-02		1	■	■		■		■	
	05307-02		1	■	■	■		■		
	05308-02		1	■	■	■			■	
	05291-52	(Bracket only)	1	■	■	■				■
	05292-52	(Bracket only)	1	■	■		■			■
11	00416-91	Screw, #8-32 X .275	4	■	■	■	■	■	■	■
12	00228-90	Retaining Ring, shaft	1	■	■	■	■	■	■	■
13	00681-06	Yoke Assembly, ELR	1	■	■	■	■	■	■	■
14	01922-90	Pin, Link - ELR	1	■	■	■	■	■	■	■

NOTE: Fire rated equipment may never be mechanically dogged.

If you need replacements for units rated for hurricane compliance (HC) or delayed egress (DE), contact your Stanley Security Solution dealer or call direct to 1-800-392-5209.



## SUB-BRACKET ASSEMBLY



**Figure 5.3** Sub-bracket assembly for hex and cylinder dogging units only.

Item	Part Number	Description	Qty	Door Width			Dogging Type	
				2 ft 6 in	3 ft	4 ft	Hex	CD
1	00115-52	Bracket, Hex Key	1	■	■	■	■	
2	00254-91	E-clip, .250 dia Shaft	1	■	■	■	■	
3	00253-91	1/4 Curved Spring Washer	1	■	■	■	■	
4	00252-52	Dogging Fastener	2	■	■	■	■	■
5	00253-91	1/4 Curved Spring Washer	2	■	■	■	■	■
6	00116-52	Dogging Cam	1	■	■	■	■	■
7	00114-52	Dogging Hook	1	■	■	■	■	■
8	05290-52	Consolidated Subplate	1	■			■	■
	05291-52		1		■		■	■
	05292-52		1			■	■	■
9	00254-91	E-clip, .250 dia Shaft	2	■	■	■	■	■
10	00220-93	Dogging Key	1	■	■	■	■	■

NOTE: Fire rated equipment may never be mechanically dogged.

# 6

---

---

## ACTIVE CASE ASSEMBLIES

This chapter provides diagrams and part numbers for the active case (chassis) used on the various PHI Apex 2000 Exit Devices. Reference the chart on page 6-2 to find all the correct parts to your active case.

## COMPLETE ACTIVE CASE ASSEMBLIES

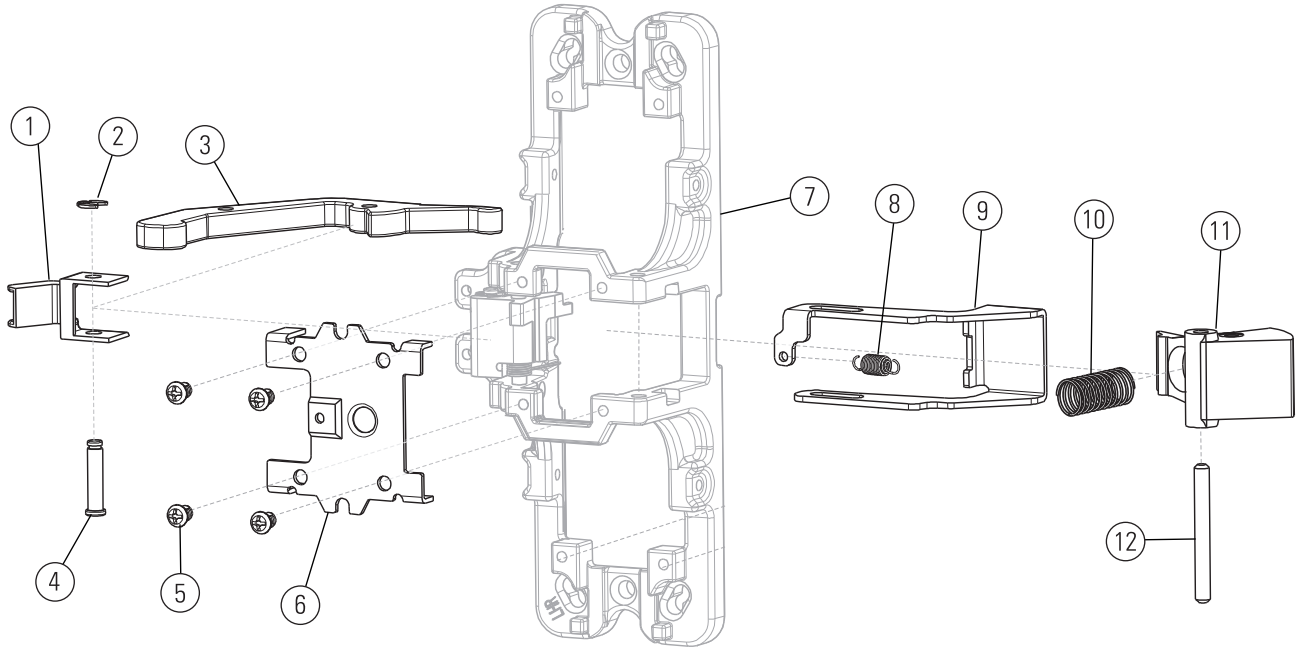
*For all backplate assemblies see page 6-15.*

All Active Case Assemblies include the 02306-01 Lock Side Filler Kit. See page 4-2.

Assembly	Model Description	Hand		Active Case Sub-assembly	See page								Backplate		
		RHRB	LHRB		6-4	6-5	6-6	6-8	6-10	6-11	6-12	6-13		6-14	
00867-01	21 Active Case Assembly	■	■	02271-01	■										00842-01
01216-01	21F Active Case Assembly	■	■	02272-01	■										00842-01
02570-01	2103 Active Case Assembly		■	02271-01	■										00369-01
00335-01		■		02271-01	■										00369-01
02571-01	2103F Active Case Assembly		■	02272-01	■										00369-01
00339-01		■		02272-01	■										00369-01
02582-01	2108 Active Case Assembly		■	02271-01	■										00832-01
00336-01		■		02271-01	■										00832-01
02583-01	2108F Active Case Assembly		■	02272-01	■										00832-01
00340-01		■		02272-01	■										00832-01
02594-01	2110 Active Case Assembly		■	02271-01	■	■									00369-01
00338-01		■		02271-01	■	■									00369-01
02595-01	2110F Active Case Assembly		■	02272-01	■	■									00369-01
00342-01		■		02272-01	■	■									00369-01
02618-01	22 Active Case Assembly		■	02561-01			■								00842-01
01085-01		■		02273-01			■								00842-01
02619-01	22LBR Active Case Assembly		■	02562-01			■								00842-01
01993-01		■		02316-01			■								00842-01
02606-01	2203 Active Case Assembly		■	02561-01			■								00370-01
00476-01		■		02273-01			■								00370-01
02607-01	2203LBR Active Case Assembly		■	02562-01			■								00370-01
00478-01		■		02316-01			■								00370-01
02608-01	2208 Active Case Assembly		■	02561-01			■								00833-01
00477-01		■		02273-01			■								00833-01
02609-01	2208LBR Active Case Assembly		■	02562-01			■								00833-01
00479-01		■		02316-01			■								00833-01
02610-01	2300 Active Case Assembly		■	02563-01				■							N/A
00482-01		■		02274-01				■							N/A
02611-01	2310 Active Case Assembly (with mortise kit)		■	02563-01 00834-01				■		■					N/A
00483-01		■		02274-01 00834-01				■		■					N/A

Assembly	Model Description	Hand		Active Case Sub-assembly	See page								Backplate		
		RHRB	LHRB		6-4	6-5	6-6	6-8	6-10	6-11	6-12	6-13		6-14	
00498-01	2400 Active Case Assembly	■	■	N/A							■				N/A
00499-01	2400F Active Case Assembly	■	■	N/A							■				N/A
00500-01	2600 Active Case Assembly	■	■	N/A								■			N/A
02612-01	2703 Active Case Assembly		■	02564-01									■		00370-01
00501-01		■		02320-01									■		00370-01
02613-01	2708 Active Case Assembly		■	02564-01									■		00833-01
00502-01		■		02320-01									■		00833-01
02614-01	2803 Active Case Assembly		■	02565-01										■	00370-01
00503-01		■		02276-01										■	00370-01
02615-01	2808 Active Case Assembly		■	02565-01										■	00833-01
00504-01		■		02276-01										■	00833-01

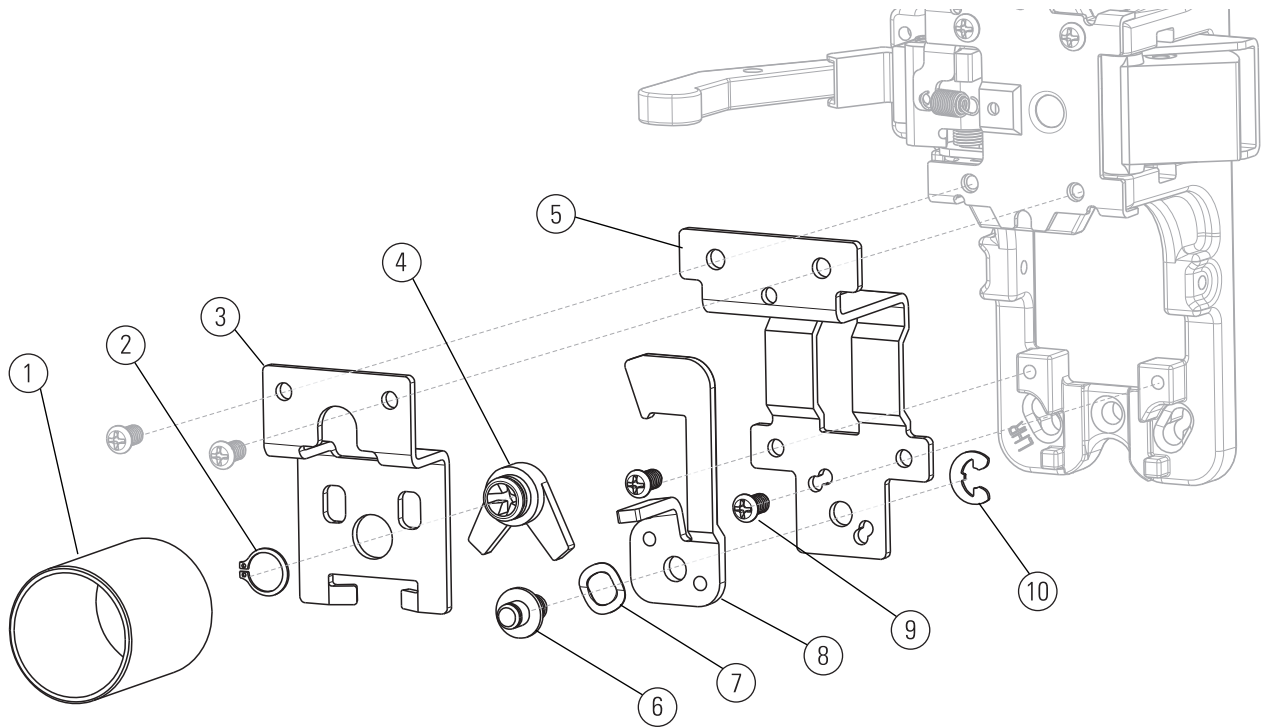
## 2100 ACTIVE CASE SUB-ASSEMBLY



**Figure 6.1** Basic 2100 Active Case -- RHRB shown

Item	Part Number	Description	Qty	02271-01	02272-01
	02271-01	2100 Complete Active Case Sub-assembly Assembly			
	02272-01	2100F Complete Active Case Sub-assembly Assembly			
1	00625-51	Touchbar Guard, Wide Stile	1	■	■
2	00228-91	Retaining Ring, Shaft	1	■	■
3	00279-51	Touch Bar Lever	1	■	■
4	00229-90	Pin, Pivot, Touchbar Lever	1	■	■
5	00416-91	Screw, #8-32 x .275	4	■	■
6	00151-51	Top Plate	1	■	■
7	N/A	Sold only as the complete assembly	1		
8	00146-89	Spring, Deadlock Release	1	■	■
9	00284-51	Deadlock Release	1	■	■
10	00385-89	Spring, Latchbolt	1	■	■
11	00226-51	Latchbolt	1	■	
	00295-01	Fire Latchbolt Assembly	1		■
12	00154-90	Latchbolt Pivot Pin, Rim	1	■	■

## 2110 AUXILIARY PARTS

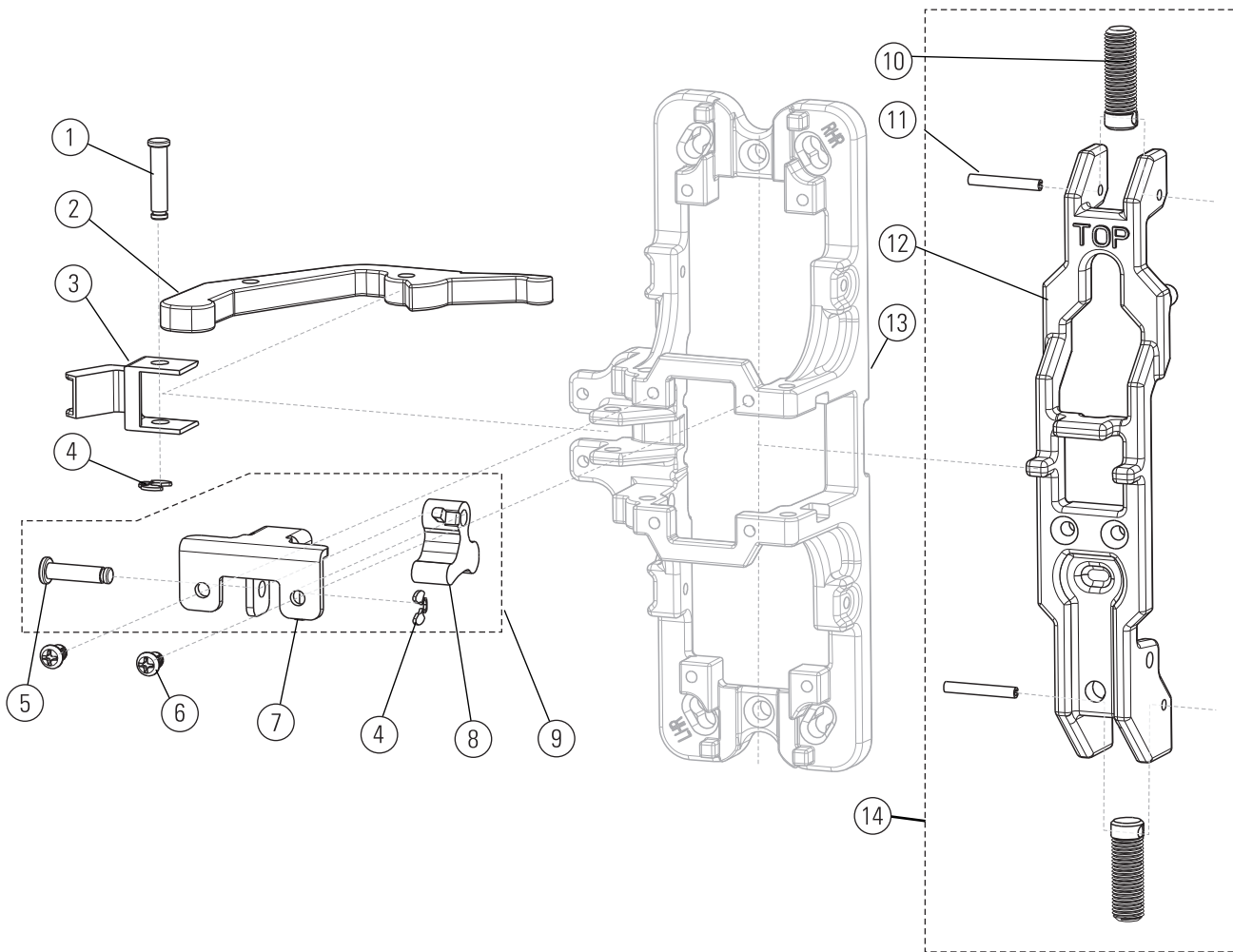


**Figure 6.2** Auxiliary parts for 2110 Mortise

Item	Part Number	Description	Qty
1	00827-51	Cylinder Sleeve - 10 Function	1
2	00412-91	Retaining Ring, .438 Shaft	1
3	00826-51	Cylinder Bracket - 10, Rim	1
4	00825-51	Cylinder Cam, 10 Function	1
5	00823-51	Locking Bracket	1
6	00252-52	Dogging Fastener	1
7	01868-91	Washer, Wave, .325 ID X .500 OD	1
8	00822-51	Locking Arm	1
9	00463-91	Screw, #8-32 X 3/8 PHMS	2
10	00254-91	E-clip, .250 dia Shaft	1
	00824-01	Cylinder Assembly 10 Function (includes items 1, 2, 3, and 4)	1
	00821-01	Trim Locking Assembly (includes items 5, 6, 7, 8 and 10)	1



## 2200 ACTIVE CASE SUB-ASSEMBLY



**Figure 6.3** Basic Active Case for a wide surface vertical rod model - RHRB shown

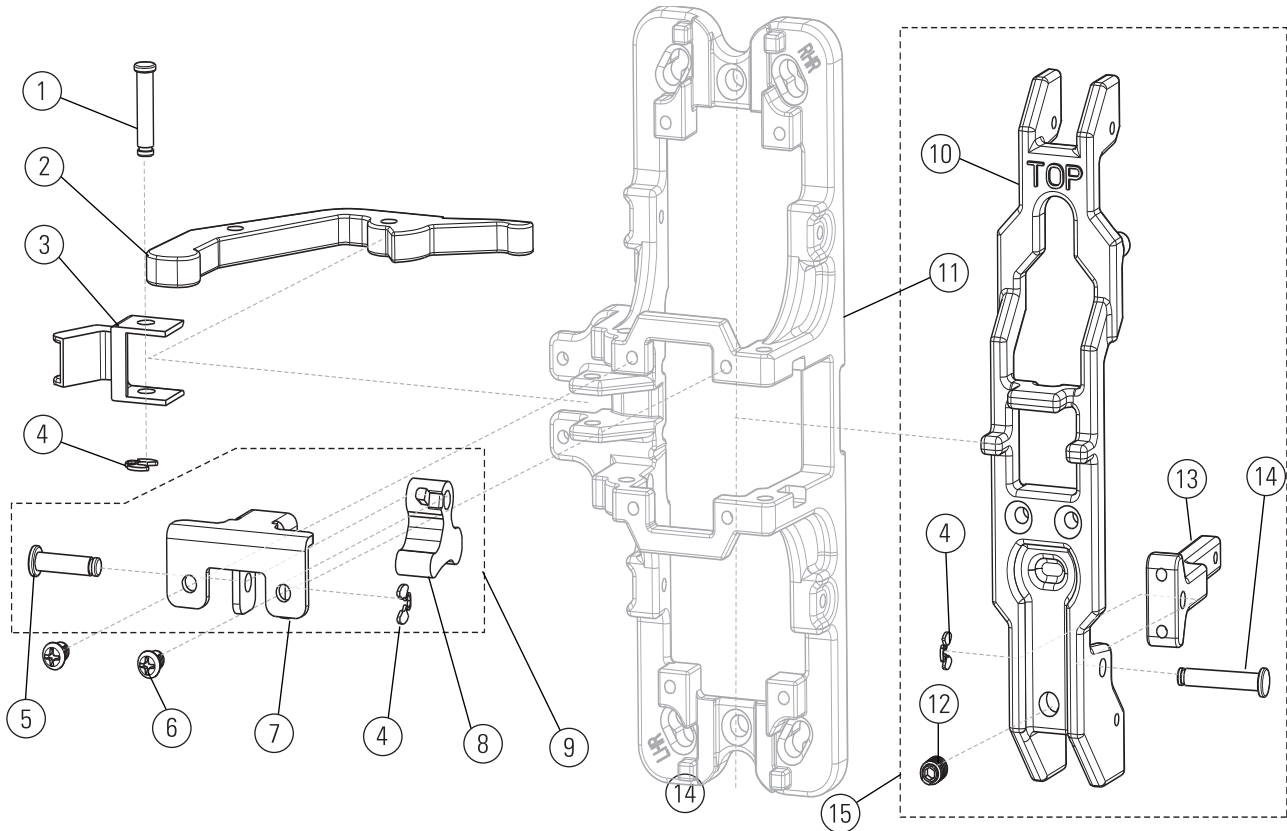
Item	Part Number	Description	Qty
	02273-01	2200 RHRB Complete Active Case Sub-assembly Assembly	
	02561-01	2200 LHRB Complete Active Case Sub-assembly Assembly	
	02316-01	2200LBR RHRB Complete Active Case Sub-assembly Assembly	
	02562-01	2200LBR LHRB Complete Active Case Sub-assembly Assembly	
1	00229-90	Pin, Pivot, Touchbar Lever	1
2	00279-51	Touch Bar Lever	1
3	00625-51	Touchbar Guard, Wide Stile	1

<b>Item</b>	<b>Part Number</b>	<b>Description</b>	<b>Qty</b>
4	00228-91	Retaining Ring, Shaft	1
5	00153-90	Pin, Pivot, Vertical Lift	1
6	00416-91	Screw, #8-32 x .275	2
7	00354-51	Vertical Lift Bracket	1
8	00280-51	Rod Carriage Lever	1
9	00505-01	Vertical Lift Assembly	1
10	00383-51 †	Rod Stud	2
11	00382-90 †	Roll Pin, 1/8 X 7/8	2
12	00485-51	Rod Carriage Machining, CVR/mort, Apex	1
13	N/A	Sold only as the complete assembly	1
14	00353-01	2200 Rod Carriage Assembly	1
	00533-01 †	2200LBR Rod Carriage Assembly	1

†. Active cases 02316-01, 02562-01 and Rod Carriage 00533-01 contain only one 00383-51 Rod Stud and one 00382-90 Roll Pin.

All Active Case Sub-assembly are field reversible from LHRB to RHRB and from RHRB to LHRB.

## 2300 ACTIVE CASE SUB-ASSEMBLY



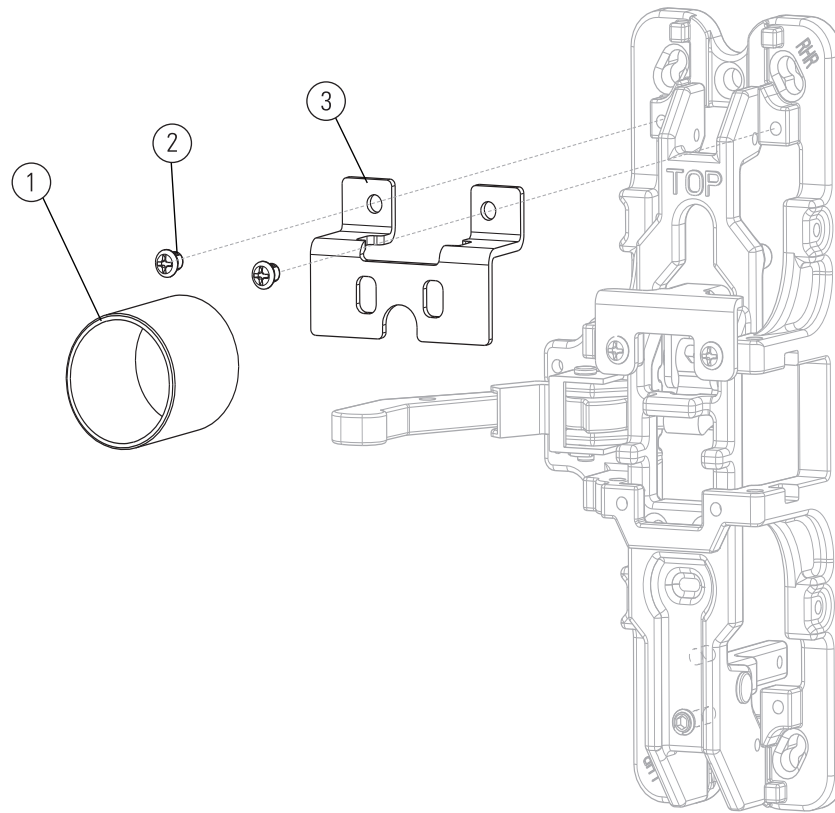
**Figure 6.4** Basic Active Case for a wide concealed vertical rod model - RHRB shown

Item	Part Number	Description	Qty
	02274-01	2300 RHRB Complete Active Case Sub-assembly Assembly	
	02563-01	2300 LHRB Complete Active Case Sub-assembly Assembly	
1	00229-90	Pin, Pivot, Touchbar Lever	1
2	00279-51	Touch Bar Lever	1
3	00625-51	Touchbar Guard, Wide Stile	1
4	00228-91	Retaining Ring, Shaft	1
5	00153-90	Pin, Pivot, Vertical Lift	1
6	00416-91	Screw, #8-32 x .275	2
7	00354-51	Vertical Lift Bracket	1
8	00280-51	Rod Carriage Lever	1
9	00505-01	Vertical Lift Assembly	1
10	00485-51	Rod Carriage Machining, Apex	1
11	N/A	Sold only as the complete assembly	
12	00606-91	Screw, 1/4-20 X .375 Set Screw w/nyloc	1
13	00335-51	Device Lift Finger	1

<b>Item</b>	<b>Part Number</b>	<b>Description</b>	<b>Qty</b>
14	00400-90	Pin, Headed Pivot, .188 X 1.125	1
15	00797-01	2300 RHRB Rod Carriage Assembly	1
	02646-01	2300 LHRB Rod Carriage Assembly	1

All Active Case Sub-assembly 02274-01 and 02563-01 are field reversible from LHRB to RHRB and from RHRB to LHRB.

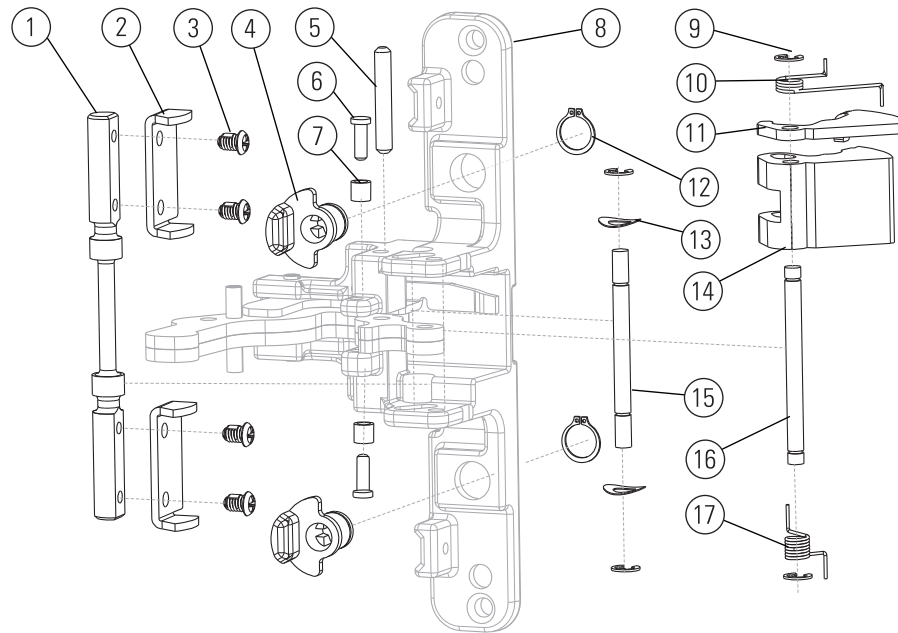
## 2310 AUXILIARY PARTS



**Figure 6.5** 2310 Auxiliary parts for mortise applications.

Item	Part Number	Description	Qty
1	00827-51	Cylinder Sleeve - 10 Function	1
2	00416-91	Screw, #8-32 x .275	2
3	00909-51	Cylinder Bracket -10 Mortise	1

## 2400 FULL CHASSIS

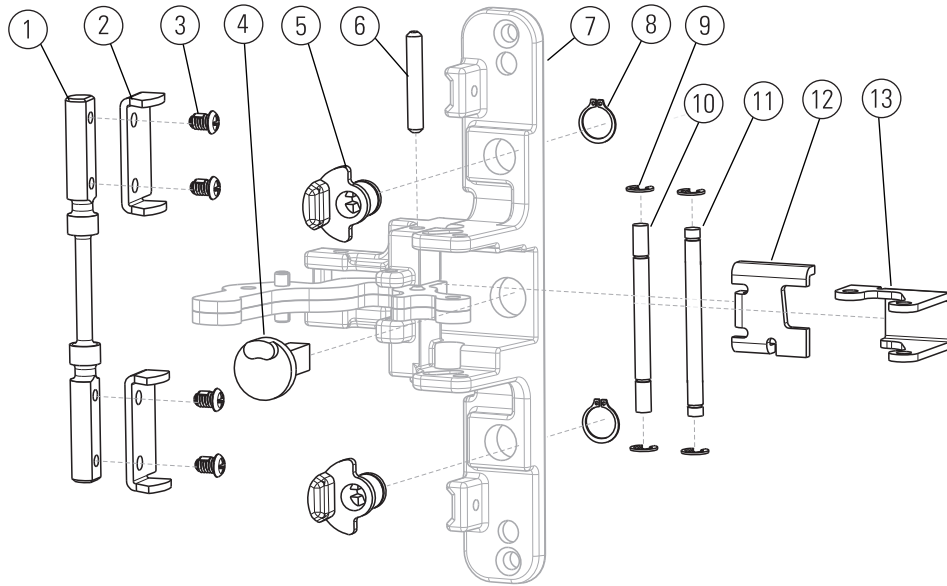


**Figure 6.6** 2400 Full Chassis

Item	Part Number	Description	Qty
	00498-01	2400 Complete Chassis Assembly	
	00499-01	2400F Complete Chassis Assembly	
1	01108-51	Trim Shaft	1
2	01107-51	Cam Plate	2
3	00416-91	Screw, #8-32 x .275	4
4	01724-51	Trim Cam 2400	2
5	01121-90	Pivot Pin	1
6	00952-51	Fire Pin, Narrow Stile <i>(2400F only)</i>	2
7	00953-51	Fire Spacer, Narrow Stile <i>(2400F only)</i>	2
8	N/A	Sold only as the complete assembly	1
9	01120-91	E-clip, Shaft	4
10	00871-89	Spring, Trip	1
11	01109-51	Trip	1
12	00412-91	Retaining Ring, .438 Shaft	2
13	00253-91	1/4 Curved Spring Washer	2
14	01106-51	Latchbolt Narrow Stile	1
15	01114-90	Pin, Lever, .187 X 2.312	1
16	01115-90	Pin, Latchbolt, 2400	1
17	01116-89	Latch Bolt Spring	1



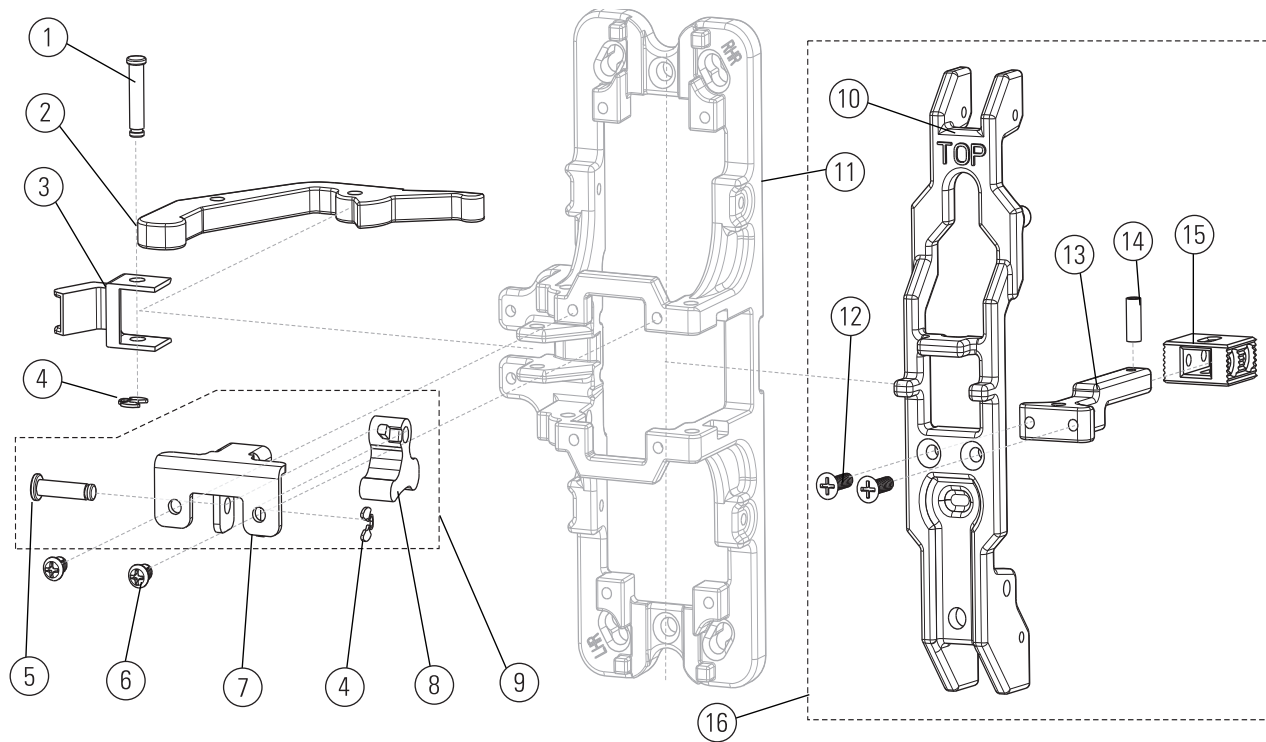
## 2600 FULL CHASSIS



**Figure 6.7** 2600 Full Chassis

Item	Part Number	Description	Qty
	00500-01	2600 Complete Chassis Assembly	
1	01108-51	Trim Shaft	1
2	01107-51	Cam Plate	2
3	00416-91	Screw, #8-32 x .275	4
4	01110-51	Case Hub	1
	05154-51	Extended Case Hub	1
5	01113-51	Trim Cam	2
6	01121-90	Pivot Pin	1
7	N/A	Sold only as the complete assembly	1
8	00412-91	Retaining Ring, .438 Shaft	2
9	01120-91	E-clip, Shaft	4
10	01114-90	Pin, Lever, .187 X 2.312	1
11	01115-90	Pin, Latchbolt, 2400	1
12	00126-51	Cam Slide, 2600	1
13	01111-51	Retainer	1

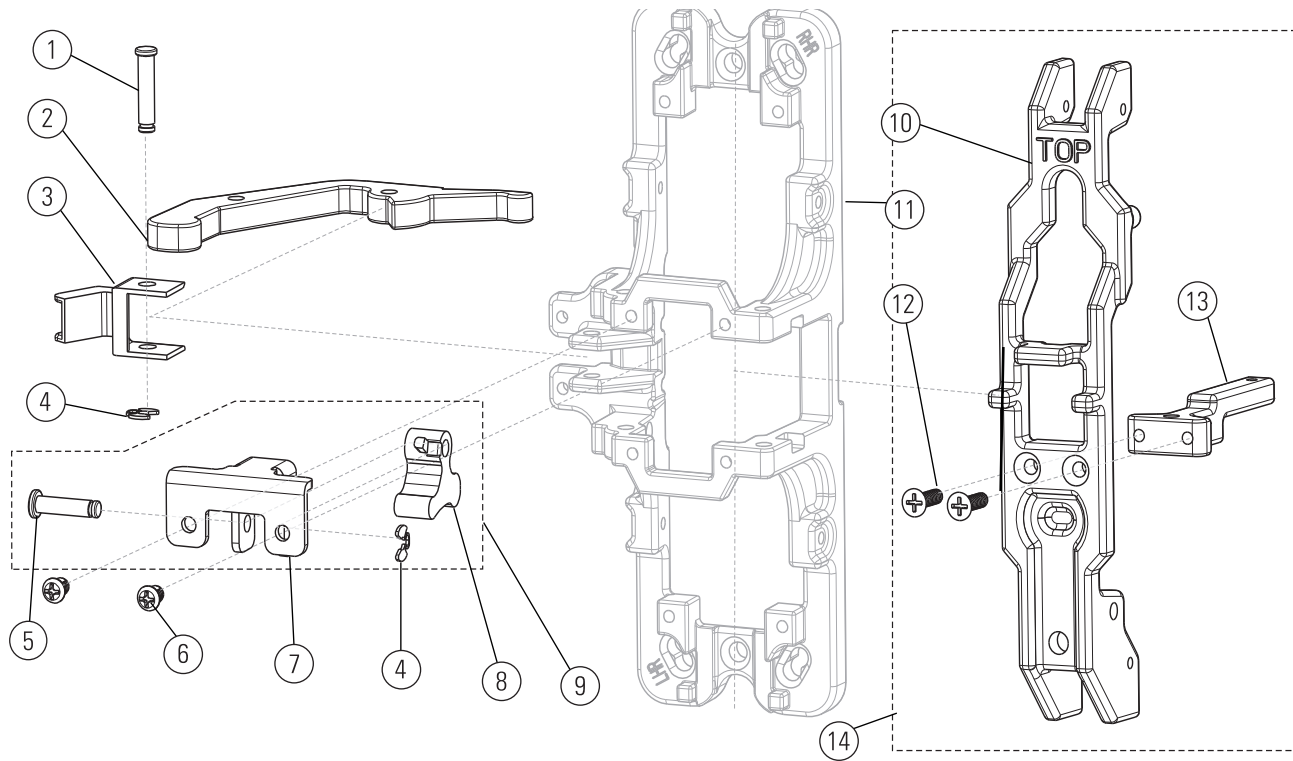
## 2700 ACTIVE CASE SUB-ASSEMBLY



**Figure 6.8** 2700 wood concealed vertical rod model - RHRB shown

Item	Part Number	Description	Qty
	02320-01	2700 LHRB Complete Active Case Sub-assembly Assembly	
	02564-01	2700 RHRB Complete Active Case Sub-assembly Assembly	
1	00229-90	Pin, Pivot, Touchbar Lever	1
2	00279-51	Touch Bar Lever	1
3	00625-51	Touchbar Guard, Wide Stile	1
4	00228-91	Retaining Ring, Shaft	1
5	00153-90	Pin, Pivot, Vertical Lift	1
6	00416-91	Screw, #8-32 x .275	2
7	00354-51	Vertical Lift Bracket	1
8	00280-51	Rod Carriage Lever	1
9	00505-01	Vertical Lift Assembly	1
10	00485-51	Rod Carriage Machining, Apex	
11	N/A	Sold only as the complete assembly	1
12	00800-91	Screw, #8-32 X .625 FHMS	2
13	00355-51	Device Lift Finger	1
14	00799-90	Roll Pin, 1/8 X 1/2	1
15	00798-51	Adapter, 2700	1
16	00534-01	2700 Rod Carriage Assembly	1

## 2800 ACTIVE CASE SUB-ASSEMBLY



**Figure 6.9** 2800 concealed vertical rod model - RHRB shown

Item	Part Number	Description	Qty
	02320-01	2700 LHRB Complete Active Case Sub-assembly Assembly	
	02564-01	2700 RHRB Complete Active Case Sub-assembly Assembly	
1	00229-90	Pin, Pivot, Touchbar Lever	1
2	00279-51	Touch Bar Lever	1
3	00625-51	Touchbar Guard, Wide Stile	1
4	00228-91	Retaining Ring, Shaft	1
5	00153-90	Pin, Pivot, Vertical Lift	1
6	00416-91	Screw, #8-32 x .275	2
7	00354-51	Vertical Lift Bracket	1
8	00280-51	Rod Carriage Lever	1
9	00505-01	Vertical Lift Assembly	1
10	00485-51	Rod Carriage Machining, Apex	1
11	N/A	Sold only as the complete assembly	1
12	00800-91	Screw, #8-32 X .625 FHMS	2
13	00355-51	Device Lift Finger	1
14	00534-01	2700 Rod Carriage Assembly	1

# BACKPLATE ASSEMBLIES

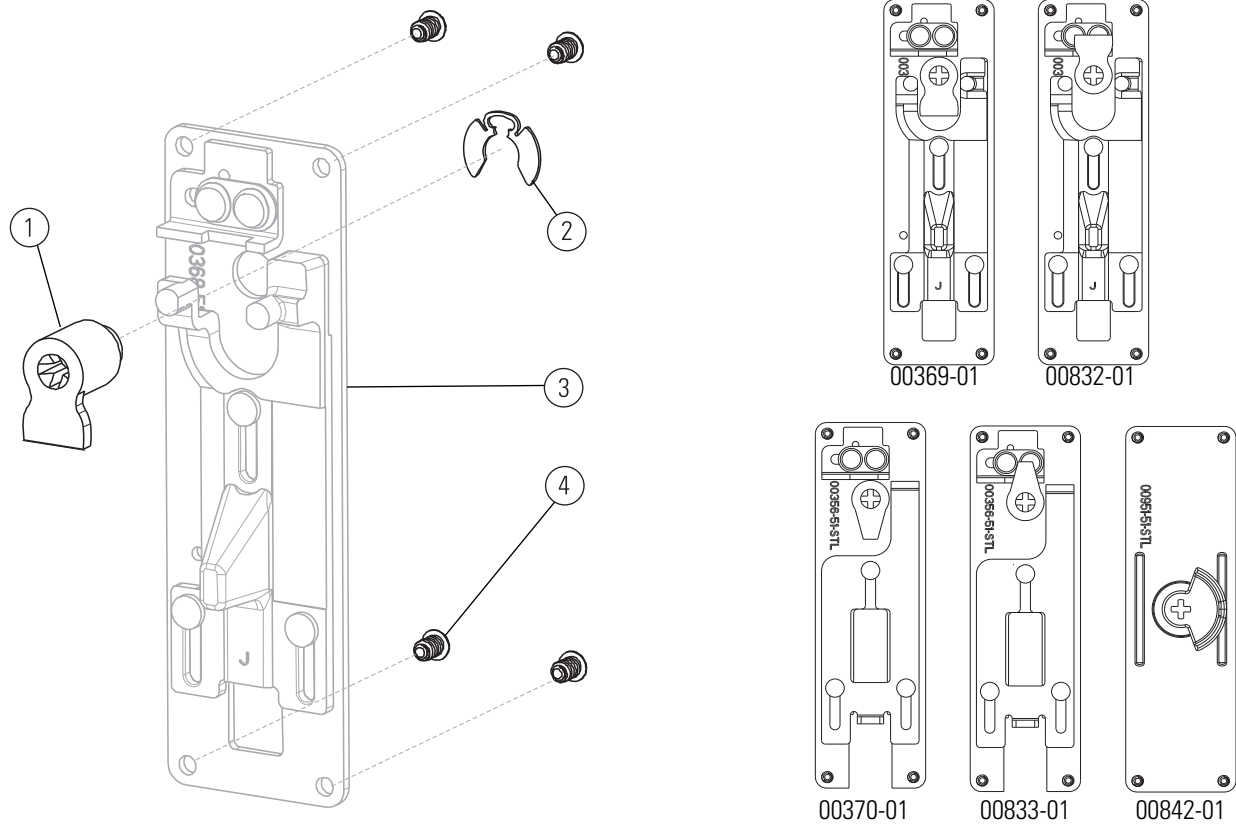


Figure 6.10 Backplate assembly

Item	Part Number	Description	Qty	Backplate Assembly				
				00369-01	00832-01	00370-01	00833-01	00842-01
	00369-01	Complete Backplate Assembly		■				
	00832-01				■			
	00370-01					■		
	00833-01						■	
	00842-01							■
1	00282-51	Cylinder cam	1					■
	01642-51		1			■	■	
	00363-51		1	■	■			
2	00412-91	Retaining Ring	1					■
	00366-91		1	■	■	■	■	
3	N/A	Sold only as the complete assembly	1					
4	00416-91	Screws, #8-32 x.275	4	■	■	■	■	■

See page 6-2 for the associated complete active case.



# 7

---

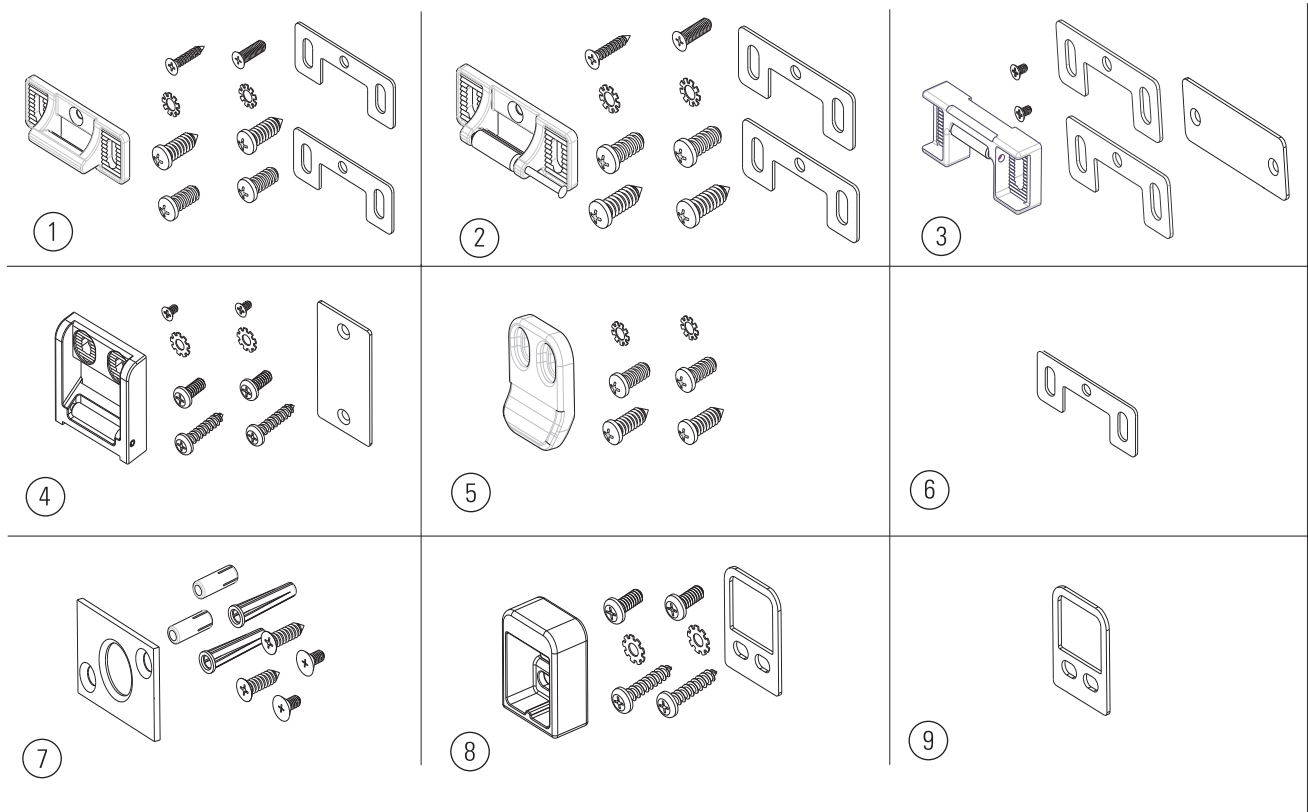
---

## **STRIKES AND VERTICAL ROD COMPONENTS**

This chapter provides diagrams and part numbers for the strikes and the components of the surface and concealed vertical rod assemblies. The PHI Apex 2000 models that use a vertical rod include the 2200, 2600, 2700, and 2800 models.



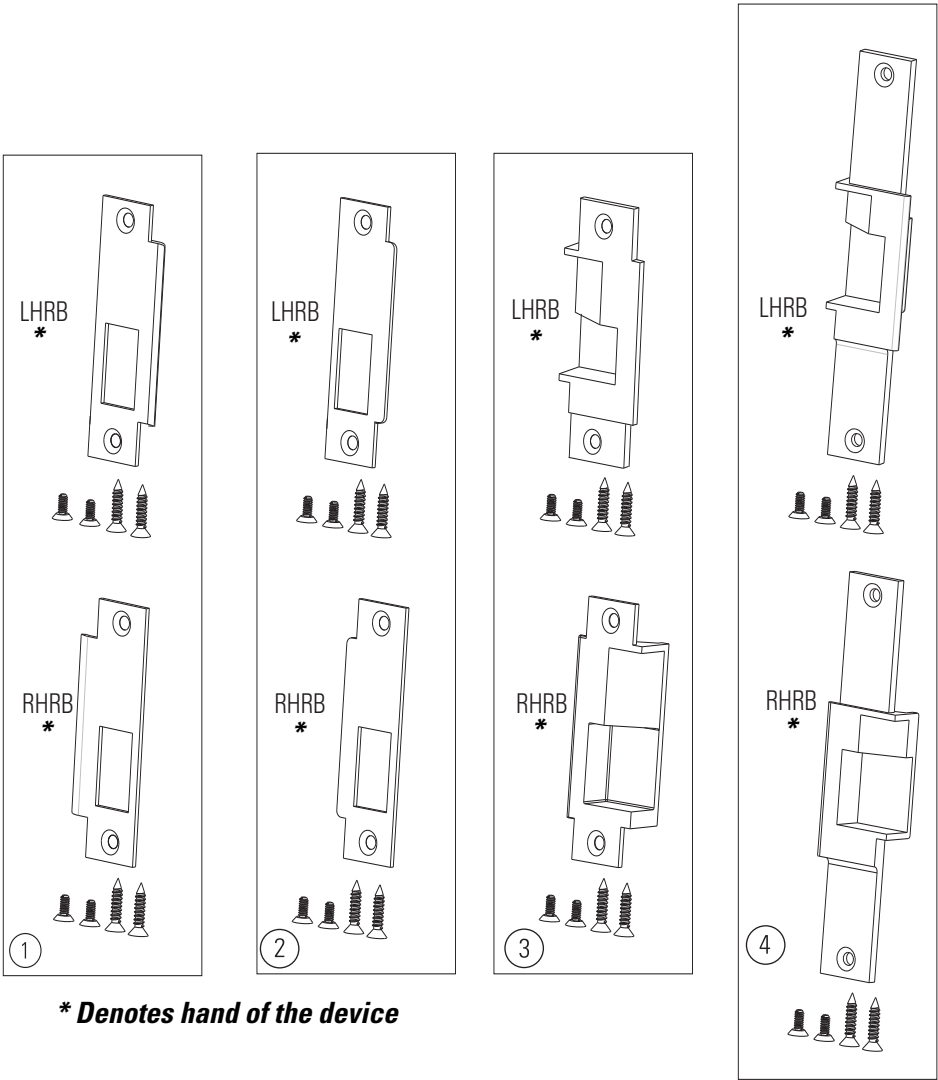
# STRIKES, NON-MORTISE



**Figure 7.1** Strikes used with all models except the 2300 model Exit Device.

Item	Part Number	Description	Qty	Models used on
1	00300-08	Strike Kit, S300	1	2100, 2200, 2400
2	00301-08	Strike Kit, Roller, S301	1	2100, 2200, 2400
3	00458-08	Strike Kit, Roller, Narrow S458	1	2100, 2400
4	00988-08	Strike Kit, Roller, Aluminum Door S986	1	2100, 2400
5	00459-08	Strike Kit, Double Door S459	1	2100 with a vertical rod exit device
6	00232-58	Shim, Strike	1	2100, 2200, 2400
7	00460-08	Strike Kit, Bottom S460	1	2200, 2600, 2700, 2800
8	00519-08	Strike Kit, Concealed Top S519	1	2600, 2700, 2800
9	01112-58	Shim, CVR Strike	1	2600, 2700, 2800

# STRIKES, MORTISE

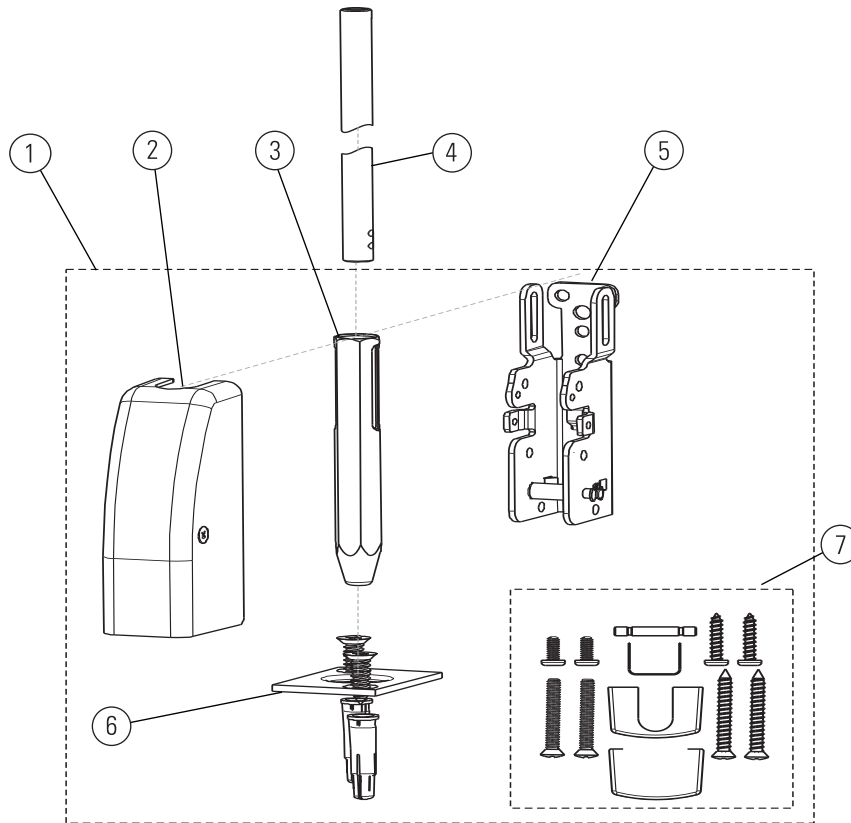


**Figure 7.2** Strikes used with the 2300 model Exit Devices

Item	Part Number	Description	Qty	Hand of Device	
				LHRB	RHRB
1	00922-08	Strike Kit, Mortise 1-1/4 Lip	1	■	
	00982-08		1		■
2	00923-08	Strike Kit, Mortise 7/8 Lip	1	■	
	00983-08		1		■
3	00984-08	Strike Kit, Mortise 4-7/8 Open Back	1	■	
	00924-08		1		■
4	00985-08	Strike Kit, Mortise 8 in Open Back	1	■	
	00925-08		1		■

Specify finish when ordering these parts.

## 2200 SVR BOTTOM LATCH



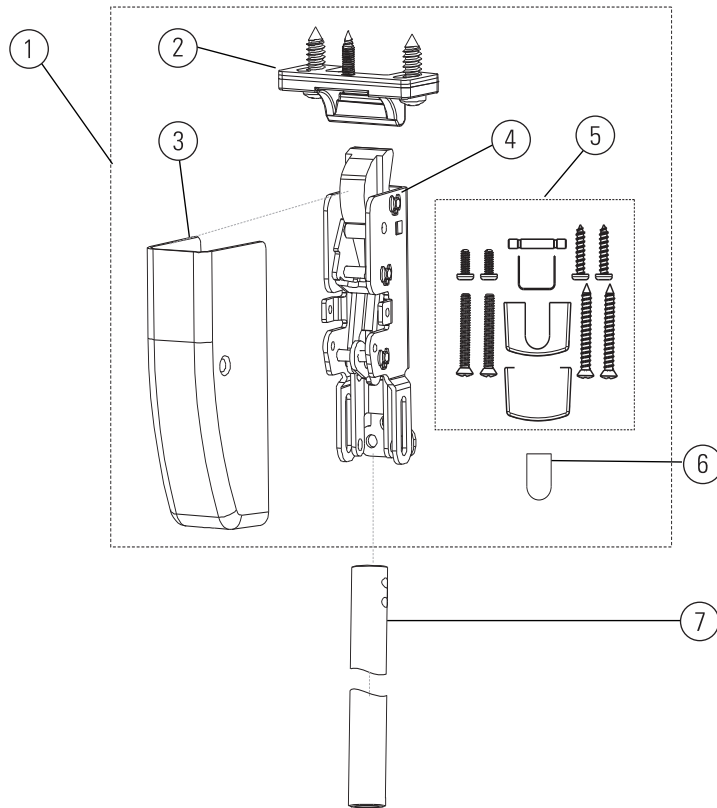
**Figure 7.3** 2200 SVR bottom latch

Item	Part Number	Description	Qty
1	01007-03 *	Bottom Latch Kit, SVR (includes items 2, 3, 5, 6, and 8)	
2	01011-03 *	Latch Cover Kit, Apex	1
3	00540-53	Bottom Bolt, SVR	1
4	00607-53 *	Bottom Rod, Apex SVR (sold separately)	1
5	02356-03	Bottom Latch Channel Assembly, SVR	1
6	00460-08	Strike Kit, Bottom	1
7	00124-03 *	Rod Guide Pack	1
Not shown	01859-03 *	Bottom Rod Kit SVR (includes rod and mounting hardware)	1
	05247-09 *	Long Bottom Rod Kit	1

\* Specify finish when ordering these parts.

If you need replacements for units rated for fire (FL), contact your Stanley Security Solution dealer or call direct to 1-800-392-5209.

## 2200 SVR TOP LATCH



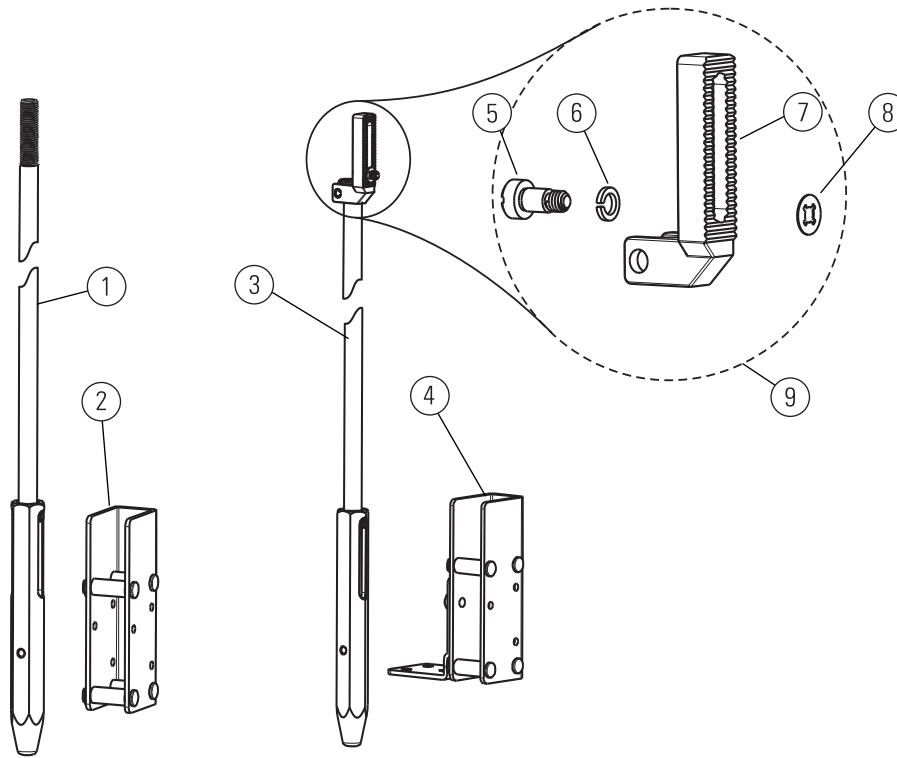
**Figure 7.4** 2200 SVR top latch

Item	Part Number	Description	Qty
1	01001-03 *	Top Latch Kit, SVR, Apex (includes items 2, 3, 4, and 5)	1
2	00300-08	Strike Kit, Standard, S300	1
3	01011-03 *	Latch Cover Kit, Apex	1
4	00296-03	Top Latch Assembly, SVR	1
5	00124-03 *	Rod Guide Pack	1
6	05124-51	LBR Cover Plug	1
7	00541-53 *	Top Rod, 7ft Apex SVR (sold separately)	1
	00542-53 *	Top Rod, 8ft	1
	00544-53 *	Top Rod, 10ft	1
	05197-53 *	Top Rod, 12ft	1
Not shown	01854-03 *	Top Rod SVR Kit 7 Foot (includes hardware)	1
	01855-03 *	Top Rod SVR Kit 8 Foot (includes hardware)	1
	01857-03 *	Top Rod SVR Kit 10 Foot (includes hardware)	1

\* Specify finish when ordering these parts.

If you need replacements for units rated for fire (FL), contact your Stanley Security Solution dealer or call direct to 1-800-392-5209.

## CVR BOTTOM LATCHES



**Figure 7.5** 2600, 2700 2800 CVR bottom latch

Item	Part Number	Description	Qty	2600	2700	2800
1	00553-03	Bottom Rod Assembly, CVR Metal	1	■		■
	05244-09	Long Bottom Rod Kit, CVR Metal	1	■		■
2	02354-03	Bottom Latch Channel Assembly, CVR Metal	1	■		■
3	00556-03	Bottom Rod Assembly, CVR Wood	1		■	
	05246-09	Long Bottom Rod Kit, CVR Wood	1		■	
4	02355-03	Bottom Latch Channel Assembly, CVR Wood	1		■	
5	01149-91	Shoulder Screw	1		■	
6	01151-91	Washer, Lock, #10	1		■	
7	01144-53	Connector, Wood CVR	1		■	
8	01152-91	Washer, Retaining	1		■	
9	02948-03	Connector Assembly 2700	1		■	

If you need replacements for units rated for fire (FL), contact your Stanley Security Solution dealer or call direct to 1-800-392-5209.

# CVR TOP LATCHES

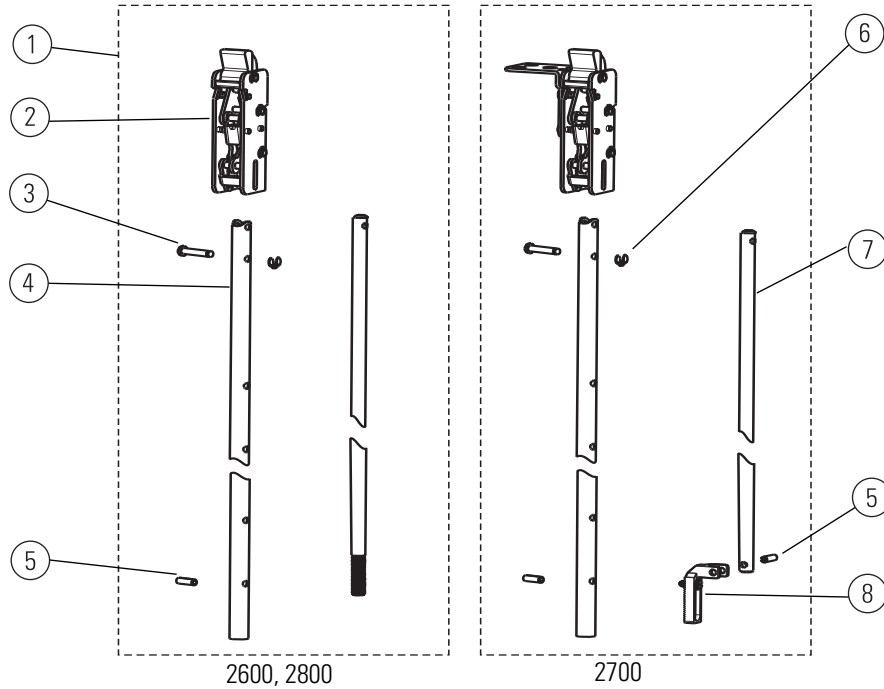
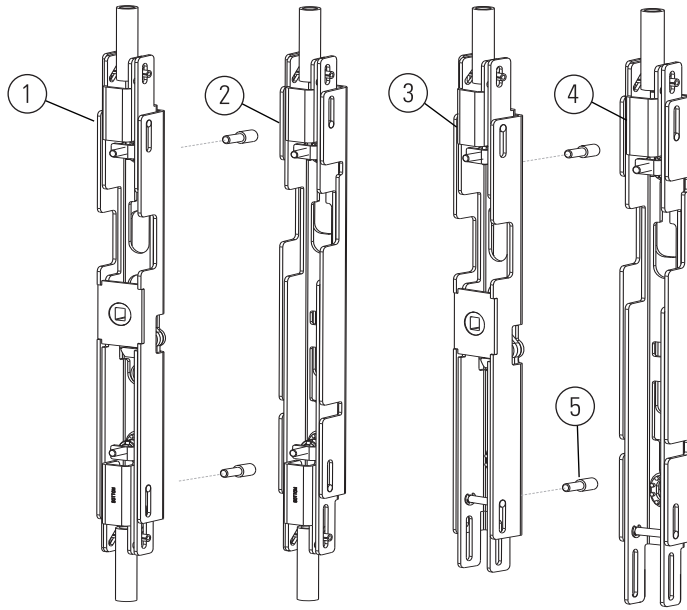


Figure 7.6 2600, 2700, 2800 CVR top latches

Item	Part Number	Description	Qty	2600, 2800		2700	
				8ft	10ft	8ft	10ft
1	01003-03	Top Latch Kit, CVR Meta	1	■			
	01004-03		1		■		
	01005-03	Top Latch Kit, CVR Wood	1			■	
	01006-03		1				■
2	00196-03	Top Latch Assembly, CVR Metal	1	■	■		
	00396-03	Top Latch Assembly, CVR Wood	1			■	■
3	00400-90	Pin, Headed Pivot, .188 X 1.125	1	■	■	■	■
4	00411-53	Adjusting Tube, 8 ft	1	■		■	
	01143-53	Adjusting Tube, 10 ft	1		■		■
5	00408-90	Roll Pin, 3/16 X 5/8	1	■	■		
	00408-90	Roll Pin, 3/16 X 5/8	2			■	■
6	00228-91	Retaining Ring, Shaft	1	■	■	■	■
7	00410-53	Inner Rod, CVR, Metal	1	■	■		
	01145-53	Top Rod, CVR, Wood	1			■	■
8	02948-03	Connector Assembly (See page 7-6 for assembly breakdown)	1			■	■



## CENTER CASE ASSEMBLY



**Figure 7.7** Apex 2000 center cases

Item	Part Number	Description	Qty
1	00343-03	Center Case Assembly, 2600	1
2	00344-03	Center Case Assembly, 2800	1
3	02280-03	Center Case Assembly, 2600LBR	1
4	02279-03	Center Case Assembly, 2800LBR	1
5	05139-90	Extended Pilot Pins (2600 and 2600LBR only)	2

# 8

---

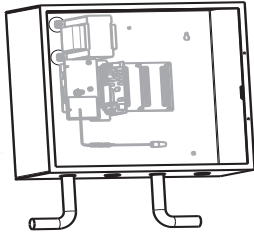
---

## OTHER COMPONENTS

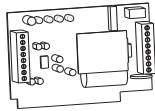
This chapter covers power supplies, conversion kits, and miscellaneous hardware that may not be covered in other chapters.

## POWER SUPPLIES

Use these parts to order replacements to your electrical Exit Device or to upgrade from a mechanical to an electrical Exit Device. They are used with the Electrical Conversion Kits listed below.



Power Supply

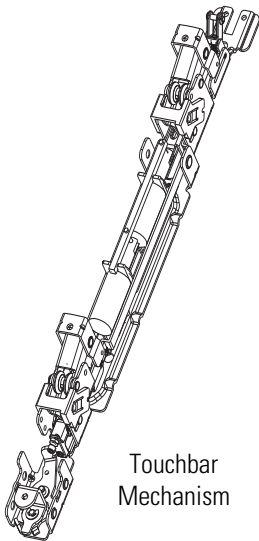


Control Module

Number	Description
Power Supply Units	
02318-06	ELR150 Power Supply – no devices
02782-06	ELR151 Power Supply – 1 devices
02783-06	ELR152 Power Supply – 2 devices
02784-06	ELR153 Power Supply – 3 devices
02785-06	ELR154 Power Supply – 4 devices
02788-06	ELR, Control Module Kit CM150-08
02789-06	ELR, Battery Backup Kit BT150-07 (batteries NOT included)
Power Transfer	
02188-06	Armored Flex Conduit, 18 inches EPT2
02189-06	Door Loop for 5/16 wire bundle, 120° opening EPT5

## ELECTRICAL CONVERSION KITS

Use these kits to convert a mechanical Exit Device into an electrical powered device, or to order replacement parts for a current electrical Exit Device. Conversion also requires a power supply – see above..

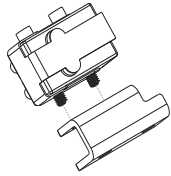


Touchbar Mechanism

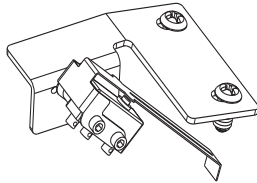
Part Number	Description	Length		Dogging		Stile	
		3ft	4ft	Hex	FI	Wide	Narrow
Touchbar Mechanisms							
00172-02	Touchbar Mechanism ELRK-3	■		■		■	
00175-02	Touchbar Mechanism ELRK-4		■	■		■	
00173-02	Touchbar Mechanism ELRKF-3	■			■	■	
00176-02	Touchbar Mechanism ELRKF-4		■		■	■	
00892-02	Touchbar Mechanism NELRK-3	■		■			■
00895-02	Touchbar Mechanism NELRK-4		■	■			■
00893-02	Touchbar Mechanism NELRKF-3	■			■		■
00896-02	Touchbar Mechanism NELRKF-4		■		■		■

These switches can be added to the electrical Exit Devices listed in the

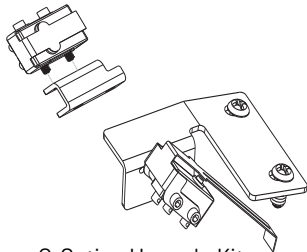
chart.



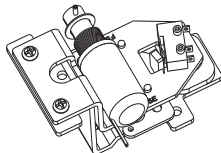
TDS Switch



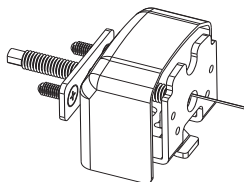
LS Switch



Q-Option Upgrade Kit



Lock/Unlock



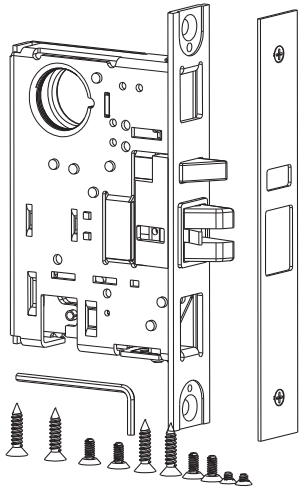
Door Position Switch

Part Number	Description	Used on
Monitoring Switches		
00309-06	TS - Touchbar Switch Monitoring Assembly TSK309	All
00310-06	TDS - Touchbar Double Switch Monitor TDS310	All
00307-06	LS- Latchbolt Switch Monitoring LSRK298	Wide Rim Only
00308-06	LDS-Double Switch Monitoring LDSRK299	Wide Rim Only
00910-06	LS- Monitoring - Vertical Rods LSVK910	Wide SVR or CVR only
Q Wireless Option Retrofit Kits		
05267-06	Q-Option Upgrade Kit for Rim QSRK5267	2103
05268-06	Q-Option Upgrade Kit for Vertical Rod QSRK5268	2203,2703, 2803
Electric Rim Device		
00837-01	Electric Rim - Lock/Unlock E2103K	2103 and 2103FL
Endcap Door Status Switch		
00774-02 *	Door Position Switch Kit	Wide Stile
00776-02 *	Door Position Switch Kit	Narrow Stile

\* Specify finish when ordering these parts.

## Other Components

When ordering E-Mortise Locks, specify Fail Safe/Fail Secure and finish. Does not include cylinder.

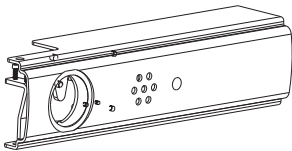


Mortise Kit

Part Number	Description	Hand	
		RHRB	LHRB
Electric Mortise Locks			
02553-05	Mortise Lock, LSM303	■	
02819-05			■
02554-05	Mortise Lock, LSM303F	■	
02820-05			■
02551-05	Mortise Lock, LSM308	■	
02817-05			■
02552-05	Mortise Lock, LSM308F	■	
02818-05			■
02557-05	Mortise Lock, LSEM303	■	
02823-05			■
02558-05	Mortise Lock, LSEM303F	■	
02824-05			■
02555-05	Mortise Lock, LSM308	■	
02821-05			■
02556-05	Mortise Lock, LSEM308F	■	
02822-05			■
00996-93	Short Arm 5/32 Hex Wrench		

## EXIT ALARM KITS

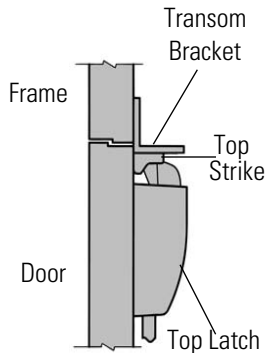
The ALK models come with batteries included. .



Part Number	Description	Length		Power		Stile	
		3ft	4ft	ALK	ALW	Wide	Narrow
00491-06 *	Exit Alarm	■		■		■	
00492-06 *			■	■		■	
00493-06 *		■			■	■	
00494-06 *			■		■	■	
00586-06 *		■		■			■
00587-06 *			■	■			■
00588-06 *		■			■		■
00589-06 *			■		■		■

\* Specify finish when ordering these parts.

## SHIMS AND BRACKETS



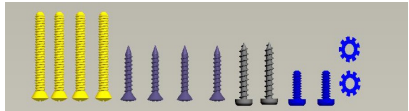

Part Number	Description	Used on
00994-09	Shim Kit, Apex Wide Stile	Endcap and Active Case
00995-09	Shim Kit, Apex Narrow Stile	Endcap and Active Case
00232-58	Shim, Strike	Strike S300, S301, and S458
01112-58	Shim, CVR Strike	Strike S519
00453-53	Transom Bracket for S300 Strike	2200 Top Latch

## FIRE BOLT



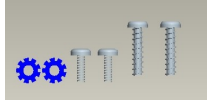
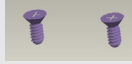


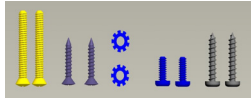



Part Number	Description	Used on
01303-03	Fire Bolt Kit FB277	2200LBR, 2600LBR, 2700LBR, 2800LBR



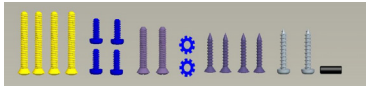

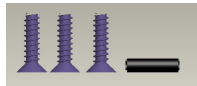


## SCREW PACKS




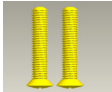
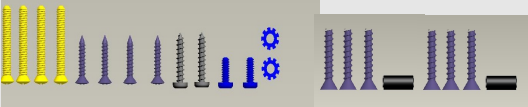
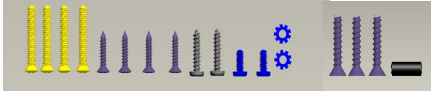
Part Number	Description	Contents
02101-09 *	Screw Pack, 2100 2200 2300 Device	 (4) Screw, #10-24 X 1-1/2 POHMS (4) Screw, #10-16 X 1 POHSMS (2) Screw, #10-16 X 1 PPHSMS (2) Screw, #10-24 X 1/2 PPHMS (2) Washer, #10 External Tooth Type
02102-09 *	Screw Pack, 4 Cover Screws	 (4) Screw, #8-32 X 3/8 PUFHMS

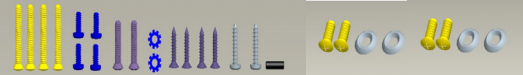


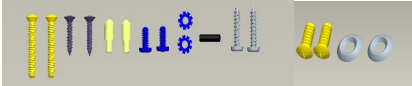



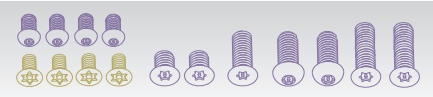


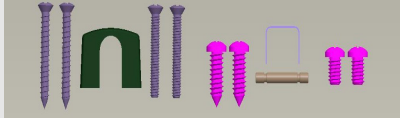
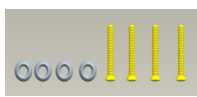
## Other Components




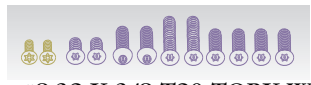
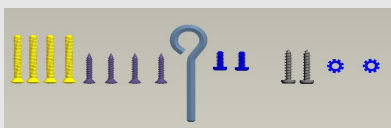
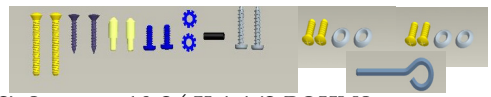
Part Number	Description	Contents
02103-09-000	Screw Pack, Endcap Bracket	 <p>(2) Washer, #10 External Tooth (2) Screw, #10-24 X 1/2 (2) Screw, #10-16 X 1</p>
02104-09 *	Screw Pack, Endcap Screws	 <p>(2) Screw, #8-32 X 3/8 PUFHMS</p>
02105-09 *	Screw Pack, Cylinder Dogging	 <p>Nut, Cylinder Locking Washer, Cylinder Locating 3/16 Cylinder Collar</p>
02106-09 *	Screw Pack, 2 Cover Screws	 <p>(2) Screw, #8-32 X 3/8 PUFHMS</p>
02107-09-000	Screw Pack, 2400	 <p>(2) Screw, #10-24 X 1-1/2 POHMS (2) Screw, #10-16 X 1 POHSMS (2) Washer, #10 External Tooth (2) Screw, #10-24 X 1/2 PPHMS (2) Screw, #10-16 X 1 PPHSMS TYPE AB</p>
02109-09 *	Screw Pack, Latchbolt Cover	 <p>Latch Opening Cover</p>
02110-09 *	Screw Pack, 1/2in Blocking Ring, Narrow W/o Trim	 <p>1/2 Cylinder Collar</p>
02112-09-000	Screw Pack, Surface Latch	 <p>(2) Screw, #10 X 1-3/4" POHSMS Rod Guide (2) Screw, #10-24 X 1-1/2" POHMS, (2) Screw, #10-16 X 1 PPHSMS Spring Clip, Vertical Rod Pin, Rod, .188 X 1.296 (2) Screw, #10-24 X 1/2 PPHMS</p>

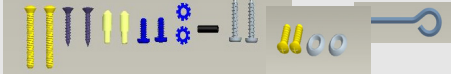
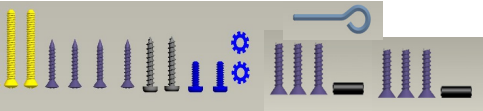
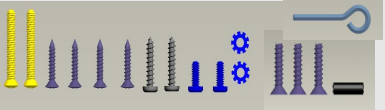
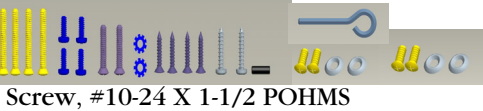
Part Number	Description	Contents
02113-09 *	Screw Pack, Guide Strap	 Rod Guide Strap
02114-09 *	Screw Pack, Concealed Latch	 (2) Screw, #10-24 X 1/2 POHMS W/Nyloc (2) Washer, Finish, #10
02115-09-000	Screw Pack, 2800 Active Case	 (4) Screw, #10-24 X 1-1/2 POHMS (4) Screw, #10-24 X 1/2 PPHMS (2) Screw, #10-24 X 1 POHMS (2) Washer, #10 External Tooth (4) Screw, #10-16 X 1 POHSMS (2) Screw, #10-16 X 1 PPHSMS Roll Pin, 3/16 X 5/8
02116-09-000	Screw Pack, 2600 Active Case	 (2) Screw, #10-24 X 1-1/2 POHMS (2) Screw, #10-16 X 1 POHSMS (2) Pin, Pilot (2) Screw, #10-24 X 1/2 PPHMS (2) Washer, #10 External Tooth Roll Pin, 3/16 X 5/8 (2) Screw, #10-16 X 1 PPHSMS
02117-09-000	Screw Pack, 2700 Latch	 (3) Screw, #10-16 X 1 PFHMSM Roll Pin, 3/16 X 5/8
02118-09 *	Screw Pack, Mortise Lock	 Wrench, 1/8 Hex (4) Screw, #12-14 X 1 FHSMS (4) Screw, #12-24 X 1/2 PUFHMS (2) Screw, #8-32 X 3/16 PUFHMS
02119-09 *	Screw Pack, 2000 Bottom Screw	 Washer, Finish, #10 Screw, #10-24 X 1-1/2 POHMS

<b>Part Number</b>	<b>Description</b>	<b>Contents</b>
02120-09 *	Screw Pack, A And C Grip Bottom Screw	 <p>Screw, #1/4-20 x 2 POHMS Washer, Finish, 1/4</p>
02121-09 *	Screw Pack, B Grip Bottom Screw	 <p>Screw, #1/4-20 x 2-3/8 POHMS (2) Screw, #1/4-20 x 2-1/8 POHMS Washer, Finish, 1/4</p>
02125-09-000	Screw Pack, C03 Trim	 <p>Rim Cylinder Sleeve Cylinder Strap (4) Screw, #10-24 X 2 PHMS</p>
02129-09-000	Screw Pack, 2000 Trim Attachment	 <p>Screw, #10-24 X 1-1/2 POHMS</p>
02230-09-000	Screw Pack, 2700  (Consists of Screw Pack 02101-09 and (2) 02117-09)	 <p>(4) Screw, #10-24 X 1-1/2 POHMS (4) Screw, #10-16 X 1 POHSMS (2) Screw, #10-16 X 1 PPHSMS (2) Screw, #10-24 X 1/2 PPHMS (2) Washer, #10 External Tooth Type (6) Screw, #10-16 X 1 PFHMSM (2) Roll Pin, 3/16 X 5/8</p>
02231-09-000	Screw Pack, 2700 LBR Device  (Consists of Screw Pack 02101-09 and (1) 02117-09)	 <p>(4) Screw, #10-24 X 1-1/2 POHMS (4) Screw, #10-16 X 1 POHSMS (2) Screw, #10-24 X 1/2 PPHMS (2) Washer, #10 External Tooth Type (2) Screw, #10-16 X 1 PPHSMS (3) Screw, #10-16 X 1 PFHMSM Roll Pin, 3/16 X 5/8</p>


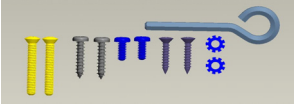
Part Number	Description	Contents
02232-09 *	Screw Pack, 2800 Device (Consists of Screw Pack 02115-09 and (2) 02114-09)	 <ul style="list-style-type: none"> <li>(4) Screw, #10-24 X 1-1/2 POHMS</li> <li>(4) Screw, #10-24 X 1/2 PPHMS</li> <li>(2) Screw, #10-24 X 1 POHMS</li> <li>(2) Washer, #10 External Tooth</li> <li>(4) Screw, #10-16 X 1 POHSMS</li> <li>(2) Screw, #10-16 X 1 PPHSMS</li> <li>Roll Pin, 3/16 X 5/8</li> <li>(4) Screw, #10-24 X 1 POHMS</li> <li>(4) Screw, #10-16 X 1 PPHSMS</li> </ul>
02233-09 *	Screw Pack, 2800 LBR Device (Consists of Screw Pack 02115-09 and (1) 02114-09)	 <ul style="list-style-type: none"> <li>(4) Screw, #10-24 X 1-1/2 POHMS</li> <li>(4) Screw, #10-24 X 1/2 PPHMS</li> <li>(2) Screw, #10-24 X 1 POHMS</li> <li>(2) Washer, #10 External Tooth</li> <li>(4) Screw, #10-16 X 1 POHSMS</li> <li>(2) Screw, #10-16 X 1 PPHSMS</li> <li>Roll Pin, 3/16 X 5/8</li> <li>(2) Screw, #10-24 X 1 POHMS</li> <li>(2) Screw, #10-16 X 1 PPHSMS</li> </ul>
02234-09 *	Screw Pack, 2600 Device (Consists of Screw Pack 02116-09 and (2) 02114-09)	 <ul style="list-style-type: none"> <li>(2) Screw, #10-24 X 1-1/2 POHMS</li> <li>(2) Screw, #10-16 X 1 POHSMS</li> <li>(2) Pin, Pilot</li> <li>(2) Screw, #10-24 X 1/2 PPHMS</li> <li>(2) Washer, #10 External Tooth</li> <li>Roll Pin, 3/16 X 5/8</li> <li>(2) Screw, #10-16 X 1 PPHSMS</li> <li>(4) Screw, #10-24 X 1/2 POHMS W/Nyloc</li> <li>(4) Washer, Finish, #10</li> </ul>
02235-09 *	Screw Pack, 2600 LBR Device (Consists of Screw Pack 02116-09 and (1) 02114-09)	 <ul style="list-style-type: none"> <li>(2) Screw, #10-24 X 1-1/2 POHMS</li> <li>(2) Screw, #10-16 X 1 POHSMS</li> <li>(2) Pin, Pilot</li> <li>(2) Screw, #10-24 X 1/2 PPHMS</li> <li>(2) Washer, #10 External Tooth</li> <li>Roll Pin, 3/16 X 5/8</li> <li>(2) Screw, #10-16 X 1 PPHSMS</li> <li>(2) Screw, #10-24 X 1/2 POHMS W/Nyloc</li> <li>(2) Washer, Finish, #10</li> </ul>

<b>Part Number</b>	<b>Description</b>	<b>Contents</b>
02262-09-000	Security Screw Pack 2100, 21 Devices	 <p>(4) Screw, #8-32 X 3/8 T20 TORX W/Pin            (2) Screw, #10-24 X 3/8 TORX FHMS W/Pin            (2) Screw, #10-24 x 3/4 T25 TORX W/Pin            (2) Screw, 1/4-20 x 3/4 T27 TORX W/Pin</p>
02263-09-000	Security Screw Pack 2200, 22	 <p>(4) Screw, #8-32 X 3/8 T20 TORX W/Pin            (4) Screw, #8-32 x 3/8 T15 TORX W/Pin            (2) Screw, #10-24 X 3/8 TORX FHMS W/Pin            Screw, #10-24 x 3/4 T25 TORX W/Pin            (2) Screw, 1/4-20 x 3/4 T27 TORX W/Pin            (2) Screw, 1/4-20 x 1" T30 TORX W/Pin</p>
02264-09-000	Security Screw Pack 2200LBR, 22LBR	 <p>(4) Screw, #8-32 X 3/8 T20 TORX W/Pin            (2) Screw, #10-24 X 3/8 TORX FHMS W/Pin            Screw, #10-24 x 3/4 T25 TORX W/Pin            (2) Screw, 1/4-20 x 3/4 T27 TORX W/Pin            (2) Screw, #8-32 x 3/8 T15 TORX W/Pin</p>
02265-09-000	Security Screw Pack 2400	 <p>(2) Screw, #8-32 X 3/8 T20 TORX W/Pin            (2) Screw, #10-24 X 3/8 TORX FHMS W/Pin            (2) Screw, #10-24 x 1/2 T25 TORX W/Pin</p>
02845-09-000	Screw Pack, Surface Latch, 1/4-20	 <p>(2) Screw, #10 X 1-3/4" POHSMS (A)            Rod Guide            (2) Screw, #10-24 X 1-1/2" POHMS            (2) Screw, 1/4-14 X 1 PPHSMS            Spring Clip, Vertical Rod            Pin, Rod, .188 X 1.296            (2) Screw, 1/4-14 X 1 PPHSMS</p>
02985-04 *	Screw Pack For Dummy Trim	 <p>(4) Washer, Finish, #10            (4) Screw, #10-24 X 1-1/2 POHMS</p>

Part Number	Description	Contents
03131-09-000	Security Screw Pack 2300	 <p>(4) Screw, #8-32 X 3/8 T20 TORX W/Pin (2) Screw, #10-24 X 3/8 TORX FHMS W/Pin (4) Screw, #12-24 x 1/2 T20 TORX W/Pin</p>
03132-09-000	Security Screw Pack 2700	 <p>(4) Screw, #8-32 X 3/8 T20 TORX W/Pin (2) Screw, #10-24 X 3/8 TORX FHMS W/Pin (2) Screw, #10-24 x 1/2 T25 TORX W/Pin (2) Screw, 1/4-20 x 1" T30 TORX W/Pin</p>
03133-09-000	Security Screw Pack 2800	 <p>(4) Screw, #8-32 X 3/8 T20 TORX W/Pin (2) Screw, #10-24 X 3/8 TORX FHMS W/Pin (2) Screw, #10-24 x 1/2 T25 TORX W/Pin (2) Screw, 1/4-20 x 1" T30 TORX W/Pin (4) Screw, #10-24 x 1/2 T25 TORX W/Pin</p>
03135-09-000	Security Screw Pack 2600	 <p>(2) Screw, #8-32 X 3/8 T20 TORX W/Pin (2) Screw, #10-24 X 3/8 TORX FHMS W/Pin (2) Screw, #10-24 x 1/2 T25 TORX W/Pin (2) Screw, 1/4-20 x 1" T30 TORX W/Pin (4) Screw, #10-24 x 1/2 T25 TORX W/Pin</p>
03233-09-SST	Screw Pack, 2100 2200 2300 Device Hex	 <p>(4) Screw, #10-24 X 1-1/2 POHMS (4) Screw, #10-16 X 1 POHSMS Hex Dogging Key (2) Screw, #10-24 X 1/2 PPHMS (2) Screw, #10-16 X 1 PPHSMS (2) Washer, #10 External Tooth</p>
03234-09 *	Screw Pack, 2600 Device Hex (Consist of (1) 02116-09. (2) 02114-09 and a 00220-93 Dogging Key.)	 <p>(2) Screw, #10-24 X 1-1/2 POHMS (2) Screw, #10-16 X 1 POHSMS (2) Pin, Pilot (2) Screw, #10-24 X 1/2 PPHMS (2) Washer, #10 External Tooth Roll Pin, 3/16 X 5/8 (2) Screw, #10-16 X 1 PPHSMS (4) Screw, #10-24 X 1/2 POHMS W/Nyloc (4) Washer, Finish, #10 Hex Dogging Key</p>

Part Number	Description	Contents
03235-09 *	Screw Pack, 2600 LBR Device Hex (Consist of (1) 02116-09. (1) 02114-09 and a 00220-93 Dogging Key.)	 <p>(2) Screw, #10-24 X 1-1/2 POHMS                  (2) Screw, #10-16 X 1 POHSMS                  (2) Pin, Pilot                  (2) Screw, #10-24 X 1/2 PPHMS                  (2) Washer, #10 External Tooth                  Roll Pin, 3/16 X 5/8                  (2) Screw, #10-16 X 1 PPHSMS                  (2) Screw, #10-24 X 1/2 POHMS W/Nyloc                  (2) Washer, Finish, #10                  Hex Dogging Key</p>
03236-09-000	Screw Pack, 2700 Hex (Consists of Screw Pack 02101-09 and (2) 02117-09 and a 00220-93 Dogging Key.)	 <p>(4) Screw, #10-24 X 1-1/2 POHMS                  (4) Screw, #10-16 X 1 POHSMS                  (2) Screw, #10-16 X 1 PPHSMS                  (2) Screw, #10-24 X 1/2 PPHMS                  (2) Washer, #10 External Tooth Type                  (6) Screw, #10-16 X 1 PFHMSM                  (2) Roll Pin, 3/16 X 5/8                  Hex Dogging Key</p>
03237-09-000	Screw Pack, 2700 LBR Device Hex (Consists of Screw Pack 02101-09 and (1) 02117-09 and a 00220-93 Dogging Key.)	 <p>(4) Screw, #10-24 X 1-1/2 POHMS                  (4) Screw, #10-16 X 1 POHSMS                  (2) Screw, #10-16 X 1 PPHSMS                  (2) Screw, #10-24 X 1/2 PPHMS                  (2) Washer, #10 External Tooth Type                  (3) Screw, #10-16 X 1 PFHMSM                  (1) Roll Pin, 3/16 X 5/8                  Hex Dogging Key</p>
03238-09 *	Screw Pack, 2800 Device Hex (Consists of Screw Pack 02115-09 and (2) 02114-09 and a 00220-93 Dogging Key.)	 <p>(4) Screw, #10-24 X 1-1/2 POHMS                  (4) Screw, #10-24 X 1/2 PPHMS                  (2) Screw, #10-24 X 1 POHMS                  (2) Washer, #10 External Tooth                  (4) Screw, #10-16 X 1 POHSMS                  (2) Screw, #10-16 X 1 PPHSMS                  Roll Pin, 3/16 X 5/8                  (4) Screw, #10-24 X 1 POHMS                  (4) Screw, #10-16 X 1 PPHSMS                  Hex Dogging Key</p>



Part Number	Description	Contents
03239-09 *	Screw Pack, 2800 LBR Device Hex (Consists of Screw Pack 02115-09 and (1) 02114-09 and a 00220-93 Dogging Key.)	 <p>(4) Screw, #10-24 X 1-1/2 POHMS            (4) Screw, #10-24 X 1/2 PPHMS            (2) Screw, #10-24 X 1 POHMS            (2) Washer, #10 External Tooth            (4) Screw, #10-16 X 1 POHSMS            (2) Screw, #10-16 X 1 PPHSMS            Roll Pin, 3/16 X 5/8            (2) Screw, #10-24 X 1 POHMS            (2) Screw, #10-16 X 1 PPHSMS            Hex Dogging Key</p>
03240-09-SST	Screw Pack, 2400, 5100, 5200	 <p>(2) Screw, #10-24 X 1-1/2 POHMS            (2) Screw, #10-16 X 1 PPHSMS            (2) Screw, #10-24 X 1/2 PPHMS            (2) Screw, #10-16 X 1 POHSMS            (2) Washer, #10 External Tooth            Hex Dogging Key</p>

\* Specify finish when ordering these parts.



# 9

---

---

## GLOSSARY

<b>ALK</b>	Exit alarm, battery operated.
<b>ALW</b>	Exit alarm, remote powered.
<b>Armored front</b>	The mortise lock front and faceplate designed to prevent tampering with the cylinder clamp screw and case mounting screws.
<b>Backset</b>	The distance from the faceplate to the center of the cylinder or lever.
<b>BRL</b>	Braile touchbar.
<b>Cam</b>	See <i>Cylinder cam</i> .
<b>Core</b>	See <i>Interchangeable core</i> .
<b>Cylinder</b>	See <i>Mortise cylinder</i> .
<b>Cylinder cam</b>	A rotating part of a keyed cylinder that drives the deadbolt or latchbolt.
<b>CD</b>	Cylinder dogging.
<b>Cylinder ring</b>	A metal ring that fits around the cylinder and protects it from tampering. The cylinder ring also spaces the cylinder out to the right position.
<b>CVR</b>	Concealed vertical rod.
<b>DE</b>	Delayed egress.
<b>Door bevel</b>	The angle on the edge of a door.
<b>Door status sensor</b>	A sensor that monitors whether the door is open or closed. This sensor is used to detect a forced entry, or a door that is propped open.
<b>DS</b>	Door position monitoring switch.
<b>E</b>	Electric device.
<b>ELR</b>	Electric latch retraction.

<b>Escutcheon</b>	A surface-mounted plate that covers holes that were made in the door for levers and cylinders.
<b>Faceplate</b>	A finished part of a mortise lock that covers the armored front. See <i>Armored front</i> .
<b>Figure-8</b>	The basic shape of the interchangeable core and its housing (door lever, cylinder, padlock, and so forth.). See also <i>Interchangeable core</i> .
<b>FL</b>	Fire exit hardware.
<b>Hand of door</b>	The swing direction of the door as viewed from the outside of the door. A right-handed (RH) door is hinged on the right and swings inward. A left-handed (LH) door is hinged on the left and swings inward. If either of these doors swings outward, it becomes a right-hand reverse bevel (RHRB) door, or a left-hand reverse bevel (LHRB) door respectively.
<b>HC</b>	Windstorm and hurricane code device.
<b>Interchangeable core</b>	A figure-8 shaped device that contains all mechanical parts for a masterkeyed system. The interchangeable core can be removed by a special control key and can be recombined without disassembling the lock. See also <i>Figure-8</i> .
<b>Key override</b>	An optional feature that enables an authorized user (in an emergency) to bypass all electronic locking features, and open the lock with a mechanical key.
<b>Latch status sensor</b>	A sensor that monitors whether the latchbolt is extended or retracted. This sensor can be used in combination with the door status sensor to determine whether the door is fully secure. See also <i>LD/LDS</i> .
<b>LD</b>	Less dogging.
<b>LDS</b>	Latchbolt monitoring double switch.
<b>Lock function</b>	An ANSI code number describing the way a lock operates.
<b>LS</b>	Latchbolt monitoring switch.
<b>Mortise cylinder</b>	A threaded lock cylinder that screws directly into the lock case. A key-driven rotating cam, attached to the back, drives the locking mechanism.
<b>Mortise</b>	A rectangular cavity cut into the edge of a door. Also can mean the act of making such a cavity.
<b>Mortise lock</b>	A lock that fits into a mortise. Other locks fit into bored holes or mount to a surface. See also <i>Mortise</i> .
<b>Q</b>	Wireless access management system.
<b>Removable core</b>	See <i>Interchangeable core</i> .
<b>Request-to-exit switch</b>	A switch that allows the user to exit without setting off an alarm. When wired to an alarm system, a TD or TDS switch sends a signal to disable or sound an alarm, start a timer, and so forth.
<b>SEC</b>	Security screws.

<b>SNB</b>	Sex nuts and bolts.
<b>SVR</b>	Surface vertical rod.
<b>Tailpiece</b>	A part that extends from the back of the cylinder and engages an exit device mechanism.
<b>TDS</b>	Touchbar monitoring double switch. See also <i>Request-to-exit switch</i> .
<b>Template</b>	A precise, detailed hole pattern that serves as a guide for the mortising and drilling of doors and frames.
<b>TS</b>	Touchbar monitoring switch. See also <i>Request-to-exit switch</i> .
<b>Wire harness</b>	A group of wires bundled together with connectors at either end.
<b>WALW</b>	Weatherized exit alarm, remote powered.
<b>WTDS</b>	Weatherize touchbar monitoring double switch. See also <i>Request-to-exit switch</i> .
<b>WTS</b>	Weatherize touchbar monitoring switch. See also <i>Request-to-exit switch</i> .



---

---

# INDICES

## INDEX BY PART NUMBER

00108-52, Bracket, Touchbar .....	5-3, 5-5
00110-52, Bumper .....	5-3, 5-5
00111-52, Beam .....	5-3, 5-5
00114-52, Dogging Hook .....	5-6
00115-52, Bracket, Hex Key .....	5-6
00116-52, Dogging Cam .....	5-6
00120-52, Device Channel .....	4-4
00121-52, Device Channel .....	4-4
00122-52, Device Channel .....	4-4
00124-03, Rod Guide Pack .....	7-4, 7-5
00126-51, Cam Slide, 2600 .....	6-12
00128-52, Device Channel .....	4-4
00130-52, Device Channel .....	4-4
00131-89, Spring, ELR Touchbar .....	5-5
00131-89, Spring, Touchbar .....	5-3
00146-89, Spring, Deadlock Release .....	6-4
00149-52, Endcap Cover .....	4-3
00151-51, Top Plate .....	6-4
00153-90, Pin, Pivot, Vertical Lift .....	6-7, 6-8, 6-13, 6-14
00154-90, Latchbolt Pivot Pin, Rim .....	6-4
00157-02, Touchpad Sub-assembly .....	4-4
00158-02, Touchpad Sub-assembly .....	4-4
00159-02, Touchpad Sub-assembly .....	4-4
00163-02, Touchbar Mechanism .....	5-2
00164-02, Touchbar Mechanism .....	5-2
00165-02, Touchbar Mechanism .....	5-2
00166-02, Touchbar Mechanism .....	5-2
00167-02, Touchbar Mechanism .....	5-2
00168-02, Touchbar Mechanism .....	5-2
00169-02, Touchbar Mechanism .....	5-2
00170-02, Touchbar Mechanism .....	5-2
00171-02, Touchbar Mechanism .....	5-2
00172-02, ELR Touchbar Mechanism .....	5-4



Part Number	Page	Part Number	Page
00172-02, Touchbar Mechanism ELRK-3	8-2	00307-06, LS- Latchbolt Switch LSRK298	8-3
00173-02, ELR Touchbar Mechanism ....	5-4	00308-06, LDS-Double Switch LDSRK299	8-3
00173-02, Touchbar Mechanism ELRKF-3	8-2	00309-06, TS - Touchbar Switch TSK309	8-3
00174-02, ELR Touchbar Mechanism ....	5-4	00310-06, TDS - Double Switch TDS310	8-3
00175-02, ELR Touchbar Mechanism ....	5-4	00322-54, B Grip .....	3-11
00175-02, Touchbar Mechanism ELRK-4	8-2	00323-54, A Grip .....	3-11
00176-02, ELR Touchbar Mechanism ....	5-4	00324-54, C Grip .....	3-6, 3-11
00176-02, Touchbar Mechanism ELRKF-4	8-2	00335-51, Device Lift Finger .....	6-8
00177-02, ELR Touchbar Mechanism ....	5-4	00343-03, Center Case Assembly, 2600	7-8
00196-03, Top Latch Assembly, CVR Metal	7-7	00344-03, Center Case Assembly, 2800	7-8
00220-93, Dogging Key .....	5-6	00353-01, 2200 Rod Carriage .....	6-7
00220-93, Dogging Key .....	4-5	00354-51, Vertical Lift Bracket .....	6-7, 6-8, 6-13, 6-14
00222-50, Stud, Trim .....	3-6	00355-51, Device Lift Finger .....	6-13, 6-14
00226-51, Latchbolt .....	6-4	00363-51, Cylinder cam .....	6-15
00228-90, Retaining Ring, shaft .....	5-5	00366-91, Retaining Ring .....	6-15
00228-91, Retaining Ring .....	5-3, 5-5	00369-01, Backplate Assembly .....	6-15
00228-91, Retaining Ring, Shaft .....	6-4, 6-7, 6-8, 6-13, 6-14, 7-7	00370-01, Backplate Assembly .....	6-15
00229-90, Pin, Pivot, Touchbar Lever ...	6-4, 6-6, 6-8, 6-13, 6-14	00382-90, Roll Pin, 1/8 X 7/8 .....	6-7
00232-58, Shim, Strike .....	7-2, 8-5	00382-90, Roll Pin, 1/8 X 7/8 .....	3-9
00233-50, Stud, Hex .....	3-6	00383-51, Rod Stud .....	6-7
00236-52, Plain Hinge Filler .....	4-5	00385-89, Spring, Latchbolt .....	6-4
00237-52, Plain Hinge Filler .....	4-5	00396-03, Top Latch Assembly, CVR Wood	7-7
00238-52, Plain Hinge Filler .....	4-5	00400-90, Pin, Headed Pivot, .188 X 1.125	6-9, 7-7
00239-52, Plain Hinge Filler .....	4-5	00408-90, Roll Pin, 3/16 X 5/8 .....	7-7
00240-52, Hex Hinge Filler .....	4-5	00410-53, Inner Rod, CVR, Metal .....	7-7
00241-52, Hex Hinge Filler .....	4-5	00411-53, Adjusting Tube, 8 ft .....	7-7
00242-52, Hex Hinge Filler .....	4-5	00412-91, Retaining Ring .....	6-15
00243-52, Hex Hinge Filler .....	4-5	00412-91, Retaining Ring, .438 Shaft ....	6-5, 6-11, 6-12
00248-52, Hinge Filler for 00491-06 ....	4-6	00414-39, Trim Finger .....	3-5
00248-52, Hinge Filler for 00493-06 ....	4-6	00416-91, Screw, #8-32 X .275 .....	5-5
00249-52, Hinge Filler for 00492-06 ....	4-6	00416-91, Screw, #8-32 x .275 .....	6-4, 6-7, 6-8, 6-10, 6-11, 6-12, 6-13, 6-14
00249-52, Hinge Filler for 00494-06 ....	4-6	00416-91, Screws, #8-32 x.275 .....	6-15
00250-52, Hinge Filler for 00586-06 ....	4-6	00449-90, Pin, Pivot .....	5-3, 5-5
00250-52, Hinge Filler for 00588-06 ....	4-6	00453-53, Transom Bracket for S300 Strike	8-5
00251-52, Hinge Filler for 00587-06 ....	4-6	00458-08, Strike Kit, Roller, Narrow S458	7-2
00251-52, Hinge Filler for 00589-06 ....	4-6	00459-08, Strike Kit, Double Door S459	7-2
00252-52, Dogging Fastener .....	5-6, 6-5	00460-08, Strike Kit, Bottom .....	7-4
00253-91, 1/4 Curved Spring Washer ...	5-6, 6-11	00460-08, Strike Kit, Bottom S460 .....	7-2
00254-91, E-clip, .250 dia Shaft .....	5-6, 6-5	00463-91, Screw, #8-32 X 3/8 PHMS ....	6-5
00270-52, Endcap Cover .....	4-3	00485-51, Rod Carriage, Apex .....	6-8, 6-13, 6-14
00279-51, Touch Bar Lever .....	6-4, 6-6, 6-8, 6-13, 6-14	00485-51, Rod Carriage, .....	6-7
00280-51, Rod Carriage Lever .....	6-7, 6-8, 6-13, 6-14	00489-02, CD Hinge Filler .....	4-5
00282-51, Cylinder cam .....	6-15	00490-02, CD Hinge Filler .....	4-5
00284-51, Deadlock Release .....	6-4	00491-06, Alarm- ALK Filler .....	4-5
00295-01, Fire Latchbolt Assembly .....	6-4	00491-06, Exit Alarm .....	8-4
00296-03, Top Latch Assembly, SVR .....	7-5	00492-06, Alarm- ALK Filler .....	4-5
00300-08, Strike Kit, S300 .....	7-2	00492-06, Exit Alarm .....	8-4
00300-08, Strike Kit, Standard, S300 .....	7-5	00493-06, Alarm - ALW Filler .....	4-5
00301-08, Strike Kit, Roller, S301 .....	7-2	00493-06, Exit Alarm .....	8-4
00305-02, Endcap Mounting Bracket ....	4-3		

Part Number	Page	Part Number	Page
00494-06, Alarm - ALW Filler .....	4-5	00797-01, 2300 RHRB Rod Carriage .....	6-9
00494-06, Exit Alarm .....	8-4	00798-51, Adapter, 2700 .....	6-13
00498-01, 2400Chassis Assembly .....	6-11	00799-90, Roll Pin, 1/8 X 1/2 .....	6-13
00499-01, 2400FChassis Assembly .....	6-11	00800-91, Screw, #8-32 X .625 FHMS ...	6-13, 6-14
00500-01, 2600Chassis Assembly .....	6-12	00821-01, Trim Locking Assembly .....	6-5
00505-01, Vertical Lift Assembly .....	6-7, 6-8, 6-13, 6-14	00822-51, Locking Arm .....	6-5
00509-91, Screw, #10-24 X 1/2 PPHMS	3-3, 3-5	00823-51, Locking Bracket .....	6-5
00519-08, Strike Kit, Concealed Top S519	7-2	00824-01, Cylinder Assembly 10 Function	6-5
00525-06, Solenoid/Linkage Assembly ..	5-5	00825-51, Cylinder Cam, 10 Function ..	6-5
00533-01, 2200LBR Rod Carriage .....	6-7	00826-51, Cylinder Bracket - 10, Rim ...	6-5
00534-01, 2700 Rod Carriage .....	6-13, 6-14	00827-51, Cylinder Sleeve - 10 Function	6-5, 6-10
00540-53, Bottom Bolt, SVR .....	7-4	00832-01, Backplate Assembly .....	6-15
00541-53, Top Rod, 7ft Apex SVR .....	7-5	00833-01, Backplate Assembly .....	6-15
00542-53, Top Rod, 8ft .....	7-5	00837-01, Electric Rim - Lock/Unlock E2103K	8-3
00544-53, Top Rod, 10ft .....	7-5	00842-01, Backplate Assembly .....	6-15
00553-03, Bottom Rod Assembly, CVR Metal	7-6	00844-89, Spring, ELR Touchbar .....	5-5
00556-03, Bottom Rod Assembly, CVR Wood	7-6	00871-89, Spring, Trip .....	6-11
00567-04, 2000 Escutcheon .....	3-6	00872-92, "Emergency Exit Only" Label	4-6
00568-04, 2000 Escutcheon .....	3-6	00892-02, ELR Touchbar Mechanism ....	5-4
00569-04, 2000 Escutcheon .....	3-6	00892-02, Touchbar Mechanism NELRK-3	8-2
00571-04, 2000 Escutcheon .....	3-6	00893-02, ELR Touchbar Mechanism ....	5-4
00573-04, 2000 Escutcheon .....	3-6	00893-02, Touchbar Mechanism NELRKF-3	8-2
00586-06, Alarm- ALK Filler .....	4-5	00894-02, ELR Touchbar Mechanism ....	5-5
00586-06, Exit Alarm .....	8-4	00895-02, ELR Touchbar Mechanism ....	5-5
00587-06, Alarm- ALK Filler .....	4-5	00895-02, Touchbar Mechanism NELRK-4	8-2
00587-06, Exit Alarm .....	8-4	00896-02, ELR Touchbar Mechanism ....	5-5
00588-06, Alarm - ALW Filler .....	4-5	00896-02, Touchbar Mechanism NELRKF-4	8-2
00588-06, Exit Alarm .....	8-4	00897-02, ELR Touchbar Mechanism ....	5-5
00589-06, Alarm - ALW Filler .....	4-5	00899-06, Alarm Chassis Assembly .....	4-6
00589-06, Exit Alarm .....	8-4	00909-51, Cylinder Bracket -10 Mortise	6-10
00591-02, Endcap Mounting Bracket ....	4-3	00910-06, LS- - Vertical Rods LSVK910 .	8-3
00606-91, Screw, 1/4-20 X .375 Set Screw	6-8	00915-06, Dogging Channel Assembly .	5-5
00607-53, Bottom Rod, Apex SVR .....	7-4	00916-06, Dogging Channel Assembly .	5-5
00617-91, Retaining Ring .....	3-4	00922-08, Strike Kit, Mortise 1-1/4 Lip .	7-3
00625-51, Touchbar Guard, Wide Stile .	6-4, 6-6, 6-8, 6-13, 6-14	00923-08, Strike Kit, Mortise 7/8 Lip ....	7-3
00639-06, Solenoid/Linkage Assembly ..	5-5	00924-08, Strike Kit, Mortise 4-7/8 Open Back	7-3
00646-04, Lever .....	3-4	00925-08, Strike Kit, Mortise 8 in Open Back	7-3
00647-04, Lever .....	3-4	00929-02, CD Hinge Filler .....	4-5
00648-04, Lever .....	3-4	00930-02, CD Hinge Filler .....	4-5
00649-04, Lever .....	3-4	00952-51, Fire Pin, Narrow Stile .....	6-11
00650-04, Lever .....	3-4	00953-51, Fire Spacer, Narrow Stile .....	6-11
00671-90, Groove Pin, .188 X.75 .....	3-5	00954-54, Trim Stud .....	3-11
00672-92, "Arm/Disarm" Label .....	4-6	00982-08, Strike Kit, Mortise 1-1/4 Lip .	7-3
00681-06, Yoke Assembly, ELR .....	5-5	00983-08, Strike Kit, Mortise 7/8 Lip ....	7-3
00699-06, Alarm Chassis Assembly .....	4-6	00984-08, Strike Kit, Mortise 4-7/8 Open Back	7-3
00701-02, Dogging Channel Assembly .	5-3	00985-08, Strike Kit, Mortise 8 in Open Back	7-3
00702-02, Dogging Channel Assembly .	5-3	00988-08, Strike Kit, Roller, Aluminum Door S986	7-2
00703-02, Dogging Channel Assembly .	5-3	00994-09, Shim Kit, Apex Wide Stile ....	8-5
00774-02, Door Position Switch Kit .....	8-3	00995-09, Shim Kit, Apex Narrow Stile	8-5
00775-02, Endcap Device .....	4-3	00996-93, Short Arm 5/32 Hex Wrench	8-4
00776-02, Door Position Switch Kit .....	8-3	01001-03, Top Latch Kit, SVR, Apex .....	7-5
00777-02, Endcap Device .....	4-3	01003-03, Top Latch Kit, CVR Meta .....	7-7
		01004-03, Top Latch Kit, CVR Meta .....	7-7

Part Number	Page	Part Number	Page
01005-03, Top Latch Kit, CVR Wood ....	7-7	01600-04, Lever Assembly .....	3-9
01006-03, Top Latch Kit, CVR Wood ....	7-7	01601-04, Lever Assembly .....	3-9
01007-03, Bottom Latch Kit, SVR .....	7-4	01602-04, Lever Assembly .....	3-9
01011-03, Latch Cover Kit .....	4-2	01608-91, Screw, #10-24 X 3/8 Hex Head Machine	3-9
01011-03, Latch Cover Kit, Apex .....	7-4, 7-5		
01064-05, Mortise Scalp Pack .....	2-5	01625-91, Nut, Hex 3/8-24 W/nylon .....	3-9
01075-39, Trim Finger .....	3-5	01627-90, Spiral Pin, 3/16 X 3/4 .....	3-9
01106-51, Latchbolt Narrow Stile .....	6-11	01630-29, Escutcheon .....	3-7
01107-51, Cam Plate .....	6-11, 6-12	01631-29, Escutcheon .....	3-7
01108-51, Trim Shaft .....	6-11, 6-12	01642-51, Cylinder cam .....	6-15
01109-51, Trip .....	6-11	01657-54, Cylinder Backplate Wide CA-03	3-2
01110-51, Case Hub .....	6-12	01696-39, Trim Sleeve Bushing .....	3-4
01111-51, Retainer .....	6-12	01723-56, Grommet .....	4-3
01112-58, Shim, CVR Strike .....	7-2, 8-5	01724-51, Trim Cam 2400 .....	6-11
01113-51, Trim Cam .....	6-12	01727-39, Lever Washer .....	3-4
01114-90, Pin, Lever, .187 X 2.312 .....	6-11, 6-12	01854-03, Top Rod SVR Kit 7 Foot .....	7-5
01115-90, Pin, Latchbolt, 2400 .....	6-11, 6-12	01855-03, Top Rod SVR Kit 8 Foot .....	7-5
01116-89, Latch Bolt Spring .....	6-11	01857-03, Top Rod SVR Kit 10 Foot .....	7-5
01120-91, E-clip, Shaft .....	6-11, 6-12	01859-03, Bottom Rod Kit SVR .....	7-4
01121-90, Pivot Pin .....	6-11, 6-12	01868-91, Washer, Wave, .325 ID X .500 OD	6-5
01143-53, Adjusting Tube, 10 ft .....	7-7	01922-90, Pin, Link - ELR .....	5-5
01144-53, Connector, Wood CVR .....	7-6	01958-49, Top Bracket, 4900 .....	3-3
01145-53, Top Rod, CVR, Wood .....	7-7	01959-49, Bracket, Bottom, 4900 Trim	3-3
01149-91, Shoulder Screw .....	7-6	01960-91, Trim Stud, 4900 Trim .....	3-3
01151-91, Washer, Lock, #10 .....	7-6	01971-04, Yoke Assembly .....	3-5
01152-91, Washer, Retaining .....	7-6	01973-04, Yoke Assembly .....	3-5
01303-03, Fire Bolt Kit FB277 .....	8-5	01977-04, Trim Finger .....	3-5
01351-04, Grip Kit .....	3-11	02086-29, Hex Stud 2900 Trim .....	3-7
01352-04, Grip Kit .....	3-11	02095-49, Escutcheon .....	3-3
01353-04, Grip Kit .....	3-11	02101-09, Screw Pack, 2100 2200 2300 Device	8-5
01354-04, Grip Kit .....	3-11	02102-09, Screw Pack, 4 Cover Screws	8-5
01355-04, Grip Kit .....	3-11	02103-09-000, Screw Pack, Endcap Bracket	8-6
01356-04, Grip Kit .....	3-11	02104-09, Screw Pack, Endcap Screws	8-6
01357-04, Grip Kit .....	3-11	02104-09, Screw Pack, Endcap Screws	4-3
01358-04, Grip Kit .....	3-11	02105-09, Screw Pack, Cylinder Dogging	8-6
01359-04, Grip Kit .....	3-11	02105-09, Cylinder Dogging Attachment Kit	4-5
01362-04, Grip C Kit .....	3-6	02106-09, Screw Pack, 2 Cover Screws	8-6
01455-39, Beam .....	3-4	02107-09-000, Screw Pack, 2400 .....	8-6
01456-39, Beam Roller .....	3-5	02109-09, Screw Pack, Latchbolt Cover	8-6
01460-56, Lens, LED .....	4-6	02110-09, Screw Pack, 1/2in Blocking Ring, Narrow	W/o Trim 8-6
01520-91, Washer, #10 Flat .....	3-5, 3-9	02111-09, 2403/2603 No Trim Pack .....	3-2
01562-29, Escutcheon .....	3-7	02112-09-000, Screw Pack, Surface Latch	8-6
01565-29, Lock Out Ring, 2900 Trim ....	3-9	02113-09, Screw Pack, Guide Strap .....	8-7
01567-91, Washer, Delrin .695 ID X 1.00 OD	3-9	02114-09, Screw Pack, Concealed Latch	8-7
01568-29, Lever Lock .....	3-9	02115-09-000, Screw Pack, 2800 Active Case	8-7
01575-89, Spring, Torsion, 2900 Trim ..	3-9	02116-09-000, Screw Pack, 2600 Active Case	8-7
01578-04, 2908 Mechanism .....	3-9	02117-09-000, Screw Pack, 2700 Latch	8-7
01586-89, Spring, Torsion, 2900 Trim ..	3-9	02118-09, Screw Pack, Mortise Lock ....	8-7
01587-29, Mandrel .....	3-9	02118-09, Screw Pack, Mortise Lock ....	2-5
01593-04, Lever Assembly .....	3-9	02119-09, Screw Pack, 2000 .....	8-7
01594-04, Lever Assembly .....	3-9	02120-09, Screw Pack, A And C Grip ....	8-8
01595-04, Lever Assembly .....	3-9	02121-09, Screw Pack, B Grip .....	8-8
01596-04, Lever Assembly .....	3-9	02122-09, Rim Cylinder Attachment ....	3-2
01599-04, Lever Assembly .....	3-9		

Part Number	Page	Part Number	Page
02124-09, 2908 Cylinder Attachment CA2809	3-2	02549-05, M310	2-5
02125-09-000, Screw Pack, C03 Trim	8-8	02550-05, M310F	2-5
02129-09-000, Screw Pack, 2000Trim	8-8	02551-05, LSM308	2-5
02130-52, Touchbar Guide	5-3, 5-5	02551-05, Mortise Lock, LSM308	8-4
02133-04, Escutcheon	3-3	02552-05, LSM308F	2-5
02134-04, Escutcheon	3-3	02552-05, Mortise Lock, LSM308F	8-4
02135-04, Escutcheon	3-3	02553-05, LSM303	2-5
02181-04, Yoke Assembly	3-5	02553-05, Mortise Lock, LSM303	8-4
02183-04, Yoke Assembly	3-5	02554-05, LSM303F	2-5
02188-06, Armored Flex Conduit, 18 inches EPT2	8-2	02554-05, Mortise Lock, LSM303F	8-4
02189-06, Door Loop EPT5	8-2	02555-05, EM303	2-5
02230-09-000, Screw Pack, 2700	8-8	02555-05, Mortise Lock, LSM308	8-4
02231-09-000, Screw Pack, 2700 LBR Device	8-8	02556-05, EM303F	2-5
02232-09, Screw Pack, 2800 Device	8-9	02556-05, Mortise Lock, LSEM308F	8-4
02233-09, Screw Pack, 2800 LBR Device	8-9	02557-05, LSEM303	2-5
02234-09, Screw Pack, 2600 Device	8-9	02557-05, Mortise Lock, LSEM303	8-4
02235-09, Screw Pack, 2600 LBR Device	8-9	02558-05, LSEM303F	2-5
02262-09-000, Security Screw Pack 2100, 21 Devices	8-10	02558-05, Mortise Lock, LSEM303F	8-4
02263-09-000, Security Screw Pack 2200, 22	8-10	02561-01, 2200 LHRB Active Case	6-6
02264-09-000, Security Screw Pack 2200LBR, 22LBR	8-10	02562-01, 2200LBR LHRB Active Case	6-6
02265-09-000, Security Screw Pack 2400	8-10	02563-01, 2300 LHRB Active Case	6-8
02271-01, 2100Active Case	6-4	02564-01, 2700 RHRB Active Case	6-13, 6-14
02272-01, 2100FActive Case	6-4	02646-01, 2300 LHRB Rod Carriage	6-9
02273-01, 2200 RHRB Active Case	6-6	02717-04, Escutcheon Kit	3-3
02274-01, 2300 RHRB Active Case	6-8	02718-04, Escutcheon Kit	3-3
02279-03, Center Case, 2800LBR	7-8	02719-04, Escutcheon Kit	3-3
02280-03, Center Case, 2600LBR	7-8	02720-04, Escutcheon Kit	3-3
02281-01, 2100 Cover Kit	4-7	02721-04, Lever Kit	3-4
02283-01, 2110 RHRB Cover Kit	4-7	02722-04, Lever Kit	3-4
02285-01, 2110 LHRB Cover Kit	4-7	02723-04, Lever Kit	3-4
02287-01, 2200 Cover Kit	4-7	02724-04, Lever Kit	3-4
02306-01, Lock Side Filler Kit	4-2	02725-04, Lever Kit	3-4
02309-09, Hardware Pack	4-6	02726-04, Lever Kit	3-4
02310-09, Hardware Pack	4-6	02727-04, Lever Kit	3-4
02316-01, 2200LBR RHRB Active Case	6-6	02728-04, Lever Kit	3-4
02317-04, Cast Plate C03	3-2	02729-04, Lever Kit	3-4
02318-06, ELR150 Power Supply – no devices	8-2	02730-04, Yoke Kit	3-5
02320-01, 2700 LHRB Active Case	6-13, 6-14	02731-04, Yoke Kit	3-5
02354-03, Bottom Latch Channel, CVR Metal	7-6	02734-04, Yoke Kit	3-5
02355-03, Bottom Latch Channel, CVR Wood	7-6	02735-04, Yoke Kit	3-5
02356-03, Bottom Latch Channel Assembly, SVR	7-4	02736-04, Yoke Kit	3-5
02464-01, 2300/2700/2800 Cover Kit	4-7	02737-04, Yoke Kit	3-5
02466-01, 2310 RHRB Cover Kit	4-7	02738-04, Lever Spring Kit	3-5
02468-01, 2310 LHRB Cover Kit	4-7	02740-04, Yoke Assembly	3-5
02470-01, 2400 Cover Kit	4-7	02741-04, Yoke Assembly	3-5
02472-01, 2600 Cover Kit	4-7	02742-04, Yoke Assembly	3-5
02543-05, M303	2-5	02743-04, Yoke Assembly	3-5
02544-05, M303F	2-5	02744-04, Yoke Kit	3-5
02545-05, M308	2-5	02745-04, Yoke Kit	3-5
02547-05, M310	2-5	02751-04, Escutcheon Kit	3-7
02548-05, M310F	2-5	02752-04, Escutcheon Kit	3-7
		02753-04, Escutcheon Kit	3-7
		02756-04, Grip Kit	3-11
		02757-04, Grip Kit	3-11

Part Number	Page	Part Number	Page
02758-04, Grip Kit .....	3-11	03234-09, Screw Pack, 2600 Device Hex	8-11
02759-04, Grip Kit .....	3-11	03235-09, Screw Pack, 2600 LBR Device Hex	8-12
02782-06, ELR151 Power Supply – 1 devices	8-2	03236-09-000, Screw Pack, 2700 Hex ...	8-12
02783-06, ELR152 Power Supply – 2 devices	8-2	03237-09-000, Screw Pack, 2700 LBR Device Hex	8-12
02784-06, ELR153 Power Supply – 3 devices	8-2	03238-09, Screw Pack, 2800 Device Hex	8-12
02785-06, ELR154 Power Supply – 4 devices	8-2	03239-09, Screw Pack, 2800 LBR Device Hex	8-13
02788-06, ELR, Control Module Kit CM150-08	8-2	03240-09-SST, Screw Pack, 2400, 5100, 5200	8-13
02789-06, ELR, Battery Backup Kit BT150-07	8-2	03244-09, Lock Front Filler Kit 2700 ....	4-2
02813-05, M303 .....	2-5	03304-02, Endcap Device .....	4-3
02814-05, M303F.....	2-5	03305-02, Endcap Device .....	4-3
02815-05, M308 .....	2-5	05124-51, LBR Cover Plug .....	4-7, 7-5
02816-05, M308F.....	2-5	05139-90, Extended Pilot Pins .....	7-8
02817-05, LSM308.....	2-5	05154-51, Extended Case Hub .....	6-12
02817-05, Mortise Lock, LSM308 .....	8-4	05197-53, Top Rod, 12ft .....	7-5
02818-05, LSM308F.....	2-5	05244-09, Long Bottom Rod Kit, CVR Metal	7-6
02818-05, Mortise Lock, LSM308F .....	8-4	05246-09, Long Bottom Rod Kit, CVR Wood	7-6
02819-05, LSM303.....	2-5	05247-09, Long Bottom Rod Kit .....	7-4
02819-05, Mortise Lock, LSM303 .....	8-4	05267-06, Q-Option for Rim QSRK5267	8-3
02820-05, LSM303F.....	2-5	05268-06, Q-Option for Vertical Rod QSRK5268	8-3
02820-05, Mortise Lock, LSM303F .....	8-4	05290-52, Consolidated Subplate .....	5-6
02821-05, EM303 .....	2-5	05291-52, Consolidated Subplate .....	5-6
02821-05, Mortise Lock, LSM308 .....	8-4	05292-52, Consolidated Subplate .....	5-6
02822-05, EM303F.....	2-5	05301-02, Sub-Bracket Assembly .....	5-3
02822-05, Mortise Lock, LSEM308F .....	8-4	05302-02, Sub-Bracket Assembly .....	5-3
02823-05, LSEM303.....	2-5	05303-02, Sub-Bracket Assembly .....	5-3
02823-05, Mortise Lock, LSEM303 .....	8-4	05304-02, Sub-Bracket Assembly .....	5-3
02824-05, LSEM303F.....	2-5	05305-02, Hex/cyl Sub-bracket Assembly	5-5
02824-05, Mortise Lock, LSEM303F .....	8-4	05305-02, Sub-Bracket Assembly .....	5-3
02826-04, Lever Kit .....	3-8	05306-02, Hex/cyl Sub-bracket Assembly	5-5
02827-04, Lever Kit .....	3-8	05306-02, Sub-Bracket Assembly .....	5-3
02828-04, Lever Kit .....	3-8	05307-02, Hex/cyl Sub-bracket Assembly	5-5
02829-04, Lever Kit .....	3-8	05308-02, Hex/cyl Sub-bracket Assembly	5-5
02830-04, Lever Kit .....	3-8	05510-04, 1700 Trim Plate .....	3-10
02831-04, Lever Kit .....	3-8	05511-04, 1700 Trim Plate .....	3-10
02832-04, Lever Kit .....	3-8	05512-04, 1700 Trim Plate .....	3-10
02833-04, Lever Kit .....	3-8	055130-04, 1700 Trim Plate .....	3-10
02834-04, Lever Kit .....	3-8	05514-04, 1700 Trim Plate .....	3-10
02835-04, Lever Kit .....	3-8	05515-04, 1700 Trim Plate .....	3-10
02836-04, Lever Kit .....	3-8	05516-04, 1700 Trim Plate .....	3-10
02837-04, Lever Kit .....	3-8	05517-04, 1700 Trim Plate .....	3-10
02838-04, Lever Kit .....	3-8	05518-04, 1700 Trim Plate .....	3-10
02839-04, Lever Kit .....	3-8	05519-04, 1700 Trim Plate .....	3-10
02840-04, Lever Kit .....	3-8	05520-04, 1700 Trim Plate .....	3-10
02841-04, Lever Kit .....	3-8	05521-04, 1700 Trim Plate .....	3-10
02845-09-000, Screw Pack, Surface Latch	8-10	05522-04, 1700 Trim Plate .....	3-10
02948-03, Connector Assembly .....	7-7	05523-04, 1700 Trim Plate .....	3-10
02948-03, Connector Assembly 2700 ...	7-6	05524-04, 1700 Trim Plate .....	3-10
02985-04, Screw Pack For Dummy Trim	8-10	05526-04, 1700 Trim Plate .....	3-10
03131-09-000, Security Screw Pack 2300	8-11	05527-04, 1700 Trim Plate .....	3-10
03132-09-000, Security Screw Pack 2700	8-11	05528-04, 1700 Trim Plate .....	3-10
03133-09-000, Security Screw Pack 2800	8-11		
03135-09-000, Security Screw Pack 2600	8-11		
03233-09-SST, Screw Pack, 21-22-2300 Device	8-11		

Part Number

Page

Part Number

Page

## INDEX BY PART TYPE

### Active Case

02320-01, 2700 LHRB Active Case .....	6-13, 6-14
00295-01, Fire Latchbolt Assembly .....	6-4
00353-01, 2200 Rod Carriage .....	6-7
00369-01, Backplate Assembly .....	6-15
00370-01, Backplate Assembly .....	6-15
00498-01, 2400Chassis Assembly .....	6-11
00499-01, 2400FChassis Assembly .....	6-11
00500-01, 2600Chassis Assembly .....	6-12
00505-01, Vertical Lift Assembly .....	6-7, 6-8, 6-13, 6-14
00533-01, 2200LBR Rod Carriage .....	6-7
00534-01, 2700 Rod Carriage .....	6-13, 6-14
00797-01, 2300 RHRB Rod Carriage .....	6-9
00821-01, Trim Locking Assembly .....	6-5
00824-01, Cylinder Assembly 10 Function	6-5
00832-01, Backplate Assembly .....	6-15
00833-01, Backplate Assembly .....	6-15
00837-01, Electric Rim - Lock/Unlock E2103K	8-3
00842-01, Backplate Assembly .....	6-15
02271-01, 2100Active Case .....	6-4
02272-01, 2100FActive Case .....	6-4
02273-01, 2200 RHRB Active Case .....	6-6
02274-01, 2300 RHRB Active Case .....	6-8
02281-01, 2100 Cover Kit .....	4-7
02283-01, 2110 RHRB Cover Kit .....	4-7
02285-01, 2110 LHRB Cover Kit .....	4-7
02287-01, 2200 Cover Kit .....	4-7
02306-01, Lock Side Filler Kit .....	4-2
02316-01, 2200LBR RHRB Active Case .....	6-6
02464-01, 2300/2700/2800 Cover Kit .....	4-7
02466-01, 2310 RHRB Cover Kit .....	4-7
02468-01, 2310 LHRB Cover Kit .....	4-7
02470-01, 2400 Cover Kit .....	4-7
02472-01, 2600 Cover Kit .....	4-7
02561-01, 2200 LHRB Active Case .....	6-6
02562-01, 2200LBR LHRB Active Case .....	6-6
02563-01, 2300 LHRB Active Case .....	6-8
02564-01, 2700 RHRB Active Case .....	6-13, 6-14
02646-01, 2300 LHRB Rod Carriage .....	6-9

### Touchbar

00157-02, Touchpad Sub-assembly .....	4-4
00158-02, Touchpad Sub-assembly .....	4-4
00159-02, Touchpad Sub-assembly .....	4-4
00163-02, Touchbar Mechanism .....	5-2
00164-02, Touchbar Mechanism .....	5-2
00165-02, Touchbar Mechanism .....	5-2
00166-02, Touchbar Mechanism .....	5-2

00167-02, Touchbar Mechanism .....	5-2
00168-02, Touchbar Mechanism .....	5-2
00169-02, Touchbar Mechanism .....	5-2
00170-02, Touchbar Mechanism .....	5-2
00171-02, Touchbar Mechanism .....	5-2
00172-02, ELR Touchbar Mechanism ....	5-4
00172-02, Touchbar Mechanism ELRK-3	8-2
00173-02, ELR Touchbar Mechanism ....	5-4
00173-02, Touchbar Mechanism ELRKF-3	8-2
00174-02, ELR Touchbar Mechanism ....	5-4
00175-02, ELR Touchbar Mechanism ....	5-4
00175-02, Touchbar Mechanism ELRK-4	8-2
00176-02, ELR Touchbar Mechanism ....	5-4
00176-02, Touchbar Mechanism ELRKF-4	8-2
00177-02, ELR Touchbar Mechanism ....	5-4
00305-02, Endcap Mounting Bracket ....	4-3
00489-02, CD Hinge Filler .....	4-5
00490-02, CD Hinge Filler .....	4-5
00591-02, Endcap Mounting Bracket ....	4-3
00701-02, Dogging Channel Assembly .....	5-3
00702-02, Dogging Channel Assembly .....	5-3
00703-02, Dogging Channel Assembly .....	5-3
00774-02, Door Position Switch Kit .....	8-3
00775-02, Endcap Device .....	4-3
00776-02, Door Position Switch Kit .....	8-3
00777-02, Endcap Device .....	4-3
00892-02, ELR Touchbar Mechanism ....	5-4
00892-02, Touchbar Mechanism NELRK-3	8-2
00893-02, ELR Touchbar Mechanism ....	5-4
00893-02, Touchbar Mechanism NELRKF-3	8-2
00894-02, ELR Touchbar Mechanism ....	5-5
00895-02, ELR Touchbar Mechanism ....	5-5
00895-02, Touchbar Mechanism NELRK-4	8-2
00896-02, ELR Touchbar Mechanism ....	5-5
00896-02, Touchbar Mechanism NELRKF-4	8-2
00897-02, ELR Touchbar Mechanism ....	5-5
00929-02, CD Hinge Filler .....	4-5
00930-02, CD Hinge Filler .....	4-5
03304-02, Endcap Device .....	4-3
03305-02, Endcap Device .....	4-3
05301-02, Sub-Bracket Assembly .....	5-3
05302-02, Sub-Bracket Assembly .....	5-3
05303-02, Sub-Bracket Assembly .....	5-3
05304-02, Sub-Bracket Assembly .....	5-3
05305-02, Hex/cyl Sub-bracket Assembly	5-5
05305-02, Sub-Bracket Assembly .....	5-3
05306-02, Hex/cyl Sub-bracket Assembly	5-5
05306-02, Sub-Bracket Assembly .....	5-3
05307-02, Hex/cyl Sub-bracket Assembly	5-5
05308-02, Hex/cyl Sub-bracket Assembly	5-5

Part Number	Page	Part Number	Page
<b>Vertical Rod Latches</b>			
00124-03, Rod Guide Pack .....	7-4, 7-5	01593-04, Lever Assembly .....	3-9
00196-03, Top Latch Assembly, CVR Metal	7-7	01594-04, Lever Assembly .....	3-9
00296-03, Top Latch Assembly, SVR .....	7-5	01595-04, Lever Assembly .....	3-9
00343-03, Center Case Assembly, 2600	7-8	01596-04, Lever Assembly .....	3-9
00344-03, Center Case Assembly, 2800	7-8	01599-04, Lever Assembly .....	3-9
00396-03, Top Latch Assembly, CVR Wood	7-7	01600-04, Lever Assembly .....	3-9
00553-03, Bottom Rod Assembly, CVR Metal	7-6	01601-04, Lever Assembly .....	3-9
00556-03, Bottom Rod Assembly, CVR Wood	7-6	01602-04, Lever Assembly .....	3-9
01001-03, Top Latch Kit, SVR, Apex .....	7-5	01971-04, Yoke Assembly .....	3-5
01003-03, Top Latch Kit, CVR Meta .....	7-7	01973-04, Yoke Assembly .....	3-5
01004-03, Top Latch Kit, CVR Meta .....	7-7	01977-04, Trim Finger .....	3-5
01005-03, Top Latch Kit, CVR Wood .....	7-7	02133-04, Escutcheon .....	3-3
01006-03, Top Latch Kit, CVR Wood .....	7-7	02134-04, Escutcheon .....	3-3
01007-03, Bottom Latch Kit, SVR .....	7-4	02135-04, Escutcheon .....	3-3
01011-03, Latch Cover Kit .....	4-2	02181-04, Yoke Assembly .....	3-5
01011-03, Latch Cover Kit, Apex .....	7-4, 7-5	02183-04, Yoke Assembly .....	3-5
01303-03, Fire Bolt Kit FB277 .....	8-5	02317-04, Cast Plate C03 .....	3-2
01854-03, Top Rod SVR Kit 7 Foot .....	7-5	02717-04, Escutcheon Kit .....	3-3
01855-03, Top Rod SVR Kit 8 Foot .....	7-5	02718-04, Escutcheon Kit .....	3-3
01857-03, Top Rod SVR Kit 10 Foot .....	7-5	02719-04, Escutcheon Kit .....	3-3
01859-03, Bottom Rod Kit SVR .....	7-4	02720-04, Escutcheon Kit .....	3-3
02279-03, Center Case Assembly, 2800LBR	7-8	02721-04, Lever Kit .....	3-4
02280-03, Center Case Assembly, 2600LBR	7-8	02722-04, Lever Kit .....	3-4
02354-03, Bottom Latch Channel, CVR Metal	7-6	02723-04, Lever Kit .....	3-4
02355-03, Bottom Latch Channel, CVR Wood	7-6	02724-04, Lever Kit .....	3-4
02356-03, Bottom Latch Channel Assembly, SVR	7-4	02725-04, Lever Kit .....	3-4
02948-03, Connector Assembly .....	7-7	02726-04, Lever Kit .....	3-4
02948-03, Connector Assembly 2700 ...	7-6	02727-04, Lever Kit .....	3-4
<b>Trim</b>			
00567-04, 2000 Escutcheon .....	3-6	02728-04, Lever Kit .....	3-4
00568-04, 2000 Escutcheon .....	3-6	02729-04, Lever Kit .....	3-4
00569-04, 2000 Escutcheon .....	3-6	02730-04, Yoke Kit .....	3-5
00571-04, 2000 Escutcheon .....	3-6	02731-04, Yoke Kit .....	3-5
00573-04, 2000 Escutcheon .....	3-6	02734-04, Yoke Kit .....	3-5
00646-04, Lever .....	3-4	02735-04, Yoke Kit .....	3-5
00647-04, Lever .....	3-4	02736-04, Yoke Kit .....	3-5
00648-04, Lever .....	3-4	02737-04, Yoke Kit .....	3-5
00649-04, Lever .....	3-4	02738-04, Lever Spring Kit .....	3-5
00650-04, Lever .....	3-4	02740-04, Yoke Assembly .....	3-5
01351-04, Grip Kit .....	3-11	02741-04, Yoke Assembly .....	3-5
01352-04, Grip Kit .....	3-11	02742-04, Yoke Assembly .....	3-5
01353-04, Grip Kit .....	3-11	02743-04, Yoke Assembly .....	3-5
01354-04, Grip Kit .....	3-11	02744-04, Yoke Kit .....	3-5
01355-04, Grip Kit .....	3-11	02745-04, Yoke Kit .....	3-5
01356-04, Grip Kit .....	3-11	02751-04, Escutcheon Kit .....	3-7
01357-04, Grip Kit .....	3-11	02752-04, Escutcheon Kit .....	3-7
01358-04, Grip Kit .....	3-11	02753-04, Escutcheon Kit .....	3-7
01359-04, Grip Kit .....	3-11	02756-04, Grip Kit .....	3-11
01362-04, Grip C Kit .....	3-6	02757-04, Grip Kit .....	3-11
01578-04, 2908 Mechanism .....	3-9	02758-04, Grip Kit .....	3-11
		02759-04, Grip Kit .....	3-11
		02826-04, Lever Kit .....	3-8
		02827-04, Lever Kit .....	3-8
		02828-04, Lever Kit .....	3-8
		02829-04, Lever Kit .....	3-8



Part Number	Page	Part Number	Page
02830-04, Lever Kit .....	3-8	02557-05, LSEM303 .....	2-5
02831-04, Lever Kit .....	3-8	02557-05, Mortise Lock, LSEM303 .....	8-4
02832-04, Lever Kit .....	3-8	02558-05, LSEM303F .....	2-5
02833-04, Lever Kit .....	3-8	02558-05, Mortise Lock, LSEM303F .....	8-4
02834-04, Lever Kit .....	3-8	02813-05, M303 .....	2-5
02835-04, Lever Kit .....	3-8	02814-05, M303F .....	2-5
02836-04, Lever Kit .....	3-8	02815-05, M308 .....	2-5
02837-04, Lever Kit .....	3-8	02816-05, M308F .....	2-5
02838-04, Lever Kit .....	3-8	02817-05, LSM308 .....	2-5
02839-04, Lever Kit .....	3-8	02817-05, Mortise Lock, LSM308 .....	8-4
02840-04, Lever Kit .....	3-8	02818-05, LSM308F .....	2-5
02841-04, Lever Kit .....	3-8	02818-05, Mortise Lock, LSM308F .....	8-4
02985-04, Screw Pack For Dummy Trim	8-10	02819-05, LSM303 .....	2-5
05510-04, 1700 Trim Plate .....	3-10	02819-05, Mortise Lock, LSM303 .....	8-4
05511-04, 1700 Trim Plate .....	3-10	02820-05, LSM303F .....	2-5
05512-04, 1700 Trim Plate .....	3-10	02820-05, Mortise Lock, LSM303F .....	8-4
055130-04, 1700 Trim Plate .....	3-10	02821-05, EM303 .....	2-5
05514-04, 1700 Trim Plate .....	3-10	02821-05, Mortise Lock, LSM308 .....	8-4
05515-04, 1700 Trim Plate .....	3-10	02822-05, EM303F .....	2-5
05516-04, 1700 Trim Plate .....	3-10	02822-05, Mortise Lock, LSEM308F .....	8-4
05517-04, 1700 Trim Plate .....	3-10	02823-05, LSEM303 .....	2-5
05518-04, 1700 Trim Plate .....	3-10	02823-05, Mortise Lock, LSEM303 .....	8-4
05519-04, 1700 Trim Plate .....	3-10	02824-05, LSEM303F .....	2-5
05520-04, 1700 Trim Plate .....	3-10	02824-05, Mortise Lock, LSEM303F .....	8-4
05521-04, 1700 Trim Plate .....	3-10		
05522-04, 1700 Trim Plate .....	3-10		
05523-04, 1700 Trim Plate .....	3-10		
05524-04, 1700 Trim Plate .....	3-10		
05526-04, 1700 Trim Plate .....	3-10		
05527-04, 1700 Trim Plate .....	3-10		
05528-04, 1700 Trim Plate .....	3-10		

## Mortises

01064-05, Mortise Scalp Pack .....	2-5
02543-05, M303 .....	2-5
02544-05, M303F .....	2-5
02545-05, M308 .....	2-5
02547-05, M310 .....	2-5
02548-05, M310Fa .....	2-5
02549-05, M310a .....	2-5
02550-05, M310Fa .....	2-5
02551-05, LSM308 .....	2-5
02551-05, Mortise Lock, LSM308 .....	8-4
02552-05, LSM308F .....	2-5
02552-05, Mortise Lock, LSM308F .....	8-4
02553-05, LSM303 .....	2-5
02553-05, Mortise Lock, LSM303 .....	8-4
02554-05, LSM303F .....	2-5
02554-05, Mortise Lock, LSM303F .....	8-4
02555-05, EM303 .....	2-5
02555-05, Mortise Lock, LSM308 .....	8-4
02556-05, EM303F .....	2-5
02556-05, Mortise Lock, LSEM308F .....	8-4

## Electrical

00307-06, LS- Latchbolt Switch LSRK298	8-3
00308-06, LDS-Double Switch LDSRK299	8-3
00309-06, TS - Touchbar Switch TSK309	8-3
00310-06, TDS - Touchbar Double Switch Monitor	TDS310 8-3
00491-06, Alarm- ALK Filler .....	4-5
00491-06, Exit Alarm .....	8-4
00492-06, Alarm- ALK Filler .....	4-5
00492-06, Exit Alarm .....	8-4
00493-06, Alarm - ALW Filler .....	4-5
00493-06, Exit Alarm .....	8-4
00494-06, Alarm - ALW Filler .....	4-5
00494-06, Exit Alarm .....	8-4
00525-06, Solenoid/Linkage Assembly ..	5-5
00586-06, Alarm- ALK Filler .....	4-5
00586-06, Exit Alarm .....	8-4
00587-06, Alarm- ALK Filler .....	4-5
00587-06, Exit Alarm .....	8-4
00588-06, Alarm - ALW Filler .....	4-5
00588-06, Exit Alarm .....	8-4
00589-06, Alarm - ALW Filler .....	4-5
00589-06, Exit Alarm .....	8-4
00639-06, Solenoid/Linkage Assembly ..	5-5
00681-06, Yoke Assembly, ELR .....	5-5
00699-06, Alarm Chassis Assembly .....	4-6
00899-06, Alarm Chassis Assembly .....	4-6
00910-06, LS - Vertical Rods LSVK910	8-3

Part Number	Page	Part Number	Page
00915-06, Dogging Channel Assembly	. 5-5	02113-09, Screw Pack, Guide Strap	..... 8-7
00916-06, Dogging Channel Assembly	. 5-5	02114-09, Screw Pack, Concealed Latch	8-7
02188-06, Armored Flex Conduit, 18 inches	EPT2 8-2	02115-09-000, Screw Pack, 2800 Active Case	8-7
02189-06, Door Loop for 5/16 wire bundle, 120°	opening EPT5	02116-09-000, Screw Pack, 2600 Active Case	8-7
	8-2	02117-09-000, Screw Pack, 2700 Latch	8-7
02318-06, ELR150 Power Supply – no devices	8-2	02118-09, Screw Pack, Mortise Lock	.... 8-7
02782-06, ELR151 Power Supply – 1 devices	8-2	02118-09, Screw Pack, Mortise Lock	.... 2-5
02783-06, ELR152 Power Supply – 2 devices	8-2	02119-09, Screw Pack, 2000 Bottom Screw	8-7
02784-06, ELR153 Power Supply – 3 devices	8-2	02120-09, Screw Pack, A And C Grip Bottom Screw	8-8
02785-06, ELR154 Power Supply – 4 devices	8-2	02121-09, Screw Pack, B Grip Bottom Screw	8-8
02788-06, ELR, Control Module Kit CM150-08	8-2	02122-09, Rim Cylinder Attachment CA-03T	3-2
02789-06, ELR, Battery Backup Kit BT150-07	8-2	02124-09, 2908 Cylinder Attachment CA2809	3-2
05267-06, Q-Option for Rim QSRK5267	8-3	02125-09-000, Screw Pack, C03 Trim	... 8-8
05268-06, Q-Option for Vertical Rod QSRK5268	8-3	02129-09-000, Screw Pack, 2000 Trim Attachment	8-8

**Strikes**

00300-08, Strike Kit, S300	..... 7-2
00300-08, Strike Kit, Standard, S300	..... 7-5
00301-08, Strike Kit, Roller, S301	..... 7-2
00458-08, Strike Kit, Roller, Narrow S458	7-2
00459-08, Strike Kit, Double Door S459	7-2
00460-08, Strike Kit, Bottom	..... 7-4
00460-08, Strike Kit, Bottom S460	..... 7-2
00519-08, Strike Kit, Concealed Top S519	7-2
00922-08, Strike Kit, Mortise 1-1/4 Lip	. 7-3
00923-08, Strike Kit, Mortise 7/8 Lip	.... 7-3
00924-08, Strike Kit, Mortise 4-7/8 Open Back	7-3
00925-08, Strike Kit, Mortise 8 in Open Back	7-3
00982-08, Strike Kit, Mortise 1-1/4 Lip	. 7-3
00983-08, Strike Kit, Mortise 7/8 Lip	.... 7-3
00984-08, Strike Kit, Mortise 4-7/8 Open Back	7-3
00985-08, Strike Kit, Mortise 8 in Open Back	7-3
00988-08, Strike Kit, Roller, Aluminum Door S988	7-2

**Hardware Kits**

00994-09, Shim Kit, Apex Wide Stile	.... 8-5
00995-09, Shim Kit, Apex Narrow Stile	8-5
02101-09, Screw Pack, 2100 2200 2300 Device	8-5
02102-09, Screw Pack, 4 Cover Screws	8-5
02103-09-000, Screw Pack, Endcap Bracket	8-6
02104-09, Screw Pack, Endcap Screws	. 4-3, 8-6
02105-09, Screw Pack, Cylinder Dogging	8-6
02105-09, Cylinder Dogging Attachment Kit	4-5
02106-09, Screw Pack, 2 Cover Screws	8-6
02107-09-000, Screw Pack, 2400	..... 8-6
02109-09, Screw Pack, Latchbolt Cover	8-6
02110-09, Screw Pack, 1/2in Blocking Ring, Narrow	W/o Trim
	8-6
02111-09, 2403/2603 No Trim Pack	..... 3-2
02112-09-000, Screw Pack, Surface Latch	8-6

02230-09-000, Screw Pack, 2700	..... 8-8
02231-09-000, Screw Pack, 2700 LBR Device	8-8
02232-09, Screw Pack, 2800 Device	.... 8-9
02233-09, Screw Pack, 2800 LBR Device	8-9
02234-09, Screw Pack, 2600 Device	.... 8-9
02235-09, Screw Pack, 2600 LBR Device	8-9
02262-09-000, Security Screw Pack 2100, 21 Devices	..... 8-10
02263-09-000, Security Screw Pack 2200, 22	8-10
02264-09-000, Security Screw Pack 2200LBR, 22LBR	..... 8-10
02265-09-000, Security Screw Pack 2400	8-10
02309-09, Hardware Pack	..... 4-6
02310-09, Hardware Pack	..... 4-6
02845-09-000, Screw Pack, Surface Latch, 1/4-20	8-10
03131-09-000, Security Screw Pack 2300	8-11
03132-09-000, Security Screw Pack 2700	8-11
03133-09-000, Security Screw Pack 2800	8-11
03135-09-000, Security Screw Pack 2600	8-11
03233-09-SST, Screw Pack, 2100 2200 2300 Device	Hex . 8-11
03234-09, Screw Pack, 2600 Device Hex	8-11
03235-09, Screw Pack, 2600 LBR Device Hex	8-12
03236-09-000, Screw Pack, 2700 Hex	... 8-12
03237-09-000, Screw Pack, 2700 LBR Device Hex	8-12
03238-09, Screw Pack, 2800 Device Hex	8-12
03239-09, Screw Pack, 2800 LBR Device Hex	8-13
03240-09-SST, Screw Pack, 2400, 5100, 5200	8-13
03244-09, Lock Front Filler Kit 2700	.... 4-2
05244-09, Long Bottom Rod Kit, CVR Metal	7-6
05246-09, Long Bottom Rod Kit, CVR Wood	7-6
05247-09, Long Bottom Rod Kit	..... 7-4

**Individual Trim Parts**

01562-29, Escutcheon	..... 3-7
----------------------	-----------



Part Number	Page
01143-53, Adjusting Tube, 10 ft .....	7-7
01144-53, Connector, Wood CVR .....	7-6
01145-53, Top Rod, CVR, Wood .....	7-7
05197-53, Top Rod, 12ft .....	7-5

**Miscellaneous Individual Parts**

00322-54, B Grip .....	3-11
00323-54, A Grip .....	3-11
00324-54, C Grip .....	3-6, 3-11
00954-54, Trim Stud .....	3-11
01657-54, Cylinder Backplate CA-03 .....	3-2
01460-56, Lens, LED .....	4-6
01723-56, Grommet .....	4-3
00232-58, Shim, Strike .....	7-2, 8-5
01112-58, Shim, CVR Strike .....	7-2, 8-5
00131-89, Spring, ELR Touchbar .....	5-5
00131-89, Spring, Touchbar .....	5-3
00146-89, Spring, Deadlock Release .....	6-4
00385-89, Spring, Latchbolt .....	6-4
00844-89, Spring, ELR Touchbar .....	5-5
00871-89, Spring, Trip .....	6-11
01116-89, Latch Bolt Spring .....	6-11
01575-89, Spring, Torsion, 2900 Trim ..	3-9
01586-89, Spring, Torsion, 2900 Trim ..	3-9

**Individual Hardware**

00153-90, Pin, Pivot, Vertical Lift .....	6-7, 6-8, 6-13, 6-14
00154-90, Latchbolt Pivot Pin, Rim .....	6-4
00228-90, Retaining Ring, shaft .....	5-5
00229-90, Pin, Pivot, Touchbar Lever ...	6-4, 6-6, 6-8, 6-13, 6-14
00382-90, Roll Pin, 1/8 X 7/8 .....	6-7
00382-90, Roll Pin, 1/8 X 7/8 .....	3-9
00400-90, Pin, Headed Pivot, .188 X 1.125	6-9, 7-7
00408-90, Roll Pin, 3/16 X 5/8 .....	7-7
00449-90, Pin, Pivot .....	5-3, 5-5
00671-90, Groove Pin, .188 X.75 .....	3-5
00799-90, Roll Pin, 1/8 X 1/2 .....	6-13
01114-90, Pin, Lever, .187 X 2.312 .....	6-11, 6-12

Part Number	Page
01115-90, Pin, Latchbolt, 2400 .....	6-11, 6-12
01121-90, Pivot Pin .....	6-11, 6-12
01627-90, Spiral Pin, 3/16 X 3/4 .....	3-9
01922-90, Pin, Link - ELR .....	5-5
05139-90, Extended Pilot Pins .....	7-8
00228-91, Retaining Ring .....	5-3, 5-5
00228-91, Retaining Ring, Shaft .....	6-4, 6-7, 6-8, 6-13, 6-14, 7-7
00253-91, 1/4 Curved Spring Washer ...	5-6, 6-11
00254-91, E-clip, .250 dia Shaft .....	5-6, 6-5
00366-91, Retaining Ring .....	6-15
00412-91, Retaining Ring .....	6-15
00412-91, Retaining Ring, .438 Shaft ...	6-5, 6-11, 6-12
00416-91, Screw, #8-32 X .275 .....	5-5
00416-91, Screw, #8-32 x .275 .....	6-4, 6-7, 6-8, 6-10, 6-11, 6-12, 6-13, 6-14
00416-91, Screws, #8-32 x.275 .....	6-15
00463-91, Screw, #8-32 X 3/8 PHMS ...	6-5
00509-91, Screw, #10-24 X 1/2 PPHMS	3-3, 3-5
00606-91, Screw, 1/4-20 X .375 Set Screw	6-8
00617-91, Retaining Ring .....	3-4
00800-91, Screw, #8-32 X .625 FHMS ...	6-13, 6-14
01120-91, E-clip, Shaft .....	6-11, 6-12
01149-91, Shoulder Screw .....	7-6
01151-91, Washer, Lock, #10 .....	7-6
01152-91, Washer, Retaining .....	7-6
01520-91, Washer, #10 Flat .....	3-5, 3-9
01567-91, Washer, Delrin .695 ID X 1.00 OD	3-9
01608-91, Screw, #10-24 X 3/8 Hex Head Machine	3-9
01625-91, Nut, Hex 3/8-24 W/nylon .....	3-9
01868-91, Washer, Wave, .325 ID X .500 OD	6-5
01960-91, Trim Stud, 4900 Trim .....	3-3
00672-92, "Arm/Disarm" Label .....	4-6
00872-92, "Emergency Exit Only" Label	4-6
00220-93, Dogging Key .....	4-5, 5-6
00996-93, Short Arm 5/32 Hex Wrench	8-4

**INDEX BY PART DESCRIPTION**

"Arm/Disarm" Label, 00672-92 .....	4-6
"Emergency Exit Only" Label, 00872-92	4-6
1/4 Curved Spring Washer, 00253-91 ...	5-6, 6-11
1700 Trim Plate, 05510-04 .....	3-10
1700 Trim Plate, 05511-04 .....	3-10
1700 Trim Plate, 05512-04 .....	3-10
1700 Trim Plate, 055130-04 .....	3-10
1700 Trim Plate, 05514-04 .....	3-10

1700 Trim Plate, 05515-04 .....	3-10
1700 Trim Plate, 05516-04 .....	3-10
1700 Trim Plate, 05517-04 .....	3-10
1700 Trim Plate, 05518-04 .....	3-10
1700 Trim Plate, 05519-04 .....	3-10
1700 Trim Plate, 05520-04 .....	3-10
1700 Trim Plate, 05521-04 .....	3-10
1700 Trim Plate, 05522-04 .....	3-10

Part Abp`ofmqflk	Pagb	Part Abp`ofmqflk	Mage
1700 Trim Plate, 05523-04 .....	3-10	Alarm- ALK Filler, 00587-06 .....	4-5
1700 Trim Plate, 05524-04 .....	3-10	Alarm Chassis Assembly, 00699-06 .....	4-6
1700 Trim Plate, 05526-04 .....	3-10	Alarm Chassis Assembly, 00899-06 .....	4-6
1700 Trim Plate, 05527-04 .....	3-10	Armored Flex Conduit, 18 inches EPT2, 02188-06	8-2
1700 Trim Plate, 05528-04 .....	3-10		
2000 Escutcheon, 00567-04 .....	3-6		
2000 Escutcheon, 00568-04 .....	3-6		
2000 Escutcheon, 00569-04 .....	3-6		
2000 Escutcheon, 00571-04 .....	3-6		
2000 Escutcheon, 00573-04 .....	3-6		
2100Active Case, 02271-01 .....	6-4		
2100 Cover Kit, 02281-01 .....	4-7		
2100FActive Case, 02272-01 .....	6-4		
2110 LHRB Cover Kit, 02285-01 .....	4-7		
2110 RHRB Cover Kit, 02283-01 .....	4-7		
2200 Cover Kit, 02287-01 .....	4-7		
2200 LHRB Active Case, 02561-01 .....	6-6		
2200 RHRB Active Case, 02273-01 .....	6-6		
2200 Rod Carriage, 00353-01 .....	6-7		
2200LBR LHRB Active Case, 02562-01 ..	6-6		
2200LBR RHRB Active Case, 02316-01 .	6-6		
2200LBR Rod Carriage, 00533-01 .....	6-7		
2300 LHRB Active Case, 02563-01 .....	6-8		
2300 LHRB Rod Carriage, 02646-01 .....	6-9		
2300 RHRB Active Case, 02274-01 .....	6-8		
2300 RHRB Rod Carriage, 00797-01 .....	6-9		
2300/2700/2800 Cover Kit, 02464-01 ..	4-7		
2310 LHRB Cover Kit, 02468-01 .....	4-7		
2310 RHRB Cover Kit, 02466-01 .....	4-7		
2400Chassis Assembly, 00498-01 .....	6-11		
2400 Cover Kit, 02470-01 .....	4-7		
2400FChassis Assembly, 00499-01 .....	6-11		
2403/2603 No Trim Pack, 02111-09 .....	3-2		
2600Chassis Assembly, 00500-01 .....	6-12		
2600 Cover Kit, 02472-01 .....	4-7		
2700 LHRB Active Case, 02320-01 .....	6-13, 6-14		
2700 RHRB Active Case, 02564-01 .....	6-13, 6-14		
2700 Rod Carriage, 00534-01 .....	6-13, 6-14		
2908 Cylinder Attachment CA2809, 02124-09	3-2		
2908 Mechanism, 01578-04 .....	3-9		
<b>A</b>		<b>B</b>	
A Grip, 00323-54 .....	3-11	B Grip, 00322-54 .....	3-11
Adapter, 2700, 00798-51 .....	6-13	Backplate Assembly, 00369-01 .....	6-15
Adjusting Tube, 10 ft, 01143-53 .....	7-7	Backplate Assembly, 00370-01 .....	6-15
Adjusting Tube, 8 ft, 00411-53 .....	7-7	Backplate Assembly, 00832-01 .....	6-15
Alarm - ALW Filler, 00493-06 .....	4-5	Backplate Assembly, 00833-01 .....	6-15
Alarm - ALW Filler, 00494-06 .....	4-5	Backplate Assembly, 00842-01 .....	6-15
Alarm - ALW Filler, 00588-06 .....	4-5	Beam Roller, 01456-39 .....	3-5
Alarm - ALW Filler, 00589-06 .....	4-5	Beam, 00111-52 .....	5-3, 5-5
Alarm- ALK Filler, 00491-06 .....	4-5	Beam, 01455-39 .....	3-4
Alarm- ALK Filler, 00492-06 .....	4-5	Bottom Bolt, SVR, 00540-53 .....	7-4
Alarm- ALK Filler, 00586-06 .....	4-5	Bottom Latch Channel Assembly, CVR Metal,	02354-03 7-6
		Bottom Latch Channel Assembly, CVR Wood,	02355-03 7-6
		Bottom Latch Channel Assembly, SVR, 02356-03	7-4
		Bottom Latch Kit, SVR, 01007-03 .....	7-4
		Bottom Rod Assembly, CVR Metal, 00553-03	7-6
		Bottom Rod Assembly, CVR Wood, 00556-03	7-6
		Bottom Rod Kit SVR, 01859-03 .....	7-4
		Bottom Rod, Apex SVR, 00607-53 .....	7-4
		Bracket, Bottom, 4900 Trim, 01959-49 .	3-3
		Bracket, Hex Key, 00115-52 .....	5-6
		Bracket, Touchbar, 00108-52 .....	5-3, 5-5
		Bumper, 00110-52 .....	5-3, 5-5
		<b>C</b>	
		C Grip, 00324-54 .....	3-6, 3-11
		Cam Plate, 01107-51 .....	6-11, 6-12
		Cam Slide, 2600, 00126-51 .....	6-12
		Case Hub, 01110-51 .....	6-12
		Cast Plate C03, 02317-04 .....	3-2
		CD Hinge Filler, 00489-02 .....	4-5
		CD Hinge Filler, 00490-02 .....	4-5
		CD Hinge Filler, 00929-02 .....	4-5
		CD Hinge Filler, 00930-02 .....	4-5
		Center Case Assembly, 2600, 00343-03	7-8
		Center Case Assembly, 2600LBR, 02280-03	7-8
		Center Case Assembly, 2800, 00344-03	7-8
		Center Case Assembly, 2800LBR, 02279-03	7-8
		Connector Assembly, 02948-03 .....	7-7
		Connector Assembly 2700, 02948-03 ...	7-6
		Connector, Wood CVR, 01144-53 .....	7-6
		Consolidated Subplate, 05290-52 .....	5-6
		Consolidated Subplate, 05291-52 .....	5-6
		Consolidated Subplate, 05292-52 .....	5-6

Part Abp`ofmqf l k	Magb
Cylinder Assembly 10 Function, 00824-01	6-5
Cylinder Backplate Wide CA-03, 01657-54	3-2
Cylinder Bracket - 10, Rim, 00826-51	.... 6-5
Cylinder Bracket -10 Mortise, 00909-51	6-10
Cylinder cam, 00282-51	..... 6-15
Cylinder cam, 00363-51	..... 6-15
Cylinder cam, 01642-51	..... 6-15
Cylinder Cam, 10 Function, 00825-51	.. 6-5
Cylinder Dogging Attachment Kit, 02105-09	4-5
Cylinder Sleeve - 10 Function, 00827-51	6-5, 6-10

**D**

Deadlock Release, 00284-51	..... 6-4
Device Channel, 00120-52	..... 4-4
Device Channel, 00121-52	..... 4-4
Device Channel, 00122-52	..... 4-4
Device Channel, 00128-52	..... 4-4
Device Channel, 00130-52	..... 4-4
Device Lift Finger, 00335-51	..... 6-8
Device Lift Finger, 00355-51	..... 6-13, 6-14
Dogging Cam, 00116-52	..... 5-6
Dogging Channel Assembly, 00701-02	. 5-3
Dogging Channel Assembly, 00702-02	. 5-3
Dogging Channel Assembly, 00703-02	. 5-3
Dogging Channel Assembly, 00915-06	. 5-5
Dogging Channel Assembly, 00916-06	. 5-5
Dogging Fastener, 00252-52	..... 5-6, 6-5
Dogging Hook, 00114-52	..... 5-6
Dogging Key, 00220-93	..... 4-5
Dogging Key, 00220-93	..... 5-6
Door Loop for 5/16 EPT5, 02189-06	.... 8-2
Door Position Switch Kit, 00774-02	..... 8-3
Door Position Switch Kit, 00776-02	..... 8-3

**E**

E-clip, .250 dia Shaft, 00254-91	..... 5-6, 6-5
E-clip, Shaft, 01120-91	..... 6-11, 6-12
Electric Rim - Lock/Unlock E2103K, ....	8-3
Electric Rim - Lock/Unlock E2103K, 00837-01	8-3
ELR Touchbar Mechanism, 00172-02	.... 5-4
ELR Touchbar Mechanism, 00173-02	.... 5-4
ELR Touchbar Mechanism, 00174-02	.... 5-4
ELR Touchbar Mechanism, 00175-02	.... 5-4
ELR Touchbar Mechanism, 00176-02	.... 5-4
ELR Touchbar Mechanism, 00177-02	.... 5-4
ELR Touchbar Mechanism, 00892-02	.... 5-4
ELR Touchbar Mechanism, 00893-02	.... 5-4
ELR Touchbar Mechanism, 00894-02	.... 5-5
ELR Touchbar Mechanism, 00895-02	.... 5-5
ELR Touchbar Mechanism, 00896-02	.... 5-5
ELR Touchbar Mechanism, 00897-02	.... 5-5
ELR, Battery Backup Kit BT150-07, 02789-06	8-2

Mart Abp`ofmqf l k	Mage
ELR, Control Module Kit CM150-08, 02788-06	8-2
ELR150 Power Supply - no devices, 02318-06	8-2
ELR151 Power Supply - 1 devices, 02782-06	8-2
ELR152 Power Supply - 2 devices, 02783-06	8-2
ELR153 Power Supply - 3 devices, 02784-06	8-2
ELR154 Power Supply - 4 devices, 02785-06	8-2
EM303, 02555-05	..... 2-5
EM303, 02821-05	..... 2-5
EM303F, 02556-05	..... 2-5
EM303F, 02822-05	..... 2-5
Endcap Cover, 00149-52	..... 4-3
Endcap Cover, 00270-52	..... 4-3
Endcap Device, 00775-02	..... 4-3
Endcap Device, 00777-02	..... 4-3
Endcap Device, 03304-02	..... 4-3
Endcap Device, 03305-02	..... 4-3
Endcap Mounting Bracket, 00305-02	.... 4-3
Endcap Mounting Bracket, 00591-02	.... 4-3
Escutcheon, 01562-29	..... 3-7
Escutcheon, 01630-29	..... 3-7
Escutcheon, 01631-29	..... 3-7
Escutcheon, 02095-49	..... 3-3
Escutcheon, 02133-04	..... 3-3
Escutcheon, 02134-04	..... 3-3
Escutcheon, 02135-04	..... 3-3
Escutcheon Kit, 02717-04	..... 3-3
Escutcheon Kit, 02718-04	..... 3-3
Escutcheon Kit, 02719-04	..... 3-3
Escutcheon Kit, 02720-04	..... 3-3
Escutcheon Kit, 02751-04	..... 3-7
Escutcheon Kit, 02752-04	..... 3-7
Escutcheon Kit, 02753-04	..... 3-7
Exit Alarm, 00491-06	..... 8-4
Exit Alarm, 00492-06	..... 8-4
Exit Alarm, 00493-06	..... 8-4
Exit Alarm, 00494-06	..... 8-4
Exit Alarm, 00586-06	..... 8-4
Exit Alarm, 00587-06	..... 8-4
Exit Alarm, 00588-06	..... 8-4
Exit Alarm, 00589-06	..... 8-4
Extended Case Hub, 05154-51	..... 6-12
Extended Pilot Pins, 05139-90	..... 7-8
Extended Pilot Pins, Power Supply Units	8-2

**F**

Fire Bolt Kit FB277, 01303-03	..... 8-5
Fire Latchbolt Assembly, 00295-01	..... 6-4
Fire Pin, Narrow Stile, 00952-51	..... 6-11
Fire Spacer, Narrow Stile, 00953-51	..... 6-11

**G**

Grip C Kit, 01362-04	..... 3-6
----------------------	-----------

M <sup>oq</sup> Abp`ofmqf l k	M <sup>db</sup>	M <sup>oq</sup> Abp`ofmqf l k	M <sup>db</sup>
Grip Kit, 01351-04 .....	3-11	Lever Assembly, 01594-04 .....	3-9
Grip Kit, 01352-04 .....	3-11	Lever Assembly, 01595-04 .....	3-9
Grip Kit, 01353-04 .....	3-11	Lever Assembly, 01596-04 .....	3-9
Grip Kit, 01354-04 .....	3-11	Lever Assembly, 01599-04 .....	3-9
Grip Kit, 01355-04 .....	3-11	Lever Assembly, 01600-04 .....	3-9
Grip Kit, 01356-04 .....	3-11	Lever Assembly, 01601-04 .....	3-9
Grip Kit, 01357-04 .....	3-11	Lever Assembly, 01602-04 .....	3-9
Grip Kit, 01358-04 .....	3-11	Lever Lock, 01568-29 .....	3-9
Grip Kit, 01359-04 .....	3-11	Lever Washer, 01727-39 .....	3-4
Grip Kit, 02756-04 .....	3-11	Lever, 00646-04 .....	3-4
Grip Kit, 02757-04 .....	3-11	Lever, 00647-04 .....	3-4
Grip Kit, 02758-04 .....	3-11	Lever, 00648-04 .....	3-4
Grip Kit, 02759-04 .....	3-11	Lever, 00649-04 .....	3-4
Grommet, 01723-56 .....	4-3	Lever, 00650-04 .....	3-4
Groove Pin, .188 X.75, 00671-90 .....	3-5	Lever Kit, 02721-04 .....	3-4
		Lever Kit, 02722-04 .....	3-4
		Lever Kit, 02723-04 .....	3-4
		Lever Kit, 02724-04 .....	3-4
		Lever Kit, 02725-04 .....	3-4
		Lever Kit, 02726-04 .....	3-4
		Lever Kit, 02727-04 .....	3-4
		Lever Kit, 02728-04 .....	3-4
		Lever Kit, 02729-04 .....	3-4
		Lever Kit, 02826-04 .....	3-8
		Lever Kit, 02827-04 .....	3-8
		Lever Kit, 02828-04 .....	3-8
		Lever Kit, 02829-04 .....	3-8
		Lever Kit, 02830-04 .....	3-8
		Lever Kit, 02831-04 .....	3-8
		Lever Kit, 02832-04 .....	3-8
		Lever Kit, 02833-04 .....	3-8
		Lever Kit, 02834-04 .....	3-8
		Lever Kit, 02835-04 .....	3-8
		Lever Kit, 02836-04 .....	3-8
		Lever Kit, 02837-04 .....	3-8
		Lever Kit, 02838-04 .....	3-8
		Lever Kit, 02839-04 .....	3-8
		Lever Kit, 02840-04 .....	3-8
		Lever Kit, 02841-04 .....	3-8
		Lever Spring Kit, 02738-04 .....	3-5
		Long Bottom Rod Kit, CVR Metal, 05244-09	7-6
		Lock Front Filler Kit 2700, 03244-09 ....	4-2
		Lock Out Ring, 2900 Trim, 01565-29 ....	3-9
		Lock Side Filler Kit, 02306-01 .....	4-2
		Locking Arm, 00822-51 .....	6-5
		Locking Bracket, 00823-51 .....	6-5
		Long Bottom Rod Kit, 05247-09 .....	7-4
		Long Bottom Rod Kit, CVR Wood, 05246-09	7-6
		LS- Latchbolt Switch LSRK298, 00307-06	8-3
		LS- Vertical Rods LSVK910, .....	8-3
		LS- Vertical Rods LSVK910, 00910-06 ...	8-3
		LSEM303, 02557-05 .....	2-5
		LSEM303, 02823-05 .....	2-5
		LSEM303F, 02558-05 .....	2-5

**H**

Hardware Pack, 02309-09 .....	4-6
Hardware Pack, 02310-09 .....	4-6
Hex Hinge Filler, 00240-52 .....	4-5
Hex Hinge Filler, 00241-52 .....	4-5
Hex Hinge Filler, 00242-52 .....	4-5
Hex Hinge Filler, 00243-52 .....	4-5
Hex Stud 2900 Trim, 02086-29 .....	3-7
Hex/cyl Sub-bracket Assembly, 05305-02	5-5
Hex/cyl Sub-bracket Assembly, 05306-02	5-5
Hex/cyl Sub-bracket Assembly, 05307-02	5-5
Hex/cyl Sub-bracket Assembly, 05308-02	5-5
Hinge Filler for 00491-06, 00248-52 ....	4-6
Hinge Filler for 00492-06, 00249-52 ....	4-6
Hinge Filler for 00493-06, 00248-52 ....	4-6
Hinge Filler for 00494-06, 00249-52 ....	4-6
Hinge Filler for 00586-06, 00250-52 ....	4-6
Hinge Filler for 00587-06, 00251-52 ....	4-6
Hinge Filler for 00588-06, 00250-52 ....	4-6
Hinge Filler for 00589-06, 00251-52 ....	4-6

**I**

Inner Rod, CVR, Metal, 00410-53 .....	7-7
---------------------------------------	-----

**L**

Latch Bolt Spring, 01116-89 .....	6-11
Latch Cover Kit, 01011-03 .....	4-2
Latch Cover Kit, Apex, 01011-03 .....	7-4, 7-5
Latchbolt Narrow Stile, 01106-51 .....	6-11
Latchbolt Pivot Pin, Rim, 00154-90 .....	6-4
Latchbolt, 00226-51 .....	6-4
LBR Cover Plug, 05124-51 .....	4-7, 7-5
LDS-Double Switch LDSRK299, 00308-06	8-3
Lens, LED, 01460-56 .....	4-6
Lever Assembly, 01593-04 .....	3-9



M^oq Abp`ofmqf l k	M^db
LSEM303F, 02824-05 .....	2-5
LSM303, 02553-05 .....	2-5
LSM303, 02819-05 .....	2-5
LSM303F, 02554-05 .....	2-5
LSM303F, 02820-05 .....	2-5
LSM308, 02551-05 .....	2-5
LSM308, 02817-05 .....	2-5
LSM308F, 02552-05 .....	2-5
LSM308F, 02818-05 .....	2-5

**M**

M303, 02543-05 .....	2-5
M303, 02813-05 .....	2-5
M303F, 02544-05 .....	2-5
M303F, 02814-05 .....	2-5
M308, 02545-05 .....	2-5
M308, 02815-05 .....	2-5
M308F, 02816-05 .....	2-5
M310, 02547-05 .....	2-5
M310a, 02549-05 .....	2-5
M310Fa, 02548-05 .....	2-5
M310Fa, 02550-05 .....	2-5
Mandrel, 01587-29 .....	3-9
Mortise Lock, LSEM303, 02557-05 .....	8-4
Mortise Lock, LSEM303, 02823-05 .....	8-4
Mortise Lock, LSEM303F, 02558-05 .....	8-4
Mortise Lock, LSEM303F, 02824-05 .....	8-4
Mortise Lock, LSEM308F, 02556-05 .....	8-4
Mortise Lock, LSEM308F, 02822-05 .....	8-4
Mortise Lock, LSM303, 02553-05 .....	8-4
Mortise Lock, LSM303, 02819-05 .....	8-4
Mortise Lock, LSM303F, 02554-05 .....	8-4
Mortise Lock, LSM303F, 02820-05 .....	8-4
Mortise Lock, LSM308, 02551-05 .....	8-4
Mortise Lock, LSM308, 02555-05 .....	8-4
Mortise Lock, LSM308, 02817-05 .....	8-4
Mortise Lock, LSM308, 02821-05 .....	8-4
Mortise Lock, LSM308F, 02552-05 .....	8-4
Mortise Lock, LSM308F, 02818-05 .....	8-4
Mortise Scalp Pack, 01064-05 .....	2-5

**N**

Nut, Hex 3/8-24 W/nylon, 01625-91 .....	3-9
---	-----

**P**

Pin, Headed Pivot, .188 X 1.125, 00400-90	6-9, 7-7
Pin, Latchbolt, 2400, 01115-90 .....	6-11, 6-12
Pin, Lever, .187 X 2.312, 01114-90 .....	6-11, 6-12
Pin, Link - ELR, 01922-90 .....	5-5
Pin, Pivot, 00449-90 .....	5-3, 5-5
Pin, Pivot, Touchbar Lever, 00229-90 ...	6-4, 6-6, 6-8,

M^oq Abp`ofmqf l k	M^db
	6-13, 6-14
Pin, Pivot, Vertical Lift, 00153-90 .....	6-7, 6-8, 6-13, 6-14
Pivot Pin, 01121-90 .....	6-11, 6-12
Plain Hinge Filler, 00236-52 .....	4-5
Plain Hinge Filler, 00237-52 .....	4-5
Plain Hinge Filler, 00238-52 .....	4-5
Plain Hinge Filler, 00239-52 .....	4-5

**Q**

Q-Option for Rim QSRK5267, 05267-06	8-3
Q-Option for Vertical Rod QSRK5268, .	8-3

**R**

Retainer, 01111-51 .....	6-12
Retaining Ring, .438 Shaft, 00412-91 ....	6-5, 6-11, 6-12
Retaining Ring, 00228-91 .....	5-3, 5-5
Retaining Ring, 00366-91 .....	6-15
Retaining Ring, 00412-91 .....	6-15
Retaining Ring, 00617-91 .....	3-4
Retaining Ring, shaft, 00228-90 .....	5-5
Retaining Ring, Shaft, 00228-91 .....	6-4, 6-7, 6-8, 6-13, 6-14, 7-7
Rim Cylinder CA-03T, 02122-09 .....	3-2
Rod Carriage Lever, 00280-51 .....	6-7, 6-8, 6-13, 6-14
Rod Carriage, Apex, 00485-51 .....	6-8, 6-13, 6-14
Rod Carriage, CVR Apex, 00485-51 .....	6-7
Rod Guide Pack, 00124-03 .....	7-4, 7-5
Rod Stud, 00383-51 .....	6-7
Roll Pin, 1/8 X 1/2, 00799-90 .....	6-13
Roll Pin, 1/8 X 7/8, 00382-90 .....	3-9
Roll Pin, 1/8 X 7/8, 00382-90 .....	6-7
Roll Pin, 3/16 X 5/8, 00408-90 .....	7-7

**S**

Screw Pack For Dummy Trim, 02985-04	8-10
Screw Pack, 1/2in Blocking Ring, Narrow W/o Trim,	02110-09 8-6
Screw Pack, 2 Cover Screws, 02106-09	8-6
Screw Pack, 2000 Bottom Screw, 02119-09	8-7
Screw Pack, 2000 Trim Attachment, 02129-09	8-8
Screw Pack, 2100 2200 2300 Device, 02101-09	8-5
Screw Pack, 2100 2200 2300 Device Hex,	03233-09-SST 8-11
Screw Pack, 2400, 02107-09-000 .....	8-6
Screw Pack, 2400, 5100, 5200, 03240-09-SST	8-13
Screw Pack, 2600 Active Case, 02116-09-000	8-7
Screw Pack, 2600 Device, 02234-09 .....	8-9

M^oq Abp`ofmqf l k	M^db	M^oq Abp`ofmqf l k	M^db
Screw Pack, 2600 Device Hex, 03234-09	8-11	Solenoid/Linkage Assembly, 00639-06	.. 5-5
Screw Pack, 2600 LBR Device, 02235-09	8-9	Spiral Pin, 3/16 X 3/4, 01627-90	..... 3-9
Screw Pack, 2600 LBR Device Hex, 03235-09	8-12	Spring, Deadlock Release, 00146-89	..... 6-4
Screw Pack, 2700, 02230-09-000	..... 8-8	Spring, ELR Touchbar, 00131-89	..... 5-5
Screw Pack, 2700 Hex, 03236-09-000	... 8-12	Spring, ELR Touchbar, 00844-89	..... 5-5
Screw Pack, 2700 Latch, 02117-09-000	8-7	Spring, Latchbolt, 00385-89	..... 6-4
Screw Pack, 2700 LBR Device, 02231-09-000	8-8	Spring, Torsion, 2900 Trim, 01575-89	.. 3-9
Screw Pack, 2700 LBR Device Hex, 03237-09-000	8-12	Spring, Torsion, 2900 Trim, 01586-89	.. 3-9
Screw Pack, 2800 Active Case, 02115-09-000	8-7	Spring, Touchbar, 00131-89	..... 5-3
Screw Pack, 2800 Device, 02232-09	..... 8-9	Spring, Trip, 00871-89	..... 6-11
Screw Pack, 2800 Device Hex, 03238-09	8-12	Strike Kit, Bottom S460, 00460-08	..... 7-2
Screw Pack, 2800 LBR Device, 02233-09	8-9	Strike Kit, Bottom, 00460-08	..... 7-4
Screw Pack, 2800 LBR Device Hex, 03239-09	8-13	Strike Kit, Concealed Top S519, 00519-08	7-2
Screw Pack, 4 Cover Screws, 02102-09	8-5	Strike Kit, Double Door S459, 00459-08	7-2
Screw Pack, A And C Grip Bottom Screw, 02120-09	8-8	Strike Kit, Mortise 1-1/4 Lip, 00922-08	. 7-3
Screw Pack, B Grip Bottom Screw, 02121-09	8-8	Strike Kit, Mortise 1-1/4 Lip, 00982-08	. 7-3
Screw Pack, C03 Trim, 02125-09-000	... 8-8	Strike Kit, Mortise 4-7/8 Open Back, 00924-08	7-3
Screw Pack, Concealed Latch, 02114-09	8-7	Strike Kit, Mortise 4-7/8 Open Back, 00984-08	7-3
Screw Pack, Cylinder Dogging, 02105-09	8-6	Strike Kit, Mortise 7/8 Lip, 00923-08	..... 7-3
Screw Pack, Endcap Bracket, 02103-09-000	8-6	Strike Kit, Mortise 7/8 Lip, 00983-08	..... 7-3
Screw Pack, Endcap Screws, 02104-09	. 4-3, 8-6	Strike Kit, Mortise 8 in Open Back, 00925-08	7-3
Screw Pack, Guide Strap, 02113-09	..... 8-7	Strike Kit, Mortise 8 in Open Back, 00985-08	7-3
Screw Pack, Latchbolt Cover, 02109-09	8-6	Strike Kit, Roller, Aluminum S986, 00988-08	7-2
Screw Pack, Mortise Lock, 02118-09	..... 8-7	Strike Kit, Roller, Narrow S458, 00458-08	7-2
Screw Pack, Mortise Lock, 02118-09	..... 2-5	Strike Kit, Roller, S301, 00301-08	..... 7-2
Screw Pack, Surface Latch, 02112-09-000	8-6	Strike Kit, S300, 00300-08	..... 7-2
Screw Pack, Surface Latch, 1/4-20, 02845-09-000	8-10	Strike Kit, Standard, S300, 00300-08	..... 7-5
Screw, #10-24 X 1/2 PPHMS, 00509-91	3-3, 3-5	Stud, Hex, 00233-50	..... 3-6
Screw, #10-24 X 3/8 Machine, 01608-91	3-9	Stud, Trim, 00222-50	..... 3-6
Screw, #8-32 x .275, 00416-91	..... 5-5, 6-4,	Sub-Bracket Assembly, 05301-02	..... 5-3
	6-7, 6-8, 6-10, 6-11, 6-12,	Sub-Bracket Assembly, 05302-02	..... 5-3
	6-13, 6-14	Sub-Bracket Assembly, 05303-02	..... 5-3
Screw, #8-32 X .625 FHMS, 00800-91	... 6-13, 6-14	Sub-Bracket Assembly, 05304-02	..... 5-3
Screw, #8-32 X 3/8 PHMS, 00463-91	..... 6-5	Sub-Bracket Assembly, 05305-02	..... 5-3
Screw, 1/4-20 X .375 Set Screw 00606-91	6-8	Sub-Bracket Assembly, 05306-02	..... 5-3
Screws, #8-32 x .275, 00416-91	..... 6-15		
Security Screw Pack 2100, 02262-09-000	8-10	<b>T</b>	
Security Screw Pack 2200, 22, 02263-09-000	8-10	TDS - Touchbar Double Switch, 00310-06	8-3
Security Screw Pack 2200LBR, 02264-09-000	8-10	Top Bracket, 4900, 01958-49	..... 3-3
Security Screw Pack 2300, 03131-09-000	8-11	Top Latch Assembly, CVR Metal, 00196-03	7-7
Security Screw Pack 2400, 02265-09-000	8-10	Top Latch Assembly, CVR Wood, 00396-03	7-7
Security Screw Pack 2600, 03135-09-000	8-11	Top Latch Assembly, SVR, 00296-03	..... 7-5
Security Screw Pack 2700, 03132-09-000	8-11	Top Latch Kit, CVR Meta, 01003-03	..... 7-7
Security Screw Pack 2800, 03133-09-000	8-11	Top Latch Kit, CVR Meta, 01004-03	..... 7-7
Shim Kit, Apex Narrow Stile, 00995-09	8-5	Top Latch Kit, CVR Wood, 01005-03	..... 7-7
Shim Kit, Apex Wide Stile, 00994-09	..... 8-5	Top Latch Kit, CVR Wood, 01006-03	..... 7-7
Shim, CVR Strike, 01112-58	..... 7-2, 8-5	Top Latch Kit, SVR, Apex, 01001-03	..... 7-5
Shim, Strike, 00232-58	..... 7-2, 8-5	Top Plate, 00151-51	..... 6-4
Short Arm 5/32 Hex Wrench, 00996-93	8-4	Top Rod SVR Kit 10 Foot, 01857-03	..... 7-5
Shoulder Screw, 01149-91	..... 7-6	Top Rod SVR Kit 7 Foot, 01854-03	..... 7-5
Solenoid/Linkage Assembly, 00525-06	.. 5-5	Top Rod SVR Kit 8 Foot, 01855-03	..... 7-5
		Top Rod, 10ft, 00544-53	..... 7-5
		Top Rod, 12ft, 05197-53	..... 7-5

M^oq Abp`ofmqf l k	M^db
Top Rod, 7ft Apex SVR, 00541-53 .....	7-5
Top Rod, 8ft, 00542-53 .....	7-5
Top Rod, CVR, Wood, 01145-53 .....	7-7
Touch Bar Lever, 00279-51 .....	6-4, 6-6, 6-8, 6-13, 6-14
Touchbar Guard, 00625-51 .....	6-4, 6-6, 6-8, 6-13, 6-14
Touchbar Guide, 02130-52 .....	5-3, 5-5
Touchbar Mechanism, 00163-02 .....	5-2
Touchbar Mechanism, 00164-02 .....	5-2
Touchbar Mechanism, 00165-02 .....	5-2
Touchbar Mechanism, 00166-02 .....	5-2
Touchbar Mechanism, 00167-02 .....	5-2
Touchbar Mechanism, 00168-02 .....	5-2
Touchbar Mechanism, 00169-02 .....	5-2
Touchbar Mechanism, 00170-02 .....	5-2
Touchbar Mechanism, 00171-02 .....	5-2
Touchbar Mechanism ELRK-3, 00172-02	8-2
Touchbar Mechanism ELRK-4, 00175-02	8-2
Touchbar Mechanism ELRKF-3, 00173-02	8-2
Touchbar Mechanism ELRKF-4, 00176-02	8-2
Touchbar Mechanism NELRK-3, 00892-02	8-2
Touchbar Mechanism NELRK-4, 00895-02	8-2
Touchbar Mechanism NELRKF-3, 00893-02	8-2
Touchbar Mechanism NELRKF-4, 00896-02	8-2
Touchpad Sub-assembly, 00157-02 .....	4-4
Touchpad Sub-assembly, 00158-02 .....	4-4
Touchpad Sub-assembly, 00159-02 .....	4-4
Transom Bracket for S300 Strike, 00453-53	8-5
Trim Cam 2400, 01724-51 .....	6-11
Trim Cam, 01113-51 .....	6-12
Trim Finger, 00414-39 .....	3-5
Trim Finger, 01075-39 .....	3-5
Trim Finger, 01977-04 .....	3-5
Trim Locking Assembly, 00821-01 .....	6-5
Trim Shaft, 01108-51 .....	6-11, 6-12
Trim Sleeve Bushing, 01696-39 .....	3-4
Trim Stud, 00954-54 .....	3-11

M^oq Abp`ofmqf l k	M^db
Trim Stud, 4900 Trim, 01960-91 .....	3-3
Trip, 01109-51 .....	6-11
TS - Touchbar Switch TSK309, 00309-06	8-3

**V**

Vertical Lift Assembly, 00505-01 .....	6-7, 6-8
Vertical Lift Assembly, 00505-01 .....	6-13, 6-14
Vertical Lift Bracket, 00354-51 .....	6-7, 6-8, 6-13, 6-14

**W**

Washer, #10 Flat, 01520-91 .....	3-5, 3-9
Washer, Delrin .695 ID X 1.00, 01567-91	3-9
Washer, Lock, #10, 01151-91 .....	7-6
Washer, Retaining, 01152-91 .....	7-6
Washer, Wave, .325 ID X .500, 01868-91	6-5

**Y**

Yoke Assembly, 01971-04 .....	3-5
Yoke Assembly, 01973-04 .....	3-5
Yoke Assembly, 02181-04 .....	3-5
Yoke Assembly, 02183-04 .....	3-5
Yoke Assembly, 02740-04 .....	3-5
Yoke Assembly, 02741-04 .....	3-5
Yoke Assembly, 02742-04 .....	3-5
Yoke Assembly, 02743-04 .....	3-5
Yoke Assembly, ELR, 00681-06 .....	5-5
Yoke Kit, 02730-04 .....	3-5
Yoke Kit, 02731-04 .....	3-5
Yoke Kit, 02734-04 .....	3-5
Yoke Kit, 02735-04 .....	3-5
Yoke Kit, 02736-04 .....	3-5
Yoke Kit, 02737-04 .....	3-5
Yoke Kit, 02744-04 .....	3-5
Yoke Kit, 02745-04 .....	3-5

**STANLEY**<sup>®</sup>  
Security Solutions



# LOW ENERGY OPERATOR

D-4990

**STANLEY**

**phi**<sup>™</sup>

TABLE OF CONTENTS		Page	Page
Introduction .....	2	Standard Applications .....	5
ADA "Blue-Paint" Access .....	2	Typical System Applications .....	6, 7
Features/Benefits .....	3	Architectural Specifications.....	8
Electrical Data Specifications .....	4	Technical Details.....	8, 9
How To Order .....	4	Accessories.....	10, 11

**INTRODUCTION**



**ADA Access**

Stanley Security Solutions is pleased to offer its latest product line designed to maximize public door accessibility for Americans with Disabilities Act (ADA) Title III applications. The D-4990 Low Energy Operator offers Stanley's newest and most convenient features to gain safe access for ADA applications.

ADA is a civil rights law that is intended to guarantee equality for those who are physically handicapped or disabled. There are four major sections of the bill and they are intended to prohibit discrimination in Employment, Public Service, Public Accommodations, and Telecommunications. Stanley Security Solutions' focus is on Title III (Public Accommodations). Title III is not a product specification or a building code, but a directive to ensure equality in accessibility within public buildings. Such things as door opening size, door opening force requirements, door closing time, degree of door opening, and door and lock handle designs must all be addressed to satisfy the ADA guidelines.



**D-4990 Low Energy Operator (Non-handed)**

**ADA "BLUE-PAINT" ACCESS**

From the moment a physically disabled person enters the facility parking lot, they immediately begin looking for the ADA "blue-paint" and signage. All subsequent entry decisions are based on following the "blue-paint" pathways designed to provide access.



**ADA "Blue-Paint" Access**



**ADA Door Opening Access**

After parking, attention quickly turns to locating a barrier-free ramp leading to the entry way and door actuator. Although the Stanley D-4990 Low Energy Operator can be useful on a variety of locations, the ADA "blue-paint" clearly defines a need for assisted ingress/egress.



**ADA Push Plates**



**Barrier-Free Access**



**Access Controls:** The D-4990 Low Energy Operator may be used with electric latch retraction exit devices, electric strikes, and other electric locking systems. A time delay function is built into the control system eliminating the need for supplemental relays or controls.

**Activation:** The D-4990 Low Energy Operator can be activated with the press of a switch. Virtually any form of “knowing act” can be used to initiate the operator making integration with existing systems easier. For the full line of activation devices that Precision hardware offers see page 10.

**Push and Go Option:** With the flip of a switch, the D-4990 Low Energy Operator can be configured to activate and open based on a slight movement of the door. Utilizing this option eliminates the need for supplemental activation devices but does not preclude their use.

**Hold-Open Timer:** Upon receipt of an activation signal, the operator will power open the door from the closed position. The door may be held in the open position up to 28 seconds (compliance with ANSI/BHMA A156.19 requires the door to remain in the open position for a 5 second minimum). Additionally, a “hold-open” switch is provided to hold the door open for extended periods.

**External Function Switches:** The D-4990 Low Energy Operator is equipped with external function switches providing basic controls.

- **Illuminated Power Switch:** Illuminated to be visible at night, the switch controls power to the operator motor. The D-4990 Low Energy Operator functions as a manual closer with power off.
- **Mode Control Switch:** A three function switch is provided for control of the powered function of the operator. “Day” mode will engage the operator for normal powered operation with activation by push plate, “Push and Go”, or signal from other “knowing act” device. “Night” mode disables the operator for normal powered operation; however, the operator can be configured to receive activation signals from a secure activation device such as a card reader for secure activation, generally from one side. Switching to “Hold-Open” mode will power the operator opening the door, holding it open indefinitely.

**Obstruction Detection:** During the opening cycle an obstruction function effectively reduces the possibility of personal injury in accordance with A156.19. Additionally this feature prevents damage to door and/or surrounding structures. After a stall time-out, the door will close at a rate and force set by the integrated hydraulic closer.

**Power-Close Option:** This switched feature can be used to control exterior openings that require additional closing force to resist interior stack pressures and wind conditions that do not allow the door to close properly. Use this feature to reduce heating and cooling loss and save energy and money.

**D-4990 Door Closer:**

- **Adjustment:** The D-4990 Low Energy Operator (which incorporates the Heavy Duty D-4550 Stanley Door Closer) provides the industry’s widest range of field adjustable spring power settings. This allows you to adjust the operator for the correct opening and closing forces to meet any specific application. The closer within the D-4990 Low Energy Operator also incorporates multiple regulating valves, including the V-Slotted Valve Regulation, which maximizes fine tune adjustment capabilities.
- **Door Closer Body:** The incorporated D-4550 Stanley Door Closer body is constructed of R-14 Aluminum Alloy providing wear resistance from contact with the piston during the opening and closing. In addition the R-14 Aluminum Alloy body holds the Cylinder Body dimensionally stable under extreme internal hydraulic pressures.

**Internal Cycle Counter:** The D-4990 Low Energy Operator comes equipped with two independent internal cycle counters. The cycle counters provide current data on manual and powered operations.

**Vestibule Function:** Each D-4990 Low Energy Operator is equipped with a vestibule function control. This field selectable function provides electronic sequencing to control the opening of doors within a vestibule application. Sequencing reduces exposure to the exterior elements. Controlling the opening sequence of a paired vestibule, provides convenience and saves energy to the facility.

**Optional Power Supply:** The optional PS-490 24VDC @ 0.5A power supply is available to provide power to auxiliary electrified hardware such as electric strikes. This optional power supply can be mounted within the D-4990 Low Energy Operator housing.



**ELECTRICAL DATA SPECIFICATIONS**

- Power input: 115 VAC  $\pm$ 15% 60 Hz
- Current draw: 2A maximum (4 maximum number of operators per breaker)
- Auxiliary output: 24VAC @ 0.125A maximum
- Solid state output can signal electric strikes  
(For powering strikes see page 7.)

**Certifications**

- ANSI/BHMA A156.19 certified Standard For Power Assist And Low Energy Power Operated Doors
- UL 325 Standard for Door, Drapery, Gate, Louver, and Window Operators and Systems or use on fire and smoke check doors
- UL 228 Standard for Door Closers-Holders, With or Without Integral Smoke Detectors
- Meets requirements for UL 10B, 10C and UBC 7.2 for positive pressure
- Meets ADA – Americans With Disabilities Act
- Complies with ANSI 117.1 section 4.13
- In compliance with FCC 47 CFR Part 15 Class B emissions requirements (USA)

**Exterior Finishes**

- 628** – satin aluminum, clear anodized
- 313AN** – dark bronze anodized

**Warranty**

Two years from the date of invoice

**Package Includes:**

- D-4990 Low Energy Operator (Non-handed)
- Standard Arm (PUSH side) or Track Arm (PULL side)
- Mounting template
- Technical manual
- Door closer spring adjustment wrench
- Tuning screwdriver
- Signs (see page 11)

**HOW TO ORDER D-4990/D-4990T**

D-4990	628	CL2248
Model No.	Finishes	Accessories
D-4990 – standard arm (push side) D-4990T – track arm (pull side)  page 5	628 – satin aluminum, clear anodized 313AN – dark bronze anodized  For special finishes consult factory	CL2248 – push plate mounting post– silver CL2247 – push plate mounting post– black CL2249 – push plate mounting post– bronze CL2216 – 6" round push plate– stainless steel CL4163 – 4 1/2" square push plate– stainless steel CL2055 – 1 1/2" x 4 1/2" jamb plate– stainless steel CL2025 – touchless plate CL4485 – radio control receiver CL4490 – radio control transmitter PS490 – power supply 314066 – signage kit CL2212 – push plate package page 10 & 11

Example: D-4990 Low Energy Operator x 628 finish.  
2-CL2216-6" round push plates

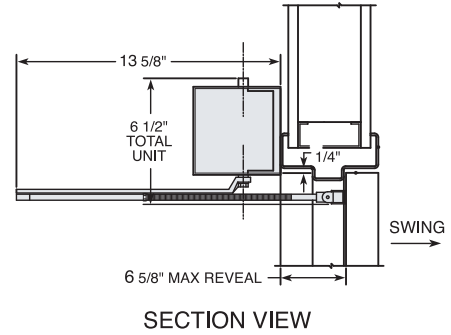
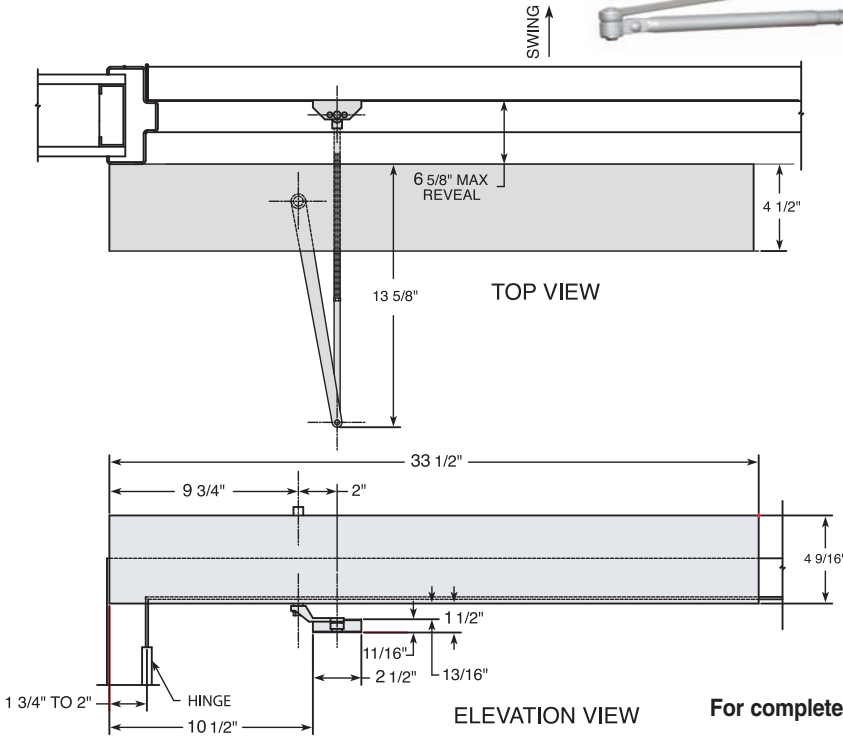


**D-4990 Standard Arm (PUSH Side)**

- 6 5/8" (168mm) Maximum Reveal



D-4990 Push side



Hollow Metal Door Shown

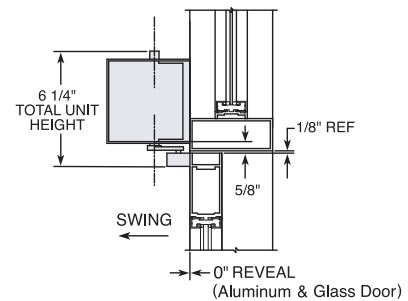
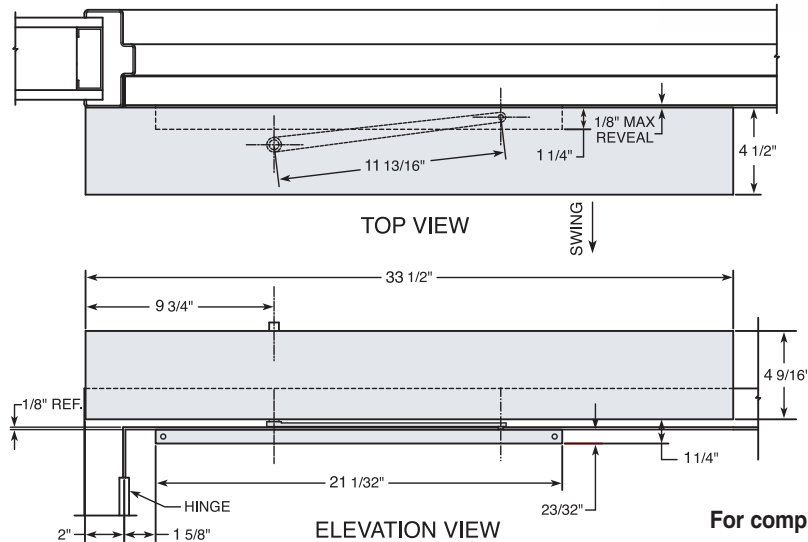
For complete detailed drawings visit [www.stanleytemplates.com](http://www.stanleytemplates.com)

**D-4990T Track Arm (PULL Side)**

- 1/8" (3mm) Maximum Reveal



D-4990T Pull side



Aluminum & Glass Door Shown

For complete detailed drawings visit [www.stanleytemplates.com](http://www.stanleytemplates.com)

**TYPICAL SYSTEM APPLICATIONS**

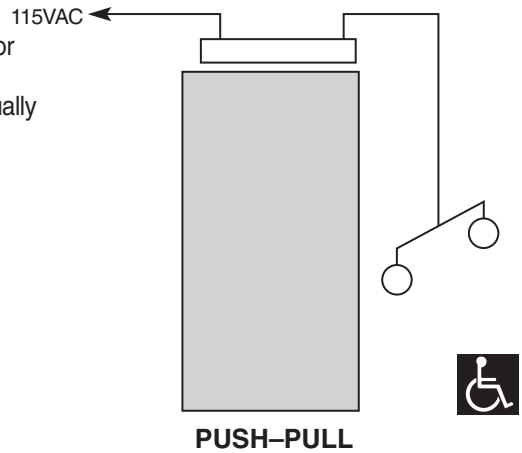
**D-4990 Low Energy Operator with PUSH-PULL**

**Operation:**

- Free ingress & egress using low energy operator or bypassing the operator and using door manually
- Door operator acts as standard door closer when entering or exiting manually

**Material:**

- Precision Low Energy Operator
- 2 Precision Door Actuators or Push and Go
- Local Power



**PUSH-PULL**

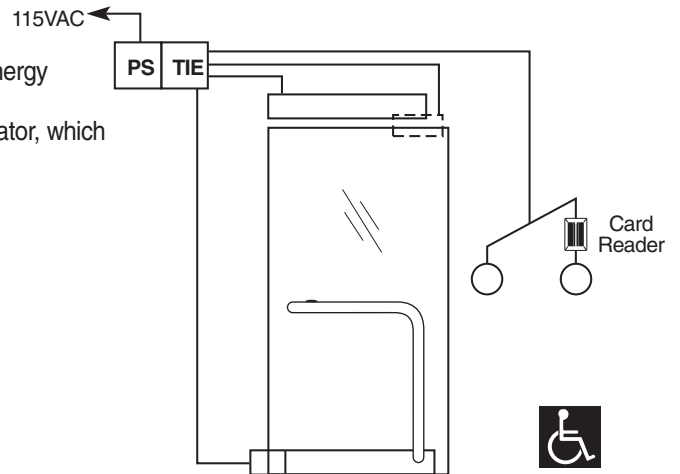
**D-4990 Low Energy Operator with Concealed Mag Lock for Glass Door Applications**

**Operation:**

- Free entry when security system is shunted or off
- Entry after hours by card reader, which unlocks & activates low energy operator
- Free egress at all times by touching push bar or using inside actuator, which de-energizes mag lock and activates low energy operator

**Material:**

- Precision Low Energy Operator
- Electromagnetic Shear Lock and Power Supply (PS)
- Electrified Pivot
- Touch Bar Sensor Kit (TBSK) by others PUSH-PULL set
- Terminal Interface Enclosure (TIE)
- BEST Card Reader
- Precision Actuators



**Magnetic Lock for Glass Door**

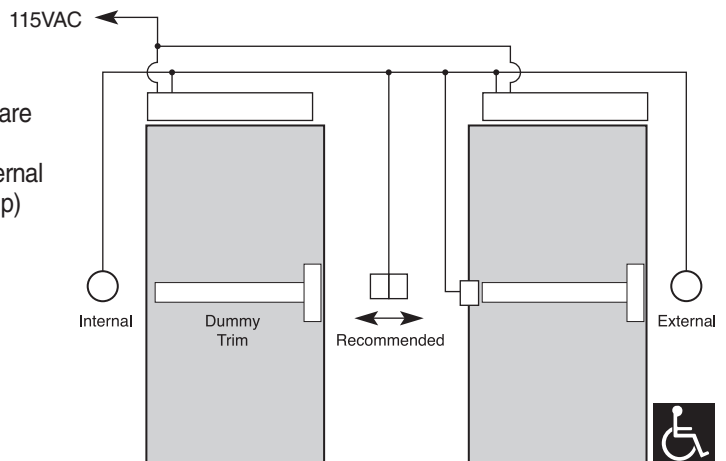
**D-4990 Low Energy Operator with Vestibule**

**Operation:**

- When exit device is dogged low energy operator can be activated by external actuator
- When exit device is locked (Not Dogged) all actuators are disabled (Ex: After hours at a school or library)
- Recommended dual vestibule actuator will re-open internal or external doors (Ex: Student waiting for parent pick-up)

**Material:**

- 2 Precision Low Energy Operators
- 2 Precision Actuators (Internal, External)
- 1 CL2388 Precision Dual Vestibule Push Plate (Recommended)
- Optional Precision Interior Vestibule Actuator
- Precision Exit Device with Cylinder Dogging
- Stanley Power Transfer Hinge
- 1 Precision Exit Dummy Trim



**Vestibule**

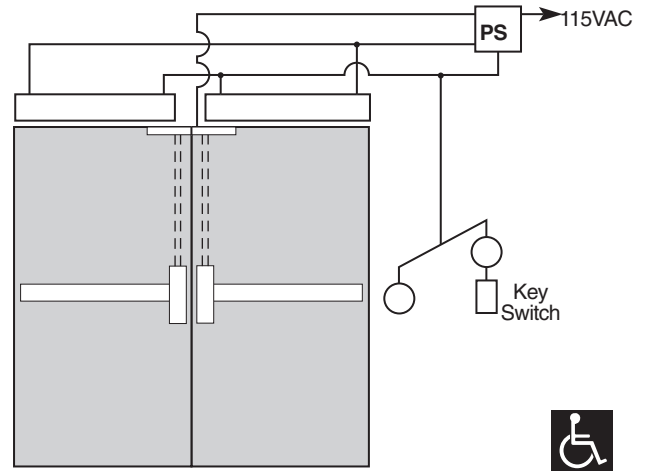
**D-4990 Low Energy Operator with Electric Strikes**

**Operation:**

- Doors are to be closed and latched (Example: Fire Doors)
- Key switch shunts exterior actuator (Example: After hours traffic control)
- When not shunted, actuators will signal electric strike power supply and activate auto operators
- From secure side, egress by manually pushing exit devices or using inside actuator to activate auto operators

**Material:**

- 2 Precision Vertical Rod Exit Devices
- Electric Strike & Precision PS490 Power Supply (PS)
- Key Switch
- 2 Precision Actuators
- 2 Precision Low Energy Operators



**Electric Strikes**



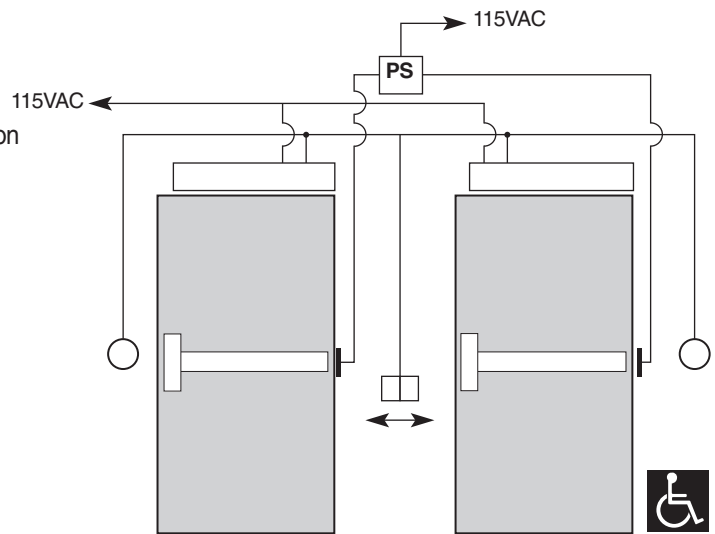
**D-4990 Low Energy Operator with Latch Retraction**

**Operation:**

- Doors are to be closed and latched at all times
- When activated, latch bolts are retracted and door(s) will automatically open
- Non-rated devices can be dogged for push/pull operation

**Material:**

- 2 Precision Low Energy Operators
- 1 Precision Power Supply
- 2 Stanley Electric Hinges
- 2 Precision Exit Devices with Electric Latch Retraction
- 2 Precision Actuators
- 1 CL2388 Precision Dual Vestibule Push Plate



**Latch Retraction**

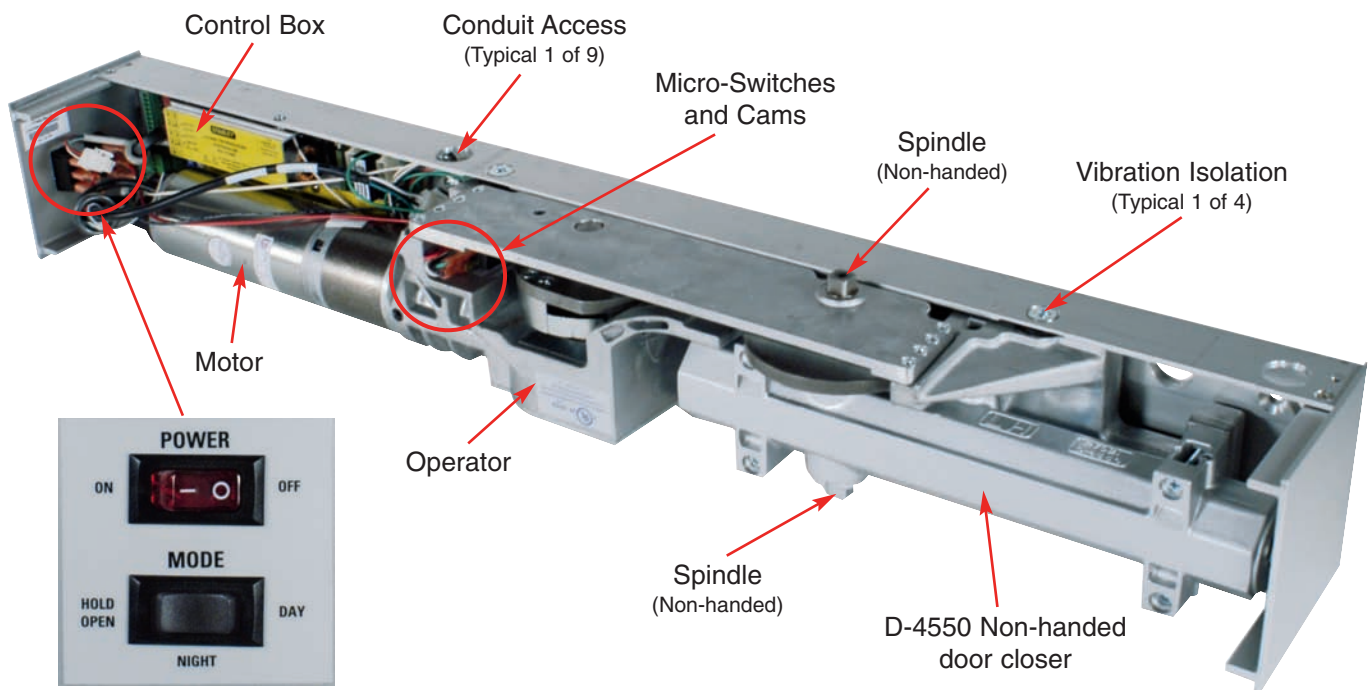


## ARCHITECTURAL SPECIFICATIONS

### Low Energy Operators shall:

1. Conform to ANSI/BHMA A156.19 as a low energy power opening device
2. Be listed under UL228, UL325, UL10B, UL10C, UBC 7.2 and FCC listed
3. Shall be non-handed
4. Be rated for door panels weighing up to 350 lbs (160 kg)
5. Include a 3/16 horsepower, permanent-magnet DC motor
6. Include a manual door closer within the Low Energy Operator adjustable to meet Americans with Disabilities Act (ADA) 5lbs opening force [Push-Side applications only]
7. Be isolated from mounting plate with rubber mounts to mitigate the transmission of forces between the door and operator
8. Incorporate a position encoder to communicate with the microprocessor controller
9. Incorporate a resettable powered operation counter that tracks both powered and non-powered cycling of the Operator
10. Incorporate the following adjustable settings:
  - i. Hold Open Timer, to 28 seconds
  - ii. Open Speed
  - iii. Backcheck Speed
  - iv. Vestibule Sequence Timer
11. Include DIP switch controls as follows:
  - i. On board diagnostics
  - ii. Power close
  - iii. Push and Go operation
  - iv. Time delay logic for electrified hardware components
12. Include terminals for auxiliary controls as follows:
  - i. Activation devices; provide two discrete inputs
  - ii. Vestibule sequencing
13. Include Control switches as follows:
  - i. Day/Night/Hold-Open
  - ii. Power On-Off, illuminated
14. Include hydraulic closer with R-14 Aluminum Alloy body
15. Function as a standard door closer with adjustable spring force size 1 thru 6 for non-powered operation.
16. Include adhesive Low Energy Operator mounting templates

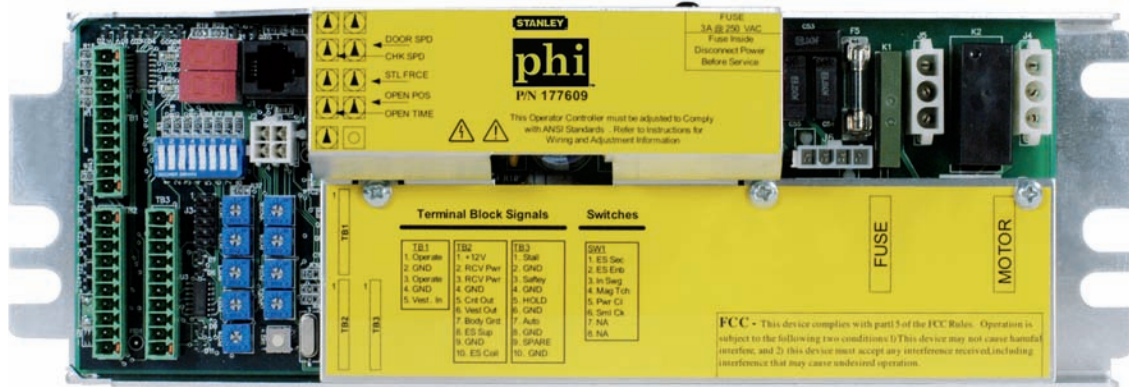
## TECHNICAL DETAILS



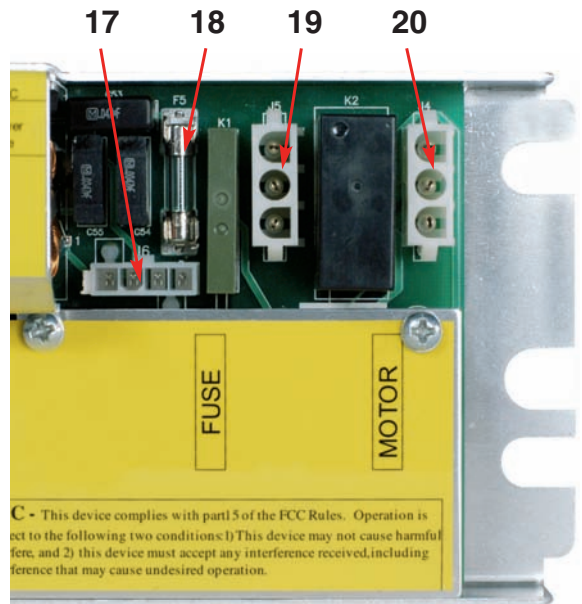
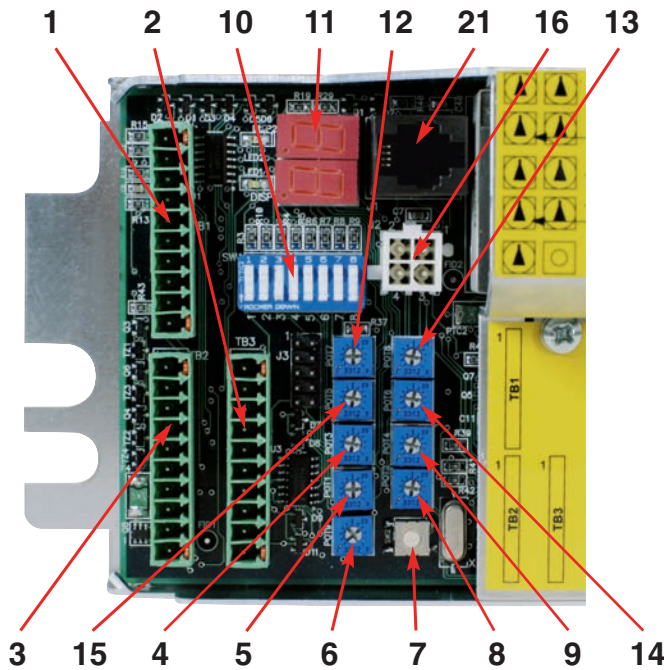
**Switch Settings**

Factory default settings for normal operation; all switches on the DIP switch are set to OFF.

SETTING	ON	OFF
1. Electric strike logic	fail secure	fail safe
2. Electric strike	enabled	disabled
3. PUSH side/PULL side	PULL side	PUSH side
4. PUSH and GO	enabled	disabled
5. Power close	enabled	disabled
6. N/A		
7. N/A		
8. N/A		



**Controller**



- 1- TB-1
- 2- TB-3
- 3- TB-2
- 4- Pot #3 not used
- 5- Pot #1 Hold open time 0-28 seconds. Must be a minimum of 5 seconds after door fully open
- 6- Pot #9 Vestibule time delay
- 7- Self test button
- 8- Pot #2 Full open position adjustment
- 9- Pot #4 Stall force
- 10- DIP switches (See chart above)
- 11- Digital readout

- 12- Pot #7 opening torque, only needs changed for use on heavier doors
- 13- Pot #8 not used
- 14- Pot #6 open sweep speed
- 15- Pot #5 open check speed
- 16- Encoder plug input
- 17- AC power in
- 18- Fuse
- 19- N/A
- 20- Motor socket
- 21- N/A



## ACCESSORIES

### Push Plate Posts

Mounting post for stainless steel push plates.

- **CL2248:** Silver mounting post
- **CL2247:** Black mounting post
- **CL2249:** Bronze mounting post

**Post Size:** 41 1/2" H x 6 1/4" W x 4 1/4" D.

**Note:** Push plate post accepts the CL4163: 4 1/2" square plate only.



**CL2247  
Push Plate Post  
(Black)**

### Activating Door Plates and Accessories

- **CL2216:** 6" round stainless steel plate with accessibility logo and "Push To Open" text
- **CL2220:** 6" surface mount box
- **CL2223:** 6" weather ring
- **CL4163:** 4 1/2" square stainless steel plate with accessibility logo and "Push To Open" text
- **CL4638:** 4 1/2" surface mount box
- **CL2055:** 1 1/2" x 4 3/4" Jamb stainless steel plate with accessibility logo and "Push To Open" text
- **CL2245:** 1 1/2" x 4 3/4" surface mount box
- **CL2388:** Dual vestibule push plate with text, accessibility logo and directional arrows
- **CL2025:** Touchless plate includes single and double gang face plates (see below)
- **CL4490:** Radio control transmitter (with 9V battery)(433 Mhz)
- **CL4485:** Radio control receiver (433 Mhz)
- **CL4488:** Digital Keychain Transmitter (433MHz) (1 button)
- **PS490:** PS-490 Power supply 24VDC @ 0.5A

### Switch Plate Packages

- **CL4976:** Includes (2) CL4163 Text & Logo plates, (2) CL4638 boxes, (2) CL4490 (9 volt) Transmitters, (1) CL4485 Receiver
- **CL4977:** Includes (2) CL4163 Text & Logo plates, (2) CL4638 boxes – *HARD WIRED SOLUTION ONLY*
- **CL4980:** Includes (2) CL2102 Text & Logo plates, (2) CL2236 boxes, (2) CL4490 (9 volt) Transmitters, (1) CL4485 Receiver
- **CL4981:** Includes (2) CL2102 Text & Logo plates, (2) CL2236 boxes – *HARD WIRED SOLUTION ONLY*
- **CL4990:** Includes (2) CL2216 Text & Logo plates, (2) CL2220 boxes, (2) CL4490 (9 volt) Transmitters, (1) CL4485 Receiver
- **CL4991:** Includes (2) CL2216 Text & Logo plates, (2) CL2220 boxes, – *HARD WIRED SOLUTION ONLY*



**CL2216  
6" Round Plate**



**CL4163  
4 1/2" Square Plate**



**CL2055  
1 1/2" x 4 3/4"  
Jamb Plate**



**CL2388  
Dual Vestibule  
Push Plate**



**CL2223  
6" Weather Ring**



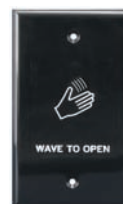
**CL2220  
6" Surface  
Mount Box**



**CL4638  
4 1/2" Surface  
Mount Box**



**CL2245  
1 1/2" x 4 3/4"  
Surface Mount Box**



**CL2025  
Touchless Plates  
(both plates supplied)**

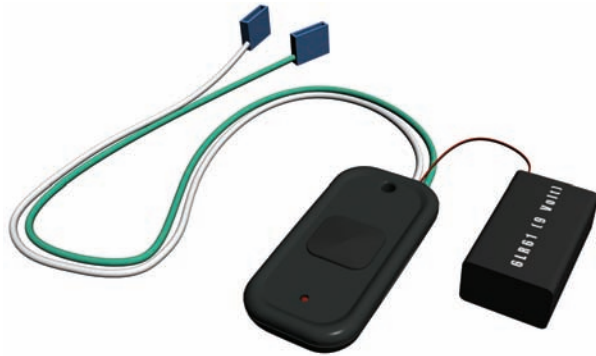
**ACCESSORIES (continued)**



**CL4488**  
Digital Keychain Transmitter



**CL4485**  
Radio Control Receiver



**CL4490**  
Transmitter



**PS490**  
Power Supply

**SIGNS**

- **314066:** Kit contains 7 signs, supplied with D-4990 Low Energy Operator



1-supplied



1-supplied



2-supplied



2-supplied

**STANLEY**  
Security Solutions

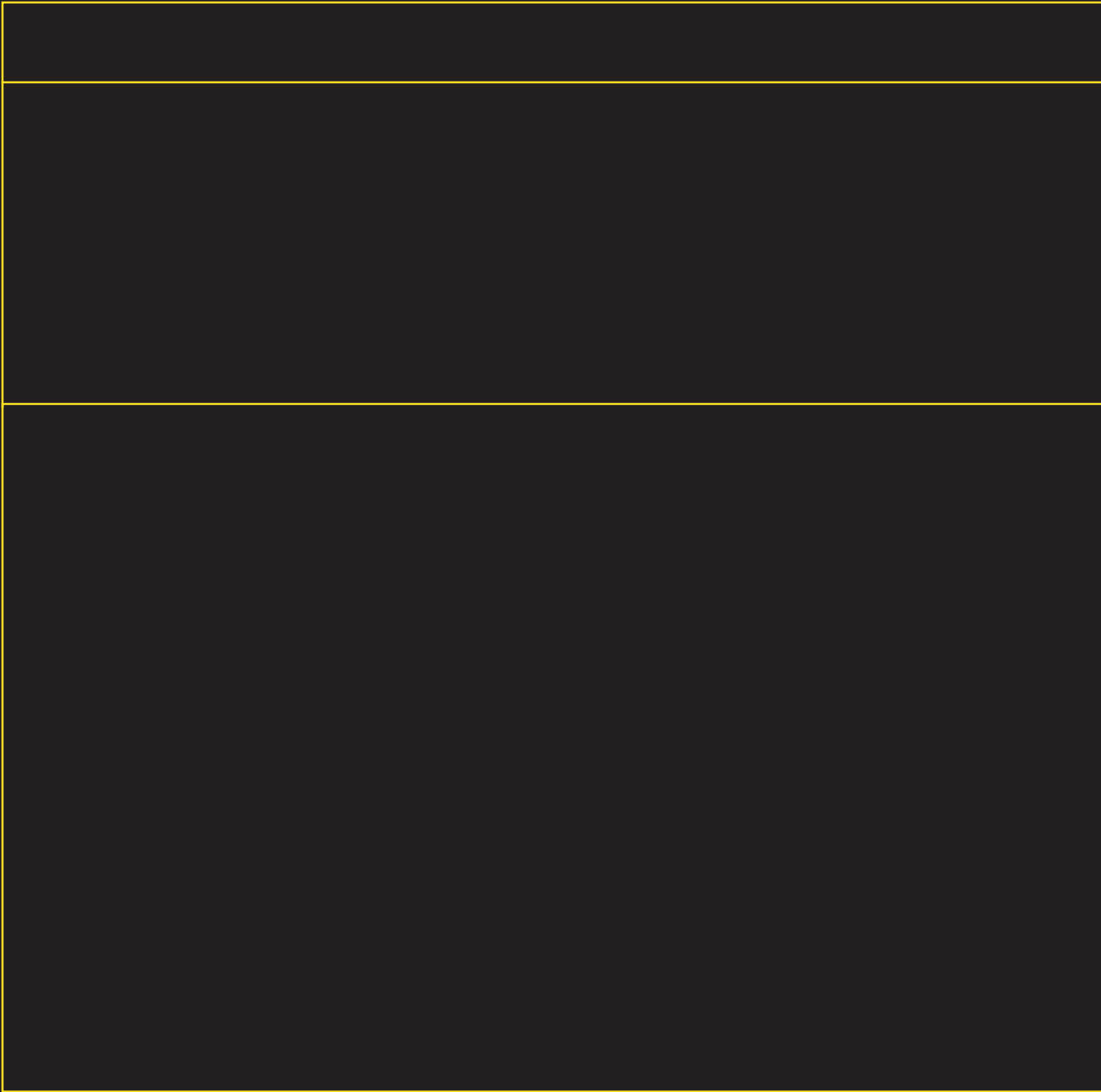
**DAILY SAFETY CHECK**

- For your customer's safety and your own protection, use the Daily Safety Check Sheet for proper safety procedures. If you need a copy, call your local Stanley Security Solutions distributor.
- Test the doors daily & after any power outages.
- Check the condition of the glass, safety decals, finger guards, and door pivots.
- If there are any problems, **DISCONTINUE DOOR OPERATION IMMEDIATELY!** Notify your local authorized Stanley Security Solutions distributor for repair.

[www.stanleysecuritysolutions.com](http://www.stanleysecuritysolutions.com)

1-supplied





For more information on Stanley Security Solutions' products, services, and office locations visit our web site at [www.stanleysecuritysolutions.com](http://www.stanleysecuritysolutions.com)

Product information contained in this catalog has been compiled and presented with as much care and completeness as is reasonably possible. Errors or mistakes may be present, and in many cases, reliance has been placed on information supplied by other manufacturers which may be in error or which may be subject to changes or modifications by the manufacturer without notice and without obligation. Therefore, no guarantee can be made or should be assumed or implied with regards to product information contained in this catalog.



**Stanley Security Solutions, Inc.**

6161 E. 75th Street Indianapolis, Indiana 46250

© 2010 Stanley Security Solutions • [www.stanleysecuritysolutions.com](http://www.stanleysecuritysolutions.com)

10M R110  
PHI012

**STANLEY**<sup>®</sup>  
Security Solutions



# EXIT DEVICES

RELIANT 5000 SERIES

STANLEY

phi<sup>™</sup>

PRECISION HARDWARE

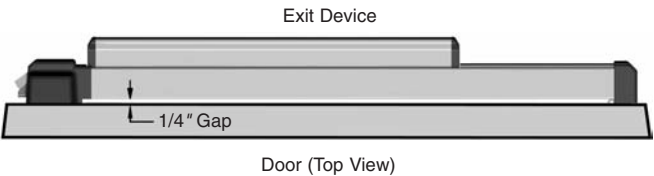
TABLE OF CONTENTS				
<b>EXIT DEVICES &amp; TRIMS</b>		<b>Page</b>	<b>ACCESSORIES</b>	<b>Page</b>
Rim Devices .....		4, 5	<b>ALK</b> Exit Alarm Kit .....	10
Surface Vertical Rod Devices .....		6, 7	<b>CDK</b> Cylinder Dogging Kit .....	9
<b>MULLIONS</b>			Cylinders .....	11
Fire Labeled Removable Mullion .....		8	Miscellaneous Components .....	9
Key Removable Mullion .....		8	Sex Nuts & Bolts .....	3
Removable Mullion .....		8	Strikes .....	9
<b>EXIT DEVICE OPTIONS</b>			<b>ADDITION INFORMATION</b>	
<b>ALK</b> Exit Alarm .....		10	Device Dimensions .....	3
<b>CD</b> Cylinder Dogging .....		9	Device Minimum Stile Width .....	11
<b>LD</b> Less Dogging .....		9	Fasteners .....	3
<b>TDS</b> Touchbar Monitoring Double Switch .....		10	Finishes .....	3
<b>TS</b> Touchbar Monitoring .....		10	Fire Label Rating Chart.....	3
<b>WALK</b> Exit Alarm .....		10	Touchbar Clearance .....	2
<b>WTDS</b> Weatherized Touchbar Mon. Double Switch .....		10	Trim Dimensions .....	5, 7
<b>WTS</b> Weatherized Touchbar Monitoring .....		10		

**INTRODUCTION**

The Reliant 5000 Series is the Exit Device of choice when an economical and reliable exit device is required. All Reliant 5000 Series Exit Devices are UL listed for panic and fire hardware and are certified to ANSI A156.3 Grade 1. The Reliant Series is available in durable powder coat finishes with a variety of trim styles and functions. The chassis is constructed of stainless steel and covers the standard type 161 door preparation.

**Touchbar Clearance**

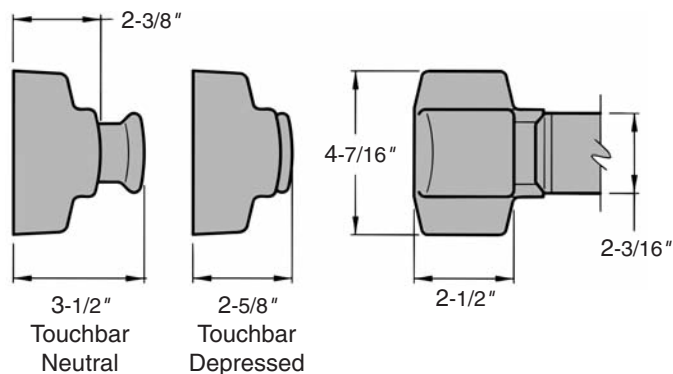
The Reliant Exit Devices accommodate doors with vision lites or glass windows, where the vision lite frames or moldings project up to 1/4" beyond the face of the door. Active Case and End Cap Mounting Bracket are mounted on the face of the door without any shims or cutting off the glass molding. These devices have a 1/4" gap between the face of the door and the Touchbar Assembly. This gap allows proper functioning of the devices even on doors which are not perfectly flat. Since the Active Case is mounted directly on the face of the door, it accommodates standard lengths of through bolting screws, lever, and cylinder tail pieces.



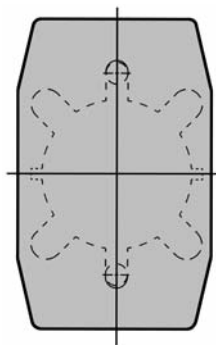
**Quiet Operation**

Sound Dampeners reduce the noise associated with Exit Device operation on the depression and return stroke of the Touchpad.

**Device Dimensions**



**Device Active Case**



Active Case covers ANSI A115.2 (Type 161) or ANSI A115.18 cylinder lock preparation. Active Case through bolts in ANSI A115.18 preparation without additional machining. Specify Cover Plate or Trim to cover outside cutout.

**Finishes**

ANSI/BHMA	Description
600	Primed for Paint – mullions only
689	Aluminum Paint
695	Dark Bronze Paint

**Door Sizes**

Stock sizes for door widths and heights are listed below. If required, cut to size in the field.

Door Widths	Stock Sizes
2'-7" to 3'-0"	3'-0"
3'-1" to 4'-0"	4'-0"

**Fasteners**

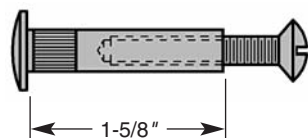
Furnished standard with machine screws and full thread wood/sheet metal screws. Specify Sex Nuts and Bolts (SNB) where recommended or required by the door manufacturer.

**Vertical Rod Devices**

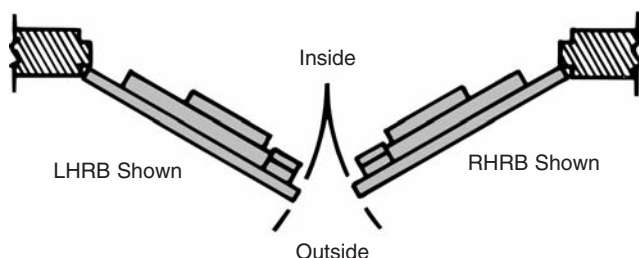
Device	Door Heights	Stock Sizes
Surface Vertical Rod Device*	up to 7'-0"	7'-0"
	7'-1" to 8'-0"	8'-0"
	8'-1" to 10'-0"	10'-0"

**Sex Nuts & Bolts** (not furnished std.)

Sex Nuts & Bolts are furnished with No. 10-24 x 1" OHMS (1-1/2" long screws required for guides).



**Hand of Doors**



**FIRE LABEL RATING**

Type and Application	Door Opening	Exit Device Series	UL Fire Door Rating					
			(A) 3 Hour	(B) 1-1/2 Hour	(C) 3/4 Hour	(D) 1-1/2 Hour	(E) 3/4 Hour	20 min. Door
<b>Single Door</b>								
Rim Device	4'-0" W x 10'-0" H	FL5100	•	•	•	•	•	•
<b>Pair Of Doors</b>								
Two Rim Devices with Mullion	8'-0" W x 8'-0" H	FL5100 x FL822, FLKR822	•	•	•	•	•	•
Two Surface Vertical Rod Devices Swinging in the Same or Opposite Direction	8'-0" W x 10'-0" H	FL5200, FL5200LBR	•	•	•	•	•	•

All Fire Exit Hardware conforms to UL10C and UBC 7-2. Consult with Door Manufacturer for specific limitations on Fire Door Assemblies.

RIM EXIT DEVICES



**Reliant 5100 Series – Non Handed**

**Reliant FL5100 Fire Exit Series – Non Handed**

**DOORS** - For all types of single and double doors with a mullion. For mullions, see page 8. Available for 1-3/4" to 2-1/4" thick, up to 4'-0" wide openings. For thicker doors, consult factory. Furnished standard for 1-3/4" thick, 3'-0" wide openings.

**ACTIVE CASE & TRIM** - Covers ANSI A115.2 (Type 161) or ANSI A115.18 cylinder lock preparation. Active Case through bolts in ANSI A115.18 preparation without additional machining.

**FUNCTIONS** - Universal Exit Device, add Trim for the desired function.

**ACTIVE CASE COVER & ENDCAP** - High Impact Thermoplastic.

**ACTIVE CASE** - Stainless Steel.

**TOUCHBAR SUB-ASSEMBLY** - Zinc Dichromate plated Heavy Wrought Steel.

**TOUCHBAR ASSEMBLY** - Powder Coated Heavy Wrought Steel.

**STRIKES** - No. S300, Investment Cast Stainless Steel, Black Powder Coated furnished standard. No. S988, optional strike for use on Aluminum Door applications, specify when ordering. No. S458, optional strike for use on Mullion applications, specify when ordering. For optional strike information see page 9.

**LATCHBOLT** - Stainless Steel, Deadlocking, 3/4" throw.

**DOGGING** - 1/4 turn hex key dogging standard. NOT available on Fire Exit Hardware.

**TOUCHBAR HEIGHT** - 40-5/16" from floor standard. May be varied as situation dictates.

**UL LISTED** - Panic and Fire Exit Hardware. For FIRE EXIT HARDWARE Ratings see page 3. Conforms to UL10C and UBC 7-2.

**ANSI/BHMA** - Devices are BHMA certified for ANSI 156.3, Grade 1.

**FINISHES** - 689 Aluminum Powder Coat, 695 Dark Bronze Powder Coat.

**CYLINDERS** - See page 11.

**STILE WIDTH** - See Stile Information on page 11.

**DEVICE OPTIONS**

Suffix	Description	Page
ALK	Exit Alarm: battery operated .....	10
ALW	Exit Alarm: remote power .....	10
CD	Cylinder Dogging.....	9
FL	Fire Exit Hardware .....	3,4
LD	Less Dogging .....	9
TDS	Touchbar Monitoring Double Switch .....	10
TS	Touchbar Monitoring Switch .....	10
WTDS	Weatherized Touchbar Mon. Dbl. Switch .....	10
WTS	Weatherized Touchbar Monitoring Switch.....	10

**How To Order – 5100 Series**

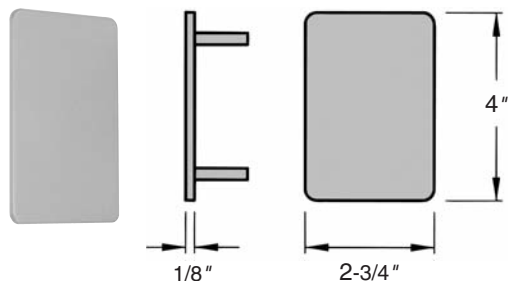
5108	ALK	808	RHRB	689	S300	
Device No.	Device options	Trim No.	Handing	Finish	Strike	Door Size
5101– exit only 5102– dummy trim 5103– key retracts latchbolt 5108– key locks/unlocks lever 5114– no cylinder lever always active	See above	501 – cover plate 602 – trim no key 603 – trim w/key 702A – handle no key 703A – handle w/key 808A – lever w/key 814A – lever no key	RH LH RHRB LHRB	689 695	S300 – rim/top (std.) S301 – rim/top (opt.) S458 – rim (optional) S459 – non fire (optional) S460 – bottom (std.) S988 – roller (opt.)	3'0" x 7'0" x 1 3/4"

**Device Only:** Device no., hand, finish, strike, and door size including thickness: (e.g. FL5108 x RHRB x 689 x S300 x 3'-0" x 7'-0" x 1-3/4")

**Trim Only:** Trim no., hand, finish, and door thickness: (e.g. 808A x RHRB x 689 x 1-3/4") \* 5103 & FL5103 Cylinder Only Application includes Cylinder Attachment Kit "CA-03".



Trims are certified to ANSI/BHMA A156.3, Grade 1.



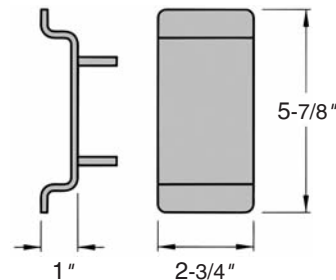
**501**  
Cover Plate



**602**  
Entrance by trim when touchbar is dogged down.



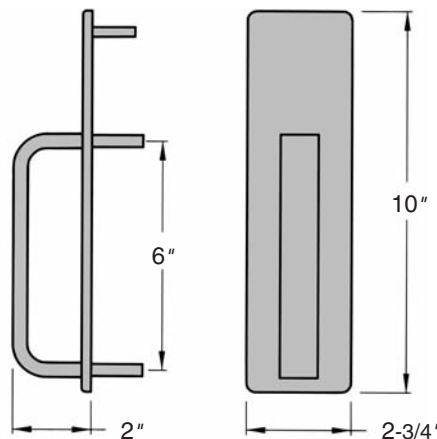
**603**  
Entrance by trim when latchbolt is retracted by key. Key removable only when locked.



**702A**  
Entrance by trim when touchbar is dogged down.



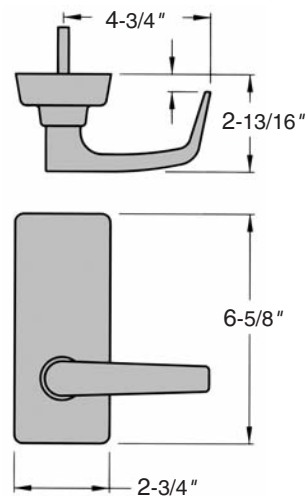
**703A**  
Entrance by trim when latchbolt is retracted by key. Key removable only when locked.



**808A**  
Entrance by lever, key locks or unlocks lever.



**814A**  
Entrance by lever. Always active – No cylinder



**Notes:**

**CYLINDERS** - Not furnished standard. For Cylinder details see page 11.

**Rim Cylinder** - Required for 603 & 703A Trim.

**Mortise Cylinder** - Required for 808A Trim. Use 1-1/4" long standard mortise cylinder.

**LEVER TRIMS** - (808A, 814A) are handed, but are field reversible. Specify Handing when ordering.

**TRIMS** - are through bolted and will cover 161 cutouts.

The measurement from the Trim Horizontal Centerline to the Lever Horizontal Centerline is 1-7/16".

**SURFACE VERTICAL ROD EXIT DEVICES**



S300

**Reliant 5200 Series – Reversible**  
**Reliant FL5200 Fire Exit Series – Reversible**

**DOORS** - For all types of single and double door applications. Available for 1-3/4" to 2-1/4" thick, up to 4'-0" wide by 10'-0" high openings. For thicker doors, consult factory. Furnished standard for 1-3/4" thick, 3'-0" wide by 7'-0" high openings.

**ACTIVE CASE & TRIM** - Covers ANSI A115.2 (Type 161) or ANSI A115.18 cylinder lock preparation. Active case through bolts in ANSI A115.18 preparation without additional machining.

**FUNCTIONS** - Universal Exit Device, add Trim for the desired function.

**ACTIVE CASE COVER, LATCH COVERS & ENDCAP** - High Impact Thermoplastic.

**ACTIVE CASE & TOUCHBAR SUB-ASSEMBLY** - Zinc Dichromate plated Heavy Wrought Steel.

**TOUCHBAR ASSEMBLY** - Powder Coated Heavy Wrought Steel.

**VERTICAL RODS** - Powder Coated Steel.

**TOUCHBAR HEIGHT** - 40-5/16" from floor standard. Specify required height if other than standard.

**REVERSIBLE** - Reversible for all functions and trims. Standard packaging RHRB.

**UL LISTED** - Panic and Fire Exit Hardware. For FIRE EXIT HARDWARE Ratings see page 3. Conforms to UL10C and UBC 7-2.

**ANSI/BHMA** - Devices are BHMA certified for ANSI 156.3, Grade 1.

**FINISHES** - 689 Aluminum Powder Coat, 695 Dark Bronze Powder Coat.

**STILE WIDTH** - See Stile information on page 11.

**CYLINDERS** - See page 11.

**LESS BOTTOM ROD (LBR) OPTION** - Specify suffix "LBR" (e.g. 5200LBR). See UL FIRE LABEL Rating Chart on page 11. Fire Rated Devices include FB277 Fire Bolt Assembly.



**BOTTOM BOLT** - Steel plated, independent action 5/8" throw, with adjustment range to suit 3/4" door undercut.

**TOP STRIKE** - No. S300, Investment Cast Stainless Steel, Black Powder Coated.

**BOTTOM STRIKE** - No. S460, Steel, Black Powder Coated, flush mounted.

**DOGGING** - 1/4 turn hex key dogging standard. Not available for Fire Exit Hardware.

**TOP LATCHBOLT** - Stainless Steel, Deadlocking, 3/4" throw.

**DEVICE OPTIONS**

Suffix	Description	Page
ALK	Exit Alarm: battery operated	10
ALW	Exit Alarm: remote power	10
CD	Cylinder Dogging	9
FL	Fire Exit Hardware	3,6
LBR	Less Bottom Rod	6
LD	Less Dogging	9
TDS	Touchbar Monitoring Double Switch	10
TS	Touchbar Monitoring Switch	10
WALW	Weatherized Exit Alarm: remote	10
WTDS	Weatherized Touchbar Mon. Dbl Switch	10
WTS	Weatherized Touchbar Mon. Switch	10

**How To Order – 5200 Series**

5208	ALK	808	RHRB	689	S300	
Device No.	Device options	Trim No.	Handing	Finish	Strike	Door Size
5201– exit only	See above	501 – cover plate	RH	689	S300 – rim/top (std.)	3' 0" x 7' 0" x 1 3/4"
5202– dummy trim		602 – trim no key	LH	695	S301 – rim/top (opt.)	
5203– key retracts latchbolt		603 – trim w/key	RHRB		S458 – rim (opt.)	
5208– key locks/unlocks lever		702A – handle no key	LHRB		S459 – non fire (opt.)	
		703A – handle w/key			S460 – bottom (std.)	
		808A – lever w/key			S988 – roller (opt.)	
5214– no cylinder lever always active		814A – lever no key				

**Device Only:** Device no., hand, finish, strike, and door size including thickness:

(e.g. FL5208RALK x RHRB x 689 x S300 x 3-0 x 7-0 x 1-3/4)

**Trim Only:** Trim no., hand, finish, and door thickness:

(e.g. 808A RHRB 689 1-3/4) \* 5203 & FL5203 Cylinder Only Application includes Cylinder Attachment Kit "CA-03".

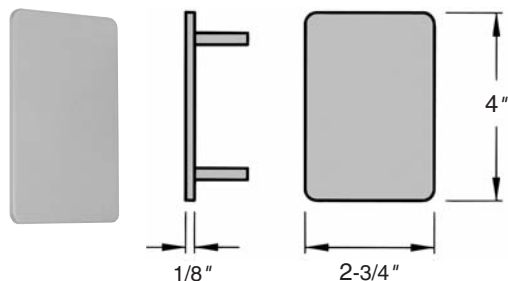


S460





Trims are certified to ANSI/BHMA A156.3, Grade 1.



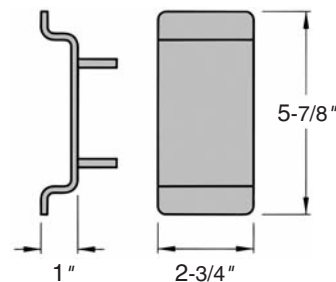
**501**  
Cover Plate



**602**  
Entrance by trim when touchbar is dogged down.



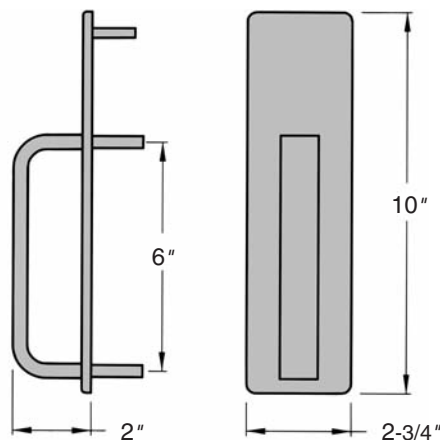
**603**  
Entrance by trim when latchbolt is retracted by key. Key removable only when locked.



**702A**  
Entrance by trim when touchbar is dogged down.



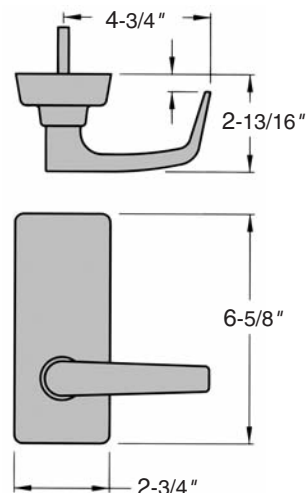
**703A**  
Entrance by trim when latchbolt is retracted by key. Key removable only when locked.



**808A**  
Entrance by lever, key locks or unlocks lever.



**814A**  
Entrance by lever. Always active - No cylinder



**Notes:**

**CYLINDERS** - Not furnished standard. For Cylinder details see page 11.

**Rim Cylinder** - Required for 603 & 703A Trim.

**Mortise Cylinder** - Required for 808A Trim. Use 1-1/4" long standard mortise cylinder.

**LEVER TRIMS** - (808A, 814A) are handed, but are field reversible. Specify Handing when ordering.

**TRIMS** - are through bolted and will cover 161 cutouts.

**MULLIONS**



**Mullion Cap**  
MC822



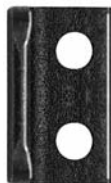
**Key Removable Mullion Cap**  
KMC822  
(Rim Cylinder required)



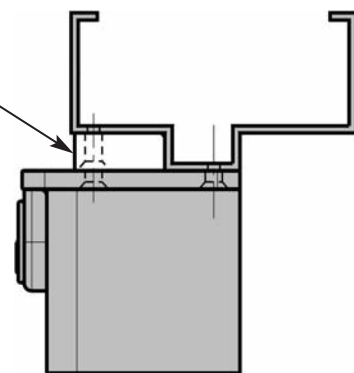
**Mullion Cap Spacer**  
MCS822



**Interlock**  
S1447



**Stabilizer**  
ST989



**Mullion Base**  
MB822



**Mullion Cap**  
MC811



**Mullion Base**  
MB811

**Removable Mullions**

The Mullion is used to adapt a double door opening to two single door openings with Rim Exit Devices. When the full width of an opening is required, the mullion may be removed.

**Key Removable Mullion (KR)** – Provides a secure yet quick & easy means of removing the 822 or FL822 Mullion. The mullion can be reinstalled and locked without the need of the key.

**Stock Size**– For openings 8'-0" high. For openings less than 8'-0" high the mullion can be cut down. For openings greater than 8'-0" high using the 822, KR822 or 811 mullions, consult factory.

**Finishes** – 600, 689, 695. For Finish description see page 3.

**822, FL822, KR822, FLKR822 Mullion**

**U.L. Listed** – FL822 and FLKR822 listed for Fire Exit Hardware. For FIRE LABEL RATING Chart see page 11.

**Mullion** – 2" x 3" Steel.

**Mullion Base** – Investment Cast Steel, 2" wide 3-1/2" deep. Furnished with steel anchors for concrete floors.

**Interlock** - Black Powder Coated Investment Cast Stainless Steel. Furnished standard for FL822 and FLKR822 Mullions. It interlocks the mullion to the Rim Active Case and S300 or S301 Strike.

**Stabilizers** – Black Powder Coated Steel. Stabilizers are furnished standard for FL822 and FLKR822 Mullions.

**Mullion Cap Spacer** – Minimum width 3-1/2". For 2-1/4" frame spacer specify part no. MCS822.

**HC822, HCKR822 Mullion**

**822, FL822 Mullion Cap** - MC822 Investment Cast Steel, 4 wide 3-5/8 deep.

**KR822, FLKR822 KEY Removable Mullion Cap Assembly** - Investment Cast Steel - can be ordered to convert existing 822 or FL822 mullions to Keyed Removable Mullions. Retrofits to the hole pattern of an MC822 Mullion Cap. To order specify KMC822 or KMC822F. For wire run information, please consult factory.

**Cylinder** – Not furnished standard - Rim Type required. See page 11 for cylinder details.

**811 Mullion**

**MULLION** – 2" x 2" Steel Mullion.

**MULLION CAP** – Cast 4-1/2" wide x 2-5/16", furnished with machine screws for metal frames.

**MULLION BASE** – Cast 2" wide x 2-3/4", furnished with sheet metal screws and plastic anchors.

**To Order:** Specify Mullion No. x Height x Finish (e.g. 822 x 8'-0" x 600)



## ACCESSORIES Cylinder Dogging



Available for all Reliant Series Devices except for Fire Exit Hardware. Cylinder Dogging provides the ability to lock down the touchbar with a key cylinder so the door can be used in the push pull mode. To order, specify suffix "CD" (e.g. 5100CD). Requires the use of a 1-1/4" mortise cylinder, not furnished standard. Specify when required.

### Less Dogging

Available for all Reliant Series Devices except Fire Exit

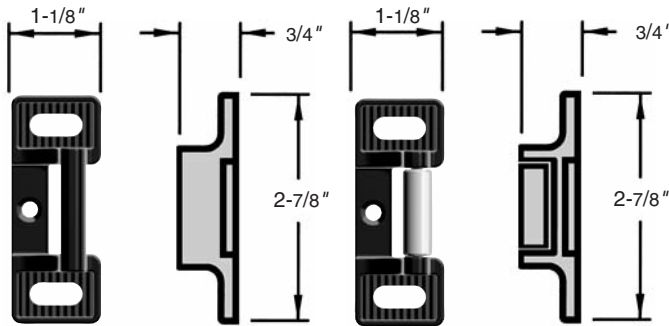


### Cylinder Dogging Kit

To convert from hex key dogging to cylinder dogging in the field, a cylinder dogging kit is available. The kit consists of a channel filler, blocking ring, cylinder locator and lock nut. Requires the use of a 1-1/4" mortise cylinder, not furnished standard. Specify when required.

To order specify: RCDK-3, for up to 3'-0" and RCDK-4 for devices up to 4'-0".

## Strikes

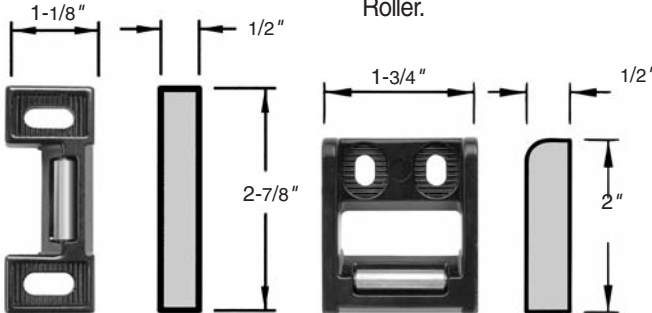


### S300 Standard

For Rim and Top Strike for SVR Devices. Black Powder Coated Investment Cast Stainless Steel.

### S301 Optional

For Rim and Top Strike for SVR Devices. Black Powder Coated Investment Cast, Stainless Steel Base and Roller.

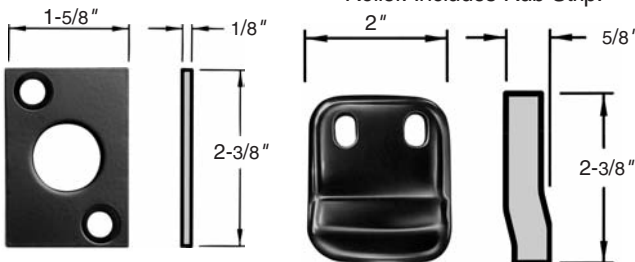


### S458 Optional

For Rim Devices. Black Powder Coated Investment Cast, Stainless Steel Base and Roller.

### S988 Standard

For Narrow Stile Rim Devices. Black Powder Coated Investment Cast, Stainless Steel Base and Roller. Includes Rub Strip.



### S460 Bottom Strike

For Vertical Rod Devices, Surface or Concealed. Black Powder Coated Steel.

### S459 Optional Rim Strike

For Non Fire Rated 100 & R100 Rim x Vertical Rod Device on a Pair of Doors without a Mullion. Black Powder Coated Investment Cast Stainless Steel.

## Miscellaneous



### End Cap

REC999 For Hinge Stile end of all Reliant Devices.



### Mounting Bracket

MB305 For Hinge Stile end of all Reliant Devices.



### Dogging Key

DK220 - 7/32" standard hex.



### Rod Guide

RRG123 For surface vertical rod devices.



### Top Rod - 5200 Series.

Three stock lengths available for 7'-0", 8'-0", and 10'-0" high doors.

RTR1860 - For 7'-0" doors, rod is 37-3/8" long.

RTR1861 - For 8'-0" doors, rod is 49-3/8" long.

RTR1863 - For 10'-0" doors, rod is 73-3/8" long.

For doors of lesser heights rods are cut on job. Specify finish 689 or 695. Includes Rod Pin.



### Bottom Rod - 5200 Series.

RBR1864 - For Touchbar location at 40-5/16 from finished floor, bottom rod is 34-7/8" long. Specify finish 689 or 695. Includes Rod Pin.

## EXIT ALARM



**RALK** - Battery Operated, provided with a 9 Volt battery and has an audible low battery indicator. Specify WH495 Wire harness for Remote Arm/Disarm or alternate input Activation options.

**RALW** - Remote Powered 12 to 24 VDC at 0.25 Amp., a (2) wire power transfer hinge is required (furnished by others). Specify WH495 Wire harness for Remote Arm/Disarm or alternate input Activation options.

The Exit Alarm provides a simple way to audibly monitor the use of an exit device. The unit contains a Piezo Alarm which will sound when the touchbar is depressed. Alarm sounds at 80db at 10 feet. It is also equipped with an LED indicator. The LED flashes GREEN for 20 seconds when the unit is arming and flashes RED every 20 seconds when the unit is armed.

Note: Touchbar Monitoring Switch (TS) is recommended when using Alarm option with 5200 Series Surface Vertical Rod devices.

### Cylinder

The ALK and ALW requires a standard 1-1/4" Mortise Cylinder which is used as a key switch to perform the following functions:

- To turn on (Arm) - it will allow 20 seconds to exit before alarm sounds.
- Silence and reset the alarm after unauthorized egress.
- To turn off (Disarm) the alarm for continuous unmonitored egress.
- Engage mechanical Dogging for Non-Fire Rated Devices.

Available for all Reliant Devices from 3'-0" to 4'-0" wide doors. Furnished with Touchbar decal which states:

**!!EMERGENCY EXIT ONLY!!**  
**PUSH TO OPEN      ALARM WILL SOUND**

### Wiring Harness - WH495

Can be wired for one or both of the options listed below.

- Exit Alarm can be turned on (Armed) with alternate inputs. For other than our Door Position Switch a (2) wire power transfer hinge is required (furnished by others).
- Exit alarm can be turned on (Armed) or off (Disarmed) from a remote location. A Mortise Cylinder or Dummy Cylinder is required. A (2) wire power transfer hinge is required (furnished by others).

To Order: specify WH495.

To Order: Device with Alarm - add suffix "ALK", "ALW" (e.g. 5100ALK)

### Exit Alarm Kits

The Exit Alarm is available in kits for retrofit on existing devices. Specify finish when ordering, see page 3.

3'-0" RALK-3, RALW-3  
 4'-0" RALK-4, RALW-4

- WH495 Wiring Harness - Required for Remote Arming/Disarming the Alarm.
- Reliant Series, kits are available in 689 or 695 Finishes.
- To order specify Kit No. and Finish (e.g. ALK-3 689).

\* For Battery operated kits a 9 Volt Battery is included.

### Weatherized Exit Alarm

Available for all Reliant Series Devices. The Weatherized Exit Alarm is identical in operation to the standard Exit Alarm but incorporates a weatherized design for use on a variety of applications where contact with the elements may occur.

**WALW** - Remote Powered 12 to 24 VDC at 0.25 Amp., a (2) wire power transfer is required, not furnished standard. Specify WH495 Wire Harness for Remote Arm/Disarm or alternate Input Activation options.

Weather resistant loss prevention hardware designed for use in outdoor or wet environments

- Meets the requirements of MIL-STD 810F, Method 506.4, Driving Rain Test (simulating 4 in./hr. rain with 40 mph wind)
- Meets the requirements of MIL-STD 810F, Method 509.4, Salt Fog test (simulating effects of corrosive environments similar to atmospheric conditions found in coastal regions)

**To Order: Device with Weatherized Exit Alarm** - add suffix "WALW" to Device No. (e.g. 5208WALW)

### Touchbar Monitoring

Available for all Reliant Series Devices. The Touchbar Monitoring Switch is an internally mounted switch that is used to signal electromagnetic locks, horns, monitoring stations or other electronic components.

- UL Listed for Panic and Fire for Class II Circuitry.
- TS and TDS can be used in combination with all options.

**TS** (SPDT - Single Pole, Double Throw) version allows for interface with one external component. A (2) wire power transfer is required, not furnished standard.

**TDS** (DPDT - Double Pole, Double Throw) version allows for interface with two external components. A (4) wire power transfer is required, not furnished standard.

**To Order:** specify prefix TS or TDS (e.g. TS5108)

### Electrical Ratings:

TS: Switch rated to 2 Amps at 24VDC SPDT

TDS: Switch rated to 2 Amps at 24VDC DPDT

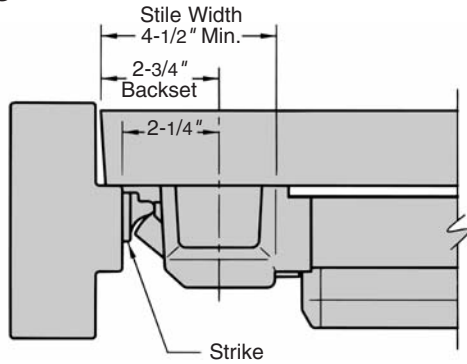
### Weatherized Touchbar Monitoring

Available for all Reliant Series Devices. Weatherized Touchbar Switch WTS/WTDS is designed for use on a variety of exit device applications where contact with the elements may occur. Provided with identical functions as the standard Touchbar monitoring.

- Meets the requirements of MIL-STD 810F, Method 506.4, Driving Rain Test (simulating 4 in./hr. rain with 40 mph wind)
- Meets the requirements of MIL-STD 810F, Method 509.4, Salt Fog test (simulating effects of corrosive environments similar to atmospheric conditions found in coastal regions)

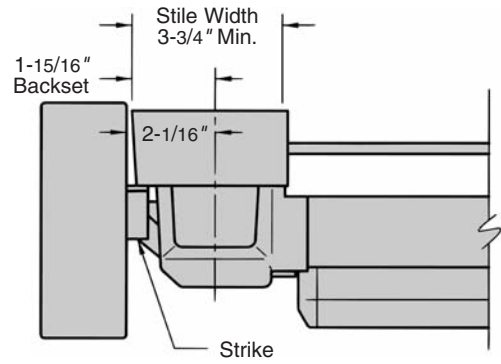
**To Order:** specify prefix WTS or WTDS (e.g. WTS5108)

**Single Doors – Rim Devices**



**Rim Device with S300 or S301 Strike**

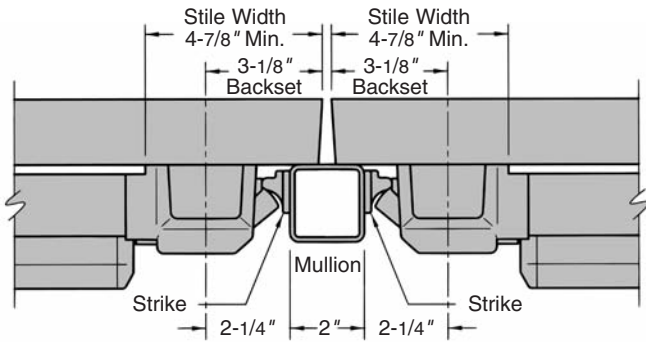
**MINIMUM STILE WIDTH**



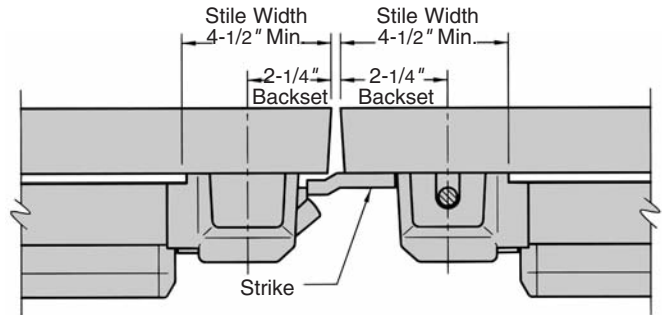
**Rim Device with S988 Strike**

For 3-3/4" Stile Aluminum doors and frames. Consult factory.

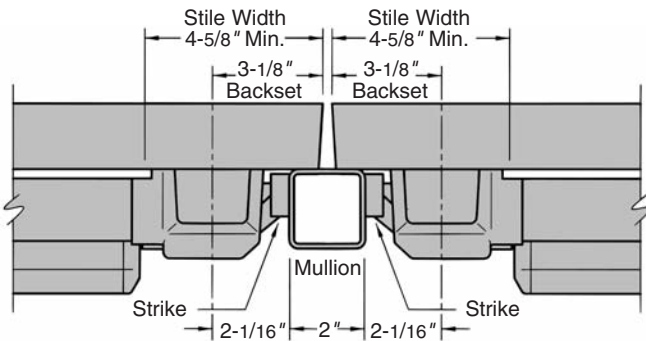
**Pair of Doors, Rim Devices**



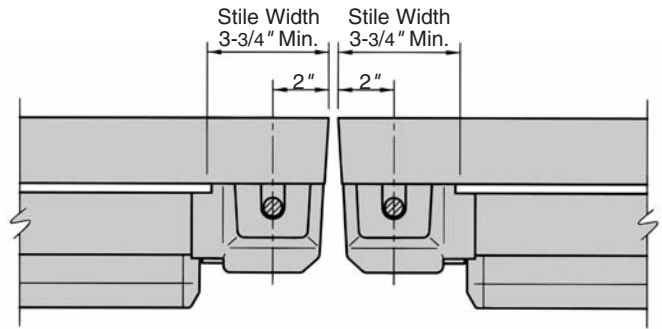
**Rim Devices with S300 or S301 Strike and Mullion**



**Rim Device and Surface Vertical Rod Device with S459 Strike**



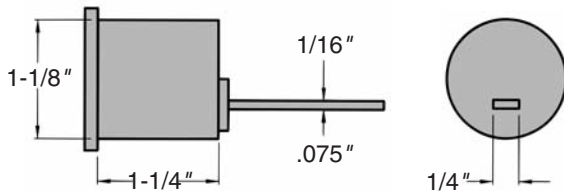
**Rim Devices with S300 or S301 Strike and Mullion**



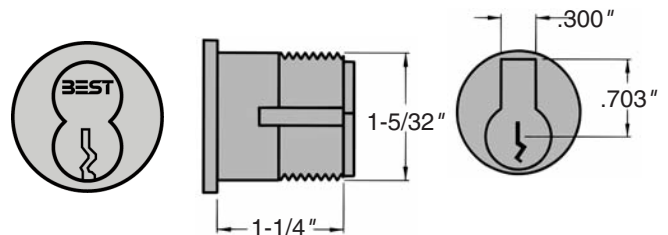
**Rim Device and Surface Vertical Rod Device with S459 Strike**

**Cylinders**

Cylinders are not furnished standard with the device or trim. BEST® 7 pin standard. Available in 612 finish. Specify Type and finish when ordering. (e.g. 1E74 x 630)



**Rim Cylinder - 1E72 x Finish**



**Mortise Cylinder - 1E74-C4 x Finish**

**Rim Cylinder - 1E74**

Required for: • Rim Exit Device Outside Trims • Vertical Rod Exit Device Outside Trims • Key Removable Mullion



For more information on Stanley Security Solutions' products, services, and office locations visit our web site at [www.stanleysecuritysolutions.com](http://www.stanleysecuritysolutions.com)

Product information contained in this catalog has been compiled and presented with as much care and completeness as is reasonably possible. Errors or mistakes may be present, and in many cases, reliance has been placed on information supplied by other manufacturers which may be in error or which may be subject to changes or modifications by the manufacturer without notice and without obligation. Therefore, no guarantee can be made or should be assumed or implied with regards to product information contained in this catalog.



**Stanley Security Solutions, Inc.**  
6161 E. 75th Street Indianapolis, Indiana 46250  
[www.stanleysecuritysolutions.com](http://www.stanleysecuritysolutions.com)  
© 2010 Stanley Security Solutions, Inc.

10M R1010  
PHI006



**STANLEY**

Security Solutions



# PRECISION RELIANT 5000 EXIT DEVICE & TRIM

ILLUSTRATED PARTS CATALOG

**STANLEY**

**phi**<sup>TM</sup>

PRECISION RELIANT 5000 EXIT DEVICE & TRIM ILLUSTRATED PARTS CATALOG



## CREDITS/COPYRIGHT

Copyright © 2010 Stanley Security Solutions, Inc. All rights reserved. Printed in the United States of America.

Information in this document is subject to change without notice and does not represent a commitment on the part of Stanley Security Solutions, Inc. The software described in this document are furnished under a license agreement or nondisclosure agreement.

This publication is intended to be an accurate description and set of instructions pertaining to its subject matter. However, as with any publication of this complexity, errors or omissions are possible. Please call Stanley Security Solutions, Inc. at (317) 849-2250 if you see any errors or have any questions. No part of this manual and/or databases may be reproduced or transmitted in any form or by any means, electronic or mechanical, including photocopying, recording, or information storage and retrieval systems, for any purpose, without the express written permission of Stanley Security Solutions, Inc.

This document is distributed as is, without warranty of any kind, either express or implied, respecting the contents of this book, including but not limited to implied warranties for the publication's quality, performance, merchantability, or fitness for any particular purpose. Neither Stanley Security Solutions, Inc., nor its dealers or distributors shall be liable to the user or any other person or entity with respect to any liability, loss, or damage caused or alleged to be caused directly or indirectly by this publication.

TORX is a registered trademark of the Camcar Division of Textron.

T83704 Rev A – April 2010

---

---

# CONTENTS

## **CONTENTS 1-III**

## **FIGURES 1-V**

## **GETTING STARTED 1-1**

Introduction 1-1

Overview 1-2

    Before looking up the part 1-2

    Models 1-2

    ANSI Functions 1-2

    Style 1-4

    Finishes 1-5

    Other options 1-5

    Web Addresses 1-5

## **EXIT DEVICE OVERVIEW 2-1**

5100 Reliant Rim Series 2-2

    5100 Series parts guide 2-2

5200 Reliant Surface Vertical Rod Series 2-3

    5200 Series parts guide 2-3

**TRIM 3-1**

- Trim Components 3-1
- Basic Styles 3-2
- 501, 602, 603 Trim 3-2
- 700 Trim with Pulls 3-3
- 800 Trim 3-4
- Lever Assembly 3-5

**FINISHED PARTS 4-1**

- Finished Parts 4-1
- Common Finished Parts 4-2
- Endcaps 4-3
- Hinge Fillers 4-4
- Alarm Hinge Fillers 4-5

**TOUCHBAR COMPONENTS 5-1**

- Spring Touchbar Components 5-2
- Sub-Bracket Assembly 5-3

**ACTIVE CASE PARTS 6-1**

- 5100 Active Case Parts 6-2
- 5200 Active Case Parts 6-3

**STRIKES AND VERTICAL ROD COMPONENTS 7-1**

- Reliant Strikes 7-2
- 5200 SVR Bottom Latch 7-3
- 5200 SVR Top Latch 7-4

**OTHER COMPONENTS 8-1**

- Mullions 8-2
- Touchbar Switches 8-2
- Exit Alarm Kits 8-3
- Shims and Brackets 8-3
- Screw Packs 8-3

**GLOSSARY 9-1**

**INDEX I-1**

- Index by part number I-1
- Index by part type I-3
- Index by part description I-4

---

---

# FIGURES

## EXIT DEVICE OVERVIEW

- 5100 Reliant Rim Exit Device 2-2
- 5200 Reliant Surface Vertical Rod (SVR) Exit Device 2-3

## TRIM

- 501, 602 and 603 Trim 3-2
- 700 Series Pulls 3-3
- 800 Series Trim 3-4
- 800 Lever 3-5

## FINISHED PARTS

- Overview of common finished parts 4-2
- Endcap for all devices 4-3
- Basic hinge filler styles 4-4
- Alarm hinge filler parts 4-5

## TOUCHBAR COMPONENTS

- Spring type mechanism 5-2
- Sub-bracket assembly for hex and cylinder dogging units only. 5-3

## ACTIVE CASE PARTS

- 5100 Active Case 6-2
- 5200 Active Case parts 6-3

## **STRIKES AND VERTICAL ROD COMPONENTS**

Strikes 7-2

2200 SVR bottom latch 7-3

2200 SVR top latch 7-4

# 1

---

---

## GETTING STARTED

### INTRODUCTION

The *Stanley PHI Reliant 5000 Series Touchbar Style Exit Device* is the Exit Device of choice when an economical and reliable exit device is required. All Reliant 5000 Series Exit Devices are UL listed for panic and fire hardware and are certified to ANSI A156.3 Grade 1. The Reliant Series is available in durable powder coat finishes with a variety of trim styles and functions. The chassis is constructed of stainless steel and covers the standard type 161 door preparation.

## OVERVIEW

### Before looking up the part

Before looking up the part, know the **model** of the exit device, the **function** it performs, which **style** lever, knob, or grip you presently have, and what type of **finish** is on it. All these parameters are important to ordering the proper parts for your device.

Please read any footnotes, as they may contain important information concerning options for your unit or your parts.

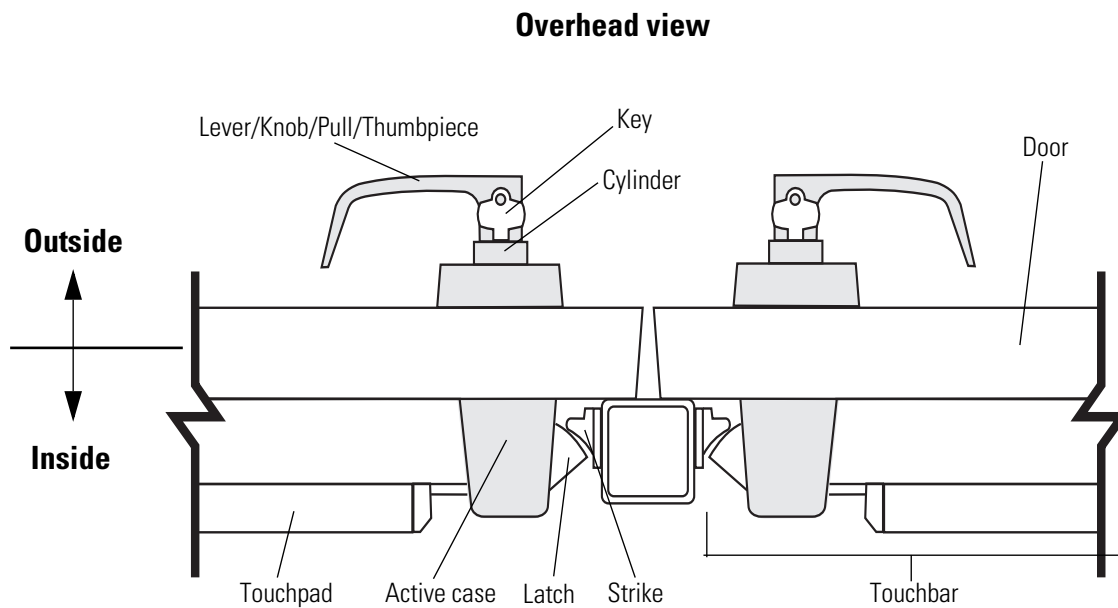
### Models

5100 Rim Devices

5200 Surface Vertical Rod Exit Devices

### ANSI Functions

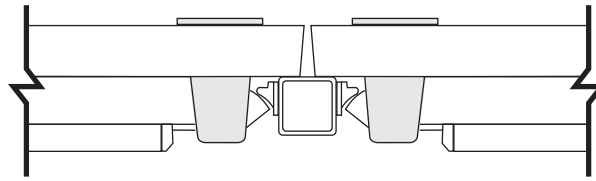
The following illustrations show how the outside lever/knob/thumbpiece, the inside touchbar, and the latchbolt operate. The illustrations show a 5100 series exit device, but the functionality is the same for all models of exit device. Functionality is described in the Reliant Exit Device product catalog.



**Figure 1.1** Understanding function diagrams



**ANSI function 01 -- Exit only**



**Latchbolt operated by:**

- inside touchbar

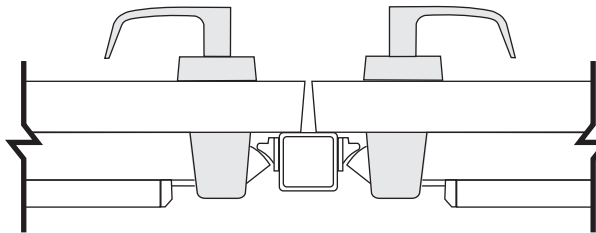
**Outside lever locked/unlocked by:**

- N/A

**Inside touchbar is always active.**

**Figure 1.2** Function 01

**ANSI function 02 -- Dummy trim**



**Latchbolt operated by:**

- inside touchbar

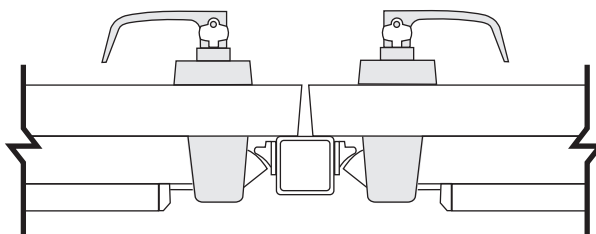
**Outside lever is:**

- always rigid

**Inside touchbar is always active.**

**Figure 1.3** Function 02

**ANSI function 03 -- Key retracts latchbolt**



**Latchbolt operated by:**

- outside key
- inside touchbar

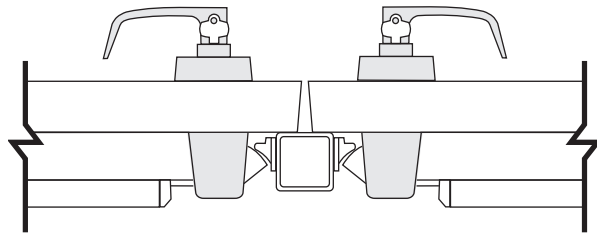
**Outside lever is:**

- always rigid

**Inside touchbar is always active**

**Figure 1.4** Function 03

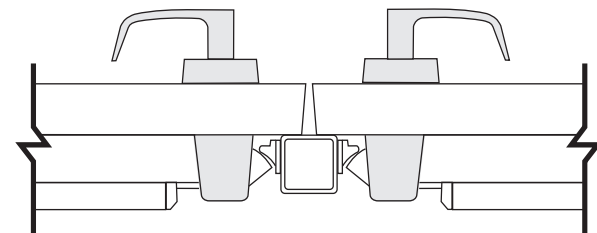
**ANSI function 08 -- Key locks/unlocks lever/knob**



- Latchbolt operated by:**
- outside lever when not locked
  - inside touchbar
- Outside lever locked/unlocked by:**
- outside key
- Inside touchbar is always active**

**Figure 1.5** Function 08

**ANSI function 14 -- No lock**



- Latchbolt operated by:**
- outside lever
  - inside touchbar
- Outside lever is:**
- always active
- Inside touchbar is always active**

**Figure 1.6** Function 14

<b>ANSI Function</b>	<b>Description</b>
01	Exit only (cover plate) - Uses a push plate trim with no lever, grip or knob
02	Dummy trim - Uses a lever, grip or knob that does not engage any mechanism
03	Key retracts latchbolt - Uses a cylinder to retract the latch
08	Key locks/unlocks lever/knob - Uses a cylinder to lock/unlock the lever or knob
14	No cylinder - lever/knob always active - Lever or knob always retracts the latch

- Style**
- Know which of the many styles of trim and levers your unit requires.
  - Know which options your unit has.
  - Know if your unit has a fire (FL) rating, it requires special ordering of the parts.

## Finishes

ANSI/BHMA	Description
600	Primed for Paint (Mullions only)
689	Aluminum Paint
695	Dark Bronze Paint

## Other options

Abbreviation	Description
ALK	Exit Alarm: battery operated
ALW	Exit Alarm: remote power
CD	Cylinder Dogging
FL	Fire Exit Hardware
LD	Less Dogging
SNB	Sex Nut and Bolt
TDS	Touchbar Monitoring Double Switch
TS	Touchbar Monitoring Switch

If you are unsure of which part you need, please contact your Stanley Security Solution dealer or call direct to 1-800-392-5209.

## Web Addresses

Precision Hardware – [www.precisionhardware.com](http://www.precisionhardware.com).

Stanley Security Solutions – [www.stanleysecuritysolutions.com](http://www.stanleysecuritysolutions.com).



# 2

---

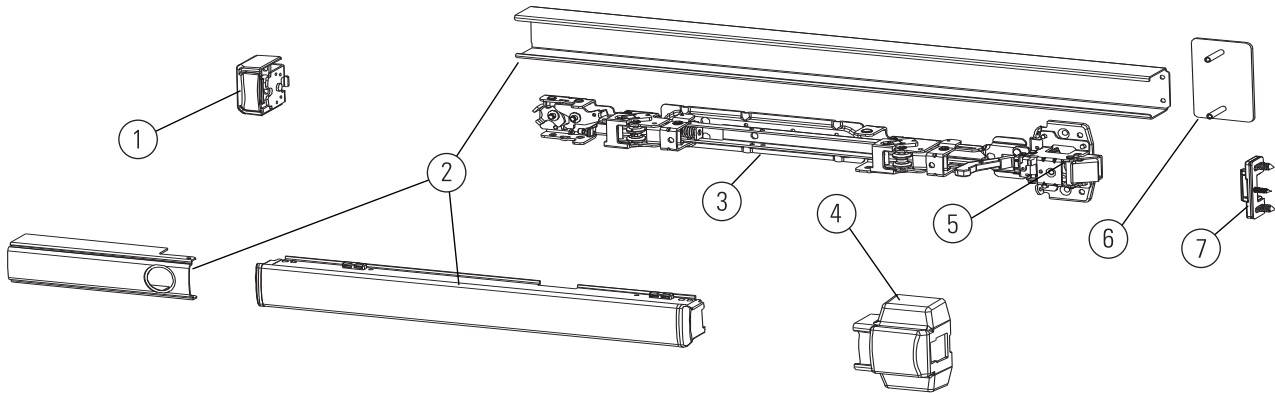
---

## EXIT DEVICE OVERVIEW

This chapter provides top level diagrams for various Reliant 5000 models of Exit Devices. It gives direction as to where in this manual more detailed information on the separate components of that model may be found.

The diagrams show a basic model. Details of usage and options are listed in the component chapters. If you do not find the optional or specialized part, see Chapter 8 "Other Components."

## 5100 RELIANT RIM SERIES



**Figure 2.1** 5100 Reliant Rim Exit Device

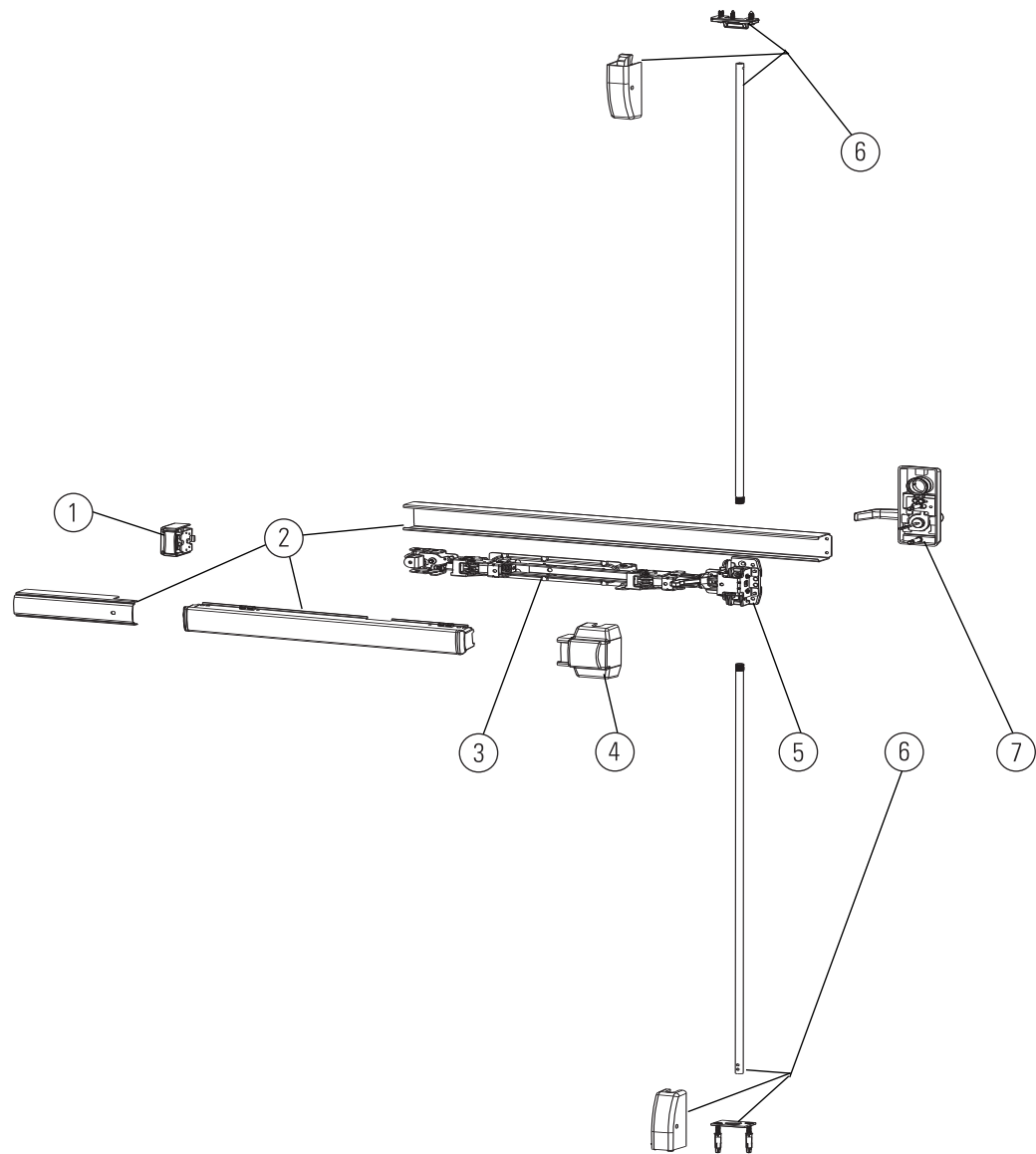
**5100 Series parts guide**

Refer to [Figure 2.1](#) and the table below to find the basic chapter you need.

Item	Description	Chapter
1	End Cap	See Chapter 4
2	Finished Parts	See Chapter 4
3	Touchbar Mechanisms	See Chapter 5
4	Active Case Cover	See Chapter 4
5	Active Case Assembly	See Chapter 6
6	Trim	See Chapter 3
7	Strike/Latch/Rods	See Chapter 7

Complete touchbar mechanisms and active cases are sold as one unit. Internal parts are shown separately.

## 5200 RELIANT SURFACE VERTICAL ROD SERIES



**Figure 2.2** 5200 Reliant Surface Vertical Rod (SVR) Exit Device

### 5200 Series parts guide

Refer to [Figure 2.2](#) and the table below to find the chapter you need.

Item	Description	Chapter
1	End Cap	See Chapter 4
2	Finished Parts	See Chapter 4
3	Touchbar Mechanisms	See Chapter 5
4	Active Case Cover	See Chapter 4
5	Active Case Assembly	See Chapter 6
6	Strike/Latch/Rods	See Chapter 7
7	Trim	See Chapter 3





# 3

---

---

## TRIM

**Trim Components** To order replacement trim components, please note which function your exit device performs and what type of finish is on it. For a detailed list of functionality, [see ANSI Functions](#) on page 1-2.

All trim is field reversible. See installation instructions for further details.

<b>ANSI Function</b>	<b>Description</b>
01	Exit only (cover plate)
02	Dummy trim
03	Key retracts latchbolt
08	Key locks/unlocks lever/knob
14	No cylinder - lever/knob always active

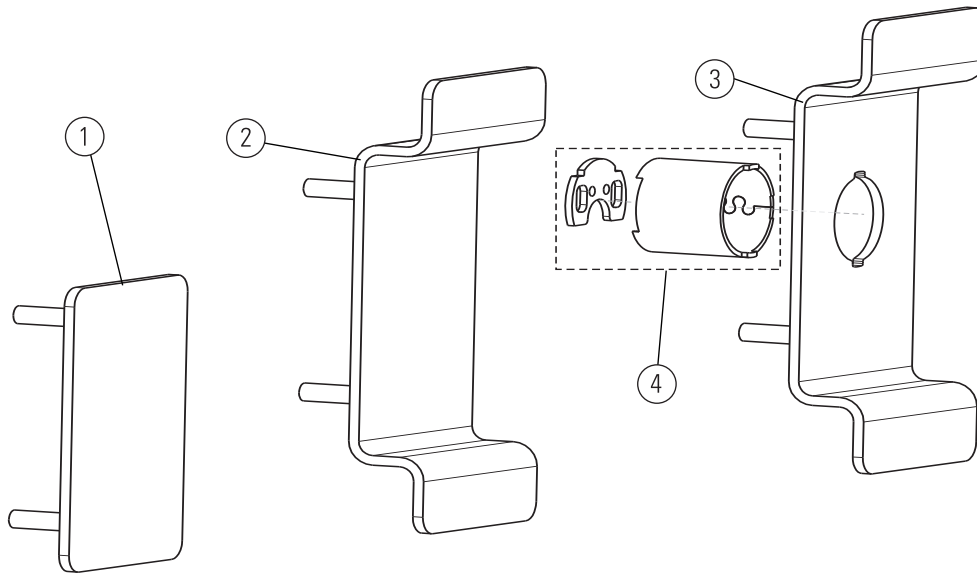
<b>ANSI/BHMA</b>	<b>Description</b>
689	Aluminum Paint
695	Dark Bronze Paint

## BASIC STYLES

The Reliant 5000 trim comes in a variety of styles. When ordering replacement parts, insure you have the correct style, function and finish.

Trim Series	Lever	Grip	Plate
500			■
600			■
700		■	
800	■		

### 501, 602, 603 TRIM

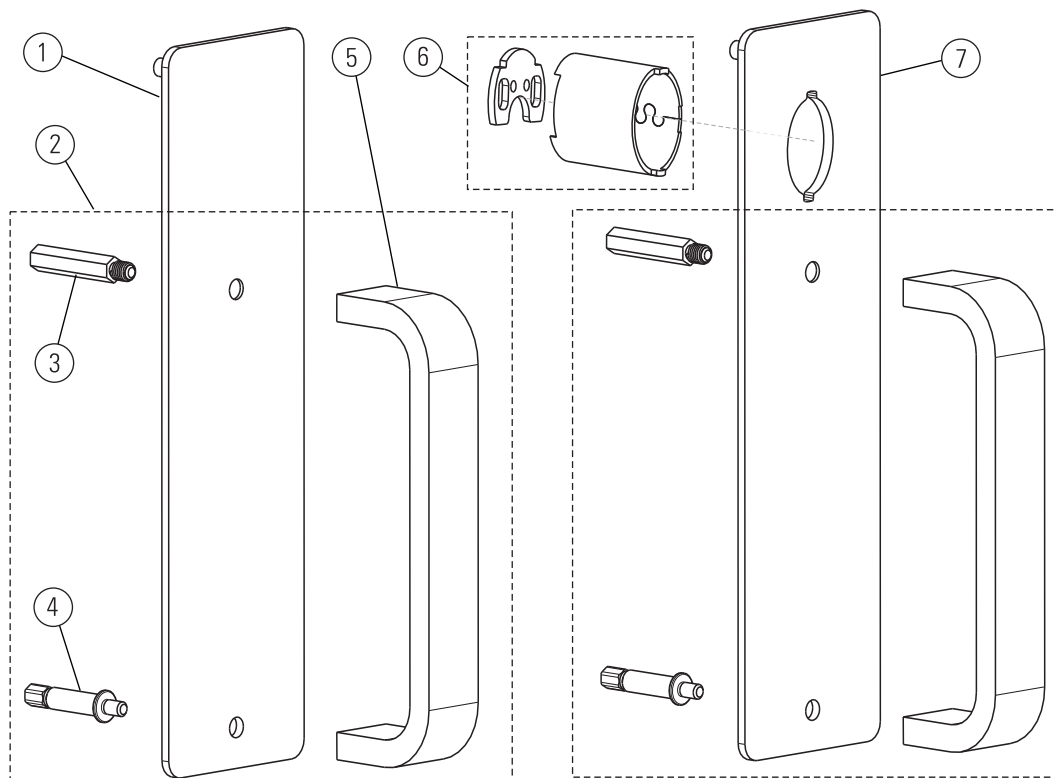


**Figure 3.1** 501, 602 and 603 Trim

Item	Part Number	Description	Qty
1	00199-04 *	501 Trim Assembly	1
2	00200-04 *	602 Trim Plate Assembly	1
3	00201-04 *	603 Trim Plate Assembly	1
4	02122-09	Cylinder Sleeve Kit	1

\* Specify finish when ordering these parts.

## 700 TRIM WITH PULLS

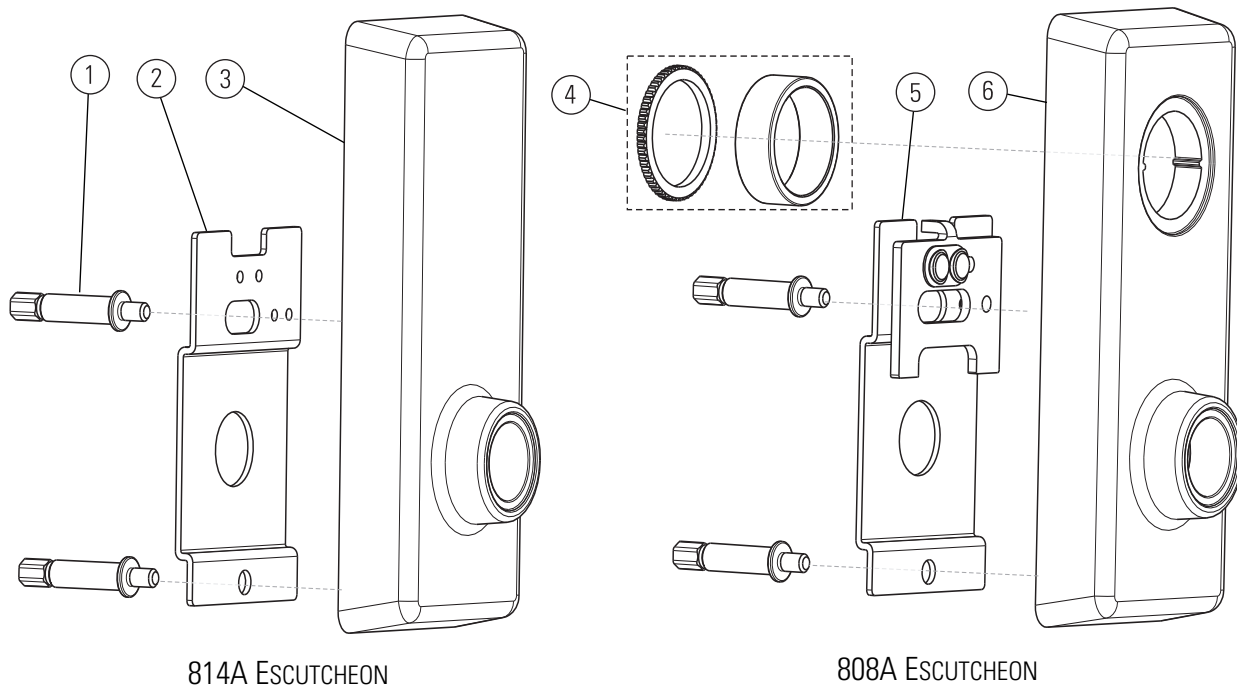


**Figure 3.2** 700 Series Pulls

Item	Part Number	Description	Qty
1	00206-04 *	702 Trim Plate Sub Assembly	1
2	03152-04 *	700 Trim Grip Kit (includes items 3, 4, and 5)	1
3	00233-54	Trim Stud	1
4	00222-50	Stud, Reliant Trim	1
5	00323-54 *	A Grip	1
6	02122-09	Cylinder Sleeve Kit	1
7	00207-04 *	703 Trim Plate Sub Assembly	1

\* Specify finish when ordering these parts.

# 800 TRIM

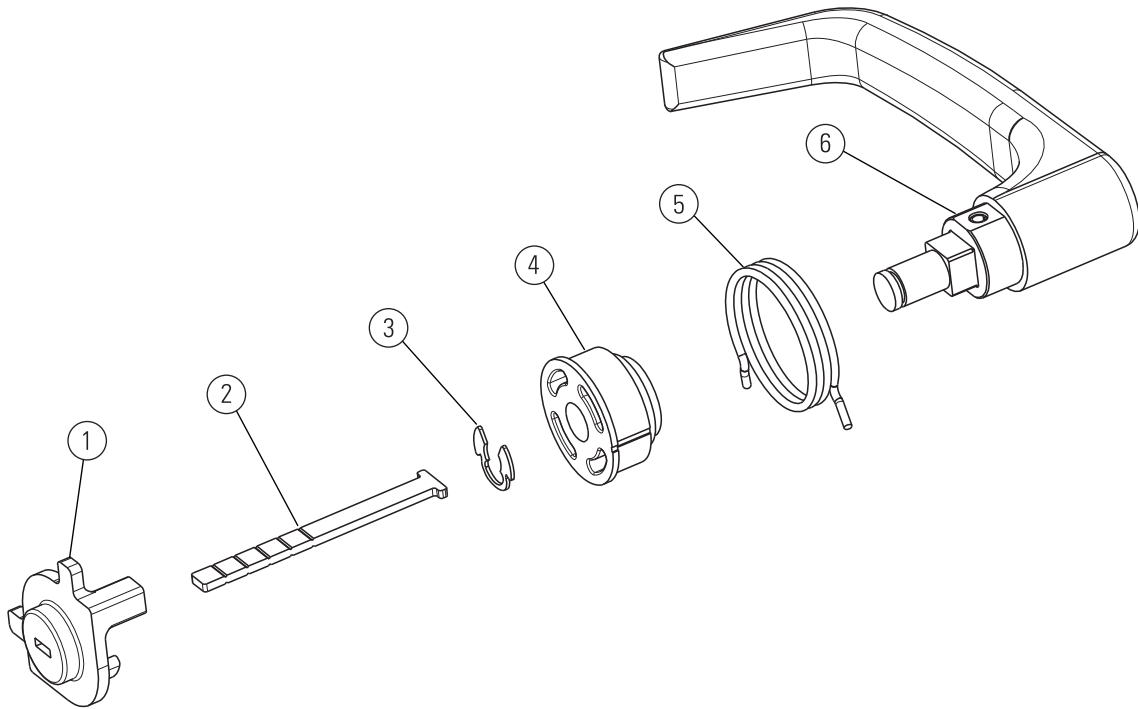


**Figure 3.3** 800 Series Trim

Item	Part Number	Description	Qty
1	00222-50	Stud, Reliant Trim	2
2	00191-50	Backplate, Reliant Rim	1
3	00203-50 *	Escutcheon, 14 Trim, Reliant	1
4	02123-09	Cylinder Attachment, Reliant Lever Trim	1
5	00615-04	Backplate Assembly, 800 Trim	1
6	00202-50 *	Escutcheon, 08 Trim, Reliant	1

\* Specify finish when ordering these parts.

## LEVER ASSEMBLY



**Figure 3.4** 800 Lever

Item	Part Number	Description	Qty
	02760-04 *	Complete A Lever Kit RHRB Reliant Trim (includes all parts shown)	
	02761-04 *	Complete A Lever Kit LHRB Reliant Trim (includes all parts shown)	
1	00214-50	Spindle Hub, Reliant Trim	1
2	00192-50	Tail Piece, Reliant Trim	1
3	00617-91	Retaining Ring, .375 dia Shaft	1
4	00213-50	Hub, Reliant Trim	1
5	00223-89	Spring, Torsion, Reliant Trim	1
6	00616-04 *	A Lever Assembly Reliant	1

\* Specify finish when ordering these parts.

All levers are field reversible. See installation instructions for further details.





# 4

---

---

## FINISHED PARTS

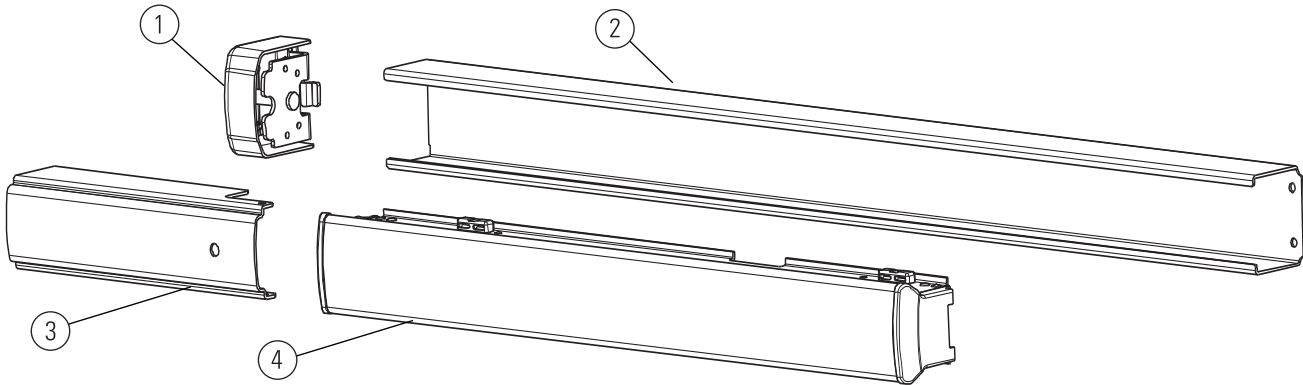
**Finished Parts** To order replacement trim components, please note which function your exit device performs, and what type of finish is on it. For a detailed list of functionality, [see \*ANSI Functions\*](#) on page 1-2.

<b>ANSI Function</b>	<b>Description</b>
01	Exit only (cover plate)
02	Dummy trim
03	Key retracts latchbolt
08	Key locks/unlocks lever/knob
14	No cylinder - lever/knob always active

<b>ANSI/BHMA</b>	<b>Description</b>
689	Aluminum Paint
695	Dark Bronze Paint

If you need replacements for units rated for fire (FL), contact your Stanley Security Solution dealer or call direct to 1-800-392-5209.

## COMMON FINISHED PARTS



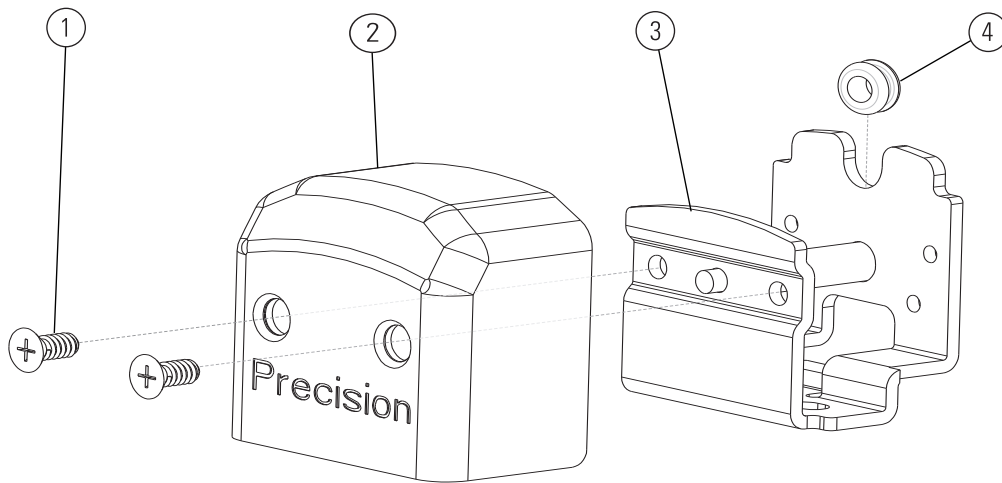
**Figure 4.1** Overview of common finished parts

Item	Part Number	Description	Qty	3 ft	4 ft
1	See page 4-3.	Endcap	1	■	■
2	00120-52	Device Channel	1	■	
	00122-52		1		■
3	See page 4-4.	Hinge Filler	1	■	■
4	00160-02	Touchpad Sub-assembly	1	■	
	00162-02		1		■

If you need replacements for units rated for fire (FL), contact your Stanley Security Solution dealer or call direct to 1-800-392-5209.

Specify finish when ordering these parts.

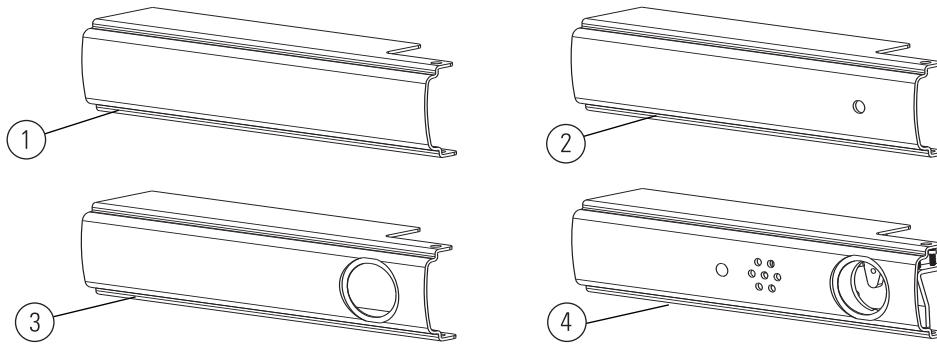
## ENDCAPS



**Figure 4.2** Endcap for all devices

Item	Part Number	Description	Qty	Used on	
				Standard	Electric
	00778-02	Endcap Device (includes cover, bracket and hardware)	1	■	
	03306-02		1		■
1	02104-09	Screw Pack, Endcap Screws (2 screws)	1	■	■
2	00133-52	Endcap Cover	1	■	■
3	00305-02	Endcap Mounting Bracket	1	■	■
4	01723-56	Grommet (Electric <i>only</i> )	1		■

# HINGE FILLERS

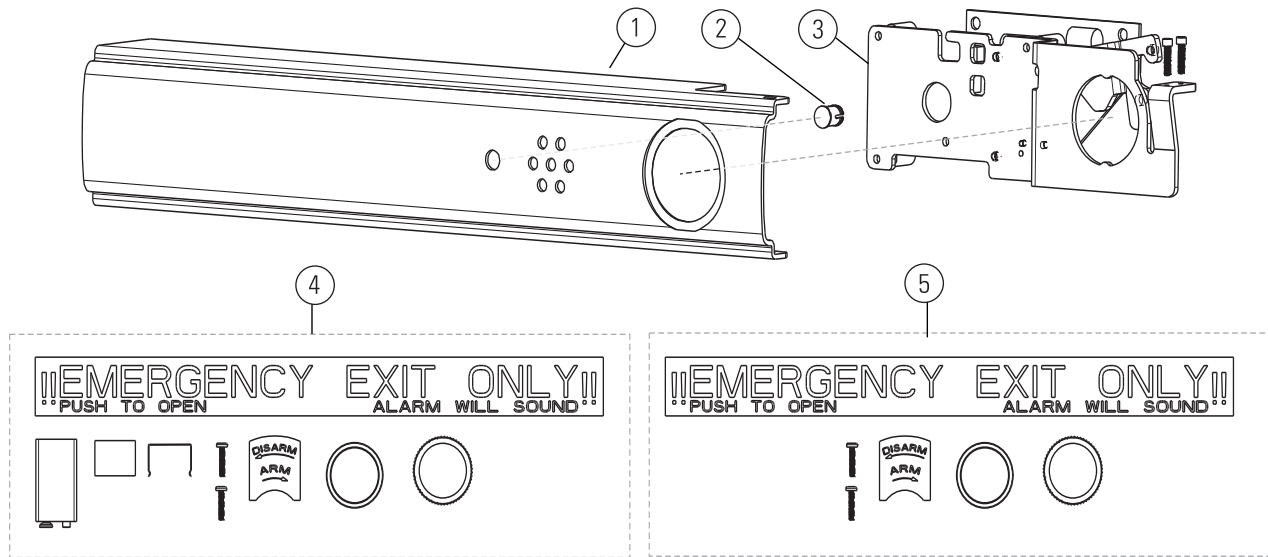


**Figure 4.3** Basic hinge filler styles

Item	Part Number	Description	Qty	3 ft	4 ft
1	00236-52 *	Plain Hinge Filler	1	■	
	00237-52 *		1		■
2	00240-52 *	Hex Hinge Filler	1	■	
	00241-52 *		1		■
3	00489-02 *	CD Hinge Filler (includes hardware)	1	■	
	00490-02 *		1		■
4	00491-06 *	Alarm- ALK Filler (includes hardware and chassis)	1	■	
	00492-06 *		1		■
	00493-06 *	Alarm - ALW Filler (includes hardware and chassis)	1	■	
	00494-06 *		1		■
Not shown	00220-93	Dogging Key (optional)	1	■	■
	02105-09	Cylinder Attachment Kit (includes collar, cylinder locating washer, and lock nut)		■	■

\* Specify finish when ordering these parts.

# ALARM HINGE FILLERS



**Figure 4.4** Alarm hinge filler parts

Item	Part Number	Description	Qty	ALK	ALW
1	00248-52 *	Hinge Filler for 00491-06	1	■	
	00249-52 *	Hinge Filler for 00492-06	1	■	
	00248-52 *	Hinge Filler for 00493-06	1		■
	00249-52 *	Hinge Filler for 00494-06	1		■
2	01460-56	Lens, LED	1	■	■
	00699-06 *	Alarm Chassis Assembly	1	■	
3	00899-06 *	Alarm Chassis Assembly	1		■
	02310-09 *	ALK Hardware Pack	1	■	
5	02309-09 *	ALW Hardware Pack	1		■

\* Specify finish when ordering these parts.



Item	Part Number	Description	Qty
1	00872-92	“Emergency Exit Only” Label	1
2	00672-92	“Arm/Disarm” Label	1



# 5

---

---

## TOUCHBAR COMPONENTS

This chapter provides diagrams and part numbers for the components of the touchbar mechanism associated with Reliant 5000 Exit Devices. Please read through all the options to ensure you select the proper part for your unit.



## SPRING TOUCHBAR COMPONENTS

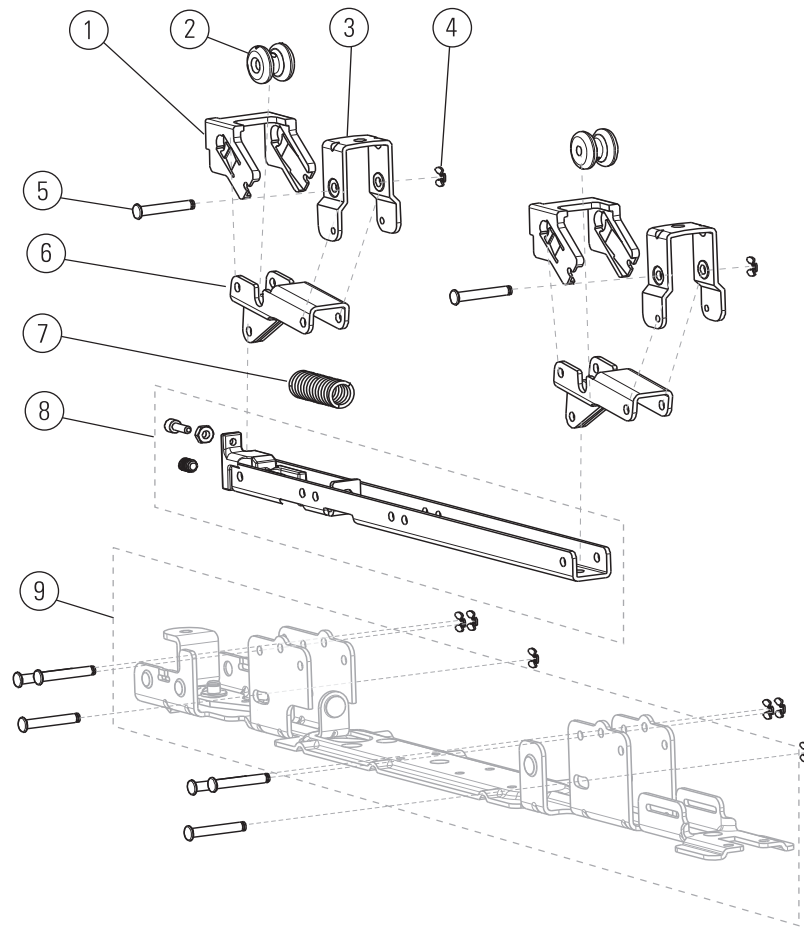
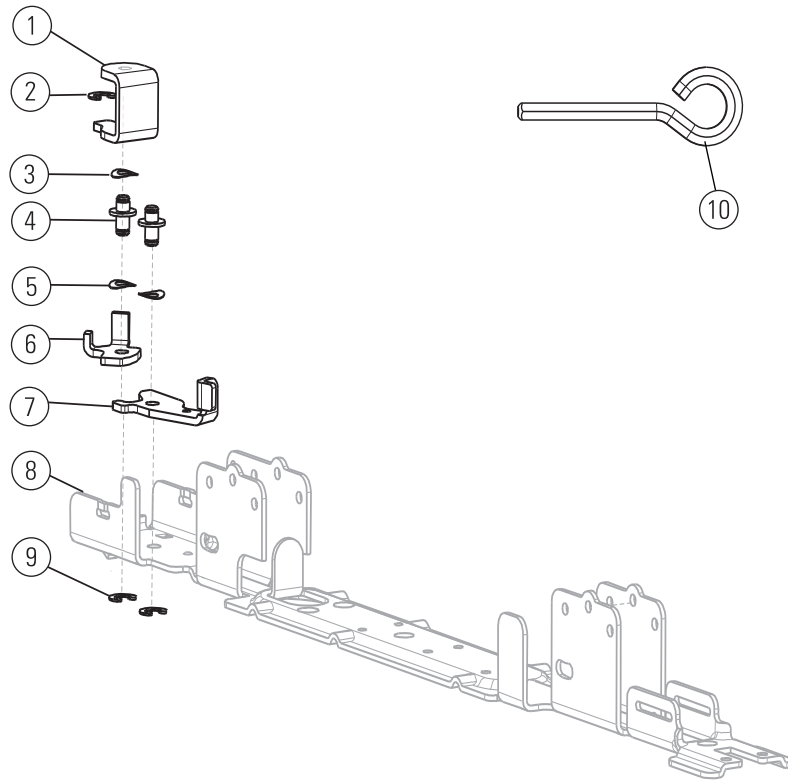


Figure 5.1 Spring type mechanism

Item	Part Number	Description	Qty	Door width		Dogging Type		
				3 ft	4 ft	Hex	CD	FL
1	02130-52	Touchbar Guide	2	■	■	■	■	■
2	00110-52	Bumper	2	■	■	■	■	■
3	00108-52	Bracket, Touchbar	2	■	■	■	■	■
4	00228-91	Retaining Ring	8	■	■	■	■	■
5	00449-90	Pin, Pivot	8	■	■	■	■	■
6	00111-52	Beam	2	■	■	■	■	■
7	00131-89	Spring, Touchbar	1	■	■	■	■	■
8	00702-02	Dogging Channel Assembly	1	■		■	■	
	00701-02		1		■	■	■	
9	Not sold separately	Consolidated Mounting Bracket		■	■	■	■	■

**NOTE:** Fire rated equipment may never be dogged.

## SUB-BRACKET ASSEMBLY



**Figure 5.2** Sub-bracket assembly for hex and cylinder dogging units only.

Item	Part Number	Description	Qty	Dogging Type	
				Hex	CD
1	00115-52	Bracket, Hex Key	1	■	
2	00254-91	E-clip, .250 dia Shaft	1	■	
3	00253-91	1/4 Curved Spring Washer	1	■	
4	00252-52	Dogging Fastener	2	■	■
5	00253-91	1/4 Curved Spring Washer	2	■	■
6	00116-52	Dogging Cam	1	■	■
7	00114-52	Dogging Hook	1	■	■
8	Not sold separately	Consolidated Mounting Bracket		■	■
9	00254-91	E-clip, .250dia Shaft	2	■	■
10	00220-93	Dogging Key	1	■	

**NOTE:** Fire rated equipment may never be dogged.



# 6

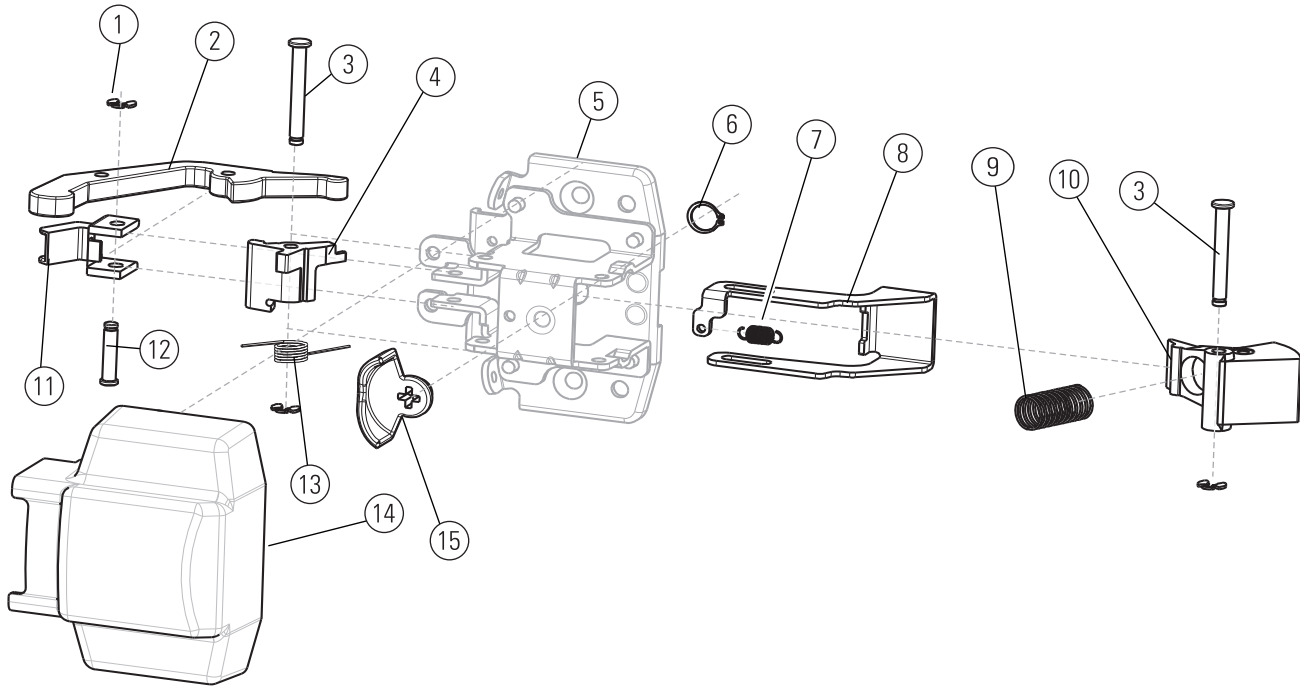
---

---

## ACTIVE CASE PARTS

This chapter provides diagrams and part numbers for the Active Case (chassis) used on the PHI Reliant 5100 and 5200 Exit Devices.

# 5100 ACTIVE CASE PARTS



**Figure 6.1** 5100 Active Case

Item	Part Number	Description	Qty
1	00228-91	Retaining Ring, .188 dia Shaft	3
2	00279-51	Touch Bar Lever	1
3	00287-90	Pin, Pivot, Latchbolt	2
4	00147-51	Deadlock Lever	1
5	Not sold separately	Case Chassis	1
6	00412-91	Retaining Ring, .438 Shaft	1
7	00146-89	Spring, Deadlock Release	1
8	00284-51	Deadlock Release	1
9	00385-89	Spring, Latchbolt	1
10	00226-51	Latchbolt	1
11	00626-51	Touchbar Lever Guard, Reliant	1
12	00229-90	Pin, Pivot, Touchbar Lever	1
13	00328-89	Spring, Torsion	1
14	02474-01	Active Case Cover	1
15	00282-51	Cam, Reliant Rim, 21 Device	1

RHRB and LHRB are mirror images of each other.

If you need replacements for units rated for fire (FL), contact your Stanley Security Solution dealer or call direct to 1-800-392-5209.

## 5200 ACTIVE CASE PARTS

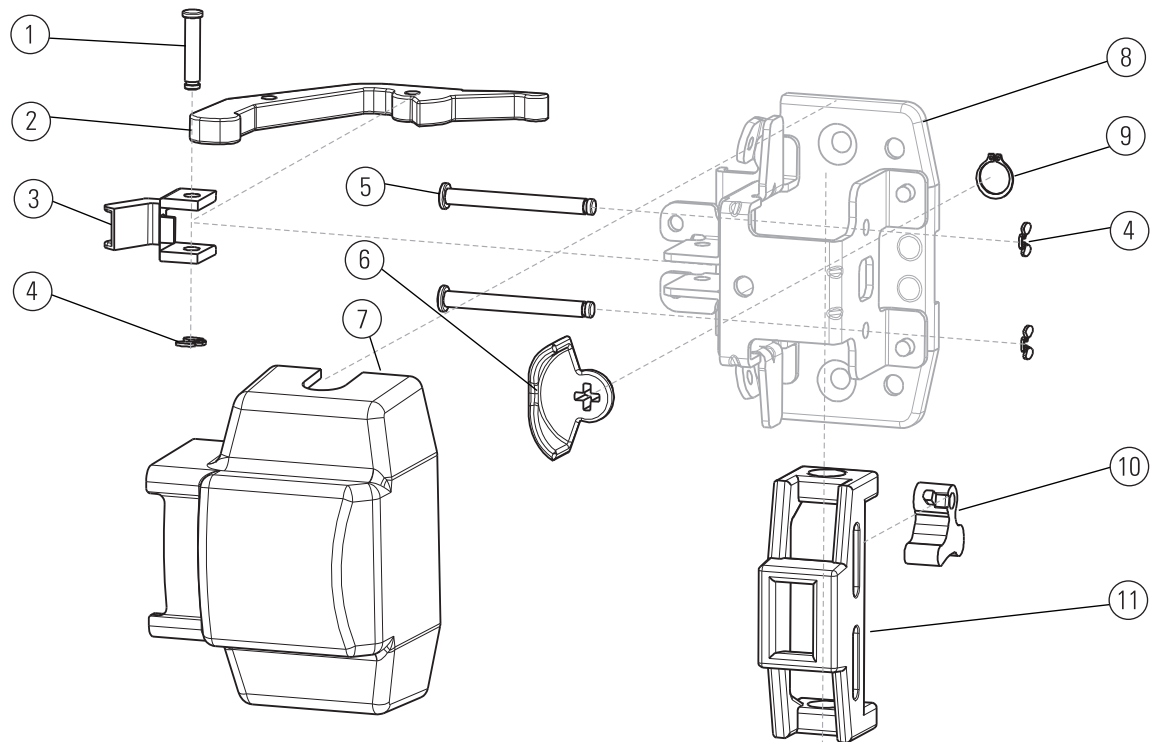


Figure 6.2 5200 Active Case parts

Item	Part Number	Description	Qty
1	00229-90	Pin, Pivot, Touchbar Lever	1
2	00279-51	Touch Bar Lever	1
3	00626-51	Touchbar Lever Guard, Reliant	1
4	00228-91	Retaining Ring, .188dia Shaft	3
5	00156-90	Pin, Pivot, Reliant SVR	2
6	00282-51	Cam, Reliant Rim	1
7	02476-01	SVR Cover Kit (includes hardware)	1
8	Not sold separately	Case Chassis	
9	00412-91	Retaining Ring, .438 Shaft	1
10	00280-51	Rod Carriage Lever, Reliant	1
11	00278-51	Rod Carriage, Reliant	1

RHRB and LHRB are mirror images of each other.

If you need replacements for units rated for fire (FL), contact your Stanley Security Solution dealer or call direct to 1-800-392-5209.



# 7

---

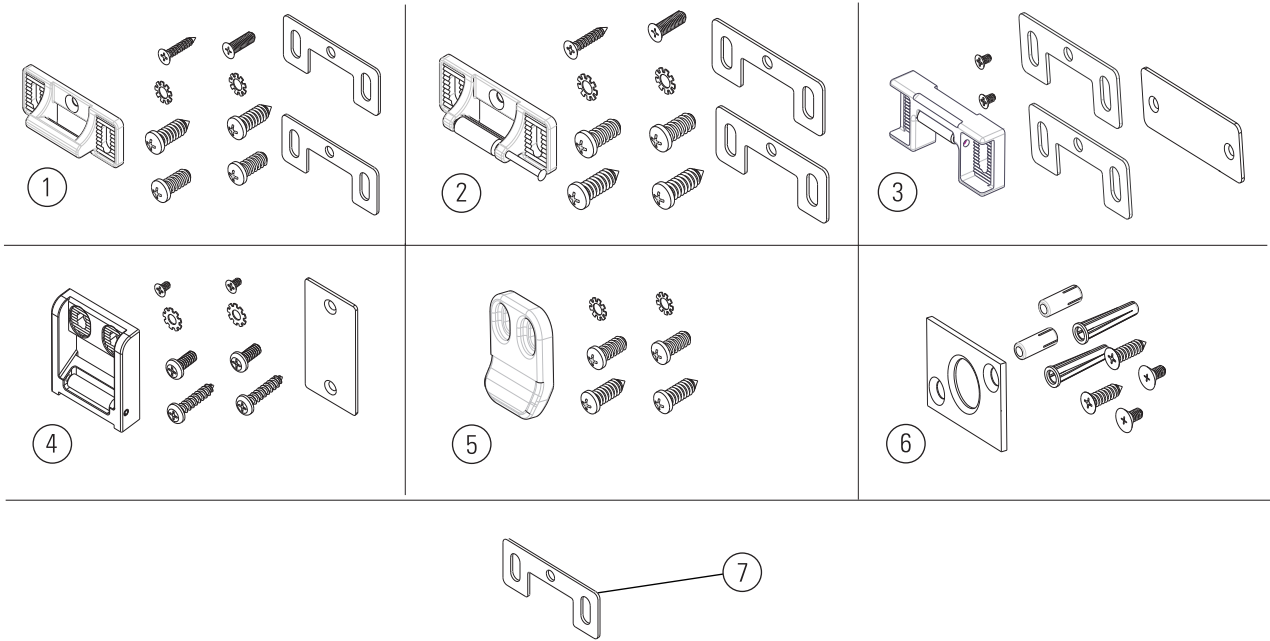
---

## **STRIKES AND VERTICAL ROD COMPONENTS**

This chapter provides diagrams and part numbers for the strikes and the components of the 5200 Surface Vertical Rod assemblies.



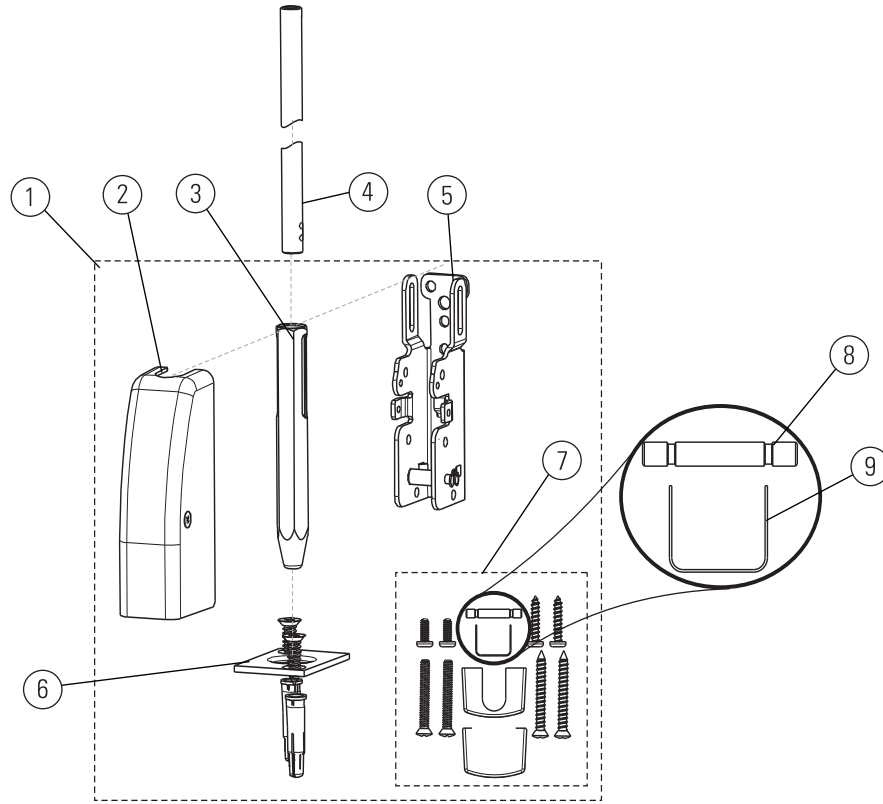
# RELIANT STRIKES



**Figure 7.1** Strikes

Item	Part Number	Description	Qty
1	00300-08	Strike Kit, S300	1
2	00301-08	Strike Kit, Roller, S301	1
3	00458-08	Strike Kit, Roller, Narrow S458	1
4	00988-08	Strike Kit, Roller, Aluminum Door S988	1
5	00459-08	Strike Kit, Blade S459	1
6	00460-08	Strike Kit, Bottom S460	1
7	00232-58	Shim, Strike	1

## 5200 SVR BOTTOM LATCH



**Figure 7.2** 2200 SVR bottom latch

Item	Part Number	Description	Qty
1	01008-03	Bottom Latch Kit, SVR (includes items 2, 3, 5, 6, and 7)	
2	01012-03	Latch Cover Kit, Reliant	1
3	00540-53	Bottom Bolt, SVR	1
4	00787-53 *	Bottom Rod, SVR (sold separately)	1
5	02356-03	Bottom Latch Channel Assembly, SVR	1
6	00460-08	Strike Kit, Bottom S460	1
7	02845-09-000	Screw Pack, Surface Latch, 1/4-20	1
8	00398-90	Rod Pin	1
9	01237-53	Spring Clip	1
Not shown	01864-03 *	Bottom Rod Kit (includes rod and screwpack <a href="#">02112-09-000</a> )	1
	05248-09 *	Bottom Rod Kit Longer 5200 (includes rod and screwpack <a href="#">02845-09-000</a> )	1

\* Specify finish when ordering these parts.

If you need replacements for units rated for fire (FL), contact your Stanley Security Solution dealer or call direct to 1-800-392-5209.

# 5200 SVR TOP LATCH

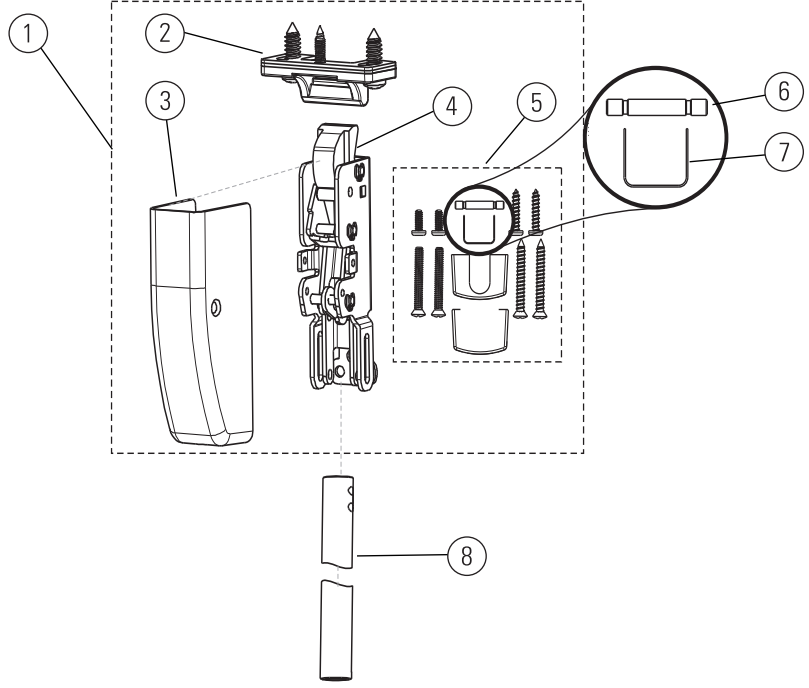


Figure 7.3 2200 SVR top latch

Item	Part Number	Description	Qty	Door Height		
				7ft	8ft	10ft
1	01002-03	Top Latch Kit, SVR (includes items 2, 3, 4, and 5)	1	■	■	■
2	00300-08	Strike Kit, Standard, S300	1	■	■	■
3	01012-03	Latch Cover Kit (includes hardware)	1	■	■	■
4	00296-03	Top Latch Assembly, SVR	1	■	■	■
5	02845-09-000	Screw Pack, Surface Latch, 1/4-20	1	■	■	■
6	00398-90	Rod Pin	1	■	■	■
7	01237-53	Spring Clip		■	■	■
8	00546-53 *	Top Rod, SVR (sold separately)	1	■		
	00547-53 *				■	
	00549-53 *					■
Not shown	01860-03 *	Top Rod SVR Kit (includes rod and screwpack <a href="#">02112-09-000</a> )	1	■		
	01861-03 *		1		■	
	01863-03 *		1			■

\* Specify finish when ordering these parts.

If you need replacements for units rated for fire (FL), contact your Stanley Security Solution dealer or call direct to 1-800-392-5209.





# 8

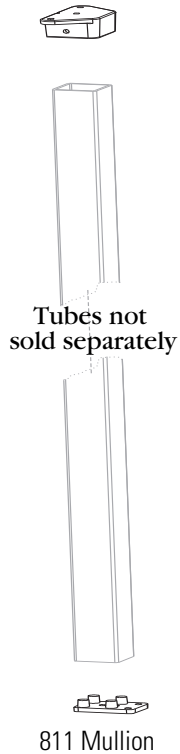
---

---

## OTHER COMPONENTS

This chapter covers mullions, conversion kits, and miscellaneous hardware that may not be covered in other chapters.

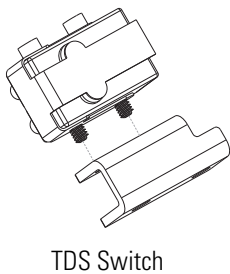
# MULLIONS



Part Number	Description	Model		
		811	822	KR822
KRC822	Mullion Head Cap Assembly			■
MC811	Mullion Headcap	■		
MC822	Mullion Headcap		■	
MB811	Mullion Sill Base	■		
MB822	Mullion Sill Base		■	
02856-07	Screw Pack, 811 Mullion Assembly	■		
02857-07	Screw Pack, 822 Mullion Head Cap & Sill Base		■	
ST989	Mullion Stabilizer Kit (includes hardware)	■	■	■
MCS822	Spacer, Mullion	■	■	■
S1447	Interlock Kit	■	■	■

If you need replacements for units rated for fire (FL), contact your Stanley Security Solution dealer or call direct to 1-800-392-5209.

# TOUCHBAR SWITCHES

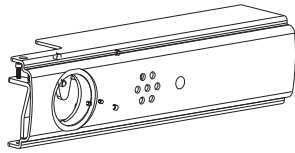


These switches can be added to the electrical Exit Devices listed in the chart.

Part Number	Description	Used on
00309-06	TS - Touchbar Switch Monitoring Assembly TSK309	All
00310-06	TDS - Touchbar Double Switch Monitor TDS310	All

## EXIT ALARM KITS

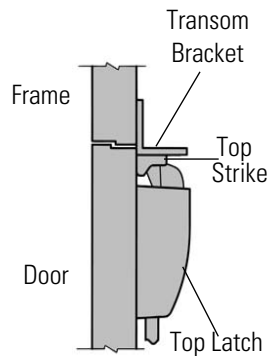
The ALK models come with batteries included. .



Part Number	Description	Length		Power	
		3ft	4ft	ALK	ALW
00491-06 *	Exit Alarm	■		■	
00492-06 *			■	■	
00493-06 *		■			■
00494-06 *			■		■


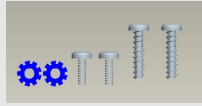

\* Specify finish when ordering these parts.

## SHIMS AND BRACKETS








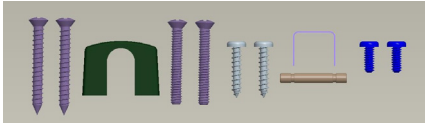

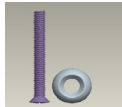
Part Number	Description	Used on
00232-58	Shim, Strike	Strike S300, S301, and S458
00453-53	Transom Bracket for S300 Strike	Top Latches

## SCREW PACKS

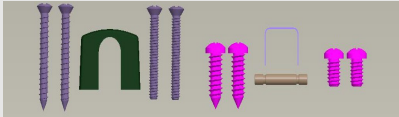

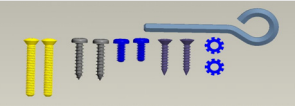
Part Number	Description	Contents
02102-09 *	Screw Pack, 4 Cover Screws	 (4) Screw, #8-32 X 3/8 PUFHMS
02103-09-000	Screw Pack, Endcap Bracket	 (2) Washer, #10 External Tooth (2) Screw, #10-24 X 1/2 (2) Screw, #10-16 X 1
02104-09 *	Screw Pack, Endcap Screws	 (2) Screw, #8-32 X 3/8 PUFHMS

\* Specify finish when ordering these parts.



<b>Part Number</b>	<b>Description</b>	<b>Contents</b>
02105-09 *	Screw Pack, Cylinder Dogging	 <p>Nut, Cylinder Locking Washer, Cylinder Locating 3/16 Cylinder Collar</p>
02106-09 *	Screw Pack, 2 Cover Screws	 <p>(2) Screw, #8-32 X 3/8 PUFHMS</p>
02107-09-000	Screw Pack, 2400, 5100, 5200	 <p>(2) Screw, #10-24 X 1-1/2 POHMS (2) Screw, #10-16 X 1 POHSMS (2) Washer, #10 External Tooth (2) Screw, #10-24 X 1/2 PPHMS (2) Screw, #10-16 X 1 PPHSMS TYPE AB</p>
02109-09 *	Screw Pack, Latchbolt Cover	 <p>Latch Opening Cover</p>
02110-09 *	Screw Pack, 1/2in Blocking Ring, Narrow w/o Trim	 <p>1/2 Cylinder Collar</p>
02112-09-000	Screw Pack, Surface Latch	 <p>(2) Screw, #10 X 1-3/4" POHSMS Rod Guide (2) Screw, #10-24 X 1-1/2" POHMS, (2) Screw, #10-16 X 1 PPHSMS Spring Clip, Vertical Rod Pin, Rod, .188 X 1.296 (2) Screw, #10-24 X 1/2 PPHMS</p>
02113-09 *	Screw Pack, Guide Strap	 <p>Rod Guide Strap</p>
02120-09 *	Screw Pack, A And C Grip Bottom Screw	 <p>Screw, #1/4-20 x 2 POHMS Washer, Finish, 1/4</p>

\* Specify finish when ordering these parts.

Part Number	Description	Contents
02845-09-000	Screw Pack, Surface Latch, 1/4-20	 <p>(2) Screw, #10 X 1-3/4" POHSMS (A) Rod Guide (2) Screw, #10-24 X 1-1/2" POHMS (2) Screw, 1/4-14 X 1 PPHSMS Spring Clip, Vertical Rod Pin, Rod, .188 X 1.296 (2) Screw, 1/4-14 X 1 PPHSMS</p>
02985-04 *	Screw Pack For Dummy Trim	 <p>(4) Washer, Finish, #10 (4) Screw, #10-24 X 1-1/2 POHMS</p>
03240-09-SST	Screw Pack, 2400, 5100, 5200	 <p>(2) Screw, #10-24 X 1-1/2 POHMS (2) Screw, #10-16 X 1 PPHSMS (2) Screw, #10-24 X 1/2 PPHMS (2) Screw, #10-16 X 1 POHSMS (2) Washer, #10 External Tooth Hex Dogging Key</p>

\* Specify finish when ordering these parts.



# 9

---

---

## GLOSSARY

<b>ALK</b>	Exit alarm, battery operated.
<b>ALW</b>	Exit alarm, remote powered.
<b>Cam</b>	See <i>Cylinder cam</i> .
<b>Core</b>	See <i>Interchangeable core</i> .
<b>Cylinder cam</b>	A rotating part of a keyed cylinder that drives the deadbolt or latchbolt.
<b>CD</b>	Cylinder dogging.
<b>Cylinder ring</b>	A metal ring that fits around the cylinder and protects it from tampering. The cylinder ring also spaces the cylinder out to the right position.
<b>Door bevel</b>	The angle on the edge of a door.
<b>E</b>	Electric device.
<b>Escutcheon</b>	A surface-mounted plate that covers holes that were made in the door for levers and cylinders.
<b>Figure-8</b>	The basic shape of the interchangeable core and its housing (door lever, cylinder, padlock, and so forth.). See also <i>Interchangeable core</i> .
<b>FL</b>	Fire exit hardware.
<b>Hand of door</b>	The swing direction of the door as viewed from the outside of the door. A right-handed (RH) door is hinged on the right and swings inward. A left-handed (LH) door is hinged on the left and swings inward. If either of these doors swings outward, it becomes a right-hand reverse bevel (RHRB) door, or a left-hand reverse bevel (LHRB) door respectively.
<b>Interchangeable core</b>	A figure-8 shaped device that contains all mechanical parts for a masterkeyed system. The interchangeable core can be removed by a special control key and can be recombined without disassembling the lock. See also <i>Figure-8</i> .

## Glossary

---

<b>Lock function</b>	An ANSI code number describing the way a lock operates.
<b>Removable core</b>	See <i>Interchangeable core</i> .
<b>SNB</b>	Sex nuts and bolts.
<b>SVR</b>	Surface vertical rod.
<b>Tailpiece</b>	A part that extends from the back of the cylinder and engages an exit device mechanism.
<b>TDS</b>	Touchbar monitoring double switch. See also <i>Request-to-exit switch</i> .
<b>Template</b>	A precise, detailed hole pattern that serves as a guide for the mortising and drilling of doors and frames.
<b>TS</b>	Touchbar monitoring switch. See also <i>Request-to-exit switch</i> .
<b>Wire harness</b>	A group of wires bundled together with connectors at either end.



---

---

# INDEX

## INDEX BY PART NUMBER

00108-52, Bracket, Touchbar .....	5-2
00110-52, Bumper .....	5-2
00111-52, Beam .....	5-2
00114-52, Dogging Hook.....	5-3
00115-52, Bracket, Hex Key .....	5-3
00116-52, Dogging Cam .....	5-3
00120-52, Device Channel .....	4-2
00122-52, Device Channel .....	4-2
00131-89, Spring, Touchbar .....	5-2
00133-52, Endcap Cover .....	4-3
00146-89, Spring, Deadlock Release .....	6-2
00147-51, Deadlock Lever .....	6-2
00156-90, Pin, Pivot, Reliant SVR .....	6-3
00160-02, Touchpad Sub-assembly .....	4-2
00162-02, Touchpad Sub-assembly .....	4-2
00191-50, Backplate, Reliant Rim .....	3-4
00192-50, Tail Piece, Reliant Trim.....	3-5
00199-04, 501 Trim Assembly .....	3-2
00200-04, 602 Trim Plate Assembly .....	3-2
00201-04, 603 Trim Plate Assembly .....	3-2
00202-50, Escutcheon, 08 Trim, Reliant ...	3-4
00203-50, Escutcheon, 14 Trim, Reliant ...	3-4
00206-04, 702 Trim Plate Sub Assembly ...	3-3
00207-04, 703 Trim Plate Sub Assembly ...	3-3
00213-50, Hub, Reliant Trim .....	3-5
00214-50, Spindle Hub, Reliant Trim .....	3-5
00220-93, Dogging Key .....	5-3
00220-93, Dogging Key .....	4-4
00222-50, Stud, Reliant Trim .....	3-3, 3-4
00223-89, Spring, Torsion, Reliant Trim ...	3-5
00226-51, Latchbolt.....	6-2
00228-91, Retaining Ring .....	5-2
00228-91, Retaining Ring, .188 dia Shaft...	6-2
00228-91, Retaining Ring, .188 dia Shaft...	6-3
00229-90, Pin, Pivot, Touchbar Lever .....	6-2, 6-3

Part Number	Page	Part Number	Page
00232-58, Shim, Strike .....	7-2, 8-3	00617-91, Retaining Ring, .375 dia Shaft .....	3-5
00233-54, Trim Stud.....	3-3	00626-51, Touchbar Lever Guard, .....	6-2, 6-3
00236-52, Plain Hinge Filler .....	4-4	00672-92, "Arm/Disarm" Label .....	4-5
00237-52, Plain Hinge Filler .....	4-4	00699-06, Alarm Chassis Assembly .....	4-5
00240-52, Hex Hinge Filler .....	4-4	00701-02, Dogging Channel Assembly .....	5-2
00241-52, Hex Hinge Filler .....	4-4	00702-02, Dogging Channel Assembly .....	5-2
00248-52, Hinge Filler for 00491-06 .....	4-5	00778-02, Endcap Device .....	4-3
00248-52, Hinge Filler for 00493-06 .....	4-5	00787-53, Bottom Rod, SVR .....	7-3
00249-52, Hinge Filler for 00492-06 .....	4-5	00872-92, "Emergency Exit Only" Label.....	4-5
00249-52, Hinge Filler for 00494-06 .....	4-5	00899-06, Alarm Chassis Assembly .....	4-5
00252-52, Dogging Fastener .....	5-3	00988-08, Strike Kit, Roller, Al Door .....	7-2
00253-91, 1/4 Curved Spring Washer .....	5-3	01002-03, Top Latch Kit, SVR .....	7-4
00254-91, E-clip, .250 dia Shaft .....	5-3	01008-03, Bottom Latch Kit, SVR .....	7-3
00254-91, E-clip, .250dia Shaft .....	5-3	01012-03, Latch Cover Kit .....	7-4
00278-51, Rod Carriage, Reliant.....	6-3	01012-03, Latch Cover Kit, Reliant .....	7-3
00279-51, Touch Bar Lever .....	6-2, 6-3	01237-53, Spring Clip.....	7-3, 7-4
00280-51, Rod Carriage Lever, Reliant.....	6-3	01460-56, Lens, LED.....	4-5
00282-51, Cam, Reliant Rim.....	6-3	01723-56, Grommet .....	4-3
00282-51, Cam, Reliant Rim, 21 Device.....	6-2	01860-03, Top Rod SVR Kit .....	7-4
00284-51, Deadlock Release .....	6-2	01861-03, Top Rod SVR Kit .....	7-4
00287-90, Pin, Pivot, Latchbolt .....	6-2	01863-03, Top Rod SVR Kit .....	7-4
00296-03, Top Latch Assembly, SVR.....	7-4	01864-03, Bottom Rod Kit .....	7-3
00300-08, Strike Kit, S300.....	7-2	02102-09, Screw Pack, 4 Cover Screws .....	8-3
00300-08, Strike Kit, Standard, S300.....	7-4	02103-09-000, Screw Pack, Endcap Bracket.....	8-3
00301-08, Strike Kit, Roller, S301 .....	7-2	02104-09, Screw Pack, Endcap Screws.....	8-3
00305-02, Endcap Mounting Bracket .....	4-3	02104-09, Screw Pack, Endcap Screws .....	4-3
00309-06, TS - Monitoring Assembly.....	8-2	02105-09, Screw Pack, Cylinder Dogging..	8-4
00310-06, TDS - Double Switch Monitor .....	8-2	02105-09, Cylinder Attachment Kit .....	4-4
00323-54, A Grip .....	3-3	02106-09, Screw Pack, 2 Cover Screws .....	8-4
00328-89, Spring, Torsion.....	6-2	02107-09-000, Screw Pack, 5100, 5200 .....	8-4
00385-89, Spring, Latchbolt .....	6-2	02109-09, Screw Pack, Latchbolt Cover .....	8-4
00398-90, Rod Pin .....	7-3, 7-4	02110-09, Screw Pack, 1/2in Blocking .....	8-4
00412-91, Retaining Ring, .438 Shaft .....	6-2, 6-3	02112-09-000, Screw Pack, Surface Latch..	8-4
00449-90, Pin, Pivot .....	5-2	02113-09, Screw Pack, Guide Strap .....	8-4
00453-53, Transom Bracket for S300 Strike.....	8-3	02120-09, Screw Pack, Bottom Screw .....	8-4
00458-08, Strike Kit, Roller, Narrow S458 .....	7-2	02122-09, Cylinder Sleeve Kit.....	3-2, 3-3
00459-08, Strike Kit, Blade S459 .....	7-2	02123-09, Cylinder Attachment, Lever Trim.....	3-4
00460-08, Strike Kit, Bottom S460 .....	7-2, 7-3	02130-52, Touchbar Guide .....	5-2
00489-02, CD Hinge Filler .....	4-4	02309-09, ALW Hardware Pack .....	4-5
00490-02, CD Hinge Filler .....	4-4	02310-09, ALK Hardware Pack .....	4-5
00491-06, Alarm- ALK Filler .....	4-4	02356-03, Bottom Latch Channel .....	7-3
00491-06, Exit Alarm.....	8-3	02474-01, Active Case Cover .....	6-2
00492-06, Alarm- ALK Filler .....	4-4	02476-01, SVR Cover Kit .....	6-3
00492-06, Exit Alarm.....	8-3	02760-04, Complete A Lever Kit RHRB Trim .....	3-5
00493-06, Alarm - ALW Filler .....	4-4	02761-04, Complete A Lever Kit LHRB Trim .....	3-5
00493-06, Exit Alarm.....	8-3	02845-09-000, Screw Pack, Surface Latch...7-3, 7-4,	8-5
00494-06, Alarm - ALW Filler .....	4-4		
00494-06, Exit Alarm.....	8-3	02856-07, Screw Pack, 811 Mullion.....	8-2
00540-53, Bottom Bolt, SVR.....	7-3	02857-07, Screw Pack, 822 Mullion .....	8-2
00546-53, Top Rod, SVR .....	7-4	02985-04, Screw Pack For Dummy Trim .....	8-5
00547-53, Top Rod, SVR .....	7-4	03152-04, 700 Trim Grip Kit .....	3-3
00549-53, Top Rod, SVR .....	7-4	03240-09-SST, Screw Pack, 5100, 5200 .....	8-5
00615-04, Backplate Assembly, 800 Trim .....	3-4	03306-02, Endcap Device .....	4-3
00616-04, A Lever Assembly Reliant .....	3-5	05248-09, Bottom Rod Kit Longer 5200 .....	7-3

Part Number	Page	Part Number	Page
K		MCS822, Spacer, Mullion .....	8-2
KRC822, Mullion Head Cap Assembly .....	8-2	S	
M		S1447, Interlock Kit .....	8-2
MB811, Mullion Sill Base .....	8-2	ST989, Mullion Stabilizer Kit .....	8-2
MB822, Mullion Sill Base .....	8-2		
MC811, Mullion Headcap.....	8-2		
MC822, Mullion Headcap.....	8-2		

## INDEX BY PART TYPE

### Mullions

KRC822, Mullion Head Cap Assembly .....	8-2
MB811, Mullion Sill Base .....	8-2
MB822, Mullion Sill Base .....	8-2
MC811, Mullion Headcap.....	8-2
MC822, Mullion Headcap.....	8-2
MCS822, Spacer, Mullion .....	8-2
S1447, Interlock Kit .....	8-2
ST989, Mullion Stabilizer Kit.....	8-2
02856-07, Screw Pack, 811 Mullion .....	8-2
02857-07, Screw Pack, 822 Mullion .....	8-2

### Active case

02474-01, Active Case Cover .....	6-2
02476-01, SVR Cover Kit.....	6-3

### Touchbar

00160-02, Touchpad Sub-assembly .....	4-2
00162-02, Touchpad Sub-assembly .....	4-2
00305-02, Endcap Mounting Bracket .....	4-3
00489-02, CD Hinge Filler.....	4-4
00490-02, CD Hinge Filler.....	4-4
00701-02, Dogging Channel Assembly .....	5-2
00702-02, Dogging Channel Assembly .....	5-2
00778-02, Endcap Device.....	4-3
03306-02, Endcap Device.....	4-3

### Vertical rod latch

00296-03, Top Latch Assembly, SVR.....	7-4
01002-03, Top Latch Kit, SVR .....	7-4
01008-03, Bottom Latch Kit, SVR.....	7-3
01012-03, Latch Cover Kit .....	7-4
01012-03, Latch Cover Kit, Reliant .....	7-3
01860-03, Top Rod SVR Kit .....	7-4
01861-03, Top Rod SVR Kit .....	7-4
01863-03, Top Rod SVR Kit .....	7-4
01864-03, Bottom Rod Kit .....	7-3
02356-03, Bottom Latch Channel, SVR .....	7-3

### Trim

00199-04, 501 Trim Assembly.....	3-2
----------------------------------	-----

00200-04, 602 Trim Plate Assembly.....	3-2
00201-04, 603 Trim Plate Assembly.....	3-2
00206-04, 702 Trim Plate Sub Assembly...	3-3
00207-04, 703 Trim Plate Sub Assembly...	3-3
00615-04, Backplate Assembly, 800 Trim.	3-4
00616-04, A Lever Assembly Reliant .....	3-5
02760-04, A Lever Kit RHRB Trim .....	3-5
02761-04, A Lever Kit LHRB Trim .....	3-5
02985-04, Screw Pack For Dummy Trim ..	8-5
03152-04, 700 Trim Grip Kit.....	3-3

### Electrical

00309-06, TS -Monitoring Assembly.....	8-2
00310-06, TDS -Double Switch Monitor ..	8-2
00491-06, Alarm- ALK Filler .....	4-4
00491-06, Exit Alarm.....	8-3
00492-06, Alarm- ALK Filler .....	4-4
00492-06, Exit Alarm.....	8-3
00493-06, Alarm - ALW Filler .....	4-4
00493-06, Exit Alarm.....	8-3
00494-06, Alarm - ALW Filler .....	4-4
00494-06, Exit Alarm.....	8-3
00699-06, Alarm Chassis Assembly .....	4-5
00899-06, Alarm Chassis Assembly .....	4-5

### Strike

00300-08, Strike Kit, S300.....	7-2
00300-08, Strike Kit, Standard, S300.....	7-4
00301-08, Strike Kit, Roller, S301 .....	7-2
00458-08, Strike Kit, Roller, Narrow S458	7-2
00459-08, Strike Kit, Blade S459 .....	7-2
00460-08, Strike Kit, Bottom S460 .....	7-2, 7-3
00988-08, Strike Kit, Roller, AI Door S988	7-2

### Hardware kits

02102-09, Screw Pack, 4 Cover Screws ....	8-3
02103-09-000, Screw Pack, Endcap Bracket8-3	
02104-09, Screw Pack, Endcap Screws.....	8-3
02104-09, Screw Pack, Endcap Screws.....	4-3
02105-09, Screw Pack, Cylinder Dogging.	8-4
02105-09, Cylinder Attachment Kit .....	4-4
02106-09, Screw Pack, 2 Cover Screws ....	8-4
02107-09-000, Screw Pack, 5100, 5200 ....	8-4



Part Number	Page
02109-09, Screw Pack, Latchbolt Cover ...	8-4
02110-09, Screw Pack, 1/2in Blocking Ring,	8-4
02112-09-000, Screw Pack, Surface Latch.	8-4
02113-09, Screw Pack, Guide Strap .....	8-4
02120-09, Screw Pack, Bottom Screw .....	8-4
02122-09, Cylinder Sleeve Kit .....	3-2, 3-3
02123-09, Cylinder Attachment, Lever Trim	3-4
02309-09, ALW Hardware Pack .....	4-5
02310-09, ALK Hardware Pack .....	4-5
02845-09-000, Screw Pack, Surface Latch, 1/4-20	7-3, 7-4, 8-5
03240-09-SST, Screw Pack, 5100, 5200.....	8-5
05248-09, Bottom Rod Kit Longer 5200 ...	7-3

**Individual trim parts**

00191-50, Backplate, Reliant Rim .....	3-4
00192-50, Tail Piece, Reliant Trim .....	3-5
00202-50, Escutcheon, 08 Trim .....	3-4
00203-50, Escutcheon, 14 Trim .....	3-4
00213-50, Hub, Reliant Trim .....	3-5
00214-50, Spindle Hub, Trim .....	3-5
00222-50, Stud, Reliant Trim .....	3-3, 3-4

**Individual active case parts**

00147-51, Deadlock Lever .....	6-2
00226-51, Latchbolt .....	6-2
00278-51, Rod Carriage, Reliant .....	6-3
00279-51, Touch Bar Lever .....	6-2, 6-3
00280-51, Rod Carriage Lever .....	6-3
00282-51, Cam, Reliant Rim .....	6-3
00282-51, Cam, Reliant Rim, .....	6-2
00284-51, Deadlock Release .....	6-2
00626-51, Touchbar Lever Guard .....	6-2, 6-3
00108-52, Bracket, Touchbar .....	5-2
00110-52, Bumper .....	5-2
00111-52, Beam .....	5-2
00114-52, Dogging Hook .....	5-3
00115-52, Bracket, Hex Key .....	5-3
00116-52, Dogging Cam .....	5-3
00120-52, Device Channel .....	4-2
00122-52, Device Channel .....	4-2
00133-52, Endcap Cover .....	4-3
00236-52, Plain Hinge Filler .....	4-4
00237-52, Plain Hinge Filler .....	4-4
00240-52, Hex Hinge Filler .....	4-4
00241-52, Hex Hinge Filler .....	4-4

**INDEX BY PART DESCRIPTION**

1/4 Curved Spring Washer, 00253-91 .....	5-3
501 Trim Assembly, 00199-04 .....	3-2
602 Trim Plate Assembly, 00200-04 .....	3-2
603 Trim Plate Assembly, 00201-04 .....	3-2

Part Number	Page
00248-52, Hinge Filler for 00491-06 .....	4-5
00248-52, Hinge Filler for 00493-06 .....	4-5
00249-52, Hinge Filler for 00492-06 .....	4-5
00249-52, Hinge Filler for 00494-06 .....	4-5
00252-52, Dogging Fastener .....	5-3
02130-52, Touchbar Guide .....	5-2

**Individual vertical rod parts**

00453-53, Transom Bracket .....	8-3
00540-53, Bottom Bolt, SVR .....	7-3
00546-53, Top Rod, SVR .....	7-4
00547-53, Top Rod, SVR .....	7-4
00549-53, Top Rod, SVR .....	7-4
00787-53, Bottom Rod, SVR .....	7-3
01237-53, Spring Clip .....	7-3, 7-4

**Miscellaneous individual parts**

00233-54, Trim Stud .....	3-3
00323-54, A Grip .....	3-3
01460-56, Lens, LED .....	4-5
01723-56, Grommet .....	4-3
00232-58, Shim, Strike .....	7-2, 8-3
00131-89, Spring, Touchbar .....	5-2
00146-89, Spring, Deadlock Release .....	6-2
00223-89, Spring, Torsion, Reliant Trim ...	3-5
00328-89, Spring, Torsion .....	6-2
00385-89, Spring, Latchbolt .....	6-2

**Individual hardware**

00156-90, Pin, Pivot, Reliant SVR .....	6-3
00229-90, Pin, Pivot, Touchbar Lever .....	6-2, 6-3
00287-90, Pin, Pivot, Latchbolt .....	6-2
00398-90, Rod Pin .....	7-3, 7-4
00449-90, Pin, Pivot .....	5-2
00228-91, Retaining Ring .....	5-2
00228-91, Retaining Ring, .188 dia Shaft ..	6-2
00228-91, Retaining Ring, .188 dia Shaft ..	6-3
00253-91, 1/4 Curved Spring Washer .....	5-3
00254-91, E-clip, .250 dia Shaft .....	5-3
00254-91, E-clip, .250dia Shaft .....	5-3
00412-91, Retaining Ring, .438 Shaft .....	6-2, 6-3
00617-91, Retaining Ring, .375 dia Shaft ...	3-5
00672-92, "Arm/Disarm" Label .....	4-5
00872-92, "Emergency Exit Only" Label ...	4-5
00220-93, Dogging Key .....	4-4, 5-3

700 Trim Grip Kit, 03152-04 .....	3-3
702 Trim Plate Sub Assembly, 00206-04 ...	3-3
703 Trim Plate Sub Assembly, 00207-04 ...	3-3

Part Description	Page	Part Description	Page
<b>A</b>			
A Grip, 00323-54 .....	3-3	Dogging Key, 00220-93 .....	5-3
A Lever Assembly Reliant, 00616-04 .....	3-5	<b>E</b>	
Active Case Cover, 02474-01 .....	6-2	E-clip, .250 dia Shaft, 00254-91 .....	5-3
Alarm - ALW Filler, 00493-06 .....	4-4	E-clip, .250 dia Shaft, 00254-91 .....	5-3
Alarm - ALW Filler, 00494-06 .....	4-4	“Emergency Exit Only” Label, 00872-92 ....	4-5
Alarm- ALK Filler, 00491-06 .....	4-4	Endcap Cover, 00133-52 .....	4-3
Alarm- ALK Filler, 00492-06 .....	4-4	Endcap Device, 00778-02 .....	4-3
Alarm Chassis Assembly, 00699-06 .....	4-5	Endcap Device, 03306-02 .....	4-3
Alarm Chassis Assembly, 00899-06 .....	4-5	Endcap Mounting Bracket, 00305-02 .....	4-3
ALK Hardware Pack, 02310-09 .....	4-5	Endcap, See page 4 3. ....	4-2
ALW Hardware Pack, 02309-09 .....	4-5	Escutcheon, 08 Trim, Reliant, 00202-50 ....	3-4
“Arm/Disarm” Label, 00672-92 .....	4-5	Escutcheon, 14 Trim, Reliant, 00203-50 ....	3-4
<b>B</b>			
Backplate Assembly, 800 Trim, 00615-04 ..	3-4	Exit Alarm, 00491-06 .....	8-3
Backplate, Reliant Rim, 00191-50 .....	3-4	Exit Alarm, 00492-06 .....	8-3
Beam, 00111-52 .....	5-2	Exit Alarm, 00493-06 .....	8-3
Bottom Bolt, SVR, 00540-53 .....	7-3	Exit Alarm, 00494-06 .....	8-3
Bottom Latch Channel, SVR, 02356-03 .....	7-3	<b>G</b>	
Bottom Latch Kit, SVR, 01008-03 .....	7-3	Grommet, 01723-56 .....	4-3
Bottom Rod Kit, 01864-03 .....	7-3	<b>H</b>	
Bottom Rod Kit Longer 5200, 05248-09 ....	7-3	Hex Hinge Filler, 00240-52 .....	4-4
Bottom Rod, SVR, 00787-53 .....	7-3	Hex Hinge Filler, 00241-52 .....	4-4
Bracket, Hex Key, 00115-52 .....	5-3	Hinge Filler for 00491-06, 00248-52 .....	4-5
Bracket, Touchbar, 00108-52 .....	5-2	Hinge Filler for 00492-06, 00249-52 .....	4-5
Bumper, 00110-52 .....	5-2	Hinge Filler for 00493-06, 00248-52 .....	4-5
<b>C</b>			
Cam, Reliant Rim, 00282-51 .....	6-3	Hinge Filler for 00494-06, 00249-52 .....	4-5
Cam, Reliant Rim, 21 Device, 00282-51 ....	6-2	Hinge Filler, See page 4 4. ....	4-2
Case Chassis, Not sold separately .....	6-2, 6-3	Hub, Reliant Trim, 00213-50 .....	3-5
CD Hinge Filler, 00489-02 .....	4-4	<b>I</b>	
CD Hinge Filler, 00490-02 .....	4-4	Interlock Kit, S1447 .....	8-2
Complete A Lever Kit LHRB Trim, 02761-04 3-5		<b>L</b>	
Complete A Lever Kit RHRB Trim, 02760-04 3-5		Latch Cover Kit, 01012-03 .....	7-4
Consolidated Mounting Bracket, .....	5-2, 5-3	Latch Cover Kit, Reliant, 01012-03 .....	7-3
Cylinder Attachment Kit, 02105-09 .....	4-4	Latchbolt, 00226-51 .....	6-2
Cylinder Attachment, Lever Trim, 02123-09 3-4		Lens, LED, 01460-56 .....	4-5
Cylinder Sleeve Kit, 02122-09 .....	3-2, 3-3	<b>M</b>	
<b>D</b>			
Deadlock Lever, 00147-51 .....	6-2	Mullion Head Cap Assembly, KRC822 .....	8-2
Deadlock Release, 00284-51 .....	6-2	Mullion Headcap, MC811 .....	8-2
Description, Number .....	8-2	Mullion Headcap, MC822 .....	8-2
Description, Part Number .....	4-3, 5-2, 5-3, 7-4, 8-2, 8-3	Mullion Sill Base, MB811 .....	8-2
Device Channel, 00120-52 .....	4-2	Mullion Sill Base, MB822 .....	8-2
Device Channel, 00122-52 .....	4-2	Mullion Stabilizer Kit, ST989 .....	8-2
Dogging Cam, 00116-52 .....	5-3	<b>P</b>	
Dogging Channel Assembly, 00701-02 .....	5-2	Pin, Pivot, 00449-90 .....	5-2
Dogging Channel Assembly, 00702-02 .....	5-2	Pin, Pivot, Latchbolt, 00287-90 .....	6-2
Dogging Fastener, 00252-52 .....	5-3	Pin, Pivot, Reliant SVR, 00156-90 .....	6-3
Dogging Hook, 00114-52 .....	5-3	Pin, Pivot, Touchbar Lever, 00229-90 .....	6-2, 6-3
Dogging Key, 00220-93 .....	4-4	Plain Hinge Filler, 00236-52 .....	4-4
		Plain Hinge Filler, 00237-52 .....	4-4

Part Description	Page	Part Description	Page
<b>R</b>			
Retaining Ring, .188 dia Shaft, 00228-91 ...	6-2	Spring, Torsion, 00328-89 .....	6-2
Retaining Ring, .188dia Shaft, 00228-91 ....	6-3	Spring, Torsion, Reliant Trim, 00223-89 ....	3-5
Retaining Ring, .438 Shaft, 00412-91 .....	6-2, 6-3	Spring, Touchbar, 00131-89 .....	5-2
Retaining Ring, 00228-91 .....	5-2	Strike Kit, Blade S459, 00459-08 .....	7-2
Retaining Ring, .375 dia Shaft, 00617-91 ....	3-5	Strike Kit, Bottom S460, 00460-08 .....	7-2, 7-3
Rod Carriage Lever, Reliant, 00280-51 .....	6-3	Strike Kit, Roller, Al Door S988, 00988-08 .	7-2
Rod Carriage, Reliant, 00278-51 .....	6-3	Strike Kit, Roller, Narrow S458, 00458-08 .	7-2
Rod Pin, 00398-90 .....	7-3, 7-4	Strike Kit, Roller, S301, 00301-08 .....	7-2
<b>S</b>			
Screw Pack For Dummy Trim, 02985-04 ...	8-5	Strike Kit, S300, 00300-08 .....	7-2
Screw Pack, 1/2in Blocking Ring, 02110-09	8-4	Strike Kit, Standard, S300, 00300-08 .....	7-4
Screw Pack, 2 Cover Screws, 02106-09 .....	8-4	Stud, Reliant Trim, 00222-50 .....	3-3, 3-4
Screw Pack, 2400, 5100, 5200, 02107-09-000	8-4	SVR Cover Kit, 02476-01 .....	6-3
Screw Pack, 2400, 5100, 5200, 03240-09-SST	8-5	<b>T</b>	
Screw Pack, 4 Cover Screws, 02102-09 .....	8-3	Tail Piece, Reliant Trim, 00192-50 .....	3-5
Screw Pack, 811 Mullion Assembly, 02856-07	8-2	TDS - Double Switch Monitor, 00310-06 ...	8-2
Screw Pack, 822 Mullion, 02857-07 .....	8-2	Top Latch Assembly, SVR, 00296-03 .....	7-4
Screw Pack, Grip Bottom Screw, 02120-09	8-4	Top Latch Kit, SVR, 01002-03 .....	7-4
Screw Pack, Cylinder Dogging, 02105-09 ..	8-4	Top Rod SVR Kit, 01860-03 .....	7-4
Screw Pack, Endcap Bracket, 02103-09-000	8-3	Top Rod SVR Kit, 01861-03 .....	7-4
Screw Pack, Endcap Screws, 02104-09 .....	4-3, 8-3	Top Rod SVR Kit, 01863-03 .....	7-4
Screw Pack, Guide Strap, 02113-09 .....	8-4	Top Rod, SVR, 00546-53 .....	7-4
Screw Pack, Latchbolt Cover, 02109-09 ...	8-4	Top Rod, SVR, 00547-53 .....	7-4
Screw Pack, Surface Latch, 02112-09-000 ..	8-4	Top Rod, SVR, 00549-53 .....	7-4
Screw Pack, Surface Latch, 1/4-20, 02845-09	8-5	Touch Bar Lever, 00279-51 .....	6-2, 6-3
Screw Pack, Surface Latch, 1/4-20, 02845-09	7-3, 7-4	Touchbar Guide, 02130-52 .....	5-2
Shim, Strike, 00232-58 .....	7-2, 8-3	Touchbar Lever Guard, 00626-51 .....	6-2, 6-3
Spacer, Mullion, MCS822 .....	8-2	Touchpad Sub-assembly, 00160-02 .....	4-2
Spindle Hub, Reliant Trim, 00214-50 .....	3-5	Touchpad Sub-assembly, 00162-02 .....	4-2
Spring Clip, 01237-53 .....	7-3, 7-4	Transom Bracket for S300 Strike, 00453-53	8-3
Spring, Deadlock Release, 00146-89 .....	6-2	Trim Stud, 00233-54 .....	3-3
Spring, Latchbolt, 00385-89 .....	6-2	TS - Monitoring Assembly, 00309-06 .....	8-2

**STANLEY**<sup>®</sup>  
Security Solutions



# EXIT DEVICES

OLYMPIAN 100, 200, 300 SERIES

**STANLEY**

**phi**<sup>™</sup>

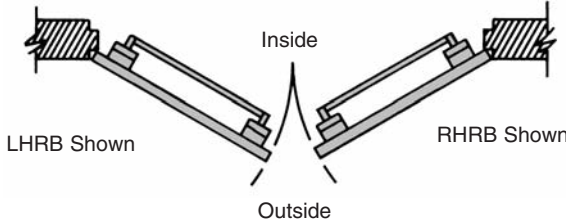
PRECISION HARDWARE

TABLE OF CONTENTS			
<b>EXIT DEVICES &amp; TRIMS</b>	<b>Page</b>	<b>ACCESSORIES</b>	<b>Page</b>
Rim Devices .....	4, 5	Cylinders .....	13
Surface Vertical Rod Devices .....	6, 7	Miscellaneous Components .....	12
Mortise Devices .....	8, 9	Security Screws .....	3
		Sex Nuts & Bolts .....	3
		Strikes .....	10
<b>MULLIONS</b>		<b>ADDITION INFORMATION</b>	
Fire Labeled Removable Mullion .....	11	Device Dimensions .....	3
Key Removable Mullion .....	11	Device Minimum Stile Width .....	14
Removable Mullion .....	11	Fasteners .....	3
<b>DEVICE OPTIONS</b>		Hand of Door and Finishes .....	2
CBK Knurled Crossbar .....	12	Fire Label Rating Chart .....	15
CBR Reinforced Crossbar .....	12	Trim Dimensions .....	13

**Introduction**

The Olympian Series Crossbar Style Exit Devices provide a traditional aesthetic architectural appeal with proven durability. All Olympian Series Exit Devices are UL listed for panic and fire and are certified to ANSI/BHMA Grade 1. The Olympian Series is available in a variety of finishes and its chassis is constructed from investment cast steel.

**Hand of Doors**



**Finishes**

ANSI/BHMA	US	Description
600	USP	Primed for Paint
605	US3	Polished Brass, Clear Coated
606	US4	Satin Brass, Clear Coated
612	US10	Satin Bronze, Clear Coated
613	US10B	Dark Oxidized Satin Bronze
625	US26	Polished Chromium Plated
630	US32D	Satin Stainless Steel
689		Aluminum Paint
695		Dark Bronze Paint

**Door Sizes**

Stock sizes for door widths and heights are listed below. If required, cut to size in the field.

Door Widths	Stock Sizes
2'-1" to 2'-6"	2'-6"*
2'-7" to 3'-0"	3'-0"
3'-1" to 4'-0"	4'-0"

\* Not available for Narrow Stile Devices.

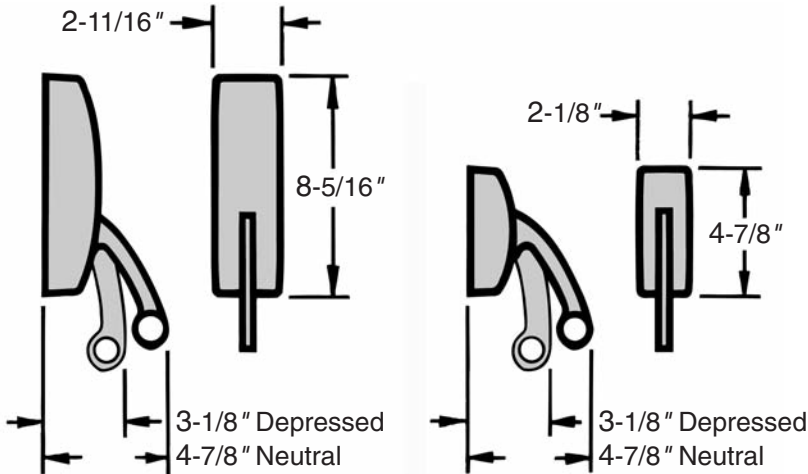
**Vertical Rod Devices**

Device	Door Heights	Stock Sizes
Surface Vertical Rod Device*	up to 7'-0"	7'-0"
	7'-1" to 8'-0"	8'-0"
	8'-1" to 10'-0"	10'-0"

\* Surface Vertical Rods are furnished of the same material as the device. Stainless steel rods are furnished for 625, 628 and 630 devices.

**Device Dimensions**

Applies to All Olympian Devices

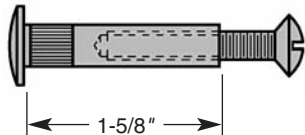


**Fasteners**

Furnished standard with machine screws and full thread wood/sheet metal screws. Specify Sex Nuts and Bolts (SNB) where recommended or required by the door manufacturer.

**Sex Nuts & Bolts** (not furnished std.)

Sex Nuts & Bolts are furnished with No. 10-24 x 1" OHMS (1-1/2" long screws required for guides).

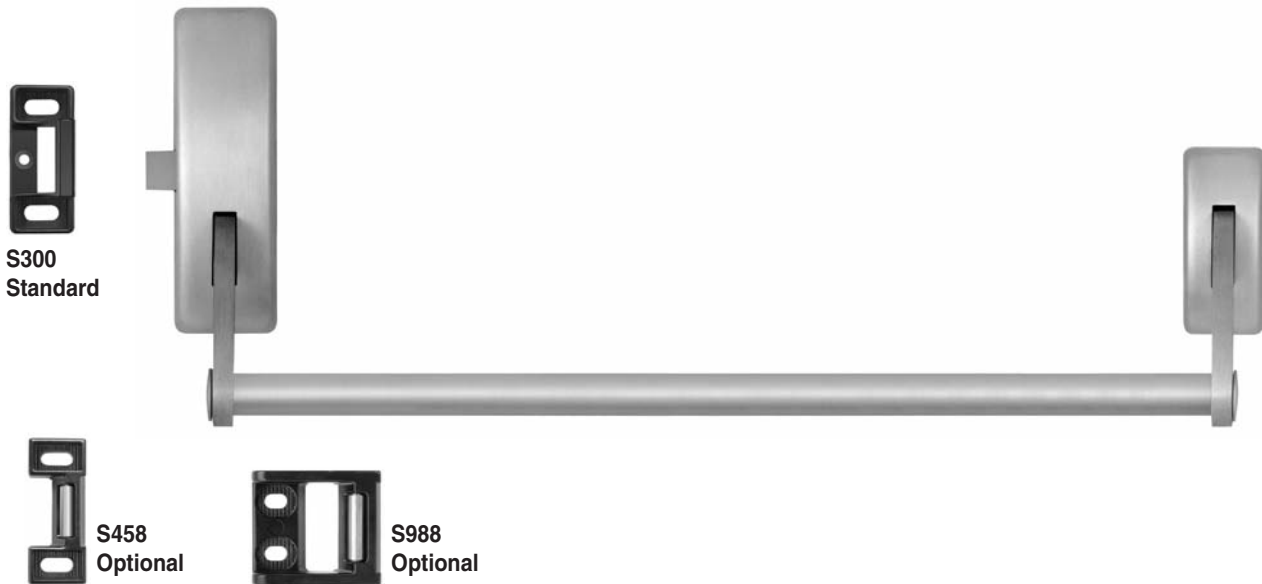


**Security Screws**

All exposed screws will be a Torx pin in tamper resistant type, machine screws only. Specify (SEC) Security Screws. Cover Screws use a T20 driver, End Cap Screws use a T25 driver.



## RIM EXIT DEVICES



**Olympian 100 Series - Handed**  
**Olympian R100 Series - Reversible**  
**Olympian FL100 Fire Exit Series - Handed**  
**Olympian FL100 Fire Exit Series - Reversible**

**DOORS** - For all types of single and double doors with a mullion. For mullions, see page 11. Available for 1-3/4" to 2-1/4" thick, up to 4'-0" wide opening. For thicker doors, consult factory. Furnished standard for 1-3/4" thick, 3'-0" wide opening.

**DEVICE** - Covers ANSI A115.2 (Type 161), A115.18 cylinder lock and A115.1 (Type 86) Mortise Lock preparation.

**FUNCTIONS** - All devices can be converted from one function to another simply by exchanging the Back Plate Assembly in lock stile case and selecting proper outside trim. See page 12 for Back Plate Assemblies and page 5 for Trims.

**COVERS** - Lock Stile and Hinge Stile Assembly, Cold drawn Bronze, Brass, Stainless Steel.

**CHASSIS** - Lock Stile and Hinge Stile Assembly, Investment Cast Steel, Zinc Dichromated.

**ARMS** - Forged Brass.

**CROSSBAR** - 1 Bronze, Brass or Stainless Steel tubing furnished standard for a 3'-0" Door. For wider doors, specify door width. Knurled and Reinforced crossbars are available.

**LATCHBOLT** - Stainless Steel, 3/4" throw.

**STRIKES** - No. S300, Investment Cast Stainless Steel, Black Powder Coated furnished standard. No. S988, optional strike for use on Aluminum Door applications, please specify when ordering. No. S458, optional strike for use on Mullion applications, please specify when ordering. For optional strike information see page 10.

**CROSSBAR HEIGHT** - 34-5/8" to centerline from finish floor standard. May be varied as situation dictates, consult factory.

**DOGGING** - Hex Key dogging standard for Panic Hardware. NOT available on Fire Exit Hardware.

**HANDED** - 100, FL100 Devices are Handed. Specify Hand as RHRB or LHRB. Standard packing RHRB.

**REVERSIBLE** - R100, FLR100 Devices are Reversible. Standard packaging RHRB.

**UL LISTED** - Panic and Fire Exit Hardware. For FIRE EXIT HARDWARE Ratings see page 15. Conforms to UL10C and UBC 7-2.

**ANSI/BHMA** - Devices are BHMA certified for ANSI 156.3, Grade 1. **FINISHES** - 605, 606, 612, 613, 625, 630. For Finish description see page 3.

**CYLINDERS** - Rim Type, not furnished standard. Specify when required. For cylinder details see page 13.

**STILE WIDTH** - See Stile Information on page 14.

#### DEVICE OPTIONS

Suffix	Description	Page
CBK	Knurled Crossbar .....	12
CBR	Reinforced Crossbar .....	12
LD	Less Dogging .....	12
SNB	Sex Nut and Bolt .....	3
SEC	Security Screws .....	3

To specify add Suffix to Device No. (e.g. 2103CD)

**1700A**  
"A" Grip



**1700B**  
"B" Grip



**1700C**  
"C" Grip



**2000C**  
"C" Grip



1. All Trims are furnished with wrought plates and extruded or cast solid grips.
2. Specify Grip Design (A,B,C) ("A" Grip furnished standard for 1700 Series Trim, "C" Grip furnished standard for 2000 Series Trim)

**4900A**  
"A" Lever



**4900B**  
"B" Lever



**4900C**  
"C" Lever



**4900D**  
"D" Lever



**4900K**  
"K" Knob



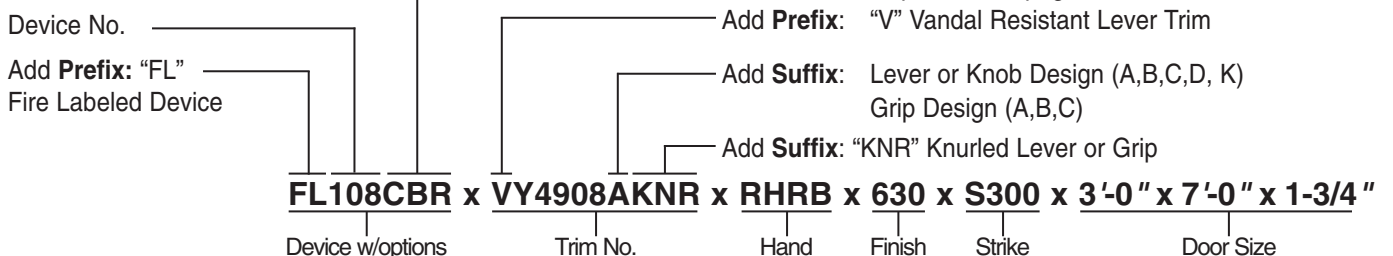
**V4908A**  
Vandal Resistant Trim

A heavy duty lever trim designed to with stand abuse and vandalism. Composed of extra strength shock-absorbing "overload" springs and heavy duty investment cast stainless steel internal components. Lever returns to the "home" position eliminating the need to reset the lever.

1. All the escutcheons and levers are castings or forgings.
2. Specify Lever or Knob Design (A,B,C,D,K) and Handing ("A" Lever x RHRB furnished standard)
3. 626 Trim furnished for 628 and 630 Devices.
  - For Trim dimensions see page 13.
  - Trims are BHMA certified for ANSI 156.3, Grade 1.
  - Trims are through bolted and will cover 161 and 86 cutouts (except for 2000C Trim).
  - Cylinder, Rim Type, not furnished standard. For cylinder details see page 13.
  - Trim No.s with prefix "Y" are for Olympian Devices only.

ANSI Function	01 Exit Only (cover plate)	02 Dummy Trim	03 Key Retracts Latchbolt	05 Key Locks/Unlocks Thumbpiece	08 Key Locks/Unlocks Lever/Knob	14 No Cylinder Lever/Knob Always Active	15 No Cylinder Thumbpiece Always Active
<b>Device Nos.</b>	101 R101 FL101 FLR101	102 R102	103 R103 FL103 FLR103	105 R105 FL105 FLR105	108 R108 FL108 FLR108	114 R114 FL114 FLR114	115 R115 FL115 FLR115
<b>Trim Nos.</b>	1701 2001 4901	1702A 2002C 4902A	1703A 2003C 4903A	Y1705A Y2005C	Y4908A VY4908A	Y4914A	Y1715A Y2015C

**Device with Trim:**



**Device Only:** Device no., hand, finish, strike, and door size including thickness:  
(e.g. FL108 x RHRB x 630 x S300 x 3'-0" x 7'-0" x 1-3/4")

**Trim Only:** Trim no., hand, finish, and door thickness: (e.g. VY4908A x RHRB x 626 x 1-3/4")





**SURFACE VERTICAL ROD EXIT DEVICES**



S300

**Olympian 200 Series - Non Handed**

**Olympian FL200 Fire Exit Series - Non Handed**



**DOORS** - For all types of single and double door applications. Available for 1-3/4" to 2-1/4" thick, up to 4'-0" wide by 10'-0" high openings. For thicker doors, consult factory. Furnished standard for 1-3/4" thick, 3'-0" wide by 7'-0" high openings.

**DEVICE** - Covers ANSI A115.2 (Type 161), A115.18 cylinder lock and A115.1 (Type 86) Mortise Lock preparation.

**FUNCTIONS** - Functions are field selectable. The device is furnished for a desired function if specified. If not specified the "03" function is furnished standard.

**COVERS** - Lock Stile and Hinge Stile Assembly, Cold drawn Bronze, Brass, Stainless Steel.

**CHASSIS** - Lock Stile and Hinge Stile Assembly, Investment Cast Steel, Zinc Dichromated.

**ARMS** - Forged Brass or Bronze.

**CROSSBAR HEIGHT** - 34-5/8" to centerline from finish floor standard. May be varied as situation dictates, consult factory.

**DOGGING** - Hex Key dogging standard for Panic Hardware. NOT available on Fire Exit Hardware.

**UL LISTED** - Panic and Fire Exit Hardware. For FIRE EXIT HARDWARE Ratings see page 15. Conforms to UL10C and UBC 7-2.

**ANSI/BHMA** - Devices are BHMA certified for ANSI 156.3, Grade 1.

**FINISHES** - 605, 606, 612, 613, 625, 630. For Finish description see page 3.

**CYLINDERS** - Rim Type, not furnished standard. Specify when required. For cylinder details see page 13.

**STILE WIDTH** - See Stile Information on page 14.

**CROSSBAR** - 1 Bronze, Brass or Stainless Steel tubing furnished standard for a 3-0 Door. For wider doors, specify door width. Knurled and Reinforced crossbars are available.

**VERTICAL RODS** - Brass, Bronze or Stainless Steel.

**TOP LATCHBOLT** - Stainless Steel, Deadlocking, 3/4" throw.

**BOTTOM BOLT** - Steel plated, independent action 5/8" throw, with adjustment range to suit 3/4 door undercut.

**TOP STRIKE** - No. S300, Investment Cast Stainless Steel, Black Powder Coated.

**BOTTOM STRIKE** - No. S460, Steel, Black Powder Coated, flush mounted.

**LESS BOTTOM ROD (LBR) OPTION** - Specify suffix "LBR" (e.g. 208LBR). See UL FIRE LABEL RATING Chart on page 15. Fire Rated Devices include FB277 Fire Bolt Assembly.

**DEVICE OPTIONS**

Suffix	Description	Page
CBK	Knurled Crossbar .....	12
CBR	Reinforced Crossbar .....	12
LBR	Less Bottom Rod.....	6
LD	Less Dogging .....	12
SNB	Sex Nut and Bolt .....	3
SEC	Security Screws.....	3
TMB	Transom Bracket .....	12

To specify add Prefix to Device No. (e.g. 203LBR)



S460

STANLEY



**1700A**  
"A" Grip



**1700B**  
"B" Grip



**1700C**  
"C" Grip



**2000C**  
"C" Grip



1. All Trims are furnished with wrought plates, extruded or cast solid grips.
2. Specify Grip Design (A,B,C) ("A" Grip furnished standard for 1700 Series Trim, "C" Grip furnished standard for 2000 Series Trim)

**4900A**  
"A" Lever



**4900B**  
"B" Lever



**4900C**  
"C" Lever



**4900D**  
"D" Lever



**4900K**  
"K" Knob



**V4908A**  
Vandal Resistant Trim

A heavy duty lever trim designed to withstand abuse and vandalism. Composed of extra strength shock-absorbing "overload" springs and heavy duty investment cast stainless steel internal components. Lever returns to the "home" position eliminating the need to reset the lever.

1. All the escutcheons and levers are castings or forgings.
2. Specify Lever or Knob Design (A,B,C,D,K) and Handing ("A" Lever RHRB furnished standard).
3. 626 Trim is furnished for 630 Devices.

- For Trim dimensions see page 13.
- Trims are BHMA certified for ANSI 156.3, Grade 1.
- Trims are through bolted and will cover 161 and 86 cutouts (except for 2000C Trim).
- Cylinder, Rim Type, not furnished standard. For cylinder details see page 13.
- Trim No.s with prefix "Y" are for Olympian Devices only.

ANSI Function	01 Exit Only (cover plate)	02 Dummy Trim	03 Key Retracts Latchbolt	05 Key Locks/Unlocks Thumbpiece	08 Key Locks/Unlocks Lever/Knob	14 No Cylinder Lever/Knob Always Active	15 No Cylinder Thumbpiece Always Active
Device Nos.	201 FL201	202	203 FL203	205 FL205	208 FL208	214 FL214	215 FL215
Trim Nos.	1701	1702A 2002C 4902A	1703A 2003C 4903A	1705A 2005C	Y4908A 4908A	Y4914A	Y1715A Y2015C

**Device with Trim:**

Device No.

Add Prefix: "FL"  
Fire Labeled Device

Add Suffix: for options, see page 6.

Add Prefix: "V" Vandal Resistant Lever Trim

Add Suffix: Lever or Knob Design (A,B,C,D,K)  
Grip Design (A,B,C)

Add Suffix: "KNR" Knurled Lever or Grip

**FL208LBR x VY4908AKNR x RHRB x 630 x 3'-0" x 7'-0" x 1-3/4"**

Device w/options

Trim No.

Hand

Finish

Door Size

**Device Only:** Device no., hand, finish, strike, and door size including thickness:

(e.g. FL208CD x RHRB x 630 x 3'-0" x 7'-0" x 1-3/4")

**Trim Only:** Trim no., hand, finish, strike, and door thickness: (e.g. VY4908A x RHRB x 626 x 1-3/4")

## MORTISE EXIT DEVICES



### Olympian 300 Series - Handed

### Olympian FL300 Fire Exit Series - Handed

**DOORS** - For all types of single and double door applications. Available for 1-3/4" to 2-1/4" thick, up to 4'-0" wide opening. For thicker doors, consult factory. Furnished standard for 1-3/4" thick, 3'-0" wide opening.

**DEVICE** - Covers ANSI A115.1 (Type 86) Mortise Lock preparation.

**COVERS** - Lock Stile and Hinge Stile Assembly, Cold drawn Bronze, Brass, Stainless Steel.

**CHASSIS** - Lock Stile and Hinge Stile Assembly, Investment Cast Steel, Zinc Dichromated.

**ARMS** - Forged Brass or Bronze.

**CROSSBAR** - 1 Bronze, Brass or Stainless Steel tubing furnished standard for a 3'-0" Door. For wider doors, specify door width. Knurled and Reinforced crossbars are available.

**DOGGING** - Hex Key dogging standard for Panic Hardware. NOT available on Fire Exit Hardware.

**HANDED** - Specify hand when ordering as RHRB or LHRB. Standard packaging is RHRB.

**UL LISTED** - Panic and Fire Exit Hardware. For FIRE EXIT HARDWARE Ratings see page 15. Conforms to UL10C and UBC 7-2.

**ANSI/BHMA** - Devices are BHMA certified for ANSI 156.3, Grade 1.

**FINISHES** - 605, 606, 612, 613, 625, 630. For Finish description see page 3.

**CYLINDERS** - Mortise type, not furnished standard. For cylinder details see page 13.

**STILE WIDTH** - See Stile Information on page 14.

**CROSSBAR HEIGHT** - 34-5/8" to centerline from finish floor standard. May be varied as situation dictates, consult factory.

#### DEVICE OPTIONS

Suffix	Description	Page
CBK	Knurled Crossbar .....	12
CBR	Reinforced Crossbar .....	12
LD	Less Dogging .....	12
SNB	Sex Nut and Bolt .....	3
SEC	Security Screws .....	3

To specify add Suffix to Device No. (e.g. 103SEC)

### MORTISE LOCK - Handed

Fits doors machined per ANSI A115.1 for Federal Lock Type 86.

**BACKSET** - 2-3/4".

**CASE** - Wrought Steel, Zinc Dichromate finish.

**LOCK FRONT PLATE** - 8" x 1-1/4" Bronze, Brass or Stainless Steel, pivots for beveled or square edged doors.

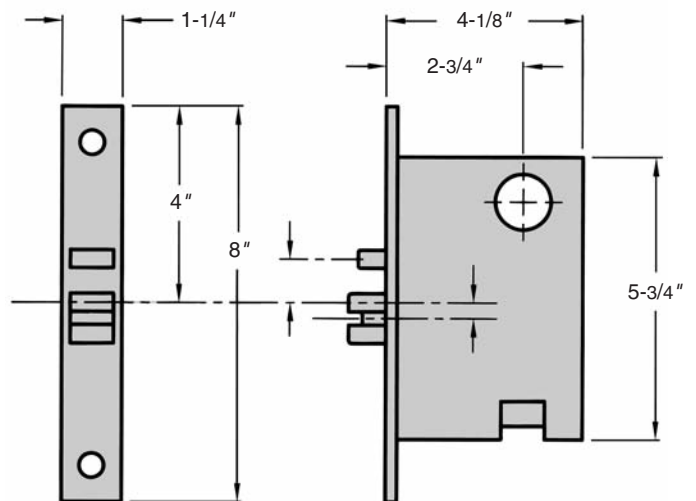
**LATCHBOLT** - Stainless Steel, Deadlocking, 3/4" throw, anti-friction.

**GUARDBOLT** - Stainless Steel, sliding type.

**FINISHES** - LOCK FRONT PLATE and STRIKE 605, 606, 612, 613, 625, 630. For Finish description see page 3.

**STRIKES** - No. S982 handed curved lip strike standard. For optional strikes see page 10.

**LOCK NO.** - M303 for 01, 02 and 03 functions.  
- M308 for 05, 05A, 08 and 08A functions.



**Mortise Lock Dimensions**

**1700A**

"A" Grip



**1700B**

"B" Grip



**1700C**

"C" Grip



**2000C**

"C" Grip



1. All Trims are furnished with wrought plates, extruded or cast solid grips.
2. Specify Grip Design (A,B,C) ("A" Grip furnished standard for 1700 Series Trim, "C" Grip furnished standard for 2000 Series Trim)
3. Trims with Thumbpiece are Handed, Specify Hand.

**4900A**

"A" Lever



**4900B**

"B" Lever



**4900C**

"C" Lever



**4900D**

"D" Lever



**4900K**

"K" Knob



**V4908A**

**Vandal Resistant Trim**

A heavy duty lever trim designed to with stand abuse and vandalism. Composed of extra strength shock-absorbing "overload" springs and heavy duty investment cast stainless steel internal components. Lever returns to the "home" position eliminating the need to reset the lever.

1. All the escutcheons and levers are castings or forgings.
  2. Specify Lever or Knob Design (A,B,C,D,K) and Handing ("A" Lever RHRB furnished standard).
  3. 626 Trim is furnished for 630 Devices.
  4. All Lever Trims, M4908K and M4914K are Handed, Specify Hand.
- For Trim dimensions see page 13.
  - Trims are BHMA certified for ANSI 156.3, Grade 1.
  - Trims are through bolted and will cover 161 and 86 cutouts (except for 2000C Trim).
  - Cylinder, Mortise Type, not furnished standard. For cylinder details see page 13.

ANSI Function	01 Exit Only (cover plate)	02 Dummy Trim	03 Key Retracts Latchbolt	05 Key Locks/Unlocks Thumbpiece	08 Key Locks/Unlocks Lever/Knob	14 No Cylinder Lever/Knob Always Active	15 No Cylinder Thumbpiece Always Active
<b>Device Nos.</b>	301 FL301	302	303 FL303	305 FL305	308 FL308	314 FL314	315 FL315
<b>Trim Nos.</b>	1701 2001 4901	1702A 2002C 4902A	1703A 2003C M4903A	M1705A M2005C	M4908A VM4908A	M4914A	M1715A M2015C

**Device with Trim:**

Device No. \_\_\_\_\_

Add Prefix: "FL"  
Fire Labeled Device



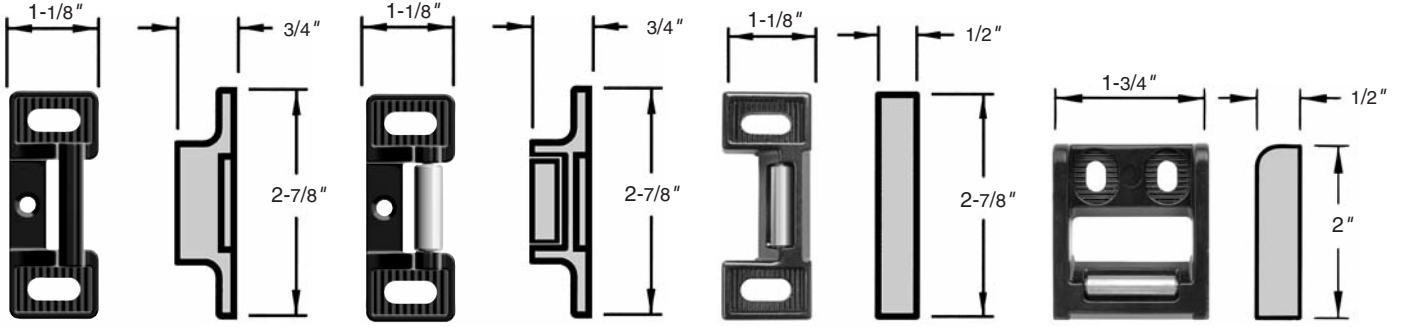
**Device Only:** Device no., hand, finish, strike, and door size including thickness:  
(e.g. FL308CD x RHRB x 630 x S982 x 3'-0" x 7'-0" x 1-3/4")

**Trim Only:** Trim no., hand, finish, strike, and door size including thickness: (e.g. VM4908A x RHRB x 626 x 1-3/4")

**STRIKES**

**Rim Exit Devices**

For Minimum Stile Widths see page 14.



**S300 Standard**

For Rim and Top Strike for SVR Devices. Black Powder Coated Investment Cast Stainless Steel.

**S301 Optional**

For Rim and Top Strike for SVR Devices. Black Powder Coated Investment Cast, Stainless Steel Base and Roller.

**S458 Optional**

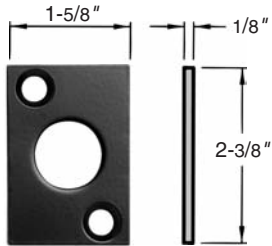
For Rim Devices. Black Powder Coated Investment Cast, Stainless Steel Base and Roller.

**S988 Standard**

For Narrow Stile Rim Devices. Black Powder Coated Investment Cast, Stainless Steel Base and Roller. Includes Rub Strip.

**Vertical Rod Exit Devices**

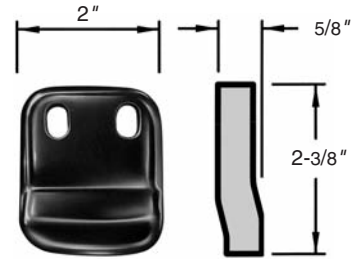
Top Strike - For Surface Vertical Rod Devices, S300 standard and S301 optional, see above.



**S460 Bottom Strike**

For Vertical Rod Devices, Surface or Concealed. Black Powder Coated Steel.

**100 or R100 Rim x Vertical Rod Exit Device**

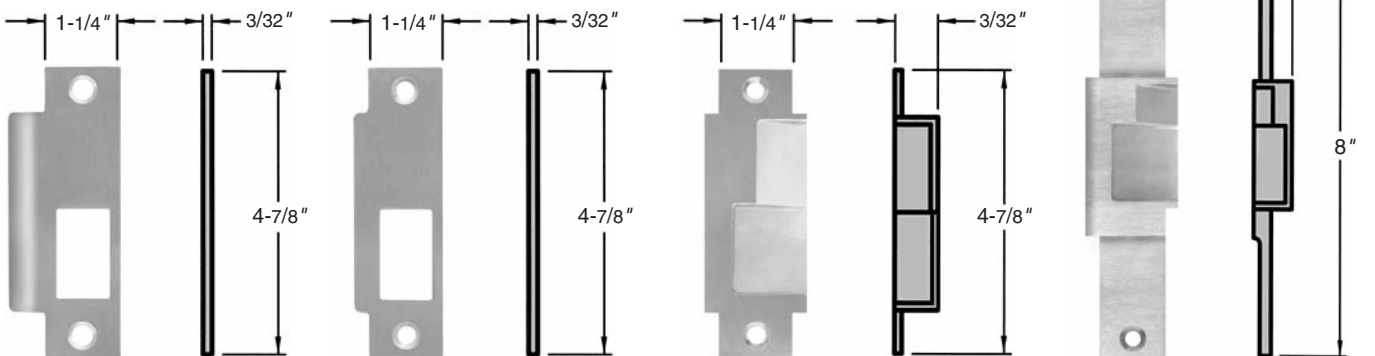


**S459 Optional Rim Strike**

For Non Fire Rated 100 & R100 Rim x Vertical Rod Device on a Pair of Doors without a Mullion. Black Powder Coated Investment Cast Stainless Steel.

**Mortise Exit Devices**

Open Back Strikes allow a pair of doors to open and close independently. Strikes are handed. Specify Hand same as Mortise Lock (e.g. RHRB).



**S982 Standard**

Curved lip.

**S983 Optional**

7/8" Flat Lip to center. For overlapping astragal.

**S984 Optional**

Open Back Strike For 4-7/8" x 1-1/4" door edge cutout.

**S985 Optional**

Open Back Strike For 8" x 1-1/4" door edge cutout.





**Mullion Cap  
MC822**



**Key Removable  
Mullion Cap  
KMC822**  
(Rim Cylinder required)



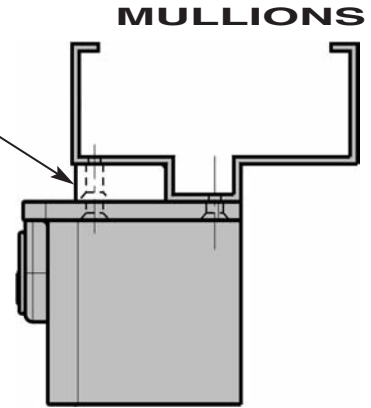
**Mullion Cap Spacer  
MCS822**



**Interlock  
S1447**



**Stabilizer  
ST989**



**Mullion Base  
MB822**



**Mullion Cap  
MC811**



**Mullion Base  
MB811**

**Removable Mullions**

The Mullion is used to adapt a double door opening to two single door openings with Rim Exit Devices. When the full width of an opening is required, the mullion may be removed.

**KEY REMOVABLE MULLION (KR)** - Provides a secure yet quick & easy means of removing the 822 or FL822 Mullion. The mullion can be reinstalled and locked without the need of the key.

**STOCK SIZE** - For openings 8'-0" high. For openings less than 8'-0" high the mullion can be cut down. For openings greater than 8'-0" high using the 822, KR822 or 811 mullions, consult factory.

**FINISHES** - 600, 689, 695. For Finish description see page 3.

**822, FL822, KR822, FLKR822 Mullion**

**U.L. LISTED** - FL822 and FLKR822 listed for Fire Exit Hardware. For FIRE LABEL RATING Chart see page 15.

**MULLION** - 2" x 3" Steel.

**MULLION BASE** - Investment Cast Steel, 2" wide 3-1/2" deep. Furnished with steel anchors for concrete floors.

**INTERLOCK** - Black Powder Coated Investment Cast Stainless Steel. Furnished standard for FL822 and FLKR822 Mullions. It interlocks the mullion to the Rim Active Case and S300 or S301 Strike.

**STABILIZERS** - Black Powder Coated Steel. Stabilizers are furnished standard for FL822 and FLKR822 Mullions.

**MULLION CAP SPACER** - Minimum width 3-1/2". For 2-1/4" frame spacer specify part no. MCS822.

**HC822, HCKR822 Mullion**

**822, FL822 MULLION CAP** - MC822 Investment Cast Steel, 4 wide 3-5/8 deep.

**KR822, FLKR822 KEY REMOVABLE MULLION CAP ASSEMBLY** - Investment Cast Steel - can be ordered to convert existing 822 or FL822 mullions to Keyed Removable Mullions. Retrofits to the hole pattern of an MC822 Mullion Cap. To order specify KMC822 or KMC822F. For wire run information, please consult factory.

**CYLINDER** - Not furnished standard - Rim Type required. See page 13 for cylinder details.

**811 Mullion**

**MULLION** - 2" x 2" Steel Mullion.

**MULLION CAP** - Cast 4-1/2" wide x 2-5/16", furnished with machine screws for metal frames.

**MULLION BASE** - Cast 2" wide x 2-3/4", furnished with sheet metal screws and plastic anchors.

**To Order:** Specify Mullion No. Height Finish (e.g. 822 x 8'-0" x 600)

**ACCESSORIES**  
**Back Plate Assemblies**



**BP103**

Back plate assembly for 100, R100, FL100 and FLR100 Devices to convert to Night Latch (03) function.



**BP108**

Back plate assembly for 100, R100, FL100 and FLR100 Devices to convert to thumbpiece (05, 15) or knob/lever (08, 14) functions.

**Miscellaneous**



**Dogging Key**  
**DK220** - 7/32" standard hex.



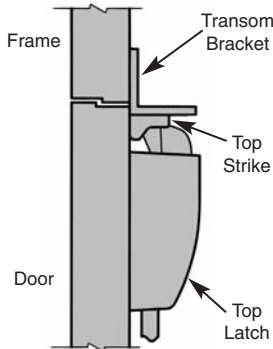
**Rod Guide**  
**RG124** - For Surface Vertical Rod Devices. Specify finish.



**Hex Wrench**  
**5/32"** - To secure crossbar plugs to crossbar.



**Crossbar Plug**  
**CP1038** For all Devices. Furnished with 10-32" x 7/8" socket cap head machine screw.



**Transom Bracket** - 2200 Series.

**TMB453** - To mount the top strike in the flush transom application. Prepped for S300 Strike.



**Top Rod** - 2200 and FL2200 Series. Three stock lengths available for 7'-0", 8'-0", and 10'-0" high doors.

**TR1854** - For 7'-0" doors, rod is 36" long.

**TR1855** - For 8'-0" doors, rod is 48" long.

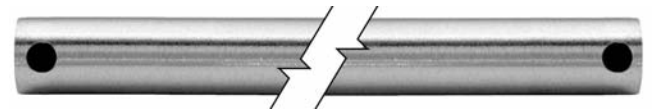
**TR1857** - For 10'-0" doors, rod is 72" long.

For doors of lesser height rods must be field cut. Specify finish (see page 3 for Finish Descriptions).



**Bottom Rod** - 2200 and FL2200 Series.

**BR1859** - For Touchbar location at 39-15/16" from finished floor, rod is 32-5/16" long. Specify finish (see page 3 for Finish Descriptions).

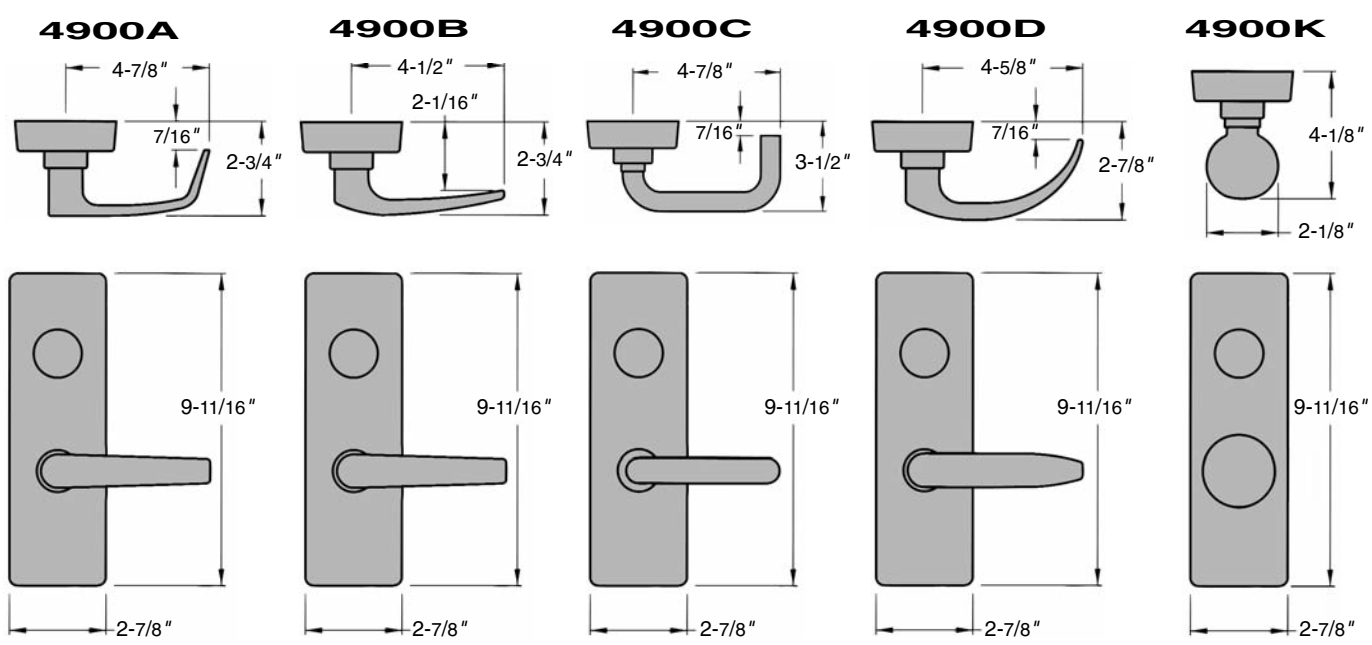
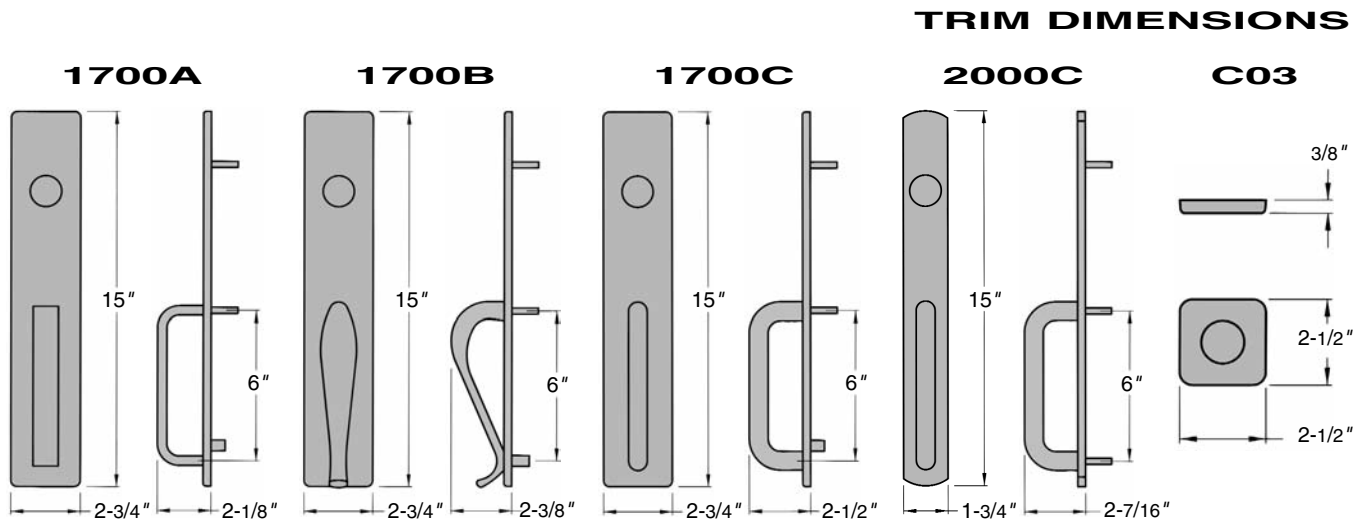


**Crossbar** - Two stock lengths available for 3'-0" and 4'-0" wide doors. For doors of lesser widths, bars must be field cut. Reinforced Crossbar and Knurled Crossbar options are available. Specify finish (see page 3 for Finish Descriptions).

**Less Dogging**

Available for all Olympian Series Devices except Fire Exit

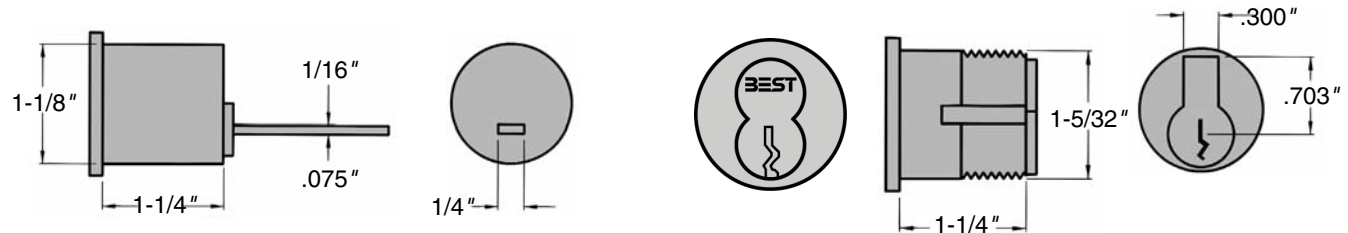
	<b>3-0 Door</b>	<b>4-0 Door</b>
Standard	30-3/4 Long CB123	42-3/4 Long CB124
Reinforced	CBR123	CBR124
Knurled	CBK123	CBK124



Lever Centerline 38-3/16" from Finish Floor when Device Centerline is 39-15/16".

**CYLINDERS**

Cylinders are not furnished standard with the device or trim. BEST 7-pin core standard. Available in 612 and 626 Finish. Specify Type and Finish when ordering. (e.g. 1E74 x 626)



**Rim Cylinder - 1E72 x Finish**

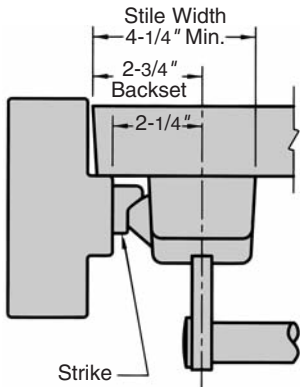
**Mortise Cylinder - 1E74-C4 x Finish**

- Required for:
- Rim Exit Device Outside Trims
  - Vertical Rod Exit Device Outside Trims
  - Key Removable Mullion

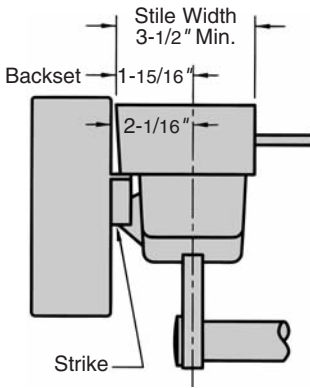
- Required for:
- Mortise Exit Device Outside Trims



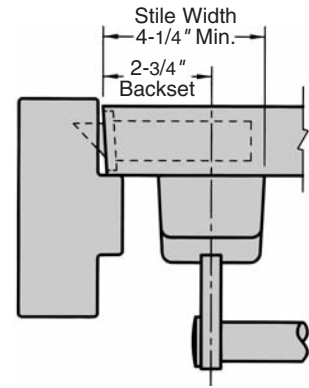
**MINIMUM STILE WIDTH**  
**Single Doors – Rim Devices**



**Rim Device with S300  
 OR S301 Strike**

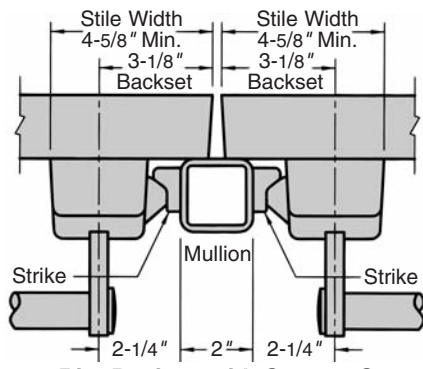


**Rim Device with S988 Strike For  
 3-1/2" medium stile Aluminum  
 doors and frames. Consult factory.**

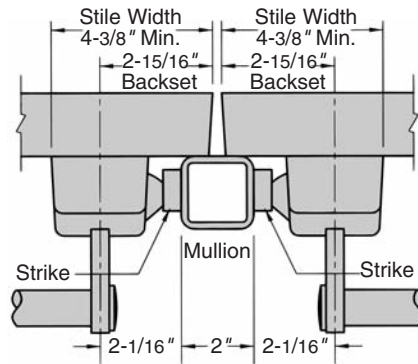


**Mortise Device**

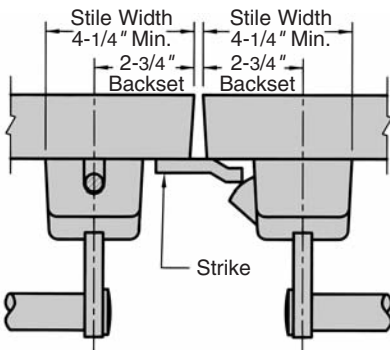
**Pair of Doors, Rim Devices**



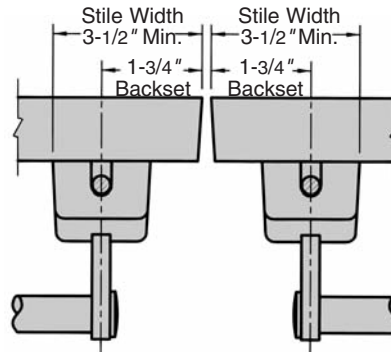
**Rim Devices with S300 or S301  
 Strikes and Mullion**



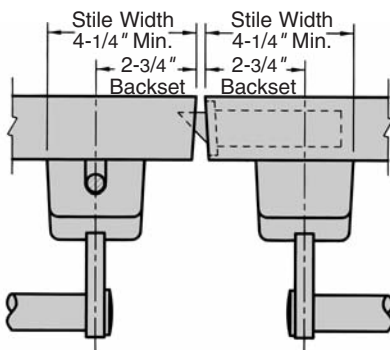
**Rim Devices with S458  
 Strikes and Mullion**



**Rim Device and Vertical Rod  
 Device with S459 Strike**



**Two Surface Vertical  
 Rod Devices**  
 For 3-1/2" medium stile  
 doors consult factory.



**Mortise and Surface  
 Vertical Rod Device**

**FIRE LABEL RATING**

Type and Application	Door Opening	Exit Device Series	UL Fire Door Rating					20 min. Door
			(A) 3 Hour	(B) 1-1/2 Hour	(C) 3/4 Hour	(D) 1-1/2 Hour	(E) 3/4 Hour	
<b>SINGLE DOOR</b>								
Rim Device	4'-0"W x 10'-0"H	FL100, FLR100	•	•	•	•	•	•
Mortise Device	4'-0"W x 10'-0"H	FL300	•	•	•	•	•	•
<b>PAIR OF DOORS</b>								
Two Rim Devices with Mullion	8'-0"W x 8'-0"H	FL100, FLR100 x FL822, FLKR822	•	•	•	•	•	•
Two Surface Vertical Rod Devices Swinging in the Same or Opposite Direction	8'-0"W x 10'-0"H	FL200, FL200LBR	•	•	•	•	•	•
Mortise Lock Device Surface Vertical Rod Device	8'-0"W x 10'-0"H	FL300 x FL200, FL200LBR	•	•	•	•	•	•

All Fire Exit Hardware conforms to UL10C and UBC 7-2.  
 Consult with Door Manufacturer for specific limitations on Fire Door Assemblies.





For more information on Stanley Security Solutions' products, services, and office locations visit our web site at [www.stanleysecuritysolutions.com](http://www.stanleysecuritysolutions.com)

Product information contained in this catalog has been compiled and presented with as much care and completeness as is reasonably possible. Errors or mistakes may be present, and in many cases, reliance has been placed on information supplied by other manufacturers which may be in error or which may be subject to changes or modifications by the manufacturer without notice and without obligation. Therefore, no guarantee can be made or should be assumed or implied with regards to product information contained in this catalog.



**Stanley Security Solutions, Inc.**

6161 E. 75th Street Indianapolis, Indiana 46250

[www.stanleysecuritysolutions.com](http://www.stanleysecuritysolutions.com)

© 2010 Stanley Security Solutions, Inc. and Stanley Logistics

10M R810  
PHI007

**STANLEY**

**phi**<sup>TM</sup>

APEX 2000 SERIES EXIT DEVICES



SOLID

SIMPLE

SECURE

Certified ANSI/BHMA 156.3 Grade 1

**STANLEY**

Security Solutions

# SOLID CONSTRUCTION

The Stanley Security Solutions Precision Hardware Apex 2000 Series Exit Devices feature an Active Case constructed from investment cast steel. The net result is locking hardware with a solid foundation to maintain the point of security. If the door receives a high level of abuse (such as kicking or pulling) you can be assured the latching point will remain stable.

UNIVERSAL FUNCTION  
Stock Friendly/Field Reversible

INVESTMENT CAST CONSTRUCTION  
Maximum Protection Against Forced Entry

RUBBER BUMPERS  
Noise Reduction

LOW PROFILE END CAPS  
No Pinch Point/Garment Snags

TRUE ARCHITECTURAL FINISHES  
Durable and Aesthetically Pleasing

SMOOTH CONTOUR  
No Exposed Fasteners

**STANLEY**

**phi**

# SIMPLE OPERATION

The reason so many Locksmiths and Facility Managers prefer the Precision Apex 2000 Series is the simple yet efficient design utilizing very few moving components for operation. This kind of simplicity and reliability often equates to a significant cost savings in operation and maintenance.





## SECURE TRAFFIC FLOW

The Apex 2000 Series provides reliable operation while maintaining secure openings throughout all traffic areas of an educational facility including classrooms, locker rooms, natatoriums, auditoriums, media centers, main entrances and cross-corridor doors.

The Apex 2000 Series is UL listed for panic and fire hardware and certified to ANSI A156.3 Grade 1. Additionally, several models are certified for hurricane resistant applications.

HEAVY DUTY  
OVERLOAD SPRINGS

INVESTMENT CAST  
STAINLESS STEEL

NO LEVER  
RESET REQUIRED





## APPLICATION SOLUTIONS

### Keyed Removable Mullion

822 Series Steel Removable Mullion provides efficient double-door entry/exit traffic flow while maintaining a solid point of latching. The keyed removable option facilitates a convenient larger temporary opening for facility personnel. The Mullion can be returned to the locked position without the need of the rim cylinder key.

### V4900 Series Vandal Resistant Lever Trim

In the locked position, the V4900 Series utilizes heavy-duty overload springs providing unmatched performance against heavy traffic and/or abuse. This results in a lever that withstands abuse with an automatic reset (no clutch reset required). Simple field-reversible installation provides stock flexibility. Available in a variety of lever styles and finishes.



### Narrow Style

Apex 2400 rim exit devices for use on narrow style applications. Investment cast construction with deadlocking latch-bolts provides reliable facility security on narrow style entry/exit applications.



### Concealed Vertical Rod

Two point concealed vertical rod latching provides additional security and aesthetic appeal. Available for use on a variety of wood, aluminum and hollow-metal applications.



### Double Egress

Double egress applications provide bi-directional security and traffic flow. Apex 2000 vertical rod exit devices are suitable for the various door types for these applications.



### Less Bottom Rod

Apex 2000 Less Bottom Rod (LBR) exit devices maintain security while providing ADA compliance. Eliminating the bottom rod and latch facilitates barrier-free traffic flow.





## The number one choice for school districts.



From installation to operation, locksmiths and facility managers across the nation agree that the Apex 2000 Series is the best option for K-12 educational facilities. That's because no other exit devices offer the level of functionality and dependability as provided by Precision Hardware's Apex 2000 Series. With its efficient engineering and rugged hardware, Apex 2000 Series Exit Devices represent the ultimate in safety, security and convenience.

Apex 2000 Series Exit Devices are built to meet the most demanding requirements of owners, architects and locksmiths. Finely machined parts ensure smooth operation of the touchbar while heavy duty investment cast components provide maximum protection against high traffic and abuse. And with its streamlined design combined with true architectural finishes, Apex 2000 Series Exit Devices are easily the most attractive exit hardware products on the market.



**STANLEY**

**phi**<sup>TM</sup>

## APEX 2000 SERIES EXIT DEVICES

Stanley Security Solutions offers the world's most comprehensive line of services, industry-leading products and cutting-edge technologies. With a powerful portfolio of top security brands and services specialized to meet customer needs, we deliver complete, customized solutions to any size facility. Our integrated team of 7,500+ employees, over 225 divisional offices and more than 1,000 mobile technicians provide an unparalleled level of system support and customer service. Our experts stand ready to respond to your needs 24 hours a day, 7 days a week.

**STANLEY**

**Security Solutions**

6161 EAST 75TH STREET | INDIANAPOLIS, IN 46250 | 800-711-6814

**StanleySecuritySolutions.com**

© 2009 Stanley Security Solutions, Inc.

B-346  
10M 2/09

STANLEY

phi

EXQ



STANLEY

BEST.  
ACCESS SYSTEMS



EXQ WIRELESS EXIT DEVICE TECHNOLOGY WITH LEVER TRIM

**STANLEY**  
Security Solutions

# INTRODUCING EXQ WIRELESS EXIT DEVICE TECHNOLOGY

To implement lock/unlock commands and maintain adequate monitoring, hardwire connectivity has traditionally been a necessary part of the application requirements. By integrating the Wi-Q™ software and portal gateway, the EXQ battery powered exit device trim can maintain lock/unlock and monitoring status based on the respective desired wireless command.

The user can perform a lock function of the EXQ lever trim locally or with a remote wireless command. Transactional data is stored at the EXQ trim and the facility host/software. In doing so, the EXQ trim can remain functionally independent should a system failure occur.

To support the various facility-manager and/or architectural requirements, the EXQ trim is available for order with a Magnetic Stripe Reader, Proximity Reader or Dual Validation.

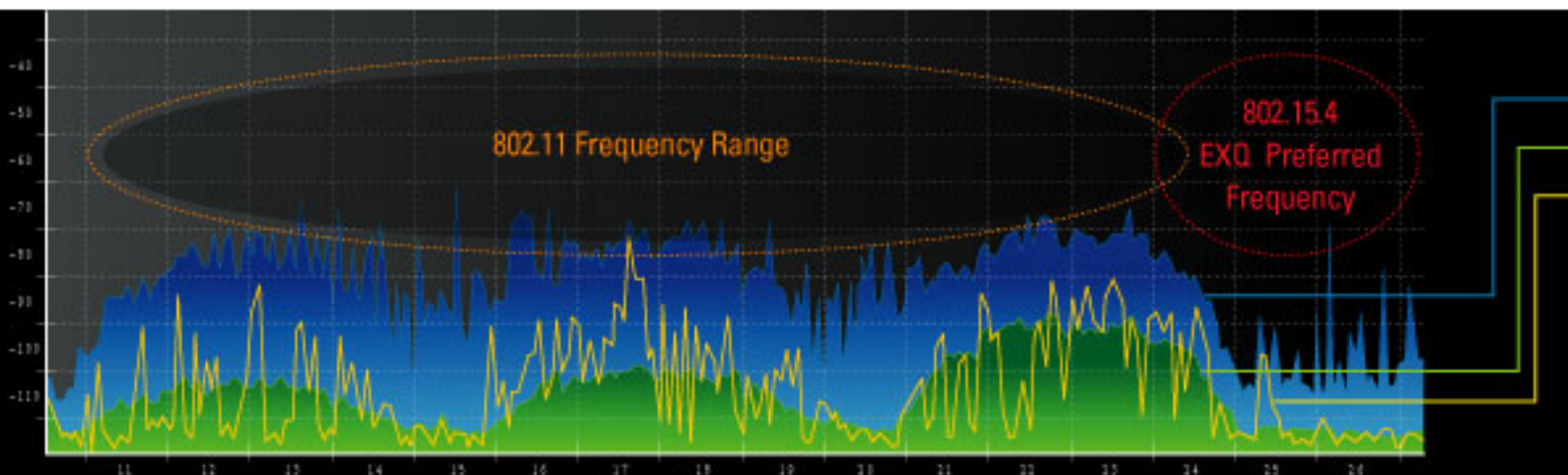


Precision Hardware  
Q2103 Rim Exit Device

BEST EXQ Wireless  
Exit Device Lever Trim

## EXQ Features

- Remote wireless and/or local exit device trim lock/unlock capability (Based on adjustable beacon time)
- Redundant wireless communication secured through 128 bit AES encryption
- .15 FCC Certified
- Patented wireless technology
- Three point application wireless monitoring latch-bolt, touchbar and door position switch status
- Wireless retrofit converting existing B.A.S.I.S. V/G and NT500 offline readers into online solution
- Facility security integration with programmable time selections
- 65,000 user storage
- Visual LED indicators (On the EXQ trim Escutcheon)
- Redundant storage for up to 99,000 events
- Online alarm monitoring



TYPICAL FREQUENCY SPECTRUM



STANLEY

phi



STANLEY

BEST  
ACCESS SYSTEMS

## Apex Q-2000 Features

The Q-2000 Series exit device incorporates touchbar and latch-bolt monitoring terminated through the active case directly to the BEST EXQ trim. In doing so, the touchbar and latch-bolt status is monitored using the Wi-Q™ software via the Portal Gateway. Consequently, the respective opening has complete push and latch-bolt monitoring. Additionally, all EXQ trims come equipped with a door position switch providing comprehensive monitoring to the respective opening.



- U.L. Listed for Panic & Fire - 3 Hour
- Certified ANSI/BHMA 156.3 Grade 1
- N.O.A. Notice of Acceptance Miami-Dade Hurricane Listing
- UL10C & UBC 7-2
- Field Reversible
- Active Case - Investment Cast Construction
- 8 True Architectural Finishes
- Universal Function
- Few Moving Components

## Ensuring speed and efficiency when it matters the most.

The Wi-Q™ system communicates at 2.4 GHz using spread spectrum. Additionally, it utilizes an 802.15.4 protocol with clear channels above 802.11 to follow Wi-Fi interoperability. The 802.15.4 protocol is a significant feature providing command/monitoring signals on networks that are far less crowded than traditional Wi-Fi frequencies. The net result is a more efficient Wi-Q communication.



Blue represents peak traffic

Green is average

Yellow is real time

As shown on the right within the graph, channels 25 and 26 represent a much lower interference level and are used exclusively with an 802.15.4 frequency.

If required Stanley's Wi-Q™ technology can be used across the entire channel grid. However, channels 11 to 24 represent a greater chance for communication interference.

# EXQ



EXQ



WIRELESS EXIT DEVICE TECHNOLOGY WITH LEVER TRIM

Stanley Security Solutions offers the world's most comprehensive line of services, industry-leading products and cutting-edge technologies. With a powerful portfolio of top security brands and services specialized to meet customer needs, we deliver complete, customized solutions to any size facility. Our integrated team of 7,500+ employees, over 225 divisional offices and more than 1,000 mobile technicians provide an unparalleled level of system support and customer service. Our experts stand ready to respond to your needs 24 hours a day, 7 days a week.



6161 EAST 75TH STREET | INDIANAPOLIS, IN 46250 | 800-711-6614

[StanleySecuritySolutions.com](http://StanleySecuritySolutions.com)

© 2009 Stanley Security Solutions, Inc.

B-347  
5M 2/09



**STANLEY**  
Security Solutions



*Decorative Lever Designs*

STANLEY

phi

STANLEY

 **BEST**  
ACCESS SYSTEMS

Lever designs are available in the following series:

● Exit Device   ■ Mortise   ▲ Cylindrical   ✎ Handed



3 & C ● ■

4 & K ● ■ ▲

12 ● ■

14 & D ● ■ ▲

15 & A ● ■ ▲

16 & B ● ■ ▲

17 ● ■ ✎

50 ■

51 ● ■

52 ● ■ ✎

53 ■

54 ● ■

55 ■

60 ■ ✎

61 ■ ✎

62 ■

63 ■

64 ■

65 ● ■ ✎

66 ● ■ ✎

67 ■

68 ● ■ ✎

69 ● ■ ✎

70 ● ■ ✎

71 ■ ✎

72 ■

73 ■ ✎

74 ■ ✎

75 ■

76 ■

77 ■ ✎

78 ■ ✎

79 ■

80 ■ ✎

81 ■

82 ■

83 ■ ✎

84 ■

85 ■

86 ■

87 ■

88 ■ ✎

89 ■

90 ■ ✎

91 ● ■



**A**s the premier supplier of quality door hardware, Stanley Security Solutions (Stanley) has established a solid reputation providing comprehensive solutions for a variety of architectural hardware applications. Building on that reputation and through close collaboration with industry professionals, Stanley is proud to offer an expanded array of decorative levers for BEST™ locksets and Precision Hardware Apex 2000 Series exit devices in wide and narrow stiles.

**STANLEY**  
**Security Solutions**

Each decorative lever incorporates a unique design developed to suit a growing market demand for elegance and sophistication on high-end, non-residential applications such as hotels, resorts, office buildings, museums, and convention centers among others. The decorative levers comply with ADA (Americans with Disabilities Act), and are available in a variety of architectural finishes including Stanley's antimicrobial UltraShield™ coating for 626 and 630 finishes. Equally important, each decorative lever has undergone rigorous testing exceeding industry standards for function and finish durability to ensure your complete satisfaction.



**ADA-Americans With Disabilities Act:**

The design and operation of the mortise lock meets the intent of the standard for ANSI A117.1 section 404.2.6.

**Builders Hardware Manufacturers Association:**

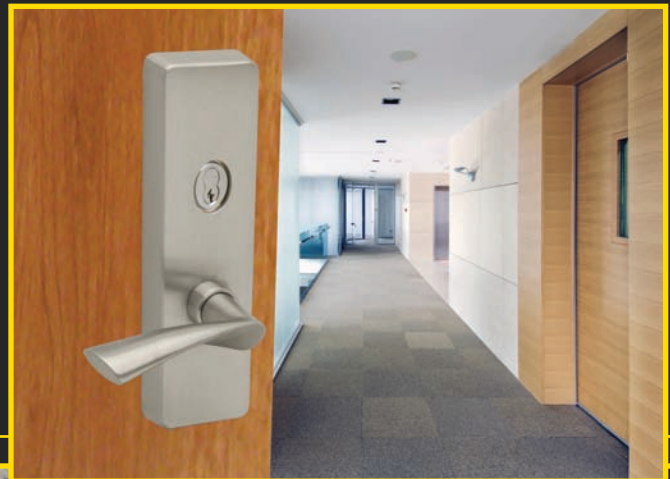
ANSI A156.13, Series 1000, Grade 1 Operational, Strength, and Security. To meet Grade 1 Security, drill resistant cores (1CD, 1CDP, 1CDF, and 1CDX) must be used with escutcheon trims, and 1E7K4 high security cylinder must be used with sectional trims (H, R, and S).

**Underwriters Laboratories®**

The 40H series is listed by Underwriters Laboratories for use on a 3 hour A label doors. These locks also carry the C-UL mark which is officially accepted in all of Canada, indicating compliance with appropriate Canadian standards and codes.

**UltraShield™**

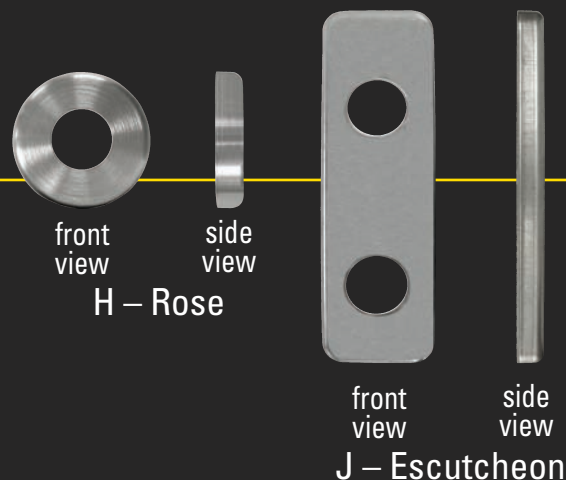
The UltraShield protection is limited to the product's surface and is not meant to be a substitute for good hygiene. Stanley recommends instituting and maintaining a thorough cleaning regimen of all your door hardware.



### Mortise – standard levers/knob



### H-Rose / J Escutcheon



### Mortise Specifications:

#### Lever handle:

Standard designs – Brass, bronze, or stainless steel base material.  
Decorative designs – Stainless steel base material with applied finish.

#### Roses:

Wrought brass, bronze, or stainless steel base material.  
H – Flat w/ round edge, 2<sup>3</sup>/<sub>4</sub>" dia.  
R – Contoured w/ round edge, 2<sup>3</sup>/<sub>4</sub>" diameter.  
S – Flat w/ beveled edge, 3<sup>1</sup>/<sub>2</sub>" dia.

#### Escutcheons:

J – Wrought brass, bronze, or stainless steel base material, 7<sup>1</sup>/<sub>2</sub>" H x 2<sup>9</sup>/<sub>32</sub>" W x 1<sup>7</sup>/<sub>32</sub>" T.  
M & N – Forged brass, bronze, or stainless steel, 8" H x 2<sup>1</sup>/<sub>8</sub>" W x 1<sup>1</sup>/<sub>64</sub>" T, through-bolt mounted (no exposed screws outside).  
M – Standard cylinder; N – Concealed cylinder.

#### Finishes\*:

605, 606, 611, 612, 613, 625, 626, 626AM\*\*, 629, 630, 630AM\*\*, 690

\* Decorative lever designs use stainless steel base material with an applied finish.

\*\* 626AM – Satin Chrome Plated with UltraShield™ Antimicrobial coating

\*\*\* 630AM – Satin Stainless Steel with UltraShield™ Antimicrobial coating

Note: All lever height dimensions from the door face are based on rose escutcheons. When "J" escutcheons are used, height increases by 1/32".

Note: For more detail information on finishes refer to page 14.

### Mortise – Rose styles



H-rose mortise



R-rose mortise



S-rose mortise



Lever designs are available in the following series:

● Exit Device    ■ Mortise    ▲ Cylindrical    ✎ Handed

**STANLEY**<sup>®</sup>

Security Solutions

*Exit trim – Escutcheons*

*Mortise trim – Escutcheons*



Standard escutcheon exit device



Narrow escutcheon exit device



J escutcheon mortise



M escutcheon mortise



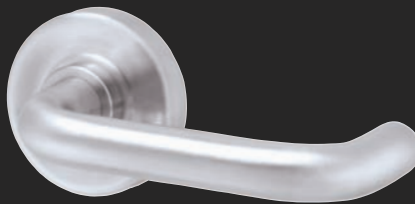
N escutcheon mortise

Note: For all lever heights from door face the "H" rose dimensions were used. For "J" escutcheons add 3/64".

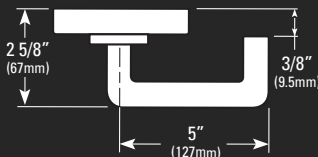
*Mortise – standard levers/knob*



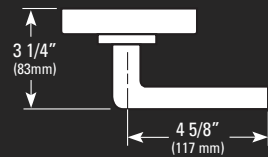
knob - 4 ● ■ ▲  
rose - H



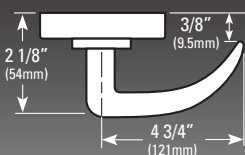
lever - 3 ● ■  
rose - R



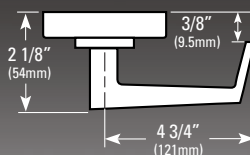
lever - 12 ■  
rose - S



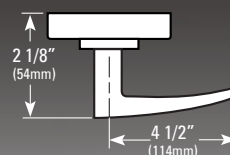
lever - 14 ● ■ ▲  
rose - H



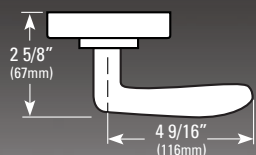
lever - 15 ● ■ ▲  
rose - H



lever - 16 ● ■ ▲  
rose - H



lever - 17 ■ ✎  
rose - H



Lever designs are available in the following series:

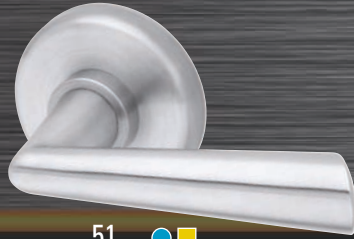
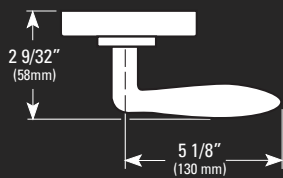
● Exit Device   ■ Mortise   ▲ Cylindrical   ✎ Handed

### Mortise – decorative levers

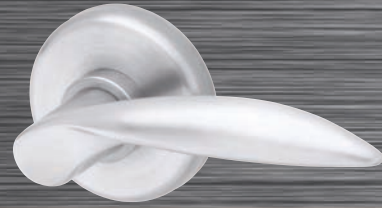
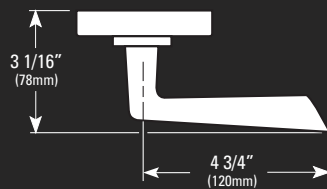
Note: For all lever heights from door face the “H” rose dimensions were used. For “J” escutcheons add 3/64”.



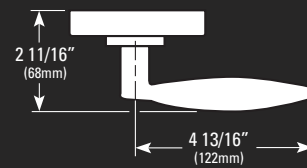
50 ■



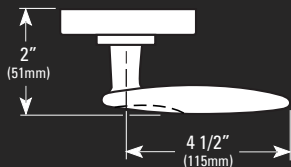
51 ● ■



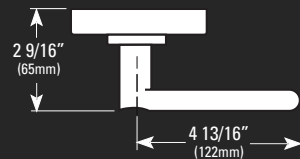
52 ● ■ ✎



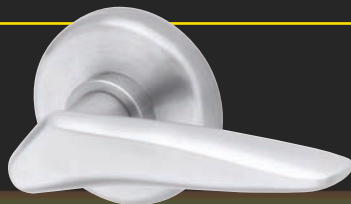
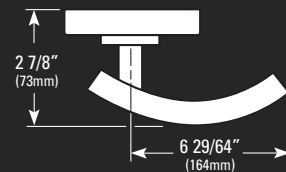
53 ■



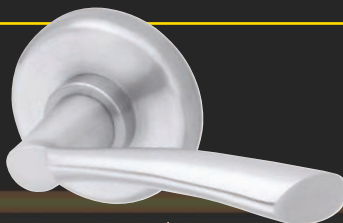
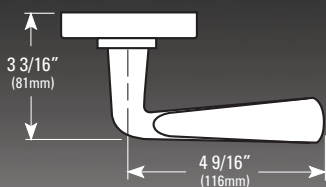
54 ● ■



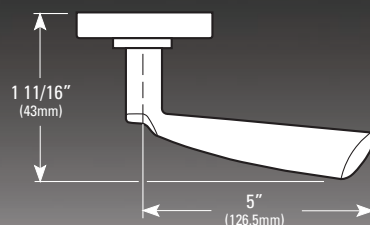
55 ■



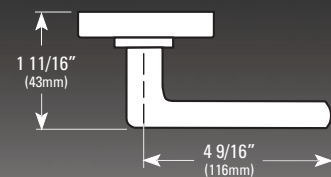
60 ■ ✎



61 ■ ✎



62 ■



Lever designs are available in the following series:

● Exit Device   ■ Mortise   ▲ Cylindrical   ✎ Handed

**STANLEY**<sup>®</sup>

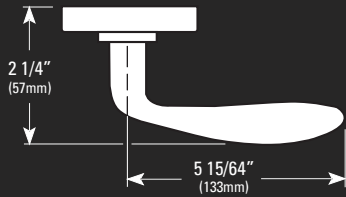
Security Solutions

Note: For all lever heights from door face the "H" rose dimensions were used. For "J" escutcheons add 3/64".

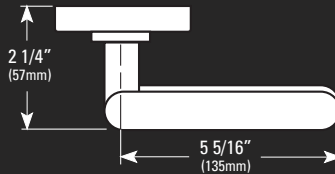
*Mortise – decorative levers (continued)*



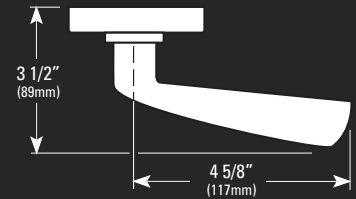
63 ■



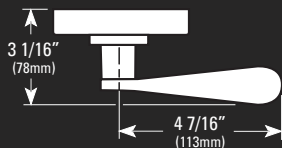
64 ■



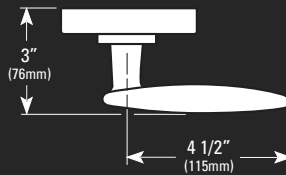
65 ● ■ ✎



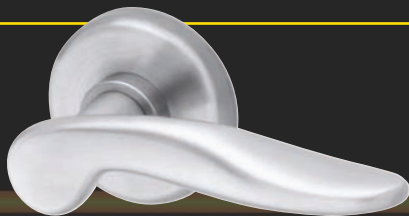
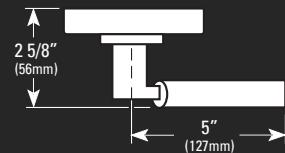
66 ● ■ ✎



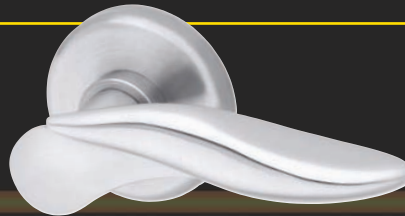
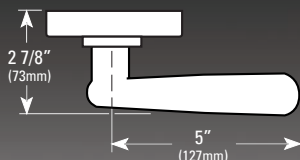
67 ■



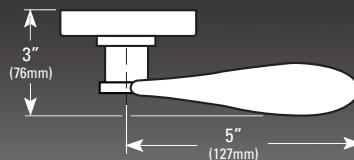
68 ● ■ ✎



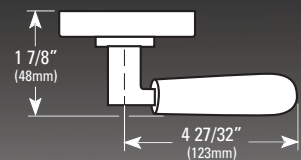
69 ● ■ ✎



70 ● ■ ✎



71 ■ ✎





# STANLEY

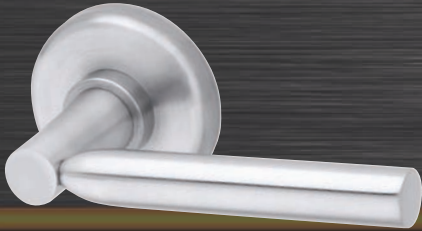
## Security Solutions

Lever designs are available in the following series:

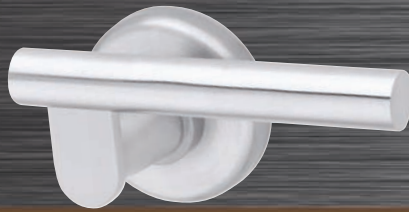
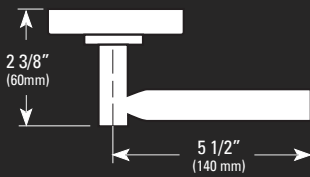
● Exit Device   ■ Mortise   ▲ Cylindrical   ✎ Handed

### Mortise – decorative levers (continued)

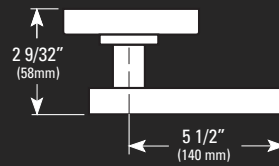
Note: For all lever heights from door face the “H” rose dimensions were used. For “J” escutcheons add 3/64”.



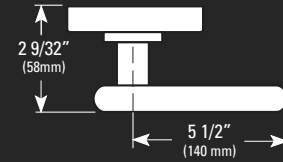
72 ■



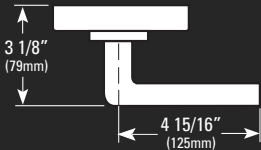
73 ■ ✎



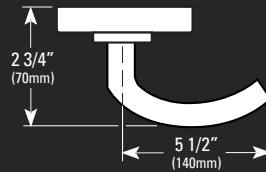
74 ■ ✎



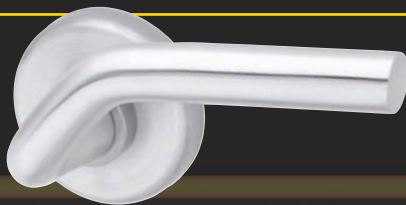
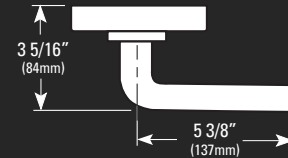
75 ■



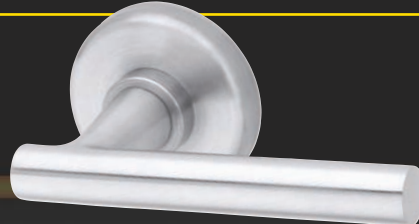
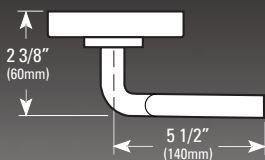
76 ■



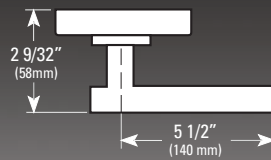
77 ■ ✎



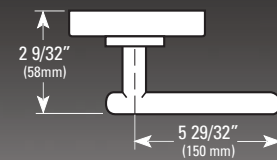
78 ■ ✎



79 ■



80 ■ ✎



Lever designs are available in the following series:

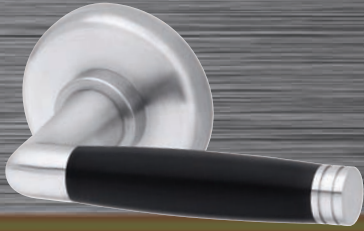
● Exit Device   ■ Mortise   ▲ Cylindrical   ✎ Handed

**STANLEY**<sup>®</sup>

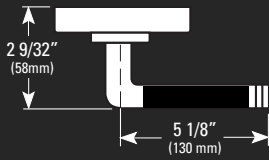
Security Solutions

Note: For all lever heights from door face the "H" rose dimensions were used. For "J" escutcheons add 3/64".

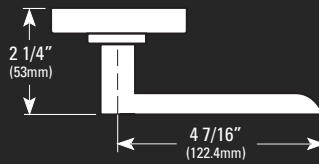
*Mortise – decorative levers (continued)*



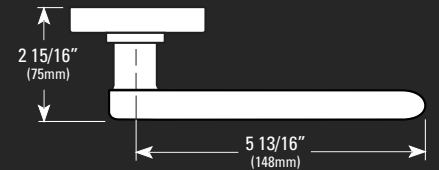
81 ■



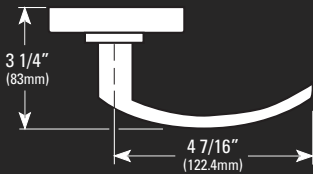
82 ■



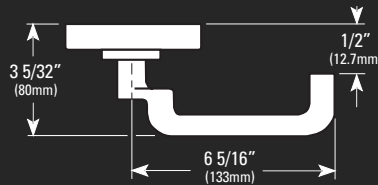
83 ■ ✎



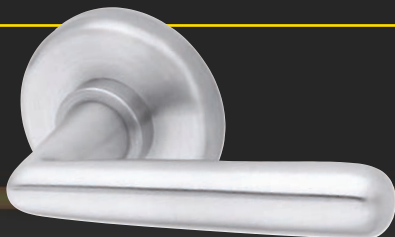
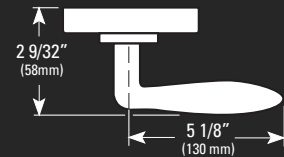
84 ■



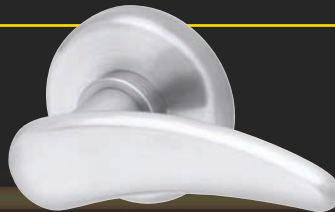
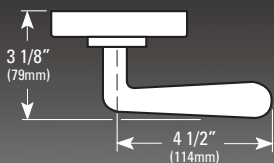
85 ■



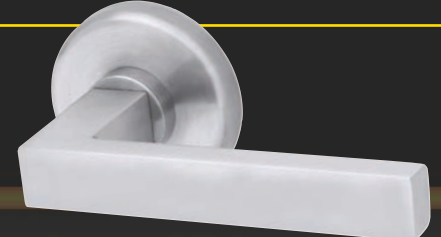
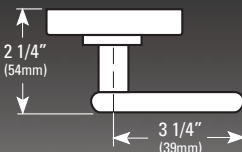
86 ■



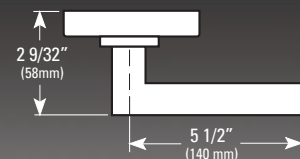
87 ■



88 ■ ✎



89 ■





Lever designs are available in the following series:

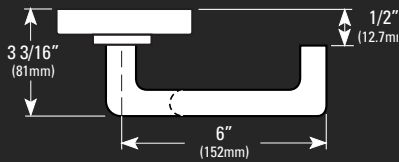
● Exit Device    ■ Mortise    ▲ Cylindrical    ✎ Handed

*Mortise – decorative levers (continued)*

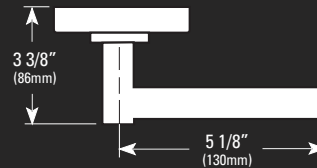
Note: For all lever heights from door face the “H” rose dimensions were used. For “J” escutcheons add 3/64”.



90 ■ ✎



91 ● ■



*Exit Device – standard levers/knob*



**Exit Device Specifications:**

**Lever handle:**

Standard designs – Brass, bronze, or stainless steel base material.

Decorative designs – Stainless steel base material with applied finish.

- Specify lever/knob design (A,B,C,D,K) and handing (“A” Lever RHRB furnished standard).

**Finishes\*:**

605, 606, 612, 613, 625, 626, 626AM\*\*

\* Decorative lever designs use stainless steel base material with an applied finish.

\*\* 626AM – Satin Chrome Plated with UltraShield™ Antimicrobial coating

Note: If 630/630AM finish is ordered 626/626Am will be supplied.

Note: For more detail information on finishes refer to page 14.

Lever designs are available in the following series:

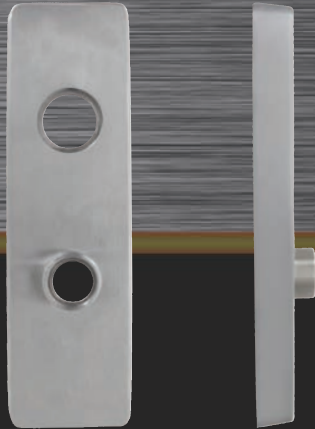
● Exit Device    ■ Mortise    ▲ Cylindrical    ✎ Handed

**STANLEY**

Security Solutions

4900/2900 Escutcheons

4900 Standard



front view

side view

2900 Narrow



front view

side view

Note: For all lever heights from door face the 4900 escutcheon dimensions were used. For 2900 escutcheons subtract 5/8".

Exit Device – standard levers/knob



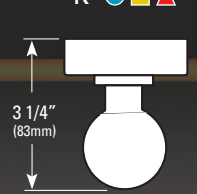
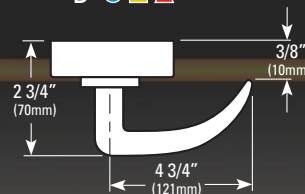
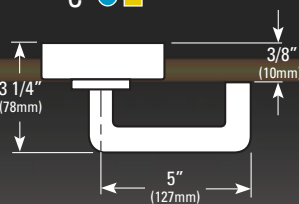
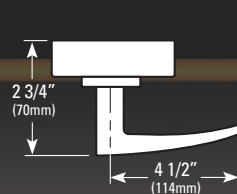
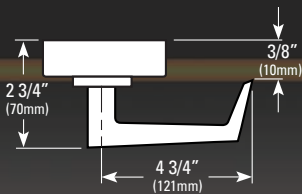
A ● ■ ▲

B ● ■ ▲

C ● ■

D ● ■ ▲

K ● ■ ▲



Lever designs are available in the following series:

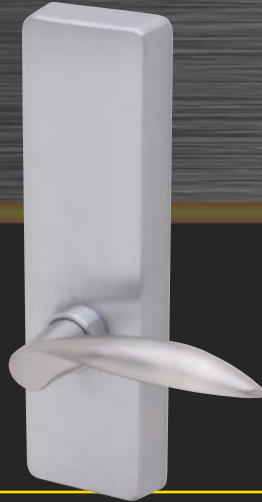
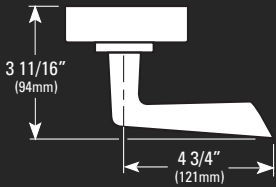
● Exit Device    ■ Mortise    ▲ Cylindrical    ✎ Handed

*Exit Device – decorative levers*

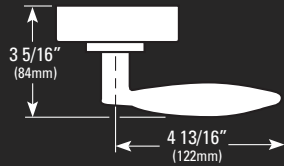
Note: For all lever heights from door face the 4900 escutcheon dimensions were used. For 2900 escutcheons subtract 5/8".



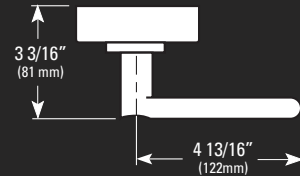
51 ● ■



52 ● ■ ✎



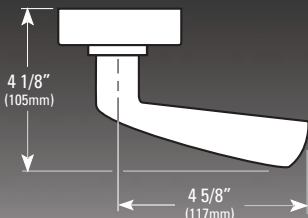
54 ● ■ ✎



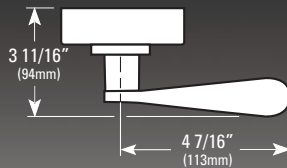
Note: All dimensions are based on 4900 trim escutcheons. For 2900 trims subtract 5/8".



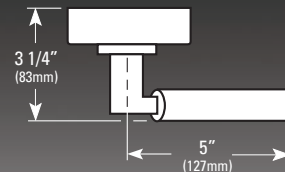
65 ● ■ ✎



66 ● ■ ✎



68 ● ■ ✎





Lever designs are available in the following series:

● Exit Device    ■ Mortise    ▲ Cylindrical    ✎ Handed

**STANLEY**<sup>®</sup>

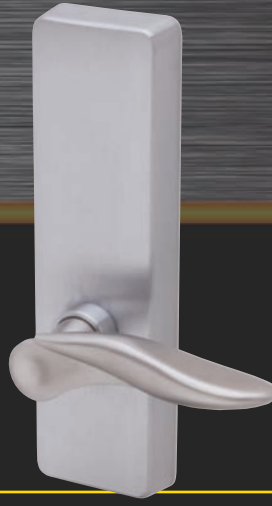
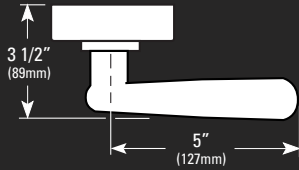
**Security Solutions**

Note: For all lever heights from door face the 4900 escutcheon dimensions were used. For 2900 escutcheons subtract 5/8".

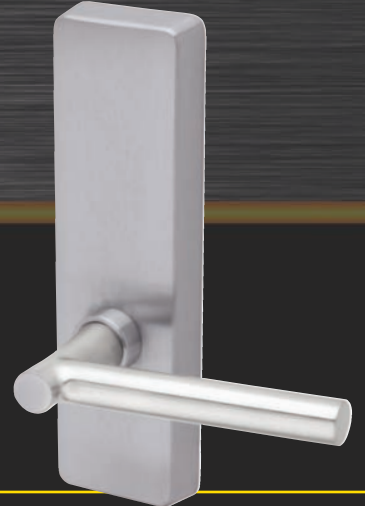
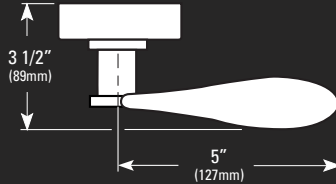
*Exit Device – decorative levers (continued)*



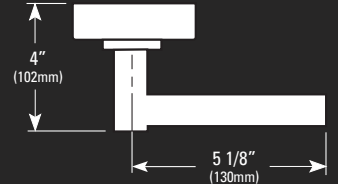
69 ● ■ ✎



70 ● ■ ✎



91 ● ■ ✎



### Finishes

Finishes add beauty as well as durability to finish hardware. For that reason Stanley Security Solutions (Stanley) offers a variety of finishes to suit the most popular tastes and the most grueling environments. When choosing finishes keep the following factors in mind:

- Interior elements such as cleaners, chlorine, or solvents
- Exterior elements such as direct sunlight, salt spray, or rain
- Frequency of use
- Harshness of use
- Aesthetic needs

- Mortise
- Exit Device



605 ■ ●



606 ■ ●



611 ■



612 ■ ●



613 ■ ●



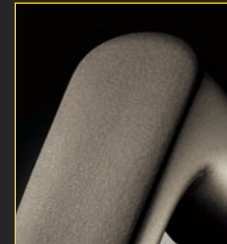
625 ■ ●



626 ■ ●



630 ■



690 ■



626AM ■

BHMA	Fed. Spec.	Description
605	US3	Bright Brass, Clear Coated
606	US4	Satin Brass, Clear Coated
611	US9	Bright Bronze, Clear Coated
612	US10	Satin Bronze, Clear Coated
613	US10B	Oxidized Satin Bronze, Oil Rubbed
618	US14	Polished Nickel Plated
619	US15	Satin Nickel Plated
622	US19	Flat Black
625	US26	Bright Chromium Plated
626	US26D	Satin Chromium Plated
627	US27	Satin Aluminum, Clear Coated
628	US28	Satin Aluminum, Clear Anodized
629	US32	Bright Stainless Steel
630	US32D	Satin Stainless Steel
690	US20	Dark Bronze, Powder Coated
626AM	-	Satin Chromium Plated with UltraShield™ antimicrobial coating
630AM	-	Satin Stainless Steel with UltraShield™ antimicrobial coating



630AM ■ ●



### How to Order – Mortise trims

Series	Core Housing	Function	Lever/Knob	Trim	Handing	Finishes
<b>45H</b> – std. lock <b>47H</b> – high security	<b>7</b> – 7 pin housing accepts all BEST cores	<b>A</b> – office <b>D</b> – office <b>L</b> – privacy <b>N</b> – classroom etc.	<b>Standard levers</b> – 3, 12, 14, 15, 16, 17 <b>Standard knob</b> – 4 <b>Decorative levers:</b> i.e., 51	<b>45H</b> H, R, S, J, M, N <b>47H</b> H, R, S, M	<b>RH</b> <b>LH</b> <b>RHRB</b> <b>LHRB</b>	<b>605 626</b> <b>606 626AM</b> <b>611 629</b> <b>612 630</b> <b>613 630AM</b> <b>625 690</b>

### How to Order – Exit Device trims

Trim Series	Trim Functions	Lever/knob	Handing	Finishes
<b>2900</b> – Narrow style <b>4900</b> – Wide style	<b>02</b> – dummy trim <b>03</b> – key retracts latchbolt <b>08</b> – key locks/unlocks lever <b>14</b> – No cylinder, lever always active	<b>Standard levers</b> – A, B, C, D <b>Standard knob</b> – K <b>Decorative levers:</b> i.e., P51	<b>RHRB</b> <b>LHRB</b>	<b>605 606</b> <b>612 613</b> <b>625 626</b> <b>626AM</b>





Stanley Security Solutions offers the world's most comprehensive line of services, industry-leading products and cutting-edge technologies. With a powerful portfolio of top security brands and services specialized to meet customer needs, we deliver complete, customized solutions to any size facility. Our integrated team of 13,000 global employees, over 225 sales and service offices and more than 1,000 mobile technicians, provide an unparalleled level of system support and customer service. Our experts stand ready to respond to your needs 24 hours a day, 7 days a week.



6161 East 75th Street | Indianapolis, In 46250  
©2011 Stanley Security Solutions, Inc. • [www.stanleysecuritysolutions.com](http://www.stanleysecuritysolutions.com)

B-366 02/11



**STANLEY**



## ***PRECISION HARDWARE EXIT DEVICES***

Precision Hardware Inc. (PHI) offers a comprehensive line of UL Listed and ANSI/BHMA Grade 1 exit devices for a variety of egress applications. Precision Hardware exit devices have a solid reputation for strength and reliability. The Apex and Olympian Series exit devices are manufactured with investment cast steel for strength and security. All working mechanisms are encased in a heavy-duty solid brass, bronze, aluminum or stainless steel housing incorporating true architectural finishes.

The Precision Hardware product portfolio offers significant value to the various facility mechanical and/or electrical application requirements.

- BHMA Certified ANSI 156.3 Grade 1
- U.L. Listed 3 Hour Fire Label
- ADA Compliant
- True Architectural Finishes on Brass, Bronze, and Stainless Steel Base Materials
- Investment Cast Construction
- Vandal Resistant Lever Trim – No Lever Reset Required
- Multiple Functions and Styles Including a Complete Range of Electro-Mechanical Features



[www.precisionhardware.com](http://www.precisionhardware.com)

Customer Service 1-800-392-5209

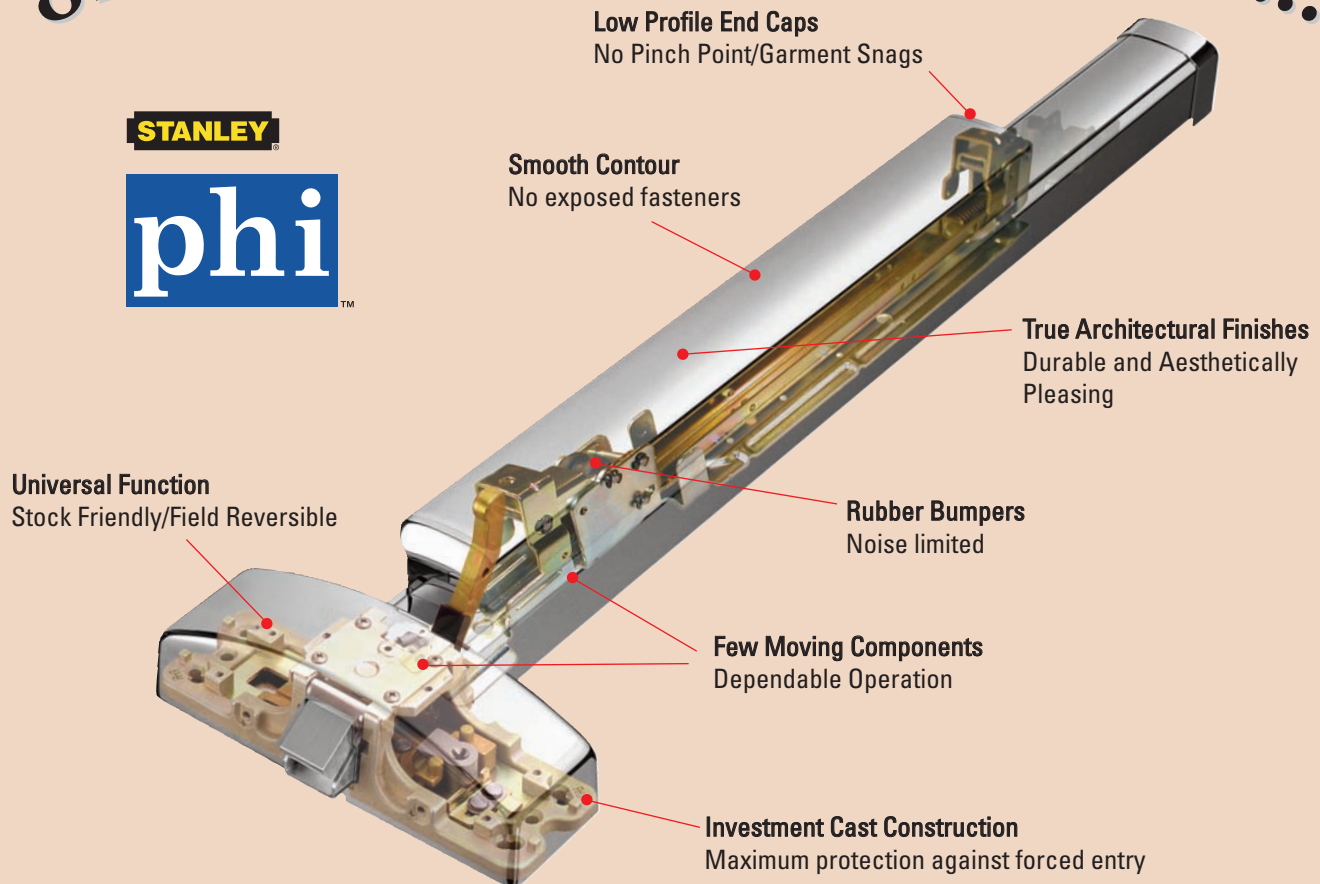
Testing update on reverse side.

## PRECISION HARDWARE APEX 2000 SERIES

# 8 Million Cycles – Still Going.....

**STANLEY**

**phi**



Recent ANSI/BHMA – 156.3 exit device testing has confirmed what many industry professionals have known for years. The Precision Hardware Apex 2000 Series is the most reliable exit device product available. During recent testing, the Apex 2100 rim type exit device successfully completed EIGHT MILLION operational cycles far exceeding the minimum 500,000 cycles required by Grade 1 standards.

Prior to the initial testing and after each subsequent millionth cycle, a test audit was performed by an authorized UL inspector. In doing so, the Apex 2100 was confirmed to have maintained the necessary loaded and unloaded operational force requirements as defined in the ANSI/BHMA 156.3 Grade 1 test procedures.

Incorporating unmatched design and construction features, the Precision Hardware Apex 2000 Series exit devices have been the preferred products for many of the nation's educational, healthcare, retail, transportation and hospitality facilities. Since 1946, architectural hardware consultants and facility managers have come to rely on the dependable performance of the Precision Hardware product offering.

Our continued commitment to providing the best quality builders hardware has been achieved through collaborative customer feedback and a continued commitment towards product improvement.

[www.precisionhardware.com](http://www.precisionhardware.com)

Third party documentation available upon request  
Customer Service 1-800-392-5209 – April, 2011