



A TEREX BRAND

Parts Manual

Serial Number Range

S-45XC

from SN S45XCD-101

Part No. 1300315GT
Rev: A1
March 2021

Technical Publications

Genie has endeavored to deliver the highest degree of accuracy possible. However, continuous improvement of our products is a Genie policy. Therefore, product specifications are subject to change without notice.

Readers are encouraged to notify Genie of errors and send in suggestions for improvement. All communications will be carefully considered for future printings of this and all other manuals.

Contact Us:

Internet: www.genielift.com
e-mail: awp.techpub@terex.com

Find a Manual for this Model


Go to <http://www.genielift.com>

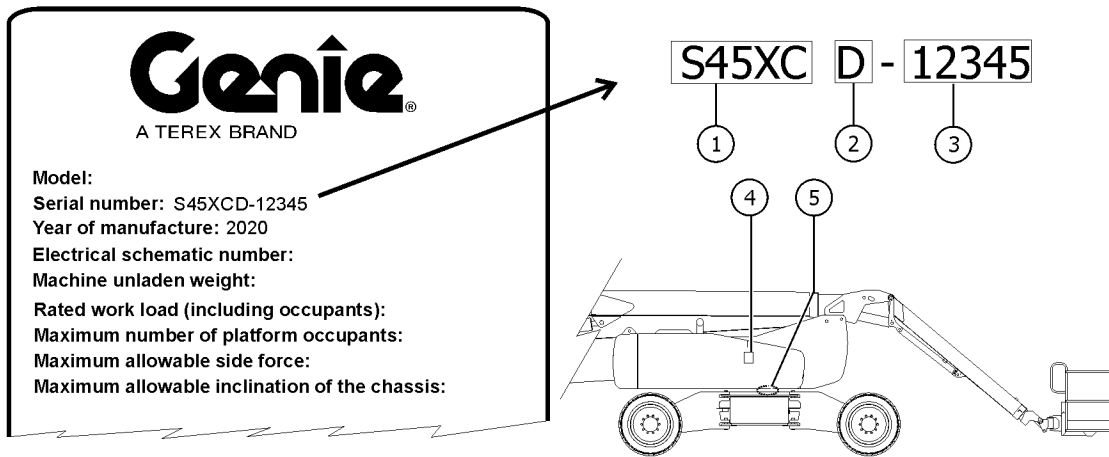
Use the links to locate Operator's, Parts, Maintenance, and Service and Repair Manuals.

Copyright © 2020 Terex Corporation

1300315GT Rev A1 March 2021
First Edition, Second Printing

Genie is a registered trademark of Terex South Dakota, Inc. in the USA and many other countries. "S" is a trademark of Terex South Dakota, Inc.

 Printed on recycled paper



- 1 Model
- 2 Facility code
- 3 Sequence number
- 4 Serial label (located under cover)
- 5 Serial number (stamped on chassis)

How to Order Parts

Please be prepared with the following information when ordering replacement parts for your Terex or Genie product.

- Machine model number
- Machine serial number
- Part number
- Part description and quantity
- Purchase order number
- "Ship to" address
- Desired method of shipment
- Name and telephone number of the authorized distributor in your area

Use the Service Parts Fax Order Form on the next page and fax your order to our Parts Department.

If you don't know the name of your authorized distributor, or if your area is not currently serviced by an authorized distributor, please call Terex or Genie Industries.

Machine Information

Model

Serial Number

Date of Purchase

Authorized Genie Distributor

Phone Number

North America

Telephone (425)881-1800
 Toll Free (800)536-1800 in US and Canada
 Fax (425)556-8659
 Toll Free fax (888)274-6192
 Email AWP.PartsSalesPO@terex.com
<http://genielift.com/en>

EMEAR (Europe, Middle East, Africa and Russia)

Telephone (31)(165)519 313
 Fax (31)(165)511 148
<http://genielift.co.uk>

Asia Pacific (Genie Singapore)

Telephone +65 6692 7777
 Fax +65 6261 8893
<http://genielift.com.sg/>

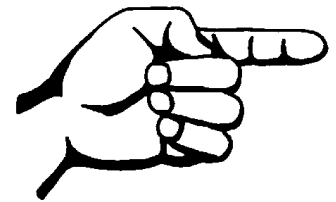
Australia

Telephone (61)(7)3456 4444
 Fax (61)(7)3456 4466
<http://genielift.com.au>

South America

Telephone (55)(11)4082 5600
 Fax (55)(11)4082 5630

Please refer to section 001 for the Recommended Spare Parts List.



This page intentionally left blank.

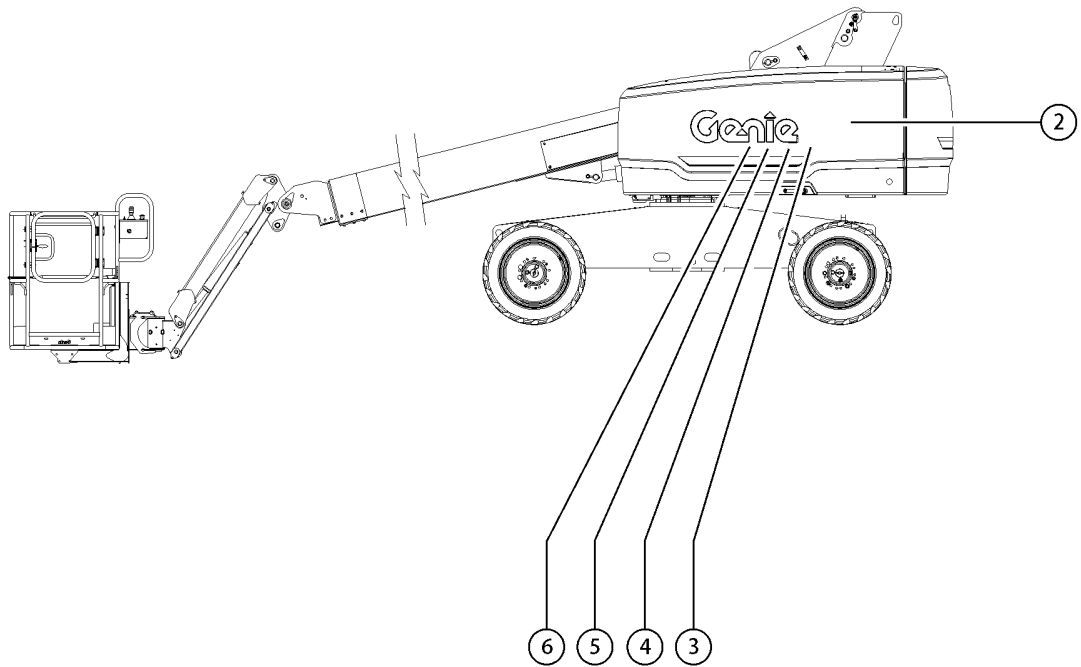
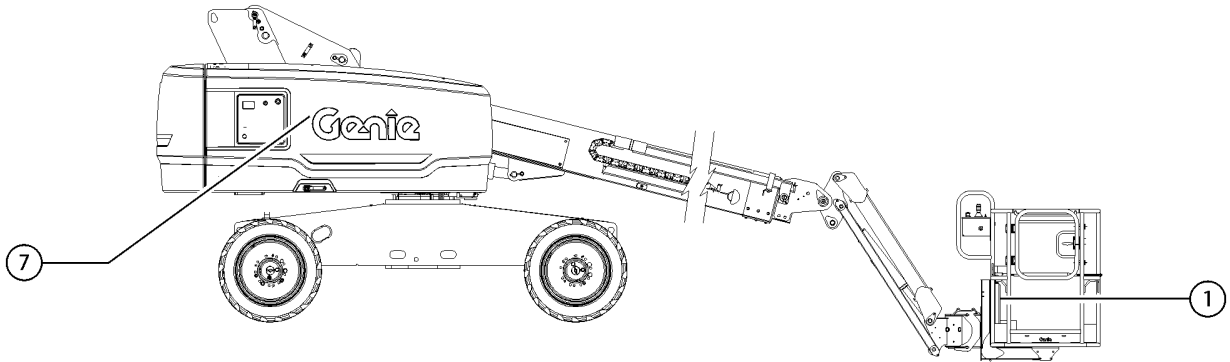
Description	Page
001 Parts Stocking List	10
001.1 Parts Stocking List	10
100 Decals	14
101.1 Decals with Words, Hydraulic Tank Side	14
102.1 Decals with Words, Chassis	18
103.1 Decals with Words, Engine Side	20
104.1 Decals with Words, Boom	22
105.1 Decals with Words, Platform	24
106.1 Decals with Symbols, Hydraulic Tank Side	26
107.1 Decals with Symbols, Chassis	30
108.1 Decals with Symbols, Engine Side	32
109.1 Decals with Symbols, Boom	34
110.1 Decals with Symbols, Platform	36
200 Drive Chassis Components.....	38
201.1 4WD Steer Axle Linkage, View 1	38
202.1 4WD Steer Axle Linkage, View 2	40
203.1 4WD Steer Axle - Wheels and Hubs	42
204.1 4WD Non-steer Axle	46
205.1 Oscillation Control Valve	50
206.1 Trax Option Steer End	52
207.1 Trax Option Non-Steer End	54
208.1 Trax Option Idler Assembly	56
300 Turntable Components.....	58
301.1 Hydraulic and Fuel Tanks - Diesel	58
302.1 Hydraulic Tank Side Components	62
303.1 Turntable Rotator and Hydraulic Rotary Coupler Installation	64
304.1 Engine Side Components	68
305.1 Ground Control Box - External	70
306.1 Ground Control Box - Internal	72
307.1 Turntable Covers - Hydraulic Tank Side	74
308.1 Turntable Covers - Engine Side	78
309.1 Turntable Counterweight and Cooler Installation	82
310.1 Wire Harness Map	84
310.101 Harness, PCON, ALC600	88
310.101A Harness, PCON Jib Switch	90
310.101B Harness, PCON Proximity Switch	92
310.101C Harness, Generator Switch	94
310.101D Harness, Fuel Select Switch	96

Table of Contents

Description	Page
310.102 Harness, Joystick, ALC600	98
310.103 Harness, Jib Select	100
310.104 Harness, Footswitch Assembly	102
310.105 Harness, Platform Proximity	104
310.106 Harness, ACP Proximity Sensor	106
310.107 Harness, Work Lights	108
310.108 Harness, GCON Box, ALC600	110
310.109 Harness, Boom	114
310.110 Harness, Sensors	116
310.111 Harness Boom Angle Load Sense	118
310.112 Harness, Drive Enable	120
310.113 Load Sense, Boom Retract	122
310.114 Harness, Functions	124
310.115 Harness, Fuel Sensor	126
310.116 Battery Cable, Auxiliary Pump, Positive	128
310.117 Battery Cable, Auxiliary Pump, Negative	130
310.118 Harness, Engine, D2011	132
310.119 Harness, Drive Light	136
310.120 Harness, Flashing Beacon	138
310.121 Harness, Generator Pigtail	140
310.122A Battery Cable, D2011, D2.9T, P404F Engine, Negative	142
310.122B Battery Cable, D2011, P404F Engine, Positive	144
310.123A Harness, Telematics, Hertz	146
310.123B Harness, Telematics, Top Con	148
310.123C Harness, Telematics, United Rentals	150
310.123D Harness, Telematics, ZTR, Sunbelt	152
310.123E Harness Telematics, TTU, Sunbelt	154
310.124 Cable, Power to Platform	156
310.125 Cable Assembly, Welder to Platform	158
310.126 Cable Assembly, Welder	160
400 Engine Components	162
401.1 Deutz D2011L03i, View 1	162
402.1 Deutz D2011L03i, View 2	166
403.1 Engine Tray	170
404.1 DEUTZ TD2.2L STAGE V, View 1	174
405.1 DEUTZ TD2.2L STAGE V, View 2	178
406.1 DEUTZ TD2.2L STAGE V, View 3	182
500 Boom Components	186
501.1 Boom Lift and Master Cylinder Installatio	186
502.1 Boom Assembly, View 1	190

Description	Page
503.1 Boom Assembly, Wearpads	194
504.1 Cable Track Installation	196
505.1 Jib Boom and Platform Rotator	198
600 Platform Components	202
601.1 Platform Installation	202
602.1 Platform Control Box	206
603.1 Joysticks	210
700 Hydraulic Components	212
701.1 Function Manifold	212
702.1 Traction Manifold	216
703.1 Jib Select and Platform Rotate Manifolds	220
704.1 Oil Diverter Manifold (welder option)	222
705.1 Hydraulic Pumps	224
706.1 Hydraulic Hoses and Fittings - 4WD Drive and Steer System	226
707.1 Hydraulic Hoses and Fittings - Oscillate System	230
708.1 Hydraulic Hoses and Fittings - Turntable	232
709.1 Hydraulic Hoses and Fittings - Boom Components	236
800 Accessories	238
801.1 Alarm and Beacon Package, Drive Light Option	238
802.1 Platform Options	240
803.1 Ground and Platform Control Box Covers Options	242
804.1 Platform Half-Mesh and Pipe Cradle	244
805.1 Air Line to Platform	246
806.1 Welder Option, Chassis Components - View 1	248
806.2 Welder Option, Chassis Components - View 2	252
807.1 Welder Option, Platform Components	256
808.1 Hoses and Fittings - Welder	260
809.1 3K Hydraulic Generator Option	262
810.1 3K Hydraulic Generator Option - Hoses and Fittings	266
811.1 Hostile Environment Package - View 1	268
812.1 Hostile Environment Package - View 2	270
813.1 Hostile Environment Package - View 3	272
814.1 Hostile Environment Package - View 4	274
815.1 Panel Cradle Option	276
816.1 Lift Guard Contact Alarm Option	278
817.1 Telematics Option	282
Part Number Index	284

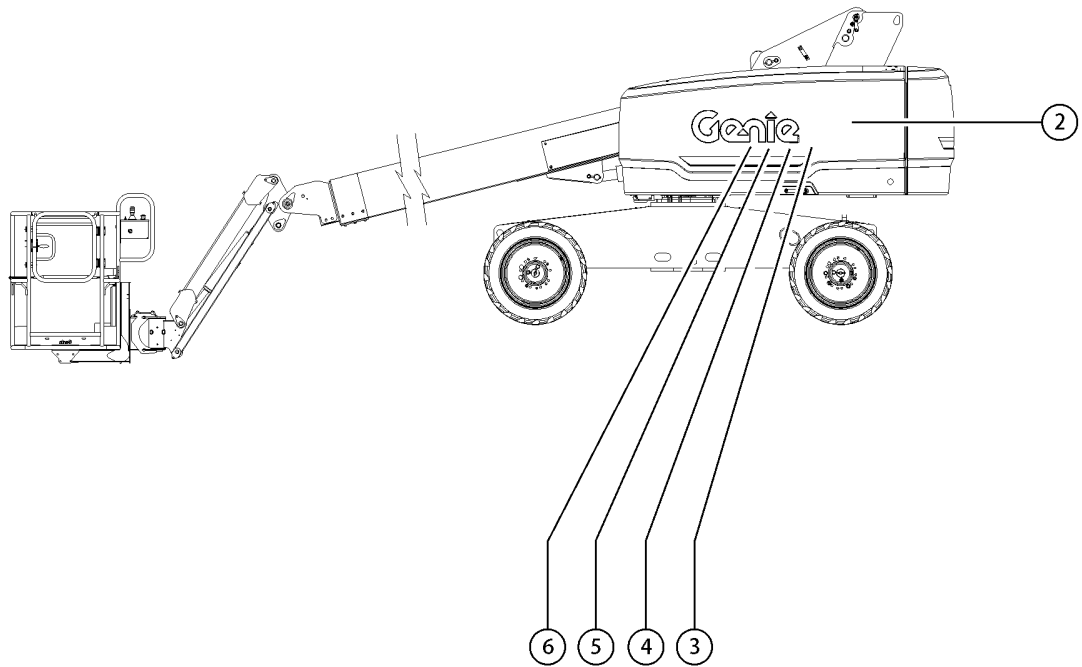
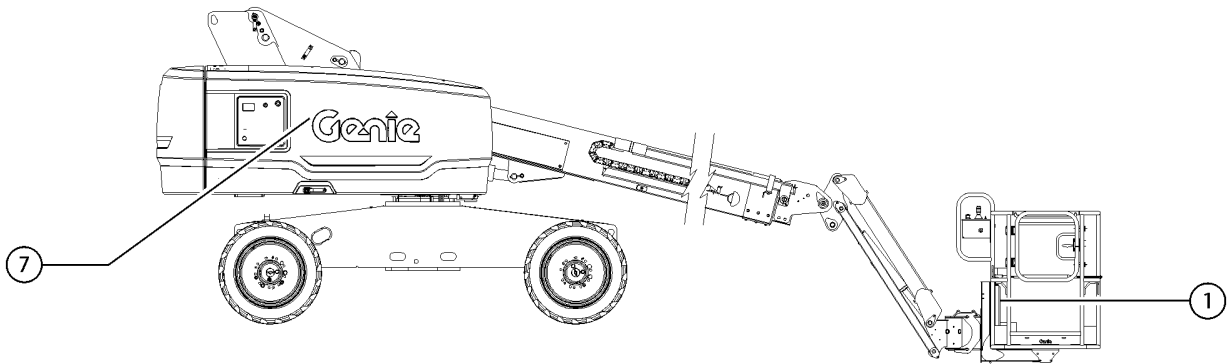
001.1 Parts Stocking List



Item	Part No.	Description	Qty.
A		Inspection Service Kits	
A-	1278708GT	KIT,ENGINE SERVICE,500 HOUR,DEUTZ D2.9,,Z45/S40/S60/Z62/RT90 models with Deutz D2.9L4 engine	
A-	1278709GT	KIT,ENGINE SERVICE,250 HOUR,FDMSG425,Z45/S40/S60/Z62/RT90 models with Ford MSG425 engine	
B		GENERAL SERVICE PARTS	
B-	1484GT	PAINT,AEROSOL,BRIGHT BLUE*** 12-ounce spray paint	
B-	1268GT	PAINT,AEROSOL,GENIE GRAY*** 12-ounce spray paint	
B-	1258567GT	PAINT, AEROSOL, TRAFFIC BLACK 12-ounce spray paint	
B-	32150GT	PAINT,WET,GENIE BLUE (1 GL)** 1-gallon	
B-	32151GT	PAINT,WET,GENIE GRAY (1 GL)** 1-gallon	
B-	1257733GT	TRAFFIC BLACK,GL 1-gallon	
B-	66399GT	GREASE,DIELECTRIC 4 OZ**	
B-	1283776GT	SEAL MARKER,CROSS CHECK,BLUE,TUBE	
B-	93500GT	PARKER DIGITAL PRESSURE GAUGE	
B-	49612GT	O-RING KIT (ORFS FITTINGS) O-ring kit, Parker	
B-	28750GT	O-RING KIT,FIELD SVC,ALL PROD* O-ring kit, SAE	
B-	33994GT	PLUG AND CAP KIT-SERVICE,37 ** Plug and cap kit, SAE	
1		MANUALS	
1-	27581GT	MANUAL,AEM SAFETY	
1-	31779GT	MANUAL,RESPON,A92.5 BOOM	
2		HYD Filters	
2-	60857GT	FILTER,ELEMENT,BETA(5)=1000 (refer to figure 417.1)	
2-	110345GT	FILTER ASSY,INTANK (refer to figure 301.1)	
3		Perkins 404F-E22T Models	
3-	62420GT	FILTER,AIR*** Perkins 404F-22 Models (refer to 409.1)	
3-	94762GT	OIL FILTER - PERKINS Perkins 404F-22 Models (refer to 411.1)	
3-	75020GT	SEPRTR/FLTR,FUEL DSL,15GPH,30 Perkins 404F-22 Models (refer to 410.1)	
4		Deutz TD2011-L03i Models	
4-	62420GT	FILTER,AIR*** Deutz TD2011-L03i Models (refer to 402.1)	



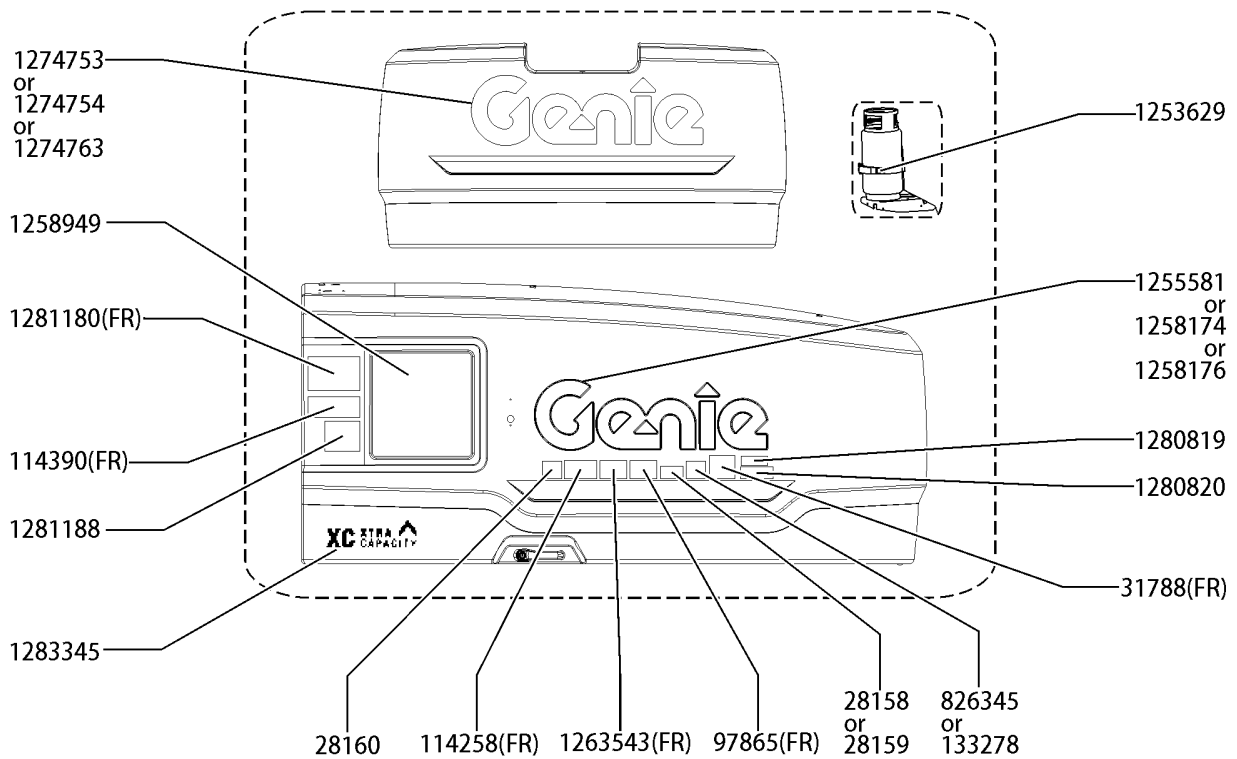
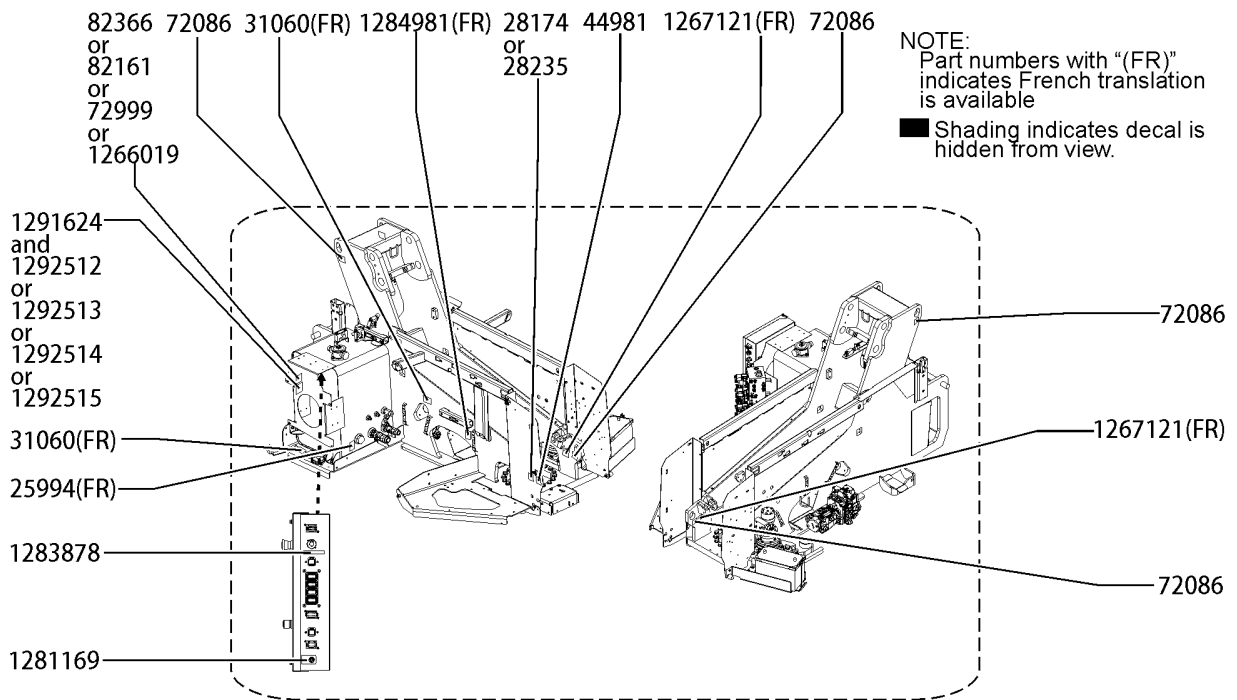
001.1 Parts Stocking List



Item	Part No.	Description	Qty.
4-	29560GT	FILTER,FUEL/WTR SEP, DTZ 1008 Deutz TD2011-L03i Models (refer to 401.1)	
4-	49924GT	FILTER,OIL,DEUTZ F4L1011F Deutz TD2011-L03i Models (refer to 401.1)	
5		Deutz D2.9L4 Models	
5-	62420GT	FILTER,AIR*** Deutz D2.9L4 Models (refer to 414.1)	
5-	214228GT	FILTER, DEUTZ 2.9, FUEL Deutz D2.9L4 Models (refer to 416.1)	
5-	236260GT	FILTER, FUEL PRE-FILTER, SPIN-ON, DEUTZ Deutz D2.9L4 Models (refer to 416.1)	
5-	49924GT	FILTER,OIL,DEUTZ F4L1011F Deutz D2.9L4 Models (refer to 412.1)	
5-	1262866GT	FAN BELT, ALTERANTOR Deutz D2.9L4 Models (refer to 412.1)	
6		Ford MSG-425 EFI Models	
6-	119139GT	OIL FILTER,DSG-423 Ford DSG-425 EFI Models (refer to 403.1)	
6-	215274GT	FAN DRIVE BELT, MSG425 Ford DSG-425 EFI Models (refer to 404.1)	
6-	215291GT	BELT, FEAD, MSG425 Ford DSG-425 EFI Models (refer to 404.1)	
6-	119474GT	VALVE,PCV FORD DSG-423 Ford DSG-425 EFI Models (refer to 404.1)	
6-	215287GT	SPARK PLUG, MSG425 Ford DSG-425 EFI Models (refer to 403.1)	
6-	77295GT	FILTER ELEMENT,AIR,NOLFF LPG Ford DSG-425 EFI Models (refer to 406.1)	
6-	1262487GT	BELT,AIR PUMP,PERKINES 404F-22T Deutz D2.9L4 Models (refer to 517.1)	



101.1 Decals with Words, Hydraulic Tank Side

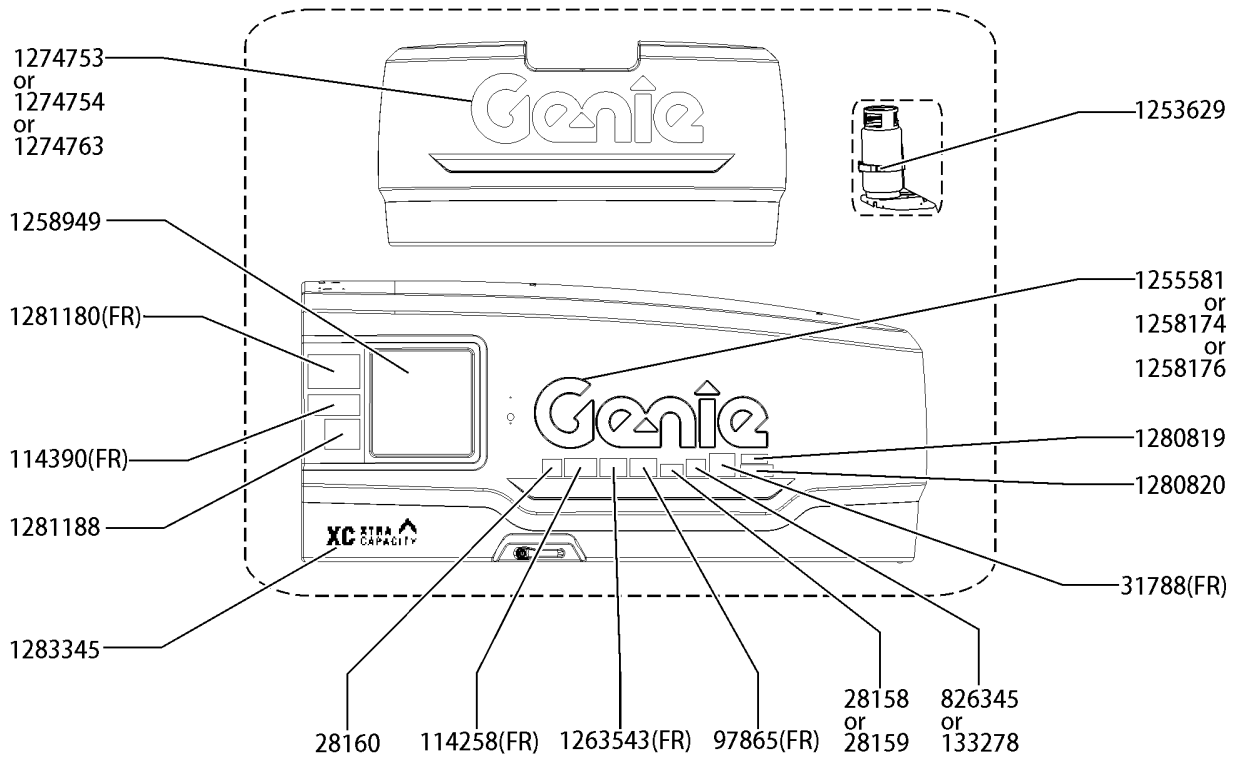
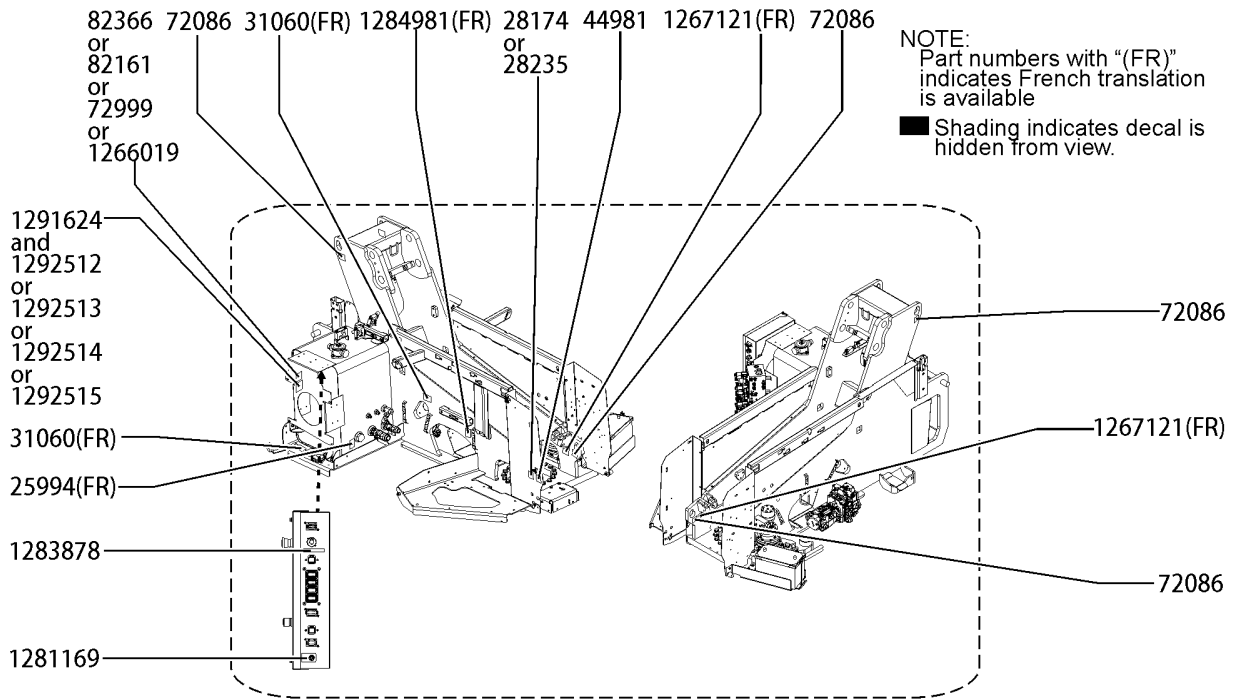


101.1 Decals with Words, Hydraulic Tank Side

Item	Part No.	Description	Qty.
1	25994GT	DECAL,NOTICE,SHUTOFF VALVES	1
2	28158GT	DECAL,LABEL,UNLEADED GAS ONLY	1
		Option, fuel	
3	28159GT	DECAL,DIESEL	1
		Option, fuel	
4	28160GT	DECAL,LABEL,LIQUID PROPANE	1
		Option, LPG tank	
5	28174GT	DECAL,POWER TO PLATFORM 230V	1
6	28235GT	DECAL,POWER TO PLATFORM 115V	1
7	31060GT	DECAL,DANGER DO NOT ALTER SWTC	2
8	31788GT	DECAL,DANGER,BATTERY SAFETY***	1
9	44981GT	DECAL,LABEL,AIRLINE 110 PSI	1
		Option, airline to plat	
10	72086GT	DECAL,LABEL,LIFTING EYE	4
11	72999GT	DECAL,LABEL,PETRO CANADA***	1
		Option, hydraulic oil	
12	82161GT	DECAL,LABEL,UCON HYDROLUBE	1
		Option, hydraulic oil	
13	82366GT	DECAL,CHEVRON RANDO HD	1
		Option, hydraulic oil	
14	97865GT	DECAL,WARN,ELECTRO HAZARD	1
15	114258GT	DECAL,DANGER,NO SMOKING	1
16	114390GT	DECAL,DANGER,ELECT HAZARD***	1
17	133278GT	DECAL,LOW/ULTRA LOW SULFUR FUEL	1
		(TPEM/ROW)	
18	826345GT	DECAL,ULS DIESEL ONLY,TIER 4	1
		(Tier 4)	
19	1253629GT	DECAL,LP BOTTLE,S60	1
		Option, LP bottle	
20	1255581GT	DECAL COSMETIC,10" GENIE BLUE	1
21	1258174GT	DECAL COSMETIC,10" GENIE WHITE	1
22	1258176GT	DECAL COSMETIC,10" GENIE BLACK	1
23	1258949GT	OVERLAY GROUND CONTROLS S-BOOM JIB	1
23B	1286638GT	KIT,GBOX OVERLAY,ALC600,S-BOOMS,JIB	1
		(includes 1258949)	
24	1263543GT	DECAL, IMPROPER OPERATION	1
25	1266019GT	DECAL, LABEL, SHELL TELLUS	1
		Option, hydraulic oil	
26	1267121GT	DECAL,WARNING,CRUSH HAZARD	2
27	1274753GT	DECAL, COSMETIC, 12" GENIE BLUE	1



101.1 Decals with Words, Hydraulic Tank Side

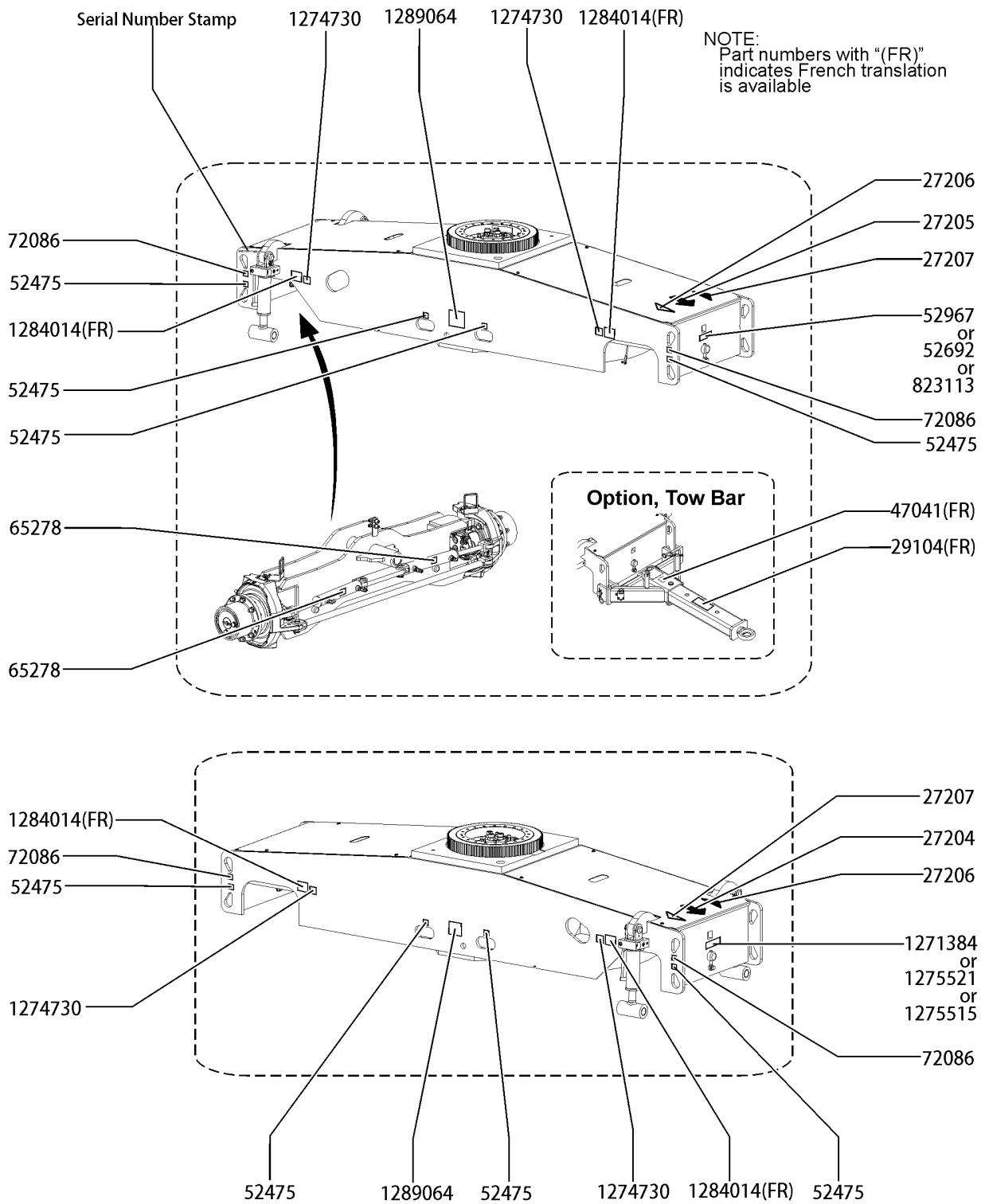


101.1 Decals with Words, Hydraulic Tank Side

<i>Item</i>	<i>Part No.</i>	<i>Description</i>	<i>Qty.</i>
28	1274754GT	DECAL, COSMETIC, 12" GENIE BLACK	1
29	1274763GT	DECAL, COSMETIC, 12" GENIE WHITE	1
30	1280819GT	DECAL, WARNING, CANCER AND REPRODUCTIVE HARM, PROP 65 (US only)	1
31	1280820GT	DECAL, FUEL, DIESEL EXHAUST, PROP 65 (US only)	1
32	1281169GT	DECAL, RECOVERY SWITCH	1
33	1281180GT	DECAL, OPERATING INSTRUCTIONS	1
34	1281188GT	DECAL, EMERGENCY LOWERING	1
35	1283345GT	DECAL, COVER, XC XTRA CAPACITY	1
36	1283878GT	DECAL, TECHPRO LINK	1
37	1284981GT	DECAL, ACCUMULATOR EXPLOSION HAZARD, WORD	1
38	1291624GT	DECAL COSM, GENIE LIFT CONNECT, LEXAN COVER	1
39	1292512GT	DECAL COSM, GENIE LIFT CONNECT, ESN, SKU4-1	1
40	1292513GT	DECAL COSM, GENIE LIFT CONNECT, ESN, SKU4-2	1
41	1292514GT	DECAL COSM, GENIE LIFT CONNECT, ESN, SKU4-3	1
42	1292515GT	DECAL COSM, GENIE LIFT CONNECT, ESN, SKU4-4	1



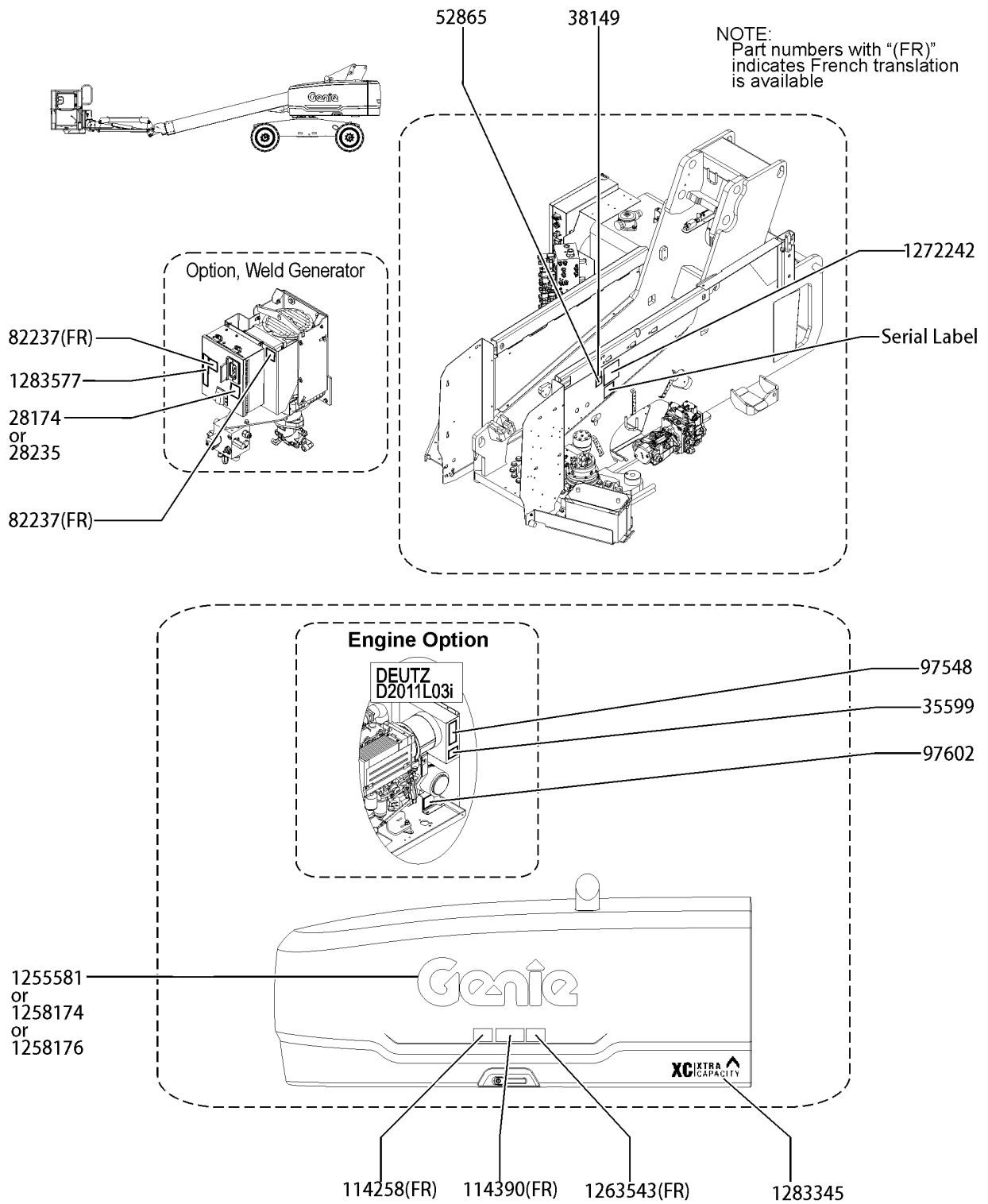
102.1 Decals with Words, Chassis



Item	Part No.	Description	Qty.
1	27204GT	DECAL,ARROW BLUE	1
2	27205GT	DECAL,ARROW YELLOW LRG 9"	1
3	27206GT	DECAL,TRIANGLE,BLUE	2
4	27207GT	DECAL,TRIANGLE,YELLOW	2
5	29104GT	DECAL,TOWING INSTRUCTIONS	1
		Option, tow	
6	47041GT	DECAL,CAUTION,TOWING SPEED	1
		Option, tow	
7	52475GT	DECAL,LABEL,TRANSPORT TIEDOWN*	8
8	52692GT	DECAL,COSMETIC,4X4 BLUE	1
9	52967GT	DECAL,COSMETIC,4 X 4	1
10	65278GT	DECAL,CAUTION,NO STEP	2
11	72086GT	DECAL,LABEL,LIFTING EYE	4
12	823113GT	DECAL,COSM,4X4,BLACK	1
13	1271384GT	DECAL, CHASSIS, S-45 XC	1
14	1274730GT	DECAL, LABEL, WHEEL LOAD S-45 XC	4
15	1275515GT	DECAL, CHASSIS, S-45 XC, BLK	1
16	1275521GT	DECAL, CHASSIS, S-45 XC, BLUE	1
17	1284014GT	DECAL,DANGER/LABEL,TIRE SPECS	4
18	1289064GT	DECAL, TRANSPORT/LIFTING, S-40/45 XC	2



103.1 Decals with Words, Engine Side



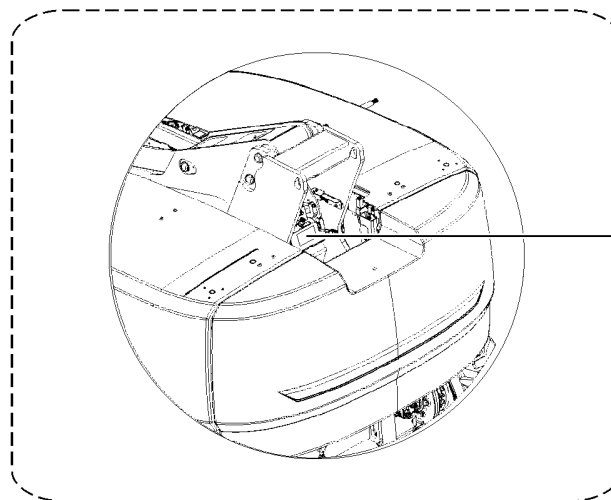
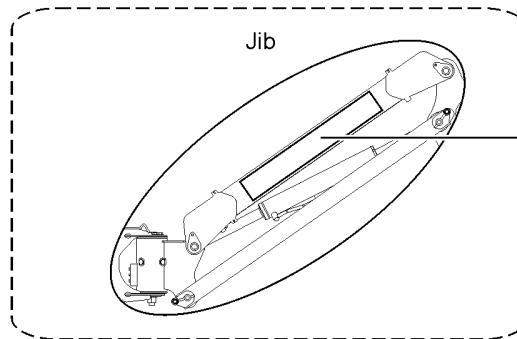
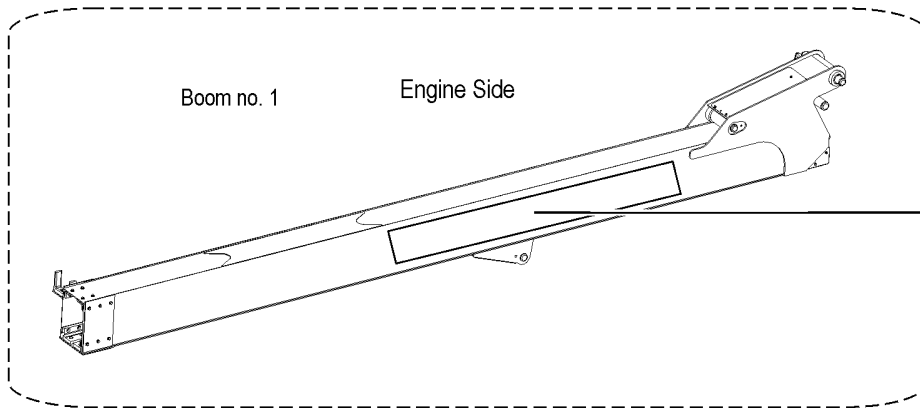
103.1 Decals with Words, Engine Side

Item	Part No.	Description	Qty.
1	28174GT	DECAL,POWER TO PLATFORM 230V	1
2	28235GT	DECAL,POWER TO PLATFORM 115V	1
3	35599GT	DECAL,NOTICE,AIR INLET*** Deutz D2011L03i	1
4	38149GT	DECAL,LABEL,PATENTS	1
		(US only)	
5	52865GT	DECAL,ANNUAL INSP***	1
		(US only)	
6	82237GT	DECAL,DANGER,HIGH VOLTAGE	2
		Option, welder	
7	97548GT	DECAL,ENGINE SPEC,DEUTZ 2011	1
		Deutz D2011L03i	
8	97602GT	DECAL,EXPLOSION HAZARD	1
9	114258GT	DECAL,DANGER,NO SMOKING	1
10	114390GT	DECAL,DANGER,ELECT HAZARD***	1
11	1255581GT	DECAL COSMETIC,10" GENIE BLUE	1
12	1258174GT	DECAL COSMETIC,10" GENIE WHITE	1
13	1258176GT	DECAL COSMETIC,10" GENIE BLACK	1
14	1263543GT	DECAL, IMPROPER OPERATION	1
15	1272242GT	DECAL,MACHINE REGISTRATION/OWN	1
16	1283345GT	DECAL, COVER, XC XTRA CAPACITY	1
17	1283577GT	DECAL, LIFT^POWER, 1X7 INCH	1
		Option, lift power	



104.1 Decals with Words, Boom

NOTE:
Part numbers with "(FR)"
indicates French translation
is available

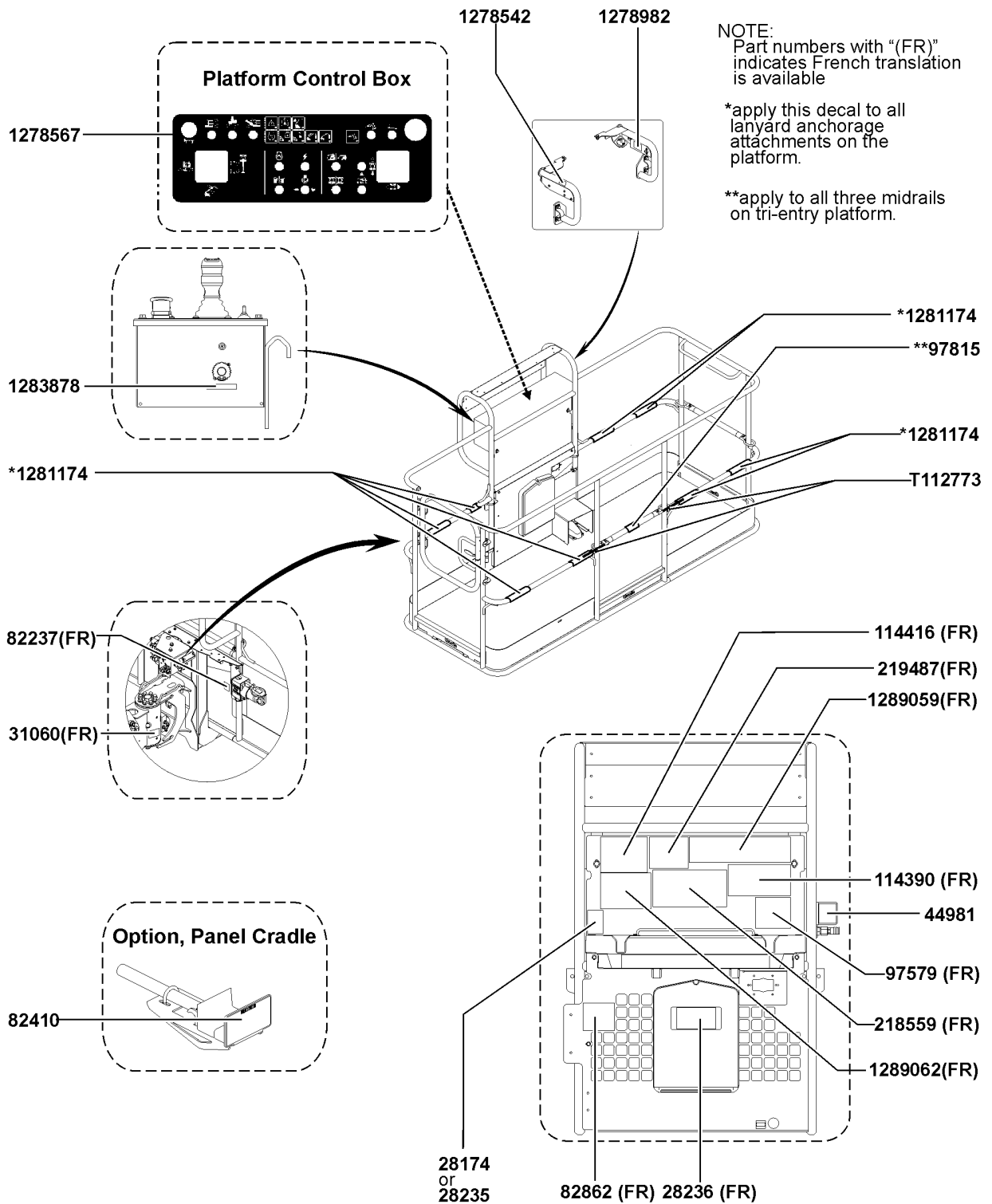


104.1 Decals with Words, Boom

<i>Item</i>	<i>Part No.</i>	<i>Description</i>	<i>Qty.</i>
1	31060GT	DECAL,DANGER DO NOT ALTER SWTC	1
2	1271379GT	DECAL, BOOM, GENIE S-45 XC	1
3	1275517GT	DECAL, BOOM, GENIE S-45 XC, BLUE	1
4	1283744GT	DECAL, LIFT^POWER	1
5	1291324GT	DECAL, BOOM, GENIE S-45 XC, BLK	1



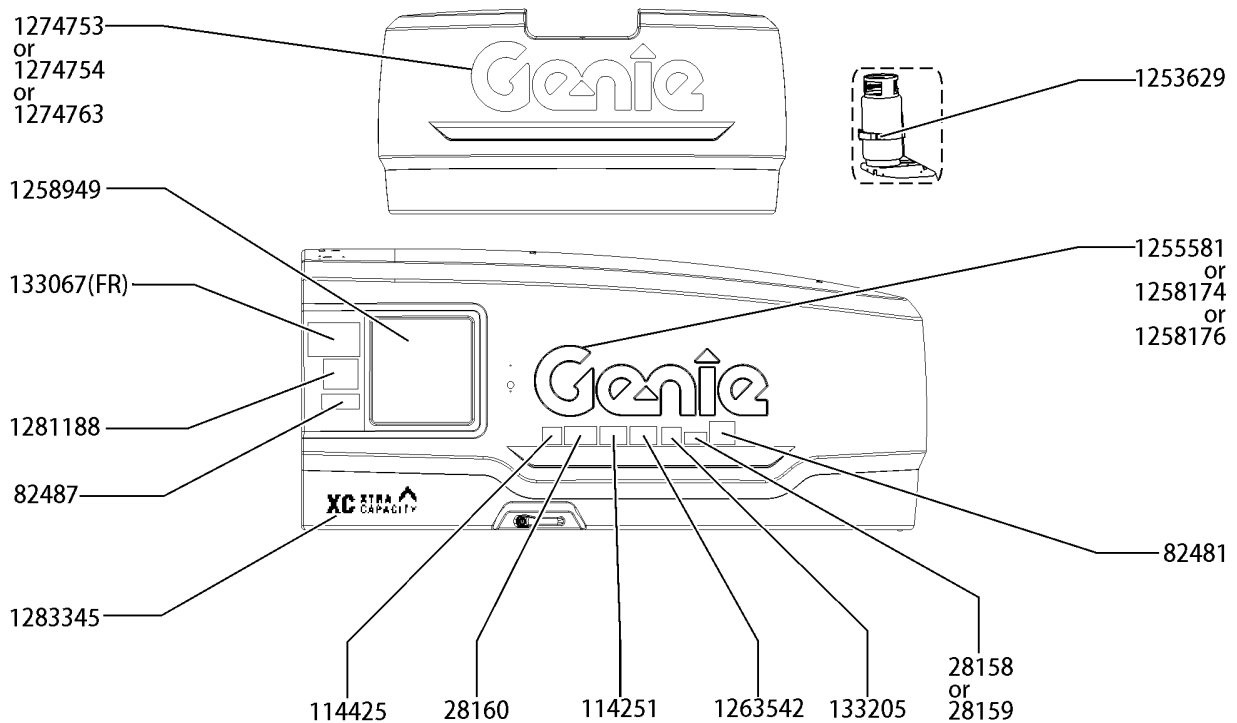
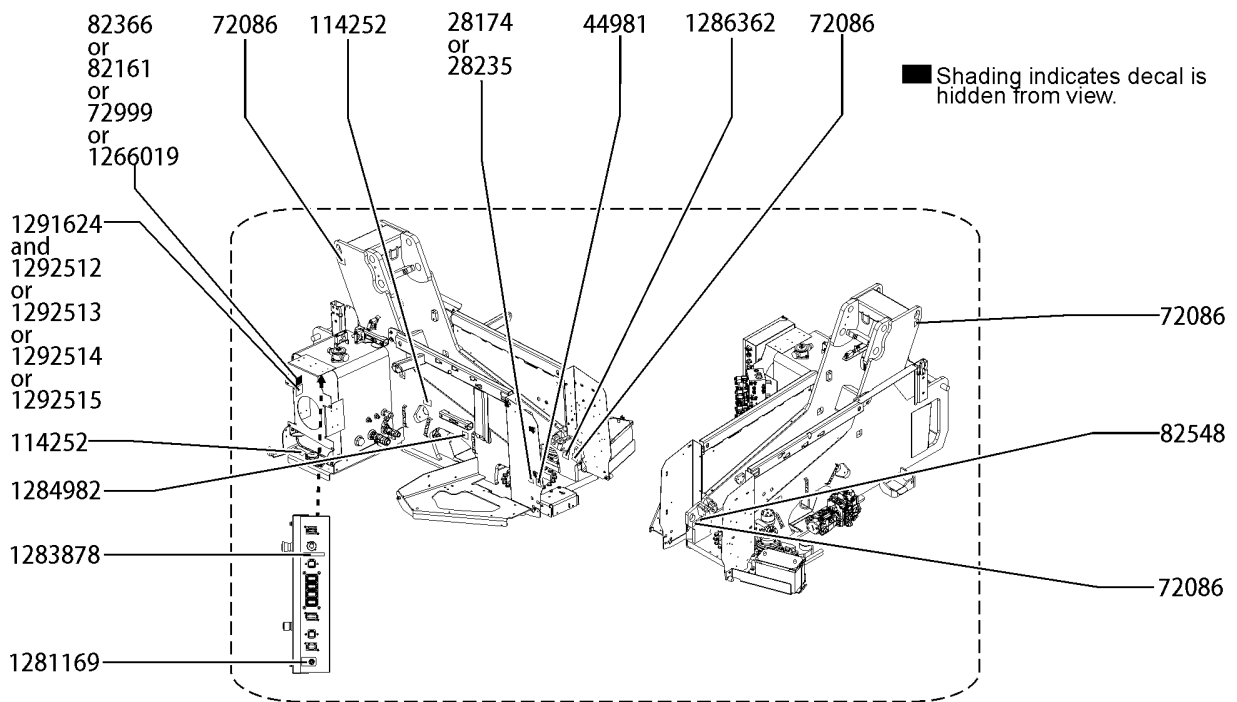
105.1 Decals with Words, Platform



Item	Part No.	Description	Qty.
1	28174GT	DECAL,POWER TO PLATFORM 230V	1
2	28235GT	DECAL,POWER TO PLATFORM 115V	1
3	28236GT	DECAL,WARN,IMPROPER OPERATION	1
4	31060GT	DECAL,DANGER DO NOT ALTER SWTC	1
5	44981GT	DECAL,LABEL,AIRLINE 110 PSI	1
		Option, airline to plat	
6	82237GT	DECAL,DANGER,HIGH VOLTAGE	1
		Option, welder	
7	82410GT	DECAL,WARNING,PANEL CRADLE	2
		Option, panel cradle	
8	82862GT	DECAL,FIRE EXTINGUISHER	1
		Option, welder	
9	97579GT	DECAL,DANGER,TIP-OVER,WELDER**	1
		Option, welder	
10	97815GT	DECAL,LABEL,LOWER MIDRAIL	1
11	114390GT	DECAL,DANGER,ELECT HAZARD***	1
12	114416GT	DECAL,DANGER,TIPOVER,TILT	1
13	218559GT	DECAL,DANGER/WARNING COMBO	1
14	219487GT	DECAL,PLATFORM OVERLOAD	1
15	1278542GT	DECAL, INSTRUCTION, CONTACT ALARM	1
16	1278567GT	OVERLAY PLATFORM CONTROLS S-BOOM XC	1
17	1278982GT	DECAL, INSTRUCTION, ACTUATOR SWITCH SOCKET	1
18	1281174GT	DECAL,LANYARD,FALL ARREST/FALL RESTRAINED	8
19	1283878GT	DECAL, TECHPRO LINK	1
20	1289059GT	DECAL, DANGER, CAPACITY, S-45 XC, WORD	1
21	1289062GT	DECAL, WARNING, RUNAWAY MACHINE, S-40/45 XC, WORD	1
22	T112773GT	TAPE, PROTECTIVE MASK	2



106.1 Decals with Symbols, Hydraulic Tank Side

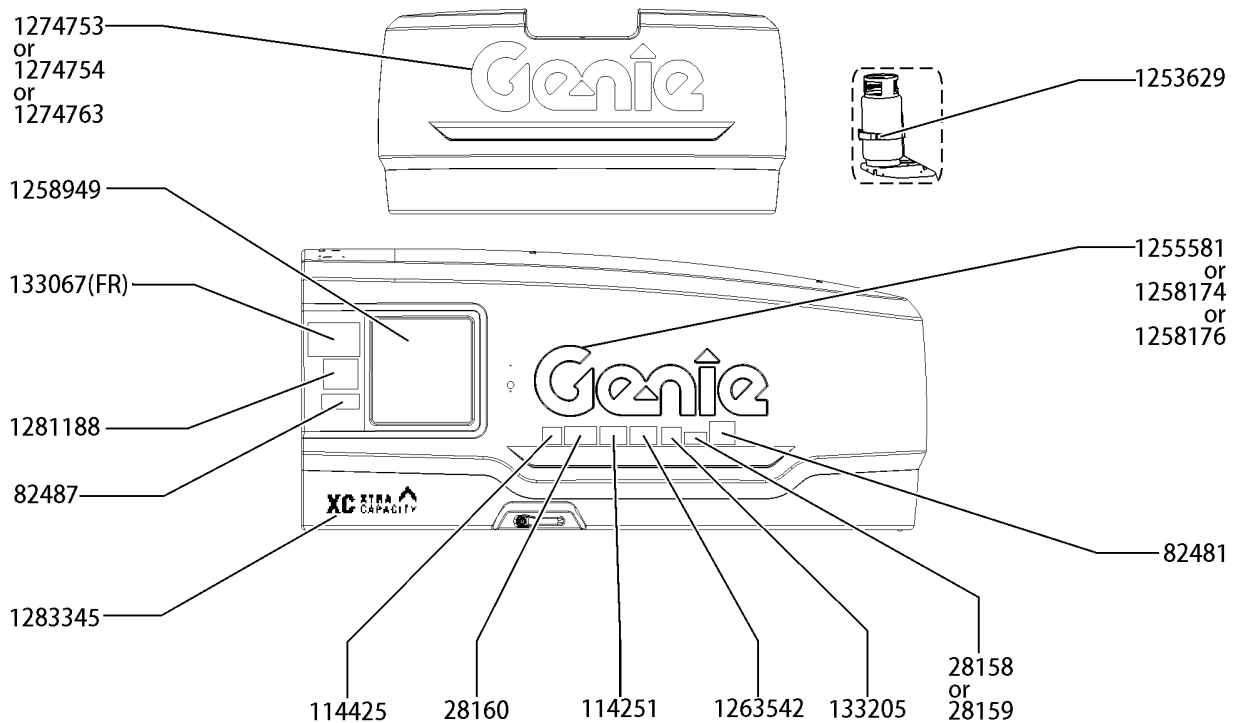
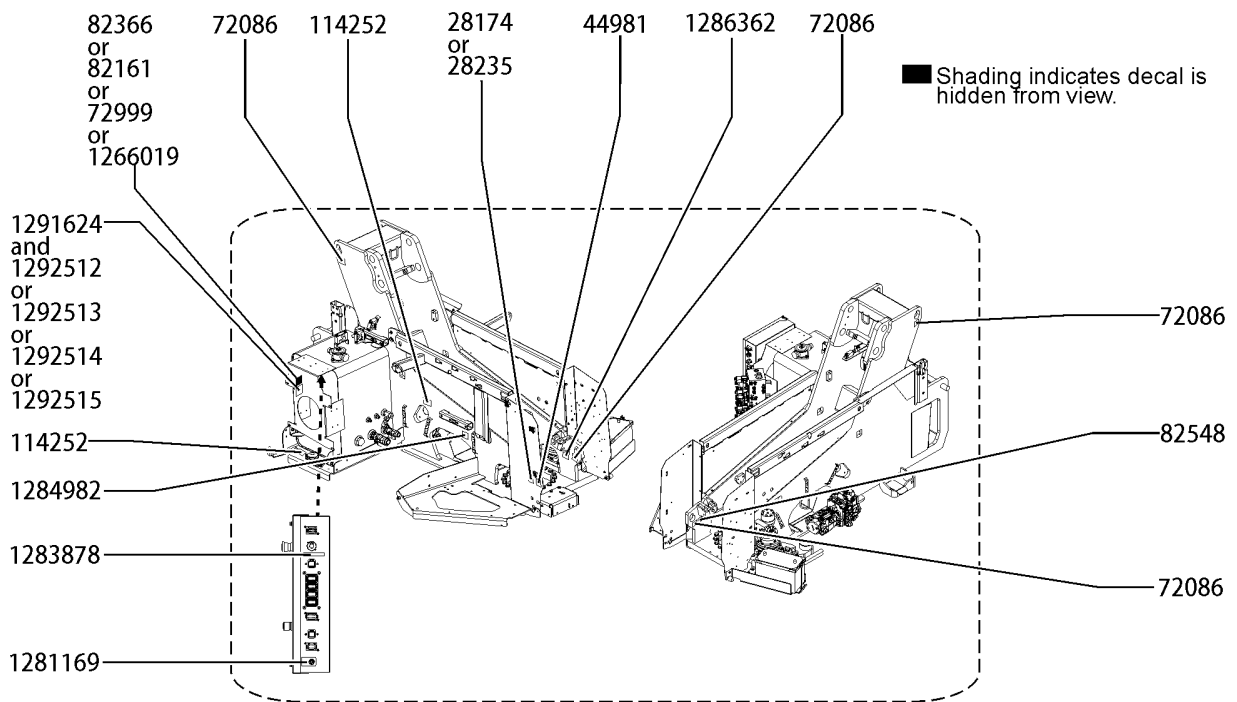


106.1 Decals with Symbols, Hydraulic Tank Side

Item	Part No.	Description	Qty.
1	28158GT	DECAL,LABEL,UNLEADED GAS ONLY Option, fuel	1
2	28159GT	DECAL,DIESEL Option, fuel	1
3	28160GT	DECAL,LABEL,LIQUID PROPANE Option, LPG tank	1
4	28174GT	DECAL,POWER TO PLATFORM 230V	1
5	28235GT	DECAL,POWER TO PLATFORM 115V	1
6	44981GT	DECAL,LABEL,AIRLINE 110 PSI Option, airline to plat	1
7	72086GT	DECAL,LABEL,LIFTING EYE	4
8	72999GT	DECAL,LABEL,PETRO CANADA*** Option, hydraulic oil	1
9	82161GT	DECAL,LABEL,UCON HYDROLUBE Option, hydraulic oil	1
10	82366GT	DECAL,CHEVRON RANDO HD Option, hydraulic oil	1
11	82481GT	DECAL,SYMBOL-BATTERY SAFETY	1
12	82487GT	DECAL,SYMBOL-READ THE MANUAL	1
13	82548GT	DECAL,WARN,CRUSH HAZARD PLAT	1
14	114251GT	DECAL,LABEL,NO SMOKING,SYMB	1
15	114252GT	DECAL,LABEL,TIP OVER LMT SWTCH	2
16	114425GT	DECAL,BATTERY DISCONNECT Option, battery disconnect	1
17	133067GT	DECAL,DANGER,ELEC.HAZ.STAY CLR	1
18	133205GT	DECAL,LABEL, ELECTRO HAZARD	1
19	1253629GT	DECAL,LP BOTTLE,S60 Option, LP bottle	1
20	1255581GT	DECAL COSMETIC,10" GENIE BLUE	1
21	1258174GT	DECAL COSMETIC,10" GENIE WHITE	1
22	1258176GT	DECAL COSMETIC,10" GENIE BLACK	1
23	1258949GT	OVERLAY GROUND CONTROLS S-BOOM JIB	1
23B	1286638GT	KIT,GBOX OVERLAY,ALC600,S-BOOMS,JIB (includes 1258949)	
24	1263542GT	DECAL, COMPARTMENT ACCESS	1
25	1266019GT	DECAL, LABEL, SHELL TELLUS Option, hydraulic oil	1
26	1274753GT	DECAL, COSMETIC, 12" GENIE BLUE	1
27	1274754GT	DECAL, COSMETIC, 12" GENIE BLACK	1



106.1 Decals with Symbols, Hydraulic Tank Side

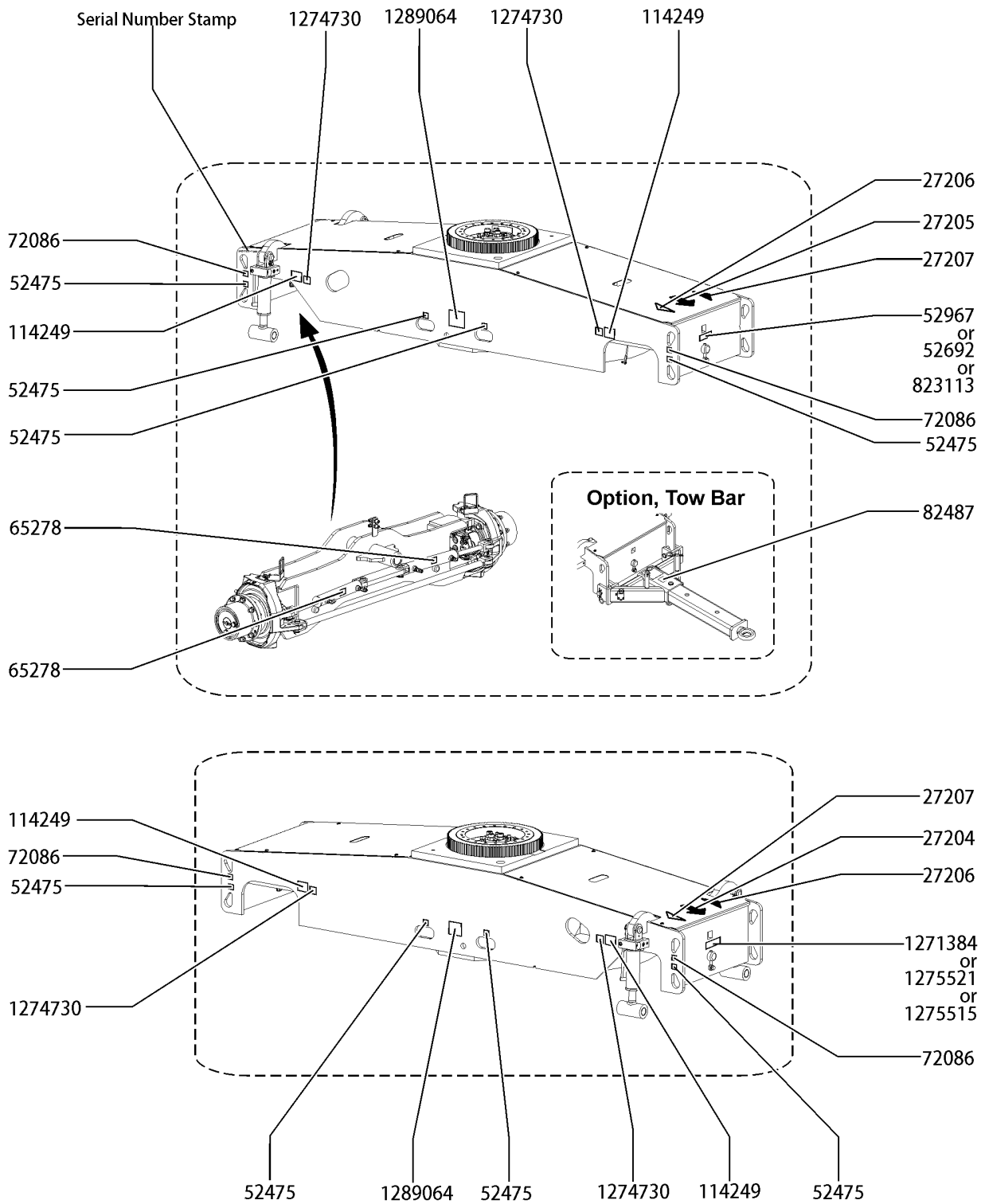


106.1 Decals with Symbols, Hydraulic Tank Side

<i>Item</i>	<i>Part No.</i>	<i>Description</i>	<i>Qty.</i>
28	1274763GT	DECAL, COSMETIC, 12" GENIE WHITE	1
29	1281169GT	DECAL,RECOVERY SWITCH	1
30	1281188GT	DECAL,EMERGENCY LOWERING	1
31	1283345GT	DECAL, COVER, XC XTRA CAPACITY	1
32	1283878GT	DECAL, TECHPRO LINK	1
33	1284982GT	DECAL, LABEL, WHEEL LOAD, E-DRIVE, GS-2032	1
34	1286362GT	DECAL, BOOM SUPPORT, SYMBOL	1
35	1291624GT	DECAL COSM,GENIE LIFT CONNECT,LEXAN COVER	1
36	1292512GT	DECAL COSM,GENIE LIFT CONNECT,ESN,SKU4-1	1
37	1292513GT	DECAL COSM,GENIE LIFT CONNECT,ESN,SKU4-2	1
38	1292514GT	DECAL COSM,GENIE LIFT CONNECT,ESN,SKU4-3	1
39	1292515GT	DECAL COSM,GENIE LIFT CONNECT,ESN,SKU4-4	1



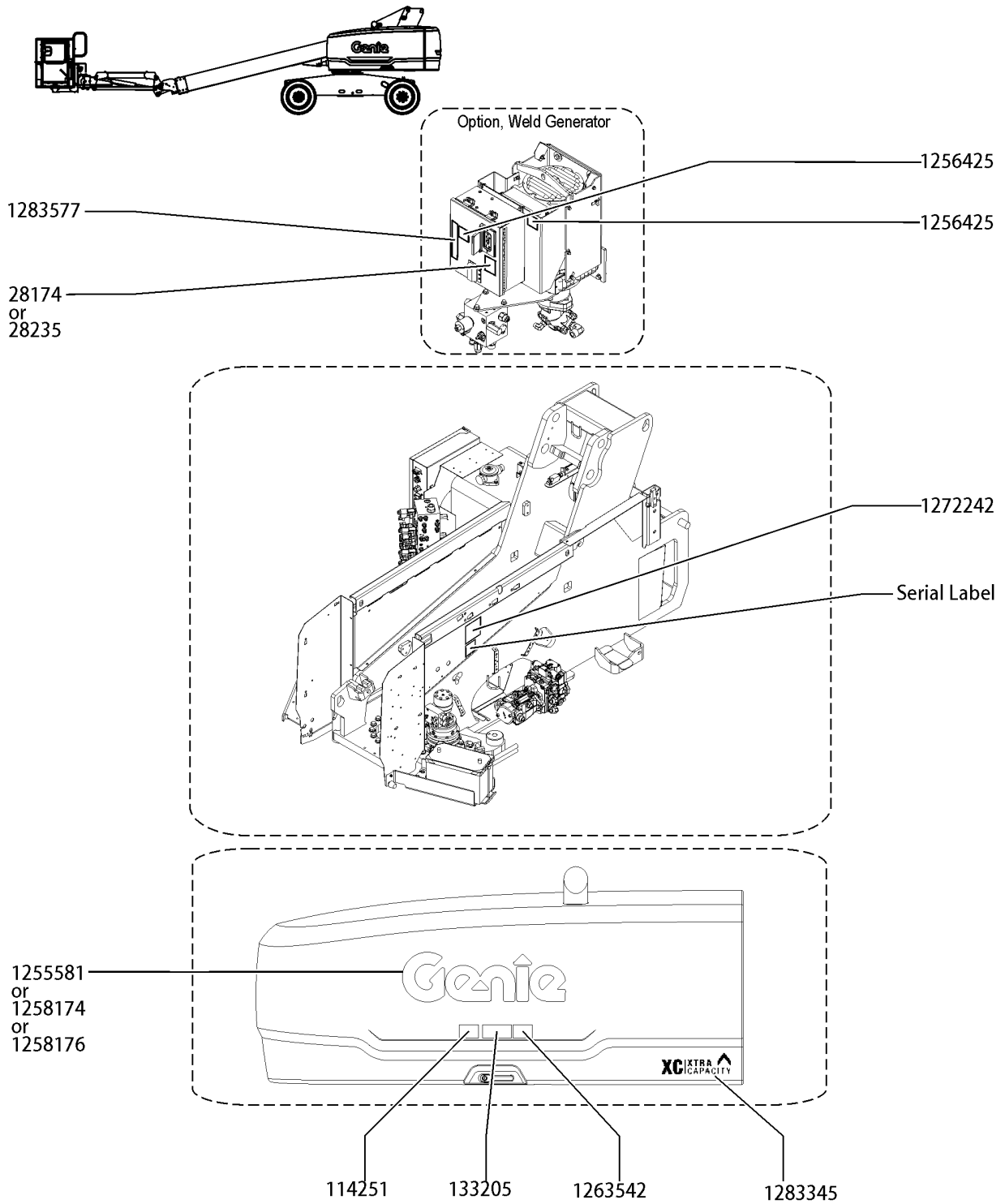
107.1 Decals with Symbols, Chassis



<i>Item</i>	<i>Part No.</i>	<i>Description</i>	<i>Qty.</i>
1	27204GT	DECAL,ARROW BLUE	1
2	27205GT	DECAL,ARROW YELLOW LRG 9"	1
3	27206GT	DECAL,TRIANGLE,BLUE	2
4	27207GT	DECAL,TRIANGLE,YELLOW	2
5	52475GT	DECAL,LABEL,TRANSPORT TIEDOWN*	8
6	52692GT	DECAL,COSMETIC,4X4 BLUE	1
7	52967GT	DECAL,COSMETIC,4 X 4	1
8	65278GT	DECAL,CAUTION,NO STEP	2
9	72086GT	DECAL,LABEL,LIFTING EYE	4
10	82487GT	DECAL,SYMBOL-READ THE MANUAL Option, tow	1
11	114249GT	DECAL,LABEL,TIPOVER,TIRES,SYMB	4
12	823113GT	DECAL,COSM,4X4,BLACK	1
13	1271384GT	DECAL, CHASSIS, S-45 XC	1
14	1274730GT	DECAL, LABEL, WHEEL LOAD S-45 XC	4
15	1275515GT	DECAL, CHASSIS, S-45 XC, BLK	1
16	1275521GT	DECAL, CHASSIS, S-45 XC, BLUE	1
17	1289064GT	DECAL, TRANSPORT/LIFTING, S-40/45 XC	2



108.1 Decals with Symbols, Engine Side

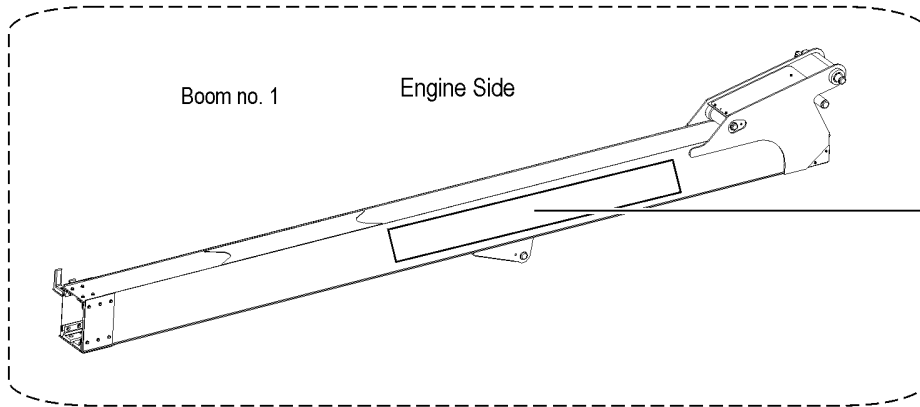


108.1 Decals with Symbols, Engine Side

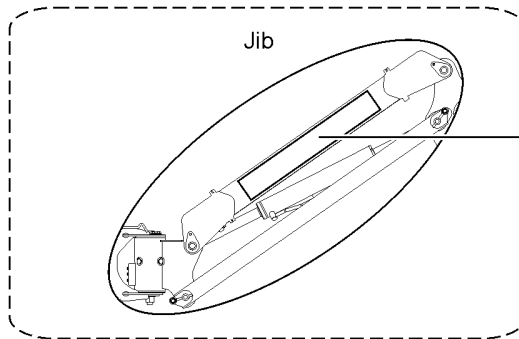
<i>Item</i>	<i>Part No.</i>	<i>Description</i>	<i>Qty.</i>
1	28174GT	DECAL,POWER TO PLATFORM 230V	1
2	28235GT	DECAL,POWER TO PLATFORM 115V	1
3	114251GT	DECAL,LABEL,NO SMOKING,SYMB	1
4	133205GT	DECAL,LABEL, ELECTRO HAZARD	1
5	1255581GT	DECAL COSMETIC,10" GENIE BLUE	1
6	1256425GT	DECAL, DANGER, ELECTROCUTION H Option, welder	2
7	1258174GT	DECAL COSMETIC,10" GENIE WHITE	1
8	1258176GT	DECAL COSMETIC,10" GENIE BLACK	1
9	1263542GT	DECAL, COMPARTMENT ACCESS	1
10	1272242GT	DECAL,MACHINE REGISTRATION/OWN	1
11	1283345GT	DECAL, COVER, XC XTRA CAPACITY	1
12	1283577GT	DECAL, LIFT^POWER, 1X7 INCH Option, lift power	1



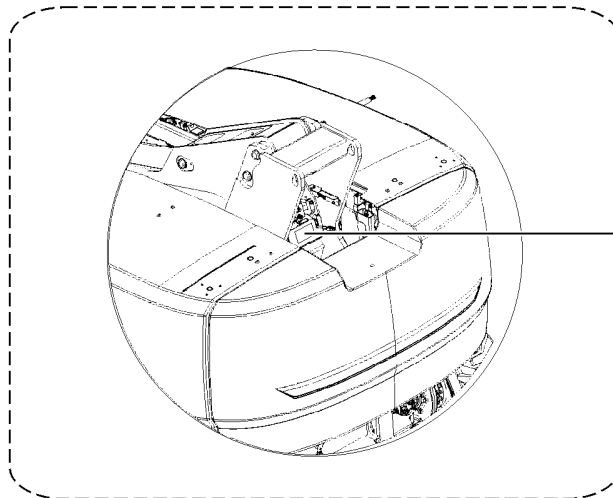
109.1 Decals with Symbols, Boom



1271379
or
1275517
or
1291324



1283744

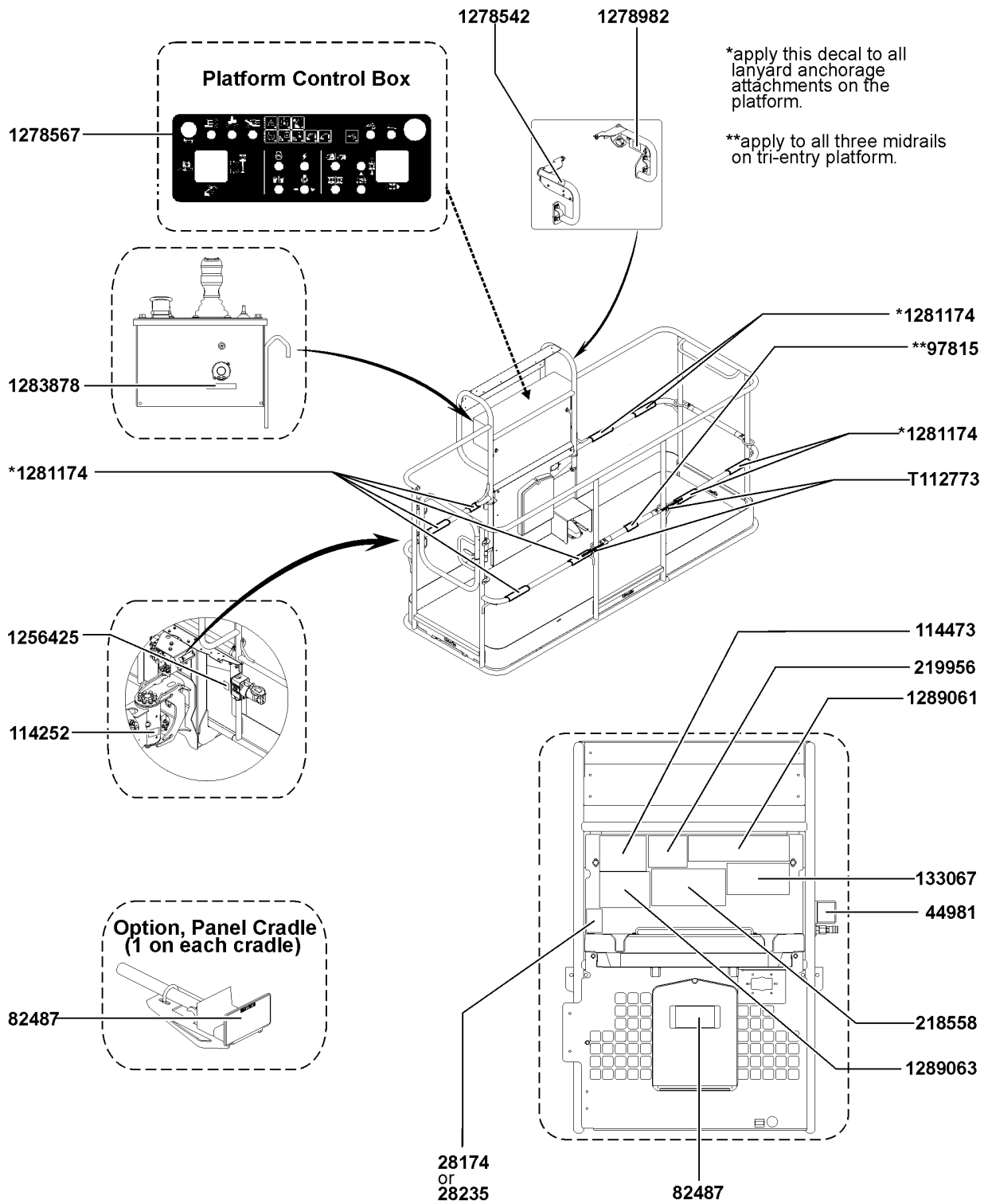


109.1 Decals with Symbols, Boom

<i>Item</i>	<i>Part No.</i>	<i>Description</i>	<i>Qty.</i>
1	114252GT	DECAL,LABEL,TIP OVER LMT SWTCH	1
2	1271379GT	DECAL, BOOM, GENIE S-45 XC	1
3	1275517GT	DECAL, BOOM, GENIE S-45 XC, BLUE	1
4	1283744GT	DECAL, LIFT^POWER	1
5	1291324GT	DECAL, BOOM, GENIE S-45 XC, BLK	1



110.1 Decals with Symbols, Platform

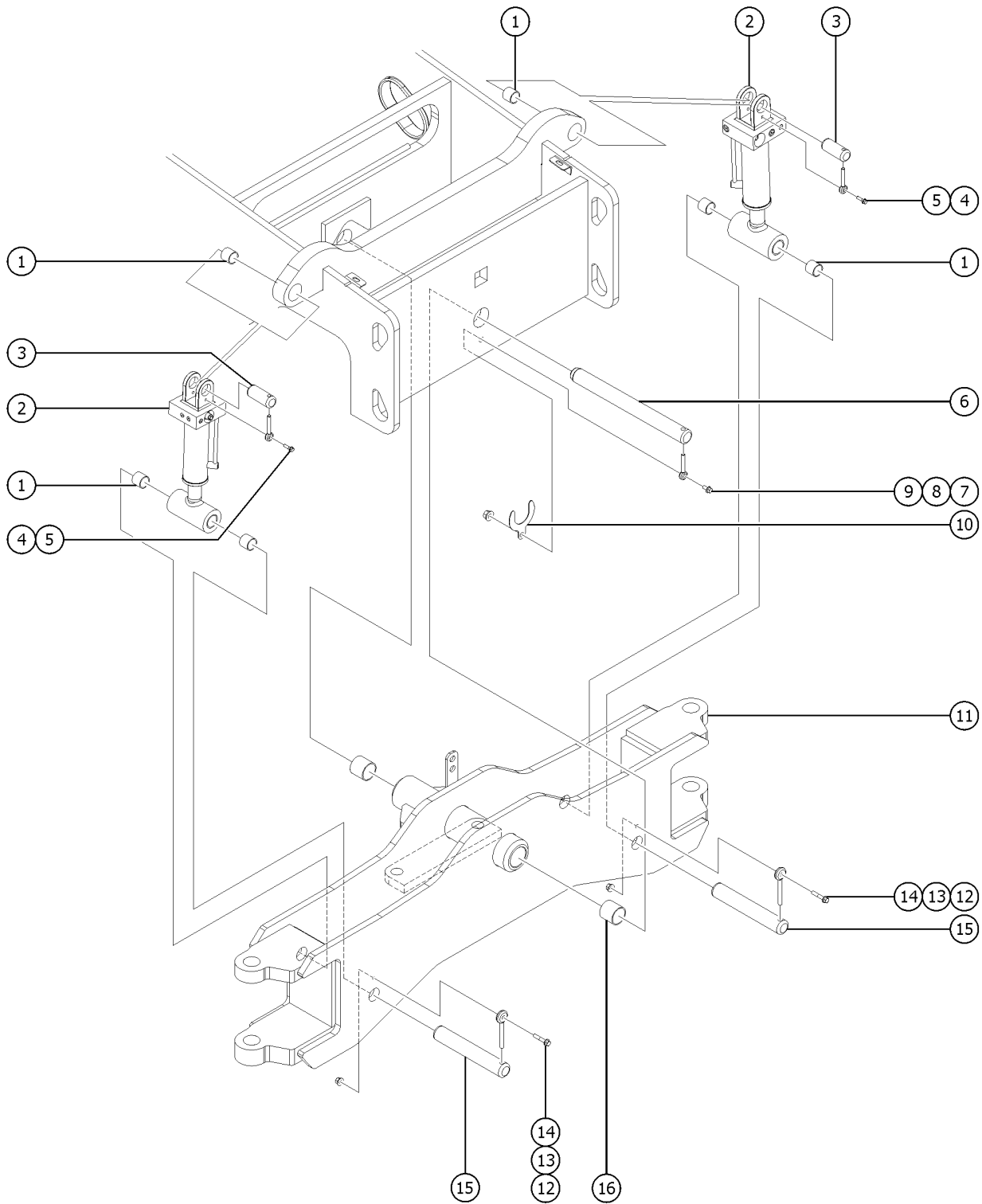


110.1 Decals with Symbols, Platform

<i>Item</i>	<i>Part No.</i>	<i>Description</i>	<i>Qty.</i>
1	28174GT	DECAL,POWER TO PLATFORM 230V	1
2	28235GT	DECAL,POWER TO PLATFORM 115V	1
3	44981GT	DECAL,LABEL,AIRLINE 110 PSI	1
		Option, airline to plat	
4	82487GT	DECAL,SYMBOL-READ THE MANUAL	1
5	97815GT	DECAL,LABEL,LOWER MIDRAIL	1
6	114252GT	DECAL,LABEL,TIP OVER LMT SWTCH	1
7	114473GT	DECAL,DANGER,ELEC.HAZ.STAY CLR	1
8	133067GT	DECAL,DANGER,ELEC.HAZ.STAY CLR	1
9	218558GT	DECAL,DANGER,TIPOVER,HF TIRES	1
10	219956GT	DECAL,PLATFORM OVERLOAD	1
11	1256425GT	DECAL, DANGER, ELECTROCUTION H	1
		Option, welder	
12	1278542GT	DECAL, INSTRUCTION, CONTACT ALARM	1
13	1278567GT	OVERLAY PLATFORM CONTROLS S-BOOM XC	1
14	1278982GT	DECAL, INSTRUCTION, ACTUATOR SWITCH SOCKET	1
15	1281174GT	DECAL,LANYARD,FALL ARREST/FALL RESTRAINED	8
16	1283878GT	DECAL, TECHPRO LINK	1
17	1289061GT	DECAL, DANGER, CAPACITY, S-45 XC, SYMBOL	1
18	1289063GT	DECAL, WARNING, RUNAWAY MACHINE, S-40/45 XC, SYMBOL	1
19	T112773GT	TAPE, PROTECTIVE MASK	2

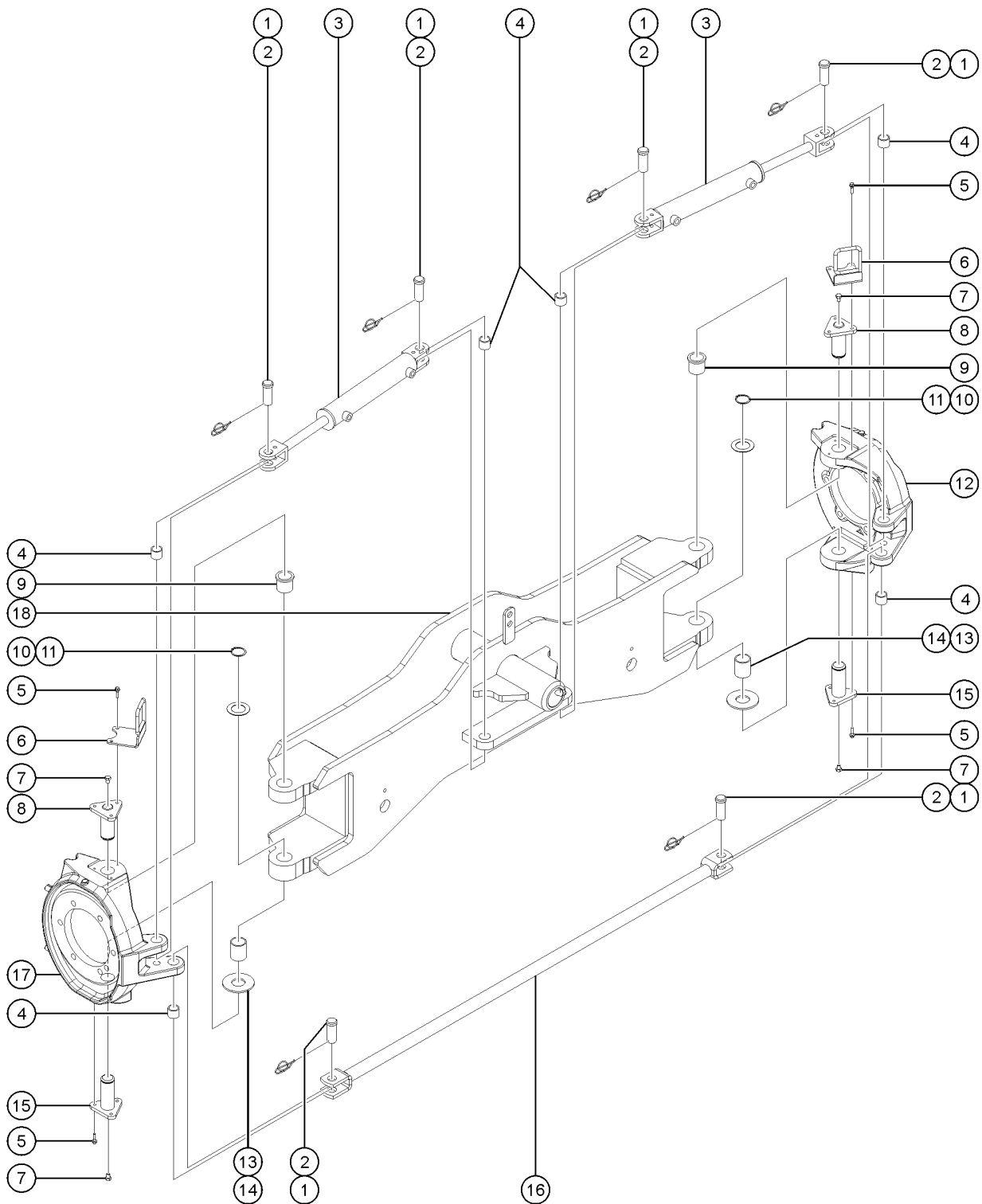


201.1 4WD Steer Axle Linkage, View 1



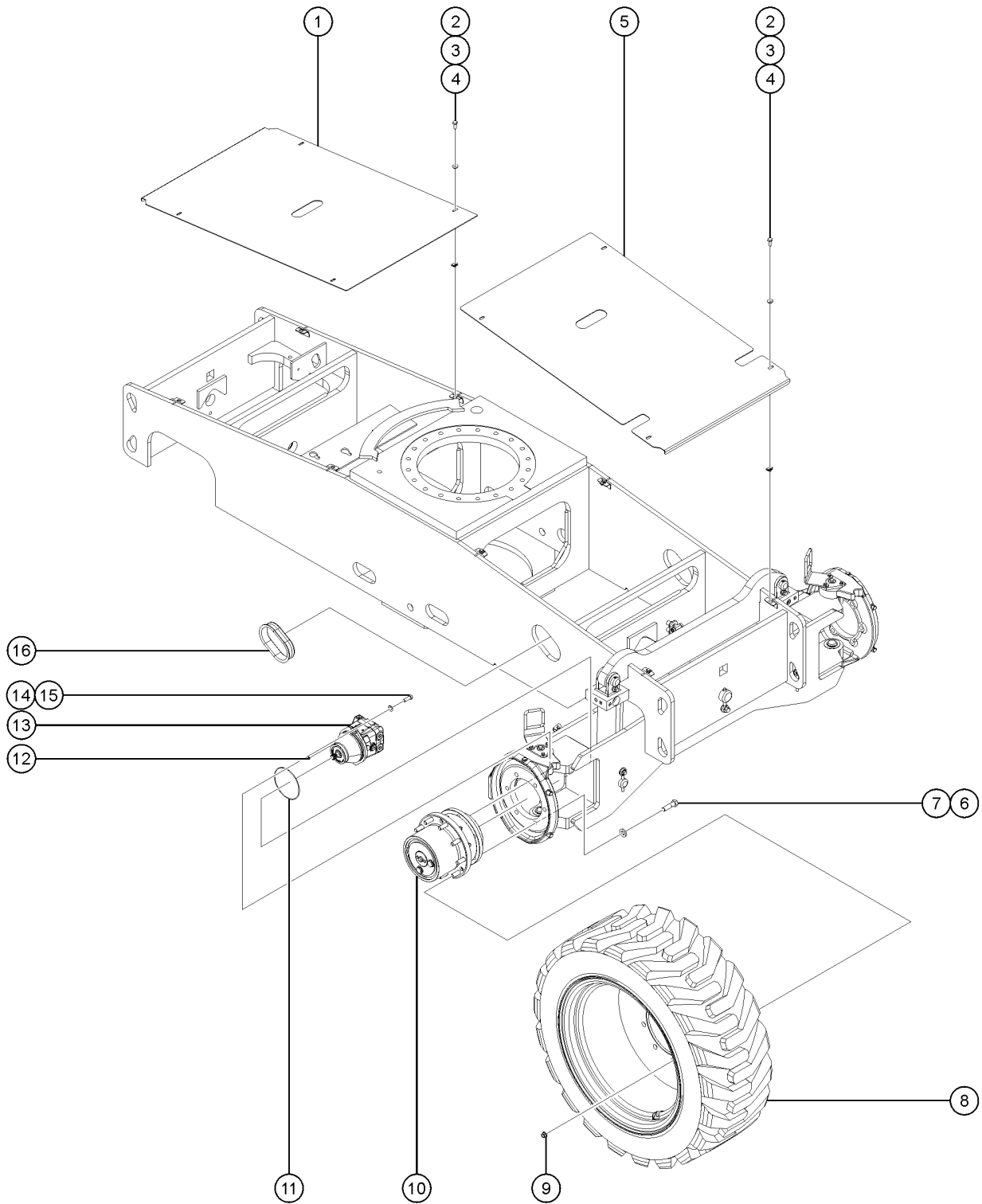
Item	Part No.	Description	Qty.
1	45071GT	BEARING,1.5IDX1.75ODX1.5L	6
2	1278999GT	CYLINDER, OSCILLATE, S40/45XC	2
2-	89100GT	SEAL KIT,OSC.CYL.S40/S45,89099	
2-	1279001GT	VALVE, COUNTERBALANCE, CBCH-LJN-4800	
2-	31106GT	VALVE,CNTERBAL,CBBB-LHN@3000**	
3	94221GT	PIN,1.50DIAX3.75LG,1HOLE	2
4	824089GT	SCREW,HHF,3/8-16X.75,8,ZAG	2
5	1255452GT	ROD END,.375 X 2.25,ZAG	2
6	77950GT	PIN,2.00DIAX20.88LG,CHAMFER	1
7	826171GT	SCREW,HHF,1/2-13X1.75,ZAG	1
8	1256267GT	ROD END,.5 X 3.75,ZAG	1
9	1274172GT	NUT,NYLOCK FLG,1/2-13,G,ZAG	1
10	1284351GT	SHIM, AXLE	1
11	1295961GT	ASSY, FRONT AXLE W/BEARINGS, OSC (includes bearings) (refer to 202.1)	1
12	1253478GT	SCREW,HHF,3/8-16X2,8,ZAG	2
13	825019GT	ROD END, .375X3.69, ZAG	2
14	1274322GT	NUT,NYLOCK FLG,3/8-16,G,ZAG (4WD)	2
14B	824029GT	NUT, TL FLG, 3/8-16, G, ZAG (Trax)	2
15	77880GT	PIN,1.50DIAX9.38LG,1HOLE	2
16	42014GT	BEARING,2.00IDX2.25ODX2.00L	2

202.1 4WD Steer Axle Linkage, View 2



Item	Part No.	Description	Qty.
1	824127GT	PIN, CLEVIS, SAE 1.0 X 2.41, ZAG	6
2	824129GT	RUE RING, 1.0, ZAG	6
3	89065GT	CYLINDER,STEER***	2
3-	89066GT	SEAL KIT,STEER CYL (89065)	
4	25817GT	BEARING,1.00IDX1.25ODX1.00L	6
5	824079GT	SCREW,HHF,1/4-20X1,8,ZAG	12
6	1270585GT	WELDMENT, FRONT AXLE HOSE HANGER	2
7	1263699GT	SCREW,HHC,3/8-16X.5,8,ZAG	4
8	237568GT	WELDMENT, PIN, 1.5INX3.2IN LG	2
9	122316GT	BEARING,FL 1.5ID X 1.75OF X1.7	2
10	825796GT	SNAP RING,EXTERNAL,1.50,ZAG	2
11	1251565GT	WASHER,SHIM,1.56X2.5X.061,ZAG	2
12	1257050GT	ASSEMBLY, YOKE, RH, Z-45 4WD	1
		Includes item 4	
13	146264GT	BEARING, 1.5IDX1.75ODX2.00L	2
14	45074GT	WASHER,THRUST,1.5 X 3.5 X .187	2
15	237569GT	WELDMENT, PIN, 1.5INX3.2IN LG	2
16	1269443GT	WELDMENT, TIE ROD	1
		(4WD)	
16B	1287644GT	WELDMENT, TIE ROD, TRAX	1
		(Trax)	
17	1257049GT	ASSEMBLY, YOKE, LH, Z-45 4WD	
		Includes item 4	
18	1295961GT	ASSY, FRONT AXLE W/BEARINGS, OSC	1
		(refer to 201.1); includes bearings	

203.1 4WD Steer Axle - Wheels and Hubs

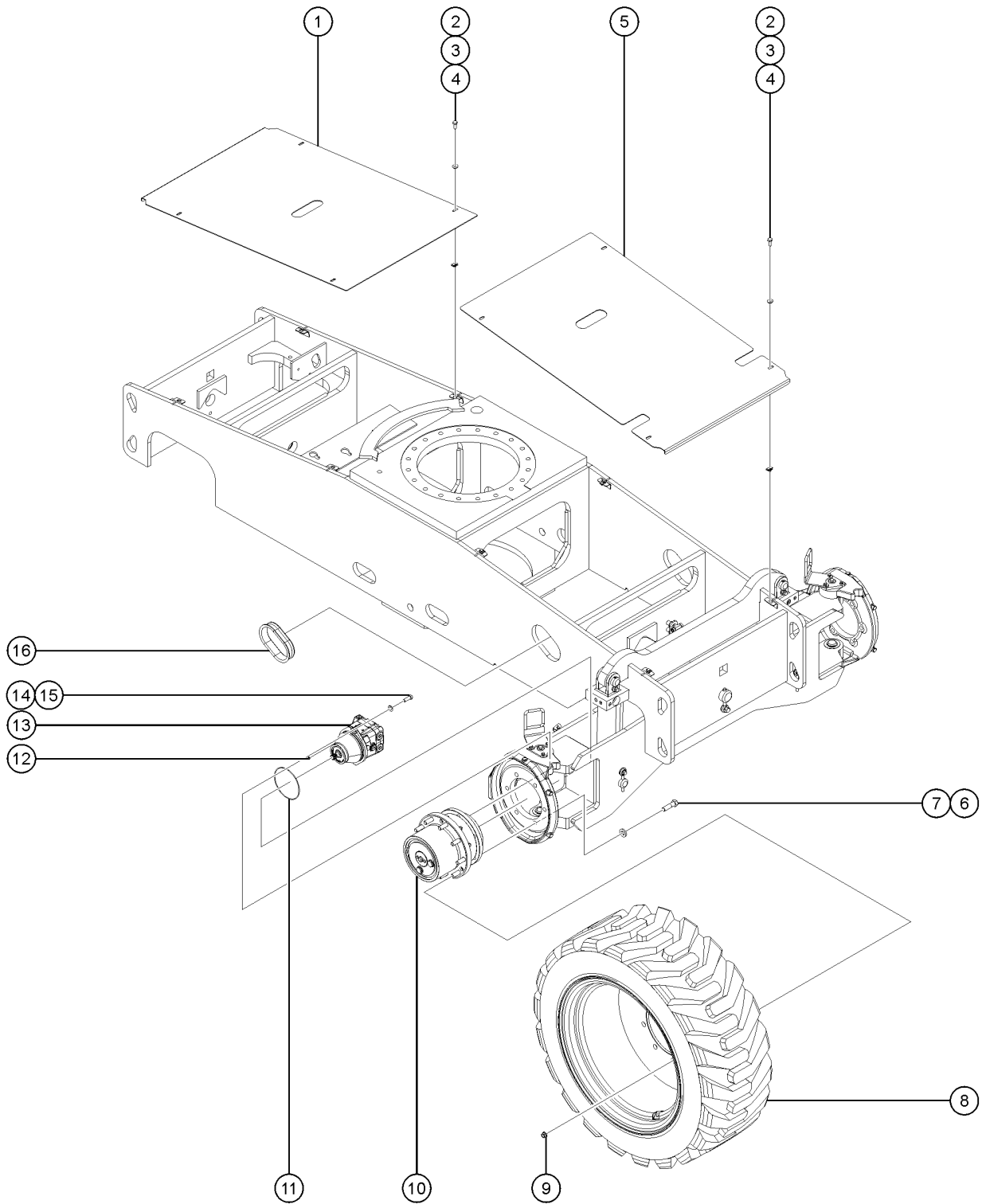


203.1 4WD Steer Axle - Wheels and Hubs

Item	Part No.	Description	Qty.
1	1291164GT	REAR COVER, DRIVE CHASSIS	1
2	824059GT	SCREW, HHC, 1/4-20 X .75, 8, ZAG	8
3	824113GT	WASHER, FLAT, 1/4, USS, ZAG	8
4	56912GT	SPRING CLIP, 1/4-20, .025-.15X.5	8
5	1291163GT	FRONT COVER, DRIVE CHASSIS	1
6	1260372GT	SCREW, HHC, 5/8-11X1.75, 8, ZAG	12
7	1256182GT	WASHER, FLAT, 5/8, F436, HRD, ZAG	12
8	1271381GT	TIRE AND WHEEL ASSEMBLY, AIR	4
		(Turf tire, Air-filled)	
8-	73295GT	TIRE, 33/16LL 500, 10 PLY	
		for 1271381	
8-	1271382GT	WHEEL, 19.5 X 14.00, AIR	
		for 1271381	
8B	1283705GT	ASSY, WHEEL/TIRE, RT FOAM, 315/55D20-12 PLY, LH	2
		(RT, Foam-filled, Left)	
8B-	1283706GT	ASSY, WHEEL/TIRE, RT FOAM, 315/55D20-12 PLY, RH	2
		(RT, Foam-filled, Right)	
8C	1283707GT	ASSY, WHEEL/TIRE, RT NM FOAM, 315/55D20-12 PLY, LH	2
		(RT, Foam-filled, Non-marking, Left)	
8C-	1283708GT	ASSY, WHEEL/TIRE, RT NM FOAM, 315/55D20-12 PLY, RH	2
		(RT, Foam-filled, Non Marking, Right)	
9	77674GT	NUT, HEX, FLANGE 5/8-18, GRD8	18
10	T110637GT	WHEEL DRIVE W/ BRAKE, 48.1	2
10-	230849GT	WHEEL STUD, 5/8-18X67MM	9
10-	233041GT	SEAL KIT, WHEEL DRIVE	
10-	139968GT	O-RING, END COVER, OMNI***	
10-	139966GT	ROD, DISCONNECT, OMNI***	
10-	139967GT	CAP, DISENGAGE, OMNI***	
10-	139969GT	LINING KIT, BRAKE, OMNI***	
10-	139970GT	SEAL KIT, BRAKE, OMNI***	
10-	139971GT	BEARING KIT, OMNI***	
10-	147033GT	O-RING, PIPE PLUG KIT, OMNI***	
10-	147034GT	PIPE PLUG KIT, OMNI***	
10-	106118GT	O-RING, 2-157, VITON***	
		(Motor to Hub O-ring)	
10-	106117GT	O-RING, 2-010, VITON	
		(Mating O-ring for Brake Port)(Extremely small)	



203.1 4WD Steer Axle - Wheels and Hubs

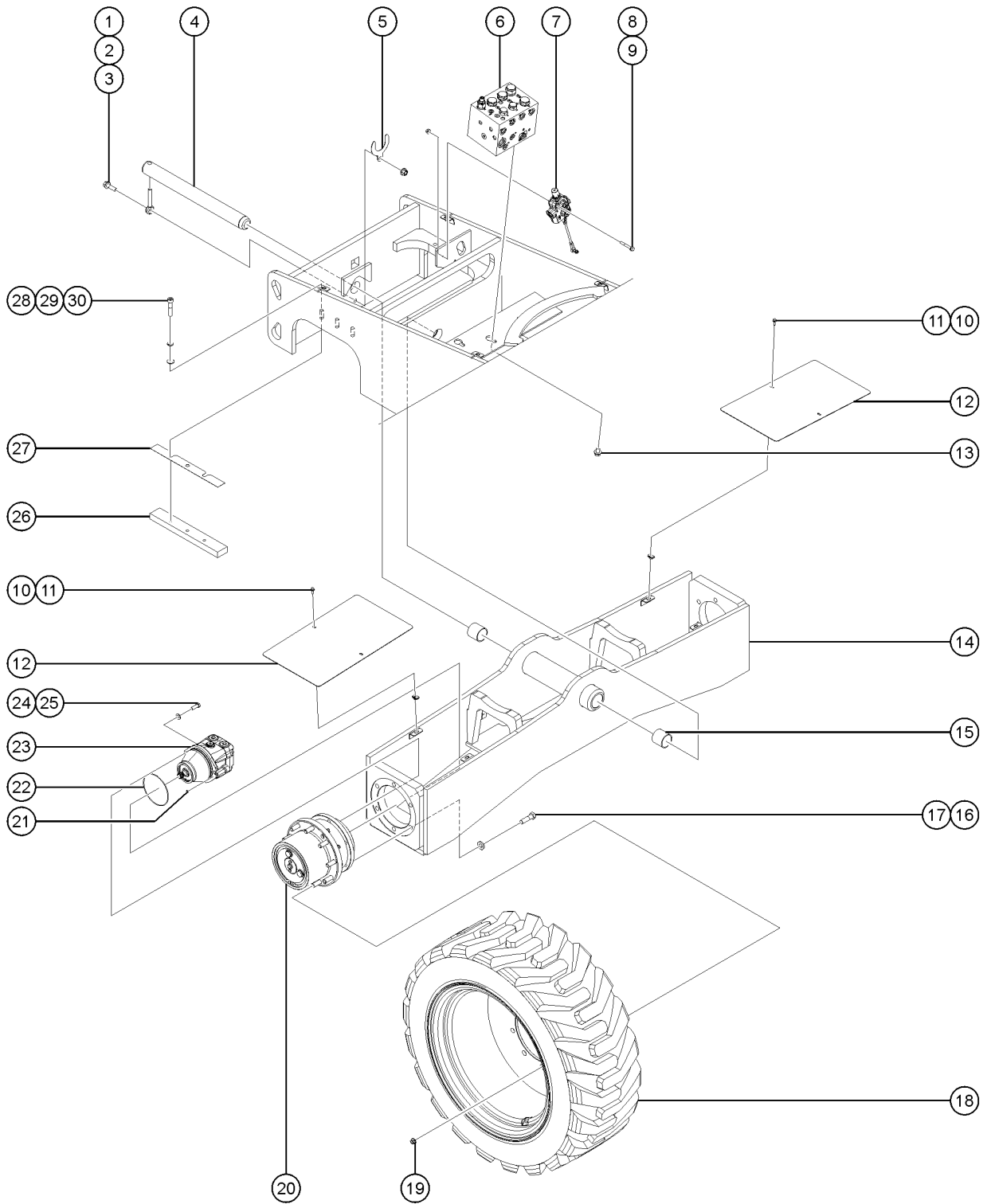


203.1 4WD Steer Axle - Wheels and Hubs

<i>Item</i>	<i>Part No.</i>	<i>Description</i>	<i>Qty.</i>
11	106118GT	O-RING,2-157,VITON***	2
12	106117GT	O-RING,2-010,VITON	2
13	1271791GT	MOTOR, PISTON, 25CC, 6.5 DEG, 13T	2
13-	106098GT	SEAL KIT,MOTOR,LC/KC***	
14	824072GT	SCREW,HHC,7/16-14X1.25,ZAG	4
15	824117GT	WASHER,FLAT,7/16,SAE,HRD,ZAG	4
16	53386GT	GUARD, HOSE PROTECTOR	2



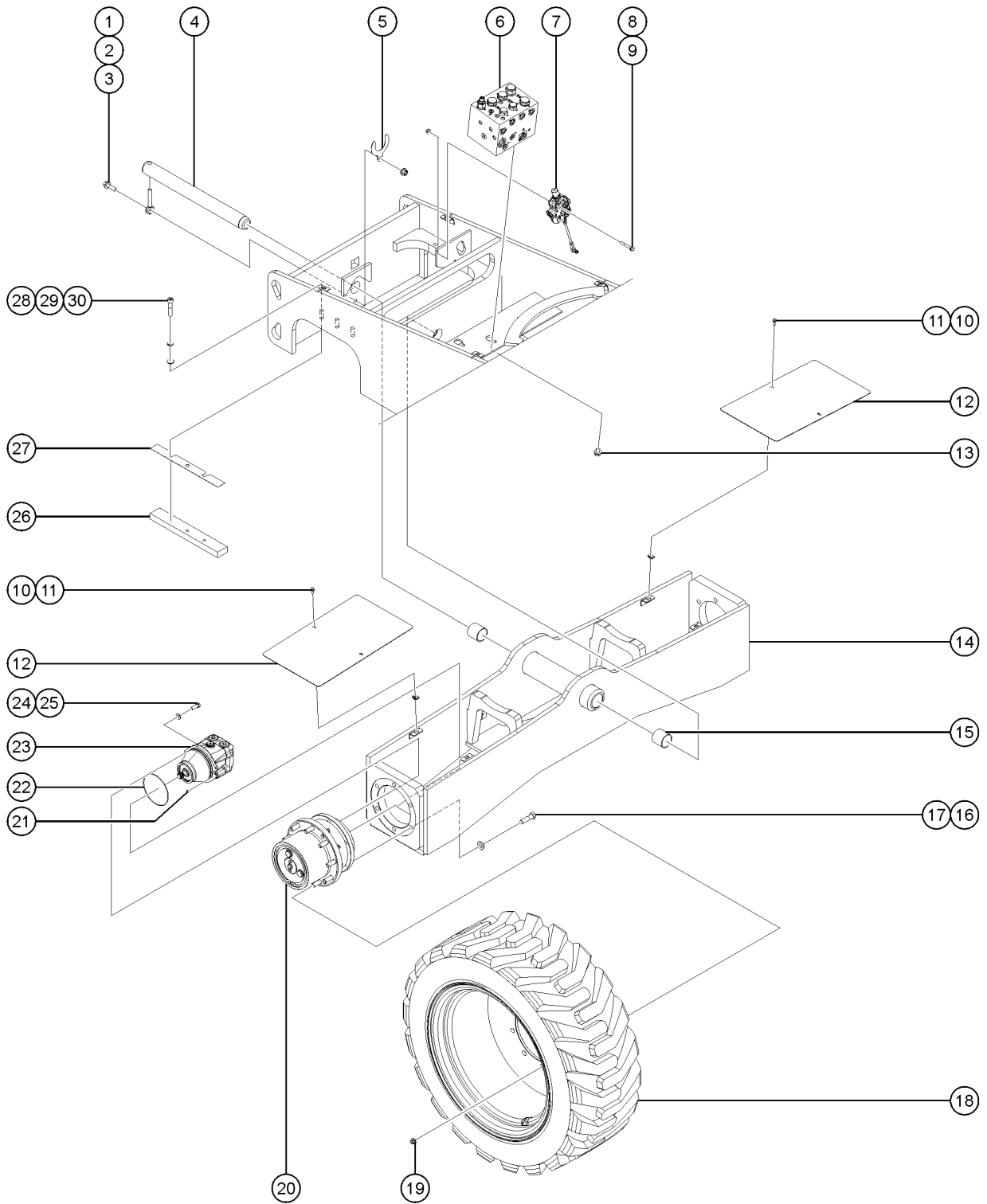
204.1 4WD Non-steer Axle



Item	Part No.	Description	Qty.
1	826171GT	SCREW,HHF,1/2-13X1.75,ZAG	1
2	1256267GT	ROD END,.5 X 3.75,ZAG	1
3	1274172GT	NUT,NYLOCK FLG,1/2-13,G,ZAG	1
4	77950GT	PIN,2.00DIA X 20.88LG,CHAMFER	1
5	1284351GT	SHIM, AXLE	1
6	1276750GT	MANIFOLD, TRACTION, 4WD	1
		(refer to 702.1)	
7	1292294GT	VALVE, MOTOR SPOOL, 3POS 4WAY	
		(refer to 205.1)	
8	1257866GT	SCREW,HHF,1/4-20X2.25,8,ZAG	2
9	1277924GT	NUT,NYLOCK FLG,1/4-20,F,ZAG	2
10	824078GT	SCREW,HHF,1/4-20X.75,8,ZAG	4
11	56912GT	SPRING CLIP,1/4-20,.025-.15X.5	4
12	1270979GT	COVER, REAR AXLE	2
13	1257454GT	SCREW,HHF,1/2-13X.75,8,ZAG	2
14	1295962GT	ASSY, REAR AXLE W/BEARINGS, OSC	1
		(includes bearings)	
15	42014GT	BEARING,2.00IDX2.25ODX2.00L	2
16	1255385GT	SCREW,HHC,5/8-11X2.25,8,ZAG	12
17	1256182GT	WASHER,FLAT,5/8,F436,HRD,ZAG	12
18	1271381GT	TIRE AND WHEEL ASSEMBLY, AIR	
		(Turf tire, Air-filled)	
18-	73295GT	TIRE, 33/16LL 500, 10 PLY	
		for 1271381	
18-	1271382GT	WHEEL, 19.5 X 14.00, AIR	
		for 1271381	
18B-	1283705GT	ASSY, WHEEL/TIRE, RT FOAM, 315/55D20-12 PLY, LH	
		(RT, Foam-filled, Left)	
18B-	1283706GT	ASSY, WHEEL/TIRE, RT FOAM, 315/55D20-12 PLY, RH	
		(RT, Foam-filled, Right)	
18C-	1283707GT	ASSY, WHEEL/TIRE, RT NM FOAM, 315/55D20-12 PLY, LH	
		(RT, Foam-filled, Non-marking, Left)	
18C-	1283708GT	ASSY, WHEEL/TIRE, RT NM FOAM, 315/55D20-12 PLY, RH	
		(RT, Foam-filled, Non Marking, Right)	
19	77674GT	NUT, HEX, FLANGE 5/8-18, GRD8	18
20	T110637GT	WHEEL DRIVE W/ BRAKE,48.1	2
		(refer to 203.1)	
21	106117GT	O-RING,2-010,VITON	2
22	106118GT	O-RING,2-157,VITON***	2



204.1 4WD Non-steer Axle

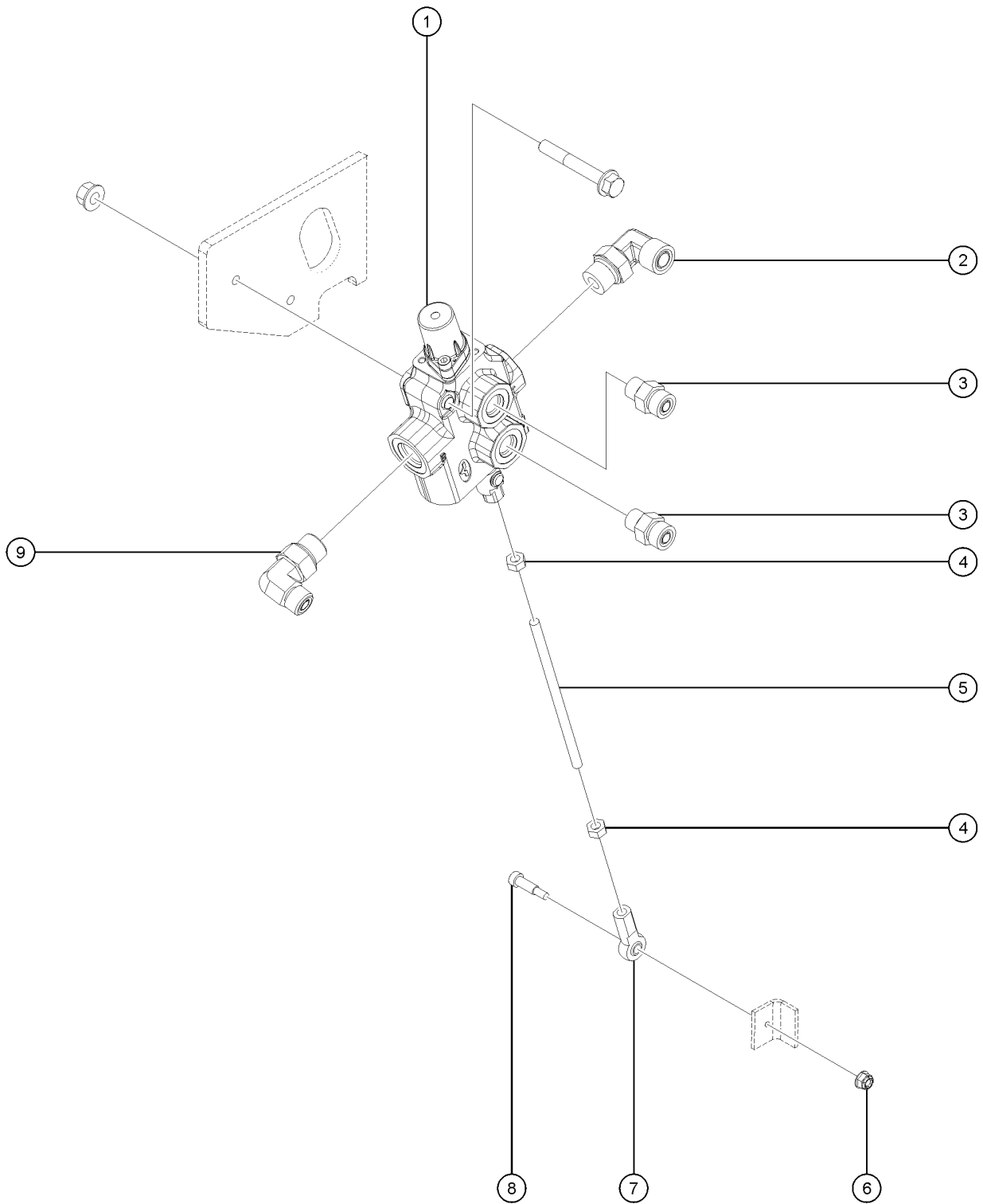


204.1 4WD Non-steer Axle

<i>Item</i>	<i>Part No.</i>	<i>Description</i>	<i>Qty.</i>
23	1271791GT	MOTOR, PISTON, 25CC, 6.5 DEG, 13T (refer to 203.1)	2
24	824072GT	SCREW,HHC,7/16-14X1.25,ZAG	4
25	824117GT	WASHER,FLAT,7/16,SAE,HRD,ZAG	4
26	1279125GT	BAR, AXLE STOP	2
27	1271005GT	SHIM, AXLE STOP, 22GA	2
28	1282013GT	SCREW,SHC,1/2-13X2.5,A574,ZAG	6
29	824111GT	WASHER,LOCK,1/2,ZAG	6
30	825353GT	WASHER,FLAT,1/2,SAE,HRD,ZAG	6



205.1 Oscillation Control Valve

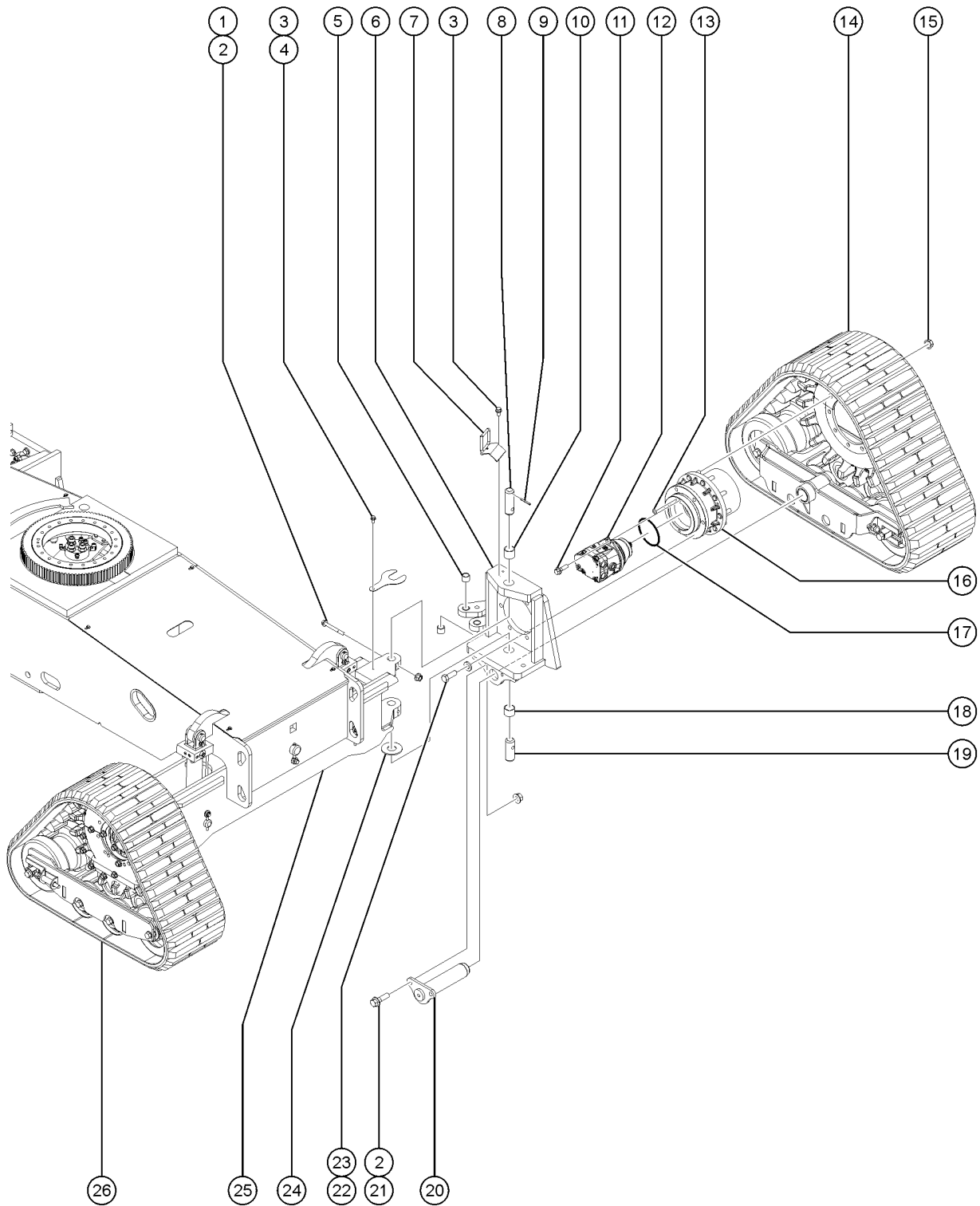


205.1 Oscillation Control Valve

<i>Item</i>	<i>Part No.</i>	<i>Description</i>	<i>Qty.</i>
1	1292294GT	VALVE, MOTOR SPOOL, 3POS 4WAY	1
2	48932GT	FITTING,ELBOW,90D,520220-8***	1
3	48916GT	CONN, 520120-6	2
4	824041GT	NUT, 1/4-28, 8, ZAG	2
5	1296055GT	ROD,THREADED,1/4-28X5.5,ZAG	1
6	1283004GT	NUT,NYLOCK FLG,10-24,A,ZAG	1
7	81691GT	ROD END,BALL JOINT 1/4-28	1
8	1257076GT	BOLT,SHS,1/4-28X4,ZAG	1
9	48929GT	FITTING,ELBOW,90D,520220-6-8**	1



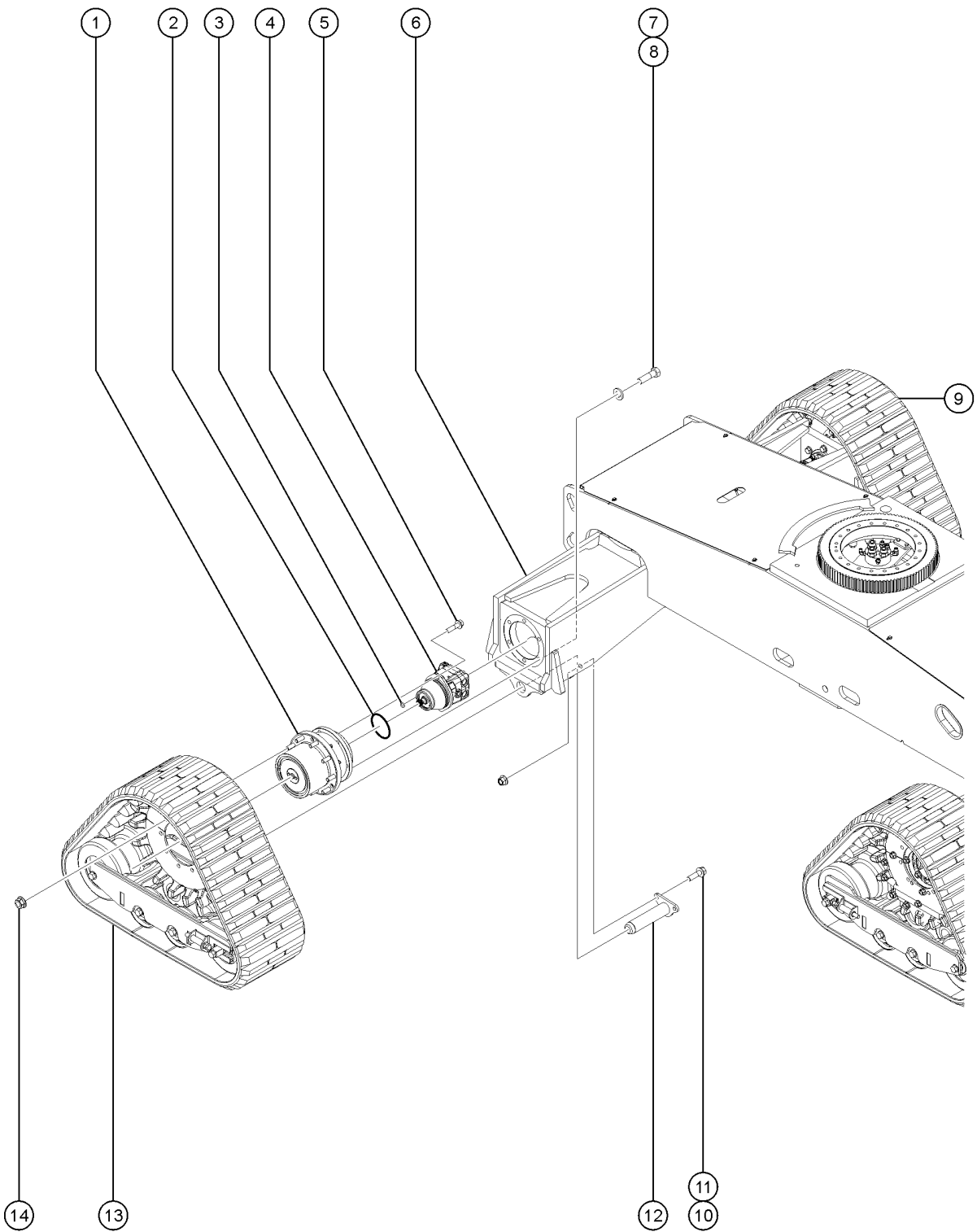
206.1 Trax Option Steer End



Item	Part No.	Description	Qty.
A	1290198GT	KIT,ACCUMULATOR,S45	
1	1255392GT	SCREW,HHF,1/2-13X4.5,8,ZAG	4
2	1251997GT	NUT,TL FLG,1/2-13,G,ZAG	8
3	824089GT	SCREW,HHF,3/8-16X.75,8,ZAG	6
4	122850GT	SHIM, AXLE, 1.56 X 4.75	2
5	25817GT	BEARING,1.00IDX1.25ODX1.00L	6
6	T107851GT	ASSY, YOKE, LH, TRAX, W/BUSH	1
6B	T107861GT	ASSY, YOKE, RH, TRAX, W/BUSH	1
7	122281GT	HOSE HANGER,DRIVE CHASSIS	2
8	53081GT	PIN,1.50DIAX4.76LG,2HOLE	2
9	14815GT	PIN,ROLL,SST,.25 X 2.25	2
10	119619GT	BEARING,1.5IDX1.75ODX1.5L,PTFE	2
11	1268267GT	SCREW,HHF,7/16-14X1.25,8,ZAG	4
12	1290649GT	MOTOR, PISTON, 30CC, 13T, DUAL PORTING	2
13	106117GT	O-RING,2-010,VITON	2
14	216201GT	ASSY,QTS TRAX,S40/454,LH	1
		(refer 208.1)	
15	77674GT	NUT, HEX, FLANGE 5/8-18, GRD8	18
16	T110637GT	WHEEL DRIVE W/ BRAKE,48.1	2
		(refer 203.1)	
17	106118GT	O-RING,2-157,VITON***	2
18	110876GT	BEARING,1.5"ID X 1.75OD X1.25L	2
19	237478GT	PIN,1.50DIAX4.125LG, 1HOLE	2
20	237477GT	WELDMENT, PIVOT PIN, W/LOCK	2
21	826171GT	SCREW,HHF,1/2-13X1.75,ZAG	4
22	1260372GT	SCREW,HHC,5/8-11X1.75,8,ZAG	12
23	1256182GT	WASHER,FLAT,5/8,F436,HRD,ZAG	12
24	45074GT	WASHER,THRUST,1.5 X 3.5 X .187	2
25	1296045GT	ASSEMBLY, FRONT AXLE, TRAX W/ BUSHING	1
		(includes bearings)	
26	216202GT	ASSY,QTS TRAX,40/45,RH	1
		(refer 208.1)	

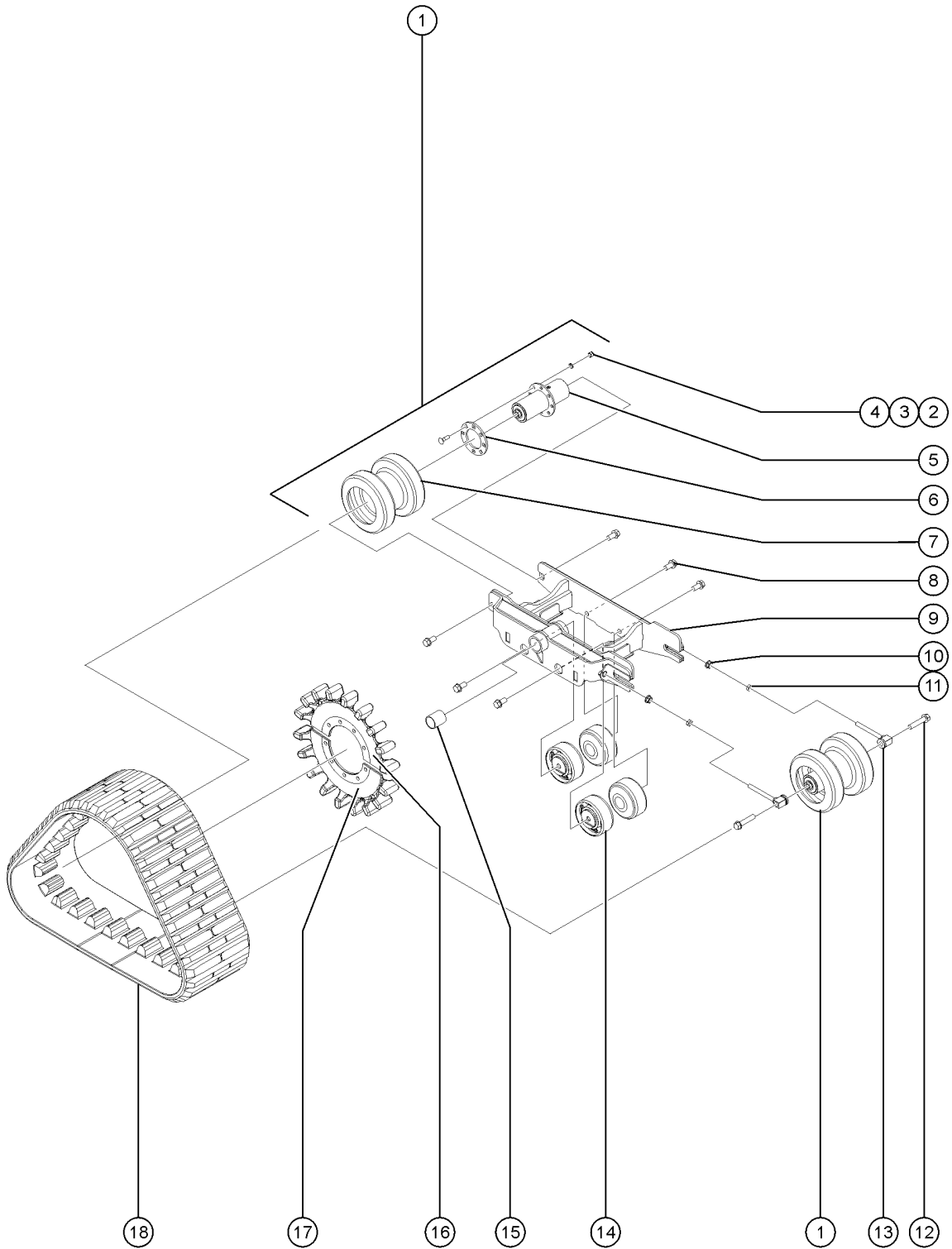


207.1 Trax Option Non-Steer End



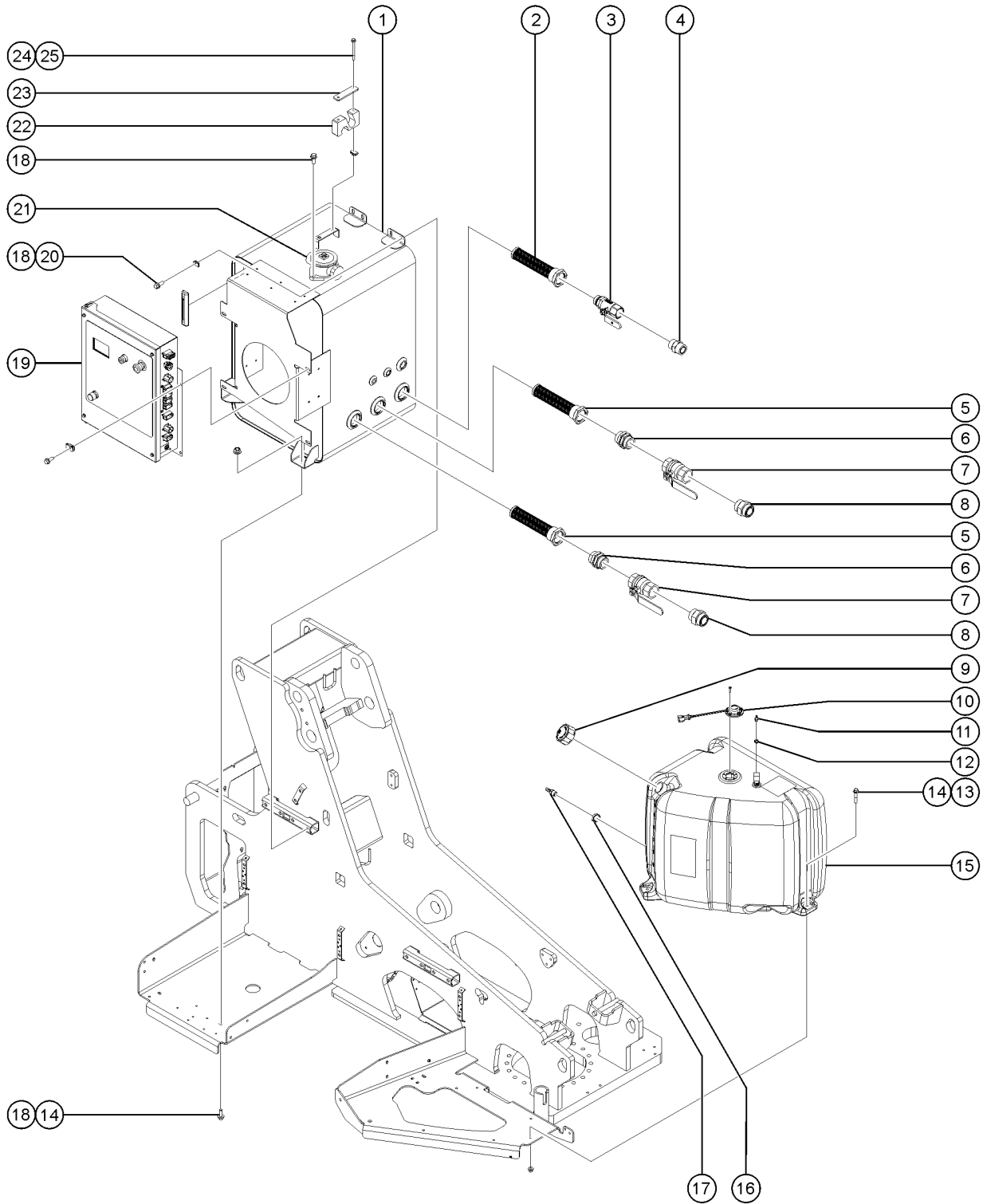
Item	Part No.	Description	Qty.
1	T110637GT	WHEEL DRIVE W/ BRAKE,48.1 (refer 203.1)	2
2	106118GT	O-RING,2-157,VITON***	2
3	106117GT	O-RING,2-010,VITON	2
4	1290649GT	MOTOR, PISTON, 30CC, 13T, DUAL PORTING (refer 203.1)	2
5	1268267GT	SCREW,HHF,7/16-14X1.25,8,ZAG	4
6	1296046GT	ASSEMBLY, REAR AXLE, TRAX W/ BUSHING (includes bearings)	1
7	1255385GT	SCREW,HHC,5/8-11X2.25,8,ZAG	12
8	1256182GT	WASHER,FLAT,5/8,F436,HRD,ZAG	12
9	216201GT	ASSY,QTS TRAX,S40/454,LH (refer 208.1)	1
10	826171GT	SCREW,HHF,1/2-13X1.75,ZAG	4
11	1251997GT	NUT,TL FLG,1/2-13,G,ZAG	4
12	237477GT	WELDMENT, PIVOT PIN, W/LOCK	2
13	216202GT	ASSY,QTS TRAX,40/45,RH (refer 208.1)	1
14	77674GT	NUT, HEX, FLANGE 5/8-18, GRD8	18

208.1 Trax Option Idler Assembly



Item	Part No.	Description	Qty.
1	219981GT	ASSEMBLY IDLER W/HUB (complete) (includes items 2 to 7)	2
2	220000GT	NUT, HEX, NYLOCK, 1/2-13 UNC	16
3	219999GT	WASHER WROUGHT .531 X .886 X 0	16
4	219998GT	BOLT, CARRIAGE, 1/2-13 X 1.75	16
5	219995GT	ASSEMBLY, IDLER HUB	2
6	219997GT	PLATE, WHEEL RETAINER	2
7	219996GT	IDLER, COMPLETE 10.3OD WO/HUB	2
8	219983GT	ASTM FLANGE BOLT, 3/4"-10NC X	6
9	219979GT	WELDMENT, S40/45 QTS CHASSIS L	1
9B	220005GT	WELDMENT, S40/45 QTS CHASSIS R (does not include bearing)	1
10	219987GT	ASTM FLANGE NUT, 5/8"-11, GR	2
11	219986GT	JAM NUT, 5/8"-11, PLATED	2
12	1259683GT	SCREW,HHF,3/4-10X3.25,8,ZAG	2
13	219982GT	WELDMENT, TENSIONER	2
14	219980GT	SPLIT BOGEY	4
15	219985GT	BUSHING, 2"X2.25"X2.5" one bushing at each end	2
16	219990GT	HALF SPROCKET, 9 TOOTH, 4 HOLE	1
17	219988GT	HALF SPROCKET, 9 TOOTH, 5 HOLE	1
18	219989GT	TRACK, 28 LINK MINI TELEHANDLE	1

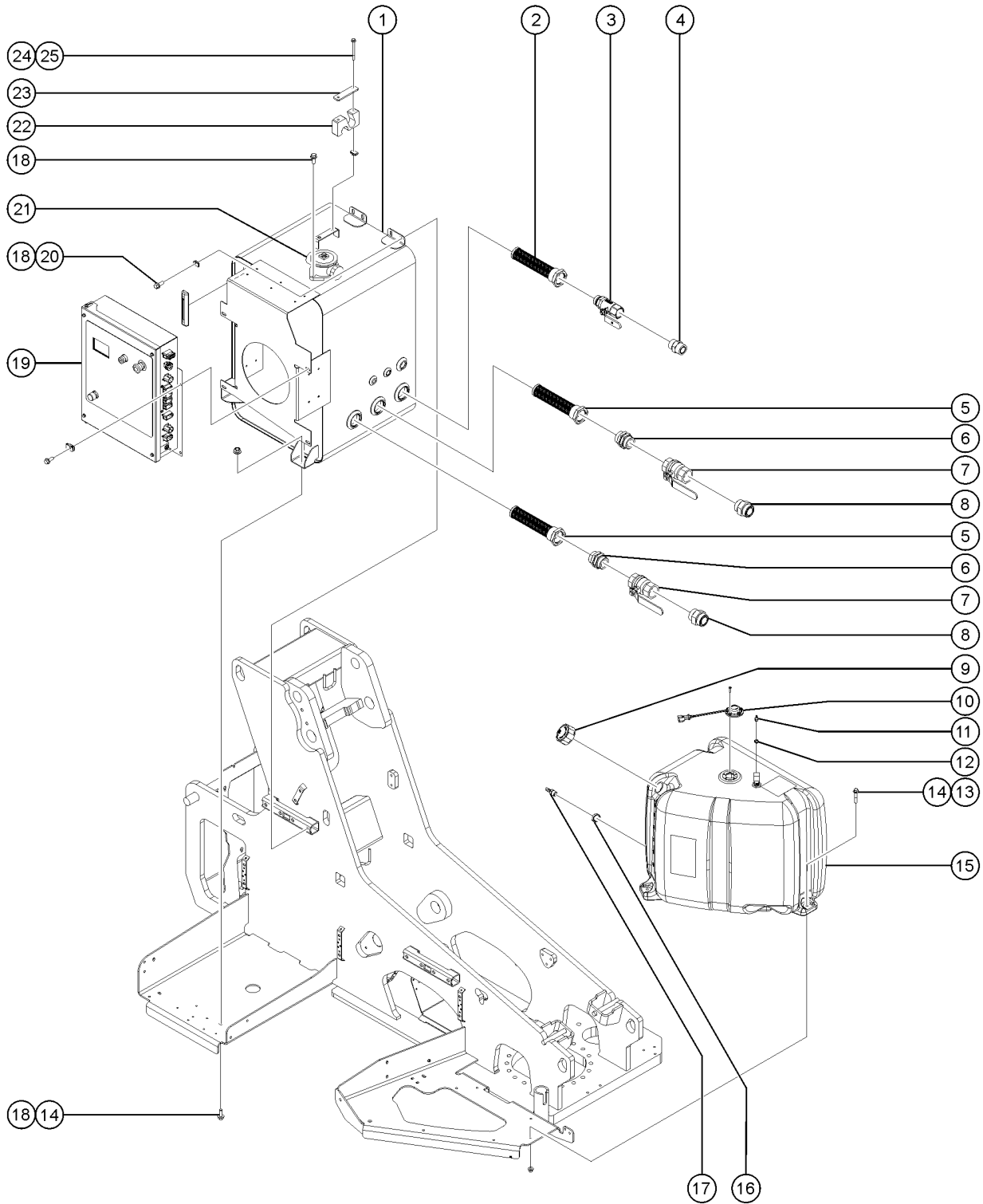
301.1 Hydraulic and Fuel Tanks - Diesel



Item	Part No.	Description	Qty.
1	1306757GT	ASSEMBLY, HYDRAULIC TANK, 38 GAL	1
1-	1306754GT	TANK, HYDRAULIC, 38 GAL	
1-	21141GT	GAUGE-SIGHT, LHA-LGTB***	
1-	94612GT	PLUG, MAGNETIC, SAE-6***	
2	101490GT	STRAINER, 16 SAE F/24 SAE M	1
3	48996GT	VALVE, BALL, 16 MSAE-16 FSAE***	1
4	48984GT	CONN, 520120-16	1
5	101491GT	STRAINER, 20 SAE F/24 SAE M***	2
6	61263GT	UNION, STR. THREAD 20	2
7	101494GT	VALVE, BALL, FSAE-20, FSAE-20	2
8	75654GT	CONN, 520120-20	2
9	101726GT	CAP, FUEL, DIESEL, 1/8" VENT (GRN)	1
10	1271770GT	SENSOR, FUEL LEVEL, 30" DIESEL	1
11	54124GT	HOSE END, BARB, 3/8 MNPT X 5/16	1
12	822087GT	CLAMP, HOSE, 1 EAR, 25/32	1
13	1253478GT	SCREW, HHF, 3/8-16X2, 8, ZAG	3
14	1274322GT	NUT, NYLOCK FLG, 3/8-16, G, ZAG	5
15	1274331GT	ASSY, FUEL TANK, 35 GAL, DIESEL	1
15-	1255643GT	TANK, FUEL, Z80 35 GAL	
15-	54324GT	FITTING, BULKHEAD, 3/8NPT, FUELTK	
15-	823356GT	TUBE, FUEL RETURN, 3/8X3/8X23.5	
16	96770GT	CLAMP, HOSE, 1 EAR, 11/16	1
17	27901GT	HOSE END, BARBED, RIGID, -6-6	1
18	824090GT	SCREW, HHF, 3/8-16X1, 8, ZAG	6
19		REF. GROUND CONTROL BOX	1
		(refer to 305.1 or 306.1)	
20	29868GT	SPRING CLIP, 3/8-16, .05-.20X.73, ZAG	2
21	110345GT	FILTER ASSY, INTANK	1
22	1286332GT	CLAMP, HYDRAULIC HOSE	1



301.1 Hydraulic and Fuel Tanks - Diesel

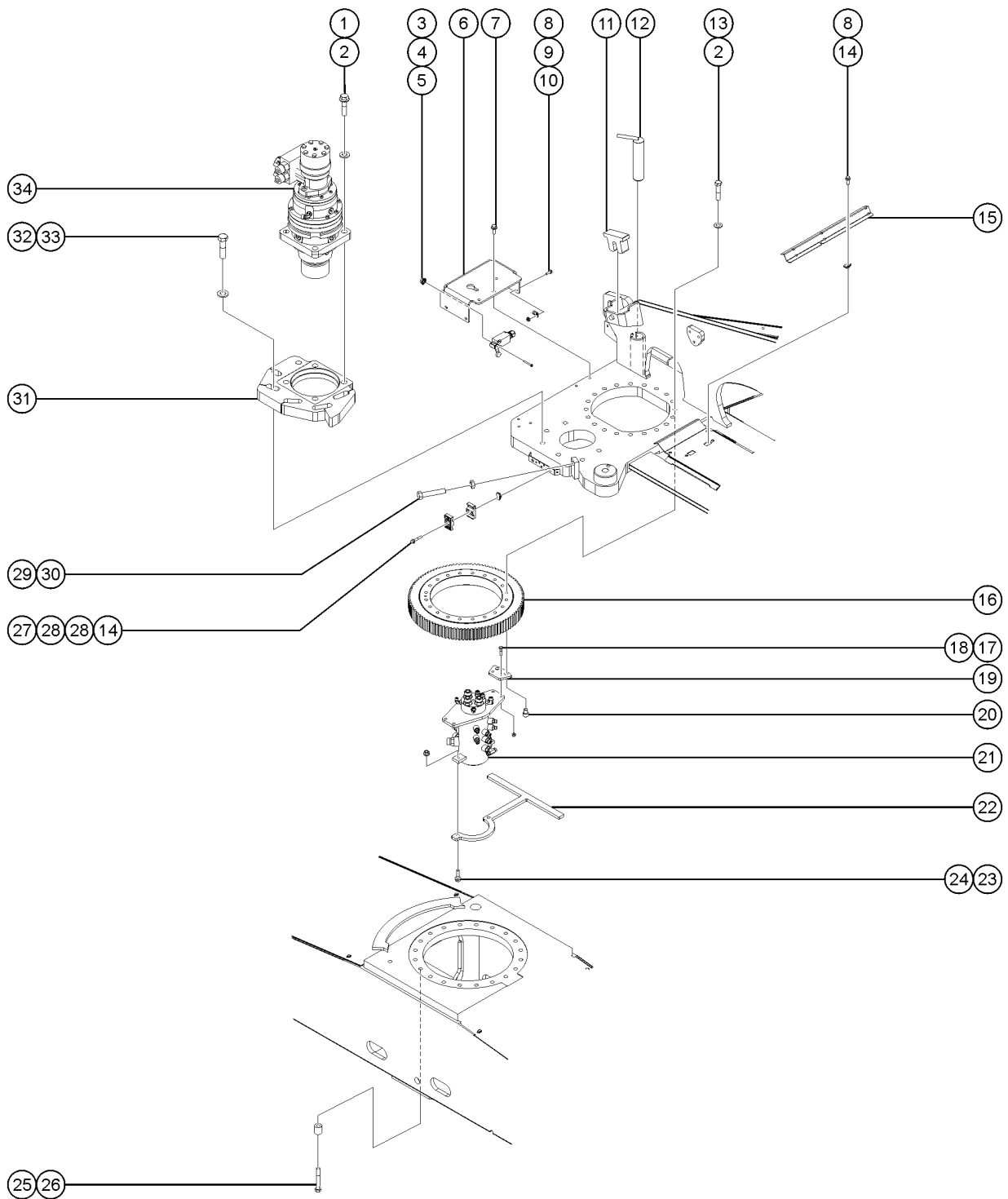


301.1 Hydraulic and Fuel Tanks - Diesel

<i>Item</i>	<i>Part No.</i>	<i>Description</i>	<i>Qty.</i>
23	1279882GT	PLATE, CLAMP BAR	1
24	824084GT	SCREW,HHF,1/4-20X3,8,ZAG	2
25	56912GT	SPRING CLIP,1/4-20,.025-.15X.5	2

Item	Part No.	Description	Qty.
1	824084GT	SCREW,HHF,1/4-20X3,8,ZAG	4
2	56912GT	SPRING CLIP,1/4-20,.025-.15X.5	5
3	1279882GT	PLATE, CLAMP BAR	2
4	1279429GT	CLAMP BLOCK, S40/45XC	2
5	1277623GT	FORMING, BRACKET, HOSE-CABLE	1
6	824080GT	SCREW,HHF,1/4-20X1.25,8,ZAG	6
7	1288201GT	WASHER,BELLEVILLE,.26X.50,.030T X.062H,18-8SS	12
8	1277924GT	NUT,NYLOCK FLG,1/4-20,F,ZAG	6
9	823368GT	SENSOR LEVEL,UNIVERSAL	2
10	1276904GT	MANIFOLD, FUNCTION, S40/45XC	1
		(refer to 701.1)	
11	78736GT	CLAMP,2 HOSE,PLASTIC,5/8	2
12	1253485GT	SCREW,HHF,1/4-20X2,8,ZAG	1
13	96196GT	PLATE,HOSE ROUTING,BULKHEAD	1
14	28646GT	ZERK,GREASE,1/8 NPT	1
15	48885GT	CONNECTOR,BULKHEAD,FEMALE-4	1
16	824090GT	SCREW,HHF,3/8-16X1,8,ZAG	5
17	824091GT	SCREW,HHF,3/8-16X1.25,8,ZAG	9
18	1274322GT	NUT,NYLOCK FLG,3/8-16,G,ZAG	6
19	1282819GT	FORMING, FUNCTION MANIFOLD BRKT, LOW v2, S40/45XC	1
20	1259855GT	UBOLT, 0.4724 IN D X 4.0 IN L	1
21	1255804GT	NUT,JAM,1/2-13,A,ZAG	2
22	825353GT	WASHER,FLAT,1/2,SAE,HRD,ZAG	2
23	1251997GT	NUT,TL FLG,1/2-13,G,ZAG	2
24	1282818GT	FORMING, MANIFOLD BRKT STIFFENER, S40/45XC	1
25	29868GT	SPRING CLIP,3/8-16,.05-.20X.73,ZAG	4
26	824029GT	NUT, TL FLG, 3/8-16, G, ZAG	1
27	50974GT	BUMPER,RUBBER,COVERS	1
28	1280797GT	FORMING, COVER STOP MOUNT	1

303.1 Turntable Rotator and Hydraulic Rotary Coupler Installation

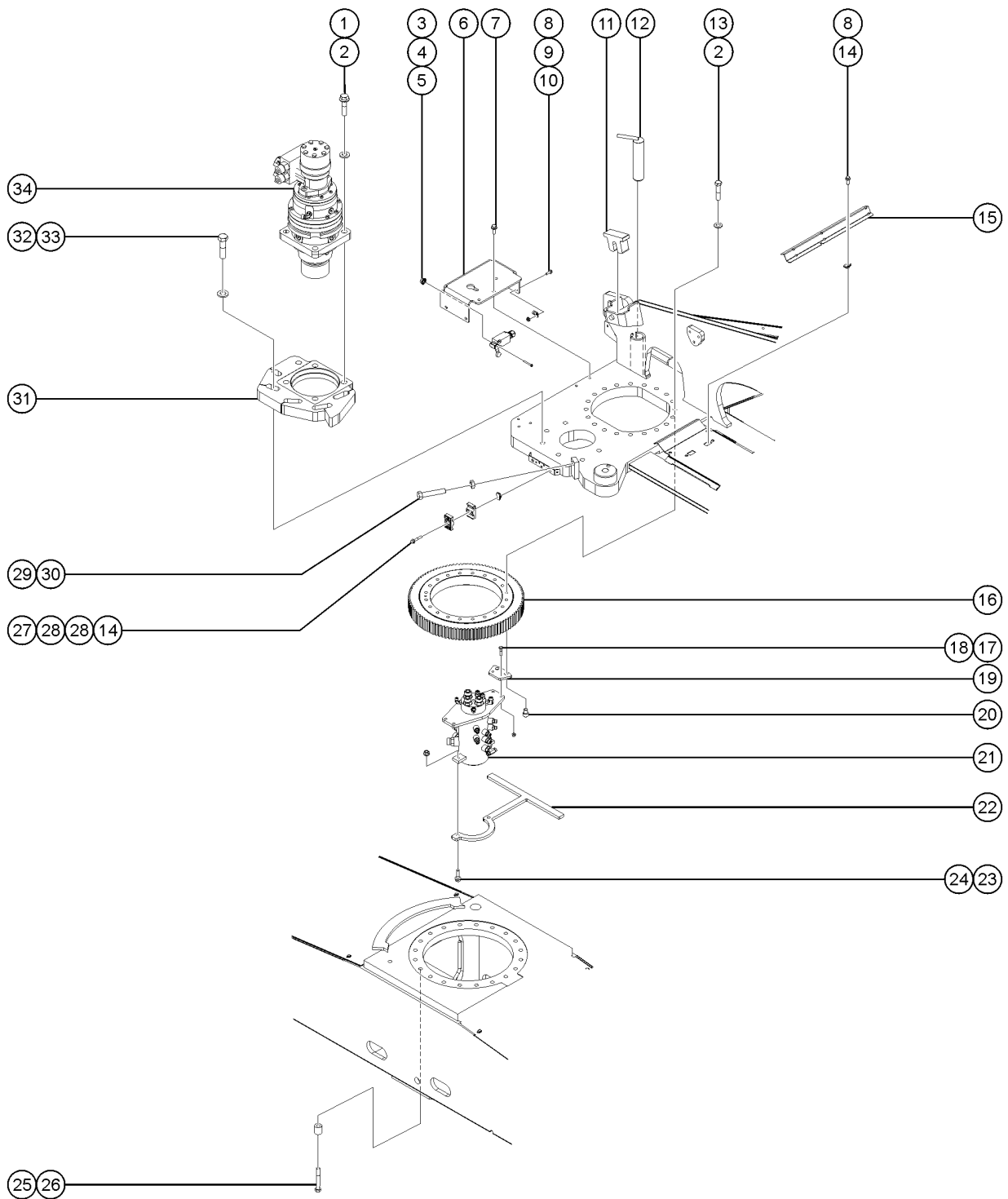


303.1 Turntable Rotator and Hydraulic Rotary Coupler Installation

Item	Part No.	Description	Qty.
1	1255385GT	SCREW,HHC,5/8-11X2.25,8,ZAG	4
2	1256182GT	WASHER,FLAT,5/8,F436,HRD,ZAG	24
3	1263070GT	NUT,SERRATED,8-32,ZAG	2
4	88356-11B65GT	SWITCH,LIMIT,W/RLLR ARM,NO/NC	1
5	1256698GT	SCREW,PHPM SEMS ET,8-32X1.5,ZA	2
6	1283578GT	FORMING, DRIVE ENABLE SWITCH HOUSING	1
7	824090GT	SCREW,HHF,3/8-16X1,8,ZAG	2
8	824078GT	SCREW,HHF,1/4-20X.75,8,ZAG	3
9	45470GT	CLAMP,0.31,#5 X 1/4,RUB CUSH	1
10	1256679GT	NUT,SERRATED,1/4-20,8,ZAG	1
11	1277630GT	ASSEMBLY, BOOM REST PADS	2
12	1283473GT	PIN, WELDMENT, TRANSPORT LOCK	1
13	1268266GT	SCREW,HHC,5/8-11X3,8,ZAG	20
14	56912GT	SPRING CLIP,1/4-20,.025-.15X.5	3
15	1283804GT	FORMING, FUEL LINE COVER	1
16	111648GT	BEARING,SERIES 3000	1
17	1256118GT	SCREW,HHC,3/8-16X1.5,8,ZAG	4
18	1274322GT	NUT,NYLOCK FLG,3/8-16,G,ZAG	4
19	1279454GT	PLATE, SWIVEL MOUNT, S40/45XC	2
20	1279453GT	SCREW,SHC,5/8-11X.75,A574,ZAG	4
21	1280390GT	SWIVEL, HYD 8 PORT	1
22	1279455GT	PLATE, SWIVEL ROTATION STOP	1
23	826171GT	SCREW,HHF,1/2-13X1.75,ZAG	2
24	1274172GT	NUT,NYLOCK FLG,1/2-13,G,ZAG	2
25	1263142GT	SCREW,HHC,5/8-11,4.5,8,ZAG	20
26	1282181GT	SPACER,1.313ODX5/8IDX1.5L	20
27	824081GT	SCREW,HHF,1/4-20X1.5,8,ZAG	1
28	78736GT	CLAMP,2 HOSE,PLASTIC,5/8	2



303.1 Turntable Rotator and Hydraulic Rotary Coupler Installation

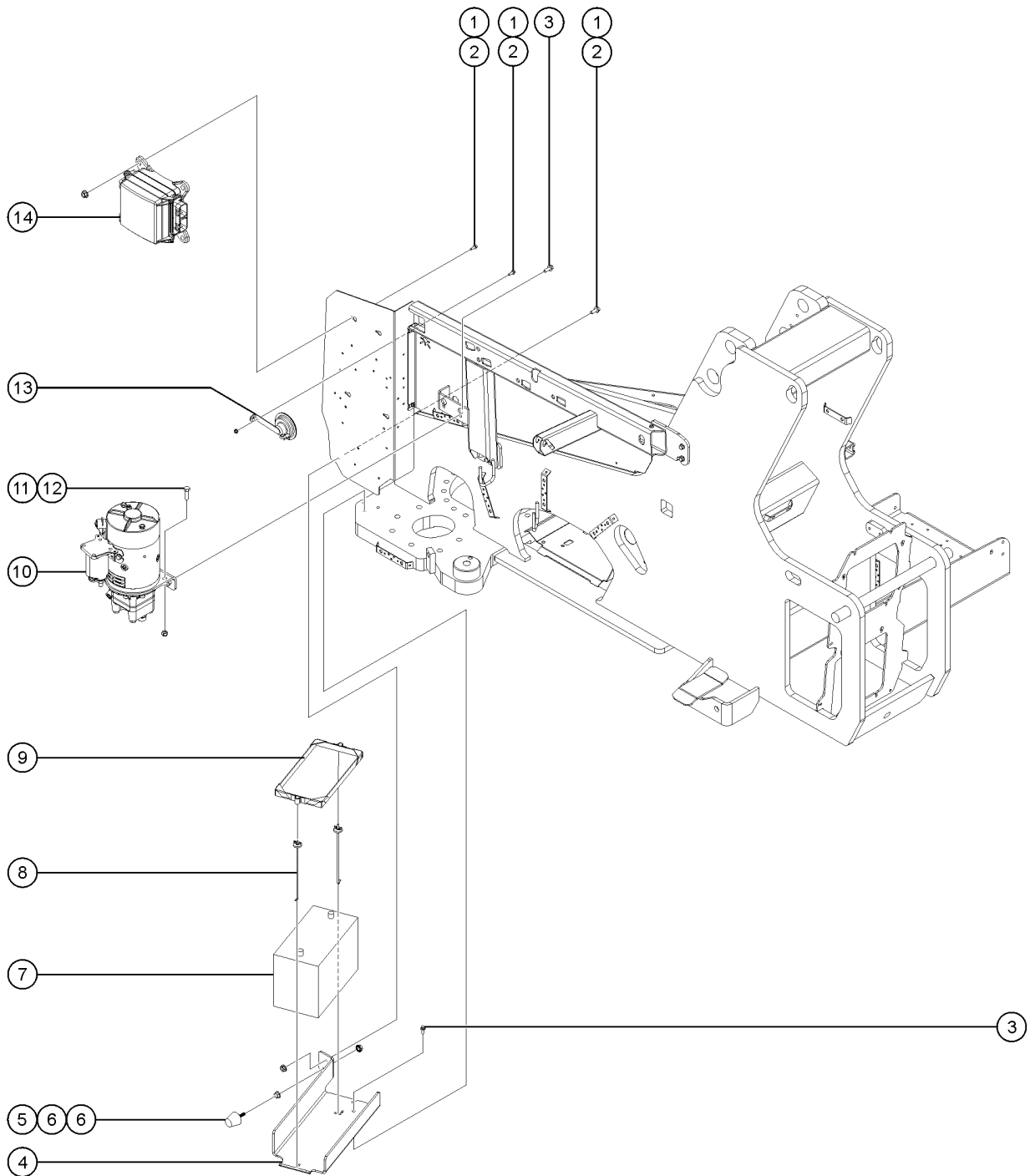


303.1 Turntable Rotator and Hydraulic Rotary Coupler Installation

<i>Item</i>	<i>Part No.</i>	<i>Description</i>	<i>Qty.</i>
29	1256846GT	SCREW,HEX TAP,3/4-10X4,8,ZAG	1
30	1256837GT	NUT,JAM,3/4-10,A, ZAG	1
31	1278534GT	MACHINED, BACKLASH ADJUSTMENT PLATE	1
32	1257459GT	SCREW,HHC,3/4-10X3,8,ZAG	6
33	1256863GT	WASHER,FLAT,.75,SAE,HRD,ZAG	6
34	1282315GT	ASSEMBLY, SWING DRIVE	1
34-	75677GT	SHAFT,OUTPUT,PINION,TURNTABLE	
34-	75678GT	SEAL KIT,REDUCER DRIVE TURNTAB	
34-	75681GT	BEARING KIT DRIVE TURN AND HUB	
34-	75682GT	DISC KIT DRIVE TURNTABLE Z-60*	
34-	75683GT	SPRING,DRIVE TURNTABLE***	
34-	62466GT	SEAL KIT,BRAKE,TURNTABLE ROT**	
34-	111092GT	SCREW - SHC, M12 X 30MM, GR 12.9	
34-	75684GT	MOTOR,TURNTABLE ROTATION***	
34-	75685GT	SEAL KIT,MOTOR TURNTABLE***	
34-	89800GT	MANIFOLD,TURNTABLE ROTATION***	
34-	75119GT	SEAL KIT,CB VALVE MANIFOLD***	
34-	41489GT	SCREW,SHC,5/16-18 X 2,PLATED	
34-	75686GT	BRAKE ASSEMBLY,TURNTABLE ROT**	
34-	146055GT	SIGHT GLASS (89885)	



304.1 Engine Side Components

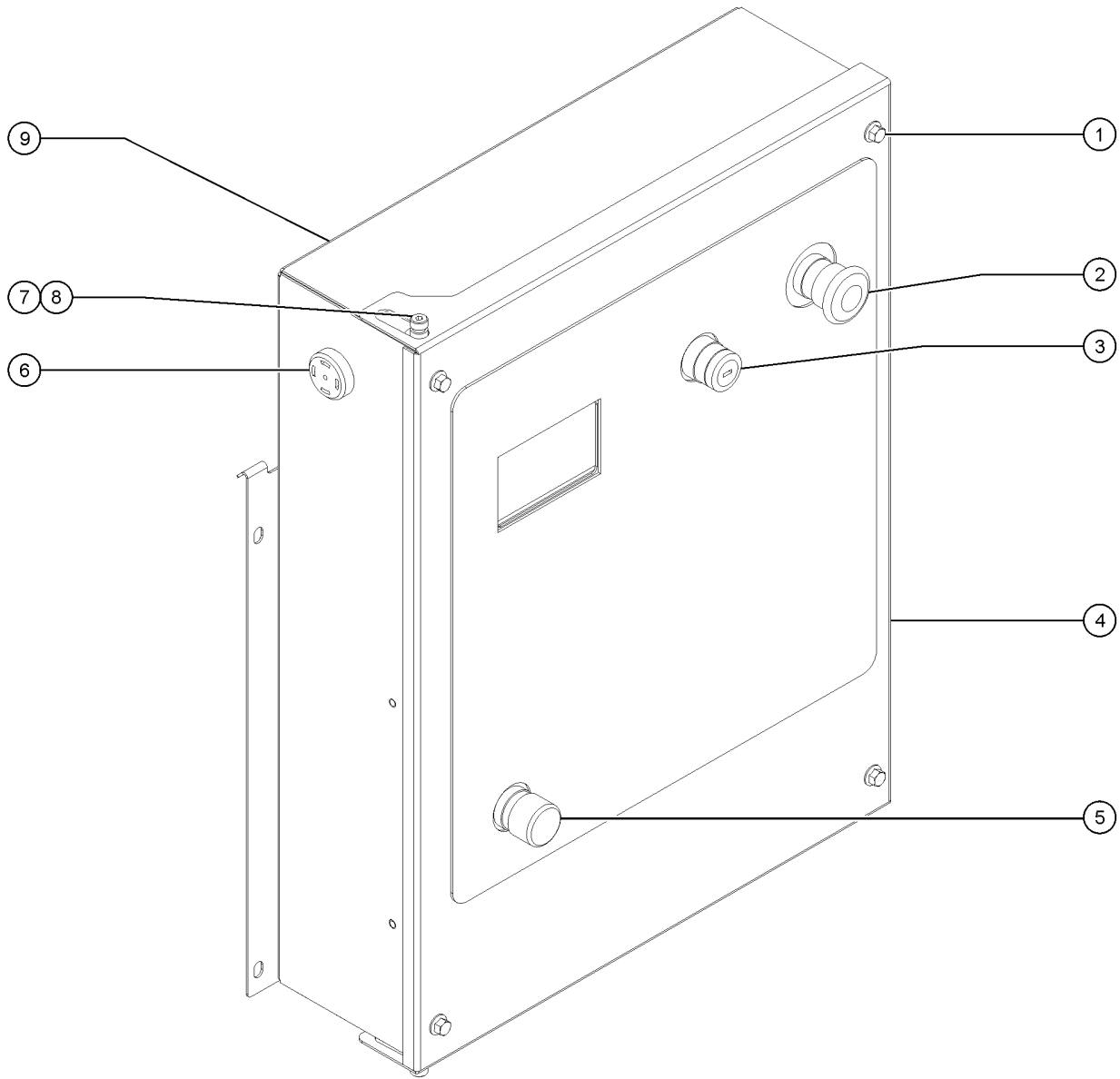


304.1 Engine Side Components

Item	Part No.	Description	Qty.
1	824078GT	SCREW,HHF,1/4-20X.75,8,ZAG	6
2	1256679GT	NUT,SERRATED,1/4-20,8,ZAG	6
3	824090GT	SCREW,HHF,3/8-16X1,8,ZAG	5
4	1278503GT	FORMING, BATTERY TRAY	1
5	1261277GT	BUMPER, RUBBER, 1.25 X 1.25 IN	1
6	1255805GT	NUT,SERRATED,5/16-18,8,ZAG	2
7	1306670GT	START BATTERY,12V,1000CCA	1
8	45708GT	HOOK,BATT HOLD DOWN,10"	2
9	30144GT	BATTERY HOLD DOWN,GROUP 31	1
10	1287432GT	POWER UNIT,12VDC, .067 CI, LOW CURRENT	1
10-	58490GT	PUMP ASSY (77066)	
10-	1254969GT	WELDMENT,72" CARRIAGE,QA	
10-	77071GT	SOLENOID,77066	
10-	77072GT	CHECK VALVE KIT,77066	
11	6888GT	SCREW,HHC,1/4-20 X 1	1
12	6091GT	NUT,NYLOCK,1/4-20	1
13	81578GT	HORN,12VDC,SPADE TERMINALS***	1
14	1269738GT	MODULE, VEC, ALC600	1



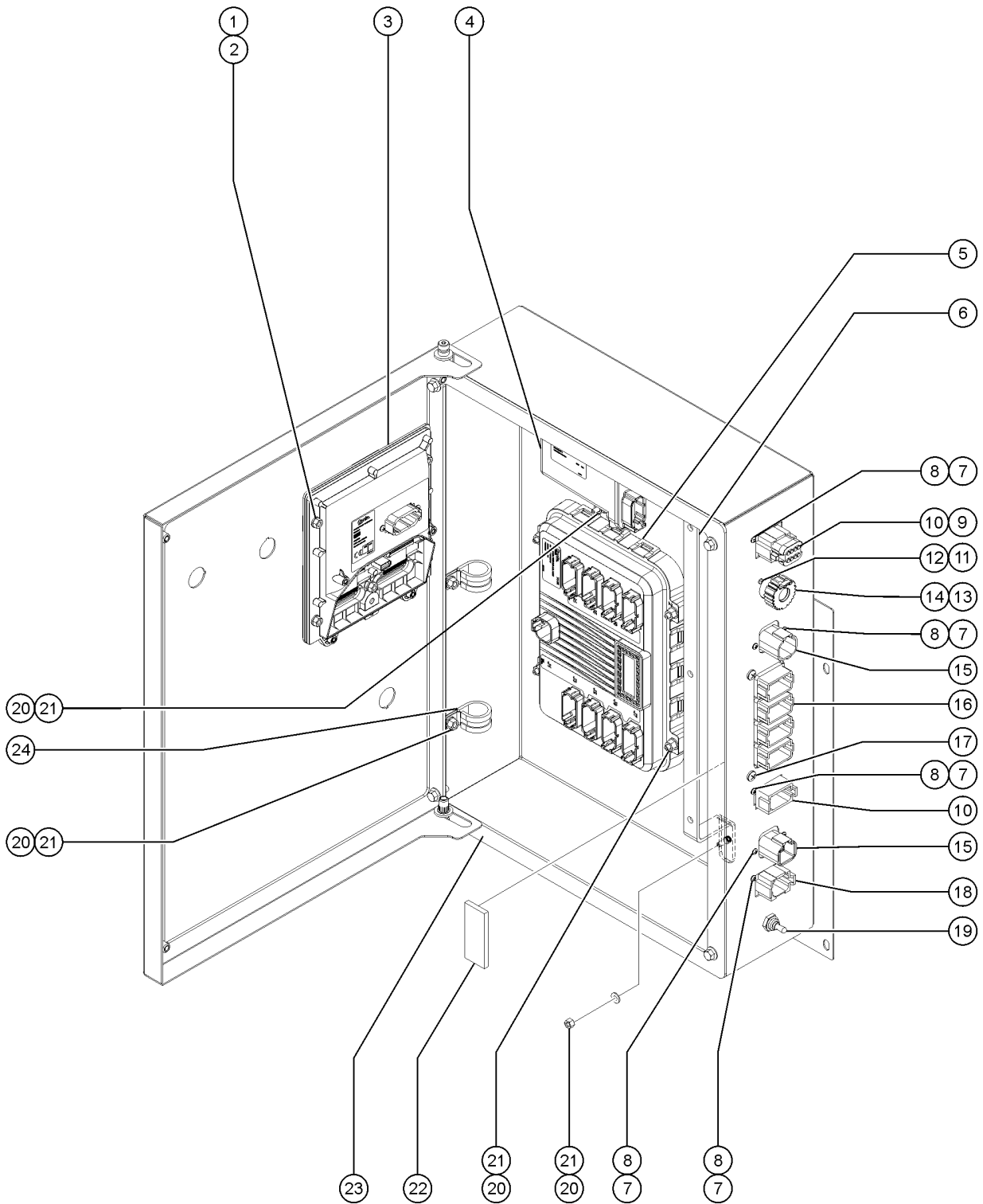
305.1 Ground Control Box - External



<i>Item</i>	<i>Part No.</i>	<i>Description</i>	<i>Qty.</i>
A	1290460GT	ASSEMBLY, GBOX, S-BOOM, JIB, ALC600, TELEMATICS 2.0	1
1	1256855	WASHER FLAT BONDED RUB	4
2	66812GT	BUTTON,PUSH,RED MUSHROOM HEAD	1
2-	66817GT	BASE WITH 1 NC CONTACT, E-STOP	
2-	66818GT	CONTACT,NC	
3	66811GT	KEYSWITCH,3POS.MNTND.DR WKEY**	1
3-	66817GT	BASE WITH 1 NC CONTACT, E-STOP	
3-	66818GT	CONTACT,NC	
3-	66816GT	CONTACT,N.O.	
4	1275937GT	WELDMENT LID TCON ALC600	1
5	66813GT	BUTTON,PUSH,BLACK W/SEAL***	1
5-	66821GT	BASE,WITHOUT CONTACTS	
5-	66816GT	CONTACT,N.O.	
6	39540GT	ALARM,STEADY TONE***	1
6-	72326GT	NUT,PLASTIC,RING FOR ALARMS	
7	1257410GT	WASHER,SHOULDER,NYLON	2
8	218449GT	WASHER,SHOULDER,NYLON	2
9	1290450GT	WELDMENT, BOX, TCON, ALC600, TELEMATICS 2.0	1
9-	30996GT	PLUG,NYLON .313 BLACK DOMED	



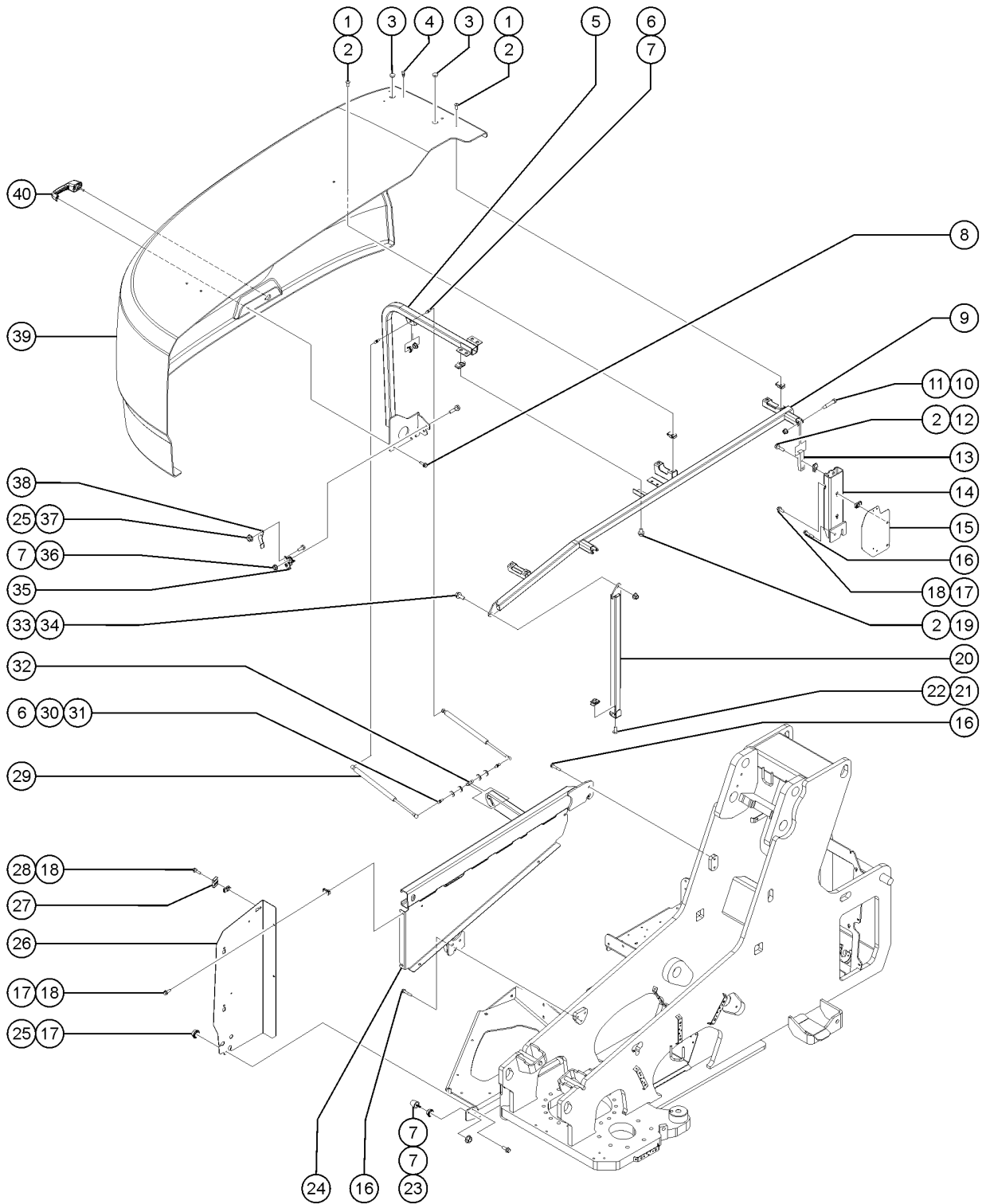
306.1 Ground Control Box - Internal



Item	Part No.	Description	Qty.
1	1271081GT	NUT,NYLOCK,8-32,8,ZAG	5
2	1257390GT	WASHER,FLAT,#8,SAE,ZAG	5
3	1286640GT	KIT,DISCON ALC600	1
3-	1268327GT	ECU, DISPLAY CONTROLLER	
3-	1268322GT	GASKET, RIBBON, DISCON	
3-	1268651GT	CABLE, FLAT FLEX, 30 POS 1MMX3"	
4	1280589GT	MODULE, RECOVERY	1
5	1284523GT	ECU, TURNTABLE, S-XC, PROGRAMMED (must contact service parts to order, SN information is required)	1
6	119644GT	BRACKET,PBOX WIRE SUPPORT	1
7	824214GT	SCREW,PHPM,6-32X.5,ZAG	10
8	1274164GT	NUT,NYLOCK,6-32,A,ZAG	10
9	119061GT	CONN PLUG 12 WAY ENDCAP DT GY	1
10	73730GT	CONN,RECEP 12 WAY,GRY FLANGE	2
11	1253477GT	SCREW,PHPM,4-40X.5,ZAG	2
12	1283012GT	NUT,NYLOCK,4-40,2,ZAG	2
13	1272123GT	DUST CAP, RECEPTACLE, 5 WAY, C	1
14	1272122GT	CONNECTOR, RECEPTACLE, 5 WAY,	1
15	73717GT	CONN,RECEP 4 WAY,12-14GA FL***	2
16	73736GT	CONN,RECEP 48 WAY,4 X 12	1
17	824226GT	SCREW,PHPSH,#12-11X.75,ZAG	4
18	87755GT	CONN,RECEP 8 WAY 14-18GA,FL	1
19	128203GT	SWITCH TOGGLE ASSY SPDT 2P MOM	1
20	1274168GT	NUT,NYLOCK,10-32,A,ZAG	10
21	1253185GT	WASHER,FLAT,#10,USS,ZAG	10
22	30997GT	CORROSION INHIBITOR,FOAM	1
23	1277169GT	GASKET GBOX ALC600	1
24	18666GT	CLAMP,1.00,#16 X 1/4,RUB CUSH	2



307.1 Turntable Covers - Hydraulic Tank Side

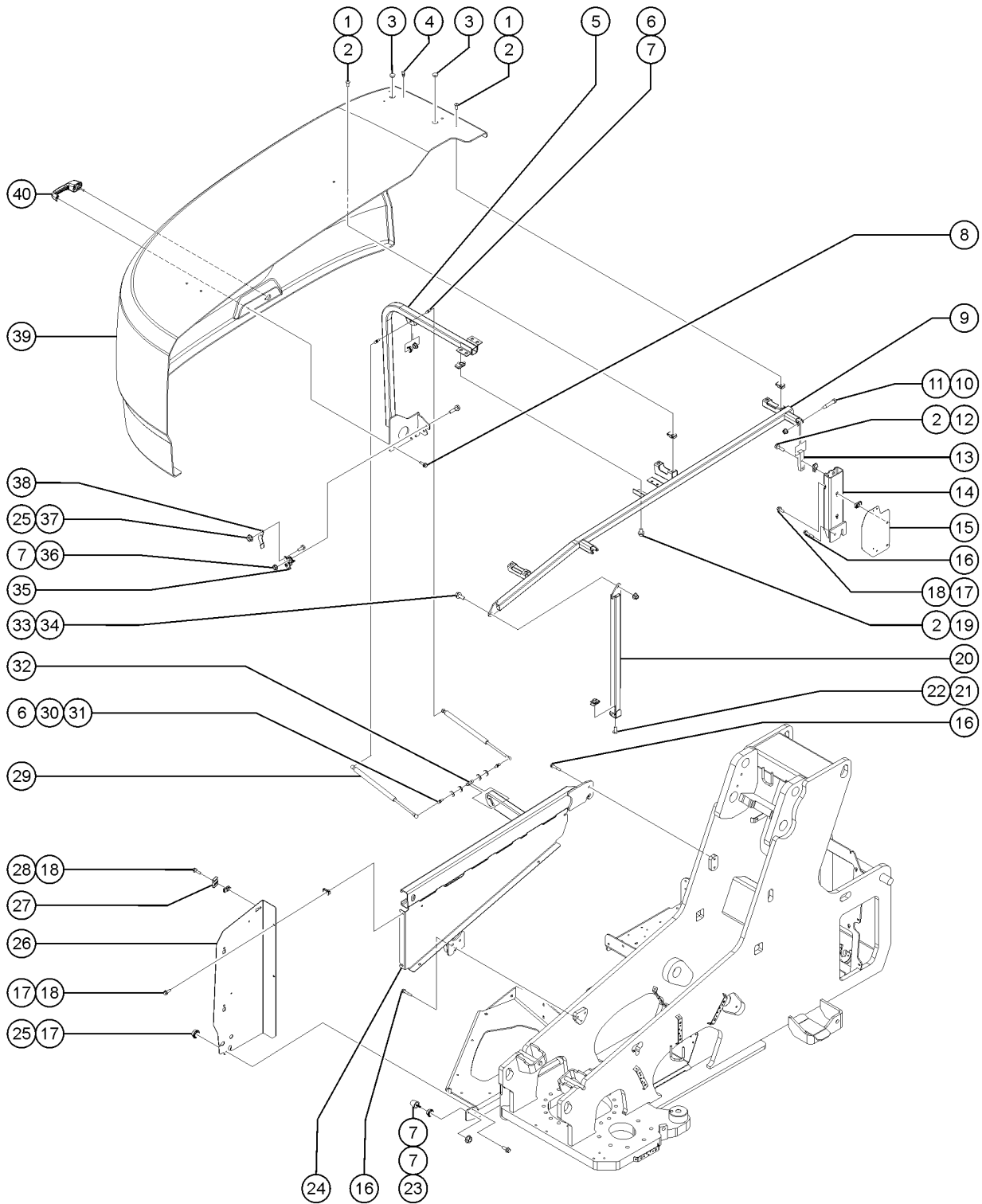


307.1 Turntable Covers - Hydraulic Tank Side

Item	Part No.	Description	Qty.
1	1261836GT	SCREW, THM, TORX, 3/8-16X1,SS	6
2	29868GT	SPRING CLIP,3/8-16,.05-.20X.73,ZAG	14
3	45385GT	PLUG,NYLON 1.12 BLACK DOMED	2
4	81329GT	PLUG,ALARM BEACON HOLE	3
5	1277830GT	WELDMENT, COVER SUPPORT, TANK-SIDE, CENTER	1
6	33555GT	BALL STUD**	4
7	1255805GT	NUT,SERRATED,5/16-18,8,ZAG	6
8	231532GT	SCREW,HHF,M6-1.0X20,DIN6921,10.9,ZAB	2
9	1277828GT	WELDMENT, COVER SUPPORT, TANK-SIDE, MAIN	1
10	1283048GT	BOLT,SHS,3/8X1.5X5/16-18,ZAG	2
11	824028GT	NUT,TL FLG,5/16-18,G,ZAG	2
12	824092GT	SCREW, HHF, 3/8-16 X 1.5, 8, ZAG	4
13	1282317GT	MACHINED, HINGE PLATE	2
14	1277634GT	WELDMENT, FRONT BULKHEAD	1
15	1280804GT	SHEET, FRONT BULKHEAD, TANK-SIDE	1
16	1256693GT	SCREW,HHF,3/8-16X2.25,8,ZAG	7
17	824078GT	SCREW,HHF,1/4-20X.75,8,ZAG	5
18	56912GT	SPRING CLIP,1/4-20,.025-.15X.5	7
19	824089GT	SCREW,HHF,3/8-16X.75,8,ZAG	4
20	1277622GT	WELDMENT, REAR COVER SUPPORT LEG	1
21	1261838GT	SCREW, THM, TORX, M10X25, ZAB	1
22	230074GT	SPRING CLIP,M10-1.5,1-6X19,ZAB	1
23	1261277GT	BUMPER, RUBBER, 1.25 X 1.25 IN	1
24	1277636GT	WELDMENT, MAIN TANK BULKHEAD	1
25	1256679GT	NUT,SERRATED,1/4-20,8,ZAG	3
26	1277641GT	FORMING, REAR TANK BULKHEAD	1
27	78736GT	CLAMP,2 HOSE,PLASTIC,5/8	3
28	824079GT	SCREW,HHF,1/4-20X1,8,ZAG	3



307.1 Turntable Covers - Hydraulic Tank Side

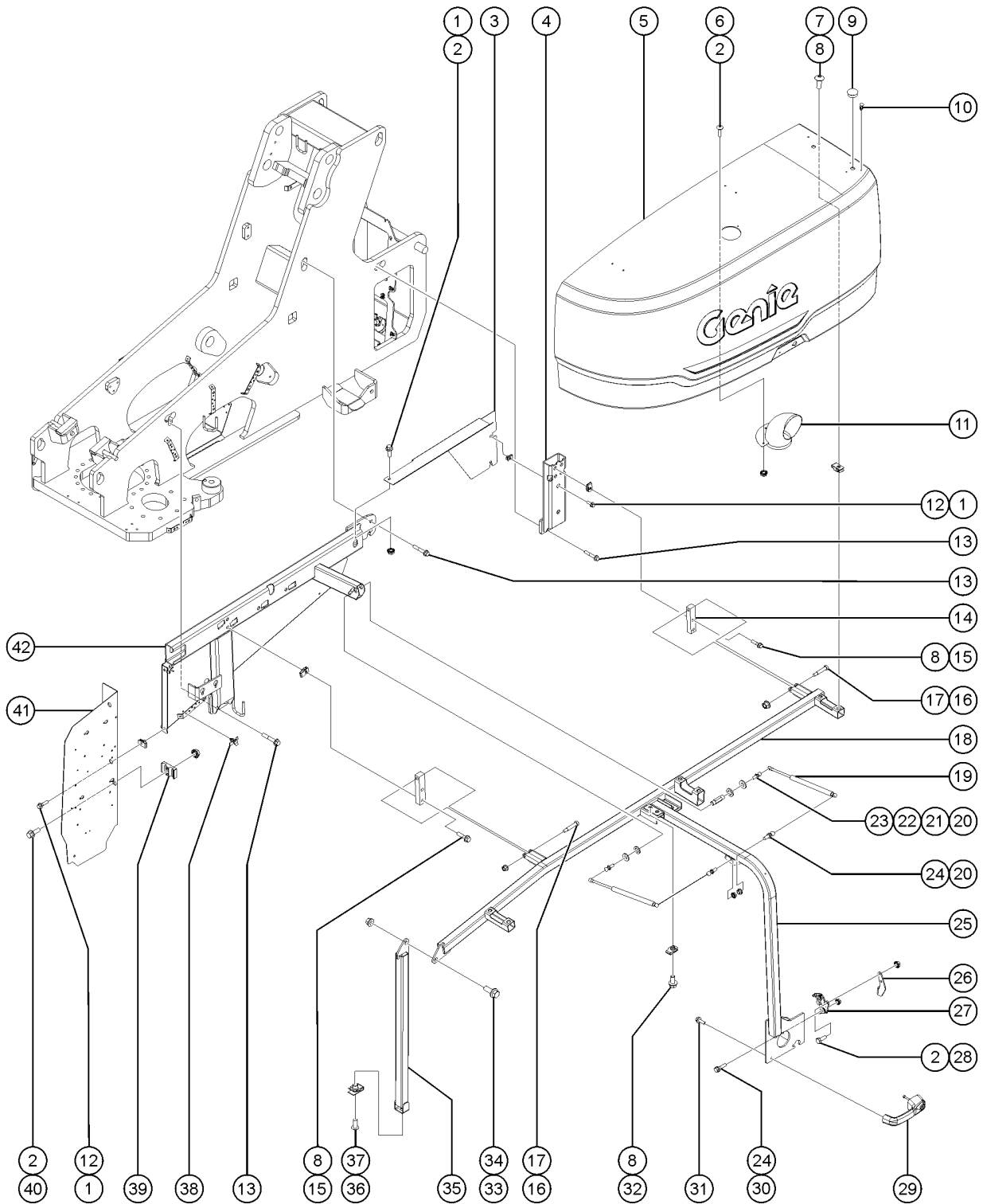


307.1 Turntable Covers - Hydraulic Tank Side

Item	Part No.	Description	Qty.
29	106069GT	STRUT,GAS,200 LB***	2
30	825358GT	WASHER,FLAT,5/16,USS,ZAG	2
31	11978GT	WASHER,FLAT,NYLON.515X.88X.093	2
32	1281795GT	BAR, MACHINED, SLIDER, STRUT MOUNT	1
33	824090GT	SCREW,HHF,3/8-16X1,8,ZAG	1
34	824029GT	NUT, TL FLG, 3/8-16, G, ZAG	1
35	215254GT	LATCH,ROTARY,ENGINE COVER	1
36	824087GT	SCREW, HHF, 5/16-18 X 1.25, 8, ZAG	2
37	824059GT	SCREW, HHC, 1/4-20 X .75, 8, ZAG	2
38	1262211GT	FORMING, LATCH TRIGGER, ES	1
39	1279952GT	COVER, TANK-SIDE, S40/45XC	1
40	1256054GT	HANDLE,YELLOW LOCKING,CODE 455	1
40-	37947GT	KEYS,10 PACK*** sold separately	
40-	83093GT	KEY SINGLE*** sold separately	



308.1 Turntable Covers - Engine Side

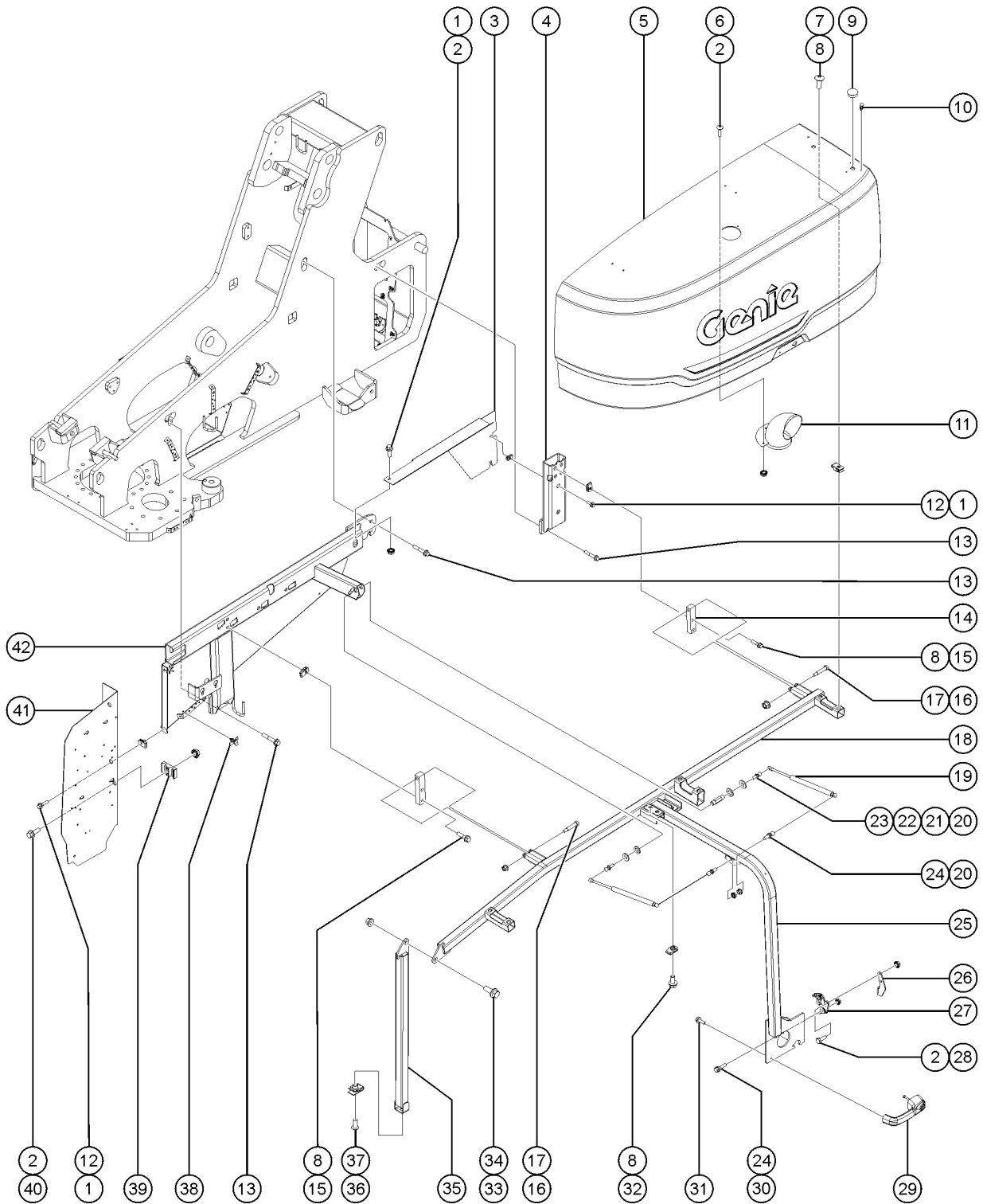


308.1 Turntable Covers - Engine Side

Item	Part No.	Description	Qty.
1	824078GT	SCREW,HHF,1/4-20X.75,8,ZAG	5
2	1256679GT	NUT,SERRATED,1/4-20,8,ZAG	8
3	1282962GT	FORMING, ENGINE-SIDE COVER	1
4	1277634GT	WELDMENT, FRONT BULKHEAD	1
5	1279953GT	COVER, ENGINE-SIDE, S40/45XC	1
6	1261835GT	SCREW, THM, TORX, 1/4-20X1,SS	3
7	1261836GT	SCREW, THM, TORX, 3/8-16X1,SS	6
8	29868GT	SPRING CLIP,3/8-16,.05-.20X.73,ZAG	14
9	45385GT	PLUG,NYLON 1.12 BLACK DOMED	2
10	81329GT	PLUG,ALARM BEACON HOLE	3
11	101964GT	WELDMENT,EXHAUST TUBE	1
12	56912GT	SPRING CLIP,1/4-20,.025-.15X.5	4
13	1256693GT	SCREW,HHF,3/8-16X2.25,8,ZAG	7
14	1282317GT	MACHINED, HINGE PLATE	2
15	824092GT	SCREW, HHF, 3/8-16 X 1.5, 8, ZAG	4
16	1283048GT	BOLT,SHS,3/8X1.5X5/16-18,ZAG	2
17	824028GT	NUT,TL FLG,5/16-18,G,ZAG	2
18	1277827GT	WELDMENT, COVER SUPPORT, ENGINE-SIDE, MAIN	1
19	106069GT	STRUT,GAS,200 LB***	2
20	33555GT	BALL STUD**	4
21	825358GT	WASHER,FLAT,5/16,USS,ZAG	2
22	11978GT	WASHER,FLAT,NYLON.515X.88X.093	2
23	1281795GT	BAR, MACHINED, SLIDER, STRUT MOUNT	1
24	1255805GT	NUT,SERRATED,5/16-18,8,ZAG	4
25	1277829GT	WELDMENT, COVER SUPPORT, ENGINE-SIDE, CENTER	1
26	1262211GT	FORMING, LATCH TRIGGER, ES	1
27	215254GT	LATCH,ROTARY,ENGINE COVER	1
28	824059GT	SCREW, HHC, 1/4-20 X .75, 8, ZAG	2



308.1 Turntable Covers - Engine Side

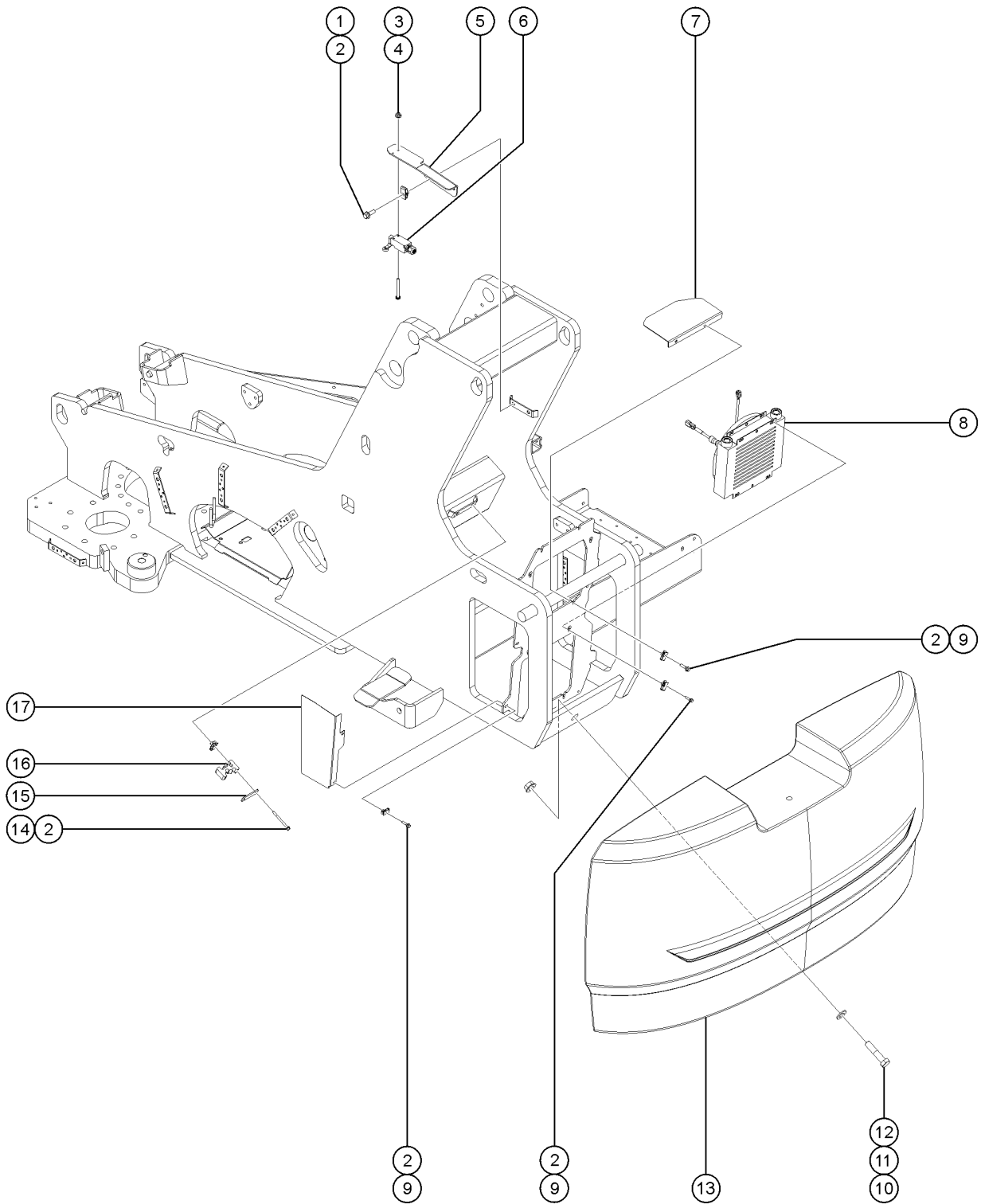


308.1 Turntable Covers - Engine Side

Item	Part No.	Description	Qty.
29	1256054GT	HANDLE, YELLOW LOCKING, CODE 455	1
29-	37947GT	KEYS, 10 PACK*** sold separately	
29-	83093GT	KEY SINGLE*** sold separately	
30	824087GT	SCREW, HHF, 5/16-18 X 1.25, 8, ZAG	2
31	231532GT	SCREW, HHF, M6-1.0X20, DIN6921, 10.9, ZAB	2
32	824089GT	SCREW, HHF, 3/8-16X.75, 8, ZAG	4
33	824090GT	SCREW, HHF, 3/8-16X1, 8, ZAG	1
34	824029GT	NUT, TL FLG, 3/8-16, G, ZAG	1
35	1277622GT	WELDMENT, REAR COVER SUPPORT LEG	1
36	1261838GT	SCREW, THM, TORX, M10X25, ZAB	1
37	230074GT	SPRING CLIP, M10-1.5, 1-6X19, ZAB	1
38	105214GT	CABLE TIE MOUNT, WINGED	1
39	78736GT	CLAMP, 2 HOSE, PLASTIC, 5/8	2
40	824079GT	SCREW, HHF, 1/4-20X1, 8, ZAG	2
41	1277638GT	FORMING, REAR ENGINE BULKHEAD	1
42	1277633GT	WELDMENT, MAIN ENGINE BULKHEAD	1



309.1 Turntable Counterweight and Cooler Installation

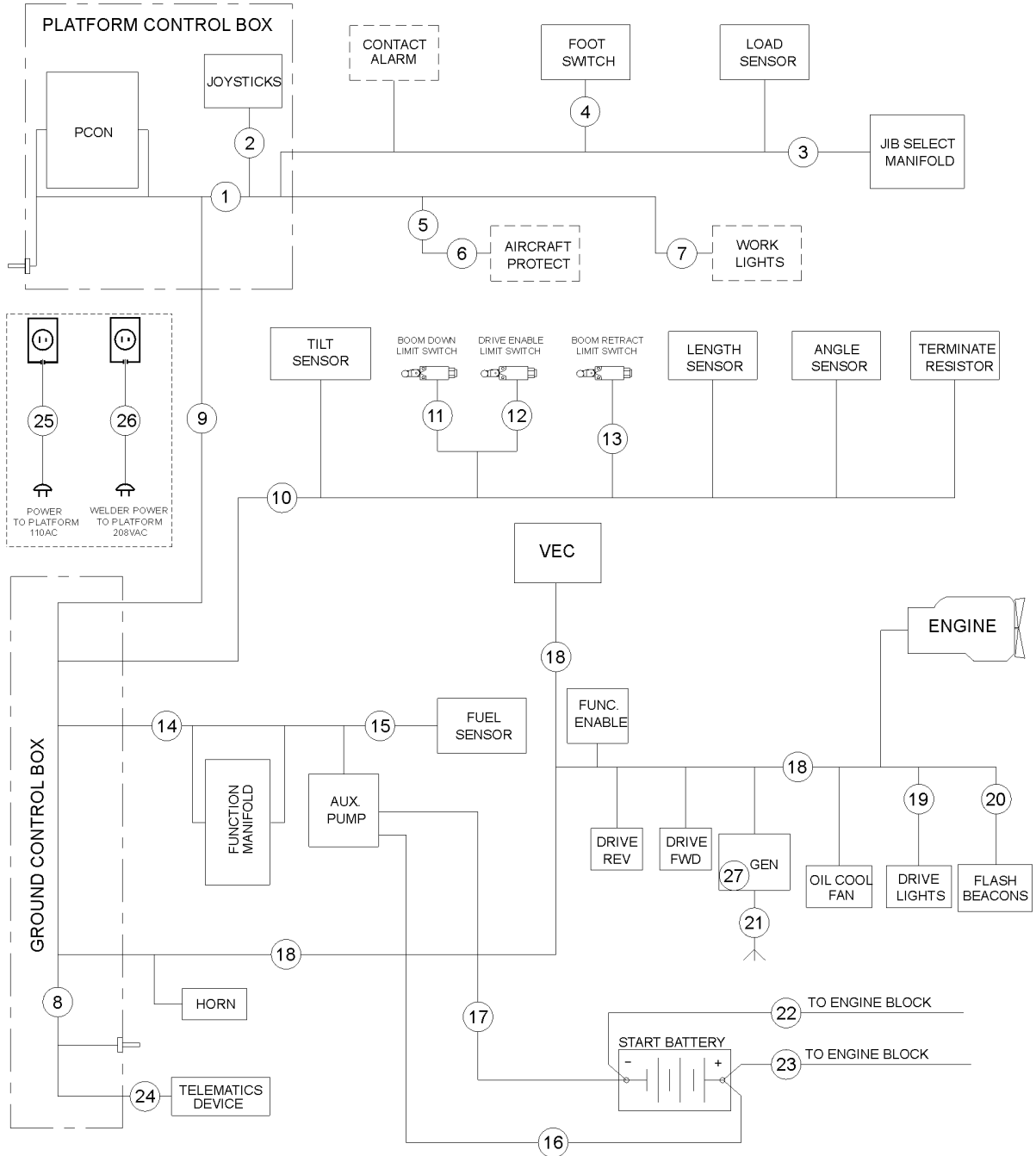


309.1 Turntable Counterweight and Cooler Installation

Item	Part No.	Description	Qty.
1	824078GT	SCREW,HHF,1/4-20X.75,8,ZAG	2
2	56912GT	SPRING CLIP,1/4-20,.025-.15X.5	12
3	1263070GT	NUT,SERRATED,8-32,ZAG	2
4	1256698GT	SCREW,PHPM SEMS ET,8-32X1.5,ZA	2
5	1283101GT	FORMING, BOOM ANGLE SWITCH BRACKET	1
6	88356-11BJ5GT	SWITCH,LIMIT,W/RLLR ARM,NO/NC	1
6-	128636GT	ROLLER, ARM, LIMIT SWITCH, ZCY500	
6-	76450GT	CONN.SQZ,PG 11,.23-.30,W/ORING	
7	1283185GT	FORMING, OIL COOLER GUARD	1
8	71259GT	OIL COOLER W/FAN, 12VDC	1
8-	75854GT	FAN - VENTED	
8-	75855GT	THERMOSTAT -OIL COOLER (71259)	
9	824079GT	SCREW,HHF,1/4-20X1,8,ZAG	8
10	1268833GT	SCREW,HHC,1-8X4.5,5,ZAG	1
11	824116GT	WASHER,FLAT,1.0,F436,HRD,ZAG	1
12	824031GT	NUT,TL FLG,1-8,G,ZAG	1
13	1277620GT	CASTING, COUNTERWEIGHT, S45XC	1
14	824084GT	SCREW,HHF,1/4-20X3,8,ZAG	2
15	1279882GT	PLATE, CLAMP BAR	1
16	1279429GT	CLAMP BLOCK, S40/45XC	1
17	1280695GT	FORMING, OIL COOLER HEAT SHIELD	1



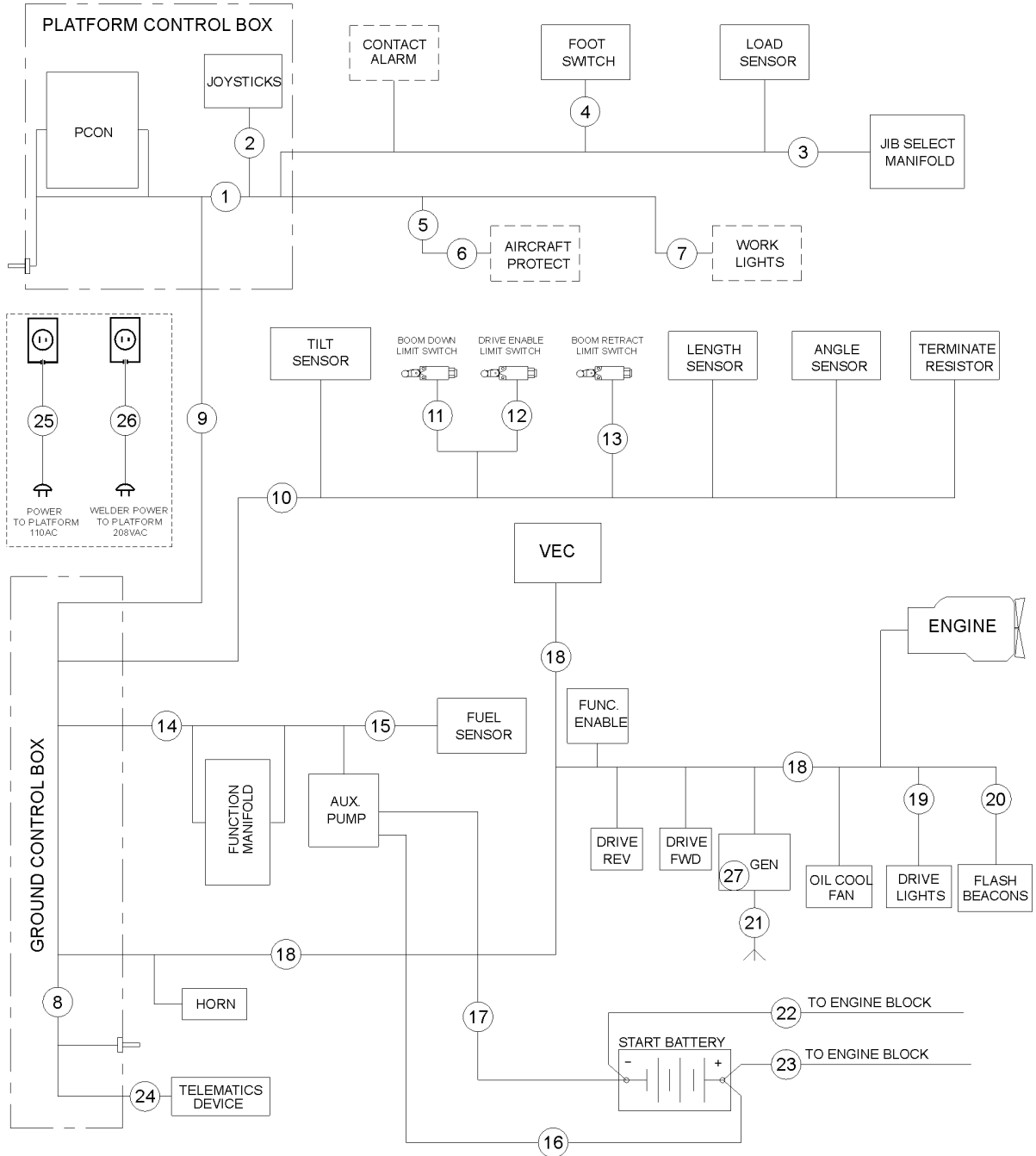
310.1 Wire Harness Map



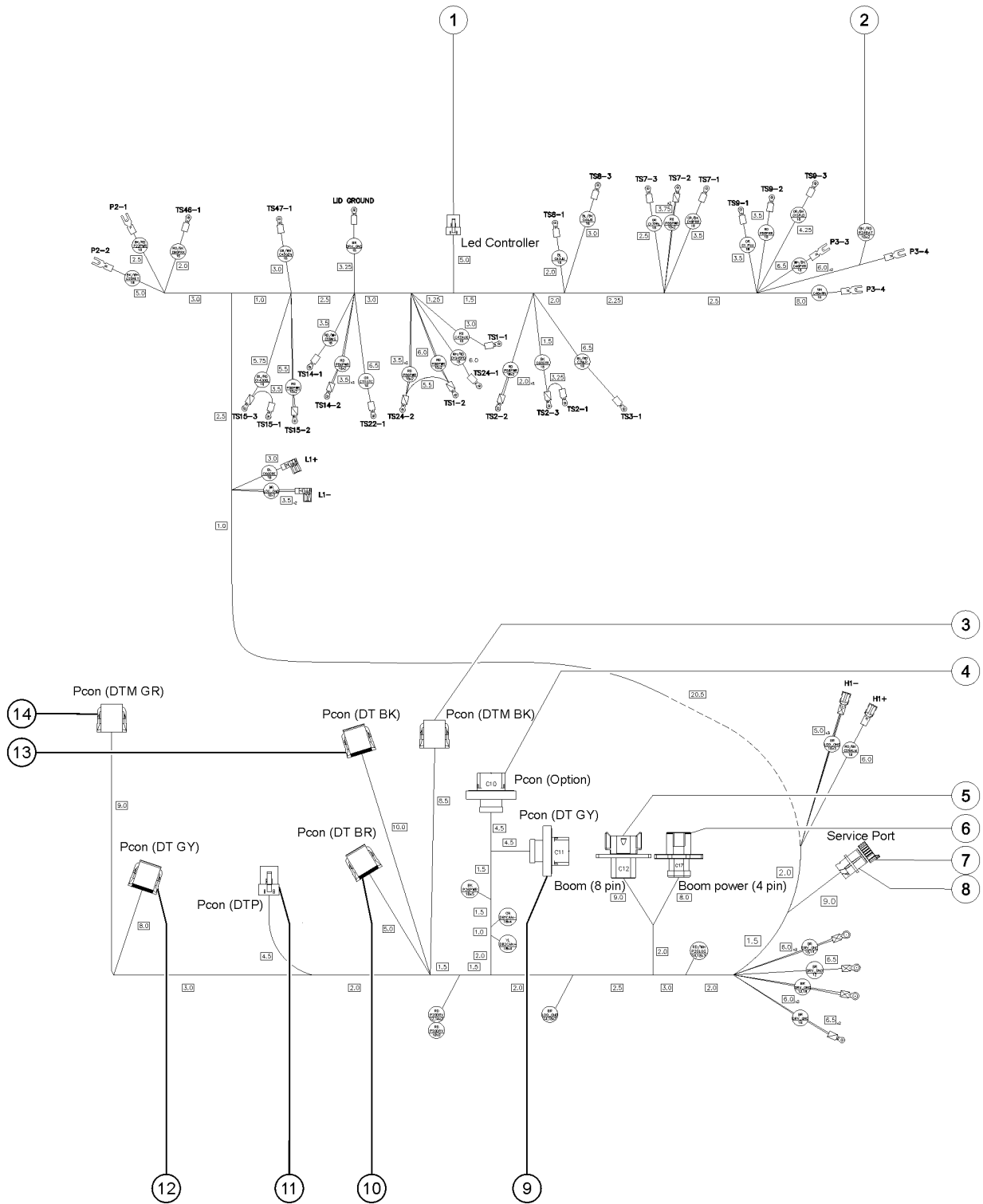
Item	Part No.	Description	Qty.
1	1274448GT	HARNESS PCON ALC600 (Refer to 310_101)	1
1-	1258951GT	HARNESS, SWITCH, JIB, PCON (Refer to 310_101a)	1
1-	1269732GT	HARNESS, SWITCH, PROX, PCON (Refer to 310_101b)	1
1-	1269733GT	HARNESS, SWITCH, GENERATOR (Refer to 310_101c)	1
1-	1282176GT	HARNESS, SWITCH, FUEL SELECT (Refer to 310_101d)	1
2	1269719GT	HARNESS JOYSTICK ALC600 (Refer to 310_102)	1
3	1277951GT	HARNESS, JIB SELECT (Refer to 310_103)	1
4	227618GT	ASSEMBLY, FOOT SWITCH (Refer to 310_104)	1
5	1269734GT	HARNESS, PROX, MANIFOLD, PLAT (Refer to 310_105)	1
6	1269721GT	HARNESS, PROX SENSOR,ACP (Refer to 310_106)	1
7	1269720GT	HARNESS, LIGHTS, WORK (Refer to 310_107)	1
8	1288347GT	HARNESS GBOX ALC600 (Refer to 310_108)	1
9	1278975GT	CABLE, BOOM, COMPOSITE, S45 (Refer to 310_109)	1
10	1277936GT	HARNESS, SENSORS, S40/45XC (Refer to 310_110)	1
11	1279139GT	HARNESS, LS BOOM ANGLE (Refer to 310_111)	1
12	1277934GT	HARNESS, LS, OP, DRIVE ENABLE (Refer to 310_112)	1
13	1277940GT	HARNESS, LS BOOM RETRACT (Refer to 310_113)	1
14	1277938GT	HARNESS, FUNCTIONS, S40/45XC (Refer to 310_114)	1
15	1282375GT	HARNESSS, FUEL SENSOR, EXT, OPT. (Refer to 310_115)	1
16	1282202GT	BATTERY CABLE,POS,RED,1/0,86" (Refer to 310_116)	1
17	1282201GT	BATTERY CABLE,NEG,BLK,1/0, 77" (Refer to 310_117)	1
18	1277947GT	HARNESS, ENGINE, DEUTZ 2011, T3 (Refer to 310_118) DEUTZ 2011, T3	1
19	1282369GT	HARNESS, DRIVE LIGHT (Refer to 310_119)	1
20	1282368GT	HARNESS, FLASHING BEACON (Refer to 310_120)	1
21	1288181GT	ASSEMBLY, PIGTAIL, 12/3, 15A RECEPTACLE (Refer to 310_121)	1
22	1282201GT	BATTERY CABLE,NEG,BLK,1/0, 77" (Refer to 310_122B) For DEUTZ 2011, T3	1
23	1282370GT	BATTERY CABLE,POS,RED,1/0,72" (Refer to 310_122A) For DEUTZ 2011	1
24	1256074GT	HARNESS, HERTZ GPS, 8" (Refer to 310_123A)	1



310.1 Wire Harness Map



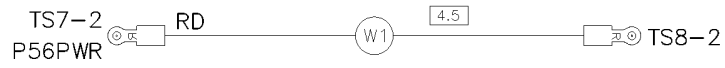
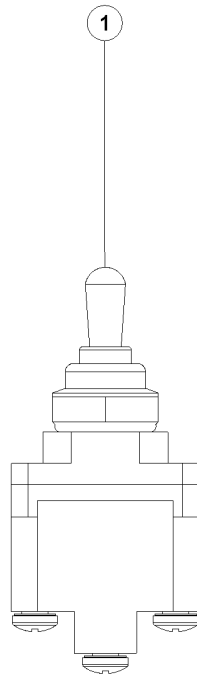
<i>Item</i>	<i>Part No.</i>	<i>Description</i>	<i>Qty.</i>
24B	1260526GT	HARNESS,TELEMATICS,TOPCON,36IN (Refer to 310_123B)	1
24C	1274342GT	HARNESS, M8, ZTR, 35IN (Refer to 310_123C)	1
24D	1261655GT	HARNESS,TELEMATICS,ZTR,M5S (Refer to 310_123D)	1
24E	1281095GT	ASSEMBLY,TELEMATICS, TTU 2830 (Refer to 310_123E)	1
25	1287137GT	CABLE 12/3, POWER TO PLAT, S45XC (Refer to 310_124)	1
26	1287135GT	ASSY, CABLE 8/4, WELDER TO PLAT, S45XC (Refer to 310_125)	1
27	1288179GT	ASSEMBLY, CABLE, 8/5, WELDER (Refer to 310_126)	1



Item	Part No.	Description	Qty.
-	1274448GT	HARNESS PCON ALC600	1
1	110654GT	CONN PLUG 8 WAY MOLEX	1
2	45782GT	DIODE,6 AMP,200 PIV,BULK	1
3	106780GT	CONN,PLUG 12B WAY DTM 18-20GA	1
3-	88332GT	LOCK,PLUG 12 WAY DTM 18-20GA	1
4	226948GT	CONN, RECEP, 18 WAY, 14-18GA,	1
4-	226388GT	LOCK,SECONDARY,DEUT,WV-18P	1
5	87755GT	CONN,RECEP 8 WAY 14-18GA,FL	1
5-	60447GT	LOCK,RECEP 8 WAY,14-18GA	1
6	73717GT	CONN,RECEP 4 WAY,12-14GA FL***	1
6-	60526GT	LOCK,RECEP 4 WAY,12-14GA	1
7	1272123GT	DUST CAP, RECEPTACLE, 5 WAY, C	1
8	1272122GT	CONNECTOR, RECEPTACLE, 5 WAY,	1
9	1265862GT	CONN, RECEP, 18WAY, 14-18GA, F	1
9-	226388GT	LOCK,SECONDARY,DEUT,WV-18P	1
10	119064GT	CONN PLUG 12 WAY ENDCAP DT BR	1
10-	60435GT	LOCK,PLUG 12 WAY,14-18GA,GRN	1
11	60527GT	CONN,PLUG 4 WAY,12-14GA	1
11-	60528GT	LOCK,PLUG 4 WAY,12-14GA	1
12	119061GT	CONN PLUG 12 WAY ENDCAP DT GY	1
12-	60435GT	LOCK,PLUG 12 WAY,14-18GA,GRN	1
13	119062GT	CONN PLUG 12 WAY ENDCAP DT BK	1
13-	60435GT	LOCK,PLUG 12 WAY,14-18GA,GRN	1
14	822250GT	CONN,PLUG 12C WAY DTM 18-20GA	1
14-	88332GT	LOCK,PLUG 12 WAY DTM 18-20GA	1

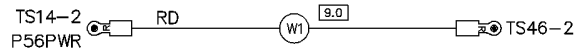
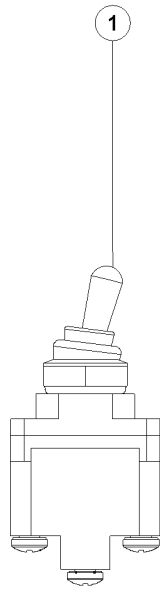


310.101A Harness, PCON Jib Switch



<i>Item</i>	<i>Part No.</i>	<i>Description</i>	<i>Qty.</i>
-	1258951GT	HARNESS, SWITCH, JIB, PCON	1
1	128200GT	SWITCH TOGGLE ASSY SPDT 3P MOM	1

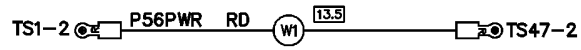
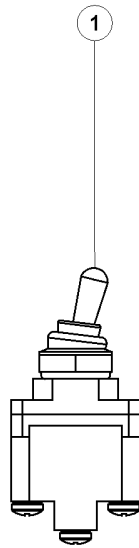
310.101B Harness, PCON Proximity Switch



310.101B Harness, PCON Proximity Switch

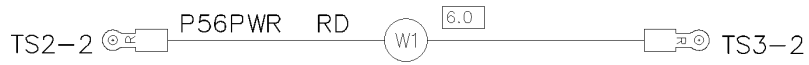
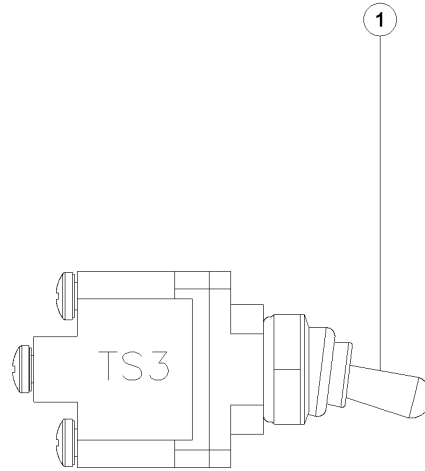
<i>Item</i>	<i>Part No.</i>	<i>Description</i>	<i>Qty.</i>
-	1269732GT	HARNESS, SWITCH, PROX, PCON	1
1	128203GT	SWITCH TOGGLE ASSY SPDT 2P MOM	1

310.101C Harness, Generator Switch



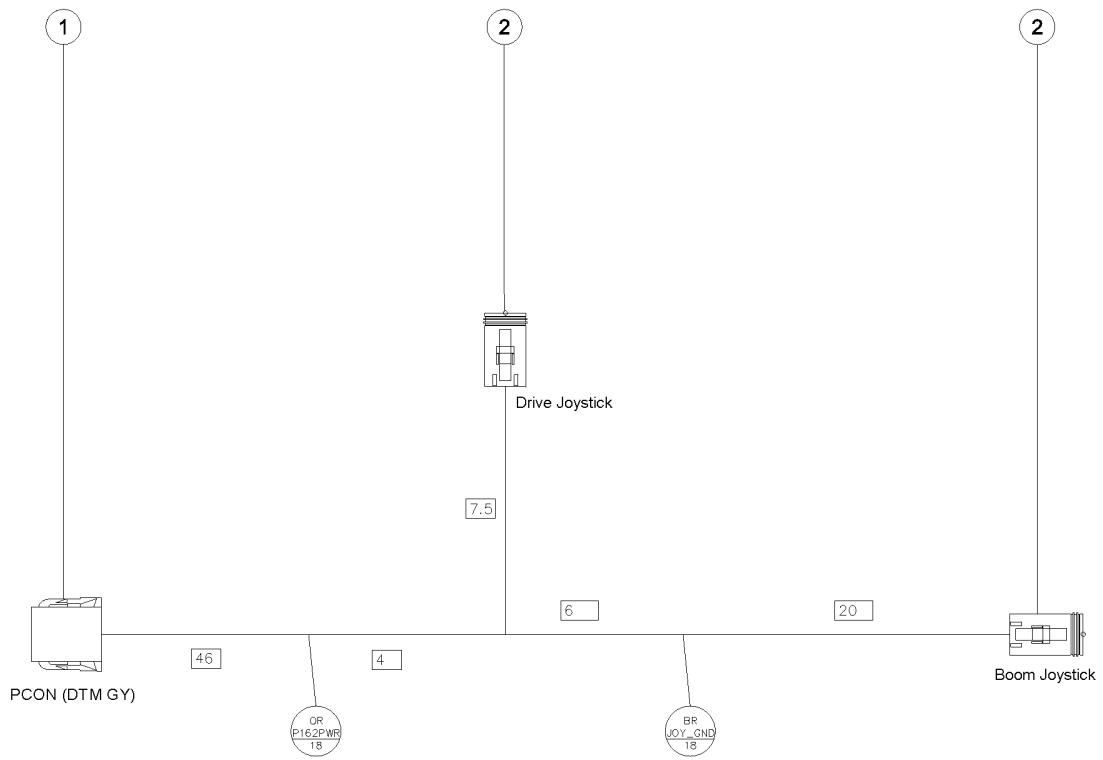
<i>Item</i>	<i>Part No.</i>	<i>Description</i>	<i>Qty.</i>
-	1269733GT	HARNESS, SWITCH, GENERATOR	1
1	128204GT	SWITCH TOGGLE ASSY SPDT 2P MNT	1

310.101D Harness, Fuel Select Switch



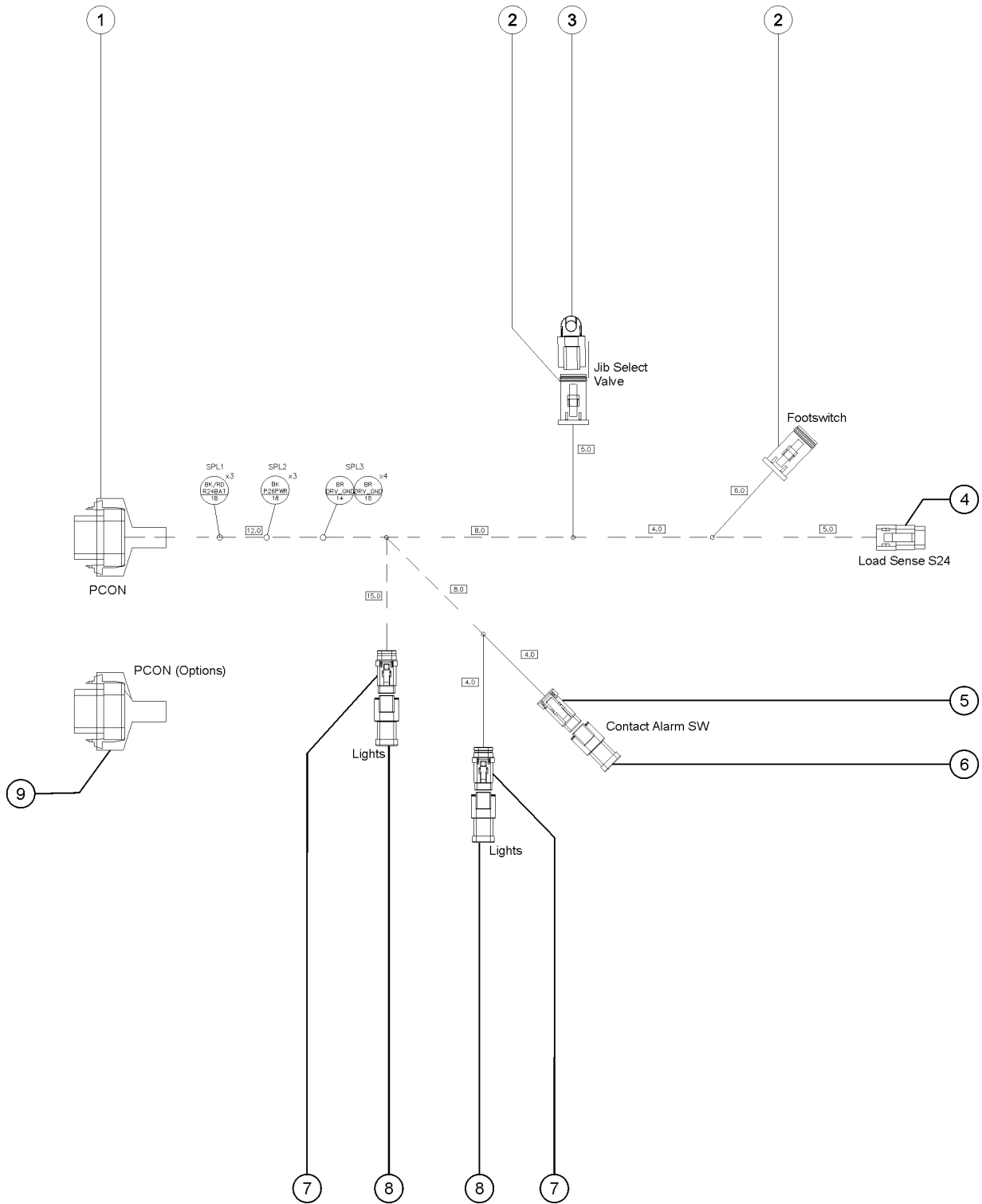
<i>Item</i>	<i>Part No.</i>	<i>Description</i>	<i>Qty.</i>
-	1282176GT	HARNESS, SWITCH, FUEL SELECT	1
1	128584GT	SWITCH TOGGLE SPDT 2P MNT SHDR	1

310.102 Harness, Joystick, ALC600



<i>Item</i>	<i>Part No.</i>	<i>Description</i>	<i>Qty.</i>
-	1269719GT	HARNESS JOYSTICK ALC600	1
1	88331GT	CONN,PLUG 12A WAY DTM 18-20GA	1
1-	88332GT	LOCK,PLUG 12 WAY DTM 18-20GA	1
2	99343GT	CONNECTOR,PLUG 6 WAY 18-20 GA	2
2-	99344GT	LOCK,PLUG 6 WAY 18-20GA	2

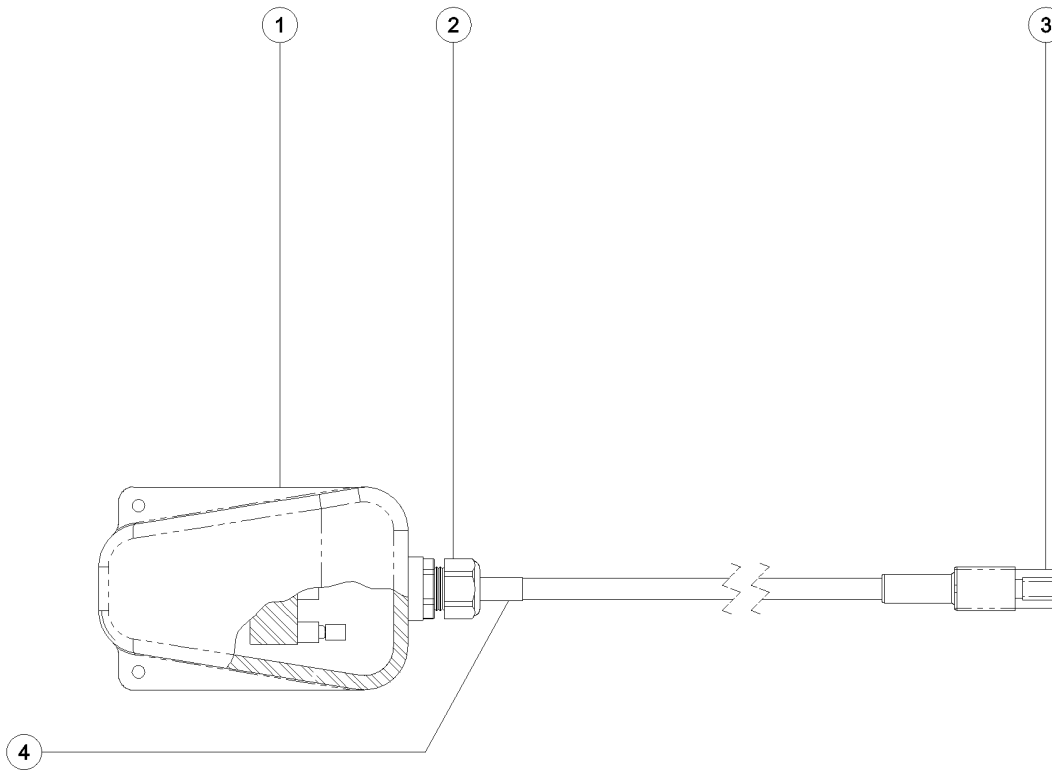
310.103 Harness, Jib Select



<i>Item</i>	<i>Part No.</i>	<i>Description</i>	<i>Qty.</i>
-	1277951GT	HARNESS, JIB SELECT	1
1	226389GT	CONN,PLUG,18 WAY,12-14 GA	1
1-	226390GT	LOCK,PLUG, 18WAY, DSCH, WV-18S	1
2	119056GT	CONN PLUG 2 WAY ENDCAP DT	2
2-	60425GT	LOCK,PLUG 2 WAY, 14-18GA	2
3	229110GT	CONN, CAP, 2 WAY DT SERIES	1
4	99343GT	CONNECTOR,PLUG 6 WAY 18-20 GA	1
4-	99344GT	LOCK,PLUG 6 WAY 18-20GA	1
5	1277904GT	CONN,PLUG, 4 WAY DTM	1
5-	1277905GT	LOCK,PLUG, 4 WAY DTM	1
6	1277906GT	CONN, RECEP, 4 WAY, DTM	1
7	T110954GT	CONN,PLUG,3 WAY,DTM,16-24GA	2
7-	T110955GT	LOCK,PLUG,3 WAY,DTM,16-24GA	2
8	T112536GT	CONN, RECEP 3 WAY DTM, 16-24 GA	2
9	226947GT	CONN,PLUG,18 WAY,12-14 GA	1
9-	226390GT	LOCK,PLUG, 18WAY, DSCH, WV-18S	1



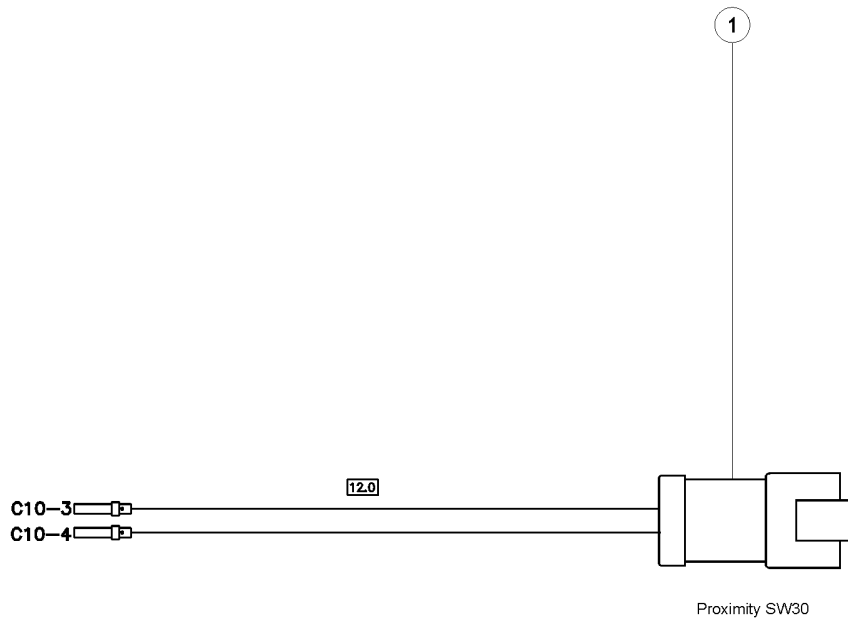
310.104 Harness, Footswitch Assembly



<i>Item</i>	<i>Part No.</i>	<i>Description</i>	<i>Qty.</i>
-	227618GT	ASSEMBLY, FOOT SWITCH	1
1	227564GT	FOOT SWITCH,20A IP65	1
2	33576GT	CONN,SQZ,BLK,1/2NPT,,38-.50,SM	1
3	119065GT	CONN,RECEP 2 WAY ENDCAP DT	1
3-	60439GT	LOCK,RECEP 2 WAY, 14-18GA	1
4	101199-200GT	SHRINK TUBE,BLACK,RHW,1/2,3:1	1

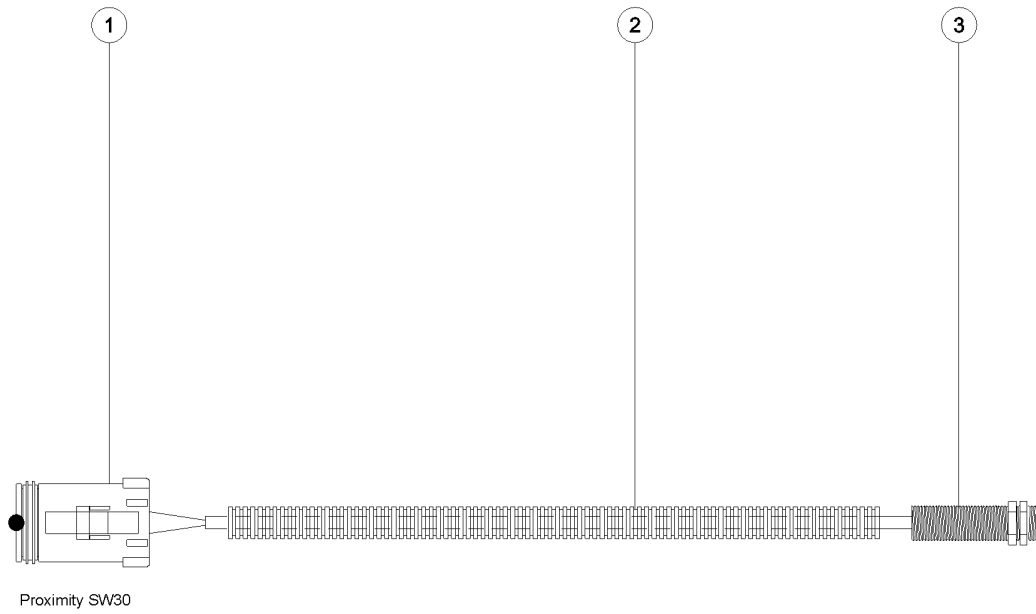


310.105 Harness, Platform Proximity



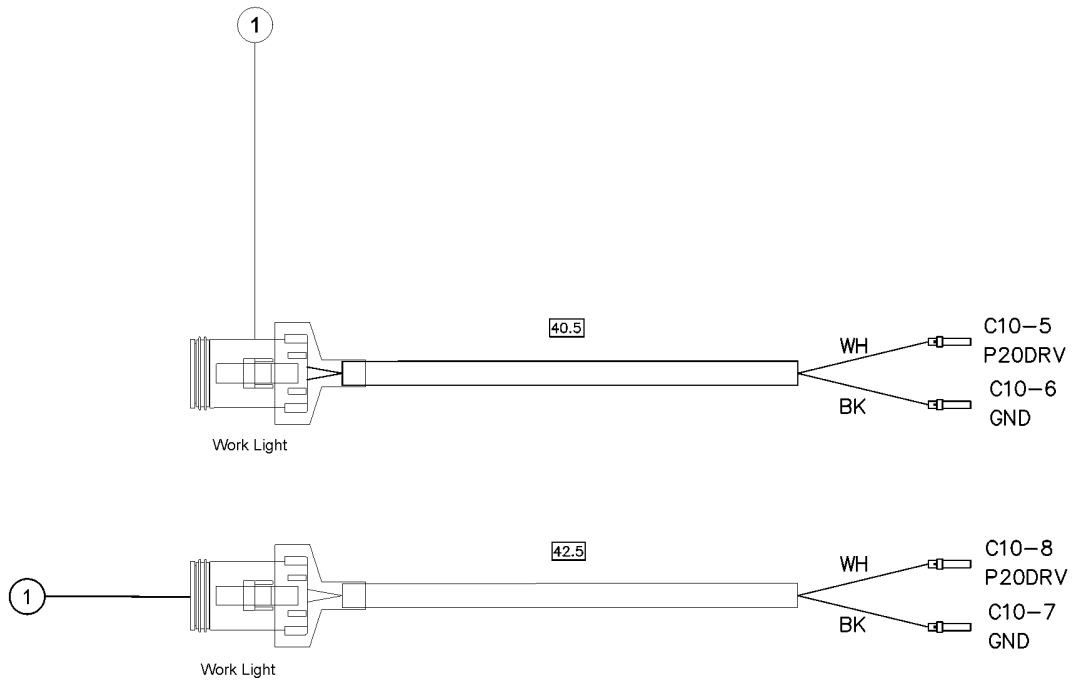
<i>Item</i>	<i>Part No.</i>	<i>Description</i>	<i>Qty.</i>
-	1269734GT	HARNESS, PROX, MANIFOLD, PLAT	1
1	119065GT	CONN,RECEP 2 WAY ENDCAP DT	1
1-	60439GT	LOCK,RECEP 2 WAY, 14-18GA	1

310.106 Harness, ACP Proximity Sensor



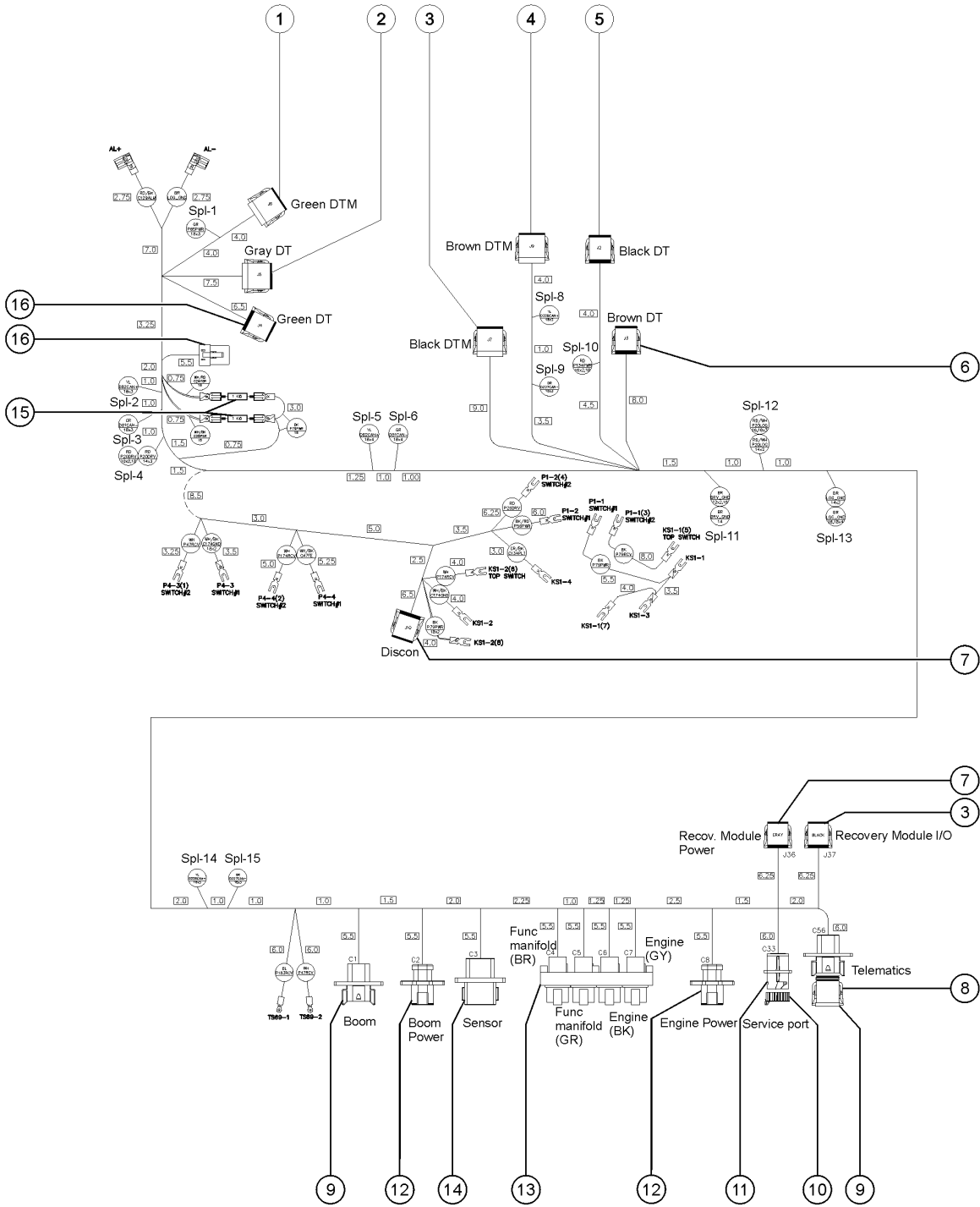
<i>Item</i>	<i>Part No.</i>	<i>Description</i>	<i>Qty.</i>
-	1269721GT	HARNESS, PROX SENSOR,ACP	1
1	119056GT	CONN PLUG 2 WAY ENDCAP DT	1
1-	60425GT	LOCK,PLUG 2 WAY, 14-18GA	1
2	99087GT	WIRE LOOM,1/4 DIA. SLIT	44
3	27391GT	PROXIMITY SENSOR***	1

310.107 Harness, Work Lights



<i>Item</i>	<i>Part No.</i>	<i>Description</i>	<i>Qty.</i>
-	1269720GT	HARNESS, LIGHTS, WORK	1
1	119056GT	CONN PLUG 2 WAY ENDCAP DT	2
1-	60425GT	LOCK,PLUG 2 WAY, 14-18GA	2

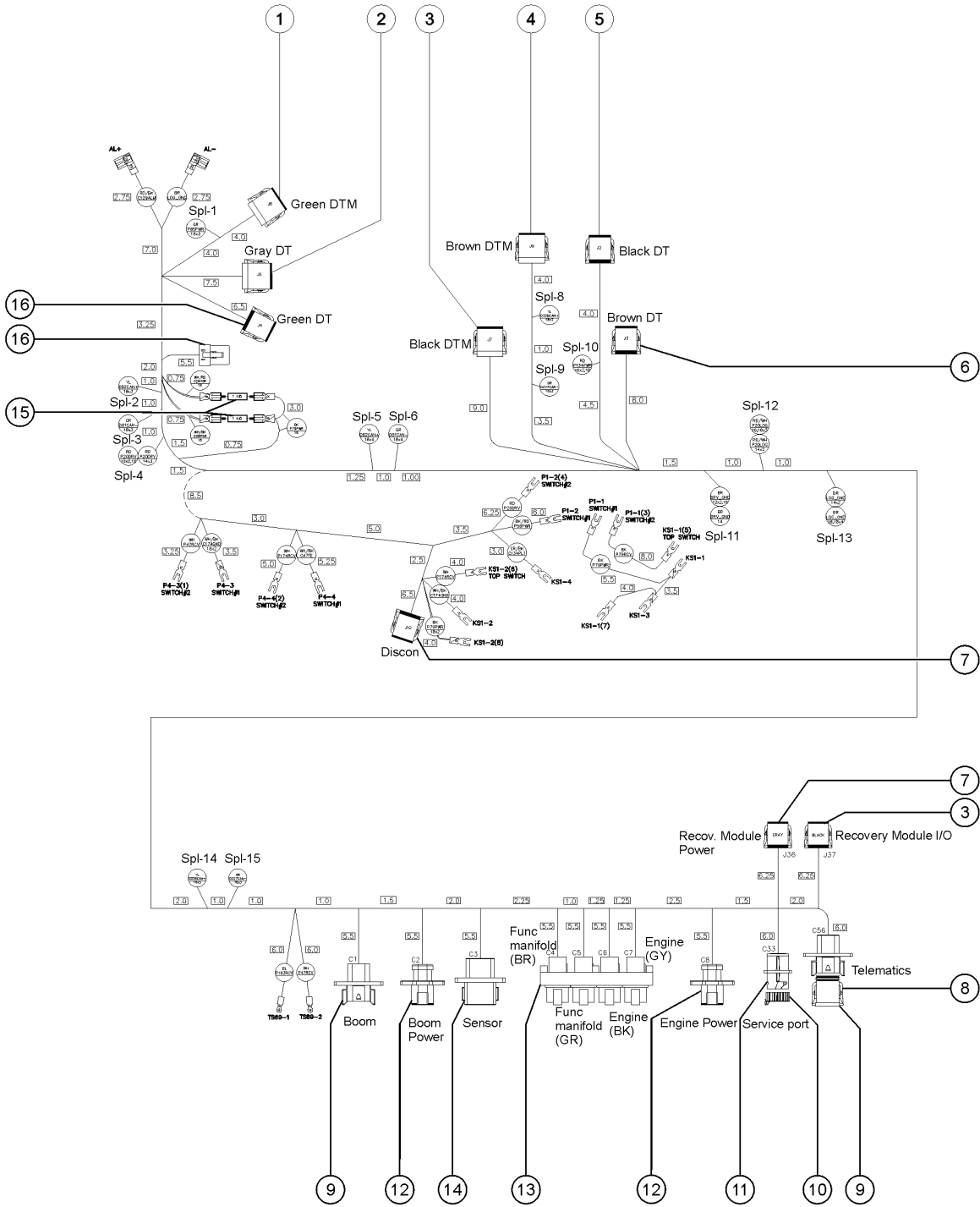
310.108 Harness, GCON Box, ALC600



<i>Item</i>	<i>Part No.</i>	<i>Description</i>	<i>Qty.</i>
-	1288347GT	HARNESS GBOX ALC600	1
1	1258100GT	CONN,PLUG 12D WAY DTM 18-20GA	1
1-	88332GT	LOCK,PLUG 12 WAY DTM 18-20GA	1
2	119061GT	CONN PLUG 12 WAY ENDCAP DT GY	1
2-	60435GT	LOCK,PLUG 12 WAY,14-18GA,GRN	1
3	106780GT	CONN,PLUG 12B WAY DTM 18-20GA	2
3-	88332GT	LOCK,PLUG 12 WAY DTM 18-20GA	2
4	822250GT	CONN,PLUG 12C WAY DTM 18-20GA	1
4-	88332GT	LOCK,PLUG 12 WAY DTM 18-20GA	1
5	119062GT	CONN PLUG 12 WAY ENDCAP DT BK	1
5-	60435GT	LOCK,PLUG 12 WAY,14-18GA,GRN	1
6	119064GT	CONN PLUG 12 WAY ENDCAP DT BR	1
6-	60435GT	LOCK,PLUG 12 WAY,14-18GA,GRN	1
7	88331GT	CONN,PLUG 12A WAY DTM 18-20GA	2
7-	88332GT	LOCK,PLUG 12 WAY DTM 18-20GA	2
8	1258768GT	CONN,PLUG 8WAY,BLOCKED GROMMET	1
9	87755GT	CONN,RECEP 8 WAY 14-18GA,FL	2
9-	60447GT	LOCK,RECEP 8 WAY,14-18GA	2
10	1272122GT	CONNECTOR, RECEPTACLE, 5 WAY,	1
11	1272123GT	DUST CAP, RECEPTACLE, 5 WAY, C	1
12	73717GT	CONN,RECEP 4 WAY,12-14GA FL***	2
12-	60526GT	LOCK,RECEP 4 WAY,12-14GA	2
13	73736GT	CONN,RECEP 48 WAY,4 X 12	1
13-	54255GT	LOCK, RECEP 12WAY, 14-18GA	4
14	73730GT	CONN,RECEP 12 WAY,GRY FLANGE	1
14-	54255GT	LOCK, RECEP 12WAY, 14-18GA	1
15	1289592GT	RESISTOR, 1K, 25W	2
16	60527GT	CONN,PLUG 4 WAY,12-14GA	1

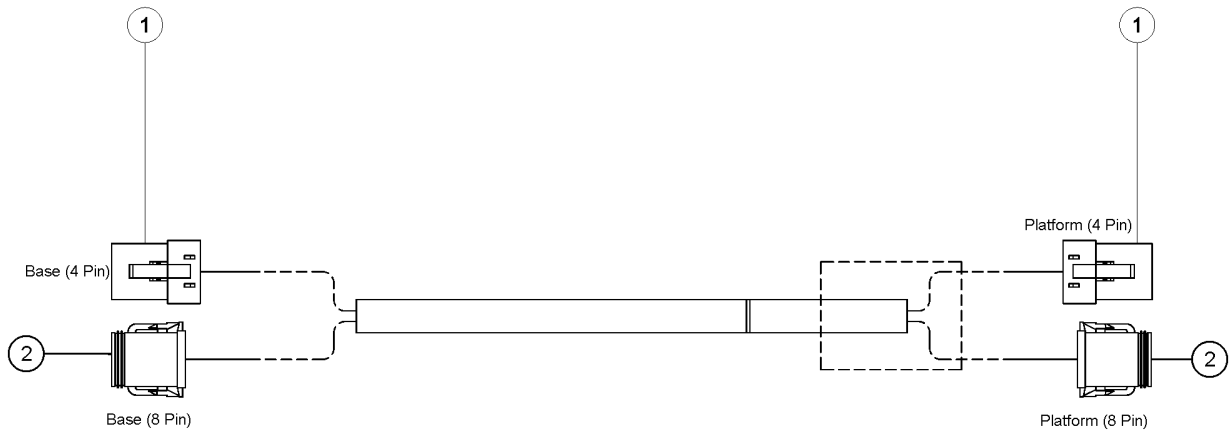


310.108 Harness, GCON Box, ALC600



<i>Item</i>	<i>Part No.</i>	<i>Description</i>	<i>Qty.</i>
16-	60528GT	LOCK,PLUG 4 WAY,12-14GA	1
17	119063GT	CONN PLUG 12 WAY ENDCAP DT GR	1
17-	60435GT	LOCK,PLUG 12 WAY,14-18GA,GRN	1

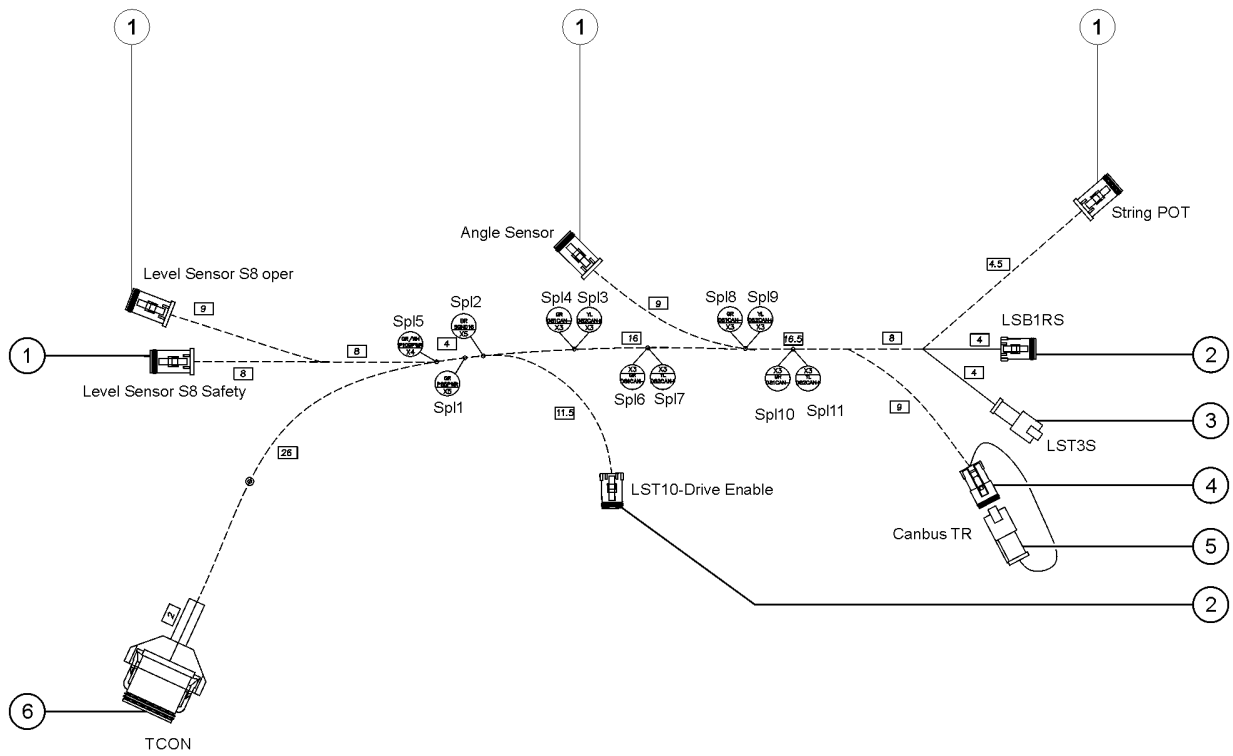
310.109 Harness, Boom



<i>Item</i>	<i>Part No.</i>	<i>Description</i>	<i>Qty.</i>
-	1278975GT	CABLE, BOOM, COMPOSITE, S45	1
1	60527GT	CONN,PLUG 4 WAY,12-14GA	2
1-	60532GT	LOCK,PLUG 2 WAY,12-14GA	2
2	119060GT	CONN PLUG 8 WAY 14-48GA	2
2-	60433GT	LOCK,PLUG 8 WAY, 14-18GA	2



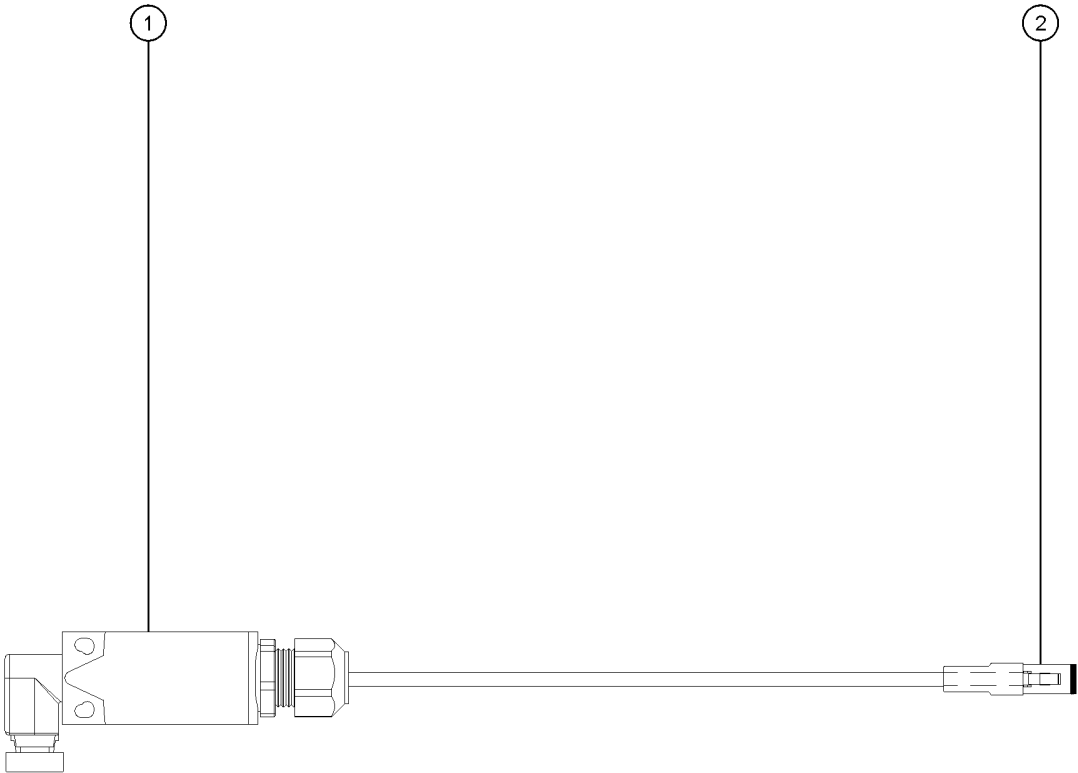
310.110 Harness, Sensors



<i>Item</i>	<i>Part No.</i>	<i>Description</i>	<i>Qty.</i>
-	1277936GT	HARNESS, SENSORS, S40/45XC	1
1	119058GT	CONN PLUG 4 WAY ENDCAP DT	4
1-	60429GT	LOCK,PLUG 4 WAY,14-18GA	4
2	119056GT	CONN PLUG 2 WAY ENDCAP DT	2
2-	60425GT	LOCK,PLUG 2 WAY, 14-18GA	2
3	119065GT	CONN,RECEP 2 WAY ENDCAP DT	1
3-	60439GT	LOCK,RECEP 2 WAY, 14-18GA	1
4	60450GT	CONN,PLUG 3 WAY,SAE J1939	1
4-	60459GT	LOCK,PLUG 3 WAY,SAE J1939	25
5	60452GT	CONN,RECEP 3 WAY SAE J1939	1
6	119062GT	CONN PLUG 12 WAY ENDCAP DT BK	1
6-	60435GT	LOCK,PLUG 12 WAY,14-18GA,GRN	1



310.111 Harness Boom Angle Load Sense

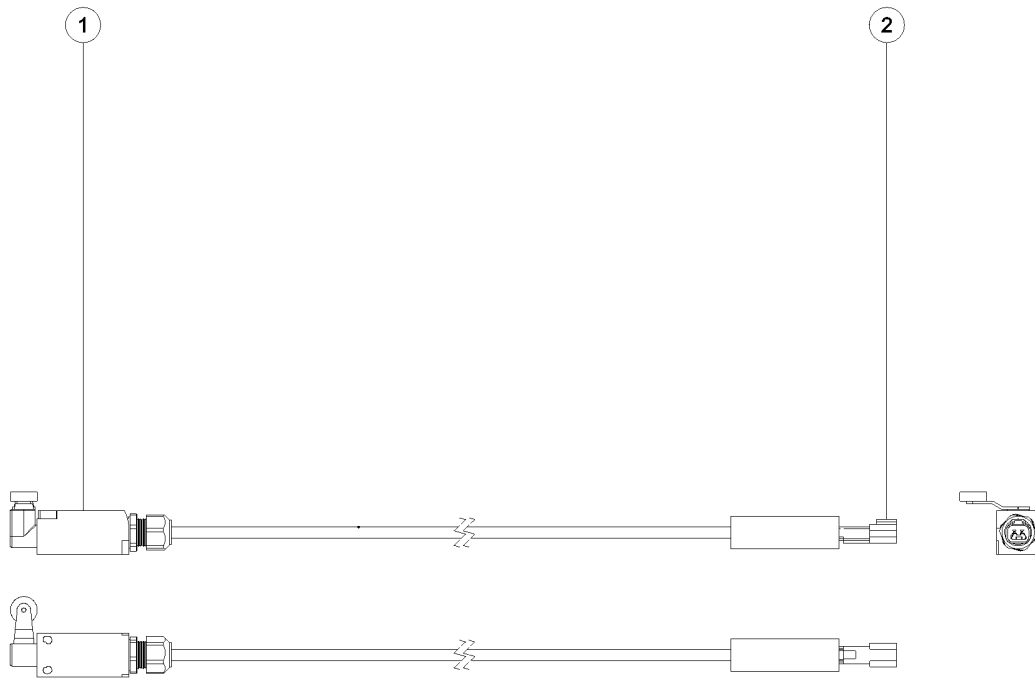


310.111 Harness Boom Angle Load Sense

<i>Item</i>	<i>Part No.</i>	<i>Description</i>	<i>Qty.</i>
-	1279139GT	HARNESS, LS BOOM ANGLE	1
1	88356-11BJ5GT	SWITCH,LIMIT,W/RLLR ARM,NO/NC	1
2	119761GT	CONN PLUG 2 WAY EXTEND DT	1
2-	60425GT	LOCK,PLUG 2 WAY, 14-18GA	1

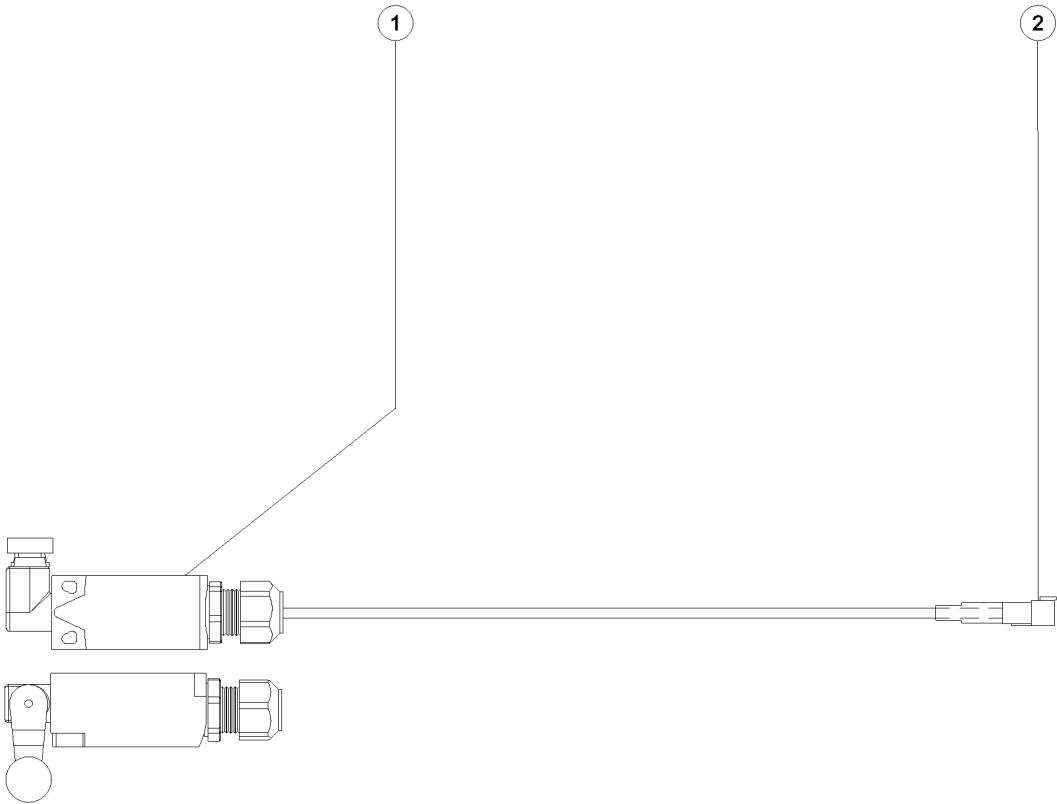


310.112 Harness, Drive Enable



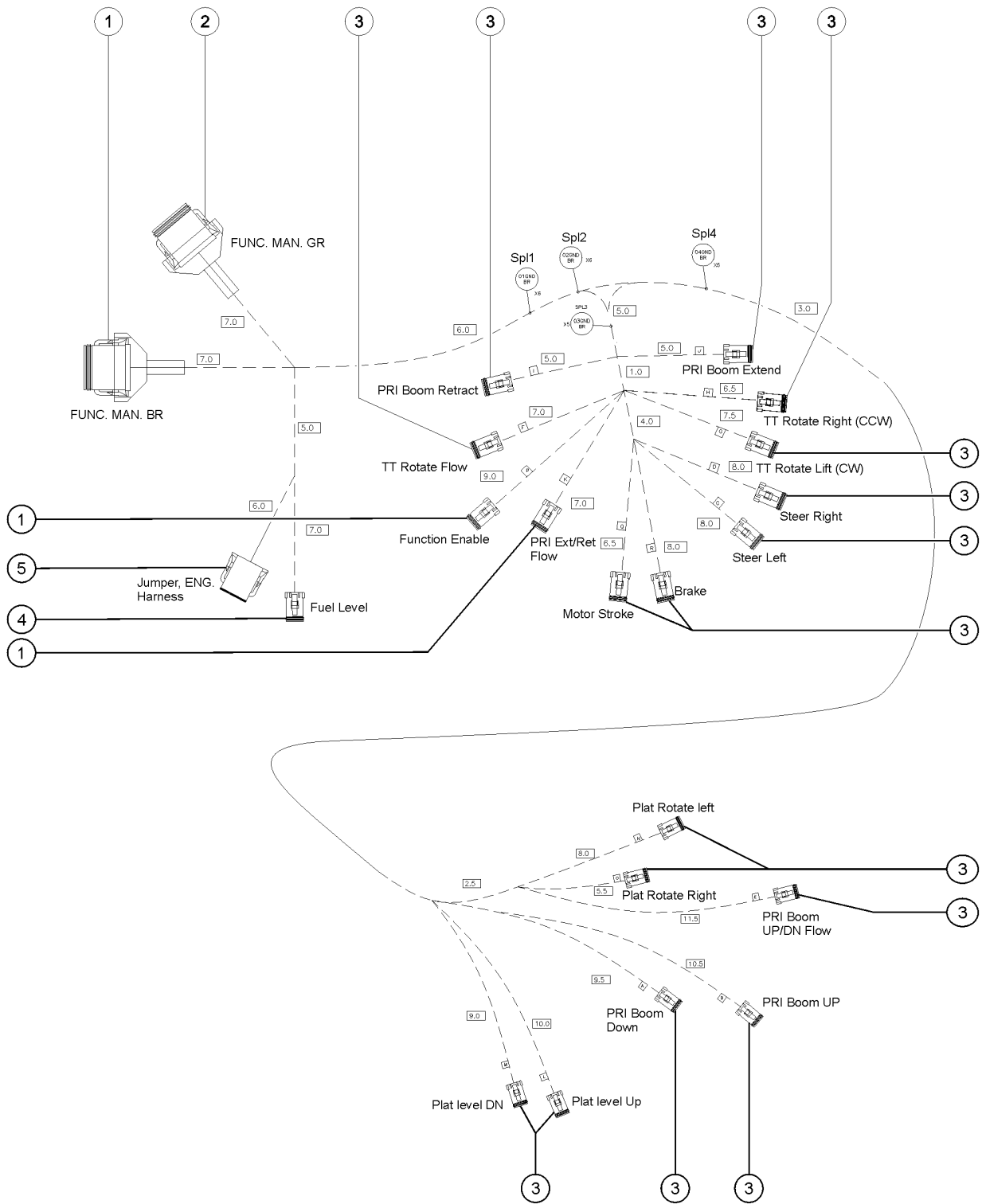
<i>Item</i>	<i>Part No.</i>	<i>Description</i>	<i>Qty.</i>
-	1277934GT	HARNESS, LS, OP, DRIVE ENABLE	
1	88356-11B65GT	SWITCH,LIMIT,W/RLLR ARM,NO/NC	1
2	119065GT	CONN,RECEP 2 WAY ENDCAP DT	1
2-	60439GT	LOCK,RECEP 2 WAY, 14-18GA	1

310.113 Load Sense, Boom Retract



<i>Item</i>	<i>Part No.</i>	<i>Description</i>	<i>Qty.</i>
-	1277940GT	HARNESS, LS BOOM RETRACT	1
1	88356-12B63GT	SWITCH,LIMIT,W/RLLR ARM,NO/NC	1
2	119065GT	CONN,RECEP 2 WAY ENDCAP DT	1
2-	60439GT	LOCK,RECEP 2 WAY, 14-18GA	1

310.114 Harness, Functions



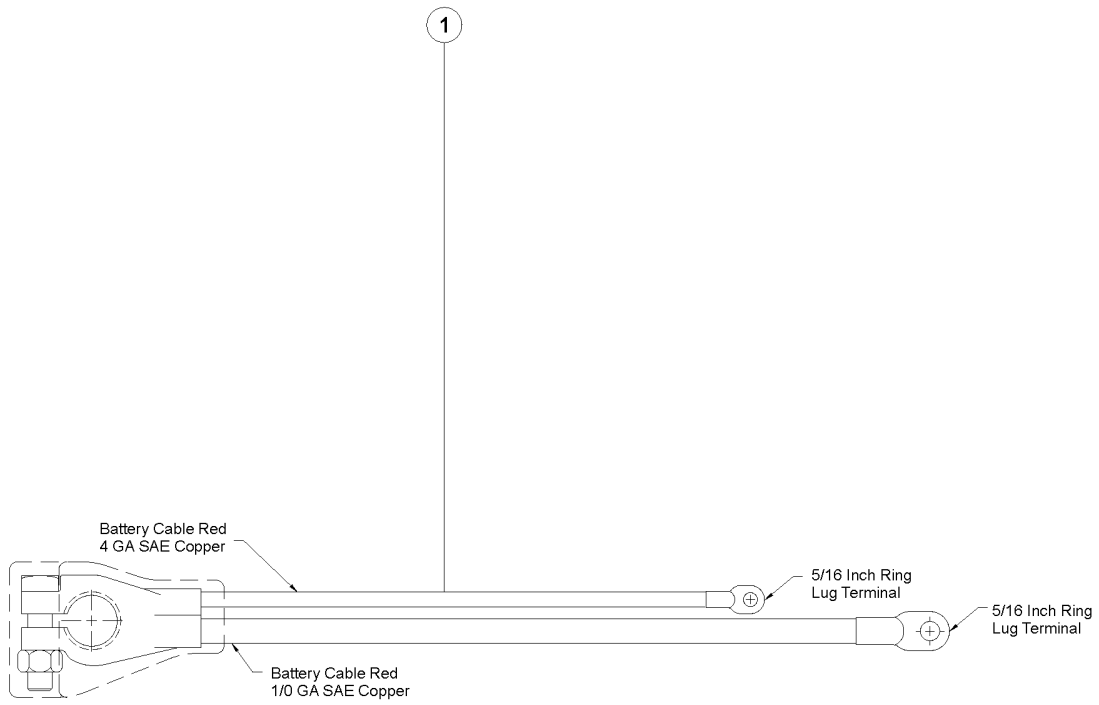
<i>Item</i>	<i>Part No.</i>	<i>Description</i>	<i>Qty.</i>
-	1277938GT	HARNESS, FUNCTIONS, S40/45XC	1
1	119064GT	CONN PLUG 12 WAY ENDCAP DT BR	1
1-	60435GT	LOCK,PLUG 12 WAY,14-18GA,GRN	1
2	119063GT	CONN PLUG 12 WAY ENDCAP DT GR	1
2-	60435GT	LOCK,PLUG 12 WAY,14-18GA,GRN	1
3	60424GT	CONN,PLUG 2 WAY,14-18GA	18
3-	60425GT	LOCK,PLUG 2 WAY, 14-18GA	18
4	119057GT	CONN PLUG 3 WAY ENDCAP DT	1
4-	60427GT	LOCK,PLUG 3 WAY,14-18GA	1
5	60432GT	CONN,PLUG 8 WAY,14-18GA	1
5-	60433GT	LOCK,PLUG 8 WAY, 14-18GA	1

310.115 Harness, Fuel Sensor



<i>Item</i>	<i>Part No.</i>	<i>Description</i>	<i>Qty.</i>
-	1282375GT	HARNESSES, FUEL SENSOR, EXT, OPT.....	1
1	119066GT	CONN,RECEP 3 WAY ENDCAP DT	1
1-	60441GT	LOCK,RECEP 3 WAY,14-18GA	1
2	119057GT	CONN PLUG 3 WAY ENDCAP DT	1
2-	60427GT	LOCK,PLUG 3 WAY,14-18GA	1

310.116 Battery Cable, Auxiliary Pump, Positive

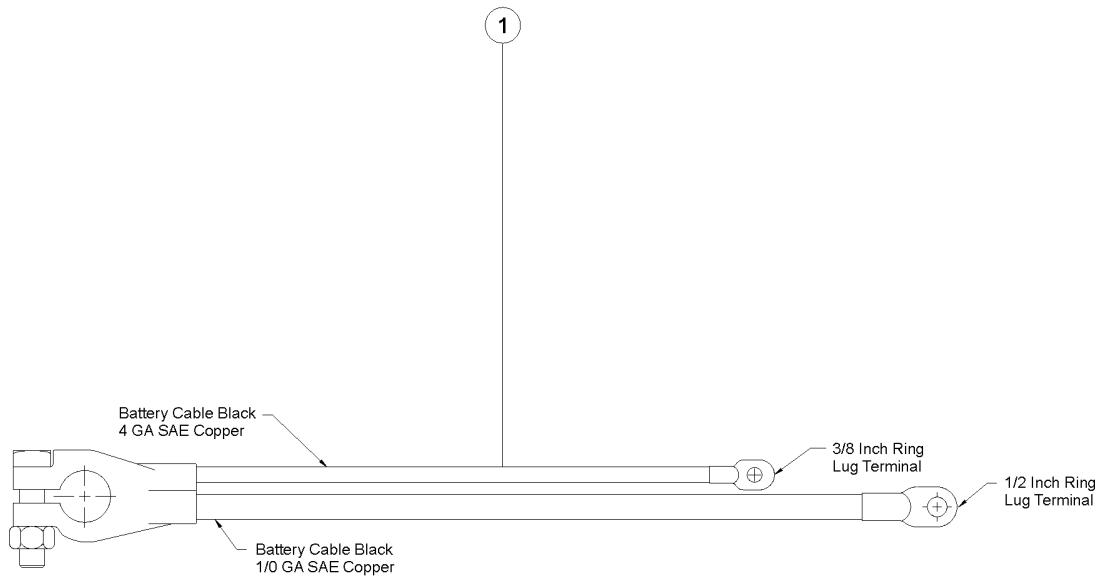


310.116 Battery Cable, Auxiliary Pump, Positive

<i>Item</i>	<i>Part No.</i>	<i>Description</i>	<i>Qty.</i>
-	48773-1200	SLEEVE,NYLON, .86 ID	1
1	1282202GT	BATTERY CABLE,POS,RED,1/0,86"	1



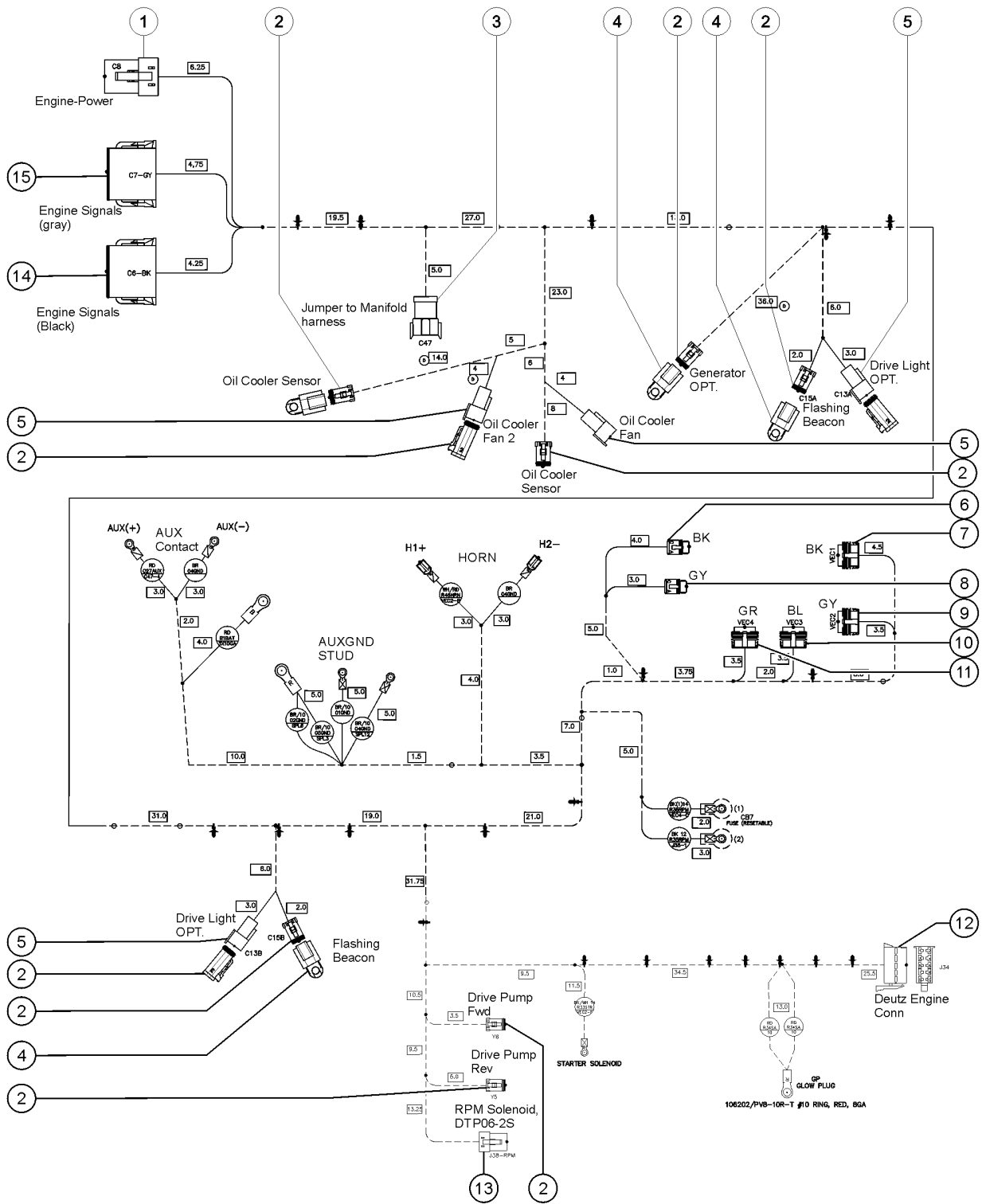
310.117 Battery Cable, Auxiliary Pump, Negative



310.117 Battery Cable, Auxiliary Pump, Negative

<i>Item</i>	<i>Part No.</i>	<i>Description</i>	<i>Qty.</i>
-	48773-1200	SLEEVE,NYLON, .86 ID	1
1	1282201GT	BATTERY CABLE,NEG,BLK,1/0, 77"	1

310.118 Harness, Engine, D2011

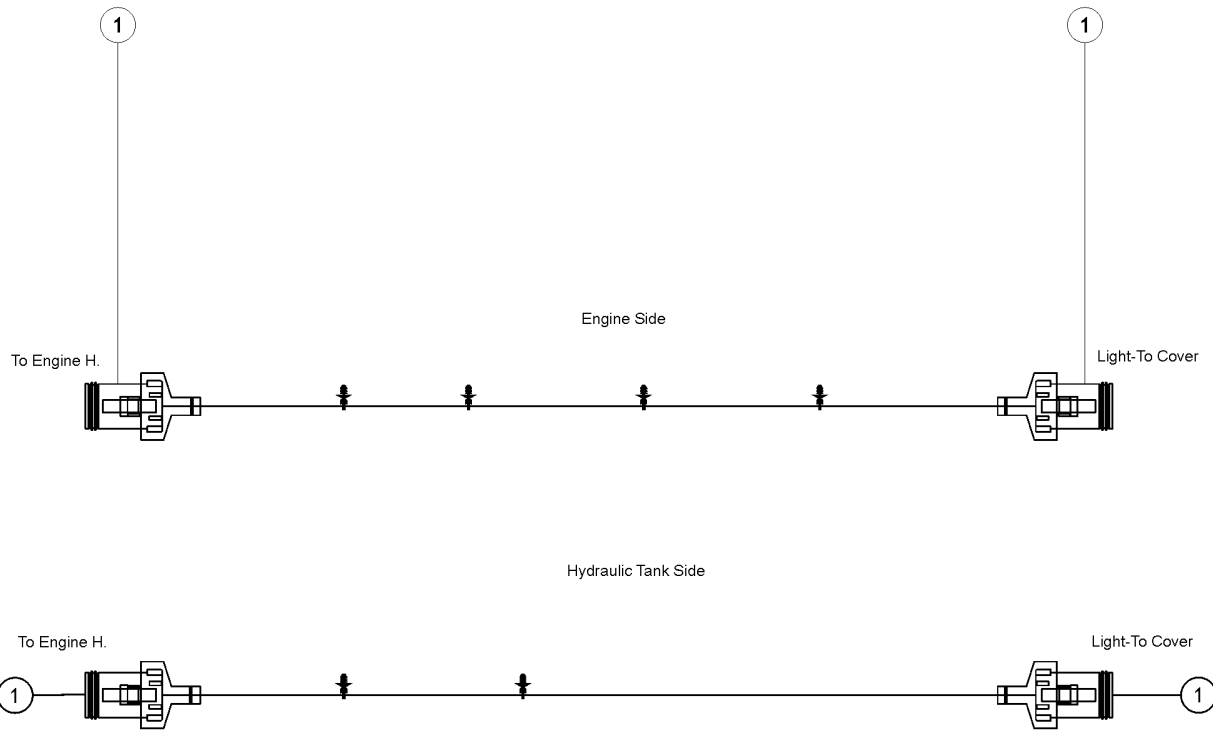


<i>Item</i>	<i>Part No.</i>	<i>Description</i>	<i>Qty.</i>
-	1277947GT	HARNESS, ENGINE, DEUTZ 2011, T3	1
1	60527GT	CONN,PLUG 4 WAY,12-14GA	1
1-	60528GT	LOCK,PLUG 4 WAY,12-14GA	1
2	119056GT	CONN PLUG 2 WAY ENDCAP DT	11
2-	60425GT	LOCK,PLUG 2 WAY, 14-18GA	11
3	119069GT	CONN,RECEP 8 WAY ENDCAP DT	1
3-	60447GT	LOCK,RECEP 8 WAY,14-18GA	1
4	229110GT	CONN, CAP, 2 WAY DT SERIES	4
5	119065GT	CONN,RECEP 2 WAY ENDCAP DT	4
5-	60439GT	LOCK,RECEP 2 WAY, 14-18GA	4
6	822467GT	CONN,2WAY CBT MALE,BLACK	1
6-	822469GT	LOCK,2WAY CBT TP2 SEALED	1
7	822464GT	CONN,8WAY CBT MALE,BLACK	1
7-	822466GT	LOCK,8WAY CBT TP2 SEALED	1
8	822468GT	CONN,2WAY CBT MALE,GRAY	1
8-	822469GT	LOCK,2WAY CBT TP2 SEALED	1
9	822465GT	CONN,8WAY CBT MALE,GRAY	1
9-	822466GT	LOCK,8WAY CBT TP2 SEALED	1
10	822462GT	CONN,8WAY CBT MALE,BLUE	1
10-	822466GT	LOCK,8WAY CBT TP2 SEALED	1
11	822463GT	CONN,8WAY CBT MALE,GREEN	1
11-	822466GT	LOCK,8WAY CBT TP2 SEALED	1
12	65849GT	CONNECTOR KIT, DEUTZ**	1
13	60531GT	CONN,PLUG 2 WAY,12-14GA	1
13-	60532GT	LOCK,PLUG 2 WAY,12-14GA	1
14	119062GT	CONN PLUG 12 WAY ENDCAP DT BK	1
14-	60435GT	LOCK,PLUG 12 WAY,14-18GA,GRN	1
15	119061GT	CONN PLUG 12 WAY ENDCAP DT GY	1



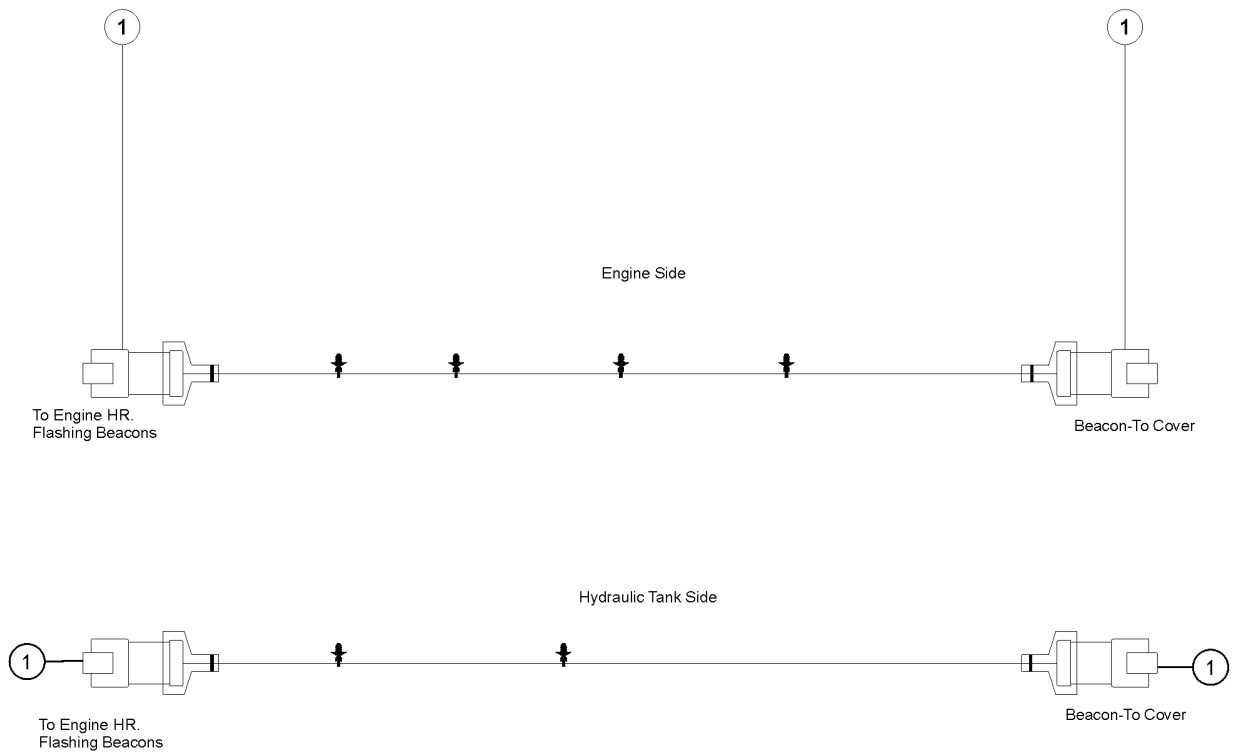
<i>Item</i>	<i>Part No.</i>	<i>Description</i>	<i>Qty.</i>
15-	60433GT	LOCK,PLUG 8 WAY, 14-18GA	1

310.119 Harness, Drive Light



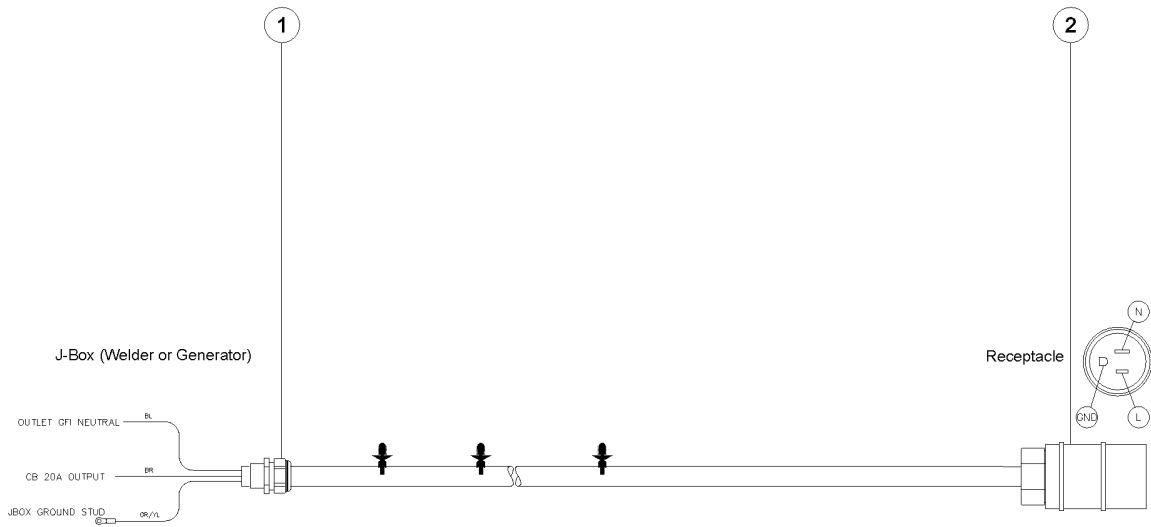
<i>Item</i>	<i>Part No.</i>	<i>Description</i>	<i>Qty.</i>
-	1282369GT	HARNESS, DRIVE LIGHT	1
1	119056GT	CONN PLUG 2 WAY ENDCAP DT	4
1-	60425GT	LOCK,PLUG 2 WAY, 14-18GA	4

310.120 Harness, Flashing Beacon



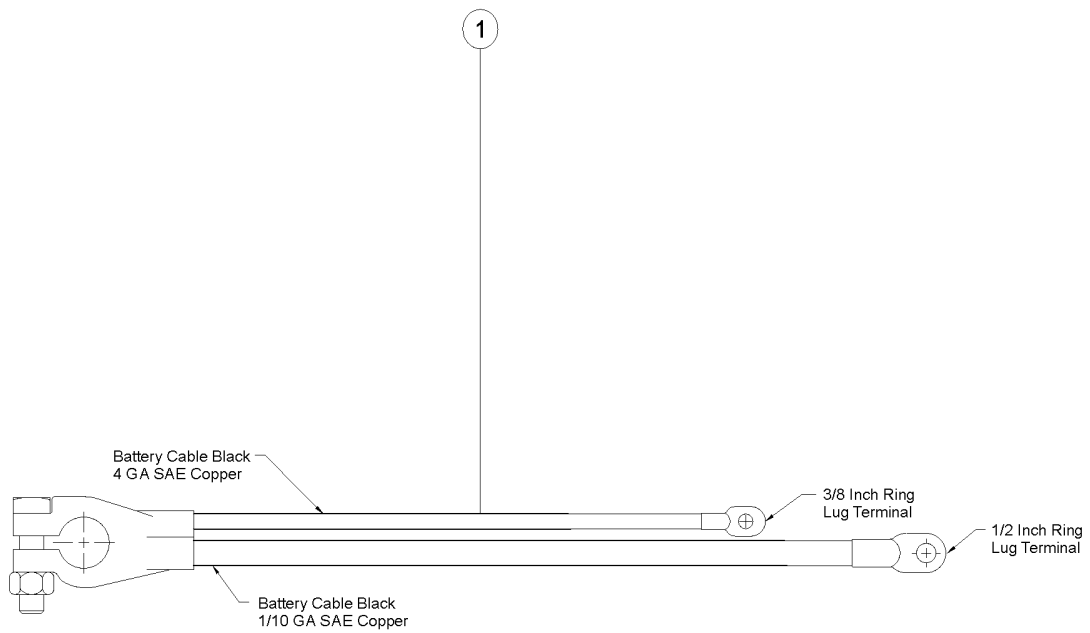
<i>Item</i>	<i>Part No.</i>	<i>Description</i>	<i>Qty.</i>
-	1282368GT	HARNESS, FLASHING BEACON	1
1	119065GT	CONN,RECEP 2 WAY ENDCAP DT	4
1-	60439GT	LOCK,RECEP 2 WAY, 14-18GA	4

310.121 Harness, Generator Pigtail



<i>Item</i>	<i>Part No.</i>	<i>Description</i>	<i>Qty.</i>
-	1288181GT	ASSEMBLY, PIGTAIL, 12/3, 15A RECEPTACLE	1
1	7057GT	CONN. SQZ,1/2NPT .39-.56 MED	1
1-	6935GT	LOCKNUT,ELEC,1/2"	1
2	119404GT	CONN,RECEP 120AC/15A DOMESTIC	1

310.122A Battery Cable, D2011, D2.9T, P404F Engine, Negative

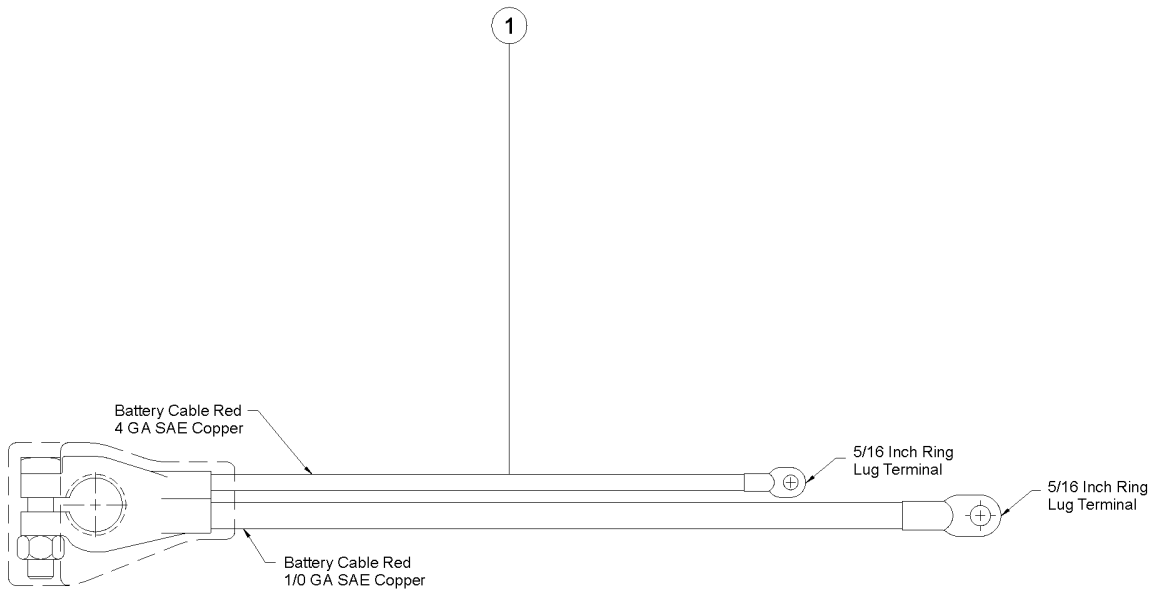


310.122A Battery Cable, D2011, D2.9T, P404F Engine, Negative

<i>Item</i>	<i>Part No.</i>	<i>Description</i>	<i>Qty.</i>
1	1282201GT	BATTERY CABLE,NEG,BLK,1/0, 77"	1



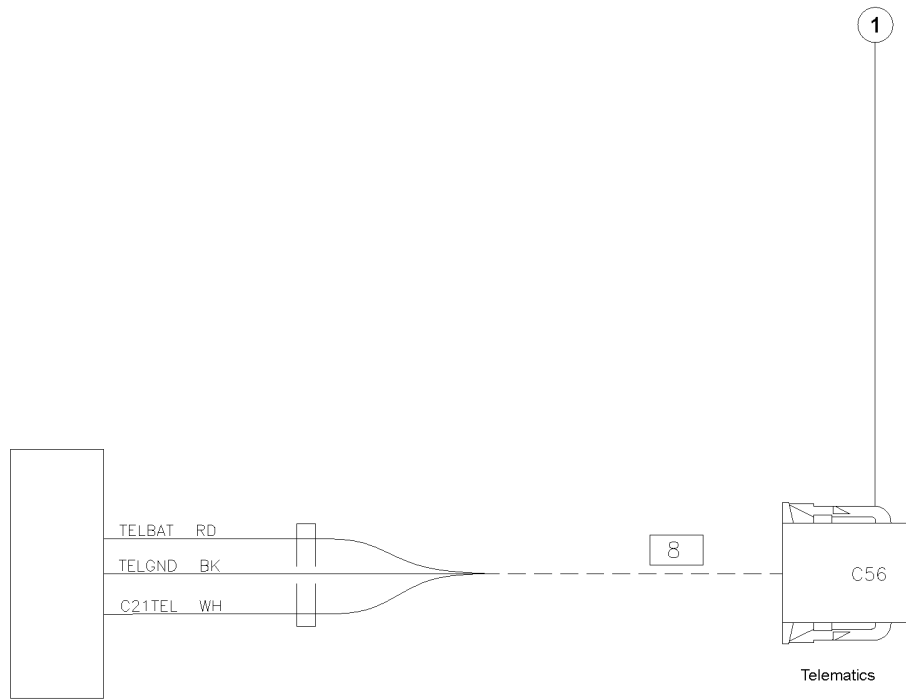
310.122B Battery Cable, D2011, P404F Engine, Positive



310.122B Battery Cable, D2011, P404F Engine, Positive

<i>Item</i>	<i>Part No.</i>	<i>Description</i>	<i>Qty.</i>
1	1282370GT	BATTERY CABLE,POS,RED,1/0,72"	1





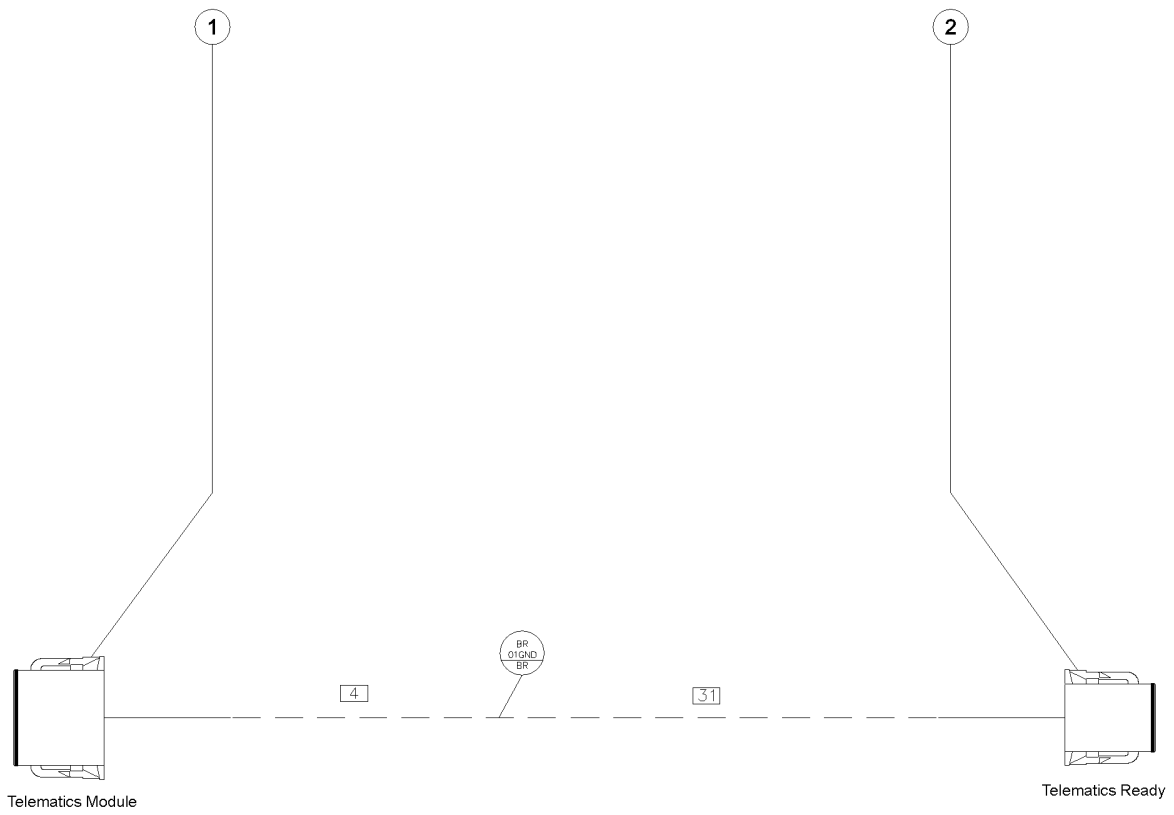
<i>Item</i>	<i>Part No.</i>	<i>Description</i>	<i>Qty.</i>
-	1256074GT	HARNESS, HERTZ GPS, 8"	1
1	119060GT	CONN PLUG 8 WAY 14-48GA	1
1-	60433GT	LOCK,PLUG 8 WAY, 14-18GA	1

310.123B Harness, Telematics, Top Con



<i>Item</i>	<i>Part No.</i>	<i>Description</i>	<i>Qty.</i>
-	1260526GT	HARNESS,TELEMATICS,TOPCON,36IN	1
1	119060GT	CONN PLUG 8 WAY 14-48GA	1
1-	60433GT	LOCK,PLUG 8 WAY, 14-18GA	1
2	88331GT	CONN,PLUG 12A WAY DTM 18-20GA	1
2-	88332GT	LOCK,PLUG 12 WAY DTM 18-20GA	1

310.123C Harness, Telematics, United Rentals



<i>Item</i>	<i>Part No.</i>	<i>Description</i>	<i>Qty.</i>
-	1274342GT	HARNESS, M8, ZTR, 35IN	1
1	119061GT	CONN PLUG 12 WAY ENDCAP DT GY	1
1-	60435GT	LOCK,PLUG 12 WAY,14-18GA,GRN	1
2	119060GT	CONN PLUG 8 WAY 14-48GA	1
2-	60433GT	LOCK,PLUG 8 WAY, 14-18GA	1

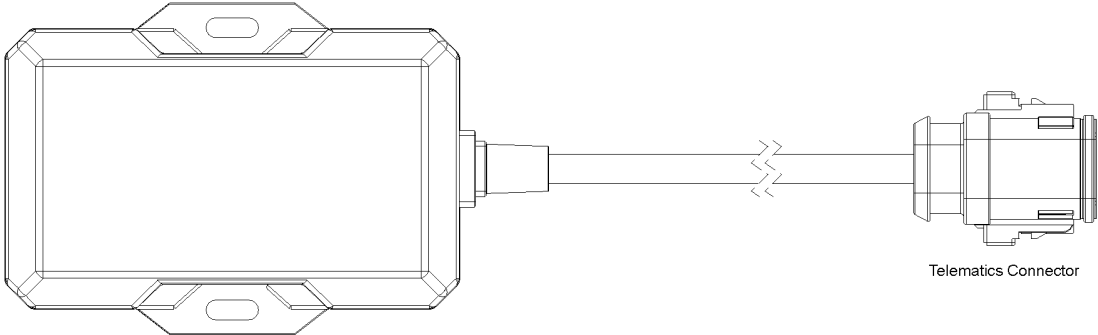
310.123D Harness, Telematics, ZTR, Sunbelt



310.123D Harness, Telematics, ZTR, Sunbelt

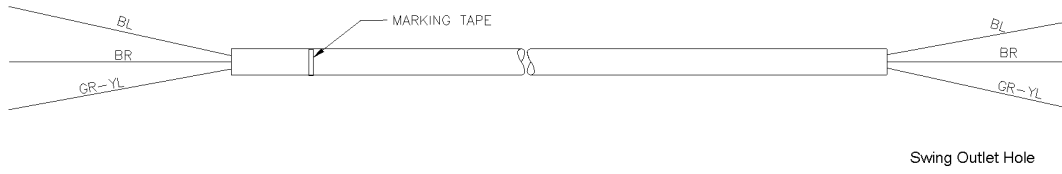
<i>Item</i>	<i>Part No.</i>	<i>Description</i>	<i>Qty.</i>
-	1261655GT	HARNESS,TELEMATICS,ZTR,M5S	1

310.123E Harness Telematics, TTU, Sunbelt



<i>Item</i>	<i>Part No.</i>	<i>Description</i>	<i>Qty.</i>
-	1281095GT	ASSEMBLY,TELEMATICS, TTU 2830	1

310.124 Cable, Power to Platform

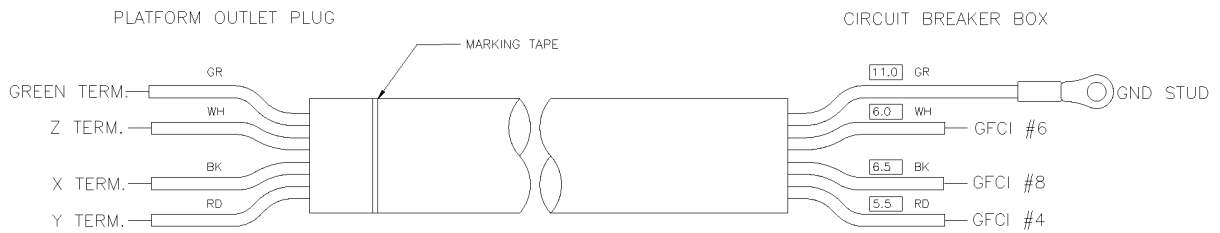


310.124 Cable, Power to Platform

<i>Item</i>	<i>Part No.</i>	<i>Description</i>	<i>Qty.</i>
-	1287137GT	CABLE 12/3, POWER TO PLAT, S45XC	1



310.125 Cable Assembly, Welder to Platform

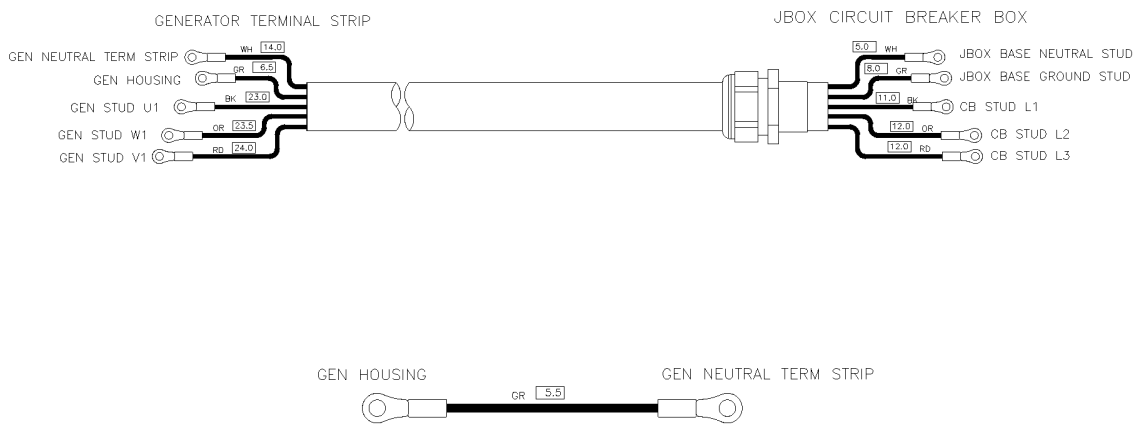


310.125 Cable Assembly, Welder to Platform

<i>Item</i>	<i>Part No.</i>	<i>Description</i>	<i>Qty.</i>
-	1287135GT	ASSY, CABLE 8/4, WELDER TO PLAT, S45XC	1



310.126 Cable Assembly, Welder

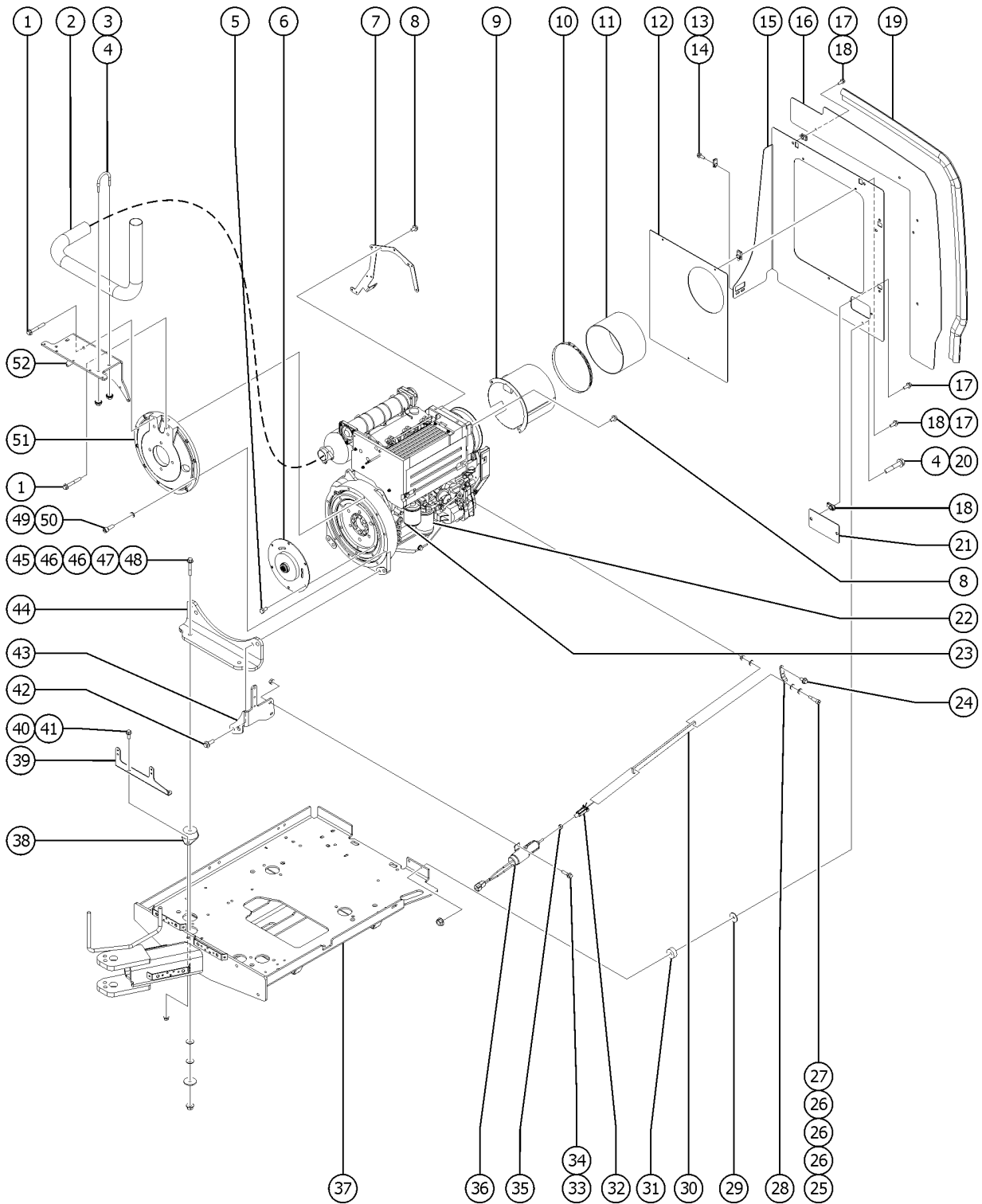


310.126 Cable Assembly, Welder

<i>Item</i>	<i>Part No.</i>	<i>Description</i>	<i>Qty.</i>
-	1288179GT	ASSEMBLY, CABLE, 8/5, WELDER	1



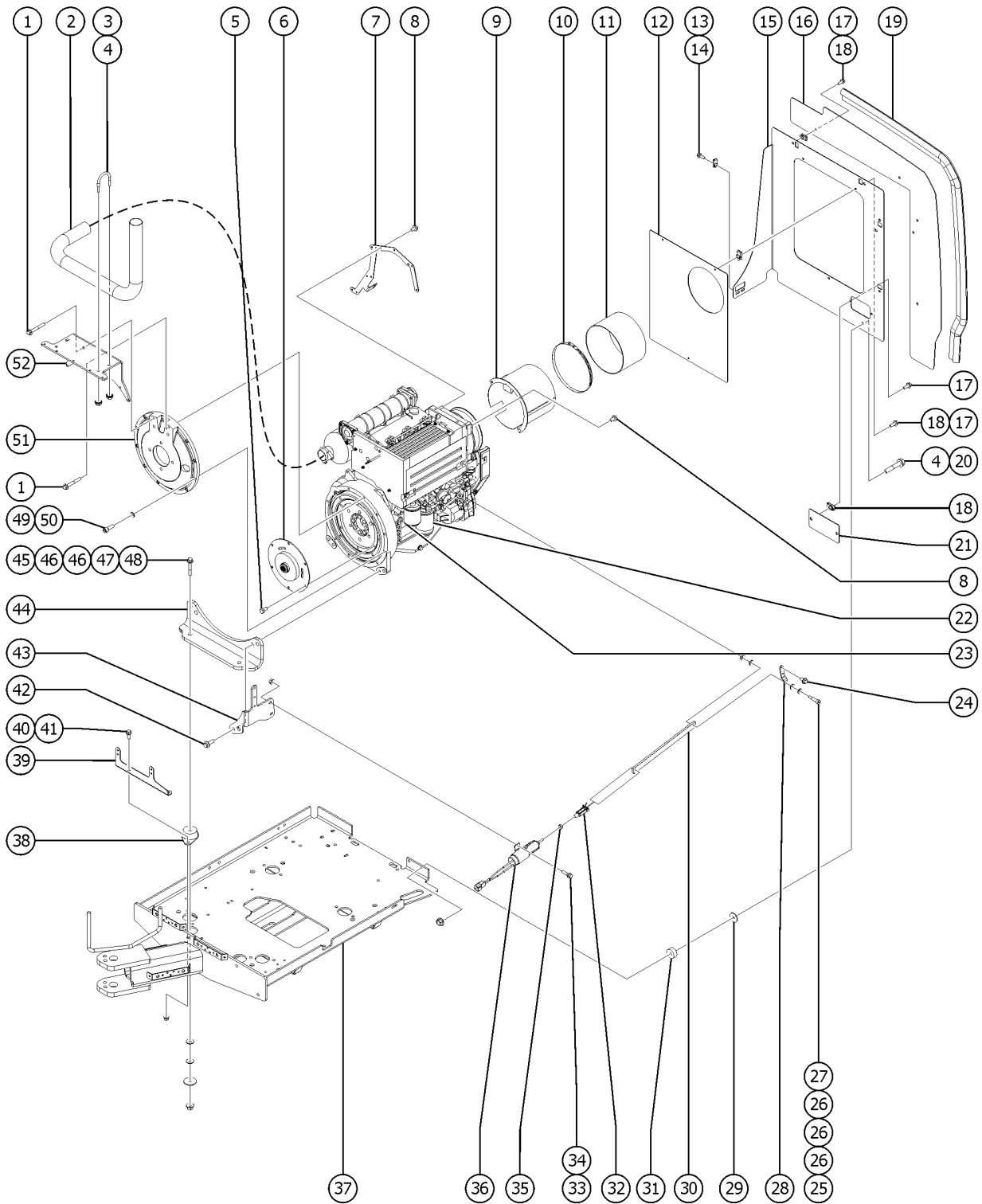
401.1 Deutz D2011L03i, View 1



Item	Part No.	Description	Qty.
1	826008GT	SCREW,HHF,M10-1.5X75,DIN6921,10.9,ZAB	2
2	1283325GT	TAILPIPE,S40-45 DEUTZ 2011IO3I ROW	1
3	80391GT	U-BOLT, 5/16"-18" X 2	2
4	1255805GT	NUT,SERRATED,5/16-18,8,ZAG	5
5	825351GT	SCREW,HHC,M10-1.5X20,DIN933,10.9,ZAB	6
6	128004GT	COUPLER, 15 TOOTH, FBA, SAE 8	1
7	216340GT	MOUNTING BRKT,FRONT HARNESS	1
8	1251983GT	SCREW,HHF,M8-1.25X16,DIN6921,10.9,ZAB	5
9	101140GT	WELDMENT, AIR INTAKE TUBE	1
10	31523GT	CLAMP, FAN GUARD, DEUTZ F4L1011	1
11	1285342GT	SHEET,RUBBER,AIR INTAKE	1
12	1285274GT	PLATE, SHROUD, DEUTZ 2011LO3I	1
13	824086GT	SCREW, HHF, 5/16-18 X 1, 8, ZAG	2
14	36456GT	SPRING CLIP,5/16-18,.025-.15X.	2
15	1285247GT	FORMING, SHROUD	1
16	1285246GT	PLATE, SHROUD	1
17	824078GT	SCREW,HHF,1/4-20X.75,8,ZAG	9
18	56912GT	SPRING CLIP,1/4-20,.025-.15X.5	9
19	119219-3850GT	TRIM,EDGE,1/8X3/4 END BULB	1
20	1255800GT	SCREW,HHF,5/16-18X1.75,8,ZAG	1
21	1285275GT	PLATE, INTAKE COVER	1
22	29560GT	FILTER,FUEL/WTR SEP, DTZ 1008 Genie Genuine Part. See PN 1254826 for compatible aftermarket replacement.	
22-	58566GT	FILTER HEAD (29560)	
22B	1254826GT	FUEL FILTER W/SEP,DEUTZ,1008	
		Genie Aftermarket Part.	
23	49924GT	FILTER,OIL,DEUTZ F4L1011F Genie Genuine Part. See PN 1255653 for compatible aftermarket replacement.	1
23B	1255653GT	FILTER,OIL,DEUTZ,REPLACEMENT Genie Aftermarket Part. Compatible with Genie Genuine Part 49924.	1
24	231532GT	SCREW,HHF,M6-1.0X20,DIN6921,10.9,ZAB	2
25	1257076GT	BOLT,SHS,1/4-28X4,ZAG	1

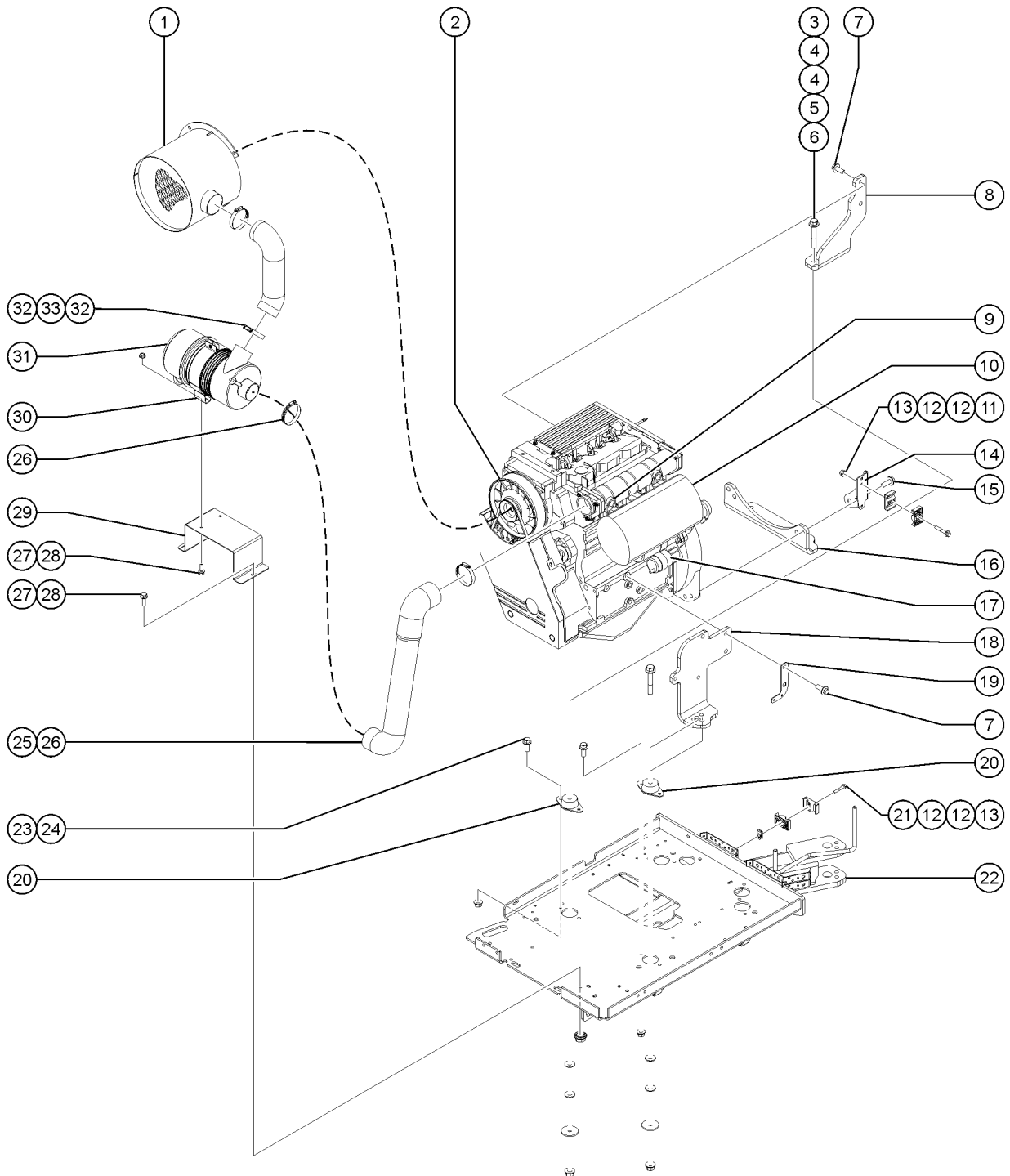


401.1 Deutz D2011L03i, View 1



Item	Part No.	Description	Qty.
26	825355GT	WASHER,FLAT,M6,DIN125,ZAB	3
27	1256467GT	NUT,TL FLG,10-24,F,ZAG	1
28	50787GT	LEVER,GOVERNOR ACTUATOR**	1
29	824120GT	WASHER,FLAT,,.375X1.50X.125,ZAG	1
30	94485GT	THROTTLE LINKAGE,DIESEL ***	1
31	1285248GT	WEARPAD, SHROUD	1
32	21130GT	CLEVIS YOKE-1/4-28,PLTD W/PIN	1
33	824079GT	SCREW,HHF,1/4-20X1,8,ZAG	2
34	824027GT	NUT,TL FLG,1/4-20,G,ZAG	2
35	824041GT	NUT, 1/4-28, 8, ZAG	1
36	161087GT	ASSY,SOLENOID THR_ACT RPM Z45	1
37	1271380GT	WELDMENT, ENGINE TRAY	
		(refer to 403.1)	
38	70452GT	ISOLATOR,ENGINE	2
39	1256133GT	FORMING,TRAY FUEL LINE MT	1
40	824090GT	SCREW,HHF,3/8-16X1,8,ZAG	4
41	824029GT	NUT, TL FLG, 3/8-16, G, ZAG	4
42	1251899GT	SCREW,HHF,M14-2.0 X 40,DIN 692	2
43	1270141GT	MNT BRKT, POS BATT CABL, SOLND	1
44	214846GT	FORMING,REAR ENGINE MOUNT	1
45	1251994GT	SCREW,HHF,1/2-13X3,8,ZAG	2
46	1255760GT	WASHER,FLAT,1/2,USS,ZAG	4
47	1256283GT	WASHER,FLAT,,.5X2.25X.188,ZAG	2
48	1251997GT	NUT,TL FLG,1/2-13,G,ZAG	2
49	1255666GT	SCREW,SHC,M10-1.5X30,DIN912,12.9,ZAB	9
50	824142GT	WASHER,LOCK,M10,ZAB	9
51	70381GT	COVER, FLYWHEEL CASTING	1
52	1283935GT	FORMING, BRACKET, TAILPIPE, DUETZ T3	1

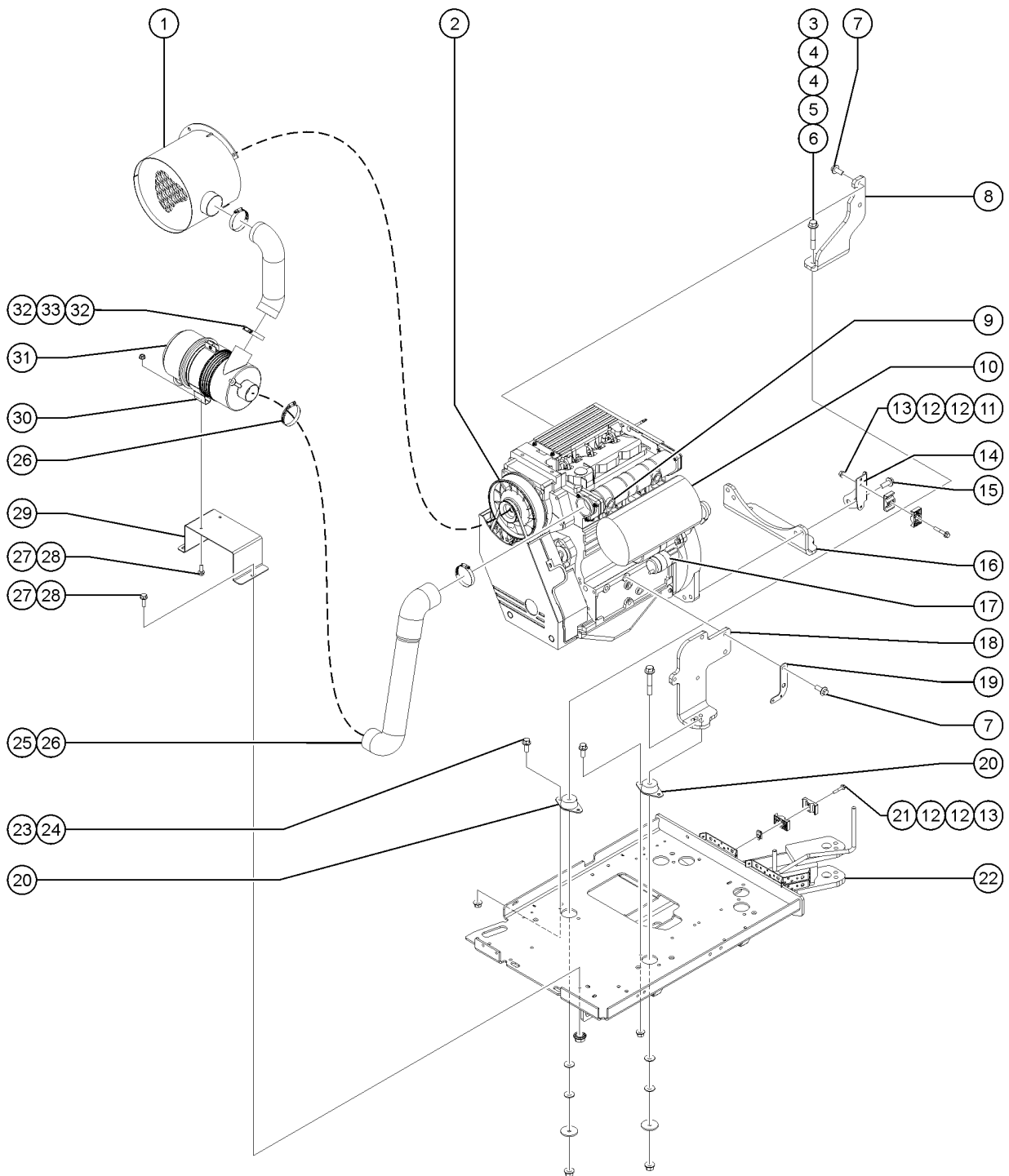
402.1 Deutz D2011L03i, View 2



Item	Part No.	Description	Qty.
1	101140GT	WELDMENT, AIR INTAKE TUBE (refer to 401.1)	1
2	35586GT	ALTERNATOR, DEUTZ F3L10/F4L10*	1
3	1251994GT	SCREW,HHF,1/2-13X3,8,ZAG	2
4	1255760GT	WASHER,FLAT,1/2,USS,ZAG	4
5	1256283GT	WASHER,FLAT,.5X2.25X.188,ZAG	2
6	1251997GT	NUT,TL FLG,1/2-13,G,ZAG	2
7	1256776GT	SCREW,HHF,M14-2.0X35,DIN6921,10.9,ZAB	5
8	70460GT	FORMING,ENGINE MOUNT,FR***	1
9	31408GT	GLOW PLUG,L1011	
10	32695GT	MUFFLER,DEUTZ	1
11	824027GT	NUT,TL FLG,1/4-20,G,ZAG	1
12	78736GT	CLAMP,2 HOSE,PLASTIC,5/8	6
13	824081GT	SCREW,HHF,1/4-20X1.5,8,ZAG	3
14	1270110GT	MOUNTNG BRKT, POS BATT CABLE	1
15	1251899GT	SCREW,HHF,M14-2.0 X 40,DIN 692	2
16	214846GT	FORMING,REAR ENGINE MOUNT (refer to 401.1)	1
17	139709GT	STARTER, 12V with solenoid	1
17-	139621GT	KIT, HEAT GUARD, DEUTZ STARTER (includes sheild 139622 and bolt 139623)	
17-	139622GT	HEAT SHIELD,DEUTZ STARTER	
17-	139623GT	BOLT, GUARD, DEUTZ STARTER	
18	70461GT	FORMING,ENGINE MOUNT,FL***	1
19	1284599GT	BRACKET, WIRING, DEUTZ	1
20	70452GT	ISOLATOR,ENGINE	2
21	56912GT	SPRING CLIP,1/4-20,.025-.15X.5	2
22	1271380GT	WELDMENT, ENGINE TRAY (refer to 403.1)	1
23	824090GT	SCREW,HHF,3/8-16X1,8,ZAG	4
24	824029GT	NUT, TL FLG, 3/8-16, G, ZAG	4
25	70375GT	HOSE,AIR CLEANER	1

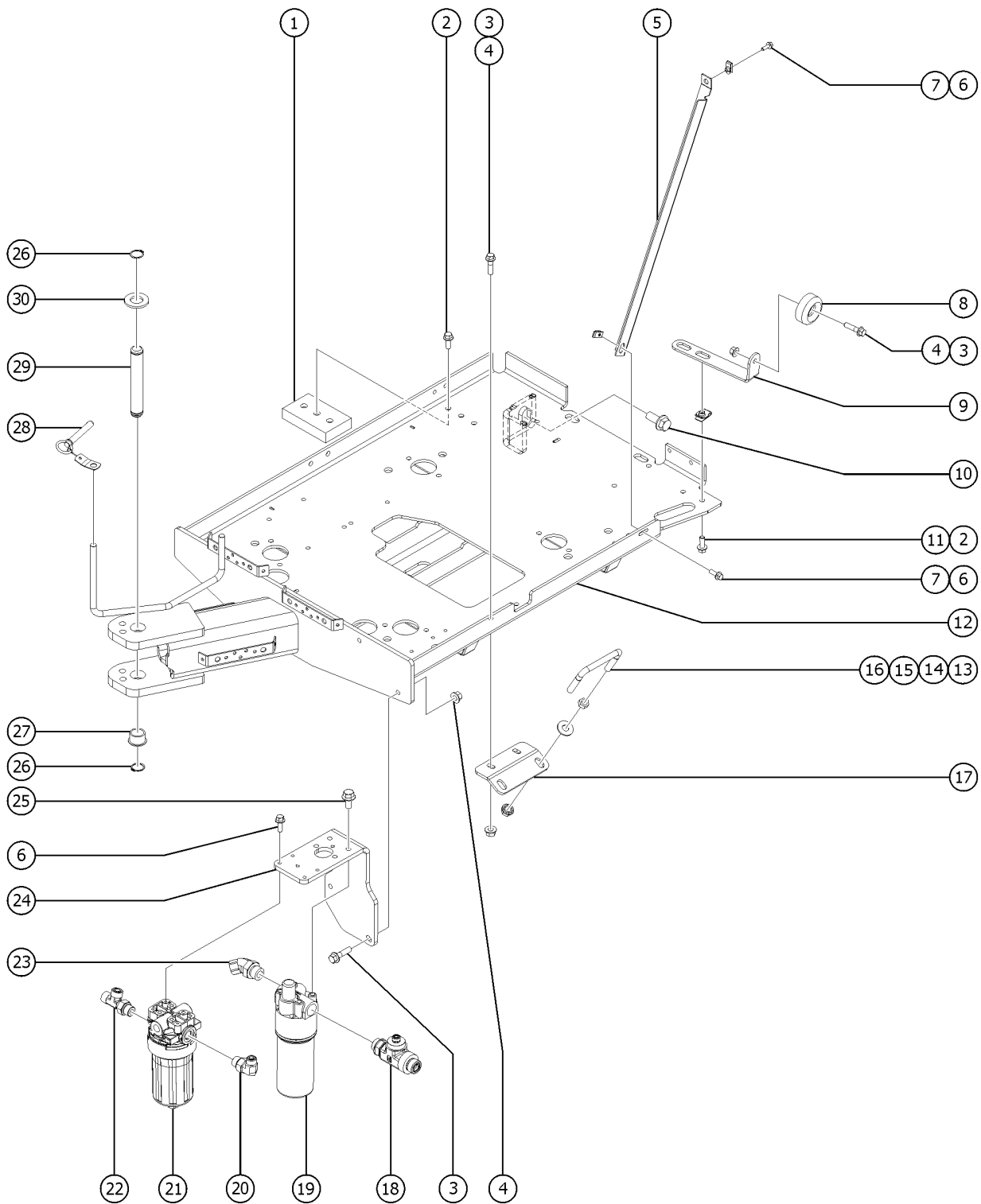


402.1 Deutz D2011L03i, View 2



<i>Item</i>	<i>Part No.</i>	<i>Description</i>	<i>Qty.</i>
26	30971GT	CLAMP,HOSE,3.00"	2
27	824086GT	SCREW, HHF, 5/16-18 X 1, 8, ZAG	5
28	1255805GT	NUT,SERRATED,5/16-18,8,ZAG	5
29	70351GT	FORMING,AIR CLEANER MOUNT	1
30	53952GT	BRKT,AIR CLEANER ORIENTATION**	1
31	63463GT	AIR CLEANER,NELSON	1
31-	58415GT	CLIP,AIR CLEANER END CAP***	
31-	62420GT	FILTER,AIR***	
31-	65810GT	BAFFLE, AIR CLEANER (27915)**	
31-	52866GT	EVACUATOR VALVE-AIR CLEANER	
32	45435GT	CLAMP,HOSE,2.50"****	2
33	101006GT	TUBE,AIR CLEANER INLET	1

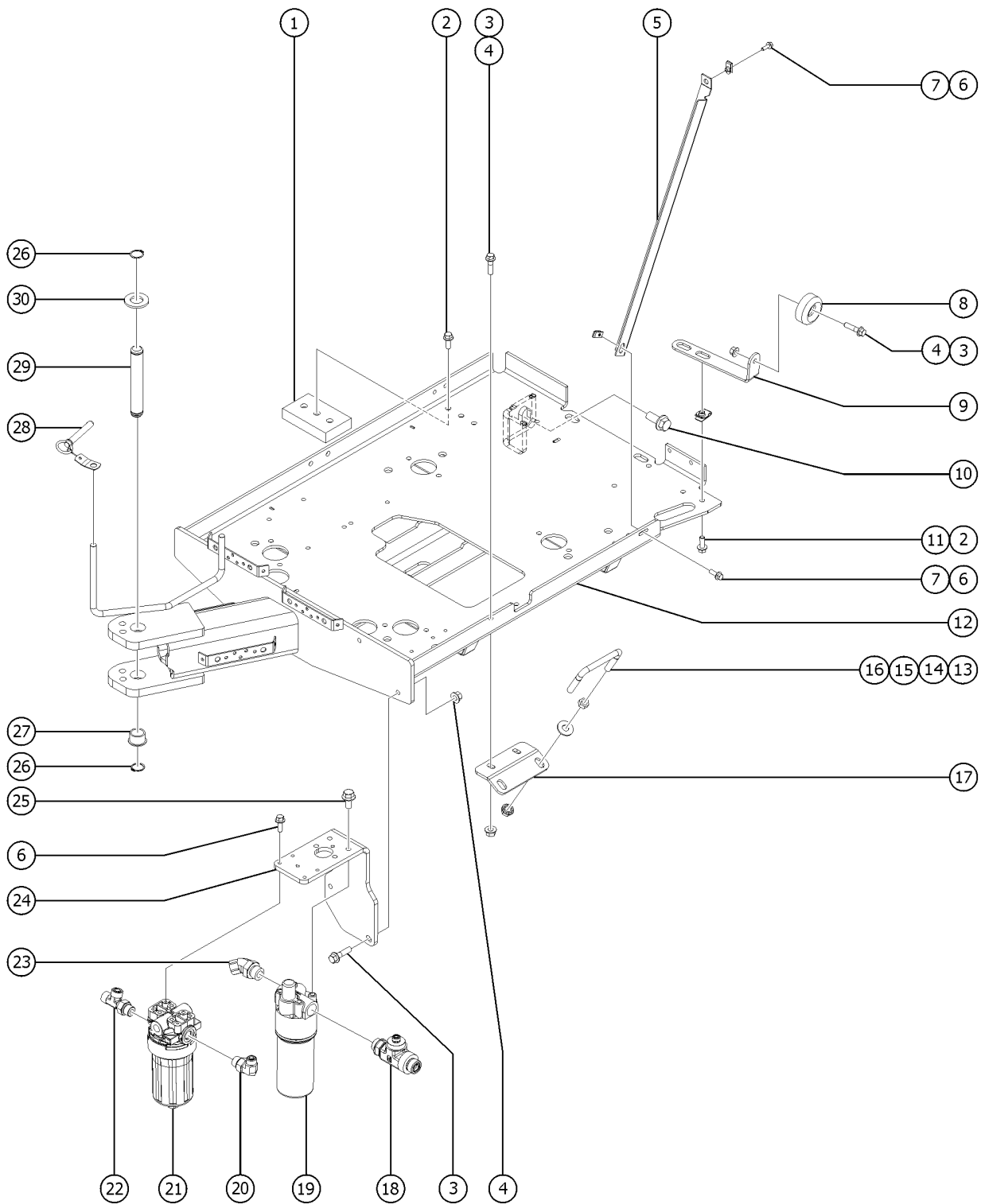
403.1 Engine Tray



Item	Part No.	Description	Qty.
1	1285361GT	ASSEMBLY, REST PAD, ENGINE TRAY	1
2	824090GT	SCREW,HHF,3/8-16X1,8,ZAG	5
3	824092GT	SCREW, HHF, 3/8-16 X 1.5, 8, ZAG	5
4	824029GT	NUT, TL FLG, 3/8-16, G, ZAG	5
5	1287739GT	FORMING, RADIATOR SHROUD BRACE	1
6	824078GT	SCREW,HHF,1/4-20X.75,8,ZAG	6
7	56912GT	SPRING CLIP,1/4-20,.025-.15X.5	2
8	50974GT	BUMPER,RUBBER,COVERS	1
9	1280797GT	FORMING, COVER STOP MOUNT	1
10	1253208GT	SCREW,HHF,5/8-11X1.5,8,ZAG	1
11	29868GT	SPRING CLIP,3/8-16,.05-.20X.73,ZAG	2
12	1271380GT	WELDMENT, ENGINE TRAY	1
13	1259855GT	UBOLT, 0.4724 IN D X 4.0 IN L	1
14	1255804GT	NUT,JAM,1/2-13,A,ZAG	2
15	1255760GT	WASHER,FLAT,1/2,USS,ZAG	2
16	1261724GT	NUT,SERRATED,1/2-13,8,ZAG	2
17	1279819GT	FORMING, COVER LATCH BRACKET	1
18	1279568GT	TEE, RUN, 12-12-6 WITH CHECK	1
19	60334GT	FILTER ASSY,HIGH PRESS SAE-12*	1
19-	1279465GT	BACKUP RING,71.60X67.20X1.40PTFE(60334)	
19-	1279466GT	O-RING,67.95X2.62-NBR-70SH(HF2P)(60334)	
19-	60857GT	FILTER,ELEMENT,BETA(5)=1000	
19-	58380GT	FILTER INDICATOR-(60334)	
20	48929GT	FITTING,ELBOW,90D,520220-6-8**	1
21	1267807GT	ASSEMBLY, MED. PRESS. FILTER,	1
21-	1268229GT	ELEMENT-5 MIC, PAPER, W/ BYPASS	
22	48935GT	TEE,RUN,520428-8	1
23	48963GT	FITTING,ELBOW,45D,520320-12	1



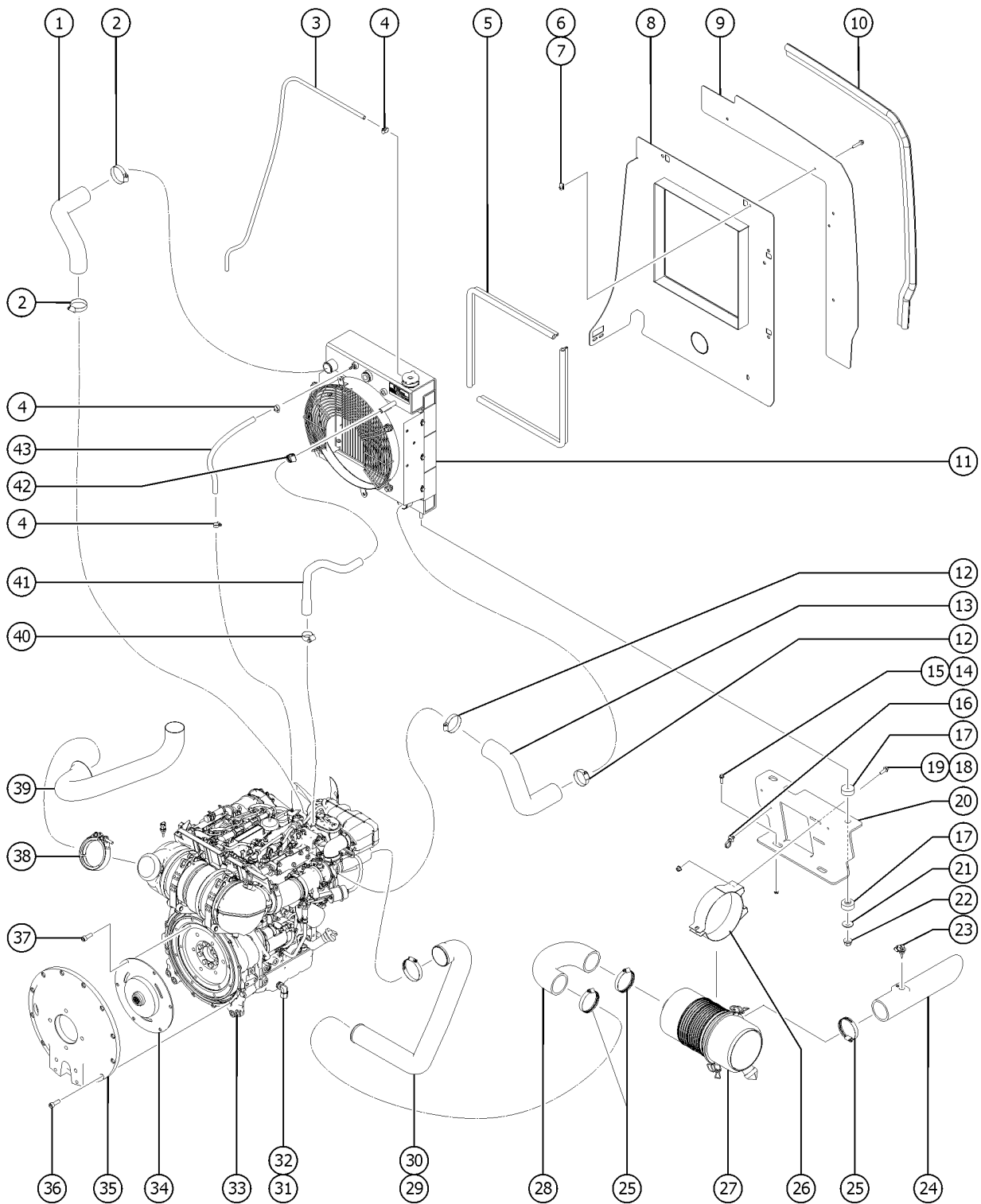
403.1 Engine Tray



403.1 Engine Tray

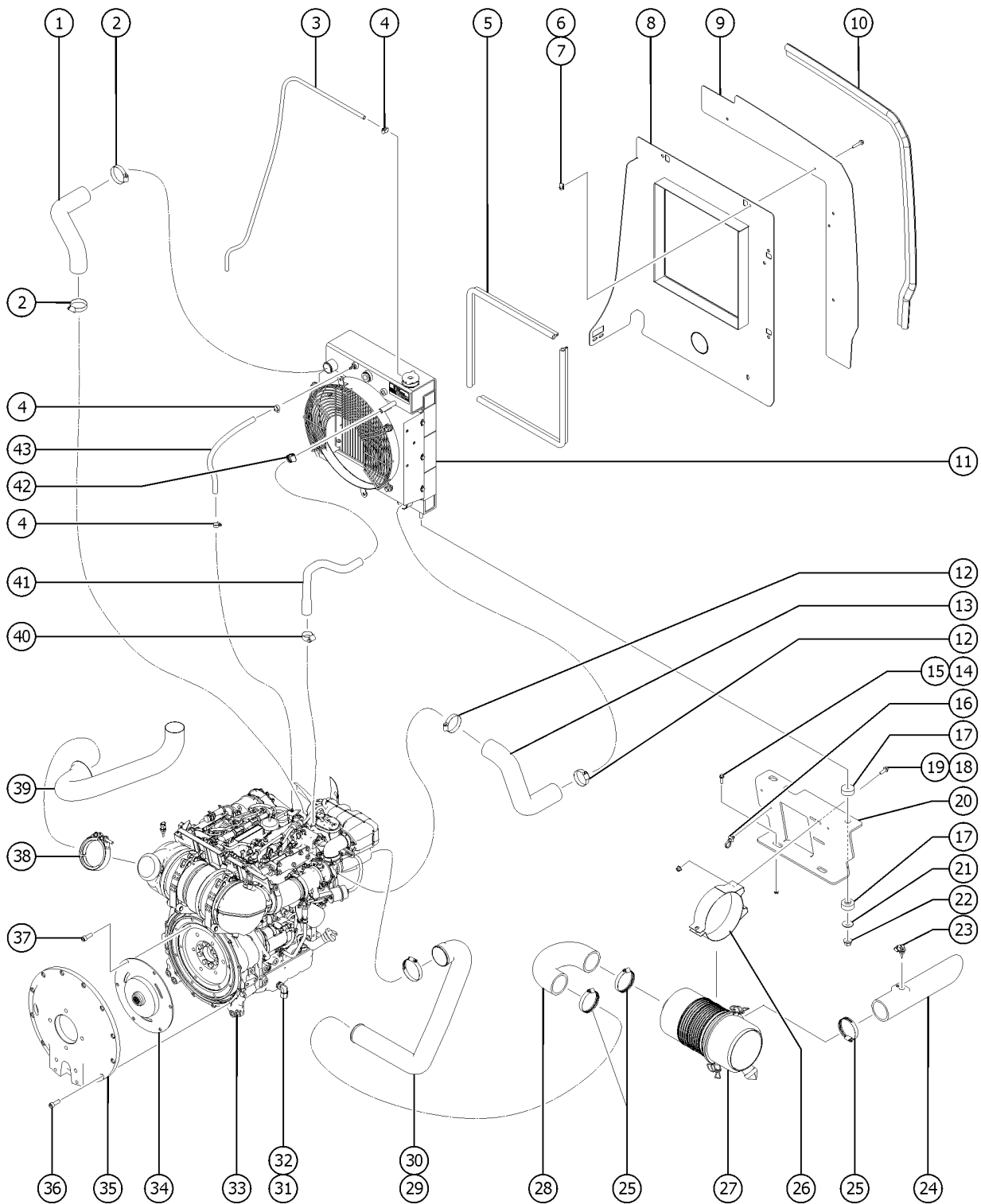
<i>Item</i>	<i>Part No.</i>	<i>Description</i>	<i>Qty.</i>
24	1279612GT	FORMING, HYDRAULIC FILTER BRACKET	1
25	824089GT	SCREW,HHF,3/8-16X.75,8,ZAG	4
26	1253843GT	SNAP RING,EXTERNAL,1.00,ZAG	2
27	36245GT	BEARING,FL,1.00IDX1.25ODX0.84L	2
28	100309GT	ASSY,PIN & LANYARD***	1
29	1285354GT	PIN,1.00DIAX6.63LG,2RING,CHAMFER	1
30	824116GT	WASHER,FLAT,1.0,F436,HRD,ZAG	1

404.1 DEUTZ TD2.2L STAGE V, View 1



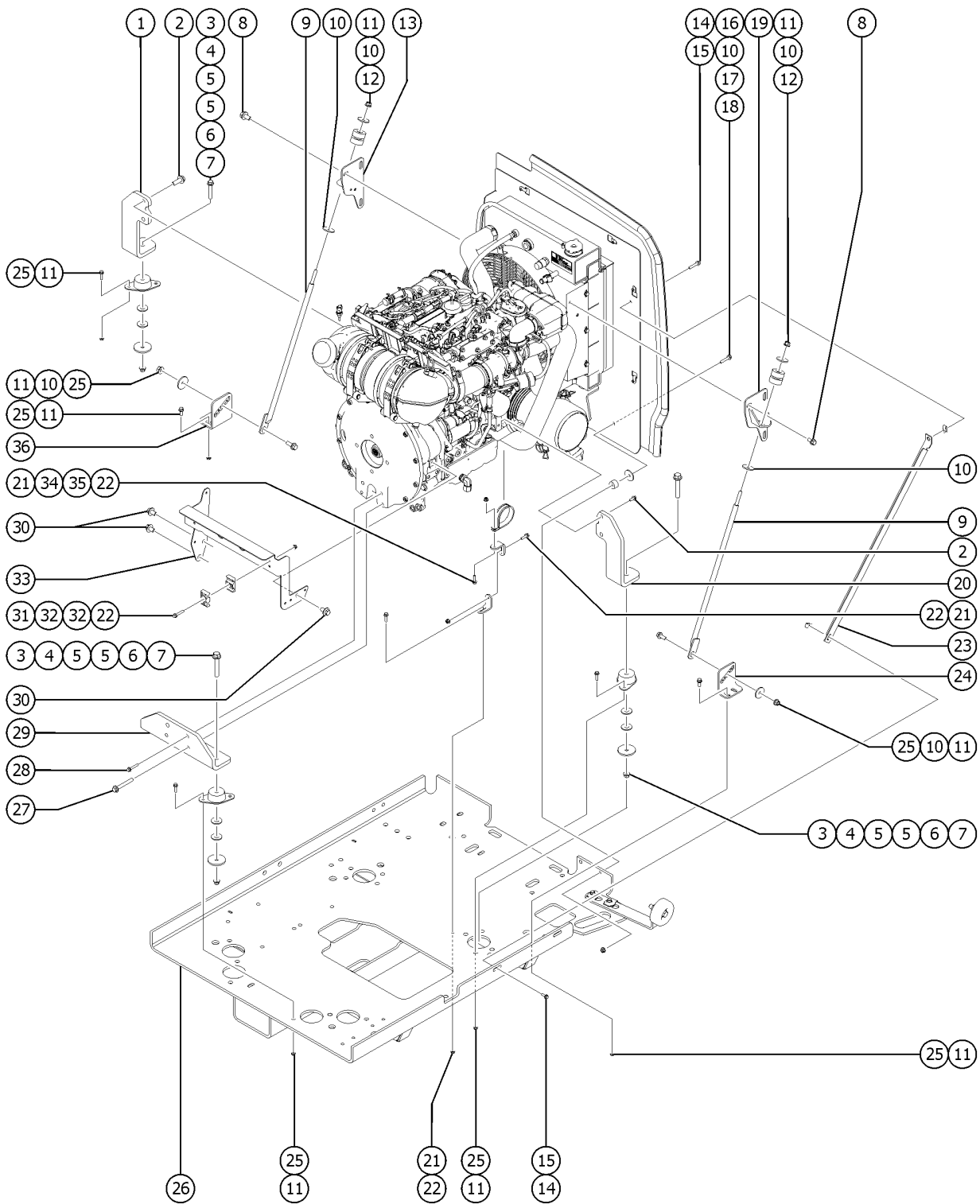
Item	Part No.	Description	Qty.
1	1289228GT	HOSE, UPPER RADIATOR, TD 2.2	1
2	22672GT	CLAMP,HOSE,1.75	2
3	822606-5000GT	TUBING,VINYL,3/8" CLEAR, 50"	1
4	21465GT	CLAMP,HOSE,.25" - .63" X .3125	3
5	119219-3350GT	TRIM, EDGE, 1/8 X 3/4 END BULB, 33.5"	2
6	56912GT	SPRING CLIP,1/4-20,.025-.15X.5	4
7	824078GT	SCREW,HHF,1/4-20X.75,8,ZAG	4
8	1294712GT	WELDMENT, BAFFLE PLATE	1
9	1285246GT	PLATE, SHROUD	1
10	119219-3850GT	TRIM,EDGE,1/8X3/4 END BULB	1
11	1291703GT	ASSEMBLY, RADIATOR AND SHROUD, TD 2.2	1
12	35434GT	CLAMP,HOSE,2.00***	2
13	1289229GT	HOSE, LOWER RADIATOR, TD 2.2	1
14	1253208GT	SCREW,HHF,5/8-11X1.5,8,ZAG	2
15	1283007GT	NUT,NYLOCK FLG,5/8-11,F,ZAG	2
16	110149GT	CABLE TIE,DFT MOUNT,BLK,6.5"	
17	24038GT	SHOCK MOUNT,SMALL	4
18	824086GT	SCREW, HHF, 5/16-18 X 1, 8, ZAG	2
19	1274167GT	NUT,NYLOCK FLG,5/16-18,F,ZAG	2
20	1294147GT	FORMING, RADIATOR MOUNT	1
21	824121GT	WASHER, FLAT, .688 X 1.160 X .09, ZAG	2
22	1274322GT	NUT,NYLOCK FLG,3/8-16,G,ZAG	2
23	1266547GT	SENSOR,TEMP,AMBIENT,T4F,TCD3.6	1
24	1304817GT	HOSE, RAW AIR INTAKE, 2.50" I.D.	1
25	45435GT	CLAMP,HOSE,2.50"***	3
26	53952GT	BRKT,AIR CLEANER ORIENTATION**	1
27	63463GT	AIR CLEANER,NELSON	1
28	1297361GT	HOSE, AIR INTAKE, 2.50" I.D	1

404.1 DEUTZ TD2.2L STAGE V, View 1



<i>Item</i>	<i>Part No.</i>	<i>Description</i>	<i>Qty.</i>
29	1293910GT	PIPE, AIR INTAKE TO TURBO, TD 2.2L	1
30	30971GT	CLAMP,HOSE,3.00"	1
31	69775GT	CAP,520112-8	1
32	54428GT	FITTING,HYDRAULIC,90DEG,O-RING	1
33	1287486GT	ENGINE KIT, DEUTZ TD2.2 L3, 49HP, STG5, AWP	1
34	128004GT	COUPLER, 15 TOOTH, FBA, SAE 8	1
35	70381GT	COVER, FLYWHEEL CASTING	1
36	1255666GT	SCREW,SHC,M10-1.5X30,DIN912,12.9,ZAB	10
37	1255665GT	SCREW,SHC,M10-1.50X20,DIN912,12.9,ZAB	6
38	237730-30GT	Clamp	1
39	1294312GT	PIPE, EXHAUST, DEUTZ TD 2.2	1
40	30348GT	CLAMP,HOSE,1.00	1
41	1289231GT	HOSE, EXPANSION TNK,TD 2.2	1
42	46131GT	CLAMP,HOSE,.63" - 1.0" X .5"	1
43	824600-1500GT	HOSE, HEATER, 1/4", 15"	1

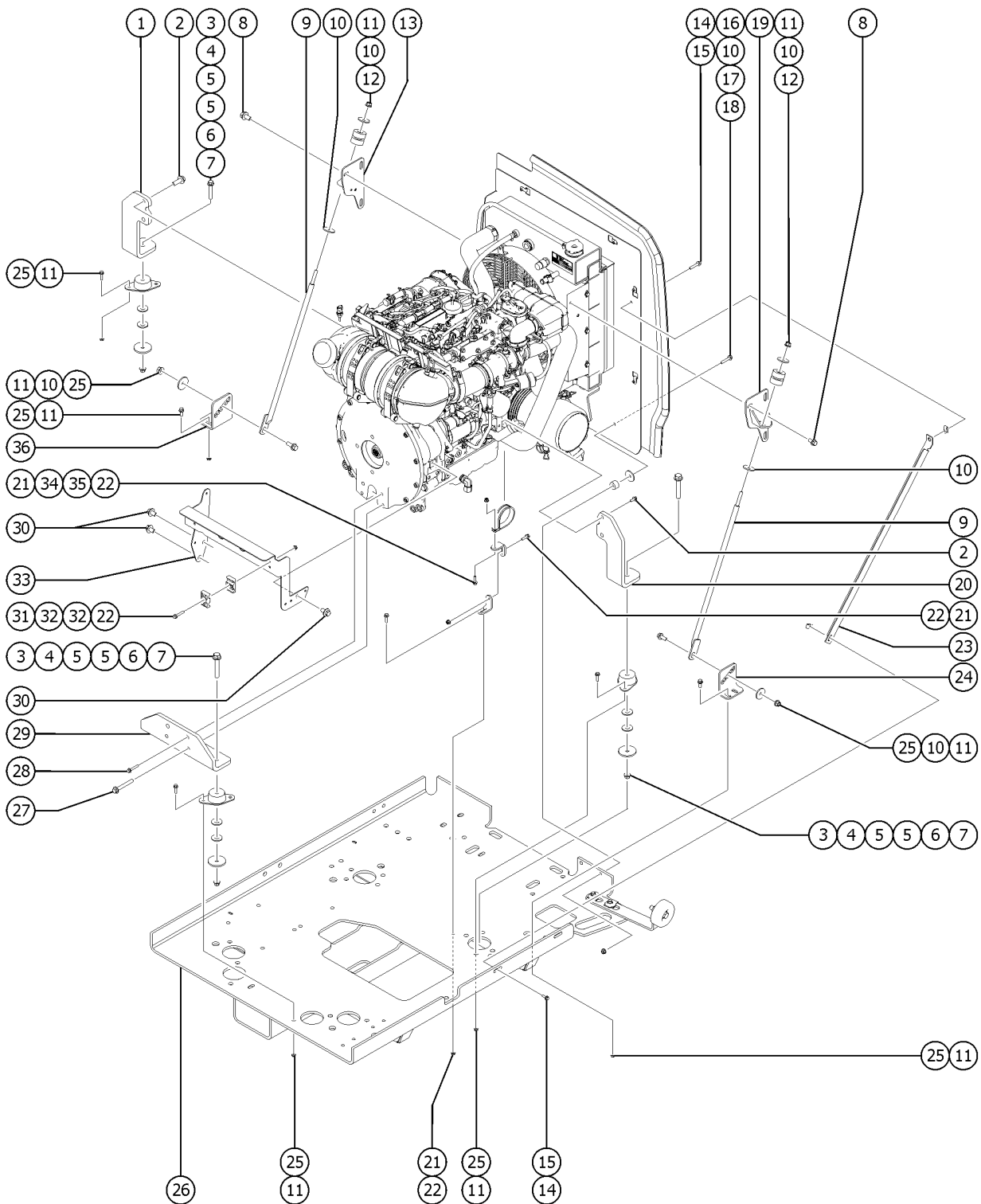
405.1 DEUTZ TD2.2L STAGE V, View 2



Item	Part No.	Description	Qty.
1	1294308GT	FORMING, ENGINE MOUNT, RIGHT	1
2	231511GT	SCREW,HHF,M12-1.75X35,DIN6921,10.9,ZAB	4
3	1251994GT	SCREW,HHF,1/2-13X3,8,ZAG	4
4	70452GT	ISOLATOR,ENGINE	4
5	1255760GT	WASHER,FLAT,1/2,USS,ZAG	8
6	1256283GT	WASHER,FLAT,.5X2.25X.188,ZAG	4
7	1274172GT	NUT,NYLOCK FLG,1/2-13,G,ZAG	4
8	824089GT	SCREW,HHF,3/8-16X.75,8,ZAG	2
9	1302948GT	WELDMENT, STRUT, STRAIGHT ROD, STAGE V	2
10	824120GT	WASHER,FLAT,.375X1.50X.125,ZAG	
11	1274322GT	NUT,NYLOCK FLG,3/8-16,G,ZAG	
12	1301742GT	ISOLATOR, RADIATOR, 80 LB	2
13	1301138GT	WELDMENT, STAGE V, STRUT BRACKET	1
14	824078GT	SCREW,HHF,1/4-20X.75,8,ZAG	
15	56912GT	SPRING CLIP,1/4-20,.025-.15X.5	
16	1255800GT	SCREW,HHF,5/16-18X1.75,8,ZAG	1
17	1285248GT	WEARPAD, SHROUD	1
18	1255805GT	NUT,SERRATED,5/16-18,8,ZAG	1
19	1301569GT	WELDMENT, STAGE V, STRUT BRACKET	1
20	1294307GT	FORMING, ENGINE MOUNT,LEFT	1
21	824079GT	SCREW,HHF,1/4-20X1,8,ZAG	
22	1277924GT	NUT,NYLOCK FLG,1/4-20,F,ZAG	
23	1298758GT	FORMING, BAFFLE SUPPORT	1
24	1293907GT	FORMING, FAN SHROUD STRUT MOUNT	1
25	824090GT	SCREW,HHF,3/8-16X1,8,ZAG	
26		Ref. Engine Tray	
		refer to 403.1	
27	826008GT	SCREW,HHF,M10-1.5X75,DIN6921,10.9,ZAB	2
28	1253498GT	SCREW,HHF,1/2-13X1.5,8,ZAG	2

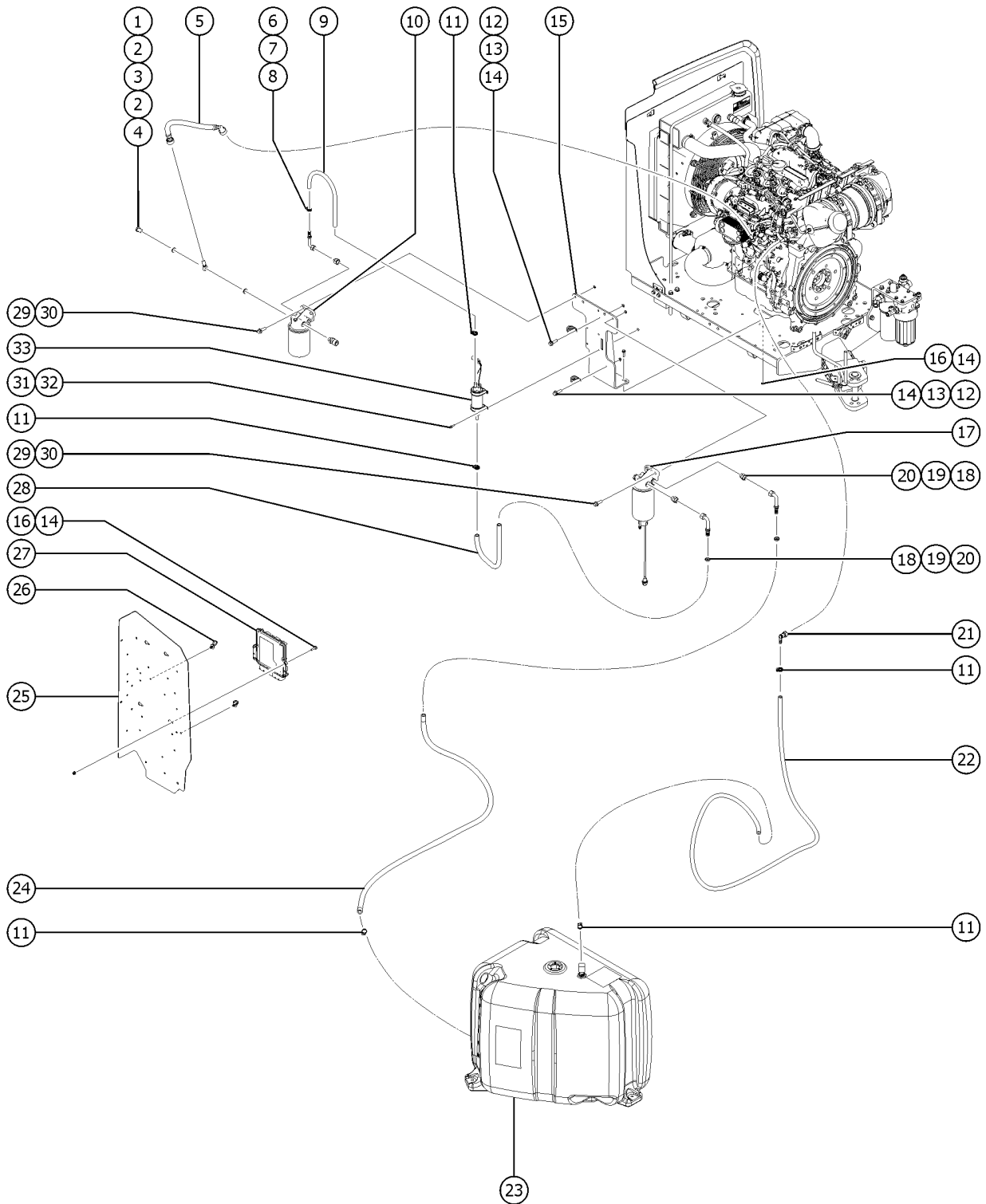


405.1 DEUTZ TD2.2L STAGE V, View 2



<i>Item</i>	<i>Part No.</i>	<i>Description</i>	<i>Qty.</i>
29	1294309GT	FORMING, ENGINE MOUNT, REAR	1
30	1255806GT	SCREW,HHF,M12-1.75X20,DIN6921,10.9,ZAB	3
31	824081GT	SCREW,HHF,1/4-20X1.5,8,ZAG	2
32	78736GT	CLAMP,2 HOSE,PLASTIC,5/8	4
33	1296807GT	FORMING, POS CABLE HARN.BRACKET	1
34	1293911GT	FORMING,CLAMP AIR TURBO PIPE,TD 2.2L	1
35	101626GT	CLAMP,2.5,#40 x 1/4,RUB CUSH	1
36	1291076GT	FORMING,FAN SHROUD STRUT MOUNT, LH	1

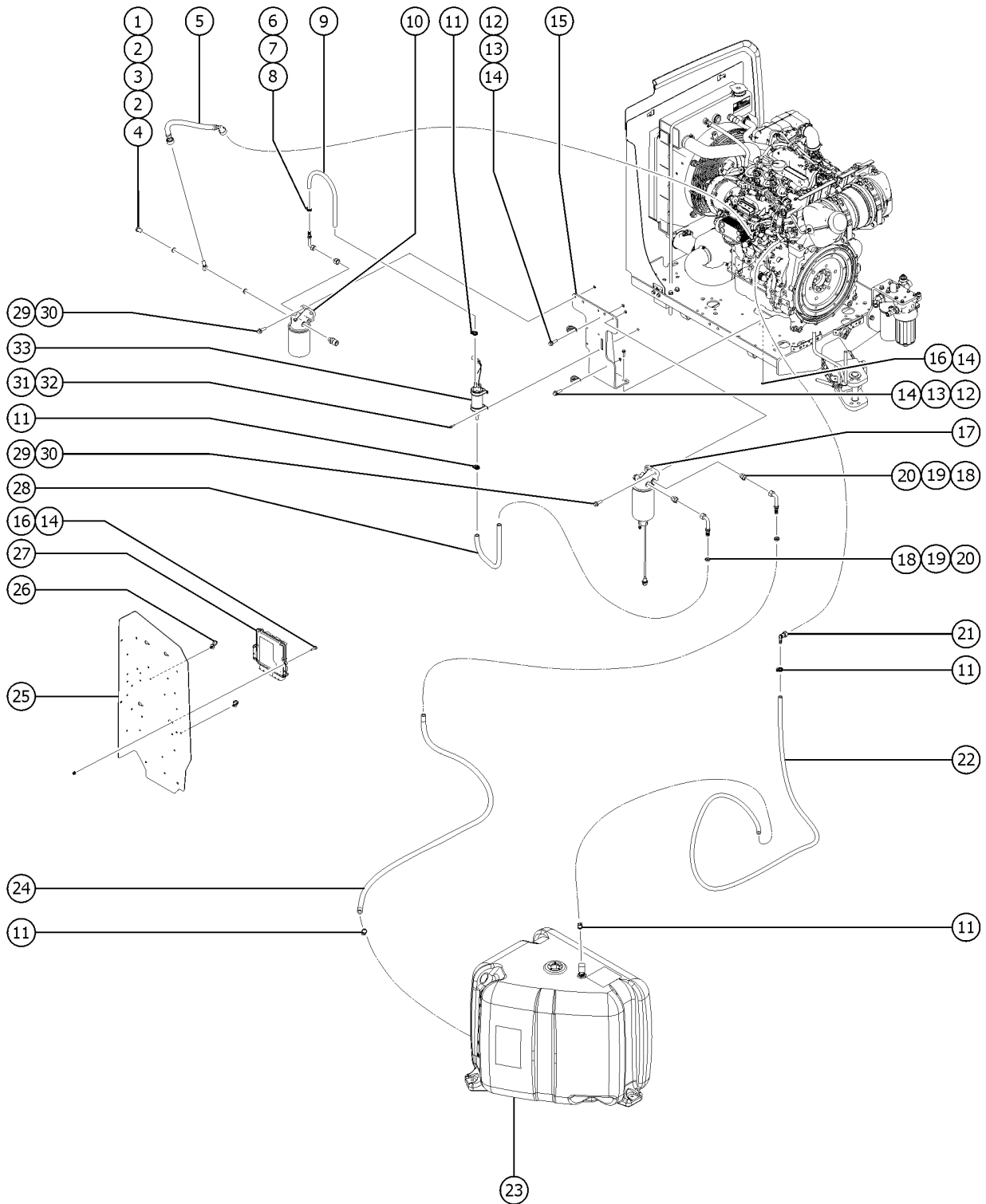
406.1 DEUTZ TD2.2L STAGE V, View 3



Item	Part No.	Description	Qty.
1	1255399GT	BOLT,BANJO,DEUTZ,QC	1
2	1255400GT	WASHER,COPPER,DEUTZ,QC	2
3	1255396GT	FITTING,FUEL,1/2,D2.9,QC	1
4	824673GT	SENSOR,FUEL PRESSURE,DEUTZ 2.9L	1
5	1296260-1500GT	HOSE ASSEMBLY - 1/2" FUEL GATES,STR FEM,90 FEM, 15"	1
6	96770GT	CLAMP, HOSE, 1 EAR, 11/16	1
7	162206GT	FITTING,ELBOW,6GS-6FJX90S	1
8	162208GT	FITTING,CONN,16MM-6MJ	1
9	824487GT	HOSE,FUEL,3/8,D2.9,MED PSI	1
10	1261236GT	ASSY,FUEL FILTER,DEUTZ 2.9	1
11	81154GT	CLAMP,HOSE,SIZE .31 > .91	5
12	824078GT	SCREW,HHF,1/4-20X.75,8,ZAG	2
13	13268GT	CLAMP,0.75,#12 X 1/4,RUB CUSH	2
14	1277924GT	NUT,NYLOCK FLG,1/4-20,F,ZAG	
15	1257961GT	WELDMENT, FUEL FILTER BRACKET	1
16	824079GT	SCREW,HHF,1/4-20X1,8,ZAG	6
17	236260GT	FILTER, FUEL PRE-FILTER, SPIN-ON, DEUTZ	1
18	162209GT	FITTING,CONN,16MM-8MJ	2
19	162207GT	FITTING,ELBOW,8GS-8FJX90S	2
20	822087GT	CLAMP,HOSE,1EAR,25/32	2
21	826000GT	CONNECTOR, SAE10, QUICK CONNECT	1
22	1298374GT	HOSE, ENGINE TO TANK	1
23		Ref. Fuel Tank	
		refer to 301.1	
24	1298373GT	HOSE, TANK TO WATER SEPERATOR	1
25		Ref. Rear Engine Bulkhead	
		refer to 308.1	
26	110149GT	CABLE TIE,DFT MOUNT,BLK,6.5"	
27	1301055GT	ECM, DEUTZ TD 2.2L3, 49 hp	1
28	824486GT	HOSE,FUEL,1/2,D2.9,PUMP	1

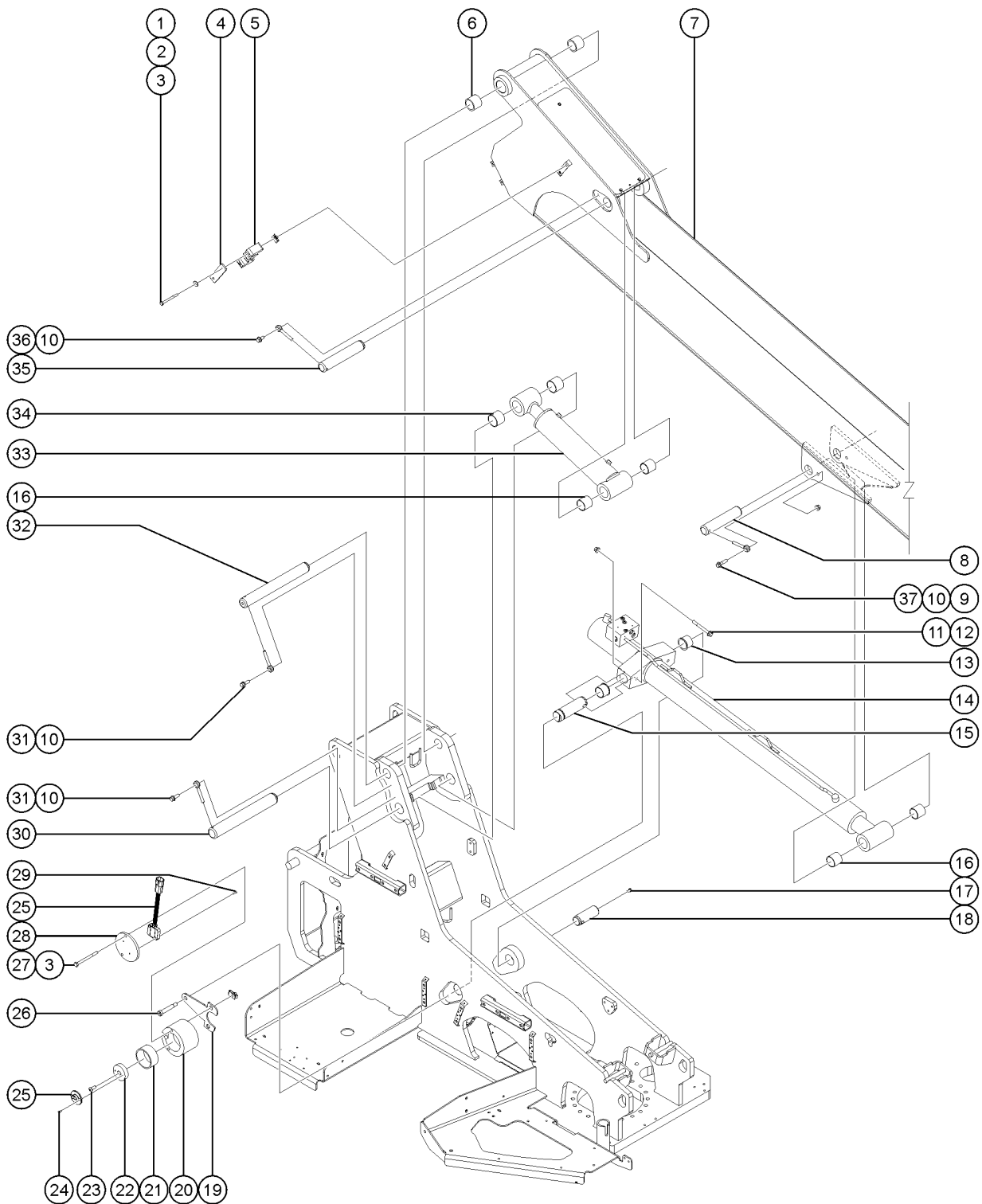


406.1 DEUTZ TD2.2L STAGE V, View 3



<i>Item</i>	<i>Part No.</i>	<i>Description</i>	<i>Qty.</i>
29	824091GT	SCREW,HHF,3/8-16X1.25,8,ZAG	4
30	1274322GT	NUT,NYLOCK FLG,3/8-16,G,ZAG	4
31	1251567GT	SCREW,PHPM SEMS ET,10-24X.75,ZAG	2
32	1274170GT	NUT, NYLOCK, 10-24, A, ZAG	2
33	214691GT	FUEL LIFT PUMP, DEUTZ D 2.9	1

501.1 Boom Lift and Master Cylinder Installatio

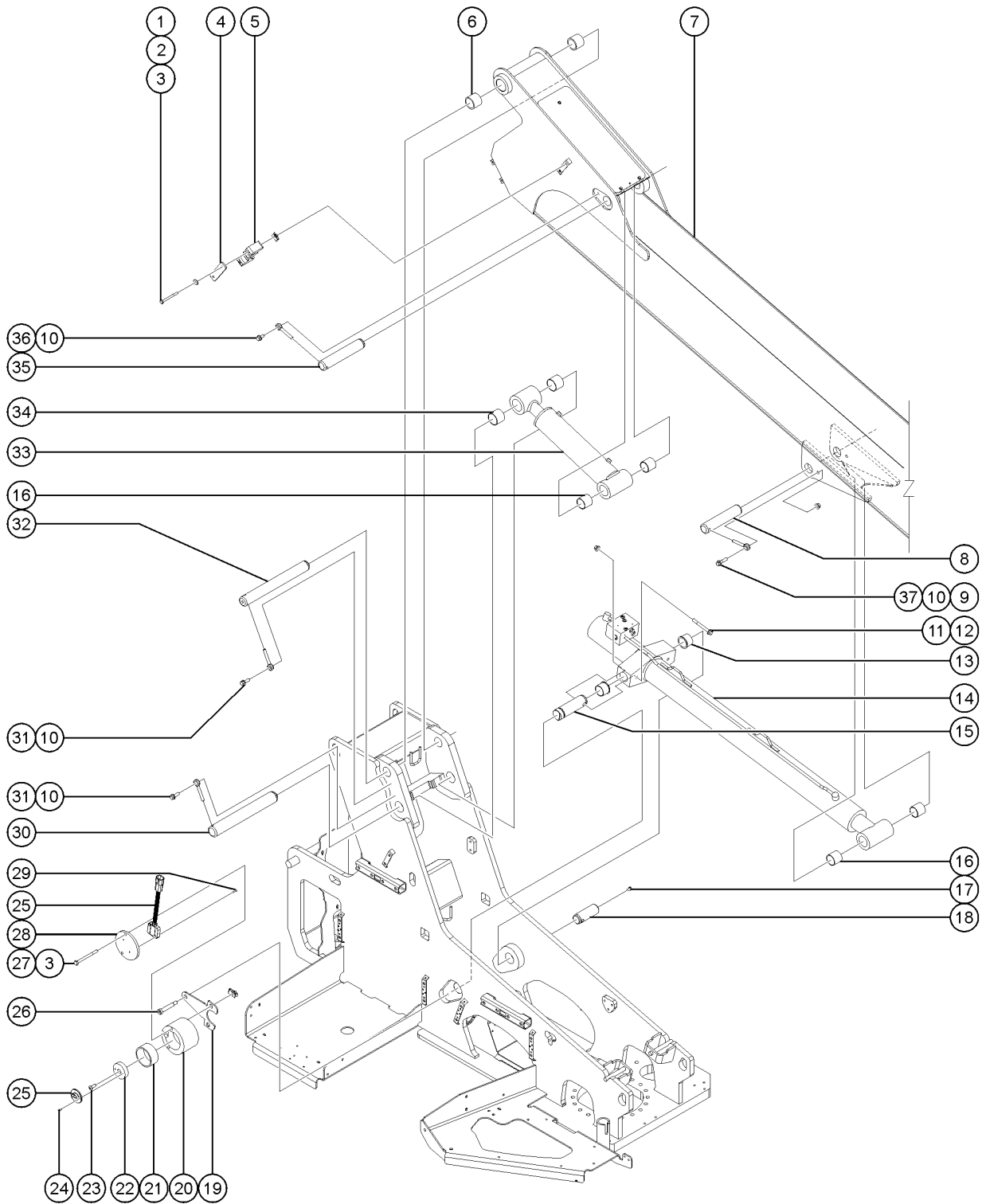


501.1 Boom Lift and Master Cylinder Installatio

Item	Part No.	Description	Qty.
1	1256803GT	SCREW,HHC,1/4-20X2.75,8,ZAG	4
2	824113GT	WASHER,FLAT,1/4,USS,ZAG	4
3	56912GT	SPRING CLIP,1/4-20,.025-.15X.5	6
4	1279882GT	PLATE, CLAMP BAR	2
5	1279429GT	CLAMP BLOCK, S40/45XC	2
6	1279303GT	BEARING,2.00IDX2.50ODX2.00L	2
7	1279602GT	ASSEMBLY, BOOM #1 WITH BEARINGS, S40/45XC (refer to 502.1)	
8	1278884GT	PIN,2.00DIA X 9.50LG,1 HOLE	1
9	1256172GT	SCREW,HHF,1/2-13X 2,8,ZAG	1
10	1256267GT	ROD END,.5 X 3.75,ZAG	4
11	1251997GT	NUT,TL FLG,1/2-13,G,ZAG	2
12	1255392GT	SCREW,HHF,1/2-13X4.5,8,ZAG	2
13	88920GT	BEARING,FL,2.00IDX2.25ODX1.50L	2
14	1279052GT	ASSEMBLY, LIFT CYLINDER, S40/45XC includes boom angle sensor and bearings	1
14-	1274951GT	CYLINDER, LIFT, S40/45XC	
14-	75064GT	VALVE, COUNTERBALANCE, CWCG-LGN.5000	
14-	1273414GT	VALVE,COUNTERBALANCE,CBCB-LHN 3500	
14-	1284467GT	SEAL KIT, PRIMARY CYLINDER, 1274951	
15	1278498GT	PIN,2.00DIAX6.688LG, ANGLE SENSOR	1
16	42014GT	BEARING,2.00IDX2.25ODX2.00L	4
17	1256109GT	SCREW,HHC,3/8-16X.75,8,ZAG	1
18	1279767GT	PIN,2.00DIAX5.25LG,1 HOLE,CHAMFER,TAP	1
19	1278502GT	ARM, ANGLE SENSOR LOCATOR	1
20	1278499GT	MACHINED, ANGLE SENSOR HOUSING	1
21	824645GT	BEARING,2.00IDX2.25ODX1.00LG	1
22	1278500GT	MACHINED, MAGNET CARRIER	1
23	1256471GT	SCREW,BHC,1/4-20X.625,F835,ZAG	1
24	237242GT	SCREW,FHS,M3-0.5X8,DIN7991,10.9,ZAB	2



501.1 Boom Lift and Master Cylinder Installatio

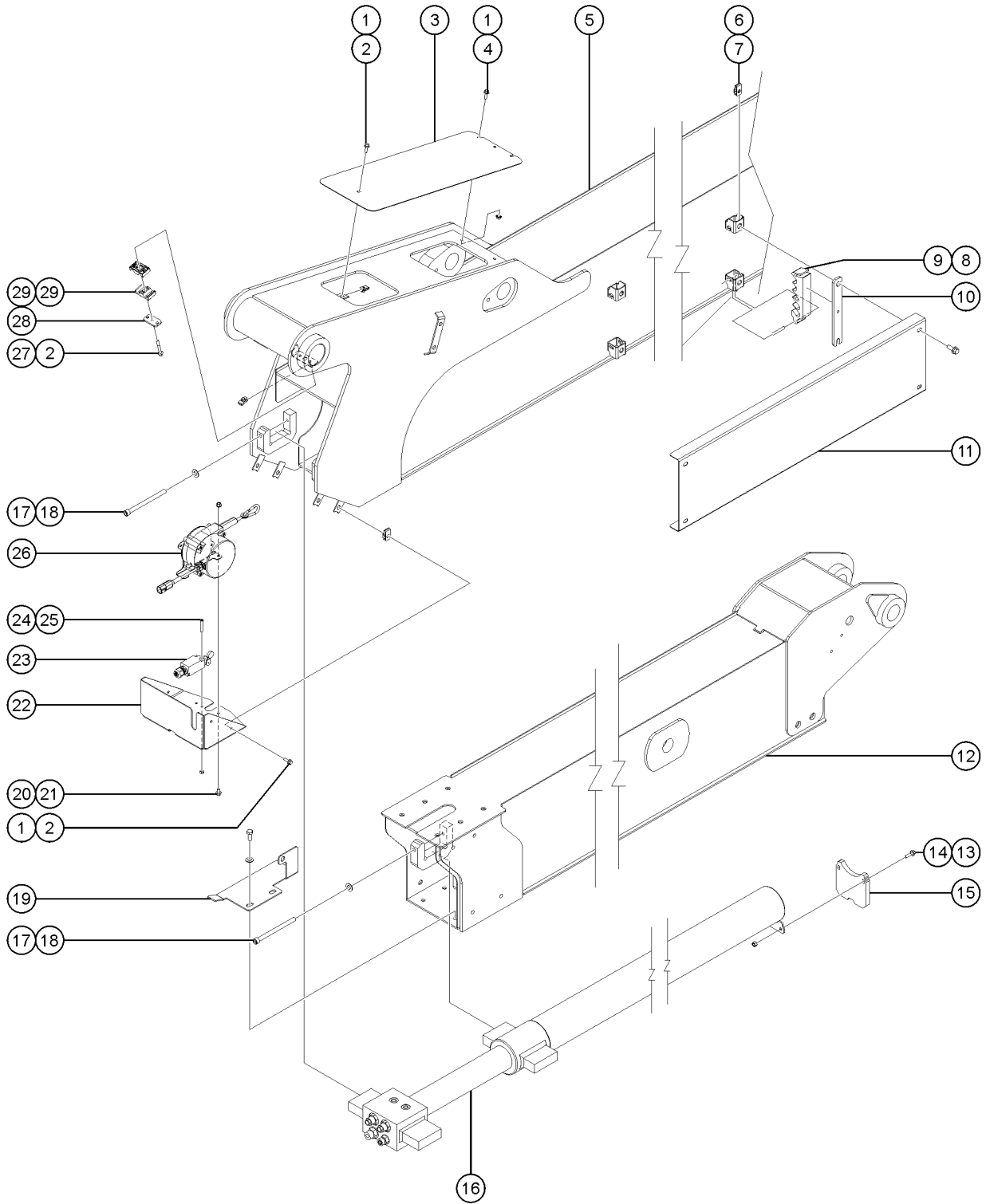


501.1 Boom Lift and Master Cylinder Installatio

Item	Part No.	Description	Qty.
25	1286642GT	KIT,BOOM ANGLE SENSOR	1
26	1257863GT	BOLT,SHS,3/8X1.75X5/16-18,ZAG	1
27	1256171GT	SCREW,HHC,1/4-20X3,8,ZAG	2
28	1278501GT	MACHINED, ANGLE SENSOR CARRIER	1
29	237241GT	SCREW,FHS,M3-0.5X14,DIN7991,10.9,ZAB	2
30	1278882GT	PIN,2.25DIAX17.00,1 HOLE	1
31	1253498GT	SCREW,HHF,1/2-13X1.5,8,ZAG	2
32	1278883GT	PIN,2.00DIAX17.50,1HOLE,TAPPED	1
33	1289426GT	ASSEMBLY, CYLINDER, MASTER, S40/45XC includes fittings	1
33-	1276829GT	CYLINDER, MASTER, S40/45XC includes bearings, (from SN S45XCD-101 to S45XCD-152)	1
33-	1284468GT	SEAL KIT, MASTER CYLINDER, 1276829 (from SN S45XCD-101 to S45XCD-152)	
33-	1300450GT	CYLINDER,MASTER,S40/45XC	1
33-	1300451GT	SEAL KIT, MASTER CYLINDER, 1300450 (from SN S45XCD-153)	
34	106042GT	BEARING,2.25IDX2.50ODX2.00L	2
35	1278653GT	PIN,2.00DIAX11.00LG,1 HOLE,CHAMFER	1
36	237830GT	SCREW,HHF,1/2-13X1,8,ZAG	1
37	1274172GT	NUT,NYLOCK FLG,1/2-13,G,ZAG	1



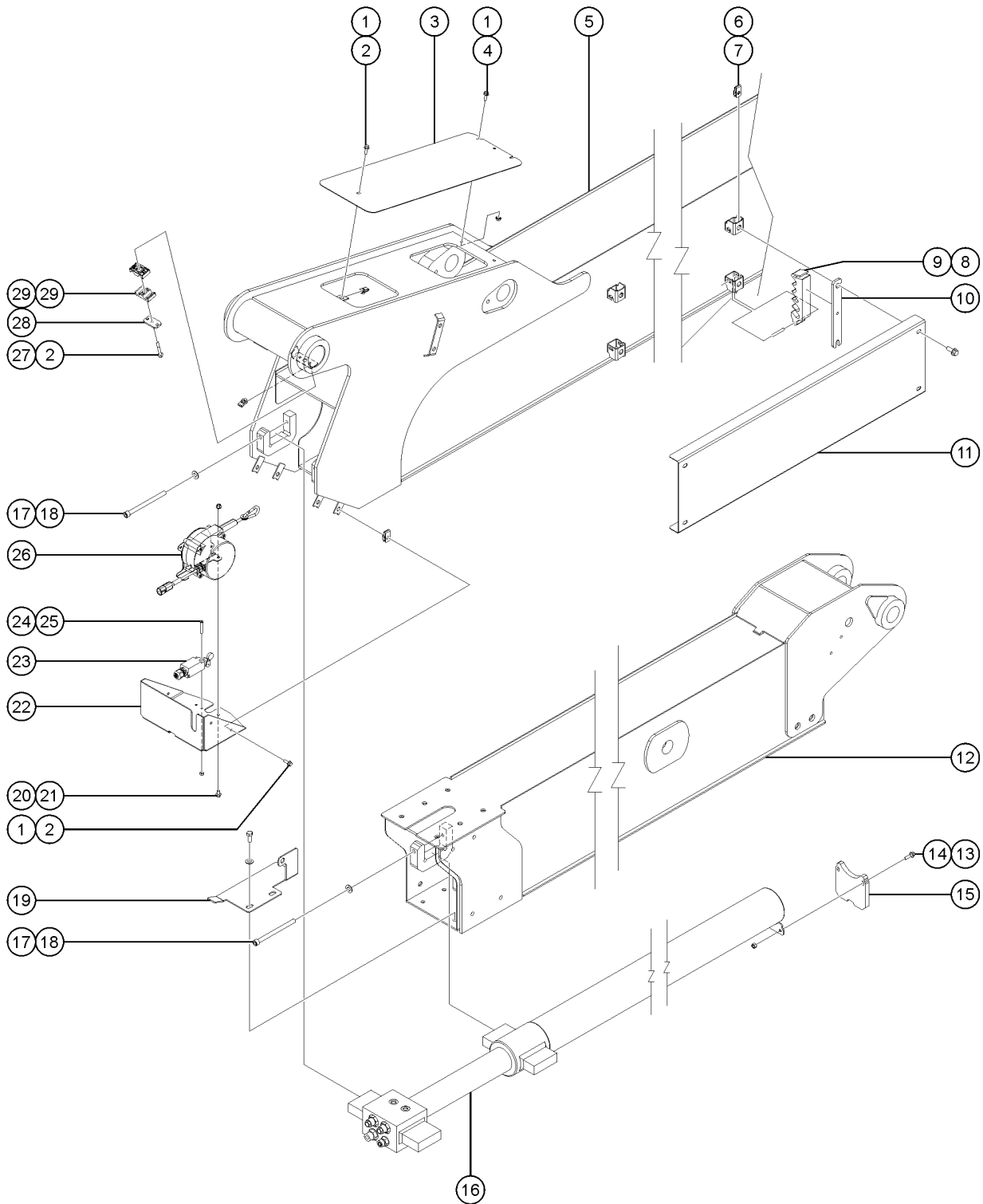
502.1 Boom Assembly, View 1



<i>Item</i>	<i>Part No.</i>	<i>Description</i>	<i>Qty.</i>
1	824078GT	SCREW,HHF,1/4-20X.75,8,ZAG	7
2	56912GT	SPRING CLIP,1/4-20,.025-.15X.5	6
3	1279550GT	COVER, PRIMARY BOOM, S40/45XC	1
4	1256679GT	NUT,SERRATED,1/4-20,8,ZAG	2
5	1279602GT	ASSEMBLY, BOOM #1 WITH BEARINGS, S40/45XC	1
6	29868GT	SPRING CLIP,3/8-16,.05-.20X.73,ZAG	4
7	824090GT	SCREW,HHF,3/8-16X1,8,ZAG	4
8	1279770GT	CLAMP, CLICK LOCK	2
9	107843GT	PIN,ROLL, 25X1.75	2
10	1279769GT	PLATE, CLAMP BAR	2
11	1279772GT	COVER, HOSE & CABLE, BOOM, S40/45XC	1
12	1279603GT	ASSEMBLY, BOOM #2 WITH BEARINGS, S40/45XC	1
13	824079GT	SCREW,HHF,1/4-20X1,8,ZAG	2
14	824024GT	NUT,TL,1/4-20,C,ZAG	2
15	1279605GT	WEAR PAD,EXT CYL END SUPPORT	1
16	1274952GT	CYLINDER, EXTEND, S40/45XC	1
16-	1284469GT	SEAL KIT, EXTENSION CYLINDER, 1274952	
16-	77410GT	VALVE,COUNTERBALNCE,1500 PSI**	
16-	1281088GT	VALVE,COUNTERBALANCE,CBCA-LIN-800	
17	1278686GT	SCREW,SHC,3/8-16X5,A574,ZAG	4
18	826793GT	WASHER,FLAT,3/8,SAE,HRD,ZAG	4
19	1279795GT	FORMING, SENSOR BRACKET, S40/45XC	1
20	824077GT	SCREW,HHF,1/4-20X.5,8,ZAG	2
21	824027GT	NUT,TL FLG,1/4-20,G,ZAG	2
22	1279794GT	FORMING, SENSOR TRAY, S40/45XC	1
23	88356-12B63GT	SWITCH,LIMIT,W/RLLR ARM,NO/NC	1
24	824216GT	SCREW,PHPM,10-32X1.5,ZAG	2
25	1274168GT	NUT,NYLOCK,10-32,A,ZAG	2

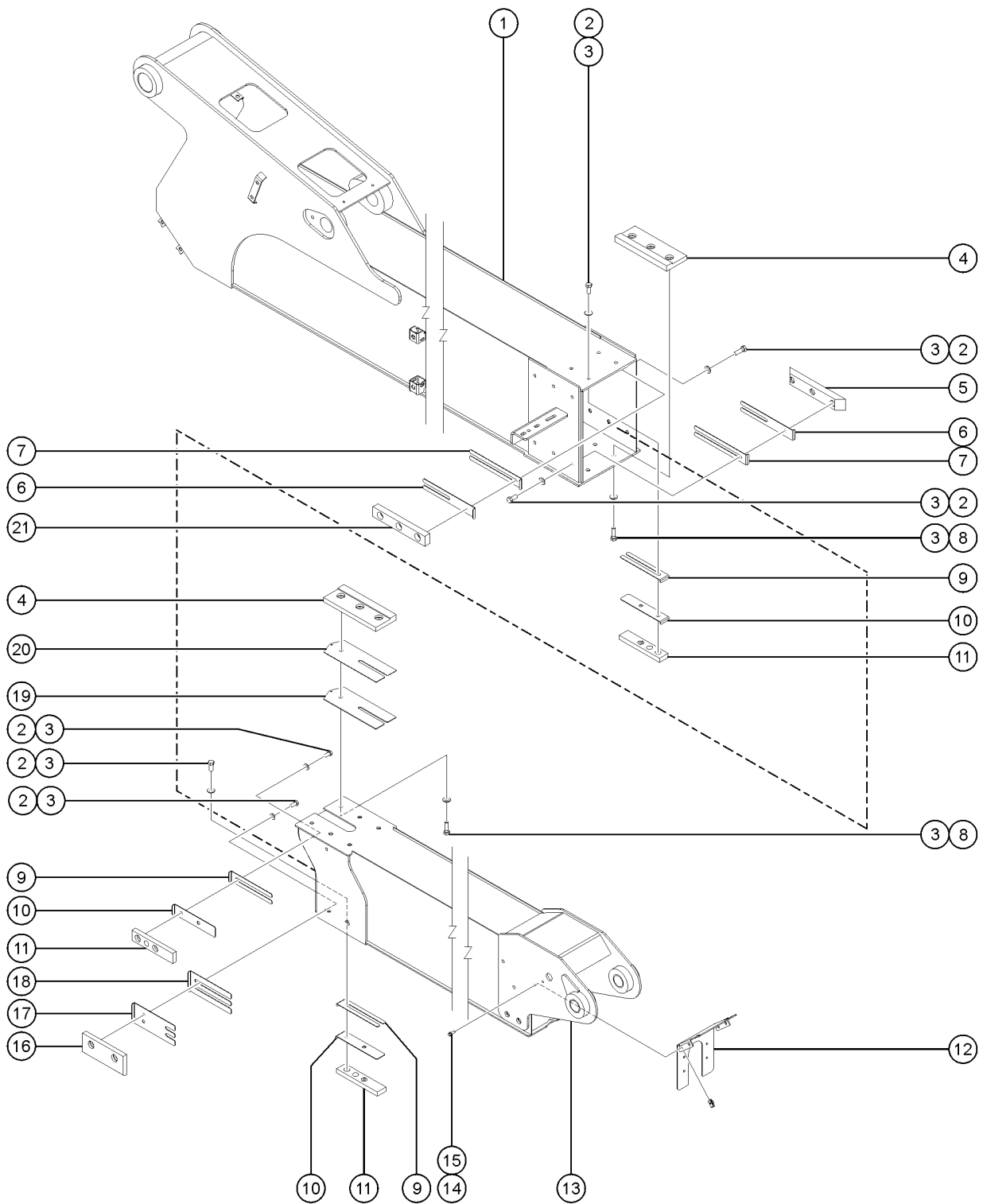


502.1 Boom Assembly, View 1



<i>Item</i>	<i>Part No.</i>	<i>Description</i>	<i>Qty.</i>
26	1278575GT	LENGTH TRANSDUCER 175", CAN ID45	1
27	1253485GT	SCREW,HHF,1/4-20X2,8,ZAG	1
28	96196GT	PLATE,HOSE ROUTING,BULKHEAD	1
29	78736GT	CLAMP,2 HOSE,PLASTIC,5/8	2

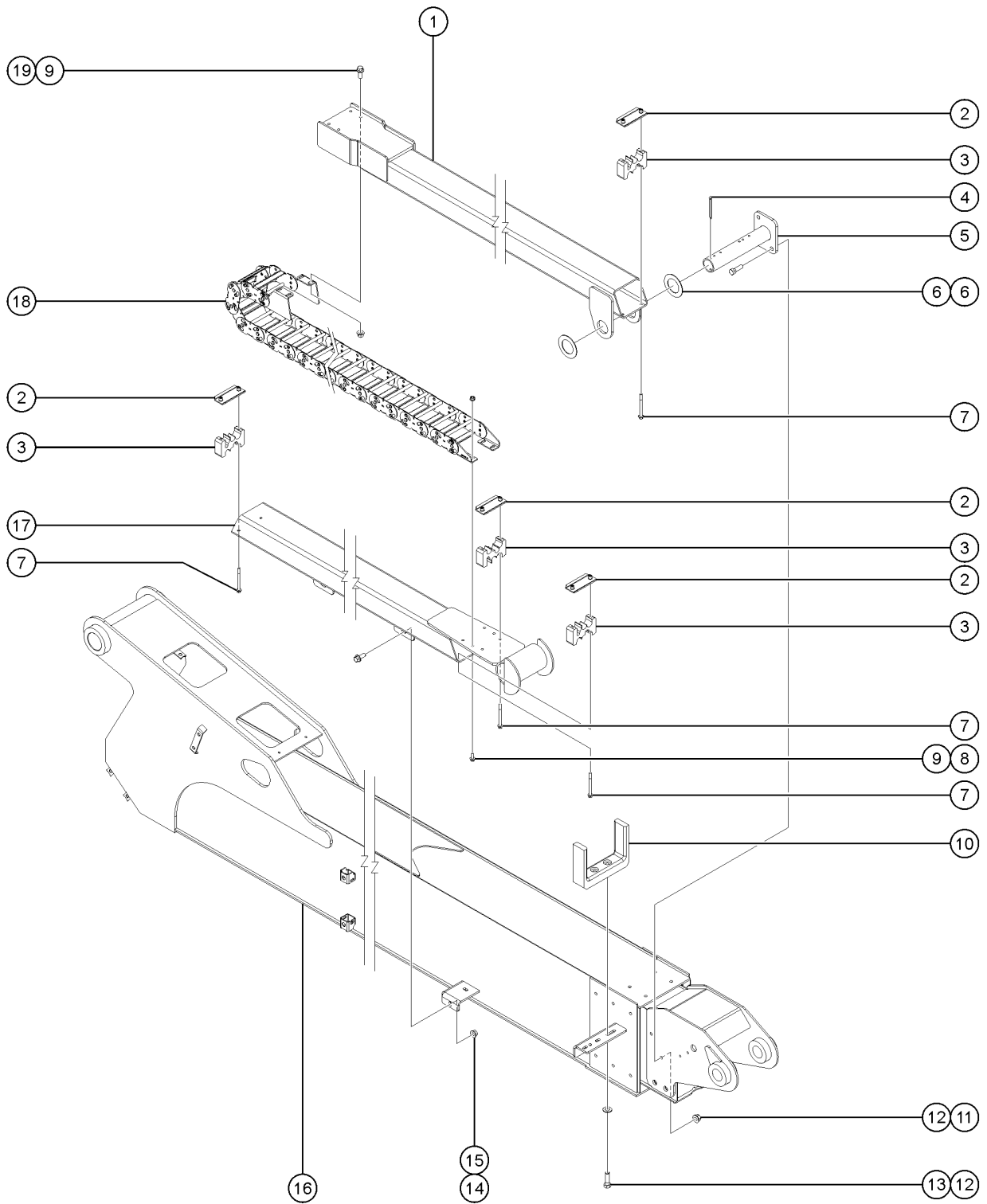
503.1 Boom Assembly, Wearpads



Item	Part No.	Description	Qty.
1	1279602GT	ASSEMBLY, BOOM #1 WITH BEARINGS, S40/45XC (refer to 502.1)	
2	826791GT	SCREW,HHC,3/8-16X.875,8,ZAG	28
3	826793GT	WASHER,FLAT,3/8,SAE,HRD,ZAG	40
4	1278794GT	WEAR PAD, 9 X 3.5 X 0.813 W/NUTS	4
5	1279264GT	WEAR PAD, 9 X 1.5 X 0.875, TAPERED W/NUTS	2
6	1278981GT	SHIM,WEAR PAD,9 X 1.5,14GA	4
7	1278980GT	SHIM,WEAR PAD,9 X 1.5,16GA	4
8	824068GT	SCREW,HHC,3/8-16X1.25,8,ZAG	12
9	1276017GT	SHIM,WEAR PAD,7 X 1.5,16GA	6
10	1276018GT	SHIM,WEAR PAD,7 X 1.5,14GA	6
11	1276019GT	WEAR PAD,7 X 1.5 X .625 W/INSERT	6
12	1288922GT	FORMING, DEBRIS COVER, BOOM #2	1
13	1279603GT	ASSEMBLY, BOOM #2 WITH BEARINGS, S40/45XC (refer to 502.1)	
14	824078GT	SCREW,HHF,1/4-20X.75,8,ZAG	4
15	56912GT	SPRING CLIP,1/4-20,.025-.15X.5	4
16	1279188GT	WEAR PAD,7 X 3.0 X .625 W/NUTS	2
17	1279211GT	SHIM, WEAR PAD, 7 X 3, 14GA	2
18	1279210GT	SHIM, WEAR PAD, 7 X 3, 16GA	2
19	1278788GT	SHIM, WEAR PAD, 9 X 3.5, 12GA	2
20	1278789GT	SHIM, WEAR PAD, 9 X 3.5, 16GA	2
21	1278979GT	WEAR PAD,9X1.5X0.875 W/NUTS	2



504.1 Cable Track Installation

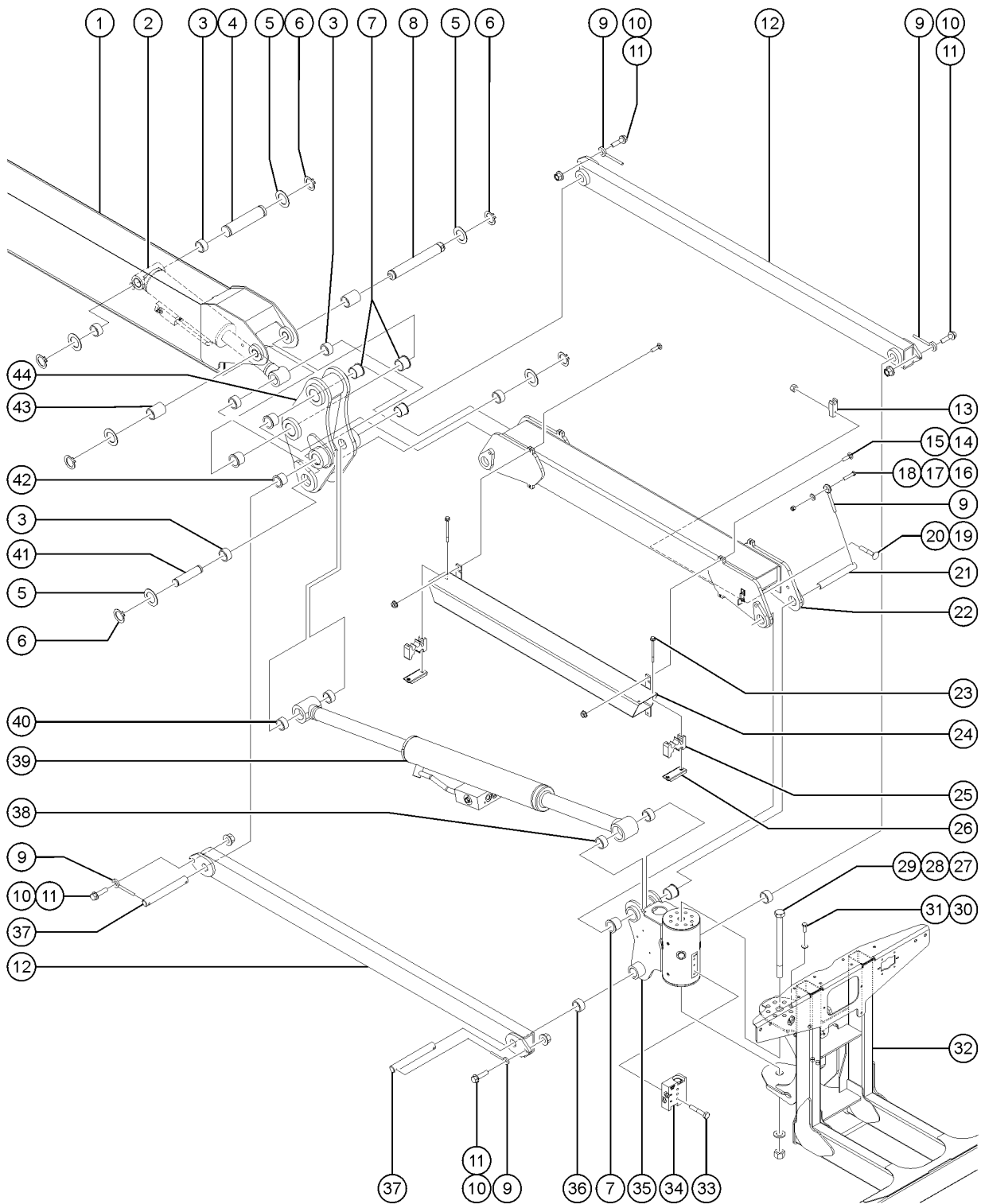


504.1 Cable Track Installation

<i>Item</i>	<i>Part No.</i>	<i>Description</i>	<i>Qty.</i>
1	1279411GT	WELDMENT,PULL TUBE,S45XC	1
2	1279306GT	ASSY, CLAMP PLATE	4
3	1279429GT	CLAMP BLOCK, S40/45XC	4
4	42079GT	PIN,COTTER,.156 X 2.5	1
5	81347GT	WELDMENT,TRACK PULL TUBE PIVOT	1
6	1251565GT	WASHER,SHIM,1.56X2.5X.061,ZAG	2
7	824084GT	SCREW,HHF,1/4-20X3,8,ZAG	8
8	824078GT	SCREW,HHF,1/4-20X.75,8,ZAG	4
9	824027GT	NUT,TL FLG,1/4-20,G,ZAG	8
10	228813GT	WEAR PAD ASSEMBLY,CABLE TRACK	1
11	1274322GT	NUT,NYLOCK FLG,3/8-16,G,ZAG	2
12	824068GT	SCREW,HHC,3/8-16X1.25,8,ZAG	4
13	826793GT	WASHER,FLAT,3/8,SAE,HRD,ZAG	2
14	824029GT	NUT, TL FLG, 3/8-16, G, ZAG	4
15	824090GT	SCREW,HHF,3/8-16X1,8,ZAG	4
16	1279602GT	ASSEMBLY, BOOM #1 WITH BEARINGS, S40/45XC (refer to 502.1)	1
17	1279415GT	WELDMENT,CABLE TRACK TRAY,S45XC	1
18	1279304GT	CABLE TRACK, MA, 39 LINK	1
19	824079GT	SCREW,HHF,1/4-20X1,8,ZAG	4



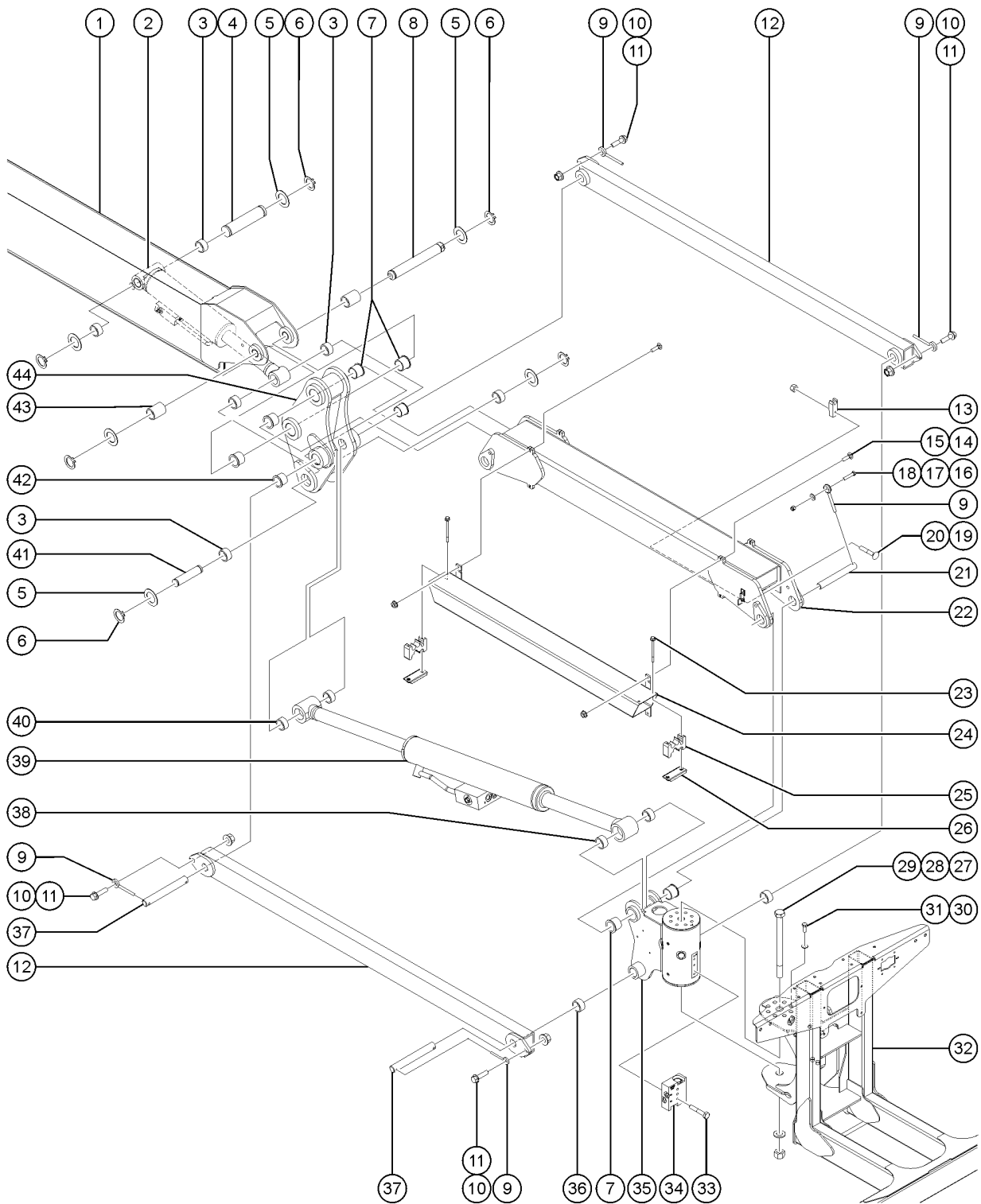
505.1 Jib Boom and Platform Rotator



Item	Part No.	Description	Qty.
A	61283GT	SLEAVING,PARKER TEK,2.00"	
1	1279603GT	ASSEMBLY, BOOM #2 WITH BEARINGS, S40/45XC (refer to 502.1)	1
2	1289425GT	ASSEMBLY, CYLINDER, PLATFORM LEVEL includes fittings	1
2-	1273589GT	CYLINDER, PLATFORM LEVEL includes bearings	1
2-	77303GT	VALVE,CNTRBAL 3500PSI,ATM VEN	2
2-	1279049GT	SEAL KIT, CYLINDER, LEVEL	
3	18396GT	BEARING,1.5IDX1.75ODX1.0L	6
4	1279567GT	PIN, 1.50DIA X 8.50LG, 2RING	1
5	1251565GT	WASHER,SHIM,1.56X2.5X.061,ZAG	6
6	825796GT	SNAP RING,EXTERNAL,1.50,ZAG	6
7	214226GT	BEARING,FL,1.75IDX2.00ODX1.61L	6
8	1278885GT	PIN, 1.5 X 9.5 LG, 2 GROOVES	1
9	825019GT	ROD END, .375X3.69, ZAG	6
10	824092GT	SCREW, HHF, 3/8-16 X 1.5, 8, ZAG	4
11	1274322GT	NUT,NYLOCK FLG,3/8-16,G,ZAG	4
12	1274511GT	MACHINING, COMPRESSION LINK	2
13	1269642GT	CLAMP, HOSE	2
14	1256463GT	BOLT,CARRIAGE,1/4-20X1.25,5,ZAG	4
15	1256679GT	NUT,SERRATED,1/4-20,8,ZAG	4
16	5224GT	SCREW,HHC,3/8-16 X 2	2
17	6097GT	WASHER,FLAT,USS,3/8",Y	2
18	7713GT	NUT, LP NYLOCK, 3/8-16	2
19	1255756GT	BOLT,CARRIAGE,1/4-20X1.5,5,ZAG	2
20	1274165GT	NUT,NYLOCK,1/4-20,C,ZAG	2
21	76695GT	PIN,1.50 DIA X 8.75"LG,1HOLE	2
22	1269424GT	MACHINING, JIB ARM, 5 FT	1
23	824084GT	SCREW,HHF,1/4-20X3,8,ZAG	4
24	1280124GT	WELDMENT,COVER,JIB	1

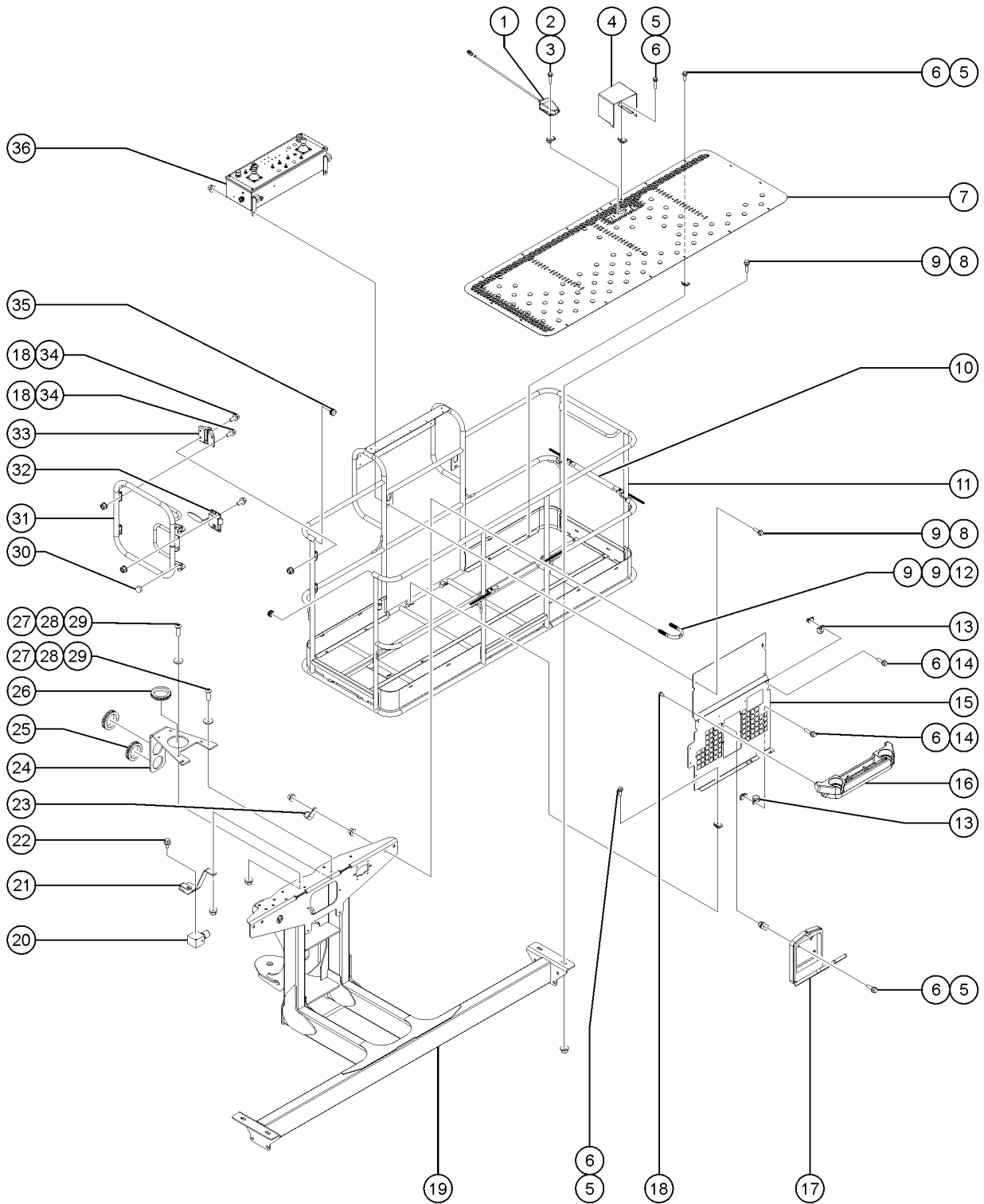


505.1 Jib Boom and Platform Rotator



Item	Part No.	Description	Qty.
25	1279429GT	CLAMP BLOCK, S40/45XC	2
26	1279306GT	ASSY, CLAMP PLATE	2
27	824075GT	SCREW,HHC,1-8X12.75,5,ZAG	1
28	824116GT	WASHER,FLAT,1.0,F436,HRD,ZAG	1
29	1283024GT	NUT,NYLOCK,1-8,8,ZAG	1
30	1256843GT	SCREW,HHC,1/2-13X1.25,8,ZAG	8
31	825353GT	WASHER,FLAT,1/2,SAE,HRD,ZAG	8
32	1273734GT	WELDMENT, PLATFORM SUPPORT, 15 (refer to 601.1)	1
33	824081GT	SCREW,HHF,1/4-20X1.5,8,ZAG	3
34	1270810GT	MANIFOLD, ROTATOR, CB	1
		(refer to 601.1)	
35	214225GT	ROTATOR,PLATFORM,15K,JIB	1
36	30222GT	BEARING,FL,1.25IDX1.41ODX1.50L	2
37	81175GT	PIN,1.25DIAX14.45LG,2HOLE	2
38	88280GT	BEARING,1.5IDX1.75ODX0.75L	2
39	1276820GT	CYLINDER, JIB	1
		includes item 38 & 40	
39-	1276822GT	SEAL KIT FOR JIB CYLINDER	
39-	33428GT	VALVE,COUNTERBALANCE	2
40	30220GT	BEARING,1.25ID X 1.5OD X 0.69L	2
41	1276484GT	PIN, 1.50X5.625, 2 RING	1
42	128268GT	BEARING,FL, 1.25X1.5X2.13	2
43	1288971GT	BEARING,1.50IDX1.75ODX2.075L	2
44	1288386GT	ASSY, JIB BELLCRANK WITH BEARINGS	1

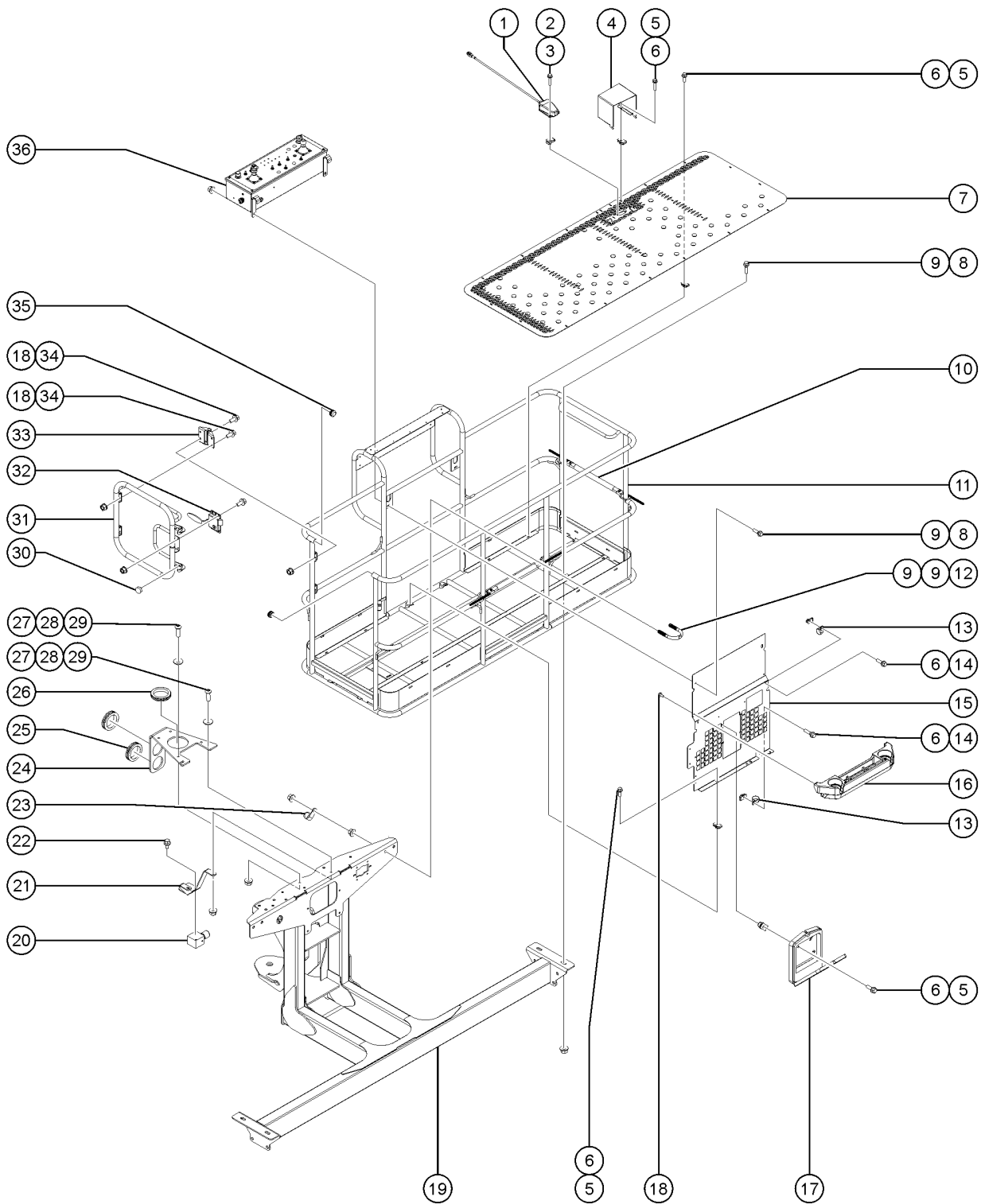
601.1 Platform Installation



Item	Part No.	Description	Qty.
A	1273564GT	OPTION, 8' PLATFORM W/SIDE SWI Complete 8' platform assembly;Order decals separately. refer to Section 100.	
B	1273563GT	OPTION, 6' PLATFORM W/SIDE SWI Complete 6' platform assembly;Order decals separately. refer to Section 100.	
1	227618GT	ASSEMBLY, FOOT SWITCH	1
2	1269641GT	SCREW,HHF-S,10-24X1.5,ZAG	2
3	73575GT	SPRING CLIP,10-24,.025-.125X.468,ZAG	2
4	147121GT	COVER, FOOT SWITCH, LARGE	1
5	824078GT	SCREW,HHF,1/4-20X.75,8,ZAG	
6	56912GT	SPRING CLIP,1/4-20,.025-.15X.5	
7	73478GT	FLOORING, 8 FT PLATFORM*** for 8' platform	1
7B	1267746GT	FLOORING, 6 FT PLAT,SIDE for 6' platform	1
8	824091GT	SCREW,HHF,3/8-16X1.25,8,ZAG	7
9	1274322GT	NUT,NYLOCK FLG,3/8-16,G,ZAG	11
10	12448GT	SLIDING MID-RAIL ASSY. for 8' platform	2
10B	12448GT	SLIDING MID-RAIL ASSY. for 6' platform	1
11	1265372GT	WELDMENT, 96X36, TRI ENTRY PLA for 8' platform (includes item 10)	1
11B	1265826GT	WELDMENT, SIDE-ENTRY PLATFORM, 6' for 6' platform (includes item 10)	1
12	1251600GT	U-BOLT, FLATTENED, Ø1.5 X 3/8 UNC,ZAG	2
13	56424GT	CLAMP, 1.25 x .5 RUBBER-CUSHION	3
14	824079GT	SCREW,HHF,1/4-20X1.8,ZAG	3
15	1275088GT	FORMING, ALUM. DECAL PLATE decals not included, refer to Section 100	1
16	1289552GT	KIT, PLATFORM WORK TRAY	1
16-	824225GT	SCREW,FHPM,10-32X.75,ZAG	
17	24514GT	BOX,INSTRUCTION STORAGE decals not included, refer to Section 100	1
18	1256855	WASHER FLAT BONDED RUB	16
19	1273734GT	WELDMENT, PLATFORM SUPPORT, 15	1
20		Ref.MANIFOLD,JIB SELECT W/QD PLUG (refer to 703.1)	
21	110671GT	PLATE,JIB,ROTATE MANIFOLD	1
22	824077GT	SCREW,HHF,1/4-20X.5,8,ZAG	2



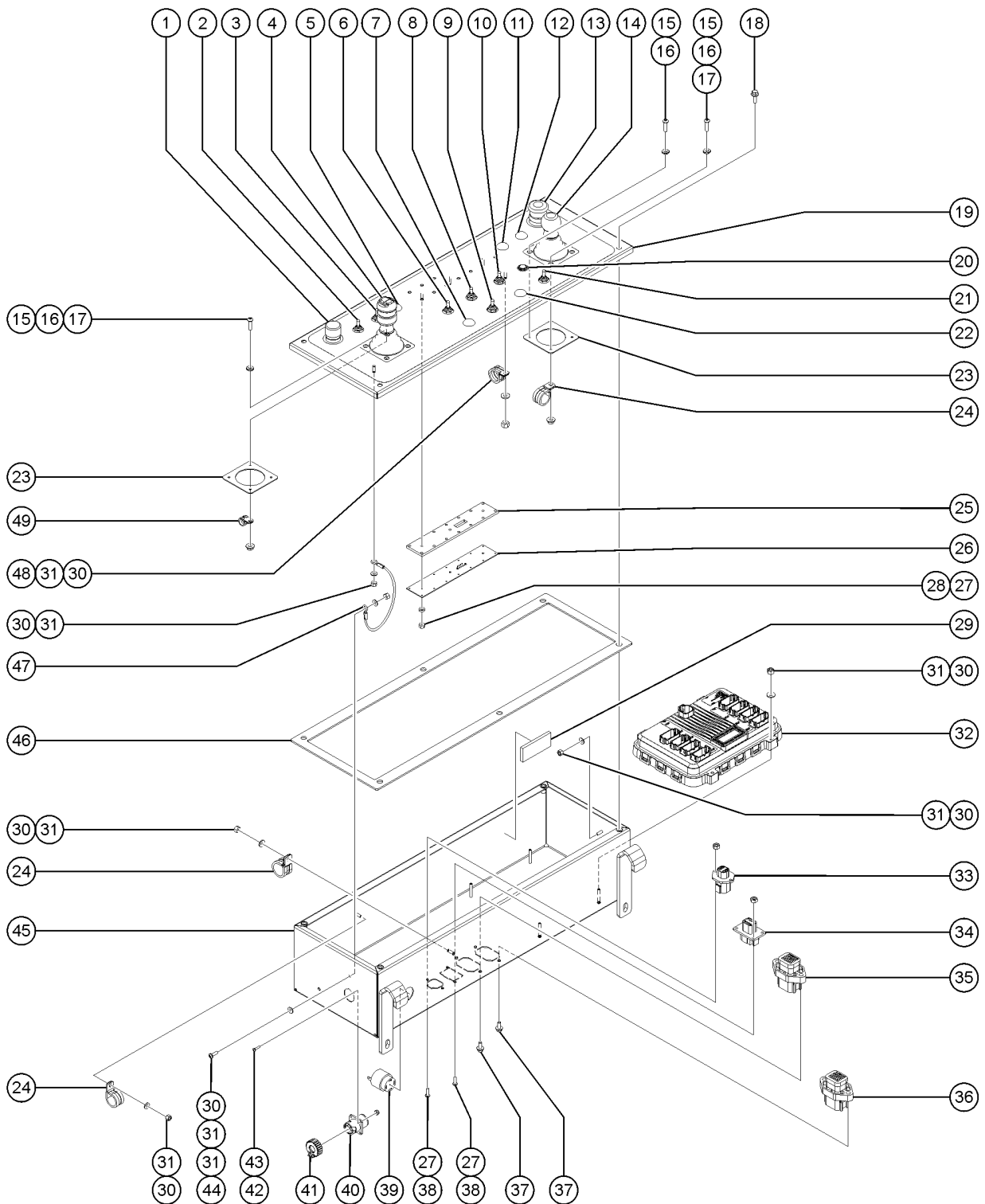
601.1 Platform Installation



<i>Item</i>	<i>Part No.</i>	<i>Description</i>	<i>Qty.</i>
23	67897GT	CLAMP,0.56,#9 X 3/8,RUB CUSH	1
24	1289531GT	FORMING, CABLE GUIDE	1
25	47232GT	GROMMET,RUBBER 2 X 2.75	2
26	55067GT	GROMMET,RUBBER 3 X .19 X 3.5	1
27	128322GT	SCREW,5/16-18X1.00,SECURITY TO	4
28	825358GT	WASHER,FLAT,5/16,USS,ZAG	4
29	824028GT	NUT,TL FLG,5/16-18,G,ZAG	4
30	43392GT	BUMPER,BATTERY BOX & RAILS***	2
31	1265397GT	WELDMENT, SWING GATE	1
32	1267747GT	LATCH, SWING GATE	1
33	104804GT	HINGE, SPRING, LONG LEG	2
34	1277924GT	NUT,NYLOCK FLG,1/4-20,F,ZAG	12
35	55753GT	BUMPER, PLASTIC, 1.25 O.D.	
36	1280669GT	ASSEMBLY, PBOX, S-BOOM, XC	1
		(refer to 602.1)	



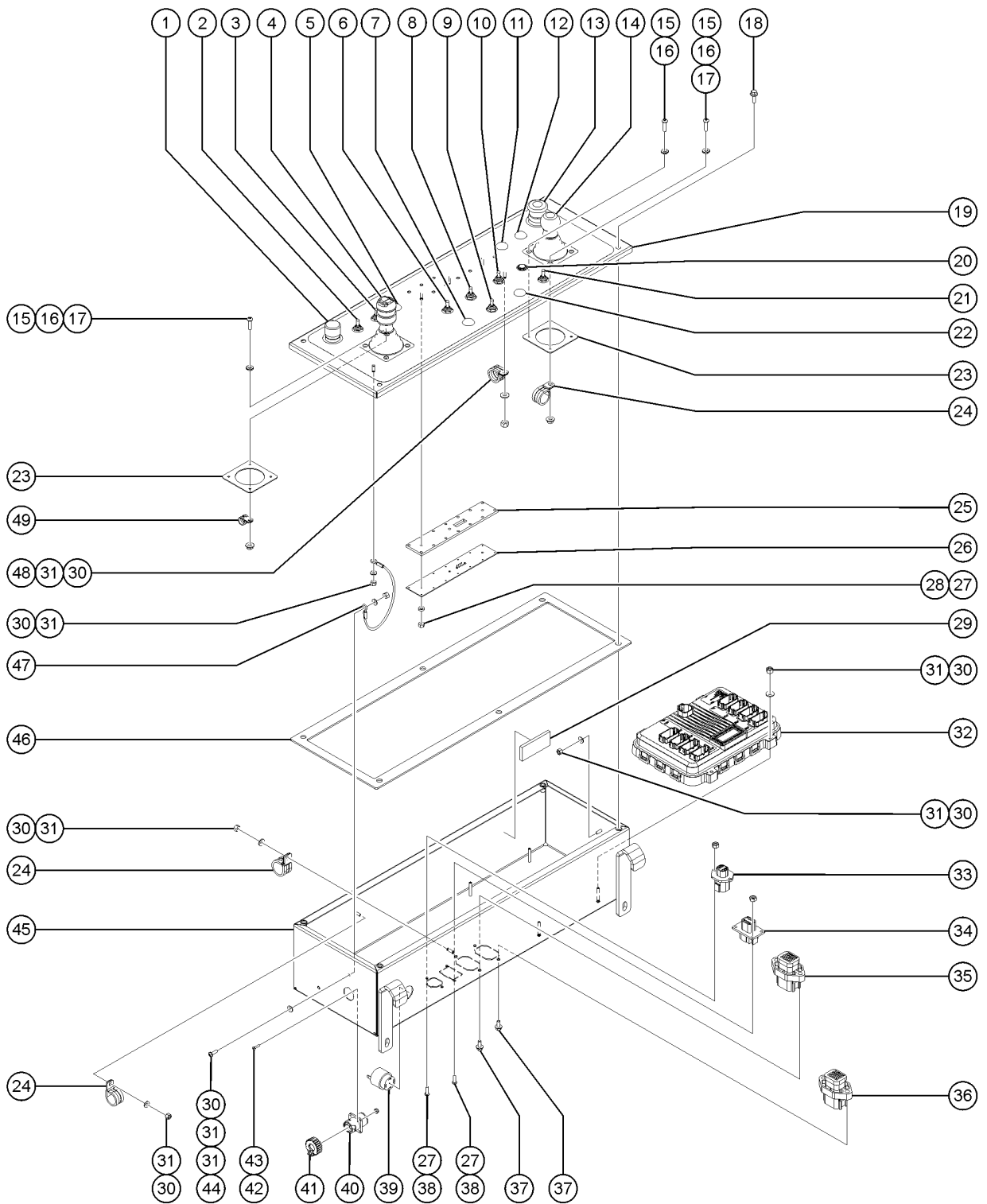
602.1 Platform Control Box



Item	Part No.	Description	Qty.
A	1280669GT	ASSEMBLY, PBOX, S-BOOM, XC	1
1	66813GT	BUTTON,PUSH,BLACK W/SEAL***	1
1-	66815GT	BASE, W/1 N.O. CONTACTS***	
2	128200GT	SWITCH TOGGLE ASSY SPDT 3P MOM	1
3	128200GT	SWITCH TOGGLE ASSY SPDT 3P MOM	1
4	1275259GT	JOYSTICK, ISOLATED, 2 AXIS ROCKER	1
		(refer to 603.1)	
5	229567GT	PLUG,SANTOPRENE .5 BLACK DOME	1
6	128200GT	SWITCH TOGGLE ASSY SPDT 3P MOM	1
7	229567GT	PLUG,SANTOPRENE .5 BLACK DOME	1
8	128203GT	SWITCH TOGGLE ASSY SPDT 2P MOM	1
9	128204GT	SWITCH TOGGLE ASSY SPDT 2P MNT	1
10	128204GT	SWITCH TOGGLE ASSY SPDT 2P MNT	1
11	229567GT	PLUG,SANTOPRENE .5 BLACK DOME	1
12	229567GT	PLUG,SANTOPRENE .5 BLACK DOME	1
13	66812GT	BUTTON,PUSH,RED MUSHROOM HEAD	1
13-	146478GT	BOOT(BELLOWS),E-STOP,BLACK	
13-	66817GT	BASE WITH 1 NC CONTACT, E-STOP	
14	1275258GT	JOYSTICK, ISOLATED, 1 AXIS ROCKER	1
		Drive joystick needs to be ordered separately; (refer to 603.1)	
15	139338GT	SCREW PH M5-0.8X20 DIN 7500CE	8
16	1269498GT	SHOULDER WASHER, NYLON	8
17	1255753GT	NUT,FLG,M5-0.8,DIN6923,8,ZAB	2
18	824078GT	SCREW,HHF,1/4-20X.75,8,ZAG	4
19	1282472GT	WELDMENT, LID, CONTROLS, PLATFORM	1
20	218165GT	LIGHT,INDICATOR,RED 12V H-BRI	1
21	128200GT	SWITCH TOGGLE ASSY SPDT 3P MOM	1
22	229567GT	PLUG,SANTOPRENE .5 BLACK DOME	1
23	1269497GT	GASKET, ISOLATION, JOYSTICK	2
24	18666GT	CLAMP,1.00,#16 X 1/4,RUB CUSH	3



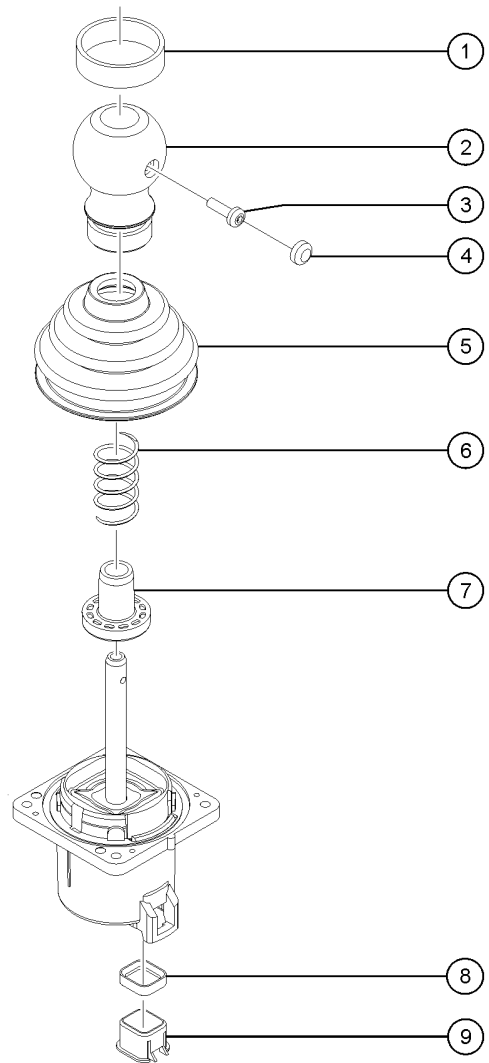
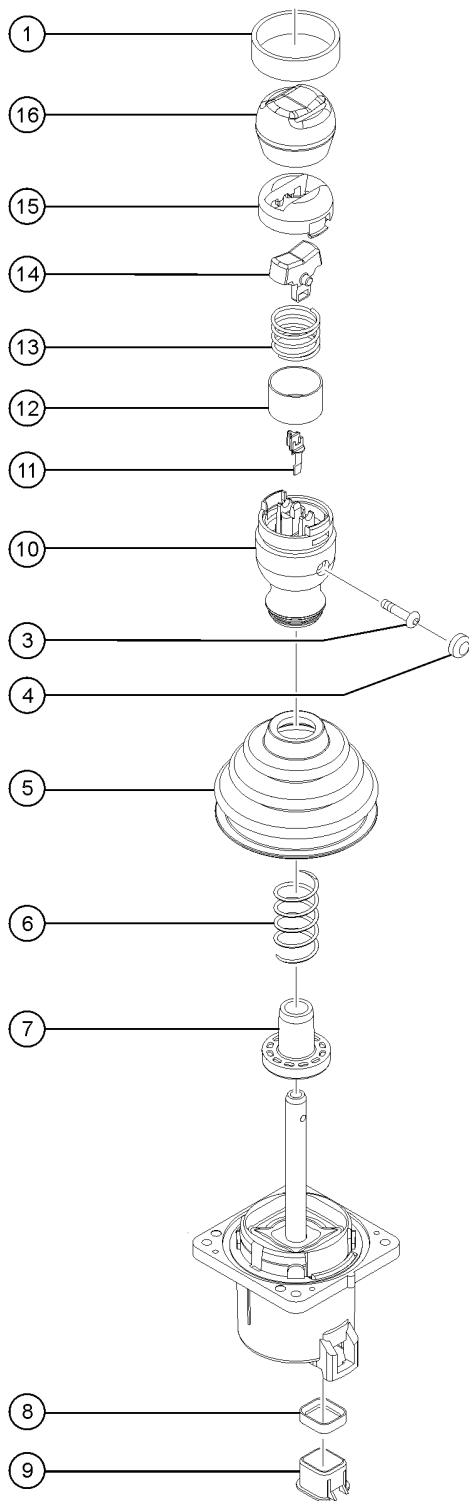
602.1 Platform Control Box



Item	Part No.	Description	Qty.
25	1278613GT	SPACER, XC PLATFORM INDICATORS	1
26	1278612GT	PCBA, XC PLATFORM INDICATORS	1
27	1274164GT	NUT,NYLOCK,6-32,A,ZAG	7
28	822224GT	WASHER, NYLON #10, 0.093	3
29	30997GT	CORROSION INHIBITOR,FOAM	1
30	1274168GT	NUT,NYLOCK,10-32,A,ZAG	12
31	1253185GT	WASHER,FLAT,#10,USS,ZAG	13
32	1284524GT	ECU, PLATFORM, S-XC, PROGRAMMED	1
33	73717GT	CONN,RECEP 4 WAY,12-14GA FL***	1
34	87755GT	CONN,RECEP 8 WAY 14-18GA,FL	1
35	1265862GT	CONN, RECEP, 18WAY, 14-18GA, F	1
36	226948GT	CONN, RECEP, 18 WAY, 14-18GA,	1
37	218457GT	SPACER,GUARD,ALTERNATOR	4
38	824214GT	SCREW,PHPM,6-32X.5,ZAG	4
39	39540GT	ALARM,STEADY TONE***	1
40	1272122GT	CONNECTOR, RECEPTACLE, 5 WAY,	1
41	1272123GT	DUST CAP, RECEPTACLE, 5 WAY, C	1
42	1253477GT	SCREW,PHPM,4-40X.5,ZAG	2
43	40766GT	NUT,NYLOCK,4-40	2
44	1257227GT	SCREW,PHPM,10-32X.625,ZAG	1
45	1279851GT	WELDMENT,BOX,PLATFORM CONTROL,XC	1
46	81488GT	GASKET,PLATFORM CONTROL BOX	1
47	1258952GT	LANYARD, BOX, CONTROL, PLATFORM	2
48	13268GT	CLAMP,0.75,#12 X 1/4,RUB CUSH	1
49	6833GT	CLAMP,0.50,#8 X 1/4,RUB CUSH	1

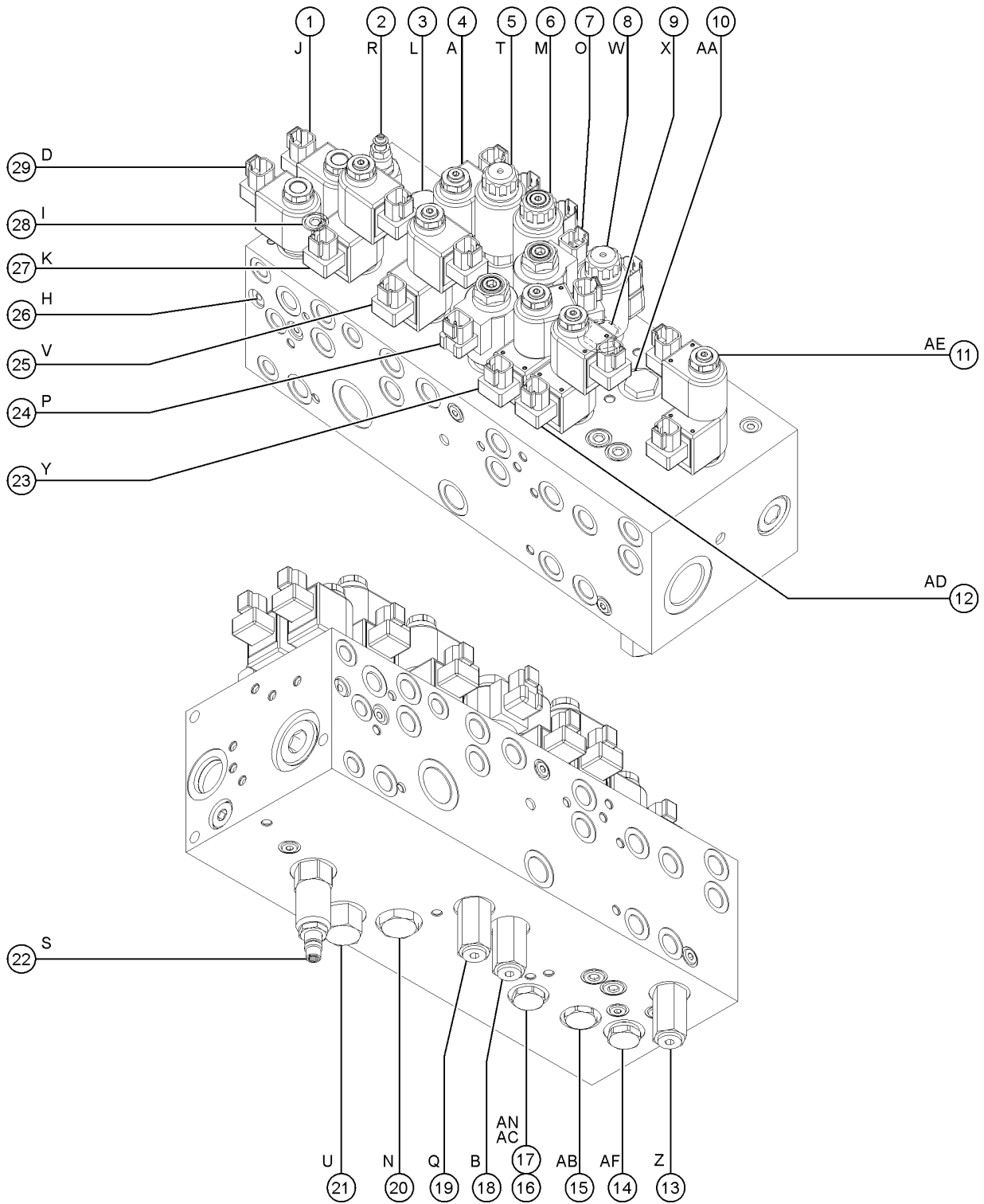


603.1 Joysticks



Item	Part No.	Description	Qty.
A	1275259GT	JOYSTICK, ISOLATED, 2 AXIS ROCKER OEM joystick (calibration required after replacement) includes gasket part 1269497 and shoulder washer part 1269498 (refer to 602.1)	1
B	1275248GT	JOYSTICK, ISOLATED, 2 AXIS OEM joystick (calibration required after replacement) includes gasket part 1269497 and shoulder washer part 1269498 (refer to 602.1)	1
C	1275258GT	JOYSTICK, ISOLATED, 1 AXIS ROCKER OEM joystick (calibration required after replacement) includes gasket part 1269497 and shoulder washer part 1269498 (refer to 602.1)	1
D	83098GT	TERM,AMP MTE,SOC,22-26 GA BULK	
1	1271713GT	SHRINK TUBE,BLU,3:1,40MM	2
2	62392GT	KNOB,JOYSTICK, 62390/62391	1
3	T112626GT	SCREW, PHM, #6-32 X .625 ZINC	1
4	1269499GT	PLUG, JOYSTICK HANDLE	2
5	139598GT	BOOT,JOYSTICK	1
6		SPRING,JOYSTK CENTR,62390/91 (no longer available from supplier)	
7	119915GT	COLLAR,JOYSTICK,CENTER	1
8	128000GT	SEAL, CONNECTOR (DT JOYSTICKS)	1
9	128001GT	SLEEVE,CONNECTOR,DT JOYSTICKS	1
10	75449GT	KNOB,ROCKER JOYSTICK 75565	1
11	75448GT	SUPPORT,SENSOR,JOYSTICK	1
12	75447GT	SWITCH SHIELD,ROCK JOYSTK75565	1
13	75446GT	SPRING,SWITCH CENTERING,75565	1
14	75445GT	ROCKER ASSY.,MAGNETIC 75565	1
15	75444GT	ROCKER,RETAINER, 75565	1
16	75443GT	BOOT, ROCKER JOYSTICK 75565	1

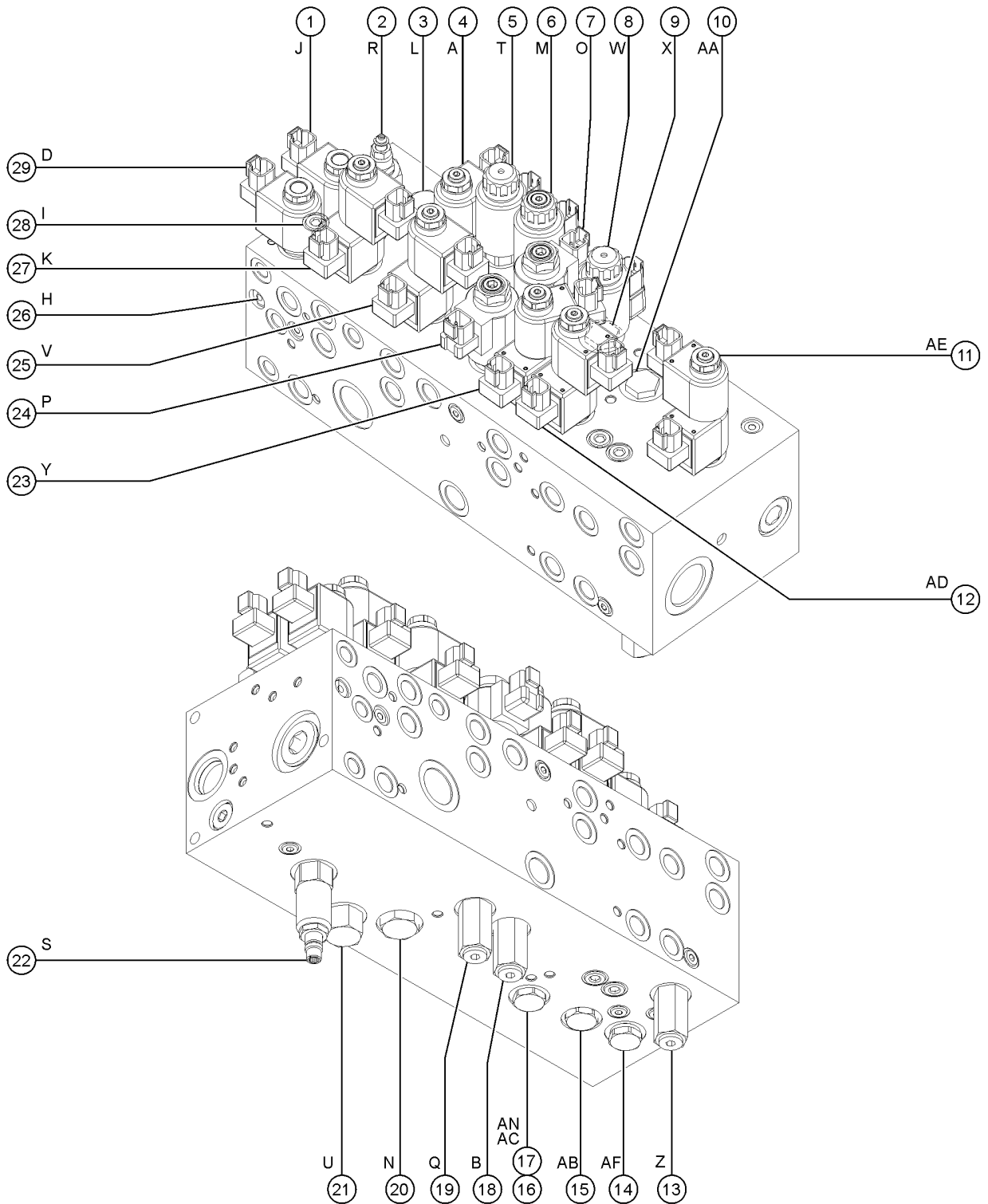
701.1 Function Manifold



Item	Part No.	Description	Qty.
A	1276904GT	MANIFOLD, FUNCTION, S40/45XC	1
1	1290553GT	VALVE, SOLENOID, 2POS 3WAY	1
		J, Brake release	
2	1290559GT	VALVE, PRESSURE REDUCING, 650 PSI	1
		R, Oscillate pressure control	
3	1290551GT	VALVE, FLOW CONTROL	1
		L, Steer actuator fixed speed control	
4	161533GT	VALVE, SOLENOID, 2 POS 2 WAY	1
		A, Function enable	
5	102527GT	VALVE, PROPORTIONAL	1
		T, Turntable rotate	
6	1290561GT	VALVE, PROPRTIONAL, FLOW CONTROL	1
		M, Boom extend	
7	122649GT	VALVE, SOLENOID, NO, POPPET	1
		O, Boom retract	
8	102528GT	VALVE, PROPORTIONAL	1
		W, Boom variable speed control	
9	1290554GT	VALVE, PRESSURE COMPENSATOR	1
		X, Compensate for pressure variation	
10	161538GT	VALVE, CHECK, 65 PSI	1
		AA, Isolate platform level up/down	
11	1290552GT	VALVE, PROPORTIONAL 3POS, 4WAY	1
		AE, Select flow direction & speed for jib & rotate	
12	1290552GT	VALVE, PROPORTIONAL 3POS, 4WAY	1
		AD, Select flow direction & speed for level adjust	
13	1290556GT	VALVE, RELIEF, 3500 PSI	1
		Z, limit pressure in plat level circuit	
14	1260116GT	VALVE, CHECK, 30 PSI	1
		AF, Prevent jib select tank line from evacuating	
15	1290550GT	VALVE, SHUTTLE	1
		AB, select highest pressure in plat level circuit	
16	161538GT	VALVE, CHECK, 65 PSI	1
		AC, Isolate platform level circuit	
17	1260128GT	PISTON	1
		AN, Pilot open check valve for level adjust	
18	52715GT	VALVE, RELIEF 3200 PSI	1
		B, limit auxiliary pump pressure	
19	52416GT	VALVE, RELIEF, 1950 PSI, S40***	1
		Q, Limit boom extend pressure	
20	1290557GT	VALVE, HIGH PRESSURE LOGIC	1
		N, Compensate for pressure variation	
21	94599GT	VALVE, DIFFERENTIAL SENSING, 110	1
		U, Compensate for pressure variation	
22	1290560GT	VALVE, SEQUENCE, 850 PSI	1
		S, Redundant pressure limit for oscillate	
23	122645GT	SOLENOID VALVE, SPOOL TYPE	1
		Y, Primary boom up/down selector	
24	122649GT	VALVE, SOLENOID, NO, POPPET	1
		P, Boom extension extend selector	
25	122645GT	SOLENOID VALVE, SPOOL TYPE	1
		V, Turntable rotate left/right selector	
26	27807GT	VALVE, CHECK***	1
		H, Back flow preventer	
27	122645GT	SOLENOID VALVE, SPOOL TYPE	1
		K, Steer left/right selector	

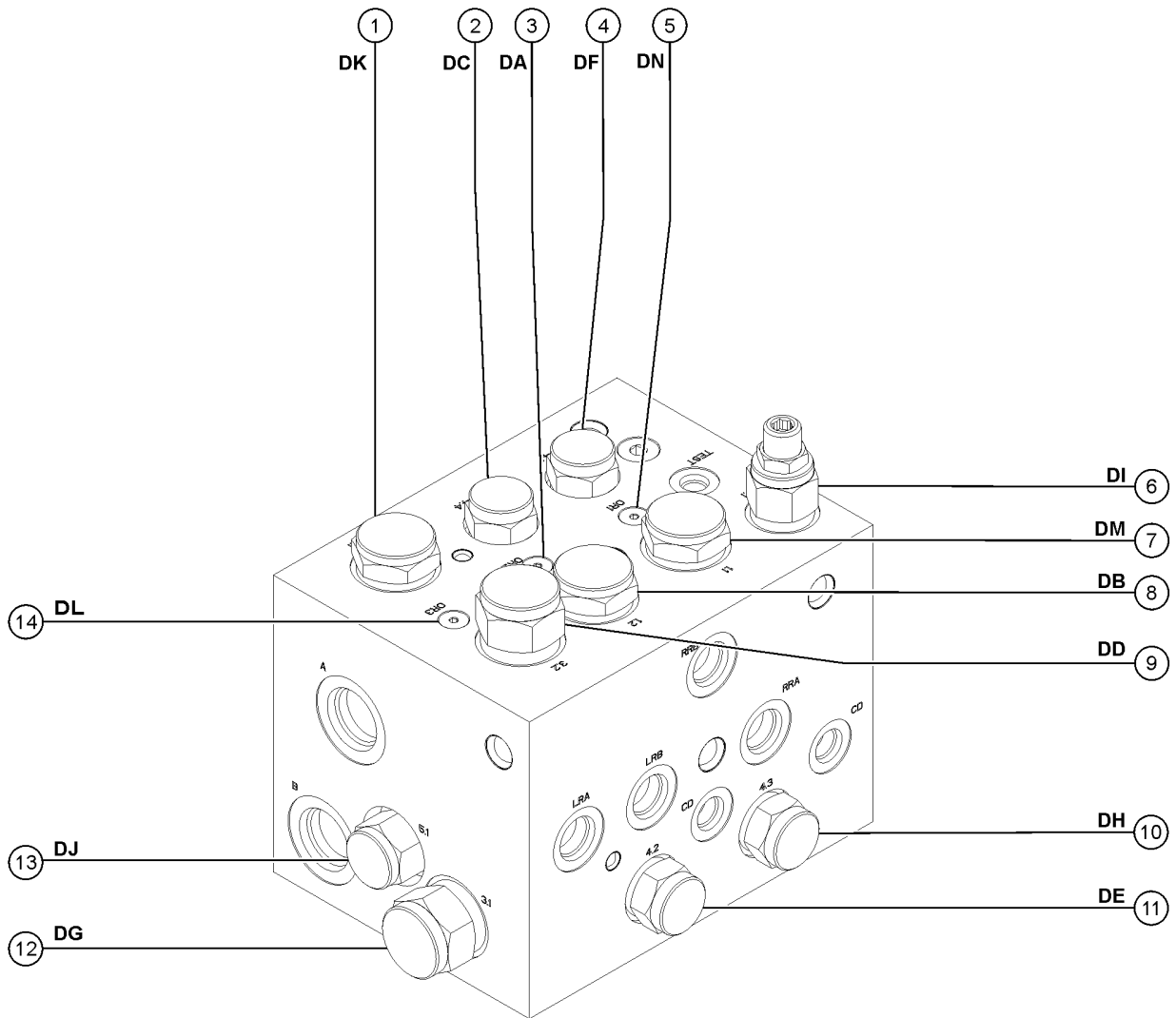


701.1 Function Manifold



<i>Item</i>	<i>Part No.</i>	<i>Description</i>	<i>Qty.</i>
28	1290555GT	PLUG, ORIFICE, 0.6mm I, Brake set delay	1
29	1290553GT	VALVE, SOLENOID, 2POS 3WAY D, Motor displacement control	1

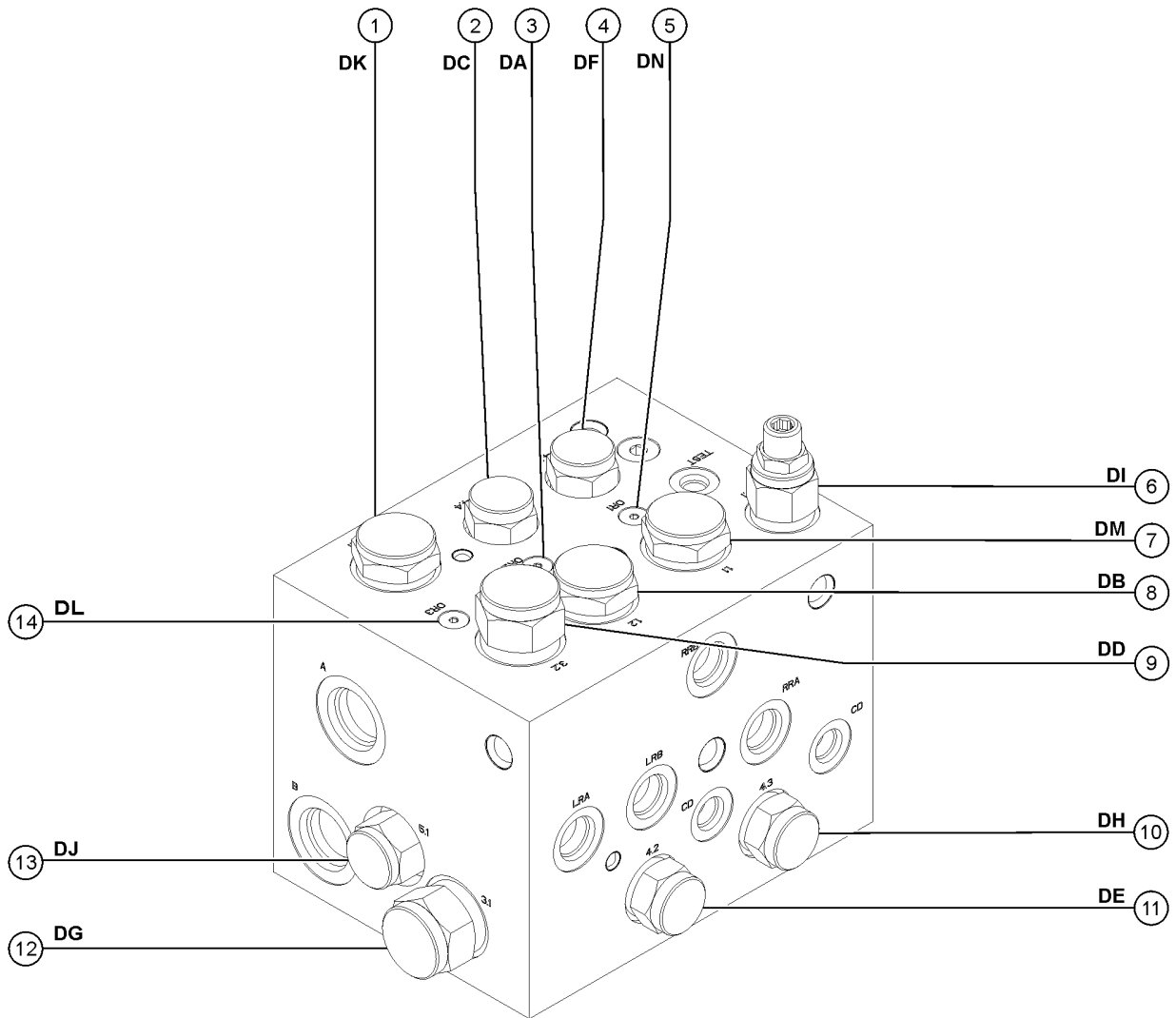
702.1 Traction Manifold



Item	Part No.	Description	Qty.
A	1276750GT	MANIFOLD, TRACTION, 4WD	
B	28750GT	O-RING KIT, FIELD SVC, ALL PROD*	
C	49612GT	O-RING KIT (ORFS FITTINGS)	
D	33994GT	PLUG AND CAP KIT-SERVICE, 37 **	
E	49613GT	PLUG AND CAP KIT-SERVICE, ORFS*	
1	139508GT	VALVE, FLOW DIVIDE/COMBINE 1:1 DK, Divides flow between diagonal pairs of motors: LF+RR=50%, LR+RF=50%	
1-	139512GT	SEAL KIT, VALVE	
2	139527GT	VALVE, CHECK, 5PSI DC, Prevents cavitation in LF motor	
2-	139515GT	SEAL KIT, VALVE	
3	139719GT	ORIFICE, 0.040" DA, Prevents scrub at high steer angles by allowing some bypass flow around the left flow divider	
4	139527GT	VALVE, CHECK, 5PSI DF, Prevent cavitation in RF motor	
4-	139515GT	SEAL KIT, VALVE	
5	139719GT	ORIFICE, 0.040" DN, Prevents scrub at high steer angles by allowing some bypass flow around the right flow divider	
6	139718GT	VALVE, RELIEF, 280PSI DI, Hot oil shuttle relief	
6-	139528GT	SEAL KIT, VALVE	
7	139717GT	VALVE, FLOW DIVIDE/COMB, 24GPM DM, Combines return flow from RF and RR motors	
7-	139512GT	SEAL KIT, VALVE	
8	139717GT	VALVE, FLOW DIVIDE/COMB, 24GPM DB, Combines return flow from LF and LR motors	
8-	139512GT	SEAL KIT, VALVE	
9	139716GT	VALVE, CHECK	
9-	139727GT	SEAL KIT, VALVE	
10	139527GT	VALVE, CHECK, 5PSI DH, Prevent cavitation in RR motor	
10-	139515GT	SEAL KIT, VALVE	
11	139527GT	VALVE, CHECK, 5PSI DE, Prevent cavitation in LR motor	
11-	139515GT	SEAL KIT, VALVE	
12	139716GT	VALVE, CHECK DG, Prevent cavitation in RF and LR motors	
12-	139727GT	SEAL KIT, VALVE	

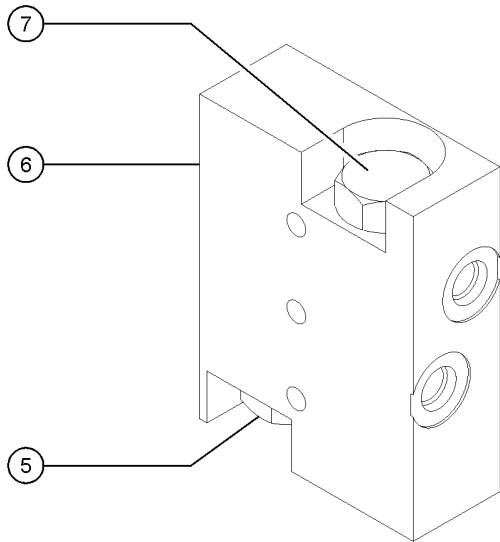


702.1 Traction Manifold

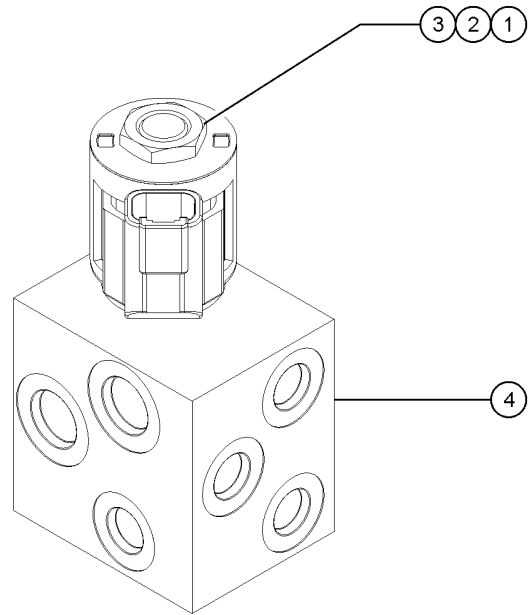


<i>Item</i>	<i>Part No.</i>	<i>Description</i>	<i>Qty.</i>
13	139715GT	VALVE, SHUTTLE, FIXED DJ, Directs oil from low pressure side to hot oil Relief Valve.	
13-	139726GT	SEAL KIT, VALVE	
14	139719GT	ORIFICE, 0.040" DL, Prevents scrub at high steer angles by allowing some bypass flow around the right flow divider	

703.1 Jib Select and Platform Rotate Manifolds



Platform Rotate Manifold



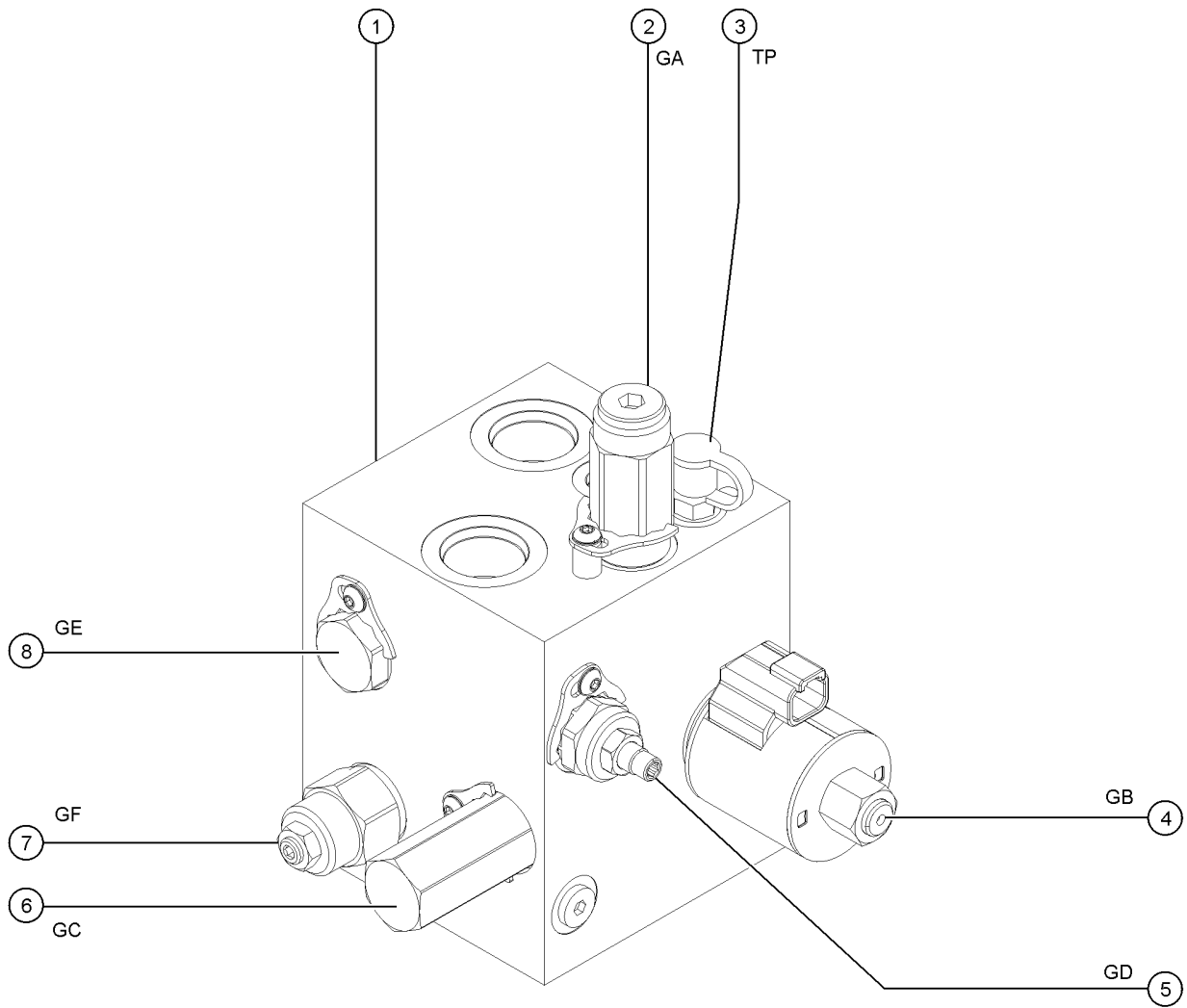
Jib Select Manifold

703.1 Jib Select and Platform Rotate Manifolds

<i>Item</i>	<i>Part No.</i>	<i>Description</i>	<i>Qty.</i>
1	44174GT	NUT-COIL SHORT	1
2	52897GT	VALVE,SOLENOID, 2POS/3WAY***	1
2-	52371GT	SEAL KIT, VALVE	1
3	104759GT	COIL,12VDC #8 DTSCH IP69 ECOIL	1
4	1281250GT	MANIFOLD, JIB SELECT W/-6 PORTS	1
		includes items 1-3	
4-	52371GT	SEAL KIT, VALVE	
5	62506GT	VALVE - COUNTERBALANCE**	1
		Platform rotate left	
5-	43018GT	SEAL KIT (39345)	
6	1270810GT	MANIFOLD, ROTATOR, CB	1
6-	62507GT	O-RING, ROTATOR MANIFOLD	2
7	62506GT	VALVE - COUNTERBALANCE**	1
7-	43018GT	SEAL KIT (39345)	



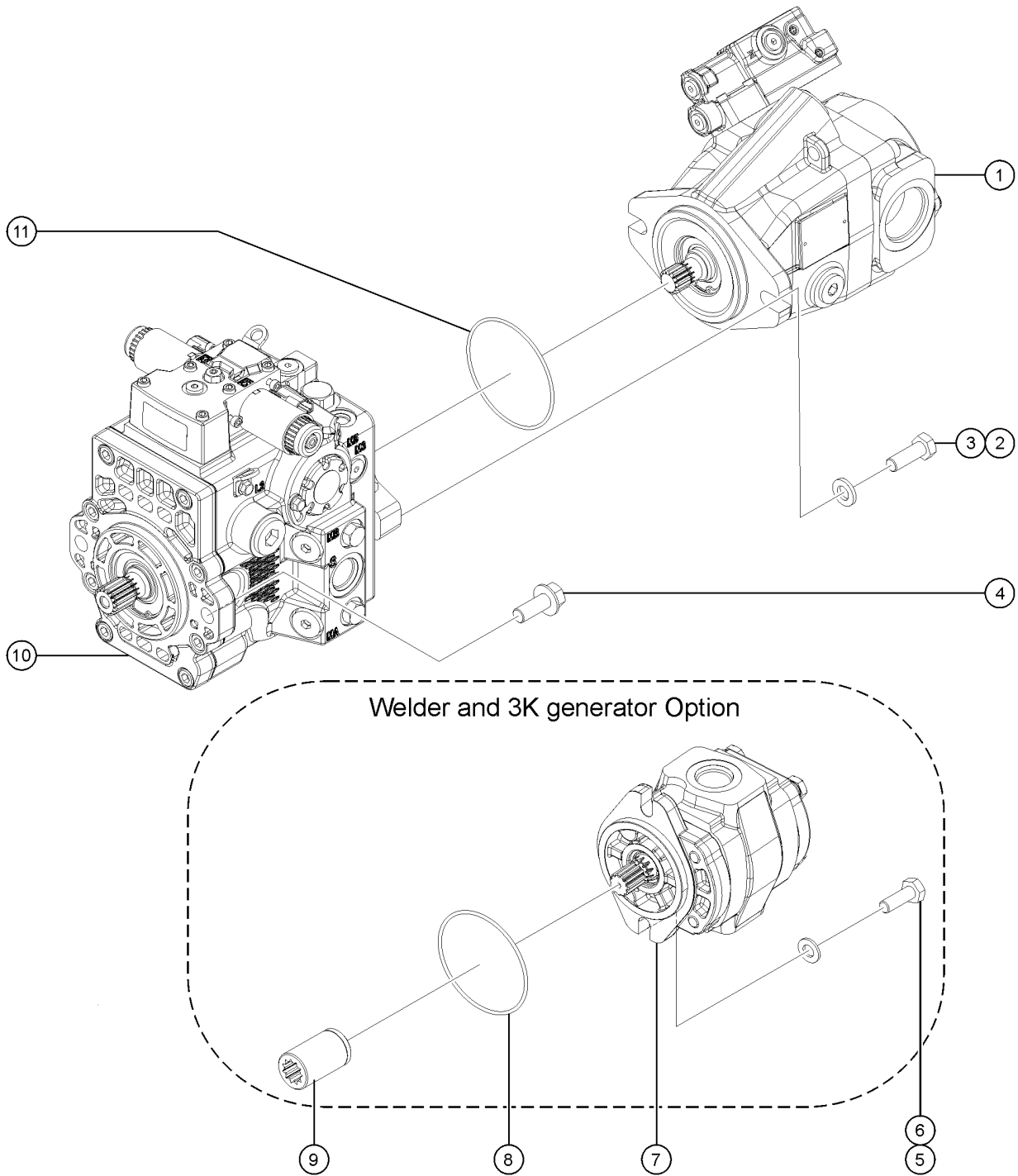
704.1 Oil Diverter Manifold (welder option)



704.1 Oil Diverter Manifold (welder option)

Item	Part No.	Description	Qty.
A	115048GT	#6 PLUG	3
A	1285147GT	PLUG, PORT, SAE4, 6103004	1
1	1281789GT	MANIFOLD, HYD, LIFT POWER, WELDER GENERATOR (Complete)	1
2	1285141GT	VALVE, RELIEF, RV50-26H-0-P-50/36	1
2-	1285145GT	KIT, LOCKDOWN, HYD VALVE, 5965000.1000M	
3	48997GT	NIPPLE,DIAGNOSTIC,#4	1
3-	48880GT	CAP,DIAGNOSTIC NIPPLE	
4	1285143GT	VALVE, SOLENOID, HSV10-21-0-U-0	1
4-	1285144GT	KIT, LOCKDOWN, HYD VALVE, 5965000.1063	
4-	97469GT	COIL#10 E-COIL,10V ZENER DIODE	
5	1285142GT	VALVE, NEEDLE, NV10-22A-0-N	1
5-	1285146GT	KIT, LOCKDOWN, HYD VALVE, 5965000.1000	
6	75462GT	VALVE,DIFFERENTIAL SENSE230PSI	
6-	1285146GT	KIT, LOCKDOWN, HYD VALVE, 5965000.1000	
6-	62337GT	SEAL KIT, VALVE	
7	1284399GT	VALVE, COUNTERBALANCE, 3:1 1000PSI, CBEA-LIN	1
8	62127GT	VALVE-CHECK,SIZE 10(59599)	1
8-	1285146GT	KIT, LOCKDOWN, HYD VALVE, 5965000.1000	

705.1 Hydraulic Pumps

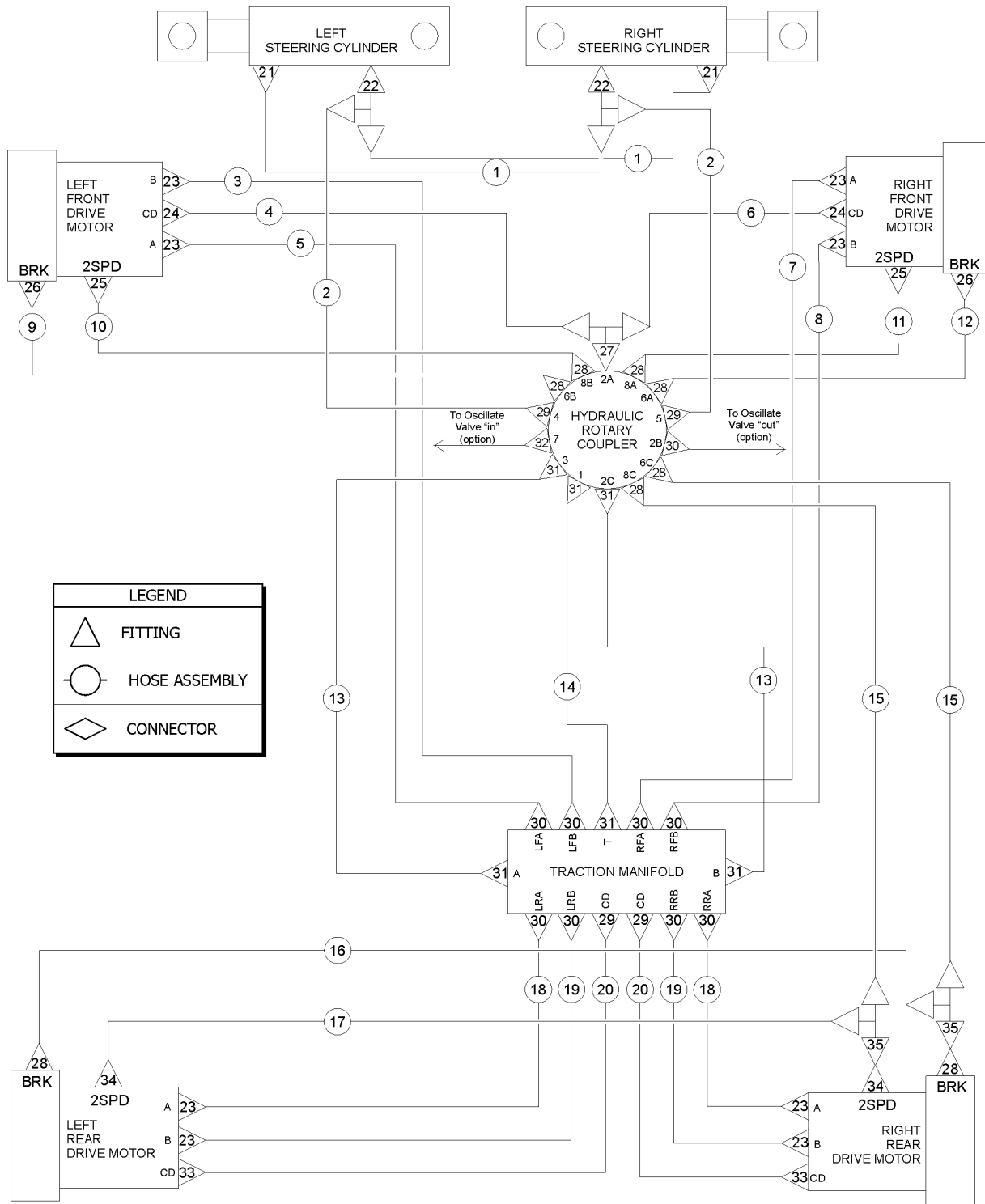


705.1 Hydraulic Pumps

Item	Part No.	Description	Qty.
1	1282175GT	PUMP, FUNCTION, 25CC, LS	1
2	1256285GT	SCREW,HHC,M12-1.75X35,DIN933,10.9,ZAB	2
3	1263196GT	WASHER,FLAT,M12,DIN6916,HRD,ZAB	2
4	1255469GT	SCREW,HHF,1/2-13X1.25,8,ZAG	2
5	1256284GT	SCREW,HHC,M10-1.5X30,DIN933,10 (Welder and 3K generator Option)	2
6	824145GT	WASHER,FLAT,M10,DIN125,ZAB (Welder and 3K generator Option)	2
7	139799GT	PUMP,LIFT,1 SECTION (Welder and 3K generator Option)	1
8	83141GT	O-RING, .103 X 3.237, NBR/NTRL, 90D (Welder and 3K generator Option)	1
9	1284023GT	GEN PUMP DRIVE LINK (Welder and 3K generator Option)	1
10	1278638GT	PUMP, DRIVE, 32CC, 15 TOOTH INPUT, 13 TOOTH AUX	1
10-	1286410GT	SEAL KIT	
11	1284323GT	O-RING, 3.737 X .103 BUNA	1



706.1 Hydraulic Hoses and Fittings - 4WD Drive and Steer System

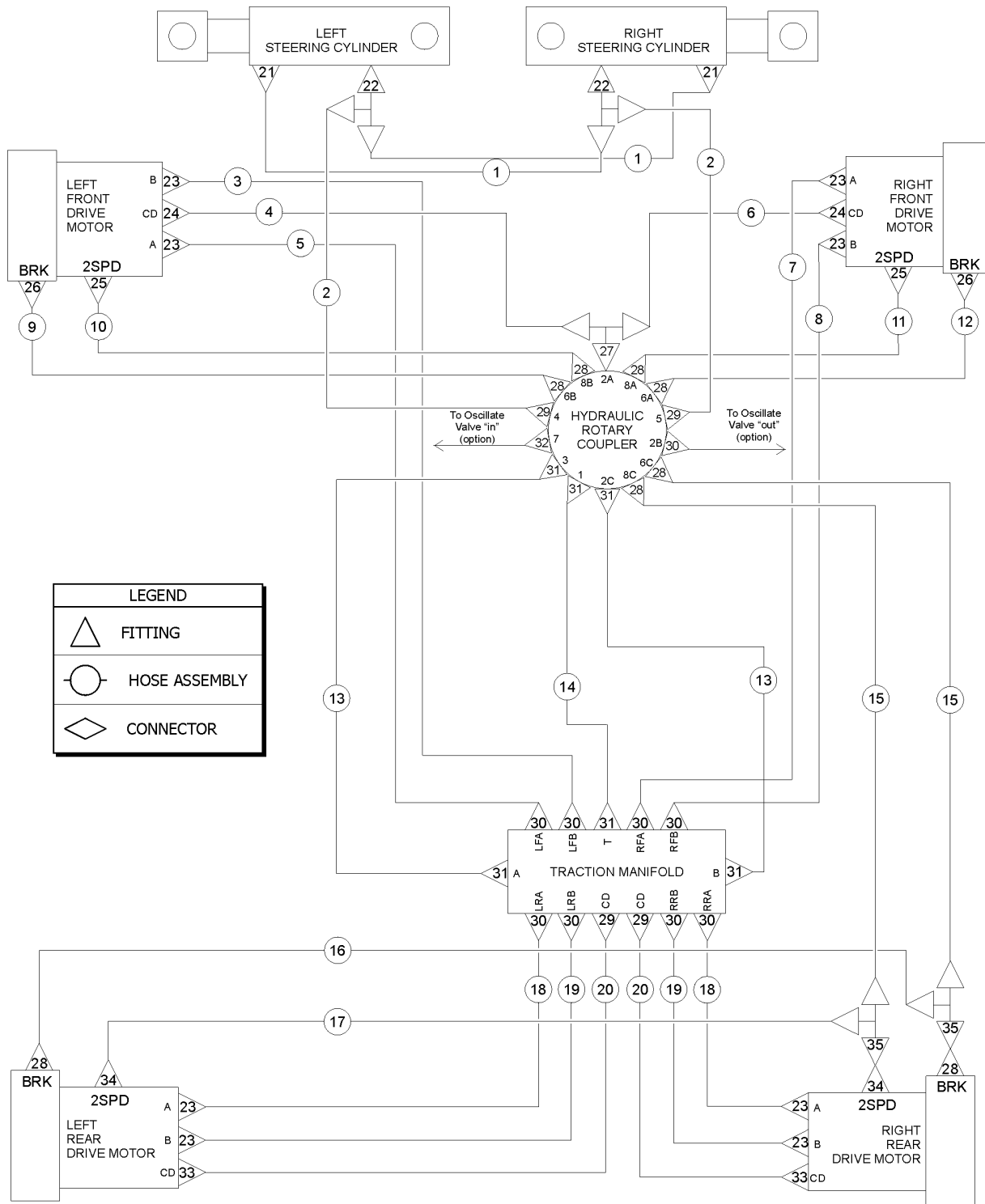


706.1 Hydraulic Hoses and Fittings - 4WD Drive and Steer System

Item	Part No.	Description	Qty.
1	49130-2982GT	ASSY, HOSE, HYD, -6, 3000, STR, STR	2
2	49130-5618GT	ASSY, HOSE, HYD, -6, 3000, STR, STR	2
3	81812-10928GT	ASSY, HOSE, HYD, -8, 4250, STR, STR	1
4	49130-9018GT	ASSY, HOSE, HYD, -6, 3000, STR, STR	1
5	81812-11528GT	ASSY, HOSE, HYD, -8, 4250, STR, STR	1
6	49130-8458GT	ASSY, HOSE, HYD, -6, 3000, STR, STR	1
7	81812-10528GT	ASSY, HOSE, HYD, -8, 4250, STR, STR	1
8	81812-10778GT	ASSY, HOSE, HYD, -8, 4250, STR, STR	1
9	49117-8985GT	ASSY, HOSE, HYD, -4, 3250, STR, 90	1
10	49119-9378GT	HOSE ASSY,1/4,STR FEM,STR FEM	1
11	49119-8978GT	ASSY, HOSE, HYD, -4, 3250, STR, STR	1
12	49117-9385GT	ASSY, HOSE, HYD, -4, 3250, STR, 90	1
13	94374-2285GT	ASSY, HOSE, HYD, -12, 4000, STR, 90	2
14	102313-2111GT	ASSY, HOSE, HYD, -12, 4000, STR, 45	1
15	49119-7178GT	HOSE ASSY,1/4,STR FEM,STR FEM*	2
16	49117-6135GT	ASSY, HOSE, HYD, -4, 3250, STR, 90	1
17	49117-6091GT	HOSE ASSY,1/4,90 FEM,STR FEM**	1
18	81812-4228GT	ASSY, HOSE, HYD, -8, 4250, STR, STR	2
19	81812-4528GT	ASSY, HOSE, HYD, -8, 4250, STR, STR	2
20	49130-4718GT	ASSY, HOSE, HYD, -6, 3000, STR, STR	2
21	48915GT	ELBOW,90D,520220-6	2
22	48918GT	TEE,RUN,520428-6	2
23	48948GT	CONN,520120-8-12	8
24	48930GT	CONN,520120-6-8	2
25	48911GT	ELBOW,90D,520220-4-6***	2
26	49861GT	CONN,LONG,520122-4	2
27	287338GT	TEE, BRANCH, 520429, -6-6-8	1
28	48905GT	CONN,520120-4***	8



706.1 Hydraulic Hoses and Fittings - 4WD Drive and Steer System

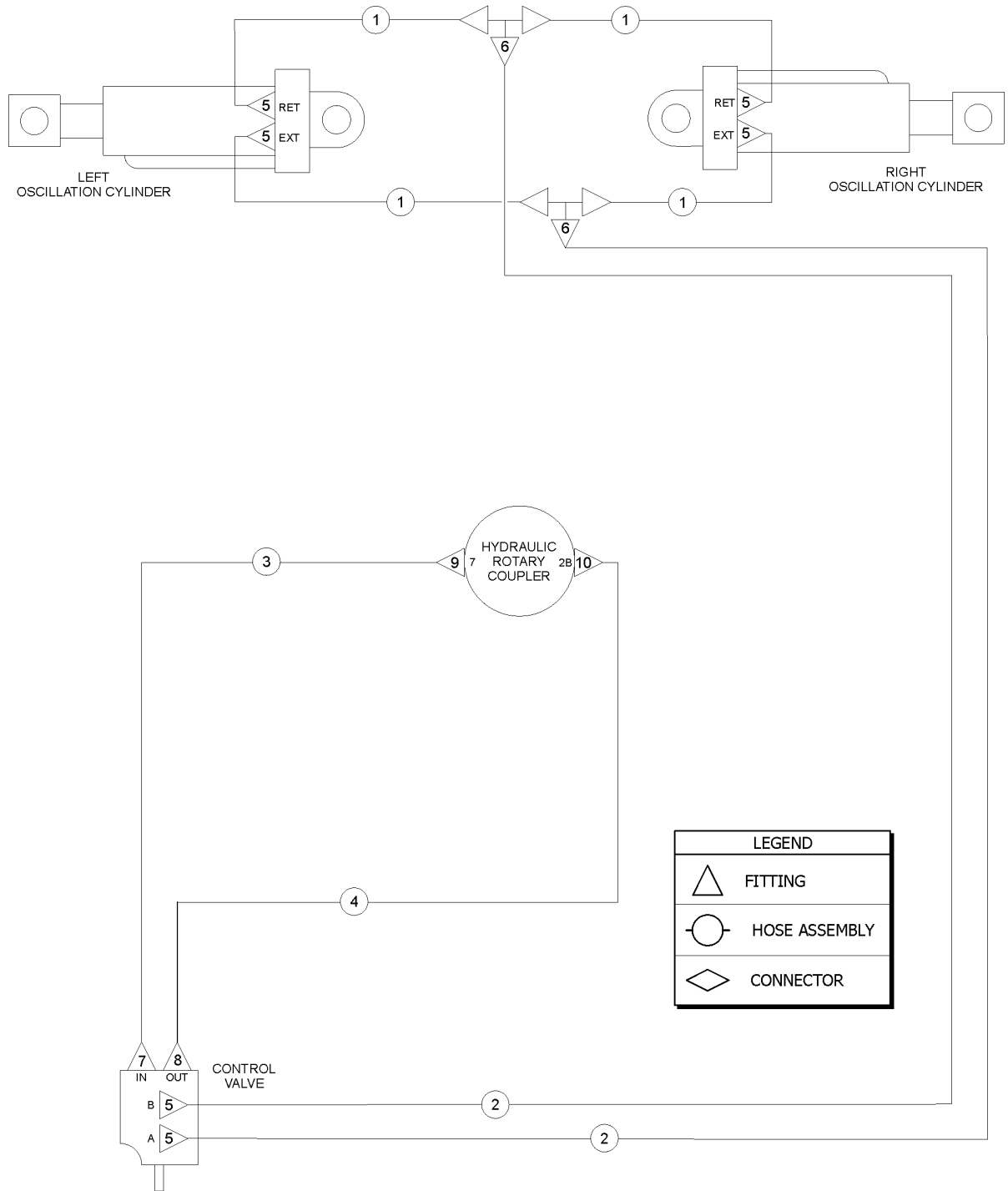


706.1 Hydraulic Hoses and Fittings - 4WD Drive and Steer System

<i>Item</i>	<i>Part No.</i>	<i>Description</i>	<i>Qty.</i>
29	48916GT	CONN, 520120-6	4
30	48933GT	CONN,520120-8***	9
31	48960GT	FITTING,CONN,520120-12***	6
32	48920GT	ELBOW,45D,520320-6	1
33	48929GT	FITTING,ELBOW,90D,520220-6-8**	2
34	48912GT	CONN,520120-4***	2
35	48908GT	FITTING,TEE,RUN,SWIVEL520432-4	2



707.1 Hydraulic Hoses and Fittings - Oscillate System

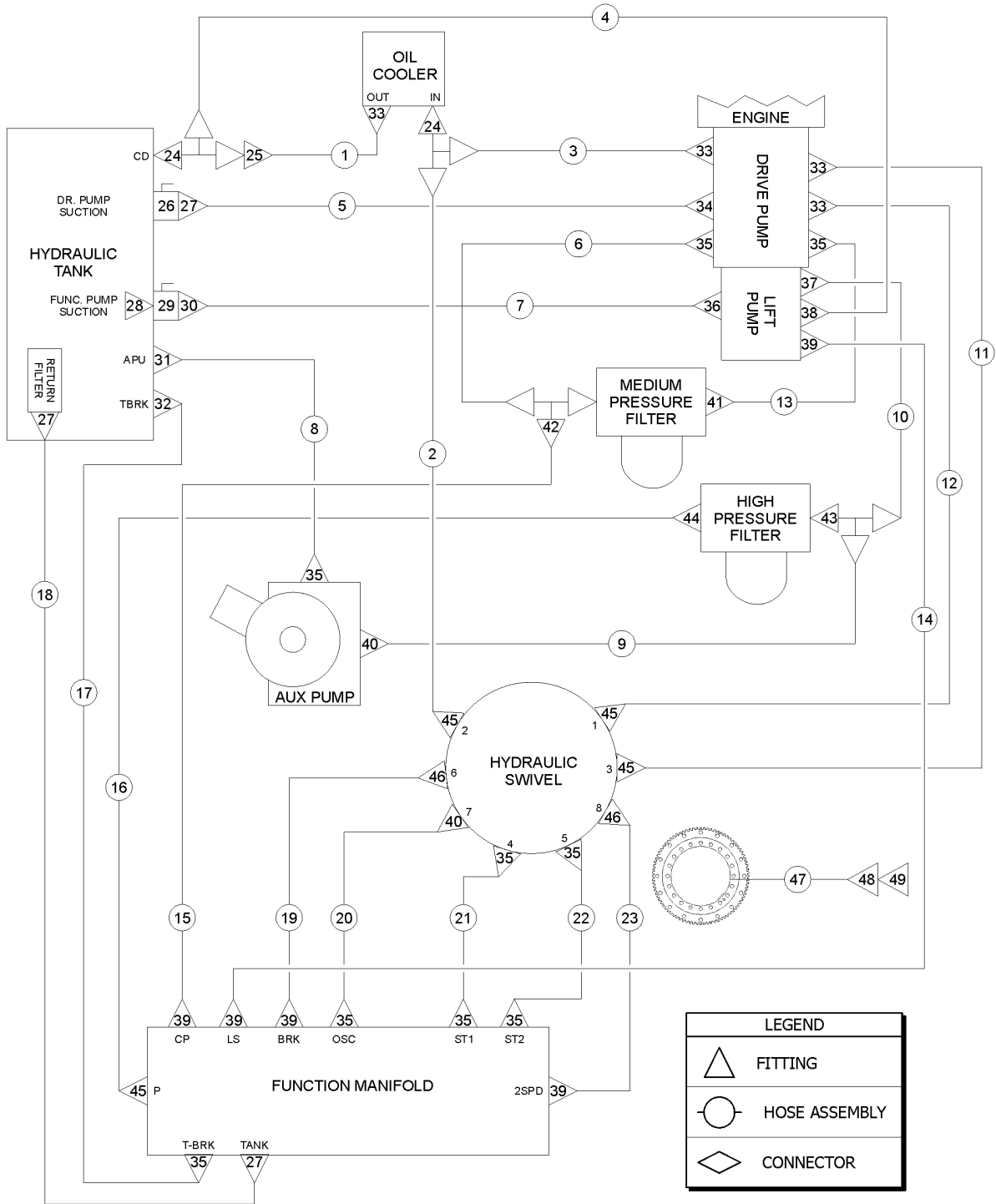


707.1 Hydraulic Hoses and Fittings - Oscillate System

<i>Item</i>	<i>Part No.</i>	<i>Description</i>	<i>Qty.</i>
1	49126-3054GT	ASSY, HOSE, HYD, -6, 3000, STR, 45	4
2	49130-9018GT	ASSY, HOSE, HYD, -6, 3000, STR, STR	2
3	49130-4518GT	ASSY, HOSE, HYD, -6, 3000, STR, STR	1
4	49183-4328GT	ASSY, HOSE, HYD, -8, 3000, STR, STR	1
5	48916GT	CONN, 520120-6	6
6	89449GT	FITTING, BRANCH BULKHEAD	2
7	48929GT	FITTING, ELBOW, 90D, 520220-6-8**	1
8	48932GT	FITTING, ELBOW, 90D, 520220-8***	1
9	48920GT	ELBOW, 45D, 520320-6	1
10	48933GT	CONN, 520120-8***	1



708.1 Hydraulic Hoses and Fittings - Turntable

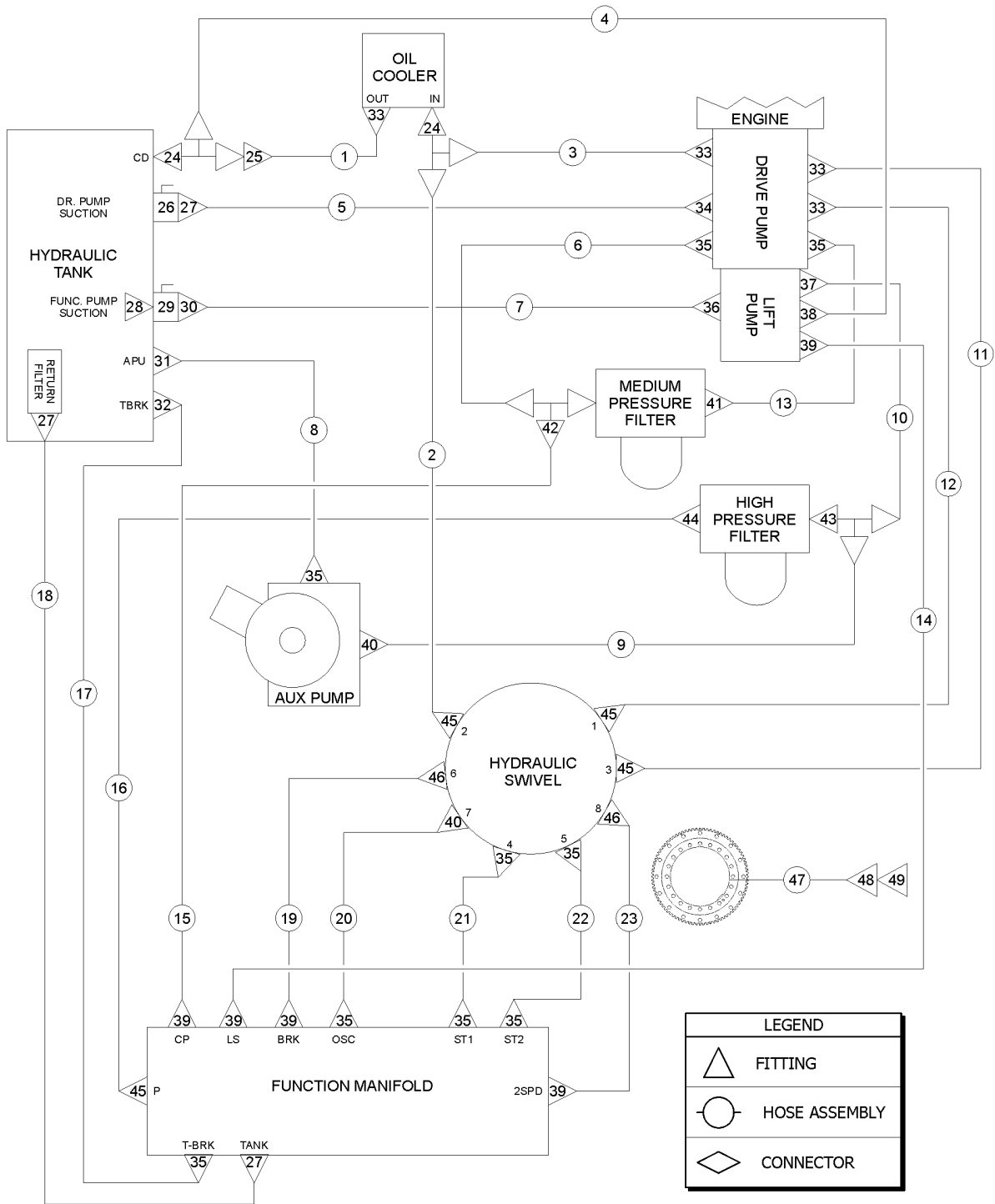


708.1 Hydraulic Hoses and Fittings - Turntable

Item	Part No.	Description	Qty.
1	49150-6730GT	ASSY, HOSE, HYD, -12, 1750, STR, 90	1
2	49149-7955GT	ASSY, HOSE, HYD, -12, 1750, STR, 45	1
3	49150-7630GT	HOSE ASSY,3/4,90 FEM,STR FEM	1
4	1291390-7155GT	ASSY, HOSE, HYD, -8, 2500, STR, 90	1
5	1282927-5128GT	ASSY, HOSE, HYD, -16, 250, STR, 45	1
6	49180-1782GT	ASSY, HOSE, HYD, -6, 3000, STR, 90LNG	1
7	1282937-5832GT	ASSY, HOSE, HYD, -20, 250, STR, 45	1
8	1291345-7000GT	ASSY, HOSE, HYD, -8, 2500, STR, STR	1
9	49130-6118GT	ASSY, HOSE, HYD, -6, 3000, STR, STR	1
10	94374-2085GT	ASSY, HOSE, HYD, -12, 4000, STR, 90	1
11	102313-6240GT	ASSY, HOSE, HYD, -12, 4000, STR, 45	1
12	102313-6040GT	ASSY, HOSE, HYD, -12, 4000, STR, 45	1
13	49128-1926GT	ASSY, HOSE, HYD, -6, 3000, STR, 90	1
14	49116-7485GT	ASSY, HOSE, HYD, -4, 3250, STR, 45	1
15	1282934-6920GT	ASSY, HOSE, HYD, -4, 3250, STR, 45	1
16	102313-7385GT	ASSY, HOSE, HYD, -12, 4000, STR, 45	1
17	49130-2418GT	ASSY, HOSE, HYD, -6, 3000, STR, STR	1
18	88942-4854GT	HOSE ASSY,1",90 FEM,STR FEM**	1
19	49119-5778GT	HOSE ASSY,1/4,STR FEM,STR FEM	1
20	49130-5482GT	HOSE ASSY, 3/8,STR FEM,STR FEM	1
21	49126-4850GT	ASSY, HOSE, HYD, -6, 3000, STR, 45	1
22	49126-4950GT	ASSY, HOSE, HYD, -6, 3000, STR, 45	1
23	49119-5578GT	HOSE ASSY,1/4,STR FEM,STR FEM	1
24	48961GT	TEE,RUN,520428-12	2
25	61262GT	ELBOW,SWIVEL 90D, 520221-12	1
26	48996GT	VALVE,BALL,16 MSAE-16 FSAE***	1
27	48984GT	CONN,520120-16	3
28	61263GT	UNION,STR.THREAD 20	1



708.1 Hydraulic Hoses and Fittings - Turntable

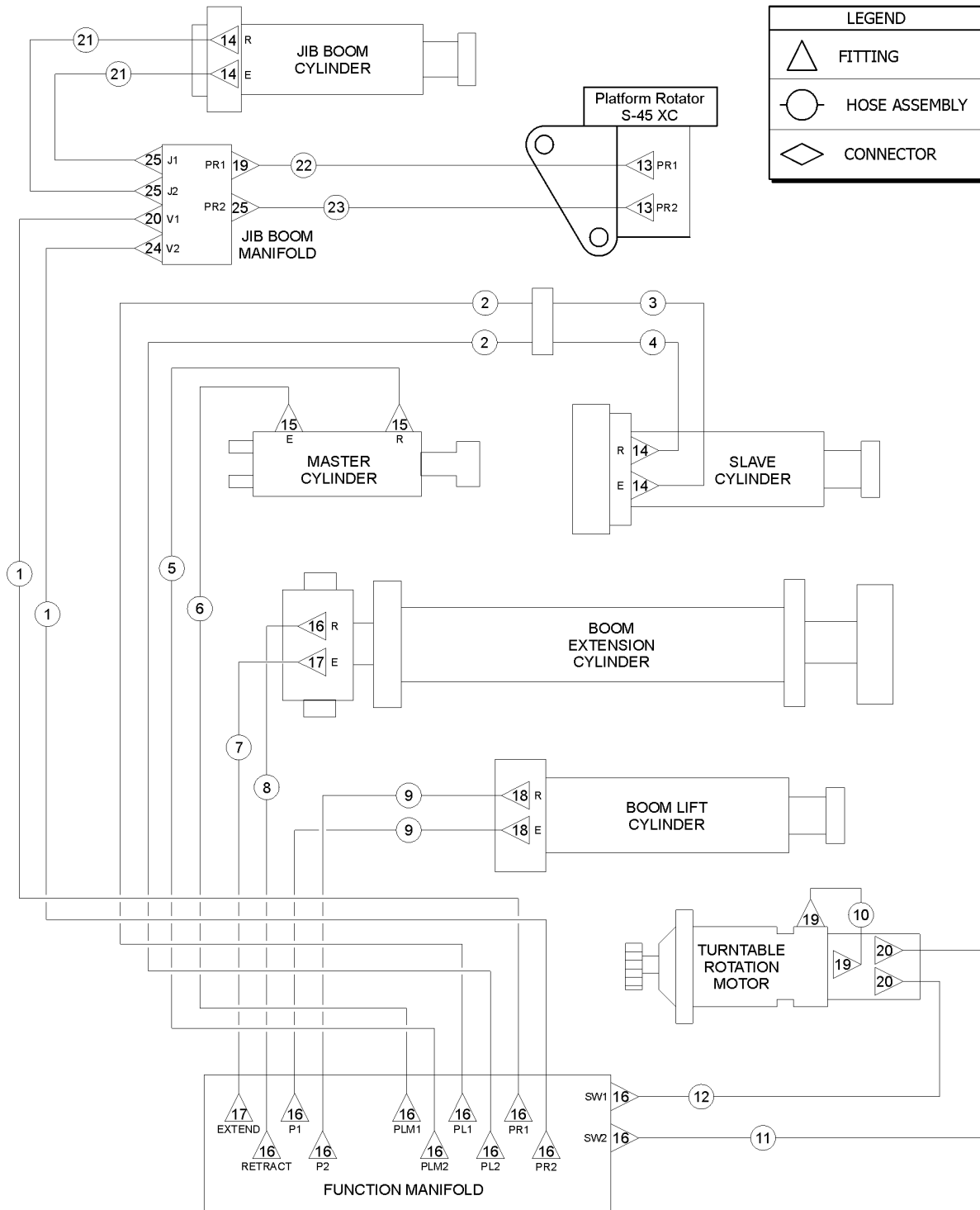


708.1 Hydraulic Hoses and Fittings - Turntable

Item	Part No.	Description	Qty.
29	101494GT	VALVE,BALL,FSAE-20,FSAE-20	1
30	75654GT	CONN,520120-20	1
31	48944GT	CONN,520102-8-8	1
32	48922GT	CONN,520102-6-6	1
33	48959GT	FITTING,ELBOW,90D,520220-12	4
34	49519GT	CONN,520120-16-12	1
35	48916GT	CONN, 520120-6	9
36	1284750GT	CONN, 20-24-5FOLO-S	1
37	48977GT	CONN,520120-12-16	1
38	48946GT	CONN,520120-8-10	1
39	48905GT	CONN,520120-4***	5
40	48915GT	ELBOW,90D,520220-6	2
41	48929GT	FITTING,ELBOW,90D,520220-6-8**	1
42	48935GT	TEE,RUN,520428-8	1
43	1279568GT	TEE, RUN, 12-12-6 WITH CHECK	1
44	48963GT	FITTING,ELBOW,45D,520320-12	1
45	48960GT	FITTING,CONN,520120-12***	4
46	48904GT	ELBOW,90D,520220-4-4	2
47	49189-4738GT	ASSY, HOSE, HYD, -4, 3250, STR, STR Components: Genie part numbers 48805, 48805 and 48751 @ 47.38 inches	1
48	48885GT	CONNECTOR,BULKHEAD,FEMALE-4	1
49	28646GT	ZERK,GREASE,1/8 NPT	1



709.1 Hydraulic Hoses and Fittings - Boom Components

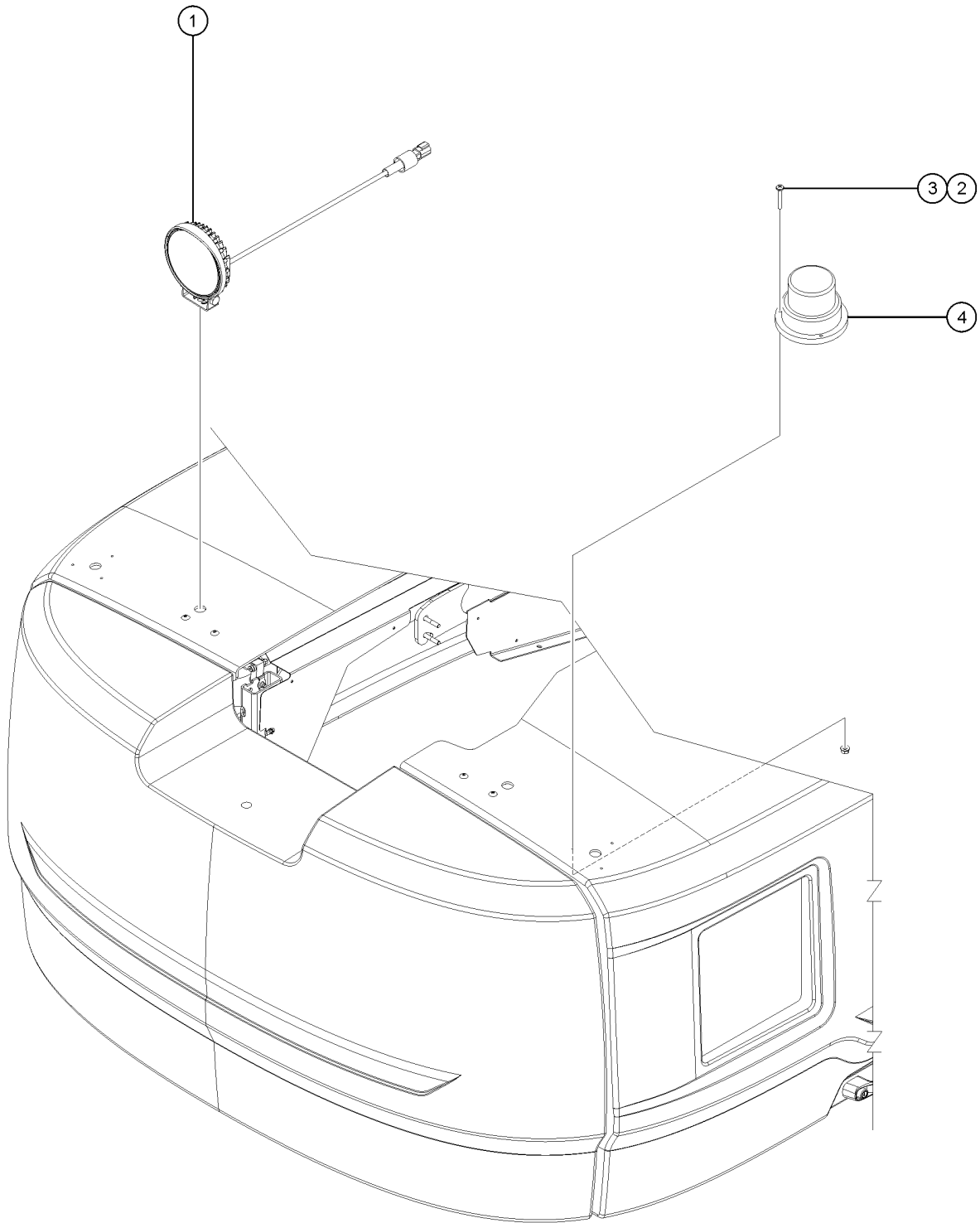


709.1 Hydraulic Hoses and Fittings - Boom Components

Item	Part No.	Description	Qty.
1	49130-60518GT	ASSY, HOSE, HYD, -6, 3000, STR, STR	2
2	49130-54218GT	ASSY, HOSE, HYD, -6, 3000, STR, STR	2
3	1288890-1836GT	ASSY, HOSE, HYD, -6, 3000, STR, STR	1
4	1288890-1536GT	ASSY, HOSE, HYD, -6, 3000, STR, STR	1
5	49130-13418GT	ASSY, HOSE, HYD, -6, 3000, STR, STR	1
6	49130-14918GT	ASSY, HOSE, HYD, -6, 3000, STR, STR	1
7	49138-14816GT	ASSY, HOSE, HYD, -8, 3000, STR, 90	1
8	49128-15326GT	ASSY, HOSE, HYD, -6, 3000, STR, 90	1
9	49130-6218GT	ASSY, HOSE, HYD, -6, 3000, STR, STR	2
10	49119-1778GT	ASSY, HOSE, HYD, -4, 3250, STR, STR	1
11	49130-7718GT	ASSY, HOSE, HYD, -6, 3000, STR, STR	1
12	49130-7518GT	ASSY, HOSE, HYD, -6, 3000, STR, STR	1
13	48907GT	48907GT	2
14	48927GT	CONN,520120-6-4	4
15	48926GT	FITTING,ELBOW,90D,520220-6-4	2
16	48916GT	CONN, 520120-6	12
17	48933GT	CONN,520120-8***	2
18	48929GT	FITTING,ELBOW,90D,520220-6-8**	2
19	48904GT	ELBOW,90D,520220-4-4	3
20	48915GT	ELBOW,90D,520220-6	3
21	49119-4378GT	HOSE ASSY,1/4",STR FEM,STR FEM	2
22	49119-2478GT	HOSE ASSY,1/4,STR FEM,STR FEM*	1
23	49119-2578GT	HOSE ASSY,1/4,STR FEM.STR FEM*	1
24	56003GT	ELBOW,90D,LONG,521520-6	1
25	48905GT	CONN,520120-4***	3



801.1 Alarm and Beacon Package, Drive Light Option

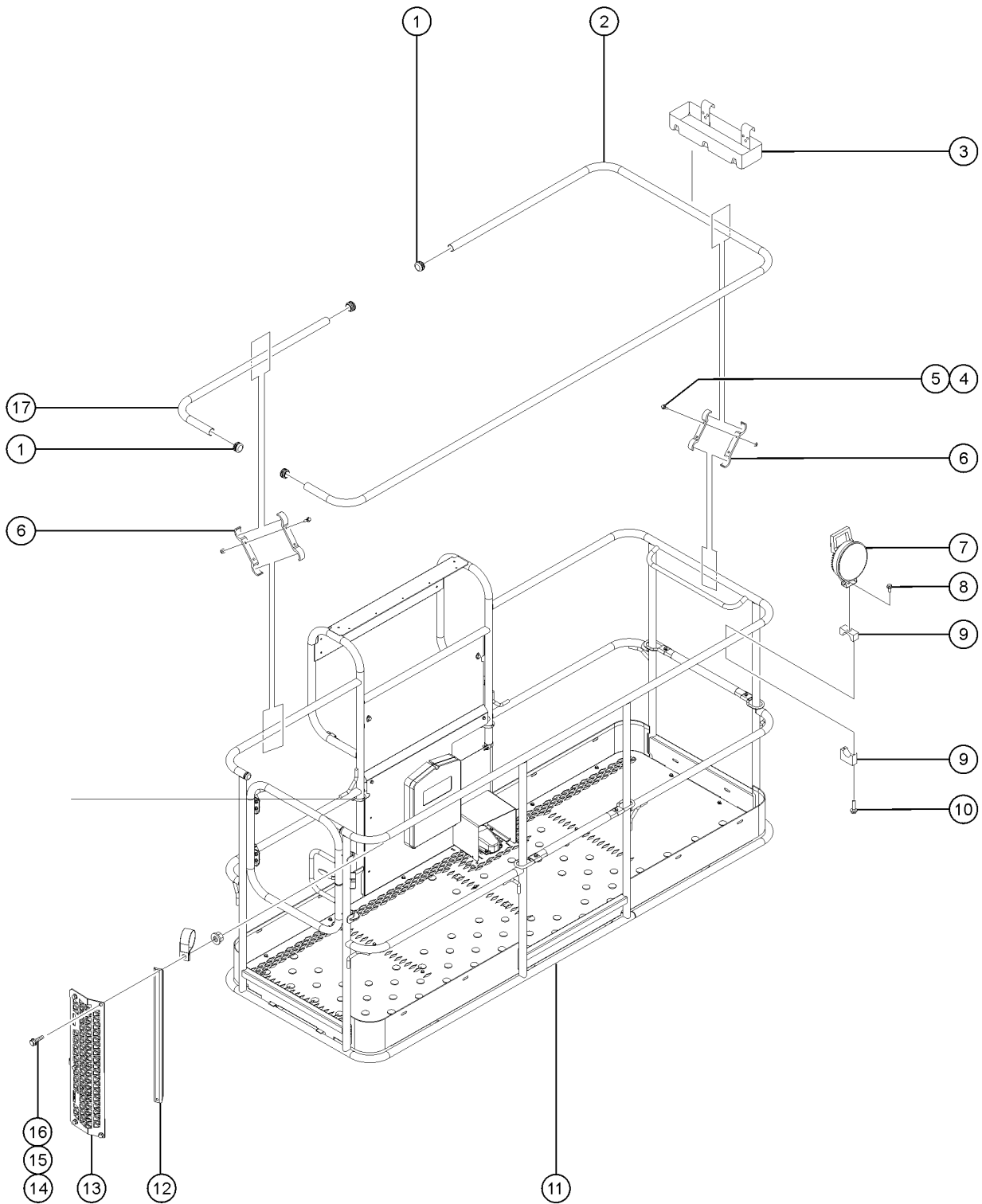


801.1 Alarm and Beacon Package, Drive Light Option

<i>Item</i>	<i>Part No.</i>	<i>Description</i>	<i>Qty.</i>
1	823520GT	ASSY, DRIVE LIGHT, 12V LED	2
1-	215481GT	LIGHT, LED WHITE 12V	
2	825352GT	SCREW,PHPM,10-32X1.25,ZAG	6
3	1274167GT	NUT,NYLOCK FLG,5/16-18,F,ZAG	6
4	121804GT	ASSY,FLASHING BEACON 2008 (complete)	2
4-	56704GT	STROBE,FIREBOLT,12-80VDC,AMB**	
4-	122019GT	FLASHTUBE,U SHAPED,360DEG,BULB	
4-	226393GT	FLASHTUBE,STRAIGHT,360DEG,BULB	
4-	72282GT	LENS,AMBER,STROBE,FIREBOLT	



802.1 Platform Options

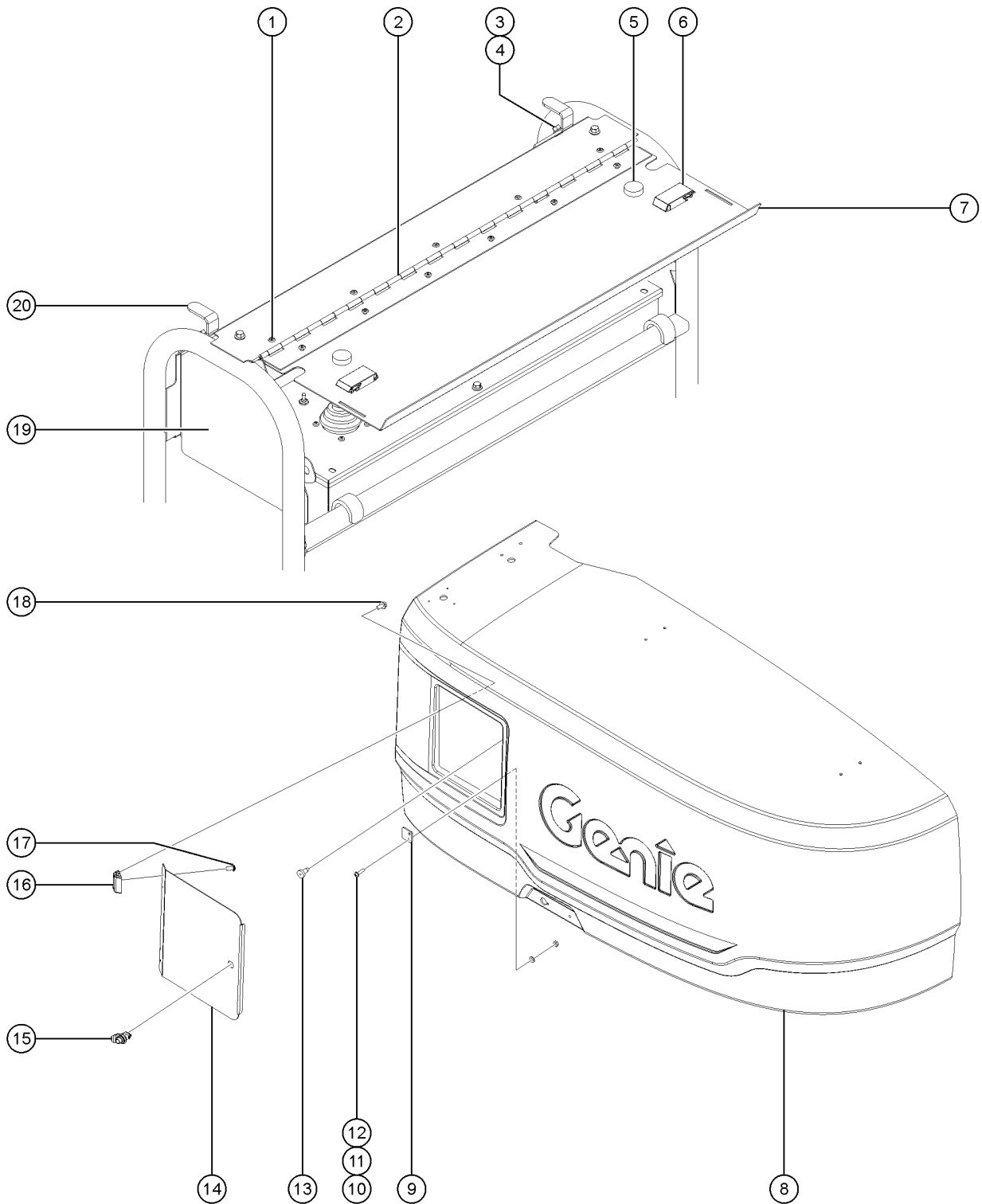


802.1 Platform Options

Item	Part No.	Description	Qty.
1	55753GT	BUMPER, PLASTIC, 1.25 O.D.	4
2	1271077GT	AUX RAIL, 8' PLAT., TRI ENTRY (8 foot Platform)	1
2B	1270570GT	AUX RAIL, 6' PLAT, SIDE ENTRY (6 foot Platform)	1
3	9599-SGT	TOOL TRAY ACCESSORY***	1
4	824079GT	SCREW,HHF,1/4-20X1,8,ZAG (8 foot Platform)	26
4B	824079GT	SCREW,HHF,1/4-20X1,8,ZAG (6 foot Platform)	22
5	824027GT	NUT,TL FLG,1/4-20,G,ZAG (8 foot Platform)	26
5B	824027GT	NUT,TL FLG,1/4-20,G,ZAG (6 foot Platform)	22
6	122073GT	SUPPORT, RAILING (8 foot Platform)	26
6B	122073GT	SUPPORT, RAILING (6 foot Platform)	22
7	1282993GT	ASSY, WORK LIGHT, 12V LED	2
7-	1296186GT	BRACKET,MOUNTING,LIGHT OPT,S40/45 XC	
8	824085GT	SCREW,HHF,5/16-18X.75,8,ZAG	2
9	35956GT	BRACKET,WORK LIGHT MOUNT 5/16"	2
10	824081GT	SCREW,HHF,1/4-20X1.5,8,ZAG	4
11		Ref.WELDMENT, PLATFORM (refer to 601.1)	
12	1277966GT	TUBE, SWING GATE GUARD	1
13	1277952GT	GUARD, SWING GATE	1
14	824086GT	SCREW, HHF, 5/16-18 X 1, 8, ZAG	5
15	56424GT	CLAMP, 1.25 x .5 RUBBER-CUSHION	5
16	824028GT	NUT,TL FLG,5/16-18,G,ZAG	5
17	1271078GT	AUX RAIL, 8' PLAT., TRI ENTRY (8 foot Platform)	1
17B	1270571GT	AUX RAIL, 6' PLAT, SIDE ENTRY (6 foot Platform)	1



803.1 Ground and Platform Control Box Covers Options

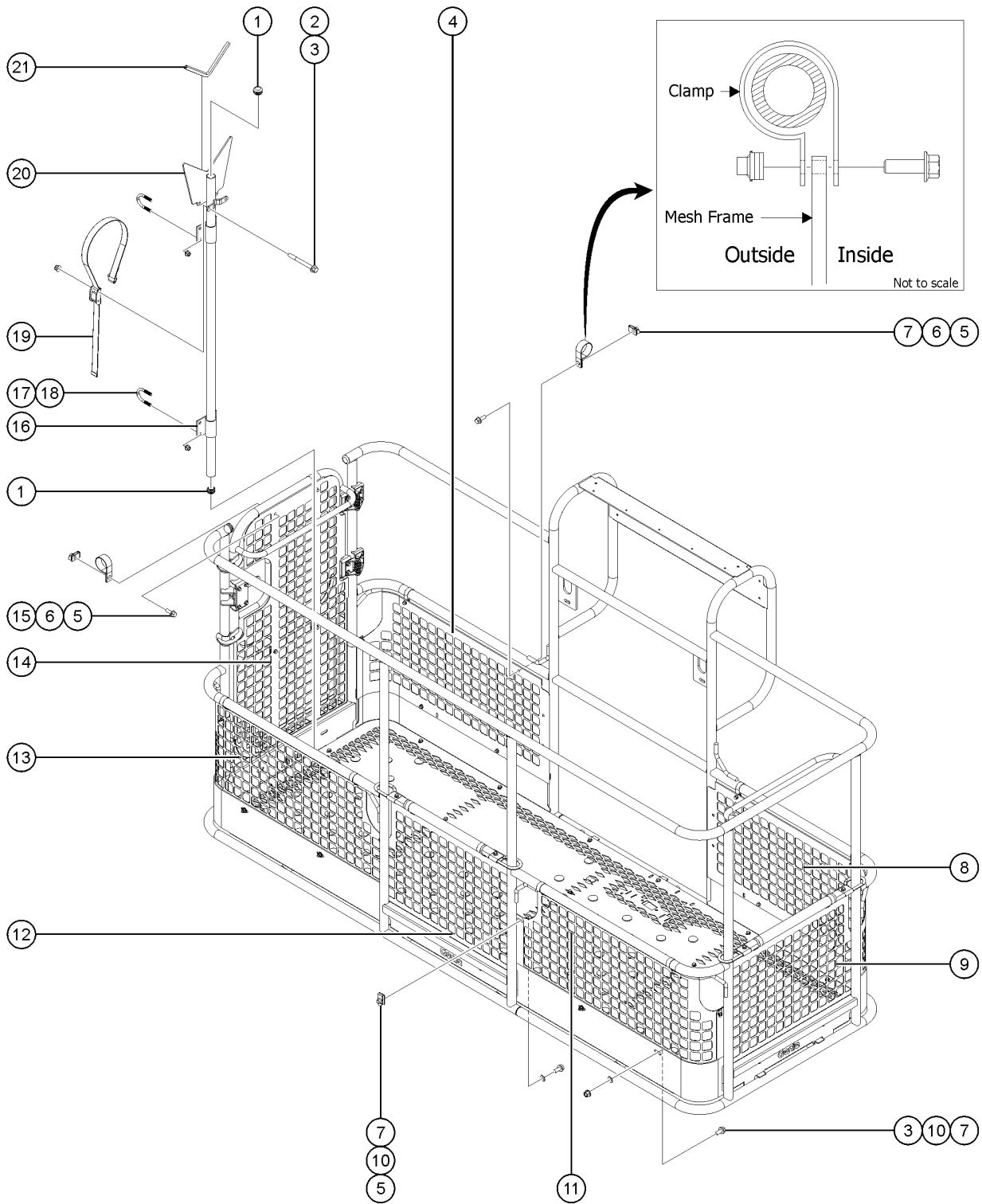


803.1 Ground and Platform Control Box Covers Options

Item	Part No.	Description	Qty.
1	54486GT	RIVET,ALUM,ALUM,3/16BUTTONHEAD	11
2	111526GT	HINGE,PLAT CONTROL BOX COVER	1
3	824078GT	SCREW,HHF,1/4-20X.75,8,ZAG	8
4	1277924GT	NUT,NYLOCK FLG,1/4-20,F,ZAG	8
5	43392GT	BUMPER,BATTERY BOX & RAILS***	2
6	30468GT	LATCH,SLIDE, FLUSH MOUNT STYLE	2
7	102785GT	CONTROL BOX COVER,LID	1
8		REF. COVER, TANK-SIDE, S40/45XC	
		(refer to 308.1)	
9	823748GT	LATCH STRIKER	1
10	824215GT	SCREW,PHPM,10-32X.75,ZAG	2
11	1253185GT	WASHER,FLAT,#10,USS,ZAG	2
12	1256804GT	NUT,10-32,ZAG	2
13	34619GT	BUMPER,RUBBER***	2
14	823747GT	FORMING,CONTROL COVER	1
		decals not included, refer to Section 100	
15	1259583GT	LATCH,PUSH BUTTON	1
16	1259584GT	HINGE,CONSTANT TORQUE	2
17	229845GT	SCREW,BHSCS,M5X10,SS	4
18	218457GT	SPACER,GUARD,ALTERNATOR	4
19	88607GT	COVER,CONTROL BOX LEFT SIDE	1
19B	88606GT	COVER,CONTROL BOX RIGHT SIDE**	1
20	102786GT	FORMING,LATCH,CTRL BOX LID PTD	2



804.1 Platform Half-Mesh and Pipe Cradle

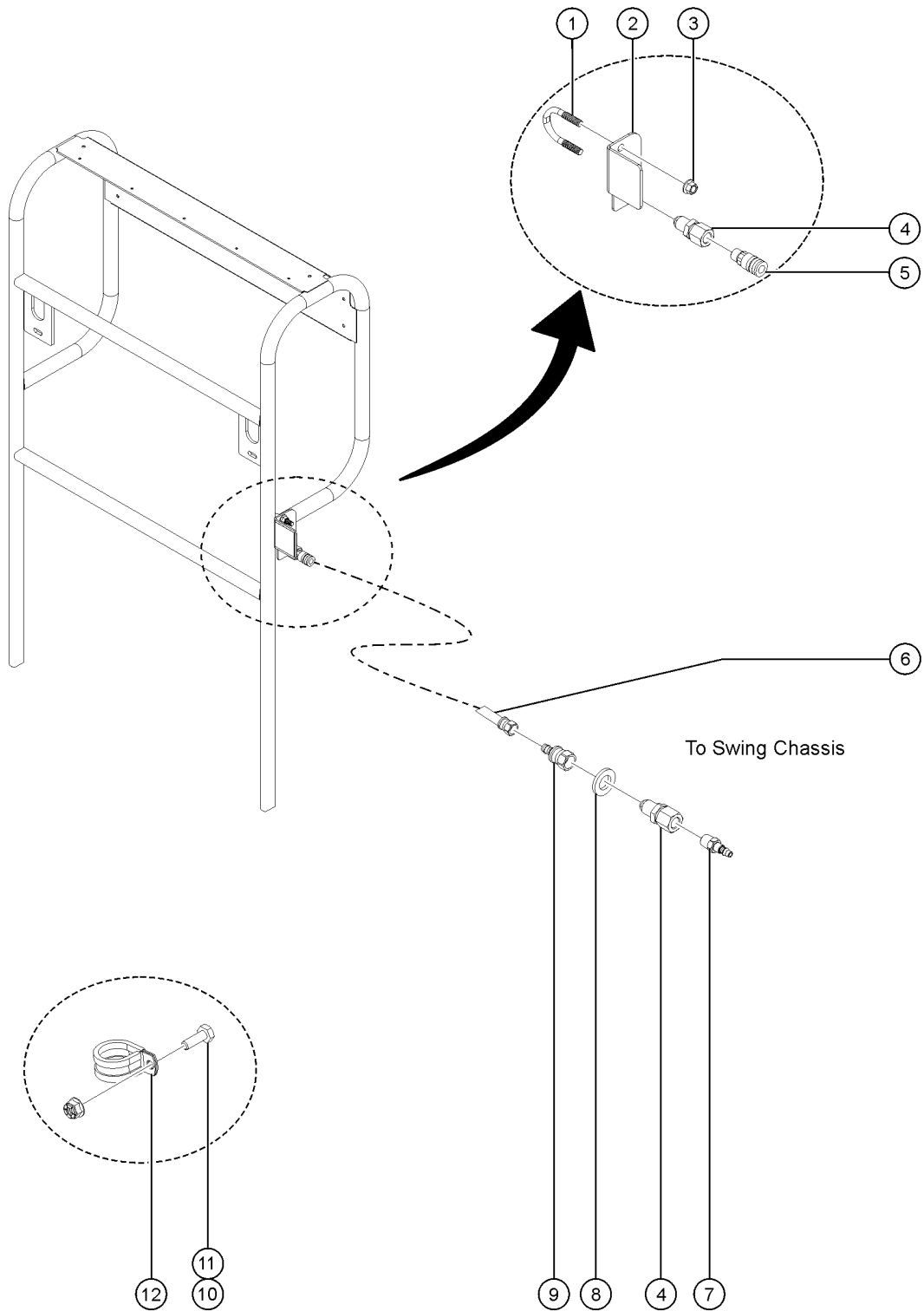


804.1 Platform Half-Mesh and Pipe Cradle

Item	Part No.	Description	Qty.
1	55753GT	BUMPER, PLASTIC, 1.25 O.D.	4
2	824083GT	SCREW,HHF,1/4-20X2.5,8,ZAG	4
3	1277924GT	NUT,NYLOCK FLG,1/4-20,F,ZAG	
4	1270994GT	PANEL, HALF MESH, 8' TRI-ENTRY (8 foot Platform)	1
4B	1270314GT	PANEL, HALF MESH (6 foot Platform)	1
5	56912GT	SPRING CLIP,1/4-20,.025-.15X.5	
6	56424GT	CLAMP, 1.25 x .5 RUBBER-CUSHION	
7	824078GT	SCREW,HHF,1/4-20X.75,8,ZAG	
8	1271019GT	PANEL, HALF MESH, 8' TRI-ENTRY	1
9	1271061GT	PANEL, HALF MESH, 8' TRI-ENTRY (8 foot Platform)	1
9B	1270313GT	PANEL, HALF MESH (6 foot Platform)	1
10	824113GT	WASHER,FLAT,1/4,USS,ZAG	
11	1271018GT	PANEL, HALF MESH, 8' TRI-ENTRY (8 foot Platform)	1
12	1271061GT	PANEL, HALF MESH, 8' TRI-ENTRY	
13	1271040GT	PANEL, HALF MESH, 8' TRI-ENTRY (8 foot Platform)	1
13B	1270316GT	PANEL, HALF MESH (6 foot Platform)	1
14	1278793GT	WELDMENT, PLATFORM MESH GATE	1
15	824079GT	SCREW,HHF,1/4-20X1,8,ZAG	4
16	81368GT	WELDMENT,PIPE CRADLE MOUNT	4
17	1251600GT	U-BOLT, FLATTENED, Ø1.5 X 3/8 UNC,ZAG	8
18	1274322GT	NUT,NYLOCK FLG,3/8-16,G,ZAG	16
19	56570GT	STRAP, CONDUIT HOLDER 60"****	2
20	56525GT	WELDMENT, PIPE CRADLE	2
21	19018-1100GT	TRIMLOCK,BLACK,5/32"	2



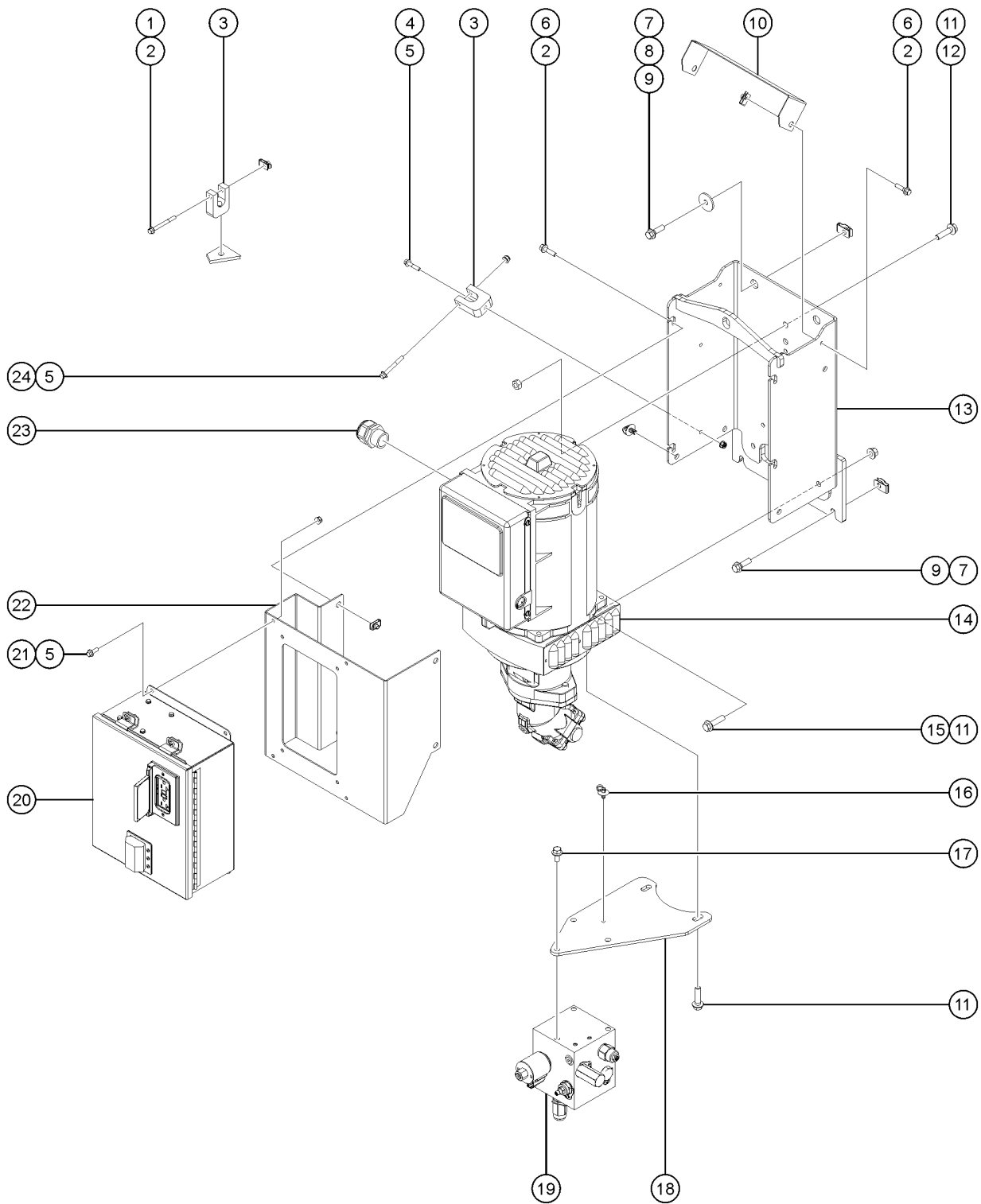
805.1 Air Line to Platform



<i>Item</i>	<i>Part No.</i>	<i>Description</i>	<i>Qty.</i>
1	1251600GT	U-BOLT, FLATTENED, Ø1.5 X 3/8 UNC,ZAG	1
2	1275087GT	FORMING, AIR TO PLAT	1
3	824029GT	NUT, TL FLG, 3/8-16, G, ZAG	2
4	49212GT	FEMALE BULKHEAD CONNECTOR-8	2
5	49215GT	MPT,CPLR,1/4"SER,3/8"X18	1
6	70644-69892GT	HOSE ASSY, 3/8 STR FEM STR FEM	1
		(includes item 9)	
7	49214GT	MALE PIPE THD,1/4" SER,3/8"X18	1
8	1256863GT	WASHER,FLAT,.75,SAE,HRD,ZAG	1
9	70641GT	HOSE END,BARB,FEM.STR.8-6	
10	824059GT	SCREW, HHC, 1/4-20 X .75, 8, ZAG	2
11	1277924GT	NUT,NYLOCK FLG,1/4-20,F,ZAG	2
12	13268GT	CLAMP,0.75,#12 X 1/4,RUB CUSH	2



806.1 Welder Option, Chassis Components - View 1

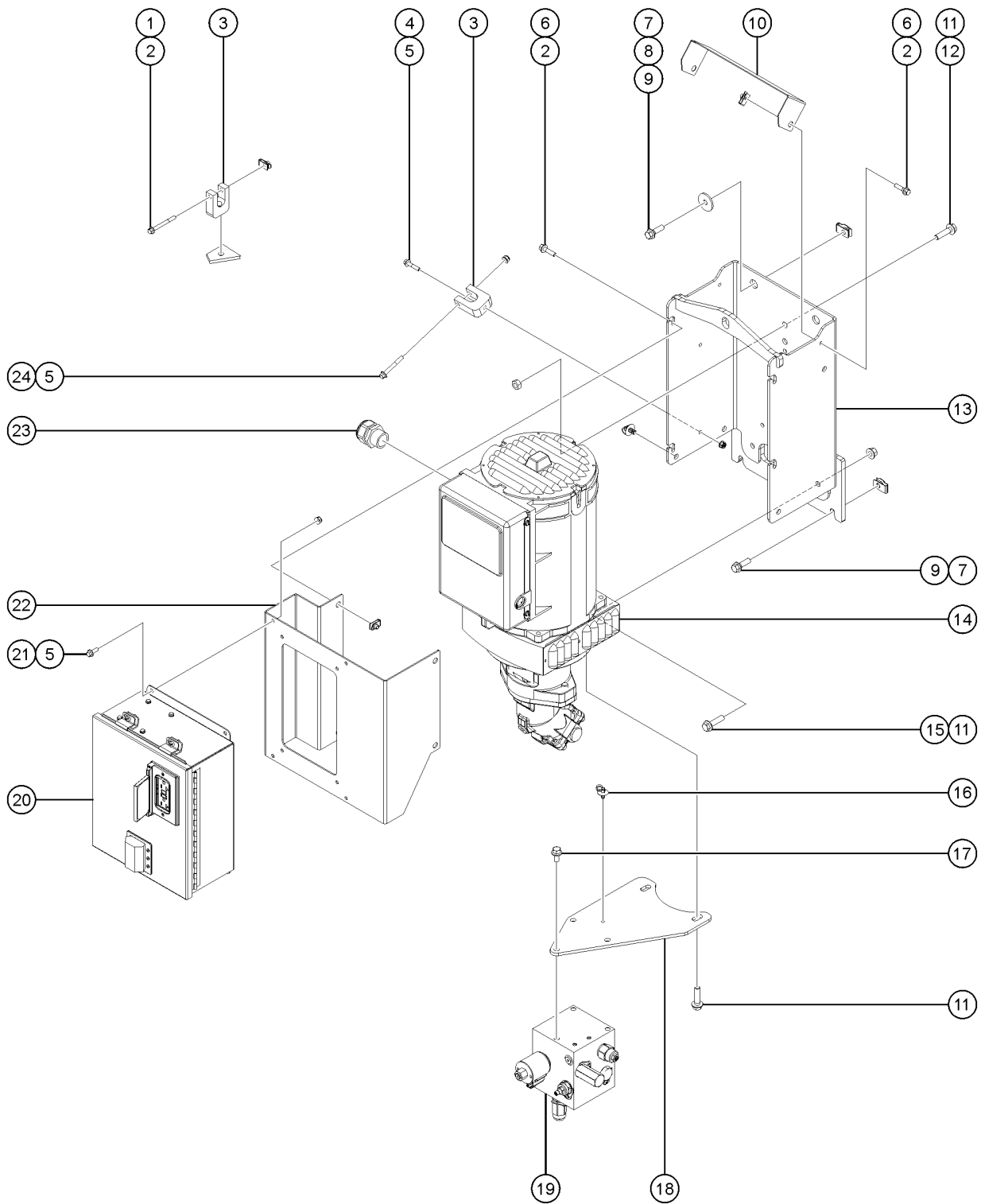


806.1 Welder Option, Chassis Components - View 1

Item	Part No.	Description	Qty.
A	105214GT	CABLE TIE MOUNT, WINGED	3
1	824083GT	SCREW,HHF,1/4-20X2.5,8,ZAG	1
2	56912GT	SPRING CLIP,1/4-20,.025-.15X.5	7
3	1288455GT	CLAMP, .820 DIA CABLE, TYPE-D, UHMW	3
4	824080GT	SCREW,HHF,1/4-20X1.25,8,ZAG	2
5	1277924GT	NUT,NYLOCK FLG,1/4-20,F,ZAG	8
6	824079GT	SCREW,HHF,1/4-20X1,8,ZAG	6
7	824091GT	SCREW,HHF,3/8-16X1.25,8,ZAG	4
8	1268468GT	WASHER,FLAT,.406X1.50X.125,ZAG	2
9	29868GT	SPRING CLIP,3/8-16,.05-.20X.73,ZAG	4
10	1287258GT	FORMING, RAIN SHIELD	1
11	232871GT	SCREW,HHF,M10-1.5X40,DIN6921,1	5
12	1257295GT	NUT,M10-1.5,DIN934,10,ZAB	1
13	1285661GT	WELDMENT, WELD GENERATOR BRACKET, S40/45XC	1
14	1281786GT	GENERATOR, HYD, 13KW 60HZ, 240V 3PH	
14-	1285150GT	COVER, ACCESS, GEN COUPLING	
		for 1281786	
14-	1285151GT	COUPLING, GEN DRIVE, MOTOR SIDE	
		for 1281786	
14-	1285152GT	COUPLING, GEN DRIVE, GEN SIDE	
		for 1281786	
14-	1285153GT	COUPLING, INSERT, GEN DRIVE	
		for 1281786	
14B	1279871GT	GEN,7.5kW,230VAC,1PH,50HZ,AUS,S80	1
		(AUS) Only	
14B-	1287259GT	COVER, GENERATOR EXHAUST PORT	
15	231529GT	NUT,TL FLG,M10-1.5,DIN6927,10,	2
16	110149GT	CABLE TIE,DFT MOUNT,BLK,6.5"	3
17	824089GT	SCREW,HHF,3/8-16X.75,8,ZAG	3
18	1285663GT	PLATE, WELD GENERATOR MANIFOLD BRACKET	1
19		REF. MANIFOLD, HYD, LIFT POWER, WELDER GENERATOR	1
		refer to 704.1	
20		REF. ASSEMBLY, JBOX	1
		refer to 806.2	
21	824078GT	SCREW,HHF,1/4-20X.75,8,ZAG	4



806.1 Welder Option, Chassis Components - View 1

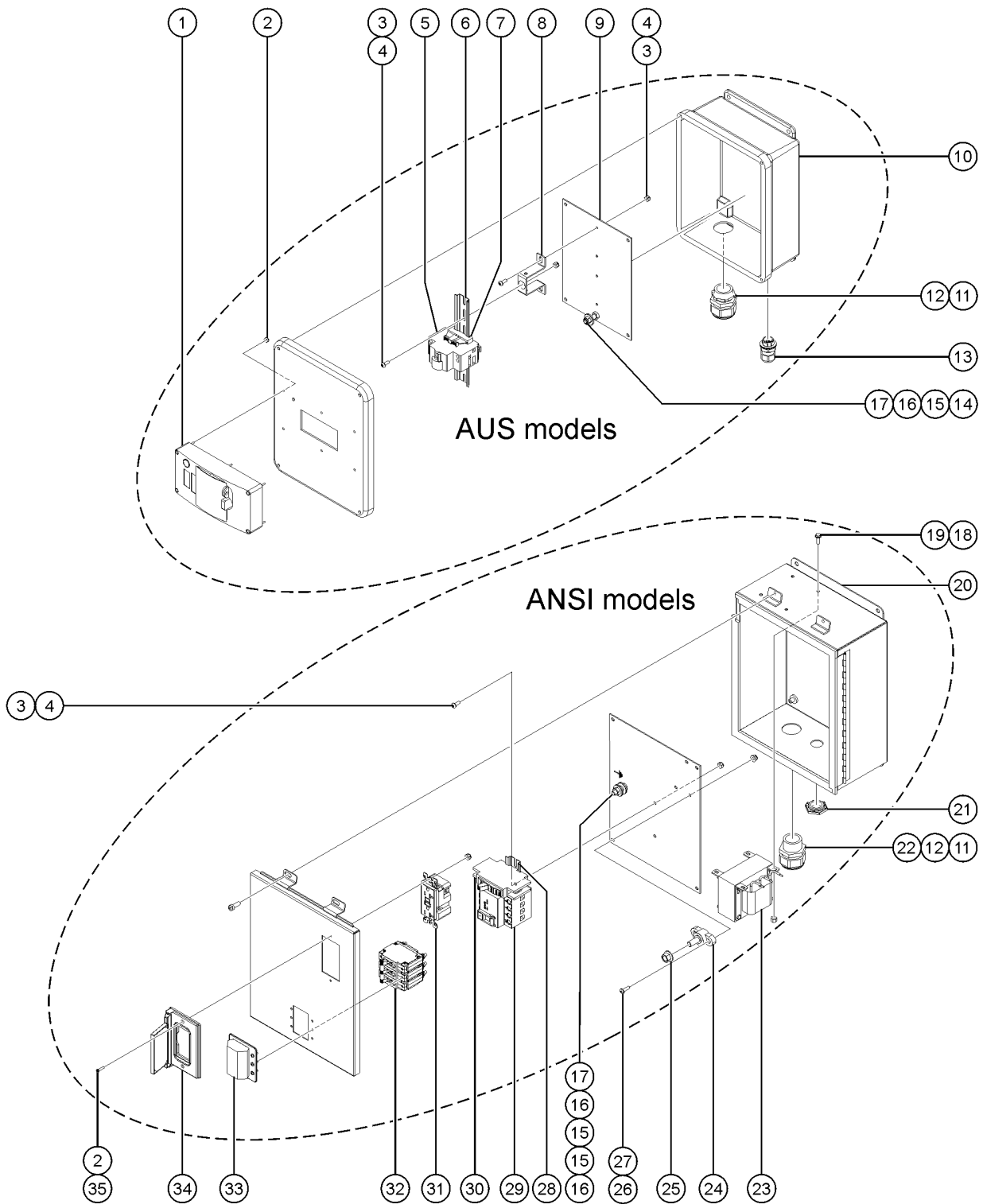


806.1 Welder Option, Chassis Components - View 1

<i>Item</i>	<i>Part No.</i>	<i>Description</i>	<i>Qty.</i>
22	1286178GT	FORMING, JBOX BRACKET	1
23	20776GT	CABLE SQUEEZE CONN.	1
24	1253485GT	SCREW,HHF,1/4-20X2,8,ZAG	2



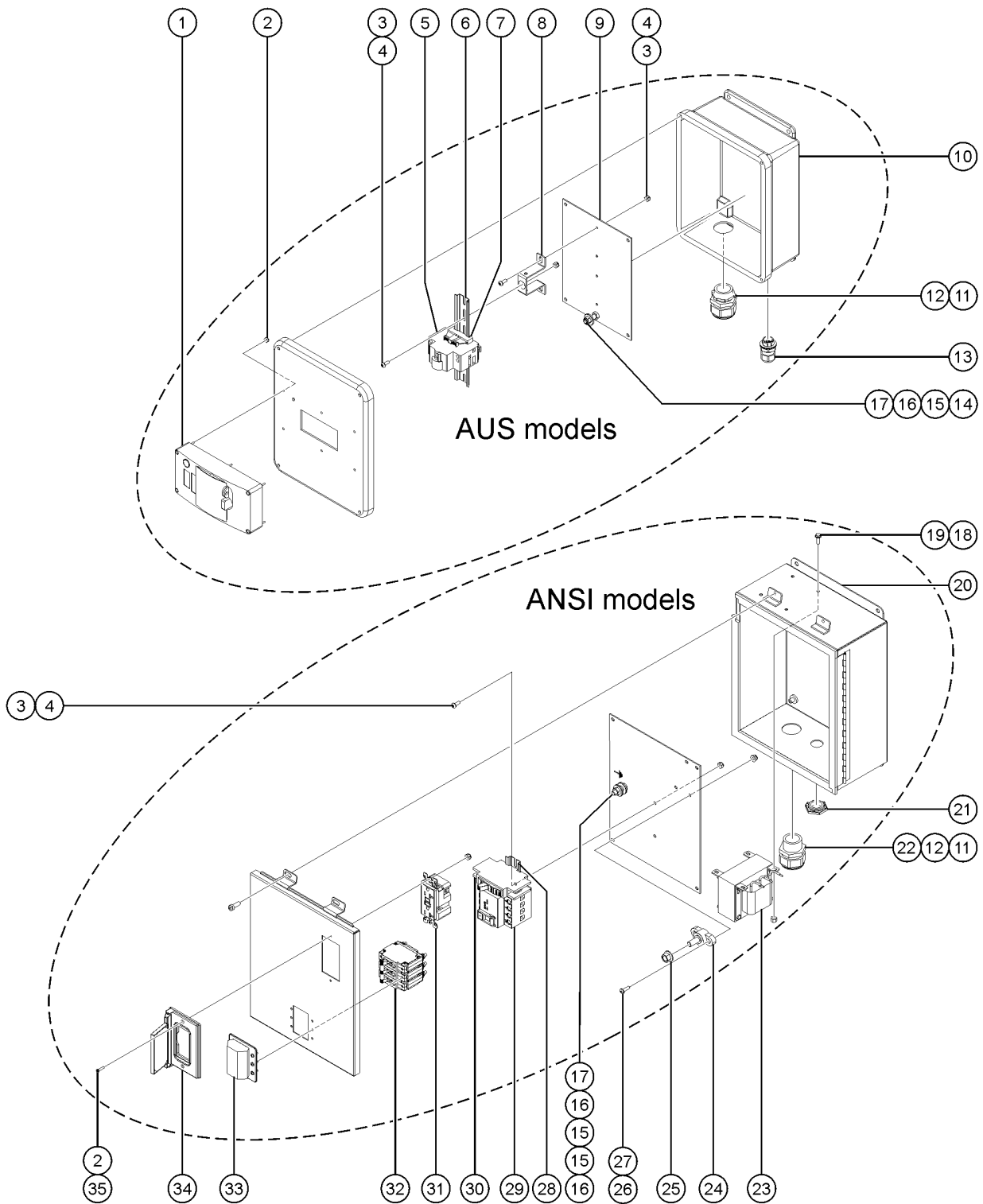
806.2 Welder Option, Chassis Components - View 2



Item	Part No.	Description	Qty.
1	1258687GT	MOUNTING COVER KIT WITH NEON	1
2	12344GT	NUT,NYLOCK,6-32	
3	54365GT	SCREW,PHIL,PHM,10-32 X .5,SSTL	
4	6178GT	NUT,NYLOCK,10-32	
5	1258674GT	RCBO, 16A/30MA TRIP, 1P	1
6	822548GT	DIN RAIL, 7.375"	1
7	74913GT	END STOP, DIN RAIL,SCREW CLAMP	2
8	1258689GT	BRACKET,DIN RAIL SUPPORT	2
9	1258688GT	PANEL,AUSSY ENCLOSURE BACK	1
10	1289554GT	BOX, AUS JBOX, CIRCUIT BREAKER	1
11	20776GT	CABLE SQUEEZE CONN.	2
12	18665GT	LOCKNUT,ELECTRIC,1" NPT	1
13	1287081GT	CORD GRIP	1
14	6782GT	NUT, NYLOCK, 5/16-18	1
15	5397GT	WASHER,FLAT,USS,5/16",Y	
16	6037GT	NUT,HEX,5/16-18,GR5	
17	13000GT	SCREW,HHC,5/16-18 X 1.25	1
18	1270665GT	SCREW,HHF,10-24X.625,5,ZAG	4
19	1274170GT	NUT, NYLOCK, 10-24, A, ZAG	4
20	1283843GT	ENCLOSURE, JBOX, 12X10	1
20-	6178GT	NUT,NYLOCK,10-32	
20B	1296591GT	KIT, BRACKET AND SCREW	
21	106495GT	PLUG,1/2" HUBBLE	1
22	106104GT	O-RING,SEAL RING,1" NPT (PKG)	1
23	1282963GT	TRANSFORMER, 139 TO 120 VOLT	1
24	94982GT	STANDOFF, 3/8" BLACK	1
25	1274322GT	NUT,NYLOCK FLG,3/8-16,G,ZAG	1
26	1257227GT	SCREW,PHPM,10-32X.625,ZAG	2



806.2 Welder Option, Chassis Components - View 2

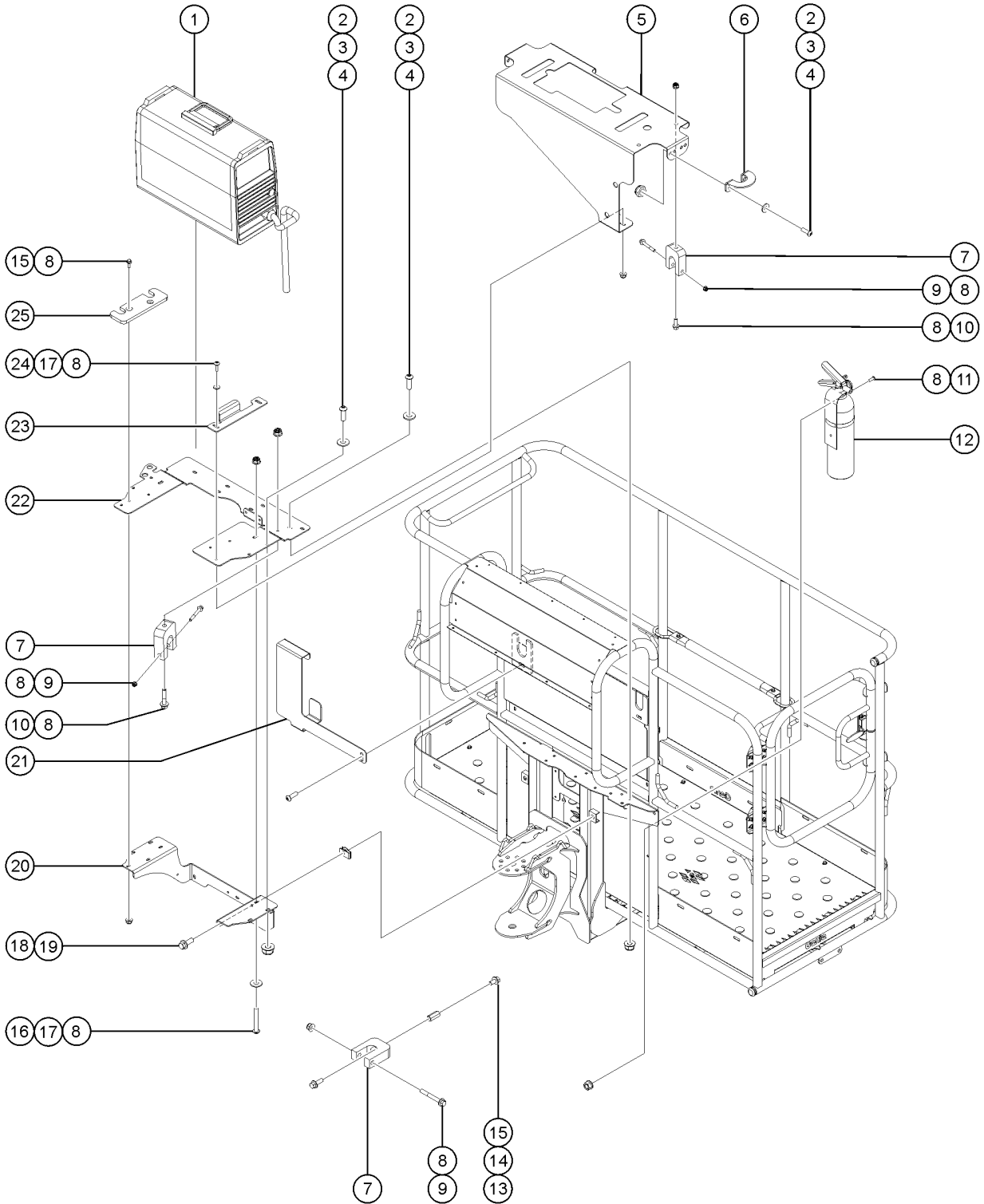


806.2 Welder Option, Chassis Components - View 2

<i>Item</i>	<i>Part No.</i>	<i>Description</i>	<i>Qty.</i>
27	1283005GT	NUT,NYLOCK FLG,10-32,A,ZAG	2
28	825737GT	DIN RAIL, 4.60"	1
29	824617GT	CIRCUIT BREAKER,GFCI,3PH,63A,3	1
30	106073GT	CIRCUIT BREAKER,20A,SINGLE PH	1
31	80543GT	RECEPTACLE, 120VAC, 20A, GFCI	1
32	1276986GT	CIRCUIT BREAKER,MAGTRIP,3PH,40A	1
33	1276672GT	BOOT, ENVIRO, 3PH CIRCUIT BREAKER	1
34	74006GT	COVER,GFCI,HORIZONTAL,WEATHER	1
35	63375GT	SCREW,FHM,6-32 X .75	2



807.1 Welder Option, Platform Components

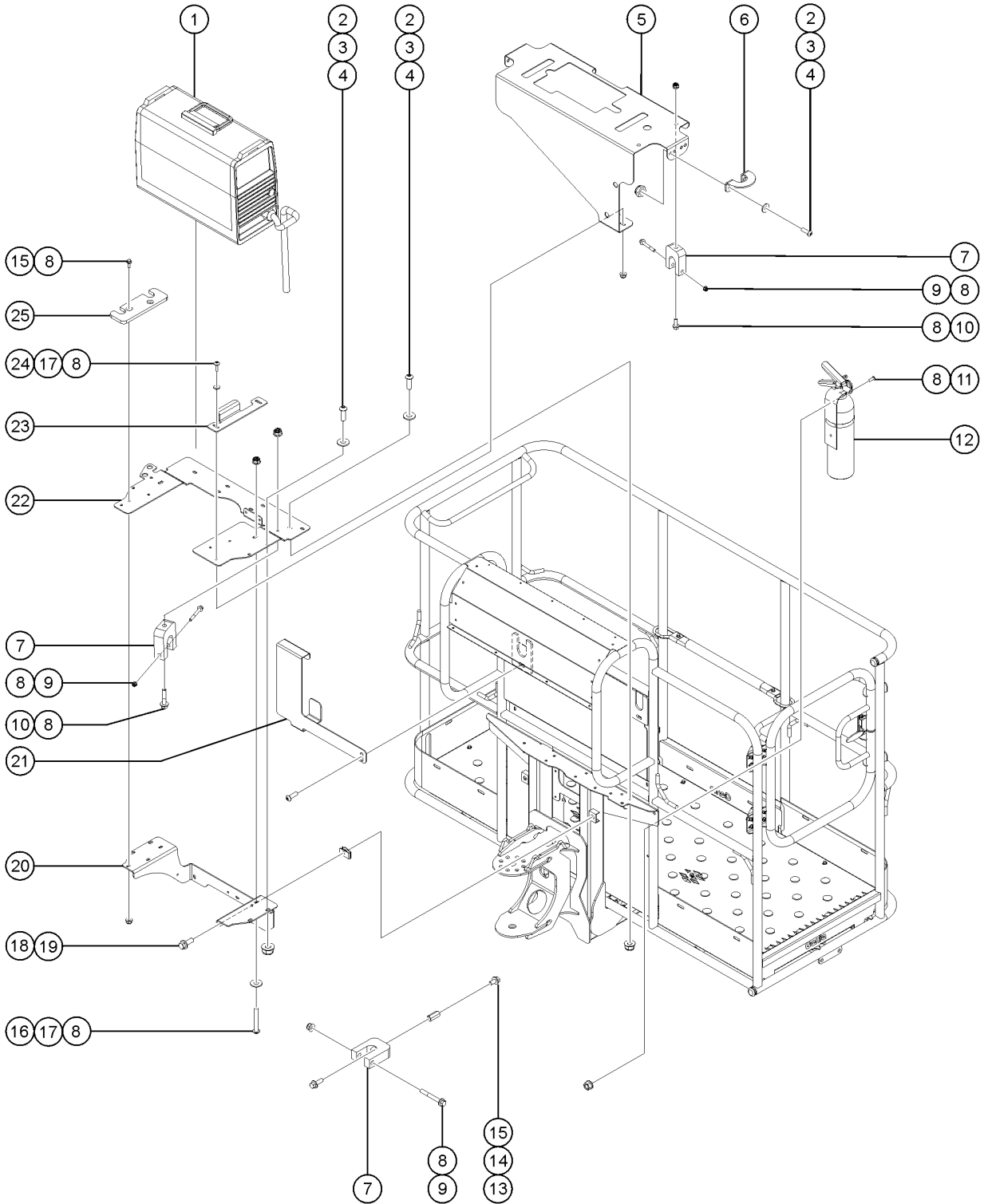


807.1 Welder Option, Platform Components

Item	Part No.	Description	Qty.
A	214620GT	SOCKET,3P,30A,4 WIRE, FEM	1
B	214621GT	SOCKET, BOOT, 3P, 30A, 4 WIRE	1
C	214623GT	PLUG, 3P,30A, 4 WIRE, MALE	1
D	214622GT	PLUG, BOOT, 3P, 30A, 4 WIRE	1
E	106275GT	KIT,WELD LEADS ASSY,V275S	1
F	110276-3700GT	FIRE SLEEVE, 1.21 ID	2
G	110276-1650GT	FIRE SLEEVE, 1.21 ID	2
H	110276-2325GT	FIRE SLEEVE, 1.21 ID	1
I	110276-2100GT	FIRE SLEEVE, 1.21 ID	2
J	110277-2850GT	FIRE SLEEVE, 2.46 ID	1
K	110277-2500GT	FIRE SLEEVE, 2.0"	1
1	101525GT	WELDER,INVERTEC V275-S (Lincoln)	1
1B	214619GT	WELDER, MILLER, CST 280 (Miller, Welder Ready)	1
2	128322GT	SCREW,5/16-18X1.00,SECURITY TO	11
3	825358GT	WASHER,FLAT,5/16,USS,ZAG	11
4	1274167GT	NUT,NYLOCK FLG,5/16-18,F,ZAG	11
5	1277207GT	BRACKET,WELDER COVER,XC	1
6	217366GT	BRACKET,WELDER TOP	2
7	1288455GT	CLAMP, .820 DIA CABLE, TYPE-D, UHMW	4
8	1277924GT	NUT,NYLOCK FLG,1/4-20,F,ZAG (Miller, Welder Ready)	15
8B	1277924GT	NUT,NYLOCK FLG,1/4-20,F,ZAG (Lincoln)	13
9	1253485GT	SCREW,HHF,1/4-20X2,8,ZAG	4
10	824079GT	SCREW,HHF,1/4-20X1,8,ZAG	3
11	1256124GT	SCREW,BHC,1/4-20X.75,F835,ZAG	2
12	88406GT	FIRE EXTINGUISHER	1
13	824077GT	SCREW,HHF,1/4-20X.5,8,ZAG	1
14	1290424GT	NUT,COUPLING,1/4-20X.875,F594,SS	1
15	824078GT	SCREW,HHF,1/4-20X.75,8,ZAG (Lincoln)	1



807.1 Welder Option, Platform Components

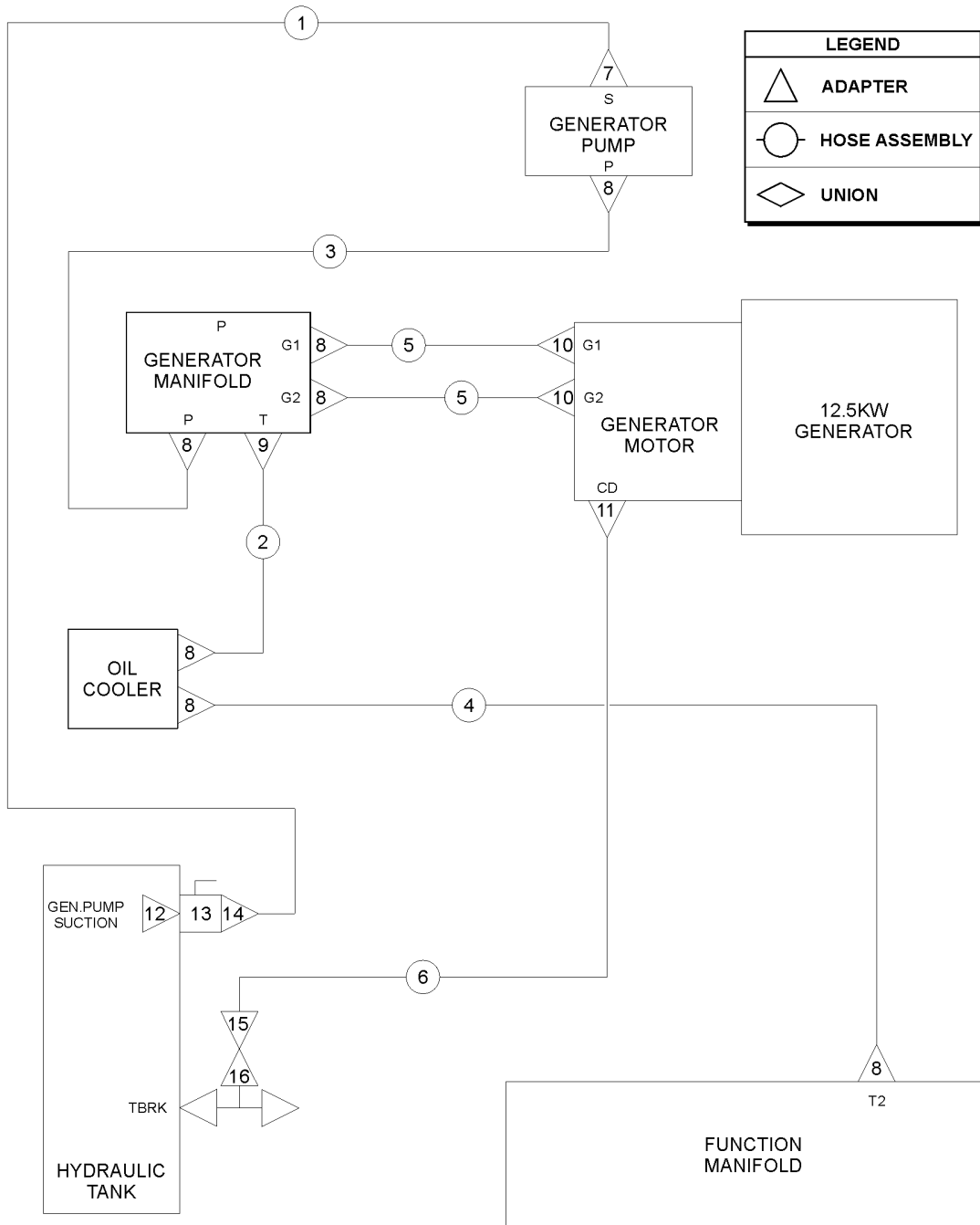


807.1 Welder Option, Platform Components

<i>Item</i>	<i>Part No.</i>	<i>Description</i>	<i>Qty.</i>
15B	824078GT	SCREW,HHF,1/4-20X.75,8,ZAG (Miller, Welder Ready)	5
16	1253408GT	SCREW,BHTC-PIN,1/4-20X1.75,ZAG	4
17	824113GT	WASHER,FLAT,1/4,USS,ZAG (Lincoln)	4
17B	824113GT	WASHER,FLAT,1/4,USS,ZAG (Miller, Welder Ready)	2
18	824090GT	SCREW,HHF,3/8-16X1,8,ZAG	2
19	29868GT	SPRING CLIP,3/8-16,.05-.20X.73,ZAG	2
20	1277206GT	FORMING,WELD MNT SPRT,LOWER,XC	1
21	106204GT	BRACKET,V275S WELD LEADS***	1
22	1277205GT	FORMING,WELDER SPRT BRKT,XC	1
23	1277208GT	FORMING,MILLER WELDER RETENTION,XC (Miller Only)	1
24	106860GT	SCREW,SECURITY,1/4-20 X 1.00LG	2
25	1274967GT	UHMW,MILLER WLDR RETENTION (Miller, Welder Ready)	2



808.1 Hoses and Fittings - Welder

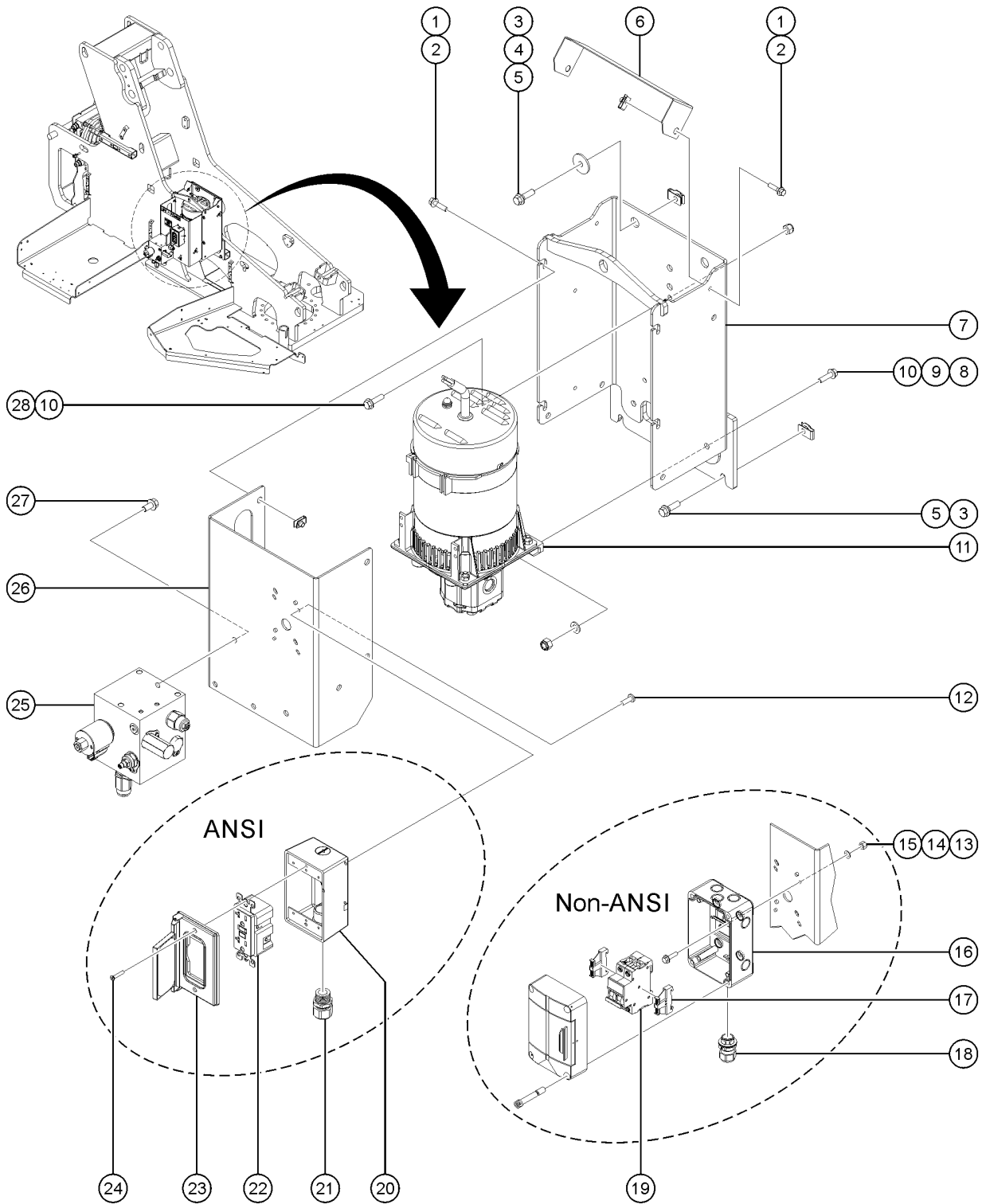


808.1 Hoses and Fittings - Welder

Item	Part No.	Description	Qty.
1	1282937-6237GT	ASSY, HOSE, HYD, -20, 200, STR, 45	1
2	1281706-6929GT	ASSY, HOSE, HYD, -12, 1750, STR, 90LNG	1
3	94374-6830GT	ASSY, HOSE, HYD, -12, 4000, STR, 90	1
4	49150-6630GT	ASSY, HOSE, HYD, -12, 1750, STR, 90	1
5	49151-2548GT	HOSE ASSY,3/4,STR FEM,STR FEM	2
6	49125-2570GT	ASSY, HOSE, HYD, -6, 3000, STR, 90	1
7	88936GT	CONN,520120-20-16	1
8	48960GT	FITTING,CONN,520120-12***	7
9	48959GT	FITTING,ELBOW,90D,520220-12	1
10	48974GT	ELBOW,90D,520220-12-10	2
11	48915GT	ELBOW,90D,520220-6	1
12	61263GT	UNION,STR.THREAD 20	1
13	101494GT	VALVE,BALL,FSAE-20,FSAE-20	1
14	75654GT	CONN,520120-20	1
15	48922GT	CONN,520102-6-6	1
16	48875GT	TEE,RUN,SWIVEL,520432-6	1



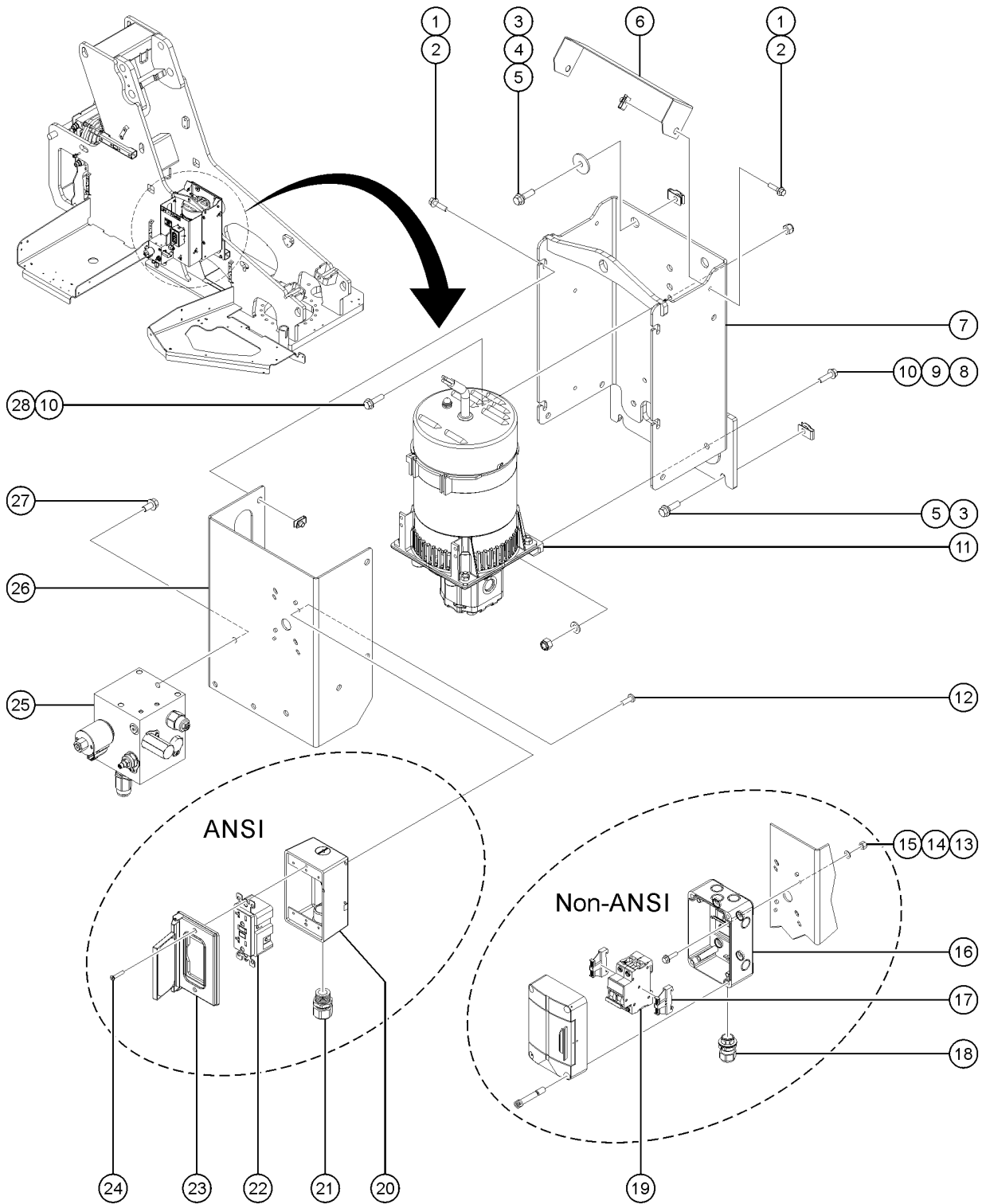
809.1 3K Hydraulic Generator Option



Item	Part No.	Description	Qty.
A-	105214GT	CABLE TIE MOUNT, WINGED	5
B-	1284310GT	HARNESS, JUMPER, GND, TBOX	1
C-	1287084GT	ASSEMBLY, RCBO, 10A, 30MA, 50HZ, IP65 (includes item 13-19)	1
1	824079GT	SCREW,HHF,1/4-20X1,8,ZAG	6
2	56912GT	SPRING CLIP,1/4-20,.025-.15X.5	6
3	824091GT	SCREW,HHF,3/8-16X1.25,8,ZAG	4
4	1268468GT	WASHER,FLAT,.406X1.50X.125,ZAG	2
5	29868GT	SPRING CLIP,3/8-16,.05-.20X.73,ZAG	4
6	1287258GT	FORMING, RAIN SHIELD	1
7	1285661GT	WELDMENT, WELD GENERATOR BRACKET, S40/45XC	1
8	1255537GT	SCREW,HHF,M8-1.25X30,DIN6921,1	2
9	824144GT	WASHER,FLAT,M8,DIN125,ZAB	2
10	1283022GT	NUT,NYLOCK,M8-1.25,DIN985,10,ZAB	3
11	1272433GT	GEN, 3.0 KW, 120V/60HZ ANSI	1
11B	1279869GT	GEN, 3.0 kW, 50Hz, DUAL VOLTAGE NON-ANSI	1
12	1257296GT	SCREW,PHPM-ST,8.32X.50,TYPE F, ANSI Only	4
13	826214GT	NUT,TL,M5-0.8,DIN980,10,ZAB	4
14	826215GT	WASHER,FLAT,M5,DIN125,ZAB	4
15	218458GT	SCREW,HHF,M5X20,DIN6921,10.9,Y	4
16	1269086GT	ENCLOSURE, FUSE, MODULAR, 150X	1
17	74913GT	END STOP, DIN RAIL,SCREW CLAMP	2
18	1287081GT	CORD GRIP	2
19	1261795GT	RCBO, 10A, 30MA, TYPE B, 240V,	1
20	10775GT	T-BOX,2.75 X 4.5 X 2.0	1
20-	128929-300GT	SHRINK TUBE, BLACK 3/4,3:1	
21	7056GT	CONN,SQUEEZE,1/2NPT .38-.50,SM	1
22	80543GT	RECEPTACLE, 120VAC, 20A, GFCI	1
23	74006GT	COVER,GFCI,HORIZONTAL,WEATHER	1



809.1 3K Hydraulic Generator Option

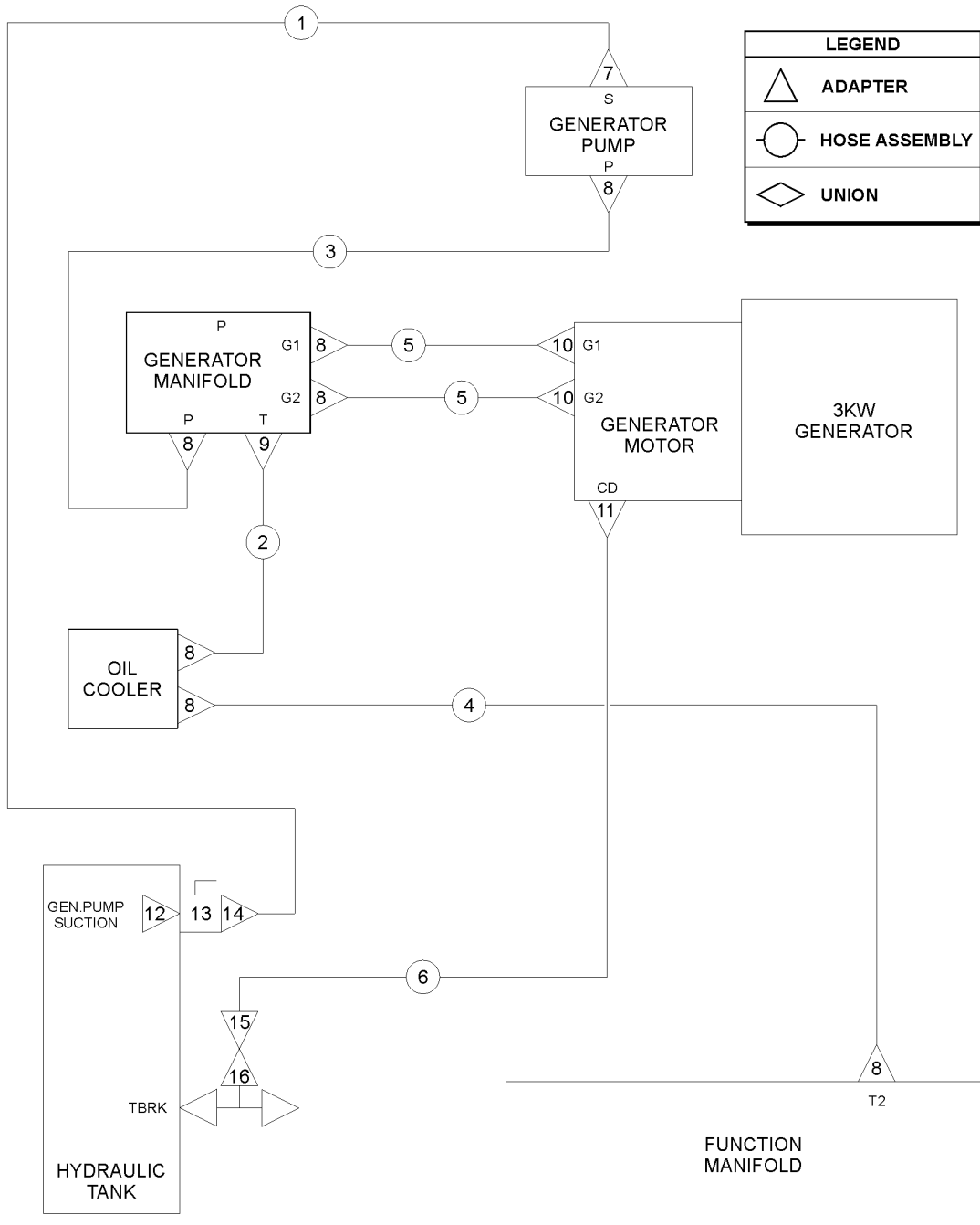


809.1 3K Hydraulic Generator Option

<i>Item</i>	<i>Part No.</i>	<i>Description</i>	<i>Qty.</i>
24	1253489GT	SCREW,FHPM,6-32 X .75,ZAG	2
25		Ref. MANIFOLD, HYD, LIFT POWER, WELDER GENERATOR	1
		(refer to 704.1)	
26	1289546GT	FORMING, MANIFOLD BRACKET, 3KW LIFT POWER	1
27	824089GT	SCREW,HHF,3/8-16X.75,8,ZAG	3
28	1255538GT	SCREW,HHC,M8-1.25X30,DIN933,10	1



810.1 3K Hydraulic Generator Option - Hoses and Fittings



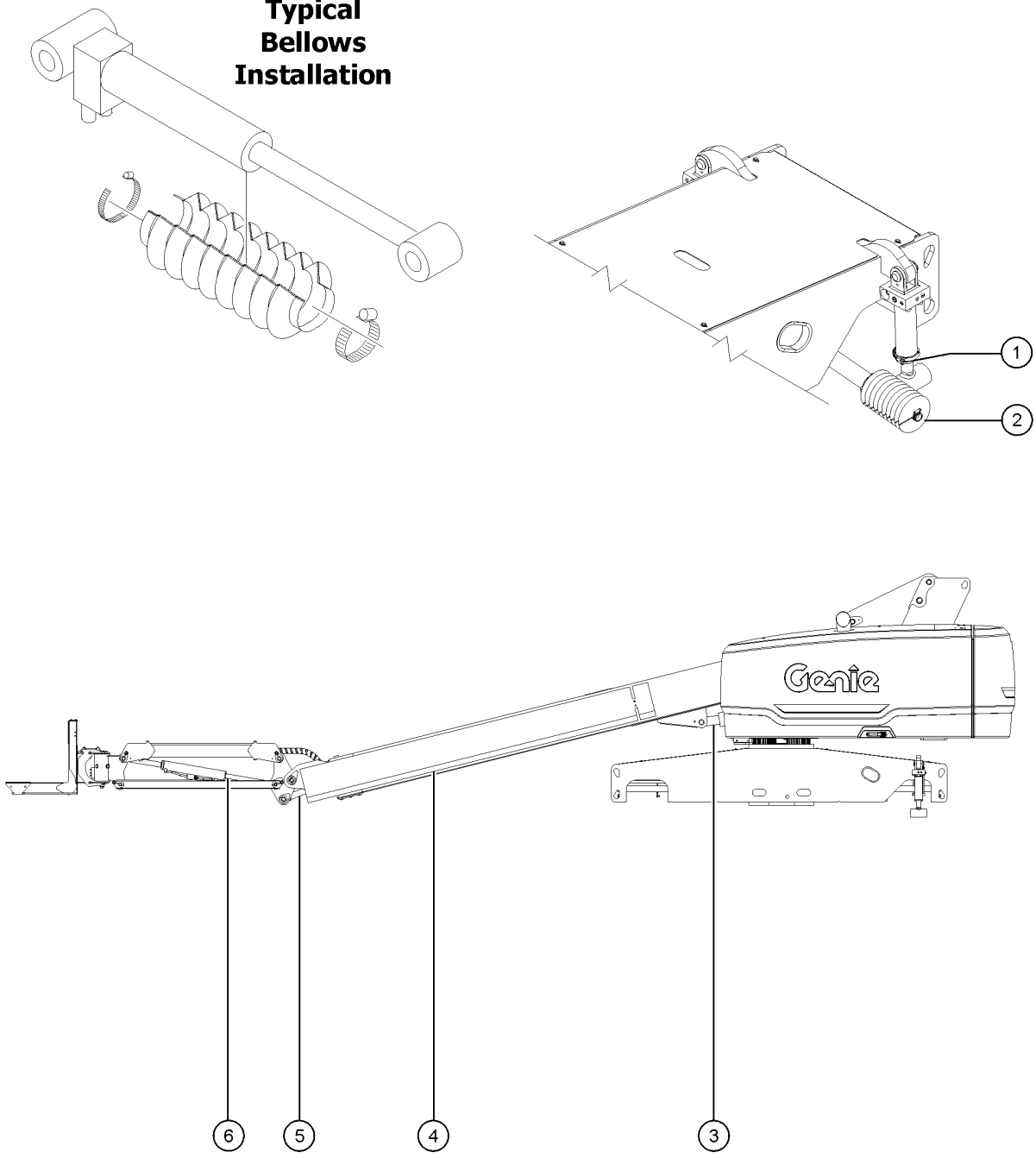
810.1 3K Hydraulic Generator Option - Hoses and Fittings

Item	Part No.	Description	Qty.
1	1282937-6237GT	ASSY, HOSE, HYD, -20, 200, STR, 45	1
2	1281706-6929GT	ASSY, HOSE, HYD, -12, 1750, STR, 90LNG	1
3	94374-6830GT	ASSY, HOSE, HYD, -12, 4000, STR, 90	1
4	49150-6630GT	ASSY, HOSE, HYD, -12, 1750, STR, 90	1
5	49151-2548GT	HOSE ASSY,3/4,STR FEM,STR FEM	2
6	49125-2570GT	ASSY, HOSE, HYD, -6, 3000, STR, 90	1
7	88936GT	CONN,520120-20-16	1
8	48960GT	FITTING,CONN,520120-12***	7
9	48959GT	FITTING,ELBOW,90D,520220-12	1
10	48974GT	ELBOW,90D,520220-12-10	2
11	48915GT	ELBOW,90D,520220-6	1
12	61263GT	UNION,STR.THREAD 20	1
13	101494GT	VALVE,BALL,FSAE-20,FSAE-20	1
14	75654GT	CONN,520120-20	1
15	48922GT	CONN,520102-6-6	1
16	48875GT	TEE,RUN,SWIVEL,520432-6	1



811.1 Hostile Environment Package - View 1

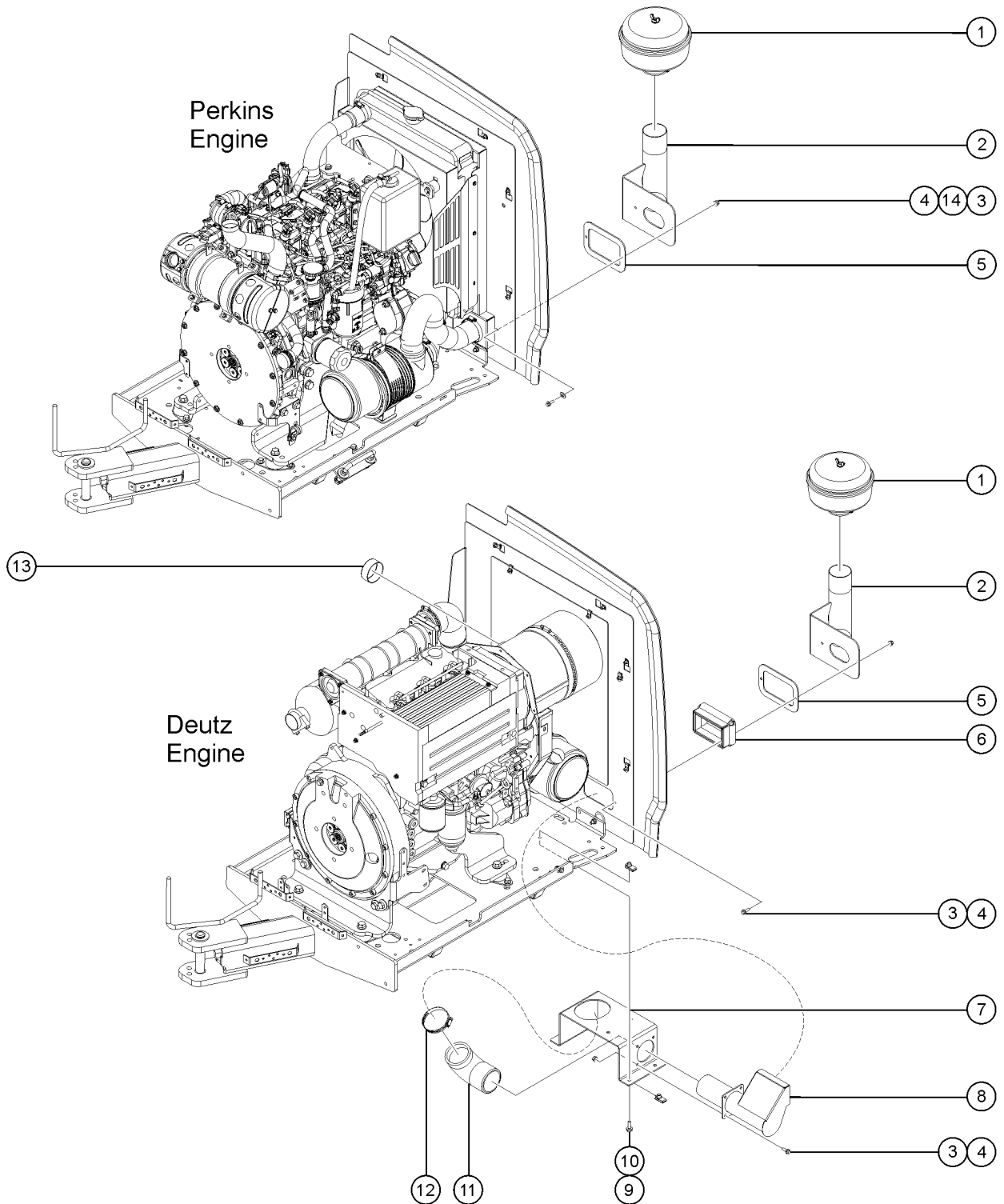
**Typical
Bellows
Installation**



<i>Item</i>	<i>Part No.</i>	<i>Description</i>	<i>Qty.</i>
1	1291158GT	BELLOWS, OSCILLATE CYLINDER	2
1-	30971GT	CLAMP,HOSE,3.00"	
2	73842GT	COVER,PROTECTIVE,STEER CYLINDR	2
2-	19273GT	CLAMP,HOSE,.75 **	
2-	35434GT	CLAMP,HOSE,2.00***	
3	1291160GT	BELLOWS, LIFT CYLINDER	1
3-	35432GT	CLAMP,HOSE,6.50	
3-	30971GT	CLAMP,HOSE,3.00"	
4	1294843GT	COVER, HOSE & CABLE, HOSTILE	1
5	1291159GT	BELLOWS, PLATFORM LEVEL CYLINDER	1
5-	22672GT	CLAMP,HOSE,1.75	
5-	1280080GT	PLATE, BACKING BELLOWS, S-80/85 XC	
5-	1251757GT	SCREW,PHPM,10-32X.50,ZAG	
5-	1256312GT	WASHER,LOCK,#10,ZAG	
5-	23405GT	NUTSERT,10-32 STEEL CAD PLTD	
6	1291316GT	BELLOWS, JIB CYLINDER	1
6-	22672GT	CLAMP,HOSE,1.75	
6-	30971GT	CLAMP,HOSE,3.00"	



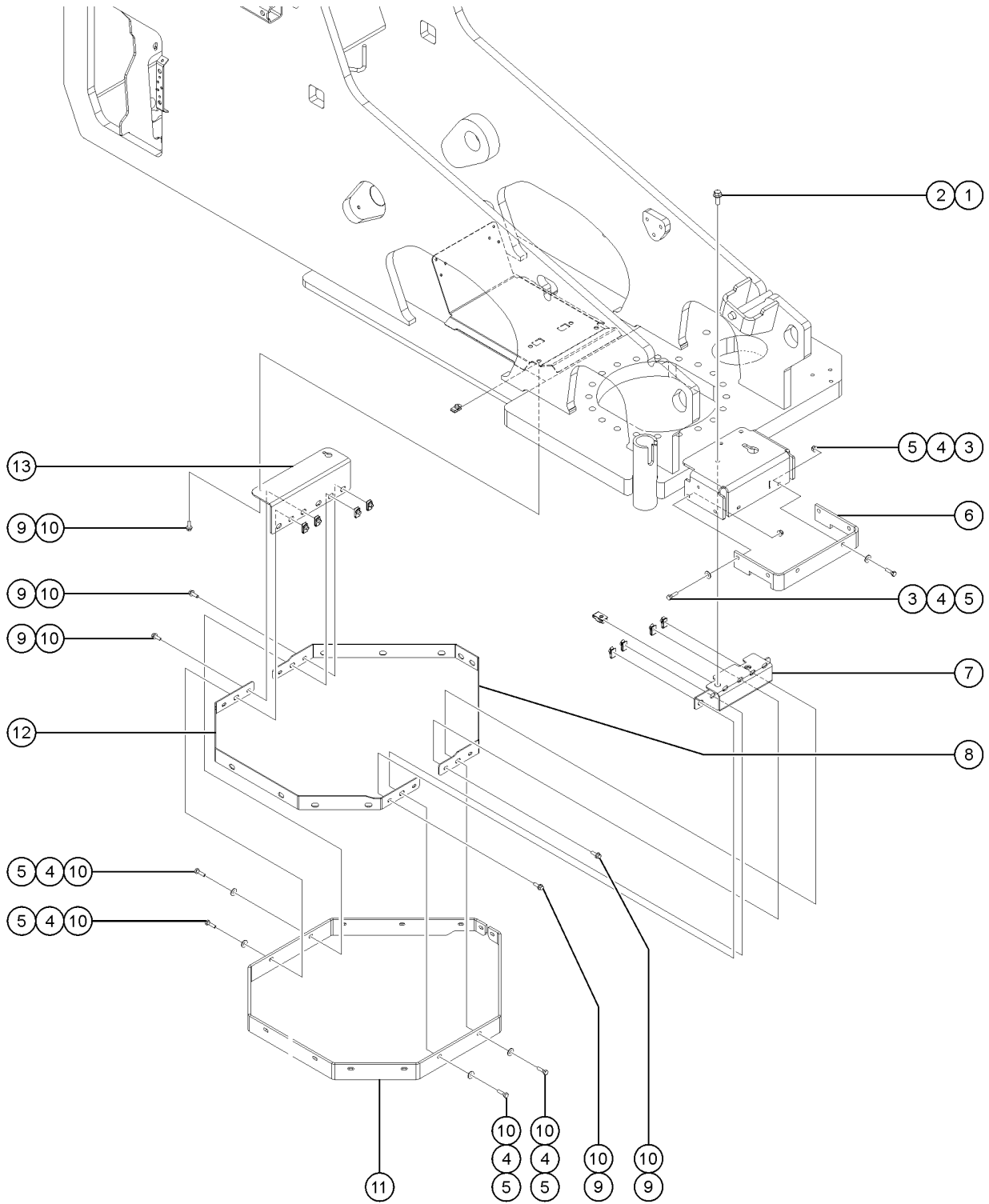
812.1 Hostile Environment Package - View 2



<i>Item</i>	<i>Part No.</i>	<i>Description</i>	<i>Qty.</i>
1	34959GT	PRECLEANER,AIR INTAKE***	1
2	1291452GT	WELDMENT, PRECLEANER MT	1
3	1277924GT	NUT,NYLOCK FLG,1/4-20,F,ZAG	6
4	1260984GT	SCREW,PHPM,1/4-20X.75,ZAG	
5	1291547GT	GASKET, PRECLEANER INTAKE	1
6	119219-1400GT	TRIM,EDGE,1/8X3/4 END BULB	1
7	1291576GT	FORMING, AIR CLEANER MOUNT	1
8	1258933GT	WELDMENT, INTAKE ADAPTER	1
9	824086GT	SCREW, HHF, 5/16-18 X 1, 8, ZAG	3
10	36456GT	SPRING CLIP,5/16-18,.025-.15X.	3
11	34163GT	ELBOW,90 DEGR,RUBBER,MODIFIED*	1
12	45435GT	CLAMP,HOSE,2.50****	1
13	70529GT	CAP,PLASTIC,2.5 ID	1
14	824113GT	WASHER,FLAT,1/4,USS,ZAG	



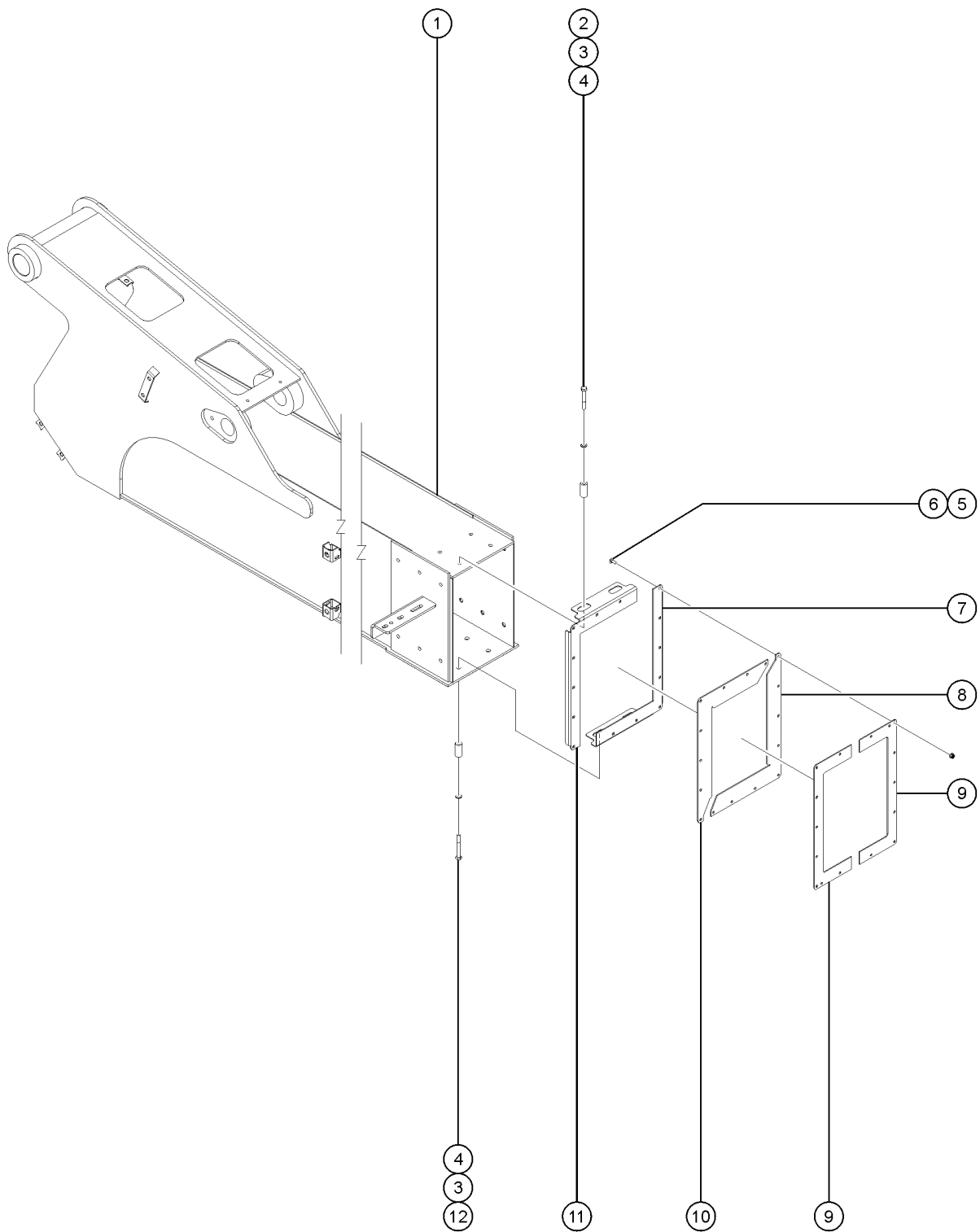
813.1 Hostile Environment Package - View 3



<i>Item</i>	<i>Part No.</i>	<i>Description</i>	<i>Qty.</i>
1	824090GT	SCREW,HHF,3/8-16X1,8,ZAG	2
2	29868GT	SPRING CLIP,3/8-16,.05-.20X.73,ZAG	2
3	1277924GT	NUT,NYLOCK FLG,1/4-20,F,ZAG	6
4	824113GT	WASHER,FLAT,1/4,USS,ZAG	22
5	824059GT	SCREW, HHC, 1/4-20 X .75, 8, ZAG	22
6	1291124GT	WIPER, RUBBER, DRIVE ENABLE	1
7	1291128GT	BRACKET, REAR, SLEW GEAR GUARD	1
8	1291126GT	FORMING, PINION GEAR GUARD	1
9	824078GT	SCREW,HHF,1/4-20X.75,8,ZAG	9
10	56912GT	SPRING CLIP,1/4-20,.025-.15X.5	25
11	1291125GT	WIPER, RUBBER, SLEW GEAR	1
12	1291127GT	FORMING, SLEW GEAR GUARD	1
13	1291129GT	BRACKET, FRONT, SLEW GEAR GUARD	1



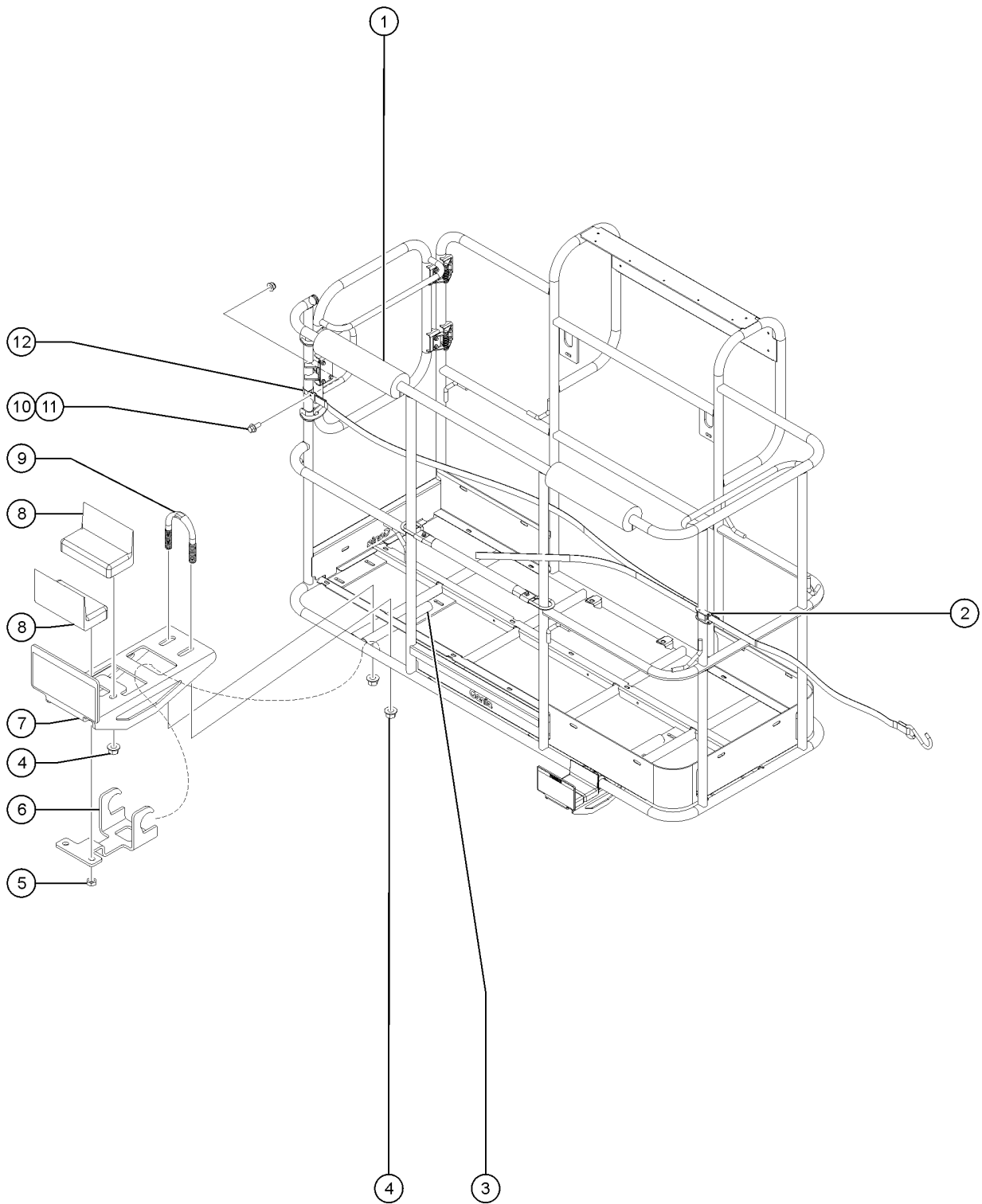
814.1 Hostile Environment Package - View 4



<i>Item</i>	<i>Part No.</i>	<i>Description</i>	<i>Qty.</i>
1		REF. WELDMENT, BOOM #1, S40/45XC (Refer to 502.1)	1
2	824069GT	SCREW,HHC,3/8-16X2.5,8,ZAG	2
3	824110GT	WASHER, LOCK, 3/8, ZAG	4
4	101932GT	TUBE,RD,STL,DOM,.75X.38X.78	8
5	824124GT	BOLT, CARRIAGE, 1/4-20 X .75, 5, ZAG	16
6	1277924GT	NUT,NYLOCK FLG,1/4-20,F,ZAG	16
7	1291046GT	FORMING, BRKT, WIPER, BOTTOM	1
8	1291049GT	WIPER, RUBBER, BOTTOM	1
9	1293820GT	PLATE, BACKING WIPER 2 TO 2, S40/45XC	1
10	1291048GT	WIPER, RUBBER, TOP	1
11	1291045GT	FORMING, BRKT, WIPER, TOP	1
12	1256848GT	SCREW,HHC,3/8-16X2.75,8,ZAG	2



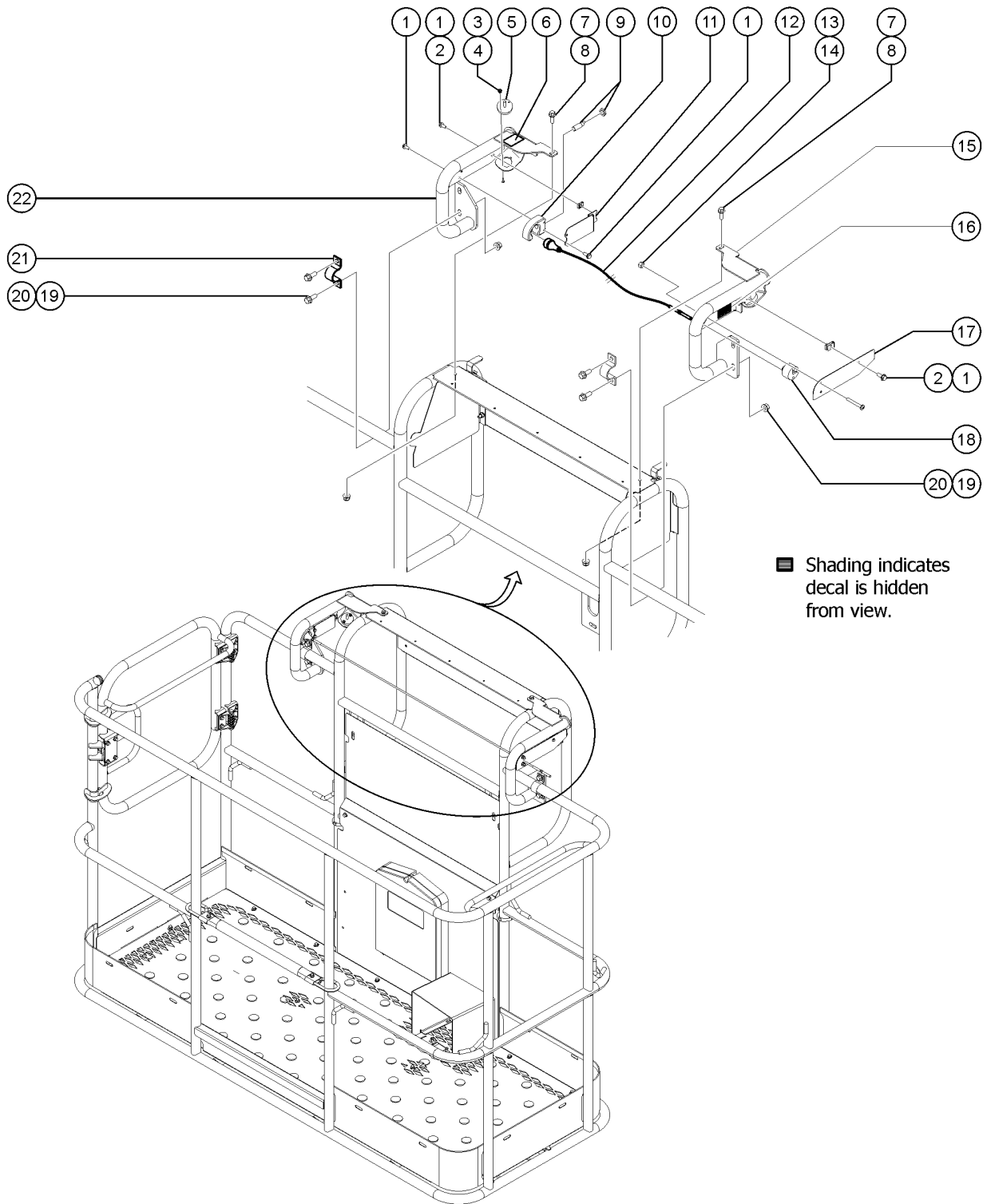
815.1 Panel Cradle Option



815.1 Panel Cradle Option

Item	Part No.	Description	Qty.
A	77683GT	ACCESSORY,PANEL CRADLE,ANSI (ANSI models)	
B	94493-SGT	KIT,PANEL CRADLE,CE (CE models)	
1	88377-1400GT	FOAM PAD***	2
2	77664GT	ADJUSTABLE STRAP ASSY	1
3	73463-1175GT	TUBE, RD, ALUM, 1.25 X .083 X 11.75	2
4	1274322GT	NUT,NYLOCK FLG,3/8-16,G,ZAG	8
5	824038GT	NUT, TL JAM, 3/8-16, A, ZAG	4
6	228849GT	FORMING,SECONDARY SUPPORT	2
7	228848GT	FORMING PANEL CRADLE	2
8	56934GT	PAD,REST,1"THICK,FLANGED	4
9	1251600GT	U-BOLT, FLATTENED, Ø1.5 X 3/8 UNC,ZAG	2
10	1256855	WASHER FLAT BONDED RUB	1
11	1277924GT	NUT,NYLOCK FLG,1/4-20,F,ZAG	1
12	56424GT	CLAMP, 1.25 x .5 RUBBER-CUSHION	1

816.1 Lift Guard Contact Alarm Option

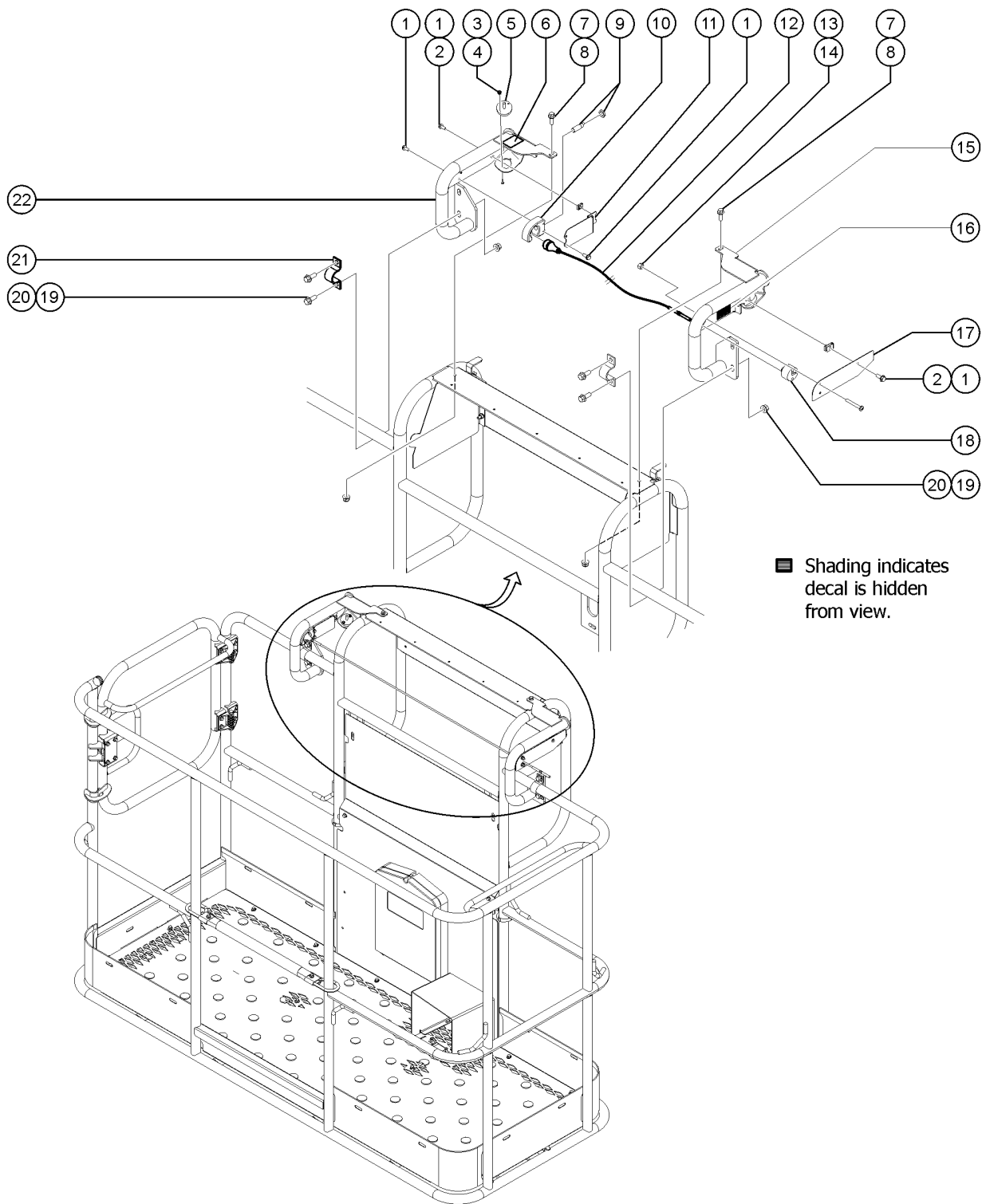


816.1 Lift Guard Contact Alarm Option

Item	Part No.	Description	Qty.
1	1264934GT	SCREW,HHF,10-24X.5	7
2	73575GT	SPRING CLIP,10-24,.025-.125X.468,ZAG	2
3	12344GT	NUT,NYLOCK,6-32	4
4	1256859GT	SCREW,PHPM,6-32X7/8,ZAG	4
5	1278111GT	ASSEMBLY, LIGHT, CONTACT ALARM	2
6	1278542GT	DECAL, INSTRUCTION, CONTACT ALARM	1
7	824078GT	SCREW,HHF,1/4-20X.75,8,ZAG	2
8	1277924GT	NUT,NYLOCK FLG,1/4-20,F,ZAG	2
9	1278119GT	ASSEMBLY, SENSOR, PROX, CONTACT ALARM	1
10	1278433GT	ASSY SENSOR W/HOUSING (Includes holder item 1277877 and sensor part 1278119)	1
10-	1277877GT	HOLDER, SENSOR	
11	1277873GT	FORMING, SENSOR HOLDER	1
12	1278416GT	ASSEMBLY,CONTACT ALARM CABLE, LARGE	1
12-	1278124GT	MAGNET, 1/4-20, 15 LB. Part of assembly 1278416	
12-	1278458GT	CONTACT ALARM WIRE ASSY, LARGE Part of assembly 1278416	
12-	1278368GT	GRIP, CABLE Part of assembly 1278416	
12-	1261184GT	NUT,1/4-20,8,ZAG Part of assembly 1278416	
13	1274168GT	NUT,NYLOCK,10-32,A,ZAG	2
14	824216GT	SCREW,PHPM,10-32X1.5,ZAG	2
15	1278138GT	WELDMENT, RIGHT CONTACT ALARM, LARGE	1
15-	824037GT	NUT,HH JAM,1/4-20,A,ZAG	
15-	1277924GT	NUT,NYLOCK FLG,1/4-20,F,ZAG	
16	1278982GT	DECAL, INSTRUCTION, ACTUATOR SWITCH SOCKET	1
17	1277875GT	PLATE, CABLE AND WIRE COVER	1
18	1277876GT	GUIDE, CABLE	1
19	1274322GT	NUT,NYLOCK FLG,3/8-16,G,ZAG	4
20	824090GT	SCREW,HHF,3/8-16X1,8,ZAG	4
21	1278363GT	CLAMP, 1.25 INCH TUBE	2



816.1 Lift Guard Contact Alarm Option

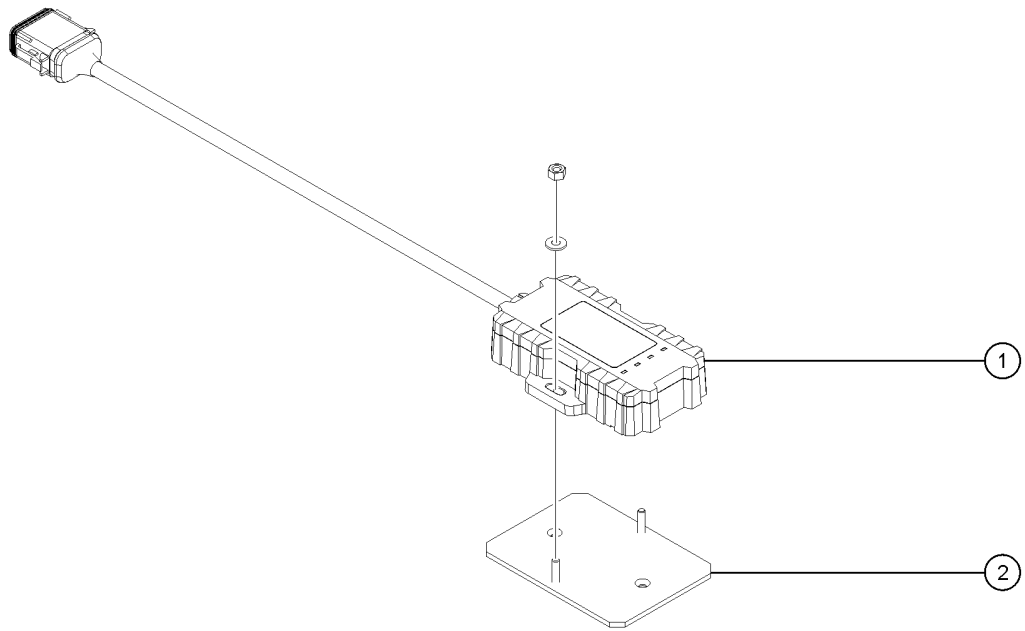


816.1 Lift Guard Contact Alarm Option

<i>Item</i>	<i>Part No.</i>	<i>Description</i>	<i>Qty.</i>
22	1278144GT	WELDMENT, LEFT CONTACT ALARM, LARGE	1



817.1 Telematics Option



817.1 Telematics Option

<i>Item</i>	<i>Part No.</i>	<i>Description</i>	<i>Qty.</i>
1	1289520GT	MODULE, TELEMATICS, ZTR, M7, NORTH AMERICA	1
1-	1289521GT	MODULE, TELEMATICS, ZTR, M7, EMEA/APAC	
		EMEA/APAC	
2	1289561GT	BRACKET, TELEMATICS	1
		includes fasteners	

<u>Part no.</u>	<u>Page Number</u>	<u>Part no.</u>	<u>Page Number</u>	<u>Part no.</u>	<u>Page Number</u>
1268GT	11	27391GT	107	35599GT	21
1484GT	11	27581GT	11	35956GT	241
5224GT	199	27807GT	213	36245GT	173
5397GT	253	27901GT	59	36456GT	163, 271
6037GT	253	28158GT	15, 27	37947GT	77, 81
6091GT	69	28159GT	15, 27	38149GT	21
6097GT	199	28160GT	15, 27	39540GT	71, 209
6178GT	253	28174GT	15, 21, 25, 27, 33, 37	40766GT	209
6782GT	253	28235GT	15, 21, 25, 27, 33, 37	41489GT	67
6833GT	209	28236GT	25	42014GT	39, 47, 187
6888GT	69	28646GT	63, 235	42079GT	197
6935GT	141	28750GT	11, 217	43018GT	221
7056GT	263	29104GT	19	43392GT	205, 243
7057GT	141	29560GT	13, 163	44174GT	221
7713GT	199	29868GT	59, 63, 75, 79, 171, 191	44981GT	15, 25, 27, 37
9599-SGT	241	30144GT	69	45071GT	39
10775GT	263	30220GT	201	45074GT	41, 53
11978GT	77, 79	30222GT	201	45385GT	75, 79
12344GT	253, 279	30348GT	177	45435GT	169, 175, 271
12448GT	203	30468GT	243	45470GT	65
13000GT	253	30971GT	169, 177, 269	45708GT	69
13268GT	183, 209, 247	30996GT	71	45782GT	89
14815GT	53	30997GT	73, 209	46131GT	177
18396GT	199	31060GT	15, 23, 25	47041GT	19
18665GT	253	31106GT	39	47232GT	205
18666GT	73, 207	31408GT	167	48773-1200	129, 131
19018-1100GT	245	31523GT	163	48875GT	261, 267
19273GT	269	31779GT	11	48880GT	223
20776GT	251, 253	31788GT	15	48885GT	63, 235
21130GT	165	32150GT	11	48904GT	235, 237
21141GT	59	32151GT	11	48905GT	227, 235, 237
21465GT	175	32695GT	167	48907GT	237
22672GT	175, 269	33428GT	201	48908GT	229
23405GT	269	33555GT	75, 79	48911GT	227
24038GT	175	33576GT	103	48912GT	229
24514GT	203	33994GT	11, 217	48915GT	227, 235, 237, 261, 267
25817GT	41, 53	34163GT	271	48916GT	51, 229, 231, 235, 237
25994GT	15	34619GT	243	48918GT	227
27204GT	19, 31	34959GT	271	48920GT	229, 231
27205GT	19, 31	35432GT	269	48922GT	235, 261, 267
27206GT	19, 31	35434GT	175, 269	48926GT	237
27207GT	19, 31	35586GT	167	48927GT	237

<u>Part no.</u>	<u>Page Number</u>	<u>Part no.</u>	<u>Page Number</u>	<u>Part no.</u>	<u>Page Number</u>
48929GT	51, 171, 229, 231, 235, 237	49130-5618GT	227	54124GT	59
48930GT	227	49130-6118GT	233	54255GT	111
48932GT	51, 231	49130-6218GT	237	54324GT	59
48933GT	229, 231, 237	49130-7518GT	237	54365GT	253
48935GT	171, 235	49130-7718GT	237	54428GT	177
48944GT	235	49130-8458GT	227	54486GT	243
48946GT	235	49130-9018GT	227, 231	55067GT	205
48948GT	227	49130-13418GT	237	55753GT	205, 241, 245
48959GT	235, 261, 267	49130-14918GT	237	56003GT	237
48960GT	229, 235, 261, 267	49130-54218GT	237	56424GT	203, 241, 245, 277
48961GT	233	49130-60518GT	237	56525GT	245
48963GT	171, 235	49138-14816GT	237	56570GT	245
48974GT	261, 267	49149-7955GT	233	56704GT	239
48977GT	235	49150-6630GT	261, 267	56912GT	43, 47, 61, 63, 65, 75...
48984GT	59, 233	49150-6730GT	233	56934GT	277
48996GT	59, 233	49150-7630GT	233	58380GT	171
48997GT	223	49151-2548GT	261, 267	58415GT	169
49116-7485GT	233	49180-1782GT	233	58490GT	69
49117-6091GT	227	49183-4328GT	231	58566GT	163
49117-6135GT	227	49189-4738GT	235	60334GT	171
49117-8985GT	227	49212GT	247	60424GT	125
49117-9385GT	227	49214GT	247	60425GT	101, 107, 109, 117, 119, 125
49119-1778GT	237	49215GT	247	60427GT	125, 127
49119-2478GT	237	49519GT	235	60429GT	117
49119-2578GT	237	49612GT	11, 217	60432GT	125
49119-4378GT	237	49613GT	217	60433GT	115, 125, 135, 147, 149, 151
49119-5578GT	233	49861GT	227	60435GT	89, 111, 113, 117, 125, 133
49119-5778GT	233	49924GT	13, 163	60439GT	103, 105, 117, 121, 123, 133
49119-7178GT	227	50787GT	165	60441GT	127
49119-8978GT	227	50974GT	63, 171	60447GT	89, 111, 133
49119-9378GT	227	52371GT	221	60450GT	117
49125-2570GT	261, 267	52416GT	213	60452GT	117
49126-3054GT	231	52475GT	19, 31	60459GT	117
49126-4850GT	233	52692GT	19, 31	60526GT	89, 111
49126-4950GT	233	52715GT	213	60527GT	89, 111, 115, 133
49128-1926GT	233	52865GT	21	60528GT	89, 113, 133
49128-15326GT	237	52866GT	169	60531GT	133
49130-2418GT	233	52897GT	221	60532GT	115, 133
49130-2982GT	227	52967GT	19, 31	60857GT	11, 171
49130-4518GT	231	53081GT	53	61262GT	233
49130-4718GT	227	53386GT	45	61263GT	59, 233, 261, 267
49130-5482GT	233	53952GT	169, 175	61283GT	199

<u>Part no.</u>	<u>Page Number</u>	<u>Part no.</u>	<u>Page Number</u>	<u>Part no.</u>	<u>Page Number</u>
62127GT	223	73730GT	73, 111	81154GT	183
62337GT	223	73736GT	73, 111	81175GT	201
62392GT	211	73842GT	269	81329GT	75, 79
62420GT	11, 13, 169	74006GT	255, 263	81347GT	197
62466GT	67	74913GT	253, 263	81368GT	245
62506GT	221	75020GT	11	81488GT	209
62507GT	221	75064GT	187	81578GT	69
63375GT	255	75119GT	67	81691GT	51
63463GT	169, 175	75443GT	211	81812-4228GT	227
65278GT	19, 31	75444GT	211	81812-4528GT	227
65810GT	169	75445GT	211	81812-10528GT	227
65849GT	133	75446GT	211	81812-10778GT	227
66399GT	11	75447GT	211	81812-10928GT	227
66811GT	71	75448GT	211	81812-11528GT	227
66812GT	71, 207	75449GT	211	82161GT	15, 27
66813GT	71, 207	75462GT	223	82237GT	21, 25
66815GT	207	75654GT	59, 235, 261, 267	82366GT	15, 27
66816GT	71	75677GT	67	82410GT	25
66817GT	71, 207	75678GT	67	82481GT	27
66818GT	71	75681GT	67	82487GT	27, 31, 37
66821GT	71	75682GT	67	82548GT	27
67897GT	205	75683GT	67	82862GT	25
69775GT	177	75684GT	67	83093GT	77, 81
70351GT	169	75685GT	67	83098GT	211
70375GT	167	75686GT	67	83141GT	225
70381GT	165, 177	75854GT	83	87755GT	73, 89, 111, 209
70452GT	165, 167, 179	75855GT	83	88280GT	201
70460GT	167	76450GT	83	88331GT	99, 111, 149
70461GT	167	76695GT	199	88332GT	89, 99, 111, 149
70529GT	271	77071GT	69	88356-11B65GT	65, 121
70641GT	247	77072GT	69	88356-11BJ5GT	83, 119
70644-69892GT	247	77295GT	13	88356-12B63GT	123, 191
71259GT	83	77303GT	199	88377-1400GT	277
72086GT	15, 19, 27, 31	77410GT	191	88406GT	257
72282GT	239	77664GT	277	88606GT	243
72326GT	71	77674GT	43, 47, 53, 55	88607GT	243
72999GT	15, 27	77683GT	277	88920GT	187
73295GT	43, 47	77880GT	39	88936GT	261, 267
73463-1175GT	277	77950GT	39, 47	88942-4854GT	233
73478GT	203	78736GT	63, 65, 75, 81, 167, 181	89065GT	41
73575GT	203, 279	80391GT	163	89066GT	41
73717GT	73, 89, 111, 209	80543GT	255, 263	89100GT	39

<u>Part no.</u>	<u>Page Number</u>	<u>Part no.</u>	<u>Page Number</u>	<u>Part no.</u>	<u>Page Number</u>
89449GT	231	102785GT	243	119057GT	125, 127
89800GT	67	102786GT	243	119058GT	117
93500GT	11	104759GT	221	119060GT	115, 147, 149, 151
94221GT	39	104804GT	205	119061GT	73, 89, 111, 133, 151
94374-2085GT	233	105214GT	81, 249, 263	119062GT	89, 111, 117, 133
94374-2285GT	227	106042GT	189	119063GT	113, 125
94374-6830GT	261, 267	106069GT	77, 79	119064GT	89, 111, 125
94485GT	165	106073GT	255	119065GT	103, 105, 117, 121, 122, 123
94493-SGT	277	106098GT	45	119066GT	127
94599GT	213	106104GT	253	119069GT	133
94612GT	59	106117GT	43, 45, 47, 53, 55	119139GT	13
94762GT	11	106118GT	43, 45, 47, 53, 55	119219-1400GT	271
94982GT	253	106204GT	259	119219-3350GT	175
96196GT	63, 193	106275GT	257	119219-3850GT	163, 175
96770GT	59, 183	106495GT	253	119404GT	141
97469GT	223	106780GT	89, 111	119474GT	13
97548GT	21	106860GT	259	119619GT	53
97579GT	25	107843GT	191	119644GT	73
97602GT	21	110149GT	175, 183, 249	119761GT	119
97815GT	25, 37	110276-1650GT	257	119915GT	211
97865GT	15	110276-2100GT	257	121804GT	239
99087GT	107	110276-2325GT	257	122019GT	239
99343GT	99, 101	110276-3700GT	257	122073GT	241
99344GT	99, 101	110277-2500GT	257	122281GT	53
100309GT	173	110277-2850GT	257	122316GT	41
101006GT	169	110345GT	11, 59	122645GT	213
101140GT	163, 167	110654GT	89	122649GT	213
101199-200GT	103	110671GT	203	122850GT	53
101490GT	59	110876GT	53	128000GT	211
101491GT	59	111092GT	67	128001GT	211
101494GT	59, 235, 261, 267	111526GT	243	128004GT	163, 177
101525GT	257	111648GT	65	128200GT	91, 207
101626GT	181	114249GT	31	128203GT	73, 93, 207
101726GT	59	114251GT	27, 33	128204GT	95, 207
101932GT	275	114252GT	27, 35, 37	128268GT	201
101964GT	79	114258GT	15, 21	128322GT	205, 257
102313-2111GT	227	114390GT	15, 21, 25	128584GT	97
102313-6040GT	233	114416GT	25	128636GT	83
102313-6240GT	233	114425GT	27	128929-300GT	263
102313-7385GT	233	114473GT	37	133067GT	27, 37
102527GT	213	115048GT	223	133205GT	27, 33
102528GT	213	119056GT	101, 107, 109, 117, 122, 127	133278GT	15

<u>Part no.</u>	<u>Page Number</u>	<u>Part no.</u>	<u>Page Number</u>	<u>Part no.</u>	<u>Page Number</u>
139338GT	207	214620GT	257	226389GT	101
139508GT	217	214621GT	257	226390GT	101
139512GT	217	214622GT	257	226393GT	239
139515GT	217	214623GT	257	226947GT	101
139527GT	217	214691GT	185	226948GT	89, 209
139528GT	217	214846GT	165, 167	227564GT	103
139598GT	211	215254GT	77, 79	227618GT	85, 103, 203
139621GT	167	215274GT	13	228813GT	197
139622GT	167	215287GT	13	228848GT	277
139623GT	167	215291GT	13	228849GT	277
139709GT	167	215481GT	239	229110GT	101, 133
139715GT	219	216201GT	53, 55	229567GT	207
139716GT	217	216202GT	53, 55	229845GT	243
139717GT	217	216340GT	163	230074GT	75, 81
139718GT	217	217366GT	257	230849GT	43
139719GT	217, 219	218165GT	207	231511GT	179
139726GT	219	218449GT	71	231529GT	249
139727GT	217	218457GT	209, 243	231532GT	75, 81, 163
139799GT	225	218458GT	263	232871GT	249
139966GT	43	218558GT	37	233041GT	43
139967GT	43	218559GT	25	236260GT	13, 183
139968GT	43	219487GT	25	237241GT	189
139969GT	43	219956GT	37	237242GT	187
139970GT	43	219979GT	57	237477GT	53, 55
139971GT	43	219980GT	57	237478GT	53
146055GT	67	219981GT	57	237568GT	41
146264GT	41	219982GT	57	237569GT	41
146478GT	207	219983GT	57	237730-30GT	177
147033GT	43	219985GT	57	237830GT	189
147034GT	43	219986GT	57	287338GT	227
147121GT	203	219987GT	57	822087GT	59, 183
161087GT	165	219988GT	57	822224GT	209
161533GT	213	219989GT	57	822250GT	89, 111
161538GT	213	219990GT	57	822462GT	133
162206GT	183	219995GT	57	822463GT	133
162207GT	183	219996GT	57	822464GT	133
162208GT	183	219997GT	57	822465GT	133
162209GT	183	219998GT	57	822466GT	133
214225GT	201	219999GT	57	822467GT	133
214226GT	199	220000GT	57	822468GT	133
214228GT	13	220005GT	57	822469GT	133
214619GT	257	226388GT	89	822548GT	253

<u>Part no.</u>	<u>Page Number</u>	<u>Part no.</u>	<u>Page Number</u>	<u>Part no.</u>	<u>Page Number</u>
822606-5000GT	175	824127GT	41	1253408GT	259
823113GT	19, 31	824129GT	41	1253477GT	73, 209
823356GT	59	824142GT	165	1253478GT	39, 59
823368GT	63	824144GT	263	1253485GT	63, 193, 251, 257
823520GT	239	824145GT	225	1253489GT	265
823747GT	243	824214GT	73, 209	1253498GT	179, 189
823748GT	243	824215GT	243	1253629GT	15, 27
824024GT	191	824216GT	191, 279	1253843GT	173
824027GT	165, 167, 191, 197, 241	824225GT	203	1254826GT	163
824028GT	75, 79, 205, 241	824226GT	73	1254969GT	69
824029GT	39, 63, 77, 81, 165, 167	824486GT	183	1255385GT	47, 55, 65
824031GT	83	824487GT	183	1255392GT	53, 187
824037GT	279	824600-1500GT	177	1255396GT	183
824038GT	277	824617GT	255	1255399GT	183
824041GT	51, 165	824645GT	187	1255400GT	183
824059GT	43, 77, 79, 247, 273	824673GT	183	1255452GT	39
824068GT	195, 197	825019GT	39, 199	1255469GT	225
824069GT	275	825351GT	163	1255537GT	263
824072GT	45, 49	825352GT	239	1255538GT	265
824075GT	201	825353GT	49, 63, 201	1255581GT	15, 21, 27, 33
824077GT	191, 203, 257	825355GT	165	1255643GT	59
824078GT	47, 65, 69, 75, 79, 83... 41, 75, 81, 83, 165, 179	825358GT	77, 79, 205, 257	1255653GT	163
824079GT	63, 249	825737GT	255	1255665GT	177
824080GT	63, 249	825796GT	41, 199	1255666GT	165, 177
824081GT	65, 167, 181, 201, 241	826000GT	183	1255753GT	207
824083GT	245, 249	826008GT	163, 179	1255756GT	199
824084GT	61, 63, 83, 197, 199	826171GT	39, 47, 53, 55, 65	1255760GT	165, 167, 171, 179
824085GT	241	826214GT	263	1255800GT	163, 179
824086GT	163, 169, 175, 241, 271	826215GT	263	1255804GT	63, 171
824087GT	77, 81	826345GT	15	1255805GT	69, 75, 79, 163, 169, 179
824089GT	39, 53, 75, 81, 173, 179	826791GT	195	1255806GT	181
824090GT	59, 63, 65, 69, 77, 81...	826793GT	191, 195, 197	1256054GT	77, 81
824091GT	63, 185, 203, 249, 263	1251565GT	41, 197, 199	1256074GT	85, 147
824092GT	75, 79, 171, 199	1251567GT	185	1256109GT	187
824110GT	275	1251600GT	203, 245, 247, 277	1256118GT	65
824111GT	49	1251757GT	269	1256124GT	257
824113GT	43, 187, 245, 259, 271, 273	1251899GT	165, 167	1256133GT	165
824116GT	83, 173, 201	1251983GT	163	1256171GT	189
824117GT	45, 49	1251994GT	165, 167, 179	1256172GT	187
824120GT	165, 179	1251997GT	53, 55, 63, 165, 167, 187	1256182GT	43, 47, 53, 55, 65
824121GT	175	1253185GT	73, 209, 243	1256267GT	39, 47, 187
824124GT	275	1253208GT	171, 175	1256283GT	165, 167, 179

<u>Part no.</u>	<u>Page Number</u>	<u>Part no.</u>	<u>Page Number</u>	<u>Part no.</u>	<u>Page Number</u>
1256284GT	225	1258768GT	111	1267807GT	171
1256285GT	225	1258933GT	271	1268229GT	171
1256312GT	269	1258949GT	15, 27	1268266GT	65
1256425GT	33, 37	1258951GT	85, 91	1268267GT	53, 55
1256463GT	199	1258952GT	209	1268322GT	73
1256467GT	165	1259583GT	243	1268327GT	73
1256471GT	187	1259584GT	243	1268468GT	249, 263
1256679GT	65, 69, 75, 79, 191, 199	1259683GT	57	1268651GT	73
1256693GT	75, 79	1259855GT	63, 171	1268833GT	83
1256698GT	65, 83	1260116GT	213	1269086GT	263
1256776GT	167	1260128GT	213	1269424GT	199
1256803GT	187	1260372GT	43, 53	1269443GT	41
1256804GT	243	1260526GT	87, 149	1269497GT	207
1256837GT	67	1260984GT	271	1269498GT	207
1256843GT	201	1261184GT	279	1269499GT	211
1256846GT	67	1261236GT	183	1269641GT	203
1256848GT	275	1261277GT	69, 75	1269642GT	199
1256855	71, 203, 277	1261655GT	87, 153	1269719GT	85, 99
1256859GT	279	1261724GT	171	1269720GT	85, 109
1256863GT	67, 247	1261795GT	263	1269721GT	85, 107
1257049GT	41	1261835GT	79	1269732GT	85, 93
1257050GT	41	1261836GT	75, 79	1269733GT	85, 95
1257076GT	51, 163	1261838GT	75, 81	1269734GT	85, 105
1257227GT	209, 253	1262211GT	77, 79	1269738GT	69
1257295GT	249	1262487GT	13	1270110GT	167
1257296GT	263	1262866GT	13	1270141GT	165
1257390GT	73	1263070GT	65, 83	1270313GT	245
1257410GT	71	1263142GT	65	1270314GT	245
1257454GT	47	1263196GT	225	1270316GT	245
1257459GT	67	1263542GT	27, 33	1270570GT	241
1257733GT	11	1263543GT	15, 21	1270571GT	241
1257863GT	189	1263699GT	41	1270585GT	41
1257866GT	47	1264934GT	279	1270665GT	253
1257961GT	183	1265372GT	203	1270810GT	201, 221
1258100GT	111	1265397GT	205	1270979GT	47
1258174GT	15, 21, 27, 33	1265826GT	203	1270994GT	245
1258176GT	15, 21, 27, 33	1265862GT	89, 209	1271005GT	49
1258567GT	11	1266019GT	15, 27	1271018GT	245
1258674GT	253	1266547GT	175	1271019GT	245
1258687GT	253	1267121GT	15	1271040GT	245
1258688GT	253	1267746GT	203	1271061GT	245
1258689GT	253	1267747GT	205	1271077GT	241

<u>Part no.</u>	<u>Page Number</u>	<u>Part no.</u>	<u>Page Number</u>	<u>Part no.</u>	<u>Page Number</u>
1271078GT	241	1275515GT	19, 31	1277936GT	85, 117
1271081GT	73	1275517GT	23, 35	1277938GT	85, 125
1271379GT	23, 35	1275521GT	19, 31	1277940GT	85, 123
1271380GT	165, 167, 171	1275937GT	71	1277947GT	85, 133
1271381GT	43, 47	1276017GT	195	1277951GT	85, 101
1271382GT	43, 47	1276018GT	195	1277952GT	241
1271384GT	19, 31	1276019GT	195	1277966GT	241
1271713GT	211	1276484GT	201	1278111GT	279
1271770GT	59	1276672GT	255	1278119GT	279
1271791GT	45, 49	1276750GT	47, 217	1278124GT	279
1272122GT	73, 89, 111, 209	1276820GT	201	1278138GT	279
1272123GT	73, 89, 111, 209	1276822GT	201	1278144GT	281
1272242GT	21, 33	1276829GT	189	1278363GT	279
1272433GT	263	1276904GT	63, 213	1278368GT	279
1273414GT	187	1276986GT	255	1278416GT	279
1273563GT	203	1277169GT	73	1278433GT	279
1273564GT	203	1277205GT	259	1278458GT	279
1273589GT	199	1277206GT	259	1278498GT	187
1273734GT	201, 203	1277207GT	257	1278499GT	187
1274164GT	73, 209	1277208GT	259	1278500GT	187
1274165GT	199	1277620GT	83	1278501GT	189
1274167GT	175, 239, 257	1277622GT	75, 81	1278502GT	187
1274168GT	73, 191, 209, 279	1277623GT	63	1278503GT	69
1274170GT	185, 253	1277630GT	65	1278534GT	67
1274172GT	39, 47, 65, 179, 189	1277633GT	81	1278542GT	25, 37, 279
1274322GT	39, 59, 63, 65, 175, 179	1277634GT	75, 79	1278567GT	25, 37
1274331GT	59	1277636GT	75	1278575GT	193
1274342GT	87, 151	1277638GT	81	1278612GT	209
1274448GT	85, 89	1277641GT	75	1278613GT	209
1274511GT	199	1277827GT	79	1278638GT	225
1274730GT	19, 31	1277828GT	75	1278653GT	189
1274753GT	15, 27	1277829GT	79	1278686GT	191
1274754GT	17, 27	1277830GT	75	1278708GT	11
1274763GT	17, 29	1277873GT	279	1278709GT	11
1274951GT	187	1277875GT	279	1278788GT	195
1274952GT	191	1277876GT	279	1278789GT	195
1274967GT	259	1277877GT	279	1278793GT	245
1275087GT	247	1277904GT	101	1278794GT	195
1275088GT	203	1277905GT	101	1278882GT	189
1275248GT	211	1277906GT	101	1278883GT	189
1275258GT	207, 211	1277924GT	47, 63, 179, 183, 205, 243	1278884GT	187
1275259GT	207, 211	1277934GT	85, 121	1278885GT	199

<u>Part no.</u>	<u>Page Number</u>	<u>Part no.</u>	<u>Page Number</u>	<u>Part no.</u>	<u>Page Number</u>
1278975GT	85, 115	1279871GT	249	1282937-5832GT	233
1278979GT	195	1279882GT	61, 63, 83, 187	1282937-6237GT	261, 267
1278980GT	195	1279952GT	77	1282962GT	79
1278981GT	195	1279953GT	79	1282963GT	253
1278982GT	25, 37, 279	1280080GT	269	1282993GT	241
1278999GT	39	1280124GT	199	1283004GT	51
1279001GT	39	1280390GT	65	1283005GT	255
1279049GT	199	1280589GT	73	1283007GT	175
1279052GT	187	1280669GT	205, 207	1283012GT	73
1279125GT	49	1280695GT	83	1283022GT	263
1279139GT	85, 119	1280797GT	63, 171	1283024GT	201
1279188GT	195	1280804GT	75	1283048GT	75, 79
1279210GT	195	1280819GT	17	1283101GT	83
1279211GT	195	1280820GT	17	1283185GT	83
1279264GT	195	1281088GT	191	1283325GT	163
1279303GT	187	1281095GT	87, 155	1283345GT	17, 21, 29, 33
1279304GT	197	1281169GT	17, 29	1283473GT	65
1279306GT	197, 201	1281174GT	25, 37	1283577GT	21, 33
1279411GT	197	1281180GT	17	1283578GT	65
1279415GT	197	1281188GT	17, 29	1283705GT	43, 47
1279429GT	63, 83, 187, 197, 201	1281250GT	221	1283706GT	43, 47
1279453GT	65	1281706-6929GT	261, 267	1283707GT	43, 47
1279454GT	65	1281786GT	249	1283708GT	43, 47
1279455GT	65	1281789GT	223	1283744GT	23, 35
1279465GT	171	1281795GT	77, 79	1283776GT	11
1279466GT	171	1282013GT	49	1283804GT	65
1279550GT	191	1282175GT	225	1283843GT	253
1279567GT	199	1282176GT	85, 97	1283878GT	17, 25, 29, 37
1279568GT	171, 235	1282181GT	65	1283935GT	165
1279602GT	187, 191, 195, 197	1282201GT	85, 131, 143	1284014GT	19
1279603GT	191, 195, 199	1282202GT	85, 129	1284023GT	225
1279605GT	191	1282315GT	67	1284310GT	263
1279612GT	173	1282317GT	75, 79	1284323GT	225
1279767GT	187	1282368GT	85, 139	1284351GT	39, 47
1279769GT	191	1282369GT	85, 137	1284399GT	223
1279770GT	191	1282370GT	85, 145	1284467GT	187
1279772GT	191	1282375GT	85, 127	1284468GT	189
1279794GT	191	1282472GT	207	1284469GT	191
1279795GT	191	1282818GT	63	1284523GT	73
1279819GT	171	1282819GT	63	1284524GT	209
1279851GT	209	1282927-5128GT	233	1284599GT	167
1279869GT	263	1282934-6920GT	233	1284750GT	235

<u>Part no.</u>	<u>Page Number</u>	<u>Part no.</u>	<u>Page Number</u>	<u>Part no.</u>	<u>Page Number</u>
1284981GT	17	1288201GT	63	1291045GT	275
1284982GT	29	1288347GT	85, 111	1291046GT	275
1285141GT	223	1288386GT	201	1291048GT	275
1285142GT	223	1288455GT	249, 257	1291049GT	275
1285143GT	223	1288890-1536GT	237	1291076GT	181
1285144GT	223	1288890-1836GT	237	1291124GT	273
1285145GT	223	1288922GT	195	1291125GT	273
1285146GT	223	1288971GT	201	1291126GT	273
1285147GT	223	1289059GT	25	1291127GT	273
1285150GT	249	1289061GT	37	1291128GT	273
1285151GT	249	1289062GT	25	1291129GT	273
1285152GT	249	1289063GT	37	1291158GT	269
1285153GT	249	1289064GT	19, 31	1291159GT	269
1285246GT	163, 175	1289228GT	175	1291160GT	269
1285247GT	163	1289229GT	175	1291163GT	43
1285248GT	165, 179	1289231GT	177	1291164GT	43
1285274GT	163	1289425GT	199	1291316GT	269
1285275GT	163	1289426GT	189	1291324GT	23, 35
1285342GT	163	1289520GT	283	1291345-7000GT	233
1285354GT	173	1289521GT	283	1291390-7155GT	233
1285361GT	171	1289531GT	205	1291452GT	271
1285661GT	249, 263	1289546GT	265	1291547GT	271
1285663GT	249	1289552GT	203	1291576GT	271
1286178GT	251	1289554GT	253	1291624GT	17, 29
1286332GT	59	1289561GT	283	1291703GT	175
1286362GT	29	1289592GT	111	1292294GT	47, 51
1286410GT	225	1290198GT	53	1292512GT	17, 29
1286638GT	15, 27	1290424GT	257	1292513GT	17, 29
1286640GT	73	1290450GT	71	1292514GT	17, 29
1286642GT	189	1290460GT	71	1292515GT	17, 29
1287081GT	253, 263	1290550GT	213	1293820GT	275
1287084GT	263	1290551GT	213	1293907GT	179
1287135GT	87, 159	1290552GT	213	1293910GT	177
1287137GT	87, 157	1290553GT	213, 215	1293911GT	181
1287258GT	249, 263	1290554GT	213	1294147GT	175
1287259GT	249	1290555GT	215	1294307GT	179
1287432GT	69	1290556GT	213	1294308GT	179
1287486GT	177	1290557GT	213	1294309GT	181
1287644GT	41	1290559GT	213	1294312GT	177
1287739GT	171	1290560GT	213	1294712GT	175
1288179GT	87, 161	1290561GT	213	1294843GT	269
1288181GT	85, 141	1290649GT	53, 55	1295961GT	39, 41

<u>Part no.</u>	<u>Page Number</u>	<u>Part no.</u>	<u>Page Number</u>	<u>Part no.</u>	<u>Page Number</u>
1295962GT	47				
1296045GT	53				
1296046GT	55				
1296055GT	51				
1296186GT	241				
1296260-1500GT	183				
1296591GT	253				
1296807GT	181				
1297361GT	175				
1298373GT	183				
1298374GT	183				
1298758GT	179				
1300450GT	189				
1300451GT	189				
1301055GT	183				
1301138GT	179				
1301569GT	179				
1301742GT	179				
1302948GT	179				
1304817GT	175				
1306670GT	69				
1306754GT	59				
1306757GT	59				
T107851GT	53				
T107861GT	53				
T110637GT	43, 47, 53, 55				
T110954GT	101				
T110955GT	101				
T112536GT	101				
T112626GT	211				
T112773GT	25, 37				

California Proposition 65



Operating, servicing and maintaining this equipment, passenger vehicle or off-highway motor vehicle can expose you to chemicals including engine exhaust, carbon monoxide, phthalates, and lead, which are known to the State of California to cause cancer and birth defects or other reproductive harm. These chemicals can be emitted from or contained in other various parts and systems, fluids and some component wear by-products. To minimize exposure, avoid breathing exhaust, do not idle the engine except as necessary, service your equipment and vehicle in a well-ventilated area and wear gloves or wash your hands frequently when servicing your equipment or vehicle and after operation. For more information go to www.P65Warnings.ca.gov/passenger-vehicle.

Breathing diesel engine exhaust exposes you to chemicals known to the State of California to cause cancer and birth defects or other reproductive harm.

- Always start and operate the engine in a well-ventilated area.
- If in an enclosed area, vent the exhaust to the outside.
- Do not modify or tamper with the exhaust system.
- Do not idle the engine except as necessary.

For more information go to www.P65warnings.ca.gov/diesel.

www.genielift.com

Distributed By:

Parts Manual
S-45XC

from SN S45XCD-101

Part No.
1300315GT

Rev A1

Genie
A TEREX BRAND