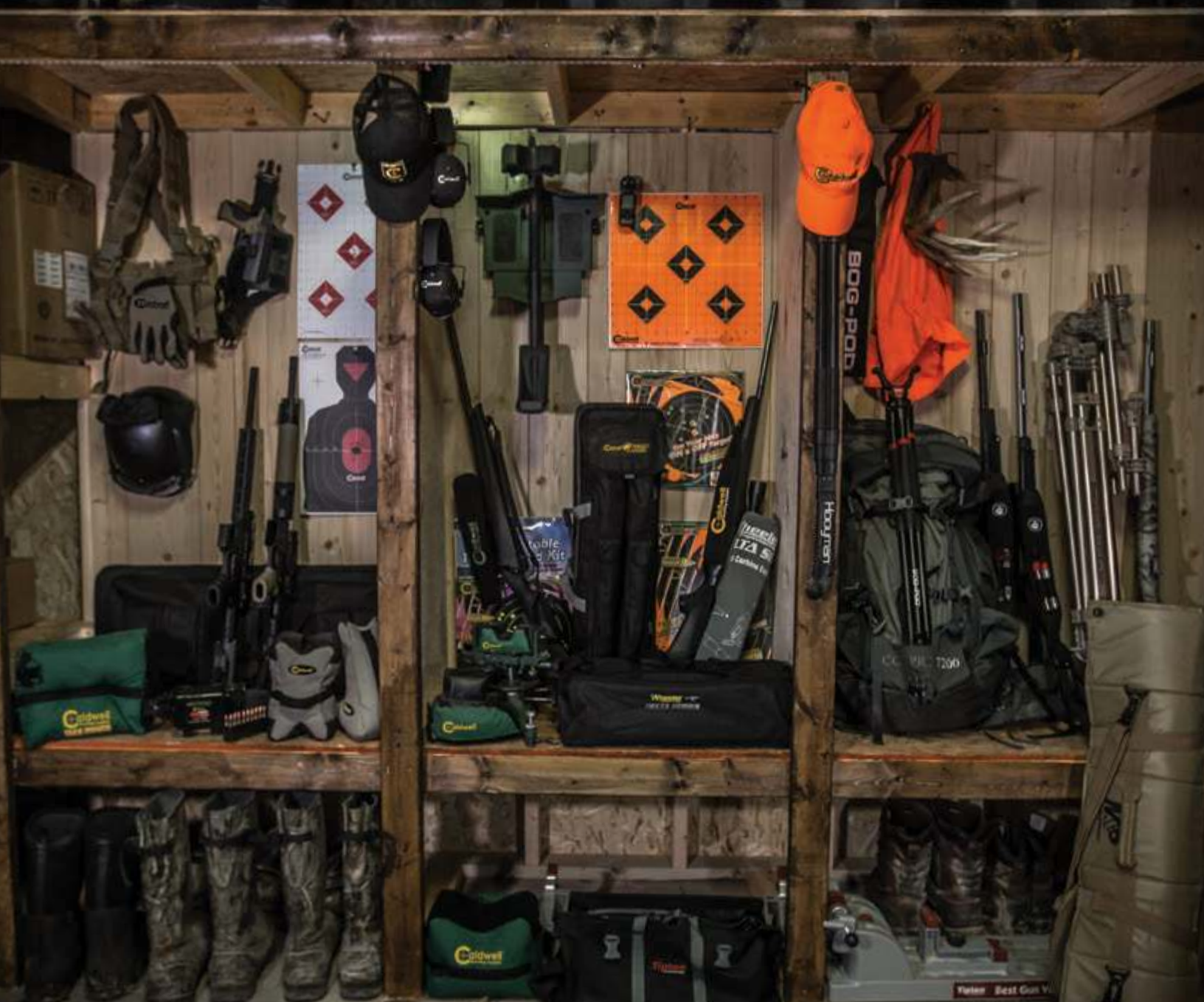


Battenfield®

Technologies, Inc.

2017 BUYER'S GUIDE



Caldwell
Shooting Supplies

Wheeler
Engineering
Fine Gunsmithing Supplies

Tipton
Gun Cleaning Supplies

Hooyman
PREMIUM TREE SAWS

Frankford Arsenal
Reloading Tools

Wheeler
Engineering
DELTA SERIES

BOG-POD
TRIPODS • MONOPODS • ACCESSORIES

LOCKDOWN
VAULT ACCESSORIES

Non-Typical
WILDLIFE SOLUTIONS.

GOLDEN ROD
Moisture Control

www.BTIbrands.com

877.509.9160 TOLL FREE

TABLE OF CONTENTS

Caldwell® Shooting Supplies	8-64
Shooting Rests	9-21
Shooting Bags	24-26
PAST™ Recoil Protection	27
Bipods	40-43
Hunting Platforms	44-50
Hearing Protection	52-53
TAC OPS	54-55
Targets	57-64

Frankford Arsenal® Reloading Tools	65-79
Case Cleaning	66-69
Case Preparation	70-72
Reloading	73-79

Lockdown® Vault Accessories	80-95
Security	81-85
Lighting	86-88

Golden Rod® by Lockdown®	89
Humidity Control	89-91
Organizers	92-95

Tipton® Gun Cleaning Supplies	96-113
Gun Vises	97-101
Cleaning Tools	102-105
Jags & Brushes	106-110
Cleaning Supplies	111-113

Wheeler® Engineering Delta Series® AR Tools	114-124
AR Kits	115-116
AR Tools	117-122
AR Cleaning & Accessories	123-124

Wheeler® Engineering Gunsmithing Supplies	125-138
Screwdrivers	126-128
Scope Mounting	129-132
Gunsmithing Tools	133-137
Miles & Gilbert Series by Wheeler®	138

BOG-POD®	139-151
RLD Series	141
CLD Series	142
HD Series	143
TAC Series	143
SB Series	144
ACCESSORIES	145-151

Hooyman®	152-158
Extendable Tree Saws	153-154
Power Saw	156
Handheld Saws	157-158

Non-Typical Wildlife Solutions™	159
--	------------

Battenfeld Technologies, Inc.
2501 LeMone Industrial Dr.
Columbia MO. 65201
877.509.9160 Toll Free • 573.446.6606 Fax • www.BTlbrands.com

Availability of products, specifications, and terms stated in this publication are subject to change without notice. Descriptive, typographical, or photographic errors are subject to correction without notice.

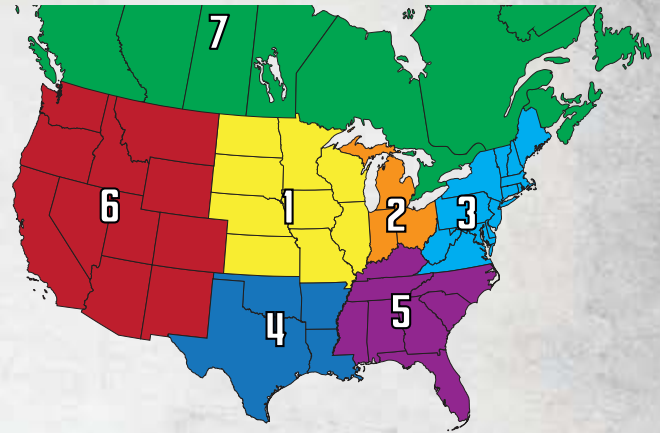
S&W® Smith&Wesson®, Thompson/Center™, T/C® and M&P® are registered trademarks of Smith & Wesson Corp.
SAVAGE® is a registered trademark of Vista Outdoor Operations, LLC.
REMINGTON® and MODEL 700® and DPMS® are registered trademarks of RA Brands, LLC.
TAURUS® is a registered trademark of Taurus International Manufacturing, Inc.
BERETTA® is a registered trademark of Fabbrica d'Armi P. Beretta S.p.A.
GLOCK® is a registered trademark of Glock Inc.
SIG SAUER® and P226® are registered trademarks of Sig Sauer, Inc.
RUGER® and LCP® are registered trademarks of Sturm, Ruger & Company, Inc.
ARMALITE® and AR-10® are registered trademarks of AR1510, LLC.
KAC® is a registered trademark of Knight's Armament Company
LWRCI REPR is a trademark of LWRC International
LARUE OBR® is a registered trademark of Austin Precision Products Inc.
BUSHMASTER® is a registered trademark of Remington Arms Company, LLC
LMT® is a registered trademark of Lewis Machine & Tool Company, Inc.
JP Enterprises® is a registered trademark of JP Enterprises
LES BAER is a trademark of Les Baer Custom Inc.
COLT® is a registered trademark of Colt's Manufacturing Company LLC

Battenfeld Technologies, Inc. and its products are not in any way affiliated with, approved by, or sponsored by any of the above mentioned registered trademark companies.

Other trademarks shown in this catalog are owned by Battenfeld Technologies, Inc. unless otherwise noted. © 2017 Battenfeld Technologies, Inc. All rights reserved.

SALES REPRESENTATIVES

BELOW IS A LISTING OF THE REP GROUPS FOR THE LISTED BRANDS

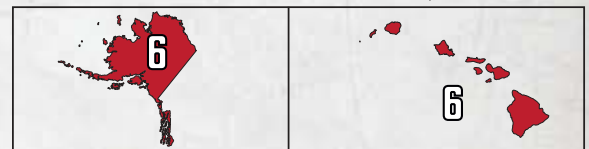
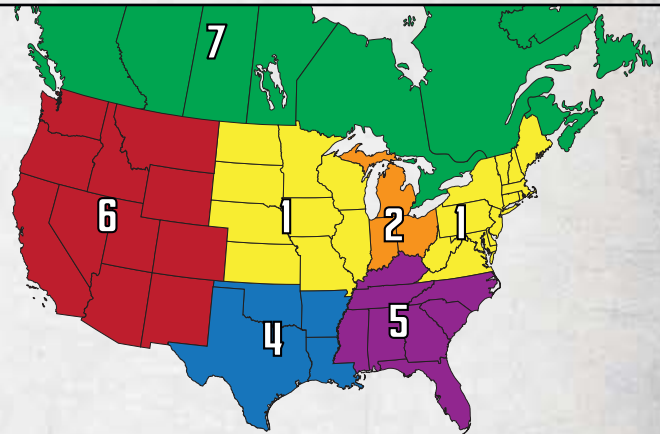


- | TERRITORY | REP Group |
|-----------|--|
| 1..... | Proactive Sales & Marketing LLC
Phone: (800) 851-8354
Email: donhanson@proactivesales.org |
| 2..... | Bruce Odle & Associates
Phone: (573) 815-7426
Email: blmay@odle.biz |
| 3..... | H&G Marketing NE
Phone: (518) 583-9963
Email: jackley@hgreprs.com |
| 4..... | The Giesecke Company
Phone: (972) 233-4771
Email: lammyers@aol.com |
| 5..... | Proactive Sales and Marketing
Phone: (931) 490-7951
Email: ProActiveS@aol.com |
| 6..... | H&G Marketing West
Phone: (720) 851-5127
Email: tmezeske@hgreprs.com |
| 7..... | Graywood Sporting Group Inc.
Phone: (705) 749-0622
Email: greg@graywoodsporting.com |

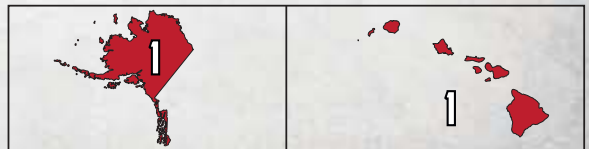
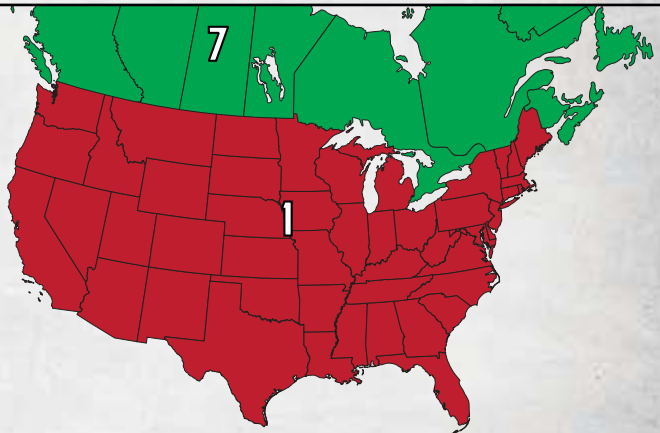


**THOMPSON/CENTER
ACCESSORIES**

- | TERRITORY | REP Group |
|-----------|--|
| 1..... | Proactive Sales & Marketing LLC
Phone: (800) 851-8354
Email: donhanson@proactivesales.org |
| 2..... | Bruce Odle & Associates
Phone: (573) 815-7426
Email: blmay@odle.biz |
| 4..... | The Giesecke Company
Phone: (972) 233-4771
Email: lammyers@aol.com |
| 5..... | Proactive Sales and Marketing
Phone: (931) 490-7951
Email: ProActiveS@aol.com |
| 6..... | H&G Marketing West
Phone: (720) 851-5127
Email: tmezeske@hgreprs.com |
| 7..... | Graywood Sporting Group Inc.
Phone: (705) 749-0622
Email: greg@graywoodsporting.com |



- | TERRITORY | REP Group |
|-----------|--|
| 1..... | Hudalla Associates Inc.
Phone: (218) 346-2734
Email: tsatter@hudallaassociates.com |
| 7..... | Graywood Sporting Group Inc.
Phone: (705) 749-0622
Email: greg@graywoodsporting.com |



Battenfeld® Technologies, Inc.

Battenfeld Technologies, Inc.® is the industry leading manufacturer of shooting, reloading, gunsmithing and gun cleaning supplies. We produce innovative, top quality products under Caldwell®, Wheeler® Engineering, Tipton®, Frankford Arsenal®, Hooyman®, Bog-Pod®, Non Typical Wildlife Solutions™, Lockdown®, Golden Rod®, Smith & Wesson® Accessories, M&P® Accessories and Thompson/Center™- Accessories.

Battenfeld Technologies Inc.® (BTI) is a proud member of the Smith & Wesson® family. BTI is a subsidiary of AMERICAN OUTDOOR BRANDS CORPORATION.

TERMS & CONDITIONS

Case Packs: Battenfeld Technologies Inc.® ("Battenfeld") uses a "case pack" system for our finished goods. Our case pack quantities help us and our customers with shipping and receiving efficiencies. We will only deliver case packaged items in their case pack quantities - orders for quantities outside of case pack quantities can no longer be accepted. Our price lists have been updated to note quantity changes.

Freight Claims: Ownership passes to customer when carrier accepts and signs for shipment. Damage or shortages must be reported to carrier and claims must be filed through carrier.

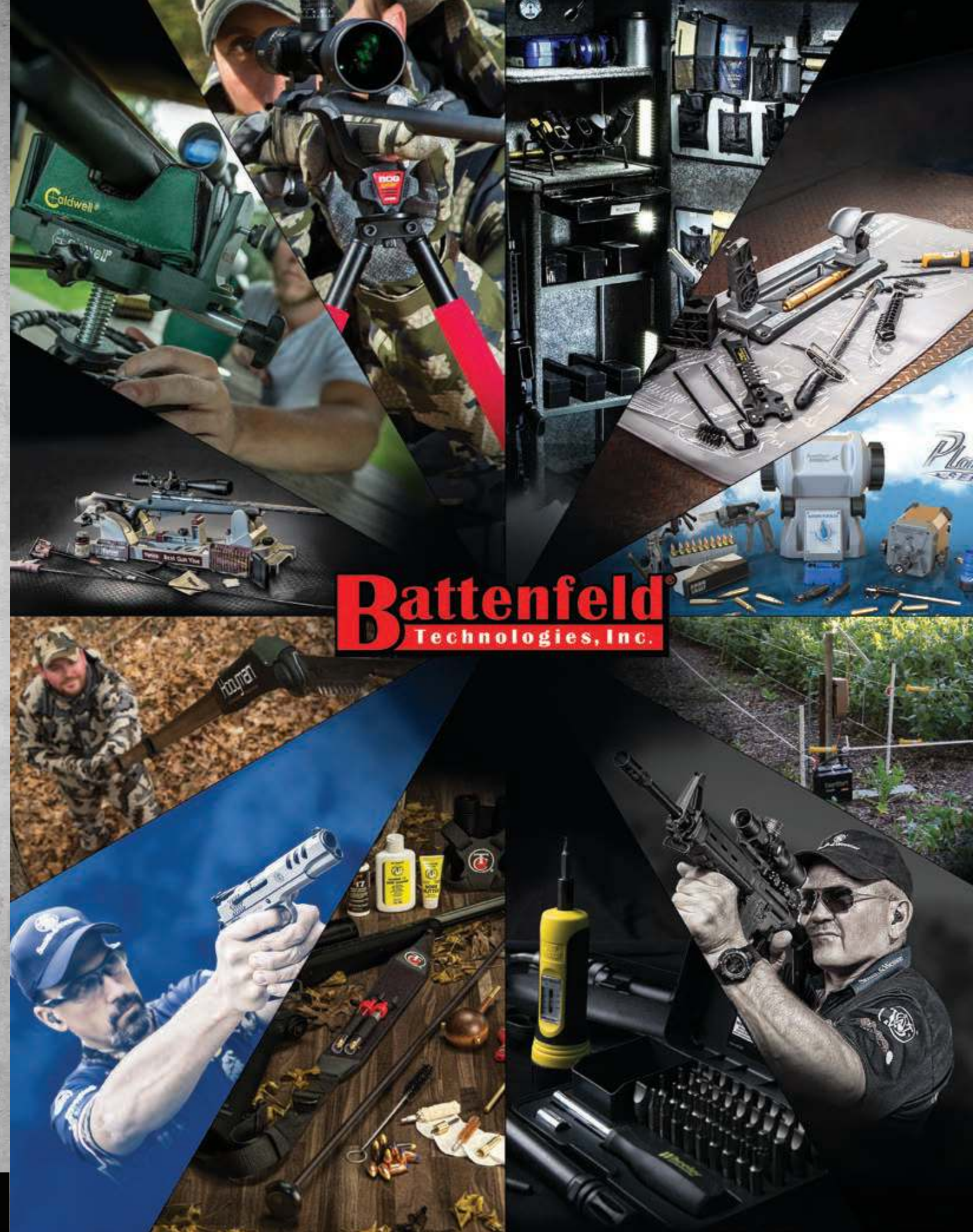
Shipping: Battenfeld Reserves the right to use its designated carriers on all shipments.

Drop Shipping: Battenfeld will drop ship to your customer at your request. The minimum for each order at one time to one location is \$2,000.

Backorders: Backorders ship once they are available, unless purchase orders state otherwise. Battenfeld pays freight on backorders originating from qualified invoices.

Shortages: All shortages must be reported to Battenfeld within 10 days of receipt.

Returns and Warranties: All returns require a return authorization number from Battenfeld. All Battenfeld accessories products (excluding Thompson/Center™ Original Equipment Manufacturer barrels; bolts and bolt handles; stocks, pistol grips and forends; magazines; and breech plugs) are warranted to be free of defects in materials and workmanship for a period of one (1) year from the date of original purchase. Thompson/Center™ Original Equipment Manufacturer accessory barrels; bolts and bolt handles; stocks, pistol grips and forends; magazines; and breech plugs available from Battenfeld are warranted to be free of defects in materials and workmanship effective from the date of purchase for the lifetime of the original retail purchaser. Any such defects for which Battenfeld receives written notice by the original retail purchaser will be remedied within a reasonable time after such notification and delivery of the covered products as provided herein. Battenfeld will, at its option, repair or replace without charge, except for transportation costs, covered products that are defective in either materials or workmanship that have been used and maintained in accordance with the provided instructions. Warranty claims (in writing) and the product or part thereof concerned should be delivered, postage prepaid, to Battenfeld at the address above. In addition, a copy of the bill of sale indicating date of purchase must be included. Please include your physical address, phone number and email address. Battenfeld will not be responsible for defects or malfunctions resulting from careless handling, unauthorized adjustments or modifications, defective or improper ammunition and/or propellant, corrosion, neglect, abuse, ordinary wear and tear, or unreasonable use, commercial use, criminal misuse, negligence, or use under the influence of drugs or alcohol. UNDER NO CIRCUMSTANCES SHALL BATTENFELD BE RESPONSIBLE FOR INCIDENTAL OR CONSEQUENTIAL DAMAGES WITH RESPECT TO ECONOMIC LOSS, INJURY, DEATH OR PROPERTY DAMAGE, WHETHER AS A RESULT OF BREACH OF THE ABOVE WARRANTIES, NEGLIGENCE OR OTHERWISE. Some states do not allow the exclusion or limitation of implied warranties and/or incidental or consequential damages, so the above limitations or exclusions may not apply to you. These warranties gives you specific legal rights, and you may also have other rights which vary from state to state.





LEAD SLED® 3



#820310 Page 10

LEAD SLED® DFT™ 2



#336677 Page 11

Stinger Shooting Rest



#110033 Page 20



Platinum Series Brass Dryer 220v



#110123 Page 66



Rapid Shooting Rest



#110113 Page 145

MAG CHARGER® Universal Pistol Loader



#110002 Page 35

Pic Rail Fixed XLA Bipod®



#110140 #110141 Page 40

Ballistic Precision Target Camera System 220v



#110269 Page 57

Chronograph Light Kit



#110142 Page 28



MEGABITE™ Hunter's Combo



#110143 Page 157

Tree Saw Lopper Attachment



#655233 Page 155

Ratchet Pruner



#110144 Page 155



Under Desk Holster



#110125 Page 84

Night Guardian Low Profile Holster



#110126 Page 84



Master Roll Pin Punch Set



#110128 Page 134

Master Gunsmithing Interchangeable Hammer Set



#110268 Page 134



Ultra Gun Vise



#110011 Page 97

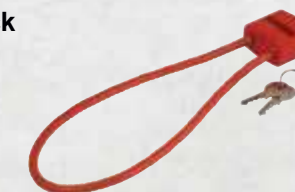
POWER CLEAN Electric Gun Cleaning Brush Kit

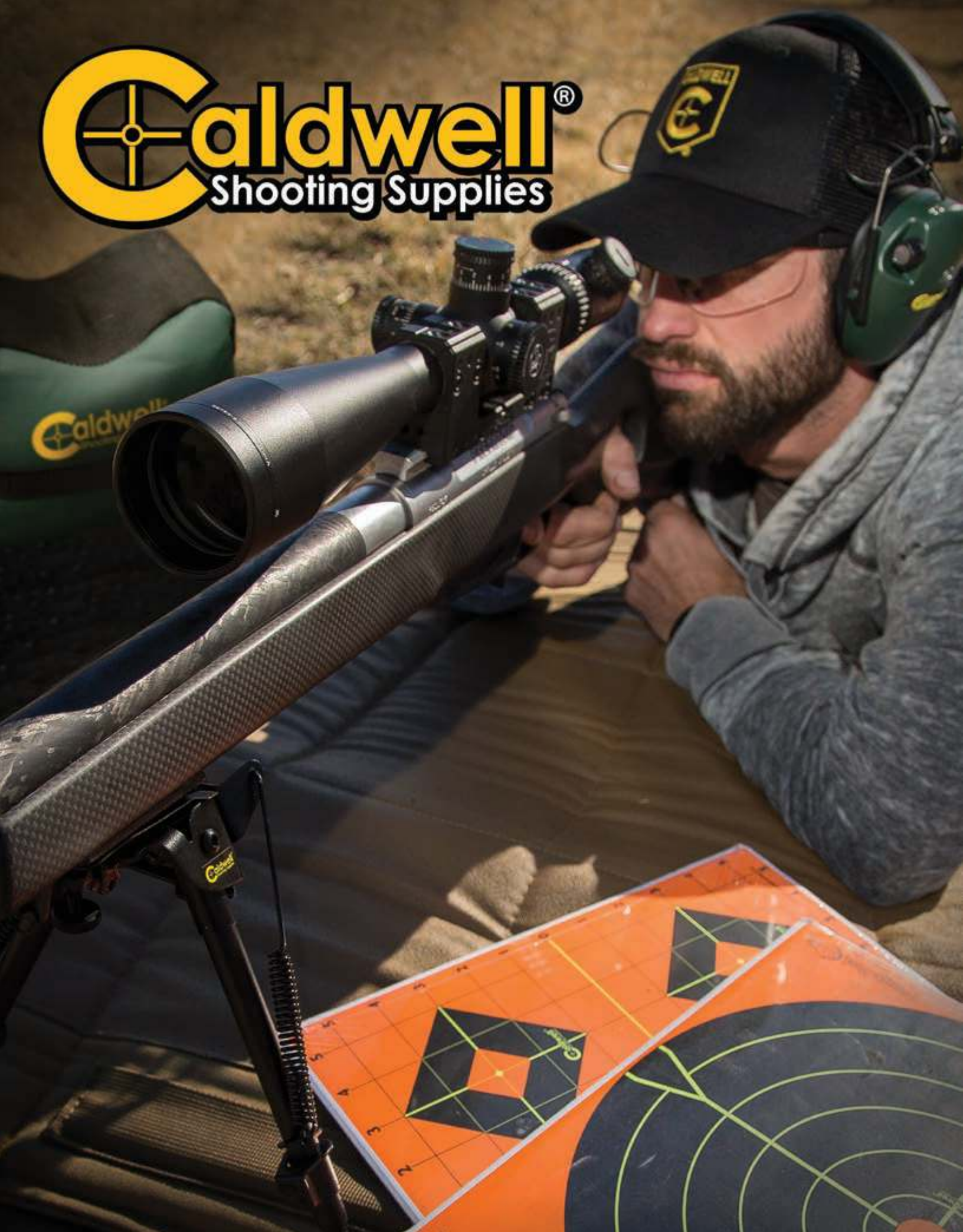
#110127 Page 110



Cable Gun Lock

#110149 Page 82



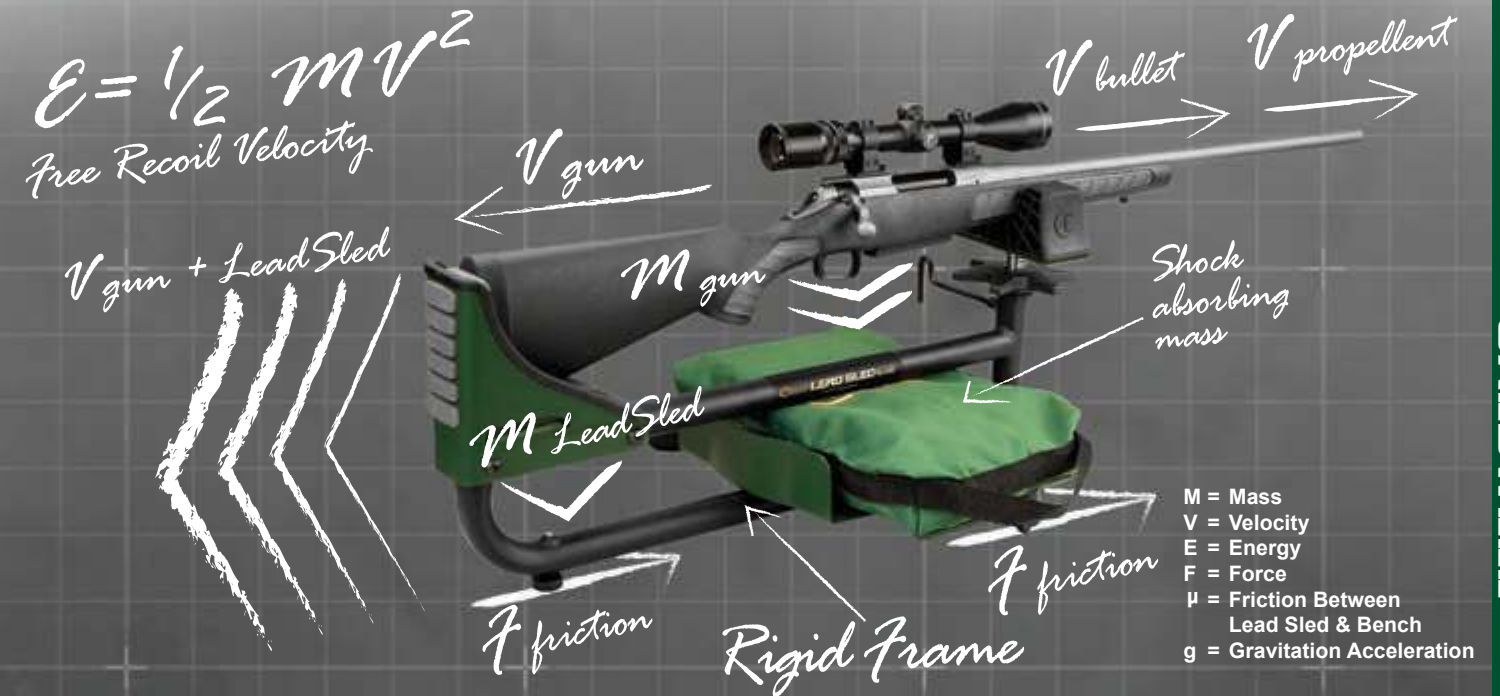


$E = 1/2 MV^2$ LEAD SLED

The Science Of Recoil Reduction

The Original Caldwell® Lead Sled® revolutionized the way shooters approach shooting firearms with heavy recoil. The ground breaking Recoil-Reduction Technology took the industry by storm and made the Lead Sled® one of the most popular shooting rests of all time. Caldwell has continued to apply Recoil-Reduction Technology throughout an entire line of Lead Sled® rests, offering value and features not available anywhere else.

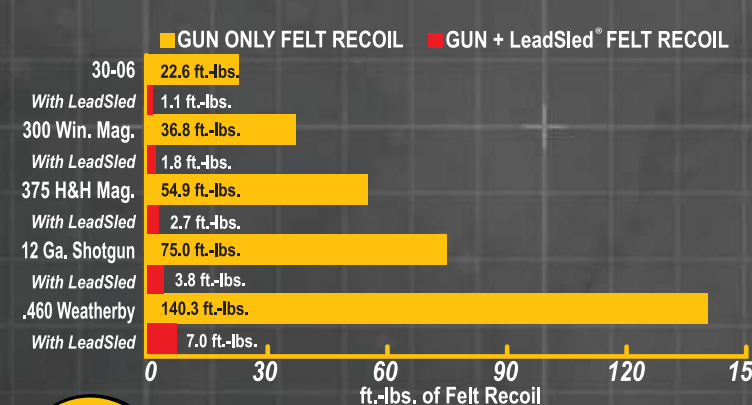
Recoil anticipation is undoubtedly the biggest limiting factor in accuracy for most shooters. It can contribute to flinching and poor trigger pulls which in turn result in diminished accuracy. Lead Sled® rests eliminate the recoil allowing the shooter to remain comfortable, relaxed and able to focus on proper trigger control. Our team of engineers have done extensive research, testing on recoil forces and how to capture and dissipate the energy through the frame of a rest and into weighted media held on the rest. Test results show up to 95% recoil reduction with our Lead Sled® line of Shooting Rests.



$F_{friction} = \mu \times M_{gun + Lead Sled} \times g$ What DOES THIS mean to you?

Check Out These Examples of Felt Recoil (ft.-lbs.)*

*Actual felt recoil may vary due to key factors such as bullet weight, velocity, shooting surface, firearm stock and recoil pad design.



	Lead Sled® SOLO	Lead Sled® 3	Lead Sled® DFT 2	Lead Sled® FCX™
UP TO 95% RECOIL REDUCTION	⊙	⊙	⊙	⊙
PRECISION ELEVATION ADJUSTMENT	⊙	⊙	⊙	⊙
PRECISION WINDAGE ADJUSTMENT	⊙	⊙	⊙	⊙
ACCEPTS LEAD SHOT BAGS	⊙	⊙	⊙	⊙
WEIGHT TRAY CAPACITY	25 lbs.	100 lbs.	100 lbs.	75 lbs.
ACCEPTS PLATE (BAR BELL) WEIGHTS		⊙	⊙	⊙
MAGNUM RIFLES & SLUG GUNS		⊙	⊙	⊙
ADJUSTABLE LENGTH			⊙	⊙
LEVER ACTION GUN & EXTENDED MAGAZINE COMPATIBLE	⊙		⊙	⊙
FCX - FIRE CONTROL SYSTEM				⊙



LEAD SLED[®] 3 RECOIL REDUCING TECHNOLOGY

NEW FOR 2017

LEAD SLED[®] 3 - #820310

The Lead Sled[®] 3 has become the standard in weight reduction shooting rests. The LS 3 reduces recoil by up to 95% while securely holding your gun on target. The new Skeletonized front rest secures your gun with it's non-marring surfaces. The improved rear buttstock cradle has a top of the line recoil reducing pad and non-marring cradle to keep your gun in place.

- Ideal for magnum rifles & slug guns
- Holds up to two 25 lb. bar bell weights
- Holds up to 100 lbs. of lead shot
- Fingertip elevation adjustment
- Non-marring rubber feet
- Adjustable height rear foot



NEW Skeletonized front rest has non-marring material

NEW non-marring rear cradle with Top of the Line Recoil Reducing rear pad

Precision "no wobble" elevation ram keeps you on target.

Adjustable weight tray accommodates a variety of weight types, including 25 lbs. barbell weights or lead shot bags.

The Lead Sled[®] 3 weighs approx. 15 pounds and is 27" L x 12" W



RESOURCE CENTER
BOX SIZE:
25.8" W x 11.3" H x 3.9" D
CASE PACK: 2

Weights not included



PATENT:
www.BTbrands.com/patents



Up to 4" of elevation adjustment



Weight tray can accommodate 2, 25 lbs barbell weights



Rear cradle is non-marring and has recoil reducing pad



Micro rear elevation adjustment

PATENT:
www.BTbrands.com/patents

LEAD SLED[®] DFT[™] 2 DUAL FRAME TECHNOLOGY

NEW FOR 2017

LEAD SLED[®] DFT[™] 2 - #336677

The Lead Sled[®] DFT[™] 2 (Dual Frame Technology) provides shooters with the industry's best recoil reduction system and the versatility to fit virtually any shotgun or rifle, all built around a precision shooting platform. A key feature of the DFT[™] 2 is the ability to slide the front cradle back and forth along the Dual Frame for optimal length adjustment.

- Dual frame design disperses a maximum amount of recoil energy
- 18" of adjustment to fit rifles and shotguns of virtually any size
- Holds up to 100 pounds of lead shot
- The Lead Sled[®] DFT[™] 2 weighs approx. 24 pounds and is 30" long by 12" wide

Up to 2.5" of elevation adjustment with oversized wheel on smooth ball bearings

NEW Skeletonized front rest has non-marring material

NEW non-marring rear cradle with Top of the Line Recoil Reducing rear pad

Windage adjustment

Fingertip rear elevation adjustment

Baffled tray keeps lead shot bags in place and holds up to 100 lbs. of lead shot - also holds weight bags full of sand or other media

Rubber tipped feet offer no-skid support on any surface



Easy windage and elevation adjustment



Advanced non-marring recoil reducing rear pad



Massive gun length fit adjustment



Dual Frame Technology accommodates AR mags



Rubber elastic retention strap secures gun in front rest

RESOURCE CENTER
BOX SIZE:
30" W x 12.75" H x 5" D
CASE PACK: 1



LEAD SLED[®] SOLO[™] RECOIL REDUCING TECHNOLOGY

PATENT:
www.BTibrands.com/patents/

LEAD SLED[®] SOLO[™] - #101777

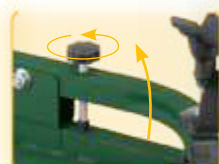
The Lead Sled[®] Solo[™] features a smooth pivoting elevation system that is controlled by a single knob, making adjustments onto target fast and precise. Its unique offset frame is designed to accommodate all rifles, including detachable magazine rifles like the popular AR-15 platform or lever actions guns. A heavy duty spring, located between the frame members, helps eliminate recoil on non-magnum calibers and greatly reduces recoil on all calibers. The adjustable-height front cradle features a forend strap that easily secures your rifle onto the rest.

- Heavy-duty steel construction
- Holds one 25 lb. bag of lead shot
- Forend strap secures rifle in the rest
- Adjustable front cradle height
- The Lead Sled[®] Solo[™] weighs approx. 14 pounds and is 26" long by 18" wide

AR-15s with 30 round mags work perfectly with a Solo



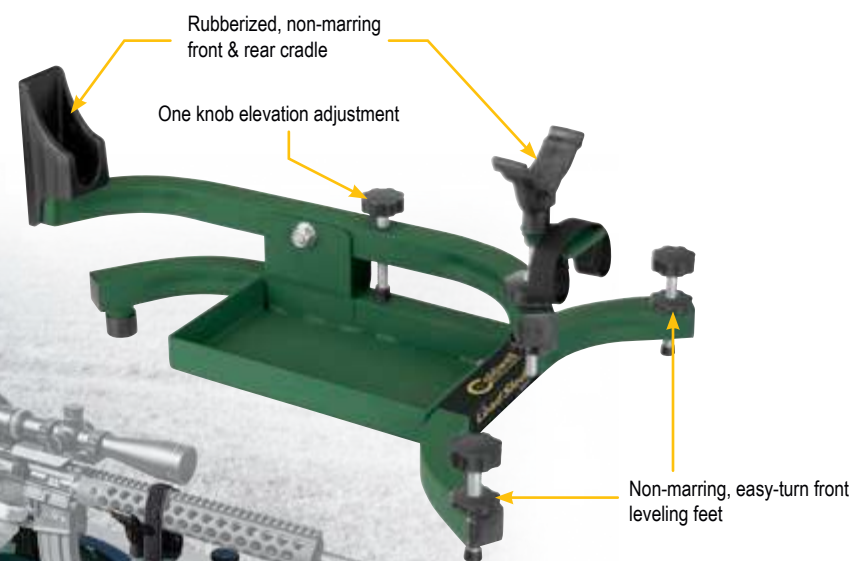
Adjustable front cradle



One knob elevation adjustment



Perfect for detachable magazine rifles



RESOURCE CENTER

BOX SIZE:
24" W x 8.5" H x 6.5" D
CASE PACK: 2

LEAD SLED[®] WEIGHT BAGS

These stout bags are designed to be placed in the tray of your Lead Sled[®] 3, Solo[™], or DFT[™] 2 and conveniently hold a 25 lb bag of lead shot, sand, or other weighted media.

- Heavy duty nylon webbed handles
- Heavy duty fabric cover
- Standard Bag holds approximately 7 pounds of sand or 25 lbs. of shot
- Large Bag holds approximately 20 pounds of sand

Standard Bag ... Single #428334
Standard Bag ... 4 Bags ... #533117
Large Bag Single #777800

RESOURCE CENTER

BOX SIZE:
5.5" W x 9.25" H x 2" D
CASE PACK: 4

Large size: 10" x 16" x 2.5" Standard size: 5.5" x 10" x 3"



LEAD SLED[®] FCX[™] FIRE CONTROL XTREME

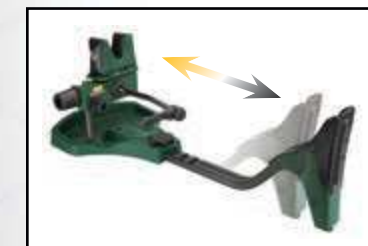
PATENT:
www.BTibrands.com/patents/

LEAD SLED[®] FCX[™] - #820444

The Lead Sled[®] FCX[™] combines two of the most innovative rest technologies into the industry's most advanced shooting platform. By incorporating the recoil reduction benefits of the Lead Sled[®] system along with the ground-breaking performance of the Fire Control[®] mechanism, ultimate accuracy and comfort come together in one rest.

The Fire Control[®] mechanism is an advanced rest alignment system that is actuated by a "joystick" style control arm. The Control Arm can be moved in any direction to perfectly align the crosshairs. When it is released it holds the rifle in that exact position. This precision alignment of crosshairs to target allows the shooter to be perfectly relaxed when pulling the trigger, unlike conventional rests that require pushing, pulling or leaning into the gun to gain that final bit of alignment.

- At 100 yards, the control arm provides approximately 5 feet of adjustment on target
- 2-piece design and notched rear frame support allow user to adjust the overall length of the rest
- Cast aluminum weight tray can accommodate approx. 75 lbs. of lead
- Custom-fit weight bag (included) holds approx. 50 lbs. of lead shot
- Machined steel gear rack for coarse elevation adjustment
- The Lead Sled[®] FCX[™] weighs approx. 22 pounds and is 35" long by 13" wide



Custom-fit weight bag which is included (unfilled)



Fire Control alignment system



Both fine and coarse elevation adjustment



Notched adjustable length



Contoured rear support protects gun stock

RESOURCE CENTER

BOX SIZE:
24.25" W x 8.75" H x 14.25" D
CASE PACK: 1



FIRE CONTROL®

FIRE CONTROL®

"Fire Control" is an advanced alignment system that allows the shooter continual, one-hand adjustment of downrange crosshair alignment via a multi-directional control arm. The Fire Control® mechanism allows continuous adjustment of the front forend support by manipulating the control arm with your fingertips. The control arm allows fluid movement for precise crosshair alignment without having to change shooting position. The end result is unmatched control of crosshair alignment in a rock solid shooting platform.

Rests with fixed adjustment systems require the last micro alignment to come from leaning, pushing or pulling slightly on the gun and or rest, thus greatly limiting accuracy. The Fire Control® eliminates that need.

Another inherent benefit of the Fire Control® rests are ease and speed of realignment after recoil. No more moving the entire rest back into position or loosening knobs and turning screws to realign. With up to 60" of windage and elevation adjustment at 100 yards, getting back on target instantly after recoil from a previous shot is at your fingertips via the control arm.

Both shooting rests include: medium profile filled front bag and 3-lobe bag for wide forend rifles. Adjustable tension of the control arm allows for customized resistance pressure via four nylon tipped set screws.



Simply move the control arm in any direction to precisely align the crosshairs on your target. The rest will hold the gun perfectly steady at any point with no additional adjustments. 60 MOA or approximately 5 feet of adjustment at 100 yards.

FIRE CONTROL® FRONT REST - #746884

Built with the Benchrest shooter in mind the Fire Control® Front Rest utilizes a massive 15" x 11.5" cast iron base. Overall weight approximately 18 pounds.

Filled medium bag can be changed out with the 3-lobe bag (included)

Machined hardened steel gear rack for coarse elevation adjustment

Coarse elevation adjustment knob

Elevation lock knob securely locks into position

RESOURCE CENTER
BOX SIZE:
16" W x 13" H x 9" D
CASE PACK: 1



PATENT:
www.BTibrands.com/patents/

Forend stop for repeatable firearm positioning

Spiked stainless steel leveling feet

The palm lever can be rotated 360 degrees around the control arm.

Cast iron base provides rock-solid stability

The Medium-High Rear Bag makes an excellent compliment to the Fire Control® Front Rest. See PAGE 26 for more details.



High quality filled front bag with integral forend stop



Up to 60" of windage and elevation adjustment using the control arm



Up to 4" of coarse elevation with locking knob



3 independent leveling feet with spike bottoms for secure purchase



FIRE CONTROL® FULL LENGTH REST - #100259

The one-piece design delivers maximum stability and the convenience of fast setup and transport. Dual steel tubes connect the non-marring over-molded rear support to the sturdy cast aluminum front base. Built with all the same features as the Fire Control® Front Rest. Approximately 15 pounds and 32" overall length.

PATENT:
www.BTibrands.com/patents/



Non-marring rear pad

Durable steel tubes connect front and rear bases

Adjustable cradle ear assembly for increased control and consistent clamping pressure

RESOURCE CENTER
BOX SIZE:
24.8" W x 12.6" H x 9.3" D
CASE PACK: 1



SHOOTING RESTS

MATRIX™ - #101600



PATENT:
www.BTibrands.com/patents/

Caldwell® sets a new standard for Value, Performance and Features in a shooting rest. The highly versatile Matrix combines great features and rock-solid stability in an affordable rest. Central to the design is the innovative, ultra rigid U-channel frame, quickly adjusting in length for the perfect fit with any gun while remaining completely stable. The two piece sliding frame has plenty of clearance for hi-capacity detachable magazines (AR-15 style guns) as well as lever action guns. A convenient storage area incorporated into the front of the base has a removable lid that doubles as a rubberized rear support for firing handguns.

A spring-loaded tension mechanism and height adjustment knob allow for one-handed elevation adjustments, keeping the front cradle wobble-free throughout the entire vertical range.

The Matrix™ has multiple rigid supports molded into the frame.

Over-molded front and rear cradle is non-marring

4.5" of overall length adjustment

Storage area with removable over-molded lid



Removing the rear of the rest turns the Matrix into a great handgun rest.



Adjustable to fit any firearm, the Matrix™ will support the longest of firearms



Removing the storage area cover allows the use of detachable magazine rifles

RESOURCE CENTER

BOX SIZE:
16.5" W x 6.5" H x 19.5" D
CASE PACK: 3

Pistolero™

PISTOLERO™ - #562771

The Caldwell® Pistolero™ is the ideal handgun shooting rest. By combining 5 inches of horizontally adjustable hand support with 3 inches of vertically adjustable barrel support, this rest accommodates virtually every size handgun. In addition, the rugged construction of this rest is virtually impervious to the elements. This combination of versatility, stability and durability make the Pistolero™ the number one value in handgun rests.

3" Vertical adjustability

5" Horizontal adjustability



The Pistolero™ accommodates a handgun like the 1911 as easily as the big Smith & Wesson® 500.

RESOURCE CENTER

BOX SIZE:
16" W x 8.4" H x 5.4" D
CASE PACK: 4

SHOOTING RESTS

PATENT:
www.BTibrands.com/patents/

STEADY REST NXT®

STEADY REST NXT® - #548664

The Steady Rest NXT® gives you a steady, elevation-adjustable platform for sighting in rifles, pistols and patterning shotguns. The three-piece design allows the shooter to use the rest in one or two-piece configurations, allowing it to adjust to any length long gun as well as handguns. The front and rear supports feature a non-marring material that is gentle on your firearm's finish yet is firm enough to provide a stable shooting surface. Overall length of rest is 26". 3" of vertical cradle adjustment.

The front section alone can be used as a handgun rest

Spanner section is removable to turn the NXT® into a front and rear rest.



RESOURCE CENTER

BOX SIZE:
12.2" W x 10.5" H x 5.4" D
CASE PACK: 4

The front rest alone also doubles as a handgun rest. The neoprene pad provides a firm, cushioned base for your favorite pistol or revolver.

HANDY REST NXT®

HANDY REST NXT® - #574662

The Caldwell® Handy Rest NXT® is an extremely versatile front rest. The innovative design includes a removable handgun support attachment that easily converts this rifle rest into a handgun rest. This rest is made of a non-marring yet durable material.

- 6ft. elevation at 100 yds. (3" at cradle)
- Front sling stud clearance groove
- Constructed of durable lightweight material

3" of front elevation

Durable reinforced construction

Lock knob



The removable handgun support allows you to use the Handy Rest NXT® with a pistol and revolver, in addition to a rifle.

RESOURCE CENTER

BOX SIZE:
14.3" W x 12.5" H x 4.8" D
CASE PACK: 4

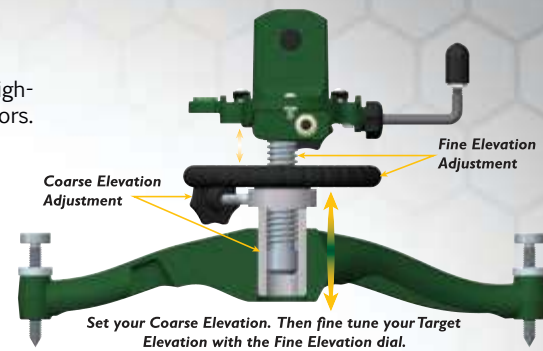


SHOOTING RESTS

THE ROCK BR™ - #440907

The Rock BR™ will help you discover the true potential of your rifle and ammunition. This high-quality rest is designed for the highest accuracy-minded shooters around; bench rest competitors.

- 13 lb. product weight dispersed along 14" cast-iron footprint
- Fine elevation adjustments are possible through our ball bearing rotational system
- Cradle features a sturdy bag tensioning system for improved forend support
- Windage-adjustable cradle allows shooters to make smooth and precise corrections with fingertips
- Rest comes with both an unfilled 3-lobe bag for wide forends and filled Medium Varmint front bag for sporter style forends
- Accepts any of the Caldwell® Deluxe Front Rest Bags
- 2-stage elevation adjustment up to 11.5"
- Made of precision machined diecast metal



Max Adjustable height: 11.5"

The Rock BR™ raises high for use with guns that have detachable 30 round magazines.



The Rock BR™ also includes an unfilled 3-lobe front bag. We recommend filling the 3-lobe bag with case cleaning media.



Adjustable front stop for precise positioning every time



Medium varmint front bag shown, for use with narrow forends.



BR FOOT PADS - #845221

Case Pack of 6
(3 BR Foot pads ONLY) (metal spikes not included)

BR Feet are designed to provide a stable, non-marring solution that keeps the spiked metal feet of your Rock BR from gouging or scratching top of your shooting bench. BR Feet are rubber-coated, metal washers that allow the shooting rest's spiked metal feet to nest in the washer to provide a firm, no-slip footprint while protecting your tabletop.



THE ROCK™ SHOOTING REST & ROCK COMBO

The best way to determine the accuracy of your rifle and ammunition is to shoot them from a solid bench, with a quality shooting rest. With precise repeatability of shots as your goal, The Rock™ Deluxe Front Rest is the right tool for the job.

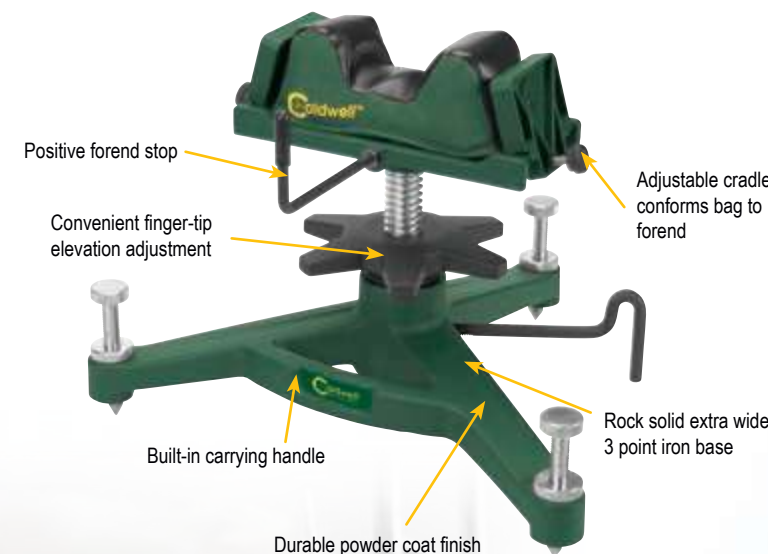
- Wide and stable footprint dispersed over 8.5 lb. rest, 13" diameter base
- Steel ram provides smooth and quick elevation adjustments
- Use the 3 leveling feet to level your rest on most any surface
- Forend cradle is designed to accept all Caldwell® Deluxe Universal Front Rest Bags
- Filled Medium Varmint front bag included with rest

The Rock™ Shooting Rest ...#383774 The Rock™ Combo#383640

(*The Rock™ and filled rear bag)



Filled rear bag made of durable water resistant fabric



Vertical adjustment from 4.5" - 7.25"



Forend stop ensures consistent stock placement from shot to shot



Independently adjustable feet for precision accuracy

RESOURCE CENTER

Rock BOX SIZE:
13" W x 4" H x 14" D
Rock Combo BOX SIZE:
15.25" W x 12" H x 4.25" D
CASE PACK: 4

THE ROCK JR.™ - #323225

Many of the same features as The Rock™, but in a sleeker and more economical package. For sighting-in, test firing, and informal competition, it's tough to beat a Rock Jr.™.

- Y-shaped base dispersed over 5.5 lb. rest
- 3/4" diameter steel elevation post
- Filled Medium Varmint front bag included with rest
- 10" diameter base

Interchangeable rubber feet or metal spiked feet



RESOURCE CENTER

BOX SIZE:
10" W x 4.25" H x 9.75" D
CASE PACK: 4



STINGER™ SHOOTING REST - #110033

The Caldwell® Stinger™ Shooting Rest combines a great looking design, ultimate user functionality and rock solid stability in an affordable rest. Central to the design is the innovative front elevation system. A spring loaded, height adjustment knob allows for fast, one handed course elevation adjustment. The new cutting edge over molded front and rear supports protect the gun's finish and provides just the right amount of firmness for rock solid shots. The heavy duty dual metal frame and quick cam locks allow the Stinger's front rest to easily slide forward or backwards then lock in place when the desired length has been achieved. The Stinger™ Shooting Rest provides versatility and ultimate stability, delivering the shooter maximum accuracy potential.

- Innovative new spring loaded elevation system allows for fast one handed, no wobble adjustment
- Extremely fine elevation adjustments with fingertip control



Fast acquisition Rack and Pinion front elevation adjustment. This allows for quick elevation with no friction slip.



Perfect for extended magazines and lever actions



3" of front rest elevation adjustment



Rear fine elevation adjustment



3.5" of gun fit adjustment



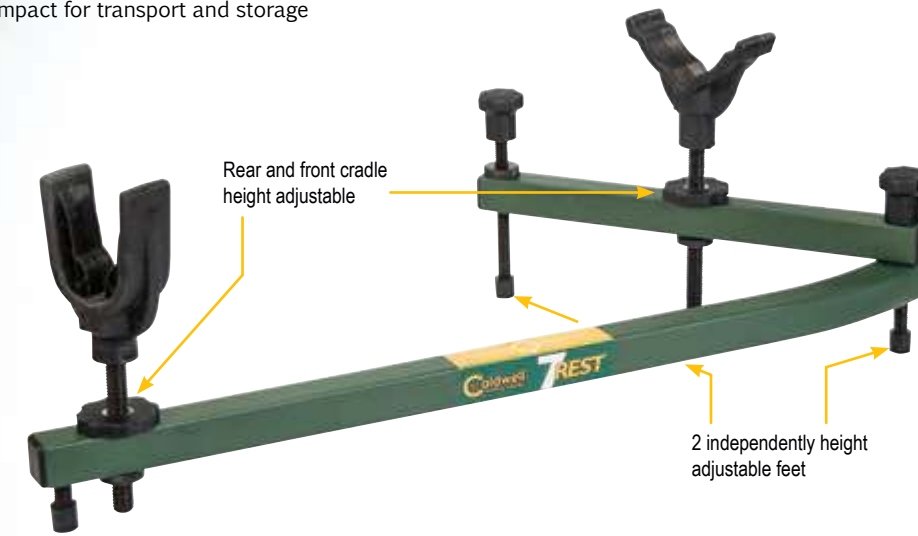
RESOURCE CENTER
BOX SIZE:
32" W x 7.25" H x 7.75" D
CASE PACK: 2



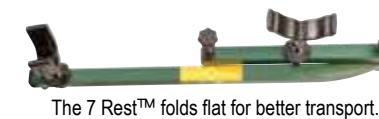
7 REST™ SHOOTING REST - #1071001

The 7 Rest™ is a truly innovative shooting accessory that utilizes a unique design to deliver exceptional versatility and true value. The asymmetric frame provides great stability while maximizing length adjustability. By simply loosening the lock knob, the angle between the two parts of the frame can be adjusted to change the distance between the front and rear supports.

- Works great with AR-15s, rolling blocks and lever-action rifles
- Ambidextrous - folds to accommodate right or left-handed shooters
- Over-molded supports
- Front and rear height adjustability to accommodate any gun
- Folds compact for transport and storage



RESOURCE CENTER
BOX SIZE:
8.5" W x 25.5" H x 2" D
CASE PACK: 4



The 7 Rest™ folds flat for better transport.



Independently adjust the front and rear rests



Independent front leveling feet



Ambidextrous design folds to accommodate right or left-handed shooters and varying lengths of firearms.

ZEROMAX™ SHOOTING REST - #546889



The Caldwell® ZeroMax™ Shooting Rest is a full-length metal rest that comes packed with all of the features that today's shooters demand. This "no-frills" full-length rest offers the shooter a rock-solid platform for quick and convenient set-up without the expense and complexity of other rests.

- Durable tube steel frame fabrication
- Elevation adjustment
- Filled Medium Varmint front bag included
- Rock-solid shooting base for rifles and shotguns



RESOURCE CENTER
BOX SIZE:
23.8" W x 6.5" H x 5" D
CASE PACK: 4

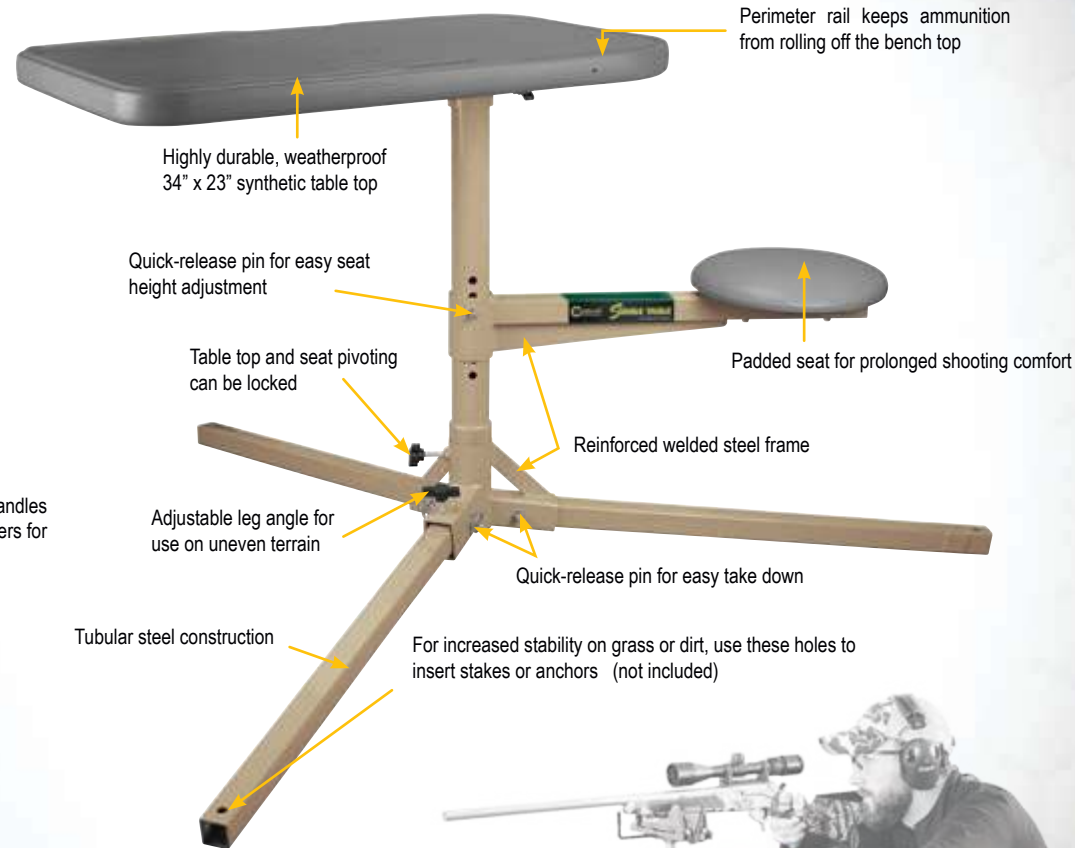


RESOURCE CENTER
CUSTOM PRODUCTS:
 Caldwell® Custom Products are only sold via our Drop Ship Program. Please contact our sales department at 877-509-9160 for pricing and details on the program.

STABLE TABLE® DELUXE SHOOTING BENCH - #252552

The Stable Table® is purpose-built to be the finest value-priced shooting bench in the market. The tripod design is more rigid and has fewer joints than folding-style benches and is appropriate for a wider variety of shooting conditions and disciplines. The central shaft, seat and tabletop pivot. This allows the user to make shots at any angle from a single setup – ideal for varmint hunting. The padded seat adjusts from 16" to 22" in height. The Stable Table breaks down into seven pieces and weighs a total of 60 pounds. The weight limit of the Stable Table is 275 pounds, that does not include the weight of the shooting rest, firearm and accessories.

Two cleaning forks are included. One for forends the other for buttstocks



Molded carrying handles also serve as holders for cleaning forks



RESOURCE CENTER
BOX SIZE:
 34.7" W x 23.4" H x 7" D
CASE PACK: 1

BR PIVOT® PREMIUM SHOOTING BENCH - #300015 Case Pack of 1

The BR Pivot® is the finest shooting bench available. It combines the best materials, an unparalleled design and years of thinking, field use and continuous development into a complete package that is ready for a lifetime of service. The BR Pivot® is bombproof, foolproof, and ready for users who are serious about accuracy. The padded seat can be adjusted for any height between 16" and 27". The bench breaks down into four pieces and weighs a total of 65 pounds. The weight limit of the BR Pivot® is 250 pounds, that does not include the weight of the shooting rest, firearm and accessories.



Bench Leveling
 The BR Pivot features 3 adjustable height legs for when finding level ground is difficult. Up to 5" of travel on each leg.



Ultimate Versatility
 The tabletop and seat will rotate independently. This will allow the user the broadest possible range of shooting angles for both right and left-handed shooters.



Unified Rotation
 Lock the table and seat together on the center post allowing 360° rotation as a unit. This is an ideal setup for varmint shooting.



LEFTY FRIENDLY!



Hardwood Top

- Edge-glued American hardwood
- 1" thick
- Measures 45" x 26"
- Ambidextrous
- Polyurethane finish

STABLE TABLE® CARRY BAG - #777810

- Carries Caldwell® Stable Table® conveniently
- Full wrap around shoulder straps
- Heavy-duty construction with double layer fabric and padded lower portion
- Inner bag for the table hub included



RESOURCE CENTER
DISPLAY SIZE:
 13" W x 17.5" H x 3.5" D
CASE PACK: 1

HUNTER'S BLIND BAG - #247261

Support and protect your rifle in almost any hunting situation. The Caldwell® Blind Bag is the answer when other types of support are unavailable or inappropriate. Quick set-up for accurate shooting when the need for a stable rest is at a premium.

- Sits on any narrow surface such as; deer/turkey stands, fence posts, tree limbs, brick walls or truck bed sides
- Bag is trim, lightweight, easy-filling and will not sag over time
- Dark green color blends well with natural surroundings
- Narrow contour of rest matches most sporter weight stocks
- Tie down laces lets you secure the bag to uneven locations

Robust fabric resists snags and tearing

Ties keep Blind Bag attached to rung or ledge



RESOURCE CENTER
DISPLAY SIZE:
 5.75" W x 9.5" H x 1.75" D
CASE PACK: 6



TACK DRIVER® SHOOTING REST

The most user-friendly and effective, one-piece shooting bag available. This convenient shooting bag takes the place of two. You can use the Tack Driver® almost anywhere, from portable and permanent shooting benches to makeshift positions in the field.

- Self-tightening surface grips your rifle and reduces felt recoil
- Non-marring, non-slip surface will not harm your rifle's finish
- Supports almost any rifle or shotgun type
- Available filled and unfilled

Tack Driver Filled.....#569230
Tack Driver Unfilled.....#191743



7.5" deep

Thick no snag interior grabs gun to reduce felt recoil

8.85" High

11.4" Wide

RESOURCE CENTER
Filled SIZE:
 11.4" W x 8.85" H x 7.5" D
Unfilled BOX SIZE:
 6.8" W x 14.8" H x 1.5" D
Filled CASE PACK: 1
Unfilled CASE PACK: 6

Carrying handle for convenience and portability



DEADSHOT® SHOOTING BAGS

Every hunter and shooter is looking for a versatile and steady shooting system that can be set up almost anywhere, and at any time. Whether you have minutes or seconds to set up for your next shot, the DeadShot® Shooting Bags are the answer. These inexpensive and functional bags continue to set the industry standard for quality and functional shooting bags.

- Place them on almost any shooting surface
- Made of durable, water-resistant 600 Denier polyester
- Front shooting bag is the industry's largest (approximately 8 lbs.)
- Quick-connect feature makes bag transport easy
- Front bag dimensions: 10" wide x 8 1/2" high x 6" deep,
- Rear bag dimensions: 5" wide x 5" high x 4 1/2" deep
- Available filled and unfilled

Front Shooting Bag Filled #516620
Rear Shooting Bag Filled #640721
Front/Rear Combo Filled #939333
Front/Rear Combo Unfilled... #248885



Thick no snag cradle even holds up to aggressive quad rails

Heavy Duty poly clip and D ring for attaching to each other for transport

8.85" High

8.5"

10"

6"

5"

5"

4.5"



Durable water resistant 600 Denier polyester



Transport Front & Rear Bags easily using the exclusive Quick-Connect System.



Top cradle is non-marring and heavy duty to handle even the most aggressive forends

RESOURCE CENTER
Combo Filled BOX SIZE:
 10.3" W x 10.5" H x 6.8" D
Combo Unfilled BOX SIZE:
 5.5" W x 9.3" H x 2" D
Filled CASE PACK: 4
Combo CASE PACK: 4



DELUXE UNIVERSAL FRONT BAGS & BENCH ACCESSORY SHOOTING BAGS

These innovative, high-quality leather and polyester Front and Accessory Shooting Bags function with most brands of front rests. The exclusive hook and loop tabs on the Front Bags allow quick installation and removal from the cradle without time-consuming need to lace them on. The leather gives you a secure rest and the polyester, which will not stretch or sag, allows the bag to hold its shape. This combination makes for the best shooting bag on the market.

- Narrow Bag is ideal for most sporting rifles
- Medium and Wide Bags are perfect for varmint and benchrest rifles
- Unfilled bags should be filled with dry silica sand or other inert fillers

- Accessory bags are made of polyester with leather tops and bottoms
- Elbow bag is 7" x 7" x 1.75"
- Universal bag is 8" x 5" x 2.25"
- Elbow bag is perfect to rest your front or rear elbow on when shooting from a bench
- Universal bag can be used as an elbow bag or rear stock elevation rest

- A. Narrow Sporter Front Bag** Filled **#108325** Case Pack of 4
- B. Medium Varmint Front Bag** Filled **#263234** Case Pack of 4
- C. Wide Benchrest Front Bag** Filled **#576578** Case Pack of 4
- D. Elbow Bag** Filled **#774317** Case Pack of 6
- E. Universal Bag** Filled **#116375** Case Pack of 6

REAR SHOOTING BAGS

These innovative, high-quality leather and polyester Rear Shooting Bags function with most brands of front rests. The leather gives you a secure rest and the polyester, which will not stretch or sag, allows the bag to hold its shape.

- Standard Rear: for use with the 4" Center Post on the Rock™ and other similar rests
- Medium-High Rear: for use with the Fire Control® Front Rest and other similar rests
- Magnum Extended Rear Bag: for use with extended height shooting rests
- Unfilled bags should be filled with dry silica sand or other inert fillers

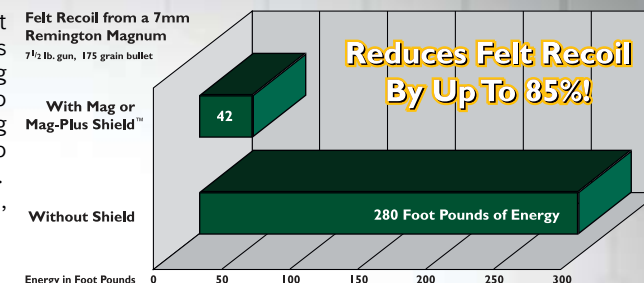


- A. Standard Rear Bag** Filled **#598458** Case Pack of 4
- Standard Rear Bag** Unfilled **#226645** Case Pack of 4
- B. Medium-High Rear Bag** Filled **#800888** Case Pack of 4
- C. Magnum Extended Height** Filled **#445389** Case Pack of 4

Standard Bag weighs 2.5 lbs.
Medium Bag weighs 4.25 lbs.
Magnum Bag weighs 7.37 lbs.

RESOURCE CENTER
MAGNUM SIZE:
7.5" W x 9" H x 5.5" D
MEDIUM SIZE:
7.5" W x 6" H x 5.5" D
STANDARD SIZE:
7.5" W x 5" H x 5.5" D
Unfilled BOX SIZE:
3.875" W x 8.25" H x 2.5" D
CASE PACK: 4

The PAST® product line is based on a high-performance foam material that dramatically reduces the felt recoil of rifles, shotguns, and handguns. This foam pad absorbs and spreads the recoil impulse, significantly reducing the recoil felt by the shooter. Other styles of recoil protection tend to bounce into your shoulder, which can create an unstable feeling while offering inadequate protection. The PAST recoil protection system allows a shooter to concentrate on hitting the target instead of fearing the punishment of recoil. Concentration helps to create good shooting habits, and more importantly, prevents developing bad ones.



MAG SHIELD™ - #300010

- Soft leather front and back provides ample friction to keep gun locked into the shield and the shield locked into your shoulder.
- Ambidextrous
- 1/2" thick energy-absorbing pad
- Approx. 20" cubic inches of coverage
- Weighs 4oz.



MAG PLUS SHIELD™ - #310010

- Soft leather front and back provides ample friction to keep gun locked into the shield and the shield locked into your shoulder.
- Ambidextrous
- 1/2" thick heart shaped energy-absorbing pad
- Approx. 32" cubic inches of coverage
- Weighs 6oz.



SUPER MAG PLUS SHIELD™ - #330110

- Soft leather front and back provides ample friction to keep gun locked into the shield and the shield locked into your shoulder.
- Highest protection level of any PAST Shield
- Ambidextrous
- 1" thick heart shaped energy-absorbing pad
- Approx. 40" cubic inches of coverage
- Weighs 10oz.



FIELD SHIELD™ - #350010

- Soft leather front and back provides ample friction to keep gun locked into the shield and the shield locked into your shoulder.
- Perfect choice for shotgun use or use in the field.
- Ambidextrous
- 1/4" thick energy-absorbing pad
- Approx. 37" cubic inches of coverage
- Weighs 4oz.



HIDDEN COMFORT RECOIL SHIELD FOR WOMEN #360000

- Worn under clothing, this patented recoil protection has a comfortable cotton blend cover that easily attaches to a bra strap without removing the blouse or shirt, and stays in place with its hook and loop closure system.
- Ambidextrous
- 1/4" thick energy-absorbing pad
- Approx. 30" cubic inches of coverage
- Weighs 2oz.



RESOURCE CENTER
CLAM SIZE:
8.9" W x 11.6" H x 1.5" D
CASE PACK: 6

Ballistic Precision CHRONOGRAPH

The Ballistic Precision Chronograph provides accurate velocity measurements across a wide range of shooting conditions. Higher accuracy was achieved by using a high speed 48 MHz processor and by designing a circuit with an advanced data interface that allows each unit to be computer calibrated at the factory after assembly. The Chrono can deliver shot string velocity data through the 15 foot audio jack cable (included) to an iPhone®, iPad®, iPod Touch®, Android® 2.1 or newer smart phones and Kindle® Fire Tablets.

- Each unit factory calibrated to within +/- 0.25% accuracy
- Ideal for firearms, archery, airgun and paintball
- Simple operation, large LCD screen
- Meters Per Second (MPS) or Feet Per Second (FPS) readings
- Measures from 5 to 9,999 FPS
- Extra wide sun screens for added shading in full sun operation
- ¼-20 threaded insert on bottom of housing for tripod mounting
- Operates on a 9 Volt battery (not included)
- Carry bag included in Premium Kit

RESOURCE CENTER
CLAM SIZE:
9.75" W x 21.5" H x 4.75" D
CASE PACK: 4



Smart Phone and cradle Not Included

LED Light Kit

- Improves Chronograph performance in or outside
- Ensures reliable readings in challenging or poor light conditions
- 120 VAC or 4 AA Battery operation for convenient use indoors or out
- Easily installs in place of sunshades
- Incorporates 16 LEDs in each strip

B.P.C. Premium Kit

Includes B.P. Chronograph, LED Light Kit, Tripod and Custom Carry Case that conveniently holds all items.

- Tripod Height adjustable from 15"-42"
- Includes 1/4-20 dovetail plate
- Custom carry case
- Custom carry case constructed of durable ballistic fabric with Heavy Duty dual zipper design



NEW FOR 2017

LED Light Kit



- Ballistic Precision Chronograph.....#720001Case Pack of 4
- NEW LED Light Kit#721111Case Pack of 4
- B.P.C. Premium Kit#721122Case Pack of 2

FREE App to Download!

A free App is available for download that displays the velocity of each shot on the phone screen and records it with other data identifying the load and environmental conditions. The App also automatically calculates Average Velocity, Standard Deviation, Min, Max and Velocity Spread for the shot string. The data is stored and can be exported via Email or simply recalled for reference at a later date.



Ballistic Precision

CHRONOGRAPH G2

CHRONOGRAPH G2 - #720002

The G2 literally flips conventional Chronograph technology upside down. By inverting the system the G2 is capable of measuring in adverse light conditions making the measurements more accurate than conventional chronographs, even indoors. Collapsible and compact, the system is quick and easily deployed. Higher accuracy was achieved by using a high speed 48 MHz processor and by designing a circuit with an advanced data interface. The end result is the ability to provide much better accuracy than other chronographs on the market.

- 18" sensor spacing for maximum accuracy
- Each unit factory calibrated to within +/- 0.25% accuracy
- Meters Per Second (MPS) or Feet Per Second (FPS) readings
- App displays velocity, logs data, notes, weather conditions and easily exports via SMS or Email
- Measures from 5 to 9,999 FPS
- Ideal for Firearms, Archery, Airgun or Paintball
- compatible with the following that have Bluetooth® 4.0 or newer: iPhone®, iPad®, iPod Touch®, Android® 2.1 or newer smart phones and Kindle® Fire Tablets

RESOURCE CENTER
BOX SIZE:
21.75" W x 9.75" H x 6.5" D
CASE PACK: 2



Entire system collapses and stores in a high quality storage case

Connect to your Smart Phone via Bluetooth®!



FREE App to Download!

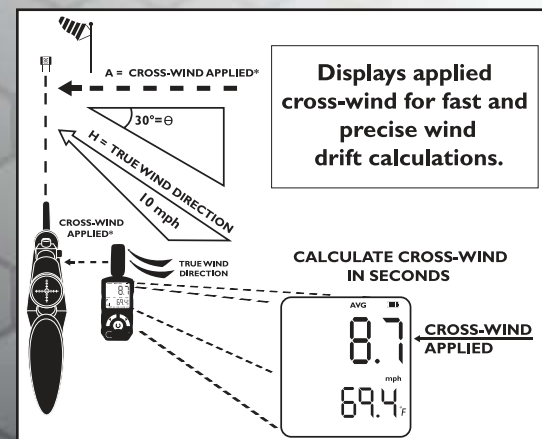
A free App is available for download that displays the velocity of each shot on the phone screen and records it with other data identifying the load and environmental conditions. The App also automatically calculates Average Velocity, Standard Deviation, Min, Max and Velocity Spread for the shot string. The data is stored and can be exported via Email or simply recalled for reference at a later date.



CROSSWIND™ PROFESSIONAL WIND METER - #112500

The Caldwell® CrossWind™ Professional Wind Meter was designed to be the best wind meter on the market for ballistic applications. The 90° rotating anemometer head allows you to measure exactly how much cross wind will be applied on the side of your bullet without ever having to move the wind meter or do angle calculations.

- Wind Speed measurements in: mph, ft/min, km/h, m/s, or knots
- Measures Max Wind Gust, Average Wind Speed and Current Wind Speed
- Anemometer head rotates 90 degrees to calculate the applied crosswind
- Measures/Calculates: Temp, Station Pressure, Barometric Pressure, Altitude, Density Alt. and Wind Chill
- Features a Data Hold function
- Included carry holster
- Uses 1 CR2032 battery (included)
- Water resistant
- LCD backlight
- Auto power off



RESOURCE CENTER
CLAM SIZE:
7.5" W x 8" H x 1.5" D
CASE PACK: 4

WIND WIZARD II™

WIND WIZARD II™ - #102579

The Caldwell® Wind Wizard II™ has been re-designed to be the best value wind meter on the market and an ideal tool for indicating wind speed. Both compact and portable, this wind meter reads wind and temperature in various units of measure.

- Wind speed measures in mph, ft/min, km/h, m/s, or knots
- Temperature display in Celsius and Fahrenheit
- Non-slip protective rubber sleeve
- Wind chill display
- LCD backlight
- Auto power off
- Uses 1 CR2032 battery (included)



RESOURCE CENTER
CLAM SIZE:
7.5" W x 8" H x 1.5" D
CASE PACK: 4

Wind Wizard II™ Package:
5.75" wide x 7.25" high x 2" deep



OPTIC ARMOR SCOPE COVER

Cover and protect your scope from the elements with the Optic Armor Scope Cover. Made of durable stretching material, these covers slip over your scope and help protect against rain or snow.

- Large fits most scopes up to 3-12x, 42mm objective
- XL fits most scopes up to 6-24x, 50mm objective
- Protects against scratches, dust, dirt and moisture
- Built in scope lens cloth and storage pocket
- 2mm thick neoprene
- Stretchable to fit a variety of scopes

Attached lens cloth tucks up inside Optic Armor for easy storage and quick readiness.



Large..... #110036
XL..... #110037

RESOURCE CENTER
CLAM SIZE:
5" W x 7.5" H x 1.65" D
CASE PACK: 6

FAST CASE GUN COVER - #110039

The Caldwell® Fast Case Gun Cover protects firearms from all that Mother Nature can throw at them. Durable ballistic fabric stands up to thorns, sticker bushes, or any other abrasive surfaces. The PVC lined fabric provides water resistance to the firearm. The large bottom opening lets the user keep the firearm covered but still allows them to carry it with a standard sling. The Caldwell® Fast Case is very easy to use and fast to take off when the shot matters most.

- Durable ballistic fabric withstands abrasion and tough use
- Water resistant to keep your firearm dry
- Fits rifles or shotguns from 40" - 54" in length

Accommodates guns from 40" - 54" in length

Folds up into a compact size and fits in your pack

RESOURCE CENTER
DISPLAY SIZE:
7" W x 10" H x 3.5" D
CASE PACK: 6



BRASS RETRIEVER - #125789

Are you tired of spending more time bending over and picking up brass at the range than you do shooting? Try the Caldwell® Brass Retriever. Now picking up spent brass is as easy as pushing a mop. The Brass Retriever can pick up rifle and pistol brass quickly and efficiently. The retriever comes complete with a roll cage separator that allows you to dump the collected brass into a bucket quickly.

- Designed to make picking up brass extremely easy
- Works any where, even on grass and gravel
- Telescoping handle to customize the length

RESOURCE CENTER
BOX SIZE:
22" W x 8" H x 5.8" D
CASE PACK: 4



Expands from 28" - 57" tall



SHOOTING ACCESSORIES



METAL SLING SWIVELS INCLUDED WITH ALL SLINGS!



INTEGRATED THUMB LOOP TO KEEP YOUR GUN SECURE WHILE WALKING

HP NEO SLING - #156218

The Caldwell® HP Neo Sling's ergonomic shape is designed to spread the weight of the firearm for a comfortable carry. The neoprene design of the material grips your shoulder so the firearm stays put and stretches slightly to cushion the firearm as you hike through the woods. If you want a sling that is going to stay put and be comfortable to carry all day, the Caldwell® HP Neo is the sling for you!

- Neoprene ergonomic design
- Stretchable to stay put but also provide cushion
- Includes quick detach metal sling swivels
- Adjusts from 20" to 42" in length
- 2.25" strap to spread the weight of the firearm

RESOURCE CENTER

DISPLAY SIZE:
5.75" W x 17.25" H x 1" D
CASE PACK: 6



MAX GRIP SLINGS

The Caldwell® Max Grip Sling's ergonomic shape is designed to spread the weight of the firearm for a comfortable carry. The over molded design of the material grips your shoulder so the firearm stays put no matter how strenuous your hike is. The sling is completely sealed to be scent free and not take in any moisture as you hunt through all of the elements. If you want a sling that is going to stay put and be comfortable to carry all day, the Caldwell® Max Grip is the sling for you!

- Over molded ergonomic design
- Max Grip to stay put
- Includes quick detach metal sling swivels
- Adjusts from 20" - 41" in length
- 2.75" strap to spread the weight of the firearm

Black #156219
Flat Dark Earth #156214

RESOURCE CENTER

DISPLAY SIZE:
5.75" W x 17.25" H x 1" D
CASE PACK: 6



MAG CHARGER FAMILY

THE TRUE DEFINITION OF SPEED LOADERS

LOADS:



300 AAC Blackout, .223/5.56 NATO, .204 Ruger®

MODEL:



AR-15 MAG CHARGER®

COMPATIBLE WITH:



BETA, 60rnd, 30rnd, 20rnd, 10rnd, 50rnd box



7.62 x 39



AK MAG CHARGER®



DRUM, 30rnd, 50rnd box



.223/5.56 NATO, .204 Ruger®



TAC 30 MAG CHARGER®



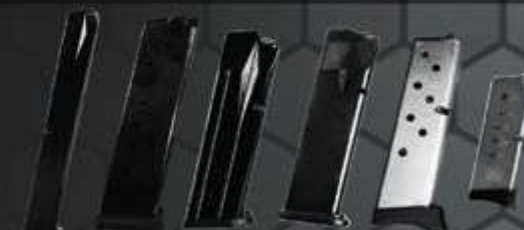
BETA, 60rnd, 30rnd, 20rnd, 10rnd, Stripper clip, 20rnd box



.45 ACP, 10 mm, .40 S&W, .357 Sig, 9 mm



UNIVERSAL PISTOL MAG CHARGER®



Double stack extended, Large single stack, Large double stack, Small double stack, small single stack, compact

10 SECONDS
LOAD 30 ROUNDS IN...

10 SECONDS
LOAD 30 ROUNDS IN!

MAG CHARGER

Caldwell

PATENT:
www.BTlbrands.com/patents/

AR-15 TAC 30

.223 - 5.56 - .204



AR-15 & TAC 30 Mag Charger® works on almost all mags from Milspec to Aftermarket



MAG CHARGER® TAC 30 - #397493

- Load AR magazines in just seconds
- Accepts 30 rounds of .223, 5.56, or .204
- Accepts up to 3, 10 round stripper clips
- Transfer directly from a 20 round box, a stripper clip or using the included Stripper Rail to Mag Charger®
- Loads 10 rounds per "stroke" with auto advance
- Compatible with all AR platform mags both mil spec and molded plastic
- Durable polycarbonate construction

RESOURCE CENTER
CLAM SIZE:
12" W x 11.6" H x 4.85" D
CASE PACK: 4

TAC 30 LOADS 3 DIFFERENT TYPES

Stripper Clips, 20 Round Boxes, Stripper Rail



AR-15

.223 - 5.56 - .204 - .300 AAC BLACKOUT



MAG CHARGER® AR-15 - #397488

- Load AR magazines in just seconds
- Accepts 50 rounds of .223, 5.56, .204 or 300 AAC Blackout loaded ammo
- Instant transfer system from ammo box directly to Mag Charger®
- Loads 5 rounds per "stroke" with auto advance
- Compatible with all AR platform mags both mil spec and molded plastic
- Durable polycarbonate construction
- Ammo Transfer Tray included for easy loading of bulk ammo

RESOURCE CENTER
CLAM SIZE:
11.25" W x 12.5" H x 4.75" D
CASE PACK: 4

AK

7.62 x 39



AK Mag Charger® works on almost all mags, even AK Drum mags!



MAG CHARGER® AK - #397599

- Compatible with all AK platform mags both mil spec and molded plastic
- Instant transfer system from ammo box directly to Mag Charger®
- Accepts 50 rounds of 7.62 x 39 loaded ammo
- Loads 5 rounds per "stroke" with auto advance
- Load AK magazines in just seconds
- Durable polycarbonate construction

RESOURCE CENTER
CLAM SIZE:
13.5" W x 15.5" H x 4.375" D
CASE PACK: 4

ALL MAG CHARGERS LOAD IN 3 EASY STEPS

1. DUMP 2. CLICK 3. STROKE



Caldwell®
Shooting Supplies

MAG CHARGER

Caldwell

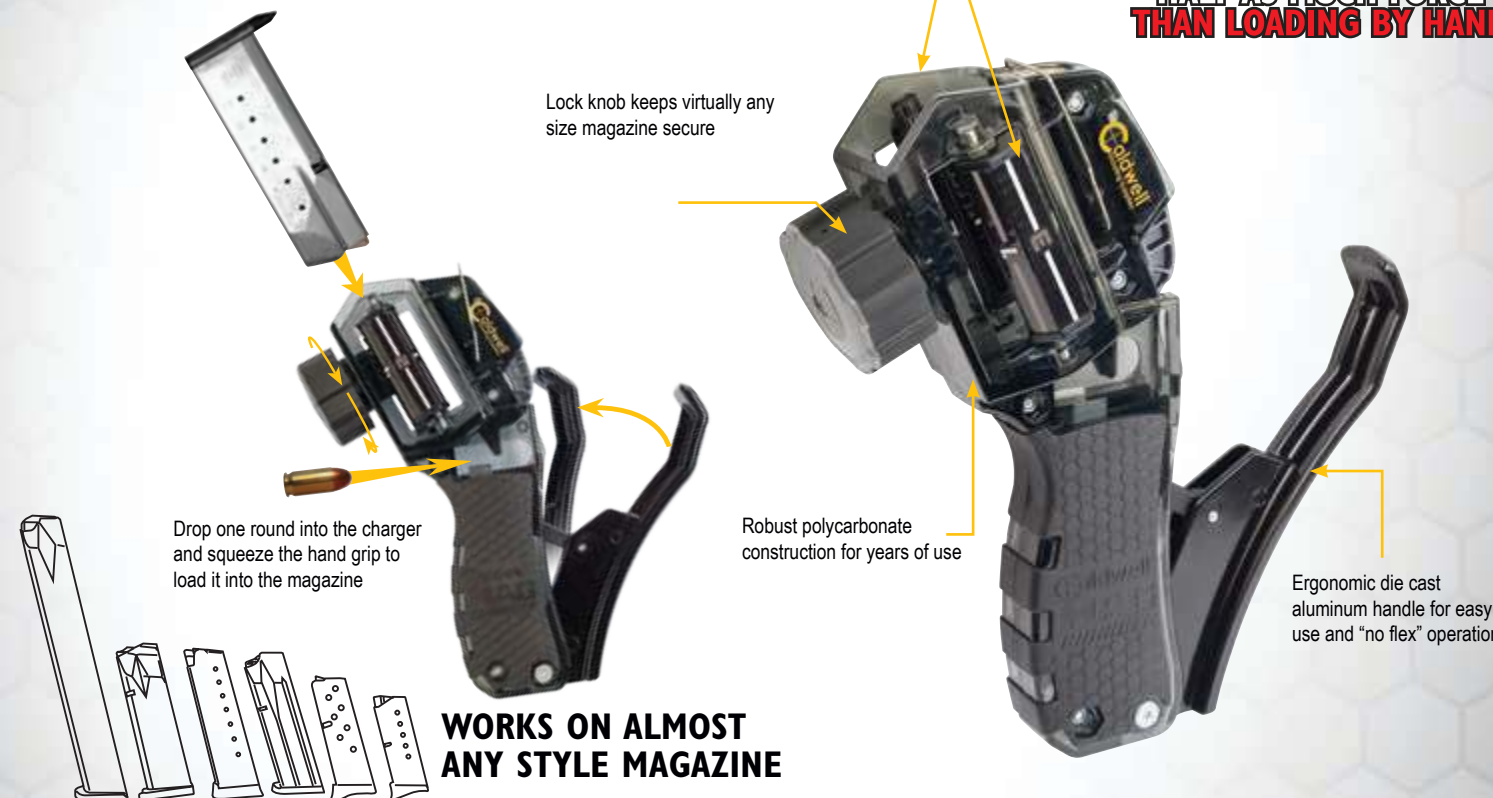
NEW FOR 2017

MAG CHARGER® UNIVERSAL PISTOL LOADER - #110002

- Universal magazine design works on most magazines
- Works with both single-stack and double-stack magazines
- Loads 9mm, 10mm, .357 Sig, .40 S&W and .45 cal ammo
- Simple to use - Just drop in a round and squeeze the lever
- Extremely durable polycarbonate construction
- Works on most .380 magazines

Adjustable side shims align magazines of any width for optimal use. Shims are labeled with Numbers for quick adjustment

2x FASTER
HALF AS MUCH FORCE
THAN LOADING BY HAND



- SINGLE & DOUBLE STACK
- ERGONOMIC DESIGN
- TWICE AS FAST
- TWICE AS EASY
- QUICK ADJUST
- RUGGED CONSTRUCTION

RESOURCE CENTER
DISPLAY SIZE:
7" W x 9" H x 2" D
CASE PACK: 4

MAG CHARGER® AMMO BOXES 5 PACK



- Optimized to drop ammo into the Caldwell® Mag Charger®
- Lid is removable and nests with the bottom cavity
- Durable polymer designed to be extremely tough
- Great for long term storage

AK MAG CHARGER® AMMO BOX 5 PACK #397480..... Case Pack of 6
• Holds 50 rounds of 7.62 x 39 per box

AR-15 MAG CHARGER® AMMO BOX 5 PACK #397623..... Case Pack of 6
• Holds 50 rounds of .223, 5.56 x 45, .204 and 300 AAC Blackout per box

Caldwell®
Shooting Supplies

MODULAR DUAL POINT SLING KIT - #156216

- Use as a single point sling or detach second spring loaded carabiner and set up as a standard dual point sling
- Ambidextrous receiver end plate included

AR Receiver End Plate with Sling Mount

- Ambidextrous for all shooters
- Accepts snap hook style attachments
- One solid steel plate
- End Plate Made in the USA

Premium quick detach spring loaded carabiner

ITAR controlled item



Flexible high density bungee cord with nylon over strap

2 "Quick Ditch" buckle options. Either use the Side release buckle to remove the gun from the sling or use the spring loaded carabiner to remove the sling from your body.

Fully adjustable

RESOURCE CENTER
CLAM SIZE:
5.5" W x 15.5" H x 4.375" D
CASE PACK: 6

Use as a single point sling or detach second spring loaded carabiner and set up as a standard dual point sling

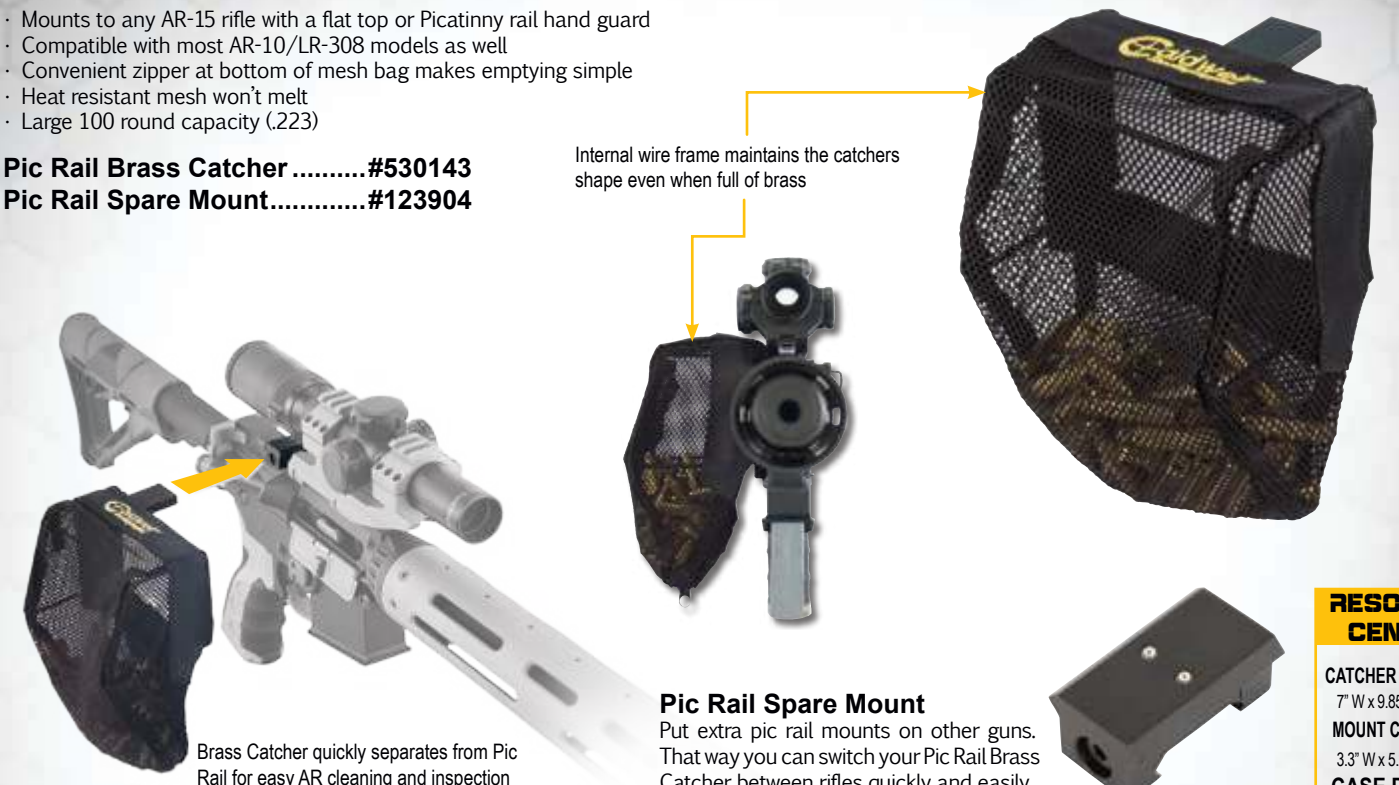


PIC RAIL BRASS CATCHER

The AR-15 Pic Rail Brass Catcher mounts to the Pic Rail of any AR with its quick detach anodized aluminum clamp. The quick detent attachment lets you remove the bag to clear the chamber or makes it easy for transport.

- Mounts to any AR-15 rifle with a flat top or Picatinny rail hand guard
- Compatible with most AR-10/LR-308 models as well
- Convenient zipper at bottom of mesh bag makes emptying simple
- Heat resistant mesh won't melt
- Large 100 round capacity (.223)

Pic Rail Brass Catcher#530143
Pic Rail Spare Mount.....#123904



Internal wire frame maintains the catchers shape even when full of brass

Brass Catcher quickly separates from Pic Rail for easy AR cleaning and inspection

Pic Rail Spare Mount

Put extra pic rail mounts on other guns. That way you can switch your Pic Rail Brass Catcher between rifles quickly and easily.

RESOURCE CENTER

CATCHER CLAM SIZE:
7" W x 9.85" H x 3.5" D
MOUNT CLAM SIZE:
3.3" W x 5.25" H x 1" D
CASE PACK: 4

SINGLE POINT TACTICAL SLING KIT

- Included solid steel AR receiver end plate
- Adjustable nylon strap with quick release buckle
- Allows safe and convenient muzzle down carry position
- Available in Black or Flat Dark Earth colors

RECEIVER END PLATE

- Ambidextrous for all shooters
- Accepts snap hook style attachments
- One solid steel plate
- Made in USA

Quick detach carabiner with safety sleeve

Flexible high density bungee cord with nylon over strap

"Quick Ditch" side release buckle

Fully adjustable

RESOURCE CENTER
SLING CLAM SIZE:
5.5" W x 15.5" H x 4.375" D
CASE PACK: 4
END PLATE CLAM SIZE:
3.5" W x 5.5" H x 1.5" D
CASE PACK: 6

Single Point Tactical Sling Black #156215
Single Point Tactical Sling Flat Dark Earth #390662
AR Receiver End Plate (Sling Mount ONLY) #390501

AR-15 BRASS CATCHER - #122231

Tired of picking up brass from your AR? The AR-15 Brass Catcher attaches to the forearm of any AR with hook and loop webbing and captures the ejected brass.

- Quickly attaches to any AR-15 using hook & loop webbing
- Holds approx. 30 rounds of spent brass (.223)
- Wire frame is adjustable to form it to most any rifle
- Heat resistant mesh won't melt

Adjustable Hook & Loop closure accommodates many different sized Forends.

Internal wire frame holds shape even when catcher is full.

Zippered bottom allows you to remove brass without removing catcher from your AR

Mesh catch bag allows you to see how much brass has been collected

RESOURCE CENTER

CLAM SIZE:
6" W x 10.125" H x 1.875" D
CASE PACK: 4

ACCUMAX™ AR-15 BARREL COOLER - #390247

The Caldwell® Accumax™ AR Barrel Cooler is a must have for any high volume AR shooter. This barrel cooler is perfect for competition shooters, full auto shooters and varmint hunters. The high pressure fan forces cool air through the chamber and directs it down the barrel of your AR-15 drastically decreasing cool down time.

- Cools your barrel in half the time
- Fits any Mil-Spec AR-15 by locking into the mag well
- High pressure fan with dual motor bearings for long life
- Integral wind tunnel directs air through the chamber
- Powered by 12v Li-ion rechargeable battery
- 3-4 hour run time per charge
- 120v wall charger included

RECHARGEABLE



RESOURCE CENTER
CLAM SIZE:
5.7" W x 12.5" H x 4" D
CASE PACK: 4



AR DEADSHOT® TACTICAL BAG SET - #934693

The AR DeadShot® Tactical Bag Set is designed to deliver an optimal, stable shooting platform for all AR-15 and AR LR/10 Variant style rifles. The innovative dual configuration rear bag can be oriented for M4 carbine style stocks or reversed for an ideal fit with A2 style stocks. Bags are pre-filled and ready for use.

- Weighs approx. 7.5 lbs.
- Perfect shooting height with plenty of clearance for 30 round magazines
- Rifle can easily be rotated for fast magazine changes
- Works great with tactical style bolt action rifles as well



RESOURCE CENTER
BOX SIZE:
13.25" W x 9" H x 5.25" D
CASE PACK: 4

BRASS TRAP - #122560

Don't like sifting through grass looking for brass at the range? Look no more with the Caldwell® Brass Trap. It is specifically designed to catch the brass in most shooting environments with any gun. The Brass Trap quickly assembles to be set on a bench and catch all of your rifle brass or it can be mounted on a tripod to catch all of your pistol brass.

- Use on bench top or attach to any tripod with a 1/4-20 male threaded stud (tripod not included)
- The durable bag has a zippered bottom for easy emptying
- Heat resistant mesh
- Carry bag included



RESOURCE CENTER
BOX SIZE:
6.75" W x 19.75" H x 2" D
CASE PACK: 4

MAG COUPLERS 2 PACK - #390504

The Caldwell Mag Couplers are designed out of high strength polymer to easily couple 2 Mil-Spec Style 10 round AR-15 magazines together and not add weight. The coupler is a 2 piece design that is bolted together to be extremely rigid without permanently modifying your magazines. The couplers hold the 2 magazines end to end to maintain the overall shape of a 30 round magazine to fit in all of your existing gun cases, mag pouches, etc...

- Contains 2 couplers to couple a total of 4 magazines
- Contains 2 dust covers to keep dust out and protect bullet tips

RESOURCE CENTER
CLAM SIZE:
4" W x 8" H x 2" D
CASE PACK: 6



PIC RAIL SMART PHONE MOUNT #123906

- Use your smartphone on any Picatinny rail as a camera or to display ballistics calculators
- Unique, padded cradle holds almost any smartphone with or without a case, and in portrait or landscape mode
- Detachable mount allows bracket to be removed for carrying or transport
- Adjustable screw lets camera angle change easily
- Durable aluminum construction easily resists recoil of even large magnums or shotguns

RESOURCE CENTER
CLAM SIZE:
5.25" W x 9.2" H x 1.8" D
CASE PACK: 6



PIC RAIL ACTION CAMERA MOUNT #123905

- Easily attaches all action cameras to a standard Picatinny rail
- Mount your camera to your rifle for unique action footage or turn it around for third-person perspective shots
- Quick detach mount allows camera bracket to be removed for carrying or transport
- Adjustable screw lets camera angle be quickly adjusted
- Includes custom, extended length Action Camera mounting screw for easy adjustment even with heavy gloves
- Durable aluminum construction easily resists recoil of even large magnums or shotguns

Works with GoPro® Hero® [2, 3, 3+, or 4] camera

RESOURCE CENTER
CLAM SIZE:
5.25" W x 9.2" H x 1" D
CASE PACK: 6



GOPRO®, HERO®, the GOPRO® logo, and the GoPro Be a Hero® logo are trademarks or registered trademarks of GoPro, Inc.

PIC RAIL FIXED XLA BIPOD®

The Caldwell® Pic Rail Fixed XLA Bipod® provide a stable shooting platform that conveniently attaches to almost any Pic Rail forearm.

- Light weight aluminum design
- Adjustable leg height for the perfect positioning
- Soft rubber feet for enhanced stability
- Collapsible for transport, leave on your gun

RESOURCE CENTER
CLAM SIZE:
5.25" W x 9.2" H x 1.8" D
CASE PACK: 6

6"-9" Model Black #110140
9"-13" Model Black #110141

Adjustable cam lever lock for quick deployment or release.
Integrated 1.5" long Pic Rail clamps directly to Gun's pic rail or quad rail.

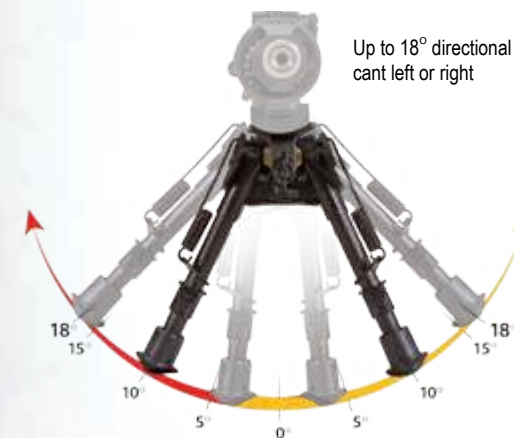


NEW FOR 2017

XLA Bipod

PIVOT MODEL

What are the benefits of having a pivoting model bipod? In the real world of hunting, the chances of the ideal shot opportunity occurring while on a level ground are slim-to-none. Our pivoting bipods will allow the shooter to compensate for ground that is not level. The tension knob can be adjusted to control the resistance of the pivoting motion.



Up to 18° directional cant left or right

The Caldwell® XLA Bipod® provides a stable shooting support that conveniently attaches to almost any firearm with a sling swivel stud. The legs are notched for easy indexing to a specific height. The Bipods are available in 4 heights, black or camo and in both standard and pivoting models.

- Lightweight aluminum design
- Legs that instantly spring out to the shooting position with the touch of a button
- Legs collapse forward for transport
- Soft rubber feet provide enhanced stability
- Padded base protects firearm forend

BIPOD	SIZE	STYLE	WEIGHT	ITEM #
BLACK	6"-9"	FIXED	9 oz.	#379852
BLACK	9"-13"	FIXED	11 oz.	#403215
BLACK	13"-23"	FIXED	14 oz.	#591336
BLACK	6"-9"	PIVOT	12 oz.	#247142
BLACK	9"-13"	PIVOT	13 oz.	#571429
BLACK	13"-23"	PIVOT	16 oz.	#701417
BLACK	13.5"-27"	PIVOT	19 oz.	#635707
CAMO	9"-13"	PIVOT	13 oz.	#445033
CAMO	13.5"-27"	PIVOT	19 oz.	#445088

RESOURCE CENTER
6"-9" & 9"-13"
CLAM SIZE:
5.8" W x 11.8" H x 2.4" D
13"-23" & 13.5"-27"
CLAM SIZE:
5.8" W x 18.3" H x 2.4" D
CASE PACK: 6



AR BIPODS

The AR Bipods combine a quick attach system for securing to any Picatinny rail. Built-in systems for both pivot and cant movements give the shooter maximum range of alignment without having to reposition the bipod. The unique leg adjustment mechanism delivers fast and secure, no-wobble height positioning. Rubber feet ensure good grip on all surfaces.

- Quickly attaches/detaches to any Picatinny rail
- Lightweight and durable anodized aluminum construction
- Available in Matte Black finish or Desert Tan

Prone Model - 7.5"-10" Black#531123
Prone Model - 7.5"-10" Desert Tan#534455
Sitting Model - 14.5"-30.5" Black#532255



RESOURCE CENTER
SITTING CLAM SIZE:
 4.75" W x 22" H x 3" D
PRONE CLAM SIZE:
 4.75" W x 13.75" H x 3" D
CASE PACK: 4

BIPOD ADAPTER FOR PICATINNY RAIL - #535423

The Bipod Adapter quickly and easily attaches to a picatinny rail. Any standard bipod or sling can then be attached to the integrated swivel stud. A curved "forend style" profile assures the perfect fit for the bipod to mate with.

- Attach any traditional bipod or sling to a Picatinny rail
- Light weight, durable machined aluminum construction
- Two integrated fasteners ensure a secure attachment

RESOURCE CENTER
CLAM SIZE:
 3.75" W x 7.25" H x 1.5" D
CASE PACK: 6



PIC RAIL ADAPTER PLATE - #156716

The Caldwell® Pic Rail Adapter is perfect for utilizing both your shoulder sling and a pic rail mounted accessory at the same time. By adjusting the tension on the front and rear T20 screws you can change the vertical angle of the Pic Rail Adapter to align with the barrel instead of the stock.

RESOURCE CENTER
CLAM SIZE:
 3.75" W x 7.4" H x 1.25" D
CASE PACK: 6



BIPOD PIVOT LOCK - #535881

The Caldwell® Bipod Pivot Lock works on all XLA Bipod® Pivot models. It also fits most other brand bipods and includes a #10-32 threaded adapter for SAE threaded pivot model bipods. Easily adjust the tension of your pivot mount without tools!

- Spring loaded "Pull" out for easy handle positioning
- Second adapter for SAE #10-32 threaded external spring bipods
- "C" identifies the Caldwell® adapter from the SAE adapter

"C" identifies the Caldwell adapter from the SAE adapter

RESOURCE CENTER
CLAM SIZE:
 3.25" W x 5.5" H x 1" D
CASE PACK: 6



SHOOTING BIPODS

Now you have extreme motion ranging capability with our exclusive wide-pan and stock canting features that come standard with our bipod design.

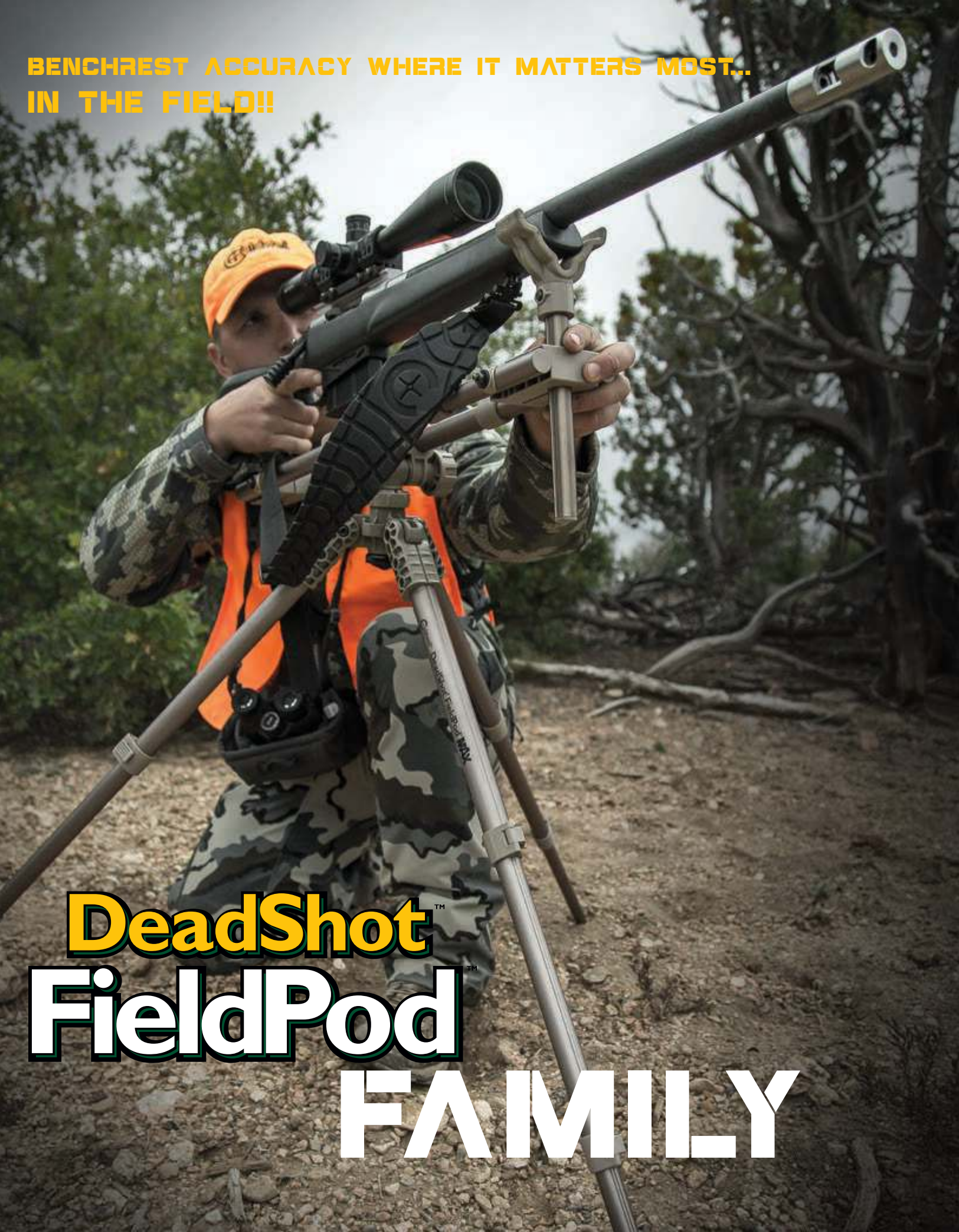
- Easily attachable and detachable from the front swivel stud
- Lightweight aluminum design for quiet, weatherproof performance
- Built-in swivel pan feature left or right 20 degrees combined with an 18 degree bi-directional cant
- Stud for sling attachment
- Prone Weighs 10.5 oz.
- Sitting Weighs 15 oz.

Prone Model - 8 3/4"-12"Black.....#457855
Sitting Model - 14"-30"Black.....#335235

RESOURCE CENTER
SITTING CLAM SIZE:
 6" W x 22.2" H x 2.3" D
PRONE CLAM SIZE:
 4.75" W x 15" H x 2.3" D
CASE PACK: 4



**BENCHREST ACCURACY WHERE IT MATTERS MOST...
IN THE FIELD!!**



DeadShot™ FieldPod™ FAMILY

FAMILY



ORIGINAL
DeadShot
FieldPod



DeadShot
FieldPod **MAX**



DeadShot FieldPod
MAGNUM



DeadShot
CHAIRPOD



DeadShot
TREEPOD

The Caldwell® DeadShot™ POD Family of products are the industry's first and only True Hunting Rests. Caldwell has taken a revolutionary approach to in field accuracy by combining the rigidity and support of a bench rest with the portability and versatility of a shooting tripod. All of the DeadShot™ Family Rests feature an upper frame that is length and height adjustable to accommodate and fully support any rifle, shotgun or crossbow. Smooth 360° rotation and full tilt function allow you to acquire targets quickly and hold the weapon stable for an accurate shot every time. Standing, sitting, or from the ground, in a blind or treestand get a DeadShot™ Rest and make every shot count.



ANY WEAPON, ANY SHAPE, WIDTH OR LENGTH



DeadShot™ FieldPod™

DEADSHOT™ FIELDPOD™ - #488000

Achieve benchrest accuracy when it counts most - in the field. Caldwell® is known for producing rock solid shooting rests; the FieldPod™ is a highly portable Hunting Rest that allows you to bring that same stability along on the hunt. Its innovative design and versatility make it perfect for a variety of hunting applications. Get ideal position and stability for your shotgun, rifle or crossbow while shooting from a stool inside a ground blind. Take advantage of the portable and stable design on western hunts that frequently offer long range shot opportunities.

- Weighs under 6 pounds
- Quickly collapses for transportation
- Great for: Ground Blinds, Predator Calling, Long-Range Rifle Shooting and Turkey Hunting
- Adjusts from 20" high up to 42"
- Carry strap included



Independent height adjustable front and rear supports



Fast adjustment for leg height Adjusts from 20" - 42" high



Cast aluminum hub design



Quickly folds compact for easy transport, detachable carry strap included



Dual tube frame is fully compatible with detachable magazine rifles like the popular AR-15

RESOURCE CENTER
BOX SIZE:
24.25" W x 7" H x 6.25" D
CASE PACK: 4



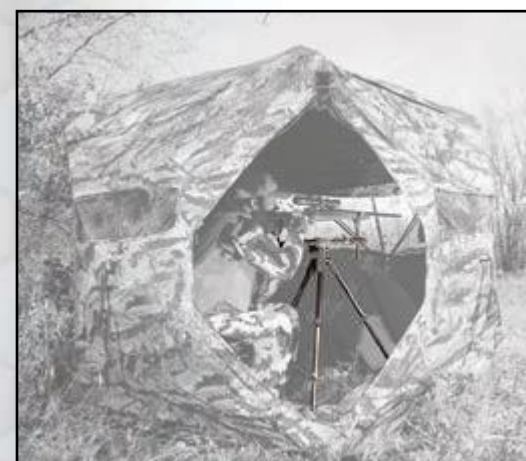
DeadShot™ FieldPod™ MAX

DEADSHOT™ FIELDPOD™ MAX - #488029

Caldwell® is known for producing rock solid Hunting Rests and the FieldPod™ MAX is no exception. This highly portable Hunting Rest allows you to bring the same stability as the Original DeadShot™ FieldPod along with you on the hunt. Its innovative design and versatility make it perfect for a variety of hunting applications. Independently adjustable legs allow you to set up on rough terrain or a hillside and still maintain a level shooting platform.

- Weighs just 6.5 pounds
- Independent leg adjustment for quick leveling
- Screw out spiked feet for secure purchase
- Adjusts from 20" high up to 48"
- Bubble level for reference
- Carry strap included

CROSSBOW COMPATIBLE



Overmolded front forend support

Dual frame for maximum stability and length adjustment

Upper frame balance point adjustment

Overmolded rear stock support

Upper frame length adjustment

Durable, lightweight extruded aluminum frame

Tension knob for rotation of upper frame

Fast adjustment for leg height

Independent spreading and adjusting legs

48" MAX HEIGHT



Independent height adjustable front and rear supports



Cast aluminum hub design



Screw out spike feet



Dual tube frame is fully compatible with detachable magazine rifles like the popular AR-15



Quickly folds compact for easy transport, detachable carry strap included

RESOURCE CENTER
BOX SIZE:
28.5" W x 7" H x 6.25" D
CASE PACK: 4



HUNTING RESTS

DEADSHOT™ FIELDPOD™ MAGNUM - #488111

The Original DeadShot™ FieldPod™ was the first true "Hunting Rest" on the market. The FieldPod™ Magnum brings the same benchrest accuracy to the field with some great new added features. With a maximum deployed height of over 60 inches it can be used from a standing, sitting or prone position. The Dual-Framed upper legs and oversized extrusion profile of the lower legs lock rigidly with a quick cam lever.

- Weighs approx: 13 lbs
- Collapses down to 30" long
- Configure for use in Standing, Sitting or Prone positions
- Ultra-stable Dual-Frame construction
- Innovative design fully supports any gun or crossbow
- Carry strap included

CROSSBOW COMPATIBLE



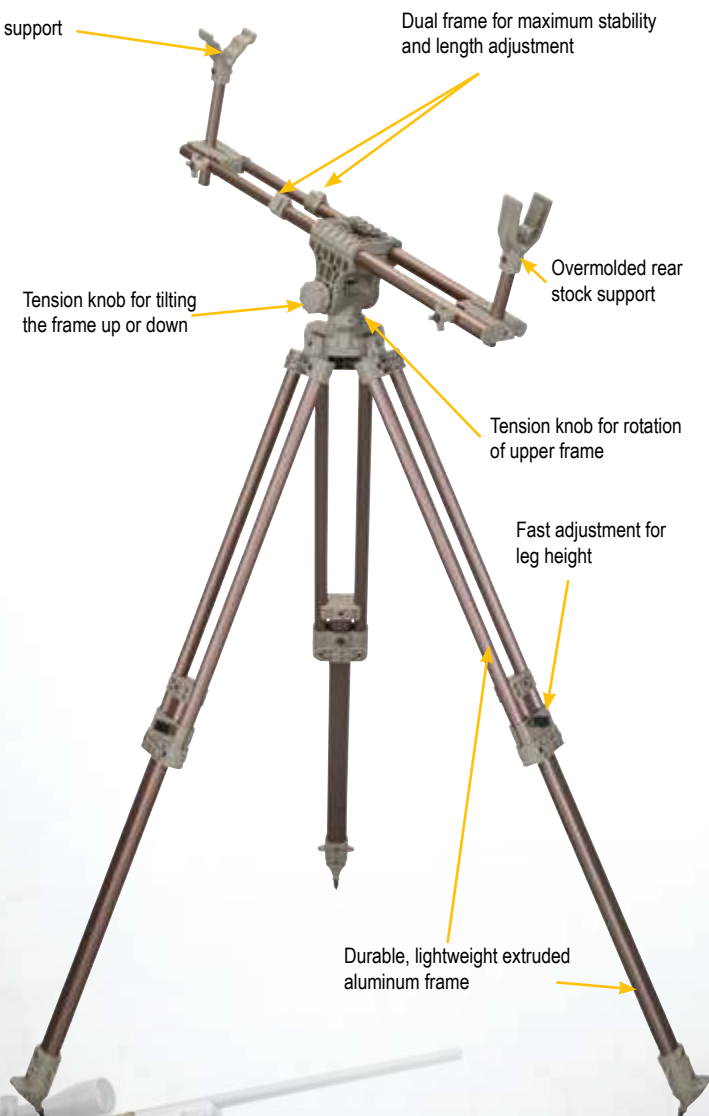
Standing Position



Seated Position



Grounded Position



Independent height adjustable front and rear supports



Cast aluminum hub design with built in bubble level



Quickly folds compact for easy transport, detachable carry strap included



Dual tube frame is fully compatible with detachable magazine rifles like the popular AR-15



Spiked all terrain feet gives purchase on any surface

RESOURCE CENTER

BOX SIZE:
39" W x 7.75" H x 7" D
CASE PACK: 2

DeadShot FieldPod MAGNUM

HUNTING RESTS

DeadShot CHAIRPOD™

DEADSHOT™ CHAIRPOD™ - #795234

The DeadShot™ ChairPod™ provides true benchrest accuracy from a single shooting unit. No need to bother with carrying chairs and separate rests out to the ground blind or the range to sight-in your weapon. The ChairPod™ provides all of that in one package; it has a comfortable heavy duty chair with a built-in post and swing arm assembly that fully supports your weapon front and rear.

- Weighs approx: 22 lbs
- Fully supports any gun or crossbow
- Swing-arm system and 360° chair allows for maximum range of movement
- Great for hunting from ground blinds, field edges or shooting at the range
- ChairPod weight limit 300 lbs.

CROSSBOW COMPATIBLE



Independent height adjustable front and rear supports



Folds up and conveniently packs away. Easy to wear it to and from your blind with the included backpack straps.



Wide comfortable chair supports up to 300 lbs weight limit



Dual tube frame is fully compatible with detachable magazine rifles like the popular AR-15

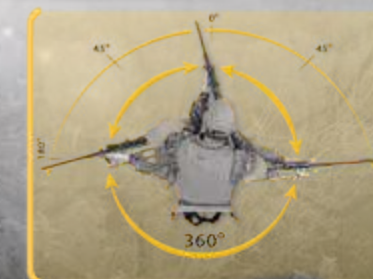


Wide format polymer feet allow for purchase on soft ground

RESOURCE CENTER

BOX SIZE:
24.5" W x 16.5" H x 8" D
CASE PACK: 2

180° panning with 360° rotation



DEADSHOT™ TREEPOD™ - #484148



The DeadShot™ TreePod™ provides true benchrest accuracy from any tree stand. Don't rely on a shooting rail or flimsy branch that only supports the barrel of your gun. Extend your effective shooting range by fully supporting the entire weight of your gun or crossbow with this ultra-stable rest. The innovative multi-bearing swing arm system provides smooth and stable movement from extreme angles left to right with minimal body movement. Combined with a tension adjustable up/down tilt function the TreePod™ easily allows for precise alignment across the entire range of possible shooting angles. Constructed of anodized aluminum and powder coated steel for maximum stability and durability.

- Weighs approx: 15 lbs
- Keeps gun in the ready position while freeing up hands
- Includes safety gun retention strap

CROSSBOW COMPATIBLE

Overmolded front forend support

Dual frame for maximum stability and length adjustment

Overmolded rear stock support

Upper rest with swing arm assembly easily detaches from the mounting base for transport.

Tension knob for raising or lowering the height

Universal mounting plate is compatible with a wide variety of tree stands

Ample vertical tilt for the toughest shots

180° + Horizontal panning ability

Fully supports weapon leaving your hands free for other tasks

Dual tube frame is fully compatible with detachable magazine rifles like the popular AR-15

RESOURCE CENTER
BOX SIZE:
 23.75" W x 12.5" H x 6.5" D
CASE PACK: 2

DEADSHOT™ TREEPOD™ ADD-A-BASE - #785468

Now you can use the DeadShot™ TreePod™ from multiple Tree Stands without remounting the whole assembly! The Caldwell® ADD-A-BASE additional support base allows you to mount extra bases to more than one tree stand. You now have the ability to change deer stands based on wind direction or weather condition and still get benchrest accuracy when you need it.

- Mount to any tree stand
- Works with the DeadShot TreePod
- Constructed of powder coated steel
- Use multiple bases on different stands

Height: approx. 31"- 47" (with Upper)
 Base Plate Size: 6" x 8.5"
 Weight: 8.1 lbs

ADD-A-BASE Contains: 1 base mount, 1 upper post, 1 base plate, 5 bolts, 5 wing nuts

ADD-A-BASE to most any treestand!



RESOURCE CENTER
BOX SIZE:
 21" W x 9" H x 6.5" D
CASE PACK: 4

ULTIMATE SHOOTING GLOVES

- Padded Palms reduce felt recoil, especially from handguns while customized padding layout allows full range of movement
- Lightweight, breathable material is extremely durable yet prevents hands from overheating
- Elastic backing and fingers provides a custom grip for extreme dexterity
- Leather reinforcement patch protects against "Slide Bite"
- Touch-sensitive finger tips allow full use of smart phones
- Rubberized palm provides extreme grip

Small/Medium#1071004
Large/XL#1071005



RESOURCE CENTER
DISPLAY SIZE:
 5" W x 12" H x 1" D
CASE PACK: 6



CLAY LAUNCHERS

The Caldwell® Clay Launcher is designed to provide hours of shooting entertainment. The one-piece design is simple to use and makes it easy for anyone to throw clay birds. Simply insert the clay target and fling it to send the target sailing. Durable molded plastic construction.

- Portable and affordable handheld clay target launcher
- Works with all standard size clay targets (108-110mm)
- Launches right or left handed

RESOURCE CENTER
SINGLE DISPLAY SIZE:
 6.5" W x 19.5" H x 1" D
DOUBLE DISPLAY SIZE:
 10.5" W x 31" H x 2" D
CASE PACK: 6

Single Thrower.....#505501
Doubles Thrower#505502
 Doubles thrower features 2 single throwers mounted to an adapter handle



SHOOTING GLASSES - #320040

The Caldwell® Pro Range Glasses feature a stylish wrap-around design and are a great choice for all shooters. They feature an adjustable nose piece and temples for all day comfort. The scratch resistant lens meets ANSI Z87.1 standards and offers 99.9% UV protection.

- Adjustable nose piece and temples
- Blocks 99.9% of harmful UV rays
- Impact resistant
- Meets ANSI Z87.1 standards

RESOURCE CENTER
CLAM SIZE:
 3.75" W x 9.25" H x 3" D
CASE PACK: 12



CERTIFIED PERFORMANCE
 ANSI Z87.1 STANDARD



Platinum Series G3 E-MAX

#864446

- 21 NRR
- Dual microphones
- Independent volume adjustment between ear cups
- Advanced "no-cut-out" circuitry
- True stereo amplification delivers maximum volume and clarity
- Dual Density Foam (DDF) Technology delivers 21 NRR
- Padded Soft Fleece headband for maximum comfort
- Compact, collapsible low profile design and soft touch finish
- Extended runtime of 250 hours with power on LED indicator
- Uses 6 AAA batteries (3 each side, not included)

RESOURCE CENTER
CLAM SIZE:
7.3" W x 8.5" H x 4" D
CASE PACK: 4



E-MAX

#497700

- 25 NRR
- Dual microphones
- Amplify sounds below 85 decibels, above 85 decibels, the microphones instantly shut off to protect the shooter's hearing
- True stereo amplification delivers maximum volume and clarity
- Padded headband for maximum comfort
- Compact, collapsible design
- LED "ON" indicator
- Uses 2 AAA batteries (not included)

RESOURCE CENTER
CLAM SIZE:
9" W x 10" H x 4" D
CASE PACK: 6



E-MAX BTH BEHIND-THE-HEAD

#487605

- 20NRR
- Wrap around "behind the head" band
- Dual microphones
- Adjustable volume control
- Amplify sounds below 85 decibels, above 85 decibels, the microphones instantly shut off to protect the shooter's hearing
- Audio input jack
- True stereo amplification delivers maximum volume and clarity
- Cushioned foam ear cups
- LED "ON" indicator
- Uses 2 AAA batteries (not included)

RESOURCE CENTER
CLAM SIZE:
9.25" W x 11" H x 5.5" D
CASE PACK: 6



E-MAX Low Profile

#487557

- 20NRR
- Dual microphones
- Adjustable volume control
- Amplify sounds below 85 decibels, above 85 decibels, the microphones instantly shut off to protect the shooter's hearing
- Audio input jack
- True stereo amplification delivers maximum volume and clarity
- Padded headband for maximum comfort
- Cushioned foam ear cups
- LED "ON" indicator
- Uses 2 AAA batteries (not included)

RESOURCE CENTER
CLAM SIZE:
9" W x 10" H x 4" D
CASE PACK: 6



BREAK-UP COUNTRY MOSSY OAK E-MAX Low Profile

#487200

- 20NRR
- Dual microphones
- Adjustable volume control
- Amplify sounds below 85 decibels, above 85 decibels, the microphones instantly shut off to protect the shooter's hearing
- Audio input jack
- True stereo amplification delivers maximum volume and clarity
- Padded headband for maximum comfort
- Cushioned foam ear cups
- LED "ON" indicator
- Uses 2 AAA batteries (not included)

RESOURCE CENTER
CLAM SIZE:
9" W x 10" H x 4" D
CASE PACK: 6



E-MAX Low Profile

#487111

- 20NRR
- Dual microphones
- Adjustable volume control
- Amplify sounds below 85 decibels, above 85 decibels, the microphones instantly shut off to protect the shooter's hearing
- Audio input jack
- True stereo amplification delivers maximum volume and clarity
- Padded headband for maximum comfort
- Cushioned foam ear cups
- LED "ON" indicator
- Uses 2 AAA batteries (not included)

RESOURCE CENTER
CLAM SIZE:
9" W x 10" H x 4" D
CASE PACK: 6



PASSIVE RANGE MUFFS

#489204

- 33NRR
- Padded, adjustable headband
- Foam filled for extra protection
- Cushion foam ear cups
- Folds compact
- Ultra Lightweight

RESOURCE CENTER
CLAM SIZE:
6.5" W x 8.25" H x 4" D
CASE PACK: 6



PASSIVE LOW PROFILE RANGE MUFFS

#489024

- 25NRR
- Padded, adjustable headband
- Foam filled for extra protection
- Cushion foam ear cups
- Folds compact
- Low profile
- Ultra Lightweight

RESOURCE CENTER
CLAM SIZE:
6" W x 7" H x 4" D
CASE PACK: 6

RANGE PLUGS - #568231

- NRR 31
- Tapered design makes the plugs easy to insert
- Polyurethane Foam makes the plugs comfortable to wear
- Cord and Clip make it extremely easy to keep track of
- Screw Cap bottle makes storage of un-used plugs extremely convenient

RESOURCE CENTER
BOTTLE SIZE:
2.5" W x 4.25" H x 2.5" D
CASE PACK: 12



COMBO PACKAGE!

#487309 Case Pack 6

Get E-MAX® Low Profile Electronic Hearing Protection in green and a pair of Caldwell® Pro Range Glasses in one combo!

SHOOTING GLASSES

- Meets ANSI Z87.1 standards
- Adjustable nose piece and temples
- Blocks 99.9% of harmful UV rays
- Impact resistant



1.75"

2.25"

The all new line of Caldwell® Tac Ops holsters, magazine pouches and duty belts offer everything a handgun owner needs! The Tac Ops retention holsters are made of reinforced polymer, are designed to custom fit numerous handgun models and feature a trigger guard retention lock.

The Tac Ops Covert IWB holsters ergonomic design provide users extreme comfort while being worn all day. The heavy duty carry belts look great, are extremely robust, comfortable to wear and can withstand the weight of almost any handgun.



MOLDED RETENTION HOLSTER

- Model specific molded poly for secure fit
- Wide contoured paddle style clip
- Bottom paddle clip retention posts
- Index finger holster lock
- Rubberized "no slip" pad on back of paddle
- 360° adjustable holster positioning
- Included Allen wrench makes rotational adjustment quick and easy
- Holster can be removed and added to the M.O.L.L.E. or Belt Clip attachments



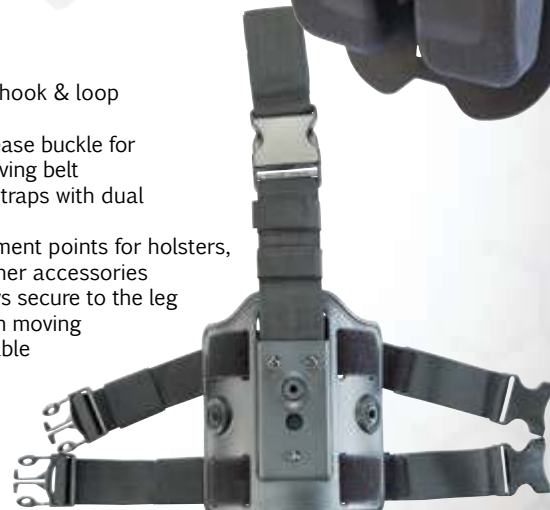
MAGAZINE HOLSTER

- Model specific molded poly for secure fit
- 2 friction fit magazine holsters
- Magazine friction adjustment
- Wide contoured paddle style clip
- Bottom paddle clip retention posts
- Holster can be removed and added to the M.O.L.L.E. or Belt Clip attachments



DROP LEG RIG

- Upper belt loop with inner hook & loop to secure to a duty belt
- "Quick Ditch" dual side release buckle for easy removal without removing belt
- 2 Elastic adjustable thigh straps with dual side release buckle clips
- 3 separate rotating attachment points for holsters, magazine pouches and other accessories
- Rigid polymer platform stays secure to the leg and won't flop around when moving
- Vertical ride height adjustable



M.O.L.L.E. ATTACHMENT

- Clip attaches to standard M.O.L.L.E. strapping at 3 points, securing your holster
- Attach your holster or magazine rig to the M.O.L.L.E. clip. The 3 point attachment keeps even heavy guns at the ready



BELT CLIP ATTACHMENT

- An internal adjusting bar has 2 Allen screws to securely position the precise width
- The rotating attachment point lets you affix holsters or magazine holsters for the utmost in customization
- The Duty Belt Clip can accommodate belts up to 3/8" thick
- Adjustable to fit belt widths from 1.25" -2.5"



DUTY BELTS

- 2" wide synthetic material is semi rigid and won't warp or bend from use
- Full width and length hook & loop attachment makes this Duty Belt infinitely adjustable
- 2 sliding keepers per end of the belt keep folded hook & loop end secure and free from snagging other equipment
- Full width heavy duty Dual Side Lock Buckle
- Secondary push button lock keeps buckle from any accidental disengagement



UNIVERSAL HOLSTER

- Semi rigid ballistic nylon construction keeps holster shape even when empty
- Extra magazine pouch with hook & loop strap closure
- Wide hook & loop strap secures holster to a belt or wide M.O.L.L.E. strap
- Dual gun security features:
 - A semi rigid snap closure strap with a hook & loop over strap
 - Small hook & loop horizontal strap for securing to M.O.L.L.E. straps
- Accepts medium framed semi autos and revolvers
- Retention strap height is adjustable using the included plastic shim to slide the hook & loop attachment up and down the inside of the pocket



COVERT IWB HOLSTER

Semi Auto and Revolver holsters are shaped differently



- Smooth inside lining for quick and easy draw
- Robust yet flexible hanging clip accommodates belts up to 2" wide
- Hanging clip is sewn into holster for security and long lasting performance
- Foam layer protects handgun from sweat and moisture
- Ultra thin 3 layer soft PU laminate hugs handgun and provides comfortable wear
- Holster profiles change to match the gun type they accommodate

MOLDED RETENTION HOLSTERS

ITEM #	MODEL	FITS	RIGHT/LEFT HANDED
#110053	Tac Ops	Glock® 19 (fits 19,23,32)	RH
#110054	Tac Ops	Glock® 17 (fits 22,31)	RH
#110055	Tac Ops	Glock® 26 (fits 27,33)	RH
#110056	Tac Ops	Glock® 34	RH
#110057	Tac Ops	Glock® 42	RH
#110058	Tac Ops	S&W® M&P Shield®	RH
#110059	Tac Ops	S&W® M&P® 9mm	RH
#110060	Tac Ops	S&W® M&P® Compact	RH
#110061	Tac Ops	S&W® Bodyguard® 380	RH
#110062	Tac Ops	S&W® J frame revolver	RH
#110063	Tac Ops	Taurus® 24/7	RH
#110064	Tac Ops	Taurus® PT800	RH
#110065	Tac Ops	Beretta® 92	RH
#110066	Tac Ops	M1911	RH
#110067	Tac Ops	1911 3"	RH
#110068	Tac Ops	Sig Sauer® P226®	RH
#110069	Tac Ops	Ruger® LC9®	RH
#110070	Tac Ops	Ruger® LCP®	RH
#110075	Universal Holster	Medium frame semi autos	RH

MAGAZINE HOLSTERS

#110071	Magazine Pouch	Glock®	Ambi
#110072	Magazine Pouch	Taurus® 24/7	Ambi
#110073	Magazine Pouch	Taurus® PT800(B92)	Ambi
#110074	Magazine Pouch	1911	Ambi

COVERT IWB HOLSTERS

#110076	Covert IWB	2" revolvers	RH
#110077	Covert IWB	3.2"5-3.75" semi autos	RH
#110078	Covert IWB	Sub compact semi autos	RH
#110079	Covert IWB	3.75"-4.5" semi autos	RH
#110080	Covert IWB	2"-3" revolvers	RH
#110081	Covert IWB	4" revolvers	RH
#110082	Covert IWB	3"-4" semi autos	RH
#110083	Covert IWB	.22-.25 cal semi autos	RH
#110084	Covert IWB	4.5"-5" semi autos	RH
#110085	Drop Leg Rig	All molded accessories	Ambi
#110086	M.O.L.L.E. attachment	All molded accessories	Ambi
#110087	Belt Clip	All molded accessories	Ambi

DUTY BELTS

#110088	Duty Belt	Small 28"-36" waist	Ambi
#110089	Duty Belt	Medium 34"-42" waist	Ambi
#110090	Duty Belt	Large 40"-48" waist	Ambi
#110091	Duty Belt	XL 48"-56" waist	Ambi

All Caldwell® TAC OPS are a Case Pack of 6

LR TARGET CAMERA SYSTEM - #156726

The Caldwell® Ballistic Precision Long Range Target Camera is designed by our team of engineers to be the best and most affordable target camera system available today. The LR Target Camera System allows you to view live streaming HD video, take pictures, record video and can calculate your group size all from your smart phone or Tablet.

- Streams live HD video up to 1 mile away
- Breaks down into a compact storage case for easy transport
- Integrated rechargeable lithium ion batteries for up to 10 hrs. of use per charge
- Features an external power jack for more permanent installation
- Compatible with Android®, iPhone®, Windows®, Kindle® and most other tablets
- Free Full featured App



RESOURCE CENTER
BOX SIZE:
 30" W x 9" H x 8.5" D
CASE PACK: 1

Screen shots of some of the features of the FREE App on a tablet



Will Transmit up to 1 mile away!



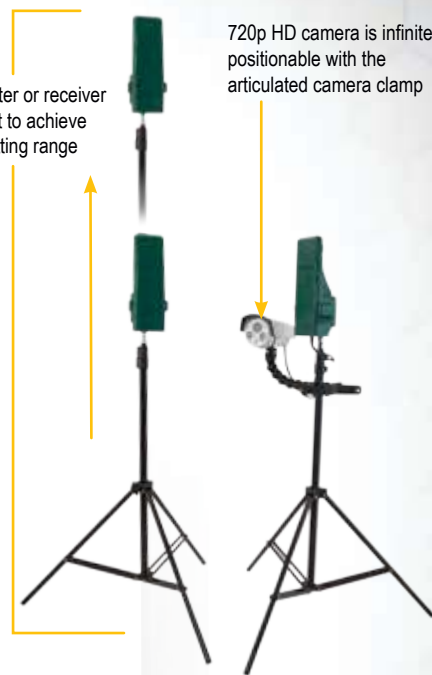
Padded carry bag included

Built-in WiFi sends video directly to your phone or tablet

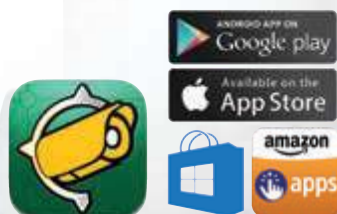


Extend transmitter or receiver to a height of 7ft to achieve optimal transmitting range

720p HD camera is infinitely positionable with the articulated camera clamp



Entire system is Weather Resistant



The FREE downloadable App is easy to use. It lets you view your current shots without having to leave your bench. It also allows you to take stills, and record video of your shots. You can take notes right on the photos you take. The App even has a group calculation feature that tells you the grouping size! You can save all your info and images on the phone/tablet and pull them up later. No more "back and forth" from the target with calipers!

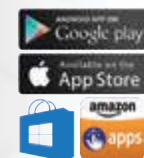
220V TARGET CAMERA SYSTEM - #110269

The Caldwell® Ballistic Precision Target Camera System is designed by our team of engineers to be the best and most affordable target camera system available today. The Target Camera System allows you to view live streaming HD video, take pictures, record video and can calculate your group size all from your smart phone or Tablet.

- Streams live HD video up to 600 yards away
- CE/ROHS certified
- Breaks down into a compact storage case for easy transport
- Integrated rechargeable lithium ion batteries for up to 10 hrs. of use per charge
- Features an external power jack for more permanent installation
- Compatible with Android®, iPhone®, Windows®, Kindle® and most other tablets
- Free Full featured App



The FREE downloadable App is easy to use. It lets you view your current shots without having to leave your bench. It also allows you to take stills, and record video of your shots. You can take notes right on the photos you take. The App even has a group calculation feature that tells you the grouping size! You can save all your info and images on the phone/tablet and pull them up later. No more "back and forth" from the target with calipers!



RESOURCE CENTER
BOX SIZE:
 30" W x 9" H x 8.5" D
CASE PACK: 1



INTERNATIONAL 220 VOLT

Extend transmitter or receiver to a height of 7ft to achieve optimal transmitting range



Entire system is Weather Resistant

720p HD camera is infinitely positionable with the articulated camera clamp

NEW FOR 2017

SHOOTIN' GALLERY

Have a youngster in your life that you'd like to take shooting? The Shootin' Gallery™'s combination of an endless moving targets and interactive confirmation if hits will have you and your youngster smiling for hours. The Shootin' Gallery™ is an affordable, portable, motor-driven, interactive system that allows you to shoot a steady stream of moving targets with a rimfire firearm at a range or in your backyard.

- Targets topple when hit and reset automatically
- Targets travel left-to-right
- Includes rechargeable 12-volt battery and charger
- Weighs approximately 55 pounds for easy transportation
- Runs 4 to 6 hours on a single charge
- The Gallery is intended for use only with standard velocity (1200 ft/second) .22 rimfire cartridges at a distance of 75 feet

Replacement battery and charger



Robust steel chain and sprockets with a heavy duty motor will keep the targets moving for years of use.



Reinforced impact plate and protected battery box

angled front plate for bullet deflection



- Shootin' Gallery™..... #558978
- Replacement 2" Round Targets and Couplers, 4 Pack..... #344000
- Replacement 12 Volt Sealed Lead Acid Battery..... #558900
- Replacement Battery Charger..... #558800

RESOURCE CENTER
BOX SIZE:
 37" W x 8.5" H x 12" D
CASE PACK: 1

The warranty on the Shootin' Gallery™ does not cover damage to the gallery resulting from the use of high-velocity rimfire ammunition, including high-velocity .22 Long Rifle ammunition, .22 Magnum, or any .17 caliber rimfire cartridges.



AR-550 STEEL TARGETS ARE THE MOST DURABLE METAL TARGETS ON THE MARKET.

- Provides unsurpassed target durability, capable of withstanding nearly all centerfire rifle & handgun cartridges*
- Mill certified hardness of 550 Brinell (HBW) for AR-550 and 500 Brinell for AR-500 targets
- Specialized "Through-Hardening" achieved from proprietary quenching & tempering processes
- Finely tuned & tightly controlled chemical composition produce highly reliable toughness & resistance to pitting, cracking or bending

RECOMMENDED ■
NOT RECOMMENDED ■

CALIBER	100 yards	200 yards	300 yards
	Velocity / Energy	Velocity / Energy	Velocity / Energy
.204 Ruger	3482 fps / 860 ft-lb	2983 fps / 631 ft-lb	2537 fps / 456 ft-lb
.223 Rem	2871 fps / 1005 ft-lb	2531 fps / 781 ft-lb	2215 fps / 598 ft-lb
.22-250	3341 fps / 1237 ft-lb	2919 fps / 945 ft-lb	2535 fps / 712 ft-lb
.300 Win Mag	2950 fps / 2894 ft-lb	2634 fps / 2308 ft-lb	2340 fps / 1812 ft-lb
.338 Win Mag	2634 fps / 3461 ft-lb	2473 fps / 3053 ft-lb	2319 fps / 2683 ft-lb
.416 Rem Mag	2188 fps / 4227 ft-lb	1987 fps / 3500 ft-lb	1797 fps / 2865 ft-lb

*Although Caldwell® AR-550 target plates are capable of withstanding IMPACT velocities over 3,000 fps from most bullets, for maximum life expectancy we recommend IMPACT velocities at or below 3,000 fps and IMPACT energies at or below 3,500 ft-lbs. Due to limitations of other components, some model targets may have recommendations for lower impact velocities and energies for maximum life expectancy.

MAGNUM RIFLE GONG™

- AR-550 Steel construction for professional grade durability
- Designed to withstand impacts of all high power rifles and handguns
- Complete with freestanding frame, chains and 9.25" gong
- Entire system is collapsible for easy transport
- NO tools required for assembly or disassembly
- Frame made from steel tubing
- Gong hangs 18" above the ground
- Overall size 38" wide x 33" tall
- Gong is 9.25" dia. and 3/8" thick
- Weighs approx. 25lbs.



9.25" Dia. TARGET

RESOURCE CENTER
BOX SIZE:
36" W x 4" H x 12" D
CASE PACK: 2

Completely collapsible for transport

Magnum Rifle Gong™#223375
Magnum Rifle Gong™ Only (no frame).....#178951
Gong only Case Pack of 1

MAGNUM RIFLE GONG™ DUAL SPINNER

- AR-550 Steel construction for professional grade durability
- Designed to withstand impacts of all high power rifles and handguns
- Complete with freestanding frame, 2 plates and stakes
- Entire system is collapsible for easy transport
- NO tools required for assembly or disassembly
- Hardened steel rotating shaft
- One 4" plate and one 6" plate
- Frame made from steel tubing
- Overall size 38" wide x 33" tall
- Weighs approx. 25lbs.



4" Dia.
6" Dia. TARGET

RESOURCE CENTER
BOX SIZE:
36" W x 4" H x 12" D
CASE PACK: 2

Completely collapsible for transport

Magnum Rifle Gong™ Dual Spinner.....#309713

MAGNUM RIFLE GONG™ XL

- AR-550 Steel construction for professional grade durability
- Designed to withstand impacts of all high power rifles and handguns
- Complete with freestanding frame, chains and 17 1/2" gong
- Entire system is collapsible for easy transport
- NO tools required for assembly or disassembly
- Frame made from steel tubing
- Overall size 38" wide x 33" tall
- Gong is 17 1/2" x 9 1/4" and 3/8" thick
- Weighs approx. 25lbs.



17"x9" Dia. TARGET

RESOURCE CENTER
BOX SIZE:
36" W x 4" H x 12" D
CASE PACK: 2

Completely collapsible for transport

Magnum Rifle Gong™ XL#178953

WHY CHOOSE AR-550 STEEL?

1.125" THICK MILD STEEL SHOT WITH .308 FMJ AT 100 YARDS

3/8" THICK SHOT WITH .308 FMJ AT 100 YARDS



MAGNUM TARGET CARRY BAG - #894050

The Magnum Target Carry Bag is designed to transport and store the Caldwell® Magnum Series Targets: Magnum Rifle Gong™ Magnum Rifle Gong™ XL and Magnum Dual Spinner. Heavy duty construction and internal compartments keep target components protected and organized.

- Inner compartments for gong, ground stakes, chains & other components
- Heavy-duty construction

RESOURCE CENTER
DISPLAY SIZE:
18.5" W x 20" H x 1.75" D
CASE PACK: 2



AR-500 SWINGER TARGET - #758995

- 3/8" Through-hardened AR-500 Steel rated up to .308 Winchester at 150 yards
- Extremely durable cast urethane frame connectors provide a rigid frame yet allow bullets to pass right through
- Solid steel legs and crossbar provide a rigid frame but can be replaced by 1/2" re-bar if damaged
- Highly portable for ease of use

IMPACT RATINGS FOR MAXIMUM LIFE EXPECTANCY OF AR-500 STEEL TARGETS
IMPACT VELOCITY: 2,900 fps
IMPACT ENERGY: 2,000 ft-lbs.

RESOURCE CENTER
BOX SIZE:
20" W x 4.5" H x 4.5" D
CASE PACK: 2

Replace the steel legs with 1/2" rebar cut to length



5"x5" Dia. TARGET

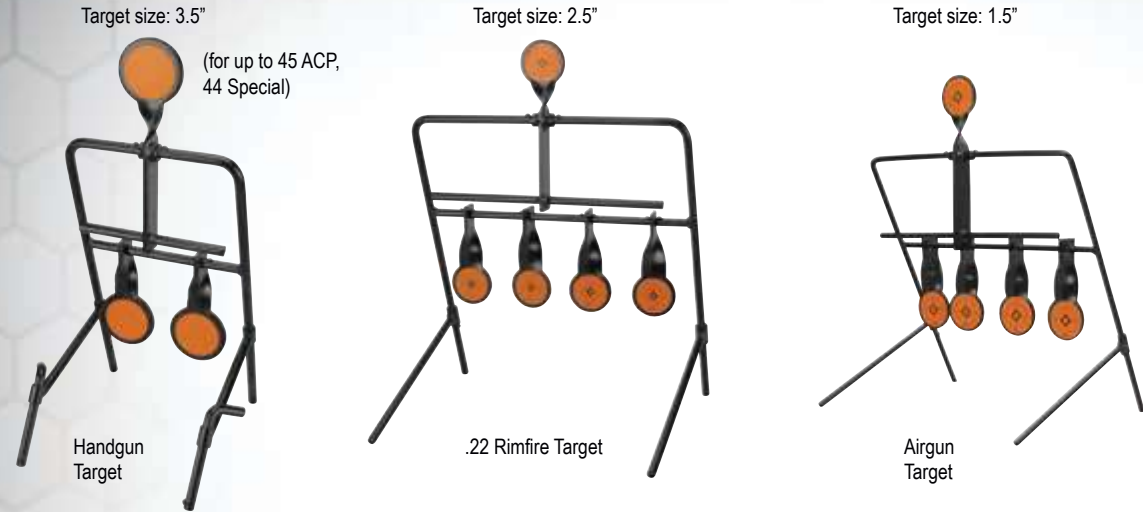


4 ground stakes included



RESETTING TARGETS

Caldwell® Resetting Targets are easily portable and create an interactive shooting experience that makes plinking and target practice fun. Made of heavy-duty steel, these targets are built to last. All of our resetting targets come packaged in sturdy, partial clamshells. Holes are punched in the clamshells for hanging the product on peg hooks. The rimfire and handgun models are reinforced with zip ties to ensure the heavy product is secured inside.



- Handgun Resetting Target.....#1071002
- .22 Rimfire Resetting Target.....#902365
- Airgun Resetting Target.....#820585

RESOURCE CENTER
Airgun CLAM SIZE:
 11.5" W x 15" H x 1" D
CASE PACK: 4
Rimfire CLAM SIZE:
 16.8" W x 22.5" H x 1.8" D
CASE PACK: 4
Handgun CLAM SIZE:
 12" W x 26.8" H x 1.8" D
CASE PACK: 4

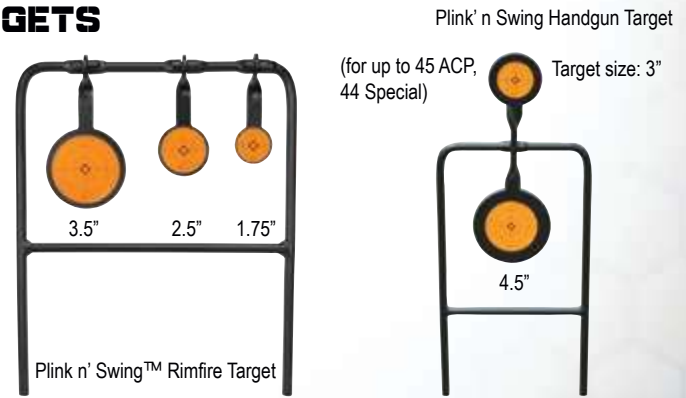
Shooting spots are included with Resetting Targets and the Plink n' Swing™ Targets. Should you wish to purchase additional shooting spots, you can find them with our Orange Peel Targets.

PLINK N' SWING™ ACTION SWINGING TARGETS

Shooting is just plain fun when you can see and hear the impact of your bullets. Next time you go to the range, take the Caldwell® Plink N' Swing™ Targets to bring fun and fast action back to your shooting.

- Swingers and frames are made of durable steel for long life
- Audible feedback makes shooting fun for all ages

- Plink N' Swing™ Centerfire Handgun Double Spin.....#133565
 - Plink N' Swing™ .22 Rimfire Triple Spin.....#147072
- Case Pack of 4



DURAMAX™ SELF HEALING TARGETS

- Made of Ballistic Polymer for maximum durability
- Targets are self-healing. Shoot them thousands of times
- Rated for pistols or rifles from .22lr all the way up to 50 BMG
- Reactive targets; bounces, rolls, spins, or flips when hit

- 5" SQUARE#897597
- 5" BALL#897602



RESOURCE CENTER
DISPLAY SIZE:
 5" W x 10" H x 5" D
CASE PACK: 6



Ultimate TARGET STAND

The Ultimate Target Stand is the perfect tool for use in areas where permanent stands are unavailable. Toss this collapsible and transportable All-in-One target stand in your truck to take on a hunt, or headed out to a public range. It is quick to set up at any distance and is sturdy enough to withstand a stiff wind.

- Modular frame design collapses to occupy much less space during transport & storage
- Frame arms are constructed of durable steel rod
- Frame stand made of robust thick plastic with integrated ribbing for stiffness



Built-in storage holds range supplies.



Use your foot to drive the spike into the ground.



2 Ultimate Target Stands can hold a 2' x 4' for an easy plinking target shelf.

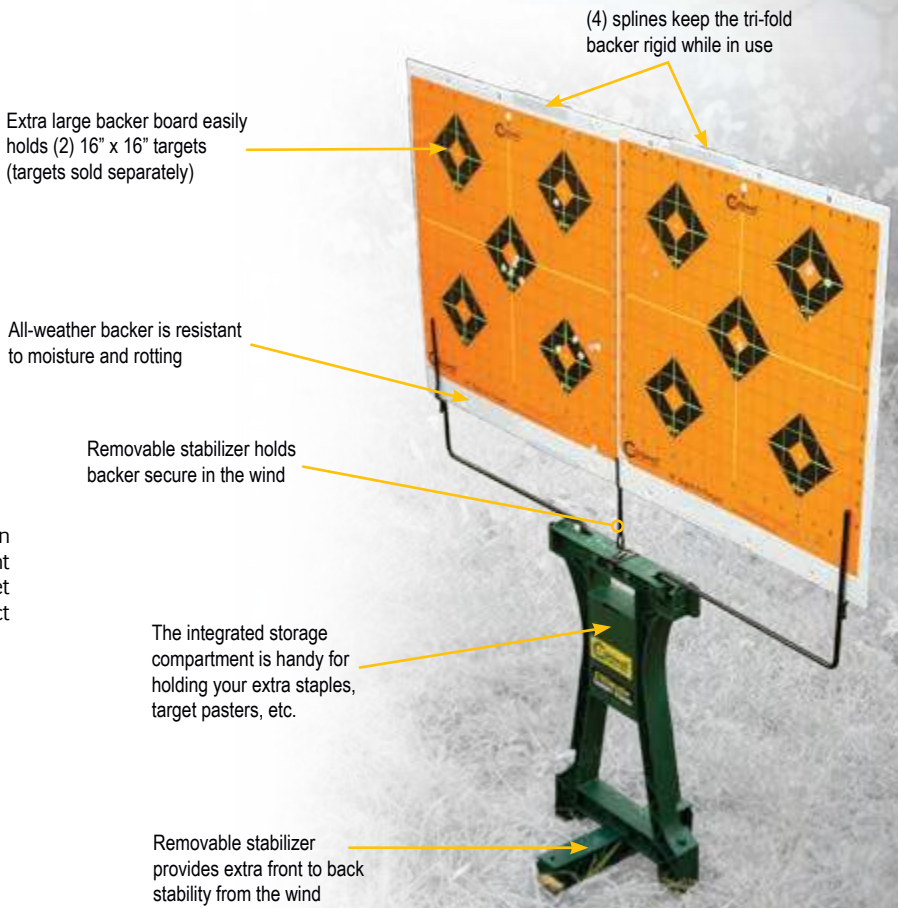


COLLAPSES FOR EASY TRANSPORT!

Metal target frame arms can be snapped in the upright position to hold the target backer, or secured in compact position for transport.

RESOURCE CENTER
DISPLAY SIZE:
 10.5" W x 24" H x 2" D
CASE PACK: 4

- Ultimate Target Stand.....#707055
- Replacement Backer (2 Pack)#707100 ... Case Pack of 6



Extra large backer board easily holds (2) 16" x 16" targets (targets sold separately)

All-weather backer is resistant to moisture and rotting

Removable stabilizer holds backer secure in the wind

The integrated storage compartment is handy for holding your extra staples, target pasters, etc.

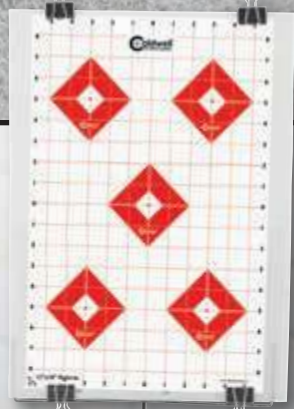
Removable stabilizer provides extra front to back stability from the wind

ULTRA PORTABLE TARGET STAND KIT - #110005

The Caldwell® Ultra Portable Target Stand Kit is your All-N-1 Target Kit for the Range! This compact set up has your stand, backer, clamps and targets all in one package.

- Ultra-Portable design
- Extra large backer can hold 12" x 18" targets
- Great for sighting in or patterning
- Collapses for easy transport
- Includes 8 Silhouette targets and 8 high contrast Sight-In targets

RESOURCE CENTER
DISPLAY SIZE:
 12" W x 18" H x 2" D
CASE PACK: 6





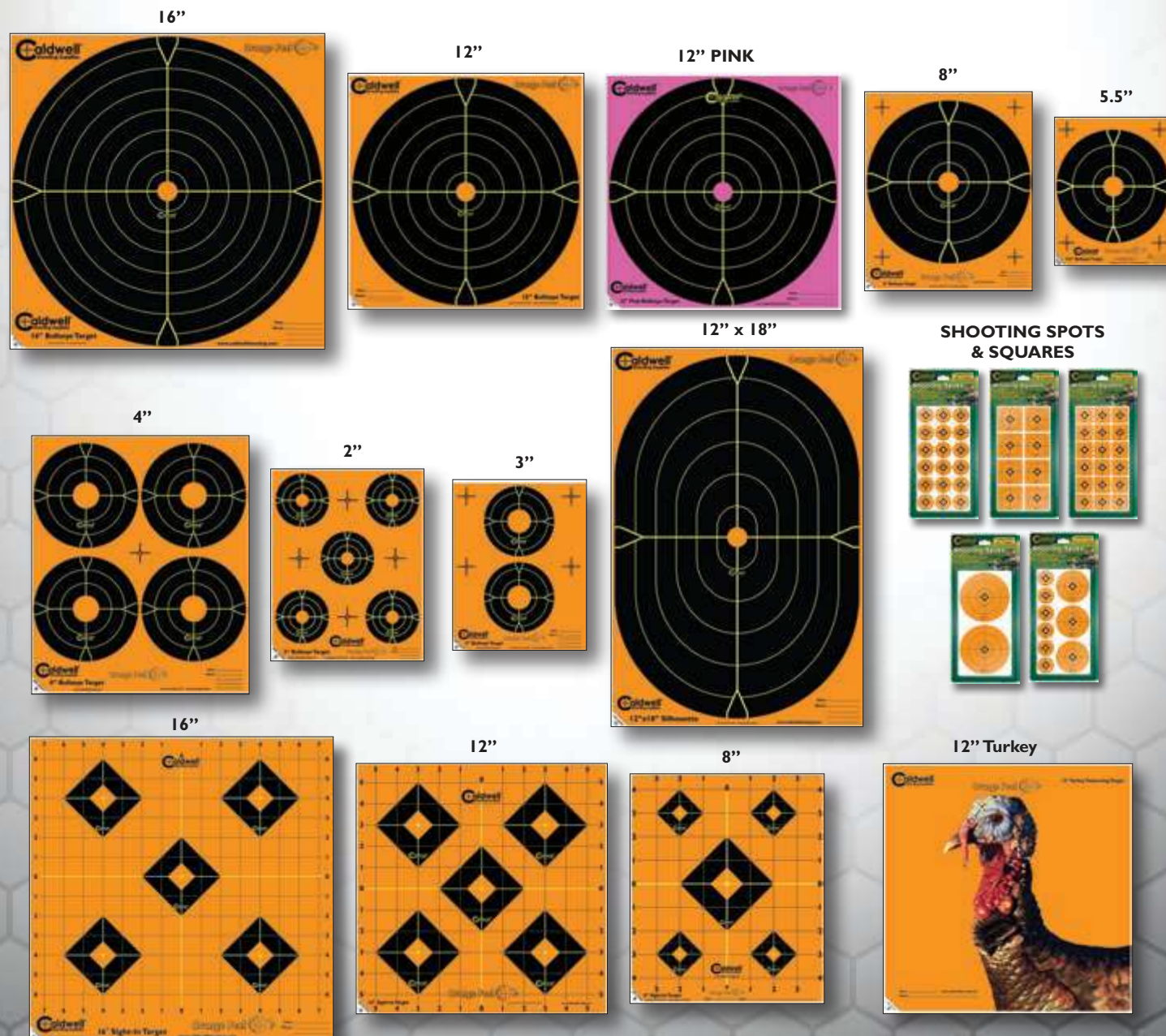
PATENT:
www.BTibrands.com/patents/

ORANGE PEEL® FLAKE OFF SHOOTING TARGETS

Get on target with Orange Peel® Targets by Caldwell®! Orange Peels let you see hits ON and OFF the target with dual-color flake-off technology that makes your hits look like colorful explosions. If your shot happens to miss the bullseye, you will know exactly where your bullet strayed...instantly. The Orange background and Black Target make target acquisition through the scope easy, even at long distances. Caldwell® makes these great targets in almost every size and shape imaginable at a price that anyone can afford. Orange Peels are clearly the best way to get on-target.

- Adhesive-backed, sticks to any surface
- Huge array of target options to fit all of your shooting season needs
- Hits in the target: explode in neon yellow
- Hits outside the target: explode in white
- Hits inside the Bullseye explode in white
- Instant target feedback-you can see from the bench
- Includes 15 Black and 10 Orange Flake Off Pastors per pack

Adhesive Backed
just peel it, stick it, shoot it



Maximize your target life with our included adhesive pasters. 1" diameter pasters in orange and black are included with each package of Caldwell® Orange Peel targets. Combined with our FLAKE OFF Hi-Vis Shot Indicator system, these targets become the most comprehensive paper target on the market!

BULLSEYE SHOOTING TARGETS

- 2" Bullseye Target, 10 sheets#686444. Case Pack of 10
- 3" Bullseye Target, 15 sheets#391984. Case Pack of 10
- 4" Bullseye Target, 5 sheets#405515. Case Pack of 10
- 4" Bullseye Target, 10 sheets#410864. Case Pack of 10
- 4" Bullseye Target, 25 sheets#425824. Case Pack of 5
- 5.5" Bullseye Target, 10 sheets#550010. Case Pack of 10
- 5.5" Bullseye Target, 50 sheets#555050. Case Pack of 5
- 8" Bullseye Target, 5 sheets#805645. Case Pack of 10
- 8" Bullseye Target, 10 sheets#810894. Case Pack of 10
- 8" Bullseye Target, 25 sheets#825915. Case Pack of 5
- 8" Bullseye Target, 100 sheets#810099. Case Pack of 10
- 12" PINK Bullseye Target, 5 sheets#317536. Case Pack of 5
- 12" Bullseye Target, 5 sheets#120556. Case Pack of 5
- 12" Bullseye Target, 10 sheets#121066. Case Pack of 5
- 12" Bullseye Target, 50 sheets#125094. Case Pack of 1
- 16" Bullseye Target, 5 sheets#172505. Case Pack of 5
- 16" Bullseye Target, 10 sheets#172510. Case Pack of 5

SHOOTING SPOTS & SQUARES

- Case Pack of 10
- Non flake off shooting spots & squares.**
- 1" Shooting Spots, 12 sheets (216 ct.)#754883
 - 1.5" Shooting Spots, 12 sheets (96 ct.)#652710
 - 2" + 1" Shooting Spots, 12 sheets (36-2" + 72-1" ct.)#754110
 - 3" Shooting Spots, 12 sheets (24 ct.)#271050
 - 1" Shooting Squares, 12 sheets (216 ct.)#711236



Our great Orange Peel® targets now come in shrink wrapped packaging! They take up less space on the peg, are easier to store, and easier to display. Each size target is packaged in it's exact size packaging.

SIGHT-IN SHOOTING TARGETS

- 8" Sight-In Target, 5 sheets#522357. Case Pack of 5
- 12" Sight-In Target, 5 sheets#244561. Case Pack of 5
- 12" Sight-In Target, 100 sheets#861579. Case Pack of 2
- 16" Sight-In Target, 5 sheets#495253. Case Pack of 5
- 16" Sight-In Target, 12 sheets#492603. Case Pack of 5

OVAL SILHOUETTE SHOOTING TARGETS

- 12"x18" Silhouette, 5 sheets#488789. Case Pack of 10
- 12"x18" Silhouette, 100 sheets#123665. Case Pack of 1

ANIMAL SHOOTING TARGETS

- 12" Turkey Target, 5 sheets#586485. Case Pack of 5



PAPER TARGETS

SILHOUETTE FLAKE OFF TARGETS



The Caldwell® Silhouette Flake Off Targets are perfect for honing your defensive shooting skills. They feature high visibility Flake Off technology making it easy to see bullet impact. The Dual Zone target has 2:1 size ratio (target at 5 yards represents 6' tall target at 10 yards)

- Hi Visibility Flake Off technology
- Ideal for defensive shooting skill development
- Heavy card stock paper
- 12" x 18"

DualZone Flake Off Target 8pk.....#308214
 DualZone Flake Off Target 25pk.....#280341
 CENTER MASS Flake Off Target 8pk.....#412803
 CENTER MASS Flake Off Target 25pk.....#128034

RESOURCE CENTER

8 pack SIZE:
 12" W x 18" H x .25" D
 CASE PACK: 10
 25 pack SIZE:
 12" W x 18" H x 1" D
 CASE PACK: 5



Caldwell® Shooting Supplies SIGHT-IN TARGETS HIGH-CONTRAST

- High visibility color to see at long ranges
- Diamond shaped targets for easy crosshair alignment
- 1" grid for simple scope adjustments
- Large 16" x 16" target size to help get on paper
- Recycled paper construction

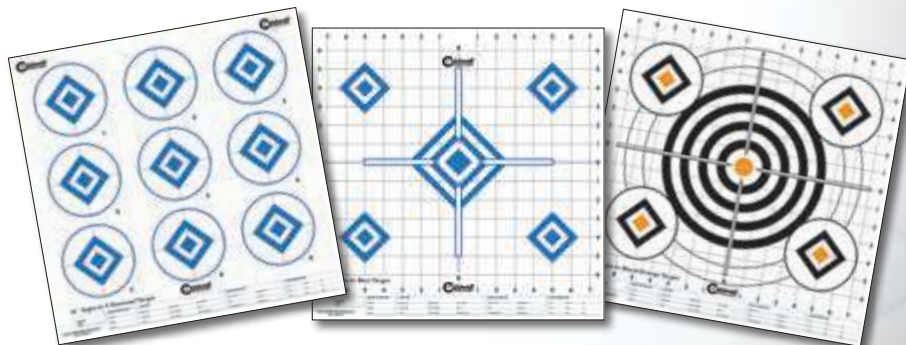
HIGH CONTRAST Blue is easier to see at longer distances

Orange bullseyes are easily recognizable when finding the target

RESOURCE CENTER

PACK SIZE:
 16" W x 16" H x .25" D
 CASE PACK: 10

16" Blue 9 Diamond Target 10pk.....#966893
 16" Blue Target 10pk.....#198604
 16" Black & Orange Target 10pk.....#195781



THE NATURAL SERIES™ WHITETAIL DEER TARGET - #234412

"Aim for the point of the shoulder"...Ever try to teach a new hunter where to shoot a deer? Caldwell® Natural Series™ Targets are the answer to this age-old problem. These cardboard backed, life-size color photographs illustrate both the vital organs and skeletal structure of the animals. These illustrations can be easily viewed up close, yet disappear at a distance, allowing the hunter to practice not only accuracy but shot placement selection.

- Target features a sturdy 48" x 36" cardboard backer
- Includes two adhesive-backed replacement vital targets



Includes two adhesive-backed replacement vital targets

RESOURCE CENTER

CLAM SIZE:
 16" W x 36" H x .5" D
 CASE PACK: 6

Frankford Arsenal Reloading Tools

Platinum
SERIES



CLEAN

PREP



RELOAD



FRANKFORD ARSENAL®



PLATINUM SERIES BRASS DRYER

The Frankford Arsenal® Platinum Series Brass Dryer is a quick, convenient, and efficient system. This dryer is the perfect tool for drying your rifle and pistol brass after wet case cleaning processes such as rotary tumbling or ultrasonic cleaning. The top mounted fan ensures that no moisture from the cleaning process can accumulate in the circuitry. The drying trays have fine grated bottoms and retaining ribs to keep your brass separated on different layers. Combined with a Platinum Series Rotary Tumbler, dirty corroded range brass will be as shiny as new.

- Vented trays provide the best airflow to minimize drying time
- Top-mounted fan, circulates up to 160°F air to quickly dry the brass inside and out
- 5 removable trays easily dry up to 1,000 pieces of .223 brass in less than 1 hour
- Can dry multiple calibers at once but keep them separate.
- Heavy Duty 500 watt heating unit can dry brass in under an hour

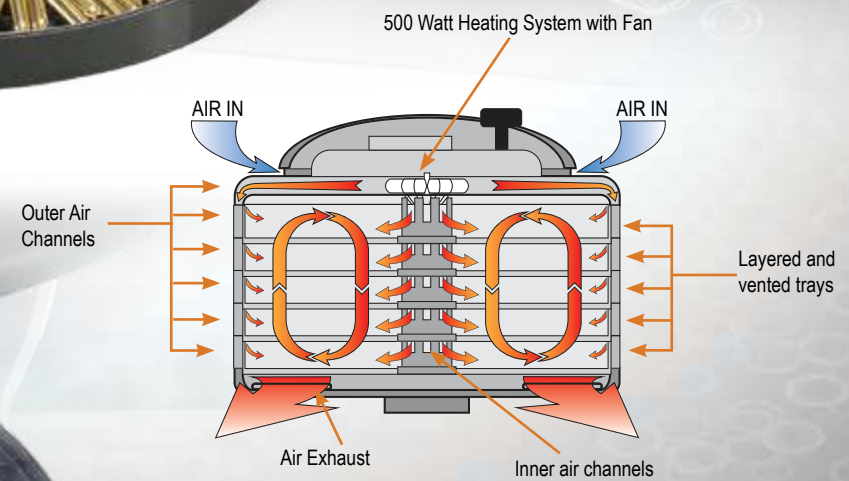
Brass Dryer #909213
NEW! 220V Brass Dryer .. #110123



Specially designed vented trays increases air flow. Inner lip prevents brass from dropping down the center air flow channel.



Adjust temperature from 90° - 160°



The Frankford Arsenal® Platinum Series Brass Dryer is specifically designed for maximum airflow. Vented trays, inner and outer layered air flow channels and a large 500 Watt Heating System were engineered to reduce drying time and maximize efficiency. Forced air convection ensures that the brass gets the maximum amount of airflow available. Air is heated to 160°F then blown through the channels and circulated throughout the trays before being exhausted out the bottom of the dryer.

RESOURCE CENTER
BOX SIZE:
 13.6" W x 13.6" H x 9.85" D
CASE PACK: 4



PLATINUM SERIES ROTARY TUMBLER

Cleans up to 1,000 pieces of .223 Brass at once!

The Platinum Series Rotary Tumbler delivers a new level of brass cleaning performance. Rotary tumbling with stainless steel media in a liquid bath gets brass much cleaner, and works much faster than ultrasonic or vibratory tumbling methods. The small stainless pins easily penetrate inside cases and into primer pockets to deliver unbeatable cleaning power. The tumbler can effectively clean without the use of stainless media pins with a mixture of Frankford Brass Cleaning Solution and water (use of media pins ensures primer pockets and inside of cases are perfectly clean).

- Large 7 liter capacity, Tumble up to 1000 cases of .223 brass
- Dual-layer drum with noise dampening rubber lining
- Includes 5 lbs of stainless steel media pins (\$49.99 value)
- Includes a sample packet of Frankford Arsenal® Brass Cleaning Concentrated Solution
- Maintenance-free geared drivetrain (No belts to replace!)



Rotary Tumbler #909544
 230v Rotary Tumbler #909567
 Spare Tumbler Drum #909789



Includes 5lb. of Stainless Steel Tumbling Media

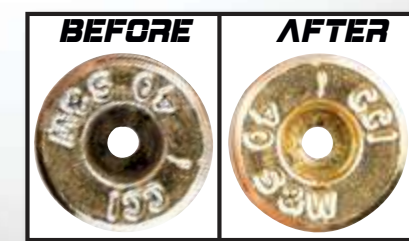


Clear cleaning caps and 5 lbs. of Magnetic Stainless Steel Media included!

Spare Rotary Tumbler Drum

Need more capacity? Pick up a spare Tumbler drum. The Platinum Series Spare Rotary Tumbler Drum is the perfect addition for the high capacity reloader.

- Large 7 liter capacity
- 2 clear end caps included



RESOURCE CENTER
Tumbler
BOX SIZE:
 15" W x 15.75" H x 10.75" D
CASE PACK: 1
230v Tumbler
BOX SIZE:
 15" W x 15.75" H x 10.75" D
CASE PACK: 2
Spare Drum
BOX SIZE:
 14.75" W x 9.25" H x 9.25" D
CASE PACK: 1





Features an integrated mesh spout to save pins from falling down the drain



WET/DRY MEDIA SEPARATOR - #507567

- Ideal for both wet or dry cleaning processes!
- Perforated sifter allows media to fall through while retaining cleaned brass!
- Includes two sifting handles for ambidextrous use
- Rugged rubber latch keeps sifter closed even with heavy loads of brass and media
- Spill proof tub fully captures water, dry media and stainless steel pins
- The tub top includes a mesh strainer to rinse brass

Sift WET media



Sift DRY media

RESOURCE CENTER
BOX SIZE:
13.5" W x 13" H x 8.8" D
CASE PACK: 2

STAINLESS STEEL MEDIA PINS - #909191

- Perfect for cleaning inside primer pockets
- 5 lbs. of pins
- 304 Stainless Steel
- 1mm x 7mm pin size
- Ideal for Rotary Tumbling
- Magnetic for convenient handling
- Lifetime use

RESOURCE CENTER
BOX SIZE:
4.75" W x 1.75" H x 2.25" D
CASE PACK: 4



MEDIA TRANSFER MAGNET - #909271

The Transfer Magnet is ideal for handling the 304 stainless Magnetic media pins that come with the Platinum Series Rotary Tumbler. It makes separating pins from brass fast and convenient.

- Easily handle and transfer 304 stainless media pins
- Gathers then releases when handle is pulled

RESOURCE CENTER
BOX SIZE:
4.75" W x 9" H x 4.5" D
CASE PACK: 4



RESOURCE CENTER
BOTTLE SIZE:
3" DIA x 10" H
CASE PACK: 4

CLEANING SOLUTIONS

These Cleaning Solutions were scientifically formulated to quickly remove carbon buildup, tarnish, and oxidation on brass and gun parts. They were specially designed to be used with the Frankford Arsenal® line of Ultrasonic Cleaners and Rotary Tumbler. Our Cleaning Solutions are so strong that they can be used for multiple cleaning cycles before having to mix new solution. Available in 32oz bottles. Mix to a 40:1 ratio



- Brass Cleaning Solution#878787
- Parts Cleaning Solution#898989

Quick-N-EZ

QUICK-N-EZ™ CASE TUMBLER

The Frankford Arsenal® Case Tumbler provides a quick, easy, and economical means to clean your brass. Used in conjunction with Frankford Arsenal Walnut and Corn Cob Medias, the Quick-N-EZ™ Case Tumbler removes fouling, lube, and oxidation quickly and conveniently. It will hold up to 600 9mm or 350 .223 cases.

- Case Tumbler#855020
- 220V Case Tumbler.....#515667



RESOURCE CENTER
BOX SIZE:
10.5" W x 7" H x 10.5" D
CASE PACK: 1



QUICK-N-EZ™ CASE TUMBLER KITS

Includes Quick-N-EZ™ Case Tumbler, Quick-N-EZ™ Rotary Media Separator, 4 oz Brass Polish, 3 lbs Cleaning Media, and Plastic Bucket.

- Case Cleaning Kit#645880
- 220V Case Cleaning Kit.....#799534

RESOURCE CENTER
BOX SIZE:
12.6" W x 11.8" H x 12.6" D
CASE PACK: 1



MEDIA SEPARATORS AND KITS

Quick-N-EZ™ Rotary Separator #683551 Case Pack of 1 (NO plastic bucket) Includes Quick-N-EZ™ Rotary Separator, 2 Bucket supports, 2 Splash fins.

Quick-N-EZ™ Rotary Separator Kit #507565 Case Pack of 1 (with Plastic Bucket) includes Quick-N-EZ™ Rotary Separator, Plastic Bucket, 2 bucket supports, and 2 splash fins.

Quick-N-EZ™ Standard Separator #121925 Case Pack of 4 Sits conveniently on top of most 3 1/2 or 5 gallon plastic buckets. Side walls are 4 3/4" in height, giving it the capacity to hold a tumbler full of brass and media. Perforated bottom lets the media fall through, leaving clean brass behind.



CLEANING AND POLISHING SUPPLIES

Walnut cleans better than corn. Corn polishes better than walnut.

- Corn Cob Media:**
- 4.5 lb. in Plastic Tub#287178 Case Pack of 6
 - 7 lb. in Box#108729 Case Pack of 1
 - 15 lb. in Box#446063 Case Pack of 1
 - 15 lb. in 3.5 Gal. Bucket#687756 Case Pack of 1

- Treated Corn Cob Media:**
- 4.5 lb. in Plastic Tub#194524 Case Pack of 6

- Walnut Hull Media:**
- 5 lb. in Plastic Tub#881538 Case Pack of 6
 - 18 lb. in Box#496169 Case Pack of 1
 - 18 lb. in 3.5 Gal. Bucket#636314 Case Pack of 1

- Treated Walnut Hull Media**
- 5 lb. in Plastic Tub#347338 Case Pack of 6
 - 7 lb. in Box#331177 Case Pack of 1

- Brass Polish**
- 4 oz. Bottle#845677 Case Pack of 6
 - 8 oz. Bottle#887335 Case Pack of 6
 - 32 oz. Bottle#321901 Case Pack of 6



PERFECT SEAT HAND PRIMER - #110006

The Frankford Arsenal® Perfect Seat Hand Primer will make sure you don't over seat and crush a primer again. Its features a dial that adjusts the seating depth 1 one thousandth at a time with a total adjustment range of 50 thousandths. Once you have the seating depth set you can squeeze the handle as hard as you want, with the positive hard stop the primer will never seat deeper than the set depth. The Frankford Arsenal® Perfect Seat Hand Primer, designed so you can have the perfect primer seat every time.

- Hard stop so you can never crush a primer
- Works with both small and large primers
- Comes with 12 shell holders to cover the most popular cases

Platinum
SERIES

PATENT:
www.BTibrands.com/patents/



Entire system stores in a robust injection molded case



Self righting primer tray holds 100+ primers

Quick thumb release system allows you to switch from small to larger primers easily

A complete set of 12 shell holders that work on over 265 calibers included!



12 numbered shell holders included in the kit cover the most popular case sizes today. 3 extra posts are included in the case so that you can store custom or rare collets in the same place.

Each **CLICK** ADJUSTS 1,000th of an inch in height!



ADJUSTABLE PRIMER SEAT DEPTH

The Perfect Seat Hand Primer has an innovative adjustable primer seating system. By adjusting the thumb wheel left or right you can raise or lower the primer post. This allows you to help prevent "proud" primers or crushing primers into cases. No more "squeeze until it feels right". Now you can set it and feel confident every primer will be seated perfectly!

Heavy Duty die cast Zinc construction with steel internal components

Robust working components resist bending even in the most powerful hands.

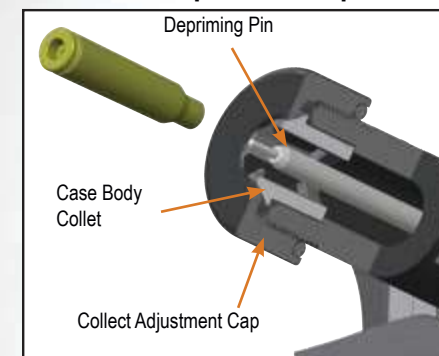
RESOURCE
CENTER
BOX SIZE:
8.5" W x 11" H x 2.5" D
CASE PACK: 4

PLATINUM SERIES HAND DEPRIMER - #909283

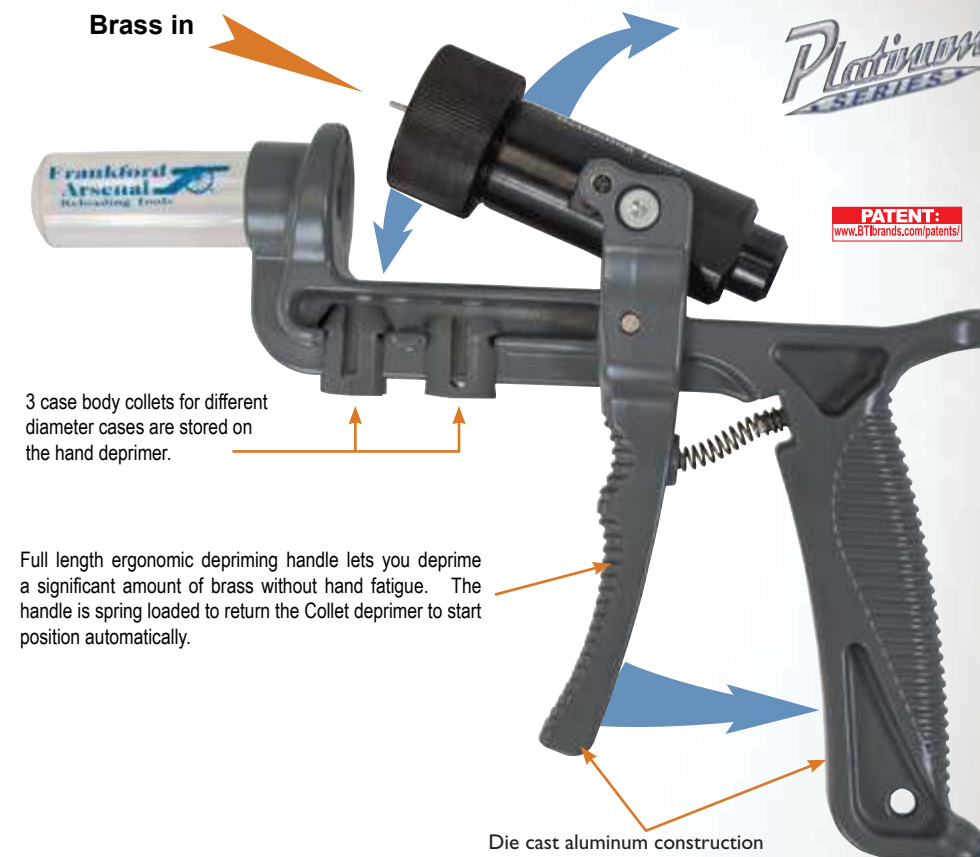
The Frankford Arsenal® Platinum Series Hand Deprimer features our (patent pending) Universal Collet System. In just 4 easy steps you can deprime your spent brass by hand. No need to set up your press and reset your dies to deprime a few cases. The Hand Deprimer even captures the spent primers in a collection tube so you can dump them later. This deprimer can even deprime pistol brass and military crimped primers with the full length ergonomic grip.

- Auto-ejecting case holder for easy removal of deprimed cases
- Features an easily removable spent primer catch tube
- Works on pistol and rifle brass

UNIVERSAL COLLET SYSTEM deprimed brass from .20 cal up to .338 Lapua



RESOURCE
CENTER
CLAM SIZE:
10.8" W x 13" H x 3.5" D
CASE PACK: 4



Brass in

3 case body collets for different diameter cases are stored on the hand deprimer.

Full length ergonomic depriming handle lets you deprime a significant amount of brass without hand fatigue. The handle is spring loaded to return the Collet deprimer to start position automatically.

Die cast aluminum construction

CASE PREP ESSENTIALS KIT - #909214

The Frankford Arsenal® Platinum Series Case Prep Essentials Kit includes 2 handles, inside and outside chamfer tools, large and small primer pocket uniformer/cleaner, large and small primer pocket crimp remover and a handy storage case.

- Inside chamfer tool
- Outside deburr tool
- Large & small primer pocket uniformer/cleaner
- Large & small primer pocket crimp cutter tools
- Made of hardened high speed steel

RESOURCE
CENTER
BOX SIZE:
4.25" W x 4" H x 2.25" D
CASE PACK: 4



QUICK-N-EZ™ IMPACT BULLET PULLER

- Impact style bullet puller
- 3 different sized collets included allows you to pull bullets from almost any caliber from .22 Hornet to 45-70, rimmed or rimless



RESOURCE
CENTER
CLAM SIZE:
6" W x 14" H x 2" D
CASE PACK: 6
REPL. COLLET
CASE PACK: 2

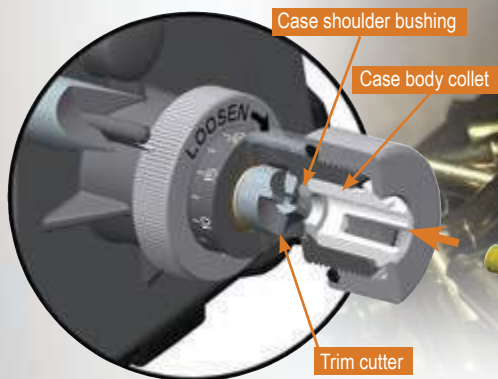
Quick-N-EZ™ Impact Bullet Puller.....#836017
Replacement Aluminum Collet Set, Set of 3.....#737910

CASE TRIM & PREP CENTER - #903156

Frankford Arsenal®'s Case Trim & Prep Center accurately trims brass in seconds. An innovative Case Holder with Adjustable Collet and Bushing System indexes the case shoulder and can be set to precisely trim brass to the exact desired case length. Inside and outside chamfer tools and primer pocket cleaners are included to fully prepare cases for loading. The heavy duty motor and drivetrain are optimized for durability and performance.

- Adjustable Collet System works with all shouldered cases from .17 Remington® to .460 Weatherby®
- Trimmer indexes cases on the shoulder for speed and precision
- VLD Inside Chamfering Tool, Outside Chamfer Tool, Large and Small Primer Pocket Cleaning tools included
- Ultra-hard HSS cutters stay sharp for thousands of rounds to make trimming quick and easy
- Built-in storage box holds extra tools and keeps everything ready and organized

INNOVATIVE ADJUSTABLE COLLET SYSTEM!



Grab your case and insert it into the Collet system and trim to your desired length!



CASE PREP EXPANSION KIT - #909215 Case Pack of 4

Use your Case, Trim and Prep Center to uniform primer pockets or remove military crimps!

- Made of hardened high speed steel (HSS)
- Large and small primer pocket uniformer/cleaner
- Large and small primer pocket crimp remover
- Standard 8-32 threads fits Case Trim & Prep Center's auxiliary shafts

3 accessory output shafts have 8-32 threads

PATENT:
www.BTlbrands.com/patents/



Aluminum and steel construction for extreme durability and long life

3 different sized case body collets



2 different sized primer pocket cleaners



6 different sized case shoulder bushings



Chamfer tool



Deburr tool

RESOURCE CENTER
BOX SIZE:
8.5" W x 11" H x 2.5" D
CASE PACK: 2

PLATINUM SERIES POWDER MEASURE - #909292

The Platinum Series Powder Measure is precision machined to extremely tight tolerances to deliver perfectly smooth operation and highly accurate powder charges. The advanced powder meter design covers a wide range of charges and powder types without sacrificing accuracy and eliminates the need for multiple metering units. Unlike other common powder measures, the Platinum Series Measure includes 2 mounting stands: A high clearance Bench top and a side-mounting end version.

- Precision machined surfaces for precise fit and function
- Universal Meter with precise reference marks
- Works with ball, flake, cylinder and extruded powder
- 7/8-14 threads for mounting to a press
- 2 different Mounting Stands included



Platinum SERIES

It measures from 0.8 grains up to 120 grains.

The Powder Measure provides accurate measurement of all powder types, ball, cylinder, extruded and flake.

2 INCLUDED MOUNTING STANDS

The 2 included robust solid steel mounting stands will easily set the Powder Measure up high enough to slide reloading trays with brass under it or off the edge of a bench for quick access.

RESOURCE CENTER
BOX SIZE:
7.4" W x 8.25" H x 4.75" D
CASE PACK: 2



A tight sealing hopper cap and powder baffle included.

Index lines on powder tube

Solid Cast metal with precision machined parts

Can be set up for right or left handed use

Universal dispenser funnel

A "Quick Disconnect" screw allows you to take the powder measure off the mounting assembly quickly. This lets you pour excess powder back into the powder jug easily and without tools.

POWDER TRICKLER - #903535

The Frankford Arsenal® Platinum Series Powder Trickler allows very small amounts of powder to be dispensed to achieve precise load weights. Dust/moisture covers protect powder while in the trickler. The Frankford Arsenal® Powder Trickler is designed to work for all powder types, scales and supporting reloading equipment.

- Large powder capacity
- Heavy machined steel to prevent tip overs

A MUST HAVE for the Precision Scales!

Increased trickler height to fit almost all powder scales

RESOURCE CENTER
CLAM SIZE:
6.25" W x 8" H x 3" D
CASE PACK: 6



Dispenser cover sits on knob when not in use

Synthetic dust cover doubles as non-skid base



PRECISION POWDER SCALE - #909672

The Frankford Arsenal® Platinum Series Precision Scale delivers extreme accuracy for precise measurement of powder, bullets, cases or loaded rounds. Featuring 1500 grain capacity with 1/10 grain accuracy, you will be able to achieve the maximum potential of your hand loads. Simple controls allow for easy changes of units or tare weights. Can be operated on 4 AAA batteries or 110V/220V power supply. The performance and features of this scale make it the best value on the market, making it a welcome addition to any loading bench!

- Storage case holds scale, pan and calibration weights
- Includes 2 calibration weights for a 3 point calibration
- Measures in: grains, grams, ounces and carats
- Power: 110V/220V or 4 AAA batteries (included)
- Auto shutoff after 180 seconds
- Stability Indicator
- Capacity: 1500 grain (100 gram)
- Accuracy: 0.1 grain (0.01 gram)
- Included protective cover
- Tare Function



Works perfectly with the Platinum Series Powder Trickler!



Includes scale, calibration weights, powder pan, clear cover, storage case, 110V power supply and 220V adaptor.

RESOURCE CENTER
DISPLAY SIZE: 10.75" W x 9" H x 3.25" D
CASE PACK: 4

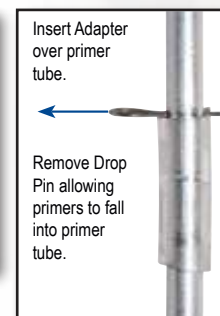
PLATINUM SERIES VIBRA-PRIME™ - #855712

Who spends the money on a progressive press to sit there and slowly load primer tubes one primer at a time? Progressive presses are designed to load lots of ammunition quickly. That's why Frankford Arsenal® designed the Vibra-Prime™ Automatic Primer Tube Filler. To save time. The Vibra-Prime™ can load 100 primers into a primer tube in a matter of seconds with its unique motorized agitation mechanism. Filled tubes are then easily transferred into any model progressive press tube.

- Works with large and small primers
- Runs on 2 AA batteries (not included)



Auto-Indexing Ridges:
The Vibra-Prime™ tray has circular Auto-Indexing ridges to quickly index your primers for insertion into the tube.



Insert Adapter over primer tube.

Remove Drop Pin allowing primers to fall into primer tube.

- Includes:
Vibra-Prime™
1 Primer Tray
1 Small Primer Tube
1 Large Primer Tube
2 Universal Tube Adaptors

RESOURCE CENTER
CLAM SIZE: 7.5" W x 21" H x 1.25" D
CASE PACK: 4

Primer Tube Adapter:
The Vibra-Prime™ uses a flexible adapter to align the dispenser tube with the Primer tube on your progressive press. This makes alignment of the tubes and removal of the drop pin quick and painless. No more scattered primers on the floor.

DS-750 DIGITAL SCALE - #205205

The Frankford Arsenal® DS-750 delivers extreme accuracy for precise measurement of powder, bullets, cases or loaded rounds. Simple controls allow for easy changes of units, tare weights or counting. Powder pan, carry bag and calibration weight included.

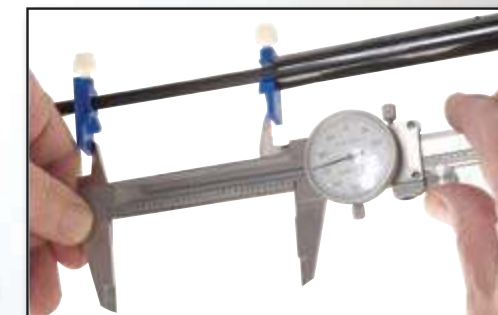
- Capacity: 750 grain (50 gram)
- Accuracy: 0.1 grain (0.01 gram)
- LCD display with blue backlight
- Integrated protective cover
- Auto Calibration
- Measures in: grains, grams, carats and ounces
- Tare Function and Counting Function
- Overload protection
- Auto shutoff after 60 seconds
- Power: 2 AAA batteries (included)



RESOURCE CENTER
CLAM SIZE: 4.75" W x 9.75" H x 1.75" D
CASE PACK: 4

CARTRIDGE OVERALL LENGTH GAUGE - #965887

If you have a cleaning rod and a set of calipers, you can now determine the optimum OAL for any bullet in less than two minutes. This simple kit consists of two clamps that easily attach to any cleaning rod, 1/4" in diameter, or less. Simply Insert a cleaning rod into the bolt face. Then install 1 clamp at the end of the bolt face. Remove the cleaning rod and insert a round into the chamber. Touch the cleaning rod end to the back of the round and attach the second clamp at the end of the bolt face. Remove and measure the distance between the 2 clamps. Or use as a gauge to check the seating depth set-up during your reloading sequence. Works on all rifles.



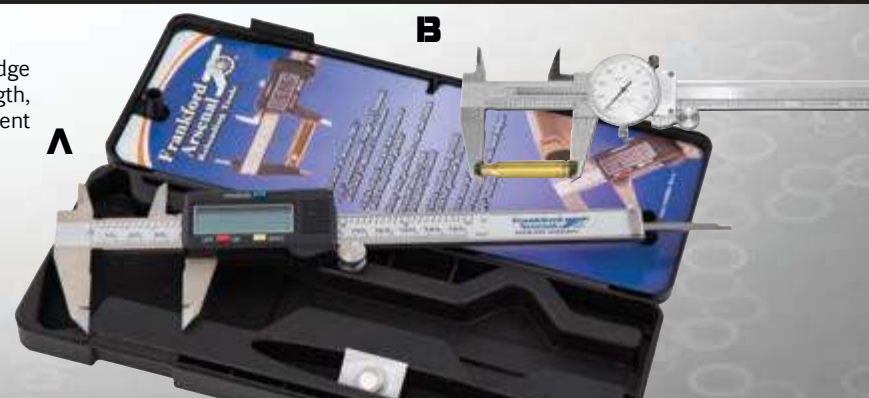
RESOURCE CENTER
CLAM SIZE: 4" W x 7.8" H x .8" D
CASE PACK: 6

CALIPERS

Reloading ammunition requires attention to many critical cartridge dimensions, including case length, neck and base diameters, overall length, primer pocket depth, etc. Verifying these dimensions is quick and convenient with the Frankford Arsenal® Calipers.

- Calipers are accurate to within .001"
- Includes protective plastic case

Electronic Calipers (A) #672060
Stainless Steel Dial Caliper (B) #516503



RESOURCE CENTER
CLAM SIZE: 8" W x 12.25" H x .75" D
CASE PACK: 6

CLEANCAST LEAD FLUXING COMPOUND - #441888 Case Pack of 6

Lead fluxing made easy. No more using rosin, paraffin, tallow, bullet lube, and other homemade concoctions. CleanCast is non-smoking, odor-free, and it really works. Only a small amount is necessary to prepare a 20 lb. lead pot for bullet production. Separates dross from your valuable bullet alloy and improves the consistency of the melted lead to eliminate variability during your casting session.

This convenient, fast-drying liquid provides quick lubrication of the case body before re-sizing.

DROP OUT - #763758 Case Pack of 12

The modern way to "smoke" your bullet molds. Applied to the cavities of a cold, clean bullet mold, Frankford Arsenal® Drop Out literally allows the just-cast bullets to "drop-out" with no tapping or pounding. 6 oz aerosol.



PLATINUM SERIES RELOADING STAND - #489621



The Frankford Arsenal® Platinum Series Reloading Stand is a must-have for anyone with limited space. The tabletop and frame are foldable to store in compact spaces. The durable wood center section is ideal for mounting a press, powder measure or other fixed position tools while the side shelves easily accommodate any free-standing trimmers, scales or almost any reloading tools.

- Frame is made of 1.5" tube steel
- Frame Base opens up to 34" x 21"
- Tabletop height adjustable 28.5" to 45" tall
- Tabletop width adjustable 13" x 12" to 39" x 12"
- Includes 2 side bins for holding components
- Weighs 30 lbs.



Height adjustable 28.5" - 45" for seated or standing



The tabletop is width adjustable from 13" x 12" to 39" x 12" so it can accommodate all types of reloading processes.



RESOURCE CENTER
CLAM SIZE:
26.5" W x 26.5" H x 4.5" D
CASE PACK: 1

AMMO VAULT® The Most Advanced Ammo Storage System Available

The Frankford Arsenal® Ammo Vault® takes ammo storage and transportation to a whole new level. By combining tough, impact-resistant materials and an innovative locking design the Ammo Vault offers unsurpassed protection for your rifle cartridges. No more rattling, no more rubber bands, no more cracked and broken boxes. Give your ammunition the protection it deserves.

- Securely holds 20 rounds of ammunition
- Simply squeeze & pull to unlock the two halves to access your ammo
- Highly durable material with overmolded soft-touch top & bottom
- Impact-resistant material won't break & protects ammo if dropped
- Foam insert holds cartridges securely, prevents rattling & protects bullet tips



Adjustable height accommodates several different cartridges

Two sizes fit nearly all rifle cartridges.

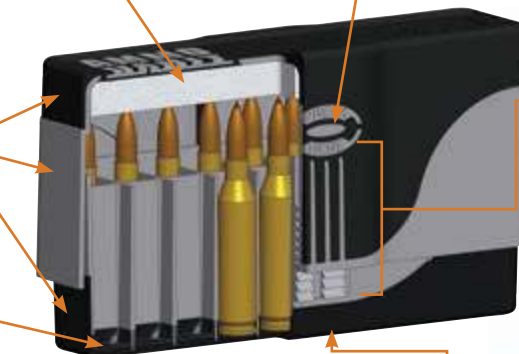
- Ammo Vault® RMD-20 #912600
- Ammo Vault® RLG-20 #912610

Highly durable material with overmolded soft-touch top and bottom

Rubber molded bottom cushions ammo cartridges

Foam insert prevents rattling

Simply squeeze here to release the two halves to access your ammo



Integrated locking mechanism keeps the lid from coming off even if dropped

Molded fit chart on the bottom identifies the most popular cartridges that fit

RESOURCE CENTER
CLAM SIZE:
6.25" W x 6" H x 2" D
CASE PACK: 4

CASE NECK LUBRICATOR

Using fine powdered mica to lubricate the inside of the case mouth is faster and more convenient than using a liquid lubricant. After the body of the case has been lubricated, simply dip the case mouth in the mica, run it over the brush, and it is ready for the sizing die. Includes 1/10th oz of fine powdered mica.

- Case Neck Lubricator..... #132530
- Fine Powdered Mica 1/10th oz. packet #595942
- Fine Powdered Mica 4 oz jar..... #757780



RESOURCE CENTER
CASE PACK: 1

POWDER FUNNEL KIT - #832516

Sixteen quick-change, caliber specific nozzles, 17-45 caliber, to minimize powder spillage. Also includes large funnel and extension tube. Packaged in a plastic case with marked cavities.



RESOURCE CENTER
CASE PACK: 4



Yes, that's a truck tire driving over the Ammo Vault®. The impact-resistant material won't break & protects ammo

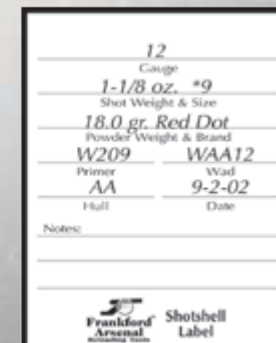
PEEL & STICK RELOADER'S LABELS

These Peel & Stick Labels help you record all of the important data about your pistol, rifle, or shotgun handloads for future reference and replication. These labels have an adhesive which makes them easy to remove. Works great with plastic ammo boxes.

- Reloader's Labels 100 pack..... #202364

RESOURCE CENTER
CLAM SIZE:
3.75" W x 5.75" H x 1" D
CASE PACK: 6

Reloader Labels: 2" wide x 2.5" tall



STORAGE

PLASTIC AMMO BOXES Case Pack of 10

See-through plastic ammo boxes make storing and identifying your reloaded ammunition a snap. Available in 2 different colors and twelve different sizes to fit most calibers. Our system allows you to get organized and stay organized! Our ammo boxes fit a full variety of calibers, often many more than the description allows for. Please refer to the chart below to determine which box is appropriate for your application.

50-ROUND HINGE-TOP BOXES

Box	Blue	Gray
501	#114596	#340663
503	#642557	#354668
504	#698582	#441440
505	#690047	#264395
506	#369645	#414965
507	#349962	#398657
508	#718498	#860416
509	#160880	#122804
510	#513329	#450302
511	#162882	#803479
512	#791979	#801326
514	#563412	#118960
515	#296112	#312874

100-ROUND HINGE-TOP BOXES

Box #	Blue	Gray
1001	#688397	#713196
1003	#930447	#185116
1005	#554106	#631312
1007	#912544	#107025
1008	#419448	#515120
1009	#562778	#651533

20-ROUND SLIP-TOP BOXES

Box	Blue	Gray
205	#205111	#205222
209	#533573	#351167
210	#184625	#1071003
211	#877991	#227289

	100 Round Box	50 Round Box	20 Round Box	Ammo Vault®
RIFLE				
17 Remington	1005	505	205	
22 Hornet		504		
22 Remington Jet		504		
218 Bee		504		
221 Remington		504		
22 BR		512		
22 PPC		512		
222 Remington	1005	505	205	RMD
223 Remington	1005	505	205	RMD
222 Remington Mag	1005	505	205	RMD
22-250 Remington	1009	509	209	RMD
220 Swift	1009	509	209	RMD
243 Winchester	1009	509	209	RMD
6mm BR		512		RMD
6mm Remington	1009	509	209	RMD
240 Weatherby Mag		210	210	RMD
25-20 WCF	1003	503		
357 Roberts	1009	509	209	RMD
250 Savage	1009	509	209	RMD
25-06 Remington		510	210	RMD
6.5mm Swedish Mauser		510	210	RMD
6.5mm Remington Mag		511	211	RLG
6.8mm SPC		512		RMD
270 Winchester		510	210	RMD
270 Weatherby Mag		511	211	RLG
270 WSM		515		RLG
7x57 Mauser		510	210	RMD
7mm BR	1009	512	209	RMD
7mm SAUM		515		
7mm WSM		515		RLG
7mm-08	1009	509	209	RMD
280 Remington		510	210	RMD
7mm Remington Mag		511	211	RLG
7mm Rem Ultra Mag		511	211	RLG
7mm Remington				
Short Ultra Mag		511	211	RLG
30 M1 Carbine		504		
30 Remington	1009	509	209	RMD
30-30 Winchester	1009	509	209	RMD
300 Savage	1009	509	209	RMD
30-40 Krag		510	210	RLG
308 Winchester	1009	509	209	RMD

	100 Round Box	50 Round Box	20 Round Box	Ammo Vault®
RIFLE				
30-06 Springfield		510	210	RMD
300 H&H Mag		511	211	RLG
300 Winchester Mag		511	211	RLG
300 Ultra Mag		511	211	RLG
300 Remington				
Short Ultra Mag		511	211	RLG
300 SAVM		515		
300 WSM		515	211	RLG
300 Weatherby Mag		511	211	RLG
303 British		510	210	RMD
7.62x39mm	1009	512	209	RMD
32-20 WCF	1003	503		
32 Winchester Spl		509	209	RMD
325 WSM 515 RLG				
8x57 Mauser		510	210	RMD
8mm Remington Mag		511	211	RLG
338 Winchester Mag		511	211	RLG
338 Lapua Mag		511	211	RLG
340 Weatherby Mag		511	211	RLG
338 Rem Ultra Mag		511	211	RLG
35 Remington	1009	509	209	RMD
350 Remington Mag		511	211	RLG
35 Whelen		510	210	RMD
375 H&H Mag		511	211	RLG
375 Rem Ultra Mag		511	211	RLG
378 Weatherby Mag		511	211	RLG
38-40 WCF		507		
38-56 WCF		514		RLG
38-70 WCF		514		RLG
40-65 WCF		514		RLG
40-65 Ballard		514		
404 Jeffrey		511	211	RLG
405 Winchester		510	210	RLG
416 Taylor		511	211	RLG
416 Rigby		511	211	RLG
444 Marlin	1009	509	209	RLG
45-70 Govt.	1009	514	209	RLG
45-90 WCF		511	211	RLG
45-110 Sharps		511	211	RLG
458 Winchester Mag		511	211	RLG
50-70 Govt.		514		RLG
50 110 WCF		514		RLG

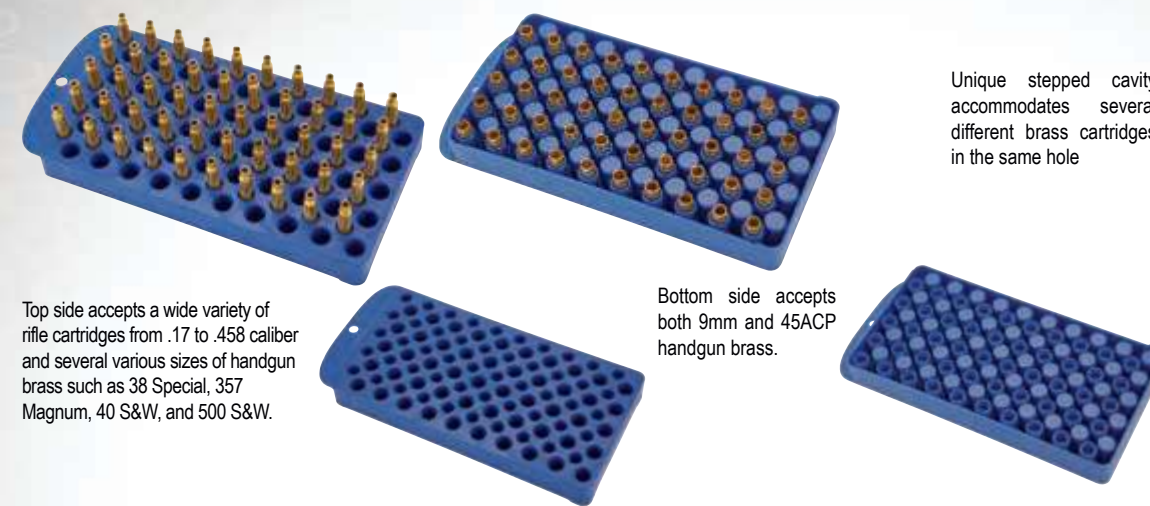
	100 Round Box	50 Round Box	20 Round Box
PISTOL			
25 ACP	1001	501	
32 ACP	1001	501	
32 S&W/32 S&W Long	1003	503	
32 H&R Magnum	1003	503	
380 Auto	1001	501	
9x19mm Luger	1001	501	
9x18 Makarov	1001	501	
38 S&W	1003	503	
38 Special	1003	503	
38 Super	1003	503	
357 Magnum	1003	503	
357 Maximum		505	205
357 Auto Mag			507
10mm Auto	1008	508	
40 S&W	1008	508	
41 Long Colt	1007	507	
41 Magnum	1007	507	
44 S&W Russian	1007	507	
44 Colt	1007	507	
44 Special	1007	507	
44-40 WCF	1007	507	
44 Magnum	1007	507	
445 Super Mag	1009	509	209
44 Auto Mag	1007	507	
45 S&W Schofield	1007	507	
45 ACP	1008	508	
45 Auto Rim	1008	508	
45 Colt	1007	507	
45 Winchester Magnum	1007	507	
454 Casull	1007	507	
460 S&W		514	
480 Ruger		506	
475 Linebaugh		506	
50 AE		506	
500 Linebaugh		506	
500 S&W			
SHOTGUN			
.410 Gauge 2.5" Shells		509	
.410 Gauge 3" Shells		510	
28 Gauge		514	



RELOADING TRAYS

UNIVERSAL RELOADING TRAY - #393939 Case Pack of 6

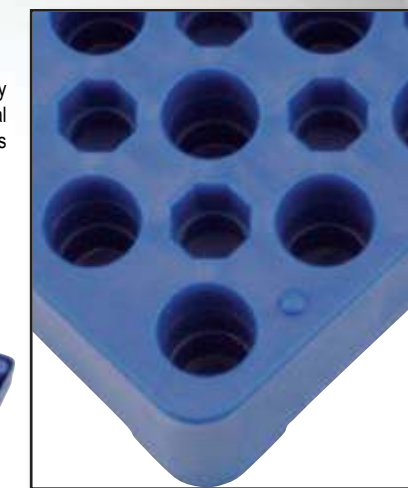
The Universal Reloading Tray is highly versatile. It can be used with a wide variety of rifle cartridges from .17 caliber up to .458 caliber, it also works well for handgun cartridges 9 mm to 500 S&W. 50 round capacity, it conveniently holds brass during different stages of reloading process.



Unique stepped cavity accommodates several different brass cartridges in the same hole

Top side accepts a wide variety of rifle cartridges from .17 to .458 caliber and several various sizes of handgun brass such as 38 Special, 357 Magnum, 40 S&W, and 500 S&W.

Bottom side accepts both 9mm and 45ACP handgun brass.



PERFECT-FIT RELOADING TRAYS Case Pack of 6

Frankford Arsenal® Perfect-Fit Trays are sized for individual calibers or a family of calibers for a precise fit.



Product #	Tray #	Hole Diameter	Hole Depth	Product #	Tray #	Hole Diameter	Hole Depth
#335196	1	0.31	0.3	#844786	5	0.486	0.65
#695795	2	0.375	0.595	#153092	5s	0.486	0.4
#292930	2s	0.375	0.3	#713498	6	0.53	0.65
#824257	3	0.401	0.4	#663641	7	0.56	0.65
#163246	4	0.44	0.625	#290487	8	0.615	0.65
#853739	4s	0.44	0.4	#250083	9	0.665	0.65

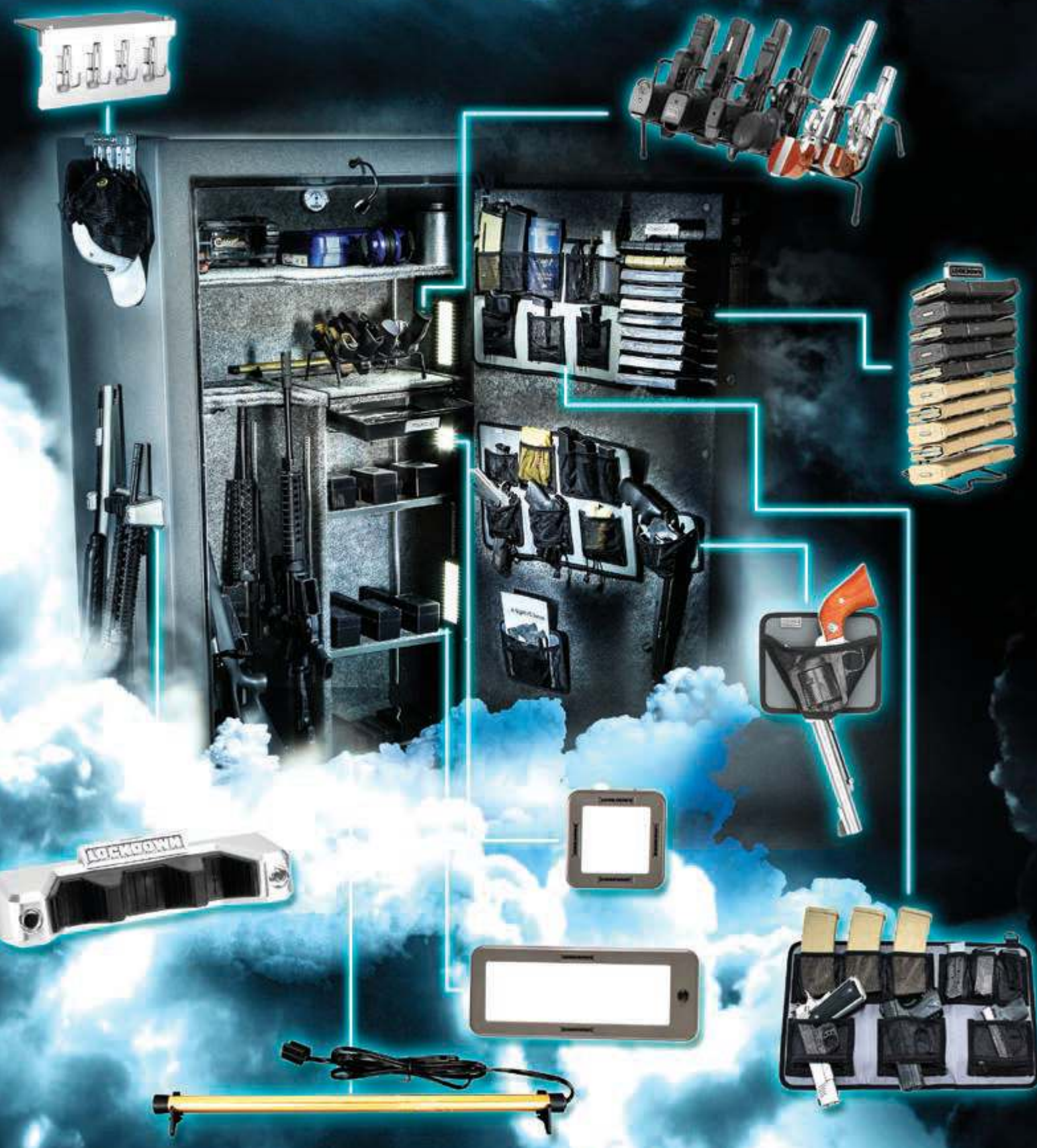
- Twelve tray sizes are available for 25 ACP - 500 Nitro.
- Each tray holds 50 cases (tray number 9 holds 45)

Caliber	Tray #	Caliber	Tray #	Caliber	Tray #	Caliber	Tray #	Caliber	Tray #
Rifle									
7mm BR	5	7.62x39	4	416 Weatherby Mag	8	357 Sig	4s		
7mm-08	5	7.62x54R Russian	8	44-40 WCF	6	38 Super	4s		
7x57 Mauser	5	32-20 WCF	4s	444 Marlin	6	38 Special	4		
284 Winchester	6	32-40 WCF	6	45-70 Government	8	357 Magnum	4		
280 Remington	5	32 Winchester Spl	6	450 Marlin	7	38-40 WCF	6		
221 Remington	2	8x57 Mauser	5	45 Sharps	8	40 S&W	4s		
222 Remington	2	7mm Weatherby Mag	7	8mm Remington Mag	7	458 Winchester Mag	7		
223 Remington	2	7mm WSM	7	33 WCF	8	10mm Auto	4s		
22-250 Remington	5	7mm Remington Ultra Mag	7	338 Winchester Mag	7	41 Magnum	6		
220 Swift	5	30 M1 Carbine	2	338 Ultra Mag	7	44 Special/Magnum	6		
6mm PPC	4	30 Remington	4	348 Winchester	8	44-40 WCF	6		
243 Winchester	5	30-30 Winchester	6	35 Remington	5	500 Nitro	9		
6mm/244 Remington	5	300 Savage	5	35 Whelen	5	445 Super Mag	6		
25-20 WCF	4s	30-40 Krag	7	375 Winchester	6	45 ACP	5s		
257 Roberts	5	30-40 Remington	7	375 H&H Mag	7	45 Colt	6		
250 Savage	5	308 Winchester	5	378 Weatherby Mag	8	454 Casull	6		
25-06 Remington	5	30-06 Springfield	5	38-55 WCF	6	45 Auto Rim	6		
6.5x55mm		300 WSM	7	38-56 WCF	8	45 Winchester Mag	5		
Swedish Mauser	5	300 H&H	7	40-65 WCF	8	480 Ruger	7		
264 Winchester Mag	7	300 Winchester Mag	7	40-82 WCF	8	475 Linebaugh	8		
270 Winchester	5	300 Ultra Mag	7	405 Winchester	7	50 AE	7		
270 WSM	7	300 Weatherby Mag	7	416 Remington Mag	7				
		303 British	7						



LOCKDOWN

VAULT ACCESSORIES



SUPER MAX

SECURITY

The Lockdown® SUPER MAX™ handgun vaults bring an added level of security to your firearms. Once it is locked down there is no way it's getting out. Choose between a conventional key lock or an innovative 5 button mechanical combination lock vault. A gas piston strut assists in opening the SUPER MAX™ vault and keeps the lid open while you access your gun. These are among the most secure vaults on the market!

MECHANICAL LOCK

- 5 button Mechanical Lock with 1081 password combinations
- EMP Proof, no keys or batteries ever needed
- Heavy duty 16 gauge steel construction
- Includes an LED light to easily see into the vault
- External dimensions: 8.5" x 13.25" x 2.5"

KEY LOCK

- Keyed vault with dual locking bolts
- Heavy Duty 16 gauge steel construction
- Includes an LED light to easily see into the vault
- External dimensions: 8.5" x 13.25" x 2.5"

**ASTM
CALIFORNIA DOJ
COMPLIANT**

Mechanical Lock Vault#222905

Keyed Lock Vault.....#222820



Both Vaults can accommodate most magnum sized handguns with a 6" barrel.
Internal dimensions: 12" x 7.75"



5 button Mechanical Lock with 1081 possible password combinations

**RESOURCE
CENTER**
BOX SIZE:
13.5" W x 8.5" H x 3.5" D
CASE PACK: 4



SUPER MAX™ READY VAULT - #222933

The Lockdown® SUPER MAX™ READY VAULT is a unique and innovative way to secure and hide your handgun while still keeping it close by. The READY VAULT is designed to be mounted under a desk or to the side of an end table or cabinet. Keep your handgun "At The Ready" with a 5 Button Mechanical Locking mechanism. Once unlocked the door swings down and gives you "ready" access to your pistol.

- 5 button mechanical Lock with 1081 password combinations
- No keys or batteries ever needed, EMP Proof
- Heavy duty 16 gauge steel construction
- Multiple mounting configurations
- Features a gas strut to open the vault lid
- Includes an LED light to easily see into the vault
- Holds pistols or revolvers with barrel length up to 5"
- Mounting hardware included

**ASTM
CALIFORNIA DOJ
COMPLIANT**



Remove diamond plate to access right or left side mounting holes

**RESOURCE
CENTER**
BOX SIZE:
13.5" W x 8.5" H x 3.5" D
CASE PACK: 4

LOCKDOWN

VAULT ACCESSORIES

Mountable from the top, left or right sides with the included hardware.

HANDGUN SECURITY VAULTS



Large External Dims: 6.5" W x 10" H x 2" D
 Compact External Dims: 5.75" W x 8.5" H x 2" D
 Ultra Compact External Dims: 6.5" W x 5.1" H x 1.6" D

Lockdown® Handgun Security Vaults provide a secure storage solution for handguns and other valuables at home, in the car or when traveling. Designed to provide an additional level of security for conceal carry permit holders. A heavy duty 43", 1500 lbs. steel cable is included and allows the vaults to be secured to a stationary object or the internal frame of a piece of luggage (NOTE: Ultra Compact model does not include a cable).

- 18 gauge walls with an additional 12 gauge side and bottom reinforcement plate
- Variety of sizes available lets you choose the right size vault for your gun
- Meets TSA airline guidelines

- Ultra Compact Handgun Vault..... #222747
- Compact Handgun Vault..... #222133
- Large Handgun Vault..... #222144

Ultra Compact Handgun Vault display box: 8" wide x 8" high x 14.25" deep
 Ultra Compact Handgun Vault individual clamshell: 7.75" wide x 8" high x 2" deep
 Compact Handgun Vault individual clamshell: 9.5" wide x 7.5" high x 1" deep
 Compact Handgun Vault display box: 11" wide x 5.5" high x 14" deep
 Large Handgun Vault individual clamshell: 11" wide x 9.5" high x 1" deep
 Large Handgun Vault display box: 12.5" wide x 6.25" high x 14.125" deep

RESOURCE CENTER
CASE PACK: 6

SHIPPED IN CASE PACK DISPLAY BOX!



15" CABLE LOCK - #110149



RESOURCE CENTER
CASE PACK: 6

- 15" re-enforced cable with non-marring sheathing
- 30mm keyed lock with 2 keys
- Works with most handguns, shotgun, or rifles
- DOJ compliant



LOCKDOWN
 VAULT ACCESSORIES

AR MAG WELL LOCK - #222818

The AR-15 Mag Well Lock conveniently locks into the magazine well of any AR-15 platform gun to secure the gun in a non-firing condition. It engages into the bolt raceway while holding the bolt carrier partially open, completely disabling the firing mechanism. This also prevents the upper from being disassembled from the lower. A high-strength coated steel cable and pin are included that allow the lock and gun to be anchored to any stationary object such as a frame member in a vehicle. Glass-reinforced Nylon construction is durable and robust, yet is non-marring or damaging for inserting in your magazine well. Two keys included.



RESOURCE CENTER
CLAM SIZE:
 6.25" W x 10" H x 3.5" D
CASE PACK: 6

ASTM CALIFORNIA DOJ COMPLIANT

Steel cable works great for locking your AR under the back seat of your truck or in the trunk of our car.

AR MAG WELL LOCK WITH WALL MOUNT - #222819

Want the versatility of security in the home and in transport? The AR Mag Well Lock with Wall Mount is your answer. All the same features as the AR Mag Well Lock but with an added multiple position wall mounting system. The Wall Mount base is designed to receive the bottom of the Mag Well Lock while it is inserted into the gun. Once in place, the Mag Well Lock engages a steel pin on the base and secures the gun to the Wall Mount. A vinyl coated I bolt adds additional security by locking the barrel in position. The Wall Mount has four possible mounting configurations to fit ideally for any application.



Mag Lock Wall Mount kit includes:
 steel anchor cable, Mag Lock, Wall Mount,
 2 barrel Mount I Bolts

RESOURCE CENTER
BOX SIZE:
 10.5" W x 6.5" H x 5" D
CASE PACK: 4

Attach the Wall Mount system to your wall studs in any number of different positions. Vertical, Horizontal, or at any number of different angles.



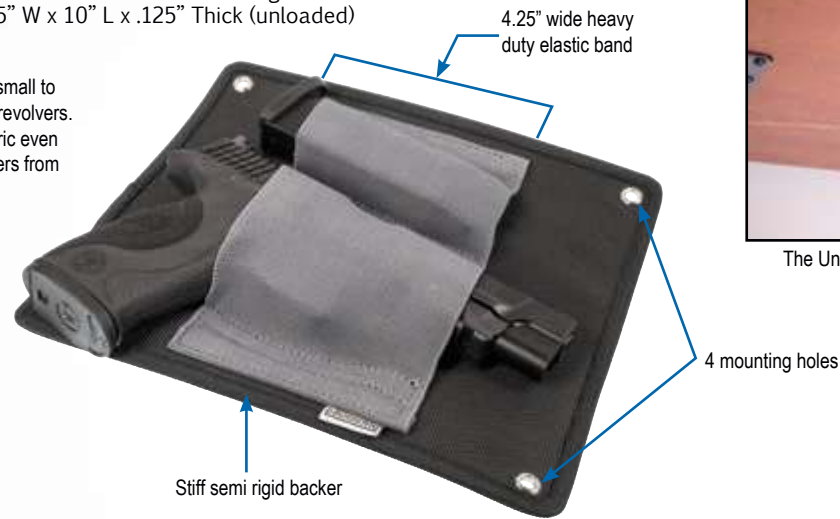
LOCKDOWN
 VAULT ACCESSORIES

UNDER DESK HOLSTER - #110125



- Made of nylon with re-enforced backing for rigidity
- 4.25" wide elastic holster holds handguns from compact semi-autos to full frame revolvers
- Accessory/magazine elastic holster along side
- Ambidextrous
- Includes Under Desk Holster and 4 mounting screws
- Dimensions: 8.5" W x 10" L x .125" Thick (unloaded)

Elastic band can hold small to large handguns, even revolvers. The snag resistant fabric even keeps exposed hammers from catching on the draw.



The Under Desk Holster sits flush up under your desk, or can be mounted on the right or left inside as well.

RESOURCE CENTER
DISPLAY SIZE:
 9.25" W x 13.5" H x .25" D
CASE PACK: 6

NIGHT GUARDIAN™ LOW PROFILE HOLSTER - #110126

Made specifically for the person that wants a lower profile bedside holster but wants to maintain the same accessibility of the original Night Guardian™ Holsters.

- Ambidextrous
- Made of nylon with re-enforced backing for rigidity
- Tuckable section can be folded at different depths for holster height adjustment
- 4.25" wide elastic holster holds handguns from compact semi-autos to full frame revolvers
- 2 accessory/magazine holsters along side
- Dimensions: 8.75" W x 15" L x .125" Thick (unloaded)



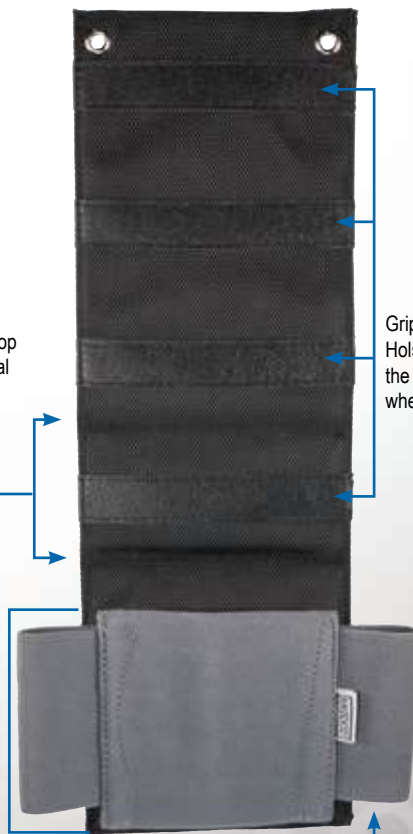
RESOURCE CENTER
DISPLAY SIZE:
 6.25" W x 11.5" H x .25" D
CASE PACK: 6



Fold at different drop heights for personal adjustability

Grip panels keep the Holster tucked under the mattress. Even when the gun is drawn

4.25" wide heavy duty elastic band



2 accessory holsters. Hold extra mags or a flashlight for easy access.



NIGHT GUARDIANS

The Lockdown® Night Guardian™ is an ideal solution for keeping a home defense weapon at the ready in the bedroom. This unit is designed to slide under your mattress and hold a handgun and accessories. The Night Guardian™ is the perfect, out of the way solution to keeping a gun at the ready when you need it. You can even use 2 Night Guardians in conjunction to hold a shotgun or rifle at the ready too! Always practice responsible gun ownership by properly securing all weapons outside of your immediate possession. This product is NOT intended to prevent access to weapons.

Handgun Holster

- Conveniently holds a handgun, spare magazine and flashlight
- Easily hides the firearm from view under the comforter of the bed
- Vinyl-coated wire form frame steel keeps Night Guardian™ in place while drawing the firearm
- Universal holster for use with any size pistol or revolver
- Universal pouches for single or double stack magazines and most flashlights
- Additional Night Guardian™ can be used for the storage of a long gun
- Ambidextrous

Rifle/Shotgun Holder

- Set of two Night Guardians conveniently hold a shotgun or other long gun
- Mounts also feature 2 holsters, spare magazine and flashlight pouches
- Easily hides the firearm from view under the comforter of your bed
- Vinyl-coated wire form frame steel keeps Night Guardian™ in place while drawing the firearm
- Universal pouches for single or double stack magazines and most flashlights
- Can be used separately to hold two handguns
- Ambidextrous

Night Guardian™ Handgun Holster#222502



RESOURCE CENTER
Single CLAM SIZE:
 6.5" W x 16.75" H x 4.25" D
Double CLAM SIZE:
 6.5" W x 18.5" H x 4.5" D
CASE PACK: 5

Night Guardian™ Rifle/Shotgun Holder#222503



GUN CONCEALMENT MAGNET - #222501

The Lockdown® Gun Concealment Magnet can be mounted conveniently in a variety of locations to securely hold a handgun in place. A durable rubber coating protects the finish on the gun. Multiple magnets can be used to support rifles or shotguns.

- Full frame pistols hang securely, even upside down
- Attach your gun under a desk for quick and convenient access
- Works on most handguns with metal slide or metal barrel
- Mounts anywhere: vertical, horizontal, hanging upside down, or at an angle
- Use one magnet for handguns or multiple magnets for a shotgun or rifle
- Includes 2 wood screws and 2 drywall screws with anchors

RESOURCE CENTER
CLAM SIZE:
 5.75" W x 7.5" H x 1.25" D
CASE PACK: 5



Hang a pistol from under your desk!

Use 2 Magnets and mount a Rifle/Shotgun on the wall!



VAULT ACCESSORY ESSENTIALS KIT - #222714

The Lockdown® Vault Accessory Essentials Kit is perfect for setting up your safe with everything you need. This kit comes with the items you need to start organizing and maintaining the guns in your safe.

- Automatic Cordless Vault Light can be positioned anywhere in the safe and can be directed to specific darker areas for light when you need it
- 12" Dehumidifier rod protects from rust, corrosion and mildew
- Handgun hanger makes use of lost space on the inside of the door
- Hygrometer measures humidity levels in the safe

Kit contains:

- 12" Dehumidifier Rod
- Handgun Hanger
- Hygrometer
- Automatic Cordless Vault Light



RESOURCE CENTER
BOX SIZE:
13" W x 5.75" H x 2.25" D
CASE PACK: 4

VAULT LIGHTING KIT - #222020

The Lockdown® Vault Lighting Kit can be easily installed in any vault and is designed to provide illumination throughout the entire interior. The flexible rope design can be routed to provide superior light coverage, regardless of shelf configuration inside the vault. The kit includes a 12' foot section of super bright white LED lights housed in a durable clear tube, along with a 6' power cord and in-line on/off switch. A quick install plug allows the power cord to be easily routed through the vault wall. Mounting clips and screws provided.

- LED Rope Light is durable and extremely bright
- Provides maximum illumination throughout entire vault
- Simple to install, mounting hardware included
- Power cord with ON / OFF switch and easy-install plug



RESOURCE CENTER
CLAM SIZE:
8.25" W x 8.75" H x 3.5" D
CASE PACK: 4



AUTOMATIC CORDLESS 25 LED VAULT LIGHT 2 PACK #222008

- 2 light pack
- Auto ON/OFF sensor turns the lights on when you open the vault and off after you close the vault
- Two 25 LED lights with 70 Lumens output each
- Auto ON/OFF light/motion sensor
- Strong magnet or screw attachment
- Uses 3 AAA batteries each (not included)
- 70 Lumen output per light
- 6hr continuous runtime per light
- Standby time 8,700 hrs
- Sensor range 5 meters
- Sensor angle 120°

RESOURCE CENTER
CLAM SIZE:
4.25" W x 11" H x 1" D
CASE PACK: 5

CORDLESS 75 LED VAULT LIGHT #222009

- 75 LEDs with 95 Lumens output
- Strong magnet or screw attachment
- Uses 3 AAA batteries (not included)
- 95 Lumens output
- 5 hour continuous run time
- Mount it on walls or shelves to illuminate dark corners

RESOURCE CENTER
CLAM SIZE:
4.25" W x 11" H x 1" D
CASE PACK: 5

AUTOMATIC ON/OFF SENSOR!



LIGHTING

CORDLESS VAULT LIGHT - #222777

The Cordless Vault Light can be easily installed to provide illumination inside any vault, no wiring required. Rotating head allows the ultra-bright LEDs to be directed where needed. Multiple mounting options: internal magnets for metal interiors, detachable mounting plate and screws, or adhesive-backed hook & loop pads included.

- Battery operated, runs on 3 AAA batteries (not included)
- Multiple mounting options including internal magnets, screws or hook & loop
- Ultra bright LEDs delivers light to vault interior
- 90° rotating light head directs light where you want it
- Cordless, no wiring needed



Light bar rotates up to 90° to position the light where you need it.



RESOURCE CENTER
CLAM SIZE:
5" W x 13" H x 1.5" D
CASE PACK: 4

STEALTH ENTRY LIGHT - #222444

The Lockdown® Stealth Entry Light is ideal for placement above a combination dial or keypad on your vault, to illuminate it for gaining entry from a dark room. The magnetic base sticks to vault doors while the flexible head allows the user to bend and twist the head to the desired position. Rod retains shape and holds the head in place.

- Convenient for adding extra light inside a vault
- Battery operated, runs on 3 button cell batteries (included)
- Ultra bright 3 LED light
- Magnetic base & flex head



RESOURCE CENTER
CLAM SIZE:
6.75" W x 11.75" H x 1.25" D
CASE PACK: 6



AUTOMATIC CORDLESS VAULT LIGHT - #222809

The Automatic Cordless Vault Light is the perfect way to easily add extra light inside any vault or cabinet. The 5 super bright LED's can be set to automatically turn on as the vault door is opened and ambient light is detected. A selectable manual on/off mode is incorporated as well. Hook and loop tape or screws are included for easy mounting. Light head pivots and swivels to give you light where you need it. Runs on three AAA batteries (not included).

- Battery operated, no wires or installation required
- Light sensing mode allows light to turn on automatically when vault door is opened
- Five super bright long lasting LED's run on 3 AAA (not included)

RESOURCE CENTER
CLAM SIZE:
4.75" W x 6.75" H x 1.75" D
CASE PACK: 4



Optional "ON / OFF" and dimmer switch

Built-in auto ON / OFF light sensor



LOCKDOWN
VAULT ACCESSORIES

GOLDEN ROD[®] Moisture Control

DEHUMIDIFIER RODS

The Golden Rod® Dehumidifier works by slightly increasing the air temperature inside the gun safe or other enclosure. This allows the warm air to circulate throughout the safe on a continual basis, thus eliminating humidity, mildew, and condensation, all of which are dangerous to your expensive firearm collection.



12" - 12 Watt dries up to 100 cubic feet
18" - 18 Watt dries up to 200 cubic feet
24" - 25 Watt dries up to 300 cubic feet
36" - 38 Watt dries up to 500 cubic feet

- Made in USA
- Protects firearm investment
- Easy-install quick plug attachment
- Mounting brackets included
- 110/120 volt AC
- Lifetime Warranty

GOLDEN ROD[®]
12" Dehumidifier Rod.....#725721
18" Dehumidifier Rod.....#725731
24" Dehumidifier Rod.....#725741
36" Dehumidifier Rod.....#725751



GUN SAVER™ DEHUMIDIFIER RODS

The GUN SAVER™ Dehumidifier works by slightly increasing the air temperature inside the gun safe or other enclosure. This allows the warm air to circulate throughout the safe on a continual basis, thus eliminating humidity, mildew, and condensation, all of which are dangerous to your expensive firearm collection.



12" - 8 Watt dries up to 100 cubic feet
18" - 12 Watt dries up to 200 cubic feet

- Protects firearm investment
- Easy-install quick plug attachment
- Mounting brackets included
- 110/120 volt AC

GUN SAVER™
12" Dehumidifier Rod.....#725761
18" Dehumidifier Rod.....#727771

12" & 18" Golden Rod® and Gun Saver™ Packages:
12" - 5.25" W x 18" H x 1.25" D
18" - 5.25" W x 24" H x 1.25" D

24" & 36" Golden Rod® Package:
4.5" W x 39" H x 1.25" D

RESOURCE CENTER
CASE PACK: 4

WIRELESS HYGROMETER - #222532

The Golden Rod® Wireless Hygrometer was designed to display the humidity in your vault without ever opening it. The wireless LCD display clearly shows the in-vault and in-room humidity and temperature levels through its two-piece sensor design. Simply place the sensor in your vault and put the display screen on your vault with its built in kick stand support or magnetic back. The Hygrometer measures and displays humidity from 20% to 90% and while also recording minimum and maximum records. This battery operated Hygrometer is a must-have for every vault owner.

Back of Display Unit



RESOURCE CENTER
CLAM SIZE:
7" W x 7.25" H x 1.25" D
CASE PACK: 4

Magnetic back or flip out stand up base allows you to stick the Wireless Hygrometer to the door of your safe or set it on top.



In-vault transmitter LCD Display Unit

DEHUMIDIFIER RODS

The Lockdown® Dehumidifier Rods work by slightly increasing and stabilizing the air temperature inside any gun safe or other enclosure. When mounted at a low point in the vault, the rod will radiate heat up through the entire vault interior on a continual basis. The result is warm stable air thus eliminating humidity, mildew and condensation, all of which are dangerous to your expensive firearm collection. The rods are constructed of durable extruded aluminum and come with mounting brackets and fasteners. The rods also feature an "easy-install" AC plug for the power cords. This allows the user to route the cord through a small opening in a vault and then install the plug. Protect your investment with Lockdown!

- Dries approx. 100 cubic ft. (12") or 200 cubic ft. (18")
- Mounting brackets included
- Easy-install plug attachment for 110/120 volt AC



Dehumidifier Rod installs horizontally at the lowest point in a gun safe.

APPLICATIONS: GUN SAFES • STORAGE CABINETS CLOSETS • BOAT COMPARTMENTS

- 12" Dehumidifier Rod..... #1071006**
(12" 8 Watt 100 cu ft.)
- 12" Dehumidifier Rod....220V #222666**
(12" 8 Watt 100 cu ft.)
- 18" Dehumidifier Rod..... #222010**
(18" 12 Watt 200 cu ft.)
- 18" Dehumidifier Rod....220V #222667**
(18" 12 Watt 200 cu ft.)

RESOURCE CENTER
12" Rod
CLAM SIZE:
5.25" W x 18.25" H x 1" D
18" Rod
CLAM SIZE:
5.25" W x 24.25" H x 1" D
CASE PACK: 4

18" Rod dimensions:
18.25" w x 1.25" h x 2.5" d



12" Rod dimensions:
12.25" w x 1.25" h x 2.5" d

Don't risk damage to your valuable gun collection. Install a dependable Lockdown® Rod Today!

HYGROMETER - #222111

The Lockdown® Hygrometer provides accurate relative humidity readings at a glance. It is important to monitor and control the relative humidity in your storage area to be sure your guns are properly protected.

- Mounts easily with included fastener or hook & loop pad
- Large easy to read numbers
- 2 3/4" diameter



RESOURCE CENTER
CLAM SIZE:
4.25" W x 7.25" H x 1.25" D
CASE PACK: 4

CONTROLLING HUMIDITY:

Humidity control is an essential factor in storing and protecting firearms. Don't expose your valuable firearms to the damaging effects of humidity, moisture and condensation. Maintaining consistent humidity and temperature is very important because fluctuations in either can lead to condensation and corrosion. Extremely low humidity levels can potentially pull too much moisture from wood stocks leading to small cracks. 50% relative humidity and 70 degrees F is considered ideal storage conditions for firearms. Choose a humidity control product and monitoring system that best suits your application.

SILICA GEL

Lockdown® Silica absorbs moisture from the air inside a vault or storage area preventing condensation, mildew and rust from damaging valuable firearms. The crystals change color once fully saturated and can be easily recharged in the oven.

- Absorbs moisture from the air
- Easily recharged in oven
- Durable vented 750 gram can provides protection for up to 57 cubic feet
- Breathable bag provides protection for up to 33 cubic feet
- 40 gram can is ideal for small handgun vaults

- Silica Gel Can, 750 grams#222178.....Case Pack of 4**
- Silica Gel Bag, 450 grams#222179.....Case Pack of 8**
- Silica Gel Can, 40 grams#222555.....Case Pack of 6**

Silica Can 750g dims: 4.25" W x 5.75" H x 4.25" D
Silica Gel Bag 450g dims: 8" W x 5.5" H x 1.5" D
Silica Gel Can 40g dims: 2" W x 4" H x .5" D



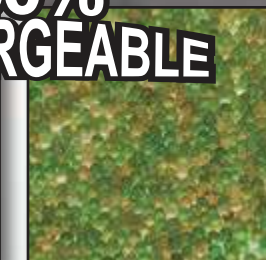
Silica Gel Can 750g package: 6.5" wide x 4.5" high x 4.5" deep
Silica Gel Bag 450g package: 4.5" wide x 6.5" high x 2" deep
Silica Gel Can 40g package: 3" wide x 7.5" high x 1" deep



100% RECHARGEABLE



Fully Recharged



Needs Recharging

Recharging Silica: The silica beads are a light orange color when recharged. They will turn to a darker green color as they absorb moisture. The silica will continue to absorb moisture after they have changed color. Generally, the silica will protect 57 cubic feet (for the Silica Can) and 33 cubic feet (for the Silica Bag) for about 3 to 6 months in normal conditions before recharging is required. Simply use an oven and the instructions on the package to recharge the Silica Gel.

Don't Let Your Guns End Up Like This



Large Hanging Organizer

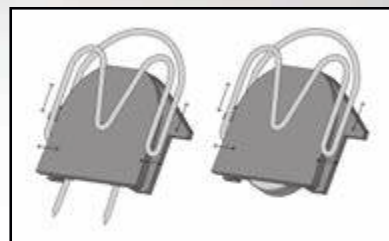


Small Hanging Organizer



Handgun Hanger

UNIVERSAL ATTACHMENT SYSTEM



The Universal Attachment System comes with Vampire Clip style inserts for use with carpeted interior vaults as well as High-Strength Magnet inserts for bare metal interiors.

For fabric hanging organizers, the vampire clips and magnets feature a bent wire that captures the attachment device and provides two U-shaped bends that tuck into the fabric band that is sewn onto the back of the organizer. The interchangeable inserts can quickly be removed and installed for any particular application.



LARGE HANGING ORGANIZER - #222168

The Large Hanging Organizer is perfect for organizing all the loose items that tend to clutter the shelves of a vault. With a variety of pocket sizes and configurations, it will easily hold handguns, knives, electronics, jewelry or a just about any other small valuables. The three larger pockets feature zippers that can be opened to allow a handgun barrel to protrude through or closed to contain smaller items.

- Rigid back panel
- Universal Attachment System includes hooks for carpeted interiors & magnets for metal interiors
- Mounts to inside of vault door
- 6 pockets with elastic band and durable mesh fabric

Large Hanging Organizer dims: 19.75" W x 12" H x .75" D



RESOURCE CENTER
CLAM SIZE:
8.5" W x 14.5" H x 2" D
CASE PACK: 5

HANDGUN HANGER #222172

This universal Handgun Hanger will hold a variety of pistols or revolvers. The wedge shape with open bottom allows the barrel to protrude through. Elastic bands and a rigid back panel provide the structure to hold guns securely in place.

- Universal Attachment System includes hooks for carpeted interiors & magnets for metal interiors
- Mounts to inside of vault door
- Fits most compact, medium-frame & large-frame handguns

Handgun Hanger dims: 8.6" W x 5" H x .75" D

Fits most handguns from compact to large-frame



RESOURCE CENTER
CLAM SIZE:
7.25" W x 7" H x 1.25" D
CASE PACK: 5

SMALL HANGING ORGANIZER - #222170

The compact size of the Small Hanging Organizer allows it to be easily added to small spaces in any vault. A mesh pocket with elastic band keeps small valuables secure and easy to access.

- Universal Attachment System includes hooks for carpeted interiors & magnets for metal interiors
- Elastic band keeps items secure
- Mesh pocket allows visibility of small items

Small Hanging Organizer dims: 8.25" W x 6" H x .75" D



Also works for small electronics, large jewelry, treasured sporting event tickets, CD & DVD jewel cases and so much more.

RESOURCE CENTER
CLAM SIZE:
8.25" W x 6" H x .75" D
CASE PACK: 5

HANDGUN/AR UPPER HANGER - #222817

Reclaim unused space in your vault or gun cabinet. The AR Upper Hanger is the perfect addition to the door or free hanging space in your vault. Designed specifically to hold multiple AR Upper assemblies, you can now reclaim floor space where a rifle should go. Dual sided configuration can accommodate 1 Upper on one side and 3 handguns on the other.

- Holds up to two spare AR Upper receivers, T/C® Encore® barrels or shotgun barrels
- Holds up to 6 handguns of any size
- Pockets are all heavy duty mesh with elastic bands
- Includes hardware for mounting to carpeted vault door, metal cabinet door, or to be mounted underneath vault shelf



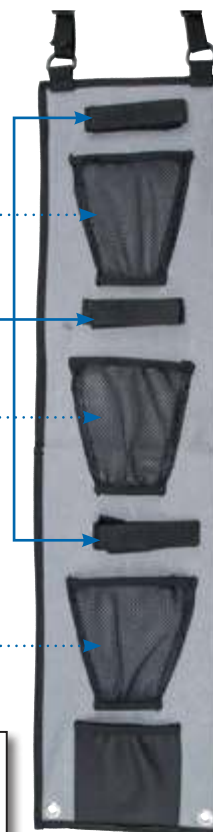
Hang freely inside a cabinet and use both sides to store items

3 hook & loop closures to hang multiple Uppers from on each side

3 mesh pistol hangers per side

RESOURCE CENTER
CLAM SIZE:
8.25" W x 6" H x .75" D
CASE PACK: 5

3 different mounting options:
Hook screws, wallboard hooks, and door clips

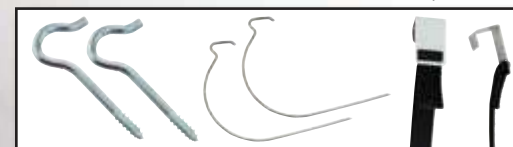


Overall dimensions: 8" W x 30.5" H

UNIVERSAL VAULT DOOR ORGANIZERS

- Pockets are all 600D polyester with elastic bands for a secure hold to pistols or other items
- Includes hardware for mounting to carpeted vault door or metal cabinet door
- Large holds up to three handguns of any size
- Medium holds up to two handguns of any size
- Both sizes feature additional accessory pockets

3 different mounting options:
Hook screws, wallboard hooks, and door clips



RESOURCE CENTER
CLAM SIZE:
8" W x 17" H x 1.5" D
CASE PACK: 5

Large Organizer overall dims: 20" W x 12" H

Regular Organizer overall dims: 14" W x 12" H

Large Universal Vault Door Organizer.....#222315
Regular Universal Vault Door Organizer.....#222316



EXTERNAL 10" HANGER - #222454

The External 10" Hanger is the perfect solution for adding storage capacity to the outside of your gun vault. It works great for hanging empty gun cases, holster belts, cleaning rods or other miscellaneous items. It mounts securely to the outside of any vault with high strength vinyl coated magnets that completely protect the vault finish from scratches. Heavy Duty powder-coated steel construction provides maximum durability.

- Organizes miscellaneous items that don't fit inside the vault
- Holds up to 30 pounds



10" wide



RESOURCE CENTER
CLAM SIZE:
10.75" W x 9.75" H x 1.5" D
CASE PACK: 4

MAGNETIC BARREL REST - #222177

Accessing a gun deep in the back of a vault can be challenging. Rather than juggling an armful of long guns, deploy the Lockdown® Magnetic Barrel Rest. It conveniently secures to the outside of any vault and provides a perfect staging location.

- Holds 3 guns securely when leaned against vault
- Overmolded rubber contact points to protect firearm finish
- Secures to vault with strong magnets
- Rubber-backed magnets protect vault's finish



Barrel Rest dims: 10.25" W x 3" H x 3" D



RESOURCE CENTER
CLAM SIZE:
11.5" W x 7" H x 3.75" D
CASE PACK: 4

HANDGUN RACKS

These vinyl-coated metal handgun racks are extremely handy for use in your gun vault or at the shooting range to provide a safe place to rest your handguns. The individual channels are specially designed to cradle the grip and barrel of the gun and are wide enough to accommodate most wide body pistols or magnum revolvers.

- Holds 1, 4, or 6 handguns (pistols and/or revolvers)
- Vinyl coating won't scratch or mar handgun's finish
- Free up room in your gun safe or cabinet
- Use at range to hold handguns while not in use
- Single rack includes fasteners to keep racks securely in place

Single Handgun Rack... 3 Pack #222314..... Case Pack of 6
4 Gun Handgun Rack #222200..... Case Pack of 6
6 Gun Handgun Rack #222210..... Case Pack of 6



Single Handgun Rack fits .22 caliber and larger guns



4 Gun dimensions:
9.5" W x 5.25" H x 6.5" D



6 Gun dimensions:
14.25" W x 5.25" H x 6.5" D

VAULT DRAWER - #222155

With limited shelf space, try using this Vault Drawer which mounts to the underside of any shelf. It provides 11.5" w x 12" d x 2" h worth of previously unused space. Perfect for a variety of loose valuables and documents. The wire form frame slides over any shelf up to 1" thick. The frame's retaining bar butts up against the tray's molded lip to keep the user from pulling the drawer out too far and spilling its contents.

- No tools needed to install

Dimensions: 14" W x 14" H x 4" D



RESOURCE CENTER
DISPLAY SIZE:
17" W x 16" H x 3.75" D
CASE PACK: 3



AR MAGAZINE RACK - #222972

- Robust steel frame can hold 10 fully loaded 30 round magazines
- Vinyl coated to protect magazines from scratching and marring
- Compatible with all in-line mags from 10 round up to 30 round
- Organize and free up room in your vault or gun room
- Holds up to ten AR-15 magazines
- Free-standing or wall mountable

Mag Rack can be set on a shelf or nested and hung on a peg for display!

RESOURCE CENTER
DISPLAY SIZE:
4.25" W x 16" H x 5.5" D
CASE PACK: 4



Tipton®

Gun Cleaning Supplies

*Forget Average...
Demand Perfection*



GUN VISES

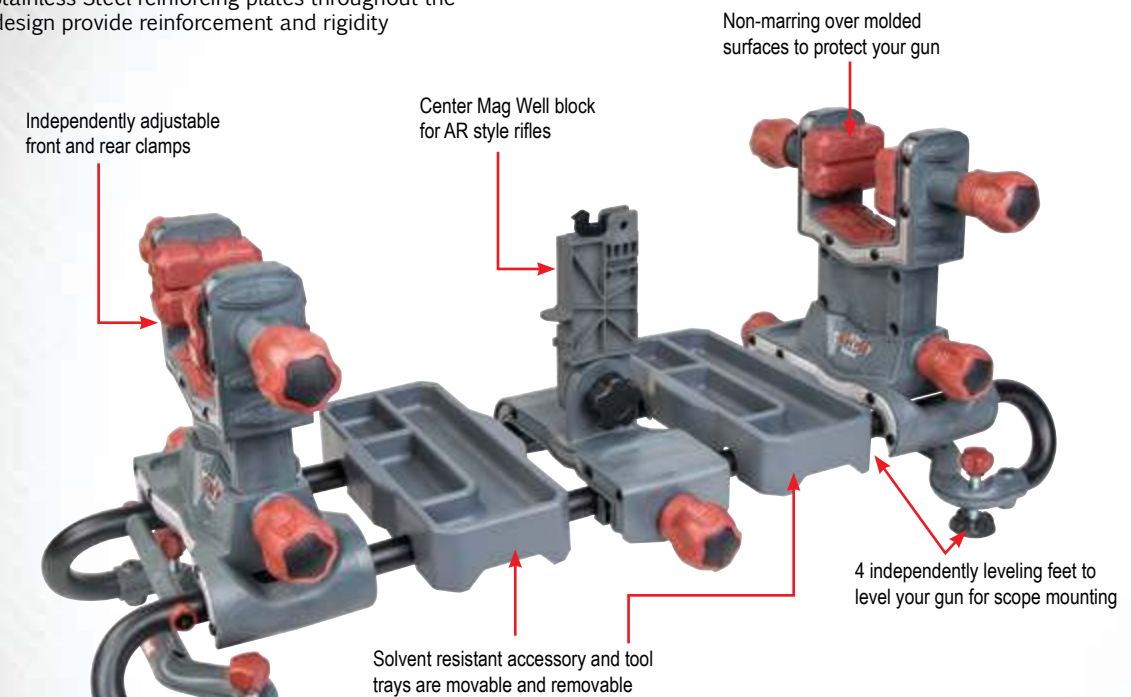
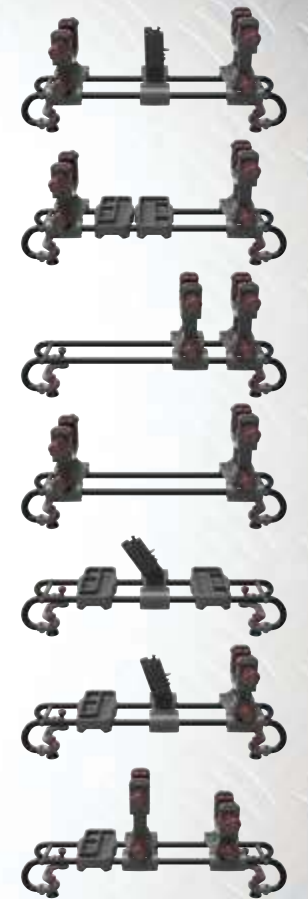
ULTRA GUN VISE - #110011

NEW FOR 2017

- Ball and socket articulating clamp pads allow for the pads to adapt to any surface
- Dual Clamp Technology rigidly holds any gun shape in place
- Rigid Steel Tube frame structure allows for complete access to your rifle
- Fast-Turn knobs, for quick clamping
- Front and Rear clamps are both height and length adjustable
- Engineered Glass Filled Nylon construction provides a high level of rigidity while preventing damage to your firearm
- Stainless Steel reinforcing plates throughout the design provide reinforcement and rigidity

RESOURCE CENTER
BOX SIZE:
33" W x 12.25" H x 5.5" D
CASE PACK: 4

Independently clamping and sliding assemblies allow virtually any shape firearm to be utilized



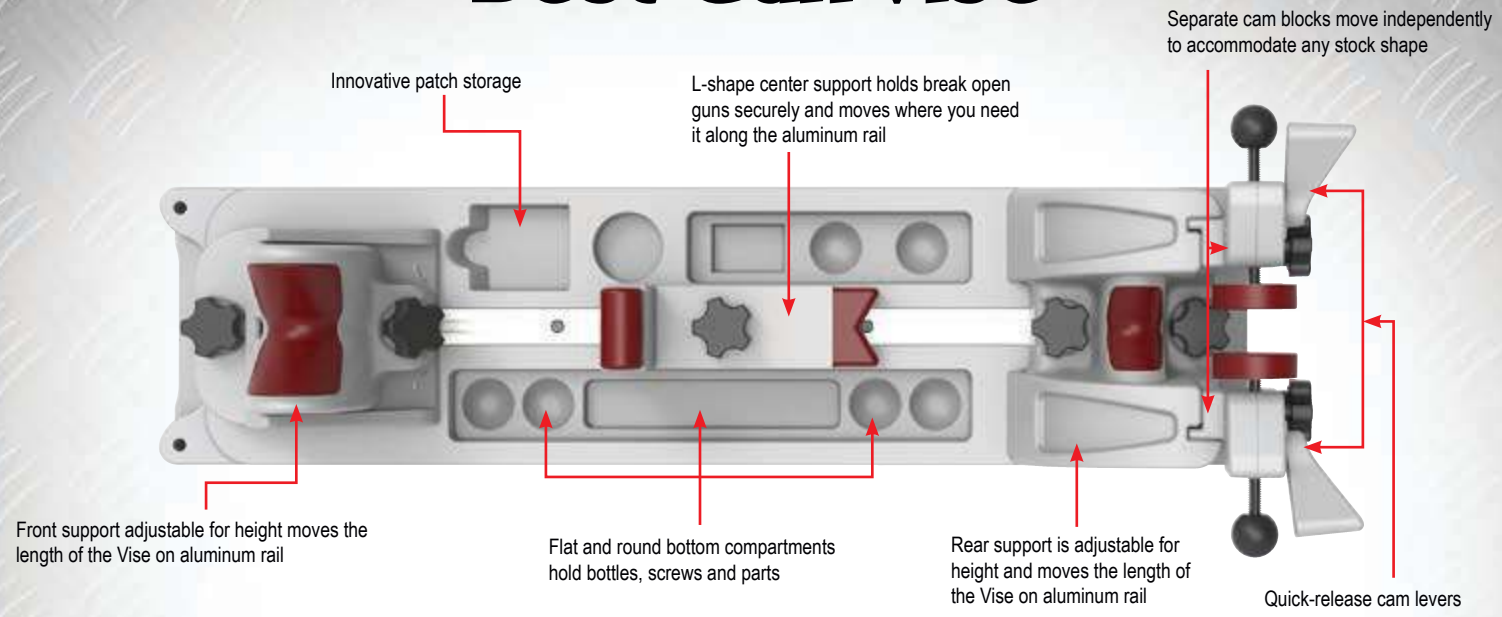
Overall Dimensions:
32.5" long x 11" high x 10.5" wide

TOTALLY MODULAR INTERCHANGEABLE DESIGN



Tipton®
Gun Cleaning Supplies

Best Gun Vise™



BEST GUN VISE™ - #181181

PATENT:
www.BTIbrands.com/patents/

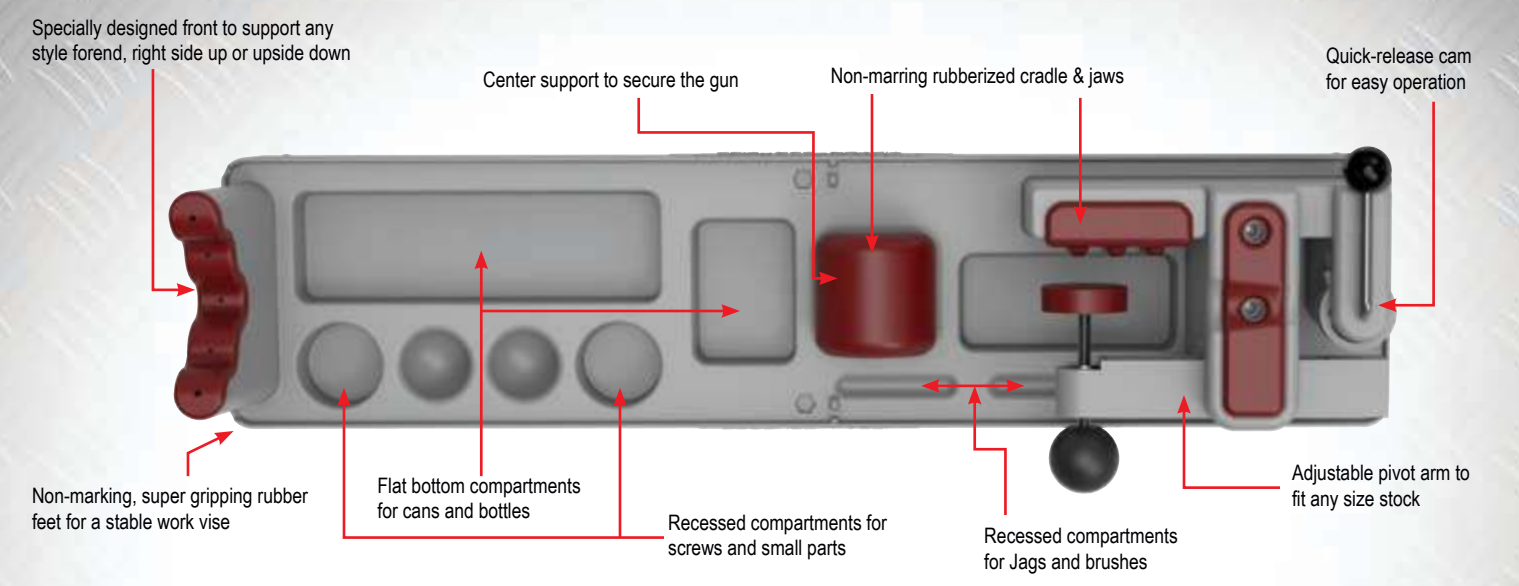
Tipton®'s Best Gun Vise™ is the Best tool you can own for working on your guns. The vise was designed to accommodate the widest possible array of firearms for cleaning, maintenance, or gunsmithing, and is easily configurable to handle bolt-action rifles, break-open shotguns, AR-15's, and handguns. A central aluminum channel lets the user move individual components to the ideal position for their firearm. Each individual component then adjusts to the perfect position for secure support. The rear base features two adjustable offset clamps for a tight grip on a wide range of buttstock configurations. The Best Gun Vise™ is extremely stiff and is made from a high-quality, solvent-resistant polymer material that will stand up to years of hard use.

- Non-marring contact surfaces
- Every component adjusts to accommodate different firearms and projects
- Stiff, solvent-resistant polymer stands up to years of hard use
- Innovative, off-set clamping mechanism on rear base

RESOURCE CENTER
BOX SIZE:
36" W x 12" H x 8" D
CASE PACK: 4



Gun Vise



GUN VISE - #782731

Secure your rifle or shotgun for just about any work you want to perform on it. The Tipton® Gun Vise is an ideal "third hand" for cleaning and gunsmithing. It features a rubberized cradle and jaws to protect and grip your gun, a quick-release cam action for easy access, molded-in compartments for solvents and small parts, and is made of tough, solvent-resistant polymers.

- Durable construction
- Convenient 1 piece design
- Versatile workstation
- Non-marring surfaces
- Internal compartments for tools, solvents, and parts

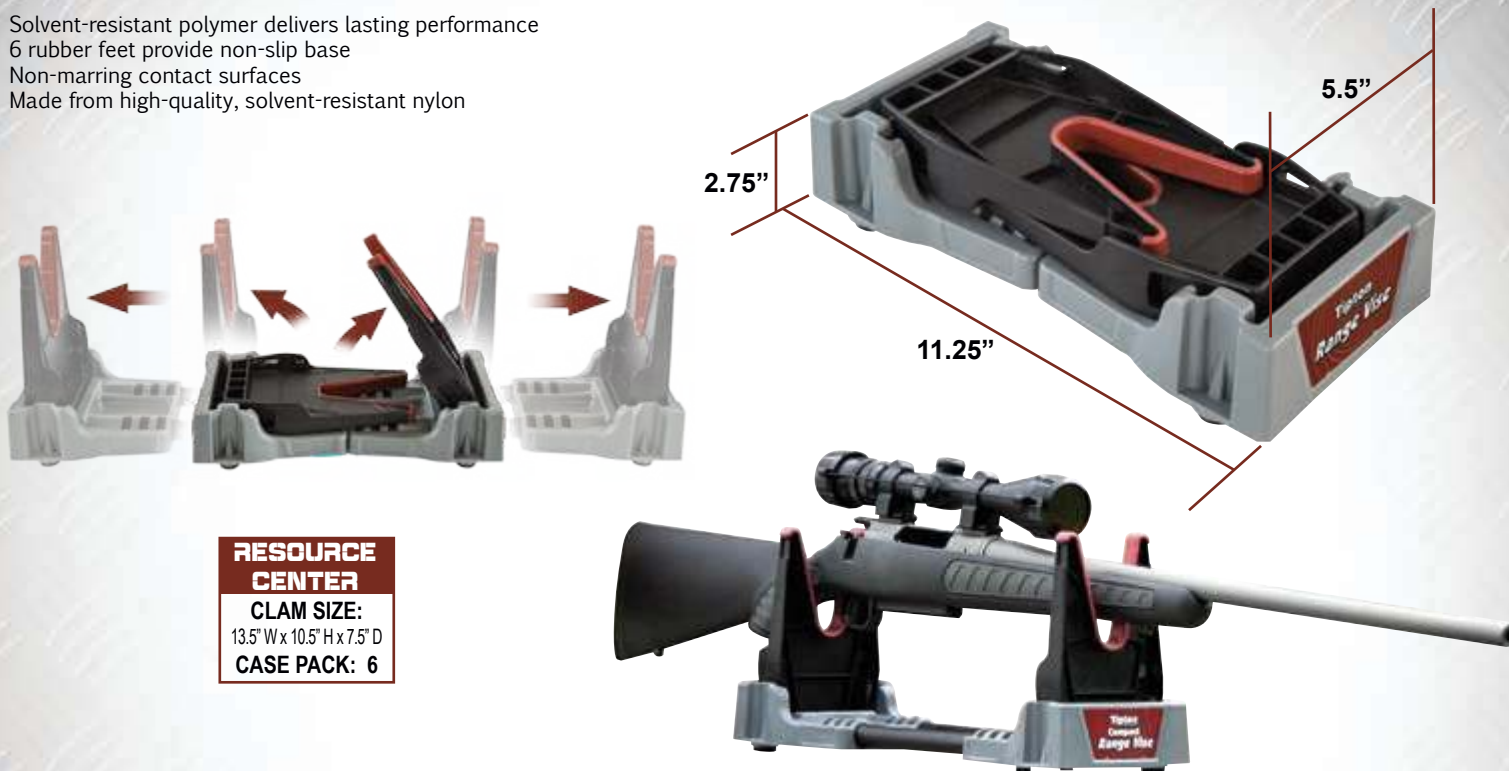
RESOURCE CENTER
BOX SIZE:
34" W x 11" H x 9" D
CASE PACK: 3



COMPACT RANGE VISE - #282282

The Tipton® Compact Range Vise offers a completely new level of performance, securely holding the widest array of guns possible while collapsing to fit in a range bag. The compact design is a convenient solution to gun cleaning at the range. The Compact Range Vise collapses to 11-1/4" and fully expands to 17-3/4", making it easily carried but full functioning when completely expanded.

- Solvent-resistant polymer delivers lasting performance
- 6 rubber feet provide non-slip base
- Non-marring contact surfaces
- Made from high-quality, solvent-resistant nylon



RESOURCE CENTER
CLAM SIZE:
 13.5" W x 10.5" H x 7.5" D
CASE PACK: 6

GUN BUTLER® - #100333

The Gun Butler® offers a convenient all-in-one solution to all your cleaning/carrying/storage needs. Two removable non-marring forks (which snap into the base for easy storage) hold the gun securely in place, while thoughtfully-planned compartments and slots hold bore solvent, jags, brushes, mops, a cleaning rod, spray lubricant, and tools. The Gun Butler can store everything a shooter needs to clean a gun - all with a convenient carrying handle for easy transport.

RESOURCE CENTER
DISPLAY SIZE:
 23.5" W x 4.25" H x 9.5" D
CASE PACK: 6



Rifle and contents not included.

We took retail shelf space into mind when designing the new Gun Butler®. The nested design allows multiple units to rest on top of each other, taking up 70% less space than a stand-alone product would. How's that for innovation!



TRANSPORTER RANGE VISE - #782805

- Holds up to 4 long rifles
- Clamps on tabletops up to 3-5/8" in thickness
- Holds up to 40 lbs
- Includes 2 removable forks for cleaning a gun
- Everything disassembles and stores in 3 built in pockets making a nice carry bag
- Usable bag measures 9" x 20" x 9"
- Overall Footprint measures 11.5" x 23" x 9"



The Transporter frame has been molded to provide 3 locations to rest up to 3 long guns when not in use

RESOURCE CENTER
BOX SIZE:
 23" W x 9" H x 3.5" D
CASE PACK: 2

RANGE BOX - #458509 with Empty Cleaning Kit

The Tipton® Range Box is the ultimate in convenience for shooters and hunters. It organizes everything you need; cleaning supplies, rifle rest bags, targets and more. It is available with an empty cleaning kit box.

- Removable cleaning kit box to fill with all your needed supplies
- Compartmentalized storage spaces
- Rubberized forks to hold most firearms
- Solvent resistant polymer construction

RESOURCE CENTER
DISPLAY SIZE:
 21" W x 11" H x 10" D
CASE PACK: 1



DELUXE CARBON FIBER CLEANING ROD™

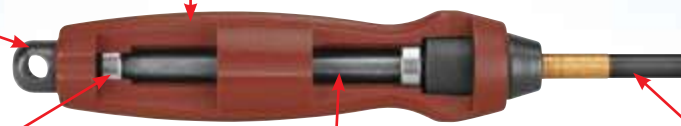
Hang hole for easy storage. Also allows for reasonable hammer blows to clear a stubborn patch.

Comfortable ergonomic shape. Handle remains fixed in your hand while the shaft rotates on the bearings to follow rifling.

Two sets of high quality bearings that won't bind under pressure and allows the shaft to follow the rifling.

Shank-through construction for working tight patches.

Carbon fiber shaft won't embed particles that could damage your rifle bore.



RESOURCE CENTER
HANG TUBE SIZE:
1.5" DIAMETER
CASE PACK: 1

Stainless steel rods can scratch or wear barrels if they're used carelessly. "Coated" rods get part of the job done - they keep the stainless steel shaft from damaging your barrel's rifling, but the coating will pick up small abrasive particles, which means you're effectively running fine-grit sandpaper through your bore. Carbon fiber rods are the best of both: the carbon fiber can't scratch your bore like stainless steel, and they won't embed like coated rods. Plus, Carbon Fiber rods can be bent to an extreme degree and return to their original straightness. During Operation Iraqi Freedom, US military armorers called on Tipton® to provide cleaning rods that would clean service rifles in demanding conditions. Carbon fiber is an ideal material for cleaning rods. These rods spin on two sets of ball bearings, making a cleaning rod that smoothly follows the rifling both pushing and pulling, even while under pressure. The "shank-through" construction also allows the user to apply "reasonable" hammer blows to the end of the cleaning rod to get a tight patch through a bore.

ROD CALIBER	ROD DIAMETER	ROD THREADS	12"	26"	36"	40"	44"	50"
.17	.158"	5-40		#146468R	107486R			
.20	.189"	5-40				#175401R		
.22-.26	.208"	8-32	#658675R	#216411R	#430886R	#182978R	#783485R	
.27-.45	.250"	8-32	#303569R	#376252R	#720747R	#413662R	#509320R	#751235R
.40+	.375"	8-32			#654574R			
SHOTGUN	.375"	5/16"-27			#713415R			

MAXFORCE™ CLEANING ROD

PATENT:
www.BTibrands.com/patents/

40" of usable length

Tired of bending or breaking your small diameter cleaning rods? The answer is here: Tipton®'s MAX Force™ Cleaning Rod. Tipton® has created a cleaning rod with a patent pending sliding handle. Now you can put the force you need right next to the bottle neck section you need it applied to. The sliding handle still allows the rod to rotate freely even while clamped down.

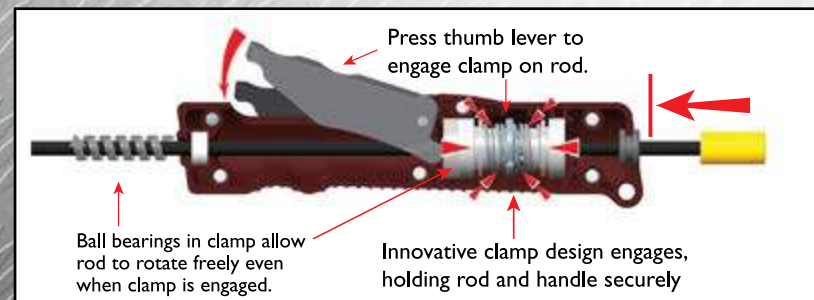
- Patent Pending clamp mechanism allows you to quickly and easily position handle at any point along the rod with just the press of your thumb. This allows Maximum Force to be applied without fear of bending or breaking cleaning rod and still allows the rod to spin freely on ball bearings
- Adjustable handle lets you choke up on rod for cleaning pistols
- Highly durable design is lightweight and fully solvent-resistant

NEW! The .22-.45 Caliber MAX Force™ Rod has a 5/16"-27 threaded brass end cap. This allows you to turn the rod around and use your shotgun brushes to clean your large diameter shotguns!



.17-.20 Caliber 5-40 threads #658540
.22-.45 Caliber 8-32 threads #658539

RESOURCE CENTER
CLAM SIZE:
6.25" W x 50.125" H x 1.75" D
CASE PACK: 4



ULTRA CLEANING KIT - #554400

The Tipton® Ultra Cleaning Kit was designed for the shooter who wants the absolute highest quality cleaning accessories available in one convenient portable kit. The heart of the kit is a Premium 3 piece Stainless Steel Cleaning Rod with multi-bearing handle. The .205 dia. 40" usable length rod is constructed of 17-4 PH stainless to be extremely durable and resist taking a bend (the problem that plagues most multi section rods). All the kit components are neatly contained in the molded plastic case with custom die cut foam for organization. For use with .22 cal and larger rifles.

Kit includes:

- 3 piece stainless steel rod
- RAPID™ Deluxe Bore Guide kit
- 13 piece Ultra Jag™ Set with case
- 13 piece Best Bore Brush™ Set with case
- Two general purpose brushes, 1 nylon, 1 bronze
- AR-15 bolt carrier and action brushes
- 4 polymer cleaning picks
- Carry case with room to hold liquids, patches and other accessories



RESOURCE CENTER
DISPLAY SIZE:
16.85" W x 10.5" H x 3.25" D
CASE PACK: 2



PREMIUM STAINLESS STEEL 3 PIECE CLEANING ROD - #429954

PREMIUM
STAINLESS STEEL
CLEANING ROD
17-4 PH Stainless
Construction

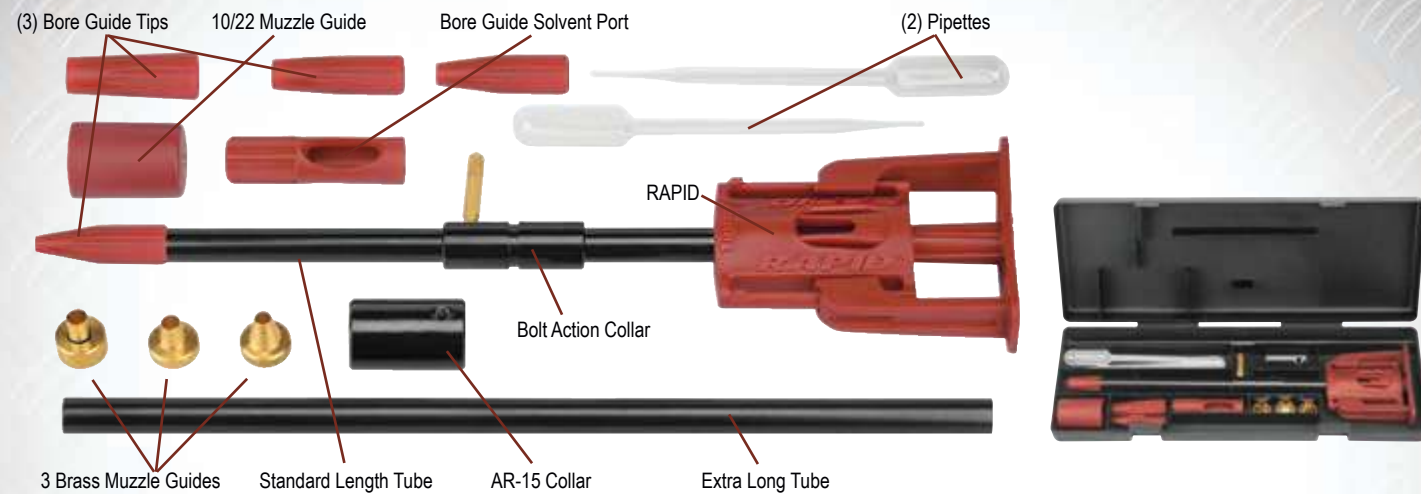
The Tipton® Premium 3 Piece Cleaning Rod was designed to be the highest quality most durable multi-section cleaning rod on the market. The 17-4 PH Stainless construction has extremely high yield strength which allows it to flex without permanently deforming like other multi-section rods.

- .22 Cal and up (.205" diameter) with standard 8-32 thread
- Constructed of extremely high-yield strength 17-4 PH Stainless Steel
- Ergonomic handle has a shank-through construction with two bearing sets
- Convenient 3-pc. design packs down to 16" length
- High-polish precision-ground surface
- 40" usable length



RESOURCE CENTER
TUBE SIZE:
1.8" Dia. x 17.5" H
CASE PACK: 5

RAPID[™] Deluxe Bore Guide Kit



1. Insert the RAPID[™] and lock it in place
 2. Pull out the sliding guide and insert a patch
 3. Access port Push the sliding guide closed and add solvent to the access port soaking the patch
 4. Insert a jag into the guide hole and push the patch down the barrel
 5. Push the patch all the way through the barrel and repeat steps 1-4 until the barrel is clean

RAPID[™] DELUXE BORE GUIDE KIT - #777999

The Tipton[®] RAPID[™] Deluxe Bore Guide Kit contains several great tools that ensure the safest, easiest, and most effective cleaning possible. RAPID[™] allows you to easily align and secure a patch for solvent application, then holds it with the correct amount of tension for perfect jag penetration. When the rod is pushed into the RAPID[™], it automatically releases the patch. It also keeps harmful solvents off your gun's finish in the process. A bore guide will help protect the bore and action of your rifle by properly aligning the cleaning rod and reducing solvent overflow.

- Ensures proper rod alignment for easier cleaning
- Bore guides protect chamber & bore from damage
- Anodized aluminum tube for durability
- Kit includes 4 muzzle guides
- Fits most bolt action rifles & AR-15s
- Convenient storage case included

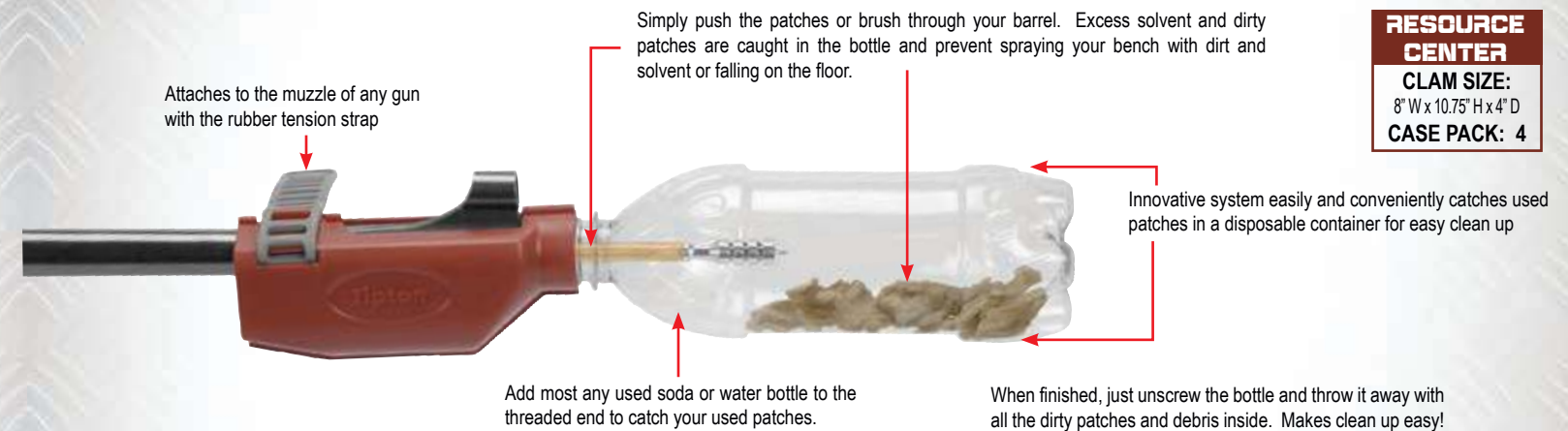
RESOURCE CENTER
CLAM SIZE:
 7" W x 17.25" H x 3" D
CASE PACK: 4

PATCH TRAP[™] - #777890

The Patch Trap[™] safely captures solvent splatter, drips and dirty patches. The Patch Trap[™] is constructed of a solvent resistant material and uses a durable rubber strap to secure it in position. The Patch Trap[™] makes cleaning quicker and eliminates the mess.

Its simple to use:

- 1) Attach the patch trap to the muzzle of any gun
- 2) Screw an empty water or soda bottle into the threaded end
- 3) Dirty patches and solvent are safely and cleanly contained
- 4) Dispose of used bottle

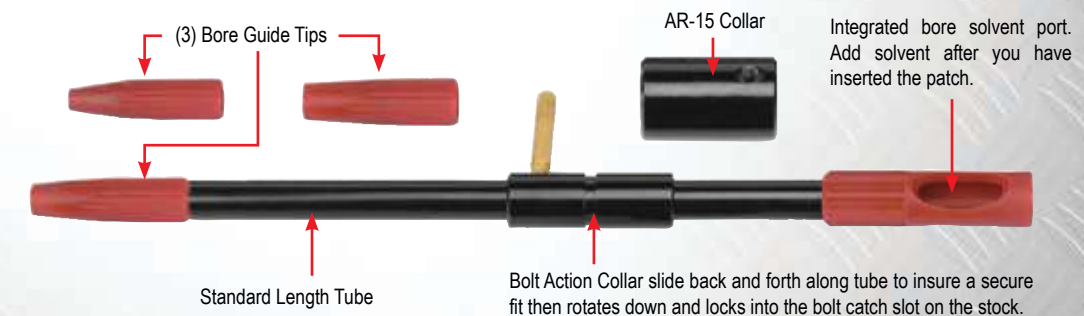


RESOURCE CENTER
CLAM SIZE:
 8" W x 10.75" H x 4" D
CASE PACK: 4

UNIVERSAL BORE GUIDE KIT - #777888

The Tipton[®] Universal Bore Guide Kit will help protect the bore and action of your rifle by properly aligning the cleaning rod and reducing solvent overflow. Cleaning without a bore guide can allow the rod to "bow" and rub or gouge the chamber and throat of the bore, causing real damage and loss of accuracy. Keeping the rod properly aligned not only protects your barrel, it directs the force exerted on the cleaning rod handle allowing tight patches to be pushed more easily.

- Anodized aluminum tube for durability
- Fits most bolt action rifles & AR-15s



RESOURCE CENTER
CLAM SIZE:
 4.75" W x 16.5" H x 1.5" D
CASE PACK: 4

ROD RACK - #100335

- Holds a wide variety of cleaning rods in various shapes and sizes
- Accommodates up to six rods plus has hanging hooks on either end for additional accessories
- Has molded in bumpers designed for securing T-handle rods
- Constructed of a durable molded material
- Mounting holes and screws included.

RESOURCE CENTER
DISPLAY SIZE:
 6" W x 18" H x 2.5" D
CASE PACK: 4



Ultra Jag™

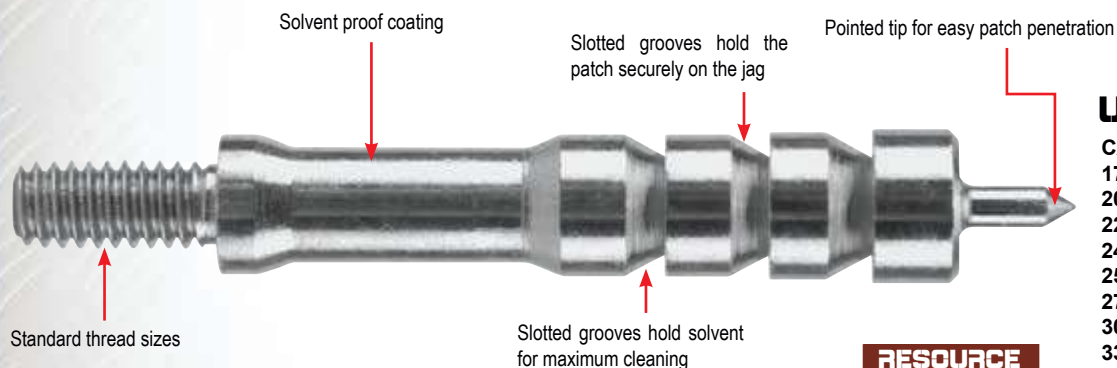
PATENT:
www.BTlbrands.com/patents

The Ultra Jag™ shows no sign of copper blueing, even after soaking in bore solvent overnight.



ULTRA JAG™ TECHNOLOGY

Take a modern bore solvent and squirt it on a brass cleaning jag. The liquid will turn blue as it drips off the jag - it's working so fast, it starts to dissolve your cleaning jag in front of your eyes! If you're following conventional wisdom "clean until you get a clear patch" you might be in for a long night. Tipton®'s Ultra Jag™ features a patent-pending technology that covers the surface of a traditional push-type jag with solvent-proof material, keeping aggressive modern bore solvents from creating false blue stains that normally indicate copper fouling. When you use Ultra Jags, you'll get better, faster cleaning results because you'll know you're getting blue stains from copper fouling and not from the surface of your jag.



RESOURCE CENTER
CLAM SIZE:
2" W x 7" H x .75" D
CASE PACK: 5

ULTRA JAG™

CALIBER	SOLD 1 JAG EACH
17 Caliber	#175543
20 Caliber	#589546
22 Caliber	#225659
243 / 6mm Caliber	#243865
25 / 6.5mm Caliber	#255684
270 / 7mm Caliber	#277555
30 / 32 Caliber	#303033
338 / 8mm Caliber	#338338
35 / 9mm Caliber	#348359
375 Caliber	#375375
40 / 416 Caliber	#404169
44 Caliber	#444444
45 Caliber	#454545

26 PC. ULTRA JAG™ & BEST BORE BRUSH™ SET - #444777

Combining the Ultra Jag™ and Best Bore Brush™ into one convenient 26 piece set gives you the ultimate storage system for your brushes and jags.

- Neatly organized in two mating hinged boxes with marked cavities, it's easy to select the correct jag and brush for your particular application
- Because they are caliber-specific, you can be assured of an optimum fit to your firearm's bore for efficient and thorough cleaning
- Contains .17 - .45 caliber
- Jags and Brushes have 8-32 threads
- .17 and .20 caliber have 5-40 threads

RESOURCE CENTER
CLAM SIZE:
7.5" W x 8.5" H x 2" D
CASE PACK: 6



Ultra Jag + Best Bore Brush™



13 PIECE ULTRA JAG™ SET - #500012

13 PIECE BEST BORE BRUSH™ RIFLE SET - #402173

Best Bore Brush™



All components are non-marring, made from high-quality bronze

20% more bristles than standard brushes

Wire-through coupler for maximum strength

BEST BORE BRUSHES

We believe that the Tipton® Best Bore Brushes are the finest brushes ever offered. They meet or exceed military specifications and are designed to satisfy the shooter who wants the best tools to maintain his or her guns. The core is a single piece of brass wire that passes through the threaded brass coupler, guaranteeing that the core will never separate from the coupler in the barrel. Each brush contains the maximum number of bristles that can be inserted for the caliber. 20% more than standard brushes! Because of their density we recommend that Tipton® Best Bore Brushes only be used with a quality one-piece rod and an appropriate bore guide.

RESOURCE CENTER
CLAM SIZE:
2" W x 7" H x 1.75" D
CASE PACK: 5

	3 pack	10 pack
17 Caliber	#212009	
20 Caliber	#669638	
22 Caliber	#140337	#882927
243 / 6mm Caliber	#758284	
25 / 6.5mm Caliber	#657930	
270 / 7mm Caliber	#622858	
30 / 32 Caliber	#868556	#634045
338 / 8mm Caliber	#427343	
35 / 9mm Caliber	#606367	
375 Caliber	#127759	
40 / 416 Caliber	#317183	
44 Caliber	#629958	
45 Caliber	#211233	
50 BMG Caliber	#561865	



- 13 piece caliber-specific set of Ultra Jags
- Contained in a durable, hinged box with marked cavities
- Contains .17 - .45 caliber
- Jags have 8-32 threads
- .17 and .20 caliber have 5-40 threads

RESOURCE CENTER
CLAM SIZE:
6.5" W x 5.5" H x 1" D
CASE PACK: 6



- 13 piece caliber-specific set of Best Bore Brushes
- Contained in a durable, hinged box with marked cavities
- Contains .17 - .45 caliber
- Jags have 8-32 threads
- .17 and .20 caliber have 5-40 threads

RESOURCE CENTER
CLAM SIZE:
7.5" W x 7" H x 1" D
CASE PACK: 6

BRONZE BORE BRUSHES 3 & 10 PACKS



NYLON BORE BRUSHES 3 & 10 PACKS



BORE BRUSH SETS



BORE MOPS



CLEANING PATCHES

Case Pack of 5



SOLID BRASS SLOTTED TIPS



13 PIECE BRASS JAG SET - #749245



INDIVIDUAL SOLID BRASS JAGS



3 PACK Case Pack of 5

Pistol

22 Caliber	#770767
25 Caliber	#507040
32 Caliber	#892661
38/9mm Auto Cal.	#631419
41/10mm Auto Cal.	#223504
44 Caliber	#670133
45 Caliber	#737502
475/480 Caliber	#141054

Rifle

17 Caliber	#244601
20 Caliber	#244500
22 Caliber	#162429
243/6mm Caliber	#244510
25/6.5mm Caliber	#244520
270/7mm Caliber	#244530
30/32 Caliber	#244540
338/8mm Caliber	#244550
35/9mm Caliber	#244560
375 Caliber	#244570
40/416 Caliber	#244580
44 Caliber	#244590
45 Caliber	#244595

Shotgun

10 Gauge	#662575
12 Gauge	#612735
16 Gauge	#383231
20 Gauge	#215223
28 Gauge	#849144
410 Bore	#286637

10 PACK Case Pack of 5

22 Caliber	#466875
30/32 Caliber	#113901

3 PACK

Rifle

17 Caliber	#698306
20 Caliber	#244596
22 Caliber	#749051
243/6mm Caliber	#176663
25/6.5mm Caliber	#559632
270/7mm Caliber	#887541
30/32 Caliber	#125012
338/8mm Caliber	#437445
35/9mm Caliber	#105458
375 Caliber	#468709
40/416 Caliber	#592325
44 Caliber	#303351
45 Caliber	#244597

10 PACK

22 Caliber	#690246
30/32 Caliber	#479395

RESOURCE CENTER

3 PACK
CLAM SIZE:
2" W x 7" H x 1.25" D
10 PACK
CLAM SIZE:
2" W x 7" H x 1.75" D
CASE PACK: 5

- Caliber-specific sets of Bore Brushes
- Contained in a durable, hinged box with marked cavities
- Rifle set contains .17 - .45 caliber
- Pistol set contains .22 - .47/48 caliber
- Shotgun Calibers 410 - 10Ga.
- Brushes have 8-32 threads
- .17 and .20 caliber have 5-40 threads
- Shotgun threads are 5/16"-27
- Bronze brushes made from premium phosphor bronze
- Nylon brushes are unaffected by most modern solvents including copper solvent

13 piece Bronze Rifle Set	#168577
13 piece Nylon Rifle Set	#615333
8 piece Bronze Handgun Set	#845102
6 piece Bronze Shotgun Set	#671861

RESOURCE CENTER

CLAM SIZE:
7.5" W x 7" H x 1" D
CASE PACK: 6

RESOURCE CENTER

CLAM SIZE:
2" W x 7" H x 1.75" D

100% Cotton Mops are ultra absorbent. They hold and carry solvents, lubes, and preservatives into your bore and chamber. Great for applying large quantities of modern copper solvents to fouled bores.

3 PACK

17 Cal.	Case Pack of 1	#312659
22-25 Cal.	Case Pack of 1	#653568
6.5mm-338 Cal.	Case Pack of 5	#386626
8mm-375 Cal.	Case Pack of 5	#181031
40-45 Cal.	Case Pack of 5	#676648

10-12 Ga.	Case Pack of 5	#657972
16-20 Ga.	Case Pack of 5	#681324
.410 Ga.	Case Pack of 5	#242967

100% Cotton Flannel Patches, precisely cut to the correct size for use with Tipton® Jags. When used with slotted tip, choose the next size larger for optimum performance.

- 17-22 Cal size: .75" square
- 22-270 Cal. size: 1.13" square
- 27-35 Cal. size: 1.75" square
- 35-50 Cal. size: 2.25" square
- 20 Gauge size: 2.25" square
- 10, 12, 16 Ga. size: 3" square
- 45-58 Cal. Black Powder size: 2.5" Round

QUANTITY 100

17-22 Cal.	#476217
22-270 Cal.	#359811
27-35 Cal.	#444068
35-50 Cal./20 Ga.	#192431

QUANTITY 250

45-58 Cal. Black Powder	#784909
-------------------------	---------

QUANTITY 500

35-50 Cal./20 Ga.	#364206
10, 12, 16 Ga.	#470796

QUANTITY 1,000

17-22 Cal.	#652376
22-270 Cal.	#618061
27-35 Cal.	#279375

- Four caliber range specific rifle/pistol tips
- Solid brass is softer than barrel steel so there is no worry of damaging your bore, plus they will last much longer than the typical synthetic plastic tips.
- Rifle/Pistol Tips are threaded 8-32
- Shotgun Tip is threaded 5/16"-27

4 piece set includes: 22 - 29 cal, 30 - 35 cal, 35 - 44 cal, and 45 cal.

QUANTITY 100

Rifle/Pistol Set of 4	#554428
22 - 29 Caliber	#428953
30 - 35 Caliber	#211422
35 - 44 Caliber	#777753
45+ Caliber	#400385
Universal Shotgun	#339005

RESOURCE CENTER

CLAM SIZE:
2" W x 7" H x 1.75" D
CASE PACK: 5

- 13 piece Caliber specific Solid Brass cleaning jags
- Designed to provide a tight fit between the patch and the bore
- Pointed tip keeps the patch centered
- Contained in a durable, hinged box with marked cavities
- Jags have 8-32 threads
- .17 and .20 Cal. Jags have 5-40 threads

Includes: 17, 20, 22, 243/6mm, 25/6.5mm, 270/7mm, 30, 338/8mm, 35/9mm, 375, 40, 44 and 45 jags.

RESOURCE CENTER

CLAM SIZE:
7.5" W x 7" H x 1" D
CASE PACK: 6

- Caliber specific individual Solid Brass cleaning jags
- Designed to provide a tight fit between the patch and the bore
- Pointed tip keeps the patch centered
- Jags have 8-32 threads
- .17 and .20 Cal. Jags have 5-40 threads

17 Cal.	#154070
20 Cal.	#589555
22 Cal.	#356987
243 / 6mm Cal.	#696435
25 / 6.5mm Cal.	#584696
270 / 7mm Cal.	#768059
30 / 32 Cal.	#193225
338 / 8mm Cal.	#485467
35 / 9mm Cal.	#434832
375 Cal.	#272744
40 / 416 Cal.	#412599
44 Cal.	#301110
45 Cal.	#239013
50 Cal.	#505050

RESOURCE CENTER

CLAM SIZE:
2" W x 7" H x 1.75" D
CASE PACK: 5

ACTION / CHAMBER CLEANING TOOL SET

These tools are made specifically for those hard to reach areas inside the receiver of your bolt action rifle.

- Action cleaning tool utilizes cylindrical swabs to clean and lubricate the locking lug recesses
- Chamber cleaning tool uses a mop to remove carbon and powder residue
- Includes both tools, a small and a large rifle chamber mop, 10 swabs, and a nylon cleaning brush.

Action / Chamber Cleaning Tool Set	#368628
Replacement Swabs, Pack of 100	#115373



RESOURCE CENTER

CLAM SIZE:
5.75" W x 16.5" H x 1" D
CASE PACK: 12

POWER CLEAN™ ELECTRIC GUN CLEANING BRUSH KIT - #110127

- Powered by 4 AA batteries for portability and long life (not included)
- Soft touch rubberized handle and power switch
- Pulse or continuous modes
- Scrubs at 3600 oscillations per minute
- Interchangeable bristle brush heads: plastic, stainless steel, and bronze
- Adapter head that accepts 8-32 threaded cleaning brush tips (bronze 22 caliber brush included)
- Power handle is sealed and resistant to gun-cleaning solvents and oils
- Bristle heads are 3/4" dia.
- .22 cal. bronze bore brush included

RESOURCE CENTER
BOX SIZE:
 7" W x 9" H x 2" D
CASE PACK: 4

NEW FOR 2017



MAINTENANCE MATS



The perfect material to lay on your workbench while cleaning or disassembling firearms. Padded neoprene construction protects firearm finishes while helping keep track of small parts. Excess oils and solvents are absorbed into the mat, keeping the surface clean and dry. The Tipton® Maintenance Mat rolls easily to fit in your range box. Hand washable

- 11" x 17" S&W® M&P® Maintenance Mat#110009
- 11" x 17" Glock® Maintenance Mat.....#110008
- 11" x 17" 1911 Maintenance Mat#558680
- 12" x 24" Maintenance Mat#602557
- 16" x 54" Maintenance Mat#380861

RESOURCE CENTER
CASE PACK: 6

TRULY REMARKABLE BORE SOLVENT™ - #746275

The Tipton® Truly Remarkable Bore Solvent™ is the most aggressive bore solvent currently available. By combining today's advanced chemicals we have developed a bore solvent that quickly works to remove all types of stubborn fouling from your barrel, yet it remains gentle on your bore. You'll be sure to enjoy less time cleaning and more time shooting with the amazingly fast cleaning action of this revolutionary solvent. In fact, this solvent is so good, it is a winner of the prestigious Blue-Patch test!



RESOURCE CENTER
BOTTLE SIZE:
 2.25" Dia. x 4" H
CASE PACK: 6

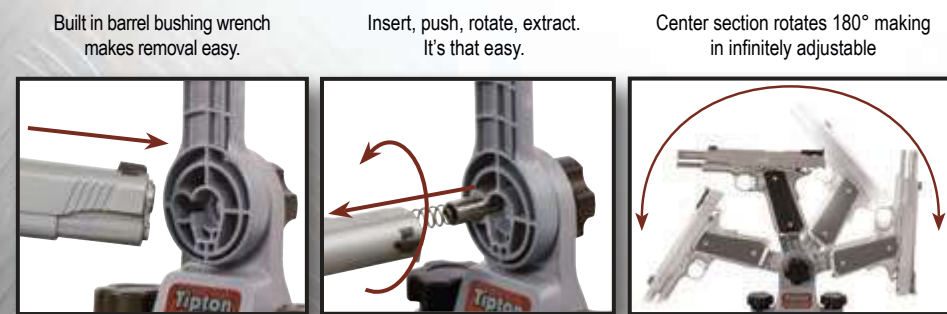


Tipton®
 Gun Cleaning Supplies

1911 MAG WELL VISE BLOCK - #558080

The Tipton® 1911 Mag Well Vise Block is quite possibly the handiest tool a 1911 owner could ask for. Designed for use with the Tipton® Best Gun Vise™, this center support slides into the magazine well and provides a steady base for cleaning or light gunsmithing on your 1911. Users without a Best Gun Vise™ can mount the Mag Well Vise Block directly to their bench top with the included fasteners. Loaded with handy features, this tool is a must-have for anyone with a 1911.

- Mag well arm is removable for clamping in a bench vise when additional rigidity is required
- Solvent-resistant polymer provides durability and is non-marring to surfaces
- Built-in barrel bushing wrench



RESOURCE CENTER
CLAM SIZE:
 7.5" W x 7" H x 1" D
CASE PACK: 4



CLEANING SUPPLIES

SILICONE CLOTH - #502260

Protect your fine firearms from corrosive fingerprints and the elements. The soft cloth, impregnated with pure silicone, provides the perfect wipe-down for your guns before putting them away. Protects metal surfaces from rust and corrosion at extreme temperatures, and leaves a shiny, well-preserved appearance. Will not evaporate or dry out. 14" x 15".



RESOURCE CENTER
DISPLAY SIZE:
 5" W x 8.5" H x .25" D
CASE PACK: 6



DOUBLE ENDED CLEANING BRUSHES 3 PACK - #654866



RESOURCE CENTER
CLAM SIZE:
 4.85" W x 11" H x .75" D
CASE PACK: 6

CLEAN & OIL BRUSH - #375777

· Fine natural bristle cleaning and oil application brush
 · Hundreds of soft 1-3/4" bristles, do a great job cleaning and carrying oil and preservatives to the exterior of your guns, and the hard-to-reach areas like under vent ribs.



RESOURCE CENTER
DISPLAY SIZE:
 2.75" W x 5.5" H x 1.18" D
CASE PACK: 5

6" PIPETTES, 12 PACK - #146527

All-plastic, disposable "eye droppers" are just the ticket for measuring and transferring liquid products. Great for cold bluing solutions, cutting oils, solvents, preservatives, etc. Put the product just where you want it.

RESOURCE CENTER
DISPLAY SIZE:
 6" W x 10.25" H x .6" D
CASE PACK: 6



FLIP-TOP SOLVENT BOTTLES 3 PACK #197624

Case Pack of 6

- 3 High Density Polyethylene 4 oz bottles
- Hold solvents, oils and many other liquid products
- Each bottle comes with two caps, one Flip-Top and one standard.



SHOOTERS SWABS



Wire-handled swabs are perfect for applications of lubes and preservatives. They also work well with solvents to scrub out recesses in receivers, bolt bodies and other hard-to-reach areas. Dozens of uses. 4" long.

Shooters Swabs 50 qty.....#757554.....Case Pack of 6
Shooters Swabs 100 qty.#350379.....Case Pack of 6

CLEANING SUPPLIES



It is generally accepted that one shouldn't drop the firing pin on an empty chamber - which is the primary reason to have Snap Caps for your favorite guns. You should always use Snap Caps when checking or adjusting the trigger pull. If you prefer to release the tension on the hammer springs, when storing your guns, Snap Caps are ideal.

Shotgun	Quantity	
12 Gauge	2	#280986
16 Gauge	2	#878078
20 Gauge	2	#191808
410 Bore	2	#358983

Rifle	Quantity	
22 Rimfire Long Rifle	10	#831787
22 Rimfire Long Rifle	25	#486758
223 Remington	2	#415091
243 Winchester.....	2	#270693
270 Winchester.....	2	#709600
308 Winchester.....	2	#134402
30-06 Springfield.....	2	#391320
7.62x39mm Russian	2	#787336

Pistol	Quantity	
32 ACP	5	#647663
380 ACP	5	#337377
9mm Luger	5	#303958
40 S&W	5	#745435
45 ACP	5	#146331

Revolver	Quantity	
38 Spc./357 Mag.....	6	#321398
44 Magnum	6	#347873
45 Colt.....	6	#612631

RESOURCE CENTER
CLAM SIZE:
 3.75" W x 5.5" H x 1.25" D
CASE PACK: 6

GUN CLEANING PICKS

Here's a clever idea that belongs in every cleaning kit, Gun Cleaning Picks. This set of four picks with different configurations on each end provide eight different combinations to get into those tight, hard to reach places. One set is made of high-strength polymer so they won't scratch the finest surface. The other set is made of stainless steel. Set of four picks.

- Helps you reach the most important, tightest spots in your firearms
- Set of 4 Picks, each has a different shaped tool at each end

Polymer Gun Cleaning Picks set of 4.....#549864
Stainless Steel Gun Cleaning Picks set of 4.....#324770

RESOURCE CENTER
CLAM SIZE:
 4.5" W x 11.5" H x .5" D
CASE PACK: 6



MAGAZINE CLEANING BRUSH - #557575

- Magazine Take down Tool easily remove bottom plate from a magazine
- Works on all single and double stack Magazines including AR mags, 1911 mags, and most double stack pistol magazines
- Solvent resistant nylon bristles



Magazine Take Down tool easily removes bottom plate using the detent hole

RESOURCE CENTER
CLAM SIZE:
 3.25" W x 13.75" H x 1.5" D
CASE PACK: 4



Wheeler[®] Engineering DELTA SERIES



AR ARMORER'S KITS

The Wheeler[®] Delta Series[®] AR Armorer's Kits contain a wide variety of tools that a gunsmith or armorer would need to complete a full rifle build, make repairs or perform maintenance on AR-15/M16 platform rifles. Each of these Delta Series tools is designed with application specific features to perform specific functions with precision and ease. Each tool is constructed of the highest quality materials to deliver the best performance at a great value. Wheeler[®] Engineering Delta Series[®] offers some of the most innovative AR-15 tools on the market today. These kits can accommodate a wide variety of needs from basic AR modification and maintenance with the AR Essentials Kit all the way up to a completely comprehensive kit like the Ultra AR Armorer's Kit. All of the tools fit inside the durable carry cases for convenient storage and transport.



Install tricky bolt catch roll pin

Lower assembly work and

Buttstock nut wrench

Work on Carrier Bolts



Wheeler[®] Engineering DELTA SERIES

3 KIT MODELS AVAILABLE!



**AR ARMORER'S
ULTRA ARMORER'S KIT
#156559**

PATENT:
www.BTbrands.com/patents/

Ultra Kit includes:

- AR-15 AR Armorer's Vice
- AR-15 Combo Tool
- Torque Wrench
- AR-15 Armorer's Bench Block
- AR-15 Roll Pin Install Tool Kit
- Upper Vise Block Clamp with Gas Tube Alignment Tool
- Maintenance Mat with Exploded view AR-15
- Pivot Pin & Roll Pin Installation Tool
- AR Front Sight Tool
- Delta Ring Tool
- Strap Wrench
- AR-15 Bore Guide
- AR-15 Adjustable Receiver Link
- Bore Brush, .22 Cal.
- Bolt Carrier Brush
- Chamber Brush
- Magazine/Upper Receiver Brush
- Nylon Brush Handle
- Double-ended General Cleaning Brush
- Cleaning Pick Set
- Custom Fitted Carrying Case

**RESOURCE
CENTER
BOX SIZE:**
22" W x 10.25" H x 6.75" D
CASE PACK: 2



**AR ARMORER'S
PROFESSIONAL KIT
#156555**

PATENT:
www.BTbrands.com/patents/

Professional Kit includes:

- AR-15 AR Armorer's Vice
- AR-15 Combo Tool
- Torque Wrench
- Upper Vise Block Clamp w/Gas Tube Alignment Tool
- Maintenance Mat with Exploded View AR-15
- Pivot Pin and Roll Pin Installation Tool
- AR Front Sight Tool
- Delta Ring Tool
- Strap Wrench
- AR-15 Bore Guide
- AR-15 Adjustable Receiver Link
- Bore Brush, .22 Cal
- Bolt Carrier Brush
- Chamber Brush
- Magazine/Upper Receiver Brush
- Nylon Brush Handle
- Double-ended General Cleaning Brush
- Cleaning Pick Set
- Custom Fitted Carrying Case

**RESOURCE
CENTER
BOX SIZE:**
22" W x 10.25" H x 6.75" D
CASE PACK: 2



**AR ARMORER'S
ESSENTIALS KIT
#156111**

PATENT:
www.BTbrands.com/patents/

Essentials Kit includes:

- AR-15 Combo Tool
- Torque Wrench
- Upper Vise Block Clamp w/ Gas Tube Alignment Tool
- Pivot Pin and Roll Pin Installation Tool
- AR-15 Mag Well Vise Block
- AR-15 Adjustable Receiver Link
- Custom Fitted Carrying Case

**RESOURCE
CENTER
BOX SIZE:**
21" W x 7.25" H x 3.5" D
CASE PACK: 2

AR Armorer's Vice



Bolt Carrier & Chamber Neck Brush



Bore Guide & AR Vise for cleaning



Replace and install trigger guards



Easily rotate the lower receiver for assembly and other maintenance. The built-in Hammer Block makes lower receiver assembly and "dry fire" simple and safe.



The base is constructed of rigid steel.

Non-slip rubber feet can be removed for permanent bench-top mounting.



Depressions formed into the base keep spare parts or tools contained

The Forend Support can accommodate a range of barrel or forend diameters up to 2.3".



AR ARMORER'S VISE - #156224

PATENT:
www.BTbrands.com/patents/

The AR-15 platform has become the mainstay of today's Modern Sporting Rifle market. The popularity and modularity of this platform has created the need for specific tools that allow users to build, maintain and reconfigure AR's. The Delta Series Armorer's Vise provides users an ideal foundation for all AR tasks. Both front and rear supports have multiple positions in the base and are reversible for maximum customization. The vise works great for assembled guns in closed or break-open state, but is also ideal for holding a lower receiver for assembly and maintenance. Whether you are building an AR from the ground up or just looking for the ideal cleaning vise, the AR Armorer's Vise is simply the best choice available.

**RESOURCE
CENTER
BOX SIZE:**
21.25" W x 7.75" H x 5" D
CASE PACK: 2

An integrated bolt service station will hold and secure the bolt for repair and assembly work.



Mag well insert includes a hammer stop for safety and trigger work

Mag well insert locks in place using the Mag Release button



AR-15 & AR LR/10 VARIANT MAG WELL VISE BLOCK

PATENT:
www.BTibrands.com/patents/

The Delta Series® AR-15 & AR LR/10 Variant Mag Well Vise Block is designed for use with the Tipton® Best Gun Vise™, this center support slides into the magazine well and provides a steady base for cleaning or light gunsmithing on your AR, in either breech or closed position.

- Can be mounted directly to your bench top with the included fasteners
- Locks into place using magazine lock on your receiver
- Built-in hammer stop prevents damage to lower receiver
- Solvent-resistant polymer provides durability and is non-marring to surfaces
- Mag Well arm is removable for clamping in a vise

AR-15 Mag Well Vise Block#156211
AR LR/10 Variant Mag Well Vise Block.....#146200

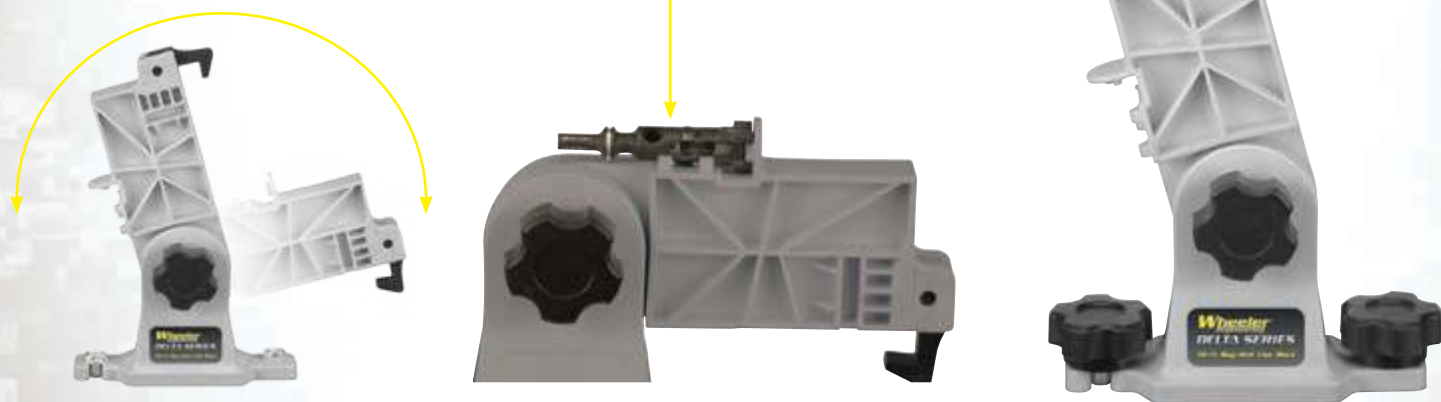
RESOURCE CENTER
AR-15 CLAM SIZE:
8" W x 13" H x 2.5" D
AR/LR CLAM SIZE:
8" W x 13" H x 2.5" D
CASE PACK: 4

AR LR/10 Variant MWVB is compatible with SR25 type lowers:
DPMS® LR308
KAC® SR25
LWRCI REPR®
LaRue OBR®
Bushmaster® .308 ORC®
LMT® .308 MWS
Remington® R-25
POR® P-308
JP Enterprises® LRP-07
Les Baer® .308
Colt® LE901-16S
The *NEW* Armalite® AR-10A

AR LR/10 Variant Mag Well Vise Block has a larger Mag Well Insert to accommodate the larger platform

Center section rotates 180° (in 15° increments) and locks into place at desired location

An integrated bolt service station will hold and secure the bolt for repair and assembly work.



AR COMBO TOOL & TORQUE WRENCH

Cover most of your AR-15 service needs with a single tool. An innovative layered and laminated stamped steel construction makes the Delta Series® Combo Tool the most durable AR tool available. The addition of a bit driver and bit holder with six common bits adds to the versatility. Additionally, the included Torque wrench in the Combo pack makes this a complete set for many AR maintenance and modification needs.

AR Combo Tool Only.....#156999
AR Combo Tool with Torque Wrench Combo.....#156700

RESOURCE CENTER
TOOL CLAM SIZE:
4" W x 16.5" H x 1.25" D
COMBO CLAM SIZE:
7.5" W x 21" H x 2.5" D
CASE PACK: 4



AR-15 ROLL PIN INSTALL TOOL KIT - #952636

The Wheeler® Delta Series® AR-15 Roll Pin Install Tool Kit is the complete kit for installing every AR roll pin without damaging or marring your firearm! The components are made of hardened steel with a smooth finished designed to last for years of use and abuse.

- Kit includes:
- AR Bolt Catch Install Punch Kit
 - AR Trigger Guard Install Tool
 - 3 Starter Punches and 3 Driver Punches
 - Two Sided Hammer
 - Blow molded storage case

- 6 Steel punches in sizes:
- 1/16, 5/16 & 3/32
 - 3 with counter-bored tips to start roll pins
 - 3 with indexing tips to finish roll pins



RESOURCE CENTER
BOX SIZE:
3.6" W x 9" H x 1.75" D
CASE PACK: 4

AR TRIGGER GUARD INSTALL TOOL - #710907



- Makes installing or changing trigger guards quick and easy
- Comes with an install pin and an un-install pin
- Precisely control and install the trigger guard roll pin to prevent damage to the receiver
- Pins conveniently store in the frame
- The old method of hammering the roll pin into the receiver can easily damage your serialized lower
- Durable construction, made of aluminum with a mil-spec anodized finish

RESOURCE CENTER
CLAM SIZE:
5" W x 6.7" H x 1" D
CASE PACK: 4

AR BOLT CATCH INSTALL PUNCH KIT - #710906



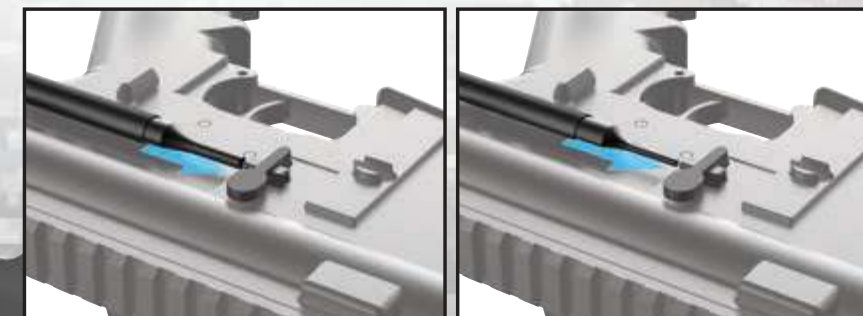
RESOURCE CENTER
CLAM SIZE:
3.25" W x 9.4" H x 0.5" D
CASE PACK: 4

Wheeler® Engineering Bolt Catch Install Punch Kit starts bolt catch roll pins easily with the starter punch and finishes installation flush with the finishing punch.

- Flat on one side for proper alignment
- Rubber over-molded to prevent damage to firearm.
- Includes 2 Steel punches
- 1 with counter-bored tips to start roll pins
- 1 with indexing tips to finish roll pins

Roll Pin Starter Punch
Easily start roll pin installation with roll pin starter punch. Recessed end easily seats roll pin.

Roll Pin Install Punch
Finish roll pin installation with roll pin install punch. Indexing tip prevents punch from sliding off of roll pin.



AR ARMORER'S BENCH BLOCK - #156945

Tired of trying to secure your AR parts while installing a pin, detent or spring? The AR-15 Bench Block is the answer! Specifically designed for AR-15 assembly and disassembly, the AR-15 Bench Block is the perfect tool. It features a variety of notches, grooves and holes on both sides and is ideally suited for the upper receiver, lower receiver, front sight and charging handle of an AR-15.

- Durable non-marring urethane material to protect gun finish
- Designed to assist in all aspects of an AR-15 build
- Ideal for changing or adjusting triggers

RESOURCE CENTER
CLAM SIZE:
 6.25" W x 9" H x 1.25" D
CASE PACK: 4



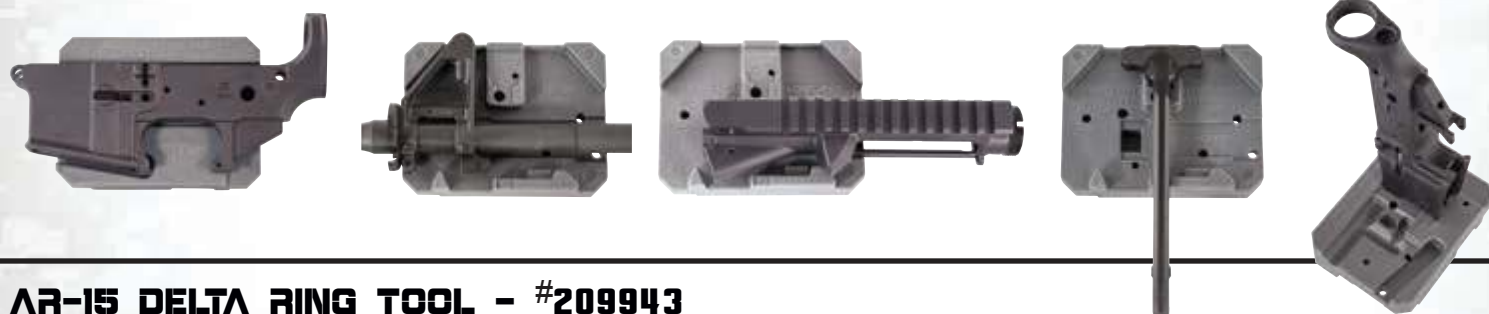
Holds lower secure for roll pin assembly

Perfect for Gas block pins

Secures the upper while installing the forward assist roll pin

Charging handle catches are no problem

Even Rear facing pins and springs are no problem



AR-15 DELTA RING TOOL - #209943

- Makes removing mil-spec AR-15 and M16 handguards easy by compressing the Delta Ring with one hand
- 100% vinyl coating protects the gun's finish from damage but is very durable
- Custom formed wire fits securely around Delta Ring
- Welded steel bracket for durability even with stuck or broken Delta Rings

RESOURCE CENTER
CLAM SIZE:
 4.75" W x 16.5" H x 1.5" D
CASE PACK: 4



AR FRONT SIGHT TOOL - #156437

- Install and adjust standard Mil-Spec A2 front sights on AR-15, M16, and M4
- Can be used with any 1/4" hex driver
- Key ring for storage serves as a handle also
- Black zinc-plated steel

RESOURCE CENTER
CLAM SIZE:
 5.25" W x 4" H x 1.5" D
CASE PACK: 4



AR-15 FREE-FLOATING HANDGUARD TOOL - #567839

- Durable nylon reinforced 24" x 3/4" rubber strap
- Won't mar or scratch surfaces
- Rubberized no-slip grips
- Ergonomic handle
- Easily adjustable

RESOURCE CENTER
CLAM SIZE:
 4" W x 15" H x 1.5" D
CASE PACK: 4



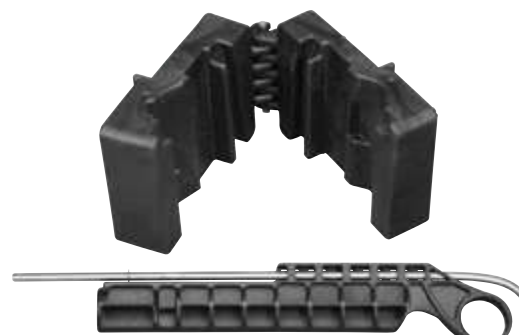
AR-15 UPPER VISE BLOCK CLAMP - #156444

The Delta Series® AR-15 Upper Vise Block allows you to safely clamp on to your AR-15 upper receiver in a vise holding it securely without twisting, crushing or marring the finish. This Block is the perfect product for torquing a barrel on, removing a stubborn barrel nut or for simple gun maintenance and cleaning. The Delta Series AR-15 Upper Vise Block includes a receiver insert with a gas tube alignment system, making sure your gas tube is always in line when installing a barrel and torquing a barrel nut.

- Fits left and right-hand Mil Spec A2 upper, with carry handles, as well as flat top receivers (Other AR-15 variants may be adapted with special attention to potentially non-conforming surfaces or features.)

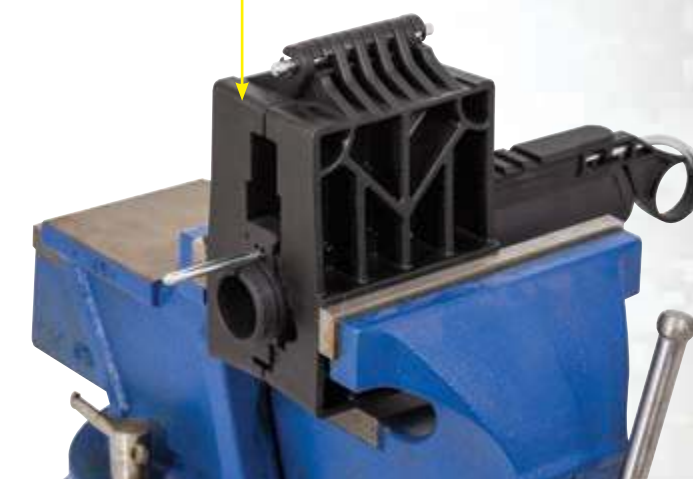
Does NOT work with left handed Uppers that have a dust cover that flips upward

RESOURCE CENTER
CLAM SIZE:
 7" W x 15" H x 2" D
CASE PACK: 4



Gas tube alignment system inserts in the rear of the upper and helps prevent any crushing of the receiver

Made of a high-pressure, solvent-resistant polymer material



AR PIVOT & ROLL PIN INSTALL TOOL - #156243

- For the AR-15, M4 or M-16
- Makes pivot spring and detent work fast and effortless
- Roll Pin Punch and starter for all lower receiver roll pins
- Comes with handy key ring for storage
- Black electro-coated steel

RESOURCE CENTER
CLAM SIZE:
 5.25" W x 4" H x 1.5" D
CASE PACK: 4



AR-15 COMPLETE BRUSH SET - #156715

The Wheeler® Delta Series® AR-15 Complete Brush Set is specifically designed for cleaning your AR-15. The brushes are made of a high quality stiff Nylon, spun around steel cores for added stability.

- The Brush Set Includes:
- Magazine/Upper Receiver Brush with Magazine Take down Tool
 - Bolt Carrier Brush with 8-32 threads
 - Chamber Brush with 8-32 threads
 - .22 Cal Bore Brush with 8-32 threads
 - Handle for action and chamber cleaning

RESOURCE CENTER
CLAM SIZE:
 5.5" W x 13.75" H x 1.5" D
CASE PACK: 4



AR UPPER/PIC RAIL VISE BLOCK - #156888

This innovative AR vise block is designed to securely hold basically any AR upper receiver. It will secure AR-15 uppers by engaging the take down lugs on the bottom of the receiver. By reversing the direction it will secure most AR-10/LR style uppers in the same manner. In addition it will secure any Pic rail on a hi-rise standard flat top or many other integrated rail guns by sliding onto and clamping the rail. The durable machined aluminum construction and precise tolerances ensure a secure hold essential for removal and installation of stubborn barrel nuts as well as a variety of other tasks.

- Multi-function design holds AR-15 and most AR-10/LR uppers
- Can secure any Pic rail receiver by clamping the rail
- Durable extruded and machined aluminum construction

Works great for aligning free floating tubes with Pic rails to flat top upper receivers

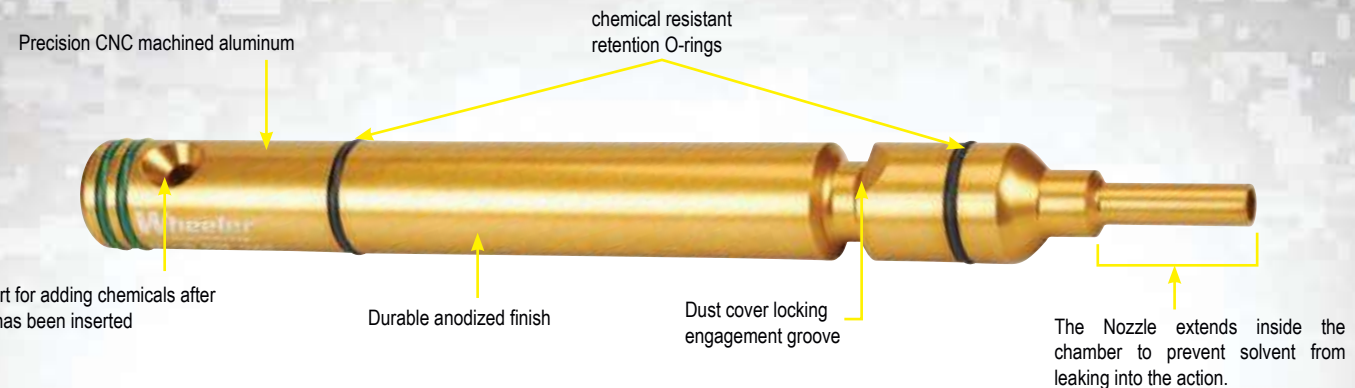
RESOURCE CENTER
CLAM SIZE:
7" W x 14.75" H x 1.75" D
CASE PACK: 4



Mounts AR-10/LR and AR-15 Uppers

Mounts an AR-15 Upper with carry handle

Use the Pic Rail of an AR Upper or other device to mount into your bench vise



AR BORE GUIDES

The AR-15 & AR LR/10 Variant Bore Guides fit securely in any AR-15 or AR LR/10 Variant upper and can be retained in place by closing the dust cover on the upper which engages a groove in the guide. The AR-15 Bore Guide works well with .223 and .204, while the AR LR/10 Variant works well on .308. The AR-15 300 AAC Blackout Bore Guide works on any 30 caliber, 6.5 or 6.8 AR-15. AR-15 Bore Guide Inner tube diameter .250" (not intended for 6.8mm jag)

- AR-15 Bore Guide.....#156213
- AR LR/10 Variant Bore Guide.....#156777
- 300 AAC Blackout Bore Guide.....#777209

RESOURCE CENTER
AR-15 CLAM SIZE:
4" W x 13.5" H x 1.5" D
AR/LR CLAM SIZE:
4" W x 15" H x 1.5" D
300AAC CLAM SIZE:
4" W x 13.5" H x 1.5" D
CASE PACK: 4



AR-15 RECEIVER LAPPING TOOL - #156757

Lapping a receiver ensures a perfectly square and true surface for the barrel to mate against, thus enhancing accuracy. Also, honing the surface can produce optimal positioning of barrel nut so ideal torque can be achieved along with proper gas tube hole alignment.

- Use with a battery powered or electric drill to square the receiver face on an AR-15
- Steel construction with a black oxide finish

Includes:
Flex driver shaft
220 Grit lapping compound
Steel lapping bar



Showing a poor lapping job vs. a good lapping job.



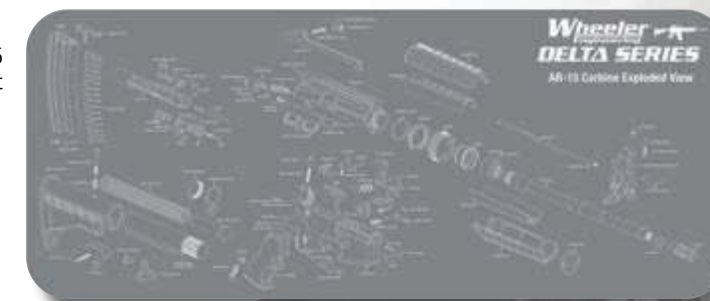
RESOURCE CENTER
CLAM SIZE:
4.5" W x 11.5" H x 1.25" D
CASE PACK: 4

AR-15 MAINTENANCE MAT - #156824

The Wheeler® Delta Series® AR-15 Maintenance Mat is perfect for any AR-15 lover, featuring a screen printed exploded view of an AR-15 Carbine. Each mat is machine or hand washable with mild detergent and water.

- Screen printed exploded view of an AR-15 for easy part identification
- No-mar, padded neoprene surface protects the firearms finish
- Durable non-skid rubber backing to protect firearm finishes
- Absorbs oils and solvents keeping surface dry
- Helps keep track of small gun parts
- Rolls up easily to fit in your range box
- 20" x 47"

RESOURCE CENTER
CLAM SIZE:
5.5" W x 22.75" H x 3.5" D
CASE PACK: 4

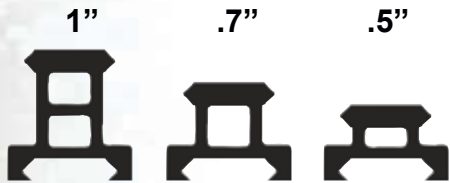


INDIVIDUAL PIC RAIL RISERS

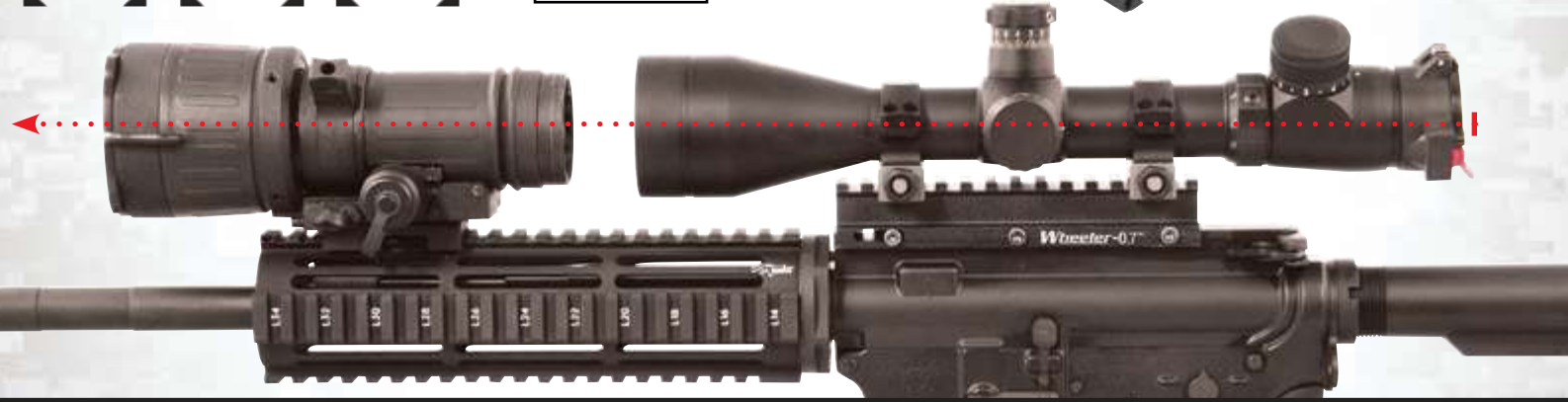
Wheeler® understands the need for precision in today's world of advanced shooting systems. Calculating total optic height above a receiver rail is difficult due to varying specifications from a variety of ring manufacturers. The necessity to mount optics and accessories at a precise height above a Picatinny rail led us to the development of Multi-Height Pic Rails. Being able to select a riser that fits the particular application allows for perfect co-witness alignment of a scope and forward mounted Night Vision Device (NVD). Proper alignment of the scope with the NVD is critical in maintaining the same zero point with a day/night system.

- Lightweight and durable CNC machined aluminum construction
- Each riser is 5.75" in length and incorporates three T15 fasteners for absolute maximum mounting strength
- Allow perfect height alignment for optics and accessories
- Two sets of fasteners included
- Available in 1", 0.7" and 0.5" heights

- 1" Pic Rail.....#156504
- 0.7" Pic Rail.....#156505
- 0.5" Pic Rail.....#156506



RESOURCE CENTER
CLAM SIZE:
 3.5" W x 9.875" H x 1.75" D
CASE PACK: 4



AR-15 ADJUSTABLE RECEIVER LINK - #156000

The Adjustable Receiver Link is designed to maintain and secure the opened position of your AR-15 upper and lower assembly. The upper link utilizes an integral pin to engage the upper receiver. The short lower link provides an opened position of 1.2" - 1.5" from pin to pin, enough room to insert a bore guide. The longer threaded link will provide an opening of 1.4" - 1.8" from pin to pin. All three components are constructed of corrosion resistant plated steel.

RESOURCE CENTER
CLAM SIZE:
 4" W x 8.5" H x 1" D
CASE PACK: 4

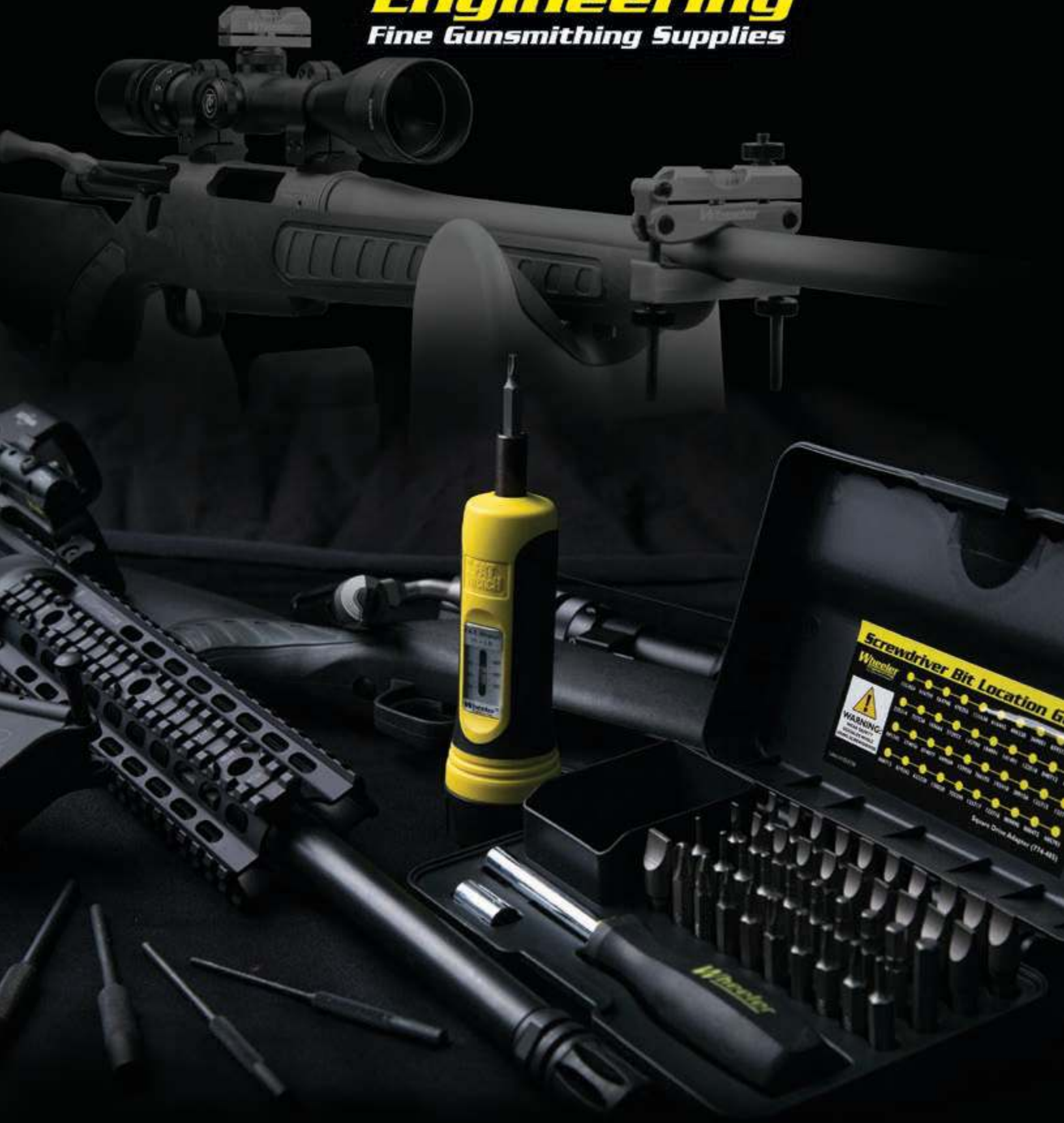
The kit comes with one upper link and two threaded lower links (one short, one long) to provide a total adjustment of approx. 3/4".



Wheeler[®]

Engineering

Fine Gunsmithing Supplies



SCREWDRIVER SETS

PROFESSIONAL GUNSMITHING SCREWDRIVER SETS

Screwdrivers are the most important and most used gunsmithing tools. Wheeler's Deluxe Gunsmithing Screwdriver Sets belong on every gunsmithing bench. The well thought-out bit selection will put an end to burred, bugged, and busted up screw slots on any gun. Unlike other screwdriver suppliers, Wheeler's engineers measured the screws on over one hundred modern and antique firearms to make sure that we offered bits for every situation. Whether you're working on a Browning® Superposed, a Remington® 700, a Smith & Wesson® revolver, or a Colt® single action, you'll find that there's a bit to fit every screw on your gun. The 89 piece set includes 15 ingenious "specialty bits". These bits are great for installing scope bases, getting you out of a pinch by providing a small pin punch when you really need it, and keeping once-in-a-while lifesaver tools at your fingertips.

Standard ground shaped bits



Wheeler® Engineering hollow ground perfect fit bits

- Bits made from S2 tool steel and hardened to 56-58 Rockwell "C"
- 89 piece and 72 piece sets include two each of the very thinnest bits



Replacement bits are available in 3 packs on our website for a very modest price.

SCREWDRIVER SETS



Contains the 15 Specialty Bits, shaft extension, and square to hex adapter found in the Professional Set. Upgrade your Basic 72 Piece Screwdriver set or add to your 43 Piece Set, with this upgrade set.

Upgrade 17 Piece Screwdriver Set #748555
Case Pack of 1



21 PIECE EXPANSION SET

- Great addition to the 72 or 89 piece Screwdriver Sets
- Hollow ground flat bits
- Durable S2 tool steel
- Features plastic storage tray
- 1/2" x 1/4" socket driver
- 2.5mm, 3mm, 3.5mm, 4mm, 4.5mm, 5mm, 5.5mm, 6mm, 7mm, and 8mm Hex Bits
- T6, T7, T8, T9, T10, T15, T20, T27, T30 Torx Bit

RESOURCE CENTER
CLAM SIZE:
2.75" W x 9" H x 2" D
CASE PACK: 4

21 Piece Screwdriver Set #954671



89 PIECE SET

- 54 Hollow Ground flat bits
- Doubles in the thinnest sizes
- Complete selection of Phillips, Allen, Torx bits
- 15 Specialty Bits
- Durable S2 tool steel
- 2 No-slip overmolded handles
- 2 1/4" shaft extension
- Hex to square drive adapter
- Convenient hinged storage case

The Deluxe Set contains: 8 Allen Bits, 4 Phillips Bits, 3 Torx Bits, 15 Specialty Bits and Accessory Tools for Colt®, Remington®, Smith & Wesson®, Mauser, Glock®, Garand, Ruger®, and more!

RESOURCE CENTER
BOX SIZE:
8.3" W x 12.3" H x 3.1" D
CASE PACK: 10

Deluxe 89 Piece Screwdriver Set #562194



72 PIECE SET

- 54 Hollow Ground flat bits
- Doubles in the thinnest sizes
- Complete selection of Phillips, Allen, Torx bits
- Durable S2 tool steel
- Two No-slip overmolded handles
- Convenient hinged storage case

The Basic Set contains:
8 Allen Bits, 4 Phillips Bits, 3 Torx Bits, and more!

RESOURCE CENTER
BOX SIZE:
8.3" W x 12.3" H x 3.1" D
CASE PACK: 10

Basic 72 Piece Screwdriver Set #776737



43 PIECE SET

- Hollow ground flat bits
- Durable S2 tool steel
- No-slip overmolded handle
- Most popular bits for gunsmithing
- Convenient storage case
- Magnetic bit retention in driver

The 43 Piece Set contains:
20 Flat Bits, 10 Hex bits, 5 Torx Bits and more!

RESOURCE CENTER
CLAM SIZE:
9.25" W x 8.5" H x 3" D
CASE PACK: 4

43 Piece Screwdriver Set #954621

SPACE SAVER GUNSMITHING SCREWDRIVER SET - #664507



- Less than half the size of comparable gunsmithing screwdriver sets
- Set of 26 bits chosen to meet most of your gunsmithing needs
- Includes a selection of the same high quality bits found in the Professional Gunsmithing Screwdriver Sets
- Includes standard, Phillips, hex, and torx bits
- 1 - 2" long #2 Phillips bit which is ideal for recoil pad installation
- 1 hex-to-square conversion bit which allows you to use 1/4" square drive sockets and other attachments
- 1 magnetic handle is made of comfortable overmolded plastic

RESOURCE CENTER
CLAM SIZE:
2.75" W x 9" H x 2" D
CASE PACK: 10

PRECISION MICRO SCREWDRIVER SET - #564018

- Chrome plated steel bits
- Extendable Handle from 3-3/4" to 5-1/2"
- 5-3/4" flexible extension shaft
- Bits are precision formed for maximum fastener engagement
- 58 piece set
- Individual bit markings
- Organized carry/storage case

RESOURCE CENTER
CLAM SIZE:
5.25" W x 11.5" H x 1" D
CASE PACK: 4



F.A.T. WRENCHES

Wheeler's F.A.T. Wrenches bring perfect consistency to every screw on your rifle! These amazing handheld torque wrenches let you apply repeatable, accurate torque settings to scope rings, guard screws and other screws, which aids in accuracy and decreases the opportunity for problems in the field. Choose either the Original F.A.T. Wrench® with its mechanical mechanism or the new Digital F.A.T. Wrench® and its exact torque spec ability.



F.A.T. WRENCH®

- Bits are made from S2 tool steel and hardened to 56-58 Rockwell "C"
- Torque adjustment range from 10 inch/pounds to 65 inch/pounds
- Accuracy plus/minus 2 inch/pounds up to 40 inch/pounds; 40 - 65 is +/- 5%
- Convenient storage case included

No guessing Torque in. Lb. with the Adjustable F.A.T. Wrench



RESOURCE CENTER
CLAM SIZE:
7.75" W x 9.75" H x 3" D
CASE PACK: 4

The F.A.T. Wrench® #553556
Empty F.A.T. Wrench® Storage Case..... #550001 Case Pack of 1

DIGITAL F.A.T. WRENCH® - #710909

- Bits are made from S2 Tool steel and hardened to 56-56 Rockwell "C"
- Ergonomic over molded design
- Large LCD Digital display for ease of viewing
- 15 -100 in/lb. range and measure in lb-in, kg-cm, N-m
- +/- 2% accuracy
- Audible indicator tone
- Visual indicator
- Full set of bits included
- Low battery indicator
- Soft touch buttons
- Injection molded storage case

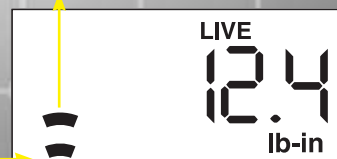
PATENT:
www.BTlbrands.com/patents/



PEAK mode will hold the highest torque value for 5 seconds, while LIVE mode displays the current torque value

Visual ARCH bars increase the closer you get to the target Torque Spec.

Current Torque Readout is easy to see



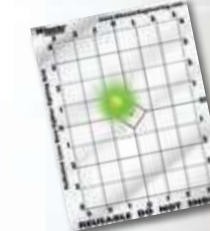
RESOURCE CENTER
CLAM SIZE:
7.75" W x 9.75" H x 3" D
CASE PACK: 4

SCOPE ALIGNMENT

PROFESSIONAL LASER BORE SIGHTER

The Professional Laser Bore Sighter uses a high power daylight-visible laser and a high-strength magnetic connection to deliver fast accurate bore sighting. This system works with virtually all firearms; rifles, shotguns, handguns. The magnetic connection to the end of the muzzle provides more precise alignment with the bore without the risk of damaging the bore, compared to arbor-style bore devices. Available in Red or Hi Vis Green Laser.

- Machined aluminum body with soft rubber over-molding
- Each unit is hand tuned during the manufacturing process
- Laser module is permanently secured in place insuring reliable performance and durability
- Includes molded plastic storage case
- Operates on 1 Lithium 123A battery (included)
- includes reflective Sighting Grid



Reusable reflective sighting grid for bright days

Professional Laser Bore Sighter..... Green Laser.....#589922
Professional Laser Bore Sighter..... Red Laser#580022

RESOURCE CENTER
CLAM SIZE:
6" W x 11" H x 2" D
CASE PACK: 4

ARMORER'S HANDGUN SIGHT TOOL - #710905

The Wheeler® Armorer's Handgun Sight Tool is designed for adjusting, installing or removing dovetail style front and rear handgun sights. Made of high end materials, the Wheeler® Armorer's Handgun Sight Tool will last for years of hard use.

- Precision machined unit
- Fully captures and supports slide
- Works on all semi auto pistols
- Large 4 post drive knob to easily push the sight
- Reference marks for precise adjustments

Large sight adjustment wheel makes minor sight adjustment easy

Top clamp adds more security to slide positioning

Sight prong assembly is reversible to accommodate Glock® slides



4 independent horizontal positioning clamps hold the slide true and secure

RESOURCE CENTER
BOX SIZE:
8.5" W x 5" H x 5.25" D
CASE PACK: 4



SCOPE ALIGNMENT

ULTRA SCOPE MOUNTING KIT - #541010

The ULTRA Scope Mounting Kit from Wheeler® Engineering puts all the best Wheeler® scope mounting accessories into one perfect package. With this kit you can level your rifle, level your scope, mount your scope to the rifle, and then coarse sight in your scope with precision and accuracy. The ULTRA Scope Mounting Kit even provides thread locker and a lens pen to keep your scope clean and your optics secure on even the largest caliber guns.

- Features the Professional Reticle Leveling System to make sure the scope is level and your crosshairs are perfectly perpendicular
- Features the green Professional Laser Bore Sighter to align your crosshairs and get you on paper faster
- Features the FAT Torque Wrench to apply precise inch-lb. pressure on all of your screws
- Includes 9 bits, 1 socket and a bit holder for all your maintenance needs
- Comes with thread locker so your screws won't work their way loose
- Includes a lens pen to keep your scope clean
- Heavy Duty carry case with foam molded compartments for storage

RESOURCE CENTER
DISPLAY SIZE:
11.25" W x 9.25" H x 3.35" D
CASE PACK: 2



LEVEL



MOUNT



SIGHT

PROFESSIONAL SCOPE MOUNTING KITS



The Wheeler® Professional Scope Mounting Kit and Scope Alignment Kit will properly align, attach and level your scope on your gun. Alignment and lapping bars make ring alignment simple and easy. The Level-Level-Level provides precise linear leveling for your scope and the F.A.T. Wrench® guarantees exact torque specs on your scope rings. A flex driver is included for use with a power drill and an instructional video is available at: www.BTlbrands.com.

Professional Scope Mounting Kits:

Includes: F.A.T. Wrench®, 10 bits, 1/2" socket, Level-Level-Level, Flex driver, lapping bar(s), alignment bars, lapping bar handle, lapping compound, thread locker, carrying case

Professional Scope Mounting Kit 1" #540127 Case Pack of 4

Professional Scope Mounting Kit Combo #545454 Case Pack of 4
(1" & 30mm Alignment and lapping bars)

Empty Storage Case #1017566 Case Pack of 10

Scope Ring Alignment Kits:

Includes: alignment bars, lapping bar, lapping bar handle, 220 grit lapping compound and complete instructions

Scope Ring Alignment and Lapping Kit - 1" Rings #204061 Case Pack of 1

Scope Ring Alignment and Lapping Kit - 30mm Rings #633266 Case Pack of 1

Scope Ring Alignment and Lapping Kit Combo (1" and 30mm) #305172 Case Pack of 1

Lapping Compound Kit (1 each 220, 320, and 600 grit compound) #342303 Case Pack of 1

Scope Ring Alignment Bar - 1" #781366 Case Pack of 1

PATENT:
www.BTlbrands.com/patents/



SCOPE ALIGNMENT

PROFESSIONAL RETICLE LEVELING SYSTEM - #119050

Technological advances in today's modern firearms, ammunition and optics have enhanced the potential for long range accuracy. However, precision mounting and alignment of your system's scope is critical to realizing accuracy. A scope's reticle must be precisely aligned with the weapon to ensure holdover or turret adjustments for bullet drop to produce true vertical compensation for point of impact. If the crosshairs are canted left or right, both elevation and windage bullet impact error will occur. The Wheeler Professional Reticle Leveling System is a precision tool and process designed to perfectly level any scope to any firearm with ease. CNC machining, factory adjusted calibration set screws, anodized aluminum construction and protective molded case put this instrument in a class of its own.

- Includes 2 machined aluminum level housings calibrated to their integrated levels
- Barrel clamp level has non marring pads to protect the gun's finish
- Barrel clam level is adjustable to fit around event he largest diameter barrels, including shotguns
- Reference level has magnetic bottom for stability
- Each level has an integrated bubble level for precise measurement



Reference Level



Barrel Clamp Level



RESOURCE CENTER
CLAM SIZE:
6" W x 11" H x 3" D
CASE PACK: 4



LEVEL-LEVEL-LEVEL - #113088

The simplest, most accurate scope leveling system ever devised. Misaligned crosshairs rob you of accurate bullet placement, especially at long range, where it counts. The Level-Level-Level works because the scope is leveled to your receiver. Level your scope as you mount it on your rifle. The magnetic base in the rifle level bridges the bolt raceway, allowing you to position your rifle perfectly level. Then level the scope, tighten the rings, and the job is done. Works with practically any bolt-action rifle, and is adaptable to other designs



Scope Turret Level
(not magnetized)

Action Level
(magnetized)



RESOURCE CENTER
CLAM SIZE:
4" W x 7.5" H x .5" D
CASE PACK: 4

ANTI-CANT INDICATOR

Keeping your scope perfectly aligned is critical to long-range accuracy. Canting your scope, even just a couple of degrees, can cause error in point of impact. With modern "Drop-Compensating" scopes, an Anti-Cant Indicator is a necessity. The Wheeler® Anti-Cant Indicator ensures that your rifle is always held near perfectly vertical, eliminating any chance for "Cant Error" to cause a miss.

- Indicates precise, repeatable level gun position
- Easy-to-view from shooting position
- Attaches to scope, folds in when not in use
- Pic Rail Attachment attaches to any Pic Rail
- Precision machined aluminum with anodized finish

- Anti-Cant Indicator1 inch#755712
- Anti-Cant Indicator30mm#766112
- Anti-Cant IndicatorPic Rail#580033



Locking set screw to adjust level for perfect alignment

RESOURCE CENTER
CLAM SIZE:
5.4" W x 7" H x 1" D
CASE PACK: 4



ROLL PIN PUNCH SETS

- Punches are machined from hardened steel to prevent bending or breaking while driving any size roll pin
- Designed to provide proper alignment of the roll pin and to prevent damage to the firearm
- 9 piece sets include: 5/16", 1/4", 7/32", 3/16", 5/32", 1/8", 3/32", 5/64", 1/16" punches
- The Starter Roll Pin set has hemispherical recessed tips to cradle the roll pin, making starting it much easier
- The Ball Profile Roll Pin Set has a Ball Profile Tip that seats perfectly into the end of the roll pin which makes seating it easy and helps prevent slipping or damage to your firearm
- Includes roll up nylon pouch with identified slots for each punch

Ball Profile Roll Pin Punch Set.....#204513

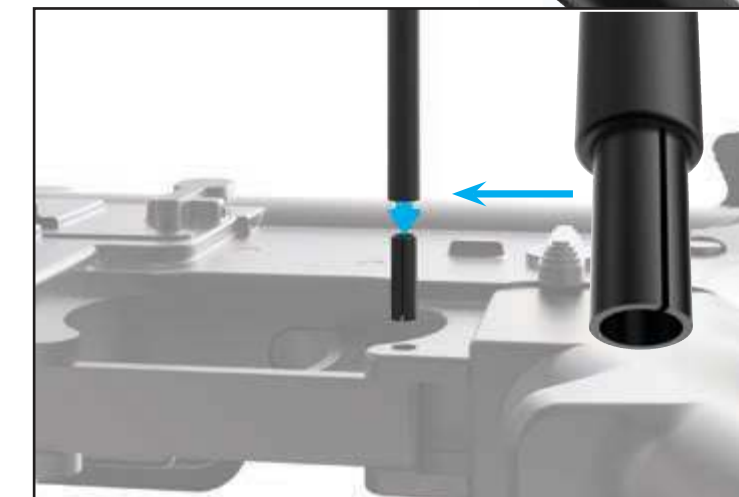
Roll Pin Starter Set.....#710910



RESOURCE CENTER
CLAM SIZE:
8" W x 10.75" H x 1" D
CASE PACK: 4



RESOURCE CENTER
CLAM SIZE:
8" W x 10.75" H x 1" D
CASE PACK: 4



PROFESSIONAL OPTICS FASTENER KIT - #142434

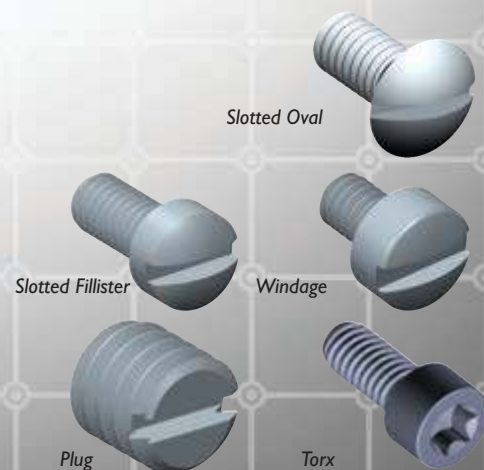
This kit is a must-have for anyone who mounts optics or works on guns. Many fasteners included with bases and rings are of inferior quality and can be easily damaged or lost. These Grade 8 high strength quenched and tempered alloy steel fasteners will hold up to any application. Durable black zinc surface finish for corrosion resistance. Commonly requested Ring Windage 10-32 x 7.5mm slotted head fasteners included. 6-48 and 8-40 taps included to repair damaged threads on guns or ring sets. Convenient storage case included.

158 Piece Set



RESOURCE CENTER
CLAM SIZE:
10" W x 8.5" H x 1.5" D
CASE PACK: 4

TYPE	SIZE	QTY	
SLOTTED FILLISTER	• 6-48x1/8"	• 6-48x7/16"	
	• 6-48x3/16"	• 6-48x1/2"	
	• 6-48x1/4"	• 8-40x3/16"	
	• 6-48x5/16"	• 8-40x1/4"	
	• 6-48x3/8"	• 8-40x3/8"	
	• 6-48x1/8"	• 6-48x7/16"	
SLOTTED OVAL	• 6-48x3/16"	• 6-48x1/2"	
	• 6-48x1/4"	• 8-40x3/16"	
	• 6-48x5/16"	• 8-40x1/4"	
	• 6-48x3/8"	• 8-40x3/8"	
	T-15 TORX	• 6-48x5.5mm	• 8-40x7mm
		• 6-48x7.5mm	
PLUG	• 6-48	• 8-40	
WINDAGE	• 10-32x7.5mm		
TAP	• #6-48	• #8-40	



Wheeler Engineering
Fine Gunsmithing Supplies

NYLON/BRASS HAMMER - #711016

- Nylon face is non-marring
- Brass face can be used for driving pins and punches
- 11" overall
- Weighs 8 oz.



RESOURCE CENTER
DISPLAY SIZE:
2.6" W x 9.5" H x 1" D
CASE PACK: 1

BRASS PUNCH SET - #780194

- Made of solid machined brass
 - Reduces the chance of marring
 - Brass Set contains eight precision crafted pin punches
 - Handy roll-up pouch
 - Overall length 4"
- Includes:
1/8", 9/64", 5/32", 3/16", 7/32", 1/4", 9/32", 5/16"



RESOURCE CENTER
DISPLAY SIZE:
8.75" W x 5.6" H x 0.5" D
CASE PACK: 1

Wheeler Engineering
Fine Gunsmithing Supplies

MASTER ROLL PIN PUNCH SET - #110128

NEW FOR 2017

We've combined the Roll Pin Starter Set and the Ball Profile Roll Pin Punch Set with a gunsmithing hammer into one comprehensive kit.

Ball Profile Roll Pin Punch Set

- Machined and hardened from steel to prevent bending or breaking while driving roll pins
- Designed with a ball profile tip to provide proper alignment of the roll pin and prevent damage to the firearm or roll pin
- The 9 piece set includes: 5/16," 1/4," 7/32," 3/16," 5/32," 1/8," 3/32," 5/64," 1/16"
- Keeps punch from walking off pin
- Knurled handles

Roll Pin Starter Set

- Machined and hardened from steel to prevent bending or breaking while starting roll pins
- Designed with a counter-bored tip to properly align and start the roll pin, preventing damage to the firearm
- The 9 piece set includes: 5/16," 1/4," 7/32," 3/16," 5/32," 1/8," 3/32," 5/64," 1/16"
- Knurled handles

Small Hammer

- Small Hammer for precise control and smaller roll pins
- Nylon Head - For non marring surfaces
- Brass Head - For punches but won't deform them



RESOURCE CENTER
BOX SIZE:
 5.75" W x 9" H x 2" D
CASE PACK: 4

MASTER GUNSMITHING INTERCHANGEABLE HAMMER SET - #110268

- Includes 2 hammer bodies and 8 hammer faces
- 4 hammer faces with each hammer body: metal, brass, nylon, rubber
- Hammer bodies made of precision machined metal
- Large Hammer for driving out large or stubborn roll pins
- Small Hammer for precise control of smaller roll pins
- Steel Head - For metal punches and surfaces
- Brass Head - For preventing marring of metal surfaces and for brass punches
- Plastic Head - Non marring
- Rubber Head - Low recoil, and can prevent denting of wood
- Comes with durable blow molded case that organizes, holds, and protects components

Simply unscrew each head and put a different one on

Included hammer faces:
 Brass
 Nylon
 Steel
 Rubber



RESOURCE CENTER
BOX SIZE:
 3.5" W x 11.5" H x 2.5" D
CASE PACK: 4

NEW FOR 2017

HAMMER AND PUNCH SET - #951900

The Wheeler® Hammer and Punch Set includes a polymer/brass combination hammer, eight precision brass punches, four steel punches, and two plastic punches. It comes in a handy molded case. It makes a great tool for driving pins, drifting sights, at the shooting range or on your gunsmithing bench.

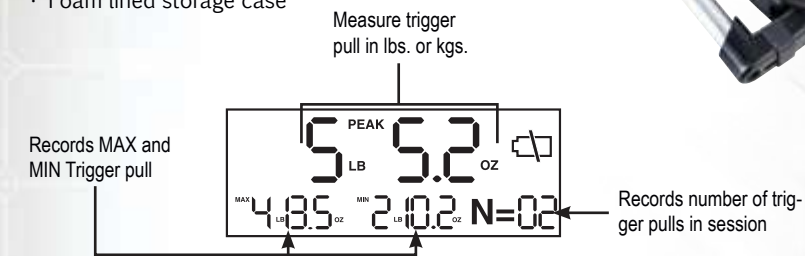


RESOURCE CENTER
BOX SIZE:
 5.25" W x 11" H x 1.75" D
CASE PACK: 5

PROFESSIONAL DIGITAL TRIGGER GAUGE - #710904

Wheeler's Professional Digital Trigger Gauge features an over molded design and soft touch buttons for comfort and a consistent line of pull.

- 0-12lbs range
- +/- .2% accuracy
- Load sensor directly contacts the trigger
- Feature max, min, average and live functions
- Audible indicator tone
- Low battery indicator
- Arm folds inside housing to protect the load sensor when not in use
- Includes bladed trigger adapter to allow use with triggers that have internal safety blades such as: Glock®, Ruger®, Savage® and other manufacturers
- Foam lined storage case



RESOURCE CENTER
CLAM SIZE:
 6" W x 8.75" H x 1.75" D
CASE PACK: 5

TRIGGER PULL SCALE - #309888

The Trigger Pull Scale accurately measures trigger pull weight. It features an ergonomically shaped handle for consistent direction of pull. Highly visible increment markings and an easy-to-read sliding indicator that stays on the maximum weight registered, make it easy to use. The Trigger Pull Scale is an excellent tool for use when adjusting triggers to ensure accuracy and maintain safe performance.

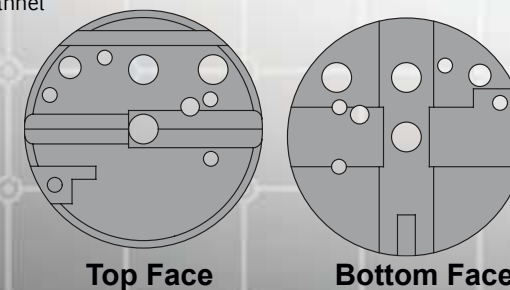
- Accurately measures trigger pull
- Measures in 2 oz. increments
- Accurate to +/- 2 oz.
- Easy-to-read sliding indicator
- Range from 8 oz. to 8 lbs.



RESOURCE CENTER
CLAM SIZE:
 4.5" W x 14.75" H x 1.25" D
CASE PACK: 4

UNIVERSAL 1911 / PISTOL BENCH BLOCK - #672215

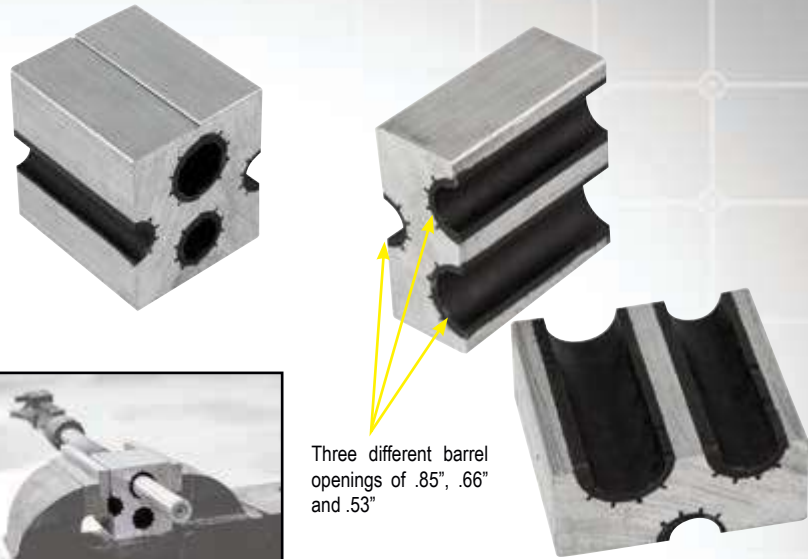
- Made of non-marring urethane
- Perfect for use on M1911 pistols as well as other firearms such as 10/22s
- Main spring removal recess and boss
- Barrel link removal V channel
- Rear sight drift channel
- Front sight staking channel
- Hammer and Sear pin removal holes
- Ejector port dressing channel
- Rail dressing round bottom channel
- 1 1/4" high x 4" in diameter



RESOURCE CENTER
CLAM SIZE:
 5" W x 9.25" H x 1.5" D
CASE PACK: 4

UNIVERSAL BARREL CLAMP - #672286

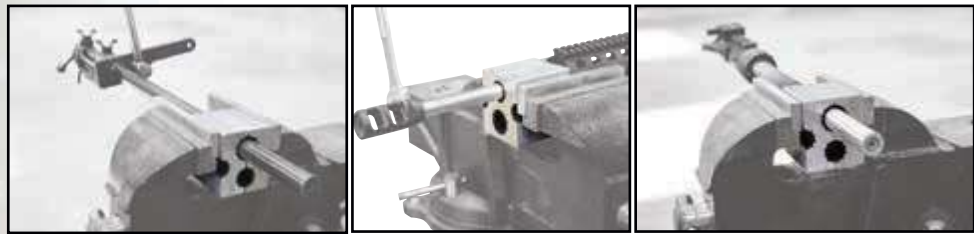
- Precision extruded from aircraft grade aluminum
- Bonded with non-marring urethane.
- When inserted in a vise the urethane coating squeezes down tightly on the barrel to fully secure it for the forces needed for installation/removal



Three different barrel openings of .85", .66" and .53"

RESOURCE CENTER

CLAM SIZE:
5.5" W x 9.75" H x 2.75" D
CASE PACK: 5



ACTION WRENCHES AND BARREL VISE

- Action Wrench safely surrounds and supports the receiver ring
- 15" x 1" dia. steel handle
- Double-ended Savage® Barrel Nut Wrench fits early and late model nuts on the 110 and 10 series rifles
- Features two 1/2" square drive holes for a swing bar or torque wrench
- Barrel Vise holds fast to clamp your barrel for removal or installation
- Barrel Vise includes two pre-drilled oak blocks, 1" and 3/4", and a solid block for custom drilling

- Action Wrench #1** (Mausers with Flat-Bottomed Receivers)#808771 Case Pack of 1
- Action Wrench #2** (Remington® 700)#414521 Case Pack of 1
- Savage® Barrel Nut Wrench**.....#123038 Case Pack of 4
- Barrel Vise with 3 Oak Bushings**#465185 Case Pack of 1
- Set of 3 Replacement Oak Bushings**.....#844879 Case Pack of 1
- Lead Barrel Vise Shims (4 Pack)**.....#239444 Case Pack of 1



BORE LAPPING KIT

Lap your barrels to make them shoot better and easier to clean. Lapping polishes out the tool marks left in rifle barrels during manufacturing. Traditional hand-lapping is very labor intensive and requires pushing lead slugs down the bore by hand. The Wheeler kit allows you to embed lead or jacketed bullets with abrasive and fire them through your barrel. Works in everything from old .22 rimfires to neglected hunting rifles. Kit includes three jars of high quality abrasive pastes, two steel embedding plates, and complete instructions.

- Bore Lapping Kit**.....#299849..... Case Pack of 5
- 220 Grit Lapping Compound, 1 oz. jar**.....#885040..... Case Pack of 5
- 320 Grit Lapping Compound, 1 oz. jar**.....#378413..... Case Pack of 5
- 600 Grit Lapping Compound, 1 oz. jar**.....#395155..... Case Pack of 5
- Lapping Compound Kit**.....#342303..... Case Pack of 1
(1 each 220, 320, and 600 grit compound)



Wheeler
Engineering
Fine Gunsmithing Supplies

CERAMA-COAT™ CUSTOM GUN ARMOR

Cerama-Coat™ is a specially formulated finish for firearms that provides an extremely durable coating. The key to the super hard finish is ultra-fine ceramic molecules that actually crosslink and bond to the base material. A heating process after application forms the bond and hardens the finish. Bonds to ferrous metals, alloys, stainless steel and synthetics that can be heated to 200 degrees F. Can be applied over bare metal or existing blued, anodized or parkerized finish. Available in four popular matte finish colors to customize any gun or accessory.

- Highly resistant to scratching, chipping and gun solvents
- Non reflective matte finish colors
- Weatherproof any gun's finish

- BLACK Cerama-Coat™**#468993
- FOLIAGE GREEN Cerama-Coat™**#567843
- FLAT DARK EARTH Cerama-Coat™**#492304
- OLIVE DRAB Cerama-Coat™**#567312



RESOURCE CENTER

CLAM SIZE:
4.75" W x 8.5" H x 3" D
CASE PACK: 4

3 EASY STEPS!



1. CLEAN



2. SPRAY



3. BAKE

PROFESSIONAL GUNSMITHING FILE SET - #710908

The Wheeler® Engineering Professional Gunsmith File Set is perfect for many different gunsmithing jobs. The set comes with a wide grade of files from a rough rasp all the way down to a super extra fine diamond plate. Whether your reshaping a wood stock or smoothing out an action, this set is perfect for you.

- 1 - 8" half round file
- 1 - 8" flat file
- 1 - 6" square file
- 1 - 6" triangle file
- 1 - 6" round file
- 1 - 4-n-1 Rasp
- 1 - file cleaning brush
- 1 - extra fine diamond plate
- 1 - stick of file chalk
- 1 - small flat coarse grit diamond file
- 1 - small round coarse grit diamond file
- 1 - small triangle coarse grit diamond file
- 1 - small flat medium grit diamond file
- 1 - small round medium grit diamond file
- 1 - small triangle medium grit diamond file
- 1 - small flat fine grit diamond file
- 1 - small round fine grit diamond file
- 1 - small triangle fine grit diamond file

RESOURCE CENTER

BOX SIZE:
17" W x 4" H x 2.75" D
CASE PACK: 4



Wheeler
Engineering
Fine Gunsmithing Supplies

STOCK REFINISHING



BEDROCK™ GLASS BEDDING KIT - #190274

Miles Gilbert™ Bedrock™ makes your rifle's stock and metal components fit together to eliminate shift and pressure points caused by recoil and changes in temperature and humidity. The stock and barreled action becomes a unit, not just two components fitting arbitrarily together. Ideal for wood, laminated, and synthetic stocks, the Bedrock™ Kit contains all the necessary components to achieve the perfect fit. With a 24-hour cure, you're only a day away from a perfect fit and a more accurate rifle. 30 minute working time. Volume: approximately 1.5 cups.

Kit Includes:

- 4 oz Bedrock™ (2 oz resin, 2 oz hardener)
- Brown & Black dye for wood or synthetic gunstocks
- Release Agent
- 2 Release Agent Applicators
- 2 fl oz Micro balloons
- Modeling Clay
- 3 Mixing Cups
- Surgical Tubing
- 3 Mixing/Applicator Sticks
- Illustrated Instruction Booklet



RESOURCE CENTER

BOX SIZE:
4.5" W x 9" H x 2" D
CASE PACK: 4



ADVANCED STOCK RE-FINISH KIT - #139021

Refinishing a gunstock can be a satisfying and rewarding experience. Removing the years of wear or neglect and replacing them with a beautiful, durable finish with your own hands provides a deep sense of fulfillment, and may increase the value of your favorite firearm. The Gunstock Re-Finish Kit matches the very finest finishing materials and supplies with an easy to follow, professionally produced instructional DVD to allow even the first time user the opportunity to produce a masterpiece.

Formula #5 Classic American Oil Finish is the absolute top of the line hand-applied oil finish for walnut gunstocks. It creates a tough, protective, yet attractive appearance that includes options for low, medium or high gloss.

Kit Includes:

- Heavy Duty Finish Remover
- Industrial Grade Sand Paper
- Stock Sealer
- Wood Filler
- Walnut Stain
- Classic Oil Finish
- Pumice & Rottenstone
- Synthetic Steel Wool
- Instructional DVD



RESOURCE CENTER

BOX SIZE:
5.5" W x 9" H x 2" D
CASE PACK: 4

MAGNIFIER VISOR - #639552

- Perfect for checkering, inletting, action work, assembly, or any projects requiring close observation
- Two magnification levels, 1.8x or 2.3x
- Accessory loupe for really close inspection comes standard
- Adjustable padded head strap



RESOURCE CENTER

CASE PACK: 1

RECOIL PAD INSTALLATION FIXTURE #184528



Accurately transfers the toe-line angle and the comb line from the stock to the new recoil pad; also serves as a stable work holding fixture for off-the-stock sanding of the pad. Designed for use with any table-mounted belt or disc sander. Rigid, cast aluminum base and aluminum pad mounting bar.

RESOURCE CENTER

BOX SIZE:
5.5" W x 2.3" H x 2.4" D
CASE PACK: 1

BOG-POD®

TRIPODS • BIPODS • MONOPODS • ACCESSORIES



VERSATILITY DEFINED

BOG-POD

TRIPODS • BIPODS • MONOPODS • ACCESSORIES

We have the platform to fit your specific needs.

The standard in shooting sticks
Our great line of sticks in CAMO
Tactical black for Stealth Ops
Heavy Duty for maximum stability



switcheroo
SHOOTING SYSTEM

Now you can switch out your standard shooting rest with a spotting scope, camera, binoculars, or even one of our advanced shooting systems. The SWITCHEROO® Shooting System allows you to quickly and easily switch between shooting heads or accessory heads.

PROFESSIONALS USE BOG-POD

TRIPODS • BIPODS • MONOPODS • ACCESSORIES



RLD SERIES

The RLD Series is the standard for shooting sticks. Decked out in the original flat black finish with cushioned grips, this series of shooting pods will be rock steady and perform in even the toughest environments.

RLD Series Pods:

- Three-section, high-strength, lightweight aluminum leg with matte black finish
- Includes weather resistant carry bag with allen wrench for adjustments
- Integrated leg stops prevent over extension

RLD-2 BIPOD - #735532

- Height: 22" - 68" usable height when legs are spread
- Weighs approximately 24 oz.
- Legs adjust independently out to 40° angle with adjustable tension
- Use in sitting, kneeling, or standing positions
- Hook & Loop strap for securing legs during transport

RLD-3 TRIPOD - #735533

- Height: 22" - 68" usable height when legs are spread
- Weighs approximately 33 oz.
- Legs adjust independently out to 40° angle with adjustable tension
- Use in sitting, kneeling or standing positions
- Hook & Loop strap for securing legs during transport



switcheroo
SHOOTING SYSTEM



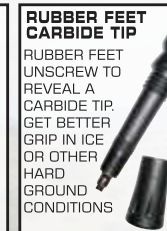
PATENT:
www.BTibrands.com/patents/

RESOURCE CENTER

CLAM SIZE:
7" W x 38.5" H x 2.5" D
CASE PACK: 4



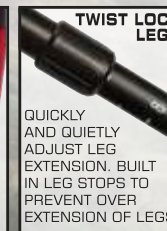
USA™ UNIVERSAL SHOOTING REST™ SWIVELS 360°



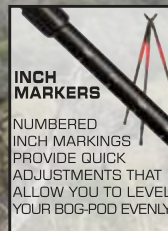
RUBBER FEET CARBIDE TIP
RUBBER FEET UNSCREW TO REVEAL A CARBIDE TIP. GET BETTER GRIP IN ICE OR OTHER HARD GROUND CONDITIONS.



CUSHIONED RED GRIPS
CUSHIONED GRIPS ARE GREAT FOR COLD WEATHER AND OFFER SECURE HAND HOLDS FOR WET WEATHER CONDITIONS.



TWIST LOCK LEGS
QUICKLY AND QUIETLY ADJUST LEG EXTENSION. BUILT IN LEG STOPS TO PREVENT OVER EXTENSION OF LEGS.



INCH MARKERS
NUMBERED INCH MARKINGS PROVIDE QUICK ADJUSTMENTS THAT ALLOW YOU TO LEVEL YOUR BOG-POD EVENLY.

BOG-POD
TRIPODS • BIPODS • MONOPODS • ACCESSORIES

CLD SERIES

The CLD Series builds upon the standard for shooting sticks. Decked out in camouflage with black cushioned grips, Rapid Lock leg adjustment, screw out spike feet and this tripod will be rock steady and ready to perform in even the toughest environments.



switcheroo SHOOTING SYSTEM



PATENT: www.BTibrands.com/patents/



PATENT: www.BTibrands.com/patents/



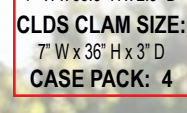
PATENT: www.BTibrands.com/patents/



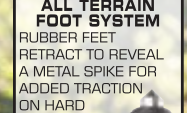
PATENT: www.BTibrands.com/patents/



PATENT: www.BTibrands.com/patents/



PATENT: www.BTibrands.com/patents/



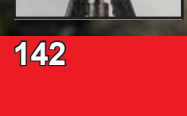
PATENT: www.BTibrands.com/patents/



PATENT: www.BTibrands.com/patents/



PATENT: www.BTibrands.com/patents/



PATENT: www.BTibrands.com/patents/

CLD Series Pods

- Three-section, high-strength, lightweight aluminum leg with matte Camo pattern finish
- Inch markers on middle leg sections help to quickly reach a set height
- Includes weather resistant carry bag with allen wrench for adjustments
- Integrated leg stops prevent over extension

CLD-2 BIPOD #735536

- Height: 22" - 68" usable height when legs are spread
- Weighs approximately 32 oz.
- Legs adjust independently out to 40° angle with adjustable tension
- Use in sitting, kneeling or standing positions

CLD-3 TRIPOD #735535

- Height: 22" - 68" usable height when legs are spread
- Weighs approximately 40 oz.
- Legs adjust independently out to 40° angle with adjustable tension
- Use in sitting, kneeling or standing positions

CLD-3S SHORT TRIPOD #735542

- Height: 6" - 42" usable height when legs are spread
- Weighs approximately 32 oz.
- Legs adjust independently out to 75° angle with adjustable tension
- Use in prone, sitting, or kneeling positions

HD SERIES

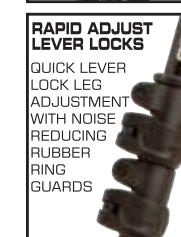
The HD Series is more rigid and robust than our other BOG-POD® lines. 5mm Thicker legs with HD Aluminum connectors make the HD Series rock solid when absolute stability is needed. Screw out spiked feet and textured rubber hand grips make sure you get maximum purchase to Heavy Duty stability.

HD Series Pods

- Three-section, beefed-up, lightweight aluminum legs with matte black finish
- 5mm larger leg tube sizes than standard BOG-POD® shooting platforms
- Includes weather resistant carry bag with allen wrench for adjustments
- Integrated leg stops prevent over extension

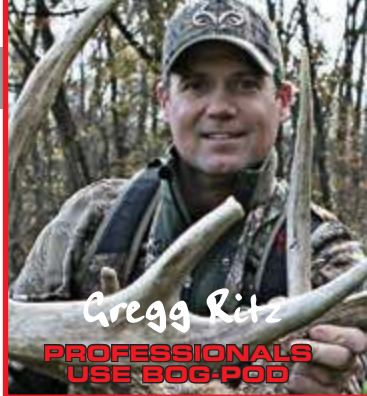
HD-3 TRIPOD - #735557

- Height: 22" - 68" usable height when legs are spread
- Weighs approximately 56 oz.
- Legs adjust independently out to any angle up to 40° with adjustable tension for better control of leg spread
- Use in sitting, kneeling or standing positions



PATENT: www.BTibrands.com/patents/

RESOURCE CENTER
CLAM SIZE:
7.5" W x 39" H x 3.5" D
CASE PACK: 4



TAC SERIES

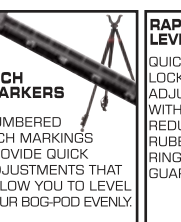
The TAC Series is the standard for Tactical shooting sticks. Decked out in flat black VEL-COAT™ with black cushioned grips, and HD Aluminum connectors, this tripod will be rock steady and perform in even the toughest environments.

TAC Series Pods

- Three-section, high-strength, lightweight aluminum legs with matte black finish
- Includes weather resistant carry bag with allen wrench for adjustments
- Integrated leg stops prevent over extension

TAC-3 TRIPOD - #735540

- Height: 22" - 68" usable height when legs are spread
- Weighs approximately 40 oz.
- Legs adjust independently out to 40° angle with adjustable tension
- Use in sitting, kneeling, or standing positions



switcheroo SHOOTING SYSTEM



PATENT: www.BTibrands.com/patents/

RESOURCE CENTER
CLAM SIZE:
9.5" W x 34" H x 2.5" D
CASE PACK: 4

RESOURCE CENTER

CLD CLAM SIZE:
7" W x 38.5" H x 2.5" D
CLDS CLAM SIZE:
7" W x 36" H x 3" D
CASE PACK: 4

CUSHIONED BLACK GRIPS
ARE GREAT FOR COLD WEATHER AND OFFER SECURE HAND HOLDS FOR WET WEATHER CONDITIONS.

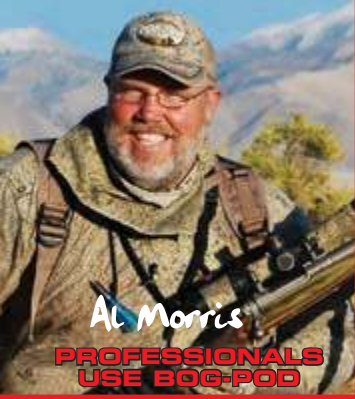
ALL TERRAIN FOOT SYSTEM
RUBBER FEET RETRACT TO REVEAL A METAL SPIKE FOR ADDED TRACTION ON HARD SURFACES

INCH MARKERS
NUMBERED INCH MARKINGS PROVIDE QUICK ADJUSTMENTS THAT ALLOW YOU TO LEVEL YOUR BOG-POD EVENLY.

USR™ UNIVERSAL SHOOTING REST™ SWIVELS 360°

RAPID ADJUST LEVER LOCKS
QUICK LEVER LOCK LEG ADJUSTMENT WITH NOISE REDUCING RUBBER RING GUARDS

SB SERIES



SB-2 BIPOD - #735544

PATENT:
www.BTibrands.com/patents/

The SB-2 is a lightweight, compact bipod designed to provide sportsmen with a steady shooting platform in all conditions. The SB-2 can be used either kneeling or sitting.

- Height: 21" - 40" usable height when legs are spread
- Weighs approximately 19 oz.
- Three-section, lightweight aluminum legs with matte black finish
- High-strength ABS plastic head and leg connectors
- Rapid-adjust twist locks loosen or tighten legs with just a couple of turns
- Removable rubber feet unscrew to a reveal carbide tip for better grip on ice

CUSHIONED RED GRIPS
CUSHIONED GRIPS ARE GREAT FOR COLD WEATHER AND OFFER SECURE HAND HOLDS FOR WET WEATHER CONDITIONS.

USR™ UNIVERSAL SHOOTING REST™ SWIVELS 360°

RESOURCE CENTER
CLAM SIZE:
6.25" W x 38.5" H x 2.5" D
CASE PACK: 4

SB-2C BIPOD - #735563

PATENT:
www.BTibrands.com/patents/

The SB-2C is a lightweight, compact bipod designed to provide sportsmen with a steady shooting platform in all conditions. The SB-2C can be used either kneeling or sitting. The added Camo pattern to the legs provide more concealment and a NEW rubber retention strap holds the SB-2C to the gun for quick gun and bipod repositioning.

- Height: 21" - 40" usable height when legs are spread
- Weighs approximately 19 oz.
- Three-section, lightweight aluminum legs with matte camo finish
- High-strength ABS plastic head and leg connectors
- Rapid-adjust twist locks loosen or tighten legs with just a couple of turns
- Removable rubber feet unscrew to a reveal carbide tip for better grip on ice

RESOURCE CENTER
CLAM SIZE:
6.25" W x 38.5" H x 2.5" D
CASE PACK: 4

CUSHIONED BLACK GRIPS
CUSHIONED GRIPS ARE GREAT FOR COLD WEATHER AND OFFER SECURE HAND HOLDS FOR WET WEATHER CONDITIONS.

USR™ UNIVERSAL SHOOTING REST™ SWIVELS 360°

RETENTION STRAP
RUBBER STRAP SECURES POD ON GUN WHEN MOVING



ACCESSORIES

DSS DEAD SILENT SHOOTING STICKS

The Dead Silent Shooting Sticks bring the same trusted BOG-POD® stability and durability to a collapsible shooting stick platform. The Leg Section Retention clips are movable and adjustable to allow the shooter to fold and clip a leg section to the Shooting Stick. This adjusts the platform to a lower height and keeps the folded leg sections secure and out of the way during transport.

- Sitting model extended height: 39" usable height when legs are spread
- Weighs approximately 11 oz.
- Standing model extended height: 72" usable height when legs are spread
- Weighs approximately 16 oz.
- Improves shooter accuracy
- Durable 9/16" diameter aluminum tubing
- Elastic strap keeps collapsed sticks bound tight and quiet

Leg Section Retention Clip allows the shooter to fold up the legs, lowering the DSS



Standing Model.....#735565
Sitting Model.....#735560

RESOURCE CENTER

SITTING CLAM SIZE:
4.25" W x 21.25" H x 2" D
STANDING CLAM SIZE:
5.25" W x 20.25" H x 2.5" D
CASE PACK: 4

ALL TERRAIN FOOT SYSTEM
RUBBER FEET RETRACT TO REVEAL A METAL SPIKE FOR ADDED TRACTION ON HARD SURFACES

LEG SECTION RETENTION CLIP
RETENTION CLIP ALLOWS YOU TO SHORTEN THE USABLE LENGTH OF THE STICKS

RAPID SHOOTING REST - #110113

The BOG-POD® Rapid Shooting Rest is the perfect compact, collapsible, and portable shooting platform. Easy to store in a backpack, and quick to set up, this rest will give you the accuracy and range you need to make that big game shot on the fly.

- Deployed minimum height: 7" Maximum Height: 11"
- Collapses to 12.8" in length
- Weighs: 21.6 oz
- Ideal for backpackers or hunters that have to hike into their hunts
- Easy to deploy Tripod legs



USR™ UNIVERSAL SHOOTING REST™ SWIVELS 360°

RUBBER NO SLIP FEET
RUBBER FEET INCREASES TRACTION ON MULTIPLE SURFACES

ALUMINUM CONSTRUCTION
DIECAST ALUMINUM FOR RIGIDITY

TWIST LOCK ELEVATION
CENTRAL TWIST LOCK FOR EASY DEPLOYING



switcheroo
SHOOTING SYSTEM



PATENT:
www.BTibrands.com/patents/

NEW FOR 2017

RESOURCE CENTER
CLAM SIZE:
7.25" W x 19.25" H x 2.5" D
CASE PACK: 4



Q-STIK MONOPOD - #735543

PATENT: www.BTibrands.com/patents/

The Q-STIK is the most comprehensive monopod system designed for the outdoor sportsman. The Monopod is robust and has a specially designed ergonomic grip for secure hold and comfort for hiking. A wrist strap keeps the Q-STIK secure in rough terrain. The included Snow Foot helps give purchase on loose ground or deep snow. The Carbide foot is for ice or solid rock.

- Height: 29.5" - 68"
- Weighs approximately 15 oz.
- Three-section, high-strength, lightweight aluminum leg with matte black finish
- Hiker's grip provides comfortable hand support
- Includes weather resistant carry bag with allen wrench for adjustments

Included accessories:

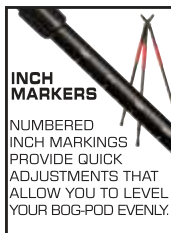
- USR
- Binocular Rest Non-marring
- Camera adapter
- Compass top
- Removable snow disc



switcheroo SHOOTING SYSTEM



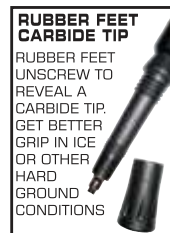
USR™
UNIVERSAL SHOOTING REST™
SWIVELS 360°



INCH MARKERS
NUMBERED INCH MARKINGS PROVIDE QUICK ADJUSTMENTS THAT ALLOW YOU TO LEVEL YOUR BOG-POD EVENLY.



TWIST LOCK LEGS
QUICKLY AND QUIETLY ADJUST LEG EXTENSION. BUILT IN LEG STOPS TO PREVENT OVER EXTENSION OF LEGS.



RUBBER FEET CARBIDE TIP
RUBBER FEET UNSCREW TO REVEAL A CARBIDE TIP. GET BETTER GRIP IN ICE OR OTHER HARD GROUND CONDITIONS.



RESOURCE CENTER
CLAM SIZE:
7" W x 38.5" H x 3.5" D
CASE PACK: 4



Nicole Reeve
PROFESSIONALS USE BOG-POD

XSR XTREME SHOOTING REST - #735539

PATENT: www.BTibrands.com/patents/

- Made of lightweight aluminum
- Two USRs that adjust laterally to accommodate most rifles and shotguns
- Designed for gun to be perfectly balanced over tripod
- Two Hook & Loop safety straps to keep firearm firmly secured to XSR
- Rotates 360 degrees to track target easily
- Size: approximately 15 1/2" long x 2" wide
- Weighs approximately 18 oz.



Pat Reeve
PROFESSIONALS USE BOG-POD



switcheroo SHOOTING SYSTEM



Switch one out... Insert another.

RESOURCE CENTER
CLAM SIZE:
8" W x 22" H x 3" D
CASE PACK: 4

SSC SUPER STEADY COMBO - #735550

The SSC features three of our most popular items in one Super Steady Combo pack:

RLD-3 + XSR + USR

Combine all 3 of our most popular products into one super steady shooting platform. The RLD-3 has red cushioned grips, independently adjustable legs with inch markers and is built of lightweight but durable aluminum. The XSR is designed for the gun to be perfectly balanced over tripod. It has 2 laterally adjustable USRs to accommodate most any rifle or crossbow. The USRs on the XSR are wide to accept most any stocks and have non-marring rubber inserts to keep the rifle from sliding around.



switcheroo SHOOTING SYSTEM



Switch one out... Insert another.

RESOURCE CENTER
CLAM SIZE:
11" W x 38.5" H x 3.25" D
CASE PACK: 2

PATENT: www.BTibrands.com/patents/



Melissa Bachman
PROFESSIONALS USE BOG-POD



Guy Eastman
PROFESSIONALS USE BOG-POD



PGA PROFESSIONAL CAMERA ADAPTER - #735546

- Pistol-grip style ball head allows for one-hand operation
- Quick-change stem on bottom attaches to BOG-POD® shooting sticks with Switcheroo® Shooting System
- Top Lever release lock to prevent accidental lever release
- Accessory plate has 1/4"-20 and 3/8"-16 thread bushings to fit most mounts
- Weighs approximately 21 oz.

switcheroo SHOOTING SYSTEM



RESOURCE CENTER
CLAM SIZE:
8" W x 16.5" H x 3.5" D
CASE PACK: 4



SSA SPOTTING SCOPE ADAPTER - #735561

The BOG-POD® SSA clamps securely to a vehicle window to provide a steady viewing platform. The adjustment handle allows the SSA to glide smoothly and can be locked down securely. The SSA clamp is wide enough to attach to tree stands, in box blind windows and on security bars up to 1" thick. The rotating head has the BOG-POD® Switcheroo® System incorporated so it can easily be installed to any BOG-POD Tripod.

- 2 piece design allows you to put a USR on the clamp base or mount the 2 Way head any BOG-POD® tripod
- Accessory plate is 1 5/8" x 2" in size fits most common camera mounts
- 3/16-24 and 1/4-20 thread bushings

switcheroo SHOOTING SYSTEM



RESOURCE CENTER
CLAM SIZE:
10" W x 12.5" H x 3.5" D
CASE PACK: 4



SCA STANDARD CAMERA ADAPTER - #735549

- Adjustable SCA head rotates easily with smooth action
- Quick-change stem on bottom attaches to BOG-POD® shooting sticks with Switcheroo® Shooting System
- Top Lever release lock to prevent accidental lever release
- Accessory plate has 1/4"-20 and 3/8"-16 thread bushings to fit most mounts
- Weighs approximately 14 oz.

switcheroo SHOOTING SYSTEM



RESOURCE CENTER
CLAM SIZE:
7" W x 14.5" H x 3" D
CASE PACK: 4



USR UNIVERSAL SHOOTING REST - #735538

The USR or Universal Shooting Rest is designed to be an alternate or replacement shooting rest for any BOG-POD® shooting stick. The USR will provide the very same 360° head rotation that your original USR offered. Switcheroo® System compatible, it is designed to fit very snugly into the center hole of the shooting stick's head for no wobble performance. Weighs 4 oz.

switcheroo SHOOTING SYSTEM



RESOURCE CENTER
CLAM SIZE:
9.5" W x 10" H x 1.5" D
CASE PACK: 4



PATENT:
www.BTBrands.com/patents/



Mike Pelletier
PROFESSIONALS
USE BOG-POD

BSB SUPER STEADY SADDLEBAG #735559

PATENT:
www.BTibrands.com/patents/

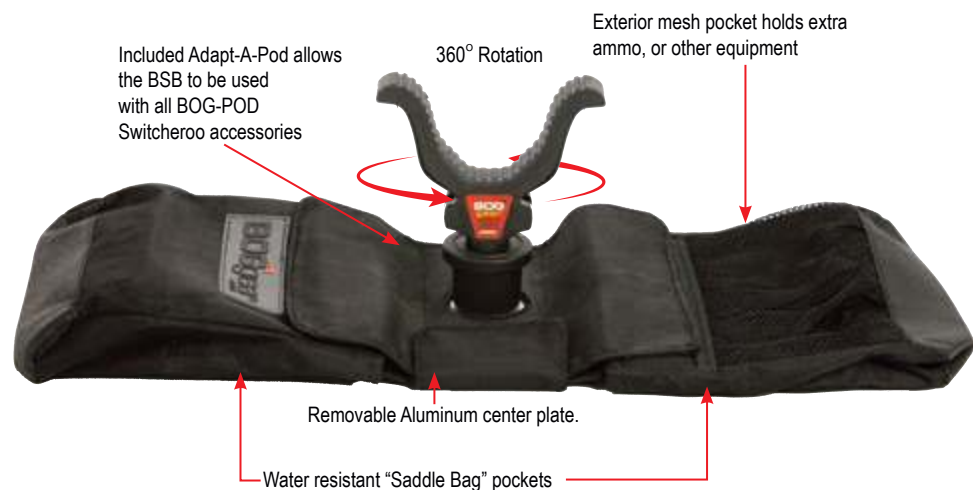
- Made of high density nylon to hold up in harsh conditions
- Two, velcro-secured side pockets to hold weight/filling
- Removable, aluminum base plate which can be directly secured to various surfaces with screws or zip ties
- Exterior mesh pocket for holding extra ammo or BOG-POD® accessories
- Rubber mat on bottom prevents saddlebag from slipping
- Weighs approximately 16 oz. with mounted USR

BSB Includes:

- BSB outer nylon bag
- USR Universal Shooting Rest
- Adapt-A-Pod
- Heavy duty plastic bags for use with your choice of filling
- Internal thick aluminum mounting plate



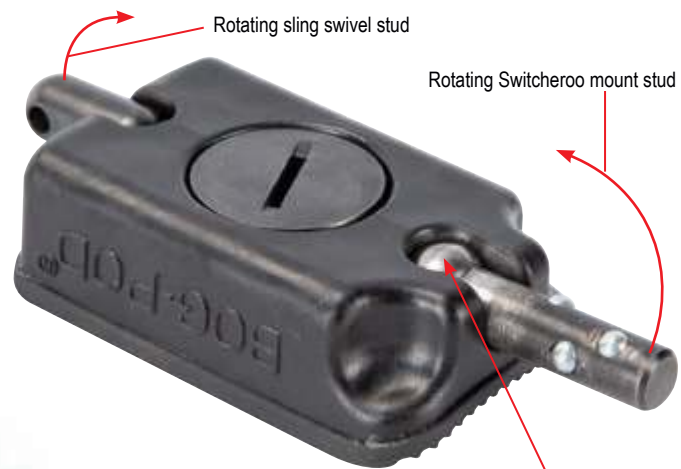
RESOURCE CENTER
CLAM SIZE:
7" W x 14" H x 3" D
CASE PACK: 4



SSM SLING SWIVEL MOUNT - #735562

The SSM mounts directly to your rifle sling swivel stud. One end of the SSM can be mounted to any Switcheroo® compatible BOG-POD®. The other end is a sling swivel stud, allowing you to mount your sling while the SSM is attached. Once the SSM is mounted to a BOG-POD® it will stay mounted even if you pick up your rifle. Now you can move your rifle, POD attached, for quick target re-acquisition.

RESOURCE CENTER
CLAM SIZE:
5" W x 5.75" H x 1.25" D
CASE PACK: 4



Ball joint allows gun to be leveled on BOG-POD®

SSM fits standard round swivel studs ONLY.



ADAPT₂ - #735537

2 PACK

- ADAPT₂ quick release plate is 1 5/8" x 2" in size and comes with a standard 1/4"-20 camera screw and a 3/8"-16 adapter screw
- Attach the Adapt2s to any number of other accessories making them easily usable with the SCA or PCA.

RESOURCE CENTER
CLAM SIZE:
4.5" W x 10" H x 1.5" D
CASE PACK: 8



Joe Sir
PROFESSIONALS
USE BOG-POD

ADAPT-A-POD - #735554

The ADAPT-A-POD allows you to use BOG-POD® accessories with any standard monopod, bipod or tripod.

Adapt-a-Pod secures BOG-POD accessories

Standard Tripod

RESOURCE CENTER
CLAM SIZE:
4.5" W x 6.5" H x 2.5" D
CASE PACK: 4



BBR BOG-POD® BINOCULAR REST - #735547

PATENT:
www.BTibrands.com/patents/

- Made of high-strength, lightweight ABS plastic
- Rubber-covered platform protects binoculars and prevents slipping
- Adjustable Heavy Duty rubber strap secures binoculars to platform
- Fits most brands of binoculars ranging in size from 7x to 20x
- Works with any tripod, bipod or monopod with a mounting bolt
- Includes a 3/8"-16 thread and 1/4"-20 size bushing
- Includes a Switcheroo® System stem for mounting BOG-POD® platforms
- Can be mounted on SCA or PCA accessory
- Size: approximately 3 1/4" deep x 6" wide x 3/4" tall
- Weighs only 7 oz.

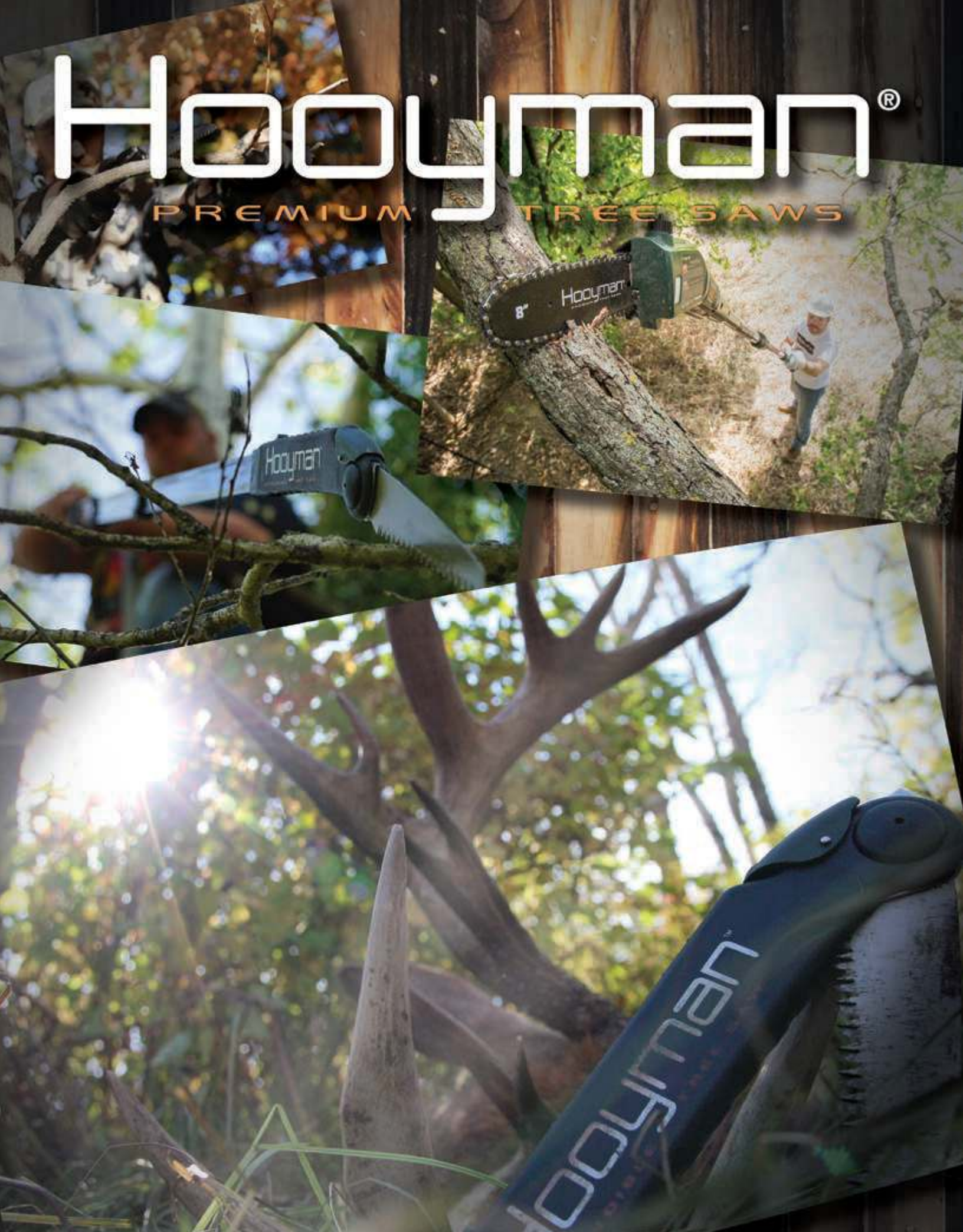


RESOURCE CENTER
CLAM SIZE:
10" W x 8.5" H x 4" D
CASE PACK: 4



Hooyman®

PREMIUM TREE SAWS



Hooyman®

PREMIUM TREE SAWS



MegaBite™
XP

Hooyman® saws use a high carbon SK5 steel in a tapered blade design, combined with an impulse hardened 4 edge tooth that has improved tooth geometry for unmatched cutting performance and a longer cutting life.

We believe serious outdoorsman demand superior performance within the gear they bring afield. Here at Hooyman®, we engineer all our products knowing passionate hunters rely on technologically advanced tools to enhance their success in the woods. We don't settle for second best and refuse to sacrifice innovation for "standardized" necessity. That is precisely why we manufacture the best and most eclectic premium tree saws, handsaws, cutting and pruning accessories on the market.

All our premium tree saws feature a compact ergonomic design, high carbon SK5 tapered MegaBite™ XP blades and a rock solid aluminum I-Beam construction. We offer extendable pole saws in a 5 foot, 10 foot and our all new 16 foot model. If unmatched cutting performance, rock solid durability and a rigid design is what you seek within a premium pole saw we have you covered!

EXTENDS FROM 12" TO 5 FEET

EXTENDS FROM 28" TO 10 FEET

EXTENDS FROM 48" TO 16 FEET





5 FOOT EXTENDABLE TREE SAW - #655226

- Lock back blade
- Extends to 5 feet
- Collapses to 12"
- I-beam aluminum construction
- MegaBite™ XP 4-edge tooth design
- Premium high carbon steel blade
- Positive locking extension system

5ft saw replacement case #655228.....Case Pack of 1
 Replacement saw blade #655230.....Case Pack of 1
 Works on 5 & 10 ft extendable saws

RESOURCE CENTER
CLAM SIZE:
 11.25" W x 12" H x 3.35" D
CASE PACK: 6

Premium high carbon steel MegaBite™ XP blade

Hooyman® saws use high carbon SK5 steel combined with an impulse hardened 4 edge tooth MegaBite™ XP design for unmatched cutting and a longer cutting life



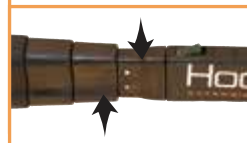
I-Beam Aluminum Construction

The extension arms on the Hooyman® saw are constructed of aircraft grade aluminum in a super strong I-beam configuration. They are lightweight, sturdy and strong



In-line design

The folding saw slides and locks into the extension arm with a clever in-line channel groove for a remarkably tight connection



10 FOOT EXTENDABLE TREE SAW - #655227

- Lock back blade
- Extends to 10 feet
- Collapses to 28"
- I-beam aluminum construction
- MegaBite™ XP 4-edge tooth design
- Premium high carbon steel blade
- Positive locking extension system

RESOURCE CENTER
CLAM SIZE:
 11.25" W x 30" H x 3.35" D
CASE PACK: 6

16 FOOT EXTENDABLE TREE SAW - #655232

- Lock back blade
- Extends to 16 feet
- Collapses to 48"
- I-beam aluminum construction
- MegaBite™ XP 4-edge tooth design
- Premium high carbon steel blade
- Positive locking extension system
- 12" curved blade

RESOURCE CENTER
CLAM SIZE:
 11.25" W x 50" H x 3.35" D
CASE PACK: 6

EXTENDABLE TREE SAW LOPPER ATTACHMENT - #655233

The Hooyman® Lopper Attachment is the perfect addition to your Extendable Tree Saw. Smaller limbs are hard to saw, the Lopper attachment makes short work of them while utilizing the extending pole of your tree saw. The Lopper Attachment attaches just like your saw does and comes with a long actuation rope making it usable even with our largest 16ft Pole Saw.

- Fits all Hooyman® extendable Tree Saw Poles
- Blade made of SK5 Steel
- 2.25" Curved Bypass Cutting Blade
- Cuts branches up to 1.5" in diameter
- Includes a carrying case that can be attached to the pole saw for easy transport



RESOURCE CENTER
CLAM SIZE:
 8.1" W x 22" H x 4.5" D
CASE PACK: 6



2.25" cutting blade
 Scissor blade cuts branches up to 1.5" thick

Actuation rope
 Long rope has adjustable length handle for easy use

RATCHET PRUNER - #110144

- Ratcheting Mechanism provides 10 times the cutting force
- High-Strength Anodized Aluminum Frame
- Ultra-Strong SK5 High-Carbon Steel Blade
- Black Teflon Blade coating for smooth, easy cuts
- Quick-Detach Folding Saw in handle
- Aggressive MegaBite™ XP 4-edge tooth design

RESOURCE CENTER
CLAM SIZE:
 7.5" W x 11.3" H x 1.2" D
CASE PACK: 6

NEW FOR 2017

2 TOOLS IN ONE
 DETACHABLE FOLDING SAW



Aluminum construction
 lightweight and strong

Push button detachment
 a simple push of a button detaches saw from pruner

Lock back saw button
 locks blade open or closed

High carbon steel saw blade
 same premium components as the famous Hooyman® Extendable Saw!

CORDLESS 40V LITHIUM POLE SAW

The Hooyman® 40v Lithium Ion Cordless Pole Saw is the perfect tool for trimming, clearing brush and shooting lanes, and prepping your stand before season. Collapsing down into a 48" carry bag makes this saw ideal for easily strapping to a 4 wheeler or ATV for transport. The 40v LI-ION battery has a long run time and the high torque motor ensures that this saw can tackle larger limbs with ease. You can even purchase an extension bar to increase the reach of this saw by 3.5 feet! Battery and charger included.

- #655236 - Cordless 40 Volt Lithium Pole Saw..... #655236..... Case Pack of 1
- #655237 - Spare 40 Volt Lithium Battery #655237..... Case Pack of 4
- #655238 - Pole Saw Replacement Chain Bar #655238..... Case Pack of 4
- #655239 - Pole Saw Spare Chain..... #655239..... Case Pack of 4
- #110051 - Pole Saw 3.5 ft Extension #110051..... Case Pack of 4



40V
LITHIUM-ION
(⚡)

RESOURCE CENTER
POLE SAW
BOX SIZE:
11.25" W x 44.5" H x 5.25" D
CASE PACK: 1

Product Specifications

Model. 655236
 Battery 40V Max Lithium-Ion
 Extended Length 10'
 Collapsed Length 48"
 Chain Type. 33 drive links, 3/8" LP
 Length of bar 8"
 Unit Weight 9.7lbs
 Motor. In-line
 Extended length (WITH ext. bar) 13.5'
 Run time up to 70 min.



40V LITHIUM ION BATTERY

- Up to 70 minutes of power
- 40-Volt high power rechargeable 2Ah Lithium-Ion battery
- LED charge indicators
- Charges in approx. 60 minutes
- Weight: 1.1lbs/0.7kgs
- 40% longer life than conventional batteries



In-line 8" Saw



Heavy duty 8" chain saw for large branches. Angled head design to prevent binding while cutting.

Auto-Oiler



The Saw is equipped with an auto oiler and a clear view window so you can check the oil level easily

16' Of Reach



With all 3 sections attached the pole saw extends to 10' allowing around 16' of reach. Additional pole section available to extend reach to 20'.

Ergonomic Design



Ergonomic grips provide a comfortable and secure hold for a long day of use.

40V 2AH BATTERY



Delivers longer run time, higher performance and fade-free power with no memory loss. Snaps in and out of saw easily and includes a battery charge indicator for power level checks. Charge time: 60 minutes.

Under 10lbs.



Made of light weight yet durable material the pole saw weighs in under 10lbs.

Compact Design



Separating into 3 sections the pole saw breaks down to 48" in length and stores conveniently inside the provided carrying bag.



Highly Portable



Weighing under 10lbs and collapsing down to 48" the pole saw becomes an ultra portable power saw with the provided carrying case.

MEGABITE™ HUNTER'S COMBO - #110143

40% FASTER
THAN CONVENTIONAL HANDSAWS

8" + WOOD BLADE
BONE BLADE



NEW FOR 2017

- 2 Aggressive 8" MegaBite™ XP 4-edge tooth blades, cuts fast and clean.
- High-Carbon SK5 hard chrome plated blades stay sharp cut after cut.
- Interchangeable design lets you switch between bone blade and wood blade easily.
- Includes 2 blades, handle and nylon sheath
- MegaBite™ Bone Blade quickly and easily cuts bone and other material
- XP tooth design easily cuts meat and hide without clogging

Premium hard chrome plating MegaBite™ XP blades

Hooyman® saws use a high carbon SK5 hard chrome plated blade in a tapered design, with an impulse hardened 4 edge tooth. This improves tooth geometry for unmatched cutting performance and a longer cutting life.



RESOURCE CENTER
CLAM SIZE:
4.8" W x 14" H x 1.2" D
CASE PACK: 6

MEGABITE™ HANDSAWS

Hooyman® saws use a high carbon SK5 steel in a tapered blade design, with an impulse hardened 4 edge tooth. This improves tooth geometry for unmatched cutting performance and a longer cutting life. MegaBite™ handsaws provide two locking positions for use in a standard cutting position and hyper extended position to provide a wide variety of cutting methods.

- MegaBite™ Compact folds down to 6.5"
- MegaBite™ Compact has a 6" blade
- MegaBite™ folds down to 9.5"
- MegaBite™ has an 8" blade
- 2 position lock back blade
- MegaBite™ XP 4-edge tooth design
- Premium high carbon steel blade
- Ergonomic rubber overmolded handle

RESOURCE CENTER
CLAM SIZE:
7.8" W x 16.2" H x 1.3" D
CASE PACK: 6

- MegaBite™#110050
- MegaBite™ Compact.....#110049



HAND SAWS

SURVIVAL RING SAW - #110104

- Cuts wood, plastic, bone and soft metals
- Light-weight pocket sized steel wire saw
- Designed to cut in both stroke directions
- Cuts through 4" diameter logs with ease
- Length: 27.5"

Large rings let you add a stick or rod for added grip



RESOURCE CENTER

CLAM SIZE:

4.3" W x 7.1" H x 0.6" D

CASE PACK: 4

Steel wire is designed to cut in both stroke directions



HAND HELD CHAIN SAW - #110052

- Light-weight pocket sized chain saw with carrying case
- High-strength, heat-treated steel
- Cuts through 4" diameter logs easily
- Nylon webbed hand loops
- Chain length: 25.5"
- Weight: 4.25 ounces

Nylon Handles - For a secure grip

39.5" Total Length



Carrying Case - With belt loop

RESOURCE CENTER

CLAM SIZE:

5.5" W x 10.4" H x 0.9" D

CASE PACK: 4

Chain saw teeth are designed to cut in both stroke directions



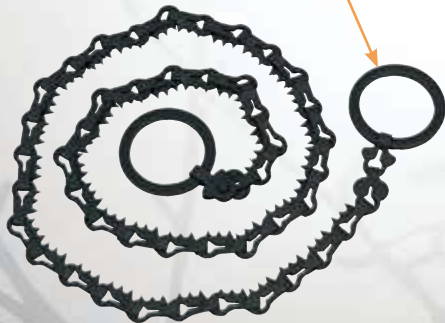
MICRO CHAIN SAW - #110105

- Light-weight pocket sized chain saw
- Cuts through 2" diameter logs easily
- High-strength, heat-treated steel
- Chain length: 18.5"

Carrying Case - With key chain ring



Steel ring handles let you add a stick or rod for increased grip



RESOURCE CENTER

CLAM SIZE:

6.1" W x 12.1" H x 1" D

CASE PACK: 4

Chain saw teeth are designed to cut in both stroke directions



HIGH LIMB CHAIN SAW WITH ROPE - #110103

- High-strength, heat-treated steel
- Dual sided teeth for cutting on either side
- Cuts through 6" diameter logs easily
- Chain length: 49.5"
- Can reach limbs up to 28' high

High Limb Throw Bag - Fill the throw bag with sand, rocks, or dirt, then attach using the carabiner to one handle of the rope. Toss the bag high and over the limb that will be cut.



RESOURCE CENTER

CLAM SIZE:

11" W x 17.4" H x 3" D

CASE PACK: 4

Chain saw teeth are designed to cut in both stroke directions and both sides of the chain



HotZone™ DEER EXCLOSURE SYSTEM



HOTZONE™ DEER EXCLOSURE SYSTEM - #717100

The Hot Zone™ Deer Exclosure System is a complete kit that allows you to manage browse pressure on your food plots to ensure maximum plot success. Over browsing can cause limited plot production or even complete plot failure. Protect your investment of time, money and labor in plot establishment. Maintain control over when deer can access any particular food source. Once a food plot reaches proper maturity and can withstand heavy browse pressure, the system can be easily deactivated to allow deer access.

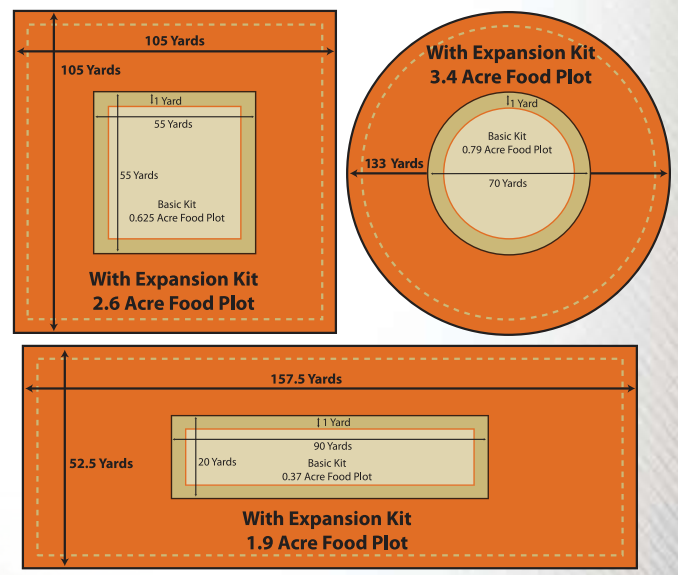
- Protects up to 3/4 acre
- System sets up and takes down quickly
- Includes all components except 12 volt deep cycle battery
- Integrated solar charging system allows for use in remote area
- Dual perimeter electrification reliably deters deer

HotZone DES Includes:

- Energizer 1
- Solar Panel 1
- 7/8" Post 8
- 1/2" Post 32
- Wire 460 yards
- Tape 230 yards
- Post Pins 65
- Wire Tensioners 3
- Ground Rod 1
- Voltage Tester 1
- Instructions 1



The HotZone DES can cover up to a 220 yard perimeter.
With the Expansion Kit up to 420 yard Perimeter!



HotZone DES Expansion Kit..... #717122..... Case Pack of 1
Up to 420 yds. of perimeter! (Shown in Orange)

HotZone Energizer Unit..... #717133..... Case Pack of 2

HotZone DES Package: 49" w x 9" h x 12.5" d
Weighs 57/lbs.

PROTECT YOUR INVESTMENT WITH THE BEST DUAL PERIMETER FENCE ON THE MARKET!



Battenfeld[®]

Technologies, Inc.

