

Augusta

designer planter



Indoor/Outdoor Use
4-Seasons
UV Protected
Shock Resistant

CONTENTS: 1 planter with removable tray

MATERIAL: Polyethylene

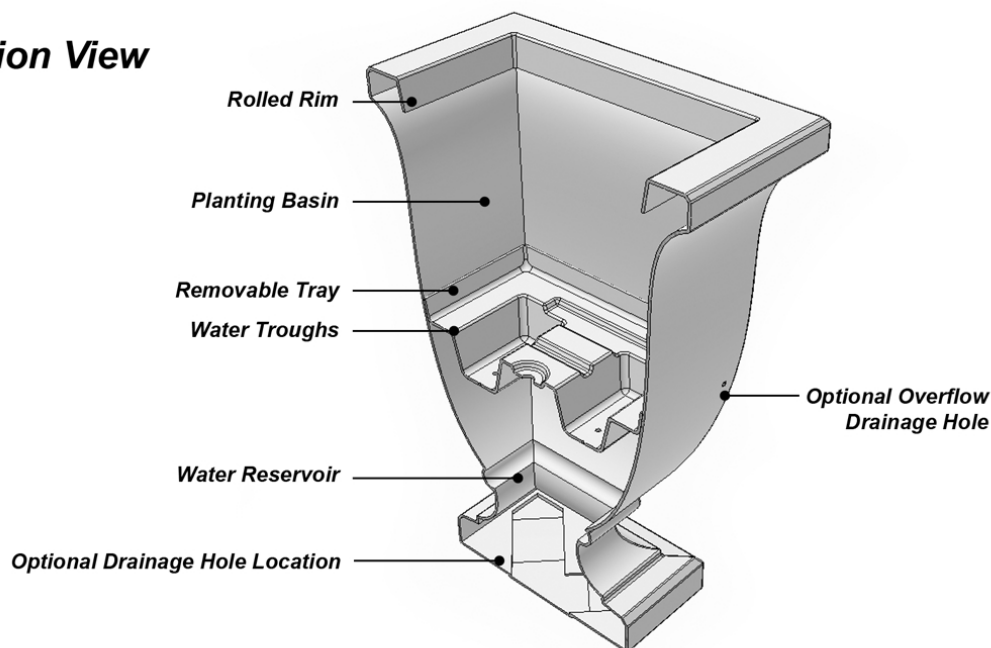
IMPORTANT NOTES:

- Drainage holes are not pre-drilled. They can be drilled in the desired location depending on the intended use of the planter. See instructions on the reverse side for more details.
- Lightweight fillers and potting mixes are recommended for optimal plant growth. Avoid using heavy fillers such as stone or gravel.

GENERAL INFORMATION:

- Molded from durable, all-weather polyethylene.
- The polyethylene construction is designed to withstand cold temperatures but winter storage in a shed or garage is recommended in extremely cold conditions.
- Drainage holes are required when using the planter outdoors.
- Rinse clean with a garden hose; for a deeper clean, use a power washer.
- **15-year** warranty for residential use, **5-year** warranty for commercial use.

Section View



For customer service inquiries email customerservice@gomayne.com or call toll free at 866-363-8834 (available Monday through Friday, 8am-5pm EST).

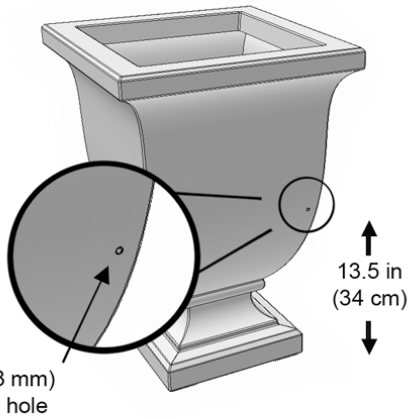
Planting instructions

Drainage Holes:

Depending on the intended use of the planter, drainage holes need to be drilled in different locations.

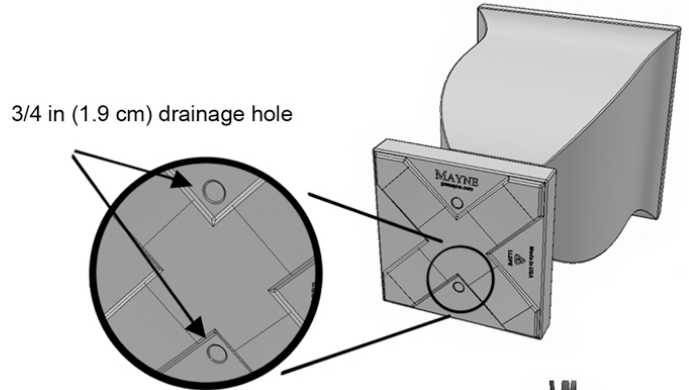
OPTION #1:

To utilize the water reservoir feature, drill a 1/4 in (6.3 mm) diameter hole 13.5 in (34 cm) up from the bottom of the planter. A divot marks the location as shown below. The overflow helps maintain ideal water levels and avoid oversaturation of the soil.



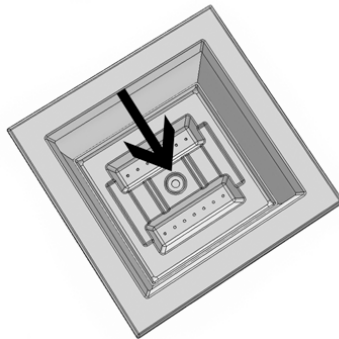
OPTION #2:

To use the planter as a regular container planter, drill two holes in the bottom of the planter to allow for drainage. This option is also recommended when inserting potted plants. For added support fill the base with gravel.



Removable Tray

For removal, press firmly toward one side and use the center finger hole to lift up the tray.



False Bottom

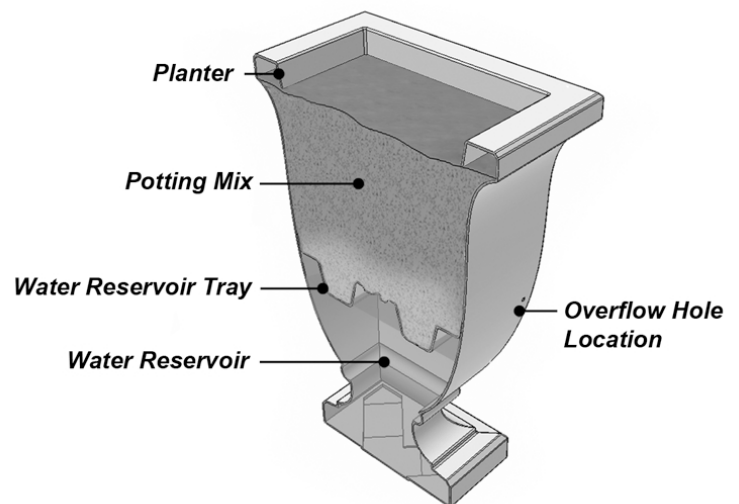
Leave the tray in place to set a potted plant. Flip the tray upside down to gain some extra height.



Add gravel to base for added support

Sub-Irrigation System

The Augusta Planter includes a water trough insert creating a reservoir at the bottom of the planter. Capillary action allows water in the reservoir to soak upward, keeping the soil and plant roots moist. To avoid oversaturation, an overflow hole is located in the side of the planter to allow excess water to drain freely from the reservoir. Regular watering is required for the first few weeks, giving the root system time to develop. Please note that due to the height of the planter, the root system on some plants may not fully reach the water trough, so regular watering may be required for a longer period of time.



Water Reservoir

There is no need to pre-fill the water reservoir, it will naturally fill up with regular watering during the first few weeks.