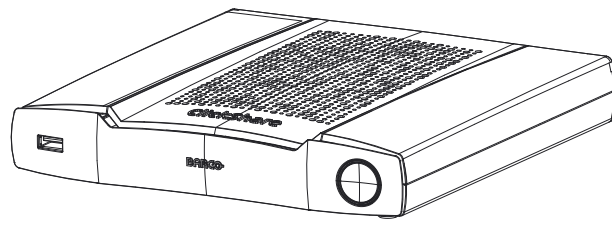


ClickShare CSE-200+



User guide

Barco NV

Beneluxpark 21, 8500 Kortrijk, Belgium
www.barco.com/en/support
www.barco.com

Registered office: Barco NV

President Kennedypark 35, 8500 Kortrijk, Belgium
www.barco.com/en/support
www.barco.com

Copyright ©

All rights reserved. No part of this document may be copied, reproduced or translated. It shall not otherwise be recorded, transmitted or stored in a retrieval system without the prior written consent of Barco.

Trademarks

USB Type-C™ and USB-C™ are trademarks of USB Implementers Forum.

Trademarks

Brand and product names mentioned in this manual may be trademarks, registered trademarks or copyrights of their respective holders. All brand and product names mentioned in this manual serve as comments or examples and are not to be understood as advertising for the products or their manufacturers.

HDMI Trademark Notice



The terms HDMI, HDMI High Definition Multimedia Interface, and the HDMI Logo are trademarks or registered trademarks of HDMI Licensing Administrator, Inc.

Product Security Incident Response

As a global technology leader, Barco is committed to deliver secure solutions and services to our customers, while protecting Barco's intellectual property. When product security concerns are received, the product security incident response process will be triggered immediately. To address specific security concerns or to report security issues with Barco products, please inform us via contact details mentioned on <https://www.barco.com/psirt>. To protect our customers, Barco does not publically disclose or confirm security vulnerabilities until Barco has conducted an analysis of the product and issued fixes and/or mitigations.

Patent protection

Please refer to www.barco.com/about-barco/legal/patents

Guarantee and Compensation

Barco provides a guarantee relating to perfect manufacturing as part of the legally stipulated terms of guarantee. On receipt, the purchaser must immediately inspect all delivered goods for damage incurred during transport, as well as for material and manufacturing faults Barco must be informed immediately in writing of any complaints.

The period of guarantee begins on the date of transfer of risks, in the case of special systems and software on the date of commissioning, at latest 30 days after the transfer of risks. In the event of justified notice of complaint, Barco can repair the fault or provide a replacement at its own discretion within an appropriate period. If this measure proves to be impossible or unsuccessful, the purchaser can demand a reduction in the purchase price or cancellation of the contract. All other claims, in particular those relating to compensation for direct or indirect damage, and also damage attributed to the operation of software as well as to other services provided by Barco, being a component of the system or independent service, will be deemed invalid provided the damage is not proven to be attributed to the absence of properties guaranteed in writing or due to the intent or gross negligence or part of Barco.

If the purchaser or a third party carries out modifications or repairs on goods delivered by Barco, or if the goods are handled incorrectly, in particular if the systems are operated incorrectly or if, after the transfer of risks, the goods are subject to influences not agreed upon in the contract, all guarantee claims of the purchaser will be rendered invalid. Not included in the guarantee coverage are system failures which are attributed to programs or special electronic circuitry provided by the purchaser, e.g. interfaces. Normal wear as well as normal maintenance are not subject to the guarantee provided by Barco either.

The environmental conditions as well as the servicing and maintenance regulations specified in this manual must be complied with by the customer.

Barco ClickShare Product Specific End User License Agreement¹

THIS PRODUCT SPECIFIC USER LICENSE AGREEMENT (EULA) TOGETHER WITH THE BARCO GENERAL EULA ATTACHED HERETO SET OUT THE TERMS OF USE OF THE SOFTWARE.

¹: In the event of any differences or inconsistencies between translations of the EULA and the English text of the EULA, the English text will prevail.

PLEASE READ THIS DOCUMENT CAREFULLY BEFORE OPENING OR DOWNLOADING AND USING THE SOFTWARE.

DO NOT ACCEPT THE LICENSE, AND DO NOT INSTALL, DOWNLOAD, ACCESS, OR OTHERWISE COPY OR USE ALL OR ANY PORTION OF THE SOFTWARE UNLESS YOU CAN AGREE WITH ITS TERMS AS SET OUT IN THIS LICENSE AGREEMENT.

1. Entitlement

Barco ClickShare (the "Software") offered as a wireless presentation solution that includes the respective software components as further detailed in the applicable Documentation.

The Software can be used upon purchase from, and subject to payment of the relating purchase price to, a Barco authorized distributor or reseller of the ClickShare base unit and button or download of the authorized ClickShare applications (each a "Barco ClickShare Product").

- **Term**

The Software can be used under the terms of this EULA from the date of first use of the Barco ClickShare Product, for as long as you operate such Barco ClickShare Product.

- **Deployment and Use**

The Software shall be used solely in association with a Barco ClickShare Product in accordance with the Documentation issued by Barco for such Product.

2. Support

The Software is subject to the warranty conditions outlined in the Barco warranty rider. Maintenance, including the provision of upgrades and updates to the Software, and helpdesk support are available at your option on the terms of Barco's then current warranty rider.

Higher maintenance and support levels can be obtained at the moment of product sale or during the Barco ClickShare Product and/or Software warranty term.

Higher maintenance and support levels may be included in the initial transaction if ordered and paid for additionally. It is strongly suggested to maintain the maintenance and support agreement without interruption. Barco reserves the right not to restart maintenance following an interruption by the customer.

3. Terms of Use

The Software can be used as set out in the Barco EULA attached hereto.

The provisions of this Product Specific EULA override the Barco generic EULA in case of conflicts or inconsistencies.

In case of (inadvertent or other) non-compliance (e.g. where the actual use overshoots the use authorized hereunder), Barco shall have the option to suspend access to the Software until the non-compliance is remedied, failing of which Barco may terminate the License Agreement as set out herein.

4. Privacy

You are controller for personal data which are being processed via the Software. Therefore, you remain solely responsible for complying with all applicable data protection laws and for implementing and maintaining privacy protection and security measures (especially for components that you provide or control). Barco disclaims any liability in this regard.

Barco created a specific privacy policy for the ClickShare software application for mobile devices, which describes the processing of personal data via this application (

<http://www.barco.com/en/about-barco/legal/privacy-policy/clickshare-app>).

5. Other Terms

- **Open Source components**

The Software contains software components released under an Open Source license.

A list of the third party components used is available in the Software's README files, through the "My Barco" section of the Barco website or through other (online) means. The applicable license terms, copyright notices and, as relevant, source code access conditions apply as set out in the Barco EULA attached hereto.

- **Retention of data**

Barco right to use and retain Functional Information (section 10.2 of the EULA) shall survive the term of this EULA.

BARCO END USER LICENSE AGREEMENT¹

By accepting these terms (through tick box or other mechanism designed to acknowledge agreement to the terms of an electronic copy of this License Agreement), or by installing, downloading, accessing, or otherwise copying or using all or any portion of the Software (as defined below), (i) you accept this License Agreement on behalf of the entity for which you are authorized to act (e.g., your employer) and you agree to act in a manner consistent with this License Agreement (or, if there is no such entity for which you are authorized to act, you accept this License Agreement on behalf of yourself as an individual and acknowledge that you are legally bound by this Agreement), and (ii) you represent and warrant that you are duly empowered by the end user in case you act on behalf of such entity.

These terms apply to your use of the Software as of and for the original Term of your license. When you renew or purchase an additional license, the then current version of this License Agreement shall apply and will remain unchanged during the term of that license and/or in respect of such changed elements. The other contract documents (Product Specific EULA; Maintenance and Support Agreement, if and when provided alongside with this document) applies in addition to these terms and constitute the entire License Agreement. You acknowledge that an electronic copy of this Agreement shall have the same proving value as a hard copy signed by the parties.

If you are unwilling to accept this License Agreement on these terms, or you do not have the right, power and authority to act on behalf of and bind such entity (or yourself as an individual if there is no such entity), DO NOT SELECT THE "I ACCEPT" BUTTON OR OTHERWISE CLICK ON ANY BUTTON OR OTHER MECHANISM DESIGNED TO ACKNOWLEDGE AGREEMENT, AND DO NOT INSTALL, DOWNLOAD, ACCESS, OR OTHERWISE COPY OR USE ALL OR ANY PORTION OF THE SOFTWARE.

1. Definitions

"Affiliate" means any corporation or other entity directly or indirectly, controlling, controlled by or under common control with such corporation or entity. For the purpose of the above, "control" shall mean (i) the ownership or control, directly or indirectly, of fifty percent (50%) or more of the equity capital or the shares or voting rights in the corporation or other entity in question or (ii) the control of the composition of the board of directors of the corporation or other entity in question.

"Barco" means Barco NV (company number 0473.191.041) with company address at Beneluxpark 21, 8500 Kortrijk, Belgium, or its designated Affiliate licensing to you the proprietary software which is the subject matter of this Agreement.

"Documentation" means all technical, reference and installation manuals, user guides, published performance specifications and other written documentation provided by Barco generally to its licensees with respect to the Software, along with any modifications and updates thereto;

"DRM" means Barco's digital rights management platform used to provide access to and access conditions of the Software.

"License Agreement" means this Barco End User License Agreement (EULA), incorporating the terms of the Product Specific EULA, and any modifications thereof as set out herein.

"Product Specific EULA" means the supplemental software terms applicable

"Software" means the computer software, released in object code only, which is being licensed hereunder, as described in the applicable purchase order and related Product Specific EULA.

"Term" means the period set out in article 9.1 hereof, as well as any agreed renewal period.

"you" means the entity on behalf of which these terms are accepted, and any of its representatives having access to the Software.

2. License Grant

2.1 '*License Scope*'. Subject to compliance with all license terms and payment of applicable fees, Barco grants you a limited, non-exclusive, non-assignable, non-transferable, non-sub-licensable license to use the Software exclusively in accordance with the conditions and parameters set forth herein. Save for the Product Specific EULA or any broader license terms confirmed through the DRM tool, the license under this License Agreement applies to one (1) copy of the Software to be used on one single computing device by one (1) single user. Installation on a computing device that may be concurrently accessed by more than one user shall not constitute a permitted use and a separate license is required for each user connecting at the same time to a computing device on which the Software is being deployed.

2.2 '*License Type*'. The applicable license type, and your rights in time, deployment and usage, are further detailed in the Product Specific EULA (in the absence of which the scope shall be as set in article 2.1 hereof).

2.3 '*License restrictions*'.

Intended Use. You agree to use the Software solely as permitted by this License Agreement (and any Product Specific EULA made part of it), by any applicable laws and in a matter consistent with its design and Documentation.

No Transfer (License Agreement). You agree not to transfer, assign or sublicense your license rights to any other person or entity, unless Barco's prior written consent is obtained.

No Transfer (Software). If you deactivate or uninstall the Software from the computer device on which it was originally installed, this will terminate this License Agreement unless otherwise and specifically approved by Barco. You agree not to use the Software in association with other hardware or software that allows to pool connections, reroute information or in any other way enables to breach or circumvent the license restrictions by enabling the deployment and use of the Software by more than the authorized number of devices or users (e.g. multiplexing) or otherwise attempts to reduce the number of licenses actually required.

Authorized Users. The use of the Software is restricted to persons within your organization, or any third party representatives operating under your responsibility and control, provided any such persons have accepted the terms of this License Agreement. You agree not to use or permit the Software to be used to perform services for third parties, whether on a service bureau or time sharing basis or otherwise, without the prior written authorization of Barco. You shall not lease, rent, sell or otherwise transfer or grant a security or other interest in the Software.

No Modifications. You shall not make error corrections to or otherwise modify or adapt the Software or create derivative works based upon the Software, or permit third parties to do the same.

No Reverse Engineering. You agree not to reverse engineer or decompile, decrypt, disassemble or otherwise reduce the Software to human-readable form, except to the extent otherwise expressly permitted under applicable law notwithstanding this restriction, or except to the extent Barco is legally required to permit such specific activity pursuant to any applicable open source license.

Code required to ensure interoperability. To the extent required by law, and at your written request, Barco shall provide you with the interface information needed to achieve interoperability between the Software and another independently created programs used by you, on payment of Barco's applicable fee (if any). You shall observe strict obligations of confidentiality with respect to such information and shall use such information in compliance with terms and conditions which Barco makes applicable.

No Unbundling. The Software may include various applications and components, may support multiple platforms and languages, and may be provided on multiple media or in multiple copies. Nonetheless, the Software is designed and provided to you as a single product to be used as a single product on devices as permitted herein. You agree not to unbundle the component parts of the Software for use on different computer devices.

Territory. You agree to use the Software solely in the territory or region where you obtained the Software from Barco or its authorized reseller or as otherwise stated in the Documentation. Any export if permitted shall comply with any applicable (export) laws and regulations.

2.4 'Your Infrastructure'. You remain responsible to procure and maintain hardware, operating system, network and other infrastructure (the "Infrastructure") required to operate the Software and to keep such Infrastructure functioning and virus-free. You acknowledge that the Software is a complex computer software application, and that the performance thereof may vary depending hardware platform, software interactions and configuration. You acknowledge that the Software is not designed and produced specifically to meet your requirements and expectations and the selection of the Software by you is entirely your own choice and decision.

3. Ownership. Intellectual Property Rights.

3.1 'Ownership'. Any Software is licensed, not sold to you, on a non-exclusive basis for use only under the terms of this License Agreement, and Barco and its suppliers reserve all rights not expressly granted to you. You may own the carrier on which the Software is provided, but the Software is owned and copyrighted by Barco or by third party suppliers. Your license confers no title or ownership and is not a sale of any rights in the Software or its Documentation.

3.2 'Third Party Materials'. The Software may contain or require the use of certain third party technology (whether proprietary or open source software), identified by Barco in the Documentation, readme file, third-party click-accept, on www.barco.com or elsewhere (the "Identified Components"). Identified Components may be subject to additional and/or different terms and you agree that the Identified Components are licensed under the terms, disclaimers and warranties of their respective licenses which in the forthcoming case shall override the provisions of this License Agreement.

3.3 'Source Code Access'. To the extent required under third party (open source) license terms, and for a period of 36 months following your acceptance of this License Agreement, Barco shall provide access to the

source code controlled by a third party (open source) license, via email or download link. If the relevant license terms require so, you may require Barco (attn. its legal department, at the address stated above) to obtain such code on tangible medium against payment of the cost of media, shipping and handling.

3.4 *'Trademarks / Copyright'*. Any brand and product names mentioned in relation to the Software may be trademarks, registered trademarks or copyrights of their respective (third party) holders. In addition, the Software is protected by national and international laws and treaty provisions. Copyright on the Software components belongs to the respective initial copyright holder, each additional contributor and/or their respective assignee(s), as may be identified in the Software Documentation, source code, README file, or otherwise. You shall not remove or obscure or otherwise alter any trademark, copyright or other proprietary notices, legends or logo's placed on or contained within the Software.

3.5 *'Trade Secrets'*. You acknowledge that the Software embodies valuable trade secrets of Barco and its third party licensors and agree not to disclose, provide or otherwise make available such trade secrets contained within the Software and Documentation in any form to any third party without the prior written consent of Barco. You shall implement all reasonable security measures to protect such trade secrets.

4. Support

4.1 *'Principle'*. Barco is under no obligation to provide support and maintenance in respect of the Software, except as included in a Product Specific EULA and/or to the extent you have entered into a separate maintenance and support agreement and paid applicable maintenance and support fees. Any unauthorized use of the Software, as specified in any maintenance and support agreement, may prohibit Barco from providing such support and maintenance.

4.2 *'Support policy'*. Maintenance releases updates or upgrades can be obtained under the terms of a separate maintenance and support agreement which is being offered to you. Such agreements, together with the support included in a Product Specific EULA, include Barco's sole liability and your sole remedy in respect of the support and maintenance of the Software. You agree to install any maintenance releases to address bugs or security issues in the Software if the same are being provided to you. Barco will keep you informed as of when earlier versions of the Software are no longer serviced.

4.3 *'Remote connectivity'*. Barco may require, as a material condition to provide maintenance or support, that the Software remains remotely connected with Barco over a network.

5. Warranty

EXCEPT FOR THE LIMITED WARRANTY THAT MAY APPLY AS PER THE PRODUCT SPECIFIC EULA, YOU UNDERSTAND THAT THE SOFTWARE IS BEING PROVIDED TO YOU "AS IS". BARCO DOES NOT MAKE NOR INTENDS TO MAKE ANY WARRANTIES OR REPRESENTATIONS, EXPRESS OR IMPLIED AND SPECIFICALLY DISCLAIMS ALL IMPLIED WARRANTIES OF MERCHANTABILITY, FITNESS FOR A PARTICULAR PURPOSE AND NON-INFRINGEMENT OF INTELLECTUAL PROPERTY AND DOES NOT WARRANT THAT THE SOFTWARE WILL BE FREE FROM ERRORS OR THAT YOU WILL BE ABLE TO OPERATE THE SOFTWARE WITHOUT INTERRUPTIONS OR THAT SUCH ERRORS WILL BE CORRECTED BY BARCO. EXCEPT FOR ANY MAINTENANCE AND SUPPORT OBLIGATIONS SEPARATELY AGREED, YOU ARE SOLELY RESPONSIBLE FOR ALL COSTS AND EXPENSES ASSOCIATED WITH RECTIFICATION, REPAIR OR DAMAGE CAUSED BY SUCH ERRORS. IN THE FORTHCOMING CASE, THE WARRANTY DISCLAIMER FOUND IN APPLICABLE OPEN SOURCE LICENSES SHALL OVERRIDE THE PROVISIONS OF THIS LICENSE AGREEMENT.

6. Compliance and Enforcement

6.1 *'Reporting and Audit'*. In addition to good practice record-keeping obligations, you agree to report the use of the Software and relating billing metrics in the DRM or otherwise as agreed. You grant to Barco and its designated auditors, at Barco's expenses, the right to verify your deployment and use of the Software during your normal business hours so as to verify your compliance with the License Agreement. In the event such audit reveals non-compliance with your payment obligations hereunder, you shall promptly pay to Barco the appropriate license fees plus the reasonable cost of conducting the audit.

6.2 *'Fair Use Monitor'*. You are informed and acknowledge that the Software includes technology which allows to remotely decrease (in part or in full) the functionality of the Software (the "Fair Use Monitor"). Such technology is an enabling tool and a material condition precedent for Barco to enter into this License Agreement.

6.3 *'Enforcement'*. Upon breach of the License Agreement (including overdue payment), Barco shall inform the then known user, through the DRM or otherwise in writing, (i) which condition of the License Agreement (including payment terms) is violated; (ii) allow a period of 8 calendar days to cure such breach, if it can be cured at all; and (iii) inform which part of the functionality Barco intends to reduce (all Software or certain additionally licensed features only; in part or in full) if the breach is not remedied on time and in full.

6.4 '*Remedy*'. If the breach is not cured within the applicable remedy period (or cannot be cured at all), Barco shall have the option (i) to cause you to procure such additional licenses required as per the actual usage; (ii) to reduce the Software's functionality, including through the use of the Fair Use Monitor; or (iii) to terminate the License Agreement as set out herein, without prejudice to any other remedies available at law, under contract or in equity.

6.5 '*Indemnification*'. YOU HEREBY AGREE TO INDEMNIFY, DEFEND AND HOLD HARMLESS BARCO AND BARCO'S AFFILIATES FROM AND AGAINST ANY AND ALL ACTIONS, PROCEEDINGS, LIABILITY, LOSS, DAMAGES, FEES AND COSTS (INCLUDING ATTORNEY FEES), AND OTHER EXPENSES INCURRED OR SUFFERED BY BARCO ARISING OUT OF OR IN CONNECTION WITH ANY BREACH BY YOU OF THE TERMS OF THIS SOFTWARE LICENSE.

7. Limitation of Liability

TO THE MAXIMUM EXTENT PERMITTED BY LAW, BARCO ACCEPTS NO LIABILITY FOR ANY DAMAGES, LOSSES OR CLAIMS YOU OR ANY THIRD PARTY MAY SUFFER AS A RESULT OF YOUR USE OF THE SOFTWARE. IN JURISDICTIONS WHERE BARCO'S LIABILITY CANNOT BE EXCLUDED, BARCO'S LIABILITY FOR DIRECT DAMAGES SHALL BE LIMITED TO THE LICENSE FEES ACTUALLY PAID FOR THE SOFTWARE DURING THE TWELVE MONTHS PRECEDING THE CLAIM (OR AN AMOUNT OF 250 EURO IF NO FEE WOULD BE PAID) IN THE AGREGATE.

TO THE MAXIMUM EXTENT PERMITTED BY LAW, IN NO EVENT WILL BARCO BE LIABLE FOR ANY INDIRECT, SPECIAL, PUNITIVE, INCIDENTAL OR CONSEQUENTIAL LOSS OR DAMAGES OF ANY KIND WHICH MAY ARISE OUT OF OR IN CONNECTION WITH THE SOFTWARE, THIS SOFTWARE LICENSE OR THE PERFORMANCE OR PURPORTED PERFORMANCE OF OR FAILURE IN THE PERFORMANCE OF BARCO'S OBLIGATIONS UNDER THIS SOFTWARE LICENSE OR FOR ANY ECONOMIC LOSS, LOSS OF BUSINESS, CONTRACTS, DATA, GOODWILL, PROFITS, TURNOVER, REVENUE, REPUTATION OR ANY LOSS ARISING FROM WORK STOPPAGE, COMPUTER FAILURE OR MALFUNCTION OF THE SOFTWARE AND ANY AND ALL OTHER COMMERCIAL DAMAGES OR LOSSES WHICH MAY ARISE IN RESPECT OF USE OF THE SOFTWARE, EVEN IF BARCO HAS BEEN ADVISED OF THE POSSIBILITY OF THEIR OCCURRENCE.

8. Confidentiality

8.1 '*Confidential Information*'. You will be receiving information which is proprietary and confidential to Barco during the procurement and Term of this License Agreement. "Confidential Information" shall include (i) the underlying logic, source code and concepts of the Software or other trade secrets (the access to which is strictly limited as expressly set out herein), (ii) any information designated as confidential by Barco or which has the necessary quality of confidence about it and (iii) any license key provided by Barco to you hereunder.

8.2 '*Non-Disclosure*'. You agree not to divulge any Confidential Information to any persons without Barco's prior written consent provided that this article 8 shall not extend to information which was rightfully in your possession prior to the commencement of this License Agreement, which is already public knowledge or becomes so at a future date (otherwise than as a result of a breach of this article 8), to the extent it is required to be disclosed by law or which is trivial or obvious. You agree not to use any Confidential Information except for the authorized purpose hereunder. The foregoing obligations as to confidentiality shall survive the Term of this License Agreement.

9. Term and Termination

9.1 '*Term*'. The duration of this License Agreement will be from the date of your acceptance (as set forth above) of the Software (whereby you acknowledge that use of the Software implies acceptance), until you deactivate the Software, discontinue the use of the device on which the Software was first installed for its intended use or the expiration of the limited time period set out in the Product Specific EULA, whichever comes first.

9.2 '*Termination*'. You may terminate this License Agreement at any time by destroying all copies of the Software then in your possession and destroying all Documentation and associated materials, or returning the same to Barco or the appointed Barco reseller that sold or provided these to you. Barco may terminate this License Agreement, immediately or gradually in accordance with article 6 hereof, by informing you at any time if any user is in breach of any of the License Agreement's terms.

9.3 '*Consequences of Termination*'. All rights associated with the use of the Software and the acquisition of updates and upgrades cease once the License Agreement is terminated or expires. Termination or expiry of your license will not entitle you to any retroactive refund of current or past payments.

10. Other relevant terms

10.1 '*Personal Data*'. Whether or not Barco assumes the role of processor of personal data (as stated in the Product Specific EULA), you remain solely responsible for complying with all applicable data protection laws

and for implementing and maintaining privacy protection and security measures (especially for components that you provide or control). Barco disclaims any liability for any data not provided by Barco, or any use of the Software outside the intended use as per this License Agreement or an applicable data processing annex.

10.2 '*Functional Information*'. Via the Software, Barco may gather technical information about (i) the functioning and the functionality of the products which are connected through the Software, and/or (ii) as provided by you or generated by your use of the Software ("Functional Information"). Barco may make use of such Functional Information for purposes of analytics, for developing and improving products and services, offering products and services to your organization and/or allowing third parties to access such Functional Information; based on the legitimate interest of Barco of evaluating the market, assessing and improving its products and conducting research and development. All knowhow, inventions and works derived by Barco from the Functional Information will be exclusively owned by Barco.

11. Final Clauses

11.1 '*Entire Agreement*'. This License Agreement is the only understanding and agreement between you and Barco for use of the Software. This License Agreement supersedes all other communications, understandings or agreements we had prior to this License Agreement (with the exception of any continuing confidentiality agreement).

11.2 '*Notices*'. Notices can be validly delivered through the DRM and alternatively or additionally to the parties' last known address.

11.3 '*Severability*'. This License Agreement shall not be altered, amended or varied, except by written agreement signed by its parties. If any provision of this License Agreement is determined to be illegal, void or unenforceable, or if any court of competent jurisdiction in any final decision so determines, this License Agreement shall continue in full force save that such provision shall be deemed to be deleted with effect from the date of such decision, or such earlier date, and shall be replaced by a provision which is acceptable by law and which embodies the intention of this License Agreement as close as possible.

11.4 '*Export*'. You acknowledge that this Software may be subject to U.S. or other governments' Export control laws and regulations. You agree to comply with all applicable international and national laws that apply to the Software, including the U.S. Export Administration Regulations, as well as end-user, end-use, and destination restrictions issued by the U.S. or other governments.

11.5 '*Survival*'. The provisions of articles 3, 5, 6, 7, 8, 10 and 11 will survive the termination of this License Agreement, howsoever caused, but this will not imply or create any continued right to use the Software after termination of this License Agreement.

11.6 '*Assignment*'. You are not allowed to assign this Agreement in part or in full to any third party without Barco's consent. Barco shall be entitled to assign all or any of Barco's obligations hereunder to a third party and/or any of Barco's Affiliates.

11.7 '*Law and Jurisdiction*'. The construction, validity and performance of this License Agreement shall be governed in all respects by the laws of Belgium, without recourse to its conflict of law principles. All disputes arising in any way out of or affecting this License Agreement shall be subject to the exclusive jurisdiction of the courts of Kortrijk (Belgium), without prejudice to enforcement of any judgment or order thereof in any other jurisdiction. The United Nations Convention on Contracts for the International Sale of Goods (the "Convention") shall not apply to this License Agreement, however, if the Convention is deemed by a court of competent jurisdiction to apply to this License Agreement, Barco shall not be liable for any claimed non-conformance of the Software under Article 35(2) of the Convention.

YOU HEREBY ACKNOWLEDGE TO HAVE READ, UNDERSTOOD AND ACCEPTED TO BE BOUND BY ALL THE TERMS AND CONDITIONS OF THIS LICENCE AGREEMENT AS INDICATED ABOVE

Barco ClickShare Product Specific Privacy policy

You are controller for personal data which are being processed via the Software. Therefore, you remain solely responsible for complying with all applicable data protection laws and for implementing and maintaining privacy protection and security measures (especially for components that you provide or control). Barco disclaims any liability in this regard. Barco created a specific privacy policy for the ClickShare software application for mobile devices, which describes the processing of personal data via this application (<http://www.barco.com/en/about-barco/legal/privacy-policy/clickshare-app>).

Via the Software, Barco may gather technical information about (i) the functioning and the functionality of the products which are connected through the Software, and/or (ii) as provided by you or generated by your use of the Software ("Functional Information"). Barco may make use of such Functional Information for purposes of analytics, for developing and improving products and services, offering products and services to your organization and/or allowing third parties to access such Functional Information; based on the legitimate

interest of Barco of evaluating the market, assessing and improving its products and conducting research and development. All knowhow, inventions and works derived by Barco from the Functional Information will be exclusively owned by Barco.

Open Source Software provisions

This product contains software components released under an Open Source license. A copy of the source code is available on request by contacting your Barco customer support representative.

EACH SEPARATE OPEN SOURCE SOFTWARE COMPONENT AND ANY RELATED DOCUMENTATION ARE PROVIDED "AS IS" WITHOUT EXPRESS OR IMPLIED WARRANTY INCLUDING, BUT NOT LIMITED TO, THE IMPLIED WARRANTIES OF MERCHANTABILITY AND FITNESS FOR A PARTICULAR PURPOSE. IN NO EVENT SHALL THE COPYRIGHTHOLDER OR ANY OTHER CONTRIBUTOR BE LIABLE FOR DIRECT, INCIDENTAL, SPECIAL, EXEMPLARY OR CONSEQUENTIAL DAMAGES, EVEN IF ADVISED OF THE POSSIBILITY OF SUCH DAMAGES, HOWEVER CAUSED AND ON ANY THEORY OF LIABILITY, WHETHER IN CONTRACT, STRICT LIABILITY, OR TORT (INCLUDING NEGLIGENCE OR OTHERWISE) ARISING IN ANY WAY OUT OF THE USE OF THIS OPEN SOURCE SOFTWARE. MORE INFORMATION/ DETAILS IS TO BE FOUND IN EACH SPECIFIC OPEN SOURCE LICENSE.

Copyright on each Open Source Software component belongs to the respective initial copyright holder, each additional contributor and/or their respective assignee (s), as may be identified in the respective documentation, source code, README file, or otherwise. You shall not remove or obscure or otherwise alter the respective copyrights.

You acknowledge living up to the conditions of each separate Open Source Software license.

In the development of the Software, the following Open Source Software components have been used:

PACKAGE	VERSION	SOURCE SITE
alsa-lib	1.1.7	ftp://ftp.alsa-project.org/pub/lib
alsa-utils	1.1.7	ftp://ftp.alsa-project.org/pub/utils
libsamplerate	0.1.9	http://www.mega-nerd.com/SRC
libsndfile	1.0.28	http://www.mega-nerd.com/libsndfile/files
ncurses	6.1	http://ftpmirror.gnu.org/ncurses
avahi	0.7	https://github.com/lathiat/avahi/releases/download/v0.7
dbus	1.12.16	https://dbus.freedesktop.org/releases/dbus
expat	2.2.7	http://downloads.sourceforge.net/project/expat/expat/2.2.7
libselenium	2.8	https://raw.githubusercontent.com/wiki/SELinuxProject/selinux/files/releases/20180524
libsepol	2.8	https://raw.githubusercontent.com/wiki/SELinuxProject/selinux/files/releases/20180524
pcre	8.42	https://ftp.pcre.org/pub/pcre
python3	3.7.4	https://python.org/ftp/python/3.7.4
bluez5_utils-headers	5.50	https://cdn.kernel.org/pub/linux/bluetooth
libffi	v3.3-rc0	https://github.com/libffi/libffi/archive/v3.3-rc0
libzlib	1.2.11	http://www.zlib.net
xlib_libSM	1.2.3	http://xorg.freedesktop.org/releases/individual/lib
xlib_libICE	1.0.10	https://xorg.freedesktop.org/archive/individual/lib
xlib_xtrans	1.3.5	http://xorg.freedesktop.org/releases/individual/lib
xorgproto	2018.4	http://xorg.freedesktop.org/releases/individual/proto

xlib_libX11	1.6.7	https://xorg.freedesktop.org/archive/individual/lib
libxcb	1.13.1	http://xcb.freedesktop.org/dist
libpthread-stubs	0.4	http://xcb.freedesktop.org/dist
xcb-proto	1.13	http://xcb.freedesktop.org/dist
xlib_libXau	1.0.8	http://xorg.freedesktop.org/releases/individual/lib
xutil_util-macros	1.19.2	http://xorg.freedesktop.org/releases/individual/util
xlib_libXdmpc	1.1.3	http://xorg.freedesktop.org/releases/individual/lib
libdaemon	0.14	http://0pointer.de/lennart/projects/libdaemon
libglib2	2.56.4	http://ftp.gnome.org/pub/gnome/sources/glib/2.56
elfutils	0.176	https://sourceware.org/elfutils/ftp/0.176
bzip2	1.0.8	https://sourceware.org/pub/bzip2
util-linux	2.33	https://cdn.kernel.org/pub/linux/utils/util-linux/v2.33
linux-pam	1.3.1	https://github.com/linux-pam/linux-pam/releases/download/v1.3.1
flex	2.6.4	https://github.com/westes/flex/files/981163
readline	8.0	http://ftpmirror.gnu.org/readline
bellagio	0.9.3	http://downloads.sourceforge.net/project/omxil/omxil/Bellagio%200.9.3
bitstream	1.4	https://get.videolan.org/bitstream/1.4
bluez5_utils	5.50	https://cdn.kernel.org/pub/linux/bluetooth
libical	1.0.1	https://github.com/libical/libical/releases/download/v1.0.1
eudev	3.2.7	http://dev.gentoo.org/~blueness/eudev
kmod	25	https://cdn.kernel.org/pub/linux/utils/kernel/kmod
bridge-utils	1.6	https://cdn.kernel.org/pub/linux/utils/net/bridge-utils
busybox	1.29.3	http://www.busybox.net/downloads
dosfstools	4.1	https://github.com/dosfstools/dosfstools/releases/download/v4.1
e2fsprogs	1.44.5	https://cdn.kernel.org/pub/linux/kernel/people/tytso/e2fsprogs/v1.44.5
netcat	0.7.1	http://downloads.sourceforge.net/project/netcat/netcat/0.7.1
ntp	4.2.8p13	https://www.eecis.udel.edu/~ntp/ntp_spool/ntp4/ntp-4.2
libedit	20180525-3.1	http://www.thrysoee.dk/editline
libbsd	0.10.0	https://libbsd.freedesktop.org/releases
libevent	2.1.8-stable	https://github.com/libevent/libevent/releases/download/release-2.1.8-stable
libopenssl	1.1.1c	https://www.openssl.org/source
pciutils	3.5.5	https://cdn.kernel.org/pub/software/utils/pciutils
unzip	60	ftp://ftp.info-zip.org/pub/infozip/src

usbutils	010	https://cdn.kernel.org/pub/linux/utils/usb/usbutils
libusb	1.0.22	https://github.com/libusb/libusb/releases/download/v1.0.22
c-ares	1.15.0	http://c-ares.haxx.se/download
ca-certificates	20190110	http://snapshot.debian.org/archive/debian/20190513T145054Z/pool/main/c/ca-certificates
collectd	5.7.2	http://collectd.org/files
libgcrypt	1.8.4	https://gnupg.org/ftp/gcrypt/libgcrypt
libgpg-error	1.33	https://www.gnupg.org/ftp/gcrypt/libgpg-error
lm-sensors	V3-5-0	https://github.com/lm-sensors/lm-sensors/archive/V3-5-0
crda	4.14	https://git.kernel.org/pub/scm/linux/kernel/git/mcgrof/crda.git/snapshot
libnl	3.4.0	https://github.com/thom311/libnl/releases/download/libnl3_4_0
cryptsetup	2.0.6	https://cdn.kernel.org/pub/linux/utils/cryptsetup/v2.0
json-c	0.13.1	https://s3.amazonaws.com/json-c_releases/releases
lvm2	2.02.183	ftp://sources.redhat.com/pub/lvm2
libaio	0.3.111	https://releases.pagure.org/libaio
popt	1.16	http://rpm5.org/files/popt
dhcp	4.3.6	http://ftp.isc.org/isc/dhcp/4.3.6
dnsmasq	2.79	http://thekelleys.org.uk/dnsmasq
dropbear	2018.76	https://matt.ucc.asn.au/dropbear/releases
dvblast	3.4	https://get.videolan.org/dvblast/3.4
libev	4.24	http://dist.schmorp.de/libev/Attic
faad2	2.8.8	http://downloads.sourceforge.net/project/faac/faad2-src/faad2-2.8.0
fbv	1.0b	http://s-tech.elsat.net.pl/fbv
giflib	5.1.4	http://downloads.sourceforge.net/project/giflib
jpeg-turbo	2.0.1	https://downloads.sourceforge.net/project/libjpeg-turbo/2.0.1
libpng	1.6.37	http://downloads.sourceforge.net/project/libpng/libpng16/1.6.37
ffmpeg	3.4.6	http://ffmpeg.org/releases
fontconfig	2.13.1	http://fontconfig.org/release
freetype	2.9.1	http://download.savannah.gnu.org/releases/freetype
libva	2.4.0	https://github.com/intel/libva/releases/download/2.4.0
libdrm	2.4.97	https://dri.freedesktop.org/libdrm
mesa3d	18.3.6	https://mesa.freedesktop.org/archive
libva-dummy	2.4.0	https://github.com/intel/libva/releases/download/2.4.0
xlib_libXext	1.3.3	http://xorg.freedesktop.org/releases/individual/lib
xlib_libXfixes	5.0.3	http://xorg.freedesktop.org/releases/individual/lib

libvdpau	1.1.1	http://people.freedesktop.org/~aplattner/vdpau
llvm	7.0.1	http://llvm.org/releases/7.0.1
xlib_libXdamage	1.1.4	http://xorg.freedesktop.org/releases/individual/lib
xlib_libXrandr	1.5.1	http://xorg.freedesktop.org/releases/individual/lib
xlib_libXrender	0.9.10	http://xorg.freedesktop.org/releases/individual/lib
xlib_libXxf86vm	1.1.4	http://xorg.freedesktop.org/releases/individual/lib
xlib_libxshmfence	1.3	http://xorg.freedesktop.org/releases/individual/lib
libvorbis	1.3.6	http://downloads.xiph.org/releases/vorbis
libogg	1.3.3	http://downloads.xiph.org/releases/ogg
libvpx	v1.7.0	https://github.com/webmproject/libvpx/archive/v1.7.0
opus	1.3.1	https://downloads.xiph.org/releases/opus
speex	1.2.0	https://downloads.xiph.org/releases/speex
file	5.36	ftp://ftp.astron.com/pub/file
gdb	8.1.1	http://ftpmirror.gnu.org/gdb
gnu-efi	3.0.9	http://downloads.sourceforge.net/project/gnu-efi
gnupg2	2.2.17	https://gnupg.org/ftp/gcrypt/gnupg
libassuan	2.5.2	ftp://ftp.gnupg.org/gcrypt/libassuan
libksba	1.3.5	ftp://ftp.gnupg.org/gcrypt/libksba
libnpth	1.6	https://www.gnupg.org/ftp/gcrypt/npth
sqlite	3280000	https://www.sqlite.org/2019
gssdp	1.0.2	http://ftp.gnome.org/pub/gnome/sources/gssdp/1.0
libsoup	2.62.3	http://ftp.gnome.org/pub/gnome/sources/libsoup/2.62
libxml2	2.9.9	http://xmlsoft.org/sources
gst1-libav	1.14.4	https://gstreamer.freedesktop.org/src/gst-libav
gst1-plugins-base	1.14.4	https://gstreamer.freedesktop.org/src/gst-plugins-base
gstreamer1	1.14.4	https://gstreamer.freedesktop.org/src/gstreamer
xlib_libXv	1.0.11	http://xorg.freedesktop.org/releases/individual/lib
gst1-plugins-bad	1.14.4	https://gstreamer.freedesktop.org/src/gst-plugins-bad
gst1-plugins-good	1.14.4	https://gstreamer.freedesktop.org/src/gst-plugins-good
libv4l	1.16.3	https://linuxtv.org/downloads/v4l-utils
qt5base	5.12.4	https://download.qt.io/archive/qt/5.12/5.12.4/submodules
icu	60.2	http://download.icu-project.org/files/icu4c/60.2
libxkbcommon	0.8.2	http://xkbcommon.org/download
pcre2	10.32	https://ftp.pcre.org/pub/pcre
xcb-util-image	0.4.0	http://xcb.freedesktop.org/dist

xcb-util	0.4.0	http://xcb.freedesktop.org/dist
xcb-util-keysyms	0.4.0	http://xcb.freedesktop.org/dist
xcb-util-wm	0.4.1	http://xcb.freedesktop.org/dist
pulseaudio	12.2	http://freedesktop.org/software/pulseaudio/releases
libtool	2.4.6	http://ftpmirror.gnu.org/libtool
xlib_libXtst	1.2.3	http://xorg.freedesktop.org/releases/individual/lib
xlib_libXi	1.7.9	http://xorg.freedesktop.org/releases/individual/lib
gst1-vaapi	1.14.4	https://gstreamer.freedesktop.org/src/gstreamer-vaapi
htop	2.2.0	http://hisham.hm/htop/releases/2.2.0
iperf	2.0.13	http://downloads.sourceforge.net/project/iperf2
iptables	1.8.2	https://netfilter.org/projects/iptables/files
iw	4.14	https://cdn.kernel.org/pub/software/network/iw
libarchive	3.3.3	http://www.libarchive.org/downloads
libconfig	v1.7.2	https://github.com/hyperrealm/libconfig/archive/v1.7.2
libcurl	7.65.3	https://curl.haxx.se/download
libdri2	4f1eef3183d-f2b270c3d5-cbe-f07343e-e5127a6a4	https://github.com/robclark/libdri2/archive/4f1eef3183df2b270c3d5cbef07343ee5127a6a4
libepoxy	1.5.2	http://ftp.gnome.org/pub/gnome/sources/libepoxy/1.5
libestr	0.1.10	http://libestr.adiscon.com/files/download
libevdev	1.6.0	http://www.freedesktop.org/software/libevdev
libfastjson	v0.99.8	https://github.com/rsyslog/libfastjson/archive/v0.99.8
libhttpparser	v2.9.0	https://github.com/nodejs/http-parser/archive/v2.9.0
liblogging	1.0.6	http://download.rsyslog.com/liblogging
libnspr	4.20	https://ftp.mozilla.org/pub/mozilla.org/nspr/releases/v4.20/src
libnss	3.42.1	https://ftp.mozilla.org/pub/mozilla.org/security/nss/releases/NSS_3_42_1_RTM/src
libopusenc	0.2.1	https://downloads.xiph.org/releases/opus
libpcap	1.9.0	http://www.tcpdump.org/release
libpciaccess	0.14	http://xorg.freedesktop.org/releases/individual/lib
libqrencode	4.0.0	http://fukuchi.org/works/qrencode
libsha1	0.3	https://github.com/dottedmag/libsha1/archive/0.3
libuv	v1.25.0	https://github.com/libuv/libuv/archive/v1.25.0
libyaml	0.2.1	http://pyyaml.org/download/libyaml
libzip	1.5.1	http://www.nih.at/libzip

lighttpd	1.4.53	http://download.lighttpd.net/lighttpd/releases-1.4.x
linux-firmware	1baa34868-b2c0a004d-c595-b20678145-e3fff83e7	http://git.kernel.org/pub/scm/linux/kernel/git/firmware/linux-firmware.git
logrotate	3.13.0	https://github.com/logrotate/logrotate/archive/3.13.0
memtester	4.3.0	http://pyropus.ca/software/memtester/old-versions
monit	5.25.3	http://mmonit.com/monit/dist
mtdev	1.1.4	http://bitmath.org/code/mtdev
nano	3.2	https://www.nano-editor.org/dist/v3
netsnmp	5.8	https://downloads.sourceforge.net/project/net-snmp/net-snmp/5.8
nodejs	8.15.1	http://nodejs.org/dist/v8.15.1
opkg	0.3.6	http://downloads.yoctoproject.org/releases/opkg
opus-tools	0.2	https://downloads.xiph.org/releases/opus
opusfile	0.11	https://downloads.xiph.org/releases/opus
php	7.3.9	http://www.php.net/distributions
pixman	0.34.0	http://xorg.freedesktop.org/releases/individual/lib
powertop	2.9	https://01.org/sites/default/files/downloads/powertop
protobuf	v2.6.1	https://github.com/google/protobuf/archive/v2.6.1
python-pyyaml	4.2b4	https://files.pythonhosted.org/packages/a8/c6/a8d1555e795dbd0375c3c93b576ca13bbf139db51ea604a-fa19a2c35fc03
python-serial	3.4	https://files.pythonhosted.org/packages/cc/74/11b04703ec416717b247d789103277269d567db575d2fd88f25-d9767fe3d
qt5declarative	5.12.4	https://download.qt.io/archive/qt/5.12/5.12.4/submodules
qt5xmlpatterns	5.12.4	https://download.qt.io/archive/qt/5.12/5.12.4/submodules
qt5graphicaleffects	5.12.4	https://download.qt.io/archive/qt/5.12/5.12.4/submodules
qt5imageformats	5.12.4	https://download.qt.io/archive/qt/5.12/5.12.4/submodules
qt5multimedia	5.12.4	https://download.qt.io/archive/qt/5.12/5.12.4/submodules
qt5quickcontrols	5.12.4	https://download.qt.io/archive/qt/5.12/5.12.4/submodules
qt5quickcontrols2	5.12.4	https://download.qt.io/archive/qt/5.12/5.12.4/submodules
qt5serialport	5.12.4	https://download.qt.io/archive/qt/5.12/5.12.4/submodules
qt5svg	5.12.4	https://download.qt.io/archive/qt/5.12/5.12.4/submodules
qt5websockets	5.12.4	https://download.qt.io/archive/qt/5.12/5.12.4/submodules
qt5x11extras	5.12.4	https://download.qt.io/archive/qt/5.12/5.12.4/submodules
ramspeed	2.6.0	http://www.alasir.com/software/ramspeed
rsync	3.1.3	http://rsync.samba.org/ftp/rsync/src

rsyslog	8.22.0	http://rsyslog.com/files/download/rsyslog
strace	4.26	https://strace.io/files/4.26
tcpdump	4.9.2	http://www.tcpdump.org/release
tpm-tools	1.3.9.1	http://downloads.sourceforge.net/project/trousers/tpm-tools/1.3.9.1
trousers	0.3.14	http://downloads.sourceforge.net/project/trousers/trousers/0.3.14
tzdata	2018e	http://www.iana.org/time-zones/repository/releases
wireless-regdb	2019.06.03	https://cdn.kernel.org/pub/software/network/wireless-regdb
wireless_tools	30.pre9	https://hewlettpackard.github.io/wireless-tools
xapp_beforelight	1.0.5	http://xorg.freedesktop.org/releases/individual/app
xlib_libXScrnSaver	1.2.3	http://xorg.freedesktop.org/releases/individual/lib
xlib_libXaw	1.0.13	http://xorg.freedesktop.org/releases/individual/lib
xlib_libXmu	1.1.2	http://xorg.freedesktop.org/releases/individual/lib
xlib_libXt	1.1.5	http://xorg.freedesktop.org/releases/individual/lib
xlib_libXpm	3.5.12	http://xorg.freedesktop.org/releases/individual/lib
xapp_xauth	1.0.10	http://xorg.freedesktop.org/releases/individual/app
xapp_xclock	1.0.7	http://xorg.freedesktop.org/releases/individual/app
xlib_libXft	2.3.2	http://xorg.freedesktop.org/releases/individual/lib
xlib_libxkbfile	1.0.9	http://xorg.freedesktop.org/releases/individual/lib
xapp_xinit	1.4.0	http://xorg.freedesktop.org/releases/individual/app
xapp_xinput-calibrator	0.7.5	http://github.com/downloads/tias/xinput_calibrator
xapp_xinput	1.6.2	http://xorg.freedesktop.org/releases/individual/app
xlib_libXinerama	1.1.4	http://xorg.freedesktop.org/releases/individual/lib
xapp_xkbcomp	1.4.2	http://xorg.freedesktop.org/releases/individual/app
xapp_xrandr	1.5.0	http://xorg.freedesktop.org/releases/individual/app
xdata_xbitmaps	1.1.2	http://xorg.freedesktop.org/releases/individual/data
xdriver_xf86-input-evdev	2.10.5	http://xorg.freedesktop.org/releases/individual/driver
xserver_xorg-server	1.20.5	https://xorg.freedesktop.org/archive/individual/xserver
xfont_font-util	1.3.2	http://xorg.freedesktop.org/releases/individual/font
xkeyboard-config	2.23.1	http://www.x.org/releases/individual/data/xkeyboard-config
xlib_libXcomposite	0.4.4	http://xorg.freedesktop.org/releases/individual/lib
xlib_libXcursor	1.1.15	http://xorg.freedesktop.org/releases/individual/lib
xlib_libXfont2	2.0.3	http://xorg.freedesktop.org/releases/individual/lib
xfont_encodings	1.0.4	http://xorg.freedesktop.org/releases/individual/font
xlib_libfontenc	1.1.3	http://xorg.freedesktop.org/releases/individual/lib

xlib_libXres	1.2.0	http://xorg.freedesktop.org/releases/individual/lib
xdriver_xf86-video-amdgpu	18.1.0	http://xorg.freedesktop.org/releases/individual/driver
xfont_font-alias	1.0.3	http://xorg.freedesktop.org/releases/individual/font
xfont_font-cursor-misc	1.0.3	http://xorg.freedesktop.org/releases/individual/font
xfont_font-misc-misc	1.1.2	http://xorg.freedesktop.org/releases/individual/font
xterm	327	http://invisible-mirror.net/archives/xterm
zip	30	ftp://ftp.info-zip.org/pub/infozip/src
splashutils	1.5.4.4	http://dev.gentoo.org/~spock/projects/gensplash/archive
libresample	0.1.3	ftp://ftp.ubuntu.com/ubuntu/pool/universe/libr/libresample
alsa-plugins	1.1.1	ftp://ftp.alsa-project.org/pub/plugins
arphic-uming-fonts	20080216	http://archive.ubuntu.com/ubuntu/pool/main/t/ttf-arphic-uming
dejavu-fonts	2.34	http://downloads.sourceforge.net/project/dejavu/dejavu/2.34
efitools	v1.7.0	git://git.kernel.org/pub/scm/linux/kernel/git/jejb/efitools.git
sazanami-fonts	20040629	http://sourceforge.jp/projects/efont/downloads/10087
unfonts	1.0	http://kldp.net/frs/download.php/1425
fbset	2.1	http://users.telenet.be/geertu/Linux/fbdev
gzip	1.9	http://ftpmirror.gnu.org/gzip
i2c-tools	4.1	https://www.kernel.org/pub/software/utils/i2c-tools
tar	1.29	http://ftpmirror.gnu.org/tar
devmem2	1	http://bootlin.com/pub/mirror
efibootmgr	15	https://github.com/rhboot/efibootmgr/archive/15
efivar	35	https://github.com/rhboot/efivar/archive/35
parted	3.2	http://ftpmirror.gnu.org/parted
linux	v4.9.90	https://mirrors.edge.kernel.org/pub/linux/kernel/v4.x/
ibmswtpm	4720	https://sourceforge.net/projects/ibmswtpm/files/
grub	2.02-beta2	https://github.com/coreos/grub/releases
rockbox	v3.10	https://github.com/Rockbox/rockbox/tree/v3.10
libcap	2.25	https://www.kernel.org/pub/linux/libs/security/linux-privs/libcap2
mtd	1.5.2	ftp://ftp.infradead.org/pub/mtd-utils
procps-ng	3.3.12	http://downloads.sourceforge.net/project/procps-ng/Production
hidapi	0.5.2	https://github.com/signal11/hidapi
linux	3.1.0	https://mirrors.edge.kernel.org/pub/linux/kernel/v3.x/
hostapd	40e2dcfd4-e27191d4f-	https://source.codeaurora.org/quic/la/platform/external/wpa_supplicant_8

	b9edc6- c10337868- b90acf	
wpasupplicant	40e2dcfdf4- e27191d4f- b9edc6- c10337868- b90acf	https://source.codeaurora.org/quic/la/platform/external/wpa_supplicant_8
qca6174a	CNSS.LEA. NRT_1.0	https://source.codeaurora.org/external/wlan/qcaclid-2.0/
qca93777	CNSS.LEA. NRT_1.0	https://source.codeaurora.org/external/wlan/qcaclid-2.0/
rscod	1.3	https://sourceforge.net/projects/rscod/files/rscod/

EN55032-CISPR32 Class B ITE (Information Technology Equipment)

This is a class B product. In a domestic environment this product may cause radio interference in which case the user may be required to take adequate measures.

If this equipment does cause interference to radio or television reception, the user may try to correct the interference by one or more of the following measures :

- Re-orientation of the receiving antenna for the radio or television.
- Relocate the equipment with respect to the receiver.
- Plug the equipment into a different outlet so that the equipment and receiver are on different branch circuits.
- Fasten cables connectors to the equipment by mounting screws.

Federal Communication Commission Interference Statement

You are cautioned that changes or modifications not expressly approved by the part responsible for compliance could void the user's authority to operate the equipment.

This equipment has been tested and found to comply with the limits for a Class B digital device, pursuant to Part 15 of the FCC rules. These limits are designed to provide reasonable protection against harmful interference in a residential installation. This equipment generates, uses and can radiate radio frequency energy and, if not installed and used in accordance with the instructions, may cause harmful interference to radio communications. However, there is no guarantee that interference will not occur in a particular installation.

If this equipment does cause harmful interference to radio or television reception, which can be determined by turning the equipment off and on, the user is encouraged to try to correct the interference by one or more of the following measures:

- Reorient or relocate the receiving antenna.
- Increase the separation between the equipment and receiver.
- Connect the equipment into an outlet on a circuit different from that to which the receiver is connected.
- Consult the dealer or an experienced radio/TV technician for help.

You may also find helpful the following booklet, prepared by the FCC: "How to Identify and Resolve Radio-TV Interference Problems." This booklet is available from the U.S. Government Printing Office, Washington D.C. 20402.

Changes and Modifications not expressly approved by the manufacturer or registrant of this equipment can void your authority to operate this equipment under Federal Communications Commissions rules.

In order to maintain compliance with FCC regulations shielded cables must be used with this equipment. Operation with non-approved equipment or unshielded cables is likely to result in interference to radio & television reception.

FCC RF Radiation Exposure Statement: This device is capable of operating in 802.11a mode. For 802.11a devices operating in the frequency range of 5.15 - 5.25 GHz, they are restricted for indoor operations to reduce any potential harmful interference for Mobile Satellite Services (MSS) in the US. Wi-Fi Access Points that are capable of allowing your device to operate in 802.11a mode (5.15 - 5.25 GHz band) are optimized for

indoor use only. If your Wi-Fi network is capable of operating in this mode, please restrict your Wi-Fi use indoors to not violate federal regulations to protect Mobile Satellite Services.

1. This Transmitter must not be co-located or operating in conjunction with any other antenna or transmitter.
2. This equipment complies with RF radiation exposure limits set forth for an uncontrolled environment.

This equipment should be installed and operated with a minimum distance of 20 cm between the radiator and your body.

Base Unit FCC ID: 2AAED-R9861521

Button FCC ID (model R9861500D01): 2AAED-R9861500D01

Button FCC ID (model R9861500D01C): 2AAED-R9861500D01

ClickShare Button 2AAED-R9861500D01 has been tested and meets the FCC RF exposure guidelines. The maximum SAR value reported is 0.915W/kg.

Canada, Industry Canada (IC) Notices

This device complies with Industry Canada licence-exempt RSS standard (s). Operation is subject to the following two conditions: (1) this device may not cause interference, and (2) this device must accept any interference, including interference that may cause undesired operation of the device.

Radio Frequency (RF) Exposure Information

The radiated output power of the Barco Wireless Device is below the Industry Canada (IC) radio frequency exposure limits. The Barco Wireless Device should be used in such a manner such that the potential for human contact during normal operation is minimized.

Caution: Exposure to Radio Frequency Radiation.

1. To comply with the Canadian RF exposure compliance requirements, this device and its antenna must not be co-located or operating in conjunction with any other antenna or transmitter.
2. To comply with RSS 102 RF exposure compliance requirements, a separation distance of at least 20 cm must be maintained between the antenna of this device and all persons.

Base Unit IC: IC: 21559-R9861521

Button IC (model R9861500D01): 9393B-R9861500D01

Button IC (model R9861500D01C): 9393B-R9861500D01

IC Antenna statement

Under Industry Canada regulations, this radio transmitter may only operate using an antenna of a type and maximum (or lesser) gain approved for the transmitter by Industry Canada. To reduce potential radio interference to other users, the antenna type and its gain should be so chosen that the equivalent isotropically radiated power (e.i.r.p.) is not more than that necessary for successful communication.

This radio transmitter 21559-R9861521 has been approved by Industry Canada to operate with the antenna types listed below with the maximum permissible gain and required antenna impedance for each antenna type indicated. Antenna types not included in this list, having a gain greater than the maximum gain indicated for that type, are strictly prohibited for use with this device.

Indoor use only warning

Operation in the band 5150-5250 MHz is only for indoor use to reduce the potential for harmful interference to co-channel mobile satellite systems.

Canada, avis d'Industry Canada (IC)

Le présent appareil est conforme aux CNR d'Industrie Canada applicables aux appareils radio exempts de licence. L'exploitation est autorisée aux deux conditions suivantes : (1) l'appareil ne doit pas produire de brouillage, et (2) l'utilisateur de l'appareil doit accepter tout brouillage radioélectrique subi, même si le brouillage est susceptible d'en compromettre le fonctionnement.

Informations concernant l'exposition aux fréquences radio (RF)

La puissance de sortie émise par l'appareil de sans fil Barco est inférieure à la limite d'exposition aux fréquences radio d'Industry Canada (IC). Utilisez l'appareil de sans fil Barco de façon à minimiser les contacts humains lors du fonctionnement normal.

Avertissement: L'exposition aux rayonnements fréquences radio

1. Pour se conformer aux exigences de conformité RF canadienne l'exposition, cet appareil et son antenne ne doivent pas être co-localisés ou fonctionnant en conjonction avec une autre antenne ou transmetteur.
2. Pour se conformer aux exigences de conformité CNR 102 RF exposition, une distance de séparation d'au moins 20 cm doit être maintenue entre l'antenne de cet appareil et toutes les personnes.

IC Unité de Base: 21559-R9861521

IC Button (modèle R9861500D01): 9393B-R9861500D01

IC Button (model R9861500D01C): 9393B-R9861500D01

Déclaration d'antenne d'Industrie Canada (IC)

Conformément à la réglementation d'Industrie Canada, le présent émetteur radio peut fonctionner avec une antenne d'un type et d'un gain maximal (ou inférieur) approuvé pour l'émetteur par Industrie Canada. Dans le but de réduire les risques de brouillage radioélectrique à l'intention des autres utilisateurs, il faut choisir le type d'antenne et son gain de sorte que la puissance isotrope rayonnée équivalente (p.i.r.e.) ne dépasse pas l'intensité nécessaire à l'établissement d'une communication satisfaisante.

Le présent émetteur radio 21559-R9861521 a été approuvé par Industrie Canada pour fonctionner avec les types d'antenne énumérés ci-dessous et ayant un gain admissible maximal et l'impédance requise pour chaque type d'antenne. Les types d'antenne non inclus dans cette liste, ou dont le gain est supérieur au gain maximal indiqué, sont strictement interdits pour l'exploitation de l'émetteur.

Utilisation à l'intérieur seulement

La bande 5 150-5 250 MHz est réservés uniquement pour une utilisation à l'intérieur afin de réduire les risques de brouillage préjudiciable aux systèmes de satellites mobiles utilisant les mêmes canaux.

Table of contents

1	Introduction	23
1.1	Versions of the product	24
1.2	About this guide	24
1.3	Symbols and fonts	24
2	Introduction to CSE-200+	27
2.1	About the CSE-200+	28
2.2	About the Base Unit	29
2.3	About the Button	30
2.4	Mobile Device Support	31
3	Getting started	33
3.1	Activating the Base Unit	34
3.2	Basic Use, with Button	34
3.3	Basic Use, with ClickShare desktop app	36
3.4	User Interface	39
3.5	Shared desktop: primary - extended	39
3.6	Audio configuration	41
3.7	Pairing	43
3.8	Blackboarding & Annotation	44
3.8.1	Start the blackboarding mode	45
3.8.2	Drawing tools	46
3.8.3	Saving a drawing on a USB stick	47
3.8.4	Saving a drawing to connected clients	47
3.8.5	Returning to Presenter mode	47
3.9	Touch Back	48
4	Troubleshooting	49
4.1	Basic Troubleshooting	50

Introduction

1

1.1	Versions of the product	24
1.2	About this guide.....	24
1.3	Symbols and fonts	24

1.1 Versions of the product

Regional versions

Depending on the location where you buy the CSE-200 + product, the Base Unit and accessories are regionalized. By the time of release of this manual, 4 regional versions of CSE-200+ are available:

- Europe & Japan
- North America
- China
- Rest of world



The regional version of your CSE-200+ cannot be changed. That means that you cannot use it in another region.

For more information on the regional variants, refer to the CSE-200+ Installation Guide.

1.2 About this guide

This manual

Partnumber	Description	Level
R5900086	User Guide	User

Available System documentation

This guide is part of the documentation set describing the CSE-200+ product.

Guide	Article number
User Guide	R5900086
Installation Guide	R5900087
Safety Guide	R5900085
Service Guide	R5900090
Recycling Manual	R5900029
API Guide	R5900056

A printed copy of the Safety Guide is included in the CSE-200+ box at purchase.



Depending on the CSE-200+ version, some graphics might be different to the ones used in this manual. This however does not have any effect to the functionality.




The User Guide describes how to use your CSE-200+. It also contains a basic troubleshooting part where you can search for a solution when a problem occurs.

1.3 Symbols and fonts

Symbol overview

The following icons are used in the manual :

	Caution
	Warning

	Info, term definition. General info about the term
	Note: gives extra information about the described subject
	Tip: gives extra advice about the described subject

Font overview

- Buttons are indicated in bold, e.g. **OK**.
- Menu items are indicated in *italic*.
- Step related notes, tips, warnings or cautions are printed in *italic*.
- Procedure related notes, tips, warnings or cautions are printed in **bold** between 2 lines preceded by the corresponding icon.

Introduction to CSE-200+

2

2.1	About the CSE-200+	28
2.2	About the Base Unit	29
2.3	About the Button	30
2.4	Mobile Device Support	31

2.1 About the CSE-200+

CSE-200+ sets

CSE-200+ makes connecting to the meeting room's video system a matter of clicking a Button.

This CSE-200+ not only helps the presenter get the presentation on-screen in a second, but it also allows the other people in the meeting to participate more actively. The result is enhanced meeting efficiency and better decision-making.

At the moment 6 different sets are available on the market. Each set is sold in its specific region and it can only be used in that specific region because of Wi-Fi regulations.

Components CSE-200+ set

A standard CSE-200+ set consists of a Base Unit and 2 Buttons. Depending on the location where you buy the product, the software of the Base Unit is different. If needed, you can buy additional Buttons and a tray to store the Buttons.

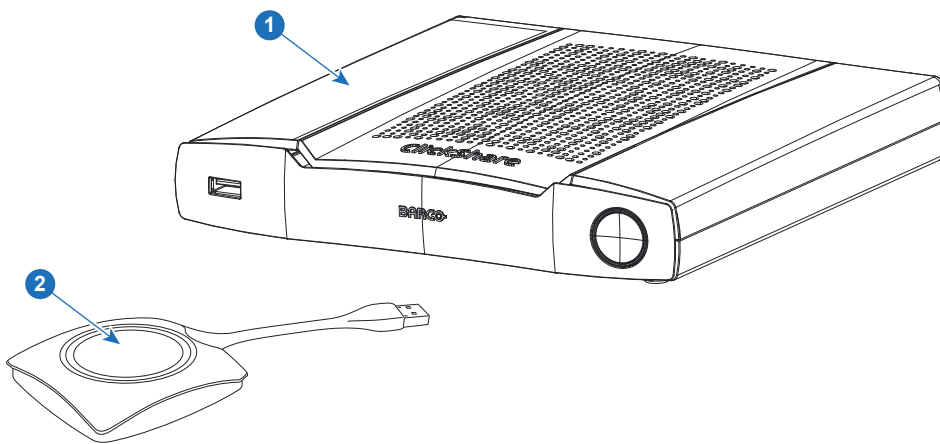


Image 2-1

- | | |
|---|-----------|
| 1 | Base Unit |
| 2 | Button |

Accessories included

Depending on the country where you buy the product, the following regionalized accessories are also included in the CSE-200+ box.

Products

R9861521xx²

R9861500D01

R9861500D01C

Contains

- R9861521
- 1x R9861500D01

1x R9861500D01

1x R9861500D01C

Accessories included

- DC adapter with AC clips type A, C, G, I³
- Printed safety manual

Contact your local sales representative for the correct regional variant to be used in your country.

2: xx=EU, CN, NA, ZH, US, RW,

3: Included AC clips can be different according to the region

2.2 About the Base Unit

Base Unit functionality

The Base Unit receives the wireless input from the Buttons and controls the content of the meeting room display and the sound of the meeting room's audio system.

The Base Unit can be inside a cabinet in the meeting room, or put on the meeting room table or mounted on a wall. Check the Installation Guide for instructions on how to install the Base Unit.

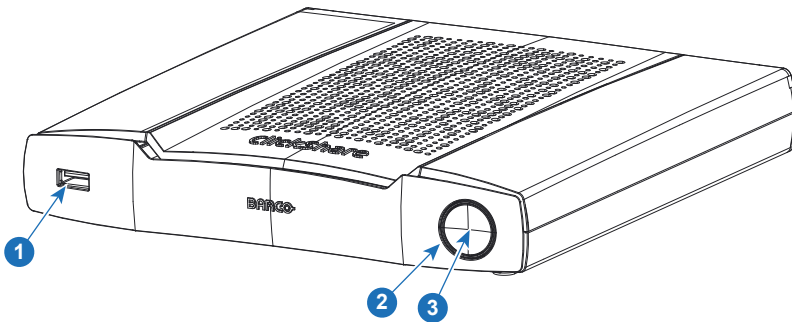


Image 2-2

1	USB Type-A port
2	Status LED ring
3	Standby Button

USB Port

The USB port is used to pair the Button to the Base Unit and to update the software of both the Base Unit and the Buttons.

When plugging in the Button into the Base Unit, the Button is paired to the Base Unit. The Base Unit checks whether the software and firmware of the Button is up to date. If not, the Base Unit updates the software and/or firmware.

Use a convertor to connect a Button with an USB Type-C™ connector to front USB port of the Base Unit. USB Type-C™ port is available at the backside.

Status LED ring

The color of the LED ring around the power button of the Base Unit give information on the status of the system.

LEDs behavior	Explanation
static red	<ul style="list-style-type: none"> receiving content from the Buttons and streaming towards the display. pairing and software update of the Button is done. You can now unplug the Button from the Base Unit. during the first phase of the Base Unit boot process.
blinking white	<ul style="list-style-type: none"> system is starting up (during the second phase) Button pairing is in progress software update of the Base Unit
breathing white	<ul style="list-style-type: none"> ECO standby mode
static white	<ul style="list-style-type: none"> awake and ready (i.e. showing the welcome message on the display) pairing is done

LEDs behavior	Explanation
red blinking	<ul style="list-style-type: none"> an error occurred
dark	<ul style="list-style-type: none"> deep standby/off

Power button

The button at the front of the Base Unit has a standby function once the Base Unit is powered.

- When the system is in normal operational mode, a push makes the system go into a pre-defined standby mode.
- When the system is in standby, a push triggers the system to start up and it goes into normal operational mode.

2.3 About the Button

Button functionality

A Button contains three main functional components.

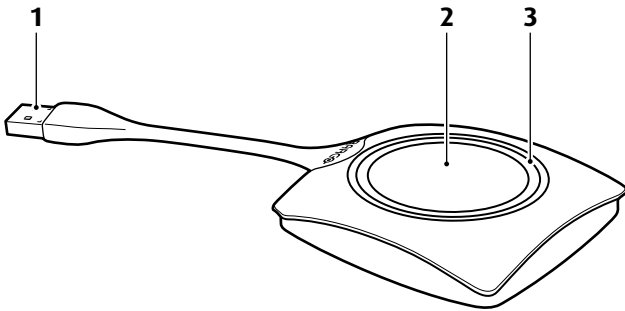


Image 2-3 The Button

1	USB connector
2	Button
3	LED ring



Handle the Button cable with care. Rough handling might cause defects.

USB connector

Using the USB connector the Button can be plugged into a laptop (for sharing your screen) or the Base Unit (for pairing the Button to the Base Unit or updating its software). Button R9861500D1 has a USB Type-A connector, Button R9861500D1C has a USB Type-C™ connector. Depending on the type of USB port on your laptop or on the Base Unit a convertor must be used.

Button

Click the Button to display the content of the laptop's screen on the meeting room display. Clicking the Button during the meeting will toggle the sharing of the screen.

LED ring

The LED ring indicates the current status of your CSE-200+.


LEDs behavior	Explanation
white blinking	<ul style="list-style-type: none"> the Button is plugged in the laptop and initializing or waiting for the user to start the ClickShare application. pairing/software update of the Button in the Base Unit is in progress.
static white	<ul style="list-style-type: none"> ClickShare is ready to start sharing your screen. pairing is done. You can now unplug the Button from the Base Unit.
static red	<ul style="list-style-type: none"> sharing your screen with the display⁴. pairing and software update is done. You can now unplug the Button from the Base Unit.
red blinking	<ul style="list-style-type: none"> an error occurred.
off (no light)	<ul style="list-style-type: none"> the Button is not or not properly inserted into the USB port. the Button might be defective. the USB port or computer might be defective.

2.4 Mobile Device Support

Overview

The below list of Apps are supported by ClickShare and can be installed on your mobile device from Google Play or Apple App Store.

Before you can use your mobile device with ClickShare, you have to connect the mobile device Wi-Fi with the ClickShare Base Unit Wi-Fi. Follow the instructions as given in your mobile device user guide.

App	Used on	Logo
ClickShare App	iOS Android	

⁴: While sharing content, the laptop will not go to standby. Once sharing is stopped, the laptop will again be capable of going to standby.

Getting started

3

3.1	Activating the Base Unit	34
3.2	Basic Use, with Button	34
3.3	Basic Use, with ClickShare desktop app	36
3.4	User Interface	39
3.5	Shared desktop: primary - extended	39
3.6	Audio configuration	41
3.7	Pairing	43
3.8	Blackboarding & Annotation	44
3.9	Touch Back	48

3.1 Activating the Base Unit

About power mode

The Base Unit is powered via an external power adapter. Once connected, the Base Unit is automatically switched in standby mode. For more information about power connection, see CSE-200 +'s installation manual.

Standby button

1. Push the button shortly.

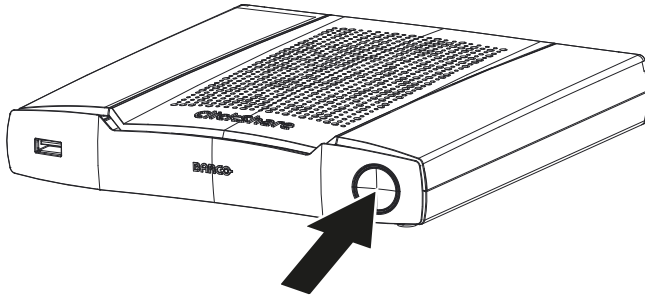


Image 3-1 Standby button

When the Base Unit was on, it goes to standby.

When the Base Unit was in standby, it starts up.

3.2 Basic Use, with Button

Basic functionality

When entering a meeting room equipped with ClickShare and if the display is not in screensaver mode, the ClickShare wallpaper is shown on the display. The content of the wallpaper depends on the setup.

Starting to use ClickShare is now very simple.

To start using ClickShare with a Button

1. Take a Button and Insert the Button into a USB port of your laptop. Depending on the USB port on your laptop and/or on the USB connector of the Button, a convertor must be used. This convertor is not delivered by Barco.

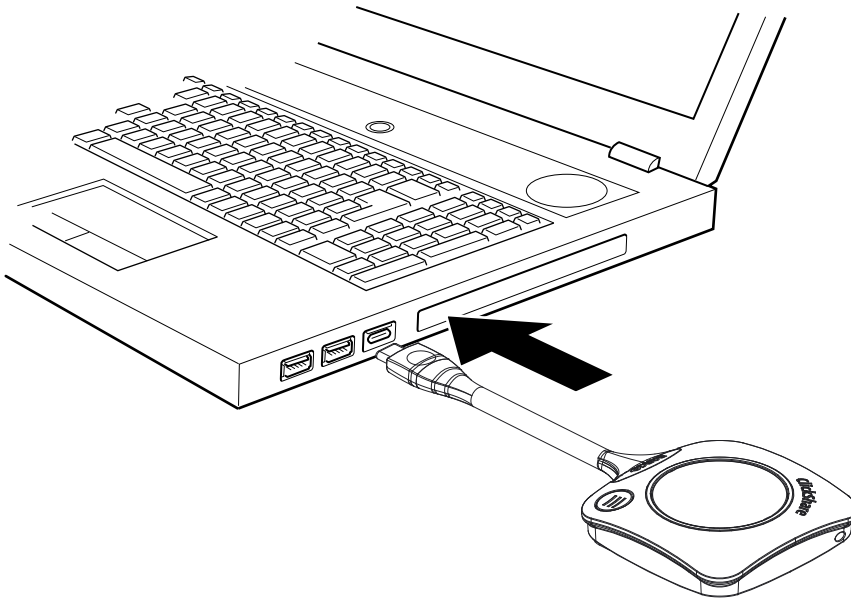


Image 3-2

The LEDs of the Button start flashing white.

On your laptop a new drive appears.

Two situations are possible now:

- A launcher is preinstalled on your laptop (downloaded from the Base Unit or Barco website, or deployed company-wide by your IT department). ClickShare is immediately available. You can continue with go to step 4.
- For Windows environment: when connected to internet, driver will be installed and the executable will be started by the driver.
- For Mac environment: CD-ROM drive will appear, open it and launch the application to get started.
- nothing is pre-installed or no driver is automatically installed. To continue go to step 2.

2. Browse to and double-click the ClickShare drive on your laptop.

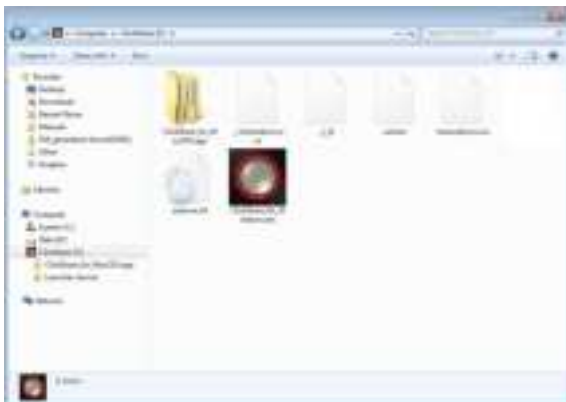


Image 3-3 Windows environment



Image 3-4 MAC environment

3. Double-click the ClickShare application.



The ClickShare client software starts and its icon appears in the system tray.

On a Windows computer: 

On a Macintosh: 

When the system is ready for use, the icon appears in the systray icon.



Image 3-5

The LEDs of the Button are static white.

4. To share your screen on the display, click the Button.

The LEDs of the Button become static red and your screen appears on the display. When audio is enabled on the ClickShare Base Unit, the audio of your laptop is also available on the audio output of the Base Unit and on the HDMI output, and it will be played via the meeting room audio system. The icon returns to the same state as in step 3.

The name of the user logged on to the laptop which is sharing its content is briefly shown in the bottom left corner of the added content.

ClickShare automatically scales the content of your screen to the resolution of the meeting room display. The aspect ratio of your screen is maintained to make sure the proportions are correct.

5. To freeze the content on the screen while you look up something on your PC, just click on freeze icon (1) next to the ClickShare icon. The icon will change to a release icon (2)

To resume the content sharing, click on the the release icon (2).



Image 3-6

6. To remove your content from the display, click the Button again.
The LEDs of the Button become static white.
7. When leaving the meeting room, unplug the Button from your laptop.
No trace of the ClickShare application is left on your laptop.



A second user will replace the first user on screen just by pressing on the Button, no long press is needed.

3.3 Basic Use, with ClickShare desktop app

About the ClickShare desktop app

With the ClickShare desktop app installed on your computer you can enter a meeting room and get on the screen in a few seconds.

The ClickShare desktop app connects to the meeting room screen in order to share your content. Presence detection technology is used to do so. The ClickShare desktop app uses Wi-Fi beacons and an inaudible audio signal to detect the most nearby meeting rooms and show a list of maximum 5 most nearby meeting rooms, sorted based on signal strength on your computer. Just click on your meeting room name. This means

you will never have to enter IP addresses or scroll long lists of meeting rooms before being connected to your meeting room.

The ClickShare desktop app can be used with or without a Button.

ClickShare desktop app installation

When the ClickShare desktop app is not pre-deployed in your IT environment, you can download and install the software without administrator rights from www.clickshare.app.

How to use

1. Enter a meeting room.

The ClickShare desktop app will list up to 5 most nearby meeting rooms and sort them based on the signal strength.

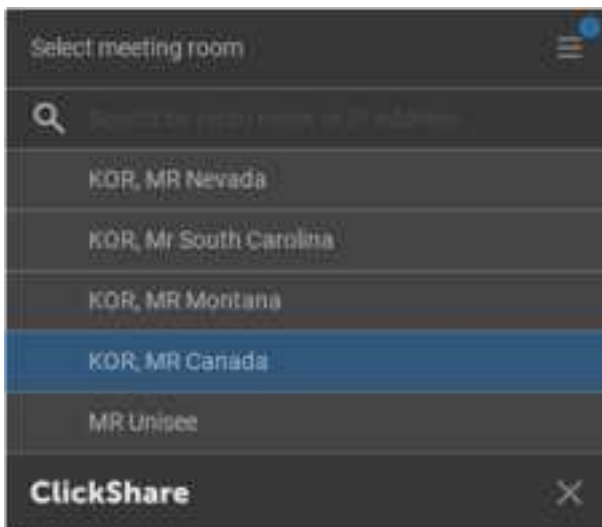


Image 3-7 Meeting room list

2. If the use of a pin is enabled on the Base Unit, the ClickShare desktop app will prompt you to enter the pin that is shown on the meeting room screen.

Enabling the pin on the Base Unit (this can be done in the ClickShare Configurator) provides an additional layer of security. This way you will never share your content to the wrong meeting room screen.

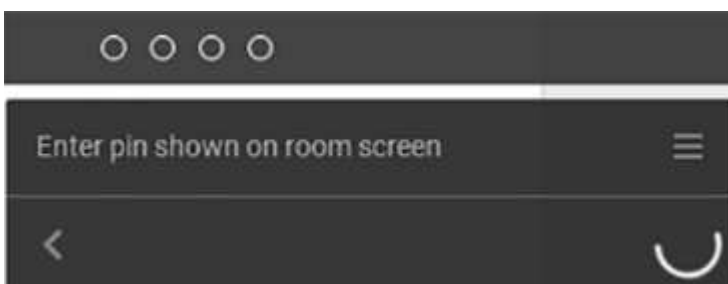


Image 3-8 Enter pin

After having entered the pin, the ClickShare desktop app will connect to the meeting room.



Image 3-9 Prepare connection

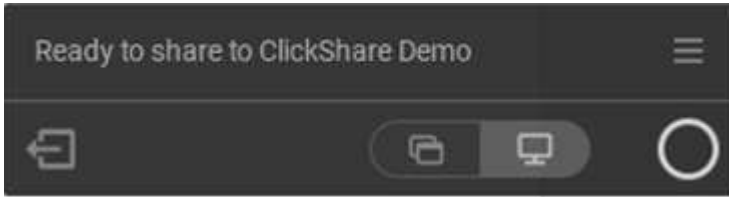


Image 3-10 Ready to share

3. Click the white circle to start sharing your content.

When the sharing is started, the ClickShare desktop app will minimize to the side through an animation. A subtle red bar remains visible on your screen.

Hover over the red bar on the side to open the full interface of the ClickShare app to either pause your sharing session and freeze the content on the screen while you work on your laptop (invisible for people in the meeting room), to change what you are sharing (a single application or your full screen) or to stop sharing (by clicking on the red circle).

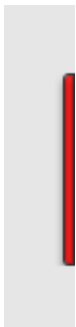


Image 3-11

4. Stop sharing by hovering over circle and clicking on the full red circle.

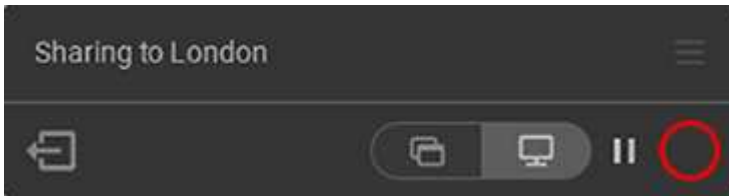


Image 3-12

5. Disconnect from the meeting room by clicking the "leave room" icon

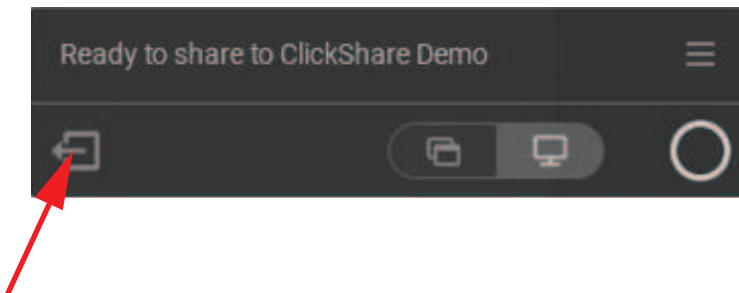


Image 3-13 Leave meeting room

or

when you walk away from the meeting room the app will show a message indicating you probably left the meeting room and you are still connected to the screen.

3.4 User Interface

User Interface functionality

After launching the client, the ClickShare icon appears in the system tray.

ClickShare context menu

The content of the context menu is related to the operating system.

1. Click the hamburgen menu icon in the ready message.

The context menu appears. The content depends on the functionality of your device.

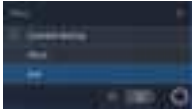


Image 3-14 Context menu

2. From the list, click the action you want to perform.

3.5 Shared desktop: primary - extended

About shared desktop

Depending on your selection, your primary screen or your extended screen will be captured and displayed via ClickShare. That extended screen can be a physical screen or a virtual screen.

With extended desktop you can take advantage of both your laptop screen and the central meeting room display. Presentation notes or other material on primary screen will not be displayed to everyone.

PC with virtual extended screen:



Image 3-15

Primary screen displayed on the PC, extended screen displayed on the meeting room display.



Image 3-16

PC with one extended screen connected. That extended screen will be captured and displayed on the meeting room display.



Image 3-17

PC with two extended screens connected. The first extended screen, screen 2 will always be captured and displayed on the meeting room display.

To know if your system supports the extended desk top feature, press *Window key + P*. It should bring up the following pop-up on screen:



Image 3-18

How to select

1. Click on the app sharing icon in the middle-bottom of Main UI.
A thumbnail view opens.
More that one extended desktop can be shown, depends on how many extend screen been connected.
2. Click on the extended desktop view to share it on the meeting room display.

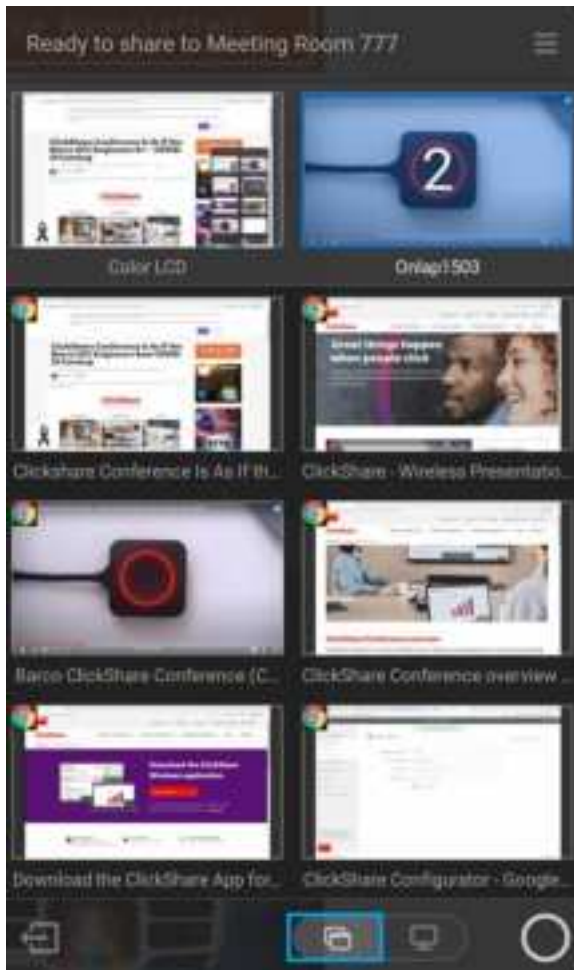


Image 3-19

Known issue

- Virtual Extended Desktop requires the ClickShare Extension Pack to be installed on Windows 8 and Windows 10 systems.

3.6 Audio configuration

Audio configuration

The connected user must control his own audio signal using the audio configuration of his computer. If he does not want to broadcast his audio signal, he has to mute audio on his computer.

For some operating system, it is necessary to set ClickShare as your default output device. Once you unplug the Button, the default setting is switched back to the previous setting.

Set ClickShare as default in Windows 10

1. Click on the speaker icon in the system tray.
The current setting opens.
2. Click on the up arrow in the upper right corner to open the possible selections.
3. Select Speakers ClickShare.

Set ClickShare as default in Windows 7

1. Right click on the speaker icon in the system tray (1).

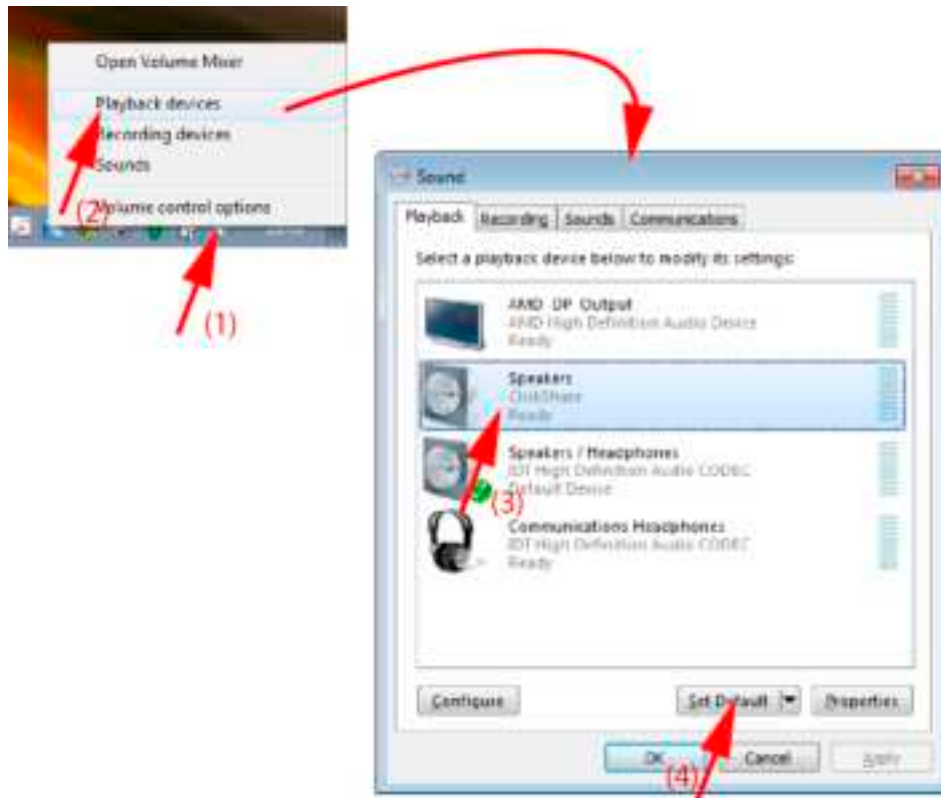


Image 3–20 Speakers ClickShare, default (example Windows 7)

2. Click *Playback devices* (2).
The *Sound* window opens on the *Playback* tab.
3. Select Speakers ClickShare (3) and click Set default (4).
4. Click **Apply** or **OK** to activate the new setting.

Set ClickShare as default on MAC

1. Click on the Apple logo on the menu bar (1) and select *System Preferences...*(2).

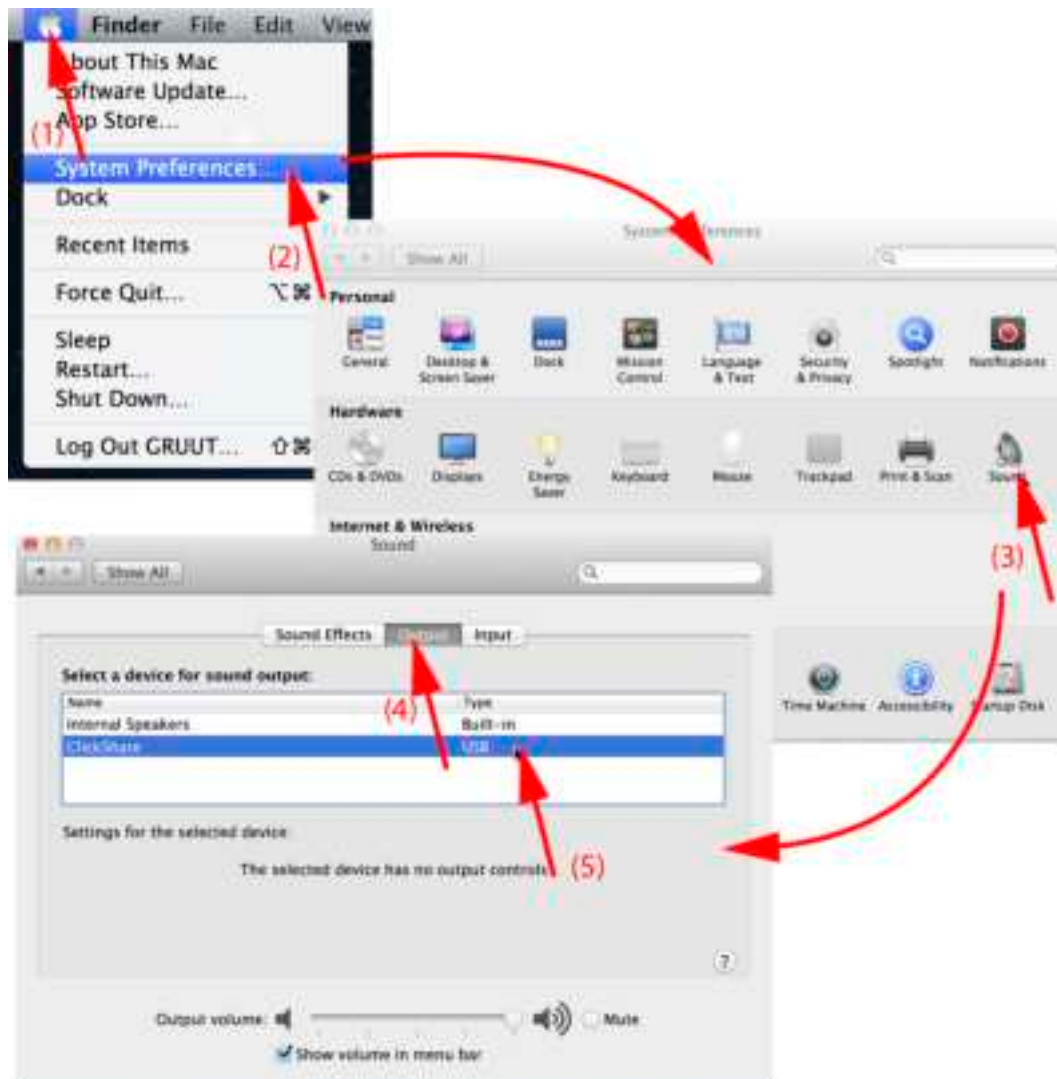


Image 3-21 Speakers ClickShare, default

2. Click on the *Speaker* icon (3).
The *Sound* window opens.
3. Select the *Output* tab (4) and activate ClickShare (5).



Short way to select ClickShare as audio device: Click with the mouse on the Speaker symbol in the menu bar while holding ALT. ClickShare will be visible as an option.

3.7 Pairing

Pairing of the Buttons with the Base Unit

To be able to use a Button it should be assigned to the Base Unit you are using. This process is called pairing. By default, the Button(s) delivered with the Base Unit are already paired to that specific Base Unit.

In case you buy additional Buttons or when a Button should be assigned to another Base Unit, the Button needs to be paired (again). The Button software update runs in the background and will not impact users while using the system. When downgrading or updating to an older version of the Base Unit software the Buttons need to be paired manually to update their software and that only in case the Button update over Wi-Fi is disabled.



A Button can only be paired to one Base Unit at a time.
The Button will always make connection to the Base Unit it was last paired to.

Pairing a Button can be done in two ways:

- by plugging the Button to the Base Unit.
- by using the Button Manager application running on your laptop.

To pair a Button to the Base Unit by plugging in

1. Insert the Button in one of the USB port available on the Base Unit you are using (image is only given as example, all USB connectors can be used).



Note: For some ports or Buttons, it can be necessary to use a convertor.

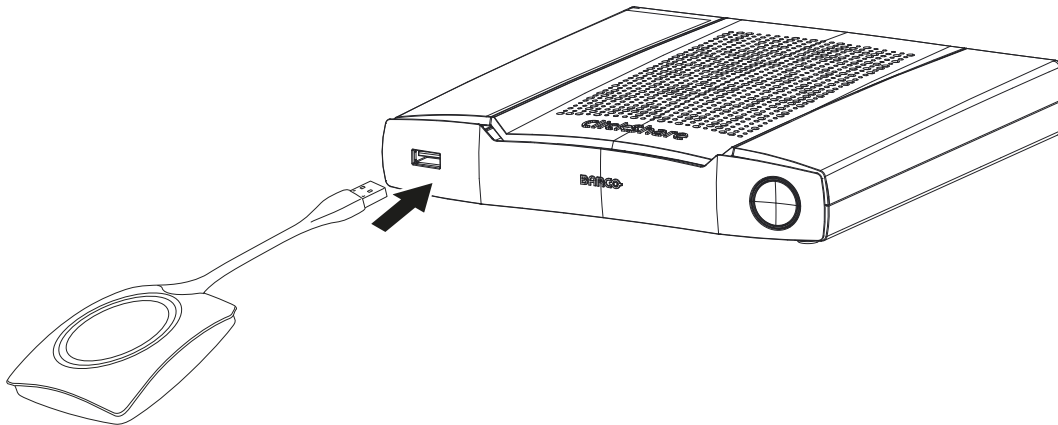


Image 3-22 Pair Button

Both the LEDs of the Button and the LEDs of the Base Unit are blinking white. This means pairing is in progress.

The Base Unit automatically checks whether the software of the Button is up to date. If not, the Base Unit updates the Button software. This may take more time.

During the pairing and update process, a small status bar is display.
The result of the pairing process can be as follows:

- When the LEDs become static white, the Button is paired to the Base Unit, but no software update was needed. You can unplug the Button from the Base Unit.
- When the LEDs become static red, the Button is paired to the Base Unit and the software update has finished. You can unplug the Button from the Base Unit.

2. Unplug the Button from the Base Unit.

The Button is now ready for use.

To pair a Button to the Base Unit using the Button Manager

Via the Button Manager client application running on your laptop, up to 4 Buttons can be paired simultaneously to a Base Unit without plugging the Buttons to the Base Unit. The Buttons are plugged in to your laptop. For more information about the Button Manager, consult the Button Manager's user guide which can be downloaded from Barco's website.

3.8 Blackboarding & Annotation

About blackboarding

Blackboarding allows you to use the meeting room's touchscreen as a writing board to write or sketch ideas on. Let creativity flow and have more dynamic meetings. With only one tap on the screen, you can save your real-time brainstorming session and share a copy with all meeting participants connected to the ClickShare Base Unit via the Button or via the ClickShare Desktop App.

With only one tap on the touch screen, you can select the blackboarding functionality. Combining a touch display and a wireless collaboration tool drives the productivity and engagement in your meeting room. With an additional tap on the screen, you can select the 'save' option. Saved sessions can be found on your laptop under c:\Users\username\Documents\clickshare-downloads. Files are never saved on the Button or Base Unit.

About annotation

Annotation gives you the option to add comments directly on presented content via the meeting room's touchscreen. Discuss and make your annotations or notes on the spot, creating an elaborated environment for ideation. With only one tap on the screen, you can save your real-time brainstorming session and share a copy with all meeting participants connected to the ClickShare Base Unit via the Button or via the ClickShare Desktop App.

With only one tap on the touch screen, you can select the annotation functionality. Pick your color and you can start to draw, write, highlight. Combining a touch display and a wireless collaboration tool drives the productivity and engagement in your meeting room. With an additional tap on the screen, you can select the 'save' option. Saved annotations can be found on your laptop under c:\Users\username\Documents\clickshare-downloads. Files are never saved on the Button or Base Unit.

3.8.1 Start the blackboarding mode

How to start

1. Tap with 2 fingers at the same time, approximately the same place, for about 500 ms on the touch panel.



Image 3-23 Start blackboarding mode

- Note: A selection must be made within 10 seconds. If not, the Base Unit will close the selection menu and returns to the presenter mode.

The selection menu with *Blackboard* and *Annotation* opens on the current presented content. When nothing is shared, only *Blackboard* will be available in the menu.

2. To start the blackboard functionality, tap on **Blackboard**.



Image 3-24 Start blackboard

- Note: When tapping next to menu, the Base Unit will return to the presenter mode.

The current content will be hidden. No clients should be disconnected. A black background is shown. The screen is empty when no previous blackboard has been used. Otherwise previous content is shown again.

3. To start the annotation functionality, tap on **Annotation**.



Image 3-25 Start annotation

 *Note:* When tapping next to menu, the Base Unit will return to the presenter mode.

No clients should be disconnected. The current shared screen(s) will be captured and used as background. No previous content can be shown again.

3.8.2 Drawing tools

Pen

Click on the Pen icon to start the drawing functionality. Draw with you finger on the screen.

Erase

Click on the Erase icon to start the erase functionality. Erasing can be done with single finger or with multiple fingers. The eraser grows in size depending on the speed of the movement. The erased parts are indicated with a circular overlay.

Size

Allows you to switch between different pen sizes. The default is medium.

Tap on the **Size** icon to open en drop down menu with 4 different pen thicknesses options.

- small
- medium
- large
- x-large

Tap on a desired thickness to change the current selected pen thickness. The current selected size is not repeated in the list.

Color

Allows you to switch between the different pen colors. The default color is white.

Tap on the Color icon to open the drop down menu with 5 different colors.

- black
- white
- red
- blue
- yellow

Tap on the desired color to change the pen color. The current select color in the toolbar will change to the new selection. The current selected color is not repeated in the list.

Grid

Tap on the Grid icon to toggle the grid on or off. When on, a grid will be shown where the distance between the lines is 5% of the width of the screen. The horizontal and vertical distance will be the same.

Clear

Click on the Clear icon to clear the current drawing. A warning message “Are you sure you want to clear the page?” will be displayed.


Click on **OK** to clear the content.

Click on **Cancel** to keep the content.

3.8.3 Saving a drawing on a USB stick

How to save

1. Insert a USB stick in one of the USB inputs of the Base Unit.

 *Note:* USB stick must be formatted with FAT32.

2. Click on **Save** icon.

The current drawing is saved on the USB stick as PDF with as file name the meeting room name and current date.

When saving a blackboard drawing, the white and the black lines are inverted. The white annotations become black and the black annotations become white.



When no USB stick is found, the Base Unit will look for connected buttons. When even no buttons are connected a warning will be displayed: “The blackboard can not be saved. Please connect a USB to the ClickShare Base Unit or plug in a Button on your laptop”. This message will be dismissed after 10 seconds.

3.8.4 Saving a drawing to connected clients

How to save

1. Click on **Save** icon.

The Base Unit checks whether there are Buttons connected.

The connected client will receive a pop-up message requesting to save the file on his device.

2. Accept the blackboard file.

The Base Unit will transfer the file to the Button client and the file will be saved on the user's device within the user's home folder. The file will be saved as a PDF file with as file name the meeting room and current date.



When there is also an USB stick (FAT32 formatted) inserted in the Base Unit, the file will be saved on this USB stick at the same time.

3.8.5 Returning to Presenter mode

How to return

1. Click on the **Close** (Cross) button in the lower right corner.

The Base Unit returns to Presenter mode.

The content of the Blackboard is not cleared. When returning to the blackboarding mode, the previous content will be displayed.

The content of the Annotation mode is cleared and cannot be reused when restarting the annotation mode.

3.9 Touch Back

About Touch Back

Touch Back support on your wireless collaboration solution allows you to control any application on your laptop via the touch screen in the room, instead of using a computer mouse or clickers. You can control data with your finger or with a specified stylus. Stay in control of your presentation, and don't let technical limitations interrupt the flow of your meeting anymore.

No need to go back to your laptop or use unreliable clickers to move to the next slide. Simply tap the screen to switch slides. And with a few touches on the screen, you can also open other presentations, share mails or start a video. With one tap on a touch screen, you can also select the blackboarding or annotation functionality. The combination of a touch display and a wireless collaboration tool drives the productivity and engagement in your meeting room.

- It gives you the opportunity to present more freely within the meeting space
- You can start to ideate on content real-time.
- Collaborate more interactive and creatively.
- Get higher engagement from the participants.
- Technical limitations of the room are not hindering the flow of the presentation or meeting.
- It boosts spontaneous collaboration, giving people the opportunity to use the specific extras like easy access to online content, cloud drives or photos, zoom, annotate, blackboarding...

What you need to use Touch Back

- You need a Button successfully paired and updated with the corresponding Base Unit.
- A supported touch panel display. A list of supported displays is listed on Barco's website in "*The ClickShare Supported Touch Panels Whitepaper*".

How to use Touch Back

- Tap once to control your laptop instead of using the computer mouse.
- To right-click, the touchscreen needs to be pressed for about 2-3 seconds long.
- Touchback can be enabled/disabled by touching the icon on the bottom right on the meeting room display

Points to know

- The best performance is achieved by sharing without audio.
- When sharing the extended desktop, a small lag might be observed.
- Native touchscreen functionalities cannot be used in combination with Touch Back. Ideally, they need to be disabled.

Troubleshooting

4

4.1 Basic Troubleshooting

Problem solving

In this chapter some problems that might occur while using CSE-200+ are listed. For each problem possible causes are given and a solution is proposed. If you cannot solve the problem yourself, please contact your local IT administrator.

Problem	Cause	Solution
Your screen is not shown on the display when pressing the Button.	You are the third person that wants to share the content to the display.	The first or second user has to push his button to remove his content so that a third user can share his content. or As third user, click and hold the Button to use the Show me function of ClickShare.
	The ClickShare client software is not running.	Go to the ClickShare drive and run the software.
Your screen is shown, but your audio is not playing on the meeting room audio system	Your audio signal on your PC is muted	Right click on the speaker icon and switch off the mute.
	Audio system of the meeting room is not switched on	Switch on the audio system of the meeting room.
	When using separate audio, audio cable is not connected	Check audio connection between the Base Unit (audio out, green connector) and the audio system of the meeting room.
	Default speaker is not correctly set	With a Button inserted, set ClickShare speaker as your default speaker.
	Buttons are not re-paired after changing the audio setting on the web interface	Re-pair the buttons.
	Audio setting on the web interface is not correctly set.	Consult your administrator to select the correct audio setting.
Your content is removed from the display and the LEDs of your Button are blinking white.	Connection to the Base Unit has been lost.	ClickShare tries to restore the connection automatically. If this fails, the LEDs of the Button start blinking red. You should unplug the Button from your laptop and start a new.
Nothing is shown on the display at all.	The display is switched off.	Switch on the display.
	Wrong input is selected.	Select the correct input.
	The display cable is not connected (correctly).	(Re)insert the display cable to the display and the Base Unit.
	The display does not recognize or is not able to display the Base Unit output resolution.	You or an administrator should change the corresponding setting via the web interface.
	The Base Unit is in standby mode.	Briefly push the standby button on the Base Unit or plug in a Button and run the ClickShare client software.
	The Base Unit is powered off.	Check if power adapter is connected to the Base unit and to the wall outlet.

Problem	Cause	Solution
	<p>The Button's software is not compatible with that of the Base unit</p> <p>Wallpaper is disabled</p>	<p>Re-pair and update the software of the Button by inserting it in the front USB port of Base Unit.</p> <p>If you connect a Button and start sharing, the content should be shown.</p>
<p>After inserting the Button into your laptop, you cannot find the ClickShare drive.</p>	<p>No automatic refresh of drives.</p> <p>Bad connection at USB port on laptop.</p> <p>Windows tries to assign the ClickShare drive to an already reserved drive letter</p> <p>IT policy not mount USB drives</p>	<p>Refresh the view on your laptop.</p> <ul style="list-style-type: none"> • Reconnect to the USB port. • Try another USB port. • Reboot your laptop. <p>Use Microsoft Windows Disk Management to assign it to a free drive letter.</p> <p>Contact your IT responsible.</p>
<p>Some programs of Windows are not shown on the display.</p>	<p>Use of overlays, 3D or hardware acceleration in the GPU.</p>	<ul style="list-style-type: none"> • Disable overlays or hardware acceleration in the GPU. • Disable AeroGlass in Windows 7 • Capture mode

Barco knowledge base and YouTube videos

Go to the product page on Barco's website and select in the right column **Support**. You will get access to Barco's *Knowledge base* and *Latest tutorial videos*. For more YouTube videos, consult <https://www.youtube.com/user/barcoTV> and select ClickShare.



R5900086 /06 | 2020-09-16

Barco NV | Beneluxpark 21, 8500 Kortrijk, Belgium
Registered office: Barco NV | President Kennedypark 35, 8500 Kortrijk, Belgium
www.barco.com