

BLADE™
RAILING SYSTEM
PRODUCT DATA

INFILL OPTIONS: GLASS

WIRE MESH FRAMED PANELS

VERTICAL PICKET PANELS

CABLE

MULTI-LINE



VIVA RAILINGS
MODULAR RAILING SYSTEMS

05 7300

ORNAMENTAL HANDRAILS
& RAILINGS



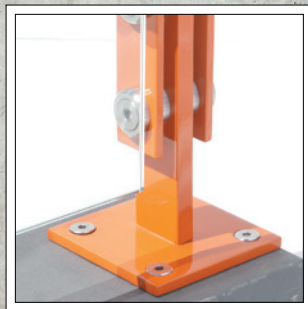
vivarailings.com

BLADE™ SPECIFICATIONS

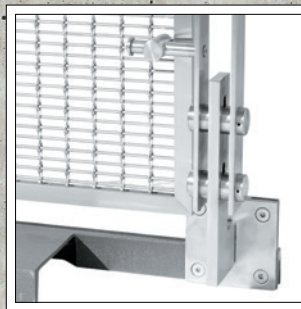
Posts	SS BLADE Posts @ 5' o.c. max.
BLADE™ COLOR	SS/Steel Powder Coated Posts @ 5' o.c. max. **
Height	42" or Custom
Mount Type	Top, Fascia or Core Mounts
Top Rail	1½" Ø or 2" Ø SS Rail; 2" Ø Wood Rail; 1½" Ø LED iRail
Assist Rail	1½" Ø SS Rail; 2" Ø Wood Rail; 1½" Ø LED iRail
Wall Rail (on Brackets)	1½" Ø SS Rail; 2" Ø Wood Rail; 1½" Ø LED iRail
Stainless Steel	#6 Brushed Satin in SS-304 or SS-316 alloy
Wood (unstained)	Red Oak, Cherry & Maple (other species avail on request)
In-Fill	
*various options available, see in-fill section page	3/8" (min) tempered glass *
	Wire mesh framed panels *
	Perforated metal framed panels *
	½" Ø Vertical picket panels @ 4" o.c.
	3/16" Ø SS cables @ 3¼" o.c.
	½" Ø Horz Multiline @ 4" o.c.
iRail - (LED illuminated Rail)	1½" Ø LED iRail available in Pure White & Warm White



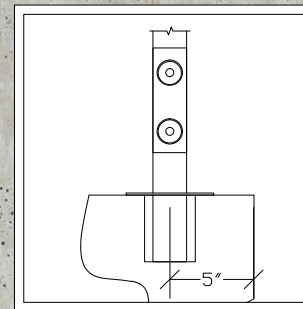
MOUNT OPTIONS



Top Mount



Fascia Mount



Core Mount

POWDER COAT COLORS

Select from a range of our standard powder coated color options or choose custom colors on request.

- PC-01
- PC-02
- PC-03
- PC-04
- PC-05
- PC-06
- PC-07
- PC-08
- PC-09
- PC-10

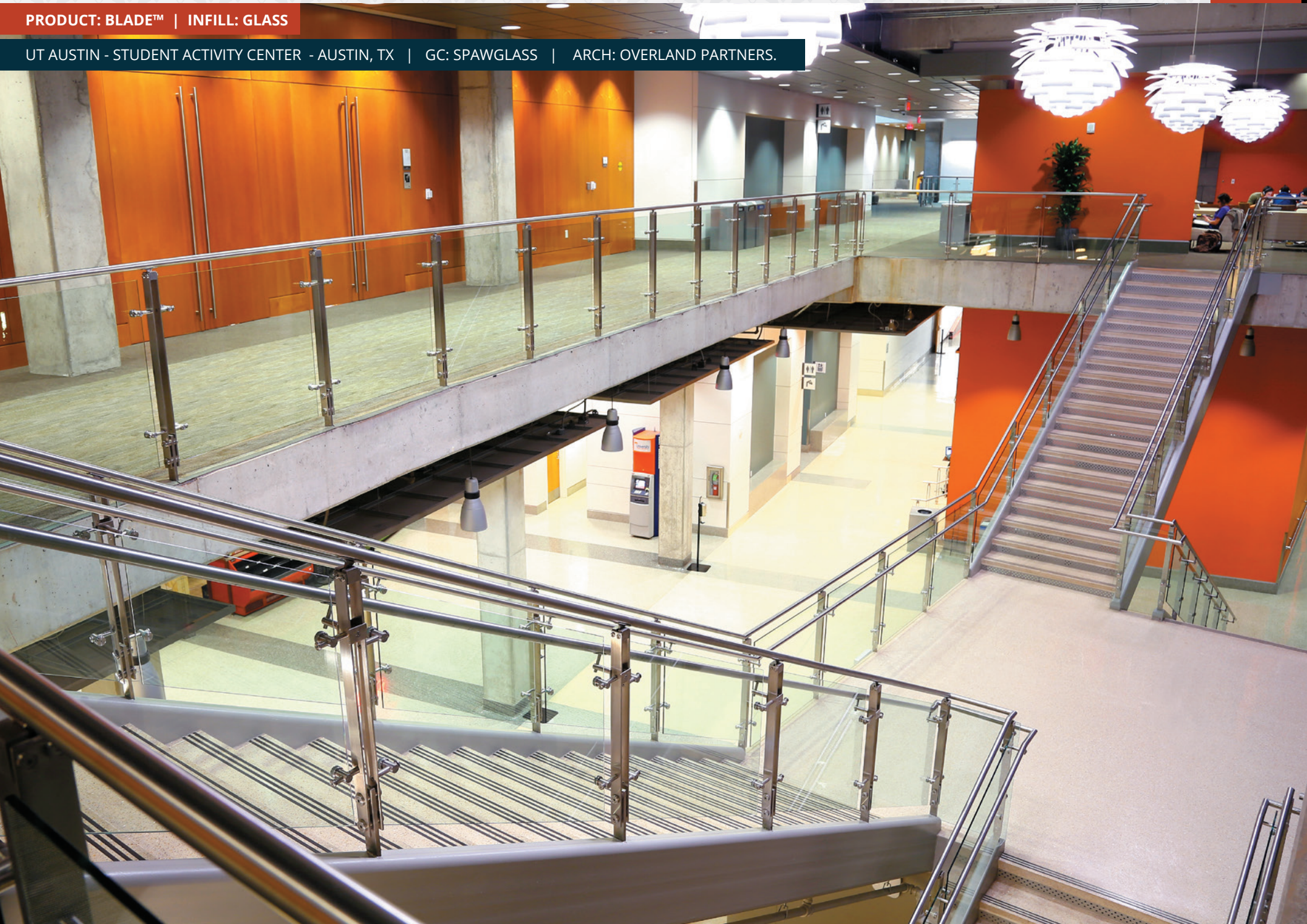
PRODUCT: BLADE™ | INFILL: GLASS

UT HEALTH & SCIENCE CENTER - TYLER, TX | GC: HILL & WILKINSON | ARCH: WHR



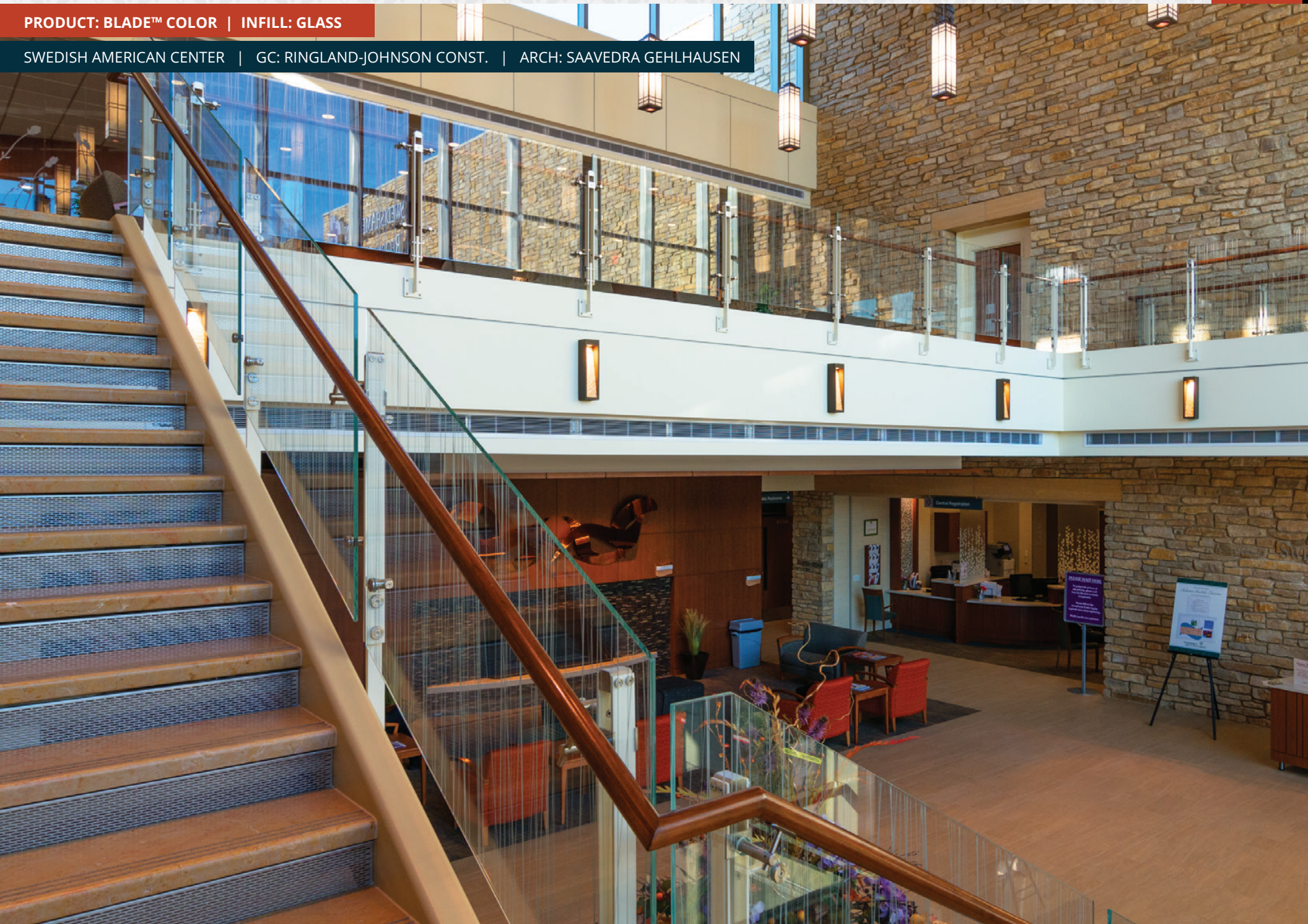
PRODUCT: BLADE™ | INFILL: GLASS

UT AUSTIN - STUDENT ACTIVITY CENTER - AUSTIN, TX | GC: SPAWGLASS | ARCH: OVERLAND PARTNERS.



PRODUCT: BLADE™ COLOR | INFILL: GLASS

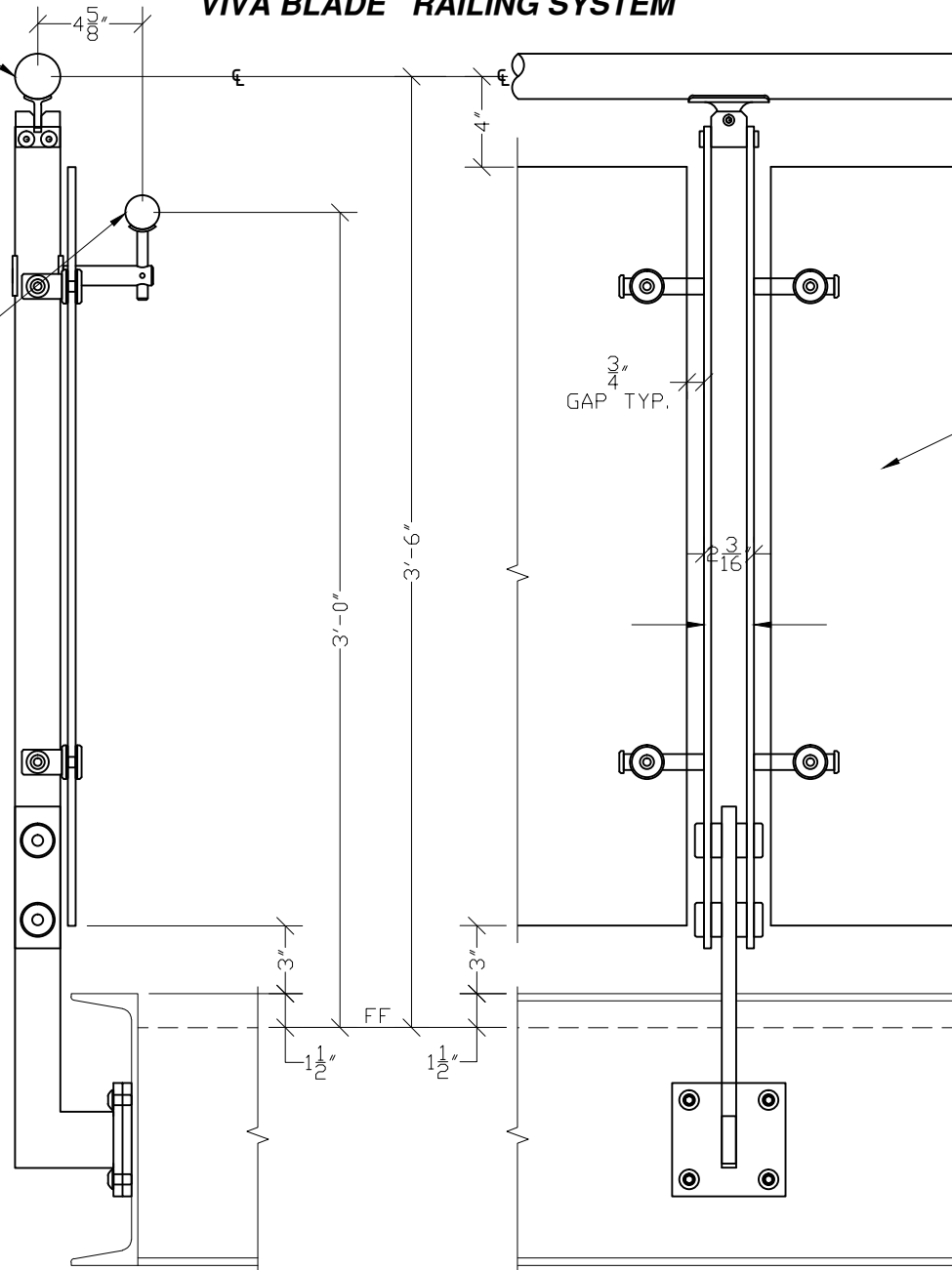
SWEDISH AMERICAN CENTER | GC: RINGLAND-JOHNSON CONST. | ARCH: SAAVEDRA GEHLHAUSEN



VIVA BLADE™ RAILING SYSTEM

- 1) 2"Ø SS TOPRAIL*
- SS FINISH #6
- 2) 2"Ø WOOD TOPRAIL
- CHERRY
- RED OAK
- WHITE OAK
- MAPLE
- 3) 1½"Ø LED RAIL

HANDRAIL IS
REQUIRED AT
STAIR ONLY



- 1) 3/8" GLASS CLEAR TEMPERED *
- PERF. PANEL PICTURE FRAMED
- WIRE MESH PANEL PICTURE FRAMED
- RESIN PANEL
- VERT. PICKET

* VISIT
VIVARAILINGS.COM
FOR MORE OPTIONS

ALL MATERIAL
STAINLESS STEEL
304 U.O.N.



VIVA RAILINGS, LLC
1454 HALSEY WAY
CARROLLTON, TX 75007
P: 972-353-8482
F: 972-353-0013
e: info@vivarailings.com
www.vivarailings.com

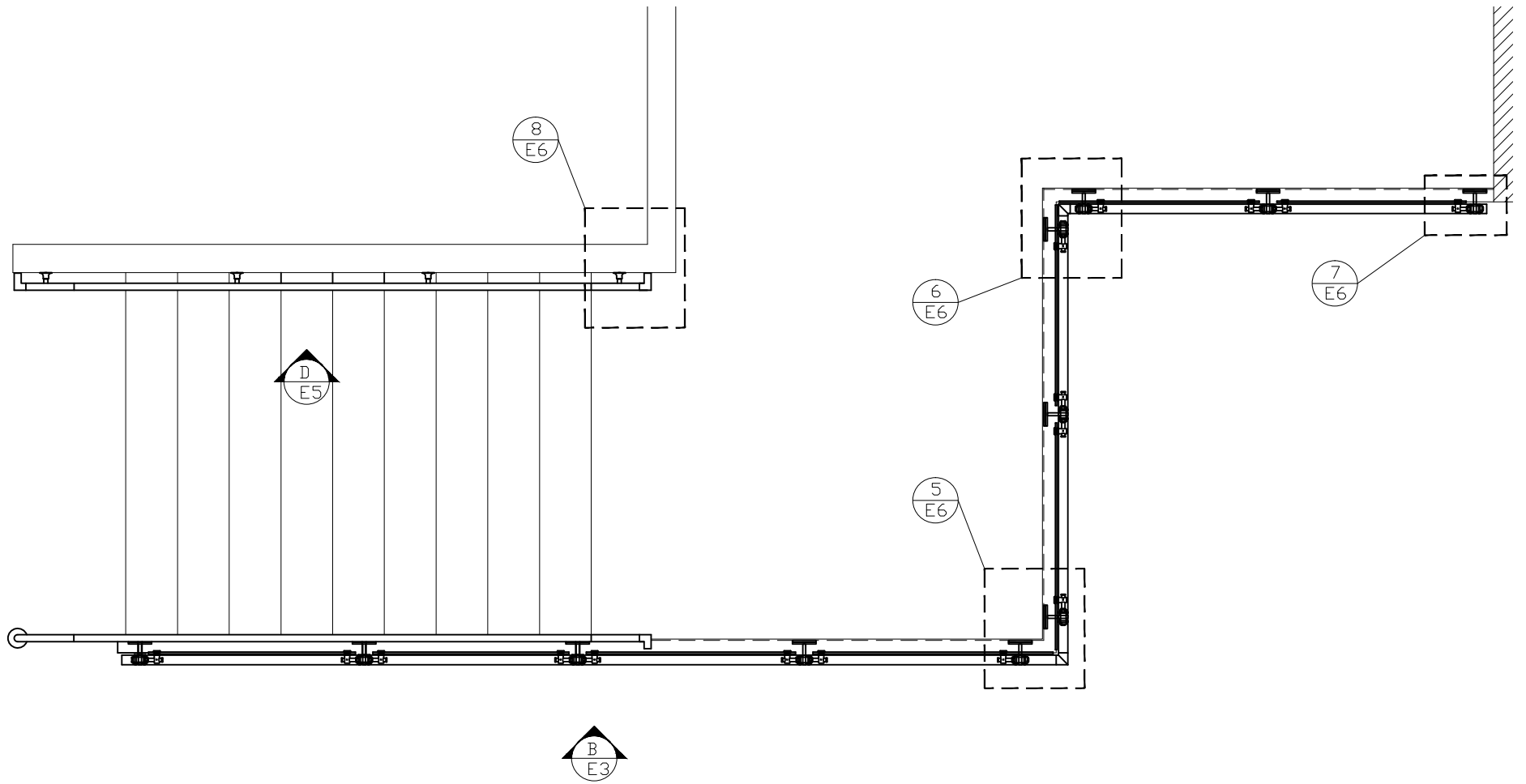
DESCRIPTION: BLADE RAILING PRODUCT
DATA, ELEVATION DETAIL

DATE DRAWN
07/24/14

DRAWN BY
BB

PIECE MARK
—

SHEET NUMBER
E1 OF E8



A
E2 PLAN VIEW
SCALE: 3/8" = 1'



VIVA RAILINGS, LLC
 1454 HALSEY WAY
 CARROLLTON, TX 75007
 P: 972-353-8482
 F: 972-353-0013
 e: info@vivarailings.com
 www.vivarailings.com

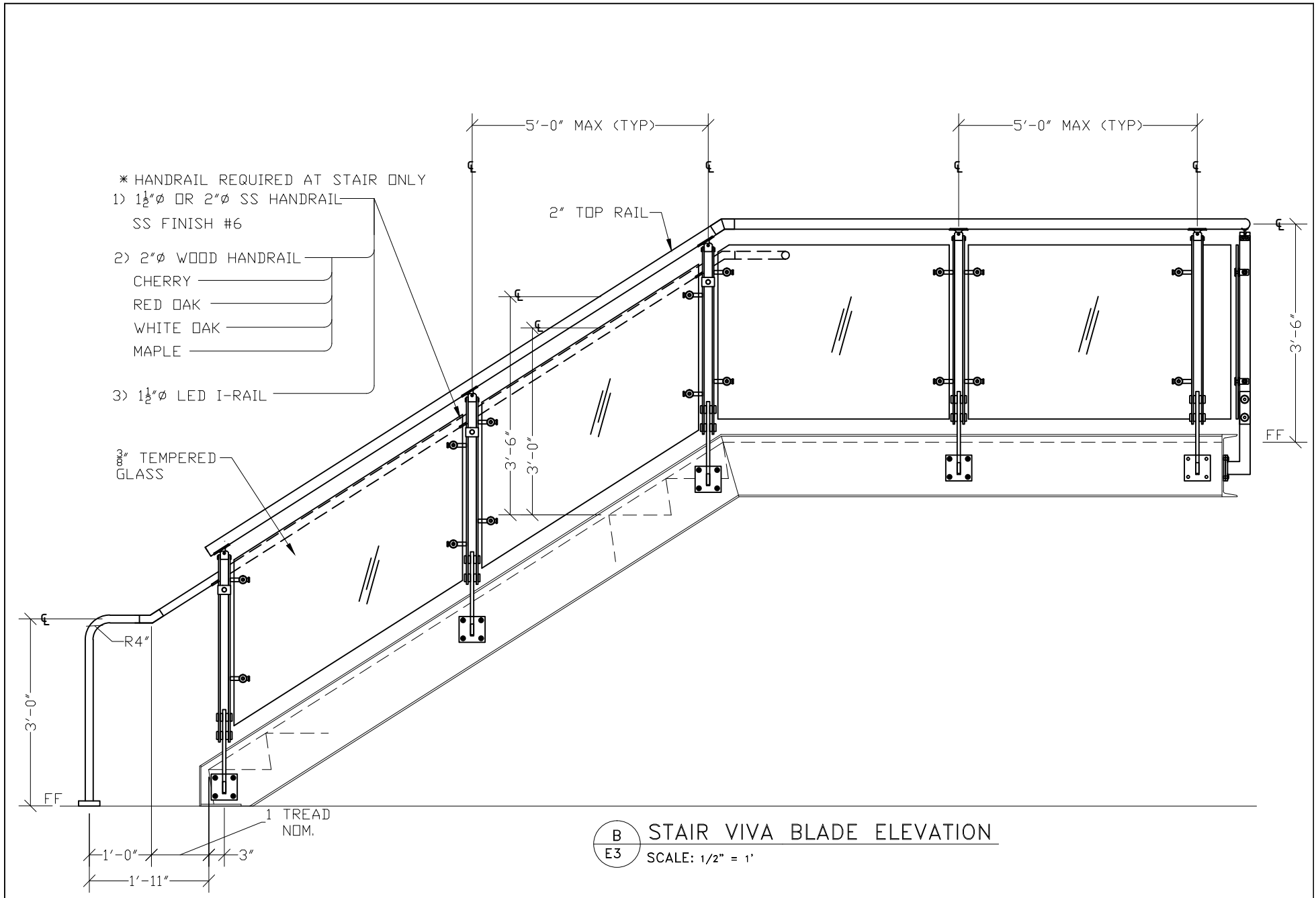
DESCRIPTION: BLADE RAILING PRODUCT
 DATA, PLAN VIEW

DATE DRAWN
 07/24/14

PIECE MARK
 —

DRAWN BY
 BB

SHEET NUMBER
 E2 OF E8



VIVA RAILINGS, LLC
 1454 HALSEY WAY
 CARROLLTON, TX 75007
 P: 972-353-8482
 F: 972-353-0013
 e: info@vivarailings.com
 www.vivarailings.com

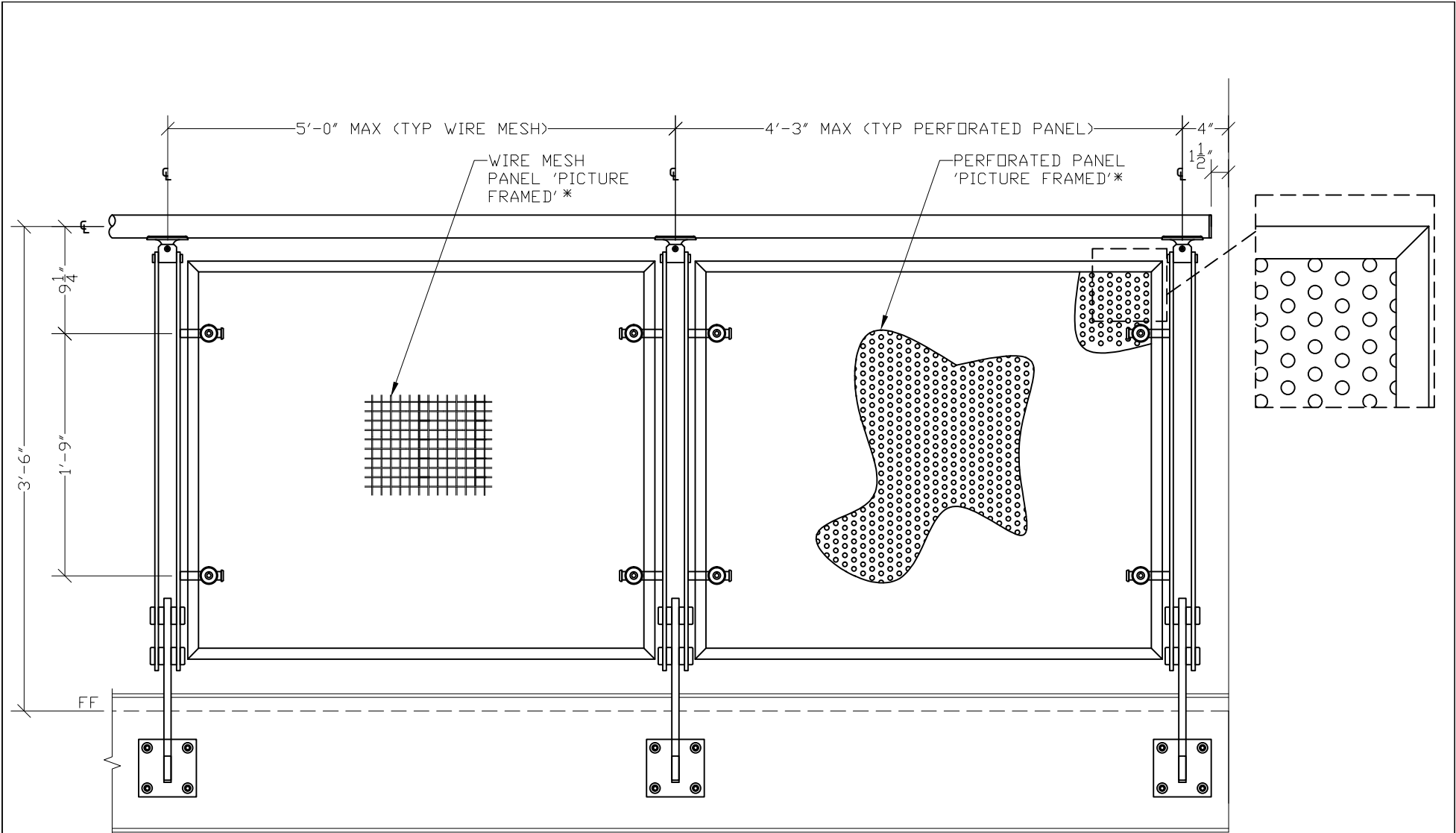
DESCRIPTION: BLADE RAILING PRODUCT
 DATA, STAIR ELEVATION

DATE DRAWN
 07/24/14

PIECE MARK
 -

DRAWN BY
 BB

SHEET NUMBER
 E3 OF E8



C MESH & PERF. ELEVATION
E4 SCALE:

* REFER TO
 WWW.VIVARAILINGS.COM
 FOR MORE OPTIONS



VIVA RAILINGS, LLC
 1454 HALSEY WAY
 CARROLLTON, TX 75007
 P: 972-353-8482
 F: 972-353-0013
 e: info@vivarailings.com
 www.vivarailings.com

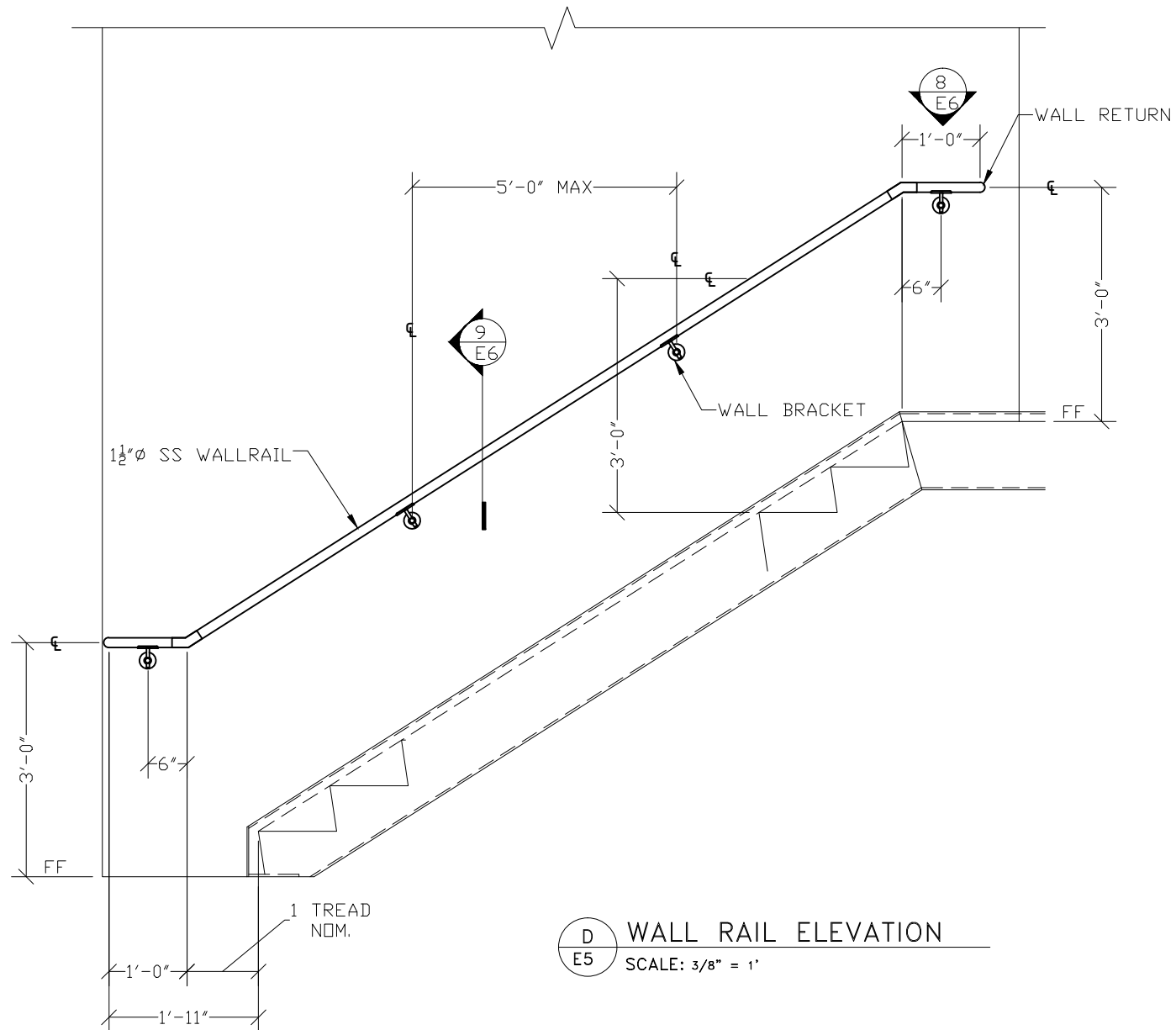
DESCRIPTION: BLADE RAILING PRODUCT
 DATA, VIVA MESH & PERF PANEL
 FRAMED ELEVATION

DATE DRAWN
 07/24/14

PIECE MARK
 —

DRAWN BY
 BB

SHEET NUMBER
 E4 OF E8



D WALL RAIL ELEVATION
E5 SCALE: 3/8" = 1'



VIVA RAILINGS, LLC
 1454 HALSEY WAY
 CARROLLTON, TX 75007
 P: 972-353-8482
 F: 972-353-0013
 e: info@vivarailings.com
 www.vivarailings.com

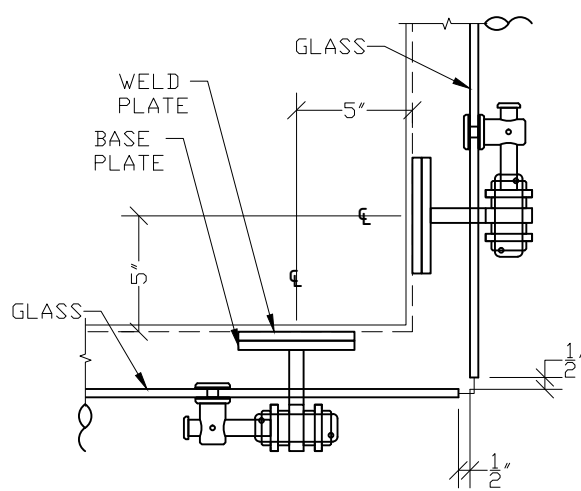
DESCRIPTION: BLADE RAINING PRODUCT
 DATA, WALL RAIL ELEVATION

DATE DRAWN
 07/24/14

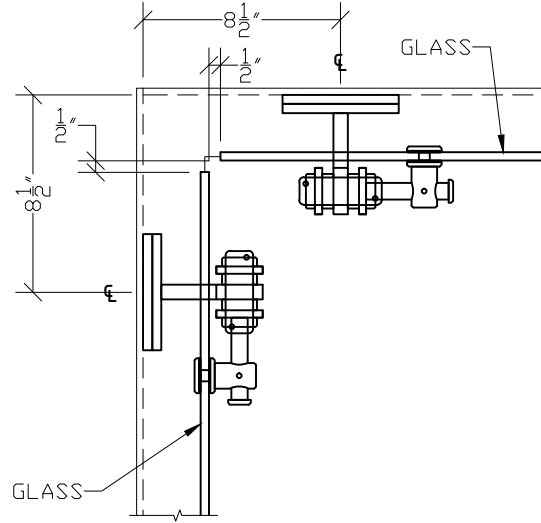
PIECE MARK
 -

DRAWN BY
 BB

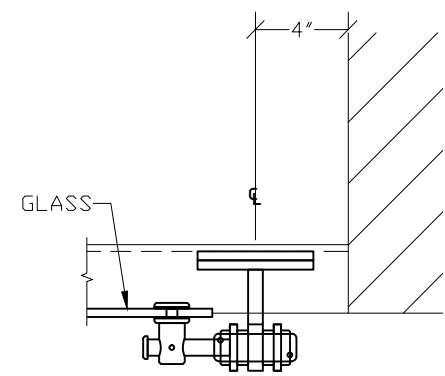
SHEET NUMBER
 E5 OF E8



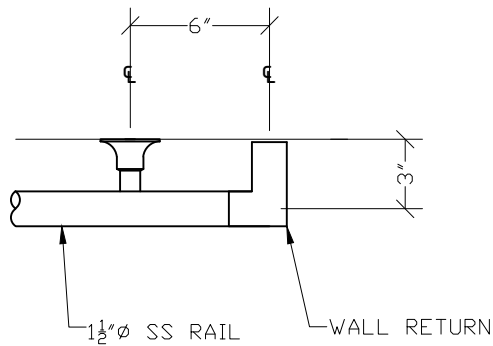
5 INSIDE CORNER
E6 SCALE: 1 1/2" = 1'



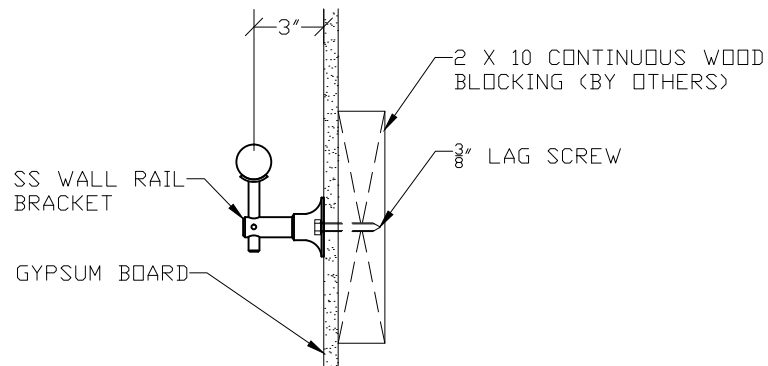
6 OUTSIDE CORNER
E6 SCALE: 1 1/2" = 1'



7 END CONDITION
E6 SCALE: 1 1/2" = 1'



8 WALL BRACKET & RETURN PLAN
E6 SCALE: 1 1/2" = 1'



9 WALL BRACKET SECTION
E6 SCALE: 1 1/2" = 1'



VIVA RAILINGS, LLC
1454 HALSEY WAY
CARROLLTON, TX 75007
P: 972-353-8482
F: 972-353-0013
e: info@vivarailings.com
www.vivarailings.com

DESCRIPTION: BLADE RAILING PRODUCT
DATA, PLAN DETAIL

DATE DRAWN
07/24/14

PIECE MARK

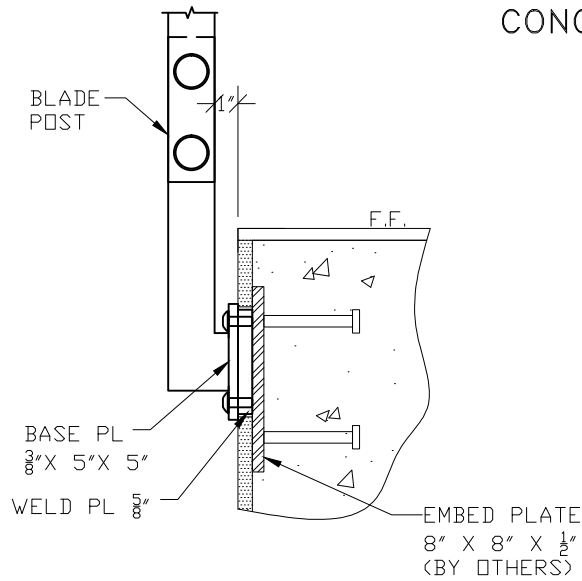
—

DRAWN BY
BB

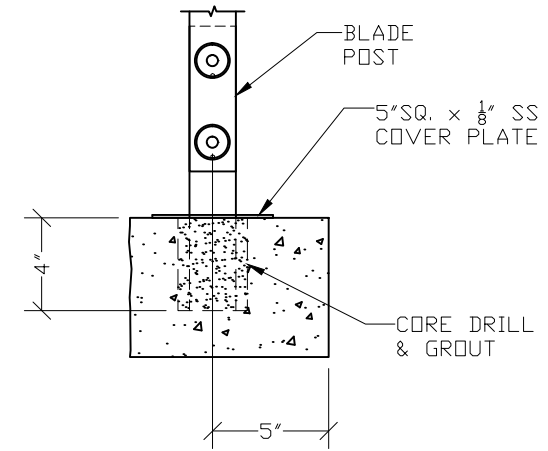
SHEET NUMBER

E6 OF E8

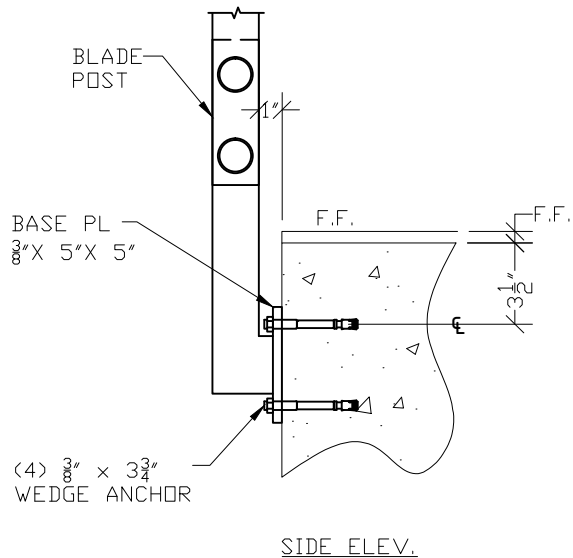
CONCRETE MOUNTING DETAIL



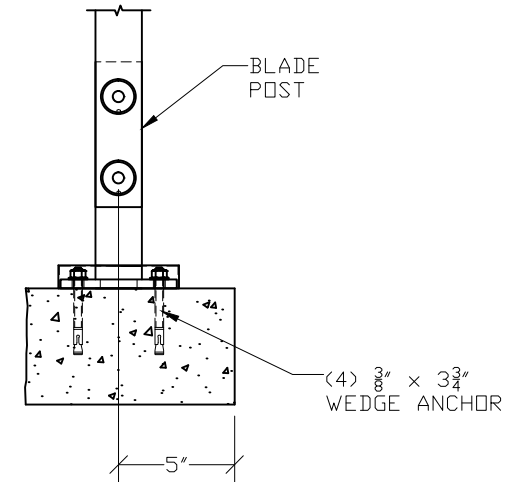
13 FASCIA MOUNT @ EMBED CONCRETE
E8 SCALE: NOT TO SCALE



15 CORE MOUNT
E8 SCALE: NOT TO SCALE



14 FASCIA MOUNT @ CONCRETE W/ANCHORS
E8 SCALE: NOT TO SCALE



16 TOP MOUNT @ CONCRETE W/ANCHORS
E8 SCALE: NOT TO SCALE



VIVA RAILINGS, LLC
 1454 HALSEY WAY
 CARROLLTON, TX 75007
 P: 972-353-8482
 F: 972-353-0013
 e: info@vivarailings.com
 www.vivarailings.com

DESCRIPTION: BLADE RAILING PRODUCT
 DATA, CONCRETE MOUNTING
 OPTIONS

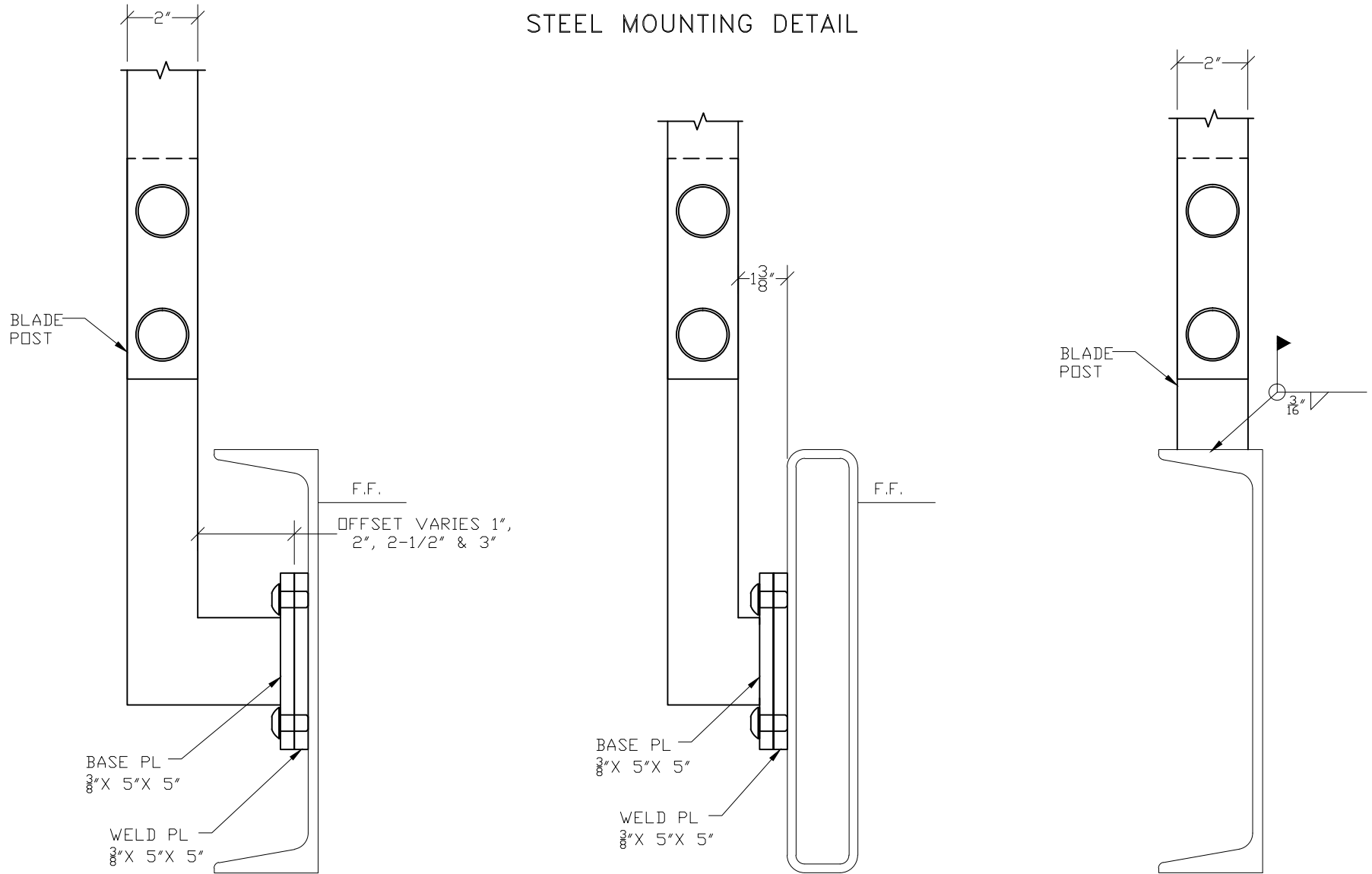
DATE DRAWN
 07/24/14

PIECE MARK
 —

DRAWN BY
 BB

SHEET NUMBER
 E8 OF E8

STEEL MOUNTING DETAIL



10 FASCIA MOUNT @ STEEL CHANNEL STRINGER
E7 SCALE: NOT TO SCALE

11 FASCIA MOUNT @ STEEL TUBE STRINGER
E7 SCALE: NOT TO SCALE

12 TOP MOUNT @ STEEL CHANNEL
E7 SCALE: NOT TO SCALE



VIVA RAILINGS, LLC
 1454 HALSEY WAY
 CARROLLTON, TX 75007
 P: 972-353-8482
 F: 972-353-0013
 e: info@vivarailings.com
 www.vivarailings.com

DESCRIPTION: BLADE RAILING PRODUCT
 DATA, MOUNTING OPTIONS

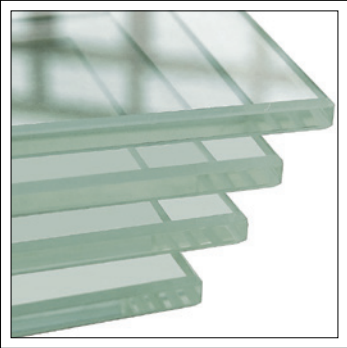
DATE DRAWN
 07/24/14

PIECE MARK
 —

DRAWN BY
 BB

SHEET NUMBER
 E7 OF E8

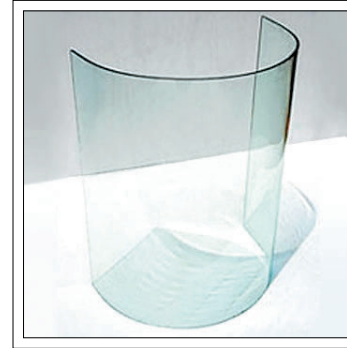
TEMPERED GLASS



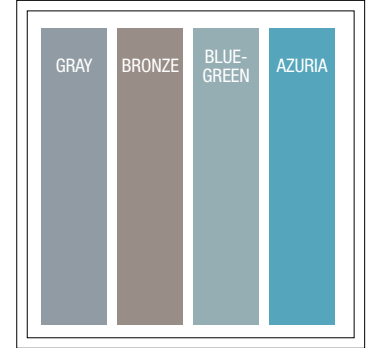
CLEAR MONOLITHIC



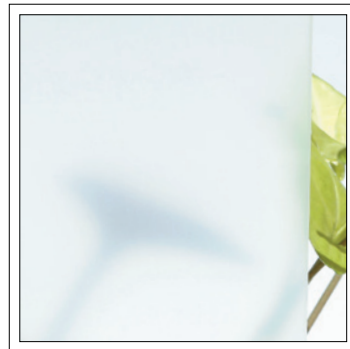
CLEAR LAMINATED (SGP)



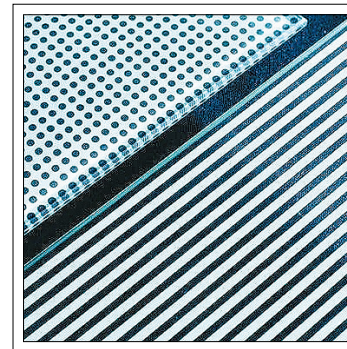
BENT MONOLITHIC



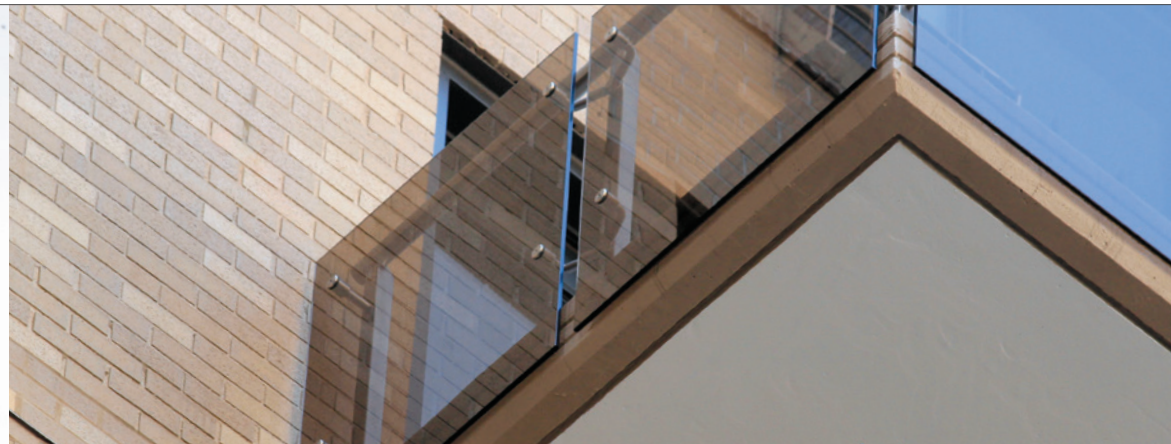
TINTED



CERAMIC FRIT



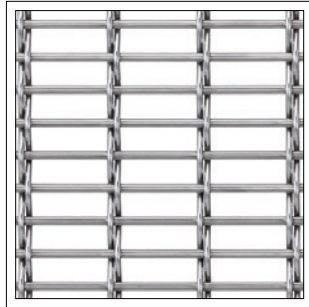
PATTERNED CERAMIC FRIT



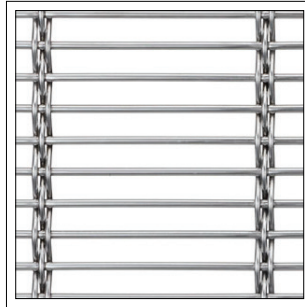
FRAMED WIRE MESH PANELS



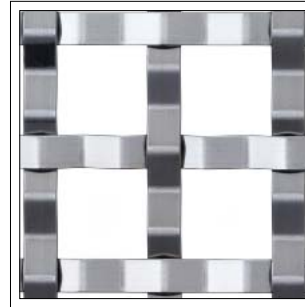
Typical Framing Application



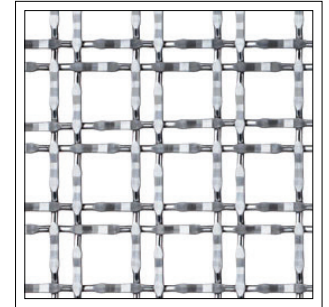
WM-10



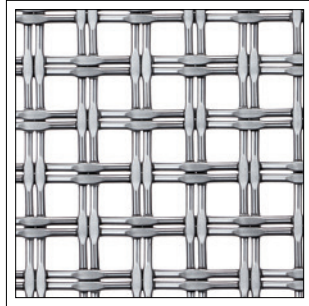
WM-11



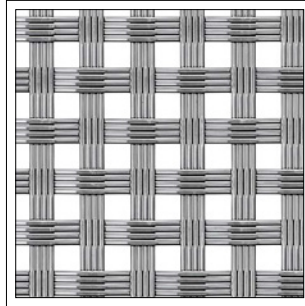
WM-21



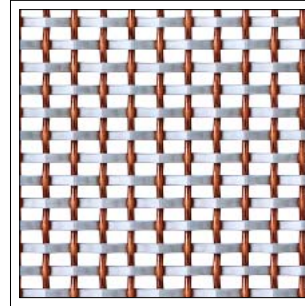
WM-22



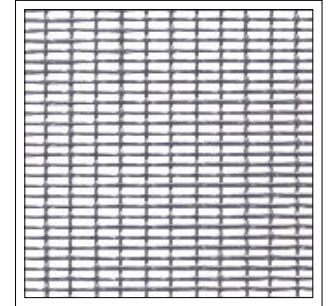
WM-23



WM-24



WM-25



WM-29

Not to scale. For visual reference only

Please visit our website www.vivarailings.com to get spec sheets for more accurate size/scale representation.

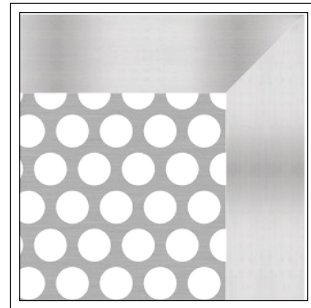
Always confirm measurements with a physical sample.



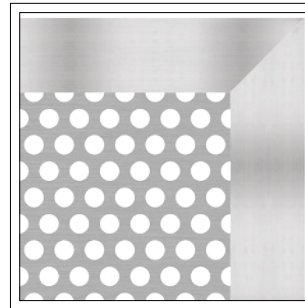
FRAMED PERFORATED METAL PANELS



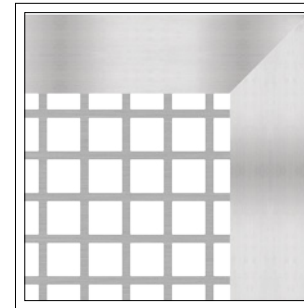
Typical Framing Application



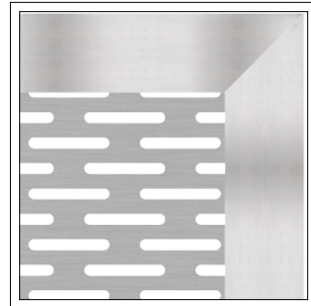
PMRO-0410



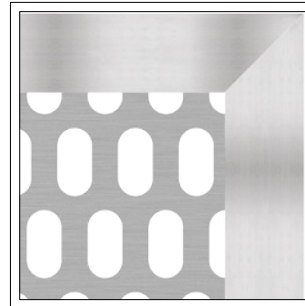
PMRO-0610



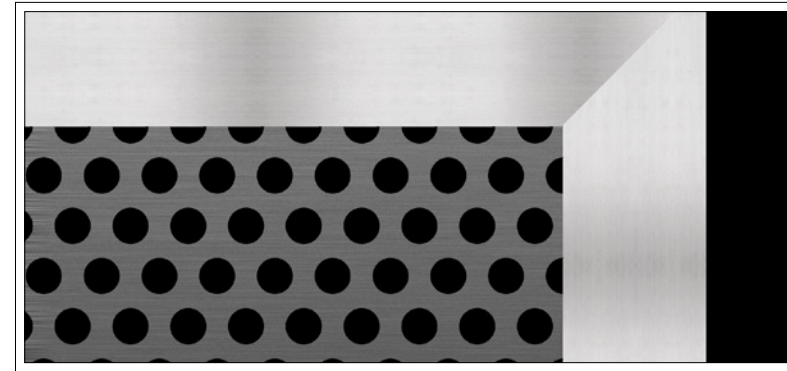
PMSQ-1013



PMSL-0325



PMSL-1122



Not to scale. For visual reference only

Please visit our website www.vivarailings.com to get spec sheets for more accurate size/scale representation.

Always confirm measurements with a physical sample.



CABLE

3/16" Ø SS CABLE @ 3/4" o.c.

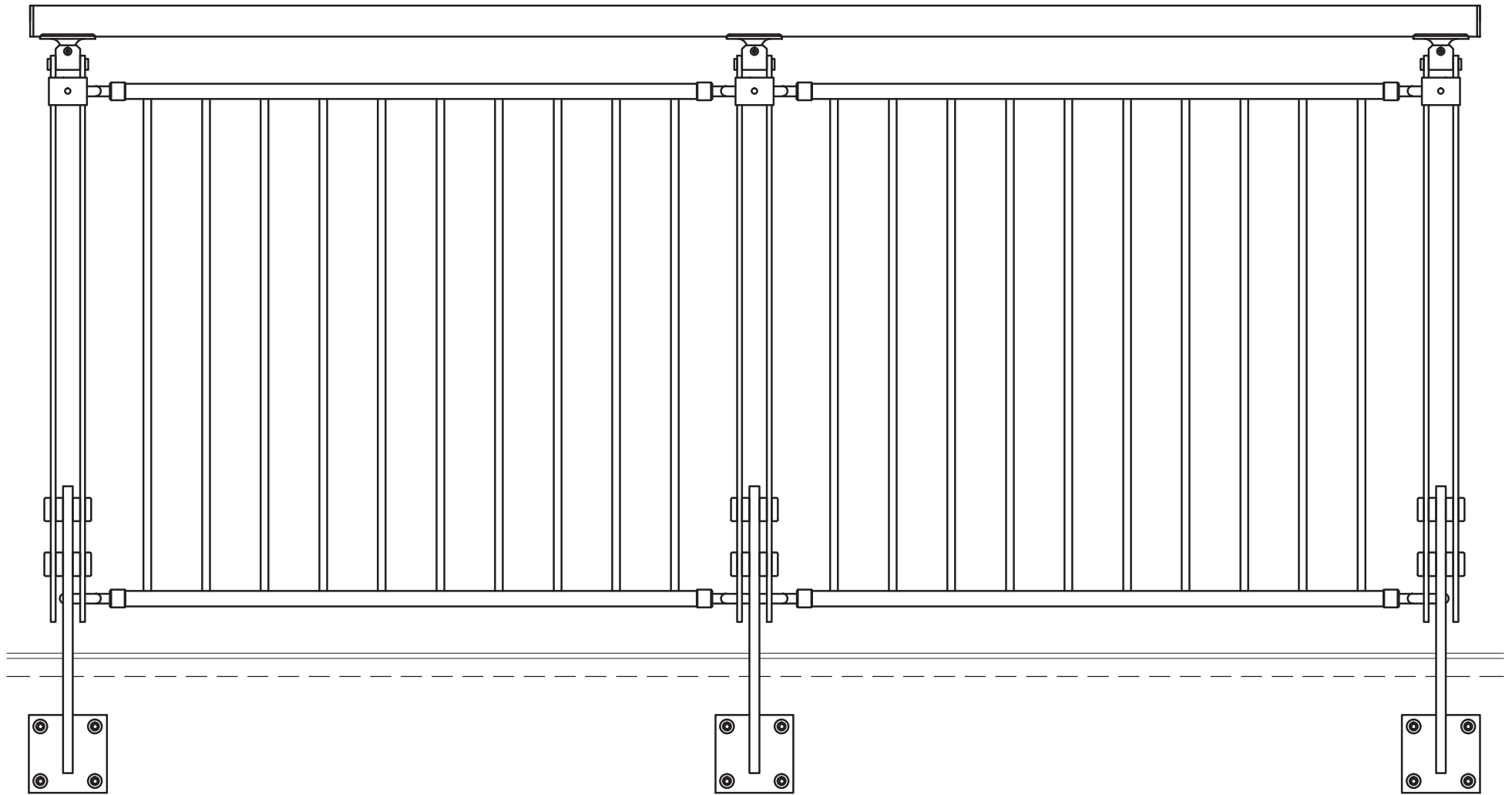


MULTI-LINE

1/2" Ø Horz Multiline @ 4" o.c.



VERTICAL PICKET



Please visit our website www.vivarailings.com to get spec sheets for more accurate size/scale representation.



In August 2012, Inc. Magazine ranked VIVA RAILINGS #281 on its 31st annual Inc. 500/5000, an exclusive ranking of the nation's fastest-growing private companies.

"VIVA Railings is thrilled to earn a position on this prestigious list of companies! It's a great tribute to the hard work of all our employees and the confidence our customers have entrusted in us."

-- Mark Tinwala & Huzefa Tinwala

Viva Railings was able to provide multiple railing styles and finish options for the project team to review, in order to determine the best fit for this project, and at a value that could not be matched.

Andrew Earhart - Project Manager - THE BECK GROUP

I wanted to take a quick moment to congratulate the VIVA team for a Job Well Done with the ornamental railing installation at the University of North Texas Business Leadership Building. We at Hunt Construction Group were extremely pleased with the professional conduct of your entire team from proposal to design, with a seamless transition through material delivery and installation. The entire Hunt BLB project team is pleased with more than 2500 feet of the VIEW™, SHOET™ and Custom Mesh Railing system throughout the project.

Clint Binkley - Project Manager - HUNT CONSTRUCTION GROUP, INC.

Viva Railings is a very good product, but beyond the product the support that we receive from Viva is great. They are ready to work with us at all times, and always have good recommendations that do not affect the design intent but make our budgets get farther. We have used their products in several projects, and the final result is always beyond the highest expectations. I believe this is due to the amazing level of professionalism from their installers and engineering team.

Al Hernandez AIA, NCARB AP BD+C SHW GROUP

ARCHITECTS
SHW
Corgan
HKS
LS3P Associates Ltd.
Gensler
Perkins & Will
HOK
HDR
Aecom
Jacobs
Leo A Daly
RTKL
CH2M Hill
Callison
URS Corp
PageSoutherlandPage
Gresham, Smith and Partners
EYP Architecture & Engineering
Cannon Design

GENERAL CONTRACTORS
PCL Construction Enterprises Inc
Skanska USA
Balfour Beatty US
DPR Construction
JE Dunn Construction Group
Holder Construction Co
Hunt Construction Group
Austin Industries
Flintco LLC
LeChase Construction Services LLC
CORE Construction Group
Consigli Construction Co. Inc.
PJ Dick
Crossland Construction Co.
Hoar Construction LLC
Miron Construction Co. Inc
Choate Construction Co.
Hardin Construction Co. LLC
EMJ Corp.
The Beck Group
Satterfield & Pontikes Construction Inc
SpawGlass
China Construction America
Lee Lewis Construction Inc.
Bartlett Cocke General Contractors
Hill & Wilkinson General Contractors
Pogue Construction
Rogers-O'Brien Construction

OWNERS
Hilton
University of Austin
University of North Texas
LISD
Scott & White
SUNY
WSSU
TWU
Starbucks
Pizza Hut
Porsche
Bombardier
Boeing
US Corp of Engineers
Toyota
Mercedes Benz
John Deere
Univ of Miami
Oncor
Sheraton
Boston University
Sea World
Disney
Parkland Hospital
NBA
ESPN
DFW Airport
Honda

NORTH AMERICA OPERATIONS



VIVA RAILINGS
MODULAR RAILING SYSTEMS

1454 Halsey Way, Carrollton, TX 75007
PH: 972.353.8482 | FAX: 972.353.0013
info@vivarailings.com
www.vivarailings.com

ASIA OPERATIONS

VIVA RAILING SYSTEMS PVT. LTD

410, Creative Industrial Estate, N. M Joshi Road
Lower Parel (East), Mumbai 400 011

PH: + 91 22 23000751/52/53 | FAX: +91 22 23770254 | MOB: +91 9821468001
thaji@vivarailings.com



1454



Statewide Historically Underutilized Business Program



A HUB & MBE Certified Company



LEED

Material & Resources Credits 4.1 and 4.2



Please visit our website for more information- www.vivarailings.com