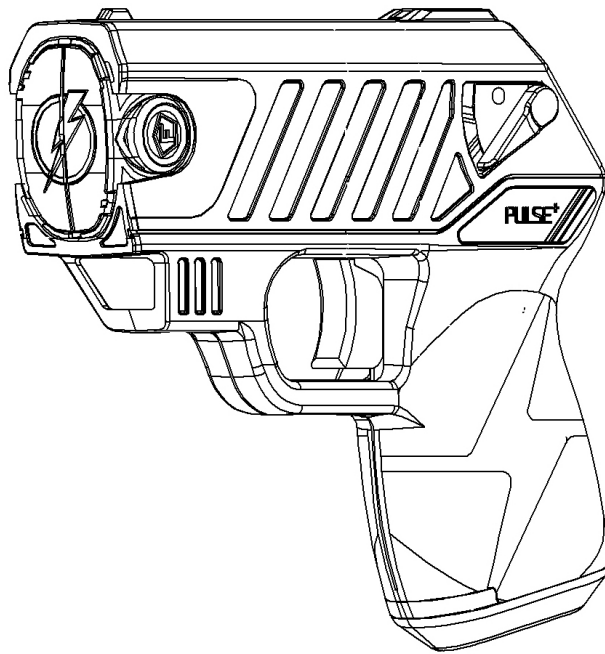




TASER

TASER Pulse+ Energy Weapon User Manual



IMPORTANT SAFETY INSTRUCTIONS

Read all warnings and instructions. Save these instructions. The most up-to-date warnings and instructions are available at www.axon.com

MMU0075 Rev: E

April 2021

For more cartridges or fresh batteries, go to taser.com



Contents







1	Chapter 1: Warnings
1	Important Safety and Health Information
2	LASER Information
3	Chapter 2: Ownership
4	Chapter 3: General Information
4	What Is the TASER Pulse+ Energy Weapon?
4	Neuro Muscular Incapacitation (NMI)
4	Basic Pulse+ Electrical Theory
5	Chapter 4: TASER Pulse+ Energy Weapon and Cartridge Features
5	Safety Switch
6	Power Supply
7	Trigger Switch
7	Spark Duration
7	Electrodes
8	LASER and LED Flashlight
8	High Visibility Sights
8	The TASER Pulse+ Cartridge
8	Avoiding Unintentional Discharge
9	Protective Anti-Felon Identification (AFID) Tags
9	Loading the Pulse+ Cartridges
10	Unloading Cartridges
11	Practicing with the Pulse+ Energy Weapon
12	Aiming and Probe Placement
12	Using the Pulse+ Energy Weapon
13	Deployment Instructions for Self-Defense
13	“Silence Is Golden”

14	Potential Causes of Reduced or No Effectiveness
14	What if I Miss?
14	Contact-Stun (Drive-Stun) Backup
14	TASER Safe Escape
16	Chapter 5: Using the Pulse+ Energy Weapon with the Noonlight Application
16	What is Noonlight?
16	Pairing the Pulse+ Energy Weapon to the Noonlight Application
17	Stopping False Alarms
18	Using the Training Mode
18	Unpairing the Pulse+ Energy Weapon from the Noonlight Application
19	Chapter 6: Maintenance and Care
19	General Concepts
19	Function Test
20	Changing the Batteries
24	Chapter 7: Additional Items
24	Product Support
24	Legality
24	Warranty
24	Warnings
25	Medical Research
25	Radio Waves

Chapter 1: Warnings

Important Safety and Health Information

The safety warnings posted at www.axon.com are for your protection as well as the safety of others. Disregarding this information could result in death or serious injury.

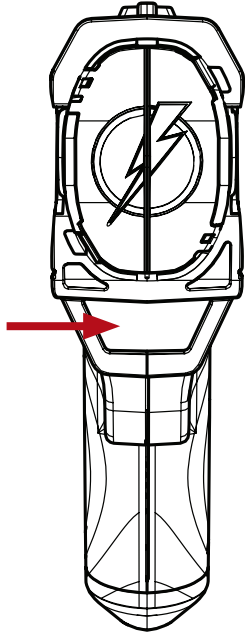
 WARNING	
 <div style="display: inline-block; border: 1px solid black; padding: 5px; margin-left: 10px;">  WARNING Energy Weapon <ul style="list-style-type: none"> • Can temporarily incapacitate target. • Can cause death or serious injury. • Obey warnings, instructions and all laws. • Comply with current training materials and requirements. • See www.axon.com </div>	
	<p>Read and Obey</p> <p>Significant differences exist between different TASER Energy Weapons models. Do not use or attempt to use any energy weapon model unless you have read, understood, and are following all current instructions, warnings, and relevant TASER training materials before using TASER energy weapons. Failure to do so could increase the risk of death or serious injury to the user or others.</p>
	<p>Obey Applicable Laws</p> <p>Use of energy weapons must be legally justified and comply with applicable federal, state, and local laws and regulations.</p>
	<p>Store in a Secure Location</p> <p>Energy weapons and cartridges are weapons and, as with any weapon, follow safe weapon-handling practices and store your energy weapon securely. Store energy weapons, cartridges, and accessories in secure locations inaccessible to children and other unauthorized persons to prevent inappropriate access or use.</p>

For a complete list of product warnings, go to www.axon.com.

LASER Information

The energy weapon uses a Class 2 LASER as an aiming aid. LASERs can cause serious eye injury, including permanent vision loss.

⚠ WARNING	
LASER RADIATION AVOID DIRECT EYE EXPOSURE CLASS 2 LASER PRODUCT	

⚠ WARNING	
AVOID EXPOSURE – LASER RADIATION IS EMITTED FROM THIS APERTURE	

⚠ CAUTION	
Use of controls or adjustments or performance of procedures other than those specified herein may result in hazardous radiation exposure.	

Chapter 2: Ownership

Do not point the energy weapon at any law enforcement officer or do anything that would cause law enforcement officers to feel threatened by your use of the energy weapon. Because the TASER energy weapon is able to temporarily incapacitate a person, law enforcement officers may be justified to use lethal force to protect themselves.

Although the Pulse+ energy weapon incorporates TASER Yellow components to distinguish it as a non-firearm, it could be mistaken for a firearm. Take appropriate care in carrying and displaying the Pulse+ energy weapon. Do not modify the Pulse+ energy weapon or do anything to the energy weapon to make it look like a firearm.

Do not give a TASER energy weapon away as a gift or sell it without providing the new owner's name, email address, and phone number to customer service at team@taser.com. For more information, see *Legality* (Chapter 7).

Taking a TASER-brand energy weapon into a state or municipality where energy weapons are prohibited (see taser.com for a current list) or out of the United States (US) without the proper export license is prohibited by law (similar prohibitions may exist in other countries).

Check with TSA or any other relevant agency for the most recent regulations to determine whether you are permitted to travel aboard a commercial airplane with a TASER energy weapon. Check local laws to determine whether you may possess or carry a energy weapon in your destination.

It is recommended that you carry the Pulse+ energy weapon only in a manufacturer approved holster or carrying case. Do not carry uncovered Pulse+ cartridges in your pockets as they can be fired by electrostatic discharge (static electricity).

Chapter 3: General Information

What Is the TASER Pulse+ Energy Weapon?

The TASER Pulse+ energy weapon is a self-defense conducted energy weapon manufactured by Axon Enterprise, Inc. TASER-brand energy weapons are designed to use propelled wires or direct contact to conduct energy to affect the sensory and/or motor functions of the nervous system.

The Pulse+ energy weapon uses a replaceable cartridge containing compressed nitrogen to deploy two small probes that are attached to the Pulse cartridge by insulated conductive wires with a maximum length of 15 feet (4.6 meters). The Pulse+ energy weapon transmits electrical pulses along the wires and into the body. If the energy weapon is used successfully, the electrical pulses will affect the sensory and motor functions of the peripheral nervous system to immobilize the body.

The Pulse+ can call for help when the energy weapon fires a cartridge. This is an option that must be enabled, and requires a smart phone. See *Chapter 5: Using the Pulse+ Energy Weapon with the Noonlight Application* for more information.

The Pulse+ energy weapon has an estimated useful life of five years.

Neuro Muscular Incapacitation (NMI)

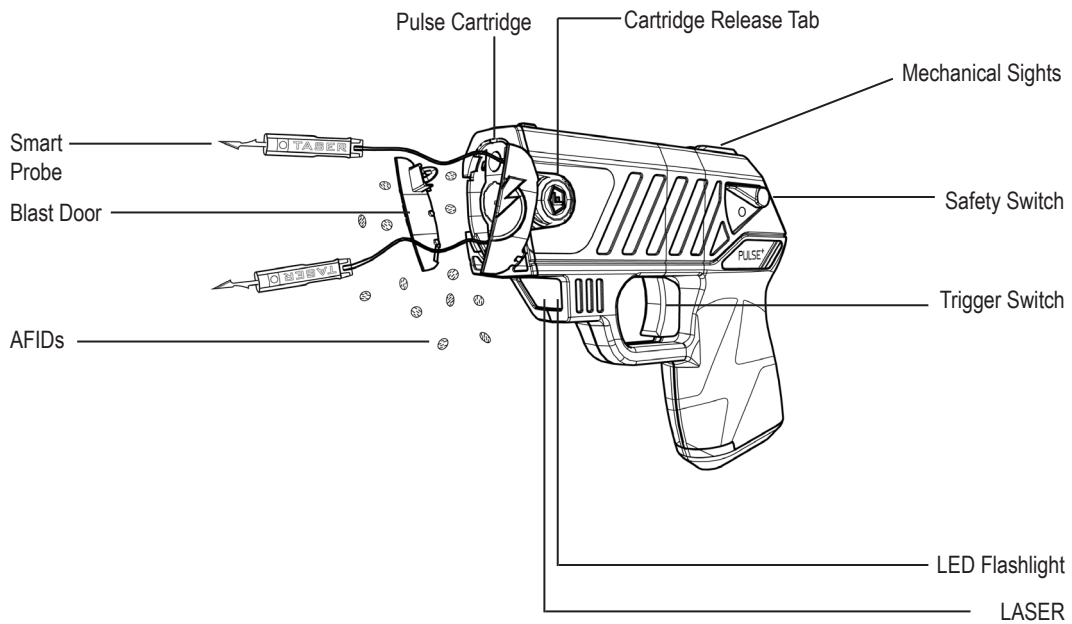
TASER technology is designed to use electrical pulses similar to those in your body's nervous system to cause stimulation of the sensory and motor nerves. Neuro Muscular Incapacitation (NMI) occurs when an energy weapon is able to cause involuntary stimulation of sensory and motor nerves. It is not dependent on pain and can be effective on subjects with a high level of pain tolerance.

Previous generations of generic stun guns could primarily affect the sensory nerves only, resulting in pain compliance. An attacker with a very high tolerance to pain (e.g., a drug abuser, person in serious psychological distress, or a trained, focused fighter) may not be affected by the pain or might be able to fight through the pain of a traditional stun gun.

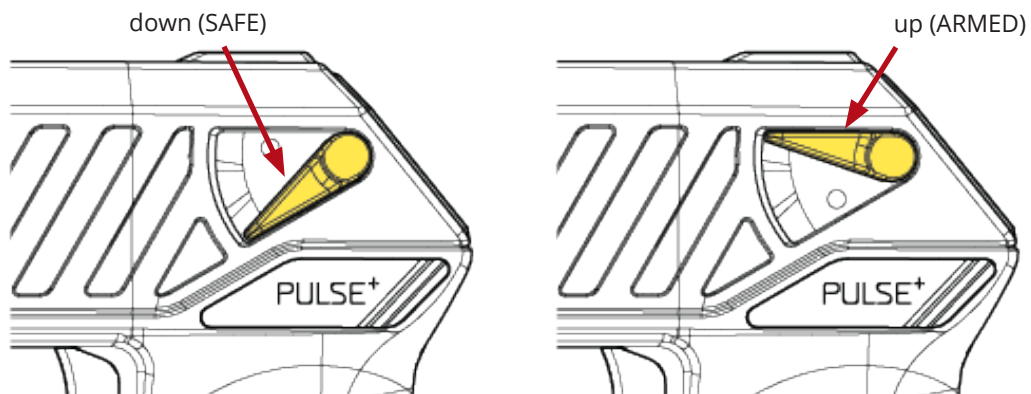
Basic Pulse+ Electrical Theory

- Electricity must be able to flow between the probes or the electrodes to deliver an electrical charge and will generally follow the path of least resistance.
- Generally, the greater the spread between the probes on the target, the greater the NMI effectiveness.
- Electricity will generally not pass to others in contact with the subject unless contact is made directly between or on the probes or the wires are touched.
- Exposure to water will not cause electrocution or increase the power to the subject (the electrical charge is fixed inside the TASER energy weapon and will not increase significantly even with environmental changes).

Chapter 4: TASER Pulse+ Energy Weapon and Cartridge Features



Safety Switch



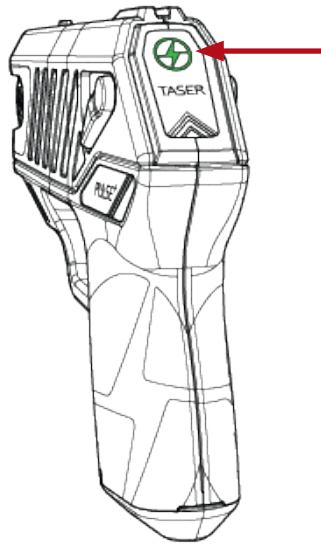
Ambidextrous safety switch can be operated from either side of the energy weapon.

- Safety switch down (SAFE).
- Safety switch up (ARMED) and ready to deploy.
- If the Pulse+ energy weapon's safety switch is left in the up (ARMED) position for more than 20 minutes, the system will shut down to preserve battery life.
- To re-arm the Pulse+ energy weapon, shift the safety switch to the down (SAFE) position, then back to the up (ARMED) position

Power Supply

The Pulse+ energy weapon's battery has enough power for approximately 50 thirty-second firings depending on temperature, environment, and other factors. The battery will deplete faster in colder weather than in warm weather. Left to itself in normal storage conditions, the battery has a 1-year life.

The power LED is located below the rear sight. An illuminated LED indicates the trigger switch is ARMED. A green LED indicates a "good" battery.

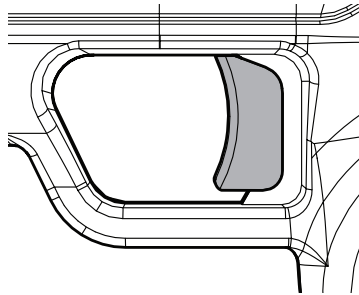


An orange LED indicates a "low" battery. In some conditions, especially low temperature ($-4^{\circ}\text{F}/-20^{\circ}\text{C}$) the LED may display orange even if the battery has sufficient charge left.

Trigger Switch

Unlike a firearm trigger, the Pulse+ trigger is a momentary electrical switch. The trigger is operational only when the safety switch is in the up (ARMED) position.

In the event of an unintentional discharge, immediately move the safety switch to the down (SAFE) position to stop the discharge cycle.



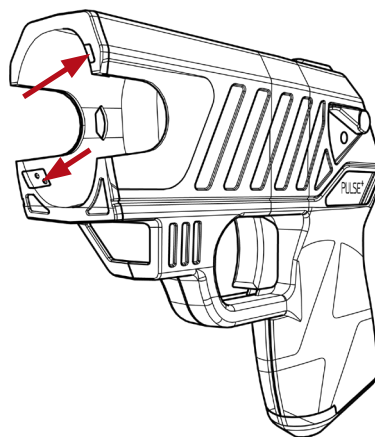
If your Pulse+ energy weapon has been connected to and properly configured with the Noonlight application (see *Chapter 5: Using the Pulse+ Energy Weapon with the Noonlight Application*), a trigger pull will notify the Noonlight application, which will initiate a notification to emergency services. If you unintentionally pull the trigger or forget to disable the notification feature when you do not want the Noonlight application to notify emergency services (e.g., during a training scenario), cancel the emergency service notification in the Noonlight application. See *Stopping False Alarms* (Chapter 5).

Spark Duration

When the Pulse+ energy weapon is deployed with a single push of the trigger switch, it delivers an approximately 30-second Shaped Pulse energy burst of short-duration electrical pulses. This sparking will continue for 30 seconds unless the safety switch is moved to the down (SAFE) position.

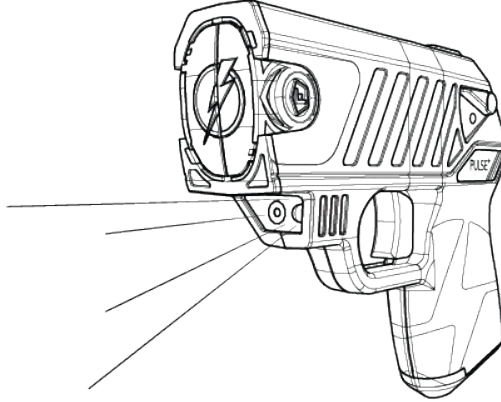
Electrodes

The front of the Pulse+ energy weapon has two metal electrodes. These electrodes direct the charge to the electrodes on the cartridge to initiate deployment of the probes. In addition, the electrodes provide the ability to use the Pulse+ energy weapon in a “drive-stun” mode as a traditional stun gun.



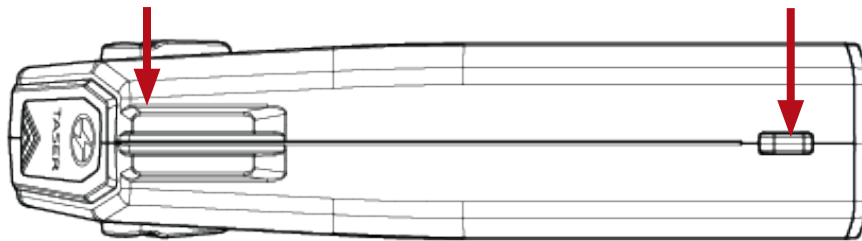
LASER and LED Flashlight

The LED flashlight illuminates whenever the safety switch is in the up (ARMED) position. In addition, the optional LASER provides assistance for aiming and indicates the approximate orientation of the top probe.



High Visibility Sights

The mechanical sights on the TASER Pulse+ energy weapon provide manual aiming. The mechanical sights are set to coincide with a top probe's trajectory at a 15-foot (4.6-meter) distance.



The TASER Pulse+ Cartridge



Fifteen-foot (4.6-meter) cartridges are available for the Pulse+ energy weapon at taser.com. TASER Pulse+ cartridges have a service life of five years. The cartridges are black in color.

Avoiding Unintentional Discharge

Never attempt to open or modify a Pulse+ cartridge. Tampering with a live Pulse+ cartridge could cause it to discharge or malfunction, which may result in serious injury.

Handle all Pulse+ cartridges with care. Probes may deploy unexpectedly if exposed to physical

shock, or static electricity.

Additionally, the firing sequence for all Pulse+ cartridges is designed to be initiated by an electrostatic discharge delivered by the TASER energy weapon. This is an important design and functional element for the Pulse+ energy weapon and cartridge. However, an electrostatic discharge can come from many other sources such as rubbing cloth (e.g., nylon jacket liner) across a cartridge in an environment known to create static shocks.

Do not hold a Pulse+ cartridge near the Pulse+ energy weapon when discharging the Pulse+ energy weapon. If a cartridge is held within two inches (five centimeters) of the energy weapon when the energy weapon is discharged, the cartridge may deploy.

Cartridge blast doors can be knocked off the front of a cartridge. Because those cartridges cannot be relied upon to consistently discharge, Axon Enterprise recommends disposing of these cartridges. TASER energy weapon operators should not attempt to fire a cartridge with no blast doors on it unless they are facing an immediate threat and do not have the time or option to reload. Attempting to deploy a cartridge with no blast doors could result in a charge being created and held in the wires. Any conductive material that comes into contact with the front of the cartridge, even after the cycle has ended, could draw the charge to the ignition pin and deploy the probes.

Protective Anti-Felon Identification (AFID) Tags

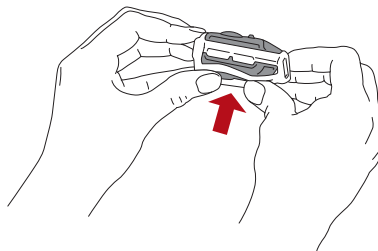
Every time a Pulse+ cartridge is deployed, 20–30 small confetti-like AFID tags are ejected. Each AFID tag is printed with the serial number of the cartridge. This revolutionary technology allows Axon to assist law enforcement in arresting criminals who would use our weapons for nefarious purposes.



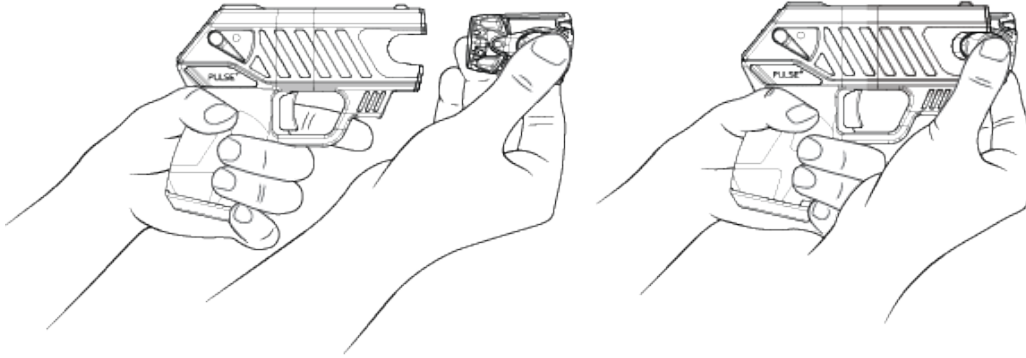
Loading the Pulse+ Cartridges

Never place your hands, fingers, or any part of your body in front of the cartridge. This is especially important when loading or unloading the cartridge. When loading and unloading, always hold the cartridge on the sides.

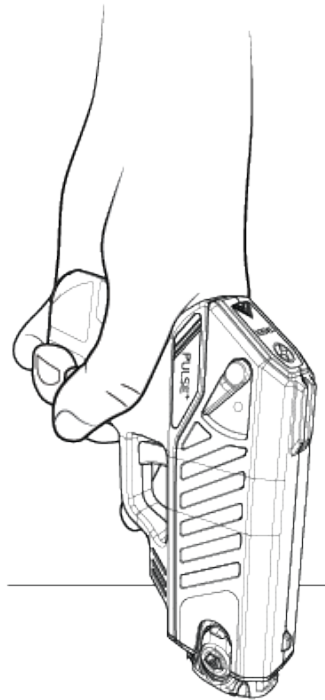
- 1 Point the energy weapon in a safe direction.
- 2 Ensure the safety switch is in the down (SAFE) position.
- 3 Remove the cartridge cover.



- 4 Keeping your hand away from the blast doors, place the cartridge into the front of the energy weapon until it is approximately 90 percent inserted.



- 5 Gently press the cartridge against a firm, flat surface until it locks into place. Do not slam the energy weapon against the surface; doing so may damage the cartridge.



- 6 Confirm that the cartridge is secure by gently pulling on the sides of the cartridge.

Unloading Cartridges

The Pulse+ cartridge is designed to ensure a secure fit when inserted in the Pulse+ energy weapon. The placement of the wire bundles behind the insertion tabs aids in providing a secure fit. It may be very difficult to remove a cartridge with the wire in place (that is, when the cartridge has not been deployed). To remove a live cartridge, follow these steps:

- 1 Ensure the front of the Pulse+ energy weapon is pointed in a safe direction.
- 2 Ensure the safety switch is in the down (SAFE) position. Do not place any part of your hands or other body parts in front of the Pulse+ energy weapon.

- 3 Depress both tabs until the cartridge releases. Note that it might take two hands to depress the tabs.
- 4 Re-install the clear cartridge cover on the cartridge.

Removal of an expended cartridge does not require as much force because the wires are no longer behind the tabs.

Cartridges for the Pulse+ energy weapon are specifically designed so there is no “up” or “down” position – enabling you to quickly load one without worrying about putting it in upside down.

Practicing with the Pulse+ Energy Weapon

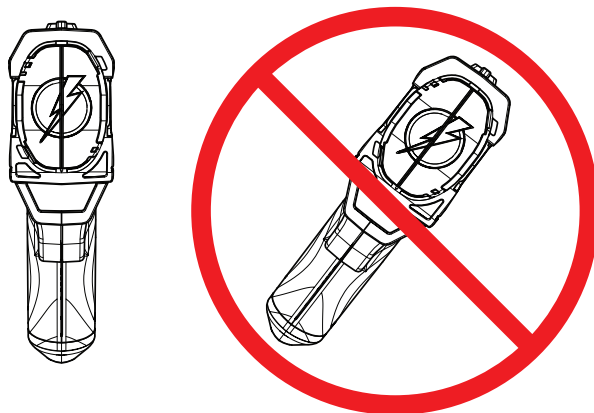
Axon recommends practicing with your Pulse+ energy weapon to become familiar with its functions and how it deploys.

Be aware of your surroundings when deciding where to place your training target. Ensure that the target has a firm backing (for example, cardboard or a foam board) that will allow the probes to stick and not bounce off and strike an unintended person or object. Do not use a wooden backing. Do not place the target anywhere a probe that misses or penetrates the target could cause damage or injury.

Do not discharge Pulse+ cartridges without using a target. Probes that do not strike a target may recoil back at you. We recommend using TASER conductive targets available at taser.com and a thick, penetrable backing.

Safety first! Always treat your Pulse+ energy weapon as if it were loaded.

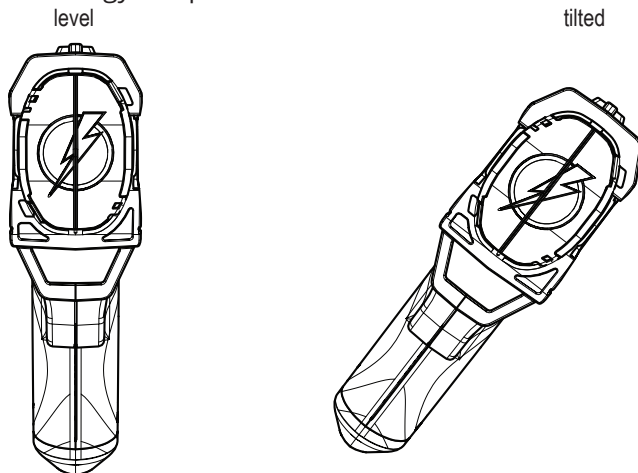
- Wear eye protection when practicing with an energy weapon.
- Never put your hands or other body parts in front of the energy weapon, especially when changing the cartridges.
- Do not inadvertently point any cartridges at yourself or at anyone when loading.
- Cartridge covers must be removed prior to attempting to load.
 - 1 Point your Pulse+ energy weapon in a safe direction; load the cartridge as described in *Loading the Pulse+ Cartridges* above while keeping your fingers away from the blast doors.
 - 2 Point your Pulse+ energy weapon towards the training target and shift the safety switch to the up (ARMED) position.
 - 3 Aim your Pulse+ energy weapon at the training target; keep in mind that the LASER is within 2 to 3 inches (5 to 7.6 cm) of the point of impact for the top probe. Aim at the target’s lower center of mass (see *Aiming and Probe Placement*). To improve the accuracy of the bottom probe, avoid canting or tilting the energy weapon.



- 4 Remember that the bottom probe comes out at an 8-degree downward angle. The bottom probe will drop 1 foot (0.3 m) below the top probe for every 7 feet (2.1 m) that it travels away from the energy weapon. Stand about 10 feet (3 m) from your target. This will result in a probe spread of about 18 inches (0.46 m). Place the LASER high enough on the target so the bottom probe will hit the target.
- 5 Press the trigger switch once to discharge the cartridge and activate the 30-second cycle. Remember that you can discontinue the discharge at any time by shifting the safety switch to the down (SAFE) position.
- 6 After the TASER discharge cycle ends, and the safety switch is in the down (SAFE) position, unload the expended cartridge as described in *Unloading Cartridges*.

Aiming and Probe Placement

For most deployments, hold the energy weapon level. Tilt the energy weapon when it is necessary to align the energy weapon with the attacker.



When possible, aim the LASER at one of the large muscle groups (lower center of mass) such as the torso or thigh areas, etc.

When possible, avoid intentionally targeting the energy weapon on sensitive areas such as the head, face, throat, chest, or groin unless your safety or the situation dictates otherwise.

The top probe impacts the target near the LASER beam; however, the probe impact distance from the LASER beam can vary depending on numerous factors, including, but not limited to the distance, movement of the user or attacker, and environmental factors.

Be sure not to fire at an attacker who is more than 15 feet or 4.6 m away (measure 15 feet or 4.6 m to see how far this is – it will probably be further than you think). If you do deploy at someone more than 15 feet or 4.6 m away, the probes will not have sufficient wire to reach them and may recoil back at you.

Using the Pulse+ Energy Weapon

The Pulse+ energy weapon is a serious, state-of-the-art defensive weapon and should be treated accordingly. Although the energy weapon is designed to be as nonviolent as possible in stopping a combatant, its use can result in injuries, including but not limited to, a probe embedded in an eye or secondary injuries related to falling.

For a full list of warnings, see www.axon.com.

The energy weapon is to be used only for lawful purposes, including lawful self-defense or in the defense of others. Check your state and local laws for applicable regulations. Depending on local and state laws, the Pulse+ energy weapon may be kept in the house for home protection, or carried in a car, purse, or backpack for personal protection when away from home. For a list of laws related to energy weapons, known to Axon as of the date of this manual, go to taser.com. However, you should not solely rely on this list and should conduct independent research on each state's applicable laws prior to possessing or transporting the energy weapon (including the transporting of the energy weapon across state lines and into other states where laws may vary).

A energy weapon is not a substitute for other preventive self-protection actions such as ensuring doors are locked, and parking in well-lighted areas.

Deployment Instructions for Self-Defense

- 1 Obtain the Pulse+ energy weapon and ensure that the cartridge is installed.
- 2 If a person approaches in a manner you perceive to be threatening, shift the safety switch to the up (ARMED) position.
- 3 Aim the LASER beam at the person's body. Avoid intentionally aiming at a sensitive body location such as the head, face, throat, chest, or groin, when possible.
- 4 Shout verbal commands to "get away," if feasible. It is possible that the person will flee based on the verbal commands and LASER.
- 5 If you determine that you need to deploy the Pulse+ energy weapon in self-defense, ensure that you are within 15 feet (4.6 m) of the attacker.
- 6 Press the trigger switch.
- 7 The TASER Safe Escape: Immediately put the Pulse+ down and escape to safety. The TASER Pulse+ energy weapon is unlike most weapons in that it is built for you to escape to safety. After connecting with the target, the Pulse will continue to administer electricity for 30 seconds (and if used properly NMI will continue for 30 seconds) regardless of whether you are still holding the weapon. Therefore, put the Pulse+ on the ground, run to safety, call police, or do whatever you need to do to ensure your safety with the 30 seconds the TASER Pulse+ energy weapon has given you.
- 8 As soon as it is safe to do so, call 911 and report the specific location of the threat.
If your Pulse+ energy weapon is connected to and properly configured with the Noonlight application, you can use the application to check for updates on emergency services dispatch.
- 9 See *TASER Safe Escape*, below, for how to get your TASER energy weapon replaced for free when used in self-defense and left at the scene.

"Silence Is Golden"

The TASER energy weapon's electrical current is relatively quiet when both probes make direct contact with a human and an electrical circuit is completed and maintained. In contrast, an open circuit or some practice conductive targets produce a loud sound when used because the energy is arcing in the air across the Pulse+ energy weapon's fixed electrodes.

If the electrical current is loud during field deployment, and the subject is not reacting as expected, the current may be shorting out and may not be effective. Deploy a second cartridge or consider other options in that situation.

Potential Causes of Reduced or No Effectiveness

- **Loose or Thick Clothing.** If the probes lodge in clothing and are too far away from the attacker, energy weapon effectiveness may be reduced.
- **Miss or Single Probe Hit.** The electrical current must pass between the probes. If one probe misses, the energy weapon will not be effective. You may consider purchasing a TASER X2 Professional Series or TASER 7 Home Defense energy weapon (available on taser.com), which are 2-shot devices that fire a second cartridge immediately with a second trigger pull.
- **Low Nerve or Muscle Mass.** If the probes impact in an area where there is very little muscle mass (e.g., the side of the rib cage), the effectiveness may be reduced.
- **Limited Probe Spread.** Probe spreads of less than 12 inches/30 cm (including contact-stun) result in reduced energy weapon effectiveness. They can, however, still function as a pain-compliance device.
- **Wires Break.** If a wire breaks (e.g., during a struggle), the current will not flow to the probes. Contact-stun may still be available.

What if I Miss?

The LASER sight is an extremely valuable aid for proper aiming. However, there is always the chance for a missed shot, especially in a dynamic, stressful situation, and you must be prepared to take alternative actions to protect yourself in case of a missed shot or reduced effectiveness. In the event that you shoot and miss, you can also use your Pulse+ energy weapon as a direct contact-stun (drive-stun) device, which is designed for pain compliance.

Contact-Stun (Drive-Stun) Backup

Contact-stun (also known as drive-stun) is the use of the TASER Pulse+ energy weapon as a stun gun, rather than by firing probes. You can contact-stun either without a cartridge installed or after a cartridge has been deployed.

When using a contact-stun, pull the trigger switch and push (drive) the front of the energy weapon firmly against the body of the attacker. The subject is likely to recoil from the painful shock and try to get away from the stun electrodes. If the contact-stun is not effective, evaluate the location of the contact-stun and consider an additional cycle to a different pressure point.

TASER Safe Escape

Do not hesitate to place the Pulse+ energy weapon on the ground and leave it at the scene of the attempted assault. At Axon, we value your life more than a piece of plastic and metal. If you successfully deploy your TASER Pulse+ energy weapon to defend yourself, leave it at the scene and take advantage of the 30 seconds to escape.

Axon will replace the TASER Pulse+ energy weapon free of charge, with the like product, at Axon's option, if the Purchaser provides, within one year following the event, the following information to Axon Enterprise, 17800 North 85th Street, Scottsdale, Arizona 85255 Attn: Customer Service:

- a copy of the official police report documenting the incident and the loss of the product;
- proof of purchase of the product (receipt, purchase order, or invoice);
- check or a credit authorization for the shipping and handling fees; and
- purchaser's name, physical address (no PO Boxes allowed), and phone number of where to send the replaced item.

Purchaser is responsible for any expedited shipping or handling costs for the replacement energy weapon. A replacement product assumes the remaining warranty of the original product or 90 days

from the date of replacement, whichever provides longer coverage to the Purchaser.

TASER Safe Escape is not available or applicable: (a) on any international (Non-United States) sales or uses of TASER Citizen Products; or (b) to any Purchaser who uses the energy weapon for a commercial purpose.

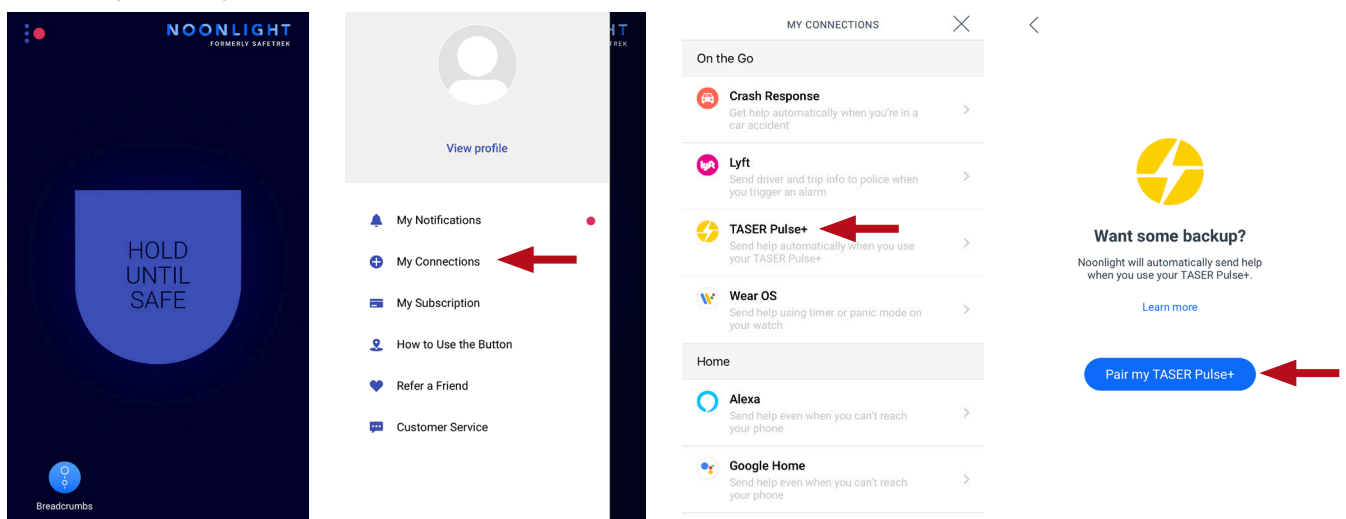
Chapter 5: Using the Pulse+ Energy Weapon with the Noonlight Application

What is Noonlight?

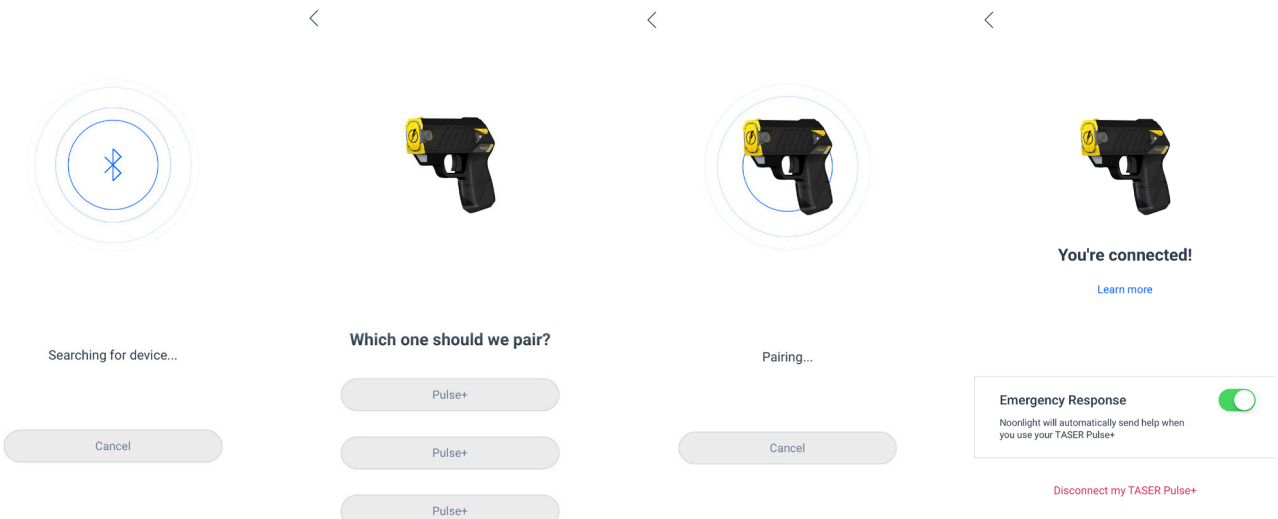
Noonlight is a mobile application that you can connect to the Pulse+ energy weapon that may trigger a notification to emergency services. When a Noonlight alert is triggered, Noonlight shares vital data from your connected devices with first responders. Additional information is available at noonlight.com.

Pairing the Pulse+ Energy Weapon to the Noonlight Application

- 1 Enable the Bluetooth sensor on your smart phone.
- 2 Download the Noonlight application to your smart phone.
- 3 Follow the installation instructions.
- 4 Open the Noonlight application.
- 5 Tap the menu icon.
- 6 Tap **My Connections**.
- 7 Tap **TASER Pulse+**.
- 8 Tap **Pair my TASER Pulse+**.



- 9 Wait for the application to find the energy weapon.
- 10 Tap **Pulse+**.
- 11 Wait for the application to pair the device.



After you've paired your Pulse+ energy weapon to your smart phone, the phone will pair to the energy weapon whenever it is in range of the phone. If you fire your Pulse+ energy weapon, the energy weapon will ping the Noonlight application, which will subsequently notify emergency services on your behalf. See *Stopping False Alarms* for what to do in the event of an unintentional alarm.

Stopping False Alarms

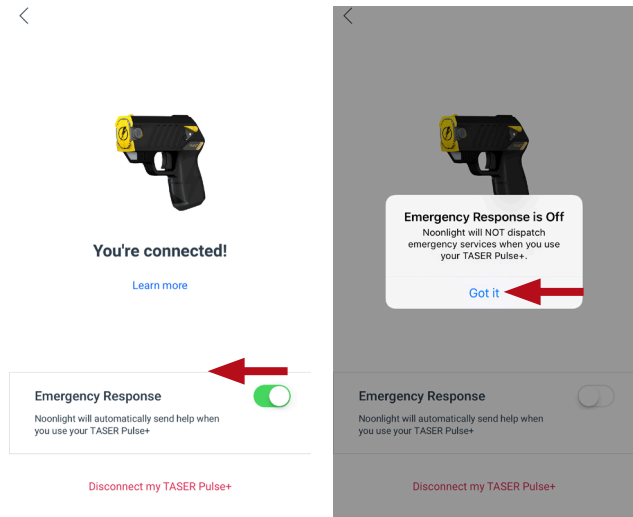
If you unintentionally deploy your energy weapon and/or do not want Noonlight to contact emergency services on your behalf, follow these steps:

- 1 Wait for a confirmation call or text from Noonlight.
- 2 Give Noonlight your Noonlight PIN.

Using the Training Mode

When training with the Pulse+ energy weapon, you will practice contact-stuns or deploy cartridges. Putting the Noonlight application in training mode will prevent unnecessary alerts when you pull the trigger. To use the training mode:

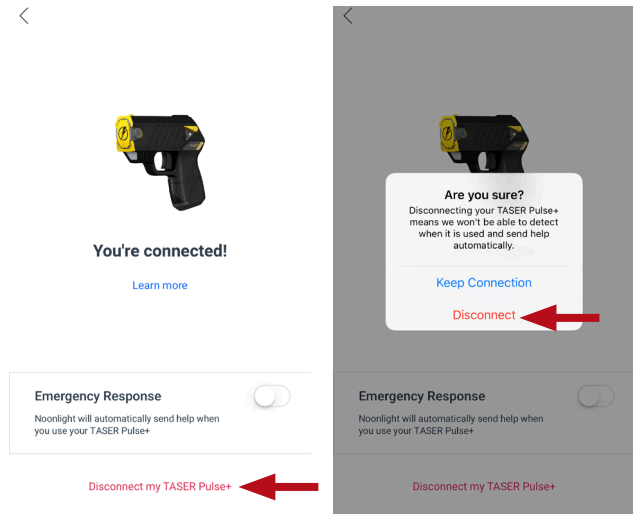
- 1 On your smart device, open the Noonlight application.
- 2 Tap the menu icon.
- 3 Tap **My Connections**.
- 4 Tap **TASER Pulse+**.
- 5 Swipe the **Emergency Response** switch to the left and then tap **Got it**.



Unpairing the Pulse+ Energy Weapon from the Noonlight Application

If you no longer want your energy weapon and smart device paired, follow these steps:

- 1 On your smart device, open the Noonlight application.
- 2 Tap the menu icon.
- 3 Tap **My Connections**.
- 4 Tap **TASER Pulse+**.
- 5 Tap **Disconnect my TASER Pulse+**.
- 6 Tap **Disconnect**.



Chapter 6: Maintenance and Care

General Concepts

The Pulse+ energy weapon is a sensitive piece of electronic equipment, and should be handled with care. Avoid dropping a Pulse+ energy weapon. Do not use a Pulse+ energy weapon that has a cracked handle.

- Check the battery regularly by confirming the LED on the back of the energy weapon is green. See *Power Supply* (Chapter 4) for more information.
- Perform a function test regularly.
- Check the expiration of the Pulse+ cartridges (the 5-year expiration is listed on the base of the cartridge). Do not use an expired Pulse cartridge.
- Secure the Pulse+ energy weapon in the protective cover when not in use.
- Avoid exposing the Pulse+ energy weapon to excessive moisture or water.

Function Test

A function test should be conducted every 30–60 days. The reasons for the function test include:

- To verify the Pulse+ energy weapon is working.
- To verify that the battery is in good condition.

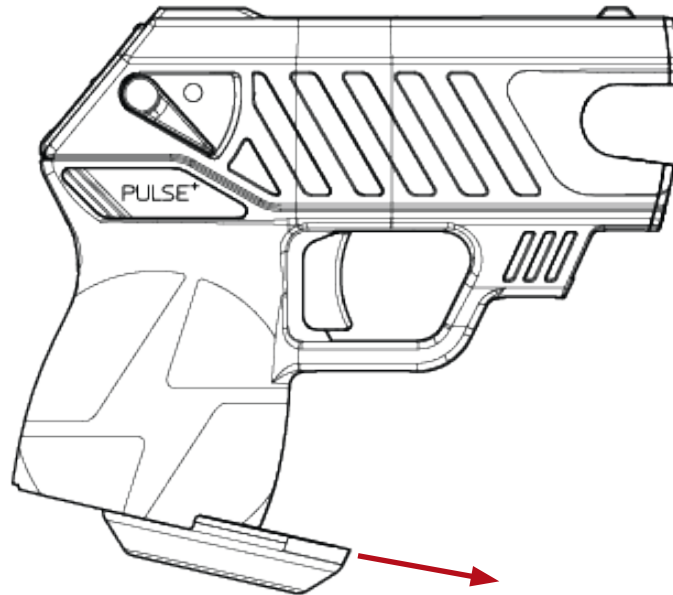
To perform a function test:

- 1 Point the energy weapon in a safe direction.
- 2 Ensure that the safety switch is in the down (SAFE) position.
- 3 Safely unload the Pulse+ cartridge. See *Unloading Cartridges* (Chapter 4) for more information.
- 4 Point the energy weapon in a safe direction (such as the floor) and ensure that your fingers and no part of your body are in front of the energy weapon.
- 5 Shift the safety switch to the up (ARMED) position.
- 6 Pull the trigger and confirm sparking across the electrodes at a rapid rate. Allow the cycle to run for the full 30 seconds.
- 7 Shift the safety switch to the down (SAFE) position.

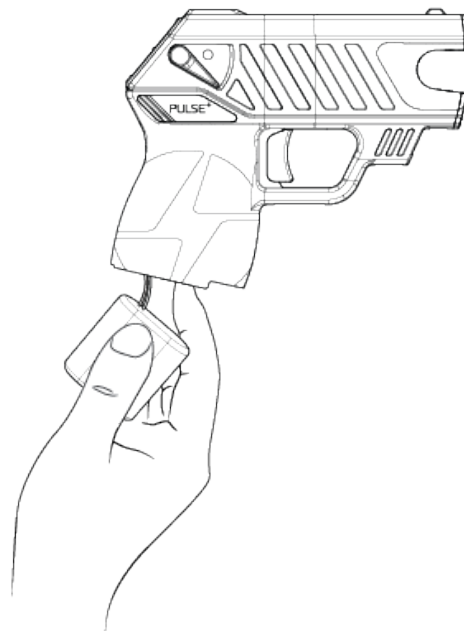
Changing the Batteries

To install or change the batteries, follow these steps. For an instructional video of how to replace the Pulse+ batteries, visit <https://train.taser.com>.

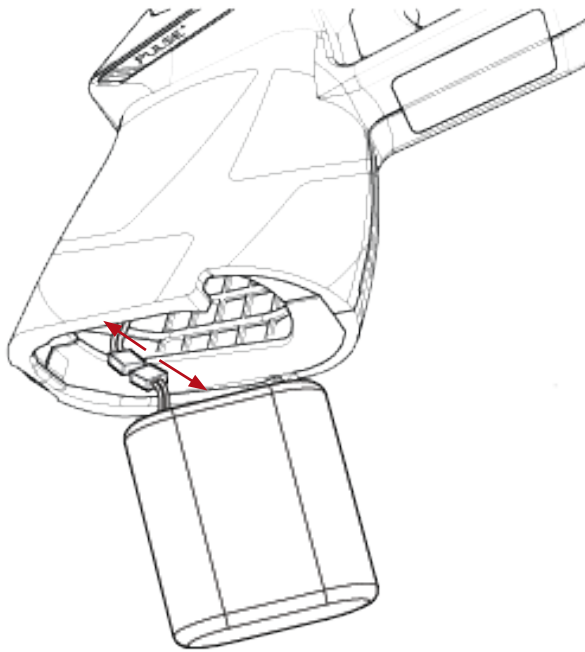
- 1 Shift the safety switch to the down (SAFE) position.
- 2 Safely remove the Pulse+ cartridge.
- 3 Slide the battery cap out.



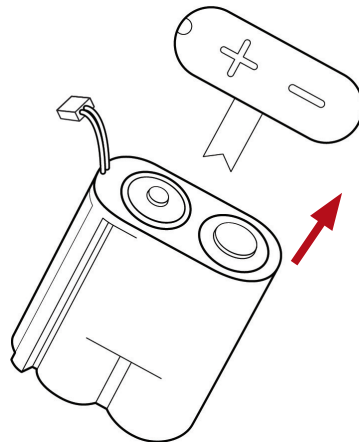
- 4 Pull the battery pack out of the energy weapon. Tapping the heel of the device on the leg or palm of the hand may help release the battery pack from the energy weapon.



It probably will be necessary to disconnect the battery pack from the device.



- 5 Place your fingers on the battery cap lid, and pry off the battery cap. It may help to squeeze the battery pack by the curved sides and then by the flat sides to loosen the lid.

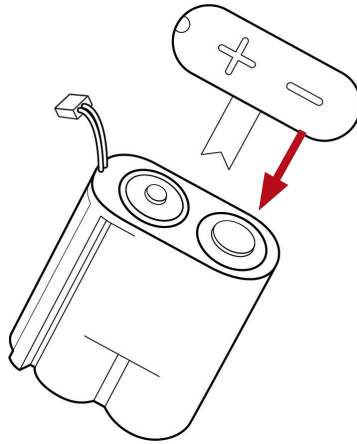


- 6 Remove the CR123 battery cells from the battery pack and replace them with new ones.

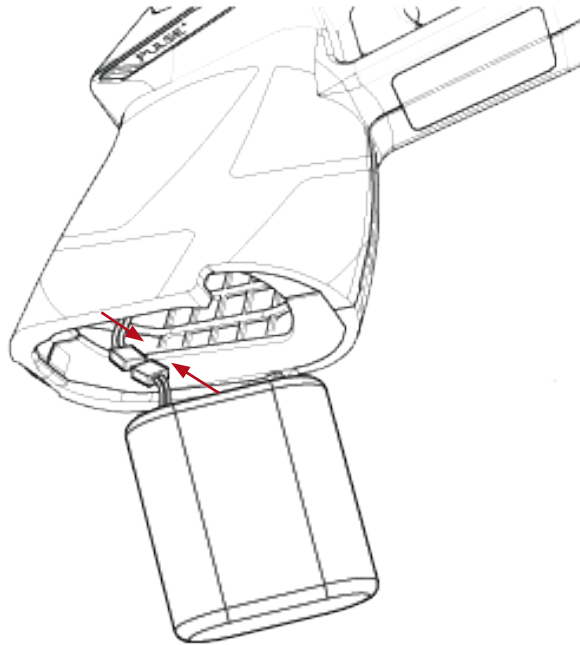
Notes:

- Be sure to insert the batteries with the positive and negative poles in the proper position.
- Use Duracell or Panasonic batteries.

- 7 Replace the battery cap lid.

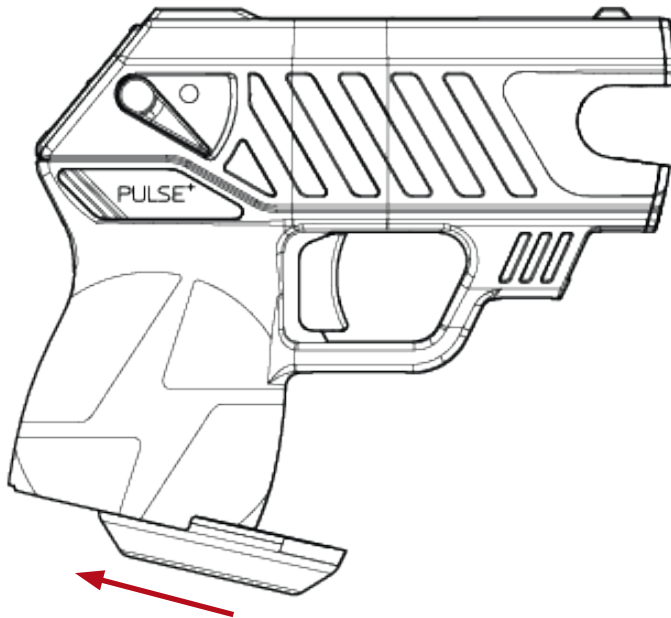


- 8 Reattach the battery pack to the device.
The connectors make a click when they fit together.



- 9 Push the battery into the battery well.

- 10 Slide the battery cap back into place.



- 11 Perform a function test on the energy weapon. See *Function Test* for more information.

Chapter 7: Additional Items

Product Support

If you need product support on accessories or have any other questions, please contact consumer customer service at:

team@taser.com

+1.800.978.2737

To return a TASER product for service, first follow the procedures at taser.com.

If the TASER energy weapon has been exposed to bodily fluids or other biohazards, contact Axon's service department at +1.800.978.2737 or +1.480.905.2000 for specific instructions BEFORE returning the weapon.

Legality

The Bureau of Alcohol, Tobacco, Firearms, and Explosives has classified our TASER energy weapons as non-firearms because they use compressed gas (inert nitrogen), rather than explosives to launch the projectiles. Because TASER energy weapons are not firearms, they may be carried without a permit in certain jurisdictions (check state and local laws for permit requirements in your area). Check our website at taser.com for a list of known state and local laws concerning TASER energy weapons. Because state and local laws may change frequently, be sure to research the applicable laws in your area prior to using, possessing or transporting the energy weapons. Check our website at taser.com for a list of known state and local laws concerning TASER energy weapons.

Warranty

Please see the product warranty which came with your energy weapon. Axon's current product warranties are also available on www.axon.com.

Warnings

See the current product warnings that came with your energy weapon, for more information about your TASER product. Axon's current product warnings are also available on www.axon.com.

Medical Research

Medical studies have found that modern pacemakers and implanted cardiac defibrillators withstand external electrical defibrillators many orders of magnitude stronger than the TASER conducted energy pulses.

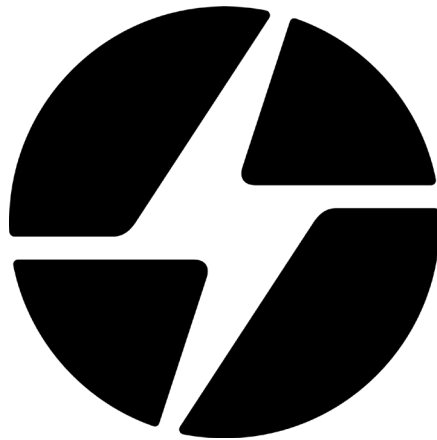
Radio Waves



The signal feature of the Pulse+ energy weapon transmits in the frequency range of 2402 to 2480 MHz.

Changes or modifications to the equipment not expressly approved by the manufacturer could void the product warranty and the user's authority to operate the equipment.

This device complies with part 15 of the FCC Rules. Operation is subject to the following two conditions: (1) This device may not cause harmful interference, and (2) this device must accept any interference received, including interference that may cause undesired operation.



Product functions and specifications may change without notice and the actual product may vary from the illustrations in this manual.

Bluetooth is a trademark of the Bluetooth SIG, Duracell is a trademark of the Gillette company and Noonlight is a trademark of SafeTrek, Inc., and Panasonic is a trademark of Panasonic Corporation of North America.

▲, ▲ AXON, Pulse+, TASER, TASER 7, TASER Pulse, TASER Yellow, X2, ⚡, and Ⓢ are trademarks of Axon Enterprise, Inc., some of which are registered in the US. For more information visit www.axon.com/legal. All rights reserved.

© 2021 Axon Enterprise, Inc.

MMU0075 Rev: E