

STANDARD LOADING ARMS

EMCO
WHEATON

PREMIUM QUALITY. BUILT IN HOUSTON.

Emco Wheaton's range of Standard Loading Arms are designed to provide you with unrivalled quality, as well as fast and reliable service.

Our team of sales engineers and production experts will work with you every step of the way, from order receipt to invoice, to develop a loading arm that is perfectly tailored to your specific application needs. Built from standard listed parts, using standard design drawings and specifications, it can be delivered in approximately **20 business days** from your initial order.



QUALITY LINE
20 DAYS

Turn to the Trusted Market Leader!

CUSTOMER SPECIFIC STANDARD

STANDARD LOADING ARMS | QUALITY YOU EXPECT IN A TIMEFRAME YOU DIDN'T

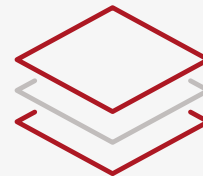
2

BESPOKE SERVICE



If you are looking for a customized design, Emco Wheaton can work with you to develop a **Customer Specific Standard**, engineered to meet the needs of your operation. Whether you require the same configuration in multiple locations, have a requirement for an OEM style solution, or are interested in replacing arms over an extended time period; this service is the perfect choice. Our Customer Specific Standard provides a reliable and **cost-effective solution** that can significantly speed up the ordering process.

The benefits of our Standard Loading Arms:



A **variety** of materials, seals, and options to suit application needs



Compatibility with a range of bolt-on accessories



Expedited delivery (approx. 20 days from order)

Andy Matthews
Western Hemisphere Sales Director
Emco Wheaton Loading Systems

EMICO
WHEATON

www.emcowheaton.com

[@EmcoWheaton](https://twitter.com/EmcoWheaton) | www.facebook.com/EmcoWheaton

©2020 Emco Wheaton. All Rights Reserved.
All trademarks are the property of Emco Wheaton.

TOP LOADING ARMS

E2110 FIXED REACH LOADER

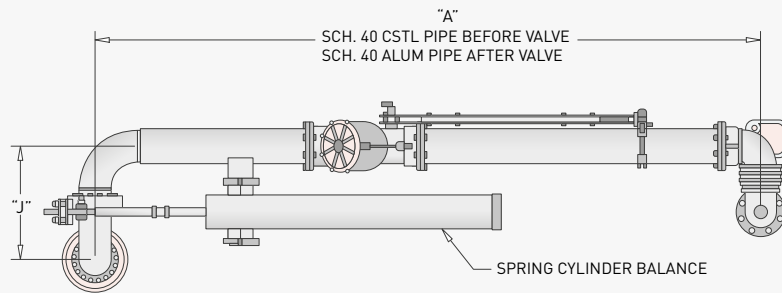
The **Fixed Reach Loader** is specifically designed for top loading of single-compartment road or rail tankers where the manhole can be accurately positioned. The arm requires **accurate spotting** of rail car or tank truck. It is perfect for petroleum and chemical applications.



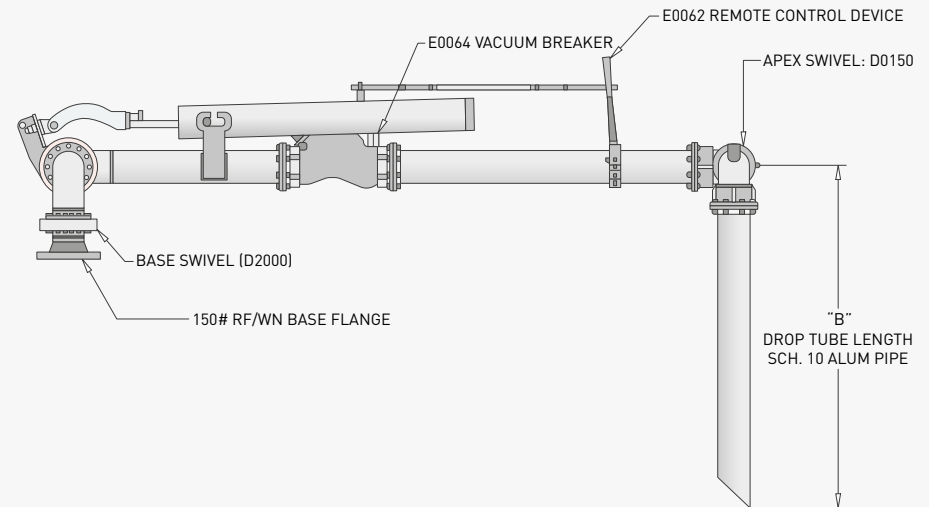
TOP LOADING ARMS

E2110 FIXED REACH LOADER

Left Hand Orientation



Up Feed Configuration



Configure your part number as shown in the following example:

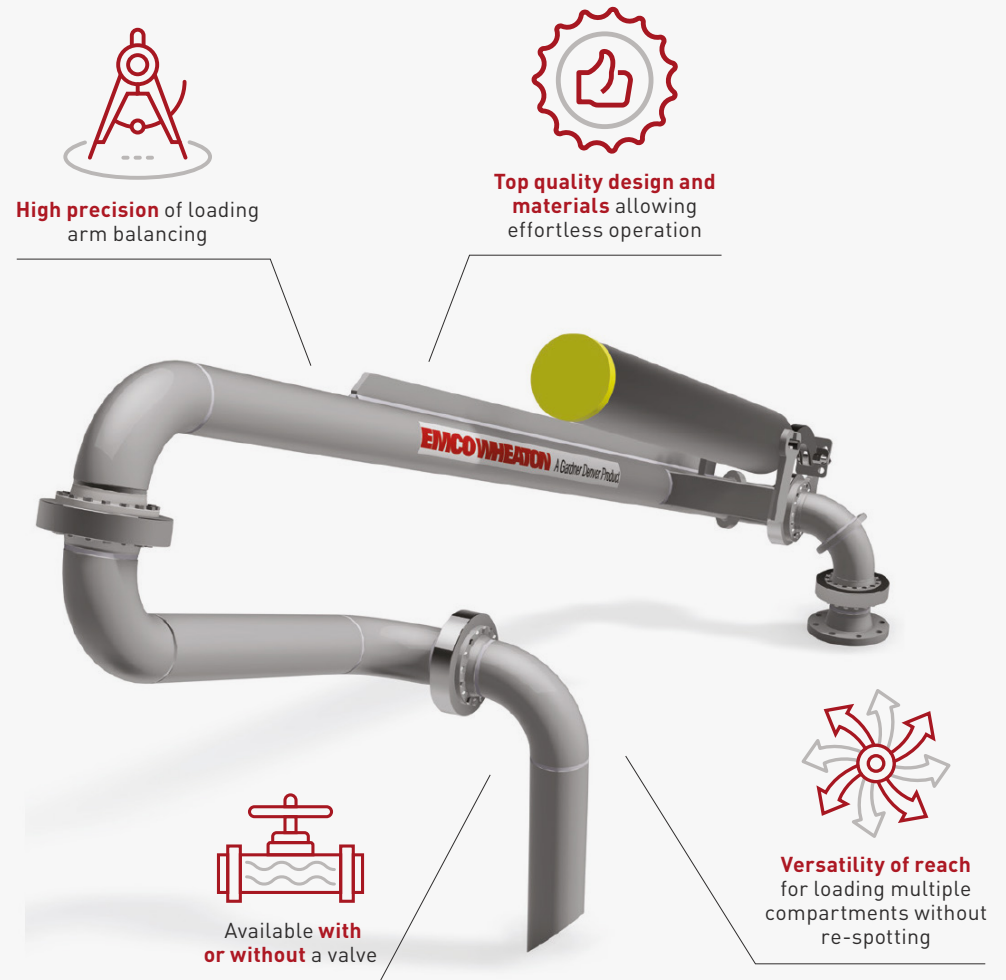
E2110 4 C V U L 120 N

Model #	Diameter (Inches)	Construction Material	Seal Material	Primary Feed	Orientation	"A" Dimension Nominal (Inches)	Options
E2110	3-inch (102 mm) 4-inch (76 mm)	C = Carbon Steel	V = Viton B = Buna	U = Up Feed	L = Left Hand R = Right Hand	120" (3048 mm)	N = Without E471 loading valve and remote option V = With E471 loading valve and remote option

TOP LOADING ARMS

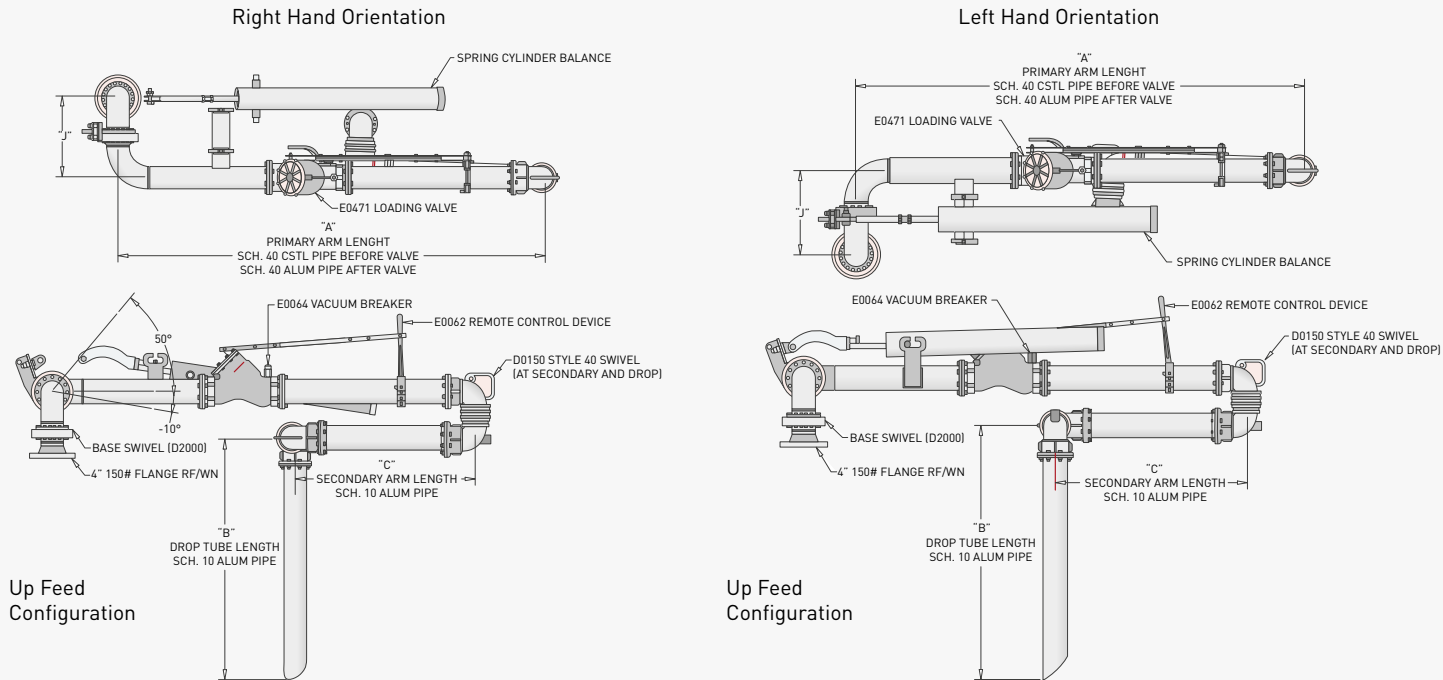
E2112 VARIABLE REACH LOADER

Also known as a Pantograph and Scissor arm, this **Variable Reach Top Loader** is dedicated for petroleum, chemical, and mineral oil applications. It's a specialized solution for top loading of road or rail tankers where the manhole cannot be accurately positioned. We recommend our Variable Reach Loader for **medium-range** applications of less than 11 ft.



TOP LOADING ARMS

E2112 VARIABLE REACH LOADER



Configure your part number as shown in the following example:

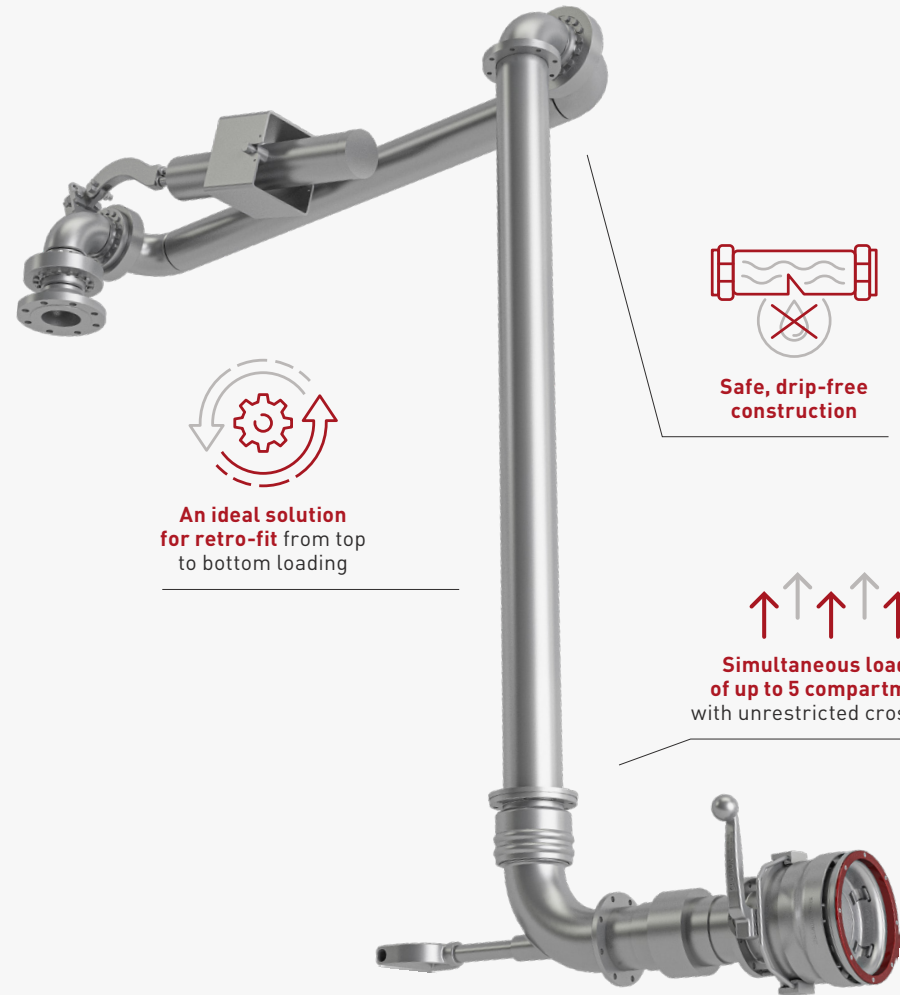
E2112 4 C V U L 84 N

Model #	Diameter (Inches)	Construction Material	Seal Material	Primary Feed	Orientation	"A" Dimension Nominal (Inches)	Options
E2112	3-inch (101.6mm) 4-inch (76mm)	C = Carbon Steel	V = Viton B = Buna	U = Up Feed	L = Left Hand R = Right Hand	84" (2134mm)	N = Without E471 loading valve and remote option V = With E471 loading valve and remote option

TOP LOADING ARMS

E2304 BOTTOM HOSE LOADERS

The **E2304 Bottom Hose Loading Arm** is designed specifically for bottom filling of multiple-compartment tank trucks.



An ideal solution for retro-fit from top to bottom loading

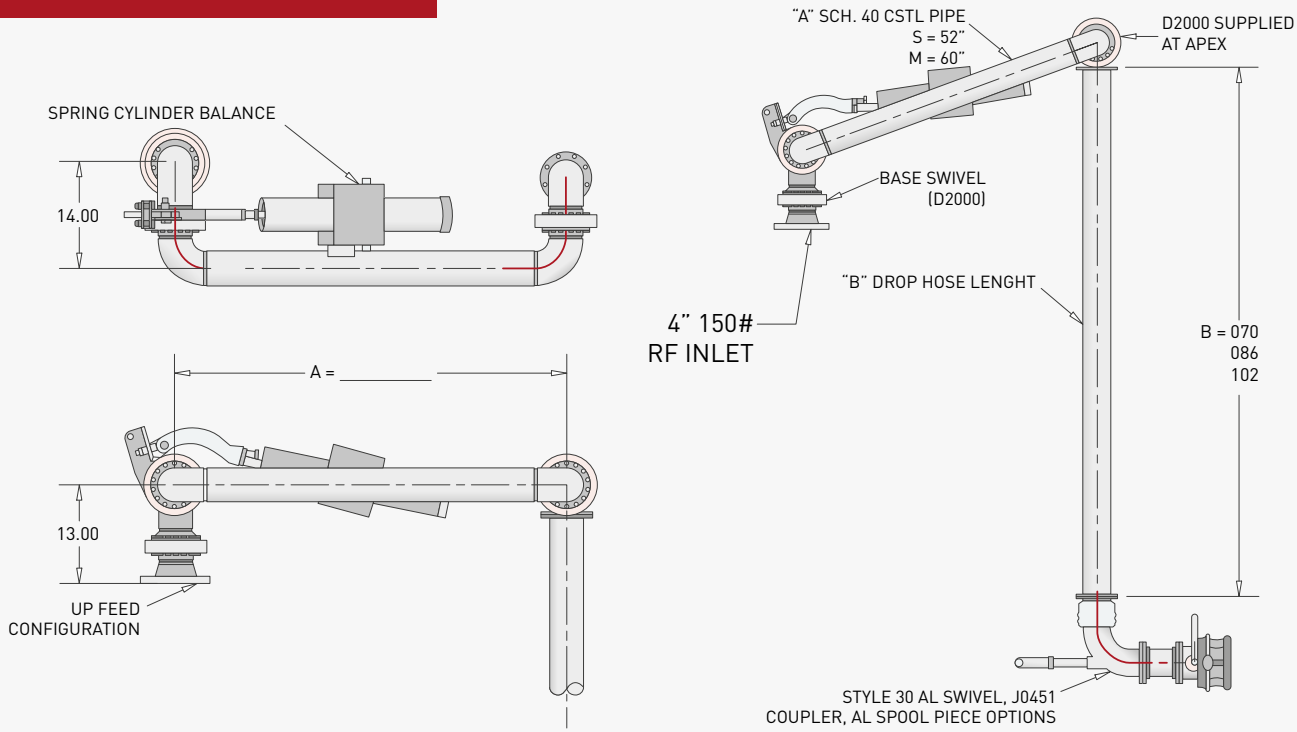
Safe, drip-free construction

Simultaneous loading of up to 5 compartments with unrestricted cross-over

TOP LOADING ARMS

STANDARD LOADING ARMS | QUALITY YOU EXPECT IN A TIMEFRAME YOU DIDN'T

E2304 BOTTOM HOSE LOADERS



Configure your part number as shown in the following example:

E2304 **4** **C** **V** **U** **L** **S** **070** **C**

Model #	Diameter (Inches)	Construction Material	Seal Material	Primary Feed	Orientation	Primary Length	Hose Lengths	Options
E2304	4 = 4-Inch	C = Carbon Steel	V = Viton B = Buna	U = Up Feed	L = Left Hand R = Right Hand	S = 52" M = 60"	070 086 102	C = with J0451 coupler, spool piece, style 30 aluminum swivel N = no swivel, no coupler, no spool piece



www.emcowheaton.com

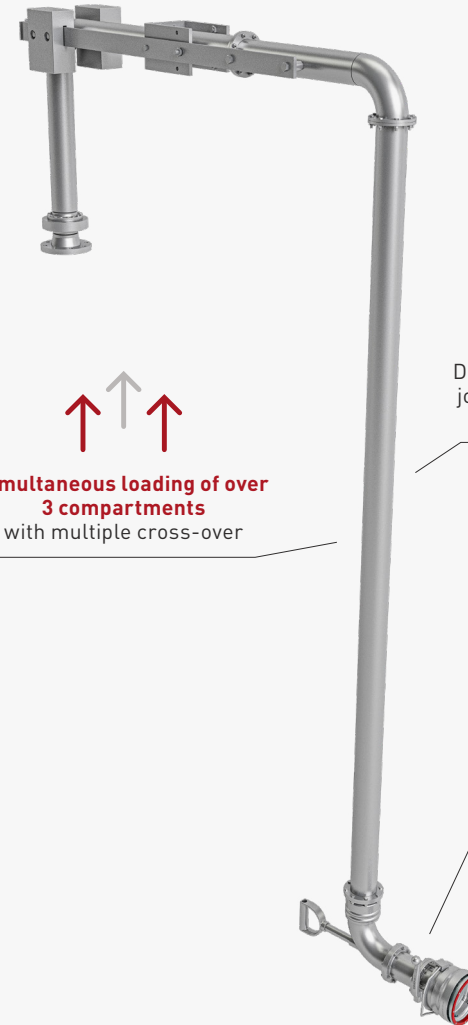
Twitter: @EmcoWheaton | Facebook: www.facebook.com/EmcoWheaton

©2020 Emco Wheaton. All Rights Reserved.
All trademarks are the property of Emco Wheaton.

TOP LOADING ARMS

E2573 BOTTOM HOSE LOADING ARM WITH COUNTERWEIGHT BALANCE

The **Bottom Hose Loading arm with counterweight balance** enables efficient bottom loading and unloading of tank trucks. It is recommended for use with gasoline or diesel products. You can order special materials with this design.



↑ ↑ ↑
Simultaneous loading of over 3 compartments
with multiple cross-over



D2000 World Series swivel joints **ensuring durability and low maintenance**



Dimensions allowing coverage of the complete API connection area envelope

TOP LOADING ARMS

STANDARD LOADING ARMS | QUALITY YOU EXPECT IN A TIMEFRAME YOU DIDN'T

E2573 BOTTOM HOSE LOADING ARM WITH COUNTERWEIGHT BALANCE

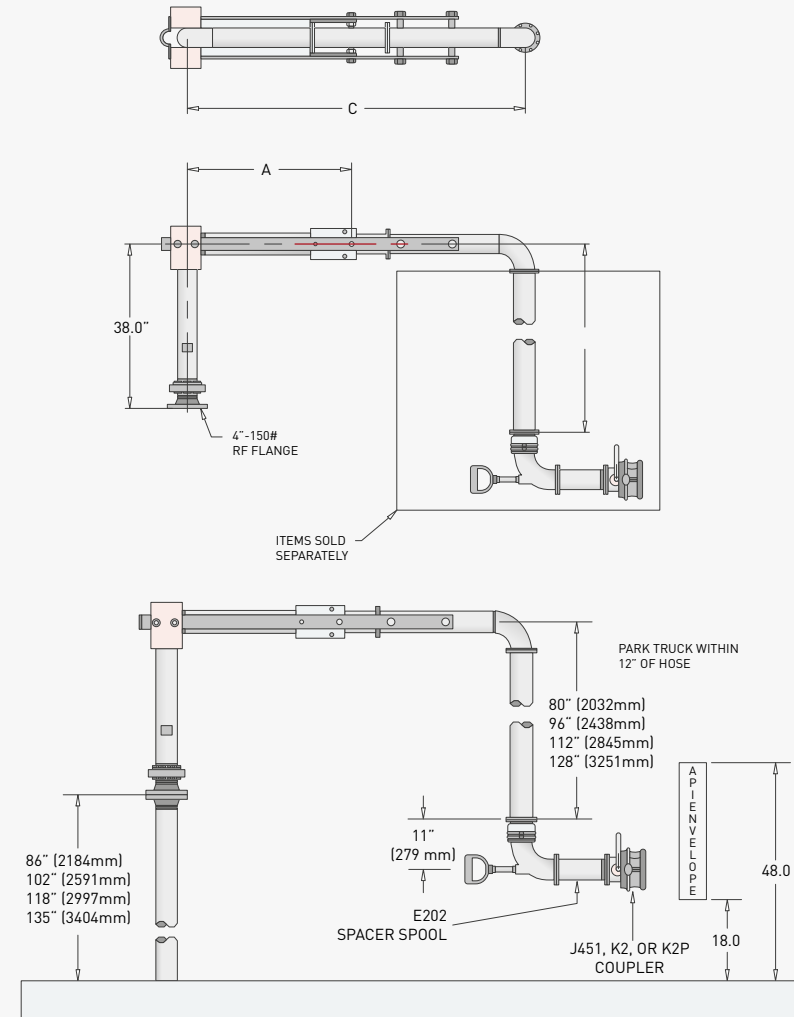
Part#	Dimensions		Counterweights
E2573-837	C = 78"	A = 38"	2 Weights
E2573-838	C = 90"	A = 45"	2 Weights
E2573-839	C = 114"	A = 57"	2 Weights
E2573-856	C = 102"	A = 45"	2 Weights
E2573-841	C = 78"	A = 38"	4 Weights
E2573-842	C = 90"	A = 45"	4 Weights
E2573-843	C = 114"	A = 57"	4 Weights
E2573-840	C = 102"	A = 45"	4 Weights

NOTES:

If Hose Dim ← 105" then 2 weights

If Hose Dim → 105" then 4 weights

Hose Dim = Center of apex elbow to bottom TTMA flange



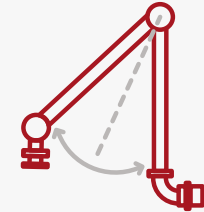
TOP LOADING ARMS

E2313 A-FRAME LOADERS

The **A-Frame Bottom Loader** can service both sides of the platform and be used for adjacent arm crossover. The secondary arm is available as a rigid pipe or hose. We recommend this frame loader for tank truck bottom loading, particularly in a **short range**. You can use it for gasoline or diesel products.



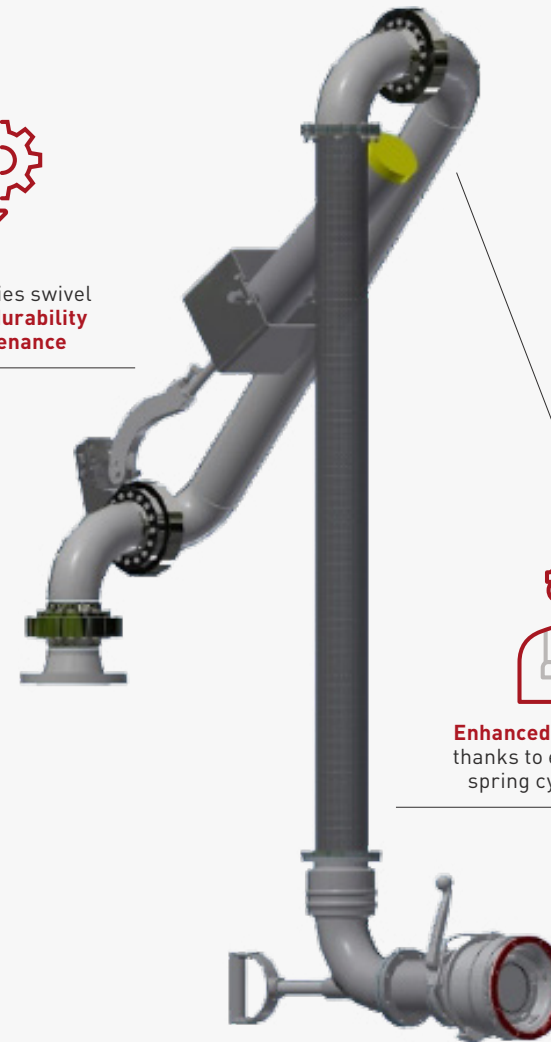
D2000 World Series swivel joints **ensuring durability and low maintenance**



Parking at high angle made possible by the ROM, allowing compact storage



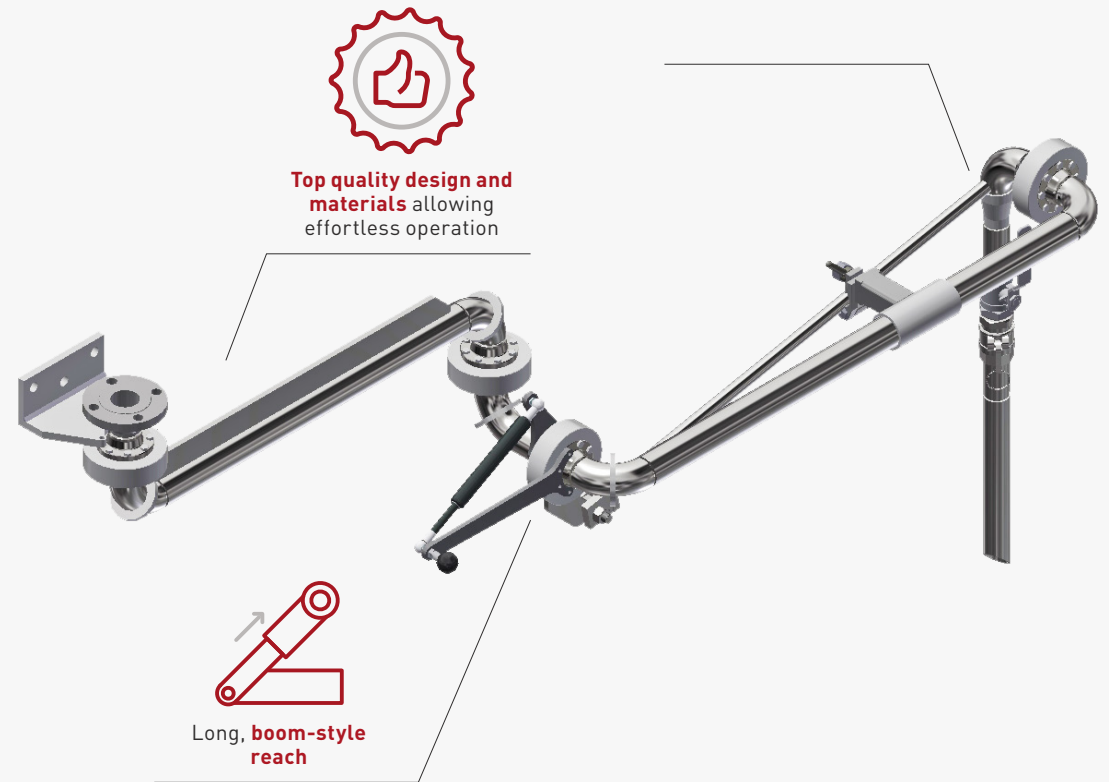
Enhanced operator safety thanks to easily adjustable spring cylinder balance



SPECIALITY LOADING ARMS

DRUM/TOTE LOADING ARM

Our **new drum loading arm** is dedicated for loading and unloading of small vessels, such as drums and totes, where spotting of the connection flange may vary. It's a **versatile solution**, suitable for a broad range of industries and applications.





Manufacturing facility

Emco Wheaton USA, Inc.

9111 Jackrabbit Road,
Houston,
77095
USA
Phone +1 281 856-1300
Fax +1 281 856-1325

Sales office

Emco Wheaton USA, Inc.

9111 Jackrabbit Road,
Houston,
Texas,
77095
USA
Phone +1 281 856-1300
Fax +1 281 856-1325