

## User's Manual

---

**UNDER CABINET SERIES**

**RA-3030SS  
RA-3036SS**

**NOTE: This unit was designed for indoor residential use and DUCTED operation only.**

**DO NOT USE OVER A WOOD GRILL OR MOUNT OUTDOOR**



Please read this operation manual thoroughly before using your range hood. Store it in a safe location for when you need to reference it in the future.

## Table of Contents

<b>Safety Information .....</b>	<b>2 – 3</b>
<b>Content Checklist .....</b>	<b>4</b>
<b>Measurements .....</b>	<b>5</b>
<b>Preparation .....</b>	<b>6 – 7</b>
<b>Installation .....</b>	<b>8</b>
<b>Operation &amp; Features .....</b>	<b>9</b>
<b>Step by Step Diagram .....</b>	<b>10</b>
<b>Cleaning &amp; Maintenance .....</b>	<b>11</b>
<b>Troubleshooting .....</b>	<b>12</b>
<b>Parts List / Replacement .....</b>	<b>13</b>
<b>Warranty / Contact Us .....</b>	<b>14 – 15</b>

**SAFETY INFORMATION****TO REDUCE THE RISK OF A FIRE, ELECTRICAL SHOCK, AND/OR INJURY OBSERVE THE FOLLOWING:**

- Unit is intended for indoor residential use only. If you should have questions, contact the manufacturer at the address or telephone number listed in the warranty.
- In case the unit should need to be cleaned or repaired, switch power off at either breaker or by disconnecting the power cord from the outlet.
- Installation work and electrical wiring must be done by a qualified technician in accordance with all applicable codes and standards, including fire-rated construction.
- Sufficient air is needed for proper combustion and exhausting of gases through the flue (chimney) of fuel burning equipment to prevent back drafting. Follow the heating equipment manufacturer's guideline and safety standards such as those published by the National Fire Protection Association (NFPA), and the American Society of Heating, Refrigeration and Air Conditioning Engineers (ASHRAE), and the local code authorities.
- Because the unit is made of stainless steel, it may contain sharp edges. Be careful to avoid cuts and abrasions by wearing protective gloves during installation and cleaning.
- Before you begin to cut or drill into the wall, verify that there is no electrical wiring or any other hidden electrical components.
- Ducted fans must always be vented to the outdoors.
- Use metal ductwork when possible.
- Do not use this fan with any solid-state speed control device and/or in-line motor.
- The unit must be properly grounded before beginning operation.



## **TO REDUCE THE RISK OF A RANGE TOP GREASE FIRE:**

- Regardless of heat level, never leave any surface materials unattended while operating an open flame.
- Always turn hood ON when cooking at high heat or when flambéing food (i.e. Crepes Suzette, Cherries Jubilee, Peppercorn Beef Flambé).
- Depending on amount of usage, clean ventilating fans and filters frequently. Grease should not be allowed to accumulate on fan or filter. For instructions on the how to clean, see maintenance page.



## **TO REDUCE THE RISK OF INJURY TO PERSONS IN THE EVENT OF A RANGE TOP GREASE FIRE, OBSERVE THE FOLLOWING:**

- SMOTHER FLAMES with a close-fitting lid, cookie sheet, or metal tray, then turn off the burner. BE CAREFUL TO PREVENT BURNS. If the flames do not go out immediately, EVACUATE AND CALL 911.
  - NEVER PICK UP A FLAMING PAN — Doing so may result in serious burns and possibly spread the fire.
  - DO NOT USE WATER – Grease fire must be extinguished before further action may be taken. Using water will agitate the grease and may cause a violent steam explosion.
  - Use a Fire Extinguisher ONLY if:
    - ❖ You have a Class ABC extinguisher, and you already know how to operate it.
    - ❖ The fire is small and contained in the area where it started.
    - ❖ The fire department is being called.
    - ❖ You are able to safely control the fire with your back to an open exit. \*
- Based on “Kitchen Fire safety Tips” published by NFPA.

**CONTENT CHECKLIST****1. CONTENTS INCLUDED**

- a. (1) RA-30 series (30" or 36") hood assembly
- b. (1) User's manual
- c. (1) Black 6" to 7" conversion collar
- d. (2) Magnetic baffle filters (30" model only)
- e. (3) Magnetic baffle filters (36" model only)
- f. (1) Screw packet

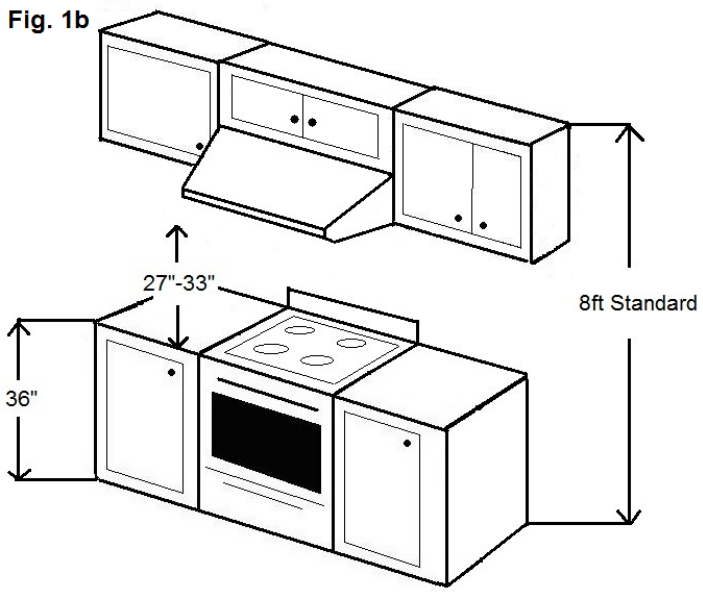
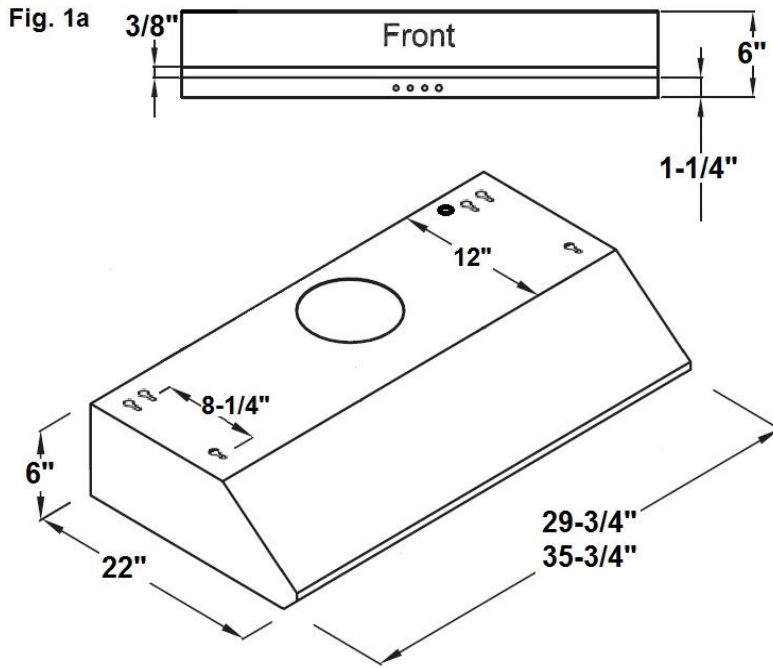
**2. CONTENTS NOT INCLUDED**

- a. RA-30CFMR (CFM reducer)
- b. 6" / 7" Aluminum or metal piping

**3. TOOLS REQUIRED (NOT INCLUDED)**

- a. Safety gloves
- b. Safety glasses
- c. Electric drill w/ starter bit
- d. Utility knife
- e. Spirit level
- f. Measuring tape
- g. Writing instrument (pen, marker, pencil)
- h. Aluminum tape

# MEASUREMENTS **5**



**PREPARATION****1. BEFORE YOU START**

- a. Be sure you have all the content of your purchase and required tools for this installation.
- b. Installation may take at least 2 to 3 hours from start to finish.
- c. Plan to use as few elbows or turns as possible for more efficient air flow.
- d. Collar size may need to be increased if utilizing a long duct run.
- e. At least 12" of vertical duct is required before any turn.
- f. Do not try to install this unit by yourself, **SERIOUS INJURY MAY OCCUR.**
- g. At least two people are needed for installation.
- h. Hiring a certified installer and electrician is recommended.
- i. Cold weather installation will require make-up air or a CFM reducer.  
Check with your local building codes for more detail.

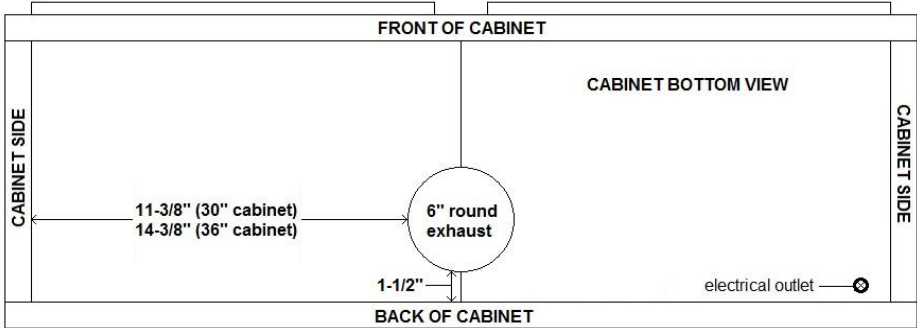
**2. LOCATION**

- a. Determine the exact location you want to install the range hood.
- b. Depending on the height of your ceiling, distance between cooktop and range hood should be between 27"-33".
- c. Range hood should be mounted at stated measurements to ensure performance and lifespan of electrical components.
- d. Correctly measure the dimension needed to install the unit.

**Use Fig. 1a on page 5 for unit measurements**

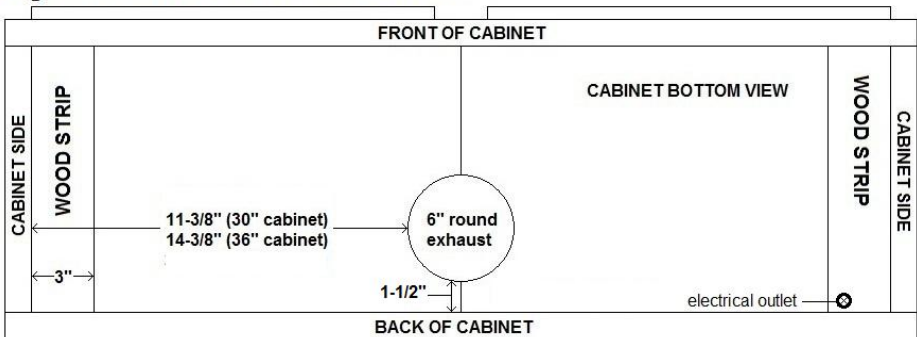
**Use Fig. 1b on page 5 for general measurements**

**Fig. 1c - Cabinet**



- e. For cabinet with recessed-bottom, use (2) 3" x 12" or 15" wood strips on both sides to balance the recession. Use (4) 1-1/4" long flat head screws to secure the wood strips to cabinet. (Fig. 1d)

**Fig. 1d - Cabinet w/ recessed-bottom**



## 3. HOOD

- a. Inspect for any sign of defect or damage. (i.e. scratches, dents, loose seams, etc.)
- b. Power up the unit to make sure it is working properly.
- c. Remove the protective file on the baffle filters and fillers.
- d. Install baffle handles to filters using a Philips screwdriver.



## INSTALLATION

### 1. UNDER CABINET INSTALLATION

- a. Make sure all preparation steps are completed.
- b. Feed the wires coming out of the hood through the bottom of the cabinet.
- c. Lift the unit up flush against the wall and the bottom of the cabinet.
- d. Using the screws and washers provided, insert into each of the keyhole openings and tightly secure the unit against the bottom of the cabinet.

**NOTE: Install additional screws through the back of the unit if necessary.**

- e. Use the conversion collar for 7" ducting.
- f. Connect 6" or 7" ducting to the collar of the hood.
- g. Finish off by sealing the connection point with aluminum tape.

### 2. COLD WEATHER INSTALLATION (OPTIONAL)

- a. Check with your local building codes to see if a CFM reducer is an acceptable alternative to make-up air.
- b. Remove the RA-30CFMR (CFM Reducer) and inspect for any sign of defect or damage. (i.e. Cracks, broken/defective sections)
- c. **For UNDER CABINET installation: COMPLETE Step A – D of Section 1 UNDER CABINET INSTALLATION THEN GO TO STEP E BELOW.**
- d. Place the CFM reducer onto the outlet of the unit and seal the connection point with aluminum tape. (Be sure it is secure with no opening or gaps)
- e. Connect a 6" ducting to the collar of the CFM reducer.
- f. Finish off by sealing the connection point with aluminum tape.

## OPERATION & FEATURES

### 1. EASY ACCESS CONTROL SWITCH (from left to right)

- a. Button 1 – ON / DELAY SHUTOFF / OFF
- b. Button 2 – Light control
- c. Button 3 – Speed control
- d. Blue color speed indicator

### 2. BAFFLE FILTERS

- a. (2) 14-7/8" x 10-5/8" magnetic baffle filters (30" model only)
- b. (3) 14-7/8" x 10-5/8" magnetic baffle filters (36" model only)

### 3. HALOGEN / LED LIGHTS

- a. A set of (2) Halogen lamp will be included.
- b. Additional Halogen or LED lamps may be purchased separately.
- c. Light socket can accommodate both halogen and LED lamps without the need to change the transformer.



#### **Electrical Shock Hazard**

Warning: To avoid electrical shock, replacement GU10 bulbs **MUST** contain UL or CSA certification.

### 4. REPLACING LIGHT SET

**\*\*NOTE: BE SURE THE LIGHTS ARE NOT HOT**

**\*Use maximum of 35W Halogen / 8W LED GU10 Light Bulb\***

- a. Unscrew outer light ring counter clock wise.
- b. Outer light ring should drop down along with the light bulb.
- c. Slightly pull the light away from the ring.
- d. Move light to left or right side of the ring.
- e. Twist light bulb counter clock wise to release from socket.
- f. Replace light bulb.

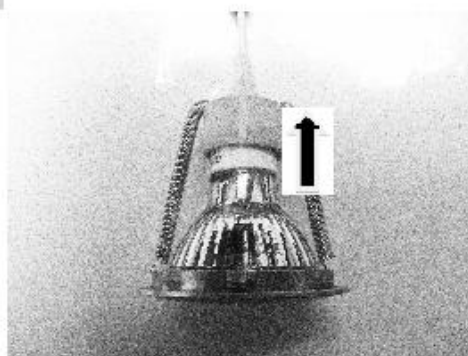
**\*\*STEP BY STEP DIAGRAM ON NEXT PAGE\*\***

## 10 STEP BY STEP DIAGRAM



**Step 1**  
Twist light ring counter-  
clock wise to unlock

**Step 2**  
Pull the light upward



**Step 3**  
Push light to left  
or right side

**Step 4**  
Remove the light by turning  
light counter-clock wise



## CLEANING & MAINTENANCE

### **WARNING!!!**



To prevent the possibility of a fire and explosion, do not use flammable liquids or solvents to clean the unit or any of its parts.



Check to make sure all power sources are disconnected before servicing or taking unit apart for cleaning.

## **1. RANGE HOOD**

- a. Use household cleaner to remove grease or dirt from the outer shell of the unit. Spray on wiping cloth or sponge and wipe in the direction of the grain to avoid scratching the unit. (DO NOT SPRAY DIRECTLY ONTO UNIT)
- b. Clean the inner working of the unit periodically to avoid grease build-up.
- c. Do not open control switch panel while the hood is connected to power.
- d. Use stainless steel cleaner to bring back the shine to the unit.

## **2. BAFFLE FILTERS**

- a. Remove baffle filters from unit and place in warm soapy water.
- b. Clean the baffle filters regularly for the most efficient suction power.
- c. Do not drop baffle filters or filler.
- d. Let it soak thoroughly and then clean it with wiping cloth or sponge.
- e. Baffle filters may also be cleaned using residential dishwasher.

## TROUBLESHOOTING

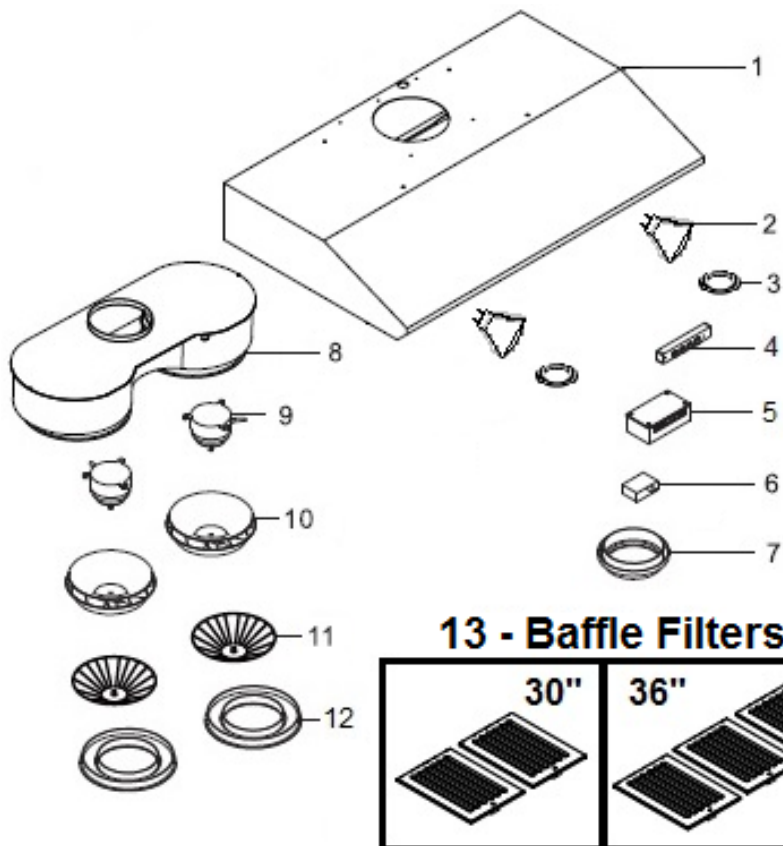
### **WARNING!!!**



**Check to make sure all power sources are disconnected before starting any troubleshooting. Safety gloves and glasses should be worn when working on the unit. Serious injury or death may occur if safety precautions are not followed.**

<b>RA-30 Series</b>	
Halogen light issue	1. Replace burnt 35w Model GU10 light bulb.
Light Issue (One light not turning on)	1. Replace old defective GU10 fixture with new fixture.
Speed indicator not showing speed levels	1. Complete Control switch replacement is required. 2. IC Board Replacement may be needed.
Burnt/melted control switch	1. Complete Control switch replacement is required.
Speed levels not working correctly	1. Check all wiring to and from the unit. 2. Complete control switch replacement is required. 3. IC Board Replacement may be needed
Unit lacking smoke intake	1. Check ducting for foreign object. 2. Ensure that ducting is properly sealed. 3. Maintenance may be required to increase air-flow.
Unit showing no power indication	1. Ensure 120v electrical power source is working correctly. 2. IC Board Replacement may be required.
Unit making humming noise/Motor not starting;/ LCD indicator displaying speed levels.	1. Capacitor replacement is required.

## PARTS LIST / REPLACEMENT



#	Description	#	Description
1	Hood body assembly	8	Motor housing
2	Halogen / LED light	9	Motor
3	Outer light ring	10	Fan blade
4	Control Switch	11	Grills
5	Motherboard	12	Oil funnel
6	Capacitor	13	Baffle filter
7	6" – 7" Collar		

**WARRANTY / CONTACT US****LIMITED WARRANTY**

Windster Hoods Inc. warrants its product against defects in material or workmanship as follows:

**Labor:** For a period of one (1) year from the date of purchase, if the product is determined to be defective, Windster will attempt to repair the product, at its option, at no charge. After the warranty period, customer must pay for all labor charges. During the "labor" warranty period there will be no charge for any work done on the purchased model. (All labor repairs are limited only to the installation of electrical components.)

**Parts:** In addition, Windster will supply, at no charge, new or rebuilt replacements in exchange for defective parts for a period of two (2) years. After the warranty period, you must pay for all parts costs. During the "parts" warranty period, there will be no charge for parts

You must provide the serial number of your unit for any replacement parts during the warranty period. This warranty applies to products purchased and serviced in the United States only.

For products purchased in Canada, please contact your local retailer where you purchased the unit for service.

\* Windster Hoods, Inc. will attempt to repair malfunctioning units prior to shipping a replacement. In the case that a unit cannot be repaired and must be replaced, Windster Hoods, Inc. will not be held liable for removal / installation fees of the malfunctioning / replacement unit.

## WHAT IS NOT COVERED BY MANUFACTURE WARRANTY

1. Damages resulting from any of the following:
  - a. Improper installation or maintenance
  - b. Any repair, modification, alteration or adjustment not authorized by the manufacturer or an authorized service dealer
  - c. Misuse and/or accidents
  - d. Incorrect electric current, voltage or power supply
  - e. Improper setting of any control (Pressing multiple selections at the same time)
  - f. Improper chemical cleaning (commercial or industrial cleaning agents)
2. Products purchased for use in a commercial or industrial setting (such as in a hotel, office, restaurant, or other business)
3. Damage resulting from natural disasters (earthquake, flood, storm, etc.)
4. Aluminum Filters, Baffle Filters, Charcoal Filters, and Oil Cup Filters
5. Light Bulbs

## CONTACT US

Windster Hoods, Inc.

Toll Free: (877) 350 – 5215

[www.windsterhood.com](http://www.windsterhood.com)

Information subject to change without notice