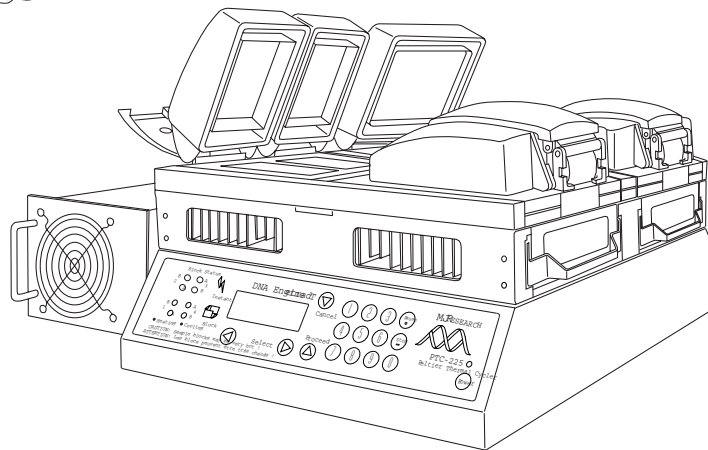


PTC-0200 DNA Engine & PTC-0225 DNA Engine Tetrad Operations Manual

Version 4.0



05434-05

PTC-0200 DNA Engine & PTC-0225 DNA Engine Tetrad Operations Manual

Version 4.0

**MJ Research, Inc.
Waltham, Massachusetts**

Copyright ©1999, MJ Research, Inc. All rights reserved. Reproduction in any form, either print or electronic, is prohibited without written permission of MJ Research, Inc.

DNA Engine, DNA Engine Tetrad, Alpha, Hot Bonnet, Power Bonnet, Microseal, Chill-Out, Self-Seal and Twin Tower are trademarks of MJ Research, Inc.

05434-05

Thermal cyclers can be used for a number of purposes, including the polymerase chain reaction (PCR). PCR is covered by patents owned by Hoffmann-La Roche, Inc., and F. Hoffmann-La Roche, Ltd., who have granted exclusive and nonexclusive licenses for some types of applications. Roche and its licensees provide end-user licenses within their respective fields. These licenses have different terms depending on the particular application of PCR, and different rules may apply in different countries. Anyone who intends to use MJ Research equipment to do PCR is encouraged to contact Hoffmann-La Roche for more information, at one of the addresses below:

In the United States:

Kathe Kiehn
Licensing Manager
Roche Molecular Systems, Inc.
1145 Atlantic Avenue
Alameda, CA 94501 USA
(510) 814-2970
Fax: (510) 814-2977

In other nations:

Dr. Agnieszka Junosza-Jankowski
PCR Licensing Manager
F. Hoffmann-La Roche Ltd.
Building 222/350
CH-4002 Basel, Switzerland
41-61-687-3031
Fax: 41-61-687-2113

Contents

<i>Documentation Conventions</i>	<i>iv</i>	
Part I: The DNA Engine		
1. Introduction	1-1	
2. Layout and Specifications	2-1	
3. Installation	3-1	
4. Operation	4-1	
5. Running Protocols	5-1	
6. Creating Programs	6-1	
7. Editing Programs	7-1	
8. Using the Utilities	8-1	
9. Networking	9-1	
10. Maintenance	10-1	
11. Troubleshooting	11-1	
Part II: The DNA Engine Tetrad		
12. Information Specific to the DNA Engine Tetrad	12-1	
Part III: Accessories		
13. The Remote Alpha Dock System	13-1	
Appendix A: Safety Warnings and Guidelines		A-1
Appendix B: How a Peltier Heat Pump Works		B-1
Appendix C: How a Switching Power Supply Works		C-1
Appendix D: Shipping Instructions for US Residents		D-1
Appendix E: Warranties		E-1
Appendix F: Factory-Installed Protocols		F-1
<i>Index</i>	<i>In-1</i>	

Documentation Conventions

Typographic Conventions

The names of keyboard keys are set in sans serif type and encased in double angle brackets:

Example «Proceed»

Items in programming menus are italicized:

Example Select *Edit* from the Main Menu.

Graphic Conventions

The programming screens displayed in the LCD window are represented by a box containing four lines of text:

Example

```
Run: 2-STEP
1= 92.0 for 0:05
Cycle: 1
Calc: 65.0
```

Terminology

A programming option is termed “selected” when the cursor is positioned in front of it. Use the «Select» keys (see fig. 2-2) to move the cursor. In some screens selected items are also displayed in all-capital letters.

Part I

The DNA Engine

1

Introduction

Meet the DNA Engine, *1-2*

Using This Manual, *1-2*

Important Safety Information, *1-3*

Meet the DNA Engine

Thank you for purchasing an MJ RESEARCH PTC-200 DNA Engine. Designed by a team of molecular biologists and engineers, the DNA Engine will meet your needs for a versatile, easy-to-use, reliable, and compact programmable thermal cycler:

- Interchangeable sample blocks—the Alpha unit family—that accommodate many types of tubes, microplates, and slides
- Hot Bonnet heated lid (or its remote-controlled version, the Power Bonnet) for oil-free cycling
- Intuitive software with easy-to-read interface for quick and painless programming, editing, file management, password protection, and much more
- Choice of calculated sample temperature control for highest speed and accuracy, or block or probe control for compatibility with protocols designed for a variety of instrument types
- Space-saving design for easy setup and transportation
- Instant Incubate feature for continuous-temperature incubations
- Networking for up to 15 machines, for convenient remote operation and documentation of runs
- Customizable factory-installed protocols

When multiple users or high-throughput operations must be accommodated, the PTC-225 DNA Engine Tetrad is available. Essentially consisting of four DNA Engines placed in one chassis, the DNA Engine Tetrad has the same features and ease of use of the stand-alone DNA Engine.

Using This Manual

This manual contains all the information you need to operate your DNA Engine or DNA Engine Tetrad safely and productively:

- Chapter 2 acquaints you with the **physical characteristics** of the DNA Engine.
- Chapters 3–5 present the basics of **installing and operating** the DNA Engine.
- Chapters 6 and 7 describe **programming** the DNA Engine.
- Chapter 8 outlines the **utilities** available for the DNA Engine.
- Chapter 9 describes how to **network and remotely operate** the DNA Engine and DNA Engine Tetrad.

- Chapter 10 explains the proper **maintenance** of the DNA Engine.
- Chapter 11 offers **troubleshooting** information for the DNA Engine.
- Chapter 12 describes the **operation of the DNA Engine Tetrad**.
- Chapter 13 describes the **operation of the RAD-0200 Remote Alpha Dock** accessory.

Important Safety Information

Safe operation of the DNA Engine or DNA Engine Tetrad begins with a complete understanding of how the machine works. Please read this entire manual before attempting to operate the DNA Engine or DNA Engine Tetrad. Do not allow anyone who has not read this manual to operate the machine.

The DNA Engine and DNA Engine Tetrad can generate enough heat to inflict serious burns and can deliver strong electrical shocks if not used according to the instructions in this manual. Please read the safety warnings and guidelines in appendix A, and exercise all precautions outlined in them.

2

Layout and Specifications

Front View, 2-2

Control Panel, 2-2

Back View, 2-3

Bottom View, 2-3

Alpha Units, 2-4

 Single-Block Models, 2-4

 Dual-Block Models, 2-4

 Slide Block, 2-4

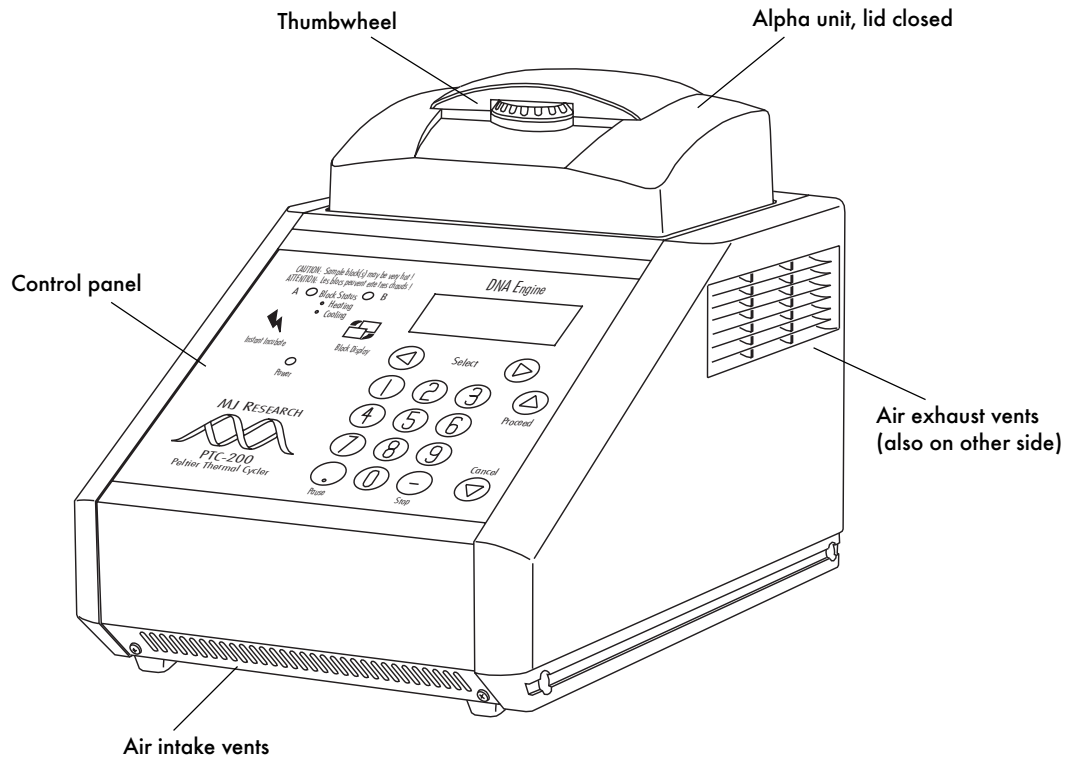
 Power Bonnet Accessory, 2-4

Specifications, 2-5

Gradient Specifications, 2-6

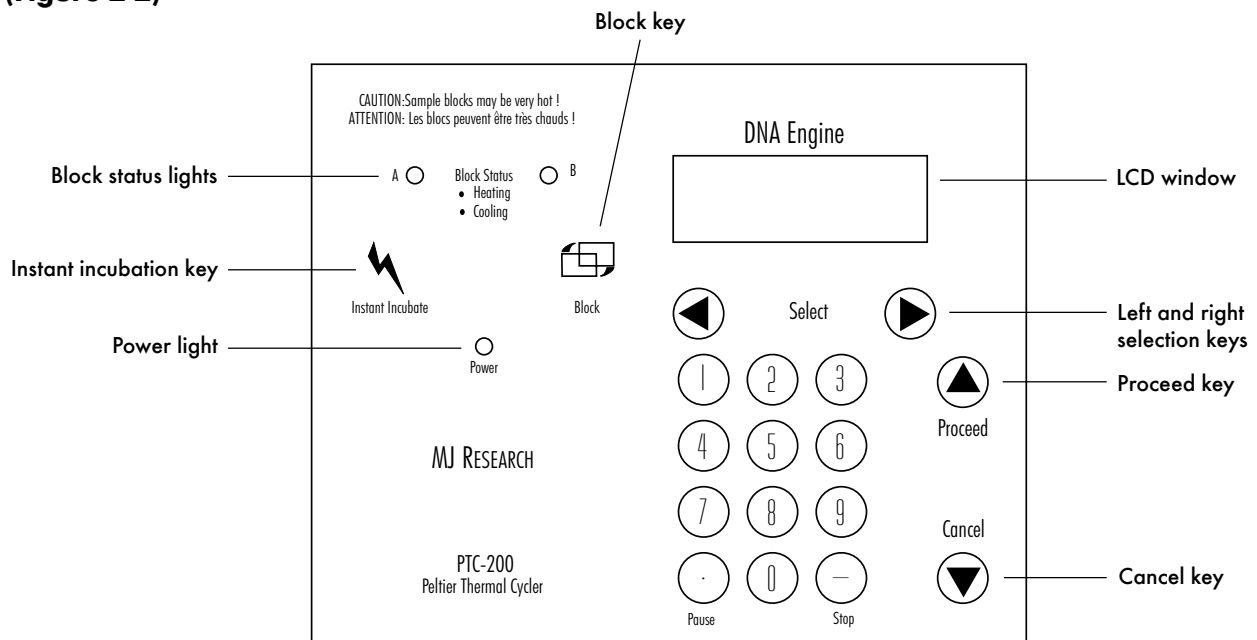
Front View

(Figure 2-1)



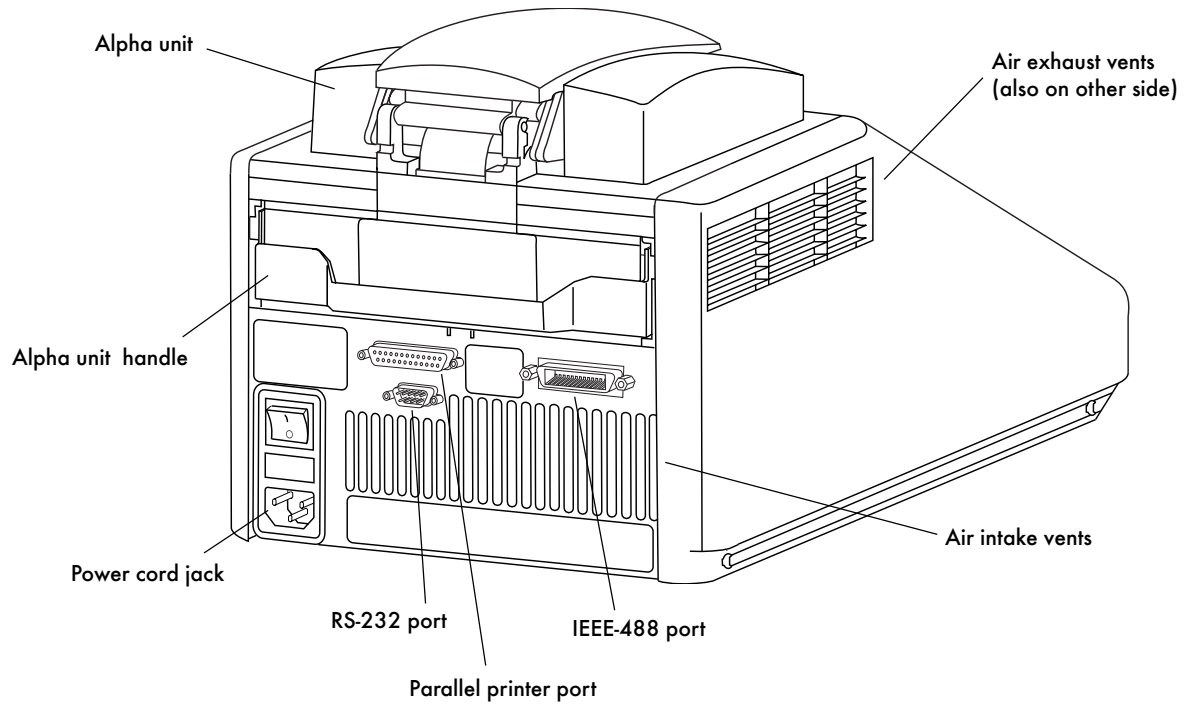
Control Panel

(Figure 2-2)



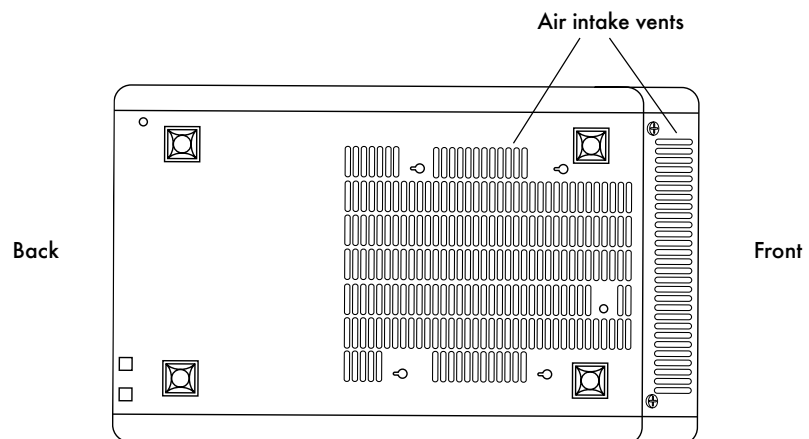
Back View

(Figure 2-3)



Bottom View

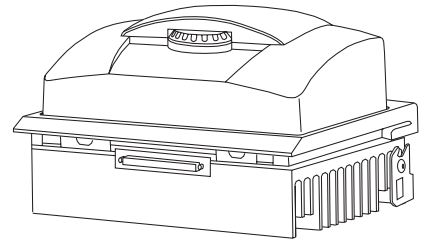
(Figure 2-4)



Alpha Units

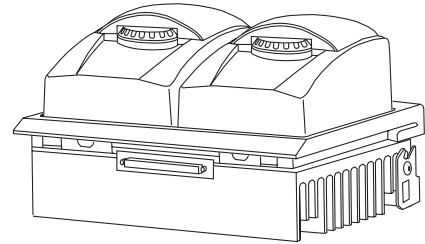
Single-Block Models

- 60V Alpha: Holds 60 x 0.5ml tubes
- 96V Alpha: Holds 96 x 0.2ml tubes or one 96-well microplate
- 192 Alpha: Holds one 192-well microplate
- 384 Alpha: Holds one 384-well microplate or one 96-well microplate



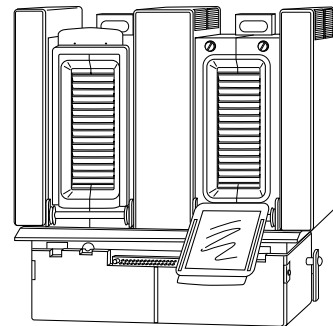
Dual-Block Models

- 30/30 Dual Alpha: Holds 2 x 30 x 0.5ml tubes
- 30/48 Dual Alpha: Holds 1 x 30 x 0.5ml tubes and 1 x 48 x 0.2ml tubes
- 48/48 Dual Alpha: Holds 2 x 48 x 0.2ml tubes or half plates



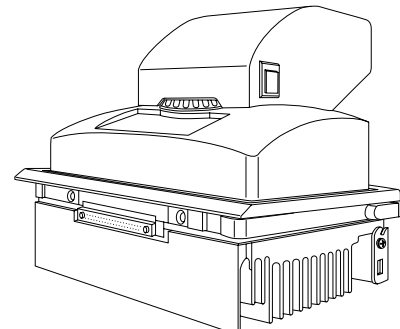
Slide Block

- Twin Tower: Holds 2 x 16 standard slides



Power Bonnet Accessory

Permits remote control of Alpha unit lid opening; available for Alpha models 96V and 384.



Specifications

Thermal range:	-5° to 105°C, but no more than 30°C below ambient temperature
Accuracy:	±0.3°C of programmed target @ 90°C, NIST-traceable
Thermal homogeneity:	±0.4°C well-to-well within 30 seconds of arrival at 90°C (for most Alpha units; see specifications for individual Alpha units)
Ramping speed:	Up to 3°C/sec for all single- and dual-block Alpha units; 1.2°C/sec for the Twin Tower
Sample capacity:	Varies with installed Alpha unit
Line voltage:	100–240VAC rms (no adjustment needed among voltages within these ranges)
Frequency:	50–60Hz single phase
Power:	850W maximum
Fuses:	Two 6.3A, 250V, 5 x 20mm
Displays:	One 20 x 4 LCD alphanumeric display
Ports:	One 25-pin 8-bit parallel interface printer port One 9-pin RS-232 serial port for printer or remote use One IEEE-488 bidirectional general purpose interface bus
Memory:	200 typical programs in up to 12 individual folders
Weight:	7.6–9.3kg, varies with installed Alpha unit (DNA Engine Tetrad: 29kg, including Alpha units and power supply)
Size:	24 x 35 x 17cm (DNA Engine Tetrad: 37 x 55 x 25cm)

Gradient Specifications (96V Alpha module only)

Accuracy:	$\pm 0.4^{\circ}\text{C}$ of programmed target at end columns, 30 seconds after the timer starts for the gradient step, NIST-traceable
Column uniformity:	$\pm 0.4^{\circ}\text{C}$, well-to-well within column, within 30 seconds of reaching target temperature
Calculator accuracy:	$\pm 0.4^{\circ}\text{C}$ of actual well temperature
Lowest programmable temperature	30°C
Highest programmable temperature	105°C
Temperature differential range	$1\text{--}24^{\circ}\text{C}$

3

Installation

Packing Checklist, 3-2

Setting Up the DNA Engine, 3-2

Environmental Requirements, 3-2

Power Supply Requirements, 3-3

Air Supply Requirements, 3-3

 Ensuring an Adequate Air Supply, 3-3

 Ensuring That Air Is Cool Enough, 3-4

Requirements for Robotics Installations, 3-5

Packing Checklist

After unpacking the DNA Engine, check to see that you have received the following:

- One DNA Engine base
- One Alpha unit (more if additional units were ordered)
- Two spare fuses
- One power cord
- One probe, if purchased
- *PTC-200 DNA Engine & PTC-225 DNA Engine Tetrad Operations Manual* (this document)
- Product registration card (US customers only)
- Extended warranty application (US customers only)
- DNA Engine Driver remote software request form

If any of these components are missing or damaged, contact MJ RESEARCH or the authorized distributor from whom you purchased the DNA Engine to obtain a replacement. Please save the original packing materials in case you need to return the DNA Engine for service. See appendix E for shipping instructions.

Setting Up the DNA Engine

The DNA Engine requires only minimal assembly: plugging in the power cord and inserting an Alpha unit. Insert the power cord plug into its jack at the back of the machine (see fig. 2-3 for location of jack), then plug the cord into an electrical outlet. With the machine turned off, insert an Alpha unit (see “Installing an Alpha Unit,” chapter 4).

- ! Caution:** Do not insert or remove an Alpha unit with the DNA Engine turned on; electrical arcing can result. Read the safety warning in appendix A regarding electrical safety when inserting or removing an Alpha unit.

Environmental Requirements

Ensure that the area where the DNA Engine is installed meets the following conditions, for reasons of safety and performance:

- Nonexplosive environment
- Normal air pressure (altitude below 4000m)

- Ambient temperature 5°–31°C
- Relative humidity up to 90%
- Unobstructed access to air that is 31°C or cooler (see below)
- Protection from excessive heat and accidental spills (Do not place the DNA Engine near such heat sources as radiators, and protect it from danger of having water or other fluids splashed on it, which can cause shorting in its electrical circuits.)

Power Supply Requirements

The DNA Engine requires 100–240VAC, 50–60Hz, and a grounded outlet. The DNA Engine can use current in the specified range without adjustment, so there is no voltage-setting switch.

Power cords for outlets other than the US 120V outlet may be purchased from computer stores, since they are also used for most desktop computers and printers and meet international standard IEC-320. The power cord must be rated to carry at least 10A at 125V or 250V, depending on the voltage available in your nation. The quality of the power cord can be further ensured by making certain it is inscribed with the trademark of UL, CSA, TUV, VDE, or another national testing agency.

Note: Do not cut the supplied 120V power cord and attach a different connector. Use a one-piece molded connector of the type specified above.

Air Supply Requirements

The DNA Engine requires a constant supply of air that is 31°C or cooler in order to remove heat from the Alpha unit's heat sink. Air is taken in from vents at the front, back, and bottom of the machine and exhausted from vents on both sides (see figs. 2-1, 2-3, and 2-4). If the air supply is inadequate or too hot, the machine can overheat, causing performance problems, software error messages (particularly "HS Overheating" and "Slow Block Cycling"), and even automatic shutdowns. Special attention should be paid to airflow and air temperature in robotics installations of DNA Engines.

Ensuring an Adequate Air Supply

- Do not block the air intake vents.

Position the DNA Engine at least 10cm from vertical surfaces and other thermal cyclers (greater distances may be required; see below). Do not put loose papers under the machine; they can be sucked into the air intake vents on the bottom of the machine.

- Do not allow dust or debris to collect in the air intake vents.

The bottom air vents are particularly liable to collect dust and debris, sometimes completely clogging up. Check for dust and debris every few months, and clean the intake vents as needed. Remove light collections of dust with a soft-bristle brush or damp cloth. Severe collections of dust and debris should be vacuumed out. Turn the machine off prior to cleaning or vacuuming air vents.

Ensuring That Air Is Cool Enough

- Do not position two or more DNA Engines (or other thermal cyclers) so that the hot exhaust air of one blows directly into the air intake vents of another.
- Make sure the DNA Engine receives air that is 31°C or cooler by measuring the temperature of air entering the machine through its air intake vents.

Place the DNA Engine where you plan to use it, and turn it on. Try to reproduce what will be typical operating conditions for the machine in that location, particularly any heat-producing factors (e.g., nearby equipment running, window blinds open, lights on). Run a typical protocol (e.g., 2-Step) for 30 minutes to warm up the DNA Engine, then measure the air temperature at the back air intake vents. If more than one machine is involved, measure the air temperature for each.

If the air intake temperature of any machine is warmer than 31°C, use table 3-1 to troubleshoot the problem. Some experimentation may be required to determine the best solution when more than one cause is involved. After taking steps to solve the problem, verify that the temperature of the air entering the air intake vents has been lowered, using the procedure outlined above.

Table 3-1 Troubleshooting Air Supply Problems

Cause	Possible Remedies
Air circulation is poor.	Provide more space around machine or adjust room ventilation.
Ambient air temperature is high.	Adjust air conditioning to lower ambient air temperature.
Machine is in warm part of room.	Move machine away from, or protect machine from, such heat sources as radiators, heaters, other equipment, or bright sunlight.
Machines are crowded.	Arrange machines so that warm exhaust air does not enter intake vents.

Requirements for Robotics Installations

Robotics installations require special attention to airflow and air temperature. Typically in these installations, DNA Engines and other thermal cyclers are crowded into a small area, along with other heat-generating equipment. Overheating can quickly occur when many of these machines are operating at once, unless preventive measures are taken.

Follow the procedures described above to ensure adequate airflow and an air intake temperature of 31°C or cooler. Air intake temperature must be verified by measurement.

Do not use oil to thermally couple sample vessels to the blocks of machines in a robotics installation. Oil makes plates difficult to remove.

4

Operation

- Turning the DNA Engine On, **4-2**
- Understanding the Main Menu, **4-2**
- Using the Control Panel, **4-3**
 - Operation Keys, **4-3**
 - Status Indicator Lights, **4-3**
- Using the Data Ports, **4-3**
- Operating Alpha Units, **4-4**
 - Installing an Alpha Unit, **4-4**
 - Removing an Alpha Unit, **4-5**
 - Opening an Alpha Unit, **4-5**
 - Closing an Alpha Unit, **4-6**
- Selecting the Correct Sample Vessel, **4-6**
 - 0.5-ml Tubes, **4-6**
 - 0.2-ml Tubes, **4-6**
 - Microplates, **4-6**
- Sealing Sample Vessels, **4-7**
 - Sealing with Oil or Wax, **4-7**
 - Sealing with the Hot Bonnet and Caps or Film Sheets, **4-7**
 - Adjusting the Hot Bonnet's Lid Pressure, **4-8**
- Loading Sample Vessels into the Block, **4-9**
 - Using Oil to Thermally Couple Sample Vessels to the Block, **4-9**
- Using the Optional Probe, **4-10**
 - Customizing the Probe Vessel, **4-10**
 - Adding the Oil, **4-11**
 - Loading and Connecting the Probe, **4-11**
 - Detecting a Faulty Probe, **4-12**
- Appendix 4-A: Tube, Microplate, and Sealing System Selection Chart, **4-13**
- Appendix 4-B: Safety Warning Regarding Use of ³⁵S Nucleotides, **4-14**
- Appendix 4-C: Using Silicone Oil in the Probe Tube, **4-16**

Turning the DNA Engine On

Move the power switch to “1” (the “On” position). In most cases the fan will turn on, and the power light on the keyboard will glow red. In most cases a self-test of the heat pumps will begin running (see note below). Its progress is tracked on a screen in the LCD window:

```
PTC-200:
      Self testing
.
```

This screen disappears in 1 minute. If a problem is detected, the display shows an error message.

Note: If the Alpha unit’s block or heat sink is not at ambient temperature (typically because the Alpha unit was recently in use), the machine will skip the self-test.

If the self-test does not detect any problems, the Main Menu is displayed:

```
PTC-200:
_Run      Enter
List      Edit
Files     Setup
```

The DNA Engine is now ready to execute programs.

Understanding the Main Menu

The Main Menu is the common access point to all programming and machine configuration screens:

- **Run:** Executes a program.
- **Enter:** Allows new programs to be entered.
- **List:** Accesses utilities that display or print a program’s steps.
- **Edit:** Allows modification of stored programs.
- **Files:** Accesses file management utilities.
- **Setup:** Accesses machine and networking configuration screens.

Using the Control Panel

The control panel (see fig. 2-2) includes operation keys, status indicator lights, an LCD window for displaying programming and machine status text, and a numeric keypad for entering values into programs.

Operation Keys

- **Select keys** (left and right arrows): Move the cursor one space or option to the left or right in the LCD window; display time and cycle information during a protocol run.
- **Proceed**: Accepts a selected menu or screen option; during a protocol run, advances the program to its next step.
- **Cancel**: Terminates a running protocol; during program creation or editing, cancels the last entry.
- **Stop**: Terminates a running protocol.
- **Pause**: Pauses a protocol during execution; accesses Japanese *Katakana* syllabary.
- **Instant Incubate**: Initiates a program that sets up the DNA Engine as a simple incubator.
- **Block**: Selects a different block when using a dual-block Alpha unit; switches between block screens and the Main Menu in the LCD window during a protocol run.

Status Indicator Lights

- **Power light**: Glows red when the DNA Engine is powered up.
- **Block Status lights**: Indicate which blocks are in use; glow red when blocks are heating and green when blocks are cooling.

Using the Data Ports

The DNA Engine has three data ports located at the rear of the machine: an RS-232 port, an IEEE-488 port, and a parallel (printer) port. See chapters 8 and 9 for information on using these ports to network machines, connect them to a computer, or print data.

Operating Alpha Units

Note: Operation of the Twin Tower will not be discussed, owing to the many differences between this type of Alpha unit and the others. Please see the *Twin Tower Block Operations Manual* for operating instructions.

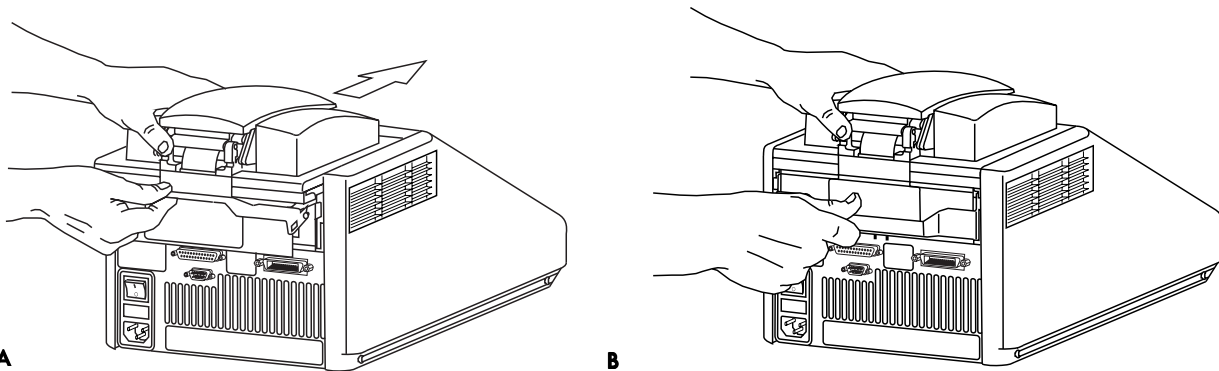
Note: Alpha units equipped with Power Bonnets are installed and removed as described below. See the *Power Bonnet User's Manual* for instructions on opening and closing Alpha units with Power Bonnets.

Installing an Alpha Unit

1. Turn the DNA Engine off (see the Caution on p. 4-5).
2. Hold the Alpha unit at its front and back edges.
3. Lower the Alpha unit into the DNA Engine base, leaving at least 3cm between the front edge of the Alpha unit and the front of the base.
4. Raise the handle at the back of the Alpha unit, and slide the block forward as far as it will go (fig. 4-1A).
5. Push the handle down until it is completely vertical (fig. 4-1B); firm pressure may be required. A definite click signals that the Alpha unit's connectors have mated with the DNA Engine's connectors.

When the handle is in the down position, the Alpha unit is locked into place.

Figure 4-1 Installing an Alpha unit.



Removing an Alpha Unit

1. Turn the DNA Engine off (see the Caution below).
2. Pull upward on the handle. When the lock releases, you will hear a click, and the Alpha unit will slide a little toward the back of the DNA Engine. The electrical connectors of the Alpha unit and the DNA Engine are now disengaged, so there is no danger of electrical shock.
3. Slide the Alpha unit toward the rear of the DNA Engine about 3cm.
4. Grasp the front and back edges of the Alpha unit, and lift it out of the machine.

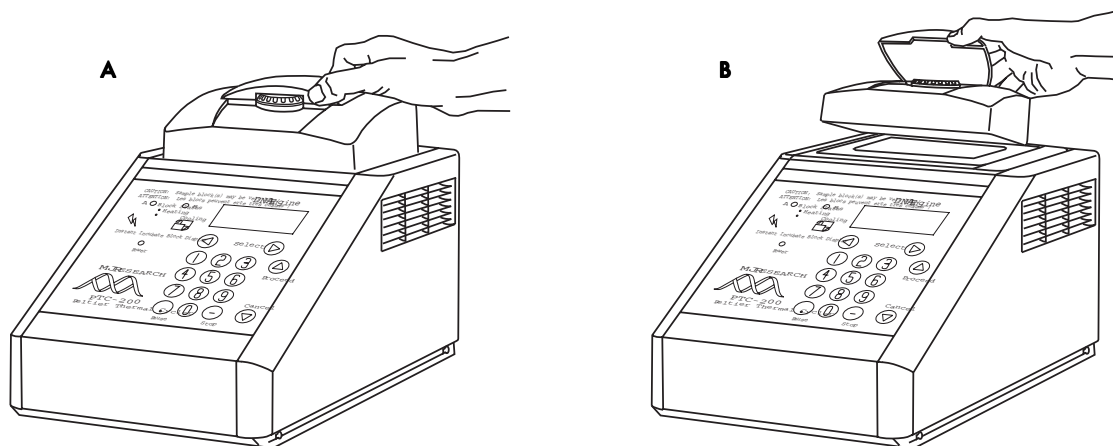
! Caution: Do not insert or remove an Alpha unit with the DNA Engine turned on; electrical arcing can result. Read the safety warning in appendix A regarding electrical safety when inserting or removing an Alpha unit.

Opening an Alpha Unit

Grip the front edge of the top lever of the Hot Bonnet as shown in figure 4-2A, and pull upward firmly. The top lever will pop open to reveal the entire thumbwheel (fig. 4-2B). Continue pulling upward to open the Hot Bonnet. The Hot Bonnet will tip backward, revealing the entire block.

! Caution: Do not pull on the thumbwheel to open the unit. This can damage the Hot Bonnet's closing mechanism.

Figure 4-2 Opening an Alpha unit.



Closing an Alpha Unit

Press down on the top lever. The lever will close down over the thumbwheel as the Hot Bonnet closes down over the sample block. A click signifies that the Hot Bonnet's latch has engaged.

Selecting the Correct Sample Vessel

The DNA Engine's wide variety of interchangeable Alpha units affords you great scope in choosing sample vessels. Keep in mind that differences in tube and plate composition and wall thickness among the many brands available can affect reaction performance. Protocols may require some adjustment to ensure optimum performance when using a new vessel type. MJ RESEARCH offers a full range of tubes and microplates, manufactured to the specifications of each type of Alpha unit to ensure a precise fit. See chapter appendix 4-A for a complete list.

0.5-ml Tubes

Make sure thick-walled 0.5-ml tubes fit the wells snugly. Since these tubes were originally designed for centrifuges, some brands may not fit tightly in thermal cycler wells. Thin-walled 0.5-ml tubes were specifically designed for thermal cycling, and the higher quality brands provide a good and consistent fit. MJ RESEARCH provides thin- and thick-walled 0.5-ml tubes designed for precise block fit.

0.2-ml Tubes

All types of thin-walled 0.2-ml tubes may be used. MJ RESEARCH sells high-quality 0.2ml tubes in a number of styles, including individual tubes and strips.

Microplates

A variety of 96-well polycarbonate or polypropylene microplates can be used in 96V Alpha units as long as they fit the wells snugly. Polypropylene microplates are usually preferred because they exhibit very low protein binding and, unlike polycarbonate microplates, do not lose water vapor through the vessel walls. This allows smaller sample volumes to be used—as little as 5–10 μ l. Polypropylene microplates and compatible Microseal 'A' film, mats, or strip caps for sealing are available from MJ RESEARCH. (See "Sealing with the Hot Bonnet and Caps or Film Sheets," p.

X, for a description of Microseal 'A'.)

Thin-Walled Vs. Thick-Walled Tubes

The thickness of sample tubes directly affects the speed of sample heating and thus the amount of time required for incubations. Thick-walled tubes delay sample heating, since heat transfers more slowly through the tubes' walls. For the earliest types of thermal cyclers this delay mattered little. These machines' ramping rates were so slow (below 1°C/sec) that there was plenty of time for heat to transfer through the tube wall to the sample, during a given incubation.

Modern thermal cyclers have much faster ramping rates (up to 2–3°C/second), so the faster heat transfer provided by thin-walled tubes allows protocols to be significantly shortened. For example, in the reaction illustrated in figure 4-x, over 30 seconds can be saved per cycle by using thin-walled tubes, for an overall savings of 15 minutes in a 30-cycle run.

Sealing Sample Vessels

Steps must be taken to prevent the evaporation of water from reaction mixtures during thermal cycling, to avoid changing the concentration of reactants. Only a layer of oil or wax will completely prevent evaporation from sample vessels. However, an adequate degree of protection can be achieved by sealing with Microseal film or caps, then cycling the samples using the heated lid to prevent condensation/refluxing.

Sealing with Oil or Wax

Mineral oil, silicone oil, paraffin wax, or Chill-out liquid wax may be used to seal sample vessels. Use only a small amount of oil or wax; 1–3 drops (15–50µl) are usually sufficient. (Include this volume in the total volume when setting up a calculated-control protocol; see "Setting Up a Calculated-Control Protocol," chapter 5.) **Use the same amount of oil or wax in all sample vessels to ensure a uniform thermal profile.**

Most paraffin waxes solidify at room temperature. The wax can then be pierced with a micropipette and the samples drawn off from below the wax. Silicone oil and mineral oil can be poured off or aspirated from tubes if the samples are first frozen (–15° to –20°C). The samples are usually pure enough for analysis without an extraction.

Chill-out liquid wax (available from MJ RESEARCH) is an easy-to-use alternative to oil. This purified paraffinic oil solidifies at 14°C and is liquid at room temperature. By programming a hold at low temperature, the wax

can be solidified at the end of a run. A pipette can then be used to pierce the wax in the tubes and remove the samples. The wax is dyed red to assist in monitoring its use. The dye has no adverse effects on fluorescent gel analysis of reaction products.

Sealing with the Hot Bonnet and Caps or Film Sheets

The Hot Bonnet's heated inner lid maintains the air in the upper part of sample vessels at a higher temperature than the reaction mixture. This prevents condensation of evaporated water vapor onto the vessel walls, so that solution concentrations are unchanged by thermal cycling. The Hot Bonnet also exerts pressure on the tops of vessels loaded into the block, helping to maintain a vapor-tight seal and to firmly seat tubes or the plate in the block.

Caps, film, or mats must be used along with the Hot Bonnet to prevent evaporative losses. Tight-fitting caps do the best job of preventing vapor loss (and should be used for long-term storage of reaction products).

Microseal 'A' film is a quick way to seal Multiplate and "Concord" microplates or large arrays of tubes. This film is specially designed to seal tightly during cycling yet release smoothly, which minimizes the risk of aerosol formation and cross-contamination of samples. Microseal 'A' is easily cut for use with fewer than 96 wells.

Microseal 'M' rubber sealing mats are an economical means to seal 96-well microplates. An array of 96 dimples on the mat helps orient it on the microplate and prevents the mat from sticking to the Hot Bonnet's heated lid. The mats may be cleaned with sodium hypochlorite for reuse and are autoclavable.

Note: After a hold at below-ambient temperatures, a ring of condensation may form in tubes above the liquid level but below the top of the sample block. This is not a cause for concern since it occurs only at the final cool-down step, when thermal cycling is finished.

Adjusting the Hot Bonnet's Lid Pressure

The pressure exerted by the inner lid of the Hot Bonnet must be manually adjusted to fit the sample vessels being used in a given reaction. Once set, the Hot Bonnet can be opened and closed repeatedly without readjustment as long as neither the tube or microplate type nor the sealing method changes. Any change in vessel type or sealing method requires readjustment of the Hot Bonnet's lid.

Follow these steps to adjust the pressure exerted by the Hot Bonnet's inner lid:

1. Make sure the block's wells are clean. Even tiny amounts of extraneous

material can interfere with the proper seating of a microplate or tubes, which would prevent the inner lid from exerting uniform pressure on the loaded microplate or tubes.

2. Open the Hot Bonnet. Turn the blue thumbwheel all the way counter-clockwise to completely raise the inner lid.
3. Load either a microplate or at least eight individual tubes into the sample block. The inner lid pivots around a central point, so it is important to distribute individual tubes evenly: Load at least four tubes in the center of the block and at least one tube in each of the four corners of the block. If using a sealing film or mat, apply it to the loaded microplate according to the manufacturer's directions.
4. Close the Hot Bonnet by pressing down on the top lever. Turn the thumbwheel clockwise to lower the Hot Bonnet's inner lid onto the loaded microplate/tubes. The thumbwheel turns easily at first since the inner lid has not yet come into contact with anything. Stop turning the thumbwheel when you feel increased resistance, which indicates that the inner lid has touched the microplate/tubes.
5. Open the Hot Bonnet. Turn the thumbwheel clockwise an extra half to three-quarters of a turn to set an appropriate lid pressure.

! Caution: Do not turn the thumbwheel more than three-quarters of a turn. This can make it hard or impossible to close the lid and puts excessive strain on the latch holding the lid closed.

An extra half to three-quarters of a turn ensures the correct pressure for most types of reaction vessels. Some empirical testing may be required to determine the optimum pressure required for certain vessels. Once this pressure has been determined, the thumbwheel position that delivers it may be marked with a colored marking pen or piece of tape.

Note: As an aid in gauging how much the thumbwheel has been turned, mark it at the quarter turn positions, or every sixth "bump" on the thumbwheel (there are 24 total "bumps").

6. Close the Hot Bonnet.

Loading Sample Vessels into the Block

When using a small number of tubes, they should all be placed in the center of the block, to ensure uniform thermal cycling of all samples. Also load at least one empty tube in each corner of the block, to ensure that the Hot Bonnet exerts even pressure on the sample tubes (see "Adjusting the

Hot Bonnet's Lid Pressure," p. 4-8).

To ensure uniform heating and cooling of samples, sample vessels must be in complete contact with the block. Adequate contact is ensured by always doing the following:

- Ensure that the block is clean before loading samples (see chapter 10 for cleaning instructions)
- Firmly press individual tubes or the microplate into the block wells.

Using Oil to Thermally Couple Sample Vessels to the Block

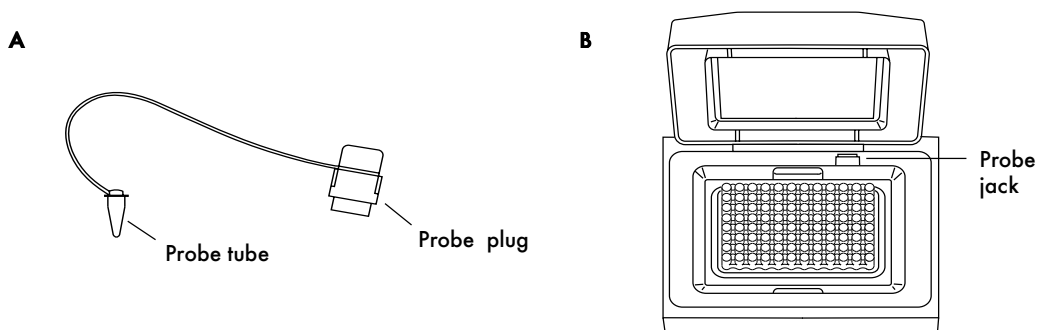
With two exceptions (see below), MJ RESEARCH does not recommend using oil to thermally couple sample vessels to the block, for the following reasons:

- Calculated-control protocols do not run accurately when oil is used.
- Oil traps dirt, which interferes with thermal contact between vessels and the block.

! Caution: If you use oil in the block, use only mineral oil. **Never use silicone oil.** It can damage the Alpha unit.

One exception to this recommendation involves the use of volatile radioactive ^{35}S nucleotides. A small amount of oil in the block can help prevent escape of these compounds. See chapter appendix 4-B for important information regarding safe use of these compounds in polypropylene tubes and polypropylene and polycarbonate microplates. A second exception involves the use of thick-wall 0.5-ml tubes. Certain brands of these tubes fit poorly in the block, in which case oil may somewhat improve thermal contact. When-

Figure 4-3 A, Probe. B, Location of probe jack.



ever possible, use high-quality thin-wall tubes intended for thermal cycling (see chapter appendix 4-A for a tube and plate selection chart).

Using the Optional Probe

The probe consists of a precision thermistor mounted in a thin-walled plastic tube. A thin wire, encased in a small plastic tube, runs from the thermistor to the probe's plug, which is inserted into a slot at the back of the Alpha unit (fig. 4-3). A small amount of oil is added to the probe tube to serve as the representative sample. The tube is loaded into the block, where it can serve as the control reference for any programmed target temperature between 0° and 100°C.

When a probe-control protocol is run, the DNA Engine controls block temperature to keep the probe vessel at the programmed temperature, using feedback information from the thermistor. (See chapters 5 and 6 for information on programming protocols for probe control.)

Note: Because the thermal characteristics of a probe can never precisely match those of a sample, calculated control is often a better choice than probe control.

Customizing the Probe Vessel

For the most precise control of sample temperatures, install the probe's thermistor in the same type of tube that the samples will be placed in. This is particularly important when the sample tubes have much thicker walls than the probe's tube.

Follow these steps to customize the probe vessel:

1. Cut the hinge to the probe tube's lid, if there is one. Remove the lid and the attached the amber-colored thermistor.
2. Remove the lid from the new probe tube. Add oil to the probe tube as described below under "Adding the Oil."
3. Gently place the thermistor in the new tube, and snap the lid closed. Make sure that the lid from the original probe tube fits the new tube tightly . The probe wire may touch the sides of the tube. The thermistor should rest on the bottom of the tube.

! **Caution:** The thermistor is extremely fragile. Handle it with great care.

Adding the Oil

Viscous oils are the best choice for the probe tube's representative sample. They closely mimic the thermal characteristics of buffer solution, which changes temperature sluggishly due to the high specific heat of water. MJ RESEARCH recommends using heavy mineral oil, for the following reasons:

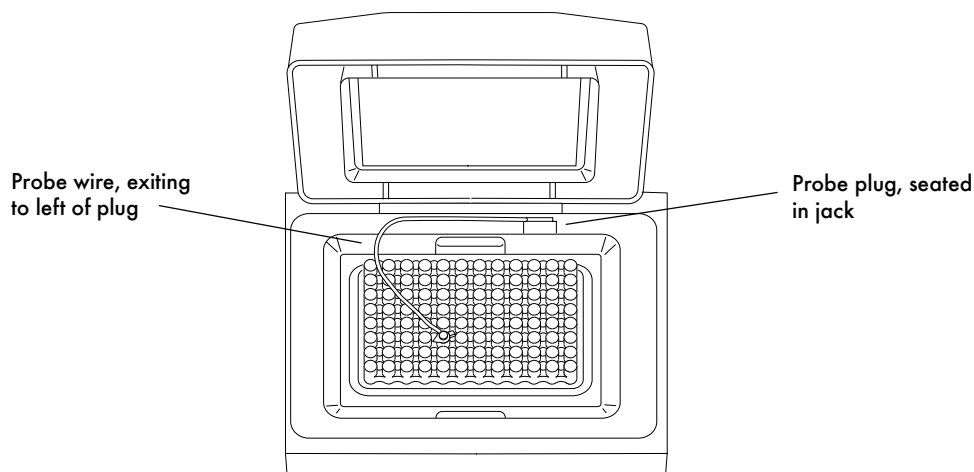
- The calculations required to determine the correct volume of oil are easy.
- It is widely available and inexpensive.

Add mineral oil to the probe tube in the following proportions: 1 x the volume of the buffer in an individual tube, plus 1 x the volume of oil overlay if one is used. **It is important to use the correct amount of oil, so that the representative sample changes temperature at the same rate as the actual samples.** To add the oil, open the sample tube and pipette in the appropriate amount. The oil must completely cover the thermistor.

Light and heavy silicone oil may also be used but necessitate more complex calculations to determine the amount to add to the probe tube. See chapter appendix 4-C for information on using these oils.

Note: Use only mineral oil or silicone oil as the representative sample.

Figure 4-4 Correctly inserted probe.



Do not use paraffin wax or Chill-out liquid wax, or the probe readings will not be accurate.

! Caution: Do not use water, saline, or any other aqueous solution as a representative sample. Aqueous solutions will destroy the thermistor.

Loading and Connecting the Probe

Seat the probe tube in the center of the block (fig. 4-4, p. 4-12). If oil is used to thermally couple samples to the block, it must also be used on the probe tube (but see “Using Oil to Thermally Couple Sample Vessels to the Block,” p. 4-9).

Plug the probe into the jack at the back of the block, so that the wire is to the left of the plug (fig. 4-4).

Detecting a Faulty Probe

If the DNA Engine detects that the probe is broken or missing when a protocol begins running, the protocol’s temperature control method is automatically switched from probe control to calculated control, and the following message is immediately displayed:

```
Run: CUSTOM1
Probe Sensor Failure
Used Calc Control
```

If the probe malfunctions **during** a protocol run, the temperature control method is also switched to calculated control, and the run-time screen changes to say “Calc” instead of “Probe.” When the run finishes, the following message is displayed:

```
Run: CUSTOM1
CALC control:
Probe not present
```

Appendix 4-A

Tube, Microplate, and Sealing System Selection Chart

Key

- Reaction vessel fits block without modification.
- Reaction vessel must be cut to fit this block.

MJ Research Thermal Cycler Blocks					Reaction Vessels		Sealing Options for Oil-Free Cycling						
96V (0.2ml)	48 (0.2ml)	60 (0.5ml)	30 (0.5ml)	1 1/4 slide	Description	MJ RESEARCH Catalog #	Microseal 'A' film MSA-5001	Microseal 'M' mat*	Microseal 'P' pad*	8-Strip caps TCS-0801	12-Strip caps TCS-1201	Self-Seal reagent SLR-0101	Frame-Seal chambers SLF-series
●	○				Multiplate 96-well microplates	MLP-9601	●	●	●	●	●		
●	●				Multiplate 48-well microplates	MLP-4801	●	●*	●*	●	○		
●	●				Multiplate 24-well microplates	MLP-2401	●	●*	●*	●	○		
●	●				Multiplate 25-well microplates	MLP-2501	●	●*	●*	○	○		
●					"Concord" 96-well microplates	CON-9601	●						
●	●				8-strip 0.2-ml tubes	TBS-0201	●	●*	●*	●	○		
●	○				12-strip 0.2-ml tubes	TBS-1201	●	●*	●*	○	●		
●	●				0.2-ml tubes, no caps	TBI-0201	●	●*	●*	●	●		
●	●				0.2-ml tubes w/caps	TWI-0201							
		●	●		0.5-ml tubes w/caps, thin wall	TBI-0501							
		●	●		0.5-ml tubes w/caps, thick wall	T6-1000							
				●	Glass slides	SLS-series						●	●

* Microseal 'M' and 'P' sealers are sized for 96-well blocks but can be used with fewer than 96 wells if the vessels are placed symmetrically in the block. Microseal 'P' pads are intended for use with Power Bonnet motorized lids.

Note: All tubes and multiplate microplates are made from polypropylene plastic, the optimal material for this application. "Concord" microplates are made from polycarbonate plastic, which is more prone to poor sealing and vapor leakage.

Appendix 4-B

Safety Warning Regarding Use Of ^{35}S Nucleotides

Some researchers have experienced a problem with **radioactive contamination** when using ^{35}S in thermal cyclers. This problem has occurred with all types of reaction vessels.

The Problem

When ^{35}S nucleotides are thermally cycled, a volatile chemical breakdown product forms, probably SO_2 . This product can escape the vessel and contaminate the sample block of a thermal cycler, and possibly the air in the laboratory. Contamination has been reported with microassay plates, 0.2-ml tubes, and 0.5-ml tubes.

96-Well and 192-Well Polycarbonate Microplates

These microplates present the largest risk of contamination. Polycarbonate is somewhat permeable both to water and the ^{35}S breakdown product. This problem is exacerbated when polycarbonate plates are held at high temperatures for long periods of time, or when the plates are sealed for oil-free thermal cycling.

0.2-ml Polypropylene Tubes and 96-Well Polypropylene Microplates

These tubes are manufactured with very thin walls to enhance thermal transfer. The thin walls are somewhat fragile and can “craze” or develop small cracks when subject to mechanical stress. Undamaged thin polypropylene tubes may also be somewhat permeable to the ^{35}S breakdown product. Either way, there have been reports of ^{35}S passing through the walls of 0.2-ml tubes of several different brands during thermal cycling. No data are yet available on radioactive contamination with polypropylene microplates.

0.5-ml Polypropylene Tubes

Contamination problems are rarer with this type of tube, but instances have been reported.

The Solution

1. Substitute the low-energy beta emitter ^{33}P in cycle sequencing. ^{33}P nucleotides are not subject to the same kind of chemical breakdown as ^{35}S nucleotides, and they have not been associated with volatile breakdown products.
2. If ^{35}S must be used, three things will help control contamination: an oil overlay inside the tubes, mineral oil in the thermal cycler outside the tubes, and use of thick-walled 0.5-ml tubes. Always run ^{35}S thermal cycling reactions in a fume hood, and be aware that vessels may be contaminated on the outside after thermal cycling. Please be certain that you are using the

appropriate detection methods and cleaning procedures for this isotope. Consult your radiation safety officer for his or her recommendations.

If mild cleaning agents do not remove radioactivity, harsher cleaners may be used. Users have suggested the detergent PCC-54 (Pierce Chemical Co., Rockford, Illinois; Pierce Eurochemie B.V., Holland), Micro Cleaning Solution (Cole-Parmer, Niles, Illinois), and Dow Bathroom Cleaner (available in supermarkets).

! Caution: Harsh cleaning agents are corrosive to aluminum and must never be used on bare aluminum blocks. MJ RESEARCH blocks are anodized, so they have a protective coating of aluminum oxide. Still, harsh agents (such as those above) must be *thoroughly* rinsed away within a few minutes of application, or the anodization will degrade.

Appendix 4-C

Using Silicone Oil in the Probe Tube

The following light and heavy silicone oils may be used instead of mineral oil as the representative sample in a probe tube:

- **Dow Corning # 200 light silicone oil** (dimethylpolysiloxane, Sigma #DMPS-5X)
Density: 0.97g/ml
Viscosity: 50cs
Volume to use: 1.7 x volume of buffer in individual sample tube, plus one volume of oil overlay.
- **Dow Corning # 200 heavy silicone oil** (dimethylpolysiloxane, Sigma #DMPS-V)
Density: 0.97g/ml
Viscosity: 5cs
Volume to use: 2.7 x volume of buffer in individual sample tube, plus one volume of oil overlay.

Note: Use these oils only in the proportions outlined above. Using them in any other proportion (for example, 1:1 with sample tube volumes) will lead to inaccurate sample heating.

5

Running Protocols

Running a Protocol, 5-2

 Choosing a Stored Protocol to Run, 5-2

 Choosing a Block to Run the Protocol On, 5-3

 Setting Up the Temperature Control Method, 5-3

 Setting Up a Block-Control Protocol, 5-3

 Setting Up a Calculated-Control Protocol, 5-4

 Setting Up a Probe-Control Protocol, 5-5

Reading the Runtime Screen, 5-5

 Switching Between the Runtime Screen and the Main Menu, 5-6

Reading the Protocol Completion Screen, 5-6

Printing a Log for a Running Program, 5-7

Manually Stepping Through a Protocol, 5-8

Pausing a Running Protocol, 5-8

Stopping a Running Protocol, 5-9

Resuming a Protocol after a Power Outage, 5-9

Using the Instant Incubation Feature, 5-10

Running a Protocol

Running a protocol on the DNA Engine involves three steps:

1. Choosing a stored protocol to run
2. Choosing a block to run it on, if a dual-block Alpha unit is installed
3. Setting up the temperature control method

Either a custom-designed protocol or one of the factory-installed resident protocols may be run. See appendix F for descriptions of the resident protocols, which may be edited to fit your needs (see chapter 7). All the factory-installed protocols are stored in a single folder, called the <MAIN> folder, at the time of shipping.

Choosing a Stored Protocol to Run

With the Main Menu displayed, select *Run*, then press «Proceed». One of two types of screen will be displayed, depending on whether custom protocols have been stored in the <MAIN> folder or in custom folders:

- **If all protocols have been stored in the <MAIN> folder:**

The first of three or more screens listing the protocols will be displayed. Custom protocols are listed first, then the 14 factory-installed programs:

Run:	<MAIN>
_CUSTOM1	CUSTOM2
QUIKSTEP	2-STEP
3-STEP	EXTEND

Use the «Select» keys to scroll through the listed protocols. Scroll past the last- or first-listed protocol to see the next screen down or up. Select the desired protocol, then press «Proceed».

- **If custom protocols have been stored in one or more custom folders:**

One or more screens listing all the folders residing in the machine will be displayed:

Run:	
_<MAIN>	<FOLDER1>
<FOLDER2>	<FOLDER3>

Select the folder that contains the protocol, then press «Proceed». One or more screens listing the protocols stored in the folder will be displayed. Use the «Select» keys to scroll through the listed protocols. Select the desired protocol, then press «Proceed».

In either instance, after you press «Proceed», a screen similar to the following example will be displayed:

```
Run: 2-STEP
Vessel Type:
  _TUBES   Plate
```

The top line of the screen will identify the selected protocol (2-STEP in the example). The other lines on the screen will request information needed to set up the temperature control method (explained below).

Choosing a Block to Run the Protocol On

If a dual-block Alpha unit is installed (or if networked Alpha units are available; see chapter 9), one of the blocks must be designated to run the protocol. The first available block is automatically designated when a protocol is chosen. Press «Block» to choose a different block. The selected block's letter is identified in the upper right-hand corner of the screen:

```
Run: 2-STEP   on  A
Vessel Type:
  _TUBES   Plate
```

The status indicator light for the selected block will flash green.

Setting Up the Temperature Control Method

When the protocol is selected (and the correct block is designated for a dual-block Alpha unit), one or more screens will be displayed. These screens will ask for information needed to set up the block's temperature control method. The DNA Engine can control the block's temperature in three different ways: **block control**, **calculated control**, and **probe control**. Chapter 6 explains in detail how these methods work and their implications for protocol design. The following describes how to respond to the screens that are displayed for each control method. When these screens have been dealt with, the protocol will begin to run.

Setting Up a Block-Control Protocol

A single screen asking about use of the heated lid will be displayed:

```
Run: ICEBUKET
Use heated lid?
  Yes  _NO
```

Select *Yes* or *No*, then press «Proceed». The protocol will begin running.

Setting Up a Calculated-Control Protocol

Three screens will be presented:

- A screen asking for sample vessel information:

```
Run: 2-STEP
Vessel Type:
  _TUBES  Plate
```

Select from the options shown (may include tubes, plates, and slides), then press «Proceed». Choose *Plate* for polycarbonate microplates and *Tube* for polypropylene tubes or polypropylene microplates. For blocks that hold only tubes, choose *Thin* or *Thick*, depending on the type of tube loaded.

Note: See “Using Calculated Control” in the *Twin Tower Block Operations Manual* for information on specifying slide format.

- A screen asking for the sample reaction volume (last line in example below):

```
Run: 2-STEP
Vessel Type: TUBES
Volume (µl): 10
```

Use the keypad to enter a sample volume in microliters, then press «Proceed». If sample vessels are sealed with oil or wax, include the volume of the oil or wax in the total sample volume entered.

Note: Specify 10µl for any volume less than 10µl.

Note: Verify that your vessel sealing system is adequately tight before performing 5-µl reactions.

- A screen asking about use of the heated lid. Select *Yes* or *No*, then press «Proceed». The protocol will begin running.

Setting Up a Probe-Control Protocol

A single screen asking about use of the heated lid will be displayed. Select *Yes* or *No*, then press «Proceed». If the probe is installed, the probe verification screen will be displayed:

```
Run: PROBE1
PROBE control:
Verify probe ready
```

Ensure that the probe is correctly installed (see “Loading and Connecting the Probe,” chapter 4), then press «Proceed». The protocol will begin running.

If the probe is not installed, a warning message will be displayed:

```
RUN: PROBE1
CALC control:
Probe not present
```

This screen says that since the probe is missing, the DNA Engine will run the protocol using calculated control if «Proceed» is pressed now. To avoid this, press «Cancel», install the probe, and set the protocol up again. When the probe verification screen is displayed, press «Proceed» to begin the protocol run.

Reading the Runtime Screen

During a protocol run a runtime screen will be displayed:

```
Run: 2-STEP
1= 92.0° for 0:05
Cycle: 1
Calc: 68.0°
```

The screen lists the protocol name (2-STEP in the example above), protocol step that is running (1), cycle number (1), method of temperature control (Calc), and the block temperature for block-control protocols, the calculated sample temperature for calculated-control protocols (68.0), and the probe temperature for probe-control protocols. When the step’s target temperature is reached, a timer begins running in the lower right-

hand corner of the screen. The first digit is the minutes elapsed; the two digits after the colon are the seconds elapsed.

For protocols using calculated control or probe control, press the left «Select» key to display the block's temperature on the third line of the screen:

```
Run: 2-STEP
    1= 92.0° for 0:05
Block: 62.1
Calc: 68.0°
```

This screen shows only as long as the left «Select» key is pressed. The runtime screen returns when you stop pressing the key.

Press the right «Select» key to see a screen listing the cycle number (if a GoTo step is executing), time elapsed so far for the protocol run, and estimated remaining time left in the run:

```
Run: 2-STEP
Cycle: 1
Total time: 0:20
Est remain: 1:01:51
```

This screen is also displayed only as long as the key is pressed. The runtime screen returns when you stop pressing the key.

Switching Between the Runtime Screen and the Main Menu

Press «Block» to toggle between the runtime display and the Main Menu. This allows you to edit a stored program, enter a new one, print a program, run another protocol on a dual-block Alpha unit or networked DNA Engine, or use the file utilities, while the protocol runs.

Reading the Protocol Completion Screen

When the protocol run finishes, a long beep sounds, and a notification screen is displayed:

```
Run: 2-STEP
    PROGRAM COMPLETE

Total time: 50:31
```

Certain error messages may also be displayed in this screen (see chapter 11). Press «Proceed» to return to the Main Menu.

Printing a Log for a Running Protocol

If the DNA Engine is connected to a printer, you can print a log for the run that includes

- The DNA Engine's serial number and software version
- The protocol's name
- The temperature control method for the protocol
- A list of the protocol's steps
- The runtime thermal data

To print a runtime protocol log, first ensure that a printer is connected to the machine. See "Printing a Program," chapter 8, for information about compatible printers.

Follow the instructions under "Choosing a Printer Port," chapter 8, to prepare the DNA Engine to communicate with your printer.

As long as a printer is connected to the machine, the following screen will appear whenever a protocol is run:

```
Run: 2-STEP
Printer output?
_YES  No
```

To print the protocol as it runs, select *Yes*, then press «Proceed».

Note: If no printer is connected to the machine, the screen allowing you to select printer output is not displayed at all.

Manually Stepping Through a Protocol

Once a protocol is running, pressing «Proceed» gives you the option of immediately advancing the protocol to the next programmed step, even if the machine is currently ramping the block's temperature (see chapter 6 for information on ramping). A confirmation screen will be displayed:

```
Run: 2-STEP
Go on to next step?
  _YES  No
```

Select *Yes*, then press «Proceed». The protocol will advance to its next step.

Pausing a Running Protocol

Press «Pause» to temporarily stop a running program. The timer in the lower right-hand corner of the runtime screen will be replaced by the word "Pause":

```
Run: 2-STEP
  1= 92° for 0:05
Cycle: 1
Calc: 92°      PAUSE
```

The samples are held at the displayed temperature until either the «Pause» or the «Proceed» key is pressed, which causes the protocol run to resume.

A protocol cannot be paused before the target temperature for a given step has been reached. If «Pause» is pressed before this point, the block continues heating or cooling until the target is reached, and then the protocol is paused.

Stopping a Running Protocol

Press either «Stop» or «Cancel» to stop a running protocol. A cancellation confirmation screen will be displayed:

```
Run: 2-STEP
Stop 2-STEP?
  Yes  _NO
```

Select *Yes*, then press «Proceed» to cancel the protocol. The total run time for the protocol will be displayed:

Run: 2-STEP
PROGRAM CANCELED
Total time: 1:15

Press «Proceed» to return to the Main Menu.

Note: Turning off the machine does not stop a running protocol. The DNA Engine will assume the protocol was stopped by a power outage and will resume running the protocol when the machine is turned back on (see below).

Resuming a Protocol after a Power Outage

If a power failure occurs when a protocol is running, the DNA Engine will hold the protocol in memory for a minimum of 24 hours to a maximum of 7 days, depending on environmental conditions.

When power is restored, the protocol will begin running again at the point at which it was stopped, and a notice about the power interruption will be displayed. The notice will identify the step and the cycle that were running when the power failure occurred, and the block's temperature at the time power was restored:

Run: 2-STEP
A/C POWER FAILED
Cycle 1 Step 1
Recovered at 20.2°

Press «Proceed» to remove this screen. The protocol's runtime screen will immediately be displayed.

Using the Instant Incubation Feature

The DNA Engine may be converted to a constant-temperature incubator by pressing «Instant Incubate». A screen allowing use of the heated lid will be displayed:

```

INCUBATE :

Use heated lid?
Yes _No
    
```

Use the «Select» keys to enable or disable the heated lid, then press «Proceed». A screen allowing entry of the incubation temperature will be displayed.

```

INCUBATE :
1= 20.0° for ever
Use heated lid?
Yes _No
    
```

Use the keypad to enter any incubation temperature from -5.0°C to 105.0°C , then press «Proceed». The DNA Engine will incubate the sample at the specified temperature until «Cancel» or «Stop» is pressed.

When the sample block reaches the incubation temperature, a timer begins running in the lower right-hand corner of the screen. To stop and start the timer, press «Pause».

- ✓ **Tip:** The Pause feature is useful if you need to temporarily remove samples that must be incubated for a precise period of time. Pausing the timer while samples are not in the block allows you to track the exact duration of their incubation.

6

Creating Programs

- The Elements of a Program, 6-2
- Designing a New Program, 6-2
 - Translating a Protocol into a Program, 6-2
 - Using the GoTo Step to Write Short Programs, 6-3
 - Choosing a Temperature Control Method, 6-3
 - Calculated Control, 6-4
 - Block Control, 6-4
 - Probe Control, 6-4
 - Modifying Block- and Probe-Control Programs for Calculated Control, 6-5
 - Modifying a Program Designed for a Different Machine, 6-5
- Entering a New Program, 6-5
 - Initiating the Program, 6-5
 - Naming the Program, 6-6
 - Choosing a Temperature Control Method, 6-6
 - Entering the Program's Steps, 6-6
 - Entering a Temperature Step, 6-7
 - Entering a Gradient Step, 6-9
 - Editing a Gradient Step, 6-10
 - Reviewing a Gradient Program, 6-10
 - Using the Gradient Calculator, 6-10
 - Factory-Installed Gradient Program, 6-12
 - Entering a Ramp Step, 6-12
 - Entering a GoTo Step, 6-14
 - Entering the End Step, 6-15
- Modifying a Program Step with the Options, 6-16
 - Entering an Increment Option, 6-15
 - Entering an Extend Option, 6-16
 - Entering an Beep Option, 6-18
- Revising During Programming, 6-18
 - To Change the Last Value Entered or Menu Option Chosen, 6-19
 - To Change All the Values in the Step Being Entered, 6-19
 - To Change Values for Earlier Steps in the Program, 6-19
- Deleting a Program, 6-20

The Elements of a Program

DNA Engine programs consist of a series of steps encoding a protocol. These steps are run using one of three possible temperature control methods: calculated control, block control, and probe control.

Programs may contain five types of steps. Two of the steps are mandatory, and two are optional:

1. **Temperature step (mandatory):** Sets a temperature for the block and the length of time it is held at that temperature. The DNA Engine brings the block to this temperature at its maximum rate of heating or cooling, unless modifying instructions are added to the program. (The maximum rate of heating and cooling is up to 3°C/sec for all single- and dual-block Alpha units; 1.2°C/sec for the Twin Tower.)
2. **Gradient step (optional):** allows you to program a temperature gradient across the sample block. The range of any single gradient can be as great as 24°C from left to right. The maximum programmable temperature is 105°C; the minimum programmable temperature is 30°C.
3. **Ramp step (optional):** Sets a slower-than-maximum rate of heating or cooling.
4. **GoTo step (optional):** Causes the program to cycle back to an earlier step for a specified number of times (up to 9,999 times).
5. **End step (mandatory):** Instructs the DNA Engine to shut down its heat pump because the program is complete.

Additional instructions, termed “options,” can be added to certain program steps to modify their effects:

1. **Increment:** Modifies a temperature step to allow a progressive increase or decrease of temperature (0.1°–10.0°C per cycle) each time the step is executed in a cycle. This is useful in “touchdown” programs, when the annealing temperature of an oligonucleotide is not known.
2. **Extend:** Modifies a temperature step to allow progressive lengthening or shortening of a temperature step hold (by 1–60 sec/cycle) each time a step is executed in a cycle. This is useful for accommodating an enzyme with diminishing activity.
3. **Beep:** Modifies a temperature step or ramp step to make the machine beep when the target temperature is reached.

Designing a New Program

Translating a Protocol into a Program

Until you are completely familiar with programming the DNA Engine, you may find it helpful to first translate the protocol into DNA Engine program steps and options on paper. Write down the protocol to be programmed, one step per line. Then write the type of program step that goes with the protocol steps, at the end of each line. If a protocol step involves an option as well as a program step, write both names down on the same line. Finally, write the End step at the bottom of the list; programs will not run without this step. Number the lines 1 through N, where N is the final, End line.

Using the GoTo Step to Write Short Programs

The GoTo step allows programs of many repetitious steps to be shortened to just a few lines. When the program encounters a GoTo step, it returns to a specified step, repeats that step, and repeats all steps that follow, back to the GoTo step. When the program has returned, or cycled, back to the step a specified number of times, the program moves on to the step that follows the GoTo step.

For example, consider a basic cycle sequencing protocol consisting of 30 repeats of a denaturation, and an annealing/extension step. Rather than listing all 60 steps, use a GoTo step to design a short, easy-to-enter program:

Raw program:

1. 92° for 30 sec
2. 60° for 3 min
3. 92° for 30 sec
4. 60° for 3 min
5. 92° for 30 sec
6. 60° for 3 min
7. 92° for 30 sec

[continues for total of 60 lines]

DNA Engine program:

1. 92° for 30 sec
2. 60° for 3 min
3. GoTo step 1, 29 times (i.e., cycle back to step 1 and repeat steps 1 and 2, 29 times)
5. End

Choosing a Temperature Control Method

The DNA Engine can control block temperature in three possible ways, each of which has different implications for the speed and accuracy of sample heating:

- **Calculated control:** The DNA Engine adjusts the block's temperature to maintain samples of a specific volume in a specific vessel type

at programmed temperatures. This includes optimized “overshoots” of the block by a few degrees for a few seconds, which bring the samples to the programmed temperatures.

- **Block control:** The DNA Engine adjusts the block’s temperature to maintain the block at programmed temperatures, independent of sample temperature.
- **Probe control:** The DNA Engine adjusts the block’s temperature to maintain the probe at programmed temperatures.

Calculated Control

Calculated control is the method of choice for most types of programs, yielding the most consistent, most reliable, and fastest programs. When using calculated control, the DNA Engine maintains a running estimate of sample temperatures based on the block’s thermal profile, the rate of heat transfer through the sample tube or slide, and the sample volume or mass (this information about the samples is provided when a program is run; see “Setting Up the Temperature Control Method,” chapter 5). Since this estimate is based on known quantities and the laws of thermodynamics, sample temperatures are controlled much more accurately than with block or probe control.

Hold times can be shortened significantly when protocols are run under calculated control. In addition to the simple convenience of spending less time running reactions, shorter protocols also help preserve enzyme activity and minimize false priming. Cycling denaturations run under calculated control are usually optimal at 5 seconds. Annealing/extension steps can also be shortened, but the periods for these will be reaction specific.

Calculated control provides for shorter protocols in three ways:

1. Brief and precise block temperature overshoots are used to bring samples to temperature rapidly.
2. Incubation periods are timed according to how long the samples, not the block, reside at the target temperature.
3. The machine automatically compensates for vessel type and reaction volume.

Block Control

Block control provides less accurate control of sample temperatures than calculated control provides. Under block control, the temperature of samples always lags behind the temperature of the block. The length of the time lag depends on the vessel type and sample volume but typically is between 10 and 30 seconds. Block control is chiefly used to run protocols developed for other thermal cyclers that use block control.

Probe Control

Probe control is available for unusual circumstances that may require it. Ordinarily, though, it should be used with caution. While the DNA Engine will have no trouble heating the probe to the target temperature, if the probe is seated or prepared differently from the sample tubes, actual sample temperatures can vary widely from the probe's temperature. Probe control also cannot be used with microplates or slides.

Modifying Block- and Probe-Control Programs for Calculated Control

Probe-control programs will generally run well under calculated control, with no modification other than changing the method of temperature control. Block-control programs can be changed to calculated control by subtracting at least 15–20 seconds from each temperature step. Some empirical testing may be required to adjust modified programs for optimum performance.

Modifying a Program Designed for a Different Machine

The ramp programming step can be used to adapt programs designed for thermal cyclers with slower maximum heating and cooling rates than the DNA Engine. In addition, a given protocol will occasionally work better with a slower rate of temperature change; the ramp step can be used to optimize the program for such a protocol.

Entering a New Program

Programming the DNA Engine moves through five steps:

1. Initiating the program
2. Naming the program
3. Choosing a temperature control method
4. Entering the program's steps
5. Entering the End step

Each step involves entering values from the keyboard or making selections from a menu. Programs may be edited as they are being entered.

Programs are automatically saved when the End step is entered. They are stored in the <MAIN> folder unless folders have been created for them.

Initiating the Program

To initiate a new program, select *Enter* from the Main Menu, then press «Proceed». A naming screen will be displayed:

```

Enter:
Name: A
    
```

Naming the Program

Name the program an eight-character word consisting of any combination of letters (Roman and Greek), numbers, punctuation marks, or Japanese *Katakana*.

Press the right «Select» key to scroll forward and the left «Select» key to scroll backward through the alphabets and characters available, which are presented in this order: Roman alphabet, selected Greek letters, punctuation marks, numbers. To access the Japanese *Katakana* syllabary, press the «.» key. A second press of «.» returns the machine to Western characters.

When the character needed is displayed next to *Name*, press «Proceed». The character will be accepted, and the cursor will move one space to the right. Numbers and dashes may also be inserted by pressing the corresponding keys on the keypad.

When the name is complete, press «Proceed» once to accept the last character and again to accept the whole name. If the name is already in use for a program, a screen saying “Name In Use” will be displayed. If this happens, press «Proceed», then enter a different name.

Choosing a Temperature Control Method

When the name has been entered (“CUSTOM1” is used in the following and all succeeding examples), a screen requesting selection of a temperature control method will be displayed:

```

Enter: CUSTOM1
Control method:
  Block   Probe
  _CALCULATED
    
```

Select a control method, then press «Proceed».

Entering the Program’s Steps

When a temperature control method has been chosen, the Enter Menu will be displayed:

```

Enter: CUSTOM1
Step 1= _TEMP
        Gradient
        Ramp End

```

Use this menu to enter each step of the program:

- *Temp* enters a temperature step.
- *Gradient* enters a Gradient step.
- *GoTo* enters a GoTo step (note: since a protocol can not begin with a GoTo step, *GoTo* does not appear on the initial Enter Menu).
- *Ramp* enters a ramp step.
- *End* enters the End step.

Entering a Temperature Step

To enter a temperature step, select *Temp* from the Enter Menu, then press «Proceed». The first Temp screen will be displayed:

```

Enter: CUSTOM1
 1=
Temp °C: _

```

The second line of this screen shows the number of the step being programmed (1 is used in the example above). The last line of the screen allows a target temperature (in degrees Celsius) to be entered for the step.

Use the keyboard to enter any number between -5.0 and 105.0 as the target temperature (92.0 is used in the example below):

```

Enter: CUSTOM1
 1=
Temp °C: 92.0

```

Press «Proceed». The target temperature will move to the second line of the screen, and a line allowing a hold time to be entered for the step will be displayed:

```

Enter: CUSTOM1
 1= 92.0°
Time: _

```

Enter the hold time for the step (30 seconds is used in the example be-

low):

```

Enter: CUSTOM1
      1= 92.0°
Time:      30
    
```

Note: If a hold time of zero (0) is entered, the DNA Engine will hold the block at the target temperature indefinitely.

Press «Proceed». The hold time will move to the second line of the screen, and a confirmation menu will be displayed on the last line:

```

Enter: CUSTOM1
      1= 92.0° for 0:30
OK? _YES No Option
    
```

Select one of the displayed choices, then press «Proceed»:

- *Yes* accepts the step and displays the Enter Menu again. Use the Enter Menu to enter the next step in the program.
- *No* allows reentry of the target temperature and hold time for the step.
- *Option* displays the Options Menu (see “Modifying a Program Step with the Options,” p. 6-11).

✓ **Tip:** Avoid programming many short holds of only a few seconds each. This can overheat the block, causing the “HS Overheating” or “PS Overheating” error messages to be displayed and triggering automatic Alpha unit shutdowns if the block exceeds its maximum allowable temperature.

Entering a Gradient Step

When you reach the step at which a gradient is desired, select *Gradient* from the Enter Menu and then press the «Proceed» key. For the purpose of this example the step in which the gradient will be entered shall be Step 2:

```

Enter: CUSTOM1
Step 2= Temp Goto
          _GRADIENT
          Ramp End
    
```

The gradient screen will appear:

```
Enter: CUSTOM1
Lower Temp °C:
```

Enter the lower limit temperature (for the purposes of this example, 50°), then press «Proceed». The upper temperature screen will appear:

```
Enter: CUSTOM1
      50.0°
Upper Temp °C:
```

Enter the upper temperature (for the purposes of this example, 70°), then press «Proceed». (Use integers only; decimals are not accepted).

The next screen requires you to enter a hold time for the temperature gradient step:

```
Enter: CUSTOM1
2= 50.0° to 70.0°
Time:
```

Enter the hold time in the form of min:sec. Press «Proceed». A confirmation screen will appear:

```
Enter: CUSTOM1
2= 50.0° to 70.0°
for 0:30
OK? Yes No Option
```

Select “Yes” to enter the step into memory and proceed to the next step; select “No” to reject or edit the current step. To preview, select *Option*, then *Preview*. *Preview* gives the predicted temperatures for each of the wells along the sample block’s long axis. (The lines do not all appear in the display; use the «Select» keys to scroll up or down.)

```
Gradient Preview:
Column 1- 50.0° left
Column 2- 51.8°
Column 3- 53.6°
```

Editing a gradient step

To edit a gradient step, select *Edit* from the Main Menu. The program will be displayed as follows:

```
List: CUSTOM1
1= 92.0° for 0:20
2= 50.0° to 70.0°
   for 0:30
```

Use the «Select» keys to scroll to the step you want to edit.

Reviewing a gradient program

After the protocol has been run, the *Program Complete* screen will be displayed. Press the «Proceed» key, and the next screen will display a review of the gradient well temperatures:

```
Gradient Review:
Column 1- 50.0° left
Column 2- 50.5°
Column 3- 51.5°
Column 4- 53.2°
Column 5- 55.5°
Column 6- 58.4°
Column 7- 61.8°
Column 8- 64.6°
Column 9- 66.8°
Column 10- 68.4°
Column 11- 69.6°
Column 12- 70.0° right
```

Scroll up and down the screen using the «Select» keys. When scrolling the “Gradient Review” line will be held constant while the lower 3 lines can be manipulated up or down. The temperatures displayed will be for each of the twelve wells along the long-axis of the sample block. These temperatures will be predicted from an algorithm as a steady-state temperature of the block and the sample. You may then return to the main menu by pressing the «Proceed» key.

Using the gradient calculator

The gradient calculator predicts, for a given gradient, the temperatures for each of the twelve wells along the long-axis of the sample block. These temperatures will be predicted from an algorithm as a steady-state temperature of the block and the sample. To use the gradient calculator, select the *List* command from the main menu and then press the «Proceed» key. You will see a *List* screen:

```
List:
  Programs
  _GRADIENT CALCULATOR
```

Select *Gradient Calculator* and press the «Proceed» key :

```
Lower Temp °C: 50.0°
Upper Temp °C: 70.0°
```

Enter lower limit temperature of the gradient using the number keys and then press the «Proceed» key. Enter the upper temperature for the gradient using the number keys and «Proceed» key. You may enter integers without decimal points. The following screen will be displayed:

```
Gradient Calculator:
Column 1- 50.0° left
Column 2- 50.5°
Column 3- 51.5°
Column 4- 53.2°
Column 5- 55.5°
Column 6- 58.4°
Column 7- 61.8°
Column 8- 64.6°
Column 9- 66.8°
Column 10- 68.4°
Column 11- 69.6°
Column 12- 70.0° right
```

You may scroll up and down the screen using the «Select» keys. When scrolling, the “Gradient Calculator” line will be held constant while the lower 3 lines can be manipulated up or down.

Entering a Ramp Step

To enter a ramp step, select *Ramp* from the Enter Menu. The first Ramp screen will be displayed:

```
Enter: CUSTOM1
3=
Rate °C / s: _
```

The second line of this screen shows the number of the step being programmed (3 is used in the example above). The last line of the screen allows a ramp rate (in degrees Celsius per second) to be entered for the step.

Use the keyboard to enter any rate up to 2.5°C/sec (1°C/sec is used in the example below):

```
Enter: CUSTOM1
3=
Rate °C / s: 1
```

Note: If a ramp rate faster than the Alpha unit's maximum rate of heating and cooling is entered, the maximum rate will be used.

Press «Proceed». The ramp rate will move to the second line of the screen, and a line allowing entry of a finish temperature for the ramp step will be displayed:

```
Enter: CUSTOM1
3= 2.0°/s
Finish temp: _
```

Enter the finish temperature for the ramp step (69°C is used in the example below):

```
Enter: CUSTOM1
3= 2.0°/s
Finish temp: 69
```

Press «Proceed». The finish temperature will be moved to the second line of the screen, and a confirmation menu will be displayed on the last line:

```

Enter: CUSTOM1
3= 2.0°/s to 69.0°
OK? _YES No Option

```

Select one of the displayed choices, then press «Proceed»:

- **Yes** accepts the step and displays the Enter Menu again. Use the Enter Menu to enter the next step in the program.
- **No** allows reentry of the ramp rate and finish temperature.
- **Option** displays the Options Menu (see “Modifying a Program Step with the Options,” p. 6-11).

✓ **Tip:** A ramp step will not hold the block at its finish temperature. Instead, as soon as finish temperature is reached, the next step of the program will immediately be executed. To hold the block for some period of time at a ramp step’s finish temperature, make sure a temperature step immediately follows the ramp step, and program the hold at the finish temperature into this step.

Entering a GoTo Step

To enter a GoTo step, select *GoTo* from the Enter Menu. The first GoTo screen will be displayed:

```

Enter: CUSTOM1
5=GoTo
GoTo step: _

```

The second line of this screen shows the number of the step being programmed (5 is used in the example above). The last line of the screen allows entry of the number of the step the program should cycle back to.

Enter the number of the step the program should cycle back to (1 is used in the example below):

```

Enter: CUSTOM1
5=GoTo
GoTo step: 1

```

Press «Proceed». The step number will move to the second line of the screen, and a line allowing an additional number of cycles to be entered will be displayed:

```

Enter: CUSTOM1
      3=GoTo 1
Addtnl cycles:  _
    
```

Enter the additional number of times the program should cycle back to the step (3 is used in the example below):

```

Enter: CUSTOM1
      3=GoTo 1
Addtnl cycles:  3
    
```

Press «Proceed». The number of additional cycles will move to the second line of the screen, and a confirmation menu will be displayed on the last line:

```

Enter: CUSTOM1
      3= GoTo 1,  3 times
OK?  _YES  No
    
```

Select one of the displayed choices, then press «Proceed»:

- *Yes* accepts the step and displays the Enter Menu again. Use the Enter Menu to enter the next step in the program.
- *No* allows reentry of the step number and number of additional cycles.

Entering the End Step

To enter the End step, select *End* from the Enter Menu. The single End screen will be displayed:

```

Enter: CUSTOM1
      4=End
OK?  _YES  No
    
```

This screen automatically enters “End” on the second line of the screen, next to a step number, and displays a confirmation menu for the step on the last line of the screen.

Select one of the displayed choices, then press «Proceed»:

- *Yes* accepts the step, stores the program, and displays the Main Menu.
- *No* displays the Enter Menu so that additional steps can be added.

If you have created custom folders for your programs (see chapter 8), choosing *Yes* brings up a screen listing the folders:

```
Save program in:
<MAIN> <FOLDER1>
<FOLDER2>
```

Select the folder you want to store the program in, then press «Proceed». The program will be stored in the folder, and the Main Menu will be displayed.

Modifying a Program Step with the Options

The Options Menu is accessible from the confirmation menus of temperature steps and ramp steps. To access the Options Menu, select *Option* from the confirmation menu of a temperature or ramp step, then press «Proceed». The Options Menu will be displayed on the bottom line of the screen:

```
Enter: CUSTOM1
1= 92.0° for 0:30
Option:_INC Ext Beep
```

- *Inc* modifies a temperature step with an increment option. An increment option allows a progressive increase or decrease of temperature each time the step is executed in a GoTo cycle.
- *Ext* modifies a temperature step with an extend option. An extend option allows a progressive lengthening or shortening of hold times each time the step is executed in a GoTo cycle.
- *Beep* modifies a temperature step or a ramp step, causing the machine to beep when a specified target temperature is reached.

Entering an Increment Option

To enter an increment option, select *Inc* from the Options Menu for a temperature step, then press «Proceed». The first Inc screen will be dis-

played:

```

Enter: CUSTOM1
1= 92.0° for 0:30
+
°C / cycle: + _
    
```

The temperature step being modified appears on the second line of this screen. The plus sign on the third line means that the screen is set up to enter a progressive **increase** in temperature per cycle. Press «→» to switch to a minus sign, allowing entry of a progressive **decrease** in temperature. Press «Cancel» to change back to a plus sign.

Enter the numerical value of the temperature increase or decrease (1.2 is used in the example below):

```

Enter: CUSTOM1
1= 92.0° for 0:30
+
°C / cycle: + 1.2
    
```

Press «Proceed». The Inc value just entered will move to the third line of the screen, and a confirmation menu will be displayed on the last line:

```

Enter: CUSTOM1
1= 92.0° for 0:30
+ 1.2° per cycle
OK? _YES No Option
    
```

Select one of the displayed choices, then press «Proceed»:

- *Yes* accepts the Inc value and displays the Enter Menu again. Use the Enter Menu to enter the next step in the program.
- *No* allows reentry of the Inc value.
- *Option* displays the Options Menu again. Use the Options Menu to enter another option for the step.

Entering an Extend Option

To enter an extend option, select *Ext* from the Options Menu of a temperature step, then press «Proceed». The first Ext screen will be displayed:

```

Enter: CUSTOM1
1= 92.0° for 0:30
+
Sec / cycle: + _
    
```

As for Inc, the temperature step being modified appears on the second line of this screen. The plus sign on the third line means that the screen is set up to enter progressive lengthening of hold time. Press «←» to switch to a minus sign, allowing entry of a progressive shortening of hold time. Press «Cancel» to change back to a plus sign.

Enter the numerical value of the increase or decrease in hold time (1.0 is used in the example below):

```

Enter: CUSTOM1
1= 92.0° for 0:30
  +
Sec / cycle: + 1

```

Press «Proceed». The Ext value just entered will move to the third line of the screen, and a confirmation menu will be displayed on the last line:

```

Enter: CUSTOM1
1= 92.0° for 0:30
  + 1 sec / cycle
OK? _YES No Option

```

Select one of the displayed choices, then press «Proceed»:

- *Yes* accepts the Ext value and displays the Enter Menu again. Use the Enter Menu to enter the next step in the program.
- *No* allows reentry of the Ext value.
- *Option* displays the Options Menu again. Use the Options Menu to enter another option for the step.

Entering a Beep Option

To enter a beep, select *Beep* from the Options Menu for a temperature step or a ramp step, then press «Proceed». The word “Beep” will be displayed on the third line of the screen, and a confirmation menu will be displayed on the last line:

```

Enter: CUSTOM1
1= 92.0° for 0:30
  Beep
OK? _YES No Option

```

Select one of the displayed choices, then press «Proceed»:

- *Yes* accepts the Beep option and displays the Enter Menu again. Use

the Enter Menu to enter the next step in the program.

- *No* cancels the Beep option.
- *Option* displays the Options Menu again, if a temperature step is being modified. Use the Options Menu to enter another option for the step. (*Option* will not be displayed if a ramp step is being modified, since Beep is the only option available for ramp steps.)

Revising During Programming

To change values in a program you are entering, follow the procedures described below. This editing method should be used to change just a few values at a time. To make many changes, or to delete or add entire steps, use Edit mode (see chapter 7).

To Change the Last Value Entered or Menu Option Chosen

Press «Cancel». The choice just made will be cancelled, so that another value may be entered or another menu option chosen. Press «Proceed» after changing a value, so that the program will accept it.

To Change All the Values in the Step Being Entered

Repeatedly press «Cancel». Each time you press the key, the cursor will move backward through the values for the step, deleting the values as it moves. When all values for the step have been deleted, enter new values, or press «Cancel» one more time to display the Enter Menu for the step. At this point you can change the step to a different type.

To Change Values for Earlier Steps in the Program

Repeatedly press «Cancel» until the Enter Menu for the step you are working on is displayed. Press «Cancel» one more time to display a list of all steps entered so far. The list will show the step number and the values for each step, including any options chosen. The last-entered steps will be displayed first:

Enter: CUSTOM1
3= 55.0° for 0:30
4= 72.0° for 1:00
5=

At this point, you can choose to change selected values in program steps, to add an option, to enter Edit mode, or to delete the entire program.

Press the «Select» keys to scroll through the program. The left «Select» key moves the cursor backward through the steps, and the right «Select» key moves it forward.

- **To change selected values or add an option:** To change a value, move the cursor to it, then press «Cancel». Enter the new value, then press «Proceed». If you change your mind, press «Cancel» again; the deleted value will be restored.

To add an option to a step, move the cursor to the step number, then press «Proceed». The Edit Menu will be displayed:

```

Enter: CUSTOM1
2= 92.0° for 0:40
   _EDIT  Insert
Step: Option Delete

```

Select *Option*, then press «Proceed», and follow the procedure for adding an option. To abandon the Edit Menu and return to the list of program steps, press «Cancel».

- **To enter Edit mode:** Move the cursor to the number of the step you wish to edit, then press «Proceed». See chapter 7 for information on entering Edit mode. If you do not wish to enter Edit mode, press «Cancel». The screen will return to the list of program steps.
- **To delete the program:** Position the cursor on any step number and press «Cancel». A cancellation confirmation screen will be displayed.

```

Enter: CUSTOM1

Cancel program?
   _YES  NO

```

Select *Yes*, then press «Proceed». The program will be deleted, and the Main Menu will be displayed.

Deleting a Program

To delete a program after at least one complete step has been entered, see “Revising During Programming,” (p. 6-14).

To delete a program before one complete step has been entered, repeatedly press «Cancel». The cursor will move backward through the step’s

values, deleting them as it goes. When all values have been deleted, keep pressing «Cancel» to move backward through Enter mode screens until the Main Menu reappears, at which point you can begin a new program.

Keeping a Permanent Record of Programs

Occasionally in the course of repairing a defective DNA Engine, it is necessary to replace the chip that stores all custom user protocols. To avoid losing your protocols in such an event, always maintain an up-to-date record of them. Protocols may be printed out using the List utility (see chapter 8), stored on a computer using the DNA Engine Driver Software, or written down in a notebook.

7

Editing Programs

Editing a Stored Program, 7-2

 Initiating Editing, 7-2

 Editing the Program, 7-3

 Inserting a New Step, 7-4

 Deleting a Step, 7-4

 Adding an Option, 7-4

Saving an Edited Program, 7-4

Cancelling Editing Changes, 7-5

Editing a Stored Program

The DNA Engine’s editing tools, available through *Edit* on the Main Menu, make it easy to extensively edit stored programs by

- Changing individual values in program steps,
- Adding new steps,
- Deleting steps, and
- Adding options to temperature and ramp steps.

Note: The editing tools do not include a renaming function. To rename a program, see “Renaming a Program,” chapter 8.

Initiating Editing

To initiate editing, select *Edit* from the Main Menu, then press «Proceed». One of two types of screen will be displayed, depending on whether your programs have been stored in the <MAIN> folder or in custom folders.

- **If all programs have been stored in <MAIN>:**

The screen will list the contents of <MAIN>:

Edit:	<MAIN>
_CUSTOM1	CUSTOM2
CUSTOM3	QUIKSTEP
2-STEP	3-STEP

Select the program to be edited, then press «Proceed».

- **If programs have been stored in custom folders:**

The screen will list all the folders residing in the machine:

Edit:	
_<MAIN>	<FOLDER1>
	<FOLDER2>

Select the folder containing the program, then press «Proceed». A list of all programs in the folder will be displayed. Select the program to be edited (CUSTOM1 is used in the following and all succeeding examples in this chapter), then press «Proceed».

In either instance, after you press «Proceed», the first editing screen will be displayed (see next section).

✓ **Tip:** To retain the original version of a program, copy the program (see “Copying a Program,” chapter 8), and then edit the copy.

Editing the Program

The first editing screen displays all three temperature control methods. The program’s current temperature control method is displayed in all-capital letters:

```

Edit: CUSTOM1
Control method:
   Block   Probe
   _CALCULATED
  
```

Select a different temperature control method if desired, then press «Proceed». The first three lines of the program will be displayed:

```

Edit: CUSTOM1
_1= 92.0° for 0:10
_2= 63.0° for 1:00
_3=GoTo 1, 24 times
  
```

Use the «Select» keys to scroll up and down through the program. The cursor will progressively move to the step number and the individual values for each step.

To change an individual value in a step, position the cursor on it and type the new value, then press «Proceed». The new value will be displayed on the screen. To cancel a change, press «Cancel». The original value will be restored.

To add or delete a step, or to modify a step with an option, position the cursor on the step number, then press «Proceed». The Edit Menu will be displayed for that step:

```

Edit: CUSTOM1
_2= 63.0° for 1:00
   _EDIT  Insert
Step: Option Delete
  
```

- *Edit* displays the previous screen again, but with the cursor positioned on the first value for the step, so that it may be changed.
- *Insert* allows a step to be added **before** the displayed step.
- *Delete* deletes the displayed step.
- *Option* allows an option to be added to the displayed step if it is a temperature or a ramp step.

Inserting a New Step

To insert a new step, select *Insert* from the Edit Menu, then press «Proceed». The Enter Menu will be displayed for the new step (a new step 2 is added in the example below):

Edit: CUSTOM1			
Step 2=	_TEMP	GoTo	
	Ramp	End	

Use the Enter Menu to create the new step (see “Entering the Program’s Steps,” chapter 6). When the step is complete, select *Yes* from the confirmation menu, then press «Proceed». The program being edited will be displayed again, with the new step appearing among the listed steps.

Deleting a Step

To delete a step, select *Delete* from the Edit Menu, then press «Proceed». The step will immediately be deleted, and the program being edited will be displayed again, minus the deleted step.

To cancel a deletion, see “Cancelling Editing Changes,” p. 7-5.

Note: Be careful when using *Delete*. Once a step has been deleted, it cannot be recovered without abandoning all editing changes that have been made in the program. This could be inconvenient if the program has been extensively edited.

Adding an Option

To add an option to a step, select *Option* from the Edit Menu, then press «Proceed». The option menu will be displayed for the step. Add the desired option to the step (see “Modifying a Program Step with the Options,” chapter 6). When the option is complete, select *Yes* from the confirmation menu, then press «Proceed». The steps of the program being edited will be displayed again, with the new option appearing in the list.

Saving an Edited Program

To save an edited program, use the right «Select» key to scroll to the End step of the program. Position the cursor on the number for the step, then

press «Proceed». A line allowing the editing session to be ended will be displayed on the last line of the screen:

```
Edit: CUSTOM1
     2=End
Step:  _END  Insert
```

- *End* saves the changes and displays the Main Menu. This ends the editing session.
- *Insert* allows another step to be added just before the End step.

Cancelling Editing Changes

To cancel all editing changes made to a program, use the «Select» keys to move the cursor to any step number, then press «Cancel». A cancellation confirmation screen will be displayed:

```
Edit: CUSTOM1

Cancel changes?
  _YES  No
```

Select *Yes*, then press «Proceed». All editing changes will be abandoned, and the Main Menu will be displayed.

8

Using the Utilities

Locating a Stored Program, 8-2

File Utilities, 8-2

 Creating a Folder, 8-3

 Assigning a Password to a Folder, 8-3

 Deleting a Folder, 8-4

 Copying a Program, 8-4

 Renaming a Program, 8-5

 Moving a Program, 8-5

 Deleting a Program, 8-5

List Utilities, 8-6

 Viewing a Program in the LCD Window, 8-6

 Printing a Program, 8-7

Setup Utilities, 8-7

 Choosing a Remote Port, 8-7

 Choosing a Printer Port, 8-8

 Choosing a Minimum Block Temperature for the Hot Bonnet, 8-9

 Choosing a Temperature Control Method for the Hot Bonnet, 8-9

 Determining the Software Version Number, 8-10

Locating a Stored Program

Many of the DNA Engine’s utilities require you to locate a program stored in the machine. The actions necessary to do this depend on whether your programs have been stored in the <MAIN> folder or in custom folders.

- **If all programs have been stored in <MAIN>:**

The screen will list all the programs that <MAIN> contains:

Copy:	<MAIN>
_CUSTOM1	CUSTOM2
QUIKSTEP	2-STEP
3-STEP	EXTEND

Select the desired program from this list.

- **If programs have been stored in custom folders:**

The screen will list all the folders residing in the machine:

Copy:	
<MAIN>	<FOLDER1>
<FOLDER2>	<FOLDER3>

Select the folder containing the program, then press «Proceed». A list of all programs in the folder will be displayed. Select the desired program, then press «Proceed».

File Utilities

Use these utilities, available from the Files Menu, to accomplish the following tasks:

- Create folders to store programs in
- Assign passwords to folders
- Copy, delete, rename, or move programs

To display the Files Menu, select *Files* from the Main Menu, then press «Proceed»:

Files:	
_COPY	Delete
Move	Rename
Folder	Secure

Creating a Folder

The DNA Engine's memory can hold up to 11 folders, including the <MAIN> folder. New programs are placed in the <MAIN> folder by default unless a different folder is specified.

To create a folder, select *Folder* from the Files Menu, then press «Proceed». A naming screen will be displayed:

New Folder: Name: A

Name the folder, using the instructions found under “Naming the Program” in chapter 6, then press «Proceed». The name will be assigned to the new folder, the folder will be stored, and the Main Menu will be displayed.

Assigning a Password to a Folder

Protocols in a password-protected folder cannot be edited, renamed, or deleted, nor can new protocols be placed in the folder without the password. Users without knowledge of the password can still run, copy, and view a program.

Note: A password cannot be assigned to the <MAIN> folder.

To assign a password to a folder, select *Secure* from the Files Menu, then press «Proceed». A list of all folders in the machine will be displayed. Select the desired folder (other than <MAIN>), then press «Proceed». The password assignment screen will be displayed:

Secure: <FOLDER1> New password: _
--

Valid passwords consist of numbers up to four digits long. For passwords of three digits or less, press «Proceed» after the password has been entered. Passwords four digits long will be automatically accepted as soon as typed, and the Main Menu will be displayed.

Passwords can be changed at any time. Follow the steps described above to select the desired folder, then press «Proceed». A screen asking for the old password will be displayed:

```
Secure: <FOLDER1>

Old password: _
```

Enter the old password, then press «Proceed». The password assignment screen be displayed. Enter the new password, then press «Proceed». The new password will be assigned to the folder, and the Main Menu will be displayed again.

Deleting a Folder

A folder must be empty before it can be deleted. After all programs have been moved or deleted from the folder, select *Delete* from the Files Menu, then press «Proceed». A list of all folders in the machine will be displayed. Select the folder to be deleted, then press «Proceed». A confirmation screen will be displayed:

```
Delete: <FOLDER1>

Delete empty folder?
  -YES  No
```

Select *Yes*, then press «Proceed». The folder will be deleted, and the Main Menu will be displayed.

To cancel the deletion, press «Cancel», or select *No* and press «Proceed».

Copying a Program

The copy utility copies a program and gives the copy a new name. Copies can be placed in the original folder or a new one.

To copy a program, select *Copy* from the Files Menu, then press «Proceed». Locate the program to be copied (see “Locating a Stored Program,” p. 8-2), then press «Proceed». If more than one folder of programs is present in the machine, a screen allowing you to specify the folder the program will be copied to will be displayed:

```
Copy CUSTOM1 to:
_<FOLDER1> <FOLDER2>
<FOLDER2>
```

Select a folder to copy the program to, then press «Proceed». A naming screen will be displayed:

Copy CUSTOM1 to:
New name: <u>A</u>

Name the copied program (see “Naming the Program,” chapter 6), then press «Proceed». The program will be copied to the specified folder under the new name, and the Main Menu will be displayed.

Renaming a Program

To rename a program, select *Rename* from the File Menu, then press «Proceed». Locate the program to be renamed (see “Locating a Stored Program,” p. 8-2), then press «Proceed». A naming screen will be displayed:

Rename: CUSTOM1
New name: <u>A</u>

Name the new program (see “Naming the Program,” chapter 6), then press «Proceed». The program will be renamed and stored, and the Main Menu will be displayed.

Moving a Program

To move a program, select *Move* from the Files Menu, then press «Proceed». Locate the program to be moved (see “Locating a Stored Program,” p. 8-2), then press «Proceed». A screen listing all folders will be displayed. Select the folder the program should be moved to, then press «Proceed». The program will be moved to the new folder, and the Main Menu will be displayed.

Deleting a Program

To delete a program, select *Delete* from the Files Menu, then press «Proceed». Locate the program to be deleted (see “Locating a Stored Program,” p. 8-2), then press «Proceed». A confirmation screen will be displayed:

Delete: CUSTOM3
Delete program?
<u>_</u> YES No

Select *Yes*, then press «Proceed». The program will be deleted, and the Main Menu will be displayed.

To cancel the deletion, press «Cancel», or select *No* and press «Proceed».

List Utilities

Use these utilities, available under *List*, to accomplish the following task:

- View and print program steps

Viewing a Program in the LCD Window

To view a program in the LCD window, select *List* from the Main Menu, then press «Proceed». Locate the program to be viewed (see “Locating a Stored Program,” p. 8-2), then press «Proceed». What happens next depends on whether a printer is connected to the DNA Engine.

- If a printer is connected:

A screen will be displayed asking whether the program should be sent to the printer:

```

List: CUSTOM1

Printer output?
  Yes  _NO
    
```

Select *No*, then press «Proceed». The program will be listed in the LCD window. The first listed screen will show the program’s control method. Press «Proceed» to view subsequent screens listing each program step, including any options. Use the «Select» keys to scroll up or down through the steps one line at a time. To return to the Main Menu, press «Cancel» at any time, or press either the right «Select» key or «Proceed» when the last step appears on the screen.

- If a printer is not connected:

The program will immediately be listed in the LCD window. You will not be given the option of printing at all.

Note: Listed programs cannot be edited. To edit programs, select *Edit* from the Main Menu (see chapter 7).

Printing a Program

First ensure that the DNA Engine is connected to a printer. If no printer is connected, you will not be given the option of printing at all. The DNA Engine's parallel interface is compatible with most serial and laser printers, the Epson® LX-810 dot-matrix printer parallel interface, and dot-matrix printers using interfaces similar to the Epson's. Use a standard DB-25/Centronics parallel interface cable to connect the DNA Engine's parallel port to the printer's parallel port. A null-modem serial cable will usually be required to connect the DNA Engine's serial port to a printer's serial port.

Use the Setup utilities to choose a printer port for the DNA Engine (see "Choosing a Printer Port," p. 8-8).

Select *List* from the Main Menu, then press «Proceed». Locate the program to be printed (see "Locating a Stored Program," p. 8-2), then press «Proceed». The screen asking whether the program should be sent to the printer will be displayed (see above). Select *Yes*, then press «Proceed». The program will be printed.

Setup Utilities

Use these utilities, available from the Setup Menu, to accomplish the following tasks:

- Choose a remote port and a printer port
- Choose a temperature control method for the Hot Bonnet's heated lid
- Look up the DNA Engine's software version number

To display the Setup Menu, select *Setup* from the Main Menu, then press «Proceed»:

```
Setup:
_REMOTE   Printer
Lid       Version
```

Choosing a Remote Port

To choose either the serial port or the IEEE-488 port, select *Remote* from the Setup Menu, then press «Proceed». The port selection screen will be displayed:

```
Remote:
Serial   _IEEE-488
```

The cursor will be positioned at the port currently in use.

To choose the serial port, select *Serial*, then press «Proceed». The cursor will move to *Serial*, and a line allowing a baud rate to be specified will be displayed on the last line of the screen:

```
Printer:
_SERIAL   IEEE-488
Baud: 9600 2400_1200
```

Select a baud rate, then press «Proceed». The remote port assignment will change to serial, and the Main Menu will be displayed.

To choose the IEEE-488 port, select *IEEE-488*, then press «Proceed». The cursor will move to *IEEE-488*, and a line allowing the DNA Engine to be assigned an IEEE-488 address will be displayed on the last line of the screen:

```
Printer:
Serial   _IEEE-488
Address (0-30): 0
```

The machine's current address will be displayed. To change it, enter a number from 0–30, then press «Proceed». The remote port assignment will change to IEEE-488, the address number will be assigned to the machine, and the Main Menu will be displayed.

Note: Do not choose 0 for the machine address unless the DNA Engine will be a controller in a network (see chapter 9).

Choosing a Printer Port

To choose a printer port, select *Printer* from the Setup Menu, then press «Proceed». The port selection screen will be displayed:

```
Printer:
Parallel _SERIAL
```

Select the desired port, then press «Proceed». If serial was chosen, specify the printer's baud rate as for "Choosing a Remote Port" (p. 8-7).

Choosing a Minimum Block Temperature for the Hot Bonnet

To set a minimum block temperature below which the Hot Bonnet will automatically turn off, select *Lid* from the Setup Menu, then press «Proceed». The following screen will be displayed:

```
Lid:
Mode    _MINIMUM
```

Select «MINIMUM» and press «Proceed». The following screen will be displayed:

```
Lid Minimum:
      Turn off heated
      lid below: 23°C
```

Use the keypad to enter the temperature, then press «Proceed» to enter the value and return to the main menu.

Choosing a Temperature Control Mode for the Hot Bonnet

Two temperature control modes are available for the Hot Bonnet:

- **Tracking:** Offsets the temperature of the heated inner lid at least a specified number of degrees Celsius in comparison to the temperature of the sample block.
- **Constant:** Keeps the inner lid at a specified temperature (°C).

The DNA Engine is set for the tracking mode at the factory, using an offset of 5°C, which should be adequate for most reactions. The constant mode is provided for unusual reactions requiring the inner lid to be hot at all times. When using the constant mode, specify a lid temperature at least 10°C higher than any temperature used in the protocol; we suggest 105°C.

To choose a control mode, select *Lid* from the Setup Menu, then press «Proceed». The following screen will appear.

```
Lid:
_MODE Minimum
```

Select «Mode», then press «Proceed» (to select a minimum block temperature, see “Choosing a Minimum Block Temperature for the Hot Bonnet,” above).

The mode currently in use will be selected in the screen; select a different control mode if desired, then press «Proceed» to enter the mode and return to the main menu.

If the tracking mode is chosen, a lid offset (up to 45°C above the block, but not to exceed 110°C) must be specified. A line for this will appear at the bottom of the screen: “Lid offset °C: 15.” If the constant mode is chosen, a lid target temperature (up to 110°C) must be specified. A line for this will appear at the bottom of the screen: “Lid target °C: _.” In either case, enter a number, then press «Proceed». The tracking control mode will be implemented, and the Main menu will be displayed.

Determining the Software Version Number

At times it is necessary to determine the version number of the software installed in the DNA Engine (e.g., to report a problem to MJ RESEARCH). To do this, select *Version* from the Setup Menu, then press «Proceed». The current version number will be displayed:

Version:	1.1L
CTRL L	EXEC L
USER L	COMM L

The top line reports the software version number (1.1L in the example). The other two lines refer to the four “pages” that the software has been broken into and their associated versions (L in the example).

MJ RESEARCH periodically updates the DNA Engine’s software to incorporate new features or allow new Alpha units to be used. Most upgrades are available free of charge for units under warranty and may be installed into a DNA Engine electronically from a desktop computer. Contact your MJ RESEARCH sales representative or an authorized distributor for details. Occasionally upgrades may require a hardware change. These upgrades require return of the DNA Engine base to MJ RESEARCH or an authorized distributor.

9

Networking

Overview of Networking, 9-2

Networking Machines Without a Computer, 9-2

 Connecting the Machines, 9-2

 Assigning Address Numbers to Machines, 9-2

 Running a Protocol on Networked Machines, 9-3

Networking Machines with a Computer, 9-4

 Creating a Computer-Controlled IEEE-488 Network, 9-5

 Creating a Computer-Controlled RS-232 Network, 9-5

Overview of Networking

Up to 15 machines consisting of any combination of DNA Engines and DNA Engine Tetrads may be networked, with or without a computer as the controller. When networking with a computer, all the machines are controlled from the computer's keyboard. When networking without a computer, a specially designated DNA Engine controls the other machines in the network. Any combination of single- and dual-block Alpha units may be loaded into networked machines, and different protocols can be run independently on them.

Networked machines can help save time for a busy laboratory. For example, in a DNA Engine-controlled network, protocols can be entered into the controlling machine and then be run on all the other machines connected to the network.

Networking Machines Without a Computer

Connecting the Machines

Connect DNA Engines and DNA Engine Tetrads via the IEEE-488 port on the back of each machine (see figs. 2-3 and 12-4), using high-quality cables. Although several connection configurations are possible, we recommend a simple daisy chain or star pattern. The DNA Engine's IEEE-488 interface is fully compatible with both the IEEE-488.2 and the IEEE-488.1 standards.

Assigning Address Numbers to Machines

Each machine must have a unique address number, which is assigned from its control panel. Address numbers cannot be assigned from the controller.

To assign an address number to a machine, select *Setup* from the Main Menu, then press «Proceed». The Setup Menu will be displayed:

```

Setup:
_REMOTE   Printer
Lid       Version
    
```

Select *Remote*, then press «Proceed». A screen allowing choice of a port will be displayed:

```

Remote:
_SERIAL   IEEE-488
    
```

Select *IEEE-488*, then press «Proceed». The remote addressing screen will be displayed:

```
Remote:
  Serial _IEEE-488
Address (0-30): 0
```

Enter an address number for the machine. Set the controller DNA Engine's address to 0. Give the other machines in the network any number from 1 to 30. Press «Cancel» to delete a number and enter a new one.

Running a Protocol on Networked Machines

To run a protocol on networked machines, use the controller to select a protocol (see “Choosing a Stored Protocol to Run,” chapter 5), then press «Proceed». The network screen for the controller will be displayed:

```
Run: 2-STEP on *
```



```
Block: Local (96V)
```

The protocol will be identified on the top line (2-STEP in the example above). The single asterisk in the upper right-hand corner indicates that a single-block Alpha unit is loaded into the controller. “Local” indicates that this is the controller's network screen, and “96V” indicates the type of Alpha unit loaded into the controller.

If a dual-block Alpha unit is loaded into the controller, press «Proceed» until the letter designating the desired block is displayed after the asterisk in the upper right-hand corner of the screen. The letter A designates the right-hand block, and the letter B the left-hand one (e.g., *A, *B).

To run the protocol on the controller's block, press «Proceed». One or more screens for setting up the protocol's temperature control method will be displayed (see “Running a Protocol,” chapter 5). When these screens have been worked through, the protocol will begin running.

To run the protocol on a different machine's block, press «Block» until the screen identifies the desired block (22 in the example below):

```
Run: 2-STEP on 22
```



```
Block: Remote 60V
```

The machine's address number will be identified in the upper right-hand corner of the screen. "Remote" indicates that this is the network screen for a slave unit, and "60V" indicates the type of Alpha unit that has been selected. The status light for the selected block will flash on the control panel of the machine holding the block.

If the the right or left block of a dual-block Alpha unit has been selected, an A or a B will appear after the address number (e.g., 7-3A for the right-hand block in a dual-block Alpha unit loaded into quadrant 3 of a DNA Engine Tetrad at address 7. See figure 12-1 for a diagram of the layout of quadrants in the Tetrad).

Press «Cancel» at any time to abandon the selection process and display the Main Menu again.

When the desired block is identified in the LCD window, press «Proceed». When you have worked through the screens that set up the protocol's temperature control method, the protocol will begin running.

The protocol's runtime screen will appear on the **controller's** LCD window. The LCD window of the machine holding the active block will continue to show whatever screen it was displaying before the protocol began running.

Press «Block» to display the Main Menu on the controller again. Repeat the procedure to run protocols on other networked blocks. Press «Block» on the controller to progressively display the runtime screens of all networked blocks that are running protocols.

While protocols are running, other DNA Engine functions (Edit, Enter, Files, etc.) can be accessed on any individual machine in the network, from that machine's front panel.

Networking Machines with a Computer

Networked machines may be conveniently controlled by a computer using DNA Engine Driver software, which allows you to

- Read and run protocols on any networked machine
- Monitor block temperatures on a real-time graphical display
- Save runtime data to the hard drive for later viewing in spreadsheet or graphical format
- Verify results and keep records of runs

Contact MJ RESEARCH or an authorized distributor if you do not already have a copy of this software. A complete manual is provided with the software. Also available from MJ RESEARCH is a list of ASCII commands used to communicate with DNA Engines and DNA Engine Tetrads, which

may be used to write your own driver software.

A computer-controlled network can be connected via IEEE-488 cables or RS-232 (serial) cables. In either case, the computer acts as the controller of the network and uses the driver software to communicate with the networked machines.

Creating a Computer-Controlled IEEE-488 Network

To connect DNA Engines and DNA Engine Tetrads in a computer-controlled IEEE-488 network, the computer must be equipped with an IEEE-488 (GPIB) interface card (contact National Instruments, MJ RESEARCH, or an authorized distributor for information about purchasing this card). Connect the machines and assign addresses as described under “Networking Machines Without a Computer” (p. 9-2). Make sure that none of the networked machines have been assigned IEEE-488 address 0, as this will cause communication problems with the computer. Install the MJ RESEARCH DNA Engine Driver software on the computer, and use it to control the network.

Creating a Computer-Controlled RS-232 Network

In a computer-controlled RS-232 (serial) network, each machine in the network is connected directly to the controlling computer via a serial port. The number of machines that can be included in such a network thus depends on the number of serial ports available on the controlling computer. Use high-quality serial cables to connect the serial port on each machine (see figs. 2-3 and 12-4) to a serial port on the computer. Use the Setup utilities to configure each machine for serial communications (see “Choosing a Remote Port,” chapter 8, and select the serial port and the 9600 baud rate). Install the MJ RESEARCH DNA Engine Driver software on the computer and use it to control the network.

10

Maintenance

Cleaning the DNA Engine, *10-2*

 Cleaning the Chassis and Block, *10-2*

 Cleaning the Air Vents, *10-2*

 Cleaning Radioactive or Biohazardous Materials Out of the Block, *10-3*

Changing the Fuses, *10-3*

Cleaning the DNA Engine

Cleaning the Chassis and Block

Clean the outside of the DNA Engine and Alpha unit with a damp, soft cloth or tissue whenever something has been spilled on it or the chassis is dusty. A mild soap solution may be used if needed.

Clean block wells with swabs moistened with water, 95% ethanol, or a 1:100 dilution of bleach in water (see the *Twin Tower Block Operations Manual* for instructions on cleaning the Twin Tower's slide slots). If using bleach, swab wells with water afterward to remove all traces of bleach. Clean spilled liquids out of the block as soon as possible; dried fluids can be difficult to remove. Do not clean the block with caustic or strongly alkaline solutions (e.g., strong soaps, ammonia, bleach at a higher concentration than specified above). These will damage the block's protective anodized coating, possibly causing electrical shorting.

If you use oil in the block (a practice not recommended by MJ RESEARCH; see "Using Oil to Thermally Couple Sample Vessels to the Block," chapter 4), clean the wells whenever the oil has become discolored or contains particulate matter. Use a swab to determine whether cleaning is needed. Clean the block with 95% ethanol as described above. **Oil buildup must be prevented.** Old oil harbors dirt, which interferes with vessel seating and diminishes thermal coupling of sample vessels to the block.

! Caution: Do not pour any cleaning solution into the block's wells and then heat the block, in an attempt to clean it. Severe damage to the block, the heated lid, and the chassis will result.

Cleaning the Air Vents

Clean the air intake and exhaust vents with a soft-bristle brush, a damp cloth, or a vacuum cleaner whenever dust is visible in them. The air intake vents are located on the bottom, lower front edge, and back of the machine; the air exhaust vents are located on both sides (see figs. 2-1, 2-3, and 2-4). If these vents become clogged with dust and debris, airflow to the Alpha unit's heat sink is hampered, causing performance problems related to overheating. The air intake vents are particularly likely to collect dust since their holes are much smaller than those of the air exhaust vents.

✓ Tip: To prevent problems with overheating, institute a regular program of checking for dust buildup, particularly for robotics installations.

Cleaning Radioactive or Biohazardous Materials Out of the Block

When cleaning machines that have been running radioactive or biohazardous reactions, consult your institution's radiation safety officer or biosafety officer regarding cleaning methods, monitoring, and disposing of contaminated materials.

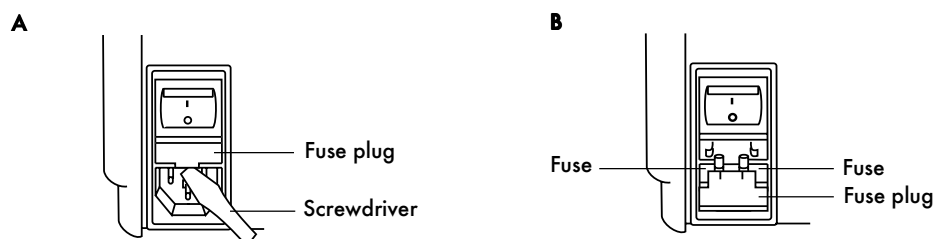
Changing the Fuses

The circuits in the DNA Engine are protected by two fuses (6.3A fast-acting, 5 x 20mm). When a fuse blows, the DNA Engine immediately shuts down and cannot be turned back on. The machine records the event as a power loss, so if a protocol is running when a fuse blows, the machine will resume the run when the fuse is replaced and power restored (see "Resuming a Protocol after a Power Outage," chapter 5).

⚡ Warning: The DNA Engine incorporates neutral fusing, which means that live power may still be available inside the unit even when a fuse has blown or been removed. Never open the DNA Engine base. You could receive a serious electrical shock. Opening the base will also void your warranty .

1. Disconnect the power cord from the back of the instrument. Move the power switch to the "0" (off) position.
2. Insert one corner of a small flat-head screwdriver just under the fuse plug (fig. 10-1A), and gently pry the plug loose. Pull the plug straight out as far as it will go, then push it downward to expose the fuses (fig. 10-2B).
3. Remove both fuses and replace them with new ones (it is impossible to visually determine which fuse is blown). You may also test the fuses with an ohmmeter to determine which is defective and replace just that one.
4. Gently press the fuse cover back in place, and reconnect the power cord.

Figure 10-1 A, How to pull out the fuse plug. B, Location of the fuses in the opened plug.



11

Troubleshooting

Error Messages, *11-2*

Problems Related to Protocols, *11-6*

Problems Related to Environmental Conditions, Setup, and Maintenance, *11-8*

Error Messages

Note: The DNA Engine/Tetrad software is highly sensitive with respect to block and heat-sink errors. When such errors messages occur, try restarting the protocol. If the message fails to reappear, proceed as usual.

Error Message	Cause and Result	Action
A/C Power Failed, Cycle XXX Step X, Recovered at XX.X°	Displayed when a machine running a protocol has been turned off, either intentionally or due to a power outage, and then turned on again.	No action is necessary. Protocol resumes running when power is restored. Results may or may not be affected, depending on whether power failed in an early or a late cycle, and whether the power was restored before the sample cooled excessively.
Block Overheated, Return for Service	On machines with software versions below 1.1M, can happen when running calculated-control protocols with target temperatures of 103° 105° C. As the calculated-control algorithm tries to hold samples at such high temperatures, it can heat the block to temperatures in excess of the Alpha unit's maximum allowable temperature (107.5° C), triggering an automatic Alpha unit shutdown.	Determine machine's software version number (see p. 8-9). If number is below 1.1M, contact MJ RESEARCH or your local distributor to request a software version upgrade.
	Sensor malfunction allows base to heat block over its maximum allowable temperature, triggering an automatic Alpha unit shutdown.	Alpha unit and/or base needs servicing. Contact MJ RESEARCH or your local distributor.
Block Sensor Fault, Left Ignored (Center Ignored, Right Ignored)	Left, center, or right temperature sensor in Alpha unit is not working properly, so machine is now ignoring it and relying on remaining sensors to monitor block temperature.	Alpha unit needs servicing soon. Contact MJ RESEARCH or your local distributor.
Block Sensor Fault, Program Terminated	None of the temperature sensors in Alpha unit are working properly, so Alpha unit has been shut down.	Alpha unit and/or base needs servicing. Contact MJ RESEARCH or your local distributor.

Error Message	Cause and Result	Action
Calc Control, Probe Mode Invalid	Runtime error indicating a gradient step is being programmed under Probe Control mode.	Change to Calc control mode.
Gradient Fault, Service Alpha Soon	Displayed at end of run. Indicates gradient was not achieved within 20 secs. of block reaching target.	Alpha unit and/or base needs servicing. Contact MJ Research or your distributor.
Gradient Program, Invalid Alpha Type	Runtime error indicating gradient is being programmed for an Alpha module other than a 96V.	Use 96V Alpha module.
Heated Lid Fault, Program Terminated	Lid sensor failed during preheat, so Alpha unit has been shut down.	Heated lid or base needs servicing. Contact MJ RESEARCH or your local distributor.
HS Overheated, Program Terminated	Machines are not getting enough air, or air being taken in is warmer than 31° C.	Make sure machine gets enough air and that temperature of air being taken in is 31° C or cooler (see p. 3-3). Correct air supply problems and run protocol again. If error message persists, base may need servicing. Contact MJ RESEARCH or your local distributor.
	Machine is running a protocol consisting of many cycles of only a few seconds each. Alpha unit heat sink does not have time to dissipate heat generated by rapid cycling. Eventually its maximum allowable temperature is exceeded, and Alpha unit is shut down.	Contact MJ RESEARCH or your local distributor to discuss protocol.
	Sensor malfunction has allowed base to heat block over its maximum allowable temperature (107.5°C), triggering automatic Alpha unit shutdown.	Alpha unit and/or base needs servicing. Contact MJ RESEARCH or your local distributor.
HS Overheating, Check Air Flow	See causes for "HS Overheated, Program Terminated."	See actions for "HS Overheated, Program Terminated."
HS/PS Sensor Fault, Program Terminated	Heat sink sensor in Alpha unit and power supply sensor in base are not working, so Alpha unit has been shut down.	Alpha unit or base needs servicing. Contact MJ RESEARCH or your local distributor.

Error Message	Cause and Result	Action
HS Sensor Fault, Alt Control Mode	Alpha unit heat sink sensor is not functioning properly, so machine has begun estimating heat sink temperature based on other temperature sensor readings.	Alpha unit needs servicing soon. Contact MJ RESEARCH or your local distributor.
HS Sensor Fault, Left Ignored	Same as previous	Same as previous
HS Sensor Fault, Right Ignored	Same as previous	Same as previous
Internal Fan Fault, Return for Service	Fan inside base is not working, so Alpha unit has been shut down.	Fan must be repaired. Contact MJ RESEARCH or your local distributor.
Lid Sensor Fault, Lid Was Disabled	Heated lid is giving unexpected temperature readings, so base has turned it off. Protocols can still be run, but reactions may fail because of condensation in vessels.	Alpha unit needs servicing soon. Contact MJ RESEARCH or your local distributor.
L/R Power Imbalance	Thermoelectric units in Alpha unit block are not heating uniformly, so machine begins delivering equal power to all heating elements. Protocols may still be run, but reactions may fail due to uneven block temperatures.	Alpha unit needs servicing soon. Contact MJ RESEARCH or your local distributor.
Memory Is Corrupt!	Rarely seen message indicating that memory has been corrupted by a static shock or other unusual electronic incident.	Base needs servicing. Contact MJ RESEARCH or your local distributor.
No Memory Available!	All available memory has been filled.	Delete unused protocols and folders from memory. Reduce size of stored programs by using GoTo and the Inc and Ext options (see chapter 6).
Probe Sensor Fault, Used Calc Control	Either probe sensor is not working properly or a probe-control protocol was run without probe being installed. Machine has switched temperature control method to calculated control.	Make sure probe is installed when running probe-control programs. If error message persists, replace probe.

Error Message	Cause and Result	Action
PS Overheated, Program Terminated	Machine is not getting enough air, or air being taken in is warmer than 31° C.	Make sure that machine is getting enough air and that temperature of air being taken in is 31° C or cooler (see p. 3-3). Correct any air supply problems and run protocol again. If error message persists, base may need servicing. Contact MJ RESEARCH or your local distributor.
	Machine is running a protocol consisting of many cycles of only a few seconds each. Alpha unit heat sink does not have time to dissipate heat generated by rapid cycling. Eventually its maximum allowable temperature is exceeded, and Alpha unit is shut down.	Contact MJ RESEARCH or your local distributor to discuss protocol.
PS Overheating, Check Air Flow	See causes for "PS Overheating, Program Terminated."	See actions for "PS Overheating, Program Terminated."
PS Sensor Fault, Temp Ignored	Power supply sensor is not working properly. Protocols can still be run, but machine should be serviced soon to repair sensor.	Base needs servicing. Contact MJ RESEARCH or your local distributor.
Slow Block Cycling, Service Alpha Soon	Alpha unit block has not reached target temperature within expected time. Unit will begin beeping and will continue to beep until target temperature is reached, protocol is manually progressed to its next step (see p. 5-8), or protocol run is halted. Problem often results from machine not getting enough air, or taking air that is warmer than 31° C.	Make sure machine is getting enough air and that temperature of air being taken in is 31° C or cooler (see p. 3-3). Correct any air supply problems and run protocol again. If error message persists, software upgrade may be needed or base may need servicing. Contact MJ RESEARCH or your local distributor.
Slow Lid Cycling, Service Alpha Soon	Alpha unit lid has not reached target temperature within expected time. Unit will begin beeping and will continue to beep until target temperature is reached, protocol is manually progressed to its next step (see p. 5-8), or protocol run is halted.	Alpha unit lid needs servicing soon. Contact MJ RESEARCH or your local distributor.
Unit Failure/ Unit X Failure (Tetrad)	The self-test has failed because of a problem with the base or the Alpha unit.	Contact MJ RESEARCH or your local distributor.

Problems Related to Protocols

Following is a general description of some common problems related to the protocols and reaction components in sequencing and amplification applications. For a more detailed discussion of protocols and reactions, see *Current Protocols in Molecular Biology* (F. Ausubel et al., eds., John Wiley & Sons), specifically chapters 7 (DNA sequencing), 14 (*in-situ* hybridization and immunology), and 15 (polymerase chain reaction).

Error Message	Cause and Result	Action
Reaction is working but broad low molecular weight band is seen in gels.	"Primer-dimer" material often produces a broad band in the <100bp region of gels.	If obtaining appropriate reaction product/s, no need to change anything.
		Minimize "primer-dimer" production by designing primers with no 3' self-complementarity.
Reaction working but unexpected extra products or smear is seen.		Reoptimize magnesium concentration and annealing temperature to maximize desired product and minimize "primer-dimers."
	Nonspecific hybridization occurring during setup.	Program a hot start into the protocol.
	Reaction component concentration too high or too low.	Check concentrations of components. May need to reoptimize magnesium concentration.
	Annealing temperature too low.	Reoptimize annealing temperature.
	Protocol contains a wrong value.	Use List utility to check protocol's temperature control method, temperatures, and times.
	Template not of sufficient purity.	Check extraction and purification protocols. Add additional purification steps if necessary.
	Multiple templates or host DNA in sequencing reactions.	Check nucleic acid preparations by gel electrophoresis.

Problem	Cause	Action
No reaction products obtained.	Wrong protocol used.	Re-run reaction using correct protocol.
	Protocol contains a wrong value.	Use List utility to check protocol's temperature control method, temperatures, and times.
	Reaction component omitted from mixture.	Check reaction assembly protocol, ensuring that mixture contains appropriate components in correct concentrations.
	Denaturation temperature too low.	Use ≥ 92 °C for denaturation.
	Annealing temperature too high for primers.	Check for appropriate annealing temperatures of primers, using available computer programs or empirical testing.
	Wrong temperature control method used.	Use List utility to check temperature control method for protocol; change if needed.
	Probe failed, causing machine to run protocol under calculated control.	Check screen for probe failure error message. Probe may need servicing or replacing. Call MJ RESEARCH or your local distributor.
	Probe not filled with correct amount of oil.	Fill probe tube with correct amount of oil (see p. 4-11).
	Reaction mix contains an inhibitor (e.g., heme from blood).	"Spike" a complete reaction mix with a control template and primer set.
	Reaction vessels not making good thermal contact with sample block.	Use only high-quality tubes/plates that fit block snugly. Ensure that wells are free of foreign materials that would interfere with tube/plate seating.

Problems Related to Environmental Conditions, Setup, and Maintenance

Problem	Cause	Action
Frequent shutdowns due to overheating. Frequent "Slow Block Cycling," "HS Overheat," and "HS Overheating" error messages.	Machine is not receiving enough air.	Make sure air intake vents are not obstructed by dust, debris, or paper. Remove light collections of dust and debris with damp cloth. Vacuum out heavy collections. Remove any papers placed under the machine. Position machine at least 10cm from vertical surfaces.
	Air flowing into intake vents is not $\leq 31^{\circ}$ C.	Check temperature of air entering air intake vents, following procedure on p. 3-3. If higher than 31° C, use table 3-1 to troubleshoot and remove cause/s.
Dust and debris clogging up air intake vents.	Failure to regularly check for buildup.	Remove light collections with damp cloth. Vacuum out heavy collections.

Part II

The DNA Engine Tetrad

12

Information Specific to the DNA Engine Tetrad

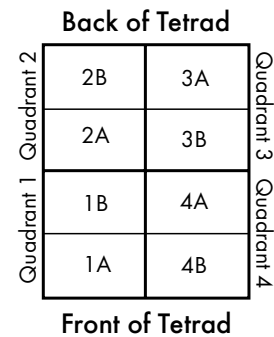
- Meet the DNA Engine Tetrad, *12-2*
- Specifications, *12-2*
- Layout, *12-3*
 - Front View, *12-3*
 - Control Panel, *12-3*
 - Back View, *12-4*
 - Bottom View, *12-4*
- Unpacking and Installing the DNA Engine Tetrad, *12-5*
 - Packing Checklist, *12-5*
 - Installation, *12-5*
 - Connecting the Cables, *12-5*
 - Power Supply Requirements, *12-6*
 - Environmental Requirements, *12-6*
 - Air Supply Requirements, *12-6*
 - Robotics Installation Requirements, *12-6*
- Operating the DNA Engine Tetrad, *12-7*
 - Turning the DNA Engine Tetrad On, *12-7*
 - Operating Alpha Units, *12-7*
- Running Protocols on the DNA Engine Tetrad, *12-7*
 - Running Separate Protocols by Block, *12-7*
 - Running the Same Protocol on All Blocks, *12-8*
 - Running an Instant Incubation, *12-8*
 - Cancelling Protocols, *12-8*
- Programming the DNA Engine Tetrad, *12-9*
- Networking the DNA Engine Tetrad, *12-9*
 - Software Required for Networking, *12-9*
 - Operating Networked DNA Engine Tetrads, *12-9*
- Using the Utilities for the DNA Engine Tetrad, *12-9*
- Troubleshooting the DNA Engine Tetrad, *12-9*
- Maintaining the DNA Engine Tetrad, *12-10*
 - Cleaning, *12-10*
 - Changing the Fuses, *12-10*

Meet the DNA Engine Tetrad

The DNA Engine Tetrad harnesses four DNA Engines in a single compact machine. Four Alpha units of any type can be loaded into the DNA Engine Tetrad base, one unit into each “quadrant” of the base. The same factory-installed and custom protocols can be run on the DNA Engine Tetrad as on the DNA Engine. Programs can be run independently on any one Alpha unit or simultaneously on all of them.

The DNA Engine Tetrad’s control panel is nearly identical to that of the DNA Engine. Additional features include a «Power» key and an array of lights indicating the selection status of the blocks in the base’s quadrants. There is an A and a B light for each quadrant since each Alpha unit can contain up to two blocks. The arrangement of the status indicator lights matches the arrangement of the quadrants in the base when the DNA Engine Tetrad is viewed from above (fig. 12-1).

Figure 12-1 Layout of quadrants.



The DNA Engine Tetrad’s power supply has been placed in a separate housing that is attached by cables to the base, which keeps the base compact and makes it easier to use in robotics installations. The power supply uses MOSFET transistors to efficiently convert AC input power into the high-current, low-voltage DC power that the Tetrad requires (see appendix D for a short explanation of this technology).

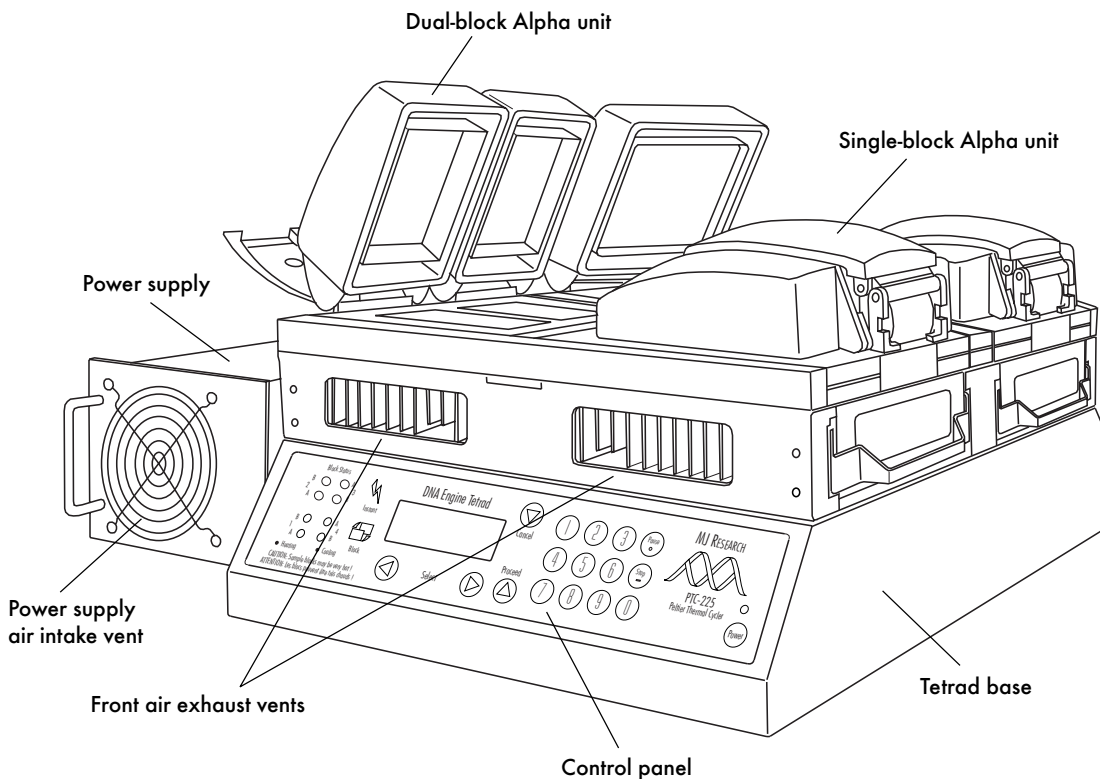
Up to 15 DNA Engine Tetrads and DNA Engines can be networked together, in any combination, but a DNA Engine or a computer must serve as the controller unit for the network. Networked DNA Engine Tetrads operate like networked DNA Engines, with a few minor exceptions (explained below). The Power Bonnet remote-controlled heated lid may also be used with networked DNA Engine Tetrads if the controller is a computer.

Specifications

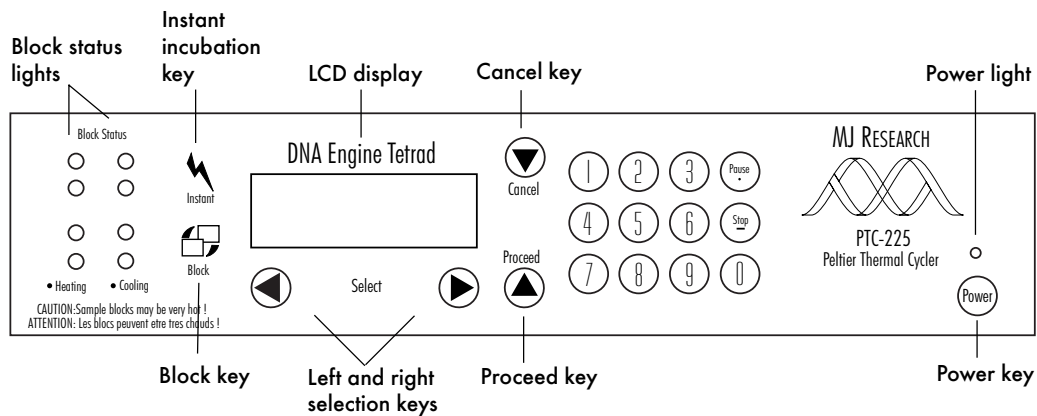
The DNA Engine Tetrad’s specifications are identical to those of the DNA Engine except for weight and size (see chapter 2).

Layout

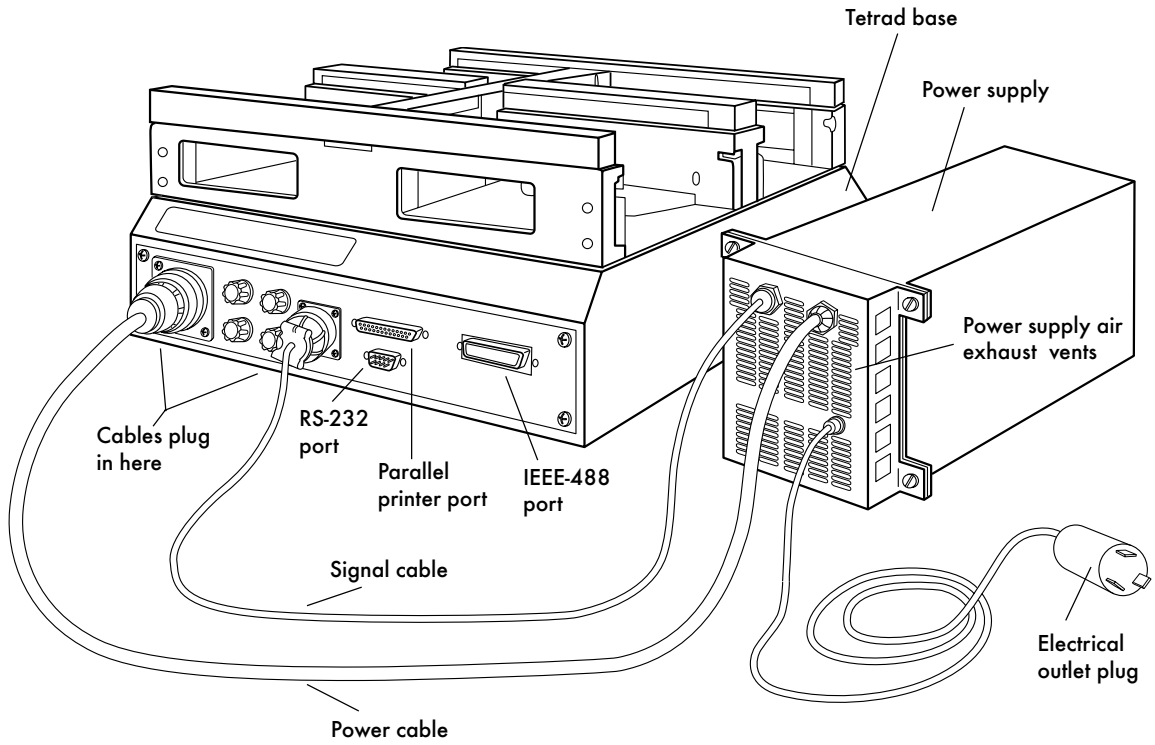
**Front View
(Figure 12-2)**



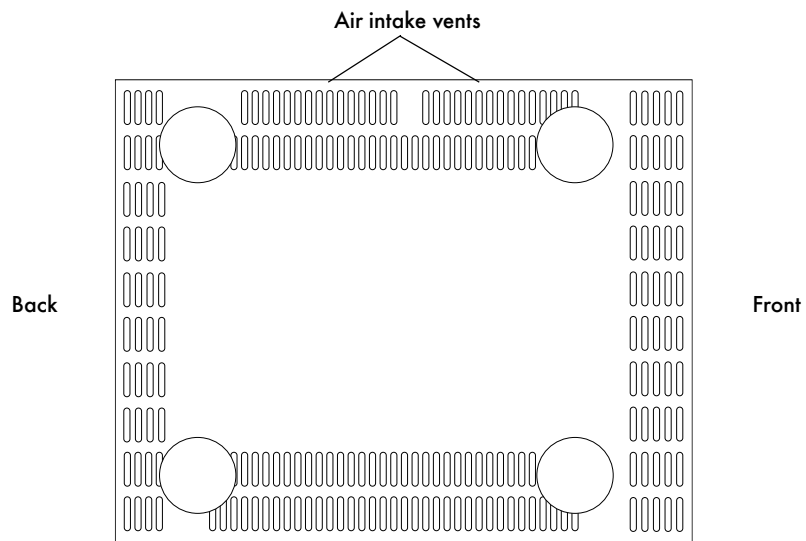
**Control Panel
(Figure 12-3)**



Back View (Figure 12-4; Alpha units removed)



Bottom View (Figure 12-5)



Unpacking and Installing the DNA Engine Tetrad

Packing Checklist

After unpacking the DNA Engine Tetrad, check to see that you have received the following:

- DNA Engine Tetrad base
- Four Alpha units
- Power supply unit
- 220V power cord set (inside power supply box)
- Four spare fuses
- *PTC-200 DNA Engine & PTC-225 DNA Engine Operations Manual* (this document)
- Software request form (US customers only)
- Extended warranty form (US customers only)
- Warranty registration card (US customers only)

If any of these components are missing or damaged, contact MJ RESEARCH or the authorized distributor from whom you purchased the DNA Engine Tetrad to obtain a replacement. Please save the original packing materials in case you need to return the Tetrad for service. See appendix E for shipping instructions.

Installation

The DNA Engine Tetrad requires minimal assembly: installing the Alpha units (see chapter 4) and connecting the signal and power cables to the back panel of the base.

Connecting the Cables

The signal and power cables running from the DNA Engine Tetrad's power supply (fig. 12-4) must be connected to the base, and the power supply must be plugged into an electrical outlet.

- ⚡ Warning:** Disconnect the power supply from the wall outlet *before* connecting or disconnecting the signal or power cable. The power supply is capable of generating high-current DC power. High-current circuits should never be connected or disconnected when electrical power is present; electrical arcs may result, which can damage the power supply and pose a hazard of electrical shock.

The signal and power cables terminate in twist-lock plugs. To screw a plug in, first make sure the power supply is not plugged into an outlet. Press the plug into the socket, and twist it to the right. A snap will be felt when the plug completely seats in the socket; a faint click is also audible when the plug to the power cable fully seats.

The signal and power cables are joined at their power supply end by a single connector that plugs into the power supply. This connector is housed in a protective metal cage screwed onto the back of the power supply.

Note: Do not open the protective housing; there are no user-serviceable parts within.

Power Supply Requirements

The DNA Engine Tetrad requires 10A@200–240VAC, 50/60 Hz. The unit is not designed to operate on the ordinary 100V–120V household power commonly supplied in North America and Japan. The DNA Engine Tetrad can use current in the specified range without adjustment, so there is no voltage-setting switch.

Environmental Requirements

The requirements for safe operation of the DNA Engine Tetrad are the same as those of the DNA Engine (see chapter 3).

Air Supply Requirements

The air supply requirements for the DNA Engine Tetrad are the same as those of the DNA Engine (see chapter 3).

Robotics Installation Requirements

Robotics installations of DNA Engine Tetrads require special attention to airflow and air temperature. Typically in these installations, DNA Engine Tetrads and other thermal cyclers are crowded into a small area, along with other heat-generating equipment. Overheating can quickly occur when many of these machines are operating at once, unless preventive measures are taken.

Follow the procedures described in chapter 3 to ensure adequate airflow and an air intake temperature of 31°C or cooler. Air intake temperature must be verified by measurement. If none of the troubleshooting procedures outlined in chapter 3 are sufficient to ensure cool-enough air, install ductwork to the front and rear air exhaust vents, to remove exhausted air. Attach ductwork using the screws to the right and left

of the air exhaust vents on the front and back of the DNA Engine Tetrad (fig. 12-2). These screws may be replaced with longer ones, as long as they are M4 x 0.7 screws.

Operating the DNA Engine Tetrad

Turning the DNA Engine Tetrad On

First, make sure Alpha units are installed in all four quadrants. An interlock switch prevents the DNA Engine Tetrad from operating if fewer than four Alpha units are installed.

Turn the DNA Engine Tetrad on with the «Power» key located at the lower right of the control panel.

Operating Alpha Units

Alpha unit installation, removal, and general operation are the same as for the DNA Engine (see chapter 4).

Running Protocols on the DNA Engine Tetrad

Running Separate Protocols by Block

Choose a protocol (see chapter 5). A screen identifying the protocol (2-STEP in the examples below), the Alpha unit type (96V), and the quadrant number of the block the protocol will run on (1) will be displayed:

Run: 2-STEP	on	1
Block: 96V		

If a dual-block Alpha unit is present in the identified quadrant, an A or a B will appear after the quadrant number (e.g., 1A).

Protocols are initially assigned to the first block available in the DNA Engine Tetrad, in numerical order of quadrants. To run the protocol on a different block, press «Block» until the quadrant number of the desired block is displayed in the screen's upper right-hand corner. The status light of the selected block will flash. When a single-block Alpha unit is selected, only the A light flashes. When a dual-block Alpha unit is selected, either the A or the B light flashes, depending on the block chosen.

When the desired block has been selected, press «Proceed» to run the protocol.

Note: To run different protocols concurrently, press «Block» to return to the main screen, and select a new protocol and a new block as described in this section. Any protocols already initiated will continue to run.

Running the Same Protocol on All Blocks

If all the Alpha units installed in the DNA Engine Tetrad have the same type of block (i.e., each has the same number of wells, or four Twin Towers are loaded) **and** no protocols are currently running on any of them, the same protocol (including an instant incubation) may be run on all of the blocks at once.

To do this, select a protocol (or press «Instant» to run an instant incubation), then press «Block» until *All* appears in the upper right-hand corner of the displayed screen:

Run: 2-STEP	on ALL
Block: 96V	

The status indicator lights for all of the sample blocks will be flashing green. Press «Proceed» to run the protocol on all the blocks simultaneously.

Running an Instant Incubation

Instant incubations are run in the same way as for the DNA Engine (see chapter 5). The incubation is initially assigned to the first available block in numerical order of quadrants; press «Block» to assign it to a different block, or to all of them (if the same type block is present in all four quadrants).

Cancelling Protocols

Press «Block» to select the block that is running the protocol to be cancelled, then press «Cancel». A cancellation confirmation screen will be displayed:

Run: 2-STEP	on 2B
STOP 2-STEP on 2B?	
Yes	_NO

Select *Yes*, then press «Proceed». A screen announcing the cancellation and citing the total time for the run will be displayed:

Run: 2-STEP	on 2B
PROGRAM CANCELED	
Total time:	1:10

Programming the DNA Engine Tetrad

The DNA Engine Tetrad is programmed in the same way as the DNA Engine (see chapter 6).

Networking the DNA Engine Tetrad

Any combination of DNA Engine Tetrads and DNA Engines can be networked, as long as the 15-machine limit is not exceeded and a computer or a DNA Engine is included to serve as the controller (the DNA Engine Tetrad cannot serve as controller). See chapter 9 for information on networking machines.

Software Required for Networking

A DNA Engine must have software version 1.1J or later in order to control a network that includes one or more DNA Engine Tetrads. To identify the software version loaded into a DNA Engine, see “Determining the Software Version Number,” chapter 8.

Operating Networked DNA Engine Tetrads

Networked DNA Engine Tetrads operate the same as networked DNA Engines. Each block of a networked DNA Engine Tetrad is designated by the machine’s IEEE-488 address, followed by the block’s quadrant number and an A or a B if a dual block is involved. For example, the designation for a single-block Alpha unit present in quadrant 1 of machine 17 is 17-1. The designation for block B in a dual-block Alpha unit present in quadrant 2 of the same machine is 17-2B.

Using the Utilities for the DNA Engine Tetrad

The DNA Engine Tetrad has the same utilities as the DNA Engine (see chapter 8).

Troubleshooting the DNA Engine Tetrad

The Tetrad is subject to the same problems with operations, protocols, and reaction results as the DNA Engine (see chapter 11).

Maintaining the DNA Engine Tetrad

Cleaning

Clean the DNA Engine Tetrad according to the instructions in chapter 10 for cleaning the DNA Engine.

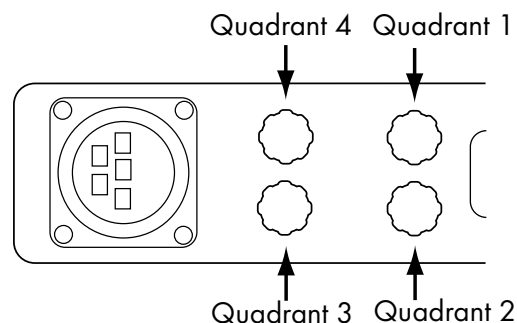
Changing the Fuses

Each quadrant of the Tetrad is protected by a fuse mounted in a plug on the back panel of the base (fig. 12-6). Blown fuses may be replaced by any 15A fast-acting fuse (0.25" x 1.25" 3AB or 3ABC).

To replace a fuse, first **unplug the power supply from the wall**. Twist the fuse cap a quarter turn to the left and pull out the fuse plug. Replace the blown fuse. Press the plug back into its socket, and twist it a quarter turn to the right to seat it. The plug is spring-loaded, so firm pressure may be required.

⚡ Warning: The DNA Engine incorporates neutral fusing, which means that live power may still be available inside the unit even when a fuse has blown or been removed. Never open the DNA Engine Tetrad base; you could receive a serious electrical shock. Opening the base will also void your warranties.

Figure 12-6 Quadrant assignments for fuses.



Part III

Accessories

13

The Remote Alpha Dock System

About the Remote Alpha Dock System, *13-2*

Packing Checklist, *13-3*

Requirements, *13-3*

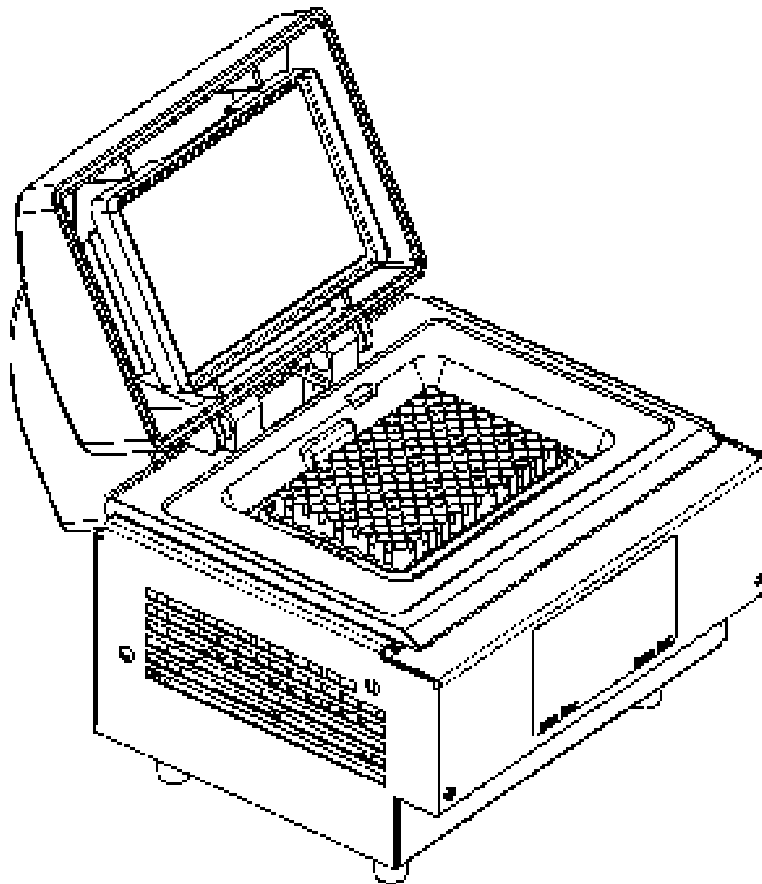
Installation, *13-5*

Operation, *13-6*

About the Remote Alpha Dock System

The Remote Alpha Dock system is designed to add flexibility to the installation and operation of the MJ Research PTC-200 DNA Engine and PTC-225 DNA Engine Tetrad. The system allows Alpha units to be placed at a distance from the PTC-200 or PTC-225 base, enabling more efficient use of space and facilitating robotic operation. The basic system, the RAD-0200, comprises a Dock Connector, which mounts in the base; and a Remote Alpha Dock, into which the Alpha units are mounted. The RAD-0201 contains, in addition, a fan power supply and three “daisy chain” (series) cables, allowing the cooling fans for up to four Remote Docks to run off a single AC outlet. Additionally, the fan power supply along with the cables to run up to four Remote Alpha Dock fans from a single thermal cycler base can be purchased separately, as RPS-0200.

Figure 13-1 The Remote Alpha Dock with Alpha unit mounted



Packing checklist

- One Dock Connector
- One Remote Alpha Dock
- One multi-pin power cable
- One multi-pin data cable
- One fan power supply (RAD-0201 only)
- One wall-plug power cord (RAD-0201 only)
- Three round-jack power cords (RAD-0201 only)
- Product registration card (US only)
- Extended warranty application (US only)

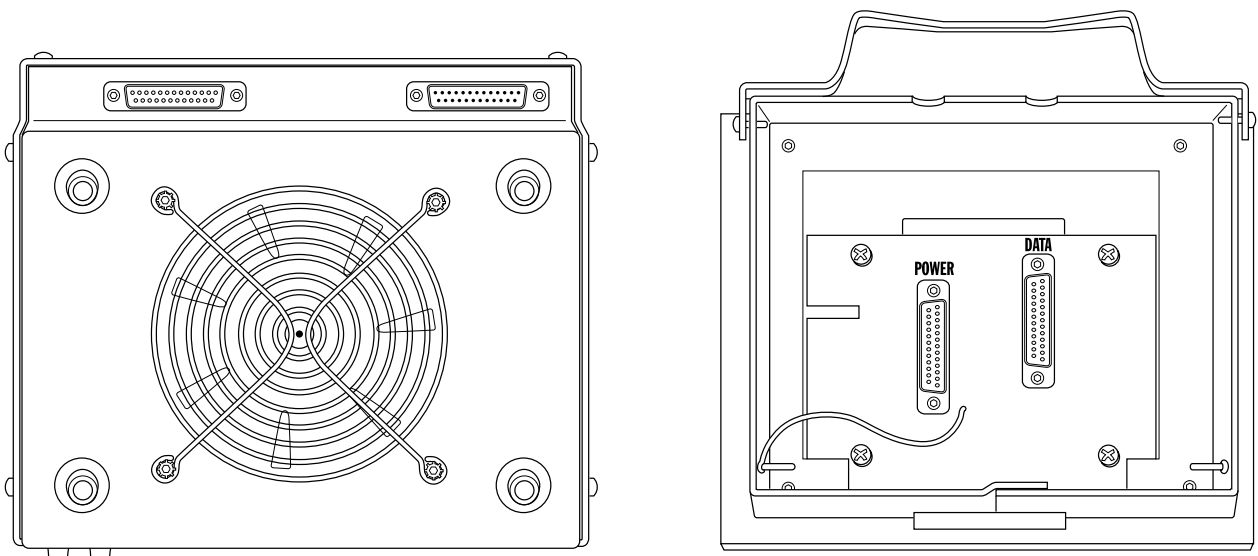
Requirements

Environment

The Remote Alpha Dock System allows for custom installations. The following placement configurations are recommended by MJ Research.

- Remote Docks with mounted Alpha units may be configured in any horizontal orientation or array as long as a minimum side clearance of 10 cm is maintained between the Remote Dock and any wall, bulk-head, or adjacent Remote Dock unit (this is identical to the PTC-200/PTC-225 base requirement). Requirements for motorized lid operation or for loading or unloading plates may dictate additional clearances.

Figure 13-2 Remote Alpha Dock and Dock Connector, bottom view.



- Remote Docks with mounted Alpha units may be stacked vertically as long as a minimum bottom clearance is maintained that would be no less than that resulting from the unit being placed on a solid horizontal platform. A minimum top clearance is also required to allow access to and operation of the Alpha unit lid.
- Remote Docks can be flush-mounted (i.e., with the feet removed) to facilitate robotic operation, as long as the airway beneath the unit is equivalent to the airway the unit would have with the feet attached. Usually a hole will need to be cut to allow air to flow to the the cooling fan. Figure 13-5 is a template for flush-mounting the Remote Dock.

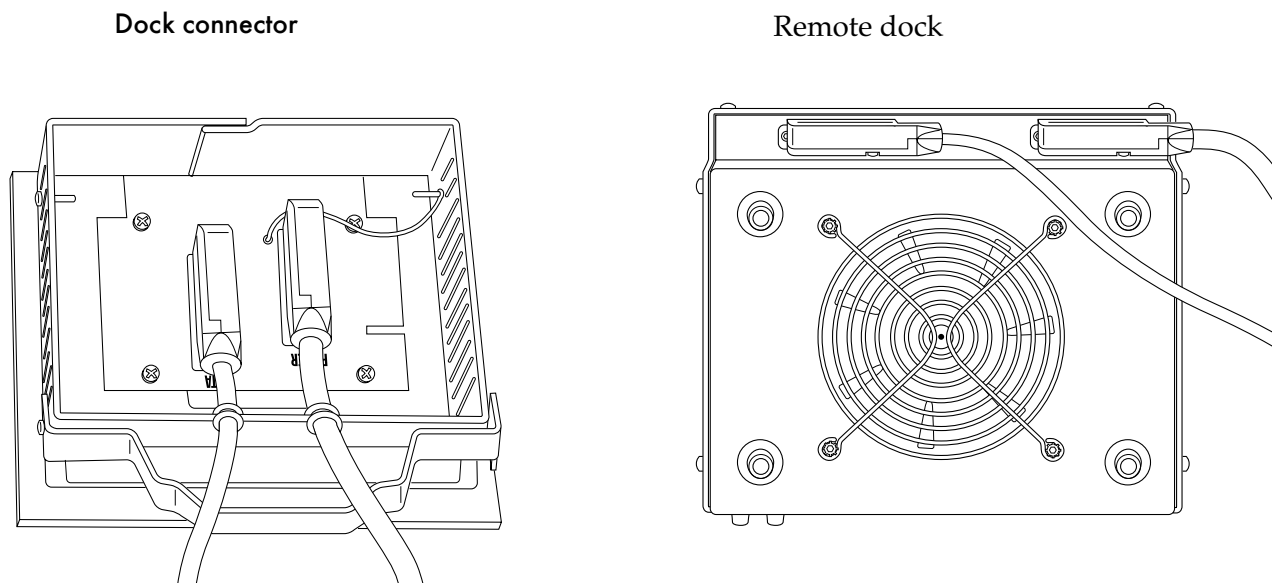
Power Supply

- The Alpha unit mounted in each Remote Dock is powered from the PTC-200 or PTC-225 base.
- The Remote Dock's fan is powered externally, and a power supply is provided that requires power from 90-250 VAC and 47 to 63 Hz, with a grounded outlet.

Air Supply

- Alpha units being operated in the remote configuration have no operating constraints that do not also apply to normal operations in the PTC-200 or PTC-225.

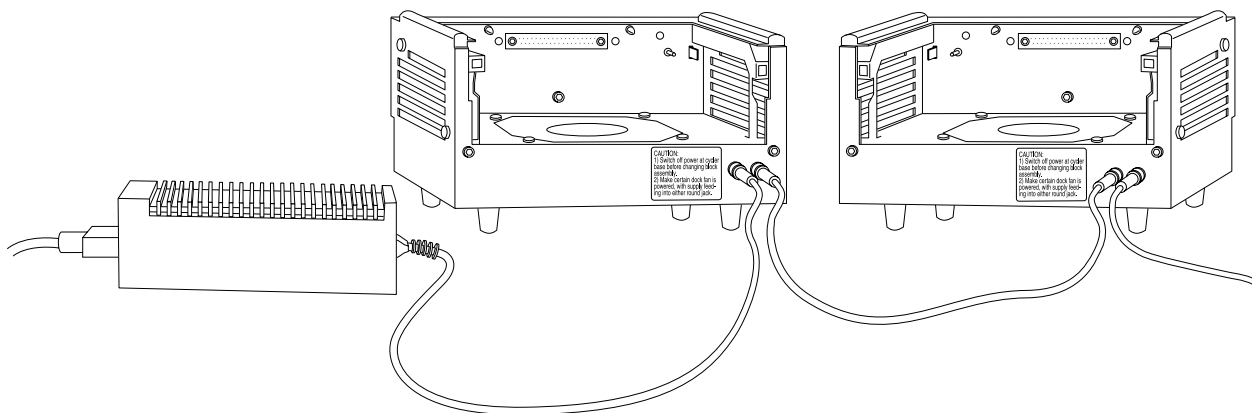
Figure 13-3 Attachment of power and data cables



Installation

- Turn the Dock Connector upside down, so that the green circuit board is visible. Check that the ground lead remains attached at both ends (fig. 13-1). Note the two female multi-pin sockets, one labeled “DATA,” and the other “POWER.”
- Connect the multi-pin power cable’s male end to the female socket labeled “POWER” and slide the latch to lock the pins in place.
- Both of the data cable’s multi-pin connectors are male: one is labeled “CONNECTOR DATA” and the other “DOCK DATA.” Attach the “CONNECTOR DATA” end to the female connector labeled “DATA” on the circuit board and slide the latch to lock the pins in place.
- Press both cables firmly into the two strain relief holes on the Dock Connector’s front side (fig. 13-2).
- Turn the Remote Dock upside down. You will see a male multi-pin connector labeled “Power Port” and a female multi-pin connector labeled “Data Port” (fig. 13-3).
- Connect the multi-pin power cable’s female end to the connector labeled “Power Port” and slide the latch to lock the pins in place.
- Attach the data cable’s “DOCK DATA” end to the connector labeled “Data Port” and slide the latch to lock the pins in place.
- Turn both units back over.
- The Dock Connector mounts in the base in the same manner as a regular Alpha unit (see pp. 4-4 – 4-6).

Figure 13-4 Fan power supply connected in series



- Attach the wall-plug power cord to the fan power supply.
- Attach the fan power supply's round jack to either of the round connectors on the back of the Remote Dock (fig. 13-4).
- The fan power supply produces sufficient current such that up to three additional fans can be "daisy chained" to the initial Remote Dock via the round-jack power cords supplied. Attach one end of the cord to the initial unit's free round connector. Attach the other end to either of the round connectors on the back of the next Remote Dock in the series, and so on (fig. 13-4).
- When the RAD system has been completely set up, connect the fan power supply's wall plug to a power source.

Operation

The remote system is transparent to the base unit; i.e., the Dock Connector allows the base to control the Alpha unit in the Remote Dock as if it were in the standard configuration.

- ! **IMPORTANT:** Turn the base unit's power off when changing the type of sample block you are using. Turning the power off resets the base, allowing it to recognize the new block. If not reset, the base unit assumes that the previous type of block is installed, resulting in error messages and procedural faults.

Appendix A

Safety Warnings and Guidelines

- ! **Warning:** Operating the PTC-200 DNA Engine or PTC-225 DNA Engine Tetrad before reading this manual can constitute a personal injury hazard. Only qualified laboratory personnel trained in the safe use of electrical equipment should operate these machines.

- ⚡ **Warning:** Do not open or attempt to repair the PTC-200 DNA Engine or PTC-225 DNA Engine Tetrad base, the PTC-225 DNA Engine Tetrad power supply, any Alpha unit, or any accessory to the PTC-200 DNA Engine or PTC-225 DNA Engine Tetrad. Doing so will void your warranties and can put you at risk for electrical shock. Return the PTC-200 DNA Engine or PTC-225 DNA Engine Tetrad to the factory (US customers) or an authorized distributor (all other customers) if repairs are needed.

- 🔥 **Warning:** All Alpha unit blocks can become hot enough during the course of normal operation to cause burns or cause liquids to boil explosively. Wear safety goggles or other eye protection at all times during operation.

- ⚡ **Warning:** The PTC-200 DNA Engine and PTC-225 DNA Engine Tetrad incorporate neutral fusing, which means that live power may still be available inside the machines even when a fuse has blown or been removed. Never open the PTC-200 DNA Engine or PTC-225 DNA Engine Tetrad base; you could receive a serious electrical shock. Opening the base will also void your warranties.

- ⚡ **Caution:** Never remove an Alpha unit from the PTC-200 DNA Engine or PTC-225 DNA Engine Tetrad with the power turned on and a program running. Doing so can cause electrical arcing that can melt the contacts in the connector joining the Alpha unit to the PTC-200 DNA Engine or PTC-225 DNA Engine Tetrad.

Safe Use Guidelines

The PTC-200 DNA Engine and PTC-225 DNA Engine Tetrad are designed to be safe to operate under the following conditions:

- Indoor use
- Altitude up to 4000m

- Ambient temperature 5°–31°C
- Maximum relative humidity 90%, noncondensing
- Transient overvoltage per Installation Category II, IEC 664
- Pollution degree 2, in accordance with IEC 664

Electromagnetic Interference

The PTC-200 DNA Engine and PTC-225 DNA Engine Tetrad have been tested and found to comply with the limits for a Class A digital device, pursuant to part 15 of the US FCC Rules. These limits are designed to provide a reasonable protection against harmful interference when the equipment is operated in a commercial environment. These machines generate, use, and can radiate radiofrequency energy and, if not installed and used in accordance with the instruction manual, may cause harmful interference to radio communications. Operation of these machines in a residential area is likely to cause harmful interference, in which case the user will be required to correct the interference at his or her own expense.

In addition, the PTC-200 DNA Engine and PTC-225 DNA Engine Tetrad designs have been tested and found to comply with the EMC standards for emissions and susceptibility established by the European Union at time of manufacture.

FCC Warning

Changes or modifications to the PTC-200 DNA Engine or PTC-225 DNA Engine Tetrad not expressly approved by the party responsible for compliance could void the user's authority to operate the equipment.

Appendix B

How a Peltier Heat Pump Works

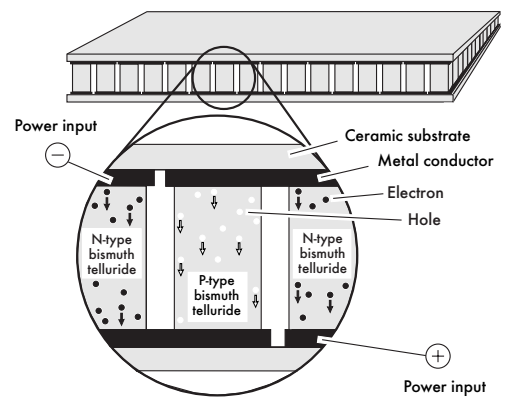
The functional heart of every DNA Engine is a high-performance Peltier-effect heat pump (also known as a “thermoelectric module”). This solid-state device is manufactured to withstand the thermal stresses associated with rapidly cycling temperatures.

A thermoelectric module consists of numerous pairs of crystalline semiconductor blocks precisely sandwiched between two layers of ceramic substrate (fig. A-1). The blocks are of two varieties: “N-type,” which has a surplus of electrons in its crystalline structure, and “P-type,” which has a deficit of electrons. The two types are positioned in alternating pairs within the innermost layer of the sandwich.

The two types of blocks are wired together in alternating pairs. When electrical current is passed through the blocks, electrons in the N-type blocks and the “holes,” or empty electron spaces, in the P-type blocks are excited at one conductor-semiconductor interface, which absorbs a small amount of heat. The electrons and holes flow through the crystalline blocks and return to a low-energy state at the other conductor-semiconductor interface, with the release of the previously absorbed heat. A thermal gradient of up to 70°C can be generated across the blocks in this manner.

The direction of heat pumping is reversed by reversing the polarity of current flow through the thermoelectric module, and the amount of heat pumped is changed by changing the amount of current passed. Both direction and amount of current flow are dictated by a microprocessor in the Alpha unit, allowing precise control of thermal cycling in the Alpha unit block.

Figure A-1 A thermoelectric module.



Appendix C

How a Switching Power Supply Works

Almost all solid-state electronic devices, including the DNA Engine's thermoelectric module, require direct current (DC) for operation. However, electric utilities supply low-Hertz alternating current (AC), which varies in voltage and frequency from nation to nation. The DNA Engine uses switching transistors, combined with high-frequency, resonant transformers, to convert the incoming AC to DC.

The power supply first chops the AC power into small bursts of energy (over 100,000 per second) with the aid of high-current switching transistors called MOSFETs (metal-oxide semiconductor field-effect transistors). The energy bursts are channeled into a high-frequency transformer. By changing the duration of the bursts that charge the transformer's magnetic core (pulse-width modulation), a specific voltage output can be maintained even when the incoming voltage varies (between 100 and 240 volts in the case of the DNA Engine). Because the incoming power is being chopped so rapidly, the incoming frequency is unimportant; it can even be DC. Spikes and surges in the incoming power no longer pose a problem since they are chopped nearly to oblivion. The addition of resonance to the transformer design gives it extraordinary efficiency. These design innovations has made the DNA Engine's power supply small in size, universal in input, and resistant to noise.

Appendix D

Shipping Instructions for US Residents

Users residing in the United States should follow these instructions for shipping a machine to MJ RESEARCH for factory repair or an upgrade. Users outside of the United States should send machines to their distributor, in accordance with shipping instructions obtained from the distributor.

1. Call MJ RESEARCH to obtain a return materials authorization (RMA) number. Machines returned without an RMA will be refused by the Receiving Department.
2. Thoroughly clean the machine, removing excess oil and radioactive and other biohazardous substances. To protect the health of our employees, MJ RESEARCH will not repair or upgrade any machine that is excessively oily or that emits ionizing radiation upon arrival at our factory. **PLEASE ELIMINATE ALL BIOHAZARDS!**
3. Pack the machine in its original packaging. If this has been misplaced or discarded, call MJ RESEARCH to request shipment of packaging materials. You can also request a loaner machine, which will be provided if available (a rental fee may apply). You can use the loaner's packaging to return the machine needing repair.

Remove the Alpha unit from the DNA Engine or DNA Engine Tetrad base before shipping. All warranties are voided if a machine is shipped with an Alpha unit installed. If the Alpha unit also needs to be shipped, pack it in its original packaging materials.

4. Write the RMA number on the outside of the box.
5. Ship the machine (freight prepaid) to the following address. We recommend you purchase insurance from your shipper.

Ship to: Repair Department
MJ Research, Inc.
136 Coolidge Ave.
Watertown, MA 02172

Appendix E

Warranties

U.S. Domestic Warranty, Standard

MJ RESEARCH, Inc. warrants NEW MJ RESEARCH BRAND THERMAL CYCLERS (MODELS PTC-100, PTC-150, PTC-200 & PTC-225) against defects in material and workmanship for a period of two years from the date of purchase. If a defect is discovered, MJ RESEARCH, Inc. will, at its option, repair, replace, or refund the purchase price of the THERMAL CYCLER at no charge to the customer, provided the product is returned to MJ RESEARCH, Inc. within the warranty period. In no event will MJ RESEARCH, Inc. be responsible for damage resulting from accident, abuse, misuses, or inadequate packaging of returned goods.

ANY implied warranties, including implied warranties of the merchantability and fitness for a particular purpose, are limited in duration to TWO years from the date of original retail purchase of this product.

The warranty and remedies set forth above are exclusive and in lieu of all others, oral or written, expressed or implied. No MJ RESEARCH dealer, agent, or employee is authorized to make any modification, addition, or extension to this warranty, except in the form of the extended warranty outlined below.

MJ RESEARCH, Inc. is not responsible for special, incidental, or consequential damages resulting from any breach of warranty, or under any other legal theory, including downtime, lost samples or experiments, lost reagents, lost profits, goodwill, damage to or replacement of equipment, property, and any costs of recovering or reproducing experimental results and data.

Exclusions: This warranty applies only to machines sold in the U.S.A. Under no circumstance will MJ RESEARCH ship a repaired or replaced machine, or grant a refund of purchase price, to a user in a nation in which there was an authorized MJ RESEARCH distributor at the time of purchase. THIS WARRANTY IS NOT TRANSFERABLE FROM THE ORIGINAL PURCHASER TO A SUBSEQUENT OWNER. FURTHERMORE, THIS WARRANTY DOES NOT APPLY TO INSTRUMENTS USED OUTSIDE THE U.S.A., EXCEPT WHEN EXPRESSLY AUTHORIZED IN WRITING BY MJ RESEARCH, INC.

U.S. Domestic Extended Warranty, Optional

MJ RESEARCH, Inc. will offer to each ORIGINAL PURCHASER of an MJ RESEARCH BRAND thermal cyclers the opportunity to purchase an extension of the warranty coverage explained above for an additional two years. The coverage must be purchased through a purchase order received by MJ RESEARCH, Inc. within 30 days of receipt of the offer of extended warranty or the offer to renew the extended warranty. These offers apply only to machines sold and used in the U.S.A.

Some states OF THE U.S.A. do not allow the exclusion or limitation of incidental or consequential damages or limitations on how long an implied warranty lasts, so the above limitation or exclusion may not apply to you. This warranty gives you specific legal rights. You may also have other rights depending upon your state of residence.

All provisions of this warranty are voided if the product is resold, repaired, or modified by anyone other than MJ RESEARCH or an authorized distributor.

Appendix F

Factory-Installed Protocols

Note: A programmed time of 0:00:00 means “hold at this temperature forever.”

Name	Temp. Control Method	Step	Temp. & Time
ICEBUKET	Block	1	4° , 0:00:00
		2	END
LIGATION	Block	1	15° , 0:00:00
		2	END
37° -1 HR	Block	1	37° , 1:00:00
		2	4° , 0:00:00
		3	END
37° -6 HR	Block	1	37° , 6:00:00
		2	4° 0:00:00
		3	END
65°	Block	1	65° , 0:00:00
		2	END
DENATURE	Block	1	95° , 0:05:00
		2	END
BOIL	Block	1	100° , 0:05:00
		2	END
CUT&KILL	Block	1	37° , 1:00:00
		2	70° , 0:05:00
		3	END

Index

A

Accessories. *See Power Bonnet*

Air supply requirements

- ensuring adequate air supply 3-3
- Ensuring air is cool enough 3-4
- troubleshooting problems with 3-4

Alpha units

- closing 4-6
- installing 4-4
- maximum rate of heating and cooling 6-2
- models 2-4
- opening 4-5
- removing 4-5

B

Baud rate, setting 8-8

Beep option. *See Programs: options, types of*

Bleach, using in block 10-2

C

Chill-out liquid wax 4-7

Cleaning

- air vents 10-2
- and biohazardous materials 10-3
- and radioactive materials 10-3, 4-16
- chassis and block 4-16
- removing oil from block 10-2
- solutions to use 4-16

Condensation in tubes following holds 4-8

Control panel 2-2

- keys 4-3
- lights 4-3
- using 4-3

D

DNA Engine

- running protocols

- separately by block 12-7

- simultaneously on all blocks 12-8

DNA Engine Driver Software 9-4

DNA Engine Tetrad

- air supply requirements 12-6

- Alpha units, operating 12-7

- cancelling protocol runs 12-8

- cleaning 12-10

- connecting power cables 12-5

- environmental requirements 12-6

- fuses, changing 12-10

- general information 12-2

- installing 12-5–12-6

- instant incubations, running 12-8

- layout

- back view 12-4

- bottom view 12-4

- control panel 12-3

- front view 12-3

- networking 12-9

- packing checklist 12-5

- power supply requirements 12-6

- programming 12-9

- robotics installations 12-6

- specifications 12-2

- troubleshooting 12-10

- turning machine on 12-7

- utilities for 12-9

Documentation conventions

- graphic iv

- terminology iv

- typographic iv

E

Electromagnetic interference A-2

Environmental requirements 3-2–3-3

Error messages 11-2

Extend option. *See Programs: options, types of*

F

- FCC warning A-2
- Fuses
 - changing 10-3

H

- Hot Bonnet
 - adjusting lid pressure 4-8–4-9
 - temperature control methods 8-9

I

- Increment option. *See Programs: options, types of*
- Instant incubation 5-10

L

- Layout
 - back view 2-3
 - bottom view 2-3
 - control panel 2-2
 - front view 2-2

M

- Menus
 - Edit Menu 7-3
 - Enter Menu, the 6-6
 - Files Menu 8-2
 - Main Menu 4-2
 - Options Menu 6-11
- menus
 - Setup Menu 8-7
- Microseal
 - "A" film 4-8
 - "M" sealing mat 4-8
 - "P" pads 4-14

N

- Networking
 - general information 9-2
 - with computer as controller 9-4
 - setting up an IEEE-488 network 9-5
 - setting up an RS-232 network 9-5
 - with DNA Engine as controller 9-2–9-4
 - assigning address numbers 9-2
 - connecting machines 9-2
 - running protocols 9-3

O

- Oil, use of in block. *See Sample vessels*
- Operation
 - turning machine on 4-2

P

- Packing checklist 3-2
 - Passwords. *See Utilities: files: assigning password to folder*
 - Peltier effect C-1
 - Ports 4-3
 - IEEE-488 2-3
 - parallel (printer) 2-3
 - RS-232 2-3
 - Power Bonnet 2-4
 - Power cord
 - location of jack 2-3
 - plugging in 3-2
 - Power supply requirements 3-3
 - acceptable power cords 3-3
 - Probe
 - adding representative sample
 - calculating amount of oil to add 4-12
 - choosing type of oil 4-12
 - how to add oil 4-12
 - connecting to block 4-13
 - customizing probe vessel 4-11
 - detecting faulty 4-13
 - function of 4-11
 - layout 4-11
 - loading into block 4-13
 - thermistor 4-11
 - probe
 - adding representative sample 4-12
 - silicone oil as representative sample 4-17
- Programming
 - Choosing a temperature control method 6-6
 - deleting an uncompleted program 6-16
 - entering steps
 - beep option 6-14
 - end step 6-11
 - extend option 6-13
 - GoTo step 6-10
 - Increment option 6-12
 - ramp step 6-8
 - temperature step 6-7
 - general process 6-5
 - Initiating a program 6-5
 - modifying block- and probe-control programs
 - for ca 6-5
 - modifying programs designed for other machines 6-5

- Naming a program 6-6
- revising during 6-14
- setting a lengthy hold time 6-7
- Programs
 - designing 6-2–6-5
 - choosing temperature control method. *See Temperature control methods*
 - translating protocol into program into programs 6-2
 - using GoTo steps to shorten programs 6-3
 - editing 7-2, 7-3–7-4
 - adding an option 7-4
 - cancelling editing changes 7-5
 - changing individual values in a step 7-3
 - changing temperature control method 7-3
 - deleting step 7-4
 - inserting new step 7-4
 - saving edited program 7-4–7-5
 - finding in machine 5-2, 7-2, 8-2
 - options
 - options, types of 6-2, 6-12
 - program steps, types of 6-2
 - renaming. *See Utilities: file*
- Protocols
 - and power failure 5-9
 - factory-installed F-1
 - factory-installed 5-2
 - manually stepping through 5-8
 - pausing while running 5-8
 - printing logs for runs 5-7–5-8
 - sample log 5-7
 - running
 - choosing block to run protocol on 5-3
 - choosing protocol to run 5-2
 - reading completion screen 5-6
 - reading runtime screen 5-5–5-6
 - setting up temperature control method 5-3
 - three steps of 5-2
 - stopping while running 5-9
- protocols
 - adjusting for sample vessel type 4-6

R

- Remote Alpha Dock System
 - air supply requirements 13-4
 - environmental requirements 13-3
 - installation 13-5
 - operation 13-6
 - packing checklist 13-3
 - power supply requirements 13-4
- Robotics installation requirements 3-5

S

- Safety
 - general instructions 1-3
 - guideline for safe use A-1
 - warnings A-1
- Sample vessel
 - selection chart 4-14
- Sample vessels
 - ensuring good thermal contact 4-10
 - loading into block 4-9
 - ensuring good thermal contact 4-9
 - sealing
 - Reason for 4-7
 - with Hot Bonnet and Caps/Film 4-8
 - with oil or wax 4-7
 - selection 4-6
 - 0.2-ml tubes 4-6
 - 0.5-ml tubes 4-6
 - microplates 4-6
 - Use of oil to improve thermal contact with block 4-10
- Self-test 4-2
- Setting machine up. *See also Alpha units, installing*
- Shipping instructions E-1, E-1
- Specifications 2-5
 - DNA Engine Tetrad 2-5
- Switching power supply D-1

T

- Temperature control methods
 - block control 6-3, 6-4
 - calculated control 6-3, 6-4
 - choice of calculated control over probe control 4-11
 - probe control 6-4
- Thermoelectric unit C-1

U

- Utilities
 - file
 - assigning password to folder 8-3–8-4
 - copying program 8-4
 - creating folder 8-3
 - deleting a program 8-5
 - Deleting folder 8-4
 - moving a program 8-5
 - renaming programs 8-5
 - List 8-6

- viewing a program in LCD window 8-6
- list
 - printing a program 8-7
- setup 8-7
 - choosing a printer port 8-8
 - choosing a remote port 8-7
 - choosing a temperature control method for the Hot 8-9
 - determining software version number 8-9

DECLARATION OF CONFORMITY TO APPLY "CE" MARK

MJ RESEARCH, INC. hereby declares that the MJ RESEARCH PTC-200 DNA Engine™ thermal cyler conforms to the following directives and standards:

APPLICATION OF COUNCIL DIRECTIVES: 89/336/EEC & 73/23/EEC

STANDARDS TO WHICH CONFORMITY IS DECLARED: EN55011; EN50082-1; EN61010-1 (EMC for industrial, scientific, medical equipment; EMC for generic immunity; compliance to low-voltage directive respectively)

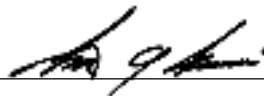
TYPE OF EQUIPMENT: Scientific Equipment (for Laboratories)

MODEL NUMBER: PTC-200

YEARS OF MANUFACTURE: 1997 and onward

MJ RESEARCH INC, as manufacturer of the equipment described above, certifies that this model has been tested and conforms to the applicable Directives and Standards of the European Union (EU) as described above. Test data to verify this conformity are available for inspection at either MJ RESEARCH, INC. or Finnzymes Oy, at the addresses listed below. The instrument in question carries the "CE" mark on the nameplate.

MANUFACTURER'S OFFICIAL:



Robert A Iovanni
Senior Electrical Engineer
MJ RESEARCH, INC.
590 Lincoln Street
Waltham, Massachusetts 02451
UNITED STATES OF AMERICA
Tel: (617) 923-8000
Fax: (617) 923-8080

Date: 8/5/99

DECLARATION OF CONFORMITY

MJ RESEARCH, INC. hereby declares that the MJ RESEARCH PTC-225 DNA Engine Tetrad™ thermal cycling system conforms to the following directives and standards:

APPLICATION OF COUNCIL DIRECTIVES: 89/336/EEC

STANDARDS TO WHICH CONFORMITY IS DECLARED: EN55011 & EN50082-1
(EMC for industrial, scientific, medical equipment & EMC for generic immunity)

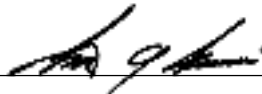
TYPE OF EQUIPMENT: Scientific Equipment (for Laboratories)

MODEL NUMBER: PTC-225 System
(which includes one PTC-225 base unit, four PTC-200/225 "Alpha"
sample-block/heat-pump subassemblies, and one AT&T #RM2000 Power Supply)

YEAR OF MANUFACTURE: 1996

MJ RESEARCH INC, as manufacturer of the system described above, certifies that this model has been tested and conforms to the applicable Directives and Standards of the European Union (EU) as described above. Test data to verify this conformity are available for inspection at either MJ RESEARCH, INC. or Finnzymes Oy, at the addresses listed below. The instrument in question carries the "CE96" mark on the nameplate.

MANUFACTURER'S OFFICIAL:



Robert A Iovanni
Senior Electrical Engineer
MJ RESEARCH, INC.
590 Lincoln Street
Waltham, Massachusetts 02451
UNITED STATES OF AMERICA
Tel: (617) 923-8000
Fax: (617) 923-8080

Date: 8/5/99



MJ RESEARCH, INC.

Manufactory
590 Lincoln Street
Waltham, Massachusetts 02451 USA

Product Information: (888) 735-8437
Cust. service & support: (888) 652-9253
General fax: (617) 923-8080

National Sales Office
987 Tahoe Blvd. #106
Incline Village, Nevada 89451

All orders: (888) 729-2165

Web site: www.mjr.com

Distributors Worldwide